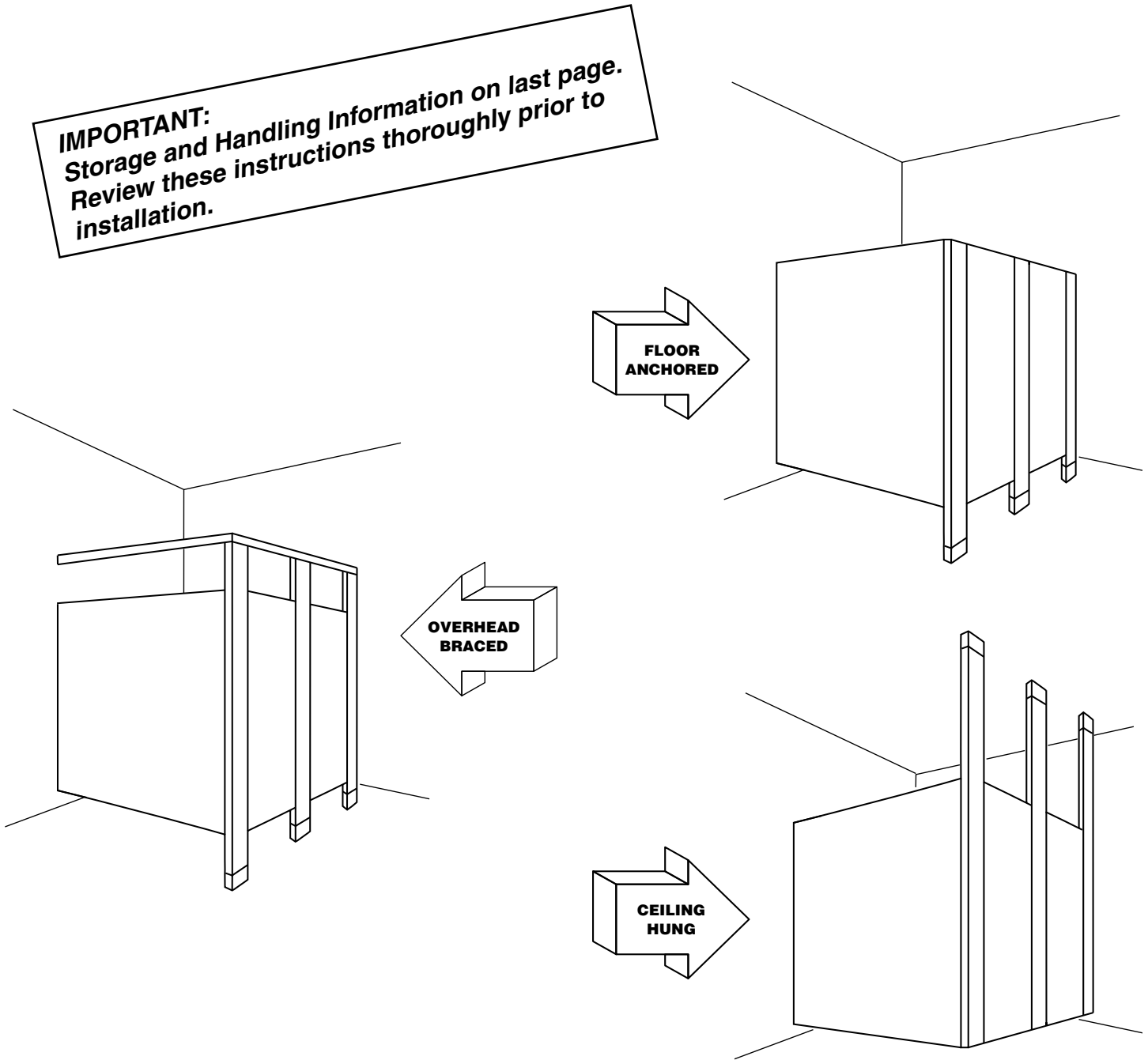


# INSTALLATION INSTRUCTIONS

## HIGH PRESSURE LAMINATE (HPL) TOILET PARTITIONS

1030 TrimLineSeries™ • 1040 DesignerSeries™  
Includes continuous hardware option .65.

**IMPORTANT:**  
Storage and Handling Information on last page.  
Review these instructions thoroughly prior to  
installation.



BUILDING VALUE SINCE 1906

# PREPARATION

## PRE-INSTALLATION.

- A. Structural support in walls and floors is not furnished by Bobrick. Confirm that adequate backing is present in wall, ceiling and floors prior to installation.
- B. This installation booklet must be used with the Bobrick layout sheets.
- C. You may verify hardware receipt by cross-referencing the last page of the layout sheets against the box contents.

## INSTALLATION STEPS.

1. Lay Out All Anchor Locations..... Page 3
2. Install All Anchors ..... Page 4
3. Install Wall Brackets and Wall Posts..... Page 7
4. Position Panels..... Page 9
5. Install Stile-To-Panel Brackets..... Page 9
6. Install Stiles ..... Page 11
7. Install Headrail (if applicable) ..... Page 12
8. Install Inswing Doors ..... Page 13
9. Install Outswing Doors ..... Page 15
10. Install Shoes ..... Page 17
11. Finishing And Cleanup ..... Page 18



















- A. Organize components with appropriate hardware.
- B. When calculating distances to centerlines, all panels, stiles, and doors are 1" (25mm) thick.
- C. Look for panel-to-stile offsets indicated on the layout sheets.

- D. Drilling into the steel core stile requires a larger pilot hole to avoid screw heads popping off; see pilot hole sizes on page 5.
- E. Outswing doors are supplied with brass inserts for through-bolting both the hinges.
- F. Keepers are not drilled to allow easier stile leveling.
- G. Doors are not pre-drilled for clothes hooks.
- H. On inswing doors the latch track projects past the edge of door to act as a doorstop.
- I. Remove debris from all drilled holes.

## RECOMMENDED TOOLS.

*CAUTION: Be sure to use proper safety gear.*

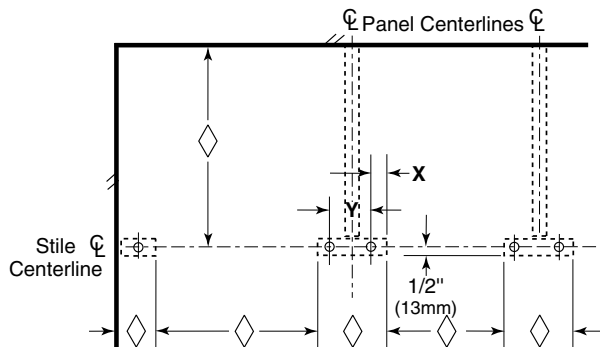
1.  Chalk Line
2.  Plumb-bob
3.  Masking Tape (for laying out holes on floors/walls/ceilings to be drilled)
4.  Tape Measure and Pencils
5.  Center Punch
6.  Electric and/or Battery-Powered Drill
7.  Drill Bits  
#19 (.166")  
3/16" (4.7mm)  
3/8" (9.5mm) for Concrete/Masonry  
7/16" (11mm)
8.  Screwdrivers/Screwdriver Bits slotted and phillips, #2 and #3
9.  Pin-in-Head Torx Screw Driver – (to install door hardware) – Supplied by Bobrick
10.  Shims
11.  Adjustable Supports  
1-1/2" to 12" (40–105mm)
12.  Level
13.  Wrench – Adjustable or 9/16" (14mm) open end (2 req'd. for adjusting hex nuts on anchors)
14.  Allen Wrench – 5/64" (2mm) (to install door latch)—Supplied by Bobrick.
15.  Hack Saw
16.  Hammer

# STEP 1 LAY OUT ALL ANCHOR LOCATIONS

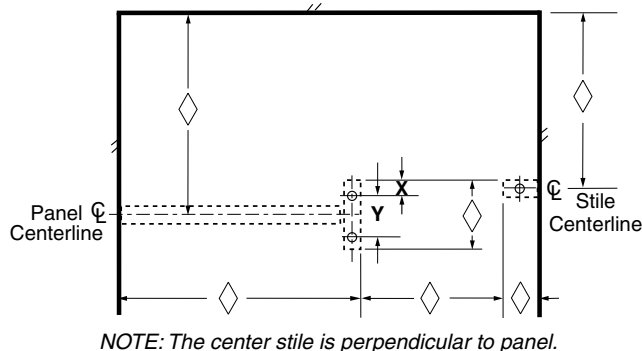
## LAYOUT EXAMPLES.

LEGEND:  $\diamond$  Obtain Dimension from Bobrick Layout Sheet.

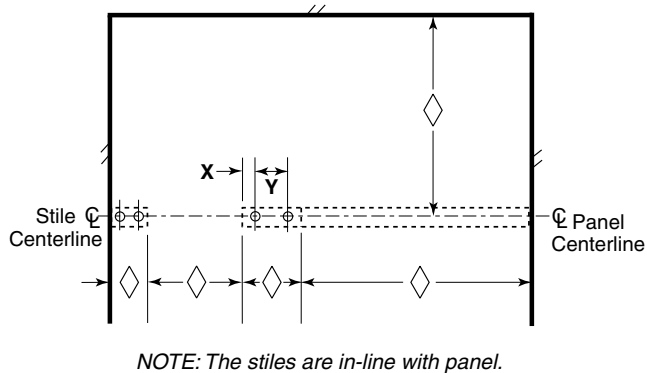
**Fig. 1a: Floor-Anchored or Ceiling-Hung Front-Entry Corner Layout.**



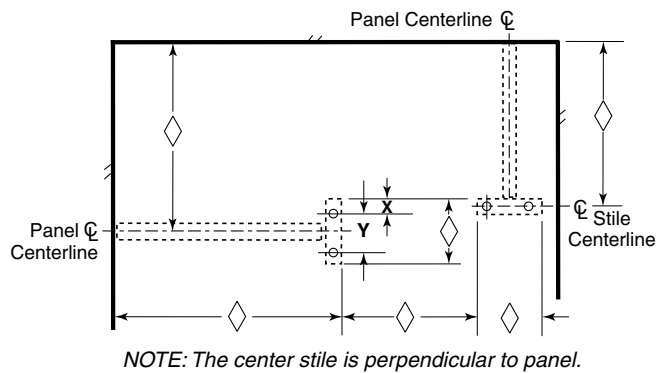
**Fig. 1c: Floor-Anchored or Ceiling-Hung Alcove Closed Layout. Inswing Door**



**Fig. 1b: Overhead-Braced Alcove Closed Layout.**



**Fig. 1d: Floor-Anchored or Ceiling-Hung Alcove Closed Layout. Outswing Door**

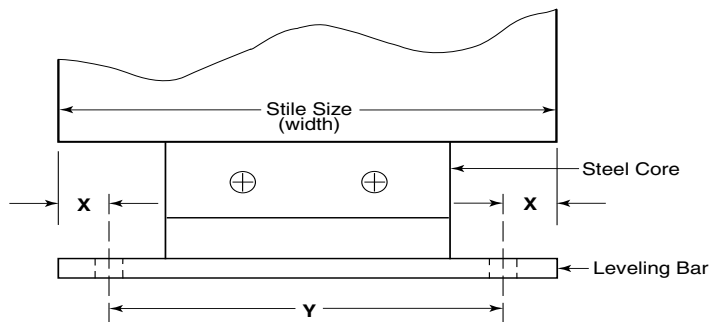


X Dim. = Stile Edge to Centerline of Mounting Hole. Y Dim. = Centerline-to-Centerline of Mounting Hole.

- Refer to Bobrick layout sheets for component locations on your specific application.
- From back wall, measure and mark the location of the stile centerline. Stile centerline = 1/2" (13mm) + panel length + gaps specified on layout sheets.
- From side wall and center of stile location, measure dimensions for floor or ceiling anchors according to layout sheet. Refer to the drilling table for center-to-center distances between anchors. For example: Centerline of floor anchor from edge of stile is 5/8" (16mm); dimension on 3" (8cm) stile is 1-1/2" (38mm).

| DRILLING TABLE FOR DRILLING FLOOR OR CEILING ANCHORS |              |               |                |
|--|--------------|---------------|----------------|
| Stile Size (width)                                   | No. of Holes | X Dim.        | Y Dim.         |
| 3" (8cm)   | 1            | 1 1/2" (38mm) | —              |
| 4" (10cm)  | 2            | 5/8" (16mm)   | 2 3/4" (7cm)   |
| 5" (13cm)  | 2            | 5/8" (16mm)   | 3 3/4" (10cm)  |
| 6" (15cm)  | 2            | 5/8" (16mm)   | 4 3/4" (12cm)  |
| 7" (18cm)  | 2            | 5/8" (16mm)   | 5 3/4" (16cm)  |
| 8" (20cm)  | 2            | 5/8" (16mm)   | 6 3/4" (17cm)  |
| 10" (25cm)   | 2            | 5/8" (16mm)   | 8 3/4" (22cm)  |
| 12" (30cm)   | 2            | 5/8" (16mm)   | 10 3/4" (27cm) |
| 16" (41cm)   | 2            | 5/8" (16mm)   | 14 3/4" (38cm) |
| 18" (46cm)   | 2            | 5/8" (16mm)   | 16 3/4" (43cm) |
| 20" (51cm)   | 2            | 5/8" (16mm)   | 18 3/4" (48cm) |
| 24" (61cm)   | 2            | 5/8" (16mm)   | 22 3/4" (58cm) |

**Fig. 1e: Detail of Typical Stile**



**NOTE: 16", 18", 20", 24" (41, 51, 46, 61cm) stiles have 2 leveling bars. Use the 2 outside slots for the 2 anchors.**

## STEP 2 INSTALL FLOOR ANCHORS

Fig. 2a: Finished Detail of Floor Anchor.

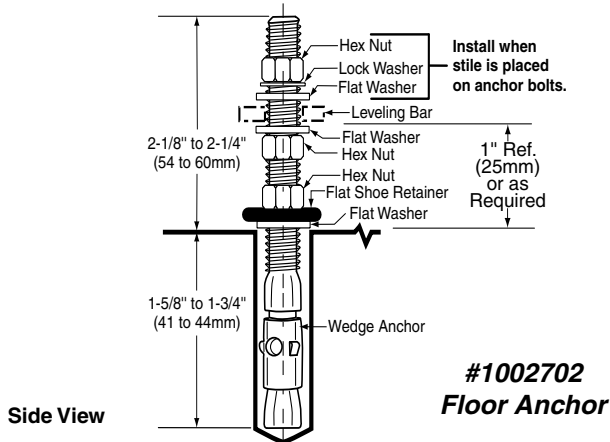
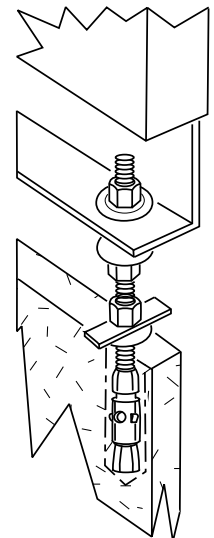


Fig. 2b: Floor Anchor Attached to Stile. (3-Dimensional View)



### PARTS NEEDED:

#1002701 Floor Anchor Packet  
(includes: 3 Hex Nuts, 3 Flat Washers, Wedge Anchor, Lock Washer, Flat Shoe Retainer)

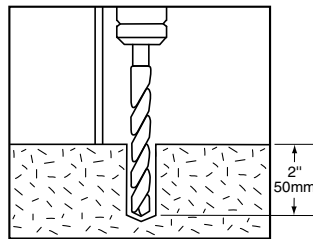
### TOOLS NEEDED:

Hammer  
Drill  
3/8" (9.5mm) Concrete/Masonry Bit  
Wrench (Adjustable or 9/16" open end)

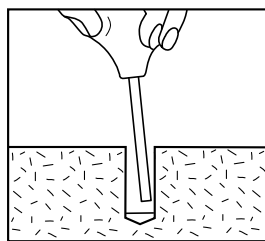
### HINTS/NOTES:

3/8" x 2" hole needed to install #1002701 Floor Anchor. Use concrete/masonry drill bit. Floor Anchors for wood floors are available upon request.

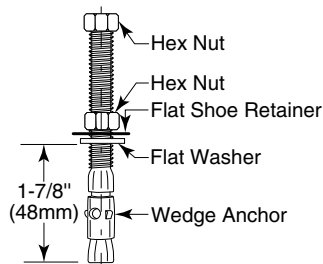
- A. Drill a 3/8" (9.5mm) hole to 2" (50mm) minimum depth.



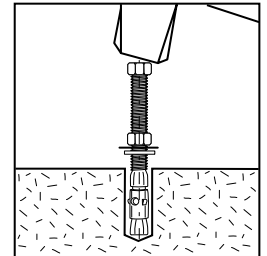
- B. Remove all loose material/debris from hole.



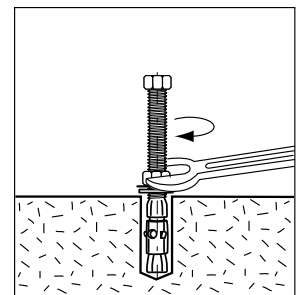
- C. Add Flat Washer, Flat Shoe Retainer, Hex Nut to Wedge Anchor so that Flat Washer is 1-7/8" (48mm) from the bottom of the anchor to ensure proper installation depth. Thread 2<sup>nd</sup> Hex Nut loosely to top of Anchor to prevent stripping or damaging threads during installation.



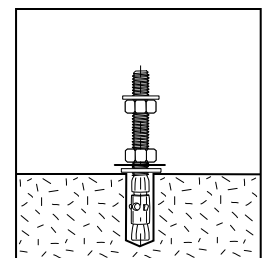
- D. Insert Anchor into hole with threaded end up. Use hammer to drive the Anchor into hole until Flat Washer is flush with concrete surface (depth set in STEP C).



- E. Use Wrench to tighten Hex Nut until anchor is firmly set (2-4 full turns past finger tight position). Anchor bolt will move up approx. 1/16" (1.6mm) for every full turn of Hex Nut.



- F. Spin down top Hex Nut. Add Flat Washer.



**NOTE: Do NOT add 3<sup>rd</sup> Hex Nut, Lock Washer, and 3<sup>rd</sup> Flat Washer until stiles are attached to Floor Anchor.**

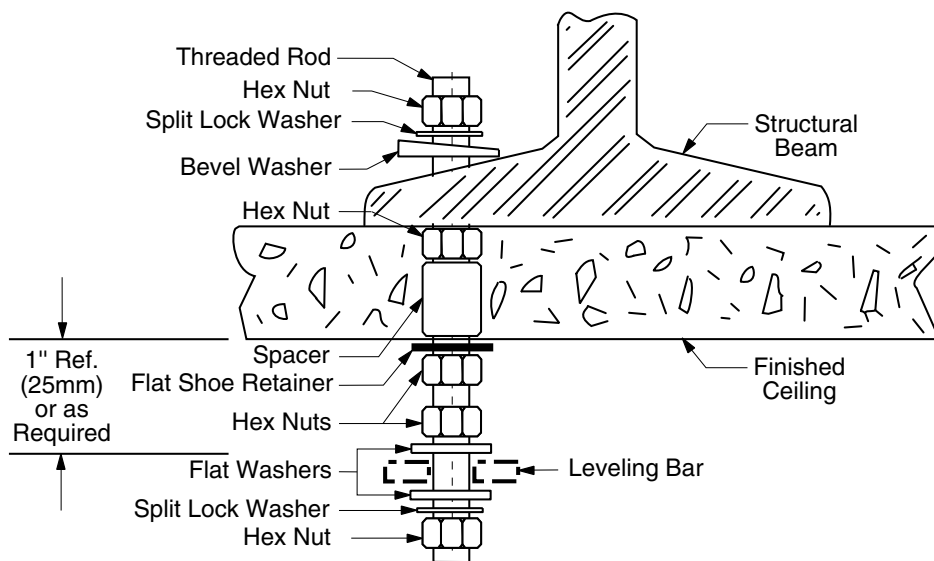
## STEP 2 INSTALL CEILING ANCHORS

### CEILING ANCHORS.

*NOTE: Ceiling anchors are to be installed before finished ceiling is applied. All structural framing is to be furnished by others. For Bobrick recommendations, refer to Bobrick Form No. TB-32.*

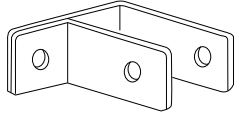
- A. Drill 7/16" (11mm) diameter hole through structural beam. Insert threaded rod through hole in beam. Rod is furnished standard 6" (150mm) length. Longer rods should be purchased locally if required.
- B. Place a bevel washer and lock washer over rod. Screw on one hex nut.
- C. Install second hex nut against bottom of beam and tighten.
- D. Install spacer, shoe retainer, flat washer, and a third hex nut. Make sure shoe retainer is in proper position to accept shoe (see Fig. 10a for proper shoe retainer position).
- E. Install remaining flat washers (2), lock washer (1), and hex nuts (2), as shown in Fig. 2b.
- F. Repeat process for each ceiling anchor.

**Fig. 2b: Detail of Ceiling Anchor.**



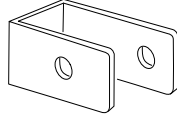
# BRACKETS AND SCREWS

## F-bracket



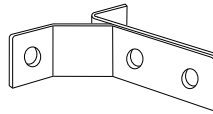
#1000353  
Internal Panel to Wall

## U-bracket



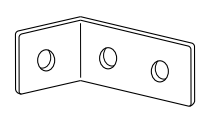
#1000356  
Internal Panel to Stile

## Y-bracket



#1000974  
External Panel or Stile  
to Wall or Panel

## L-bracket



#1000351  
External Panel to Stile



#1002500  
#12 x 3/4" Pin-in-Head Torx Screw  
Panel/Stile Screw



#1002495  
#12 x 2" Pin-in-Head Torx Screw  
Wall Screw

### Pilot Hole Sizes—

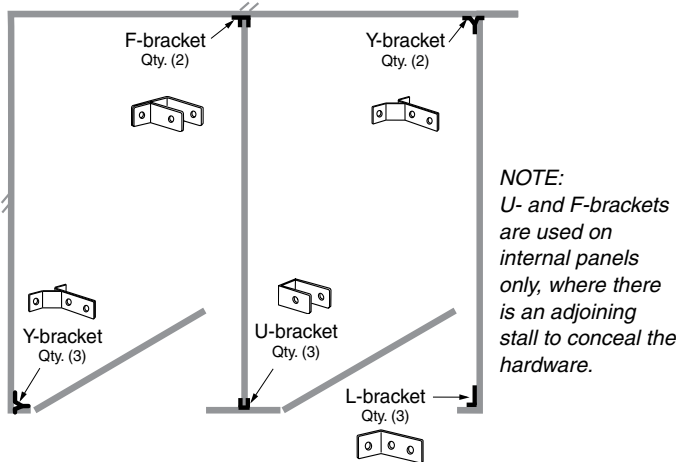
- #19 (.166) x 3/4" (19mm)  
• For attachment of brackets to panels.  
• Do not through-drill.
- 3/16" x 3/4" (4.7 x 19mm)  
• For attachment of U-brackets, L-brackets  
or Y-brackets to steel-core stiles only.  
• Do not through-drill.
- #19 (.166) x 2" (50mm)  
• For attachment of all wall brackets to  
stud backing.

NOTE: Adequate wall backing is required. High-quality drill bit is suggested for drilling into steel-core stiles.

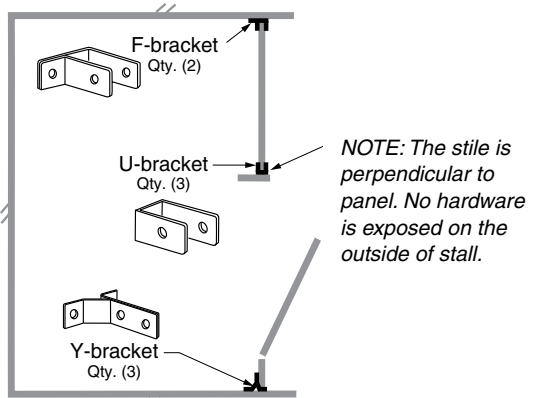
COMMERCIAL HARDWARE

### EXAMPLE BRACKET APPLICATIONS.

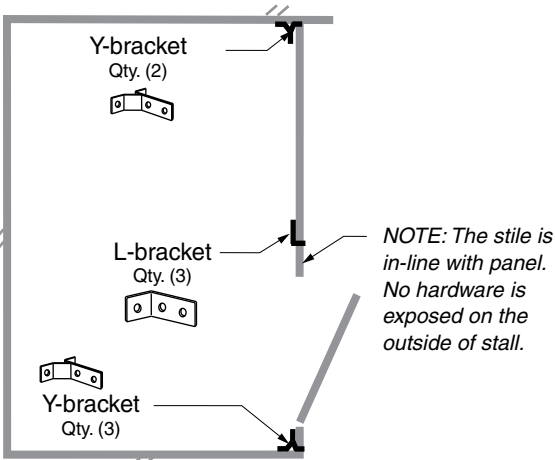
#### Front-Entry Corner Layout.



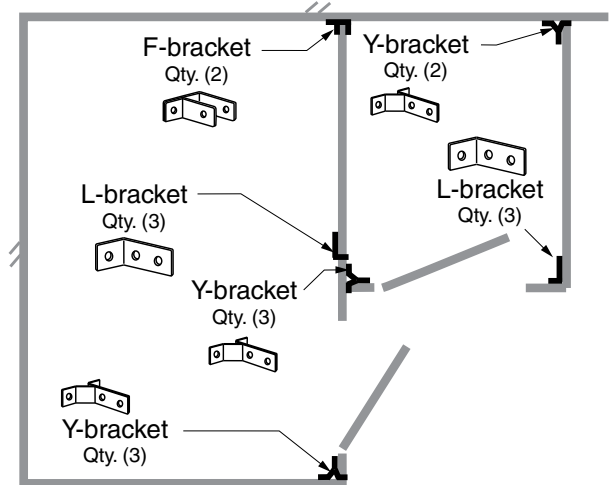
#### Floor-Anchored or Ceiling-Hung Alcove Closed Layout.



#### Overhead-Braced Alcove Closed Layout.

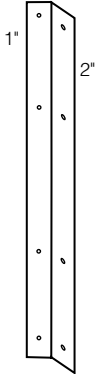


#### Overhead-Braced Alcove Open Layout and Adjoining Front-Entry Stall.



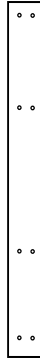
# BRACKETS AND SCREWS

## Angle Bracket



#1001371  
2 each for:  
Stile-to-Wall  
Panel-to-Wall

## Strip Bracket



#1001375  
Panel In-Line with Stile

## U-Channel Bracket



#1001365  
Panel-to-Stile  
Panel-to-Wall (optional)



#1002500  
#12 x 3/4" Pin-in-Head Torx Screw  
Panel/Stile Screw



#1002495  
#12 x 2" Pin-in-Head Torx Screw  
Wall Screw

## Pilot Hole Sizes—

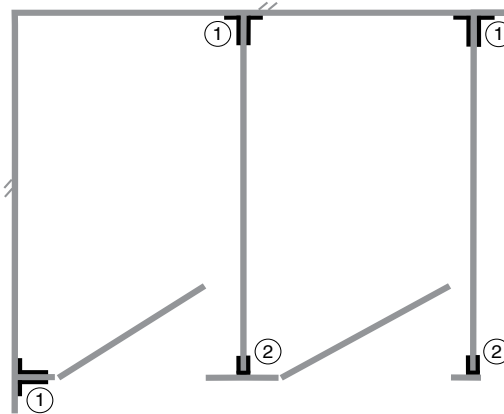
- #19 (.166) x 3/4" (19mm)
- For attachment of brackets to panels.
- Do not through-drill.
- 3/16" x 3/4" (4.7 x 19mm)
- For attachment of U-brackets, L-brackets or Y-brackets to steel-core stiles only.
- Do not through-drill.
- #19 (.166) x 2" (50mm)
- For attachment of all wall brackets to stud backing.

*NOTE: Adequate wall backing is required. High-quality drill bit is suggested for drilling into steel-core stiles.*

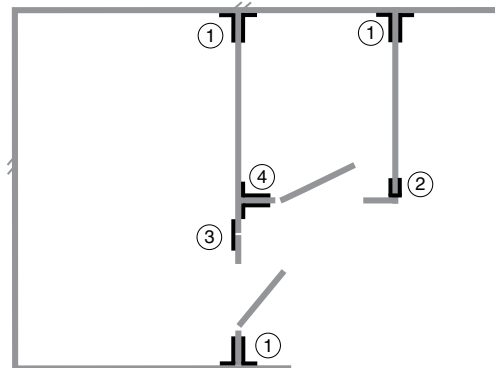
## EXAMPLE BRACKET APPLICATIONS.

- 1 — #1001371 Angle Bracket  
8 — #1002495 Wall Screw  
8 — #1002500 Panel/Stile Screw
- 1 — #1001365 U-Channel Bracket  
12 — #1002500 Panel/Stile Screw
- 1 — #1001375 Strip Bracket  
8 — #1002500 Panel/Stile Screw
- 2 — #1001371 Angle Bracket  
16 — #1002500 Panel/Stile Screw

## Front-Entry Corner Layout.



## Alcove Closed Layout and Adjoining Front-Entry Stall.



CONTINUOUS HARDWARE

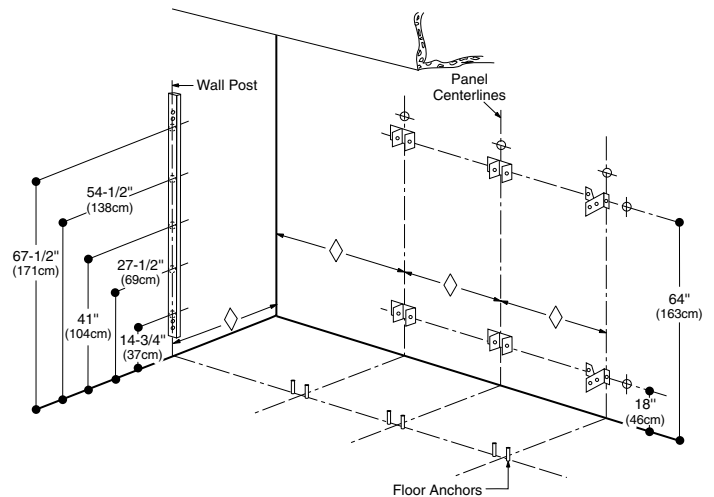
## STEP 3 INSTALL WALL BRACKETS AND WALL POSTS

- Measure and mark the locations of centerlines for all the stiles and panels on walls.
- Using the wall brackets as templates, measure and mark the location of all mounting holes, plumb according to dimensions shown in illustrations (Fig. 3a, 3b, 3c).
- Use #19 (.166) drill bit for 2" (50mm) deep pilot holes into adequate wall backing.
- Secure wall brackets with #1002495 screws.

⊕ These mounting points require wall backing.

◇ Obtain Dimension from Bobrick Layout Sheet.

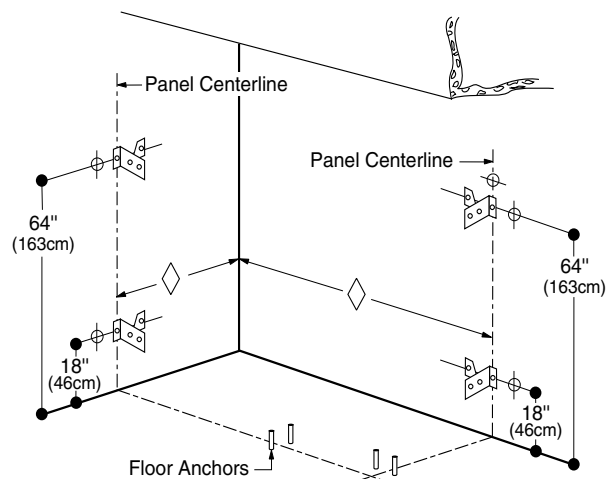
**Fig. 3a: Front-Entry Corner Layout with Wall Post.**



### WALL POST #1002250

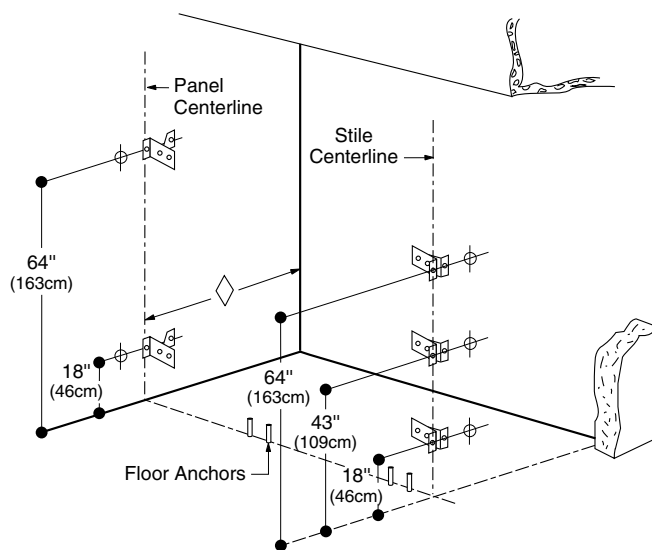
- Determine the location and hand of the 1" x 1-1/2" (25 x 40mm) stainless steel wall post being installed. Outside edge of wall post to be in-line with outside edge of keeping stile. The wall must have adequate backing at mounting location to support door hung in place.
- Install wall post at given height and fasten, plumb in both directions to wall with (5) wall screws provided. Install (2) post end caps and (5) mounting hole plugs.
- Attach door with through bolts provided as you install door(s) on pages 13-16.

**Fig. 3c: Floor-Anchored or Ceiling-Hung Alcove Open Layout.**



**COMMERCIAL HARDWARE**

**Fig. 3b: Overhead-Braced Alcove Closed Layout.**





## STEP 3 INSTALL WALL BRACKETS AND WALL POSTS

- Measure and mark the locations of centerlines for all the stiles and panels on walls.
- Using the wall brackets as templates, place bracket 12-1/8" (31cm) above finished floor. Measure and mark the location of all mounting holes plumb, 1" (25mm) from panel center line. (See fig. 3a).

Note: Use bracket as a guide because hole pattern is staggered.

- Use #19 (.166) drill bit for 2" (50mm) deep pilot holes into adequate wall backing.
- Secure wall brackets with #1002495 screws.

⊕ *These mounting points require wall backing.*

**CAUTION:** Panel centerline is not always on the stile centerline. Refer to Bobrick Layout Sheets for panel offsets.

### WALL POST #1002346

- Determine the location and hand of the 1" x 1-1/2" (25 x 40mm) stainless steel wall post being installed. Outside edge of wall post to be in-line with outside edge of keeping stile. The wall must have adequate backing at mounting location to support door hung in place.
- Install wall post at given height and fasten, plumb in both directions to wall with (5) wall screws provided. Install (2) post end caps and (5) mounting hole plugs.
- Attach door with through bolts provided as you install door(s) on pages 13-16.

Fig. 3a: Front-Entry Corner Layout.

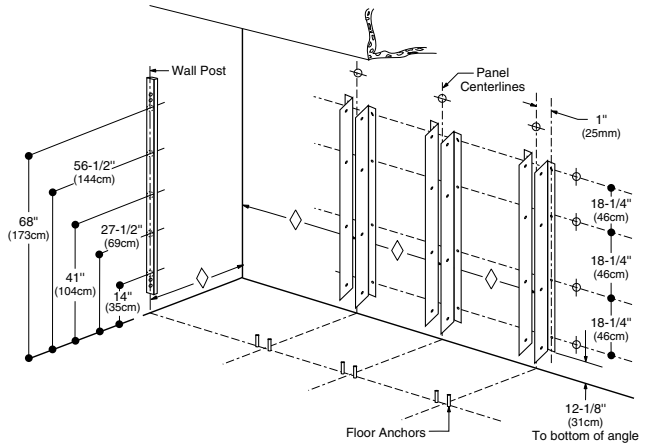
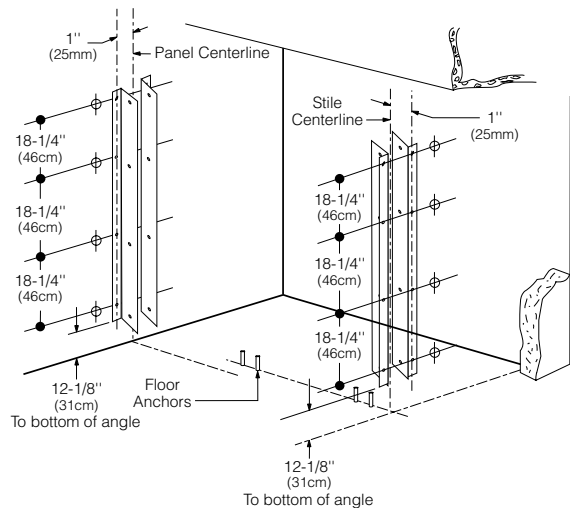


Fig. 3b: Overhead-Braced or Floor-to-Ceiling Anchored Alcove Closed Layout.

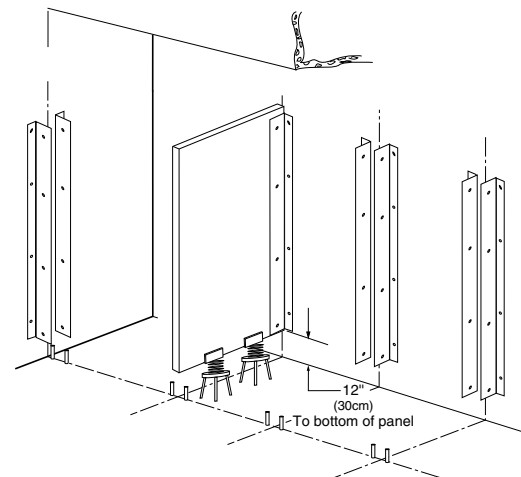


CONTINUOUS HARDWARE

## STEP 4 POSITION PANELS

- Place adjustable supports in position for each panel to hold them 12" (30cm) above the floor.
- Place panels on the supports and into their respective wall brackets. *Do not secure panels to wall brackets at this time.*

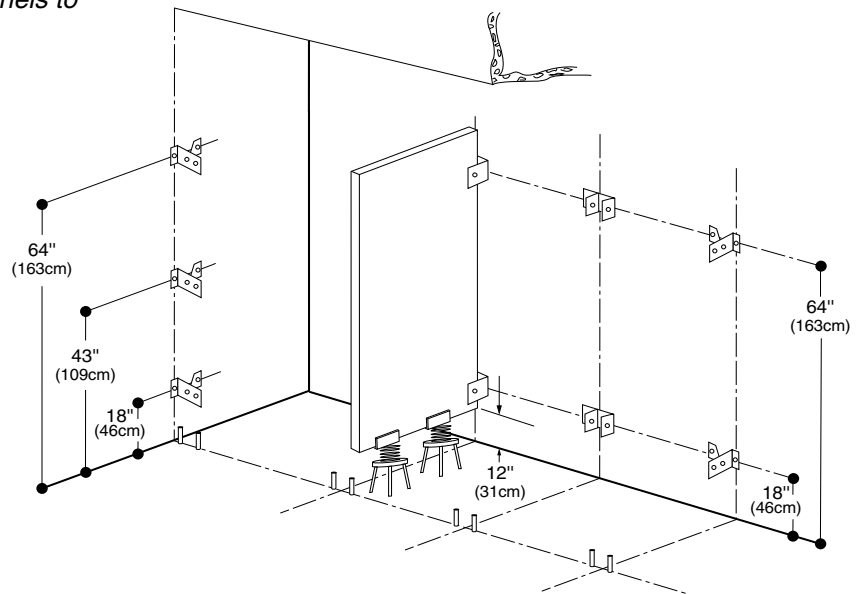
Fig. 4: Panel and Adjustable Supports.



## STEP 4 POSITION PANELS

1. Place adjustable supports in position for each panel to hold them 12" (305mm) above the floor.
2. Place panels on the supports and into their respective wall brackets. *Do not secure panels to wall brackets at this time.*

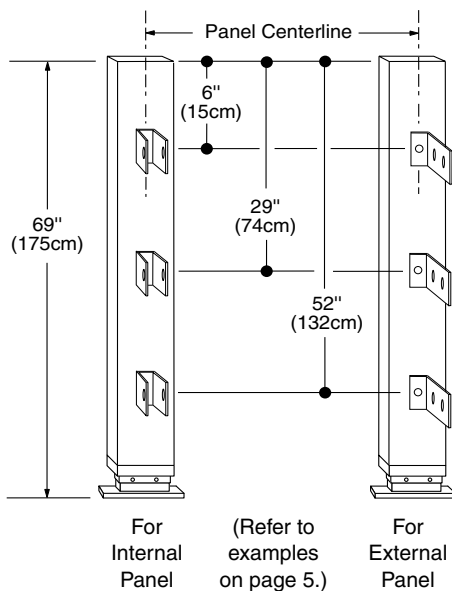
Fig. 4: Panel and Adjustable Supports.



COMMERCIAL HARDWARE

## STEP 5 INSTALL STILE-TO-PANEL BRACKETS

Fig. 5a: Floor-Anchored or Ceiling-Hung Bracket Placement.



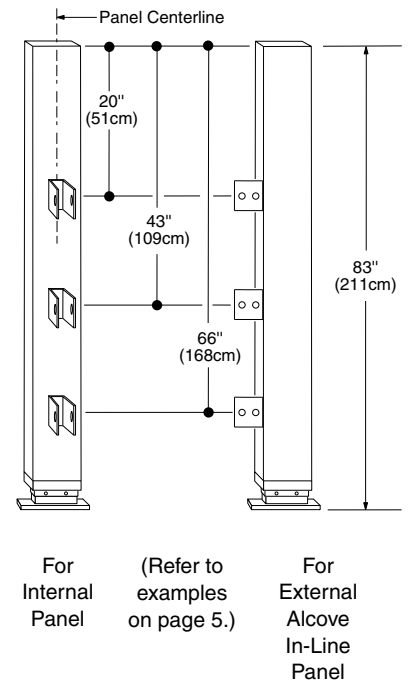
**CAUTION:** Panel centerline is not always on the stile centerline. Refer to Bobrick Layout Sheets for panel offsets.

- A. Measure and mark the centerlines for three (3) U- or L-brackets per stile.
- B. Using U- or L-bracket as a template, mark the location of all mounting holes.
- C. For U- or L-brackets attached to steel-core stiles, use a 3/16 high-quality drill bit (4.7mm) for 3/4" (19mm) deep pilot holes.

**Caution:** Do not drill through the stile

- D. For L-brackets attached to the edge of stile, use a #19 (.166) drill bit (4.2mm) for 3/4" (19mm) deep pilot holes.
- E. Secure U- or L-brackets with #1002500 screws.

Fig. 5b: Overhead-Braced Bracket Placement.



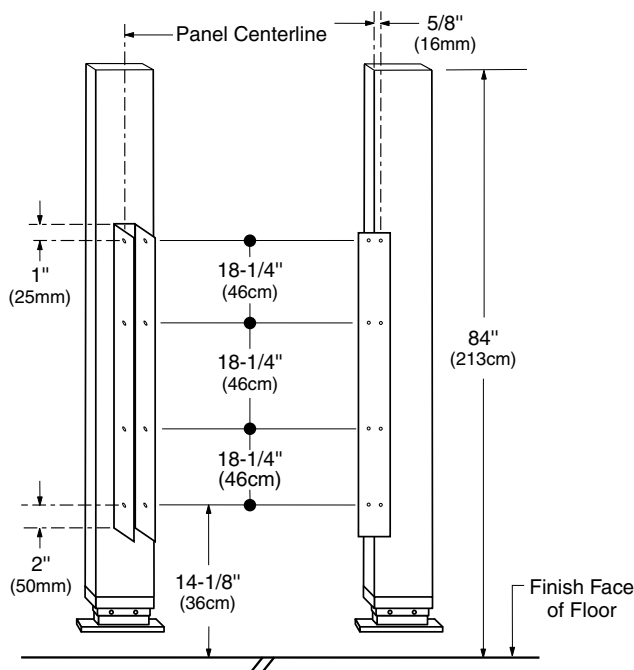
## STEP 5 INSTALL STILE-TO-PANEL BRACKETS

**CAUTION:** Panel centerline is not always on the stile centerline. Refer to Bobrick Layout Sheets for panel offsets.

- Measure and mark the centerlines for continuous U-channel bracket per stile. Using U-channel bracket as a template, mark the location of all mounting holes.
- For U-channel brackets attached to stiles, use a high-quality drill bit for 3/16" x 3/4" deep (19mm) pilot holes. For strip bracket, mark the location of all mounting holes 5/8" (16mm) from edge of stile following locations shown in diagram. Use a #19 Dia. x 3/4" (19mm) deep pilot hole in stile and panel.
- Secure U-channel bracket to stile with #1002500 screws.

⊕ **These mounting points require adequate backing.**

**Fig. 5a: Overhead-Braced Stiles.**

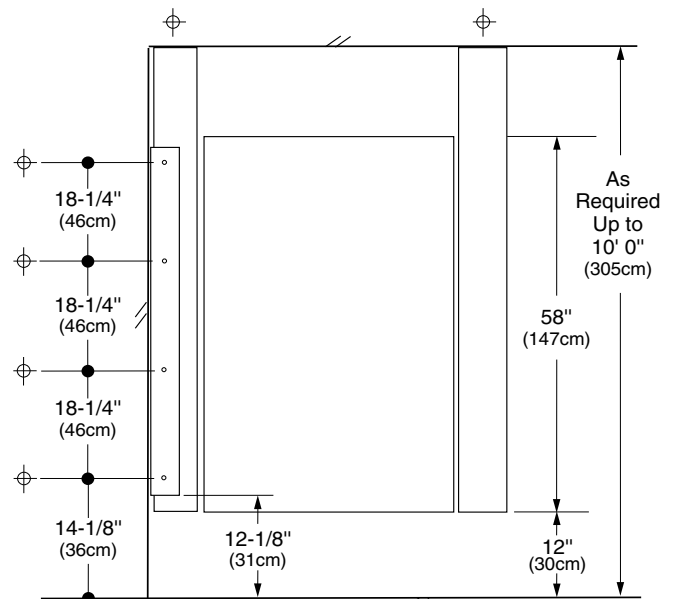


For  
Internal  
Panel

(Refer to  
examples  
on page 6.)

For  
Internal  
Alcove  
In-Line  
Panel

**Fig. 5b: Ceiling-Hung Anchored.**

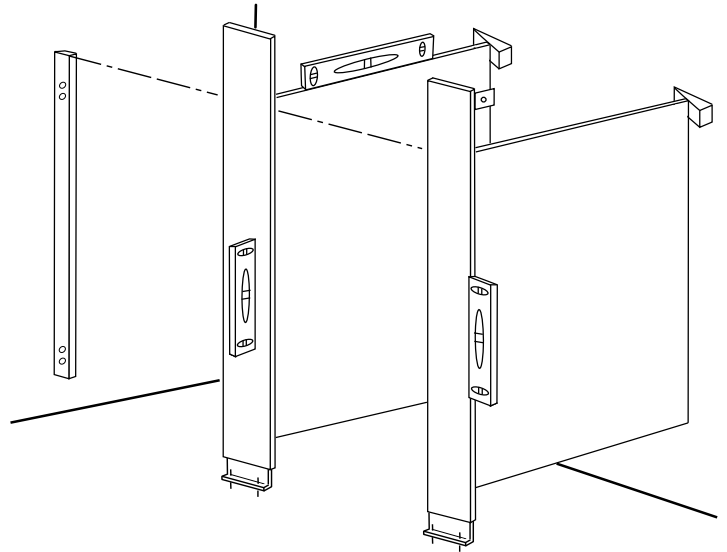


**CONTINUOUS HARDWARE**

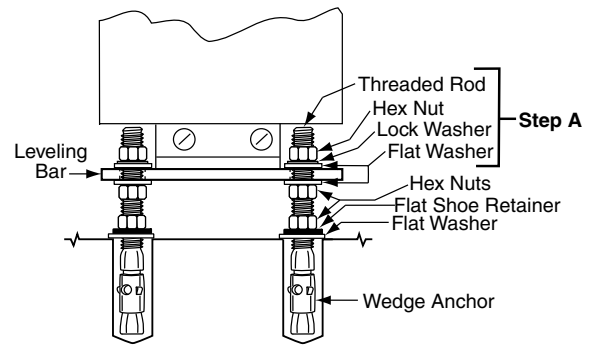
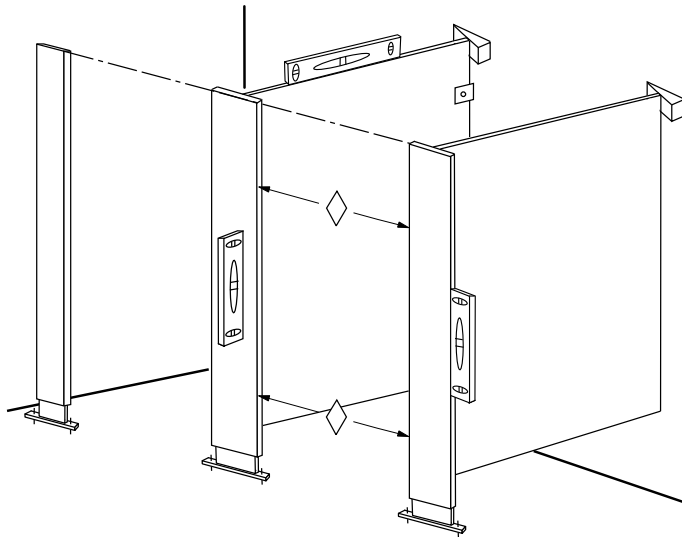
## STEP 6 INSTALL STILES AND SET DOOR OPENINGS

- A. Place the stiles onto the threaded rods of anchors. Add a flat washer, lock washer, and a third hex nut to each threaded rod of floor anchors (these should already be in place on ceiling anchors—refer back to Fig. 2b). *Do not tighten hex nuts at this time.*
- B. Ensure edge of panel is touching screw heads in brackets on stiles. Using brackets as templates, drill #19 (.166) x 3/4" (19mm) pilot holes in panel.
- C. Fasten brackets to panels with #1002500 screws.
- D. Use level to plumb stiles. Place shims between panels and wall.
- E. Set door openings to be square, plumb and true per Bobrick Layout Sheet.
- F. Tighten hex nuts on stile anchoring system.
- G. Secure panels to wall brackets using #1002500 screws.

**Fig. 6a: Overhead Braced Installation.**

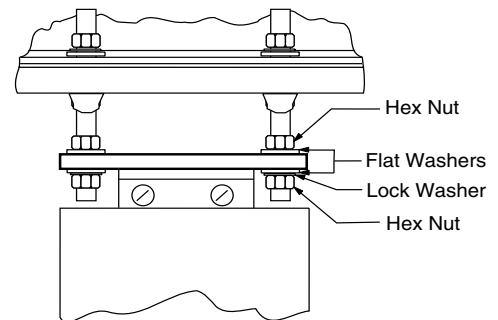
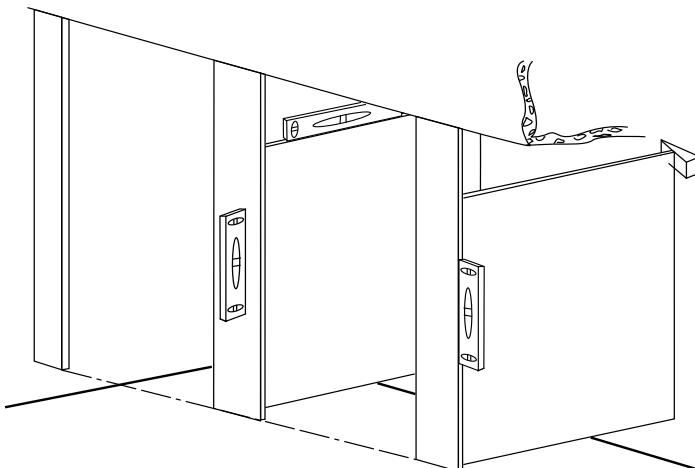


**Fig. 6b: Floor-Anchored Installation.**



**Fig. 6c: Ceiling-Hung Installation.**

◇ Obtain Dimension from Bobrick Layout Sheet.

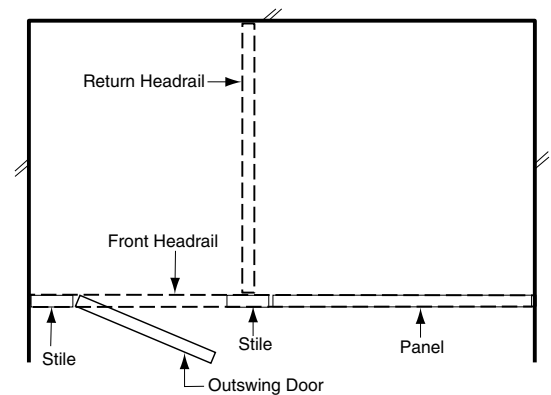


## STEP 7 INSTALL HEADRAIL (IF APPLICABLE)

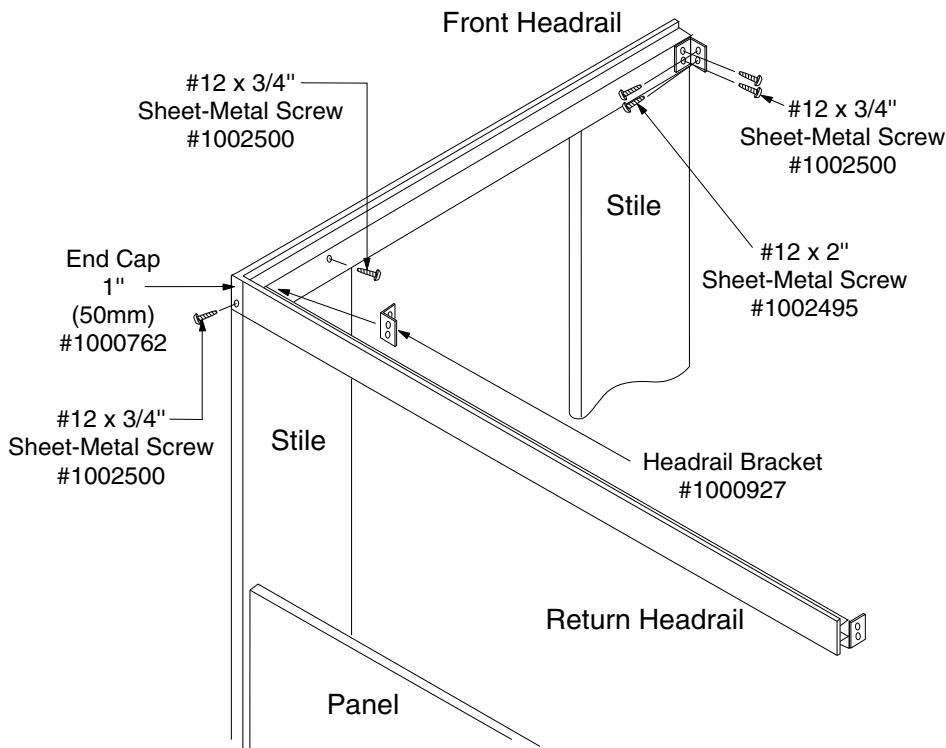
Note: Bobrick provides headrail in 84" (213cm) part #1002380 long sections. Headrail seams must be located over stiles.

- A. Measure wall-to-wall dimension less 1/4" (6mm). If it is a corner application, measure from wall to outside edge of stile less 1/8" (3mm).
- B. Place headrail over stile.
- C. For corner and alcove layouts, cut return headrail. Measure from the inside edge of front headrail to the back wall (See Fig. 7a and 7b).
- D. Using the #1000927 headrail bracket as a template, mark the location for mounting holes in walls and headrails.
- E. Drill #19 (.166) x 3/4" (4.2 x 19mm) pilot holes into front headrail and stiles; then, at wall locations, drill #19 (.166) x 2" (4.2 x 50mm) pilot holes into adequate wall backing.
- F. Fasten headrail bracket #1000927 to front headrail with #1002500 screws and to wall with #01002495 screws.
- G. Connect the return headrail to front headrail with headrail bracket #1000927 and four (4) #1002500 screws.
- H. For corner layouts, install #1000762 end cap to finish the corner. Using the end cap as a template, mark and drill pilot hole, then secure end cap with one (1) #1002500 screw.
- I. Fasten front headrail to stile by drilling pilot hole, then secure to stile with one (1) #1002500 screw.

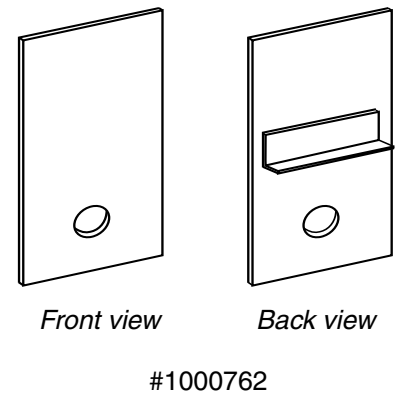
**Fig. 7a: Alcove Configuration.**



**Fig. 7b: Headrail Installation Hardware. Corner Configuration.**

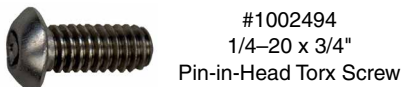
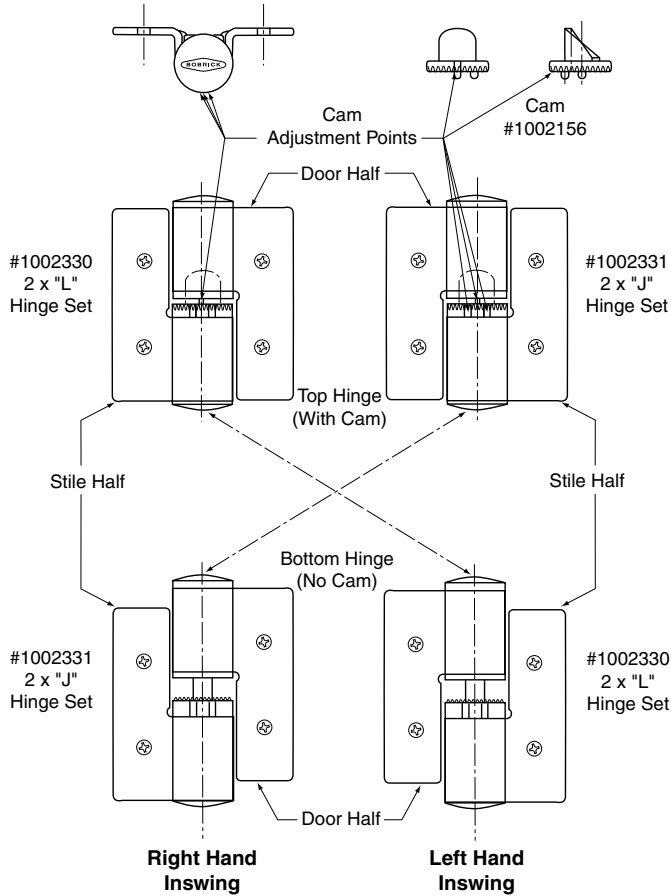


**Fig. 7c: Detail of End Cap.**

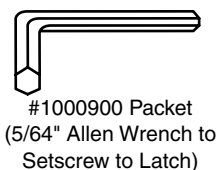
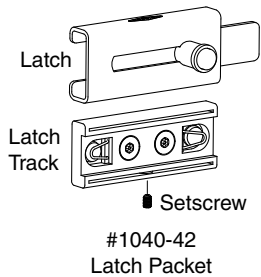


# STEP 8 INSTALL INSWING DOORS

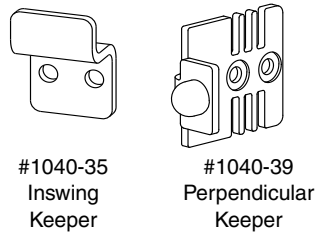
## Hinges



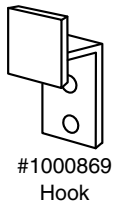
## Latch



## Keepers



## Clothes Hook



## DOOR HARDWARE INSTALLATION.

### Hinge.

- Using hinge diagram at left, identify the upper and lower hinge set for right hand or left hand installation. Locate cam for upper hinge, #1002156.
- Separate hinge sets and fasten the 2 halves that have plastic bushings with "teeth" and cam alignment tabs onto stile using driver and #1002494 (1/4-20 x 3/4") screws. Refer to diagram to ensure "J" and "L" halves are located properly.
- Fasten remaining upper hinge half to door.
- Insert hinge pin and #1002156 plastic cam on upper stile hinge half.
- Lift door and position onto upper stile hinge half. Door should be hanging securely on upper hinge.
- Insert remaining hinge pin in lower door hinge half and mount to door.

### To Increase or Decrease Opening of Door.

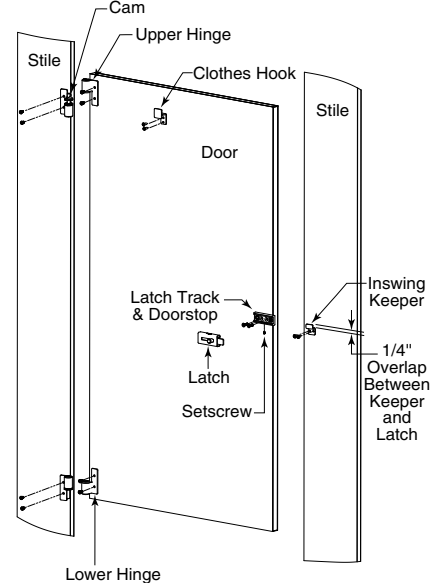
- Alignment tabs have been formed into the cam and plastic hinge bushing.
- Lift door to limit of upward travel (approximately 1/2"). While door is lifted, raise cam above bottom bushing and rotate so alignment tabs meet.
- To set door in open position, rotate cam toward door opening direction.
- To set door in closed position, rotate cam toward door closing direction.
- Door may not function properly if cam and bushing tabs are not aligned properly.
- When the cam has been set at the desired free resting position, "either closed or open" the top of the affixed components will be aligned.

**Tip - Industry tolerance in the hardware will sometimes allow fine alignment to some partition components. These fine adjustments may be performed by loosening the hardware screws and adjusting the components the direction needed and retightening the screws.**

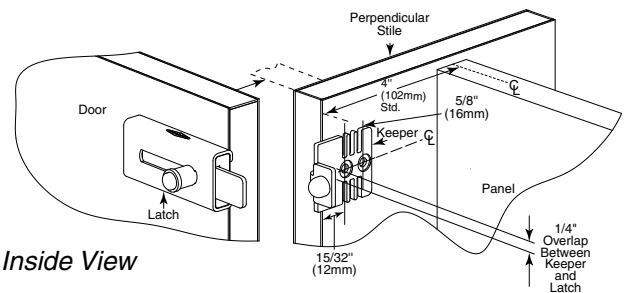
### Latch, Keeper and Clothes Hook.

- Attach the latch track to the door using T-25 torx driver for latch screws.  
**NOTE: Latch track projects past edge of door and acts as doorstop on inswing door.**
- Slide the stainless steel latch into the grooves on latch track. Center the latch on track. Insert a setscrew into the threaded hole in the bottom of track and tighten until flush with the bottom of latch.
- Attach the keeper (see Fig. 8a or 8b) and clothes hook using #1002500 screws.

**Fig. 8a: Right-Hand Inswing Door.**



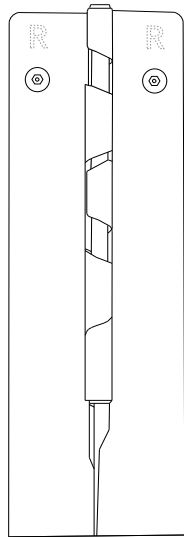
**Fig. 8b: Inswing Door Keeper on Perpendicular Stile (Alcove Layout).**



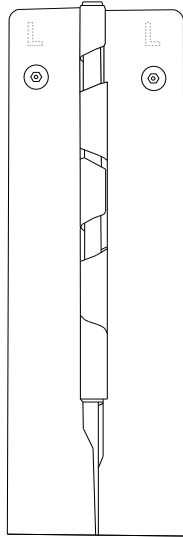
COMMERCIAL HARDWARE

# STEP 8 INSTALL INSWING DOORS

Fig. 8: Orient Hinge



#1002921  
Right-Hand Inswing or  
Left-Hand Outswing

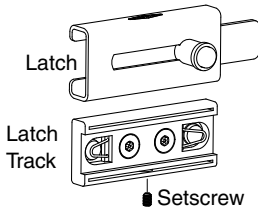


#1002920  
Left-Hand Inswing or  
Right-Hand Outswing



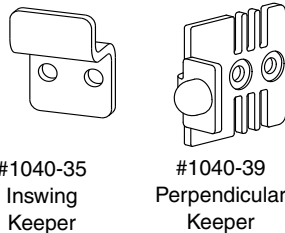
#1002494  
1/4-20 x 3/4"  
Pin-in-Head Torx Screw

## Latch



#1040-42  
Latch Packet

## Keepers



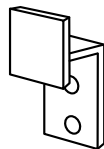
#1040-35  
Inswing  
Keeper

#1040-39  
Perpendicular  
Keeper

## Clothes Hook



#1000077  
1/4-20 x 1" (25mm)  
Flat-Head Latch Screw



#1000869  
Hook



#1000900 Packet  
(5/64" Allen Wrench  
to setscrew to latch)



#1002500  
#12 x 3/4" Pin-in-Head Torx Screw  
Pilot Hole = #19 (.166) x 3/4"  
(19mm)

## DOOR HARDWARE INSTALLATION.

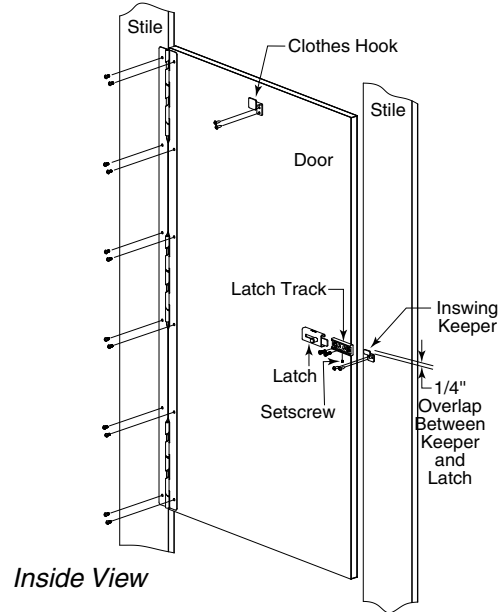
### Hinge.

- Orient hinge (see Fig. 8).
- Fasten hinge to the door (see Fig. 8a) using 6 — #1002494 Pin-in-Head torx screws.
- Supporting door, fasten hinge to the stile.

### Latch, Keeper, Stop Plates and Clothes Hook.

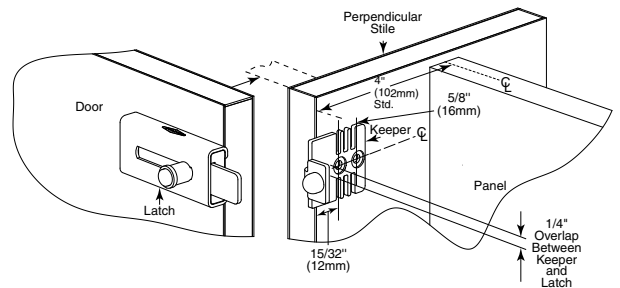
- Attach the latch track to the door using T-25 torx driver for latch screws. **NOTE: Latch track projects past edge of door.**
- Slide the stainless steel latch into the grooves on latch track. Center the latch on track. Insert a setscrew into the threaded hole in the bottom of track and tighten until flush with the bottom of latch.
- Attach the keeper using #1002500 and #1002494 screws.
- Attach #1000869 clothes hook using #1002500 screws.

Fig. 8a: Right-Hand Inswing Door.



Inside View

Fig. 8b: Inswing Door Keeper on Perpendicular Stile (Alcove Layout).

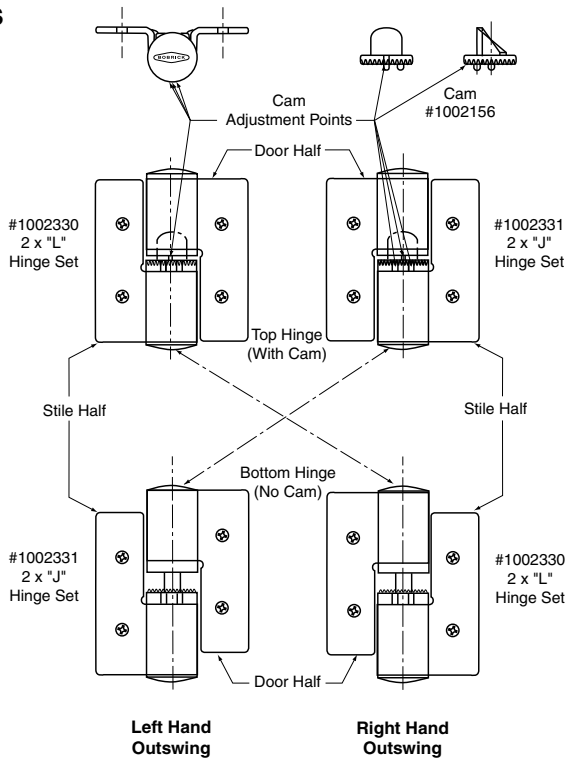


Inside View

CONTINUOUS HARDWARE

# STEP 9 INSTALL OUTSWING DOORS

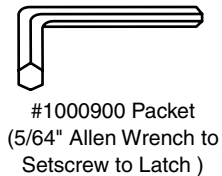
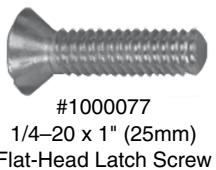
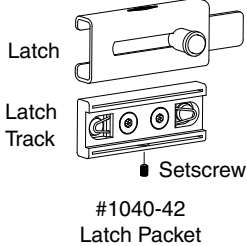
## Hinges



#1002491  
1/4-20 x 1/2"  
Pin-in-Head Torx Screw

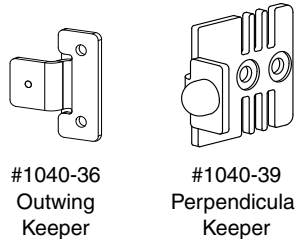
COMMERCIAL HARDWARE

### Latch

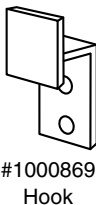


#1000418  
Accessible Toilet  
Compartment Label

### Keepers

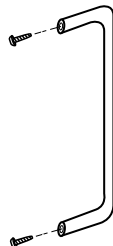


### Clothes Hook



### Door Handle (2)

#1000312  
Packet



## DOOR HARDWARE INSTALLATION.

### Hinge.

- Using hinge diagram at left, identify the upper and lower hinge set for right hand or left hand installation. Locate cam for upper hinge, #1002156.
- Separate hinge sets and fasten the 2 halves that have plastic bushings with "teeth" and cam alignment tabs onto stile using driver and #1002494 (1/4-20 x 3/4") screws. Refer to diagram to ensure "J" and "L" halves are located properly.
- Fasten remaining upper hinge half to door.
- Insert hinge pin and #1002156 plastic cam on upper stile hinge half.
- Lift door and position onto upper stile hinge half. Door should be hanging securely on upper hinge.
- Insert remaining hinge pin in lower door hinge half and mount to door.

### To Increase or Decrease Opening of Door.

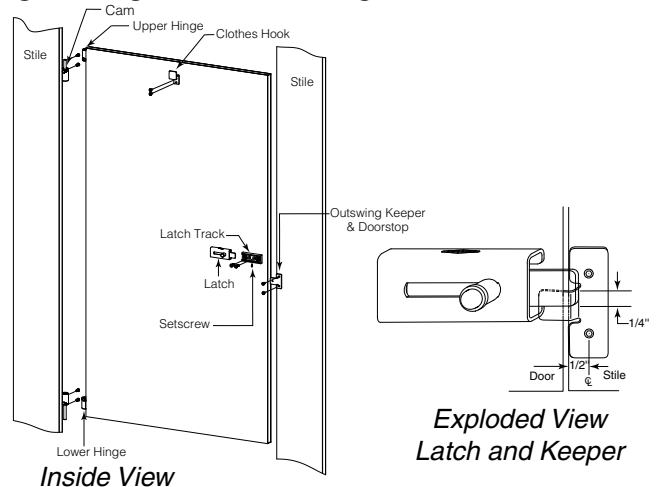
- Alignment tabs have been formed into the cam and plastic hinge bushing.
- Lift door to limit of upward travel (approximately 1/2"). While door is lifted, raise cam above bottom bushing and rotate so alignment tabs meet.
- To set door in open position, rotate cam toward door opening direction.
- To set door in closed position, rotate cam toward door closing direction.
- Door may not function properly if cam and bushing tabs are not aligned properly.
- When the cam has been set at the desired free resting position, "either closed or open" the top of the affixed components will be aligned.

**Tip - Industry tolerance in the hardware will sometimes allow fine alignment to some partition components. These fine adjustments may be performed by loosening the hardware screws and adjusting the components the direction needed and retightening the screws.**

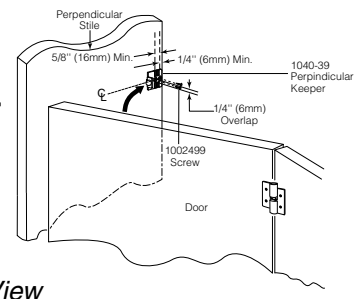
### Latch, Keeper, Clothes Hook and Door Handle.

- Attach the latch track to the door using T-25 torx driver for latch screws.  
**NOTE: Latch track does not project past edge of door.**
- Slide the stainless steel latch into the grooves on latch track. Center the latch on track. Insert a setscrew into the threaded hole in the bottom of track and tighten until flush with the bottom of latch.
- Attach the keeper (see Fig. 9a) and attach the clothes hook (not through-bolted). **NOTE: On outswing door, position clothes hook per local accessible toilet compartment codes. For prep. alcove, use #1000192 keeper as a template to mark location. Install keeper using #1002500 screws.**
- Using the door handle as a template on the outside of door, mark location for top hole in handle 27" (685mm) up from the bottom of door and 3" (75mm) from the edge of door. Mark location for bottom hole in handle.
- Drill two (2) 3/16" (5mm) diameter holes through door. Attach handle to outside of door using 8-32 x 1-1/4" Pin-in-Head torx screws.

**Fig. 9a: Right-Hand Outswing Door.**



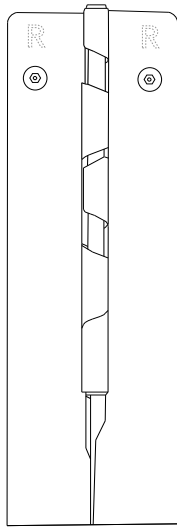
**Fig. 9b: Outswing Door Keeper on Perpendicular Stile (Alcove Layout)**



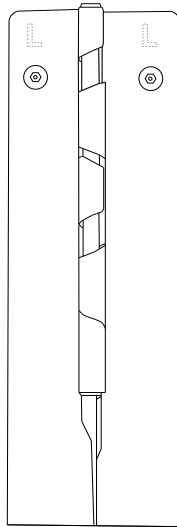


# STEP 9 INSTALL OUTSWING DOORS

Fig. 9: Orient Hinge



Right-Hand Inswing or  
Left-Hand Outswing  
#1002921

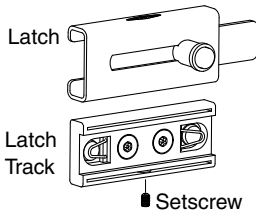


Left-Hand Inswing or  
Right-Hand Outswing  
#1002920



#1002494  
1/4-20 x 3/4" (19mm)  
Pin-in-Head Torx Screw

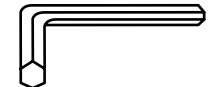
## Latch



#1040-42  
Latch Packet



#1000077  
1/4-20 x 1" (25mm)  
Flat-Head Latch Screw

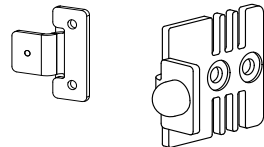


#1000900 Packet  
(5/64" Allen Wrench to  
setscrew to latch)



#1000418  
Accessible Toilet  
Compartment Label

## Keepers



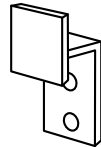
#1040-36  
Outswing  
Keeper

#1040-39  
Perpendicular  
Keeper

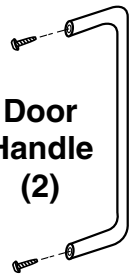


#1002500  
#12 x 3/4" Pin-in-Head Torx Screw  
Pilot Hole = #19 (.166) x 3/4"  
(19mm)

## Clothes Hook



#1000869  
Hook



Door  
Handle  
(2)

#1000312  
Packet

## DOOR HARDWARE INSTALLATION.

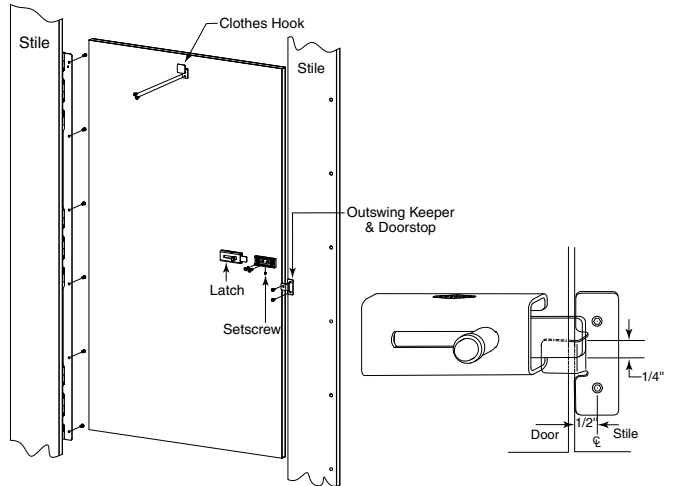
### Hinge.

- Orient hinge (see Fig. 9).
- Fasten hinge to the door (see Fig. 9a) using 6 — #1002494 Pin-in-Head torx screws.
- Supporting door, fasten hinge to the stile.

### Latch, Keeper, Stop Plates, Door Handle and Clothes Hook.

- Attach the latch track to the door using T-25 torx driver for latch screws. **NOTE: Latch track does not project past edge of door.**
- Slide the stainless steel latch into the grooves on latch track. Center the latch on track. Insert a setscrew into the threaded hole in the bottom of track and tighten until flush with the bottom of latch.
- Attach the keeper using 2-#1002500 screws.
- Using the door handle as a template on the outside of door, mark location for top hole in handle 27" (685mm) up from the bottom of door and 3" (75mm) from the edge of door. Mark location for bottom hole in handle.
- Drill two (2) 3/16" (5mm) diameter holes through door. Attach handle to outside of door using 8-32 x 1-1/4" Pin-in-Head torx screws.
- Attach the clothes hook (not through bolted).  
**NOTE: On outswing door, position clothes hook per local accessible toilet compartment codes.**

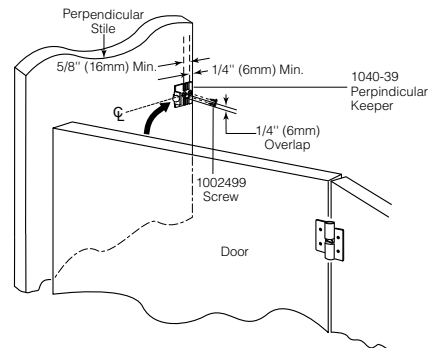
Fig. 9a: Right-Hand Outswing Door.



Inside View

Exploded View  
Latch and Keeper

Fig. 9b: Outwing Door Keeper on Perpendicular Stile (Alcove Layout).



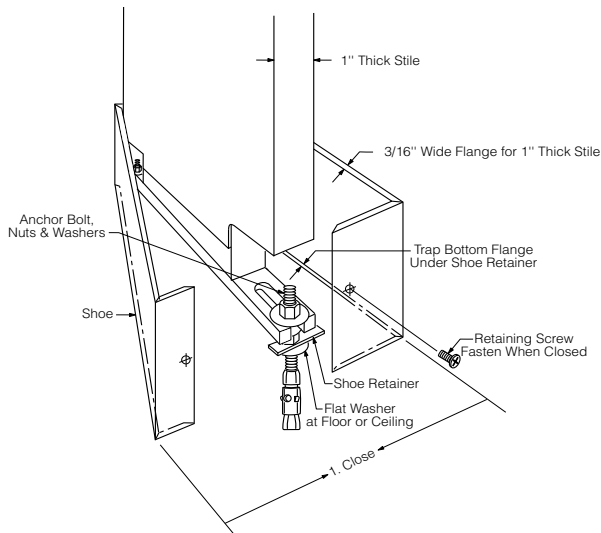
Outside View

CONTINUOUS HARDWARE

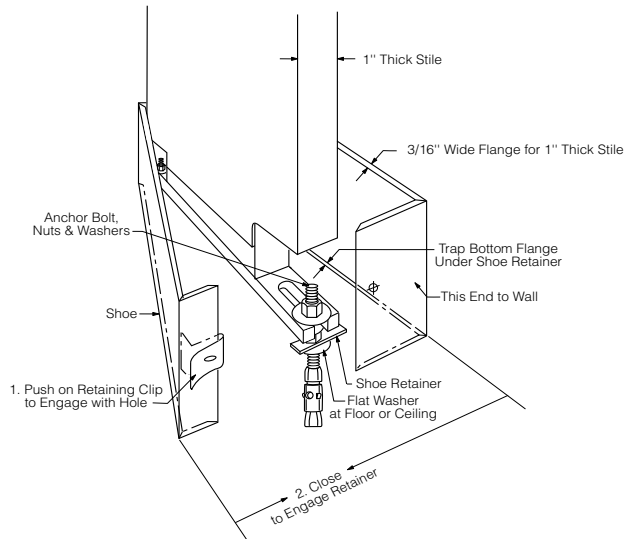
# STEP 10 INSTALL SHOES

- A. Locate proper width shoe for stile.
- B. Confirm shoe retainer (#1002186) is installed on anchor bolt next to flat washer closest to floor or ceiling. For anchor assembly detail, reference diagram on Page 4.
- C. Shoes accommodate 1" thick or 3/4" thick stiles. For 1" thick stiles, orient shoe with 3/16" wide flange return against faces and edge of stile.
- D<sup>(1)</sup>. Standard Stile Installation - See Fig. 10a
  - Open end of shoe and slide onto bottom of stile, trapping bottom flange under shoe retainer.
  - Close open end of shoe, overlapping so holes are aligned. Install flat head retaining screw through double thickness of material to close shoe.
- D<sup>(2)</sup>. Stile-to-Wall Installation - See Fig. 10b
  - Stile-to-wall shoe retaining clip (#1002185) is supplied for every stile-to-wall. Locate shoe retaining clip.
  - Hold retaining clip by its extended leaf with pliers. Spread shoe open at least one inch and insert retaining clip into hole on inner leaf of shoe until it snaps into place.
  - Open end of shoe and slide onto bottom of stile, trapping bottom flange under shoe retainer. Shoe retaining clip will be positioned against wall.
  - Close edges of shoe together until remaining hole snaps into place on retaining clip.
- E. Remove protective covering and wipe shoe clean.

**Fig. 10a: Standard Stile Installation.**



**Fig. 10b: Stile-to-Wall Installation.**



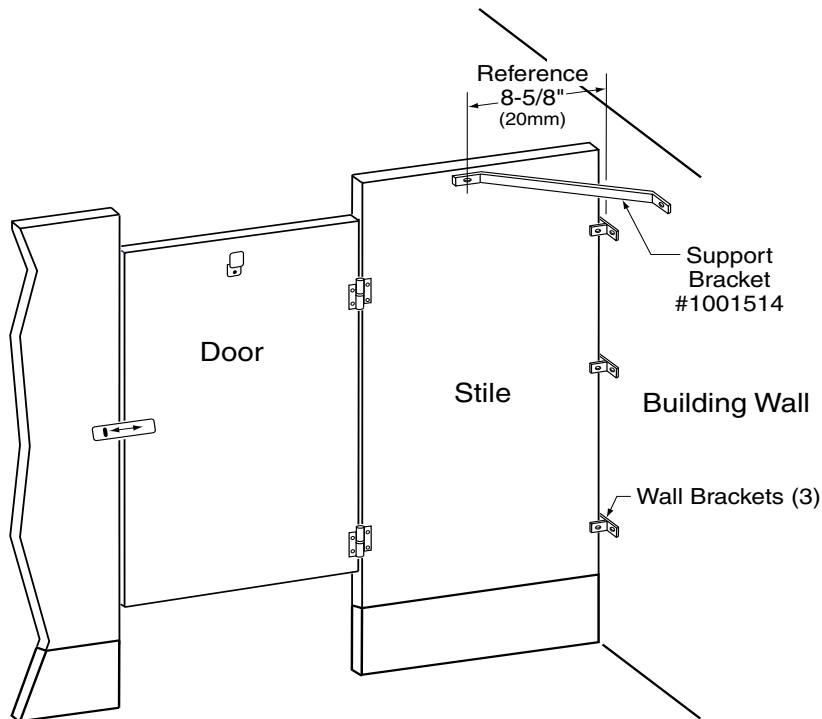
## REPLACEMENT SHOE GUIDE

| Stile Width | Bobrick Part Number |
|-------------|---------------------|
| 3"          | #1002175            |
| 4"          | #1002176            |
| 5"          | #1002184            |
| 6"          | #1002177            |
| 7"          | #1002197            |
| 8"          | #1002178            |
| 10"         | #1002179            |
| 12"         | #1002180            |
| 16"         | #1002181            |
| 18"         | #1002196            |
| 20"         | #1002182            |
| 24"         | #1002183            |

## STEP 11 INSTALL SUPPORT BRACKET (IF APPLICABLE)

- 16", 18", 20" and 24" stiles attached to side wall or end panel will be supplied with a support bracket (#1001514) for added stability.
- Install bracket at highest point on top of stile for floor anchored configurations. For ceiling-hung configuration, install bracket at lowest point on bottom of stile.
- Install bracket to stile and panel using #1002500 screw and #1000814 washer. Install bracket to wall using #10002495 screw to adequate backing.

| Screw Into     | Screw Number | Screw Size |
|----------------|--------------|------------|
| Stile          | #1002500     | #12 x 3/4" |
| Wall           | #1002495     | #12 x 2"   |
| Laminate Panel | #1002500     | #12 x 3/4" |
| Washer         | #1000814     | NA         |



**Note:** For Ceiling-Hung system, support bracket at lowest point possible on stile.

## STEP 12 FINISHING AND CLEANUP

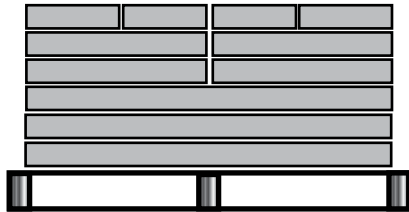
- Remove any exposed labels from the components of toilet compartments.
- Clean surfaces as needed. *CAUTION: Do not use cleaners containing acid on Bobrick toilet compartments. For example, tile cleaners containing acid may attack the stainless steel hardware. For Bobrick recommendations, refer to Bobrick Form Nos. TB-21 and TB-60.*

# Important Toilet Partition Storage and Handling Information

Store in a clean, dry area. Do not store outside.  
Move material to installation area 72 hours before installation.  
Always store material flat with weight evenly supported.

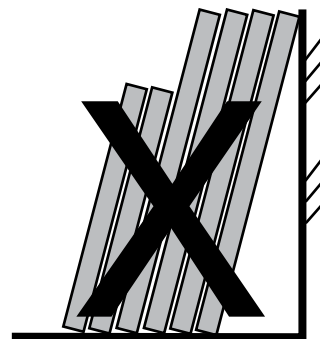
## Toilet Partition Stacking

### Do This



**Stack Flat**

### Don't Do This



**Stack Upright**

Failure to follow these instructions may result in warped material which is not covered by Bobrick's warranty.



**BUILDING VALUE SINCE 1906**

**BOBRICK.COM**

#### **In the U.S.A.: BOBRICK WASHROOM EQUIPMENT, INC.**

Los Angeles: 6901 Tujunga Ave., North Hollywood, CA 91605-6213; Tel: (818) 982-9600, FAX: (818) 503-1102  
New York: 200 Commerce Drive, Clifton Park, NY 12065-1350; Tel: (518) 877-7444, FAX: (518) 877-5029,  
or e-mail: customerservice@bobrick.com

#### **In Canada: BOBRICK WASHROOM EQUIPMENT COMPANY**

45 Rolark Drive, Scarborough, Ontario M1R 3B1 • Eastern Canada: Tel: (877) 423-6555 • FAX: (877) 423-8555  
• Western Canada: Tel: (877) 423-6444 • FAX: (877) 423-8444

1040-69



7 16954 00909 8