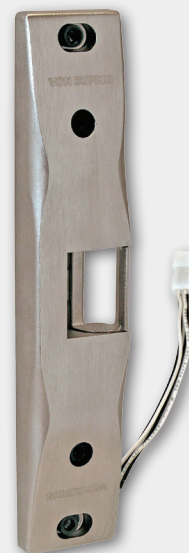


VON DUPRIN®

## 6300 Series

Surface mounted strike for rim exit devices



### Overview

Von Duprin electric strikes are known for their reliability, durability and security. The 6300 Series strike is designed to withstand abuse with its heavy-duty stainless steel construction. Certification construction is fully UL 1034 and UL 10C listed ANSI/BHMA Grade 1.

The 6300 Series strike is designed for use with a variety of rim exit devices. As an electrified strike, it allows remote release of a locked door by activating a movable lip (keeper) using an entry/exit button or credential reader and can be a cost effective means for managing access. It is ideal for aftermarket applications and designed to install without modifying or altering the door frame.

Designed for fail-secure (FSE) only mode, the 6300 Series strike achieves compliance with UL10C for 3-hour fire-rated openings. It also enables field-selectable 12 or 24 VDC with AC conversion optional.

To assure the proper selection of an electric strike on new applications, lockset compatibility charts are shown on the next page. When using a lockset not listed or when retrofitting a strike to an existing application, please contact Von Duprin Technical Support for application assistance.

### Features and benefits

- Designed for use with rim exit devices
- Heavy-duty stainless steel construction in BHMA 630 satin finish
- Surface mounted - requires no alteration or cutting to existing frame
- Field selectable voltage 12VDC or 24VDC
- Plug-in voltage connectors included for ease of installation and removal during strike servicing
- Non-handed design provides greater flexibility
- Suitable for interior and exterior doors
- UL 10C 3-hour fire-rated (fail secure only)
- UL 1034 listed for burglary-resistant electric door strikes
- UL 294 listed for access control system
- CSFM California State Fire Marshal listed
- ANSI/BHMA A156.31, Grade 1 certified
- Static strength: 1500 lbs
- Dynamic strength 70 ft-lbs
- Endurance 2,000,000 cycles

## 6300 Series power requirements

Model	Voltage	Current	Duty	Amps	Ohms
6300	12V	DC	Continuous	0.50	22
6300	24V	DC	Continuous	0.24	89

Continuous duty = Energized 1 minute or more

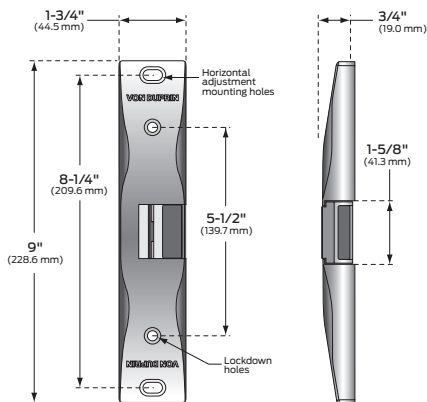
## Rim exit device compatibility 6300 strikes

Manufacturer	Model Number
Von Duprin	VD 22/22-F Rim
Von Duprin	VD 33A/35A Rim*
Von Duprin	VD 55 Rim
Von Duprin	VD 88 Rim
Von Duprin	VD 98/99 and 98/99-F Rim
Falcon	Falcon 24/24-F Rim*
Falcon	Falcon 25/25-F Rim
Falcon	Falcon 19/19-F Rim
Falcon Doromatic	Falcon Doromatic 1590*
Falcon Doromatic	Falcon Doromatic 1790*
Falcon Doromatic	Falcon Doromatic 2090*

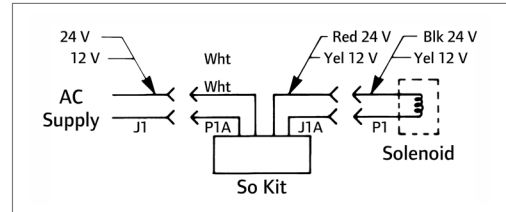
\*Stile and frame condition may affect compatibility.

## Model specifications

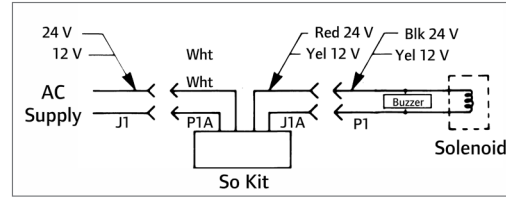
Model number	6300
Retrofits model	N/A
Latchbolt throw	3/4"
Face plate length	9"
Projection	3/4"
Lockset	Rim exit device
Number of doors	Single or pair with mullion
Door/frame type	Hollow metal, aluminum and wood
EB (entry buzzer)	Optional
Certifications/ Listings	ANSI/BHMA A156.31 Grade 1, UL 1034, UL 10C, UL 294, CSFM
Application notes	Surface mounted electric strike ideal for aftermarket applications. Strike designed for use with Von Duprin 98/99, however it can be used with most rim exit devices.



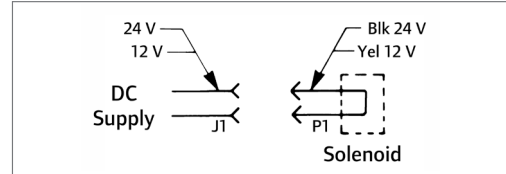
## AC



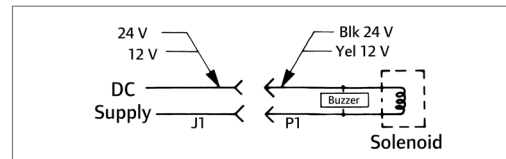
## AC with buzzer



## DC



## DC with Buzzer



## Ordering information

6300-S024-EB

Model	Rectifier kit*	Buzzer*
1	2	3

\* Optional

Selections correspond with the numbers above

1	Model
6300	Surface mounted strike for rim exit devices
2	Rectifier kit (optional)
S012	Converts 12 VAC voltage to 12 VDC to operate the solenoid
S024	Converts 24 VAC voltage to 24 VDC to operate the solenoid
3	Buzzer (optional)
EB	Entry buzzer

## Standard features

- Power failure mode: Fail-secure only (FSE)
- Voltage: field selectable 24 VDC or 12 VDC
- Finish: stainless steel, satin (BHMA 630/US32D)

## About Allegion

Allegion (NYSE: ALLE) is a global pioneer in safety and security, with leading brands like CISA®, Interflex®, LCN®, Schlage®, SimonsVoss® and Von Duprin®. Focusing on security around the door and adjacent areas, Allegion produces a range of solutions for homes, businesses, schools and other institutions. Allegion is a \$2 billion company, with products sold in almost 130 countries. For more, visit [www.allegion.com](http://www.allegion.com).



**VON DUPRIN®**

## QEL exit device

A quieter way  
to make an entrance.

Recent studies show a change of shift at a hospital can reach an unhealthy 113 decibels (dB). To put that into perspective, a symphony orchestra plays at 110 dB. This noise can cause patients to lose sleep, have a higher blood pressure and/or heart rate, and be more disappointed with the hospital services as a whole. Not only are patients receiving negative symptoms, but caregivers become more stressed and fatigued in a noisier environment. Hospitals are doing everything they can to eliminate excess noise to keep their patients and employees happy and healthy!

### **That's where Von Duprin steps in.**

When the QEL is used in place of standard electronic latch retraction, the noise level can be reduced to that of a quiet conversation.

**Contact your local Allegion representative to learn how the QEL can have a positive impact on your patient satisfaction scores. Visit [www.allegion.com](http://www.allegion.com), or give us a call 877-671-7011.**



## Designed for easier, quieter performance.

Hospital nurseries and patient rooms, libraries, museums and theaters require electrified hardware that operates at whisper-quiet levels. The new Von Duprin QEL couples the reliability and high performance Von Duprin is known for, with quieter operation that won't disrupt meetings, performances or study. In fact, Von Duprin offers one of the quietest entrance/exit solutions when paired with our mechanical and electronic products.



### QEL Enhancements

**Modular design.** Allows you to upgrade your openings without replacing your existing exit device. A variety of kits are available to meet your specific needs - from retrofitting your mechanical devices to upgrading your solenoid driven EL devices.

**You can upgrade an EL to a QEL without changing the Von Duprin or Schlage power supply.** If you're tired of the noisy solenoid driven EL's, you can upgrade to a QEL without ordering any new boards for your power supply.

**The lower power requirements allow for 4X the wire run.** The power supply and QEL device can now be up to 800 ft. away from each other. This allows customers to conveniently mount their power supply with more options, and even centralize them in certain cases.

**The new QEL is compatible with any Schlage or Von Duprin power supply through the use of a 900-2RS board.** The QEL will also work with an existing PS873 power supply.

**Available for 33A/35A, 94/95 and 98/99 series exit devices.**

### Features and Benefits

**Quietest operation both mechanically and electrically.**

Motor driven latch retraction paired with the "Quiet One" make the QEL Von Duprin's quietest latch retraction solution. Healthcare patients, students, and front office administrators all deserve a quiet environment.

**Auto adjust latch retraction.** This feature allows for the latch throw and pull to be adjusted automatically, no manual adjustments are required.

**On-board Diagnostics.** The QEL board has electronic LED's that provide visual indication if it's installed incorrectly or encounters errors.

**Push pad is pulled in electronically when activated.** This provides a visual indication that the device is dogged and operating properly.

**Second try activation.** If the QEL experiences any interference it will attempt to retract the device a second time!

**Vandal Resistance.** When the push pad is forcefully pull out while it's retracted, the QEL will pull the push pad back in to keep the opening retracted. If this happens 3 times it will leave the opening in the non-retracted state for a few moments, and then retract the device again.

To learn more, visit [www.allegion.com](http://www.allegion.com), or give us a call 877-671-7011.

**CITATIONS:**

"The Healing Power Of Silence." CBSNews. CBS Interactive, 11 Feb. 2009. Web. 21 Sept. 2012. <[http://www.cbsnews.com/2102-204\\_162-1653740.html?tag=contentMain](http://www.cbsnews.com/2102-204_162-1653740.html?tag=contentMain)>.

Moeller, Nicklas. "Achieving Effective Acoustics in Hospitals." Achieving Effective Acoustics in Hospitals. N.p., 02 Aug. 2012. Web. 21 Sept. 2012. <<http://www.hconews.com/print/35554>>.

"Soundproofing & More Soundproofing! Products, Tips and Free Expertise - Decibel Chart." Soundproofing & More Soundproofing! Products, Tips and Free Expertise - Decibel Chart. N.p., n.d. Web. 24 Sept. 2012. <<http://www.controlnoise.com/decibel-chart/>>.

### About Allegion

Allegion (NYSE: ALLE) creates peace of mind by pioneering safety and security. As a \$2 billion provider of security solutions for homes and businesses, Allegion employs more than 8,000 people and sells products in more than 120 countries across the world. Allegion comprises more than 25 global brands, including strategic brands CISA®, Interflex®, LCN®, Schlage® and Von Duprin®.

For more, visit [www.allegion.com](http://www.allegion.com)

aptiQ ■ LCN ■ SCHLAGE ■ STEELCRAFT ■ VON DUPRIN



© 2014 Allegion  
003226, Rev. 10/14  
[allegion.com](http://allegion.com)



VON DUPRIN®

## RX and LX

Monitoring switches



### Overview

The RX and LX features are used to signal the use of an opening. The exit devices are equipped with one internal SPDT switch that monitors the pushpad (RX) and one internal SPDT switch that monitors the latch bolt (LX.) The device can be connected to a security console, or may be used as a single door alarm when used with a horn and power supply. A continuous current electric transfer must be used for transferring power from the frame to the door. The RX and LX switches should not be used to control a load, but as a signaling switches. The RX and LX switches are available in a low current (LC) switches which are most commonly used in a computer operated monitoring system.

### Features and benefits

- UL listed FVSR SA163 panic hardware and/or GXHX R4505(N) fire exit hardware

---

## RX/LX electrical rating

---

Standard	Up to 2.0 Amps @ 24VDC maximum
Low current (LC)	below 50 Milliamps at 24VDC

---

### To order RX or LX, specify

- Standard - Use prefix RX or LX, example RX99EO or LX33AEO
- Low current - Use prefix RX-LC or LX-LC, example RX-LC98EO or LX-LC35AEO
- RX2 standard (RX only) - Use prefix RX2, example RX299EO or RX233AEO

Allegion, the Allegion logo, Von Duprin and the Von Duprin logo are trademarks of Allegion plc, its subsidiaries and/or affiliates in the United States and other countries. All other trademarks are the property of their respective owners.

## About Allegion

Allegion (NYSE: ALLE) creates peace of mind by pioneering safety and security. As a \$2 billion provider of security solutions for homes and businesses, Allegion employs more than 7,800 people and sells products in more than 120 countries across the world. Allegion comprises 23 global brands, including strategic brands CISA®, Interflex®, LCN®, Schlage® and Von Duprin®. For more, visit [www.allegion.com](http://www.allegion.com).

*aptiQ* ■ LCN ■  ■ STEELCRAFT ■ VON DUPRIN



© 2014 Allegion  
010108, Rev. 03/14  
[www.allegion.com/us](http://www.allegion.com/us)

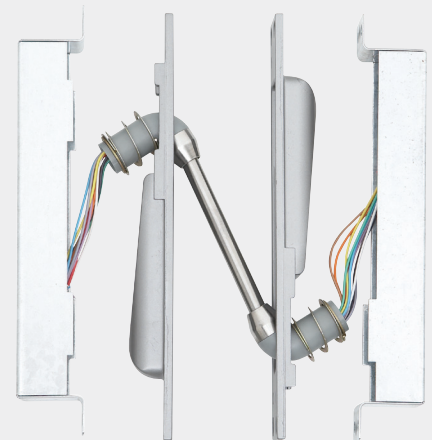
VON DUPRIN®

## Electrical power transfer

### Overview

Electric power transfer provides a means of transferring electrical power from a door frame to the edge of a swinging door. The units are completely concealed when the door is in the closed position, and are ideally suited for installations involving abuse or heavy traffic.

Two models are available; EPT-2, two 18 gauge wires and EPT-10, ten 24 gauge wires.



### Features and benefits

- UL Listed for use on fire doors
- UL listed as Miscellaneous Door Accessory
- Ball-and-socket joint construction provides cut and pinch protection for wiring
- Built for heavy traffic and high abuse openings

## Door applications

- Up to 5" butt hinges – 180° swing.
- 5 1/2" butt hinges – 130° swing.
- 6" butt hinges – 110° swing.
- 3/4" offset pivots – 180° swing.

Not for use with swing clear hinges, center-hung pivots, pocket pivots or balanced doors.

Door applications shown are for 1 3/4" door thickness, for all other applications contact Technical Support to confirm compatibility.

## Finishes

- SP28 (sprayed aluminum)
- SP313 (sprayed duranodic)

---

### Dimensions

---

Housing	9" X 1 1/4" X 1 5/8" (229mm X 32mm X 38mm)
EPT-2	Two 18 gauge wires, up to 2 AMPS @ 24VDC, with a 16 AMPS maximum surge
EPT-10	Ten 24 gauge wires, up to 1 AMPS @ 24VDC, with a 16 AMPS maximum surge
PNT-1	5/32" tubing

---

### To order, specify

- **EPT-2, EPT-10 or PNT-1.**
- **Finish, SP28 or SP313.**

## About Allegion

Allegion (NYSE: ALLE) is a global pioneer in safety and security, with leading brands like CISA®, Interflex®, LCN®, Schlage®, SimonsVoss® and Von Duprin®. Focusing on security around the door and adjacent areas, Allegion produces a range of solutions for homes, businesses, schools and other institutions. Allegion is a \$2 billion company, with products sold in almost 130 countries. For more, visit [www.allegion.com](http://www.allegion.com).

**KRYPTONITE** ■ **LCN** ■  ■ **STEELCRAFT** ■ **VON DUPRIN**



© 2017 Allegion  
010106, Rev. 08/17  
[www.allegion.com/us](http://www.allegion.com/us)



VON DUPRIN®

E996L

Electrified breakaway  
lever trim



## Overview

E996L electrified breakaway lever trim provides remote locking and unlocking capabilities while incorporating the patented breakaway trim design. The E996L comes furnished standard in Fail-Safe (FS) condition and can be field converted to Fail-Secure (FSE) where allowed. The E996L is also furnished standard with cylinder operation for NightLatch (NL) function, or with Blank Escutcheon (BE).

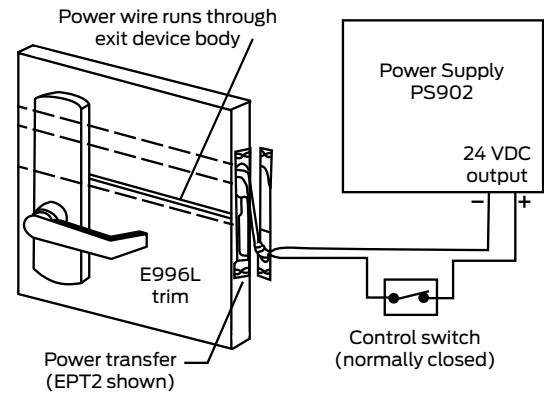
When electrically unlocked the unit operates as a normal lever trim. When electrically locked, the lever feels locked, but when more than 35 pounds of torque pressure is applied, the breakaway lever feature engages.

## Features and benefits

- Wide variety of finishes and lever styles
- Retro-fit kits available

## Electrical specifications

Solenoid	Continuous duty 24VDC
Solenoid draw	0.22 AMPS



Allegion, the Allegion logo, Von Duprin and the Von Duprin logo are trademarks of Allegion plc, its subsidiaries and/or affiliates in the United States and other countries. All other trademarks are the property of their respective owners.

## About Allegion

Allegion (NYSE: ALLE) creates peace of mind by pioneering safety and security. As a \$2 billion provider of security solutions for homes and businesses, Allegion employs more than 7,800 people and sells products in more than 120 countries across the world. Allegion comprises 23 global brands, including strategic brands CISA®, Interflex®, LCN®, Schlage® and Von Duprin®. For more, visit [www.allegion.com](http://www.allegion.com).

*aptiQ* ■ LCN ■ **SCHLAGE** ■ STEELCRAFT ■ VON DUPRIN



© 2014 Allegion  
010103, Rev. 03/14  
[www.allegion.com/us](http://www.allegion.com/us)

VON DUPRIN®

## 6400 Series

Modular strike for mortise and cylindrical locksets



### Overview

The 6400 electric door strike from Von Duprin is designed to be modular and highly configurable to fit nearly any mortise or cylindrical lock. This versatile strike allows the installer to insert and lock-in the deadbolt keeper or plug and deadlatch ramp anywhere within its  $3\frac{1}{8}$ " vertical opening to fit the latch position and functional needs. This, combined with a  $\frac{1}{8}$ " horizontal adjustment, makes this easy-to-install design a good fit for installations where misalignment or a tight fit may be a problem.

As a 3-hour UL 10C listed strike, the 6400 Series is intended as a fail-secure only solution for fire-rated openings. Its durability and quality are shown by its grade 1 certification as a heavy-duty stainless steel strike with over 2,000,000 endurance cycles.

Use it as a time-saving, "go to" strike. The 6400 comes ready for use with prewired plug-in connectors for 12 or 24 VDC voltage that can be changed over to 12 or 24 VAC without a converter kit, two faceplates – one each for offset and centerline locks as well as a trim filler plate, mounting tabs and shims and a self-adhesive template for frame cuts. An optional "plug in" latchbolt monitor is also available and can be added in the field at any time after installation.

### Features and benefits

- Modular design fits cylindrical and nearly any mortise lock
- Heavy-duty stainless steel construction in BHMA 630 satin finish
- Vertical adjustments allow for alignment with a wide variety of mortise locks with offset latches
- Horizontal adjustment of up to  $\frac{1}{8}$ " improves fit on tight door preps
- Can accommodate up to 1" deadbolt (for night latch only)
- Field selectable voltage 12 or 24VDC and 12 to 24VAC
- Plug-in voltage connectors are included for ease of installation and removal during strike servicing
- Optional plug-in latchbolt monitor can be added in the field
- Non-handed, unique internal solenoid design prevents keeper from heating up
- Low current draw (0.19 amps @ 24 VDC)
- Suitable for interior and exterior doors
- 3-hour fire-rated to UL 10C (fail secure only)
- UL 1034 listed for burglary-resistant electric door strikes
- UL 294 listed for access control system
- CSFM California State Fire Marshal listed
- ANSI/BHMA A156.31, Grade 1 certified
- Static strength: 1500 lbs
- Dynamic strength 70 ft-lbs
- Endurance 2,000,000 cycles

## Lockset compatibility

Vertical adjustment of the deadbolt keeper or deadlatch ramp allows for alignment with a wide variety of mortise locks with offset latches. Accommodates up to 1" deadbolt\* Up to 1/8" horizontal adjustment for misaligned frames.  
\* Night-latch function only, bolt will not release

## Wiring Instructions

Use the appropriate wire harness supplied.

- 12V for 12VDC & 12-24VAC
- 24 for 24VDC only

Attach the red wire to (+) positive of the power supply. Attach the black wire to the (-) negative of the power supply. If using AC power, polarity is not observed.

Note: If a suppression diode is required for access control, observe proper polarity.

### Latch monitor wires

- Black = Common (C)
- Blue = Normal Close (NC)
- Orange = Normal Open (NO)

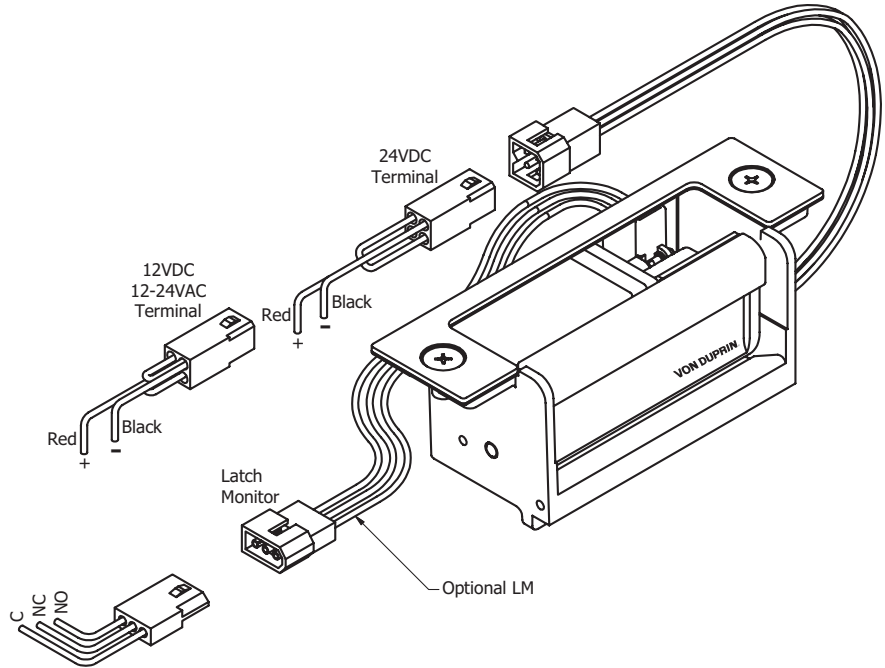
## 6400 Series power requirements

Model	Mode	Voltage	Duty	Sound	Amps <sup>1</sup>	Ohms <sup>2</sup>
6400	Fail-locked	12 VDC	Continuous	Silent	.375	37
6400	Fail-locked	24 VDC	Continuous	Silent	.190	148
6400	Fail-locked	12-24 VAC	Intermittent	Buzz	.280 - .565	37

Intermittent duty = Energized less than 1 min. with duty ratio 1:5; Continuous duty = Energized 1 min. or more.

<sup>1</sup> Ratings are based on maximum current draw at +10°C and include initial power-up current draw.

<sup>2</sup> Nominal resistance at +25°C +/- 7% tolerance.

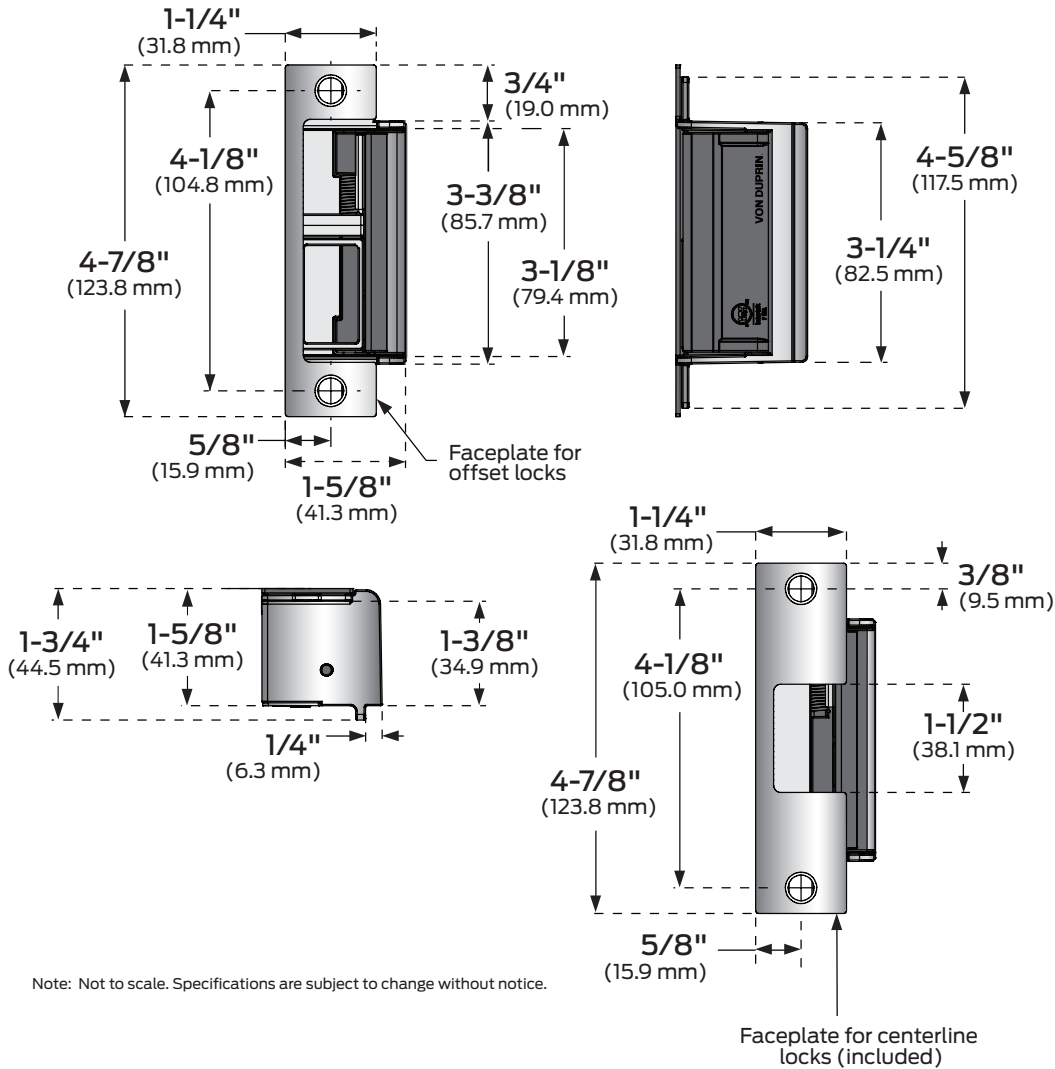


## Model specifications

Model number	6400
Latchbolt throw	3/4" (also accommodates 1" deadbolt as a nightlatch only - no release)
Face plate length	4 7/8"
Backbox depth	1 3/4"
Finish	US 32D/BHMA 630
Lockset	Cylindrical, mortise, mortise exit
Number of doors	Single
Door/frame type	Hollow metal, aluminum & wood
Options	EB (entry buzzer)
Certifications/ Listings	ANSI/BHMA A156.31 Grade 1, 3-hour fire rated to UL 10C (FSE only), UL 1034, UL 294, CSFM
Application notes	Modular electric strike ideal for aftermarket applications. Fail-secure only for fire-rated openings.



# Dimensions



Note: Not to scale. Specifications are subject to change without notice.

# Ordering information

6400-EB

Model	Buzzer*
1	2

\* Optional

Selections correspond with the numbers above

1	Model
6400	Modular Strike
2	Buzzer (optional)
EB	Entry buzzer

## Accessories

- LM6400 Latchbolt monitor - indicates when door is latched (ships separately)

## Standard features

- Power failure mode: Fail-secure only (FSE)
- Voltage: Field selectable 12 or 24 VDC and 12 or 24 VAC voltage
- Finish: Stainless steel, satin (BHMA 630/US 32D)
- Centerline and offset face plates included
- Also includes: two plug-in voltage connectors, self-adhesive template for frame cuts, trim filler plate, mounting tabs and shims, as well as tamper-resistant screws with a security driver bit

This page intentionally left blank.

Allegion, the Allegion logo, Von Duprin and the Von Duprin logo are trademarks of Allegion plc, its subsidiaries and/or affiliates in the United States and other countries. All other trademarks are the property of their respective owners.

## About Allegion

Allegion (NYSE: ALLE) is a global pioneer in safety and security, with leading brands like CISA®, Interflex®, LCN®, Schlage®, SimonsVoss® and Von Duprin®. Focusing on security around the door and adjacent areas, Allegion produces a range of solutions for homes, businesses, schools and other institutions. Allegion is a \$2 billion company, with products sold in almost 130 countries. For more, visit [www.allegion.com](http://www.allegion.com).

KRYPTONITE ■ LCN ■  ■ STEELCRAFT ■ VON DUPRIN

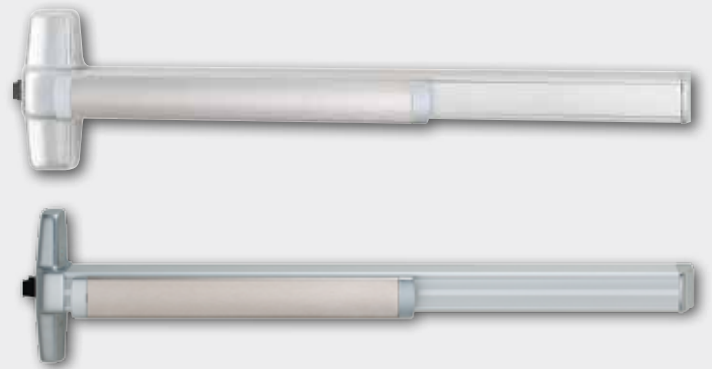


© 2017 Allegion  
009011, Rev. 08/17  
[www.allegion.com/us](http://www.allegion.com/us)

VON DUPRIN®

EL

Electric latch retraction



## Overview

The Electric Latch (EL) feature provides remote latch retraction ability to exit devices. A control station operator can flip a switch to retract the latch bolt and immediately change an exit door to push-pull operation. A powerful, continuous solenoid retracts the latch bolt, either for momentary unlatching, or for extended periods of time. The EL feature is an alternative to manual dogging. This feature is available for 98/99 and 33A/35A Series rim, mortise and vertical rod exit devices. There are three dogging options available with the EL feature:

- **EL** - electric latch retraction with no manual dogging
- **HD-EL** - electric latch retraction with manual hex key dogging
- **SD-EL** - electric latch retraction with special center case cylinder dogging (Note: this option is not available on some exit devices. Please refer to price book.)

EL devices are also useful with automatic door operators, and may be applied to fire-rated devices when under the control of an automatic fire alarm system.

## Features and benefits

- UL approved for Class II circuit applications
- UL listed FVSR SA163 panic hardware and/or GXHX R450(N) fire exit hardware (consult device catalog for fire rated models)
- Retro-fit kits available to add the EL feature to non-EL devices
- Integrates with reader, strike and software to complete any access control system

## EL electrical specifications

Solenoid	Continuous duty 24VDC
Inrush	16 Amps
Holding	.3 Amp

## Wire length and gauge

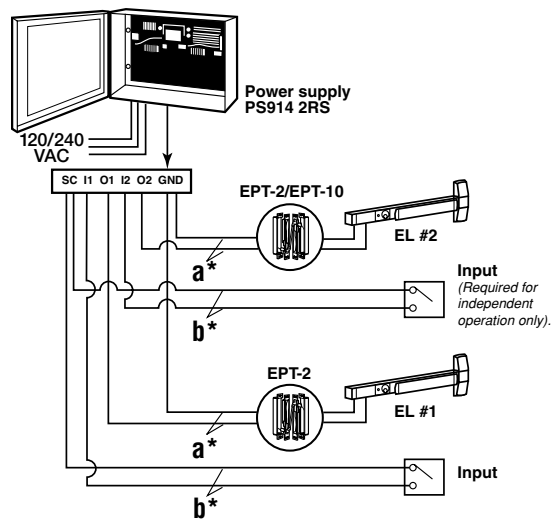
	Wire length (feet) <sup>1</sup>	Wire gauge (AWG)
EL 98/99	0-500	12
EL 33A/35A	0-300	14
	0-200	16
	0-100	16
<b>a*</b> All other EL 98/99 and EL 33A/35A device types	0-250	12
	0-150	14
	0-100	16
<b>b*</b> Control switch	0-1200	18

<sup>1</sup> Wire lengths include an EPT, door loop, electric hinge or pivot and are measure one way between the PS914/option board and the device.

<sup>2</sup> Table is applicable to devices that have shipped after August 2012.

## To order, specify

- Standard - Use prefix EL, example EL99L or EL33AL
- Hex key dogging - Use prefix HD-EL, example HD-EL99L or HD-EL33AL
- Special center case dogging (98/99 only) - Use prefix SD-EL, example SD-EL99L, handing is required for Special Dogging devices, specify RHR or LHR



Allegion, the Allegion logo, Schlage, Von Duprin and the Von Duprin logo are trademarks of Allegion plc, its subsidiaries and/or affiliates in the United States and other countries. All other trademarks are the property of their respective owners.

## About Allegion

Allegion (NYSE: ALLE) creates peace of mind by pioneering safety and security. As a \$2 billion provider of security solutions for homes and businesses, Allegion employs more than 7,800 people and sells products in more than 120 countries across the world. Allegion comprises 23 global brands, including strategic brands CISA®, Interflex®, LCN®, Schlage® and Von Duprin®. For more, visit [www.allegion.com](http://www.allegion.com).

aptiQ ■ LCN ■ SCHLAGE ■ STEELCRAFT ■ VON DUPRIN



© 2014 Allegion  
010105, Rev. 03/14  
[www.allegion.com/us](http://www.allegion.com/us)



**VON DUPRIN®**

## Concealed vertical cable system

Concealed vertical cable system for  
33/3549A and 98/9949 devices

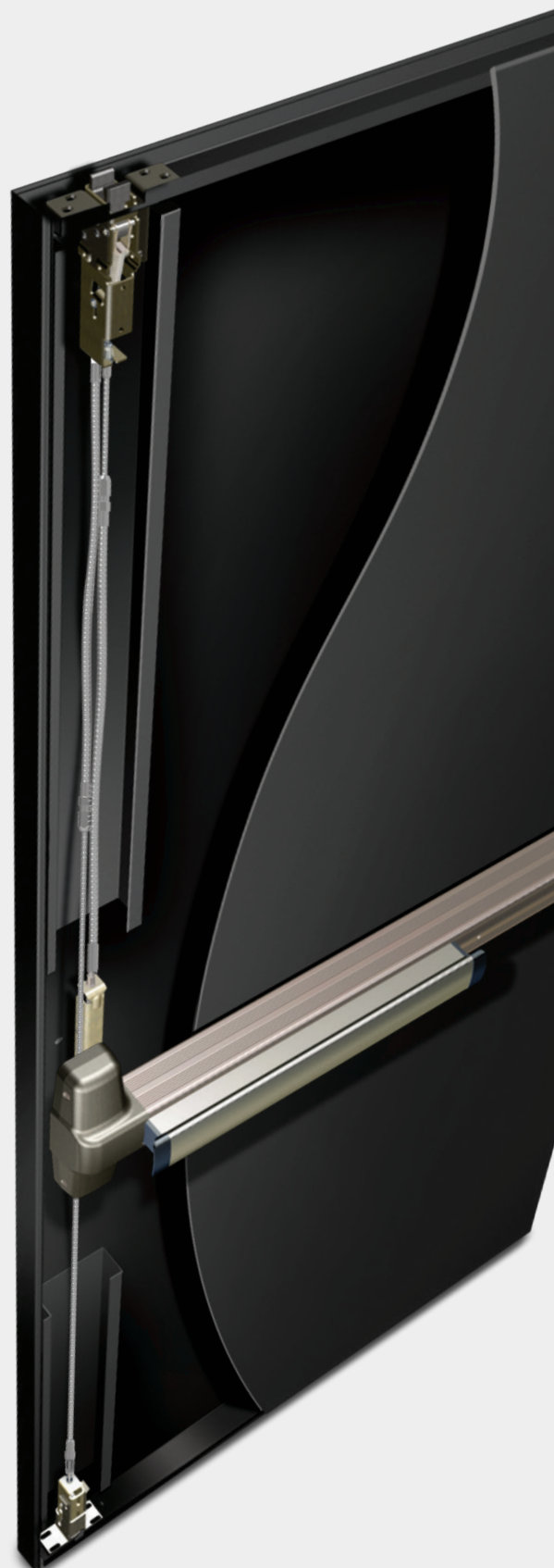
### Overview

This revolutionary patent pending concealed vertical cable (CVC) system uses proven cable technology in a whole new way. Giving doors that require a vertical exit device the same strength and security in a system that's easy to install and maintain. Concealed in the door, the cables and components are protected from use and abuse and provide improved aesthetics.

Building settling and door sagging are problematic with openings and can be challenging to resolve with traditional concealed rod solutions. With our cable solution, should the building settle and cause the door to sag, the bottom latch height can be raised or lowered by one person without removing the door from the frame.

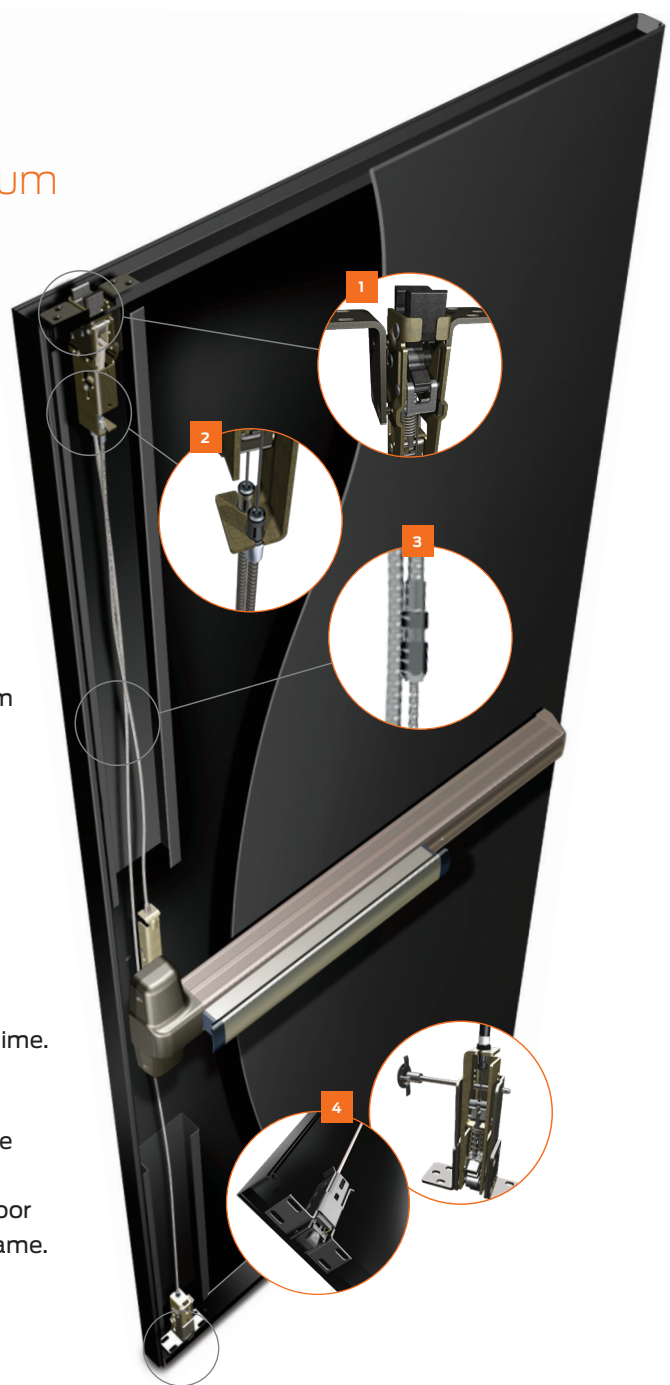
If a simple repair or modification is required, the cable system and latches can be removed and reinstalled by one person without removing the door from the frame.

Designed for use with Von Duprin 98/99 and 33A/35A Series exit devices.



Our field sizeable concealed cables, install in minutes and give you maximum security with minimal maintenance.

- 1 System provides enhanced security.**
  - Available multi-point latching solution with “U” shaped top latchbolt and bottom bolt provides greater security and deadlocking.
  - Cable flexibility allows system to maintain positive latching in less than ideal conditions - door to frame alignment, door usage or HVAC stack pressure.
- 2 Adaptable cable system eliminates the challenges of traditional rods.**
  - Flexible, stainless steel, enclosed cable system installs as one assembly allowing the installer to test the system functionality before installing in door.
  - Cable flex allows for the device to function properly even if the latches and device center line are not aligned vertically.
- 3 Field sizeable, stainless steel cables with Teflon® liner prevent corrosion and increase system strength.**
  - Newly designed cable system allows cables to be sized while at the door. Minimizes sizing errors and provides peace of mind knowing you have the right cable, every time.
- 4 Simplified maintenance.**
  - Bottom latch height is easily adjustable through the side of the door without removing the door from the frame.
  - Entire system can be installed and removed from the door with one person without removing the door from the frame.



A solution that meet's everyone's needs

**Available options:** All current 98/99 and 33/35A mechanical, electrical and trim options (Exception TL and TL-BE).

**Replacement parts available:** Inner cable available as replacement part.

**Available configurations:** Standard full-length cable assembly or available less bottom latch (LBL).

**Integrated Steelcraft solution:** Cable system can be ordered pre-installed direct from Steelcraft.

**Compliance:** NFPA 101, NFPA 5000, NFPA 80, IBC, NBCC, FBC, ADA, NEC Class 2.

**Mechanical certifications:** UL305, CAN/ULC-S132, UL 10C, BHMA A156.03.

**Electrical certifications:** UL294 Delayed Egress, BHMA A156.24, CSFM Delayed Egress.

## About Allegion

Allegion (NYSE: ALLE) creates peace of mind by pioneering safety and security. As a \$2 billion provider of security solutions for homes and businesses, Allegion employs more than 8,000 people and sells products in more than 120 countries across the world. Allegion comprises more than 25 global brands, including strategic brands CISA®, Interflex®, LCN®, Schlage® and Von Duprin®. For more, visit [www.allegion.com](http://www.allegion.com).

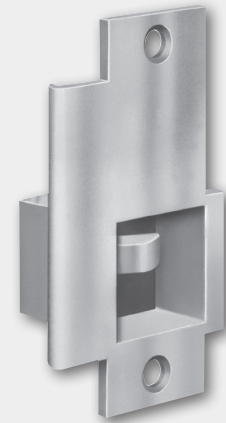
aptiQ ■ LCN ■ SCHLAGE ■ STEELCRAFT ■ VON DUPRIN



© 2017 Allegion  
005547, Rev. 01/17  
[www.allegion.com/us](http://www.allegion.com/us)

VON DUPRIN®

## Monitor strikes



### Overview

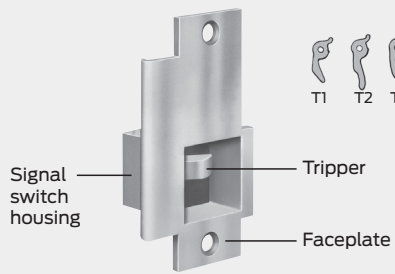
Monitor strikes are designed to offer remote door monitoring through the use of a signal switch mounted in the strike to monitor the latch bolt. This series of monitor strikes is designed for use with Von Duprin and most other manufacturers' rim, mortise, surface and concealed vertical rod exit devices and cylindrical, mortise and unit type locks.

The monitor strike replaces the standard door strike. The tripper in the monitor strike is depressed when the latch bolt is fully inserted in the strike. The stainless steel tripper activates an electric switch.

### Features and benefits

- UL listed as "miscellaneous door accessory"

## Monitor strike overview



Note: Tripper selection is based on the throw and shape of the latch bolt.

### Monitor strike electrical rating

SPDT switch (single pole double throw) 24VDC @ 2 Amps (resistive)



### Model specifications

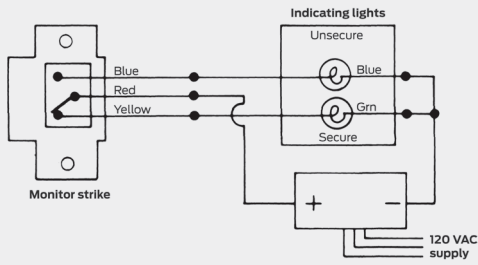
Model #	4263	4268-T1	4582
Lockset	Rim or surface vertical rod exit devices	Rim fire exit devices	Mortise or cylindrical locks
# Doors	Single or pair	Single or pair	Single or pair
Compatibility (with tripper type)	Von Duprin 22, T3 2227, T1 33A/35A, T3 3327A/3527A, T3 44, T1 55, T1 88, T1 8827, T1 98/99, T3 9827/9927, T1  Monarch Rim, T3 ( $\frac{3}{49}$ " [19mm] throw)  Yale® 1500, T1 ( $\frac{5}{89}$ " [16mm] throw)	Von Duprin 22/22-F 33A/35A 88/88-F 98/99 98-F/99-F	Schlage $\frac{3}{4}$ " (19mm) Cyl., T2 L90, T2  Falcon $\frac{5}{8}$ " (16mm) ML (LR), T2  Arrow™ $\frac{5}{8}$ " (16mm) ML (LR), T1  Corbin Ruswin® $\frac{5}{8}$ " (16mm) ML (LR) 5999 ML (LR), T2  Yale® $\frac{5}{8}$ " (16mm) ML (LR), T2
Certifications		UL list (GXHX R4504) fire exit hardware	UL List (GXHX R4504) fire exit hardware
Application notes	1	2	3

#### Application notes:

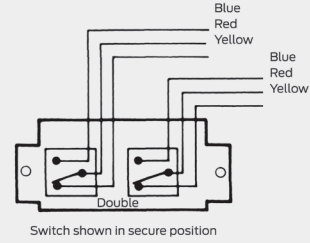
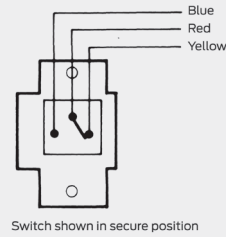
1. The 4263 is non-handed and features horizontal adjustment to compensate for misalignment of door and frame. 4263 may be used with a mullion. Tripper selection (-T1 or -T3) is based upon the lock to be used with.
2. The 4268 features horizontal adjustment to compensate for misalignment of door and frame. 4268-T1 is not for use with mullions.
3. For use on single or pair of doors with ANSI 115.3 frame cutout (frame modification required.) Tripper selection (-T1 or -T2) is based upon the lock to be used.



# Basic monitor strike circuit



Power supply same voltage as lamps with sufficient current capabilities



## Model specifications

Model #	4570-T1	4670-T1	4690-T2	4690-1-T2
Lockset	Cylindrical locks	Cylindrical locks	Concealed vertical rod exit devices	Concealed vertical rod exit devices
# Doors	Single or pair	Single or pair	Wide stile pair of doors	Narrow stile pair of doors
Compatibility (with tripper type)	Schlage 1/29" (13mm) Cyl. 5/89" (14mm) Cyl. Falcon 1/29" (13mm) Cyl. 9/169" (14mm) Cyl. Adams Rite® 4510 8400 Arrow™ 1/29" (13mm) Cyl. Best® 9/169" (14mm) Cyl. Corbin Russwin® 5/89" (16mm) Cyl. Dexter® 7/169" (11mm) Cyl. Kwikset® 1/29" (13mm) Cyl. Precision™ 1040 Automatic Flush Bolt <sup>1</sup> Sargent® 1/29" (13mm) Cyl. Yale® 1/29" (13mm) Cyl.	Schlage 1/29" (13mm) Cyl. 5/89" (14mm) Cyl. Falcon 1/29" (13mm) Cyl. 9/169" (14mm) Cyl. Adams Rite® 4510 8400 Arrow™ 1/29" (13mm) Cyl. Best® 9/169" (14mm) Cyl. Corbin Russwin® 5/89" (16mm) Cyl. Dexter® 7/169" (11mm) Cyl. Kwikset® 1/29" (13mm) Cyl. Precision™ 1040 Automatic Flush Bolt <sup>1</sup> Sargent® 1/29" (13mm) Cyl. Yale® 1/29" (13mm) Cyl.	Von Duprin 3347A-F 3347A 9947 9947F	Von Duprin 3347A
Certifications			UL list (GXHX R4504) fire exit hardware	
Application notes	1	2	3	4

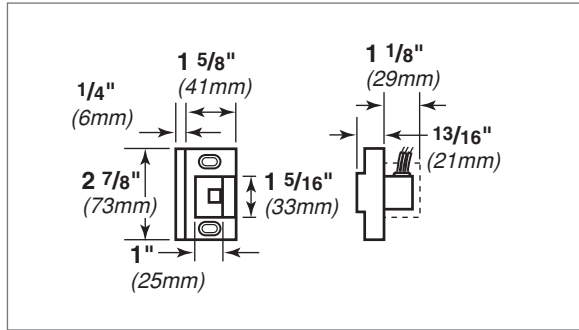
<sup>1</sup> Special template required

### Application notes:

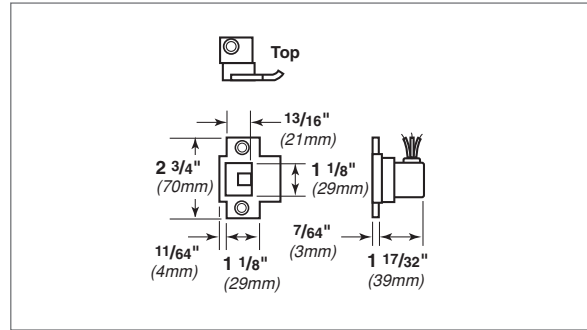
- For use on single or pair of doors with ANSI 115.2 frame cutout (frame modification required.) 4570-T1 is only used with T1.
- For use on single or double doors with ANSI 115.3 fame cutout (frame modification required.) 4670-T1 is only used with T1.
- For use with pair of doors where one leaf has concealed vertical rods. 4690-T2 is only used with T2.
- For use with pair of doors where both leaves have concealed vertical rods. 4690-1-T2 is only used with T2.

# Dimensions

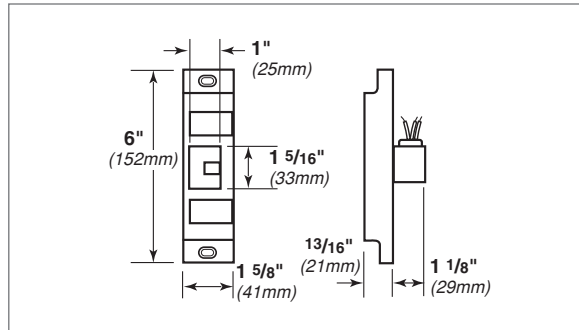
4263



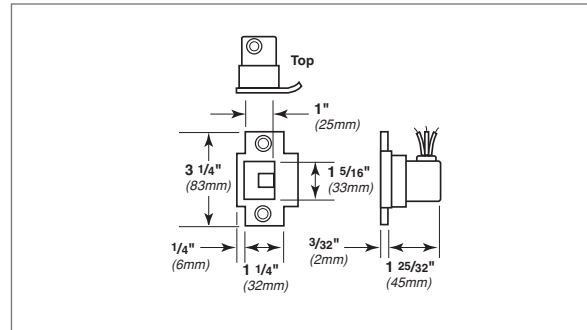
4670-T1



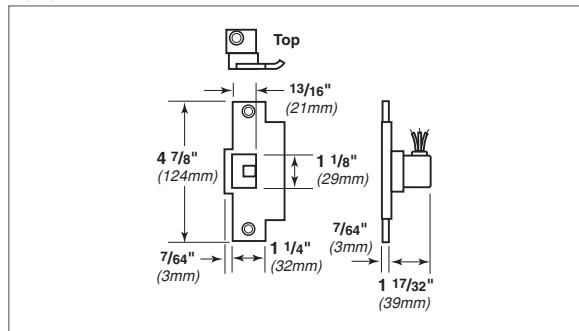
4268-T1



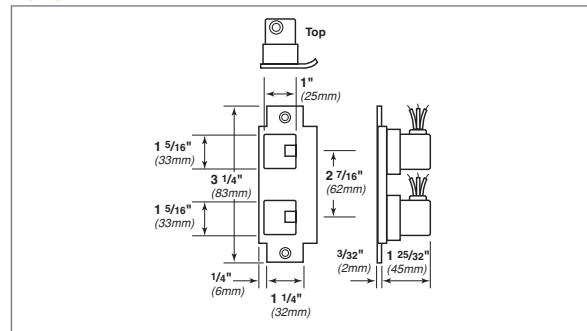
4690-T2



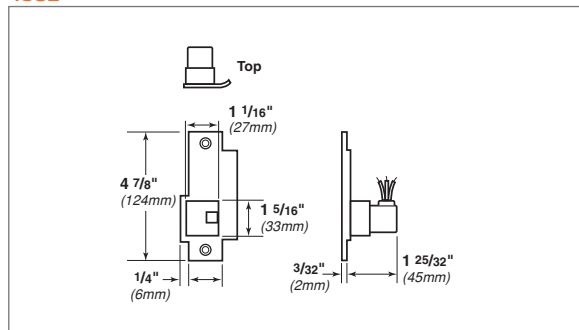
4570-T1



4690-1-T2



4582



## To order, specify

- Model
- Tripper T1, T2 or T3
- Handing required on model 4582
- Specify LHR or RHR
- Finish: US3, US4, US10, US10B, US26, US26D

Allegion, the Allegion logo, Von Duprin and the Von Duprin logo are trademarks of Allegion plc, its subsidiaries and/or affiliates in the United States and other countries. All other trademarks are the property of their respective owners.

## About Allegion

Allegion (NYSE: ALLE) is a global pioneer in safety and security, with leading brands like CISA®, Interflex®, LCN®, Schlage®, SimonsVoss® and Von Duprin®. Focusing on security around the door and adjacent areas, Allegion produces a range of solutions for homes, businesses, schools and other institutions. Allegion is a \$2 billion company, with products sold in almost 130 countries. For more, visit [www.allegion.com](http://www.allegion.com).

KRYPTONITE ■ LCN ■ SCHLAGE ■ STEELCRAFT ■ VON DUPRIN



© 2017 Allegion  
010118, Rev.08/17  
[www.allegion.com/us](http://www.allegion.com/us)

VON DUPRIN®

ALK

Alarm kit



## Overview

The ALK battery alarm kit is a simple yet effective way to deter unauthorized use of an opening. While the exit device is still a means of egress, the ALK kit contains an internal horn. When the touch bar is depressed, the horn sounds to provide an audible means of signaling that the opening has been violated. The alarm kit can be armed or disarmed by key. The horn is rated at 85 decibel.

The key switch uses a standard 1 1/4" (32mm) mortise cylinder with a straight cam (Schlage 20-001, B502-191 cam). The unit operates on one standard 9-volt alkaline battery.

Alarm kits are available with a choice of two switch kits, RX or LX. RX monitors the touchpad and is furnished standard. LX optional latch bolt monitoring is recommended for use with surface vertical rod exit devices or when alarm needs to sound from both the exit device and trim side of the door. Specify ALK-LX.

The ALK is available in two styles, 33A/99ALK, grooved cover and 35A/98ALK, smooth cover.

## Features and benefits

- 24VDC Input and External Inhibit standard
- External Inhibit provides remote arming and disarming
- Automatically re-arms with 1 1/2, 3 or 4 1/2 minute time delay upon request
- Horn emits intermittent low battery alert signal
- Includes 6" x 20" decal for application on door "EMERGENCY EXIT ONLY. ALARM WILL SOUND."

## 98/99 Series

### Minimum door openings

Device	3' (914mm) Length	4' (1219mm) Length
98/98-F/99/99-F	2' 10" (864mm)	3' 4" (1016mm)
9875/9875-F/9975/9975-F	2' 10" (864mm)	3' 4" (1016mm)
9827/9827-F/9927/9927-F	2' 10" (864mm)	3' 4" (1016mm)
9857/9857-F/9957/9957-F	2' 10" (864mm)	3' 4" (1016mm)
9847/9847-F/9947/9947-F	2' 9" (864mm)	3' 3" (991mm)
9848/9848-F/9948/9948-F	2' 9" (864mm)	3' 3" (991mm)
9849/9849-F/9949/9949-F	2' 9" (864mm)	3' 3" (991mm)
9849/9849-F/9949/9949-F	2' 9" (864mm)	3' 3" (991mm)

#### To order, specify:

- Standard - 98 ALK or 99 ALK
- Cylinder dogging - CD98 ALK or CD99 ALK
- Special center case dogging - SD98 ALK or SD99 ALK
- Auto reset - AR 1 ½, 3 or 4 ½

## 33A/35A Series

### Minimum door openings

Device	3' (914mm) Length	4' (1219mm) Length
33A/35A	2' 9" (838mm)	3' 3" (991mm)
3327A/3527A	2' 8" (813mm)	3' 2" (966mm)
3347A/3347A-F 3547A/3547A-F	2' 8" (813mm)	3' 2" (966mm)
3348A/3348A-F 3548A/3548A-F	2' 8" (813mm)	3' 2" (966mm)

#### To order, specify:

- Standard - 33A ALK or 35A ALK
- Cylinder dogging - CD33A ALK or CD35A ALK<sup>1</sup>
- Auto reset - ALK-AR3

- 1 When the ALK is used, standard dogging is removed. If cylinder dogging is required for 3' or 4' doors the ALK can be moved to the hinge side of the device and standard cylinder dogging can be added.

Allegion, the Allegion logo, Schlage, Von Duprin and the Von Duprin logo are trademarks of Allegion plc, its subsidiaries and/or affiliates in the United States and other countries. All other trademarks are the property of their respective owners.

## About Allegion

Allegion (NYSE: ALLE) creates peace of mind by pioneering safety and security. As a \$2 billion provider of security solutions for homes and businesses, Allegion employs more than 7,800 people and sells products in more than 120 countries across the world. Allegion comprises 23 global brands, including strategic brands CISA®, Interflex®, LCN®, Schlage® and Von Duprin®. For more, visit [www.allegion.com](http://www.allegion.com).

aptiQ ■ LCN ■  ■ STEELCRAFT ■ VON DUPRIN



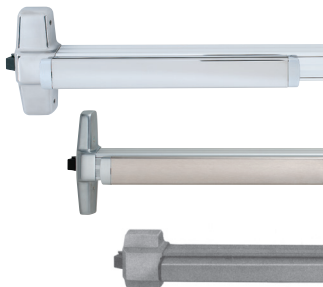
© 2014 Allegion  
010101, Rev. 03/14  
[www.allegion.com/us](http://www.allegion.com/us)

## The first UL certified exit device to meet the new California Building Code Operating Force requirement

VON DUPRIN

### AX exit devices

Featuring the 98/99, 33/35A and 22 Series devices



## Changes to California Building Code effective January 1, 2014



There were many changes to the new California Building Code that took effect January 1st, 2014. One change impacting operable door hardware, including panic hardware, was the new requirement in chapter 11B for hardware to operate with a maximum of 5 pounds of force operation. "Operable parts shall be operable with one hand and shall not require tight grasping, pinching, or twisting of the wrist. The force required to activate operable parts shall be 5 pounds (22.2N) maximum"<sup>1</sup>.

### Von Duprin has the solution certified by UL to "Meet California Building Code (2013) Sec. 11B-309.4"

In order to ensure compliance, Von Duprin and UL tested the products both before and after cycling. **The testing was administered as follows:**

1. Unloaded operating forces must be below 5 lbs. before cycling.
2. Cycle device to 100,000 cycles.
3. Unloaded operating forces must be below 5 lbs. after cycling.
4. Loaded operating forces must be below 50 lbf. with a 250 lb. load on the door after cycle (Safety).

# Von Duprin AX offering

Series	Device Type	Functions
<b>98/99</b> Fire & panic	AX98/99 AXXP98/99 AX98/9927 LBR AX98/9949 LBL AX98/9950WDC-LBL	Exit only / Dummy trim Night latch / Night latch - Optional Pull Lever / Lever-Blank Escutcheon Lever-Rigid-Dummy trim Lever-Rigid-Night latch
<b>94/95</b> Fire & panic	94/9547	Exit only / Dummy trim Night latch / Lever / Lever-Blank Escutcheon / Lever-Rigid-Dummy trim Lever-Rigid-Night latch
<b>33/35A</b> Fire & panic	AX33/35A AX33/3549A LBL AX33/3349A-F LBL AX33/3549A-F LBL-AFL	Exit only / Dummy trim Night latch / Night latch - Optional Pull Lever / Lever-Blank Escutcheon Lever-Rigid-Dummy trim
<b>22</b> Fire & panic	AX22 AX2227-LBR	Exit only / Dummy trim Night latch / Night latch - Optional Pull Lever / Lever-Blank Escutcheon

## How to identify the Von Duprin AX device

1. Look for the "AX" Prefix in the door schedule and/or specification.
2. In the field, look for the California Compliance note on the UL Label and the AX Device Label. Both labels can be found on the center case cover of the exit device as shown below.



Learn more: [ax.allegion.com](http://ax.allegion.com)

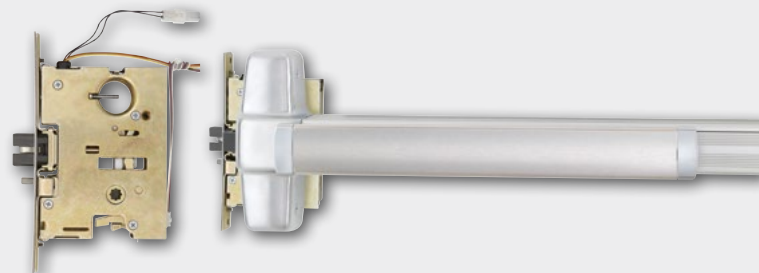
© 2017 Allegion  
010332, Rev. 1/17  
[www.allegion.com/us](http://www.allegion.com/us)



VON DUPRIN®

E7500

Electric mortise lock



## Overview

E7500 electric mortise lock has all the versatility and advantages of the standard mortise lock device, plus the advantage of being electrically controlled by a remote switching device, an access control system or an automatic fire alarm system. The E7500 is available for use with the 98/99 Series devices.

The E7500 controls the locking of the outside trim. When unlocked, the door remains latched, preserving the fire rating of the door and making it particularly useful where codes permit locking, but require unlocking during a fire emergency.

The E7500 locks and unlocks electrically and cannot be locked or unlocked mechanically. The outside trim cylinder retracts the latch bolt for mechanical override, night latch function. An SPDT signal monitors the outside trim condition (locked or unlocked) and a second SPDT signal switch to monitor the latch bolt.

## Features and benefits

- UL listed FVSR SA163 panic hardware and/or GXHX R4504(N) fire exit hardware
- Field reversible handing
- 24VDC continuous duty solenoid
- Tamper resistant
- Corrosion resistant
- Internal solenoid
- Fail Safe or Fail Secure optional<sup>1</sup>

<sup>1</sup> Some fire codes will require "Fail Safe" (FS) operation for stairwell doors. Be sure to specify the correct operation for you application

---

## E7500 electrical specifications

---

	12VDC	24VDC
Solenoid	.60 Amp	.30 Amp
Switches	Up to 2.0 Amps @ 24VDC maximum	

---

### Minimum requirements

- PS902
- EPT-10

### To order, specify

- Use prefix "E", example E9975
- FS or FSE
- Voltage and current

Allegion, the Allegion logo, Von Duprin and the Von Duprin logo are trademarks of Allegion plc, its subsidiaries and/or affiliates in the United States and other countries. All other trademarks are the property of their respective owners.

## About Allegion

Allegion (NYSE: ALLE) creates peace of mind by pioneering safety and security. As a \$2 billion provider of security solutions for homes and businesses, Allegion employs more than 7,800 people and sells products in more than 120 countries across the world. Allegion comprises 23 global brands, including strategic brands CISA®, Interflex®, LCN®, Schlage® and Von Duprin®. For more, visit [www.allegion.com](http://www.allegion.com).

*aptiQ* ■ LCN ■  ■ STEELCRAFT ■ VON DUPRIN



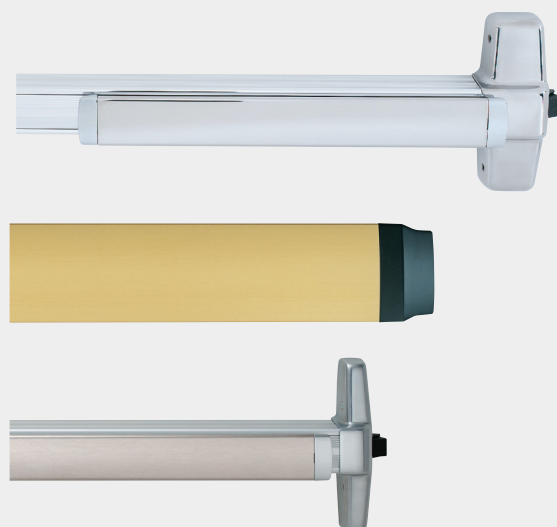
© 2014 Allegion  
010104, Rev. 02/14  
[www.allegion.com/us](http://www.allegion.com/us)



**VON DUPRIN®**

## Quiet Electric Latch Retraction-QEL

Featuring 98/99, 94/95  
and 33A/35A series  
exit devices



### Overview

Quiet electric latch retraction (QEL) provides electronic control of an exit device for environments where limited operational noise is desired. The QEL option is Von Duprin's solution of choice for hospitals, libraries, museums and theaters where ambient noise can be disruptive. It is available on all Von Duprin 98/99, 94/95 and 33A/35A series exit devices.

These devices always provide mechanical egress. The electrified latch retraction can also be activated by an access system or building automation system to unlatch the exit device momentarily. Often the QEL is used with a credential reader and access control system to unlock the door momentarily for authorized users.

The QEL can also be configured to electronically retract the latch for an extended period of time to allow free entry. This is a convenient alternative to mechanical dogging. If manual dogging is required, the hex dogging option is available, to order specify HD-QEL. Special center case dogging is also available for 98/99 rim and vertical systems, specify SD-QEL.

The QEL option is available on panic devices and fire rated devices. Fire rated openings have several additional requirements. They must be self latching and self closing. To satisfy these requirements the QEL must be paired with an automatic operator and under the control of an automatic fire alarm system when used on fire rated openings.

### Features and benefits

- QEL option available on all 98/99, 94/95 and 33A/35A series exit devices
- Energy efficient motorized latch retraction utilizes standard 2 amp power supply, enabling longer wire runs from power source
- Quiet operation in both mechanical and electronic states
- Modular design allows for a simplified installation
- On-board installation and troubleshooting diagnostics built into device
- Auto adjust latch retraction – automatically adjusts latch throw and pull
- Pushbar is pulled in electronically for quieter operation when dogged
- Vandal resistant – detects and responds to events of attack and tampering

## Specifications compliance

- Devices are BHMA Certified to ANSI/BHMA A156.3 (2001) Grade 1 for Exit Devices
- Devices are UL and cUL Listed as "Panic Hardware" (UL 305) and as "Fire Exit Hardware" (UL 10C)
- The QEL Conversion Kit is UL Classified under "Accessories for Single-Point Locks and Latches and Fire Exit Hardware" (UL 10C)

## Electronic specifications

### QEL electrical load

Voltage	24 VDC
Current	1.0 A Inrush (0.5 sec) 0.14 A Holding

### QEL wire run lengths

Distance (one way)	Wire gauge
200'	18 AWG
320'	16 AWG
500'	14 AWG
800'	12 AWG

## Accessories

The QEL has a low inrush current = 1.0 amps, so it can be used with standard Schlage power supplies. When powering multiple components, verify that the amperage requirements of all components combined does not exceed the power supply output rating, see table below for output ratings.

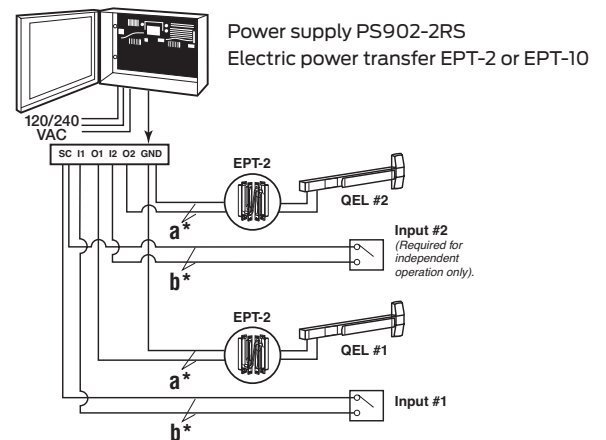
Schlage PS902	Schlage PS904	Schlage PS906
up to 2 amps	up to 4 amps	up to 6 amps

The QEL device is compatible with the following equipment: PS900 Series power supplies - PS902, 904, 906, 914; 900 Series Option Boards - 900-2RS, 900-4R, 900-4RL, 900-2Q; PS873 Power Supply including 871-2, 871-2Q, 873-4TD/AO Option Boards. The power transfer is also sold separately. Please refer to Von Duprin catalog for more information on EPT-2/EPT-10 power transfers and PS900 series power supplies.

## How to order

- Standard** – Use prefix QEL, example QEL99L.
- Special Center Case Dogging** – Use prefix SD-QEL, example SD-QEL99L.
- Hex Dogging** – Use prefix HD-QEL, example HD-QEL99L.

## Popular application



## About Allegion

Allegion (NYSE: ALLE) is a global pioneer in safety and security, with leading brands like CISA®, Interflex®, LCN®, Schlage®, SimonsVoss® and Von Duprin®. Focusing on security around the door and adjacent areas, Allegion produces a range of solutions for homes, businesses, schools and other institutions. Allegion is a \$2 billion company, with products sold in almost 130 countries. For more, visit [www.allegion.com](http://www.allegion.com).

KRYPTONITE ■ LCN ■  ■ STEELCRAFT ■ VON DUPRIN



© 2017 Allegion  
006586, Rev. 08/17  
[www.allegion.com/us](http://www.allegion.com/us)

VON DUPRIN®

# 33/3550AWDC 98/9950WDC Series

Two-point latch for  
wood door applications



## Overview

The Von Duprin wood door concealed (WDC) system is available on the 98/99 and 33/35A series. This solution is designed specifically for wood door applications where exit devices are required. Instead of traditional rods, concealed vertical cables are utilized. Making use of this proven technology enables quick installation and allows for easy maintenance.

This WDC system provides superior security without compromising aesthetics. The innovative latch design provides superior strike engagement and deadlocking without the need for additional hardware. In addition, the prep for concealed cables requires less material to be removed, which protects the structural integrity of the wood door. This allows the hardware to be more discrete than traditional concealed vertical rod systems that require unsightly metal wraps.

Allegion offers solutions for any opening within your facility with consistent design elements throughout. All WDC finishes and lever designs suite with the existing 98/99, 33A/35A, and 94/95 series devices; as well as with the Schlage LM9200 series, L mortise lock, and LT tubular locks. Furthermore, we maintain an unwavering commitment to quality and reliability, so you can be sure that at critical moments of life safety your device will perform.

## Key features

- Concealed vertical cables instead of rods for quick installation and adjustment
- Latches are designed for optimized door prep, retaining the structural integrity of the door
- Self-adjusting bottom bolt that deadlocks in any adjustment position providing enhanced security
- Accessible adjustment from edge of door
- Fire-rated applications without the use of metal wraps, up to 45 minutes. 90 minute rating available with use of metal wrap
- Over 30 lever designs that suite with other Von Duprin exits devices (33A/35A, 98/99, and 94/95 series) and Schlage Locks (L mortise locks, LM9200 series, and LT tubular locks).

## Product detail

- 1** Latches are designed for optimized door prep, retaining the structural integrity of the door
- 2** Concealed vertical cables instead of rods for quick installation & adjustment
- 3** Accessible adjustment from edge of door
- 4** Self-adjusting bottom bolt that deadlocks in any adjustment position providing enhanced security

## Ordering instructions

### 9850WDC Series exit device

Prefix	Device Series/Type	Trim Functions	Rating	Suffix	Finish	Door opening height	Trim Option/Finish	Lever Style
QEL	9850WDC	L	F	LBL	US26D	7'	996L/US26D	06

### Exit device specifications

Prefix	Additional mechanical and electronic options are available. See product catalogs or price book for more information. <b>CS</b> - Complete cable system	
Device Series/Type	<b>33/3550AWDC</b> Vertical cable device	<b>98/9950WDC</b> Vertical cable device
Trim Functions	See product catalogs or price book for additional functions.	
Rating	<b>F</b> - Fire rated door hardware (Note: requires fire rated wood door) <b>Blank</b> - Panic exit hardware	
Suffix	<b>LBL</b> - Less bottom latch <b>LCS</b> - Less cable system (device only)	
Finish	US3, US4, US10, US15*, US26, US26D, US28, US32D*, 313, 315, 643e (-AM - Antimicrobial available with US26D and US32D) *for 35 and 98 series devices only	
Door opening height	Specify door opening height (distance from bottom of frame header to finished floor) 6'8" - 10'0" - non fire rated doors 6'8" - 8'0" - fire rated doors	
Handing	<b>LHR</b> (Left hand reverse)	<b>RHR</b> (Right hand reverse)
Trim option / Finish	See product catalogs or price book for additional trim options and finishes.	
Lever style	Standard levers: 01, 02, 03, 05, 06, 07, 12, 16, 17, 18, ACC, AST, LAT, LON, MER, STA Decorative levers: M51, M52, M53, M54, M55, M56, M57, M61, M62, M63, M81, M82, M83, M84, M85	

## Product suiting

The Von Duprin WDC series is specifically designed to suite with the following products:



### Von Duprin 98/99 exit devices

Grade 1

Von Duprin created the first exit device in 1908, and continues to redefine the industry today with unsurpassed quality and industry-unique features such as concealed vertical cables. The 98/99 Series exit device is intended for standard-stile doors.



### Von Duprin 33A/35A exit devices

Grade 1

Offering the same innovative features as the 98/99, the 33A/35A Series is intended for narrow stile doors.



### Schlage L Series mortise locks

Grade 1

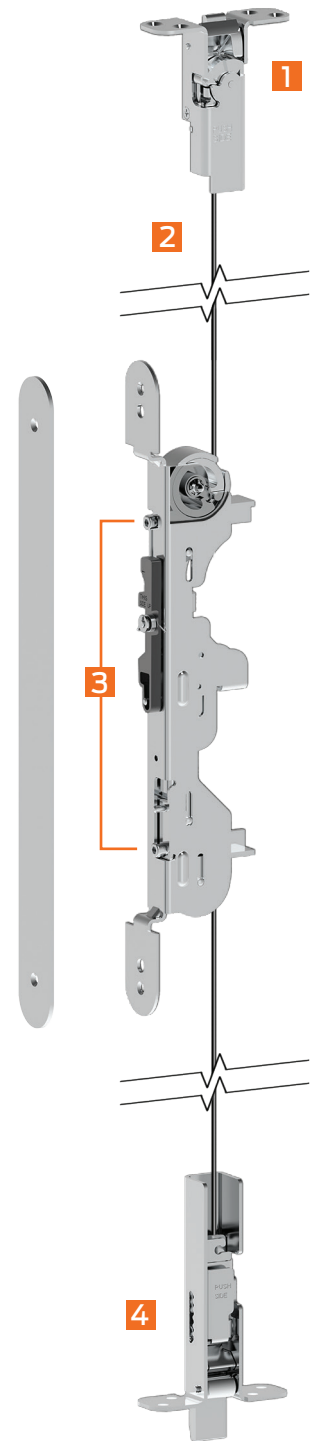
Schlage L Series locks have long been the industry standard for mortise locks, with a comprehensive offering of functions and options to support any opening need.



### Schlage LT Series tubular locks

Grade 2

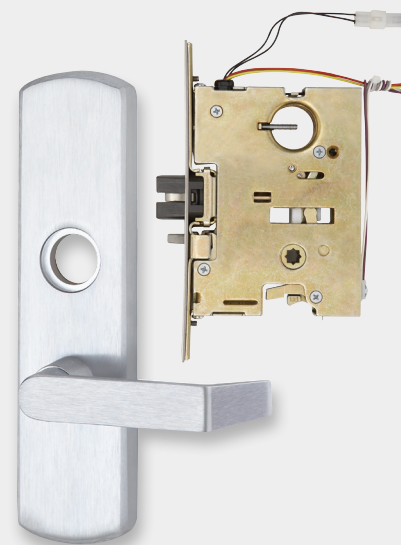
The perfect compliment to the Schlage L or LM Series and Von Duprin exit devices. The LT Series tubular lock provides a consistent look and feel at a lower price point for less demanding applications.



**VON DUPRIN®**

**E996L, E7500**

Electrified trims



## Overview

### **E996L- Electrified breakaway lever trim**

E996L Electrified Breakaway lever trim provides remote locking and unlocking capabilities while incorporating the patented Breakaway trim design.

The 24VDC solenoid can be energized from a distant controller, thus allowing access control of the opening. The control of stairwells in high-rise buildings is a common application for this trim. When electrically unlocked the unit operates as a normal lever trim. When electrically locked, the lever feels locked, but when more than 35 pounds of torque pressure is applied, the Breakaway lever feature engages.

The E996L is available in either standard in a fail safe (FS) or fail secure (FSE) condition, but can also be field converted to fail secure (FSE) where allowed. The trim can be ordered with a device, added to an existing 98/99 series device application, or a conversion kit can be added to an existing 996L Breakaway lever trim. On new construction applications, the E996L trim will require less door prep.

The E996L is available with a blank escutcheon (BE) function, or with cylinder operation for night latch (NL) function.

The E996L electrified trim replaces the current “E” electric feature on 98/99 series rim devices. Consult factory for requirements.

### **E7500- Electric mortise lock**

The electric mortise lock device has all the versatility and advantages of the standard mortise lock device, plus the advantage of being electrically controlled by a remote switching device, an access control system or an automatic fire alarm system. The device features the 7500 mortise lock. The E7500 controls the locking of the outside trim. When unlocked, the door remains latched, preserving the fire rating of the door and making it particularly useful where codes permit locking but require unlocking during a fire emergency. The outside trim cylinder retracts the latch bolt for mechanical override of night latch function. Only available with TP, K or L functions.

The E7500 lock contains a SPDT signal to monitor the outside trim condition (locked or unlocked) and a second SPDT signal switch to monitor the latch bolt.

## Features and benefits

### **E996L**

- Fail safe or fail secure, can also be converted to fail secure in the field
- Conversion kits available to add to existing 996L trim
- Available with blank escutcheon function or cylinder operation for night latch function

### **E7500**

- Field reversible handing
- 24 VDC continuous-duty solenoid
- Fail safe or fail secure optional<sup>1</sup>

<sup>1</sup> Some fire codes will require fail safe (FS) operation for stairwell doors. Be sure to specify the correct operation for your application.

## E996L specifications

Solenoid	24VDC
Solenoid draw	0.22 AMPS

### To order, specify

Note: To order, please reference Von Duprin catalog and price book

- Use "E" prefix, example E996L
- When ordering with device specify trim series with "E" prefix, example 9927L-BE 3' US26D E996L.
- Device type, R/V (rim/surface or concealed vertical rod) or M (mortise)
- Fail Safe (FS) or Fail Secure (FSE)
- RHR is furnished standard if not specified. Field reversible.
- Lever style (O6 lever is furnished standard)
- Finish: US3, US4, US10, US10B, SP313, US26, US26D, SPBLK, US15

## E7500 specifications

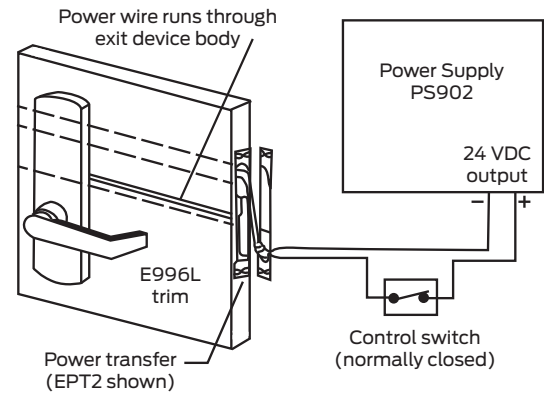
Solenoid	.60 Amps @ 12VDC .30 Amps @ 24VDC
Each switch	Up to 2.0 Amps @ 24CDC Maximum

The E option does not include the power transfer from door to frame, the power supply or the control operator. (Refer to EPT-10 and PS902 or PS914 power supply)

### To order, specify

Note: To order, please reference Von Duprin catalog and price book

- Use prefix "E," example E9975
- FS or FSE
- Voltage and current



### E996L Electrical wiring

- Power input for E996L is 24 VDC
- Two wires on the trim are non-polarized (18 AWG minimum)

### Standard features:

- Field reversible handing
- 24 VDC continuous duty solenoid

### Optional features:

- Fail safe (locked when energized, unlocked when de-energized or during power failure). Specify with suffix "FS."
- Fail secure (unlocked when energized, locked when de-energized or during power failure). Specify with suffix "FSE."
- 24 VAC (with SO option)
- 12 VDC
- 12 VAC (with SO option)

Note: Some fire codes will require "Fail Safe" (FS) operation for stairwell doors. Be sure to specify the correct operation for your application.

Allegion, the Allegion logo, Von Duprin and the Von Duprin logo are trademarks of Allegion plc, its subsidiaries and/or affiliates in the United States and other countries. All other trademarks are the property of their respective owners.

## About Allegion

Allegion (NYSE: ALLE) is a global pioneer in safety and security, with leading brands like CISA®, Interflex®, LCN®, Schlage®, SimonsVoss® and Von Duprin®. Focusing on security around the door and adjacent areas, Allegion produces a range of solutions for homes, businesses, schools and other institutions. Allegion is a \$2 billion company, with products sold in almost 130 countries. For more, visit [www.allegion.com](http://www.allegion.com).

KRYPTONITE ■ LCN ■  ■ STEELCRAFT ■ VON DUPRIN



© 2017 Allegion  
010103, Rev. 09/17  
[www.allegion.com/us](http://www.allegion.com/us)

VON DUPRIN®

## GUARD-X

Exit alarm lock



### Overview

GUARD-X provides secure, alarmed code-compliant protection for secondary exits. GUARD-X exit alarm lock readily identifies the door on which it is mounted as an emergency exit and secures the opening against unauthorized use. It is ideal for deterring theft in restaurants and retail establishment such as: discount stores, grocery stores, drug stores, clothing stores and sporting goods stores.

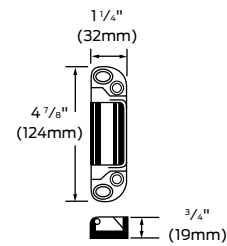
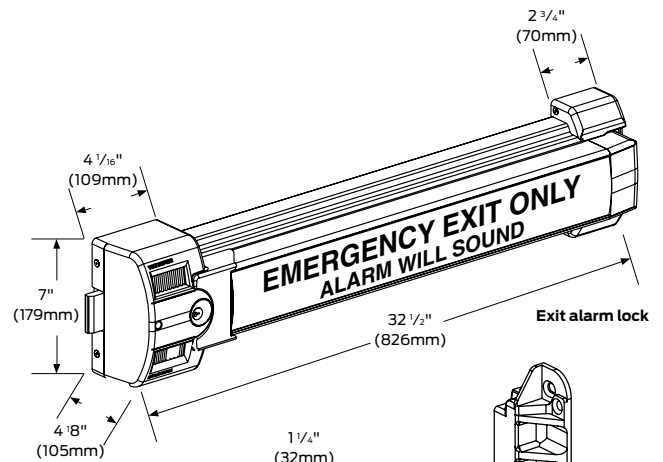
### Features and benefits

- UL listed for panic exit hardware (UL305)
- Tested in accordance to ANSI A156.3 Grade 1 panic hardware (250,000 cycles)
- Quick installation with an easy-to-use adhesive back template
- Non-handed design allows installer to mount for either hand by just removing and reversing the "Emergency Exit - Alarm Will Sound" sign built into the device
- Three finishes available: SP28, 313, 315
- Heavy duty construction with stainless steel deadbolt with cast aluminum latch case
- Only authorized person with a key can re-latch or reset the alarm after unauthorized exit
- 100-decibel alarm
- Armed and disarmed by key
- Alarm is powered by standard 9V battery or hardwired using optional PT790 power supply

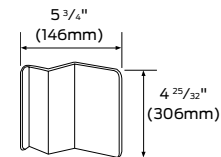
## Dimensions - outside trim

Touchbar height to finished floor	40" (1016mm) at center
Door width range	36" to 48" (914mm to 1219mm)
Touchbar projection	
Neutral	4 1/8" (103mm)
Depressed	2 3/4" (70mm)
Latch case housing	7" X 4 1/16" X 4 1/8" (179mm X 103mm X 105mm)
Device length	32 1/2" (826mm)
Minimum stile requirement	
Single door	5 7/8"
Double door	6 1/4"

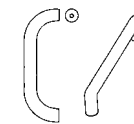
Note: Von Duprin trim does not thru-bolt to the Guard-X Ives door pulls 8102-6 and 8105-6 offer dimension that align and thru-bolt to the Guard-X exit lock - order separately from Ives.



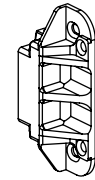
**267\***  
Roller strike



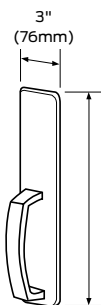
**2100T**  
1 3/32" (50mm) protection



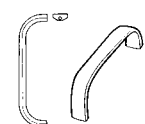
Ives 8102-6



**2609**  
Double door strike



**2300T**  
2" (51mm) protection



Ives 8105-6

### To order, specify

- **Model number 2670**- Includes strike, screw pack and battery.
- **Finish** - US28, 313AN or 315AN
- **French or Spanish sign, when required** - English with Braille is standard.

### Accessories

- **Sex nuts and bolts (6 #325)**- when required.
- **PT790 9-volts external power supply** - when required.
- **210DT X 050140 or 230DT X 050140** - when required.
- **3216 rim cylinder** - when required.

Allegion, the Allegion logo, Von Duprin and the Von Duprin logo are trademarks of Allegion plc, its subsidiaries and/or affiliates in the United States and other countries. All other trademarks are the property of their respective owners.

## About Allegion

Allegion (NYSE: ALLE) creates peace of mind by pioneering safety and security. As a \$2 billion provider of security solutions for homes and businesses, Allegion employs more than 7,800 people and sells products in more than 120 countries across the world. Allegion comprises 23 global brands, including strategic brands CISA®, Interflex®, LCN®, Schlage® and Von Duprin®. For more, visit [www.allegion.com](http://www.allegion.com).

aptiQ ■ LCN ■ SCHLAGE ■ STEELCRAFT ■ VON DUPRIN



ALLEGION™

© 2014 Allegion  
010107, Rev. 03/14  
[www.allegion.com/us](http://www.allegion.com/us)



VON DUPRIN®

## 4200 Series

Electric strike for cylindrical locks and deadlatches



### Overview

4200 Series is designed to offer versatility in two commercial-duty electric door strike models. They are a great choice for applications where interior traffic control is the primary function. And with their solid construction and heavy-duty stainless steel faceplate, they meet ANSI/BHMA Grade 1 for endurance and dynamic strength.

Designed for compatibility with a wide range of cylindrical devices, they are able to address a broad range of needs. You'll find 4200 Series strikes work with all Schlage and Falcon cylindrical locks as well as those of many other manufacturers.

These reliable strikes are easy to order, configure and install. Field selectable options include changing fail safe and fail secure modes without disassembly. They also feature a 12/24 dual-voltage solenoid for field wiring of either input voltage. Factory orderable options include an entry buzzer and rectifier kits to provide even greater flexibility and available parts include square or round cornered ANSI faceplates.

### Features and benefits

- Designed for cylindrical applications
- Capable of four in-field configurations
- Shallow 1-3/8" backbox depth
- Field selectable 12/24 VDC voltage
- Non-handed, internal solenoid design
- Low current draw for PoE installations
- Field selectable power failure mode (fail-safe/fail-secure) without disassembly
- Heavy-duty stainless steel faceplate
- Latchbolt monitoring available (4212 model)
- Options include entry buzzer and rectifier kits
- Suitable for interior and exterior doors
- Meets ANSI/BHMA A156.31, Grade 1 for endurance and dynamic strength
- Meets ANSI/BHMA A156.31, Grade 2, 1000 lbs static strength
- Dynamic strength 70 ft-lbs
- Endurance 500,000 cycles

## Lockset compatibility

The 4200 series is compatible with all Schlage and Falcon cylindrical locks as well as cylindrical and deadlatch locks of many other manufacturers.

- The 4211 is compatible with locksets with  $\frac{5}{8}$ " (15 mm) throw latchbolts, or up to  $\frac{3}{4}$ " (19mm) throw latchbolts with a  $\frac{1}{8}$ " door gap.
- The 4212 is compatible with locksets with  $\frac{1}{2}$ " (12.7mm) throw latchbolts, or up to  $\frac{5}{8}$ " (15 mm) throw latchbolts with a  $\frac{1}{8}$ " door gap.

## 4200 Series power requirements

Model	Voltage	Current	Duty	Amps	Ohms
4211 or 4212	12V	DC	Continuous	0.20	
4211 or 4212	24V	DC	Continuous	0.10	

### 4212 Latchbolt monitor switch rating: 30VDC at 0.20 A

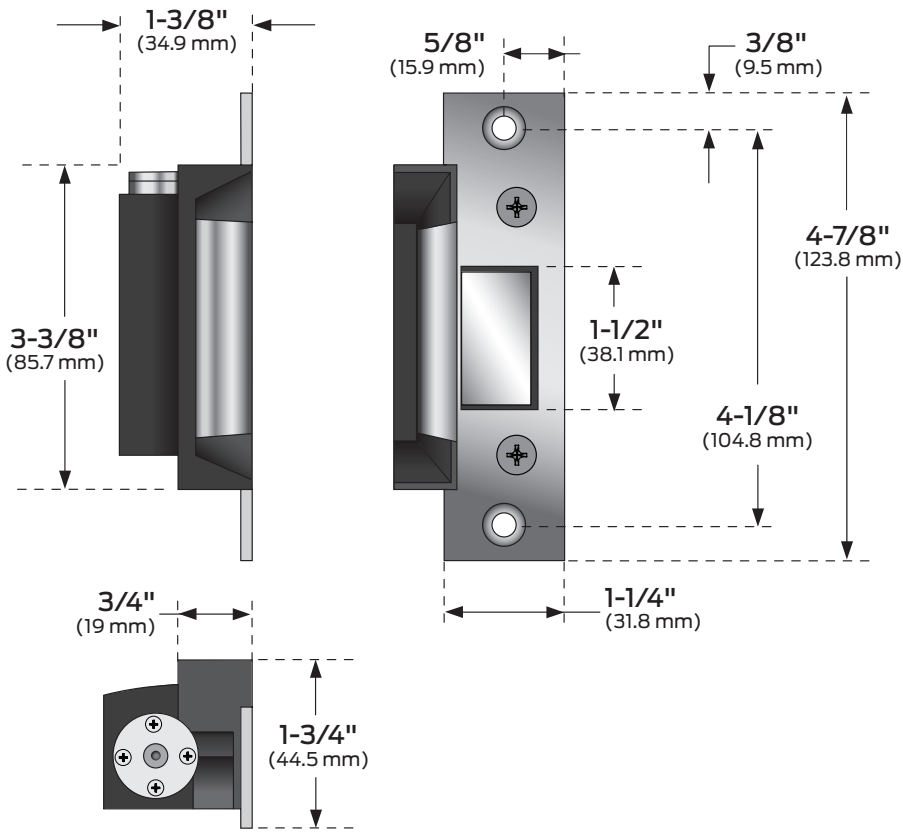
The 4200 series requires a DC regulated power supply, and the Schlage P5900 series power supplies are recommended.

Continuous duty = Energized 1 minute or more

## Model specifications

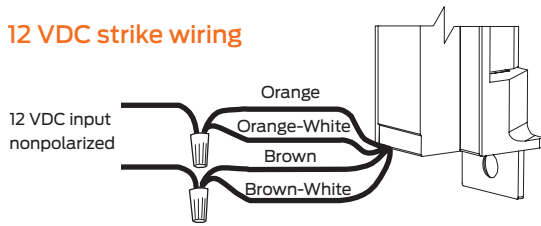
Model number		4211	4212
Retrofits model		HES 5200, RCI 6 Series	HES 5000, RCI 6 Series
Latchbolt throw		$\frac{3}{4}$ "	$\frac{5}{8}$ "
Latchbolt monitor switch		---	■
Face plate length		4 $\frac{7}{8}$ "	4 $\frac{7}{8}$ "
Backbox depth		1 $\frac{3}{8}$ "	1 $\frac{3}{8}$ "
Finish (faceplate)		BHMA 630/US32D	
Lockset	Cylindrical	■	■
	Deadlatch	■	■
	Mortise	---	---
Number of doors	Single	■	■
	Pair	---	---
Frame type	Hollow metal	■	■
	Aluminum	■	■
	Wood	---	---
Options	EB (entry buzzer - fail-secure only)	■	■
	S012 & S024 rectifier kit for AC to DC operation	■	■

# Dimensions

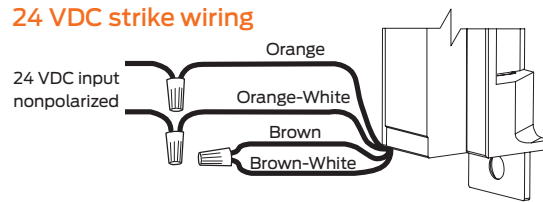


# Wiring

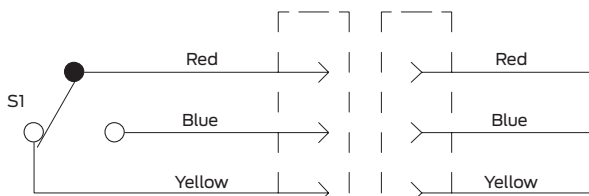
## 12 VDC strike wiring



## 24 VDC strike wiring



## Latchbolt monitoring switch (4212 only)



Switch shown with latch status tripper depressed

## Ordering information

4200-S024-EB

Model	Rectifier kit*	Buzzer*
1	2	3

\* Optional

Selections correspond with the numbers above

1	Model
4211	See model specification chart to make the proper selection
4212	See model specification chart to make the proper selection
2	Rectifier kit (optional)
S012	Converts 12 VAC voltage to 12 VDC to operate the solenoid
S024	Converts 24 VAC voltage to 24 VDC to operate the solenoid
3	Buzzer (optional)
EB	Entry Buzzer, with fail-secure (FSE) configured

### Standard features

- Power failure mode: Field configurable fail-secure/fail-safe
- Voltage: Field configurable 12 VDC/24 VDC dual voltage solenoid
- Finish: BHMA 630/US32D satin stainless steel
- Includes mounting tabs, fail secure conversion hex key, wood and machine screws, plus a suppressing diode.

Allegion, the Allegion logo, Von Duprin and the Von Duprin logo are trademarks of Allegion plc, its subsidiaries and/or affiliates in the United States and other countries. All other trademarks are the property of their respective owners.

### About Allegion

Allegion (NYSE: ALLE) is a global pioneer in safety and security, with leading brands like CISA®, Interflex®, LCN®, Schlage®, SimonsVoss® and Von Duprin®. Focusing on security around the door and adjacent areas, Allegion produces a range of solutions for homes, businesses, schools and other institutions. Allegion is a \$2 billion company, with products sold in almost 130 countries. For more, visit [www.allegion.com](http://www.allegion.com).

KRYPTONITE ■ LCN ■  ■ STEELCRAFT ■ VON DUPRIN



© 2017 Allegion  
010151, Rev. 08/17  
[www.allegion.com/us](http://www.allegion.com/us)

VON DUPRIN®

WS9827/9927

WS9857/9957

Multi-point exit device



(WS9827 shown)

## Overview

The Von Duprin 98/99 Series exit device is designed with durability to withstand the toughest of environments. The WS9827/9927 and WS9857/9957 multi-point two and three point exit device incorporate reinforced components to help ensure the building and its occupants are kept safe from wind and projectile debris. These devices are the leading choice for severe weather protection both the WS 27 and WS 57 device styles are certified to comply with building codes such as FEMA 361 and Florida Building Code. Making these devices ideal for Tornado Storm Shelter applications.

Since pioneering the first exit device in 1908, Von Duprin life safety products have provided unparalleled quality, performance and flexibility for schools, hospitals, stadiums and public buildings. These products come with the support and customer care only offered by Von Duprin. Providing the confidence and peace of mind that at critical moments of life safety.

## Features and benefits

- Uniquely designed center case
- Vertical rods designed to reinforce the strength of the door
- Reinforced top and bottom latch housing with strengthening strap
- Stamped end cap mounting bracket
- Top soffit latch with reinforced ratchet release bracket
- Cast latch covers
- Stronger latch mounting screws
- Thru-bolted attachment points

## WS9827/9927

### Windstorm ratings

- Door applications  
8'0" x 8'0" (2438mm x 2438mm) pairs (swinging same direction); 4'0" x 8'0" (1219mm x 2438mm) single (non-fire rated only) flush hollow metal
- Florida Building Code Compliance  
Compliance to TAS 201, TAS 202, TAS 203; design load rating +150/-150 PSF (245 mph wind zone); Enhanced Hurricane Protection (EHPA) ASTM E1996; ANSI/ICC 500 (245 mph wind zone)
- UL-FEMA 361  
Compliance to TAS 201, TAS 202, TAS 203; design load rating +150/-150 PSF (245 mph wind zone); Enhanced Hurricane Protection (EHPA) ASTM E1996; ANSI/ICC 500 (245 mph wind zone)

## WS9857/9957

### Windstorm ratings

- Door applications  
4'0" x 8'0" (1219mm x 2438mm) single (panic and fire rated) flush hollow metal
- UL-FEMA 361  
Certified 4'0" x 8'0" (1219mm x 2438mm) single (panic and fire rated) flush hollow metal
- These devices are listed with Steelcraft Paladin™ Doors for tornado listing and Steelcraft H and HE-Series Doors for hurricane listings

### Specifications

<b>Device functions</b>	Device ships EO (Exit only). For TP (Thumbturn), K (Knob), or L (Lever). Remove NL drive screw from device
<b>Device lengths</b>	3': 2'4" to 3' (71mm to 914mm) Door size 4': 2'10" to 4' (864mm to 1219mm) Door size
<b>Strikes</b>	Bottom – 304L Unfinished
<b>Dogging feature</b>	Hex key dogging standard (Panic)
<b>Dogging options</b>	CD Cylinder Dogging LD Less Dogging
<b>Electrical options</b>	LX Latchbolt monitor switch RX Pushpad monitor switch RX-2 Double pushpad monitor switch ALK Alarm exit kit SS Signal switch QEL Quiet Electric Latch E996L E-Trim
<b>Fasteners &amp; sex bolts (SNB)</b>	Includes 1 3/4" (44mm) Metal Doors SNB furnished for top & bottom latches and device (required)
<b>Device centerline from finished floor</b>	39 1/2" (1003mm)
<b>Door undercut</b>	1/4" (7mm)
<b>Center case dimensions</b>	8" x 2 3/4" x 2 3/8"
<b>Mechanism case dimensions</b>	2 1/4" x 2 1/4" (57mm x 57mm)
<b>Top &amp; bottom latch case</b>	4 1/2" x 2 1/2" x 1 7/8" (114mm x 64mm x 48mm)
<b>Vertical rods</b>	1/2" (13mm) round tubing, standard rods accommodate 7' (2134mm) door Top rod length is 36 1/4" (921mm) Bottom rod length is 31 3/4" (806mm)
<b>Projection</b>	Pushbar Neutral – 3 13/16" (97mm) Pushbar Depressed – 3 1/16" (78mm)
<b>Finishes</b>	US3, US4, US10, US26, US26D, US28, 313, 315 and US32D* *US32D available on WS9827 and WS9857 devices only

### Certifications

<b>General certifications</b>	Panic Hardware UL 305 Fire Exit hardware UL 10 C UL ANSI/ICC 500 F5 Tornado Applications
<b>WS 9827/9927</b>	Rating 3 hours pair of doors (double egress), 90 minute pairs (swinging same direction) Door size 8'0" x 8'0" (2438mm x 2438mm) hollow metal
<b>WS 9857/9957</b>	Rating 3 hours single door, Door size 4'0" x 8'0" (1219mm x 2438mm) hollow metal

# Trim guide



	Exit only (EO)	Thumbturn keylocks and unlocks	Thumbturn blank escutcheon	Lever key locks and unlocks	Lever blank escutcheon
<b>Product description</b>	WS9927EO WS9827EO WS9857EO WS9957EO	WS9827TL WS9927TL WS9857TL WS9957TL	WS9827TL-BE WS9927TL-BE WS9857TL-BE WS9957TL-BE	WS9827L WS9927L WS9857L WS9957L	WS9827L-BE WS9927L-BE WS9857L-BE WS9957L-BE
<b>Trim</b>	None	377Tx990DT	377T-BEx990DT	996L-R/V	996L-BE-R/V
<b>Escutcheon plate size</b>		2 9/16" x 5 1/2" x 2 5/8" (65mm x 140mm x 67mm)	2 3/4" x 10 3/4" x 27/32" (70mm x 273mm x 21mm)	2 3/4" x 10 3/4" x 27/32" (70mm x 273mm x 21mm)	2 3/4" x 10 3/4" x 27/32" (70mm x 273mm x 21mm)
<b>Projection</b>		3 1/4" (83mm)	3 1/4" (83mm)	2 7/8" (73mm)	2 7/8" (73mm)
<b>ANSI function</b>	1	11		8	
<b>Cylinder type</b>		1 1/4" (32mm) Mortise		Rim	
<b>Required 425 sex bolt quantity</b>	6	2	2	2	2

# Lever styles

## M Collection decorative levers



**M51**  
Knurling available



**M52**  
Knurling available



**M53**



**M54**



**M55**



**M56**



**M57..**



**M61**  
(Handed)



**M62..**  
(Handed)



**M63**  
(Handed)



**M81**  
Knurling available



**M82**



**M83**



**M84**



**M85**  
(Handed)

.. Available in Stainless Steel substrate ONLY.

## Standard levers



**01**



**02**  
Knurling available



**03\***  
Knurling available



**05**



**06\***  
**Default lever**  
Knurling available



**07**



**12**  
(Handed)



**16**  
(Omega)



**17\***  
Knurling available



**18**



**ACC**  
(Accent)  
(Handed)



**AST**  
(Asti)  
(Handed)



**MER**  
(Merano)  
(Handed)



**STA**  
(St. Annes)  
(Handed)



**LAT\***  
(Latitude)



**LON\***  
(Longitude)

\*Available in Stainless Steel - specify SS when ordering

## Ordering information

WS - 98 - 27 - EO - 06 - F - ALK - 3' - US26 - LHR

Prefix	Series	Device style	Function	Lever style	Fire exit	Alarm kit	Device length	Finishes	Handing
1	2	3	4	5	6	7	8	9	10

Selections correspond with the numbers above.

See price book for specific configuration options.

<b>1</b>	<b>Prefix</b>
QEL	Quiet Electric Latch Retraction
LX	Latch Bolt monitoring
RX	Request to Exit
RX2	Double Request to Exit
SS	Signal Switch
WS*	Windstorm
*Must designate WS; may select more than one prefix.	
<b>2</b>	<b>Series</b>
98	Series 98 - smooth
99	Series 99 - grooved
<b>3</b>	<b>Device Style</b>
27	Two point latch mounted vertical rod device
57	Three point latch mounted vertical rod device
<b>4</b>	<b>Function</b>
EO	Exit Only
K	Knob
L	Lever (Classroom)
TL	Thumbturn

<b>5</b>	<b>Lever style</b>
	Standard
	Decorative
*See price book or product catalog for lever style options.	
<b>6</b>	<b>Fire exit devices</b>
F	Fire exit device
<b>7</b>	<b>Alarm kit</b>
ALK	Alarm kit
<b>8</b>	<b>Device length</b>
3'	Device (2'4" - 3' Door size)
4'	Device (2'10" - 4' Door size)
<b>9</b>	<b>Finishes</b>
US3	Brass, Polished
US4	Brass, Satin
US10	Bronze, Satin
US26	Chrome, Polished
US26D	Chrome, Satin
US28	Anodized, Aluminum
US32D*	Stainless Steel, Satin
313	Dark Bronze
315	Black
*For the WS9827 and WS9857 Devices only	

<b>10</b>	<b>Handing</b>
RHR	Right Hand Reverse
LHR	Left Hand Reverse

### About Allegion

Allegion (NYSE: ALLE) creates peace of mind by pioneering safety and security. As a \$2 billion provider of security solutions for homes and businesses, Allegion employs more than 7,800 people and sells products in more than 120 countries across the world. Allegion comprises 23 global brands, including strategic brands CISA®, Interflex®, LCN®, Schlage® and Von Duprin®.

For more, visit [www.allegion.com](http://www.allegion.com)



© 2013 Allegion  
005162, Rev. 12/13  
[allegion.com/us](http://allegion.com/us)



VON DUPRIN®

PS914

4 amp high in rush  
power supply

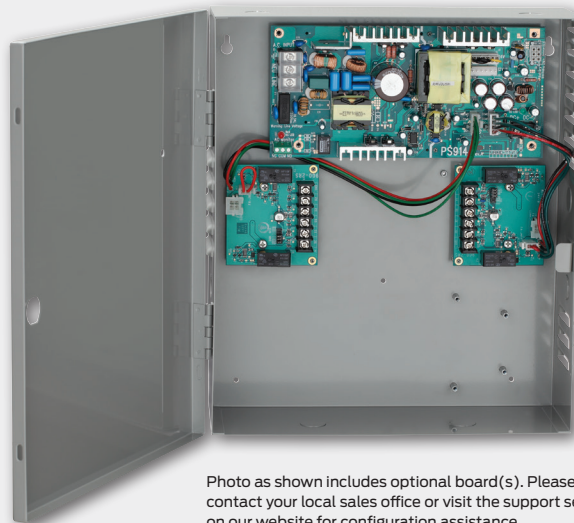


Photo as shown includes optional board(s). Please contact your local sales office or visit the support section on our website for configuration assistance.

## Overview

Von Duprin power supply and option board products were designed to meet the specific requirements of electrified fire exit devices.

Installation is simplified by utilizing a flat mounting design and polarized locking connectors for option boards. This design eliminates the need for racks and side connectors. The flat mounting of the option boards also provides for easier access to the terminal blocks for connection of electrified devices (such as electrified panic devices, strikes, card readers, etc.).

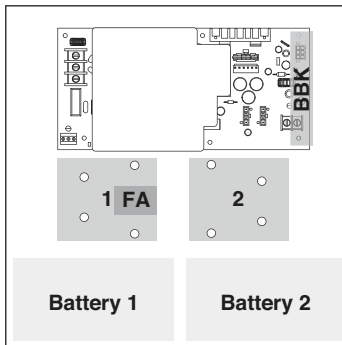
Common to the line of PS900 Series power supplies is a constant output rating at both 12v and 24v settings, universal 120 VAC to 240 VAC input, and polarized option board connectors. New fire alarm interface board mounting allows outputs to be configured as switched (power cut) or unswitched (power continues) when signal is provided.

## Features and benefits

- 4A @ 12/24 VDC constant output, field selectable with jumper
- Designed for use with electrified panic devices requiring high in rush current
- Provides low-voltage, Class 2, filtered and regulated power
- Universal 120-240 VAC, fused primary input
- Two polarized option board connectors
- AC input and DC output monitoring circuit with LED indicators
- Externally visible AC input indicator with isolated SPDT contacts
- High-voltage protective cover for AC circuitry (not shown)
- Battery back-up board auto-selects voltage
- Optional Fire Alarm plug-in board available
- UL 294, ULC-S318, RoHS, and FCC Part 15 certified

## Configuration options

Available option board, fire alarm and battery backup connection locations:



### Exit device support

Von Duprin QEL	Up to 8 <sup>1</sup>
Von Duprin EL	Up to 8 <sup>1,2</sup>
Falcon EL	Up to 8 <sup>1,2</sup>

1. Requires the use of two 900-4RL option boards

2. Distance from power supply may be limited with multiple EL applications - consult technical support for wire run lengths

## PS914 power supply specifications

Specification	Description
Input voltage	120/240 VAC, 50/60 Hz, universal input
Output voltage	4A @ 12 or 24 VDC Field selectable with jumper Switching supply, 5% regulation, 360mVpp max ripple
Enclosure	Grey/baked enamel 14" x 12" x 4" (H x W x D) Eight 1/2" x 3/4" knockouts Hinged cover with lock down screws
Operating temperature	32° - 120°F (0° - 49°C)
Certifications	ANSI/UL 294 ULC-S318 RoHS FCC Part 15 Class 2
Battery backup (install on main board)	900-BB: Battery backup board only 900-BBK: Battery backup kit (backup board plus battery pack)
Available option boards	900-FA: Plug-in fire alarm (must be installed on option board) 900-2RS*: 2 Relay option board capable of individual or sequential operation for single and pair door applications 900-4R*: 4 Relay option board 900-4RL*: 4 Relay option board with integrated logic and individual or sequential operation capability for controlling security interlocks, auto operators and time delay function 900-8F*: Fused, 8 zone option board 900-8P*: PTC, 8 zone option board
AC primary fuse size	6.3A, 250v, 5 x 20mm
Battery fuse size	7.5A 32v ATO blade style
DC output protection	Overload protection - current limited foldback circuit
Indicators	LED indicators: - AC input (visible on outside of enclosure) - DC output Isolated SPDT contacts to monitor AC power status
Weight (power supply)	Approx. 9.0 lbs
Weight (each battery)	4.0 lbs
AC input termination	3 position terminal block with protective cover Wire capacity: 10 AWG max.
DC output termination	2 position terminal block Wire capacity: 12 AWG max.
Option board connectors	2
Fire alarm board connector	Yes (requires connection on option board)
Keylock	Optional
Accessories	900-BAT: Backup battery pack

\* Compatible with plug-in fire alarm board (900-FA)

Allegion, the Allegion logo, Von Duprin, and the Von Duprin logo are trademarks of Allegion plc, its subsidiaries and/or affiliates in the United States and other countries. All other trademarks are the property of their respective owners.

## About Allegion

Allegion (NYSE: ALLE) is a global pioneer in safety and security, with leading brands like CISA®, Interflex®, LCN®, Schlage®, SimonsVoss® and Von Duprin®. Focusing on security around the door and adjacent areas, Allegion produces a range of solutions for homes, businesses, schools and other institutions. Allegion is a \$2 billion company, with products sold in almost 130 countries. For more, visit [www.allegion.com](http://www.allegion.com).

KRYPTONITE ■ LCN ■  ■ STEELCRAFT ■ VON DUPRIN



© 2017 Allegion  
004101, Rev. 08/17  
[www.allegion.com/us](http://www.allegion.com/us)

# VON DUPRIN®

## Guide to selecting a power supply

The PS900 Series provides a variety of flexible options allowing you to design custom solutions to address a broader range of applications. This brief guide will help you configure the proper solution based on the unique characteristics of your opening. If at any point in the system design or installation process you need assistance, you can turn to the security and safety consultants at Allegion for support.

### 1. Sizing a supply

Simple as they may seem, power supplies play a critical role in your access control system. They protect devices downstream by providing filtered and regulated power. To begin with you must determine the number of devices that will be connected to the power supply and the type of device - electric strikes, electromagnetic locks, electrified mechanical locks, exit devices, automatic operators or accessories such as pushbuttons. Each type of device has specific current demands. For example, high in-rush exit devices pull a significant current to retract or unlock the device and then drop to a lower holding current. If a device has an in-rush current you also need to determine how long the in-rush current lasts.

Power supplies convert high voltage AC power into the low voltage DC outputs required by most access control devices. Begin by checking the input voltage to ensure that it is compatible with your buildings source AC power. The PS900 Series, for example, features a universal 120-240 VAC input. All devices fed from a power supply must accept the same output voltage – typically 12 VDC or 24 VDC. To calculate the total load, add the peak current draw of all devices in the system to determine the required amperage of the supply.

### Quick survey

Gather the following information to determine the necessary size of the power supply:

- Number of devices
- Type of devices
- In-rush current requirements
- Duration of in-rush current

## Sizing a supply

Calculate the peak current draw of all devices in the system to determine the required amperage of the supply.

- **PS902** - up to 2 amps
- **PS904** - up to 4 amps
- **PS906** - up to 6 amps

	Allegion product	Current draw	Voltage
Card readers/ Biometrics	PR10	110 mA	Linear: 5 - 16VDC
	SM10	195 mA	Linear: 5 - 16VDC
	MT11	170 mA	Linear: 5 - 16VDC
	MT15	200 mA	Linear: 5 - 16VDC
	MTK15	230 mA	Linear: 5 - 16VDC
	HandKey II	12V AC/DC - 580 mA 24V AC/DC - 300 mA	12 to 24VDC 12 to 24VAC 50-60Hz
Electronic locks	AD-300	250 mA	12VDC or 24VDC
	PIM400-TD2	250 mA	12VDC or 24VDC
	PIM400-485	250 mA	12VDC or 24VDC
	PIB300-2D	250 mA	12VDC or 24VDC
	PIM400-1501	400 mA	PoE 802.3af compliant power injector
	WRI400	500 mA	12VDC or 24VDC
	REPTR400	500 mA	12VDC or 24VDC
	ECK/GCK400	500 mA	12VDC or 24VDC
	CT5000	250 mA	12VDC or 24VDC
Electrified mechanical devices	ND Series	24VAC - 350 mA 24VDC - 150 mA	24VDC or 24 VAC
	L Series	Peak - 1.3 A, 5 - 10 second intervals Holding - 135mA between peak intervals	24VDC or 24 VAC
	QEL	1.4 A inrush (0.5 sec) 0.14 A Holding 2.0 A calibration	24VDC
	E996L 98/99 Series trim	0.22 A	24VDC
	E360L 33A/35A Series trim	.50 A	24VDC
	DE5101	24VDC - 300mA without maglocks	24VDC
	E7500	12VDC - 600 mA 24VDC - 300 mA	12VDC or 24VDC
	EL <sup>1</sup>	16 A inrush (0.5 sec) 0.3 A holding current	24VDC
	Chexit/RCM <sup>1</sup>	16 A inrush (arming 0.5 sec) 0.4 A continuous	24VDC
Electric strikes	5100 Series	12VDC - 0.38 A 24VDC - 0.19 A	12VDC or 24VDC field selectable
	6100 Series	12VDC - 0.6 A 24VDC - 0.33 A	12VDC or 24VDC
	6200 Series	12VDC - 0.6 A 24VDC - 0.33 A	24VDC standard 12VDC and AC optional
	6300 Series	12VDC - 0.5 A 24VDC - 0.24 A	12VDC or 24VDC field selectable
	6400 Series	12VDC - 0.375 A 24VDC - 0.190 A	12VDC or 24VDC field selectable
	4200 Series	12VDC - 0.20 A 24VDC - 0.10 A 30VDC - 0.20 A	12VDC or 24VDC field selectable

	Allegion product	Current draw	Voltage
Electromagnetic locks	M420/M450	12VDC - 0.75 A 24VDC - 0.38 A	12VDC or 24VDC
	M490	12VDC - 0.65 A 24VDC - 0.35 A	12VDC or 24VDC
	40	12VDC - .32 A 24VDC - 0.15 A	12VDC or 24 VDC
	70	12 VDC - 0.25 A 24VDC - 0.12 A	
	72	12VDC - 0.50 A 24VDC - 0.25 A	
	320M	12VDC - 0.45 A 24VDC - 0.23 A	12VDC or 24VDC
	GF3000	12VDC - 0.90 A 24VDC - 0.45 A	12VDC or 24VDC
	390RFK	12VDC - 0.65 A 24VDC - 0.45 A	12VDC or 24VDC

Note:

- All devices fed from a power supply must accept the same output voltage.
- Battery powered devices not included in above reference table. Please refer to data sheets for more information.

## 2. Choosing option boards

Check for fire door labels on the door and frame. If an opening is fire rated code requires that the door have positive latching, which fail-secure hardware provides.

- Fail-secure hardware is locked when power is removed. Power is applied to unlock the door.
- For applications, such as stairwell re-entry doors, where access is required upon fire alarm, fail-safe hardware is applied. Fail-safe hardware is unlocked when power is removed. Power is applied to lock the door.

The PS900 Series offers the 900-FA option board which cuts power to downstream devices when the fire alarm is activated to allow for fail-safe/fail-secure conditions. For the PS902 the 900-FA board can be connected directly to the main printed circuit board (PCB) on the supply. For the rest of the PS900 Series power supplies the 900-FA board must be connected to another option board.

- **900-FA:** Emergency interface relay integrates with fire alarm and is used to cut power in case of emergency

## 3. Application

The PS900 Series allows you to address a wide range of applications with options boards that can be combined and configured in countless ways. A complete operational description of the opening is essential. How many doors are there? Is logic or sequencing required?

- **900-4R:** 4 independently controlled relays to power multiple devices
- **900-2RS:** 2 relay EL panic device control board providing time delay between the firing of the outputs
- **900-4RL:** 4 relay board with integrated logic for controlling security interlocks, auto operators and time delays
- **900-8F:** 8 individually fuse protected outputs, giving the flexibility to power multiple devices and provide another layer of protection
- **900-8P:** 8 positive thermal coefficient (PTC) protected outputs

### Quick survey

Identify if the opening is fire rated or has special requirements, such as re-entry upon fire alarm. Then identify if it requires hardware for fail-safe, fail-secure, or both conditions upon loss of power or fire alarm. Always consult your local AHJ for requirements of the opening if it is unclear.

### Quick survey

Provide a complete operational description of the opening.

## 6. Battery back up

Upon loss of building power it is important that your access control devices still function properly. The 900-BBK board provides up to four hours of backup power at the same output voltage as the power supply. There is a dedicated location on the supply for the 900-BBK board that nothing else can go on so in most cases it does not take away space from other option boards. The exception to this is the PS906. The PS906 can accommodate: a.) two option boards and a 900-BBK kit, or b.) three option boards and no 900-BBK kit.

- **900-BBK:** Battery backup kit (includes battery backup board and two 7A/hr. batteries) and provides up to four hours of backup power when cycled every 5 minutes at full load

Number of connectors	PS902 <sup>1</sup> (2 amps)	PS904 <sup>1</sup> (4 amps)	PS906 <sup>1</sup> (6 amps)
Option boards	1	2	3 <sup>2</sup>
Battery backup board	1	1	1

<sup>1</sup> One fire alarm board can be connected directly to the PS902. If a fire alarm board is desired for the PS904 or PS906 it must be connected to an option board.

<sup>2</sup> If battery back-up is installed, only two additional option boards can be used.

### Quick survey

Is access control still required in the event of a power outage:

- Yes
- No

Allegion, the Allegion logo, Von Duprin, and the Von Duprin logo are trademarks of Allegion plc, its subsidiaries and/or affiliates in the United States and other countries. All other trademarks are the property of their respective owners.

## About Allegion

Allegion (NYSE: ALLE) creates peace of mind by pioneering safety and security. As a \$2 billion provider of security solutions for homes and businesses, Allegion employs more than 8,000 people and sells products in more than 120 countries across the world. Allegion comprises 27 global brands, including strategic brands CISA®, Interflex®, LCN®, Schlage® and Von Duprin®. For more, visit [www.allegion.com](http://www.allegion.com).

aptiQ ■ LCN ■  ■ STEELCRAFT ■ VON DUPRIN



© 2014 Allegion  
010491, Rev. 09/14  
[www.allegion.com/us](http://www.allegion.com/us)

# Quiet solutions

For healthcare

## Overview

Hospitals and other healthcare environments have special requirements for noise reduction, and most facilities currently exceed the recommended guidelines.

Loud environments affect everyone in a healthcare environment. It's been proven that excessive noise can cause patients to lose sleep, heal at a slower rate, and be less satisfied with their overall care experience. But patients aren't the only ones who are affected. Physicians and staff become more stressed and fatigued in a noisy environment which can cause an increased number of mistakes, reduced productivity and less friendly dispositions.

There are many sources of noise, but facilities can eliminate excess noise and create quieter environments by implementing solutions of any size.

Quiet openings can be beneficial in all areas, but especially:

- Care areas where patients are sleeping and healing
- Work areas/stations where concentration is important
- Busy traffic areas such as hallways
- Chapels or auditoriums where noise can be disturbing
- Office or administrative areas







## Solutions that create a quiet environment.

Allegion understands that healthcare environments are unique and offers innovative solutions that reduce the noise of openings throughout the facility and deliver the reliability and performance that we're known for.

### The Quiet One® exit devices from Von Duprin

Push pads on exit devices can be noisy and disruptive. Von Duprin exit devices utilize a specially designed mechanical damper that decelerates the push pad on the push and return stroke, eliminating most of the noise associated with exit device operation.

- Standard on all Von Duprin 98/99 Series standard and 33A/35A Series narrow stile exit devices



### Von Duprin Quiet Electric Latch (QEL)

Traditional electronic latch retraction on exit devices utilizes magnetic solenoids that result in a loud and abrupt sound when operated. The motor driven latch retraction used on the Von Duprin QEL is more energy efficient and provides much quieter operation.

- Paired with "Quiet One" technology, the QEL is the quietest operating latch retraction solution
- Option on all Von Duprin 98/99, 33A/35A, and 94/95 Series exit devices
- Modular design and retrofit kits make it possible to easily upgrade existing mechanical or legacy electronic latch (EL) devices



### Von Duprin pneumatic controlled exit devices

Pneumatic controlled exit devices operate using compressed air and are ideal for applications that require quiet and efficient electronic latch retraction, especially in hazardous areas where electronics are not permitted.

- Option on all Von Duprin 98/99 and 33A/35A Series exit devices

### Von Duprin Concealed Vertical Cable system (CVC)

Traditional concealed or surface vertical latching devices use rigid metal rods to retract the latches. Rods installed within or on the surface of the door can rattle and cause unwanted noise. The CVC system uses enclosed cables that do not lift up or down like traditional rods and operate quietly within the door.

- Available with 98/99 and 33A/35A Series exit devices – integrates with existing devices and trims
- Option for the cable system to be pre-installed in doors direct from Steelcraft



### LCN pneumatic powered auto operators

Pneumatic powered auto operators uses the power of compressed air to power the operator; therefore, are quieter compared to electric counterparts that use motors and gearboxes.

- Available on LCN pneumatic powered auto operators 2610, 4810, 4820 and 4840

### LCN slam-free door control

For free opening doors you want to control, but aren't required by code to use a closer, LCN's unique closer design removes the spring and hydraulics control the opening and closing speed, reducing noise.

- Available on most LCN 4000 Series closers



### Silencers and sweeps

The use of silencers, sweeps and other solutions reduce the sound made by doors when closing, and the noise that can be heard through a closed door.

### Door audits

Conducting regular door audits ensures that doors are operating as intended and allow for adjustments to be made to any openings that may be making extra noise due to equipment that isn't working properly.



## About Allegion

Allegion (NYSE: ALLE) creates peace of mind by pioneering safety and security. As a \$2 billion provider of security solutions for homes and businesses, Allegion employs more than 8,000 people and sells products in more than 120 countries across the world. Allegion comprises more than 25 global brands, including strategic brands CISA®, Interflex®, LCN®, Schlage® and Von Duprin®. For more, visit [www.allegion.com](http://www.allegion.com)



**VON DUPRIN**

## AX exit devices

Featuring the 98/99,  
94/95, 33/35A  
and 22 Series devices

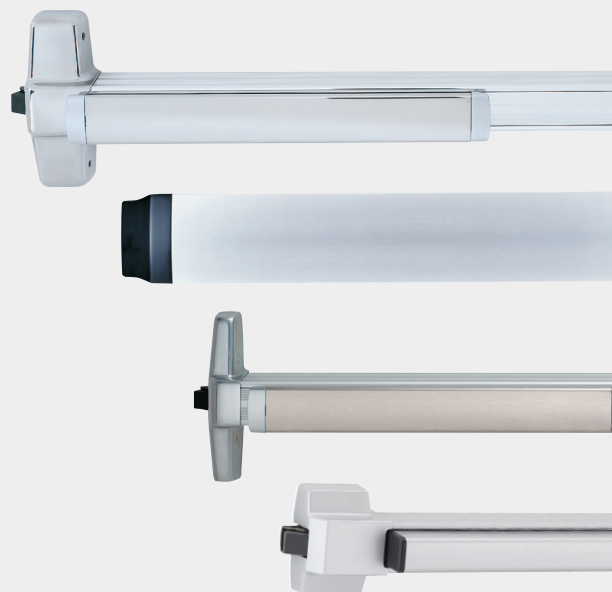
The exit device that  
requires only 5 lbs. of force  
to operate

The AX was born out of a need to provide the market with a solution that meets the 2010 ADA Standards for Accessible Design (Chapters 404.2.7 and 309.4) that state the force required to activate operable parts shall be 5 lbs. maximum. The 2013 California Building Code (Chapter 11B-309.4) adopted virtually identical requirements that went into effect January 1st, 2013.

Since pioneering the first exit device in 1908, Von Duprin life safety products have provided unparalleled quality, performance and flexibility for schools, hospitals, stadiums and public buildings. These products come with the support and customer care only offered by Von Duprin. Providing the confidence and peace of mind at critical moments of life safety.

### AX device specification requirements

Provide exit devices tested to ANSI/BHMA A156.3 Grade 1, [OPTION for specific compliant products/applications: UL certified to meet maximum 5 pound requirements according to the 2010 ADA Standards for Accessible Design (Chapters 404.2.7 and 309.4) and California Building Code (Chapter 11B-309.4)] and UL listed for Panic Exit or Fire Exit Hardware.



### How to identify the Von Duprin AX device

1. Look for the "AX" Prefix in the door schedule and/or specification.
2. In the field, look for the Compliance note on the UL Label and the AX Device Label. Both labels can be found on the center case cover of the exit device as shown below.



Contact Allegion today at 888.925.4359 or [ax.allegion.com](http://ax.allegion.com) to learn how the AX device can help you provide accessibility without compromise.

AX98/99 Series Specifications	
Device types	AX98/99 - Rim AXXP98/99 - Rim AX98/9927 - LBR AX98/9950 WDC - LBL AX98/9949 - LBL & LBL-AFL - Concealed Vertical Cable Less Bottom Latch
Device functions	EO, DT, NL, NLOP, L, LBE, LDT, LNL
Device lengths	3' / 4'
Rating	Panic and Fire
Electric options	EL - Electric latch retraction LX - Latchbolt monitor switch LXLC - Latchbolt monitor switch low current LXRX - Latchbolt pushpad monitor LXRRLC - Latchbolt pushpad monitor low current RX - Pushpad monitor switch RXLC - Pushpad monitor switch low current RX2 - Double pushpad monitor switch ALK - Alarm kit SS - Signal switch
Mechanical options	GBK - Glass bead kit -2 - Double cylinder SNB - Sex bolts SEC - Security screws WP - Weep holes
Dogging options (Panic only)	Hex key dogging = Standard CD - Cylinder dogging DI - Dogging indicator LD - Less dogging SD - Special dogging

AX94/95 Series Specifications	
Device types	AX94/9547
Device functions	EO, DT, L, LDT, LBE, LNL
Device lengths	3' / 4'
Rating	Panic and Fire
Electric options	LX - Latchbolt monitor switch

AX33/35A Series Specifications	
Device types	AX33/35A - Rim AX33/3549 - LBL & LBL-AFL - Concealed Vertical Cable Less Bottom Latch
Device functions	EO, DT, NL, NLOP, L, LBE, LDT
Device lengths	3' / 4'
Rating	Panic and Fire (3349 LBL/AFL only)
Electric options	EL - Electric latch retraction LX - Latchbolt monitor switch LXLC - Latchbolt monitor switch low current LXRX - Latchbolt pushpad monitor LXRRLC - Latchbolt pushpad monitor low current RX - Pushpad monitor switch RXLC - Pushpad monitor switch low current RX2 - Double pushpad monitor switch ALK - Alarm kit SS - Signal switch
Mechanical options	GBK - Glass bead kit SEC - Security screws WP - Weep holes
Dogging options (Panic only)	Hex key dogging = Standard CD - Cylinder dogging LD - Less dogging

AX22 Series Specifications	
Device types	AX22 - Rim AX2227 - LBR
Device functions	EO, DT, NL, NLOP, L, LBE
Device lengths	3' / 4'
Rating	Panic and Fire
Electric options	LX - Latchbolt monitor switch RX - Pushpad monitor switch RX2 - Double pushpad monitor switch ALK - Alarm kit
Mechanical options	GBK - Glass bead kit
Dogging options (Panic only)	Hex key dogging = Standard LD - Less dogging

## Ordering information

AX	-	98	-	-	L	-	F	-	-2	-	US26D	-	3'	-	RHR	-	996L	-	06	-	SNB
Prefix		Series			Device type		Function		Rating		Suffix		Door Width		Handing		Trim		Lever Style		Accessories
1		2			3		4		5		6		8		9		10		11		12

Selections correspond with the numbers above. See price book for specific configuration options.

1	Prefix
AX*	Accessible Device
EL	Electric latch retraction
LX	Latchbolt Monitor Switch
LXLC	Latchbolt Monitor Switch Low Current
LXRX	Latchbolt Pushpad Monitor
LXRRLC	Latchbolt Pushpad Monitor Low Current
RX	Pushpad Monitor Switch
RXLC	Pushpad Monitor Switch Low Current
RX2	Double Pushpad Monitor Switch
SS	Signal Switch
*Must be specified; may select more than one prefix.	
2	Series
98	Series 98 - smooth
99	Series 99 - grooved
94	Series 94 - smooth
95	Series 95 - grooved
33A	Series 33A - grooved
35A	Series 35A - smooth
22	Series 22

3	Device Type
N/A	Rim
27	Surface Vertical Rod
47	Concealed Vertical Rod
49	Concealed Vertical Cable
4	Function
EO	Exit Only
DT	Dummy Trim
NL	Night Latch
NLOP	Night Latch - Optional Pull
L	Lever
LBE	Lever - Blank Escutcheon
LDT	Lever, Rigid - Dummy Trim
LNL	Lever, Rigid - Night Latch
5	Rating
N/A	Panic
F	Fire-rated
6	Suffix
-2	Double Cylinder
LBL/LBR	Less Bottom Latch / Less Bottom Rod
LBL-AFL	Less Bottom Latch with Fire Pin
WH	Weep Holes

7	Finish
See pricebook for finish offering	
8	Door Width
3'	Standard Default
4'	
9	Handing
RHR	Right Hand Reverse
LHR	Left Hand Reverse
10	Trim
See pricebook for trim/control offering	
11	Lever Style
See pricebook for lever style offering	
12	Accessories
ALK	Alarm Kit
GBK	Glass Bead Kit
SNB	Sex Bolts

Contact Allegion today at 888.925.4359 or [ax.allegion.com](http://ax.allegion.com) to learn how the AX device can help you provide accessibility without compromise.



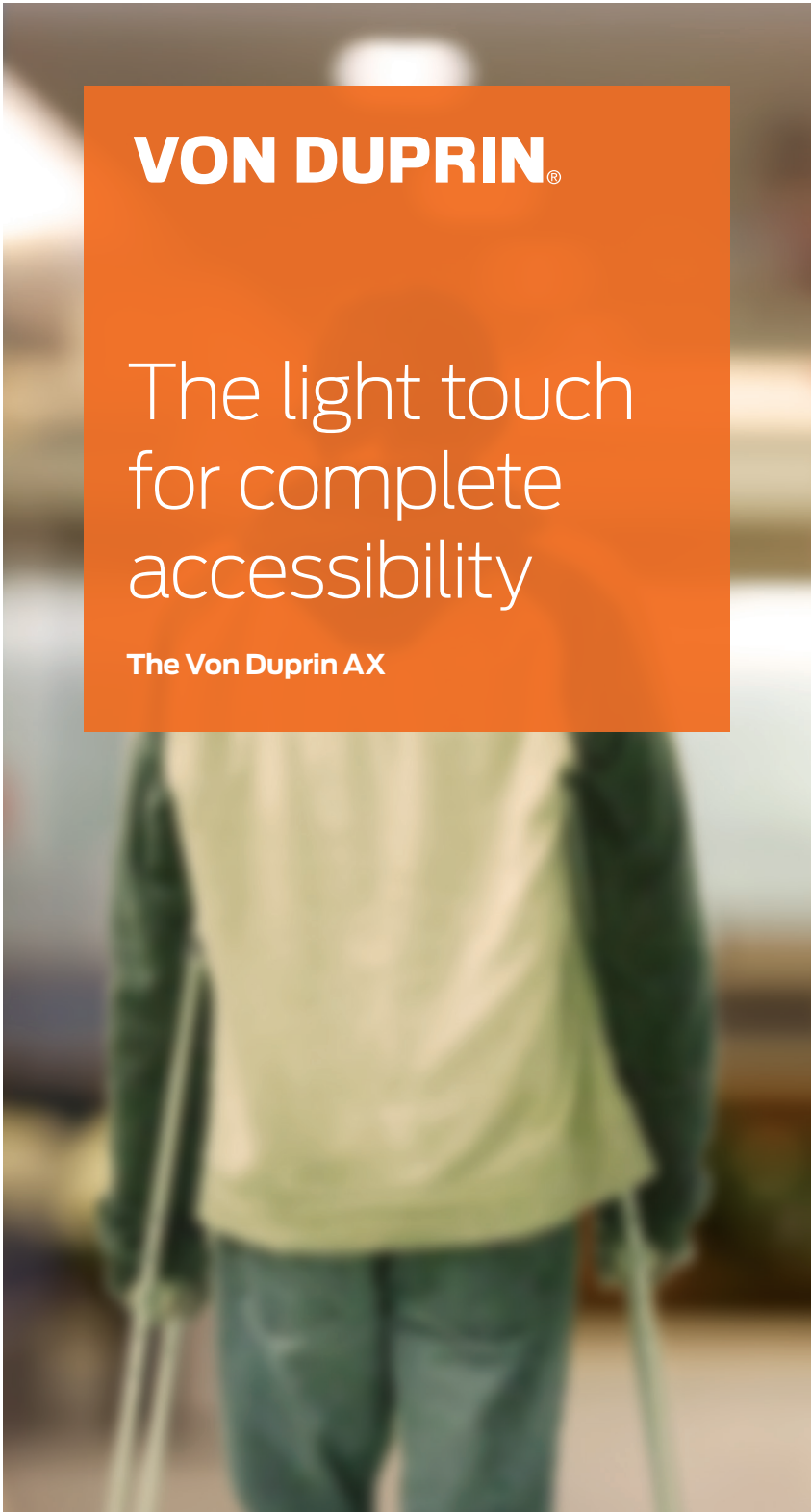
**ALLEGION™**

© 2017 Allegion  
010333, Rev. 1/17  
[allegion.com/us](http://allegion.com/us)

**VON DUPRIN®**

The light touch  
for complete  
accessibility

The Von Duprin AX



## The Von Duprin AX: The exit device which requires only 5 lbs. of force to operate

For decades, architects have turned to Von Duprin for innovative solutions with proven performance. We delivered that once again with the AX, our newest exit device offering. This option provides a complete accessibility solution—without compromising any of the other elements that have made Von Duprin the industry’s most trusted exit device manufacturer.

### New maximum force code

The AX was born out of a need to provide the market with a solution that meets the 2010 ADA Standards for Accessible Design (Chapters 404.2.7 and 309.4) that state the force required to activate operable parts shall be 5 lbs. maximum. The 2013 California Building Code (Chapter 11B-309.4) adopted virtually identical requirements that went into effect January 1st, 2013.

### What this means to you

- New construction projects in the United States require exits to meet 5 lb. maximum operating force.
- An ideal fit for openings that demand maximum accessibility.

### UL certification on new California Building Code requirements

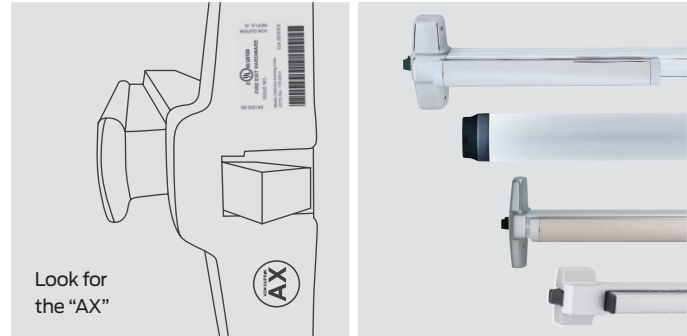
The AX is subject to Von Duprin’s standard testing to ensure it meets our own rigorous standards for durability, use and functionality. We also received a new UL certification confirming for you—and building inspectors—that an independent third party has verified that the AX is compliant with the 5 lb. maximum operational force requirement. The AX is the first UL-certified exit device to meet the new requirements put in place by ADA Standards and the California Building Code for accessible openings.

### What this means to you

You can be assured that you’re specifying a product that’s been thoroughly tested to meet the ADA Standard as well as California Building Code’s new code requirements. This will help minimize the risk of project delays, liability and lost time and money in having to re-specify an opening.

### Accessibility without compromise

On the surface, the AX looks and performs the same as our traditional exit devices. But, through smart engineering and redesign, we’ve enabled the AX to meet 5 lb. operational force requirements. The chassis now requires less push force to actuate the latch, allowing for accessibility without compromise...the Von Duprin promise.



### Von Duprin AX offering

Series	Device Type	Functions
98/99 Fire & panic	AX98/99	Exit only/Dummy trim
	AXXP98/99	Night latch/Lever
	AX98/9927 LBR	Night latch-optional pull
	AX98/9949 LBL	Lever-blank escutcheon
94/95 Fire & panic	AX98/9950WDC LBL	Lever-rigid-dummy trim
		Lever-rigid-night latch
	AX94/9547	Exit only/Dummy trim
		Night latch/Lever
33A/35A Fire & panic		Lever-blank escutcheon
	AX33/35A	Lever-rigid-dummy trim
	AX33/3549A LBL	Lever-rigid-night latch
22 Fire & panic	AX22	Exit only/Dummy trim/Night latch
	AX2227 LBR	Night latch-optional pull Lever/Lever-blank escutcheon

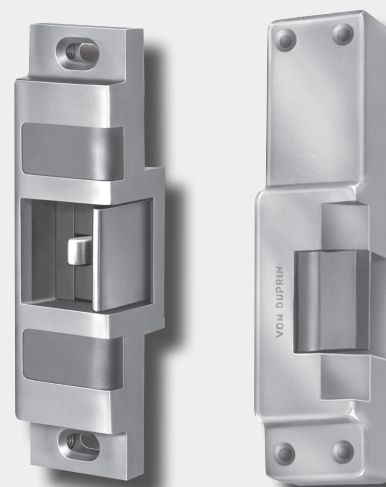
## About Allegion

Allegion (NYSE: ALLE) creates peace of mind by pioneering safety and security. As a \$2 billion provider of security solutions for homes and businesses, Allegion employs more than 8,000 people and sells products in more than 120 countries across the world. Allegion comprises 27 global brands, including strategic brands CISA®, Interflex®, LCN®, Schlage® and Von Duprin®. For more, visit [www.allegion.com](http://www.allegion.com).

VON DUPRIN®

## 6100 Series

Strikes for rim exit devices



### Overview

Von Duprin electric strikes are known for their reliability, durability and security. The 6100 Series strikes are designed to withstand abuse. Their heavy-duty stainless steel construction is UL1034 listed and meets ANSI/BHMA Grade 1.

6100 Series electric door strikes are designed for use with a variety of rim exit devices including rim nightlatch. Electrified strikes allow remote release of a locked door by activating a movable lip (keeper) using an entry/exit button or credential reader and can be a cost effective means for managing access. 6100 Series strikes come standard as 24 VDC in fail secure mode. 12 VDC and AC operation can be selected, as can fail safe mode and other options that enable you to configure these strikes to fit your exact needs.

Use 6100 Series electric strikes for retrofit applications or new construction. To assure the proper selection of an electric strike on new applications, lockset compatibility charts are shown on the next page. When using a lockset not listed or if retrofitting a strike to an existing application, please contact Von Duprin technical support for application assistance.

### Features and benefits

- Five configurations available for rim exit and nightlatch devices
- Heavy-duty stainless steel construction
- Strike box allows horizontal adjustment to compensate for misalignment of the door or frame
- 24 VDC standard with 12 VDC and AC operation optional
- Two-piece plug connectors are furnished for ease of installation and removal during strike servicing
- Options include rectifier kit for VAC to VDC conversion, dual monitor switches, entry buzzer and Allegion Connect wire extension
- Six popular finishes available to suite with existing hardware
- Suitable for interior or exterior doors
- UL 10C 3-hour fire-rated electric strike (models 6111, 6112 and 6113 – fail secure only)
- UL 1034 listed for burglary-resistant electric door strikes
- Meets ANSI/BHMA A156.31, Grade 1 for endurance and dynamic strength
- Meets ANSI/BHMA A156.31, Grade 1, 1500 lbs static strength
- Dynamic strength 70 ft lbs
- Endurance 1,000,000 cycles





## Model specifications

Model number	6111	6112	6113	6114	6121	
Retrofits model	VD 3031	FA 310-4	VD 3011 VD 3021	FA 310-5	FA 310-4-100	
Latchbolt throw	3/4"	3/4"	3/4"	3/4"	3/4"	
Face plate length	6"	9"	6"	7 1/2"	9 1/8"	
Backbox depth	1 5/8"	1 11/16"	1 15/16"	N/A	N/A	
Lockset	Rim exit device	Rim exit device	Rim exit device	Rim nightlatch	Rim exit device	
Number of doors	Single	■	■	■	---	
	Double door with mullion	■	---	---	---	
	Double door without mullion	---	---	---	■	
Door/frame type	Hollow metal	■	■	■	■	
	Aluminum	■	■	■	■	
	Wood	■	■	■	---	■
Options	Blade stop shim	Yes	No	Yes	No	No
	DS or DS-LC (dual monitor switches)	Yes	Yes	Yes	Yes	Yes
	EB (entry buzzer - fail-secure only)	Yes	Yes	Yes	Yes	Yes
Certifications/ Listings	UL 1034	■	■	■	■	■
	UL 10C Single Door	3 hour	3 hour	3 hour	---	---
	UL 10C Pair Door*	90 minutes	90 minutes	90 minutes	---	---
	ANSI/BHMA 156.31	Meets Grade 1, 1500 lbs static strength; 70 ft lbs dynamic strength; 1,000,000 cycles endurance				
Application notes	1	2	3	4	5	

\*With manufacturer's mullion.

Note: 16 VDC and 28 VDC solenoid are sold as replacement parts for existing strikes. Please contact customer care for details.

### Application notes:

- 1/2" projection blade stop shim 010055-XX available for use on cased opening or blade stop frames. Specify when using 55 rim devices. May also be used with vertical rod exit devices noted on previous page x Pullman latch LBR (non-fire rated).
- When used to replace Folger Adam 310-4, minor frame prep modification required.
- 1/2" projection blade stop shim 010055-XX available for use on cased opening or blade stop frames (non-fire rated).
- Surface applied strike designed to replace Folger Adam 310-5 with different mounting hole locations from Folger Adam.
- Designed to mount on inactive leaf.

### Rim exit device compatibility 6111, 6112, 6113 & 6121 strikes

Manufacturer	Device
Von Duprin	22, 33A, 35A, 55 <sup>1</sup> , 88, 98, 99 8827 LBR <sup>4</sup> x Pullman latch Non-Fire rated 9827 LBR <sup>4</sup> x Pullman latch Non-Fire rated 9927 LBR <sup>4</sup> x Pullman latch Non-Fire rated
Falcon Monarch <sup>2</sup>	XX-R, 18-R, 19-R, 24-R, 25-R
Falcon Doromatic	1790
Precision <sup>2</sup>	2100
Sargent	2800, 6500, 6800, 8500, 8800, 9500, 9800 <sup>3</sup> , 9898
Yale	1500, 700

1. Strike must be factory modified, specify when using with a 55 Rim device.
2. Deadlocking feature will not properly function, consult factory.
3. Panic only, not fire-rated.
4. 6111 is recommended for LBR applications.

Note: When using a lockset not listed or when retrofitting an existing application, please contact Von Duprin technical support for application assistance.

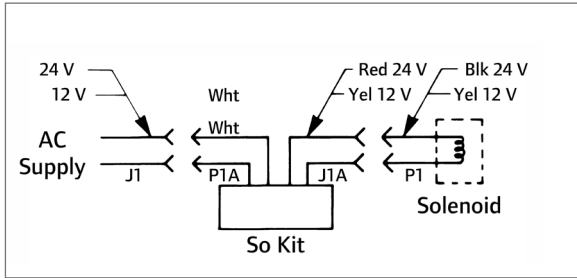
## 6100 Series power requirements

Models	Voltage	Current	Duty	Amps	Ohms
All	12V	DC	Continuous	0.60	21
All	24V	DC	Continuous	0.33	83

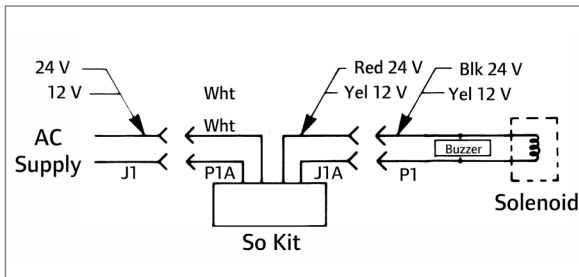
Continuous duty = Energized 1 minute or more

## Wiring

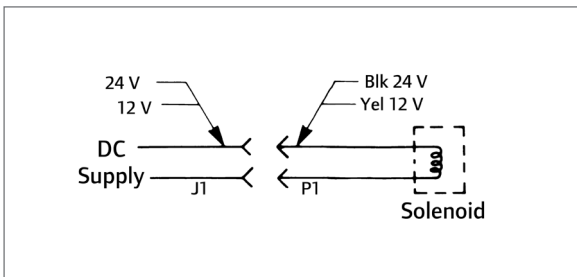
### AC



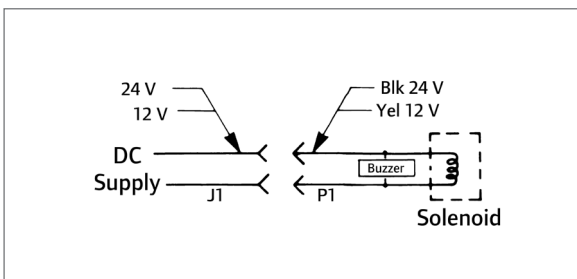
### AC with buzzer



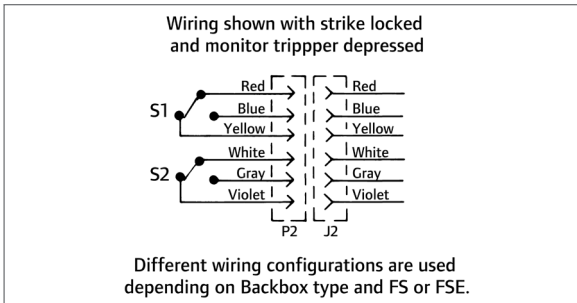
### DC



### DC with Buzzer

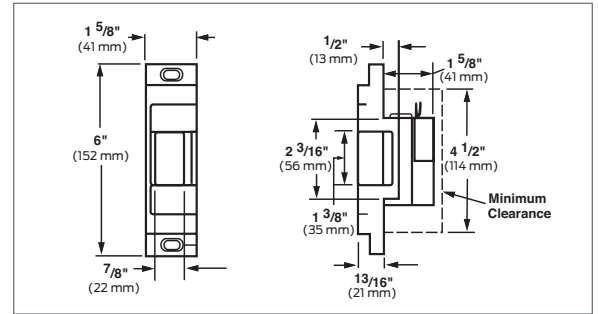


### Optional DS (FSE Shown)

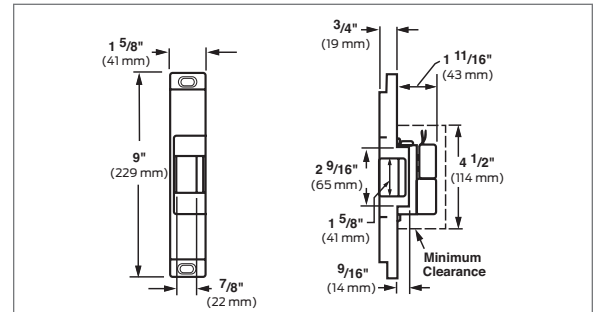


## Dimensions

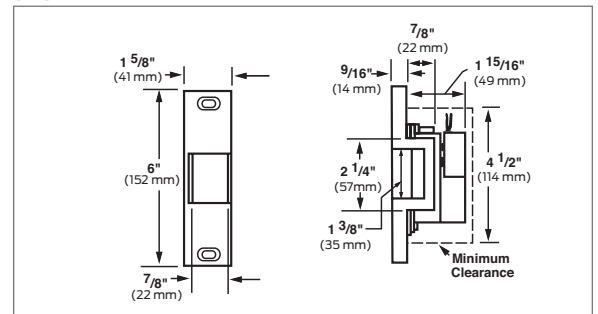
### 6111



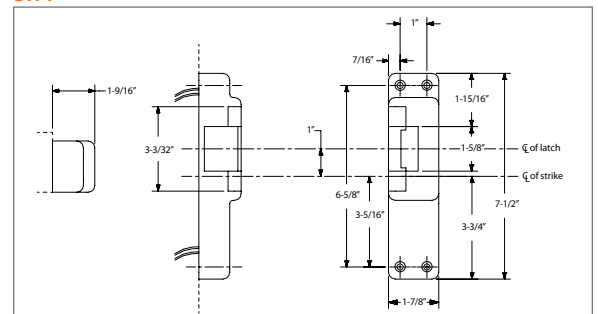
### 6112



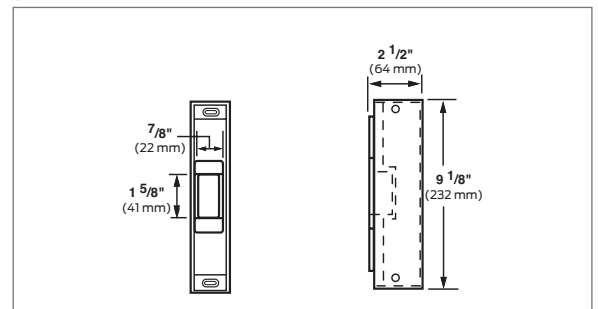
### 6113



### 6114



### 6121



## Ordering information

6112-FSE-DS-24-S024-US3-EB-CON

Model	Power failure mode	Dual switch*	Voltage	Rectifier kit*	Finish	Buzzer*	Allegion Connect*
1	2	3	4	5	6	7	8

\* Optional

Selections correspond with the numbers above

<b>1</b>	<b>Model</b>
Reference specification chart to make the proper model selection	
<b>2</b>	<b>Power failure mode</b>
FSE	Fail-secure. Requires power to be applied to unlock the strike lip. On loss of power, the strike lip is locked. <b>Fire-rated.</b>
FS	Fail-safe. Requires power to be applied to lock the strike lip. On loss of power, the strike lip is unlocked. <b>Non-fire-rated.</b>
<b>3</b>	<b>Dual switch (optional)</b>
DS	Monitors latch bolt and lock status. DS switches rated for 24 VDC at .050 - 2.0 amps.
DS-LC	Low current option for computer monitoring. Monitors latch bolt & lock status. DS-LS switches rated for 24 VDC at .050 amp or less.
<b>4</b>	<b>Voltage (VDC)</b>
24	Low voltage DC power
12	Low voltage DC power
If AC power is required, specify rectifier kit.	
<b>5</b>	<b>Rectifier kit (optional)</b>

S012	Converts 12 VAC voltage to 12 VDC to operate the solenoid
S024	Converts 24 VAC voltage to 24 VDC to operate the solenoid
<b>6</b>	<b>Finish</b>
US3/BHMA 605	Plated polished brass on stainless steel
US4/BHMA 606	Plated satin brass on stainless steel
US10/BHMA 612	Plated satin bronze on stainless steel
US10B/BHMA 613	Plated dark bronze, oil rubbed on stainless steel
US32/BHMA 629	Stainless steel, polished
US32D/BHMA 630	Stainless steel, satin
<b>7</b>	<b>Buzzer (optional)</b>
EB	Entry Buzzer
Only available if Fail-Secure (FSE) is specified.	
<b>8</b>	<b>Allegion Connect</b>
CON	Allegion Connect Connector
6 in. wire extension harness available	

Allegion, the Allegion logo, Von Duprin, the Von Duprin logo, and Falcon are trademarks of Allegion plc, its subsidiaries and/or affiliates in the United States and other countries. All other trademarks are the property of their respective owners.

### About Allegion

Allegion (NYSE: ALLE) is a global pioneer in safety and security, with leading brands like CISA®, Interflex®, LCN®, Schlage®, SimonsVoss® and Von Duprin®. Focusing on security around the door and adjacent areas, Allegion produces a range of solutions for homes, businesses, schools and other institutions. Allegion is a \$2 billion company, with products sold in almost 130 countries. For more, visit [www.allegion.com](http://www.allegion.com).

KRYPTONITE ■ LCN ■  ■ STEELCRAFT ■ VON DUPRIN



© 2017 Allegion  
005282, Rev. 08/17  
[www.allegion.com/us](http://www.allegion.com/us)



# FAQ

## Concealed cable solutions for wood doors

featuring Schlage and Von Duprin

### Technology

**What is the difference between the new WDC (-50) and the current WD CVC (-49)?** The new product is designed specifically for wood doors; the previous system was designed for hollow metal doors and then adapted for wood doors. With the old system, the latches were larger which in turn required larger parts of the door to be removed. The new system, because it is specifically designed for wood doors, requires less material to be removed from the door - thus providing greater door integrity and negating the need for metal wraps for fire rating (in applications requiring up to 45 minute fire rating).

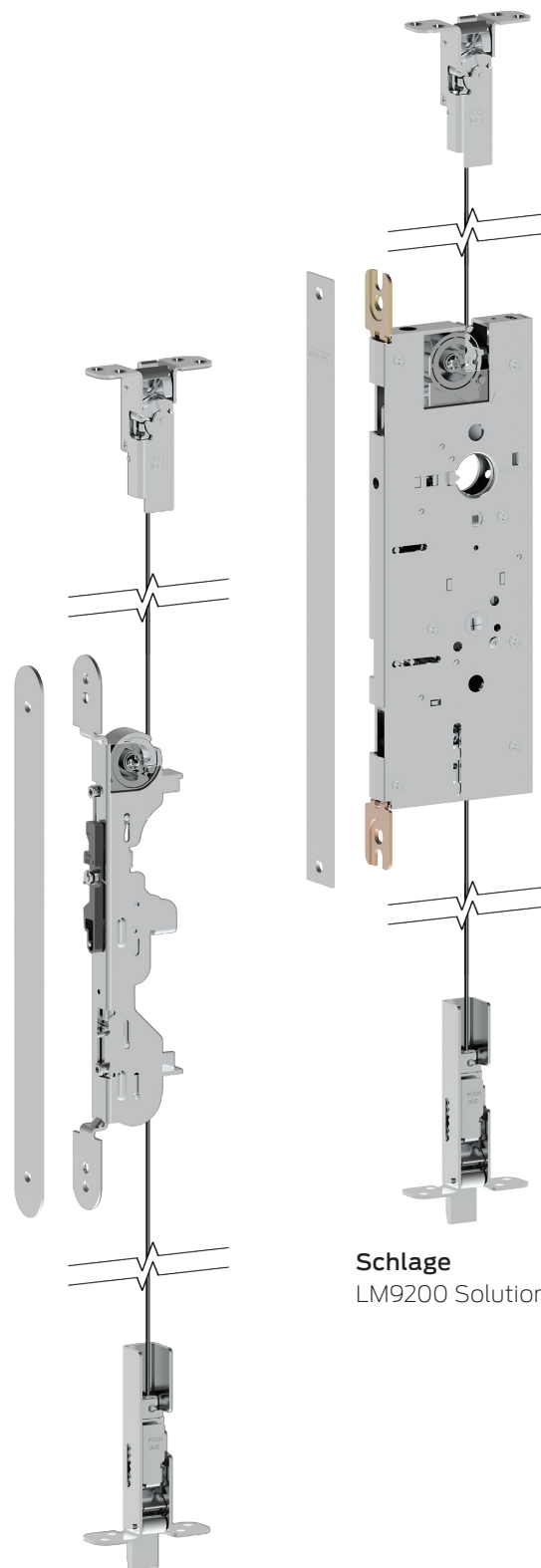
**How is this cable technology different from what we have in the current CVC?** The cable itself is identical; the difference is that the new system does not have the outer "sheath" utilized on the current CVC.

**Is the new cable stronger than the current cable?** The new cable and current cable have identical strength. The difference between them is that the current cable system has a sheath over the cable; as the sheath is not load bearing, the strength between the two is the same.

**Is there a risk of the "ends" coming off the new cable?** No – the process used to secure the ends to the cable actually makes the attachment point stronger than the cable itself.

**Do the cables stretch? Can they snap?** There is no appreciable stretch over time or use of the cables, and thus they will not require retightening due to use. Additionally, the cable to latch engagement is designed with "over travel". This means that when the latches are retracted, the cable is not at the end of its travel. This over travel means the cables will never receive the direct force of an impact if a push pad or lever is abused or slammed. The cables will not snap in the application.

**Which CVC system is better?** The current CVC system is better for hollow metal doors because it was designed specifically for that door type; likewise, the new CVC system is better for wood doors because it was specifically designed for that door type.



Von Duprin  
WDC Solution

Schlage  
LM9200 Solution

## FAQ - continued

**Is the new system patented?** Yes, the new system is currently patent pending.

**Von Duprin specific: Will the new WDC cable system replace the previous CVC system?** For wood doors, yes, because the new WDC was specifically designed for wood doors applications. However, we will continue to use the current CVC system for hollow metal doors as it was specifically designed for hollow metal applications.

**Von Duprin specific: Are there any changes to the exit device?** There are no changes or modifications to the exit device or the trim options. Electrified options will also remain the same.

**Von Duprin specific: Can the product be retrofitted to existing devices?** Partially. An existing concealed exit device can be reused, but it requires a new cable kit and a new door.

**Schlage specific: Will the LM9200 be available for hollow metal doors?** Yes – a hollow metal solution will follow the wood door solution and will be available 3-6 months after the wood door solution launches. Note that the hollow metal product will be identified differently than the wood door product. Details to follow in Q2 2015.

**Schlage specific: How does the LM9200 compare to the Schlage LM9300?** There are three primary differences between the LM9200 and LM9300

- 1) The LM9200 is a two-point latch (top and bottom), the LM9300 is a three-point (top, bottom and side)
- 2) The LM9200 can only be used in wood doors, the LM9300 can only be used in hollow metal.
- 3) The LM9300 is intended for severe weather (tornados, hurricanes) or very high security.

The LM9200 wood door is intended for more aesthetic applications.

## ■ Availability

**When will the new Schlage LM9200 and Von Duprin WDC be available?** Both products will be available to order February 2, 2015, with shipments by February 27. Normal lead times will apply starting March 2015.

**What will be the new pricing?** Please see respective Schlage LM9200 and Von Duprin pricebook pages.  
NOTE: The Schlage LM9200 pricebook pages will be located in the "multipoint" section of the Schlage pricebook

**What door heights will the Schlage LM9200 and Von Duprin WDC work with?** Both the Schlage LM9200 and Von Duprin WDC are compatible with door openings ranging from 6'8" – 10'0 (measured from top of finished floor to top strike location in the frame). Simply specify the desired opening height in the order string.

**Von Duprin specific: Which exit models will have the concealed vertical cable option?** The concealed cable system will launch with the 98/99 as well as the 33/35A devices. The new WDC system will have all the same available options and accessories, including a Less Bottom Latch (LBL) option.

**Von Duprin specific: Will the concealed cable system be available in surface mount?** There are no immediate plans for a surface vertical cable system.

**Von Duprin specific: Are there plans to obsolete the traditional concealed vertical rod system (9947)?**  
No, there are no short-term plans to obsolete the concealed vertical rod 9947 device. There is a very large install base that will need to be serviced for years down the road.

### ■ Installation

**If I have enough clearance above the door, can I install the new WDC system while the door is hanging?**

Yes, if the product is less bottom latch.

**Can the cables be cut in the field for various door heights?** No. The spool system allows each cable to span several door opening heights so fine tuning of the cable is not required. Additionally, there are attached “ends” to each cable that are necessary for proper installation and cannot be removed.

**Why do I need to replace my door when I want to retrofit this into an existing wood door application?**

Due to the unique design and capabilities of the new system, it cannot be retrofitted into existing door prep.

# FAQ

## Quiet Electric Latch Retraction-QEL

### ■ Technology

**What is the difference between the new QEL and the current QEL?** The updated QEL provides many new benefits and features. A couple of key changes to note: 1) **Modular design** allows you to upgrade your openings without replacing your existing exit device. A variety of kits are available to meet your specific needs - from retrofitting your mechanical devices to upgrading your solenoid driven EL devices. 2) **Auto adjust latch retraction** - this feature allows for the latch throw and pull to be adjusted automatically every time the device is cycled. 3) **Hex dogging option** allows for device to be manually dogged or undogged as needed. 4) **LED lights** indicate voltage drop or surge. 5) **Rear facing wiring** allows for easier installation.

**Did the new QEL replace the previous QEL?** Yes.

**Are there any changes to the exit device?** No, this solution can be retrofitted to any existing 98/99, 94/95 or 33A/35A Series exit devices.

**Is the product retrofit able?** Yes, this solution can be added to any existing 98/99, 94/95 or 33A/35A Series exit device. You can upgrade any of these devices to a new QEL, regardless of their current state - ex: a standard rim device without EL or QEL can be upgraded to the new QEL while keeping existing device.

**What are the power supply requirements for this device?** The QEL has a low inrush current = 1.0 amps, so it can be used with standard Schlage power supplies. When powering multiple components, verify that the amperage requirements of all components combined does not exceed the power supply output rating, see table below for output ratings.

Schlage PS902	Schlage PS904	Schlage PS906
up to 2 amps	up to 4 amps	up to 6 amps

The QEL device is compatible with the following equipment: PS900 Series power supplies - PS902, 904, 906, 914; 900 Series Option Boards - 900-2RS, 900-4R, 900-4RL, 900-2Q; PS873 Power Supply including 871-2, 871-2Q, 873-4TD/AO Option Boards. The power transfer is also sold separately. Please refer to Von Duprin catalog for more information on EPT-2/EPT-10 power transfers and PS900 series power supplies.

**Are there wire run restrictions with the QEL?** Yes, see table below for factory recommendations.

QEL wire run lengths			
Distance = Wire gauge (one way)			
200' = 18 AWG	320' = 16 AWG	500' = 14 AWG	800' = 12 AWG

## FAQ - continued

**What certifications do the QEL device and conversion kits meet?** Devices are BHMA Certified to ANSI/BHMA A156.3 (2001) Grade 1 for Exit Devices. Devices are UL and cUL Listed as “Panic Hardware” (UL 305) and as “Fire Exit Hardware” (UL 10C). The QEL Conversion Kit is UL Classified under “Accessories for Single-Point Locks and Latches and Fire Exit Hardware” (UL 10C).

### ■ Availability

**When will the new QEL be available?** Product orders will be accepted beginning on December 1, 2014, product will begin shipping on December 8, 2014.

**What is the pricing structure for the device and retrofit kits?** There is no pricing increase for the standard QEL option. Please reference price books for additional upgrade kits.

**Which exit models will the QEL be available for?** 98/99, 94/95 and 33A/35A Series exit devices.

**Will service parts be available for existing QEL devices?** Yes, service parts will be in the form of baseplate kits and modules. These items will be available for order in our price books.

### ■ Installation

**Do I need to replace my entire device?** No, the solution can be retrofitted to any existing 98/99, 94/95 and 33A/35A Series exit devices.

**Will using a power supply not manufactured by Schlage or Von Duprin void my warranty?** No. If a customer uses a power supply from another manufacturer, Von Duprin will still warranty all parts and components from the Von Duprin QEL exit device. The warranty will be voided if the customer uses a power supply that does not meet the specification requirements of the QEL.

QEL electrical load	
<b>Voltage</b>	24 VDC
<b>Current</b>	1.0 A Inrush (0.5 sec) 0.14 A Holding

**When would the HD-QEL option be used?** The HD QEL is only used on panic devices. This option allows for the device to be manually dogged when needed.

### ■ Conversion information for existing products

**If I have an existing 33A/35A or 98/99 Series Von Duprin exit device, what do I need to upgrade it?**

Due to the modularity of the Von Duprin product platform, you have one of two options when upgrading to the new QEL solution - QEL Modular Kit or QEL Baseplate Kit. See chart below to help you choose the proper upgrade option.

I have this type of device currently installed		I want to upgrade to the new QEL, what do I need?	
		33A/35A and 98/99 Series devices	
		QEL Modular Kit*	QEL Baseplate Kit*
Mechanical device	Panic	X	
	Fire rated (pre October 2014)		X
	Fire rated (post October 2014)	X	
Any existing QEL device		X	
Any existing EL device			X

\*Available with Hex Dogging option for panic devices only

## FAQ - continued

**What are the new conversion kit part numbers?** See table below for information regarding available conversion kit and associated part numbers.

Conversion kits	QEL modular kit	HD-QEL modular kit	QEL baseplate kit	HD-QEL baseplate kit
Series	33A/35A, 98/99	33A/35A, 98/99	33A/35A, 98/99	33A/35A, 98/99
Part number	114317	958002	958003 - 3' 040065 - 4'	958004 - 3' 040067 - 4'

\* 33/35 and 98/99 conversion kits available with Allegion Connect, to order use suffix CON.

**If I have an existing 94/95 Series Von Duprin exit device, what do I need to upgrade it?**

All that is required to update an existing 94/95 Series device is the Modular Conversion Kit, part number = 958005

**How do I know if my device was manufactured before October 2014?**

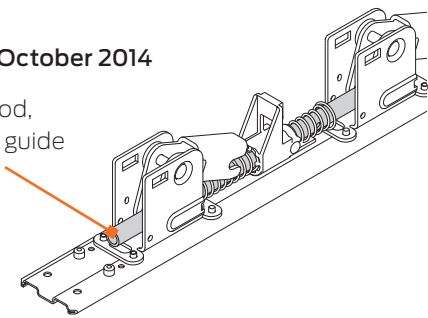
Devices manufactured before October 2014, **do not** have a guide hole drilled in the action rod.

Devices manufactured after October 2014, **do** have a guide hole drilled for the action rod.

See illustrations below for reference.

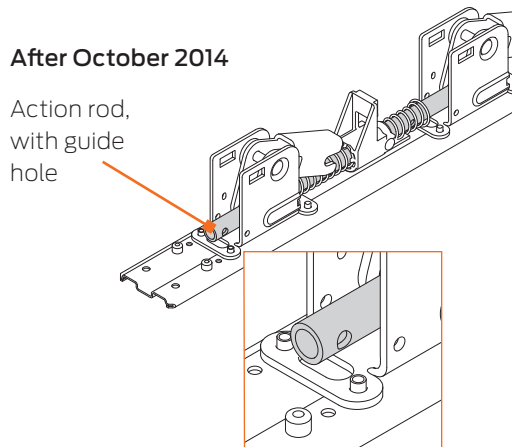
**Before October 2014**

Action rod,  
without guide  
hole



**After October 2014**

Action rod,  
with guide  
hole



**If my device has been modified by a third party, how can I insure that it is UL approved for my application?**

Some third party providers for aftermarket solutions are not UL certified, for both panic and fire rated devices. You can avoid this, by purchasing genuine Von Duprin products that are certified for panic and fire rated applications. Guaranteeing you the security and peace of mind that your device meets the most strict code and industry requirements.

VON DUPRIN®

QEL

Quiet electric latch  
retraction



## Overview

The Quiet electric latch (QEL) option provides electronic control of an exit device and is ideally suited for environments where limited operational noise is desired. The feature allows for the electronic unlatching of exit devices for continuous push-pull operation and/or access control and can be activated through a building automation system, access control system or by a control system operator.

The device always provides mechanical egress but can also be tied to an access system to unlatch when a credential is presented or may be held unlatched (dogged) for extended periods to provide free entry. If manual dogging is also required, special center case dogging is available for 98/99 rim and vertical systems.

QEL devices are also useful with automatic door operators, and may be applied to fire-rated applications when under the control of an automatic fire alarm system.

QEL is an option for 98/99 Series (including XP,) 94/95 Series and 33A/35A Series devices. The PS900 Series power supplies, with the 900-2RS option card, is the minimum option card requirement. Other option cards are available for various functions.

## Features and benefits

- Quiet operation
- On-board installation and troubleshooting diagnostics
- Automatic calibration- automatically adjusts latch throw and pull.
- Vandal resistant
- BHMA certified to ANSI/BHMA A156.3 Grade 1 for exit devices
- UL and cUL listed as "Panic Hardware" (UL 305) and as "Fire Exit Hardware" (UL 10C)
- QEL conversion kit is UL classified under Accessories for Single-Point Locks and Latches and Fire Exit Hardware (UL 10C)

## QEL electrical specifications

Voltage	24VDC
Current inrush	1.4 Amps
Current holding	.014 Amp
Current calibrate	2.0 Amps (3 sec one time)

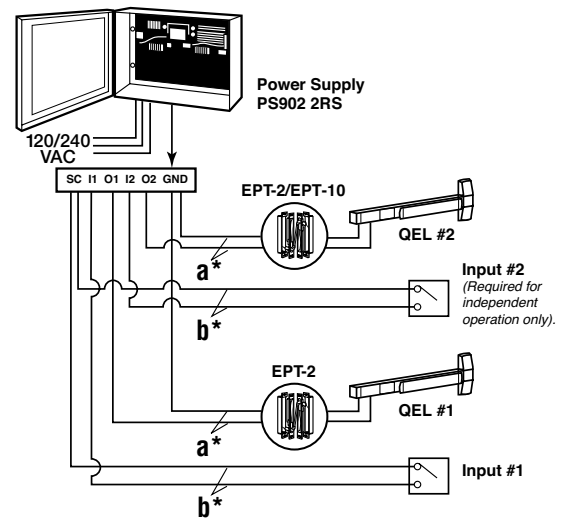
## Wire length and gauge

Wire length (feet)	Wire gauge (AWG)
200'	18
320'	16
500'	14
800'	12

The QEL option does not include the power transfer from door to frame, the power supply, or the control operator. Refer to Von Duprin catalog for information on EPT-2/10 power transfer and the 900 Series power supplies.

### To order, specify

- Standard - Use prefix QEL, example QEL99L.
- Special center case dogging - Use prefix SD-QEL, example SD-QEL99L.



Allegion, the Allegion logo, Von Duprin and the Von Duprin logo are trademarks of Allegion plc, its subsidiaries and/or affiliates in the United States and other countries. All other trademarks are the property of their respective owners.

## About Allegion

Allegion (NYSE: ALLE) creates peace of mind by pioneering safety and security. As a \$2 billion provider of security solutions for homes and businesses, Allegion employs more than 7,800 people and sells products in more than 120 countries across the world. Allegion comprises 23 global brands, including strategic brands CISA®, Interflex®, LCN®, Schlage® and Von Duprin®. For more, visit [www.allegion.com](http://www.allegion.com).

aptiQ ■ LCN ■ SCHLAGE ■ STEELCRAFT ■ VON DUPRIN



ALLEGION™

© 2014 Allegion  
010109, Rev. 03/14  
[www.allegion.com/us](http://www.allegion.com/us)