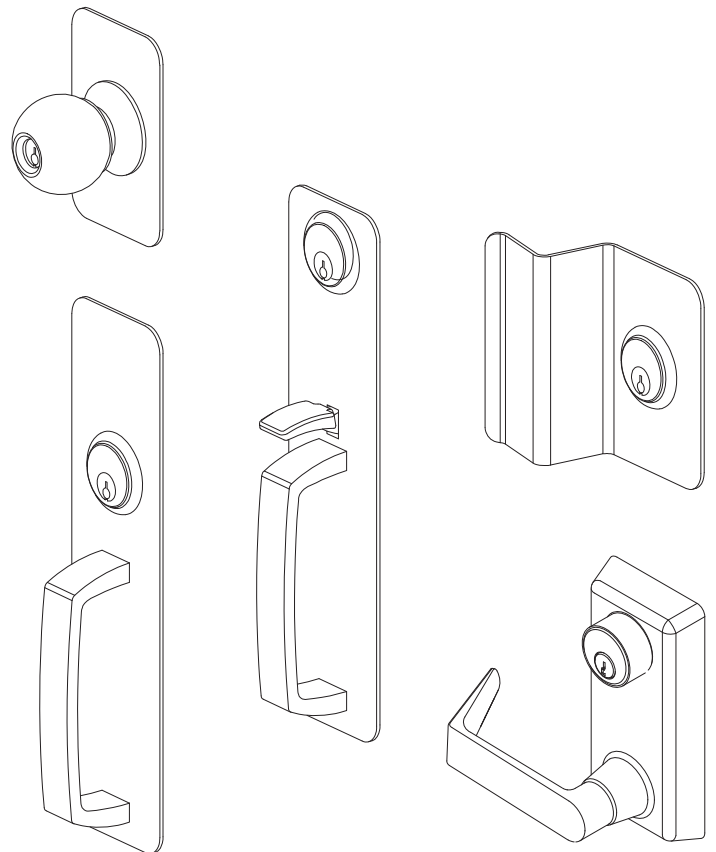


Common Part Manuals

VON DUPRIN®

110, 210, & 230 Series Trim

Service manual



INDEX

General Information

Introduction	2
How to Order	2
Part Number Changes	2
110, 210, 230 Series Trim Finishes	2

110, 210, 230 Series Trim Parts

110NL-MD	3
210NL	3
210K	4
210K-BE	4
230NL	5
230DT	5
230TP	6
230TP-BE	7
230L	8

INTRODUCTION

This manual contains a listing of replaceable parts and assemblies for the 110, 210, and 230 Series Trim.

HOW TO ORDER

Some parts are sold separately. Other items are available as part of a kit or multiple quantity package. For the best possible service when ordering replacement parts or assemblies, please provide the following information:

- Part number or assembly number
- Description
- Quantity needed
- Finish desired (if available finished)
- Date of original purchase (if known)

To find out the name of your local Von Duprin distributor or sales representative, contact:

Von Duprin Division
Allegion
2720 Tobey Drive
Indianapolis, Indiana 46219
Phone: (877) 671-7011

PART NUMBER AND AVAILABILITY CHANGES

This manual was designed to help illustrate the replacement parts and kits that are available for sale. Because of changes to the product and/or manufacturing process, part numbers and availability can change over time.

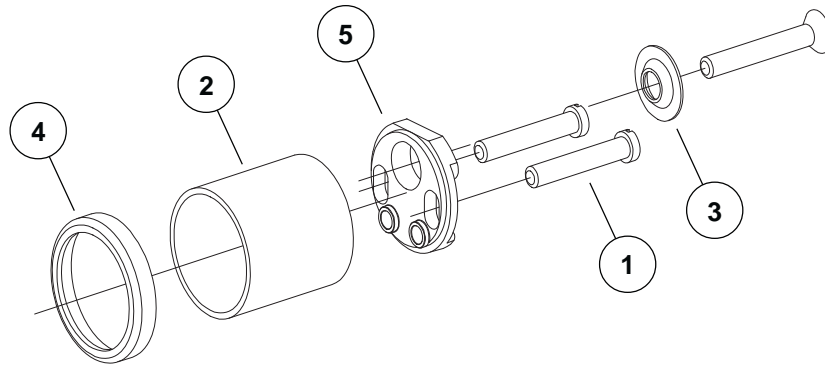
110, 210, 230 SERIES TRIM FINISHES

US Number	BHMA Number	Color
SP28	689	Aluminum (lacquered)
SP313	695	Bronze, dark (painted)

110NL-MD PARTS

Item No.	Part No.	Description	Quantity	Finish
1	959055	550/555/556 Special Cylinder Screw - 1-3/4" Door	1	
1	959056	550/555/556 Special Cylinder Screw - 2-1/4" Door	1	
2	960060	110NL Cylinder Spacer Collar	1	
3	961180	110NL Cylinder Assembly Countersink Washer	1	
4	967291	110NL-MD Cylinder Collar	1	X
5	971593	110NL Cylinder Assembly Cylinder Disc	1	

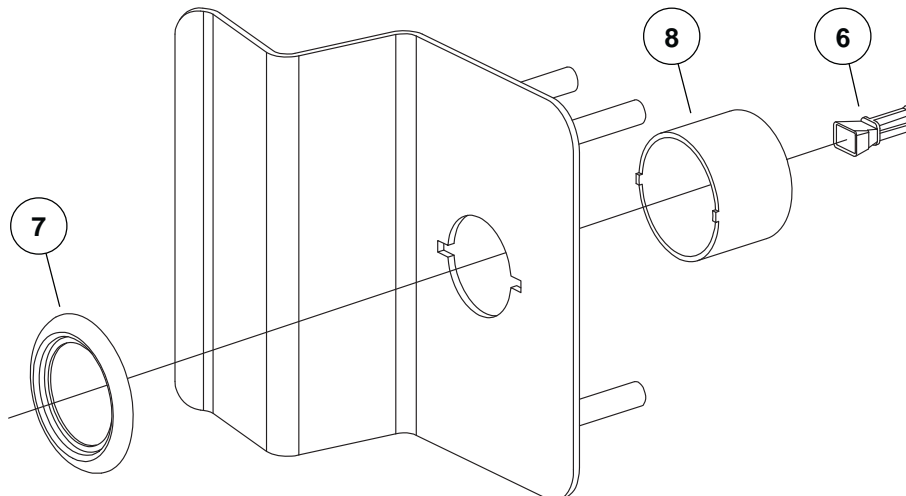
X in "Finish" column designates finished item; specify finish when ordering.



210NL PARTS

Item No.	Part No.	Description	Quantity	Finish
6	050156	Tailpiece Guide Lead Kit	10	
7	965226	Cylinder Collar	1	X
8	968201	210/230 Cylinder Retaining Cup	1	

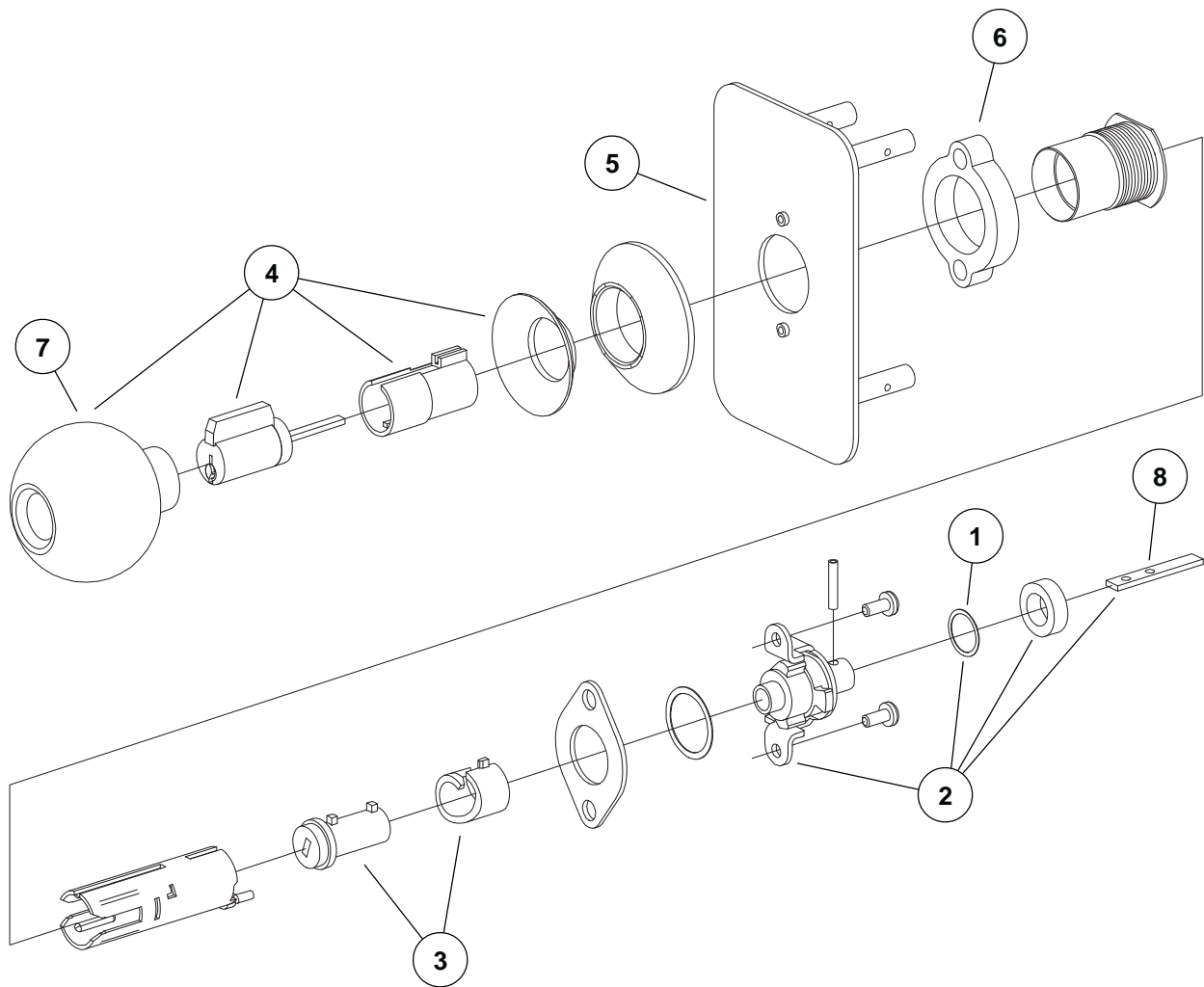
X in "Finish" column designates finished item; specify finish when ordering.



210K, 210K-BE PARTS

Item No.	Part No.	Description	Quantity	Finish
1	090103	210K Wave Spring Washer Pkg.	10	
2	109871	210K Bracket & Booster Assembly	1	
3	109872	210K Spiral Cam Sub-Assembly	1	
4	109873	210K Cylinder Knob Sub-Assembly	1	X
5	109879	210K Trim Sub-Assembly	1	X
6	969140	210K Knob Spacer	1	
7	969157	210K Knob	1	X
7	969352	210K-BE Knob	1	X
8	970979	210K/L Spindle Shaft	1	

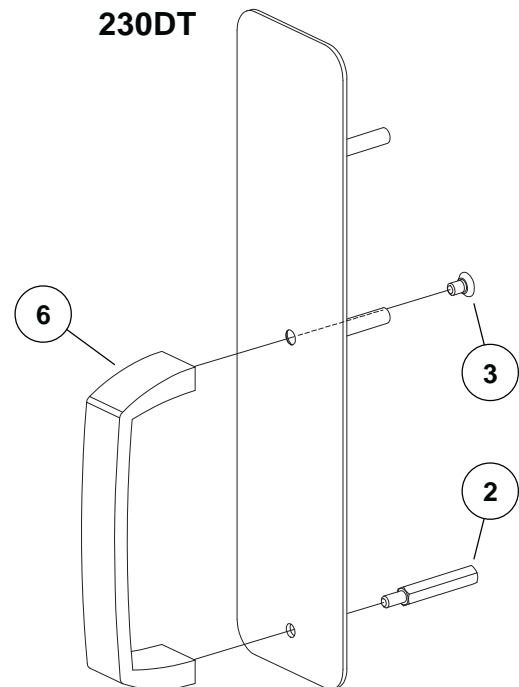
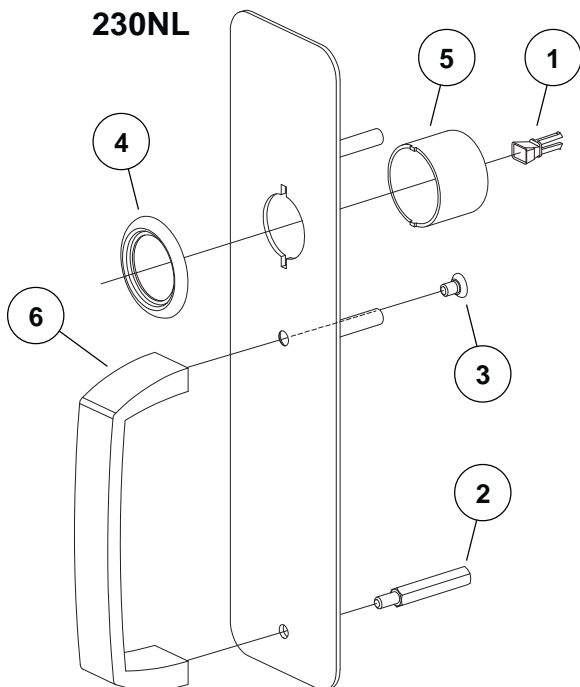
X in "Finish" column designates finished item; specify finish when ordering.



230NL, 230DT PARTS

Item No.	Part No.	Description	Quantity	Finish
	050140	230DT x 330/350 Screw Pkg. 1-3/4" Door		X
		#12 Countersink Washer	1	
		12-24 x 3/4" OPHMS	1	
		#10 Countersink Washer	4	
		10-24 x 3/4" OPHMS	4	
	050141	230DT x 330/350 Screw Pkg. 1-3/4" Door		X
		#12 Countersink Washer	1	
		12-24 x 1-1/4" OPHMS	1	
		#10 Countersink Washer	4	
		10-24 x 1-1/4" OPHMS	4	
1	050156	Tailpiece Guide Lead Kit	10	
2	956760	Hex Stud	1	
3	963579	12-24 x 3/8" UFPHMS	1	
4	965226	Cylinder Collar	1	X
5	968201	210/230 Cylinder Retaining Cup	1	
6	969925	230 Pull Grip	1	X

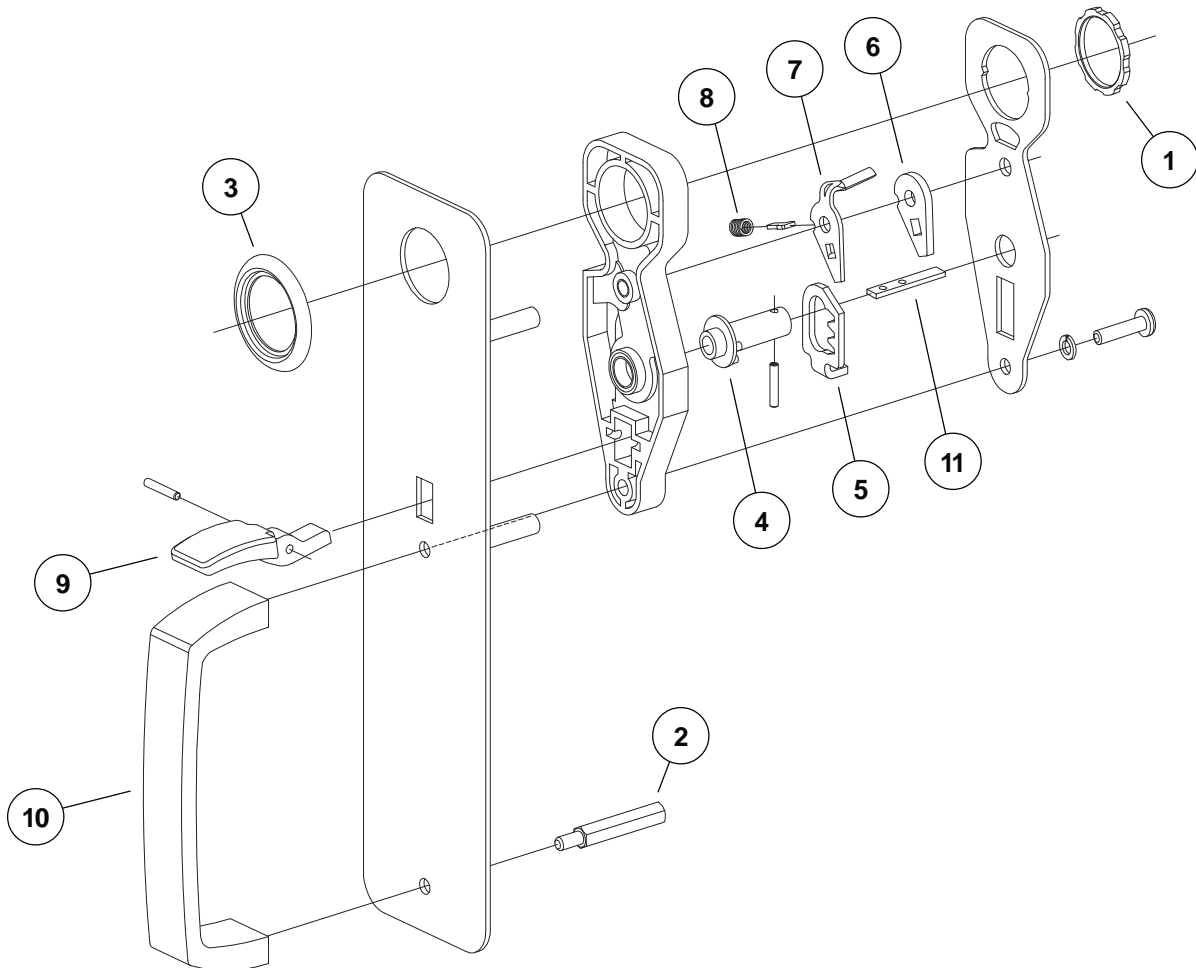
X in "Finish" column designates finished item; specify finish when ordering.



230TP PARTS

Item No.	Part No.	Description	Quantity	Finish
1	050526	230L Cylinder Locknut	1	
2	956760	Hex Stud	1	
3	965226	Cylinder Collar	1	X
4	969903	230TP Cam	1	
5	969904	230TP Slider	1	
6	969906	230TP Locking Cam	1	
7	969908	230TP Locking Cam Latch	1	
8	969909	230TP Compression Spring	1	
9	969910	230TP Thumbpiece	1	X
10	969925	230 Pull Grip	1	X
11	970979	210K/L Spindle Shaft	1	

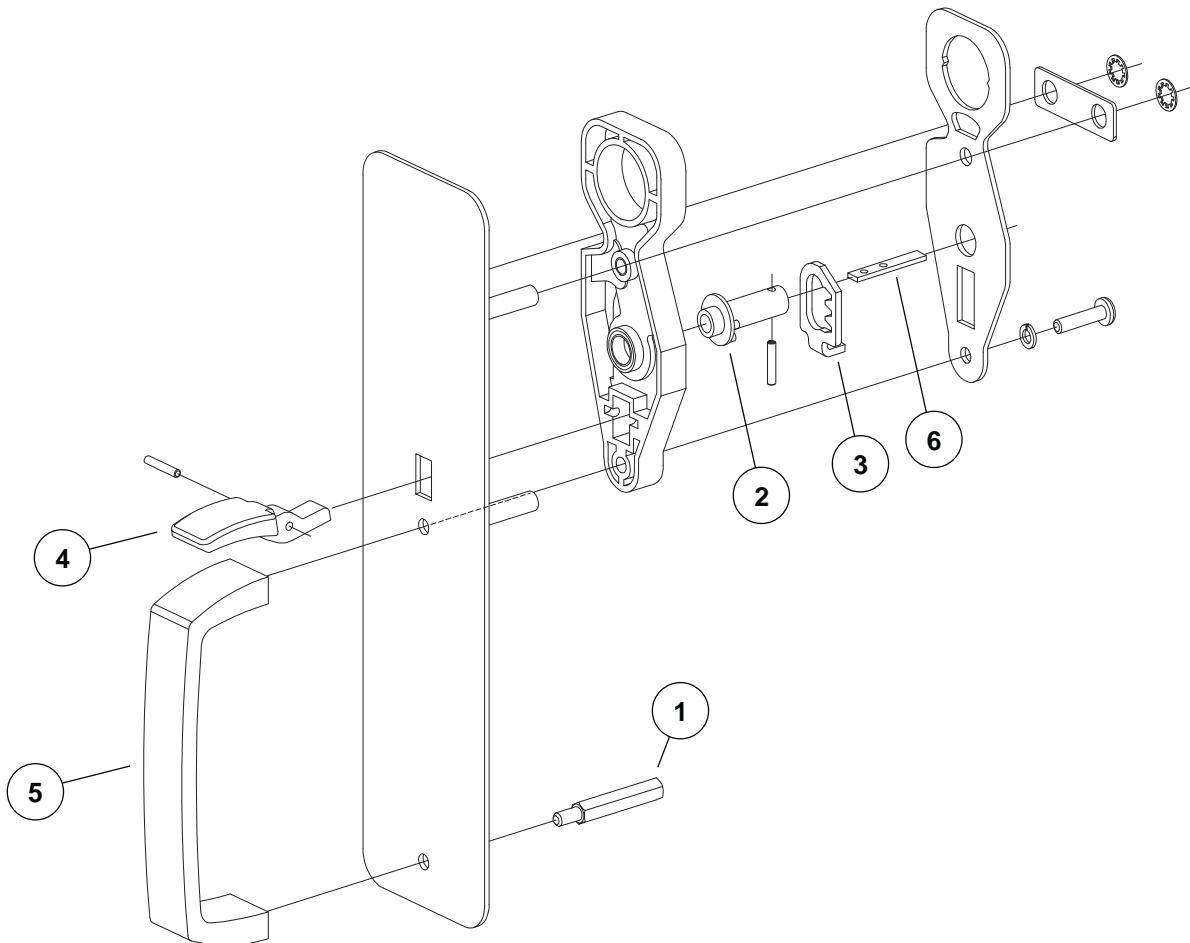
X in "Finish" column designates finished item; specify finish when ordering.



230TP-BE PARTS

Item No.	Part No.	Description	Quantity	Finish
1	956760	Hex Stud	1	
2	969903	230TP Cam	1	
3	969904	230TP Slider	1	
4	969910	230TP Thumbpiece	1	X
5	969925	230 Pull Grip	1	X
6	970979	210K/L Spindle Shaft	1	

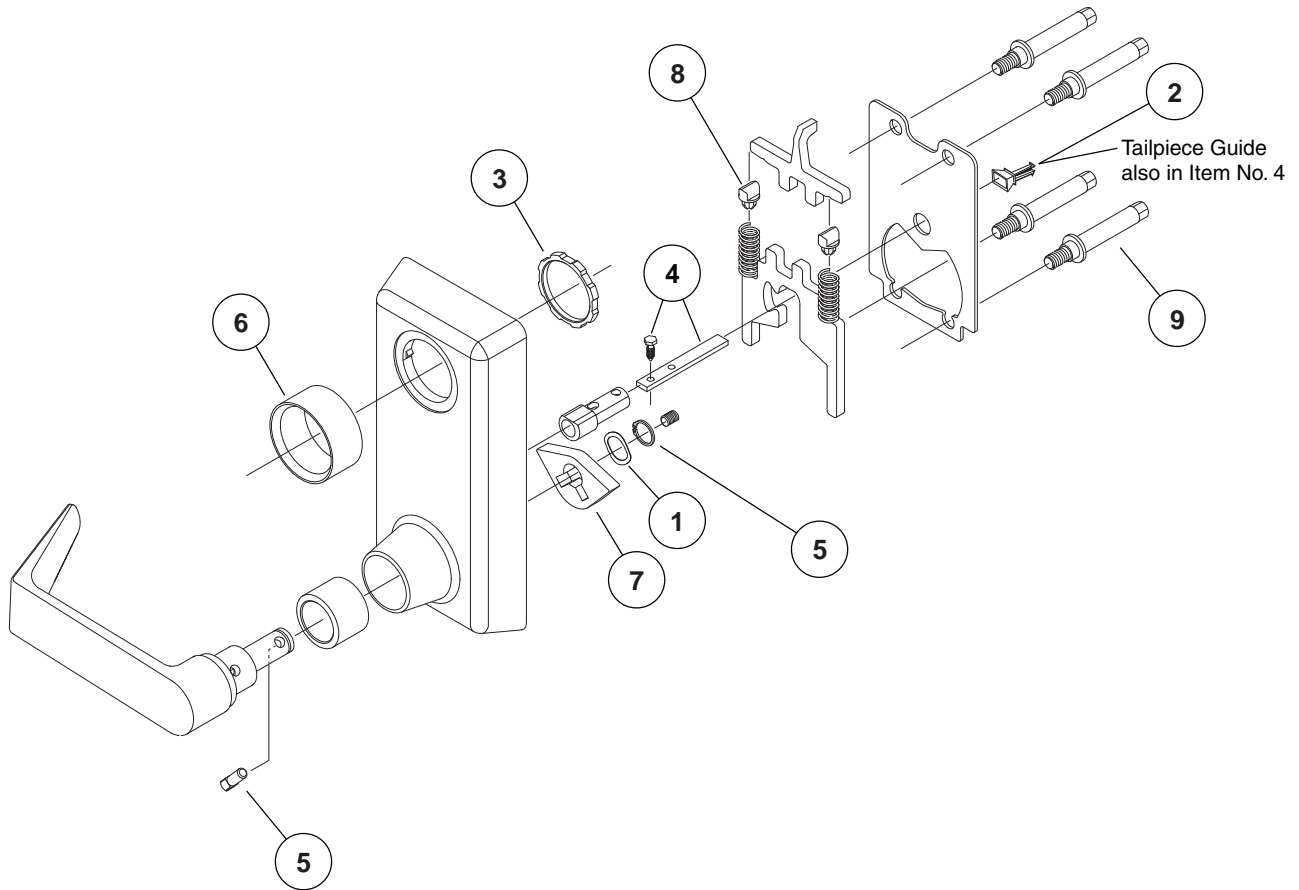
X in "Finish" column designates finished item; specify finish when ordering.



230L PARTS

Item No.	Part No.	Description	Quantity	Finish
1	090103	Wave Spring Washer Package	10	
2	050156	Tailpiece Guide Lead Kit	10	
3	050526	230L Cylinder Locknut	1	
4	900894	230L Tailpiece Auxiliary		
		Tailpiece Guide	1	
		Pine Tree Clip	1	
		Tailpiece	1	
5	050611	230L Retaining Ring and Shear Pin	1	
6	971249	230L Cylinder Collar	1	
7	050813	230L Lever Cam	1	
8	971497	230L Locking Plunger	1	
9	971245	230L Stud	1	

X in "Finish" column designates finished item; specify finish when ordering.



About Allegion

Allegion (NYSE: ALLE) creates peace of mind by pioneering safety and security. As a \$2 billion provider of security solutions for homes and businesses, Allegion employs more than 7,800 people and sells products in more than 120 countries across the world. Allegion comprises 23 global brands, including strategic brands CISA®, Interflex®, LCN®, Schlage® and Von Duprin®.

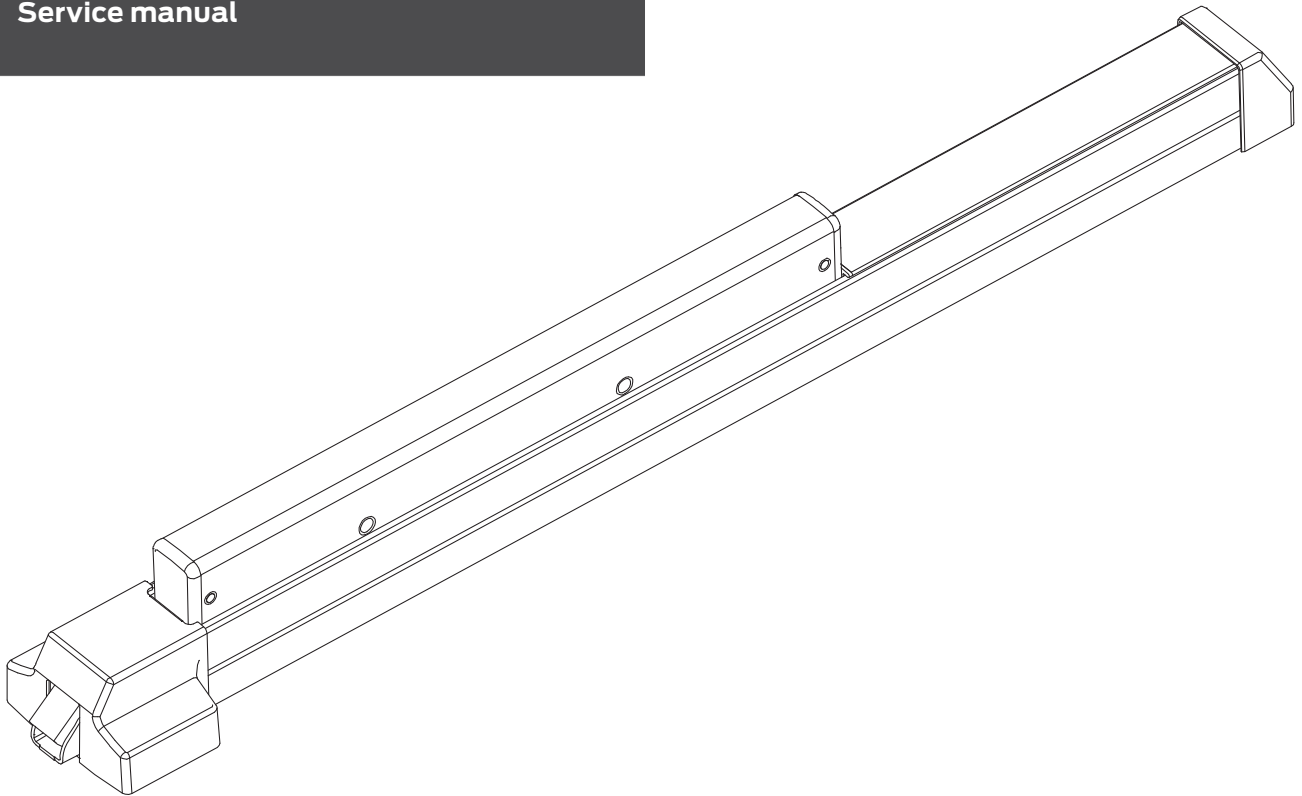
For more, visit www.allegion.com.

aptiQ ■ LCN ■ **SCHLAGE** ■ STEELCRAFT ■ VON DUPRIN

VON DUPRIN®

22 Series Rim Exit Device

Service manual



INDEX

22 Rim Devices	
Basic Panic Device	4-5
Basic Fire Device	6-7
Baseplate Assemblies	8
Center Case Assembly	9
Variations of the Basic Device	
RX (Request to Exit)	10
LX (Latch Bolt Monitoring)	10
ALK Exit Alarm Kit	11
General Information	
Introduction	2
How to Order	2
Part Number Changes	2
Finishes	3
Outside Trim Functions	3
Strikes	3

INTRODUCTION

This manual contains a listing of replaceable parts and assemblies for the 22 Rim Exit Hardware Devices.

HOW TO ORDER

Some parts are sold separately. Other items are available as part of a kit or multiple quantity package. For the best possible service when ordering replacement parts or assemblies, please provide the following information:

- Part number or assembly number
- Description
- Quantity needed
- Finish desired (if available finished)
- Date of original purchase (if known)

To find out the name of your local Von Duprin distributor or sales representative, contact:

Von Duprin Division
Allegion
2720 Tobey Drive
Indianapolis, Indiana 46219
Phone: (877) 671-7011

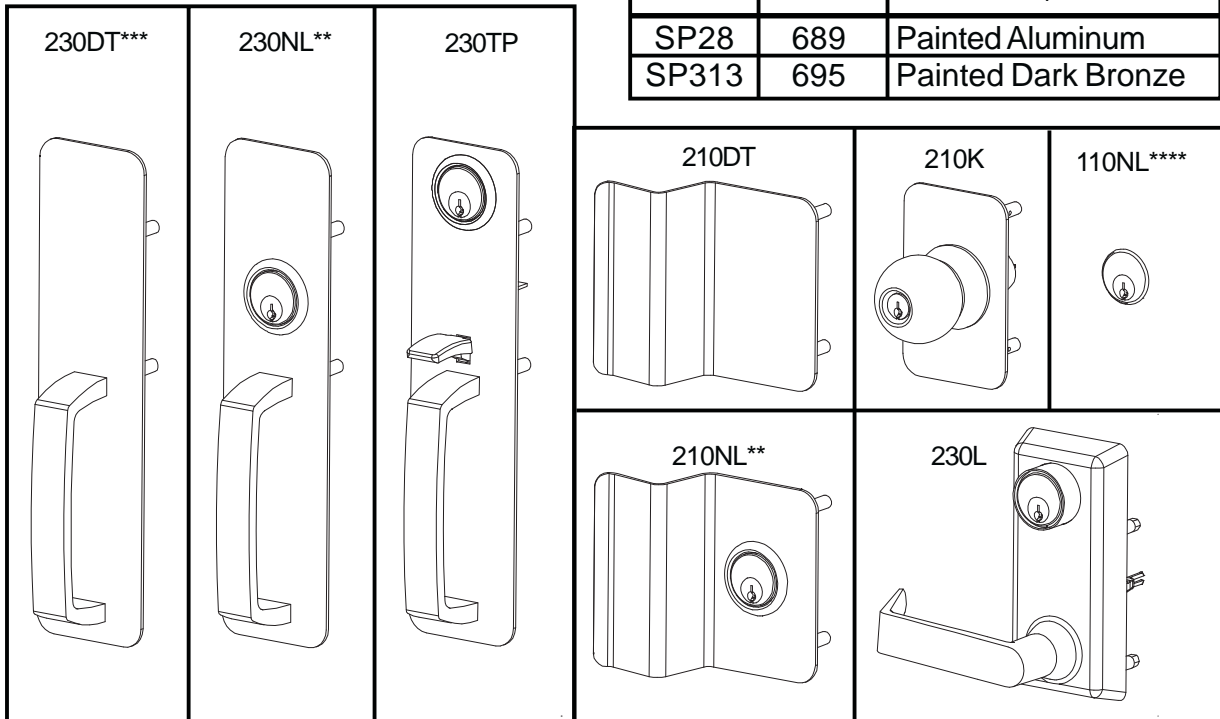
PART NUMBER AND AVAILABILITY CHANGES

This manual was designed to help illustrate the replacement parts and kits that are available for sale. Because of changes to the product and/or manufacturing process, part numbers and availability can change over time.

22 SERIES FINISHES

OUTSIDE TRIM FUNCTIONS

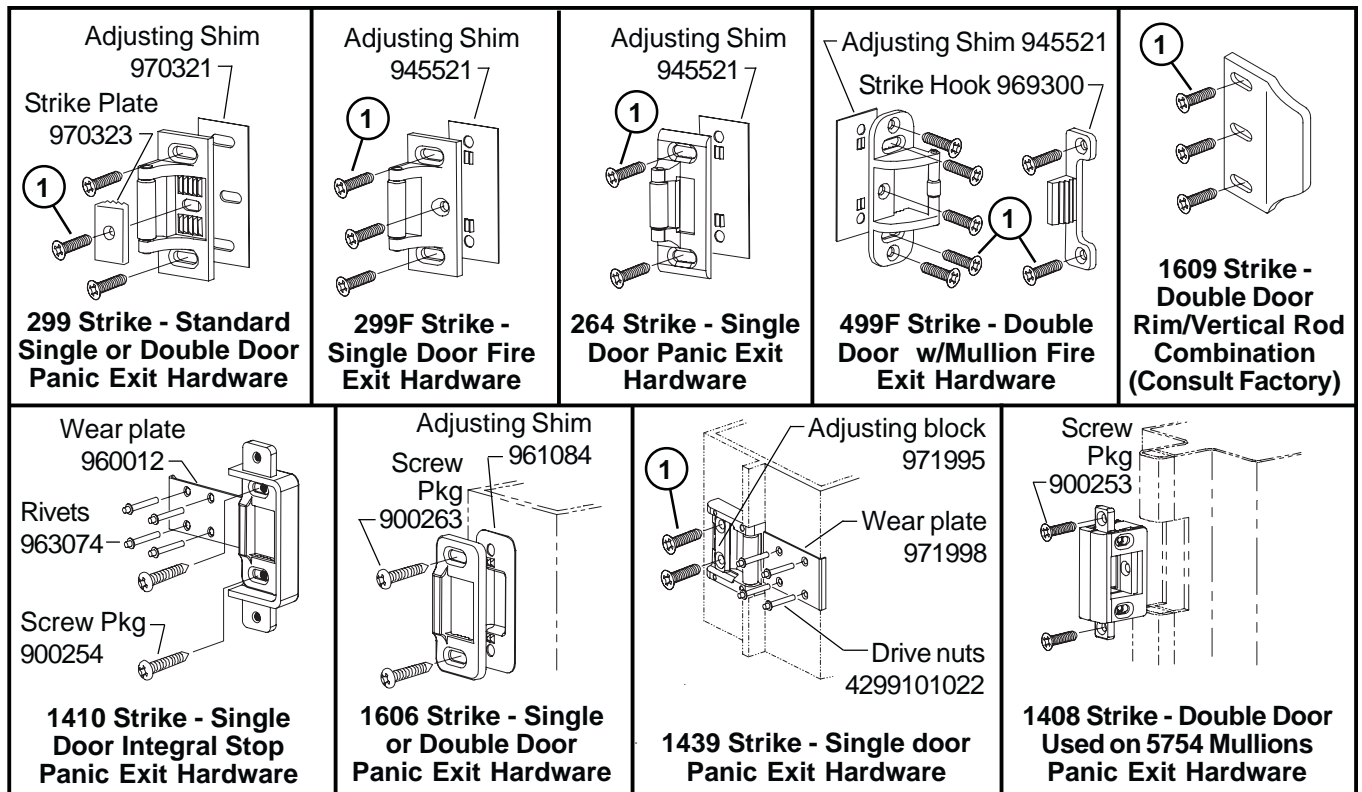
U.S. Std Reference	BHMA Reference	Description
SP28	689	Painted Aluminum
SP313	695	Painted Dark Bronze



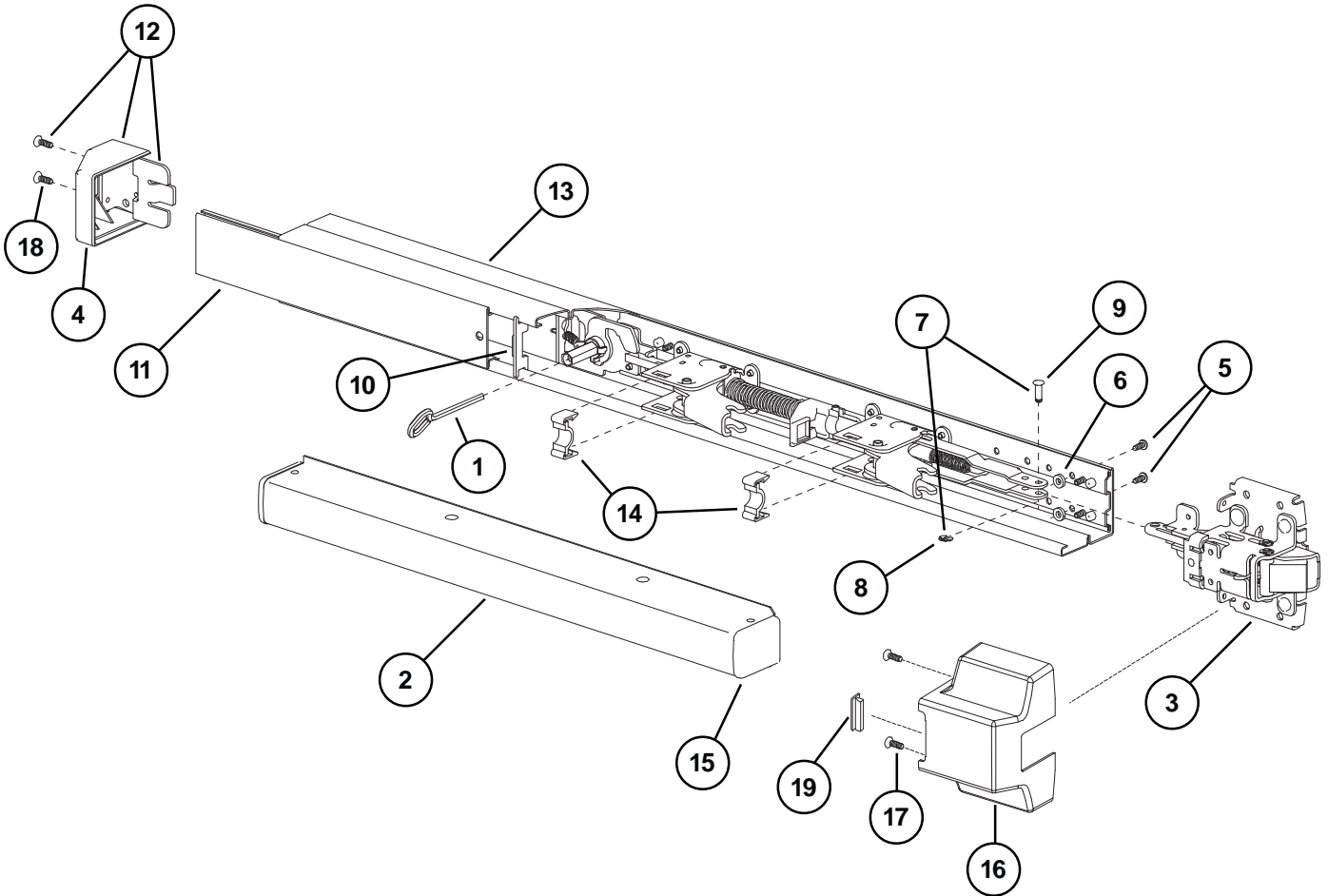
- * "BE" (Blank Escutcheon) no cylinder used - lever always active
- ** "NL" (Night Latch) rigid lever - key retracts latch bolt
- *** "DT" (Dummy Trim) rigid lever for pull operation
- **** Optional Pull needs to be added

STRIKES

- ① Metal Door Screw Package PKGSRV.1023 (Pkg of 10)
- Wood Door Screw 964291 (Qty of 1)



22 RIM PANIC DEVICE



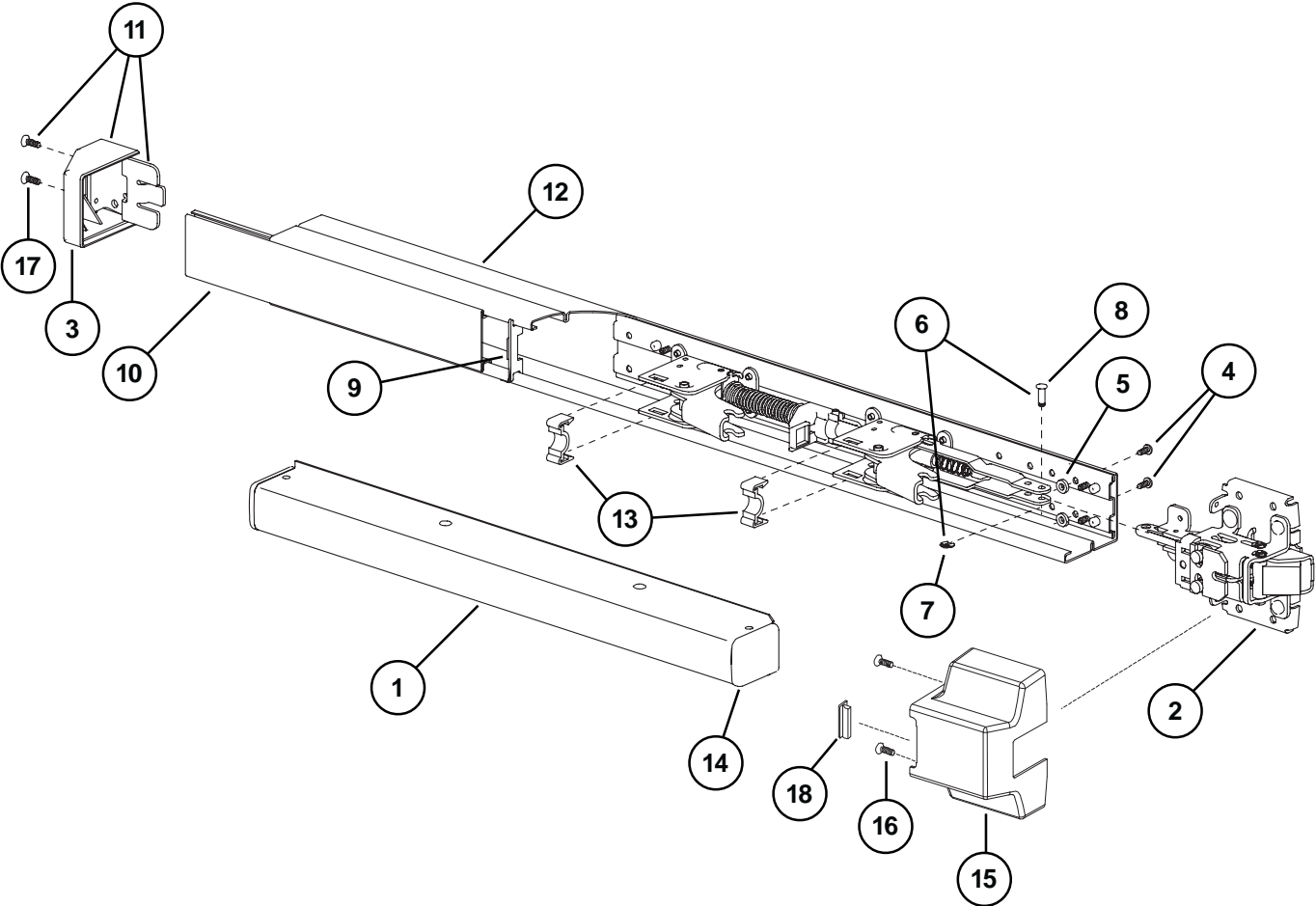
22 RIM PANIC DEVICE

Item No.	Quantity	Part No.	Description	Finish
	1	900561	22 Series Mounting Pkg. (1-3/4 & 2-1/4)	
1	1	090085	227 Dog Key 5/32" Hex (Pkg of 10)	
1	1	090005	227 Dog Key 5/32" Hex (Pkg of 2)	
2	1	*PBKIT	22 Series Push Bar Retrofit Kit - 3' Door	X
2	1	*PBKIT	22 Series Push Bar Retrofit Kit - 4' Door	X
3	1	109012	22 Rim Center Case Less Cover	
4	1	968601	22 Mechanism Case End Cap	
5	2	090037	Baseplate Screw (Pkg of 10)	
6	2	964013	3/8" x 3/16" x 3/32" Washer	
7	1	050529	22 Series Control Link Pin & Ret. Ring	
8	1	090107	Ret. Ring Pkg/10	
9	1	090031	Control Link Pin Pkg/10	
10	1	968592	Cover Plate Bearing Insert	
11	1	968595	22/2227 Cover Plate - 3' Dr	X
11	1	968596	22/2227 Cover Plate - 4' Dr	X
12	1	900981	22 End Cap Kit	
13	1	970035	22 Mechanism Case - 3' Dr	X
13	1	970036	22 Mechanism Case - 4' Dr	X
14	2	966268	Touch Bar Cover Bearing Insert	
15	1	968598	22 Push Bar End Cap	
16	1	968603	22/22-F Center Case Cover	X
17	2	090077	22 Series Center Case Cover Screw Pkg/4	X
18	2	964520	22 End Cap Screw	
19	1	966268	Touch Bar Cover Bearing Insert	

X in "Finish" column designates finished items; finish must be specified when ordering.

* To order, specify device type, size, and finish. Example: PBKIT 22 3' SP28

22-F RIM FIRE DEVICE



22-F RIM FIRE DEVICE

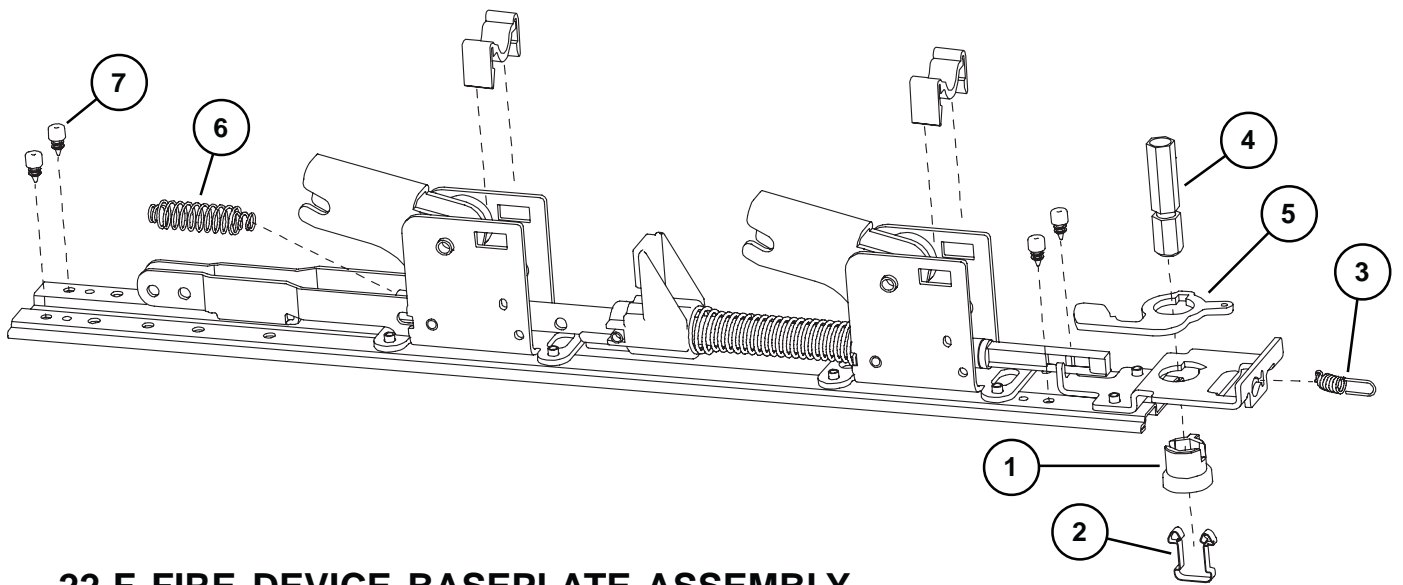
Item No.	Quantity	Part No.	Description	Finish
	1	900561	22 Series Mounting Pkg. (1-3/4 & 2-1/4)	
1	1	*PBKIT	22 Series Push Bar Retrofit Kit - 3' Door	X
1	1	*PBKIT	22 Series Push Bar Retrofit Kit - 4' Door	X
2	1	109915	22-F Rim Center Case Less Cover	
3	1	968601	22 Mechanism Case End Cap	
4	2	090037	Baseplate Screw (Pkg of 10)	
5	2	964013	3/8" x 3/16" x 3/32" Washer	
6	1	050529	22 Series Control Link Pin & Ret. Ring	
7	1	090107	Ret. Ring Pkg/10	
8	1	090031	Control Link Pin Pkg/10	
9	1	968592	Cover Plate Bearing Insert	
10	1	969127	22/2227-F Cover Plate - 3' Dr	X
10	1	969126	22/2227-F Cover Plate - 4' Dr	X
11	1	900981	22 End Cap Kit	
12	1	970035	22 Mechanism Case - 3' Dr	X
12	1	970036	22 Mechanism Case - 4' Dr	X
13	2	966268	Touch Bar Cover Bearing Insert	
14	1	968598	22 Push Bar End Cap	
15	1	968603	22/22-F Center Case Cover	X
16	2	090077	22 Series Center Case Cover Screw Pkg/4	X
17	2	964520	22 End Cap Screw	
18	1	966268	Touch Bar Cover Bearing Insert	

X in "Finish" column designates finished items; finish must be specified when ordering.

* To order, specify device type, size, and finish. Example: PBKIT 22 3' SP28

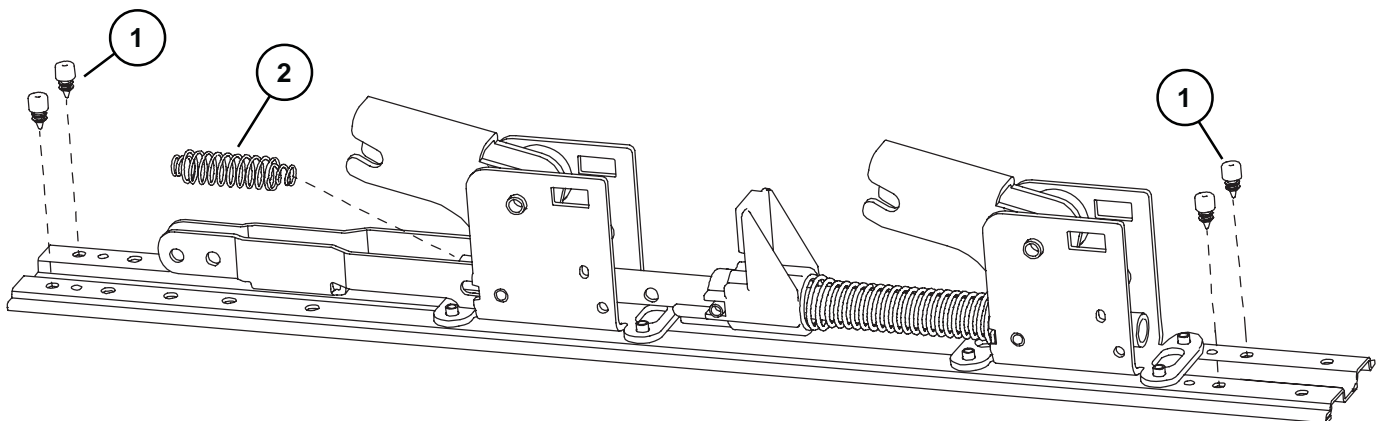
22 RIM PANIC DEVICE BASEPLATE ASSEMBLY

Item No.	Quantity	Part No.	Description	Finish
1	1	090043	Dogging adapter (Pkg of 2)	
2	1	090042	Dogging adapter spring (Pkg of 2)	
3	1	090041	Dogging spring (Pkg of 2)	
4	1	090040	Hex dogging shaft (Pkg of 2)	
5	1	090044	Dogging hook (Pkg of 2)	
6	1	090039	Latch return spring (Pkg of 10)	
7	4	090038	Rubber bumper (Pkg of 4)	
8	2	090048	Baseplate Bearing Strip (Pkg of 2)	



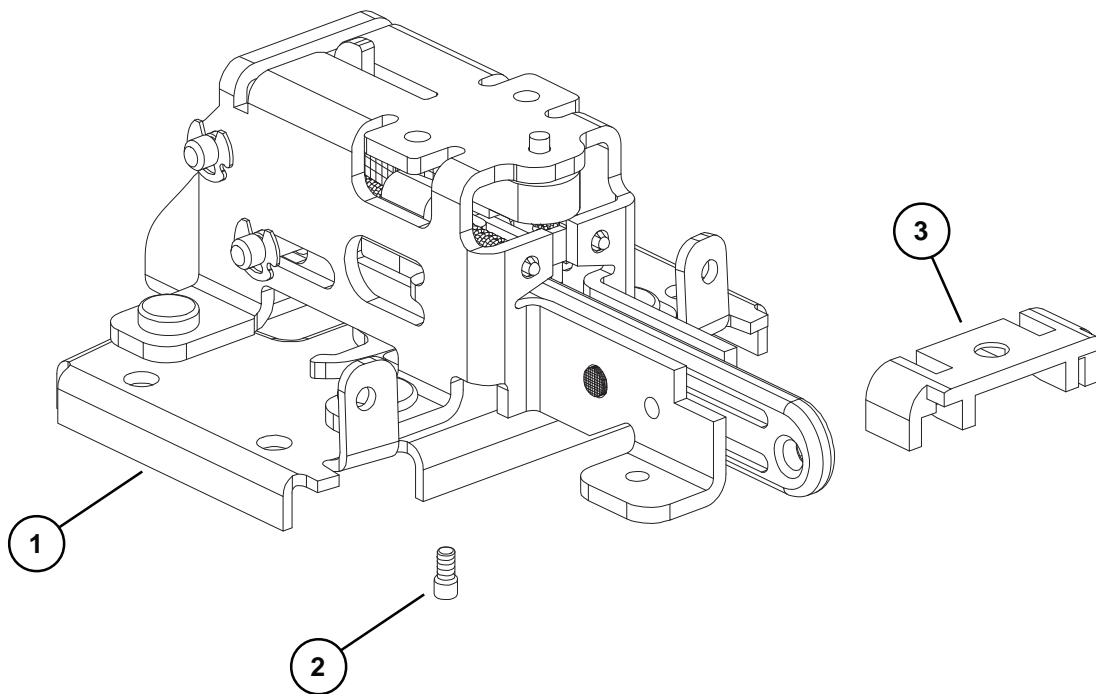
22-F FIRE DEVICE BASEPLATE ASSEMBLY

Item No.	Quantity	Part No.	Description	Finish
1	4	090038	Rubber bumper (Pkg of 4)	
2	1	090039	Latch return spring (Pkg of 10)	



22 PANIC & 22-F FIRE DEVICE CENTER CASE ASSEMBLY

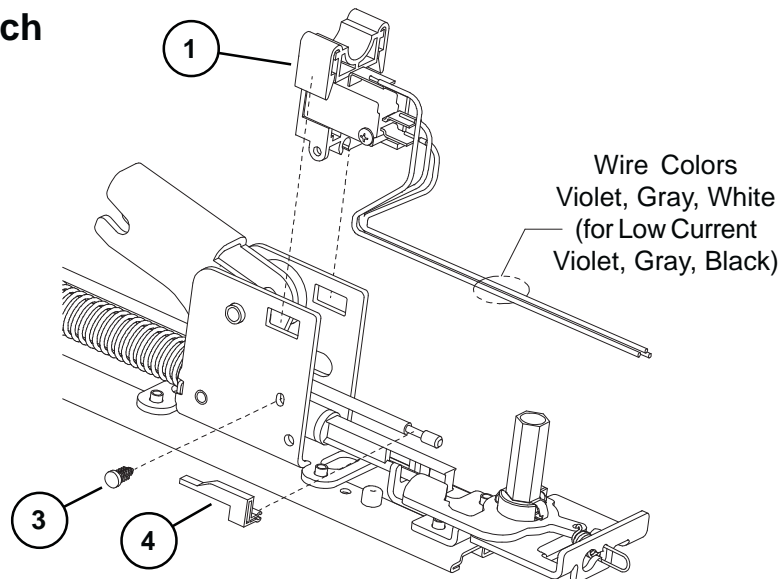
Item No.	Quantity	Part No.	Description	Finish
1	1	109012	22 Rim Center Case Less Cover	
1	1	109915	22-F Center Case Less Cover	
2	1	090074	NL Drive Screw (Pkg of 10)	
3	1	971592	22/2227 Pushbar Stop	



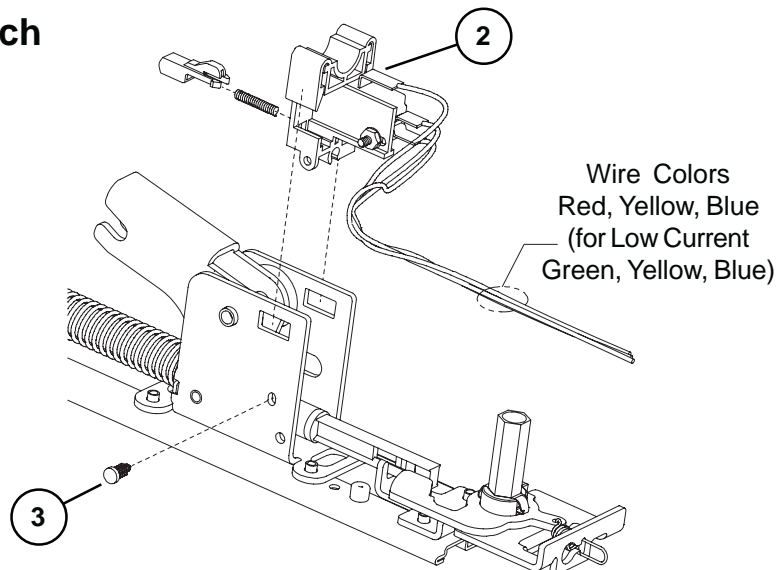
22 SERIES LX (LATCH BOLT MONITOR) & RX (REQUEST TO EXIT) OPTIONS

Item No.	Quantity	Part No.	Description	Finish
1	1	050254	LX Switch Kit 3' Device	
1	1	050255	LX Switch Kit 4' Device	
1	1	050283	LX-LC (Low Current) Switch Kit 3' Device	
1	1	050285	LX-LC (Low Current) Switch Kit 4' Device	
2	1	050251	RX Switch Kit	
2	1	050281	RX-LC (Low Current) Switch Kit	
3	1	090099	Pine Tree Clip (Pkg of 10)	
4	1	971091	LX Actuator	

LX Switch



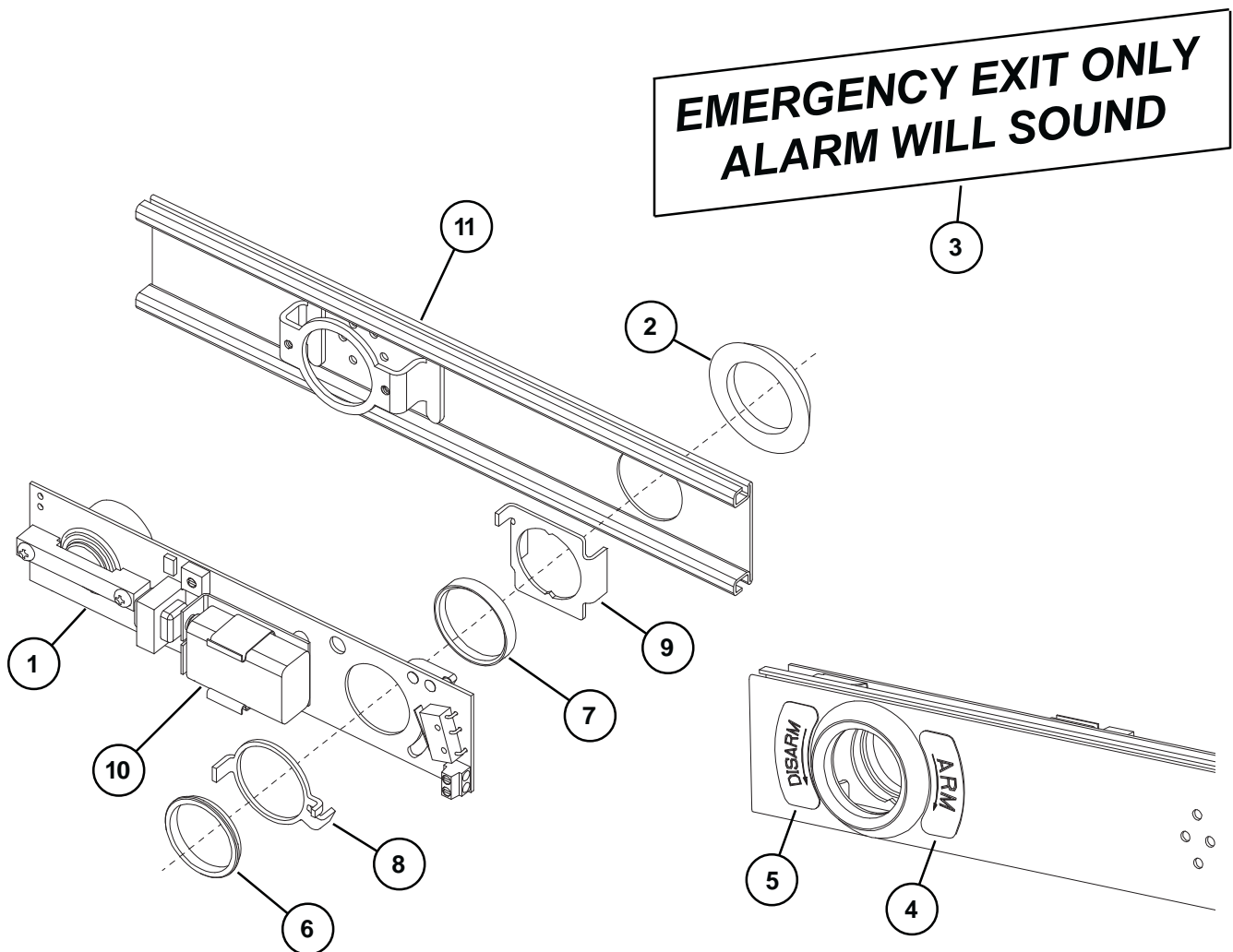
RX Switch



22 ALK EXIT ALARM KIT

Item No.	Quantity	Part No.	Description	Finish
1	1	111795	ALK PCB Assembly	
2	1	967704	Cylinder Collar	X
3	1	969122	ALK Alarm Device Sign	
4	1	969349	ALK Arming Label	
5	1	969350	ALK Disarming Label	
6	1	969354	Retainer Nut	
7	1	970594	ALK Cylinder Spacer	
8	1	971556	ALK Switch Actuator	
9	1	971557	ALK Cylinder Bracket	
10	1	990637	ALK Battery	
11	1	971470	22 ALK Cover Plate - 3' Dr	X
11	1	971471	22 ALK Cover Plate - 4' Dr	X

X in "Finish" column designates finished items; finish must be specified when ordering.



About Allegion

Allegion (NYSE: ALLE) creates peace of mind by pioneering safety and security. As a \$2 billion provider of security solutions for homes and businesses, Allegion employs more than 7,800 people and sells products in more than 120 countries across the world. Allegion comprises 23 global brands, including strategic brands CISA®, Interflex®, LCN®, Schlage® and Von Duprin®.

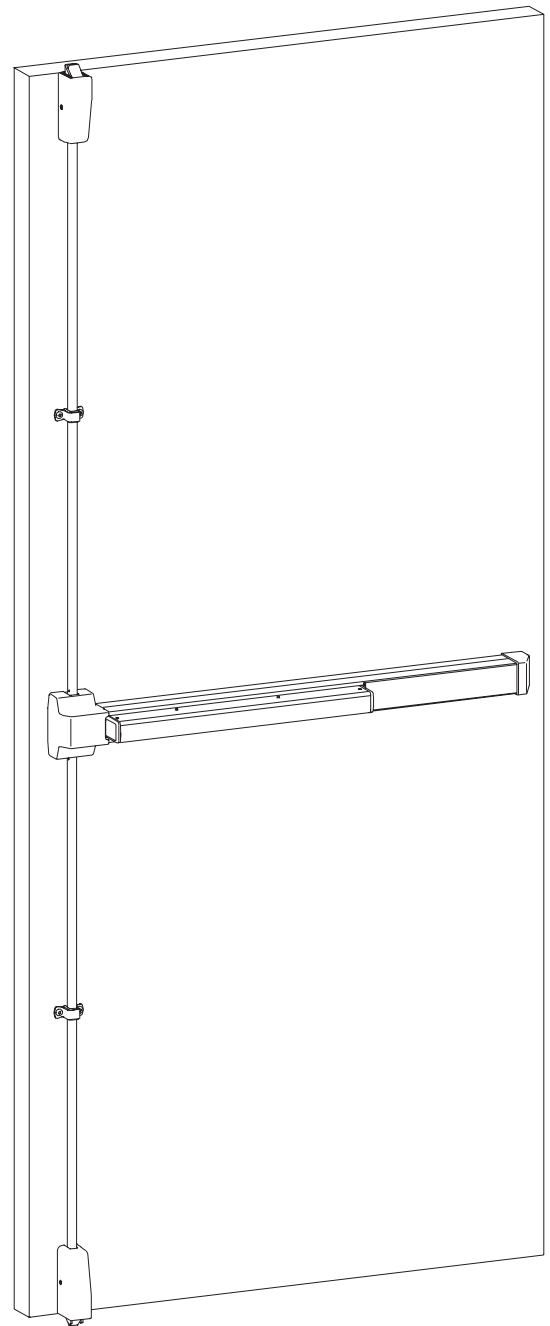
For more, visit www.allegion.com.

aptiQ ■ LCN ■ **SCHLAGE** ■ STEELCRAFT ■ VON DUPRIN

VON DUPRIN®

2227 Series Vertical Rod Exit Device

Service manual



INDEX

2227 Vertical Rod Devices	
Basic Panic Device	4-5
Basic Fire Device	6-7
Vertical Rods and Latch Cases	8-9
Baseplate Assemblies	10
Center Case Assembly	11
LBR Fire Latch Kit	12
Variations of the Basic Device	
RX (Request to Exit)	13
LX (Latch Bolt Monitoring)	13
ALK Exit Alarm Kit	14
General Information	
Introduction	2
How to Order	2
Part Number Changes	2
Finishes	3
Outside Trim Functions	3
Strikes	3

INTRODUCTION

This manual contains a listing of replaceable parts and assemblies for the 2227 and 2227-F Exit Hardware Devices.

HOW TO ORDER

Some parts are sold separately. Other items are available as part of a kit or multiple quantity package. For the best possible service when ordering replacement parts or assemblies, please provide the following information:

- Part number or assembly number
- Description
- Quantity needed
- Finish desired (if available finished)
- Date of original purchase (if known)

To find out the name of your local Von Duprin distributor or sales representative, contact:

Von Duprin Division
Allegion
2720 Tobey Drive
Indianapolis, IN 46219
Phone: (877) 671-7011

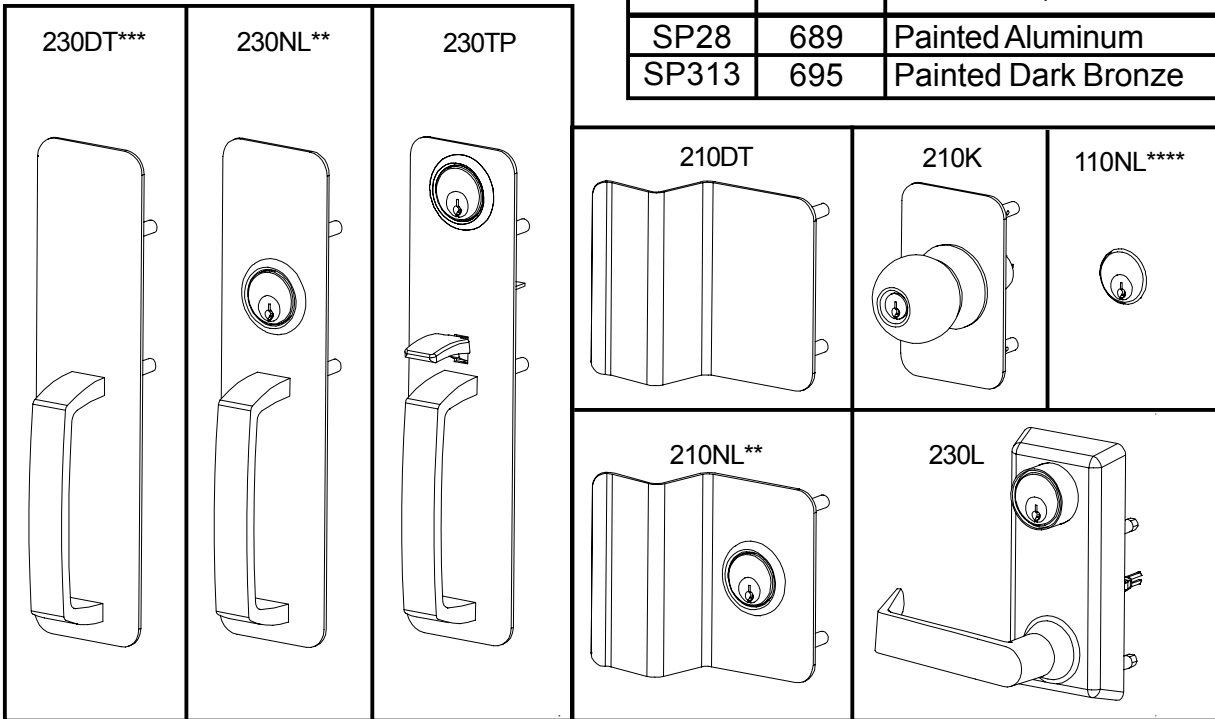
PART NUMBER AND AVAILABILITY CHANGES

This manual was designed to help illustrate the replacement parts and kits that are available for sale. Because of changes to the product and/or manufacturing process, part numbers and availability can change over time.

22 SERIES FINISHES

OUTSIDE TRIM FUNCTIONS

U.S. Std Reference	BHMA Reference	Description
SP28	689	Painted Aluminum
SP313	695	Painted Dark Bronze



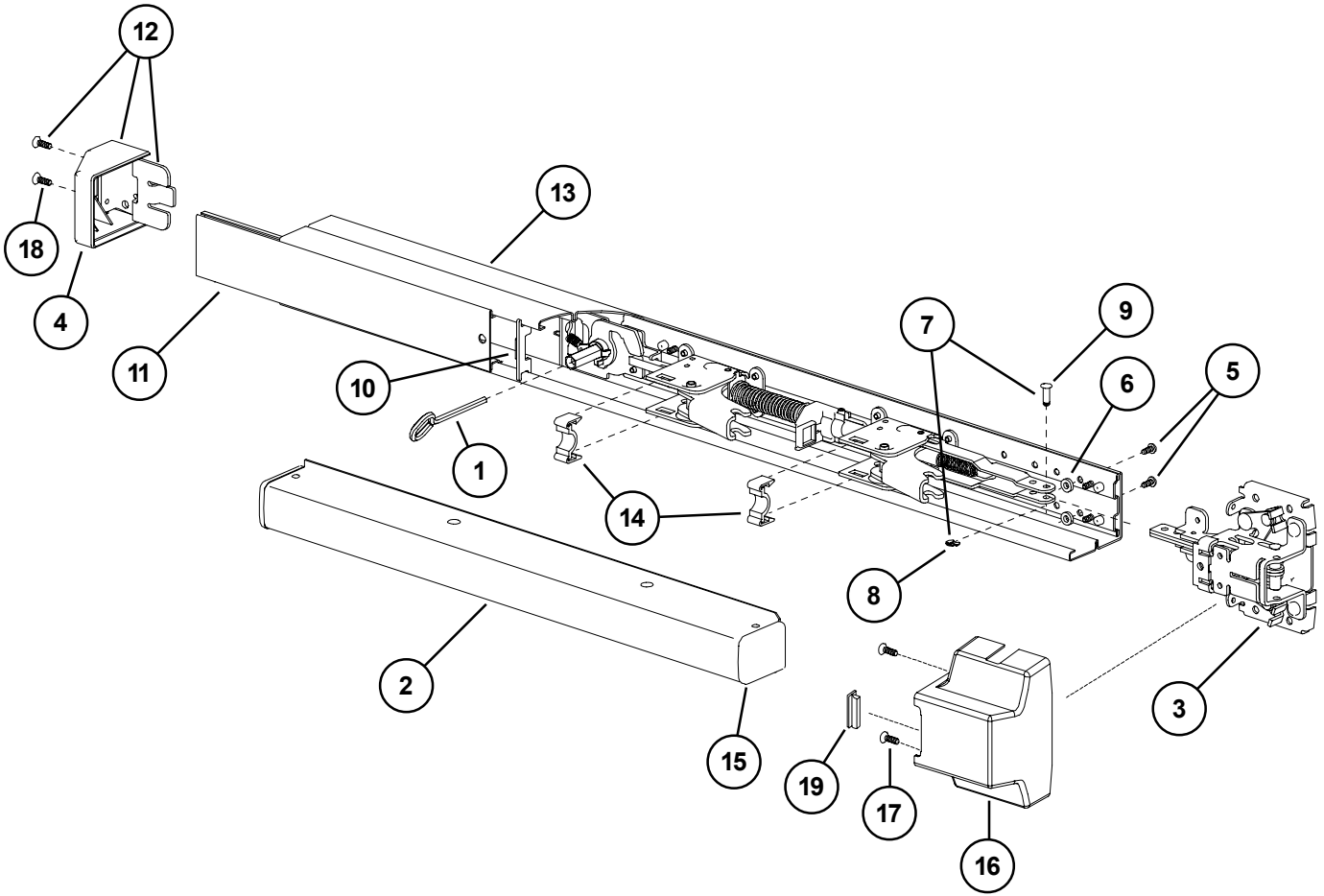
- * "BE" (Blank Escutcheon) no cylinder used - lever always active
- ** "NL" (Night Latch) rigid lever - key retracts latch bolt
- *** "DT" (Dummy Trim) rigid lever for pull operation
- **** Optional Pull needs to be added

STRIKES

- ① Metal Door Screw Package PKGSRV.1023 (Pkg of 10)
- ① Wood Door Screw 964291 (Qty of 1)

<p>299 (Top) Strike - Standard Single or Double Door Panic Exit Hardware</p>	<p>299F (Top) Strike - Single or Double Door Fire Exit Hardware</p>	<p>304L (Bottom) Strike Panic or Fire Exit Hardware</p>	<p>248L-4 (Bottom) Strike Panic Exit Hardware</p>
<p>260U (Top) Strike - Panic or Fire Exit Hardware</p>	<p>385A (Bottom) Strike Panic or Fire Exit Hardware</p>	<p>264 (Top) Strike - Single Door Panic Exit Hardware</p>	<p>499F (Top) Strike - Supplied with LBR Fire Latch/Strike Kit</p>

2227 VERTICAL ROD PANIC DEVICE



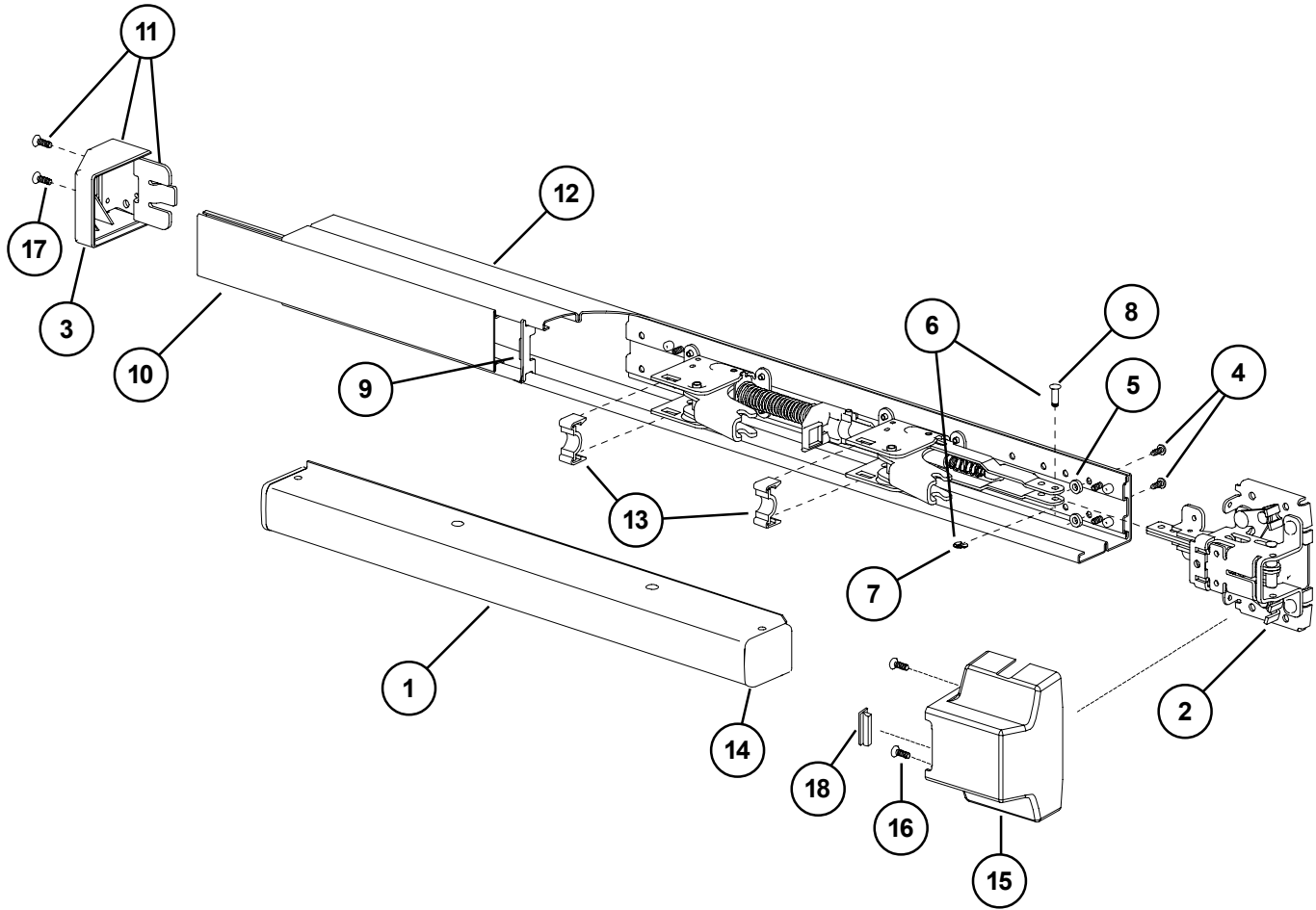
2227 VERTICAL ROD PANIC DEVICE

Item No.	Quantity	Part No.	Description	Finish
	1	900563	2227 Series Mounting Pkg 1-3/4 Door	
	1	900568	2227 Series Mounting Pkg 2-1/4 Door	
1	1	090085	227 Dog Key 5/32" Hex (Pkg of 10)	
1	1	090005	227 Dog Key 5/32" Hex (Pkg of 2)	
2	1	*PBKIT	22 Series Push Bar Retrofit Kit - 3' Door	X
2	1	*PBKIT	22 Series Push Bar Retrofit Kit - 4' Door	X
3	1	109358	2227/27-F Center Case Less Cover	
4	1	968601	22 Mechanism Case End Cap	
5	2	090037	Baseplate Screw (Pkg of 10)	
6	2	964013	3/8" x 3/16" x 3/32" Washer	
7	1	050529	22 Series Control Link Pin & Ret. Ring	
8	1	090107	Ret. Ring Pkg/10	
9	1	090031	Control Link Pin Pkg/10	
10	1	968592	Cover Plate Bearing Insert	
11	1	968595	22/2227 Cover Plate - 3' Dr	X
11	1	968596	22/2227 Cover Plate - 4' Dr	X
12	1	900981	22 End Cap Kit	
13	1	970035	22 Mechanism Case - 3' Dr	X
13	1	970036	22 Mechanism Case - 4' Dr	X
14	2	966268	Touch Bar Cover Bearing Insert	
15	1	968598	22 Push Bar End Cap	
16	1	968888	2227/27-F Center Case Cover	X
17	2	090077	22 Series Center Case Cover Screw Pkg/4	
18	2	964520	22 End Cap Screw	
19	1	966268	Touch Bar Cover Bearing Insert	

X in "Finish" column designates finished items; finish must be specified when ordering.

* To order, specify device type, size, and finish. Example: PBKIT 22 3' SP28

2227-F VERTICAL ROD FIRE DEVICE



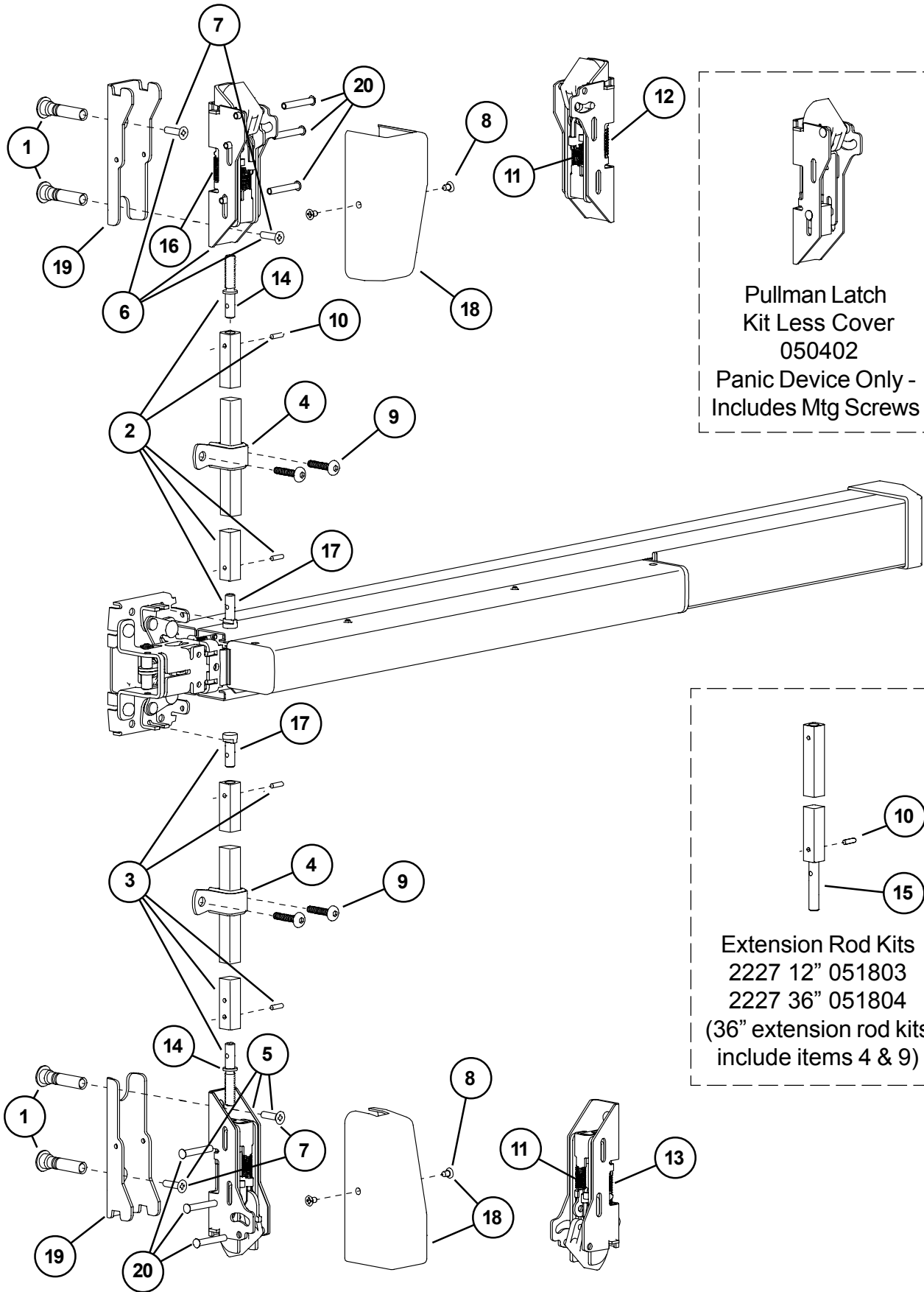
2227-F VERTICAL ROD FIRE DEVICE

Item No.	Quantity	Part No.	Description	Finish
	1	900563	2227 Series Mounting Pkg 1-3/4 Door	
	1	900568	2227 Series Mounting Pkg 2-1/4 Door	
1	1	*PBKIT	22 Series Push Bar Retrofit Kit - 3' Door	X
1	1	*PBKIT	22 Series Push Bar Retrofit Kit - 4' Door	X
2	1	109358	2227/27-F Center Case Less Cover	
3	1	968601	22 Mechanism Case End Cap	
4	2	090037	Baseplate Screw (Pkg of 10)	
5	2	964013	3/8" x 3/16" x 3/32" Washer	
6	1	050529	22 Series Control Link Pin & Ret. Ring	
7	1	090107	Ret. Ring Pkg/10	
8	1	090031	Control Link Pin Pkg/10	
9	1	968592	Cover Plate Bearing Insert	
10	1	969127	22/2227-F Cover Plate - 3' Dr	X
10	1	969126	22/2227-F Cover Plate - 4' Dr	X
11	1	900981	22 End Cap Kit	
12	1	970035	22 Mechanism Case - 3' Dr	X
12	1	970036	22 Mechanism Case - 4' Dr	X
13	2	966268	Touch Bar Cover Bearing Insert	
14	1	968598	22 Push Bar End Cap	
15	1	968888	2227/27-F Center Case Cover	X
16	2	090077	22 Series Center Case Cover Screw Pkg/4	
17	2	964520	22 End Cap Screw	
18	1	966268	Touch Bar Cover Bearing Insert	

X in "Finish" column designates finished items; finish must be specified when ordering.

* To order, specify device type, size, and finish. Example: PBKIT 22 3' SP28

2227 VERTICAL RODS AND LATCHES



2227 VERTICAL RODS AND LATCHES

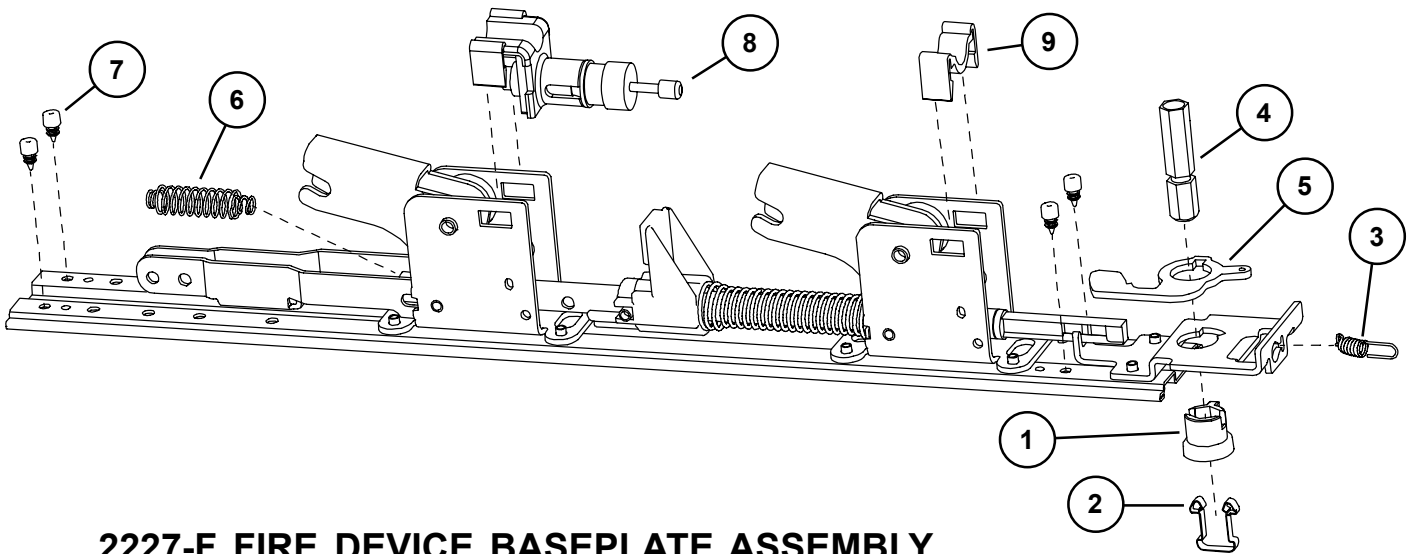
Item No.	Quantity	Part No.	Description	Finish
1	2	034902	325 Sex Bolt Package (Pkg of 2)	X
2	1	109361	2227 Top Vertical Rod	X
3	1	109362	2227 Bottom Vertical Rod	X
4	2	112063	2227 Rod Guide Pkg	X
5	1	050401	2227 Bottom Latch Kit Less Cover	
6	1	050400	2227 Top Latch Kit Less Cover	
7	1	900589	Latch Mounting Package (Pkg of 4)	
8	2	900850	Latch Case Cover Screw (Pkg of 2)	X
9	2	900919	2227 Rod Guide Mounting Package	X
10	4	090054	Rod Roll Pin (Pkg of 10)	
11	2	090065	Bolt Return Spring (Pkg of 10)	
12	1	090056	Top Latch Compression Spring (Pkg of 10)	
12	1	090057	PL Top Latch Spring (Pkg of 10)	
13	1	090058	Bottom Latch Case Spring (Pkg of 10)	
14	2	090067	Rod Connector - Latch (Pkg of 2)	
15	1	090075	2227 Rod Extension Connector Pkg/4	
16	1	090076	Aux. Bolt Spring (Pkg of 10)	
17	2	090068	Rod Connector - Center Case (Pkg of 2)	
18	2	050566	Latch Case Cover Kit w/Screws	X
19	2	050546	Latch Case Mtg. Bracket Kit	
20	6	090055	Housing Guide Pin (Pkg of 10)	
*	1	050090	2227 Bottom Latch Retrofit Kit	X
*	1	050091	2227 Top Latch Retrofit Kit	X

* For devices shipped before October 1998.

X in "Finish" column designates finished items; finish must be specified when ordering.

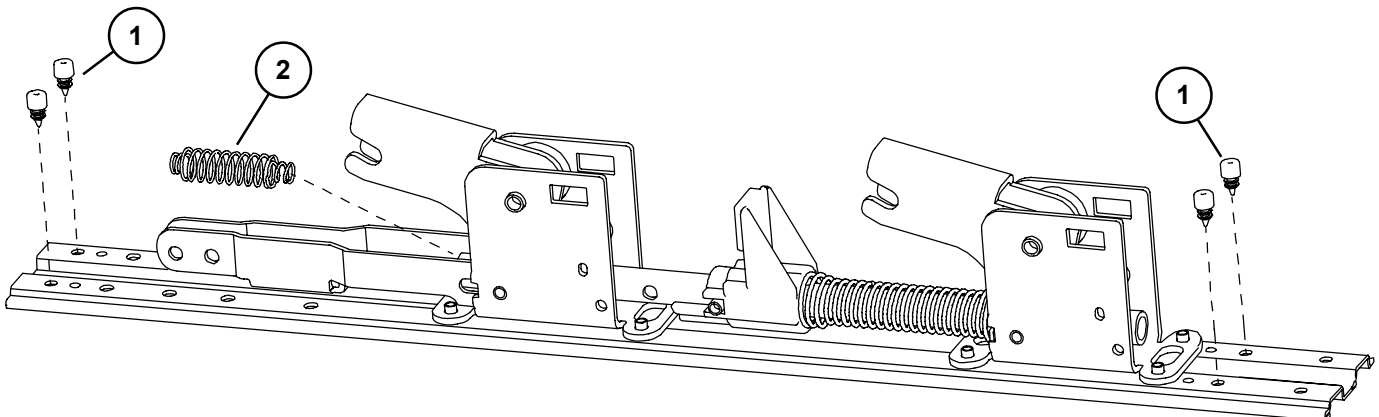
2227 PANIC DEVICE BASEPLATE ASSEMBLY

Item No.	Quantity	Part No.	Description	Finish
1	1	090043	Dogging adapter (Pkg of 2)	
2	1	090042	Dogging adapter spring (Pkg of 2)	
3	1	090041	Dogging spring (Pkg of 2)	
4	1	090040	Hex dogging shaft (Pkg of 2)	
5	1	090044	Dogging hook (Pkg of 2)	
6	1	090039	Latch return spring (Pkg of 10)	
7	4	090038	Rubber bumper (Pkg of 4)	
8	1	050491	Shock absorber	
9	1	090048	Baseplate Bearing Strip (Pkg of 2)	



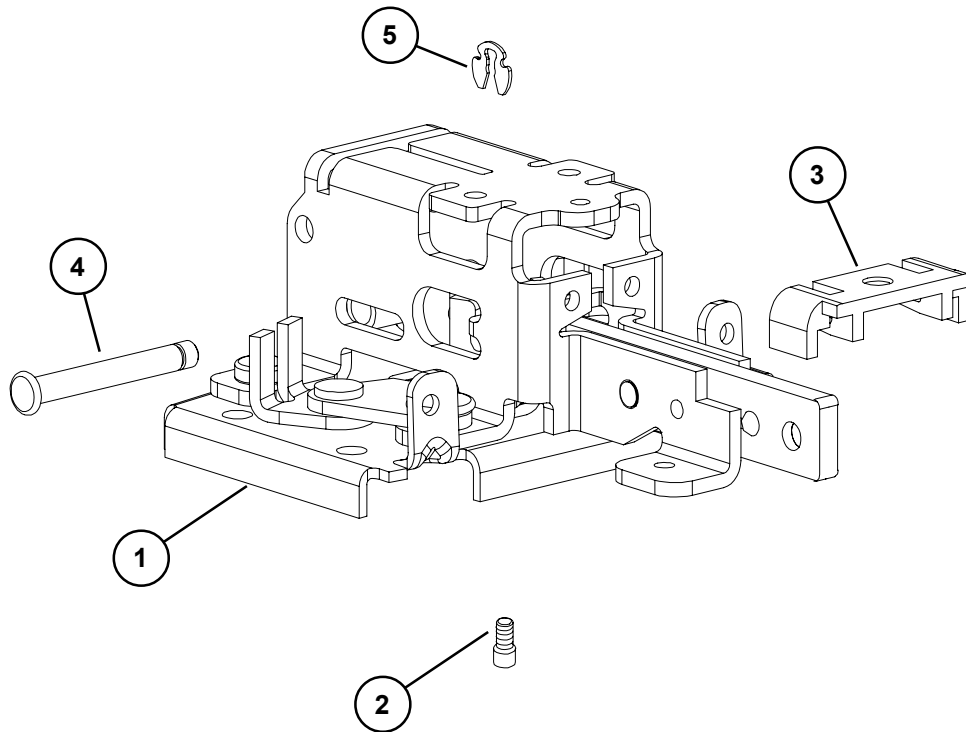
2227-F FIRE DEVICE BASEPLATE ASSEMBLY

Item No.	Quantity	Part No.	Description	Finish
1	4	090038	Rubber bumper (Pkg of 4)	
2	1	090039	Baseplate Return Spring Pkg/10	



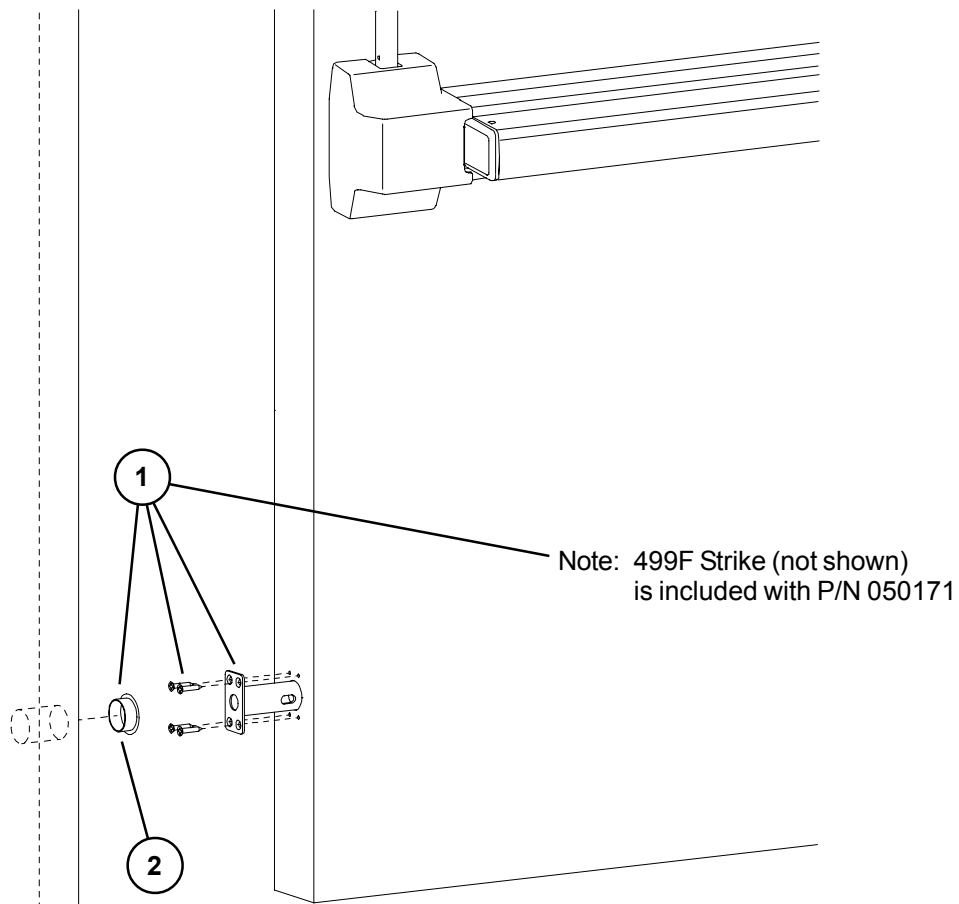
2227 PANIC & 2227-F FIRE DEVICE CENTER CASE ASSEMBLY

Item No.	Quantity	Part No.	Description	Finish
1	1	109358	2227/27-F Center Case Less Cover	
2	1	090074	NL Drive Screw (Pkg of 10)	
3	1	971592	22/2227 Pushbar Stop	
4	1	090079	2227 Latchbolt Pin Pkg/10	
5	1	090107	Control Link Pin Ret. Ring Pkg/10	



2227-F LBR (LESS BOTTOM ROD) FIRE LATCH KIT

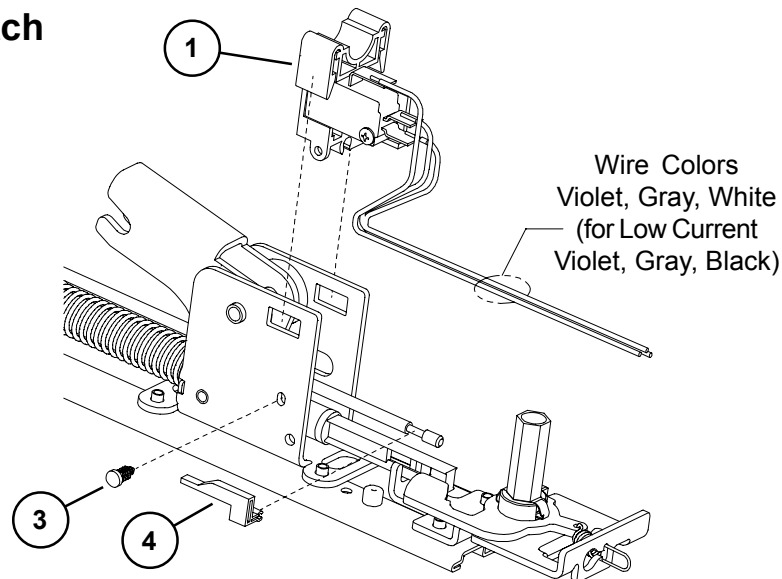
Item No.	Quantity	Part No.	Description	Finish
1	1	050171	LBR Fire Latch/Strike kit	
2	1	050509	LBR Fire Strike Plug	



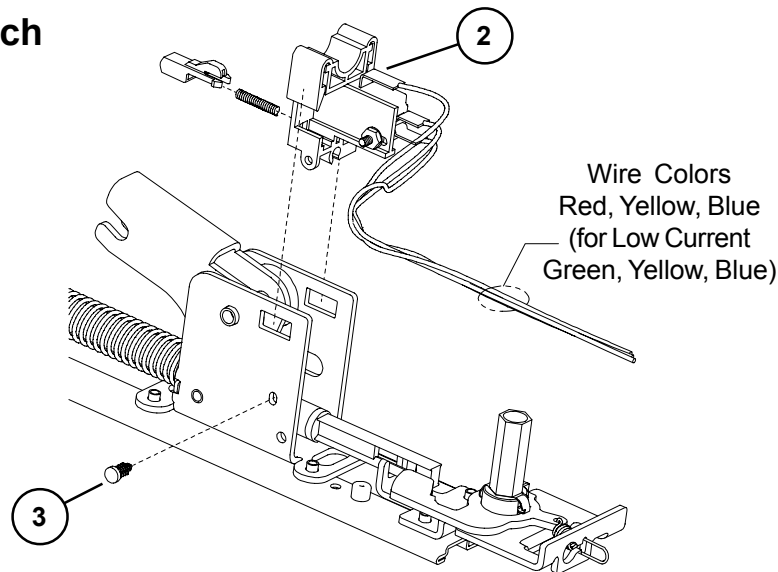
2227 SERIES LX (LATCH BOLT MONITOR) & RX (REQUEST TO EXIT) OPTIONS

Item No.	Quantity	Part No.	Description	Finish
1	1	050254	LX Switch Kit 3' Device	
1	1	050255	LX Switch Kit 4' Device	
1	1	050283	LX-LC (Low Current) Switch Kit 3' Device	
1	1	050285	LX-LC (Low Current) Switch Kit 4' Device	
2	1	050251	RX Switch Kit	
2	1	050281	RX-LC (Low Current) Switch Kit	
3	1	090099	Pine Tree Clip (Pkg of 10)	
4	1	971091	LX Actuator	

LX Switch



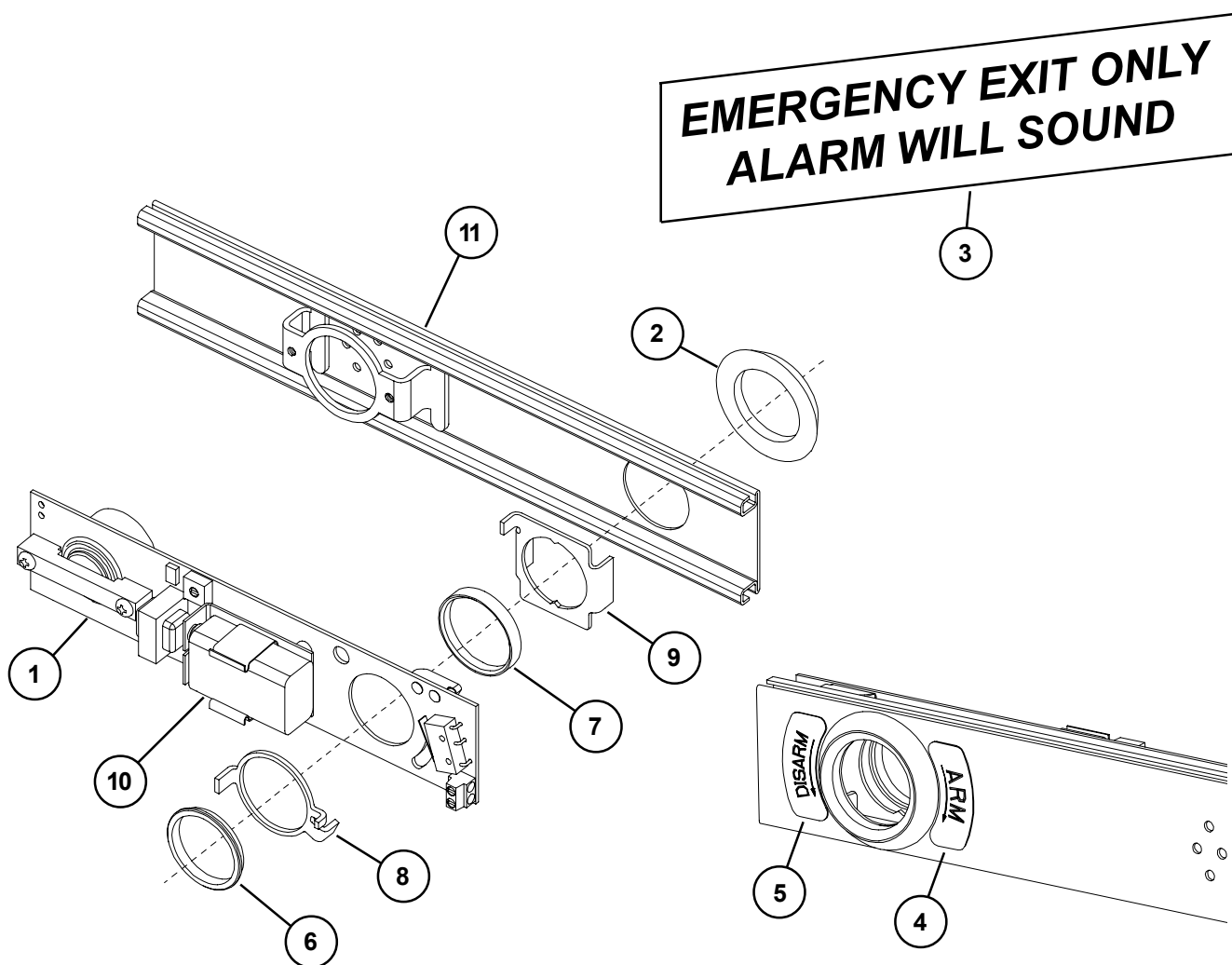
RX Switch



2227 ALK EXIT ALARM KIT

Item No.	Quantity	Part No.	Description	Finish
1	1	111795	ALK PCB Assembly	
2	1	967704	Cylinder Collar	X
3	1	969122	ALK Alarm Device Sign	
4	1	969349	ALK Arming Label	
5	1	969350	ALK Disarming Label	
6	1	969354	Retainer Nut	
7	1	970594	ALK Cylinder Spacer	
8	1	971556	ALK Switch Actuator	
9	1	971557	ALK Cylinder Bracket	
10	1	990637	ALK Battery	
11	1	971470	22 ALK Cover Plate - 3' Dr	X
11	1	971471	22 ALK Cover Plate - 4' Dr	X

X in "Finish" column designates finished items; finish must be specified when ordering.



About Allegion

Allegion (NYSE: ALLE) creates peace of mind by pioneering safety and security. As a \$2 billion provider of security solutions for homes and businesses, Allegion employs more than 7,800 people and sells products in more than 120 countries across the world. Allegion comprises 23 global brands, including strategic brands CISA®, Interflex®, LCN®, Schlage® and Von Duprin®.

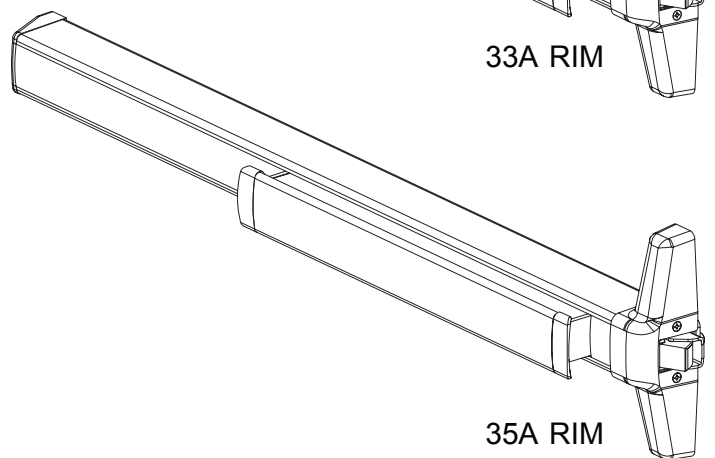
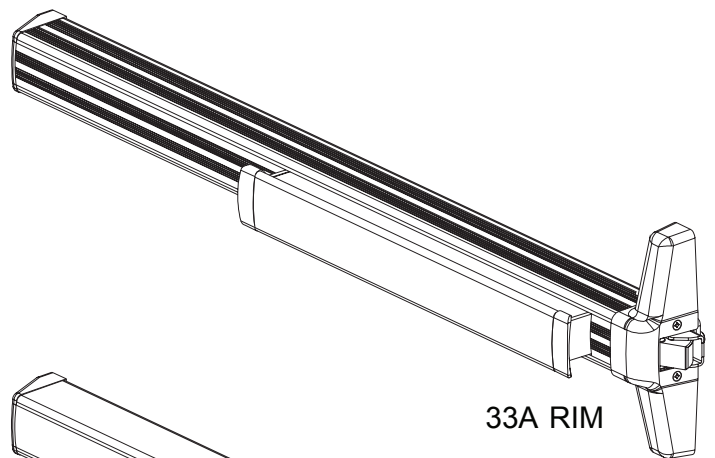
For more, visit www.allegion.com.

aptiQ ■ LCN ■ **SCHLAGE** ■ STEELCRAFT ■ VON DUPRIN

VON DUPRIN®

33A/35A Series Rim Exit Device

Service manual



INDEX

33A/35A Rim Panic Devices	
Basic Device	4-5
Baseplate Assembly	6
Variations of the Basic Device	
CD (Cylinder Dogging)	4
HD-EL (Hex Dogging/Electric Latch Retraction)	7
EL (Electric Latch Retraction)	8
SS (Signal Switch)	8
CX (Chexit Discontinued)	9
CX (Chexit New)	10
CX (Chexit New RCM/DE5300 Option)	11
RX (Request to Exit)	12-13
LX (Latch Bolt Monitoring)	12-13
ALK (Exit Alarm Kit)	14
General Information	
Introduction	2
How to Order	2
Part Number Changes	2
Finishes	3
Outside Trim Functions	3
Strikes	3

INTRODUCTION

This manual contains a listing of replaceable parts and assemblies for the 33A/35A Rim Panic Exit Hardware Devices. (33A Series and 35A Series devices are almost identical. The 33A Series has a grooved case; the 35A Series has a smooth case.)

HOW TO ORDER

Some parts are sold separately. Other items are available as part of a kit or multiple quantity package. For the best possible service when ordering replacement parts or assemblies, please provide the following information:

- Part number or assembly number
- Description
- Quantity needed
- Finish desired (if available finished)
- Date of original purchase (if known)

To find out the name of your local Von Duprin distributor or sales representative, contact:

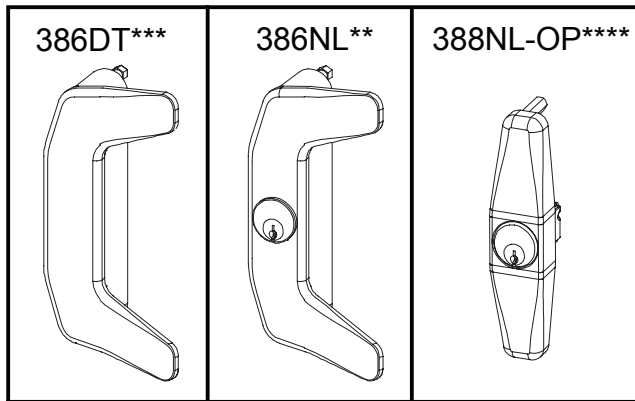
Von Duprin Division
Allegion
2720 Tobey Drive
Indianapolis, IN 46219
Phone: (877) 671-7011

PART NUMBER AND AVAILABILITY CHANGES

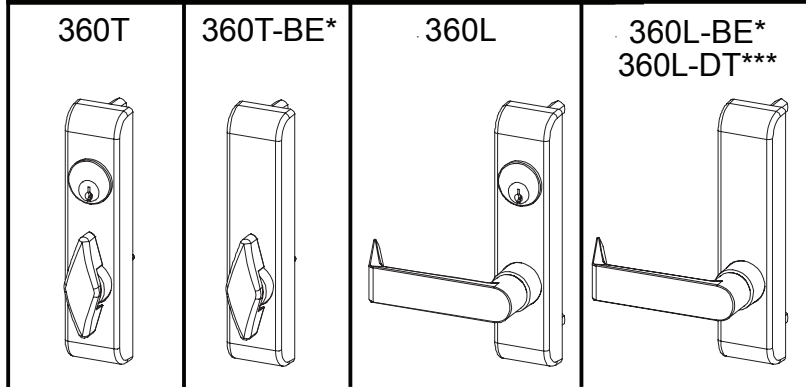
This manual was designed to help illustrate the replacement parts and kits that are available for sale. Because of changes to the product and/or manufacturing process, part numbers and availability can change over time.

OUTSIDE TRIM FUNCTIONS

33A/35A SERIES FINISHES

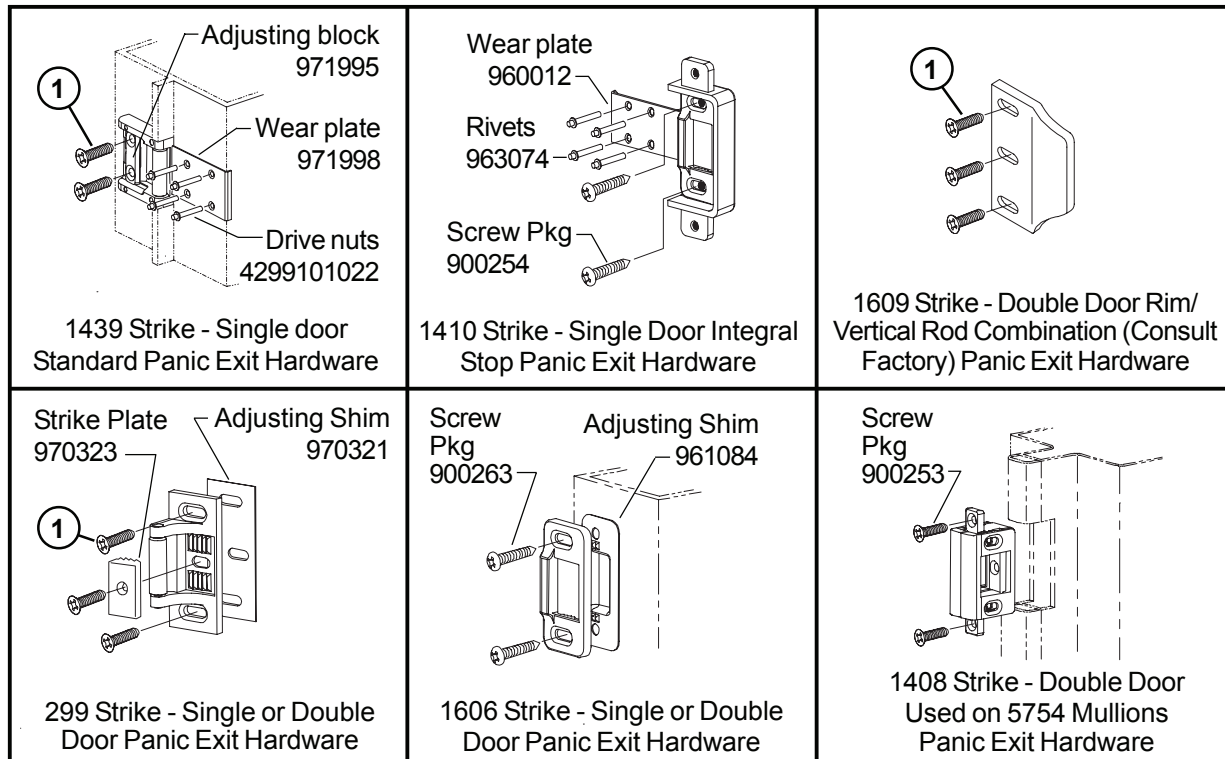


U.S. Std Reference	BHMA Reference	Description
US3	605	Polished Brass
US4	606	Dull Brass
US10	612	Dull Bronze
US15	619	Satin Nickel
US26	625	Polished Chrome
US26D	626	Dull Chrome
US28	628	Anodized Alum. (Clear)
313AN	710	Anodized Alum. (313) Dark Bronze
315AN	711	Anodized Alum. (Black)



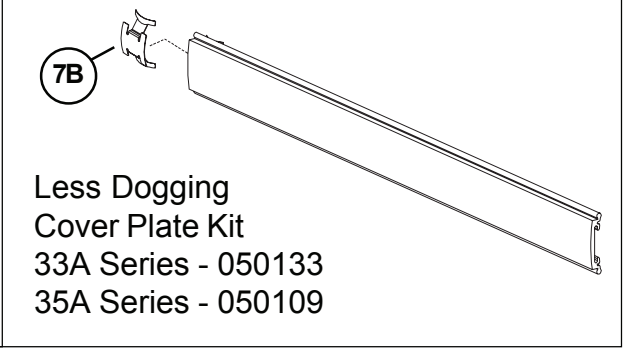
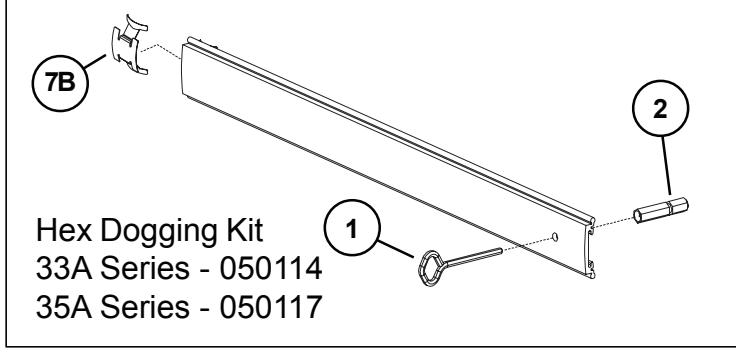
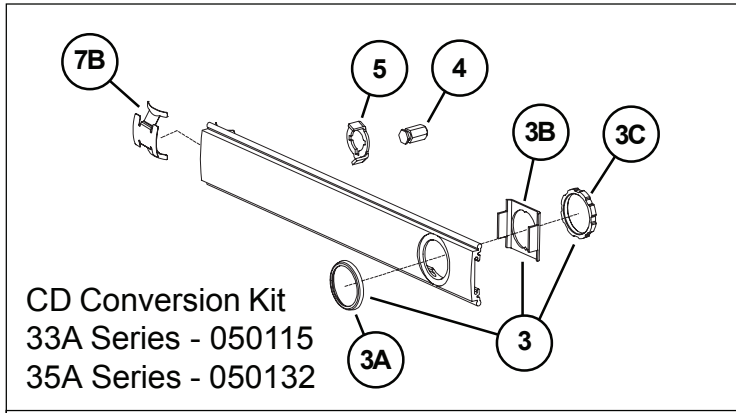
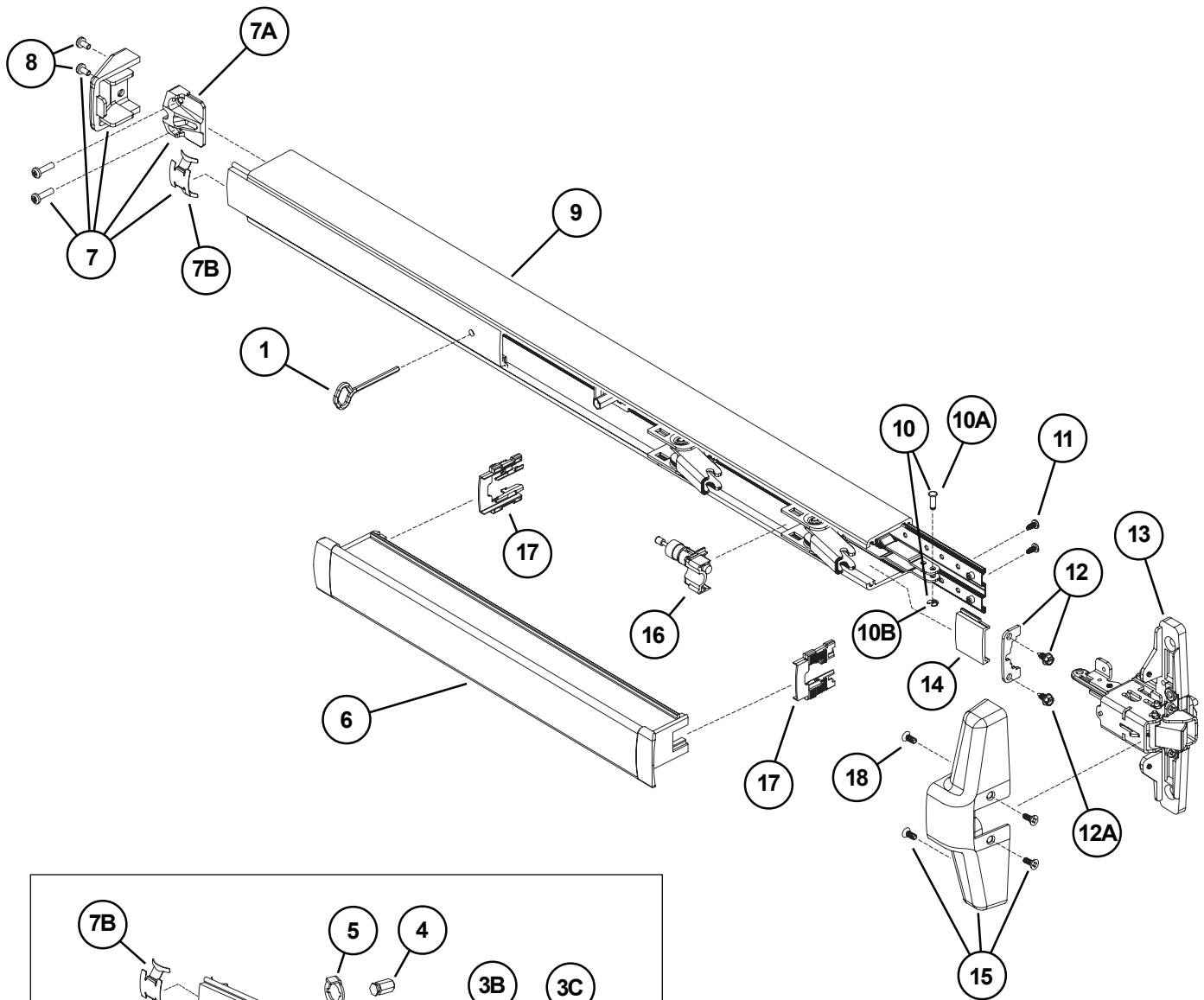
- * "BE" (Blank Escutcheon) no cylinder used - lever always active
- ** "NL" (Night Latch) rigid lever - key retracts latch bolt
- *** "DT" (Dummy Trim) rigid lever for pull operation
- **** "NL-OP" (Optional Pull) needs to be added

STRIKES



- ① Metal Door Screw Package PKGSRV.1023 (Pkg of 10)
- Wood Door Screw 964291 (Qty of 1)

33A/35A RIM PANIC DEVICE



33A/35A RIM PANIC DEVICE

Item No.	Quantity	Part No.	Description	Finish
	1	900619	33A/35A Series Mounting Pkg. (1-3/4 & 2-1/4)	
1	1	090085	227 Dog Key 5/32" Hex (Pkg of 10)	
1	1	090005	227 Dog Key 5/32" Hex (Pkg of 2)	
2	1	090040	Hex Dog Shaft (Pkg of 2)	
3	1	107813	Cylinder Mounting Pkg	X
3A	1	050525	Cylinder Collar	X
3B	1	050490	Cylinder Locating Washer - CD/SS	
3C	1	050526	Cylinder Locknut	
4	1	090046	CD Dogging Plug (Pkg of 2)	
5	1	090045	CD Actuator Arm (Pkg of 2)	
6	1	*PBKIT	33A/35A Series Push Bar Retrofit Kit - 3' Door	X
6	1	*PBKIT	33A/35A Series Push Bar Retrofit Kit - 4' Door	X
7	1	050014	33A/35A Series Series End Cap Kit	X
7A	1	050524	Impact Resistant End Cap Bracket	
7B	1	090036	Cover Plate Anti-rattle Spring (Pkg of 10)	
8	1	900597	Device End Cap and C/Case Screw Pkg.	X
9	1	050486	33A Series Mechanism Case - 3' Door	X
9	1	050487	33A Series Mechanism Case - 4' Door	X
9	1	050488	35A Series Mechanism Case - 3' Door	X
9	1	050489	35A Series Mechanism Case - 4' Door	X
10	1	050529	Control Link Pin & Ret. Ring	
10A	1	090031	Series Control Link Pin	
10B	1	090107	Retaining Ring (Pkg of 10)	
11	2	090037	#8-32 x 3/8" Baseplate Screw (Pkg of 10)	
12	1	050530	Mechanism Case Bracket Kit	
12A	2	090073	Mechanism Case Bracket Screw (Pkg of 10)	
13**	1	050403	33A/35A Rim Center Case Less Cover	
14	1	050474	33A Series Cover Plate - C. Case Side	X
14	1	050475	35A Series Cover Plate - C. Case Side	X
15	1	050483	33A/35A Rim Center Case Cover Kit	X
16	1	050491	Shock Absorber & Holder Assembly	
17	2	090049	Push Bar Guide (Pkg of 10)	
18	4	900892	Center Case Cover Screws (Pkg of 4)	X

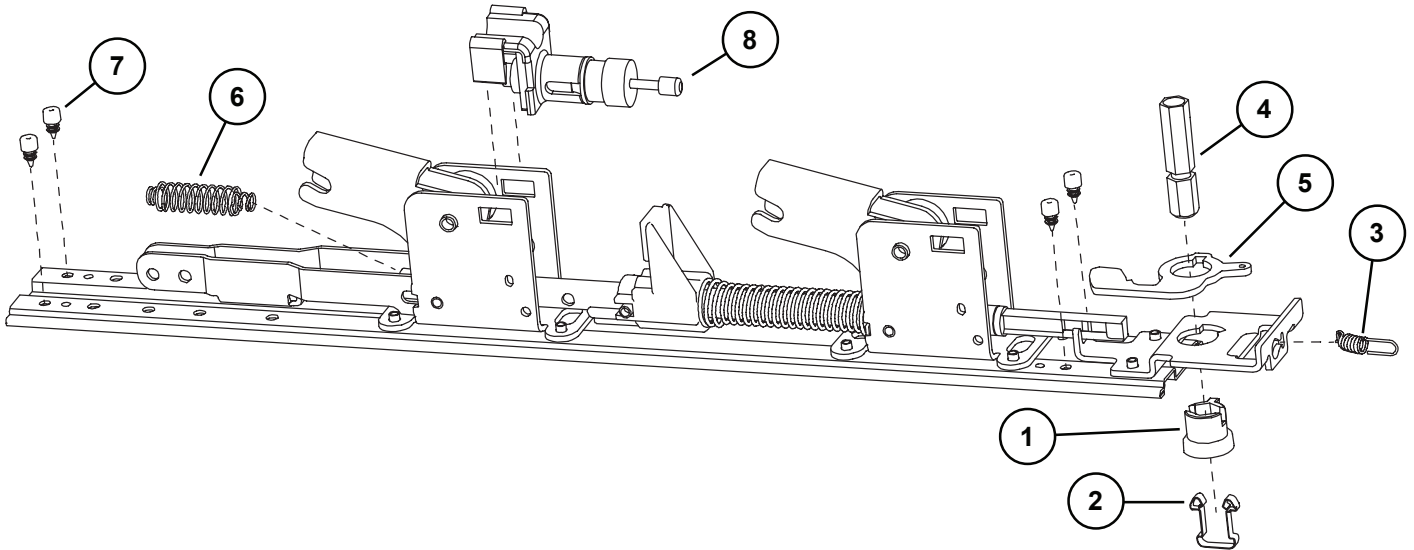
X in "Finish" column designates finished items; finish must be specified when ordering.

* To order, specify device type, size, and finish. Example: PBKIT 33A 3' US28

**Device mounting screws 900619 included.

33A/35A RIM PANIC DEVICE BASEPLATE ASSEMBLY

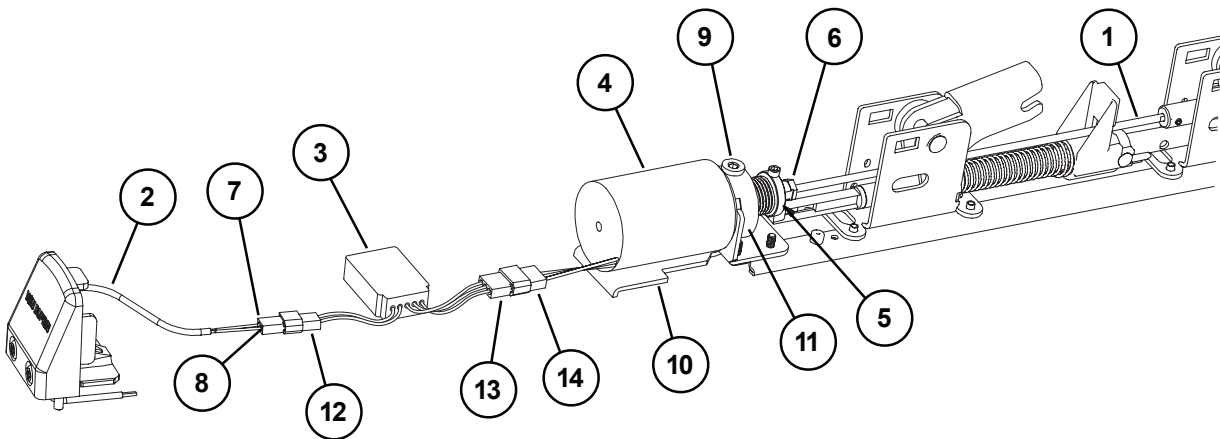
Item No.	Quantity	Part No.	Description	Finish
1	1	090043	Dogging adapter (Pkg of 2)	
2	1	090042	Dogging adapter spring (Pkg of 2)	
3	1	090041	Dogging spring (Pkg of 2)	
4	1	090040	Hex dogging shaft (Pkg of 2)	
5	1	090044	Dogging hook (Pkg of 2)	
6	1	090039	Latch return spring (Pkg of 10)	
7	4	090038	Rubber bumper (Pkg of 4)	
8	1	050491	Shock absorber	



HD-EL33A/HD-EL35A HEX DOGGING/ELECTRIC LATCH RETRACTION OPTION - PANIC DEVICE ONLY

Item No.	Quantity	Part No.	Description	Finish
1	1	050531	EL Dogging Rod Kit - 3' device	
1	1	050532	EL Dogging Rod Kit - 4' device	
2	1	110388	EL 6' Cable and Connector	
3	1	050534	EL Potted Module	
4	1	050536	HD-EL Solenoid	
5	1	050537	HD-EL Solenoid Plunger	
6	1	050538	EL Dogging Rod Retainer	
7	1	050539	EL Receptacle Connector - 2 Position	
8	2	050540	EL Female Terminal	
9	1	050541	HD-EL Dog Screw	
10	1	050542	HD-EL Solenoid Bracket	
11	1	050543	HD-EL Dogging Spring	
12	1	990599	EL Plug Connector - 2 Position	
13	1	990857	EL Receptacle Connector - 3 Position	
14	1	990858	EL Plug Connector - 3 Position	
*	1	050384	HD-EL Conversion Kit - 3'	
*	1	050385	HD-EL Conversion Kit - 4'	

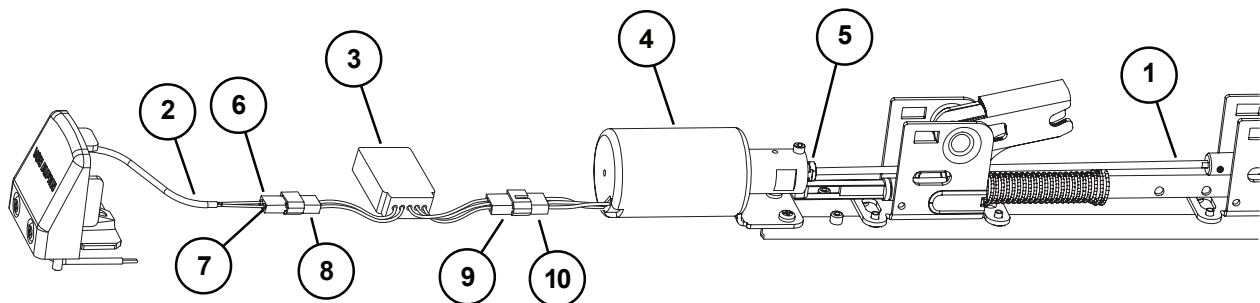
*Kit includes items 1-11 plus new control link, retaining ring, and baseplate screws.



EL33A/EL35A SERIES ELECTRIC LATCH RETRACTION OPTION

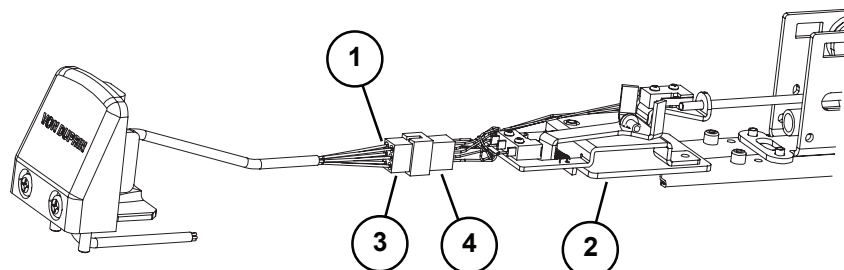
Item No.	Quantity	Part No.	Description	Finish
1	1	050531	EL Dogging Rod Kit - 3' device	
1	1	050532	EL Dogging Rod Kit - 4' device	
2	1	110388	EL 6' Cable and Connector	
3	1	050534	EL Potted Module	
4	1	050535	EL Solenoid Assembly	
5	1	050538	EL Dogging Rod Retainer	
6	1	050539	EL Receptacle Connector	
7	2	050540	EL Female Terminal	
8	1	990599	EL Plug Connector - 2 Position	
9	1	990857	EL Receptacle Connector - 3 Position	
10	1	990858	EL Plug Connector - 3 Position	
*	1	050070	EL Conversion Kit - 3'	
*	1	050078	EL Conversion Kit - 4'	

*Kit includes items 1-7 plus new control link pin, retaining ring, and baseplate screws.



SS33A/SS35A SERIES (SIGNAL SWITCH) OPTION

Item No.	Quantity	Part No.	Description	Finish
1	1	050544	SS Cable	
2	1	050545	SS Housing	
3	1	990601	SS Plug Connector - 6 Position	
4	1	990602	SS Receptacle Connector - 6 Position	

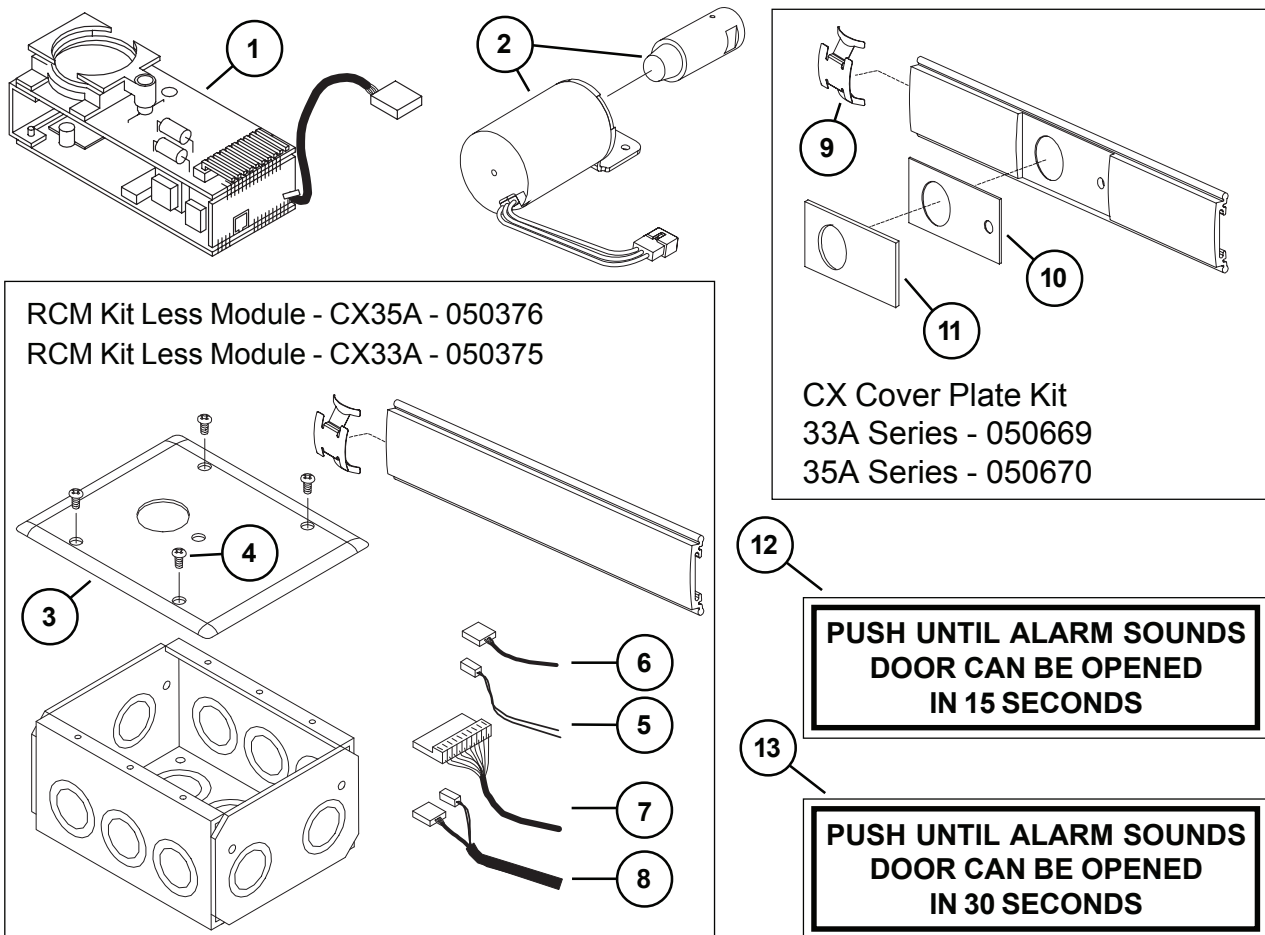


CX33A/35A SERIES CHEXIT AND CX-RCM OPTION

For discontinued Chexit devices made before August, 24 2015

Item No.	Quantity	Part No.	Description	Finish
1	1	050228	Chexit PCB Kit - 15 Second Release	
1*	1	050700	Chexit PCB Kit - 30 Second Release	
1	1	050701	Chexit PCB Kit - 0 Second Release	
1	1	050702	Chexit PCB Kit - Boca 15 Second Release	
1*	1	050703	Chexit PCB Kit - Boca 30 Second Release	
2	1	050533	CX Solenoid and Plunger	
3	1	113111	Faceplate and Adapter	X
4	4	963898	6-32 x 3/8" OPHMS Faceplate Screws	X
5	1	991338	RCM 2-Wire RX Cable	
6	1	991339	RCM 3-Wire Solenoid Cable	
7	1	112018	Chexit Wiring Assembly	
8	1	991336	CX-RCM Cable Assy - 5 Wire	
9	1	090036	Cover Plate Anti-rattle Spring (Pkg of 10)	
10	1	970513	LED Cover Mask - Chexit	
11	1	970519	LED Cover - Chexit	
12	1	113781	Sign 15 Second - Chexit	
13	1	113782	Sign 30 Second - Chexit	

*Over 15 second delay requires a letter of approval from the authority having local jurisdiction over the premises prior to the installation of the device. Allegion cannot grant such approval nor does it warrant local jurisdiction compliance.

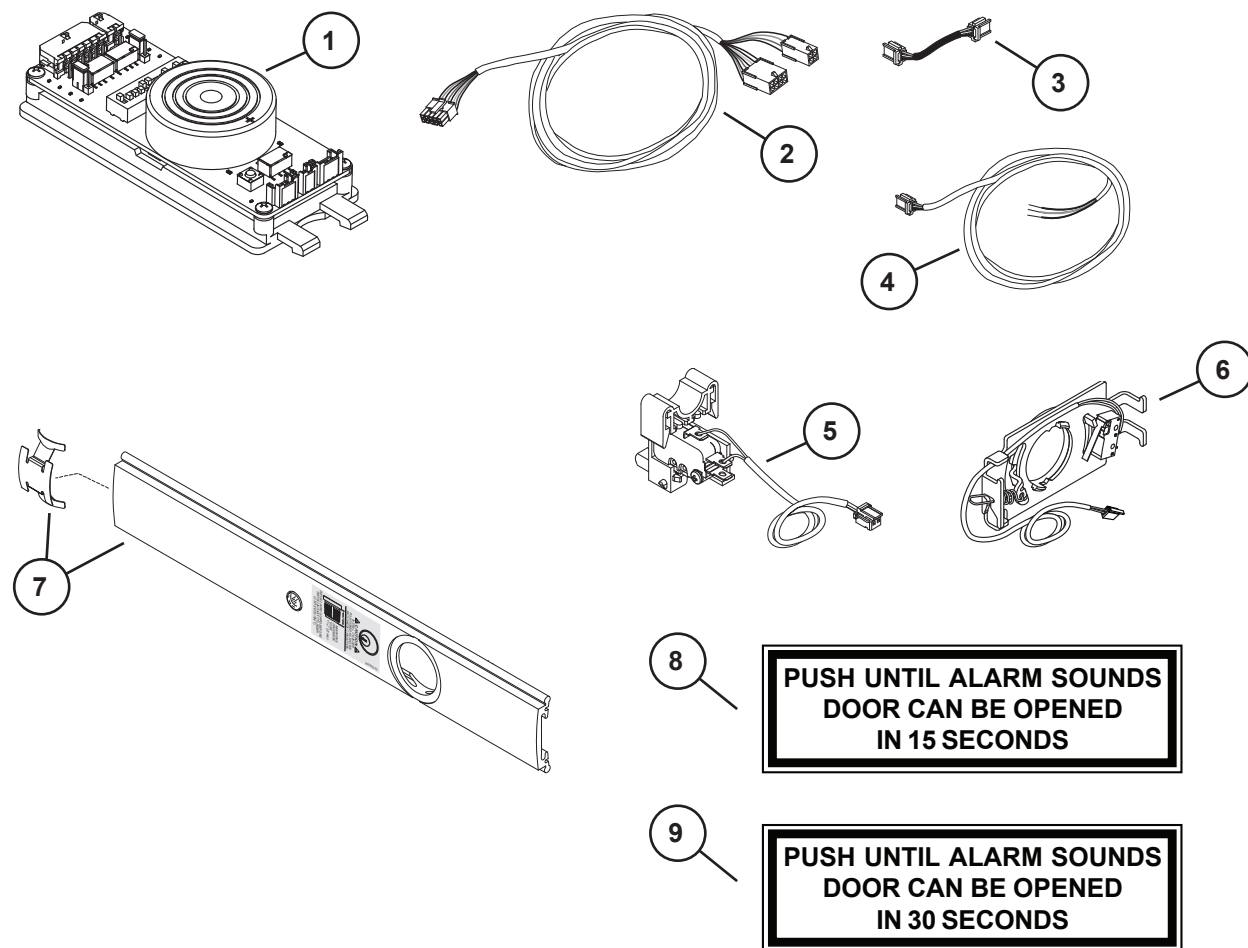


CX33A/35A SERIES CHEXIT

For new Chexit devices made after August, 24 2015

Item No.	Quantity	Part No.	Description	Finish
1	1	040086	Standard - 15 Second Release Delay	
1*	1	040087	Special Infinite Release Delay	
1*	1	040088	Special 30 Second Release Delay	
1	1	040089	Special 0 Second Release Delay	
1	1	040090	Special Mute 15 Second Release Delay	
1	1	040091	BOCA 15 Second Release Delay	
2	1	040191	CX Field Wiring Cable	
3	1	040192	CX Motor Cable	
4	1	040193	CX Trim Device Cable	
5	1	116717	CX RX Switch Assembly	
6	1	040170	CX Key Switch Assembly 3'	
6	1	040189	CX Key Switch Assembly 4'	
7	1	040093	CX33/99 Cover Plate Kit	X
7	1	040094	CX35/98 Cover Plate Kit	X
8	1	113781	Sign 15 Second	
9	1	113782	Sign 30 Second	

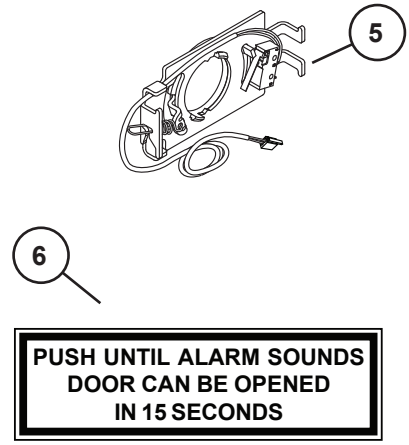
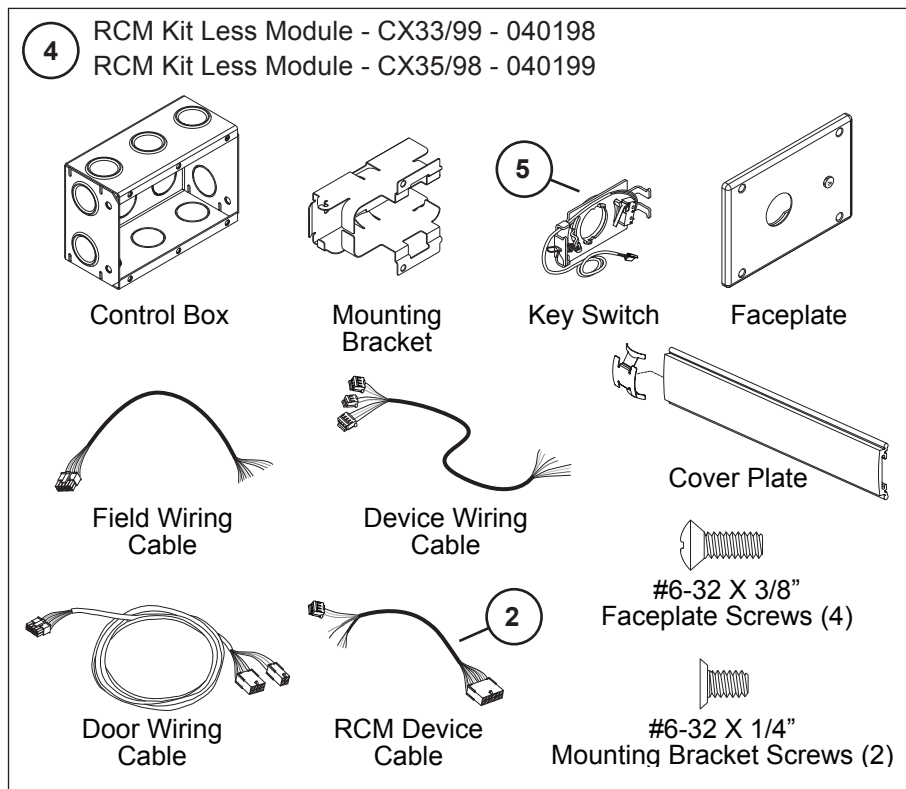
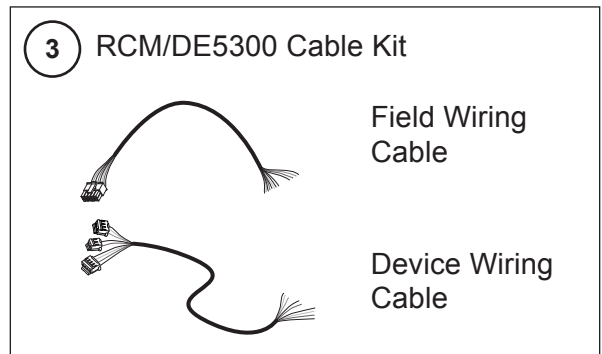
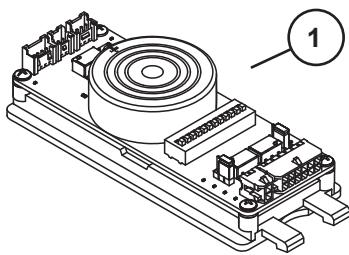
*Over 15 second delay requires a letter of approval from the authority having local jurisdiction over the premises prior to the installation of the device. Allegion cannot grant such approval nor does it warrant local jurisdiction compliance.



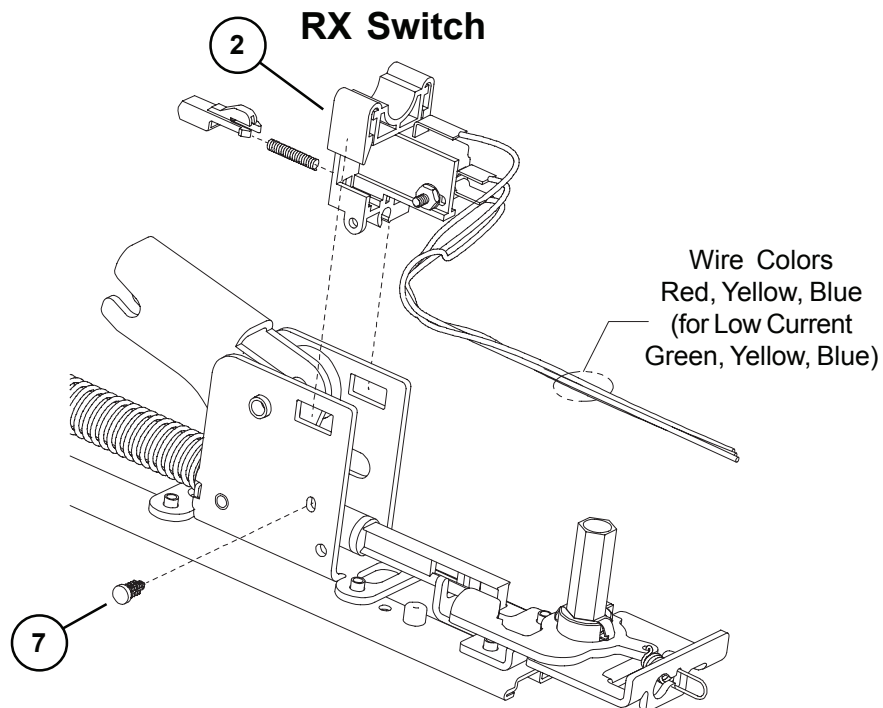
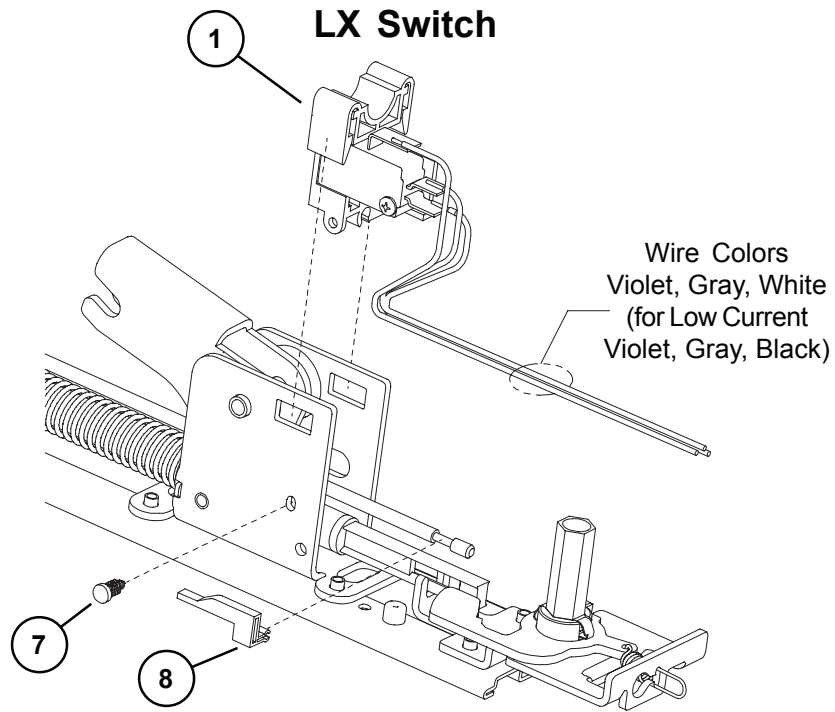
CX-RCM/DE5300 OPTIONS

For new RCM/DE5300 devices made after August, 24 2015

Item No.	Quantity	Part No,	Description	Finish
1	1	116711	Standard - 15 Second Release Delay	
2	1	040092	RCM Device Cable	
3	1	040188	DE5300/RCM Cable Kit	
4	1	040198	RCM Kit Less Module - CX33/99	X
4	1	040199	RCM Kit Less Module - CX35/98	X
5	1	040169	DE5300/RCM Key Switch Assy	
6	1	113781	Sign 15 Second	

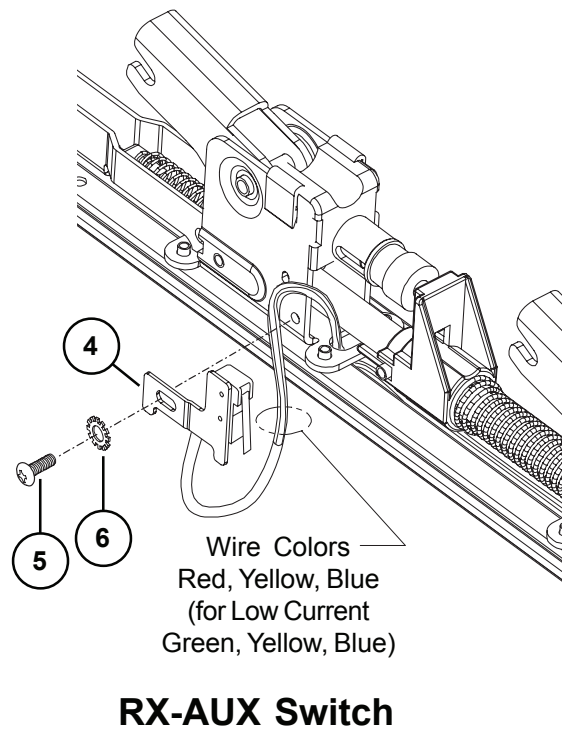
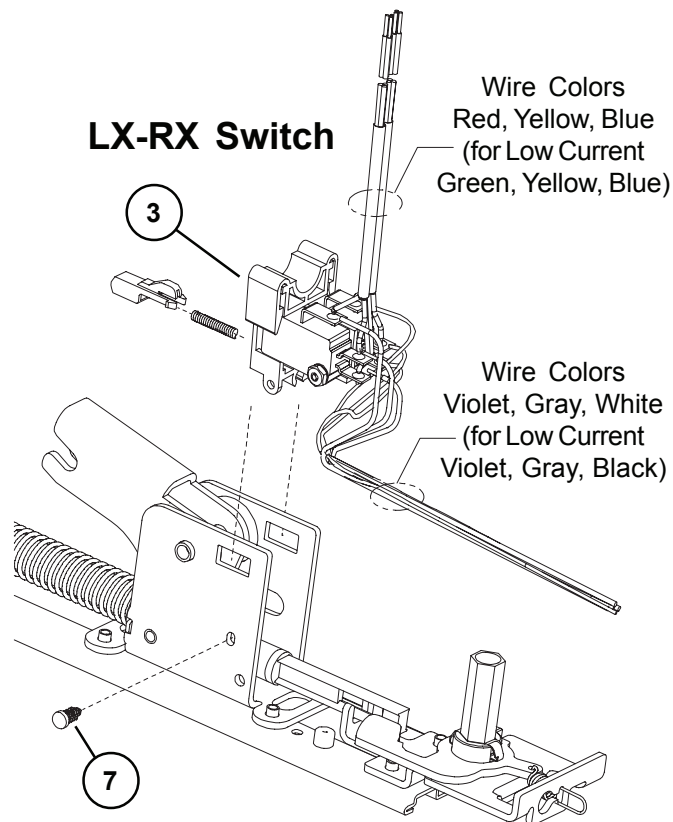


**PUSH UNTIL ALARM SOUNDS
DOOR CAN BE OPENED
IN 15 SECONDS**



33A/35A SERIES LX (LATCH BOLT MONITOR) & RX (REQUEST TO EXIT) OPTIONS

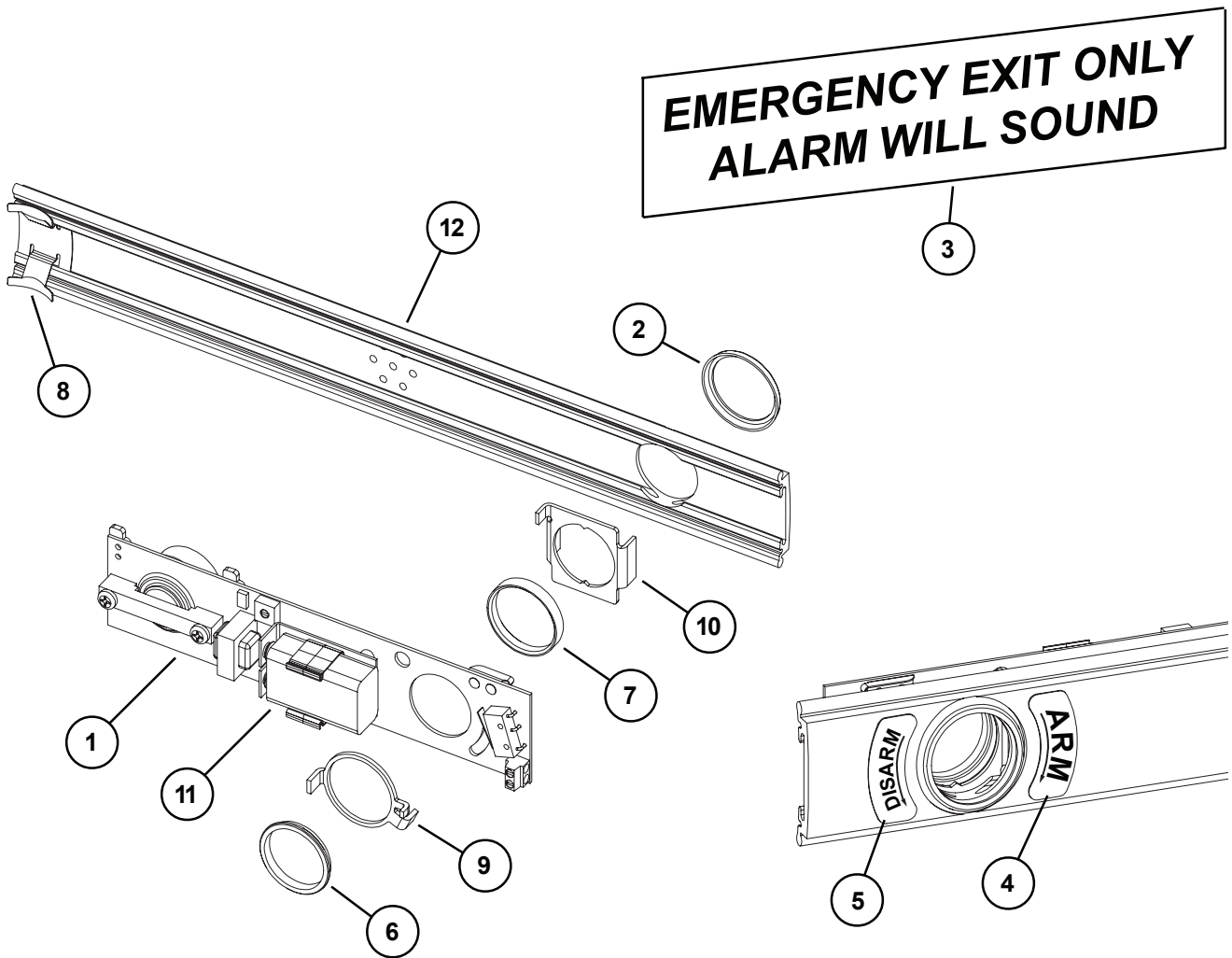
Item No.	Quantity	Part No.	Description	Finish
1	1	050254	LX Switch Kit 3' Device	
1	1	050255	LX Switch Kit 4' Device	
1	1	050247	LX-EL Switch Kit	
1	1	050283	LX-LC (Low Current) Switch Kit 3' Device	
1	1	050285	LX-LC (Low Current) Switch Kit 4' Device	
1	1	050287	LX-LC-EL (Low Current) Switch Kit	
2	1	050251	RX Switch Kit	
2	1	050281	RX-LC (Low Current) Switch Kit	
3	1	050256	LX-RX Switch Kit 3' Device	
3	1	050257	LX-RX Switch Kit 4' Device	
3	1	050259	LX-RX-EL Switch Kit	
3	1	050289	LX-RX-LC (Low Current) Sw. Kit 3' Device	
3	1	050291	LX-RX-LC (Low Current) Sw. Kit 4' Device	
3	1	050293	LX-RX-LC-EL (Low Current) Switch Kit	
2 & 4	1	050270	RX-2 Switch Kit	
4	1	050271	RX-AUX Switch Kit	
5	1	964558	8-32 x 5/16" PPHMS	
6	1	964019	#8 Washer	
7	1	090099	Pine Tree Clip (Pkg of 10)	
8	1	971091	LX Actuator	



33A/35A ALK EXIT ALARM KIT

Item No.	Quantity	Part No.	Description	Finish
1	1	111795	ALK PCB Assembly	
2	1	050525	Cylinder Collar	X
3	1	969122	ALK Alarm Device Sign	
4	1	969349	ALK Arming Label	
5	1	969350	ALK Disarming Label	
6	1	969354	Retainer Nut	
7	1	970594	ALK Cylinder Spacer	
8	1	090036	Cover Plate Anti-rattle spring (Pkg of 10)	
9	1	971556	ALK Switch Actuator	
10	1	971557	ALK Cylinder Bracket	
11	1	990637	ALK Battery	
12	1	050406	33A Series ALK Cover Plate Kit	X
12	1	050407	35A Series ALK Cover Plate Kit	X

X in "Finish" column designates finished items; finish must be specified when ordering.



This page intentionally left blank.

About Allegion

Allegion (NYSE: ALLE) creates peace of mind by pioneering safety and security. As a \$2 billion provider of security solutions for homes and businesses, Allegion employs more than 8,000 people and sells products in more than 120 countries across the world. Allegion comprises 27 global brands, including strategic brands CISA®, Interflex®, LCN®, Schlage® and Von Duprin®.

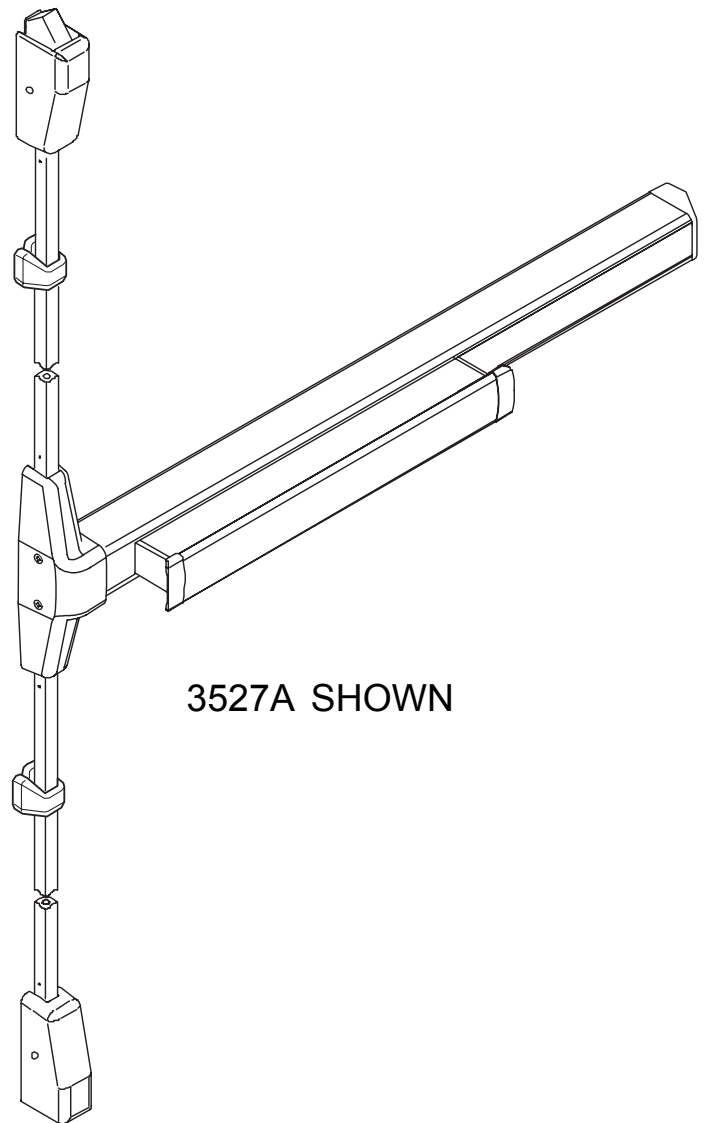
For more, visit www.allegion.com.

aptiQ ■ LCN ■ **SCHLAGE** ■ STEELCRAFT ■ VON DUPRIN

VON DUPRIN®

3327A/3527A Series Exit Device

Service manual



3527A SHOWN

INDEX

3327A/3527A Fire and Panic Devices	
Basic Device	4-5
Vertical Rods and Latches	6-7
LBR Fire Latch Kit	8
Baseplate Assembly	9
Variations of the Basic Device	
CD (Cylinder Dogging)	4-5
HD-EL (Hex Dogging/Electric Latch Retraction)	10
EL (Electric Latch Retraction)	11
SS (Signal Switch)	11
RX (Request to Exit)	12-13
LX (Latch Bolt Monitoring)	12-13
ALK (Exit Alarm Kit)	14-15
General Information	
Introduction	2
How to Order	2
Part Number Changes	2
Finishes	3
Outside Trim Functions	3
Strikes	3

INTRODUCTION

This manual contains a listing of replaceable parts and assemblies for the 3327A/3527A Panic Exit Hardware Devices. (3327A Series and 3527A Series devices are almost identical. The 3327A Series has a grooved case; the 3527A Series has a smooth case.)

HOW TO ORDER

Some parts are sold separately. Other items are available as part of a kit or multiple quantity package. For the best possible service when ordering replacement parts or assemblies, please provide the following information:

- Part number or assembly number
- Description
- Quantity needed
- Finish desired (if available finished)
- Date of original purchase (if known)

To find out the name of your local Von Duprin distributor or sales representative, contact:

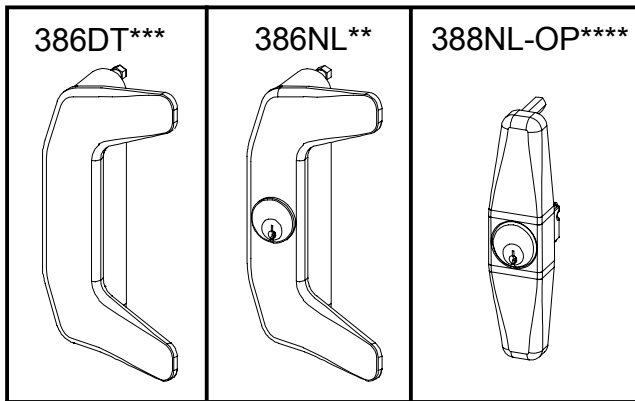
Von Duprin Division
Allegion
2720 Tobey Drive
Indianapolis, IN 46219
Phone: (877) 671-7011

PART NUMBER AND AVAILABILITY CHANGES

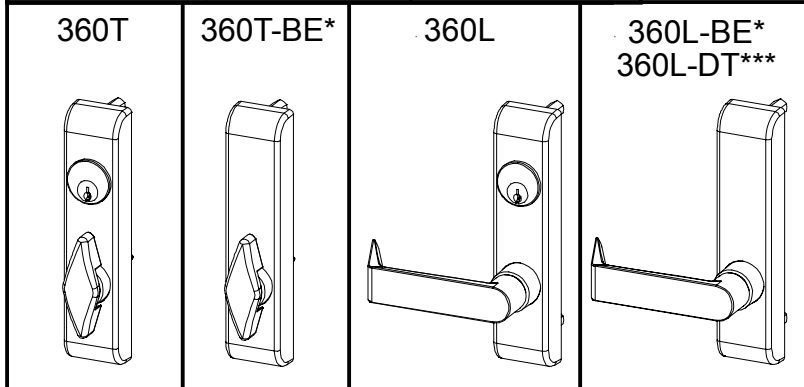
This manual was designed to help illustrate the replacement parts and kits that are available for sale. Because of changes to the product and/or manufacturing process, part numbers and availability can change over time.

OUTSIDE TRIM FUNCTIONS

33A/35A SERIES FINISHES



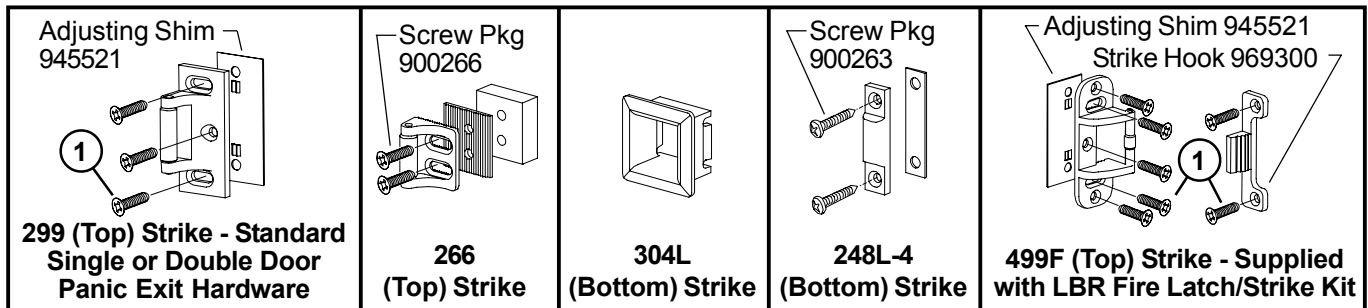
U.S. Std Reference	BHMA Reference	Description
US3	605	Polished Brass
US4	606	Dull Brass
US10	612	Dull Bronze
US15	619	Satin Nickel
US26	625	Polished Chrome
US26D	626	Dull Chrome
US28	628	Anodized Alum. (Clear)
313AN	710	Anodized Alum. (313) Dark Bronze
315AN	711	Anodized Alum. (Black)



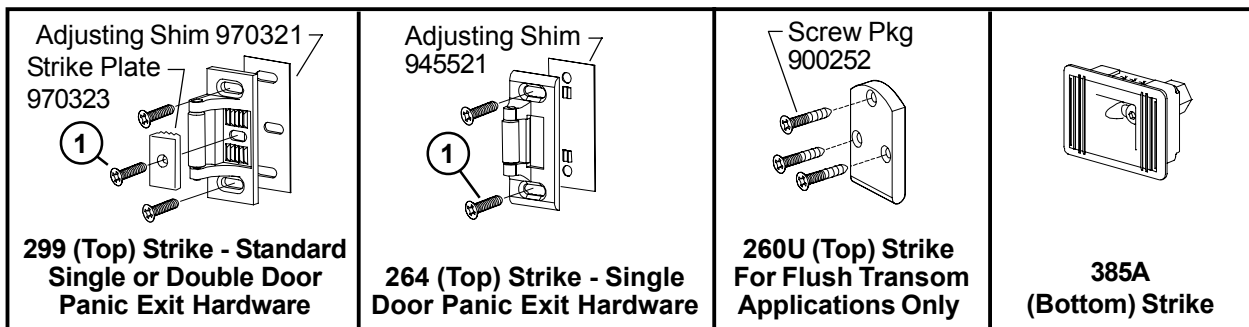
- * "BE" (Blank Escutcheon) no cylinder used - lever always active
- ** "NL" (Night Latch) rigid lever - key retracts latch bolt
- *** "DT" (Dummy Trim) rigid lever for pull operation
- **** "NL-OP" (Optional Pull) needs to be added

STANDARD STRIKES

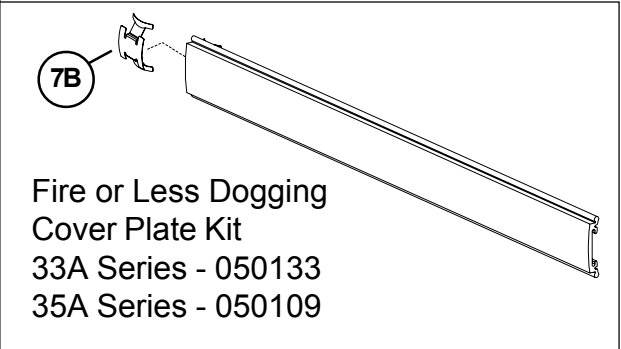
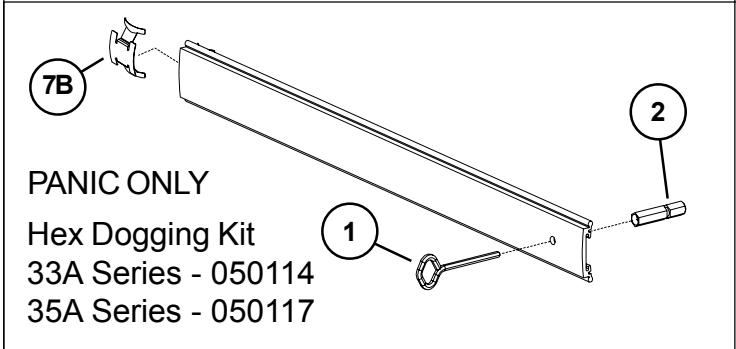
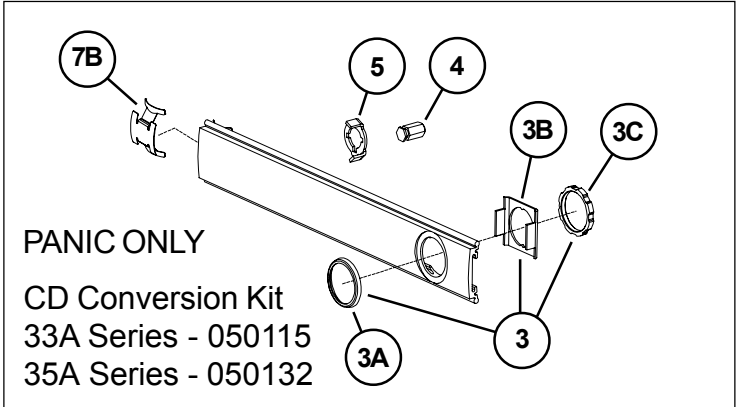
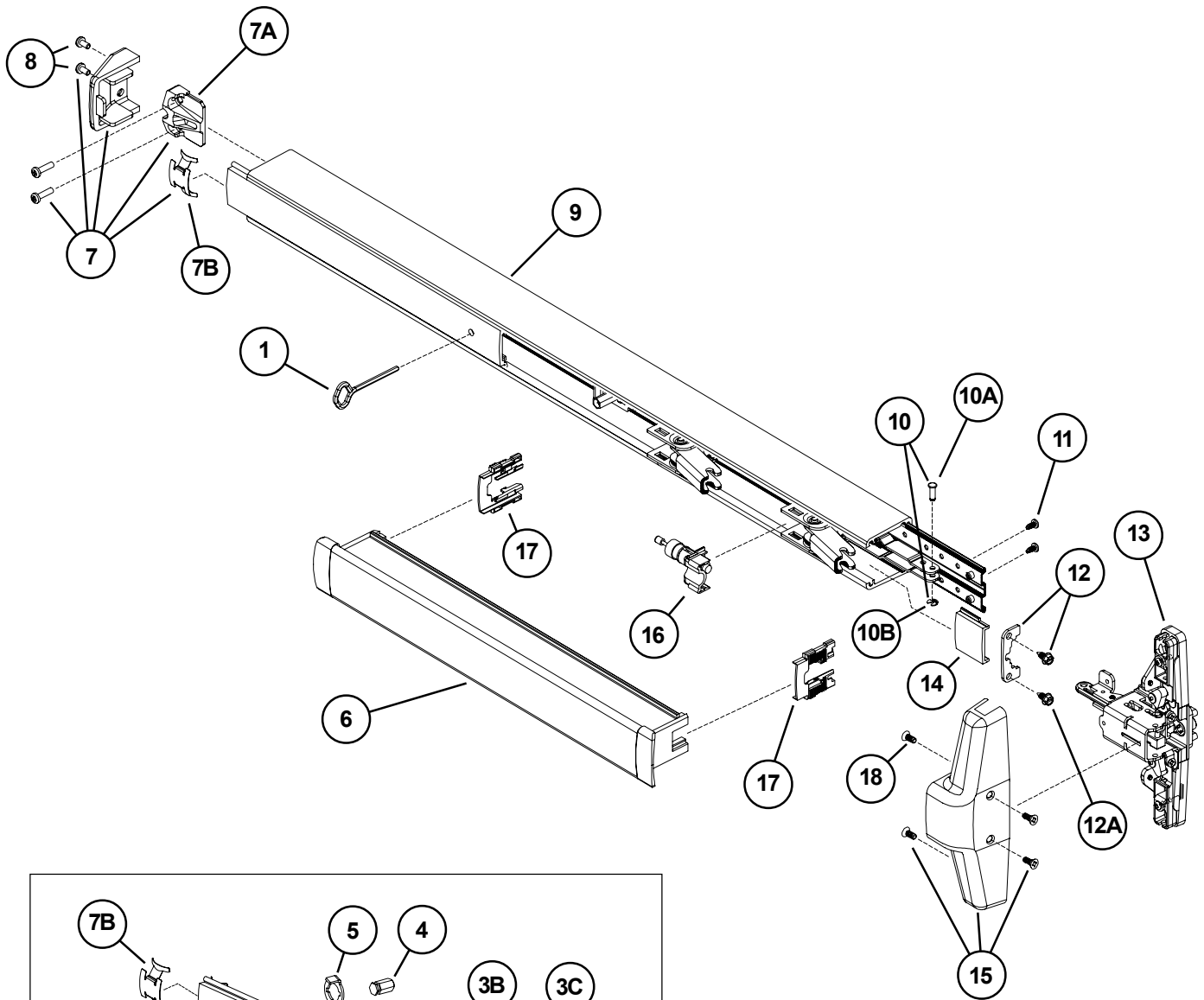
- ① Metal Door Screw Package PKGSRV.1023 (Pkg of 10)
- Wood Door Screw 964291 (Qty of 1)



OPTIONAL STRIKES FOR PANIC EXIT HARDWARE



3327A/3527A PANIC AND 3327A-F/3527A-F FIRE EXIT DEVICE



3327A/3527A PANIC AND 3327A-F/3527A-F FIRE EXIT DEVICE

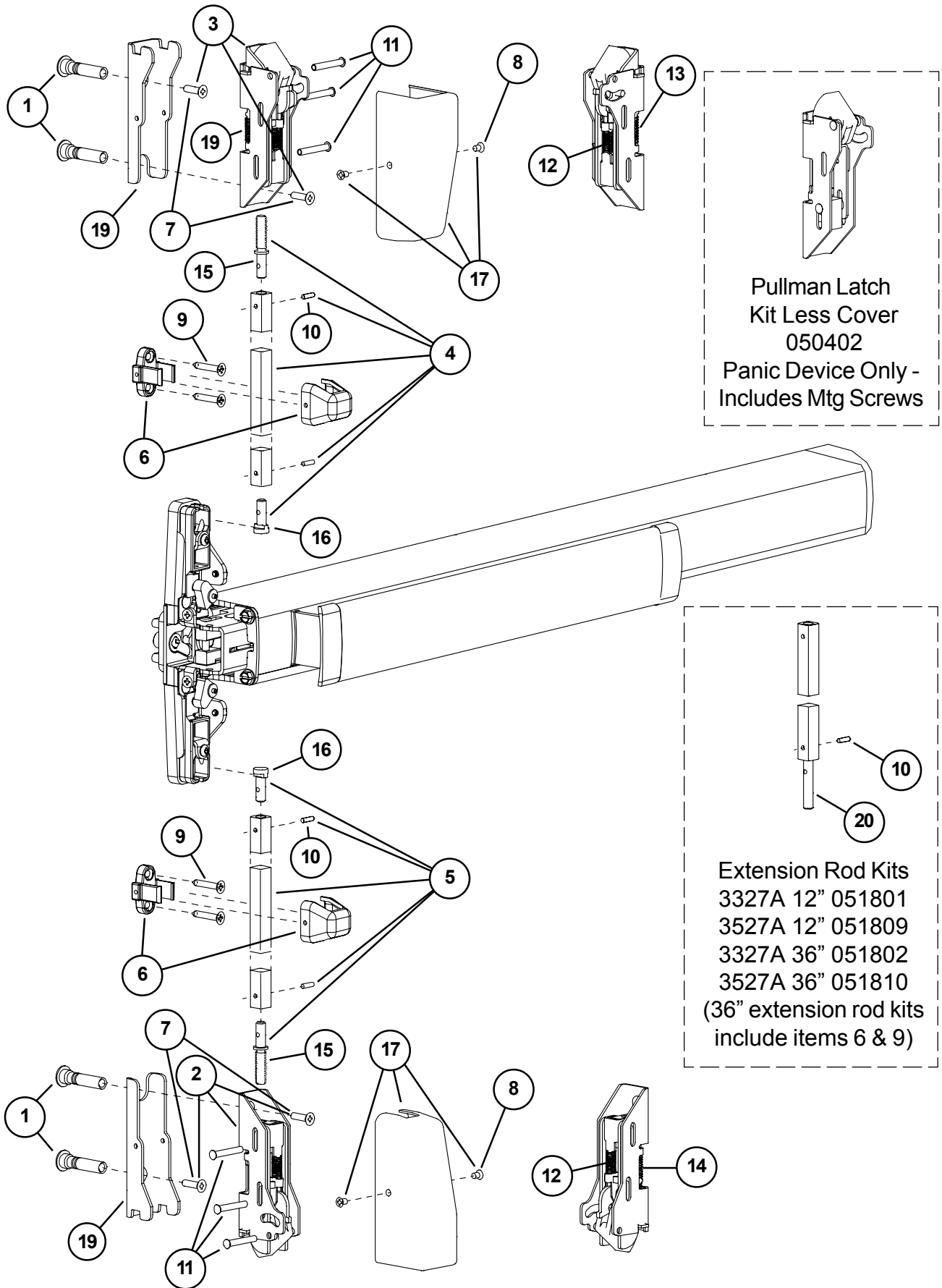
Item No.	Quantity	Part No.	Description	Finish
	1	900619	33A/35A Series Mounting Pkg. (1-3/4 & 2-1/4)	
1	1	090085	227 Dog Key 5/32" Hex (Pkg of 10)	
1	1	090005	227 Dog Key 5/32" Hex (Pkg of 2)	
2	1	090040	Hex Dog Shaft (Pkg of 2)	
3	1	107813	Cylinder Mounting Pkg	X
3A	1	050525	Cylinder Collar	X
3B	1	050490	Cylinder Locating Washer - CD/SS	
3C	1	050526	Cylinder Locknut	
4	1	090046	CD Dogging Plug (Pkg of 2)	
5	1	090045	CD Actuator Arm (Pkg of 2)	
6	1	*PBKIT	33A/35A Series Push Bar Retrofit Kit - 3' Door	X
6	1	*PBKIT	33A/35A Series Push Bar Retrofit Kit - 4' Door	X
7	1	050014	33A/35A Series End Cap Kit	X
7A	1	050524	Impact Resistant End Cap Bracket	
7B	1	090036	Cover Plate Anti-rattle Spring (Pkg of 10)	
8	1	900597	Device End Cap and C/Case Screw Pkg.	X
9	1	050486	33A Series Mechanism Case - 3' Door	X
9	1	050487	33A Series Mechanism Case - 4' Door	X
9	1	050488	35A Series Mechanism Case - 3' Door	X
9	1	050489	35A Series Mechanism Case - 4' Door	X
10	1	050529	Control Link Pin & Ret. Ring	
10A	1	090031	Control Link Pin (Pkg of 10)	
10B	1	090107	Retaining Ring (Pkg of 10)	
11	2	090037	#8-32 x 3/8" Baseplate Screw (Pkg of 10)	
12	1	050530	Mechanism Case Bracket Kit	
12A	2	090073	Mechanism Case Bracket Screw (Pkg of 10)	
13**	1	050404	3327A/3527A Center Case Less Cover	
14	1	050474	33A Series Cover Plate - C. Case Side	X
14	1	050475	35A Series Cover Plate - C. Case Side	X
15	1	050484	3327A/3527A Center Case Cover Kit	X
16	1	050491	Shock Absorber & Holder Assembly	
17	2	090049	Push Bar Guide (Pkg of 10)	
18	4	900892	Center Case Cover Screws (Pkg of 4)	X

X in "Finish" column designates finished items; finish must be specified when ordering.

* To order, specify device type, size, and finish. Example: PBKIT 33A 3' US28

** Device mounting screws 900619 included.

3327A/3527A VERTICAL RODS AND LATCHES



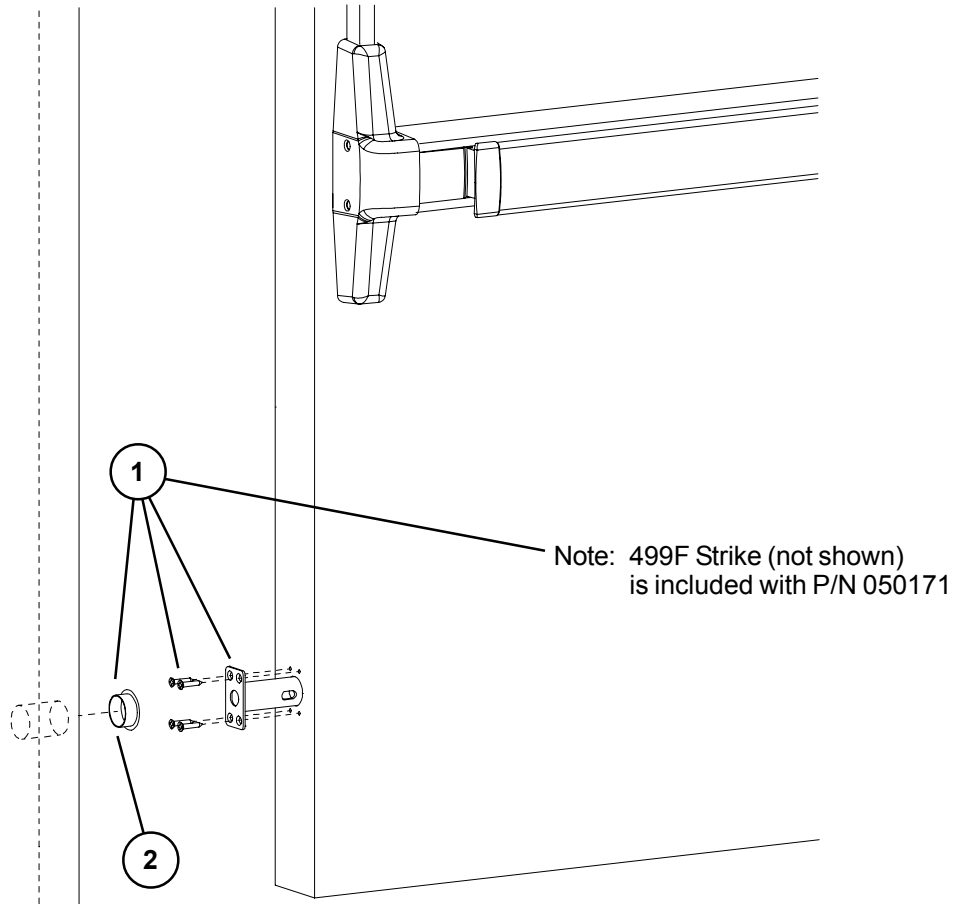
3327A/3527A VERTICAL RODS AND LATCHES

Item No.	Quantity	Part No.	Description	Finish
1	2	034902	325 Sex Bolt Package (Pkg of 2)	X
2	1	050401	33/3527A Bottom Latch Kit Less Cover	
3	1	050400	33/3527A Top Latch Kit Less Cover	
4	1	050512	3327A Top Rod Kit	X
4	1	050513	3527A Top Rod Kit	X
5	1	050514	3327A Bottom Rod Kit	X
5	1	050515	3527A Bottom Rod Kit	X
6	2	105952	33/3527A Rod Guide Pkg	X
7	1	900589	Latch Mounting Package (Pkg of 4)	
8	2	900850	Latch Case Cover Screw (Pkg of 2)	X
9	2	900565	Rod Guide Mounting Package	
10	4	090054	Rod Roll Pin (Pkg of 10)	
11	6	090055	Housing Guide Pin (Pkg of 10)	
12	2	090065	Bolt Return Spring (Pkg of 10)	
13	1	090056	Top Latch Compression Spring (Pkg of 10)	
13	1	090057	PL Top Latch Spring (Pkg of 10)	
14	1	090058	Bottom Latch Case Spring (Pkg of 10)	
15	2	090067	Rod Connector - Latch (Pkg of 2)	
16	2	090068	Rod Connector - Center Case (Pkg of 2)	
17	2	050496	Latch Case Cover Kit w/Screws	X
18	1	090076	Aux. Bolt Spring (Pkg of 10)	
19	2	050546	Latch Case Mtg. Bracket	
20	1	090075	Rod Extension Connector (Pkg of 4)	

X in "Finish" column designates finished items; finish must be specified when ordering.

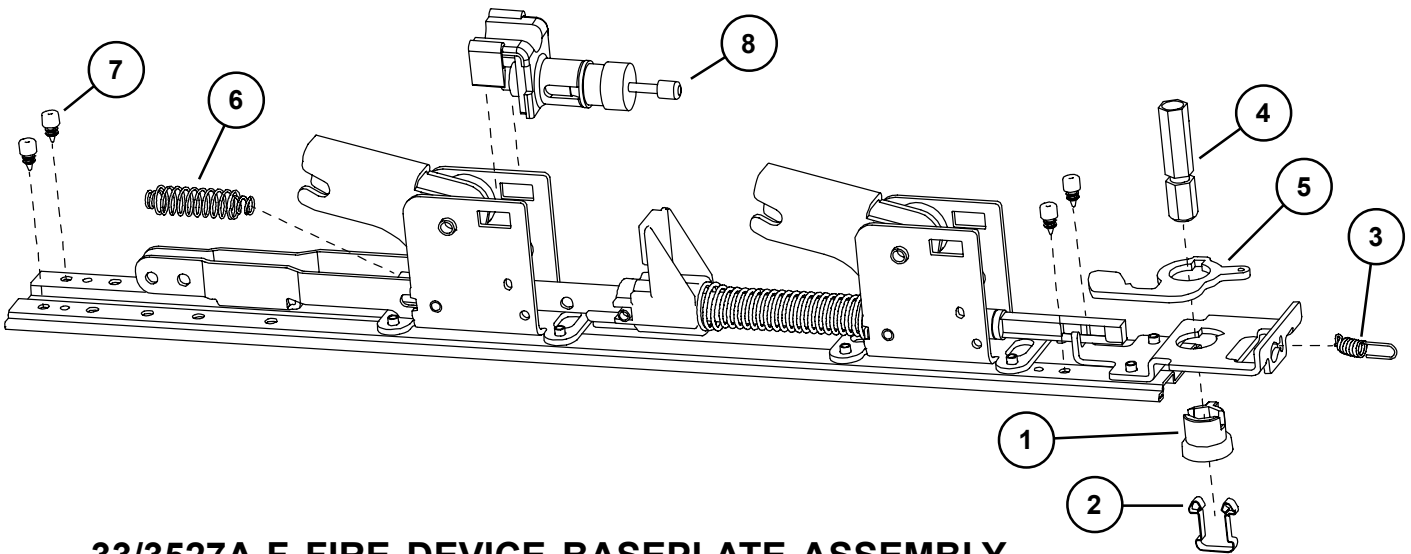
33/3527A-F LBR (LESS BOTTOM ROD) FIRE LATCH KIT

Item No.	Quantity	Part No.	Description	Finish
1	1	050171	LBR Fire Latch/Strike kit	
2	1	050509	LBR Fire Strike Plug	



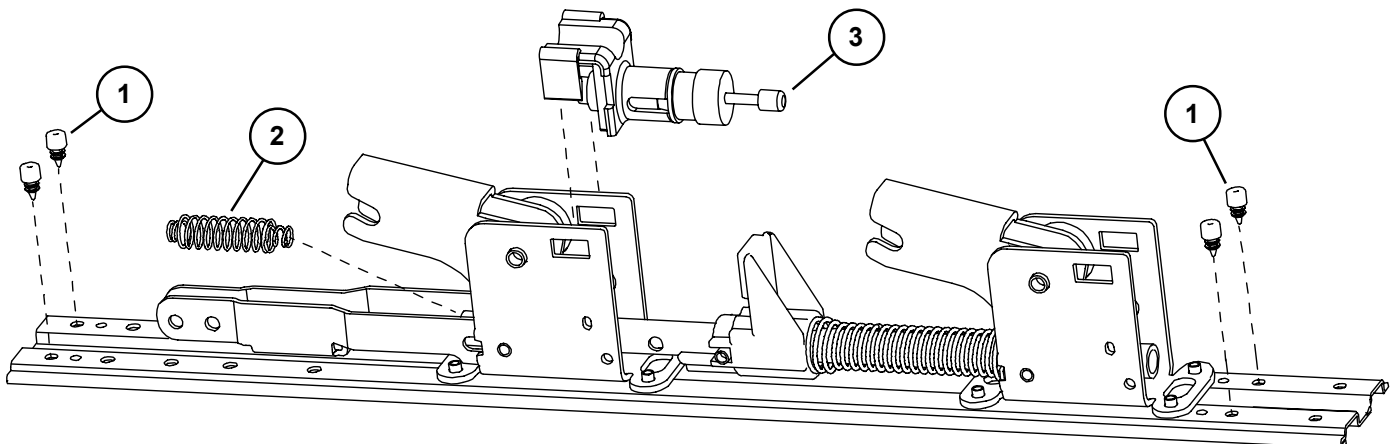
3327A/3527A PANIC DEVICE BASEPLATE ASSEMBLY

Item No.	Quantity	Part No.	Description	Finish
1	1	090043	Dogging adapter (Pkg of 2)	
2	1	090042	Dogging adapter spring (Pkg of 2)	
3	1	090041	Dogging spring (Pkg of 2)	
4	1	090040	Hex dogging shaft (Pkg of 2)	
5	1	090044	Dogging hook (Pkg of 2)	
6	1	090039	Latch return spring (Pkg of 10)	
7	4	090038	Rubber bumper (Pkg of 4)	
8	1	050491	Shock absorber	



33/3527A-F FIRE DEVICE BASEPLATE ASSEMBLY

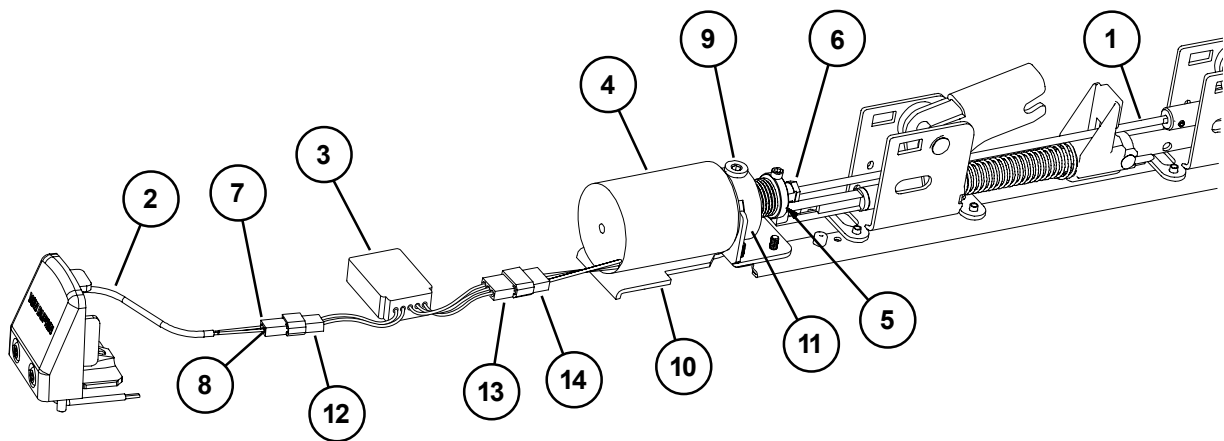
Item No.	Quantity	Part No.	Description	Finish
1	4	090038	Rubber bumper (Pkg of 4)	
2	1	090039	Latch return spring (Pkg of 10)	
3	1	050491	Shock absorber	



HD-EL3327A/HD-EL3527A HEX DOGGING/ELECTRIC LATCH RETRACTION OPTION - PANIC DEVICE ONLY

Item No.	Quantity	Part No.	Description	Finish
1	1	050531	EL Dogging Rod Kit - 3' device	
1	1	050532	EL Dogging Rod Kit - 4' device	
2	1	110388	EL 6' Cable and Connector	
3	1	050534	EL Potted Module	
4	1	050536	HD-EL Solenoid	
5	1	050537	HD-EL Solenoid Plunger	
6	1	050538	EL Dogging Rod Retainer	
7	1	050539	EL Receptacle Connector - 2 Position	
8	2	050540	EL Female Terminal	
9	1	050541	HD-EL Dog Screw	
10	1	050542	HD-EL Solenoid Bracket	
11	1	050543	HD-EL Dogging Spring	
12	1	990599	EL Plug Connector - 2 Position	
13	1	990857	EL Receptacle Connector - 3 Position	
14	1	990858	EL Plug Connector - 3 Position	
*	1	050384	HD-EL Conversion Kit - 3'	
*	1	050385	HD-EL Conversion Kit - 4'	

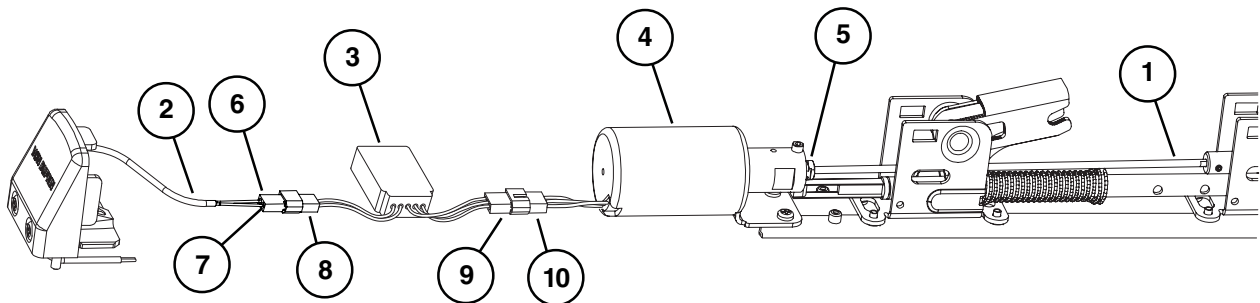
*Kit includes items 1-11 plus new control link, retaining ring, and baseplate screws.



EL3327A/EL3527A ELECTRIC LATCH RETRACTION OPTION

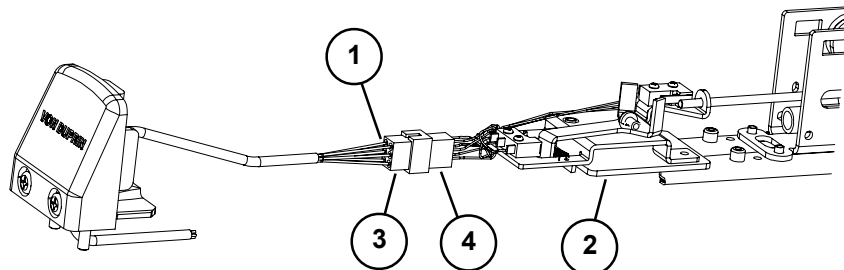
Item No.	Quantity	Part No.	Description	Finish
1	1	050531	EL Dogging Rod Kit - 3' device	
1	1	050532	EL Dogging Rod Kit - 4' device	
2	1	110388	EL 6' Cable and Connector	
3	1	050534	EL Potted Module	
4	1	050535	EL Solenoid Assembly	
5	1	050538	EL Dogging Rod Retainer	
6	1	050539	EL Receptacle Connector	
7	2	050540	EL Female Terminal	
8	1	990599	EL Plug Connector - 2 Position	
9	1	990857	EL Receptacle Connector - 3 Position	
10	1	990858	EL Plug Connector - 3 Position	
*	1	050070	EL Conversion Kit - 3'	
*	1	050078	EL Conversion Kit - 4'	

*Kit includes items 1-7 plus new control link pin, retaining ring, and baseplate screws.

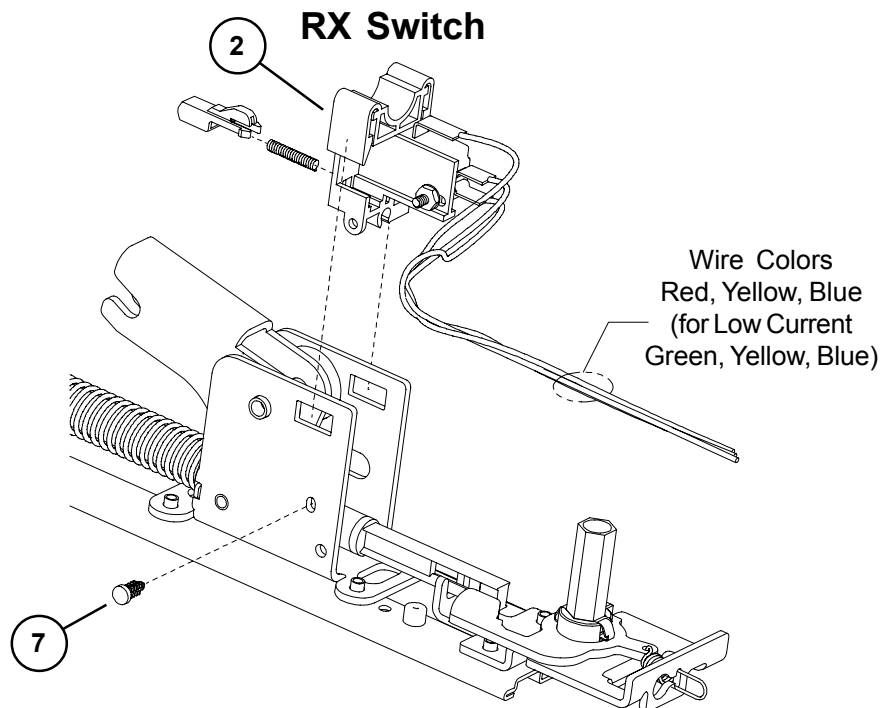
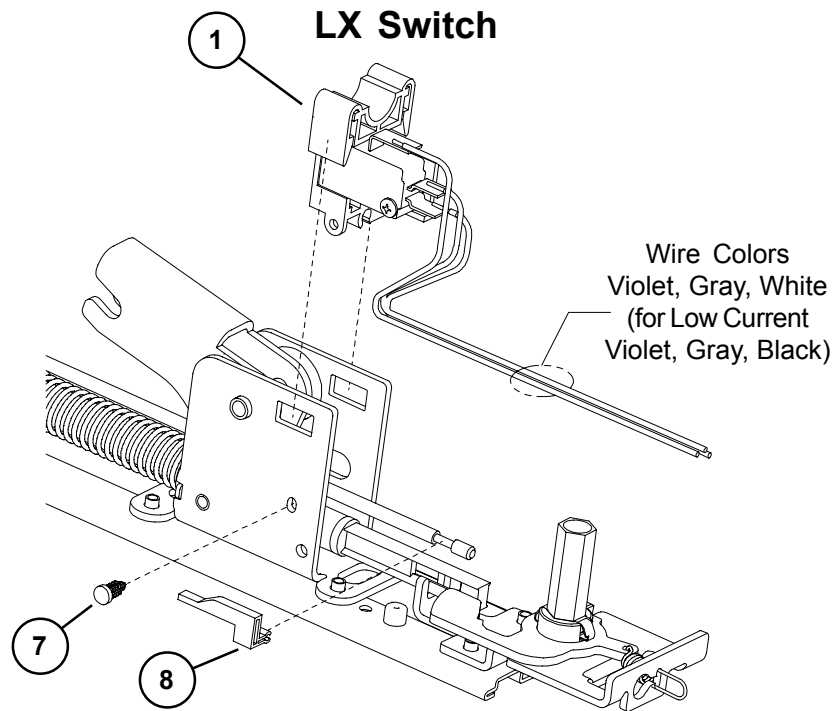


SS3327A/SS3527A (SIGNAL SWITCH) OPTION

Item No.	Quantity	Part No.	Description	Finish
1	1	050544	SS Cable	
2	1	050545	SS Housing	
3	1	990601	SS Plug Connector - 6 Position	
4	1	990602	SS Receptacle Connector - 6 Position	

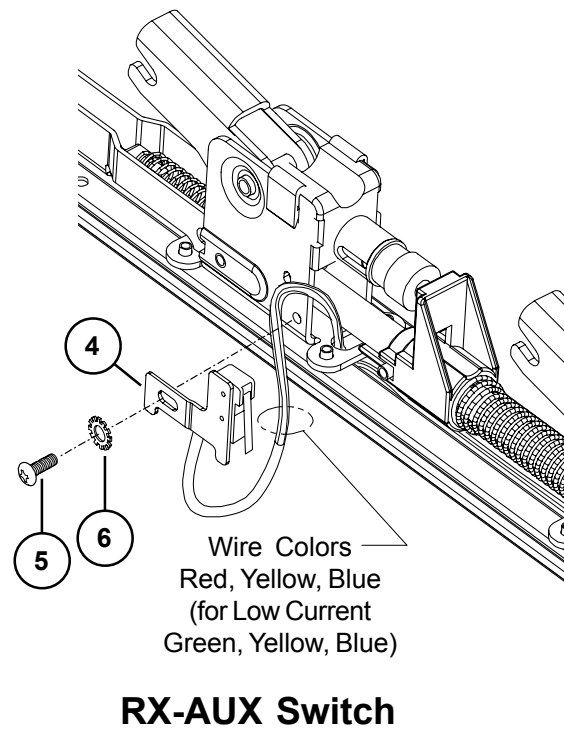
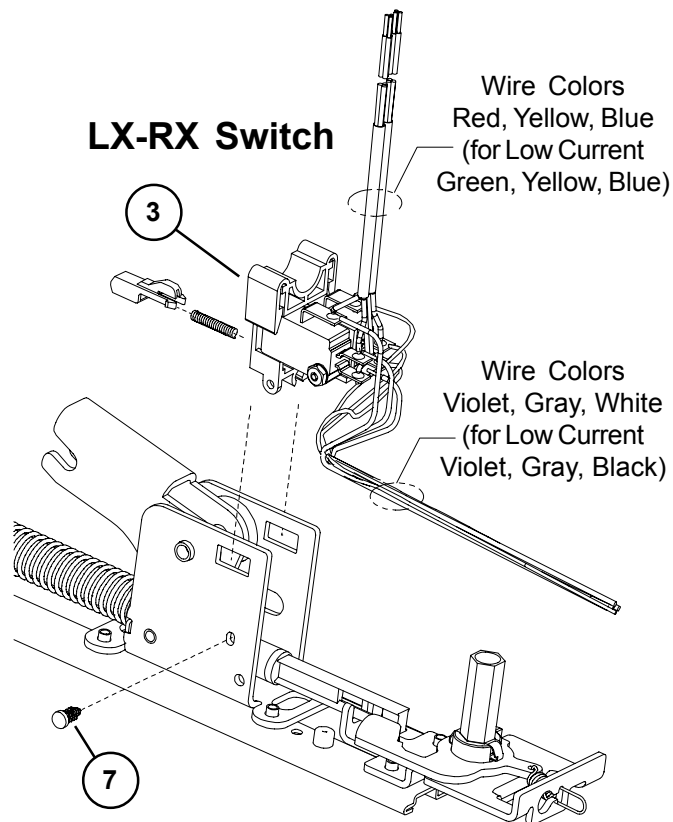


3327A/3527A LX (LATCH BOLT MONITOR) & RX (REQUEST TO EXIT) OPTIONS



3327A/3527A LX (LATCH BOLT MONITOR) & RX (REQUEST TO EXIT) OPTIONS

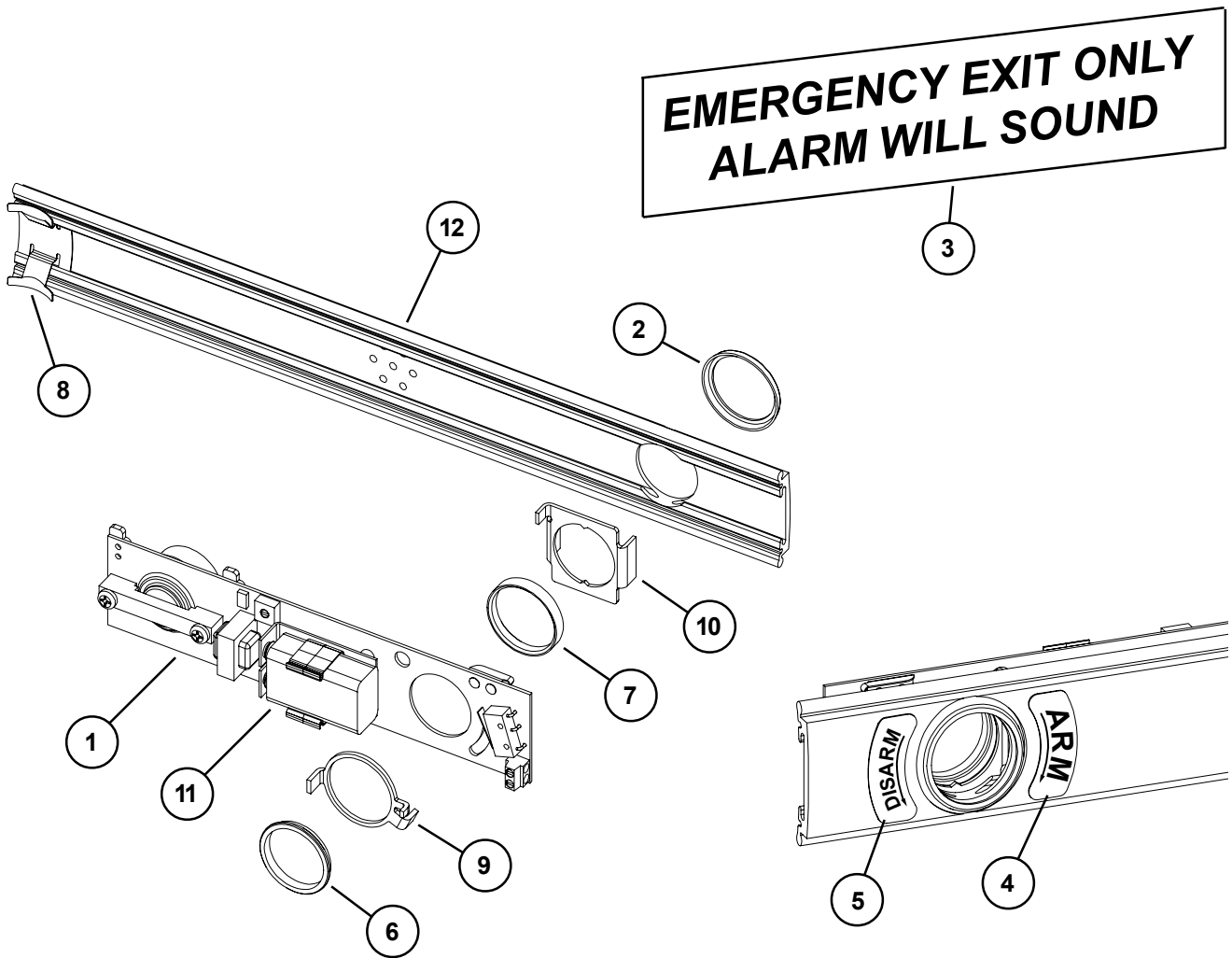
Item No.	Quantity	Part No.	Description	Finish
1	1	050254	LX Switch Kit 3' Device	
1	1	050255	LX Switch Kit 4' Device	
1	1	050247	LX-EL Switch Kit	
1	1	050283	LX-LC (Low Current) Switch Kit 3' Device	
1	1	050285	LX-LC (Low Current) Switch Kit 4' Device	
1	1	050287	LX-LC-EL (Low Current) Switch Kit	
2	1	050251	RX Switch Kit	
2	1	050281	RX-LC (Low Current) Switch Kit	
3	1	050256	LX-RX Switch Kit 3' Device	
3	1	050257	LX-RX Switch Kit 4' Device	
3	1	050259	LX-RX-EL Switch Kit	
3	1	050289	LX-RX-LC (Low Current) Sw. Kit 3' Device	
3	1	050291	LX-RX-LC (Low Current) Sw. Kit 4' Device	
3	1	050293	LX-RX-LC-EL (Low Current) Switch Kit	
2 & 4	1	050270	RX-2 Switch Kit	
4	1	050271	RX-AUX Switch Kit	
5	1	964558	8-32 x 5/16" PPHMS	
6	1	964019	#8 Washer	
7	1	090099	Pine Tree Clip (Pkg of 10)	
8	1	971091	LX Actuator	



33A/35A ALK EXIT ALARM KIT

Item No.	Quantity	Part No.	Description	Finish
1	1	111795	ALK PCB Assembly	
2	1	050525	Cylinder Collar	X
3	1	969122	ALK Alarm Device Sign	
4	1	969349	ALK Arming Label	
5	1	969350	ALK Disarming Label	
6	1	969354	Retainer Nut	
7	1	970594	ALK Cylinder Spacer	
8	1	090036	Cover Plate Anti-rattle spring (Pkg of 10)	
9	1	971556	ALK Switch Actuator	
10	1	971557	ALK Cylinder Bracket	
11	1	990637	ALK Battery	
12	1	050406	33A Series ALK Cover Plate Kit	X
12	1	050407	35A Series ALK Cover Plate Kit	X

X in "Finish" column designates finished items; finish must be specified when ordering.



About Allegion

Allegion (NYSE: ALLE) creates peace of mind by pioneering safety and security. As a \$2 billion provider of security solutions for homes and businesses, Allegion employs more than 7,800 people and sells products in more than 120 countries across the world. Allegion comprises 23 global brands, including strategic brands CISA®, Interflex®, LCN®, Schlage® and Von Duprin®.

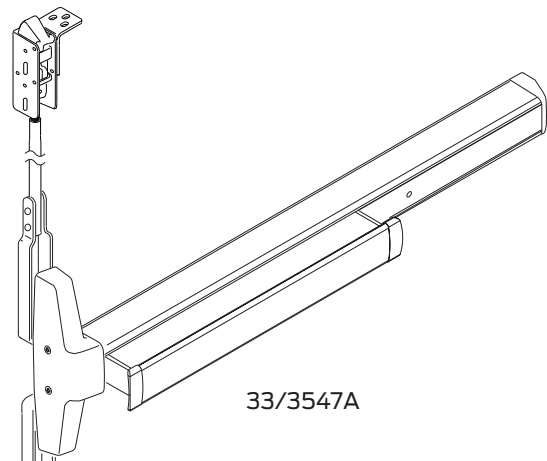
For more, visit www.allegion.com.

aptiQ ■ LCN ■ **SCHLAGE** ■ STEELCRAFT ■ VON DUPRIN

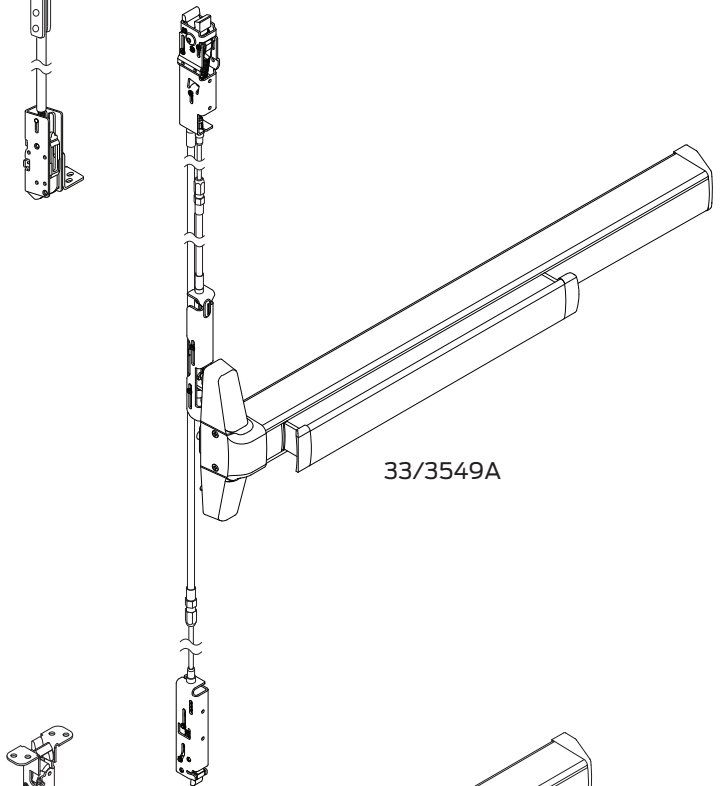
VON DUPRIN

33/3547A,
33/3549A,
& 33/3550A
Series Exit
Devices

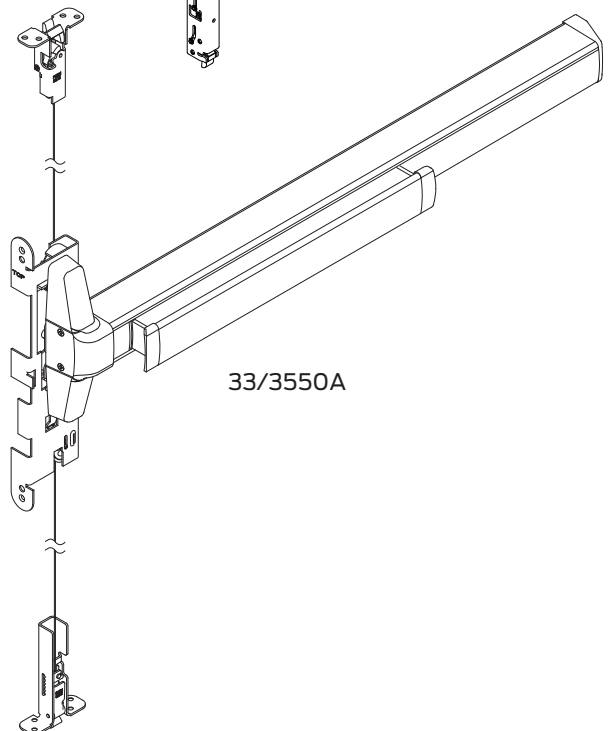
Service manual



33/3547A



33/3549A



33/3550A

INDEX

33/3547A, 33/3549A, & 33/3550AWDC Devices	
Basic Device	4-5
Panic Concealed Vertical Rods and Latches	6-7
Fire Concealed Vertical Rods and Latches	8-9
Panic and Fire Aluminum and Metal Door Concealed Vertical Cables and Latches	10-11
Panic and Fire Wood Door Concealed Vertical Cables and Latches	12-13
LBR (Less Bottom Rod) / LBL (Less Bottom Latch) Fire Latch Kit	14
Baseplate Assembly	15
Variations of the Basic Device	
CD (Cylinder Dogging)	4-5
HD-EL (Hex Dogging/Electric Latch Retraction)	16
EL (Electric Latch Retraction)	17
SS (Signal Switch)	17
RX (Request to Exit)	18-19
LX (Latch Bolt Monitoring)	18-19
ALK (Exit Alarm Kit)	20
General Information	
Introduction	2
How to Order	2
Part Number Changes	2
Finishes	3
Outside Trim Functions	3
Strikes	3

INTRODUCTION

This manual contains a listing of replaceable parts and assemblies for the 33/3547A Concealed Vertical Rod Exit Devices and the 33/3549A / 33/3550AWDC Concealed Vertical Cable Exit Devices. 33 Series and 35 Series devices are almost identical. The 33 Series has a grooved case; the 35 series has a smooth case.

HOW TO ORDER

Some parts are sold separately. Other items are available as part of a kit or multiple quantity package. For the best possible service when ordering replacement parts or assemblies, please provide the following information:

- Part number or assembly number
- Description
- Quantity Needed
- Finish desired (if available finished)
- Date of original purchase (if known)

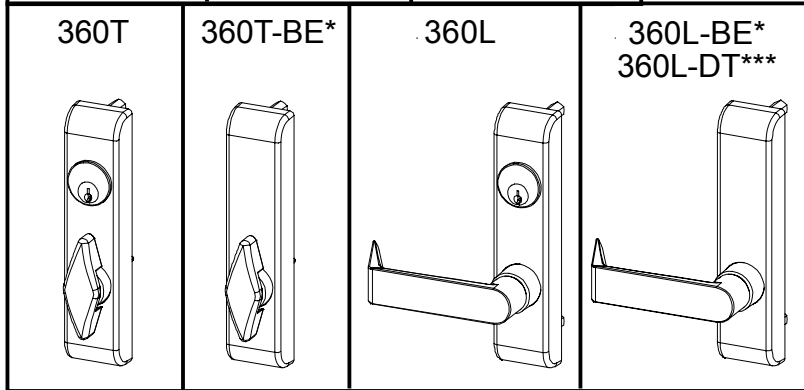
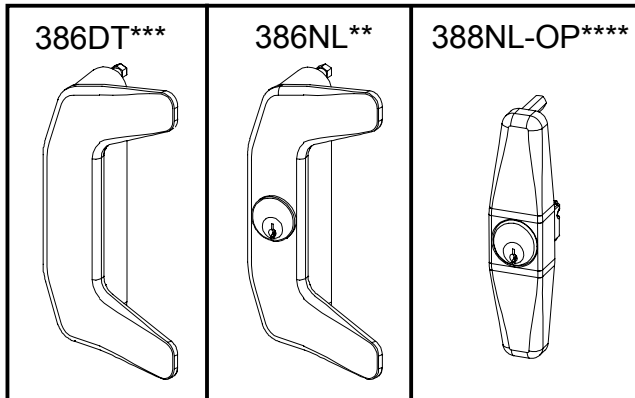
To find out the name of your local Von Duprin distributor or sales representative, contact:

Von Duprin Division
Allegion
2720 Tobey Drive
Indianapolis, IN 46219
Phone: (877) 671-7011

PART NUMBER AND AVAILABILITY CHANGES

This manual was designed to help illustrate the replacement parts and kits that are available for sale. Because of changes to the product and/or manufacturing process, part numbers and availability can change over time.

OUTSIDE TRIM FUNCTIONS



33A/35A SERIES FINISHES

U.S. Std Reference	BHMA Reference	Description
US3	605	Polished Brass
US4	606	Dull Brass
US10	612	Dull Bronze
US15	619	Satin Nickel
US26	625	Polished Chrome
US26D	626	Dull Chrome
US28	628	Anodized Alum. (Clear)
313AN	710	Anodized Alum. (313) Dark Bronze
315AN	711	Anodized Alum. (Black)

- * "BE" (Blank Escutcheon) no cylinder used - lever always active
- ** "NL" (Night Latch) rigid lever - key retracts latch bolt
- *** "DT" (Dummy Trim) rigid lever for pull operation
- **** "NL-OP" (Optional Pull) needs to be added

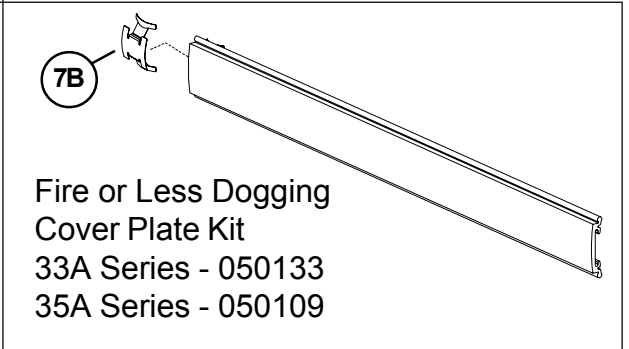
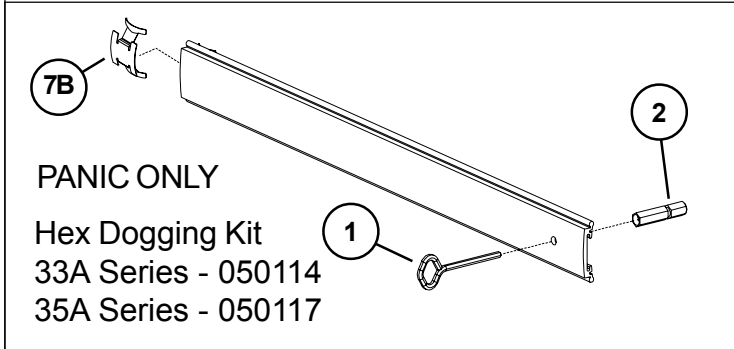
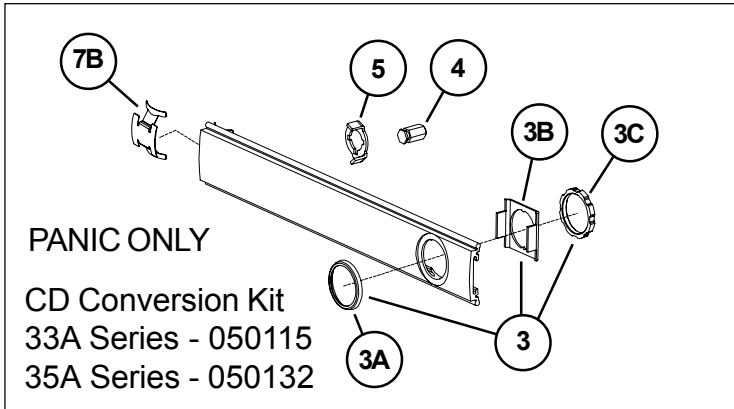
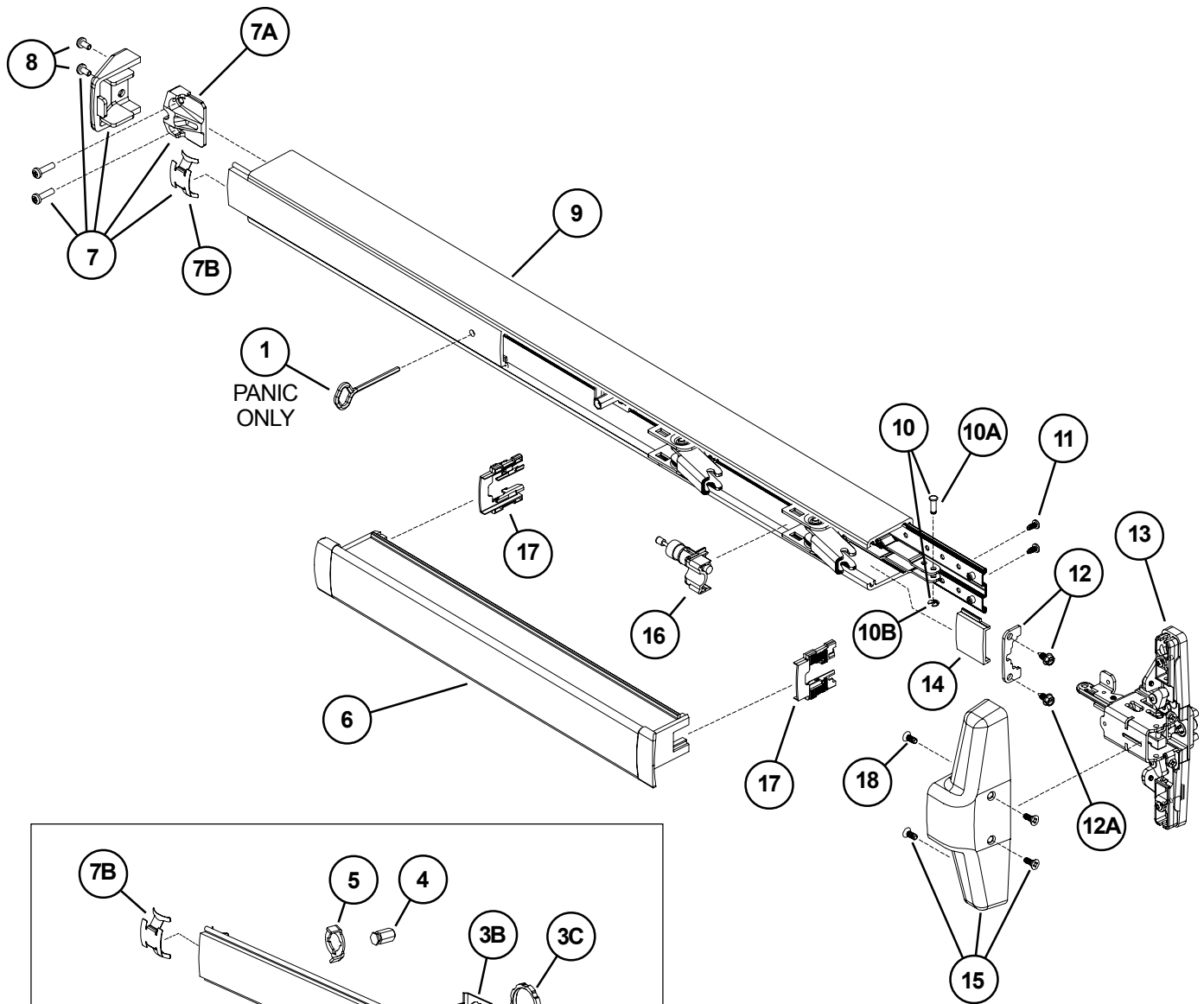
33/3547A STRIKES

33/3549A STRIKES

33/3550A STRIKES

<p>Screw Pkg 900285</p> <p>338 Strike (Top) Standard Panic or Fire Exit Hardware</p>	<p>385A Strike (Bottom) Panic or Fire Exit Hardware</p>	<p>24007411 349 Bottom Strike Kit Standard Panic or Fire Exit Hardware</p>	<p>Includes top latch mounting screws</p> <p>23945223 249 Top Strike Kit Standard Panic or Fire Exit Hardware</p>	<p>Includes shims and top latch mounting screws</p> <p>24665002 150 Top Strike Kit Standard Panic or Fire Exit Hardware</p>
<p>Screw 964191</p> <p>283 Strike (Top) Wood Frame</p>	<p>304L Strike (Bottom) Panic or Fire Exit Hardware</p>	<p>24230914 338 Strike Filler Plate (Top) used for 47 Series retrofit</p>	<p>47244841 WDC Strike Filler Plate (Top) used for 47 Series retrofit</p>	<p>Includes bottom latch mounting screws</p> <p>24664997 450 Bottom Strike Kit Standard Panic or Fire Exit Hardware</p>

33/3547A & 33/3549A PANIC DEVICE 33/3547A-F & 33/3549A-F FIRE DEVICE



33/3547A & 33/3549A PANIC DEVICE
33/3547A-F & 33/3549A-F FIRE DEVICE

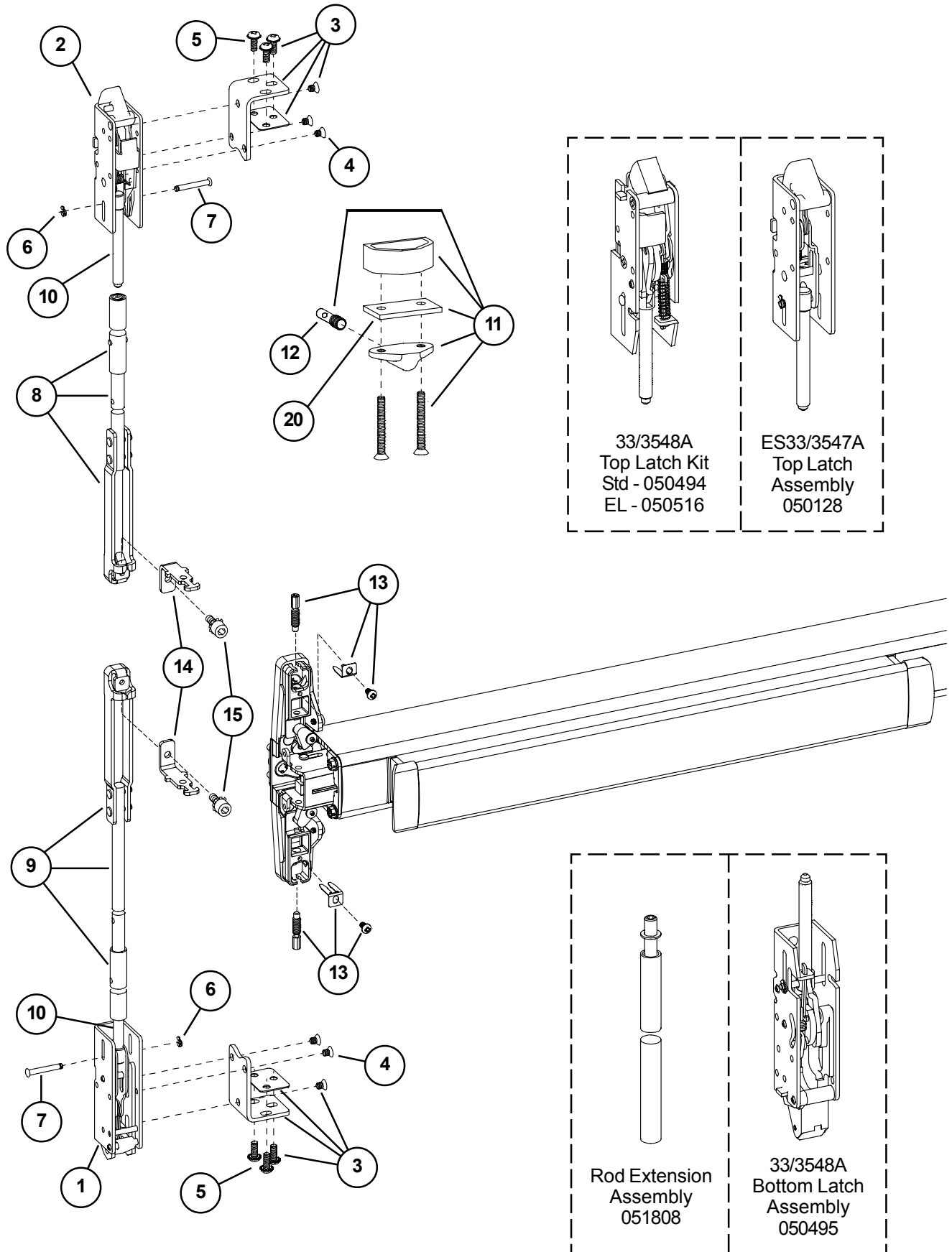
Item No.	Quantity	Part No.	Description	Finish
	1	900619	33A/35A Series Mounting Pkg. (1-3/4 & 2-1/4)	
1	1	090085	227 Dog Key 5/32" Hex (Pkg of 10)	
1	1	090005	227 Dog Key 5/32" Hex (Pkg of 2)	
2	1	090040	Hex Dog Shaft (Pkg of 2)	
3	1	107813	Cylinder Mounting Pkg	X
3A	1	050525	Cylinder Collar	X
3B	1	050490	Cylinder Locating Washer - CD/SS	
3C	1	050526	Cylinder Locknut	
4	1	090046	CD Dogging Plug (Pkg of 2)	
5	1	090045	CD Actuator Arm (Pkg of 2)	
6	1	*PBKIT	33A/35A Series Push Bar Retrofit Kit - 3' Door	X
6	1	*PBKIT	33A/35A Series Push Bar Retrofit Kit - 4' Door	X
7	1	050014	33A/35A Series End Cap Kit	X
7A	1	050524	Impact Resistant End Cap Bracket	
7B	1	090036	Cover Plate Anti-rattle Spring (Pkg of 10)	
8	1	900597	Device End Cap and C/Case Screw Pkg.	X
9	1	050486	33A Series Mechanism Case - 3' Door	X
9	1	050487	33A Series Mechanism Case - 4' Door	X
9	1	050488	35A Series Mechanism Case - 3' Door	X
9	1	050489	35A Series Mechanism Case - 4' Door	X
10	1	050529	33A/35A Series Control Link Pin & Ret. Ring	
10A	1	090031	Control Link Pin (Pkg of 10)	
10B	1	090107	Retaining Ring (Pkg of 10)	
11	2	090037	#8-32 x 3/8" Baseplate Screw (Pkg of 10)	
12	1	050530	Mechanism Case Bracket Kit	
12A	2	090073	Mechanism Case Bracket Screw (Pkg of 10)	
13**	1	050405	33/3547A & 33/3549A C/Case Less Cover	
14	1	050474	33A Series Cover Plate - Center Case Side	X
14	1	050475	35A Series Cover Plate - Center Case Side	X
15	1	050485	33/3547A & 33/3549A C/Case Cover Kit	X
16	1	050491	Shock Absorber & Holder Assembly	
17	2	090049	Push Bar Guide (Pkg of 10)	
18	4	900892	Center Case Cover Screws (Pkg of 4)	X

X in "Finish" column designates finished items; finish must be specified when ordering.

* To order, specify device type, size, and finish. Example PBKIT 33A 3' US28

** Device mounting screws 900619 included

33/3547A PANIC VERTICAL RODS AND LATCHES



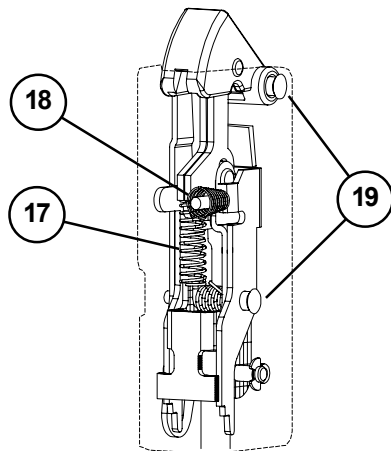
33/3547A PANIC VERTICAL RODS AND LATCHES

Item No.	Quantity	Part No.	Description	Finish
*	1	050047	33/3548A Latch Retrofit Kit (non EL)	
*	1	050048	33/3548A-F Latch Retrofit Kit (non EL)	
*	1	050522	EL33/3548A Latch Retrofit Kit	
*	1	050523	EL33/3548A-F Latch Retrofit Kit	
1**	1	050493	33/3547A Bottom Latch Kit	
2**	1	050492	33/3547A Top Latch Kit	
3	2	109324	33/3547A Latch Mtg Bracket Kit	
3	2	112868	33/3548A Latch Mtg Bracket Kit	
4	6	090059	Latch Bracket Mtg Screw (Latch)	
5	6	090061	Latch Bracket Mtg Screw (Metal Door)	
5	6	900856	Latch Bracket Mtg Screw (Wood Door)	
6	2	090063	Retaining Ring (Pkg of 10)	
7	2	090064	Latch Link Pin (Pkg of 10)	
8	1	050519	Adjustable Top Rod 6'8" - 8'4" Door	
9	1	050520	Adjustable Bottom Rod Kit	
10	2	090071	33/3547A Rod Connecting Screw	
10	2	090072	33/3548A Rod Connecting Screw	
11	1	106222	Ratchet Release Pkg	X
12	1	090070	Ratchet Release Screw	
13	2	900620	Rod Adjusting Pkg	
13	2	900898	33/3547A Adjusting Screw LBR Package	
14	2	969989	Rod Connector Extension Bracket	
15	2	972408	Rod Connector Screw	
16	1	090065	Bolt Return Spring	
17	1	090066	Top Latch Compression Spring (Pkg of 10)	
18	1	090069	Ratchet Lever Spring (Pkg of 2)	
19	1	090062	Btm Latch Case Spirol Pin (Pkg of 10)	
20	1	970978	33/3547A Ratchet Release Spacer 1/8"	

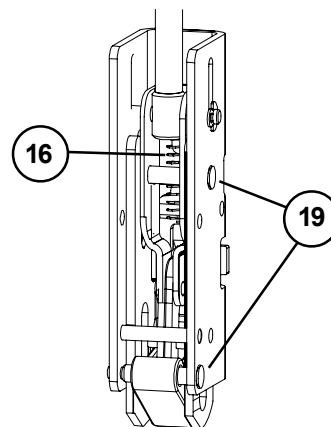
X in "Finish" column designates finished items; finish must be specified when ordering.

*Retrofit kit includes items 1-3 to convert 33/3547A to 33/3548A.

**Each latch kit (item 1-2) includes only one latch mtg bracket kit (item 3). For service replacement only. Refer to retrofit kits to convert 33/3547A to 33/3548A.

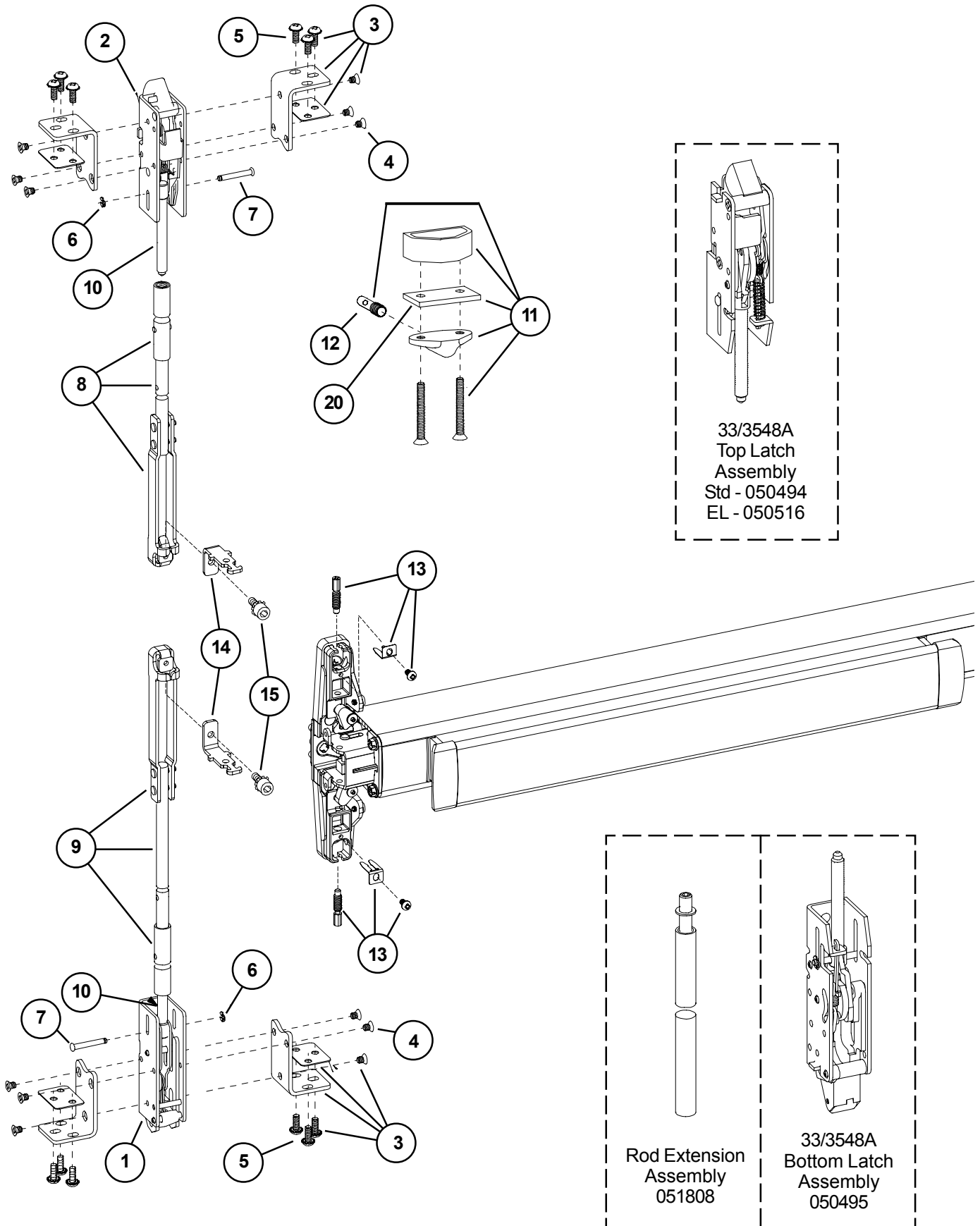


33/3547A Top Latch



33/3547A Bottom Latch

33/3547A-F FIRE VERTICAL RODS AND LATCHES



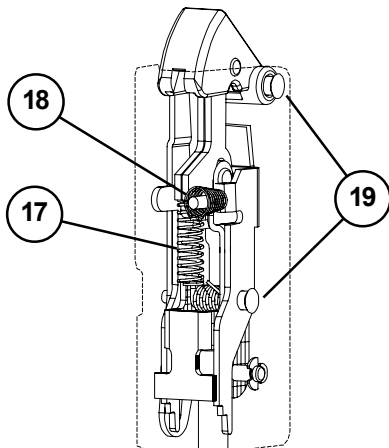
33/3547A-F FIRE VERTICAL RODS AND LATCHES

Item No.	Quantity	Part No.	Description	Finish
*	1	050047	33/3548A Latch Retrofit Kit-(non EL)	
*	1	050048	33/3548A-F Latch Retrofit Kit-(non EL)	
*	1	050522	EL33/3548A Latch Retrofit Kit	
*	1	050523	EL33/3548A-F Latch Retrofit Kit	
1**	1	050493	33/3547A Bottom Latch Kit	
2**	1	050492	33/3547A Top Latch Kit	
3	2	109324	33/3547A Latch Mtg Bracket Kit	
3	2	112868	33/3548A Latch Mtg Bracket Kit	
4	6	090059	Latch Bracket Mtg Screw (Latch)	
5	6	090061	Latch Bracket Mtg Screw (Metal Door)	
5	6	900856	Latch Bracket Mtg Screw (Wood Door)	
6	2	090063	Retaining Ring (Pkg of 10)	
7	2	090064	Latch Link Pin (Pkg of 10)	
8	1	050519	Adjustable Top Rod 6'8" - 8'4" Door	
9	1	050520	Adjustable Bottom Rod Kit	
10	2	090071	33/3547A Rod Connecting Screw	
10	2	090072	33/3548A Rod Connecting Screw	
11	1	106222	Ratchet Release Pkg	X
12	1	090070	Ratchet Release Screw	
13	2	900620	Rod Adjusting Pkg	
13	2	900898	33/3547A Adjusting Screw LBR Package	
14	2	969989	Rod Connector Extension Bracket	
15	2	972408	Rod Connector Screw	
16	1	090065	Bolt Return Spring	
17	1	090066	Top Latch Compression Spring (Pkg of 10)	
18	1	090069	Ratchet Lever Spring (Pkg of 2)	
19	4	090062	Btm Latch Case Spirol Pin (Pkg of 10)	
20	1	970978	33/3547A Ratchet Release Spacer	

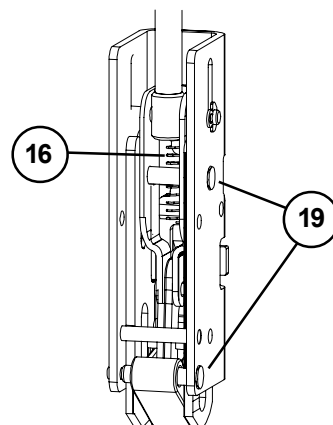
X in "Finish" column designates finished items; finish must be specified when ordering.

*Retrofit kit includes items 1-3 to convert 33/3547A to 33/3548A.

**Each latch kit (item 1-2) includes only one latch mtg bracket kit (item 3). For service replacement only. Refer to retrofit kits to convert 33/3547A to 33/3548A.

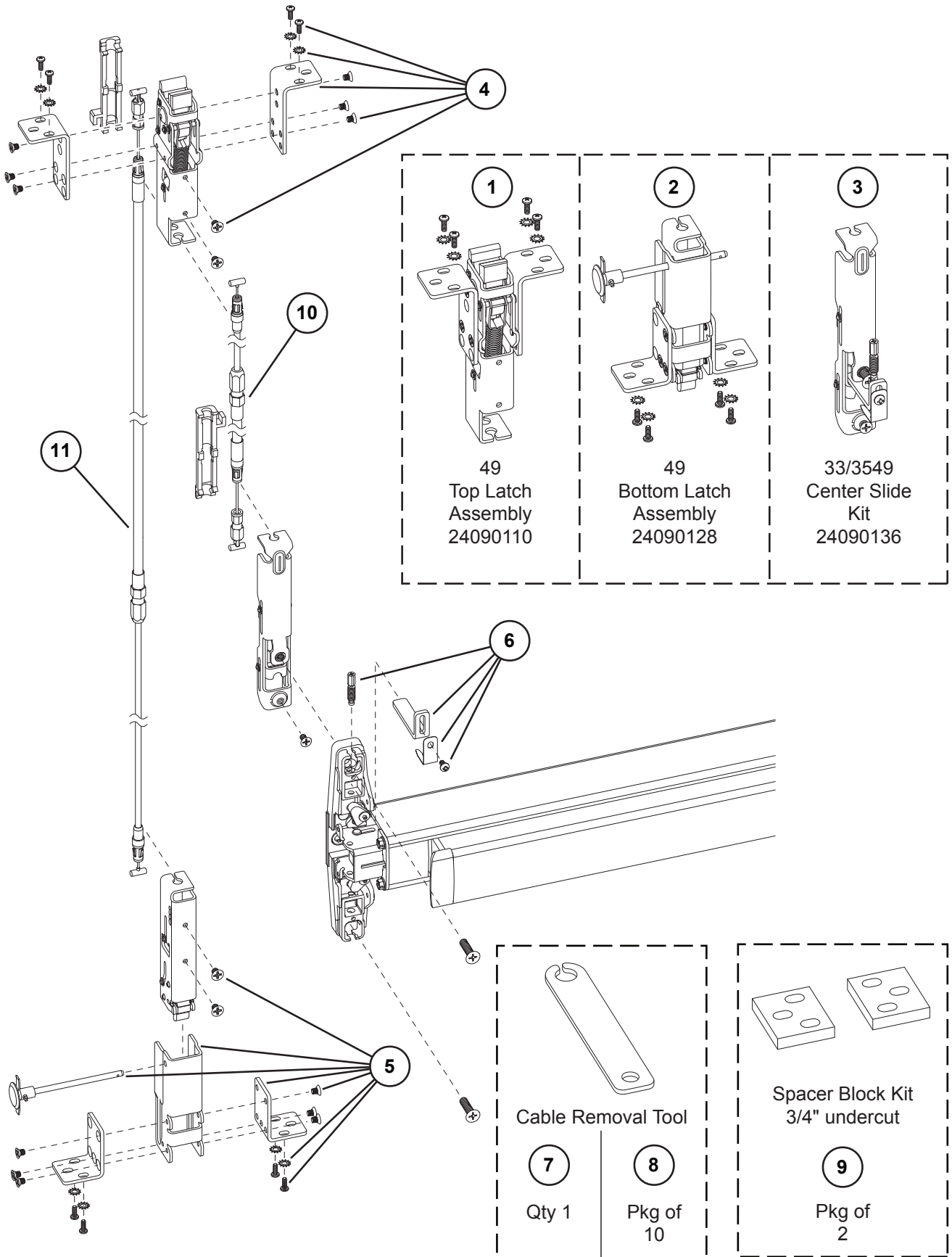


33/3547A Top Latch



33/3547A Bottom Latch

33/3549A & 33/3549-F VERTICAL CABLES AND LATCHES (ALUMINUM AND METAL DOOR)



33/3549A & 33/3549A-F

VERTICAL CABLES AND LATCHES (ALUMINUM AND METAL DOOR)

Item No.	Quantity	Part No.	Description	Finish
1 *	1	24090110	49 Top Latch Assembly	
2	1	24090128	49 Bottom Latch Assembly	
3	1	24090136	33/3549 Center Slide Kit (Aluminum and Metal Door)	
4 *	1	23946429	49 Top Mounting Pkg	
5	1	23946437	49 Bottom Mounting Pkg	
6	1	23946460	33/3549A HM/AL Center Slide Mounting Pkg	
7	1	24052979	Cable Removal Tool	
8	10	24090706	Cable Removal Tool (Pkg of 10)	
9	2	24231516	Spacer Block Kit - 3/4" undercut (Pkg of 2)	

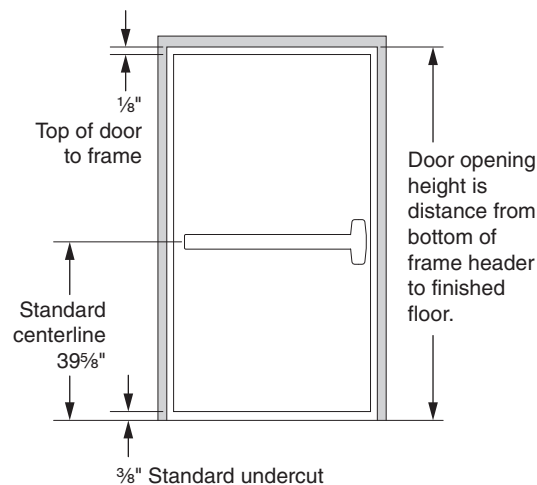
*A cable removal tool is included with the assembly/package.

Each latch assembly includes two latch mounting brackets.

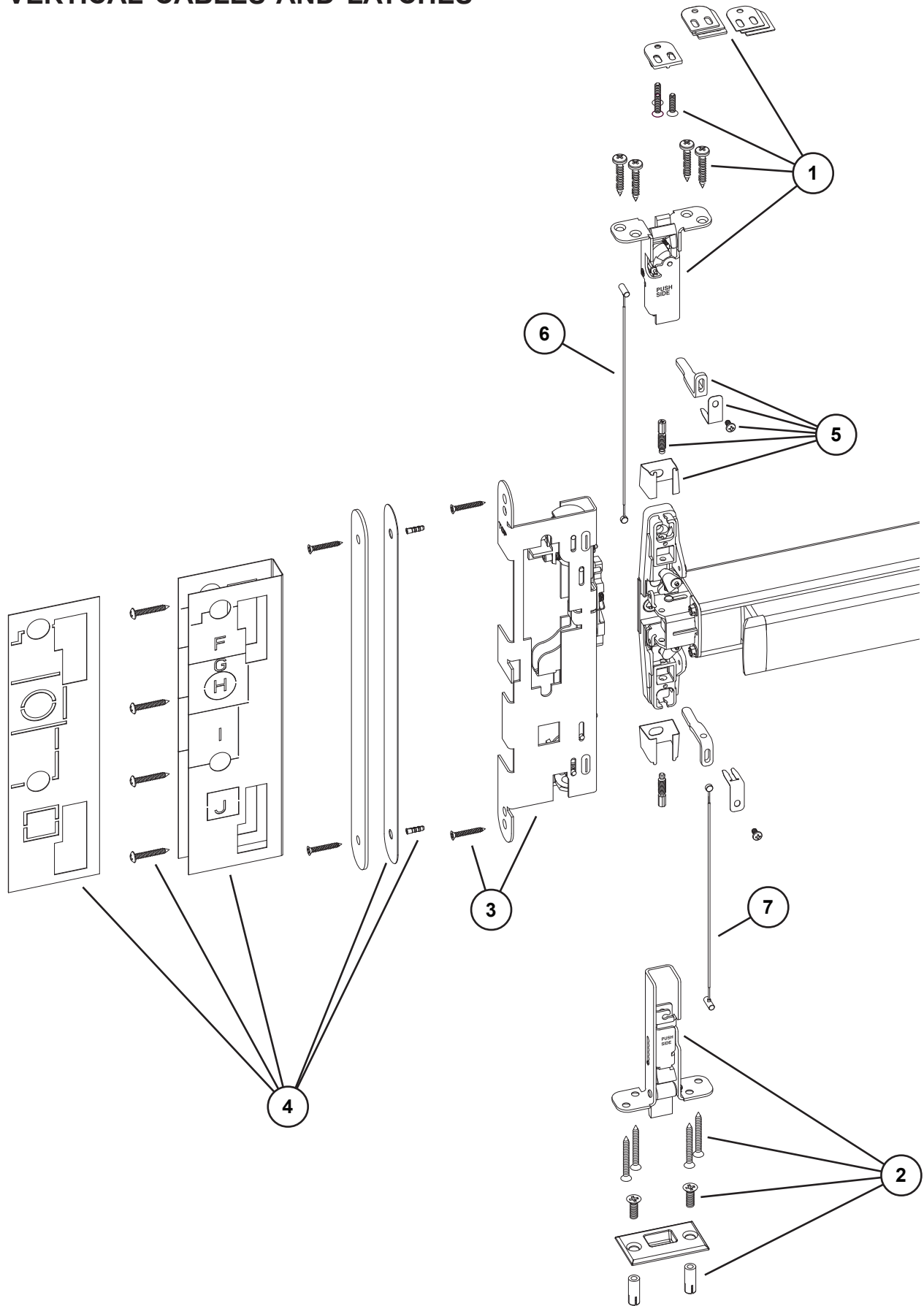
STANDARD SIZE CABLES

Item No.	Quantity	Part No.	Description / Door Opening Height *	Finish
10	1	47250175	Top Cable (6' 10" - 8' 0")	
10	1	47250176	Top Cable (8' 0" - 9' 2")	
10	1	47250177	Top Cable (9' 2" - 10' 4")	
11	1	47250178	Bottom Cable (6' 10" - 8' 0")	
11	1	47250179	Bottom Cable (8' 0" - 9' 2")	
11	1	47250180	Bottom Cable (9' 2" - 10' 4")	

*Based on standard centerline of 39⁵/₈" from finished floor



33/3550AWDC & 33/3550AWDC-F (WOOD DOOR CONCEALED) VERTICAL CABLES AND LATCHES

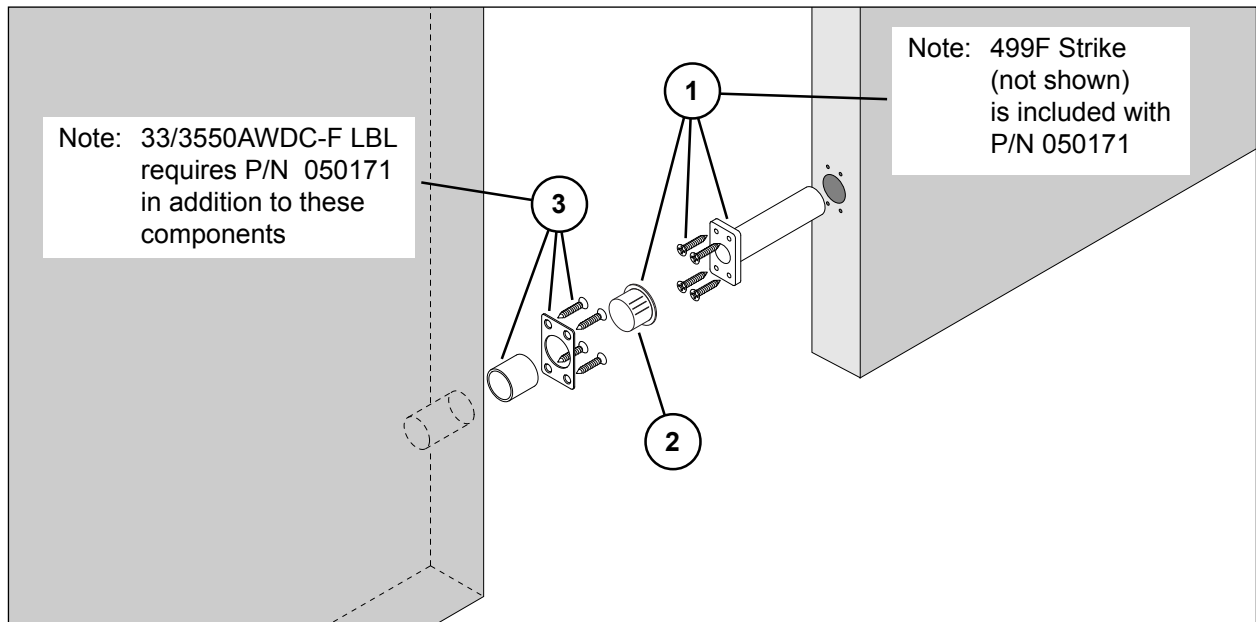


**33/3550AWDC & 33/3550AWDC-F (WOOD DOOR CONCEALED)
VERTICAL CABLES AND LATCHES**

Item No.	Quantity	Part No.	Description	Finish
1	1	48968820	50WDC Top Latch Kit	
2	1	48968838	50WDC Bottom Latch Kit	
3	1	48973309	33/3550AWDC Center Slide Kit	
4	1	48968879	33/3550AWDC-F Fire Kit	
5	1	24685562	33/3550AWDC Lift Finger Kit	
6	1	24648180	Top Cable 6'8"-7'0" WDC	
6	1	24647273	Top Cable 7'1"-8'0" WDC	
6	1	24647281	Top Cable 8'1"-9'0" WDC	
6	1	24647299	Top Cable 9'1"-10'0" WDC	
7	1	24647265	Bottom Cable WDC	

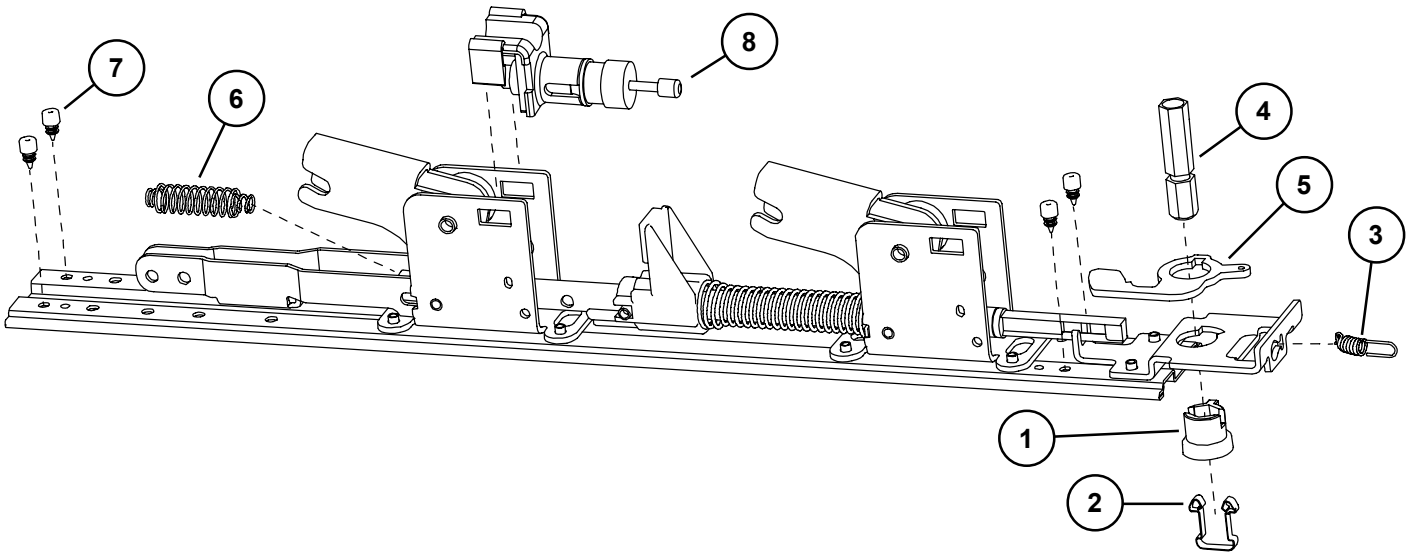
33/3547-F LBR (LESS BOTTOM ROD)
33/3549-F LBL (LESS BOTTOM LATCH)
33/3550AWDC-F LBL (LESS BOTTOM LATCH)
FIRE LATCH KIT

Item No.	Quantity	Part No.	Description	Finish
1	1	050171	LBR/LBL Fire Latch/Strike Kit	
2	1	050509	LBR/LBL Fire Strike Plug	
3	1	48968887	50WDC Fire Pin Kit	



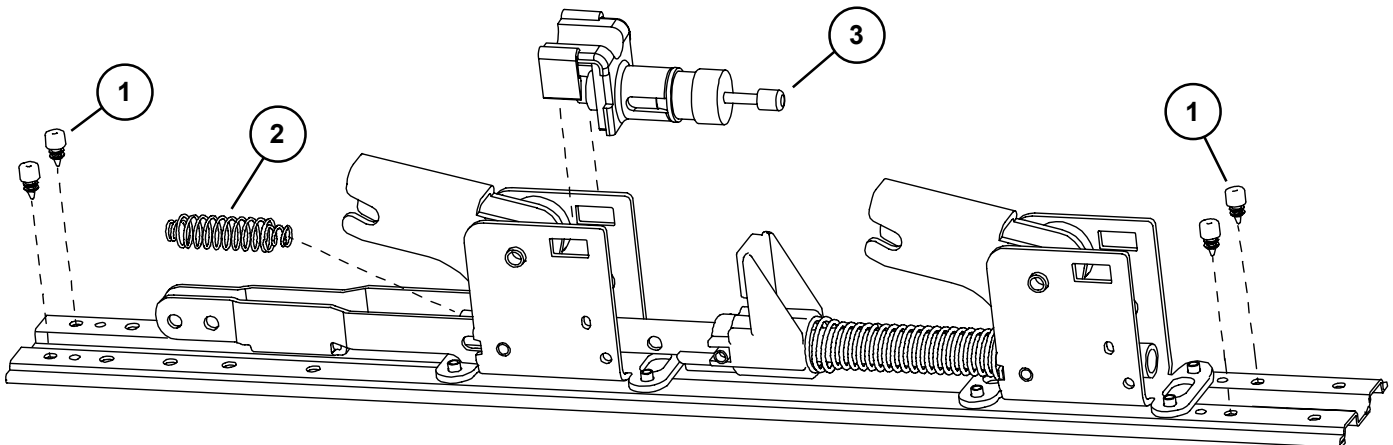
33/3547A, 33/3549A, & 33/3550A PANIC DEVICE BASEPLATE ASSEMBLY

Item No.	Quantity	Part No.	Description	Finish
1	1	090043	Dogging adapter (Pkg of 2)	
2	1	090042	Dogging adapter spring (Pkg of 2)	
3	1	090041	Dogging spring (Pkg of 2)	
4	1	090040	Hex dogging shaft (Pkg of 2)	
5	1	090044	Dogging hook (Pkg of 2)	
6	1	090039	Latch return spring (Pkg of 10)	
7	4	090038	Rubber bumper (Pkg of 4)	
8	1	050491	Shock absorber	



33/3547A-F, 33/3549A-F, & 33/3550A-F FIRE DEVICE BASEPLATE ASSEMBLY

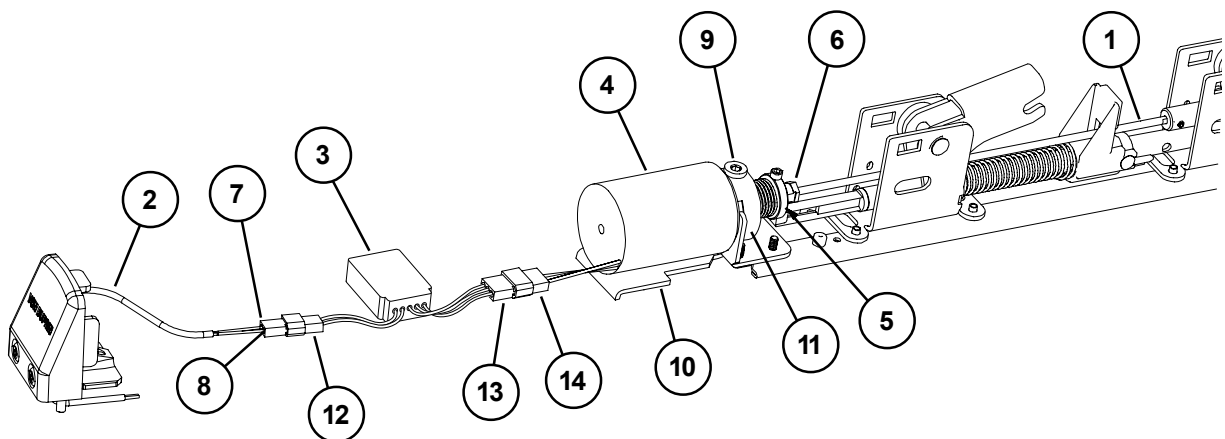
Item No.	Quantity	Part No.	Description	Finish
1	4	090038	Rubber bumper (Pkg of 4)	
2	1	090039	Latch return spring (Pkg of 10)	
3	1	050491	Shock absorber	



**HD-EL3347A/HD-EL3547A, HD-EL3349A/HD-EL3549A, &
 HD-EL3350A/HD-EL3550A
 HEX DOGGING/ELECTRIC LATCH
 RETRACTION OPTION - PANIC DEVICE ONLY**

Item No.	Quantity	Part No.	Description	Finish
1	1	050531	EL Dogging Rod Kit - 3' device	
1	1	050532	EL Dogging Rod Kit - 4' device	
2	1	110388	EL 6' Cable and Connector	
3	1	050534	EL Potted Module	
4	1	050536	HD-EL Solenoid	
5	1	050537	HD-EL Solenoid Plunger	
6	1	050538	EL Dogging Rod Retainer	
7	1	050539	EL Receptacle Connector - 2 Position	
8	2	050540	EL Female Terminal	
9	1	050541	HD-EL Dog Screw	
10	1	050542	HD-EL Solenoid Bracket	
11	1	050543	HD-EL Dogging Spring	
12	1	990599	EL Plug Connector - 2 Position	
13	1	990857	EL Receptacle Connector - 3 Position	
14	1	990858	EL Plug Connector - 3 Position	
*	1	050384	HD-EL Conversion Kit - 3'	
*	1	050385	HD-EL Conversion Kit - 4'	

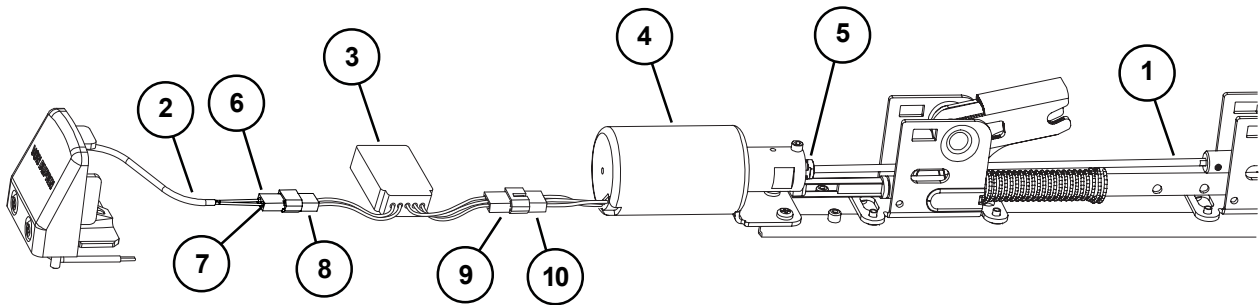
*Kit includes items 1-11 plus new control link, retaining ring, and baseplate screws.



EL3347A/EL3547A, EL3349A/EL3549A, & EL3350A/EL3550A ELECTRIC LATCH RETRACTION OPTION

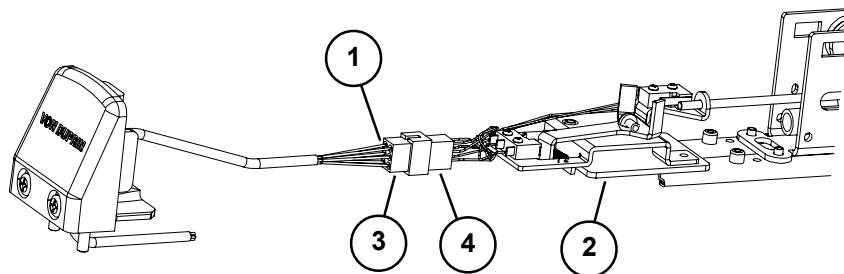
Item No.	Quantity	Part No.	Description	Finish
1	1	050531	EL Dogging Rod Kit - 3' device	
1	1	050532	EL Dogging Rod Kit - 4' device	
2	1	110388	EL 6' Cable and Connector	
3	1	050534	EL Potted Module	
4	1	050535	EL Solenoid Assembly	
5	1	050538	EL Dogging Rod Retainer	
6	1	050539	EL Receptacle Connector	
7	2	050540	EL Female Terminal	
8	1	990599	EL Plug Connector - 2 Position	
9	1	990857	EL Receptacle Connector - 3 Position	
10	1	990858	EL Plug Connector - 3 Position	
*	1	050070	EL Conversion Kit - 3'	
*	1	050078	EL Conversion Kit - 4'	

*Kit includes items 1-7 plus new control link pin, retaining ring, and baseplate screws.

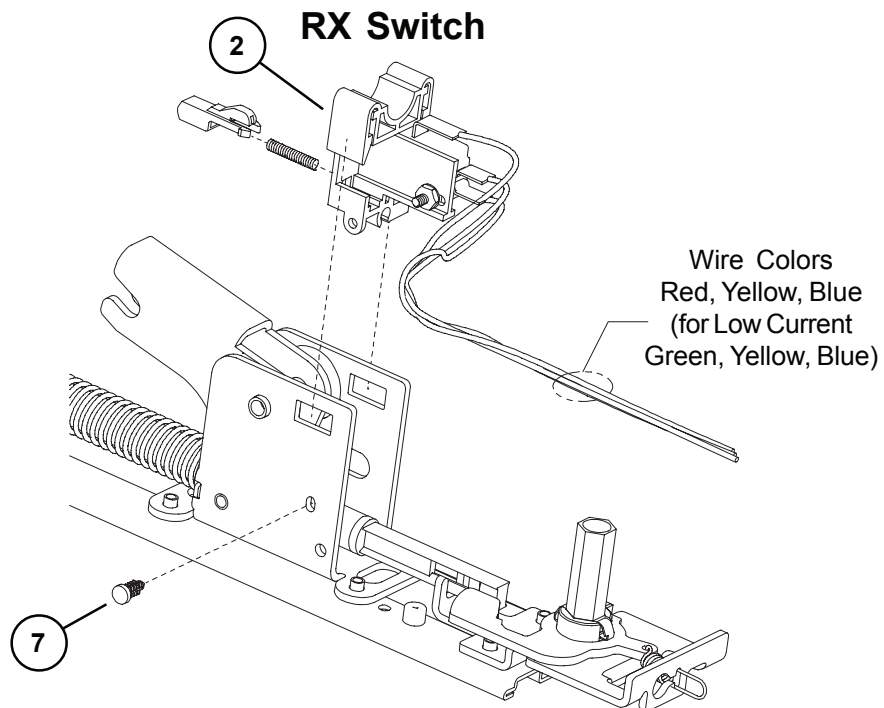
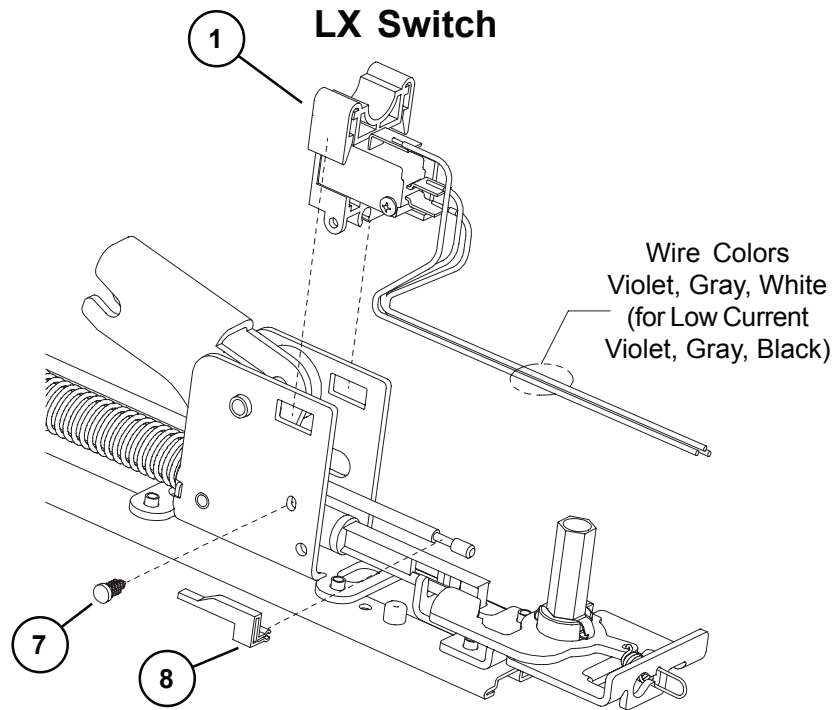


SS3347A/SS3547A, SS3349A/SS3549A, & SS3350A/SS3550A SERIES SIGNAL SWITCH OPTION

Item No.	Quantity	Part No.	Description	Finish
1	1	050544	SS Cable	
2	1	050545	SS Housing	
3	1	990601	SS Plug Connector - 6 Position	
4	1	990602	SS Receptacle Connector - 6 Position	

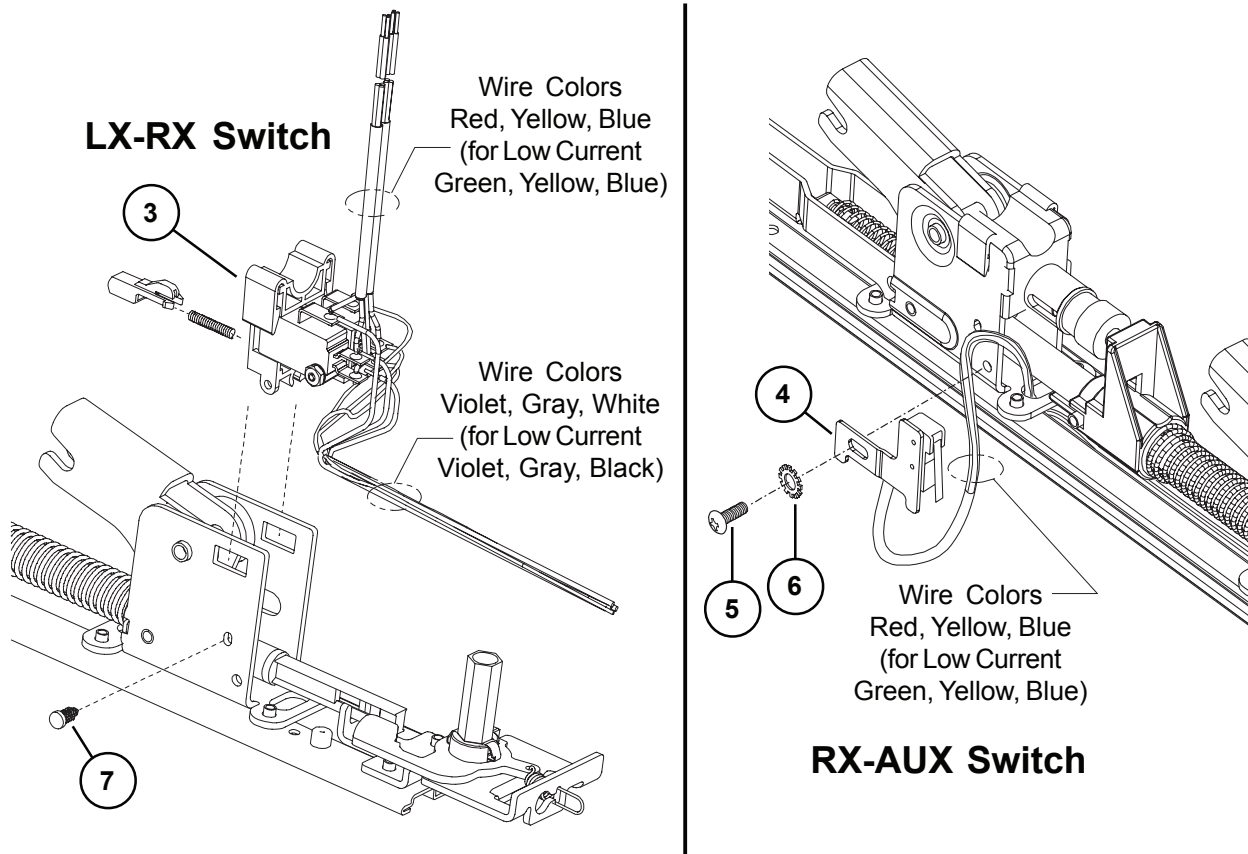


33/3547A, 33/3549A, & 33/3550 LX (LATCH BOLT MONITOR) & RX (REQUEST TO EXIT) OPTIONS



33/3547A, 33/3549A, & 33/3550A LX (LATCH BOLT MONITOR) & RX (REQUEST TO EXIT) OPTIONS

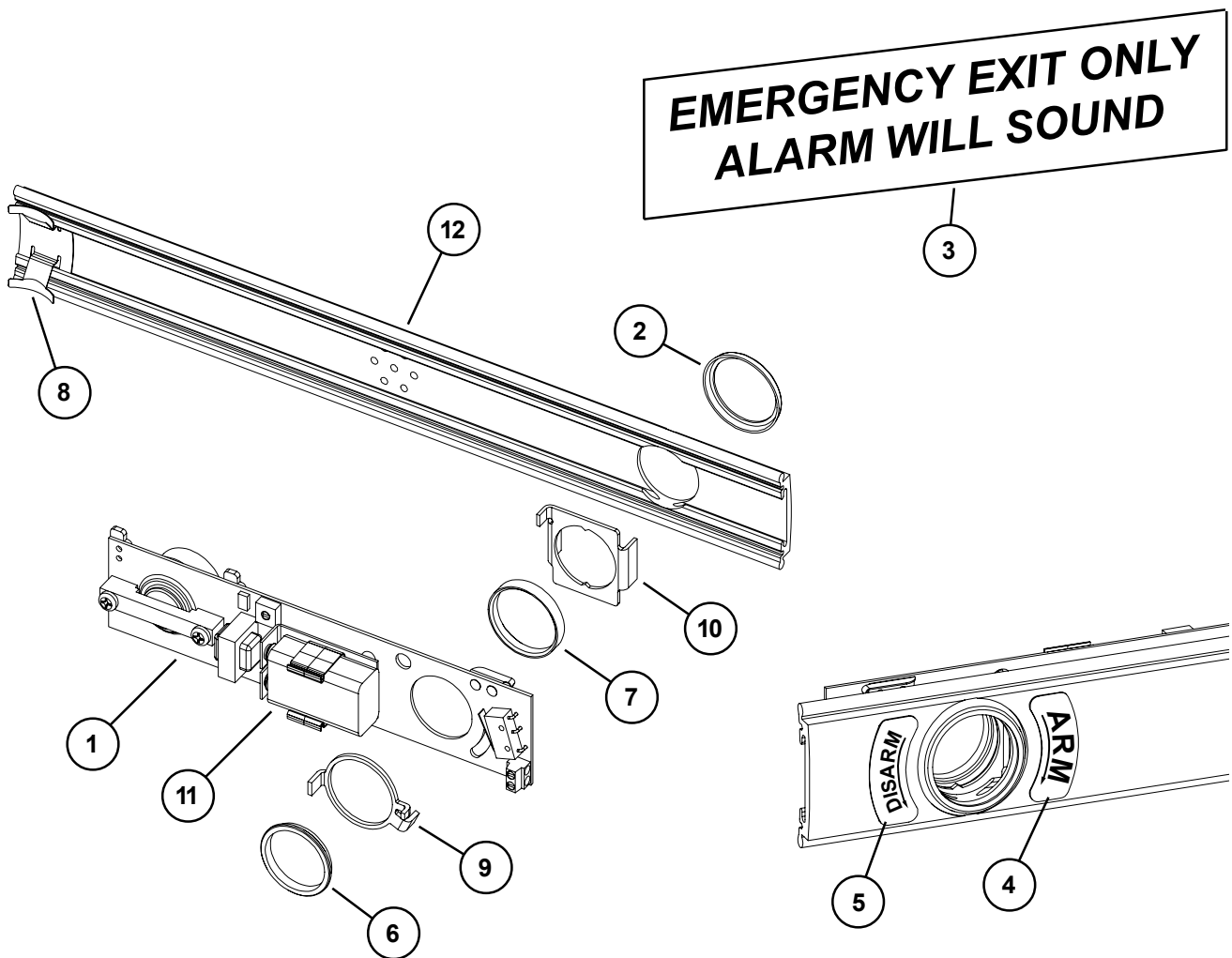
Item No.	Quantity	Part No.	Description	Finish
1	1	050254	LX Switch Kit 3' Device	
1	1	050255	LX Switch Kit 4' Device	
1	1	050247	LX-EL Switch Kit	
1	1	050283	LX-LC (Low Current) Switch Kit 3' Device	
1	1	050285	LX-LC (Low Current) Switch Kit 4' Device	
1	1	050287	LX-LC-EL (Low Current) Switch Kit	
2	1	050251	RX Switch Kit	
2	1	050281	RX-LC (Low Current) Switch Kit	
3	1	050256	LX-RX Switch Kit 3' Device	
3	1	050257	LX-RX Switch Kit 4' Device	
3	1	050259	LX-RX-EL Switch Kit	
3	1	050289	LX-RX-LC (Low Current) Sw. Kit 3' Device	
3	1	050291	LX-RX-LC (Low Current) Sw. Kit 4' Device	
3	1	050293	LX-RX-LC-EL (Low Current) Switch Kit	
2 & 4	1	050270	RX-2 Switch Kit	
4	1	050271	RX-AUX Switch Kit	
5	1	964558	8-32 x 5/16" PPHMS	
6	1	964019	#8 Washer	
7	1	090099	Pine Tree Clip (Pkg of 10)	
8	1	971091	LX Actuator	



33/3547A, 33/3549A, & 33/3550A ALK EXIT ALARM KIT

Item No.	Quantity	Part No.	Description	Finish
1	1	111795	ALK PCB Assembly	
2	1	050525	Cylinder Collar	X
3	1	969122	ALK Alarm Device Sign	
4	1	969349	ALK Arming Label	
5	1	969350	ALK Disarming Label	
6	1	969354	Retainer Nut	
7	1	970594	ALK Cylinder Spacer	
8	1	090036	Cover Plate Anti-rattle spring (Pkg of 10)	
9	1	971556	ALK Switch Actuator	
10	1	971557	ALK Cylinder Bracket	
11	1	990637	ALK Battery	
12	1	050406	33A Series ALK Cover Plate Kit	X
12	1	050407	35A Series ALK Cover Plate Kit	X

X in "Finish" column designates finished items; finish must be specified when ordering.



Allegion (NYSE: ALLE) is a global pioneer in safety and security, with leading brands like CISA®, Interflex®, LCN®, Schlage® and Von Duprin®. Focusing on security around the door and adjacent areas, Allegion produces a range of solutions for homes, businesses, schools and other institutions. Allegion is a \$2 billion company, with products sold in almost 130 countries.

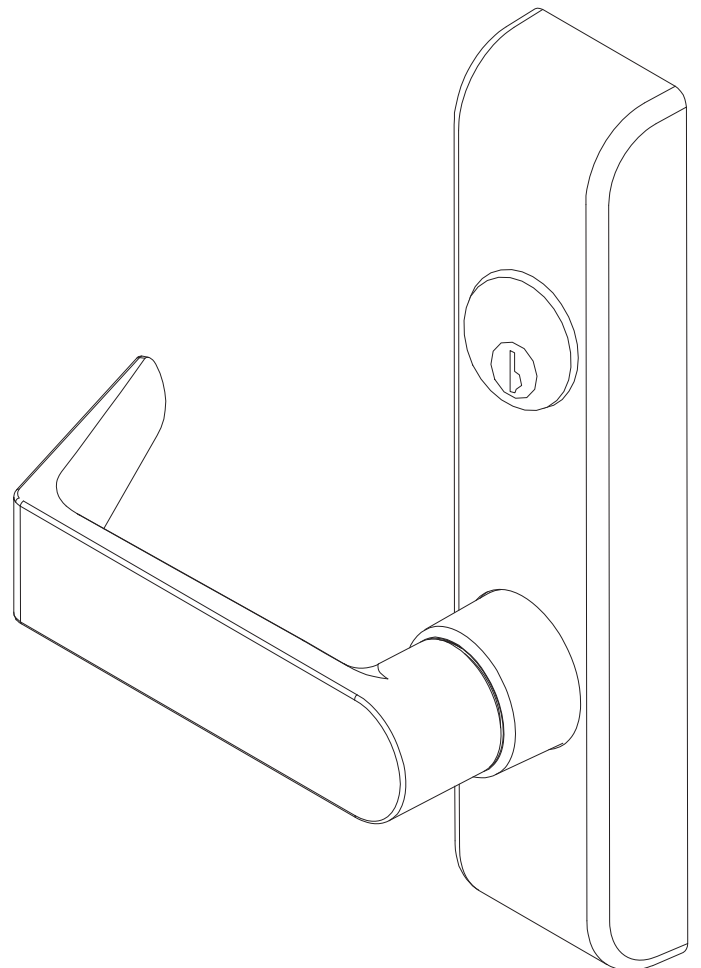
For more, visit www.allegion.com.

aptiQ ■ LCN ■ **SCHLAGE** ■ STEELCRAFT ■ VON DUPRIN

VON DUPRIN®

360/370 Series Controls

Service manual



INDEX

360/370 Series Controls	
370-T & 370-T-BE Control	4
370-L & 370-L-BE Control	5
370-L-DT & 372-L-DT Control	6
371-L & 371-L-BE Control	7
372-T & 372-T-BE Control	8
373-L & 373-L-BE Control	9
374-T, 374-T-BE, 376-T, 376-T-BE, 376-T-WDC & 376-T-WDC-BE CONTROL	10
374-T, 374-T-BE Rod Member Kits	11
376-T, 376-T-BE Rod Member Kits	11
374-T-WDC, 374-T-WDC-BE Rod Member Kits	11
377-T & 377-T-BE Control	12
360-L & 360-L-BE Control	13
360-T & 360-T-BE Control	14
360-L-DT Control	15
E360-L-BE Control	16
General Information	
Introduction	2
How to Order	2
Part Number Changes	2
Mounting ScREW Packages	2
Control Levers	3
Kits Required to Change Handling on Lever Controls	3
Cylinder Mount Accessories	3

INTRODUCTION

This manual contains a listing of replaceable parts and assemblies for the 360/370 Series Controls.

HOW TO ORDER

Some parts are sold separately. Other items are available as part of a kit or multiple quantity package. For the best possible service when ordering replacement parts or assemblies, please provide the following information:

- Part number or assembly number
- Description
- Quantity needed
- Finish desired (if available finished)
- Date of original purchase (if known)

To find out the name of your local Von Duprin distributor or sales representative, contact:

Von Duprin Division
 Allegion
 2720 Tobey Drive
 Indianapolis, IN 46219
 Phone: (877) 671-7011

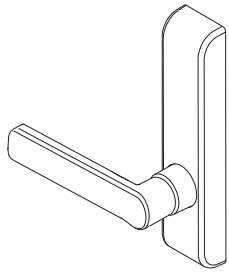
PART NUMBER AND AVAILABILITY CHANGES

This manual was designed to help illustrate the replacement parts and kits that are available for sale. Because of changes to the product and/or manufacturing process, part numbers and availability can change over time.

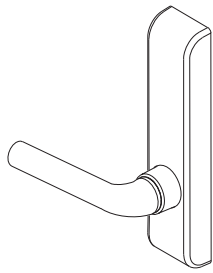
MOUNTING SCREW PACKAGES

Description	371/373/378 Part number	374/376/377 Part number	375 Part number
Screw Package 1 3/4" Dr	900807	900809	900883
Screw Package 2 1/4" Dr	900808	900810	900884

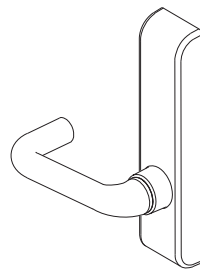
CONTROL LEVERS



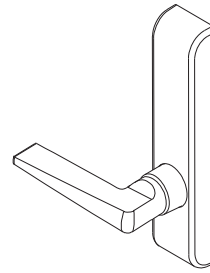
#01



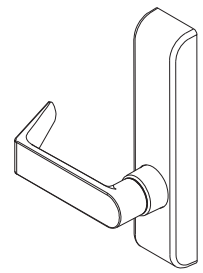
#02



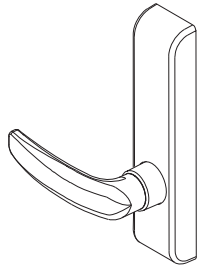
#03



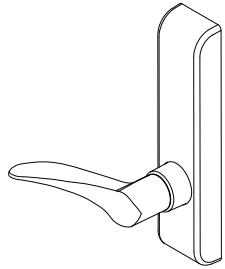
#05



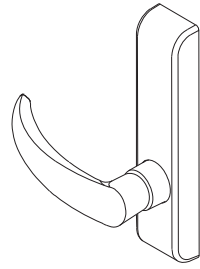
#06



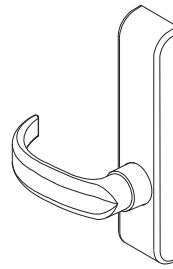
#07



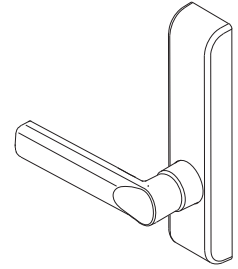
#12



#16



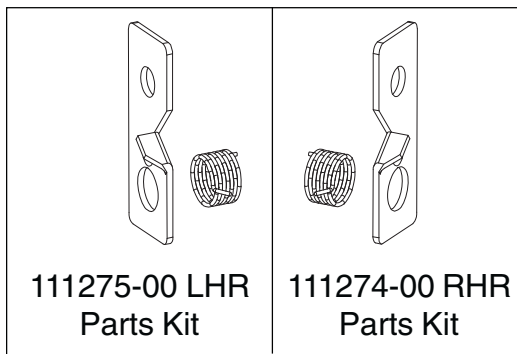
#17



#18

KITS REQUIRED TO CHANGE HANDING ON LEVER CONTROLS

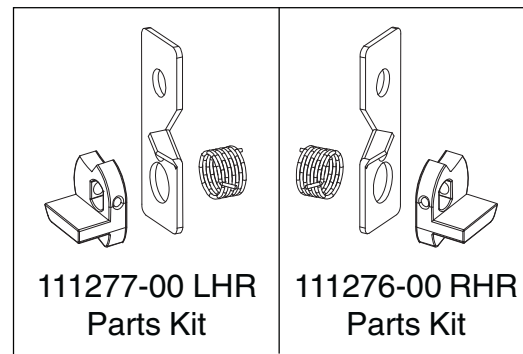
370-L/371-L/373-L



111275-00 LHR
Parts Kit

111274-00 RHR
Parts Kit

372-L



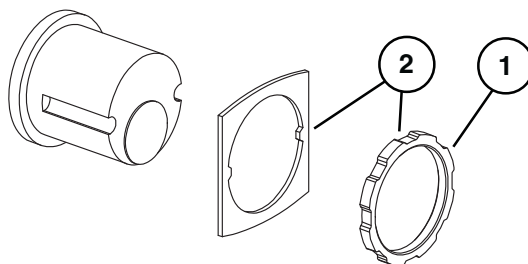
111277-00 LHR
Parts Kit

111276-00 RHR
Parts Kit

CYLINDER MOUNT ACCESSORIES

Item No.	Quantity	Part No.	Description	Finish
1	1	050526	Cylinder Locknut	
2	1	109111	Cylinder Locknut & Washer	

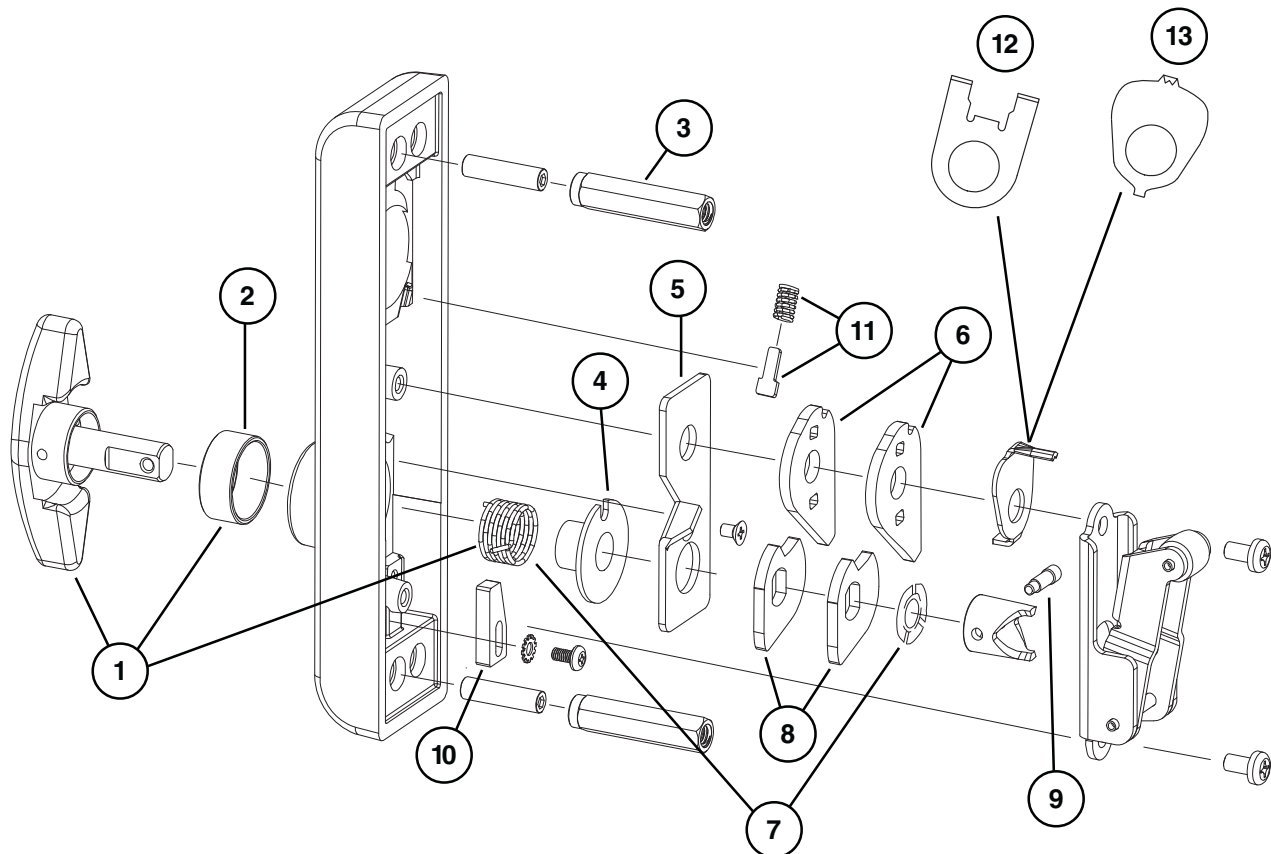
Note: 360 series trims require locknut only, 370 series require washer & locknut



370-T & 370-T-BE CONTROL

Item No.	Quantity	Part No.	Description	Finish
1	1	050592	Thumbturn Kit	X
2	1	050619	Thumbturn Sleeve	
3	2	090096	Mounting Stud Pkg/2	
4	1	050621	Washer - Bearing	
5	1	050597	Backplate RHR	
6	2	090090	Cylinder Lock Pkg/2 (Not used on BE)	
7	1	050616	Thumbturn Control Spring & Washer Kit	
8	2	050602	Lever Shaft Lock	
9	1	090097	Cam Retaining Screw Pkg/4	
10	1	050576	Lever Adjustment Block	
11	1	050607	Dogging Spring and Guide Kit (Not used on BE)	
12	1	050599	NL Cylinder Plate (Not used on BE)	
13	1	050600	TL Cylinder Plate (Not used on BE)	

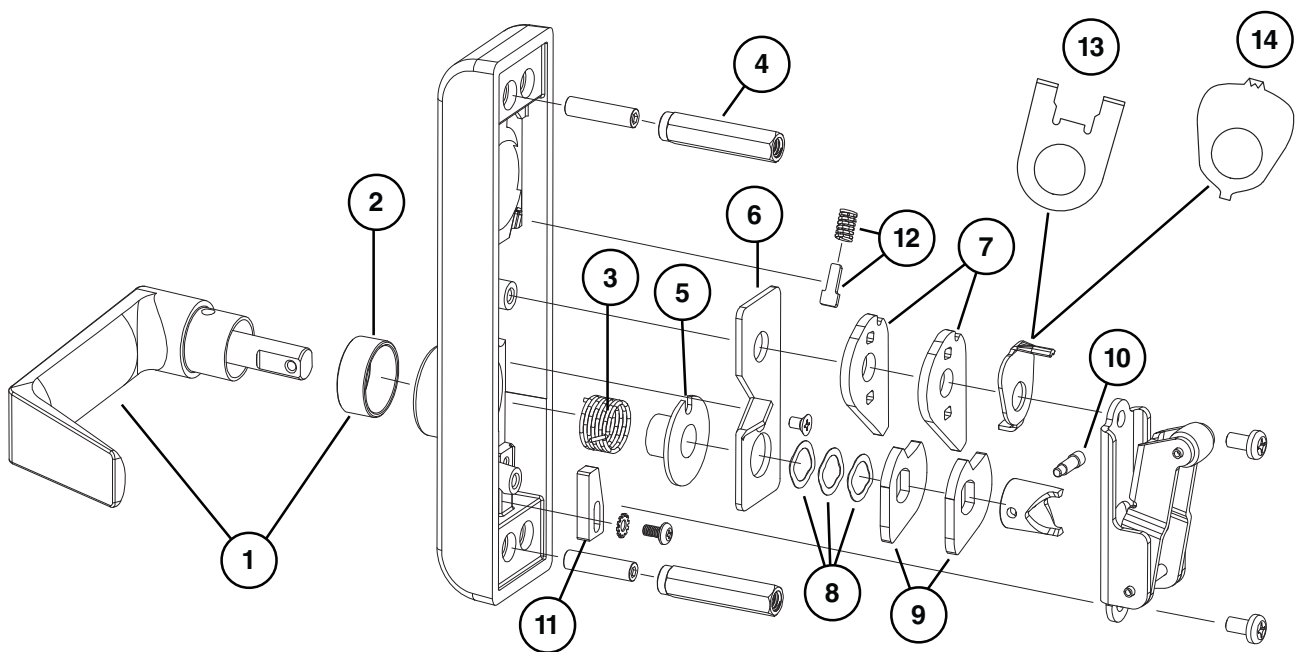
X in "Finish" column designates finished items; finish must be specified when ordering.



370-L & 370-L-BE CONTROL

Item No.	Quantity	Part No.	Description	Finish
1	1	050750	#01 Lever Kit	X
1	1	050752	#02 Lever Kit	X
1	1	050754	#03 Lever Kit	X
1	1	050756	#06 Lever Kit	X
1	1	050758	#07 Lever Kit	X
1	1	050760	#17 Lever Kit	X
1	1	050762	#12 Lever RHR Kit	X
1	1	050764	#12 Lever LHR Kit	X
2	1	050601	Lever Bushing	
3	1	090092	Lever Control Spring RHR Pkg/4	
3	1	090091	Lever Control Spring LHR Pkg/4	
4	2	090096	Mounting Stud Pkg/2	
5	1	050621	Washer - Bearing	
6	1	050597	Backplate RHR	
6	1	050596	Backplate LHR	
7	2	090090	Cylinder Lock Pkg/2 (Not used on BE)	
8	3	090103	Washer - Wave Spring Pkg/10	
9	2	050602	Lever Shaft Lock	
10	1	090097	Cam Retaining Screw Pkg/4	
11	1	050576	Lever Adjustment Block	
12	1	050607	Dogging Spring and Guide Kit (Not used on BE)	
13	1	050599	NL Cylinder Plate (Not used on BE)	
14	1	050600	TL Cylinder Plate (Not used on BE)	

X in "Finish" column designates finished items; finish must be specified when ordering.



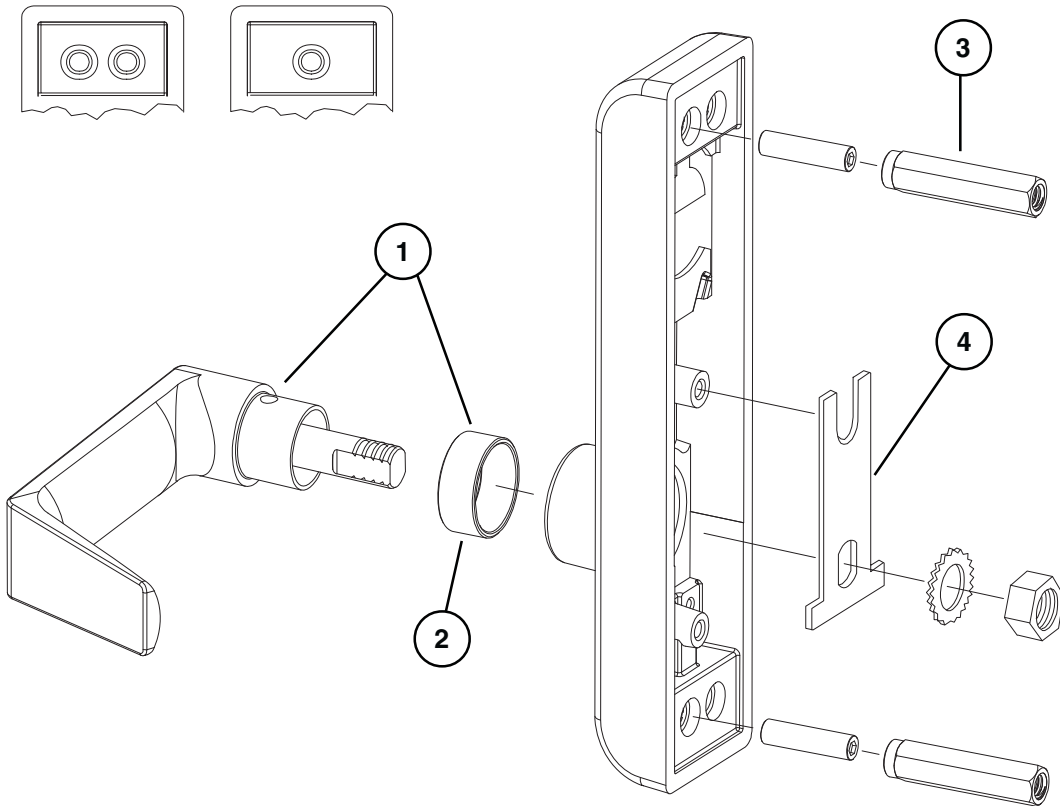
370-L-DT & 372-L-DT CONTROL

Item No.	Quantity	Part No.	Description	Finish
1	1	050751	#01 DT Lever Kit	X
1	1	050753	#02 DT Lever Kit	X
1	1	050755	#03 DT Lever Kit	X
1	1	050757	#06 DT Lever Kit	X
1	1	050759	#07 DT Lever Kit	X
1	1	050761	#17 DT Lever Kit	X
1	1	050763	#12 DT Lever RHR Kit	X
1	1	050765	#12 DT Lever LHR Kit	X
2	1	050601	Lever Bushing	
3	2	090096	Mounting Stud Pkg/2	
4	1	050598	Backplate - L-DT	

X in "Finish" column designates finished items; finish must be specified when ordering.

372-L-DT

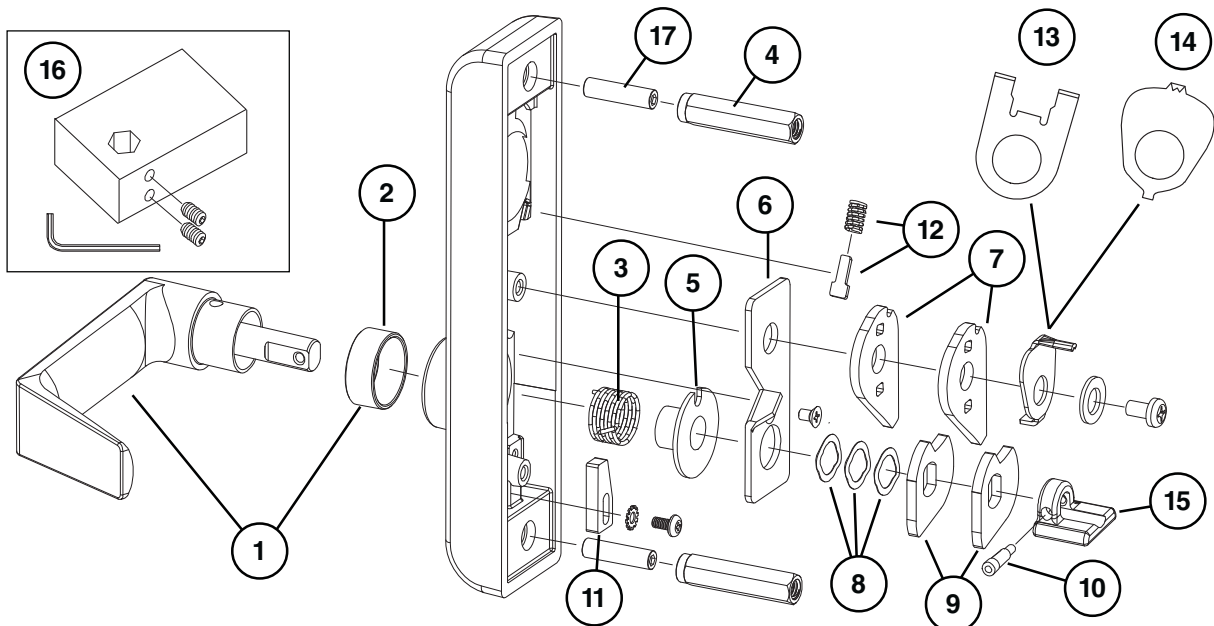
372-L-DT 370-L-DT



371-L & 371-L-BE CONTROL

Item No.	Quantity	Part No.	Description	Finish
1	1	050750	#01 Lever Kit	X
1	1	050752	#02 Lever Kit	X
1	1	050754	#03 Lever Kit	X
1	1	050756	#06 Lever Kit	X
1	1	050758	#07 Lever Kit	X
1	1	050760	#17 Lever Kit	X
1	1	050762	#12 Lever RHR Kit	X
1	1	050764	#12 Lever LHR Kit	X
2	1	050601	Lever Bushing	
3	1	090092	Lever Control Spring RHR Pkg/4	
3	1	090091	Lever Control Spring LHR Pkg/4	
4	2	090095	Mounting Stud Pkg/2	
5	1	050621	Washer - Bearing	
6	1	050597	Backplate RHR	
6	1	050596	Backplate LHR	
7	2	090090	Cylinder Lock Pkg/2 (Not used on BE)	
8	3	090103	Washer - Wave Spring Pkg/10	
9	2	050602	Lever Shaft Lock	
10	1	090097	Cam Retaining Screw Pkg/4	
11	1	050576	Lever Adjustment Block	
12	1	050607	Dogging Spring and Guide Kit (Not used on BE)	
13	1	050599	NL Cylinder Plate (Not used on BE)	
14	1	050600	TL Cylinder Plate (Not used on BE)	
15	1	050606	Cam - Vertical Rod	
16	1	109126	371-L Rod Member Kit 1-3/4" Dr	
16	1	109127	371-L Rod Member Kit 2-1/4" Dr	
17	2	963584	Threaded Studs	

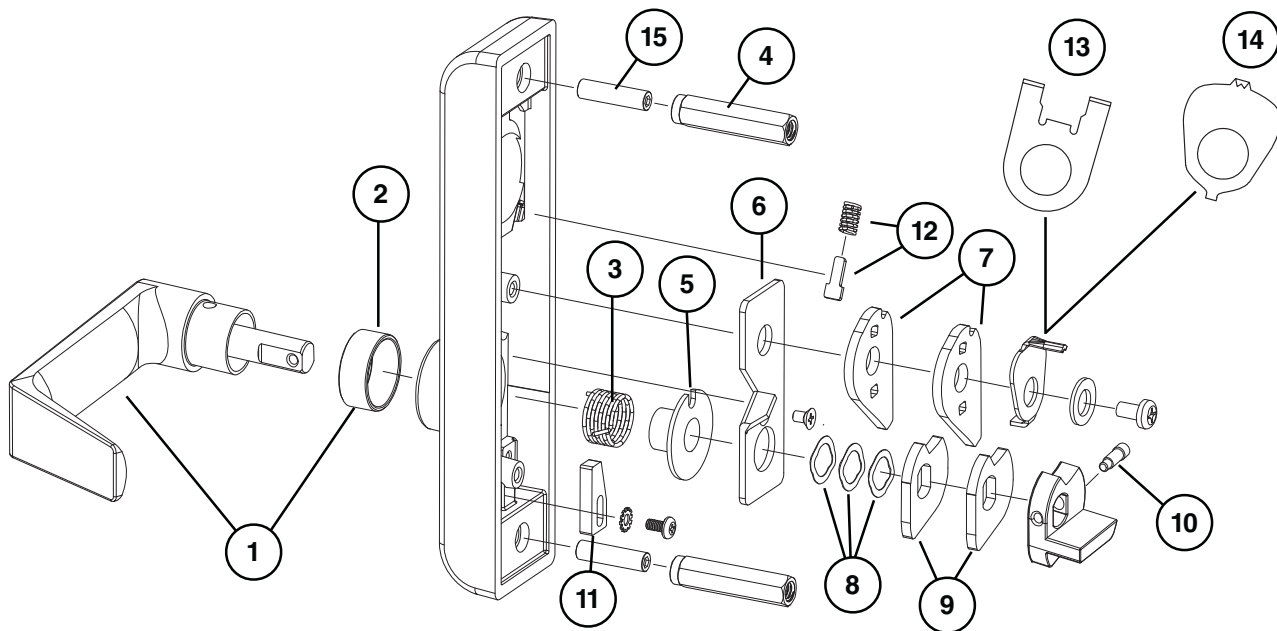
X in "Finish" column designates finished items; finish must be specified when ordering.



372-L & 372-L-BE CONTROL

Item No.	Quantity	Part No.	Description	Finish
1	1	050750	#01 Lever Kit	X
1	1	050752	#02 Lever Kit	X
1	1	050754	#03 Lever Kit	X
1	1	050756	#06 Lever Kit	X
1	1	050758	#07 Lever Kit	X
1	1	050760	#17 Lever Kit	X
1	1	050762	#12 Lever RHR Kit	X
1	1	050764	#12 Lever LHR Kit	X
2	1	050601	Lever Bushing	
3	1	090092	Lever Control Spring RHR Pkg/4	
3	1	090091	Lever Control Spring LHR Pkg/4	
4	2	090096	Mounting Stud Pkg/2	
5	1	050621	Washer - Bearing	
6	1	050597	Backplate RHR	
6	1	050596	Backplate LHR	
7	2	090090	Cylinder Lock Pkg/2 (Not used on BE)	
8	3	090103	Washer - Wave Spring Pkg/10	
9	2	050602	Lever Shaft Lock	
10	1	090097	Cam Retaining Screw Pkg/4	
11	1	050576	Lever Adjustment Block	
12	1	050607	Dogging Spring and Guide Kit (Not used on BE)	
13	1	050599	NL Cylinder Plate (Not used on BE)	
14	1	050600	TL Cylinder Plate (Not used on BE)	
15	2	963584	Threaded Studs	

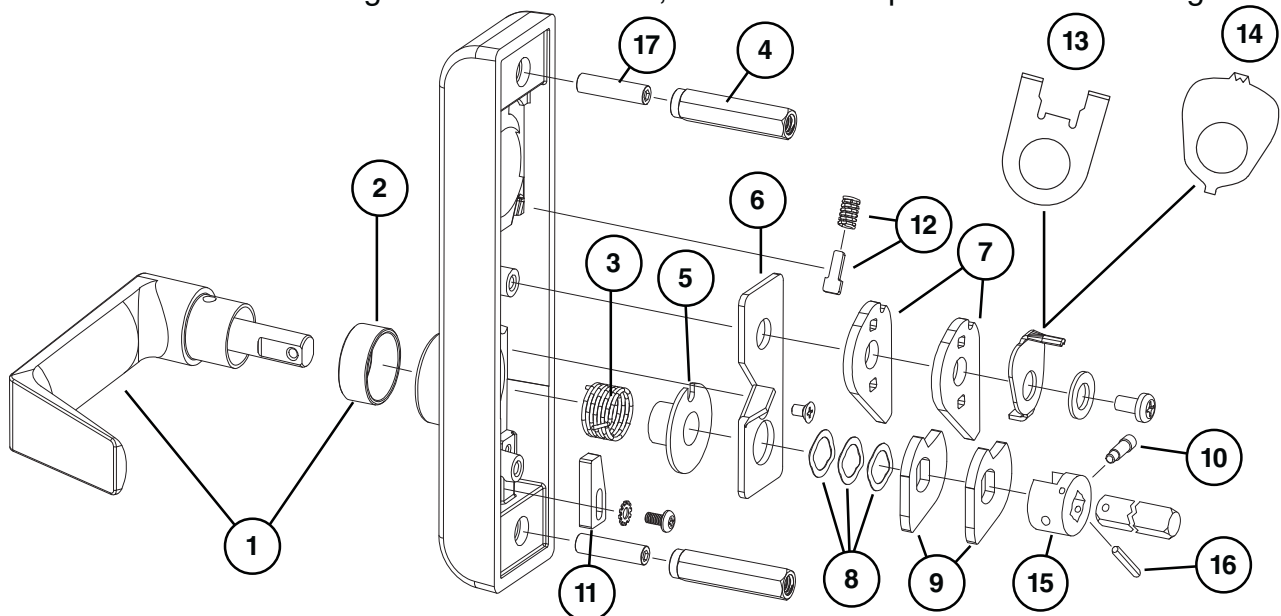
X in "Finish" column designates finished items; finish must be specified when ordering.



373-L & 373-L-BE CONTROL

Item No.	Quantity	Part No.	Description	Finish
1	1	050750	#01 Lever Kit	X
1	1	050752	#02 Lever Kit	X
1	1	050754	#03 Lever Kit	X
1	1	050756	#06 Lever Kit	X
1	1	050758	#07 Lever Kit	X
1	1	050760	#17 Lever Kit	X
1	1	050762	#12 Lever RHR Kit	X
1	1	050764	#12 Lever LHR Kit	X
2	1	050601	Lever Bushing	
3	1	090092	Lever Control Spring RHR Pkg/4	
3	1	090091	Lever Control Spring LHR Pkg/4	
4	2	090095	Mounting Stud Pkg/2	
5	1	050621	Washer - Bearing	
6	1	050597	Backplate RHR	
6	1	050596	Backplate LHR	
7	2	090090	Cylinder Lock Pkg/2 (Not used on BE)	
8	3	090103	Washer - Wave Spring Pkg/10	
9	2	050602	Lever Shaft Lock	
10	1	090097	Cam Retaining Screw Pkg/4	
11	1	050576	Lever Adjustment Block	
12	1	050607	Dogging Spring and Guide Kit (Not used on BE)	
13	1	050599	NL Cylinder Plate (Not used on BE)	
14	1	050600	TL Cylinder Plate (Not used on BE)	
15	1	050609	Mortise Adaptor	
16	1	090098	Pin - Spiral 3/32 x 19/32 Pkg/4	
17	2	963584	Threaded Studs	

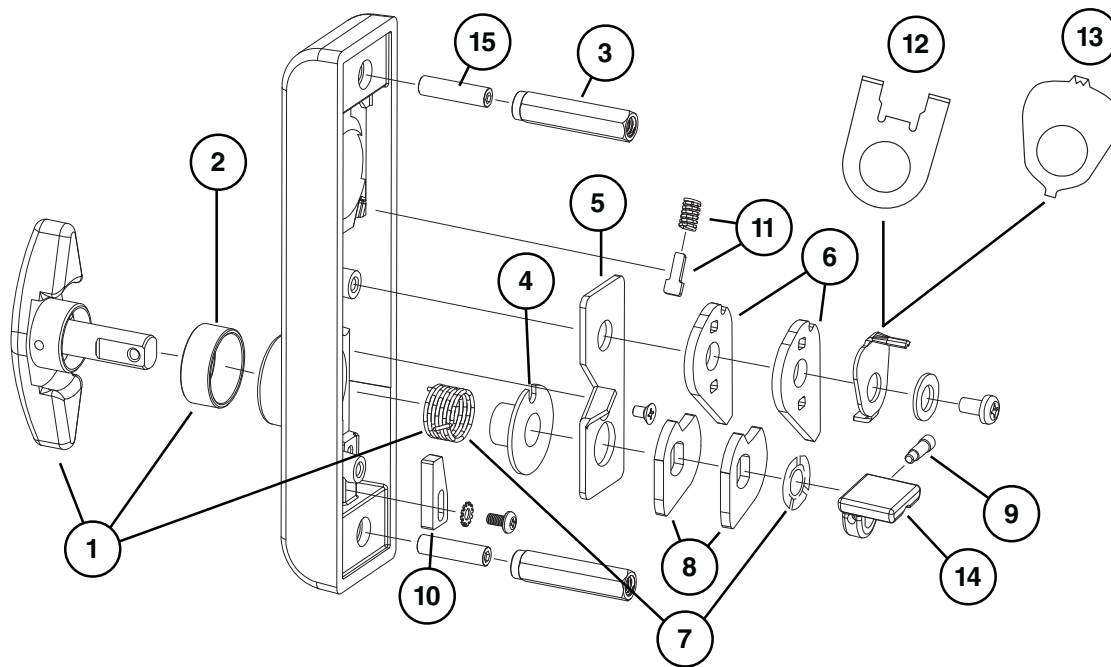
X in "Finish" column designates finished items; finish must be specified when ordering.



374-T, 374-T-BE, 376-T, 376-T-BE, 376-T-WDC & 376-T-WDC-BE CONTROL

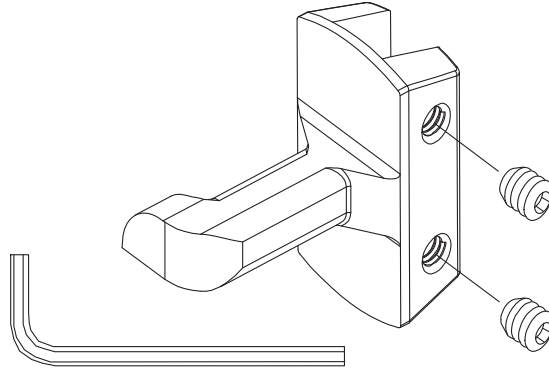
Item No.	Quantity	Part No.	Description	Finish
1	1	050592	Thumbturn Kit	X
2	1	050619	Thumbturn Sleeve	
3	2	090096	Mounting Stud Pkg/2	
4	1	050621	Washer - Bearing	
5	1	050597	Backplate RHR	
5	1	050596	Backplate LHR	
6	2	090090	Cylinder Lock Pkg/2 (Not used on BE)	
7	1	050616	Thumbturn Control Spring & Washer Kit	
8	2	050602	Lever Shaft Lock	
9	1	090097	Cam Retaining Screw Pkg/4	
10	1	050576	Lever Adjustment Block	
11	1	050607	Dogging Spring and Guide Kit (Not used on BE)	
12	1	050599	NL Cylinder Plate (Not used on BE)	
13	1	050600	TL Cylinder Plate (Not used on BE)	
14	1	050606	Cam - Vertical Rod	
15	2	963584	Threaded Studs	

X in "Finish" column designates finished items; finish must be specified when ordering.



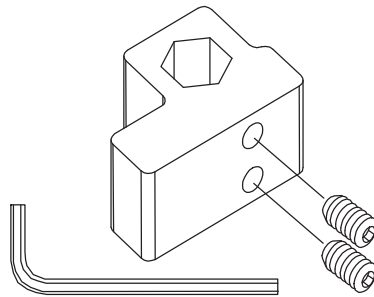
374-T & 374-T-BE ROD MEMBER KITS

Item No.	Quantity	Part No.	Description	Finish
16	1	109366	374-T Rod Member Kit 1-3/4" Dr.	X
16	1	109367	374-T Rod Member Kit 2-1/4" Dr.	X



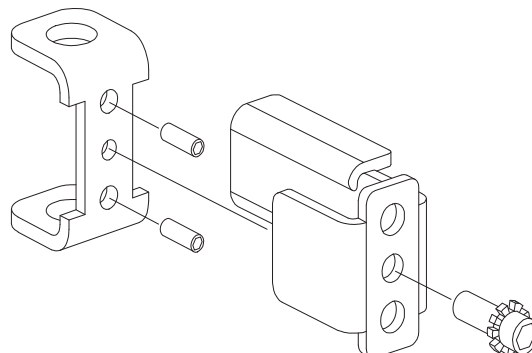
376-T & 376-T-BE ROD MEMBER KITS

Item No.	Quantity	Part No.	Description	Finish
17	1	109112	376-T Rod Member Kit 1-3/4" Dr.	X
17	1	109115	376-T Rod Member Kit 2-1/4" Dr.	X



376-T-WDC & 376-T-WDC-BE ROD MEMBER KITS

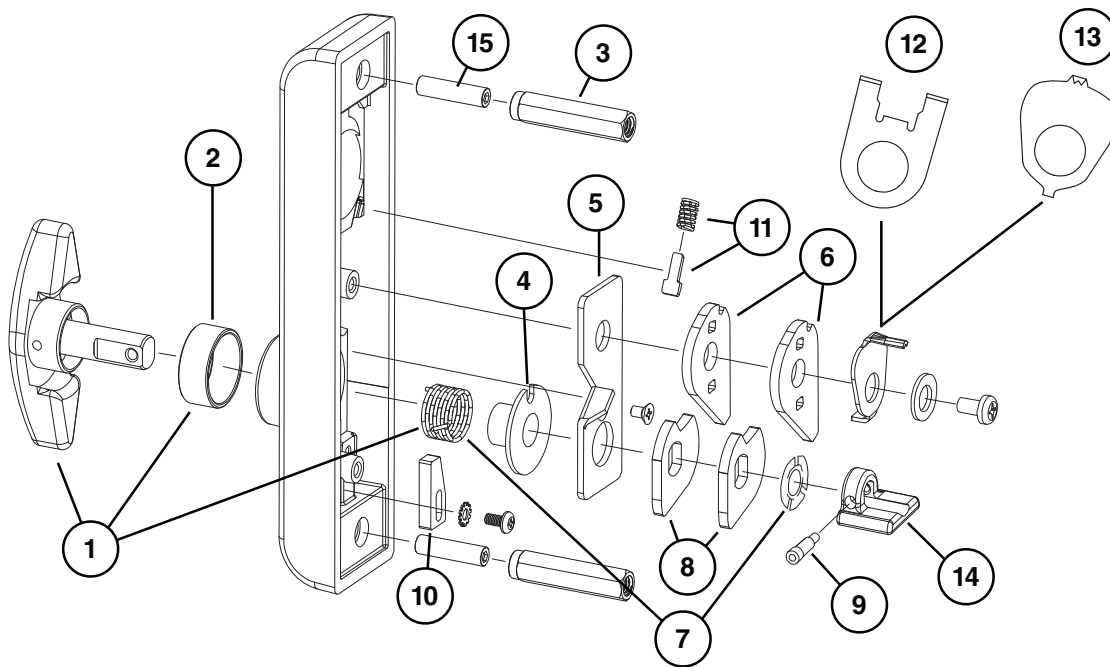
Item No.	Quantity	Part No.	Description	Finish
18	1	900558	376-T-WDC Rod Member Kit 1-3/4" Dr.	
18	1	900559	376-T -WDC Rod Member Kit 2-1/4" Dr.	



377-T & 377-T-BE CONTROL

Item No.	Quantity	Part No.	Description	Finish
1	1	050592	Thumbturn Kit	X
2	1	050619	Thumbturn Sleeve	
3	2	090096	Mounting Stud Pkg/2	
4	1	050621	Washer - Bearing	
5	1	050597	Backplate RHR	
5	1	050596	Backplate LHR	
6	2	090090	Cylinder Lock Pkg/2 (Not used on BE)	
7	1	050616	Thumbturn Control Spring & Washer Kit	
8	2	050602	Lever Shaft Lock	
9	1	090097	Cam Retaining Screw Pkg/4	
10	1	050576	Lever Adjustment Block	
11	1	050607	Dogging Spring and Guide Kit (Not used on BE)	
12	1	050599	NL Cylinder Plate (Not used on BE)	
13	1	050600	TL Cylinder Plate (Not used on BE)	
14	1	050606	Cam - Vertical Rod	
15	2	963584	Threaded Studs	

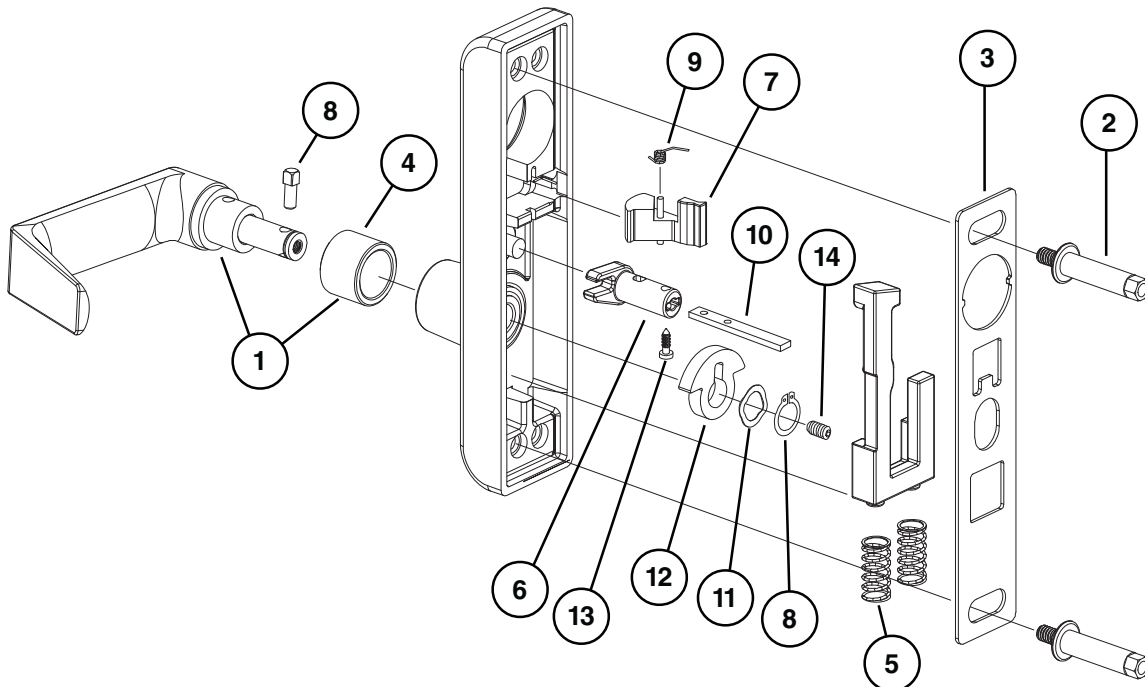
X in "Finish" column designates finished items; finish must be specified when ordering.



360-L & 360-L-BE CONTROL

Item No.	Quantity	Part No.	Description	Finish
1	1	050001	#01 Lever Kit	X
1	1	050002	#02 Lever Kit	X
1	1	050003	#03 Lever Kit	X
1	1	050008	#05 Lever Kit	X
1	1	050006	#06 Lever Kit	X
1	1	050007	#07 Lever Kit	X
1	1	050012	#12 Lever RHR Kit	X
1	1	050013	#12 Lever LHR Kit	X
1	1	050009	#16 Lever Kit	X
1	1	050017	#17 Lever Kit	X
1	1	050010	#18 Lever Kit	X
2	2	090094	Mounting Stud Pkg/2	
3	1	050595	Backplate	
4	1	050579	Lever Bushing	
5	2	090093	Lever Return Spring Pkg/2	
6	1	050605	Cam - Output	
7	1	050608	Locking Member (Not used on BE)	
8	1	050611	Shear Pin Kit	
9	1	050615	Spring - Locking Torsion (Not used on BE)	
10	1	050587	Tailpiece	
11	1	090103	Washer - Wave Spring Pkg/10	
12	1	050604	Cam - Input	
13	1	090099	Pine Tree Clip Pkg/10	
14	1	090101	Socket Set Screw 10-32 x 1/4 Pkg/10	

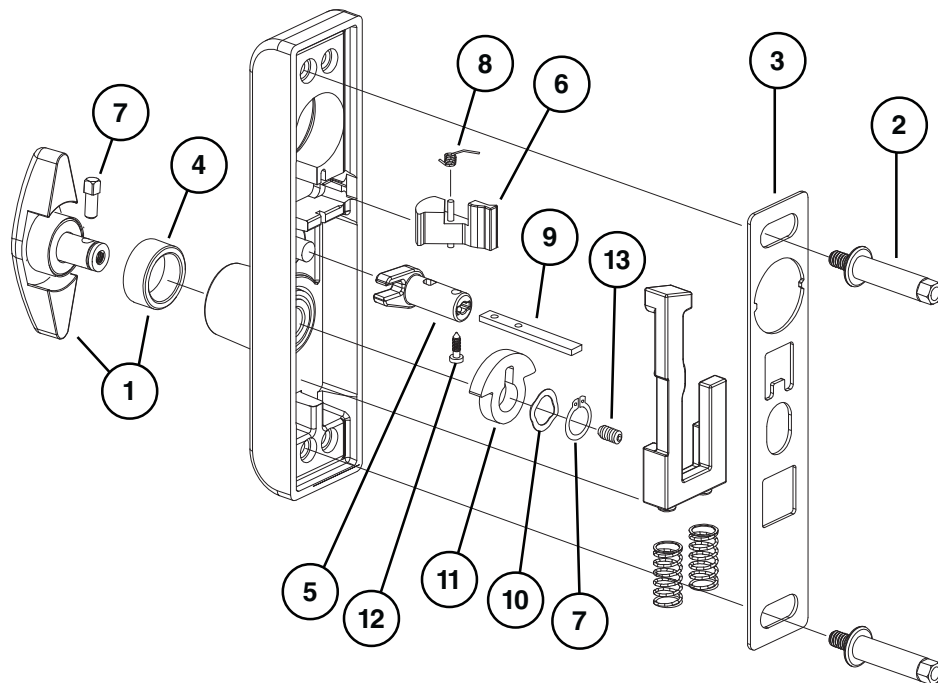
X in "Finish" column designates finished items; finish must be specified when ordering.



360-T & 360-T-BE CONTROL

Item No.	Quantity	Part No.	Description	Finish
1	1	050593	Thumbturn Kit	X
2	2	090094	Mounting Stud Pkg/2	
3	1	050595	Backplate	
4	1	050579	Lever Bushing	
5	1	050605	Cam - Output	
6	1	050608	Locking Member (Not used on BE)	
7	1	050611	Shear Pin Kit	
8	1	050615	Spring - Locking Torsion (Not used on BE)	
9	1	050587	Tailpiece	
10	1	090103	Washer - Wave Spring Pkg/10	
11	1	050604	Cam - Input	
12	1	090099	Pine Tree Clip Pkg/10	
13	1	090101	Socket Set Screw 10-32 x 1/4 Pkg/10	

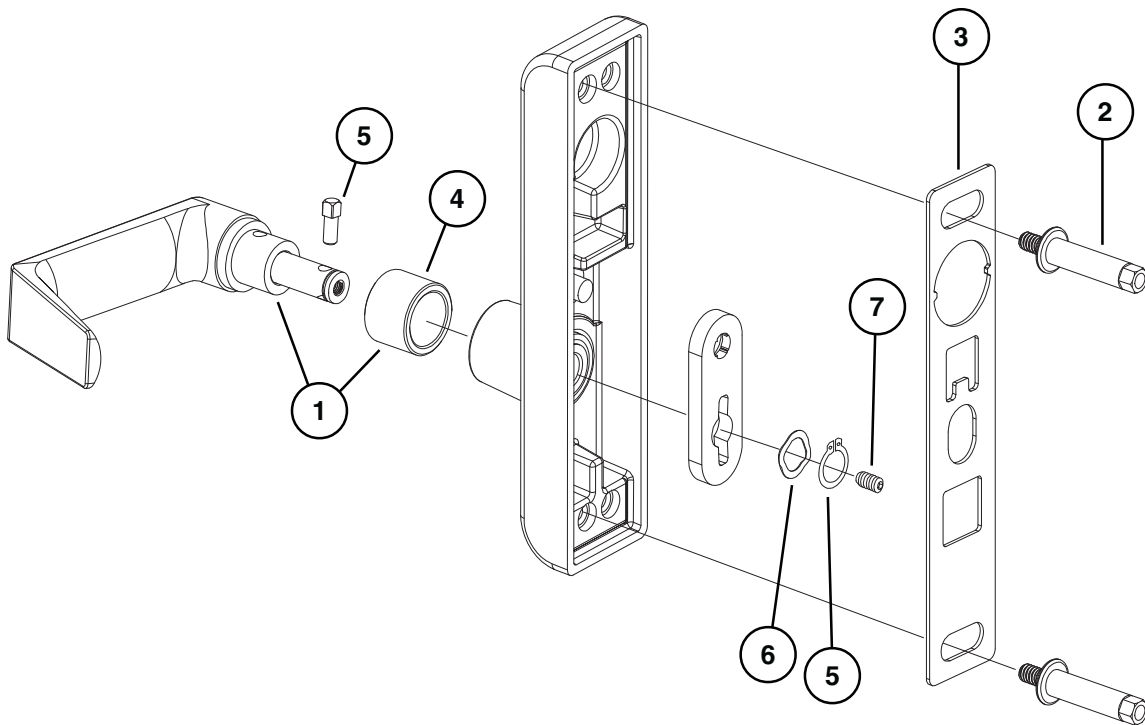
X in "Finish" column designates finished items; finish must be specified when ordering.



360-L-DT CONTROL

Item No.	Quantity	Part No.	Description	Finish
1	1	050001	#01 Lever Kit	X
1	1	050002	#02 Lever Kit	X
1	1	050003	#03 Lever Kit	X
1	1	050008	#05 Lever Kit	X
1	1	050006	#06 Lever Kit	X
1	1	050007	#07 Lever Kit	X
1	1	050012	#12 Lever RHR Kit	X
1	1	050013	#12 Lever LHR Kit	X
1	1	050009	#16 Lever Kit	X
1	1	050017	#17 Lever Kit	X
1	1	050010	#18 Lever Kit	X
2	2	090094	Mounting Stud Pkg/2	
3	1	050595	Backplate	
4	1	050579	Lever Bushing	
5	1	050611	Shear Pin Kit	
6	1	090103	Washer - Wave Spring Pkg/10	
7	1	090101	Socket Set Screw 10-32 x 1/4 Pkg/10	

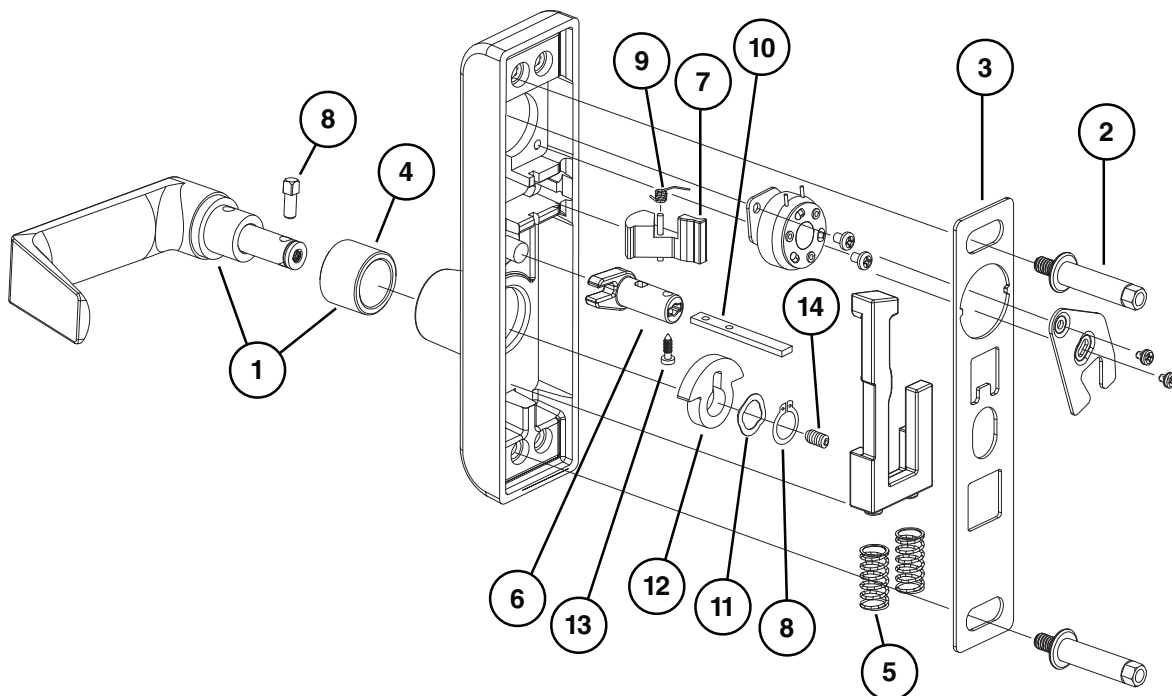
X in "Finish" column designates finished items; finish must be specified when ordering.



E360-L-BE CONTROL

Item No.	Quantity	Part No.	Description	Finish
1	1	050001	#01 Lever Kit	X
1	1	050002	#02 Lever Kit	X
1	1	050003	#03 Lever Kit	X
1	1	050008	#05 Lever Kit	X
1	1	050006	#06 Lever Kit	X
1	1	050007	#07 Lever Kit	X
1	1	050012	#12 Lever RHR Kit	X
1	1	050013	#12 Lever LHR Kit	X
1	1	050009	#16 Lever Kit	X
1	1	050017	#17 Lever Kit	X
1	1	050010	#18 Lever Kit	X
2	2	090094	Mounting Stud Pkg/2	
3	1	050595	Backplate	
4	1	050579	Lever Bushing	
5	2	090093	Lever Return Spring Pkg/2	
6	1	050605	Cam - Output	
7	1	050608	Locking Member (Not used on BE)	
8	1	050611	Shear Pin Kit	
9	1	050615	Spring - Locking Torsion (Not used on BE)	
10	1	050587	Tailpiece	
11	1	090103	Washer - Wave Spring Pkg/10	
12	1	050604	Cam - Input	
13	1	090099	Pine Tree Clip Pkg/10	
14	1	090101	Socket Set Screw 10-32 x 1/4 Pkg/10	

X in "Finish" column designates finished items; finish must be specified when ordering.



About Allegion

Allegion (NYSE: ALLE) creates peace of mind by pioneering safety and security. As a \$2 billion provider of security solutions for homes and businesses, Allegion employs more than 7,800 people and sells products in more than 120 countries across the world. Allegion comprises 23 global brands, including strategic brands CISA®, Interflex®, LCN®, Schlage® and Von Duprin®.

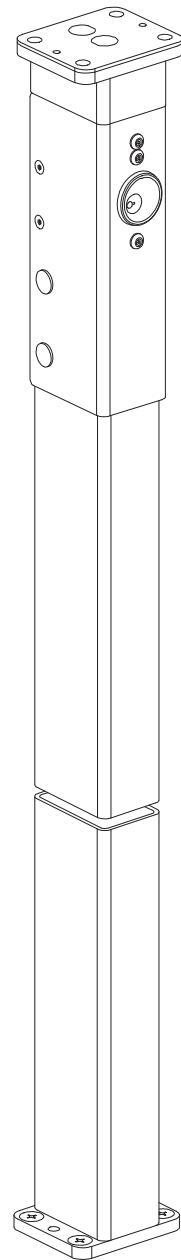
For more, visit www.allegion.com.

aptiQ ■ LCN ■ **SCHLAGE** ■ STEELCRAFT ■ VON DUPRIN

VON DUPRIN®

54 Series Mullions

Service manual



INDEX

General Information

Introduction	3
How to Order	3
Part Number Changes	3
54 Series Mullions Finishes	3

54 Series Mullions Parts

1654	4
4954	4
9954	6
5654	8
5754	8
4754	10
4854	10
9854	12
KR1654	14
KR4954	14
KR9854	16
KR9954	16
KR54 Retrofit Kit	18
KR54-F Retrofit Kit	19

INTRODUCTION

This manual contains a listing of replaceable parts and assemblies for the 54 Series Mullions.

HOW TO ORDER

Some parts are sold separately. Other items are available as part of a kit or multiple quantity package. For the best possible service when ordering replacement parts or assemblies, please provide the following information:

- Part number or assembly number
- Description
- Quantity needed
- Finish desired (if available finished)
- Date of original purchase (if known)

To find out the name of your local Von Duprin distributor or sales representative, contact:

Von Duprin Division
Allegion
2720 Tobey Drive
Indianapolis, IN 46219
Phone: (877) 671-7011

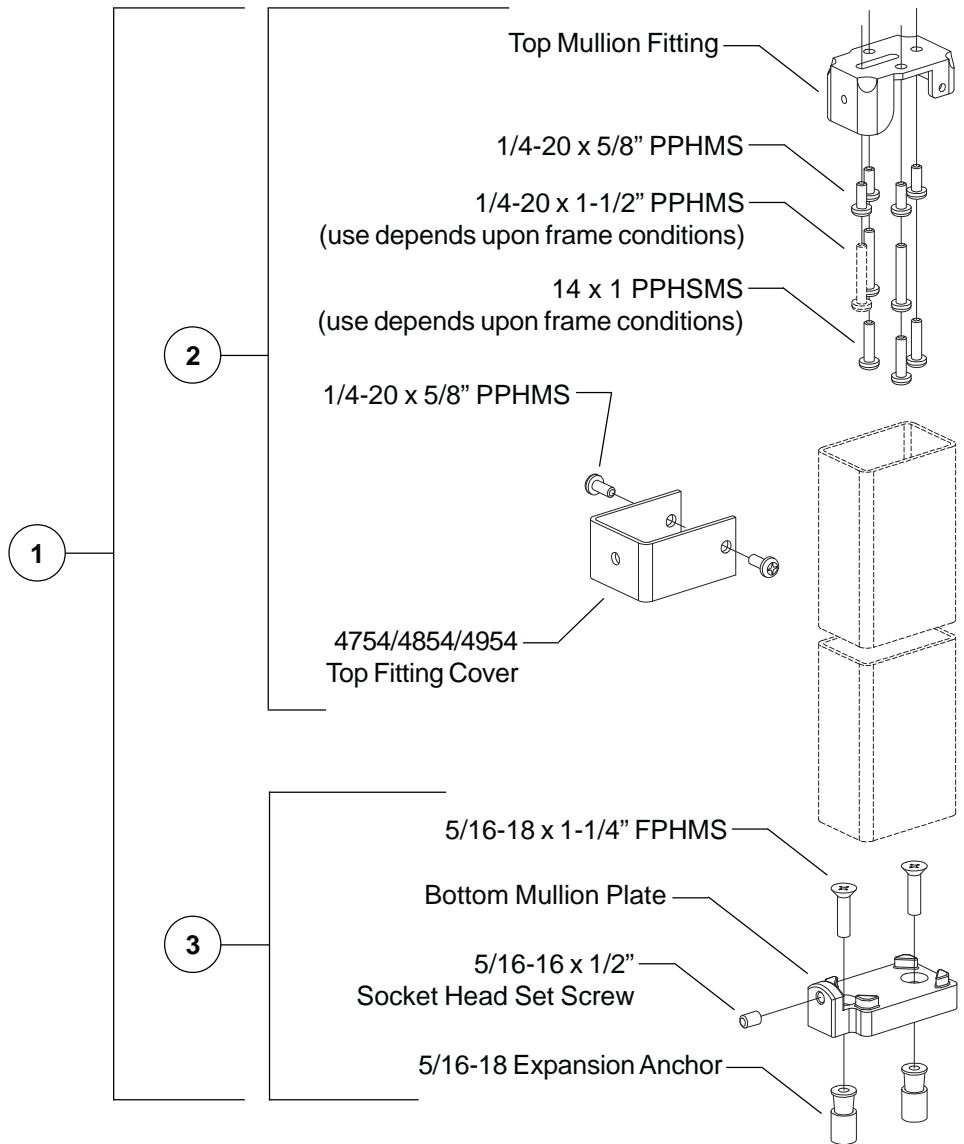
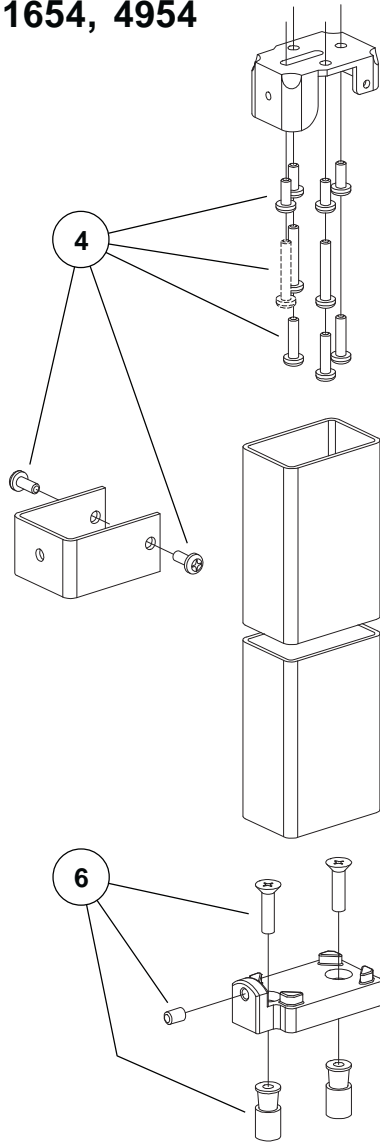
PART NUMBER AND AVAILABILITY CHANGES

This manual was designed to help illustrate the replacement parts and kits that are available for sale. Because of changes to the product and/or manufacturing process, part numbers and availability can change over time.

54 SERIES MULLIONS FINISHES

Mullion	US Number	BHMA Number	Color
5654 and 5754	US4	606	Brass, dull
	US10	612	Bronze, dull
	US28		
	313AN		
All others	SP28		
	SP313		

1654, 4954

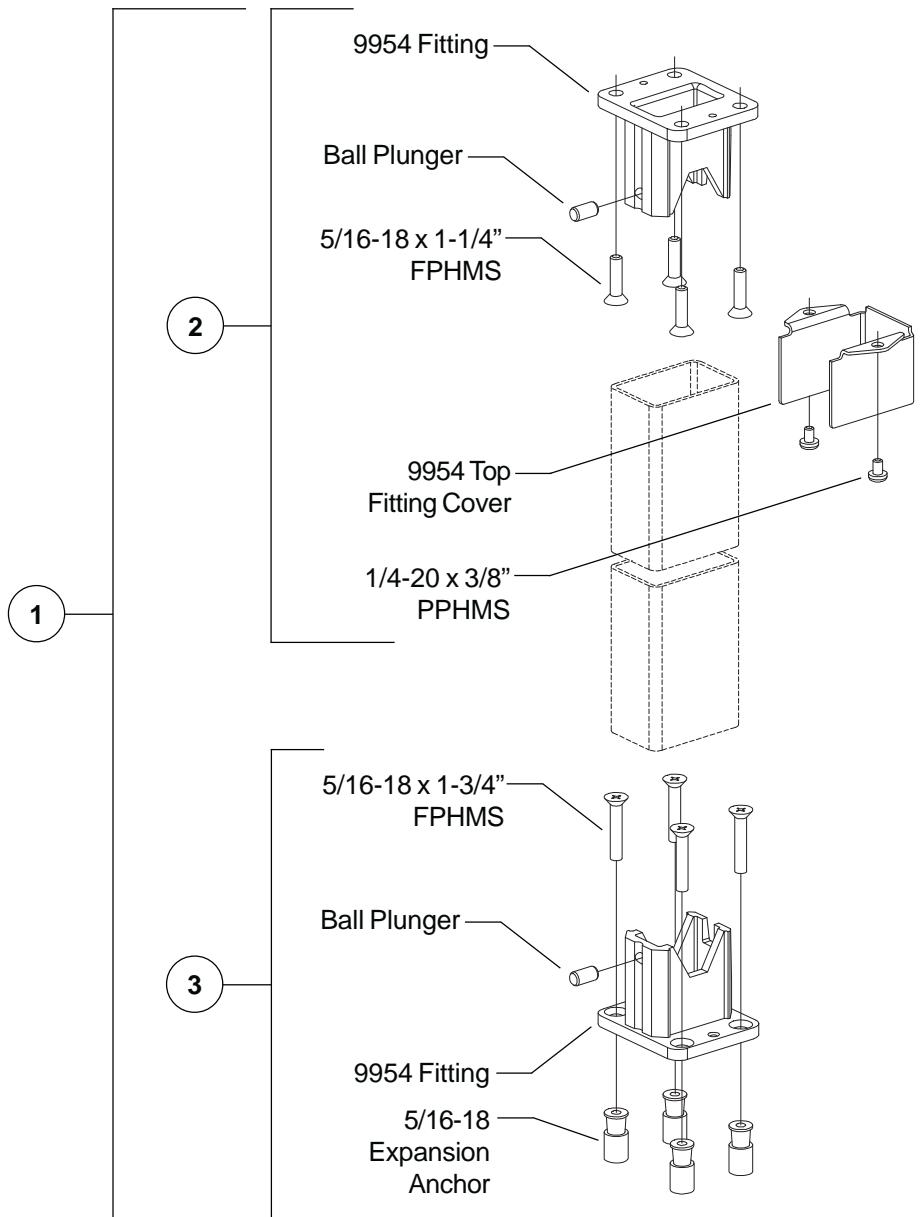
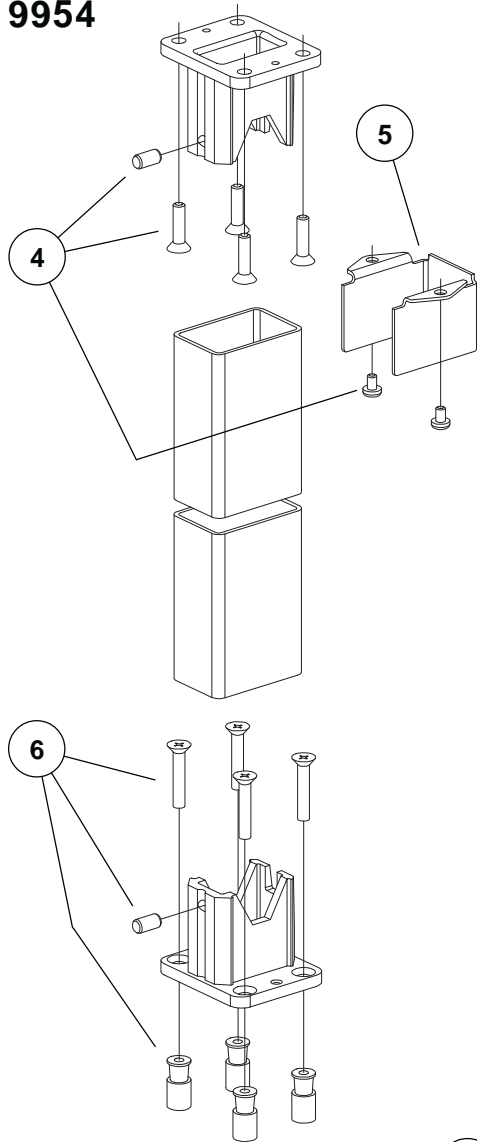


1654, 4954

Item No.	Part No.	Description	Quantity	Finish
1	050330	1654/4954 Fitting Set		X
		Top Mullion Fitting	1	
		4754/4854/4954 Top Fitting Cover	1	
		1/4-20 x 5/8" PPHMS	6	
		1/4-20 x 1-1/2" PPHMS	2	
		14 x 1" PPHSMS	3	
		Bottom Mullion Plate	1	
		5/16-18 x 1/2" Socket Head Set Screw	1	
		5/16-18 Expansion Anchor	2	
		5/16-18 x 1-1/4" FPHMS	2	
2	050335	4954 Top Fitting & Cover		X
		Top Mullion Fitting	1	
		4754/4854/4954 Top Fitting Cover	1	
		1/4-20 x 5/8" PPHMS	6	
		1/4-20 x 1-1/2" PPHMS	2	
		14 x 1" PPHSMS	3	
3	050390	4754/4854/4954 Bottom Fitting		X
		Bottom Mullion Plate	1	
		5/16-18 x 1/2" Socket Head Set Screw	1	
		5/16-18 Expansion Anchor	2	
		5/16-18 x 1-1/4" FPHMS	2	
4	900400	Mullion (Top) Screw Pkg.		
		1/4-20 x 5/8" PPHMS	6	
		1/4-20 x 1-1/2" PPHMS	2	
		14 x 1" PPHSMS	3	
5	961047	4754/4854/4954 Top Fitting Cover	1	X
6	900402	Mullion (Bottom) Screw Pkg.		
		5/16-18 x 1/2" Socket Head Set Screw	1	
		5/16-18 Expansion Anchor	2	
		5/16-18 x 1-1/4" FPHMS	2	

X in "Finish" column designates finished item; specify finish when ordering.

9954

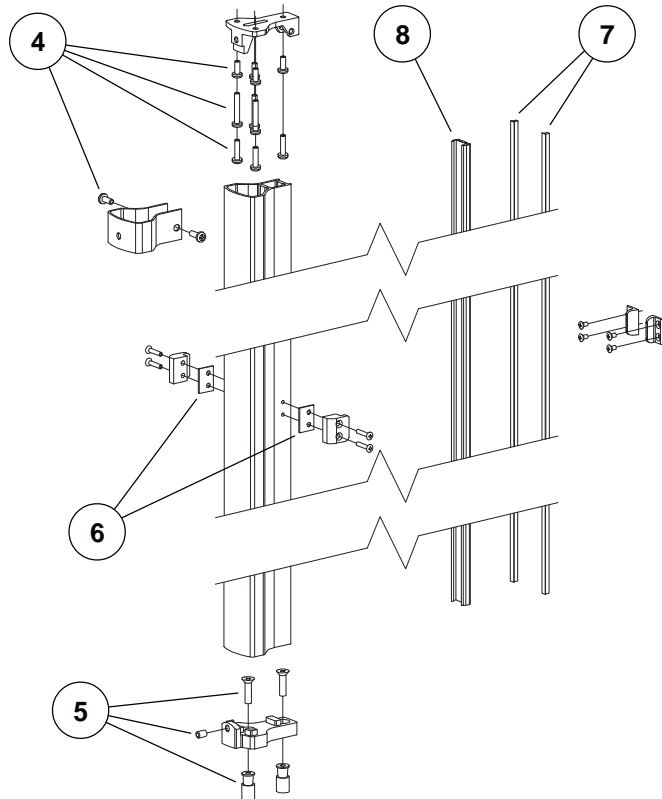
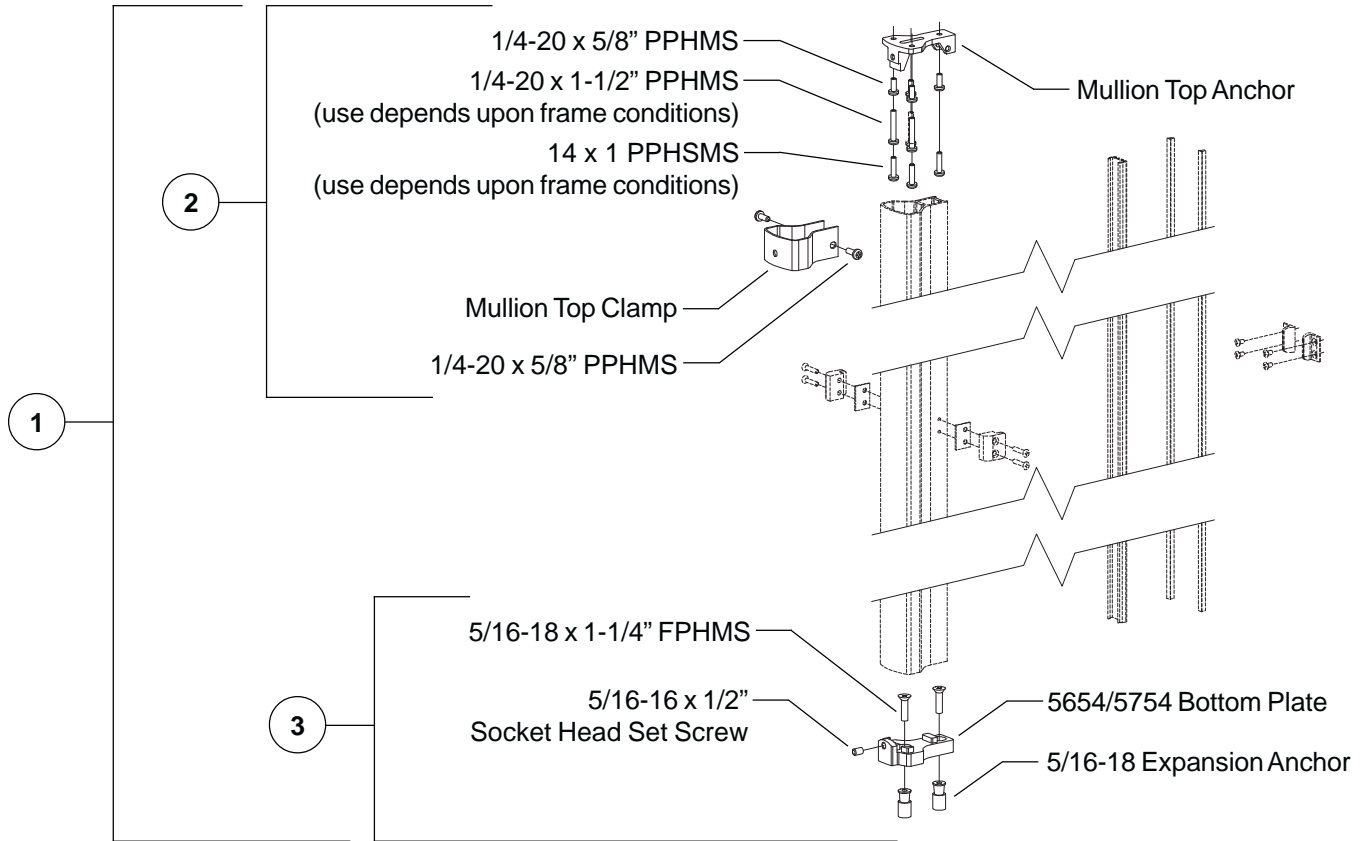


9954

Item No.	Part No.	Description	Quantity	Finish
1	050241	9954 Fitting Set		X
		9954 Fitting	1	
		9954 Top Fitting Cover	1	
		5/16-18 x 1-1/4" FPHMS	4	
		1/4-20 x 3/8" PPHMS	2	
		Ball Plunger	1	
		9954 Fitting	1	
		5/16-18 Expansion Anchor	4	
		5/16-18 x 1-3/4" FPHMS	4	
		Ball Plunger	1	
2	050391	9954 Top Fitting & Cover		X
		9954 Fitting	1	
		9954 Top Fitting Cover	1	
		5/16-18 x 1-1/4" FPHMS	4	
		1/4-20 x 3/8" PPHMS	2	
		Ball Plunger	1	
3	050392	9954 Bottom Fitting		X
		9954 Fitting	1	
		5/16-18 Expansion Anchor	4	
		5/16-18 x 1-3/4" FPHMS	4	
		Ball Plunger	1	
4	900413	9954 (Top) Screw Pkg.		
		5/16-18 x 1-1/4" FPHMS	4	
		1/4-20 x 3/8" PPHMS	2	
		Ball Plunger	1	
5	968645	9954 Top Fitting Cover		X
6	900411	9954 (Bottom) Screw Pkg.		
		5/16-18 Expansion Anchor	4	
		5/16-18 x 1-3/4" FPHMS	4	
		Ball Plunger	1	

X in "Finish" column designates finished item; specify finish when ordering.

5654, 5754

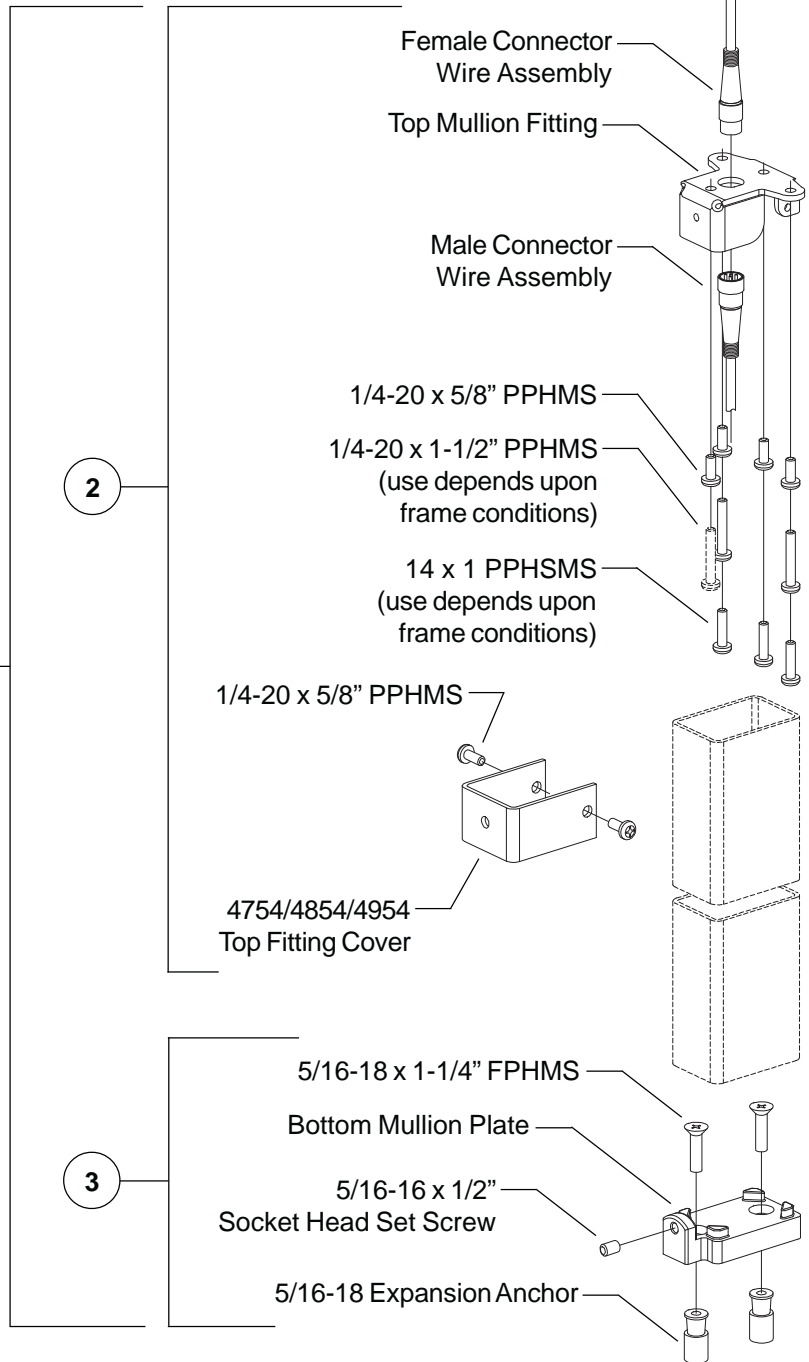
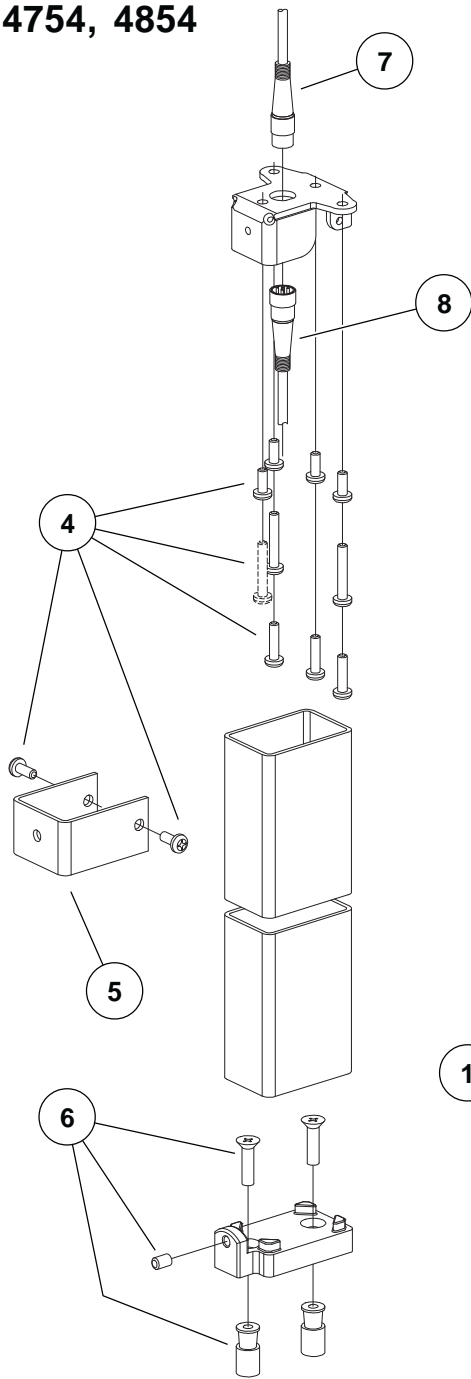


5654, 5754

Item No.	Part No.	Description	Quantity	Finish
1	050130	5654/5754 Fitting Set		X
		Mullion Top Anchor	1	
		Mullion Top Clamp	1	
		1/4-20 x 5/8" PPHMS	6	
		1/4-20 x 1-1/2" PPHMS	2	
		14 x 1" PPHSMS	3	
		5654/5754 Bottom Plate	1	
		5/16-18 x 1/2" Socket Head Set Screw	1	
		5/16-18 Expansion Anchor	2	
		5/16-18 x 1-1/4" FPHMS	2	
2	050135	5654/5754 Top Fitting & Cover		X
		Mullion Top Anchor	1	
		Mullion Top Clamp	1	
		1/4-20 x 5/8" PPHMS	6	
		1/4-20 x 1-1/2" PPHMS	2	
		14 x 1" PPHSMS	3	
3	050190	5654/5754 Bottom Fitting		X
		5654/5754 Bottom Plate	1	
		5/16-18 x 1/2" Socket Head Set Screw	1	
		5/16-18 Expansion Anchor	2	
		5/16-18 x 1-1/4" FPHMS	2	
4	900400	Mullion (Top) Screw Pkg.		
		1/4-20 x 5/8" PPHMS	6	
		1/4-20 x 1-1/2" PPHMS	2	
		14 x 1" PPHSMS	3	
5	900402	Mullion (Bottom) Screw Pkg.		
		5/16-18 x 1/2" Socket Head Set Screw	1	
		5/16-18 Expansion Anchor	2	
		5/16-18 x 1-1/4" FPHMS	2	
6	961530	Mullion Stabilizer Shim	1	
7	050580	Weatherstripping (10') Use 2 Per Mullion	1	
8	965712	5654 Mullion Edging - 7'	1	X
8	965713	5654 Mullion Edging - 8'	1	X
8	965714	5654 Mullion Edging - 10'	1	X

X in "Finish" column designates finished item; specify finish when ordering.

4754, 4854

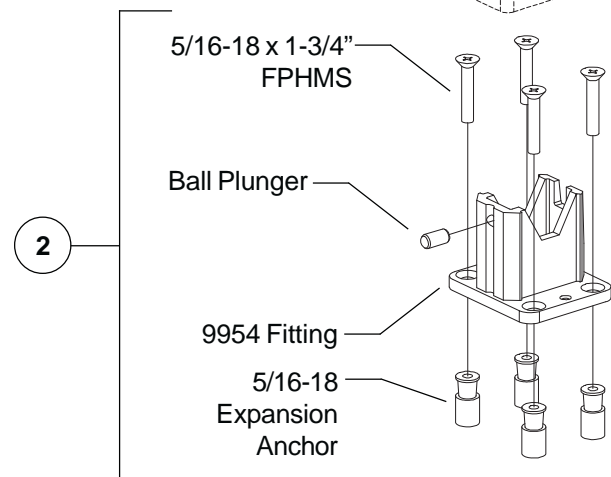
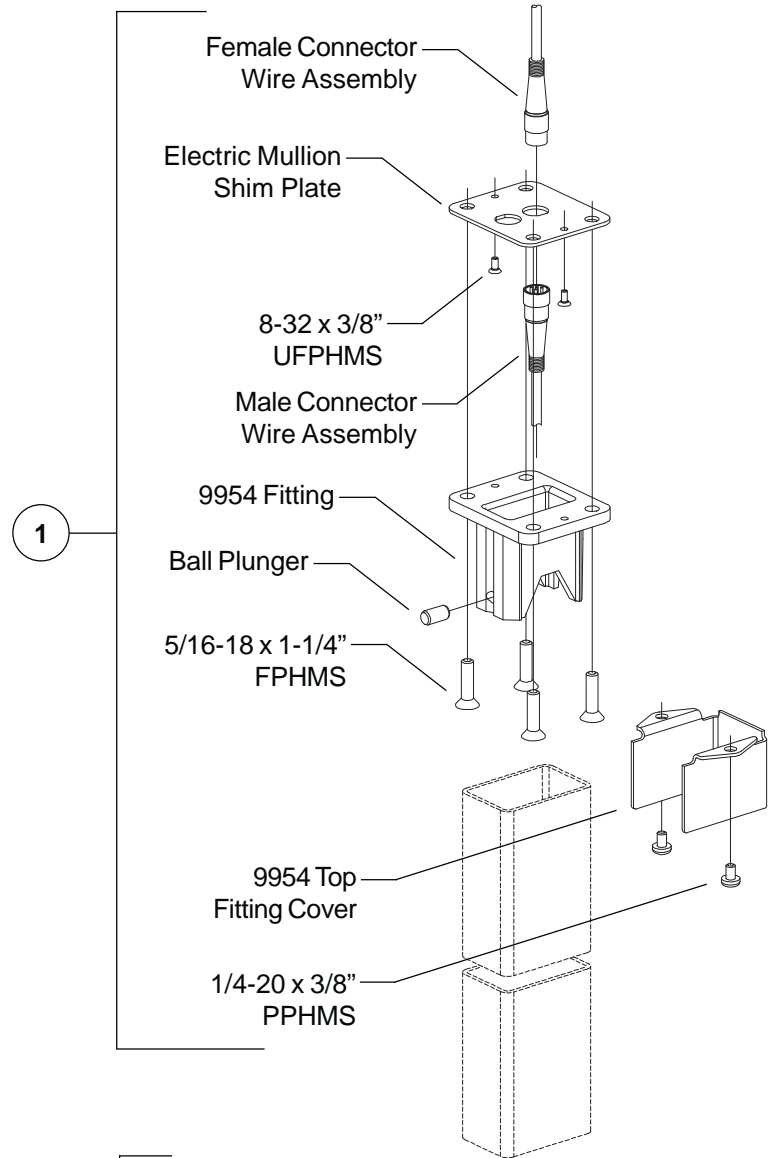
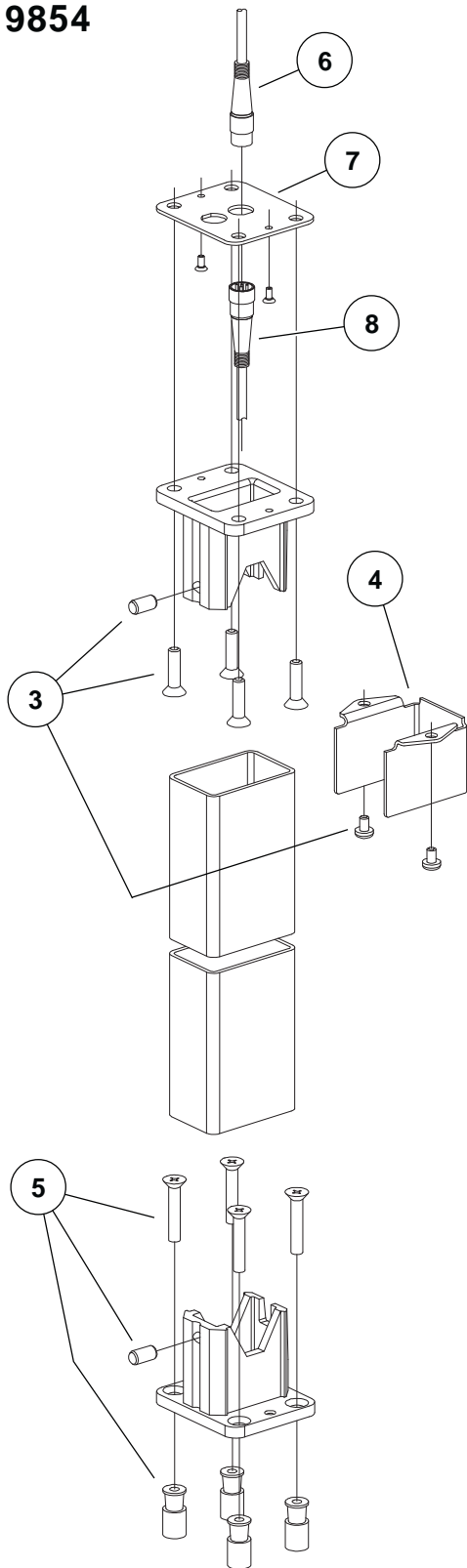


4754, 4854

Item No.	Part No.	Description	Quantity	Finish
1	050371	4754/4854 Fitting Set		X
		Male Connector Wire Assembly	1	
		Female Receptacle Wire Assembly	1	
		Top Mullion Fitting	1	
		Top Fitting Cover	1	
		1/4-20 x 5/8" PPHMS	6	
		1/4-20 x 1-1/2" PPHMS	2	
		14 x 1" PPHSMS	3	
		Bottom Mullion Plate	1	
		5/16-18 x 1/2" Socket Head Set Screw	1	
		5/16-18 Expansion Anchor	2	
		5/16-18 x 1-1/4" FPHMS	2	
2	050381	4754/4854 Top Electrical Fitting & Cover		X
		Male Connector Wire Assembly	1	
		Female Receptacle Wire Assembly	1	
		Top Mullion Fitting	1	
		Top Fitting Cover	1	
		1/4-20 x 5/8" PPHMS	6	
		1/4-20 x 1-1/2" PPHMS	2	
		14 x 1" PPHSMS	3	
3	050390	4754/4854/4954 Bottom Fitting		X
		Bottom Mullion Plate	1	
		5/16-18 x 1/2" Socket Head Set Screw	1	
		5/16-18 Expansion Anchor	2	
		5/16-18 x 1-1/4" FPHMS	2	
4	900400	Mullion (Top) Screw Pkg.		
		1/4-20 x 5/8" PPHMS	6	
		1/4-20 x 1-1/2" PPHMS	2	
		14 x 1" PPHSMS	3	
5	961047	4754/4854/4954 Top Fitting Cover		X
6	900402	Mullion (Bottom) Screw Pkg.		
		5/16-18 x 1/2" Socket Head Set Screw	1	
		5/16-18 Expansion Anchor	2	
		5/16-18 x 1-1/4" FPHMS	2	
7	105988-00	Female Receptacle Wire Assembly	1	
8	105987-00	Male Connector Wire Assembly	1	

X in "Finish" column designates finished item; specify finish when ordering.

9854

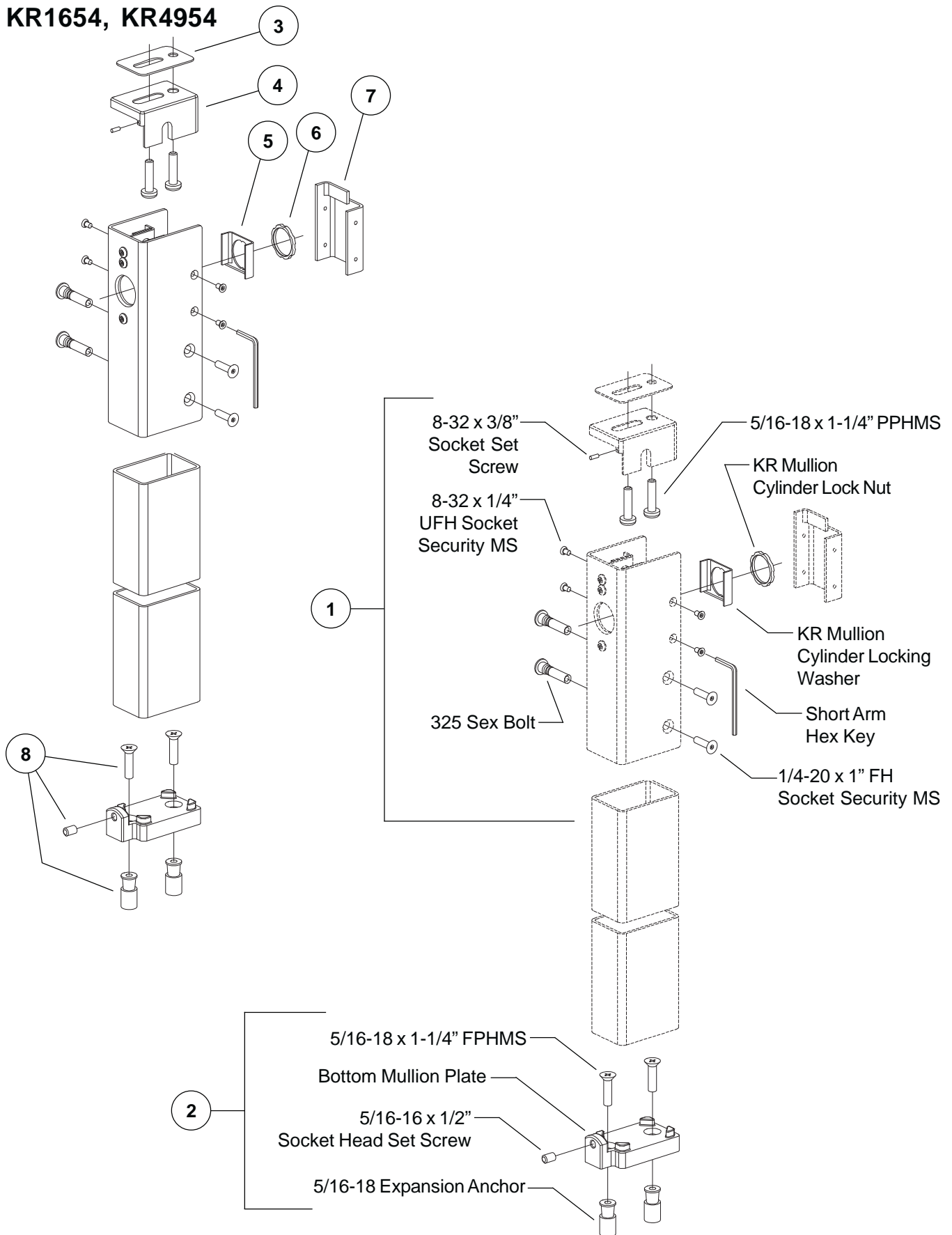


9854

Item No.	Part No.	Description	Quantity	Finish
1	050383	9854 Top Mullion Fitting Kit		X
		Male Connector Wire Assembly	1	
		Female Receptacle Wire Assembly	1	
		Electric Mullion Shim Plate	1	
		9954 Fitting	1	
		9954 Top Fitting Cover	1	
		5/16-18 x 1-1/4" FPHMS	4	
		1/4-20 x 3/8" PPHMS	2	
		8-32 x 3/8" UFPHMS	2	
Ball Plunger	1			
2	050392	9954 Bottom Fitting & Cover		X
		9954 Fitting	1	
		5/16-18 Expansion Anchor	4	
		5/16-18 x 1-3/4" FPHMS	4	
		Ball Plunger	1	
3	900413	9954 (Top) Screw Pkg.		
		5/16-18 x 1-1/4" FPHMS	4	
		1/4-20 x 3/8" PPHMS	2	
		Ball Plunger	1	
4	968645	9954 Top Fitting Cover		X
5	900402	9954 (Bottom) Screw Pkg.		
		5/16-18 Expansion Anchor	4	
		5/16-18 x 1-3/4" FPHMS	4	
		Ball Plunger	1	
6	105988-00	Female Receptacle Wire Assembly	1	
7	971313	Electric Mullion Shim Plate	1	X
8	105987-00	Male Connector Wire Assembly	1	

X in "Finish" column designates finished item; specify finish when ordering.

KR1654, KR4954

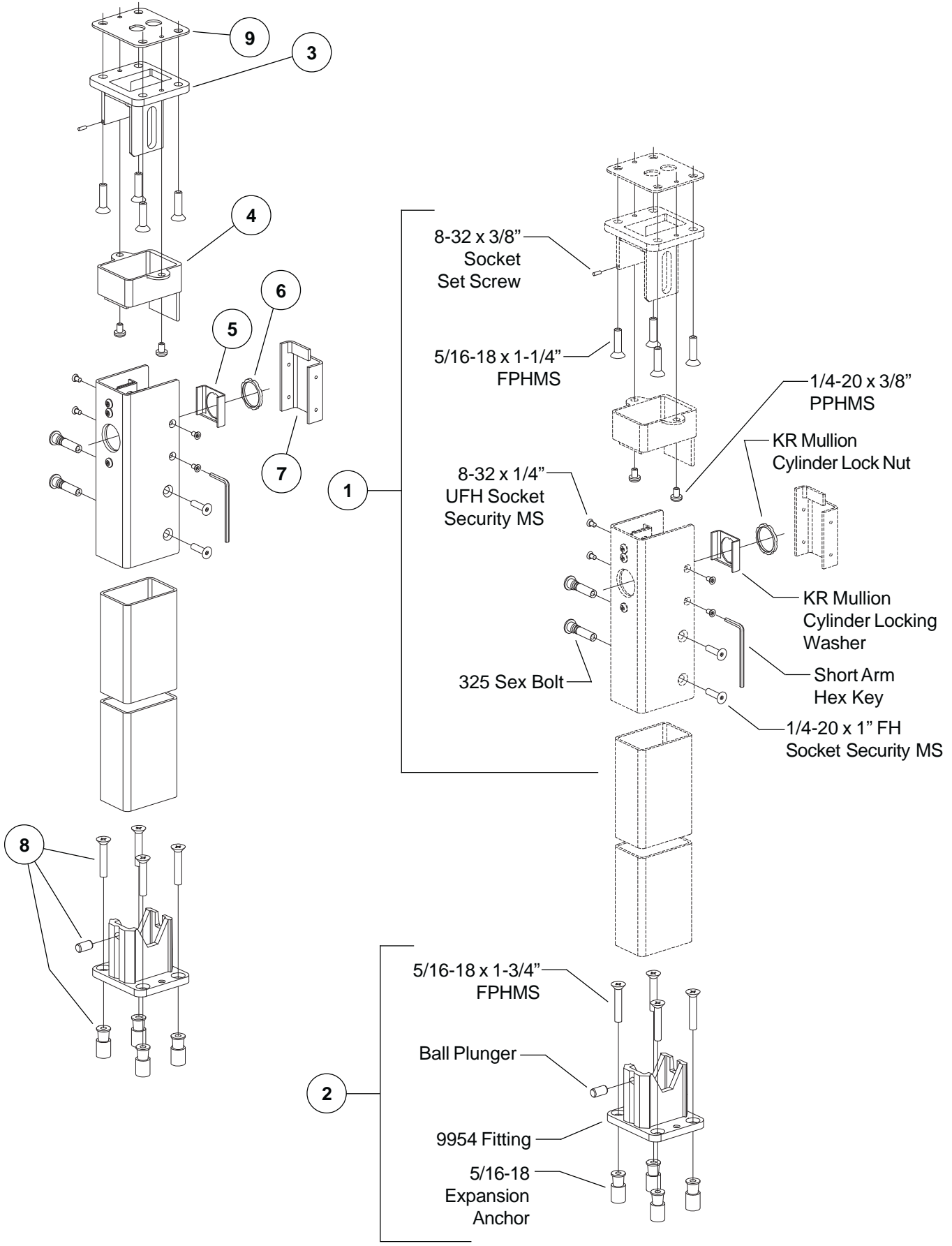


KR1654, KR4954

Item No.	Part No.	Description	Quantity	Finish
1	900409	KR1654/KR4954 Mullion Mounting Pkg.		X
		325 Sex Bolt	2	
		1/4-20 x 1 FH Socket Security MS	2	
		8-32 x 1/4" UFH Socket Security MS	4	
		Short Arm Hex Key	1	
		5/16-18 x 1-1/4" PPHMS	2	
		8-32 x 3/8" Socket Set Screw	1	
		KR Mullion Cylinder Locking Washer	1	
		Cylinder Locknut Nitched	1	
2	050390	4754/4854/4954 Bottom Fitting		X
		Bottom Mullion Plate	1	
		5/16-18 x 1/2" Socket Head Set Screw	1	
		5/16-18 Expansion Anchor	2	
		5/16-18 x 1-1/4" FPHMS	2	
3	971212	KR Shim Plate	1	
4	971340	KR1654/KR4954 Top Fitting	1	X
5	971328	KR Mullion Cylinder Locking Washer	1	
6	050526	KR Mullion Cylinder Lock Nut	1	
7	971187	KR Inner Mullion Back Cover Plate	1	X
8	900402	Mullion (Bottom) Screw Pkg.		
		5/16-18 x 1/2" Socket Head Set Screw	1	
		5/16-18 Expansion Anchor	2	
		5/16-18 x 1-1/4" FPHMS	2	

X in "Finish" column designates finished item; specify finish when ordering.

KR9854, KR9954



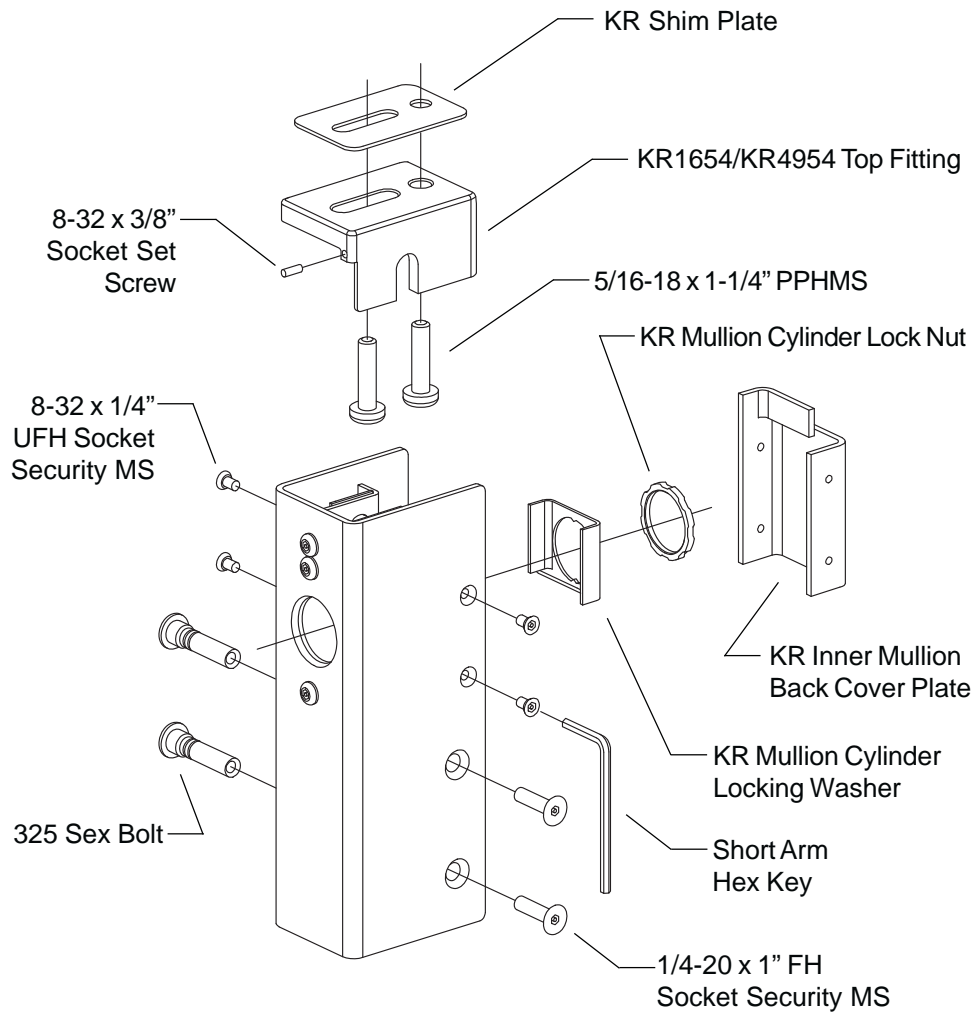
KR9854, KR9954

Item No.	Part No.	Description	Quantity	Finish
1	900410	KR9854/KR9954 Mullion Mounting Pkg.		X
		8-32 x 3/8" Socket Set Screw	1	
		5/16-18 x 1-1/4" FPHMS	4	
		8-32 x 1/4" UFH Socket Security MS	4	
		325 Sex Bolt	2	
		1/4-20 x 3/8" PPHMS	2	
		KR Mullion Cylinder Lock Nut	1	
		KR Mullion Cylinder Locking Washer	1	
		Short Arm Hex Key	1	
		1/4-20 x 1" FH Socket Security MS	2	
2	050392	9954 Bottom Fitting & Cover		X
		9954 Fitting	1	
		5/16-18 Expansion Anchor	4	
		5/16-18 x 1-3/4" FPHMS	4	
		Ball Plunger	1	
3	971312	KR9954 Top Fitting	1	X
4	971316	KR9854/KR9954 Fusible Spacer	1	X
5	971328	KR Mullion Cylinder Locking Washer	1	
6	050526	KR Mullion Cylinder Lock Nut	1	
7	971187	KR Inner Mullion Back Cover Plate	1	X
8	900402	9954 (Bottom) Screw Pkg.		
		5/16-18 Expansion Anchor	4	
		5/16-18 x 1-3/4" FPHMS	4	
		Ball Plunger	1	
9	971313	Electric Mullion Shim Plate	1	X

X in "Finish" column designates finished item; specify finish when ordering.

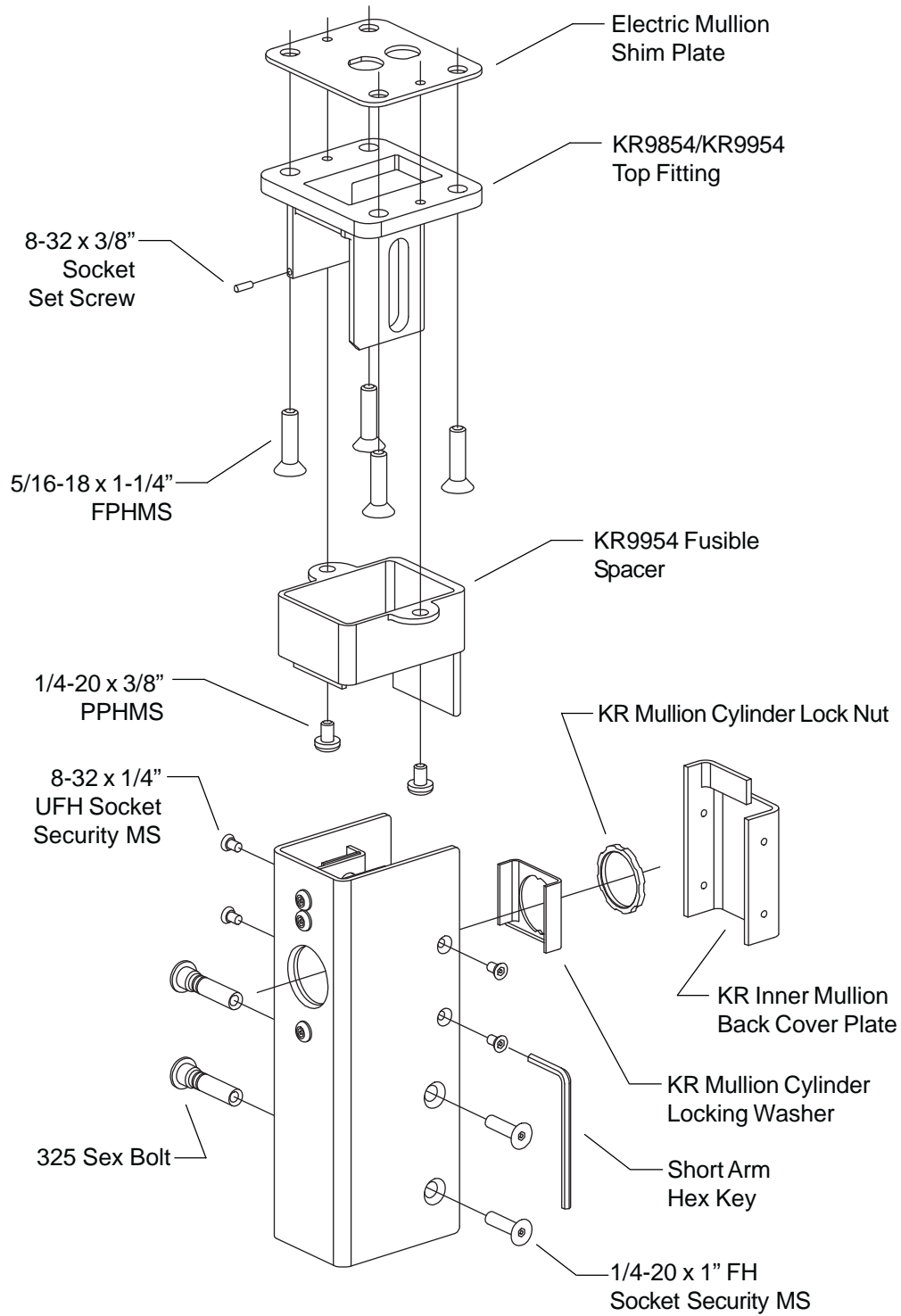
KR54 RETROFIT KIT

Specify finish when ordering



KR54-F RETROFIT KIT

Specify finish when ordering



About Allegion

Allegion (NYSE: ALLE) creates peace of mind by pioneering safety and security. As a \$2 billion provider of security solutions for homes and businesses, Allegion employs more than 7,800 people and sells products in more than 120 countries across the world. Allegion comprises 23 global brands, including strategic brands CISA®, Interflex®, LCN®, Schlage® and Von Duprin®.

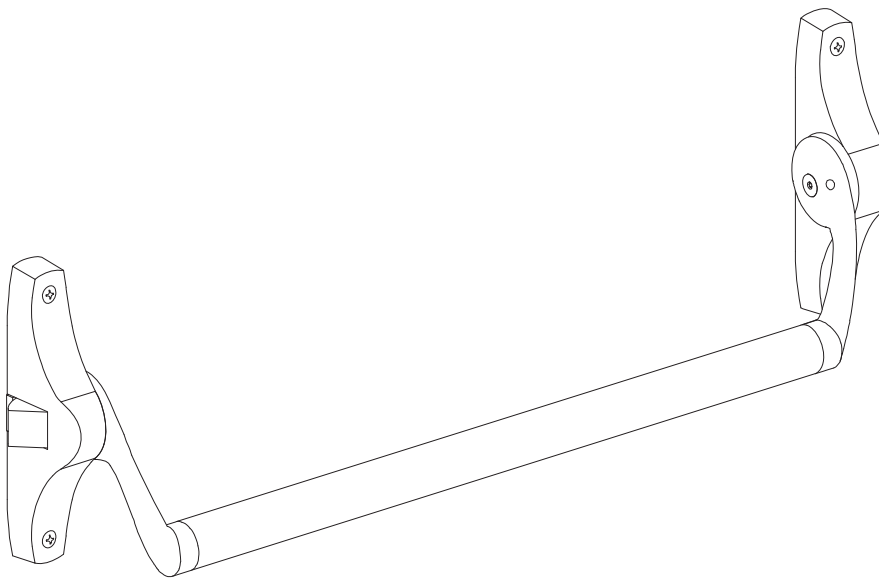
For more, visit www.allegion.com.

aptiQ ■ LCN ■ **SCHLAGE** ■ STEELCRAFT ■ VON DUPRIN

VON DUPRIN®

55 Series Exit Devices

Service manual



INDEX

General Information

Introduction	2
How to Order	2
Part Number Changes	2
55 Series Finishes	3
Outside Trim Functions	3
Strikes	4

55 Series Device Parts

Crossbars	5
Lever Arm Kits	6
Lever Arm Parts Packages	7
End Case Kit and End Case Parts	8
Center Case Kits	9
Center Case Parts: 55 Rim Device	10
Center Case Parts: 5547 Device	11
Center Case Parts: 5547-F, 5547WDC, 5575, 5575-F Devices	12
Vertical Latches	13
Vertical Rods: 5547 Device	14-15
Vertical Rods: 5547-F Device	14-15
Vertical Rods: 5547WDC Device	16

INTRODUCTION

This manual contains a listing of replaceable parts and assemblies for the 55 Series Panic and FEH Devices.

HOW TO ORDER

Some parts are sold separately. Other items are available as part of a kit or multiple quantity package. For the best possible service when ordering replacement parts or assemblies, please provide the following information:

- Part number or assembly number
- Description
- Quantity needed
- Finish desired (if available finished)
- Date of original purchase (if known)

To find out the name of your local Von Duprin distributor or sales representative, contact:

Von Duprin Division
Allegion
2720 Tobey Drive
Indianapolis, IN 46219
Phone: (877) 671-7011

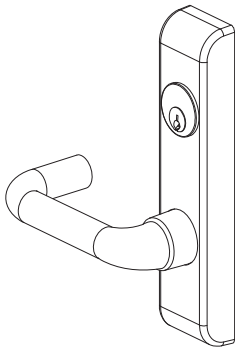
PART NUMBER AND AVAILABILITY CHANGES

This manual was designed to help illustrate the replacement parts and kits that are available for sale. Because of changes to the product and/or manufacturing process, part numbers and availability can change over time.

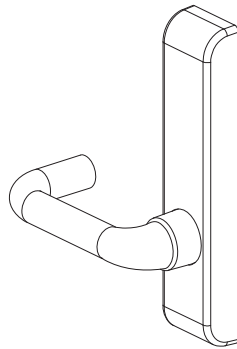
55 SERIES FINISHES

US Number	BHMA Number	Color
US3	605	Brass, polished
US4	606	Brass, dull
US10B	613	Brass, dull (oxidized)
US26	625	Chrome, polished
US26D	626	Chrome, dull
US10	612	Bronze, dull
SPBLK	693	Gloss black powder

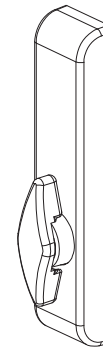
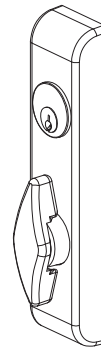
OUTSIDE TRIM FUNCTIONS



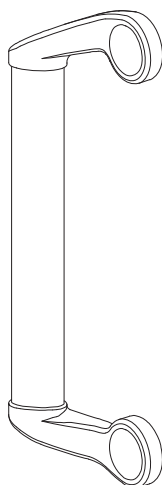
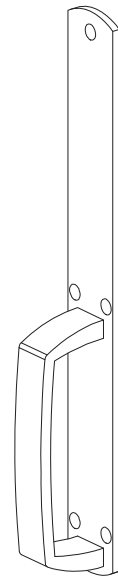
371L
for 5547-F



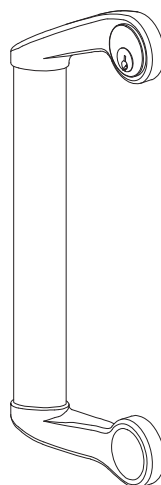
371L-BE
for 5547-F



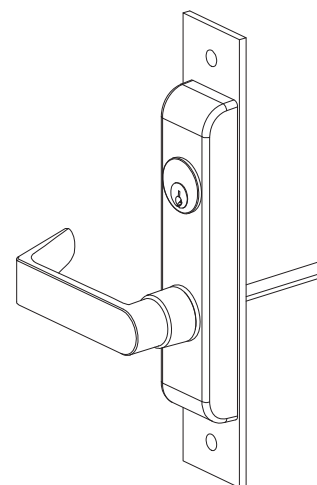
376T or 376T-BE x 609DT
for 5547, 5547-F



550DT
for 55 Rim, 5547, 5575

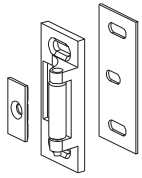


555NL/556NL
555 NL for 55 Rim, 5547, 5575, 5575-F
556NL for 5547WDC

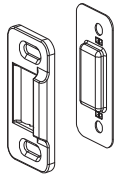


375L
for 5575, 5575-F

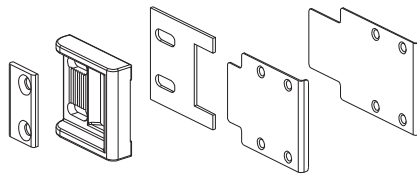
55 RIM STRIKES



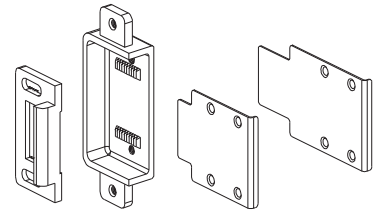
299
Single door;
double door
with mullion



1606
Single door;
double door
with mullion

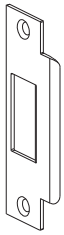


1409
Single door
(wear plates available for
1-3/4" and 2-1/4" thick doors)

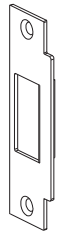


1410
Single door
(wear plates available for
1-3/4" and 2-1/4" thick doors)

5575/5575-F STRIKES

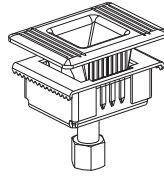


575
single door

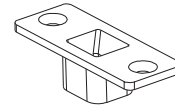


575-2
double door

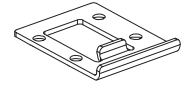
5547-F STRIKES



385A
(bottom)

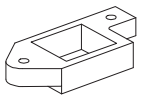


301L
(bottom)

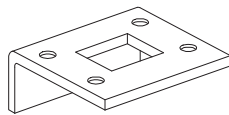


283 soffit
(top)

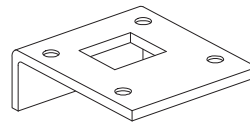
5547 STRIKES



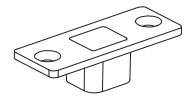
471U
(top)



472U
(1-3/4" thick doors; top)

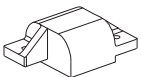


473U
(2-1/4" thick doors; top)

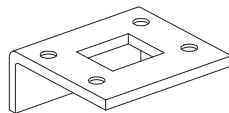


301L
(bottom)

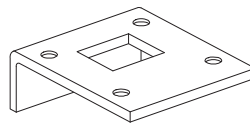
5547WDC/5547WDC-F STRIKES



338
(top)



472U
(1-3/4" thick doors; top)

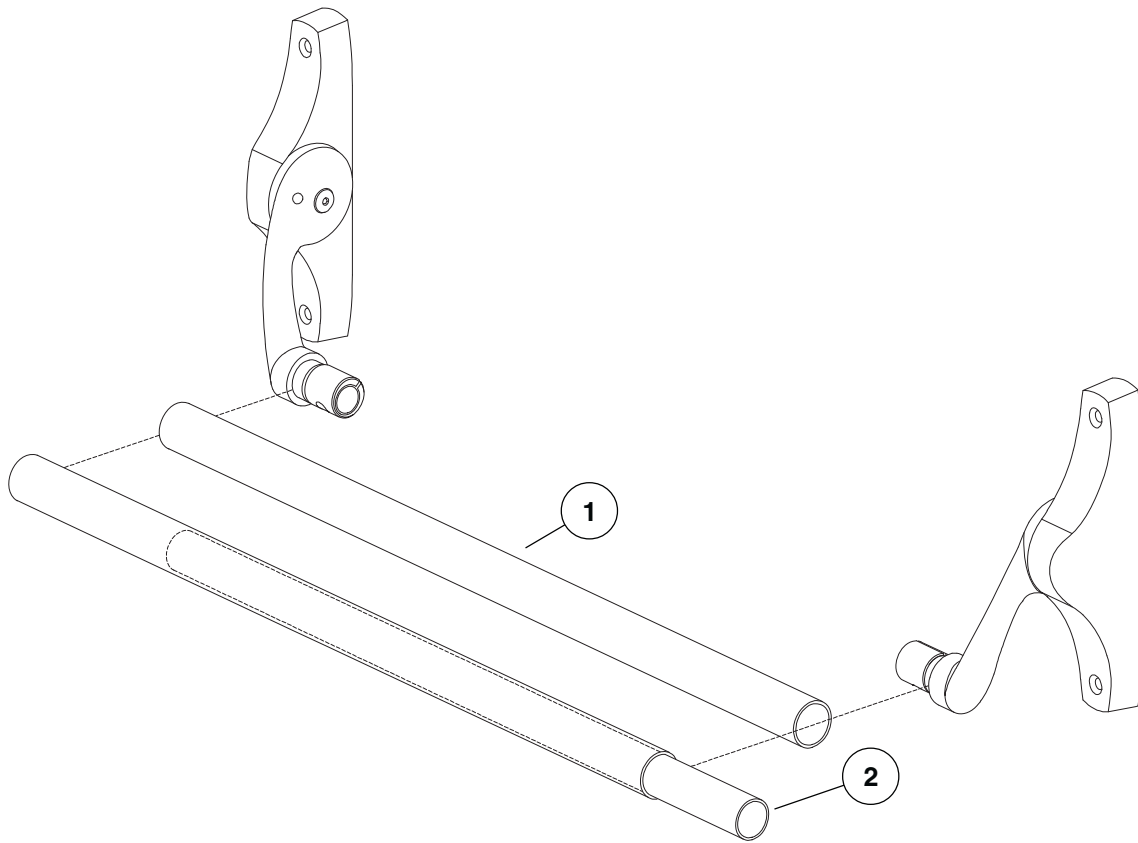


473U
(2-1/4" thick doors; top)

CROSSBARS

Item No.	Part No.	Description	Quantity	Finish
1	050004	42" Standard Crossbar Kit	1	X
1	050005	42" Knurled Crossbar Kit	1	X
2	050459	37" Crossbar Reinforcement Kit	1	

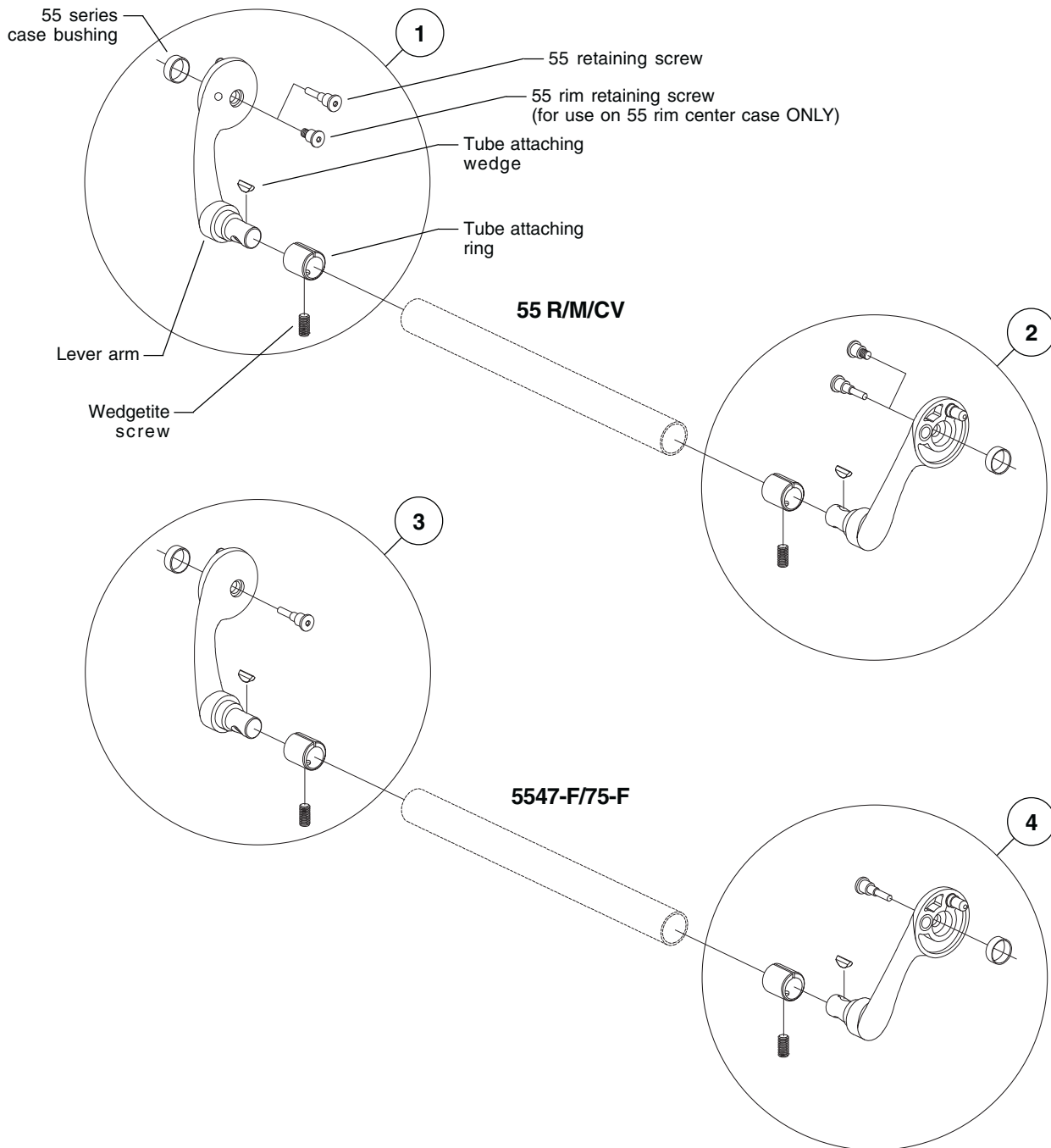
X in "Finish" column designates finished item; specify finish when ordering.



LEVER ARM KITS

Item No.	Part No.	Description	Quantity	Finish
1	050112	55 R/M/CV LH Lever Arm Kit	1	X
2	050136	55 R/M/CV RH Lever Arm Kit	1	X
3	050137	5547-F/75-F LH Lever Arm Kit	1	X
4	050139	5547-F/75-F RH Lever Arm Kit	1	X

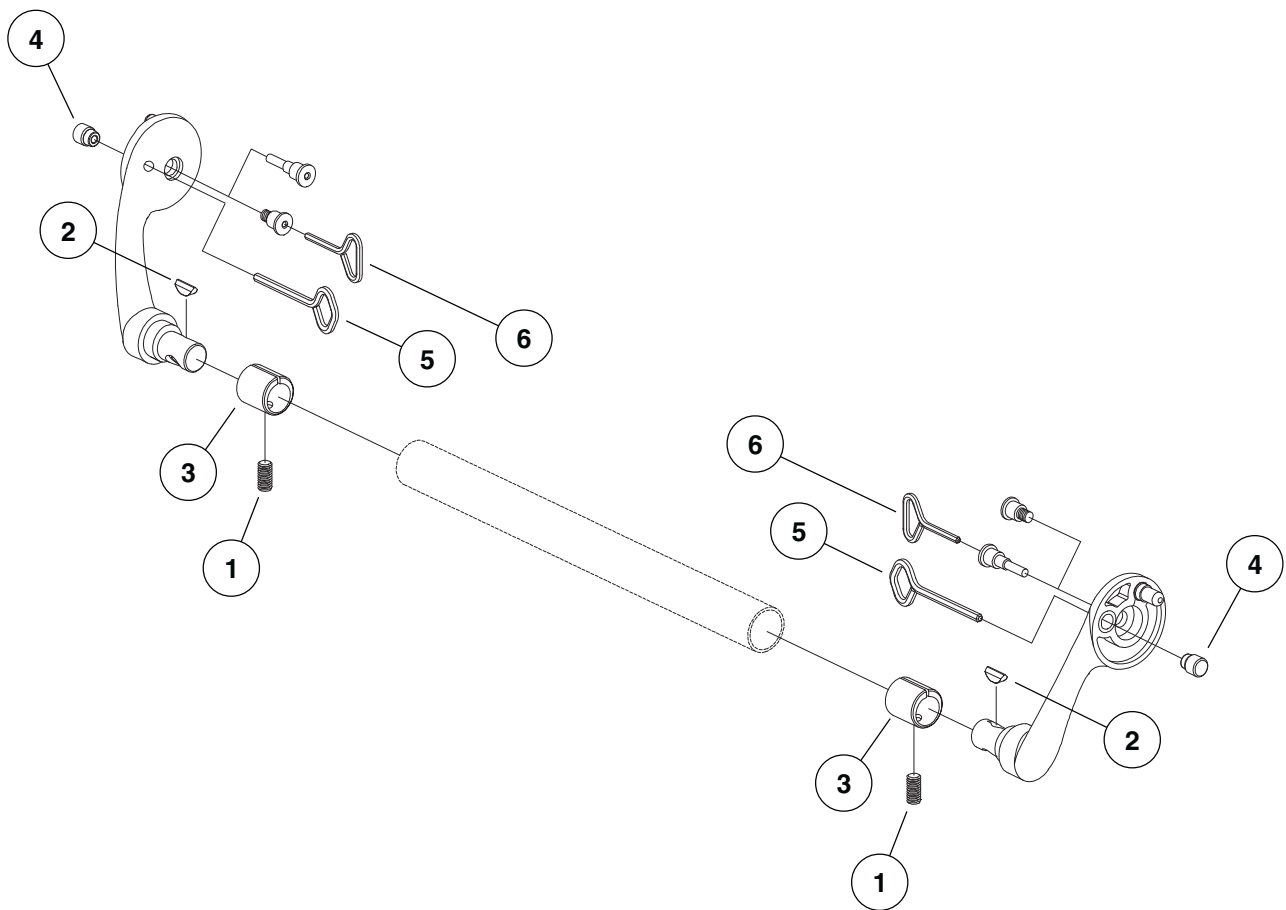
X in "Finish" column designates finished item; specify finish when ordering.



LEVER ARM PARTS PACKAGES

Item No.	Part No.	Description	Quantity	Finish
1	090008	Wedgetite Screw Pkg.	2	
1	090081	Wedgetite Screw Pkg.	30	
2	090020	Crossbar Tube Attaching Wedge Pkg.	2	
3	090021	Crossbar Tube Attaching Ring Pkg.	2	
4	090029	55 Dog Screw Pkg.	2	
4	090053	55 Dog Screw Pkg.	10	
5	090005	227 Dog Key 5/32" Pkg.	2	
5	090085	227 Dog Key 5/32" Pkg.	10	
6	103866	55 Series Special Hex Key (Reversing Pkg.)	1	

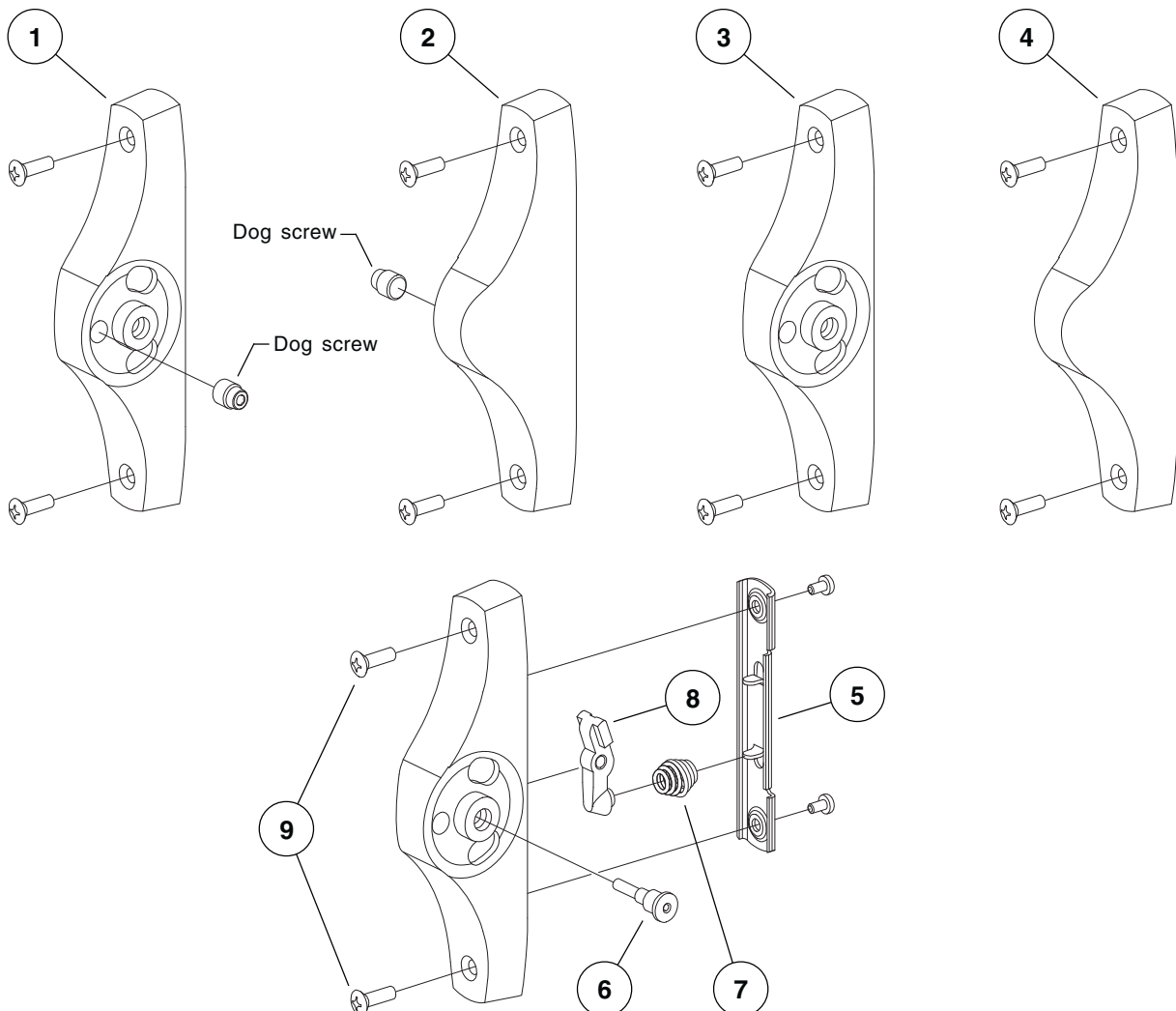
X in "Finish" column designates finished item; specify finish when ordering.



END CASE KITS AND END CASE PARTS

Item No.	Part No.	Description	Quantity	Finish
1	050196	55 Rim/5575/5547 RHR End Case Kit	1	X
2	050197	55 Rim/5575/5547 LHR End Case Kit	1	X
3	050198	5547-F/5575-F RHR End Case Kit	1	X
4	050199	5547-F/5575-F LHR End Case Kit	1	X
5	050364	55 Series End Case Backplate	1	
6	090051	55 Retaining Screw Pkg.	10	
6	090026	55 Retaining Screw Pkg.	2	
7	090052	55 End Case Spring Pkg.	20	
7	090028	55 End Case Spring Pkg.	4	
8	050366	55 End Case Spring Lever	1	
9	900507	55 Series End Case Mounting Pkg.	2	X

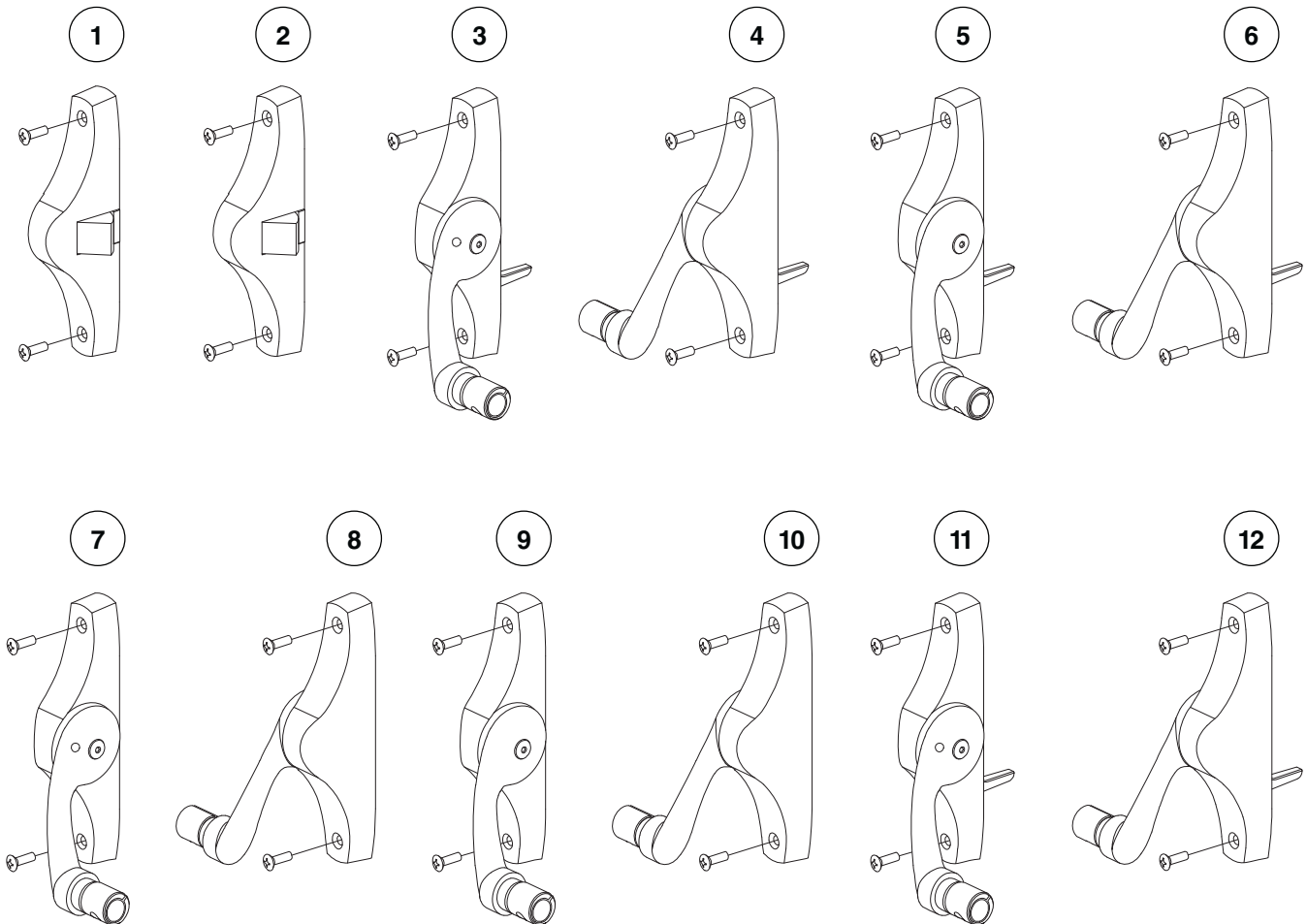
X in "Finish" column designates finished item; specify finish when ordering.



CENTER CASE KITS

Item No.	Part No.	Description	Quantity	Finish
1	050183	55EO Center Case Kit	1	X
2	050184	55NL Center Case Kit	1	X
3	050186	5575 Center case LHR Kit	1	X
4	050185	5575 Center Case RHR Kit	1	X
5	050188	5575-F Center Case LHR Kit	1	X
6	050187	5575-F Center Case RHR Kit	1	X
7	050191	5547 LHR Center Case Kit	1	X
8	050189	5547 RHR Center Case Kit	1	X
9	050193	5547-F LHR Center Case Kit	1	X
10	050192	5547-F RHR Center Case Kit	1	X
11	050195	5547WDC LHR Center Case Kit	1	X
12	050194	5547WDC RHR Center Case Kit	1	X

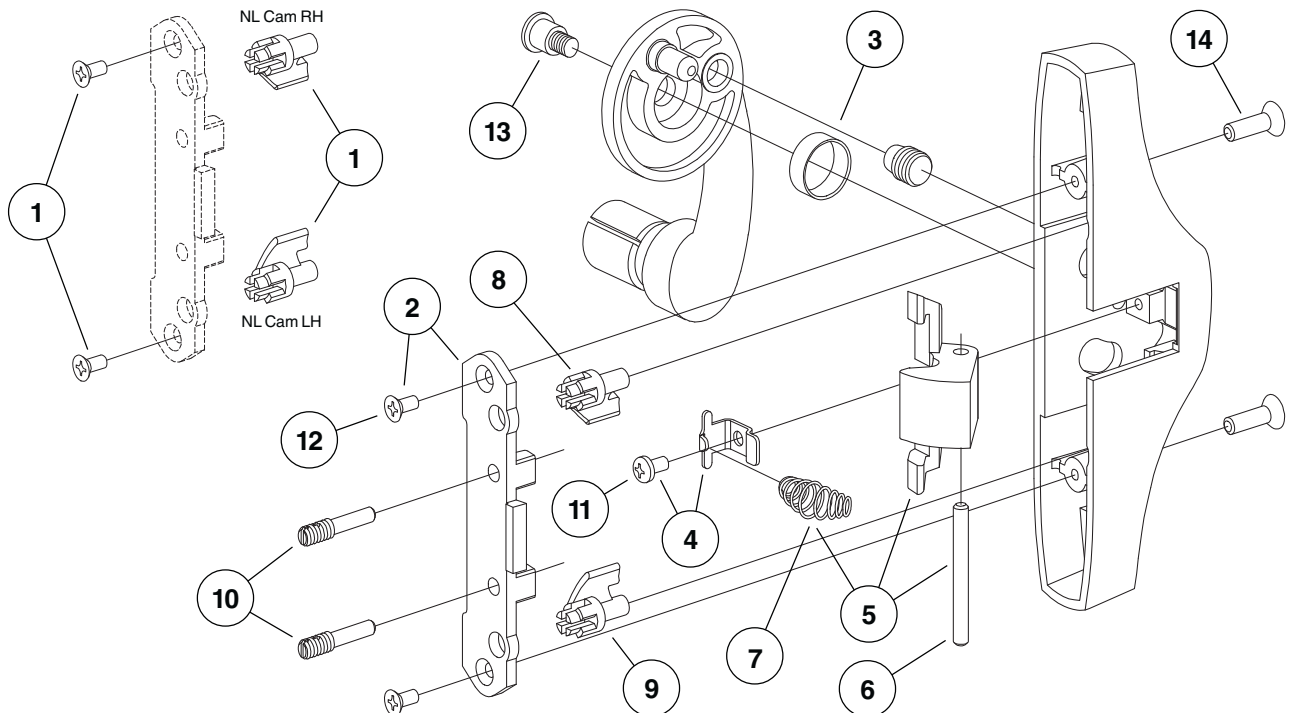
X in "Finish" column designates finished item; specify finish when ordering.



CENTER CASE PARTS: 55 RIM DEVICE

Item No.	Part No.	Description	Quantity	Finish
1	050105	55CK-NL Conversion Kit (order trim separate)	1	
2	050332	55 Rim Backplate w/Screws	1	X
3	050333	55 Case Bushing	1	
4	050334	55 Rim Spring Clip w/Screws	1	
5	050352	55 Rim Latch Bolt w/Axle and Spring	1	
6	050353	55 Rim Latch Bolt Axle	1	
7	050354	55 Rim Latch Bolt Spring	1	
8	050355	55NL Cam RH	1	
9	050356	55NL Cam LH	1	
10	090023	55 Axle Retainer Pkg.	2	
11	090024	55 Spring Anchor Screw Pkg.	10	
12	090025	55 Backplate Screw Pkg.	10	
13	090022	55 Rim Center Case Retaining Screw Pkg.	2	
13	090050	55 Rim Center Case Retaining Screw Pkg.	10	
14	900507	55 Rim Center Case Mounting Pkg.	1	X
		12-24 x 3/4" OPHMS	2	
14	900512	Rim 2" Dr SNB Mounting Pkg.	1	X
		12-24 x 1" OPHMS	4	

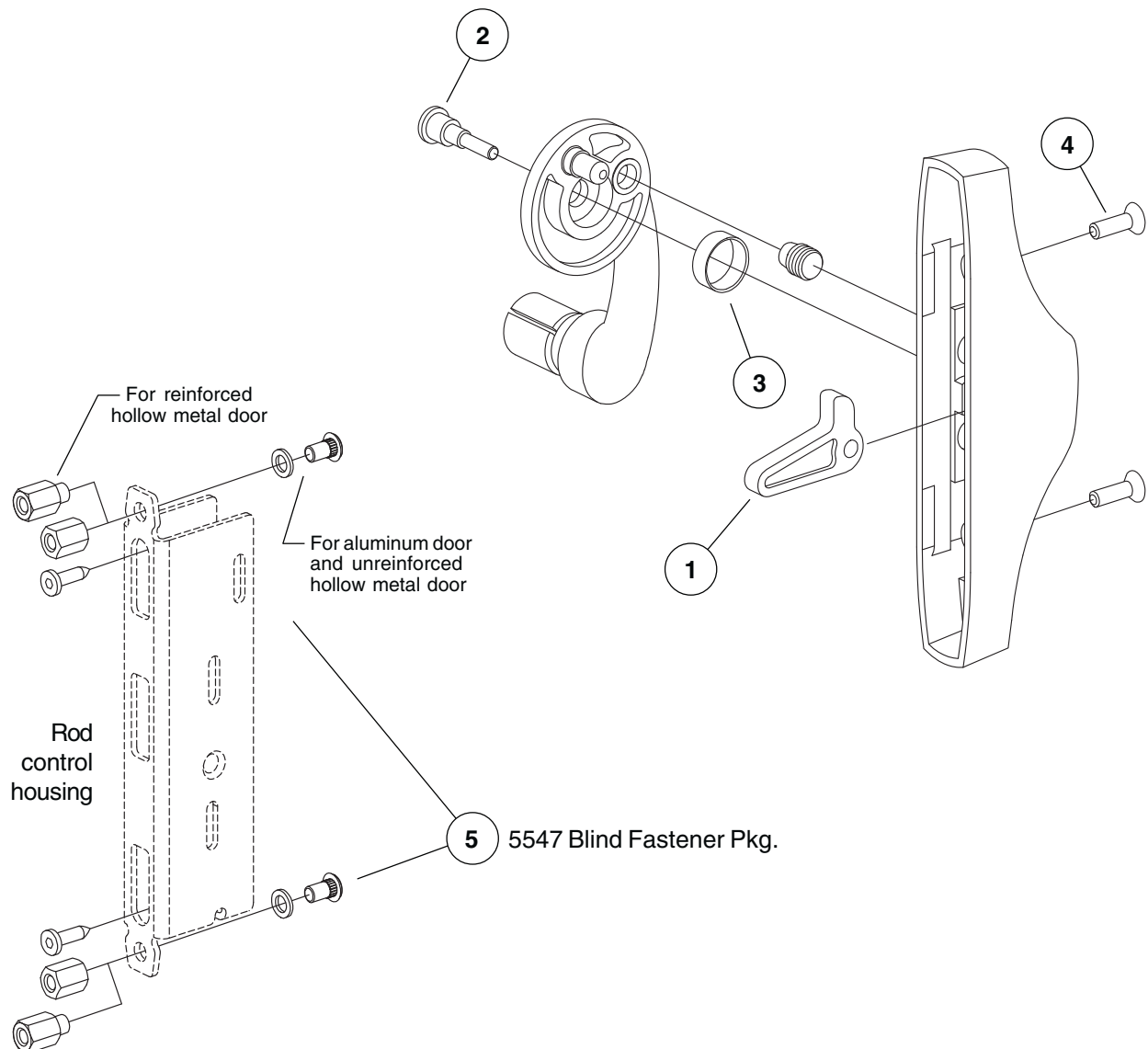
X in "Finish" column designates finished item; specify finish when ordering.



CENTER CASE PARTS: 5547 DEVICE

Item No.	Part No.	Description	Quantity	Finish
1	050357	5547 Control Lever	1	
2	090051	55 Retaining Screw Pkg.	10	
2	090026	55 Retaining Screw Pkg.	2	
3	050333	55 Case Bushing	1	
4	900508	5547 Center Case Mounting Pkg.		X
		12-24 x 1/2" OPHMS	2	
4	900514	5547 2" Dr SNB Mounting Pkg.		X
		12-24 x 1" OPHMS	2	
5	900539	5547 Blind Fastener Pkg.	1	

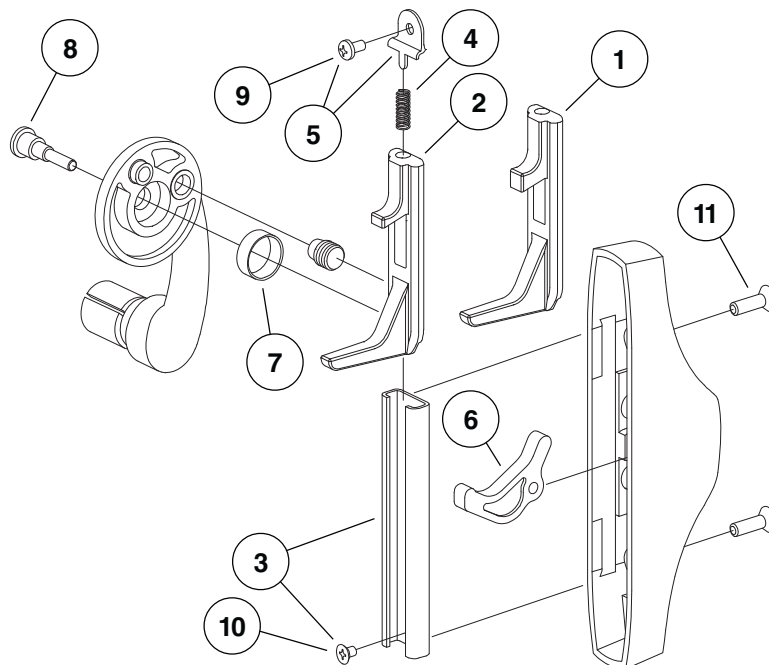
X in "Finish" column designates finished item; specify finish when ordering.



CENTER CASE PARTS: 5547-F, 5547WDC, 5575, 5575-F DEVICES

Item No.	Part No.	Description	Quantity	Finish
1	050360	5547-F/5547WDC Lift Member	1	
2	050361	5575/5575-F Lift Member	1	
3	050359	5547-F/5547WDC Lift Member Channel	1	
4	050362	5547/5547-F Latch Release Spring	1	
5	050363	5547-F/5547WDC Spring Anchor	1	
6	050358	5547-F/5547WDC Lift Memembr Lever	1	
7	050333	55 Case Bushing	1	
8	090051	55 Retaining Screw Pkg.	10	
8	090026	55 Retaining Screw Pkg.	2	
9	090024	55 Spring Anchor Screw Pkg.	10	
10	090027	Lift Member Guide Screw Pkg.	10	
11	900509	5547-F/5575/5575-F Center Case Mounting Pkg.		X
		12-24 x 5/8" OPHMS	2	
11	900507	5547WDC Center Case Mounting Pkg.		X
		12-24 x 3/4" OPHMS	2	
11	900512	5547WDC 2" Dr SNB Mounting Pkg.		X
		12-24 x 1" OPHMS	4	
11	900514	5547/5575 2" Dr SNB Mounting Pkg.		X
		12-24 x 1" OPHMS	2	

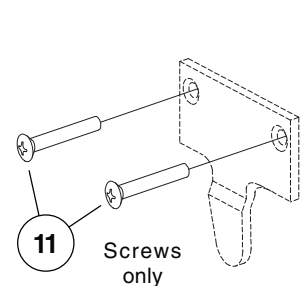
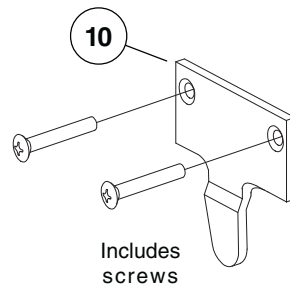
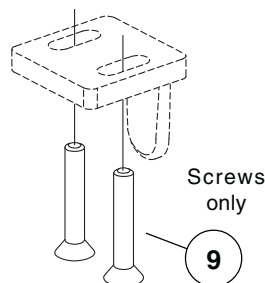
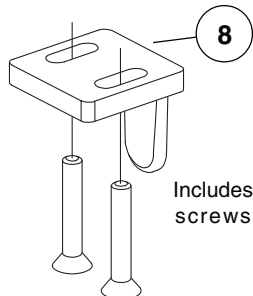
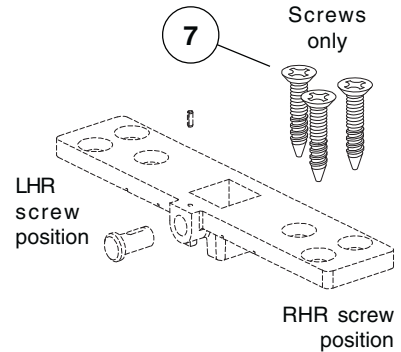
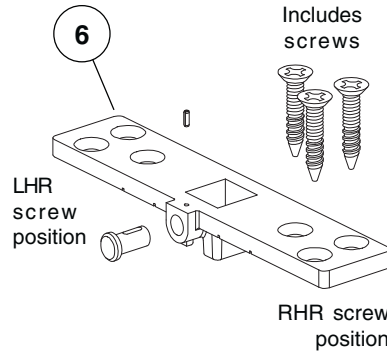
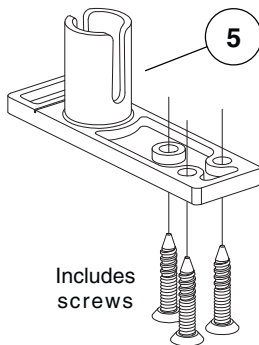
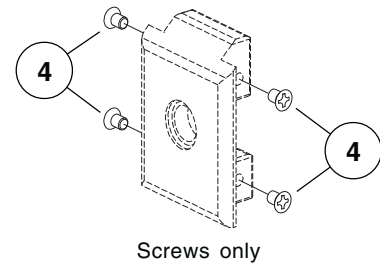
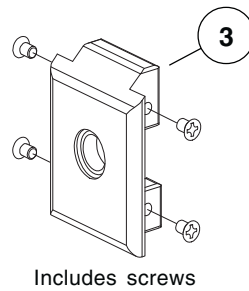
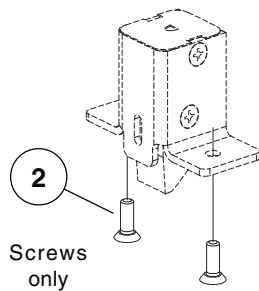
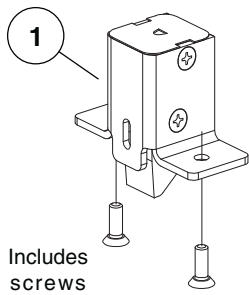
X in "Finish" column designates finished item; specify finish when ordering.



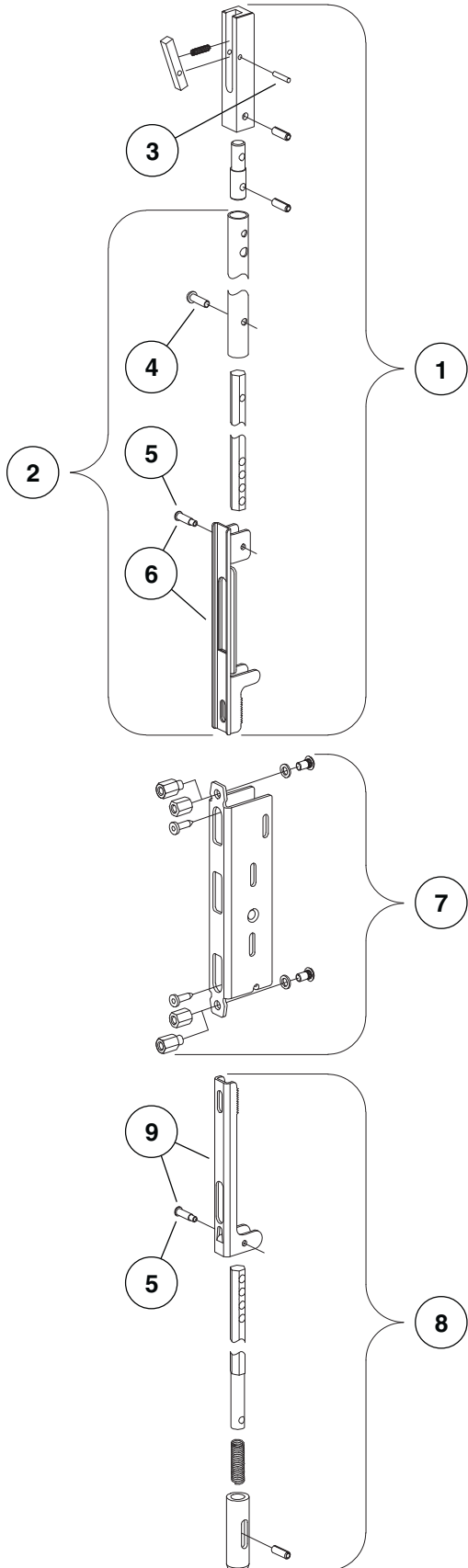
VERTICAL LATCHES

Item No.	Part No.	Description	Quantity	Finish
1	114141	5547-F Soffit Latch Kit (includes screws)	1	
2	900502	5547 Soffit Latch Mounting Pkg.	2	
3	050278	5547-F Release Guide Cover with Screws	1	X
4	PKGSRV.1018	5547-F Top Latch Release Screw Pkg.	20	
5	050370	5547/5547WDC Bottom Bracket Guide (includes screws)	1	
6	100316	5547/5547WDC Top Plate (includes screws)	1	
7	090033	5547WDC Top Plate Screw Pkg.	10	
8	900576	5547-F Plunger Release Bracket (includes screws)	1	X
9	090034	5547-F Plunger Release Bracket Screw Pkg.	10	X
10	900614	5547-F Flush Transom Release Bracket with Screws	1	X
11	090035	5547-F Flush Transom release Bracket Screw Pkg.	10	X

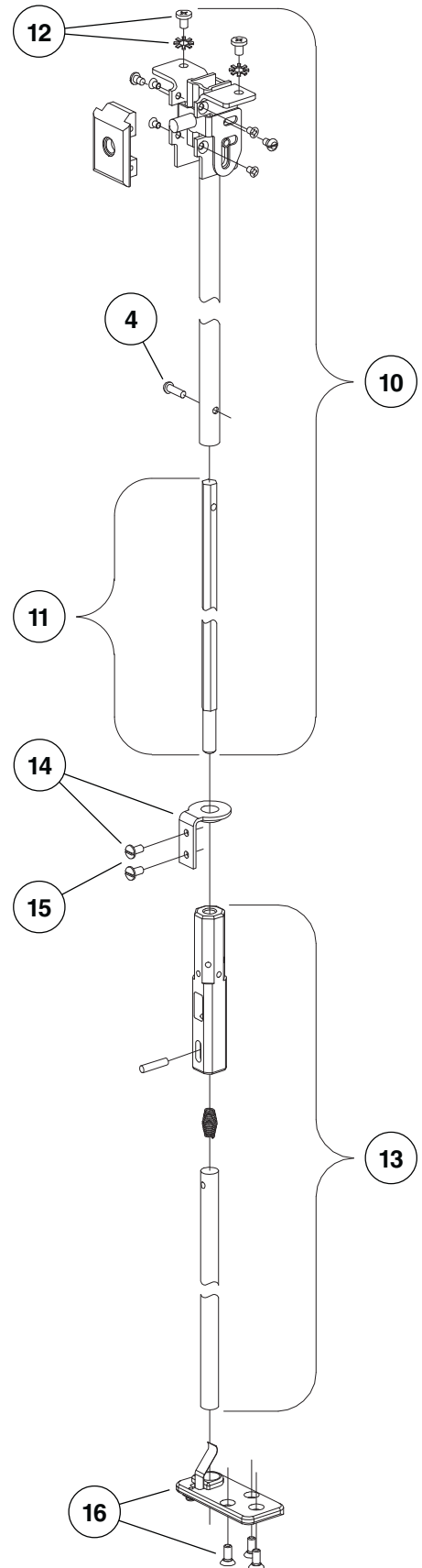
X in "Finish" column designates finished item; specify finish when ordering.



VERTICAL RODS: 5547 DEVICE



VERTICAL RODS: 5547-F DEVICE



VERTICAL RODS: 5547 DEVICE

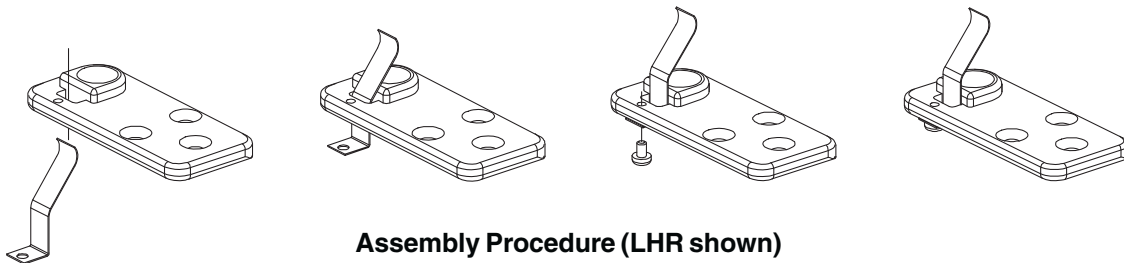
Item No.	Part No.	Description	Quantity	Finish
1	050053	5547 Top Rod Kit 6'8"-8' Door	1	
1	050372	5547 Top Rod Kit 8'-10' Door	1	
2	051704	5547 Extension Rod Kit 8'-10' Door	1	
3	090032	5547 Top Rod 1/8" x 5/8" Roll Pin Pkg.	10	
4	090011	5547 Rod Connector Rivet Pkg.	10	
5	090030	5547 Rod Connector Pin Pkg.	2	
6	050368	5547 Top Rod Connector with Pin	1	
7	050367	5547 Rod Control Housing	1	
8	050036	5547 Bottom Rod Kit	1	
9	050369	5547 Bottom Rod Connector with Pin	1	

X in "Finish" column designates finished item; specify finish when ordering.

VERTICAL RODS: 5547-F DEVICE

Item No.	Part No.	Description	Quantity	Finish
10	050457	5547-F Top Rod Kit 6'8"-8' Door	1	X
10	050373	5547-F Top Rod Kit 8'-10' Door	1	X
11	051705	5547-F Extension Rod Kit 8'-10' Door	1	
12	900541	5547-F Rod Set Mounting Pkg.	1	
13	050458	5547-F Bottom Rod Kit	1	
14	105144	5547-F Rod Guide Pkg.	1	
15	090018	5547-F Rod Guide Mounting Screw Pkg.	10	
16	100741	5547-F Bottom Guide Pkg.	1	

X in "Finish" column designates finished item; specify finish when ordering.

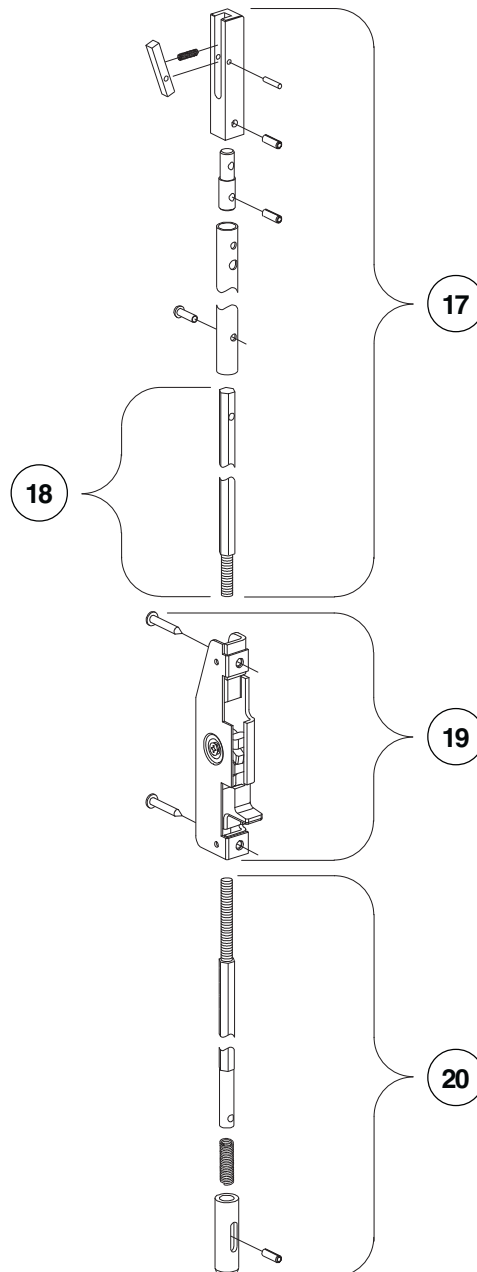


Assembly Procedure (LHR shown)
 5547-F Bottom Guide Pkg.
 Part No. 100741

VERTICAL RODS: 5547WDC DEVICE

Item No.	Part No.	Description	Quantity	Finish
17	050110	5547WDC Top Rod Kit 6'8"-8' Door	1	
17	050374	5547WDC Top Rod Kit 8'-10' Door	1	
18	051707	5547WDC Extension Rod Kit 8'-10' Door	1	
19	100315	5547WDC Latch Control	1	
20	050096	5547WDC Bottom Rod Kit	1	

X in "Finish" column designates finished item; specify finish when ordering.



About Allegion

Allegion (NYSE: ALLE) creates peace of mind by pioneering safety and security. As a \$2 billion provider of security solutions for homes and businesses, Allegion employs more than 7,800 people and sells products in more than 120 countries across the world. Allegion comprises 23 global brands, including strategic brands CISA®, Interflex®, LCN®, Schlage® and Von Duprin®.

For more, visit www.allegion.com.

aptiQ ■ LCN ■ **SCHLAGE** ■ STEELCRAFT ■ VON DUPRIN

VON DUPRIN

Electric Strikes 5100, 6100, 6200, 6300 Series

Service manual

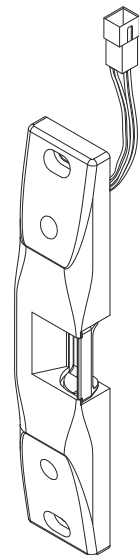
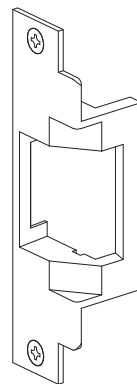
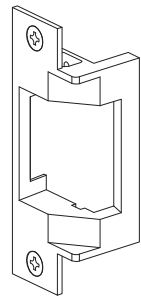
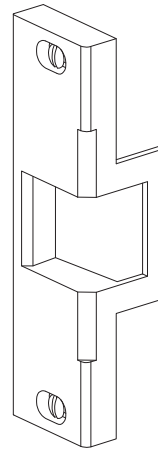
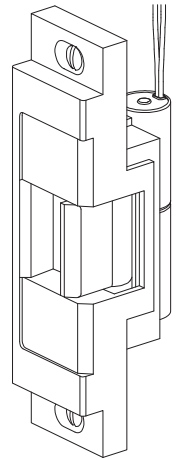
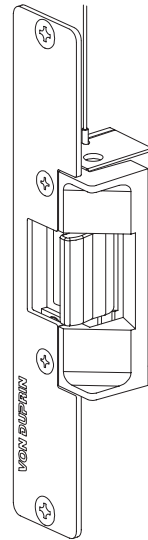


Table of Contents

General Information	2	6200 Series Electric Strikes.....	17
Introduction	2	Box Parts: Type B Box.....	18
How To Order.....	2	Box Parts: Type B Box Images	19
Part Number Changes	2	Solenoids & Box Parts: Type A Box, Type C	
5100 Series Medium Duty Electric Strikes	3	Box, Offset Box	20
Faceplate & Screw Packages.....	4	6213	22
Solenoid Replacement Kit.....	5	6214, 6215, 6222, 6224, 6224AL, 6225,	
6100 Series Electric Strikes.....	7	6226	24
Solenoids & Solenoid Parts	8	6211, 6211AL, 6212.....	26
Solenoids & Box Parts: Type A Box, Type C		6211WF, 6212WF.....	28
Box, Offset Box	9	6221, 6223	30
6111, 6113.....	10	6216	32
6114	12	6210	34
6112, 6121	14	6300 Series Electric Strikes.....	37
		6300 Strike Shim & Wire Harness.....	38

General Information

INTRODUCTION

This manual lists replaceable parts and assemblies for 5100 Series Medium Duty Electric Strikes, 6100 Series Electric Strikes, 6200 Series Electric Strikes, and 6300 Electric Strikes.

HOW TO ORDER

Some parts are sold separately. Other items are available as part of a kit or multiple quantity package. For the best possible service when ordering replacement parts or assemblies, please provide the following information:

- Part number or assembly number
- Description
- Quantity needed
- Finish desired (if available finished)
- Date of original purchase (if known)

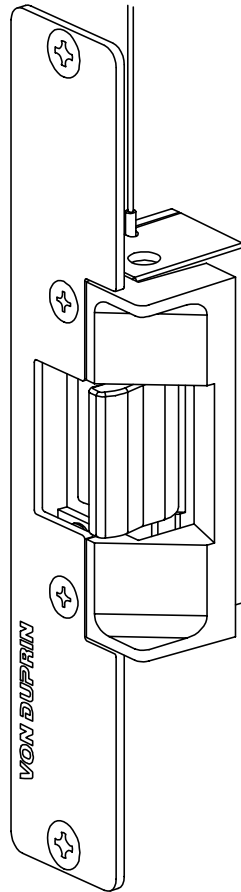
To find out the name of your local Von Duprin distributor or sales representative, contact:

Von Duprin Division
Allegion
2720 Tobey Drive
Indianapolis, Indiana 46219
Phone: (877) 671-7011

PART NUMBER AND AVAILABILITY CHANGES

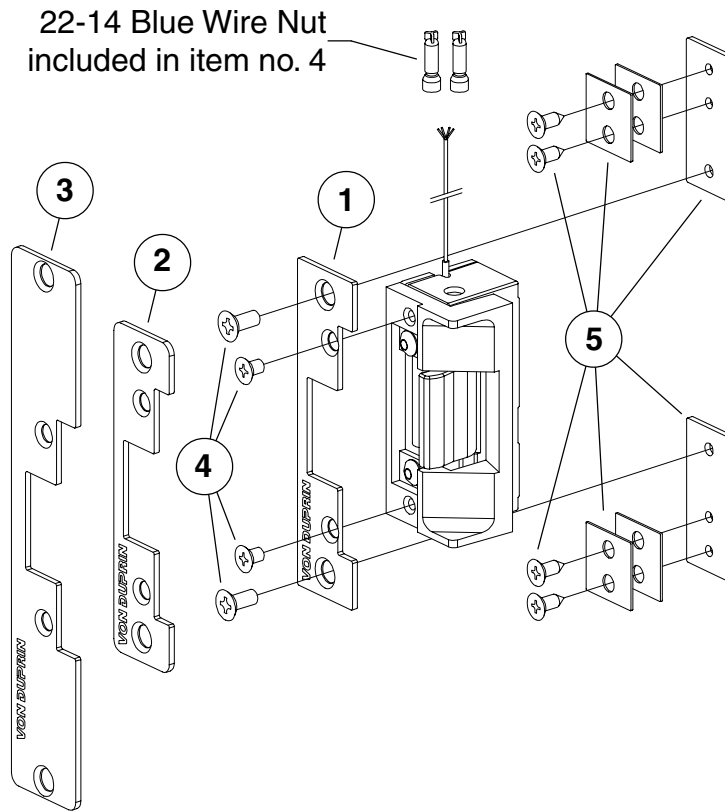
This manual was designed to help illustrate the replacement parts and kits that are available for sale. Because of changes to the product and/or manufacturing process, part numbers and availability can change over time.

5100 Series Medium Duty Electric Strikes



5100 Series Medium Duty Electric Strikes

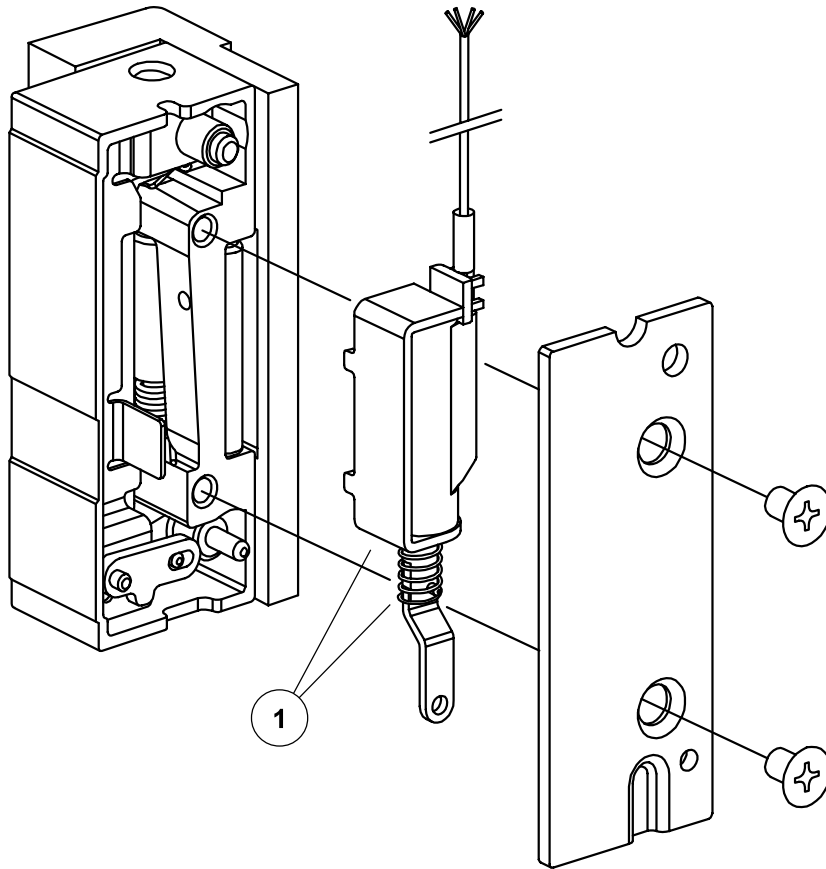
Faceplate & Screw Packages



Item Number	Part Number	Description	Quantity	Finish
1	050031	5100 Faceplate Package - Standard 4-7/8"	1	x
2	050032	5100 Faceplate Package - Round Corner 4-7/8"	1	x
3	050033	5100 Faceplate Package - Long 7-11/16"	1	x
4	PKGSCR.1003	5000 Series Screw Package US32D		
		10-24 5/16" UFPHMS	2	
		12-24 1/2" UFPHMS	2	
		12-14 1" UFPHWS	2	
		22-14 Blue Wire Nut	2	
4	PKGSCR.1004	5000 Series Screw Package Black Same parts as PKGSCR.1003 in Black Finish		
5	PKGMTG.1004	5000 Mounting Package US32D		
		Mounting Tab Zinc	2	
		Mounting Tab Shim Nylon	4	
		10-24 1/2" UFPHMS	4	
5	PKGMTG.1005	5000 Mounting Package Black Same parts as PKGMTG.1004 in Black Finish		

X in "Finish" column designates finished item; specify finish when ordering.

Solenoid Replacement Kit

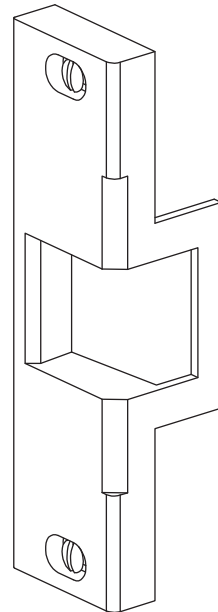
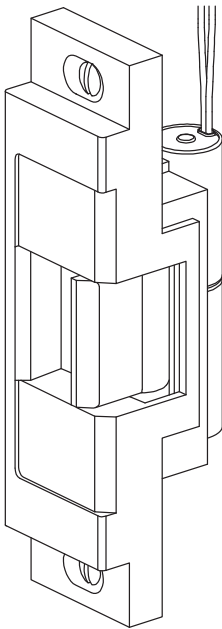


Item Number	Part Number	Description	Quantity	Finish
1	050034	5100 Solenoid Replacement Kit		
		5100 Solenoid Assembly	1	
		5100 Plunger Spring	1	

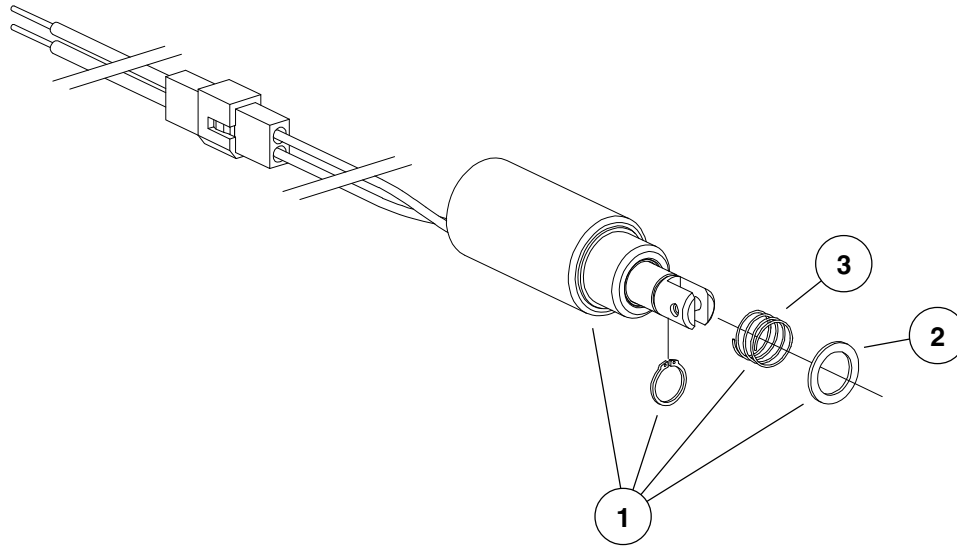
X in "Finish" column designates finished item; specify finish when ordering.

5100 Series Medium Duty Electric Strikes

6100 Series Electric Strikes



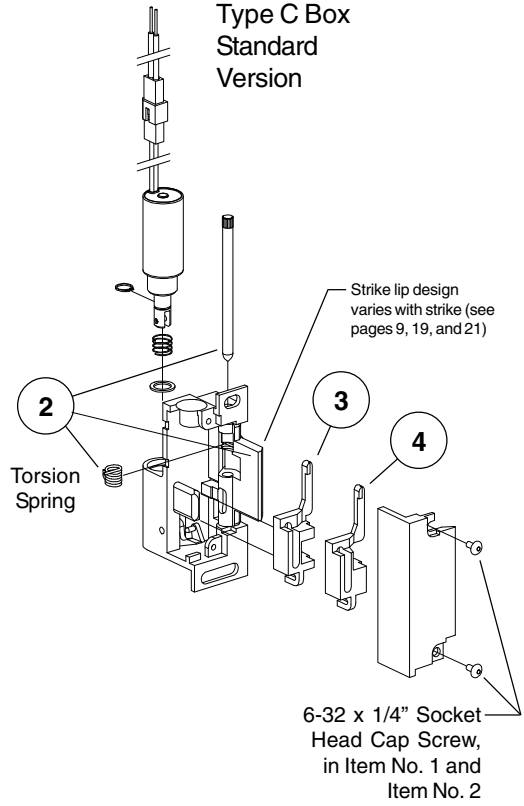
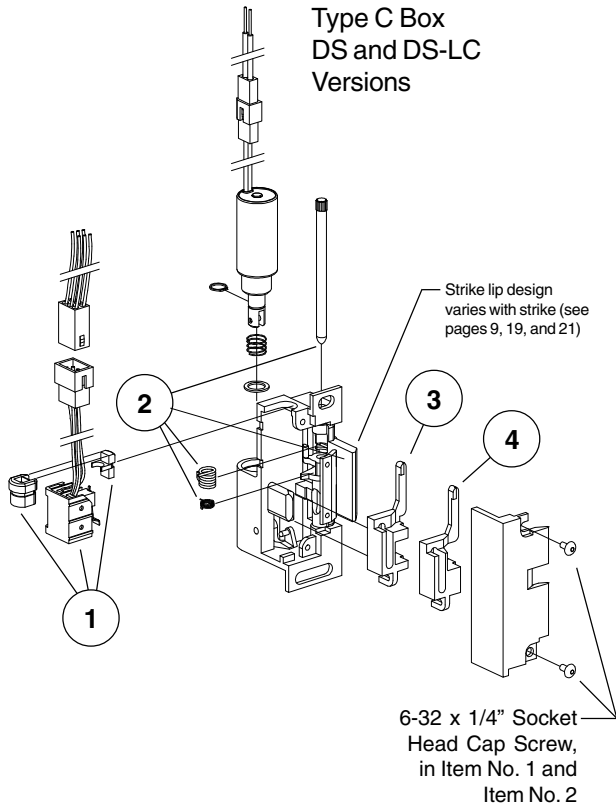
Solenoids & Solenoid Parts



Item Number	Part Number	Description	Quantity	Finish
1	050237	6000 Series Solenoid Kit 12VDC (FS & FSE)	1	
1	050239	6000 Series Solenoid Kit 16VDC (FS & FSE)	1	
1	050240	6000 Series Solenoid Kit 24VDC (FS & FSE)	1	
2	964037	Solenoid Washer	1	
3	968713	Solenoid Spring	1	

X in "Finish" column designates finished item; specify finish when ordering.

Solenoids & Box Parts: Type A Box, Type C Box, Offset Box



Item Number	Part Number	Description	Quantity	Finish
	050941	Type C Box Spring Kit (Includes items listed below)	2	
3	970387	FSE Slider (*Except for models below) *Use as FS Slider for 6211WF/6212WF/6221/6223	1	
4	970388	FS Slider (*Except for models below) *Use as FSE Slider for 6211WF/6212WF/6221/6223	1	

X in "Finish" column designates finished item; specify finish when ordering.

Type C Box Used For:	
6111	6113
6112	6121

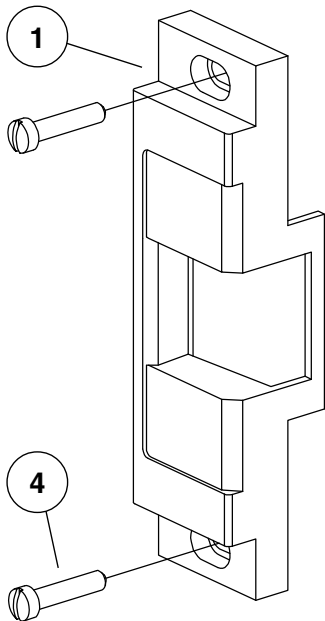
6100 Series Electric Strikes

6111, 6113

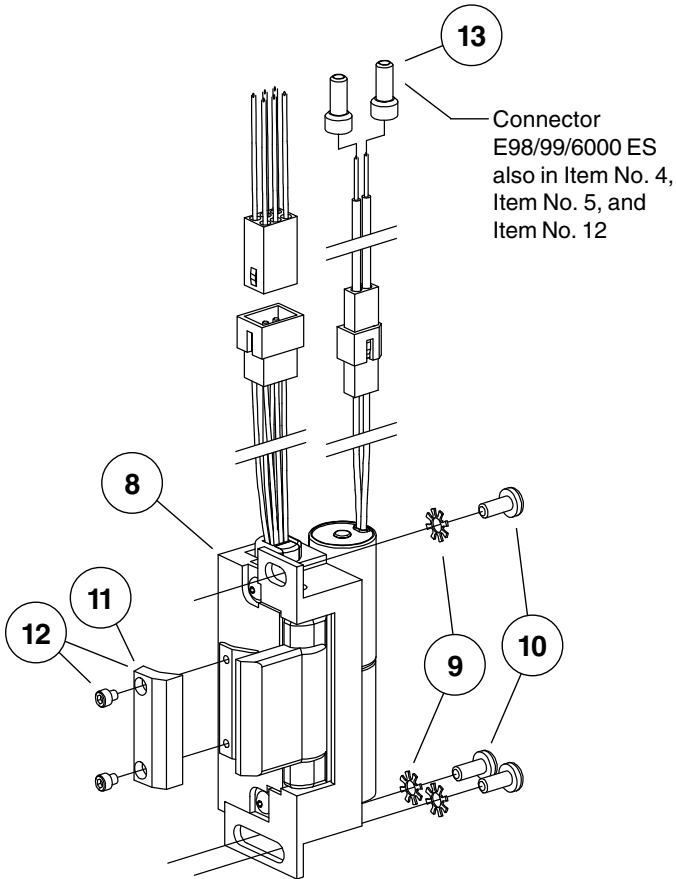
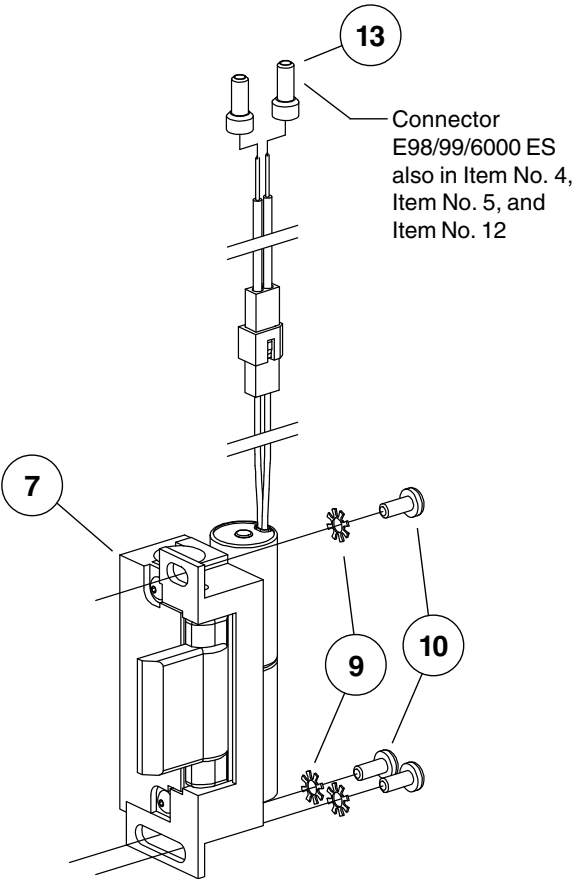
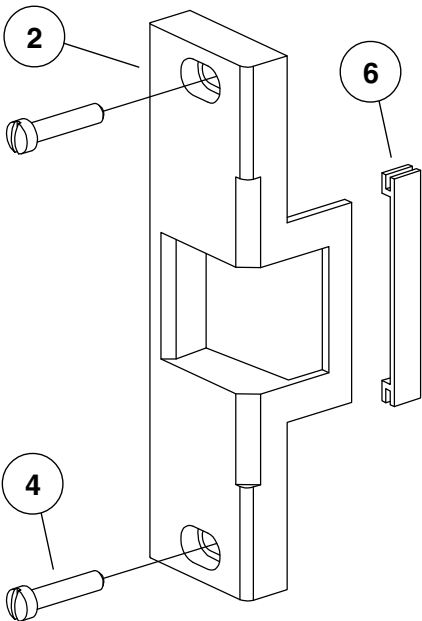
Item Number	Part Number	Description	Quantity	Finish
1	970271	6111 Faceplate	1	x
2	970280	6113 Faceplate	1	x
4	900870	6111/6113 Screw Pkg.		x
		12-24 x 1" Slotted Fill. HMS	2	
		Connector- E98/99/6000 ES	2	
6	900347	6113 Frame Insert Pkg.	1	
7	111743	6111, 6113, 6213 12VDC FS Box Assy.	1	
7	111744	6111, 6113, 6213 12VDC FSE Box Assy.	1	
7	111745	6111, 6113, 6231 24VDC FS Box Assy.	1	
7	111746	6111, 6113, 6213 24VDC FSE Box Assy.	1	
8	111747	6111, 6113, 6213 12VDC FS DS Box Assy.	1	
8	111748	6111, 6113, 6213 12VDC FSE DS Box Assy.	1	
8	111749	6111, 6113, 6213 24VDC FS DS Box Assy.	1	
8	111750	6111, 6113, 6213 24VDC FSE DS Box Assy.	1	
8	112772	6111/6113/6213 12VDC FS DS-LC Box Assy.	1	
8	112773	6111/6113/6213 12VDC FSE DS-LC Box Assy.	1	
8	112774	6111/6113/6213 24VDC FS DS-LC Box Assy.	1	
8	112775	6111/6113/6213 24VDC FSE DS-LC Box Assy.	1	
9	964019	#8 Ext. Tooth Lock Washer	1	
10	964070	8-32 x 3/8" PPHMS	1	
11	970384	DS Tripper Extension	1	
12	900344	DS Tripper Extension & Connector		
		Tripper Extension	1	
		4-40 x 1/8" Socket Head Cap Screw	2	
		Connector- E98/99/6000 ES	6	
13	990132	Connector- E98/99/6000 ES	1	

X in "Finish" column designates finished item; specify finish when ordering.

6111



6113



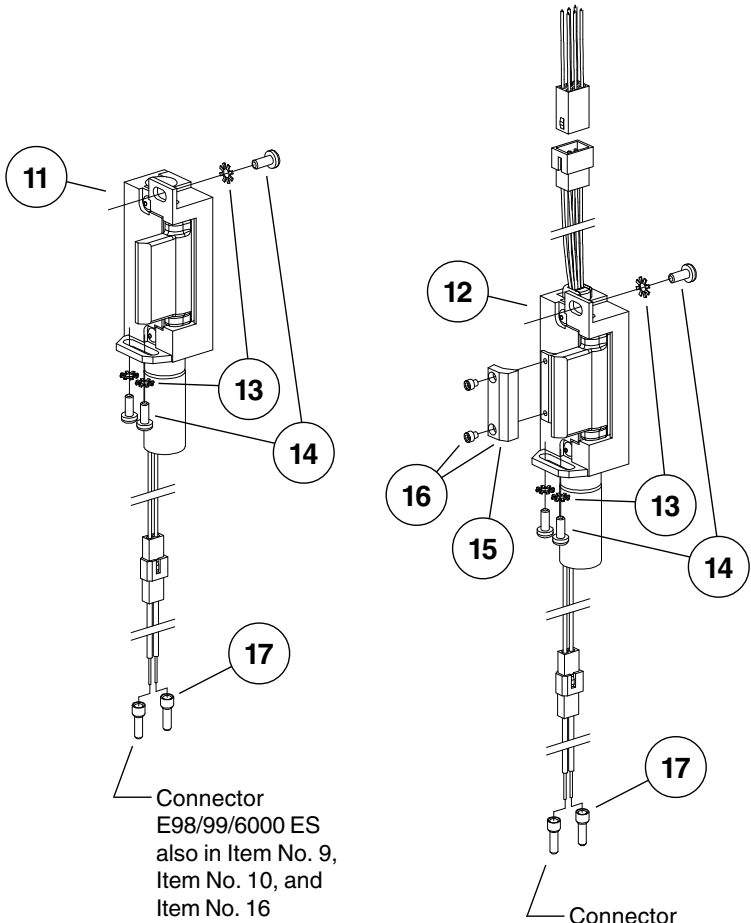
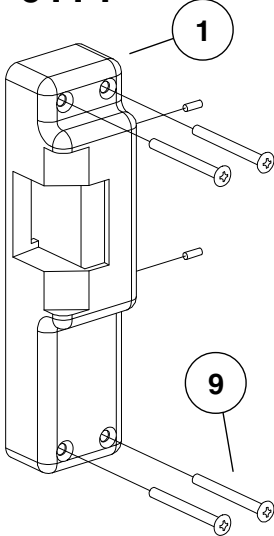
6100 Series Electric Strikes

6114

Item Number	Part Number	Description	Quantity	Finish
1	970300	6114 Faceplate	1	x
9	900882	6114 Screw Pkg.		x
		10-12 x 10-24 x 2" OPHCS	4	
		Connector- E98/99/6000 ES	2	
11	111719	6114, 6214/5, 6222/4/4AL/5/6 12VDC FS Box Assy.	1	
11	111720	6114, 6214/5, 6222/4/4AL/5/6 12VDC FSE Box Assy.	1	
11	111721	6114, 6214/5, 6222/4/4AL/5/6 24VDC FS Box Assy.	1	
11	111722	6114, 6214/5, 6222/4/4AL/5/6 24VDC FSE Box Assy.	1	
12	111723	6114, 6214/5, 6222/4/4AL/5/6 12VDC FS DS Box Assy.	1	
12	111724	6114, 6214/5, 6222/4/4AL/5/6 12VDC FSE DS Box Assy.	1	
12	111725	6114, 6214/5, 6222/4/4AL/5/6 24VDC FS DS Box Assy.	1	
12	111726	6114, 6214/5, 6222/4/4AL/5/6 24VDC FSE DS Box Assy.	1	
12	112760	6114/6214/15/24/24AL/26 12VDC FS DS-LC Box Assy.		
12	112761	6114/6214/15/24/24AL/26 12VDC FSE DS-LC Box Assy.		
12	112762	6114/6214/15/24/24AL/26 24VDC FS DS-LC Box Assy.		
12	112763	6114/6214/15/24/24AL/26 24VDC FSE DS-LC Box Assy.		
13	964019	#8 Ext. Tooth Lock Washer	1	
14	964070	8-32 x 3/8" PPHMS	1	
15	970384	DS Tripper Extension	1	
16	900344	DS Tripper Extension & Connector		
		Tripper Extension	1	
		4-40 x 1/8" Socket Head Cap Screw	2	
		Connector- E98/99/6000 ES	6	
17	990132	Connector- E98/99/6000 ES	1	

X in "Finish" column designates finished item; specify finish when ordering.

6114

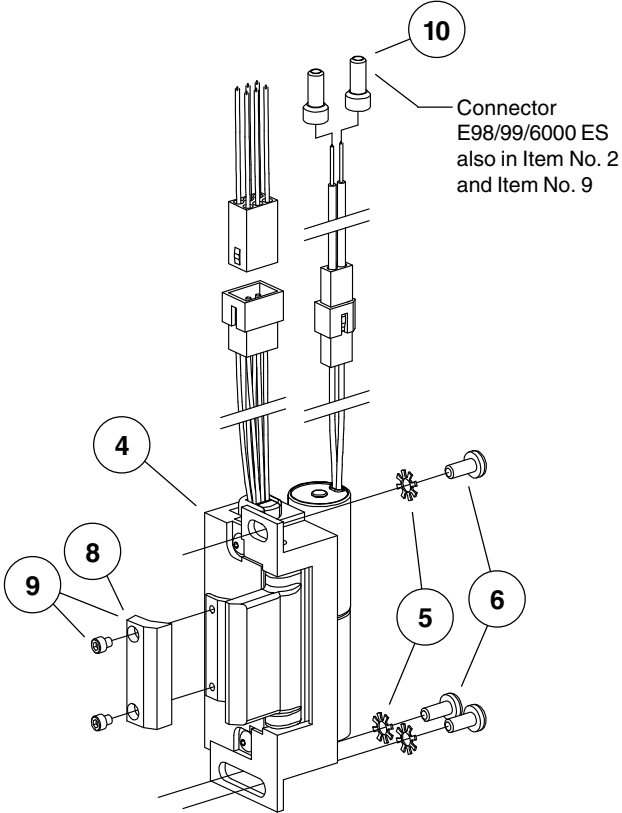
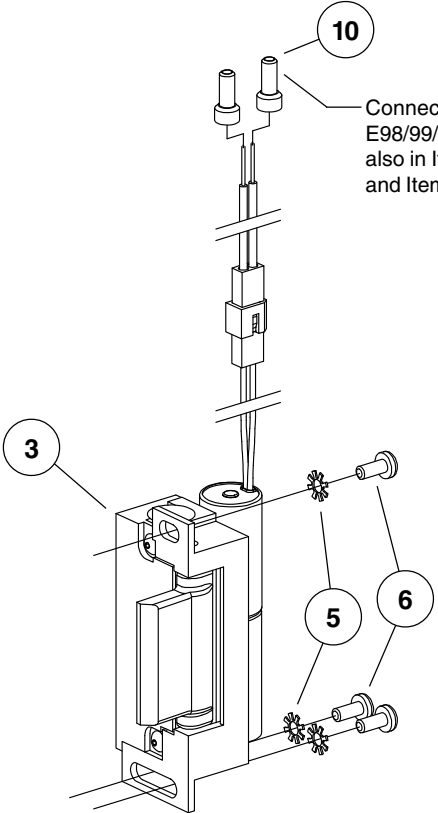
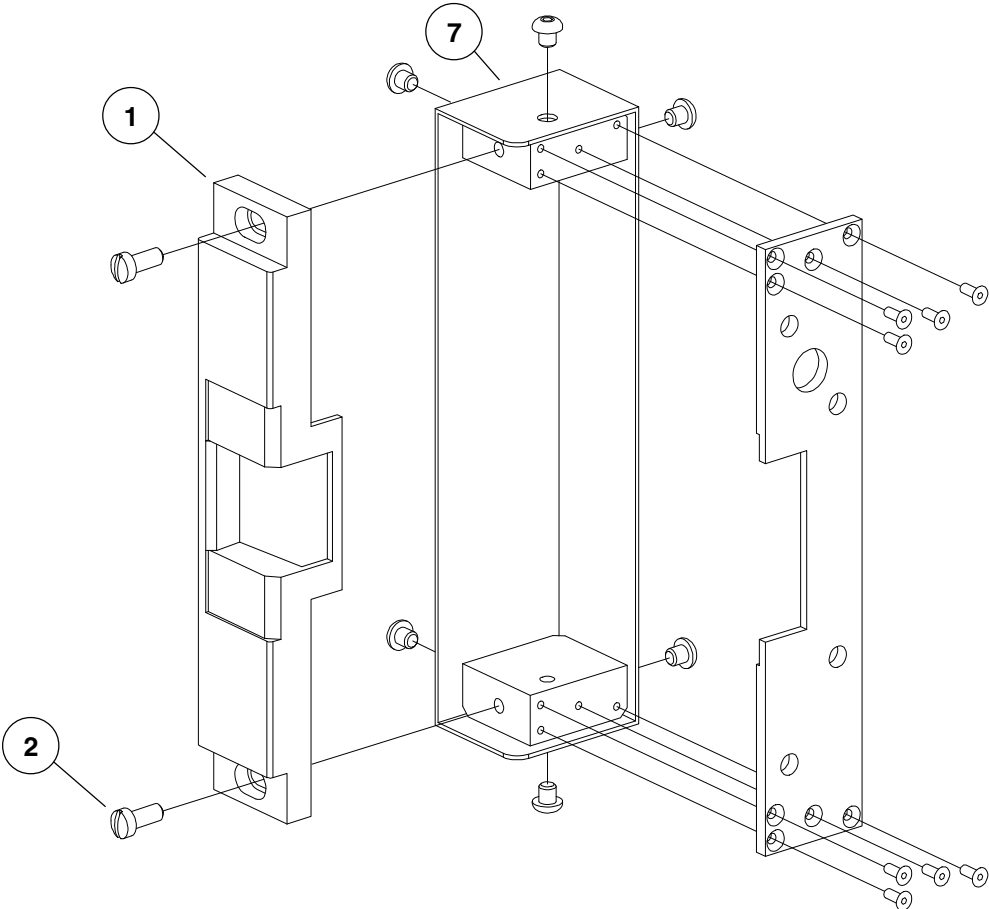


6100 Series Electric Strikes

6112, 6121

Item Number	Part Number	Description	Quantity	Finish
1	970303	6112/6121 Faceplate	1	x
2	900881	6112/6121 Screw Pkg.		x
		1/4-20 x 5/8" Slot Fill HMS	2	
		Connector- E98/99/6000 ES	2	
3	111751	6112, 6121 12VDC FS Box Assy.	1	
3	111752	6112, 6121 12VDC FSE Box Assy.	1	
3	111753	6112, 6121 24VDC FS Box Assy.	1	
3	111754	6112, 6121 24VDC FSE Box Assy.	1	
4	111755	6112, 6121 12VDC FS DS Box Assy.	1	
4	111756	6112, 6121 12VDC FSE DS Box Assy.	1	
4	111757	6112, 6121 24VDC FS DS Box Assy.	1	
4	111758	6112, 6121 24VDC FSE DS Box Assy.	1	
4	112776	6112/6121 12VDC FS DS-LC Box Assy.	1	
4	112777	6112/6121 12VDC FSE DS-LC Box Assy.	1	
4	112778	6112/6121 24VDC FS DS-LC Box Assy.	1	
4	112779	6112/6121 24VDC FSE DS-LC Box Assy.	1	
5	964019	#8 Ext. Tooth Lock Washer		
6	964070	8-32 x 3/8" PPHMS	1	
7	970412	6121 Housing Cover	1	x
8	970384	DS Tripper Extension	1	
9	900344	DS Tripper Extension		
		Tripper Extension	1	
		4-40 x 1/8" Socket Head Cap Screw	2	
		Connector- E98/99/6000 ES	6	
10	990132	Connector- E98/99/6000 ES	1	

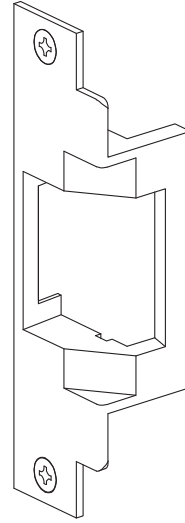
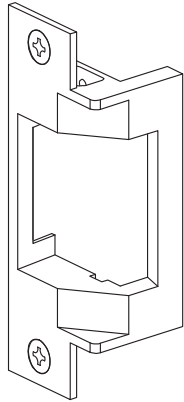
X in "Finish" column designates finished item; specify finish when ordering.



Connector
E98/99/6000 ES
also in Item No. 2
and Item No. 9

Connector
E98/99/6000 ES
also in Item No. 2
and Item No. 9

6200 Series Electric Strikes



6200 Series Electric Strikes

Box Parts: Type B Box

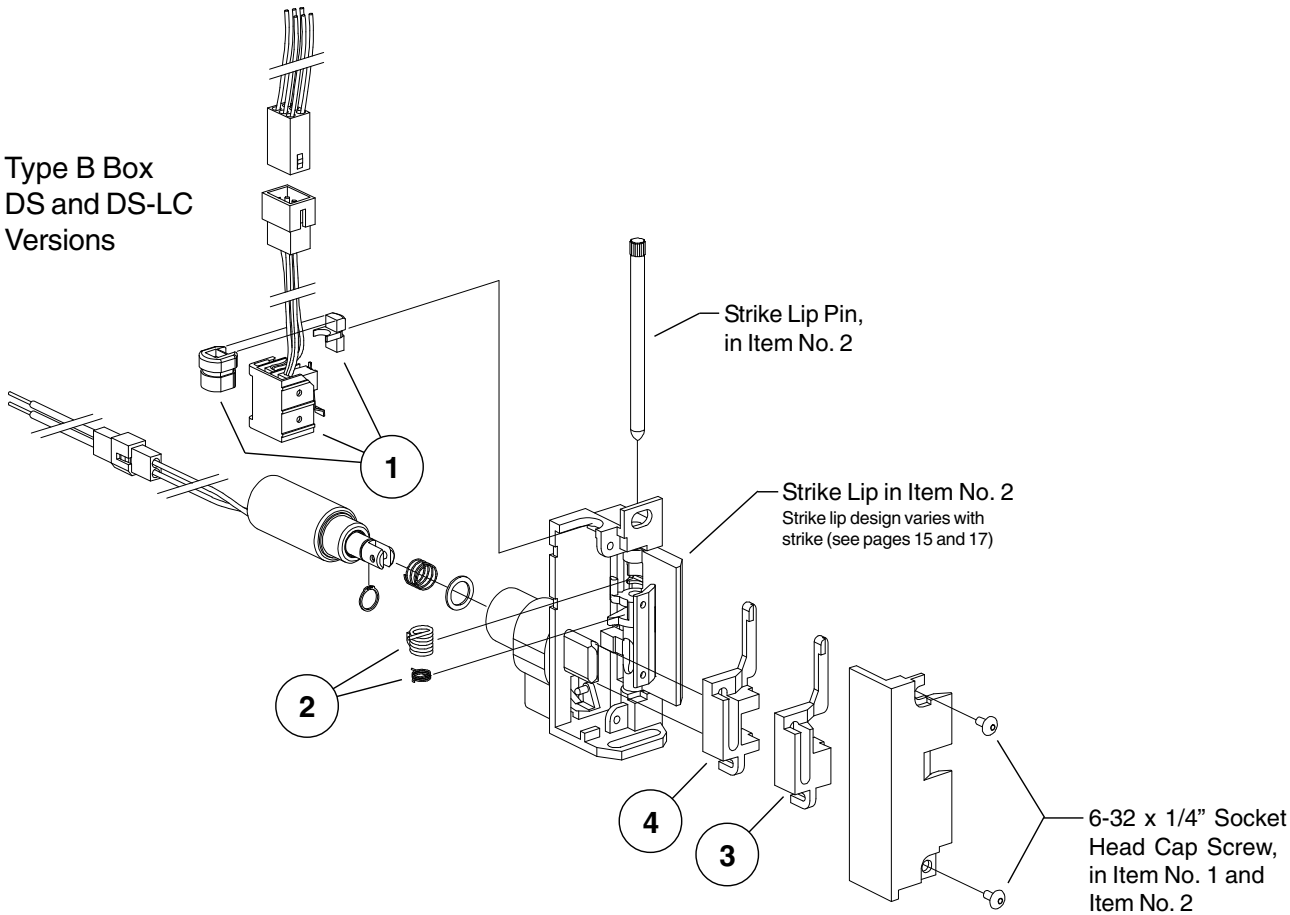
Item Number	Part Number	Description	Quantity	Finish
1	050015	6000 DS Replacement Kit Type B		
		6000 Switch & Mtg. Assy.	1	
		6-32 x 1/4" Socket Head Cap Screw	2	
		Wire Strain Relief	1	
1	050018	6000 DS-LC Replacement Kit Type B		
		Same parts as 050015 for DS-LC Version		
2	050939	Type A or B Box Spring Kit		
		6-32 x 1/4" Socket Head Cap Screw	2	
		Tripper Spring	1	x
		Torsion Spring	1	
		Strike Lip Pin	1	
		Strike Lip	1	
3	970387	FS Slider (6211WF/6212WF/6221/6223 Only)	1	
4	970388	FSE Slider (6211WF/6212WF/6221/6223 Only)	1	

X in "Finish" column designates finished item; specify finish when ordering.

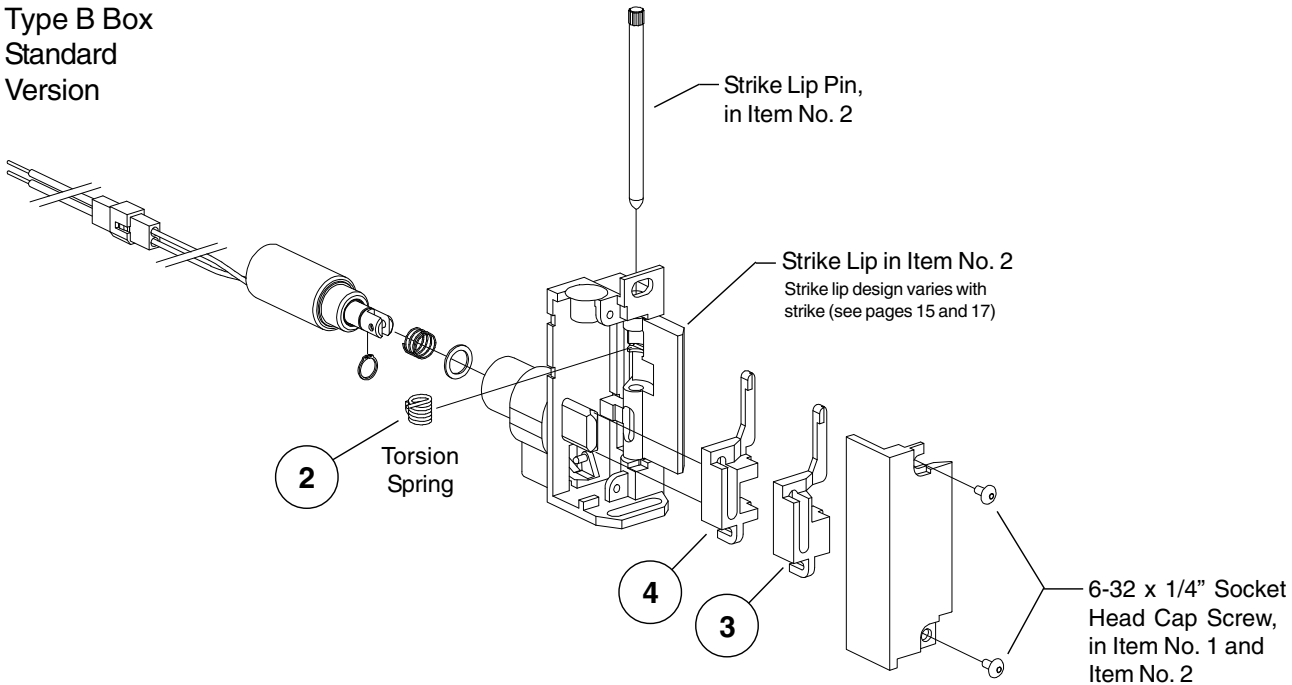
Type B Box Used For:

6211WF
6212WF
6221
6223

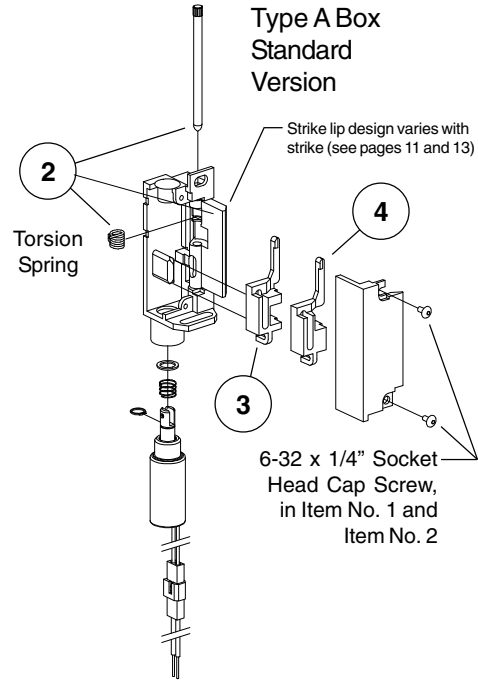
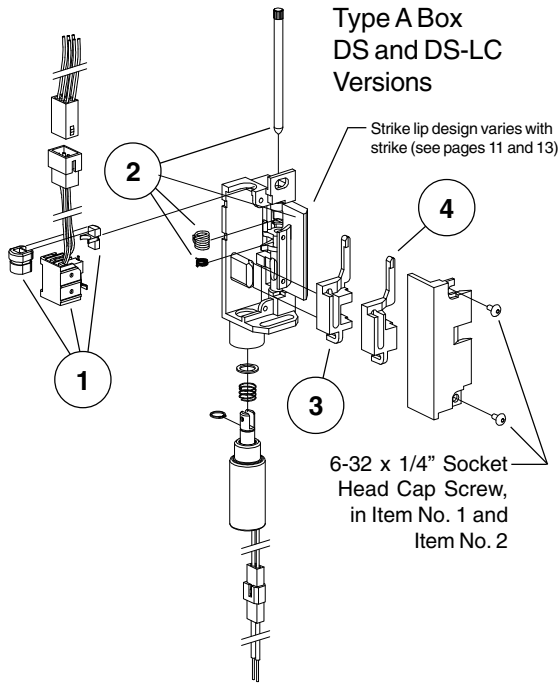
Box Parts: Type B Box Images



Type B Box
Standard
Version



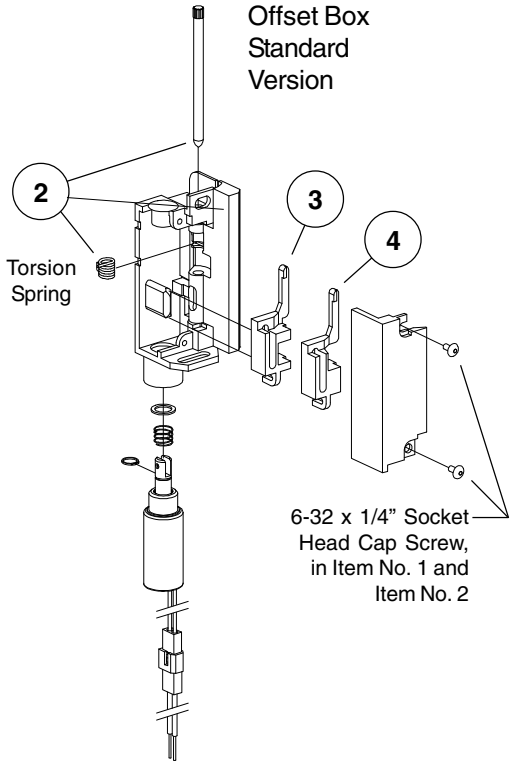
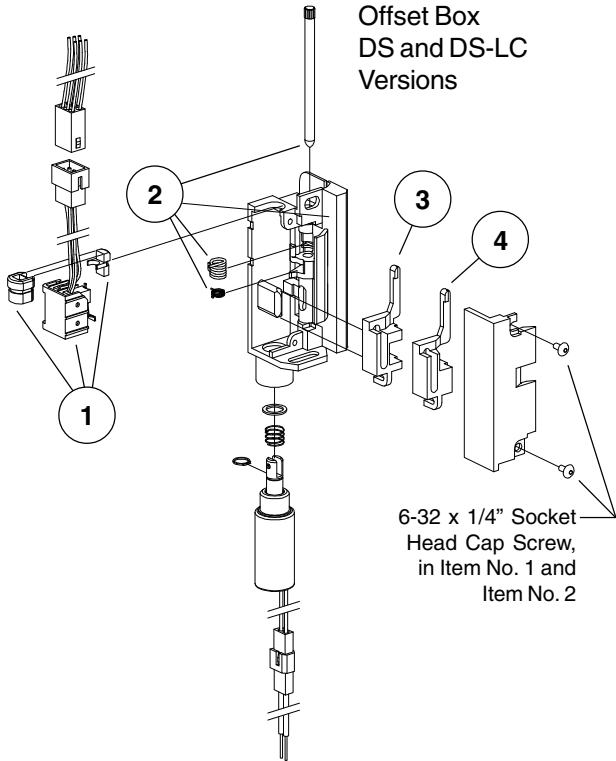
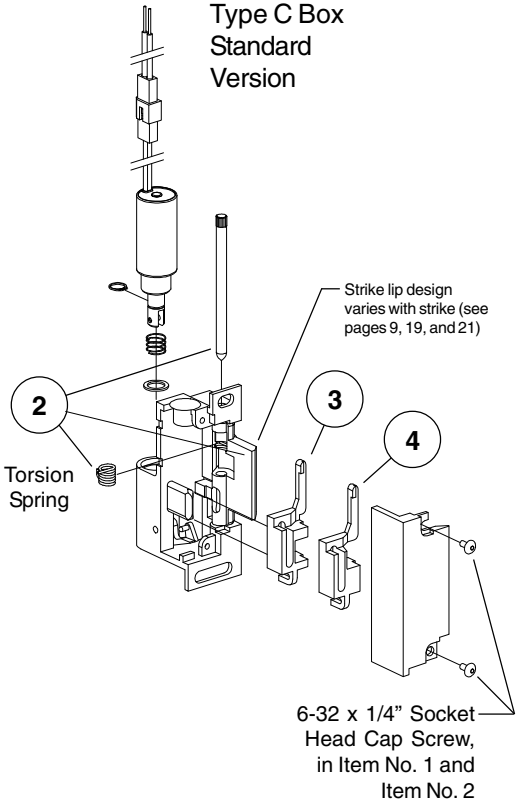
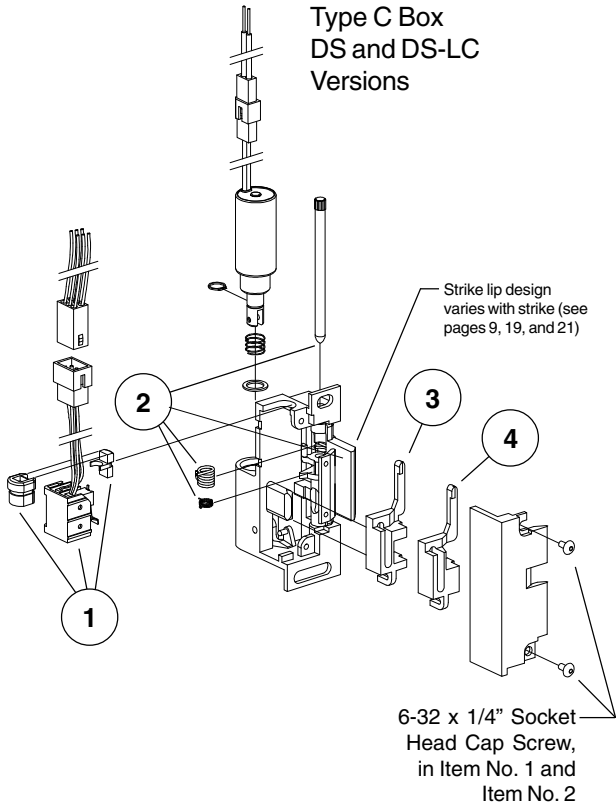
Solenoids & Box Parts: Type A Box, Type C Box, Offset Box



Item Number	Part Number	Description	Quantity	Finish
1	050011	6000 DS Replacement Kit Type A		
		6000 Switch & Mtg. Assy.	1	
		6-32 x 1/4" Socket Head Cap Screw	2	
		Wire Strain Relief	1	
1	050016	6000 DS-LC Replacement Kit Type B	1	
		Same parts as 050011 for DS-LC Version		
2	050939	Type A or B Box Spring Kit (Includes items listed below)		
	050941	Type C Box Spring Kit (Includes items listed below)	2	
	050940	Type Offset Box Spring Kit (Includes items listed below)	1	
		Tripper Spring	1	
		Torsion Spring	1	
		Strike Lip	1	
3	970387	FSE Slider (*Except for models below) *Use as FS Slider for 6211WF/6212WF/6221/6223	1	
4	970388	FS Slider (*Except for models below) *Use as FSE Slider for 6211WF/6212WF/6221/6223	1	

X in "Finish" column designates finished item; specify finish when ordering.

Type A Box Used For:		Type C Box Used For:	Offset Box Used For:
6211	6222	6213	6210
6211AL	6224	6216	
6212	6224AL		
6214	6225		
6215	6226		



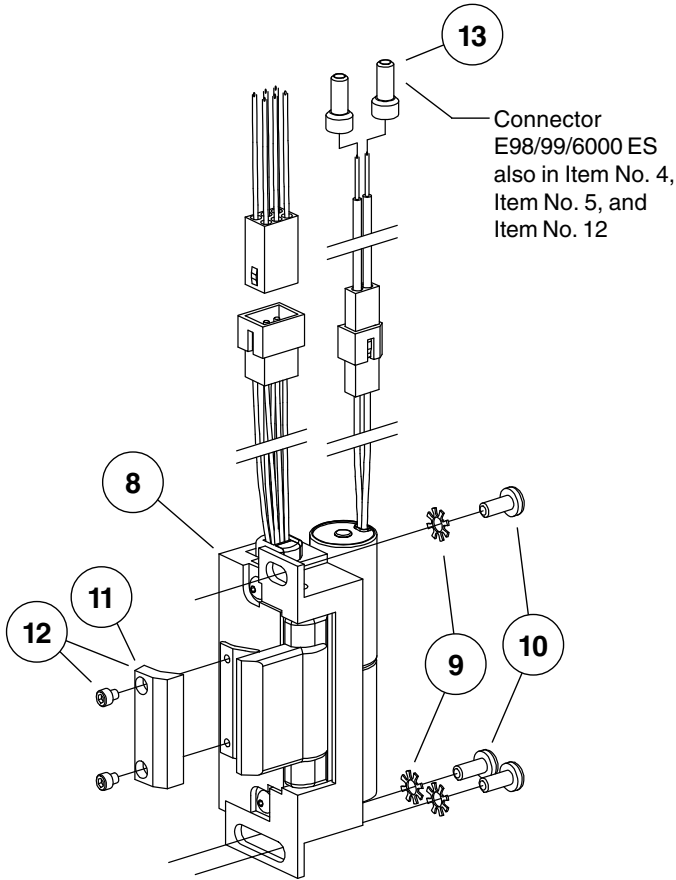
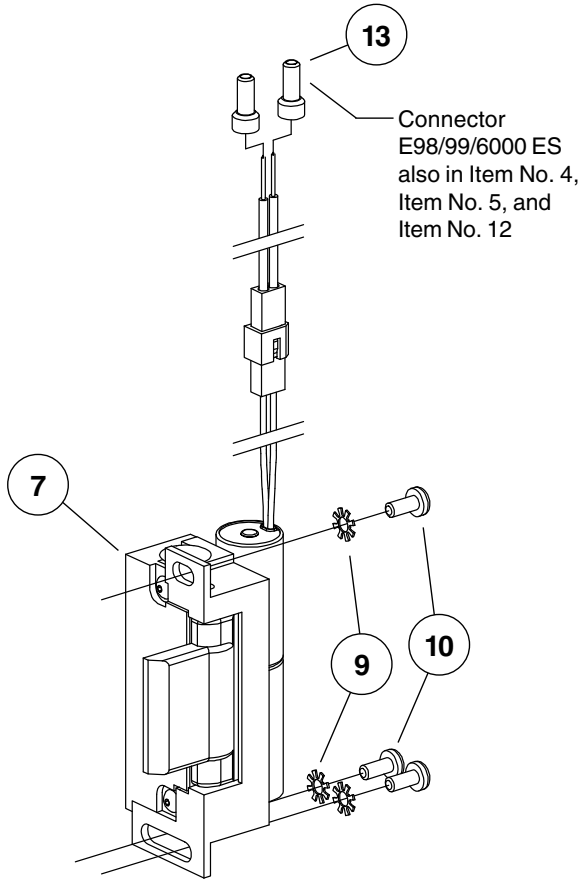
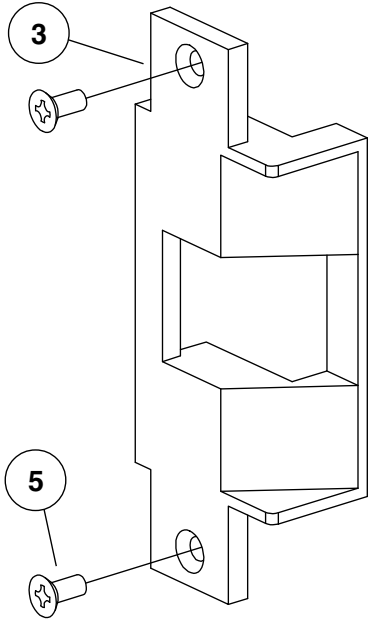
6200 Series Electric Strikes

6213

Item Number	Part Number	Description	Quantity	Finish
3	970278	6213 Faceplate	1	x
5	900288	6210/11/13/14/16/22/24/25/26 Screw Pkg.		x
		12-24 x 1/2" UFPHMS	2	
		Connector- E98/99/6000 ES	2	
7	111743	6213 12VDC FS Box Assy.	1	
7	111744	6213 12VDC FSE Box Assy.	1	
7	111745	6231 24VDC FS Box Assy.	1	
7	111746	6213 24VDC FSE Box Assy.	1	
8	111747	6213 12VDC FS DS Box Assy.	1	
8	111748	6213 12VDC FSE DS Box Assy.	1	
8	111749	6213 24VDC FS DS Box Assy.	1	
8	111750	6213 24VDC FSE DS Box Assy.	1	
8	112772	6213 12VDC FS DS-LC Box Assy.	1	
8	112773	6213 12VDC FSE DS-LC Box Assy.	1	
8	112774	6213 24VDC FS DS-LC Box Assy.	1	
8	112775	6213 24VDC FSE DS-LC Box Assy.	1	
9	964019	#8 Ext. Tooth Lock Washer	1	
10	964070	8-32 x 3/8" PPHMS	1	
11	970384	DS Tripper Extension	1	
12	900344	DS Tripper Extension & Connector		
		Tripper Extension	1	
		4-40 x 1/8" Socket Head Cap Screw	2	
		Connector- E98/99/6000 ES	6	
13	990132	Connector- E98/99/6000 ES	1	

X in "Finish" column designates finished item; specify finish when ordering.

6213



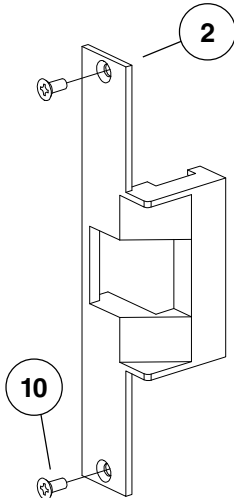
6200 Series Electric Strikes

6214, 6215, 6222, 6224, 6224AL, 6225, 6226

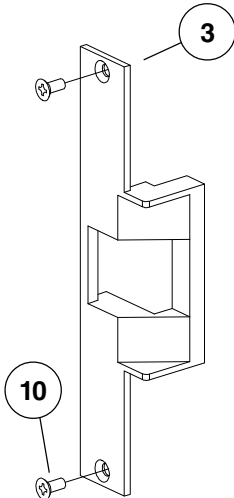
Item Number	Part Number	Description	Quantity	Finish
2	971417	6214 Faceplate	1	x
3	971415	6215 Faceplate	1	x
4	970305	6222 Faceplate	1	x
5	970302	6224 Faceplate	1	x
6	970310	6224AL Faceplate	1	x
7	970306	6225 Faceplate	1	x
8	970301	6226 Faceplate	1	x
10	900288	6210/11/13/14/16/22/24/25/26 Screw Pkg.		x
		12-24 x 1/2" UFPHMS	2	
		Connector- E98/99/6000 ES	2	
11	111719	6214/5, 6222/4/4AL/5/6 12VDC FS Box Assy.	1	
11	111720	6214/5, 6222/4/4AL/5/6 12VDC FSE Box Assy.	1	
11	111721	6214/5, 6222/4/4AL/5/6 24VDC FS Box Assy.	1	
11	111722	6214/5, 6222/4/4AL/5/6 24VDC FSE Box Assy.	1	
12	111723	6214/5, 6222/4/4AL/5/6 12VDC FS DS Box Assy.	1	
12	111724	6214/5, 6222/4/4AL/5/6 12VDC FSE DS Box Assy.	1	
12	111725	6214/5, 6222/4/4AL/5/6 24VDC FS DS Box Assy.	1	
12	111726	6214/5, 6222/4/4AL/5/6 24VDC FSE DS Box Assy.	1	
12	112760	6214/15/24/24AL/26 12VDC FS DS-LC Box Assy.		
12	112761	6214/15/24/24AL/26 12VDC FSE DS-LC Box Assy.		
12	112762	6214/15/24/24AL/26 24VDC FS DS-LC Box Assy.		
12	112763	6214/15/24/24AL/26 24VDC FSE DS-LC Box Assy.		
13	964019	#8 Ext. Tooth Lock Washer	1	
14	964070	8-32 x 3/8" PPHMS	1	
15	970384	DS Tripper Extension	1	
16	900344	DS Tripper Extension & Connector		
		Tripper Extension	1	
		4-40 x 1/8" Socket Head Cap Screw	2	
		Connector- E98/99/6000 ES	6	
17	990132	Connector- E98/99/6000 ES	1	

X in "Finish" column designates finished item; specify finish when ordering.

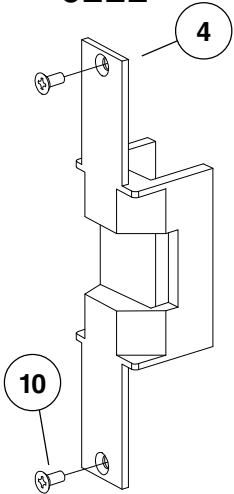
6214



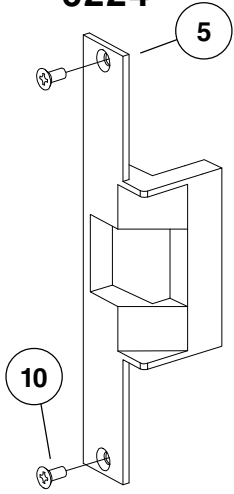
6215



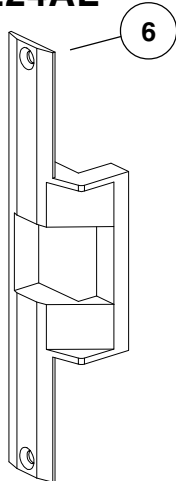
6222



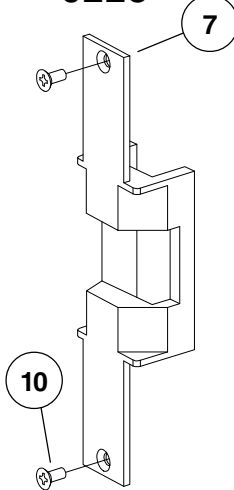
6224



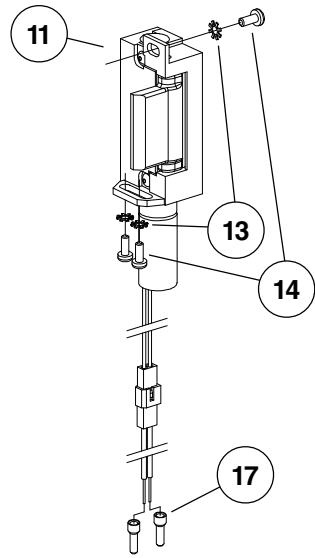
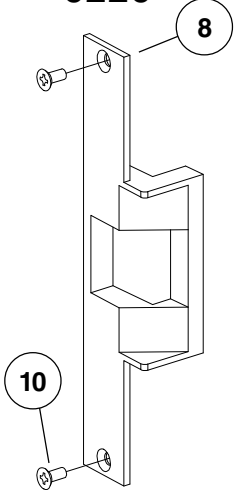
6224AL



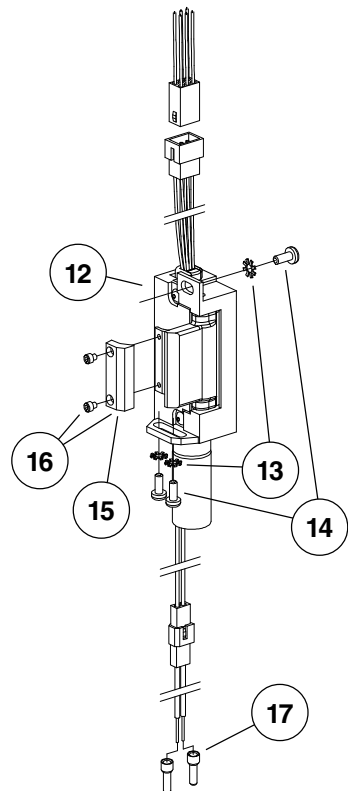
6225



6226



Connector
E98/99/6000 ES
also in Item No. 9,
Item No. 10, and
Item No. 16



Connector
E98/99/6000 ES
also in Item No. 9,
Item No. 10, and
Item No. 16

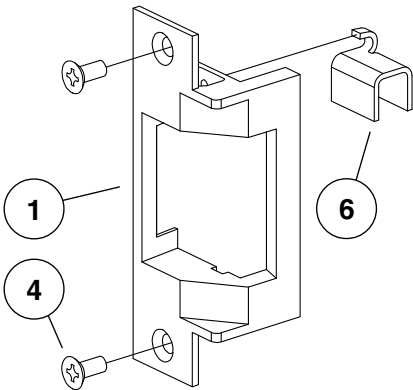
6200 Series Electric Strikes

6211, 6211AL, 6212

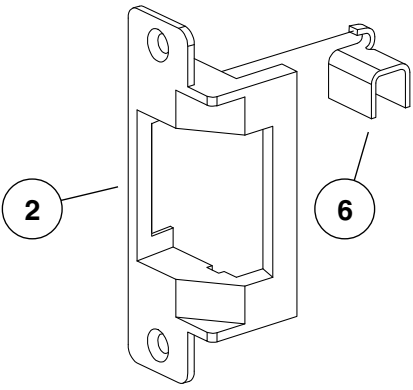
Item Number	Part Number	Description	Quantity	Finish
1	968716	6211/6211WF Faceplate	1	x
2	970272	6211AL Faceplate	1	x
3	969584	6212/6212WF Faceplate	1	x
4	900288	6210/11/13/14/16/22/24/25/26 Screw Pkg.		x
		12-24 x 1/2" UFPHMS	2	
		Connector- E98/99/6000 ES	2	
5	900290	6212 Screw Package		x
		12-24 x 1/2" UFPHMS	4	
		Connector- E98/99/6000 ES	2	
6	900291	6211/6212WF Strike Pocket Insert	1	
7	900292	6212 Strike Pocket Insert/Mounting Tab	1	
8	111711	6211, 6211AL, 6212 12VDC FS Box Assy.	1	
8	111712	6211, 6211AL, 6212 12VDC FSE Box Assy.	1	
8	111713	6211, 6211AL, 6212 24VDC FS Box Assy.	1	
8	111714	6211, 6211AL, 6212 24VDC FSE Box Assy.	1	
9	111715	6211, 6211AL, 6212 12VDC FS DS Box Assy.	1	
9	111716	6211, 6211AL, 6212 12VDC FSE DS Box Assy.	1	
9	111717	6211, 6211AL, 6212 24VDC FS DS Box Assy.	1	
9	111718	6211, 6211AL, 6212 24VDC FSE DS Box Assy.	1	
9	112756	6211/6211AL/6212 12VDC FS DS-LC Box Assy.	1	
9	112757	6211/6211AL/6212 12VDC FSE DS-LC Box Assy.	1	
9	112758	6211/6211AL/6212 24VDC FS DS-LC Box Assy.	1	
9	112759	6211/6211AL/6212 24VDC FSE DS-LC Box Assy.	1	
10	964019	#8 Ext. Tooth Lock Washer	1	
11	964070	8-32 x 3/8" PPHMS	1	
12	970384	DS Tripper Extension	1	
13	900344	DS Tripper Extension & Connector		
		Tripper Extension	1	
		4-40 x 1/8" Socket Head Cap Screw	2	
		Connector- E98/99/6000 ES	6	
14	990132	Connector- E98/99/6000 ES	1	

X in "Finish" column designates finished item; specify finish when ordering.

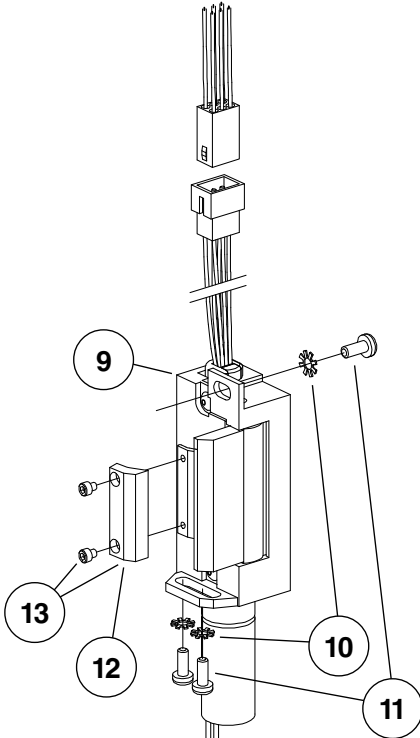
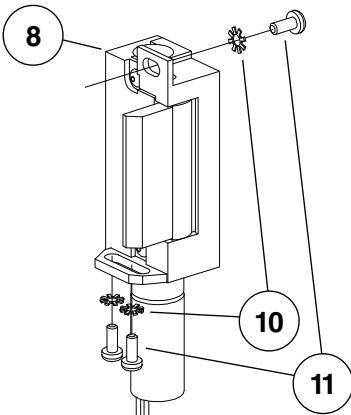
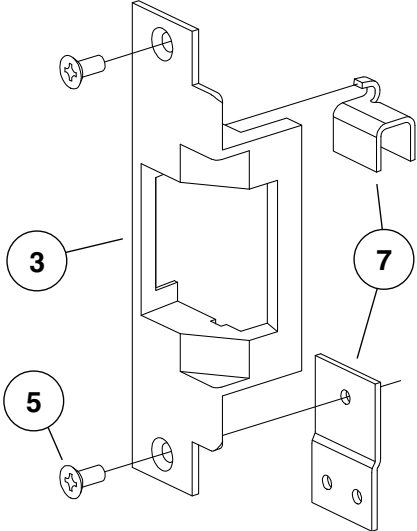
6211



6211AL



6212



14 Connector E98/99/6000 ES also in Item No. 4, Item No. 5, and Item No. 13

14 Connector E98/99/6000 ES also in Item No. 4, Item No. 5, and Item No. 13

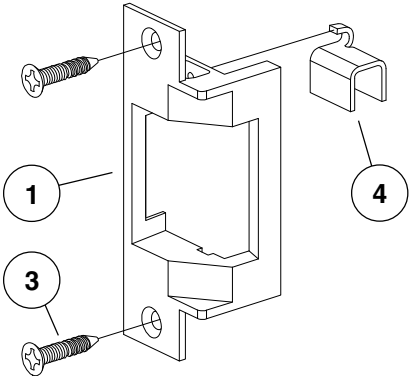
6200 Series Electric Strikes

6211WF, 6212WF

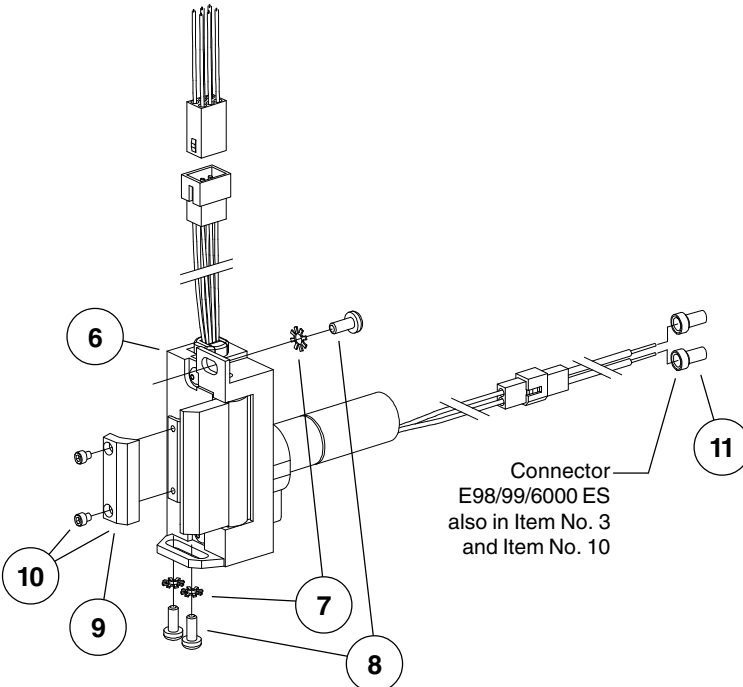
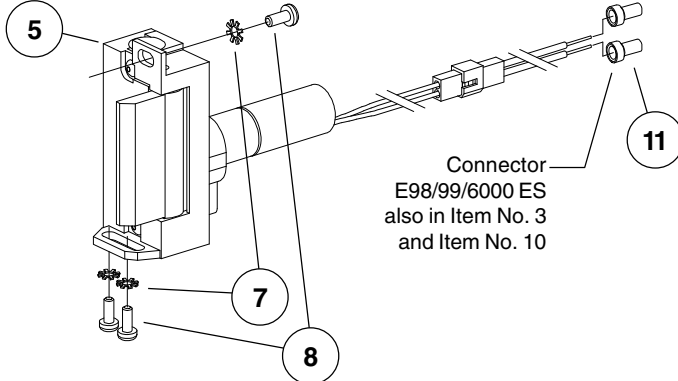
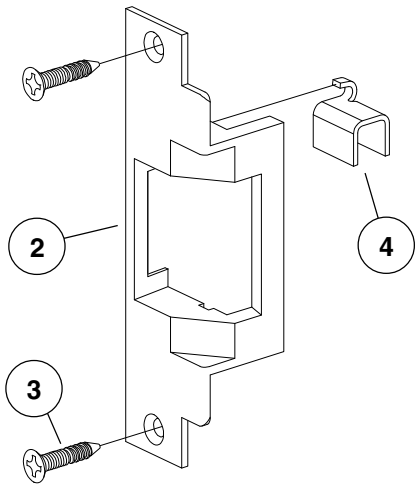
Item Number	Part Number	Description	Quantity	Finish
1	968716	6211/6211WF Faceplate	1	x
2	970271	6212/6212WF Faceplate	1	x
3	900885	6211WF/6212WF/6221/6223 Screw Pkg.		x
		12-12 x 12-24 x 1" UFPHCS	2	
		Connector- E98/99/6000 ES	2	
4	900291	6211/6212WF Strike Pocket Insert		
5	111727	6211WF, 6212WF 12VDC FS Box Assy.	1	
5	111728	6211WF, 6212WF 12VDC FSE Box Assy.	1	
5	111729	6211WF, 6212WF 24VDC FS Box Assy.	1	
5	111730	6211WF, 6212WF 24VDC FSE Box Assy.	1	
6	111731	6211WF, 6212WF 12VDC FS DS Box Assy.	1	
6	111732	6211WF, 6212WF 12VDC FSE DS Box Assy.	1	
6	111733	6211WF, 6212WF 24VDC FS DS Box Assy.	1	
6	111734	6211WF, 6212WF 24VDC FSE DS Box Assy.	1	
6	112764	6211WF/6212WF 12VDC FS DS-LC Box Assy.	1	
6	112765	6211WF/6212WF 12VDC FSE DS-LC Box Assy.	1	
6	112766	6211WF/6212WF 24VDC FS DS-LC Box Assy.	1	
6	112767	6211WF/6212WF 24VDC FSE DS-LC Box Assy.	1	
7	964019	#8 Ext. Tooth Lock Washer	1	
8	964070	8-32 x 3/8" PPHMS	1	
9	970384	DS Tripper Extension	1	
10	900344	DS Tripper Extension & Connector		
		Tripper Extension	1	
		4-40 x 1/8" Socket Head Cap Screw	2	
		Connector- E98/99/6000 ES	6	
11	990132	Connector- E98/99/6000 ES	1	

X in "Finish" column designates finished item; specify finish when ordering.

6211WF



6212WF



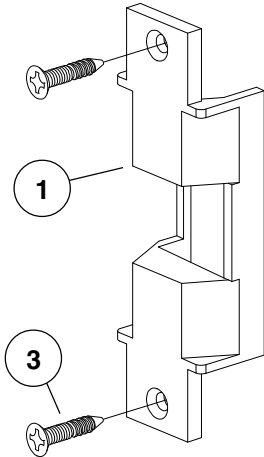
6200 Series Electric Strikes

6221, 6223

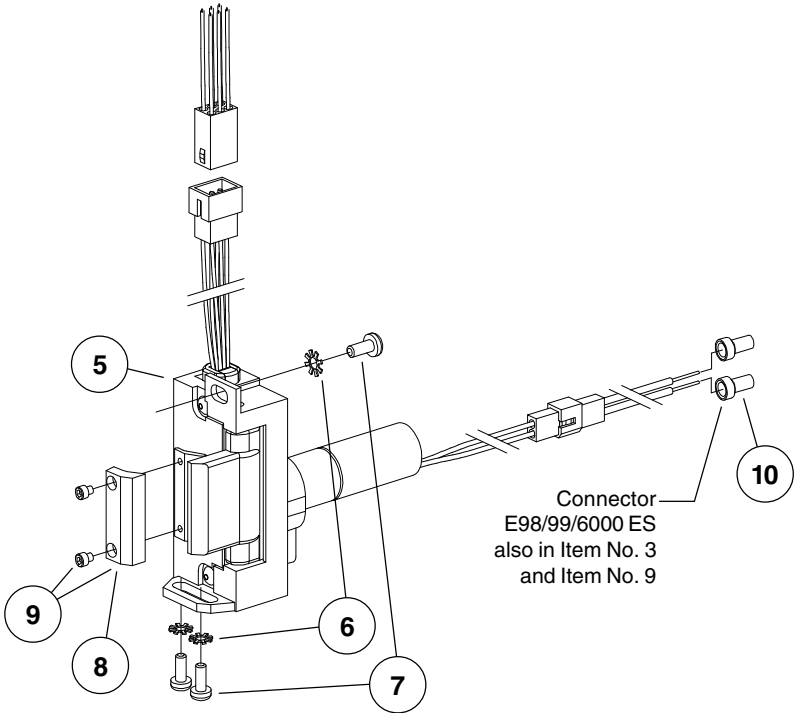
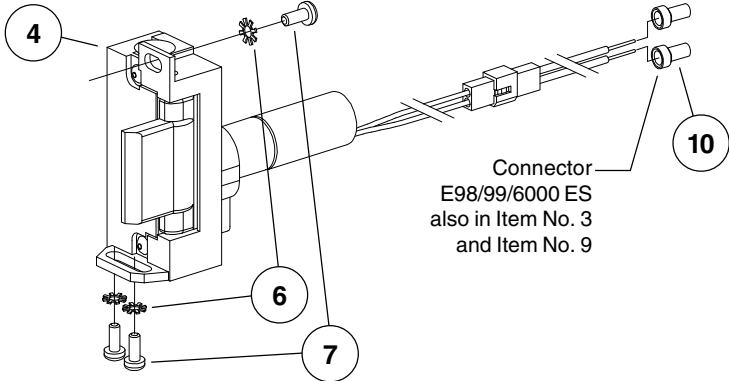
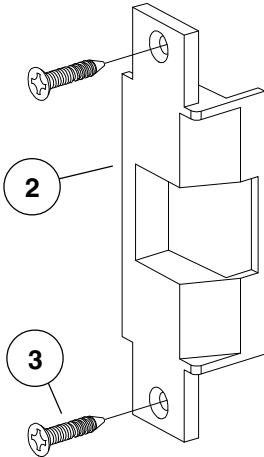
Item Number	Part Number	Description	Quantity	Finish
1	970276	6221 Faceplate	1	x
2	970274	6223 Faceplate	1	x
3	900885	6211WF/6212WF/6221/6223 Screw Pkg.		x
		12-12 x 12-24 x 1" UFPHCS	2	
		Connector- E98/99/6000 ES	2	
4	111735	6221, 6223 12VDC FS Box Assy.	1	
4	111736	6221, 6223 12VDC FSE Box Assy.	1	
4	111737	6221, 6223 24VDC FS Box Assy.	1	
4	111738	6221, 6223 24VDC FSE Box Assy.	1	
4	111739	6223 12VDC FS DS Box Assy.	1	
4	111740	6223 12VDC FSE DS Box Assy.	1	
4	111741	6223 24VDC FS DS Box Assy.	1	
4	111742	6223 24VDC FSE DS Box Assy.	1	
5	112768	6223 12VDC FS DS-LC Box Assy.	1	
5	112769	6223 12VDC FSE DS-LC Box Assy.	1	
5	112770	6223 24VDC FS DS-LC Box Assy.	1	
5	112771	6223 24VDC FSE DS-LC Box Assy.	1	
6	964019	#8 Ext. Tooth Lock Washer	1	
7	964070	8-32 x 3/8" PPHMS	1	
8	970384	DS Tripper Extension	1	
9	900344	DS Tripper Extension & Connector		
		Tripper Extension	1	
		4-40 x 1/8" Socket Head Cap Screw	2	
		Connector- E98/99/6000 ES	6	
10	990132	Connector- E98/99/6000 ES	1	

X in "Finish" column designates finished item; specify finish when ordering.

6221



6223

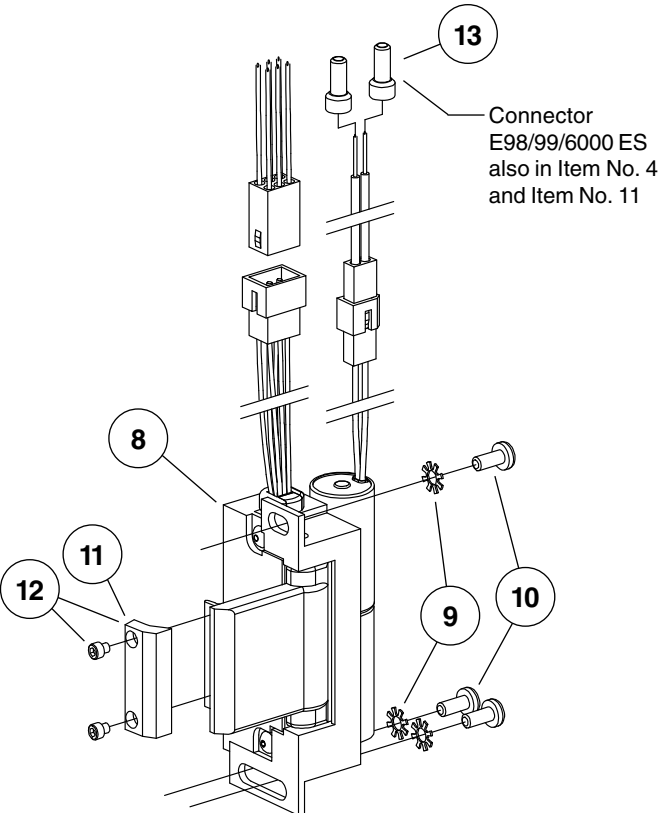
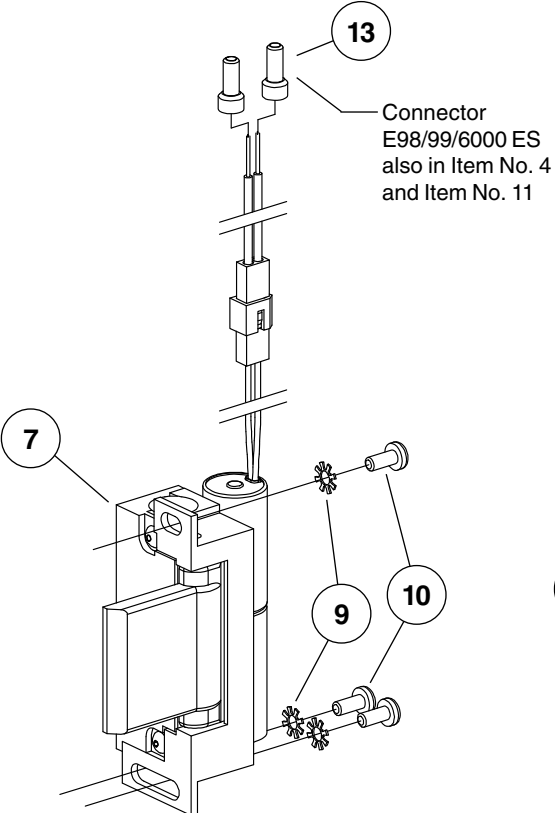
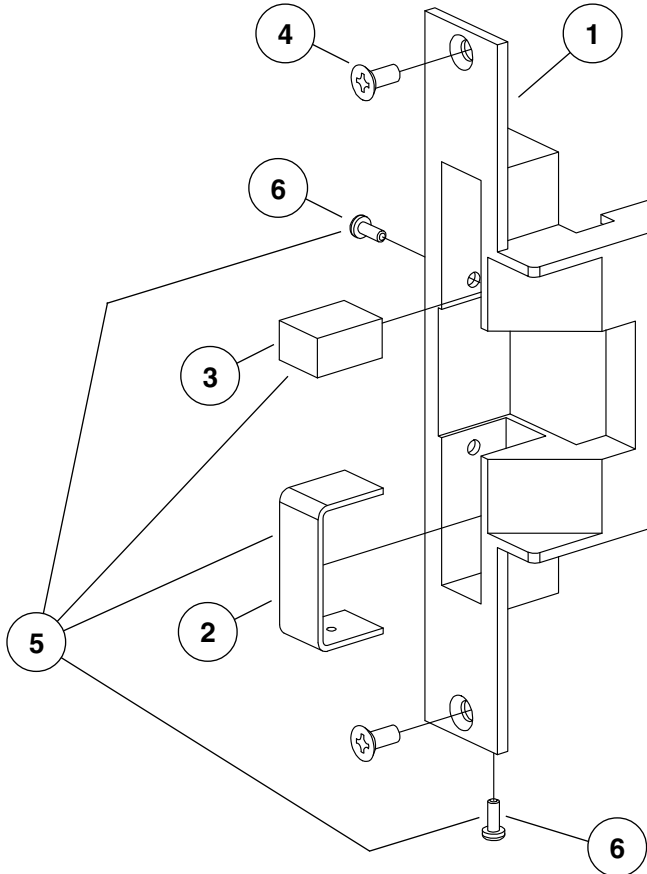


6200 Series Electric Strikes

6216

Item Number	Part Number	Description	Quantity	Finish
1	971385	6216 Faceplate Less Inserts	1	x
2	970407	6216 Large Faceplate Insert	1	x
3	970415	6216 Small Faceplate Insert	1	x
4	900288	6210/11/13/14/16/22/24/25/26 Screw Pkg.		x
		12-24 x 1/2" UFPHMS	2	
		Connector- E98/99/6000 ES	2	
5	900345	6216 Inserts and Screw Pkg.		x
		6-32 x 3/8" PPHMS	2	
		6216 Large Faceplate Insert	1	
		6216 Small Faceplate Insert	1	
6	964190	6-32 x 3/8" PPHMS	1	
7	111759	6216 12VDC FS Box Assy.	1	
7	111760	6216 12VDC FSE Box Assy.	1	
7	111761	6216 24VDC FS Box Assy.	1	
7	111762	6216 24VDC FSE Box Assy.	1	
8	111763	6216 12VDC FS DS Box Assy.	1	
8	111764	6216 12VDC FSE DS Box Assy.	1	
8	111765	6216 24VDC FS DS Box Assy.	1	
8	111766	6216 24VDC FSE DS Box Assy.	1	
8	112780	6216 12VDC FS DS-LC Box Assy.	1	
8	112781	6216 12VDC FSE DS-LC Box Assy.	1	
8	112782	6216 24VDC FS DS-LC Box Assy.	1	
8	112783	6216 24VDC FSE DS-LC Box Assy.	1	
9	964019	#8 Ext. Tooth Lock Washer	1	
10	964070	8-32 x 3/8" PPHMS	1	
11	970384	DS Tripper Extension	1	
12	900344	DS Tripper Extension & Connector		
		Tripper Extension	1	
		4-40 x 1/8" Socket Head Cap Screw	2	
		Connector- E98/99/6000 ES	6	
13	990132	Connector- E98/99/6000 ES	1	

X in "Finish" column designates finished item; specify finish when ordering.

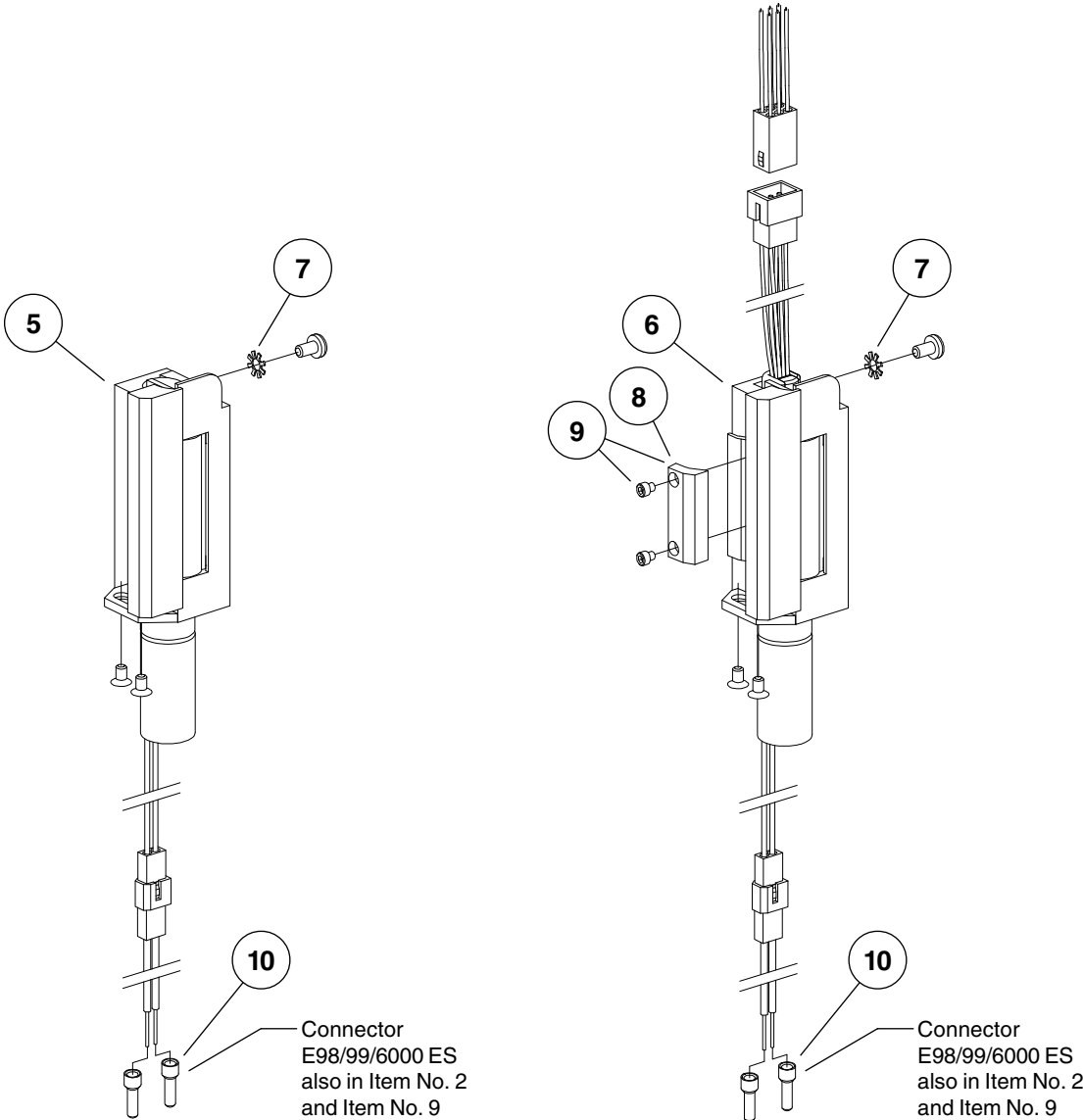
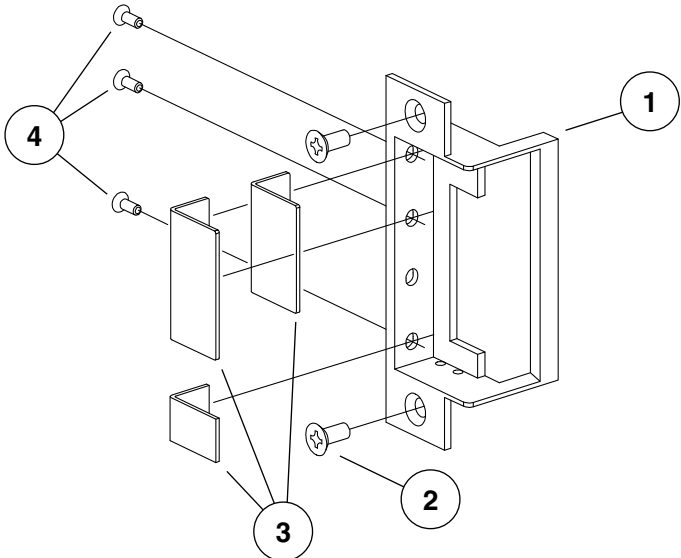


6200 Series Electric Strikes

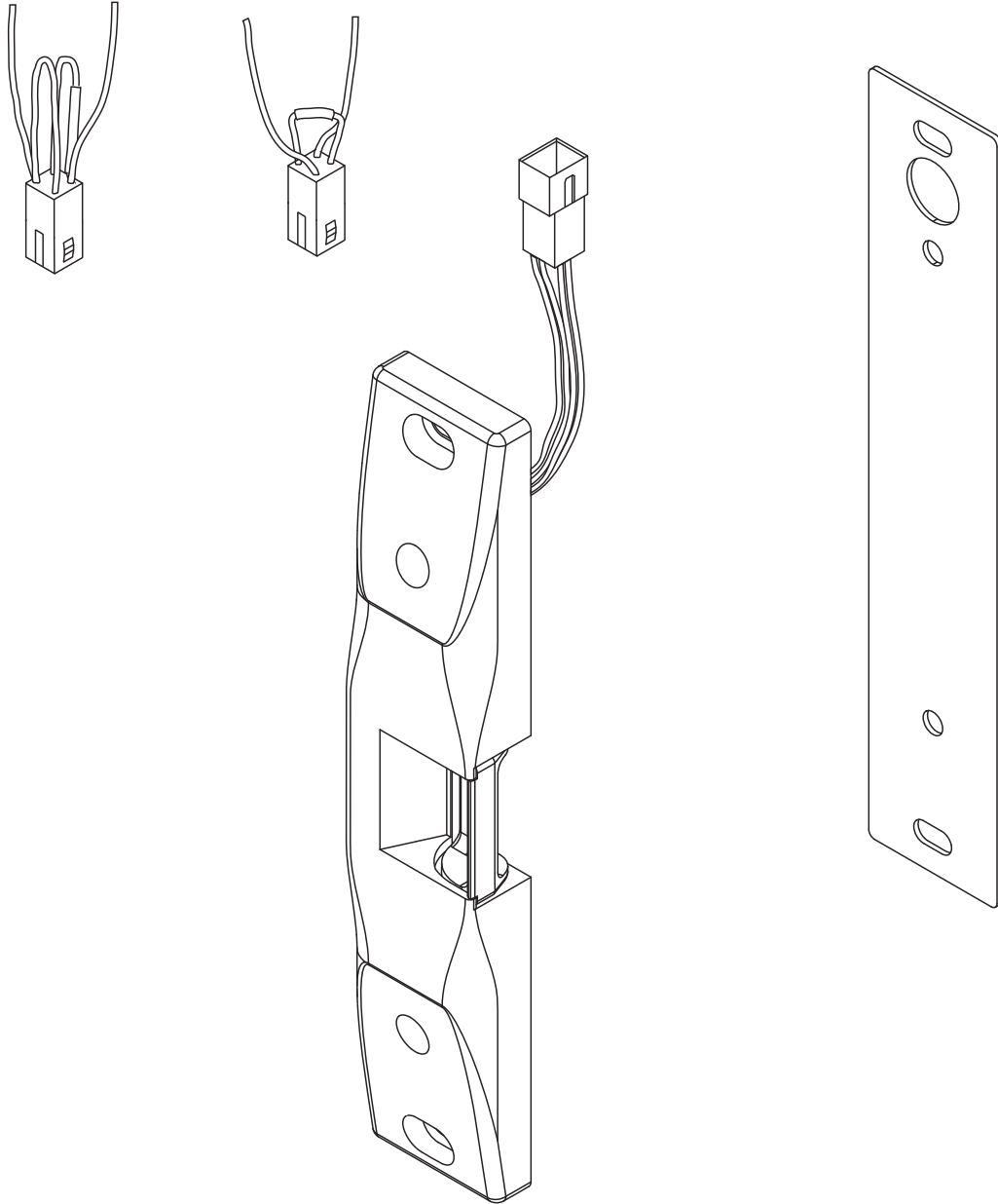
6210

Item Number	Part Number	Description	Quantity	Finish
1	971198	6210 Faceplate		x
2	900288	6210/11/13/14/16/22/24/25/26 Screw Pkg.		x
		12-24 x 1/2" UFPHMS		
3	900584	Connector- E98/99/6000 ES		
		6210 Auxiliary Bolt Plate Pkg.		
		Aux. Bolt Plate - Schlage		
		Aux. Bolt Plate - Std.		
4	900966	Aux. Bolt Plate - Short		
		6210 Strike Pocket Insert Mounting Pkg.		
5	111244	6-32 x 1/4" FPHMS		
5	111246	6210 12VDC FS Box Assy.		
5	111247	6210 12VDC FSE Box Assy.		
5	111250	6210 24VDC FS Box Assy.		
5	111250	6210 24VDC FSE Box Assy.		
6	111251	6210 12VDC FS DS Box Assy.		
6	111264	6210 12VDC FSE DS Box Assy.		
6	111813	6216 24VDC FS DS Box Assy.		
6	111814	6216 24VDC FSE DS Box Assy.		
6	112754	6210 12 VDC FS DS-LC Box Assy.		
6	112755	6210 12 VDC FSE DS-LC Box Assy.		
6	112784	6210 24 VDC FS DS-LC Box Assy.		
6	112785	6210 24 VDC FSE DS-LC Box Assy.		
7	964019	#8 Ext. Tooth Lock Washer		
8	970384	DS Tripper Extension		
9	900344	DS Tripper Extension & Connector		
		Tripper Extension		
		4-40 x 1/8" Socket Head Cap Screw		
		Connector- E98/99/6000 ES		
10	990132	Connector- E98/99/6000 ES		

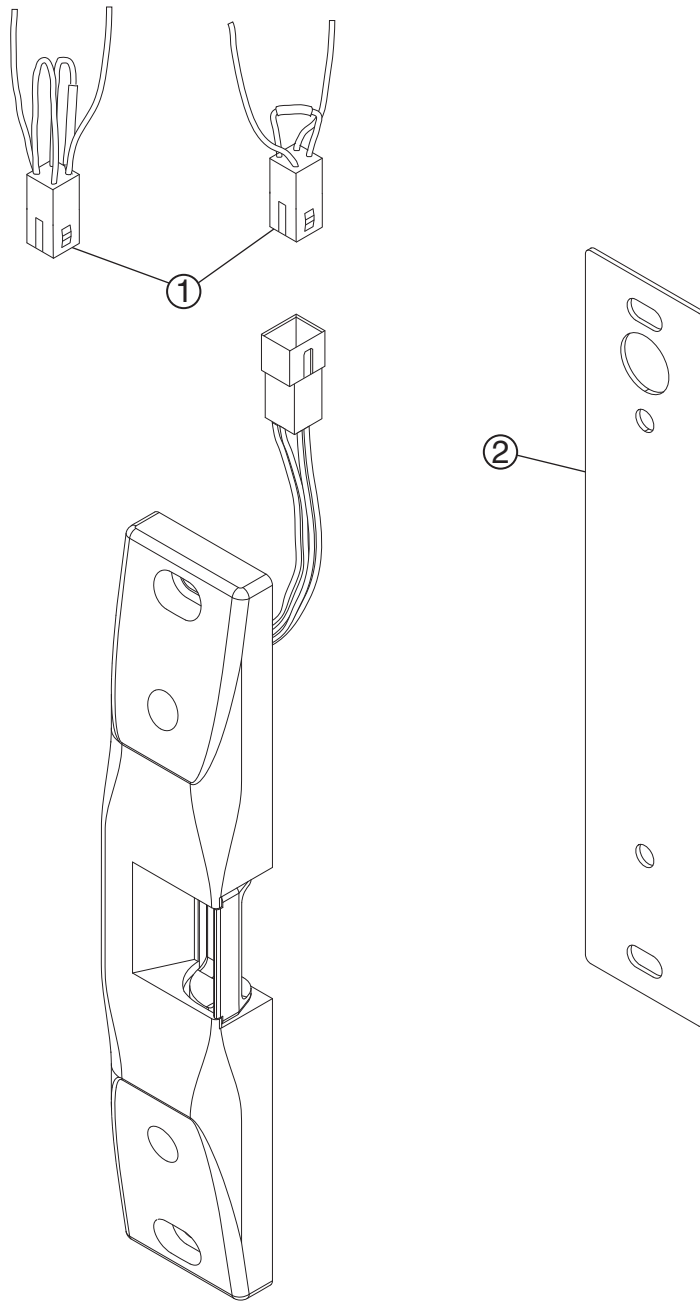
X in "Finish" column designates finished item; specify finish when ordering.



6300 Series Electric Strikes



6300 Strike Shim & Wire Harness



Item Number	Part Number	Description	Quantity	Finish
1	050803	6300 Strike Wire Harness Kit*		
2	050804	6300 Strike Shim Kit - SS		

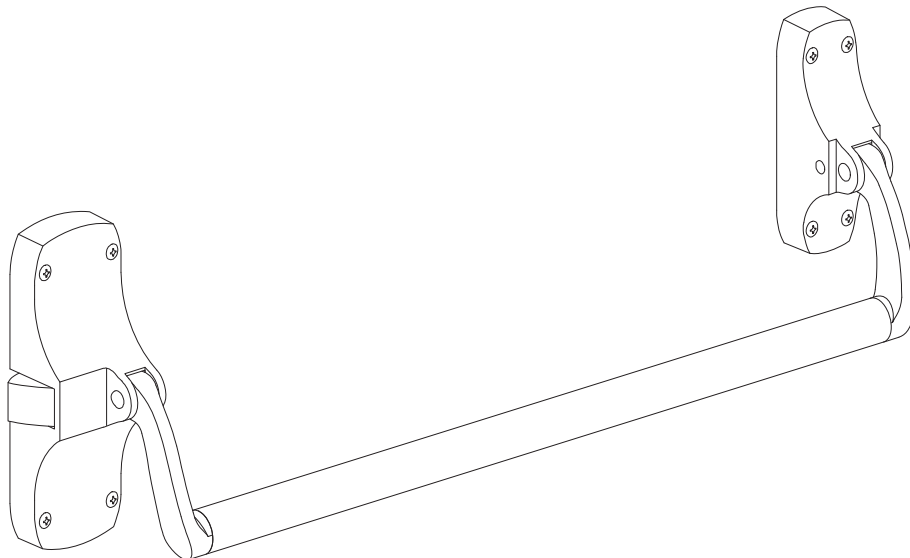
X in "Finish" column designates finished item; specify finish when ordering.

*Includes 12 VDC and 24 VDC pigtails.

VON DUPRIN®

88 Series Rim Exit Device

Service manual



INDEX

General Information

Introduction	2
How to Order	2
Part Number Changes	2
88 Rim Series Finishes	3
Outside Trim Functions	3
Strikes	3

88 Rim Series Device Parts

Crossbars	4
Lever Arm Kits	5
Lever Arm Parts Packages	6
End Case Kit and End Case Parts	8
Center Case Parts: EO, DT, and NL Panic Exit Devices	10
Center Case Parts: EO and NL Fire Exit Devices	12
Center Case Parts: TP Panic Exit Devices	14
Center Case Parts: TP Fire Exit Devices	16
Center Case Parts: K/L Panic Exit Devices	18
Center Case Parts: K/L Fire Exit Devices	20
Backplate Conversion Kits	22
Center Case Kits	23

INTRODUCTION

This manual contains a listing of replaceable parts and assemblies for the 88 Series Panic and FEH Devices.

HOW TO ORDER

Some parts are sold separately. Other items are available as part of a kit or multiple quantity package. For the best possible service when ordering replacement parts or assemblies, please provide the following information:

- Part number or assembly number
- Description
- Quantity needed
- Finish desired (if available finished)
- Date of original purchase (if known)

To find out the name of your local Von Duprin distributor or sales representative, contact:

Von Duprin Division
Allegion
2720 Tobey Drive
Indianapolis, IN 46219
Phone: (877) 671-7011

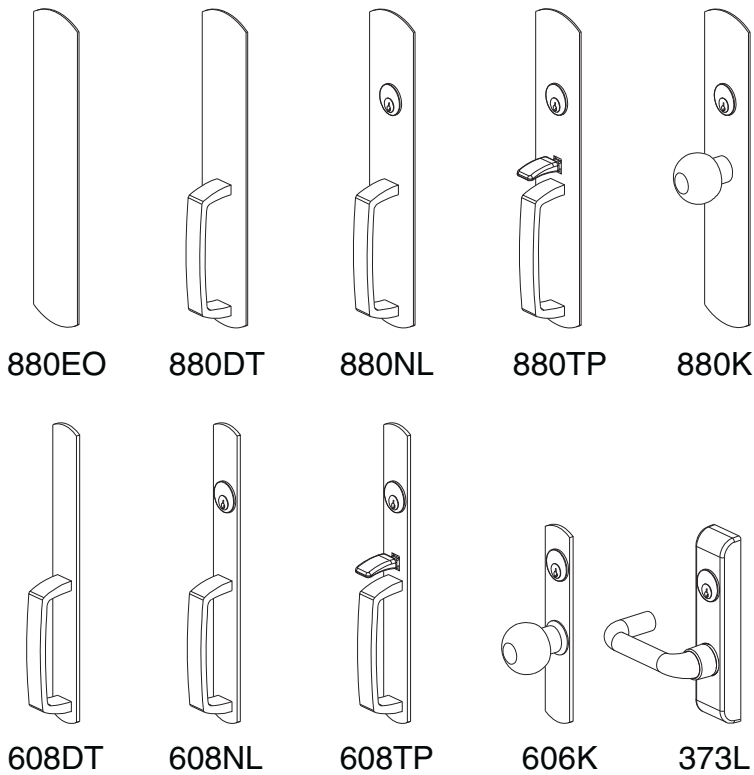
PART NUMBER AND AVAILABILITY CHANGES

This manual was designed to help illustrate the replacement parts and kits that are available for sale. Because of changes to the product and/or manufacturing process, part numbers and availability can change over time.

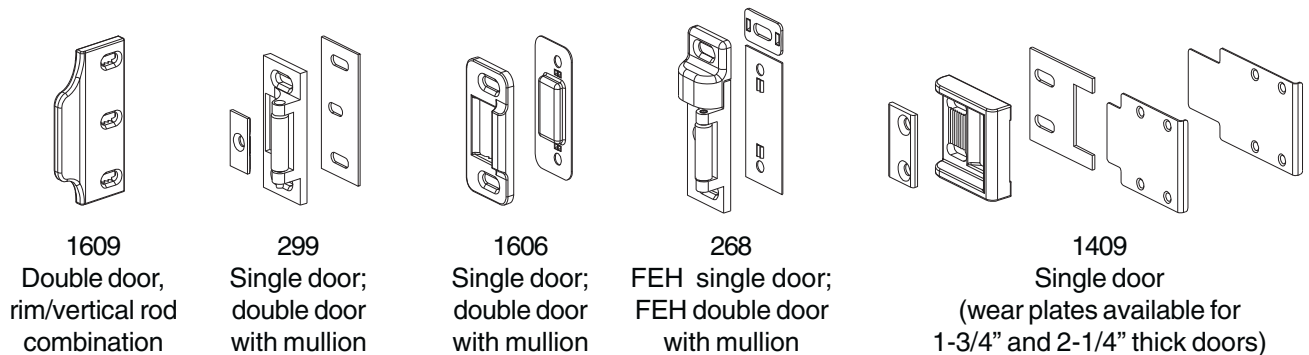
88 RIM SERIES FINISHES

US Number	BHMA Number	Color
US3	605	Brass, polished
US4	606	Brass, dull
US10	612	Bronze, dull
US10B	613	Brass, dull (oxidized)
US26	625	Chrome, polished
US26D	626	Chrome, dull
SPBLK	693	Gloss Black Powder Coat

OUTSIDE TRIM FUNCTIONS



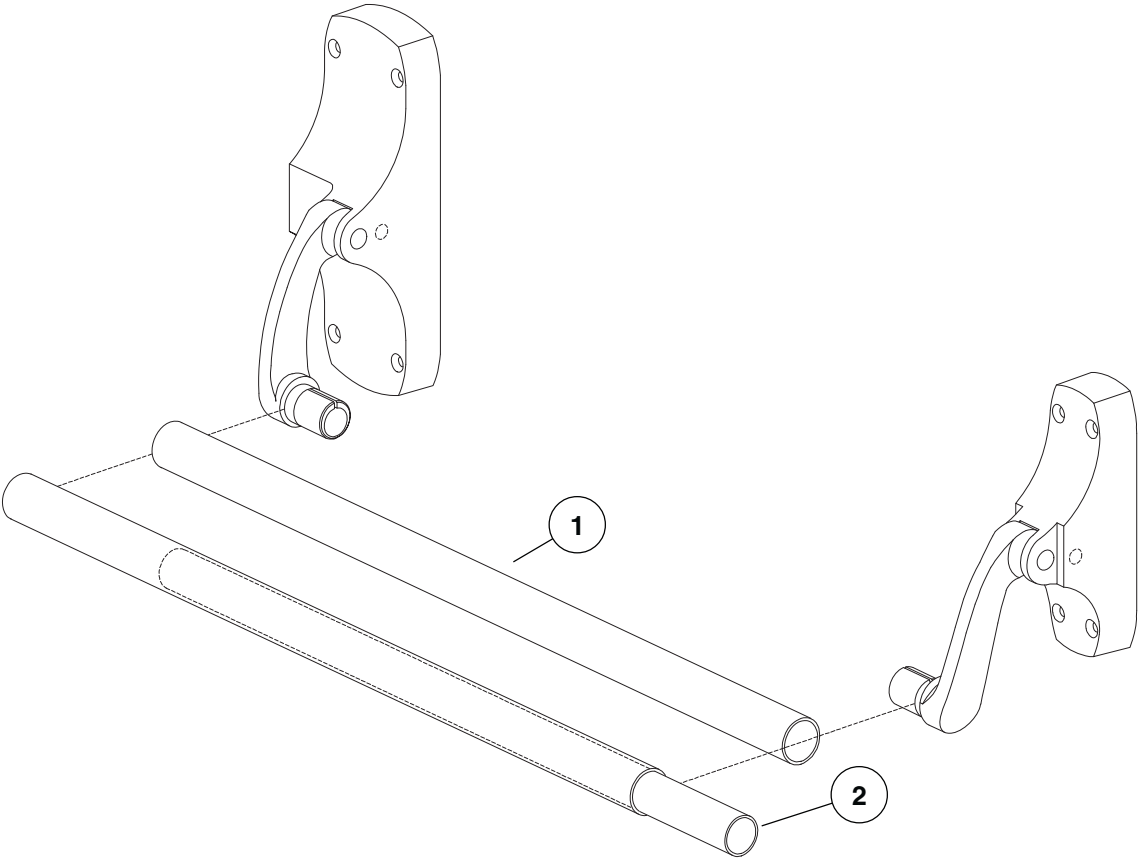
STRIKES



CROSSBARS

Item No.	Part No.	Description	Quantity	Finish
1	050004	42" Standard Crossbar Kit	1	X
1	050005	42" Knurled Crossbar Kit	1	X
2	050459	37" Crossbar Reinforcement Kit	1	

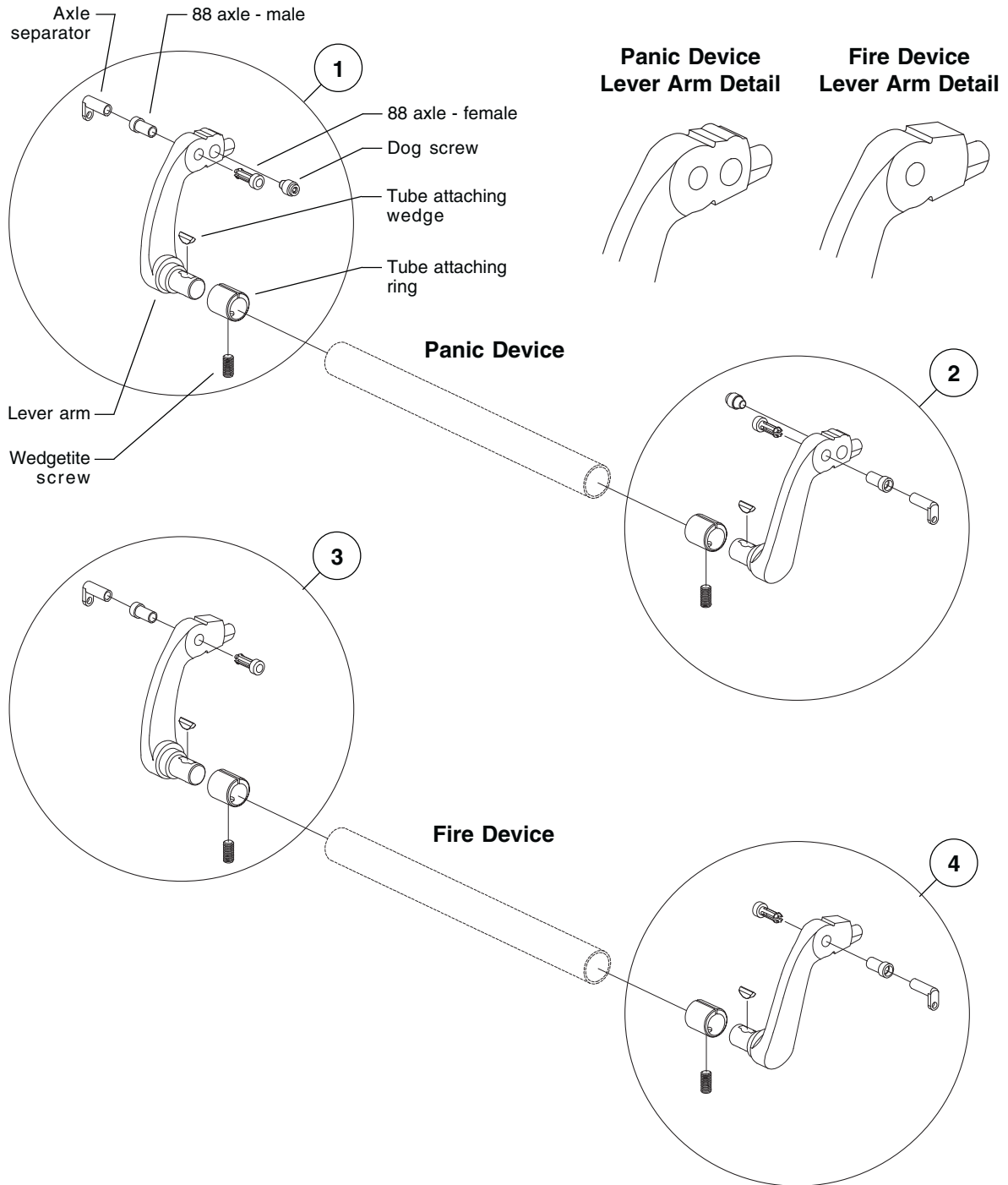
X in "Finish" column designates finished item; specify finish when ordering.



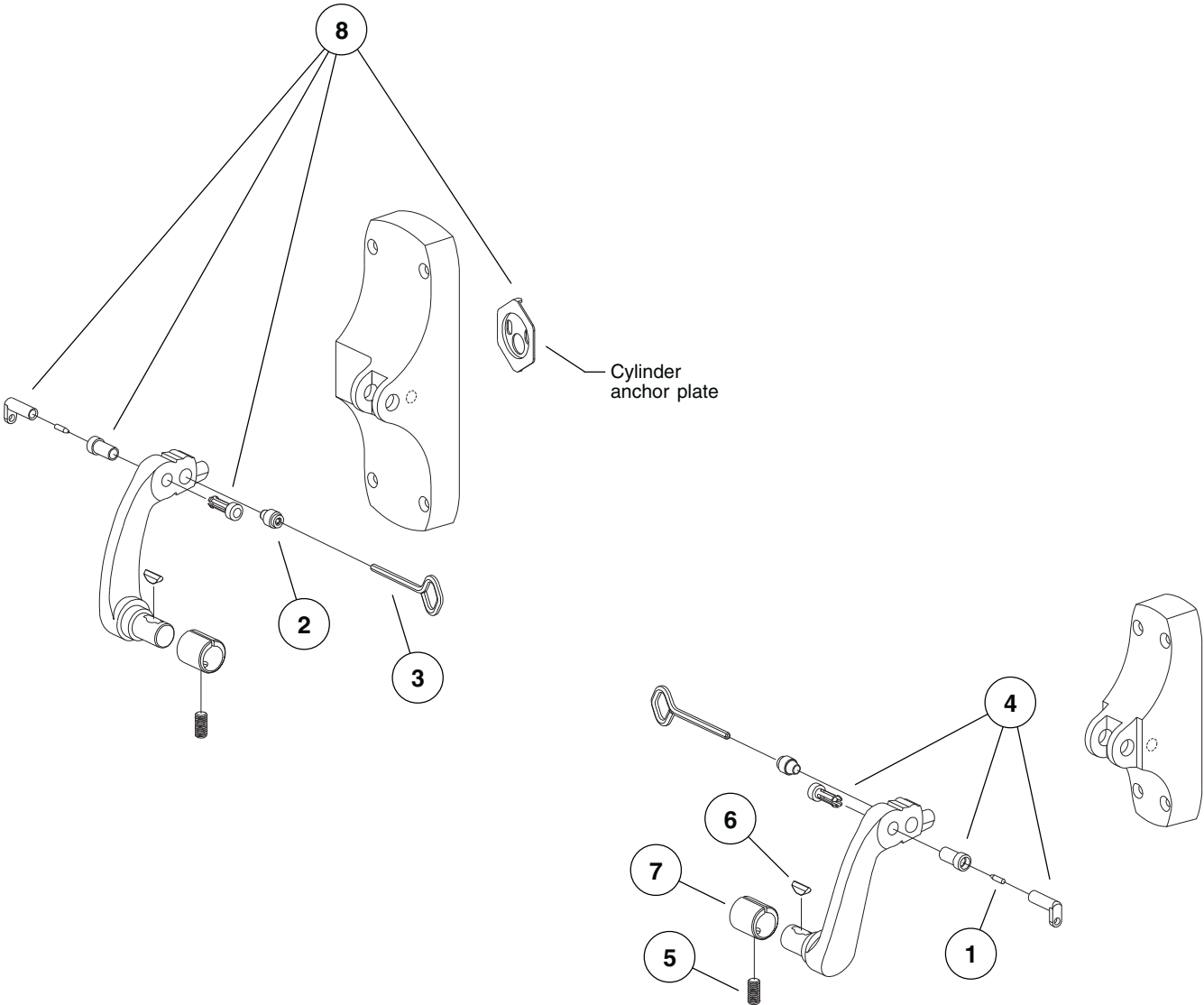
LEVER ARM KITS

Item No.	Part No.	Description	Quantity	Finish
1	050439	88 R/M/V LH Lever Arm Kit	1	X
2	050438	88 R/M/V RH Lever Arm Kit	1	X
3	050441	88-F Rim LH Lever Arm Kit	1	X
4	050440	88-F Rim RH Lever Arm Kit	1	X

X in "Finish" column designates finished item; specify finish when ordering.



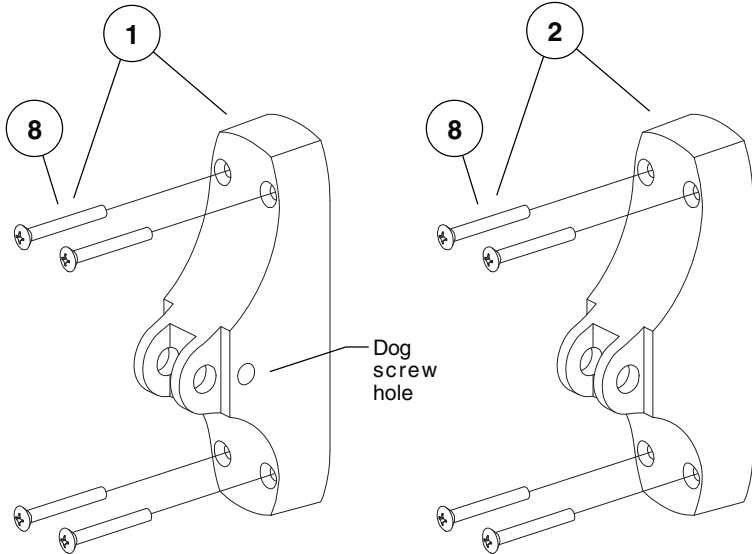
LEVER ARM PARTS PACKAGES



LEVER ARM PARTS PACKAGES

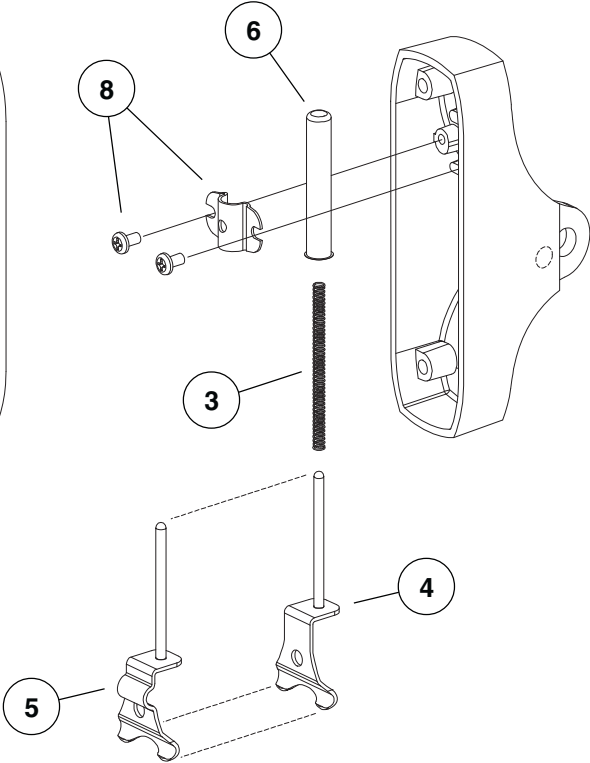
Item No.	Part No.	Description	Quantity	Finish
1	090007	Axle Security Pin Pkg.	10	
1	033022	Axle Security Pin Pkg.	50	
2	090004	Dog Screw Pkg.	2	
2	090083	Dog Screw Pkg.	10	
3	090005	227 Dog Key 5/32" Pkg.	2	
3	090085	227 Dog Key 5/32" Pkg.	10	
4	090006	Lever Arm Axle Pkg.		
		88 Axle Separator	2	
		88 Axle - Male	2	
		88 Axle - Female	2	
4	090082	Lever Arm Axle Pkg.		
		88 Axle Separator	10	
		88 Axle - Male	10	
		88 Axle - Female	10	
5	090008	Wedgetite Screw Pkg.	2	
5	090081	Wedgetite Screw Pkg.	30	
6	090020	Crossbar Tube Attaching Wedge Pkg.	2	
7	090021	Crossbar Tube Attaching Ring Pkg.	2	
8	103865	88 Lever Arm Axle Pkg.		
		Cyliner Anchor Plate	1	
		88 Axle Separator	1	
		88 Axle - Male	2	
		88 Axle - Female	2	

END CASE KIT AND END CASE PARTS



Panic Device

Fire Device

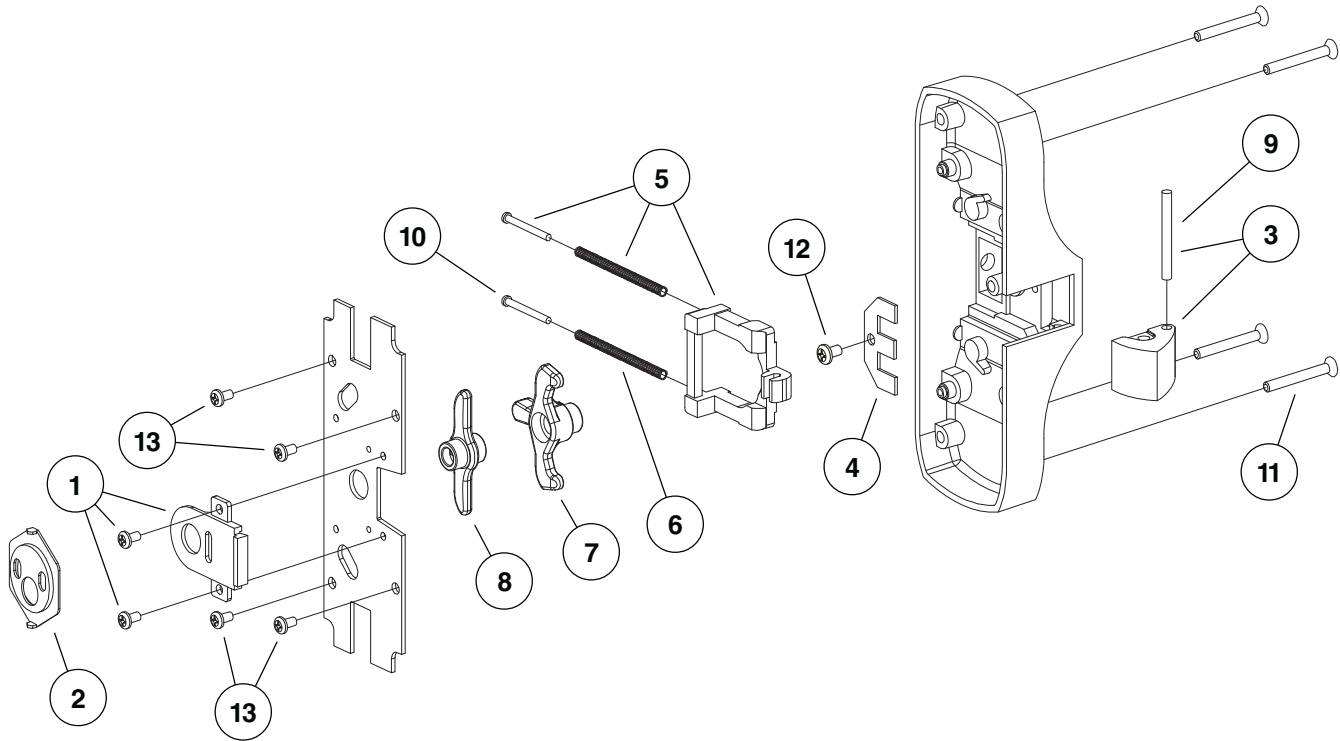


END CASE KIT AND END CASE PARTS

Item No.	Part No.	Description	Quantity	Finish
1	050435	88 R/M/V End Case Kit		X
		88 R/M/V End Case	1	
		10-24 x 1-1/2" OPHMS	4	
		10-24 x 2" OPHMS	4	
		10-12 x 10-24 x 2" OPHCS	4	
2	050437	88-F Rim End Case Kit		X
		88-F End Case	1	
		10-24 x 1-1/2" OPHMS	4	
		10-24 x 2" OPHMS	4	
		10-12 x 10-24 x 2" OPHCS	4	
3	090003	88 End Case Spring Pkg.	2	
3	090080	88 End Case Spring Pkg.	10	
4	050451	88 End Case Spring Stop Kit	1	
5	050452	88-F End Case Spring Stop Kit	1	
6	050476	88/88-F End Case Spring Tube	1	
7	050477	88/88-F Spring Tube Bracket w/Screws Kit		
		88/88-F Spring Tube Bracket	1	
		88/88-F Spring Tube Bracket Screws	2	
8	900503	88 Center or End Case Mtg. Pkg. (CS and MS screws)		X
		10-24 x 1-1/2" OPHMS	4	
		10-24 x 2" OPHMS	4	
		10-12 x 10-24 x 2" OPHCS	4	
8	900504	88 Center or End Case Mtg. Pkg. (CS screws)		X
		10-12 x 10-24 x 2" OPHCS	4	
8	900505	88 Center or End Case Mtg. Pkg. (MS screws 1-3/4" door)		X
		10-24 x 1-1/2" OPHMS	4	
8	900506	88 Center or End Case Mtg. Pkg. (MS screws 2-1/4" door)		X
		10-24 x 2" OPHMS	4	

X in "Finish" column designates finished item; specify finish when ordering.

CENTER CASE PARTS: EO, DT, AND NL PANIC EXIT DEVICES

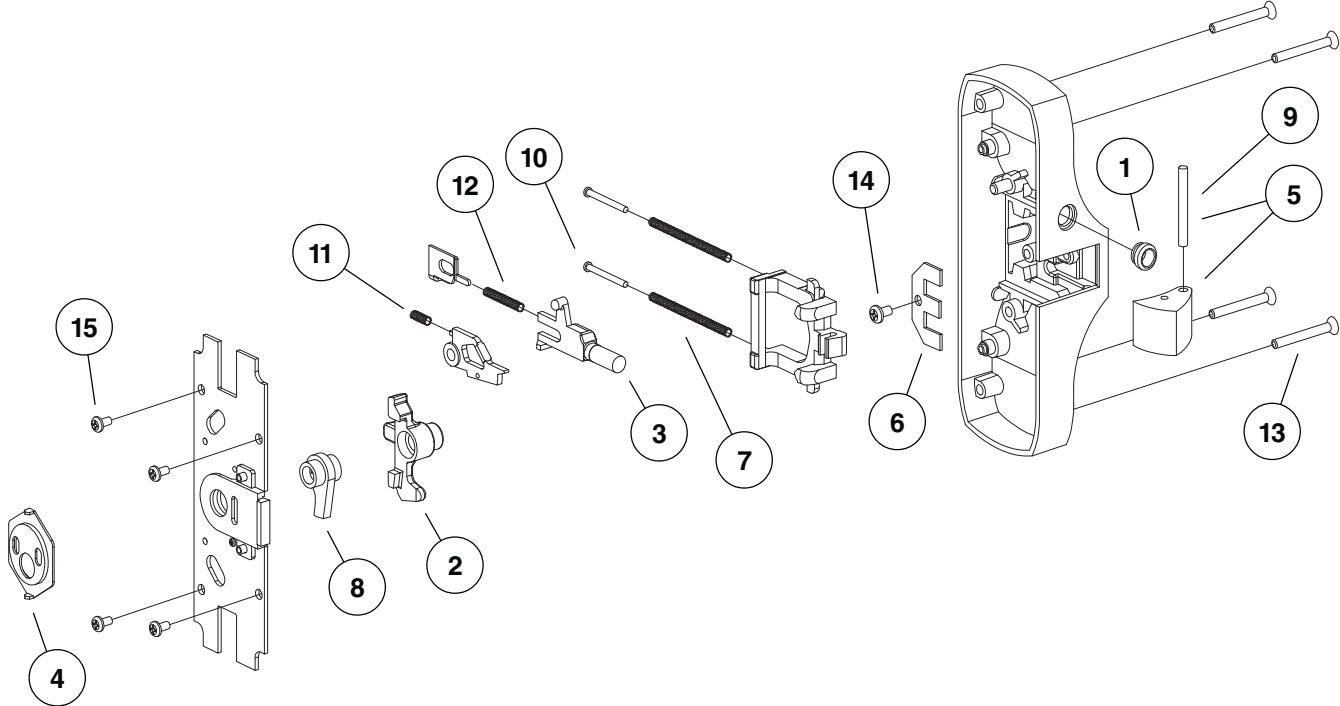


CENTER CASE PARTS: EO, DT, AND NL PANIC EXIT DEVICES

Item No.	Part No.	Description	Quantity	Finish
1	050260	88 Rim Auxiliary Backplate Kit		X
		88 Rim Auxiliary Backplate	1	
		8-32 x 5/16" PPHMS	2	
2	050331	88 Cylinder Anchor Plate	1	
3	050497	88 Latchbolt w/Axle Kit		
		88 Rim Latchbolt	1	
		88 Rim Latchbolt Axle	1	
4	050499	88 Rim Latch Retainer Plate	1	
5	050500	88 Rim Latch Tail, Spring, Rivet Kit		
		88 Rim Latch Tail Rivet	2	
		88 Rim Latch Tail Spring	2	
		88 Rim Latch Tail	1	
6	050393	88 Rim Latch Tail Spring Pkg.	10	
7	050501	88 Rim Master Cam	1	
8	050502	88NL Cylinder Cam	1	
9	090001	88 Rim Latch Bolt Axle Pkg.	4	
10	090002	88 Rim Center Case Rivet Pkg.	10	
11	900503	88 Center or End Case Mtg. Pkg. (CS and MS screws)		X
		10-24 x 1-1/2" OPHMS	4	
		10-24 x 2" OPHMS	4	
		10-12 x 10-24 x 2" OPHCS	4	
11	900504	88 Center or End Case Mtg. Pkg. (CS screws)		X
		10-12 x 10-24 x 2" OPHCS	4	
11	900505	88 Center or End Case Mtg. Pkg. (MS screws 1-3/4" door)		X
		10-24 x 1-1/2" OPHMS	4	
11	900506	88 Center or End Case Mtg. Pkg. (MS screws 2-1/4" door)		X
		10-24 x 2" OPHMS	4	
12	900610	88 Rim Latch Retainer Plate Screw Pkg.		
		10-24 x 5/16" PPHMS Thd. Cut	10	
13	900613	88 Backplate Screw Pkg.		
		8-32 x 3/8" PPH TF	4	

X in "Finish" column designates finished item; specify finish when ordering.

CENTER CASE PARTS: EO AND NL FIRE EXIT DEVICES

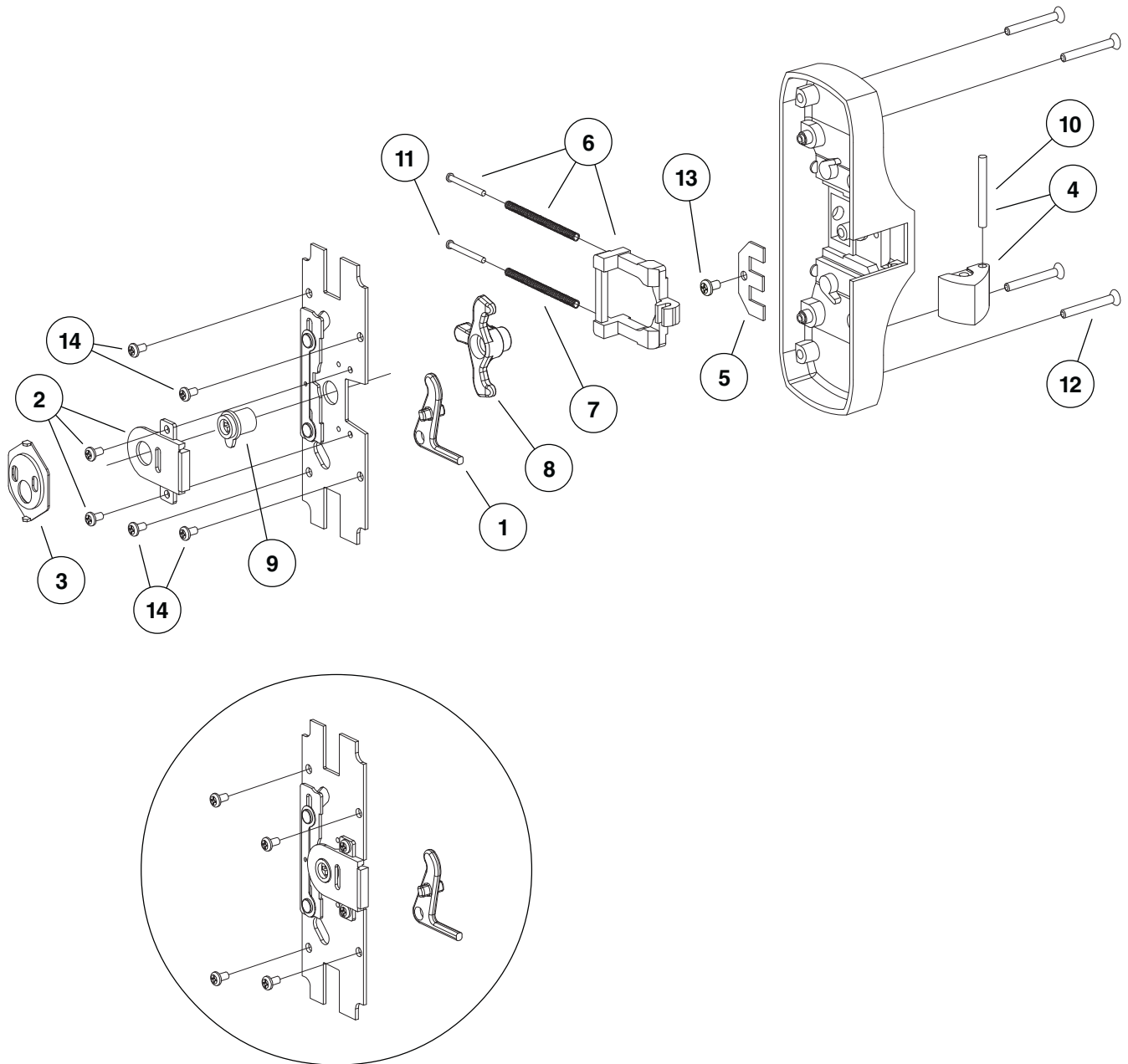


CENTER CASE PARTS: EO AND NL FIRE EXIT DEVICES

Item No.	Part No.	Description	Quantity	Finish
1	050272	88-F Auxiliary Bolt Bushing	1	
2	050274	88-F Master Cam LH (shown)	1	
2	050273	88-F Master Cam RH (not shown)	1	
3	050276	88-F Auxiliary Bolt LH (shown)	1	
3	050275	88-F Auxiliary Bolt RH (not shown)	1	
4	050331	88 Cylinder Anchor Plate	1	
5	050498	88-F Latchbolt w/Axle Kit		
		88-F Rim Latchbolt	1	
		88 Rim Latchbolt Axle	1	
6	050499	88 Rim Latch Retainer Plate	1	
7	050393	88 Rim Latch Tail Spring Pkg.	10	
8	050503	88NL-FCylinder Cam	1	
9	090001	88 Rim Latch Bolt Axle Pkg.	4	
10	090002	88 Rim Center Case Rivet Pkg.	10	
11	090009	88-F Rim Gravity Dog Spring Pkg.	5	
12	090017	88-F Auxiliary Bolt Return Spring Pkg.	5	
13	900503	88 Center or End Case Mtg. Pkg. (CS and MS screws)		X
		10-24 x 1-1/2" OPHMS	4	
		10-24 x 2" OPHMS	4	
		10-12 x 10-24 x 2" OPHCS	4	
13	900504	88 Center or End Case Mtg. Pkg. (CS screws)		X
		10-12 x 10-24 x 2" OPHCS	4	
13	900505	88 Center or End Case Mtg. Pkg. (MS screws 1-3/4" door)		X
		10-24 x 1-1/2" OPHMS	4	
13	900506	88 Center or End Case Mtg. Pkg. (MS screws 2-1/4" door)		X
		10-24 x 2" OPHMS	4	
14	900610	88 Rim Latch Retainer Plate Screw Pkg.		
		10-24 x 5/16" PPHMS Thd. Cut	10	
15	900613	88 Backplate Screw Pkg.		
		8-32 x 3/8" PPH TF	4	

X in "Finish" column designates finished item; specify finish when ordering.

CENTER CASE PARTS: TP PANIC EXIT DEVICES



Part No. 050102, 88CK-TP Conversion Kit;
replaces item No. 1, 88 Thumbpiece Lift Replacement Kit,
for 88TP devices shipped after June 2000

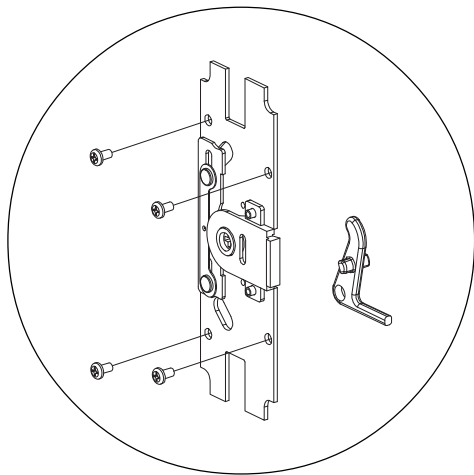
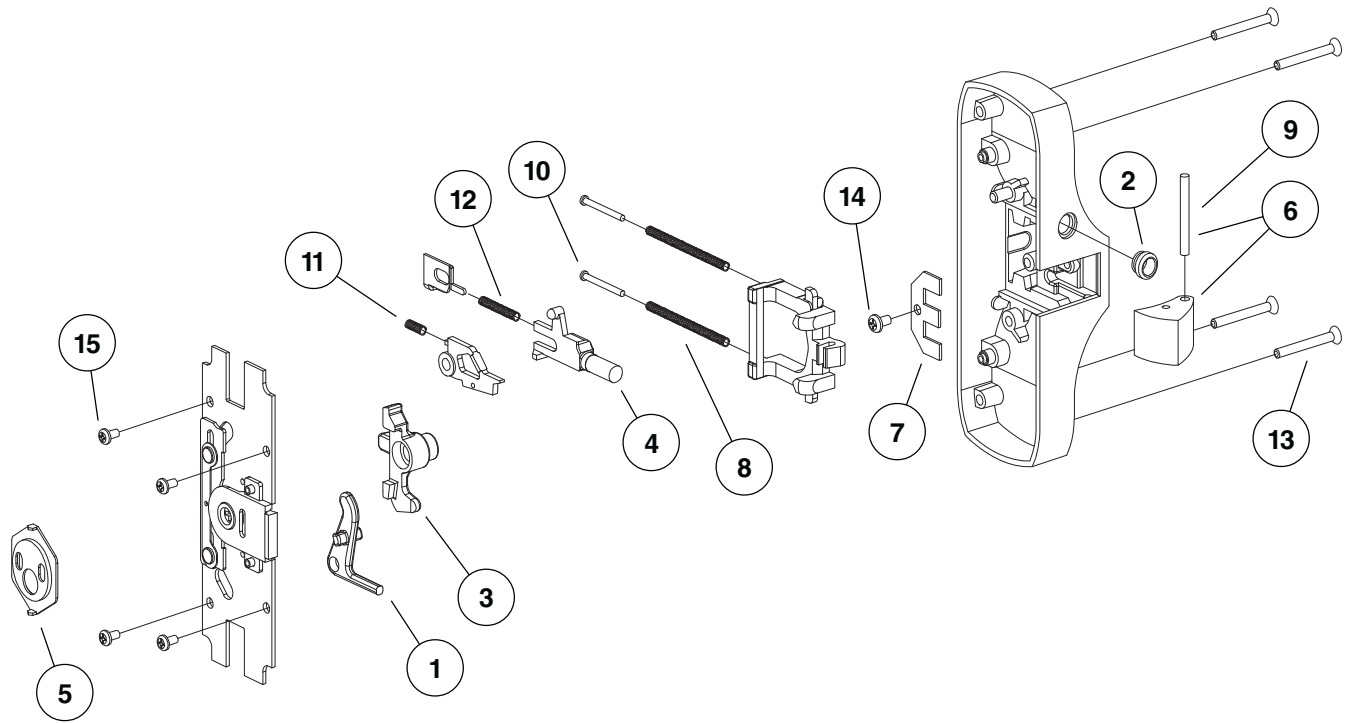
CENTER CASE PARTS: TP PANIC EXIT DEVICES

Item No.	Part No.	Description	Quantity	Finish
1	050019	88 Thumbpiece Lift Replacement Kit *	1	
2	050260	88 Rim Auxiliary Backplate		X
		88 Rim Auxiliary Backplate	1	
		8-32 x 5/16" PPHMS	2	
3	050331	88 Cylinder Anchor Plate	1	
4	050497	88 Latchbolt w/Axle Kit		
		88 Rim Latchbolt	1	
		88 Rim Latchbolt Axle	1	
5	050499	88 Rim Latch Retainer Plate	1	
6	050500	88 Rim Latch Tail, Spring, Rivet Kit		
		88 Rim Latch Tail Rivet	2	
		88 Rim Latch Tail Spring	2	
		88 Rim Latch Tail	1	
7	050393	88 Rim Latch Tail Spring Pkg.	10	
8	050501	88 Rim Master Cam	1	
9	050508	88TP/TP-F Cylinder Cam	1	
10	090001	88 Rim Latch Bolt Axle Pkg.	4	
11	090002	88 Rim Center Case Rivet Pkg.	10	
12	900503	88 Center or End Case Mtg. Pkg. (CS and MS screws)		X
		10-24 x 1-1/2" OPHMS	4	
		10-24 x 2" OPHMS	4	
		10-12 x 10-24 x 2" OPHCS	4	
12	900504	88 Center or End Case Mtg. Pkg. (CS screws)		X
		10-12 x 10-24 x 2" OPHCS	4	
12	900505	88 Center or End Case Mtg. Pkg. (MS screws 1-3/4" door)		X
		10-24 x 1-1/2" OPHMS	4	
12	900506	88 Center or End Case Mtg. Pkg. (MS screws 2-1/4" door)		X
		10-24 x 2" OPHMS	4	
13	900610	88 Rim Latch Retainer Plate Screw Pkg.		
		10-24 x 5/16" PPHMS Thd. Cut	10	
14	900613	88 Backplate Screw Pkg.		
		8-32 x 3/8" PPH TF	4	

X in "Finish" column designates finished item; specify finish when ordering.

* For 88TP devices shipped after June 2000; for devices shipped before June 2000, use replacement part No. 050102.

CENTER CASE PARTS: TP FIRE EXIT DEVICES



Part No. 050107, 88CK-TP-F Conversion Kit;
replaces item No. 1, 88 Thumbpiece Lift Replacement Kit,
for 88TP-F devices shipped after June 2000

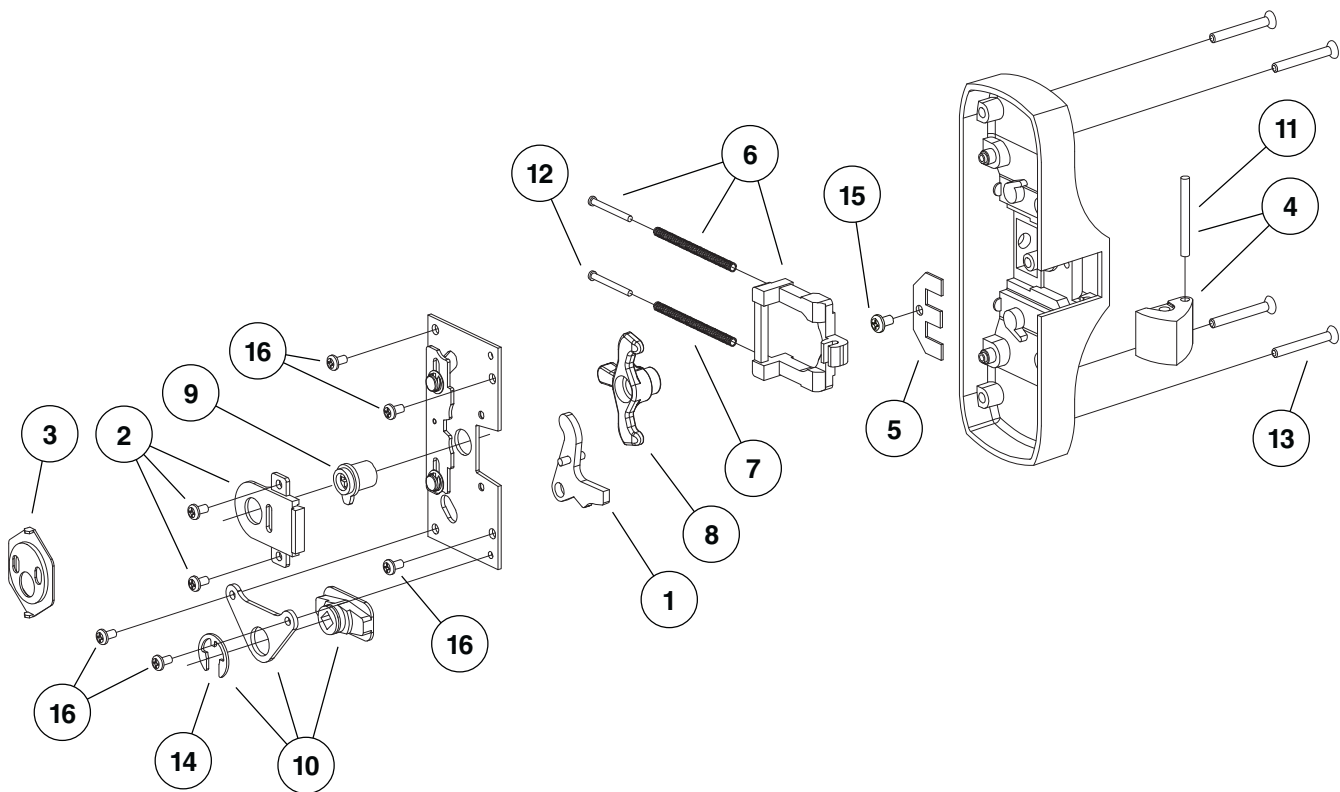
CENTER CASE PARTS: TP FIRE EXIT DEVICES

Item No.	Part No.	Description	Quantity	Finish
1	050019	88 Thumbpiece Lift Replacement Kit *	1	
2	050272	88-F Auxiliary Bolt Bushing	1	
3	050274	88-F Master Cam LH (shown)	1	
3	050273	88-F Master Cam RH (not shown)	1	
4	050276	88-F Auxiliary Bolt LH (shown)	1	
4	050275	88-F Auxiliary Bolt RH (not shown)	1	
5	050331	88 Cylinder Anchor Plate	1	
6	050498	88-F Latchbolt w/Axle Kit		
		88-F Rim Latchbolt	1	
		88 Rim Latchbolt Axle	1	
7	050499	88 Rim Latch Retainer Plate	1	
8	050393	88 Rim Latch Tail Spring Pkg.	10	
9	090001	88 Rim Latch Bolt Axle Pkg.	4	
10	090002	88 Rim Center Case Rivet Pkg.	10	
11	090009	88-F Rim Gravity Dog Spring Pkg.	5	
12	090017	88-F Auxiliary Bolt Return Spring Pkg.	5	
13	900503	88 Center or End Case Mtg. Pkg. (CS and MS screws)		X
		10-24 x 1-1/2" OPHMS	4	
		10-24 x 2" OPHMS	4	
		10-12 x 10-24 x 2" OPHCS	4	
13	900504	88 Center or End Case Mtg. Pkg. (CS screws)		X
		10-12 x 10-24 x 2" OPHCS	4	
13	900505	88 Center or End Case Mtg. Pkg. (MS screws 1-3/4" door)		X
		10-24 x 1-1/2" OPHMS	4	
13	900506	88 Center or End Case Mtg. Pkg. (MS screws 2-1/4" door)		X
		10-24 x 2" OPHMS	4	
14	900610	88 Rim Latch Retainer Plate Screw Pkg.		
		10-24 x 5/16" PPHMS Thd. Cut	10	
15	900613	88 Backplate Screw Pkg.		
		8-32 x 3/8" PPH TF	4	

X in "Finish" column designates finished item; specify finish when ordering.

* For 88TP-F devices shipped after June 2000; for devices shipped before June 2000, use replacement part No. 050107.

CENTER CASE PARTS: K/L PANIC EXIT DEVICES

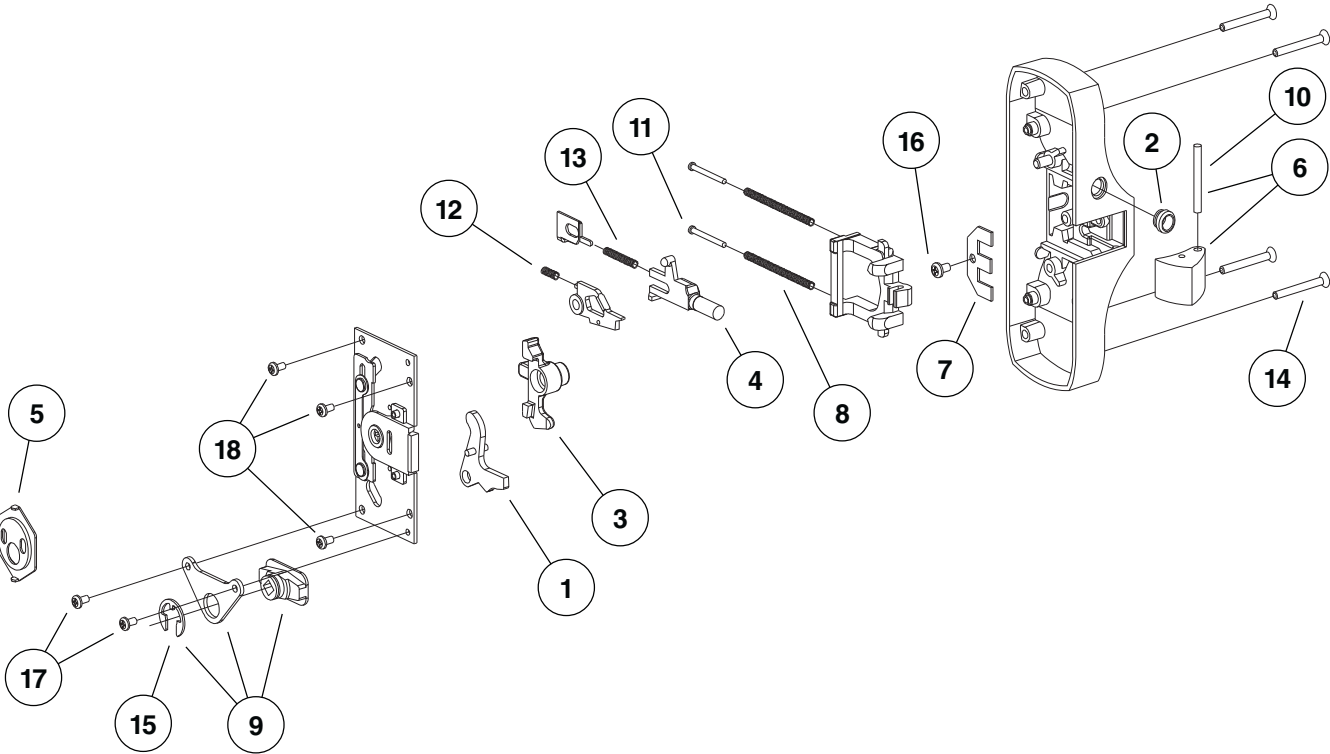


CENTER CASE PARTS: K/L PANIC EXIT DEVICES

Item No.	Part No.	Description	Quantity	Finish
1	050504	88K/L-F Knob Cam Lift	1	
2	050260	88 Rim Auxiliary Backplate		X
		88 Rim Auxiliary Backplate	1	
		8-32 x 5/16" PPHMS	2	
3	050331	88 Cylinder Anchor Plate	1	
4	050497	88 Latchbolt w/Axle Kit		
		88 Rim Latchbolt	1	
		88 Rim Latchbolt Axle	1	
5	050499	88 Rim Latch Retainer Plate	1	
6	050500	88 Rim Latch Tail, Spring, Rivet Kit		
		88 Rim Latch Tail Rivet	2	
		88 Rim Latch Tail Spring	2	
		88 Rim Latch Tail	1	
7	050393	88 Rim Latch Tail Spring Pkg.	10	
8	050501	88 Rim Master Cam	1	
9	050505	88K/L-F Cylinder Cam	1	
10	050506	88K/L-F Knob Cam Bracket Assy.	1	
11	090001	88 Rim Latch Bolt Axle Pkg.	4	
12	090002	88 Rim Center Case Rivet Pkg.	10	
13	900503	88 Center or End Case Mtg. Pkg. (CS and MS screws)		X
		10-24 x 1-1/2" OPHMS	4	
		10-24 x 2" OPHMS	4	
		10-12 x 10-24 x 2" OPHCS	4	
13	900504	88 Center or End Case Mtg. Pkg. (CS screws)		X
		10-12 x 10-24 x 2" OPHCS	4	
13	900505	88 Center or End Case Mtg. Pkg. (MS screws 1-3/4" door)		X
		10-24 x 1-1/2" OPHMS	4	
13	900506	88 Center or End Case Mtg. Pkg. (MS screws 2-1/4" door)		X
		10-24 x 2" OPHMS	4	
14	090015	88K/L-F Retaining Ring Pkg.	10	
15	900610	88 Rim Latch Retainer Plate Screw Pkg.		
		10-24 x 5/16" PPHMS Thd. Cut	10	
16	900613	88 Backplate Screw Pkg.		
		8-32 x 3/8" PPH TF	4	

X in "Finish" column designates finished item; specify finish when ordering.

CENTER CASE PARTS: K/L FIRE EXIT DEVICES



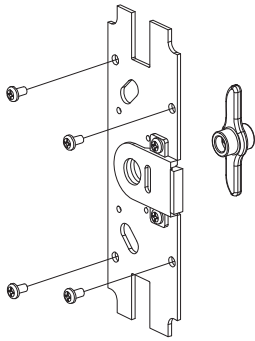
CENTER CASE PARTS: K/L FIRE EXIT DEVICES

Item No.	Part No.	Description	Quantity	Finish
1	050504	88K/L-F Knob Cam Lift	1	
2	050272	88-F Auxiliary Bolt Bushing	1	
3	050274	88-F Master Cam LH (shown)	1	
3	050273	88-F Master Cam RH (not shown)	1	
4	050276	88-F Auxiliary Bolt LH (shown)	1	
4	050275	88-F Auxiliary Bolt RH (not shown)	1	
5	050331	88 Cylinder Anchor Plate	1	
6	050498	88-F Latchbolt w/Axle Kit		
		88-F Rim Latchbolt	1	
		88 Rim Latchbolt Axle	1	
7	050499	88 Rim Latch Retainer Plate	1	
8	050393	88 Rim Latch Tail Spring Pkg.	10	
9	050506	88K/L-F Knob Cam Bracket Assy.	1	
10	090001	88 Rim Latch Bolt Axle Pkg.	4	
11	090002	88 Rim Center Case Rivet Pkg.	10	
12	090009	88-F Rim Gravity Dog Spring Pkg.	5	
13	090017	88-F Auxiliary Bolt Return Spring Pkg.	5	
14	900503	88 Center or End Case Mtg. Pkg. (CS and MS screws)		X
		10-24 x 1-1/2" OPHMS	4	
		10-24 x 2" OPHMS	4	
		10-12 x 10-24 x 2" OPHCS	4	
14	900504	88 Center or End Case Mtg. Pkg. (CS screws)		X
		10-12 x 10-24 x 2" OPHCS	4	
14	900505	88 Center or End Case Mtg. Pkg. (MS screws 1-3/4" door)		X
		10-24 x 1-1/2" OPHMS	4	
14	900506	88 Center or End Case Mtg. Pkg. (MS screws 2-1/4" door)		X
		10-24 x 2" OPHMS	4	
15	090015	88K/L-F Retaining Ring Pkg.	10	
16	900610	88 Rim Latch Retainer Plate Screw Pkg.		
		10-24 x 5/16" PPHMS Thd. Cut	10	
17	900613	88 Backplate Screw Pkg.		
		8-32 x 3/8" PPH TF	4	

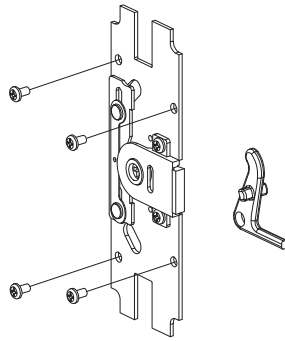
X in "Finish" column designates finished item; specify finish when ordering.

BACKPLATE CONVERSION KITS

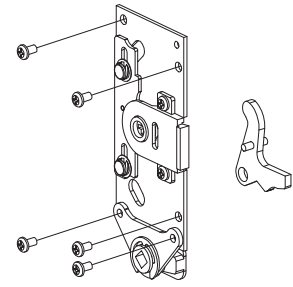
Specify Finish when Ordering Backplate Conversion Kits



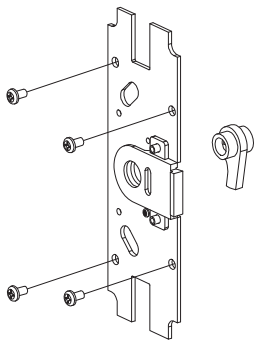
Description: 88CK-NL
Part No. 050101



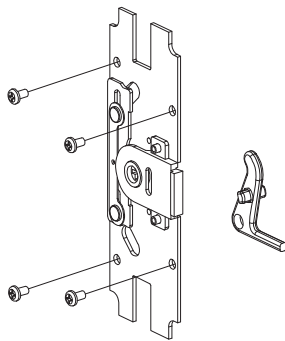
Description: 88CK-TP
Part No. 050102



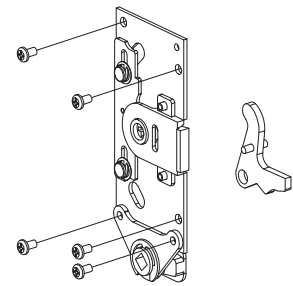
Description: 88CK-K/L
Part No. 050103



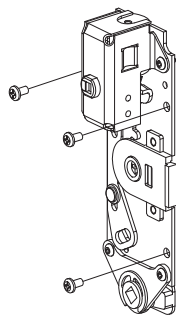
Description: 88CK-NL-F
Part No. 050106



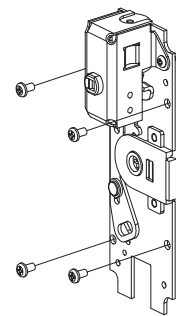
Description: 88CK-TP-F
Part No. 050107



Description: 88CK-K/L-F
Part No. 050108



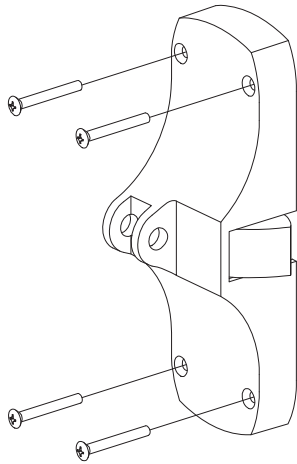
Description	Part No.
E88K RHR FSE 24VDC	050336
E88K LHR FSE 24VDC	050337
E88K RHR FS 24VDC	050338
E88K LHR FS 24VDC	050339
E88K RHR FSE 24VAC	050344
E88K LHR FSE 24VAC	050345
E88K RHR FS 24VAC	050346
E88K LHR FS 24VAC	050347



Description	Part No.
E88TP RHR FSE 24VDC	050341
E88TP LHR FSE 24VDC	050341
E88TP RHR FS 24VDC	050342
E88TP LHR FS 24VDC	050343
E88TP RHR FSE 24VAC	050348
E88TP LHR FSE 24VAC	050349
E88TP RHR FS 24VAC	050350
E88TP LHR FS 24VAC	050351

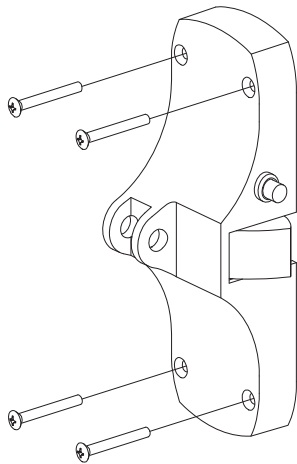
CENTER CASE KITS

Specify Finish when Ordering Center Case Kits



Panic Exit Device Center Case Kit
RHR shown

Description (Panic Exit Devices)	Part No.
88EO/DT/NL - - -	050409
88TP - - -	050410
88K/L RHR - -	050411
88K/L LHR - -	050412
E88K RHR FSE 24VDC	050336
E88K LHR FSE 24VDC	050337
E88K RHR FS 24VDC	050338
E88K LHR FS 24VDC	050339
E88K RHR FSE 24VAC	050344
E88K LHR FSE 24VAC	050345
E88K RHR FS 24VAC	050346
E88K LHR FS 24VAC	050347



Fire Exit Device Center Case Kit
RHR shown

Description (Fire Exit Devices)	Part No.
88EO-F/NL-F RHR - -	050424
88EO-F/NL-F LHR - -	050425
88TP-F RHR - -	050426
88TP-F LHR - -	050427
88K/L-F RHR - -	050428
88K/L-F LHR - -	05029
E88K-F RHR FSE 24VDC	050311
E88K-F LHR FSE 24VDC	050312
E88K-F RHR FS 24VDC	050313
E88K-F LHR FS 24VDC	050314
E88TP-F RHR FSE 24VDC	050315
E88TP-F LHR FSE 24VDC	050316
E88TP-F RHR FS 24VDC	050317
E88TP-F LHR FS 24VDC	050318
E88K-F RHR FSE 24VAC	050319
E88K-F LHR FSE 24VAC	050320
E88K-F RHR FS 24VAC	050321
E88K-F LHR FS 24VAC	050322
E88TP-F RHR FSE 24VAC	050323
E88TP-F LHR FSE 24VAC	050324
E88TP-F RHR FS 24VAC	050325
E88TP-F LHR FS 24VAC	050326

About Allegion

Allegion (NYSE: ALLE) creates peace of mind by pioneering safety and security. As a \$2 billion provider of security solutions for homes and businesses, Allegion employs more than 7,800 people and sells products in more than 120 countries across the world. Allegion comprises 23 global brands, including strategic brands CISA®, Interflex®, LCN®, Schlage® and Von Duprin®.

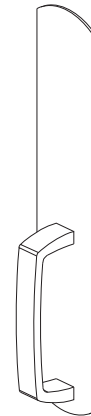
For more, visit www.allegion.com.

aptiQ ■ LCN ■ **SCHLAGE** ■ STEELCRAFT ■ VON DUPRIN

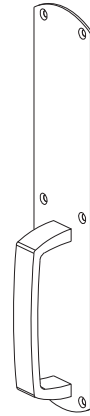
VON DUPRIN®

880, 606,
608, & 609
Series Trim

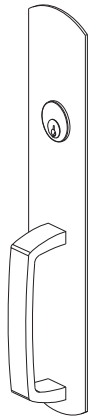
Service manual



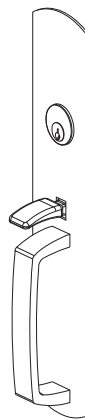
880DT



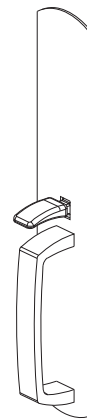
880DT-SA



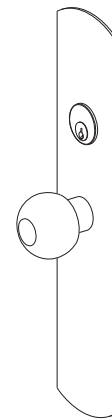
880NL



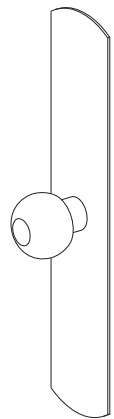
880TP



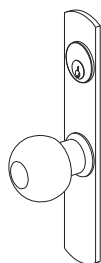
880TP-BE



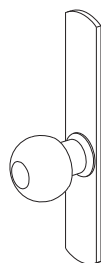
880K
880K-RIGID



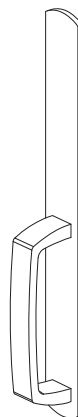
880K-BE
880K-DT



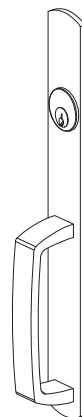
606K
606K-RIGID



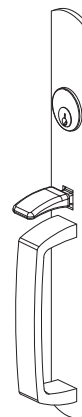
606K-BE
606K-DT



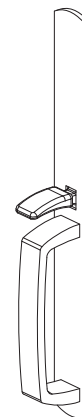
608DT



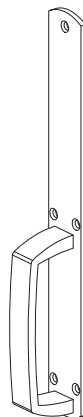
608NL



608TP



608TP-BE



609DT-SA

INDEX

General Information

Introduction	2
How to Order	2
Part Number Changes	2
Finishes	3

880, 606, 608, and 609 Series Trim Parts

Screw Packages	3
880DT	4
880DT-SA	4
880NL	4
880TP	4
880TP-BE	4
880K	5
880K-BE	5
880K-DT	5
880K-RIGID	5
606K	6
606K-BE	6
606K-DT	6
606K-RIGID	6
608TP	7
608TP-BE	7
608DT	7
608NL	7
609DT-SA	8

INTRODUCTION

This manual contains a listing of replaceable parts and assemblies for the 880 Series Trim.

HOW TO ORDER

Some parts are sold separately. Other items are available as part of a kit or multiple quantity package. For the best possible service when ordering replacement parts or assemblies, please provide the following information:

- Part number or assembly number
- Description
- Quantity needed
- Finish desired (if available finished)
- Date of original purchase (if known)

To find out the name of your local Von Duprin distributor or sales representative, contact:

Von Duprin Division
Allegion
2720 Tobey Drive
Indianapolis, IN 46219
Phone: (877) 671-7011

PART NUMBER AND AVAILABILITY CHANGES

This manual was designed to help illustrate the replacement parts and kits that are available for sale. Because of changes to the product and/or manufacturing process, part numbers and availability can change over time.

FINISHES

US Number	BHMA Number	Color
US3	605	Brass, polished (laquered)
US10	612	Bronze, dull (laquered)
US10A	—	Bronze, dull (no laquer)
US10B	613	Brass, dull (oxidized, oil rubbed)
US26	625	Chrome, polished
US26D	626	Chrome, dull
US32	629	Stainless steel, polished
US32D	630	Stainless steel, satin

SCREW PACKAGES

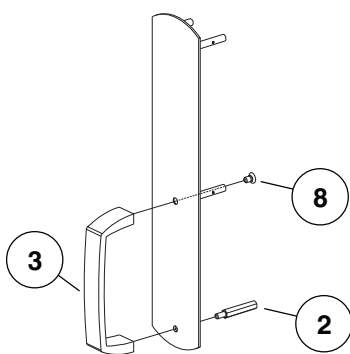
Part No.	Description	Quantity	Finish
900531	880 Screw Pkg. 2-1/4" Door		X
	10-24 x 2-1/2" OPHMS	8	
900533	880 Screw Pkg. 1-3/4" Door		X
	10-24 x 1-1/2" OPHMS	8	
900542	880 V Screw Pkg.		
	10-24 x 3/4" PPHMS	8	
900771	880 Bottom Screw Pkg.		X
	#12 Countersink Washer	1	
	12-24 x 1" OPHMS	1	
900783	880DT-V SA Screw Pkg.		X
	10-24 x 1/2" OPHMS	6	
900772	606DT/NL/TP Screw Pkg.		X
	#12 Countersink Washer	1	
	12-24 x 1-5/8" OPHMS	1	
900782	606K/K-DT Screw Pkg.		X
	#12 Countersink Washer	1	
	12-24 x 1-1/2" FPHMS	2	
	12-24 x 1-5/8" OPHMS	1	
900776	608 Screw Pkg.		X
	#12 Countersink Washer	2	
	12-24 x 1-1/2" FPHMS	2	
	12-24 x 1-5/8" OPHMS	2	

X in "Finish" column designates finished item; specify finish when ordering.

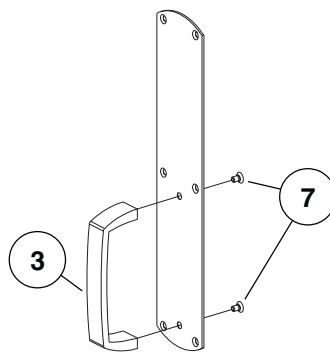
880DT, 880DT-SA, 880NL, 880TP, 880TP-BE PARTS

Item No.	Part No.	Description	Quantity	Finish
1	032114	216D Cylinder Anchor Plate	1	
2	956760	880 Series Hex Stud	1	
3	972466	880 Pull Grip (US26D)	1	X
3	972467	880 Pull Grip (all other finishes)	1	X
4	959575	880-M/V Thumbpiece	1	X
4	970488	608/880TP-R Thumbpiece	1	X
5	959603	880 Thumbpiece Axle	1	
6	961267	880-M Cylinder Collar	1	X
6	965226	880-R Cylinder Collar	1	X
7	963011	880DT-V-SA 12-24 x 1/2" UFPHMS	1	
8	963579	880NL/DT 12-24 x 3/8" UFPHMS	1	
9	965237	880TP Bracket Screw	1	
10	969353	880TP Thumbpiece Bracket	1	

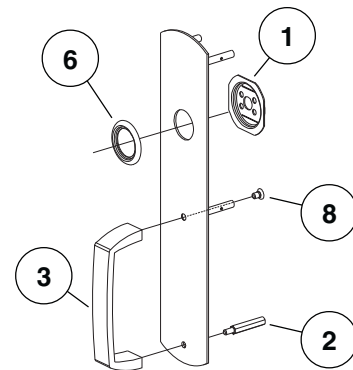
X in "Finish" column designates finished item; specify finish when ordering.



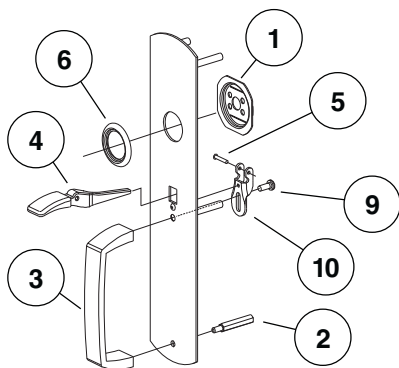
880DT



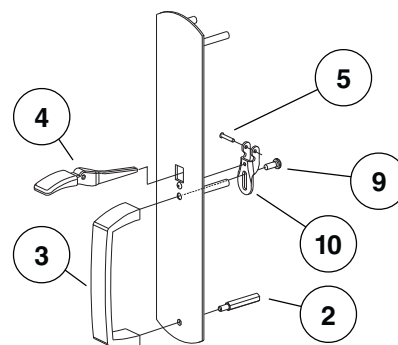
880DT-SA



880NL



880TP

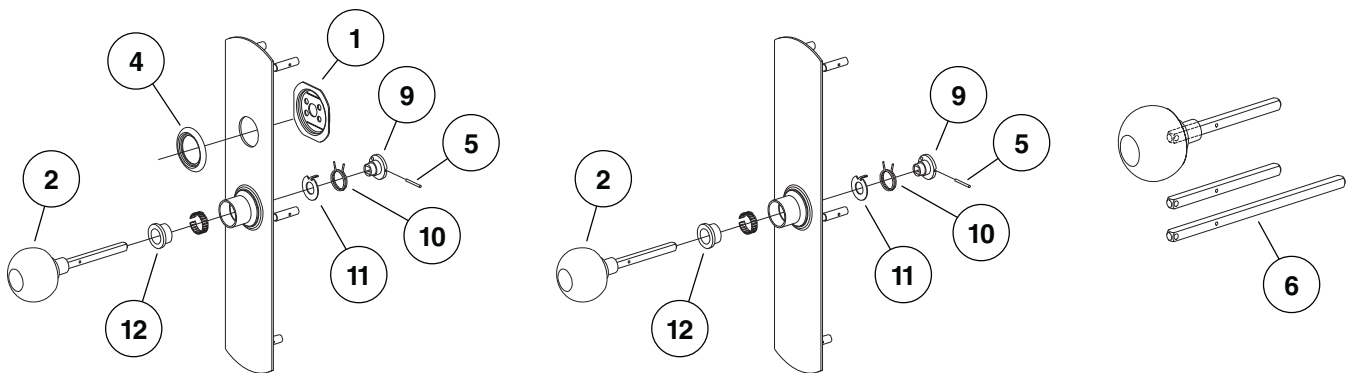


880TP-BE

880K, 880K-BE, 880K-DT, 880K-RIGID PARTS

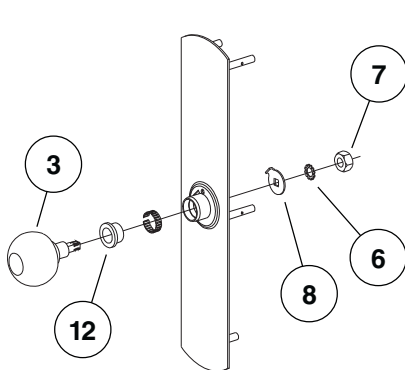
Item No.	Part No.	Description	Quantity	Finish
1	032114	216D Cylinder Anchor Plate	1	
2	110544	880K Orbit Knob Assembly	1	X
3	110547	880K Orbit Knob Assembly (DT)	1	X
4	961267	880-M Cylinder Collar	1	X
4	965226	880-R Cylinder Collar	1	X
5	963196	606K/880K Roll Pin (3/32" x 7/8")	1	
6	963703	606K/880K 3/8" Lockwasher	1	
7	963704	606K/880K-DT/K-NL Hex Nut	1	
8	965568	606/880 DT Spindle Lock	1	
9	970137	880K Booster Body	1	
10	970138	880K Booster Torsion Spring	1	
11	970139	880K Booster Spacer	1	
12	970159	880K Flange Bearing	1	
13	968883	Extended Spindle - 880K	1	

X in "Finish" column designates finished item; specify finish when ordering.

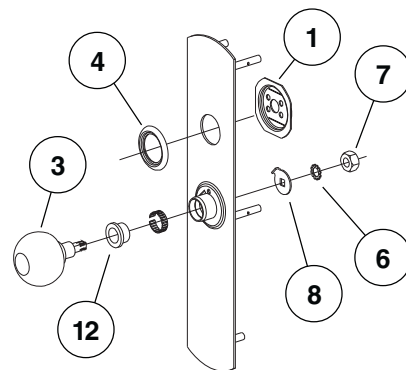


880K

880K-BE



880K-DT

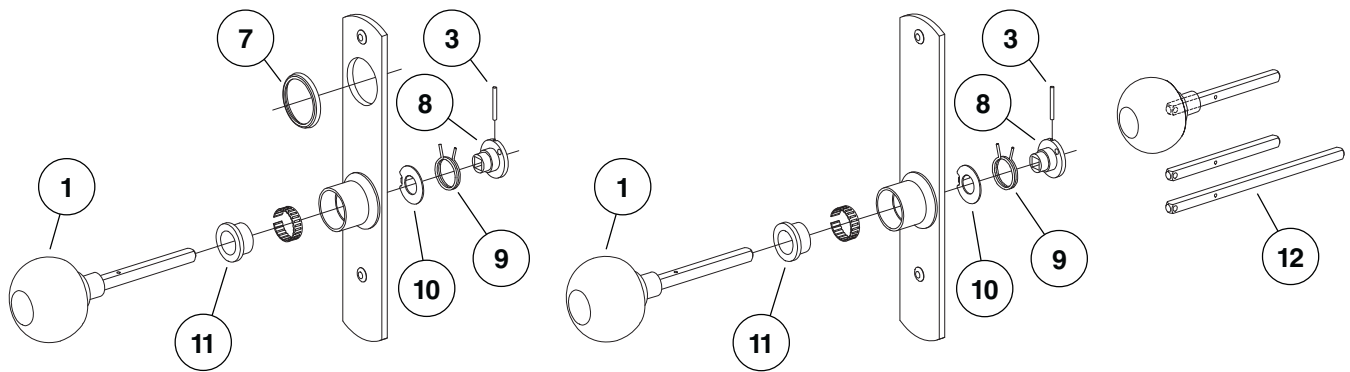


880K-RIGID

606K, 606K-BE, 606K-DT, 606K-RIGID PARTS

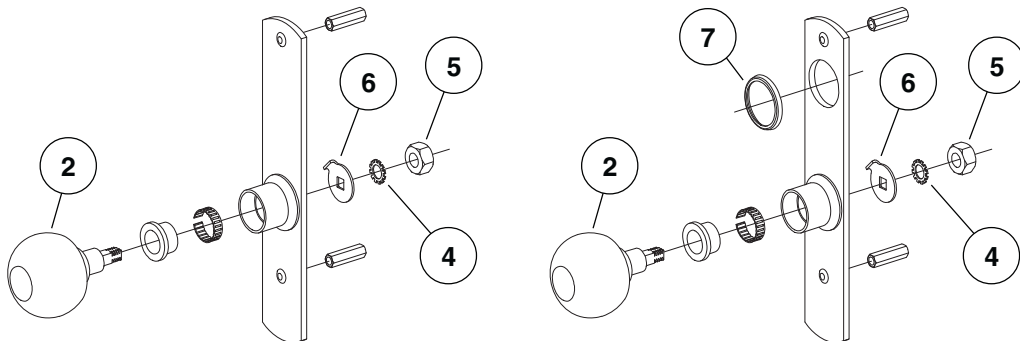
Item No.	Part No.	Description	Quantity	Finish
1	110544	880K Orbit Knob Assembly	1	X
2	110547	880K Orbit Knob Assembly (DT)	1	X
3	963196	606K/880K Roll Pin (3/32" x 7/8")	1	
4	963703	606K/880K 3/8" Lockwasher	1	
5	963704	606K/880K-DT/K-NL Hex Nut	1	
6	965568	606/880 DT Spindle Lock	1	
7	961267	880-M Cylinder Collar	1	X
8	970137	880K Booster Body	1	
9	970138	880K Booster Torsion Spring	1	
10	970139	880K Booster Spacer	1	
11	970159	880K Flange Bearing	1	
12	968883	Extended Spindle - 880K	1	

X in "Finish" column designates finished item; specify finish when ordering.



606K

606K-BE



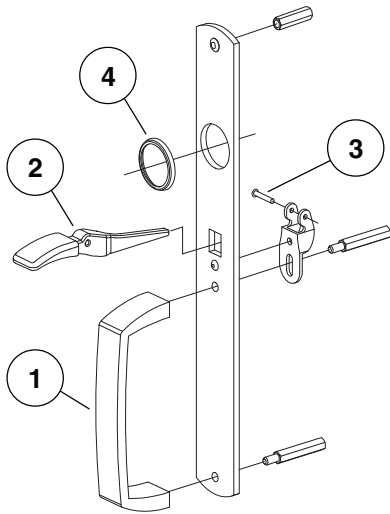
606K-DT

606K-RIGID

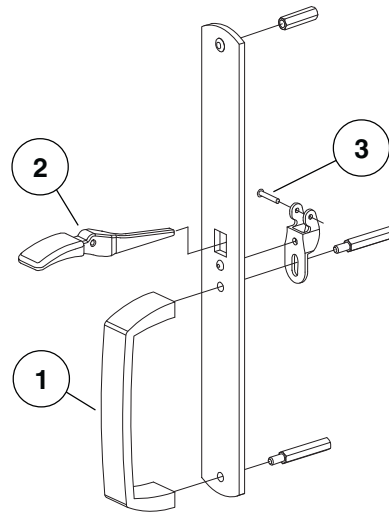
608TP, 608TP-BE, 608DT, 608NL PARTS

Item No.	Part No.	Description	Quantity	Finish
1	972466	Pull Grip (US26D)	1	X
1	972467	Pull Grip (all other finishes)	1	X
2	959575	880-M/V Thumbpiece	1	X
2	970488	608/880TP-R Thumbpiece	1	X
3	959603	880 Thumbpiece Axle	1	
4	961267	880-M Cylinder Collar	1	X

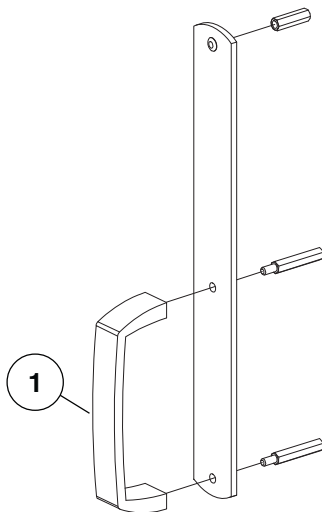
X in "Finish" column designates finished item; specify finish when ordering.



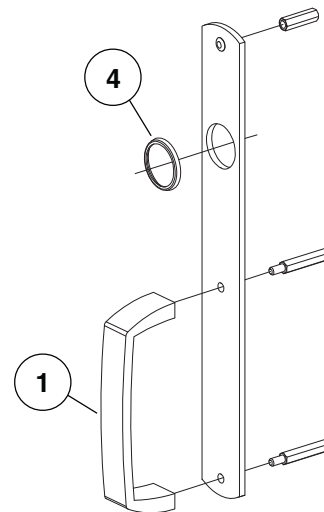
608TP



608TP-BE



608DT

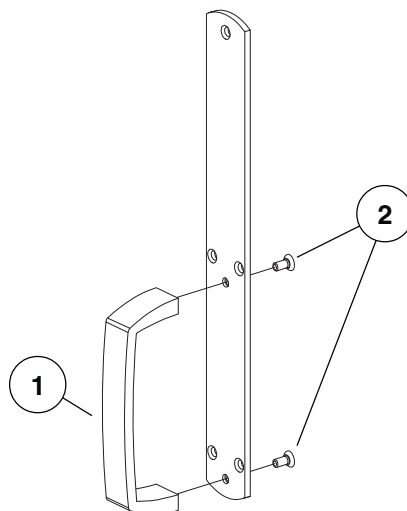


608NL

609DT-SA PARTS

Item No.	Part No.	Description	Quantity	Finish
1	972466	Pull Grip (US26D)	1	X
1	972467	Pull Grip (all other finishes)	1	X
2	963011	880DT-V-SA 12-24 x 1/2" UFPHMS	1	

X in "Finish" column designates finished item; specify finish when ordering.



609DT-SA

About Allegion

Allegion (NYSE: ALLE) creates peace of mind by pioneering safety and security. As a \$2 billion provider of security solutions for homes and businesses, Allegion employs more than 7,800 people and sells products in more than 120 countries across the world. Allegion comprises 23 global brands, including strategic brands CISA®, Interflex®, LCN®, Schlage® and Von Duprin®.

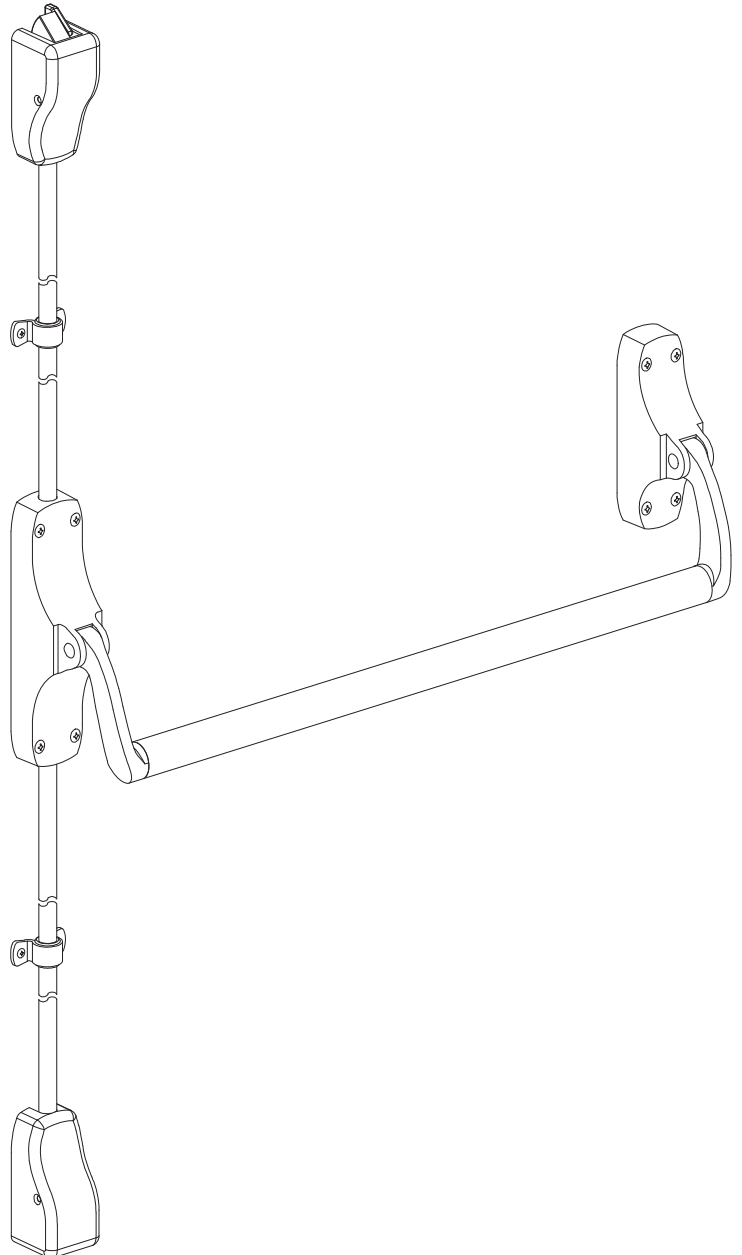
For more, visit www.allegion.com.

aptiQ ■ LCN ■ **SCHLAGE** ■ STEELCRAFT ■ VON DUPRIN

VON DUPRIN®

8827 Surface Vertical Rod Series Exit Devices

Service manual



INDEX

General Information

Introduction	2
How to Order	2
Part Number Changes	2
8827 Series Finishes	3
Outside Trim Functions	3
Strikes	3

8827 Series Device Parts

Crossbars	4
Lever Arm Kits	5
Lever Arm Parts Packages	6
End Case Kit and End Case Parts	8
Backplate Conversion Kits	10
Center Case Parts: EO/EO-F, DT, TL/TL-F Exit Devices	10
Center Case Parts: K/K-F, K-NL/K-NL-F, L/L-F Exit Devices	11
Center Case Parts: TP/TP-F, TP-NL/TP-NL-F Exit Devices	12
Center Case Mounting Packages and Cylinder Anchor Plate	13
Center Case Kits	13
Latch Parts and Screw Packages	14
Latch Kits and Latch Cover Kits	15
Vertical Rods	16

INTRODUCTION

This manual contains a listing of replaceable parts and assemblies for the 8827 Series Panic and FEH Devices.

HOW TO ORDER

Some parts are sold separately. Other items are available as part of a kit or multiple quantity package. For the best possible service when ordering replacement parts or assemblies, please provide the following information:

- Part number or assembly number
- Description
- Quantity needed
- Finish desired (if available finished)
- Date of original purchase (if known)

To find out the name of your local Von Duprin distributor or sales representative, contact:

Von Duprin Division
Allegion
2720 Tobey Drive
Indianapolis, Indiana 46219
Phone: (877) 671-7011

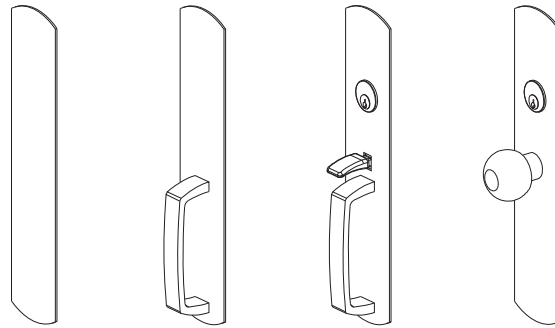
PART NUMBER AND AVAILABILITY CHANGES

This manual was designed to help illustrate the replacement parts and kits that are available for sale. Because of changes to the product and/or manufacturing process, part numbers and availability can change over time.

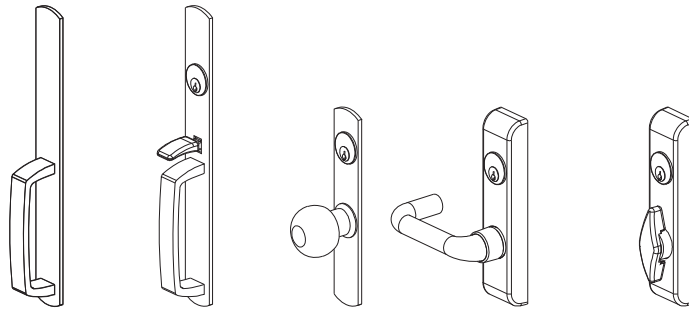
8827 SERIES FINISHES

US Number	BHMA Number	Color
US3	605	Brass, polished
US4	606	Brass, dull
US10	612	Bronze, dull
US10B	613	Brass, dull (oxidized)
US26	625	Chrome, polished
US26D	626	Chrome, dull
SPBLK	693	Gloss black powder

OUTSIDE TRIM FUNCTIONS

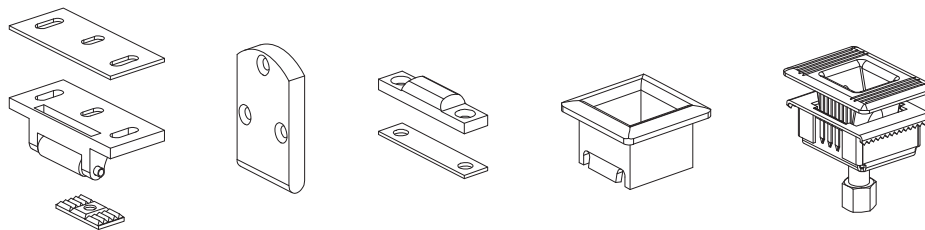


880EO 880DT 880TP 880K



608DT 608TP 606K 373L 377T

STRIKES

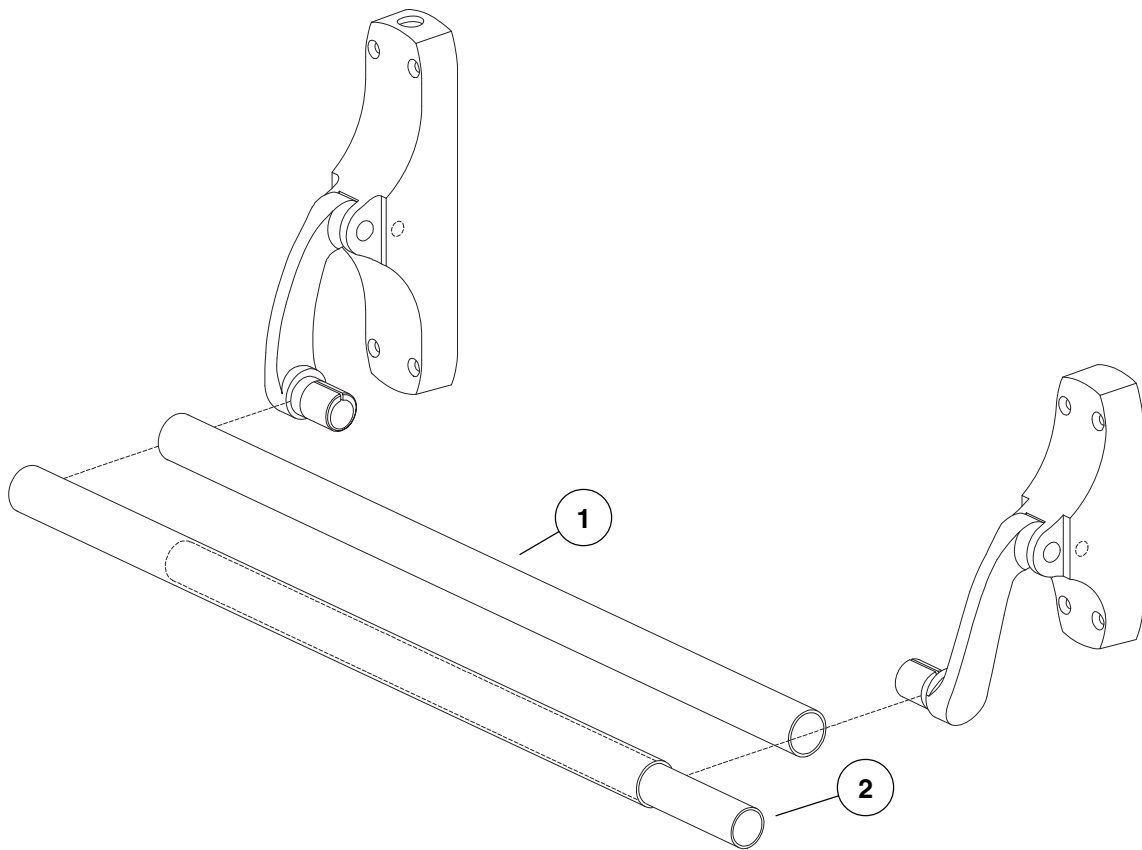


299 (top) 260U (top) 248L-4 (bottom) 304L (bottom) 385A (bottom)

CROSSBARS

Item No.	Part No.	Description	Quantity	Finish
1	050004	42" Standard Crossbar Kit	1	X
1	050005	42" Knurled Crossbar Kit	1	X
2	050459	37" Crossbar Reinforcement Kit	1	

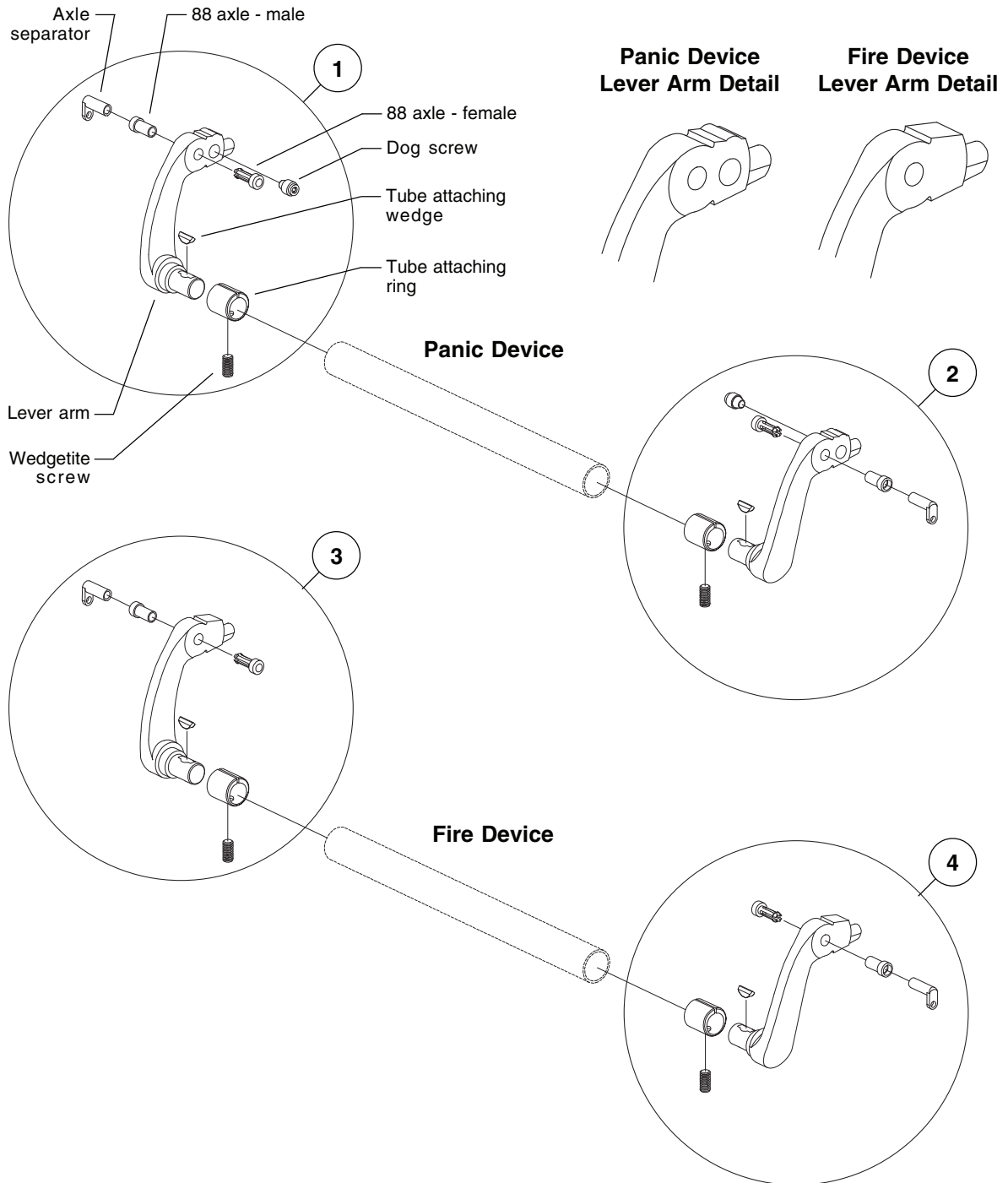
X in "Finish" column designates finished item; specify finish when ordering.



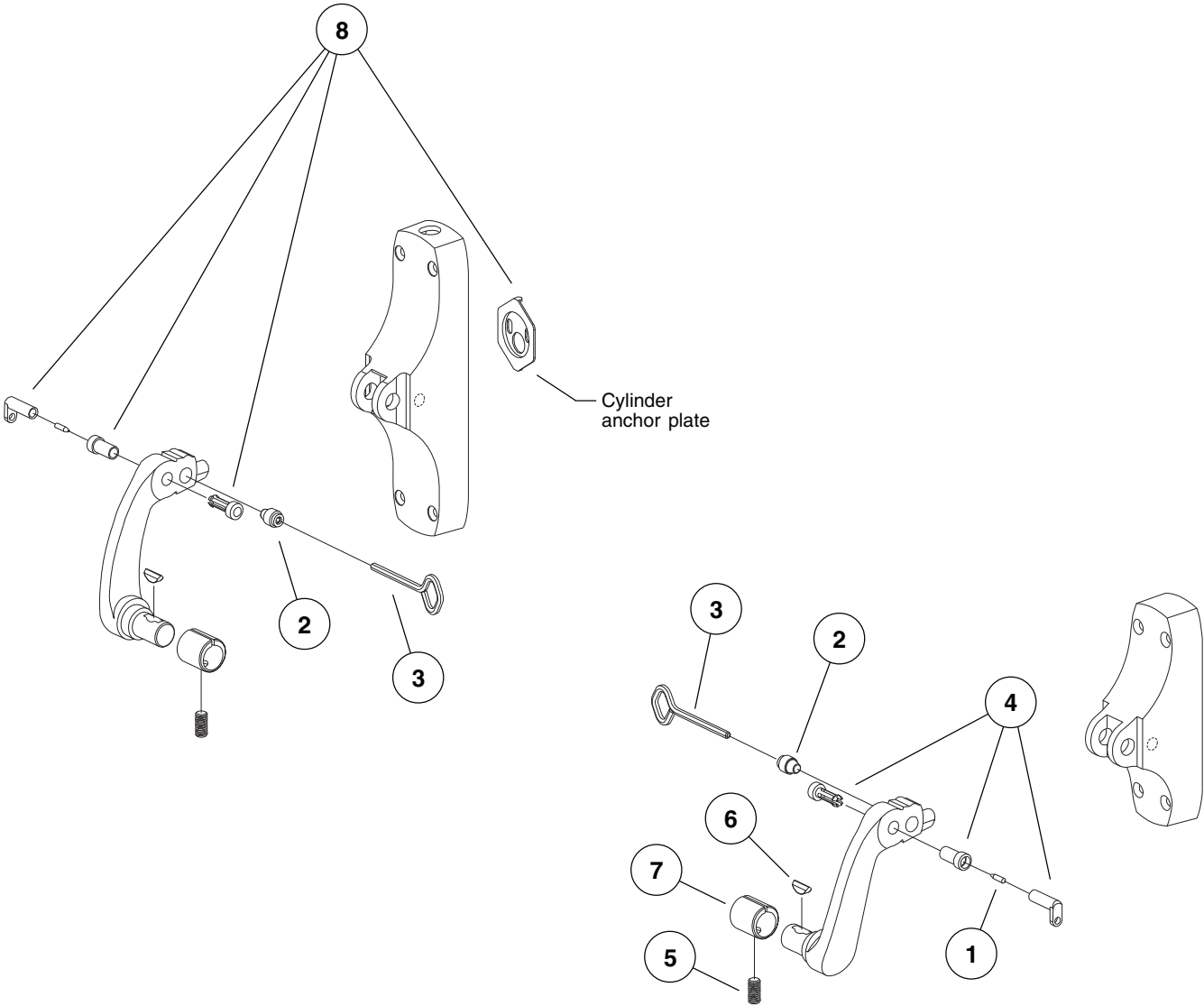
LEVER ARM KITS

Item No.	Part No.	Description	Quantity	Finish
1	050439	88 R/M/V LH Lever Arm Kit	1	X
2	050438	88 R/M/V RH Lever Arm Kit	1	X
3	050443	8827-F/47-F LH Lever Arm Kit	1	X
4	050442	8827-F/47-F RH Lever Arm Kit	1	X

X in "Finish" column designates finished item; specify finish when ordering.



LEVER ARM PARTS PACKAGES

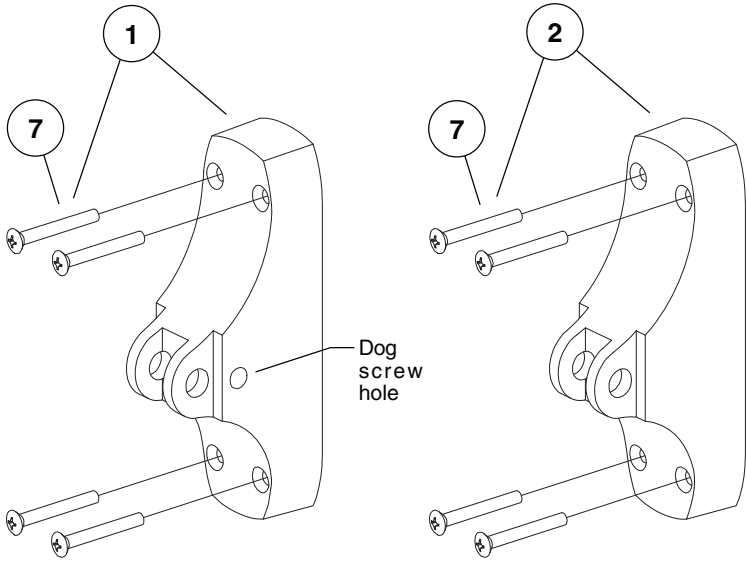


LEVER ARM PARTS PACKAGES

Item No.	Part No.	Description	Quantity	Finish
1	090007	Axle Security Pin Pkg.	10	
1	033022	Axle Security Pin Pkg.	50	
2	090004	Dog Screw Pkg.	2	
2	090083	Dog Screw Pkg.	10	
3	090005	227 Dog Key 5/32" Pkg.	2	
3	090085	227 Dog Key 5/32" Pkg.	10	
4	090006	88 Lever Arm Axles		
		88 Axle Separator	2	
		88 Axle - Male	2	
		88 Axle - Female	2	
4	090082	88 Lever Arm Axles		
		88 Axle Separator	10	
		88 Axle - Male	10	
		88 Axle - Female	10	
5	090008	Wedgetite Screw Pkg.	2	
5	090081	Wedgetite Screw Pkg.	30	
6	090020	Crossbar Tube Attaching Wedge Pkg.	2	
7	090021	Crossbar Tube Attaching Ring Pkg.	2	
8	103865	88 Lever Arm Axle Pkg.		
		Cyliner Anchor Plate	1	
		88 Axle Separator	1	
		88 Axle - Male	2	
		88 Axle - Female	2	

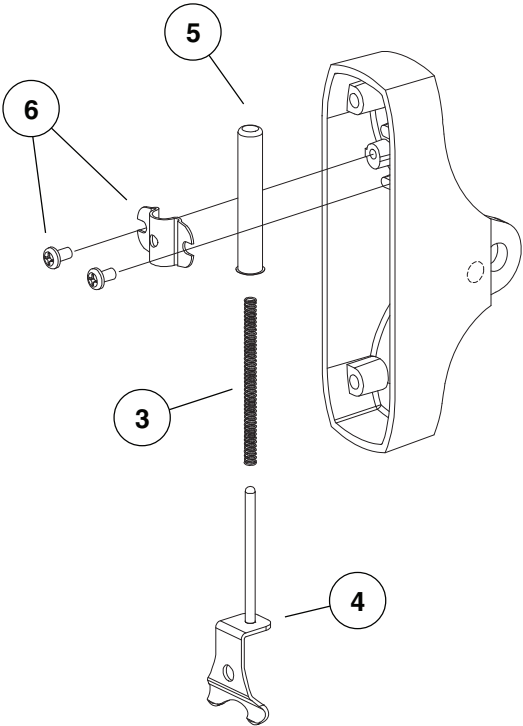
X in "Finish" column designates finished item; specify finish when ordering.

END CASE KIT AND END CASE PARTS



Panic Device

Fire Device

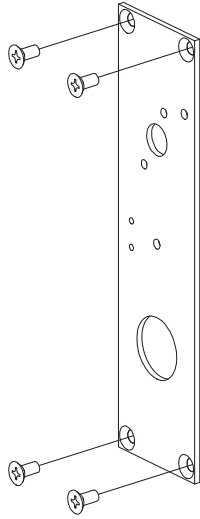


END CASE KIT AND END CASE PARTS

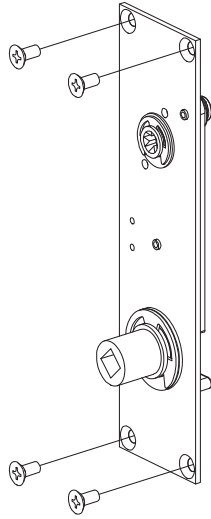
Item No.	Part No.	Description	Quantity	Finish
1	050435	88 R/M/V End Case Kit		X
		88 R/M/V End Case	1	
		10-24 x 1-1/2" OPHMS	4	
		10-24 x 2" OPHMS	4	
		10-12 x 10-24 x 2" OPHCS	4	
2	050436	8827-F/8875-F/8847-F End Case Kit		X
		88SV/CV/M-F End Case	1	
		10-24 x 1-1/2" OPHMS	4	
		10-24 x 2" OPHMS	4	
		10-12 x 10-24 x 2" OPHCS	4	
3	090003	88 End Case Spring Pkg.	2	
3	090080	88 End Case Spring Pkg.	10	
4	050451	88 End Case Spring Stop Kit	1	
5	050476	88/88-F End Case Spring Tube	1	
6	050477	88/88-F Spring Tube Bracket w/Screws Kit		
		88/88-F Spring Tube Bracket	1	
		88/88-F Spring Tube Bracket Screws	2	
7	900503	88 Center or End Case Mtg. Pkg. (CS and MS screws)		X
		10-24 x 1-1/2" OPHMS	4	
		10-24 x 2" OPHMS	4	
		10-12 x 10-24 x 2" OPHCS	4	
7	900504	88 Center or End Case Mtg. Pkg. (CS screws)		X
		10-12 x 10-24 x 2" OPHCS	4	
7	900505	88 Center or End Case Mtg. Pkg. (MS screws 1-3/4" door)		X
		10-24 x 1-1/2" OPHMS	4	
7	900506	88 Center or End Case Mtg. Pkg. (MS screws 2-1/4" door)		X
		10-24 x 2" OPHMS	4	

X in "Finish" column designates finished item; specify finish when ordering.

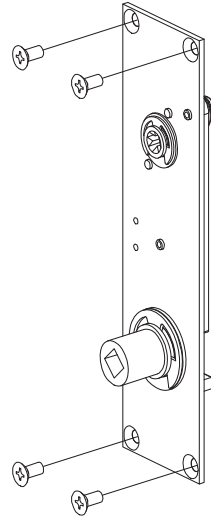
BACKPLATE CONVERSION KITS



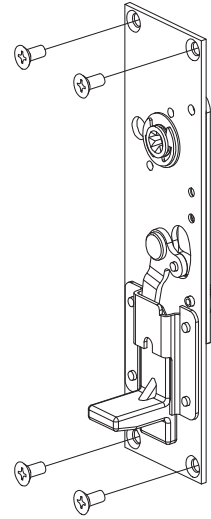
8827CK-EO/DT/TL
Part No. 050447



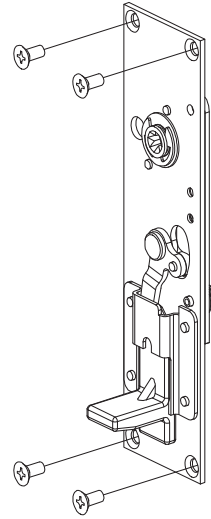
8827CK-K/L-K/L-F
Part No. 050200



8827CK-K-NL/K-NL-F
Part No. 050201



8827CK-TP/TP-F
Part No. 050104

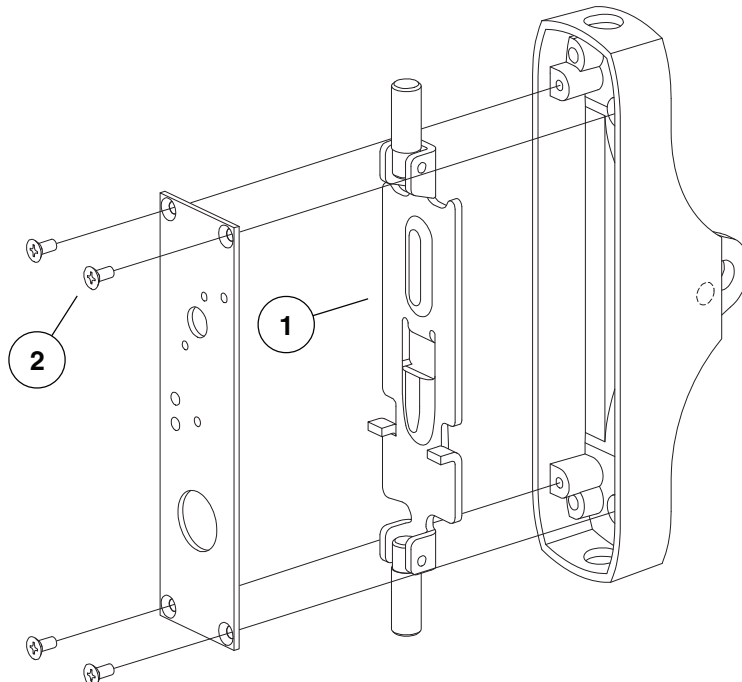


8827CK-TP-NL/TP-NL-F
Part No. 050202

CENTER CASE PARTS: EO/EO-F, DT, TL/TL-F EXIT DEVICES

Item No.	Part No.	Description	Quantity	Finish
1	050446	8827/27-F Rod Control	1	
2	900615	8827 Backplate Screw Pkg.		
		#8-32 x 3/8" UFPHMS	4	

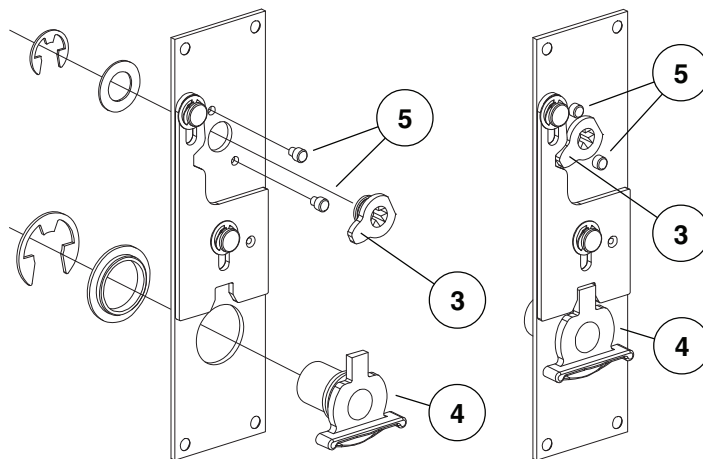
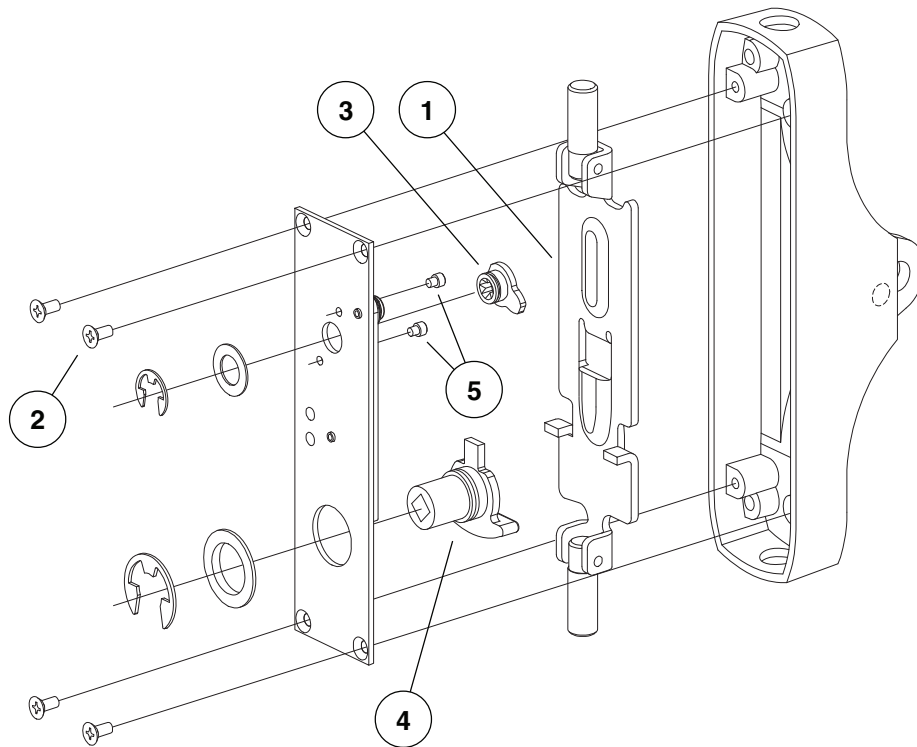
X in "Finish" column designates finished item; specify finish when ordering.



CENTER CASE PARTS: K/K-F, K-NL/K-NL-F, L/L-F EXIT DEVICES

Item No.	Part No.	Description	Quantity	Finish
1	050260	8827/27-F Rod Control	1	
2	900615	8827 Backplate Screw Pkg.		
		#8-32 x 3/8" UFPHMS	4	
3	050448	8827K/K-NL/TP/TP-NL/-F Cylinder Cam	1	
4	050449	8827K/K-NL/-F Knob Hub	1	
5	090012	8827K-NL/TP-NL Backplate Pin Pkg. (for K-NL only)	2	

X in "Finish" column designates finished item; specify finish when ordering.

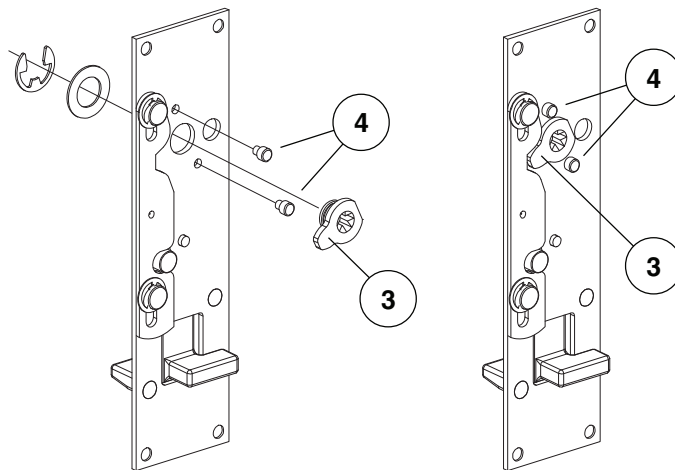
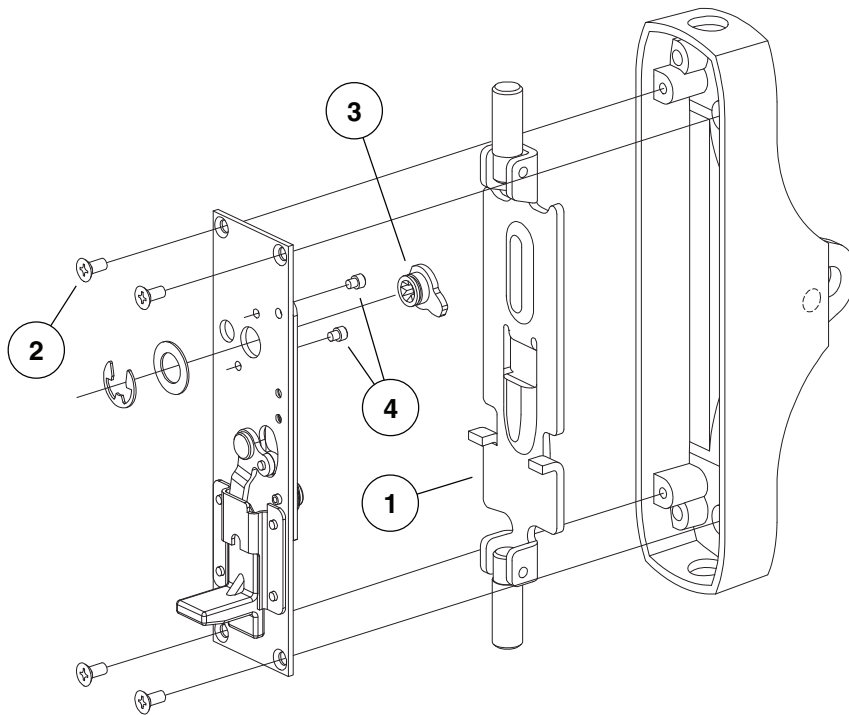


Rear View of Backplate Showing Cylinder Cam and Knob Hub Installation

CENTER CASE PARTS: TP/TP-F, TP-NL/TP-NL-F EXIT DEVICES

Item No.	Part No.	Description	Quantity	Finish
1	050446	8827/27-F Rod Control	1	
2	900615	8827 Backplate Screw Pkg.		
		#8-32 x 3/8" UFPHMS	4	
3	050448	8827K/K-NL/TP/TP-NL-F Cylinder Cam	1	
4	090012	8827K-NL/TP-NL Backplate Pin Pkg. (for TP-NL only)	2	

X in "Finish" column designates finished item; specify finish when ordering.

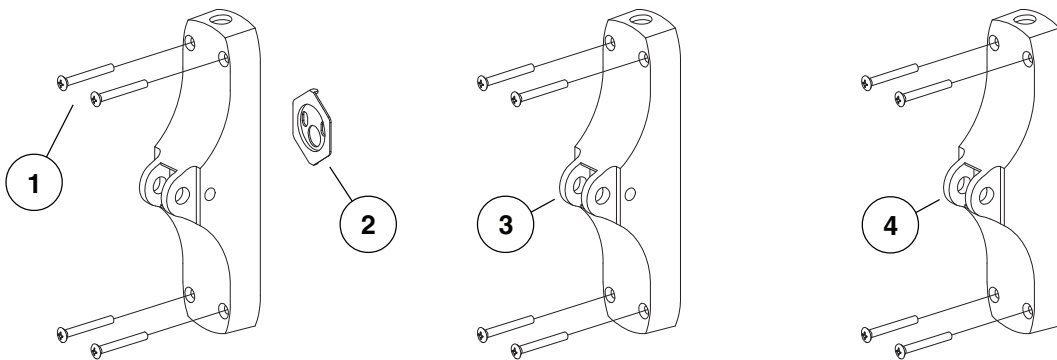


Rear View of Backplate Showing Cylinder Cam and Backplate Pin Installation

CENTER CASE MOUNTING PACKAGES AND CYLINDER ANCHOR PLATE

Item No.	Part No.	Description	Quantity	Finish
1	900503	88 Center or End Case Mtg. Pkg. (CS and MS screws)		X
		10-24 x 1-1/2" OPHMS	4	
		10-24 x 2" OPHMS	4	
		10-12 x 10-24 x 2" OPHCS	4	
1	900504	88 Center or End Case Mtg. Pkg. (CS screws)		X
		10-12 x 10-24 x 2" OPHCS	4	
1	900505	88 Center or End Case Mtg. Pkg. (MS screws 1-3/4" door)		X
		10-24 x 1-1/2" OPHMS	4	
1	900506	88 Center or End Case Mtg. Pkg. (MS screws 2-1/4" door)		X
		10-24 x 2" OPHMS	4	
2	050331	88 Cylinder Anchor Plate	1	

X in "Finish" column designates finished item; specify finish when ordering.



CENTER CASE KITS (includes Mounting Package part No. 500503)

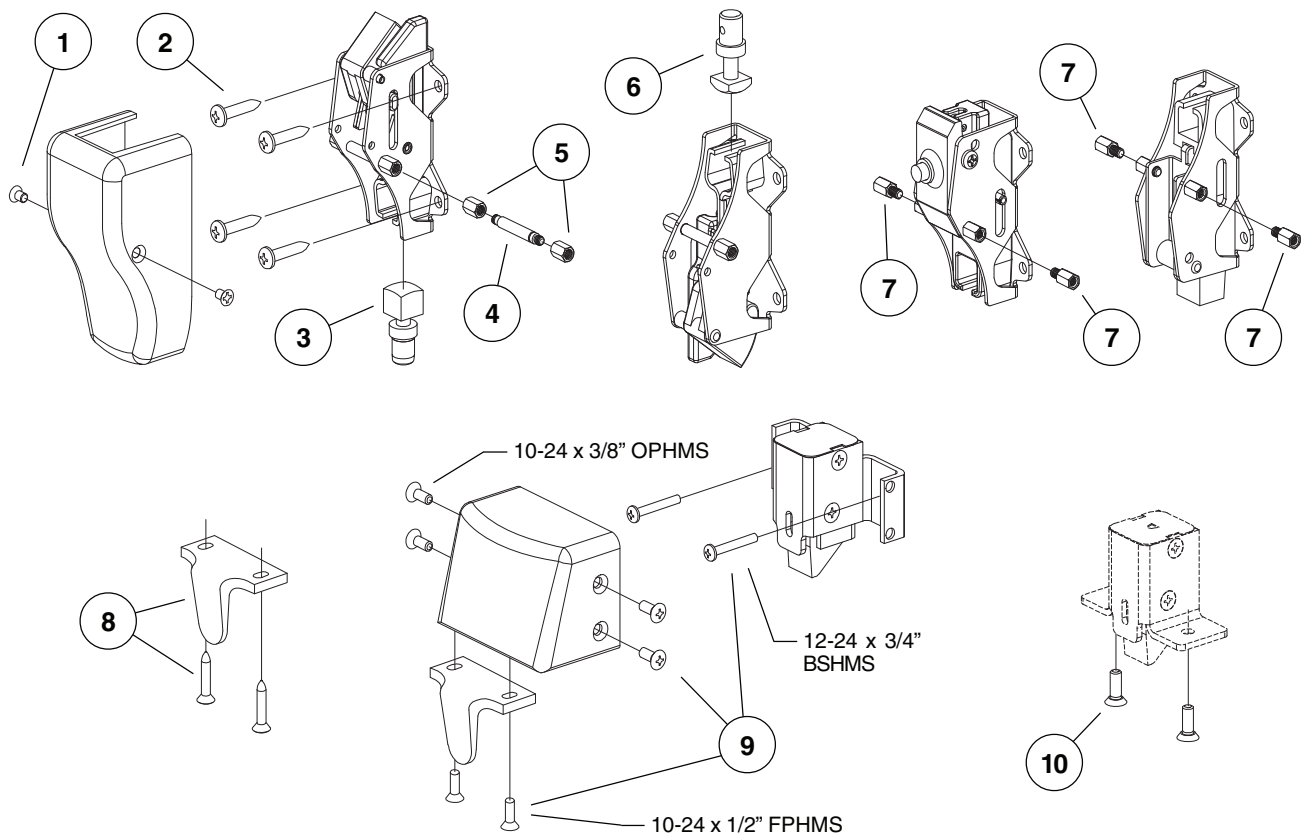
Item No.	Part No.	Description	Quantity	Finish
3	050415	8827EO/DT/TL Center Case Kit	1	X
3	050416	8827TP Center Case Kit	1	X
3	050417	8827K/L Center Case Kit	1	X
3	050418	8827TP-NL Center Case Kit	1	X
3	050419	8827K-NL Center Case Kit	1	X
4	050430	8827EO-F/TL-F Center Case Kit	1	X
4	050431	8827TP-F Center Case Kit	1	X
4	050432	8827K/L-F Center Case Kit	1	X
4	050433	8827TP-NL-F Center Case Kit	1	X
4	050434	8827K-NL-F Center Case Kit	1	X

X in "Finish" column designates finished item; specify finish when ordering.

LATCH PARTS AND SCREW PACKAGES

Item No.	Part No.	Description	Quantity	Finish
1	900850	8827 Latch Case Cover Screw Package		X
		8-32 x 1/4" UFPHMS	2	
2	900501	8827 Latch Case Mounting Package		
		10-12 x 10-24 x 1" BPHCS	4	
3	050279	8827 LR Top Rod Connector	1	
4	050328	8827 Chassis Tie Rod	1	
5	050277	8827 Latch Special Chassis Nut	1	
6	050327	8827 LR Bottom Rod Connector	1	
7	050478	8827-F Special Chassis Hex Stud	1	
8	107765	8827-F Plunger Release Bracket	1	X
9	900852	8827-F Flush Transom Latch Screw Pkg.		X
		10-24 x 1/2" FPHMS	2	
		10-24 x 3/8" OPHMS	4	
		12-24 x 3/4" BSMHS	2	
10	900502	8827/47-F Soffit Latch Mounting Package		
		12-24 x 1/2" UFPHMS	2	

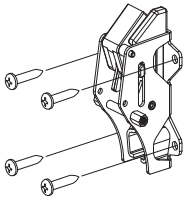
X in "Finish" column designates finished item; specify finish when ordering.



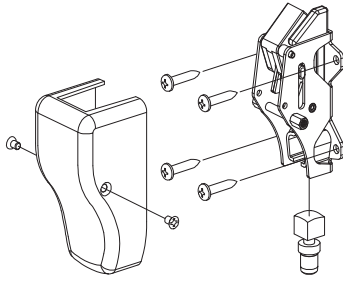
LATCH KITS AND LATCH COVER KITS

Specify Finish when Ordering Latch Kits with Covers and Latch Cover Kits

8827 LR Top Latch Kit

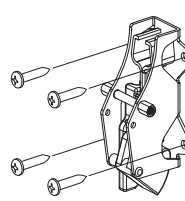


Less Cover
Part No. 050460

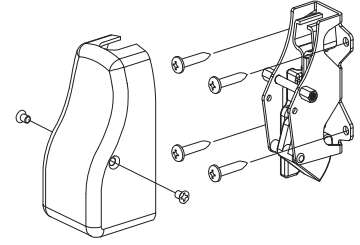


With Cover
Part No. 050466

8827 LR Bottom Latch Kit

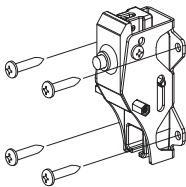


Less Cover
Part No. 050461

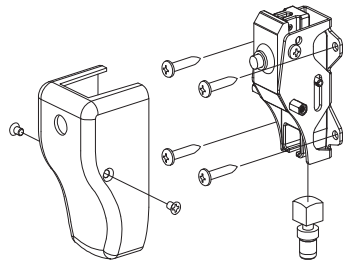


With Cover
Part No. 050467

8827-F Top Latch Kit

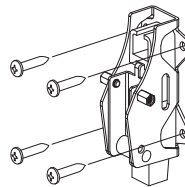


Less Cover
Part No. 050462

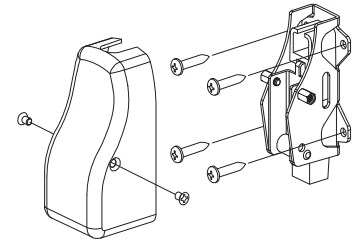


With Cover
Part No. 050468

8827-F Bottom Latch Kit

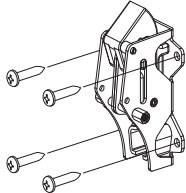


Less Cover
Part No. 050463

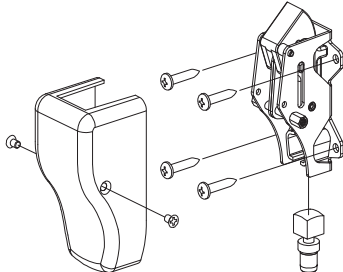


With Cover
Part No. 050469

8827 PL Top Latch Kit

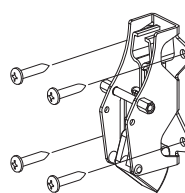


Less Cover
Part No. 050471

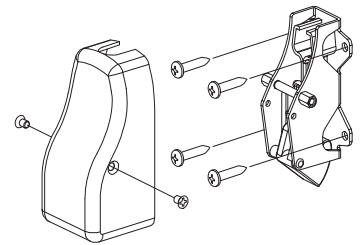


With Cover
Part No. 050473

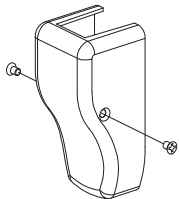
8827 PL Bottom Latch Kit



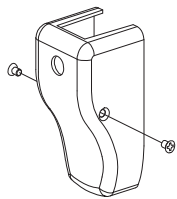
Less Cover
Part No. 050472



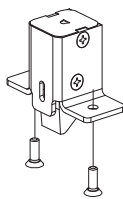
With Cover
Part No. 050479



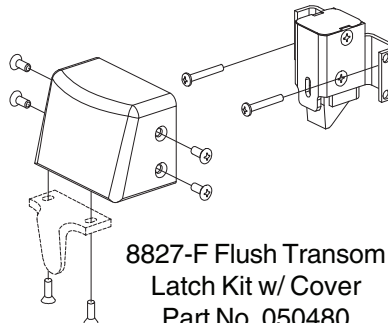
8827 Latch
Cover Kit
Part No. 050464



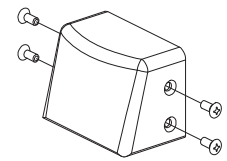
8827-F Top Latch
Cover Kit
Part No. 050465



8827-F/47-F
Soffit Latch Kit
Part No. 114141



8827-F Flush Transom
Latch Kit w/ Cover
Part No. 050480

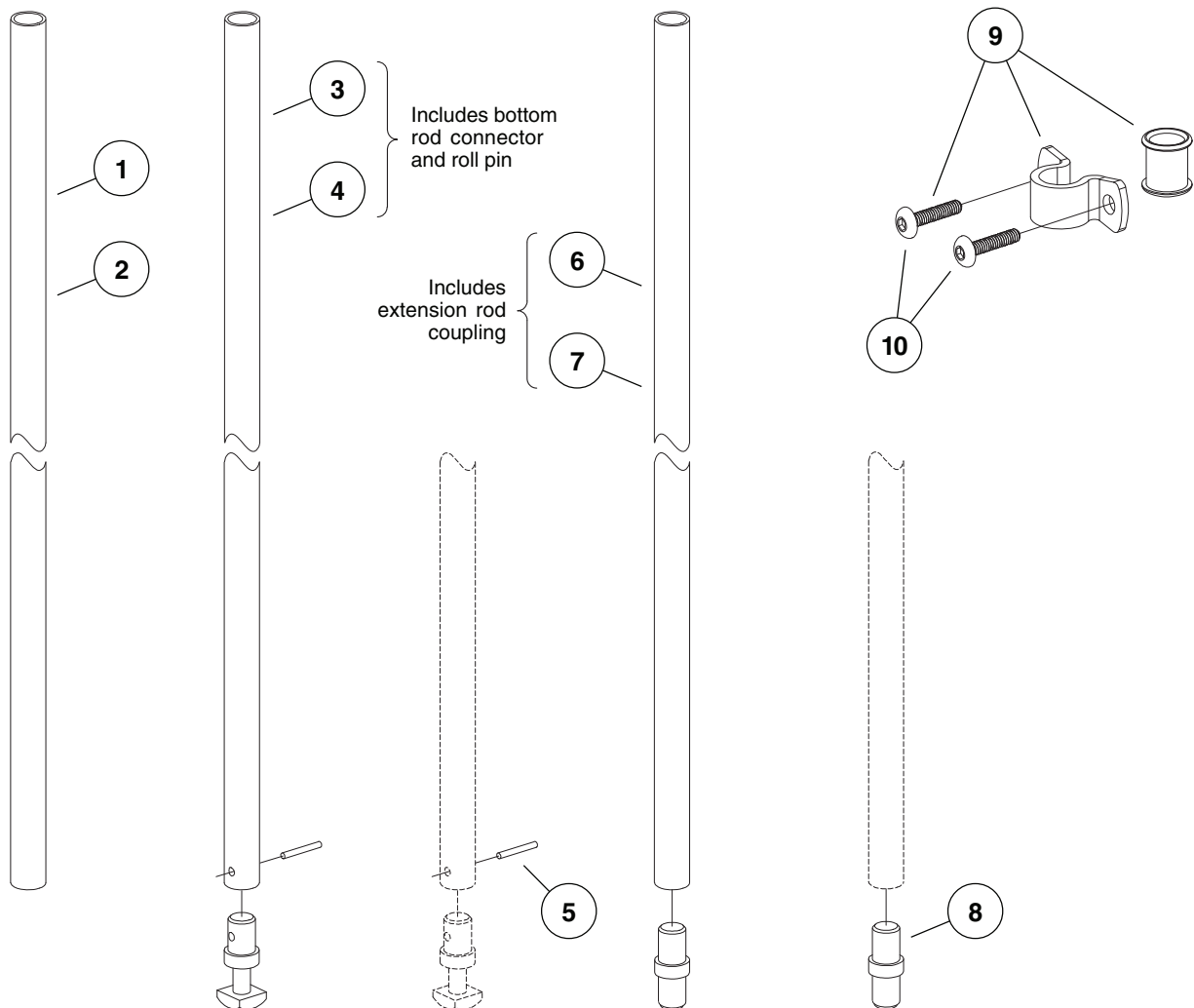


8827-F Flush Transom
Latch Cover Kit
Part No. 050481

VERTICAL RODS

Item No.	Part No.	Description	Quantity	Finish
1	050453	8827 Top Rod Kit	1	X
2	050454	8827-F Top Rod Kit	1	X
3	050455	8827 Bottom Rod Kit	1	X
4	050456	8827-F Bottom Rod Kit	1	X
5	090010	8827/27-F Bottom Rod Roll Pin Pkg.	10	
6	051701	8827 12" Extension Rod Kit	1	X
7	051703	8827 24" Extension Rod Kit	1	X
8	050093	8827 Extension Rod Coupling	1	
9	050482	8827 Rod Guide Kit	1	X
10	900534	8827 Rod Guide Mounting Pkg.		X
		10-12 x 10-24 x 1 PTHCS	2	

X in "Finish" column designates finished item; specify finish when ordering.



About Allegion

Allegion (NYSE: ALLE) creates peace of mind by pioneering safety and security. As a \$2 billion provider of security solutions for homes and businesses, Allegion employs more than 7,800 people and sells products in more than 120 countries across the world. Allegion comprises 23 global brands, including strategic brands CISA®, Interflex®, LCN®, Schlage® and Von Duprin®.

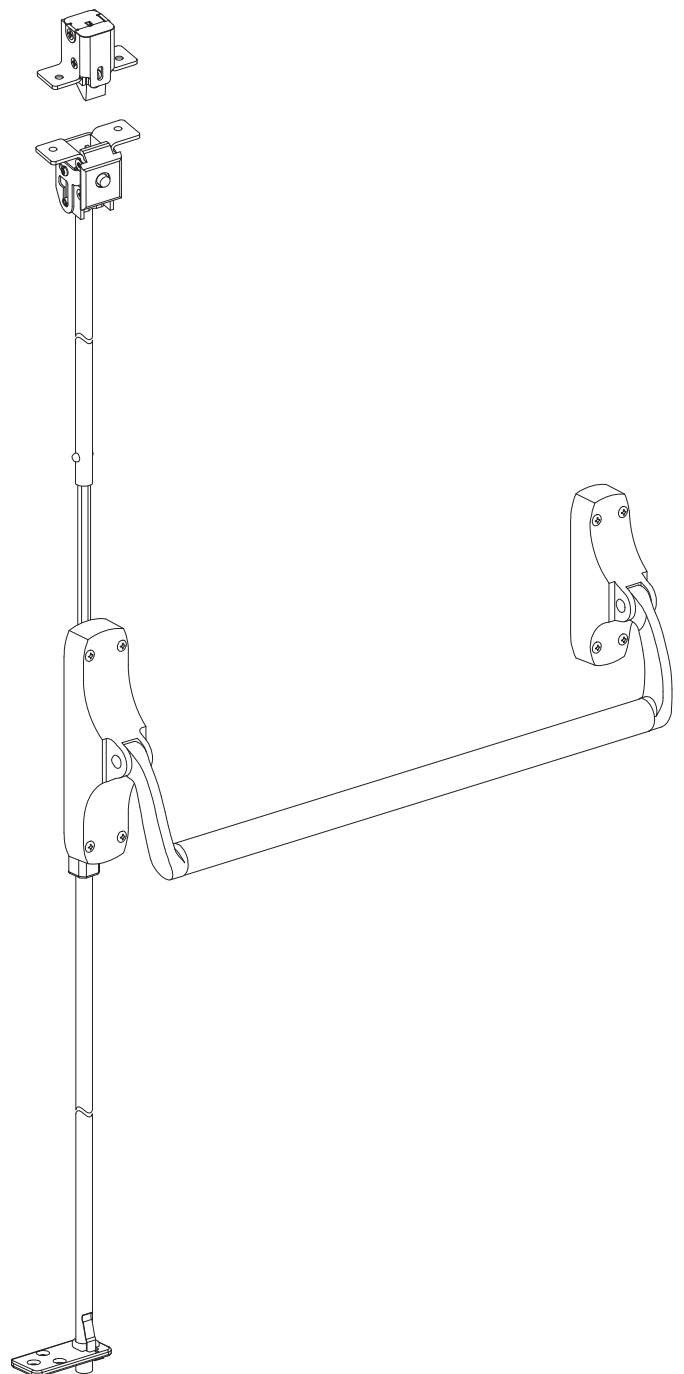
For more, visit www.allegion.com.

aptiQ ■ LCN ■ **SCHLAGE** ■ STEELCRAFT ■ VON DUPRIN

VON DUPRIN®

8847-F
Concealed
Vertical Rod
Exit Devices

Service manual



INDEX

General Information

Introduction	2
How to Order	2
Part Number Changes	2
8847-F Series Finishes	3
Outside Trim Functions	3
Strikes	3

8847-F Series Device Parts

Crossbars	4
Lever Arm Kits	4
Lever Arm Parts Packages	5
End Case Kit and End Case Parts	6
Center Case Kits and Center Case Parts	7
Vertical Latch Parts	8
Vertical Rods	8

INTRODUCTION

This manual contains a listing of replaceable parts and assemblies for the 8847-F Series Devices.

HOW TO ORDER

Some parts are sold separately. Other items are available as part of a kit or multiple quantity package. For the best possible service when ordering replacement parts or assemblies, please provide the following information:

- Part number or assembly number
- Description
- Quantity needed
- Finish desired (if available finished)
- Date of original purchase (if known)

To find out the name of your local Von Duprin distributor or sales representative, contact:

Von Duprin Division
Allegion
2720 Tobey Drive
Indianapolis, Indiana 46219
Phone: (877) 671-7011

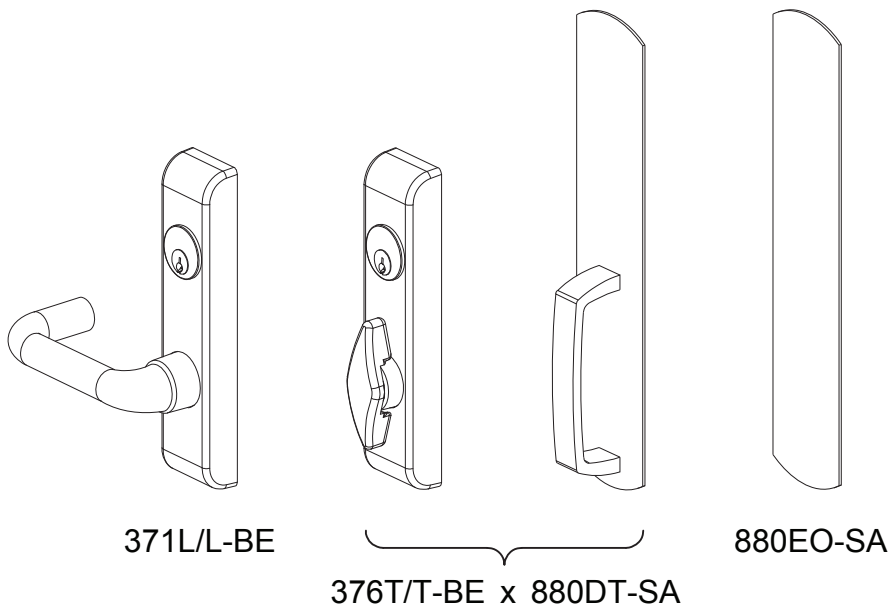
PART NUMBER AND AVAILABILITY CHANGES

This manual was designed to help illustrate the replacement parts and kits that are available for sale. Because of changes to the product and/or manufacturing process, part numbers and availability can change over time.

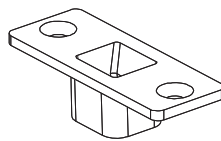
8847-F SERIES FINISHES

US Number	BHMA Number	Color
US3	605	Brass, polished
US3A	---	Brass, polished - no lacquer
US4	606	Brass, satin
US4A	---	Brass, satin - no lacquer
US10	612	Bronze, satin
US10B	613	Bronze, oil-rubbed satin
US26	625	Chrome, polished
US26D	626	Chrome satin
SPBLK	693	Black, painted

OUTSIDE TRIM FUNCTIONS



STRIKES

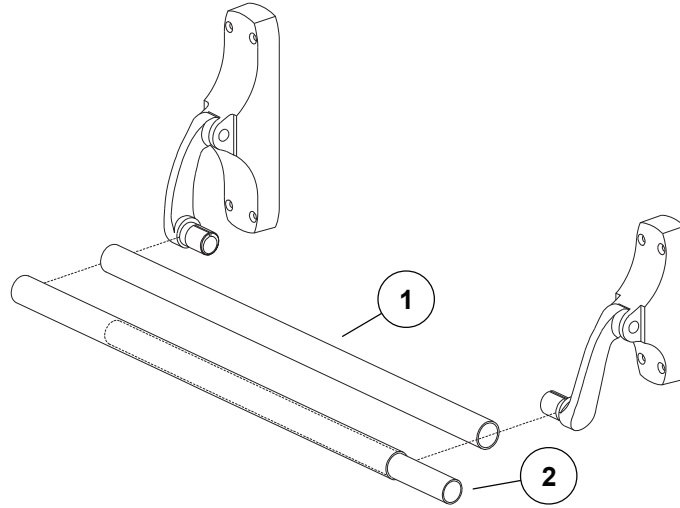


301L (bottom)

CROSSBARS

Item No.	Quantity	Part No.	Description	Finish
1	1	050004	42" Standard Crossbar Kit	X
1	1	050005	42" Knurled Crossbar Kit	X
2	1	050459	37" Crossbar Reinforcement Kit	

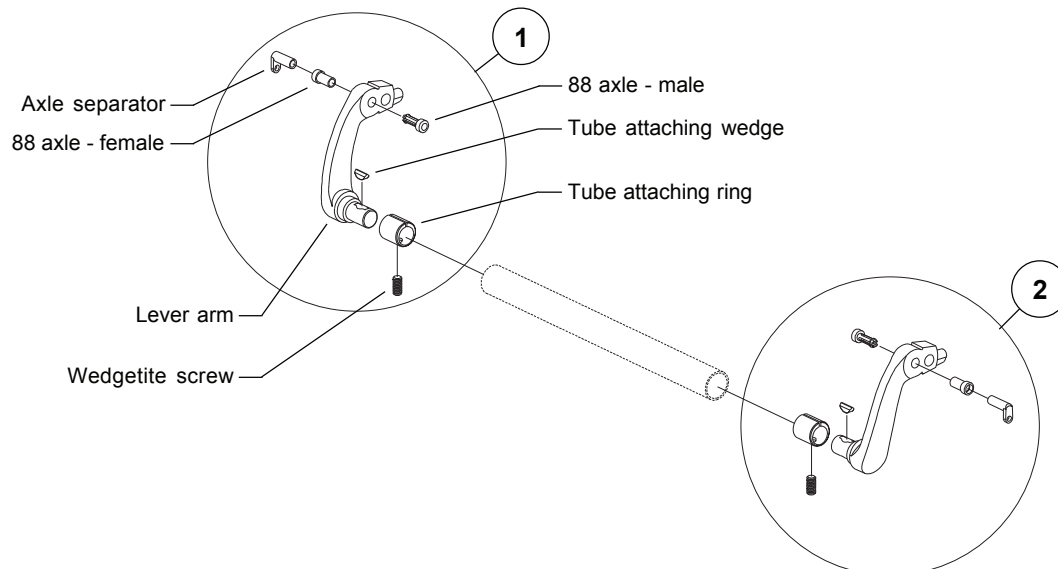
X in "Finish" column designates finished item; specify finish when ordering.



LEVER ARM KITS

Item No.	Quantity	Part No.	Description	Finish
1	1	050443	8827-F/47-F LH Lever Arm Kit	X
2	1	050442	8827-F/47-F RH Lever Arm Kit	X

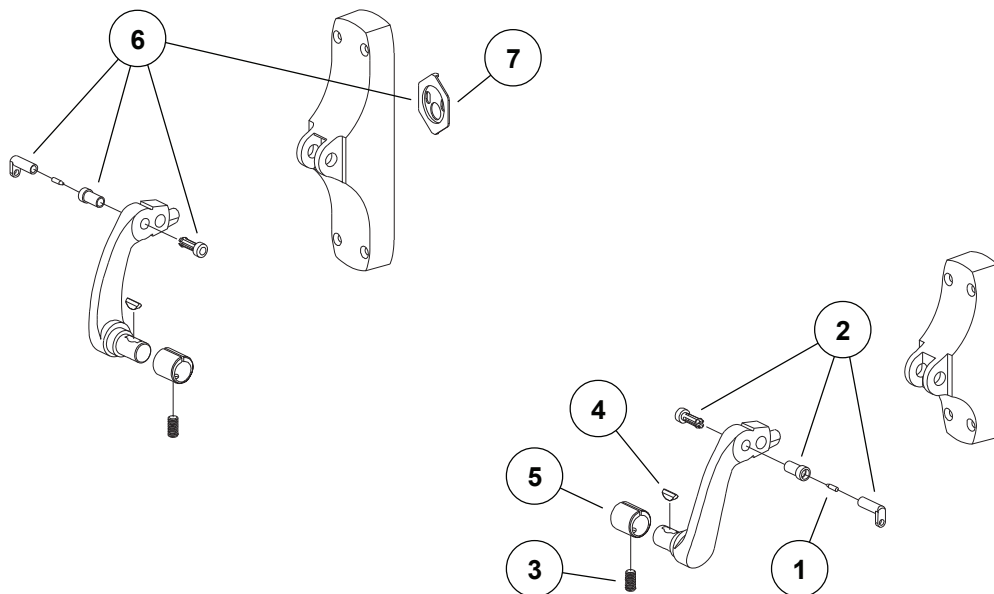
X in "Finish" column designates finished item; specify finish when ordering.



LEVER ARM PARTS PACKAGES

Item No.	Quantity	Part No.	Description	Finish
1	2	090007	Axle Security Pin (Pkg of 10)	
1	2	033022	Axle Security Pin (Pkg of 50)	
2	2	090006	88 Lever Arm Axles (Pkg of 2)	
			88 Axle Separator	
			88 Axle - Male	
			88 Axle - Female	
2	2	090082	88 Lever Arm Axles (Pkg of 10)	
			88 Axle Separator	
			88 Axle - Male	
			88 Axle - Female	
3	2	090008	Wedgetite Screws (Pkg of 2)	
3	2	090081	Wedgetite Screws (Pkg of 30)	
4	2	090020	Crossbar Tube Attaching Wedge (Pkg of 2)	
5	2	090021	Crossbar Tube Attaching Ring (Pkg of 2)	
6	1	103865	88 Lever Arm Axle Pkg	
			Cylinder Anchor Plate	
			88 Axle Separator	
			88 Axle - Male	
			88 Axle - Female	
7	1	050331	88 Cylinder Anchor Plate	

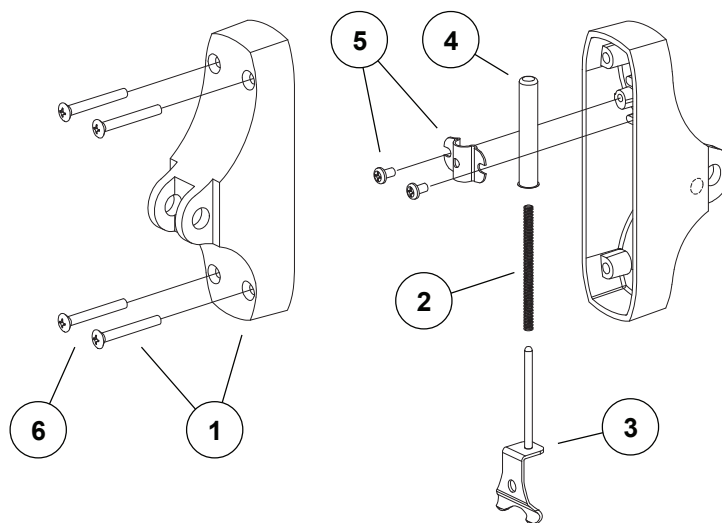
X in "Finish" column designates finished item; specify finish when ordering.



END CASE KIT AND END CASE PARTS

Item No.	Quantity	Part No.	Description	Finish
1	1	050436	8827-F/8875-F/8847-F End Case Kit	X
			88SV/CV/M-F End Case	
			10-24 x 1-1/2" OPHMS (Qty 4)	
			10-24 x 2" OPHMS (Qty 4)	
			10-12 x 10-24 x 2" OPHCS (Qty 4)	
2	1	090003	88 End Case Spring (Pkg of 2)	
2	1	090080	88 End Case Spring (Pkg of 10)	
3	1	050451	88 End Case Spring Stop Kit	
4	1	050476	88/88-F End Case Spring Tube	
5	1	050477	88/88-F Spring Tube Bracket w/ Screws Kit	
			88/88-F Spring Tube Bracket	
			88/88-F Spring Tube Bracket Screws (Qty 2)	
6	2	900503	88 Center or End Case Mtg. Pkg. (CS and MS screws)	X
			10-24 x 1-1/2" OPHMS (Qty 4)	
			10-24 x 2" OPHMS (Qty 4)	
			10-12 x 10-24 x 2" OPHCS (Qty 4)	
6	2	900504	88 Center or End Case Mtg. Pkg. (CS screws)	X
			10-12 x 10-24 x 2" OPHCS (Qty 4)	
6	2	900505	88 Center or End Case Mtg. Pkg. (MS screws 1-3/4" door)	X
			10-24 x 1-1/2" OPHMS (Qty 4)	
6	2	900506	88 Center or End Case Mtg. Pkg. (MS screws 2-1/4" door)	X
			10-24 x 2" OPHMS (Qty 4)	

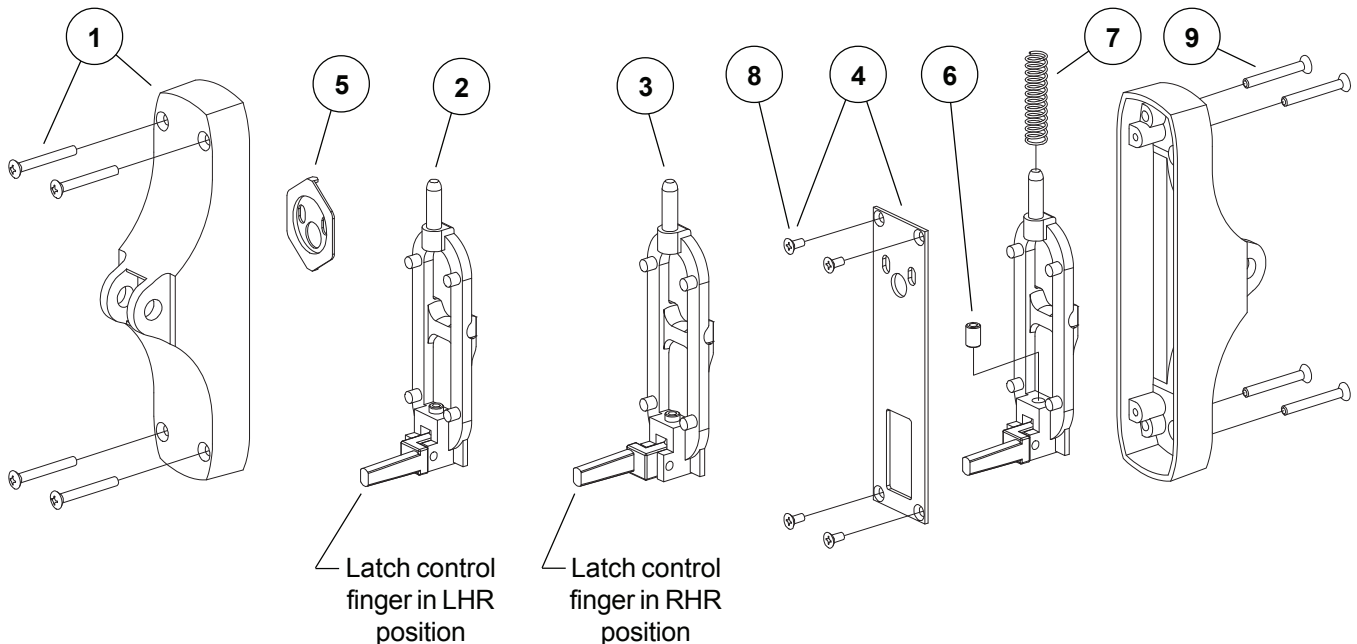
X in "Finish" column designates finished item; specify finish when ordering.



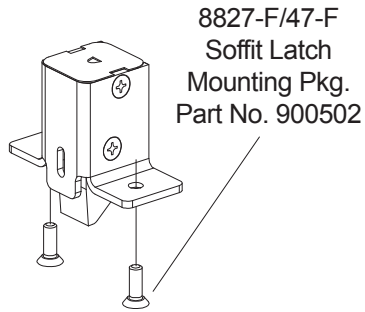
CENTER CASE KITS AND CENTER CASE PARTS

Item No.	Quantity	Part No.	Description	Finish
1	1	050422	8847-F RHR Center Case Kit	X
1	1	050423	8847-F LHR Center Case Kit	X
2	1	050209	8847-F/75/75-F Latch Control LH	
3	1	050210	8847-F/75/75-F Latch Control RH	
4	1	050211	8847-F/75/75-F Backplate w/ Screws	
5	1	050331	88 Cylinder Anchor Plate	
6	1	090013	8847-F/75-F Flat Point Set Screw (Pkg of 5)	
7	1	090014	8847-F/75/75-F Center Case Spring (Pkg of 2)	
8	1	900615	8827 Backplate Screw Pkg. (Qty 4)	
9	2	900503	88 Center or End Case Mtg. Pkg. (CS and MS screws)	X
			10-24 x 1-1/2" OPHMS (Qty 4)	
			10-24 x 2" OPHMS (Qty 4)	
			10-12 x 10-24 x 2" OPHCS (Qty 4)	
9	2	900504	88 Center or End Case Mtg. Pkg. (CS screws)	X
			10-12 x 10-24 x 2" OPHCS (Qty 4)	
9	2	900505	88 Center or End Case Mtg. Pkg. (MS screws 1-3/4" door)	X
			10-24 x 1-1/2" OPHMS (Qty 4)	
9	2	900506	88 Center or End Case Mtg. Pkg. (MS screws 2-1/4" door)	X
			10-24 x 2" OPHMS (Qty 4)	

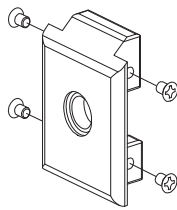
X in "Finish" column designates finished item; specify finish when ordering.



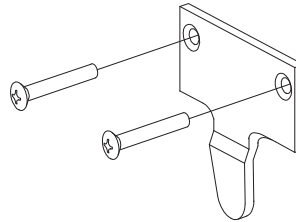
VERTICAL LATCH PARTS



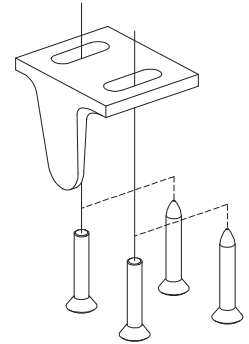
8827-F/47-F
Soffit Latch
Mounting Pkg.
Part No. 900502



8847-F Release Guide
Cover with Screws
Part No. 050278
(specify finish)



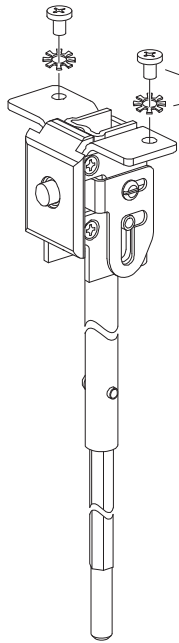
8847-F Flush Transom
Release Bracket Pkg.
Part No. 900614
(specify finish)



8847-F Plunger Release
Bracket Pkg.
Part No. 900576
(specify finish)

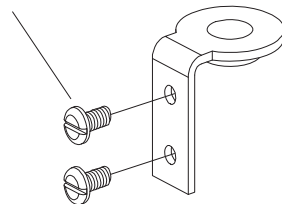
8827-F/47-F Soffit
Latch Kit
(includes screws)
Part No. 114141

VERTICAL RODS

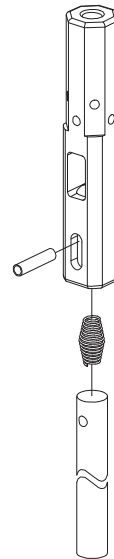


8847-F Rod Guide Mtg.
Screws Pkg. of 10
Part No. 090018

8847-F Rod Set
Mounting Package
Part No. 900541



8847-F Rod Guide Kit
(includes screws)
Part No. 105140



8847-F Bottom Rod Kit
Part No. 050458

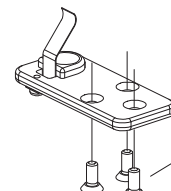
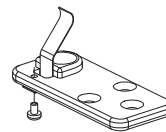
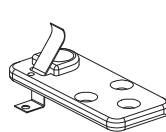
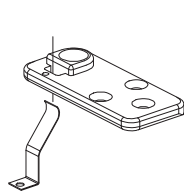


8847-F Extension Rod Kit
8' - 10' Door
Part No. 051705

8847-F Top Rod Kit
(includes screws)
6'-8" - 8' Door
Part No. 050457 (specify finish)



8847-F Rod
Connector Rivet
Pkg. of 10
Part No. 090011



Assembly Procedure (LHR shown)
8847-F Bottom Guide Pkg.
Part No. 100741

installation
screws
included

About Allegion

Allegion (NYSE: ALLE) creates peace of mind by pioneering safety and security. As a \$2 billion provider of security solutions for homes and businesses, Allegion employs more than 7,800 people and sells products in more than 120 countries across the world. Allegion comprises 23 global brands, including strategic brands CISA®, Interflex®, LCN®, Schlage® and Von Duprin®.

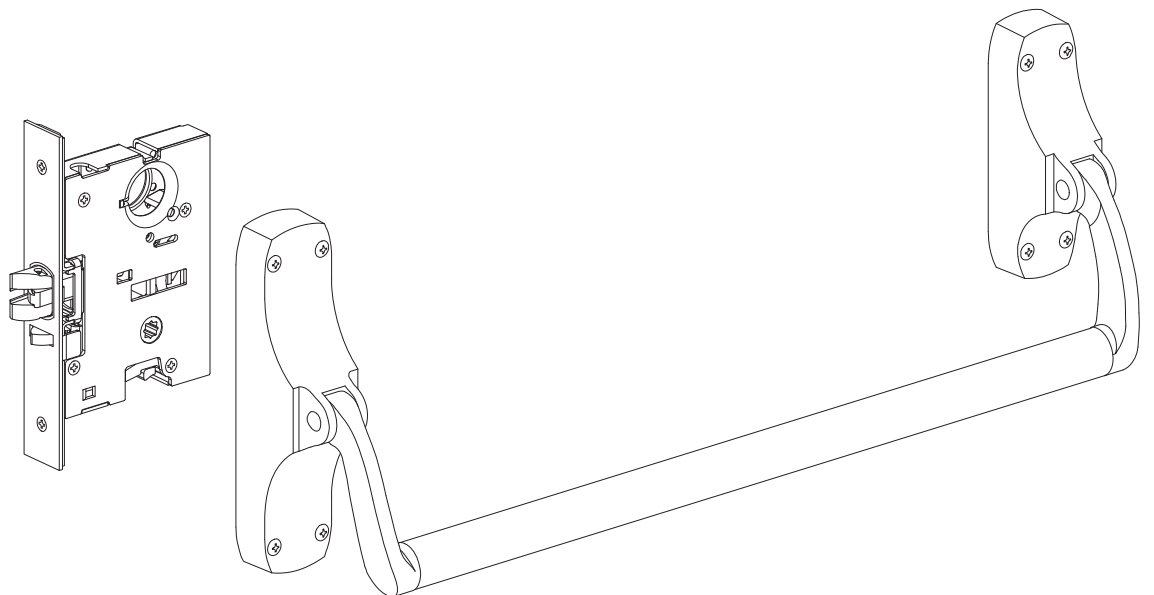
For more, visit www.allegion.com.

aptiQ ■ LCN ■ **SCHLAGE** ■ STEELCRAFT ■ VON DUPRIN

VON DUPRIN®

8875
Mortise Lock
Series
Exit Devices

Service manual



INDEX

General Information

Introduction	2
How to Order	2
Part Number Changes	2
8875 Series Finishes	3
Outside Trim Functions	3
Strikes	3

8875 Series Device Parts

Lever Arm Parts Packages	4
Lever Arm Kits	6
Crossbars	6
End Case Kit and End Case Parts	7
Center Case Kits and Center Case Parts	8

INTRODUCTION

This manual contains a listing of replaceable parts and assemblies for the 8875 Series Devices.

HOW TO ORDER

Some parts are sold separately. Other items are available as part of a kit or multiple quantity package. For the best possible service when ordering replacement parts or assemblies, please provide the following information:

- Part number or assembly number
- Description
- Quantity needed
- Finish desired (if available finished)
- Date of original purchase (if known)

To find out the name of your local Von Duprin distributor or sales representative, contact:

Von Duprin Division
Allegion
2720 Tobey Drive
Indianapolis, Indiana 46219
Phone: (877) 671-7011

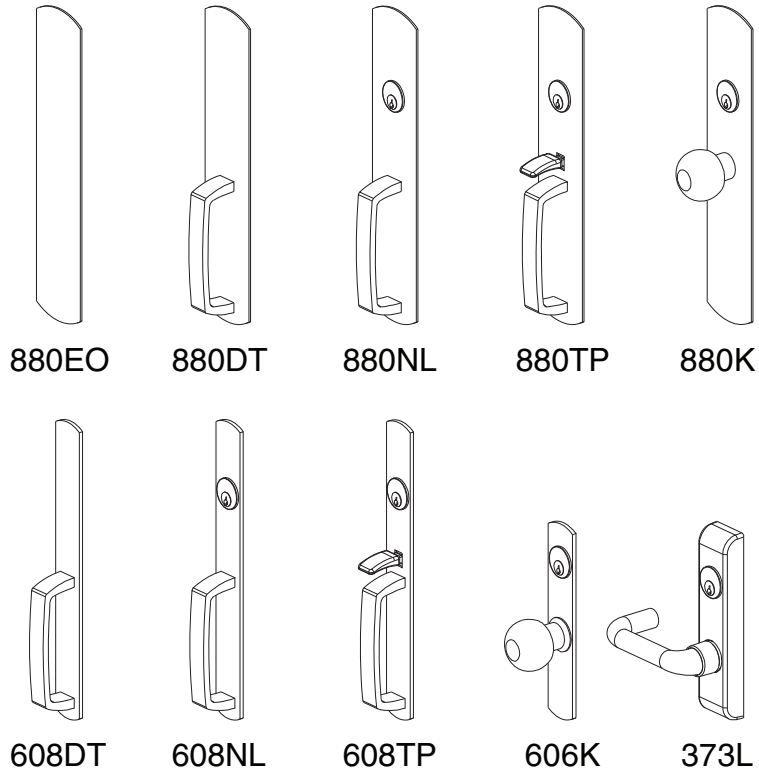
PART NUMBER AND AVAILABILITY CHANGES

This manual was designed to help illustrate the replacement parts and kits that are available for sale. Because of changes to the product and/or manufacturing process, part numbers and availability can change over time.

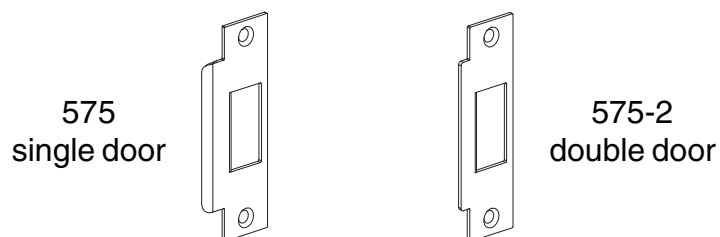
8875 SERIES FINISHES

US Number	BHMA Number	Color
US3	605	Brass, polished
US3A	408	Brass, polished no laquer
US4	606	Brass, dull
US4A	410	Brass, dull no laquer
US10	612	Bronze, dull
US10B	613	Brass, dull (oxidized)
US26	625	Chrome, polished
US26D	626	Chrome, dull
SPBLK	693	Gloss black powder

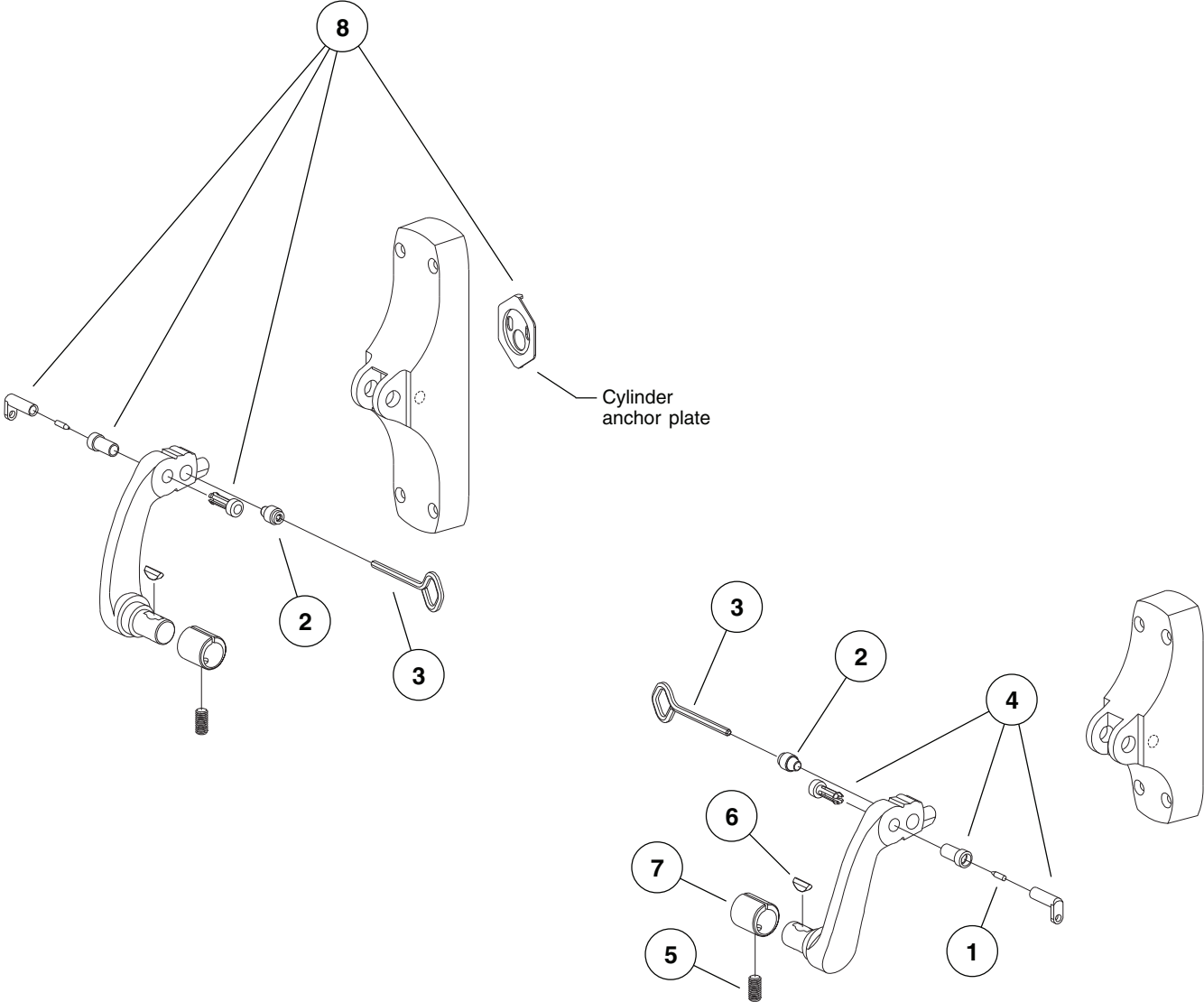
OUTSIDE TRIM FUNCTIONS



STRIKES



LEVER ARM PARTS PACKAGES



LEVER ARM PARTS PACKAGES

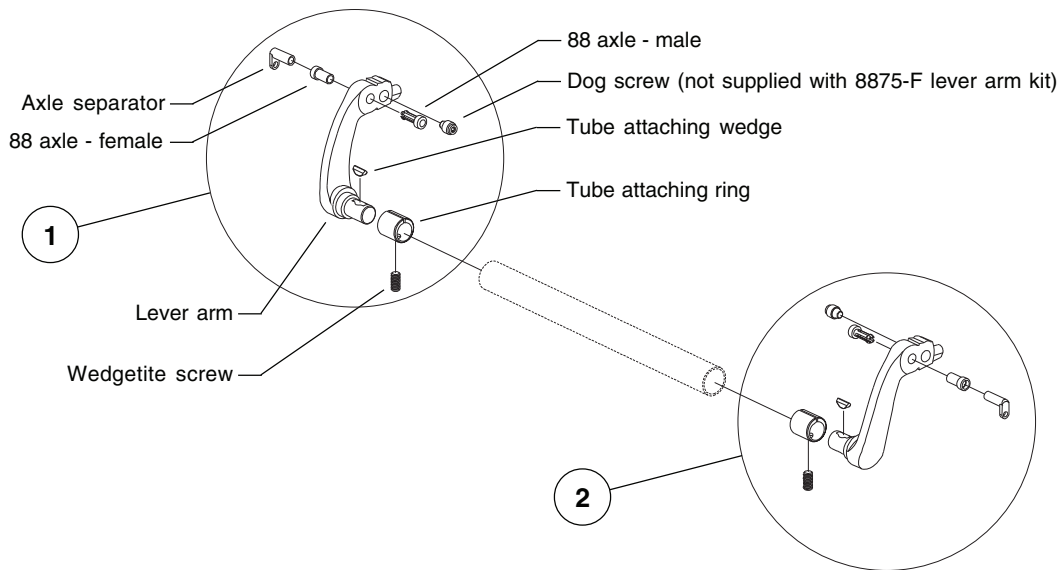
Item No.	Part No.	Description	Quantity	Finish
1	090007	Axle Security Pin Pkg.	10	
1	033022	Axle Security Pin Pkg.	50	
2	090004	Dog Screw Pkg.	2	
2	090083	Dog Screw Pkg.	10	
3	090005	227 Dog Key 5/32" Pkg.	2	
3	090085	227 Dog Key 5/32" Pkg.	10	
4	090006	88 Lever Arm Axles		
		88 Axle Separator	2	
		88 Axle - Male	2	
		88 Axle - Female	2	
4	090082	88 Lever Arm Axles		
		88 Axle Separator	10	
		88 Axle - Male	10	
		88 Axle - Female	10	
5	090008	Wedgetite Screw Pkg.	2	
5	090081	Wedgetite Screw Pkg.	30	
6	090020	Crossbar Tube Attaching Wedge Pkg.	2	
7	090021	Crossbar Tube Attaching Ring Pkg.	2	
8	103865	88 Lever Arm Axle Pkg.		
		Cylinder Anchor Plate	1	
		88 Axle Separator	1	
		88 Axle - Male	2	
		88 Axle - Female	2	

X in "Finish" column designates finished item; specify finish when ordering.

LEVER ARM KITS

Item No.	Part No.	Description	Quantity	Finish
1	050439	88 R/M/V LH Lever Arm Kit (includes dog screw)	1	X
1	050445	8875-F LH Lever Arm Kit (no dog screw)	1	X
2	050438	88 R/M/V RH Lever Arm Kit (includes dog screw)	1	X
2	050444	8875-F RH Lever Arm Kit (no dog screw)	1	X

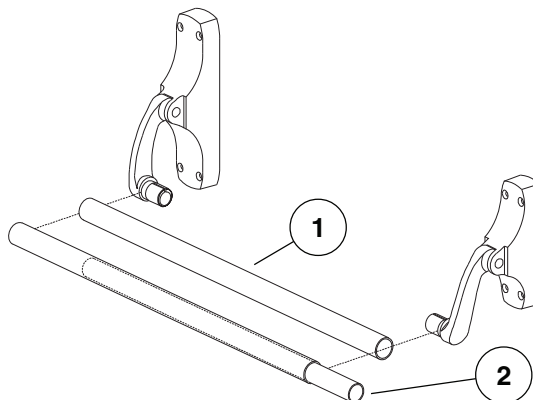
X in "Finish" column designates finished item; specify finish when ordering.



CROSSBARS

Item No.	Part No.	Description	Quantity	Finish
1	050004	42" Standard Crossbar Kit	1	X
1	050005	42" Knurled Crossbar Kit	1	X
2	050459	37" Crossbar Reinforcement Kit	1	

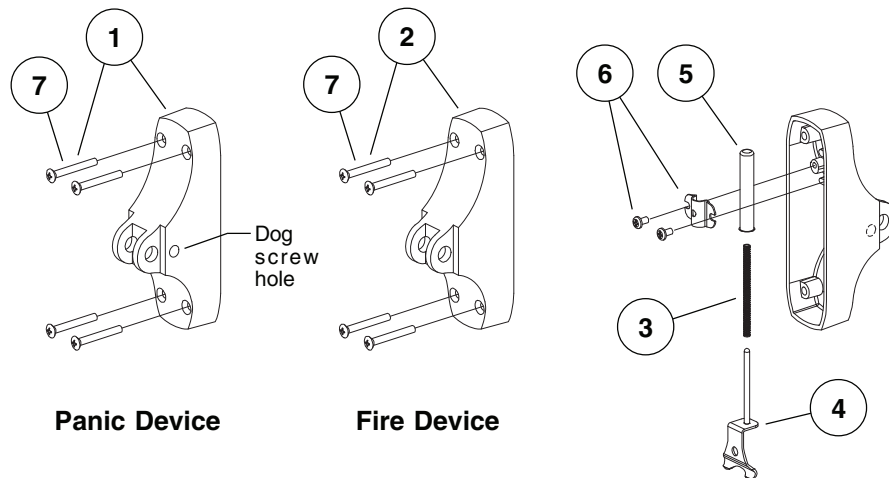
X in "Finish" column designates finished item; specify finish when ordering.



END CASE KIT AND END CASE PARTS

Item No.	Part No.	Description	Quantity	Finish
1	050435	88 R/M/V End Case Kit		X
		88 R/M/V End Case	1	
		10-24 x 1-1/2" OPHMS	4	
		10-24 x 2" OPHMS	4	
		10-12 x 10-24 x 2" OPHCS	4	
2	050436	8827-F/8875-F/8847-F End Case Kit		X
		88SV/CV/M-F End Case	1	
		10-24 x 1-1/2" OPHMS	4	
		10-24 x 2" OPHMS	4	
		10-12 x 10-24 x 2" OPHCS	4	
3	090003	88 End Case Spring Pkg.	2	
3	090080	88 End Case Spring Pkg.	10	
4	050451	88 End Case Spring Stop Kit	1	
5	050476	88/88-F End Case Spring Tube	1	
6	050477	88/88-F Spring Tube Bracket w/Screws Kit		
		88/88-F Spring Tube Bracket	1	
		88/88-F Spring Tube Bracket Screws	2	
7	900503	88 Center or End Case Mtg. Pkg. (CS and MS screws)		X
		10-24 x 1-1/2" OPHMS	4	
		10-24 x 2" OPHMS	4	
		10-12 x 10-24 x 2" OPHCS	4	
7	900504	88 Center or End Case Mtg. Pkg. (CS screws)		X
		10-12 x 10-24 x 2" OPHCS	4	
7	900505	88 Center or End Case Mtg. Pkg. (MS screws 1-3/4" door)		X
		10-24 x 1-1/2" OPHMS	4	
7	900506	88 Center or End Case Mtg. Pkg. (MS screws 2-1/4" door)		X
		10-24 x 2" OPHMS	4	

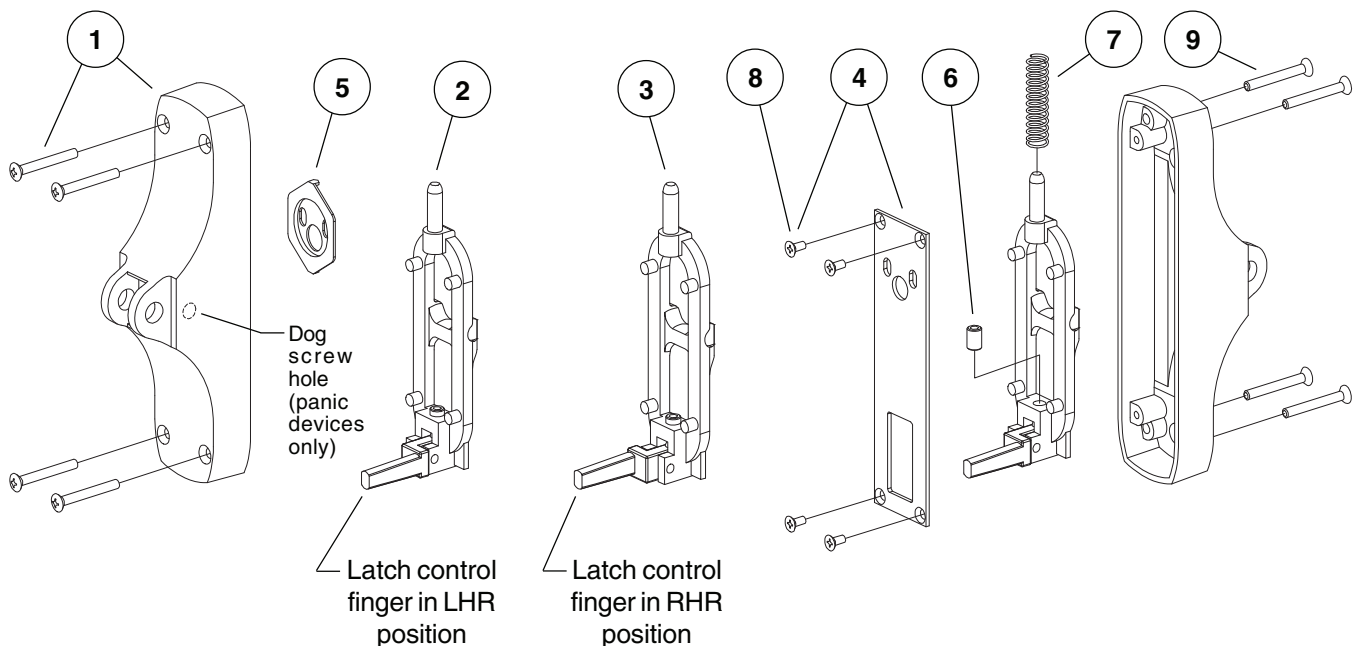
X in "Finish" column designates finished item; specify finish when ordering.



CENTER CASE KITS AND CENTER CASE PARTS

Item No.	Part No.	Description	Quantity	Finish
1	050422	8847-F RHR Center Case Kit	1	X
1	050423	8847-F LHR Center Case Kit	1	X
2	050209	8847-F/75/75-F Latch Control LH	1	
3	050210	8847-F/75/75-F Latch Control RH	1	
4	050211	8847-F/75/75-F Backplate w/ Screws	1	
5	050331	88 Cylinder Anchor Plate	1	
6	090013	8847-F/75-F Flat point Set Screw Pkg.	5	
7	090014	8847-F/75/75-F Center Case Spring Pkg.	2	
8	900615	8827 Backplate Screw Pkg.	4	
9	900503	88 Center or End Case Mtg. Pkg. (CS and MS screws)		X
		10-24 x 1-1/2" OPHMS	4	
		10-24 x 2" OPHMS	4	
		10-12 x 10-24 x 2" OPHCS	4	
9	900504	88 Center or End Case Mtg. Pkg. (CS screws)		X
		10-12 x 10-24 x 2" OPHCS	4	
9	900505	88 Center or End Case Mtg. Pkg. (MS screws 1-3/4" door)		X
		10-24 x 1-1/2" OPHMS	4	
9	900506	88 Center or End Case Mtg. Pkg. (MS screws 2-1/4" door)		X
		10-24 x 2" OPHMS	4	

X in "Finish" column designates finished item; specify finish when ordering.



About Allegion

Allegion (NYSE: ALLE) creates peace of mind by pioneering safety and security. As a \$2 billion provider of security solutions for homes and businesses, Allegion employs more than 7,800 people and sells products in more than 120 countries across the world. Allegion comprises 23 global brands, including strategic brands CISA®, Interflex®, LCN®, Schlage® and Von Duprin®.

For more, visit www.allegion.com.

aptiQ ■ LCN ■ **SCHLAGE** ■ STEELCRAFT ■ VON DUPRIN

VON DUPRIN®

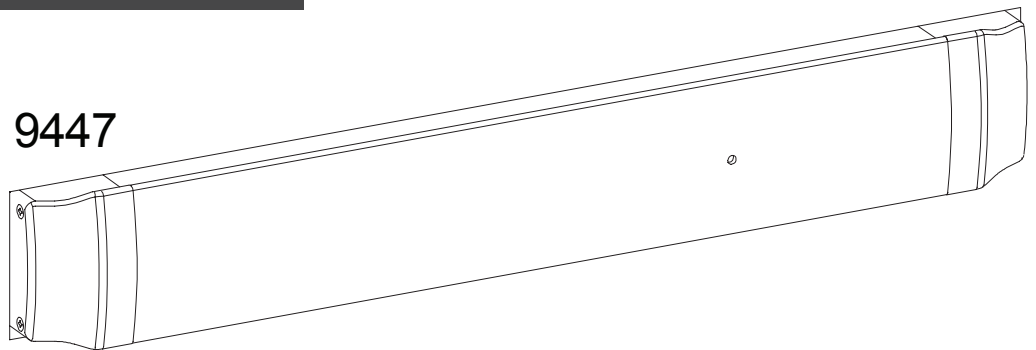
94/9547

Series

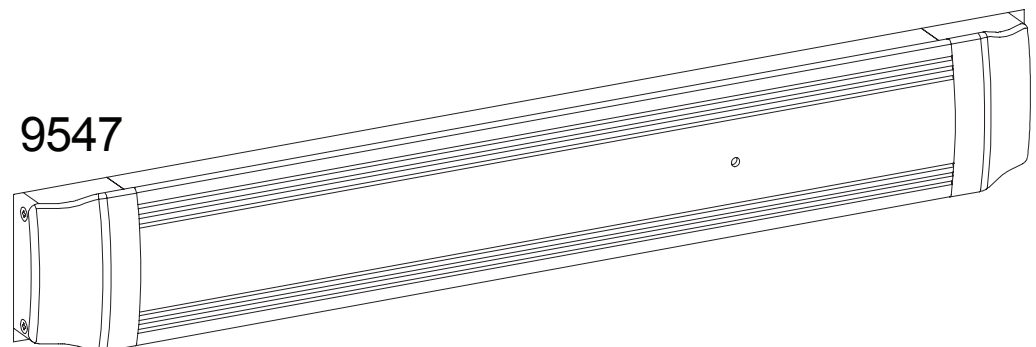
Recessed Exit
Devices

Service manual

9447



9547



INDEX

94/9547 Devices	
Panic Device	4
Fire Device	5
Concealed Vertical Rods and Latches	6-7
LBR (Less Bottom Rod) Fire Pin Kit	8
 Variations of the Basic Device	
EL (Electric Latch Retraction)	9
LX (Latch Bolt Monitoring)	9
 General Information	
Introduction	2
How to Order	2
Part Number Changes	2
Finishes	3
Outside Trim Functions	3
Strikes	3

INTRODUCTION

This manual contains a listing of replaceable parts and assemblies for the 94/9547 and 94/9547-F Concealed Vertical Rod Exit Devices. (94 Series and 95 Series devices are almost identical. The 95 Series has a grooved case; the 94 Series has a smooth case.)

HOW TO ORDER

Some parts are sold separately. Other items are available as part of a kit or multiple quantity package. For the best possible service when ordering replacement parts or assemblies, please provide the following information:

- Part number or assembly number
- Description
- Quantity needed
- Finish desired (if available finished)
- Date of original purchase (if known)

To find out the name of your local Von Duprin distributor or sales representative, contact:

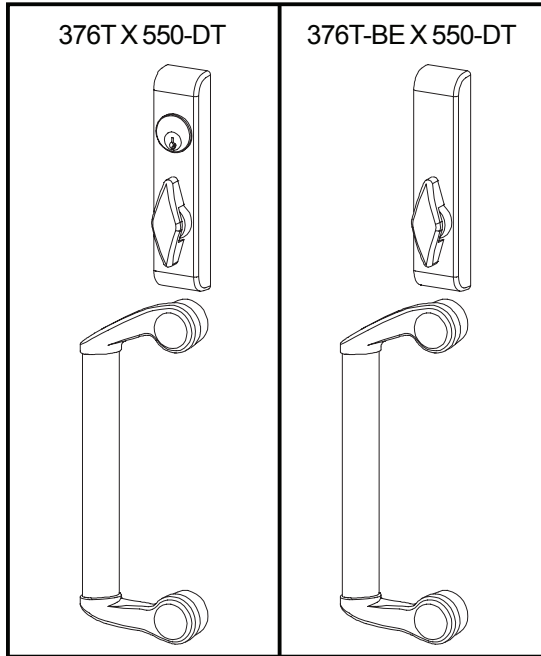
Von Duprin Division
Allegion
2720 Tobey Drive
Indianapolis, Indiana 46219
Phone: (877) 671-7011

PART NUMBER AND AVAILABILITY CHANGES

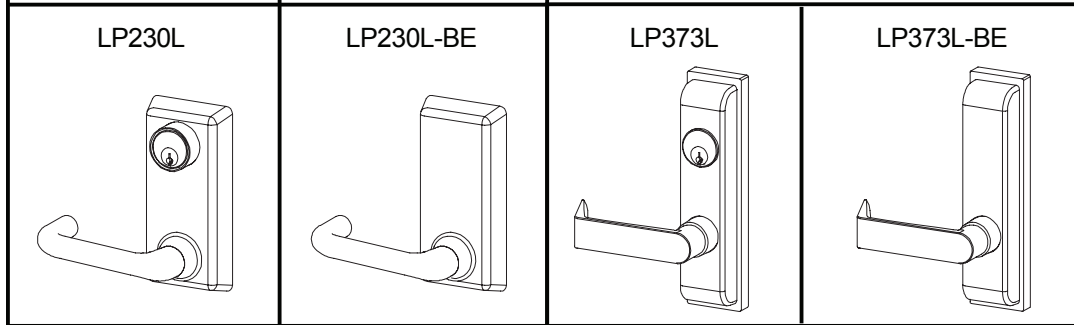
This manual was designed to help illustrate the replacement parts and kits that are available for sale. Because of changes to the product and/or manufacturing process, part numbers and availability can change over time.

OUTSIDE TRIM FUNCTIONS

94/95 SERIES FINISHES

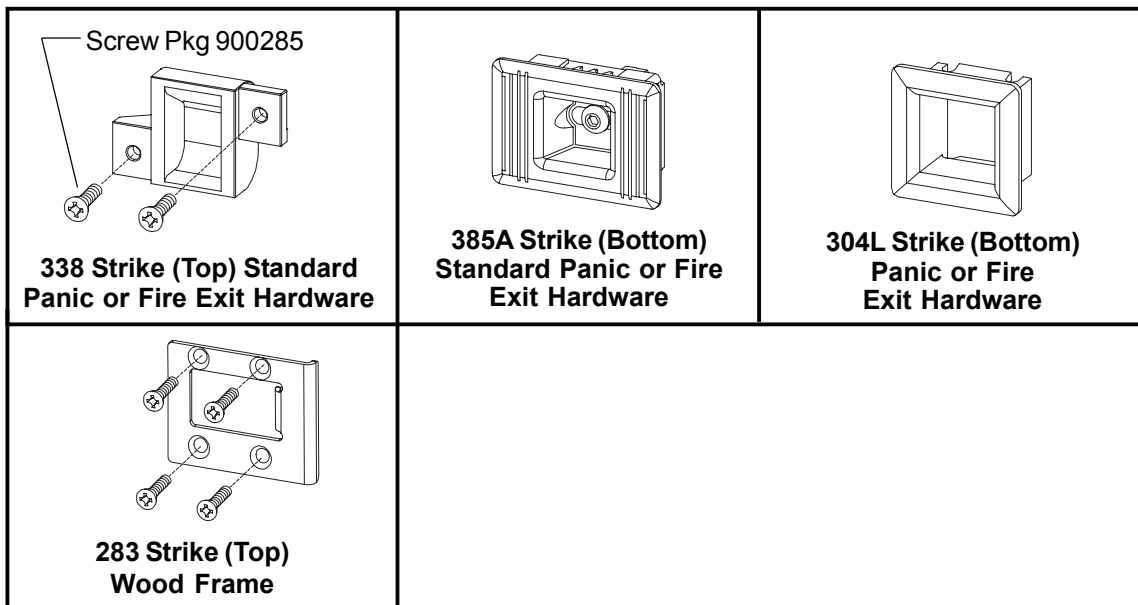


U.S. Std Reference	BHMA Reference	Description
US3	605	Bright Brass
US4	606	Satin Brass
US10	612	Satin Bronze
US26	625	Polished Chrome
US26D	626	Satin Chrome
US28	628	Anodized Aluminum
313	710	Duranodic Dark Bronze
US26D-AM	626-AM	Satin Chrome, AM



- * "BE" (Blank Escutcheon) no cylinder used - lever always active
- ** "DT" (Dummy Trim) rigid lever for pull operation

STRIKES

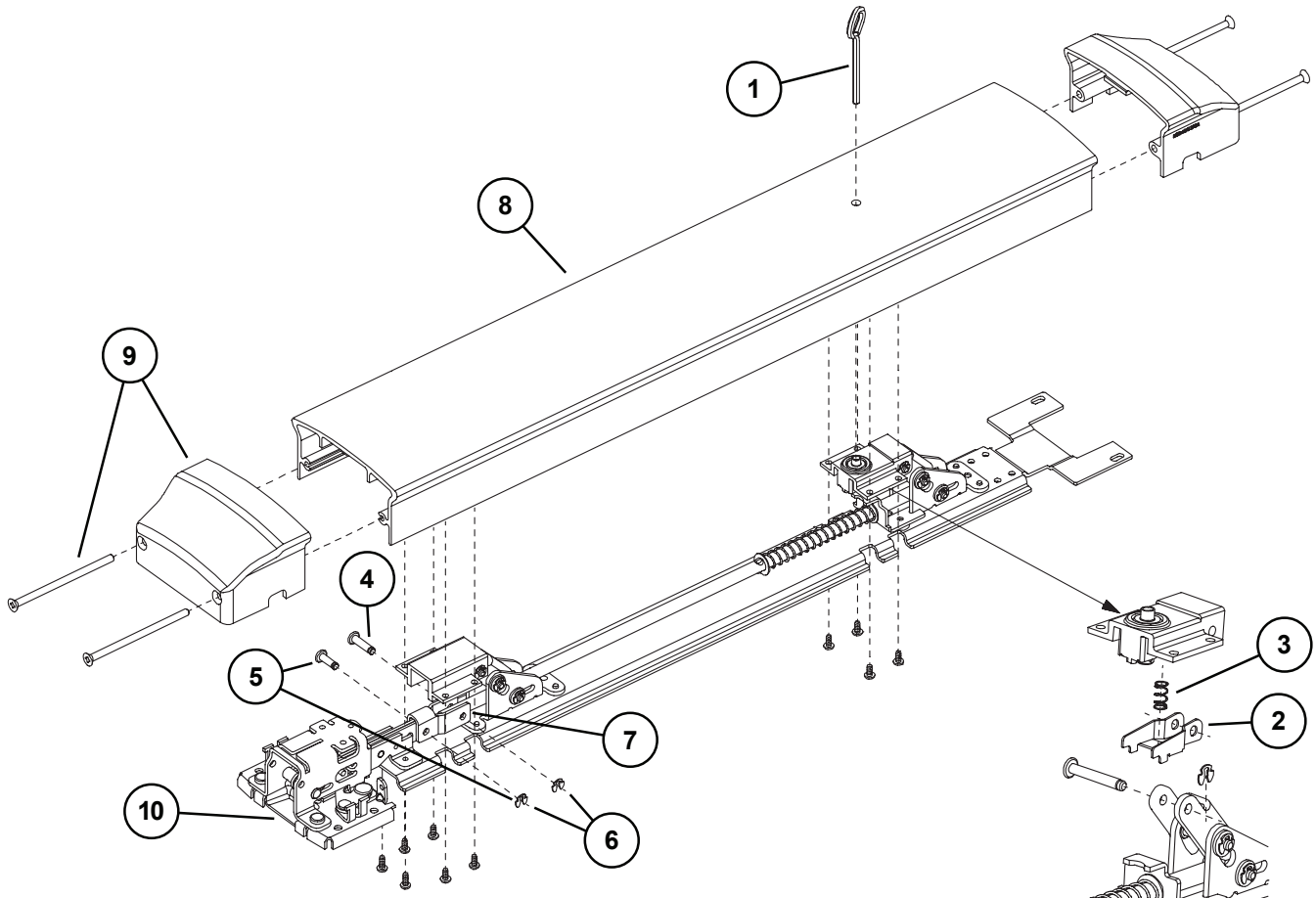


94/9547 PANIC EXIT DEVICE

Item No.	Quantity	Part No.	Description	Finish
	1	PKG.MTG.1001	INPACT Device Mounting Package	
1	1	090085	Dog Key 5/32" Hex (Pkg of 10)	
1	1	090005	Dog Key 5/32" Hex (Pkg of 2)	
2	1	971659	Dogging Clip	
3	1	971664	Dogging Clip Spring	
4	1	971706	Baseplate Link Pin	
5	1	050585	Control Link Pin Kit (w/Retaining Ring)	
6	1	090107	Control Link Pin Retaining Ring Pkg/10	
7	1	971712	Main Control Link	
8	1	971763	9547/48/75 Pushpad	X
8	1	971764	9447/48/75 Pushpad	X
8	1	971709	9547/48/75 Pushpad (US3,/US26)	X
8	1	971710	9447/48/75 Pushpad (US3,/US26)	X
9	2	ECAP.115	94/9547/48/75 End Cap Package	X
10	1	CASE.107	94/9547/48/75 Center Case	

X in "Finish" column designates finished items; finish must be specified when ordering.

* To order, specify device type, size, and finish. Example: PBKIT 94 3' US28

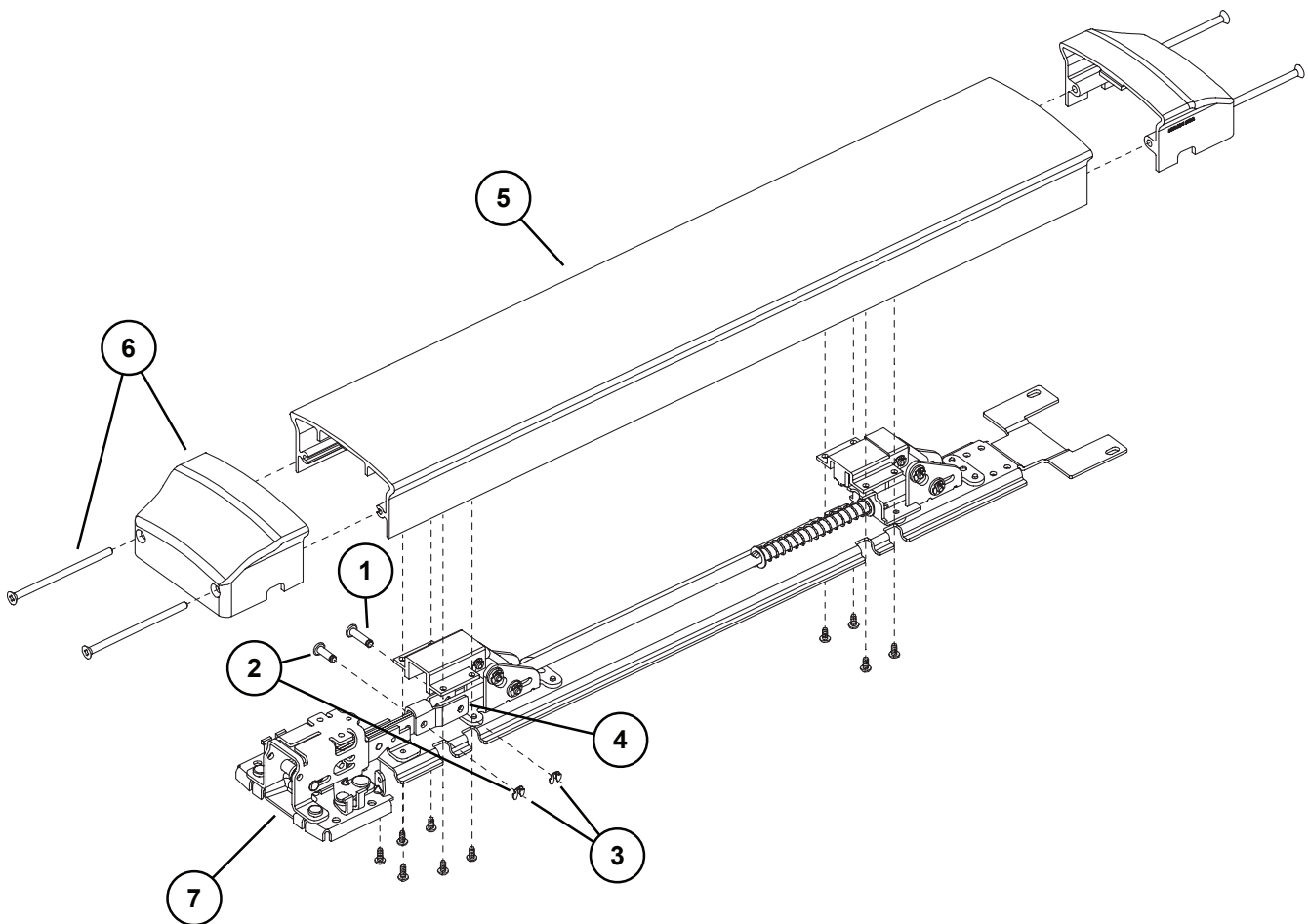


94/9547-F FIRE EXIT DEVICE

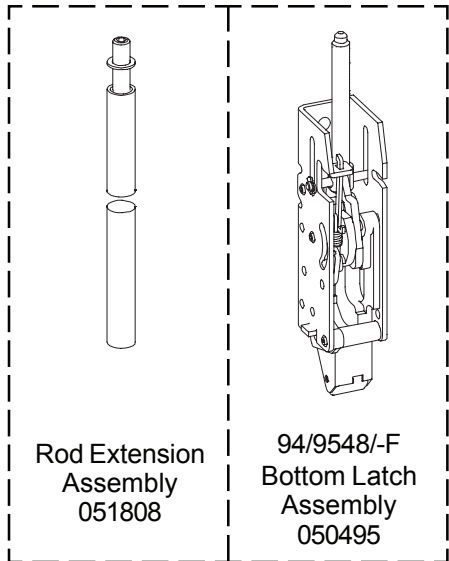
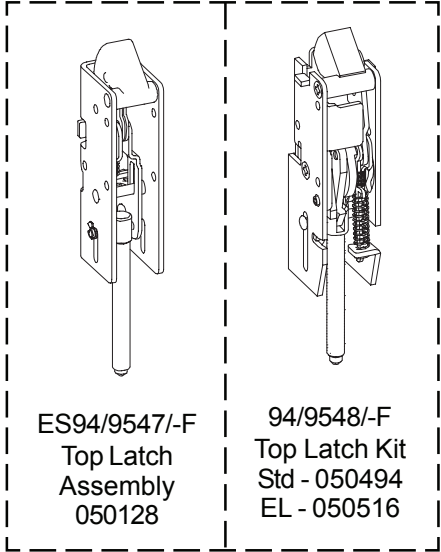
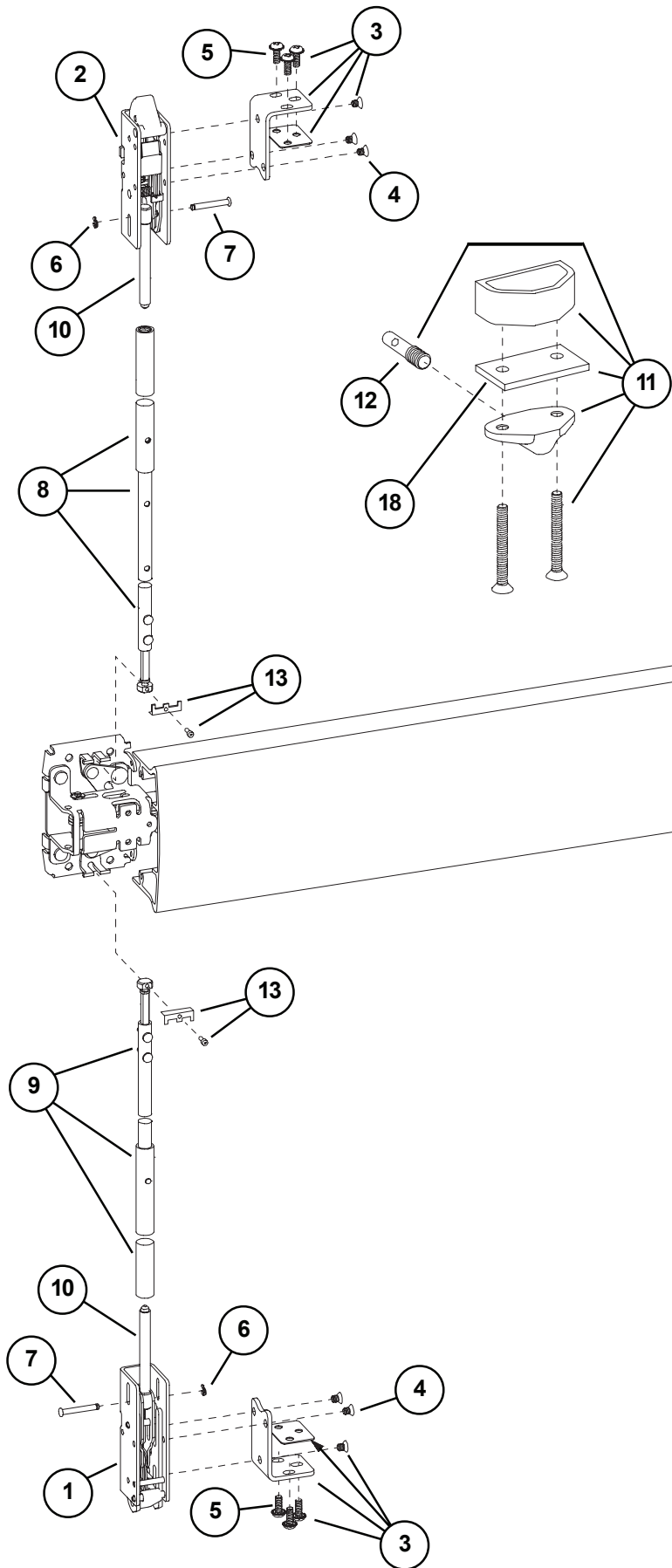
Item No.	Quantity	Part No.	Description	Finish
	1	PKGMTG.1001	INPACT Device Mounting Package	
1	1	971706	Baseplate Link Pin	
2	1	050585	Control Link Pin Kit (w/Retaining Ring)	
3	1	090107	Control Link Pin Retaining Ring Pkg/10	
4	1	971712	Main Control Link	
5	1	971765	9547/48-F/75-F Pushpad	X
5	1	971766	9447/48-F/75-F Pushpad	X
5	1	971655	9547/48/75-F Pushpad (US3,/US26)	X
5	1	971656	9447/48/75-F Pushpad (US3,/US26)	X
6	2	ECAP.115	94/9547/48/75 End Cap Package	X
7	1	CASE.107	94/9547/48/75 Center Case	

X in "Finish" column designates finished items; finish must be specified when ordering.

* To order, specify device type, size, and finish. Example: PBKIT 94 3' US28



94/9547/48/-F VERTICAL RODS AND LATCHES



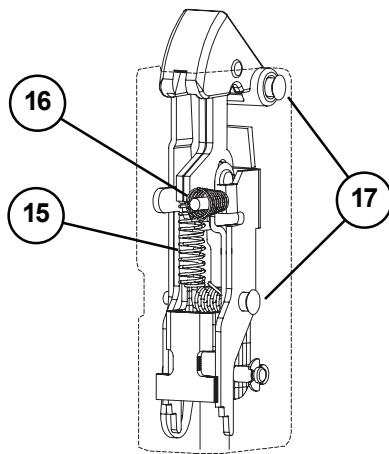
94/9547/48/-F VERTICAL RODS AND LATCHES

Item No.	Quantity	Part No.	Description	Finish
*	1	050047	94/9548 Latch Retrofit Kit	
*	1	050048	94/9548/-F Latch Retrofit Kit	
1**	1	050493	94/9547/-F Bottom Latch Kit	
2**	1	050492	94/9547/-F Top Latch Kit	
3	2	109324	94/9547/-F Latch Mtg Bracket Kit	
3	2	112868	94/9548/-F Latch Mtg Bracket Kit	
4	6	090059	Latch Bracket Mtg Screw (Latch)	
5	6	090061	Latch Bracket Mtg Screw (Metal Door)	
5	6	900856	Latch Bracket Mtg Screw (Wood Door)	
6	2	090063	Retaining Ring (Pkg of 10)	
7	2	090064	Latch Link Pin (Pkg of 10)	
8	1	RODASY.121	Adjustable Top Rod 6'8" - 8'4" Door	
9	1	RODASY.122	Adjustable Bottom Rod Kit	
10	2	090071	94/9547/-F Rod Connecting Screw	
10	2	090072	94/9548/-F Rod Connecting Screw	
11	1	106222	Ratchet Release Pkg	X
12	1	090070	Ratchet Release Screw	
13	2	KIT.1001	94/9547/-F Rod Adjustment Kit	
13	2	KIT.1002	94/9547/-F Rod Adjustment Kit - LBR	
14	1	090065	Bolt Return Spring	
15	1	090066	Top Latch Compression Spring (Pkg of 10)	
16	1	090069	Ratchet Lever Spring (Pkg of 2)	
17	1	090062	Btm Latch Case Spirol Pin (Pkg of 10)	
18	1	970978	94/9547/-F Ratchet Release Spacer 1/8"	

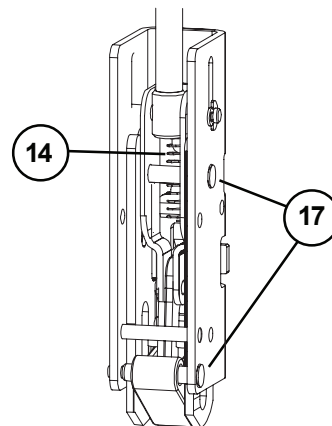
X in "Finish" column designates finished items; finish must be specified when ordering.

*Retrofit kit includes items 1-3 to convert 94/9547/-F to 94/9548/-F.

**Each latch kit (item 1-2) includes only one latch mtg bracket kit (item 3). For service replacement only. Refer to retrofit kits to convert 94/9547/-F to 94/9548/-F.



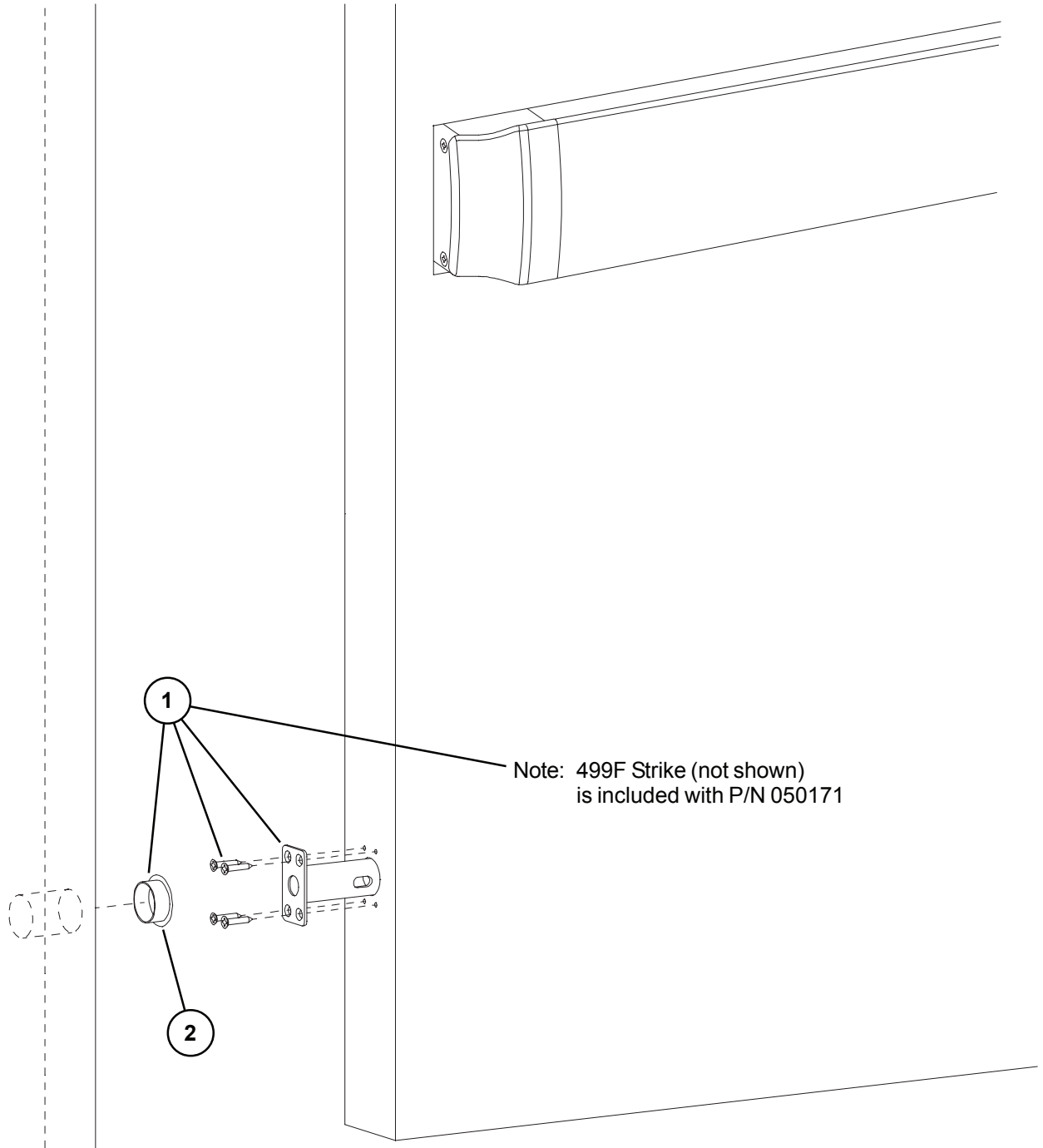
94/9547/-F Top Latch



94/9547/-F Bottom Latch

94/9547-F LBR (LESS BOTTOM ROD) FIRE PIN KIT

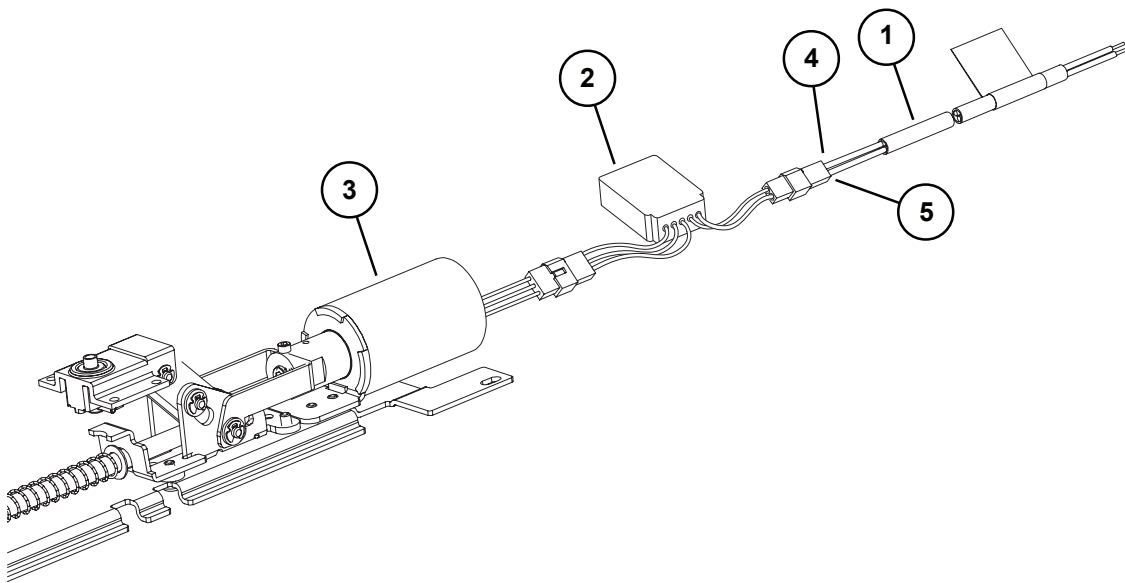
Item No.	Quantity	Part No.	Description	Finish
1	1	050171	LBR Fire Pin/Strike Kit	
2	1	050509	LBR Fire Strike Plug	



EL94/9547 ELECTRIC LATCH RETRACTION OPTION

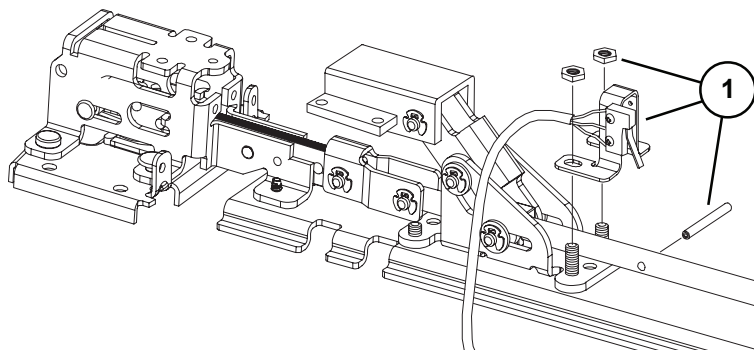
Item No.	Quantity	Part No.	Description	Finish
1	1	110388	EL 6' Cable and Connector	
2	1	050534	EL Potted Module	
3	1	113189	EL Solenoid Assembly	
4	1	050539	EL Receptacle Connector	
5	2	050540	EL Female Terminal	
*	1	050380	EL94/95 Conversion Kit	

*Kit includes items 1-7 plus new control link pin, retaining ring, and baseplate screws.



94/9547/-F LX (LATCH BOLT MONITOR)

Item No.	Quantity	Part No.	Description	Finish
1	1	050226	94/9547/-F LX Retrofit Kit	



About Allegion

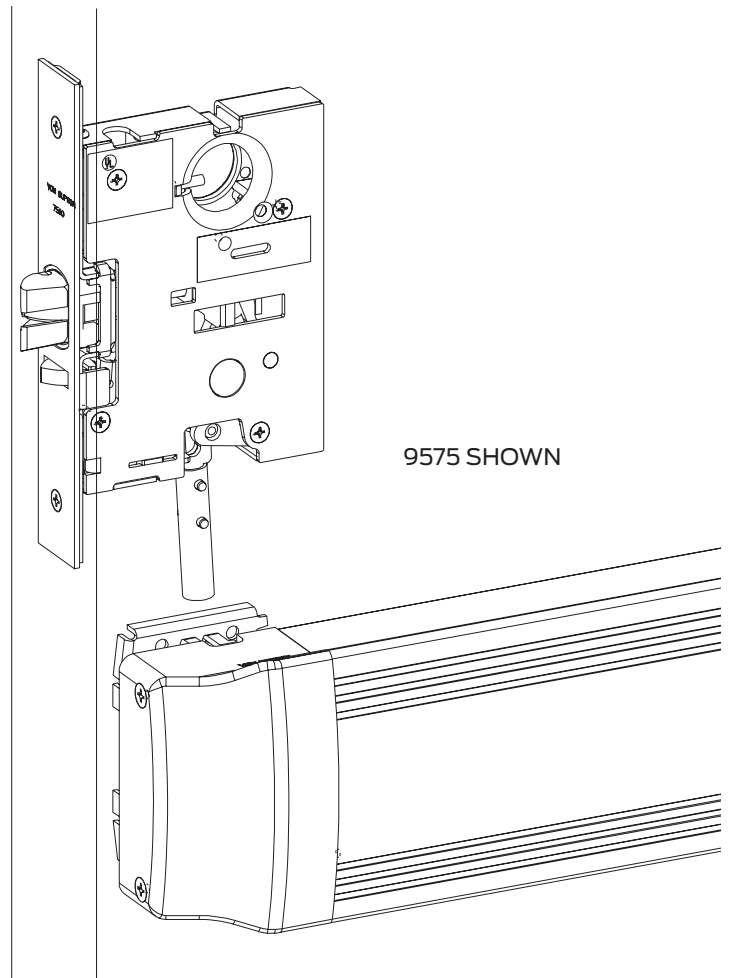
Allegion (NYSE: ALLE) creates peace of mind by pioneering safety and security. As a \$2 billion provider of security solutions for homes and businesses, Allegion employs more than 7,800 people and sells products in more than 120 countries across the world. Allegion comprises 23 global brands, including strategic brands CISA®, Interflex®, LCN®, Schlage® and Von Duprin®.

For more, visit www.allegion.com.

aptiQ ■ LCN ■ **SCHLAGE** ■ STEELCRAFT ■ VON DUPRIN

VON DUPRIN®
94/9575
Series
Recessed Exit
Devices

Service manual



INDEX

94/9575 Devices	
Panic Device	4
Fire Device	5
94/9575 7500 Mortise Lock	6-7
Variations of the Basic Device	
94/9575 SS7500 Mortise Lock	8
EL (Electric Latch Retraction)	9
LX (Latch Bolt Monitoring)	9
General Information	
Introduction	2
How to Order	2
Part Number Changes	2
Finishes	3
Outside Trim Functions	3
Strikes	3

INTRODUCTION

This manual contains a listing of replaceable parts and assemblies for the 94/9575 and 94/9575-F Mortise Exit Devices. (94 Series and 95 Series devices are almost identical. The 95 Series has a grooved case; the 94 Series has a smooth case.)

HOW TO ORDER

Some parts are sold separately. Other items are available as part of a kit or multiple quantity package. For the best possible service when ordering replacement parts or assemblies, please provide the following information:

- Part number or assembly number
- Description
- Quantity needed
- Finish desired (if available finished)
- Date of original purchase (if known)

To find out the name of your local Von Duprin distributor or sales representative, contact:

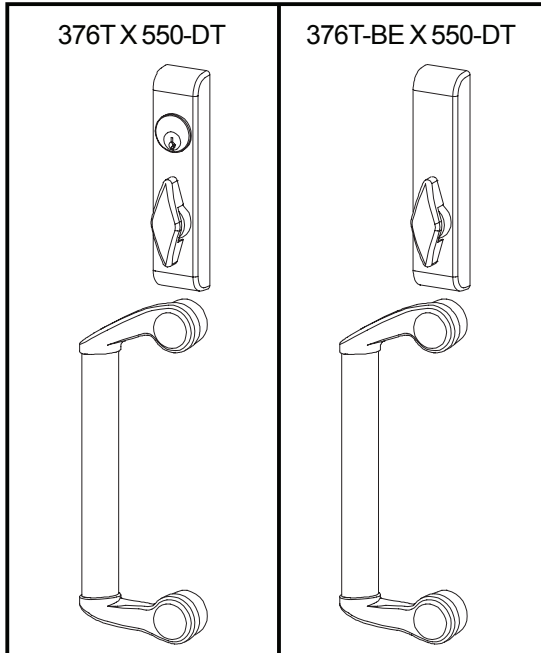
Von Duprin Division
Allegion
2720 Tobey Drive
Indianapolis, Indiana 46219
Phone: (877) 671-7011

PART NUMBER AND AVAILABILITY CHANGES

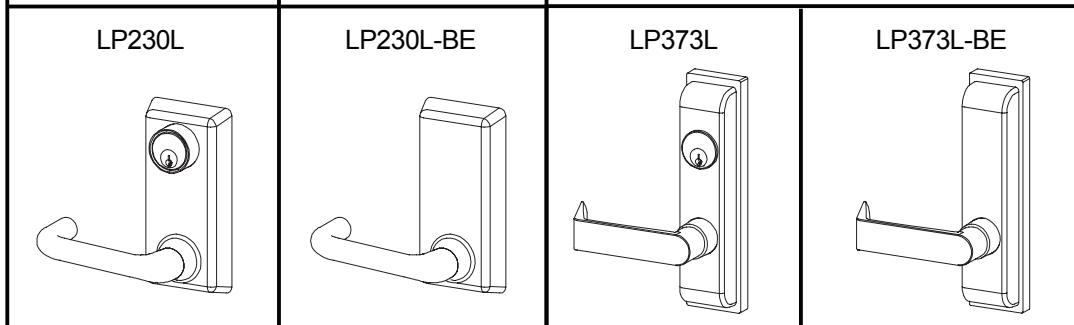
This manual was designed to help illustrate the replacement parts and kits that are available for sale. Because of changes to the product and/or manufacturing process, part numbers and availability can change over time.

OUTSIDE TRIM FUNCTIONS

94/95 SERIES FINISHES

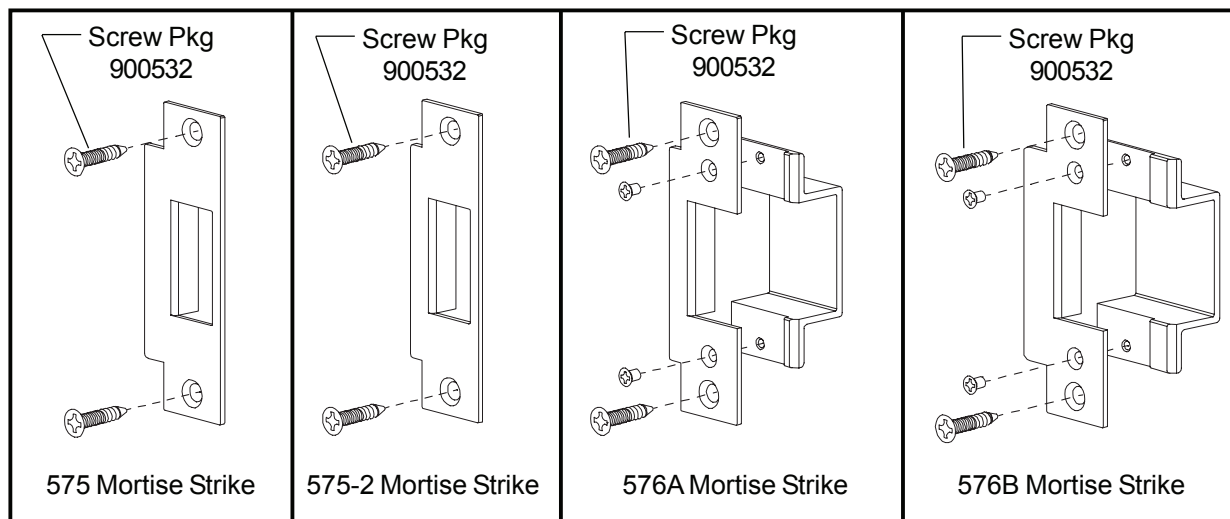


U.S. Std Reference	BHMA Reference	Description
US3	605	Bright Brass
US4	606	Satin Brass
US10	612	Satin Bronze
US26	625	Polished Chrome
US26D	626	Satin Chrome
US28	628	Anodized Aluminum
313	710	Duranodic Dark Bronze
US26D-AM	626-AM	Satin Chrome, AM



- * "BE" (Blank Escutcheon) no cylinder used - lever always active
- ** "DT" (Dummy Trim) rigid lever for pull operation

MORTISE STRIKES

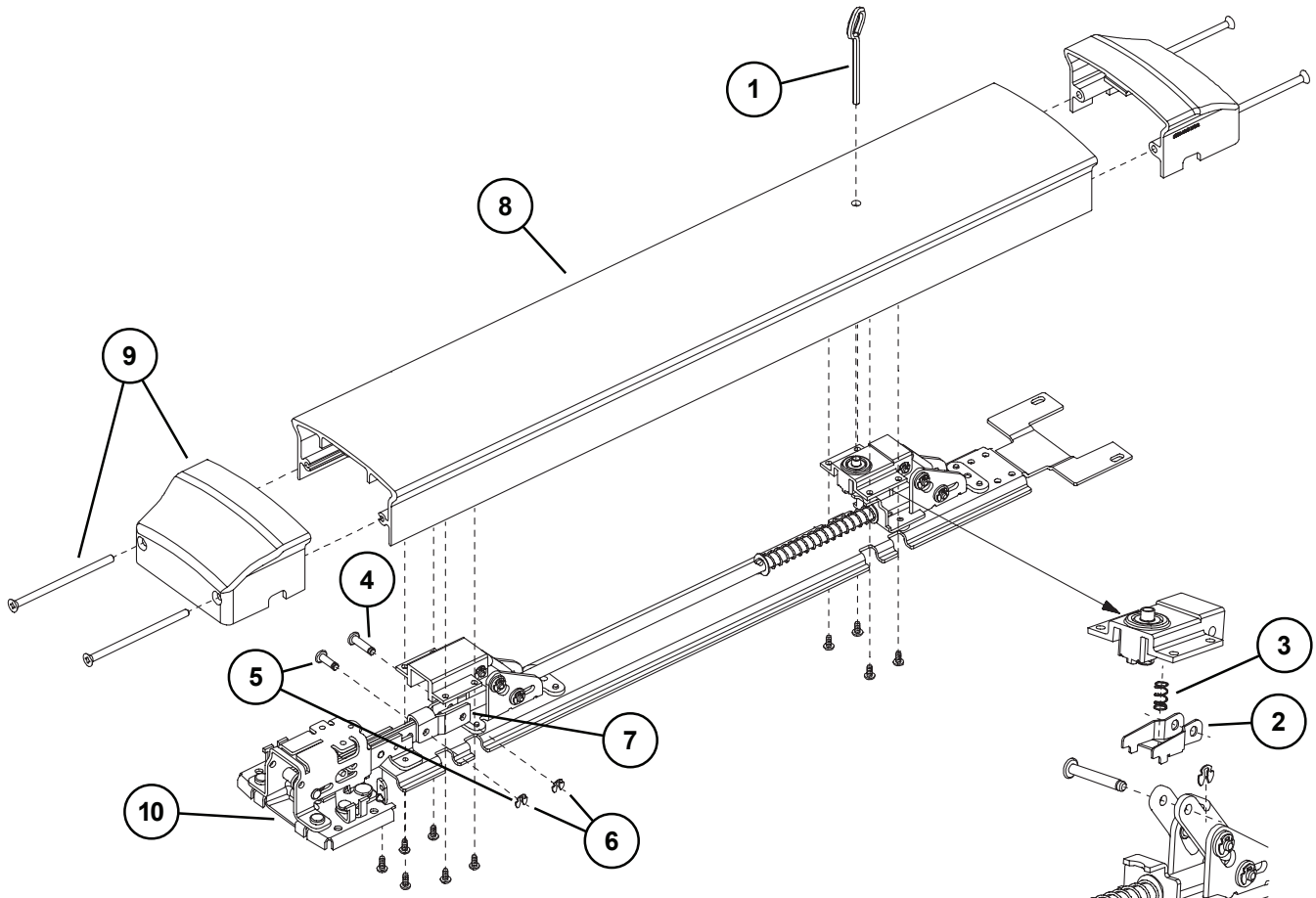


94/9575 PANIC EXIT DEVICE

Item No.	Quantity	Part No.	Description	Finish
	1	PKG.MTG.1001	INPACT Device Mounting Package	
1	1	090085	Dog Key 5/32" Hex (Pkg of 10)	
1	1	090005	Dog Key 5/32" Hex (Pkg of 2)	
2	1	971659	Dogging Clip	
3	1	971664	Dogging Clip Spring	
4	1	971706	Baseplate Link Pin	
5	1	050585	Control Link Pin Kit (w/Retaining Ring)	
6	1	090107	Control Link Pin Retaining Ring Pkg/10	
7	1	971712	Main Control Link	
8	1	971763	9547/48/75 Pushpad	X
8	1	971764	9447/48/75 Pushpad	X
8	1	971709	9547/48/75 Pushpad (US3,/US26)	X
8	1	971710	9447/48/75 Pushpad (US3,/US26)	X
9	2	ECAP.115	94/9547/48/75 End Cap Package	X
10	1	CASE.107	94/9547/48/75 Center Case	

X in "Finish" column designates finished items; finish must be specified when ordering.

* To order, specify device type, size, and finish. Example: PBKIT 94 3' US28

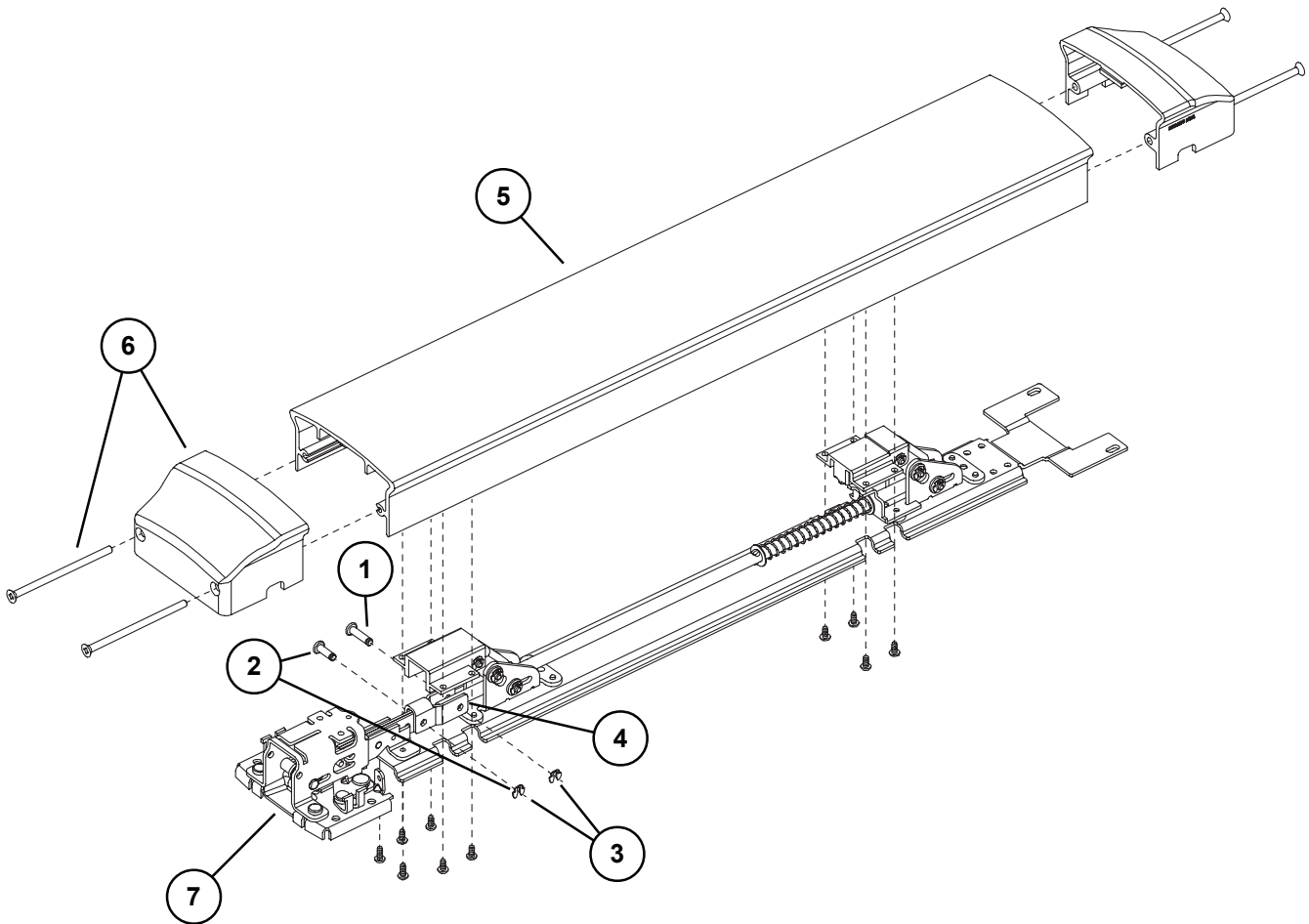


94/9575-F FIRE EXIT DEVICE

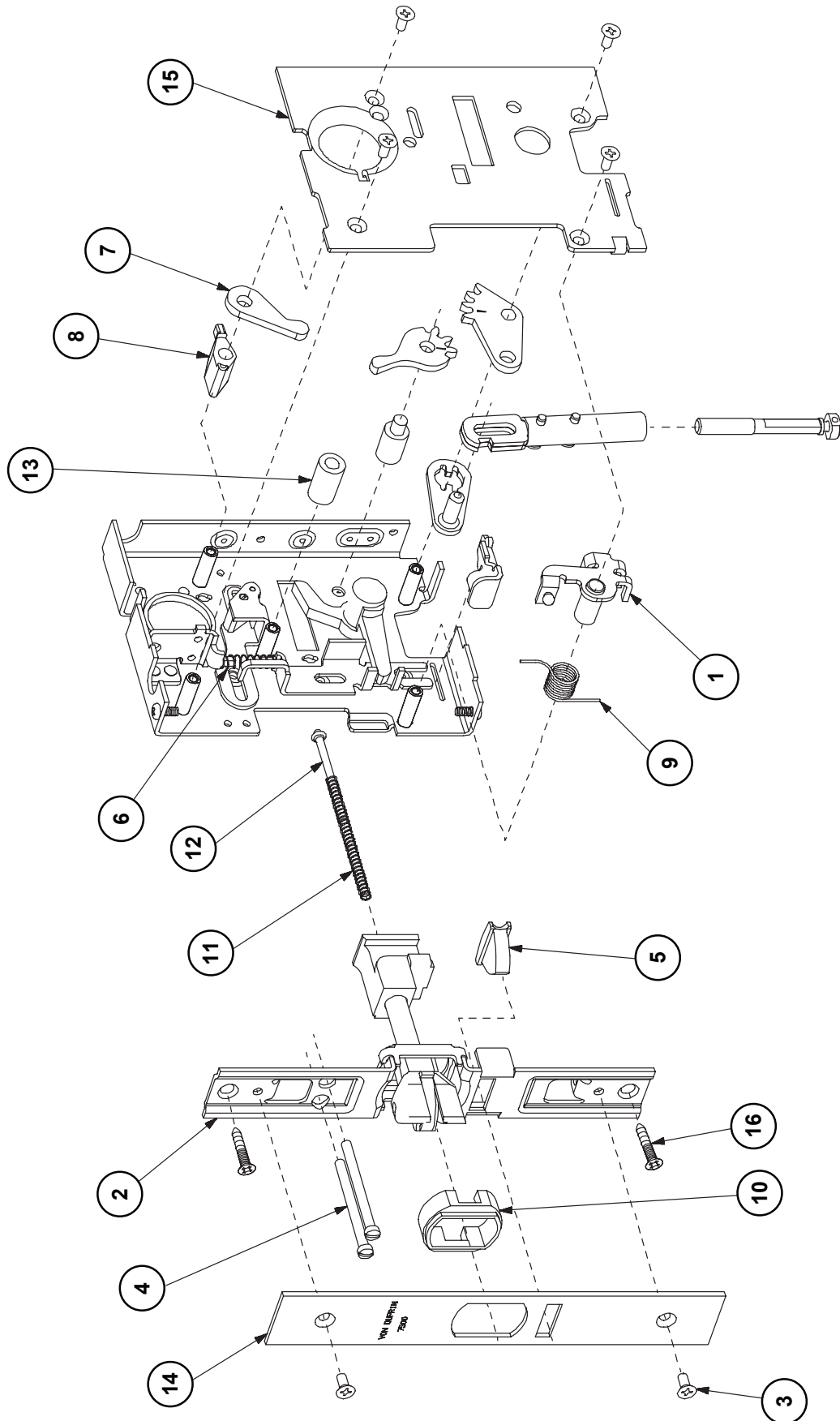
Item No.	Quantity	Part No.	Description	Finish
	1	PKGMTG.1001	INPACT Device Mounting Package	
1	1	971706	Baseplate Link Pin	
2	1	050585	Control Link Pin Kit (w/Retaining Ring)	
3	1	090107	Control Link Pin Retaining Ring Pkg/10	
4	1	971712	Main Control Link	
5	1	971765	9547/48-F/75-F Pushpad	X
5	1	971766	9447/48-F/75-F Pushpad	X
5	1	971655	9547/48/75-F Pushpad (US3,/US26)	X
5	1	971656	9447/48/75-F Pushpad (US3,/US26)	X
6	2	ECAP.115	94/9547/48/75 End Cap Package	X
7	1	CASE.107	94/9547/48/75 Center Case	

X in "Finish" column designates finished items; finish must be specified when ordering.

* To order, specify device type, size, and finish. Example: PBKIT 94 3' US28



94/9575 7500 MORTISE LOCK



94/9575 7500 MORTISE LOCK

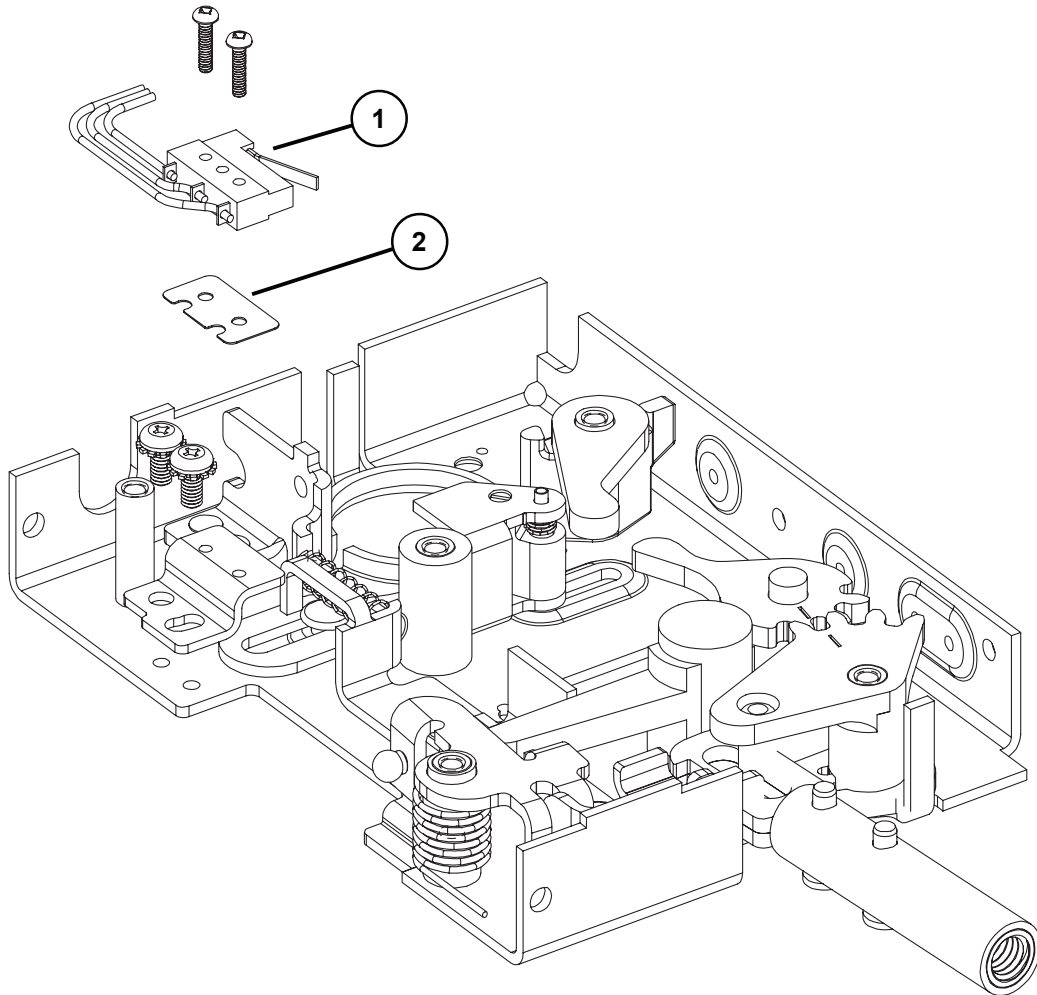
Item No.	Quantity	Part No.	Description	Finish
1	1	109347	7500 Auxiliary Bolt Link Sub-Assembly	
2	1	109773	7500 Latchbolt and Faceplate Sub-Assembly	
3	2	963080	7500 Scalp Plate - 8-32 x 3/8" FPHMS	X
4	2	963954	7500 Cyl. Set - 8-32 x 2" Fill SHMS	
5	1	968668	7500 Auxiliary Bolt	
6	1	968748	7500 Deadlocking Spring	
7	1	968761	7500 Trim Bolt Retractor	
8	1	968793	7500 Trim Lock Actuator	
9	1	968935	7500 Auxiliary Bolt Spring	
10	1	968939	7500 Latchbolt Collar	
11	1	969089	7500 Latch Return Spring	
12	1	969610	7500 Latch Return Spring Guide	
13	1	970735	7500 Stem Support	
14	1	968766	7500 Scalp Plate - US32, US32D	X
14	1	970872	7500 Scalp Plate - Brass, Bronze	X
15	1	971822	7500 Housing Cover	
16	2	900532	7500 Lock Mounting Pkg	

X in "Finish" column designates finished items; finish must be specified when ordering.

94/9575 SS7500 MORTISE LOCK

Item No.	Quantity	Part No.	Description	Finish
1	1	109658	Switch Wiring Assembly (R/Y/B Wires)	
2	1	968770	Switch Insulator	

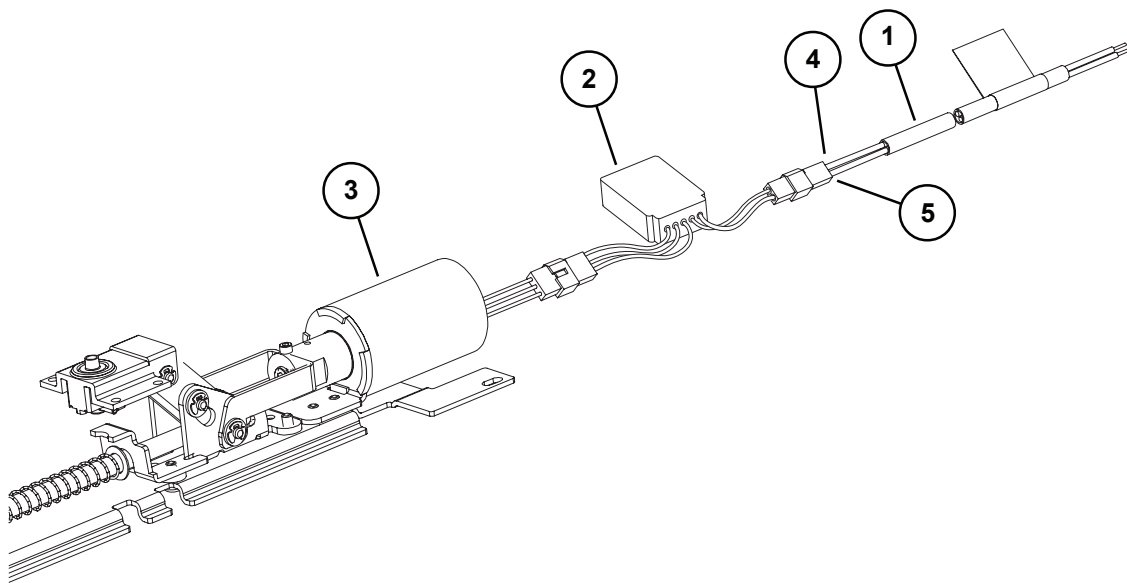
Note: SS7500 Mortise Lock uses all the same parts as 7500 Mortise Lock on pages 6-7 plus the items on this page.



EL94/9575 ELECTRIC LATCH RETRACTION OPTION

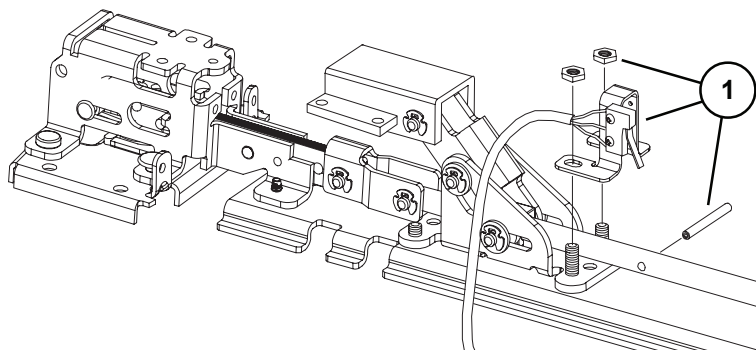
Item No.	Quantity	Part No.	Description	Finish
1	1	110388	EL 6' Cable and Connector	
2	1	050534	EL Potted Module	
3	1	113189	EL Solenoid Assembly	
4	1	050539	EL Receptacle Connector	
5	2	050540	EL Female Terminal	
*	1	050380	EL94/95 Conversion Kit	

*Kit includes items 1-7 plus new control link pin, retaining ring, and baseplate screws.



94/9575/-F LX (LATCH BOLT MONITOR)

Item No.	Quantity	Part No.	Description	Finish
1	1	050226	94/9575/-F LX Retrofit Kit	



About Allegion

Allegion (NYSE: ALLE) creates peace of mind by pioneering safety and security. As a \$2 billion provider of security solutions for homes and businesses, Allegion employs more than 7,800 people and sells products in more than 120 countries across the world. Allegion comprises 23 global brands, including strategic brands CISA®, Interflex®, LCN®, Schlage® and Von Duprin®.

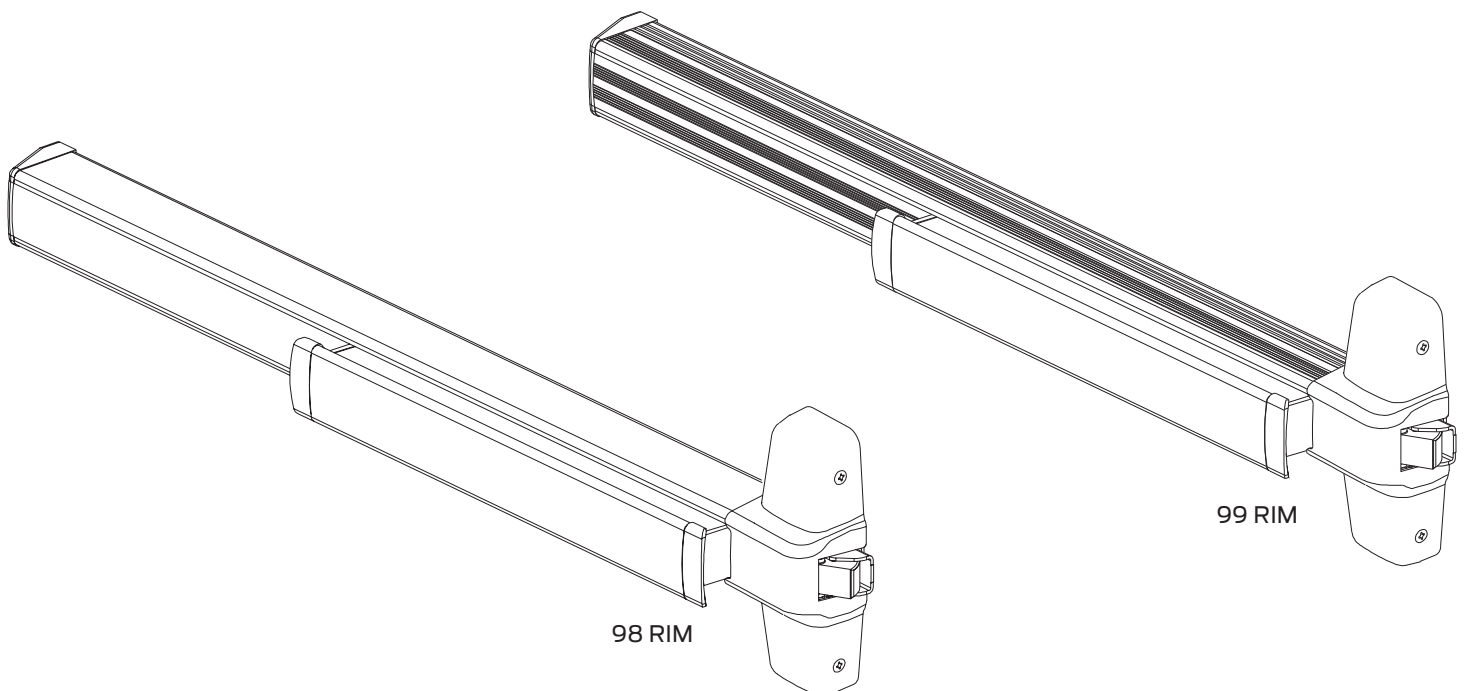
For more, visit www.allegion.com.

aptiQ ■ LCN ■ **SCHLAGE** ■ STEELCRAFT ■ VON DUPRIN

VON DUPRIN®

98/99 Series Rim Exit Devices

Service manual



INDEX

98/99 Rim Devices	
Basic Panic Device	4-5
Basic Fire Device	6-7
Baseplate Assemblies	8
Center Case Assembly	9
Variations of the Basic Device	
CD (Cylinder Dogging)	4-5
98/99-2 (Double Cylinder)	10
E98/99 (Electric Locking)	11
HD-EL (Hex Dogging/Electric Latch Retraction)	12
EL (Electric Latch Retraction)	13
SS (Signal Switch)	13
RX (Request to Exit)	14-15
LX (Latch Bolt Monitoring)	14-15
CX (Chexit Discontinued)	16
CX (Chexit New)	17
CX (Chexit New RCM/DE5300 Option)	18
CX-CD/SD (Chexit/Special Dogging)	19
ALK (Exit Alarm Kit)	20
Service Replacement Items	21-22
General Information	
Introduction	2
How to Order	2
Part Number Changes	2
Finishes	3
Outside Trim Functions	3
Strikes	3

INTRODUCTION

This manual contains a listing of replaceable parts and assemblies for the 98/99 Rim Exit Hardware Devices. 98 Series and 99 Series devices are almost identical. The 99 Series has a grooved case; the 98 Series has a smooth case.

HOW TO ORDER

Some parts are sold separately. Other items are available as part of a kit or multiple quantity package. For the best possible service when ordering replacement parts or assemblies, please provide the following information:

- Part number or assembly number
- Description
- Quantity needed
- Finish desired (if available finished)
- Date of original purchase (if known)

To find out the name of your local Von Duprin distributor or sales representative, contact:

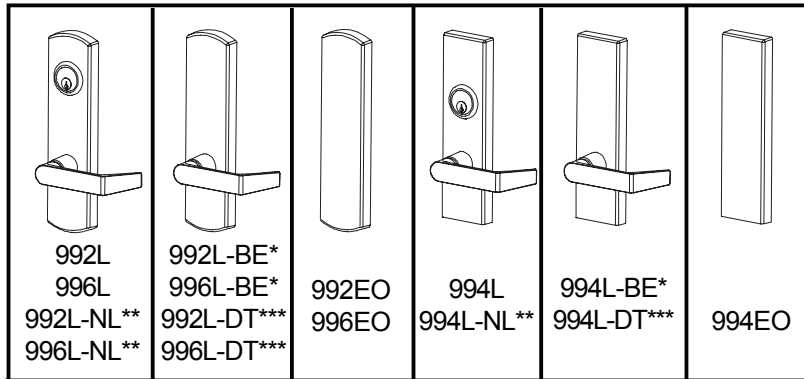
Von Duprin Division
Allegion
2720 Tobey Drive
Indianapolis, IN 46219
Phone: 877-671-7011

PART NUMBER AND AVAILABILITY CHANGES

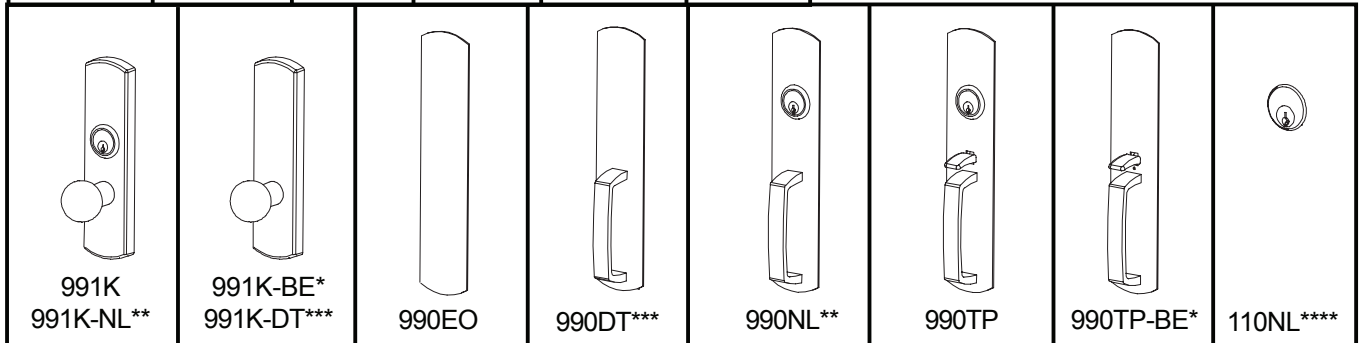
This manual was designed to help illustrate the replacement parts and kits that are available for sale. Because of changes to the product and/or manufacturing process, part numbers and availability can change over time.

98/99 SERIES FINISHES

OUTSIDE TRIM FUNCTIONS



U.S. Std Reference	BHMA Reference	Description
US3	605	Polished Brass
US4	606	Dull Brass
US10	612	Dull Bronze
US15	619	Satin Nickel
US26	625	Polished Chrome
US26D	626	Dull Chrome
US28	628	Anodized Alum. (Clear)
US32D	630	Satin Stainless Steel
313AN	710	Anodized Alum. (313) Dark Bronze
315AN	711	Anodized Alum. (Black)



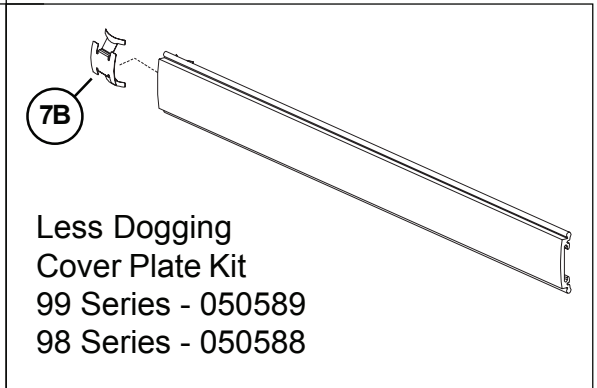
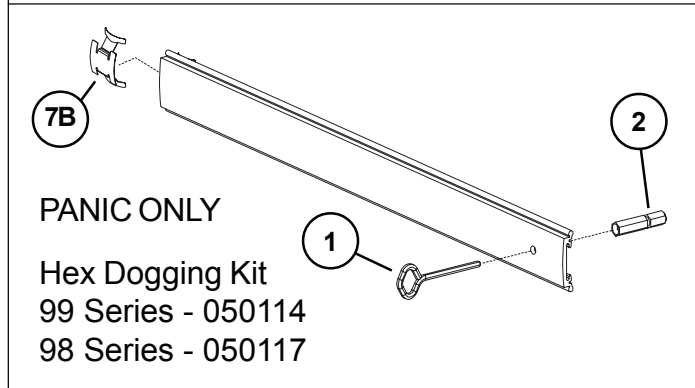
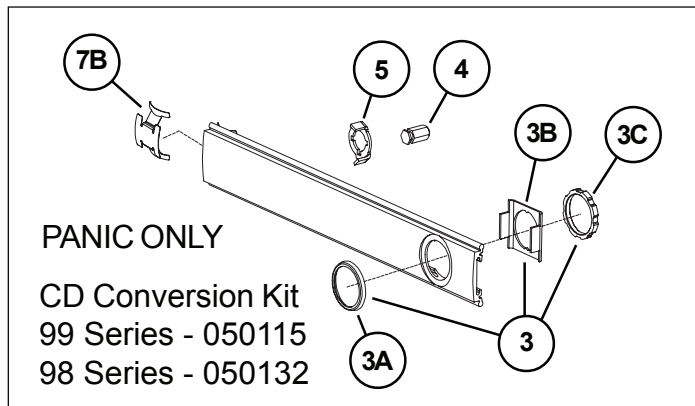
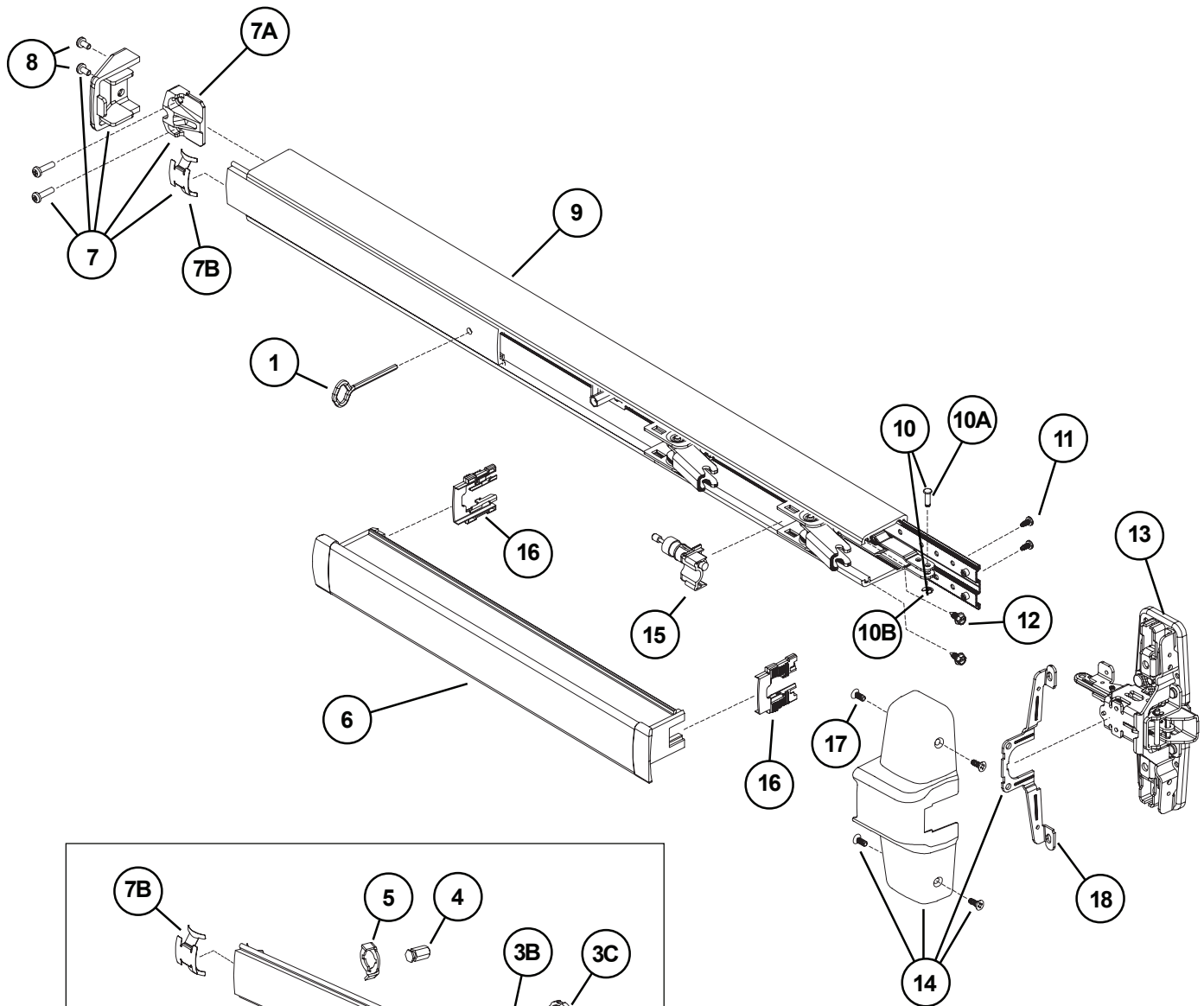
- * "BE" (Blank Escutcheon) no cylinder used - lever always active
- ** "NL" (Night Latch) rigid lever - key retracts latch bolt
- *** "DT" (Dummy Trim) rigid lever for pull operation
- **** Optional Pull needs to be added

- ① Metal Door Screw Package PKGSRV.1023 (Pkg of 10)
- ① Wood Door Screw 964291 (Qty of 1)

STRIKES

<p>Adjusting Shim 970321</p> <p>Strike Plate 970323</p> <p>299 Strike - Standard Single or Double Door Panic Exit Hardware</p>	<p>Adjusting Shim 945521</p> <p>299F Strike - Single Door Fire Exit Hardware</p>	<p>Adjusting Shim 945521</p> <p>264 Strike - Single Door Panic Exit Hardware</p>	<p>Adjusting Shim 945521</p> <p>Strike Hook 969300</p> <p>499F Strike - Double Door w/Mullion Fire Exit Hardware</p>	<p>1609 Strike - Double Door Rim/Vertical Rod Combination (Consult Factory)</p>
<p>Wear plate 960012</p> <p>Rivets 963074</p> <p>Screw Pkg 900254</p> <p>1410 Strike - Single Door Integral Stop Panic Exit Hardware</p>	<p>Adjusting Shim 961084</p> <p>Screw Pkg 900263</p> <p>1606 Strike - Single or Double Door Panic Exit Hardware</p>	<p>1439 Strike - Single door Panic Exit Hardware</p>	<p>Screw Pkg 900253</p> <p>Adjusting block 971995</p> <p>Wear plate 971998</p> <p>Drive nuts 4299101022</p> <p>1408 Strike - Double Door Used on 5754 Mullions Panic Exit Hardware</p>	

98/99 RIM PANIC DEVICE



98/99 RIM PANIC DEVICE

Item No.	Quantity	Part No.	Description	Finish
	1	900561	98/99 Series Mounting Pkg. (1-3/4 & 2-1/4)	
1	1	090085	227 Dog Key 5/32" Hex (Pkg of 10)	
1	1	090005	227 Dog Key 5/32" Hex (Pkg of 2)	
2	1	090040	Hex Dog Shaft (Pkg of 2)	
3	1	107813	Cylinder Mounting Pkg	X
3A	1	050525	Cylinder Collar	X
3B	1	050490	Cylinder Locating Washer - CD/SS	
3C	1	050526	Cylinder Locknut	
4	1	090046	CD Dogging Plug (Pkg of 2)	
5	1	090045	CD Actuator Arm (Pkg of 2)	
6	1	*PBKIT	98/99 Series Push Bar Retrofit Kit - 3' Door	X
6	1	*PBKIT	98/99 Series Push Bar Retrofit Kit - 4' Door	X
7	1	050014	98/99 Series End Cap Kit	X
7A	1	050524	Impact Resistant End Cap Bracket	
7B	1	090036	Cover Plate Anti-rattle Spring (Pkg of 10)	
8	1	900597	Device End Cap and C/Case Screw Pkg.	X
9	1	968144	99 Series Mechanism Case - 3' Door	X
9	1	968146	99 Series Mechanism Case - 4' Door	X
9	1	970191	98 Series Mechanism Case - 3' Door	X
9	1	970192	98 Series Mechanism Case - 4' Door	X
10	1	050529	98/99 Series Control Link Pin & Ret. Ring	
10A	1	090031	98/99 Series Control Link Pin (Pkg of 10)	
10B	1	090107	Retaining Ring (Pkg of 10)	
11	2	090037	#8-32 x 3/8" Baseplate Screw (Pkg of 10)	
12	2	090073	Mechanism Case Bracket Screw (Pkg of 10)	
13***	1	050020	98/99 Rim Center Case Less Cover	
14**	1	050071	98/99 Rim Center Case Cover Kit	X
15	1	050491	Shock Absorber & Holder Assembly	
16	2	090049	Push Bar Guide (Pkg of 10)	
17	4	900892	Center Case Cover Screws (Pkg of 4)	X
18	1	050564	Center Case Cover Bracket	

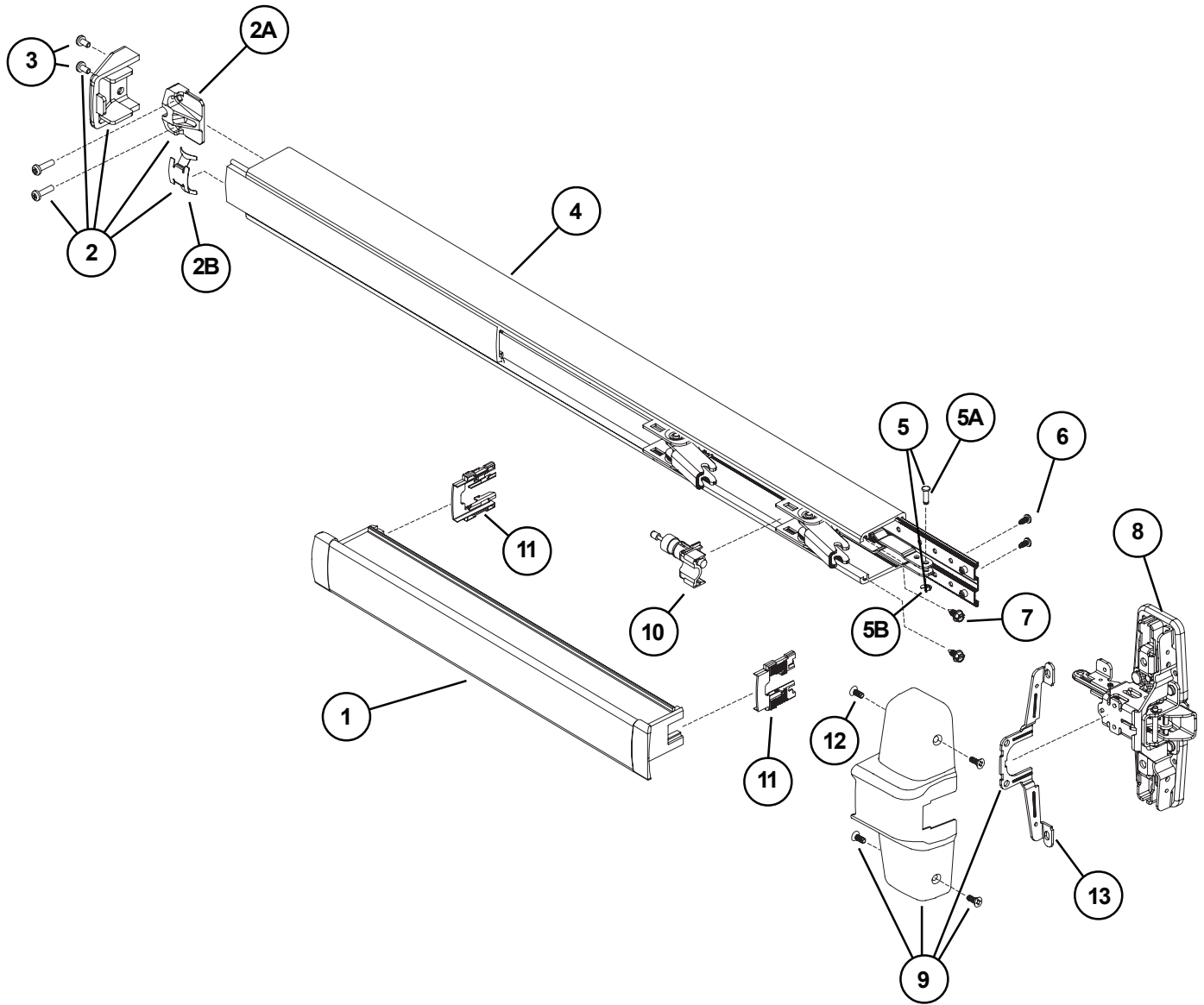
X in "Finish" column designates finished items; finish must be specified when ordering.

* To order, specify device type, size, and finish. Example: PBKIT 98 3' US28

**Includes parts for three piece cover conversion

***Center case assembly parts shown on page 9.

98/99-F FIRE DEVICE



Fire Cover Plate Kit
99 Series - 050589
98 Series - 050588

98/99-F FIRE DEVICE

Item No.	Quantity	Part No.	Description	Finish
	1	900561	98/99 Series Mounting Pkg. (1-3/4 & 2-1/4)	
1	1	*PBKIT	98/99 Series Push Bar Retrofit Kit - 3' Door	X
1	1	*PBKIT	98/99 Series Push Bar Retrofit Kit - 4' Door	X
2	1	050014	98/99 Series End Cap Kit	X
2A	1	050524	Impact Resistant End Cap Bracket	
2B	1	090036	Cover Plate Anti-rattle Spring (Pkg of 10)	
3	1	900597	Device End Cap and C/Case Screw Pkg.	X
4	1	968144	99 Series Mechanism Case - 3' Door	X
4	1	968146	99 Series Mechanism Case - 4' Door	X
4	1	970191	98 Series Mechanism Case - 3' Door	X
4	1	970192	98 Series Mechanism Case - 4' Door	X
5	1	050529	98/99 Series Control Link Pin & Ret. Ring	
5A	1	090031	98/99 Series Control Link Pin (Pkg of 10)	
5B	1	090107	Retaining Ring (Pkg of 10)	
6	2	090037	#8-32 x 3/8" Baseplate Screw (Pkg of 10)	
7	2	090073	Mechanism Case Bracket Screw (Pkg of 10)	
8***	1	050026	98/99-F Rim Center Case Less Cover	
9**	1	050071	98/99 Rim Center Case Cover Kit	X
10	1	050491	Shock Absorber & Holder Assembly	
11	2	090049	Push Bar Guide (Pkg of 10)	
12	4	900892	Center Case Cover Screws (Pkg of 4)	X
13	1	050564	Center Case Cover Bracket	

X in "Finish" column designates finished items; finish must be specified when ordering.

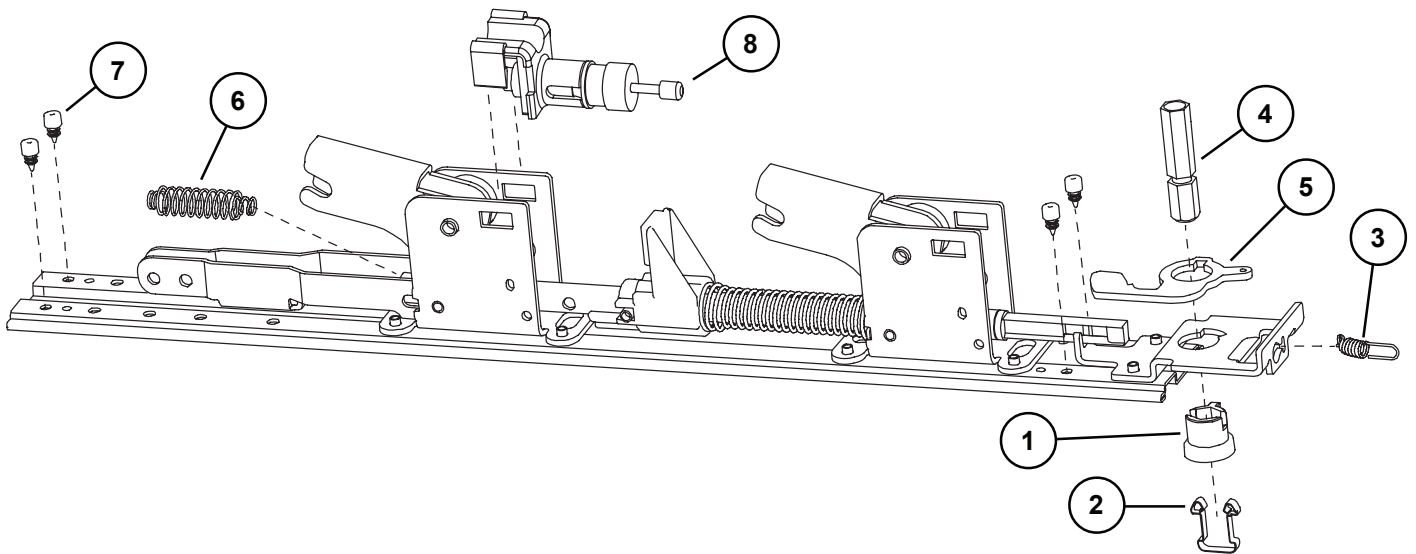
* To order, specify device type, size, and finish. Example: PBKIT 98 3' US28

**Includes parts for three piece cover conversion

***Center case assembly parts shown on page 9.

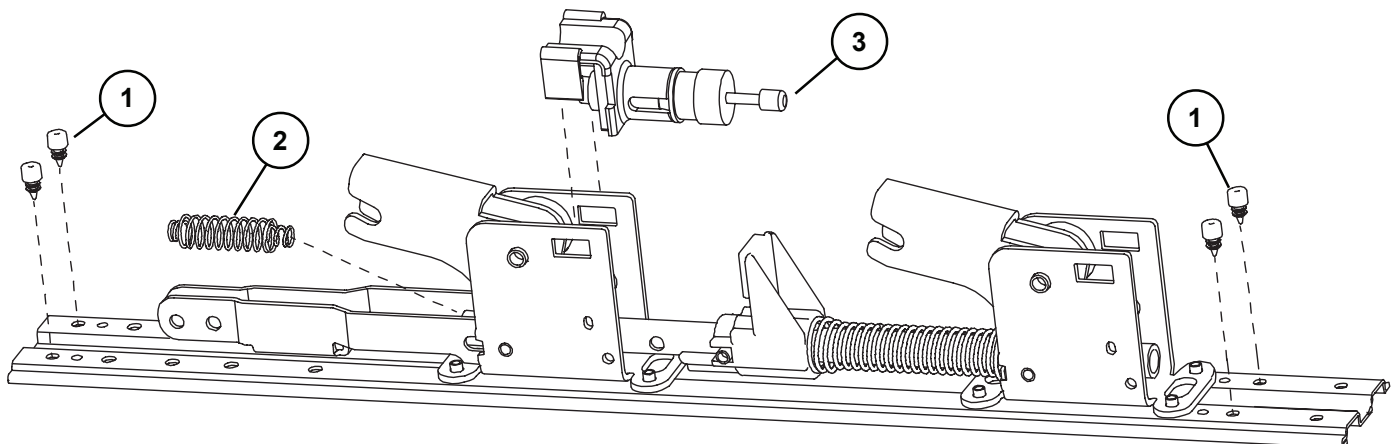
98/99 RIM PANIC DEVICE BASEPLATE ASSEMBLY

Item No.	Quantity	Part No.	Description	Finish
1	1	090043	Dogging adapter (Pkg of 2)	
2	1	090042	Dogging adapter spring (Pkg of 2)	
3	1	090041	Dogging spring (Pkg of 2)	
4	1	090040	Hex dogging shaft (Pkg of 2)	
5	1	090044	Dogging hook (Pkg of 2)	
6	1	090039	Latch return spring (Pkg of 10)	
7	4	090038	Rubber bumper (Pkg of 4)	
8	1	050491	Shock absorber	



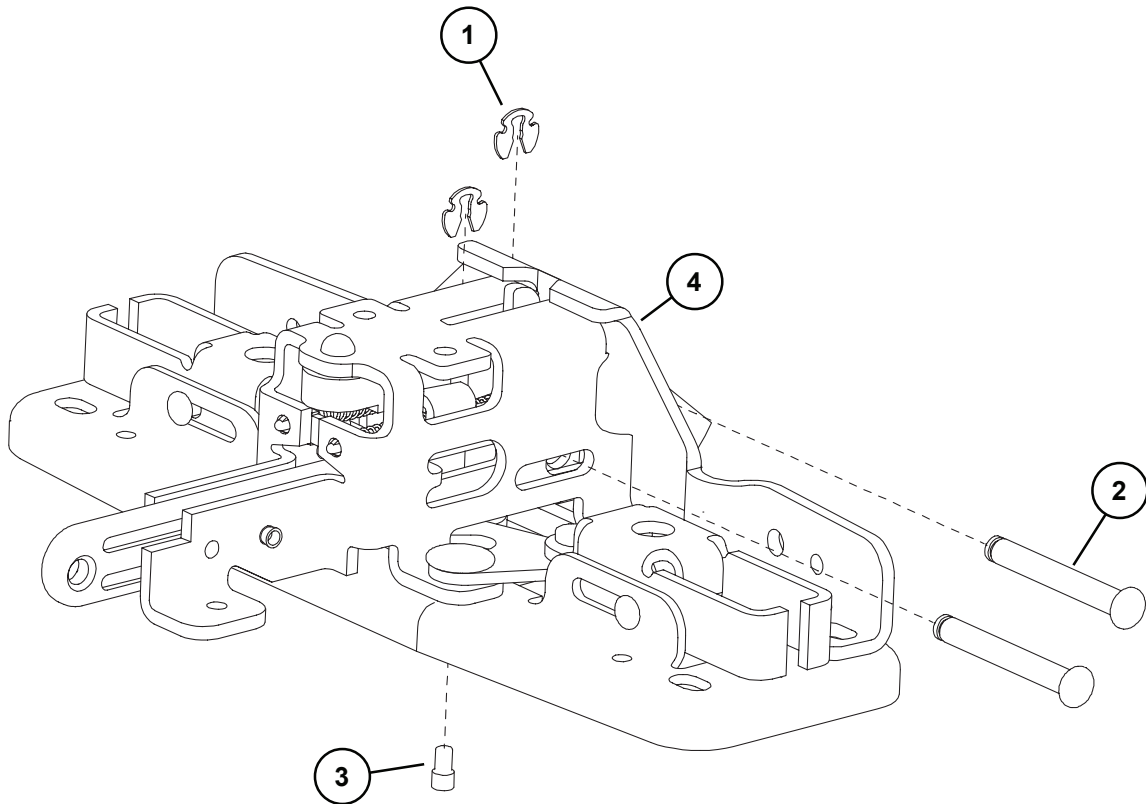
98/99-F FIRE DEVICE BASEPLATE ASSEMBLY

Item No.	Quantity	Part No.	Description	Finish
1	4	090038	Rubber bumper (Pkg of 4)	
2	1	090039	Latch return spring (Pkg of 10)	
3	1	050491	Shock absorber	



98/99 PANIC & 98/99-F FIRE DEVICE CENTER CASE ASSEMBLY

Item No.	Quantity	Part No.	Description	Finish
1	2	090107	Retaining Ring (Pkg of 10)	
2	2	090079	Latch Bolt Pin (Pkg of 10)	
3	1	090074	NL Drive Screw (Pkg of 10)	
4	1	050565	Center Case Reinforcing Bracket	



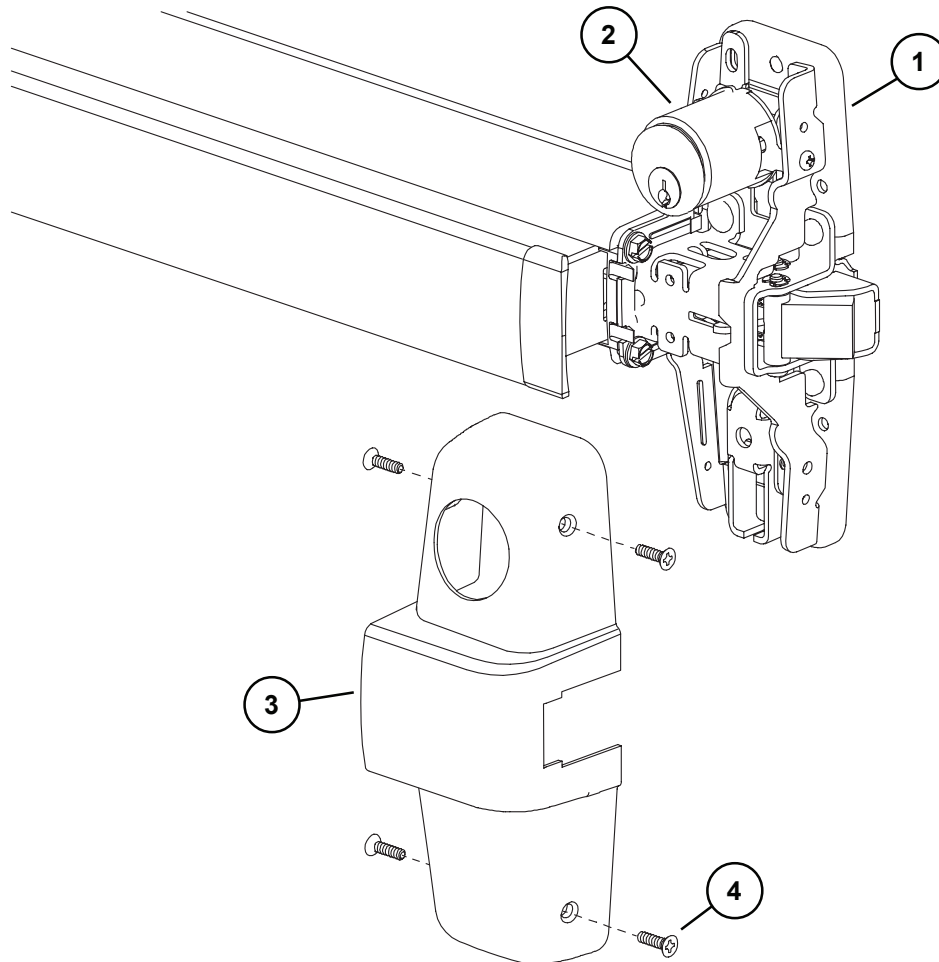
98/99-2 & 98/99-F-2 DOUBLE CYLINDER OPTION

Item No.	Quantity	Part No.	Description	Finish
1*	1	050024	98/99-2 RHR Center Case Less Cover	
1*	1	050025	98/99-2 LHR Center Case Less Cover	
1*	1	050027	98/99-F-2 RHR Center Case Less Cover	
1*	1	050028	98/99-F-2 LHR Center Case Less Cover	
2	1	113098	98/99 Rim Double Cyl. Adapter Assembly -LHR	X
2	1	113099	98/99 Rim Double Cyl. Adapter Assembly -RHR	X
3**	1	050555	98/99-2/SD RHR Center Case Cover Kit	X
3**	1	050556	98/99-2/SD LHR Center Case Cover Kit	X
4	4	900892	Center Case Cover Screws (Pkg of 4)	X
***	1	050388	98/99-2 Conversion Kit RHR	X
***	1	050389	98/99-2 Conversion Kit LHR	X

*Parts shown are for the double cylinder option. For other available center case parts refer to page 9.

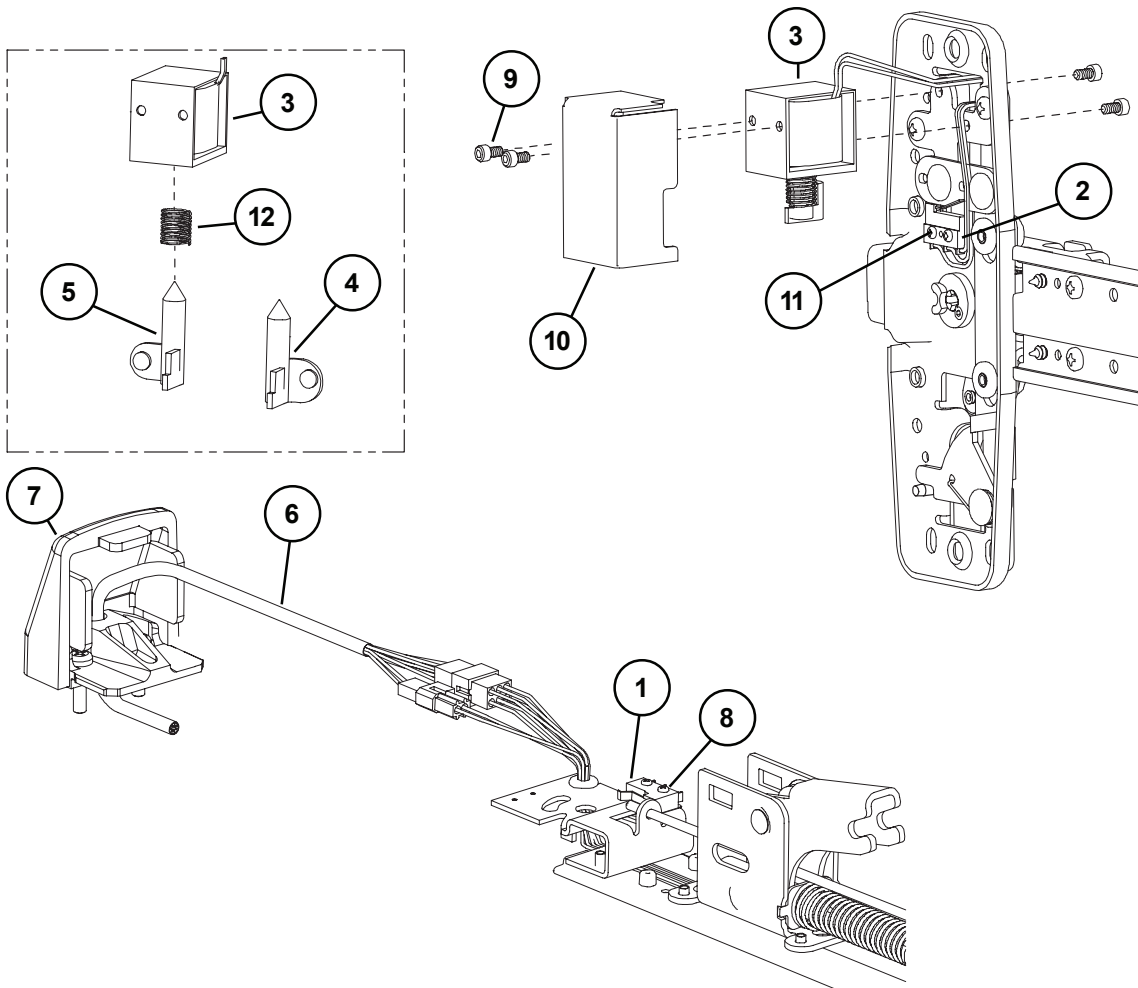
**Includes parts for three piece cover conversion.

***Kit includes items 1-4.



E98/99 & E98/99-F (ELECTRIC LOCKING) OPTION

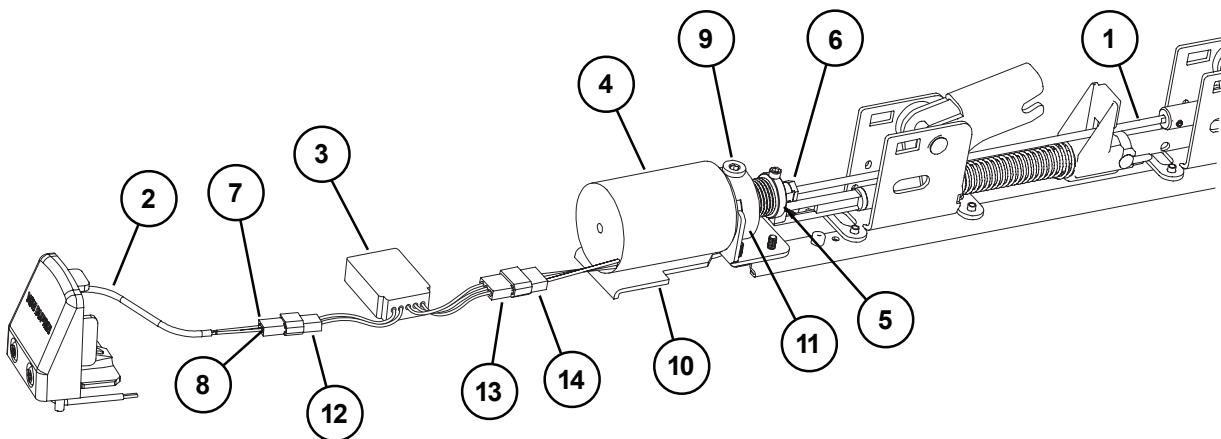
Item No.	Quantity	Part No.	Description	Finish
1	1	106224	E98/99 Rim Subminiature Switch Assembly (R,Y,B)	
2	1	968938	Subminiature Switch	
3	1	110389	E98/99 Rim Solenoid	
4	1	110392	E98/99 Solenoid Plunger - FSE RHR	
4	1	110390	E98/99 Solenoid Plunger - FSE LHR	
5	1	110393	E98/99 Solenoid Plunger - FS RHR	
5	1	110391	E98/99 Solenoid Plunger - FS LHR	
6	1	110867	E98/99 Rim Signal Cable	
7	1	050014	98/99 Series End Cap Kit	X
8	2	964269	2-56 x 3/8" PPHMS Subminiature Switch Screws	
9	4	963761	6-32 x 1/4" Socket Cap Solenoid Cover Screws	
10	1	969605	Solenoid Cover	
11	2	964000	2-56 x 3/4" PPHMS Subminiature Switch Screws	
12	1	969606	Solenoid Spring	



HD-EL98/HD-EL99 HEX DOGGING/ELECTRIC LATCH RETRACTION OPTION - PANIC DEVICE ONLY

Item No.	Quantity	Part No.	Description	Finish
1	1	050531	EL Dogging Rod Kit - 3' device	
1	1	050532	EL Dogging Rod Kit - 4' device	
2	1	110388	EL 6' Cable and Connector	
3	1	050534	EL Potted Module	
4	1	050536	HD-EL Solenoid	
5	1	050537	HD-EL Solenoid Plunger	
6	1	050538	EL Dogging Rod Retainer	
7	1	050539	EL Receptacle Connector - 2 Position	
8	2	050540	EL Female Terminal	
9	1	050541	HD-EL Dog Screw	
10	1	050542	HD-EL Solenoid Bracket	
11	1	050543	HD-EL Dogging Spring	
12	1	990599	EL Plug Connector - 2 Position	
13	1	990857	EL Receptacle Connector - 3 Position	
14	1	990858	EL Plug Connector - 3 Position	
*	1	050384	HD-EL Conversion Kit - 3'	
*	1	050385	HD-EL Conversion Kit - 4'	

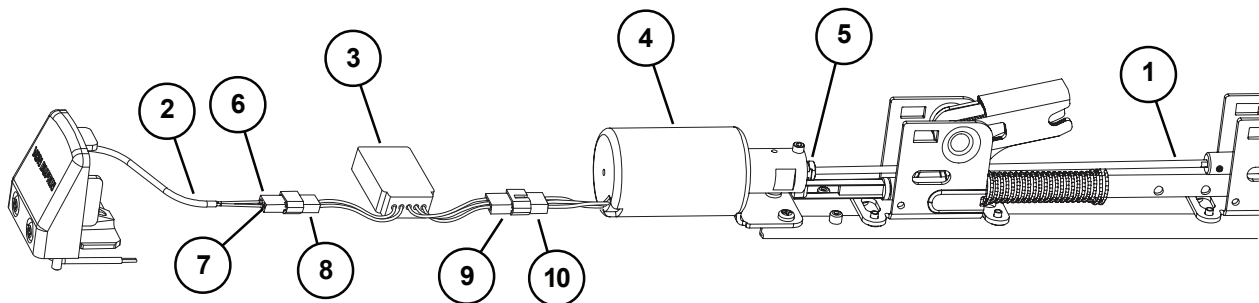
*Kit includes items 1-11 plus new control link, retaining ring, and baseplate screws.



EL98/EL99 SERIES ELECTRIC LATCH RETRACTION OPTION

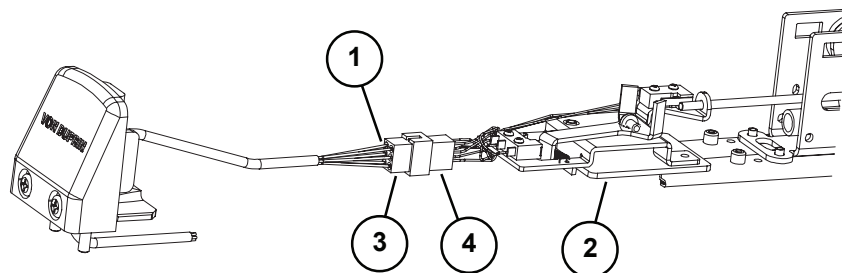
Item No.	Quantity	Part No.	Description	Finish
1	1	050531	EL Dogging Rod Kit - 3' device	
1	1	050532	EL Dogging Rod Kit - 4' device	
2	1	110388	EL 6' Cable and Connector	
3	1	050534	EL Potted Module	
4	1	050535	EL Solenoid Assembly	
5	1	050538	EL Dogging Rod Retainer	
6	1	050539	EL Receptacle Connector	
7	2	050540	EL Female Terminal	
8	1	990599	EL Plug Connector - 2 Position	
9	1	990857	EL Receptacle Connector - 3 Position	
10	1	990858	EL Plug Connector - 3 Position	
*	1	050070	EL Conversion Kit - 3'	
*	1	050078	EL Conversion Kit - 4'	

*Kit includes items 1-7 plus new control link pin, retaining ring, and baseplate screws.

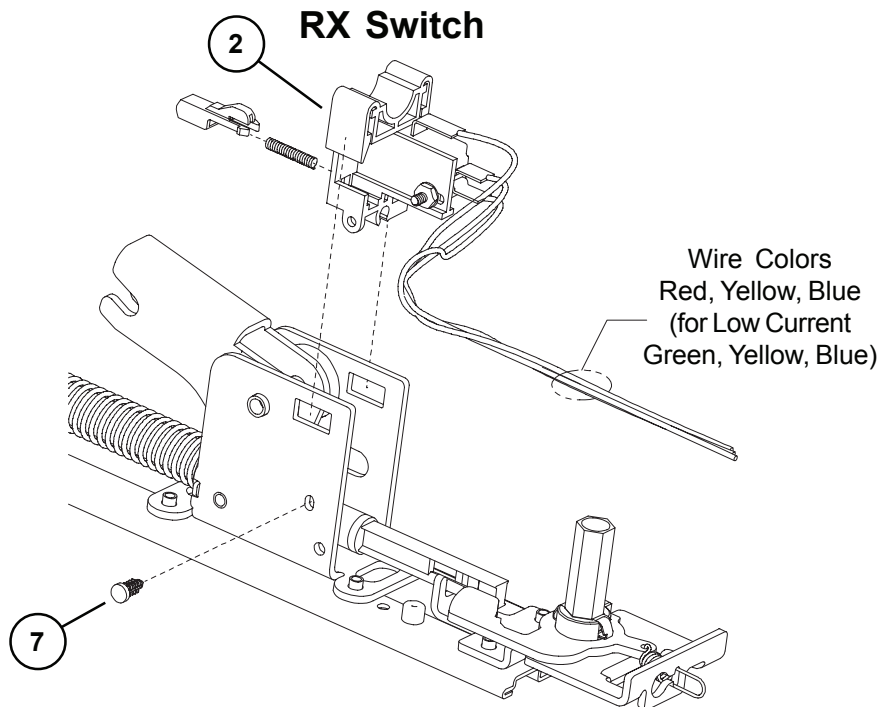
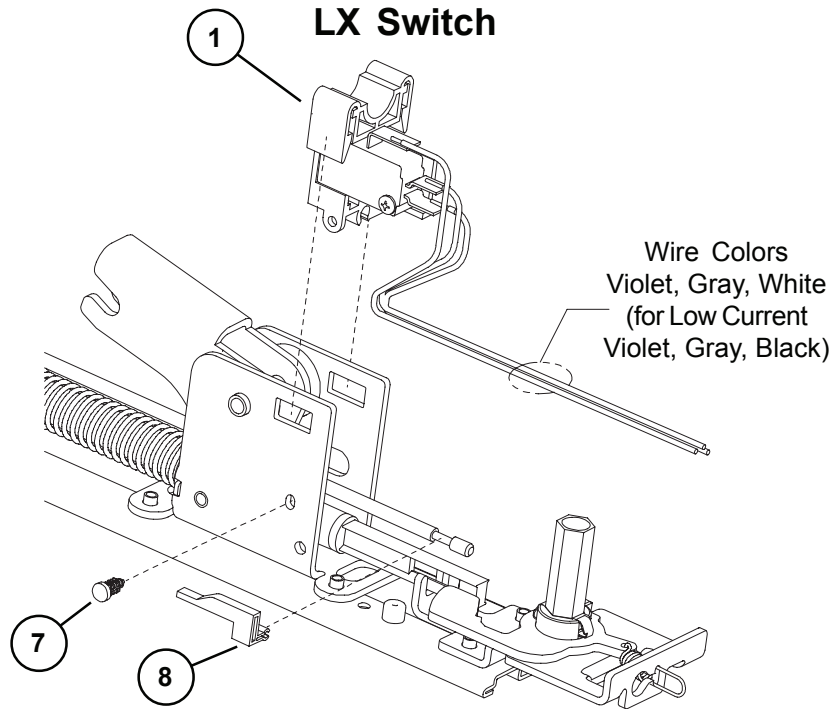


SS98/SS99 SERIES (SIGNAL SWITCH) OPTION

Item No.	Quantity	Part No.	Description	Finish
1	1	050544	SS Cable	
2	1	050545	SS Housing	
3	1	990601	SS Plug Connector - 6 Position	
4	1	990602	SS Receptacle Connector - 6 Position	

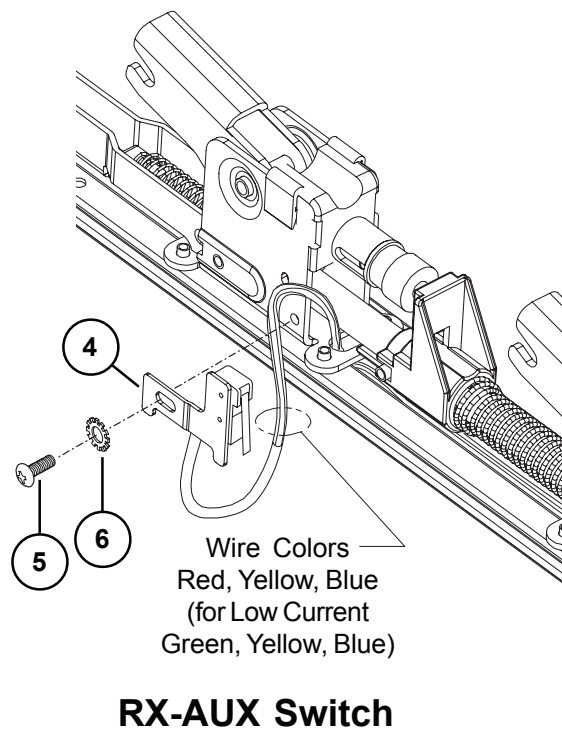
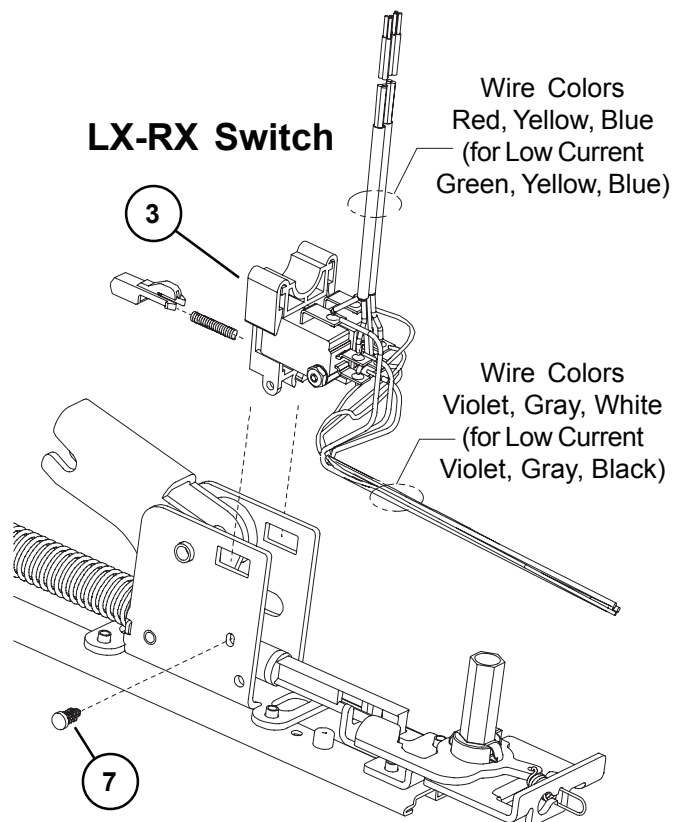


98/99 SERIES LX (LATCH BOLT MONITOR) & RX (REQUEST TO EXIT) OPTIONS



98/99 SERIES LX (LATCH BOLT MONITOR) & RX (REQUEST TO EXIT) OPTIONS

Item No.	Quantity	Part No.	Description	Finish
1	1	050254	LX Switch Kit 3' Device	
1	1	050255	LX Switch Kit 4' Device	
1	1	050247	LX-EL Switch Kit	
1	1	050283	LX-LC (Low Current) Switch Kit 3' Device	
1	1	050285	LX-LC (Low Current) Switch Kit 4' Device	
1	1	050287	LX-LC-EL (Low Current) Switch Kit	
2	1	050251	RX Switch Kit	
2	1	050281	RX-LC (Low Current) Switch Kit	
3	1	050256	LX-RX Switch Kit 3' Device	
3	1	050257	LX-RX Switch Kit 4' Device	
3	1	050259	LX-RX-EL Switch Kit	
3	1	050289	LX-RX-LC (Low Current) Sw. Kit 3' Device	
3	1	050291	LX-RX-LC (Low Current) Sw. Kit 4' Device	
3	1	050293	LX-RX-LC-EL (Low Current) Switch Kit	
2 & 4	1	050270	RX-2 Switch Kit	
4	1	050271	RX-AUX Switch Kit	
5	1	964558	8-32 x 5/16" PPHMS	
6	1	964019	#8 Washer	
7	1	090099	Pine Tree Clip (Pkg of 10)	
8	1	971091	LX Actuator	

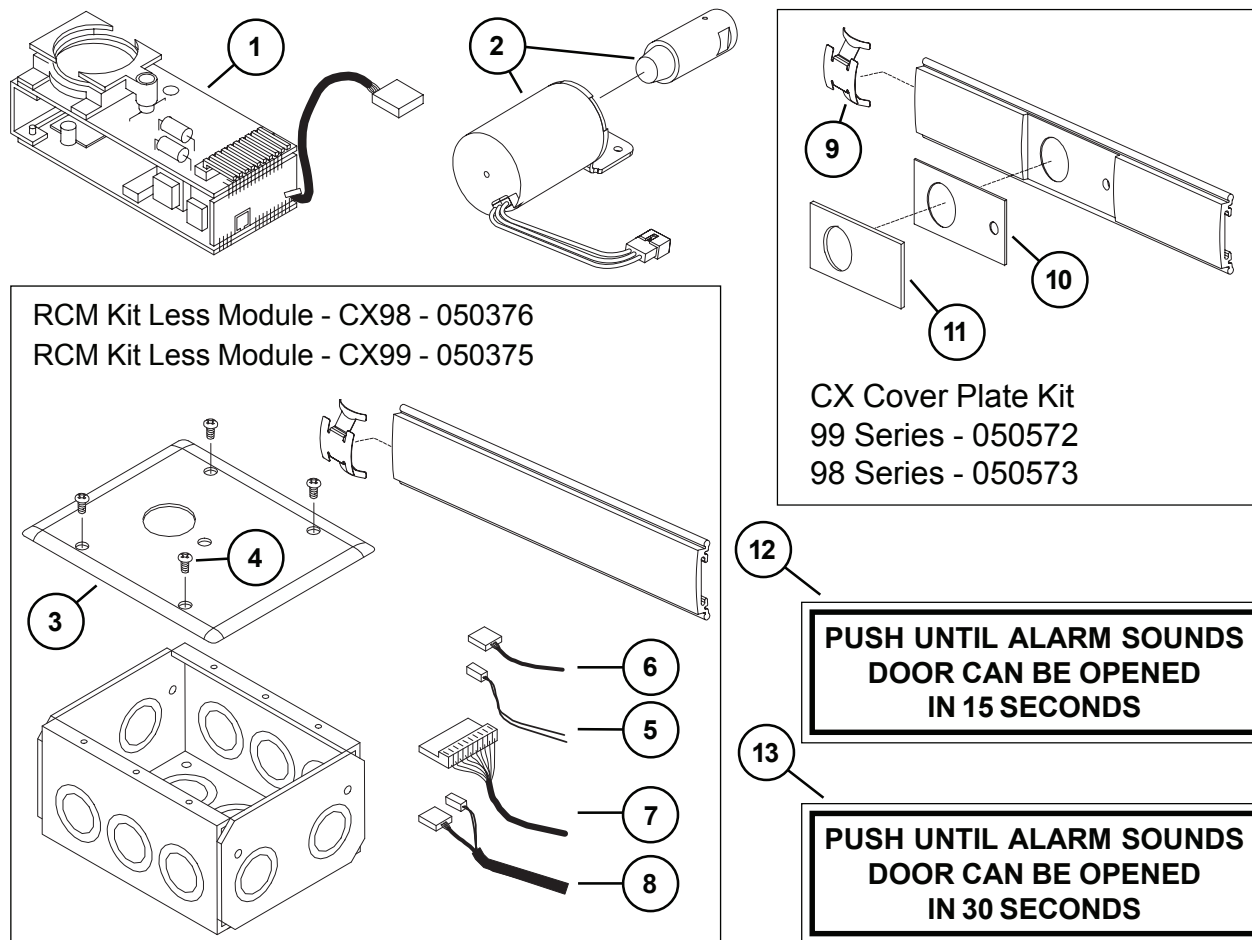


CX98/99 SERIES CHEXIT AND CX-RCM OPTION

For discontinued Chexit devices made before August, 24 2015

Item No.	Quantity	Part No.	Description	Finish
1	1	050228	Chexit PCB Kit - 15 Second Release	
1*	1	050700	Chexit PCB Kit - 30 Second Release	
1	1	050701	Chexit PCB Kit - 0 Second Release	
1	1	050702	Chexit PCB Kit - Boca 15 Second Release	
1*	1	050703	Chexit PCB Kit - Boca 30 Second Release	
2	1	050533	CX Solenoid and Plunger	
3	1	113111	Faceplate and Adapter	X
4	4	963898	6-32 x 3/8" OPHMS Faceplate Screw	X
5	1	991338	RCM 2-Wire RX Cable	
6	1	991339	RCM 3-Wire Solenoid Cable	
7	1	112018	Chexit Wiring Assembly	
8	1	991336	CX-RCM Cable Assy - 5 Wire	
9	1	090036	Cover Plate Anti-rattle Spring (Pkg of 10)	
10	1	970513	LED Cover Mask - Chexit	
11	1	970519	LED Cover - Chexit	
12	1	113781	Sign 15 Second - Chexit	
13	1	113782	Sign 30 Second - Chexit	

*Over 15 second delay requires a letter of approval from the authority having local jurisdiction over the premises prior to the installation of the device. Allegion cannot grant such approval nor does it warrant local jurisdiction compliance.

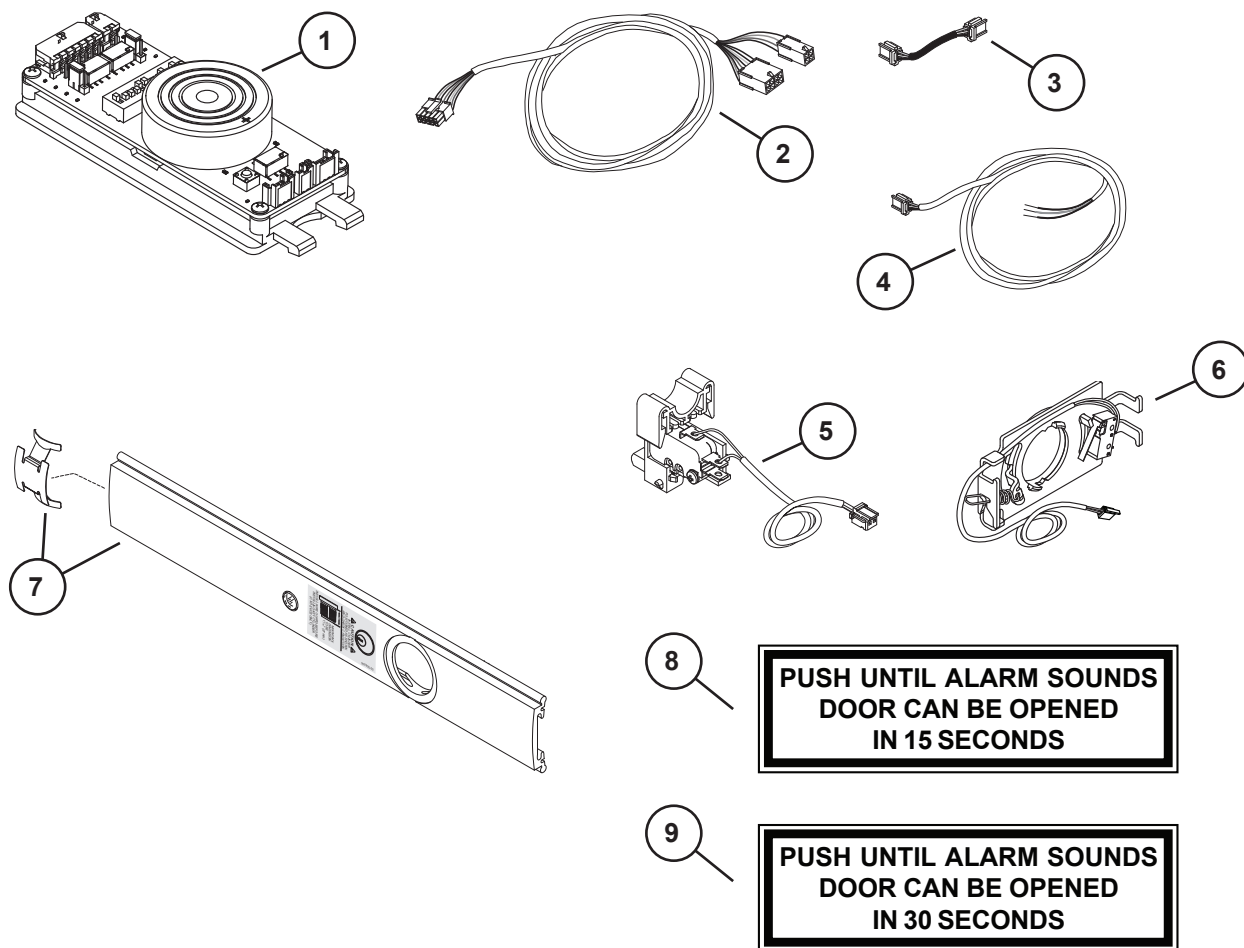


CX98/99 SERIES CHEXIT

For new Chexit devices made after August, 24 2015

Item No.	Quantity	Part No.	Description	Finish
1	1	040086	Standard - 15 Second Release Delay	
1*	1	040087	Special Infinite Release Delay	
1*	1	040088	Special 30 Second Release Delay	
1	1	040089	Special 0 Second Release Delay	
1	1	040090	Special Mute 15 Second Release Delay	
1	1	040091	BOCA 15 Second Release Delay	
2	1	040191	CX Field Wiring Cable	
3	1	040192	CX Motor Cable	
4	1	040193	CX Trim Device Cable	
5	1	116717	CX RX Switch Assembly	
6	1	040170	CX Key Switch Assembly 3'	
6	1	040189	CX Key Switch Assembly 4'	
7	1	040093	CX33/99 Cover Plate Kit	X
7	1	040094	CX35/98 Cover Plate Kit	X
8	1	113781	Sign 15 Second	
9	1	113782	Sign 30 Second	

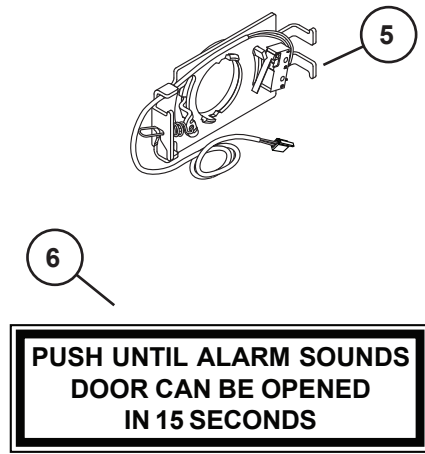
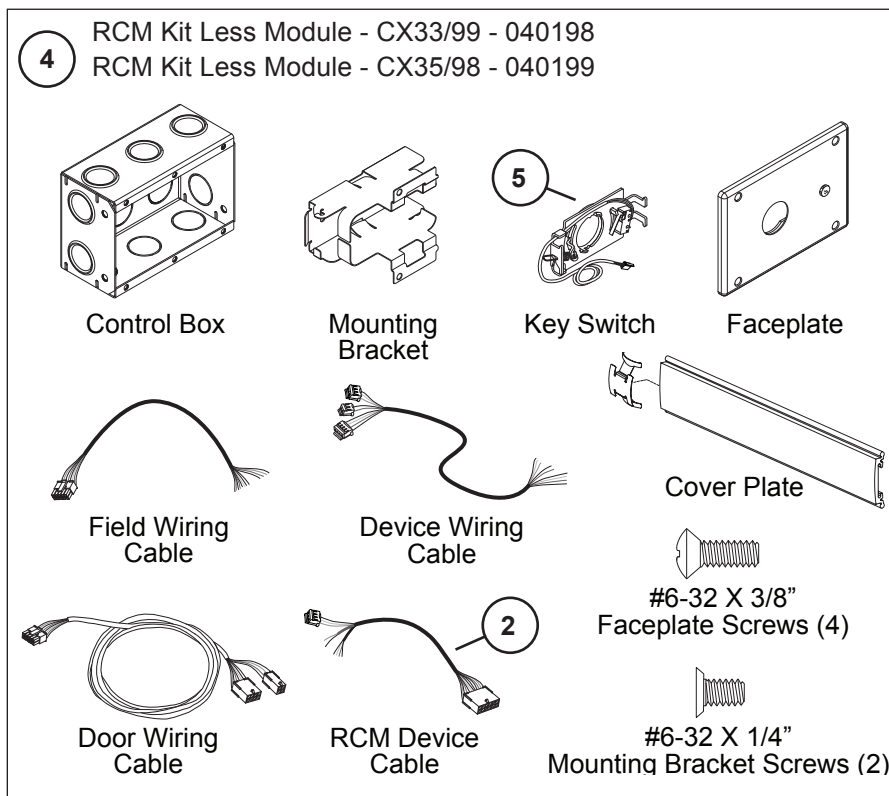
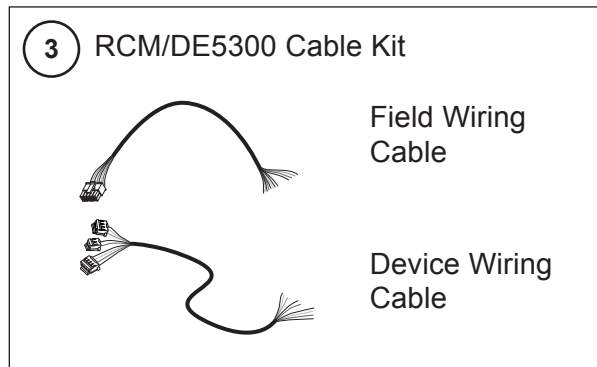
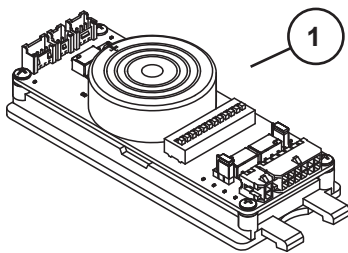
*Over 15 second delay requires a letter of approval from the authority having local jurisdiction over the premises prior to the installation of the device. Allegion cannot grant such approval nor does it warrant local jurisdiction compliance.



CX-RCM/DE5300 OPTIONS

For new RCM/DE5300 devices made after August, 24 2015

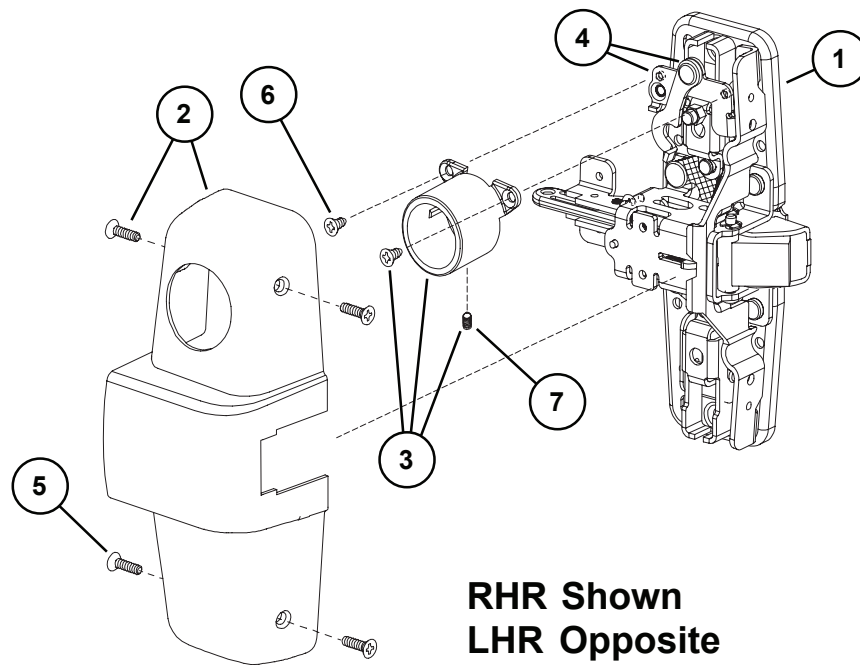
Item No.	Quantity	Part No.	Description	Finish
1	1	116711	Standard - 15 Second Release Delay	
2	1	040092	RCM Device Cable	
3	1	040188	DE5300/RCM Cable Kit	
4	1	040198	RCM Kit Less Module - CX33/99	X
4	1	040199	RCM Kit Less Module - CX35/98	X
5	1	040169	DE5300/RCM Key Switch Assy	
6	1	113781	Sign 15 Second	



CX-CD/SD98/99 SERIES OPTION

Item No.	Quantity	Part No.	Description	Finish
1*	1	050548	SD98/99 RHR Center Case Kit Less Cover	
1*	1	050549	SD98/99 LHR Center Case Kit Less Cover	
2	1	050555	SD98/99 RHR Center Case Cover Kit	X
2	1	050556	SD98/99 LHR Center Case Cover Kit	X
3	1	112409	CD-CX/SD Cylinder Dog Housing	
4	1	112455	CX-CD/SD Cylinder Dog Bracket Kit RHR	
4	1	112456	CX-CD/SD Cylinder Dog Bracket Kit LHR	
5	4	900892	Center Case Cover Screws	X
6	2	PkgServ.1018	8-32 x 1/4" UFPHMS (Pkg of 20)	
7	1	964240	Bracket Set Screw	
*	1	050386	SD98/99 Rim Conversion Kit RHR	X
*	1	050387	SD98/99 Rim Conversion Kit LHR	X

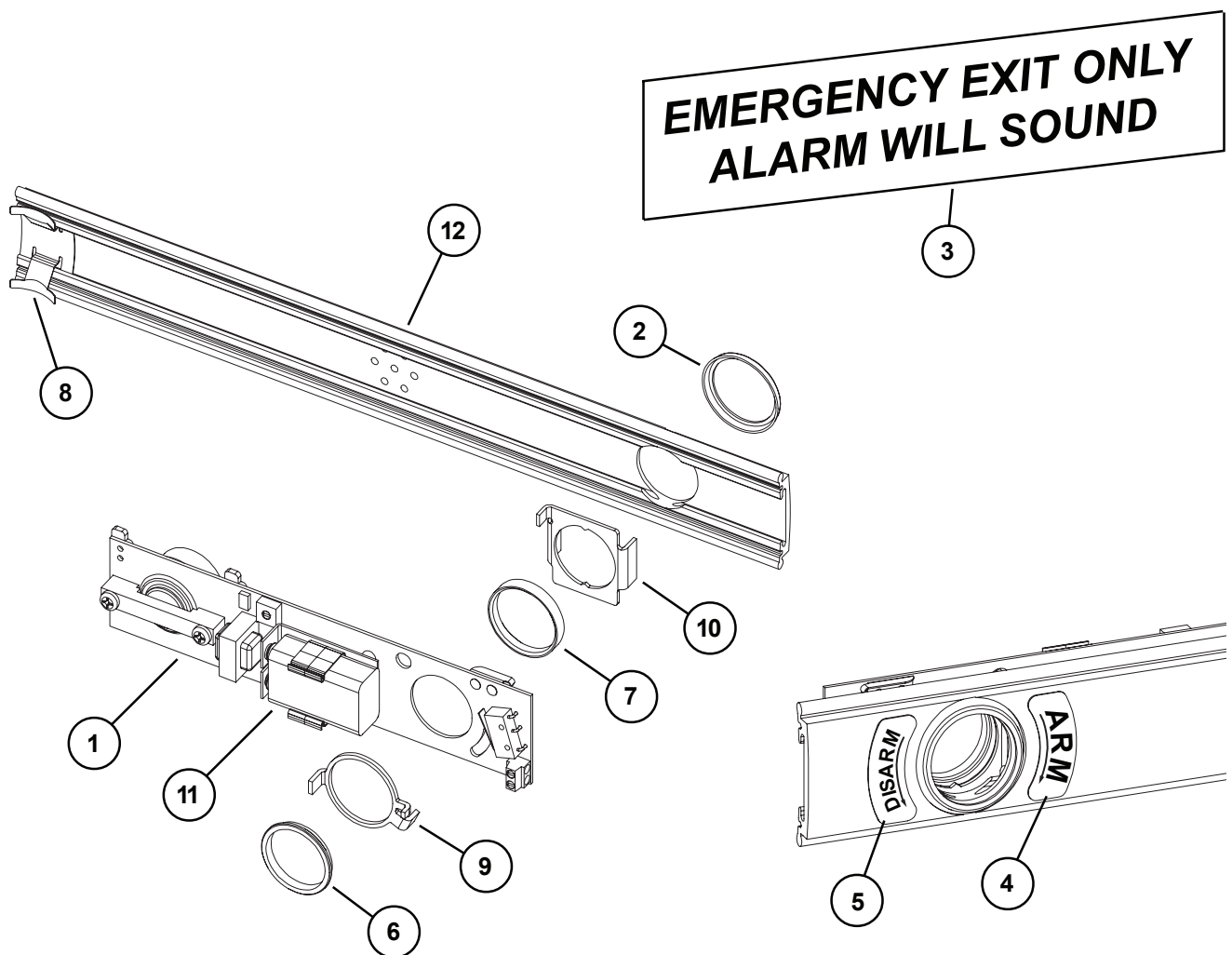
*Parts shown are for the CX-CD/SD option. For other available center case parts refer to page 9.



98/99 ALK EXIT ALARM KIT

Item No.	Quantity	Part No.	Description	Finish
1	1	111795	ALK PCB Assembly	
2	1	050525	Cylinder Collar	X
3	1	969122	ALK Alarm Device Sign	
4	1	969349	ALK Arming Label	
5	1	969350	ALK Disarming Label	
6	1	969354	Retainer Nut	
7	1	970594	ALK Cylinder Spacer	
8	1	090036	Cover Plate Anti-rattle spring (Pkg of 10)	
9	1	971556	ALK Switch Actuator	
10	1	971557	ALK Cylinder Bracket	
11	1	990637	ALK Battery	
12	1	050569	99 Series ALK Cover Plate Kit	X
12	1	050570	98 Series ALK Cover Plate Kit	X

X in "Finish" column designates finished items; finish must be specified when ordering.

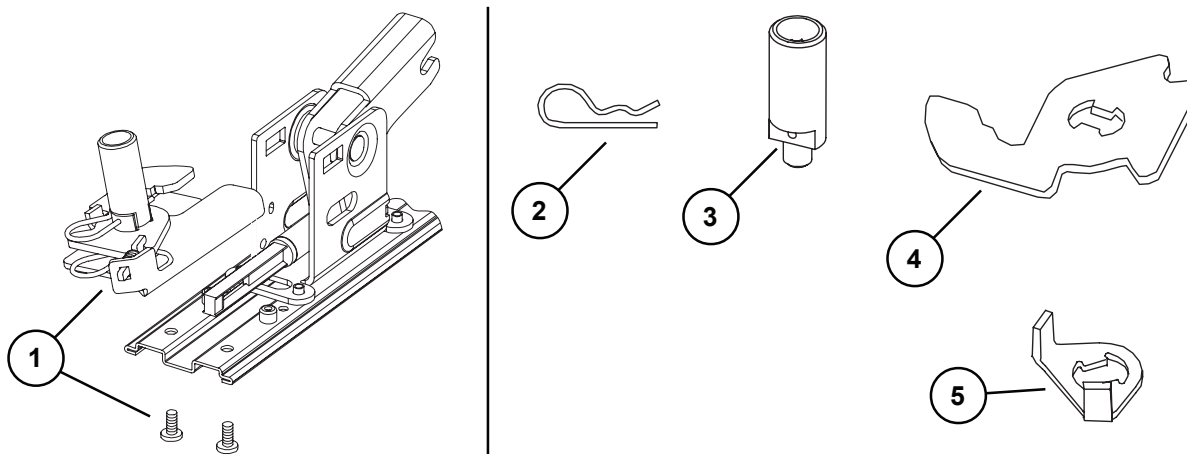


98/99 SERIES SERVICE REPLACEMENT ITEMS

Item No.	Quantity	Part No.	Description	Finish
1	1	050153	Old Style Hex Dogging Replacement Kit	
2	1	963909	#22 Hitch Pin - Hex/CD Dogging Old Style	
3	1	968112	Old Style Hex Dog Shaft	
4	1	969941	Old Style Dogging Hook	
5	1	968116	Old Style CD Actuator Arm	
6	1	900905	Old Style End Cap and Bracket Assembly	X
7	1	970548	Old Style Cover Plate Stop - End Cap	
8	1	900901	Old Style End Cap Screw Package	X
9	1	971082	Old Style 98/99 End Cap - Stainless Steel	X
9	1	971083	Old Style 98/99 End Cap - Brass	X
9	1	971084	Old Style 98/99 End Cap - Bronze	X
9	1	971085	Old Style 98/99 End Cap - Aluminum	X

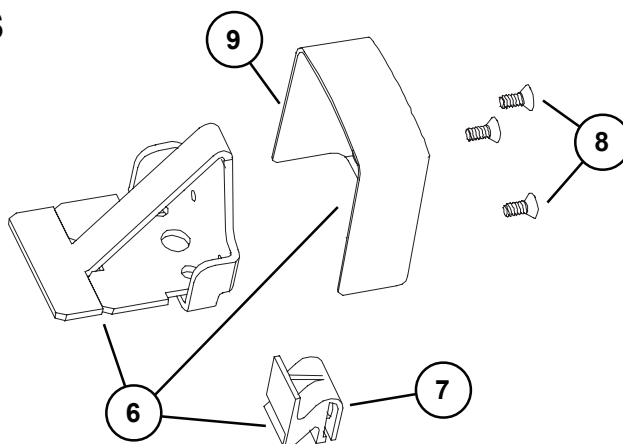
X in "Finish" column designates finished items; finish must be specified when ordering.

OLD STYLE DOGGING PARTS (FOR DEVICES SHIPPED BEFORE AUGUST 1997)



OLD STYLE END CAP PARTS (FOR DEVICES SHIPPED BEFORE JANUARY 2002)

Note: Newer style end cap kit shown on pages 4-5. Newer style end cap kit can be used on devices manufactured before January 2002, but mechanism case and cover plate on hinge stile must have a square cut and a clean edge.



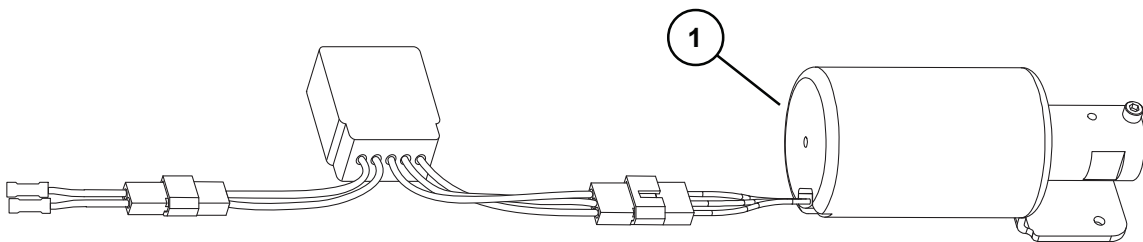
98/99 SERIES SERVICE REPLACEMENT ITEMS

Item No.	Quantity	Part No.	Description	Finish
1	1	050218	EL Solenoid Replacement Kit	

X in "Finish" column designates finished items; finish must be specified when ordering.

EL SOLENOID REPLACEMENT KIT (FOR DEVICES SHIPPED BEFORE JANUARY 1987)

Note: This kit replaces the old style EL solenoid parts with the new style.



This page intentionally left blank.

About Allegion

Allegion (NYSE: ALLE) creates peace of mind by pioneering safety and security. As a \$2 billion provider of security solutions for homes and businesses, Allegion employs more than 8,000 people and sells products in more than 120 countries across the world. Allegion comprises 27 global brands, including strategic brands CISA®, Interflex®, LCN®, Schlage® and Von Duprin®.

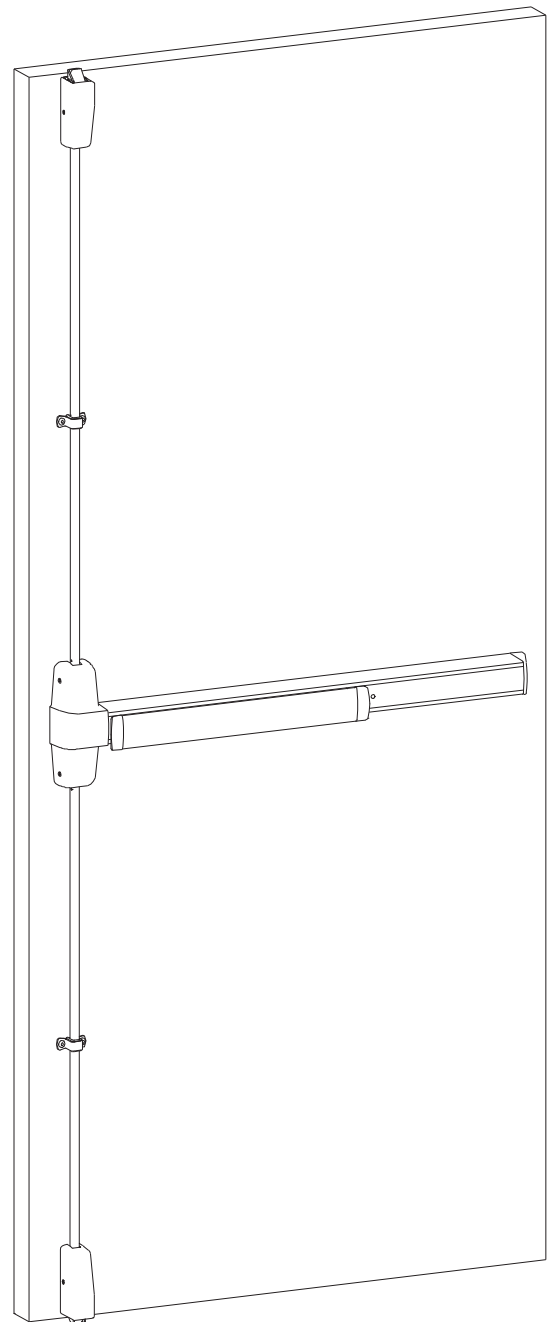
For more, visit www.allegion.com.

aptiQ ■ LCN ■ **SCHLAGE** ■ STEELCRAFT ■ VON DUPRIN

VON DUPRIN®

98/9927
Surface Vertical
Rod Series Exit
Devices

Service manual



INDEX

98/9927 Devices	
Basic Panic Device	4-5
Basic Fire Device	6-7
Vertical Rods and Latches	8-9
Baseplate Assemblies	10
Center Case Assembly	11
LBR (Less Bottom Rod) Fire Latch Kit	11
Variations of the Basic Device	
CD (Cylinder Dogging)	4-5
HD-EL (Hex Dogging/Electric Latch Retraction)	12
EL (Electric Latch Retraction)	13
SS (Signal Switch)	13
RX (Request to Exit)	14-15
LX (Latch Bolt Monitoring)	14-15
CX (Chexit Discontinued)	16
CX (Chexit New)	17
CX (Chexit New RCM/DE5300 Option)	18
CX-CD/SD (Chexit/Special Dogging)	19
ALK (Exit Alarm Kit)	20
Service Replacement Items	21-22
General Information	
Introduction	2
How to Order	2
Part Number Changes	2
Finishes	3
Outside Trim Functions	3
Strikes	3

INTRODUCTION

This manual contains a listing of replaceable parts and assemblies for the 98/9927 Exit Hardware Devices. 98 Series and 99 Series devices are almost identical. The 99 Series has a grooved case; the 98 Series has a smooth case.

HOW TO ORDER

Some parts are sold separately. Other items are available as part of a kit or multiple quantity package. For the best possible service when ordering replacement parts or assemblies, please provide the following information:

- Part number or assembly number
- Description
- Quantity needed
- Finish desired (if available finished)
- Date of original purchase (if known)

To find out the name of your local Von Duprin distributor or sales representative, contact:

Von Duprin Division
Allegion
2720 Tobey Drive
Indianapolis, IN 46219
Phone: 877-671-7011

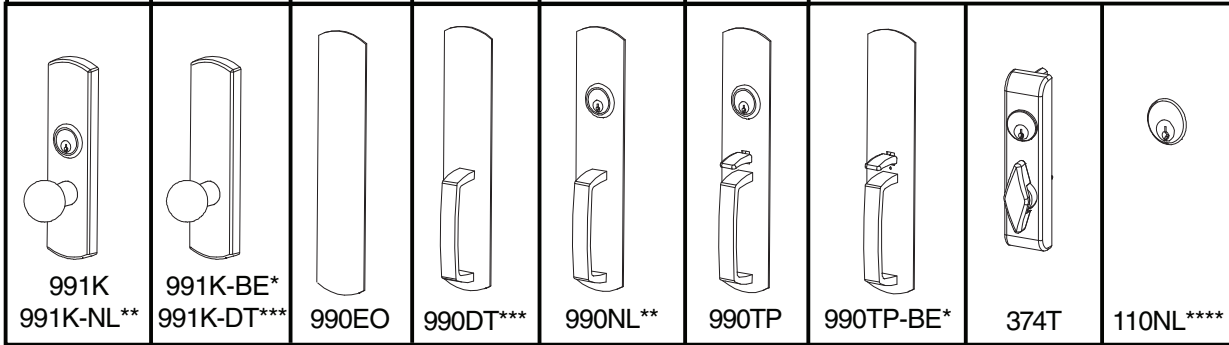
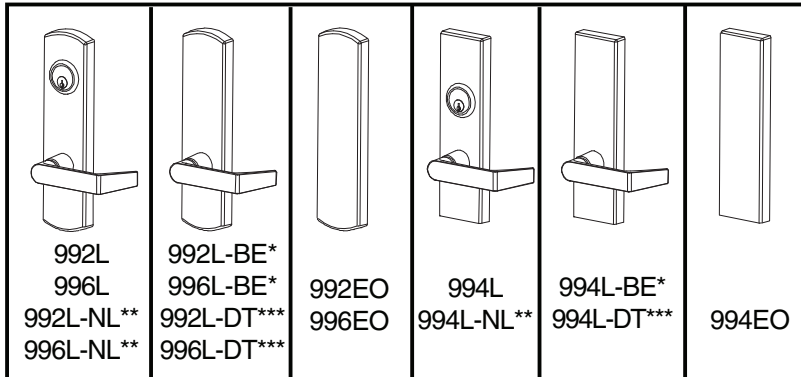
PART NUMBER AND AVAILABILITY CHANGES

This manual was designed to help illustrate the replacement parts and kits that are available for sale. Because of changes to the product and/or manufacturing process, part numbers and availability can change over time.

98/99 SERIES FINISHES

OUTSIDE TRIM FUNCTIONS

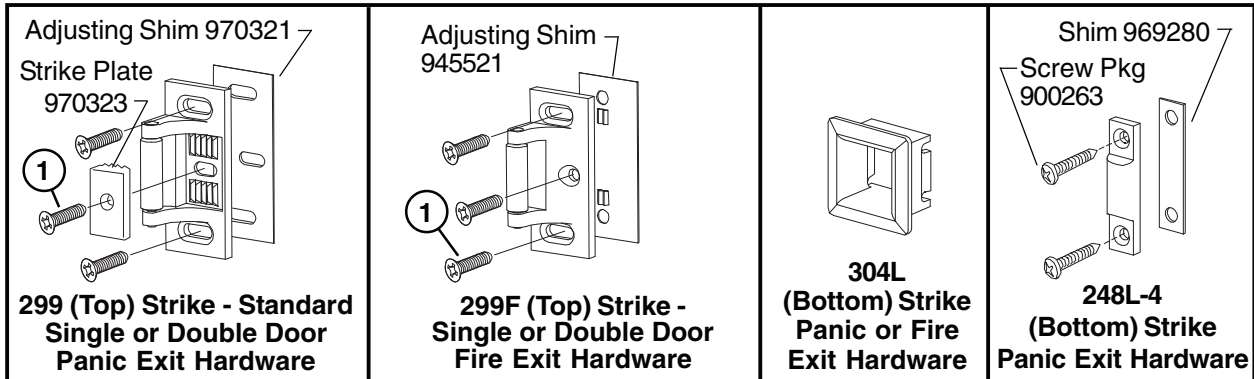
U.S. Std Reference	BHMA Reference	Description
US3	605	Polished Brass
US4	606	Dull Brass
US10	612	Dull Bronze
US15	619	Satin Nickel
US26	625	Polished Chrome
US26D	626	Dull Chrome
US28	628	Anodized Alum. (Clear)
US32D	630	Satin Stainless Steel
313AN	710	Anodized Alum. (313) Dark Bronze
315AN	711	Anodized Alum. (Black)



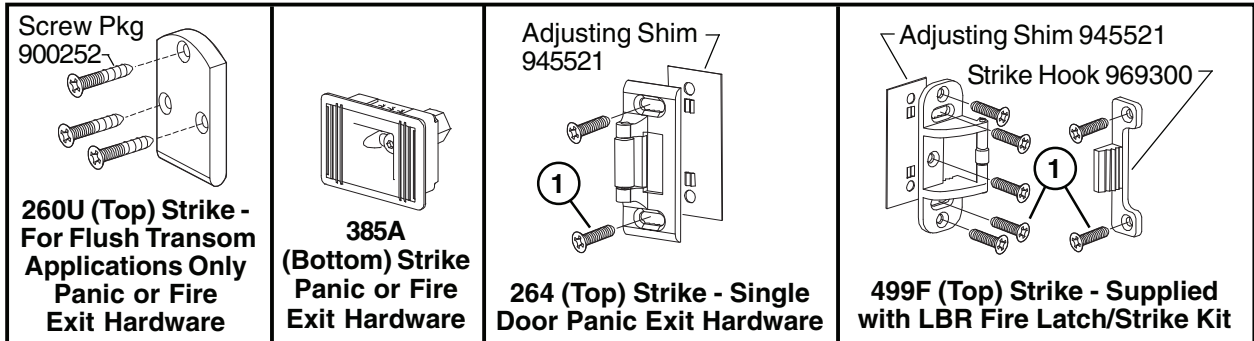
- * "BE" (Blank Escutcheon) no cylinder used - lever always active
- ** "NL" (Night Latch) rigid lever - key retracts latch bolt
- *** "DT" (Dummy Trim) rigid lever for pull operation
- **** Optional Pull needs to be added

- ① Metal Door Screw Package PKGSRV.1023 (Pkg of 10)
Wood Door Screw 964291 (Qty of 1)

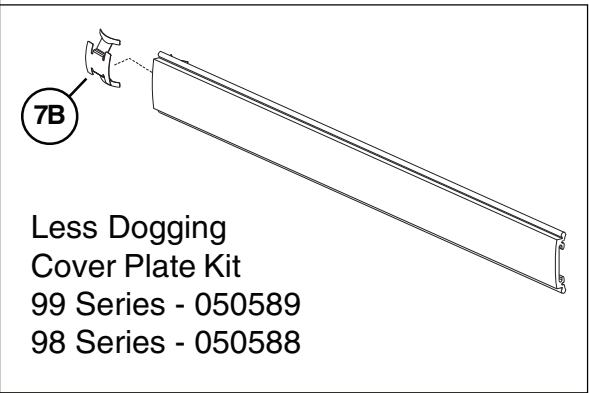
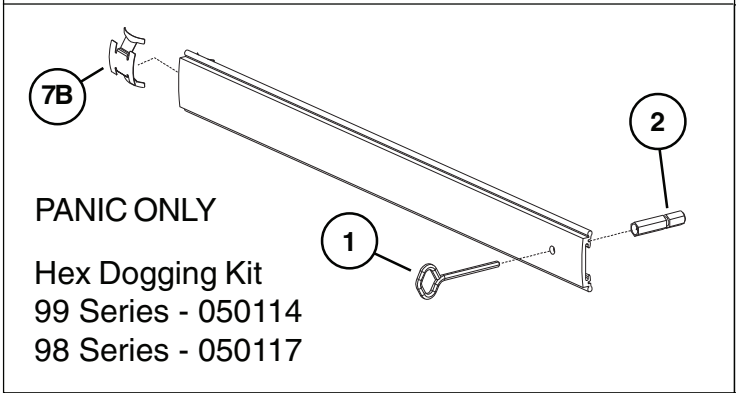
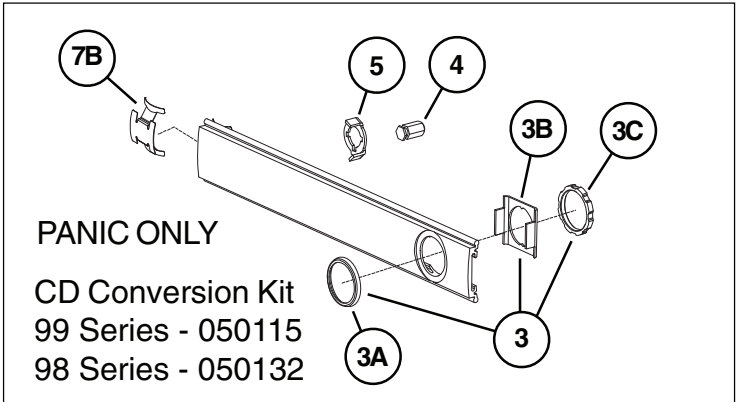
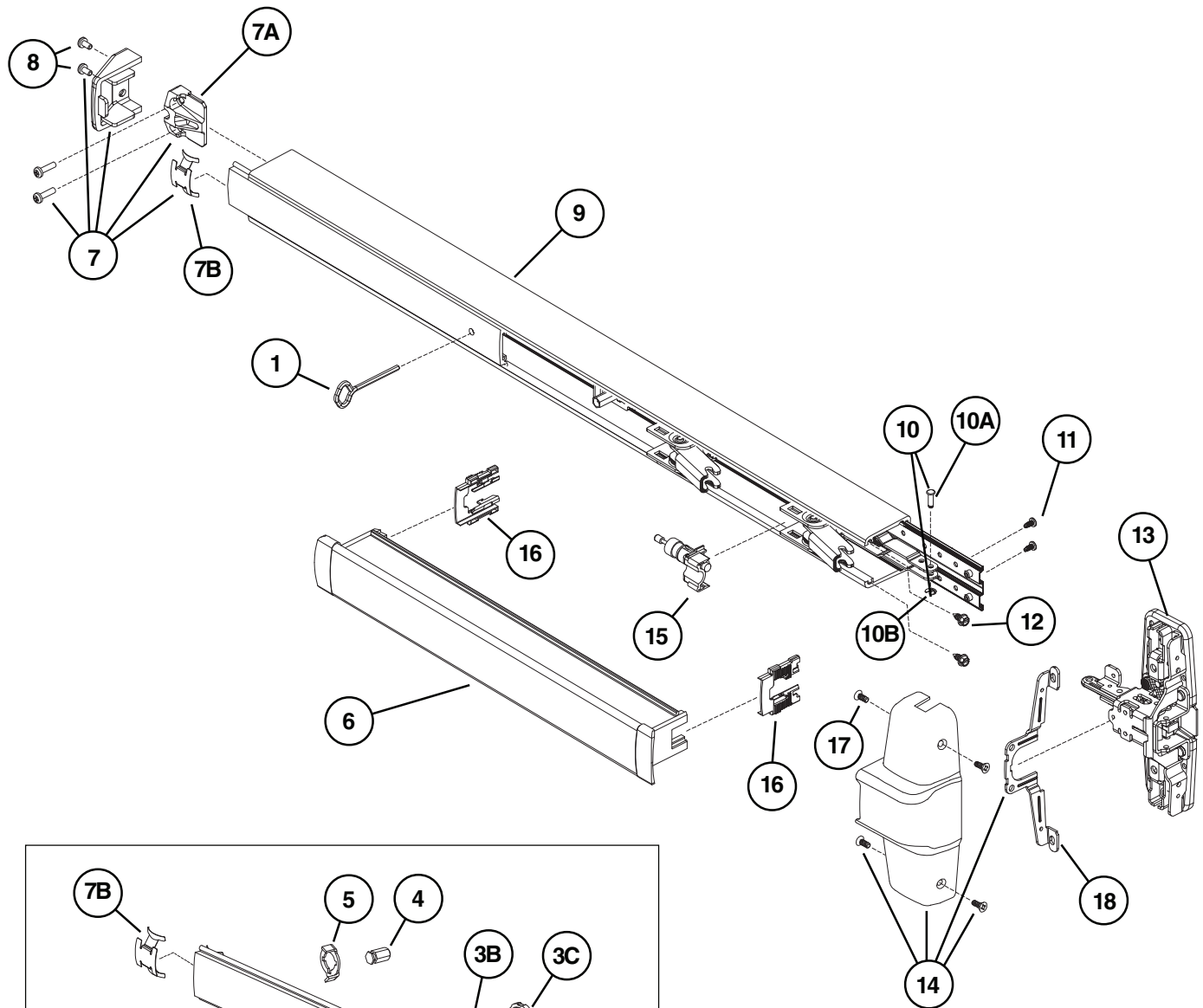
STANDARD STRIKES



OPTIONAL STRIKES



98/9927 PANIC DEVICE



98/9927 PANIC DEVICE

Item No.	Quantity	Part No.	Description	Finish
	1	900563	98/9927 Series Mounting Pkg. (1-3/4)	
	1	900568	98/9927 Series Mounting Pkg. (2-1/4)	
1	1	090085	227 Dog Key 5/32" Hex (Pkg of 10)	
1	1	090005	227 Dog Key 5/32" Hex (Pkg of 2)	
2	1	090040	Hex Dog Shaft (Pkg of 2)	
3	1	107813	Cylinder Mounting Pkg	X
3A	1	050525	Cylinder Collar	X
3B	1	050490	Cylinder Locating Washer - CD/SS	
3C	1	050526	Cylinder Locknut	
4	1	090046	CD Dogging Plug (Pkg of 2)	
5	1	090045	CD Actuator Arm (Pkg of 2)	
6	1	*PBKIT	98/99 Series Push Bar Retrofit Kit - 3' Door	X
6	1	*PBKIT	98/99 Series Push Bar Retrofit Kit - 4' Door	X
7	1	050014	98/99 Series End Cap Kit	X
7A	1	050524	Impact Resistant End Cap Bracket	
7B	1	090036	Cover Plate Anti-rattle Spring (Pkg of 10)	
8	1	900597	Device End Cap and C/Case Screw Pkg.	X
9	1	968144	99 Series Mechanism Case - 3' Door	X
9	1	968146	99 Series Mechanism Case - 4' Door	X
9	2	970191	98 Series Mechanism Case - 3' Door	X
9	1	970192	98 Series Mechanism Case - 4' Door	X
10	1	050529	98/99 Series Control Link Pin & Ret. Ring	
10A	1	090031	98/99 Series Control Link Pin (Pkg of 10)	
10B	1	090107	Retaining Ring (Pkg of 10)	
11	2	090037	#8-32 x 3/8" Baseplate Screw (Pkg of 10)	
12	2	090073	Mechanism Case Bracket Screw (Pkg of 10)	
13***	1	050021	98/9927/-F Center Case Kit Less Cover	
14**	1	050072	98/9927/-F Center Case Cover Kit	X
15	1	050491	Shock Absorber & Holder Assembly	
16	2	090049	Push Bar Guide (Pkg of 10)	
17	4	900892	Center Case Cover Screws (Pkg of 4)	X
18	1	050564	Center Case Cover Bracket	

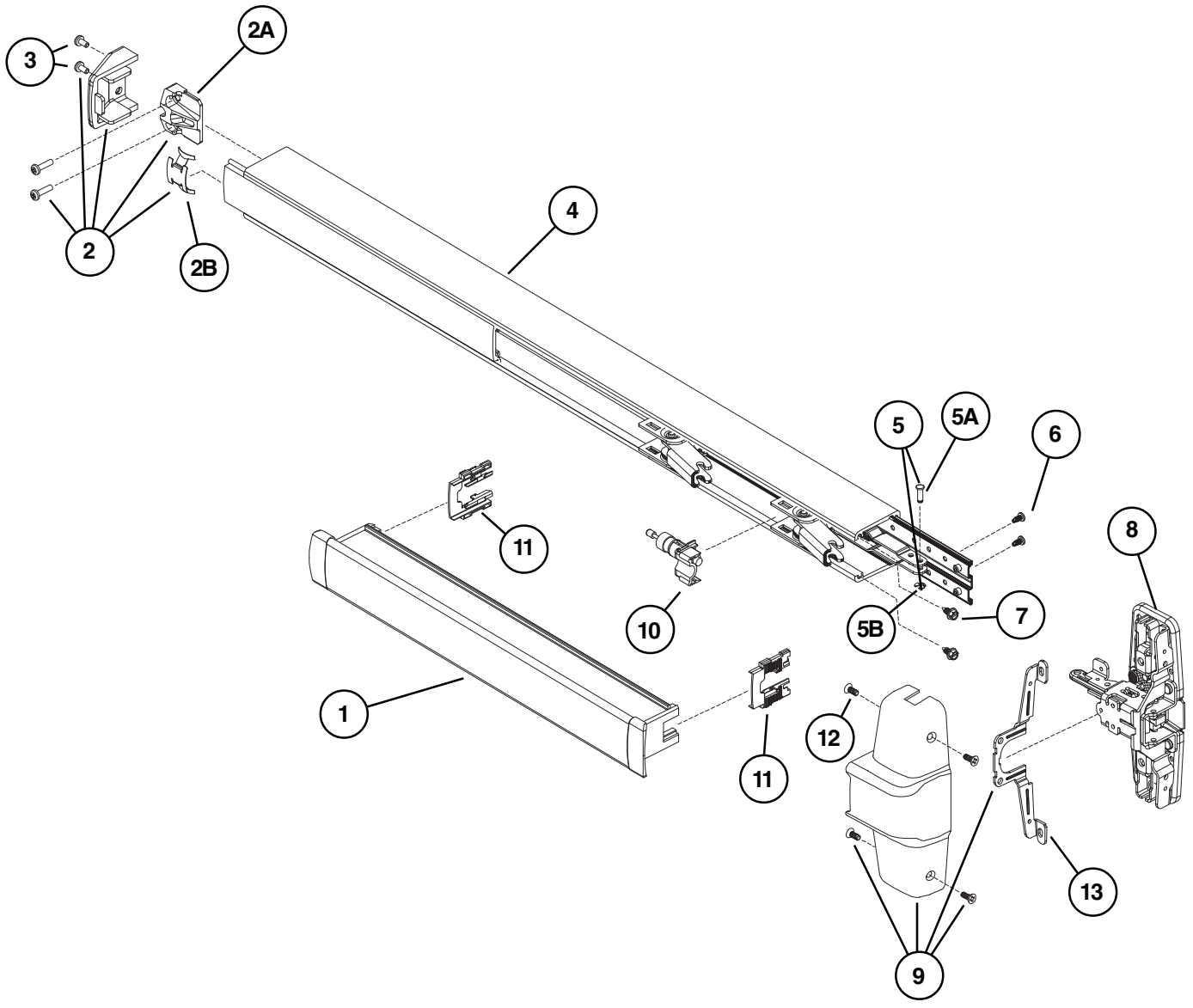
X in "Finish" column designates finished items; finish must be specified when ordering.

* To order, specify device type, size, and finish. Example: PBKIT 98 3' US28.

**Includes parts for three piece cover conversion.

***Center case assembly parts shown on page 11.

98/9927-F FIRE DEVICE



2B

Fire Cover Plate Kit
 99 Series - 050589
 98 Series - 050588

98/9927-F FIRE DEVICE

Item No.	Quantity	Part No.	Description	Finish
	1	900563	98/9927 Series Mounting Pkg. (1-3/4)	
	1	900568	98/9927 Series Mounting Pkg. (2-1/4)	
1	1	*PBKIT	98/99 Series Push Bar Retrofit Kit - 3' Door	X
1	1	*PBKIT	98/99 Series Push Bar Retrofit Kit - 4' Door	X
2	1	050014	98/99 Series End Cap Kit	X
2A	1	050524	Impact Resistant End Cap Bracket	
2B	1	090036	Cover Plate Anti-rattle Spring (Pkg of 10)	
3	1	900597	Device End Cap and C/Case Screw Pkg.	X
4	1	968144	99 Series Mechanism Case - 3' Door	X
4	1	968146	99 Series Mechanism Case - 4' Door	X
4	1	970191	98 Series Mechanism Case - 3' Door	X
4	1	970192	98 Series Mechanism Case - 4' Door	X
5	1	050529	98/99 Series Control Link Pin & Ret. Ring	
5A	1	090031	98/99 Series Control Link Pin (Pkg of 10)	
5B	1	090107	Retaining Ring (Pkg of 10)	
6	2	090037	#8-32 x 3/8" Baseplate Screw (Pkg of 10)	
7	2	090073	Mechanism Case Bracket Screw (Pkg of 10)	
8***	1	050021	98/9927/-F Center Case Kit Less Cover	
9**	1	050072	98/9927/-F Center Case Cover Kit	X
10	1	050491	Shock Absorber & Holder Assembly	
11	2	090049	Push Bar Guide (Pkg of 10)	
12	4	900892	Center Case Cover Screws (Pkg of 4)	X
13	1	050564	Center Case Cover Bracket	

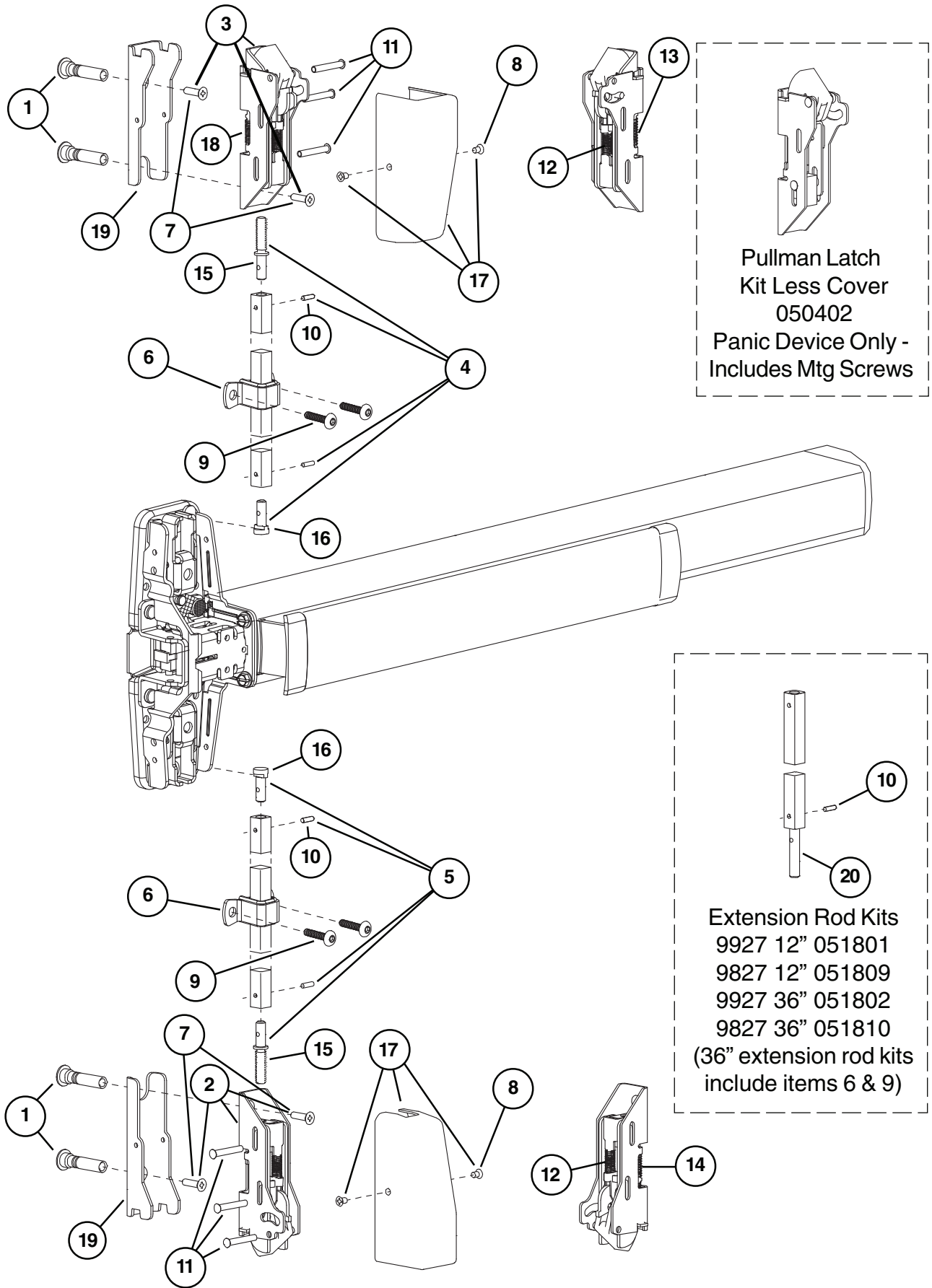
X in "Finish" column designates finished items; finish must be specified when ordering.

* To order, specify device type, size, and finish. Example: PBKIT 98 3' US28.

**Includes parts for three piece cover conversion.

***Center case assembly parts shown on page 11.

98/9927 VERTICAL RODS AND LATCHES



98/9927 VERTICAL RODS AND LATCHES

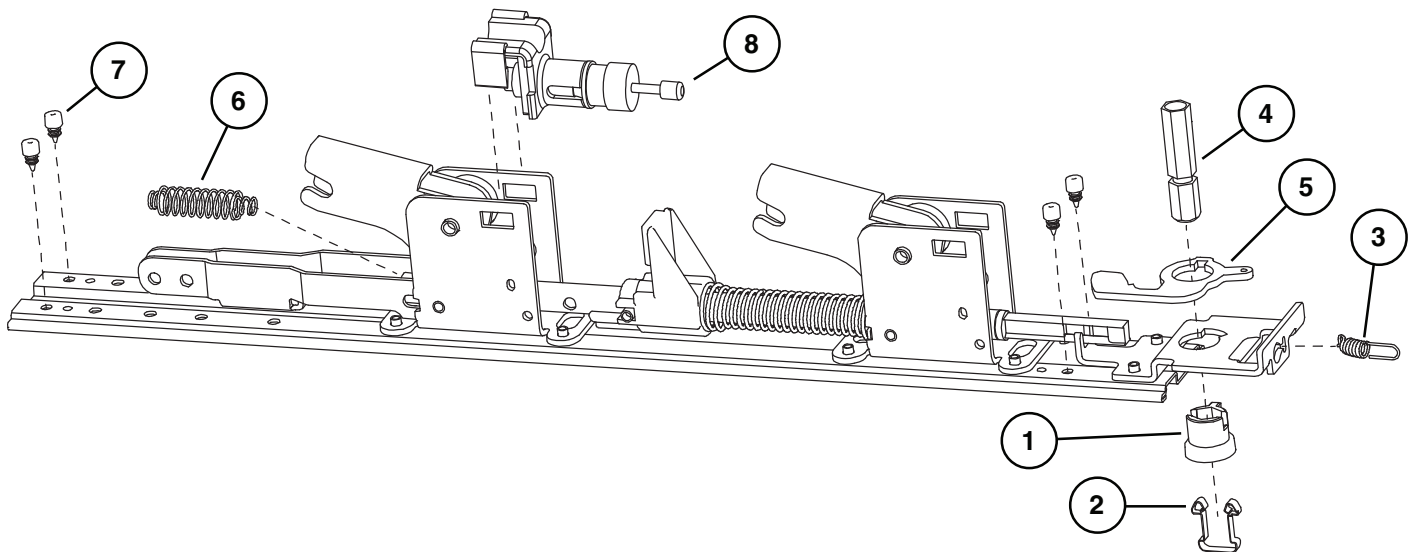
Item No.	Quantity	Part No.	Description	Finish
1	2	034902	325 Sex Bolt Package (Pkg of 2)	X
2	1	050401	98/9927 Bottom Latch Kit Less Cover	
3	1	050400	98/9927 Top Latch Kit Less Cover	
4	1	050512	9927 Top Rod Kit	X
4	1	050513	9827 Top Rod Kit	X
5	1	050514	9927 Bottom Rod Kit	X
5	1	050515	9827 Bottom Rod Kit	X
6	2	112063	98/9927 Rod Guide Pkg	X
7	1	900589	Latch Mounting Package (Pkg of 4)	
8	2	900850	Latch Case Cover Screw (Pkg of 2)	X
9	2	900919	98/9927 Rod Guide Mounting Package	
10	4	090054	Rod Roll Pin (Pkg of 10)	
11	6	090055	Housing Guide Pin (Pkg of 10)	
12	2	090065	Bolt Return Spring (Pkg of 10)	
13	1	090056	Top Latch Compression Spring (Pkg of 10)	
13	1	090057	PL Top Latch Spring (Pkg of 10)	
14	1	090058	Bottom Latch Case Spring (Pkg of 10)	
15	2	090067	Rod Connector - Latch (Pkg of 2)	
16	2	090068	Rod Connector - Center Case (Pkg of 2)	
17	1	050566	98/9927/27-F Latch Case Cover Kit	X
18	1	090076	Aux. Bolt Spring (Pkg of 10)	
19	2	050546	Latch Case Mtg. Bracket Kit	
20	1	090075	98/9927 Rod Extension Connector (Pkg of 4)	
*	1	050090	98/9927 Bottom Latch Retrofit Kit	X
*	1	050091	98/9927 Top Latch Retrofit Kit	X

X in "Finish" column designates finished items; finish must be specified when ordering.

* For devices shipped before October 1998.

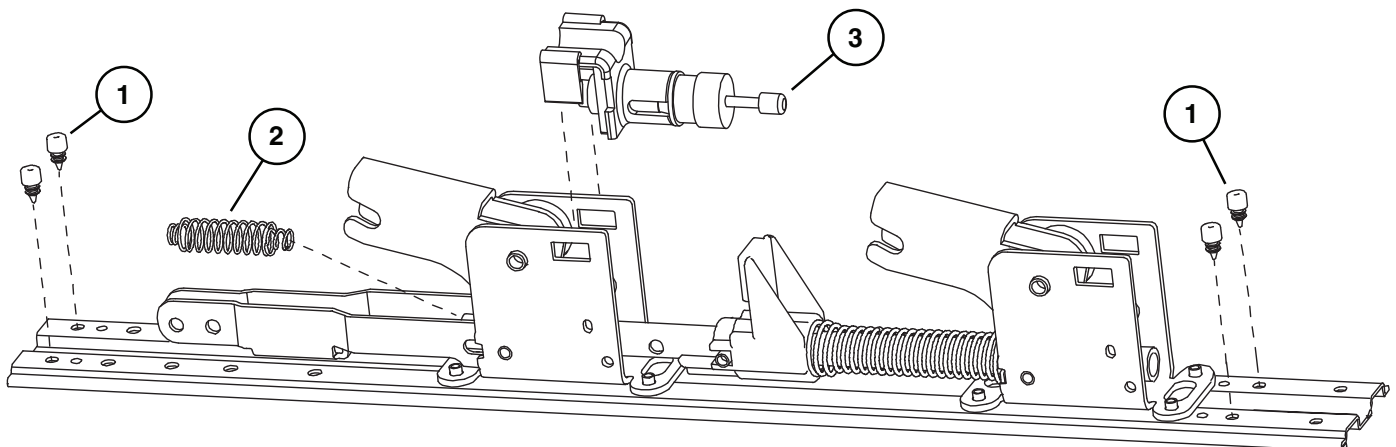
98/9927 PANIC DEVICE BASEPLATE ASSEMBLY

Item No.	Quantity	Part No.	Description	Finish
1	1	090043	Dogging adapter (Pkg of 2)	
2	1	090042	Dogging adapter spring (Pkg of 2)	
3	1	090041	Dogging spring (Pkg of 2)	
4	1	090040	Hex dogging shaft (Pkg of 2)	
5	1	090044	Dogging hook (Pkg of 2)	
6	1	090039	Latch return spring (Pkg of 10)	
7	4	090038	Rubber bumper (Pkg of 4)	
8	1	050491	Shock absorber	



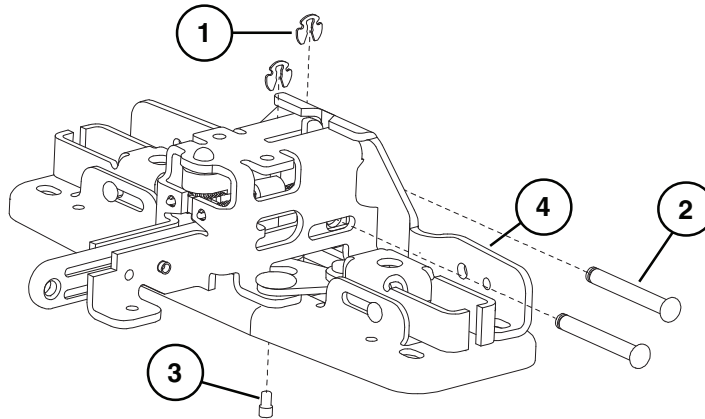
98/9927-F FIRE DEVICE BASEPLATE ASSEMBLY

Item No.	Quantity	Part No.	Description	Finish
1	4	090038	Rubber bumper (Pkg of 4)	
2	1	090039	Latch return spring (Pkg of 10)	
3	1	050491	Shock absorber	



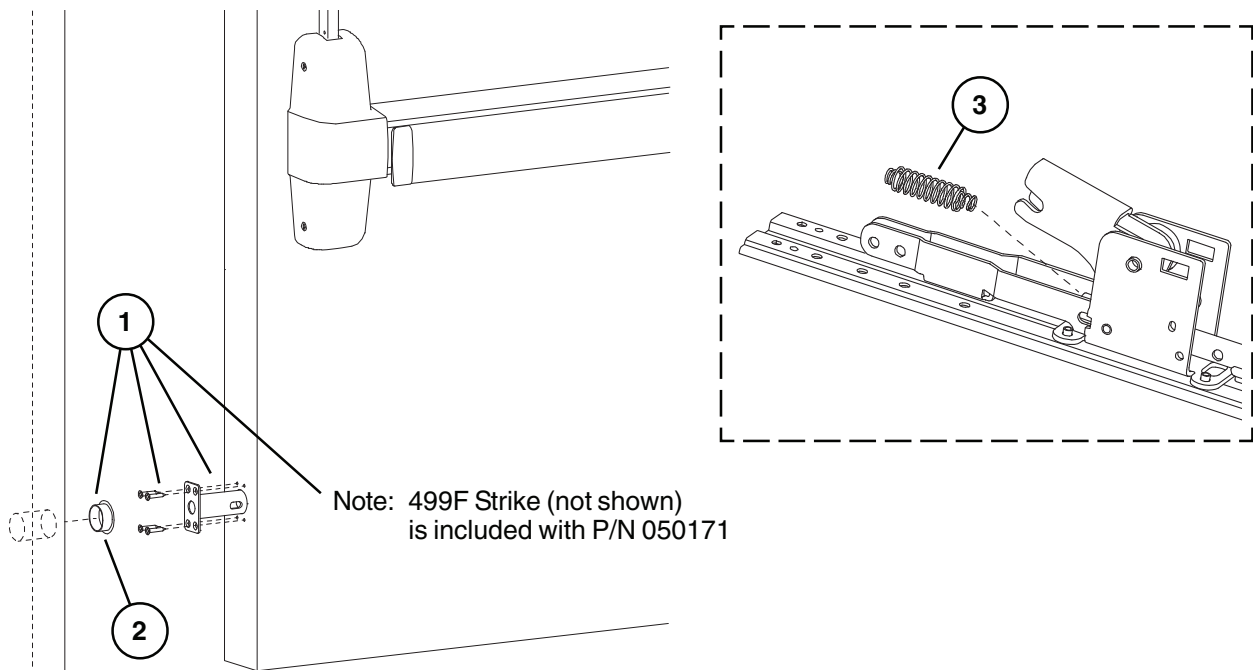
98/9927 DEVICE CENTER CASE ASSEMBLY

Item No.	Quantity	Part No.	Description	Finish
1	2	090107	Retaining Ring (Pkg of 10)	
2	2	090079	Latch Bolt Pin (Pkg of 10)	
3	1	090074	NL Drive Screw (Pkg of 10)	
4	1	050565	Center Case Reinforcing Bracket	



98/9927-F LBR (LESS BOTTOM ROD) FIRE LATCH KIT

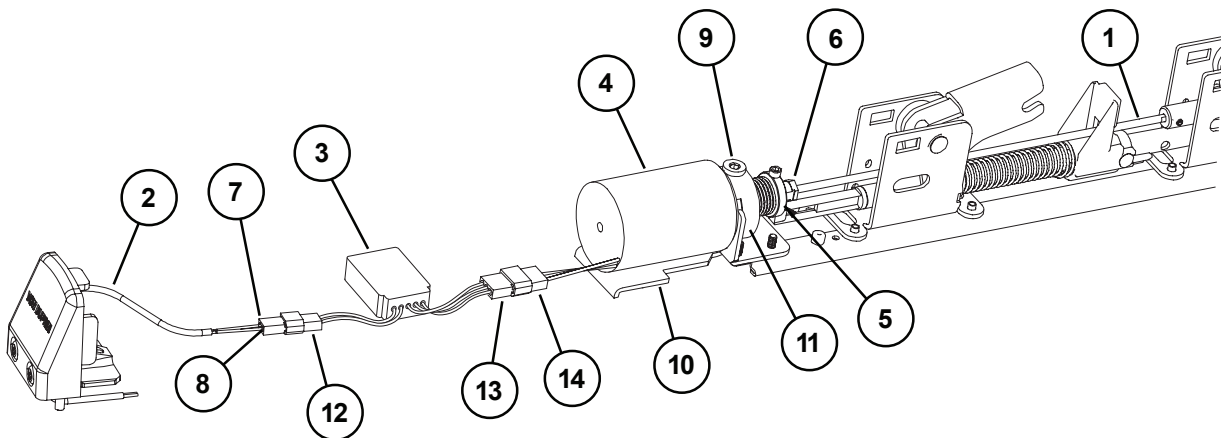
Item No.	Quantity	Part No.	Description	Finish
1	1	050171	LBR Fire Latch/Strike kit	
2	1	050509	LBR Fire Strike Plug	
3	1	090088	98/9927-F LBR Latch Spring Pkg of 10	
4	1	900980	98/9927-F LBR Latch Mounting Package	



HD-EL9827/HD-EL9927 HEX DOGGING/ELECTRIC LATCH RETRACTION OPTION - PANIC DEVICE ONLY

Item No.	Quantity	Part No.	Description	Finish
1	1	050531	EL Dogging Rod Kit - 3' device	
1	1	050532	EL Dogging Rod Kit - 4' device	
2	1	110388	EL 6' Cable and Connector	
3	1	050534	EL Potted Module	
4	1	050536	HD-EL Solenoid	
5	1	050537	HD-EL Solenoid Plunger	
6	1	050538	EL Dogging Rod Retainer	
7	1	050539	EL Receptacle Connector - 2 Position	
8	2	050540	EL Female Terminal	
9	1	050541	HD-EL Dog Screw	
10	1	050542	HD-EL Solenoid Bracket	
11	1	050543	HD-EL Dogging Spring	
12	1	990599	EL Plug Connector - 2 Position	
13	1	990857	EL Receptacle Connector - 3 Position	
14	1	990858	EL Plug Connector - 3 Position	
*	1	050384	HD-EL Conversion Kit - 3'	
*	1	050385	HD-EL Conversion Kit - 4'	

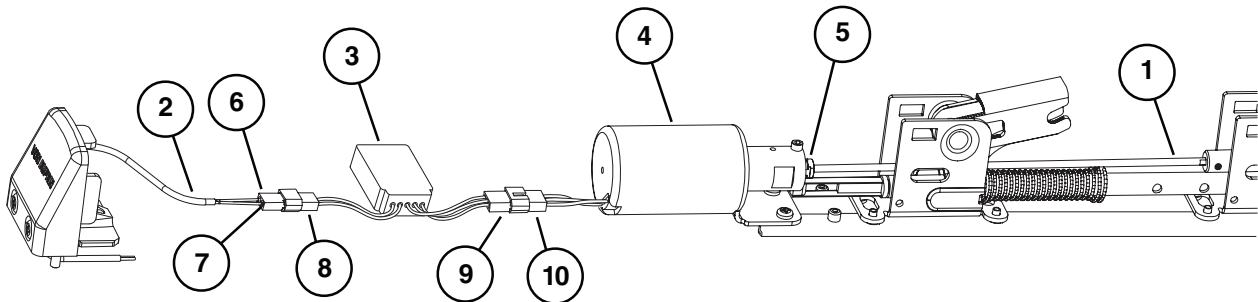
*Kit includes items 1-11 plus new control link, retaining ring, and baseplate screws.



EL9827/EL9927 SERIES ELECTRIC LATCH RETRACTION OPTION

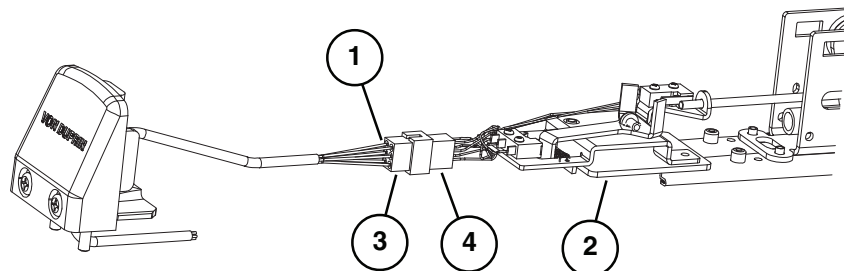
Item No.	Quantity	Part No.	Description	Finish
1	1	050531	EL Dogging Rod Kit - 3' device	
1	1	050532	EL Dogging Rod Kit - 4' device	
2	1	110388	EL 6' Cable and Connector	
3	1	050534	EL Potted Module	
4	1	050535	EL Solenoid Assembly	
5	1	050538	EL Dogging Rod Retainer	
6	1	050539	EL Receptacle Connector	
7	2	050540	EL Female Terminal	
8	1	990599	EL Plug Connector - 2 Position	
9	1	990857	EL Receptacle Connector - 3 Position	
10	1	990858	EL Plug Connector - 3 Position	
*	1	050070	EL Conversion Kit - 3'	
*	1	050078	EL Conversion Kit - 4'	

*Kit includes items 1-7 plus new control link pin, retaining ring, and baseplate screws.

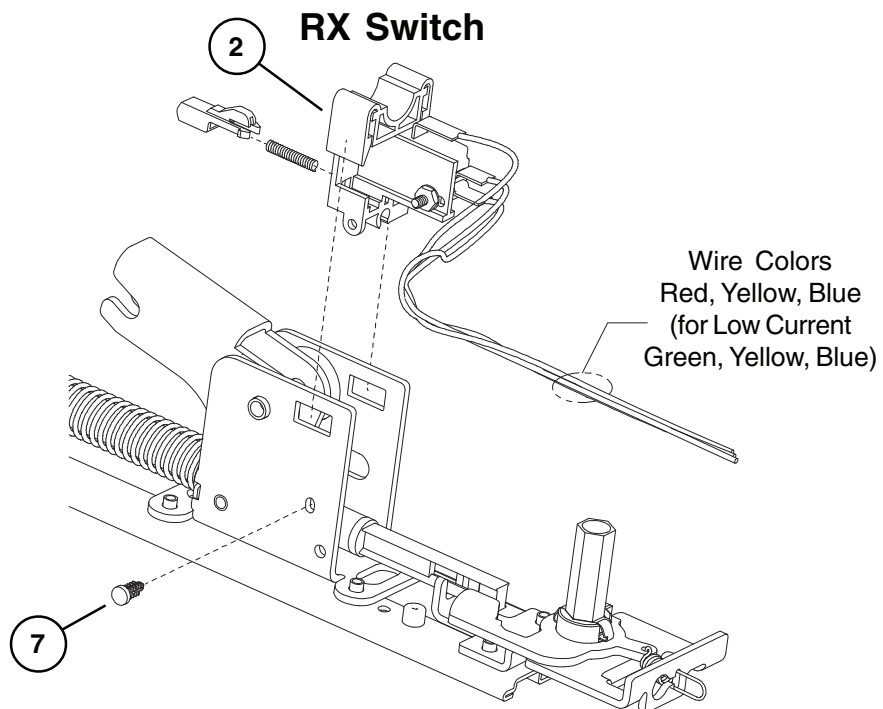
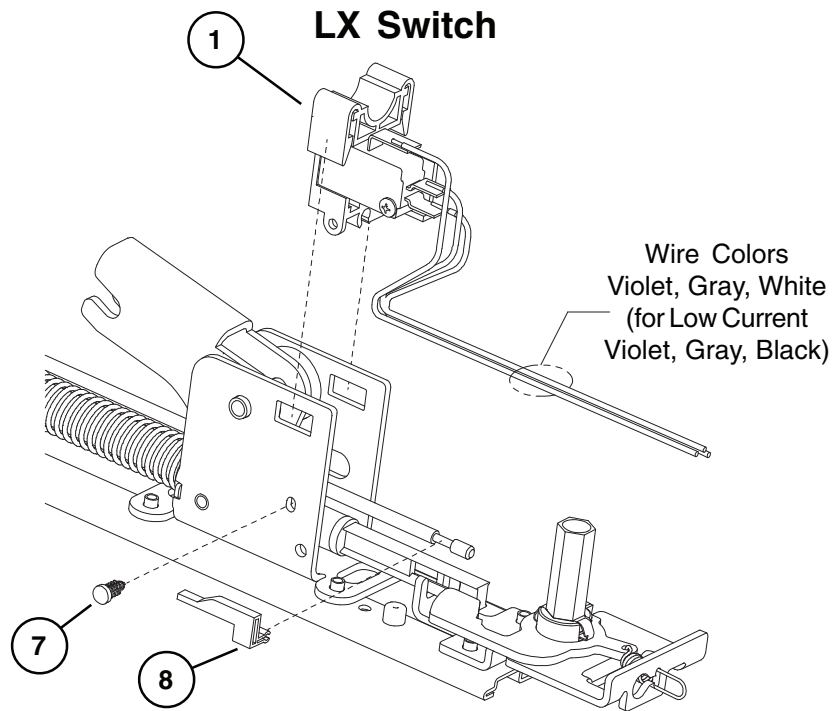


SS9827/SS9927 SERIES (SIGNAL SWITCH) OPTION

Item No.	Quantity	Part No.	Description	Finish
1	1	050544	SS Cable	
2	1	050545	SS Housing	
3	1	990601	SS Plug Connector - 6 Position	
4	1	990602	SS Receptacle Connector - 6 Position	

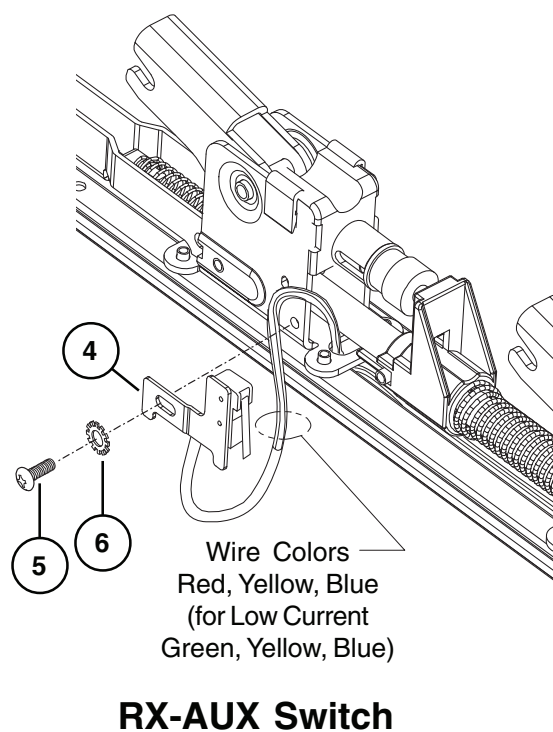
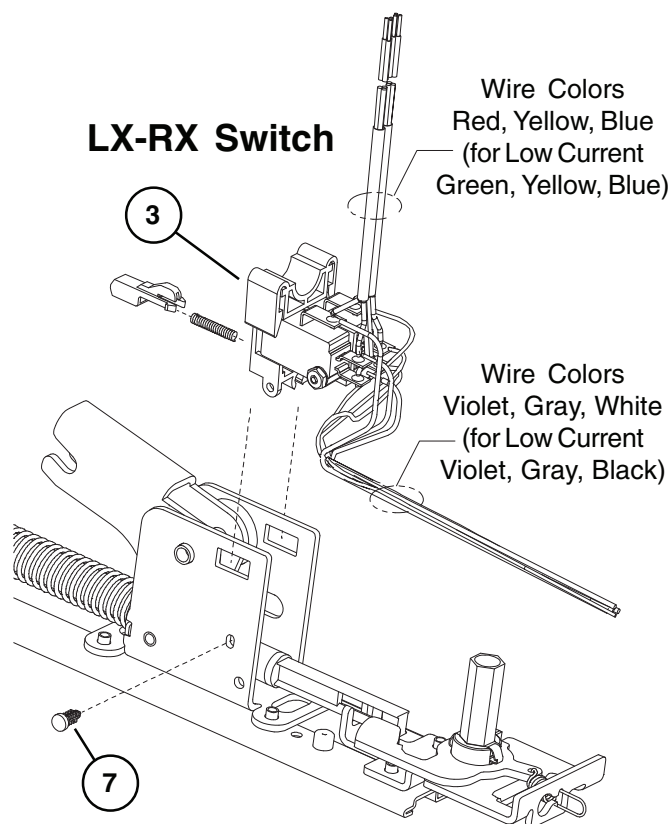


98/9927 SERIES LX (LATCH BOLT MONITOR) & RX (REQUEST TO EXIT) OPTIONS



98/9927 SERIES LX (LATCH BOLT MONITOR) & RX (REQUEST TO EXIT) OPTIONS

Item No.	Quantity	Part No.	Description	Finish
1	1	050254	LX Switch Kit 3' Device	
1	1	050255	LX Switch Kit 4' Device	
1	1	050247	LX-EL Switch Kit	
1	1	050283	LX-LC (Low Current) Switch Kit 3' Device	
1	1	050285	LX-LC (Low Current) Switch Kit 4' Device	
1	1	050287	LX-LC-EL (Low Current) Switch Kit	
2	1	050251	RX Switch Kit	
2	1	050281	RX-LC (Low Current) Switch Kit	
3	1	050256	LX-RX Switch Kit 3' Device	
3	1	050257	LX-RX Switch Kit 4' Device	
3	1	050259	LX-RX-EL Switch Kit	
3	1	050289	LX-RX-LC (Low Current) Sw. Kit 3' Device	
3	1	050291	LX-RX-LC (Low Current) Sw. Kit 4' Device	
3	1	050293	LX-RX-LC-EL (Low Current) Switch Kit	
2 & 4	1	050270	RX-2 Switch Kit	
4	1	050271	RX-AUX Switch Kit	
5	1	964558	8-32 x 5/16" PPHMS	
6	1	964019	#8 Washer	
7	1	090099	Pine Tree Clip (Pkg of 10)	
8	1	971091	LX Actuator	

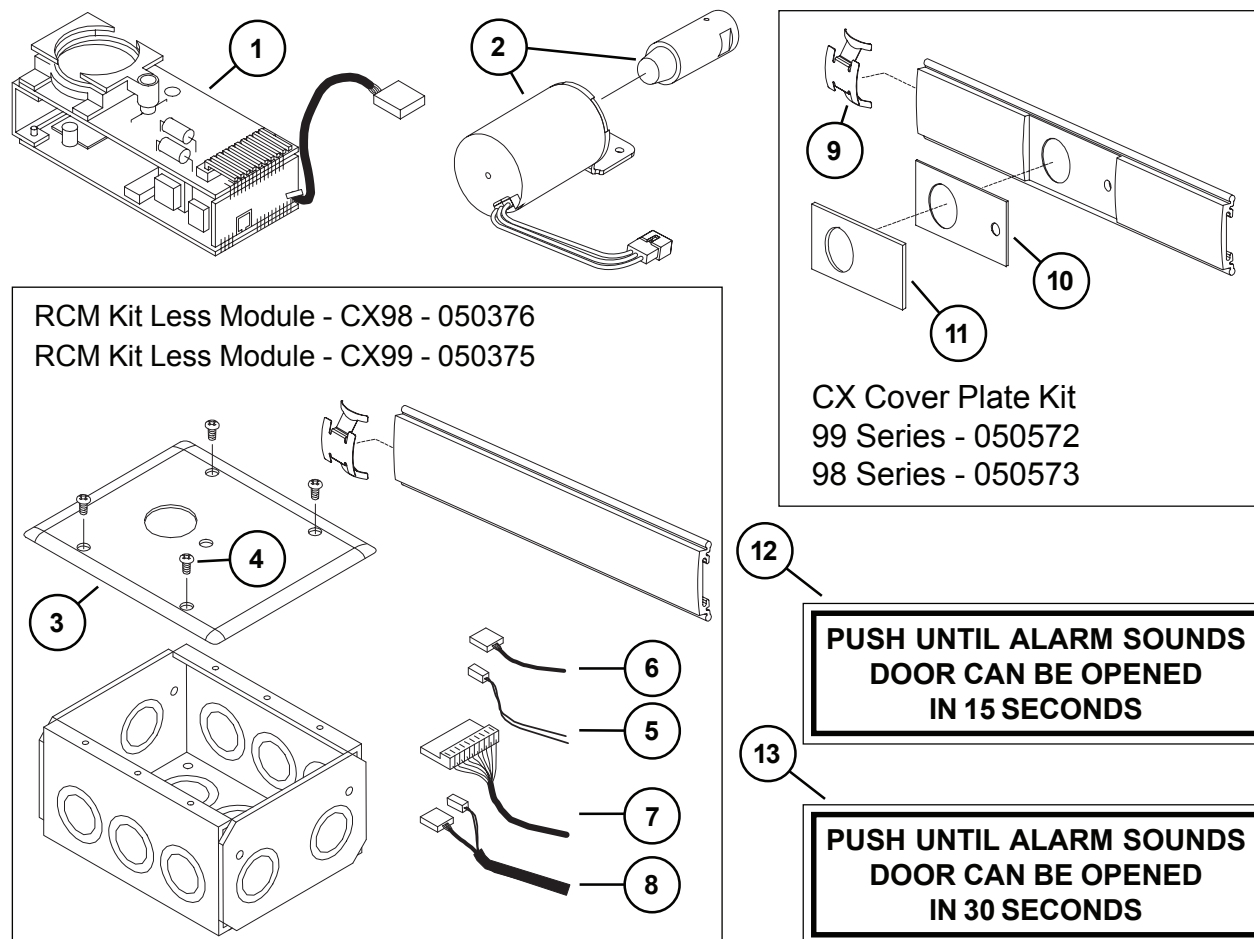


CX98/9927 SERIES CHEXIT AND CX-RCM OPTION

For discontinued Chexit devices made before August, 24 2015

Item No.	Quantity	Part No.	Description	Finish
1	1	050228	Chexit PCB Kit - 15 Second Release	
1*	1	050700	Chexit PCB Kit - 30 Second Release	
1	1	050701	Chexit PCB Kit - 0 Second Release	
1	1	050702	Chexit PCB Kit - Boca 15 Second Release	
1*	1	050703	Chexit PCB Kit - Boca 30 Second Release	
2	1	050533	CX Solenoid and Plunger	
3	1	113111	Faceplate and Adapter	X
4	4	963898	6-32 x 3/8" OPHMS Faceplate Screw	X
5	1	991338	RCM 2-Wire RX Cable	
6	1	991339	RCM 3-Wire Solenoid Cable	
7	1	112018	Chexit Wiring Assembly	
8	1	991336	CX-RCM Cable Assy - 5 Wire	
9	1	090036	Cover Plate Anti-rattle Spring (Pkg of 10)	
10	1	970513	LED Cover Mask - Chexit	
11	1	970519	LED Cover - Chexit	
12	1	113781	Sign 15 Second - Chexit	
13	1	113782	Sign 30 Second - Chexit	

*Over 15 second delay requires a letter of approval from the authority having local jurisdiction over the premises prior to the installation of the device. Allegion cannot grant such approval nor does it warrant local jurisdiction compliance.

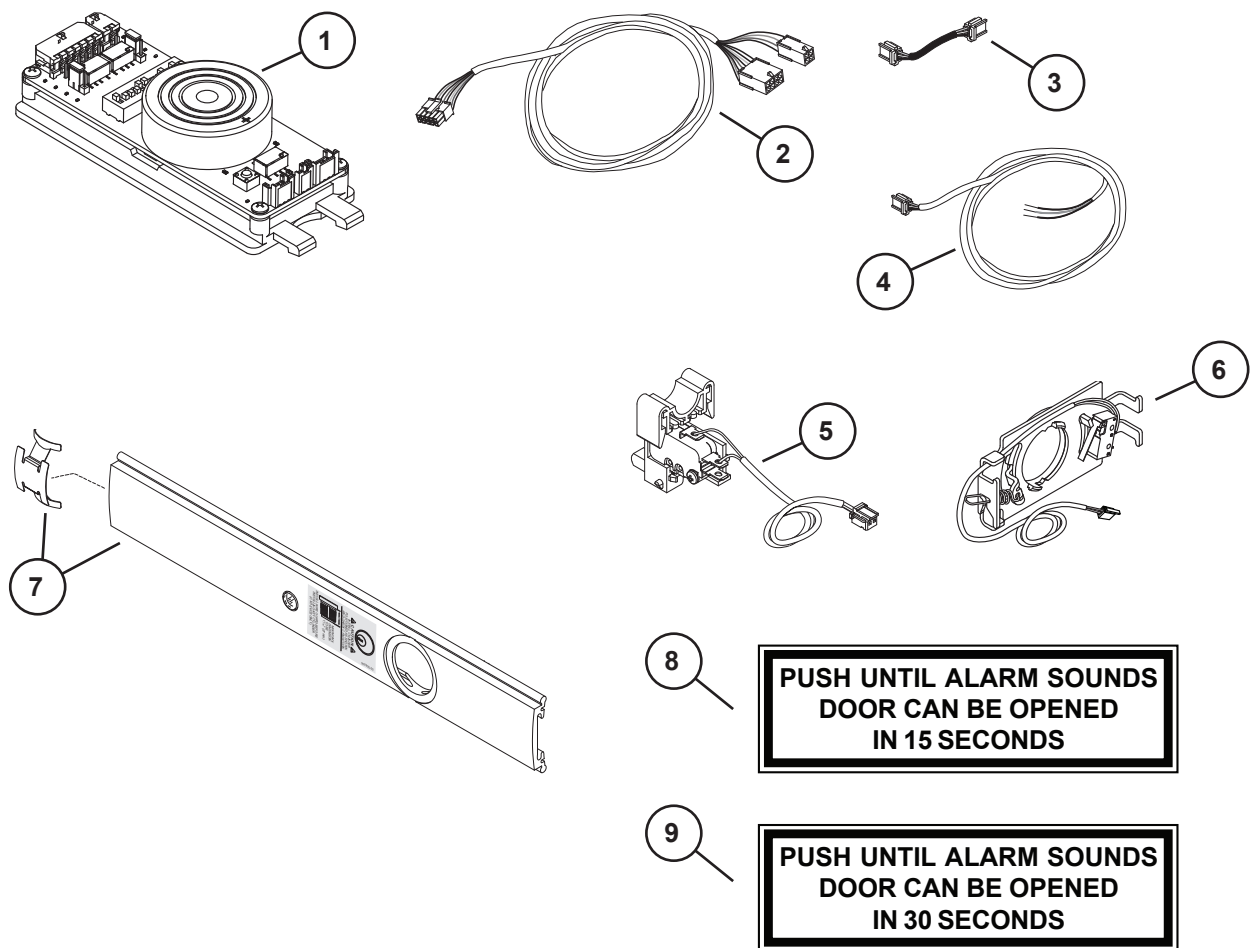


CX98/9927 SERIES CHEXIT

For new Chexit devices made after August, 24 2015

Item No.	Quantity	Part No.	Description	Finish
1	1	040086	Standard - 15 Second Release Delay	
1*	1	040087	Special Infinite Release Delay	
1*	1	040088	Special 30 Second Release Delay	
1	1	040089	Special 0 Second Release Delay	
1	1	040090	Special Mute 15 Second Release Delay	
1	1	040091	BOCA 15 Second Release Delay	
2	1	040191	CX Field Wiring Cable	
3	1	040192	CX Motor Cable	
4	1	040193	CX Trim Device Cable	
5	1	116717	CX RX Switch Assembly	
6	1	040170	CX Key Switch Assembly 3'	
6	1	040189	CX Key Switch Assembly 4'	
7	1	040093	CX33/99 Cover Plate Kit	X
7	1	040094	CX35/98 Cover Plate Kit	X
8	1	113781	Sign 15 Second	
9	1	113782	Sign 30 Second	

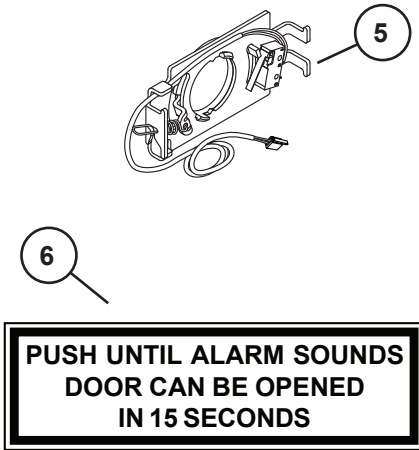
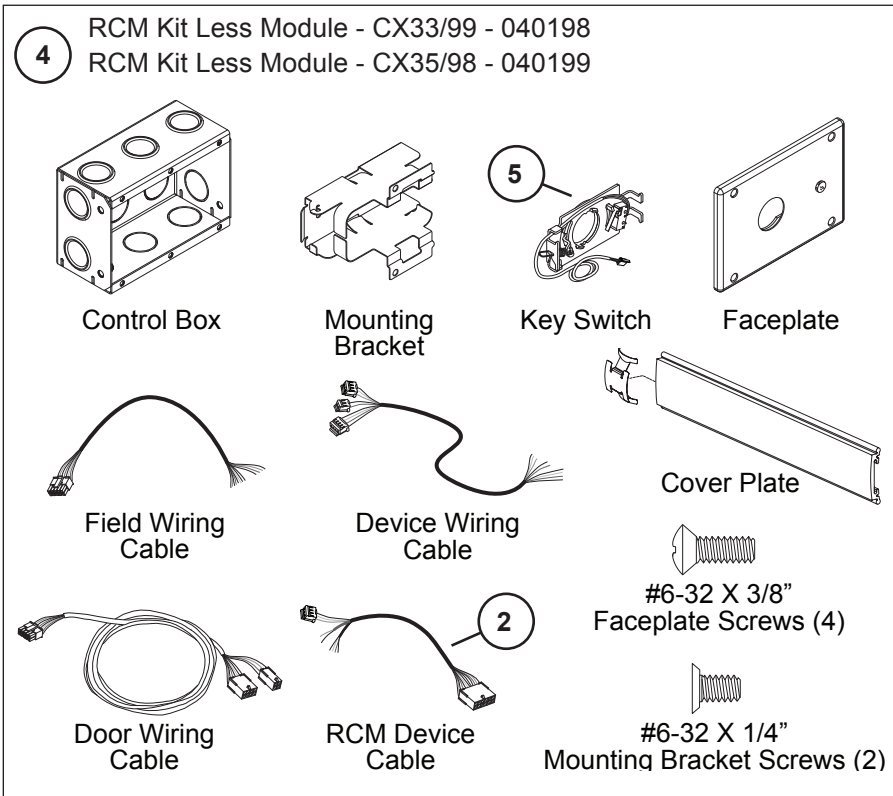
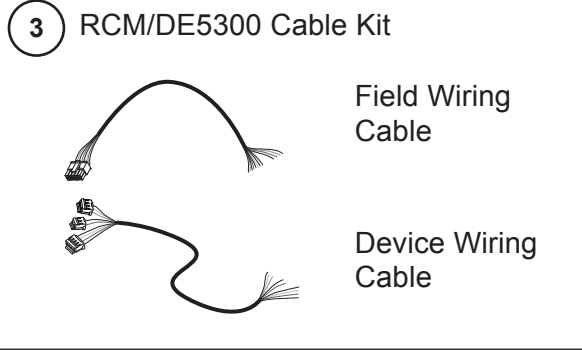
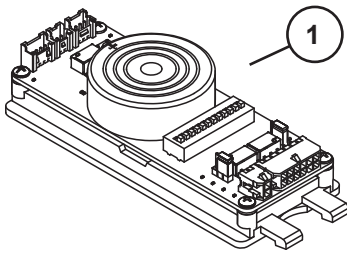
*Over 15 second delay requires a letter of approval from the authority having local jurisdiction over the premises prior to the installation of the device. Allegion cannot grant such approval nor does it warrant local jurisdiction compliance.



CX-RCM/DE5300 OPTIONS

For new RCM/DE5300 devices made after August, 24 2015

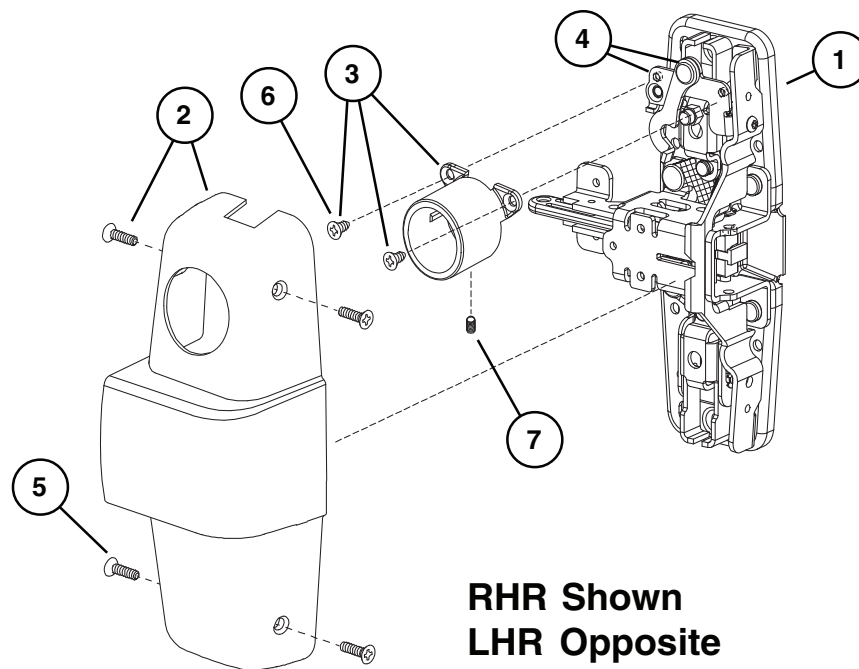
Item No.	Quantity	Part No.	Description	Finish
1	1	116711	Standard - 15 Second Release Delay	
2	1	040092	RCM Device Cable	
3	1	040188	DE5300/RCM Cable Kit	
4	1	040198	RCM Kit Less Module - CX33/99	X
4	1	040199	RCM Kit Less Module - CX35/98	X
5	1	040169	DE5300/RCM Key Switch Assy	
6	1	113781	Sign 15 Second	



CX-CD/SD98/9927 SERIES OPTION

Item No.	Quantity	Part No.	Description	Finish
1*	1	050550	SD98/9927 RHR Center Case Kit Less Cvr	
1*	1	050551	SD98/9927 LHR Center Case Kit Less Cvr	
2	1	050559	SD98/9927 RHR Center Case Cover Kit	X
2	1	050560	SD98/9927 LHR Center Case Cover Kit	X
3	1	112409	CD-CX/SD Cylinder Dog Housing	
4	1	112455	CX-CD/SD Cylinder Dog Bracket Kit RHR	
4	1	112456	CX-CD/SD Cylinder Dog Bracket Kit LHR	
5	4	900892	Center Case Cover Screws	X
6	2	PkgServ.1018	8-32 x 1/4" UFPHMS (Pkg of 20)	
7	1	964240	Bracket Set Screw	

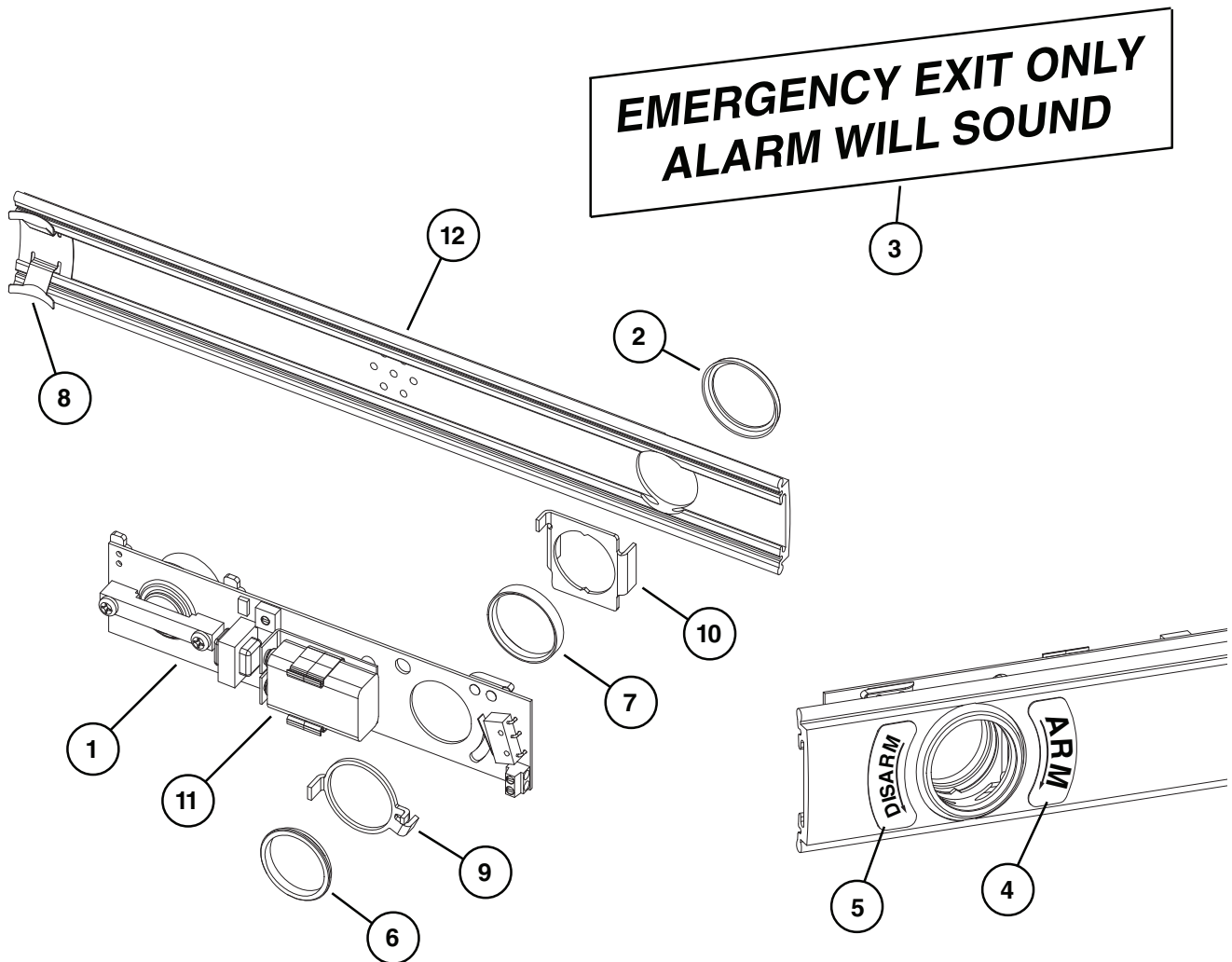
*Parts shown are for the CX-CD/SD option. For other available center case parts refer to page 11.



98/9927 ALK EXIT ALARM KIT

Item No.	Quantity	Part No.	Description	Finish
1	1	111795	ALK PCB Assembly	
2	1	050525	Cylinder Collar	X
3	1	969122	ALK Alarm Device Sign	
4	1	969349	ALK Arming Label	
5	1	969350	ALK Disarming Label	
6	1	969354	Retainer Nut	
7	1	970594	ALK Cylinder Spacer	
8	1	090036	Cover Plate Anti-rattle spring (Pkg of 10)	
9	1	971556	ALK Switch Actuator	
10	1	971557	ALK Cylinder Bracket	
11	1	990637	ALK Battery	
12	1	050569	99A Series ALK Cover Plate Kit	X
12	1	050570	98A Series ALK Cover Plate Kit	X

X in "Finish" column designates finished items; finish must be specified when ordering.

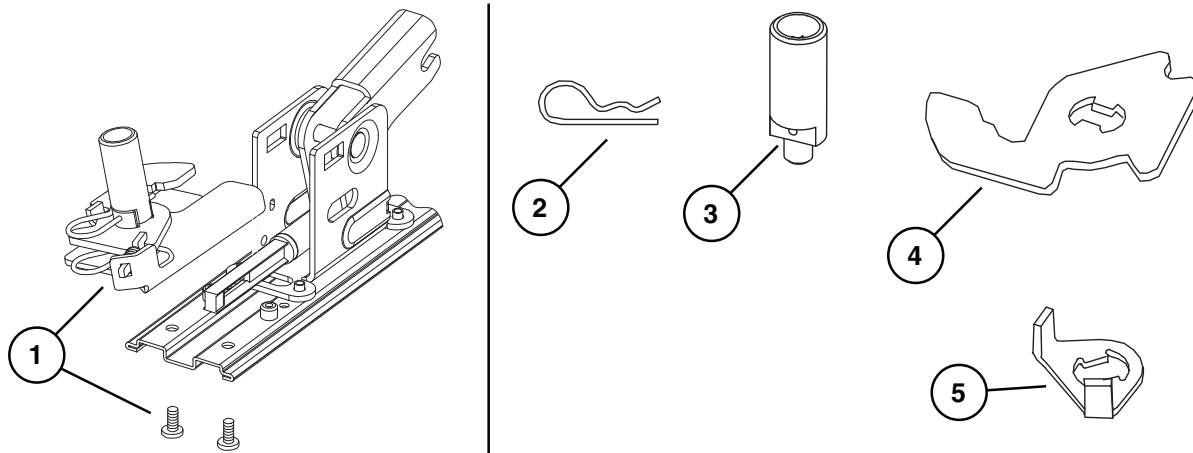


98/9927 SERIES SERVICE REPLACEMENT ITEMS

Item No.	Quantity	Part No.	Description	Finish
1	1	050153	Old Style Hex Dogging Replacement Kit	
2	1	963909	#22 Hitch Pin - Hex/CD Dogging Old Style	
3	1	968112	Old Style Hex Dog Shaft	
4	1	969941	Old Style Dogging Hook	
5	1	968116	Old Style CD Actuator Arm	
6	1	900905	Old Style End Cap and Bracket Assembly	X
7	1	970548	Old Style Cover Plate Stop - End Cap	
8	1	900901	Old Style End Cap Screw Package	X
9	1	971082	Old Style 98/99 End Cap - Stainless Steel	X
9	1	971083	Old Style 98/99 End Cap - Brass	X
9	1	971084	Old Style 98/99 End Cap - Bronze	X
9	1	971085	Old Style 98/99 End Cap - Aluminum	X

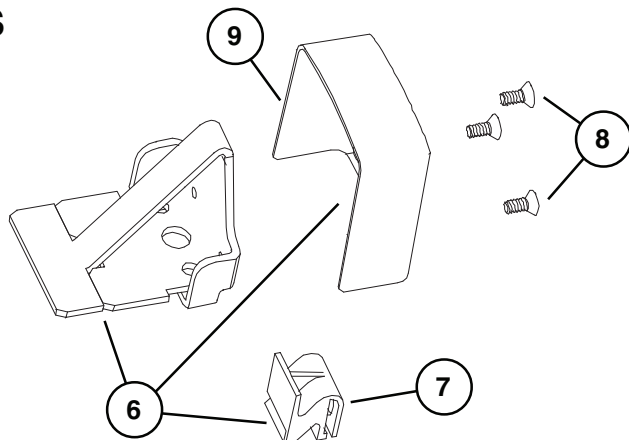
X in "Finish" column designates finished items; finish must be specified when ordering.

OLD STYLE DOGGING PARTS (FOR DEVICES SHIPPED BEFORE AUGUST 1997)



OLD STYLE END CAP PARTS (FOR DEVICES SHIPPED BEFORE JANUARY 2002)

Note: Newer style end cap kit shown on pages 4-5. Newer style end cap kit can be used on devices manufactured before January 2002, but mechanism case and cover plate on hinge stile must have a square cut and a clean edge.



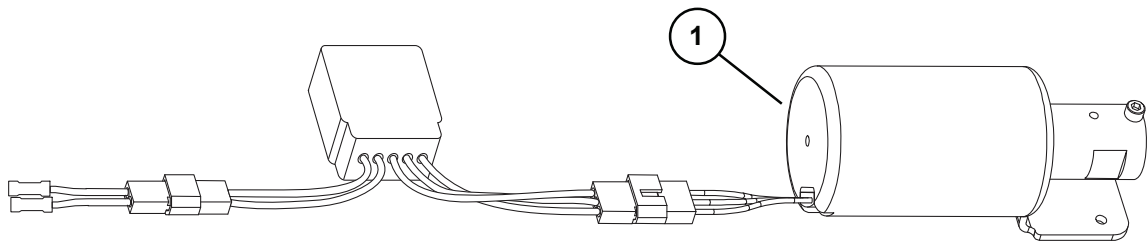
98/9927 SERIES SERVICE REPLACEMENT ITEMS

Item No.	Quantity	Part No.	Description	Finish
1	1	050218	EL Solenoid Replacement Kit	

X in "Finish" column designates finished items; finish must be specified when ordering.

EL SOLENOID REPLACEMENT KIT (FOR DEVICES SHIPPED BEFORE JANUARY 1987)

Note: This kit replaces the old style EL solenoid parts with the new style.



This page intentionally left blank.

About Allegion

Allegion (NYSE: ALLE) creates peace of mind by pioneering safety and security. As a \$2 billion provider of security solutions for homes and businesses, Allegion employs more than 8,000 people and sells products in more than 120 countries across the world. Allegion comprises 27 global brands, including strategic brands CISA®, Interflex®, LCN®, Schlage® and Von Duprin®.

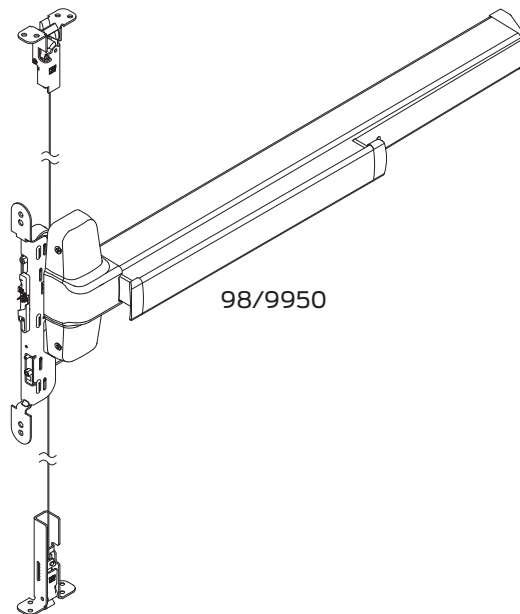
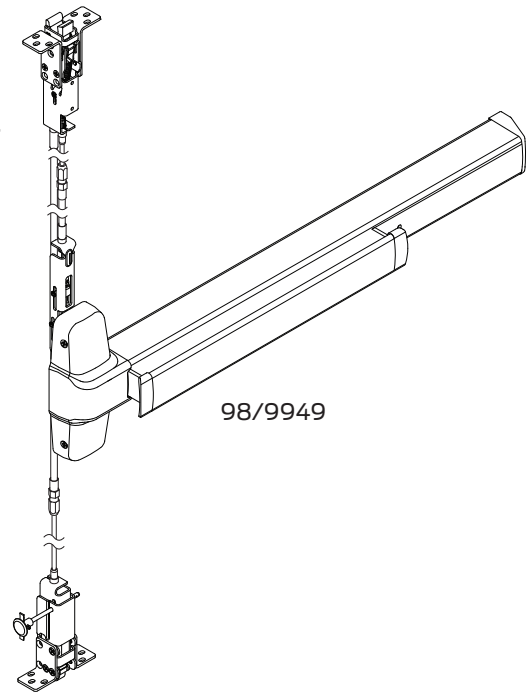
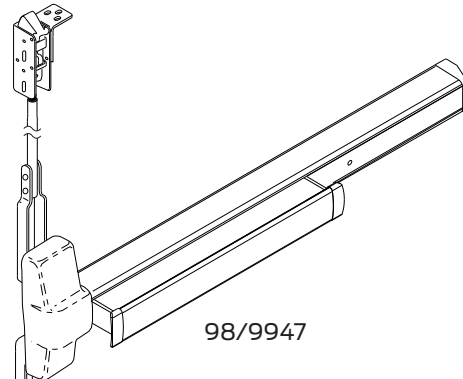
For more, visit www.allegion.com.

aptiQ ■ LCN ■ **SCHLAGE** ■ STEELCRAFT ■ VON DUPRIN

VON DUPRIN®

98/9947,
98/9949,
& 98/9950
Series Exit
Devices

Service manual



INDEX

98/9947, 98/9949, & 98/9950WDC Devices	
Basic Device	4-5
Panic and Fire Metal Door Concealed Vertical Rods and Latches	6-7
WDC Wood Door Concealed Vertical Rods and Latches	8-9
Panic and Fire Metal Door Concealed Vertical Cables and Latches	10-11
WDC Wood Door Concealed Vertical Cables and Latches	12-15
Baseplate Assembly	16
Center Case Assembly	17
LBR (Less Bottom Rod) / LBL (Less Bottom Latch) Fire Latch Kit	17
 Variations of the Basic Device	
CD (Cylinder Dogging)	4-5
HD-EL (Hex Dogging/Electric Latch Retraction)	18
EL (Electric Latch Retraction)	19
SS (Signal Switch)	19
RX (Request to Exit)	20-21
LX (Latch Bolt Monitoring)	20-21
CX (Chexit Discontinued)	22
CX (Chexit New)	23
CX (Chexit New RCM Option)	24
CX-CD/SD (Chexit/Special Dogging)	25
ALK (Exit Alarm Kit)	26
 Service Replacement Items	27-28
 General Information	
Introduction	2
How to Order	2
Part Number Changes	2
Finishes	3
Outside Trim Functions	3
Strikes	3

INTRODUCTION

This manual contains a listing of replaceable parts and assemblies for the 98/9947 Concealed Vertical Rod Exit Devices and the 98/9949 / 98/9950WDC Concealed Vertical Cable Exit Devices. 98 Series and 99 Series devices are almost identical. The 99 Series has a grooved case; the 98 series has a smooth case.

HOW TO ORDER

Some parts are sold separately. Other items are available as part of a kit or multiple quantity package. For the best possible service when ordering replacement parts or assemblies, please provide the following information:

- Part number or assembly number
- Description
- Quantity needed
- Finish desired (if available finished)
- Date of original purchase (if known)

To find out the name of your local Von Duprin distributor or sales representative, contact:

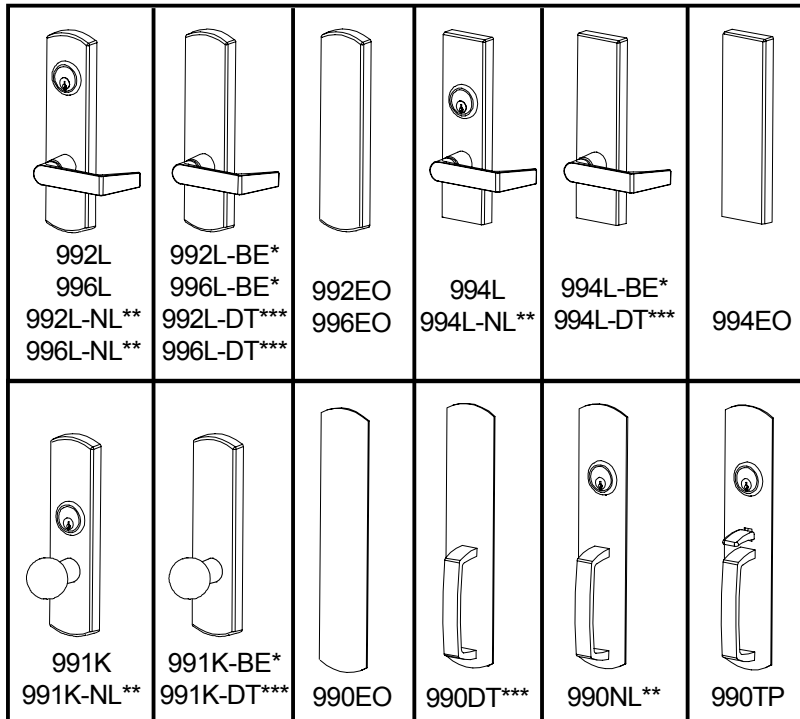
Von Duprin Division
Allegion
2720 Tobey Drive
Indianapolis, Indiana 46219
Phone: (877) 671-7011

PART NUMBER AND AVAILABILITY CHANGES

This manual was designed to help illustrate the replacement parts and kits that are available for sale. Because of changes to the product and/or manufacturing process, part numbers and availability can change over time.

98/99 SERIES FINISHES

OUTSIDE TRIM FUNCTIONS



U.S. Std Reference	BHMA Reference	Description
US3	605	Polished Brass
US4	606	Dull Brass
US10	612	Dull Bronze
US15	619	Satin Nickel
US26	625	Polished Chrome
US26D	626	Dull Chrome
US28	628	Anodized Alum. (Clear)
US32D	630	Satin Stainless Steel
313AN	710	Anodized Alum. (313) Dark Bronze
315AN	711	Anodized Alum. (Black)

* "BE" (Blank Escutcheon) no cylinder used - lever always active
 ** "NL" (Night Latch) rigid lever - key retracts latch bolt

*** "DT" (Dummy Trim) rigid lever for pull operation
 **** Optional Pull needs to be added

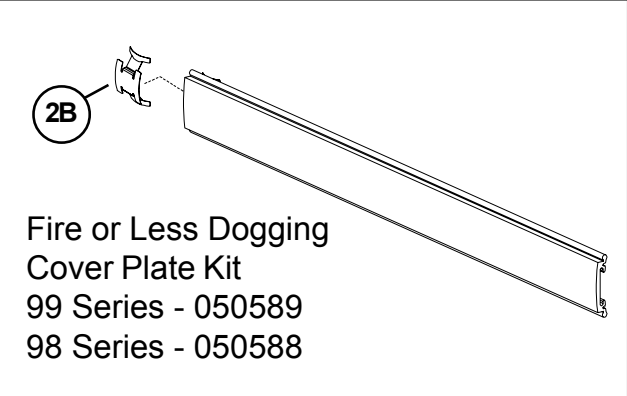
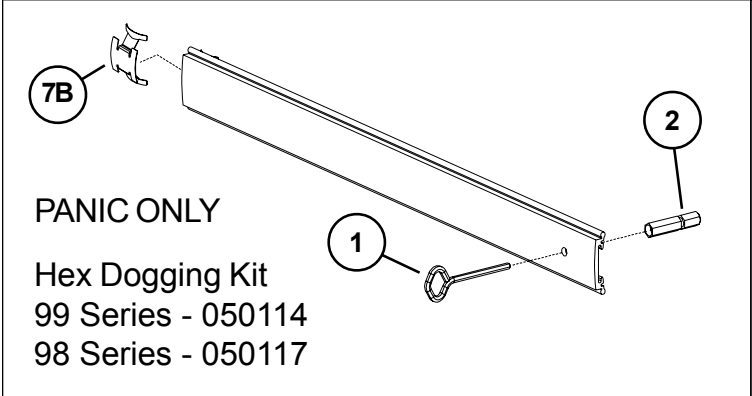
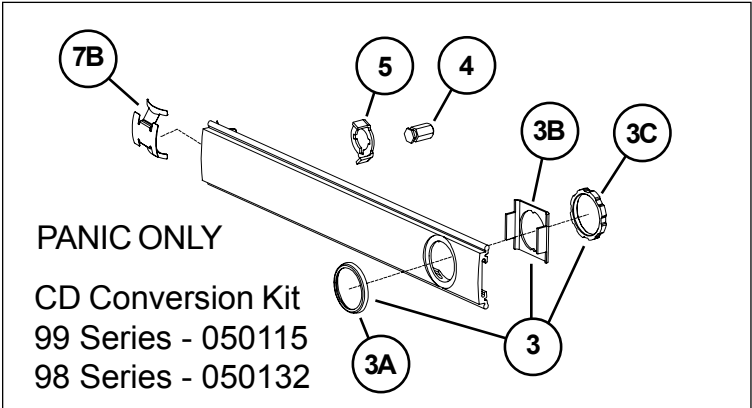
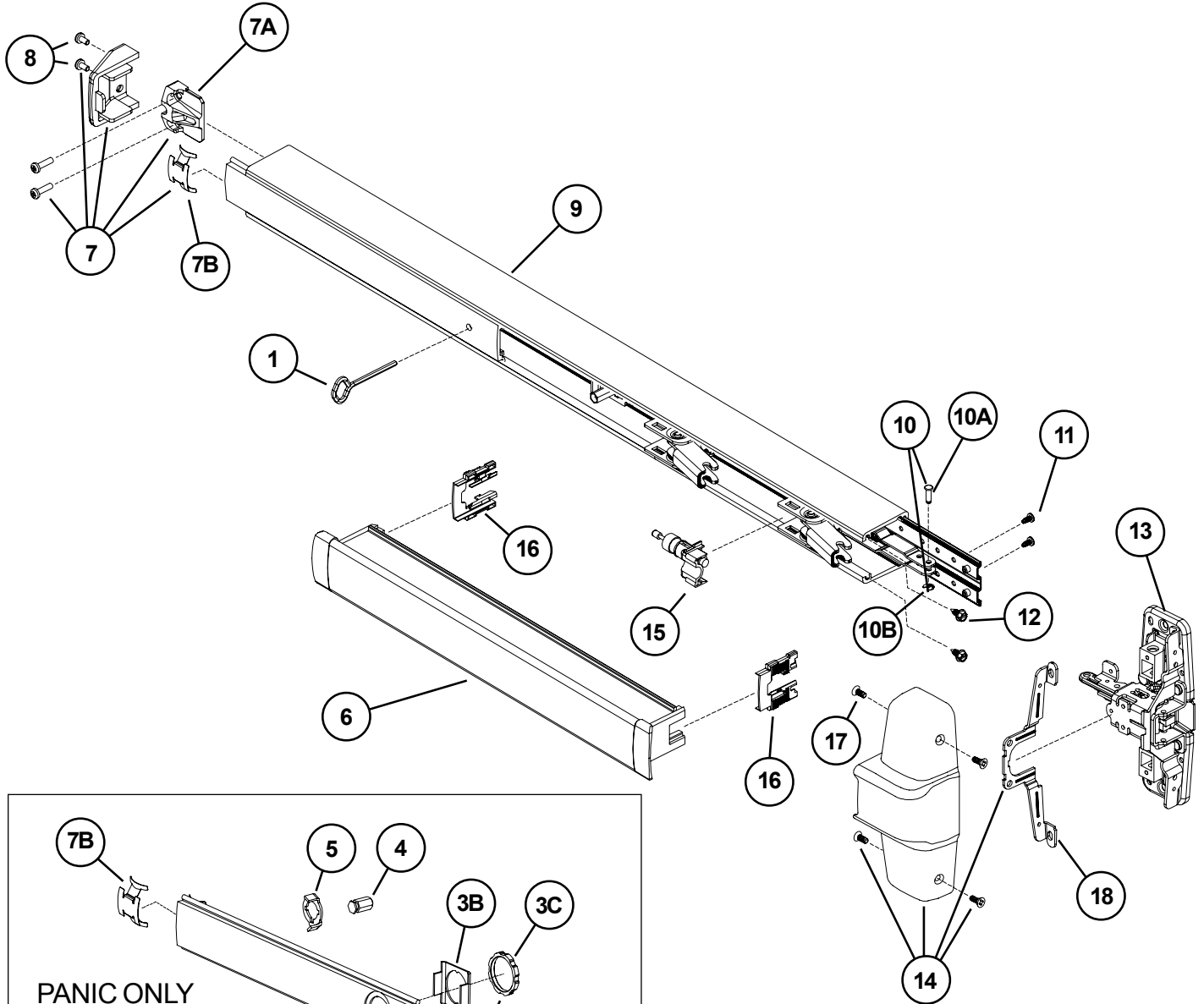
98/9947 STRIKES

98/9949 STRIKES

98/9950 STRIKES

<p>Screw Pkg 900285</p> <p>338 Strike (Top) Standard Panic or Fire Exit Hardware</p>	<p>385A Strike (Bottom) Panic or Fire Exit Hardware</p>	<p>24007411 349 Bottom Strike Kit Standard Panic or Fire Exit Hardware</p>	<p>Includes top latch mounting screws</p> <p>23945223 249 Top Strike Kit Standard Panic or Fire Exit Hardware</p>	<p>Includes shims and top latch mounting screws</p> <p>24665002 150 Top Strike Kit Standard Panic or Fire Exit Hardware</p>
<p>Screw 964191</p> <p>283 Strike (Top) Wood Frame</p>	<p>304L Strike (Bottom) Panic or Fire Exit Hardware</p>	<p>24230914 338 Strike Filler Plate (Top) used for 47 Series retrofit</p>	<p>47244841 WDC Strike Filler Plate (Top) used for 47 Series retrofit</p>	<p>Includes bottom latch mounting screws</p> <p>24664997 450 Bottom Strike Kit Standard Panic or Fire Exit Hardware</p>

**98/9947 & 98/9949 PANIC DEVICE
98/9947-F & 98/9949-F FIRE DEVICE**



**98/9947 & 98/9949 PANIC DEVICE
98/9947-F & 98/9949-F FIRE DEVICE**

Item No.	Quantity	Part No.	Description	Finish
	1	900563	98/9947 & 98/9949 Series Mtg. Pkg. (1-3/4)	
	1	900568	98/9947 & 98/9949 Series Mtg. Pkg. (2-1/4)	
1	1	090085	227 Dog Key 5/32" Hex (Pkg of 10)	
1	1	090005	227 Dog Key 5/32" Hex (Pkg of 2)	
2	1	090040	Hex Dog Shaft (Pkg of 2)	
3	1	107813	Cylinder Mounting Pkg	X
3A	1	050525	Cylinder Collar	X
3B	1	050490	Cylinder Locating Washer - CD/SS	
3C	1	050526	Cylinder Locknut	
4	1	090046	CD Dogging Plug (Pkg of 2)	
5	1	090045	CD Actuator Arm (Pkg of 2)	
6	1	*PBKIT	98/99 Series Push Bar Retrofit Kit - 3' Door	X
6	1	*PBKIT	98/99 Series Push Bar Retrofit Kit - 4' Door	X
7	1	050014	98/99 Series End Cap Kit	X
7A	1	050524	Impact Resistant End Cap Bracket	
7B	1	090036	Cover Plate Anti-rattle Spring (Pkg of 10)	
8	1	900597	Device End Cap and C/Case Screw Pkg.	X
9	1	968144	99 Series Mechanism Case - 3' Door	X
9	1	968146	99 Series Mechanism Case - 4' Door	X
9	1	970191	98 Series Mechanism Case - 3' Door	X
9	1	970192	98 Series Mechanism Case - 4' Door	X
10	1	050529	98/99 Series Control Link Pin & Ret. Ring	
10A	1	090031	98/99 Series Control Link Pin (Pkg of 10)	
10B	1	090107	Retaining Ring (Pkg of 10)	
11	2	090037	#8-32 x 3/8" Baseplate Screw (Pkg of 10)	
12	2	090073	Mechanism Case Bracket Screw (Pkg of 10)	
13***	1	050022	98/9947-F & 98/9949-F C/Case Kit Less Cover	
14**	1	050073	98/9947-F & 98/9949-F C/Case Cover Kit	X
15	1	050491	Shock Absorber & Holder Assembly	
16	2	090049	Push Bar Guide (Pkg of 10)	
17	4	900892	Center Case Cover Screws (Pkg of 4)	X
18	1	050564	Center Case Cover Bracket	

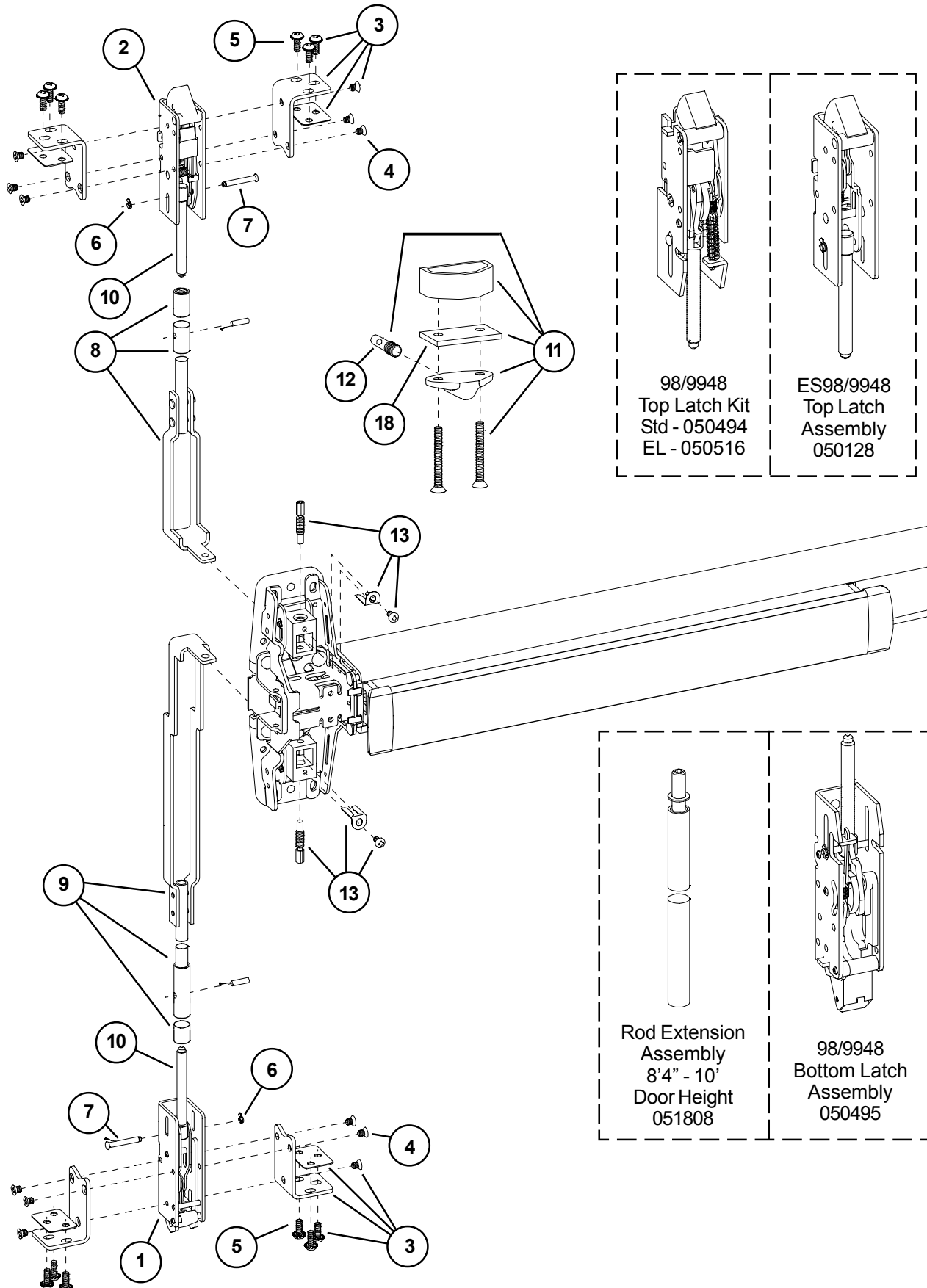
X in "Finish" column designates finished items; finish must be specified when ordering.

* To order, specify device type, size, and finish. Example: PBKIT 98 3' US28

**Includes parts for three-piece cover conversion.

***Center case assembly parts shown on page 17.

98/9947 & 98/9947-F METAL DOOR VERTICAL RODS AND LATCHES



98/9948 Top Latch Kit Std - 050494 EL - 050516	ES98/9948 Top Latch Assembly 050128

Rod Extension Assembly 8'4" - 10' Door Height 051808	98/9948 Bottom Latch Assembly 050495

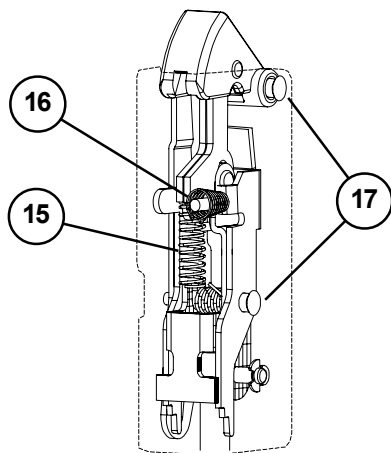
98/9947 & 98/9947-F METAL DOOR VERTICAL RODS AND LATCHES

Item No.	Quantity	Part No.	Description	Finish
*	1	050047	98/9948 Latch Retrofit Kit-(non EL)	
*	1	050048	98/9948-F Latch Retrofit Kit-(non EL)	
*	1	050522	EL98/9948 Latch Retrofit Kit	
*	1	050523	EL98/9948-F Latch Retrofit Kit	
1**	1	050493	98/9947 Bottom Latch Kit	
2**	1	050492	98/9947 Top Latch Kit	
3**	2	109324	98/9947 Latch Mtg Bracket	
3**	2	112868	98/9948 Latch Mtg Bracket	
4	6	090059	Latch Bracket Mtg Screw (Latch)	
5	6	090061	Latch Bracket Mtg Screw (Metal Door)	
5	6	900856	Latch Bracket Mtg Screw (Wood Door)	
6	2	090063	Retaining Ring (Pkg of 10)	
7	2	090064	Latch Link Pin (Pkg of 10)	
8	1	050574	Adjustable Top Rod 6'8" - 8'4" Door	
9	1	050575	Adjustable Bottom Rod Kit	
10	2	090071	98/9947 Rod Connecting Screw (Pkg of 2)	
10	2	090072	98/9948 Rod Connecting Screw (Pkg of 2)	
11	1	106222	Ratchet Release Pkg	X
12	1	090070	Ratchet Release Screw	
13	1	900620	98/9947 Adjusting Screw Package (Pkg of 2)	
13	1	900898	98/9947 Adjusting Screw LBR Package	
14	1	090065	Bolt Return Spring (Pkg of 10)	
15	1	090066	Top Latch Compression Spring (Pkg of 10)	
16	1	090069	Ratchet Lever Spring (Pkg of 2)	
17	1	090062	Btm Latch Case Spirol Pin (Pkg of 10)	
18	1	970978	98/9947 Ratchet Release Spacer	

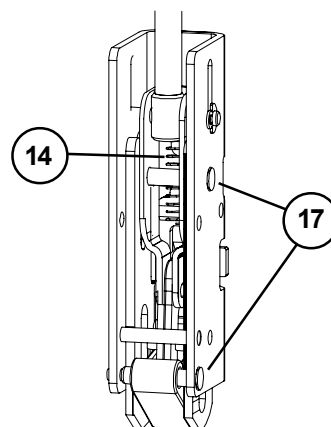
X in "Finish" column designates finished items; finish must be specified when ordering.

*Retrofit kit includes items 1-3 to convert 98/9947 to 98/9948.

**Each latch kit (item 1-2) includes only one latch mtg bracket (item 3). Panic device uses only 1 mounting bracket per latch while Fire (F) device uses 2 per latch. For service replacement only. Refer to retrofit kits to convert 98/9947 to 98/9948.

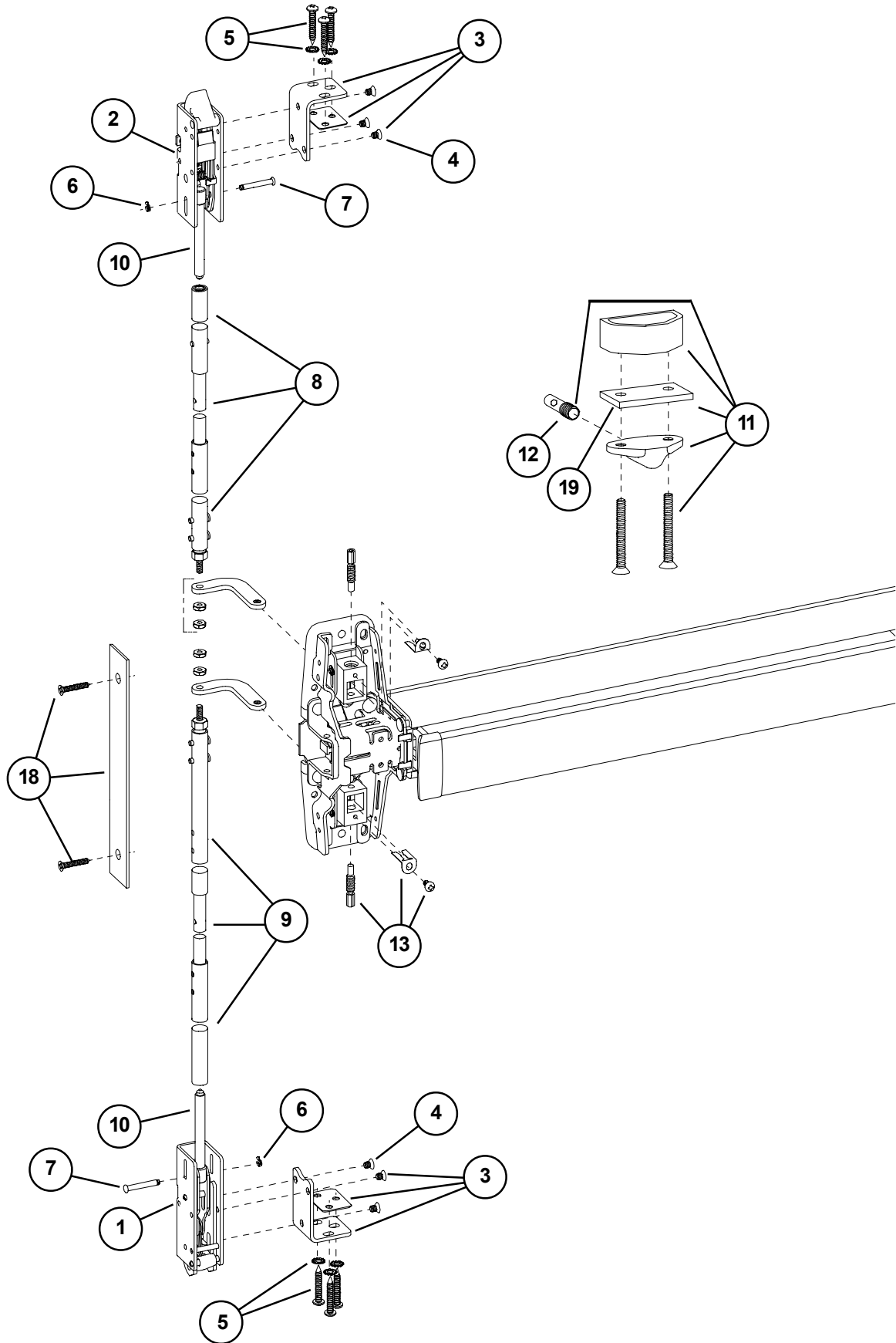


98/9947 Top Latch



98/9947 Bottom Latch

98/9947 & 98/9947-F WDC (WOOD DOOR CONCEALED) VERTICAL RODS AND LATCHES

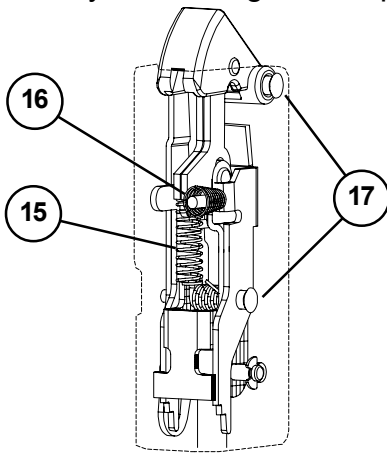


98/9947 & 98/9947-F WDC (WOOD DOOR CONCEALED) VERTICAL RODS AND LATCHES

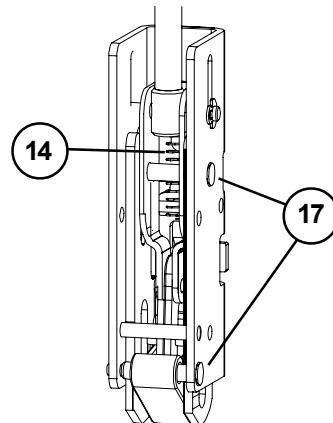
Item No.	Quantity	Part No.	Description	Finish
1*	1	050493	98/9947 Bottom Latch Kit	
2*	1	050492	98/9947 Top Latch Kit	
3*	2	109324	98/9947 Latch Mtg Bracket	
4	6	090059	Latch Bracket Mtg Screw (Latch)	
5	1	900856	WDC Auxiliary Mtg. Package	
6	2	090063	Retaining Ring (Pkg of 10)	
7	2	090064	Latch Link Pin (Pkg of 10)	
8	1	050582	WDC Adjustable Top Rod 6'8" - 8'4" Door	
9	1	050583	WDC Adjustable Bottom Rod Kit	
10	2	090071	98/9947 Rod Connecting Screw (Pkg of 2)	
10	2	090072	98/9948 Rod Connecting Screw (Pkg of 2)	
11	1	106222	Ratchet Release Pkg	X
12	1	090070	Ratchet Release Screw (Pkg of 2)	
13	1	900620	98/9947/48 Rod Adjust Pkg	
13	1	900898	LBR Adjusting Screw Pkg	
14	1	090065	Bolt Return Spring (Pkg of 10)	
15	1	090066	Top Latch Compression Spring (Pkg of 10)	
16	1	090069	Ratchet Lever Spring (Pkg of 2)	
17	1	090062	Btm Latch Case Spirol Pin (Pkg of 10)	
18	1	050088	98/9947WDC & 98/9949WDC Scalp Plate	X
19	1	970978	98/9947 Ratchet Release Spacer	

X in "Finish" column designates finished items; finish must be specified when ordering.

*Each latch kit (item 1-2) includes only one latch mtg bracket (item 3). All WDC devices require only 1 mounting bracket per latch.

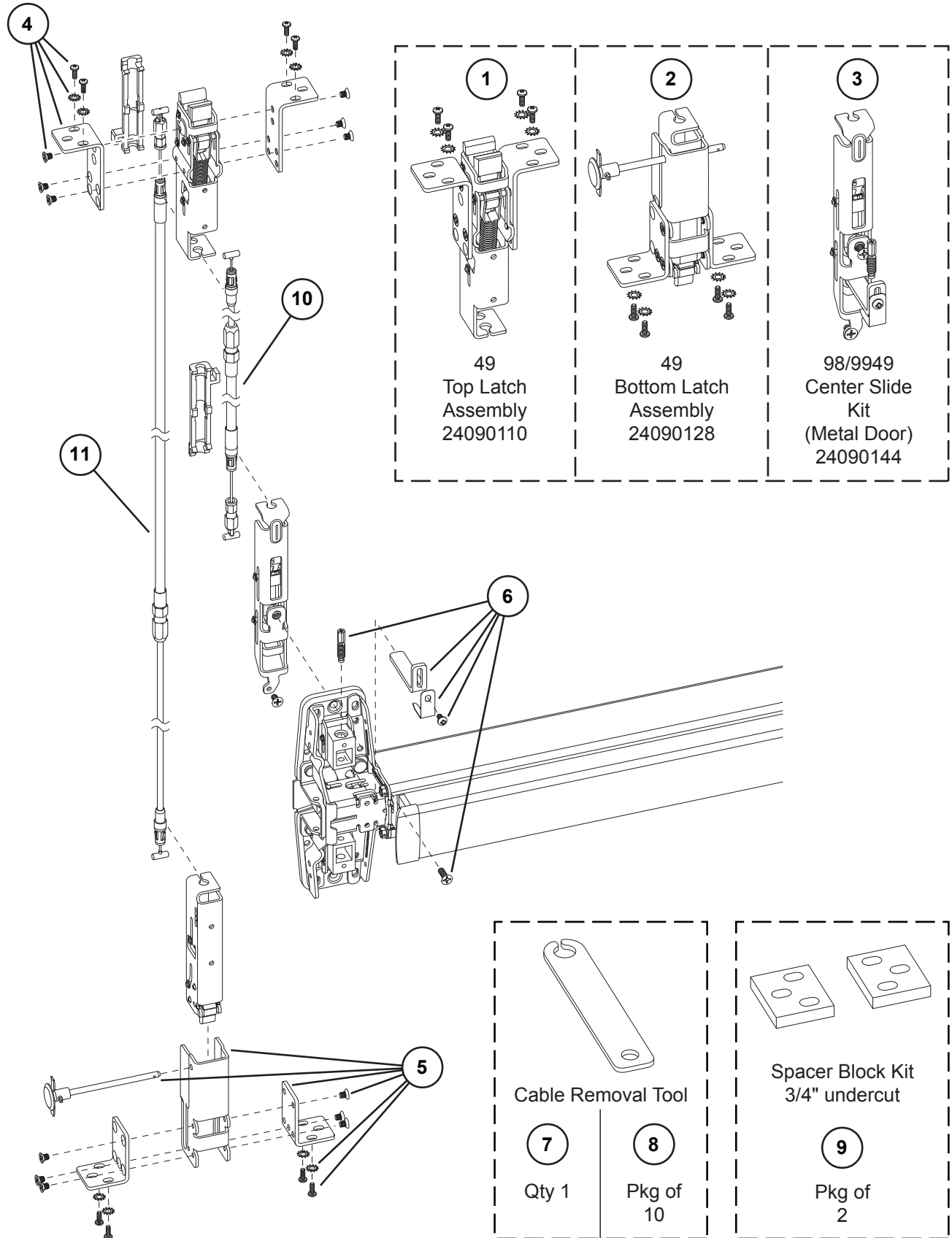


98/9947 Top Latch



98/9947 Bottom Latch

98/9949 & 98/9949-F METAL DOOR VERTICAL CABLES AND LATCHES



 1 49 Top Latch Assembly 24090110	 2 49 Bottom Latch Assembly 24090128	 3 98/9949 Center Slide Kit (Metal Door) 24090144
---	--	--

 Cable Removal Tool 7 Qty 1	 Spacer Block Kit 3/4" undercut 8 Pkg of 10	 Spacer Block Kit 3/4" undercut 9 Pkg of 2
---	---	--

98/9949 & 98/9949-F METAL DOOR VERTICAL CABLES AND LATCHES

Item No.	Quantity	Part No.	Description	Finish
1 *	1	24090110	49 Top Latch Assembly	
2	1	24090128	49 Bottom Latch Assembly	
3	1	24090144	98/9949 Center Slide Kit (Metal Door)	
4 *	1	23946429	49 Top Mounting Pkg	
5	1	23946437	49 Bottom Mounting Pkg	
6	1	23946445	98/9949 HM/AL Center Slide Mounting Pkg	
7	1	24052979	Cable Removal Tool	
8	10	24090706	Cable Removal Tool (Pkg of 10)	
9	2	24231516	Spacer Block Kit - 3/4" undercut (Pkg of 2)	

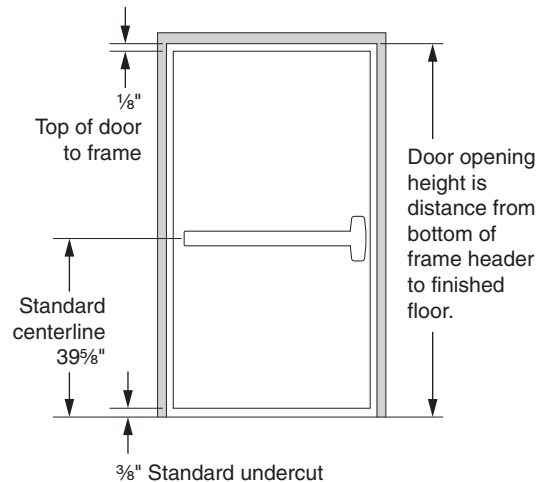
*A cable removal tool is included with the assembly/package.

Each latch assembly includes two latch mounting brackets.

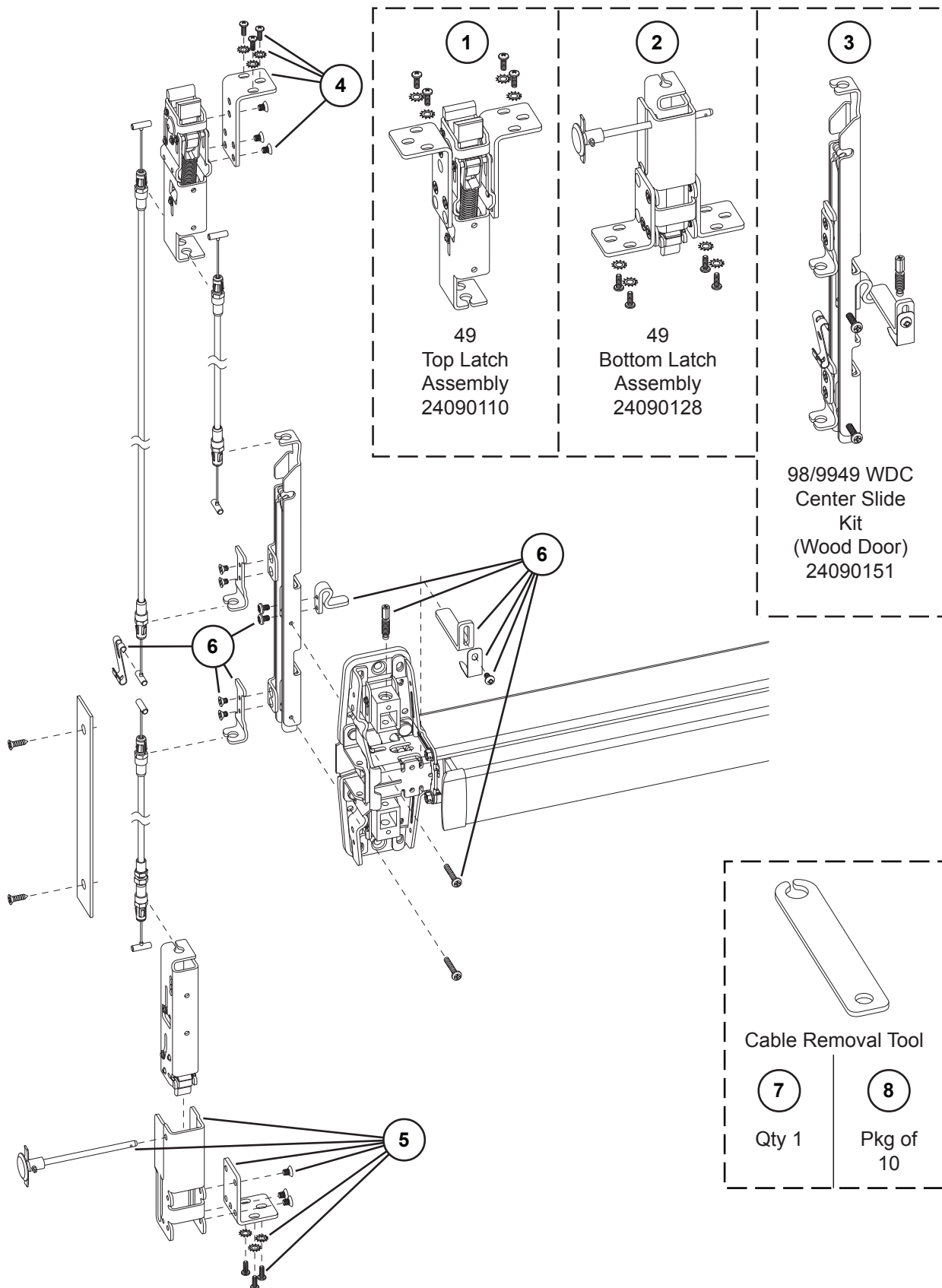
STANDARD SIZE CABLES

Item No.	Quantity	Part No.	Description / Door Opening Height *	Finish
10	1	47250175	Top Cable (6' 10" - 8' 0")	
10	1	47250176	Top Cable (8' 0" - 9' 2")	
10	1	47250177	Top Cable (9' 2" - 10' 4")	
11	1	47250178	Bottom Cable (6' 10" - 8' 0")	
11	1	47250179	Bottom Cable (8' 0" - 9' 2")	
11	1	47250180	Bottom Cable (9' 2" - 10' 4")	

*Based on standard centerline of 39 $\frac{5}{8}$ " from finished floor



98/9949 & 98/9949-F WDC (WOOD DOOR CONCEALED) VERTICAL CABLES AND LATCHES



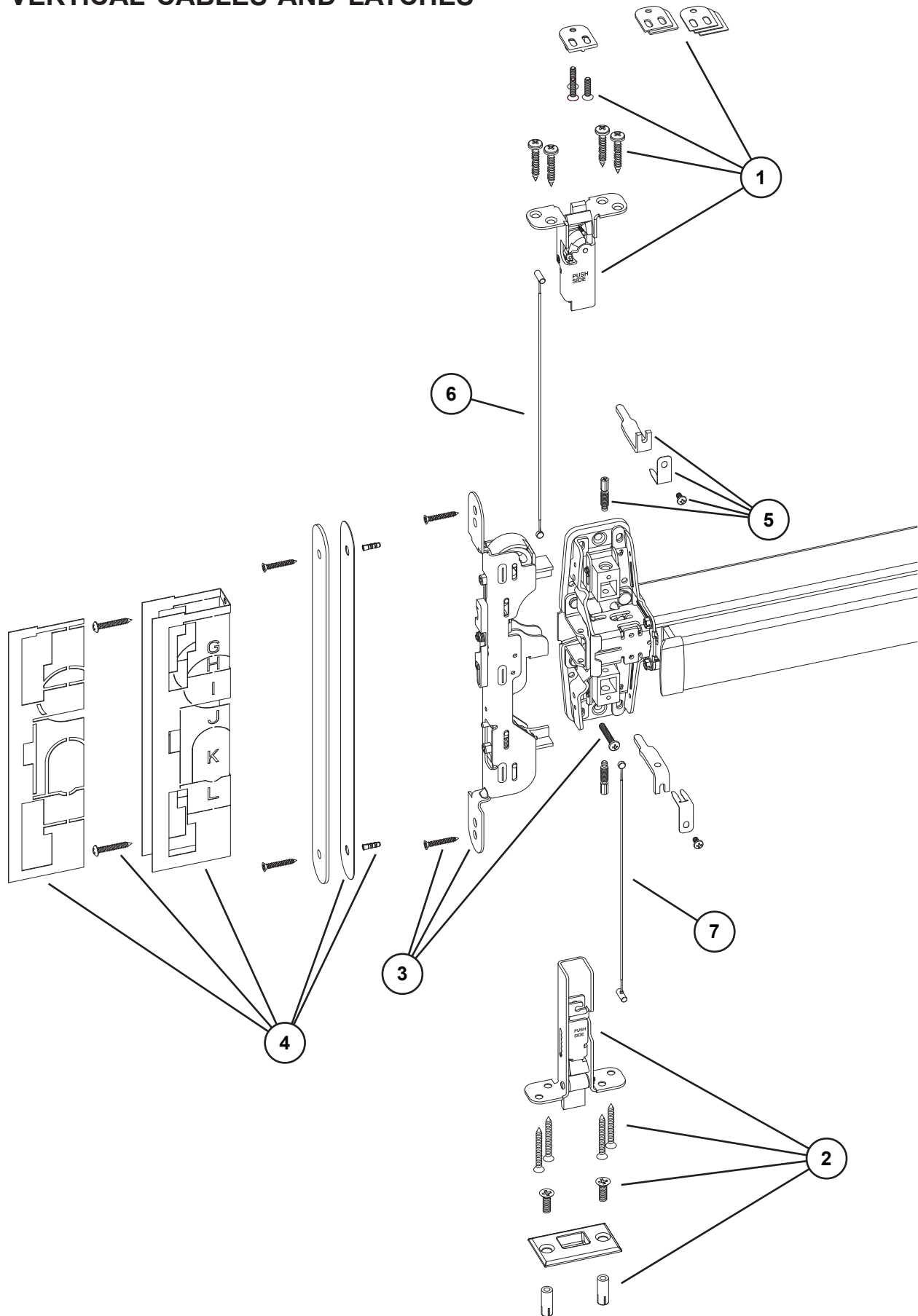
**98/9949 & 98/9949-F WDC (WOOD DOOR CONCEALED)
VERTICAL CABLES AND LATCHES**

Item No.	Quantity	Part No.	Description	Finish
1 *	1	24090110	49 Top Latch Assembly	
2	1	24090128	49 Bottom Latch Assembly	
3 *	1	24090151	98/9949 WDC Center Slide Kit (Wood Door)	
4 *	1	23946429	49 Top Mounting Pkg	
5	1	23946437	49 Bottom Mounting Pkg	
6	1	24010902	98/9949 WDC Center Slide Mounting Pkg	
7	1	24052979	Cable Removal Tool	
8	10	24090706	Cable Removal Tool (Pkg of 10)	
9	2	24231516	Spacer Block Kit - 3/4" undercut (Pkg of 2)	

*A cable removal tool is included with the assembly/package.

Each latch assembly includes two latch mounting brackets.

98/9950WDC & 98/9950WDC-F (WOOD DOOR CONCEALED) VERTICAL CABLES AND LATCHES

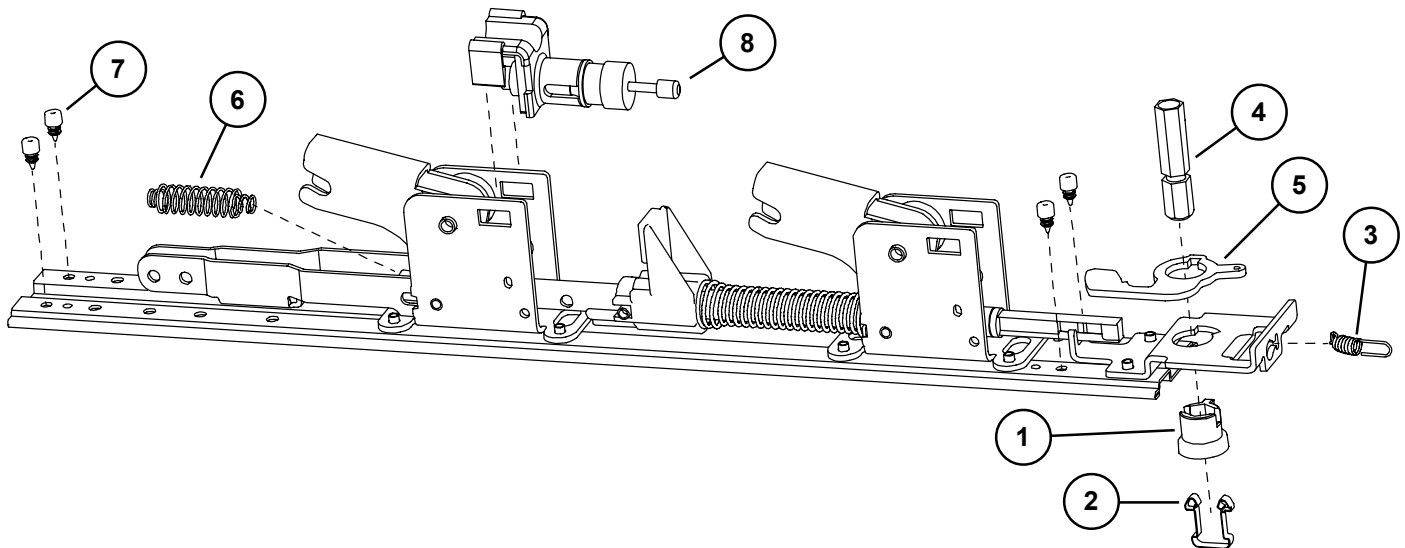


**98/9950WDC & 98/9950WDC-F (WOOD DOOR CONCEALED)
VERTICAL CABLES AND LATCHES**

Item No.	Quantity	Part No.	Description	Finish
1	1	48968820	50WDC Top Latch Kit	
2	1	48968838	50WDC Bottom Latch Kit	
3	1	48973291	98/9950WDC Center Slide Kit	
4	1	48968861	98/9950WDC-F Fire Kit	
5	1	24685554	98/9950WDC Lift Finger Kit	
6	1	24648180	Top Cable 6'8"-7'0" WDC	
6	1	24647273	Top Cable 7'1"-8'0" WDC	
6	1	24647281	Top Cable 8'1"-9'0" WDC	
6	1	24647299	Top Cable 9'1"-10'0" WDC	
7	1	24647265	Bottom Cable WDC	

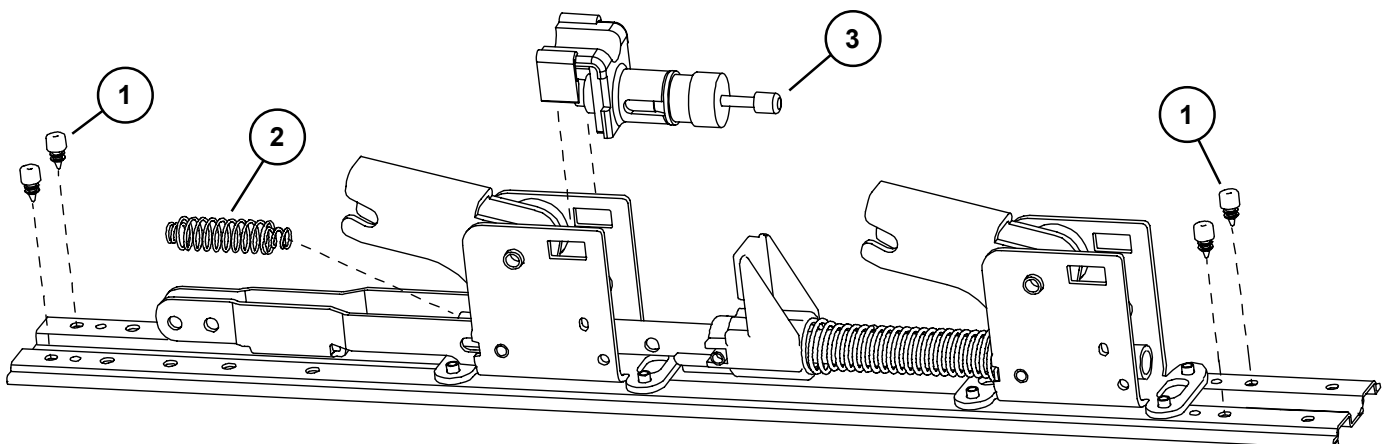
98/9947, 98/9949, & 98/9950 PANIC DEVICE BASEPLATE ASSEMBLY

Item No.	Quantity	Part No.	Description	Finish
1	1	090043	Dogging adapter (Pkg of 2)	
2	1	090042	Dogging adapter spring (Pkg of 2)	
3	1	090041	Dogging spring (Pkg of 2)	
4	1	090040	Hex dogging shaft (Pkg of 2)	
5	1	090044	Dogging hook (Pkg of 2)	
6	1	090039	Latch return spring (Pkg of 10)	
7	4	090038	Rubber bumper (Pkg of 4)	
8	1	050491	Shock absorber	



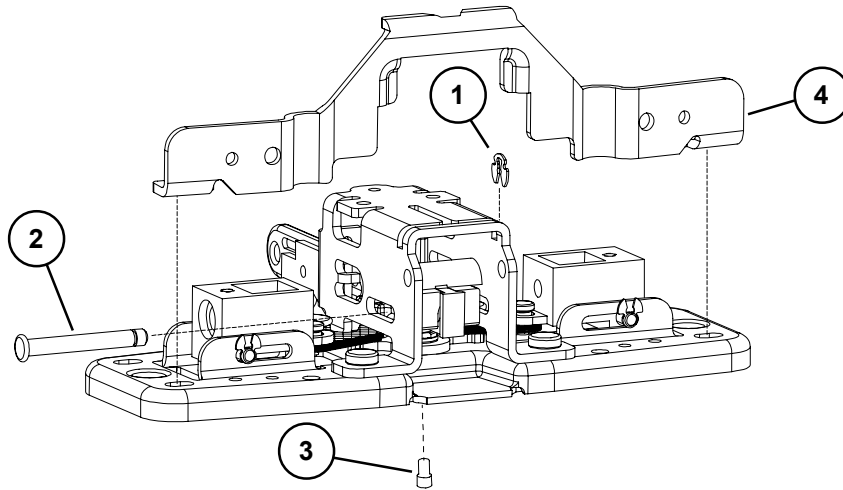
98/9947-F, 98/9949-F, & 98/9950-F FIRE DEVICE BASEPLATE ASSEMBLY

Item No.	Quantity	Part No.	Description	Finish
1	4	090038	Rubber bumper (Pkg of 4)	
2	1	090039	Latch return spring (Pkg of 10)	
3	1	050491	Shock absorber	



98/9947, 98/9949, & 98/9950 DEVICE CENTER CASE ASSEMBLY

Item No.	Quantity	Part No.	Description	Finish
1	2	090107	Retaining Ring (Pkg of 10)	
2	2	090079	Latch Bolt Pin (Pkg of 10)	
3	1	090074	NL Drive Screw (Pkg of 10)	
4	1	050565	Center Case Reinforcing Bracket	



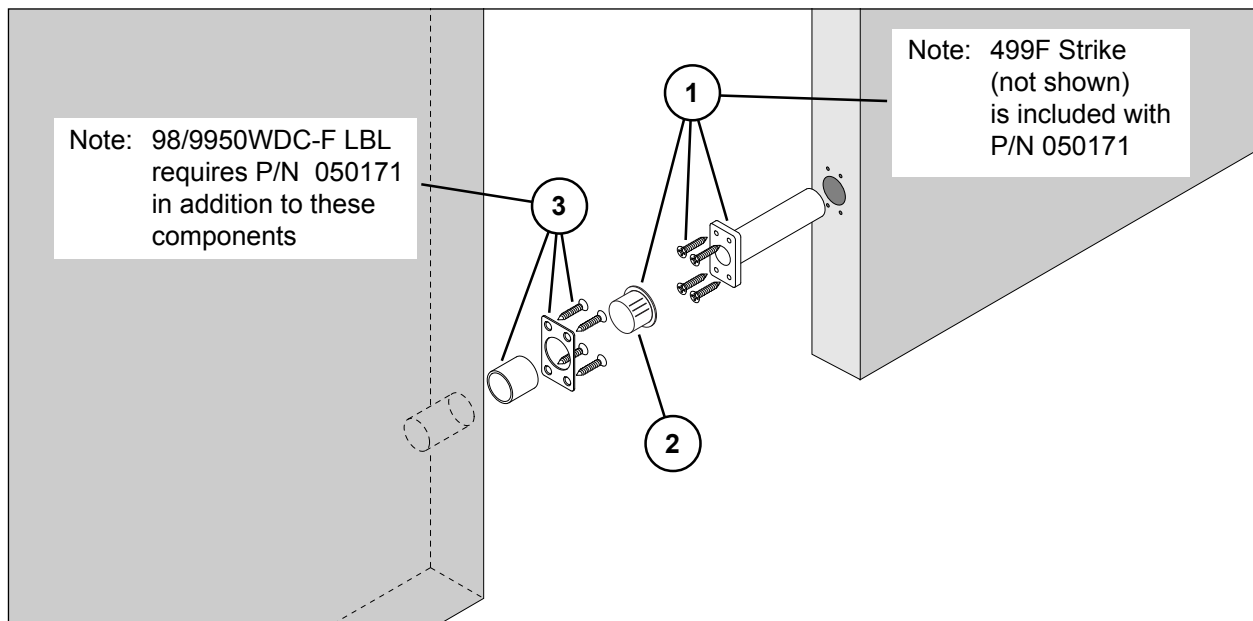
98/9947-F LBR (LESS BOTTOM ROD)

98/9949-F LBL (LESS BOTTOM LATCH)

98/9950WDC-F LBL (LESS BOTTOM LATCH)

FIRE LATCH KIT

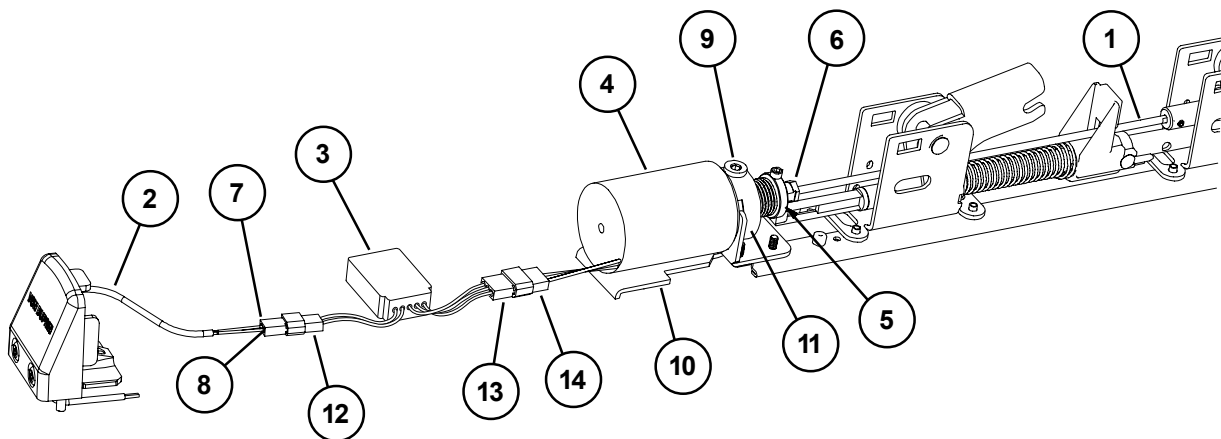
Item No.	Quantity	Part No.	Description	Finish
1	1	050171	LBR/LBL Fire Latch/Strike Kit	
2	1	050509	LBR/LBL Fire Strike Plug	
3	1	48968887	50WDC Fire Pin Kit	



**HD-EL9847/HD-EL9947, HD-EL9849/HD-EL9949, & HD-EL9850/HD-EL9950
HEX DOGGING/ELECTRIC LATCH
RETRACTION OPTION - PANIC DEVICE ONLY**

Item No.	Quantity	Part No.	Description	Finish
1	1	050531	EL Dogging Rod Kit - 3' device	
1	1	050532	EL Dogging Rod Kit - 4' device	
2	1	110388	EL 6' Cable and Connector	
3	1	050534	EL Potted Module	
4	1	050536	HD-EL Solenoid	
5	1	050537	HD-EL Solenoid Plunger	
6	1	050538	EL Dogging Rod Retainer	
7	1	050539	EL Receptacle Connector - 2 Position	
8	2	050540	EL Female Terminal	
9	1	050541	HD-EL Dog Screw	
10	1	050542	HD-EL Solenoid Bracket	
11	1	050543	HD-EL Dogging Spring	
12	1	990599	EL Plug Connector - 2 Position	
13	1	990857	EL Receptacle Connector - 3 Position	
14	1	990858	EL Plug Connector - 3 Position	
*	1	050384	HD-EL Conversion Kit - 3'	
*	1	050385	HD-EL Conversion Kit - 4'	

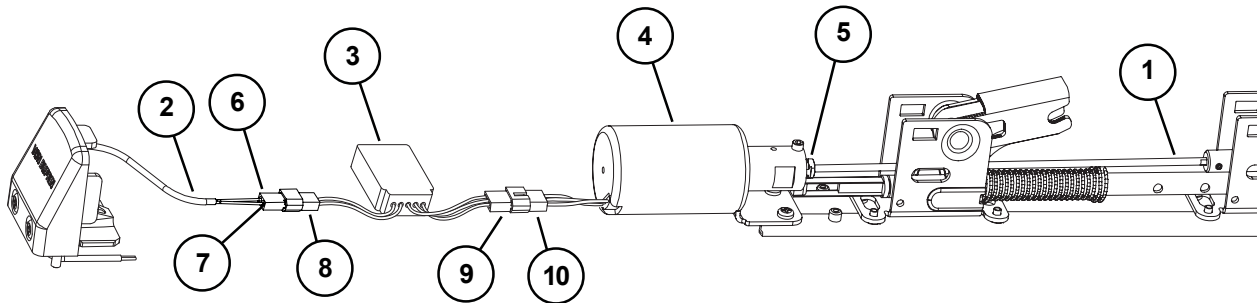
*Kit includes items 1-11 plus new control link, retaining ring, and baseplate screws.



EL9847/EL9947, EL9849/EL9949, & EL9850/EL9950 SERIES ELECTRIC LATCH RETRACTION OPTION

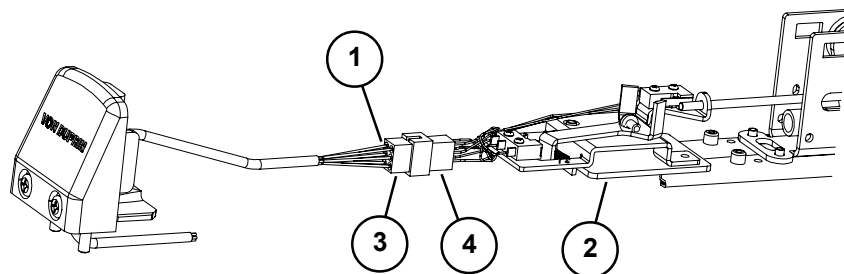
Item No.	Quantity	Part No.	Description	Finish
1	1	050531	EL Dogging Rod Kit - 3' device	
1	1	050532	EL Dogging Rod Kit - 4' device	
2	1	110388	EL 6' Cable and Connector	
3	1	050534	EL Potted Module	
4	1	050535	EL Solenoid Assembly	
5	1	050538	EL Dogging Rod Retainer	
6	1	050539	EL Receptacle Connector	
7	2	050540	EL Female Terminal	
8	1	990599	EL Plug Connector - 2 Position	
9	1	990857	EL Receptacle Connector - 3 Position	
10	1	990858	EL Plug Connector - 3 Position	
*	1	050070	EL Conversion Kit - 3'	
*	1	050078	EL Conversion Kit - 4'	

*Kit includes items 1-7 plus new control link pin, retaining ring, and baseplate screws.

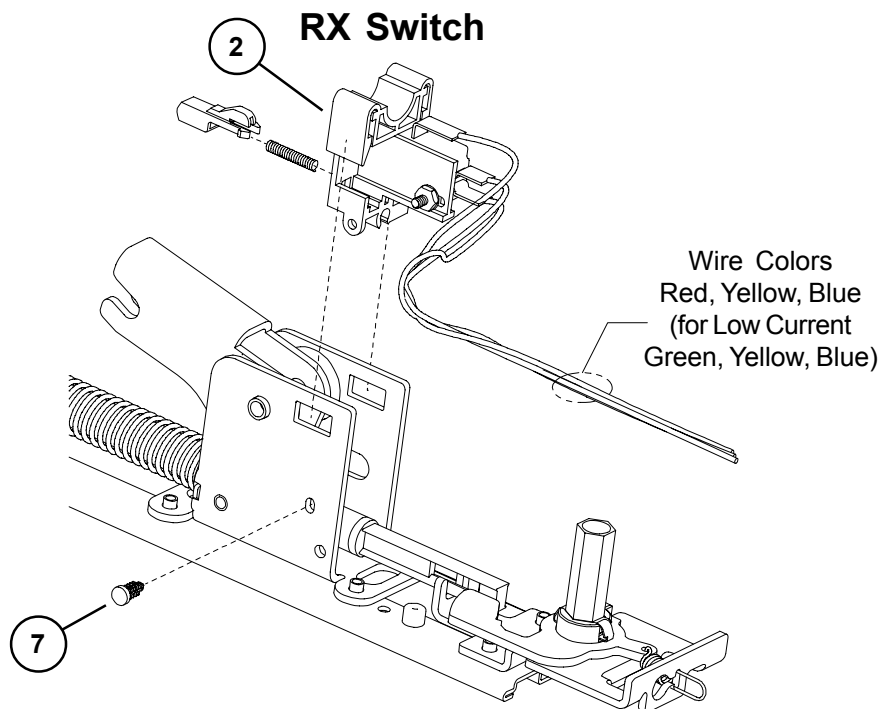
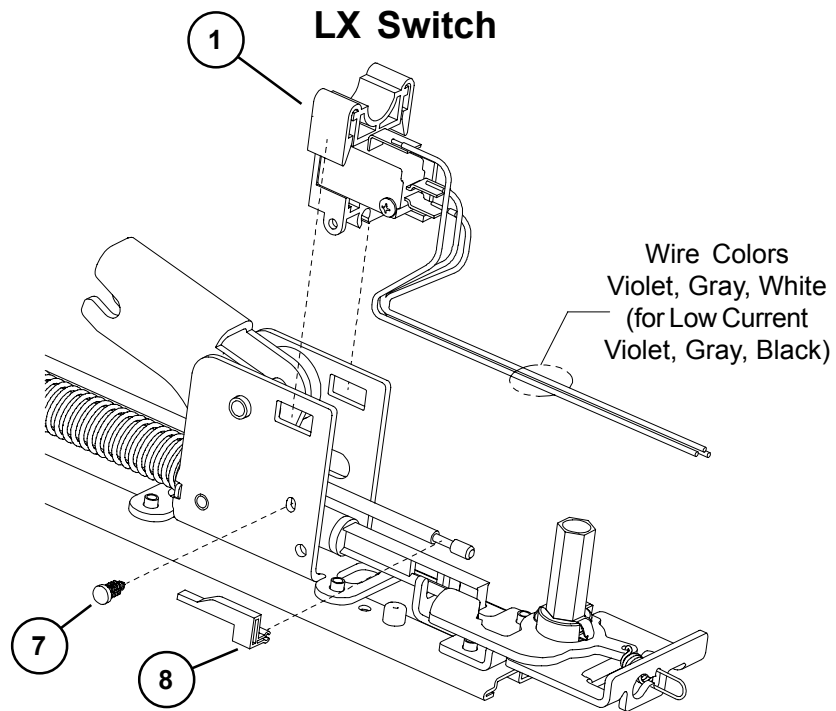


SS9847/SS9947, SS9849/SS9949, & SS9850/SS9950 SERIES SIGNAL SWITCH OPTION

Item No.	Quantity	Part No.	Description	Finish
1	1	050544	SS Cable	
2	1	050545	SS Housing	
3	1	990601	SS Plug Connector - 6 Position	
4	1	990602	SS Receptacle Connector - 6 Position	

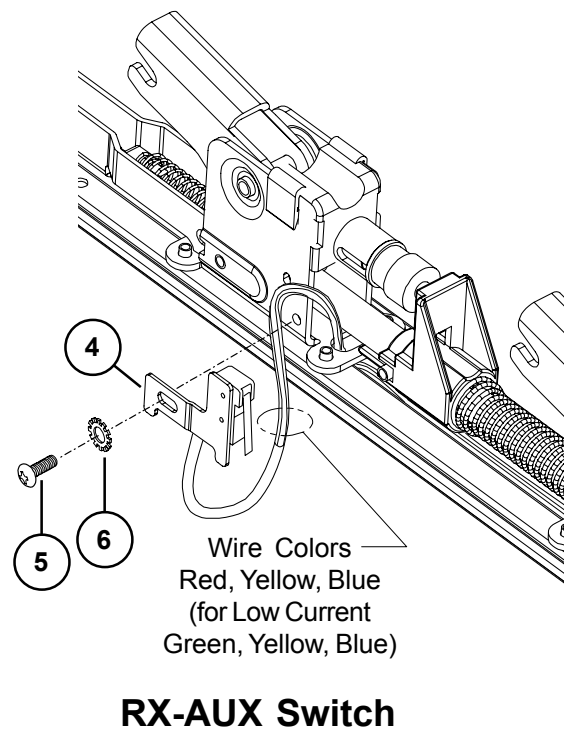
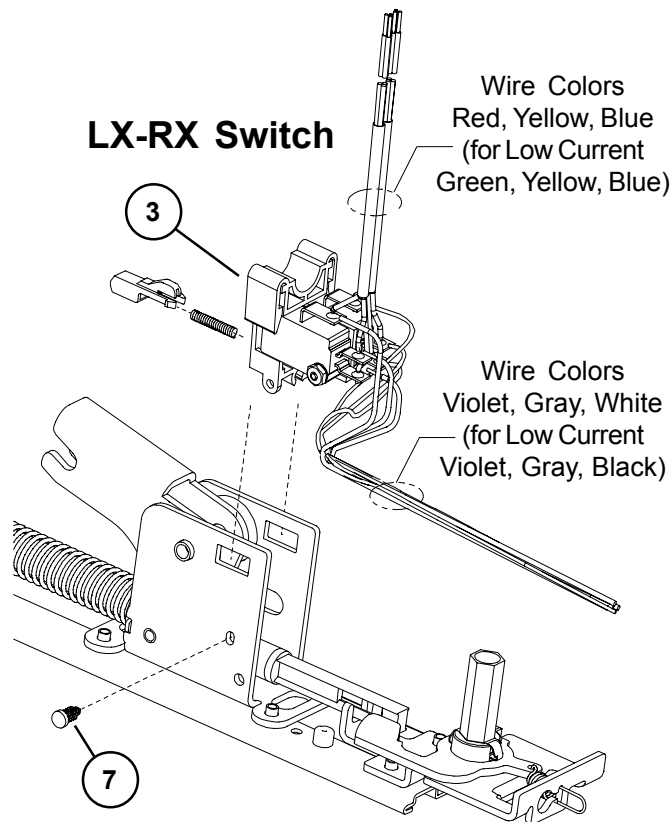


98/9947, 98/9949, & 98/9950 SERIES LX (LATCH BOLT MONITOR) & RX (REQUEST TO EXIT) OPTIONS



98/9947, 98/9949, & 98/9950 SERIES LX (LATCH BOLT MONITOR) & RX (REQUEST TO EXIT) OPTIONS

Item No.	Quantity	Part No.	Description	Finish
1	1	050254	LX Switch Kit 3' Device	
1	1	050255	LX Switch Kit 4' Device	
1	1	050247	LX-EL Switch Kit	
1	1	050283	LX-LC (Low Current) Switch Kit 3' Device	
1	1	050285	LX-LC (Low Current) Switch Kit 4' Device	
1	1	050287	LX-LC-EL (Low Current) Switch Kit	
2	1	050251	RX Switch Kit	
2	1	050281	RX-LC (Low Current) Switch Kit	
3	1	050256	LX-RX Switch Kit 3' Device	
3	1	050257	LX-RX Switch Kit 4' Device	
3	1	050259	LX-RX-EL Switch Kit	
3	1	050289	LX-RX-LC (Low Current) Sw. Kit 3' Device	
3	1	050291	LX-RX-LC (Low Current) Sw. Kit 4' Device	
3	1	050293	LX-RX-LC-EL (Low Current) Switch Kit	
2 & 4	1	050270	RX-2 Switch Kit	
4	1	050271	RX-AUX Switch Kit	
5	1	964558	8-32 x 5/16" PPHMS	
6	1	964019	#8 Washer	
7	1	090099	Pine Tree Clip (Pkg of 10)	
8	1	971091	LX Actuator	

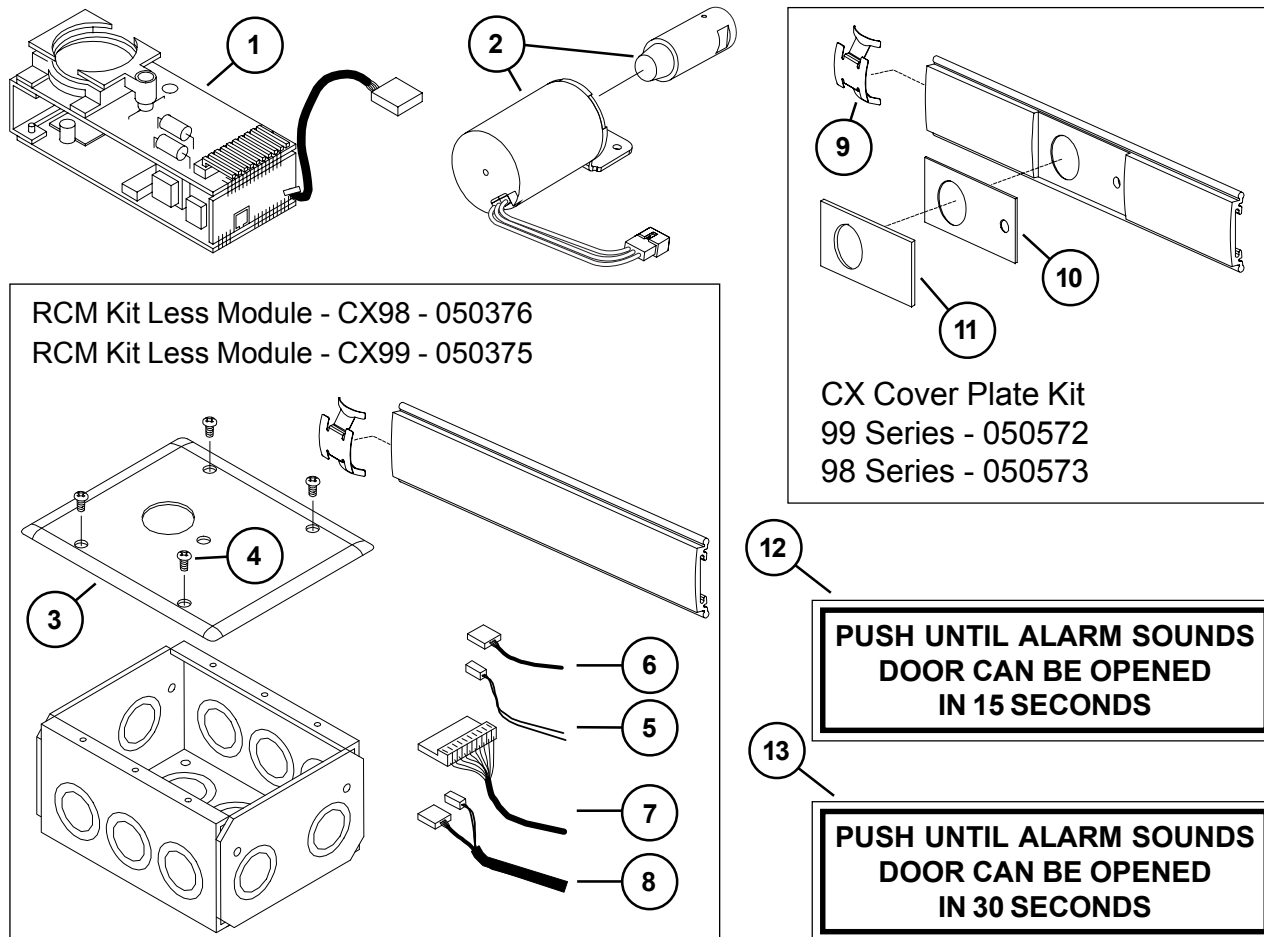


CX98/9947, CX98/9949, & CX98/9950 SERIES CHEXIT AND CX-RCM OPTION

For discontinued Chexit devices made before August, 24 2015

Item No.	Quantity	Part No.	Description	Finish
1	1	050228	Chexit PCB Kit - 15 Second Release	
1*	1	050700	Chexit PCB Kit - 30 Second Release	
1	1	050701	Chexit PCB Kit - 0 Second Release	
1	1	050702	Chexit PCB Kit - Boca 15 Second Release	
1*	1	050703	Chexit PCB Kit - Boca 30 Second Release	
2	1	050533	CX Solenoid and Plunger	
3	1	113111	Faceplate and Adapter	X
4	4	963898	6-32 x 3/8" OPHMS Faceplate Screw	X
5	1	991338	RCM 2-Wire RX Cable	
6	1	991339	RCM 3-Wire Solenoid Cable	
7	1	112018	Chexit Wiring Assembly	
8	1	991336	CX-RCM Cable Assy - 5 Wire	
9	1	090036	Cover Plate Anti-rattle Spring (Pkg of 10)	
10	1	970513	LED Cover Mask - Chexit	
11	1	970519	LED Cover - Chexit	
12	1	113781	Sign 15 Second - Chexit	
13	1	113782	Sign 30 Second - Chexit	

*Over 15 second delay requires a letter of approval from the authority having local jurisdiction over the premises prior to the installation of the device. Allegion cannot grant such approval nor does it warrant local jurisdiction compliance.

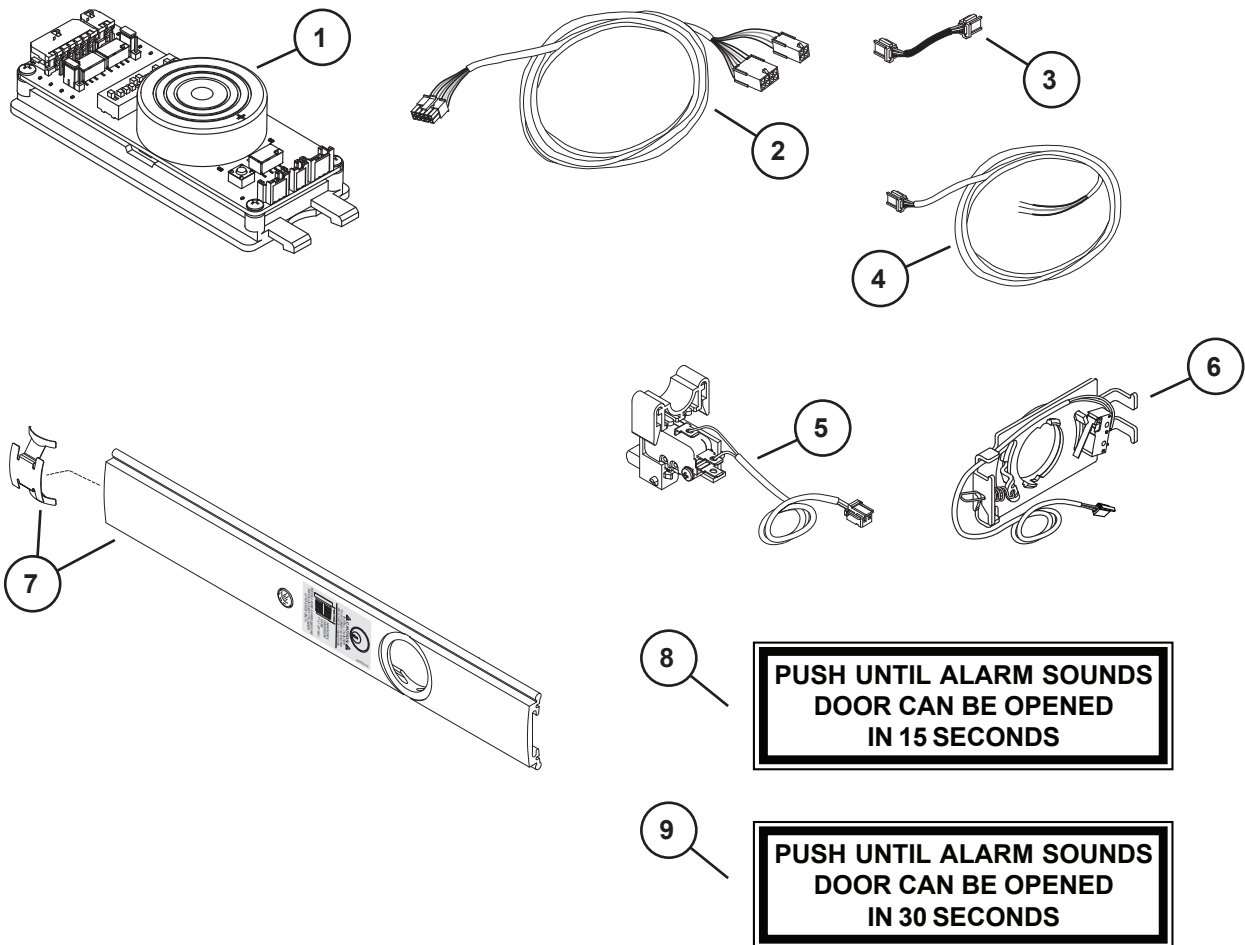


CX98/9947, CX98/9949, & CX98/9950 SERIES CHEXIT

For new Chexit devices made after August, 24 2015

Item No.	Quantity	Part No.	Description	Finish
1	1	040086	Standard - 15 Second Release Delay	
1*	1	040087	Special Infinite Release Delay	
1*	1	040088	Special 30 Second Release Delay	
1	1	040089	Special 0 Second Release Delay	
1	1	040090	Special Mute 15 Second Release Delay	
1	1	040091	BOCA 15 Second Release Delay	
2	1	040191	CX Field Wiring Cable	
3	1	040192	CX Motor Cable	
4	1	040193	CX Trim Device Cable	
5	1	116717	CX RX Switch Assembly	
6	1	040170	CX Key Switch Assembly 3'	
6	1	040189	CX Key Switch Assembly 4'	
7	1	040093	CX33/99 Cover Plate Kit	X
7	1	040094	CX35/98 Cover Plate Kit	X
8	1	113781	Sign 15 Second	
9	1	113782	Sign 30 Second	

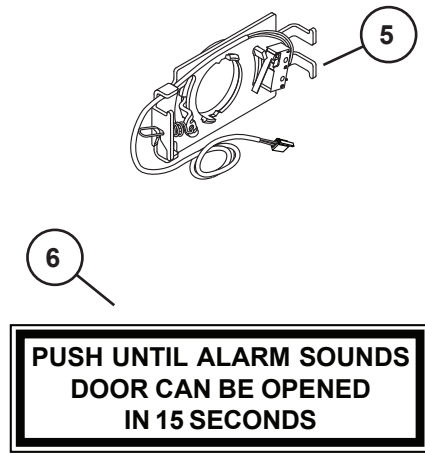
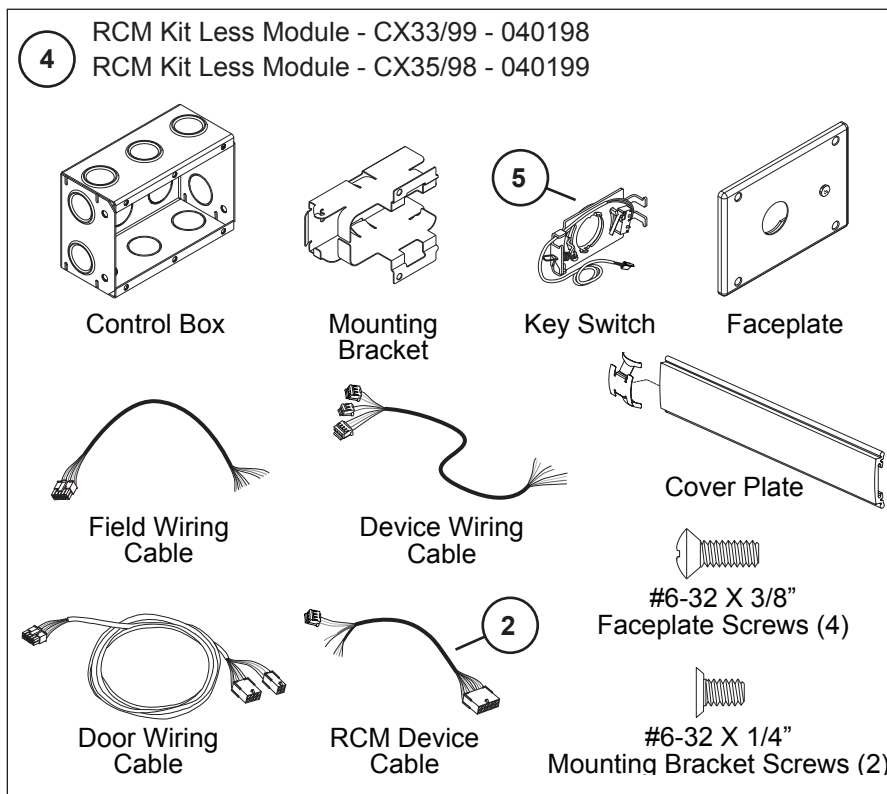
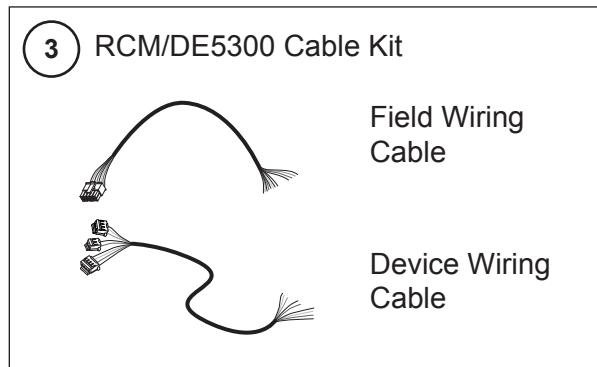
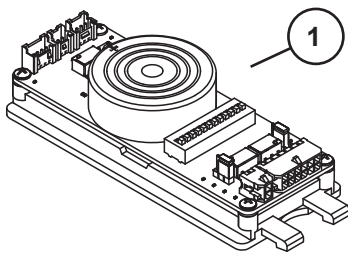
*Over 15 second delay requires a letter of approval from the authority having local jurisdiction over the premises prior to the installation of the device. Allegion cannot grant such approval nor does it warrant local jurisdiction compliance.



CX-RCM/DE5300 OPTIONS

For new RCM/DE5300 devices made after August, 24 2015

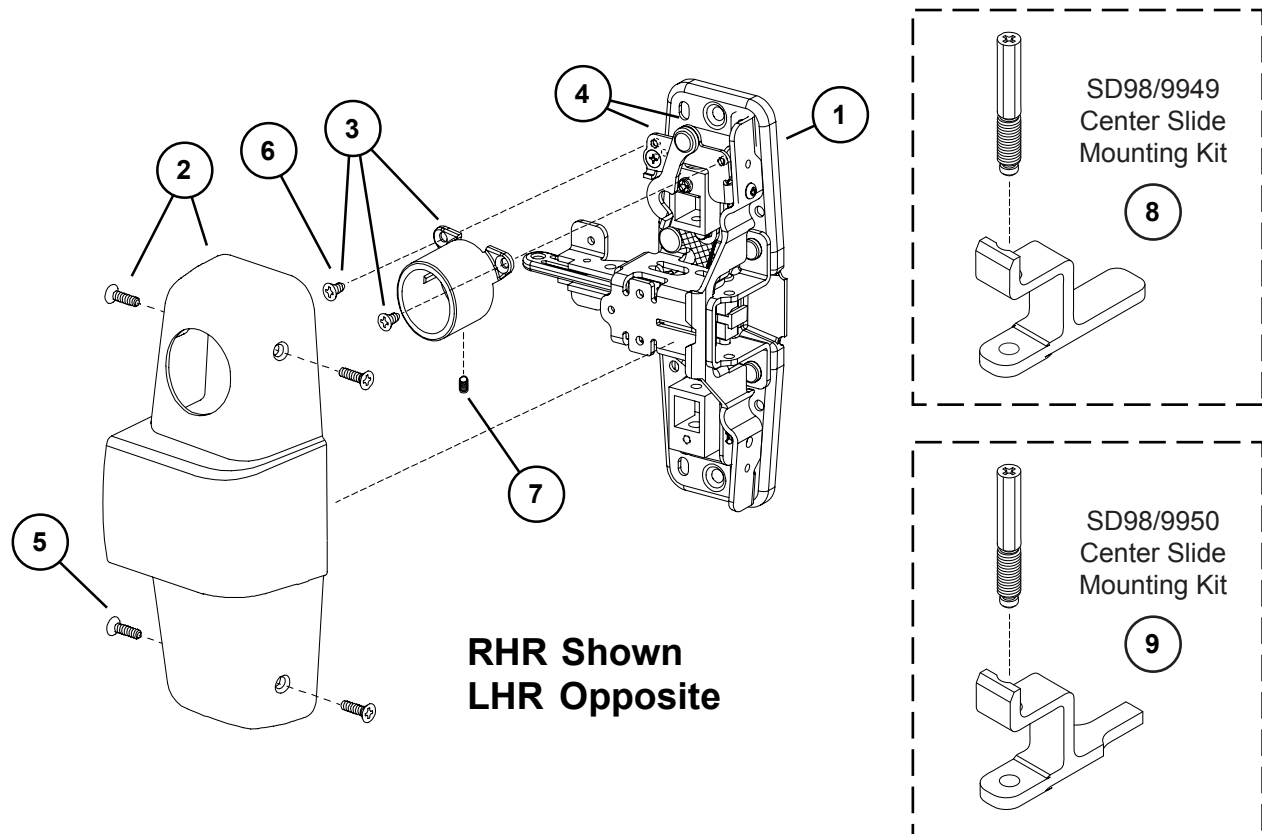
Item No.	Quantity	Part No.	Description	Finish
1	1	116711	Standard - 15 Second Release Delay	
2	1	040092	RCM Device Cable	
3	1	040188	DE5300/RCM Cable Kit	
4	1	040198	RCM Kit Less Module - CX33/99	X
4	1	040199	RCM Kit Less Module - CX35/98	X
5	1	040169	DE5300/RCM Key Switch Assy	
6	1	113781	Sign 15 Second	



CX-CD/SD98/9947, CX-CD/SD98/9949, & CX-CD/SD98/9950 SERIES OPTION

Item No.	Quantity	Part No.	Description	Finish
1*	1	050552	SD98/9947/49/50 RHR Center Case Kit Less Cvr	
1*	1	050553	SD98/9947/49/50 LHR Center Case Kit Less Cvr	
2	1	050562	SD98/9947/49/50 RHR Center Case Cover Kit	X
2	1	050563	SD98/9947/49/50 LHR Center Case Cover Kit	X
3	1	112409	CD-CX/SD Cylinder Dog Housing	
4	1	112455	CD-CX/SD Cylinder Dog Bracket Kit RHR	
4	1	112456	CD-CX/SD Cylinder Dog Bracket Kit LHR	
5	4	900892	Center Case Cover Screws	X
6	2	PkgServ.1018	8-32 x 1/4" UFPHMS (Pkg of 20)	
7	1	964240	Bracket Set Screw	
8	1	24123291	SD98/9949 Center Slide Mounting Kit	
9	1	47244842	SD98/9950 Center Slide Mounting Kit	

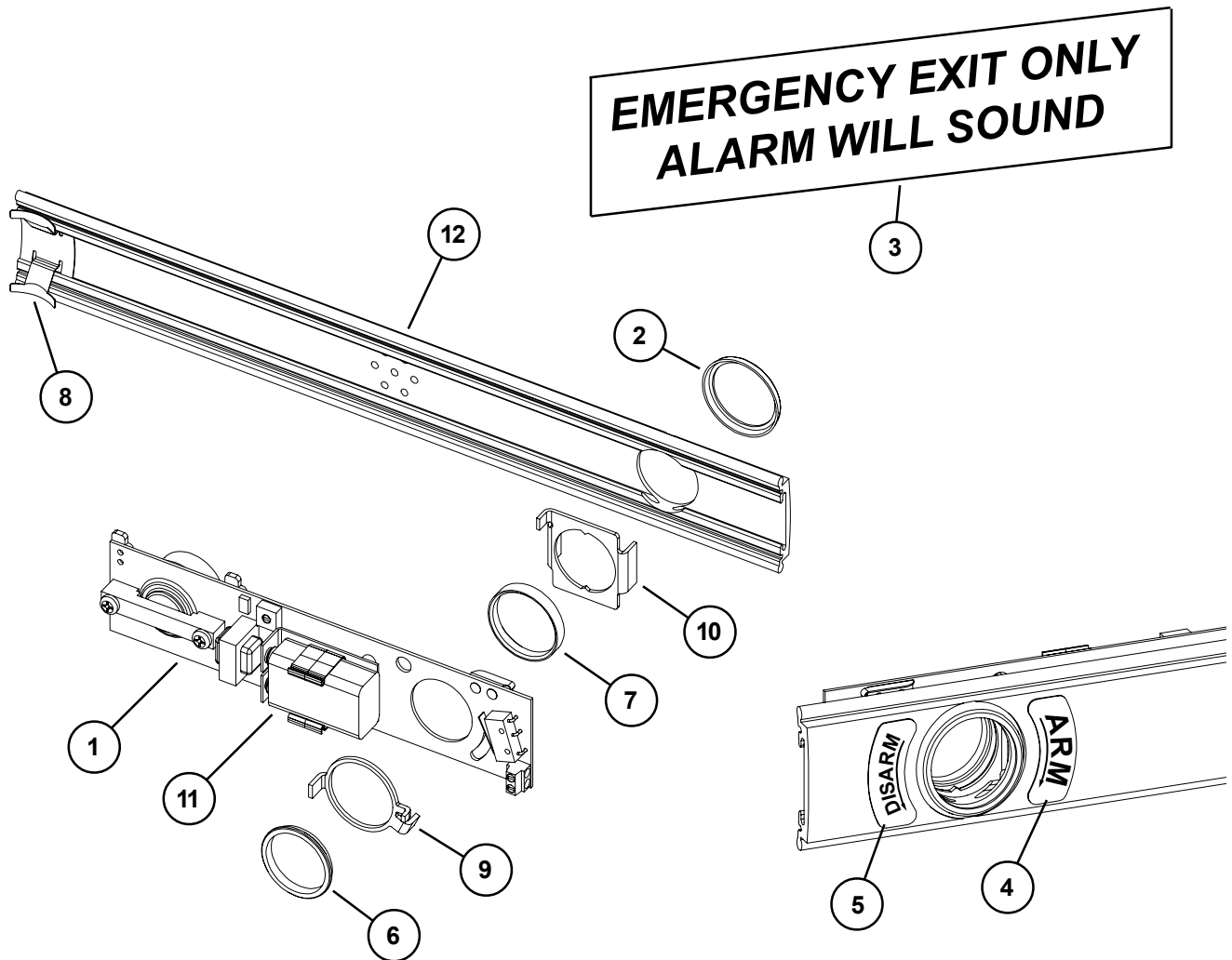
*Parts shown are for the CX-CD/SD option. For other available center case parts refer to page 17.



98/9947, 98/9949, & 98/9950 ALK EXIT ALARM KIT

Item No.	Quantity	Part No.	Description	Finish
1	1	111795	ALK PCB Assembly	
2	1	050525	Cylinder Collar	X
3	1	969122	ALK Alarm Device Sign	
4	1	969349	ALK Arming Label	
5	1	969350	ALK Disarming Label	
6	1	969354	Retainer Nut	
7	1	970594	ALK Cylinder Spacer	
8	1	090036	Cover Plate Anti-rattle spring (Pkg of 10)	
9	1	971556	ALK Switch Actuator	
10	1	971557	ALK Cylinder Bracket	
11	1	990637	ALK Battery	
12	1	050569	99 Series ALK Cover Plate Kit	X
12	1	050570	98 Series ALK Cover Plate Kit	X

X in "Finish" column designates finished items; finish must be specified when ordering.

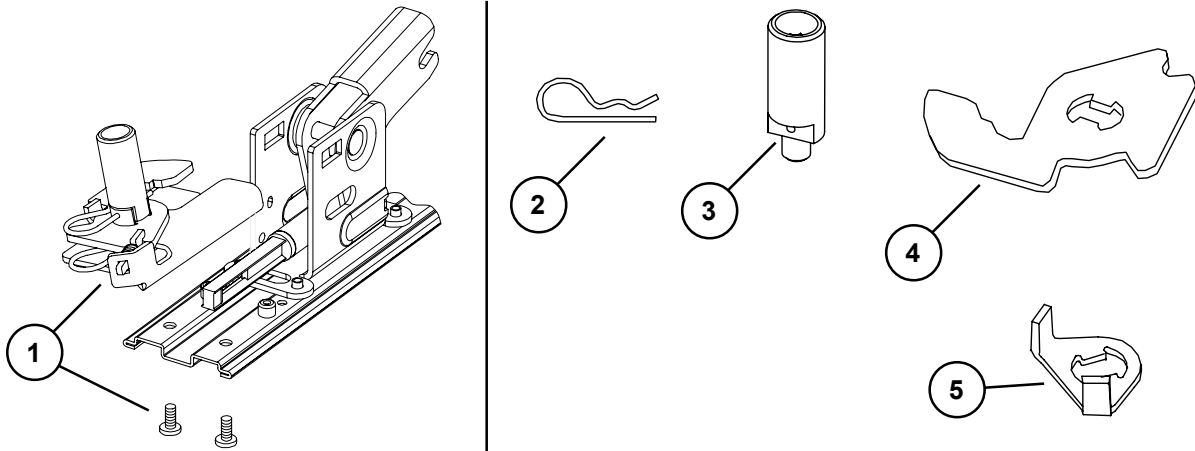


98/9947 SERIES SERVICE REPLACEMENT ITEMS

Item No.	Quantity	Part No.	Description	Finish
1	1	050153	Old Style Hex Dogging Replacement Kit	
2	1	963909	#22 Hitch Pin - Hex/CD Dogging Old Style	
3	1	968112	Old Style Hex Dog Shaft	
4	1	969941	Old Style Dogging Hook	
5	1	968116	Old Style CD Actuator Arm	
6	1	900905	Old Style End Cap and Bracket Assembly	X
7	1	970548	Old Style Cover Plate Stop - End Cap	
8	1	900901	Old Style End Cap Screw Package	X
9	1	971082	Old Style 98/99 End Cap - Stainless Steel	X
9	1	971083	Old Style 98/99 End Cap - Brass	X
9	1	971084	Old Style 98/99 End Cap - Bronze	X
9	1	971085	Old Style 98/99 End Cap - Aluminum	X

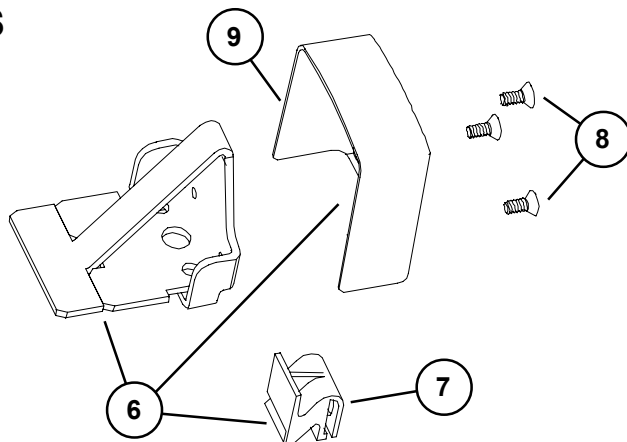
X in "Finish" column designates finished items; finish must be specified when ordering.

OLD STYLE DOGGING PARTS (FOR DEVICES SHIPPED BEFORE AUGUST 1997)



OLD STYLE END CAP PARTS (FOR DEVICES SHIPPED BEFORE JANUARY 2002)

Note: Newer style end cap kit shown on pages 4-5. Newer style end cap kit can be used on devices manufactured before January 2002, but mechanism case and cover plate on hinge stile must have a square cut and a clean edge.



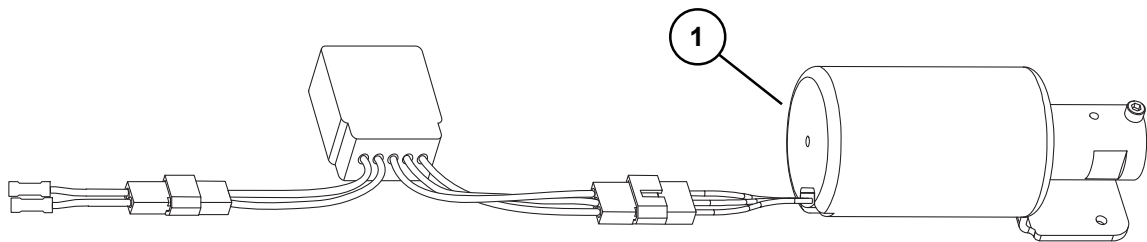
98/9947 SERIES SERVICE REPLACEMENT ITEMS

Item No.	Quantity	Part No.	Description	Finish
1	1	050218	EL Solenoid Replacement Kit	

X in "Finish" column designates finished items; finish must be specified when ordering.

EL SOLENOID REPLACEMENT KIT (FOR DEVICES SHIPPED BEFORE JANUARY 1987)

Note: This kit replaces the old style EL solenoid parts with the new style.



About Allegion

Allegion (NYSE: ALLE) creates peace of mind by pioneering safety and security. As a \$2 billion provider of security solutions for homes and businesses, Allegion employs more than 8,000 people and sells products in more than 120 countries across the world. Allegion comprises 27 global brands, including strategic brands CISA®, Interflex®, LCN®, Schlage® and Von Duprin®.

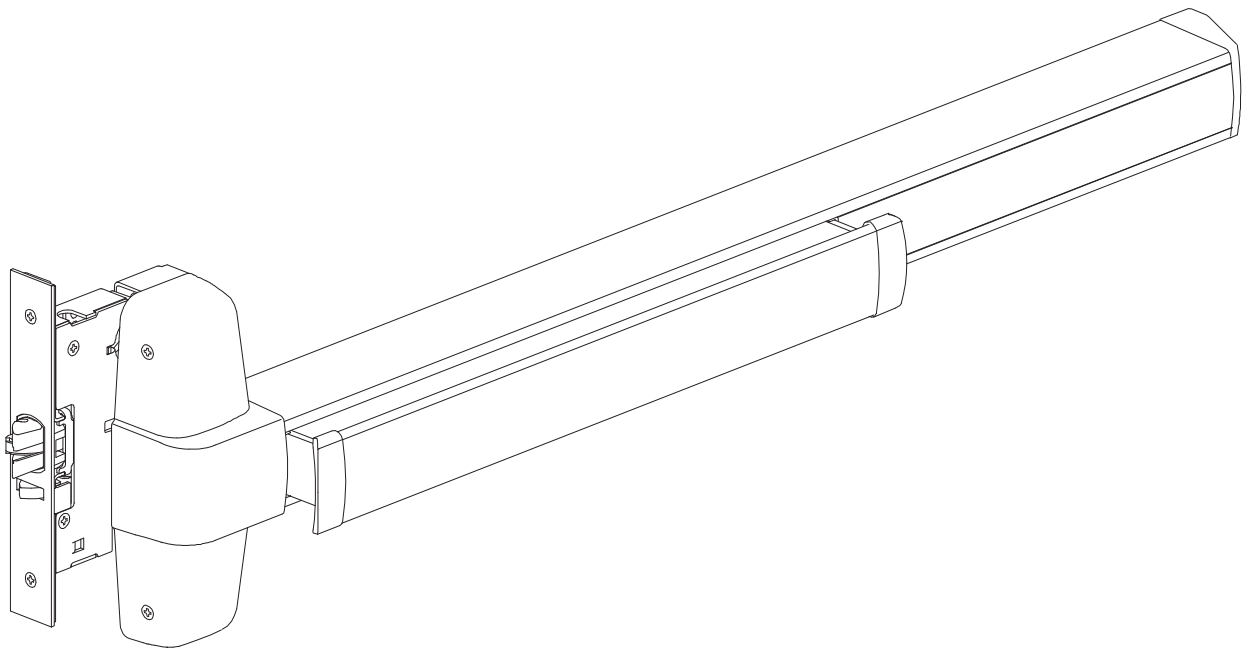
For more, visit www.allegion.com.

aptiQ ■ LCN ■ **SCHLAGE** ■ STEELCRAFT ■ VON DUPRIN

VON DUPRIN®

98/9975 Mortise Lock Exit Devices

Service manual



INDEX

98/9975 Devices	
Basic Panic Device	4-5
Basic Fire Device	6-7
Baseplate Assemblies	8
Center Case Assembly	9
Variations of the Basic Device	
CD (Cylinder Dogging)	4-5
98/9975-2 (Double Cylinder)	9
HD-EL (Hex Dogging/Electric Latch Retraction)	10
EL (Electric Latch Retraction)	11
SS (Signal Switch)	11
RX (Request to Exit)	12-13
LX (Latch Bolt Monitoring)	12-13
CX (Chexit Discontinued)	14
CX (Chexit New)	15
CX (Chexit New RCM/DE5300 Option)	16
ALK (Exit Alarm Kit)	17
7500 Mortise Lock	18-19
E7500 Mortise Lock (F.S.E.)	20
E7500 Mortise Lock (F.S.)	21
SS7500 Mortise Lock	22
Service Replacement Items	23-24
General Information	
Introduction	2
How to Order	2
Part Number Changes	2
Finishes	3
Outside Trim Functions	3
Strikes	3

INTRODUCTION

This manual contains a listing of replaceable parts and assemblies for the 98/9975 Exit Hardware Devices. 98 Series and 99 Series devices are almost identical. The 99 Series has a grooved case; the 98 Series has a smooth case.

HOW TO ORDER

Some parts are sold separately. Other items are available as part of a kit or multiple quantity package. For the best possible service when ordering replacement parts or assemblies, please provide the following information:

- Part number or assembly number
- Description
- Quantity needed
- Finish desired (if available finished)
- Date of original purchase (if known)

To find out the name of your local Von Duprin distributor or sales representative, contact:

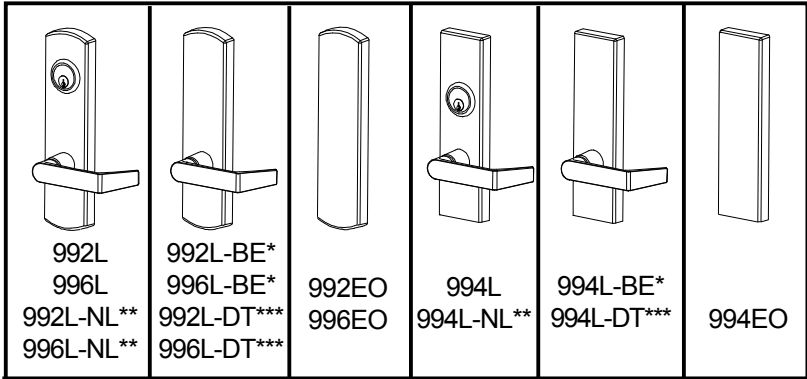
Von Duprin Division
Allegion
2720 Tobey Drive
Indianapolis, Indiana 46219
Phone: (877) 671-7011

PART NUMBER AND AVAILABILITY CHANGES

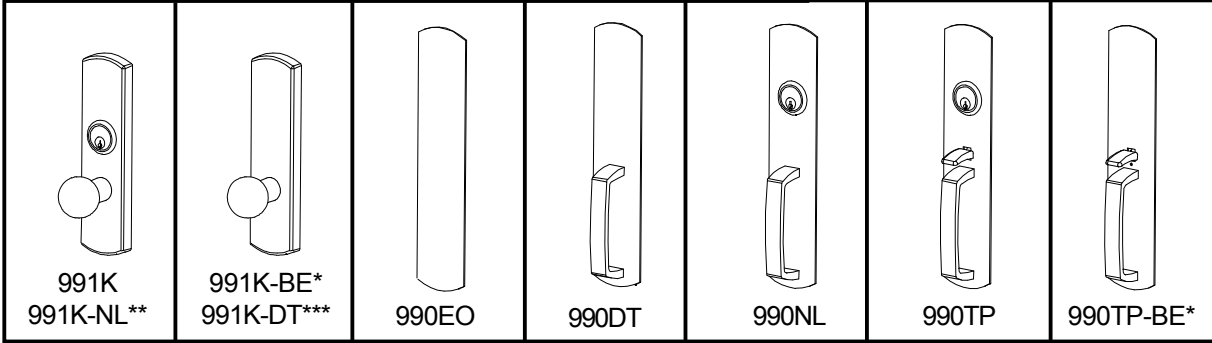
This manual was designed to help illustrate the replacement parts and kits that are available for sale. Because of changes to the product and/or manufacturing process, part numbers and availability can change over time.

98/99 SERIES FINISHES

OUTSIDE TRIM FUNCTIONS

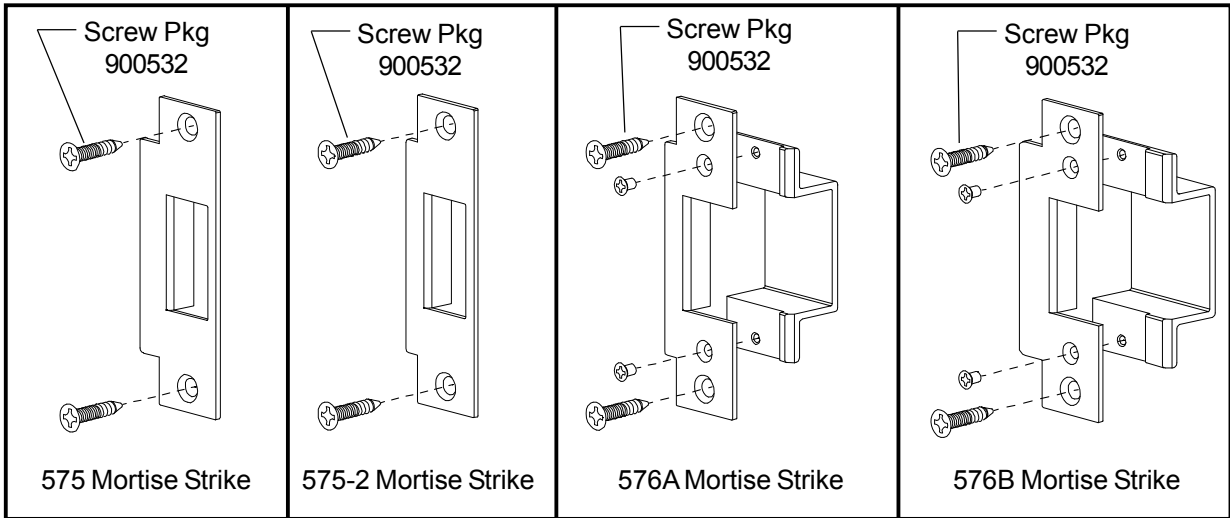


U.S. Std Reference	BHMA Reference	Description
US3	605	Polished Brass
US4	606	Dull Brass
US10	612	Dull Bronze
US15	619	Satin Nickel
US26	625	Polished Chrome
US26D	626	Dull Chrome
US28	628	Anodized Alum. (Clear)
US32D	630	Satin Stainless Steel
313AN	710	Anodized Alum. (313) Dark Bronze
315AN	711	Anodized Alum. (Black)

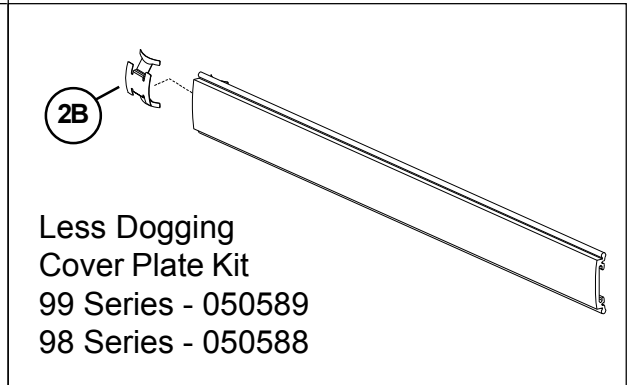
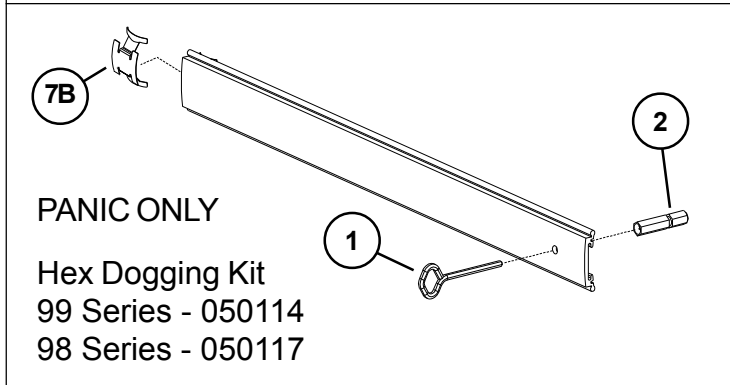
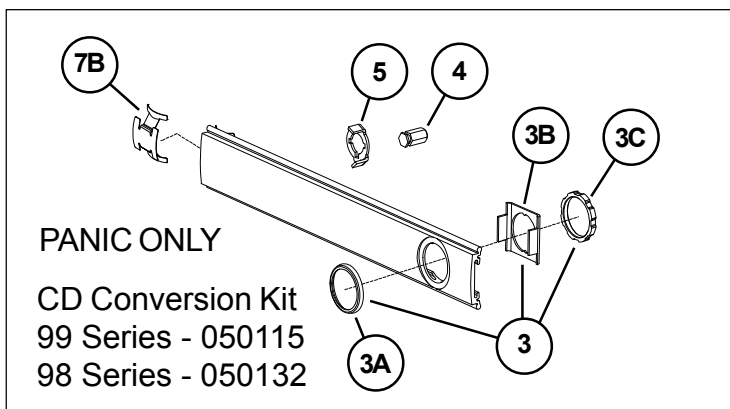
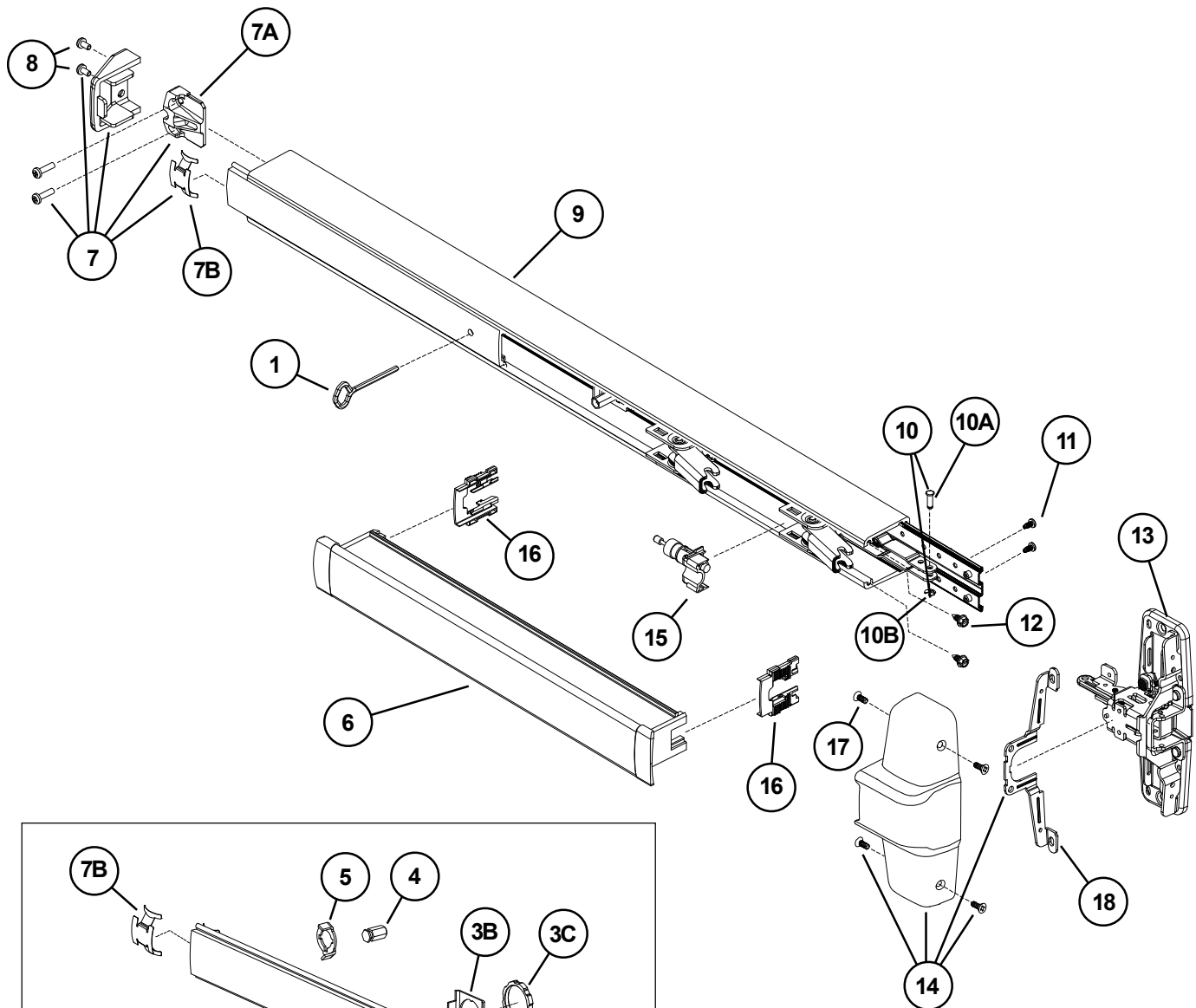


- * "BE" (Blank Escutcheon) no cylinder used - lever always active
- ** "NL" (Night Latch) rigid lever - key retracts latch bolt
- *** "DT" (Dummy Trim) rigid lever for pull operation
- **** "OP" (Optional Pull) needs to be added

MORTISE STRIKES



98/9975 MORTISE PANIC DEVICE



98/9975 MORTISE PANIC DEVICE

Item No.	Quantity	Part No.	Description	Finish
	1	900561	98/99 Series Mounting Pkg. (1-3/4 & 2-1/4)	
1	1	090085	227 Dog Key 5/32" Hex (Pkg of 10)	
1	1	090005	227 Dog Key 5/32" Hex (Pkg of 2)	
2	1	090040	Hex Dog Shaft (Pkg of 2)	
3	1	107813	Cylinder Mounting Pkg	X
3A	1	050525	Cylinder Collar	X
3B	1	050490	Cylinder Locating Washer - CD/SS	
3C	1	050526	Cylinder Locknut	
4	1	090046	CD Dogging Plug (Pkg of 2)	
5	1	090045	CD Actuator Arm (Pkg of 2)	
6	1	*PBKIT	98/99 Series Push Bar Retrofit Kit - 3' Door	X
6	1	*PBKIT	98/99 Series Push Bar Retrofit Kit - 4' Door	X
7	1	050014	98/99 Series End Cap Kit	X
7A	1	050524	Impact Resistant End Cap Bracket	
7B	1	090036	Cover Plate Anti-rattle Spring (Pkg of 10)	
8	1	900597	Device End Cap and C/Case Screw Pkg.	X
9	1	968144	99 Series Mechanism Case - 3' Door	X
9	1	968146	99 Series Mechanism Case - 4' Door	X
9	1	970191	98 Series Mechanism Case - 3' Door	X
9	1	970192	98 Series Mechanism Case - 4' Door	X
10	1	050529	98/99 Series Control Link Pin & Ret. Ring	
10A	1	090031	98/99 Series Control Link Pin (Pkg of 10)	
10B	1	090107	Retaining Ring (Pkg of 10)	
11	2	090037	#8-32 x 3/8" Baseplate Screw (Pkg of 10)	
12	2	090073	Mechanism Case Bracket Screw (Pkg of 10)	
13***	1	050023	98/9975 Center Case Less Cover	
14**	1	050073	98/9975 Center Case Cover Kit	X
15	1	050491	Shock Absorber & Holder Assembly	
16	2	090049	Push Bar Guide (Pkg of 10)	
17	4	900892	Center Case Cover Screws (Pkg of 4)	X
18	1	050564	Center Case Cover Bracket	

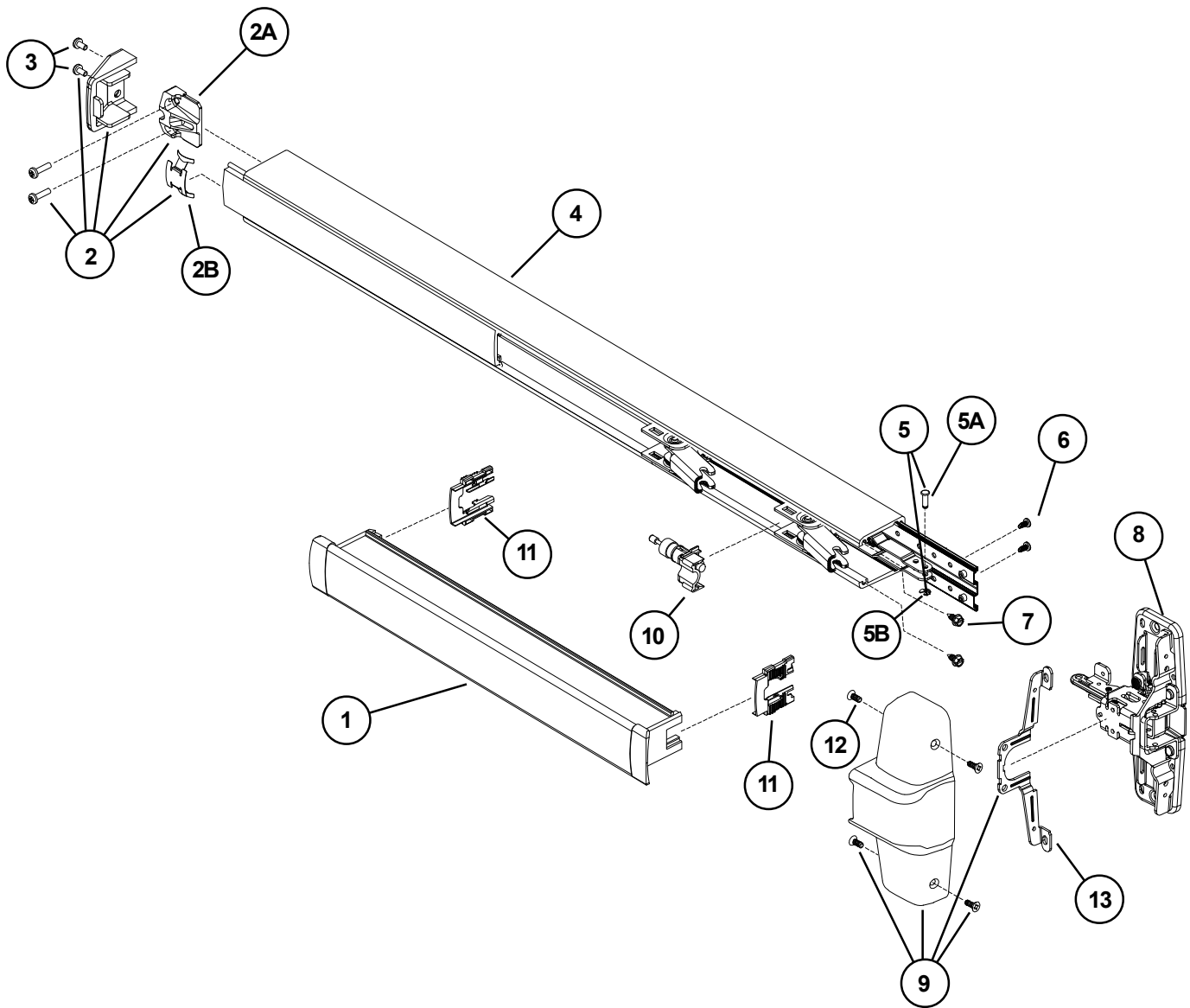
X in "Finish" column designates finished items; finish must be specified when ordering.

* To order, specify device type, size, and finish. Example: PBKIT 98 3' US28

**Includes parts for three piece cover conversion

***Center case assembly parts shown on page 9.

98/9975-F FIRE DEVICE



2B

Fire Cover Plate Kit
99 Series - 050589
98 Series - 050588

98/9975-F FIRE DEVICE

Item No.	Quantity	Part No.	Description	Finish
	1	900561	98/99 Series Mounting Pkg. (1-3/4 & 2-1/4)	
1	1	*PBKIT	98/99 Series Push Bar Retrofit Kit - 3' Door	X
1	1	*PBKIT	98/99 Series Push Bar Retrofit Kit - 4' Door	X
2	1	050014	98/99 Series End Cap Kit	X
2A	1	050524	Impact Resistant End Cap Bracket	
2B	1	090036	Cover Plate Anti-rattle Spring (Pkg of 10)	
3	1	900597	Device End Cap and C/Case Screw Pkg.	X
4	1	968144	99 Series Mechanism Case - 3' Door	X
4	1	968146	99 Series Mechanism Case - 4' Door	X
4	1	970191	98 Series Mechanism Case - 3' Door	X
4	1	970192	98 Series Mechanism Case - 4' Door	X
5	1	050529	98/99 Series Control Link Pin & Ret. Ring	
5A	1	090031	98/99 Series Control Link Pin (Pkg of 10)	
5B	1	090107	Retaining Ring (Pkg of 10)	
6	2	090037	#8-32 x 3/8" Baseplate Screw (Pkg of 10)	
7	2	090073	Mechanism Case Bracket Screw (Pkg of 10)	
8***	1	050023	98/9975 Center Case Less Cover	
9**	1	050073	98/9975 Center Case Cover Kit	X
10	1	050491	Shock Absorber & Holder Assembly	
11	2	090049	Push Bar Guide (Pkg of 10)	
12	4	900892	Center Case Cover Screws (Pkg of 4)	X
13	1	050564	Center Case Cover Bracket	

X in "Finish" column designates finished items; finish must be specified when ordering.

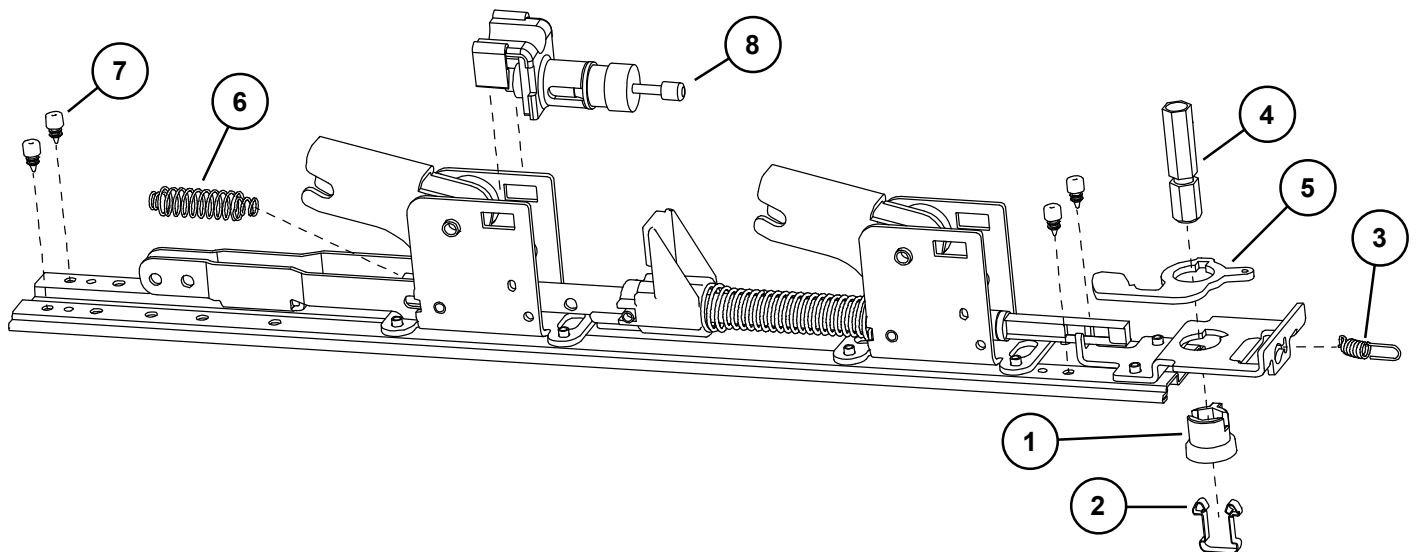
* To order, specify device type, size, and finish. Example: PBKIT 98 3' US28

**Includes parts for three piece cover conversion

***Center case assembly parts shown on page 9.

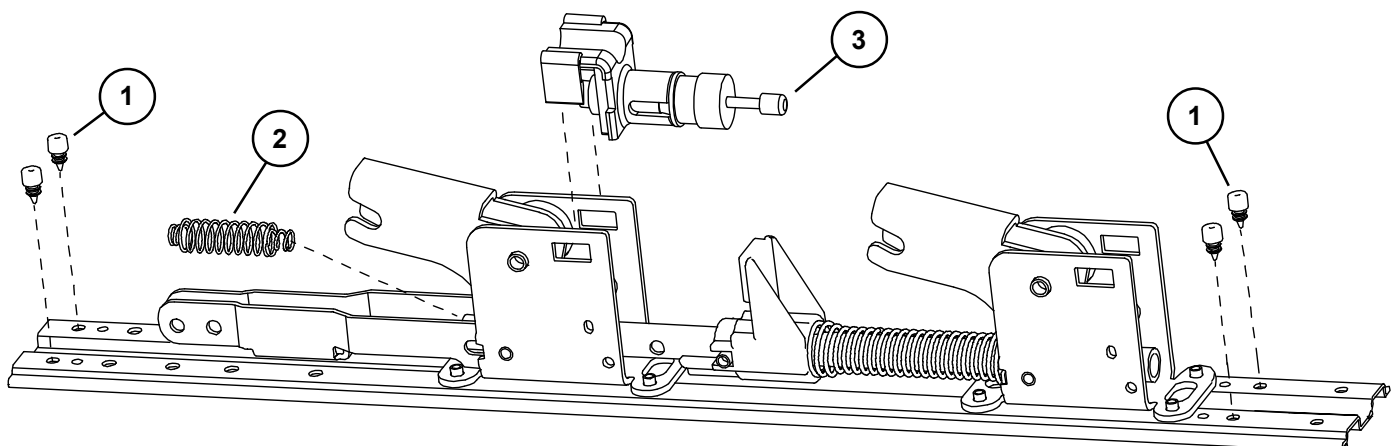
98/9975 PANIC DEVICE BASEPLATE ASSEMBLY

Item No.	Quantity	Part No.	Description	Finish
1	1	090043	Dogging adapter (Pkg of 2)	
2	1	090042	Dogging adapter spring (Pkg of 2)	
3	1	090041	Dogging spring (Pkg of 2)	
4	1	090040	Hex dogging shaft (Pkg of 2)	
5	1	090044	Dogging hook (Pkg of 2)	
6	1	090039	Latch return spring (Pkg of 10)	
7	4	090038	Rubber bumper (Pkg of 4)	
8	1	050491	Shock absorber	



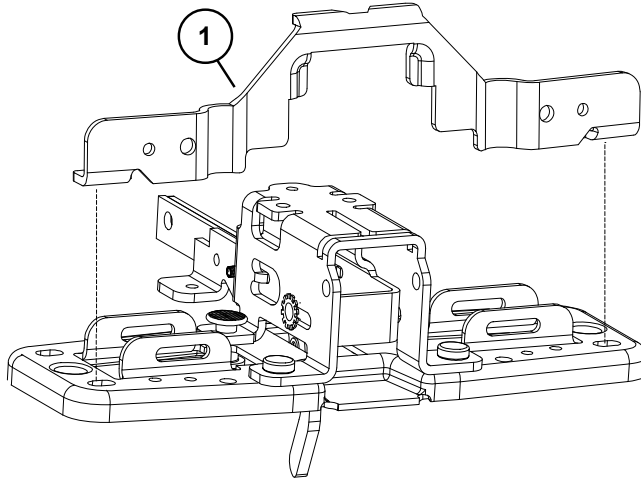
98/9975-F FIRE DEVICE BASEPLATE ASSEMBLY

Item No.	Quantity	Part No.	Description	Finish
1	4	090038	Rubber bumper (Pkg of 4)	
2	1	090039	Latch return spring (Pkg of 10)	
3	1	050491	Shock absorber	



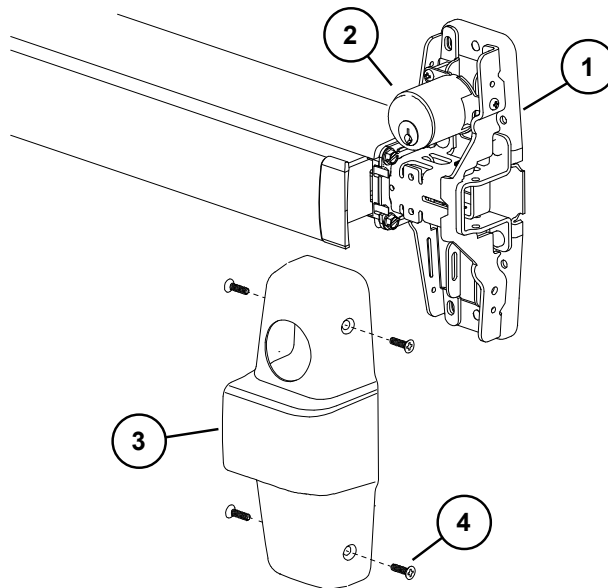
98/9975 DEVICE CENTER CASE ASSEMBLY

Item No.	Quantity	Part No.	Description	Finish
1	1	050565	Center Case Reinforcing Bracket	



98/9975-2 & 98/9975-F-2 DOUBLE CYLINDER OPTION

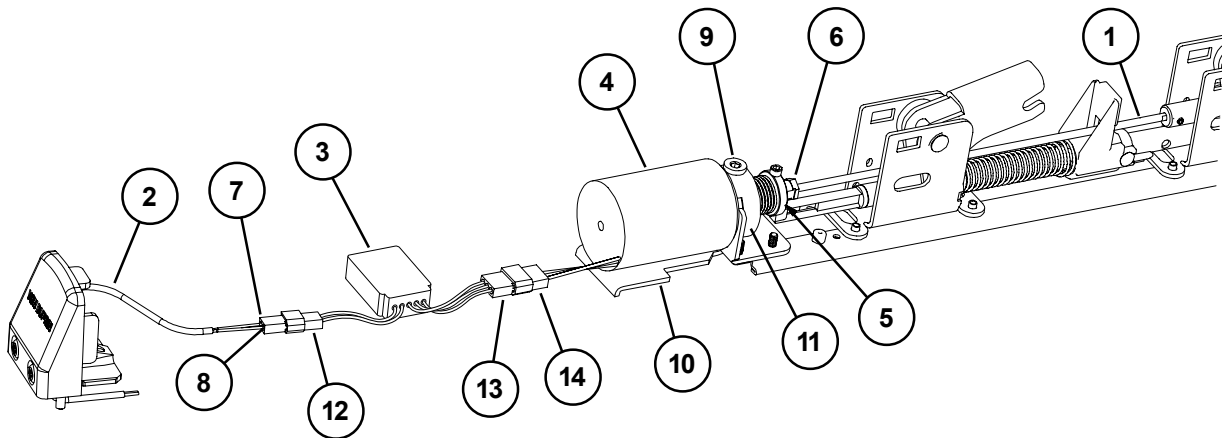
Item No.	Quantity	Part No.	Description	Finish
1	1	050029	98/9975-2 RHR Center Case Less Cover	
1	1	050030	98/9975-2 LHR Center Case Less Cover	
2	1	113100	98/9975-2 Cylinder Bracket Assembly LHR	X
2	1	113101	98/9975-2 Cylinder Bracket Assembly RHR	X
3	1	050557	98/9975-2/SD RHR Center Case Cover Kit	X
3	1	050558	98/9975-2/SD LHR Center Case Cover Kit	X
4	4	900892	Center Case Cover Screws (Pkg of 4)	X



HD-EL9875/HD-EL9975 HEX DOGGING/ELECTRIC LATCH RETRACTION OPTION

Item No.	Quantity	Part No.	Description	Finish
1	1	050531	EL Dogging Rod Kit - 3' device	
1	1	050532	EL Dogging Rod Kit - 4' device	
2	1	110388	EL 6' Cable and Connector	
3	1	050534	EL Potted Module	
4	1	050536	HD-EL Solenoid	
5	1	050537	HD-EL Solenoid Plunger	
6	1	050538	EL Dogging Rod Retainer	
7	1	050539	EL Receptacle Connector - 2 Position	
8	2	050540	EL Female Terminal	
9	1	050541	HD-EL Dog Screw	
10	1	050542	HD-EL Solenoid Bracket	
11	1	050543	HD-EL Dogging Spring	
12	1	990599	EL Plug Connector - 2 Position	
13	1	990857	EL Receptacle Connector - 3 Position	
14	1	990858	EL Plug Connector - 3 Position	
*	1	050384	HD-EL Conversion Kit - 3'	
*	1	050385	HD-EL Conversion Kit - 4'	

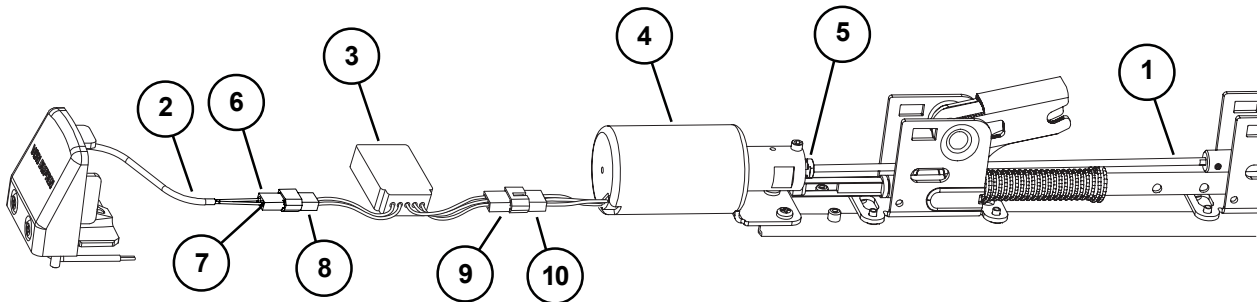
*Kit includes items 1-11 plus new control link, retaining ring, and baseplate screws.



EL9875/EL9975 SERIES ELECTRIC LATCH RETRACTION OPTION

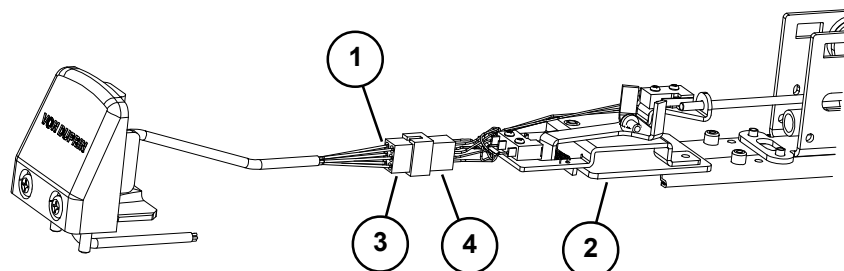
Item No.	Quantity	Part No.	Description	Finish
1	1	050531	EL Dogging Rod Kit - 3' device	
1	1	050532	EL Dogging Rod Kit - 4' device	
2	1	110388	EL 6' Cable and Connector	
3	1	050534	EL Potted Module	
4	1	050535	EL Solenoid Assembly	
5	1	050538	EL Dogging Rod Retainer	
6	1	050539	EL Receptacle Connector	
7	2	050540	EL Female Terminal	
8	1	990599	EL Plug Connector - 2 Position	
9	1	990857	EL Receptacle Connector - 3 Position	
10	1	990858	EL Plug Connector - 3 Position	
*	1	050070	EL Conversion Kit - 3'	
*	1	050078	EL Conversion Kit - 4'	

*Kit includes items 1-7 plus new control link pin, retaining ring, and baseplate screws.

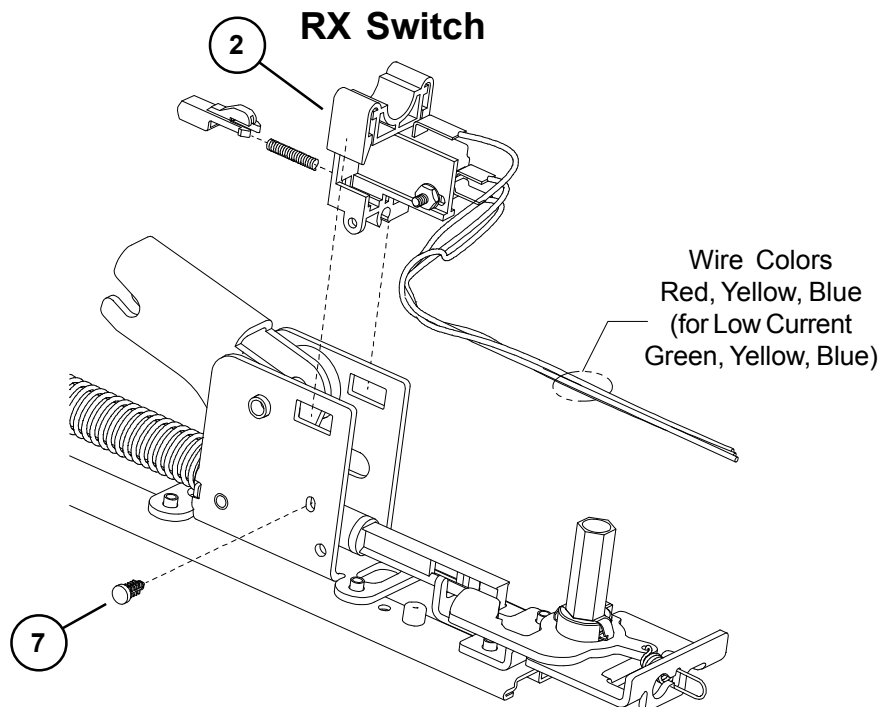
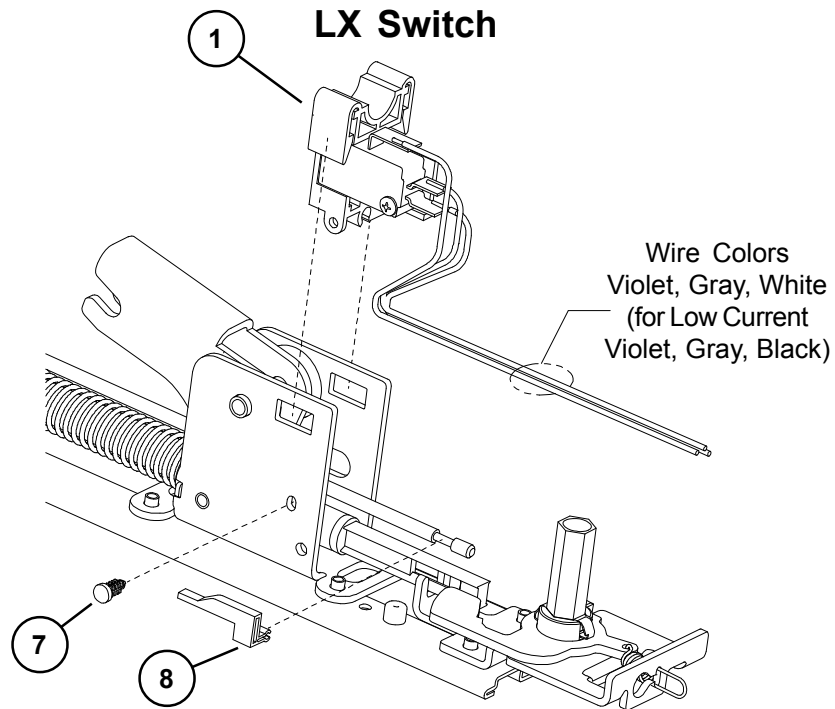


SS9875/SS9975 SERIES (SIGNAL SWITCH) OPTION

Item No.	Quantity	Part No.	Description	Finish
1	1	050544	SS Cable	
2	1	050545	SS Housing	
3	1	990601	SS Plug Connector - 6 Position	
4	1	990602	SS Receptacle Connector - 6 Position	

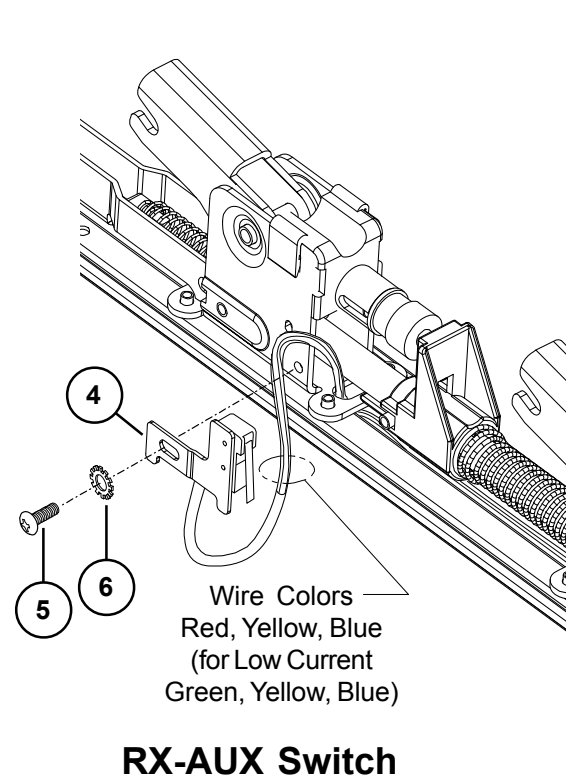
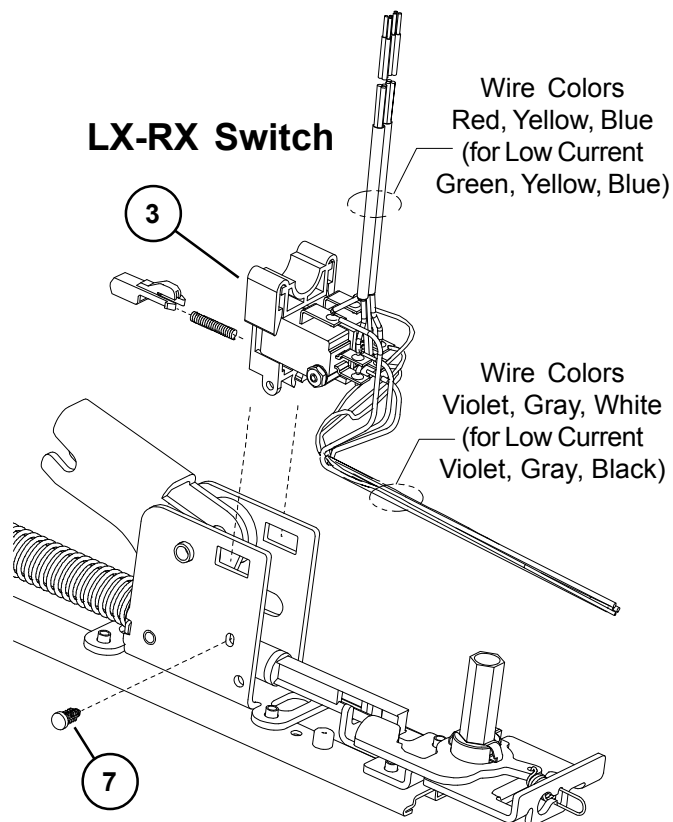


98/99 SERIES LX (LATCH BOLT MONITOR) & RX (REQUEST TO EXIT) OPTIONS



98/99 SERIES LX (LATCH BOLT MONITOR) & RX (REQUEST TO EXIT) OPTIONS

Item No.	Quantity	Part No.	Description	Finish
1	1	050254	LX Switch Kit 3' Device	
1	1	050255	LX Switch Kit 4' Device	
1	1	050247	LX-EL Switch Kit	
1	1	050283	LX-LC (Low Current) Switch Kit 3' Device	
1	1	050285	LX-LC (Low Current) Switch Kit 4' Device	
1	1	050287	LX-LC-EL (Low Current) Switch Kit	
2	1	050251	RX Switch Kit	
2	1	050281	RX-LC (Low Current) Switch Kit	
3	1	050256	LX-RX Switch Kit 3' Device	
3	1	050257	LX-RX Switch Kit 4' Device	
3	1	050259	LX-RX-EL Switch Kit	
3	1	050289	LX-RX-LC (Low Current) Sw. Kit 3' Device	
3	1	050291	LX-RX-LC (Low Current) Sw. Kit 4' Device	
3	1	050293	LX-RX-LC-EL (Low Current) Switch Kit	
2 & 4	1	050270	RX-2 Switch Kit	
4	1	050271	RX-AUX Switch Kit	
5	1	964558	8-32 x 5/16" PPHMS	
6	1	964019	#8 Washer	
7	1	090099	Pine Tree Clip (Pkg of 10)	
8	1	971091	LX Actuator	

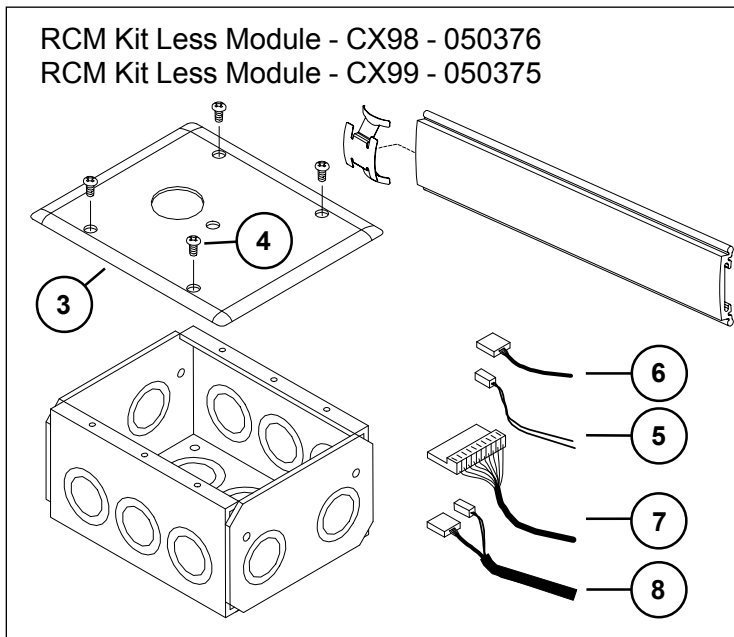
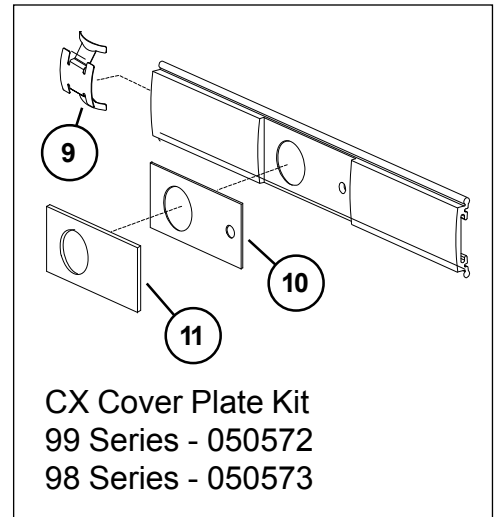
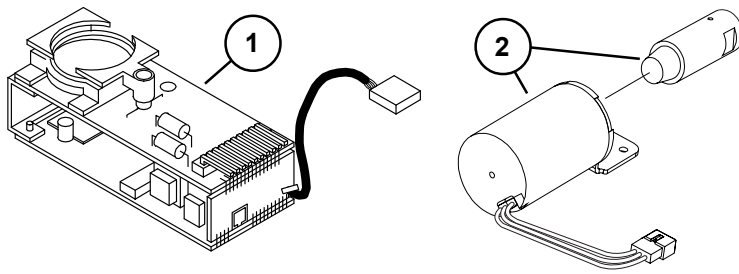


CX98/9975 SERIES CHEXIT

For discontinued Chexit devices made before August, 24 2015

Item No.	Quantity	Part No.	Description	Finish
1	1	050228	Chexit PCB Kit - 15 Second Release	
1*	1	050700	Chexit PCB Kit - 30 Second Release	
1	1	050701	Chexit PCB Kit - 0 Second Release	
1	1	050702	Chexit PCB Kit - Boca 15 Second Release	
1*	1	050703	Chexit PCB Kit - Boca 30 Second Release	
2	1	050533	CX Solenoid and Plunger	
3	1	113111	Faceplate and Adapter	X
4	4	963898	6-32 x 3/8" OPHMS Faceplate Screws	X
5	1	991338	RCM 2-Wire RX Cable	
6	1	991339	RCM 3-Wire Solenoid Cable	
7	1	112018	Chexit Wiring Assembly	
8	1	991336	CX-RCM Cable Assy - 5 Wire	
9	1	090036	Cover Plate Anti-rattle Spring (Pkg of 10)	
10	1	970513	LED Cover Mask - Chexit	
11	1	970519	LED Cover - Chexit	
12	1	113781	Sign 15 Second - Chexit	
13	1	113782	Sign 30 Second - Chexit	

*Over 15 second delay requires a letter of approval from the authority having local jurisdiction over the premises prior to the installation of the device. Allegion cannot grant such approval nor does it warrant local jurisdiction compliance.

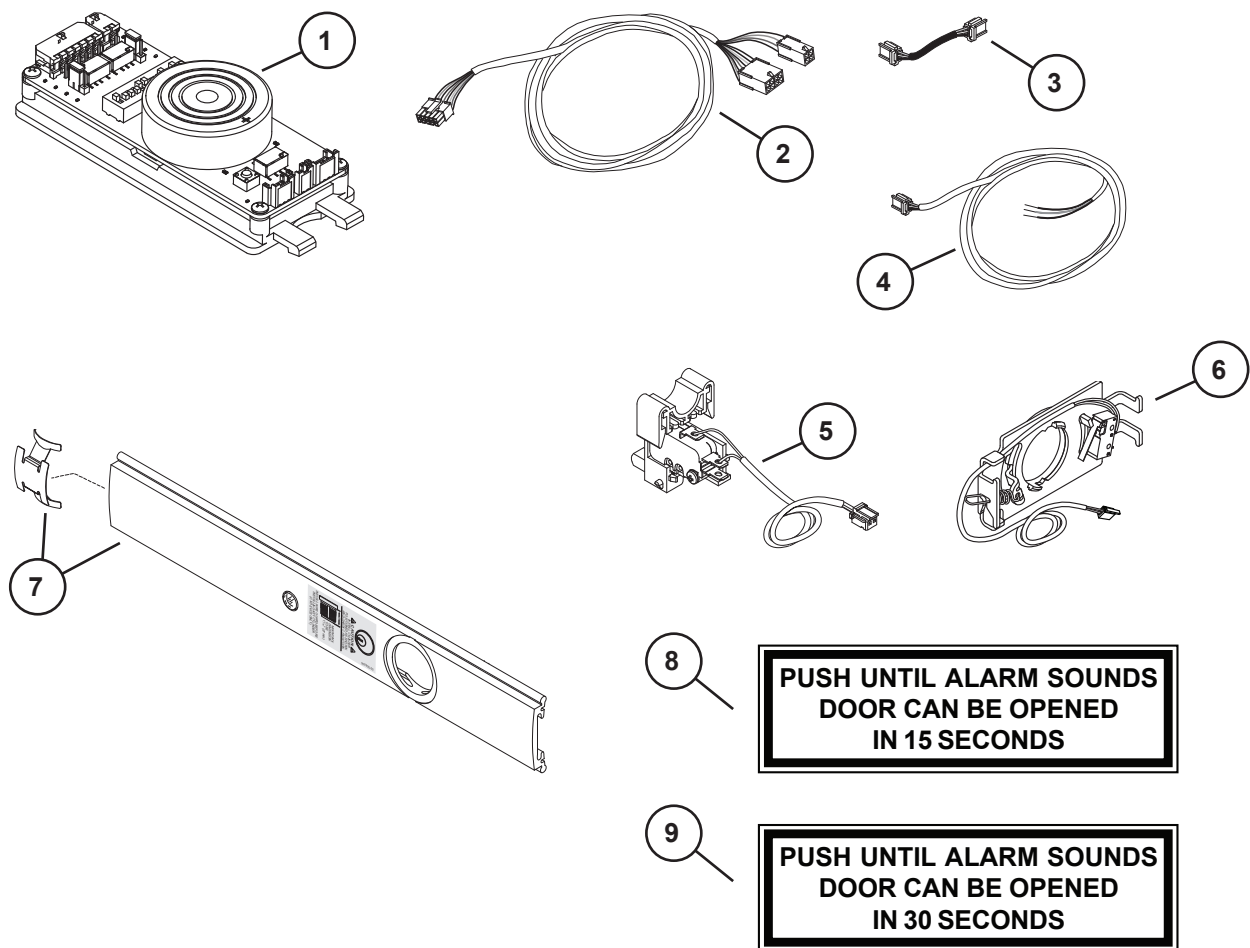


CX98/9975 SERIES CHEXIT

For new Chexit devices made after August, 24 2015

Item No.	Quantity	Part No.	Description	Finish
1	1	040086	Standard - 15 Second Release Delay	
1*	1	040087	Special Infinite Release Delay	
1*	1	040088	Special 30 Second Release Delay	
1	1	040089	Special 0 Second Release Delay	
1	1	040090	Special Mute 15 Second Release Delay	
1	1	040091	BOCA 15 Second Release Delay	
2	1	040191	CX Field Wiring Cable	
3	1	040192	CX Motor Cable	
4	1	040193	CX Trim Device Cable	
5	1	116717	CX RX Switch Assembly	
6	1	040170	CX Key Switch Assembly 3'	
6	1	040189	CX Key Switch Assembly 4'	
7	1	040093	CX33/99 Cover Plate Kit	X
7	1	040094	CX35/98 Cover Plate Kit	X
8	1	113781	Sign 15 Second	
9	1	113782	Sign 30 Second	

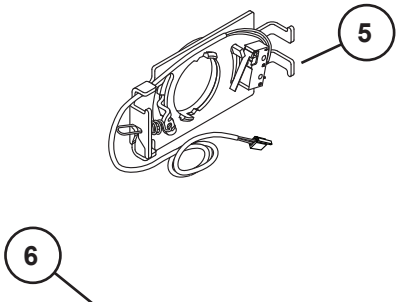
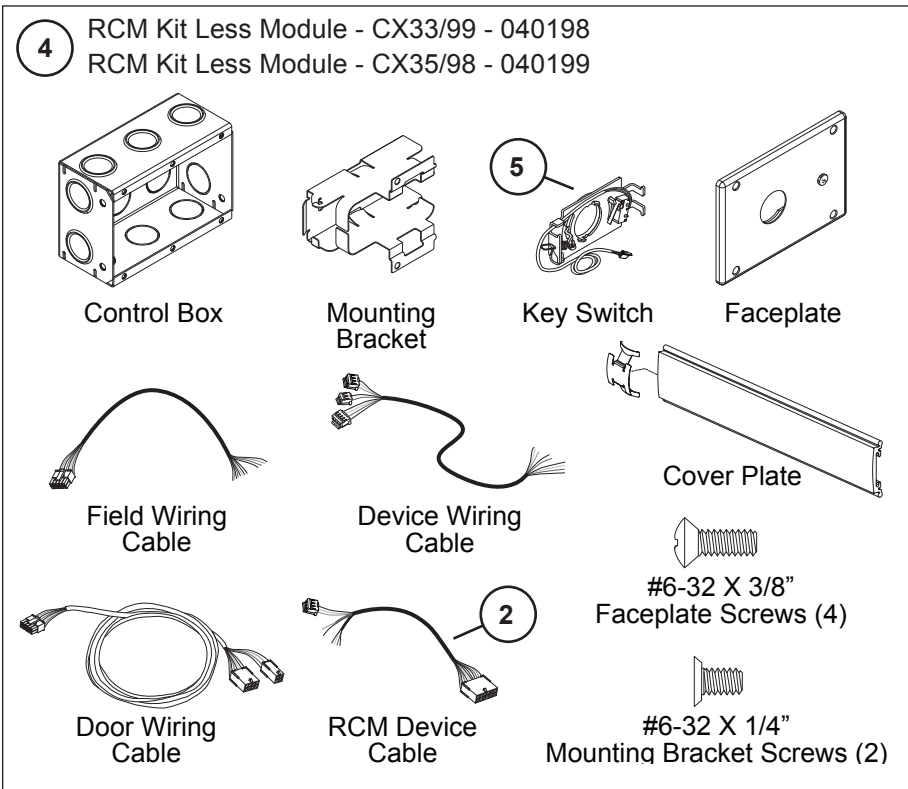
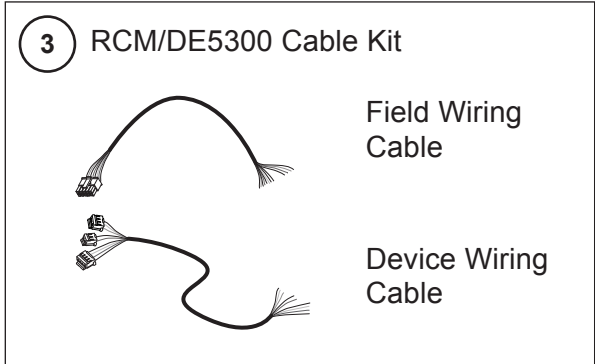
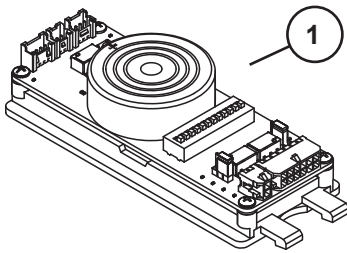
*Over 15 second delay requires a letter of approval from the authority having local jurisdiction over the premises prior to the installation of the device. Allegion cannot grant such approval nor does it warrant local jurisdiction compliance.



CX-RCM/DE5300 OPTIONS

For new RCM/DE5300 devices made after August, 24 2015

Item No.	Quantity	Part No.	Description	Finish
1	1	116711	Standard - 15 Second Release Delay	
2	1	040092	RCM Device Cable	
3	1	040188	DE5300/RCM Cable Kit	
4	1	040198	RCM Kit Less Module - CX33/99	X
4	1	040199	RCM Kit Less Module - CX35/98	X
5	1	040169	DE5300/RCM Key Switch Assy	
6	1	113781	Sign 15 Second	

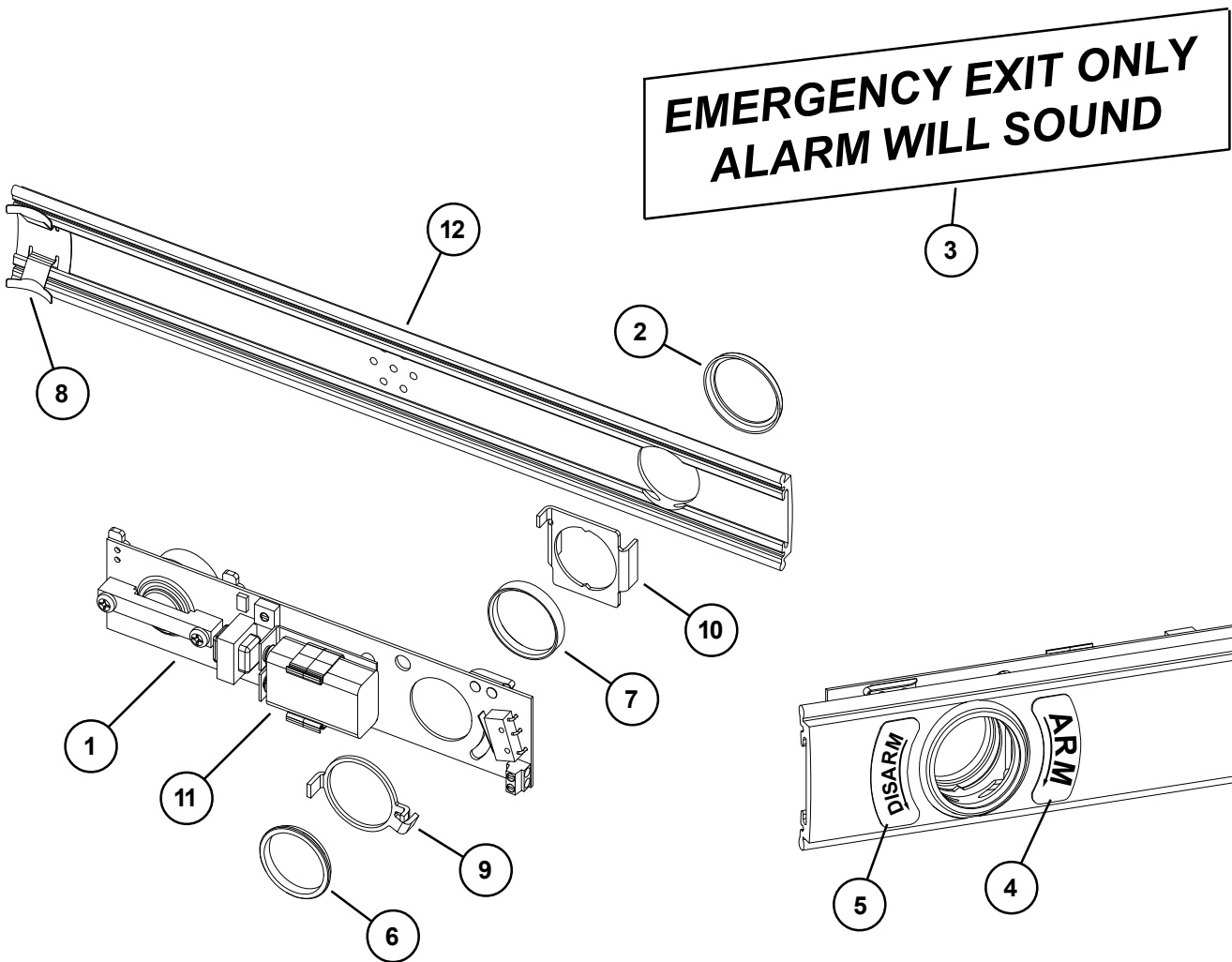


**PUSH UNTIL ALARM SOUNDS
DOOR CAN BE OPENED
IN 15 SECONDS**

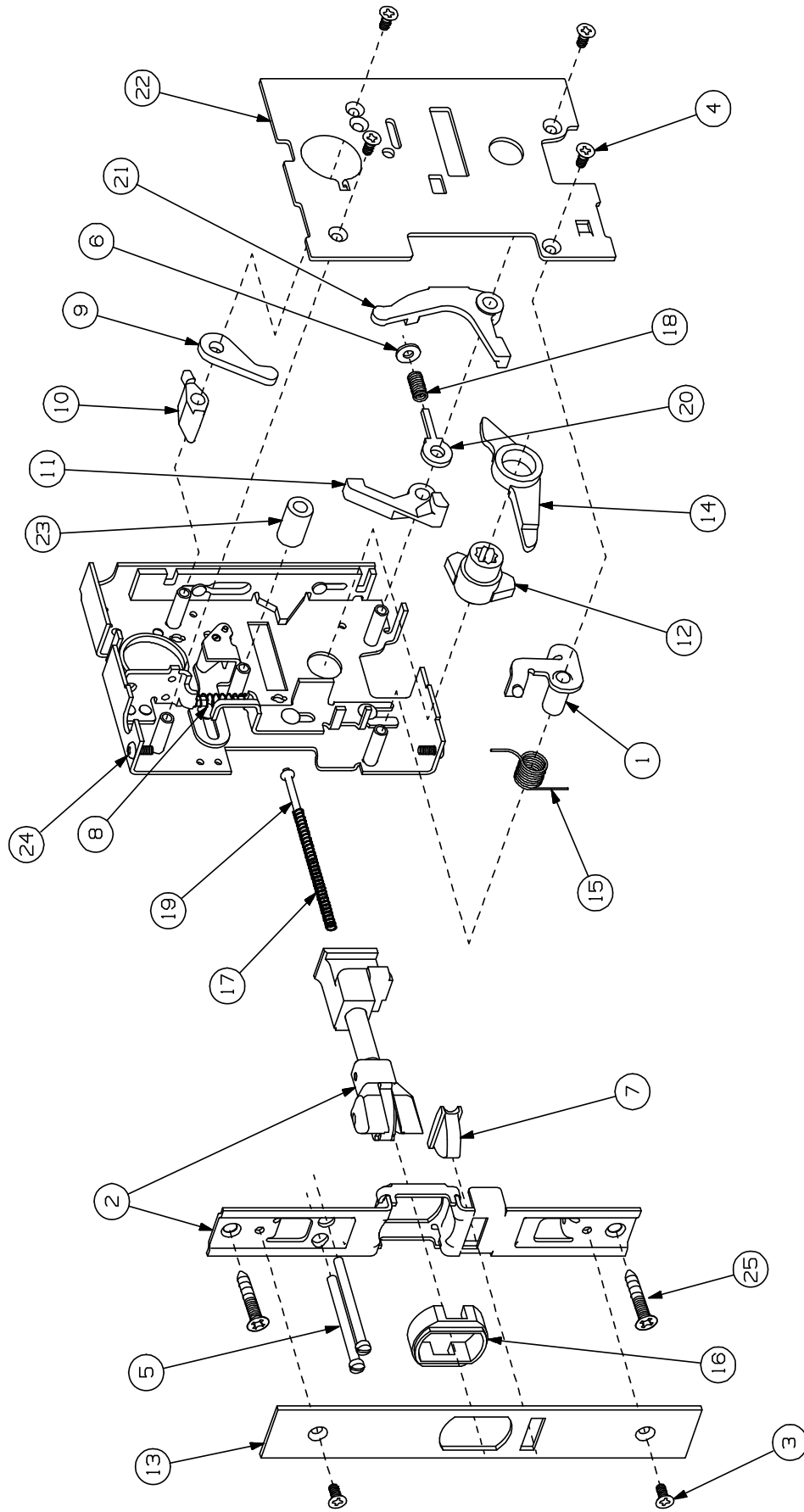
98/99 ALK EXIT ALARM KIT

Item No.	Quantity	Part No.	Description	Finish
1	1	111795	ALK PCB Assembly	
2	1	050525	Cylinder Collar	X
3	1	969122	ALK Alarm Device Sign	
4	1	969349	ALK Arming Label	
5	1	969350	ALK Disarming Label	
6	1	969354	Retainer Nut	
7	1	970594	ALK Cylinder Spacer	
8	1	090036	Cover Plate Anti-rattle spring (Pkg of 10)	
9	1	971556	ALK Switch Actuator	
10	1	971557	ALK Cylinder Bracket	
11	1	990637	ALK Battery	
12	1	050569	99 Series ALK Cover Plate Kit	X
12	1	050570	98 Series ALK Cover Plate Kit	X

X in "Finish" column designates finished items; finish must be specified when ordering.



7500 MORTISE LOCK



7500 MORTISE LOCK

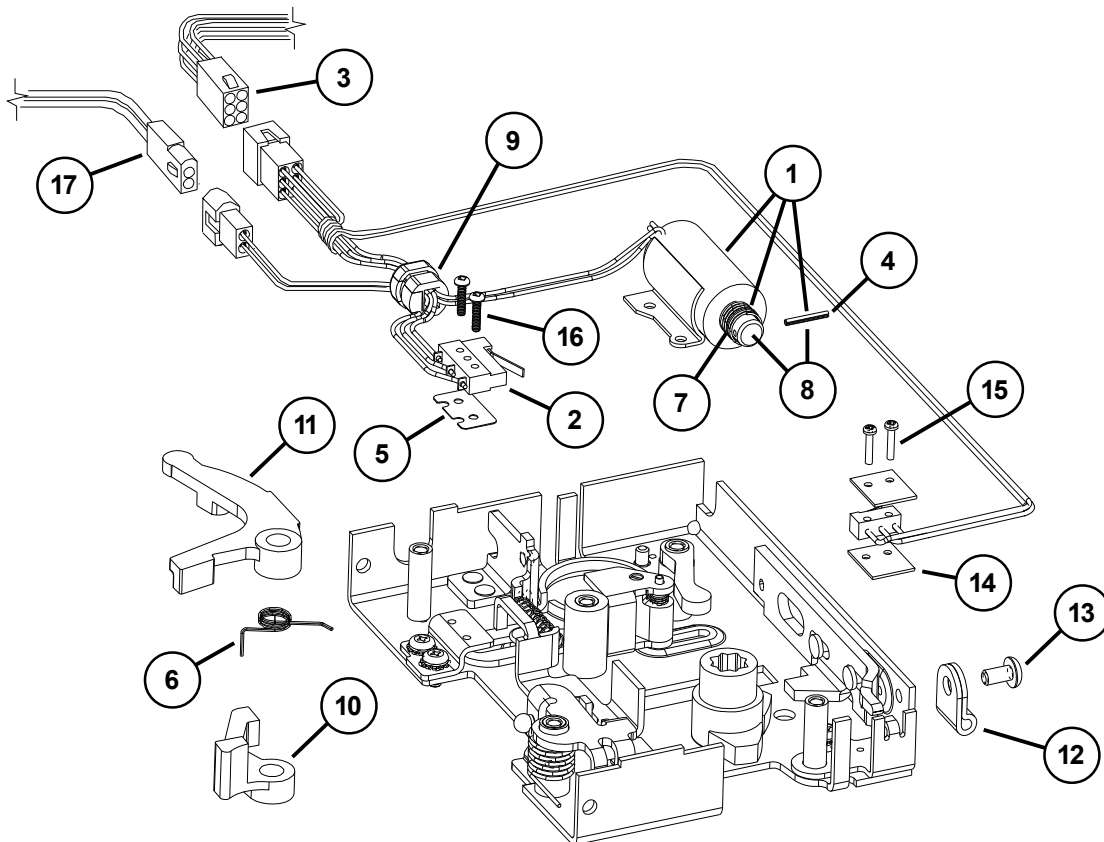
Item No.	Quantity	Part No.	Description	Finish
1	1	109347	7500 Auxiliary Bolt Link Sub-Assembly	
2	1	109773	7500 Latchbolt and Faceplate Sub-Assembly	
3	2	963080	7500 Scalp Plate - 8-32 x 3/8" FPHMS	X
4	4	963812	7500 Hsg. Cover - 8-32 x 3/8" UFPHMS	
5	2	963954	7500 Cyl. Set - 8-32 x 2" Fill SHMS	
6	1	963984	#8 SAE Flat Washer	
7	1	968668	7500 Auxiliary Bolt	
8	1	968748	7500 Deadlocking Spring	
9	1	968761	7500 Trim Bolt Retractor	
10	1	968762	7500 Trim Lock Actuator	
11	1	968763	7500 Thumb Latch Lift	
12	1	968765	7500 Knob Cam	
13	1	968766	7500 Scalp Plate - Aluminum	X
13	1	970872	7500 Scalp Plate - Brass	X
13	1	970873	7500 Scalp Plate - Bronze	X
14	1	968773	7500 Deadlock Release Arm	
15	1	968935	7500 Auxiliary Bolt Spring	
16	1	968939	7500 Latchbolt Collar	
17	1	969089	7500 Latch Return Spring	
18	1	969364	7500 Trim Lock Slide Spring	
19	1	969610	7500 Latch Return Spring Guide	
20	1	970188	7500 Trim Lock Spring Guide	
21	1	970318	7500 Crossbar Input Arm	
22	1	971822	7500 Housing Cover	
23	1	970735	7500 Stem Support	
24	2	964390	8-32 x 3/8" PPHTF Screw	
25	2	900532	7500 Lock Mounting Pkg	

X in "Finish" column designates finished items; finish must be specified when ordering.

E7500 MORTISE LOCK FAIL SECURE (F.S.E)

Item No.	Quantity	Part No.	Description	Finish
1	1	050212	E7500 Solenoid Replacement Kit 12VDC FSE	
1	1	050214	E7500 Solenoid Replacement Kit 24VDC FSE	
2*	1	114294	E7500 Switch Kit	
3	1	110744	E7500 Switch Connector Assembly	
4	1	963974	E7500 Roll Pin - 3/32 x 9/16"	
5	1	968770	E/SS 7500 Switch Insulator	
6	1	969107	E7500 Torsion Spring	
7	1	971320	E7500 Solenoid Spring	
8	1	113186	E7500 Plunger Assembly FSE	
9	1	966504	Wire Strain Relief	
10	1	970866	E7500 Thumb Latch Lift	
11	1	970318	7500 Crossbar Input Arm	
12	1	970596	E7500 Cable Clamp	
13	1	964558	E7500 Cable Clamp Screw	
14	2	970868	E7500 Switch Insulator	
15	2	964393	E7500 Switch Insulator Screw	
16	2	964269	E7500 Switch Wiring Assembly Screw	
17	1	114140	Hook Up Wire Assembly	

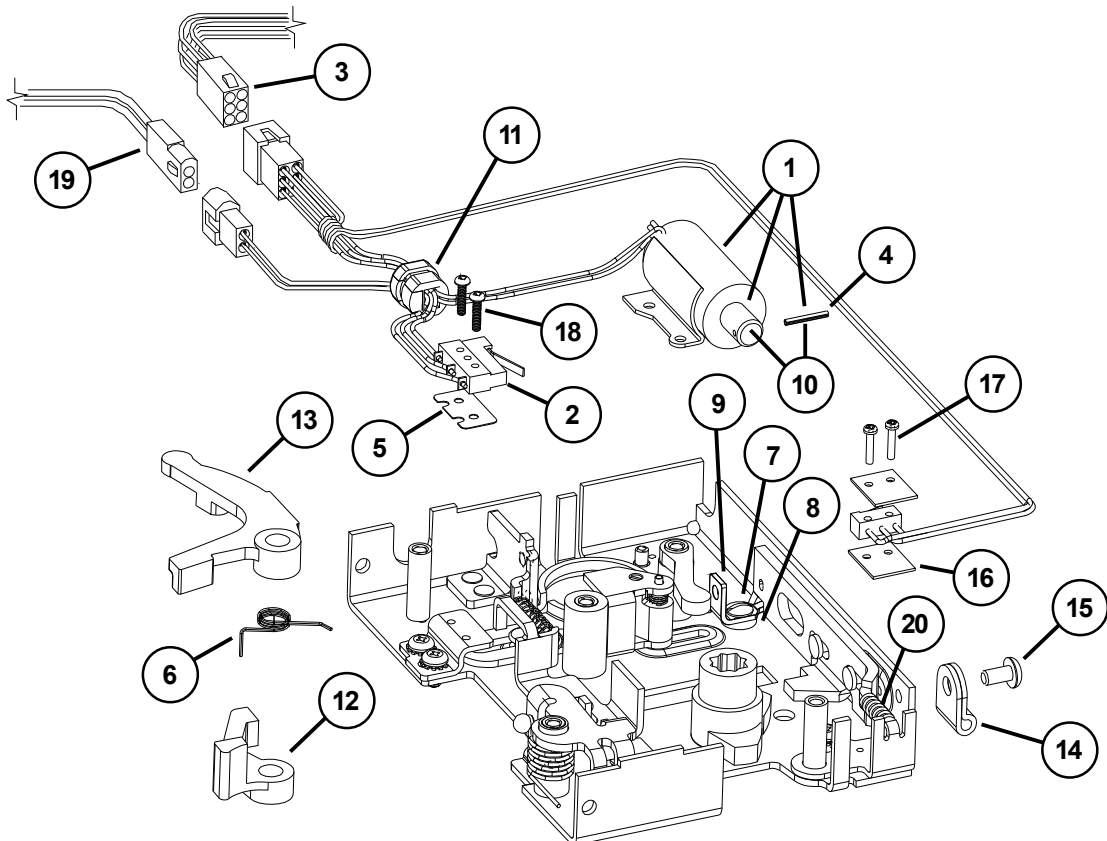
* Kit includes items 2 and 16 plus the switch wiring assembly (red/yellow/blue wires), switch assembly (white/gray/violet wires) and connectors.



E7500 MORTISE LOCK FAIL SAFE (F.S.)

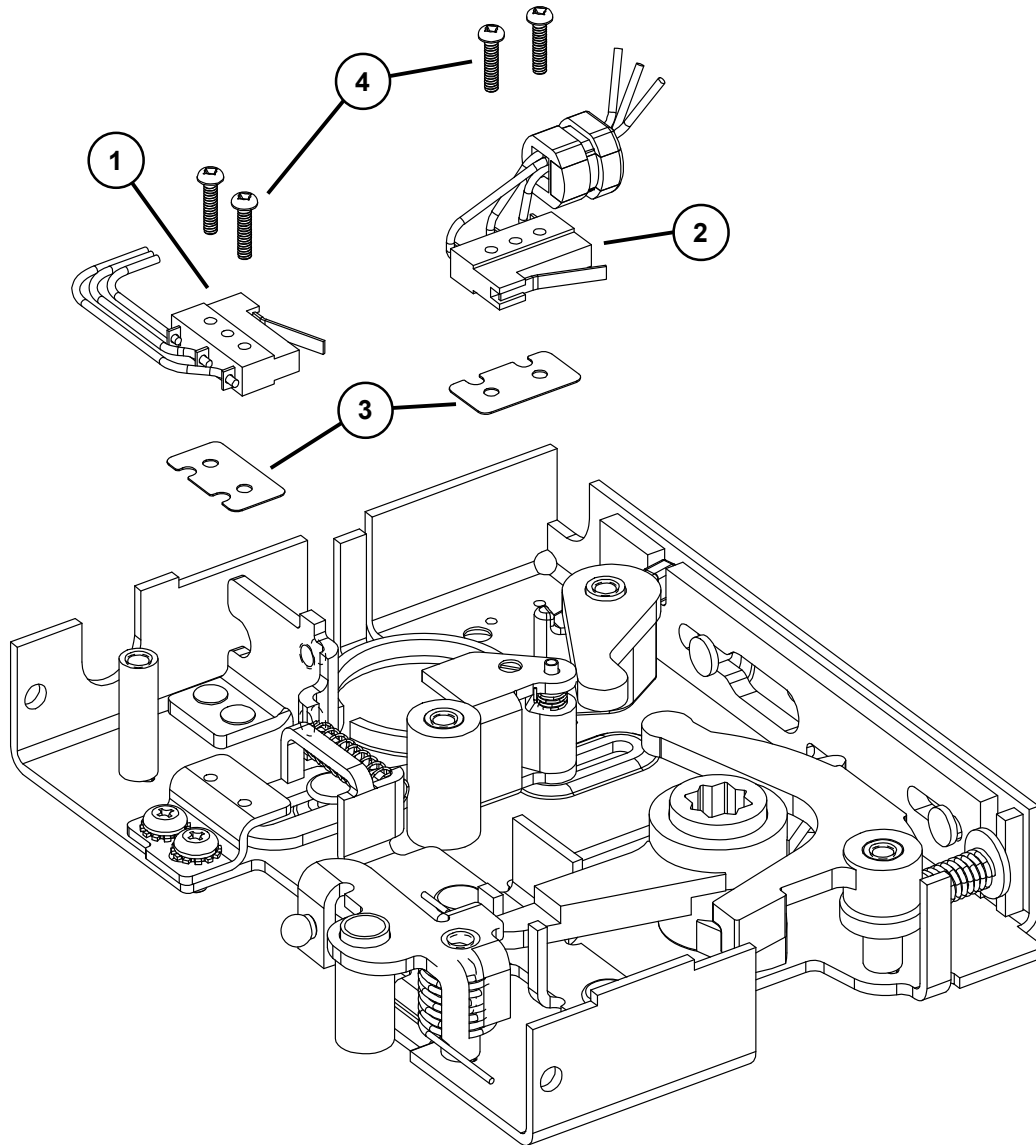
Item No.	Quantity	Part No.	Description	Finish
1	1	050213	E7500 Solenoid Replacement Kit 12VDC FS	
1	1	050215	E7500 Solenoid Replacement Kit 24VDC FS	
2*	1	114294	Switch Wiring Assembly (R/Y/B Wires)	
3	1	110744	E7500 Switch Connector Assembly	
4	1	963974	E7500 Roll Pin - 3/32 x 9/16"	
5	1	968770	E/SS 7500 Switch Insulator	
6	1	969107	E7500 Torsion Spring	
7	1	970861	E7500 Lever Screw	
8	1	970862	E7500 Lever Spacer	
9	1	972549	E7500 FS Trim Lock Lever	
10	1	113187	E7500 Plunger Assembly FS	
11	1	966504	Wire Strain Relief	
12	1	970866	E7500 Thumb Latch Lift	
13	1	970318	7500 Crossbar Input Arm	
14	1	970596	E7500 Cable Clamp	
15	1	964558	E7500 Cable Clamp Screw	
16	2	970868	E7500 Switch Insulator	
17	2	964393	E7500 Switch Insulator Screw	
18	2	964269	E7500 Switch Wiring Assembly Screw	
19	1	114140	Hook Up Wire Assembly	
20	1	970546	E7500 Trim Lock Slide Spring FS	

* Kit includes items 3 and 18 plus the switch wiring assembly (red/yellow/blue wires), switch assembly (white/gray/violet wires) and connectors.



SS7500 MORTISE LOCK

Item No.	Quantity	Part No.	Description	Finish
1	1	109658	Switch Wiring Assembly (R/Y/B Wires)	
2	1	109659	Switch Wiring Assembly (V/G/W Wires)	
3	2	968770	E/SS 7500 Switch Insulator	
4	4	964299	SS7500 Switch Wiring Assembly Screws	

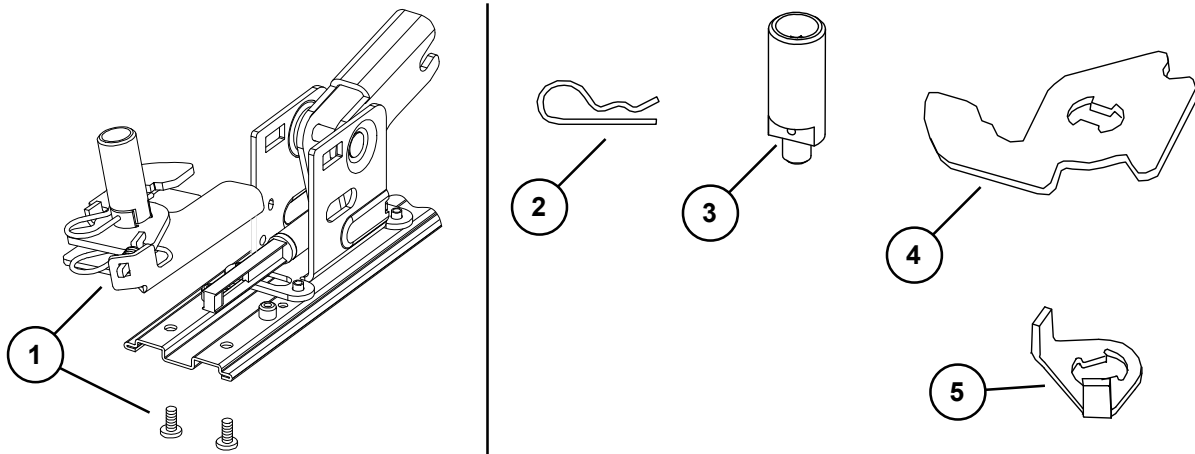


98/99 SERIES SERVICE REPLACEMENT ITEMS

Item No.	Quantity	Part No.	Description	Finish
1	1	050153	Old Style Hex Dogging Replacement Kit	
2	1	963909	#22 Hitch Pin - Hex/CD Dogging Old Style	
3	1	968112	Old Style Hex Dog Shaft	
4	1	969941	Old Style Dogging Hook	
5	1	968116	Old Style CD Actuator Arm	
6	1	900905	Old Style End Cap and Bracket Assembly	X
7	1	970548	Old Style Cover Plate Stop - End Cap	
8	1	900901	Old Style End Cap Screw Package	X
9	1	971082	Old Style 98/99 End Cap - Stainless Steel	X
9	1	971083	Old Style 98/99 End Cap - Brass	X
9	1	971084	Old Style 98/99 End Cap - Bronze	X
9	1	971085	Old Style 98/99 End Cap - Aluminum	X

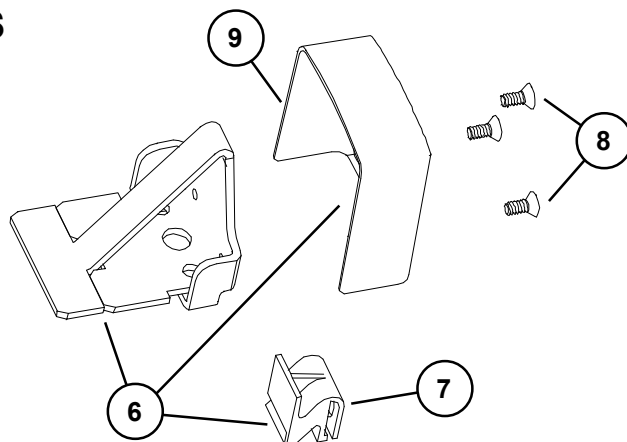
X in "Finish" column designates finished items; finish must be specified when ordering.

OLD STYLE DOGGING PARTS (FOR DEVICES SHIPPED BEFORE AUGUST 1997)



OLD STYLE END CAP PARTS (FOR DEVICES SHIPPED BEFORE JANUARY 2002)

Note: Newer style end cap kit shown on pages 4-5. Newer style end cap kit can be used on devices manufactured before January 2002, but mechanism case and cover plate on hinge stile must have a square cut and a clean edge.



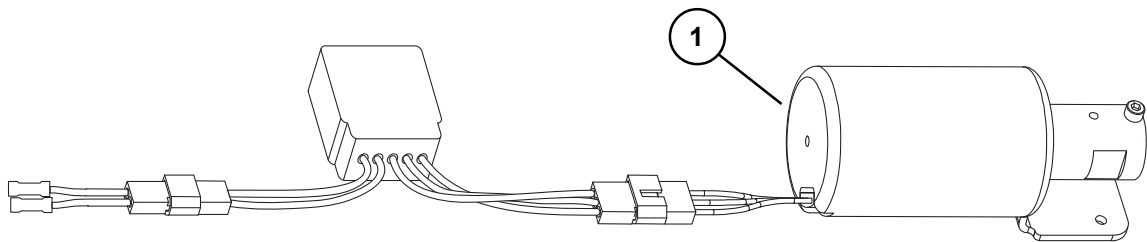
98/99 SERIES SERVICE REPLACEMENT ITEMS

Item No.	Quantity	Part No.	Description	Finish
1	1	050218	EL Solenoid Replacement Kit	

X in "Finish" column designates finished items; finish must be specified when ordering.

EL SOLENOID REPLACEMENT KIT (FOR DEVICES SHIPPED BEFORE JANUARY 1987)

Note: This kit replaces the old style EL solenoid parts with the new style.



About Allegion

Allegion (NYSE: ALLE) creates peace of mind by pioneering safety and security. As a \$2 billion provider of security solutions for homes and businesses, Allegion employs more than 8,000 people and sells products in more than 120 countries across the world. Allegion comprises 27 global brands, including strategic brands CISA®, Interflex®, LCN®, Schlage® and Von Duprin®.

For more, visit www.allegion.com.

aptiQ ■ LCN ■ **SCHLAGE** ■ STEELCRAFT ■ VON DUPRIN

VON DUPRIN®

990 Series Outside Trim

Service manual



Contents

5	General information
5	Introduction
5	How to order
5	Contact
6	992/994/996 trim levers
6	Standard levers
6	Decorative levers
7	M collection levers
7	990 series finishes
8	992/994/996 trims
8	990EO & 990DT trim
9	990NL-R&V & 990NL-M trim
10	990TP-R&V & 990TP-BE-R&V trim
11	990TP-M & 990TP-BE-M trim
12	991K-R&V trim
13	991K-BE-R&V trim
14	991K-NL-R&V trim
15	991K-M & 991K-M-BE trim
16	991K-NL-M & 991K-DT trim
17	992L-R&V trim
18	992L-BE-R&V trim
19	992L-NL-R&V trim
20	992L-M & 992L-BE-M trim
21	992L-NL-M & 992L-DT-M trim
22	992L-DT or RIGID trim conversion kit - 050154
23	994L-R&V & 994L-R&V-BE trim
24	994L-M & 994L-M-BE trim
25	996L-R&V & 996L-R&V-BE trim
26	996L-M & 996L-M-BE trim
27	E996L-R&V trim
28	E996L-M trim

General information

Introduction

This manual contains a listing of replaceable parts and assemblies for the 990 Series Trims.

How to order

Some parts are sold separately. Other items are available as part of a kit or multiple quantity package.

For the best possible service when ordering replacement parts or assemblies, please provide the following information:

- Part number or assembly number
- Description
- Quantity needed
- Finish desired (if available finished)
- Date of original purchase (if known)

This manual reflects the product as sold in August 2014. Because of changes to the product and/or manufacturing process, part numbers can change.

Contact

To find out the name of your local Von Duprin distributor or sales representative, contact:

Von Duprin Division

Allegion

2720 Tobey Drive, Indianapolis, Indiana 46219

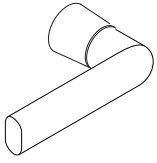
Phone: (877) 671-7011

PART NUMBER AND AVAILABILITY CHANGES

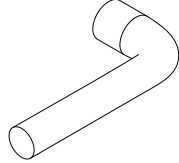
This manual was designed to help illustrate the replacement parts and kits that are available for sale. Because of changes to the product and/or manufacturing process, part numbers and availability can change over time.

992/994/996 trim levers

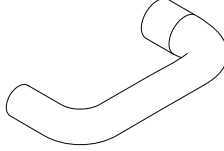
Standard levers



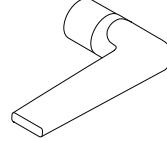
#01



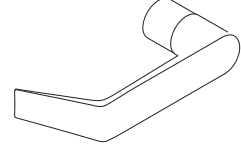
#02



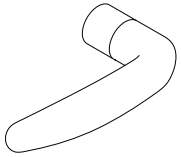
#03



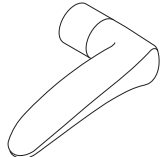
#05



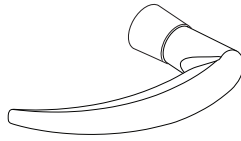
#06



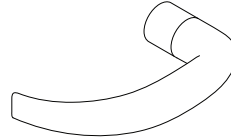
#07



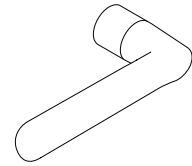
#12



#16

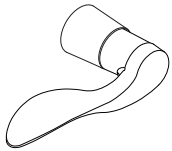


#17

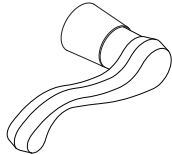


#18

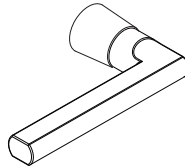
Decorative levers



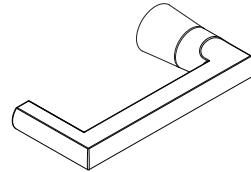
ACC



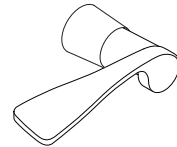
AST



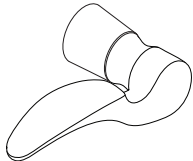
LAT



LON



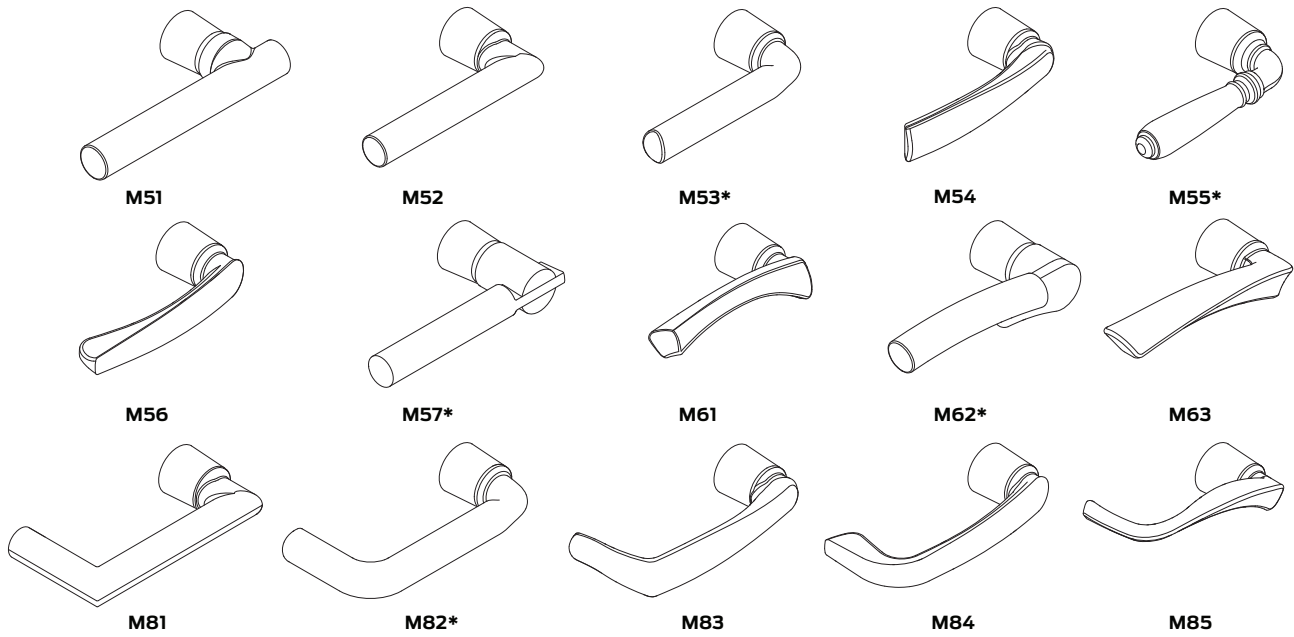
MER



STA

990 series finishes

M collection levers



* Not available until 4/2014

990 series finishes

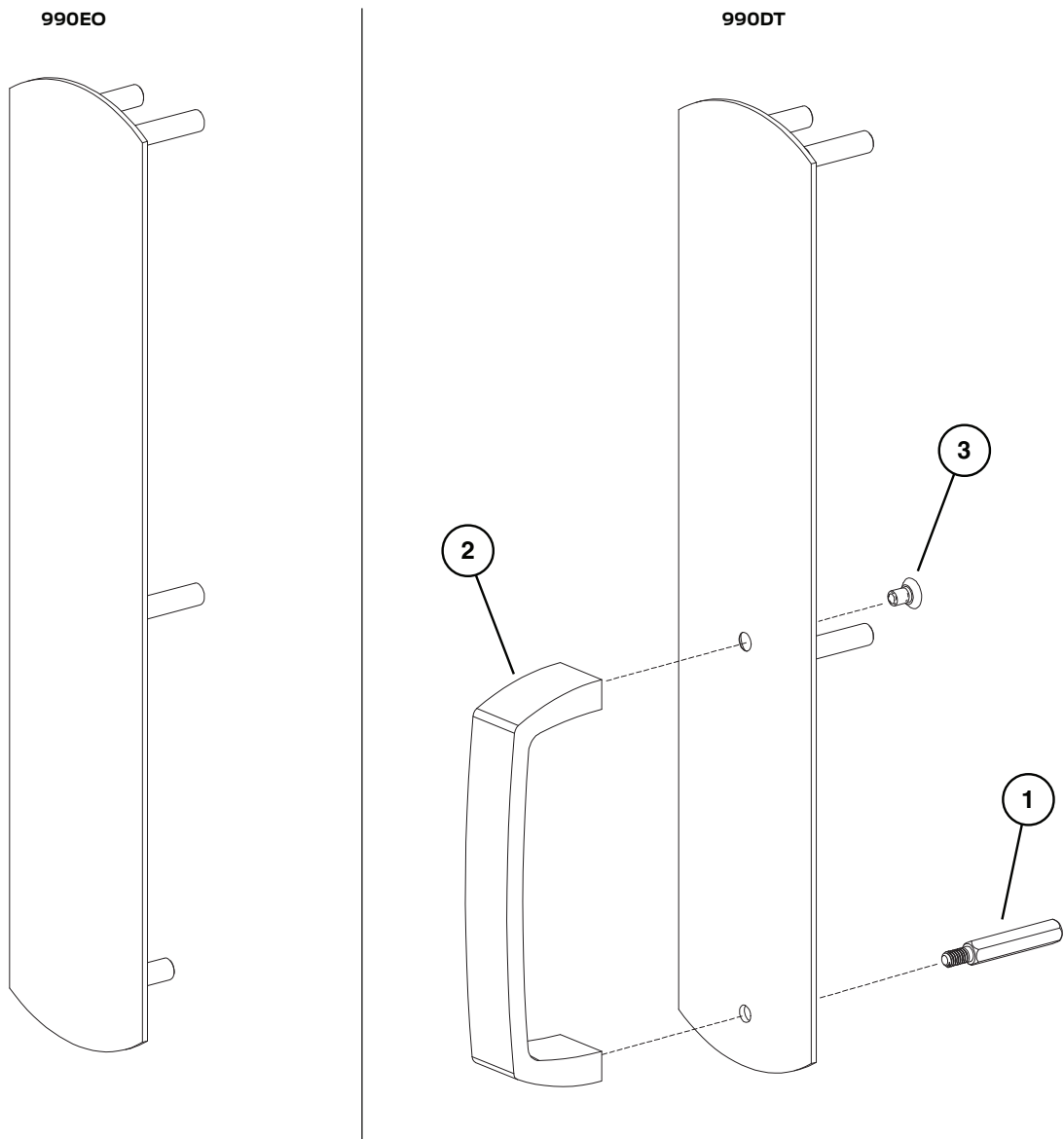
U.S. std reference	BHMA reference	Description
US3	605	Polished Brass
US4	606	Dull Brass
US10	612	Dull Bronze
US15	619	Satin Nickel
US26	625	Polished Chrome
US26D	626	Dull Chrome
US28	628	Anodized Alum. (Clear)
US32D	630	Satin Stainless Steel
313AN	710	Powder Coat (313) Dark Bronze
315AN	711	Powder Coat (Black)

992/994/996 trims

990EO & 990DT trim

Item no.	Quantity	Part no.	Description	Finish
	1	900853	990 Screw Package 1-3/4" - 2-1/4" Dr	
1	1	956760	Hex Stud - 990 Trim	
2	1	972466	Pull Grip	X
3	1	963579	#12-24 x 3/8" UFPHMS	

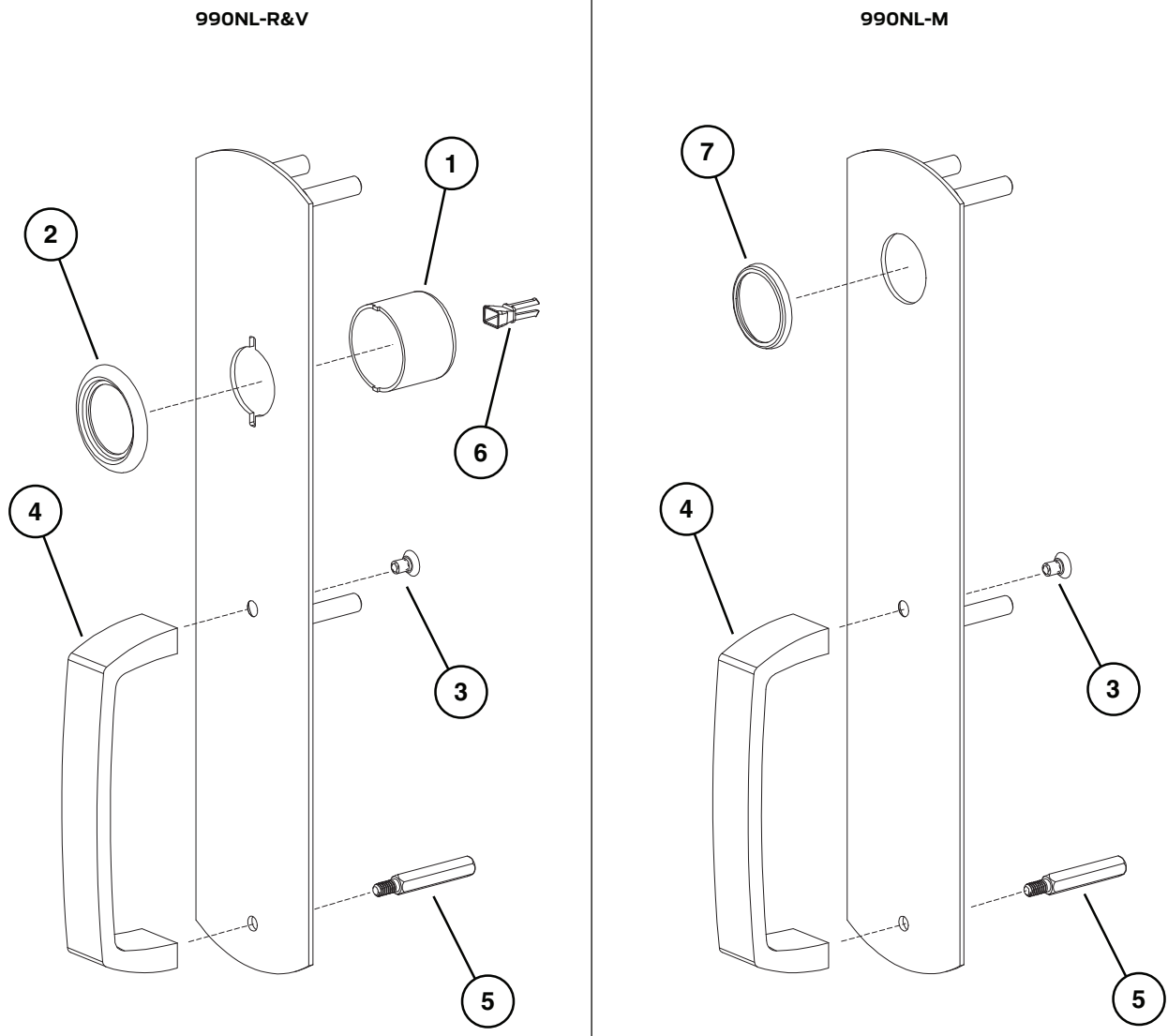
X in "Finish" column designates finished items; finish must be specified when ordering.



990NL-R&V & 990NL-M trim

Item no.	Quantity	Part no.	Description	Finish
	1	900853	990 Screw Package 1-3/4" - 2-1/4" Dr	
1	1	968201	Cylinder Retaining Cup	
2	1	965226	Cylinder Collar - R&V	
3	1	963579	#12-24x 3/8" UFPHMS	
4	1	972469	Pull Grip	X
5	1	956760	Hex Stud - 990 Trim	
6	1	050156	Tailpiece Guide (Pkg of 10)	
7	1	961267	Cylinder Collar - Mortise	

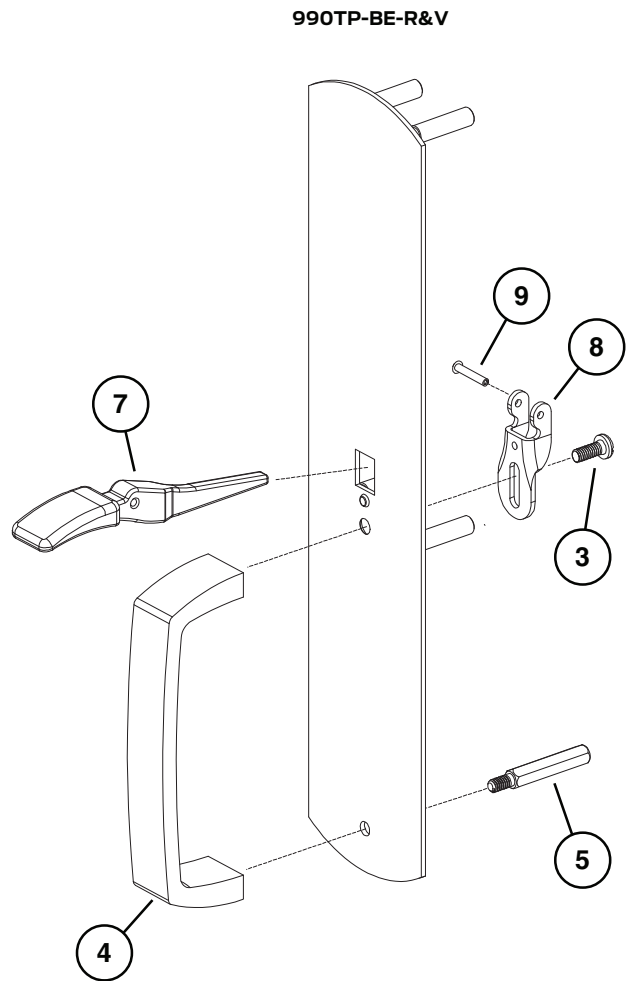
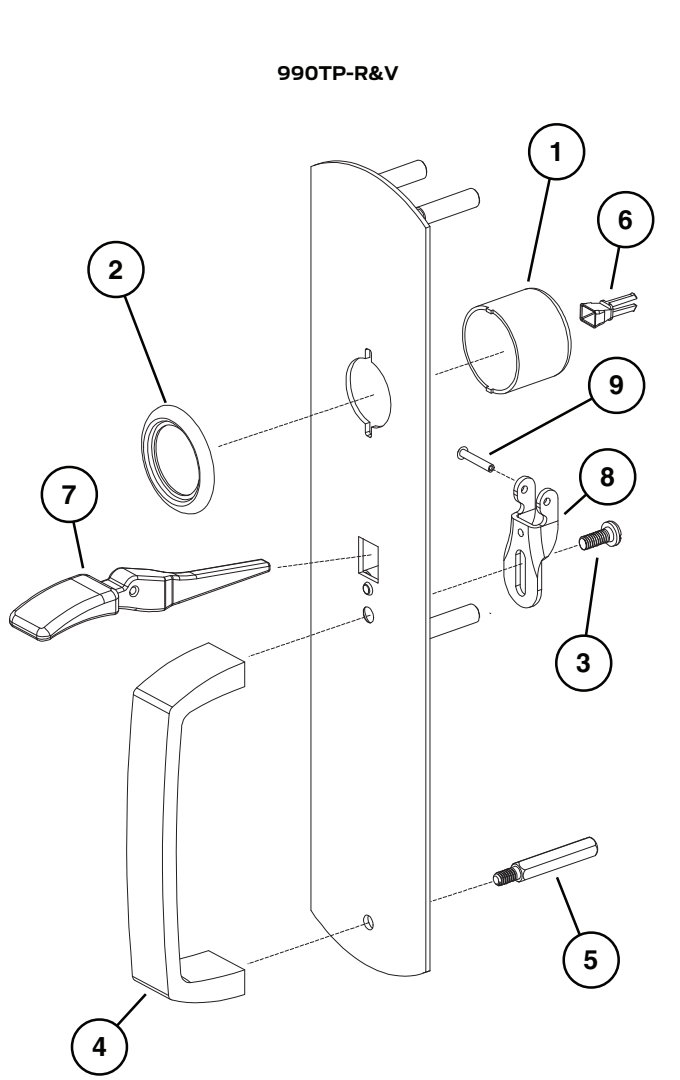
X in "Finish" column designates finished items; finish must be specified when ordering.



990TP-R&V & 990TP-BE-R&V trim

Item no.	Quantity	Part no.	Description	Finish
	1	900853	990 Screw Package 1-3/4" - 2-1/4" Dr	
1	1	968201	Cylinder Retaining Cup	
2	1	965226	Cylinder Collar	
3	1	965237	TP Bracket Screw	
4	1	972469	Pull Grip	X
5	1	956760	Hex Stud - 990 Trim	
6	1	050156	Tailpiece Guide (Pkg of 10)	
7	1	970488	Thumbpiece - R&V	X
8	1	969353	Thumbpiece Bracket	
9	1	959603	Thumbpiece Axle	

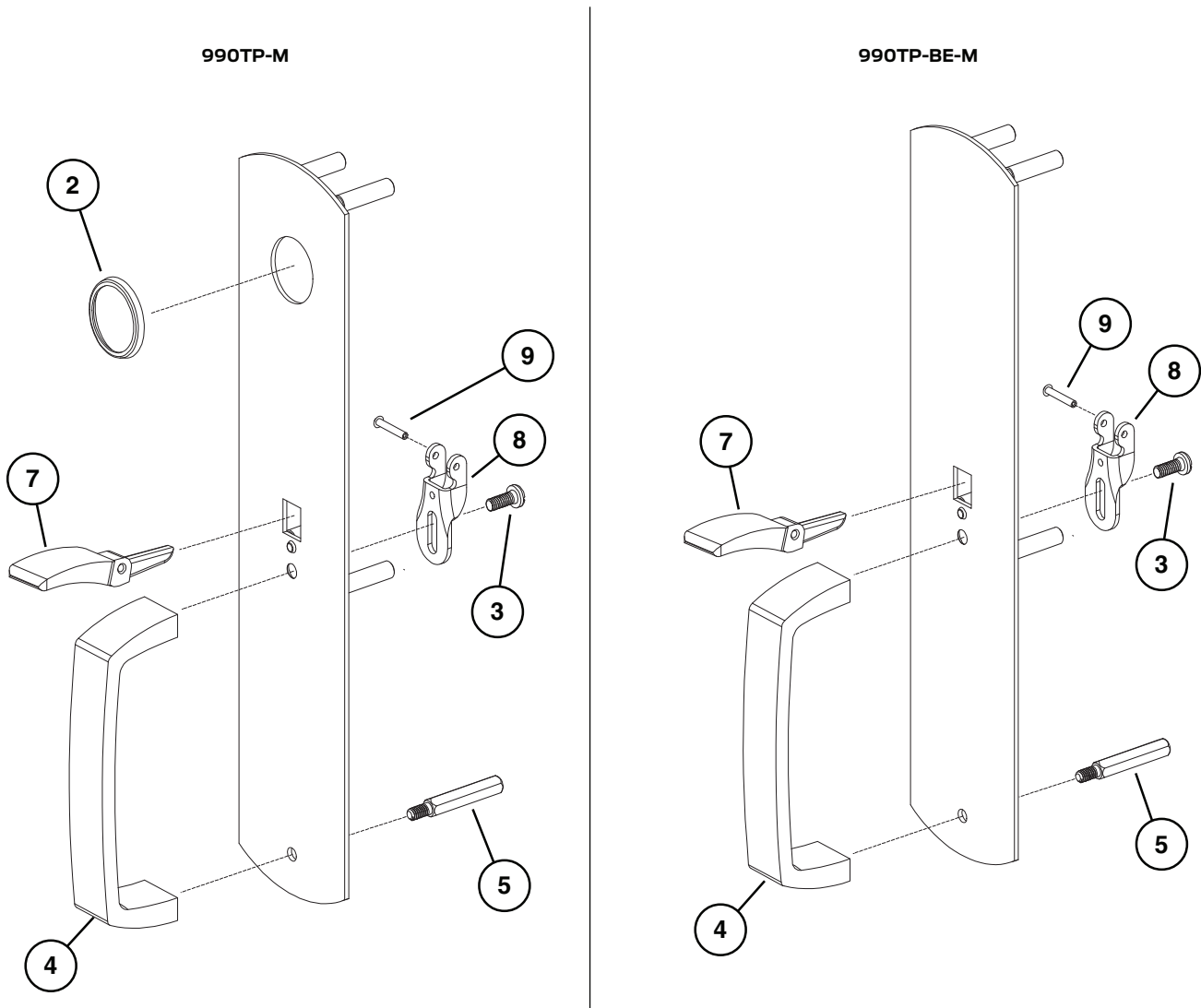
X in "Finish" column designates finished items; finish must be specified when ordering.



990TP-M & 990TP-BE-M trim

Item no.	Quantity	Part no.	Description	Finish
	1	900853	990 Screw Package 1-3/4" - 2-1/4" Dr	
2	1	961267	Cylinder Collar	
3	1	965237	TP Bracket Screw	
4	1	972469	Pull Grip	X
5	1	956760	Hex Stud - 990 Trim	
7	1	970950	Thumbpiece - Mortise	X
8	1	969353	Thumbpiece Bracket	
9	1	959603	Thumbpiece Axle	

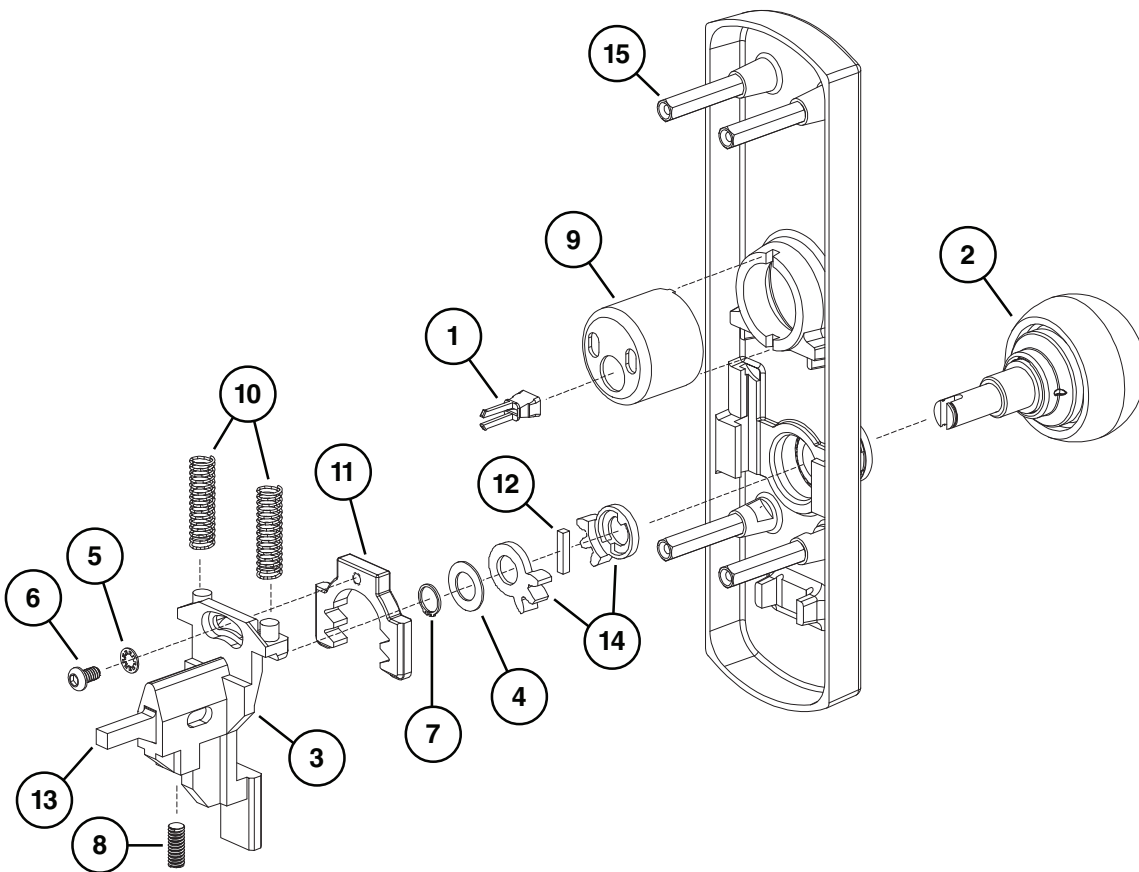
X in "Finish" column designates finished items; finish must be specified when ordering.



991K-R&V trim

Item no.	Quantity	Part no.	Description	Finish
	1	900920	991/992/994/996 Screw Package	
1	1	050156	Tailpiece Guide (Pkg of 10)	
2	1	110537	Orbit Knob Assembly - 991K	
3	1	110768	Slider Sub-Assembly - 991K-R/V	
4	1	963105	Flat Washer - 992K-DT/NL/BE/992L	
5	1	963925	#10 Internal Tooth Lock Washer - 991K/992L	
6	1	964086	10-24 x 3/8" Btn Hd Cap Screw - 991K/992L	
7	1	964285	Retaining Ring - 991K-DT/NL/BE/992L	
8	1	964353	1/4-20 x 5/8" Socket Set Screw	
9	1	968201	Cylinder Retaining Cup	
10	1	969012	Spring - 991K	
11	1	969537	Slider Rack - 991K	
12	1	969544	Straight Key - 991K	
13	1	969545	R&V Finger - 991K/992L	
14	1	969551	Pinion Gear - 991K	
15	1	971440	Hex Stud - 991K/992L	

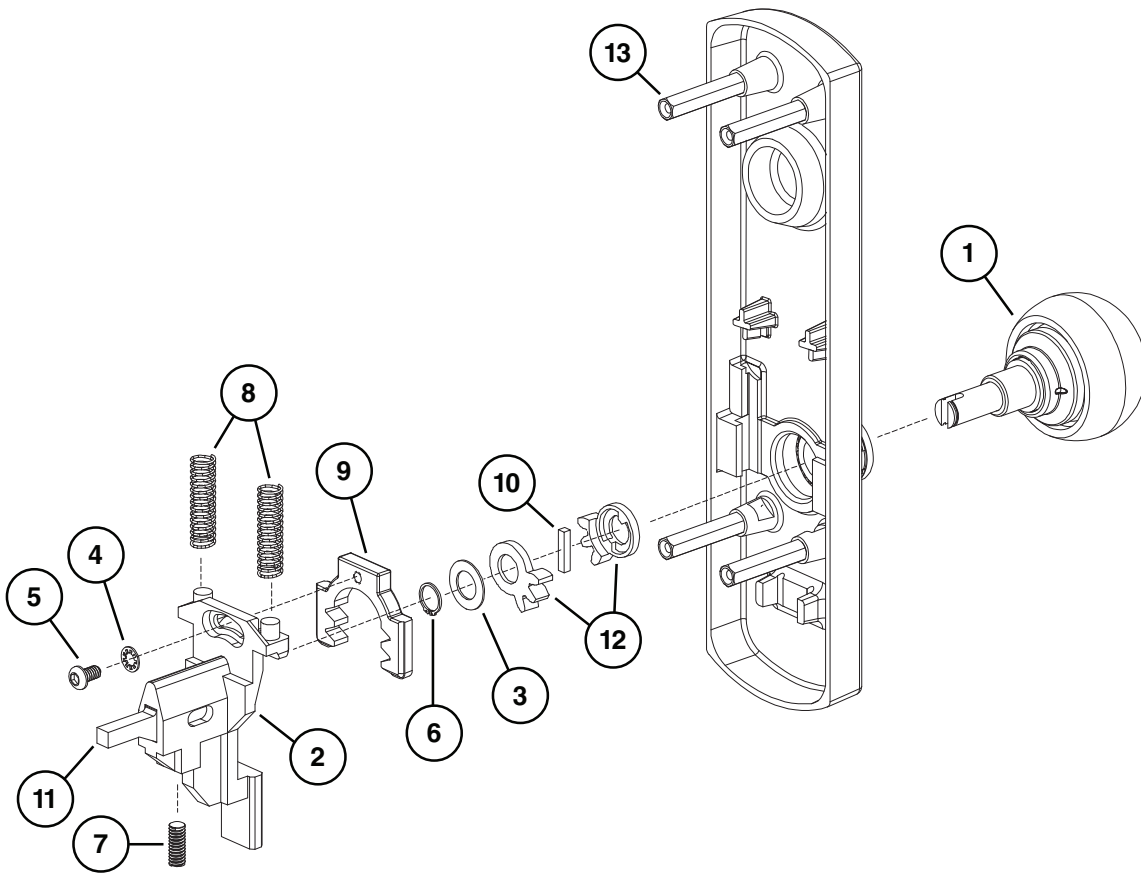
X in "Finish" column designates finished items; finish must be specified when ordering.



991K-BE-R&V trim

Item no.	Quantity	Part no.	Description	Finish
	1	900920	991/992/994/996 Screw Package	
1	1	110537	Orbit Knob Assembly - 991K	
2	1	110768	Slider Sub-Assembly - 991K-R/V	
3	1	963105	Flat Washer - 992K-DT/NL/BE/992L	
4	1	963925	#10 Internal Tooth Lock Washer - 991K/992L	
5	1	964086	10-24 x 3/8" Btn Hd Cap Screw - 991K/992L	
6	1	964285	Retaining Ring - 991K-DT/NL/BE/992L	
7	1	964353	1/4-20 x 5/8" Socket Set Screw	
8	1	969012	Spring - 991K	
9	1	969537	Slider Rack - 991K	
10	1	969544	Straight Key - 991K	
11	1	969545	R&V Finger - 991K/992L	
12	1	969551	Pinion Gear - 991K	
13	1	971440	Hex Stud - 991K/992L	

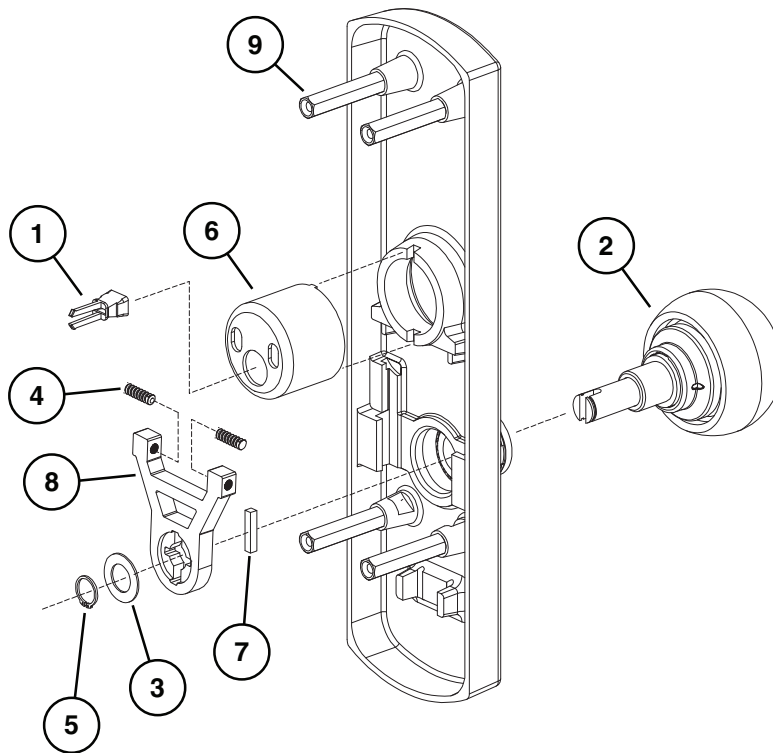
X in "Finish" column designates finished items; finish must be specified when ordering.



991K-NL-R&V trim

Item no.	Quantity	Part no.	Description	Finish
	1	900920	991/992/994/996 Screw Package	
1	1	050156	Tailpiece Guide (Pkg of 10)	
2	1	110537	Orbit Knob Assembly - 991K	X
3	1	963105	Flat Washer - 992K-DT/NL/BE/992L	
4	1	964183	10-24 x 1/2" Socket Set Cap Screw	
5	1	964285	Retaining Ring - 991K-DT/NL/BE/992L	
6	1	968201	Cylinder Retaining Cup	
7	1	969544	Straight Key - 991K	
8	1	970117	DT Yoke - 991K/992L (DT and NL)	
9	1	971440	Hex Stud - 991K/992L	

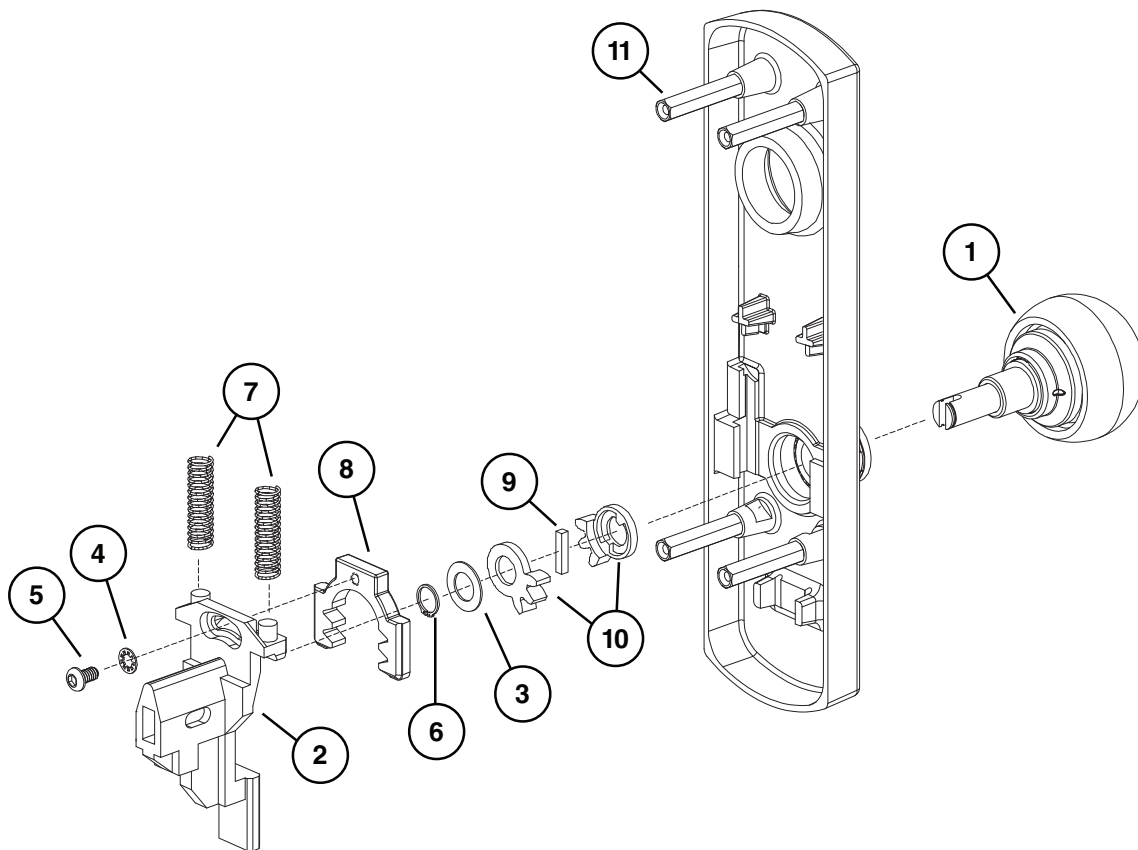
X in "Finish" column designates finished items; finish must be specified when ordering.



991K-M & 991K-M-BE trim

Item no.	Quantity	Part no.	Description	Finish
	1	900920	991/992/994/996 Screw Package	
1	1	110537	Orbit Knob Assembly - 991K	
2	1	969535	Slider - 991K-M	
3	1	963105	Flat Washer - 992K-DT/NL/BE/992L	
4	1	963925	#10 Internal Tooth Lock Washer - 991K/992L	
5	1	964086	10-24 x 3/8" Btn Hd Cap Screw - 991K/992L	
6	1	964285	Retaining Ring - 991K-DT/NL/BE/992L	
7	1	969012	Spring - 991K	
8	1	969537	Slider Rack - 991K	
9	1	969544	Straight Key - 991K	
10	1	969551	Pinion Gear - 991K	
11	1	971440	Hex Stud - 991K/992L	

X in "Finish" column designates finished items; finish must be specified when ordering.

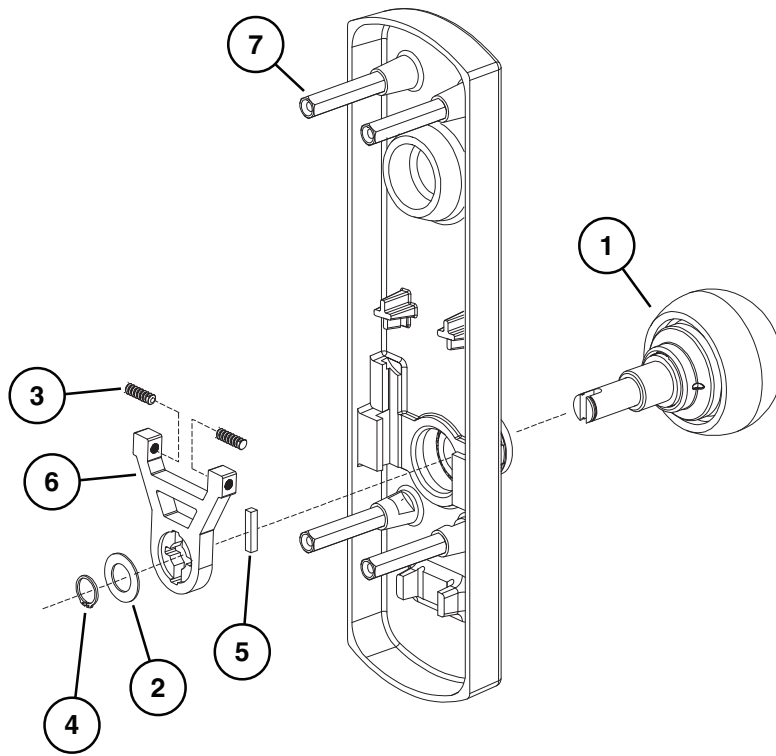


992/994/996 trims

991K-NL-M & 991K-DT trim

Item no.	Quantity	Part no.	Description	Finish
	1	900920	991/992/994/996 Screw Package	
1	1	110537	Orbit Knob Assembly - 991K	X
2	1	963105	Flat Washer - 992K-DT/NL/BE/992L	
3	1	964183	10-24 x 1/2" Socket Set Cap Screw	
4	1	964285	Retaining Ring - 991K-DT/NL/BE/992L	
5	1	969544	Straight Key - 991K	
6	1	970117	DT Yoke - 991K/992L (DT and NL)	
7	1	971440	Hex Stud - 991K/992L	

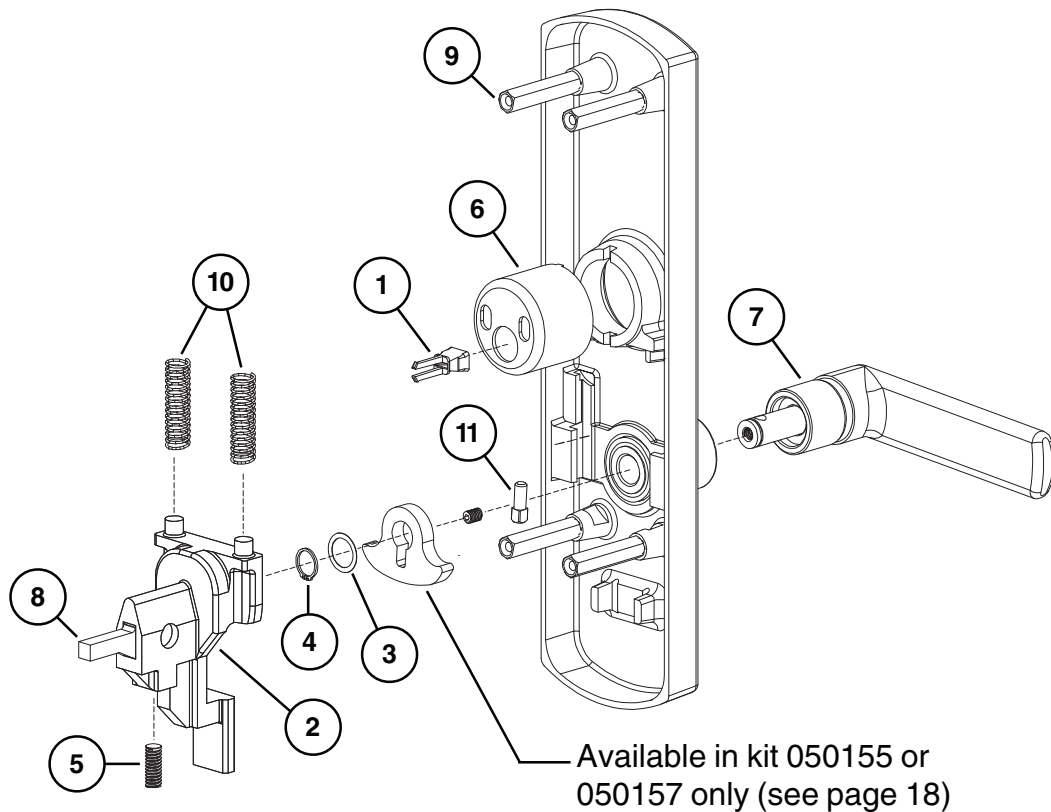
X in "Finish" column designates finished items; finish must be specified when ordering.



992L-R&V trim

Item no.	Quantity	Part no.	Description	Finish
	1	900920	991/992/994/996 Screw Package	
1	1	050156	Tailpiece Guide (Pkg of 10)	
2	1	110769	Slider Sub-Assembly - 992L-R/V	
3	1	090103	Wave Spring Washer - 992L Pkg/10	
4	1	964285	Retaining Ring - 991K-DT/NL/BE/992L	
5	1	964353	1/4-20 x 5/8" Socket Set Screw	
6	1	968201	Cylinder Retaining Cup	
7	1	969541	Lever Bushing - 992/994/996	
8	1	969545	R&V Finger - 991K/992L	
9	4	971440	Hex Stud - 991K/992L	
10	2	971573	Lift Spring - 992/994/996	
11	1	050611	Shear Pin - 992/994/996 w/Retaining Ring	

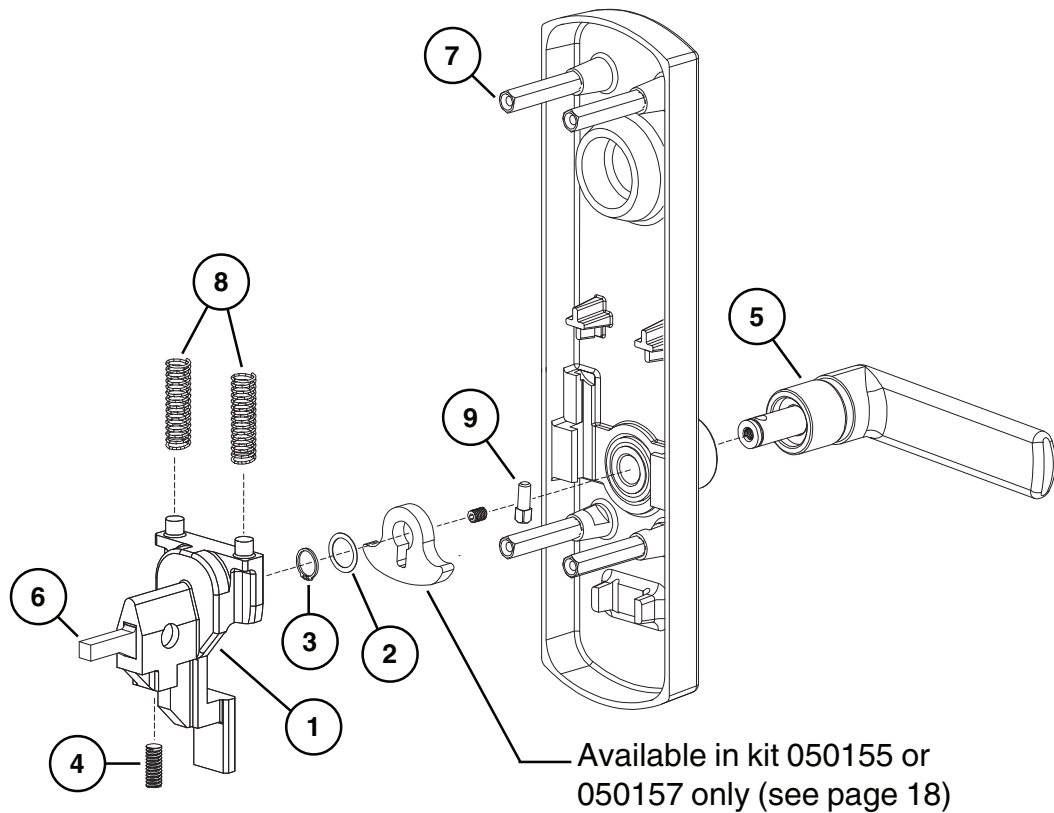
X in "Finish" column designates finished items; finish must be specified when ordering.



992L-BE-R&V trim

Item no.	Quantity	Part no.	Description	Finish
	1	900920	991/992/994/996 Screw Package	
1	1	110769	Slider Sub-Assembly - 992L-R/V	
2	1	090103	Wave Spring Washer - 992L Pkg/10	
3	1	964285	Retaining Ring - 991K-DT/NL/BE/992L	
4	1	964353	1/4-20 x 5/8" Socket Set Screw	
5	1	969541	Lever Bushing - 992/994/996	
6	1	969545	R&V Finger - 991K/992L	
7	4	971440	Hex Stud - 991K/992L	
8	2	971573	Lift Spring - 992/994/996	
9	1	050611	Shear Pin - 992/994/996 w/Retaining Ring	

X in "Finish" column designates finished items; finish must be specified when ordering.

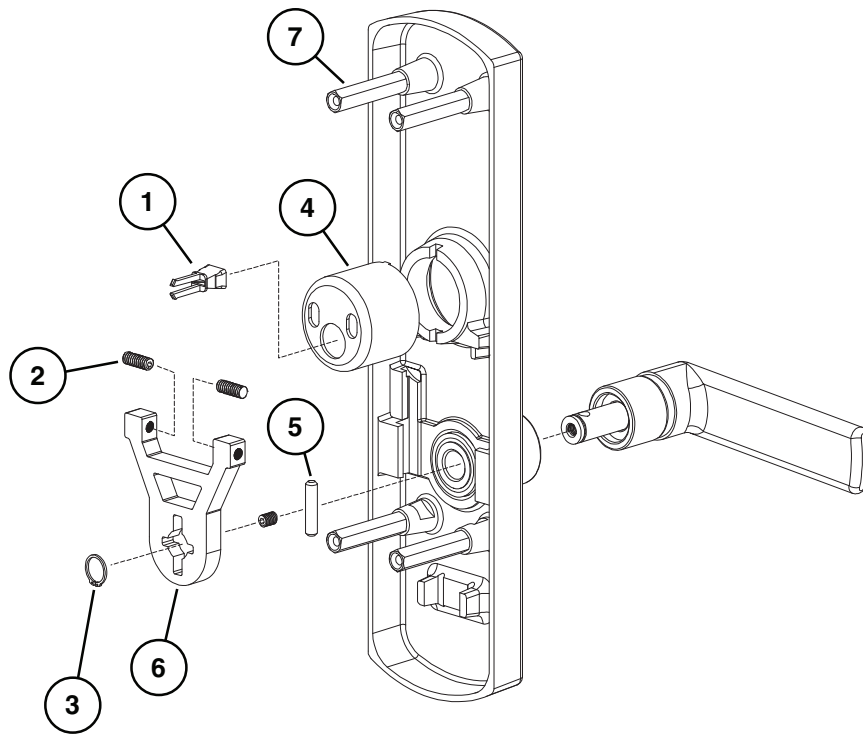


992/994/996 trims

992L-NL-R&V trim

Item no.	Quantity	Part no.	Description	Finish
	1	900920	991/992/994/996 Screw Package	
1	1	050156	Tailpiece Guide (Pkg of 10)	
2	1	964183	10-24 x 1/2" Socket Set Cap Screw	
3	1	964285	Retaining Ring - 991K-DT/NL/BE/992L	
4	1	968201	Cylinder Retaining Cup	
5	1	971015	DT Cam Pin - 992/994/996	
6	1	970117	DT Yoke - 991K/992L (DT and NL)	
7	1	971440	Hex Stud - 991K/992L	

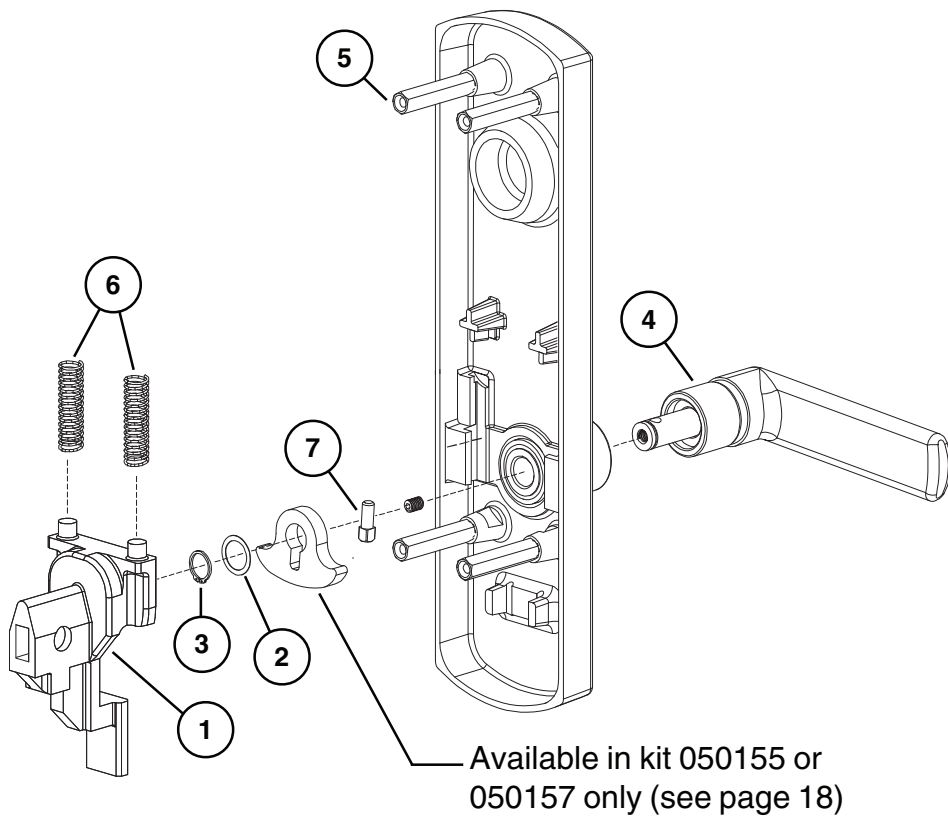
X in "Finish" column designates finished items; finish must be specified when ordering.



992L-M & 992L-BE-M trim

Item no.	Quantity	Part no.	Description	Finish
	1	900920	991/992/994/996 Screw Package	
1	1	971012	Slider Sub-Assembly - 992L-M	
2	1	090103	Wave Spring Washer - 992L Pkg/10	
3	1	964285	Retaining Ring - 991K-DT/NL/BE/992L	
4	1	969541	Lever Bushing - 992/994/996	
5	4	971440	Hex Stud - 991K/992L	
6	2	971573	Lift Spring - 992/994/996	
7	1	050611	Shear Pin - 992/994/996 w/Retaining Ring	

X in "Finish" column designates finished items; finish must be specified when ordering.

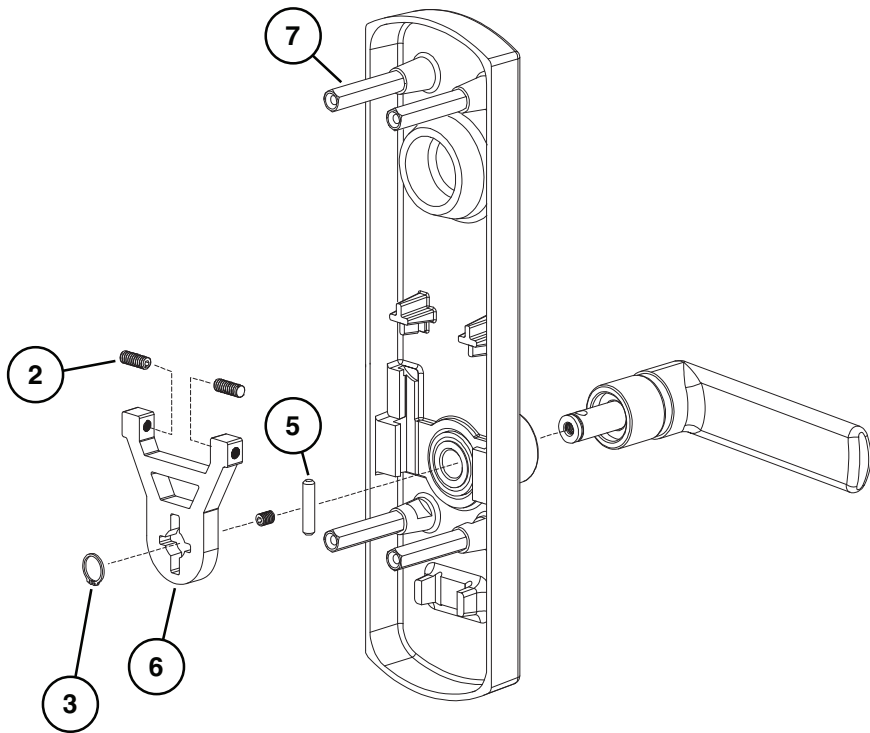


992/994/996 trims

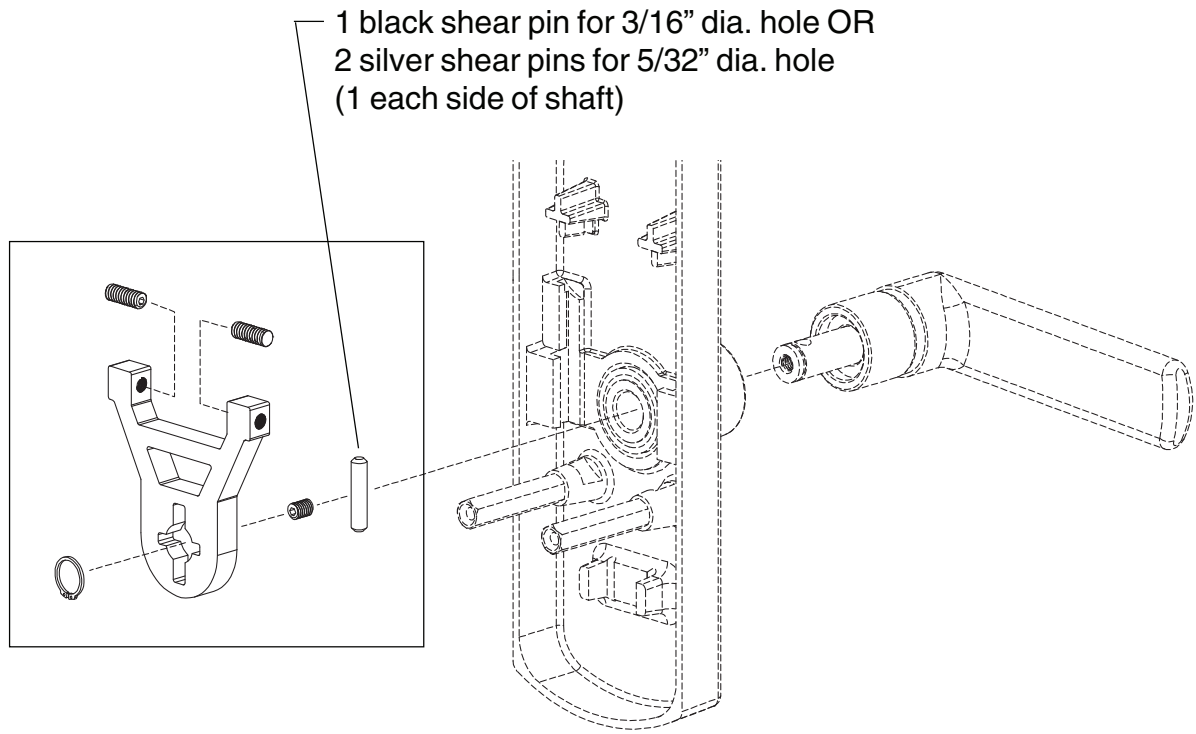
992L-NL-M & 992L-DT-M trim

Item no.	Quantity	Part no.	Description	Finish
	1	900920	991/992/994/996 Screw Package	
2	1	964183	10-24 x 1/2" Socket Set Cap Screw	
3	1	964285	Retaining Ring - 991K-DT/NL/BE/992L	
5	1	971015	DT Cam Pin - 992/994/996	
6	1	970117	DT Yoke - 991K/992L (DT and NL)	
7	1	971440	Hex Stud - 991K/992L	

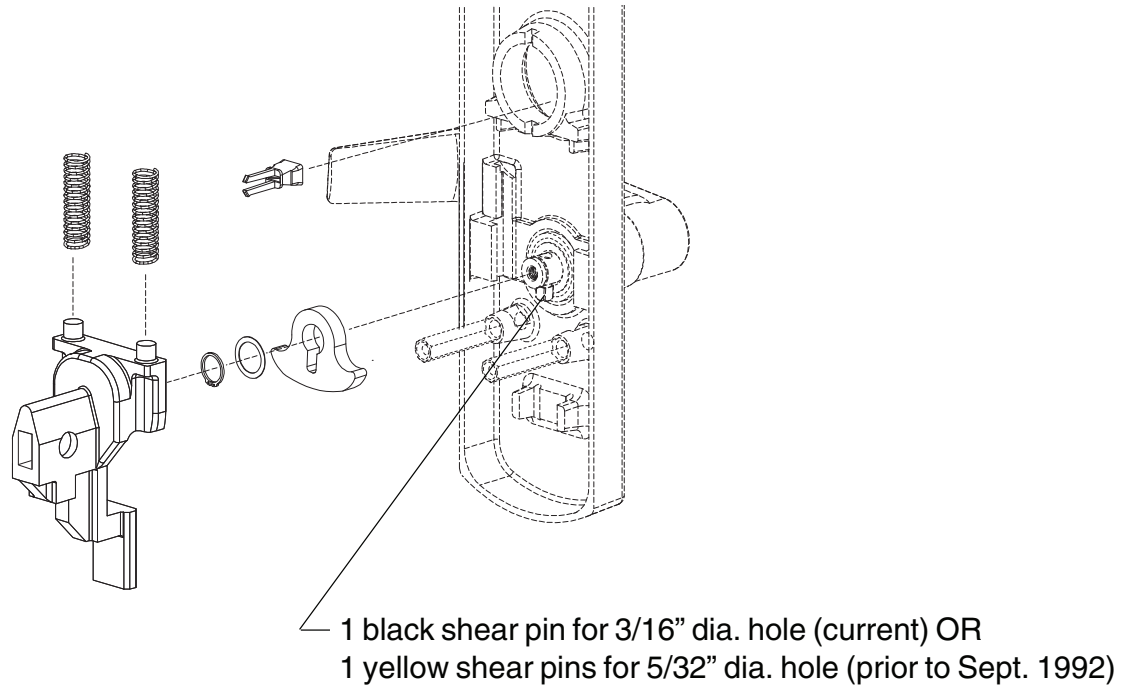
X in "Finish" column designates finished items; finish must be specified when ordering.



992L-DT or RIGID trim conversion kit - 050154



992-L replacement cam kit w/slider - 050155

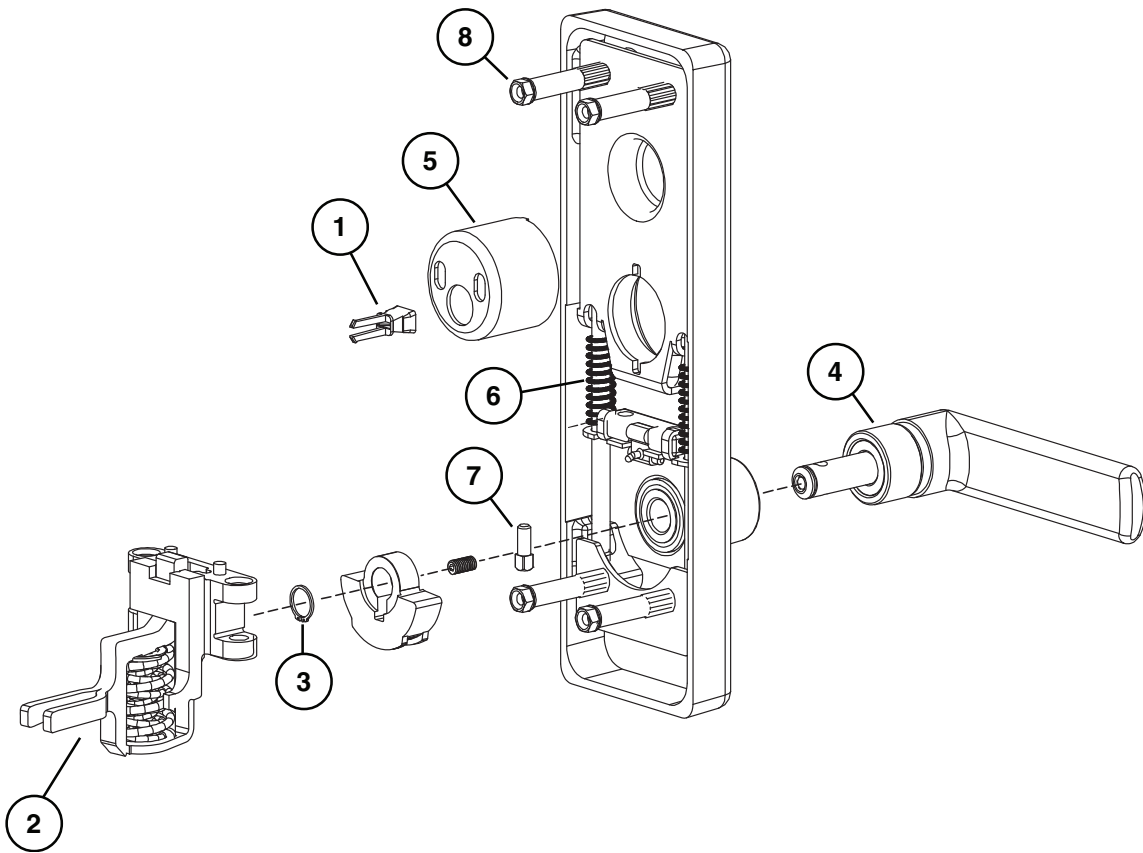


992-L replacement cam kit less slider - 050157

994L-R&V & 994L-R&V-BE trim

Item no.	Quantity	Part no.	Description	Finish
	1	900920	991/992/994/996 Screw Package	
1	1	050156	Tailpiece Guide Lead Kit	
2	1	112461	Slider Sub-Assembly - 994/996L-R/V	
3	1	964285	Retaining Ring - 991K-DT/NL/BE/992L	
4	1	969541	Lever Bushing - 992/994/996	
5	4	968201	Cylinder Retaining Cup - 990 Trim	
6	2	971573	Lift Spring - 992/994/996	
7	1	050611	Shear Pin - 992/994/996 w/Retaining Ring	
8	4	971585	Mounting Stud - 994/996	

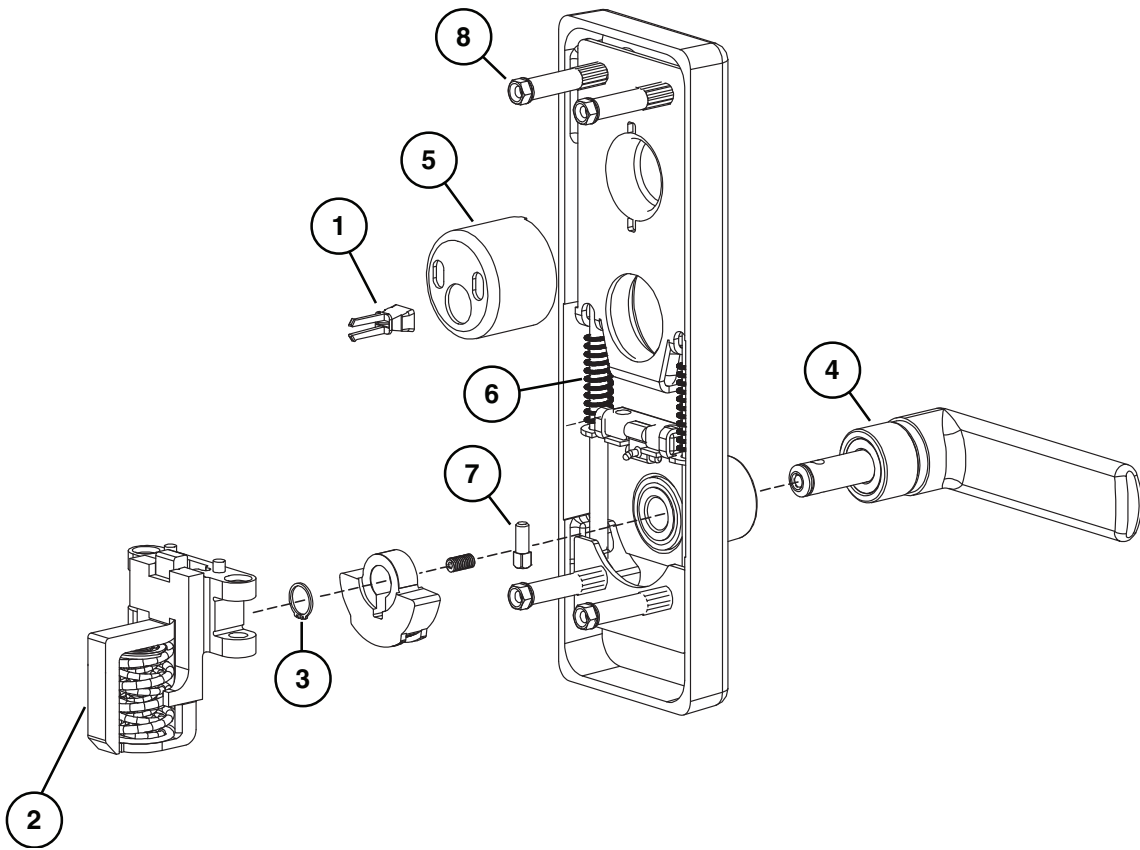
X in "Finish" column designates finished items; finish must be specified when ordering.



994L-M & 994L-M-BE trim

Item no.	Quantity	Part no.	Description	Finish
	1	900920	991/992/994/996 Screw Package	
1	1	050156	Tailpiece Guide Lead Kit	
2	1	112462	Slider Sub-Assembly - 994/996L-M	
3	1	964285	Retaining Ring - 991K-DT/NL/BE/992L	
4	1	969541	Lever Bushing - 992/994/996	
5	4	968201	Cylinder Retaining Cup - 990 Trim	
6	2	971573	Lift Spring - 992/994/996	
7	1	050611	Shear Pin - 992/994/996 w/Retaining Ring	
8	4	971585	Mounting Stud - 994/996	

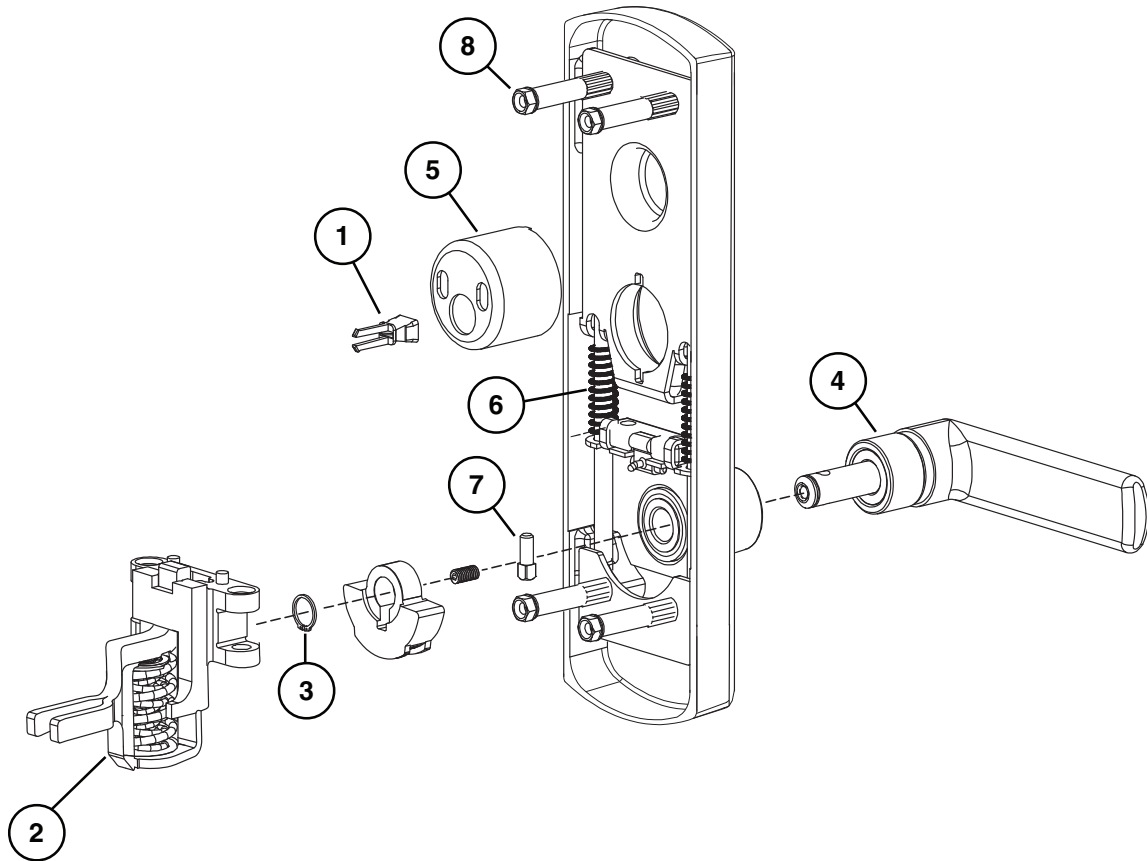
X in "Finish" column designates finished items; finish must be specified when ordering.



996L-R&V & 996L-R&V-BE trim

Item no.	Quantity	Part no.	Description	Finish
	1	900920	991/992/994/996 Screw Package	
1	1	050156	Tailpiece Guide Lead Kit	
2	1	112461	Slider Sub-Assembly - 994/996L-R/V	
3	1	964285	Retaining Ring - 991K-DT/NL/BE/992L	
4	1	969541	Lever Bushing - 992/994/996	
5	4	968201	Cylinder Retaining Cup - 990 Trim	
6	2	971573	Lift Spring - 992/994/996	
7	1	050611	Shear Pin - 992/994/996 w/Retaining Ring	
8	4	971585	Mounting Stud - 994/996	

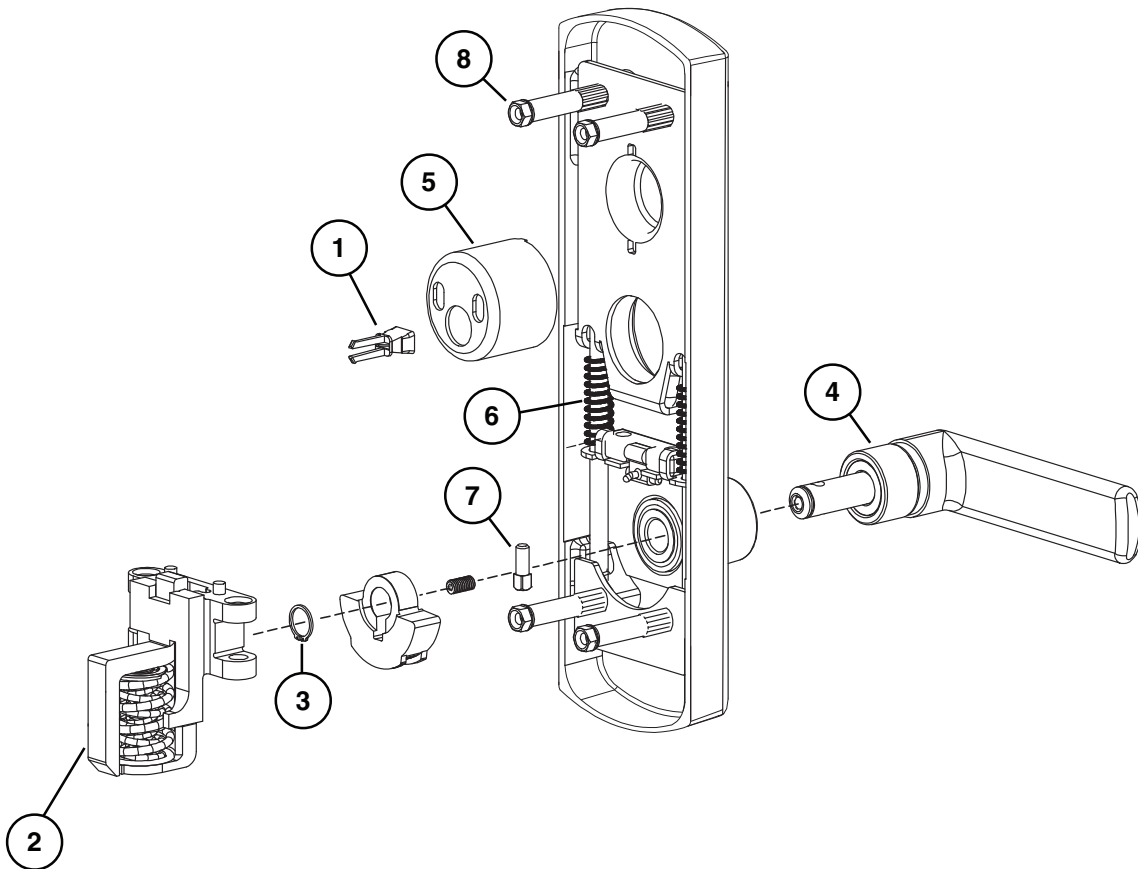
X in "Finish" column designates finished items; finish must be specified when ordering.



996L-M & 996L-M-BE trim

Item no.	Quantity	Part no.	Description	Finish
	1	900920	991/992/994/996 Screw Package	
1	1	050156	Tailpiece Guide Lead Kit	
2	1	112462	Slider Sub-Assembly - 994/996L-M	
3	1	964285	Retaining Ring - 991K-DT/NL/BE/992L	
4	1	969541	Lever Bushing - 992/994/996	
5	4	968201	Cylinder Retaining Cup - 990 Trim	
6	2	971573	Lift Spring - 992/994/996	
7	1	050611	Shear Pin - 992/994/996 w/Retaining Ring	
8	4	971585	Mounting Stud - 994/996	

X in "Finish" column designates finished items; finish must be specified when ordering.

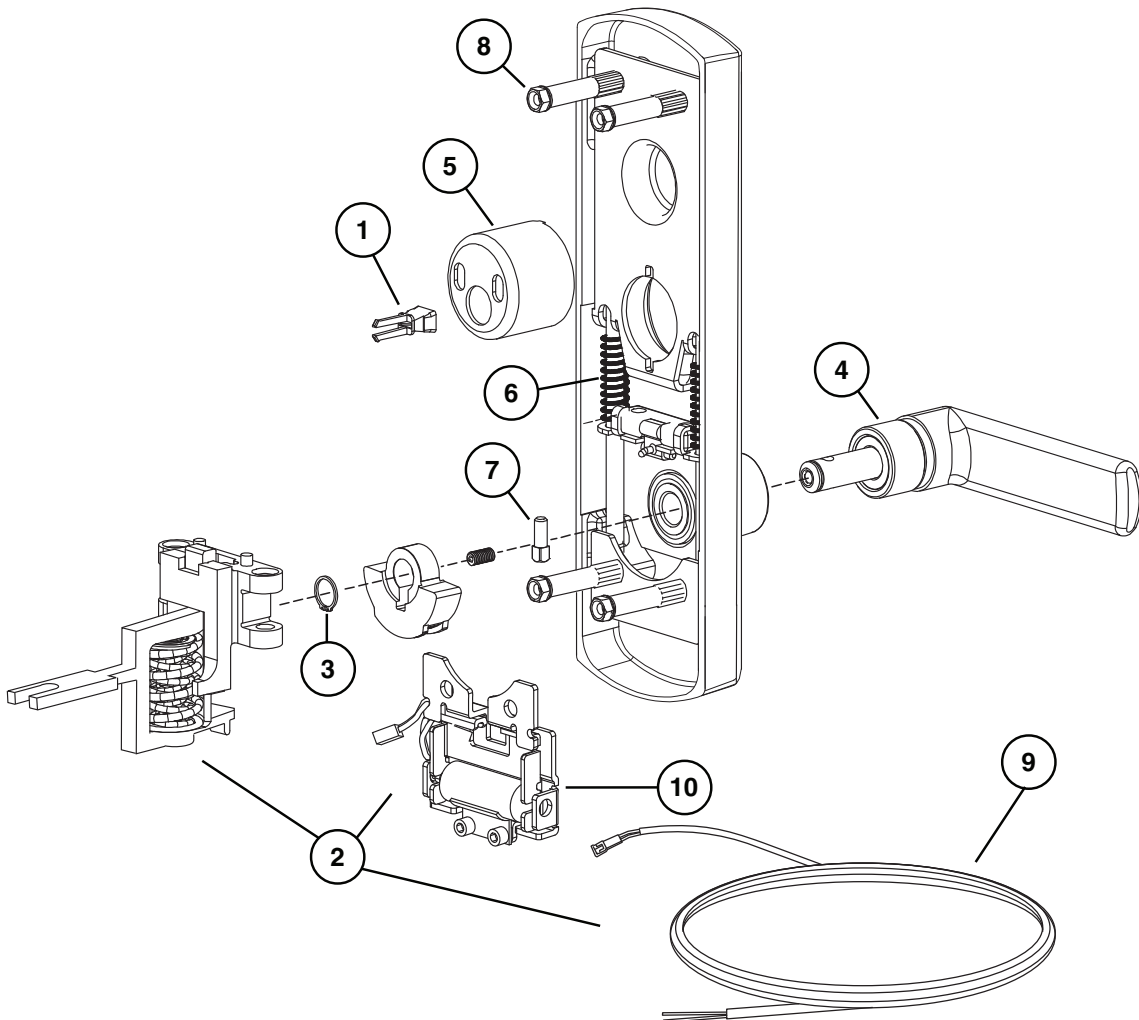


E996L-R&V trim

Item no.	Quantity	Part no.	Description	Finish
	1	900920	991/992/994/996 Screw Package	
1	1	050156	Tailpiece Guide Lead Kit	
2	1	050672	*E996 R/VC Conv to E Kit	
3	1	964285	Retaining Ring - 991K-DT/NL/BE/992L	
4	1	969541	Lever Bushing - 992/994/996	
5	4	968201	Cylinder Retaining Cup - 990 Trim	
6	2	971573	Lift Spring - 992/994/996	
7	1	050611	Shear Pin - 992/994/996 w/Retaining Ring	
8	4	971585	Mounting Stud - 994/996	
9	1	CABLE.10038	E996 Wire Harness (Cable)	
10	1	050671	E996 Locking Mech Kit (includes solenoid)	

X in "Finish" column designates finished items; finish must be specified when ordering.

*Kit includes one each of items 2,9,10, plus one NL Drive Screw

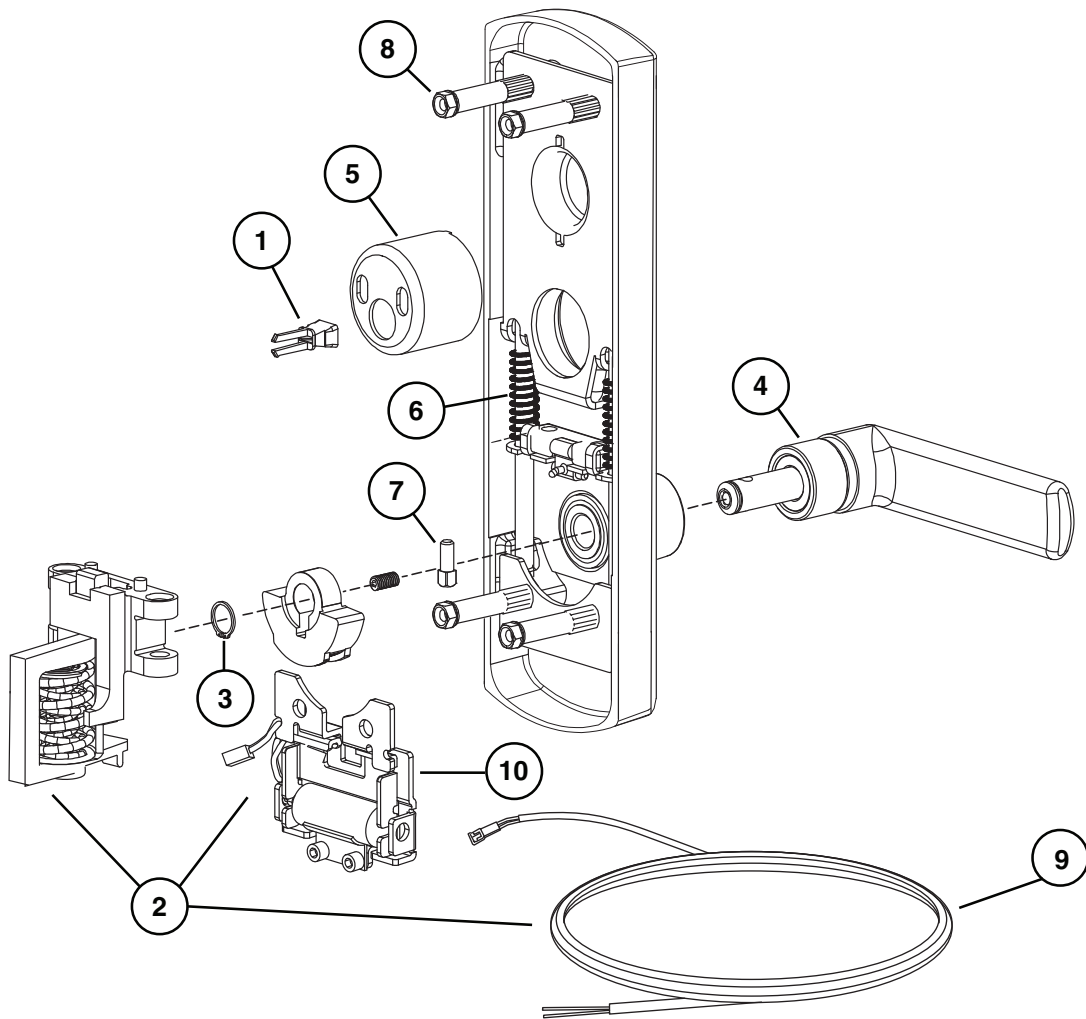


E996L-M trim

Item no.	Quantity	Part no.	Description	Finish
	1	900920	991/992/994/996 Screw Package	
1	1	050156	Tailpiece Guide Lead Kit	
2	1	050673	*E996 Mort Conv to E Kit	
3	1	964285	Retaining Ring - 991K-DT/NL/BE/992L	
4	1	969541	Lever Bushing - 992/994/996	
5	4	968201	Cylinder Retaining Cup - 990 Trim	
6	2	971573	Lift Spring - 992/994/996	
7	1	050611	Shear Pin - 992/994/996 w/Retaining Ring	
8	4	971585	Mounting Stud - 994/996	
9	1	CABLE.10038	E996 Wire Harness (Cable)	
10	1	050671	E996 Locking Mech Kit (includes solenoid)	

X in "Finish" column designates finished items; finish must be specified when ordering.

*Kit includes one each of items 2, 9, 10, plus one NL Drive Screw



About Allegion

Allegion (NYSE: ALLE) creates peace of mind by pioneering safety and security. As a \$2 billion provider of security solutions for homes and businesses, Allegion employs more than 7,800 people and sells products in more than 120 countries across the world. Allegion comprises 23 global brands, including strategic brands CISA®, Interflex®, LCN®, Schlage® and Von Duprin®.

For more, visit www.allegion.com.

aptiQ ■ LCN ■ **SCHLAGE** ■ STEELCRAFT ■ VON DUPRIN

VON DUPRIN.

Guard-X 2670 Exit Alarm Lock

Service manual



INDEX

General Information

Introduction	2
How to Order	2
Part Number Changes	2

Guard-X 2670 Exit Alarm Lock Parts

Lockside Cover Kit	3
Hingeside Cover Kit	3
Endcap Kit	3
Alarm Sign	3
Lightpipe Kit	3
PCB Kit	4
Cylinder Retaining Bracket Kit	4
Device Mounting Package	4
Cover Screw Kit	4

INTRODUCTION

This manual contains a listing of replaceable parts and assemblies for the Guard-X 2670 Exit Alarm Lock.

HOW TO ORDER

Some parts are sold separately. Other items are available as part of a kit or multiple quantity package. For the best possible service when ordering replacement parts or assemblies, please provide the following information:

- Part number or assembly number
- Description
- Quantity needed
- Finish desired (if available finished)
- Date of original purchase (if known)

To find out the name of your local Von Duprin distributor or sales representative, contact:

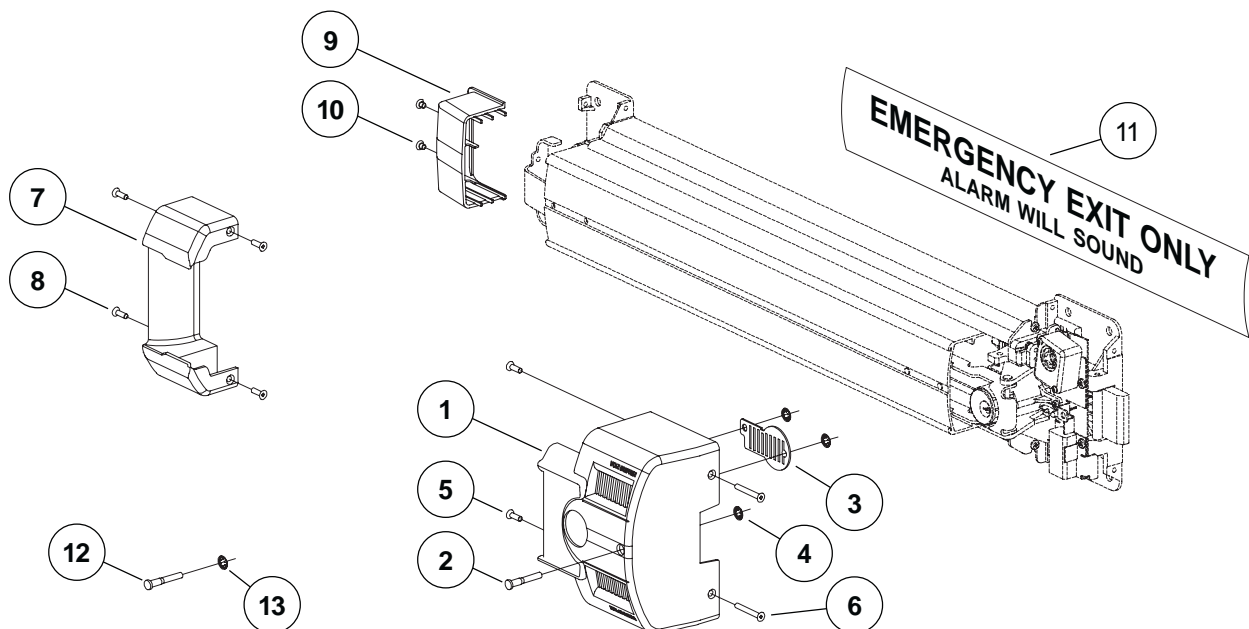
Von Duprin Division
Allegion
2720 Tobey Drive
Indianapolis, IN 46219
Phone: (877) 671-7011

PART NUMBER AND AVAILABILITY CHANGES

This manual was designed to help illustrate the replacement parts and kits that are available for sale. Because of changes to the product and/or manufacturing process, part numbers and availability can change over time.

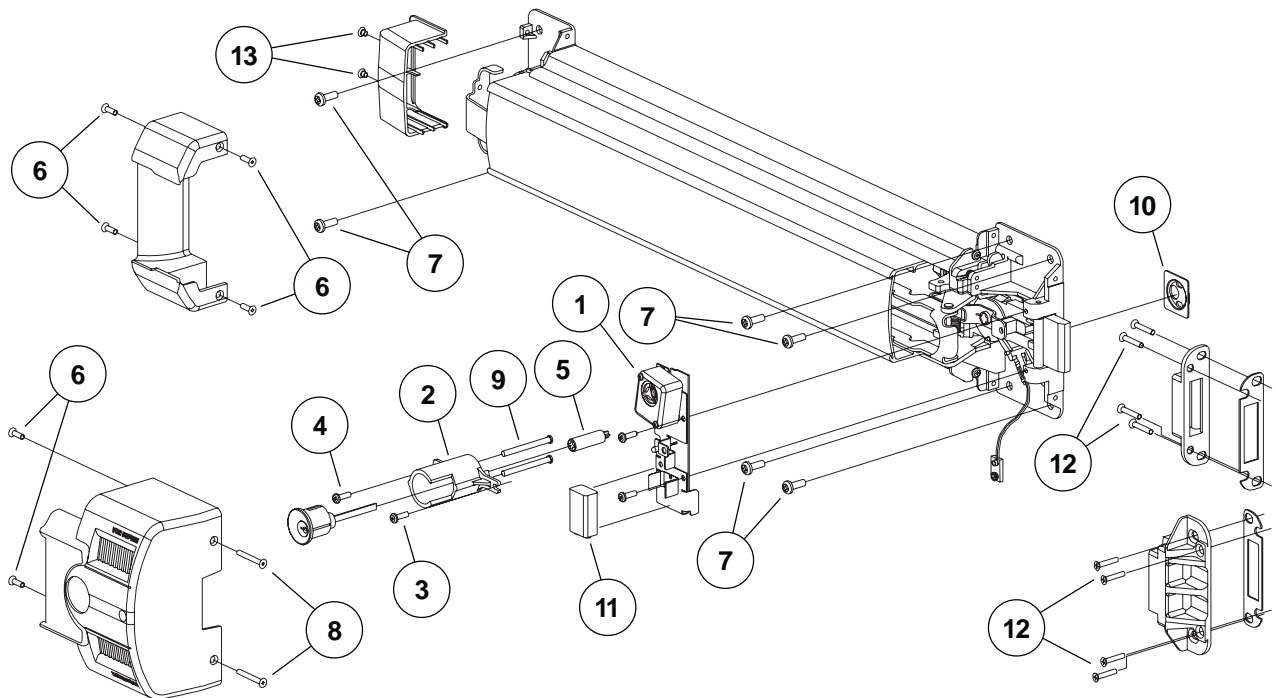
2670 EXIT ALARM PARTS

Part No.	Includes Items	Description	Quantity
COVER.109		2670 Lockside Cover Kit SP28	
	1	Lockside Cover	1
	2	Lightpipe	1
	3	Baffle Stamp	1
	4	Retaining Ring	3
	5	10-16 x 5/8" FPHMS	2
6	10-16 x 1-1/2" FPHMS	2	
COVER.121	same as COVER.109	2670 Lockside Cover Kit SP313	
COVER.122	same as COVER.109	2670 Lockside Cover Kit US19	
COVER.114		2670 Hingeside Cover - Silver	
	7	Hingeside Cover	1
	8	10-16 x 5/8" FPHMS	2
COVER.115	same as COVER.114	2670 Hingeside Cover - Black	
COVER.116	same as COVER.109	2670 Hingeside Cover - Brown	
ECAP.105		2670 Endcap Kit	
	9	Endcap	1
	10	10-24 x 1/4" UFPHMS	2
SIGN.1001	11	Alarm Sign - English	1
SIGN.1002	11	Alarm Sign - Spanish	1
SIGN.1003	11	Alarm Sign - French	1
PIPE.101		Lightpipe Kit	
	12	Lightpipe	1
	13	Retaining Ring	1



2670 EXIT ALARM PARTS

Part No.	Includes Items	Description	Quantity
PCB.10018	1	2670 PCB Kit Field - English	1
PCB.10019	1	2670 PCB Kit Field - Spanish	1
PCB.10020	1	2670 PCB Kit Field - French	1
BRKT.121		Cylinder Retaining Bracket Kit	
	2	Cylinder Retaining Bracket	1
	3	10-24 x 5/8" PPHMS	1
	4	10-16 x 5/8" PPHMS	1
050379	5	2670 Cylinder Tailpiece Extension	1
PKGMTG.1002		2670 Device Mounting Package US28	
	5	Tailpiece Extension	1
	6	10-16 x 5/8" FPHSMS	6
	7	1/4-20 x 3/4" PPHMS	6
	7	1/4-14 x 1" PPHMS	6
	8	10-16 x 1-1/2" FPHMS	2
	9	12-24 x 9/32" FSH Cylinder Screw	2
	10	Cylinder Anchor Plate	1
	11	9 Volt Battery	1
PKGMTG.1003	same as PKGMTG.1002	2670 Device Mounting Package Black	
PKGSCR.1001		2670 Cover Screw Kit SP28	
	5	Tailpiece Extension	1
	6	10-16 x 5/8" FPHSMS	6
	7	1/4-20 x 3/4" PPHMS	6
	7	1/4-14 x 1" PPHMS	6
	8	10-16 x 1-1/2" FPHMS	2
	9	12-24 x 9/32" FSH Cylinder Screw	2
	12	1/4-20 x 1" FPHMS	4
	12	1/4-14 x 1-1/4" FPHMS	4
	13	10-24 x 1/4" UFPHMS	2



About Allegion

Allegion (NYSE: ALLE) creates peace of mind by pioneering safety and security. As a \$2 billion provider of security solutions for homes and businesses, Allegion employs more than 7,800 people and sells products in more than 120 countries across the world. Allegion comprises 23 global brands, including strategic brands CISA®, Interflex®, LCN®, Schlage® and Von Duprin®.

For more, visit www.allegion.com.

aptiQ ■ LCN ■ **SCHLAGE** ■ STEELCRAFT ■ VON DUPRIN