

VON DUPRIN®

DOOR CONTROL AND SECURITY HARDWARE



IR Security & Safety

VON DUPRIN® Table of Contents

Electric Strikes

Series 6000 Electric Strikes	4-11
Strikes for Rim Exit Devices	5-6
Strikes for Mortise and Cylindrical Locks	7-11
5100 Electric Strike	12
Compatibility Charts	13
Additional Information	14

Electrical Accessories

DE5101	22
Electric Mortise Lock	25
Electric Trim	15
Electric Mullions	33
Electrical Power Transfers	29
Exit Trim - Computer Managed	26-27
Junction Box	29
Monitor Strikes	30-32
Power Supplies	28
Pushpad	19

Exit Devices

Alarmed Exit Devices	20-21
ALK Exit Alarm Kit	23
Chexit Delayed Exit	20-21
Guard-X	24
Exit Devices (Electric Latch Retracting)	16
Exit Devices— Monitoring	17-19

Additional Information

Handing of Doors	34
Wire Size Selection	34

VON DUPRIN® Series 6000 Electric Strikes

Electric Strikes provide remote release of a locked door. They allow the door to be opened without retracting the latchbolt. This occurs by the releasing of the electric strike lip (sometimes called keeper or gate). When the door closes the beveled latchbolt rides over the lip and falls into the electric strike pocket.

VON DUPRIN SERIES 6000 ELECTRIC STRIKES

Von Duprin is the leading manufacturer of premium, heavy-duty electric strikes known for their reliability, durability and security.

Versatility

- Non-handed
- Furnished 24VDC standard with 12VDC and AC operation optional. 16V solenoids available.
- Furnished fail secure (FSE) standard, with fail safe (FS) optional.
- Strike box is adjustable to compensate for any misalignment of the door or frame.
- Two piece plug connectors are furnished for ease of installation and for removal during strike servicing.

Durability

Developed with Von Duprin's high standards and engineering expertise.

- Heavy-duty stainless steel construction.
- Tested to over 250,000 cycles.
- 1500 lbs. holding strength.
- 70 lbs. impact strength.

To assure the proper selection of an electric strike on new applications, lockset compatibility charts are shown on page 13. When using a lockset not listed or when retrofitting a strike to an existing application, consult Von Duprin for application assistance.

OPTIONS

AC Operation

SO12 and SO24 are rectifier kits to convert AC voltage to operate the DC solenoids. These kits are field installable and plug in-line to solenoid.

DS and DS-LC — Dual Switch Monitoring (Factory Installed Only)

Dual switch monitoring option has two SPDT contacts, one switch monitors the tripper which is depressed when the latchbolt is inserted into the strike pocket. The second switch monitors the condition of the strike lip, open or closed and locked.

DS is standard, rated 24V, operating range from 2 ampere to 50 milliampere.

DS-LC low volt gold contact switches for use on applications associated with computer control and monitoring, rated 24V, operating range 50 milliampere or below.

Fail Secure — FSE

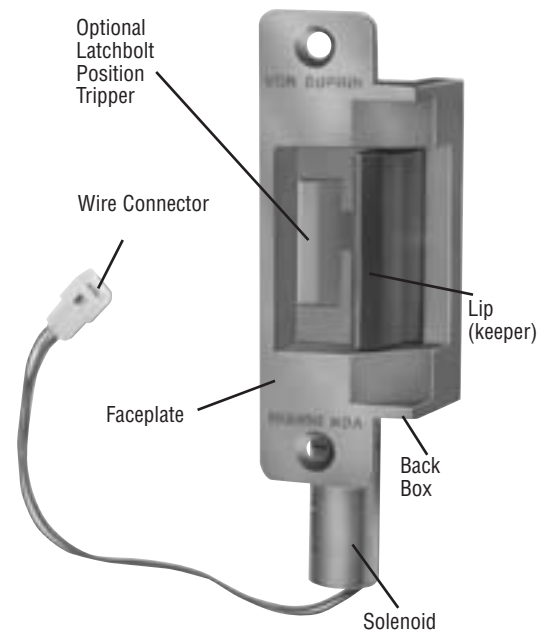
FSE — FAIL-SECURE electric strikes require power to be applied to unlock the strike lip. On loss of power, the strike is locked. Field convertible with parts.

Fail Safe — FS

FS — FAIL-SAFE electric strikes require power to be applied to lock the strike lip. On loss of power, the strike is unlocked. Building codes prohibit the use of fail-safe strikes on labeled openings. Field convertible with parts.

Entry Buzzer — EB

EB — Entry buzzer is available for use with fail-secure strikes. Installed in the frame and in parallel with the circuit, the buzzer will sound when the strike is unlocked.



UL LISTED

UL Listed Burglary-Resistant and Electric Strike for fire doors and frames. A label for single doors and B label for double doors. Strikes meet the requirements of ANSI 156.5, Grade 1, 1992.

TO ORDER, SPECIFY

1. Model number.
2. FS (fail safe, when required).
3. DS or DS-LC (dual switch, when required).
4. Voltage 12VDC or 24VDC
For 16V Solenoids order separately.
5. SO12 or SO24 (required when using AC)
6. Finish: US3, US4, US10, US10B, US32, US32D.
7. EB (Entry buzzer), FSE only (when required).

Note: Information listed is for use on new applications. On retrofit applications, modification of the frame preparation may be required, consult factory.

VON DUPRIN® 6111, 6112, 6113 Electric Strikes

6111

Electric strike for use with rim exit devices on single doors or double doors with mullion applications (hollow metal, aluminum or wood). Designed to replace Von Duprin 3031. Specify if using with 55 rim devices.

6112

Electric strike for use with rim exit devices on single door applications (hollow metal, aluminum or wood). Designed to replace Folger Adam 310-4, minor frame prep modification required.

6113

Electric strike for use with rim exit devices on single door applications (hollow metal, aluminum or wood), 1/2" (13mm) stop or greater. Designed to replace Von Duprin 3011 and 3021. Specify if using with 55 rim devices.

FEATURES

- Stainless Steel Construction
- Accepts 3/4" (19mm) Throw Latchbolt
- Six Finishes
- Non-handed
- Fail Secure
- Horizontally Adjustable
- Plug Connectors

OPTIONS

- FS (Fail Safe)
- DS or DS-LC (Dual Monitor Switches)
- EB (Entry Buzzer)

6111/6113 ELECTRIC STRIKE BLADE STOP SHIM 010055-XX



Use on cased opening or blade stop frame. 1/2" (13mm) aluminum, not for fire door application.



6111



6112



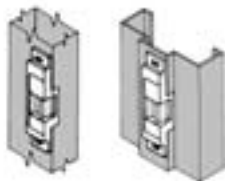
6113

SPECIFICATIONS	12V	24V
Resistance in Ohms±10% @ 70°F	21	82
Watt-seated @ 70°F	7.5	8
Amps-seated @ 70°F	.6	.33
Amps-inrush @ 70°F	.6	.33

UL listed Burglary Resistant CVXY and Electric Strike for fire doors or frames GXAY (fail secure only). ANSI E59311 Listing applies to Von Duprin rim devices.

DIMENSIONS AND CONFIGURATIONS

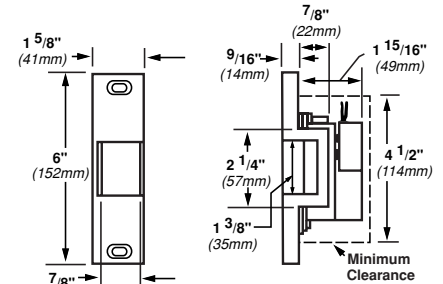
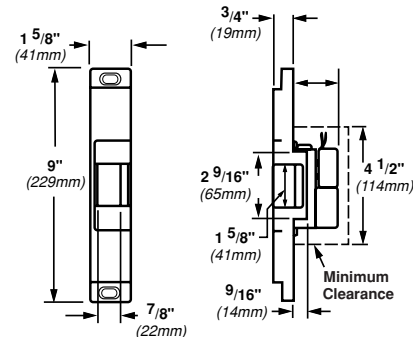
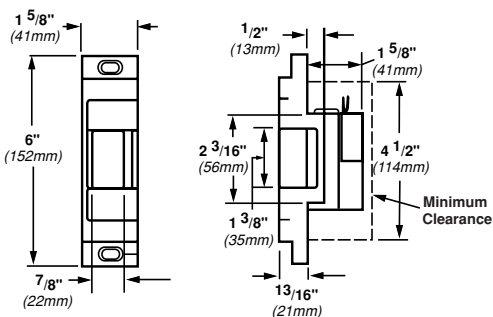
6111



6112



6113



VON DUPRIN® 6114, 6121 Electric Strikes

6114

Electric strike for use with rim night latches having up to $\frac{3}{4}$ " (19mm) bolt throw. Replace Folger Adam 310-5.

6121

Electric strike for use with rim exit devices on double door applications, without mullion (hollow metal, aluminum or wood). Strike mounts on inactive leaf. Replace Folger Adam 310-4-100.

FEATURES

- Stainless Steel Construction
- Accepts $\frac{3}{4}$ " (19mm) Throw Latchbolt
- Six Finishes
- Non-handed
- Fail Secure
- Horizontally Adjustable
- Plug Connectors

OPTIONS

- FS (Fail Safe)
- DS or DS-LC (Dual Monitor Switches)
- EB (Entry Buzzer)



6114

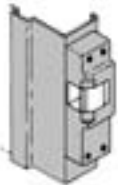


6121

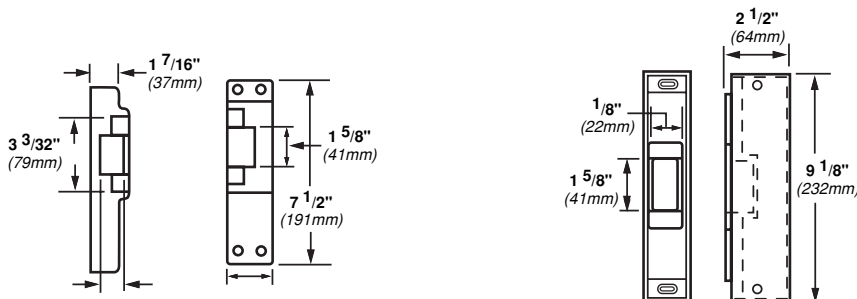
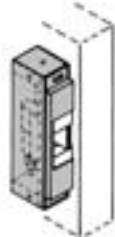
SPECIFICATIONS	12V	24V
Resistance in Ohms \pm 10% @ 70°F	21	82
Watt-seated @ 70°F	7.5	8
Amps-seated @ 70°F	.6	.33
Amps-inrush @ 70°F	.6	.33

DIMENSIONS AND CONFIGURATIONS

6114



6121



UL listed Burglary Resistant CVXY. ANSI E59371

VON DUPRIN® 6210, 6211, 6211AL, 6211WF Electric Strikes

6210

Electric strike for use with mortise locks **without deadbolt** on single door, hollow metal frame applications and using ANSI prep at standard height. Strike pocket inserts are provided to accommodate different manufacturers deadlocking trigger locations.

6211

Electric strike for use on new installations with mortise locks **without deadbolt** or cylindrical locks on single door, hollow metal frame applications. Designed to replace Von Duprin 3140 or Folger Adam 712.

6211AL

Electric strike for use on new installations with mortise locks **without deadbolt** or cylindrical locks on single door, aluminum frame applications. Designed to replace Folger Adam 722.

6211WF

Electric strike for use on new installations with mortise locks **without deadbolt** or cylindrical locks on single door, wood frame applications. Designed to replace Folger Adam 732.

FEATURES

- Stainless Steel Construction
- Accepts $\frac{3}{4}$ " (19mm) Throw Latchbolt
- Six Finishes
- Non-handed
- Fail Secure
- Horizontally Adjustable
- Plug Connectors

OPTIONS

- FS (Fail Safe)
- DS or DS-LC (Dual Monitor Switches)
- EB (Entry Buzzer)



6210



6211



6211AL

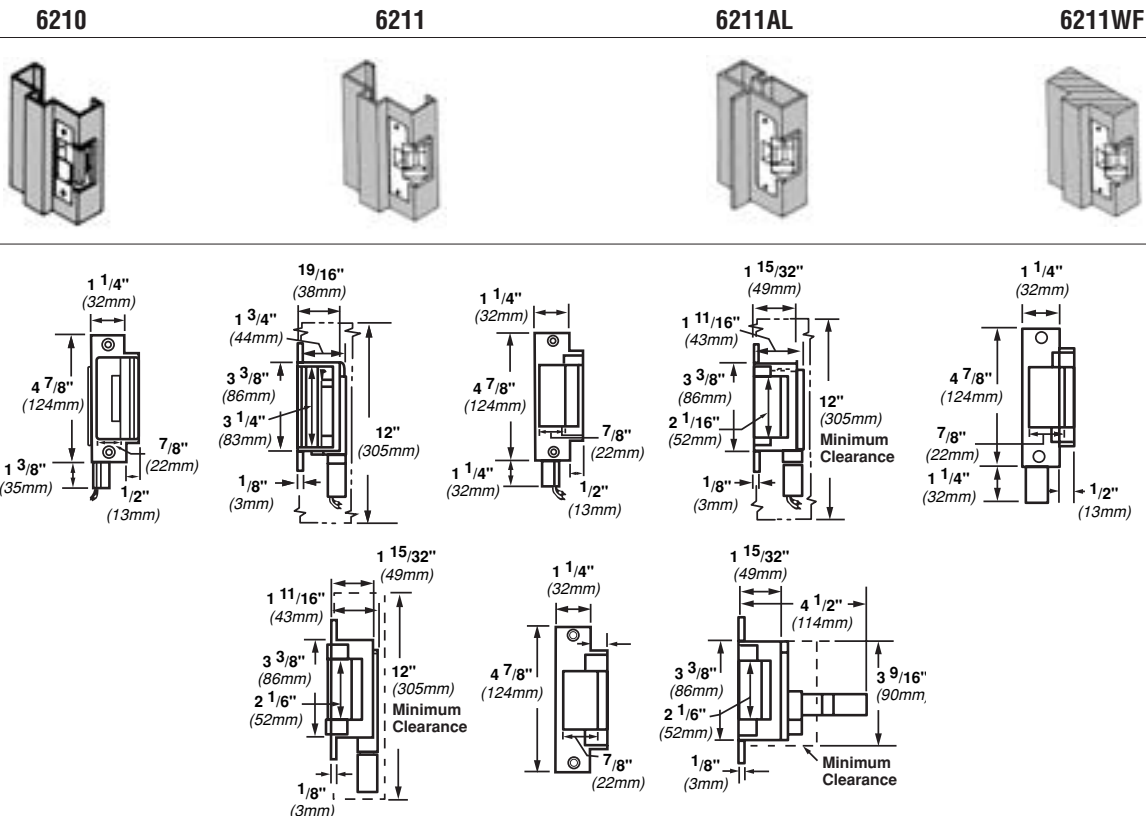


6211WF

UL listed Burglary Resistant CVXY and Electric Strike for fire doors or frames GXAY (fail secure only). ANSI E59321

SPECIFICATIONS	12V	24V
Resistance in Ohms±10% @ 70°F	21	82
Watt-seated @ 70°F	7.5	8
Amps-seated @ 70°F	.6	.33
Amps-inrush @ 70°F	.6	.33

DIMENSIONS AND CONFIGURATIONS



VON DUPRIN® 6212, 6212WF Electric Strikes

6212

Electric strike for use with mortise locks **without deadbolt** or cylindrical locks on single door, hollow metal or aluminum frame applications. Fits modified ANSI 115.2 cutout. Designed to replace Von Duprin 3146.

6212WF

Electric strike for use with mortise locks **without deadbolt** or cylindrical locks on single door, wood frame applications.

Note: Strike pocket insert is furnished for use with Von Duprin 7500 mortise lock.

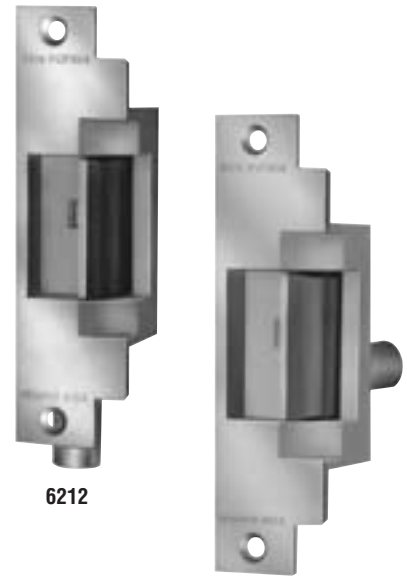
FEATURES

- Stainless Steel Construction
- Accepts $\frac{3}{4}$ " (19mm) Throw Latchbolt
- Six Finishes
- Non-handed
- Fail Secure
- Horizontally Adjustable
- Plug Connectors

OPTIONS

- FS (Fail Safe)
- DS or DS-LC (Dual Monitor Switches)
- EB (Entry Buzzer)

Strike mounting tabs are furnished for use with modified ANSI 115.2 cutout. Tab can be machine screw mounted or welded in place.



6212

6212WF

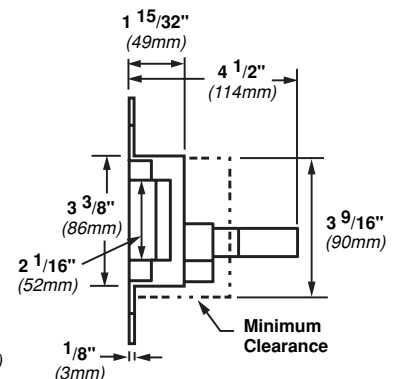
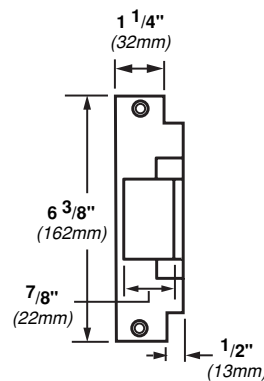
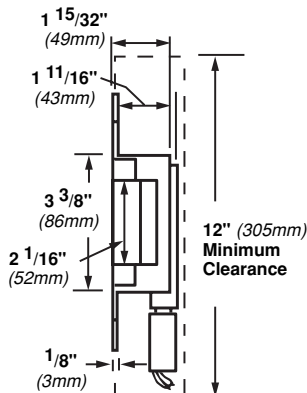
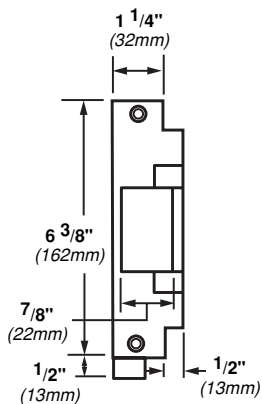
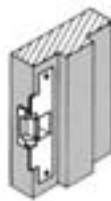
SPECIFICATIONS	12V	24V
Resistance in Ohms±10% @ 70°F	21	82
Watt-seated @ 70°F	7.5	8
Amps-seated @ 70°F	.6	.33
Amps-inrush @ 70°F	.6	.33

UL listed Burglary Resistant CVXY and Electric Strike for fire doors or frames GXAY (fail secure only). ANSI E59321

DIMENSIONS AND CONFIGURATIONS

6212

6212WF



VON DUPRIN® 6213, 6214, 6215, 6216 Electric Strikes

6213

Electric strike for use with mortise locks **without deadbolt** or cylindrical locks on single door, hollow metal or aluminum frame applications (includes wood frame on retrofit application). Designed to replace Von Duprin 3041, 3042, 3061 and 3062.

6214

Electric strike for use with mortise locks **without deadbolt** or cylindrical locks on single door, hollow metal or aluminum frame applications. Designed to replace Folger Adam 310-2 $\frac{3}{4}$.

6215

Electric strike for use with mortise locks **without deadbolt** or cylindrical locks on single door, hollow metal or aluminum frame applications. Designed to replace Folger Adam 310-2.

6216

Electric strike for use with mortise locks **with deadbolt**, 1" (25mm) throw, on single door, hollow metal, aluminum or wood frame applications. Deadbolt must be manually operated. Designed to replace Folger Adam 310-3-1.

FEATURES

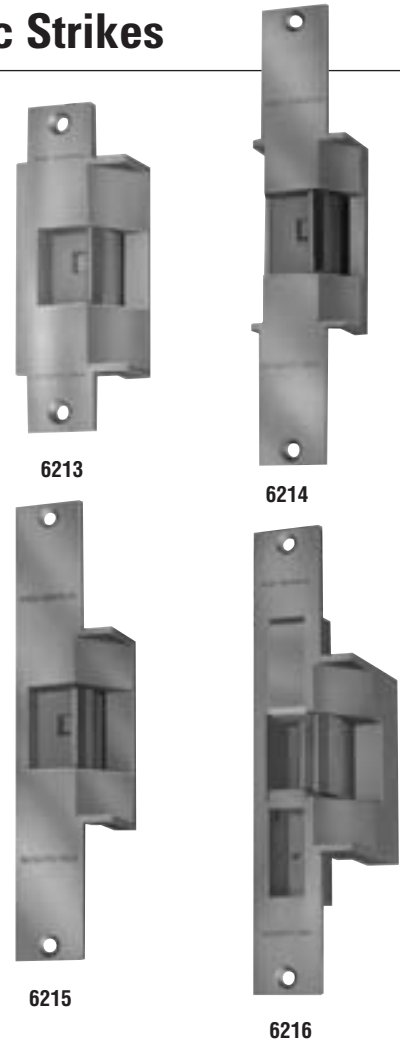
- Stainless Steel Construction
- Accepts $\frac{3}{4}$ " (19mm) Throw Latchbolt
- Six Finishes
- Non-handed
- Fail Secure
- Horizontally Adjustable
- Plug Connectors

OPTIONS

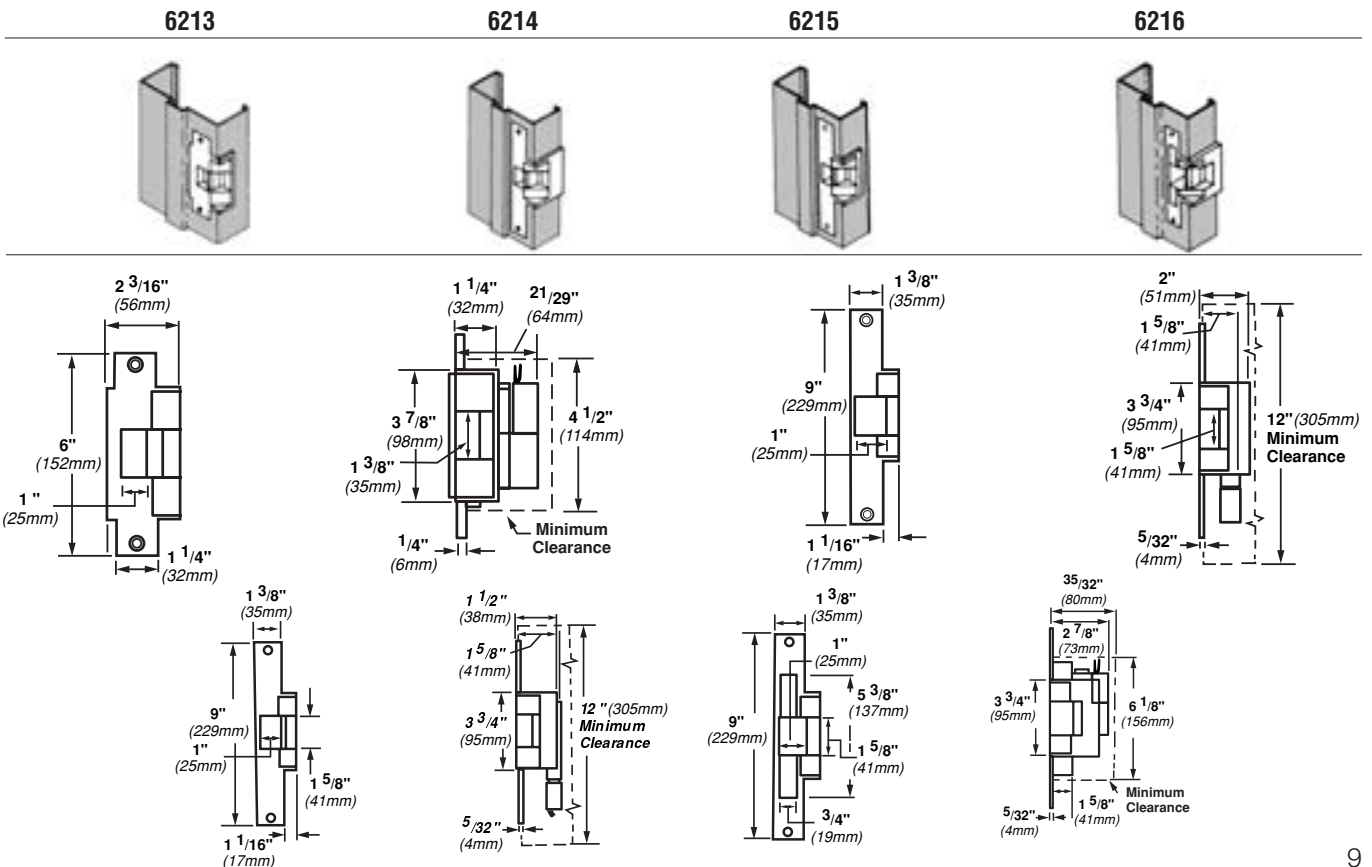
- FS (Fail Safe)
- DS or DS-LC (Dual Monitor Switches)
- EB (Entry Buzzer)

SPECIFICATIONS	12V	24V
Resistance in Ohms \pm 10% @ 70°F	21	82
Watt-seated @ 70°F	7.5	8
Amps-seated @ 70°F	.6	.33
Amps-inrush @ 70°F	.6	.33

UL listed Burglary Resistant CVXY and Electric Strike for fire doors or frames GXAY (fail secure only). ANSI E59321



DIMENSIONS AND CONFIGURATIONS



VON DUPRIN® 6221, 6222, 6225 Electric Strikes

6221

Open back electric strike for use with mortise locks **without deadbolt** or cylindrical locks on 1 3/4" (44mm) thick double door (hollow metal, aluminum or wood) applications. 4 3/4" (120mm) minimum stile required. For a concealed vertical rod and mortise device combination, specify "A" backbox. Designed to replace Von Duprin 3071 and 3072.

6222

Open back electric strike for use with mortise locks **without deadbolt** or cylindrical locks on 1 3/4" (44mm) thick double door (hollow metal or aluminum) applications. Designed to replace Folger Adam 310-23/4 OB.

6225

Open back electric strike for use with mortise locks without deadbolt or cylindrical locks on 1 3/4" (44mm) thick double door (hollow metal or aluminum) applications. Designed to replace Folger Adam 310-2 OB.

FEATURES

- Stainless Steel Construction
- Accepts 3/4" (19mm) Throw Latchbolt
- Six Finishes
- Non-handed
- Fail Secure
- Plug Connectors

OPTIONS

- FS (Fail Safe)
- EB (Entry Buzzer)

Dual Monitor Switches (DS or DS-LC) are not available on open back strikes.



6221



6222



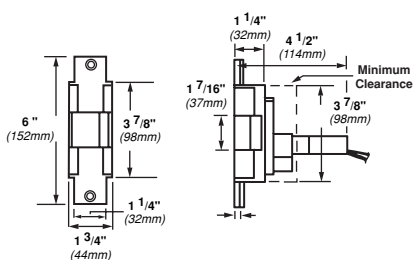
6225

UL listed Burglary Resistant CVXY and Electric Strike for fire doors or frames GXAY (fail secure only). ANSI E59321

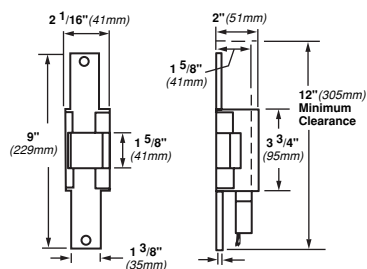
SPECIFICATIONS	12V	24V
Resistance in Ohms±10% @ 70°F	21	82
Watt-seated @ 70°F	7.5	8
Amps-seated @ 70°F	.6	.33
Amps-inrush @ 70°F	.6	.33

DIMENSIONS AND CONFIGURATIONS

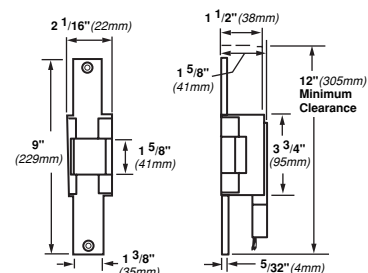
6221



6222



6225



VON DUPRIN® 6223, 6224, 6224AL, 6226 Electrical Strikes

6223

Closed back electric strike for use with mortise locks **without deadbolt** or cylindrical locks on $1\frac{3}{4}$ " (44mm) thick double door (hollow metal, aluminum or wood) applications. $4\frac{3}{4}$ " (120mm) minimum stile required. For a concealed vertical rod and mortise device combination, specify "A" backbox. Designed to replace Von Duprin 3091 and 3092.

6224

Closed back electric strike for use with mortise locks **without deadbolt** or cylindrical locks on $1\frac{3}{4}$ " (44mm) or $2\frac{1}{4}$ " (57mm) thick double door (hollow metal or aluminum) applications. Designed to replace Folger Adam 310-2 $\frac{3}{4}$. Not for wood applications.

6224AL

Closed back electric strike for use with mortise locks **without deadbolt** or cylindrical locks on $1\frac{3}{4}$ " (44mm) or $2\frac{1}{4}$ " (57mm) thick aluminum double door applications. Designed to replace Folger Adam 310-2RF.

6226

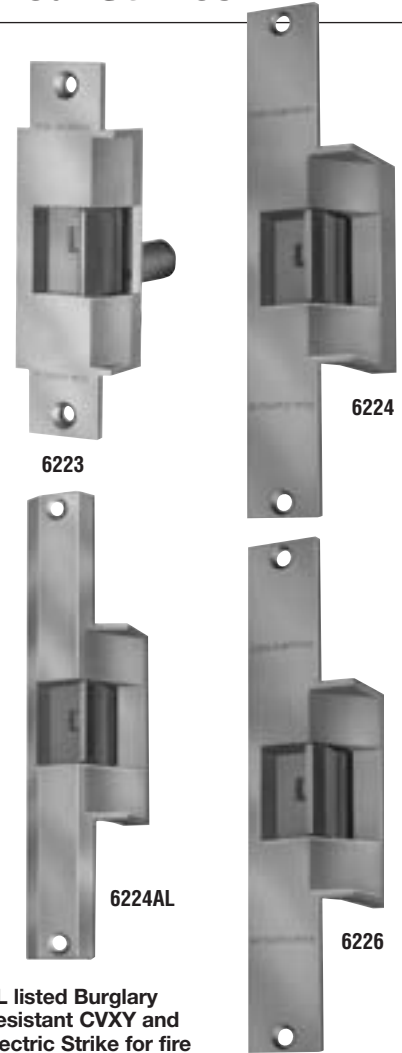
Closed back electric strike for use with mortise locks **without deadbolt** or cylindrical locks on $1\frac{3}{4}$ " (44mm) or $2\frac{1}{4}$ " (57mm) thick double door (hollow metal or aluminum) applications. Designed to replace Folger Adam 310-2. Not for wood applications.

FEATURES

- Stainless Steel Construction
- Accepts $\frac{3}{4}$ " (19mm) Throw Latchbolt
- Six Finishes
- Non-handed
- Fail Secure
- Plug Connectors

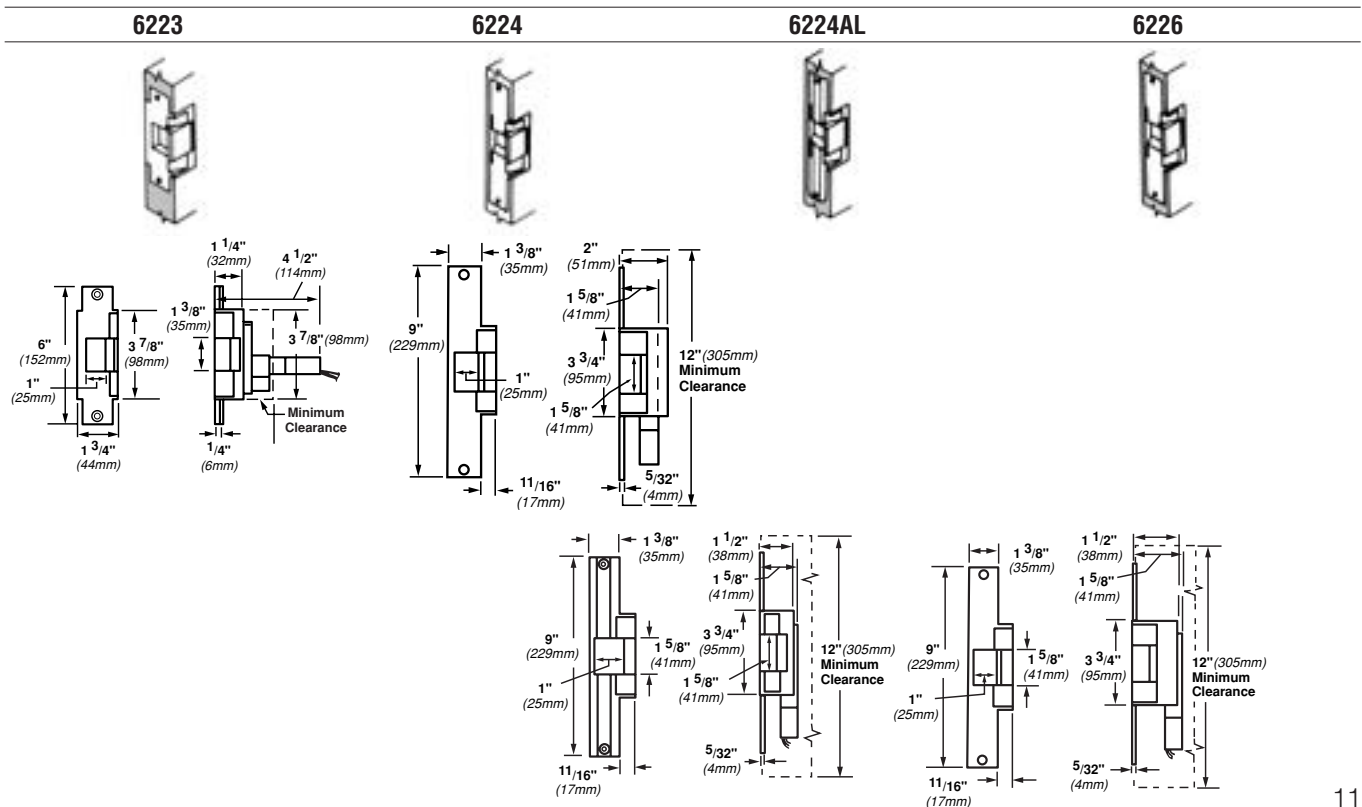
OPTIONS

- FS (Fail Safe)
- DS or DS-LC (Dual Monitor Switches)
- EB (Entry Buzzer)



SPECIFICATIONS	12V	24V
Resistance in Ohms \pm 10% @ 70°F	21	82
Watt-seated @ 70°F	7.5	8
Amps-seated @ 70°F	.6	.33
Amps-inrush @ 70°F	.6	.33

UL listed Burglary Resistant CVXY and Electric Strike for fire doors or frames GXAY (fail secure only). ANSI E59321



VON DUPRIN® 5100 Electric Strike

5100

The Von Duprin 5100 Electric Strike has been designed and manufactured to meet the needs of locksmiths and security professionals. This easy-to-install electric strike was created for medium duty applications, specifically to control traffic flow through interior and exterior openings in retail and commercial environments. And because it's the Von Duprin brand, you know that you can depend on the product quality and performance.

VERSATILITY

Fewer products to inventory and more value for your money.

- Three faceplates included for hollow metal, wood or aluminum frames.
- Internal 12/24 dual-voltage solenoid.
- Adjustable keeper.
- Fail-safe/fail-secure selectability.

CONVENIENCE

The right parts in the box means getting the job done right the first time, every time.

- Reduce labor expense.
- Fewer return trips to the job site.

DURABILITY

Developed with Von Duprin's high standards and engineering expertise.

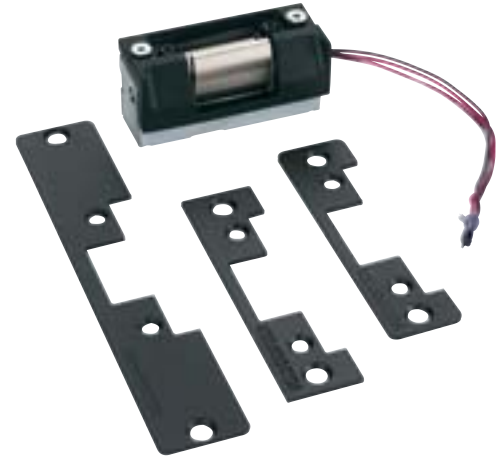
- Heavy-duty construction.
- Tamper resistant design.
- Tested to over one million cycles.
- 1000 lbs. holding strength.
- 70 lbs. impact strength.

FEATURES

- Three faceplates standard in every box
- 12/24 dual-voltage
- Fail-safe/fail-secure
- Adjustable keeper
- Internal solenoid
- Non-handed
- Backbox depth of 1¹¹/₁₆"
- Keeper depth of 1/2"
- Mounting tabs
- Retrofit kit
- Illustrated installation instructions
- Tamper resistant
- 1 year electrical product warranty
- Continuous duty operation
- Heavy duty construction

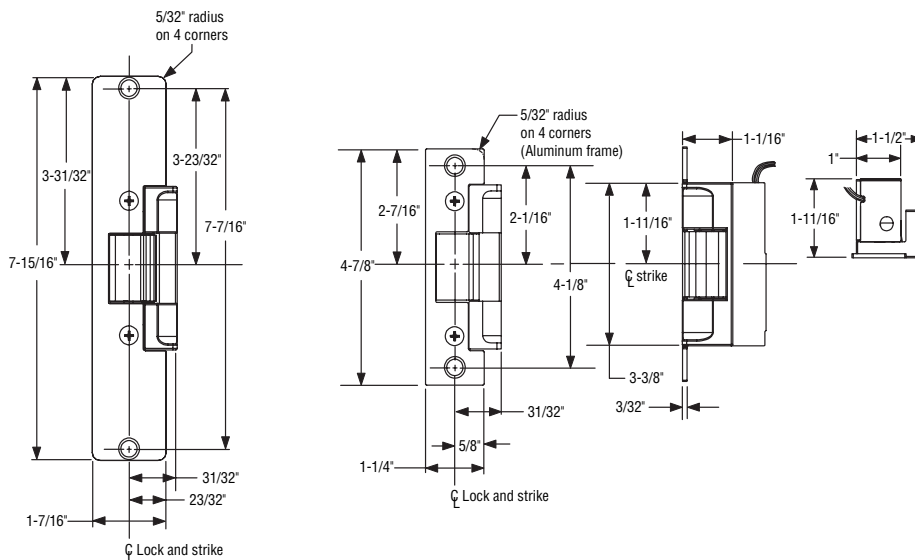
APPLICATIONS

- Cylindrical locks
- Aluminum dead latch



SPECIFICATIONS	12V	24V
Resistance in Ohms±10% @ 70°F	32	128
Power (watts)	4.5	4.5
Current (amps)	.38	.19

All specs ± 10% @ 77°F/25°C
ANSI/BHMA 156.5 Grade 1 (1992)
UL 1034 Burglary Listing



VON DUPRIN® Electric Strike/Lock Compatibility Information

Chart 1

RIM EXIT DEVICE COMPATIBILITY

6111, 6112, 6113 & 6121 Strikes

Manufacturer	Device (panic/fire)
Von Duprin	22, 33A, 35A, *55, 88, 98, 99
Magnokrom	Rim
Monarch**	11-R, XX-R, 18-R, 19-R
Precision	810, 1100***
Sargent	2800, 6500, 6800, 8500, 8800, 9500, 9800***, 9898
Yale	1500, 7000, 7200

* Strike must be modified, specify when using with a 55 rim device.
 ** Deadlocking feature will not properly function, consult factory.
 ***Panic only.

Chart 2

MORTISE LOCK COMPATIBILITY

6211, 6211AL, 6211WF, 6212, 6213, 6214, 6215, 6221, 6222, 6223, 6224, 6224AL, 6225 & 6226 Strikes

Manufacturer	Mortise #
Von Duprin	7500
Adams Rite	4510, 4710
Baldwin	6000
Best	24H, 30H
Corbin	9000
Falcon	M2300, M2500, M2600 M3300, M3500, M3600
Precision	Mortise
Ruswin	Mortise
Sargent	7700, 8100, 9000
Schlage	L9000, K30, K40, K50, K60
Yale	7030, 7130, 8600, 8700

Note: Von Duprin cannot guarantee compatibility as other manufacturer's designs may change without notice.

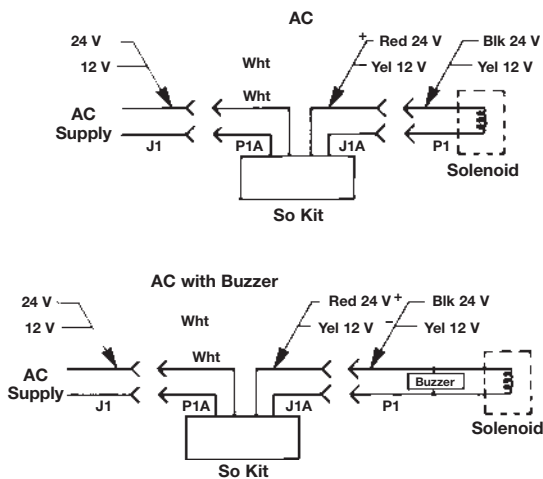


Chart 3

CYLINDRICAL LOCK COMPATIBILITY

6211, 6211AL, 6211WF, 6212, 6213, 6214, 6215, 6221, 6222, 6223, 6224, 6224AL, 6225 & 6226 Strikes

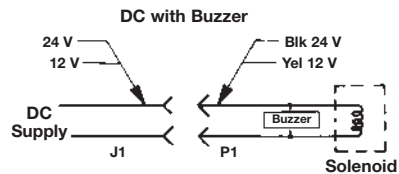
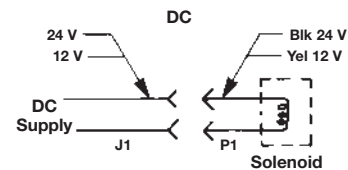
Manufacturer	Cylindrical
Baldwin	½" – ¾" (13mm – 19mm)
Best	¾" – ¾" (10mm – 19mm)
Corbin	½" – ¾" (13mm – 19mm)
Falcon	½" – ¾" (13mm – 19mm)
Ruswin	½" – ¾" (13mm – 19mm)
Sargent	½" – ¾" (13mm – 19mm)
Schlage	¾" – ¾" (10mm – 19mm)
Yale	½" – ¾" (13mm – 19mm)

Note: Signalling may not function when using 3/8" (10mm) throw bolt. Deadlocking cannot be guaranteed with all locks.

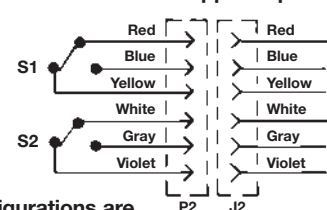
Chart 4

MORTISE LOCK AND 6210 COMPATIBILITY

Von Duprin	7500
Best	30H
Corbin/Ruswin	ML2200, 5000, 9000
Falcon	M100, M200, M300, M400, M500, M600
Sargent	7700, 8100 (Not 7800/8200)
Schlage	L9000
Yale	8700



Optional DS (FSE Shown)
Wiring shown with strike locked and monitor tripper depressed



Different wiring configurations are used depending on Backbox type and FS or FSE.

VON DUPRIN® Additional Information

CROSS REFERENCE

Name	Strike/Lock Mounting	# Doors	Frame Material (SGL Dr) Door Material (DBL Dr)	Faceplate Length	Drop In Replaces Von Duprin:	Drop In Replaces Folger Adam:
6111	Rim Device	Single ¹	All	6"	3031	
6112	Rim Device	Single	All	9"		310-4 ⁴
6113	Rim Device	Single	All	6"	3011, 3021	
6114	Rim Nightlatch	Single	All	7"		310-5 ⁵
6121	Rim Device	Double-Closed Back	All	9"		310-4-100 ⁵
6210	Mortise	Single	HM/Alu	4 $\frac{7}{8}$ "		
6211	Mortise or Cylindrical	Single	HM/Alu	4 $\frac{7}{8}$ "	3140	712
6211AL	Mortise or Cylindrical	Single	Aluminum	4 $\frac{7}{8}$ "		722
6211WF	Mortise or Cylindrical	Single	Wood	4 $\frac{7}{8}$ "		732 ⁶
6212	Mortise or Cylindrical	Single	HM/Alu	6 $\frac{3}{8}$ "	3146	
6212WF	Mortise or Cylindrical	Single	Wood	6 $\frac{3}{8}$ "		
6213	Mortise or Cylindrical	Single	All ²	6"	3041, 42, 61, 62	
6214	Mortise or Cylindrical	Single	All ³	9"		310-2 3/4
6215	Mortise or Cylindrical	Single	All ³	9"		310-2
6216	Mortise and Deadbolt	Single	HM/Alu	9"		310-3-1
6221	Mortise or Cylindrical	Double-Open Back	All	6"	3071, 72	
6222	Mortise or Cylindrical	Double-Open Back	HM/Alu	9"		310-2 3/4 OB
6223	Mortise or Cylindrical	Double-Closed Back	All	6"	3091, 3092	
6224	Mortise or Cylindrical	Double-Closed Back	HM/Alu	9"		310-2 3/4
6224AL	Mortise or Cylindrical	Double-Closed Back	Aluminum	9"		310-2 RF
6225	Mortise or Cylindrical	Double-Open Back	HM/Alu	9"		310-2 OB
6226	Mortise or Cylindrical	Double-Closed Back	HM/Alu	9"		310-2

¹Includes double door with mullion.

²Recommended on wood frames only if drop in replacement is needed for 3041, 42, 61, 62 on wood frames. Otherwise use 6211WF.

³Recommended on wood frames only if drop in replacement is needed for 310-2 3/4, 310-2 on wood frames. Otherwise use 6211WF.

⁴Strike lip area cutout is slightly larger than Folger Adam.

⁵Surface applied strike. Mounting hole locations different from Folger Adam.

⁶Wood frame horizontal solenoid location differs from Folger Adam. May require frame prep modification when retrofitting.

FINISHES

US Number	BHMA Number	Description	Von Duprin Number
US3	—	Plated Polished Brass on Stainless Steel	85
US4	—	Plated Dull Brass on Stainless Steel	84
US10	639	Plated Dull Bronze on Stainless Steel	06
US10B	640	Plated Dark Bronze on Stainless Steel	86
US32	629	Stainless Steel, Polished	31
US32D	630	Stainless Steel, Satin	32

WIRE SIZE SELECTION

Current requirement at 24VDC				
Length of wire run (in feet)	0-.5 Amp	.5-1 Amp	1-2 Amp	2-3 Amp
0-100	18	18	18	18
100-200	18	18	18	16
200-300	18	18	16	14
300-450	18	16	14	12
450-600	18	16	12	NR
600-900	16	14	NR	NR
900-1200	14	12	NR	NR

NR — Not recommended

VON DUPRIN® E996L Electrified Breakaway™ Lever Trim

E996L electrified Breakaway lever trim provides remote locking and unlocking capabilities while incorporating the patented Breakaway trim design.

The 24VDC solenoid can be energized from a distant controller, thus allowing access control of the opening. The control of stairwells in high-rise buildings is a common application for this trim.

When electrically unlocked the unit operates as a normal lever trim. When electrically locked, the lever feels locked, but when more than 35 pounds of torque pressure is applied, the Breakaway lever feature engages.

The E996L is provided standard in a fail safe (FS) condition, but can be field converted to a fail secure (FSE) where allowed. The trim can be ordered with a device, added to an existing 98/99 series device application, or a conversion kit can be added to an existing 996L Breakaway lever trim. On new construction applications, the E996L trim will require less door prep.

The E996L is available with a blank escutcheon (BE) function, or with a cylinder for night latch function.

The E996L electrified trim replaces the current “E” electric feature on 98/99 series rim devices. Consult factory for requirements.

To Order, Specify:

1. Use “E” prefix, example E996L.
When ordering with device specify trim series with “E” prefix, example 9927L-BE 3’ US26D E996.
2. Device type, R/V (rim/surface or concealed vertical rod) or M (mortise).
3. RHR is furnished standard if not specified.
Field reversible.
4. Lever style (06 lever is furnished standard).
5. Finish: US3, US4, US10, US10B, SP313, US26, US26D, SPBLK, US15

LEVER DESIGN OPTIONS



#01



#02



#03



#05



#06
Standard



#07



#12
Handed



#16



#17



#18



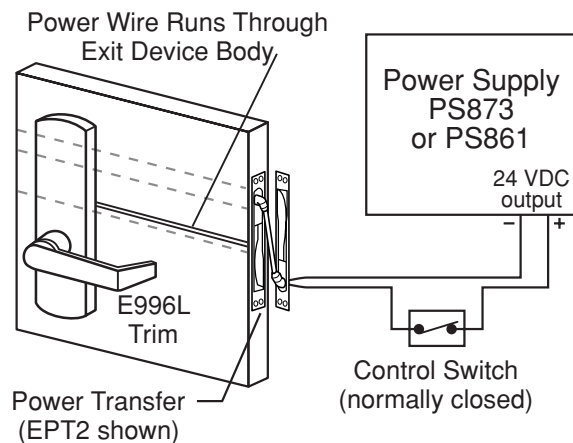
SPECIFICATIONS

Solenoid – Continuous Duty 24VDC

Solenoid Draw – 0.22 amp

E996L ELECTRICAL WIRING

- Power input for E996L is 24VDC
- Two wires on trim are non-polarized (18 AWG minimum)



VON DUPRIN® Electric Latch Retraction EL

EL feature provides remote latch retraction ability to exit devices. The feature is available with 33A, 35A, 94, 95, 98 and 99 series rim, mortise and vertical rod devices. A control station operator can flip a switch to retract the latch bolt and immediately change an exit only or latched door to push-pull operation. A powerful, continuous duty solenoid retracts the latch bolt for momentary unlocking, or for extended periods of time, in lieu of manual dogging.

There are three dogging options available with the EL feature.

- EL - electric latch retraction with no manual dogging.
- HD-EL – electric latch retraction with manual hex key dogging.
- SD-EL – electric latch retraction with special center case cylinder dogging (not available on the 33A/35A series or 98/9975 devices).

EL devices are also useful with automatic door operators, and may be applied to fire-rated devices when under the control of an **automatic fire alarm system**.

UL approved for Class II circuit applications.

The PS873 with the 871-2 is the minimum option card required. Other option cards are available for other functions, see PS873 power supply on page 28 for additional information.

The EL feature does not include the power transfer from door to frame or the power supply or control operator. Refer to page 29 for the EPT-2 electric power transfer, and to page 28 for the PS-873 power supply.

See page 34 for wire size selection.

Retro-fit kits available to add the EL feature to non-EL devices.

To Order, Specify:

Prefix EL standard
 HD-EL hex key dogging
 SD-EL special center case dogging

Example HD-EL99L

Solenoid Resistance - New Style 1987 and after
GRN-YEL 1.2-2 OHMS
GRN-ORN 16-150 OHMS
GRN-ORN 45-55 OHMS (Impact 94/95 only)



Rim device shown — Refer to 33A/35A, 98/99 or 94/95 series catalog for complete product information, mounting styles, outside trim, finishes, etc.

Minimum Door Width:

3' (914mm) device – 2'6" (762mm)
 4' (1219mm) device – 3'0" (914mm)

Actual device length will vary depending on device type, strike, stop height, single or double door, etc.

UL listed FVSR SA163 Panic Hardware and/or GXHX R4504(N) Fire Exit Hardware. Consult device catalog for fire rated models.

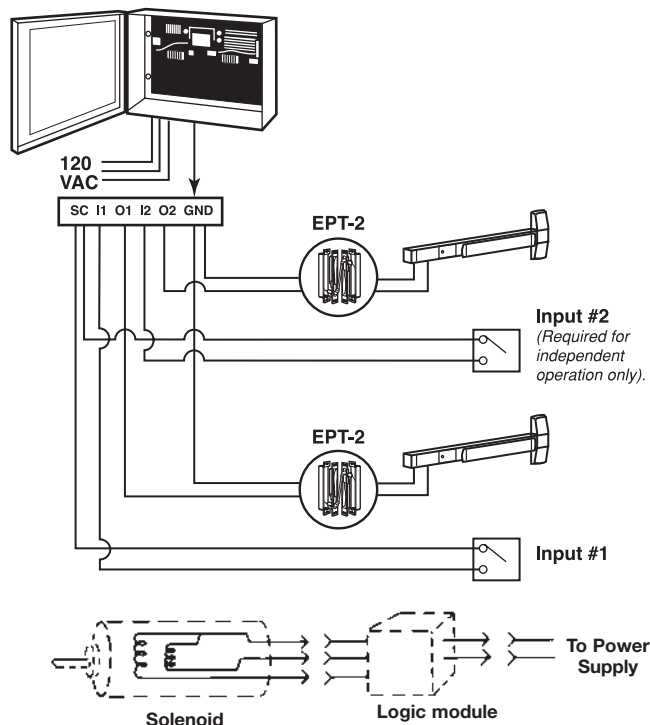


Supplied with 3' (914mm) Cable at the hinge side of door.

Popular EL Application
 Power Supply PS873-2
 Electric Power Transfer EPT-2 or EPT-10

SPECIFICATIONS

Solenoid	
Continuous Duty	24VDC
Current Inrush (300 milliseconds)	16 amperes
Current Holding (33A/35A + 98/99)	0.3 ampere
Current Holding (Impact)	0.5 ampere



VON DUPRIN® Signal Switch RX and LX

RX (request to exit) signal switch feature is used to signal the use of an opening from the push side. When the push pad is depressed, the switch is activated. These devices are equipped with an internal SPDT (single pole double throw) switch that monitors the touch bar. **See Low Current option for computer operated system applications.**

RX2 (double request to exit) features 2 RX switches.

LX (latchbolt monitoring) signal switch monitors both egress and access of an opening. When the latchbolt is retracted, the switch is activated. These devices are equipped with an internal SPDT (single pole double throw) switch that monitors the latchbolt position. **See Low Current option for computer operated system applications.**

LC (low current) option is available for RX and LX switches. **(Most commonly used in computer operated monitoring systems.)** The RX2 is not available in low current.

Signal Switches are available on 22, 33A, 35A, 55, 88, 98, 99 series devices. The low current version is not available with the 55 and 88 series devices.

The INPACT 94/95 series devices are only available with the LX switch option.

The device can be connected to a security console, or may be used as a single door alarm, when used with a horn and power supply. A continuous current electric transfer must be used for transferring the signal from the frame to the door.

Signal Switches can be used in combination with other electrical functions (EL, E).

- RX or RX2 may be combined with the E (electric unlocking) mortise lock device.
- For latchbolt monitoring on a mortise lock device, specify a SS7500 lock.
- LX and RX switches can be combined. Example: LX-RX99L.
- LX, RX or RX2 switches can be used in combination with EL (electric latch retraction) option.

RX, RX2 and LX switches are available for factory or field installation.

RX and LX switches should not be used to control a load, but as a signaling switch.



Rim device shown — Refer to 33A/35A or 98/99 series catalog for complete product information, mounting styles, outside trim, finishes, etc.

To Order, Specify:

For Factory Installed:

Prefix:	RX	Request to Exit
	RX2	Double Request to Exit
	LX	Latchbolt Monitoring
	LXRX	Latchbolt Monitoring/Request to Exit Combination
	RXLC	Low Current Request to Exit
	LXLC	Low Current Latchbolt Monitoring
	LXRLC	Low Current Latchbolt Monitoring/Request to Exit Combination

Example: RX99L

For Field Installed:

1. Specify switch option (RX, LX, RX-LC, LX-LC).
2. Specify "field".
3. For LX, specify device size 3' or 4'.
4. For LX, specify if used with EL (electric latch retraction) option.
5. To convert an existing RX option to RX2, specify RX-AUX.

Example: LX 3' Field

SPECIFICATIONS

RX or LX:

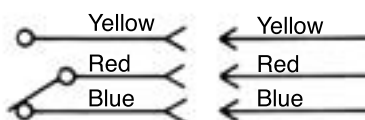
Switch rated 0.5 amperes @ 24VAC/DC resistive

Low Current RX or LX

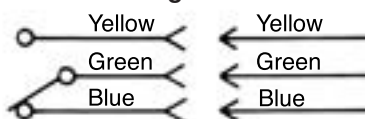
Switch rated 0.05 amperes @ 24VAC/DC resistive

UL listed FVSR SA163 panic hardware and/or GXHX R4504(N) fire exit hardware — consult device catalog for complete device listing information.

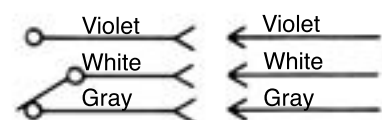
RX Wiring



RX-LC Wiring



LX Wiring



LX-LC Wiring



VON DUPRIN® Signal Switch SS

SS signal switch feature is used to signal the unauthorized use of an opening. Available on the 33A/35A and 98/99 series devices, these devices are equipped with two internal SPDT (single pole double throw) switches. One switch monitors both the touch bar and the latch bolt assembly, making the latch bolt tamper resistant, for positive security. An additional SPDT switch is connected to the 1¼" (32mm) mortise cylinder (cylinder not furnished) for alarm "bypass" (momentary switch — not time delay).

The device can be connected to a security console, or may be used as a single door alarm, when used with a horn and power supply. A continuous current electric transfer must be used for transferring power from the frame to the door.

Push pad reads:

"EMERGENCY EXIT ONLY - PUSH TO OPEN AND SOUND ALARM." Push pad is only available in US32D finish with red-silk screened lettering.

SS Mortise Lock devices are furnished with signal switches in the device and the **SS7500 Mortise Lock**, totaling four switches.

The SS7500 mortise lock has the versatility and advantages of the 7500 lock with the addition of signaling functions to monitor latch bolt operation and trim locking function.

See page 34 for wire size selection.

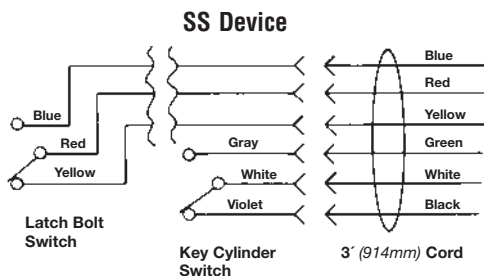
To Order, Specify:

1. Prefix SS (signal switch)
2. Specify handing RHR or LHR

Example SS99L RHR



Supplied with 3' (914mm) Cable at the hinge side of door.



Rim device shown — Refer to 33A/35A or 98/99 series catalog for complete product information, mounting styles, outside trim, finishes, etc.

UL listed FVSR SA163 panic hardware and/or GXHX R4504(N) fire exit hardware — consult device catalog for complete device listing information.

Minimum Door Width:

- 3' (914mm) device — 2'6" (762mm)
- 4' (1219mm) device — 3'0" (914mm)

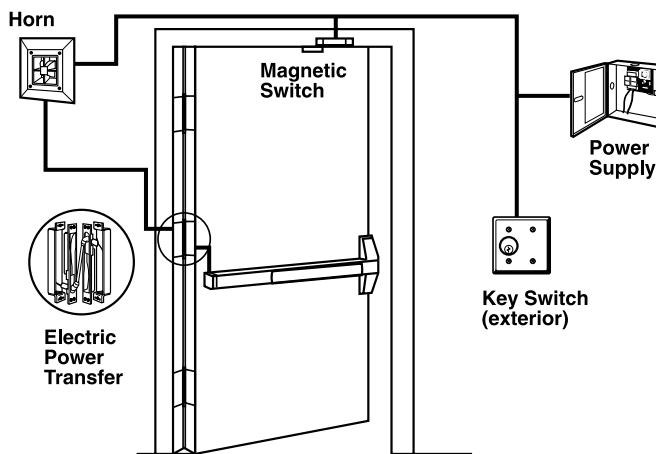
Actual device length will vary depending on device type, strike, stop height, single or double door, etc.

SPECIFICATIONS

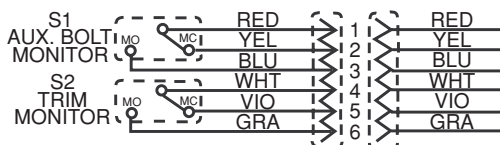
Each switch rated 0.5 ampere
24VDC Restrictive

Popular SS Application

Unauthorized use of this opening will activate the local horn. The key switch permits inhibiting this system for authorized entry.



SS 7500 Mortise Lock



Note: Wiring shown with aux. bolt depressed (door closed) & trim locked.

VON DUPRIN® RX330 and RX350 Pushpad

RX330 and RX350 bar features an active push pad with monitoring switch or “request to exit” switch, used to inhibit alarms for authorized exiting. The 330 grooved outer case and the 350 smooth outer case are designed as companion units for series 33A, 35A, 98 and 99 exit devices.

The RX switch option is also available on 55DU and 88DU crossbars, and are designed as companion units for series 55 and 88 exit devices.

The internal SPDT switch should not be used to control a load, but as a signaling switch.

Minimum Door Openings:

3' (914mm) 2'6" (762mm) to 3' (914mm)
4' (1219mm) 3'1" (940mm) to 4' (1219mm)

To Order, Specify:

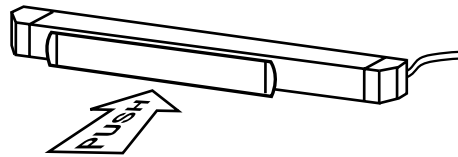
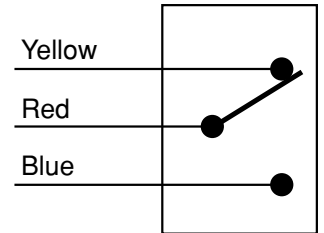
1. Prefix series 330 or 350 with “RX”.
Example, RX330
2. Size 3' or 4' (3' supplied standard if size not specified)
3. Finish: US3, US4, US10, US28, US26, US26D, 313AN, 315AN

RX330



SPECIFICATIONS

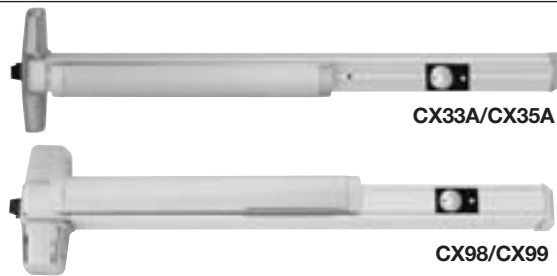
SPDT 0.5 ampere @ 24VDC
Solenoid Draw - 0.22 amp



Supplied with 3' (914mm) cable at the hinge side of door.

VON DUPRIN® Alarmed Exit Devices

Chexit® Controlled Exit Device



Rim device shown — Refer to Chexit Catalog for complete selection information.

CX Chexit is designed for use on delayed exit applications. The Chexit system is ideal for controlled areas. This concept in delayed exit systems combines life safety with the needs of security and meets all requirements of NFPA 101 for “Special Locking Arrangement.”

The Chexit system will keep an exit door secured for a 15 second period, yet tied into the fire alarm system will release immediately when an alarm condition exists. All controls, auxiliary locking, local alarm, and remote signaling output are self-contained in the Chexit assembly, providing safe, secure and easy to install door control hardware.

The Chexit system is ideal for highly controlled areas such as airports, hospitals, government facilities and development labs, retail stores, libraries and security facilities.

CX98 and CX99 are available for rim, mortise lock and surface and concealed vertical rod mounting styles. CX33A and CX35A are available on rim mounting style only.

For CX98/9927 and CX98/9957 Panic and Fire Devices, two Rod Guards (RGO) are required. For door heights over 7' additional Rod Guards (RGO) will be added as needed to protect the rods.

UL listed for use on panic or fire exit doors 3' or 4' wide.

The Chexit device includes decal for application on door, “PUSH UNTIL ALARM SOUNDS. DOOR CAN BE OPENED IN 15 SECONDS”.

A complete Chexit system requires a PS873 power supply and a power transfer. See pages 28 and 29.

FEATURES

- Non handed
- Field sizable
- ¾" (19mm) throw, latch bolt
- Deadlocking

Request to Exit Switch is built in to detect when someone attempts to exit. Applying less than 15 pounds to the push pad will cause this switch to start an irreversible alarm cycle.

Nuisance Alarm — When the Nuisance Audible and Nuisance Delay options are set to off the device will go into alarm as soon as the push pad is touched. Turning the Nuisance Delay on will require the push pad to be pressed for 2 seconds before the Chexit goes into alarm, which is ideal in public areas. If the Nuisance Audible and Nuisance Delay are both on, the alarm will sound as soon as the push pad is pressed, but the alarm sequence will stop unless held for 2 seconds or more.

Remote Alarm — A set of relay contacts (rated 1 ampere, 24VDC) are provided to give external alarm indication. These contacts close when the device is in an irreversible alarm condition. These contacts can be used to drive a horn, lamp, or other signaling devices.

Key Switch — The Key Switch provides the means to arm, disarm, or reset the Chexit. The key can be removed in either the Arm or Disarm position.

Indicator Lamp — The Indicator Lamp determines the status of the Chexit. When the lamp is off, it indicates disarmed and is functioning as a normal exit device. A slow flashing lamp indicates armed. A fast flashing indicator lamp indicates the device is in alarm.

Internal Horn — Whenever the device is in alarm or the push pad is pressed the Internal Horn will sound. The volume level of this horn exceeds 85 db at 6 feet.

Door Position Input — An external door position switch can be connected to the Chexit. The door position switch will cause the alarm to sound if the door is not closed when the device is armed.

External Inhibit Input — This optional input is provided to allow remote override of the Chexit in the armed condition. It also allows remote reset of the Chexit in an alarmed condition.

Fire Alarm Input — This input disables the Chexit immediately upon a fire alarm.

Internal Auxiliary Lock — The Auxiliary Lock is engaged when the Chexit is armed. The locking mechanism is specifically designed to hold securely even when the exit device is struck with forceful blows.

User Definable Rearm Time — The Rearm Time is the amount of time after the device is activated (via key switch or external inhibit) before it arms. It is designed to give someone time to pass through the door before rearming occurs. The user can change timing for any time between 2 and 28 seconds in two-second intervals.

There is also an infinite rearm setting that requires the use of an external door position switch. In this setting the door remains in the rearm mode until the door is closed. This can be useful on jet way doors in an airport.

Factory Definable Delay — Most jurisdictions allow 15 seconds of delay before allowing egress. In those cases when 15 seconds is not appropriate, Von Duprin can set the Chexit for any delay time between 0 and 60 seconds in two-second increments. ***For delays greater than 15 seconds a letter from the local authority must be provided with the order.***

VON DUPRIN® Alarmed Exit Devices (cont.)

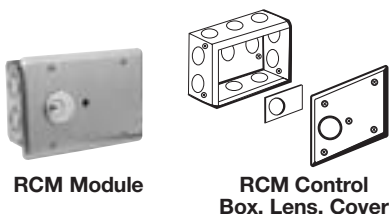
To Order, Specify:

1. Prefix product description number "CX".
Example: CX99L
2. Door size other than 3' (914mm).
3. Door thickness other than 1 3/4" (45mm).
4. Finish.
5. Handing, LHR or RHR. Required with "CD" option.

OPTIONS

(See Chexit catalog for all options and accessories)

RCM Remote Chexit Module — is designed to provide the concept of the Chexit delayed exit system for door sizes smaller than the standard Chexit device can accommodate. The Chexit module is installed in a control box and mounted in a remote location. Features and functions of the standard Chexit exit device are available on the Remote Chexit Module.



Minimum Door Opening for CX and CX-R (RCM)

Device	3' (914mm) Length	4' (1219mm) Length
CX33A/35A RIM	2'10" (864mm)	3'4" (1016mm)
CX 98/99 RIM	2'10" (864mm)	3'4" (1016mm)
CX 98/9927	2'9" (838mm)	3'3" (1041mm)
CX 98/9947	2'9" (838mm)	3'3" (1041mm)
CX 98/9947-F	2'10" (864mm)	3'4" (1016mm)
CX 98/9975	2'10" (864mm)	3'4" (1016mm)
CX-R 33A/35A RIM	2'5" (864mm)	2'11" (1016mm)
CX-R 98/99 RIM	2'5" (864mm)	2'11" (1016mm)
CX-R 98/9927	2'4" (838mm)	2'10" (1041mm)
CX-R 98/9947	2'4" (838mm)	2'10" (1041mm)
CX-R 98/9947-F	2'5" (864mm)	2'11" (1016mm)
CX-R 98/9947WDC	2'5" (864mm)	2'11" (1016mm)
CX-R 98/9975	2'5" (864mm)	2'11" (1016mm)

Cylinder Dogging — Special Center Case Cylinder dogging option is available to allow push/pull operation of the Chexit, when disarmed and used in a heavy traffic area. Prefix device with "CD" and specify handing.



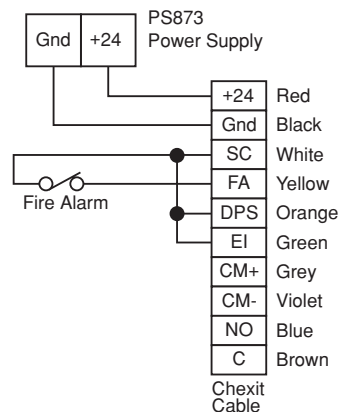
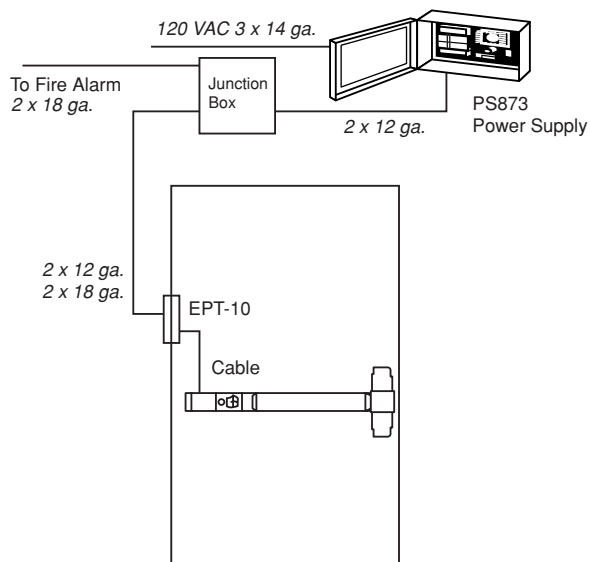
Cylinders — Cylinders are not furnished with the Chexit device and must be specified when ordering. Uses a standard 1 1/4" (32mm) mortise cylinder for the device and the CD cylinder dogging option.



SPECIFICATIONS

Continuous Duty — 24VDC
Current In-rush — 16 amperes
Current Holding — .3 amperes
External Alarm Contact — 1 ampere @ 24VDC
Fire Alarm Input, External Inhibit Input, Door Position Input – set-up for normally closed dry contacts.

Basic Chexit single door application configuration consists of the Chexit device, power transfer and PS873 power supply. Using this setup, the Chexit will delay egress when armed and act as a normal exit device when turned off.



VON DUPRIN® Alarmed Exit Devices (cont.)

The **DE5101**, like the Chexit system, is used on delayed exit application and is ideal for controlled areas. This concept in delayed exit systems combines life safety with the needs of security and meets all requirements of NFPA 101 for “Special Locking Arrangement.”

The DE5101 is commonly used on narrow stile doors where a standard or narrow stile Chexit is not practical. DE5101 Delayed Exit System uses a Chexit logic board and a Von Duprin RX (request to exit) panic device to control a Locknetics Direct Hold Magnetic Lock.

The Chexit module for the DE5101 is installed in a control box and mounted in the wall adjacent to the door. Features and functions of the standard Chexit exit device are available on the DE5101 (see page 22).

The DE5101 includes decal for application on door. “PUSH UNTIL ALARM SOUNDS. DOOR CAN BE OPENED IN 15 SECONDS”. This is a code based requirement.

Cylinders — Cylinders are not furnished with the DE5101 system and must be specified when ordering. Uses a standard 1 ¼” (32mm) mortise cylinder for the control. (Schlage cam - B502-191)



To Order, Specify:

1. DE5101
2. Locknetics 320, 350, or 390 Magnetic Lock (order direct from Locknetics).
3. RX22/33A/35A/98/99 device.
4. PS873
5. EPT-2

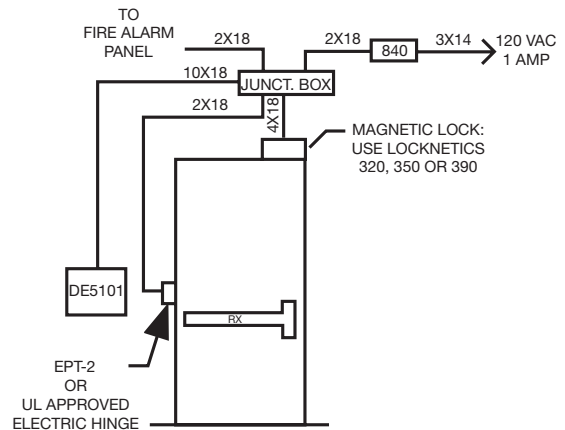
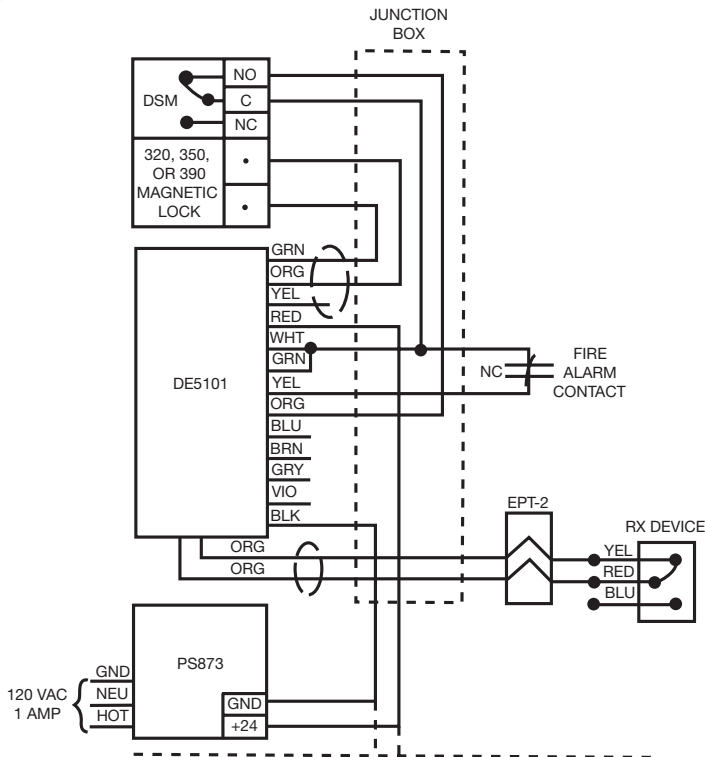
SPECIFICATIONS

Continuous Duty — 24VDC

Current Holding DE5101 without Magnetic Locks – 300 mA

External Alarm Contact — 1 ampere @ 24VDC

Fire Alarm Input, External Inhibit Input, Door Position Input – set-up for normally closed dry contacts.



ALK Battery Alarm Kit



ALK Alarm Kit is a simple yet effective way to deter unauthorized use of an opening. While the exit device is still a means of egress, the ALK kit contains an internal horn. When the touch bar is depressed, the horn sounds to provide an audible means of signaling that the opening has been violated. The alarm kit can be armed or disarmed by key thus allowing the exit device to be set in an armed or disarmed mode. The horn is rated at 85 decibels.

The key switch uses a standard 1¼" (32mm) mortise cylinder with a straight cam (Schlage cam reference B502-191).

The unit operates on one standard 9-volt alkaline battery. When the battery is weak, the horn will emit an intermittent low battery alert signal. The ALK can also be hard wired and powered using a PS9 power supply.

Alarm kits are furnished standard with a RX-request to exit switch that monitors the touchpad. Optional LX-latch bolt monitoring, or RX2-double request to exit monitor switches are available. LX-latch bolt monitoring is recommended for use with surface vertical rod exit devices.

Note: For latch bolt monitoring on a 98/9975 mortise device with ALK, specify SS7500 lock. LX switch is not available for 98/9975 devices.

The ALK includes a standard decal reading "EMERGENCY EXIT ONLY. ALARM WILL SOUND" for application on the door, or optional SS-signal switch push bar trim is available. See page 18 for details. The standard decal is white with red lettering.

The ALK is available with two optional circuit boards. External inhibit (EI) allows for the use of external switch to be used to arm, disarm and reset the alarm. Auto Reset (AR) rearms the alarm after a preset time. Auto Reset is available in three factory set times, 1 1/2, 3 or 6 minutes.

To Order, Specify:

1. With device, specify ALK.
2. To order separately specify model, example 22ALK.
3. Specify options EI or AR. For AR option specify factory set time (1½, 3 or 6 minutes). Example 98ALK-AR 3 min.
4. Door size other than 3'.
5. Switch if other than RX.
6. Optional pushbar, specify "SS" pushbar trim.
7. Finish:
 - 22ALK: SP28, SP313
 - 33A/99ALK: US3, US4, US10, US28, US26, 313AN, 315AN
 - 35A-ALK: US3, US4, US10, US15, US28, US26, 313AN, 315AN
 - 98ALK: US3, US4, US10, US15, US28, US26, US32D, 313AN, 315AN

Minimum Door Opening Sizes on ALK Applications

Device	3' (914mm) Length	4' (1219mm) Length
22/22F	2'3" (673mm)	2'9" (838mm)
2227/2227-F	2'2" (657mm)	2'8" (838mm)
33A/35A	2'9" (838mm)	3'3" (991mm)
3327A/3527A	2'8" (813mm)	3'2" (966mm)
3347A/3347A-F		
3547A/3547A-F	2'8" (813mm)	3'2" (966mm)
3348A/3348A-F/		
3548A/3548A-F	2'8" (813mm)	3'2" (966mm)
98/98-F/99/99-F	2'9" (838mm)	3'3" (991mm)
9875/9875-F/9975/9975-F	2'9" (838mm)	3'3" (991mm)
9827/9827-F/9927/9927-F	2'8" (813mm)	3'2" (966mm)
9857/9857-F/9957/9957-F	2'8" (813mm)	3'2" (966mm)
9847/9847-F/9947/9947-F	2'8" (813mm)	3'2" (966mm)
9848/9848-F/9948/9948-F	2'8" (813mm)	3'2" (966mm)

PS9 POWER SUPPLY

PS9 power supply provides 9VDC to power ALK alarm kits. The unit will power one or two alarm kits. Included is a 9 volt sealed battery for power backup in case of AC power failure. PS9 must be ordered separate.

VON DUPRIN® GUARD-X Exit Device



2670 GUARD-X provides secure, alarmed code-compliant protection for secondary emergency exits. The GUARD-X exit alarm lock readily identifies the door on which it is mounted as an emergency exit and secures the opening against unauthorized use. It is ideal for deterring theft in restaurants and retail establishments such as: discount stores, grocery stores, drug stores, clothing stores and sporting goods stores.

The GUARD-X lock provides secure protection through a large stainless steel deadbolt, which is 2" x 1/2" (51mm x 13mm) and has over 3/4" (19mm) throw. The engagement area into the strike is over 1 1/4" (32mm) square inches. The cast aluminum latch case protects the internal mechanism and resists tampering or vandalism from inside the door. This unit has been tested to withstand up to 1600 pounds of static load force against the door.

GUARD-X does not allow re-latching or resetting the alarm after an unauthorized exit, other than by an authorized person with a key. A 100-decibel alarm provides clear, attention getting warning for an unauthorized exit or attempted exit. The armed indicator light informs the owner that the alarm is armed, and an audible low-battery alert signals the owner to replace the battery when necessary.

A standard 9-volt battery powers the alarm. An exterior 9-volt power supply is available, Model PT-790, a 120VAC plug-in. When using the external power supply, the 9-volt battery functions as a battery backup during a power failure.

GUARD-X is armed and disarmed by key using a standard rim cylinder. It can be operated from the building exterior by a standard rim cylinder, so an authorized user can easily arm and disarm it to enter or exit the building when required. When using exterior operation a pull trim is recommended, use 210DT or 230DT. Rim cylinders are not furnished and must be ordered separately.

The 267 strike is furnished standard for single door applications. The optional 2609 strike is available for double door applications.

The GUARD-X non-handed design means the installer can mount it for either hand by just removing and reversing the "EMERGENCY EXIT – ALARM WILL SOUND" sign built into the device. The standard warning sign is in English with Braille; French and Spanish are available.

GUARD-X is UL/cUL listed for Panic Exit Hardware, complies with NFPA 101 Life Safety Code, meets UL305 requirements and is tested in accordance to ANSI A156.3 Grade 1 Panic Hardware. It is compliant with NFPA 101 Life Safety Code by providing a push pad that extends at least one-half the width of any door up to 48" wide. The impact-resistant end caps meet UL305 requirements by providing a design that will not catch on clothing during egress.

To Order, Specify:

1. Model 2670
2. Finish: US28, 313AN, 315AN.
3. Strike if other than standard 267.
4. Language if other than English.
5. Specify Rim Cylinder or Sex Bolts if required.
6. Outside trim if needed.

VON DUPRIN® Electric Mortise Lock E7500

E7500 electric mortise lock has all the versatility and advantages of the standard mortise lock device, plus the advantage of being electrically controlled by a remote switching device, an access control system or an automatic fire alarm system. Available for use with the 98/99 series devices.

The E7500 controls the locking of the outside trim. When unlocked, the door remains latched, preserving the fire rating of the door and making it particularly useful where codes permit locking, but require unlocking during a fire emergency.

The E7500 locks and unlocks electrically and cannot be locked or unlocked mechanically. The outside trim cylinder retracts the latch bolt for mechanical override, night latch function. Available only with TP, K or L functions. 1 1/4" (32mm) mortise cylinder with straight cam (not furnished.) (Schlage B502-191)

The E7500 lock contains a SPDT signal to monitor the outside trim condition (locked or unlocked) and a second SPDT signal switch to monitor the latch bolt.

The E option does not include the power transfer from door to frame, the power supply or the control operator. Refer to EPT-10 on page 29 and PS861 or PS873 power supply on page 28.

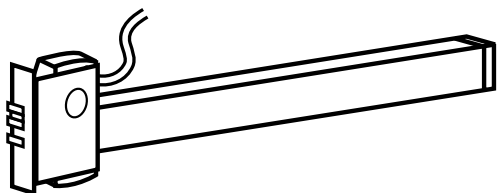
FEATURES

- Field reversible handing
- 24VDC continuous duty solenoid
- Tamper resistant
- Corrosion resistant
- Internal solenoid

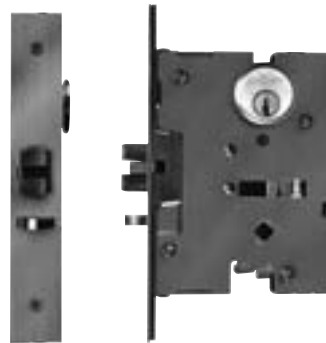
OPTIONS

- Fail safe - locked when energized, unlocked when de-energized or during power failure specify with suffix "FS".
- Fail secure - unlocked when energized, specify with suffix "FSE". Outside trim automatically relocks, unless held unlocked electrically.
- 24VAC (includes SO option).
- 12VDC
- 12VAC (includes SO option).

Note: Some fire codes will require "Fail Safe" (FS) operation for stairwell doors. Be sure to specify the correct operation for your application.



Wiring at latch side of door.



UL listed FVSR SA163 panic hardware and/or GXHX R4504(N) fire exit hardware – consult device catalog for complete device listing information.

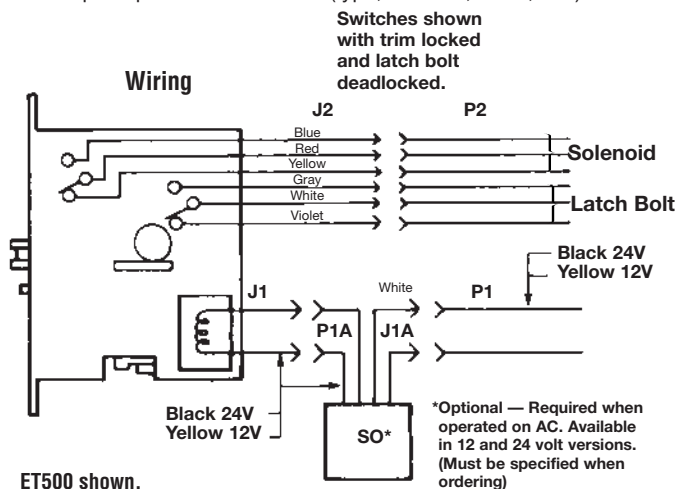
SPECIFICATIONS

Solenoid — 24VDC, .3 ampere, Continuous Duty

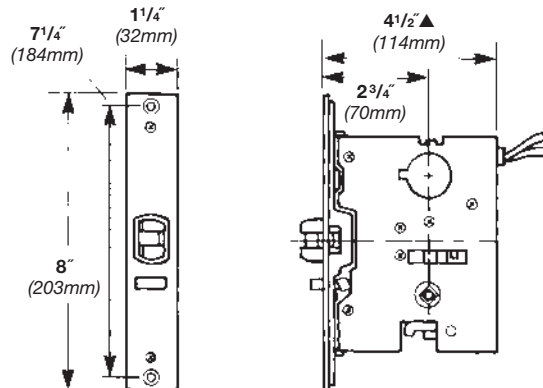
Solenoid — 12VDC, .6 ampere, Continuous Duty

To Order, Specify:

1. Model E7500.
2. Voltage 12V or 24V (24V furnished standard if not specified).
3. Current DC or AC (DC current furnished standard if not specified).
4. FS (Fail Safe) or FSE (Fail Secure).
5. Finish: US3, US4, US10, US10B, US32, US32D, US19.
6. When ordering with device, refer to device catalog section for complete product information (type, function, finish, etc.)



E7500 shown.
SS7500 includes only J2/P2 connectors and wiring



4 13/16" (122mm) clearance required for wiring.

VON DUPRIN® CM993 and PR0993 Exit Trim

The Von Duprin Computer Managed CM993 exit trim is a stand-alone, battery-powered exit trim for use on doors where an exit device is required for egress. The CM993 is designed to be used with Von Duprin 98/99 exit devices for unmatched access control and ease of use. It can be programmed with LockLink™ or LockLink™ Express access control management software. The same software can also manage the Schlage CM Locks and the Locknetics Universal Controllers, which provide intelligent access control for electrified or battery-powered products such as magnets, strikes and cabinet locks.

Multiple users, Multiple access points.
Multiple credentials. One way to manage them.

Provides Unmatched Access Control

- Manages up to 1,000 users and provides audit trail for last 1,000 events
- SmartTime feature allows for time functionality:
 - time zones
 - time schedules
 - holiday override periods
 - first person in
 - credential activation and expiration
- Full-swipe mag stripe card reader for maximum readability and reliability
- Optional audit trail of mechanical key override
- Auto card updating feature which disables a lost or stolen mag stripe card when the reissued card is presented at the lock
- LED status indicators

Easy to Retrofit... Easy to Operate and Architecturally Designed for New Construction

- Directly retrofits existing trim
- Fits doors from 1 3/8" to 2 1/4" thick
- Comes with Schlage Everest 1 1/4" cylinder, but can adapt to other existing key systems
- LockLink™ software that programs the locks is Windows®-based and menu-driven. It can be operated with minimal training



CM993 Exit Trim



For use with VonDuprin 98/99 Series Exit Devices including Rim, Surface Vertical, Concealed Vertical and Three-Point latching models. (Not for use with mortise devices.)

Conversion to New Card System Not Necessary

- Our exit device trims most likely work with your existing mag card and HID prox cards

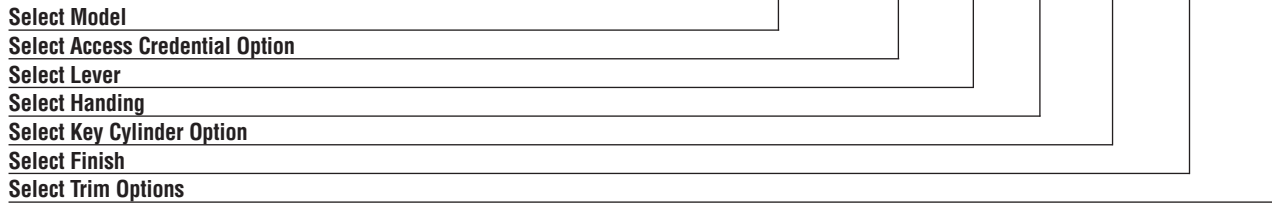
Programmable PR0993 Exit Trim for Manual Programming

- Manually program up to 120 keycodes right at the trim
- Similar mechanical features as CM993
- Complements Schlage PRO and Locknetics PRO Series products



VON DUPRIN® How To Order Exit Trim

CM993 – MGK – 06 – LH – KD – 695 – EXT



1. Select Model



- CM993** Computer managed exit trim
- 993-DT** Dummy trim for inactive leaf
- PRO993** Manually programmed exit trim
- 993-BE** Blank escutcheon

2. Select Access Credential Option (CMs only)



KPI
Keypad iButton Reader



IBO
iButton Reader



MGK
Mag Card Reader Keypad iButton Reader



MGI
Mag Card Reader iButton Reader



PXX
HID prox Reader Keypad iButton Reader



PXI
HID prox Reader iButton Reader

3. Select Lever



06 (Standard)



17

4. Select Handing

RH Right Hand
LH Left Hand

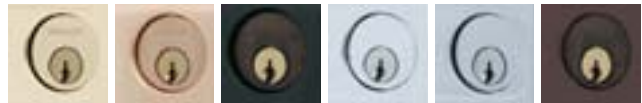
Note: Handing is field-reversible

5. Select Key Cylinder Option (1 1/4" Mortise)

KD Schlage Everest Cylinder
LC Less Cylinder

Note: Master keyed cylinders order separately

6. Select Finish



605 Bright Brass	612 Satin Bronze	613 Oil Rubbed Bronze	625 Bright Chrome	626 Satin Chrome (Standard)	695 Duranodic Dark Bronze
----------------------------	----------------------------	---------------------------------	-----------------------------	---------------------------------------	-------------------------------------

7. Select Trim Options

- ATK** Audit trail of mechanical key override, includes ATR (Requires computer programming)
- T3** ABA Track 3 Mag Card Reader (ABA Track 2 is standard for MGI and MGK Series only)
- EXT** Mag Card Reader for exterior use (for MGI and MGK Series only)
- Door Thickness** State door thickness. Available from 1 3/8" to 2 3/4" in 1/8" increments
- EG** Exterior Gasket for PRO993 only

Select Credentials

- IBA** iButton (adhesive backed)
- IBF** iButton on Fob
- MAG1** Magnetic Stripe Card – Blank
- MAG2** Magnetic Stripe Card – Pre-encoded
- PRX1** Prox Card – Standard .070" thick
- PRX2** Prox Card – Adhesive backed for photo application, .070" thick
- PRX3** Prox Card – ISO – credit card size and thickness, .031" thick
- PRX4** Prox Card – Dual Technologies, magnetic stripe and Prox, .031" thick
- PF1** Prox Fob

VON DUPRIN® Power Supplies

SERIES PS861

The series PS861 power supply is designed for electromagnetic locks and electric strikes on single door applications. The output power is field selectable for either 24VDC @ 1 ampere or 12VDC @ 2 ampere. Standard input 120VAC @ 0.6 ampere and 240VAC @ 0.3 ampere available. Terminal block will accept up to 14 gauge stranded wire.



Enclosure is 10" high x 12½" wide x 5" deep* (254mm x 323mm x 127mm), gray with 1 hinged cover and constructed of heavy 19 gauge steel. Six ½" (13mm) knockout holes are provided for conduit connection.

Options include keylock cover and sealed lead acid battery pack. The pair of batteries will provide back-up power for three hours at full load or seven hours at half load. Batteries will automatically recharge when failed power is restored. Not appropriate for CX or EL devices.

FOUR CONFIGURATIONS

PS861	Standard supply
PS861K	Standard supply with keylock cover
PS861B	Battery backup
PS861BK	Battery backup and keylock cover

SERIES PS873

The series PS873 power supply is designed to operate a wide variety of electrical products. EL panics require 871-2 PCB minimum. The regulated output power is field selectable for either 24VDC @ 2 ampere or 12VDC @ 4 ampere. Standard input 120VAC @ 1.0 ampere or 240VAC @ 0.5 ampere available.

Enclosure is 10" high x 12½" wide x 5" deep (254mm x 323mm x 127mm), gray with a hinged cover and constructed of heavy 19 gauge steel. Five ½" x ¾" (13mm x 19mm) knockout holes are provided for conduit connection. Terminal block will accept up to 12 gauge wire.

The PS873 can be ordered with three standard options: **Key lock** secures the cover to eliminate tampering and provides safety; **Battery backup** provides two hours backup power at full load during a A.C. power failure; **Fire Alarm** provides input for a normally closed fire alarm contact. When the fire alarm contact is "open", power to locks or other component is removed. Restoring power is field selectable for automatic or manual.

Eight standard configurations:

PS873	Standard
PS873K	With keylock
PS873B	With battery
PS873BK	With battery and keylock
PS873FA	With fire alarm
PS873K-FA	With keylock and fire alarm
PS873B-FA	With battery and fire alarm
PS873BK-FA	With battery, keylock and fire alarm

The series PS873 is available with several optional circuit cards to provide system flexibility. The power supply will accept one or a combination of any two cards.

Factory or Field Installed Circuit Cards:

871-2, Two Zone controller provides two inputs and two outputs. Will operate one or two EL exit devices. Use suffix "-2" for factory installed, example PS873-2.

873-AL, Alarm function monitors 1 or 2 zones and provides alarm output, upon detecting a door in the open position. Delayed alarming is selectable from 5 to 75 seconds. Use suffix "-AL" for factory installed, example PS873-AL.

873-AO, Auto Operator function coordinates the electric latch retraction of one or two locks or devices and signals an auto-operator to open a door. Signaling the auto operator can be performed in two methods; by receiving a signal from a monitoring switch that the lock is unlatched, or upon expiration of a time delay triggered by a "RX" type input switch. Use suffix "-AO" for factory installed, example PS873-AO.



873-SI, Security/Safety Interlock

provide interlock function for two zones. When combined with a second 873-SI card, the inter-locking of groups are available in two, three or four zones. Safety interlock is available, consult factory for additional information. Use suffix "-SI" for factory installed, example PS873-SI.

873-4TD, Four Zone controller with **Time Delay** provides four inputs and four outputs with time delay. Time delay is field selectable from 0 to 75 seconds, in intervals of 5 seconds. Use suffix "-4TD" for factory installed, example PS873-4TD.

873-AC, Access Control provides supervision of one zone using an electromagnetic lock. Input signals required are: access control contact, motion detector contact, and motion detector override contact. FA, Fire Alarm option is required. Use suffix "-AC". For factory installed, example PS873-AC.

Factory Installed Only Circuit Cards:

873-DE, Delayed Egress function ideal for use with electromagnetic locks, will operate two zones simultaneously. To operate two separate zones, a second 873-DE card is required. UL listed component, when used as part of a Von Duprin delayed egress system. Use suffix "-DE", example PS873-DE.

Note: DE cards cannot be combined with any other optional cards.

PS9 Power Supply

PS9 Power Supply provides 9VDC to power ALK alarm kits. The unit will power one or two alarm kits. Included is a 9 volt seated battery for power backup in case of AC power failure. PS9 must be ordered separate.

Electrical Power Transfer

Electric Power Transfer provides a means of transferring electrical power from a door frame to the edge of a swinging door. The units are completely concealed when the door is in the closed position, and are ideally suited for installations involving abuse or heavy traffic.

Two models are available; EPT-2, two 18 gauge wires and EPT-10, ten 24 gauge wires.

The EPT-2 and EPT-10 are UL listed as “miscellaneous door accessory.”

Pneumatic Controls

PNT-1 is available for pneumatic latch retraction exit devices. Appearance and dimensions are identical to EPT models.

UL listed for use on fire doors.

Door Applications

- Up to 5” butt hinges - 180° Swing
- 5 1/2” butt hinges - 130° Swing
- 6” butt hinges - 110° Swing
- 3/4” butt offset pivots - 180° Swing

Not for use with swing clear hinges or center-hung pivots.

SPECIFICATIONS

Housing — 9” x 1¼” x 1⅝”
(229mm x 32mm x 38mm)

EPT-2 — Two 18 gauge wires
Up to 2 amps @ 24VDC, with a
16 amps maximum surge

EPT-10 — Ten 24 gauge wires, up to
1 amp @ 24VDC, with a
16 amps maximum surge

PNT-1 5/32” Tubing

TO ORDER, SPECIFY:

1. EPT-2, EPT-10 or PNT-1
2. Finish, SP28 or SP313



UL Listed as “Miscellaneous” Fire Door Accessory” GVUX

Junction Box

High quality NEMA 1, junction boxes provide convenient installation, available in three models. These surface mounted units are 10” (254mm) high, 10” (254mm) wide and 6” (152mm) deep and includes hinged door with twist turn lock. 24 position terminal strip will accept from 24 to 12 gauge wire.

Five models:

- JB7** Junction box only.
- JB7-R1** Junction box with SPDT Relay.
- JB7-R2** Junction box with DPDT Relay.
- JB7-R3** Junction box with DPDT Relay on Make Relay.
- JB7-R4** Junction box with DPDT Relay on Brake Relay.



VON DUPRIN® Monitor Strikes

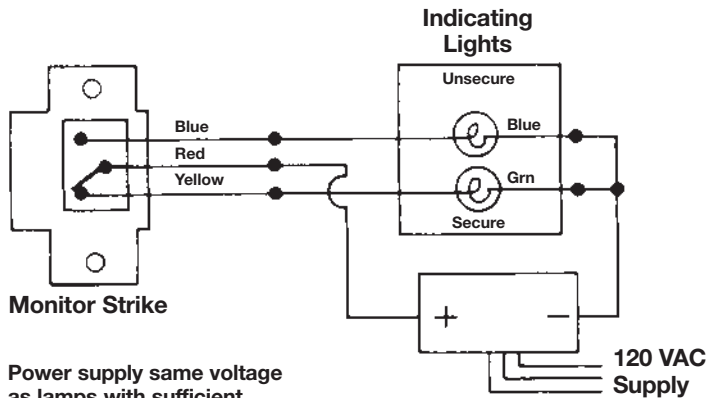
Monitor Strikes are designed to offer remote door monitoring through the use of a signal switch mounted in the strike to monitor the latch bolt. This series of monitor strikes is designed for use with Von Duprin and most other manufacturers' rim, mortise, surface and concealed vertical rod exit devices and cylindrical, mortise, and unit type locks.

The Monitor strike replaces the standard door strike. The tripper in the monitor strike is depressed when the latch bolt is fully inserted in the strike the stainless steel tripper activates an electric switch.

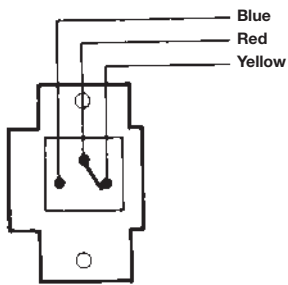
TO ORDER, SPECIFY:

1. Model
2. Tripper T1, T2, or T3.
3. Handing required on model 4582.
Specify LHR or RHR.
4. Finish: US3, US4, US10, US10B,
US26, US26D.

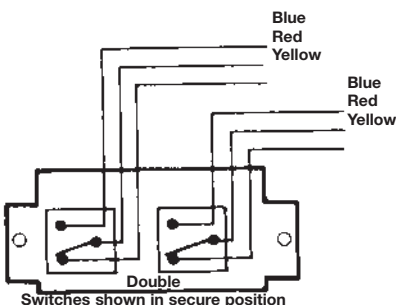
BASIC MONITOR STRIKE CIRCUIT



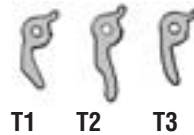
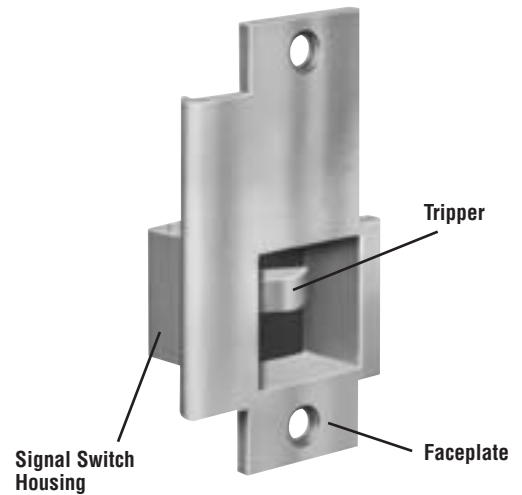
Power supply same voltage as lamps with sufficient current capabilities



Switch shown in secure position



Switches shown in secure position



▲Tripper selection is based on the throw and shape of the latch bolt.

SPECIFICATIONS

SPDT Switch (single pole double throw):
Rated 24VDC @ 2 amperes (resistive)

VON DUPRIN® Series 4263, 4268T1, 4582



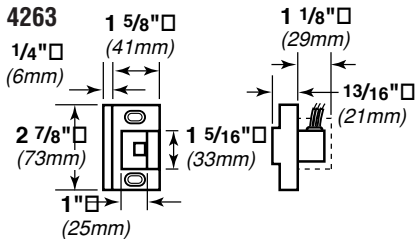
4263

4263

Monitor strike for use with rim or surface vertical rod exit devices. The 4263 is non-handed and features horizontal adjustment to compensate for misalignment of door and frame. The faceplate is drop forged brass. The tripper selection (-T1 or -T3) is based upon the lock to be used with. See Chart below. Two 4263 strikes may be used on 4754 mullion.

COMPATIBILITY CHART

Von Duprin	
22	T3
2227	T1
33A/35A	T1
3327A/3527A	T3
44	T1
55	T1
88	T1
8827	T1
98/99	T3
9827/9927	T1
Monarch	
Rim (3/49 (19mm) throw)	T3
Yale	
1500 (5/89 (16mm) throw)	T1



4268T1



4582

UL listed (GXHX R4504) fire exit hardware.

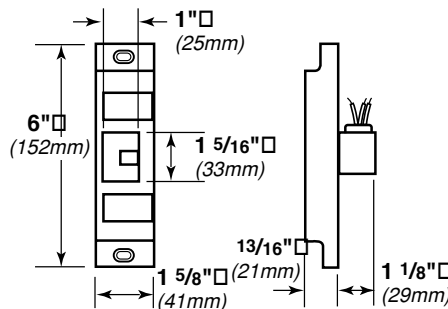
4268-T1 Single Doors Only - (Not for Mullions)

Monitor strike especially for rim fire devices. The 4268 features horizontal adjustment to compensate for misalignment of door and frame. The faceplate is brass or cast stainless steel. The SPDT signal switch is rated at 24VDC @ 2 amps (resistive) and is actuated by a stainless steel tripper.

COMPATIBILITY CHART

22/22-F
33/35
88/88-F
98/99/98-F/99-F

4268-T1



4582

Monitor strike for use with mortise or cylindrical locks on single or pairs of doors with ANSI A115.3 frame cutout (frame modification required). The one piece faceplate and body is constructed of drop forged brass.

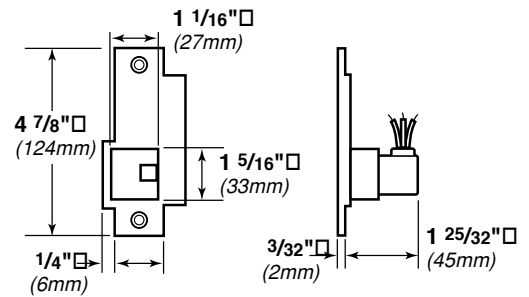
The tripper selection (-T1 or -T2) is based upon the lock to be used. See Chart below.

Note: When used with Von Duprin 7500 mortise lock, strike handing is opposite device handing.

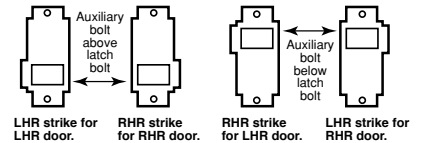
COMPATIBILITY CHART

Von Duprin 7500 ML	T1
Arrow 5/8" (16mm) ML (LR)	T2
Corbin 5/8" (16mm) ML (LR)	T2
Falcon 5/8" (16mm) ML (LR)	T2
Russwin 5/8" (16mm) ML (LR)	T2
5000 ML (LR)	T2
Schlage 3/4" (19mm) Cyl.	T2
L90	T2
Yale 5/8" (16mm) ML (LR)	T2

4582



Caution: proper selection of handing required.



VON DUPRIN® 4570-T1, 4670-T1

4570-T1

For use on single or double door applications with ANSI A115.2 frame cutout (frame modification required). See Chart below.

4570-T1

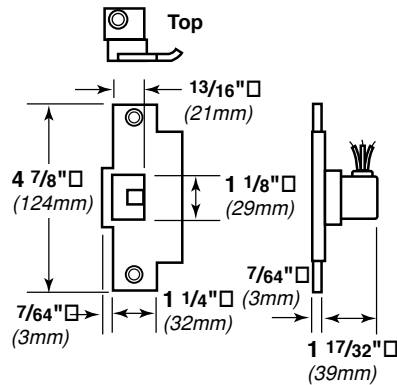
For use on single or double door applications with ANSI A115.3 frame cutout (frame modification required). See Chart below.

COMPATIBILITY CHART

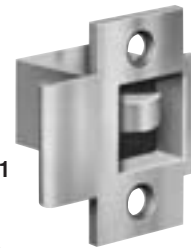
Adams-Rite	4510	T1
	8400	T1
Arrow	1/29 (13mm) Cyl.	T1
Best	9/169 (14mm) Cyl.	T1
Corbin	5/89 (16mm) Cyl.	T1
Dexter	7/169 (11mm) Cyl.	T1
Falcon	1/29 (13mm) Cyl.	T1
	9/169 (14mm) Cyl.	T1
Kwikset	1/29 (13mm) Cyl.	T1
Lockwood	1/29 (13mm) Cyl.	T1
Precision	1040 Auto.	
	Flush Bolt	T1★
Russwin	5/89 (16mm) Cyl.	T1
Sargent	1/29 (13mm) Cyl.	T1
Schlage	1/29 (13mm) Cyl.	T1
	5/89 (14mm) Cyl.	T1
Yale	1/29 (13mm) Cyl.	T1

★ Special template required.

4570-T1



4570-T1



4670-T1



4690-1-T2

UL listed (GXHX R4504) fire exit hardware, (4268T1 and 4582 only).

4690-T2

Use on wide stile double door applications.

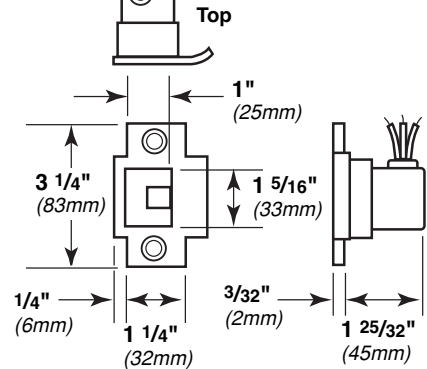
4690-1-T2

Use on narrow stile double door applications. (Contains two SPDT switches, one for each latchbolt).

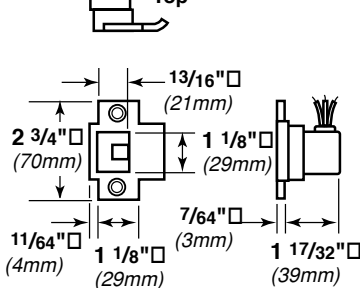
COMPATIBILITY CHART

	4690	4690-1	
Von Duprin	3347A-F	—	T2
	3347A	3347A	T2
	9947	—	T2
	9947F	—	T2

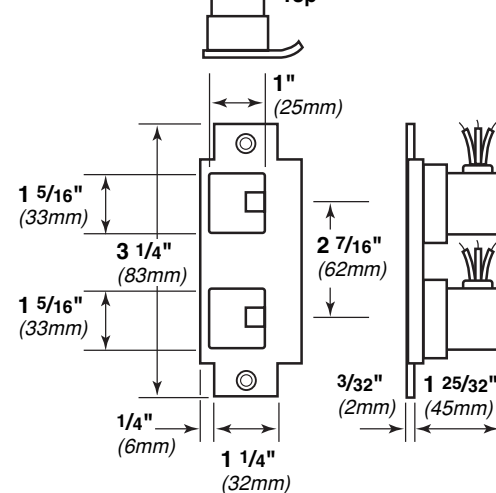
4690-T2



4670



4690-1-T2

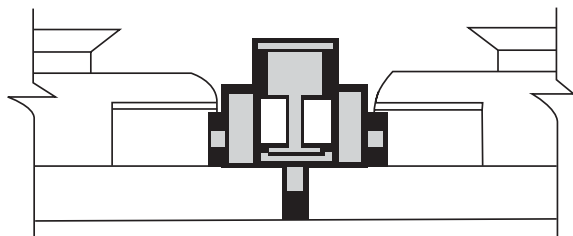


VON DUPRIN® Mullions

Electrified Removable Mullions are used with pairs of doors equipped with rim mounted exit devices.

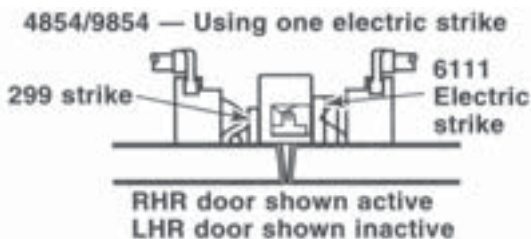
Each includes an electric cable with five conductors wired to a twist-apart plug. The soffit fitting is supplied with a pre-wired mating socket.

4754 — Prepared for two 4263 monitor strikes. Use with all Von Duprin rim panic devices.



4854 — Prepared for one 6111 electric strike and one 299 strike. Indicate handing for electric strike.

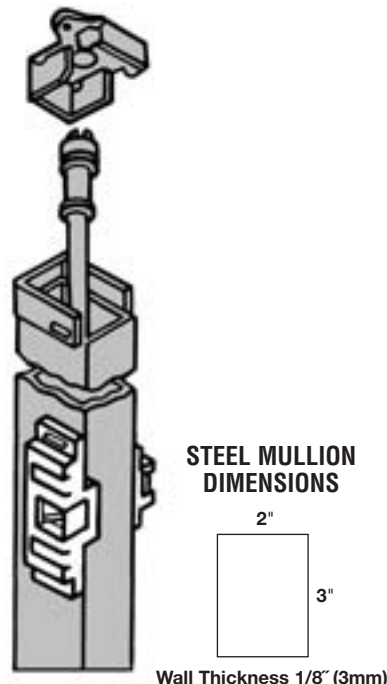
9854 — Prepared for one 6111 electric strike and one 268 or 499F strike. Indicate handing for electric strike. UL Fire labeled for up to 3 hours on up to 8' x 8' (2438mm x 2438mm) openings using Von Duprin fire exit rim devices.



KR - Keyed Removable option available on electrified removable mullion. Makes removal faster and easier by a single operation of the mortise cylinder. Once mullion is removed, large equipment or furniture can freely pass through the opening. The unit will self lock when re-installed, without use of the cylinder key. Uses 1 1/4" mortise cylinder with a straight cam (Schlage cam reference B502-191). Cylinders are sold separately. Prefix mullion model with "KR".

To Order, specify

1. Model number.
2. Height of opening
3. Finish: SP28, SP313, SPBLK.
4. Handing if required.
5. Centerline deviation (refer to device template for standard centerline).
6. Strikes, when required, should be ordered with device.
7. For keyed removable option prefix model number with "KR", example KR9854.



STEEL MULLION DIMENSIONS



Wall Thickness 1/8" (3mm)

Sizes for Mullions

4754, 4854, 9854

- 7' 2" (2184mm)
- *8' 2" (2489mm)
- *10' 2" (3099mm)

KR4754, KR4854

- 7' 6" (2286mm)
- 8' 6" (2591mm)
- 10' 6" (3200mm)

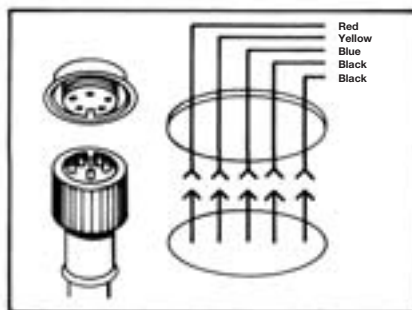
KR9854**

- 7' 5" (2261mm)
- *8' 5" (2565mm)
- *10' 5" (3175mm)

* Only qualifying applications will be provided with UL Label.

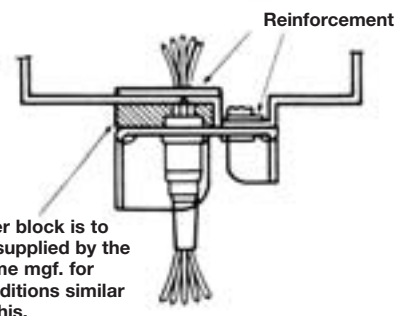
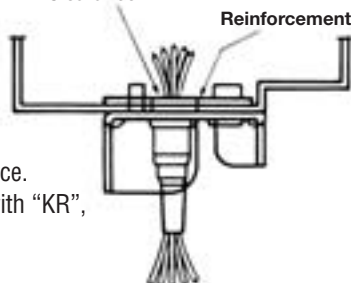
** Fire rated same as 9854

QUICK DISCONNECT



SOFFIT DETAILS

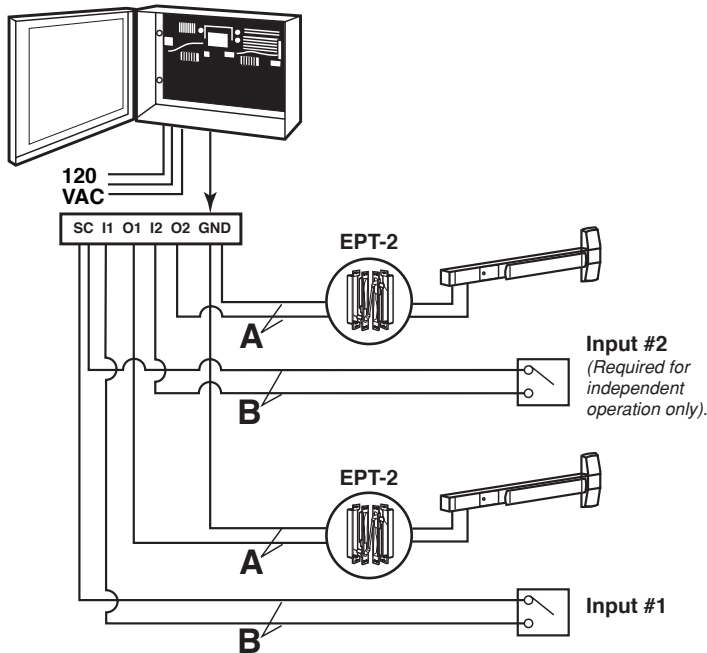
1" (25mm) Diameter Clearance



VON DUPRIN® Additional Information

WIRE SIZE SELECTION

	Current requirement at 24 VDC			
	0-.5 Amp	.5-1 Amp	1-2 Amp	2-3 Amp
0-100 (0-30)	18	18	18	18
100-200 (30-61)	18	18	18	16
200-300 (61-91)	18	18	16	14
300-450 (91-137)	18	16	14	12
450-600 (137-183)	18	16	12	NR
600-900 (183-274)	16	14	NR	NR
900-1.200 (274-366)	14	12	NR	NR



WIRE SIZE SELECTION

Using EL Device w/EPT or Door Loop

0-100 ft	14 gauge
0-200 ft	12 gauge
Using EL Device w/Electric Hinge/Pivot (not shown)	
0-150 ft	12 gauge
0-75 ft	14 gauge

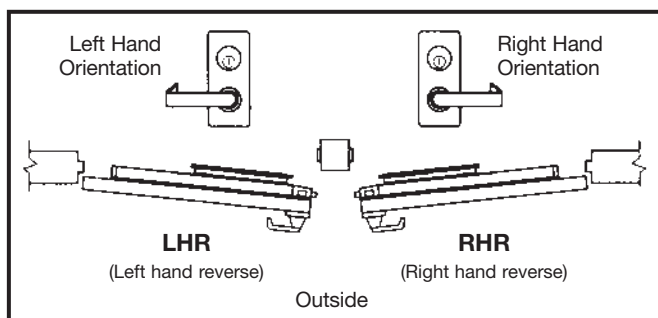
B

WIRE SIZE SELECTION

Using EL Device w/EPT or Door Loop

1200 ft (366 meters) Maximum	B-18 gauge
------------------------------	------------

HANDING OF DOORS



VON DUPRIN®

International Offices

Canada / Latin America Caribbean / Mexico

IR Security & Safety
1076 Lakeshore Road East
Mississauga, Ontario
L5E 1E4, Canada
(905) 403-1800
(905) 278-1413 FAX
(877) 590-4734

China

IR Security & Safety
7F, Xuhuiyuan Building,
1089 Zhong Shan Nan 2 Road
Shanghai 200030, P.R.China
+(86) 21 5452-9898
+(86) 21 5410-1110 FAX
www.irco.com.cn

North-East Asia

IR Security & Safety
23/F, 625 King's Road
Northpoint, Hong Kong
+(852) 2235-0600
+(852) 2565-1409 FAX

South Asia

Ingersoll-Rand South East Asia (Pte) Ltd.
42 Benoi Road
Singapore 629903
+65 6860-6850
+65 6861-9563 FAX

Australia / NZ

IR Architectural Hardware Ltd.
P.O. Box 19-347
437 Rosebank Road,
Avondale, Auckland, New Zealand
+64 (0) 9-829-0550
+64 (0) 9-829-0552 FAX
www.irarchitecturalhardware.co.nz

Europe / Middle-East / Africa

IR Security & Safety Ltd.
Bescot Crescent
Walsall, West Midlands WS1 4DL
United Kingdom
+44 (0)1922 707400
+44 (0)1922 646303 FAX
www.irsecurityandsafety.co.uk



Visit Von Duprin on the web
www.vonduprin.com



VON DUPRIN

2720 Tobey Drive,
Indianapolis, IN 46219
317-613-8944 phone
317-613-8302 fax
www.vonduprin.com
www.irsecurityandsafety.com

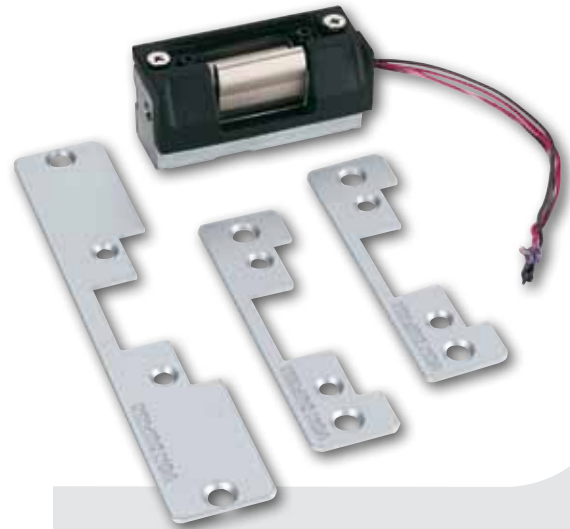
An **IR Ingersoll Rand** business

VON DUPRIN®

5100 Series Electric Strikes

Overview

The Von Duprin 5100 Electric Strike has been designed and manufactured to meet the needs of locksmiths and security professionals. This easy-to-install electric strike was created for medium duty applications, specifically to control traffic flow through interior and exterior openings in retail and commercial environments.



Features and Benefits

- Three faceplates standard in every box
- 12/24 dual-voltage
- Fail-safe/fail-secure
- Adjustable keeper
- Internal solenoid
- Non-handed
- Backbox depth of 1 11/16"
- Keeper depth of 1/2"
- Mounting tabs
- Retrofit kit
- Illustrated installation instructions
- Tamper resistant
- 1 year electrical product warranty
- Continuous duty operation
- Heavy duty construction

System Components
5100 Series Electric Strikes

POWER OPTIONS

- DC: Regulated Power Supplies (Recommended)
 - PS902 Power Supply
- DC: 24V Unregulated Power Supplies (Acceptable)
 - Schlage 593 PI-24DC (Plug-In)
 - Schlage 592-24RC (Hard-Wired)
- AC/DC Conversion:
 - Von Duprin SO-24 Kit

Specifications		
ANSI/BHMA 156.5 Grade 1		
UL 1034 Burglary Listing		
	12VDC	24VDC
Resistance (Ohms)	32	128
Power (watts)	4.5	4.5
Current (amps)	0.38	0.19
All specs ± 10% @77°F/25°C		

STANDARD CONFIGURATION

- 24 volts DC
- Fail-secure
- Field convertible to Fail-safe

DIMENSIONS

- Backbox: 3 3/8" x 1" x 1 11/32"
- Overall Strike Depth: 1 11/16"
- Faceplates:
 - 4 7/8" round corner ANSI A115.2 standard frame prep
 - 4 7/8" square corner ANSI A115.2 standard frame prep
 - 7 15/16" long, round corner wood frame prep
- Keeper pocket: 1 7/16"L x 1/2"D x 11/16" - 13/16"W (adjustable)
- Lip Attachment cut-out depth: 1 1/16"

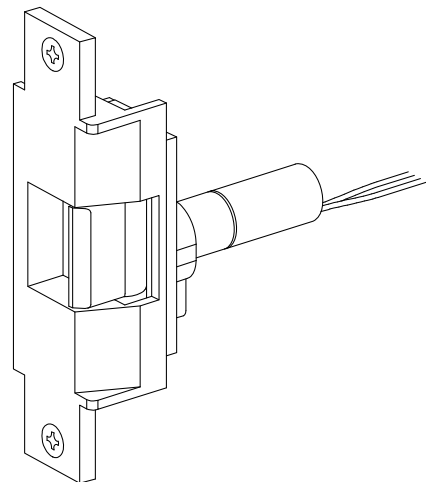
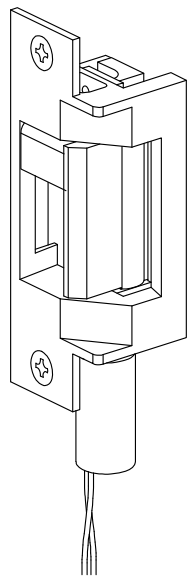
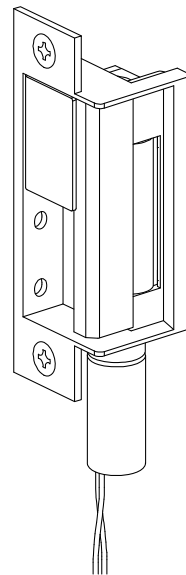
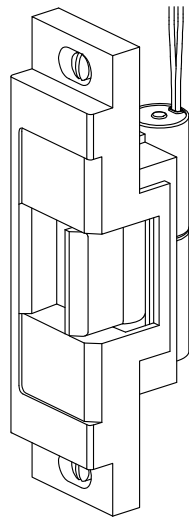


VON DUPRIN®

PARTS MANUAL

JULY 2009

6000 SERIES ELECTRIC STRIKES



PM6000_A
VD-5563

IR Ingersoll Rand
Security Technologies

Copyright © 2009 Ingersoll-Rand. All rights reserved.

INDEX

General Information

Introduction	2
How to Order	2
Part Number Changes	2
6000 Series Electric Strike Finishes	2

6000 Series Electric Strike Parts

Solenoids and Solenoid Parts	3
Box Parts: Type B Box	4
Box Parts: Type A Box, Type C Box, Offset Box	6
Faceplates, Screws, Inserts, Box Assemblies, Tripper Extensions, and Connectors	
<u>Strike</u> <u>Box Type</u>	
6111 C	8
6112 C	18
6113 C	8
6114 A	10
6121 C	18
6210 Offset	22
6211 A	12
6211AL A	12
6211WF B	14
6212 A	12
6212WF B	14
6213 C	8
6214 A	10
6215 A	10
6216 C	20
6221 B	16
6222 A	10
6223 B	16
6224 A	10
6224AL A	10
6225 A	10
6226 A	10
Accessories	3

INTRODUCTION

This manual lists replaceable parts and assemblies for 6000 Series Electric Strikes.

HOW TO ORDER

Some parts are sold separately. Other items are available as part of a kit or multiple quantity package. For the best possible service when ordering replacement parts or assemblies, please provide the following information:

- Part number or assembly number
- Description
- Quantity needed
- Finish desired (if available finished)
- Date of original purchase (if known)

To find out the name of your local Von Duprin distributor or sales representative, contact:

Von Duprin Division
 Ingersoll-Rand Company
 2720 Tobey Drive
 Indianapolis, Indiana 46219
 Phone: (800) 999-0408
 Fax: (800) 999-0328

PART NUMBER CHANGES

This manual reflects product sold in July 2009. Because of changes to product and/or manufacturing process, part numbers can change.

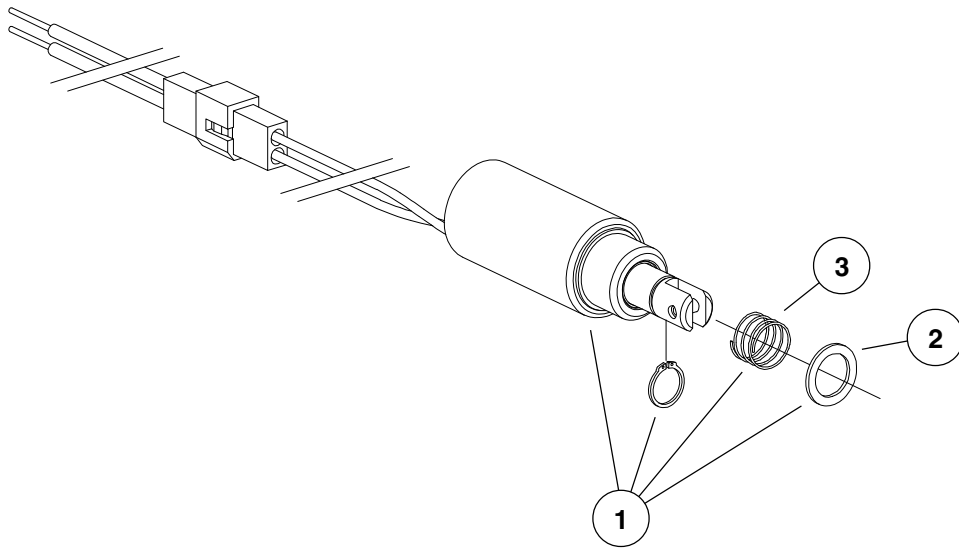
6000 SERIES ELECTRIC STRIKE FINISHES

US Number	BHMA Number	Color
US3	605	Brass, polished
US4	606	Brass, dull
US10	612	Bronze, dull
US10B	640	Brass, dull (oxidized)
US32	629	Chrome, polished
US32D	630	Chrome, dull

SOLENOIDS AND SOLENOID PARTS

Item No.	Part No.	Description	Quantity	Finish
1	050237	6000 Series Solenoid Kit 12VDC (FS & FSE)	1	
1	050239	6000 Series Solenoid Kit 16VDC (FS & FSE)	1	
1	050240	6000 Series Solenoid Kit 24VDC (FS & FSE)	1	
2	964037	Solenoid Washer	1	
3	968713	Solenoid Spring	1	

X in "Finish" column designates finished item; specify finish when ordering.



BOX PARTS: TYPE B BOX

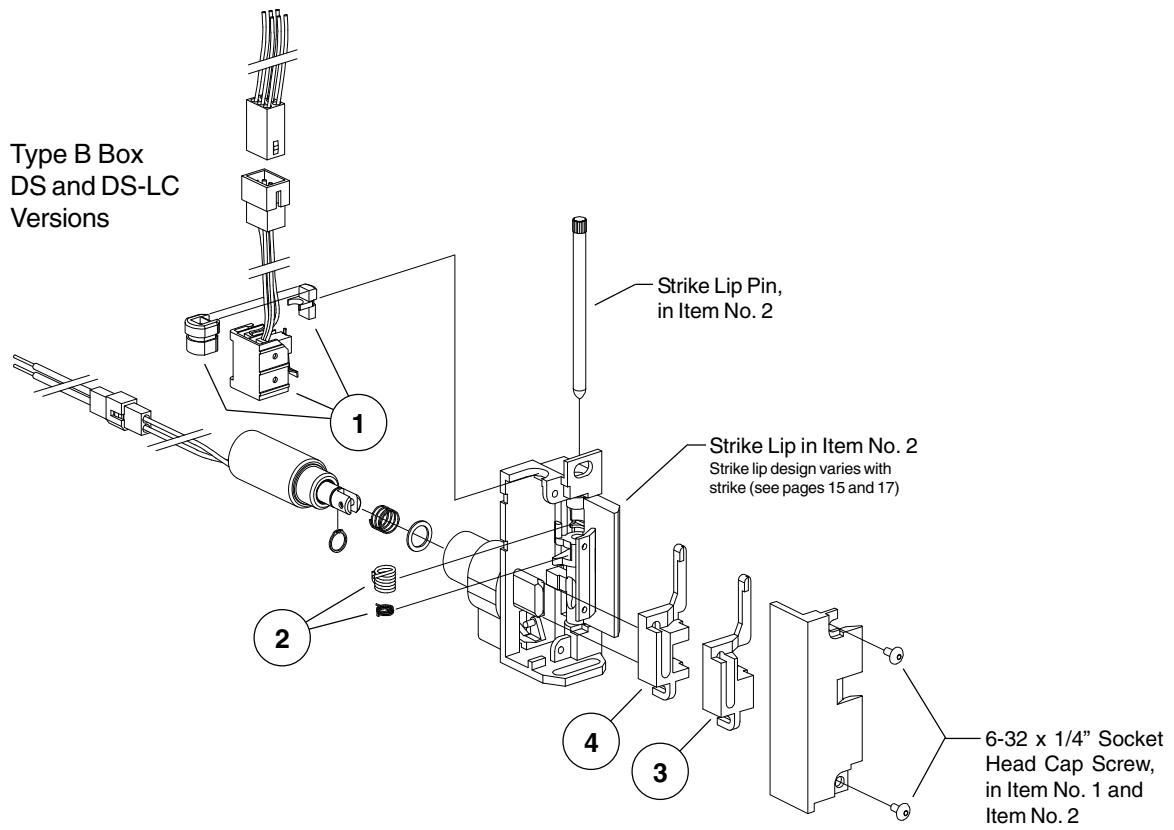
Item No.	Part No.	Description	Quantity	Finish
1	050015	6000 DS Replacement Kit Type B		
		6000 Switch & Mtg. Assy.	1	
		6-32 x 1/4" Socket Head Cap Screw	2	
		Wire Strain Relief	1	
1	050018	6000 DS-LC Replacement Kit Type B		
		Same parts as 050015 for DS-LC Version		
2	050939	Type A or B Box Spring Kit		
		6-32 x 1/4" Socket Head Cap Screw	2	
		Tripper Spring	1	
		Torsion Spring	1	
		Strike Lip Pin	1	
		Strike Lip	1	
3	970387	FS Slider (6211WF/6212WF/6221/6223 Only)	1	
4	970388	FSE Slider (6211WF/6212WF/6221/6223 Only)	1	

X in "Finish" column designates finished item; specify finish when ordering.

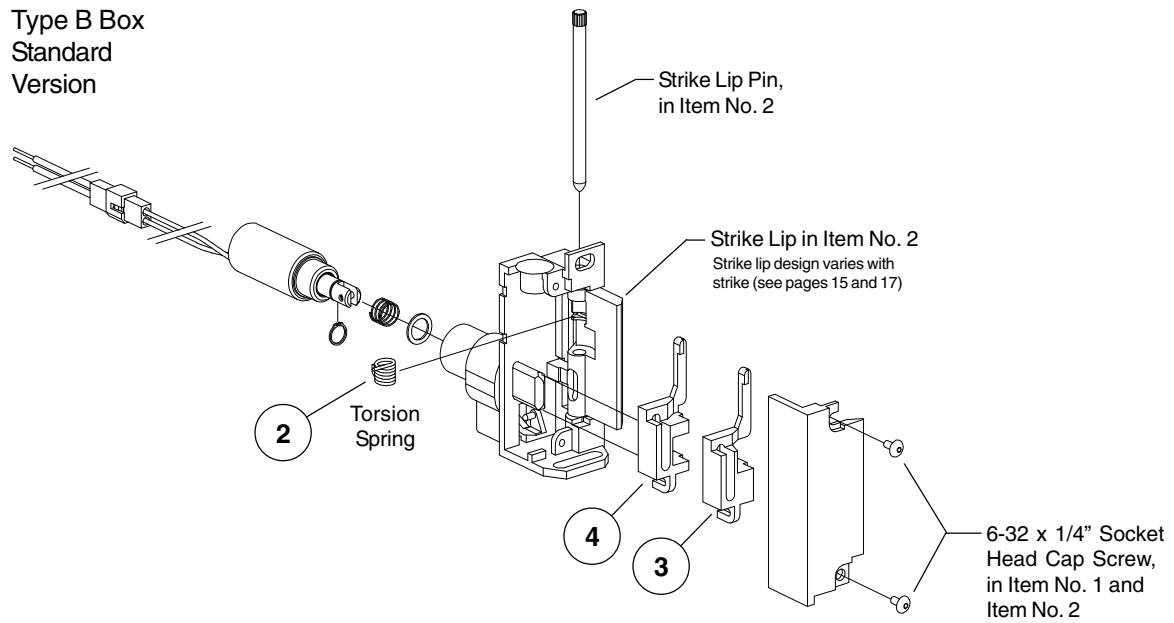
Type B Box Used for:

6211WF
6212WF
6221
6223

Type B Box
DS and DS-LC
Versions



Type B Box
Standard
Version



SOLENOID AND BOX PARTS: TYPE A BOX, TYPE C BOX, OFFSET BOX

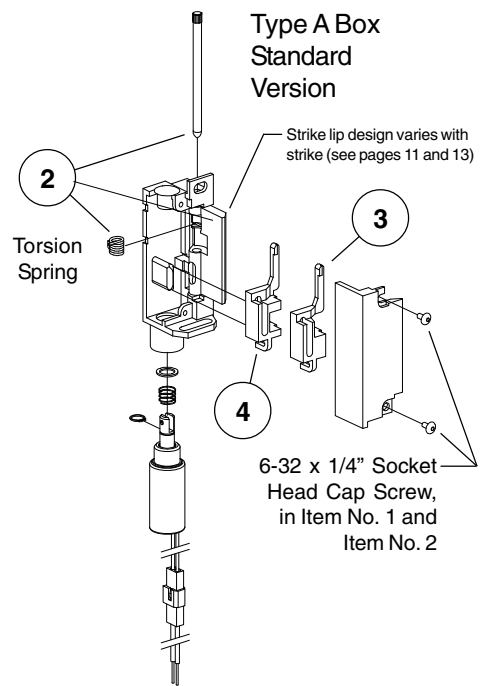
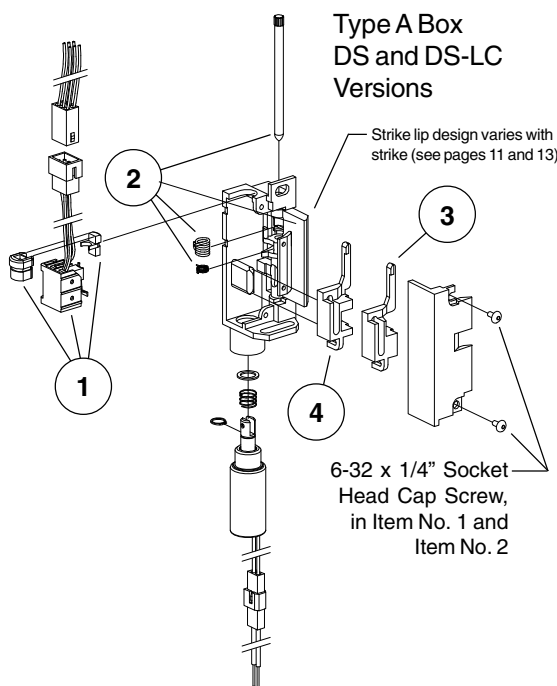
Item No.	Part No.	Description	Quantity	Finish
1	050011	6000 DS Replacement Kit Type A		
		6000 Switch & Mtg. Assy.	1	
		6-32 x 1/4" Socket Head Cap Screw	2	
		Wire Strain Relief	1	
1	050016	6000 DS-LC Replacement Kit Type A	1	
		Same parts as 050011 for DS-LC Version		
2	050939	Type A or B Box Spring Kit (includes items listed below)		
	050941	Type C Box Spring Kit (includes items listed below)		
	050940	Type Offset Box Spring Kit (includes items listed below)		
		6-32 x 1/4" Socket Head Cap Screw	2	
		Tripper Spring	1	
		Torsion Spring	1	
		Strike Lip Pin	1	
		Strike Lip	1	
3	970387	FSE Slider (Except 6211WF/6212WF/6221/6223)	1	
4	970388	FS Slider (Except 6211WF/6212WF/6221/6223)	1	

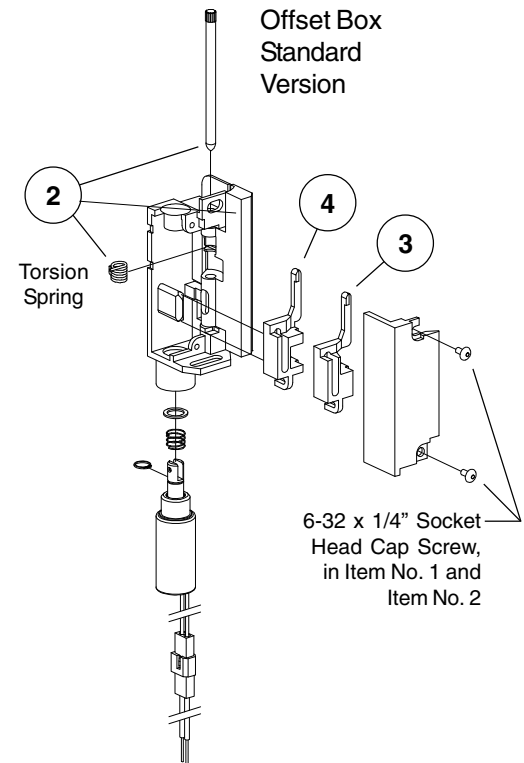
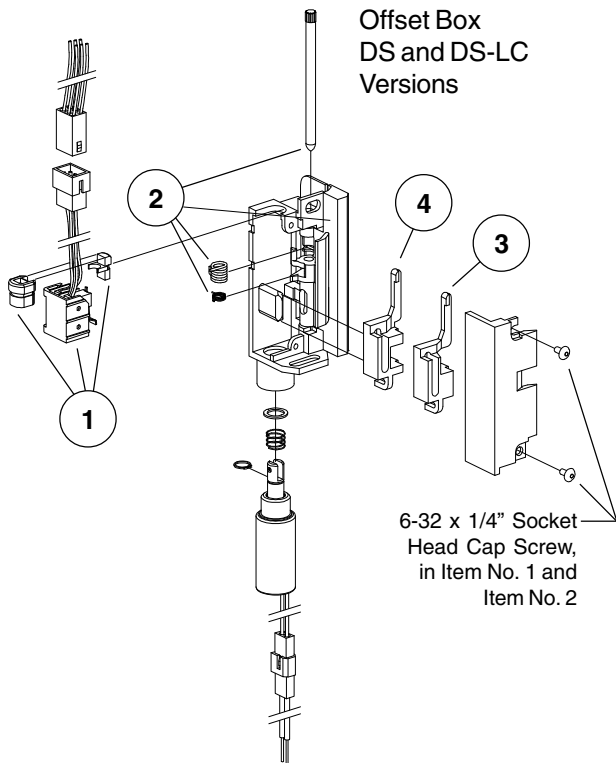
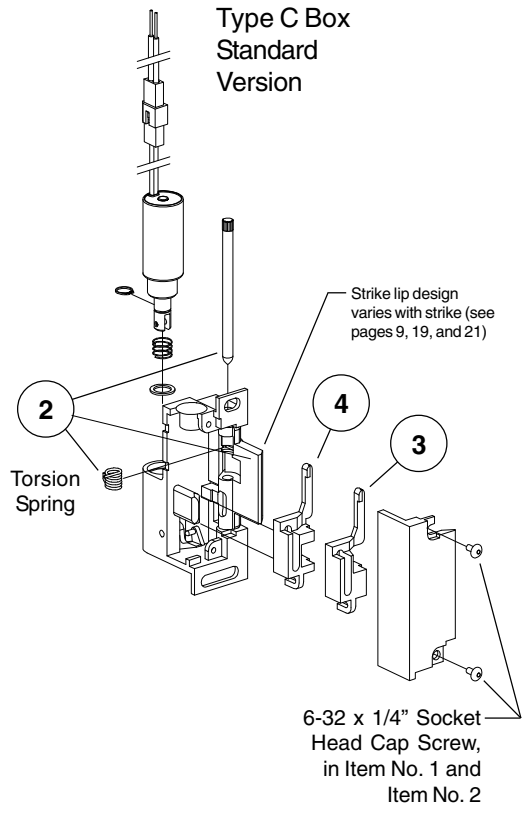
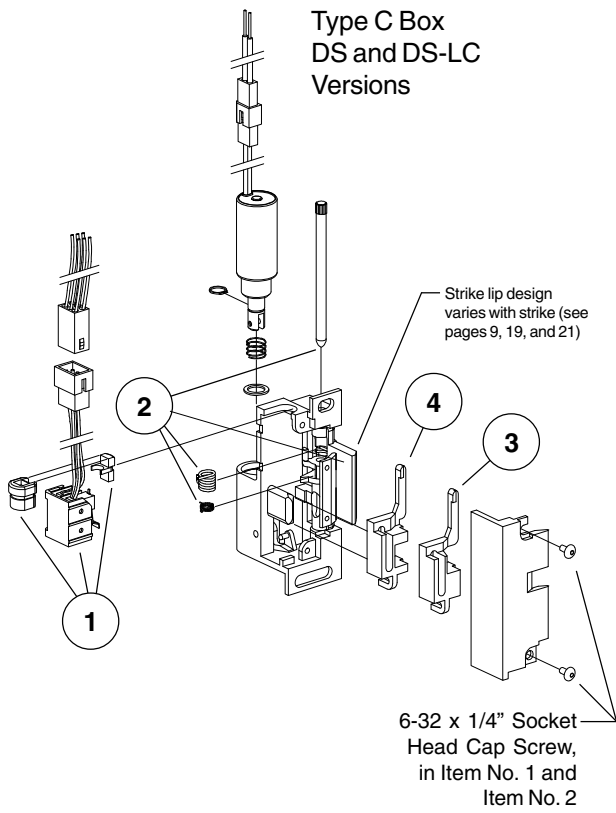
X in "Finish" column designates finished item; specify finish when ordering.

Type A Box Used for:	
6211	6222
6211AL	6224
6212	6224AL
6214	6225
6215	6226

Type C Box Used for:	
6111	6121
6112	6213
6113	6216

Offset Box Used for:
6210



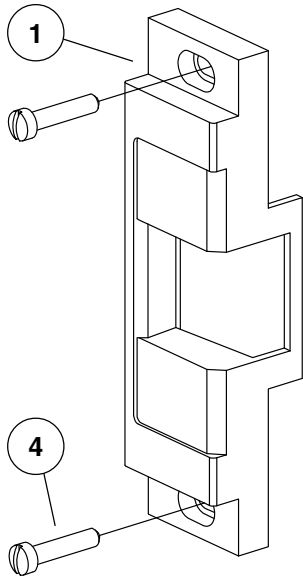


6111, 6113, 6213

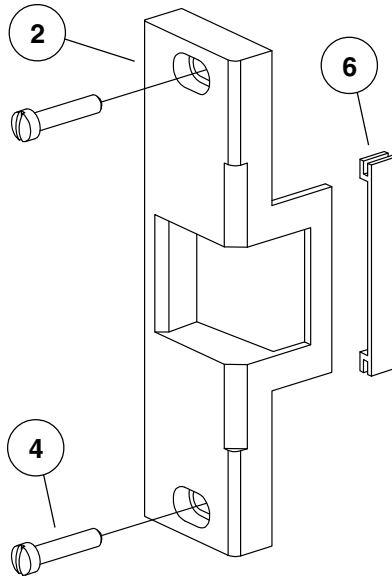
Item No.	Part No.	Description	Quantity	Finish
1	970271	6111 Faceplate	1	X
2	970280	6113 Faceplate	1	X
3	970278	6213 Faceplate	1	X
4	900870	6111/6113 Screw Pkg.		X
		12-24 x 1" Slotted Fill. HMS	2	
		Connector-E98/99/6000 ES	2	
5	900288	6210/11/13/14/16/22/24/25/26 Screw Pkg.		X
		12-24 x 1/2" UFPHMS	2	
		Connector-E98/99/6000 ES	2	
6	900347	6113 Frame Insert Pkg.	1	
7	111743	6111, 6113, 6213 12VDC FS Box Assy.	1	
7	111744	6111, 6113, 6213 12VDC FSE Box Assy.	1	
7	111745	6111, 6113, 6213 24VDC FS Box Assy.	1	
7	111746	6111, 6113, 6213 24VDC FSE Box Assy.	1	
8	111747	6111, 6113, 6213 12VDC FS DS Box Assy.	1	
8	111748	6111, 6113, 6213 12VDC FSE DS Box Assy.	1	
8	111749	6111, 6113, 6213 24VDC FS DS Box Assy.	1	
8	111750	6111, 6113, 6213 24VDC FSE DS Box Assy.	1	
8	112772	6111/6113/6213 12VDC FS DS-LC Box Assy.	1	
8	112773	6111/6113/6213 12VDC FSE DS-LC Box Assy.	1	
8	112774	6111/6113/6213 24VDC FS DS-LC Box Assy.	1	
8	112775	6111/6113/6213 24VDC FSE DS-LC Box Assy.	1	
9	964019	#8 Ext. Tooth Lock Washer	1	
10	964070	8-32 x 3/8" PPHMS	1	
11	970384	DS Tripper Extension	1	
12	900344	DS Tripper Extension & Connector		
		Tripper Extension	1	
		4-40 x 1/8" Socket Head Cap Screw	2	
		Connector-E98/99/6000 ES	6	
13	990132	Connector-E98/99/6000 ES	1	

X in "Finish" column designates finished item; specify finish when ordering.

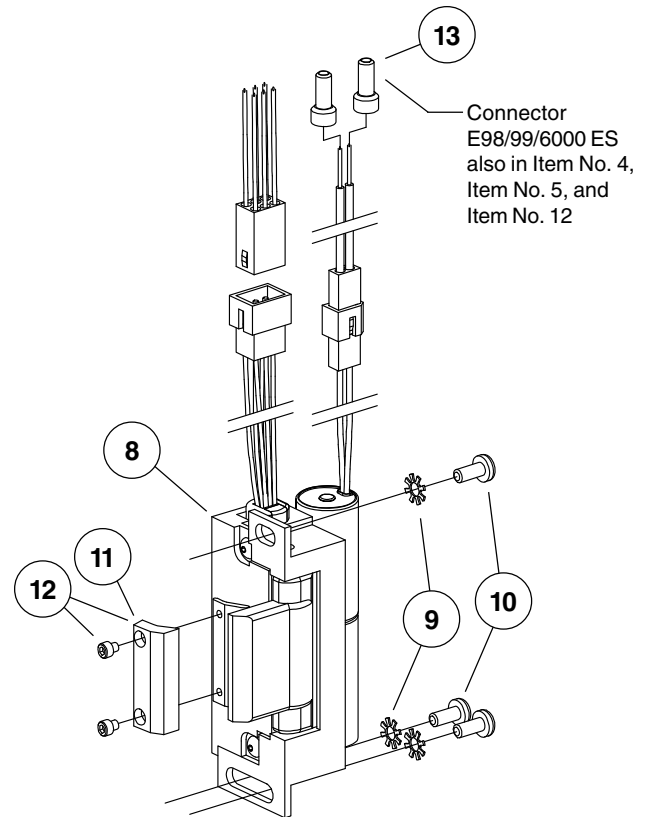
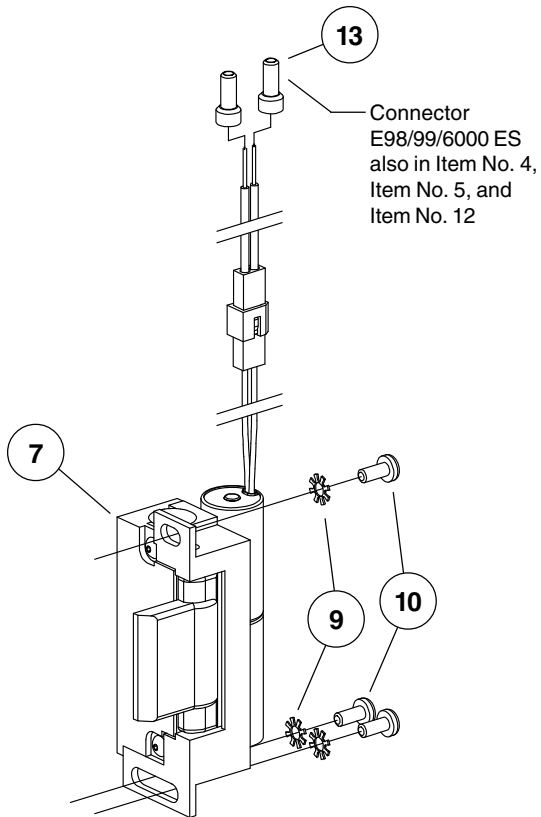
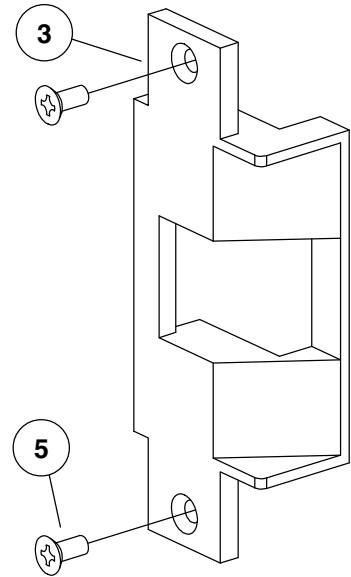
6111



6113



6213

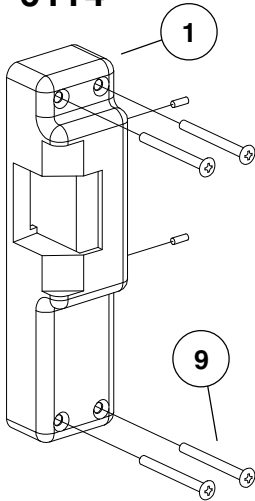


6114, 6214, 6215, 6222, 6224, 6224AL, 6225, 6226

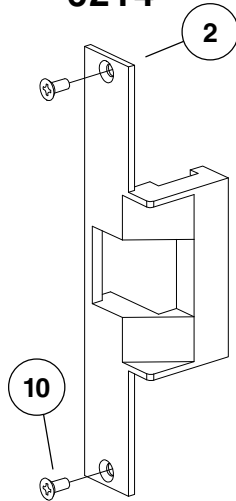
Item No.	Part No.	Description	Quantity	Finish
1	970300	6114 Faceplate	1	X
2	971417	6214 Faceplate	1	X
3	971415	6215 Faceplate	1	X
4	970305	6222 Faceplate	1	X
5	970302	6224 Faceplate	1	X
6	970310	6224AL Faceplate	1	X
7	970306	6225 Faceplate	1	X
8	970301	6226 Faceplate	1	X
9	900882	6114 Screw Pkg.		X
		10-12 x 10-24 x 2" OPHCS	4	
		Connector-E98/99/6000 ES	2	
10	900288	6210/11/13/14/16/22/24/25/26 Screw Pkg.		X
		12-24 x 1/2" UFPHMS	2	
		Connector-E98/99/6000 ES	2	
11	111719	6114, 6214/5, 6222/4/4AL/5/6 12VDC FS Box Assy.	1	
11	111720	6114, 6214/5, 6222/4/4AL/5/6 12VDC FSE Box Assy.	1	
11	111721	6114, 6214/5, 6222/4/4AL/5/6 24VDC FS Box Assy.	1	
11	111722	6114, 6214/5, 6222/4/4AL/5/6 24VDC FSE Box Assy.	1	
12	111723	6114, 6214/5, 6222/4/4AL/5/6 12VDC FS DS Box Assy.	1	
12	111724	6114, 6214/5, 6222/4/4AL/5/6 12VDC FSE DS Box Assy.	1	
12	111725	6114, 6214/5, 6222/4/4AL/5/6 24VDC FS DS Box Assy.	1	
12	111726	6114, 6214/5, 6222/4/4AL/5/6 24VDC FSE DS Box Assy.	1	
12	112760	6114/6214/15/24/24AL/26 12VDC FS DS-LC Box Assy.	1	
12	112761	6114/6214/15/24/24AL/26 12VDC FSE DS-LC Box Assy.	1	
12	112762	6114/6214/15/24/24AL/26 24VDC FS DS-LC Box Assy.	1	
12	112763	6114/6214/15/24/24AL/26 24VDC FSE DS-LC Box Assy.	1	
13	964019	#8 Ext. Tooth Lock Washer	1	
14	964070	8-32 x 3/8" PPHMS	1	
15	970384	DS Tripper Extension	1	
16	900344	DS Tripper Extension & Connector		
		Tripper Extension	1	
		4-40 x 1/8" Socket Head Cap Screw	2	
		Connector-E98/99/6000 ES	6	
17	990132	Connector-E98/99/6000 ES	1	

X in "Finish" column designates finished item; specify finish when ordering.

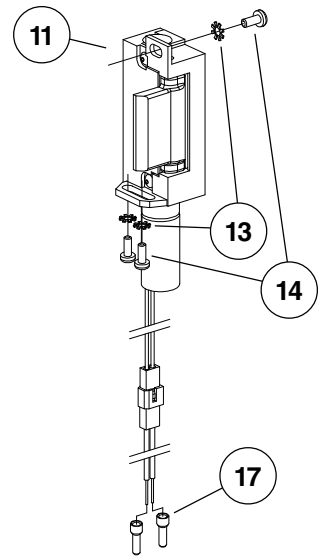
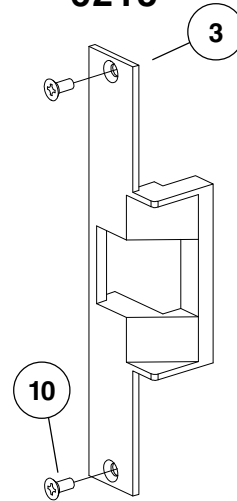
6114



6214

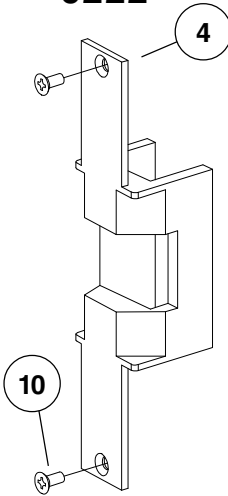


6215

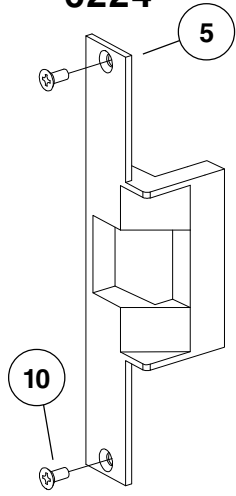


Connector
E98/99/6000 ES
also in Item No. 9,
Item No. 10, and
Item No. 16

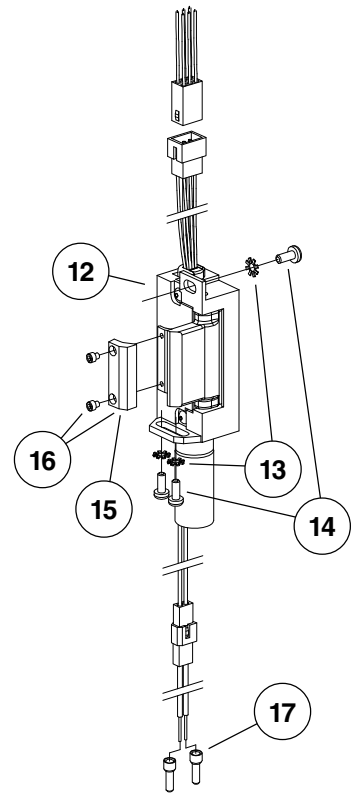
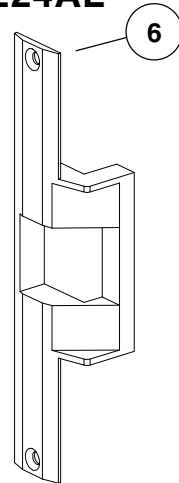
6222



6224

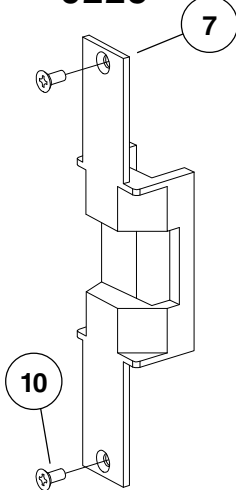


6224AL

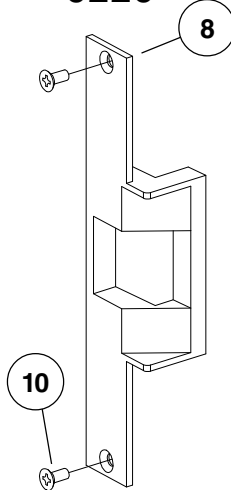


Connector
E98/99/6000 ES
also in Item No. 9,
Item No. 10, and
Item No. 16

6225



6226

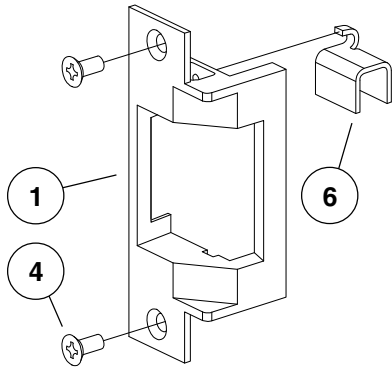


6211, 6211AL, 6212

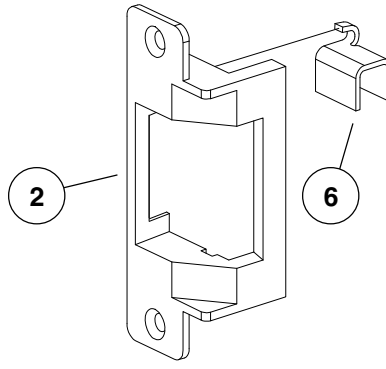
Item No.	Part No.	Description	Quantity	Finish
1	968716	6211/6211WF Faceplate	1	X
2	970272	6211AL Faceplate	1	X
3	969584	6212/6212WF Faceplate	1	X
4	900288	6210/11/13/14/16/22/24/25/26 Screw Pkg.		X
		12-24 x 1/2" UFPHMS	2	
		Connector-E98/99/6000 ES	2	
5	900290	6212 Screw Package		X
		12-24 x 1/2 UFPHMS	4	
		Connector-E98/99/6000 ES	2	
6	900291	6211/6212WF Strike Pocket Insert		
7	900292	6212 Strike Pocket Insert/Mounting Tab		
8	111711	6211, 6211AL, 6212 12VDC FS Box Assy.	1	
8	111712	6211, 6211AL, 6212 12VDC FSE Box Assy.	1	
8	111713	6211, 6211AL, 6212 24VDC FS Box Assy.	1	
8	111714	6211, 6211AL, 6212 24VDC FSE Box Assy.	1	
9	111715	6211, 6211AL, 6212 12VDC FS DS Box Assy.	1	
9	111716	6211, 6211AL, 6212 12VDC FSE DS Box Assy.	1	
9	111717	6211, 6211AL, 6212 24VDC FS DS Box Assy.	1	
9	111718	6211, 6211AL, 6212 24VDC FSE DS Box Assy.	1	
9	112756	6211/6211AL/6212 12VDC FS DS-LC Box Assy.	1	
9	112757	6211/6211AL/6212 12VDC FSE DS-LC Box Assy.	1	
9	112758	6211/6211AL/6212 24VDC FS DS-LC Box Assy.	1	
9	112759	6211/6211AL/6212 24VDC FSE DS-LC Box Assy.	1	
10	964019	#8 Ext. Tooth Lock Washer	1	
11	964070	8-32 x 3/8" PPHMS	1	
12	970384	DS Tripper Extension	1	
13	900344	DS Tripper Extension & Connector		
		Tripper Extension	1	
		4-40 x 1/8" Socket Head Cap Screw	2	
		Connector-E98/99/6000 ES	6	
14	990132	Connector-E98/99/6000 ES	1	

X in "Finish" column designates finished item; specify finish when ordering.

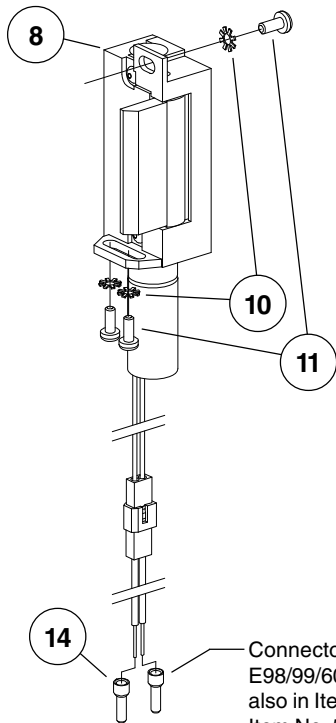
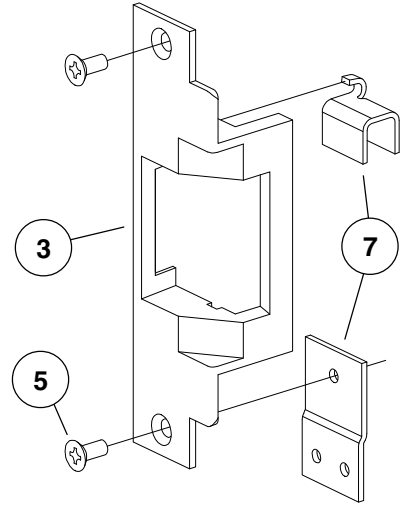
6211



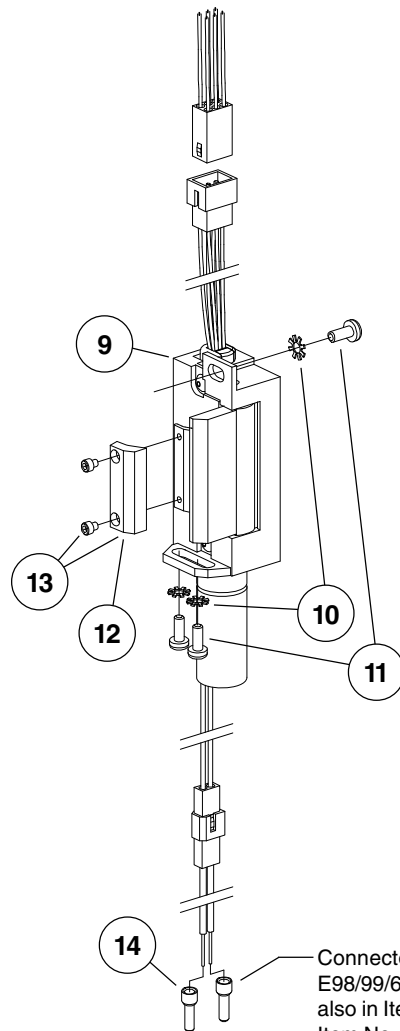
6211AL



6212



Connector
E98/99/6000 ES
also in Item No. 4,
Item No. 5, and
Item No. 13



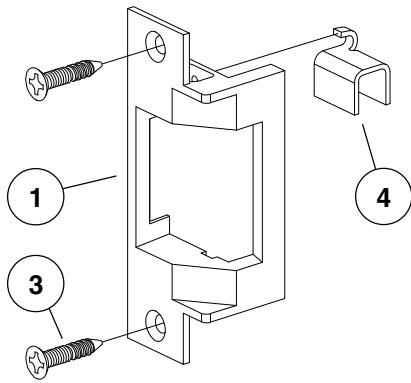
Connector
E98/99/6000 ES
also in Item No. 4,
Item No. 5, and
Item No. 13

6211WF, 6212WF

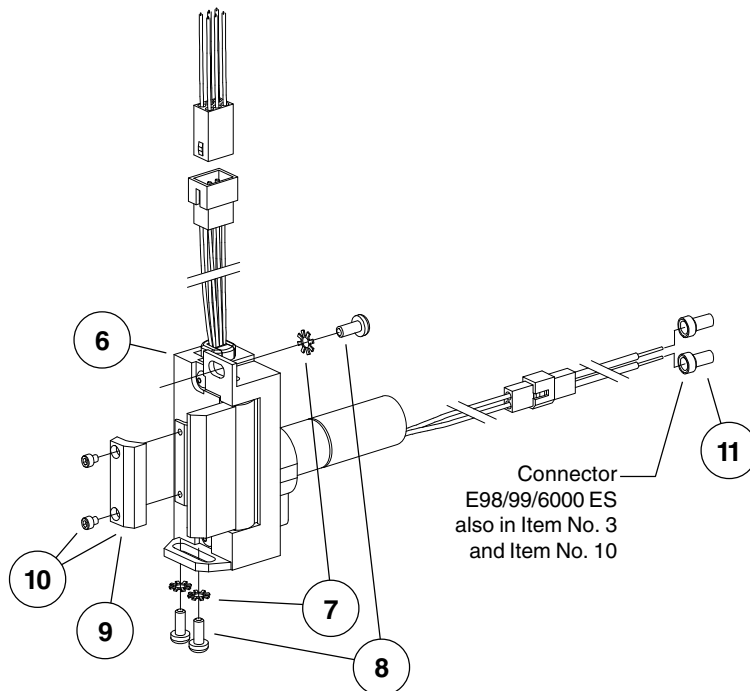
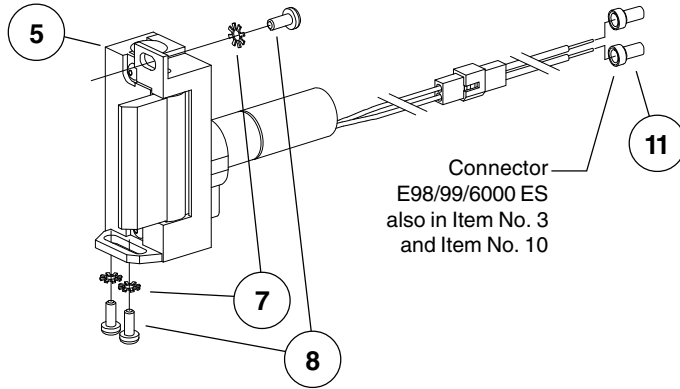
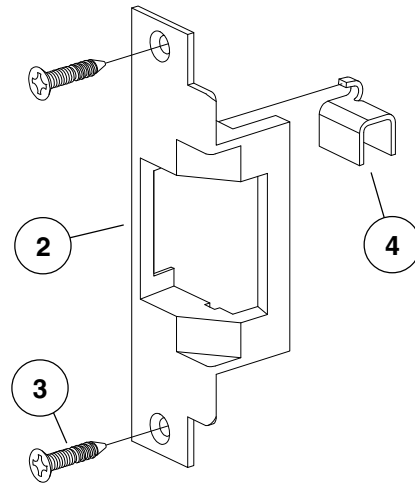
Item No.	Part No.	Description	Quantity	Finish
1	968716	6211/6211WFFaceplate	1	X
2	970271	6212/6212WF Faceplate	1	X
3	900885	6211WF/6212WF/6221/6223 Screw Pkg.		X
		12-12 x 12-24 x 1" UFPHCS	2	
		Connector-E98/99/6000 ES	2	
4	900291	6211/6212WF Strike Pocket Insert		
5	111727	6211WF, 6212WF 12VDC FS Box Assy.	1	
5	111728	6211WF, 6212WF 12VDC FSE Box Assy.	1	
5	111729	6211WF, 6212WF 24VDC FS Box Assy.	1	
5	111730	6211WF, 6212WF 24VDC FSE Box Assy.	1	
6	111731	6211WF, 6212WF 12VDC FS DS Box Assy.	1	
6	111732	6211WF, 6212WF 12VDC FSE DS Box Assy.	1	
6	111733	6211WF, 6212WF 24VDC FS DS Box Assy.	1	
6	111734	6211WF, 6212WF 24VDC FSE DS Box Assy.	1	
6	112764	6211WF/6212WF 12VDC FS DS-LC Box Assy.	1	
6	112765	6211WF/6212WF 12VDC FSE DS-LC Box Assy.	1	
6	112766	6211WF/6212WF 24VDC FS DS-LC Box Assy.	1	
6	112767	6211WF/6212WF 24VDC FSE DS-LC Box Assy.	1	
7	964019	#8 Ext. Tooth Lock Washer	1	
8	964070	8-32 x 3/8" PPHMS	1	
9	970384	DS Tripper Extension	1	
10	900344	DS Tripper Extension & Connector		
		Tripper Extension	1	
		4-40 x 1/8" Socket Head Cap Screw	2	
		Connector-E98/99/6000 ES	6	
11	990132	Connector-E98/99/6000 ES	1	

X in "Finish" column designates finished item; specify finish when ordering.

6211WF



6212WF

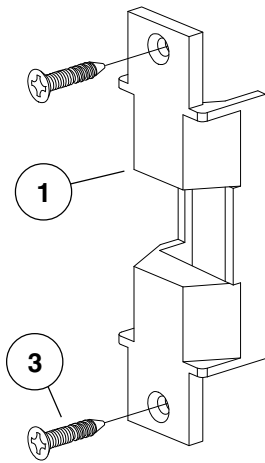


6221, 6223

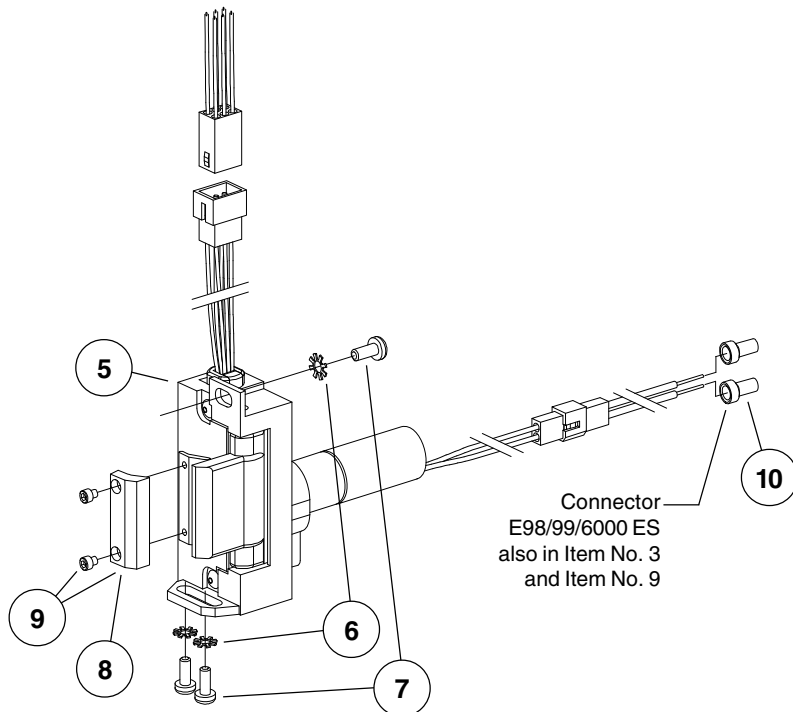
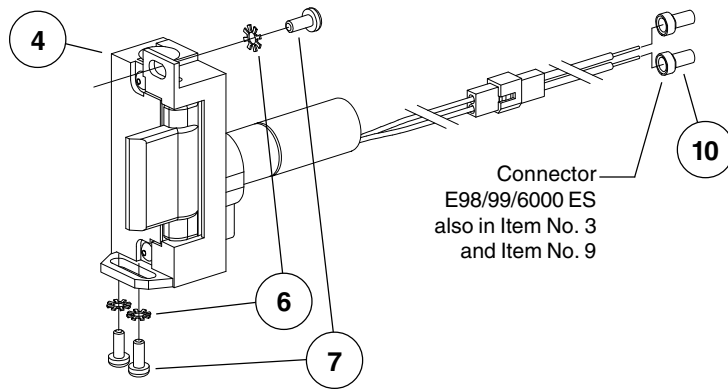
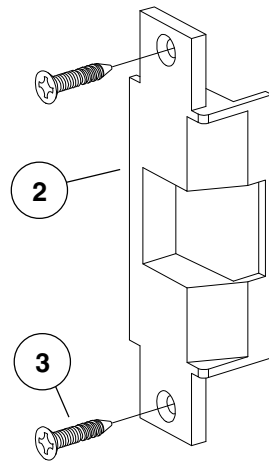
Item No.	Part No.	Description	Quantity	Finish
1	970276	6221 Faceplate	1	X
2	970274	6223 Faceplate	1	X
3	900885	6211WF/6212WF/6221/6223 Screw Pkg.		X
		12-12 x 12-24 x 1" UFPHCS	2	
		Connector-E98/99/6000 ES	2	
4	111735	6221, 6223 12VDC FS Box Assy.	1	
4	111736	6221, 6223 12VDC FSE Box Assy.	1	
4	111737	6221, 6223 24VDC FS Box Assy.	1	
4	111738	6221, 6223 24VDC FSE Box Assy.	1	
4	111739	6223 12VDC FS DS Box Assy.	1	
4	111740	6223 12VDC FSE DS Box Assy.	1	
4	111741	6223 24VDC FS DS Box Assy.	1	
4	111742	6223 24VDC FSE DS Box Assy.	1	
5	112768	6223 12VDC FS DS-LC Box Assy.	1	
5	112769	6223 12VDC FSE DS-LC Box Assy.	1	
5	112770	6223 24VDC FS DS-LC Box Assy.	1	
5	112771	6223 24VDC FSE DS-LC Box Assy.	1	
6	964019	#8 Ext. Tooth Lock Washer	1	
7	964070	8-32 x 3/8" PPHMS	1	
8	970384	DS Tripper Extension	1	
9	900344	DS Tripper Extension & Connector		
		Tripper Extension	1	
		4-40 x 1/8" Socket Head Cap Screw	2	
		Connector-E98/99/6000 ES	6	
10	990132	Connector-E98/99/6000 ES	1	

X in "Finish" column designates finished item; specify finish when ordering.

6221



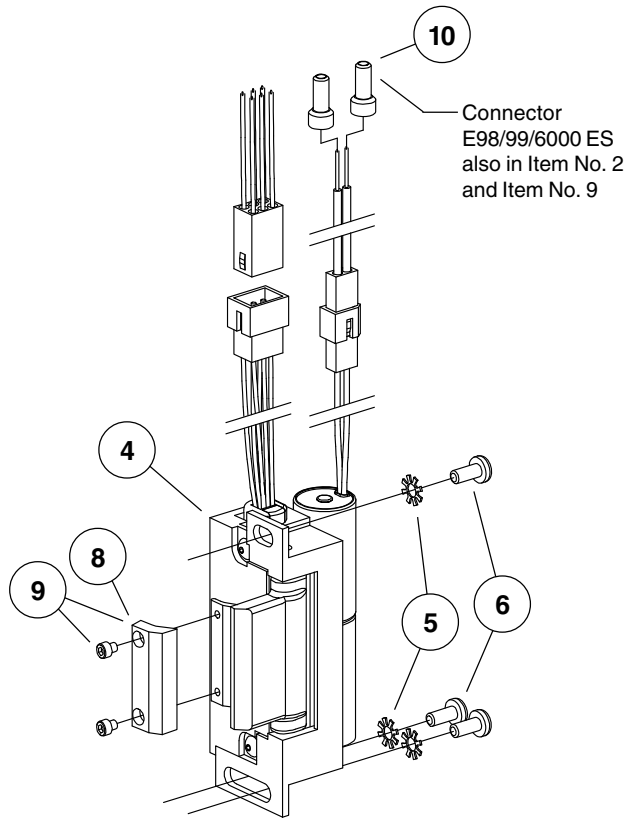
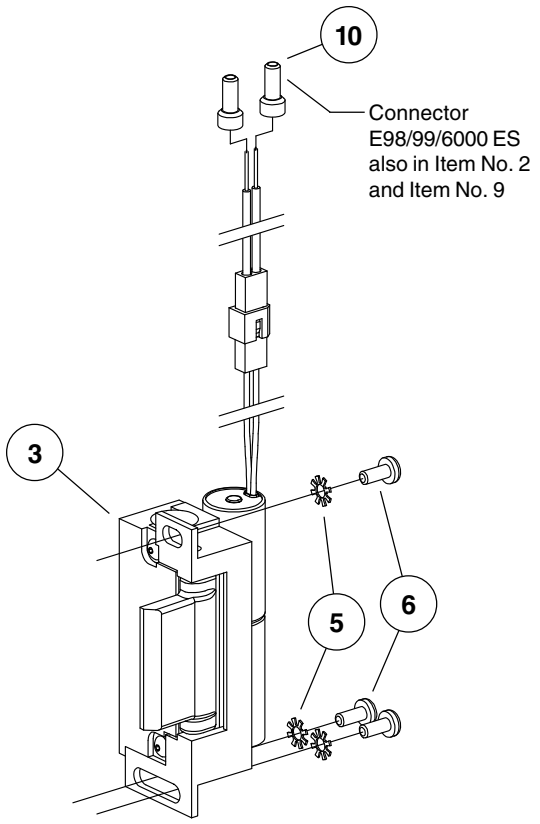
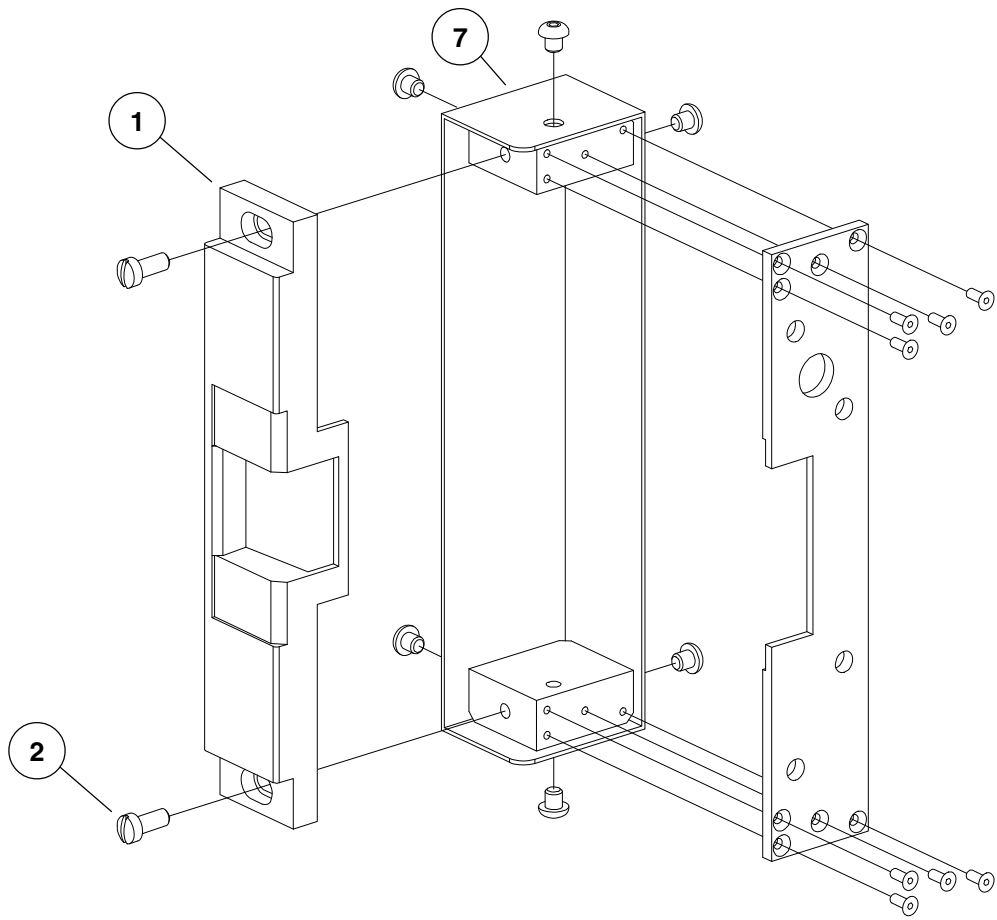
6223



6112, 6121

Item No.	Part No.	Description	Quantity	Finish
1	970303	6112/6121 Faceplate	1	X
2	900881	6112/6121 Screw Pkg.		X
		1/4-20 x 5/8" Slot Fill HMS	2	
		Connector-E98/99/6000 ES	2	
3	111751	6112, 6121 12VDC FS Box Assy.	1	
3	111752	6112, 6121 12VDC FSE Box Assy.	1	
3	111753	6112, 6121 24VDC FS Box Assy.	1	
3	111754	6112, 6121 24VDC FSE Box Assy.	1	
4	111755	6112, 6121 12VDC FS DS Box Assy.	1	
4	111756	6112, 6121 12VDC FSE DS Box Assy.	1	
4	111757	6112, 6121 24VDC FS DS Box Assy.	1	
4	111758	6112, 6121 24VDC FSE DS Box Assy.	1	
4	112776	6112/6121 12VDC FS DS-LC Box Assy.	1	
4	112777	6112/6121 12VDC FSE DS-LC Box Assy.	1	
4	112778	6112/6121 24VDC FS DS-LC Box Assy.	1	
4	112779	6112/6121 24VDC FSE DS-LC Box Assy.	1	
5	964019	#8 Ext. Tooth Lock Washer	1	
6	964070	8-32 x 3/8" PPHMS	1	
7	970412	6121 Housing Cover	1	X
8	970384	DS Tripper Extension	1	
9	900344	DS Tripper Extension & Connector		
		Tripper Extension	1	
		4-40 x 1/8" Socket Head Cap Screw	2	
		Connector-E98/99/6000 ES	6	
10	990132	Connector-E98/99/6000 ES	1	

X in "Finish" column designates finished item; specify finish when ordering.

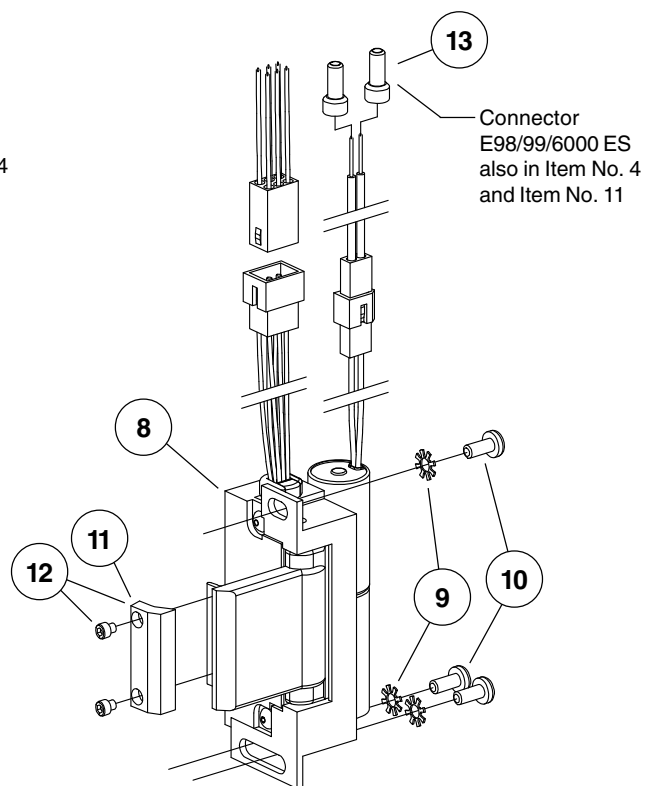
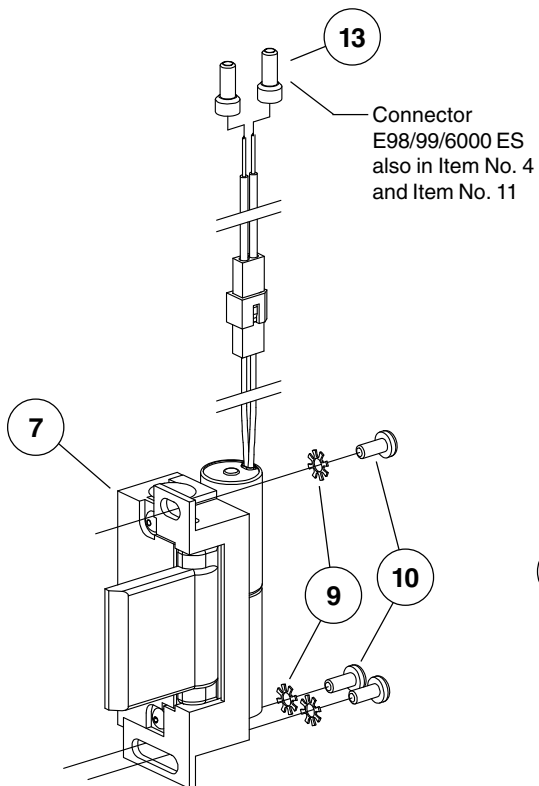
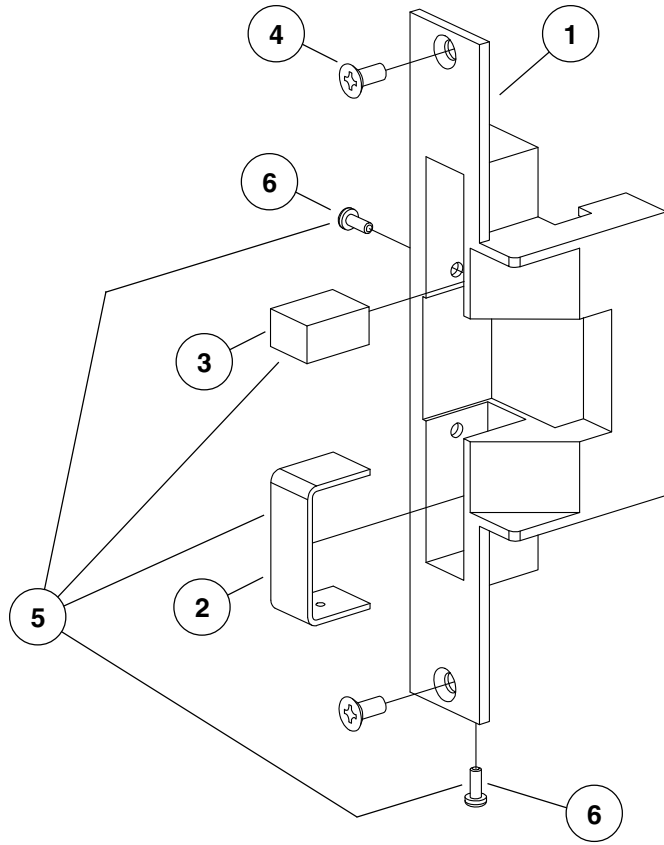


6216

Item No.	Part No.	Description	Quantity	Finish
1	971385	6216 Faceplate Less Inserts	1	X
2	970407	6216 Large Faceplate Insert	1	X
3	970415	6216 Small Faceplate Insert	1	X
4	900288	6210/11/13/14/16/22/24/25/26 Screw Pkg.		X
		12-24 x 1/2" UFPHMS	2	
		Connector-E98/99/6000 ES	2	
5	900345	6216 Inserts and Screw Pkg.		X
		6-32 x 3/8" PPHMS	2	
		6216 Large Faceplate Insert	1	
		6216 Small Faceplate Insert	1	
6	964190	6-32 x 3/8" PPHMS	1	
7	111759	6216 12VDC FS Box Assy.	1	
7	111760	6216 12VDC FSE Box Assy.	1	
7	111761	6216 24VDC FS Box Assy.	1	
7	111762	6216 24VDC FSE Box Assy.	1	
8	111763	6216 12VDC FS DS Box Assy.	1	
8	111764	6216 12VDC FSE DS Box Assy.	1	
8	111765	6216 24VDC FS DS Box Assy.	1	
8	111766	6216 24VDC FSE DS Box Assy.	1	
8	112780	6216 12VDC FS DS-LC Box Assy.	1	
8	112781	6216 12VDC FSE DS-LC Box Assy.	1	
8	112782	6216 24VDC FS DS-LC Box Assy.	1	
8	112783	6216 24VDC FSE DS-LC Box Assy.	1	
9	964019	#8 Ext. Tooth Lock Washer	1	
10	964070	8-32 x 3/8" PPHMS	1	
11	970384	DS Tripper Extension	1	
12	900344	DS Tripper Extension & Connector		
		Tripper Extension	1	
		4-40 x 1/8" Socket Head Cap Screw	2	
		Connector-E98/99/6000 ES	6	
13	990132	Connector-E98/99/6000 ES	1	

X in "Finish" column designates finished item; specify finish when ordering.

964070 8-32 x 3/8" PPHMS



6210

Item No.	Part No.	Description	Quantity	Finish
1	971198	6210 Faceplate	1	X
2	900288	6210/11/13/14/16/22/24/25/26 Screw Pkg.		X
		12-24 x 1/2" UFPHMS	2	
		Connector-E98/99/6000 ES	2	
3	900584	6210 Auxiliary Bolt Plate Pkg.		
		Aux. Bolt Plate - Schlage	1	
		Aux. Bolt Plate - Std.	1	
		Aux. Bolt Plate - Short	1	
4	900966	6210 Strike Pocket Insert Mounting Pkg.		
		6-32 x 1/4" FPHMS	2	
5	111244	6210 12VDC FS Box Assy.	1	
5	111246	6210 12VDC FSE Box Assy.	1	
5	111247	6210 24VDC FS Box Assy.	1	
5	111250	6210 24VDC FSE Box Assy.	1	
6	111251	6210 12VDC FS DS Box Assy.	1	
6	111264	6210 12VDC FSE DS Box Assy.	1	
6	111813	6216 24VDC FS DS Box Assy.	1	
6	111814	6216 24VDC FSE DS Box Assy.	1	
6	112754	6210 12VDC FS DS-LC Box Assy.	1	
6	112755	6210 12VDC FSE DS-LC Box Assy.	1	
6	112784	6210 24VDC FS DS-LC Box Assy.	1	
6	112785	6210 24VDC FSE DS-LC Box Assy.	1	
7	964019	#8 Ext. Tooth Lock Washer	1	
8	970384	DS Tripper Extension	1	
9	900344	DS Tripper Extension & Connector		
		Tripper Extension	1	
		4-40 x 1/8" Socket Head Cap Screw	2	
		Connector-E98/99/6000 ES	6	
10	990132	Connector-E98/99/6000 ES	1	

X in "Finish" column designates finished item; specify finish when ordering.

