



**IMAGINE.**

**CREATE.**  
Soaring Appeal



**MT** Architectural  
INDUSTRIES Wood Doors

STILE & RAIL DOORS

# VT STILE & RAIL DOORS



Whether you're restoring a historic building or wanting to add the perfect detail to a new design, you'll find the elegance and beauty your project demands in VT's wide selection of custom stile and rail doors.

Fit any design style and get the look you want with a number of customization options. Choose from standard and custom elevations featuring raised, flat, glass and louver panel options, or add additional distinctive character with one of our specialty sticking profiles.

All of our doors are manufactured to meet the strictest performance standards and are factory finished to match flawlessly, offering the perfect balance of style and performance.

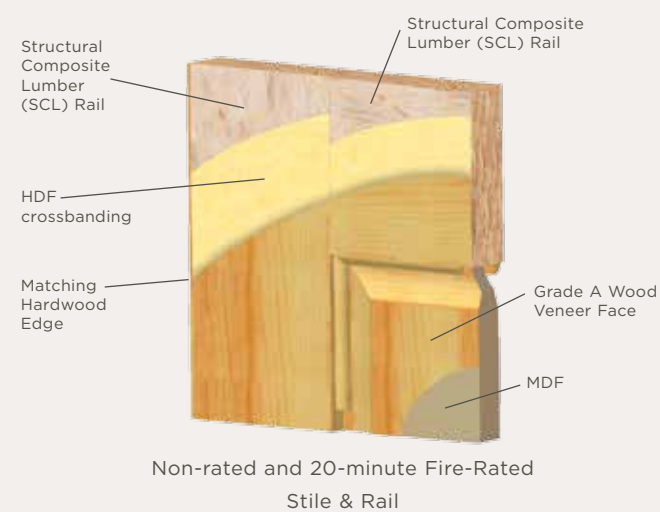
When you need the right door to fit your project, look no further than the impeccable craftsmanship and design of VT Architectural Wood Doors.

## HERITAGE STILE & RAIL DOORS

### HIGH-QUALITY, BEAUTIFUL DOORS

That's what you get with stile and rail doors from VT. Whether you're going for a classic, refined look or the perfect addition to a modern design, we can build a door to perfectly fit your project.

- Doors meet WDMA/AWS Custom Grade quality standards
- Available with 20-, 45-, 60- and 90-minute fire ratings
- Raised, flat, glass and louver panel options
- Limited five-year warranty for interior use
- Full array of domestic and imported veneer options
- State-of-the-art production facility and equipment
- Factory-machined to exact requirements for hardware, including pre-drilled pilot holes for hinges and face plates
- Matching hardwood edge-before-face design provides impressive durability
- WDMA TR-8/AWS System 9 UV cured acrylated polyurethane is standard; also available with anti-microbial coating



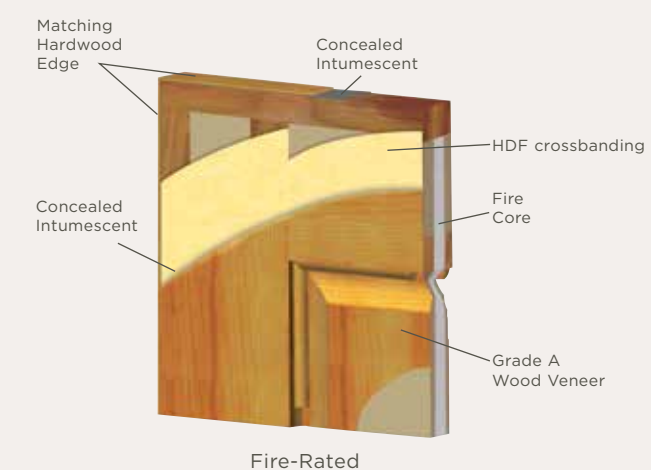
## FIRE-RATED DOORS

### 20-MINUTE FIRE DOORS

- 1-3/4" thick; maximum size: 4'-0" x 8'-0" x 1-3/4" for a single door, 8'-0" x 8'-0" for pair with 3- or 4-point latching
- Panels: raised, flat or glass
- Full-panel or multiple-panel configuration
- Cylindrical or mortise lock
- Flushbolts: automatic or extension, 24" long
- Hinges per NFPA 80

### 45-, 60- AND 90-MINUTE FIRE DOORS

- 1-3/4" thick; maximum size: 4'-0" x 8'-0" for single door, 7'-0" x 8'-0" for pair
- Panels: raised or flat
- Full-panel or multiple-panel configuration
- Cylindrical or mortise lock
- Flushbolts: mortise automatic or surface manual (no extension flushbolts)
- Hinges per NFPA 80



# STANDARD ELEVATIONS

## ELEVATION DESIGN OPTIONS



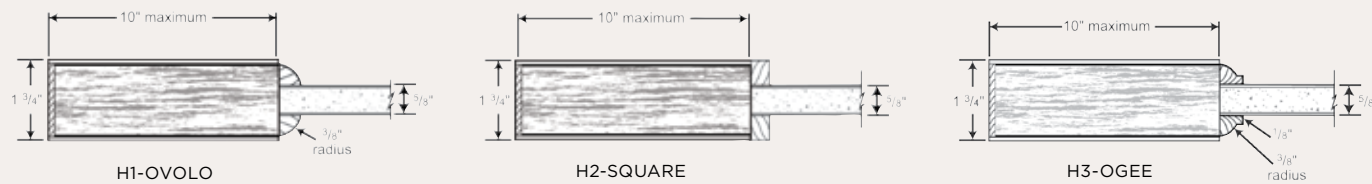
- SS** Square Door Top Square Top Panel
- SA** Square Door Top Arch Top Panel
- SC** Square Door Top Colonial Top Panel
- SR** Square Door Top Radius Top Panel
- AA** Arch Door Top Arch Top Panel
- RR** Radius Door Top Radius Top Panel

Consult factory for availability on selected elevations.

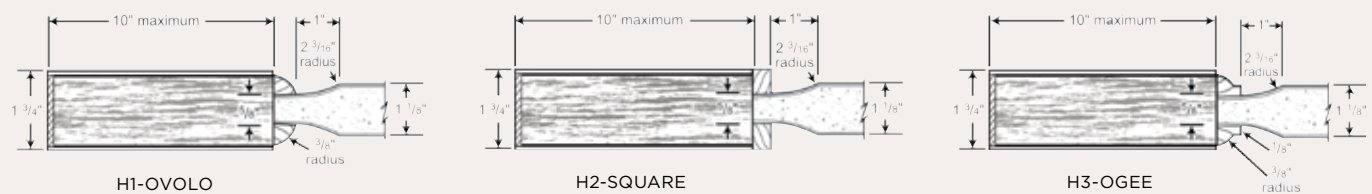
## 1000 SERIES



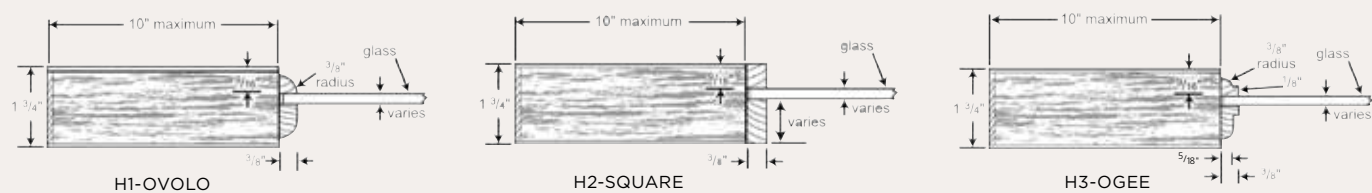
## STICKING USED ON FLAT PANELS



## STICKING USED ON RAISED PANELS



## STICKING USED WITH GLASS



## 3000 SERIES



## 7000 SERIES



## 5000 SERIES

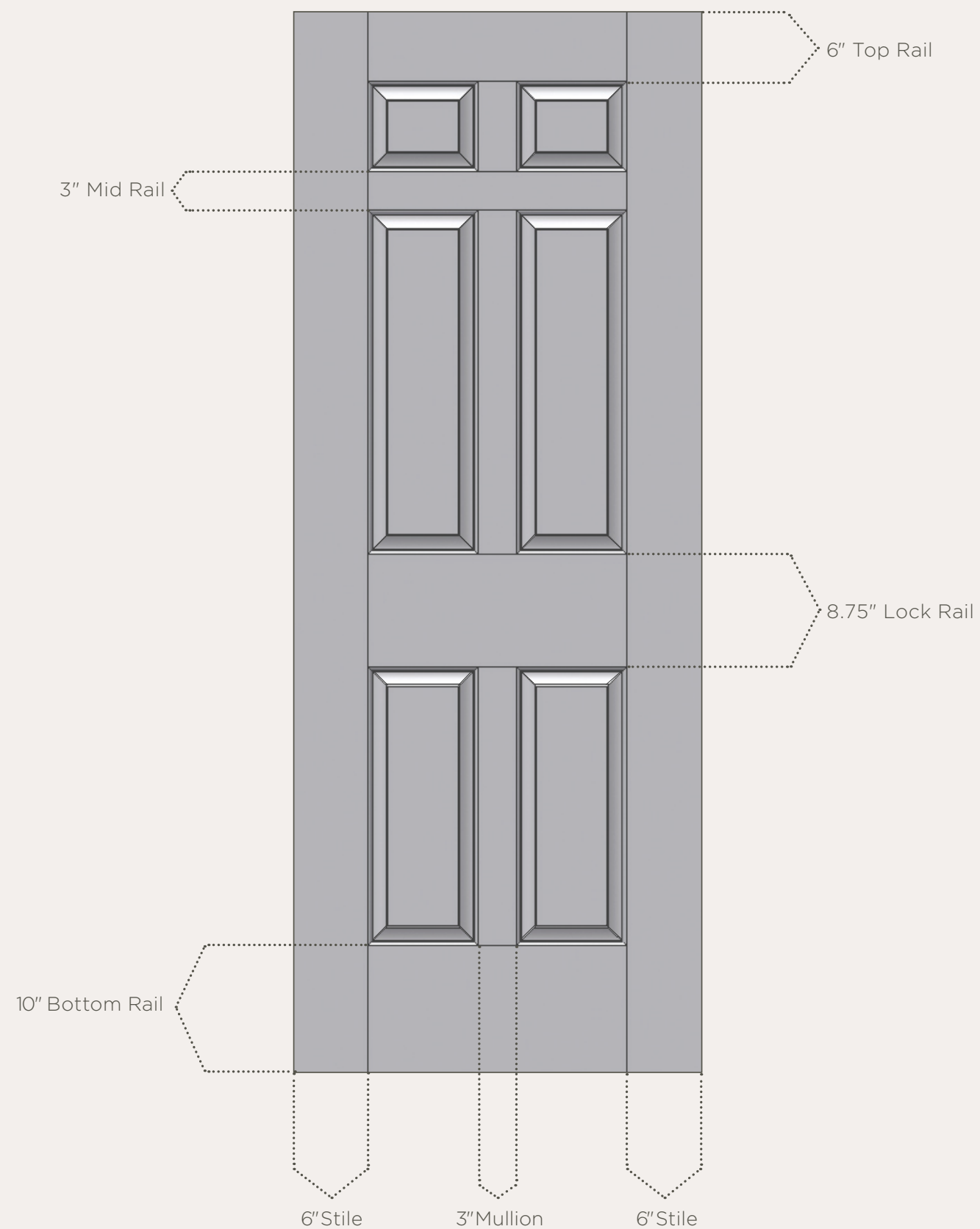


## 9000 SERIES



All Artistry Collection Stile & Rail doors are available with Heritage Collection standard elevations. "H" indicates Heritage Construction. "A" indicates Artistry Construction. Example: SS1011H represents door elevation SS1011 with Heritage construction.

# COMPONENT DIMENSIONS



COMPONENT DIMENSIONS	NON-RATED	20-MINUTE	45-, 60- and 90-MINUTE
DOOR HEIGHT Maximum Minimum	10'-0" 1'-10"	8'-0" 1'-9"	8'-0" 1'-9"
DOOR WIDTH Maximum Minimum	4'-0" 1'-0"	4'-0" (including pairs) 1'-4"	3'-6"(pairs)/4'-0"(single) 1'-4"
DOOR THICKNESS Maximum Minimum	2-1/4" 1-3/8"	2-1/4" 1-3/4"	2-1/4" 1-3/4"
STILE WIDTH <sup>^</sup> Maximum Minimum	10" 3"	10"* 5"	10" 4"
MULLION WIDTH Maximum Minimum	1'-6" 2"	1'-6" 3"	1'-6" 3"
TOP RAIL WIDTH Maximum Minimum	2'-0" 3"	2'-0" 5"	2'-0" 4"
CROSS/LOCK RAIL WIDTH Maximum Minimum	1'-6" 2"	1'-6" 3"	1'-6" 3"
BOTTOM RAIL WIDTH Maximum Minimum	2'-0" 3"	2'-0" 3"	2'-0" 4"
PANEL HEIGHT Maximum Minimum	9'-6" 6" Raised/3" Flat	7'-4" 6" Raised/3" Flat	7'-4" 6" Raised/3" Flat
PANEL WIDTH Maximum Minimum	3'-6" 6" Raised/3" Flat	3'-2" 6" Raised/3" Flat	3'-4" 6" Raised/3" Flat
FLAT PANEL THICKNESS Maximum Minimum	5/8" 5/8"	5/8" 5/8"	5/8" 5/8"
RAISED PANEL THICKNESS Maximum Minimum	1-1/8" 1-1/8"	1-1/8" 1-1/8"	1-5/16" 1-5/16"
BAR/MUNTIN WIDTH Maximum Minimum	15/16" <sup>†</sup> 1/2" <sup>†</sup>	N/A N/A	N/A N/A
BAR/MUNTIN THICKNESS Maximum Minimum	2-1/4" <sup>†</sup> 1-3/8"	N/A N/A	N/A N/A

<sup>\*</sup>Minimum height and width are dependent on minimum dimensions for door components and will vary between elevations.  
<sup>^</sup>Minimum stile width dependent on hardware. <sup>†</sup>VT3000 and 5000 Series doors only.

# ARTISTRY STILE & RAIL DOORS

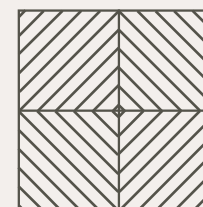
## CRAFTSMANSHIP AT ITS FINEST

The craftsmanship of our Artistry stile and rail doors is unmatched in the industry. Each one is handcrafted exactly the way you want it. From the panel configuration, veneer selection, factory finish and sticking options, your vision is our guide. Let the highly skilled, detail-oriented artisans at VT create the perfect door for your one-of-a-kind project.

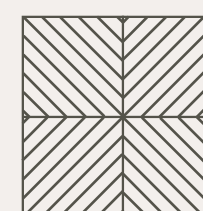
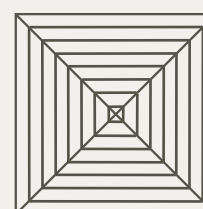
- Doors meet WDMA/AWS Premium Grade quality standards
- Available with sketch-face veneers, laser marquetry, and blueprint matched panels and doors
- Manufactured with fluted dowel construction for maximum performance
- Raised, flat, glass and louver panel options
- Manufactured with a wide variety of sticking options
- Limited five-year warranty for interior use
- A full array of domestic and imported veneers in stock
- AA Grade veneers are standard
- State-of-the-art production facility and equipment
- Factory-machined to exact requirements for hardware, including pre-drilled pilot holes for hinges and face plates
- WDMA TR-2/AWS System 2 pre-catalyzed lacquer finish is standard
- Custom made to fit any opening, including oversized and thick-opening applications
- Mitered corner panels and mitered rim-banded panels are standard
- Handcrafted doors paired with state-of-the-art technology



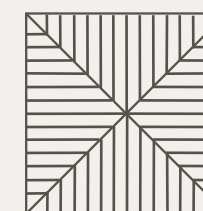
## SKETCH-FACE PATTERNS



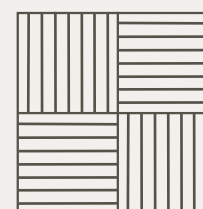
DIAMOND

REVERSE  
DIAMOND

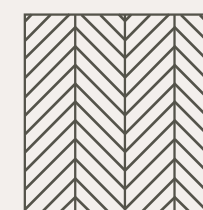
BOX



REVERSE BOX



PARQUET



HERRINGBONE



## CUSTOM OPTIONS

With our Artistry Collection stile and rail doors, there are no standard elevation or sketching options. That's because every Artistry door is completely customized to fit your needs. What's more, almost every elevation can be produced with custom options such as oversized, specialty wood veneers and more.

### CUSTOM DOORS

When you have a vision, we have the door. Our skilled craftsmen are experts in handcrafting unique, customized doors of the highest quality. From one-of-a-kind panel configuration to sketch-face laser marquetry, no matter what your vision calls for, VT can provide a stile and rail door to fit it.

### OVERSIZED DOORS

Sometimes big ideas call for a bigger door. No problem. Here at VT, we're able to provide stile and rail doors of all sizes. From thick doors to wide doors, we can provide your project with a handcrafted door that fits your exact needs. And because it's from VT, you can guarantee the quality and service will be unmatched.

### SPECIALTY WOOD VENEER DOORS

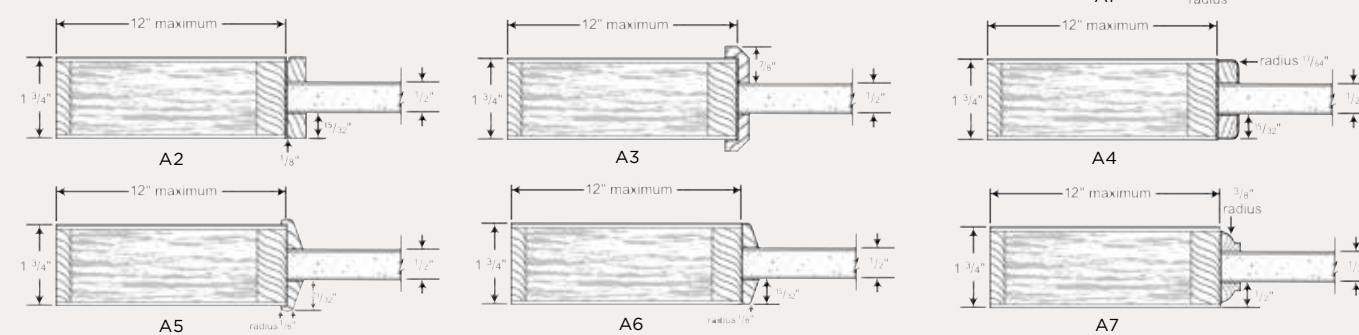
Whatever your design calls for, the VT Artistry Collection can make it happen. We have the capability to manufacture high-end, high-quality stile and rail doors to your exact design needs. Using high-end or exotic wood, our skilled craftsmen will provide the perfect specialty veneer door for your project.

### EXTERIOR STILE & RAIL DOORS

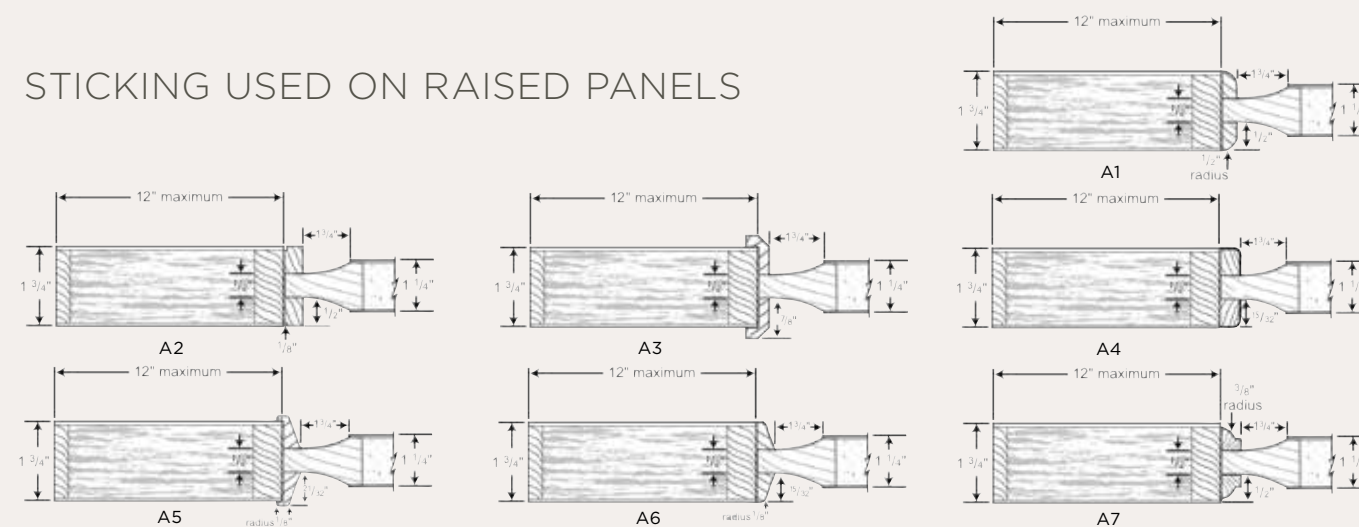
Exterior doors make a first impression that sets the tone for your entire project. Our exterior stile and rail doors are designed to meet your specifications, and they combine the finest in handcraftsmanship with the latest in technology and performance. All of our doors are manufactured to match perfectly, giving your project a flawless, cohesive look from the inside out.



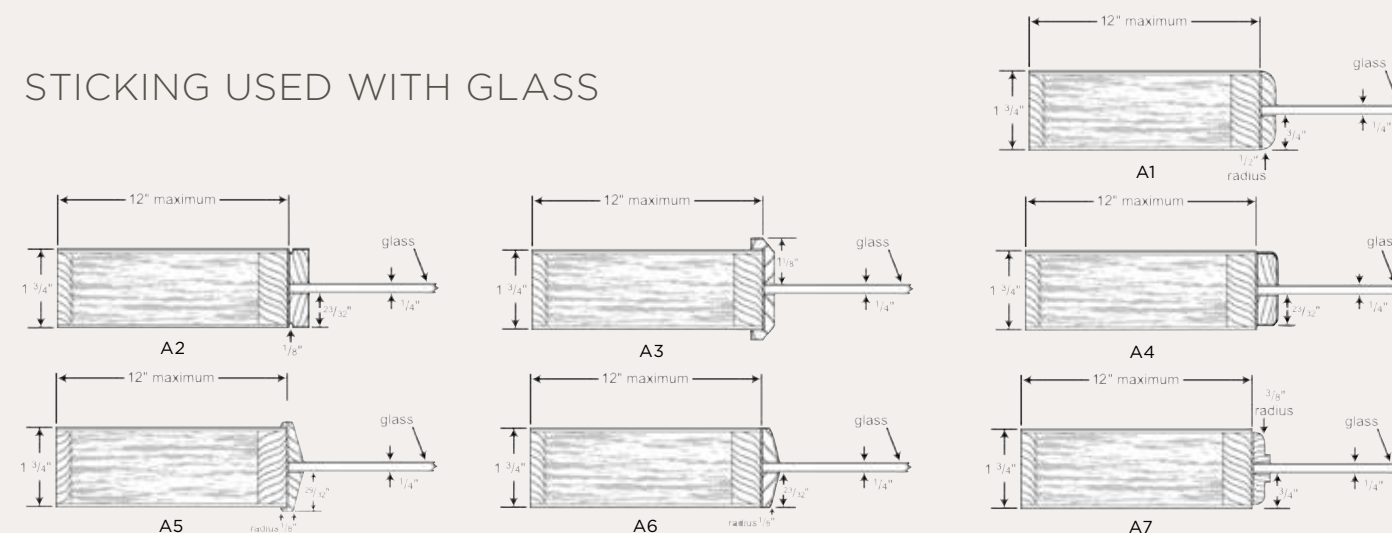
### STICKING USED ON FLAT PANELS



### STICKING USED ON RAISED PANELS



### STICKING USED WITH GLASS



# CUSTOM OPTIONS

With our Artistry Collection stile and rail doors, there are no standard elevation or sketching options. That's because every Artistry door is completely customized to fit your needs. What's more, almost every elevation can be produced with custom options such as oversized, specialty wood veneers and more.

## CUSTOM DOORS

When you have a vision, we have the door. Our skilled craftsmen are experts in handcrafting unique, customized doors of the highest quality. From one-of-a-kind panel configuration to sketch-face laser marquetry, no matter what your vision calls for, VT can provide a stile and rail door to fit it.

## OVERSIZED DOORS

Sometimes big ideas call for a bigger door. No problem. Here at VT, we're able to provide stile and rail doors of all sizes. From thick doors to wide doors, we can provide your project with a handcrafted door that fits your exact needs. And because it's from VT, you can guarantee the quality and service will be unmatched.

## SPECIALTY WOOD VENEER DOORS

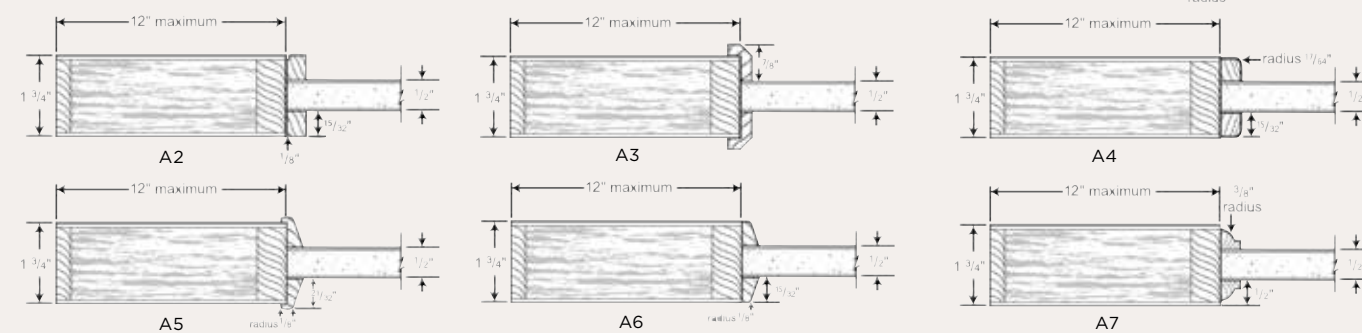
Whatever your design calls for, the VT Artistry Collection can make it happen. We have the capability to manufacture high-end, high-quality stile and rail doors to your exact design needs. Using high-end or exotic wood, our skilled craftsmen will provide the perfect specialty veneer door for your project.

## EXTERIOR STILE & RAIL DOORS

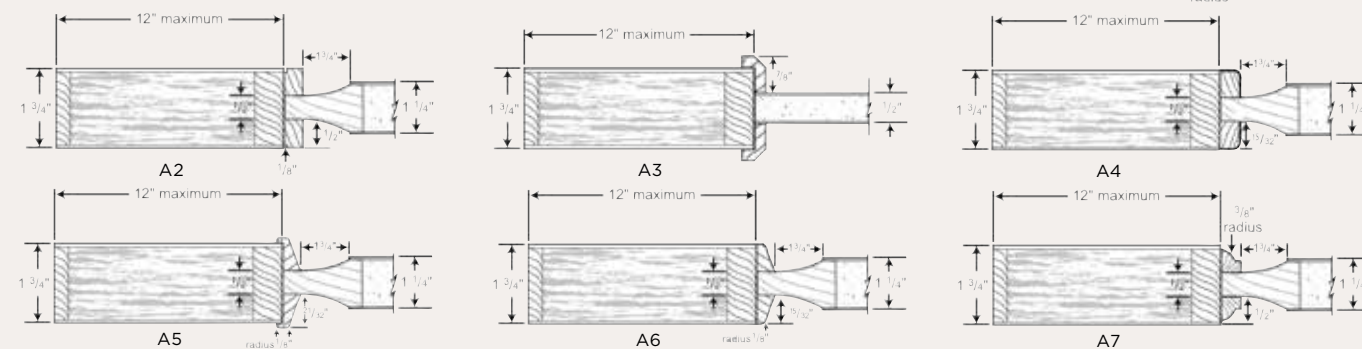
Exterior doors make a first impression that sets the tone for your entire project. Our exterior stile and rail doors are designed to meet your specifications, and they combine the finest in handcraftsmanship with the latest in technology and performance. All of our doors are manufactured to match perfectly, giving your project a flawless, cohesive look from the inside out.



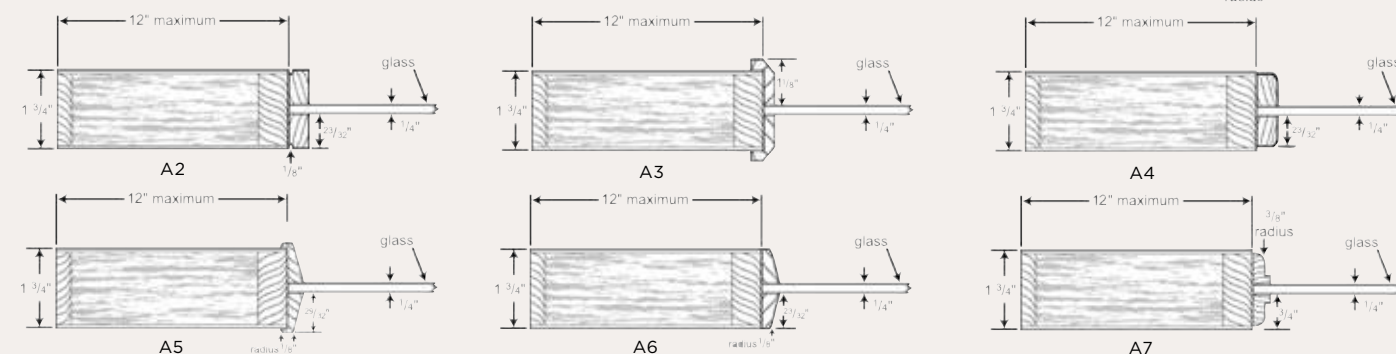
## STICKING USED ON FLAT PANELS



## STICKING USED ON RAISED PANELS



## STICKING USED WITH GLASS





# CUSTOM OPTIONS

With our Artistry Collection stile and rail doors, there are no standard elevation or sketching options. That's because every Artistry door is completely customized to fit your needs. What's more, almost every elevation can be produced with custom options such as oversized, specialty wood veneers and more.

## CUSTOM DOORS

When you have a vision, we have the door. Our skilled craftsmen are experts in handcrafting unique, customized doors of the highest quality. From one-of-a-kind panel configuration to sketch-face laser marquetry, no matter what your vision calls for, VT can provide a stile and rail door to fit it.

## OVERSIZED DOORS

Sometimes big ideas call for a bigger door. No problem. Here at VT, we're able to provide stile and rail doors of all sizes. From thick doors to wide doors, we can provide your project with a handcrafted door that fits your exact needs. And because it's from VT, you can guarantee the quality and service will be unmatched.

## SPECIALTY WOOD VENEER DOORS

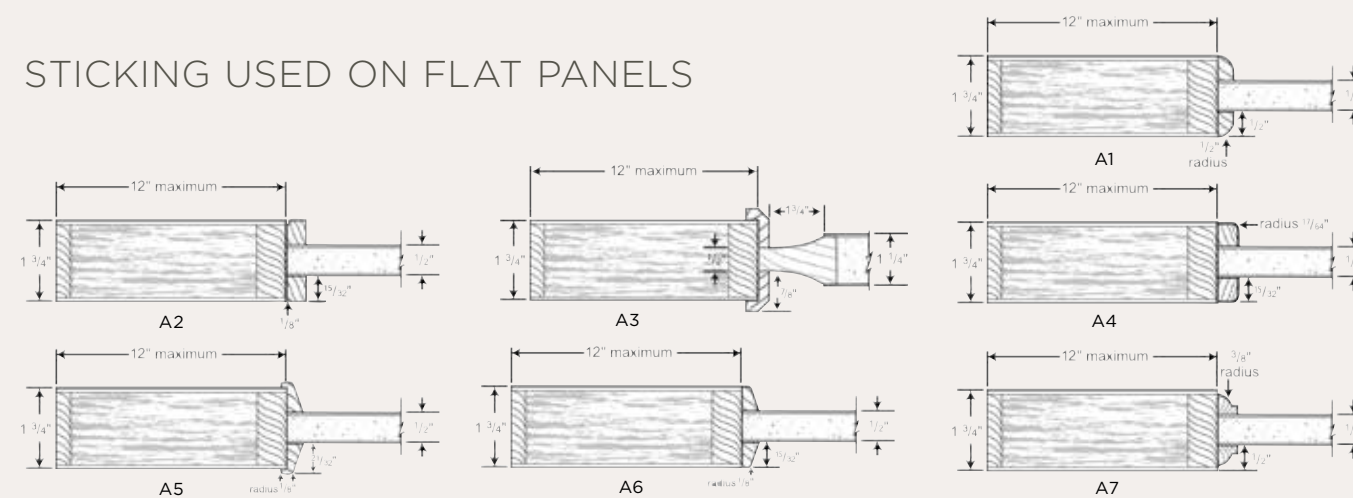
Whatever your design calls for, the VT Artistry Collection can make it happen. We have the capability to manufacture high-end, high-quality stile and rail doors to your exact design needs. Using high-end or exotic wood, our skilled craftsmen will provide the perfect specialty veneer door for your project.

## EXTERIOR STILE & RAIL DOORS

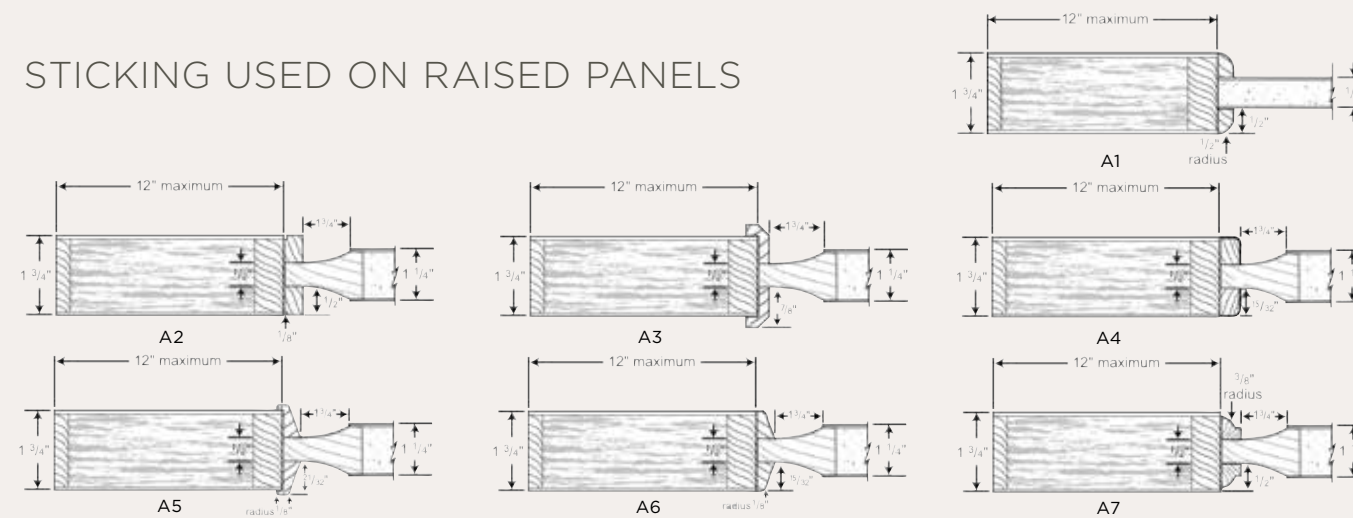
Exterior doors make a first impression that sets the tone for your entire project. Our exterior stile and rail doors are designed to meet your specifications, and they combine the finest in handcraftsmanship with the latest in technology and performance. All of our doors are manufactured to match perfectly, giving your project a flawless, cohesive look from the inside out.



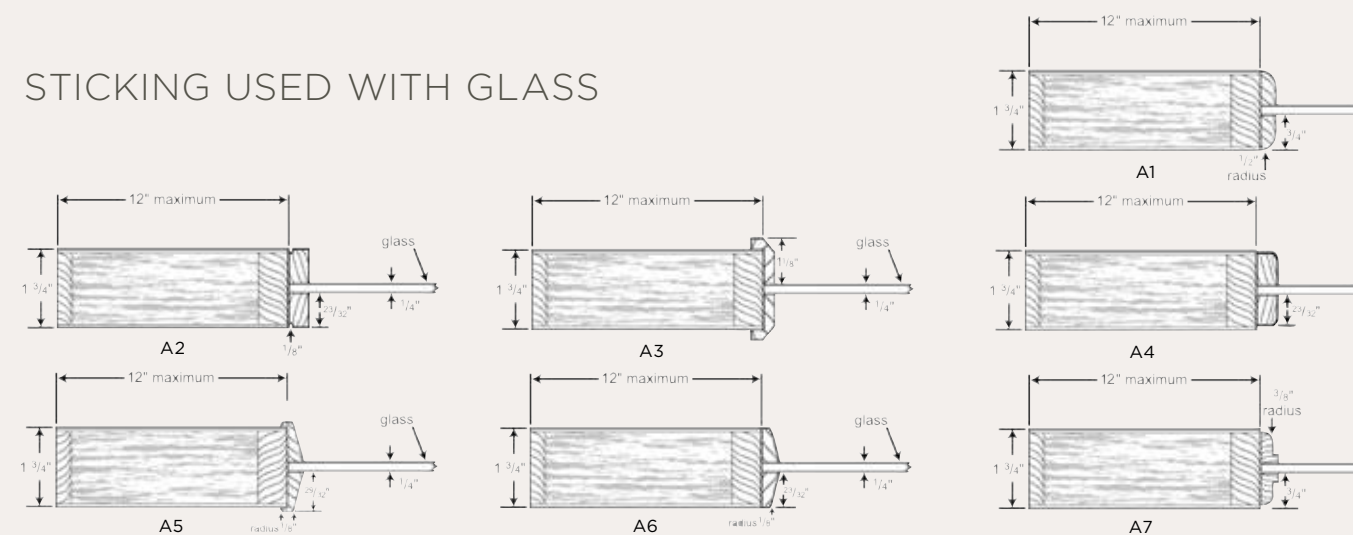
## STICKING USED ON FLAT PANELS



## STICKING USED ON RAISED PANELS



## STICKING USED WITH GLASS



COMPONENT DIMENSIONS	NON-RATED
DOOR HEIGHT Maximum Minimum	12'-0" <sup>†</sup> 2'*
DOOR WIDTH Maximum Minimum	4'-0" <sup>‡</sup> 10"*
DOOR THICKNESS Maximum Minimum	3-3/8" 1"
STILE WIDTH Maximum Minimum	15" 3"*
MULLION WIDTH Maximum Minimum	10" 3"
TOP RAIL WIDTH Maximum Minimum	15" 3"
CROSS/LOCK RAIL WIDTH Maximum Minimum	1'-4" 3"
BOTTOM RAIL WIDTH Maximum Minimum	15" 3"
RAIL LENGTH Maximum Minimum	3'-6" 6"
PANEL HEIGHT Maximum Minimum	11'-6" 5"
PANEL WIDTH Maximum Minimum	3'-6" 5"
FLAT PANEL THICKNESS Maximum Minimum	1-1/4" <sup>**</sup> 1/4"
RAISED PANEL THICKNESS Maximum Minimum	2-7/8" 3/4"
BAR/MUNTIN WIDTH Maximum Minimum	15/16" 1/2"
BAR/MUNTIN THICKNESS Maximum Minimum	2-1/4" 1-3/8"

\*3" minimum stile width available without warranty  
 \*\*1/2" less than the maximum door thickness  
 †Doors more than 10'-0" tall can only be 4'-0" wide  
 ‡Consult Customer Service Representative for doors more than 4'-0" wide

## VT CUSTOMER SERVICE

### SATISFACTION IS OUR FINEST PRODUCT

Whether you need stile and rail, flush wood veneer or high-pressure decorative laminate doors, when you specify VT doors you can be assured of customer service that's second to none. We pride ourselves on serving all your door needs with our friendly, timely and expert service.

- VT sales personnel are factory trained and provide architectural consultations as part of our customer service standard.
- Call our architectural hotline for technical assistance when planning a new project—800.827.1615 ext. 345.
- Up-to-date product, technical and specification information is always available at [VTDdoors.com](http://VTDdoors.com).





VT Industries is committed to providing superior craftsmanship and exceptional service with every door. Family-owned since 1956, we've grown to become a leading manufacturer in architectural wood doors, offering a dynamic lineup of products that makes it easy to choose the right door type for your specific project.

1000 INDUSTRIAL PARK | P.O. BOX 490 | HOLSTEIN, IA 51025  
P 800.827.1615 EXT. 268 | F 712.368.4163 | [DOOR\\_INFO@VTINDUSTRIES.COM](mailto:DOOR_INFO@VTINDUSTRIES.COM)  
[VTDOORS.COM](http://VTDOORS.COM)



For detailed information on the doors you've seen in this brochure, please visit [vtdoors.com](http://vtdoors.com).

©2015 VT Industries, Inc. All rights reserved.

NSR-0115