

TRINE

ACCESS TECHNOLOGY®



4850

4100

THE ORIGINAL
ONE BOX SOLUTION

2013 CATALOG

Prices Subject to change without notice.
Prices effective April 15, 2013

Table of Contents



4100 Series 3-4

- 4100 Series Accessories 5

4800 Series 7

- Universal 4850 8

- Low Current Draw
4850-PoE & 4850-LCD 9

- 4800 - 3/4" AC & DC 10

- 4801 - 'Bolt strike' 11

- LB Option 11

- 4800 Series Accessories 12

EN Series 13

- Features 14

- EN400 15

- EN400RP 16

- EN430 17

- EN435 17

- EN800 17

- EN850 18

- EN950, EN960 18

- LB/LBSM Option 19

- EN Series Accessories 19

- Frame Preps 20-21

3000 Series 22

- Features/Mechanism 23

- 323478LC 24

- 234, 234X, 334 25

- 478 Adjustable 26

- 478X, 478RO/LO 27

- 258, 258RD, 458 28

- How to Order *new* 29

- ANSI Solution 30

- Frame Preps 31-23

Light Commercial Electric Strikes

Light Duty

00 Series 34

- 001, 002, 003, 004 35

- 005, HD005, S005, 006, 007 36

The ANSI

01 Series 37

- 012, S012, 37

- 014, 014W 37

The Adjustable

2000 Series 38

- 2001, 2002, 2002WR, 2007 38

- 2009, 2012, 2678 39

1000 Series 39

- 1001-2, 1002-2 39

Chimes and Accessories

- Wireless Chimes 40

- Wireless Controllers, Transmitters & Kits 41

- Door Alarms, Switches, & Motion Detectors 42

- Doors Chimes, Bells, Buzzers, & Chime Kits 43

- Low Voltage Transformers 44

- Pushbuttons, Lighted and Unlighted 45

- Glossary 46

- Conditions of Sale 47

- Selector Chart 48-49

- Notes 50

- Cross Reference Chart 51

What's New

- 4100 - The Original One Box Solution
Contains 4 Faceplates, 12&24DC/12-24AC
Low Current Draw, Fire Rated, Low Profile.

- UPGRADE: 323478LC - 234X-375 faceplate
and the 478-CCFP included.

- UPGRADE: 478 - 478-CCFP included - and still the
same great price.

Discontinued

- 3000 Completed Units discontinued - Go Modular!
see pg 23 for more information.

- 018-1 & 017TDC-2

- EN900 & 900W

EFFECTIVE DATE
APRIL 15TH, 2013

THE ORIGINAL ONE BOX SOLUTION

Using these one box solutions means having EVERYTHING you need for the job.
Flexibility is key. Cutting less is key.
Having a strike doing both is the Solution.



4100



4850

THE ANSI SOLUTION

THE SMALLEST ELECTRIC STRIKE IN THE WORLD



323478LC



THE ONE BOX SOLUTION FOR CYLINDRICAL AND MORTISE LOCKS



4100 Series

Key Features:

- Use with cylindrical locksets, mortise locks without dead bolts and mortise exit devices. For new or replacement installations in wood or metal jambs.
- 1-3/8" shallow backset allows the 4100 to be used in 2" fire rated frames with 1/2" sheetrock ingress.
- **Flexible:** Always be prepared!
 - 4 faceplates included
 - 12 & 24DC, 12-24 AC
 - 2 Trim Skirt Sizes
 - Regular and Torx® Screws
- **Strong:** Exceeds 3,250 lbs. of Holding Force
- **Durable:** Exceeds 1,000,000 Life Cycles
- Patented

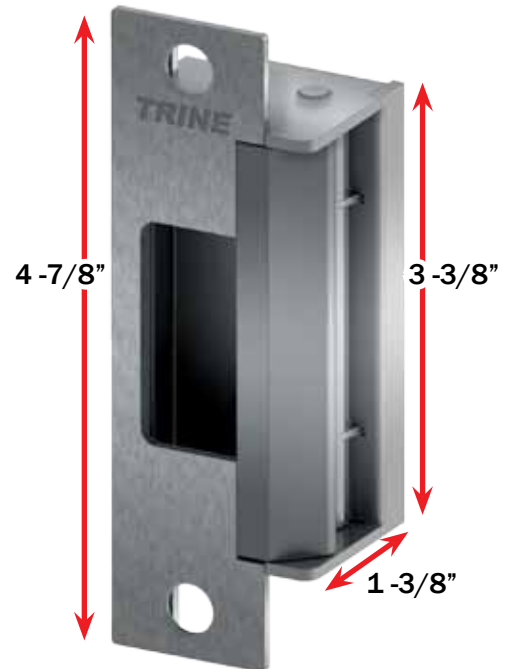
Standards:

- BHMA Grade 1: ANSI/BHMA A156.5
- Trine 3-Hour fire rated.
- WH recognized for **UL10C**, Fire Tests of Door Assemblies.
- **UBC 7-2**, Uniform building Code.
- **CAN4 S104**, Standard Method for Fire Tests of Door Assemblies.
- **NFPA 252** - Issue: 1999/01/01 Standard Methods of Fire Tests of Door Assemblies.
- NOTE: WH fire listing is void when using fail safe action.

**All Four Faceplates and
Premium Trim Skirt included**



The 4100



THE ONE BOX SOLUTION FOR CYLINDRICAL AND MORTISE LOCKS

Cutting Matters

1 - 3/8" Low Profile Backset provides ease of installation. Why cut for a deadbolt 100% of the time when they are only used 5% of the time.

Will work with the Schlage® L Series & Yale® 8700 Series without relocating frame mounting tabs.

1 - 3/8" Shallow backset allows the 4100 to be used in 2" fire rated frames with 1/2" sheetrock ingress.



4100 Series

To Compare Cutting and the CCTS go to pg 6



Aesthetics Matter

The Premium Trim Skirt cleans up the cut line.

Not worrying about a perfect cut on the face saves time and looks great. Since aesthetics matter, the Premium Trim Skirt ALWAYS matches the finish on the faceplates and electric strike body.

Electric Characteristics

Voltage	Current/Amps	Ohms	Duty	Sound
12DC	0.240	50	Intm./Cont.	Silent
24DC	0.114	210	Intm./Cont.	Silent
12AC	0.210	50	Intm.	Buzz
12AC	0.280	50	Intm.	Buzz
24AC	0.420	50	Intm.	Buzz

Power Matters

Low Current Draw
.240 Amp at 12DC makes it very PoE Friendly

12 & 24DC :: 12 through 24 AC
All the low voltage flexibility you need.

In The Box:

- The four faceplates
- Premium stainless steel trim skirt
- Standard and Torx® screws
- Latch shims
- Plug-in style wire connectors
- Sealed crimp connectors



Price:

4100-32D (Satin Stainless Steel – BHMA630) **\$485.00**

The following finishes are:

- **4100-32** (Polished Stainless Steel – BHMA629) **\$625.00**
- **4100-US3** (Bright Brass – BHMA605)

The following finishes are:

- **4100-US4** (Satin Brass – BHMA606) **\$565.00**
- **4100-US10** (Satin Bronze – BHMA612)
- **4100-US10B** (Dark Bronze – BHMA613)

For Fail-safe action (locks with power) add "RS" to the item number. EX: 4100RS-32D **RS price same as above.**

Faceplates, strike body, mounting screws, and trim skirts all match the finish.

4100 Series Accessories

with additional faceplates

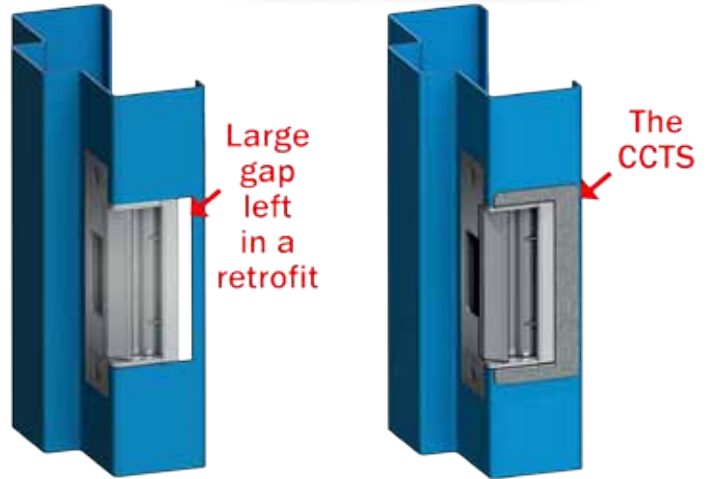


4100 Series

CCTS: Competitor Cutout Trim Skirt

Wider than the included Trim Skirt, the CCTS covers the gap when retrofitting the HES® 1006, Folger Adams® 712/732, and Von Duprin® 6200 Series as well as Trine EN Series strikes.

No more ugly trim skirts.
The CCTS always matches the faceplate finish.



CCTS-32D

Price:
\$27.00

CCTS-32
CCTS-US3

Price:
\$57.00

CCTS-US4
CCTS-10
CCTS-10B

Price:
\$47.00

Accessories

4100-AK: Accessories Kit

- Standard and Torx® screws
- Latch shims
- Plug-in style wire connectors
- Sealed crimp connectors

Price:
\$25.00

Piezo Buzzer for DC Installs:

- BZ-12: Audible buzzer for 12DC power
- or --
- BZ-24: Audible buzzer for 24DC power

Price:
\$12.00

Optional Faceplates:

Additional faceplates allow increased flexibility for the 4100 Series strikes.

Faceplates may be purchased separately for use with the 4100 model. Match faceplate finish with the strike finish for best look.

Aluminum Solution
We offer 3 faceplate sizes to meet the demands of aluminum installations

CC9: 9" Faceplate	CRD8: 7 -15/16" Faceplate with radiused corners	CRD7: 6 -7/8" Faceplate with radiused corners	CCRD: 4 -7/8" Faceplate with radiused corners
\$40.00	\$30.00	\$30.00	\$25.00

Finnish:
32D (Satin Stainless - BHMA630)

The following finishes are:
32 (Polished Stainless - BHMA629)
US3 (Bright Brass - BHMA605)

The following finishes are:
US4 (Satin Brass - BHMA606)
US10 (Satin Bronze - BHMA612)
US10B (Dark Bronze - BHMA613)

\$70.00

\$60.00

\$60.00

\$55.00

\$60.00

\$50.00

\$50.00

\$45.00

4800 SERIES

FOR ALL YOUR RIM PANIC SOLUTIONS

**The 4850 has 2
spacers included.**

**One strike can accept
1/2", 3/4", or 1" bolts.**

1 spacer

2 spacers



The most flexible design!

THE ONE BOX SOLUTION FOR RIM PANIC EXIT DEVICES



4800 Series

- For use with surface mounted rim exit devices with up to a 1" throw. For use in new or replacement installations in wood, metal, or aluminum frames.
- No cutting of the frame
- Cavity is completely open – which means the 4850 allows for an incremental depth up to a 1" throw - **Competitor back plates do not allow for this versatility.**
- Built-in electronics automatically allow **11 through 28 DC Voltage** input – with surge and kickback protection
- Comes with Trines **Patented 6-Pin Anchoring System** for strength and stability. (See page 12 for details)
- Contains a one piece locking mechanism with one Solenoid – **less parts mean less problems.**
- Fail-safe/Fail-secure field selectable.
- BHMA Grade 1 Electric Strike:
 - + 1,000,000+ Life cycles
 - + 1,500+ lbs. Holding Force.

Electric Characteristics

Voltage	Pull In/Holding		Duty	Sound
	Current/Amps			
12DC	0.500/0.178		Intm./Cont.	Silent
16DC	0.385/0.131		Intm./Cont.	Silent
24DC	0.255/0.084		Intm./Cont.	Silent

Secure your install with our patented 6-pin anchoring system.



Fits tight installs, like glass.



The 4850



**2 Spacers included,
4 Thicknesses created,
1 Box solution provided.**

Price:

4850-32D (Satin Stainless Steel – BHMA630) **\$485.00**

The following finishes are:

- **4850-US3** (Bright Brass – BHMA605) **\$555.00**
- **4850-US4** (Satin Brass – BHMA606)
- **4850-US10** (Satin Bronze – BHMA612)
- **4850-US10B** (Dark Bronze – BHMA613)
- **4850-32** (Polished Stainless Steel – BHMA629)

See Page 12 for options.

The 4850PoE & LCD

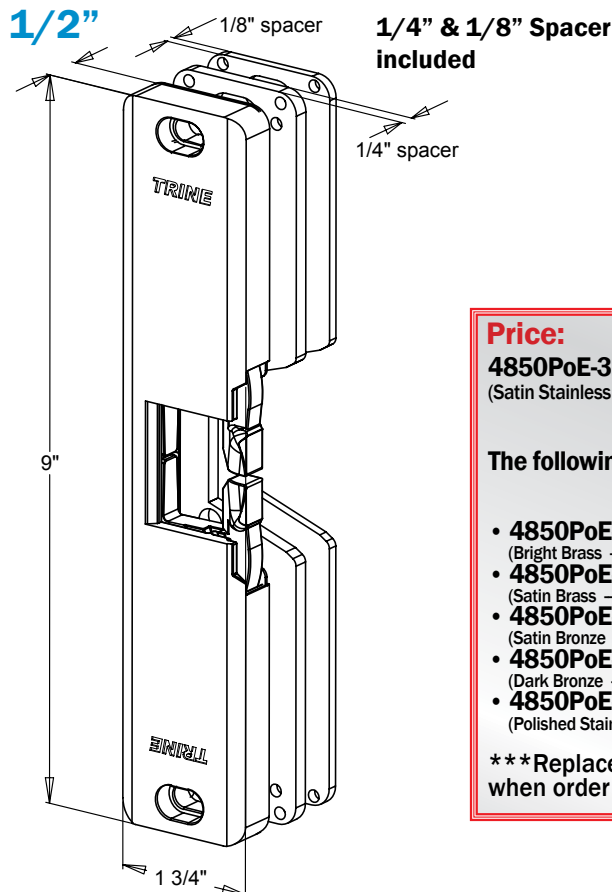
Low Current Draw electric strikes on your everyday installations allow smaller, less expensive power supplies.

Low Current Draw electric strikes allow you to use the power provided by the PoE System - never run wires for an extra power supply again!

4800 Series

1/2" 1/4" 1/8"

Electric Characteristics					
Item	Voltage	Amps	Watts	Duty	Sound
4850PoE	12DC	0.260	3.12	Intm./Cont.	Silent
4850LCD	24DC	0.135	3.24	Intm./Cont.	Silent
Other surface mounted strikes start at:				Don't Forget Amperage Drop! Compensate with a Low Current Draw Strike.	
	12DC	0.450	5.40		
	24DC	0.250	6.00		



Price:

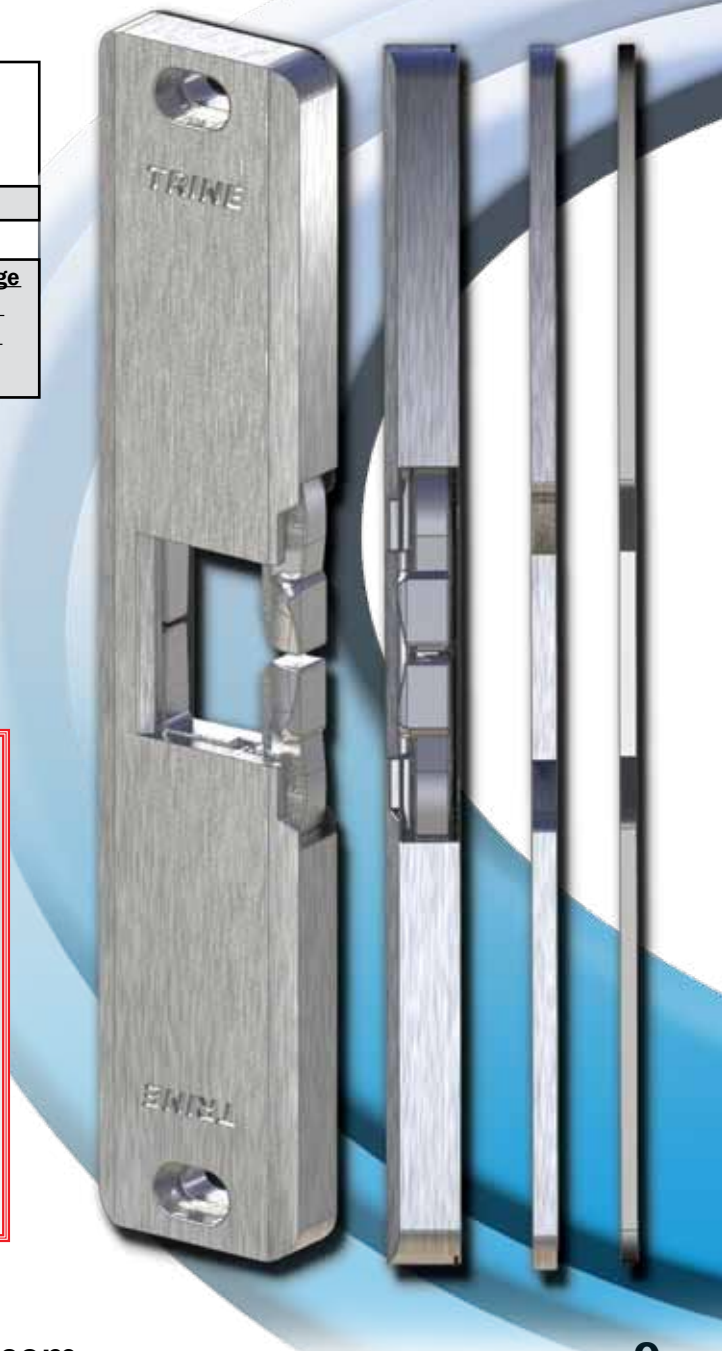
4850PoE-32D \$485.00
(Satin Stainless Steel - BHMA630)

The following finishes are:

\$555.00

- **4850PoE-US3**
(Bright Brass - BHMA605)
- **4850PoE-US4**
(Satin Brass - BHMA606)
- **4850PoE-US10**
(Satin Bronze - BHMA612)
- **4850PoE-US10B**
(Dark Bronze - BHMA640)
- **4850PoE-32**
(Polished Stainless - BHMA629)

Replace PoE with LCD when order 24DC model



Dimensions for: 4850, 4850LCD, and 4850PoE (are the same)

WHERE IT ALL BEGAN

3/4" RIM PANIC SOLUTION



4800 Series

The 4800

- For use with surface mounted rim exit devices with up to 1" throw. For use in new or replacement installations in wood or metal door frames and tight installs.
- No cutting of the frame
- Comes with Trines Patented 4-Pin Anchoring System for strength and stability. (See page 12 for details)
- Cavity is completely open – which means the 4800 allows for an incremental depth up to a 1" throw – **Competitor back plates do not allow for this versatility.**
- Built-in electronics automatically allow 11 through 28 AC and DC Voltage input – with surge and kickback protection.
- Contains a one piece locking mechanism with one solenoid.
Less parts mean less problems.
- Fail-safe/Fail-secure Field selectable.
- BHMA Grade 1 Electric Strike:
 - + 1,500,000+ Life cycles
 - + 3,000+ lbs. Holding Force.



Electronics allow for PLUG and PLAY capability

Electric Characteristics

Voltage	Pull In/Hold Amps	Duty	Sound
12DC	0.566/0.217	Intm./Cont.	Silent
24DC	0.253/0.099	Intm./Cont.	Silent
12AC	0.509/0.181	Intm./Cont.	Silent
16AC	0.405/0.149	Intm./Cont.	Silent
24AC	0.215/0.087	Intm./Cont.	Silent

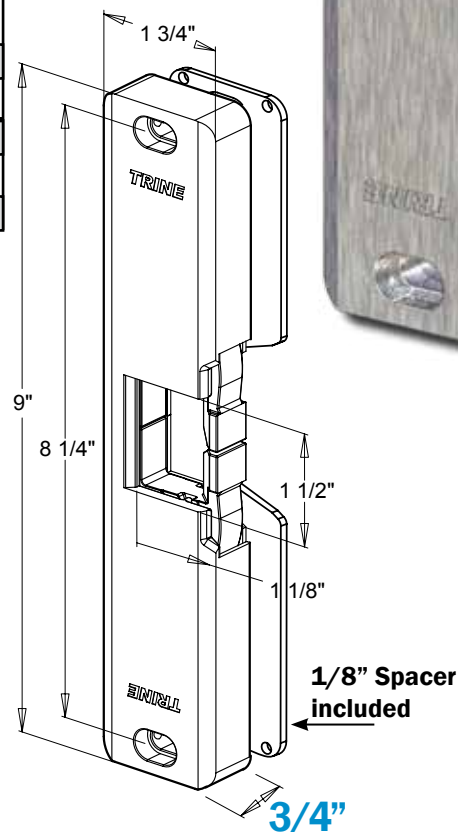
Price:

4800-32D (Satin Stainless Steel – BHMA630) **\$440.00**

The following finishes are:

- **4800-US3** (Bright Brass – BHMA605) **\$499.00**
- **4800-US4** (Satin Brass – BHMA606)
- **4800-US10** (Satin Bronze – BHMA612)
- **4800-US10B** (Dark Bronze – BHMA613)
- **4800-32** (Polished Stainless Steel – BHMA629)

See Page 12 for options.



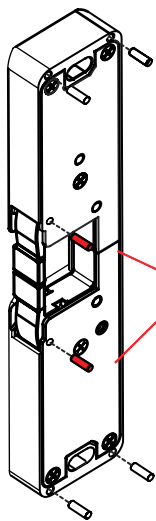
**We challenge you to compare
our strike against the
competition on reliability,
adaptability, and price.**

THE 'BOLT' STRIKE SOLUTION

THE LATCHBOLT MONITORING SOLUTION

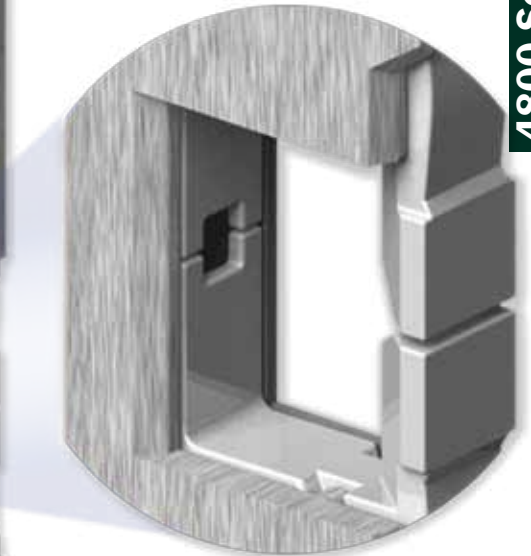
4801 - "Bolt" Strike

- For use with the Yale Squarebolt® or Corbin Russwin Securebolt™ in new or replacement installations with wood or metal door frames.
- Use with surface mounted rim device with up to 1" throw.
- Cavity Opening -
Height: 1 17/32"
Width: 1 5/32"
- 6-Pin Anchor system provided to handle the toughest installations.
- Electronics and BHMA rating same as the 4800 - see facing page.



***Must Install
2 middle
pins on the
4801/4801LB**

Latchbolt Monitoring (LB Option)



4800 Series

- IR optical sensor
- Single pole, double throw, form "C" Relay, rated at 1-amp at 12-24 AC-DC
- N/O and N/C relay contacts
- Module power source
- 12-24 DC
- Current consumption is:
12v: standby 12.7ma
activate 22.8ma
24v: standby 19.4ma
activate 34.4ma
- All other features are the same as the base model.

Price:

4801-32D (Satin Stainless Steel - BHMA630) **\$509.00**

The following finishes are:

- **4801-US3** (Bright Brass - BHMA605) **\$585.00**
- **4801-US4** (Satin Brass - BHMA606)
- **4801-US10** (Satin Bronze - BHMA612)
- **4801-US10B** (Dark Bronze - BHMA613)
- **4801-32** (Polished Stainless Steel - BHMA629)

See Page 12 for options.

Price:

Add "LB" to any 4800 series electric strike **add \$85.00 to the price of the base unit.**

Example:

- **4800LB-32D**
- **4850LB-10B**
- **4801LB-32**

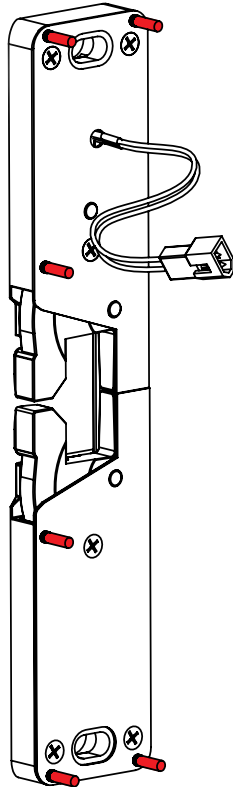
4800 Series Accessories & Patented Anchoring System



4800 Series

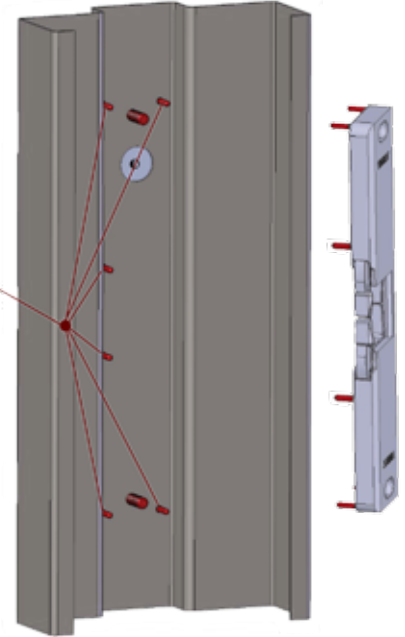
PATENTED ANCHORING SYSTEM

- Included in every 4800 series strike.
- Prevents strike from shifting on the frame for the most secure installations.
- Use the included spacer plate as a guide when mounting the Anchoring System.
- Two center pins suggested for installs in high traffic locations.



- The Anchoring System provides six additional points of connection and helps you to handle the toughest installations.

- This brings the 4850 to a total 8 points of connection between the frame and strike.



THE CONFIGURATION IS YOUR CHOICE

4800 Series Accessories

MWH-5

REMOVABLE MULLION WIRE HARNESS FOR 4800 SERIES ELECTRIC STRIKES

Contains:

- (1) 5' Wire for mullion with male/female connectors.
- (1) Male connector & (1) Female connector.
- (1) Mullion cap, & (1) Wire adhesive.
- (4) Wire caps.
- (1) Wire tie,

4850-AK: ACCESSORIES KIT

Contains:

- (1) Fail safe plunger with spring & (1) Fail safe cam.
- (6) Anchoring pins.
- (1) Wire connector, (2) Wire caps, & (2) Mounting screws.

4800-AK: ACCESSORIES KIT

Contains:

- (1) Fail safe plunger with spring.
- (6) Anchoring pins.
- (1) Wire connector, (2) Wire caps, & (2) Mounting screws.

4800-SS: 1/8" SPACER PLATE

Fits all 4800 Series Electric Strikes

4850-SS: 1/4" SPACER PLATE

Fits all 4800 Series Electric Strikes

Price:

\$18⁰⁰

\$20⁰⁰


\$20⁰⁰

\$22⁰⁰

\$35⁰⁰

EN SERIES OUTDOOR SOLUTIONS

Rim panics
on gates are
becoming
more popular.

This is the
Only  Outdoor
Rated Electric
Strike



The Only Outdoor Rated Electric Strikes

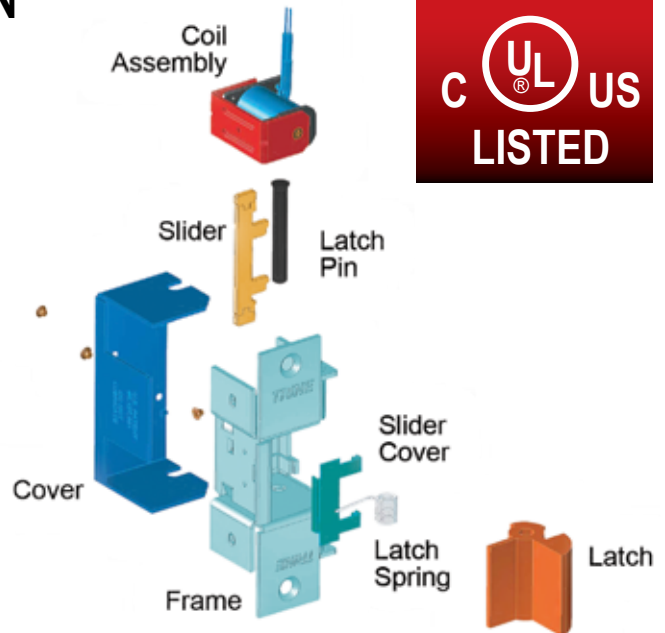
EN Series



SIMPLE DESIGN – UNPARALLELED CONSTRUCTION

- Contains **ONLY 8** total parts.
- Only **1** moving part in the locking mechanism.
- All stainless steel construction.

- ✦ **Superior Strength** - 2,000+ lbs - (UL) tested.
- ✦ **Superior Life** - 1,000,000+ cycles.
- ✦ **Superior Application** - (UL) Outdoor rating allows the strike to be used where the competition can not.



Key Features

- Continuous Duty runs very cool (DC only)
- Durability of 1,000,000+ life cycles
- A holding force of 2,000+ lbs – (UL) Tested!
- Fail-secure/Fail-safe is field reversible on DC units (except on 430 & 435 models)*
- Left and Right handing is field reversible (except the offset 430 & 435 models)*
- Units installs flush with face of the frame for a clean look.

Wire Lead Color Codes

Voltage	Wire Colors
12AC	1 - Blue, 1 - Orange/White
24AC	1 - Blue, 1 - Black/White
12DC	2 - Orange/White
24DC	2 - Black/White

Electric Characteristics

Voltage	Amps	Ohms	Duty	Sound
12AC	0.70	4.5	Intm.	Buzz
24AC	0.37	18.0	Intm.	Buzz
12DC	0.28	43.0	Intm./Cont.	Silent
24DC	0.15	164.0	Intm./Cont.	Silent

Standards

- (UL) Listed 10C - Fire-rated
- Class A, 3-hour, single swing door (except on 400RP, 800 & 850 models)
- (UL) Listed 1034 -
Indoor/Outdoor Burglary Resistant
- BHMA 156.31 2001, Grade 1
- NYC MEA 79-01-E

Ordering an EN strike

Please provide us with the following information to ensure you receive the strike you need.

Model # – Voltage – Finish – Handing
example: 400 12DC 32D RH

*Fail Safe Request: Please add “RS” to order
Add \$15.00 to list price of base model.

The Only Outdoor Rated Electric Strikes EN400



EN400

- For new or replacement installations in wood or metal jambs. Use with mortise exit devices, mortise locks without dead bolts and cylindrical locksets with up to 7/8" throw, based on 1/8" door gap.
- Perfect for exterior doors and gates.
- Latch Shim Kit provided for horizontal cavity adjustment on the EN400.
- Field reversible handing – remember to pick a specific hand when ordering to save time.

EN Series

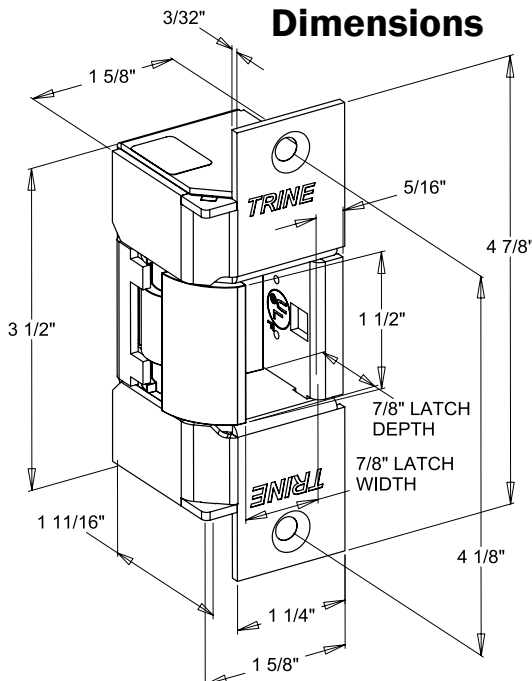
EN400-Gatebox

Install the EN400 anywhere on the frame or post.



Shown in optional weldable gatebox with EN400.

EN400 Dimensions



Price:

400-32D

(Satin Stainless Steel – BHMA630)

\$399.00

The following finishes are:

- **400-US3** (Bright Brass – BHMA605)
- **400-US4** (Satin Brass – BHMA606)
- **400-US10** (Satin Bronze – BHMA612)
- **400-US10B** (Dark Bronze – BHMA613)
- **400-32** (Polished Stainless – BHMA629)

\$440.00

400-Gatebox

(Steel Gatebox, not painted)

\$30.00

Outdoor Rim Panic Solution EN400RP



EN Series



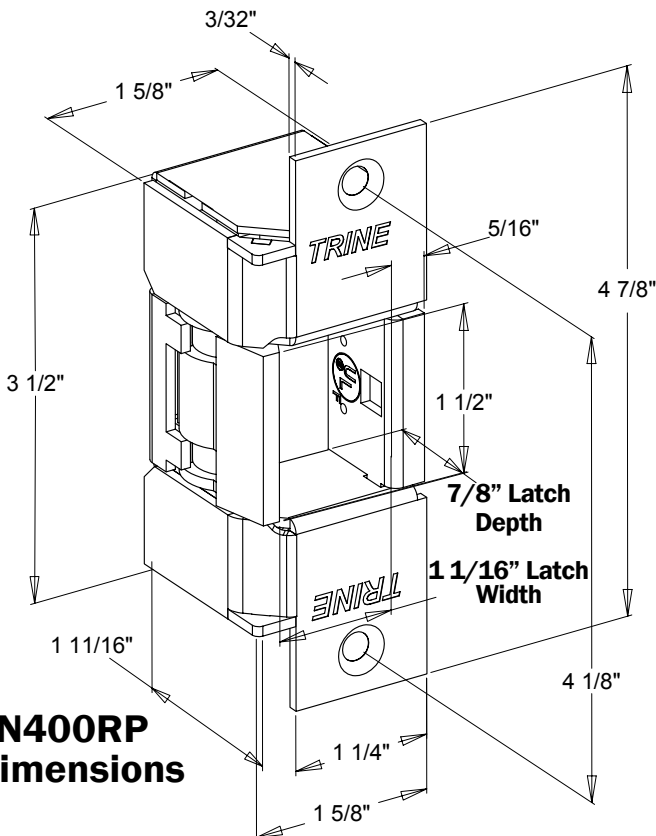
EN400RP

- For new or replacement installations in wood or metal jambs. Use with rim panic devices, especially in gates, with up to 1" throw, based on 1/8" door gap.
- Perfect for exterior doors and gates. Use the EN400RP with Item # EN400-GATEBOX and securely mount the strike anywhere on the frame.
- Field reversible handing – remember to pick a specific hand when ordering to save time.
- The Outdoor Rim Panic Solution



EN400-Gatebox
Install the EN400
anywhere on the frame
or post.

Shown in Optional
weldable gatebox
with EN400RP.



Price:

400RP-32D

(Satin Stainless Steel – BHMA630)

\$409.00

The following finishes are:

- **400RP-US3** (Bright Brass – BHMA605)
- **400RP-US4** (Satin Brass – BHMA606)
- **400RP-US10** (Satin Bronze – BHMA612)
- **400RP-US10B** (Dark Bronze – BHMA613)
- **400RP-32** (Polished Stainless – BHMA629)

\$451.00

400-Gatebox

(Steel Gatebox, not painted)

\$30.00

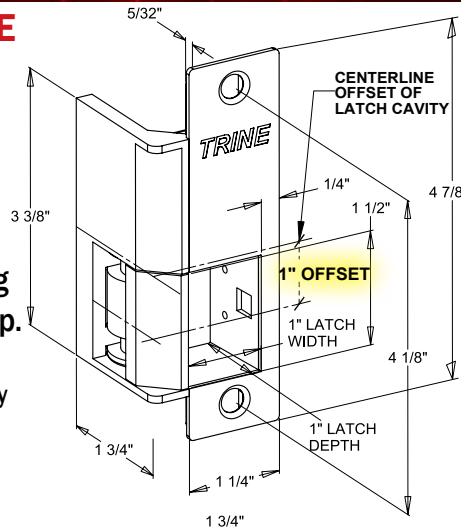


EN430 - CAVITY CENTERLINE OFFSET 1"

For new or replacement installations in metal jambs. Use with mortise lock latchbolts with up to 7/8" throw without relocating centerline. Based on 1/8" door gap.

Latch Shim Kit provided for horizontal cavity adjustment.

Designed to work with Schlage L Series, Sargent 7700, 8100, & Yale 8700



Price:

430-32D \$419.00
(Satin Stainless Steel - BHMA630)

The following finishes are:
\$459.00

- **430-US3** (Bright Brass - BHMA605)
- **430-US4** (Satin Brass - BHMA606)
- **430-US10** (Satin Bronze - BHMA612)
- **430-US10B** (Dark Bronze - BHMA640)
- **430-32** (Polished Stainless - BHMA629)

The EN430 is handed, please specify LH or RH

EN Series



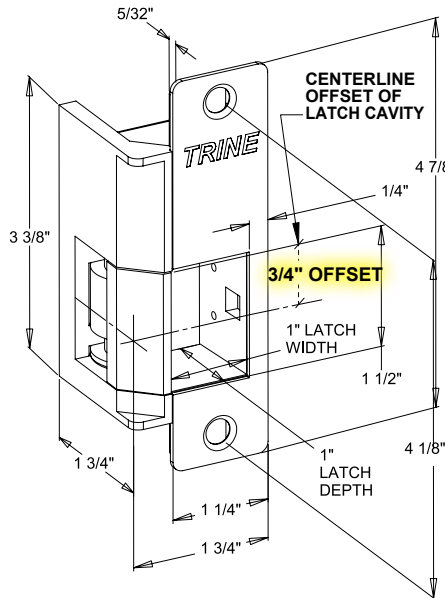
EN435 - CAVITY CENTERLINE OFFSET 3/4"

For new or replacement installations in metal jambs. Use with mortise lock latchbolts with up to 7/8" throw without relocating centerline. Based on 1/8" door gap.

Latch Shim Kit provided for horizontal cavity adjustment.

Designed to work with Arrow, Falcon, Sargent 7800, 8200, 9200, Yale 8800

Factory tested by Best® to work with the 45H Series.



Price:

435-32D \$419.00
(Satin Stainless Steel - BHMA630)

The following finishes are:
\$459.00

- **435-US3** (Bright Brass - BHMA605)
- **435-US4** (Satin Brass - BHMA606)
- **435-US10** (Satin Bronze - BHMA612)
- **435-US10B** (Dark Bronze - BHMA613)
- **435-32** (Polished Stainless - BHMA629)

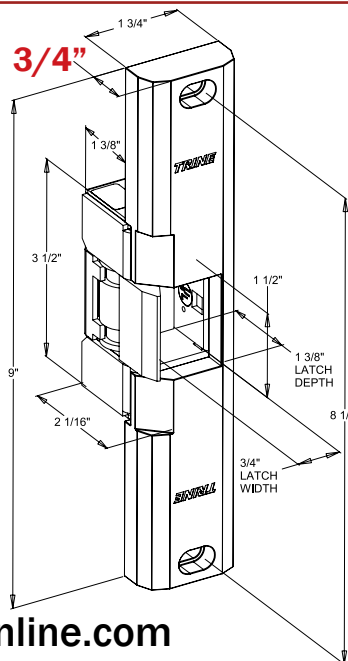
The EN435 is handed, please specify LH or RH



EN800 - GREAT FOR OUTDOOR GATES

For new or replacement installations in wood or metal single door jambs. Use with surface mounted rim exit devices with up to 1" throw. 3/4" thick face plate.

(Not UL 10C Listed)



Price:

800-32D \$435.00
(Satin Stainless Steel - BHMA630)

The following finishes are:
\$475.00

- **800-US3** (Bright Brass - BHMA605)
- **800-US4** (Satin Brass - BHMA606)
- **800-US10** (Satin Bronze - BHMA612)
- **800-US10B** (Dark Bronze - BHMA613)
- **800-32** (Polished Stainless - BHMA629)

The Only Outdoor Rated Electric Strikes EN Series



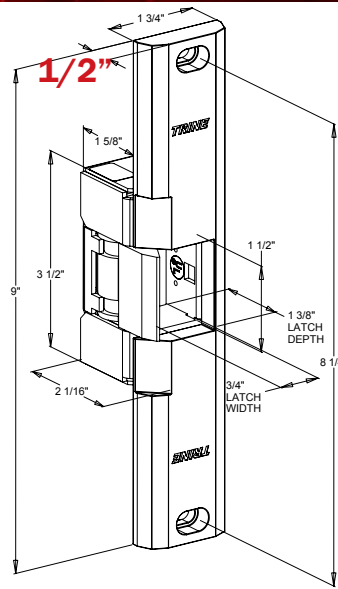
EN Series



EN850 – GREAT FOR OUTDOOR GATES

For new or replacement installations in wood or metal single door jambs. Use with surface mounted rim exit devices with up to 1" throw. **1/2" thick face plate.**

(Not UL 10C Listed)



Price:
850-32D \$460.00
 (Satin Stainless Steel – BHMA630)

**The following finishes are:
 \$509.00**

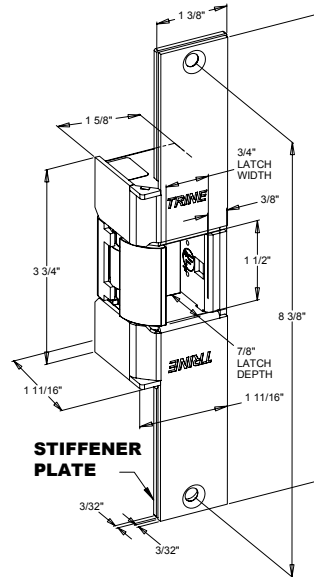
- **850-US3**
 (Bright Brass – BHMA605)
- **850-US4**
 (Satin Brass – BHMA606)
- **850-US10**
 (Satin Bronze – BHMA612)
- **850-US10B**
 (Dark Bronze – BHMA613)
- **850-32**
 (Polished Stainless – BHMA629)



EN950 – FITS FOLGER ADAMS® 310-2 CUTOUT

For new or replacement installations in metal or wood jambs. Use with mortise exit devices, mortise locks without dead bolts and cylindrical locksets with up to 7/8" throw. Based on 1/8" door gap.

Latch Shim Kit provided for horizontal cavity adjustment.



Price:
950-32D \$425.00
 (Satin Stainless Steel – BHMA630)

**The following finishes are:
 \$475.00**

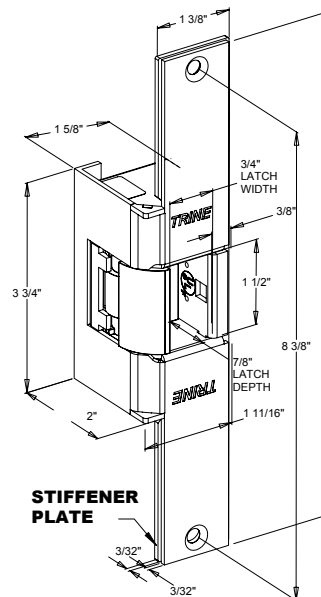
- **950-US3**
 (Bright Brass – BHMA605)
- **950-US4**
 (Satin Brass – BHMA606)
- **950-US10**
 (Satin Bronze – BHMA612)
- **950-US10B**
 (Dark Bronze – BHMA613)
- **950-32**
 (Polished Stainless – BHMA629)



EN960 – FITS FOLGER ADAMS® 310-2 3/4" CUTOUT

For new or replacement installations in metal or wood jambs. Use with mortise exit devices, mortise locks without dead bolts and cylindrical locksets with up to 7/8" throw. Based on 1/8" door gap.

Latch Shim Kit provided for horizontal cavity adjustment.



Price:
960-32D \$470.00
 (Satin Stainless Steel – BHMA630)

**The following finishes are:
 \$510.00**

- **960-US3**
 (Bright Brass – BHMA605)
- **960-US4**
 (Satin Brass – BHMA606)
- **960-US10**
 (Satin Bronze – BHMA612)
- **960-US10B**
 (Dark Bronze – BHMA613)
- **960-32**
 (Polished Stainless – BHMA629)

EN-LB – LATCHBOLT MONITORING

- Remote central station notification
- Local alarm monitoring relay
- Triggering video surveillance/recording systems
- Active relay for trap door systems

IR optical sensor – Adjustable sensitivity with simple screw adjustment – Single pole, double throw, Form “C” relay, rated at 1-amp at 12-24 AC/DC – N/O and N/C relay contacts – Module power source rating of 12-24VDC

Current consumption is:
0.034 amps at 12VDC & 0.045 amps at 24VDC

Price:

Add “LB” to any EN series electric strike

Examples:

- EN400LB-12DC-32D
- EN430LB-24DC-10B-LH
- EN800RSLB-12DC-32D

add
\$90.00

to the price of the base unit.

EN-LBSM – LATCHBOLT & STRIKE MONITORING

- Latchbolt monitoring information same as EN-LB (above)
IR optical sensor – see EN-LB above for information
- Strike mechanism monitoring detects whether strike is in the locked or unlocked position
- Form C - Single pole double throw (SPDT)

Switch Rating:
30DC - 0.1A
125AC - 0.1A

Price:

Add “LBSM” to any EN series electric strike

Examples:

- EN400LBSM-12DC-32D
- EN430LBSM-24DC-10B-LH
- EN800RSLBSM-12DC-32D

add
\$115.00

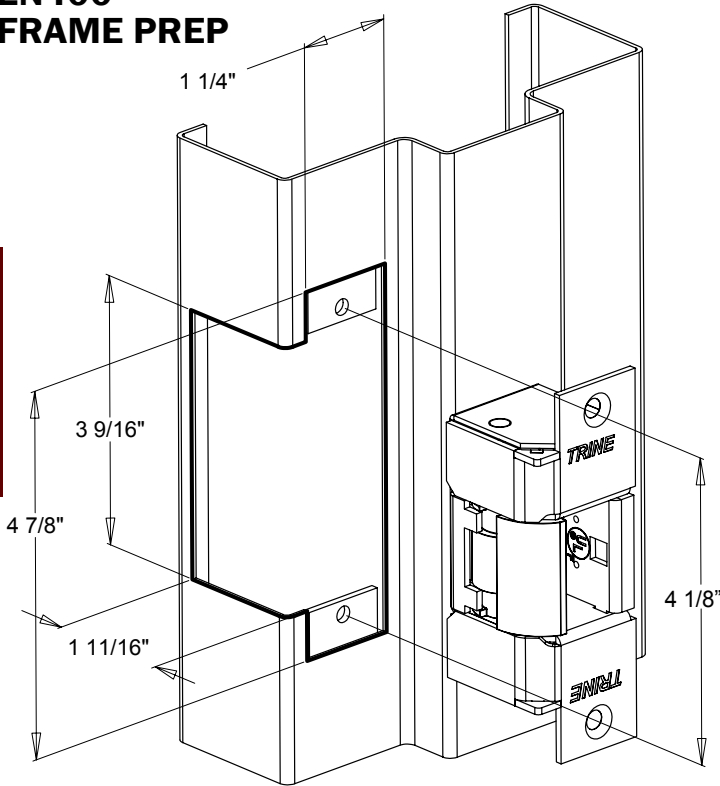
to the price of the base unit.

MODEL	DESCRIPTION	Price:
LC-100 (see pg 24 for more info)	External unit that operates on 11 through 29 AC/DC input and provides inductive kickback and surge protection. When used with the EN Series, 12DC must be selected and the LC100 must be located within 10' of the electric strike.	\$42.00
EN-CA-12DC	Coil Assembly (Orange/White Wire Leads)	\$40.00
EN-CA-24DC	Coil Assembly (Black/White Wire Leads)	\$40.00
EN-CA-12AC	Coil Assembly (Blue/Orange & White Wire Leads)	\$40.00
EN-CA-24AC	Coil Assembly (Blue/Black & White Wire Leads)	\$40.00
EN-SLR-RS	(1) Fail Safe Slider for 430/435 Units	\$30.00
TRS	(2) Tamper-Resistant Torx® #12-24 Screws	\$6.00
EN-TS	Trim Skirt (Not for use with 950 & 960)	\$20.00
EN-LSK	EN Latch Shim Kit for horizontal cavity adjustment.	\$10.00
ESK-1	EN Service Kit: • (1) Latch spring • (2) PFH 12-24x1” mounting screws & (2) PFH 6-32 x 1/8” cover screws • (2) Wire nut caps & (1) assembly pin and instruction sheet	\$10.00
BZ-12	Buzzer for 12 DC operation	\$12.00
BZ-24	Buzzer for 24 DC operation	\$12.00
EN400-Gatebox	The weldable gate box solution for use with the EN400 & EN400RP Outdoor rated electric strikes. (Steel gatebox is <u>Not Painted</u>).	\$30.00

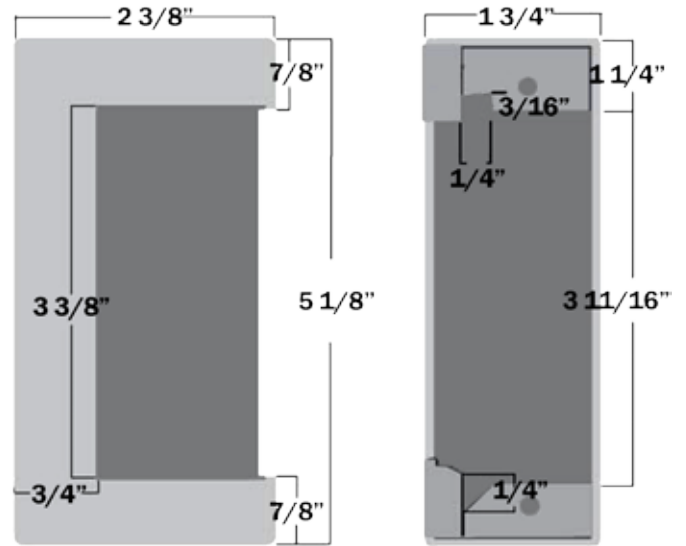
Frame Preps EN Series



EN400 FRAME PREP

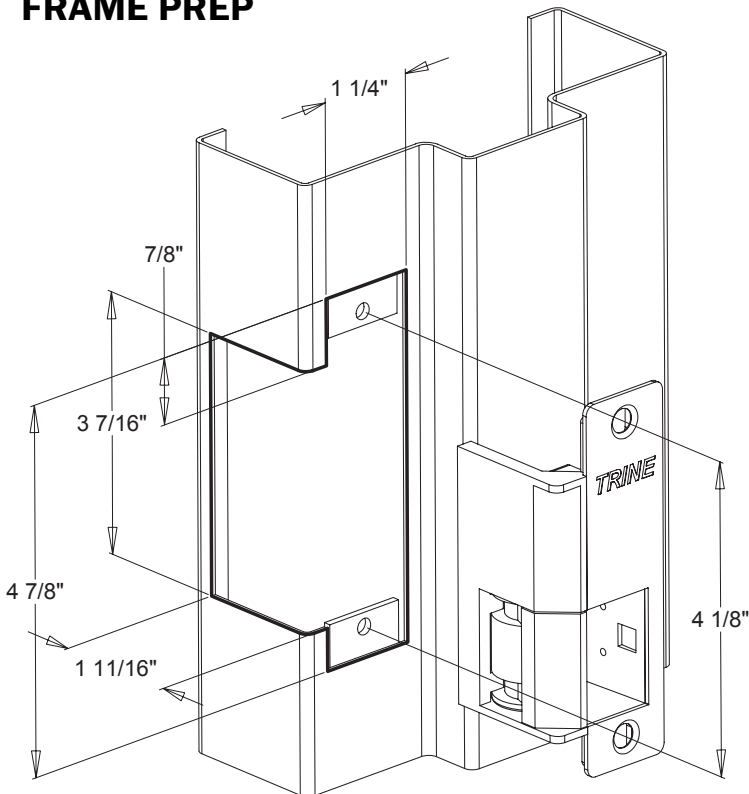


EN400-Gatebox Dimensions

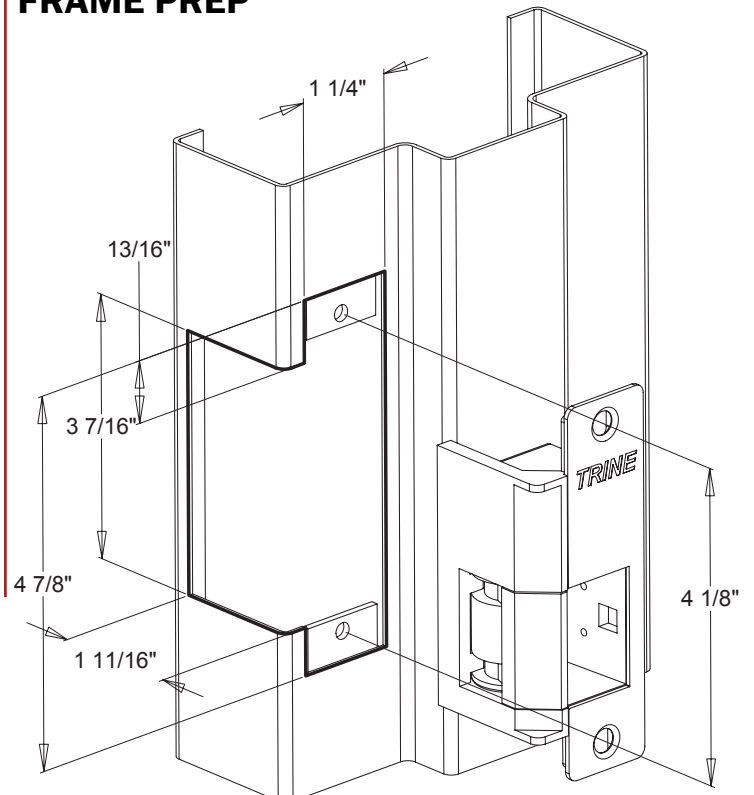


EN Series

EN430 FRAME PREP



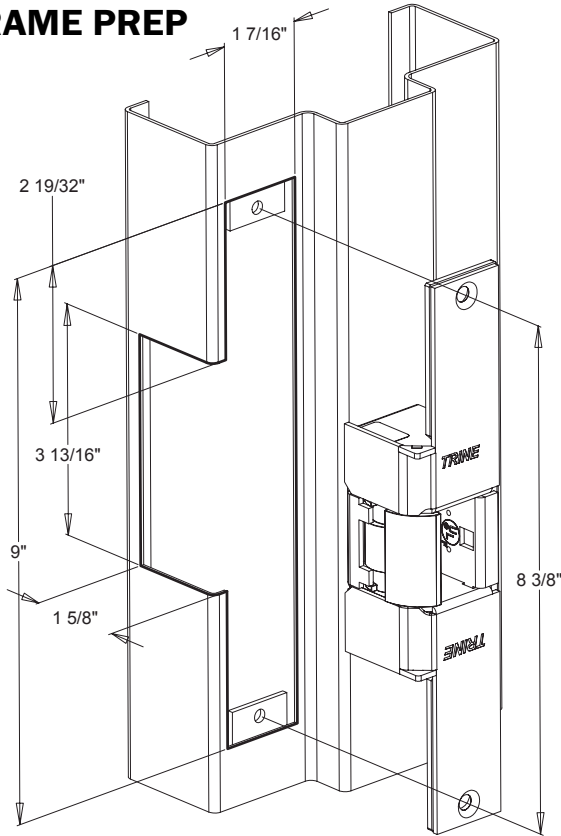
EN435 FRAME PREP



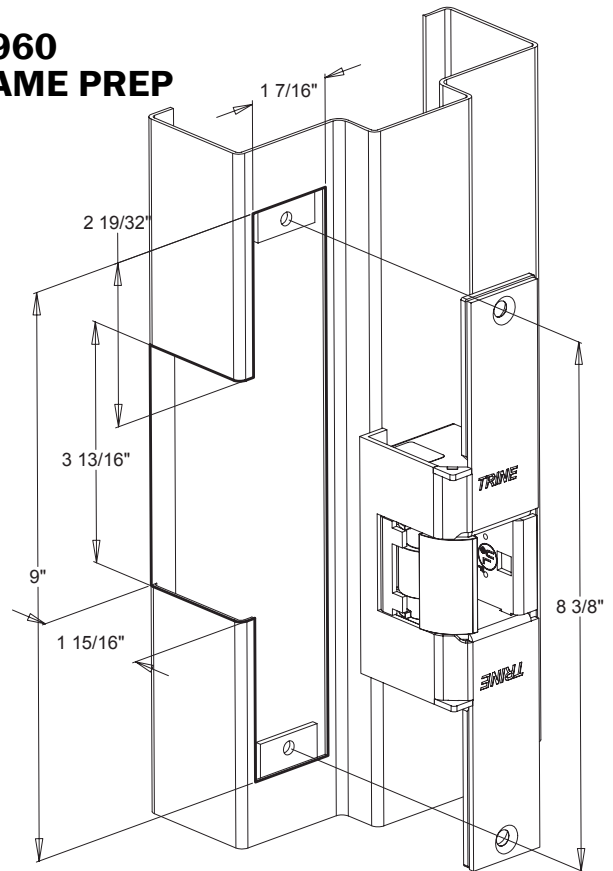
LEFT HAND (LH) SHOWN

LEFT HAND (LH) SHOWN

**EN950
FRAME PREP**



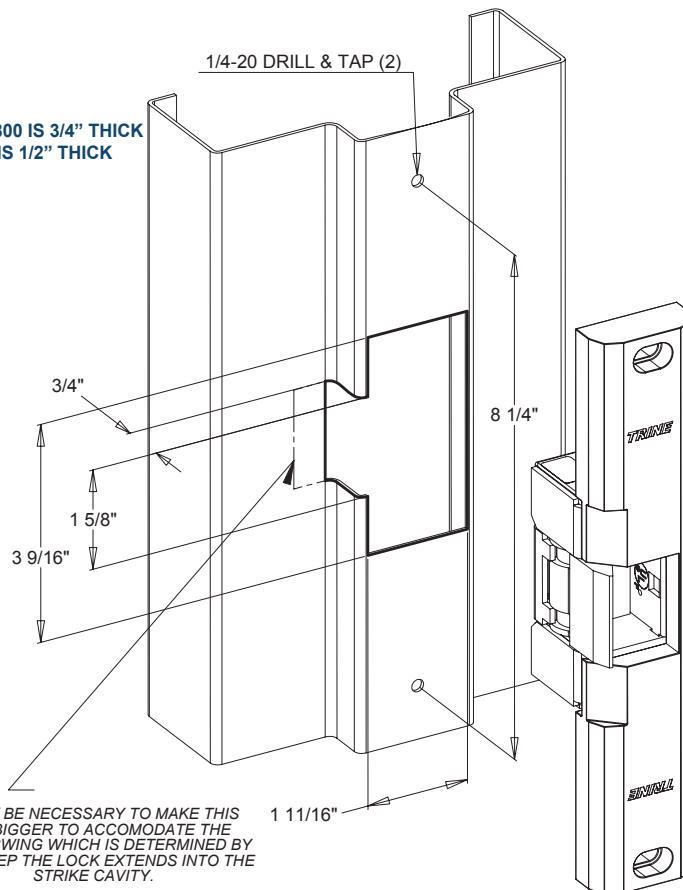
**EN960
FRAME PREP**



EN Series

**EN800 & EN850
FRAME PREP**

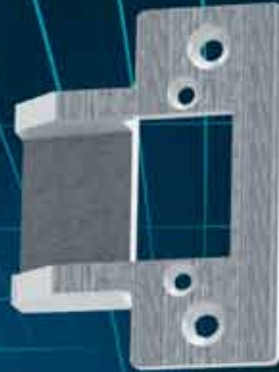
NOTE: EN800 IS 3/4" THICK
EN850 IS 1/2" THICK



3000 SERIES

THE SMALLEST ELECTRIC STRIKE IN THE WORLD

234

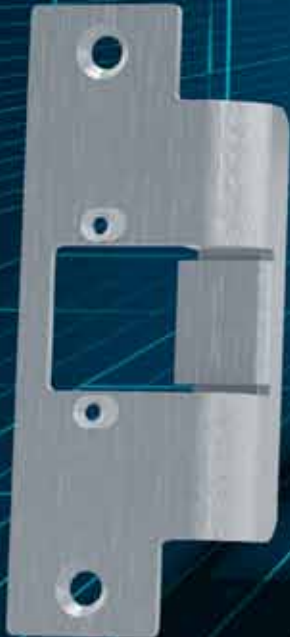


Now Includes
234X



30LC

Now Includes
478-CCFP



478

**The Enhanced
323478LC**

HOW TO ORDER THE 3000 SERIES

The modular flexibility of the 3000 Series allows you to stock mechanisms and faceplates separately.



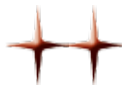
CHOOSE A MECHANISM:

3012 (FOR 12DC/FAIL SECURE)

3024 (FOR 24DC FAIL SECURE)

30LC (FOR 11-28 AC&DC)
- FAIL SECURE ACTION

30LC (FOR 11-28 AC&DC)
- FAIL SAFE ACTION



CHOOSE A FACEPLATE:

234

234X-375

334

258

258RD

458RH

458LH

478

478X-375

478RO

478LO



CHOOSE A FINISH:

SEE INDIVIDUAL FACEPLATES FOR SPECIFIC FINISHES.
STANDARD FOR ALL FACEPLATES IS 32D (OR 26D)

**PLACE YOUR
ORDER:**



EXAMPLE COMBINATIONS:

3012 & 478-32D

30LC & 478-10B

30LC & 234-26D

3012 & 234-26D



COMPLETED STRIKE CONVERSION

Trine has discontinued selling completed strikes in the 3000 Series
– conversion to modular units are as follows:

3234-12DC 234 & 3012	3258-12DC 258 & 3012	3458LH-12DC 458LH & 3012
3234-24DC 234 & 3024	3258-24DC 258 & 3024	3458LH-24DC 458LH & 3024
3234LC 234 & 30LC	3258LC 258 & 30LC	3458LHLC 458LH & 30LC
3234RS 234 & 30RS	3258RS 258 & 30RS	3458LHRS 458LH & 30RS
3234W-12DC 334 & 3012	3478-12DC 478 & 3012	3458RH-12DC 458RH & 3012
3234W-24DC 334 & 3024	3478-24DC 478 & 3024	3458RH-24DC 458RH & 3024
3234WLC 334 & 30LC	3478LC 478 & 30LC	3458RHLC 458RH & 30LC
3234WRS 334 & 30RS	3478RS 478 & 30RS	3458RHRS 458RH & 30RS

Add finish from completed strike to faceplate.
3234-12DC-26D is 234-26D & 3012

Only 1" Total Backset 3000 Series



Key Features

- GRADE 1
- Accepts a bolt up to 5/8" throw
- 500,000 + life cycles
- 1,500 + lbs. holding force (1,200 lbs. for 334, 3234W)
- Dynamic Force 70 ft/lb.
- Solid stainless steel latch and locking mechanism
- Fail-secure - standard action (unlocks with power)
- Fail-safe - "RS" (locks with power)

Standards

- BHMA - A156.31
- BHMA Grade 1 - All models (except 334 & 3234W)
- BHMA Grade 2 - 334 & 3234W

LC100

This unit is an external line conditioner that regulates input voltages, 11-29 AC or DC, and conditions the output for the activation period, then reduces holding voltage for continuous operation and reduced heat. The LC100 provides current/voltage surge protection and kickback protection. Install it up to 15' away from the mechanism.

Price: \$42.00

Options

Piezo Buzzer for "Standard Models"

- **BZ-12:** Audible buzzer for 12DC power
- **BZ-24:** Audible buzzer for 24DC power

Price:

\$12.00

Piezo Buzzer for "LC Models"

- **BZ-6:** Audible buzzer for 6DC power

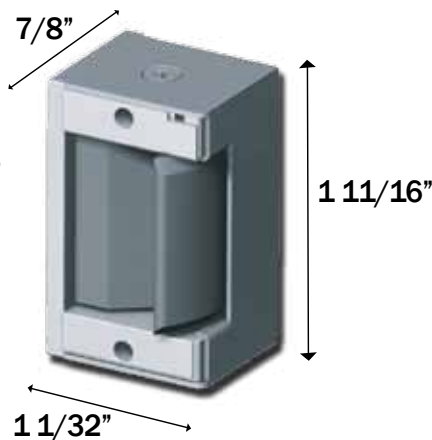
3000 Series

MODEL	VOLTAGE	CURRENT/AMPS	OHMS	DUTY	SOUND	WIRE COLOR
3012	12VDC	.480	25	Intermittent	Silent	Blue
3024	24VDC	.240	100	Intermittent	Silent	White

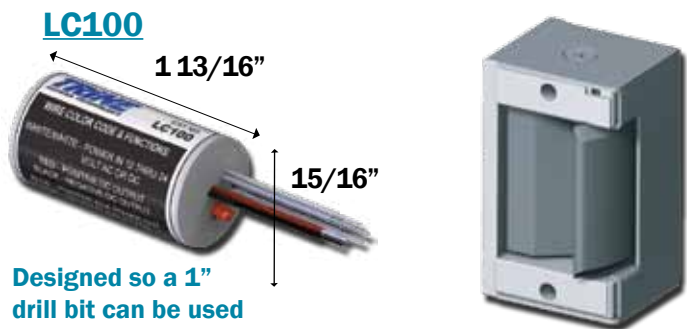
MODEL	VOLTAGE	PULL IN/HOLD AMPS	OHMS	DUTY	SOUND	WIRE COLOR
30LC/30RS	12VDC	.743/.298	13	Intermittent/Continuous	Silent	Red
30LC/30RS	12VAC	.715/.277	13	Intermittent/Continuous	Silent	Red
30LC/30RS	24VDC	.397/.170	13	Intermittent/Continuous	Silent	Red
30LC/30RS	24VAC	.378/.173	13	Intermittent/Continuous	Silent	Red

3012 & 3024 Mechanism

Included spacers increase cavity depth up to 1/8"



30LC & 30RS Mechanism



Be sure to use both LC100 and Mechanism together. The LC100 can be placed up to 15' feet away!

Model	Voltage	Function	Duty
3012	12DC	Fail Secure	Intermittent
3024	24DC	Fail Secure	Intermittent

Price:

\$140.00

\$140.00

Item	Voltage	Function	Duty
30LC	11-29AC/DC	Fail Secure	Continuous
30RS	11-29AC/DC	Fail Safe	Continuous

Price:

\$172.00

\$178.00

Now pick a Faceplate - starting on page 26

323478LC KIT

323478LC Includes:

- (1) 234-26D – 2 3/4" Faceplate
- (1) 234X-375-26D – 2 3/4" Faceplate with extended ramp
- (1) 478-32D – 4 7/8" Faceplate
- (1) 478-CCFP - Competitor Filler Plate
- (1) 30LC - 11-29 AC&DC Mechanism

Price: \$208.00

3000 Series



478-32D

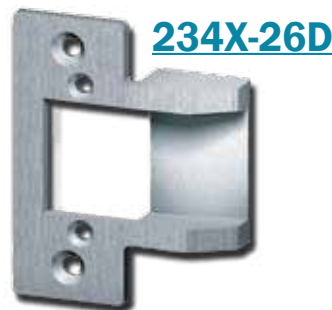


234-26D



30LC

For the smallest electric strike cutout!



234X-26D



478-CCFP

Covers the cutout left by competitor strikes.

Patented horizontal adjustment feature – guaranteed not to move!

Designed for Timely®/Redi® Frames. Great for Wood!

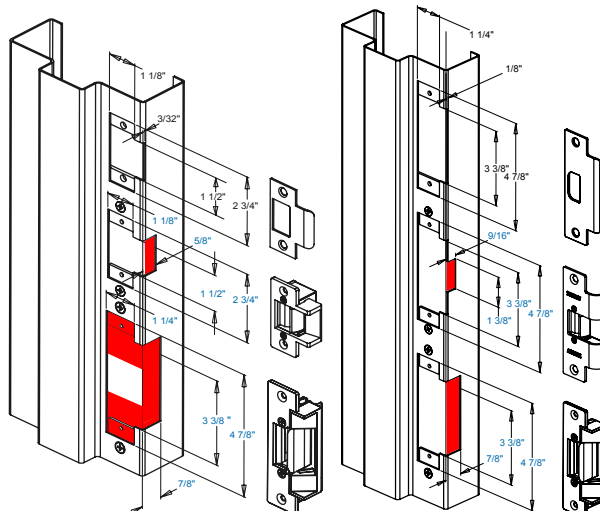
See pg 27 for more details

234/478 COMPARE CUTTING

Top: Standard Lock Strike Plate

Middle: **Trines 323478LC Faceplates Require up to 80% less cutting.**

Bottom: Their strike requires extensive cutting.



www.trineonline.com

BE SURE TO CHECK BACK IN JULY

234 IS GETTING A MAJOR FACELIFT

TRINEONLINE.COM

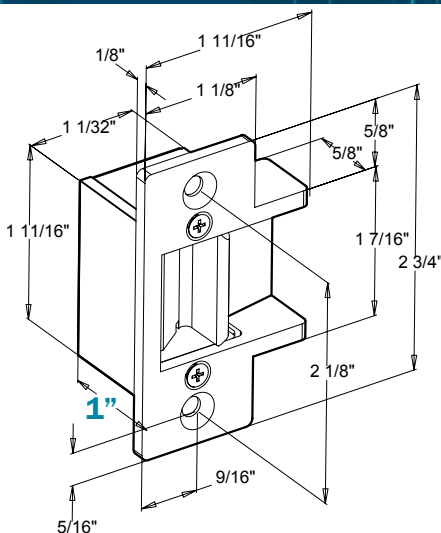
THE SMALLEST ELECTRIC STRIKE IN THE WORLD

THE 3000 SERIES



234 Faceplate - Smallest Electric Strike in the World

For new or replacement installations in metal frames. Use with cylindrical locksets having up to 5/8" throw, based on 1/8" door gap.



Price:

234-26D (Satin Chrome - BHMA651)	\$20.00
234-US10B (Dark Bronze - BHMA613)	\$24.00
234-US3 (Bright Brass - BHMA605)	\$31.00
234-US4 (Satin Brass - BHMA606)	\$24.00

Match with any 3000 Mechanism:
3012, 3024, 30LC, 30RS

BE SURE TO CHECK BACK IN JULY

234 IS GETTING A MAJOR FACELIFT

WWW.TRINEONLINE.COM

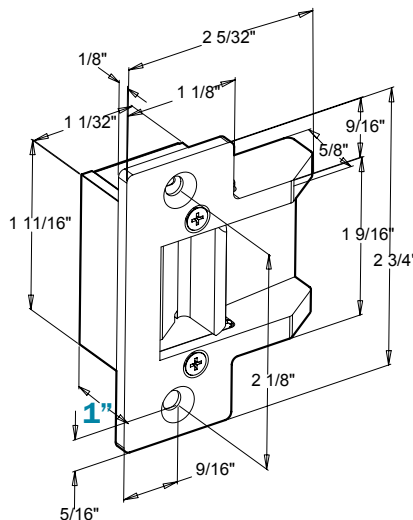
3000 Series



234X-375 Extended Faceplate

Standard ANSI prep features an extended ramp to accommodate additional face of

frames. Ramp is extended 3/8". For new or replacement installations. Use with cylindrical locksets having up to 5/8" throw, based on 1/8" door gap.



Price:

234X-375-26D (Satin Chrome - BHMA651)	\$25.00
234X-375-US10B (Dark Bronze - BHMA613)	\$29.00
234X-375-US3 (Bright Brass - BHMA605)	\$35.00

Match with any 3000 Mechanism:
3012, 3024, 30LC, 30RS

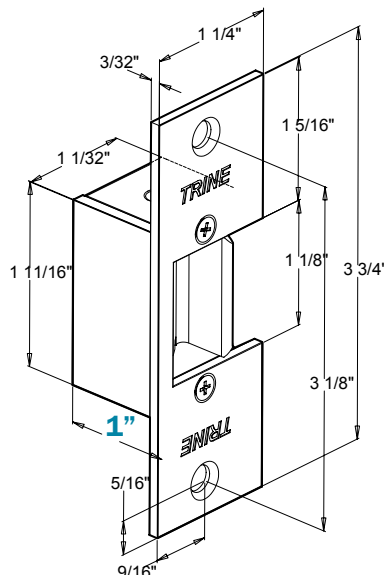
Great for wood frames!

Made for Timely®/Redi® Frames



334 Faceplate

For new or replacement installations in wood frames. Use with cylindrical locksets with up to 5/8" throw, based on 1/8" door gap.



Price:

334-26D (Satin Chrome - BHMA651)	\$25.00
334-US3 (Bright Brass - BHMA605)	\$29.00
334-US4 (Satin Brass - BHMA606)	\$25.00

Match with any 3000 Mechanism:
3012, 3024, 30LC, 30RS

478

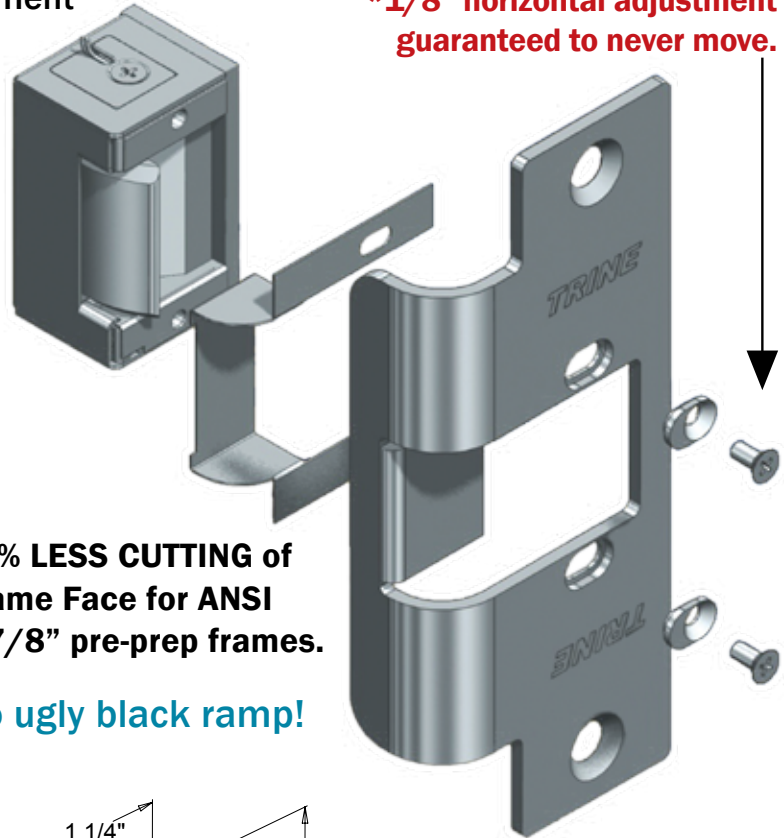
Adjustable ANSI Faceplate

For new or replacement installation in wood, metal or aluminum frames. Use with cylindrical locksets having up to 5/8" throw, based on 1/8" door gap.



FACEPLATE UPDATED:
COMES WITH THE
478-CCFP STANDARD

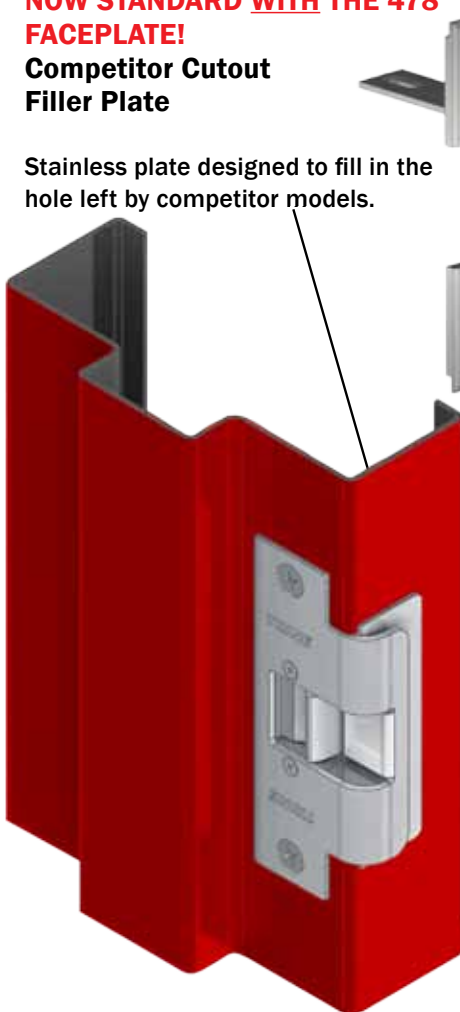
***1/8" horizontal adjustment**
guaranteed to never move.



3000 Series

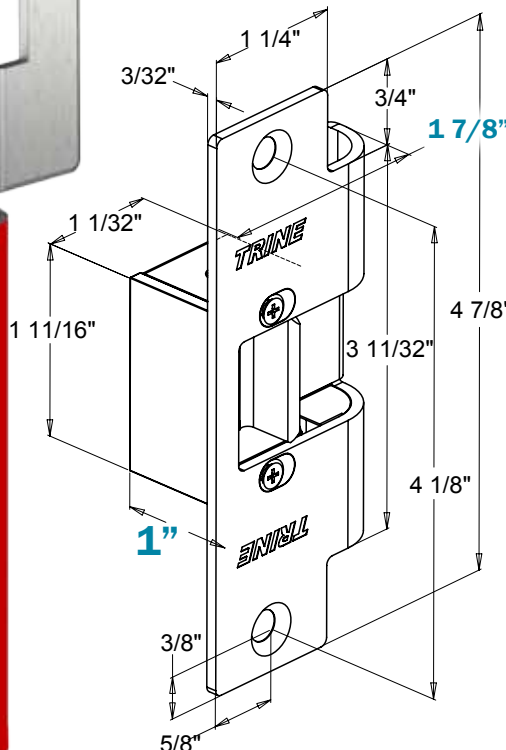
478-CCFP
NOW STANDARD WITH THE 478
FACEPLATE!
Competitor Cutout
Filler Plate

Stainless plate designed to fill in the hole left by competitor models.



60% LESS CUTTING of
Frame Face for ANSI
4 7/8" pre-prep frames.

No ugly black ramp!



Price:

478-32D (Satin Stainless Steel - BHMA630)	\$30.00
478-32 (Polished Stainless Steel - BHMA629)	\$50.00
478-US10B (Dark Bronze - BHMA613)	\$45.00
478-US3 (Bright Brass - BHMA605)	\$59.00
478-US4 (Satin Brass - BHMA606)	\$47.00
RD (Radiused Corners)	add \$5.00

Match with any 3000 Mechanism:
3012, 3024, 30LC, 30RS

See page 33 for all
frame prep details.

THE SMALLEST ELECTRIC STRIKE IN THE WORLD

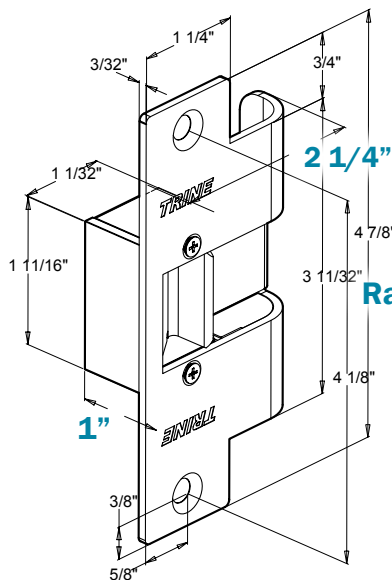
THE 3000 SERIES



478X-375 Extended Faceplate

Frame features an extended ramp to accommodate additional face of **Timely®/Redi®** frames. Use with cylindrical locksets and deadlatches having up to 5/8" throw, based on 1/8" door gap.

Provides a finished look for wood frames with trim.



Ramp Extends .375"

Price:

- 478X-375-32D** (Satin Stainless Steel - BHMA630) **\$43.00**
- 478X-375-US10B** (Dark Bronze - BHMA613) **\$58.00**
- 478X-375-US3** (Bright Brass - BHMA605) **\$63.00**

RD (Radiused Corners) **add \$5.00**

Match with any 3000 Mechanism: **3012, 3024, 30LC, 30RS**



See page 33 for all frame prep details.

3000 Series

GOODBYE UNATTRACTIVE BLACK RAMPS!

- Extended ramp (.375") accommodates snap-on additional frame face of Timely® & Redi® Frames.
- Provides a finished look.
- Eliminates traditional 4 7/8" ANSI strike cutting and black ramp extensions.
- Forward mounting of mechanism helps prevent door pre-load.

Great for wood frames!

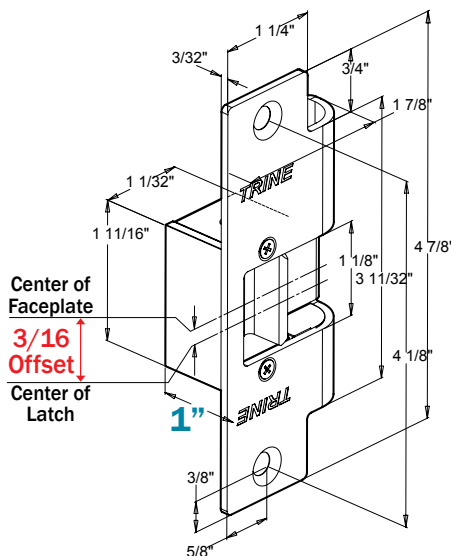
Made for Timely®/Redi® Frames



RO-Right Handed Strike Shown

478LO / 478RO Faceplate

60% LESS FRAME CUTTING of Frame Face for ANSI 4 7/8" pre-prep frames. The strike opening on this face plate is **offset by 3/16"** the center to accommodate door sag for the 478 (just change faceplates, and use the same mechanism)



NOTE: RIGHT HAND SHOWN HERE

Price:

- 478RO/LO-32D** (Satin Stainless Steel - BHMA630) **\$30.00**
- 478RO/LO-32** (Polished Stainless Steel - BHMA629) **\$50.00**
- 478RO/LO-US10B** (Dark Bronze - BHMA613) **\$45.00**

RD (Radiused Corners) **add \$5.00**

****Offset strike - Must Specify Handing****

Match with any 3000 Mechanism: **3012, 3024, 30LC, 30RS**

Accommodates for door sag.

THE SMALLEST ELECTRIC STRIKE IN THE WORLD

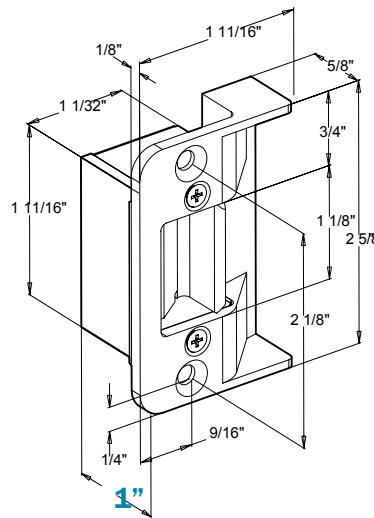
THE 3000 SERIES



258 Faceplate

80% less frame cutting when compared to typical 4 7/8" electric strike installations.

For new or replacement installations in aluminum frames. Use with 4510, 4710 & 4750 Adams Rite® dead latches. Replaces 4502 strike plate with slight modification.



Price:

258-26D (Satin Chrome - BHMA651)	\$28.00
258-US10B (Dark Bronze - BHMA613)	\$31.00

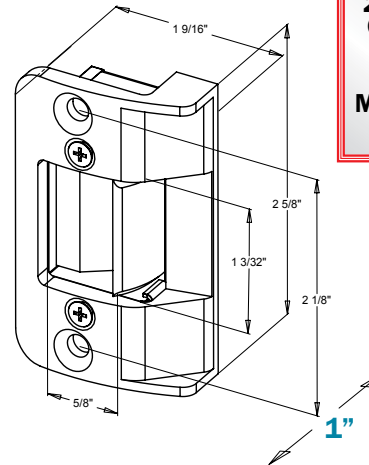
Match with any 3000 Mechanism:
3012, 3024, 30LC, 30RS



258RD Radiused Faceplate

80% less door cutting when compared to typical 4 7/8" electric strike installations.

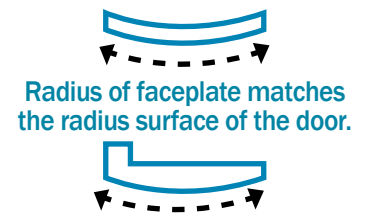
For new or replacement installations in aluminum doors. Use with 4510, 4710 & 4750 Adams Rite® dead latches. Replaces 4502 strike plate with slight modification.



Price:

258RD-26D (Satin Chrome - BHMA651)	\$28.00
258RD-US10B (Dark Bronze - BHMA613)	\$31.00

Match with any 3000 Mechanism:
3012, 3024, 30LC, 30RS



3000 Series

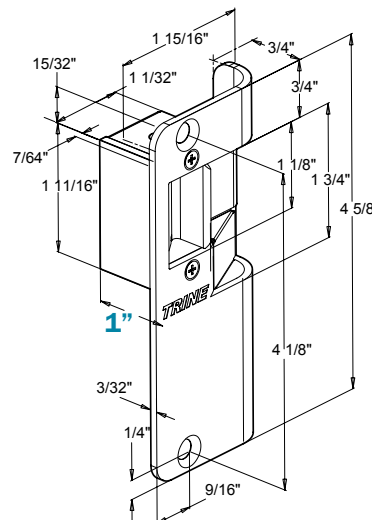


RO-Right Handed Strike Shown

458 Faceplate

80% LESS FRAME CUTTING.

Fills the frame preparation of Adams Rite® MS Locks without relocating tabs for 6 7/8" electric strikes. For new or replacement installations in aluminum frames. Replaces Adams Rite® 4730/4501 strike plate with slight frame modification.



Price:

458-32D (Satin Stainless Steel - BHMA630)	\$49.00
458-US10B (Dark Bronze - BHMA613)	\$59.00

Match with any 3000 Mechanism:
3012, 3024, 30LC, 30RS

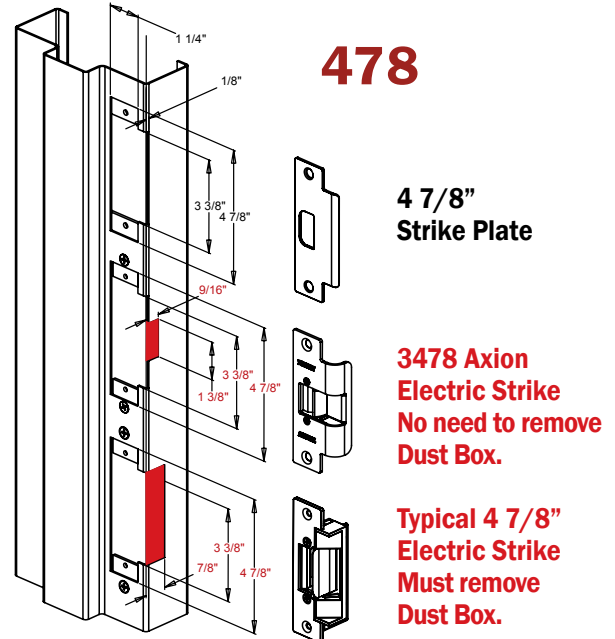
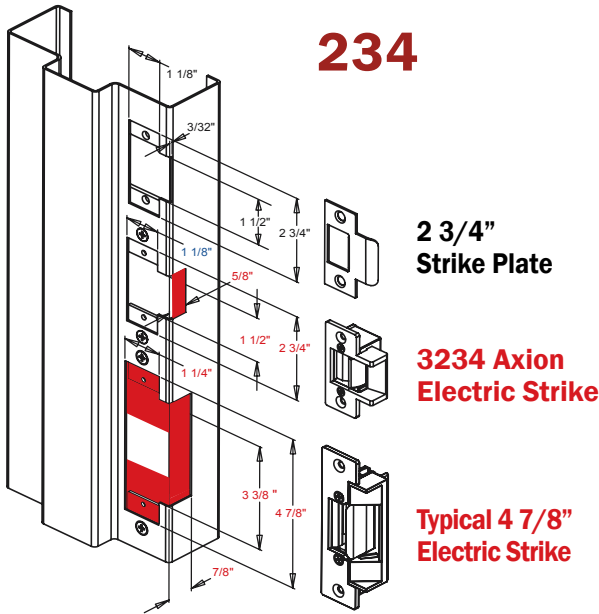
****Offset Cavity****
****Must Specify Handing****

LESS CUTTING IS BETTER THE 3000 SERIES

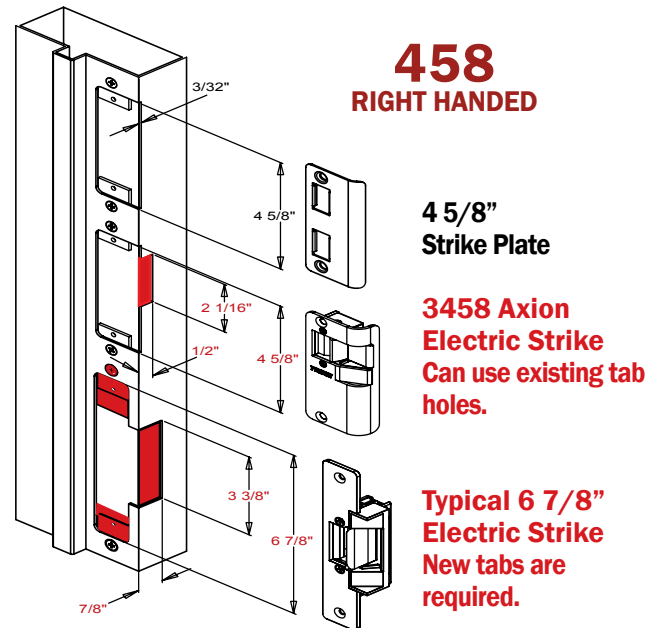
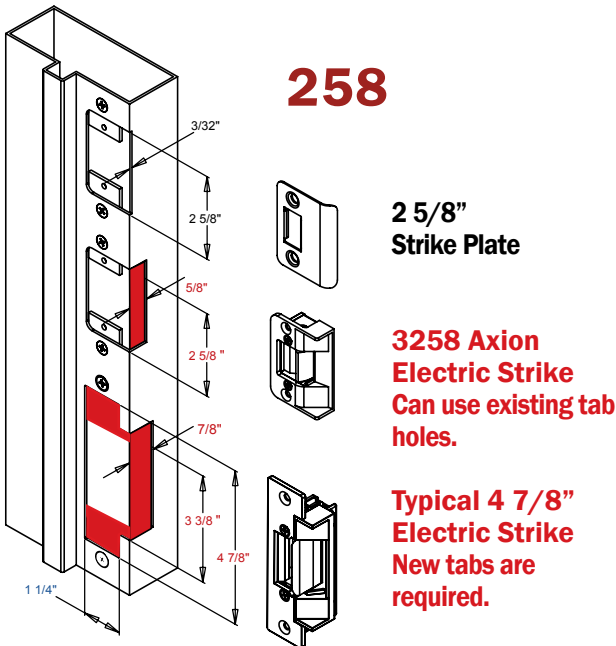


ANSI FACEPLATE SOLUTIONS

3000 Series

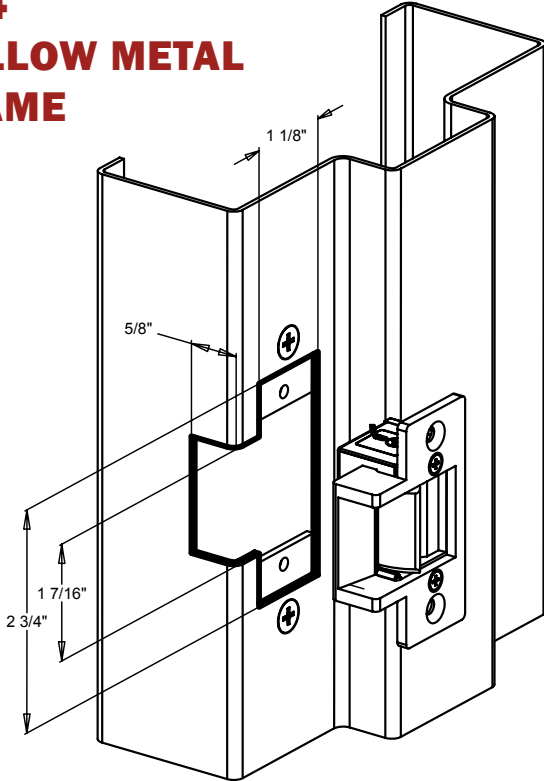


ALUMINUM FACEPLATE SOLUTIONS

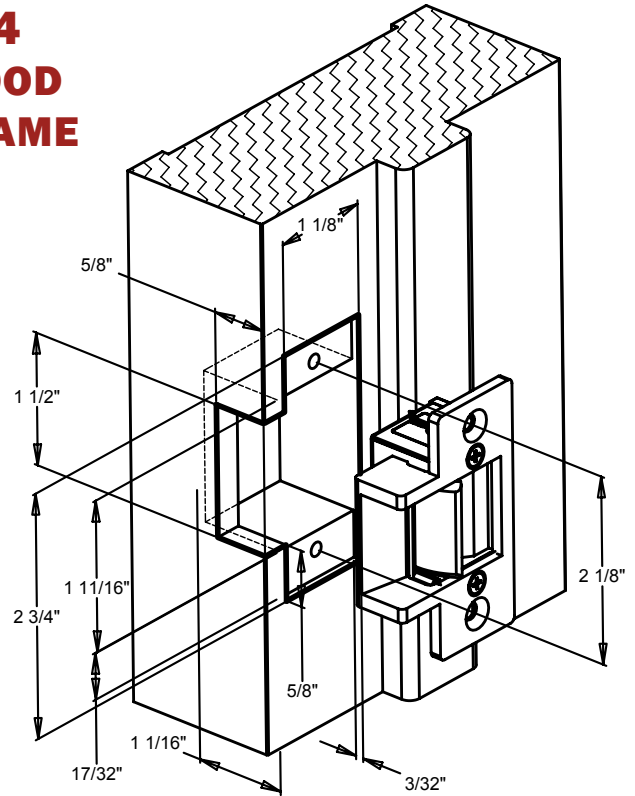


RED ON DIAGRAM = AMOUNT OF CUTTING
3000 SERIES STRIKES REDUCE AMOUNT OF LABOR, TIME, AND MATERIAL LOST ON DOOR FRAME

234
HOLLOW METAL
FRAME



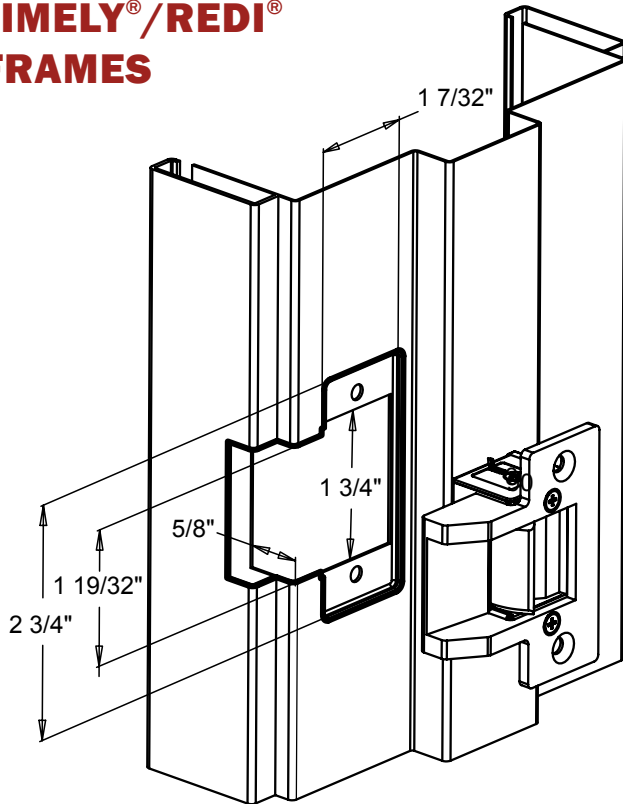
234
WOOD
FRAME



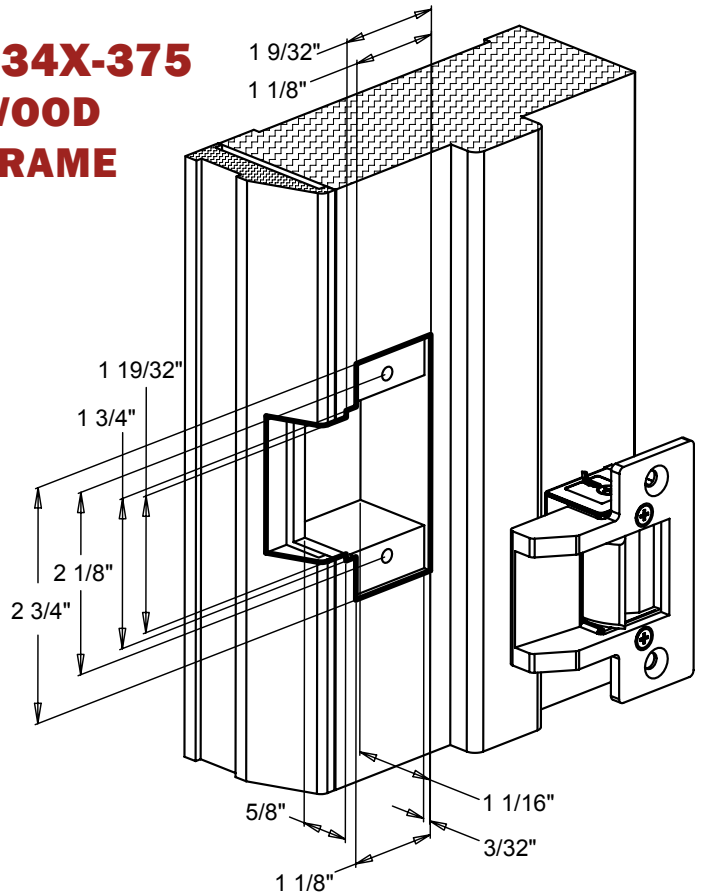
NOTE: USE 2 INCH LONG (OR LONGER) WOOD SCREWS FOR MOUNTING.

3000 Series

234X-375
TIMELY®/REDI®
FRAMES



234X-375
WOOD
FRAME



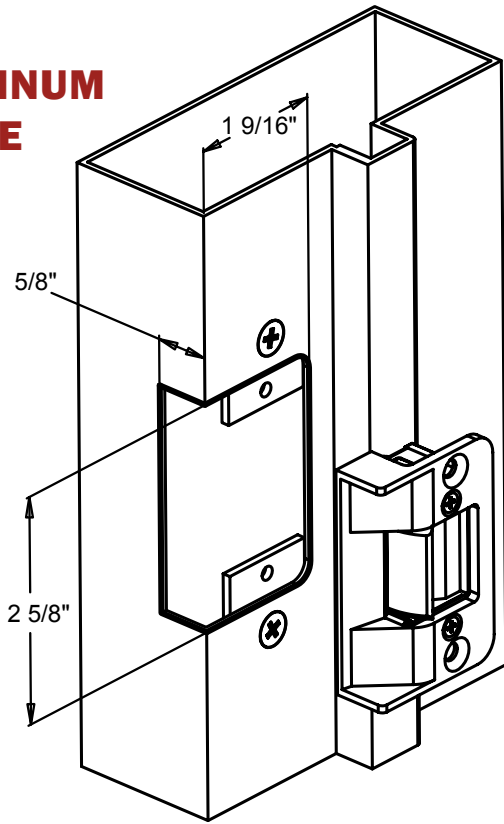
NOTE: USE 2 INCH LONG (OR LONGER) WOOD SCREWS FOR MOUNTING.

FRAME PREPS THE 3000 SERIES

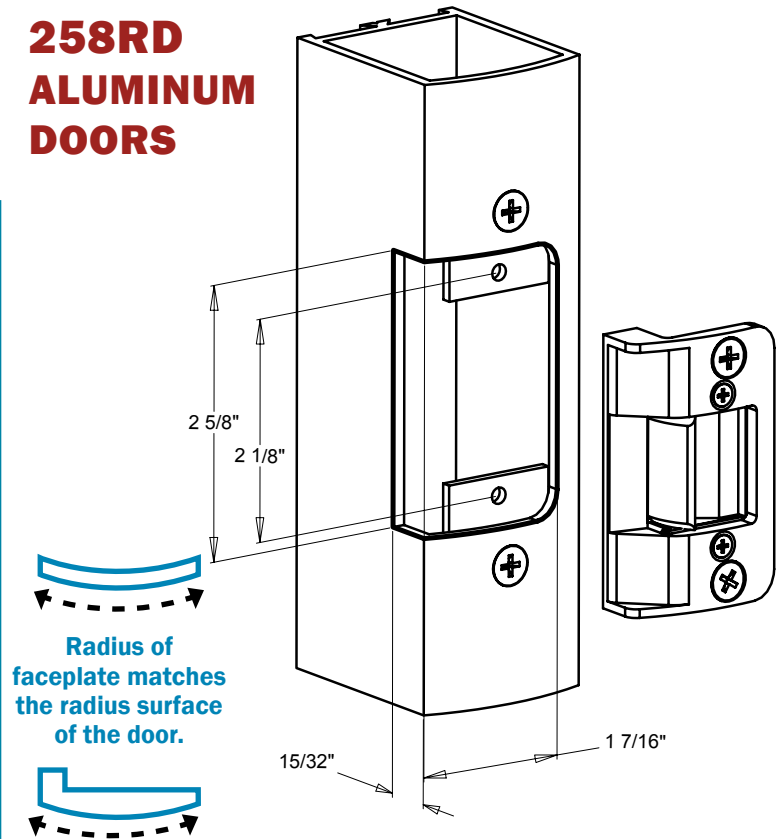


3000 Series

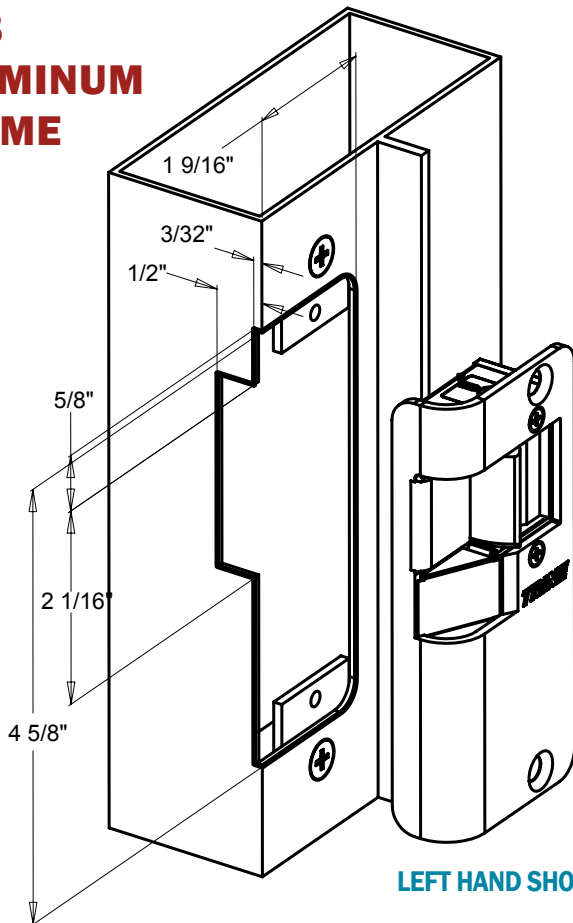
258 ALUMINUM FRAME



258RD ALUMINUM DOORS

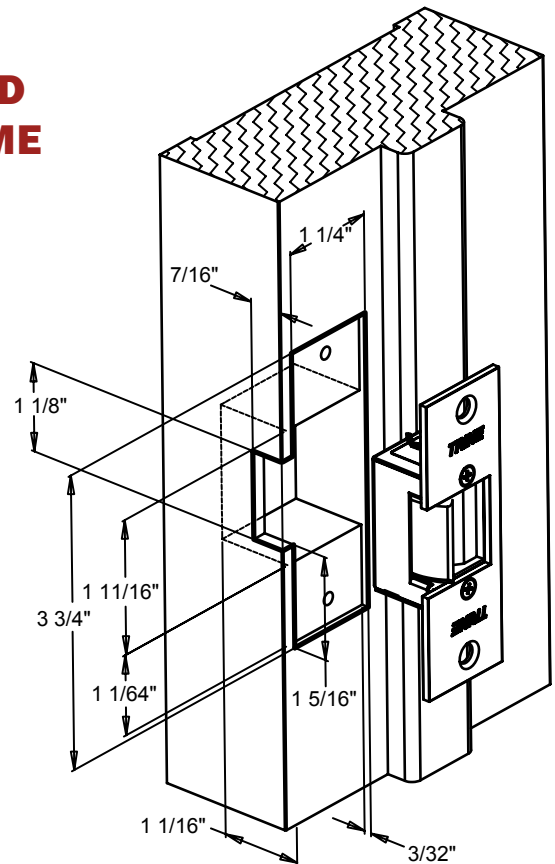


458 ALUMINUM FRAME



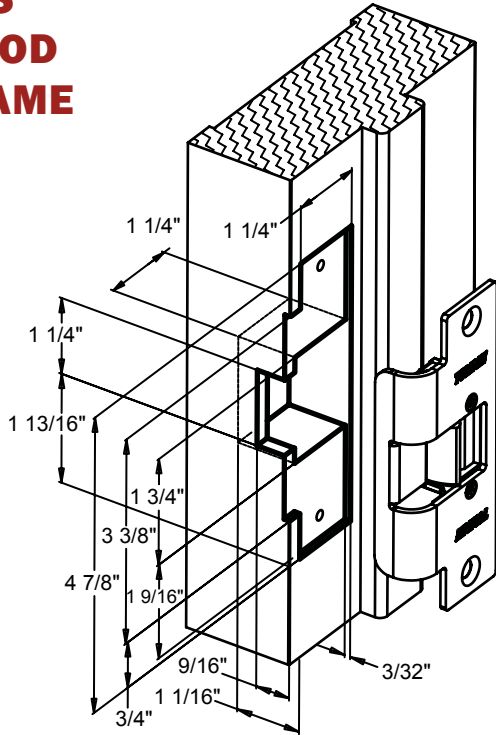
LEFT HAND SHOWN

334 WOOD FRAME



NOTE: USE 2 INCH LONG (OR LONGER) WOOD SCREWS FOR MOUNTING.

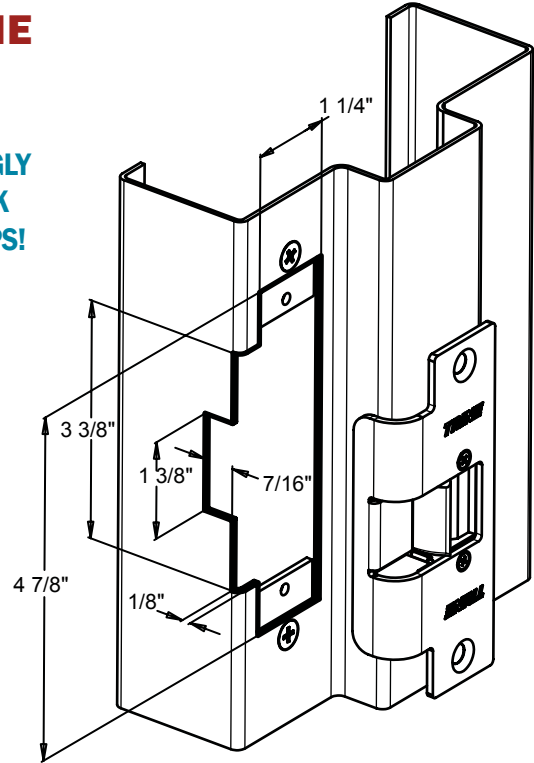
**478
WOOD
FRAME**



NOTE: USE 2 INCH LONG (OR LONGER) WOOD SCREWS FOR MOUNTING.

**478 HOLLOW METAL
FRAME**

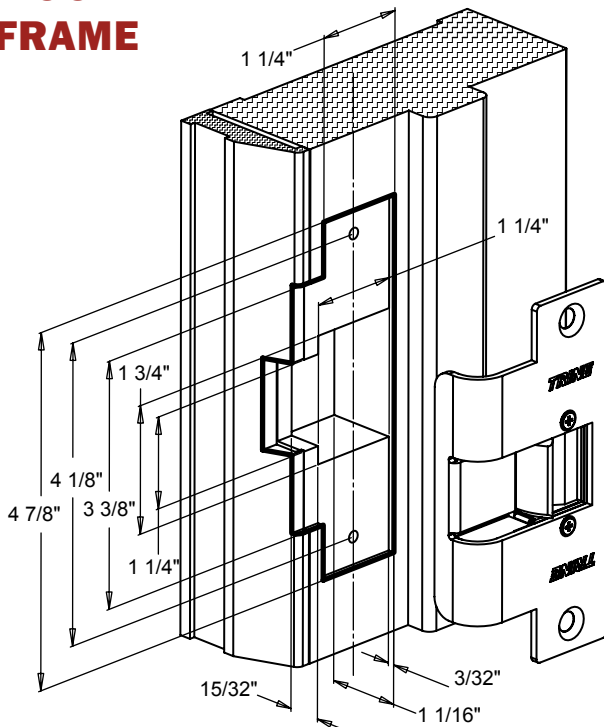
**NO UGLY
BLACK
RAMPS!**



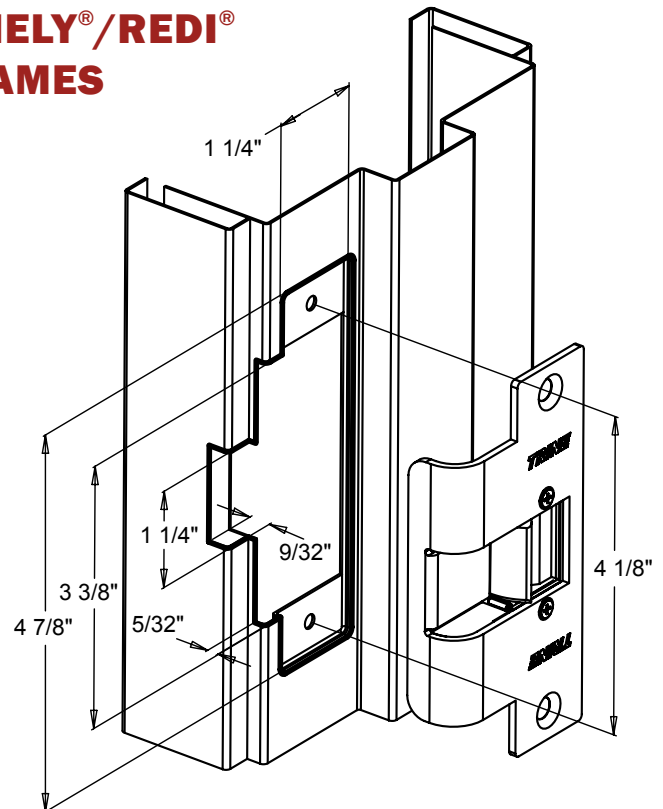
3000 Series

**478X-375
WOOD
FRAME**

**BEST LOOKING WOOD
INSTALLATION**



**478X-375
TIMELY®/REDI®
FRAMES**



NOTE: USE 2 INCH LONG (OR LONGER) WOOD SCREWS FOR MOUNTING.

**00
SERIES**



**ANSI 01
SERIES**



Light Commercial Electric Strikes



**2000
Adjustable Series**

1000 Series

Light Commercial Electric Strikes

00 Series

FEATURES

- Durability - 500,000 Life Cycles
- Holding Force - 1000 lbs
- Only 1 Moving Part in Locking Mechanism
- Non-Handed Operation
- Heavy Duty Latch Spring
- Fail Secure-Standard Action (Unlocks with Power)

Voltage	Amps	Ohms	Sound	Duty	Wire Color
8-16VAC/4-6VDC	1.3-2.7	1.4	Buzz	Intermittent	Black
12VDC	0.40	30.0	Silent	Continuous	Red/White
24VAC	1.40	4.7	Buzz	Intermittent	Red
24VDC	0.19	125.0	Silent	Continuous	Black/White



001

For use in new or replacement installations in wood and metal jambs. For use with locksets having up to 5/8" throw, based on 1/8" door gap.

Face Plate 5-7/8" x 1-1/4" – Mortise Backset 1-9/16" – Cavity Depth 1/2" – Cavity Width 9/16" – Cavity Height 1-1/2"

Price:

001 (Brass Powder Coated) **\$47.00**
001C (Satin Chrome – BHMA651) **\$54.00**

RS (Fail Safe) - For DC Models only. **add \$20.00**



002

For use in new or replacement installations in wood and metal jambs Auxiliary lever ramps for use with locksets which contain dead locking levers. Use with locksets having up to 5/8" throw, based on 1/8" door gap.

Face Plate 7-15/16" x 1-7/16" – Auxiliary Ramp 2-7/8" – Mortise Backset 1-9/16" – Cavity Depth 1/2" – Cavity Width 9/16" – Cavity Height 1-1/2"

Price:

002 (Aluminum Powder Coated) **\$78.00**
002DB (Dark Bronze Powder Coated) **\$83.00**

RS (Fail Safe) - For DC Models only. **add \$20.00**



003

For surface mount installations on wood or metal jambs for in swinging applications with surface mount. Use with locksets and night latches having up to 5/8" throw, based on 1/8" door gap. When mounted on a pair of doors, strike is mounted to the inactive leaf.

Surface Mount – Case 4-11/16" x 1-1/4" – Cavity Depth 1/2" – Cavity Width 9/16" – Cavity Height 1-1/2"

Price:

003 (Grey Moulded Cover) **\$85.00**

RS (Fail Safe) - For DC Models only. **add \$20.00**



004

For new or replacement installations in wood jambs. Use with locksets with individual dead bolts. **Dead bolts cannot be released electrically.** Use with locksets having up to 5/8" throw, based on 1/8" door gap.

Face Plate 6-1/4" x 1-3/8" – Dead bolt Knockouts Top & Bottom 1-11/16" x 9/16" – Mortise Backset 2-3/4" – Cavity Depth 1/2" – Cavity Width 9/16" – Cavity Height 1-1/2"

Price:

004 (Brass Powder Coated) **\$89.00**
004C (Satin Chrome – BHMA651) **\$95.00**
004DB (Dark Bronze Powder Coated) **\$95.00**

RS (Fail Safe) - For DC Models only. **add \$20.00**

Light Commercial Strikes



005

For use in replacement installations in wood jambs and iron gates. Use with bored cylindrical locksets having up to 5/8" throw, based on 1/8" door gap.

Face Plate 3-1/2" x 1-3/8" – Mortise Backset 2-3/4" – Cavity Depth 1/2" – Cavity Width 9/16" – Cavity Height 1-1/2"

Price:

005 (Brass Powder Coated)	\$58⁰⁰
005C (Satin Chrome – BHMA651)	\$64⁰⁰
RS (Fail Safe) - For DC Models only.	add \$20⁰⁰



HD005

Screwed-on Faceplate and reinforced Latch Pin provide additional strength for HEAVY DUTY installations.

For use in replacement installations in wood jambs and iron gates. Use with bored cylindrical locksets having up to 5/8" throw, based on 1/8" door gap.

Face Plate 3-1/2" x 1-3/8" – Mortise Backset 2-3/4" – Cavity Depth 1/2" – Cavity Width 9/16" – Cavity Height 1-1/2"

Price:

HD005 (Brass Powder Coated)	\$74⁰⁰
HD005C (Satin Chrome – BHMA651)	\$80⁰⁰
RS (Fail Safe) - For DC Models only.	add \$20⁰⁰

Light Commercial Strikes



S005

For use in replacement installations in wood jambs and iron gates. Use with bored cylindrical locksets having up to 3/4" throw, based on 1/8" door gap.

Face Plate 3-1/2" x 1-3/8" – Mortise Backset 2-7/8" – Cavity Depth 5/8" – Cavity Width 23/32" – Cavity Height 1-1/2"

Price:

S005 (Brass Powder Coated)	\$69⁰⁰
S005C (Satin Chrome – BHMA651)	\$76⁰⁰
RS (Fail Safe) - For DC Models only.	add \$20⁰⁰



006

For surface mount installations on metal or wood jambs, for in swinging applications. Use with locksets or night latches having up to 5/8" throw, based on 1/8" door gap. When mounted on a pair or doors, strike is mounted to the inactive leaf.

Case 2-1/8" x 1-3/16" – Surface Mounted – Die Cast Housing – Cavity Depth 1/2" – Cavity Width 1/2" – Cavity Height 1-3/8"

Price:

006 (Brass Powder Coated)	\$92⁰⁰
RS (Fail Safe) - For DC Models only.	add \$20⁰⁰



007

For use in new or replacement installations in wood jambs. Use with locksets having up to 3/4" throw, based on 1/8" door gap.

Face Plate 4-7/8" x 1-1/4" – Mortise Backset 2-7/8" – Cavity Depth 5/8" – Cavity Width 3/4" – Cavity Height 1-1/2"

Price:

007 (Brass Powder Coated)	\$95⁰⁰
007C (Satin Chrome – BHMA651)	\$100⁰⁰
RS (Fail Safe) - For DC Models only.	add \$20⁰⁰

Light Commercial Electric Strikes

ANSI 01 Series

FEATURES

- Durability - 300,000 Life Cycles
- Holding Force - 1200 lbs
- Solid Brass Locking System
- Cast Steel Latch
- Heavy Duty Latch Spring

Voltage	Current/Amps	Ohms	Sound	Duty
10-16VAC	0.60 - 0.90	10.0	Buzz	Intermittent
12VDC	0.50	10.0	Silent	Intermittent
24VAC	0.42	47.0	Buzz	Intermittent
24VDC	0.20	119.0	Silent	Continuous



012

For new or replacement installations in metal jambs. Use with locksets having up to **5/8" throw**, based on 1/8" door gap.

Face Plate 4-7/8" x 1-1/4" – Mortise Backset 1-5/8" – Cavity Depth 9/16" – Cavity Width 9/16" – Cavity Height 1-1/2"

Price:

012 (Brass Powder Coated)	\$111.00
012C (Satin Chrome – BHMA651)	\$115.00
012DB (Dark Bronze Powder Coated)	\$115.00
RS (Fail Safe) - 24DC Model only.	add \$30.00



S012

For new or replacement installations in metal jambs. Use with locksets having up to **3/4" throw**, based on 1/8" door gap.

Face Plate 4-7/8" x 1-1/4" – Mortise Backset 1-5/8" – Cavity Depth 5/8" – Cavity Width 3/4" – Cavity Height 1-1/2"

Price:

012 (Brass Powder Coated)	\$129.00
012C (Satin Chrome – BHMA651)	\$133.00
012DB (Dark Bronze Powder Coated)	\$133.00
RS (Fail Safe) - 24DC Model only.	add \$30.00

FEATURES

- Miniature Design
- Die Cast Case
- Solid Cast Latch - Chrome Plated
- Non-Handed
- Heavy Duty Latch Spring

Voltage	Current/Amps	Ohms	Sound	Duty
10-16VAC	0.82 - 1.44	6.8	Buzz	Intermittent
12VDC	0.184	65.0	Silent	Continuous
24VAC	0.895	14.0	Buzz	Intermittent
24VDC	0.100	240.0	Silent	Continuous



014

For new or replacement installations in metal jambs. Use with locksets having up to **5/8" throw**, based on 1/8" door gap.

Face Plate 2-3/4" x 1-1/8" – Mortise Backset 1-1/4" – Cavity Depth 1/2" – Cavity Width 5/8" – Cavity Height 1-1/8"

Price:

014 (Brass Powder Coated)	\$84.00
014C (Satin Chrome – BHMA651)	\$90.00



014W

For new or replacement installations in wood jambs. Use with locksets having up to **5/8" throw**, based on 1/8" door gap.

Face Plate 4-7/8" x 1-1/4" – Mortise Backset 1-5/8" – Cavity Depth 9/16" – Cavity Width 9/16" – Cavity Height 1-1/2"

Price:

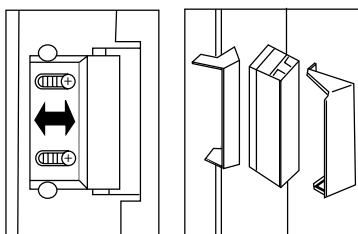
014W (Brass Powder Coated)	\$87.00
014WC (Satin Chrome – BHMA651)	\$93.00

The Adjustable 2000 Series



FEATURES

- Allows adjustment for wider latch bolts & poorly aligned doors & locksets
- **1/8" Horizontal Latch Adjustment**
- **Releases Under Slight Door Preload**
- Life Cycles - 500,000
- **Holding Force - 900 lbs**
- Solid Cast Latch - Chrome Plated
- Non-Handed Operation



Voltage	Current/Amps	Ohms	Sound	Duty
6-14VAC	0.44 - 1.10	8.5	Buzz	Intermittent
6-14VDC	0.70 - 1.60	8.5	Silent	Intermittent
16-24VAC	0.22 - 0.33	50.0	Buzz	Intermittent
16-24VDC	0.32 - 0.47	50.0	Silent	Intermittent
12VDC	0.200	60.0	Silent	Continuous
24VDC	0.12	120.0	Silent	Continuous

Light Commercial Strikes



2001

For use in new or replacement wood or metal jamb installations with locksets having up to 5/8" throw, based on 1/8" door gap.

Face Plate 5-7/8" x 1-1/4" – Narrow Style Face Plate – Mortise Backset 1-9/16" – Cavity Depth 9/16" – Cavity Width 5/8" – Cavity Height 1-11/16"

NOT AVAILABLE IN FAIL-SAFE FUNCTION. SEE 001 ON PAGE 35

Price:

2001 (Brass Powder Coated)	\$84.00
2001C (Satin Chrome – BHMA651)	\$90.00



2002

For use in new or replacement, aluminum or hollow, metal jamb installations. Auxiliary lever ramps for use with locksets containing dead-locking levers. Use with latch bolts having up to 5/8" throw, based on 1/8" door gap.

Face Plate 7-15/16" x 1-7/16" – Auxiliary Ramp Height 2-7/8" – Mortise Backset 1-9/16" – Cavity Depth 9/16" – Cavity Width 5/8" – Cavity Height 1-11/16"

Price:

2002 (Aluminum Powder Coated)	\$100.00
2002DB (Dark Bronze Powder Coated)	\$104.00
RS (Fail Safe) - For DC Models only.	add \$20.00



2002WR

For use in new or replacement, aluminum or hollow, metal jamb installations. Auxiliary lever ramps for use with locksets containing dead-locking levers. Use with locksets having up to 5/8" throw, based on 1/8" door gap.

Steel Face Plate 7-15/16" x 1-7/16" – Auxiliary Ramp Height 3-3/8" – Mortise Backset 1-9/16" – Cavity Depth 9/16" – Cavity Width 5/8" Cavity Height 1-11/16"

Price:

2002WR (Aluminum Powder Coated)	\$112.00
2002WRDB (Dark Bronze Powder Coated)	\$115.00
RS (Fail Safe) - For DC Models only.	add \$20.00



2007

For use in new or replacement installations in metal jambs. Fits a standard 4-7/8" ANSI prep with little jamb modification. Use with locksets having up to 5/8" throw, based on 1/8" door gap.

Steel Face Plate 4-7/8" x 1-1/4" – Narrow Style Face Plate – Mortise Backset 1-9/16" – Cavity Depth 9/16" – Cavity Width 5/8" – Cavity Height 1-11/16"

Price:

2007 (Brass Powder Coated)	\$105.00
2007C (Satin Chrome – BHMA651)	\$110.00
2007DB (Dark Bronze Powder Coated)	\$110.00
RS (Fail Safe) - For DC Models only.	add \$20.00

Light Commercial Electric Strikes

The Adjustable 2000 Series



2009

For use in new or replacement installations in metal jambs. Centerline of the latch is 3/8" below ANSI centerline for offset applications. Fits a standard 4-7/8" ANSI prep with little jamb modification. Use with locksets having up to 5/8" throw, based on 1/8" door gap.

Steel Face Plate 4-7/8" x 1-1/4" – Narrow Style Face Plate – Mortise Backset 1-9/16" – Cavity Depth 9/16" – Cavity Width 5/8" – Cavity Height 1-11/16"

Price:

2009 (Brass Powder Coated)	\$113.00
2009C (Satin Chrome – BHMA651)	\$118.00
2009DB (Dark Bronze Powder Coated)	\$118.00
RS (Fail Safe) - For DC Models only.	add \$20.00



2012

For use in new or replacement, aluminum or hollow, metal jamb installations with locksets having up to 5/8" throw, based on 1/8" door gap.

Steel Face Plate 4-7/8" x 1-1/4" – Auxiliary Ramp 3-3/8" – Mortise Backset 1-9/16" – Cavity Depth 9/16" – Cavity Width 5/8" – Cavity Height 1-11/16"

Price:

2012 (Brass Powder Coated)	\$115.00
2012C (Satin Chrome – BHMA651)	\$113.00
2012DB (Dark Bronze Powder Coated)	\$120.00
RS (Fail Safe) - For DC Models only.	add \$20.00



2678

For use in new or replacement aluminum, or hollow, metal jamb installations. Auxiliary lever ramps for use with locksets containing dead-locking levers. Useful when converting an MS Lock to a dead latch. Up to 5/8" throw, based on 1/8" door gap.

Face Plate 6-7/8" x 1-1/4" – Auxiliary Ramp 3-3/8" – Mortise Backset 1-9/16" – Cavity Depth 9/16" – Cavity Width 5/8" – Cavity Height 1-11/16"

Price:

2678 (Satin Aluminum - BHMA 628)	\$112.00
2678-US10B (Satin Bronze – BHMA639)	\$119.00
RS (Fail Safe) - For DC Models only.	add \$20.00

Light Commercial Strikes

The 1000 Series

FEATURES

- Releases Under Slight Door Preload
- **Taller latch cavity for easier door alignment.**
- Life Cycles - 500,000
- Holding Force - 1000 lbs
- Non-Handed Operation

Voltage	Current/Amps	Ohms	Sound	Duty
6-14VAC	0.495 - 1.09	8.5	Buzz	Intermittent
6-14VDC	0.650 - 1.24	8.5	Silent	Intermittent
16-24VAC	0.270 - 0.48	50.0	Buzz	Intermittent
16-24VDC	0.380 - 0.61	50.0	Silent	Intermittent



1001-2

For use in new or replacement installations in wood and metal jambs. For use with locksets having up to 5/8" throw, based on 1/8" door gap.

Steel Face Plate 5-7/8" x 1-1/4" – Narrow Style Face Plate – Mortise Backset 1-1/2" – Cavity Depth 9/16" – Cavity Width 9/16" – Cavity Height 1-11/16"

Price:

1001-2 (Brass Powder Coated)	\$65.00
1001-2C (Satin Chrome – BHMA651)	\$71.00



1002-2

For use in new or replacement installations in wood and metal jambs. Auxiliary lever ramps for use with locksets which contain dead locking levers. For use with locksets having up to 5/8" throw, based on 1/8" door gap.

Face Plate 7-15/16" x 1-7/16" – Auxiliary Ramp 2-7/8" Height – Mortise Backset 1-1/2" – Cavity Depth 9/16" – Cavity Width 9/16" – Cavity Height 1-11/16"

Price:

1002-2 (Aluminum Powder Coated)	\$89.00
1002-2DB (Dark Bronze Powder Coated)	\$95.00

Wireless Chimes



234WB – STROBE CHIME “See” Your Door Ring!!

- Sound and Sight - 8 note Westminster or 2-note sound with flashing parallel light
- Simply plug-in - as many as desired wherever desired
- Volume control- adjust to desired intensity
- Up to 100 ft. operating range
- 128 selectable channels. Setting the **same** code on multiple devices will allow them to chime at the same time (if within range). Setting **different** codes will allow multiple chimes in proximity to work without interference
- 80db at 3 feet at max setting
- 6 Foot-Candles strobe output
- FCC-IC approved, UL, CSA recognized

Price:

234WB \$81.00



232 – BATTERY OPERATED

- Field selectable 2 note or 1 note
- Requires 3 “C” batteries (not included)
- Up to 100ft operating range
- 64 selectable security codes. Setting the **same** code on multiple devices will allow them to chime at the same time (if within range). Setting **different** codes will allow multiple chimes in proximity to work without interference
- A-23 battery included
- FCC-IC approved

Price:

232 \$30.00

Accessories



233 – PLUG IN

- Field selectable 8 note or 2 note
- Plugs into 120VAC outlet
- 128 selectable security codes. Setting the **same** code on multiple devices will allow them to chime at the same time (if within range). Setting **different** codes will allow multiple chimes in proximity to work without interference
- Up to 100 ft. operating range
- A-23 battery included
- UL recognized, FCC-IC approved

Price:

233 \$36.00



235 – WIRELESS MECHANICAL CHIME

TRADITIONAL TONE BAR SOUND – THE EASE OF WIRELESS TECHNOLOGY

- Field selectable push button 2 note or 1 note
- Up to 125 ft range
- 128 selectable security codes. Setting the **same** code on multiple devices will allow them to chime at the same time (if within range). Setting **different** codes will allow multiple chimes in proximity to work without interference
- Battery operated requiring 4 “C” batteries (not included)
- A-23 battery included – Low battery indicator
- FCC-IC approved

Price:

235 \$53.00



017TDC-3 – WIRELESS CONTROLLER

DOUBLE RELAY

- 300' open range
- Separate time delay of 5-30 seconds for each relay.
- Two 5 amp 'Normally Open' and 'Normally Closed' contacts, rated at 12 through 30 volts AC/DC
- Relays can be coupled to work simultaneously or individually controlled by the 018-2's.
- Superheterodyne low radiant receiver
- **Can act as a wireless controlled relay without supplying output power.**

- **Must be used with the 018-2 Transmitter**

Price:
017TDC-3 \$95.00

018-2 – WIRELESS TRANSMITTER

TWO BUTTON TRANSMITTER



- 6561 security codes available
- LED indicates operation
- Belt clip key ring provided
- Operates on 315 Mhz
- A-23 Battery Included
- FCC-IC approved

Price:
018-2 \$33.00

Accessories

017-1805

- 017TDC-3/018-2 w/ additional transformer
- FCC/IC approved
- 5205 tri-volt transformer 8-16-24 AC plug-in type
- 017TDC-3 receiver, 018-2 transmitter
- A-23 Battery Included

017-1808

- 017TDC-3/018-2 w/ additional transformer
- FCC/IC approved
- 5208 transformer 12DC plug-in type
- 017TDC-3 receiver, 018-2 transmitter
- A-23 Battery Included

017-1809

- 017TDC-3/018-2 w/ additional transformer
- FCC/IC approved
- 5209 transformer 24DC plug-in type
- 017TDC-3 receiver
- 018-2 transmitter
- A-23 Battery Included

032

- 017TDC-3/018-2 w/ additional transformer & 3234, 2-3/4"ANSI electric strike
- 3234-24DC-26D electric strike
- 5209 plug-in type 24VDC transformer
- 017TDC-3 wireless receiver, 018-2 transmitter

034

- 017TDC-3/018-2 w/ additional transformer & 3478, 4-7/8"ANSI electric strike
- 3478-24DC-32D electric strike
- 5209 plug-in type 24VDC transformer
- 017TDC-3 wireless receiver, 018-2 transmitter

Price:

017-1805: \$146.00

Price:

017-1808: \$148.00

Price:

017-1809: \$148.00

Price:

032: \$312.00

Price:

034: \$322.00

Door Alarms, Switches, & Motion Alerts



206-2 – MOTION ALERT ANNUNCIATOR

- Moving objects are detected by changes in reflected light
- Battery operated with 2 “C” cells (not included)
- 3 selectable tones, 8 note melody, 2 note repeated, 2 note alternating tone
- Off, high & low volume control switch 77db (low) and 84db (high) @ 3 ft
- Durable white moulded plastic case 3-1/6” x 4-3/8” x 2-3/8”

Price:

206-2 \$27.00



206-3 – WIRELESS ENTRY/EXIT SIGNAL KIT

- 1 note, 2 note or 8 note melody chime, field selectable
- Wireless battery-operated door contact switch A-23 battery (included)
- Up to **100ft range** – 128 selectable codes. Setting the same code on multiple devices will allow them to chime at the same time (if within range). Setting **different** codes will allow multiple chimes in proximity to work without interference
- Receiver plugs into 120 VAC outlet
- Adjustable volume control, 74db (low) 82db (high) @ 3ft
- UL recognized, FCC-IC approved

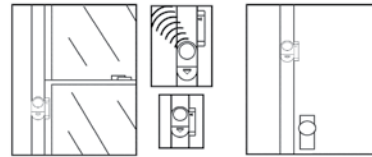
Price:

206-3 \$50.00



215 – WINDOW/DOOR ENTRY/EXIT SIGNAL KIT

- N/O magnetic contact switch activates alarm
- User can set for Chime or 105db alarm sound
- On/Off switch
- No wiring
- (3) L1154 batteries (included)
- Contacts provided with mounting tape

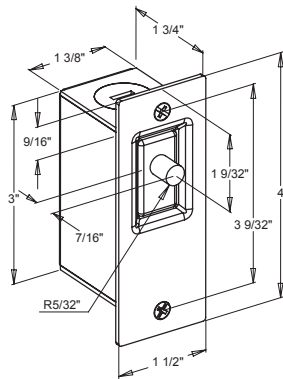


Price:

215 \$11.00

340 – ELECTRIC DOOR SWITCH

- Face plate brass finish 4”H x 1-1/2”W
- Box 3”H x 1-3/8”W x 1-3/4”D
- Switch Rating: 120VAC, 10 Amps 250VAC, 5 Amps
- Field selectable N/C or N/O
- Stamped steel case – UL, CSA listed switch & wire leads
- Faceplate Powder Coated Brass
- 4 - knockouts 7/8”

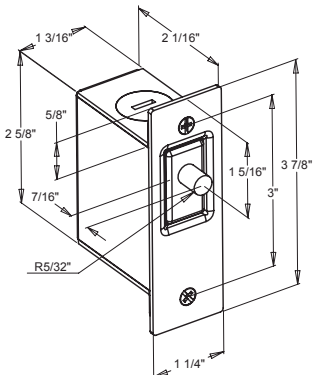


Price:

340 \$18.00

342 – ELECTRIC DOOR SWITCH (NARROW STYLE)

- Face plate brass finish 3-7/8”H x 1-1/4”W
- Box 2-5/8”H x 1-3/16”W x 2-1/8”D
- Switch Rating: 120VAC, 10 Amps 250VAC, 5 Amps
- Field selectable N/C or N/O
- Stamped steel case – UL, CSA listed switch & wire leads
- Faceplate Powder Coated Brass
- 4 - knockouts 7/8”



Price:

342 \$18.00

Accessories

Accessories

Door Chimes, Bells, Buzzers, & Chime Kits



201 – CHIME KIT

- (1) White chime base, (2) Unlighted 66W white push buttons, and (1) 16VAC-10VA Hard wire transformer
- Mounting hardware included, excluding wire
- Offers 2 note front door/1 note rear door ability

Price:

201 \$25⁰⁰



203 – CHIME KIT

- (1) White chime base, (1) Lighted 45LG push button, and (1) 16VAC-10VA Hard wire transformer
- Mounting hardware included, excluding wire
- Offers 2 note front door/1 note rear door ability

Price:

203 \$25⁰⁰



240 – CHIME

- Chime base with solid white cover
- Offers 2 note front door/ 1 note rear door ability
- Operating voltage 12-24VAC – Mounting base hardware provided
- 80 db sound at 3 feet – Outer dimension 7-1/4" x 4-3/4" x 1-7/8"

Price:

240 \$28⁰⁰



296 – CHIME

- Chime base with solid white cover
- Offers 2 note front door/1 note rear door ability
- Operating voltage 12-16VAC – Mounting base hardware included
- 75db sound at 3 feet – Outer dimension 1-1/8" x 4" x 2"

Price:

296 \$18⁰⁰



270 – BUZZER

- Enclosed buzzer – 92db sound at 3 feet
- Operating range 3-6VDC, 8-16 VAC, 1 Amp draw
- Bright chrome finish
- Includes mounting hardware

Price:

270 \$13⁰⁰



272 – BELL

- 100 db sound at 3 feet – 2-1/2" open bell
- Operating range 3-6VDC, 8-16 VAC, 1 Amp draw
- Bright chrome finish
- Includes mounting hardware

Price:

272 \$14⁰⁰



274 – BELL

- 100 db sound at 3 feet – 4" open bell
- Operating range 3-6VDC, 8-16 VAC, 1 Amp draw
- Bright chrome finish
- Includes mounting hardware

Price:

274 \$16⁰⁰



275 – ENCLOSED BELL

- 88 db at 3 feet
- Operating range: 3-8VDC, 1.4 Amp draw
- 6-8VAC, 0.7 Amp draw
- Grey finish – Includes mounting hardware

Price:

275 \$18⁰⁰



276 – ENCLOSED BELL & BUZZER

- 88 db at 3 feet
- Operating range: 3-8VDC, 1.4 Amp draw
- 6-8VAC, 0.7 Amp draw
- Grey finish – Includes mounting hardware

Price:

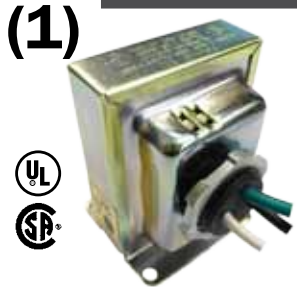
276 \$22⁰⁰

Accessories

Door Alarms, Switches, & Motion Alerts



For electric strikes, bells, buzzers, chimes, and other low voltage devices. A complete line of U.L. Listed step down transformers. Easy to install, low voltage, 120AC primary for residential, commercial and industrial uses. Transformers will safely take themselves off line when they overheat. Transformers can be either base mounted or attached to standard knockouts on boxes or cabinets (except plug-in types.) All primary leads are pre-stripped for quick connection.

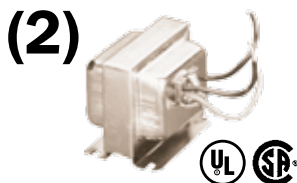


522 – (1) – LOCKNUT TYPE (AC)

- For standard 1/2" knockouts
- 2-5/32"D x 2-1/2"H x 2"W 8oz
- Electric Characteristics: 16VAC – 10VA – 0.625 AMPS
- 120 volt primary AC

Price:

522 \$15.00

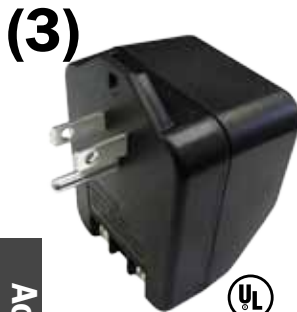


525 – (2) – CLAMP ON TYPE/TRI VOLT (AC)

- Equipped with convenient screw-bracket mounting clamp for standard 1/2" knockouts
- 120 volt primary AC
- Electric Characteristics: 8VAC – 10VA – 1.25 AMPS
- 2-1/4"D x 2-3/16"H x 2-5/16"W 13oz
- 16VAC – 10VA – 0.62 AMPS
- 24VAC – 20VA – 0.83 AMPS

Price:

525 \$22.50



598 – (2) – CLAMP ON TYPE/TRI VOLT (AC)

- Equipped with convenient screw-bracket mounting clamp for standard 1/2" knockouts
- 120 volt primary AC
- Electric Characteristics: 8VAC – 20VA – 2.50 AMPS
- 2-15/16"D x 2-7/32"H x 2-11/32"W 1lb 6oz
- 16VAC – 30VA – 1.88 AMPS
- 24VAC – 30VA – 1.25 AMPS

Price:

598 \$26.00



599 – (2) – CLAMP ON TYPE (AC)

- Equipped with convenient screw-bracket mounting clamp for standard 1/2" knockouts
- 120 volt primary AC
- Electric Characteristics: 24VAC – 40VA – 1.65 AMPS
- 2-15/16"D x 2-3/16"H x 2-11/32"W 1lb 6oz

Price:

599 \$27.00

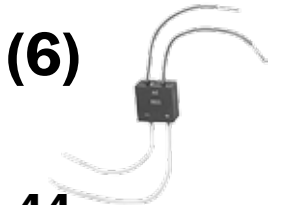


5201 – (3) – PLUG IN TYPE (AC)

- 120 volt primary AC
- Electric Characteristics: 24VAC – 20VA – 0.834 AMPS
- 2"D x 3"H x 2-1/2"W 7oz

Price:

5201 \$22.50



5203 – (3) – PLUG IN TYPE (AC)

- 120 volt primary AC
- Electric Characteristics: 16VAC – 20VA – 1.250 AMPS
- 2"D x 3"H x 2-1/2"W 7oz

Price:

5203 \$22.50



5204 – (3) – PLUG IN TYPE (AC)

- 120 volt primary AC
- Electric Characteristics: 12VAC – 20VA – 1.667 AMPS
- 2"D x 3"H x 2-1/2"W 7oz

Price:

5204 \$22.50

5205 – (4) – PLUG IN TYPE/TRI VOLT (AC)

- 120 volt primary AC
- Electric Characteristics: 8VAC – 10VA – 1.25 AMPS
- 2"D x 3"H x 2-1/2"W 7oz
- 16VAC – 10VA – 0.62 AMPS
- 24VAC – 20VA – 0.83 AMPS

Price:

5205 \$28.00

5208 – (5) – PLUG IN TYPE (DC)

- 120 volt primary AC, Corded output lead
- Electric Characteristics: 12VDC – 12VA – 1.00 AMPS
- 2"D x 3-1/4"H x 2-3/8"W 1lb 2oz

Price:

5208 \$30.00

5209 – (5) – PLUG IN TYPE (DC)

- 120 volt primary AC, Corded output lead
- Electric Characteristics: 24VDC – 12VA – 0.50 AMPS
- 2"D x 3-1/4"H x 2-3/8"W 1lb 2oz

Price:

5209 \$30.00

SR1 – (6) – SILICON RECTIFIER (SR-1) **Not Recommended for 4850**

- For converting AC voltage to DC voltage
- Note: DC strikes do not buzz, click only
- Electric Characteristics: 12-27VAC – 1.00 AMPS
- For AC power supplies up to 27 volt AC 1 amp.
- Size 1" x 1/2" x 1"

Price:

SR1 \$24.00

Accessories

Accessories

Door Chimes, Bells, Buzzers, & Chime Kits

(1)		JRP -- (img 1) -- Polished Solid Brass w/ black center 1-3/4" Body Diameter -- for use up to 30 volts AC or DC	Price: JRP	\$6 ^{.25}
		SRP -- (img 1) -- Polished Solid Brass w/ black center 2-1/4" Body Diameter -- for use up to 30 volts AC or DC	Price: SRP	\$6 ^{.50}
(2)		45A -- (img 2) -- Silver Rim with Pearl Center 5/8" Body Diameter -- for use up to 30 volts AC or DC	Price: 45A	\$4 ^{.50}
		45G -- (img 2) -- Gold Rim with Pearl Center 5/8" Body Diameter -- for use up to 30 volts AC or DC	Price: 45G	\$4 ^{.50}
(3)		45LA -- (img 2) -- Silver Rim with Lighted Pearl Center 5/8" Body Diameter -- for use up to 16 volts AC or DC	Price: 45LA	\$6 ^{.50}
		45LG -- (img 2) -- Gold Rim with Lighted Pearl Center 5/8" Body Diameter -- for use up to 16 volts AC or DC	Price: 45LG	\$6 ^{.50}
(4)		65P -- (img 3) -- Weatherproof Polished Solid Brass 2-1/2" Body Diameter *Single Packs Only -- for use up to 30 volts AC or DC	Price: 65P	\$43 ^{.00}
		66B -- (img 4) -- Black with White Bar Molded Plastic 2-3/4"L X 3/4"W X 5/8"H -- for use up to 30 volts AC or DC	Price: 66B	\$4 ^{.50}
(5)		66C -- (img 4) -- Silver w/ White Bar Molded Plastic 2-3/4"L X 3/4"W X 5/8"H -- for use up to 30volts AC or DC	Price: 66C	\$4 ^{.50}
		66G -- (img 4) -- Gold w/ White Bar Plated Molded Plastic 2-3/4"L X 3/4"W X 5/8"H -- for use up to 30 volts AC or DC	Price: 66G	\$4 ^{.50}
(6)		66W -- (img 4) -- White with White Bar Molded Plastic 2-3/4"L X 3/4"W X 5/8"H -- for use up to 30 volts AC or DC	Price: 66W	\$4 ^{.50}
		66LB -- (img 4) -- Lighted Black w/ White Bar Molded Plastic 2-3/4"L X 3/4"W X 5/8"H -- for use up to 16 volts AC or DC	Price: 66LB	\$7 ^{.50}
(7)		66LC -- (img 4) -- Lighted Silver w/ White Bar Plated Molded Plastic 2-3/4"L X 3/4"W X 5/8"H -- for use up to 16 volts AC or DC	Price: 66LC	\$7 ^{.50}
		66LG -- (img 4) -- Lighted Gold w/ White Bar Plated Molded Plastic 2-3/4"L X 3/4"W X 5/8"H -- for use up to 16 volts AC or DC	Price: 66LG	\$7 ^{.50}
(8)		66LW -- (img 4) -- Lighted White w/ White Bar Molded Plastic 2-3/4"L X 3/4"W X 5/8"H -- for use up to 16 volts AC or DC	Price: 66LW	\$7 ^{.50}
		71A -- (img 5) -- Anodized Aluminum Housing w/ Black Bar 2-3/4"L X 1"W X 3/4"H -- for use up to 30 volts AC or DC	Price: 71A	\$7 ^{.50}
(9)		71G -- (img 5) -- Anodized Brass Aluminum Housing w/ Black Bar 2-3/4"L X 1"W X 3/4"H -- for use up to 30 volts AC or DC	Price: 71G	\$7 ^{.50}
		71LA -- (img 5) -- Lighted Anodized Aluminum Housing w/ White Bar 2-3/4"L X 1"W X 3/4"H -- for use up to 16 volts AC or DC	Price: 71LA	\$8 ^{.50}
(10)		71LG -- (img 5) -- Lighted Anodized Brass Aluminum Housing w/ White Bar 2-3/4"L X 1"W X 3/4"H -- for use up to 16 volts AC or DC	Price: 71LG	\$8 ^{.50}
		91P -- (img 6) -- Multi-Family, Polished Solid Brass Housing 4-3/4"L X 5/8"W X 3/4"H -- for use up to 30 volts AC or DC *Must be ordered in 5 pack quantity	Price: 91P	\$15 ^{.50}
(11)		94P -- (img 6) -- 3-Button Multi-Family, Polished Solid Brass Housing 7"L X 5/8"W X 3/4"H -- for use up to 30 volts AC or DC *Must be ordered in 5 pack quantity	Price: 94P	\$17 ^{.50}

PUSH BUTTONS MUST BE PURCHASED IN PACKS OF 10 UNLESS NOTED

ALTERNATING CURRENT (AC)

An electric current that reverses direction in a circuit at regular intervals.

CONTINUOUS DUTY

A device that is designed to operate continuously without rest.

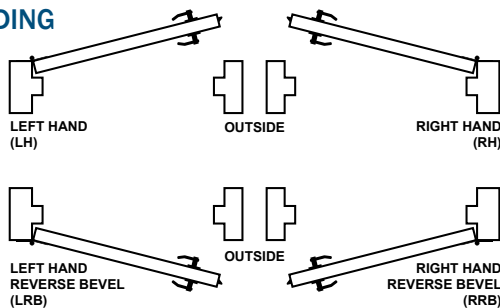
CURRENT

Measured flow of electrons through an electrical conductor. Normally measured in amperes.

DIRECT CURRENT

An electric current flowing in one direction.

DOOR HANDING



HANDING OF DOOR IS ALWAYS DETERMINED FROM THE OUTSIDE.

FAIL SAFE

A device that is normally open and locks when power is applied to the unit. Example: During a loss of power the device remains open. Often listed as "RS"

FAIL SECURE

A device that is normally closed or locked until power is applied. Example: During a loss of power the device remains locked.

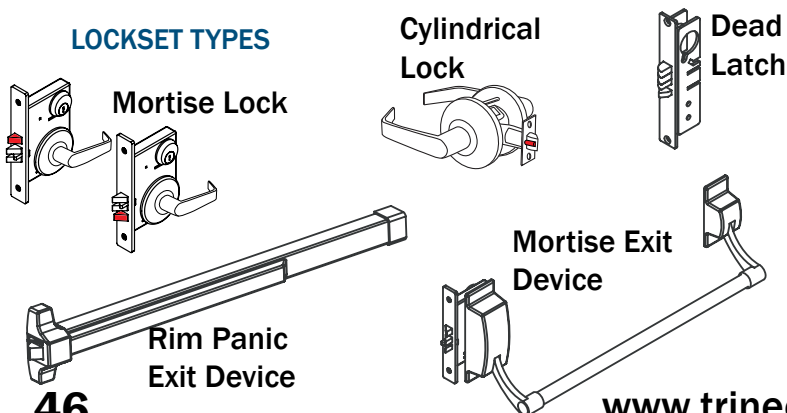
FUSE

A device that is placed in the path of energy that will break the circuit if the current becomes too great. This is accomplished by having a strip of metal that will melt when the current exceeds the required amount.

INTERMITTENT DUTY

A device that is designed to operate for a short period of time; generally less than 45 seconds.

LOCKSET TYPES



NORMALLY OPEN

The contacts of a switch or relay are normally open or not connected. When activated the contacts close or become connected. EXAMPLE: A switch is not depressed and the circuit is not complete.

NORMALLY CLOSED

The contacts of a switch or relay are normally closed or connected. When activated the contacts open or become disconnected. EXAMPLE: A switch is not depressed and the circuit is complete.

OHMS

The measure of resistance of an electrical device to resist the flow of energy.

RECTIFIER

A device that is commonly used to convert AC to DC. Commonly used to silence the audible sound that an electrical strike can make while energized on AC current.

RELAY

An electro-magnetic device activated by a variation in conditions in one electric circuit and controlling a larger current or actuating other devices in the same or another electric circuit.

STANDARD VOLTAGE

Electric door strike supplied with magnetic coils: 4-6VDC/8-16VAC. Electric door strikes supplied with a solenoid coil: 6-10VDC, 10-16VAC; other voltages available.

TRANSFORMER

A device consisting essentially of two or more coils of insulated wire that transfers alternating current by electro-magnetic induction from one winding to another at the same frequency, but usually with changed voltage & current.

VOLT

A unit of electric potential equal to the difference of electric potential between two points that have a resistance of one ohm and through which a current of one ampere is flowing.

VOLTAGE DROP?

We recommend the following wire sizes:

Wire Length	12V	24V
Up to 50 ft.	18 AWG	20 AWG
51-150 ft.	16 AWG	18 AWG
151-300 ft.	14 AWG	16 AWG
301-600 ft.	12 AWG	14 AWG

WATT

The power developed in a circuit by a current of one ampere flowing through a potential difference of one volt.

CONDITIONS OF SALE

Distributors and Other Commercial Customers

Note: The following Conditions of Sale are subject to change: All Sales Transactions are subject to the latest published Conditions of Sale of the Trine Access Technology Corporation and to any Special Conditions of Sale which may be contained in applicable Trine quotations and acknowledgements. Modified product warranties are provided to consumers.

1. ACCEPTANCE, GOVERNING PROVISIONS AND CANCELLATIONS. No order for Trine Access Technology or services shall be binding upon Trine until accepted by a writing of an authorized official of Trine or by shipment or other performance of such order. Any such order shall be subject to these Conditions of Sale, and acceptance shall be expressly conditioned on assent to such Conditions, which assent shall be deemed given unless purchaser shall expressly notify Trine to the contrary prior to the earlier of any shipment or other performance of an order by Trine or within five (5) days after purchaser's receipt of any acknowledgement or confirmation of such order. Trine expressly reserves the right to reject and withdraw acceptance of any order.

No order accepted by Trine may be altered or modified by purchaser unless agreed to in a writing signed by an authorized official of Trine; and no such order may be cancelled or terminated except upon payment of Trine's loss, damage and expense arising from such cancellation or termination. These Conditions of Sale may not be supplemented or modified by course of dealing, course of performance or any oral communication between the parties. No modified or other conditions will be recognized by Trine unless specifically agreed to in writing and failure of Trine to object to provisions contained in any purchase order or other communication from a purchaser (including, without limitation, penalty clauses of any kind) shall not be construed as a waiver of these Conditions nor an acceptance of any such provisions.

Unless otherwise agreed in writing by a duly authorized representative of Trine, products sold hereunder are not intended for use or in connection with a nuclear facility or activity. If so used, Trine disclaims all liability for any nuclear damage, injury or contamination, and purchaser shall indemnify Trine against any such liability, whether as a result of breach of contract, warranty, tort (including negligence) or otherwise. Any contract for sale and these Conditions shall be governed by and construed according to the laws of the State of New York. Any dispute arising out of or relating to these Conditions of Sale or any matter relating hereto shall be brought in the federal or state courts sitting in or for the Bronx, New York, and the parties waive any objection they may have to the jurisdiction or subject matter of these courts.

2. QUOTATIONS AND PRICES. Written quotations are conditioned upon acceptance by purchaser within thirty (30) days from the date issued and shall be considered as offers by Trine to sell during such thirty (30) day period on these Conditions of Sale unless sooner terminated by notice. Other Trine publications are maintained as sources of general information and are not quotations or offers to sell.

All clerical errors are subject to correction.

MINIMUM ORDER: \$75.00 Net. DROP SHIP FEE: Trine reserves the right to charge a fixed fee of \$10.00 for shipping to an address other than customers.

All prices are subject to change without notice. In the event of a net price change, the price of equipment on order but unshipped will be adjusted to the price in effect at the time of shipment. Downward adjustment of prices shall apply only to unshipped portions of outstanding orders.

3. PAYMENT TERMS. Unless otherwise agreed by Trine, terms of payment for Trine products to purchasers of satisfactory credit are either (1) a 1% cash discount for all invoices paid in full if the payment is received by Trine within 10 days after the date of Trine's invoice or (2) full payment to be received by Trine within 30 days after the date of Trine's invoice. Applicable terms of payment are stated in quotations or on the discount sheet for the product involved. Cash discount will apply only to the net amount of the invoice after transportation charges and taxes. A late charge of 1% per month or the maximum amount permitted by law will be applied to all past due amounts.

Trine reserves the right at any time to demand full or partial payment before proceeding with a contract of sale if, in its judgment, the financial condition of purchaser shall not justify the terms of payment specified. If delivery is delayed or deferred by purchaser beyond the scheduled date, payment shall be due in full when Trine is prepared to ship and the products may be stored at the risk and expense of purchaser. If purchaser defaults when any payment is due, then the whole contract price shall become due and payable upon demand, or Trine, at its option, without prejudice to other lawful remedies, may defer delivery or cancel the contract for sale.

4. TAXES AND OTHER CHARGES. Any manufacturer's tax, retailer's occupation tax, use tax, sales tax, excise tax (except the Federal excise tax on vehicles), duty, custom, inspection or testing fee, or other tax, fee or charge of any nature whatsoever, imposed by any governmental authority, on or measured by any transaction between Trine and purchaser, shall be paid by purchaser in addition to the prices quoted or invoiced. In the event Trine shall be required to pay any such tax, fee or charges, purchaser shall reimburse Trine therefore; or, in lieu of such payment, purchaser shall provide Trine at the time the order is submitted with an exemption certificate or other document acceptable to the authority imposing the same. Purchase orders must state the existence and amount of any such tax, fee or charge which it shall be Trine's responsibility to collect from purchaser and pay.

5. DELIVERY. Delivery of products to a carrier at any Trine facility or other shipping point shall constitute delivery to purchaser; and, regardless of freight payment, title and all risk of loss or damage in transit shall pass to purchaser at that time. Trine cannot be held responsible for breakage after having received "in good order" receipts from the transportation company. All claims for loss and damage must be made by purchaser to the carrier. Claims for shortages or other errors must be made in writing to Trine within 15 days after receipt of shipment, and failure to give such notice shall constitute unqualified acceptance and a waiver of such claims by purchaser. Unless otherwise agreed by Trine in quotations, discount schedules, catalogs or other Trine publications, all expenses of freight FOB Trine's place of shipment shall be borne by purchaser. No allowance will be made in lieu of transportation if purchaser accepts shipment at factory, warehouse, freight station, or otherwise supplies its own transportation. Method and route of shipment will be at the discretion of Trine unless purchaser shall specify otherwise, and any additional expense of the method or route of shipment specified by purchaser shall be borne by purchaser. Trine reserves the right to make delivery in installments, unless otherwise expressly stipulated in the contract for sale; and all such installments when separately invoiced shall be paid for when due per invoice, without regard to subsequent deliveries. Delay in delivery of any installment shall not relieve purchaser of its obligations to accept remaining deliveries.

6. SUBSTITUTES. Trine may furnish suitable substitutes for materials unobtainable because of priorities or regulations established by governmental authority or non-availability of materials from suppliers, and assumes no liability for deviation from published dimensions and descriptive information not essential to proper performance of the products.

7. WARRANTIES TO DISTRIBUTORS AND OTHER COMMERCIAL CUSTOMERS. Trine warrants products manufactured by it to be free from defects in materials and workmanship for a period of one (1) year from date of shipment by Trine, except for all Axion (R) labeled products which are covered for two (2) years from date of shipment by Trine. If within such period any such products shall be proved to Trine's satisfaction to be so defective, such products shall be repaired or replaced at Trine's option. This warranty shall not apply (a) to products not manufactured by Trine, (b) to products which shall have been repaired or altered by other than Trine so as, in its judgment, to affect the same adversely, or (c) to equipment which shall have been subjected to negligence, accident or damage by circumstances beyond Trine's control, or to improper operation, maintenance or storage, or to other than normal use or service. With respect to products not manufactured by Trine, the warranty obligations of Trine shall in all respect conform and be limited to the warranty actually extended to Trine by its supplier. The foregoing warranties do not cover reimbursement for transportation, removal, installation, or other expenses which may be incurred in connection with repair or replacement. Except as may be expressly provided in an authorized writing by Trine, Trine shall not be subject to any other obligations or liabilities whatsoever with respect to products manufactured by Trine or services rendered by Trine.

THE FOREGOING WARRANTIES ARE EXCLUSIVE AND IN LIEU OF ALL OTHER EXPRESS AND IMPLIED WARRANTIES, INCLUDING WITHOUT LIMITATION TITLE, MERCHANTABILITY AND FITNESS FOR A PARTICULAR PURPOSE.

8. LIMITATION OF LIABILITY. Anything to the contrary herein contained notwithstanding, TRINE ACCESS TECHNOLOGY, ITS CONTRACTORS AND SUPPLIERS OF ANY TIER SHALL NOT BE LIABLE IN CONTRACT, IN TORT (INCLUDING NEGLIGENCE OR STRICT LIABILITY) OR OTHERWISE FOR ANY SPECIAL, INDIRECT, INCIDENTAL CONSEQUENTIAL, PUNITIVE, OR EXEMPLARY DAMAGES WHATSOEVER. The remedies of the purchaser set forth herein are exclusive where so stated and the total cumulative liability of Trine, its contractors and suppliers of any tier, with respect to this contract or anything done in connection therewith, such as the use of any product covered by or furnished under the contract, whether in contract, in tort (including negligence or strict liability) or otherwise, shall not exceed the price of the product or part on which such liability is based. Further, any claim purchaser may have with reference to Trine products or services sold or provided hereunder shall be deemed waived by purchaser unless asserted against Trine in writing within 90 days from the date the purchaser discovered, or should have discovered, the basis for the claim.

9. RETURN OF EQUIPMENT. No products may be returned without first obtaining Trine's written permission and a returned goods authorization number. Trine shall issue a credit to purchaser for returned goods, subject to the terms of this paragraph, and purchaser will not be entitled to any other form of reimbursement for returns. Products accepted for credit, not involving a Trine error, shall be subjected to a minimum service charge of \$25.00, or a charge of 15% of invoice, whichever is greater, plus all transportation charges incurred by Trine. THE MINIMUM RESTOCKING CHARGE IS \$25.00. Returned products must be securely packed to reach Trine without damage, any cost incurred by Trine to put the products in first class condition will be charged to purchaser.

10. PATENTS. As to products sold to purchaser by Trine, Trine shall defend any suit or proceeding brought against purchaser so far as based on a claim that said products constitute an infringement of any patent of the United States, if notified promptly in writing and given authority, information and assistance at Trine's expense for the defense of the same. In the event of a final award of costs and damages, Trine shall pay such award. In the event the use of said products by purchaser is enjoined in such a suit, Trine shall, at its own expense, either (a) procure for purchaser the right to continue using said products, (b) modify said equipment to render them non-infringing, (c) replace said products with non-infringing products, or (d) refund the purchase price (less depreciation) and the transportation and installation costs of said products. Trine will not be responsible for any compromise or settlement made without its written consent. The foregoing states the entire liability of Trine for patent infringement, and in no event shall Trine be liable if the infringement charge is based on the use of Trine products for a purpose other than that for which sold by Trine, any alteration to the Trine products or the use of the Trine products with any other product or service not manufactured by Trine. As to any products furnished by Trine to purchaser and manufactured in accordance with designs provided by purchaser, purchaser shall defend, indemnify and hold harmless Trine against any award made against Trine for patent, trademark, or copyright infringement.

11. PATTERNS AND TOOLS. Notice will be given if special patterns or tools are required to complete any order. Charges for such patterns or tools do not convey title thereto or the right to remove them from Trine's plant. If patterns or tools are not used for a period of two years, Trine shall have the right to scrap them without notice.

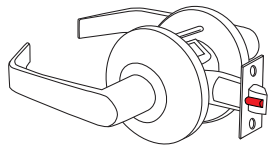
12. FORCE MAJEURE. Trine shall not be liable in damages or otherwise for delays in shipment or default in delivery for any reason of force majeure or for any cause beyond Trine's reasonable control including, but not limited to (a) an act of nature; (b) government action, war, riots, civil commotion, embargoes or martial laws, (c) Trine's inability to obtain necessary materials from its usual sources of supply, (d) shortage of labor, raw material, production or transportation facilities or other delays in transit, (e) other contingencies of manufacture or shipment. In the event of any delay in Trine's performance due in whole or in part to any cause beyond Trine's reasonable control, Trine shall have such additional time for performance as may be reasonably necessary under the circumstances. Acceptance by purchaser of any goods shall constitute a waiver by purchaser of any claim for damages on account of any delay in delivery of such goods.

Strike Selector

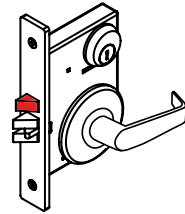


What lockset do you have?

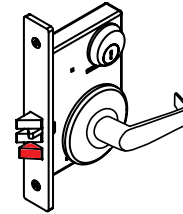
Cylindrical Lock



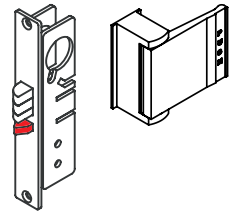
Mortise Lock



Mortise Lock



Dead Latch



Your choice of electric strikes are:

A B F G H I J K L M

A B*

A B*

A^ L M

Fire Rated

***NEW* 4100**

A

UL **Fire, Burglary, & The Only Outdoor Rated Strike**

Compatible Strike Plate

400

B

UL **Burglary, & Outdoor Rated**

800, 850, 400RP

C

Surface Mount Strikes

4850, 4850PoE, 4850LCD

4800, 4801

D

E

Compatible Door Frames

Hollow Metal Frame

Wood

Aluminum

A^ For use in Aluminum (often with Dead Latches) see Optional Faceplates on Pg 6

Hollow Metal Frame

Wood

Great for Gates

B* for use on offset mortise locks in outdoor situations see 430/435 on pg 17

Hollow Metal Frame

Wood

Great for Gates

Hollow Metal Frame

Wood

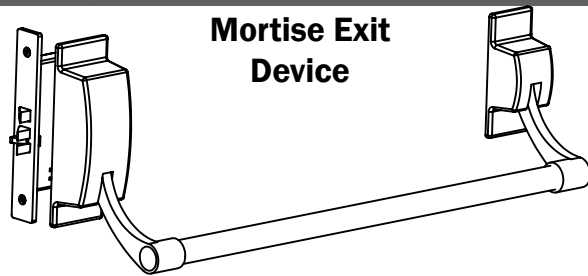
Aluminum

For wood frames use 2" long mounting screws.

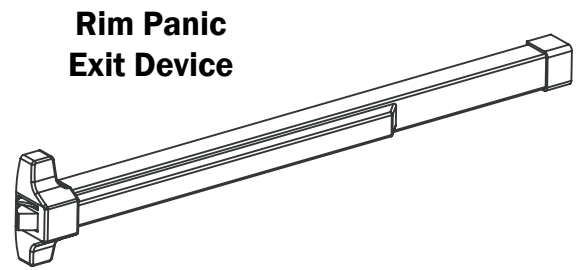
Hollow Metal Frame

Wood

For wood frames use 2" long mounting screws.



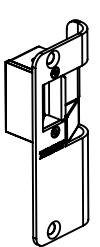
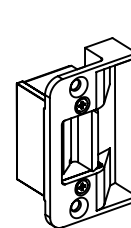
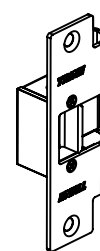
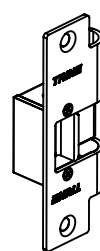
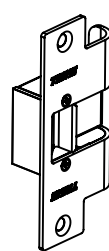
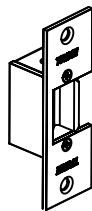
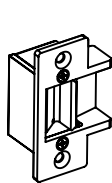
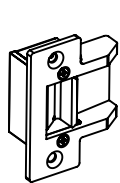
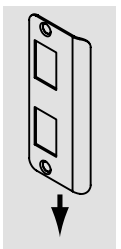
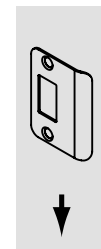
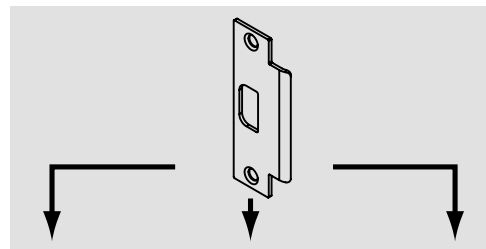
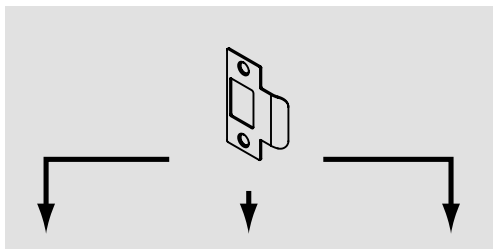
A B



C D E

Smallest Electric Strike in the World

Compatible Strike Plates



234X-375

234

334

478X-375

478 RO/LO

478

258, 258RD

458

F

G

H

I

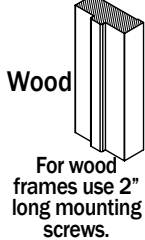
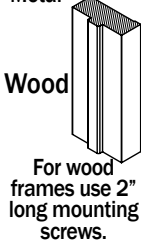
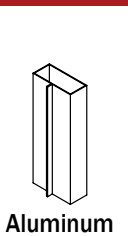
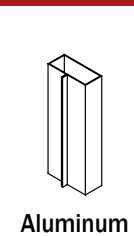
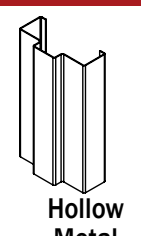
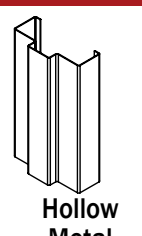
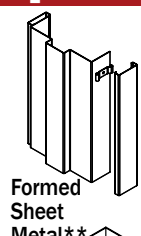
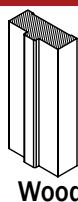
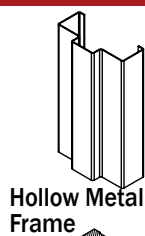
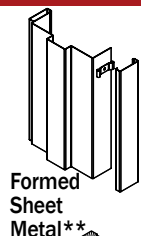
J

K

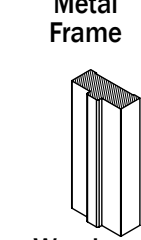
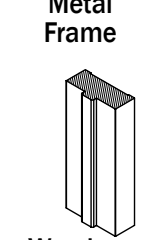
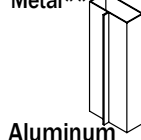
L

M

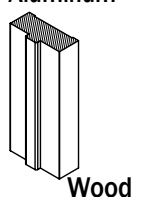
Compatible Door Frames



For wood frames use 2" long mounting screws.



**EXAMPLE: PRE-FINISHED STEEL DOOR FRAMES LIKE TIMELY AND REDIFRAME WITH SNAP-ON TRIMS



Notes

find more info @ www.trineonline.com





Cross Reference Chart for Premium Electric Strikes

TRINE	Folger Adams	H.E.S.	Von Duprin	Adams Rite	RCI
4100	----- 712/712-75/732 732-75/642CYL ^Φ	4500 1006 ^Φ	----- 6211/6211WF ^Φ	----- 7200 ^Φ	----- 2164 ^Φ
4850	-----	9400 ^Δ	-----	-----	-----
4800	-----	9500 ^{***} , 9600	6300 ^{***}	-----	0162
EN400	712/712-75/732 732-75/642CYL	1006J/7501	6211/6211WF	7200	2114/F4114 [*]
EN430	652SYL	1006KD	6210	-----	2134/2334
EN435	652RFL	1006K	6210	-----	2124
EN800 ^{**}	310-4 ^{**}	7000-783S ^{**}	6112 ^{**}	74R1	0161
EN850 ^{**}	310-4 ^{**}	7000-789S ^{**}	-----	74R2	-----
EN950	310-2	7505	6215/6226	-----	-----
EN950W	310-2W	-----	-----	-----	-----
EN960	310-2 3/4	-----	6214/6224	-----	-----
323478LC	-----	-----	-----	-----	-----
234	-----	-----	-----	-----	-----
258‡	-----	-----	-----	-----	-----
458Ω	-----	-----	-----	-----	-----
478‡	-----	5000/5200+501	-----	7400+	L6514+
478RD‡	-----	5000/5200+501"A"	-----	7401+	L6504+

- + Strike has 1 1/16" backset vs. 1" backset for 3000 Series.
- Ω Requires 80% less cutting of frame. Fills the frame preparation of the Adams Rite MS Locks without the need To relocate tabs for 6 5/8" or 6 7/8" electric strikes.
- ‡ Requires 60% less frame face cutting other than models listed.
- Δ 9400 backplate means it can only handle up to a 1/2" throw – The 4850 can take up to a 1" throw.
- * UL 90 Minute Fire Rated
- ** All Stainless Steel construction
- *** Model 9500/6300 has a 3-hour fire rating. The 4800 is a cross-over if fire rating is not required.
- Φ Not a shallow (1 3/8") backset – cannot be used in 2" fire rated frames with 1/2" sheetrock ingress

NOTE: There may be variations in physical size or electrical characteristics between manufacturers. Information in the above chart based on manufacturers' catalogs and reference should be made to manufacturer's catalog for complete detail comparisons.



**Trine Access Technology
1440 Ferris Place
Bronx, NY 10461**

**PH: 718.829.2332 || FX: 718.829.6405
www.trineonline.com**

**EFFECTIVE DATE
APRIL, 15TH, 2013**