

TEMPLATE NO.

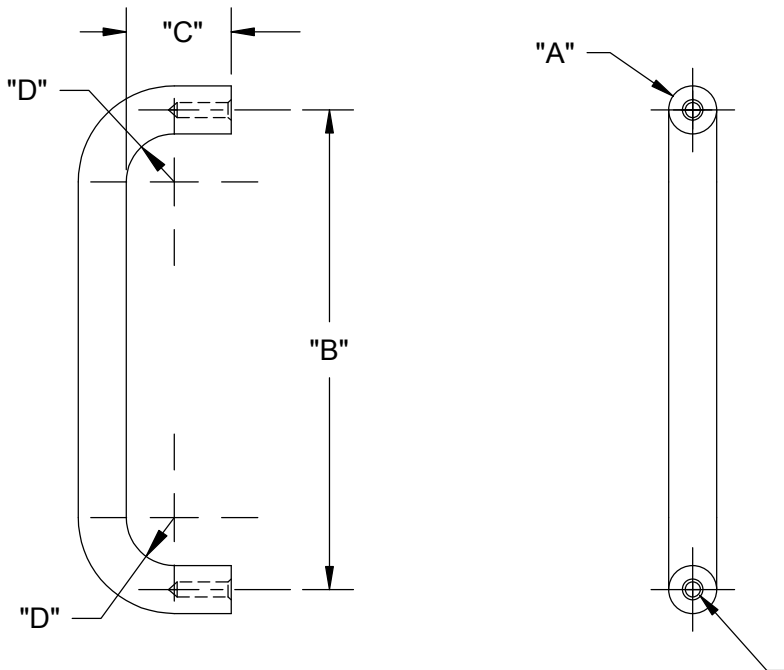
17250



3528 Emery Street
 PO Box 23277
 Los Angeles, CA 90023-0277
 (323) 262-4191
 www.trimcobbw.com

PRODUCT

1150, 1151, 1194,
 1195, SERIES PULLS



1150, 1151 & 1194: 1/4-20 X 2 1/2 FH, PH MS WITH #14 FINISH WASHER

1195: 5/16-18 X 2 1/2 FH, PH MS WITH 5/16 FINISH WASHER

NOTE: SEE MOUNTING DETAIL FOR METHODS OF MOUNTING

TRIMCO	A	B	C	D
PART NUMBER	MAT'L DIA.	CENTER TO CENTER	CLEARANCE	RADIUS
1150	1/2" DIA	6"	1 1/2"	1/2"
1151	1/2" DIA	8"	1 1/2"	1/2"
1194-1	3/4" DIA	6"	1 7/8"	3/4"
1194-2	3/4" DIA	8"	1 7/8"	3/4"
1194-3	3/4" DIA	10"	1 7/8"	3/4"
1194-4	3/4" DIA	12"	1 7/8"	3/4"
1194-5	3/4" DIA	14"	2"	3/4"
1194-6	3/4" DIA	16"	2"	3/4"
1194-7	3/4" DIA	18"	2"	3/4"
1195-1	1" DIA	8"	2 3/16"	1"
1195-2	1" DIA	10"	2 3/16"	1"
1195-3	1" DIA	12"	2 3/16"	1"
1195-4	1" DIA	14"	2 3/16"	1"
1195-5	1" DIA	16"	2 3/16"	1"
1195-6	1" DIA	18"	2 3/16"	1"
1195-3J	1 1/4" DIA	12"	2 3/8"	1 1/4"
1195-6J	1 1/4" DIA	18"	2 3/8"	1 1/4"

NOTE: This template is provided for use only on the job for which it was requested. Trimco reserves the right to make design changes without notice. Trimco will not be responsible for errors or damage caused by the use of out-of-date templates.

DATE

4/29/05