

LID SUPPORTS & UP STAYS (CHEST STYLE)

Light Duty Soft-Close Movement



- Designed to be used for top opening lids on chests
- Holds door in fully open position, at 105 degree position
- Unhanded
- Can be used with piano, concealed and drop hinges
- Tested up to 30,000 cycles with a torque rating of 35 per stay and 70 torque rating for a pair of stays used together
- Screws included

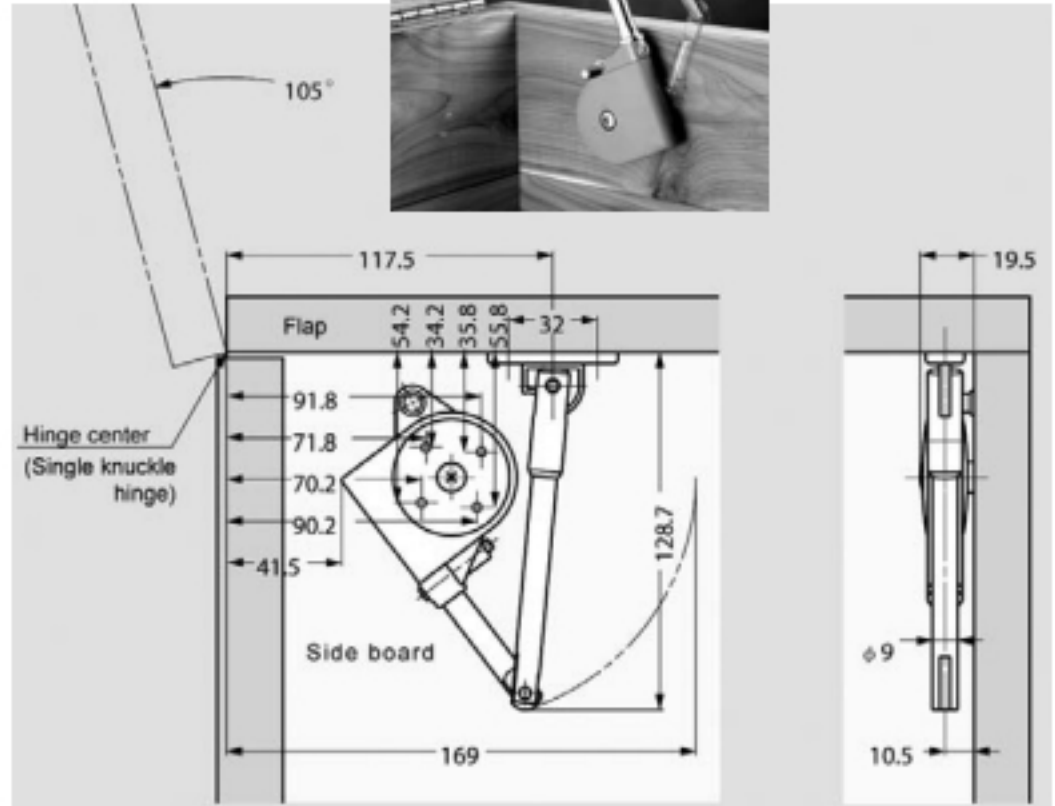
Color: White

NOTE: Torque rating = lid height x lid weight x 1/2

Packing: As shown below.

Sold In: Both broken and full box quantities.

Discount available for full box orders.



Item#	Degree of Opening	Box Qty
SLSDSC210-W	105°	20

LID SUPPORTS & UP STAYS (CHEST STYLE)

Medium Duty Soft-Close Movement



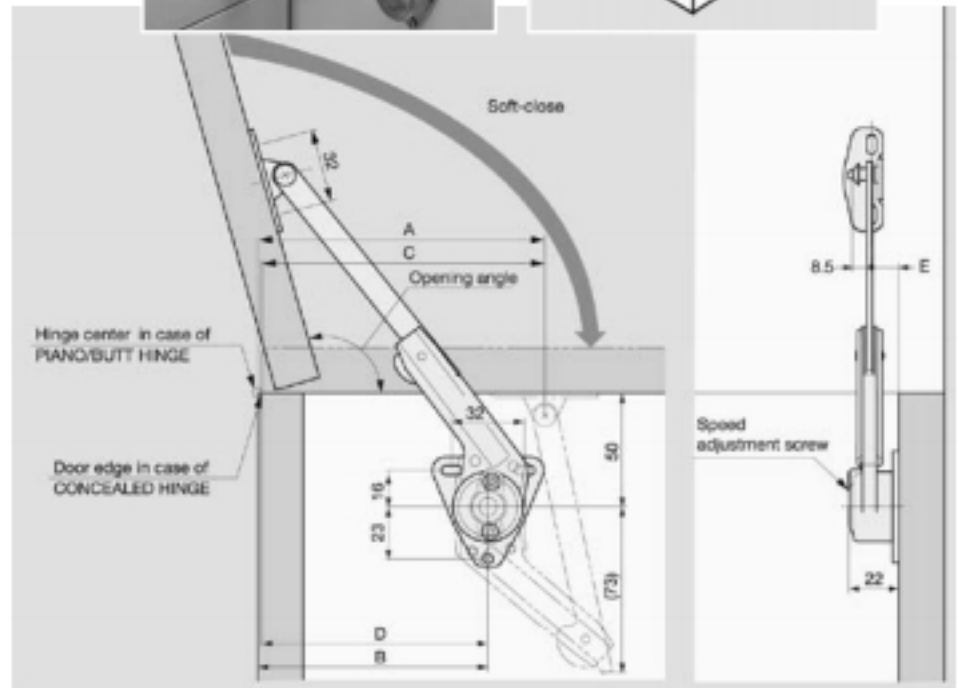
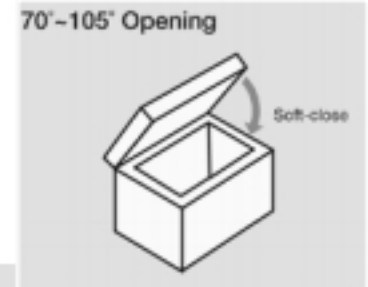
- For top-opening lids, holds door in both closed position and open at 70 or 105 degree angles, depending on positioning
- Speed adjustment screw allows for varying speeds of soft-close downward movement
- Tested to 50,000 cycles
- Supplied with screws
- Has adjustable 19 to 60 lbs. per square inch torque rating range per piece and 38 to 120 lbs. torque rating per pair

NOTE: Torque rating = lid height x lid weight x 1/2

Packing: As shown below.

Sold In: Both broken and full box quantities.

Discount available for full box orders.



Item#	Description	Box Qty
SLNSDX-20RK	Right Hand Up-Stay	20
SLNSDX-20LK	Left Hand Up-Stay	20