

LID SUPPORTS & UP STAYS (CHEST STYLE)

Light to Heavy Duty Version

- Designed to be used for top opening lids on chests
- Holds door in fully open position, at 70 degree position
- Left and right handed versions available
- Can be used with piano, concealed and drop hinges
- Tested up to 90,000 cycles
- Screws included

Color: White

NOTE: Torque rating = lid height x lid weight x 1/2

NOTE: * When used in pairs.

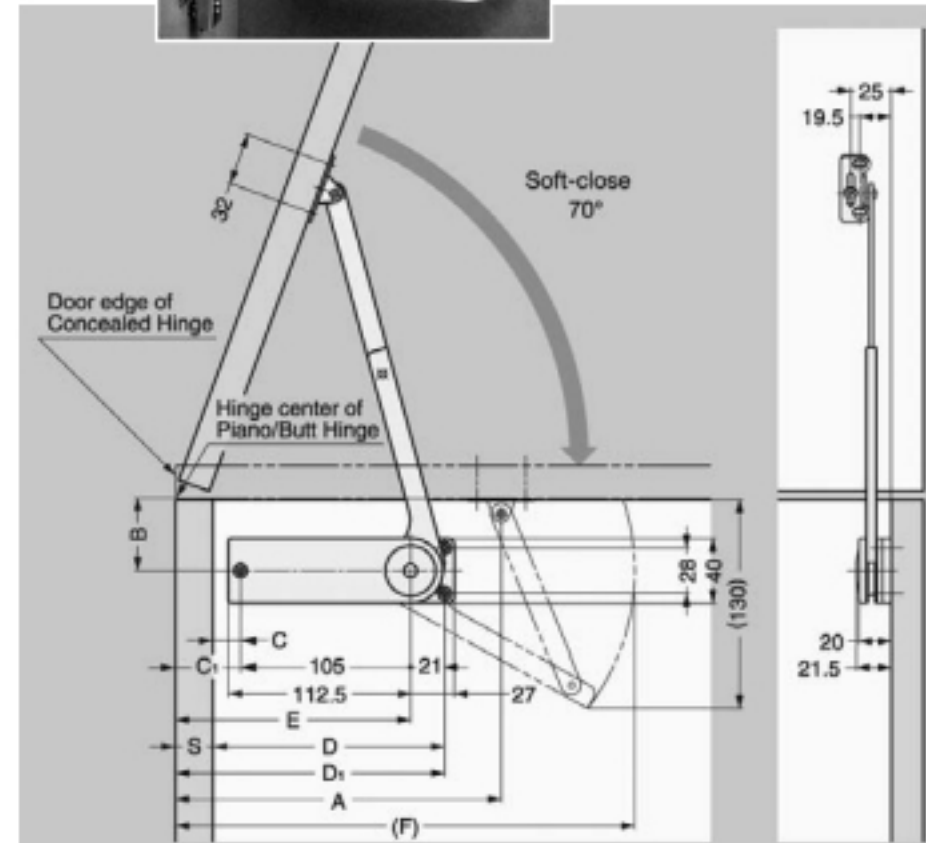
Packing: As shown below.

Sold In: Both broken and full box quantities.

Discount available for full box orders.



Item#	Type	Box Qty
LIGHT DUTY - 121 TO 173 LBS. PER SQ. IN TORQUE*		
SLHDS20KR	Light-Duty (Right)	40
SLHDS20KL	Light Duty (Left)	40
MEDIUM DUTY - 173 TO 216 LBS. PER SQ. IN TORQUE*		
SLHDS20ML	Medium-Duty (Left)	40
SLHDS20MR	Medium-Duty (Right)	40
HEAVY DUTY - 216 TO 260 LBS. PER SQ. IN TORQUE *		
SLHDS20HL	Heavy-Duty (Left)	40
SLHDS20HR	Heavy-Duty (Right)	40



LID SUPPORTS & DOWN STAYS

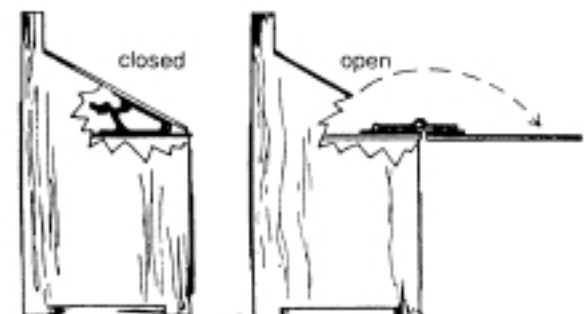
Combination Chest Hinge & Support

- Acts as both a hinge and a support; used primarily for desks having fold-down tops that close on a slant, with an angle of 30 degrees or more
- Non-handed; support hinge can be used right hand or left hand
- Free swinging, no catch or lock. The ratchet type joint is fully enclosed when the top is folded down to form the shelf or writing surface
- Mostly used on drop lid desks
- Perfect for antique restoration
- Material: Steel, Finish: Antique brass
- Open length is 7" and closed length is 4-3/4"
- Width: 3/4"

Packing: As shown below without screws.

Sold In: Both broken and full box quantities.

Discount available for full box orders.



Item#	Box Qty
LH95AE	10