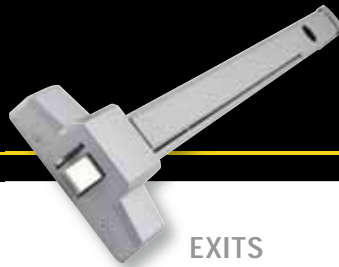




LOCKS



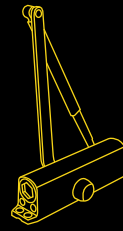
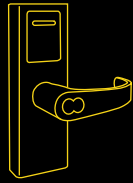
EXITS



CLOSERS

A man wearing a dark suit, white shirt, and dark tie, also wearing a yellow hard hat, is leaning over a large set of blueprints spread out on a surface. He is looking down at the plans. The background is a bright, slightly blurred construction site with a window or glass wall. The overall tone is professional and focused.

**WHEN TRUST
IS EARNED,
CONFIDENCE
IS SECURED.**



Backed by the strength and trust of our company name, Stanley Commercial Hardware products are designed to fit a variety of commercial applications. The door hardware in retail, banks, multi-family housing, assisted living facilities and other commercial buildings all have constant traffic that need to withstand continuous use and abuse.

The Stanley Commercial Hardware line of mechanical and electronic locks, exits, and closers delivers quality and durability at a mid-price point value. We're easy to do business with, shipping all of our products from a single location and providing the industry's best lead times. And most importantly, we ensure that trust is always built-in. Trust in the reliable performance our products provide, and in the heritage of the Stanley brand.

Security solutions are among your most important decisions. Make a choice in which you can have total confidence: Stanley Commercial Hardware.

TRUST. IT'S IN THE NAME.



VERTICAL MARKETS



Stanley Commercial Hardware products are an ideal fit for a variety of commercial applications and include the following market segments:

- Multi-Family/Multi-Use
- Retail/Strip Malls
- Commercial Office Buildings
- Assisted Living/Nursing Homes
- Medical Office Buildings (MOB)
- Industrial
- Banking
- Other Commercial



2 INTRO

4 VERTICAL MARKETS

6 SPEC WRITING SERVICES

7 WARRANTY

8 ELECTRONIC LOCKS

9-QEL200 Series – Grade 2

11 MECHANICAL LOCKS

12-Mortise Locks – Grade 1

QMS100 – Sectional

QME100 – Escutcheon

QML100 – Deadlock

18-Cylindrical Locks – Grade 1

QCL100 Series

22-Cylindrical Locks – Grade 2

QCL200 Series

25-Interconnected Locks – Grade 2

QCI200 Series

28-Tubular Locks – Grade 2

QTL200 Series

31-Auxiliary Deadbolts – Grade 1

QDB100 Series

34-Auxiliary Deadbolts – Grade 2

QDB200 Series

37-Keys and Cores

39 EXIT DEVICES

40-Extra Heavy-Duty – Grade 1

QED100 Series

QRM100 Series

QET100 Series

51-Heavy-Duty – Grade 1

QED300 Series

QRM300 Series

QET300 Series

60-Standard-Duty

QRT300 Series

62 DOOR CLOSERS

63-Extra Heavy-Duty – Grade 1

QDC100 Series

66-Heavy-Duty – Grade 1

QDC200 Series

69-Standard-Duty – Grade 1

QDC300 Series

72 MISCELLANEOUS

73-Windstorm- & Hurricane-Compliance

75-Competitive Cross-Reference

What does the Spec Writing Services division do?

Our staff of Architectural Hardware Consultants (AHC), Application Engineers, and security experts specialize in specification writing, owner specification manual drafting, section coordination, shop drawing and submittal review, and continuing education (American Institute of Architects – Continuing Education Systems).

Our expertise covers many specification sections including the following:

- **08 42 29 Automatic Entrances**
- **08 42 33 Revolving Door Entrances**
- **08 42 36 Balanced Door Entrances**
- **08 42 43 ICU/CCU Entrances**
- **08 71 00 Door Hardware**
- **08 71 13 Automatic Door Operators**
- **08 74 00 Access Control Hardware**
- **27 52 13 Patient Monitoring & Telemetry Systems**
- **27 52 23 Nurse Call / Code Blue Systems**
- **28 13 00 Access Control**
- **28 16 00 Intrusion Detection**
- **28 23 00 Video Surveillance**
- **28 46 00 Electronic Detention Monitoring & Control Systems**

From project review to system design and construction administration, we are equipped to provide the support to accurately and effectively assist you every step of the way with your project's architectural hardware, automatic entrance, and security system requirements.

For more information on how we can assist you, call our office to get in contact with an Architectural Construction Representative near you.

1-888-351-8840

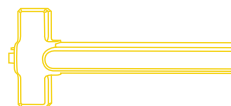
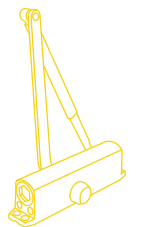
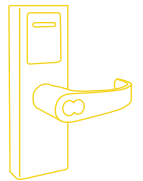
Lifetime Mechanical Warranty

3-Year Finish Warranty

1-Year Electrical Warranty

This product comes with a *lifetime mechanical warranty* and a *three-year finish warranty* to the original user of the Stanley Commercial Hardware product against defects in material and workmanship as long as the original user occupies/manages the premises upon which the product was originally installed. The warranty DOES NOT COVER scratches; abrasions; deterioration due to the use of paints, solvents and other chemicals; abuse; or misuse, and DOES NOT COVER US10B/613 "Oil Rubbed Bronze" finish as it is a "Living Finish" and a change in appearance is the natural characteristic of the finish. This warranty DOES NOT COVER defects caused by improper installation or field modification. This warranty DOES NOT COVER the cost incurred in removing and installing a replacement product. Upon return of a defective product, Stanley Security Solutions may repair or replace the product or refund the purchase price. Stanley Security Solutions is not liable for incidental or consequential damages. Some states do not allow the exclusion or limitation of incidental or consequential damages, so this may not apply to you. This warranty gives you specific legal rights and you may also have other rights that vary from state to state. If a mechanical or finish defect occurs, please call Stanley Security Solutions at:

Product Support
6161 E. 75th Street
Indianapolis, IN 46250
1-855-365-2407



ELECTRONIC LOCKS





Electronic Lock Specifications

- Users – 1,000.
- Audits – 500 stored locally.
- Credential verification time – One second or less.
- Visual/audible interface – Tri-color LED with field configurable audible indicators.
- System interface – Stanley Wireless Gateway (wireless only).
- Power supply – 4 AA batteries.
- Battery life – Up to 2 years.
- Exterior operating temperature – 31°F to 151°F (-35°C to 66°C).
- Interior operating temperature – 32°F to 151°F (0°C to 66°C).
- Operating humidity – 85% @ 86°F.
- Certifications – FCC Part 15, B&C, RoHs.
- Reader technology – Proximity.
- Reader frequency – 125 kHz.
- Reader range – ¼" minimum.
- 125 kHz credential compatibility – Wiegand proximity cards.
- Wireless communication interface – IEEE 802.15.4 (2.4 GHz).
- Communication security – AES 128-bit encryption.
- Wireless communication protocol – Stanley proprietary.

Mechanical Lock Specifications

- Handing – Non-handed.
- Certifications – ANSI/BHMA A156.2, Series 4000, Grade 2, UL10C-90 Minute, ADA-Compliant.
- Door thickness – 1 ¾" - 2 ¼"; 1 ¾" with spacer.*
- Backset – 2 ¾"
- Latches – 2 ¼" x 1 ⅛" dead latch square corner.
– 2 ¼" x 1 ⅛" x ¼" R dead latch round corner.
– ½" throw.
- Lever design – Summit.
- Strikes – ANSI 4 7/8" x 1 ¼"
– T-Strike 1 ⅛" x 2 ¾"
- Keying options – SFIC, KA, KD, Less Core.
- Door prep – ANSI 115.2 (160 & 161).
- Case material – Combination of zinc alloy & fire-retardant APS.
- Dimensions – O/S 2 5/8" x 7 ½" x 1"

Keying

- SFIC
- KA-Keyed Alike, KD-Keyed Different, and LC-Less Cylinder options

Function

SCH	Description
61	Classroom

Warranty

- Electronic warranty – 1 year
- Mechanical warranty – 2 years



QEL200

QEW

Gateway Specifications

- Certifications – FCC Part 15, B&C, RoHs.
- Dimensions – 4 5/8" x 4 3/8" x 1 3/8"
- Weight – 0.4 lbs or 6.4 oz.
- Power – PoE (IEEE 802.3 af) or 24 V DC/1A.
– Voltage & max current of PS.
– (AC/DC adapter sold separately.)
- Operating temperature – -32°F to 140°F (0°C to 60°C).
- LAN communication interface – Ethernet TCP/IP (IEEE 802.3).
- Wireless communication interface – IEEE 802.15.4 (2.4 GHz).
- Configuration interface – Web-based portal.
- Visual interface – Tri-color LED.
- Wireless communication protocol – Stanley proprietary.
- Access control management software – Intelli-M Access (3-door license included).

Intelli-M Access Software Specifications**

- Operating system requirement – Windows Vista, Windows 7, Windows Server 2008 R2.
- Minimum hardware requirements –

32 doors or less	128 doors or less
2 GHz CPU	2 GHz Dual Core CPU
2GB memory	4GB RAM memory
50GB hard drive	100GB hard drive
- Features – Web-based user interface, schedules, user grouping, remote lock/unlock, badging, reporting

Finishes

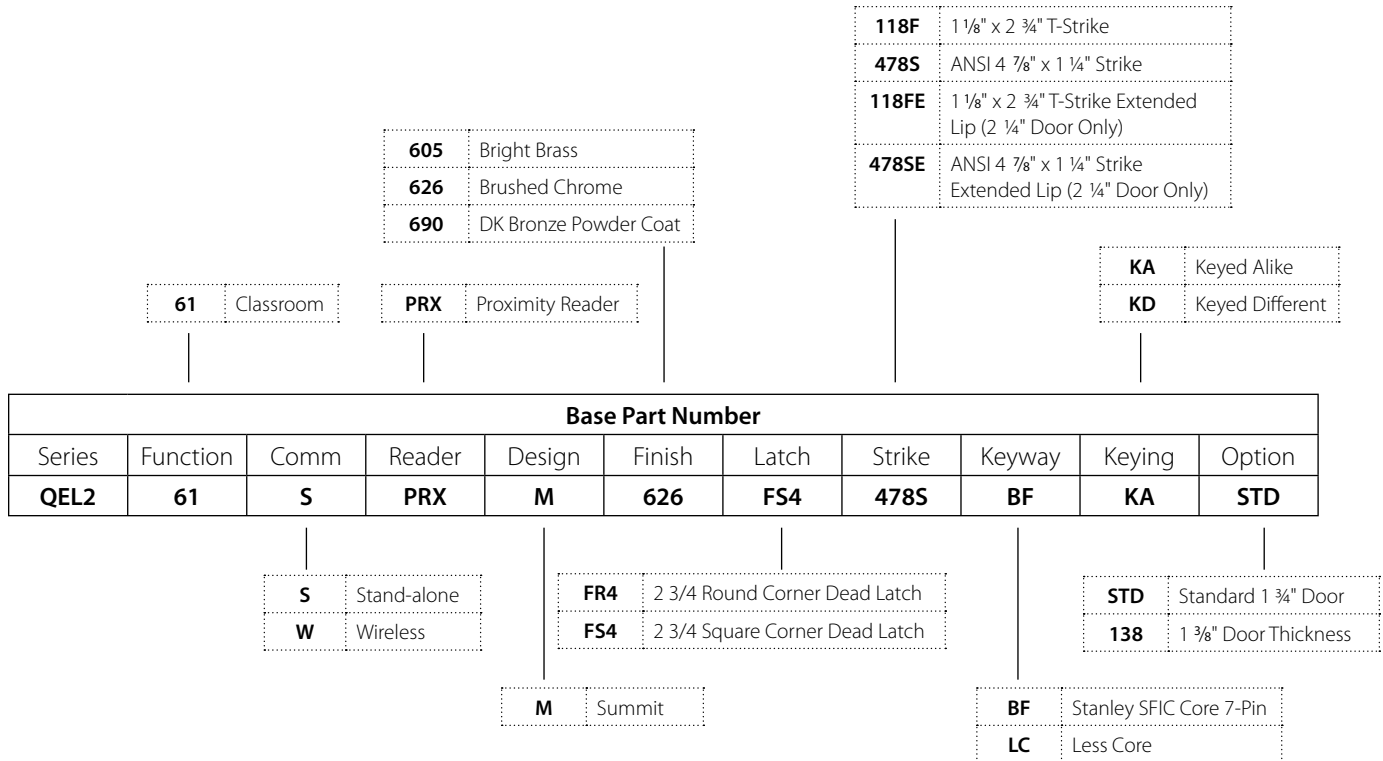
BHMA	US	Description
605	US3	Bright Brass-Plated
626	US260	Brushed Chromium
690	—	Dark Bronze Powder-Coated

*1-3/8" door with spacer is not UL10C fire listed and does not conform to California Administrative Code Title 19 & Title 24.

**For more information on ordering Intelli-M Access Software, go to StanleySecuritySolutions.com

ELECTRONIC LOCKS

How to Order
 QEL 200 Series Grade 2
 Electronic Locks, Standalone and Wireless



Example

If you ordered: QEL261SPRX M626 FS4 478S BFKA STD

You would get: Stand-alone, Classroom Proximity Reader, Summit design, Brushed Chrome, 2 3/4" Round Corner Dead Latch, ANSI 4 7/8" x 1 1/4" Strike, Stanley SFIC Core 7-Pin, Keyed Alike, Standard 1 3/4" Door.

NOTES:

Consult factory for lead times on 605 finish.

MECHANICAL LOCKS



Performance Features

- Tested to meet Grade 1 specification of 1,000,000 cycles.
- Clutching mechanism standard.
- Thru-bolt design and heavy-duty spring tension provides longer performance life and prevents lever sag.
- ADA-compliant thumbturn.
- Mortise case is easily field reversible.
- Pre-assembled trims with spring-loaded spindles automatically adjust to door thickness and reduce installation time.
- Partial security separator prevents spindle manipulation.
- Anti-friction throwbolt.

Certifications



- ANSI/BHMA A156.13 – Grade 1
- UL/cUL listed (3 hours) for “A” label single-door applications (4' x 8') (1.219m x 2.438m)
- UL10C/UBC 7-2 (1997) Positive Pressure Rated
- UL10B Pressure Rated
- ADA-Compliant ANSI A117.1 Accessibility Code
- California State Reference Code (formerly Title 19 – Fire Marshal)

Product Specifications

- Template – 3 5/8" (92mm).
- Solid forged brass trim construction.
- Dual 8mm spindles.
- 1" (25.4mm) stainless steel deadbolt.
- Floating mounting tabs adjust to door bevel.
- Toggle button locking.
- Heavy gauge steel armor faceplate.
- Door thickness—Sectional: 1 3/4" - 2" (44.5mm-51mm) standard; (57mm) optional
—Escutcheon: 1 3/4" - 2 1/4" (44.5mm-57mm) standard

Keying

- 6-pin or 5-pin cylinders. Many keying options available from our factory to include, but not limited to, master keying, grand master keying, and construction keying.
- 2 keys per lockset.
- Offered with the following keyway options: BF-BEST, KW-Kwikset, WE-Weiser, SC-Schlage, GA-Yale, LA-Sargent, & LC-Less Cylinder. Consult factory for other cylinder options.

Warranty

- Lifetime Mechanical, 3-year finish*, 1-year electrical

*(613/US10B carries no finish warranty)



Sectional Summit (M)



Escutcheon Sierra (E)

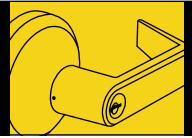
Escutcheon Slate (A)

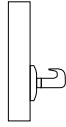
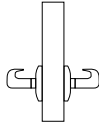
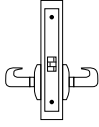
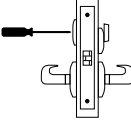
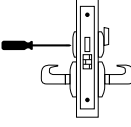
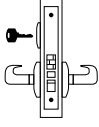
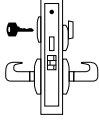
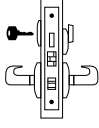
Functions

ANSI	Series	Description
—	QMS/QME120	Single Dummy
—	QMS/QME122	Full Dummy
F01	QMS/QME130	Passage
F22	QMS/QME140	Privacy
F19	QMS/QME145	Privacy w/ Deadbolt
F04	QMS/QME150	Entry
F13	QMS/QME152	Exit
F20	QMS/QME154	Corridor
F11	QMS/QME158	Dormitory
F05	QMS/QME160	Classroom
F32	QMS/QME162	Classroom Security
F09	QMS/QME164	Apartment
F07	QMS/QME170	Storeroom
F30	QMS/QME172	Institutional
F14	QMS/QME174	Store Door

Finishes

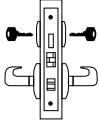
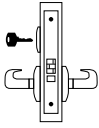
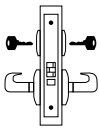
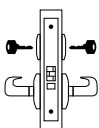
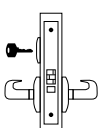
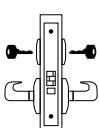
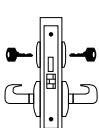
BHMA	US	Description
605	US3	Bright Brass
606	US4	Satin Brass
613	US10B	Oil Rubbed Bronze
619	US15	Satin Nickel
625	US26	Bright Chrome
626	US26D	Satin Chrome

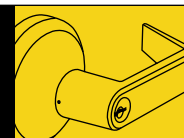


Functions	ANSI		Description	Latch Bolt	Deadbolt	Auxiliary	Toggle	Cylinders	Case Qty
QMS/ QME120 <i>Single Dummy</i>	—		Lever trim on one side (no mortise case).						4
QMS/ QME122 <i>Full Dummy</i>	—		Lever trim on both sides (no mortise case).						4
QMS/ QME130 <i>Passage</i>	F01		Latch bolt operated by lever from either side at all times.	X					4
QMS/ QME140 <i>Privacy</i>	F22		Latch bolt operated by lever from either side except when outside lever is locked by inside trim or button. Operating inside lever, closing door or operating outside emergency release (accessible under emergency cap) unlocks outside lever.	X					4
QMS/ QME145 <i>Privacy w/ Deadbolt</i>	F19		Latch bolt operated by lever from either side. Deadbolt operated by turn from inside and emergency release from outside (accessible under emergency cap). Operating inside lever retracts both bolts.	X	X				4
QMS/ QME150 <i>Entry</i>	F04		Latch bolt operated by lever from either side except when outside lever is made inoperative by toggle. When outside lever is locked, latch bolt is retracted by key from outside or by operating inside lever. Auxiliary dead latch deadlocks latch bolt.	X		X	X	Sgl	4
QMS/ QME152 <i>Exit</i>	F13		Latch bolt operated by lever from either side. Deadbolt is projected by key from outside and turn piece from inside. Operating inside lever retracts both bolts and unlocks outside.	X	X			Sgl	4
QMS/ QME154 <i>Corridor</i>	F20		Latch bolt operated by lever from either side, except when outside lever is made inoperative by toggle. Deadbolt operated by key outside or turn inside. Key outside operates both bolts. Operating inside lever retracts both bolts and outside remains locked. Latch bolt is deadlocked when outside lever is made inoperative or when the deadbolt is projected. When deadbolt is retracted, lever is unlocked by toggle.	X	X		X	Sgl	4

MECHANICAL LOCKS

QMS/QME 100 Series Grade 1 Heavy-Duty Mortise Locks

Functions	ANSI		Description	Latch Bolt	Deadbolt	Auxiliary	Toggle	Cylinders	Case Qty
QMS/ QME158 <i>Dormitory</i>	F11		Latch bolt operated by lever from either side except when outside lever is made inoperative by toggle. Deadbolt projected by key from either side. Deadbolt retracted by key from outside. Both bolts retracted by inside lever and outside remain locked.	X	X		X	Dbl	4
QMS/ QME160 <i>Classroom</i>	F05		Latch bolt operated by lever from either side except when outside lever is made inoperative by key from outside. Inside lever always operative. Auxiliary dead latch deadlocks latch bolt.	X		X		Sgl	4
QMS/ QME162 <i>Classroom Security</i>	F32		Latch bolt operated by lever from either side except when outside lever is locked from inside or outside by key. When outside lever is locked, latch bolt is retracted by key from inside or outside or by operating inside lever. Auxiliary dead latch deadlocks latch bolt.	X		X		Dbl	4
QMS/ QME164 <i>Apartment</i>	F09		Latch bolt operated by lever from either side, except when outside lever is locked by key from inside. When outside lever is locked, latch bolt is retracted by key from outside or by operating inside lever. Auxiliary dead latch deadlocks latch bolt.	X		X		Dbl	4
QMS/ QME170 <i>Storeroom</i>	F07		Latch bolt operated by key from outside or by operating inside lever. Outside lever is always inoperative. Auxiliary dead latch deadlocks latch bolt.	X		X		Sgl	4
QMS/ QME172 <i>Institutional</i>	F30		Latch bolt operated by key from either side. Both levers always inoperative. Auxiliary dead latch deadlocks latch bolt.	X		X		Dbl	4
QMS/ QME174 <i>Store Door</i>	F14		Latch bolt operated by lever from either side. Deadbolt operated by key from either side.	X	X			Dbl	4



20	Single Dummy
22	Full Dummy
30	Passage
40	Privacy
45	Privacy w/ Deadbolt
50	Entry
52	Exit
54	Corridor
58	Dormitory
60	Classroom
62	Classroom Security
64	Apartment
70	Storeroom
72	Institutional
74	Store Door

E	Sierra
M	Summit
A	Slate

KD	Keyed Different
KA	Keyed Alike
SK	Special Keying
	-Construction Keyed
	-Construction Master Keyed
	-Maison Keyed
	-Master Keyed
	-Grand Master Keyed
	-Great Grand Master Keyed
ZB	Zero Bitted

Base Part Number						
Series	Function	Design	Finish	Keyway	# of Pins	Keying
QME1	60	E	626	KW	6	KD

Escutcheon Trim	QME1
Sectional Trim	QMS1

605	Bright Brass
606	Satin Brass
613	Oil Rubbed Bronze
619	Satin Nickel
625	Bright Chrome
626	Satin Chrome

BF	BEST
KW	Kwikset "KW"
WE	Weiser "E"
SC	Schlage "C"
GA	Yale "GA"
LA	Sargent "LA"
LC	Less Cylinder

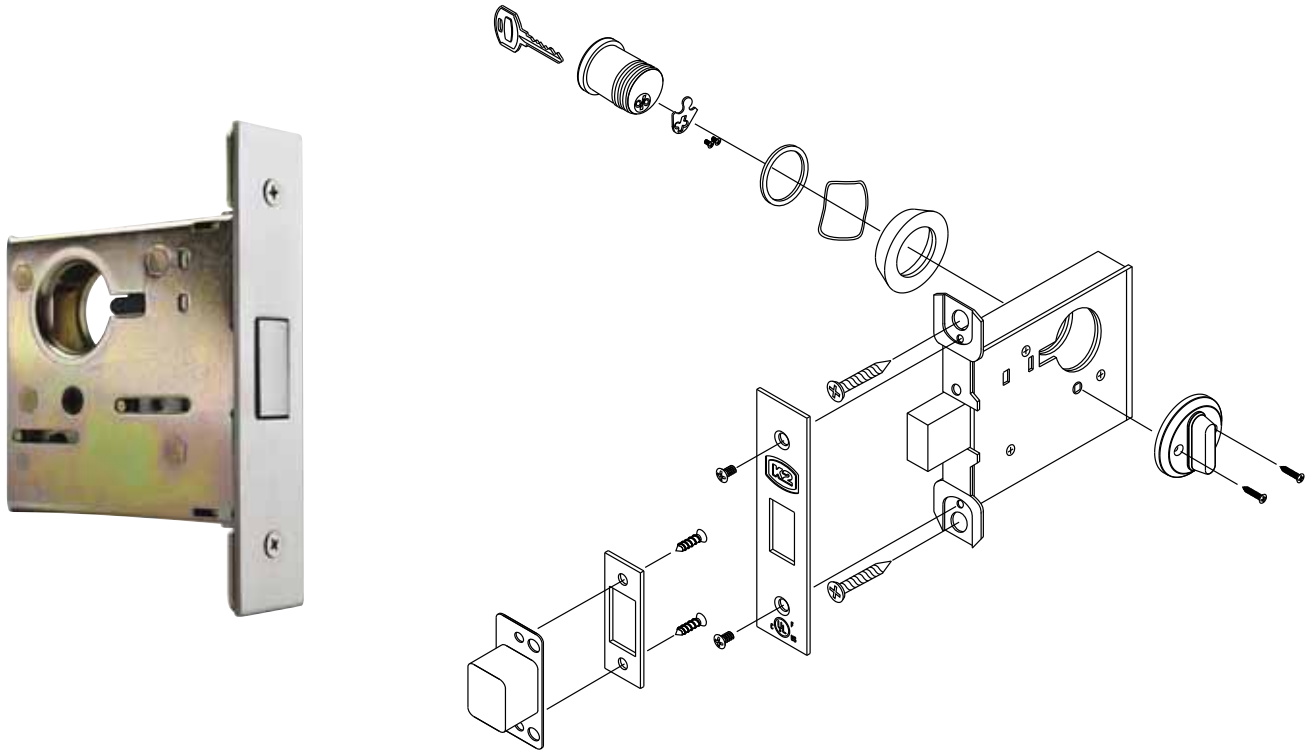
Example

If you ordered: QME160 E626 KW6 KD

You would get: Grade 1 Classroom Mortise Lock, Sierra Lever Escutcheon Trim, Satin Chrome, Kwikset Keyway, Keyed Different.

MECHANICAL LOCKS

QML
100 Series Grade 1
Heavy-Duty Mortise Deadlocks

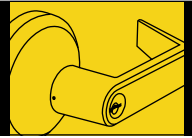


Functions	ANSI		Description	Case Qty
QML180 <i>Single Cylinder</i>	E06071		Deadbolt operated by key from outside and by turn from inside.	10
QML182 <i>Double Cylinder</i>	E06061		Deadbolt operated by key from either side.	10
QML184 <i>Cylinder Only</i>	E06061		Deadbolt operated by key from one side only.	10
QML186 <i>Classroom*</i>	E06061		Deadbolt operated by key from outside. Turn on inside retracts but does not project the deadbolt.	10

NOTES:

Consult factory for lead times on 605, 606, 619 & 625 finishes.

*Classroom function requires handed cylinder turn. Specify handing when ordering.



80	Single Cylinder
82	Double Cylinder
84	Cylinder Only
86	Classroom

KD	Keyed Different
KA	Keyed Alike
SK	Special Keying
	-Construction Keyed
	-Construction Master Keyed
	-Maison Keyed
	-Master Keyed
	-Grand Master Keyed
	-Great Grand Master Keyed
ZB	Zero Bitted

Base Part Number						
Series	Function	Finish	Handing*	Keyway	# of Pins	Keying
QML1	86	626	RH	KW	6	KD

605	Bright Brass
606	Satin Brass
613	Oil Rubbed Bronze
619	Satin Nickel
625	Bright Chrome
626	Satin Chrome

BF	BEST
KW	Kwikset "KW"
WE	Weiser "E"
SC	Schlage "C"
GA	Yale "GA"
LA	Sargent "LA"
LC	Less Cylinder

QML186 Only*	
RH	Right Hand
LH	Left Hand

Example

If you ordered: QML186 626 RH KW6 KD

You would get: Grade 1 Classroom Mortise Lock, Satin Chrome, Right-Hand, Kwikset Keyway, Keyed Different.

NOTES:

Consult factory for lead times on 605, 606, 619 & 625 finishes.

*Classroom function requires handed cylinder turn. Specify handing when ordering.

Performance Features

- Tested to meet Grade 1 specification of 800,000 cycles.
- Standard clutching mechanism provides resistance to damage caused by physical force.
- Thru-bolt design and heavy-duty spring tension provides longer performance life and prevents lever sag.
- Concealed mounting screws.
- Compartmentalized packaging allows for quick and easy installation.

Certifications



- ANSI/BHMA A156.2 Series – Grade 1
- ANSI A117.1 Accessibility Code (ADA Compliant)
- UL/cUL Listed (3 hours) for “A” label single-door applications (4' x 8') (1.219m x 2.438m)
- UL10C/UBC 7-2 (1997) Positive Pressure Rated
- UL10B Pressure Rated
- California State Reference Code (formerly Title 19 – Fire Marshal)
- Hurricane Compliant – Miami-DADE N.O.A. See page 72 for more details.

Product Specifications

- Handing – All QCL100 Series Levers Locksets are non-handed.
- Door thickness – 1 3/8" - 2" (35mm-51mm) standard.
- Backset – 2 3/4" (70mm) square standard. 2 3/8" and 5" (60mm, 127mm) available.
- Exposed trim – Pressure cast zinc, plated to match finish designation.
- Strike – ANSI Strike 1 1/4" x 4 7/8" (32mm x 124mm) standard. Other strike options also available.
- Door prep – 2 1/8" (54mm) diameter cross bore.
- Latch bolt – Keyed/Exterior 1/2" (12.7mm) steel throw; Interior 1/2" (12.7mm) spring latch.
- Latch faceplate – 1 1/8" x 2 1/4" (29mm x 57mm) standard.
- Single dummy is surface mounted.
- Electrification options available.

Keying

- 6-pin brass cylinders. Many keying options available from our factory to include, but not limited to, master keying, grand master keying and construction keying.
- 2 keys per lockset.
- Offered with the following keyway options: BF-BEST, KW-Kwikset, WE-Weiser, SC-Schlage, GA-Yale, LA-Sargent, & LC-Less Cylinder. Consult factory for other cylinder options.

Warranty

- Lifetime Mechanical, 3-year finish* and 1-year electrical
*(613/US10B carries no finish warranty)



Sierra (E)



Summit (M)



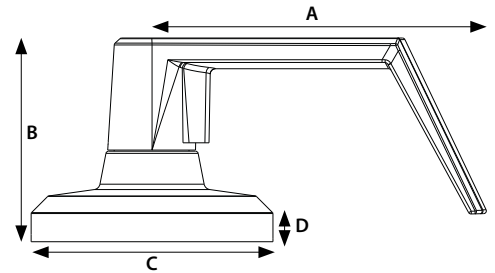
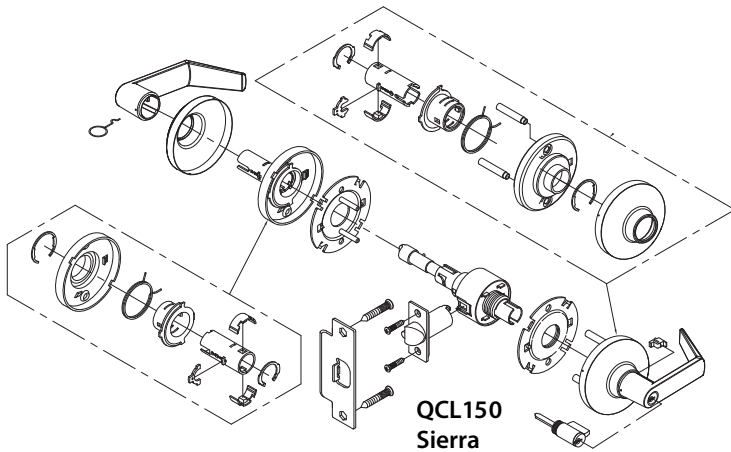
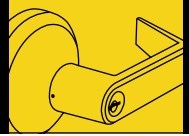
Slate (A)

Functions

ANSI	Series	Description
—	QCL120	Single Dummy
F75	QCL130	Passage
F111	QCL135	Communicating
F76	QCL140	Privacy
F109	QCL150	Entry/Office
F109	QCL151	Entry/Office SFIC
F90	QCL154	Corridor
F90	QCL155	Corridor SFIC
F84	QCL160	Classroom
F84	QCL161	Classroom SFIC
F86	QCL170	Storeroom
F86	QCL171	Storeroom SFIC
—	QCL192	Electronically Locked
—	QCL193	Electronically Locked SFIC
—	QCL194	Electronically Unlocked
—	QCL195	Electronically Unlocked SFIC

Finishes

BHMA	US	Description
605	US3	Bright Brass
613	US10B	Oil Rubbed Bronze
619	US15	Satin Nickel
625	US26	Bright Chrome
626	US26D	Satin Chrome



DIMENSIONS				
	A	B	C	D
Sierra	4.895"	2.985"	3.543"	.407"
	124.32mm	75.82mm	90mm	10.34mm
Summit	4.929"	3.034"	3.543"	.407"
	125.20mm	77.06mm	90mm	10.34mm
Slate	4.937"	2.993"	3.543"	.407"
	125.40mm	76mm	90mm	10.34mm

Functions	ANSI		Description	Case Qty
QCL120 <i>Single Dummy</i>	—		Dummy trim for one side of door. Used for door pull or as matching inactive trim. No mechanical operation. Surface-mounted single dummy trim.	12
QCL130 <i>Passage</i>	F75		Both levers always unlocked and always free for immediate ingress & egress.	6
QCL135 <i>Communicating</i>	F111		Blank plate outside. Inside lever always unlocked and always free.	6
QCL140 <i>Privacy</i>	F76		Push-button locking. Can be opened from outside with a small screwdriver. Turning inside lever or closing door releases button. Inside lever is always free for immediate egress. Clutch feature disengages outside lever from latch when locked to prevent vandalism.	6
QCL150/151 <i>Entry/Office</i>	F109		Turn/push-button locking; pushing and turning button locks outside lever, requiring use of key until button is manually unlocked. Push-button locking; pushing button locks outside lever until unlocked by key or by depressing inside lever. Clutch feature disengages outside lever from latch when locked to prevent vandalism. Inside lever is always free for immediate egress.	6
QCL154/155 <i>Corridor</i>	F90		Deadlocking latch bolt operates by lever from either side except when outside lever is locked by key in outside lever, or by push-button on inside. Key in outside lever locks or unlocks outside lever. Operating inside lever releases push-button. Closing door releases push-button. Inside lever always operates latch bolt.	6
QCL160/161 <i>Classroom</i>	F84		Key required to either lock or unlock outside lever. Inside lever is always unlocked and free for immediate egress. Clutch feature disengages outside lever from latch when locked to prevent vandalism.	6
QCL170/171 <i>Storeroom</i>	F86		Outside lever always locked. Entrance by key only. Inside lever unlocked and free for immediate egress. Clutch feature disengages outside lever from latch when locked to prevent vandalism.	6

MECHANICAL LOCKS

ELECTRIFIED OPTIONS (CONSULT FACTORY FOR LEAD TIMES)



Model #	Description
QCL192 QCL193	Electronically locked (fail safe). Outside lever continuously locked electrically. Unlocked by key outside, by switch, or by power failure. Inside always free for immediate egress.
QCL194 QCL195	Electronically unlocked (fail secure). Outside lever continuously locked until unlocked by key or electric current. Inside always free for immediate egress.
8Q00314	Fail Safe / Fail Secure 24V DC Power Supply

Electrified Product Specifications

- Consult factory for lead times.
- Electrification prices should be added to list price of lock.
- Standard door prep.
- Deadlocking latch.
- Key override allows key to retract latch bolt momentarily on electronically locked models.
- Inside lever always free for immediate egress.
- Continuous duty solenoids.
- Tie into alarm systems and electromagnetic locks.
- 12V AC/DC with .250 AMP current.
24V AC/DC with .150 AMP current.
- Specify voltage when ordering.
- Lifetime warranty on lock body; 1-year warranty on electric components.
- Uses power supply 8Q00314.
- Warranty: 1-year electrical.

Power Supply Specifications

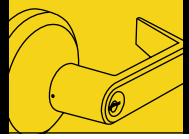
- Consult factory for lead times.
- Provides power for fail safe or fail secure locking devices.
- UL listed, US & Canada, Class 2.
- Filtered and regulated 24DC constant voltage.
- 2 AMP load capacity.
- Over voltage/short-circuit protection.
- Surge suppression for locking devices.
- Interface relay to isolate the locking device current from the control switch.
- Auxiliary 24V DC constant voltage for powering stand-alone devices such as keypads, motion detectors, status indicators, etc.
- Field terminal block set at 45° for ease of installation.
- Can power up to twelve 24V cylindrical fail safe/ fail secure levers – [refer to installation manual for additional details](#).

Example

If you ordered: QCL192 E626 S4 478S KW5 KA 24V X 625

You would get: Grade 1 Electronically Locked Cylindrical Lock, Sierra Lever, Satin Chrome x Bright Chrome, 2 ¾" Dead Latch Square, ANSI 4 7/8" x 1 ¼" Strike, Kwikset Keyway, Keyed Alike.

With Options: 24-Volt Power and Request to Exit



20	Single Dummy
30	Passage
35	Communicating
40	Privacy
50	Entry/Office
51	Entry/Office SFIC
54	Corridor
55	Corridor SFIC
60	Classroom
61	Classroom SFIC
70	Storeroom
71	Storeroom SFIC
ADDED FUNCTIONS (New)	
92	Electronically Locked (fail safe)
93	Electronically Locked SFIC (fail safe)
94	Electronically Unlocked (fail secure)
95	Electronically Unlocked SFIC (fail secure)

605	Bright Brass
613	Oil Rubbed Bronze
619	Satin Nickel
625	Bright Chrome
626	Satin Chrome

BF	BEST
KW	Kwikset "KW"
WE	Weiser "E"
SC	Schlage "C"
GA	Yale "GA"
LA	Sargent "LA"
LC	Less Cylinder

24V	24 Volt AC/DC
12V	12 Volt AC/DC

Base Part Number								
Series	Function	Design	Finish	Latch	Strike	Keyway	# Of Pins	Keying
QCL1	70	E	626	S4	478S	F	6	KA

Additional Options			
Hurricane Compliant	Power	Request To Exit	2nd Finish
H	—	—	—

E	Sierra
M	Summit
A	Slate

478S	ANSI 4 7/8" x 1 1/4" Strike
118F	ANSI 1 1/8" x 2 1/4" Strike

625	Bright Chrome
-----	---------------

QCL1 LATCH TABLE (New)	
FR4	Fire-Rated Radius 2-3/4
FS4	Fire-Rated Square 2-3/4
NOL	No Latch
R4	Radius 2-3/4
R8	Radius 2-3/8
S4	Square 2-3/4
S5	Square 5
S8	Square 2-3/8

KD	Keyed Different
KA	Keyed Alike
SK	Special Keying
	-Construction Keyed
	-Construction Master Keyed
	-Maison Keyed
	-Master Keyed
	-Grand Master Keyed
	-Great Grand Master Keyed
ZB	Zero Bitted

Example

If you ordered: QCL170 E626 S4 478S F6 KA H

You would get: Grade 1 Hurricane Compliant Cylindrical Storeroom Lock, Sierra Lever, Satin Chrome, 2 3/4" Dead Latch Square, ANSI 4 7/8" x 1 1/4" Strike, Standard "F" Keyway, Keyed Alike.

Performance Features

- Tested to meet Grade 2 specification of 400,000 cycles.
- Standard clutching mechanism provides resistance to damage caused by physical force.
- Thru-bolt design and heavy-duty spring tension provides longer performance life and prevents lever sag.
- Concealed mounting screws.
- Compartmentalized packaging allows for quick and easy installation.

Certifications



- ANSI/BHMA A156.2 Series – Grade 2
- ANSI A117.1 Accessibility Code (ADA Compliant)
- UL/cUL Listed (3 hours) for “A” label single-door applications (4' x 8') (1,219m x 2,438m)
- UL10C/UBC 7-2 (1997) Positive Pressure Rated
- UL10B Pressure Rated
- California State Reference Code (formerly Title 19 – Fire Marshal)
- Hurricane Compliant – Miami-DADE N.O.A. See page 72 for more details.

Product Specifications

- Handing – All QCL200 Series Levers Locksets are non-handed.
- Door thickness – 1 3/8" - 2" (35mm-51mm) standard.
- Backset – 2 3/4" (70mm) square standard. 2 3/8" and 5" (60mm, 127mm) available.
- Exposed trim – Pressure cast zinc, plated to match finish designation.
- Strike – ANSI Strike 1 1/4" x 4 7/8" (32mm x 124mm) standard. Other strike options also available.
- Door prep – 2 1/8" (54mm) diameter cross bore.
- Latch bolt – Keyed/Exterior 1/2" (12.7mm) steel throw; Interior 1/2" (12.7mm) spring latch.
- Latch faceplate – 1 1/8" x 2 1/4" (29mm x 57 mm) standard.

Keying

- 6-pin brass cylinders. Many keying options available from our factory to include, but not limited to, master keying, grand master keying and construction keying.
- 2 keys per lockset.
- Offered with the following keyway options: BF-BEST, KW-Kwikset, WE-Weiser, SC-Schlage, GA-Yale, LA-Sargent, & LC-Less Cylinder. Consult factory for other cylinder options.

Warranty

- Lifetime Mechanical and 3-year finish*
- *(613/US10B carries no finish warranty)*



Sierra (E)



Summit (M)



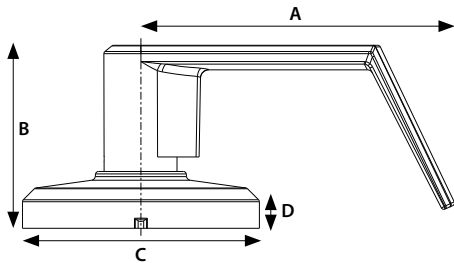
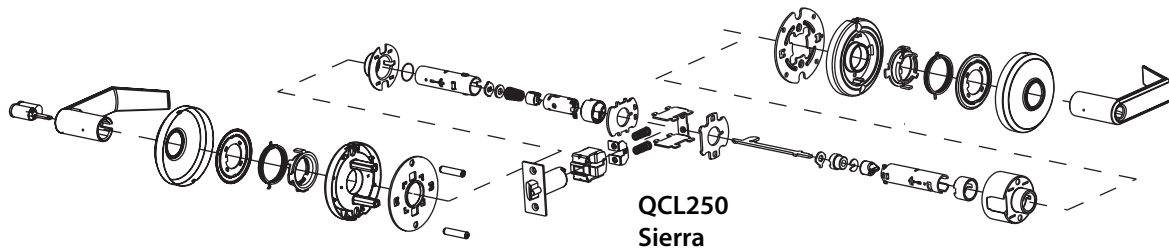
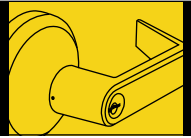
Slate (A)

Functions

ANSI	Series	Description
—	QCL220	Single Dummy
F75	QCL230	Passage
F111	QCL235	Communicating
F76	QCL240	Privacy
F109	QCL250	Entry/Office
F109	QCL251	Entry/Office SFIC
F90	QCL254	Corridor
F90	QCL255	Corridor SFIC
F84	QCL260	Classroom
F84	QCL261	Classroom SFIC
F86	QCL270	Storeroom
F86	QCL271	Storeroom SFIC

Finishes

BHMA	US	Description
605	US3	Bright Brass
613	US10B	Oil Rubbed Bronze
619	US15	Satin Nickel
625	US26	Bright Chrome
626	US26D	Satin Chrome



DIMENSIONS				
	A	B	C	D
Sierra	4.451"	2.6"	3.366"	.269"
	113.06mm	66.04mm	85.50mm	6.84mm
Summit	4.533"	2.744"	3.366"	.269"
	115.14mm	69.70mm	85.50mm	6.84mm
Slate	4.535"	2.87"	3.366"	.269"
	115.20mm	72.90mm	85.50mm	6.84mm

Functions	ANSI		Description	Case Qty
QCL220 <i>Single Dummy</i>	—		Dummy trim for one side of door. Used for door pull or as matching inactive trim. No mechanical operation. Surface-mounted single dummy trim.	12
QCL230 <i>Passage</i>	F75		Both levers always unlocked and always free for immediate ingress & egress.	6
QCL235 <i>Communicating</i>	F111		Blank plate outside. Inside lever always unlocked and always free.	6
QCL240 <i>Privacy</i>	F76		Push-button locking. Can be opened from outside with a small screwdriver. Turning inside lever or closing door releases button. Inside lever is always free for immediate egress. Clutch feature disengages outside lever from latch when locked to prevent vandalism.	6
QCL250/251 <i>Entry/Office</i>	F109		Turn/push-button locking; pushing and turning button locks outside lever, requiring use of key until button is manually unlocked. Push-button locking; pushing button locks outside lever until unlocked by key or by depressing inside lever. Clutch feature disengages outside lever from latch when locked to prevent vandalism. Inside lever is always free for immediate egress.	6
QCL254/255 <i>Corridor</i>	F90		Deadlocking latch bolt operates by lever from either side except when outside lever is locked by key in outside lever or by push-button on inside. Key in outside lever locks or unlocks outside lever. Operating inside lever releases push-button. Closing door releases push-button. Inside lever always operates latch bolt.	6
QCL260/261 <i>Classroom</i>	F84		Key required to either lock or unlock outside lever. Inside lever is always unlocked and free for immediate egress. Clutch feature disengages outside lever from latch when locked to prevent vandalism.	6
QCL270/271 <i>Storeroom</i>	F86		Outside lever always locked. Entrance by key only. Inside lever unlocked and free for immediate egress. Clutch feature disengages outside lever from latch when locked to prevent vandalism.	6

MECHANICAL LOCKS

MECHANICAL LOCKS

How to Order
 QCL 200 Series Grade 2
 Standard-Duty Cylindrical Locks

20	Single Dummy
30	Passage
35	Communicating
40	Privacy
50	Entry/Office
51	Entry/Office SFIC
54	Corridor
55	Corridor SFIC
60	Classroom
61	Classroom SFIC
70	Storeroom
71	Storeroom SFIC

605	Bright Brass
613	Oil Rubbed Bronze
619	Satin Nickel
625	Bright Chrome
626	Satin Chrome

BF	BEST
KW	Kwikset "KW"
WE	Weiser "E"
SC	Schlage "C"
GA	Yale "GA"
LA	Sargent "LA"
LC	Less Cylinder

Base Part Number								
Series	Function	Design	Finish	Latch	Strike	Keyway	# of Pins	Keying
QCL2	71	E	626	S4	478S	BF	6	KA

Additional Options	
Hurricane Compliant	2nd Finish
H	625

E	Sierra
M	Summit
A	Slate

478S	ANSI 4 ⁷ / ₈ " x 1 ¹ / ₄ " Strike
118F	ANSI 1 ¹ / ₈ " x 2 ¹ / ₄ " Strike
FLS	Full Lip Square Corner Strike
FLR	Full Lip 1 ¹ / ₄ " Radius Corner Strike

613	Oil Rubbed Bronze
625	Bright Chrome

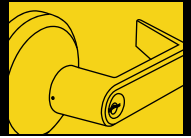
QCL2 LATCH TABLE (New)	
FR4	Fire-Rated Radius 2-3/4
FS4	Fire-Rated Square 2-3/4
NOL	No Latch
NR4	Narrow Radius 2-3/4
NR8	Narrow Radius 2-3/8
NS4	Narrow Square 2-3/4
NS8	Narrow Square 2-3/8
R4	Radius 2-3/4
R8	Radius 2-3/8
S3	Square 3-3/4
S4	Square 2-3/4
S5	Square 5
S8	Square 2-3/8

KD	Keyed Different
KA	Keyed Alike
SK	Special Keying
	-Construction Keyed
	-Construction Master Keyed
	-Maison Keyed
	-Master Keyed
	-Grand Master Keyed
	-Great Grand Master Keyed
ZB	Zero Bitted

Example

If you ordered: QCL271 E626 S4 478S BF6 KA H 625

You would get: Grade 2 Hurricane Compliant Cylindrical Storeroom Lock, Sierra Lever, Satin Chrome x Bright Chrome, 2³/₄" Deadlatch Square, ANSI 4⁷/₈" x 1¹/₄" Strike, SFIC "F" Keyway, Keyed Alike.



Applications

The QCI200 Series Interconnected Levers are designed for multi-family, assisted living, commercial & mixed-use applications where single motion egress is required. These levers deliver premium performance and are designed to withstand the physical abuses of the applied environment.

Performance Features

- Tested to meet Grade 2 specification of 400,000 cycles.
- Single-motion egress provides easy emergency exit.
- Full 1" (25mm) throwbolt with saw-resistant hardened steel roller pin.
- Anti-drill design deadbolt – two (2) ball bearings inserted to prevent drill attacks.
- ADA thumbturn.
- Tapered latch bolt to address warped door concerns.

Certifications



- ANSI/BHMA A156.12 – 1999 Grade 2
- UL/cUL Listed (3 hours) for "A" label single-door applications (4' x 8') (1.219m x 2.438m)
- UL10C/UBC 7-2 (1997) Positive Pressure Rated
- UL10B Pressure Rated
- ANSI A117.1 Accessibility Code (ADA Compliant)

Product Specifications

- Door range – 1 3/8" - 1 3/4" (35mm-44.5mm).
- Heavy-duty cylindrical lock body.
- 4" center-to-center.
- Backset – 2 3/4" (70 mm) standard. 2 3/8" (60mm) available.
- Exposed trim – Wrought brass or bronze with cast zinc lever.
- Strikes – "T" strike 1 1/8" x 2 3/4" standard for lever, deadbolt strike 1 1/8" x 2 3/4" standard. Other strike options also available.
- Latch bolt – Keyed 1/2" (13mm) steel throw with auxiliary latch, passage 1/2" (13mm) spring latch.
- Handing – All QCI200 locksets are non-handed.
- Standard door prep: 2 1/8" cross bore (54mm).
- Latch hole – 1" diameter edge bore.
- Rose diameter – 2 1/2" (63mm).
- Inside escutcheon – 3" x 8" (82.5mm x 203mm).
- Optional exterior escutcheon – 3 1/4" x 8" (82.5mm x 203mm).

Keying

- 6-pin brass cylinders. Many keying options available from our factory to include, but not limited to, master keying, grand master keying and construction keying. Small format interchangeable core cylinder also available.
- 2 keys per lockset.
- Offered with the following keyway options: SMT-SmartKey, KW-Kwikset, WE-Weiser, SC-Schlage, GA-Yale, LA-Sargent, BF-BEST, & LC-Less Cylinder. Consult factory for other cylinder options.

Warranty

- Lifetime Mechanical, 3-year finish* and 1-year electrical



Sierra (E) – Single-Locking



Summit (M) – Double-Locking



Slate (A) – Indicator

Functions

ANSI	Series	Description
F95	QCI230	Single-Locking (Passage Lever)
F95	QCI231	Single-Locking SFIC (Passage Lever)
F97	QCI250	Double-Locking (Entry Lever)
F97	QCI251	Double-Locking SFIC (Entry Lever)
—	QCI285	Indicator (Passage Lever)

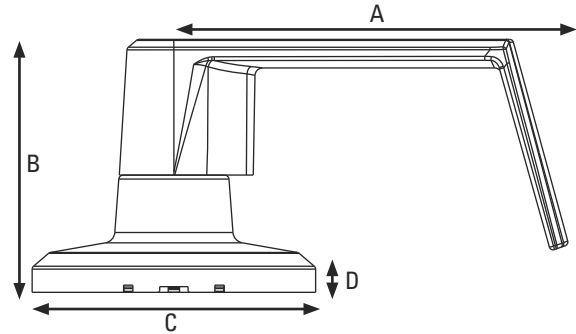
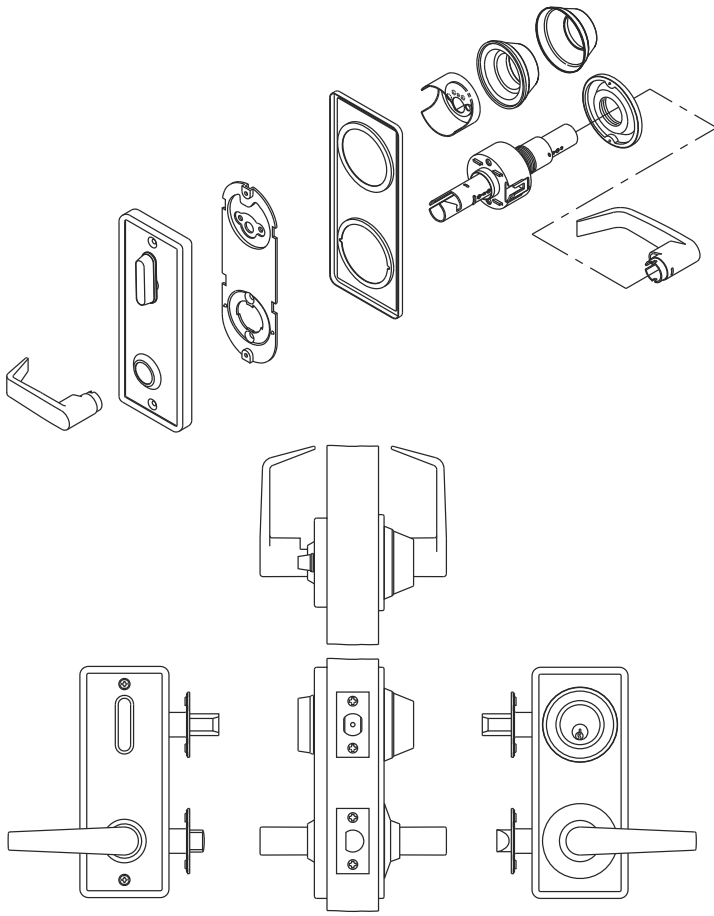
Finishes

BHMA	US	Description
605	US3	Bright Brass
613	US10B	Oil Rubbed Bronze
619	US15	Satin Nickel
626	US26D	Satin Chrome

*(613/US10B carries no finish warranty)

MECHANICAL LOCKS

QCI
200 Series Grade 2
Standard-Duty Interconnected Locks

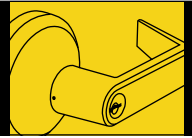


DIMENSIONS				
	A	B	C	D
Sierra	3.96"	2.25"	2.50"	.375"
	100.58mm	57.15mm	63.50mm	9.52mm
Summit	4.0"	2.20"	2.50"	.375"
	101.60mm	55.88mm	63.50mm	9.52mm
Slate	4.47"	4.67"	2.50"	.375"
	113.50mm	118.60mm	63.50mm	9.52mm

Functions	ANSI		Description	Case Qty
QCI230/231* <i>Single-Locking (Passage Lever)</i>	F95		Latch bolt operated by lever from either side. Rotating turn from inside or key from outside extends deadbolt to locked position. Both deadbolt and latch bolt are retracted simultaneously to unlock position by operating inside lever.	6
QCI250/251** <i>Double-Locking (Entry Lever)</i>	F97		Deadlocking latch bolt is operated by lever from either side except when outside lever is made inoperable by locking device inside. When outside lever is locked, deadlocking latch bolt is operated by key outside. Inside locking device is manually operated to unlock outside lever. Rotating turn from inside or key from outside extends deadbolt to locked position. Operating inside lever bolt retracts both deadbolt and deadlocking latch simultaneously. Closing door shall not release locking device inside.	6
QCI285 <i>Indicator (Passage Lever)</i>	—		Latch bolt operated by lever from either side. Rotating turn from inside extends deadbolt to locked position. Both deadbolt and latch bolt are retracted simultaneously to unlock position by operating inside lever. Outside indicator visually shows red closed padlock for locked/in-use, green open door padlock for unlocked/vacant. Emergency key included.	6

NOTES: *SmartKey available on QCI230 functions only.

**QCI251 available at extended lead time. Consult factory.



30	Single-Locking (Passage Lever)
31	Single-Locking SFIC (Passage Lever)
50	Double-Locking (Entry Lever)
51	Double-Locking SFIC (Entry Lever)
85	Indicator (Passage Lever)

605	Bright Brass
613	Oil Rubbed Bronze
619	Satin Nickel
626	Satin Chrome

BF	BEST
KW	Kwikset "KW"
WE	Weiser "E"
SC	Schlage "C"
GA	Yale "GA"
LA	Sargent "LA"
LC	Less Cylinder

Base Part Number								
Series	Function	Design	Finish	Latch	Strike	Keyway	# Of Pins	Keying
QCI2	30	E	626	NR4	118F	F	6	KD

E	Sierra
M	Summit
A	Slate

KD	Keyed Different
KA	Keyed Alike
SK	Special Keying
	-Construction Keyed
	-Construction Master Keyed
	-Maison Keyed
	-Master Keyed
	-Grand Master Keyed
	-Great Grand Master Keyed
ZB	Zero Bitted

Order w/Lock	Lever & Deadbolt Latch
NR4	Narrow Radius 2-3/4
NS4	Narrow Square 2-3/4
NS8	Narrow Square 2-3/8
R4	Radius 2-3/4
S4	Square 2-3/4
S8	Square 2-3/8

Order w/Lock	Lever Latch	Deadbolt Latch
NR8	Narrow Radius 2-3/8	Narrow Radius 2-3/4
R8	Radius 2-3/8	Radius 2-3/4

Order w/Lock	Lever Strike	Deadbolt Strike
118F	118F	DBS
478S	478S	DBS
FLS	FLS	DBS
FLR	FLR	DBS
FLS2	FLS	FLS
FLR2	FLR	FLR

Example

If you ordered: QCI230 E626 NR4 118F F6 KD

You would get: Grade 2 Interconnect Single Lock, Sierra Lever, Satin Chrome, 2³/₄" Narrow Radius Latches, "T" Strike with Standard Deadbolt Strike, Standard "F" Keyway, Keyed Different.

Performance Features

- Tested to meet Grade 2 specification of 400,000 cycles.
- Heavy-duty torsion springs provide longer performance life and prevent lever sag.
- Concealed mounting screws.
- "Anti-Lockout" feature. The entry function will have a free interior. If the door is locked from the inside, it will unlock with the push of the interior side of the lever only or the turn of the button.
- 1/2" (13mm) latch bolt made of stainless steel black powder metallurgy for enhanced durability and strength.
- Compartmentalized packaging allows for quick and easy installation.



Sierra (E)



Summit (M)



Slate (A)

Certifications



- ANSI/BHMA A156.2 Series – Grade 2
- ANSI A117.1 Accessibility Code (ADA Compliant)
- UL/cUL Listed (3 hours) for "A" label single-door applications (4' x 8') (1.219m x 2.438m)
- UL10C/UBC 7-2 (1997) Positive Pressure Rated
- UL10B Pressure Rated
- California State Reference Code (formerly Title 19 – Fire Marshal)
- Hurricane Compliant – Miami-DADE N.O.A. See page 72 for more details.

Product Specifications

- Handing – All QTL200 Series Levers Locksets are non-handed.
- Door thickness – 1 3/8" - 1 3/4" (35mm-51mm) standard.
- Backset – Universal backset standard, will fit either 2 3/8" or 2 3/4" backsets (60mm-70mm).
- Exposed trim – Pressure cast zinc, plated to match finish designation.
- Strike – Full-lip strike standard (57mm x 44.4mm). Other strike options also available.
- Latch bolt – 1/2" (13mm) steel throw.
- Latch faceplate – 1" x 2 1/4" (25.4mm x 57mm) standard.

Keying

- 6-pin brass cylinders. Many keying options available from our factory to include, but not limited to, master keying, grand master keying and construction keying.
- 2 keys per lockset.
- Offered with the following keyway options: BF-BEST, KW-Kwikset, WE-Weiser, SC-Schlage, GA-Yale, LA-Sargent, & LC-Less Cylinder. Consult factory for other cylinder options.

Warranty

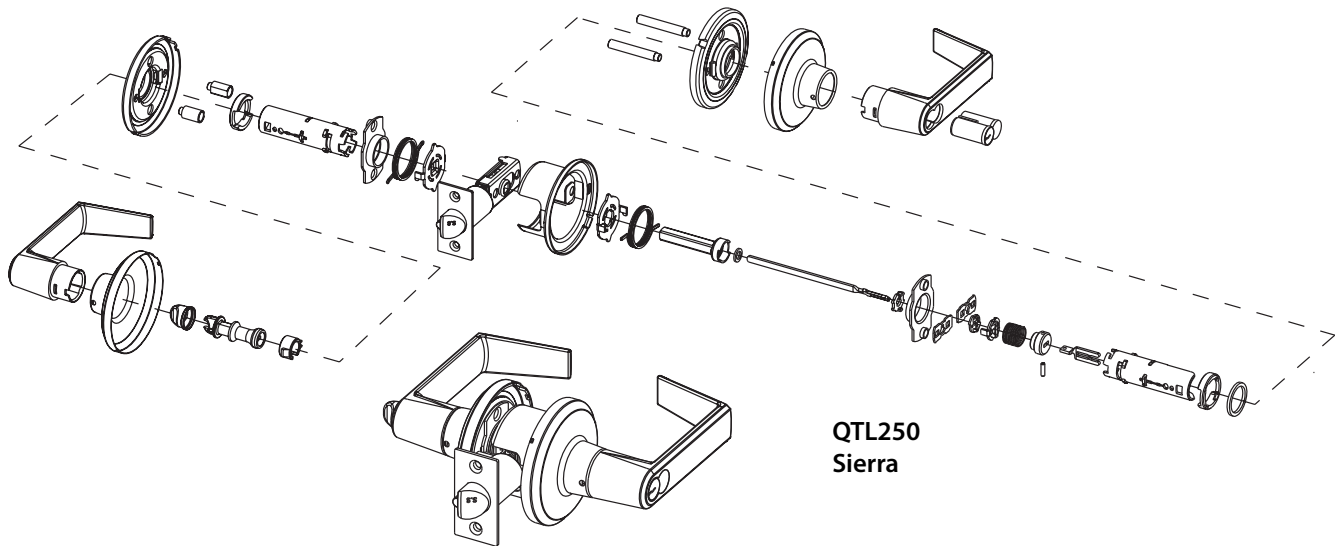
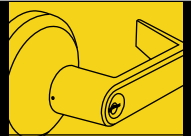
- Lifetime Mechanical and 3-year finish*
*(613/US10B carries no finish warranty)

Functions

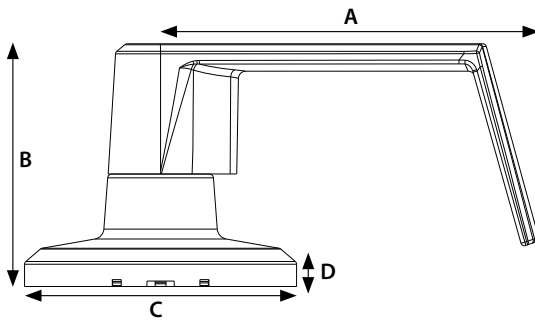
ANSI	Series	Description
—	QTL220	Single Dummy
F75	QTL230	Passage
F76B	QTL240	Privacy
F82	QTL250	Entry/Office
F82	QTL251	Entry/Office SFIC
F84	QTL260	Classroom
F84	QTL261	Classroom SFIC
F86	QTL270	Storeroom
F86	QTL271	Storeroom SFIC

Finishes

BHMA	US	Description
605	US3	Bright Brass
613	US10B	Oil Rubbed Bronze
619	US15	Satin Nickel
625	US26	Bright Chrome
626	US26D	Satin Chrome



**QTL250
Sierra**



DIMENSIONS				
	A	B	C	D
Sierra	4.103"	2.635"	2.953"	.443"
	104.21mm	66.93mm	75mm	11.24mm
Summit	4.224"	2.663"	2.953"	.443"
	107.29mm	67.64mm	75mm	11.24mm
Slate	4.488"	2.728"	2.953"	.443"
	114mm	69.30mm	75mm	11.24mm

Functions	ANSI		Description	Case Qty
QTL220 <i>Single Dummy</i>	—		For one side of door. Used for door pull or as matching inactive trim. No mechanical operation. Surface-mounted single dummy trim.	12
QTL230 <i>Passage</i>	F75		Both levers always unlocked and always free for immediate ingress & egress.	10
QTL240 <i>Privacy</i>	F76B		Turn-button locking. Can be opened from outside with small screwdriver. Turning inside lever releases turn-button. Inside lever is always free for immediate egress.	10
QTL250/251 <i>Entry/Office</i>	F82		Unlocked by key from outside when outside lever is locked by turn-button on inside lever. Inside lever always unlocked and available for immediate egress.	10
QTL260/261 <i>Classroom</i>	F84		Outside lever locked or unlocked by key. Inside lever is always unlocked and free for immediate egress.	10
QTL270/271 <i>Storeroom</i>	F86		Outside lever always locked. Entrance by key only. Inside lever always unlocked and free for immediate egress.	10

MECHANICAL LOCKS

How to Order QTL 200 Series Grade 2 Standard-Duty Tubular Locks

20	Single Dummy
30	Passage
40	Privacy
50	Entry/Office
51	Entry/Office SFIC
60	Classroom
61	Classroom SFIC
70	Storeroom
71	Storeroom SFIC

605	Bright Brass
613	Oil Rubbed Bronze
619	Satin Nickel
625	Bright Chrome
626	Satin Chrome

BF	BEST
KW	Kwikset "KW"
WE	Weiser "E"
SC	Schlage "C"
GA	Yale "GA"
LA	Sargent "LA"
LC	Less Cylinder

Base Part Number								
Series	Function	Design	Finish	Latch	Strike	Keyway	# of Pins	Keying
QTL2	70	E	626	SA	FLR	F	6	KA

Additional Options	
Hurricane Compliant	2nd Finish
H	625

E	Sierra
M	Summit
A	Slate

478S	ANSI 47/8" x 1 1/4" Strike
118F	ANSI 1 1/8" x 2 1/4" Strike
FLS	Full Lip Square Corner Strike
FLR	Full Lip 1/4" Radius Corner Strike

625	Bright Chrome
-----	---------------

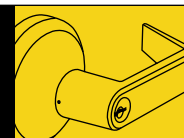
QTL2 LATCH TABLE (New)	
RA	Adjustable Radius
SA	Adjustable Square
NOL	No Latch

KD	Keyed Different
KA	Keyed Alike
SK	Special Keying
	-Construction Keyed
	-Construction Master Keyed
	-Maison Keyed
	-Master Keyed
	-Grand Master Keyed
	-Great Grand Master Keyed
ZB	Zero Bitted

Example

If you ordered: QTL270 E626 SA FLR F6 KA H 625

You would get: Grade 2 Hurricane Compliant Tubular Storeroom Lock, Sierra Lever, Satin Chrome x Bright Chrome, Adjustable Square Latch, Full Lip 1/4" Radius Corner Strike, Standard "F" Keyway, Keyed Alike.



Performance Features

- Tested to meet Grade 1 specification of 250,000 cycles.
- Solid forged housing provides enhanced strength and durability.
- Full 1" (25.4mm) throwbolt with saw-resistant hardened steel roller pin.
- Anti-drill design – two (2) ball bearings inserted to prevent drill attacks.
- ADA thumbturn.
- Compartmentalized packaging allows for quick and easy installation.



Single Cylinder

Certifications



- ANSI/BHMA A156.5 Series – Grade 1
- ANSI A117.1 Accessibility Code (ADA Compliant)
- UL/cUL Listed (3 hours) for "A" label single-door applications (4' x 8') (1.219m x 2.438m)
- UL10C/UBC 7-2 (1997) Positive Pressure Rated
- UL10B Pressure Rated
- California State Reference Code (formerly Title 19 – Fire Marshal)
- Hurricane Compliant – Miami-DADE N.O.A. See page 72 for more details.



Double Cylinder

Product Specifications

- Door range – 1 5/8" - 2" (40mm-51mm) standard. Consult factory for special door ranges.
- Backset – 2 3/4" (70mm) square standard. 2 3/8" (60mm) available.
- Exposed trim – Solid forged brass, plated to match finish designation.
- Strike – Standard deadbolt strike 1 1/8" x 2 3/4" (32mm x 70mm). Other strike options also available.
- Door prep – 2 1/8" (54mm) diameter cross bore.
- Latch bolt – Full 1" (25.4mm) throw with hardened steel roller; Faceplate – 1 1/8" x 2 1/4" (29mm x 57mm).

Keying

- 6-pin brass cylinders. Many keying options available from our factory to include, but not limited to, master keying, grand master keying and construction keying. Small format interchangeable core cylinder also available.
- 2 keys per lockset.
- Offered with the following keyway options: KW-Kwikset, WE-Weiser, SC-Schlage, GA-Yale, LA-Sargent, BF-BEST, & LC-Less Cylinder. Consult factory for other cylinder options.

Warranty

- Lifetime Mechanical and 3-year finish*

*(613/US10B carries no finish warranty)

Functions

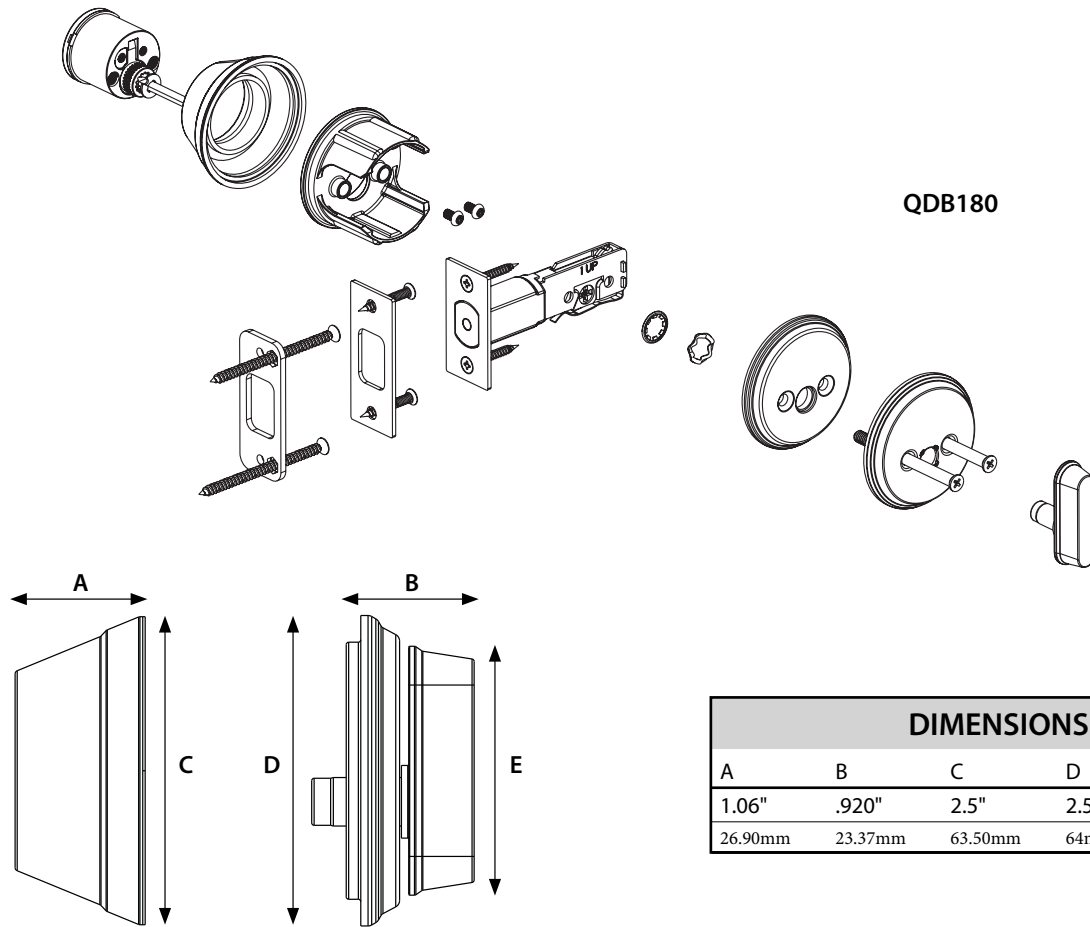
ANSI	Series	Description
E0151	QDB180	Single Cylinder
E0151	QDB181	Single Cylinder SFIC
E0141	QDB182	Double Cylinder
E0141	QDB183	Double Cylinder SFIC
E0171	QDB186	Classroom
E0171	QDB187	Classroom SFIC

Finishes

BHMA	US	Description
605	US3	Bright Brass
613	US10B	Oil Rubbed Bronze
619	US15	Satin Nickel
625	US26	Bright Chrome
626	US26D	Satin Chrome

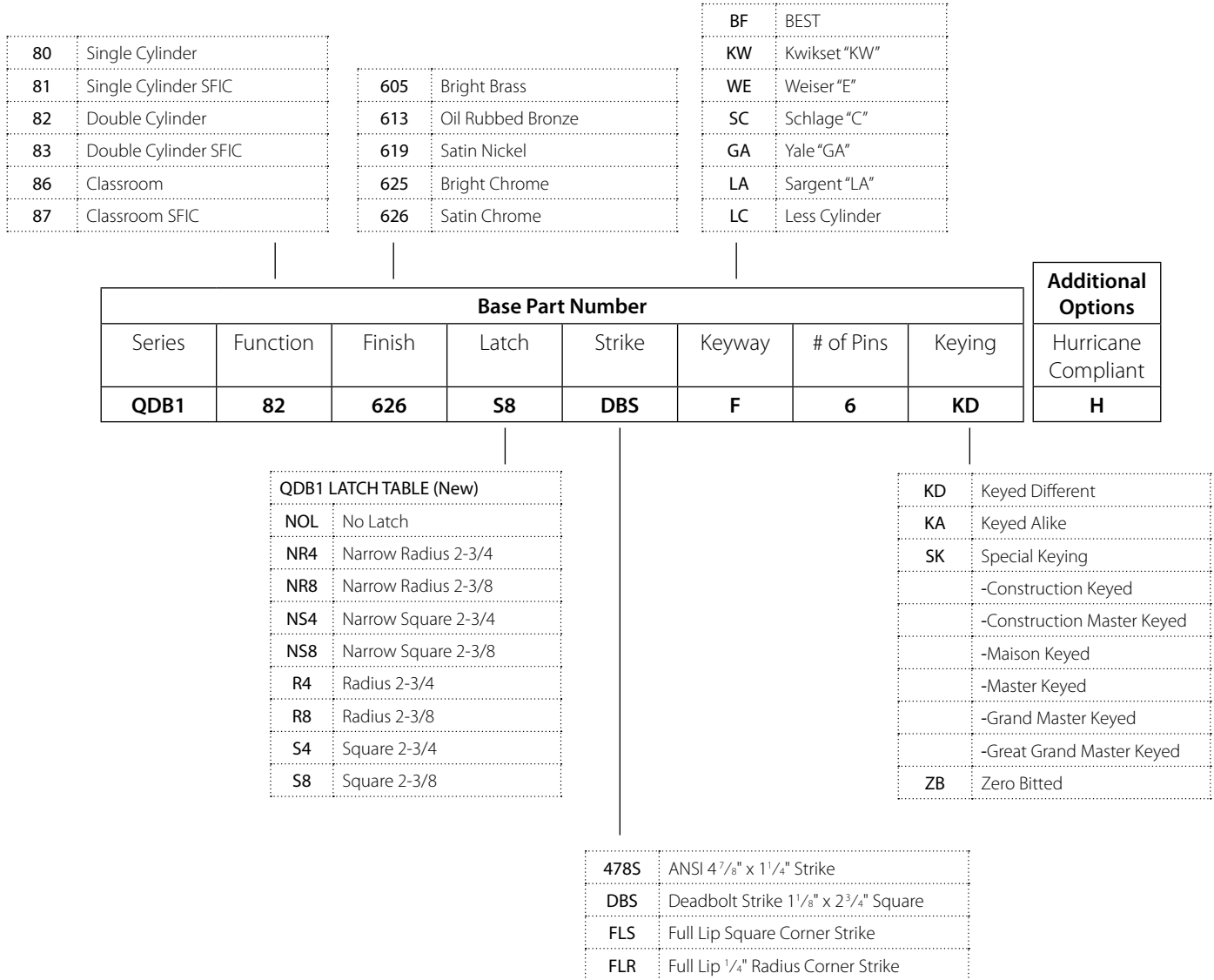
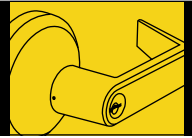
MECHANICAL LOCKS

QDB
100 Series Grade 1
Heavy-Duty Auxiliary Deadbolts



DIMENSIONS				
A	B	C	D	E
1.06"	.920"	2.5"	2.52"	2.02"
26.90mm	23.37mm	63.50mm	64mm	51.31mm

Model/ Series	ANSI		Functions	Description	Case Qty
QDB180/181 <i>Single Cylinder</i>	E0151		Single Cylinder	Deadbolt is operated by a key outside and a thumbturn inside.	12
QDB182/183 <i>Double Cylinder</i>	E0141		Double Cylinder	Deadbolt is operated by a key on both sides.	12
QDB186/187 <i>Classroom</i>	E0171		Classroom	Deadbolt is operated by a key from outside. Turnpiece retracts deadbolt for egress but can not project it.	12



Example

If you ordered: QDB182 626 S8 DBS F6 KD H

You would get: Grade 1 Double Cylinder Auxiliary Deadbolt, Satin Chrome, 2^{3/8}" Deadbolt Latch Square, Standard Deadbolt Strike, Standard "F" Keyway, Keyed Different, Hurricane Compliant.

Performance Features

- Tested to meet Grade 2 specification of 150,000 cycles.
- Full 1" (25.4mm) throwbolt with saw-resistant hardened steel roller pin.
- Free-spinning cylinder collar prevents against wrench attacks.
- Anti-drill design – Two (2) ball bearings inserted to prevent drill attacks.
- ADA thumbturn.
- Compartmentalized packaging allows for quick and easy installation.
- Available with SmartKey Technology.



Single Cylinder



Double Cylinder

Certifications



- ANSI/BHMA A156.12 – 1999 Grade 2
- ANSI A117.1 Accessibility Code (ADA Compliant)
- UL/cUL Listed (3 hours) for "A" label single-door applications (4' x 8') (1.219m x 2.438m)
- UL10C/UBC 7-2 (1997) Positive Pressure Rated
- UL10B Pressure Rated
- Hurricane Compliant – Miami-DADE N.O.A. See page 72 for more details.



QDB285 Indicator



QDB288 Key Control

Product Specifications

- Door range – 1 3/8" - 1 3/4" (35mm-44.5mm). Consult factory for special door ranges.
- Backset – 2 3/4" (70mm) square standard. 2 3/8" (60mm) available.
- Exposed trim – Stainless steel with iron forged cylinder guard.
- Strike – Standard deadbolt strike 1 1/8" x 2 3/4" (32mm x 70mm). Other strike options also available.
- Latch bolt – Full 1" (25.4mm) throw with hardened steel roller.
- Faceplate – 1 1/8" x 2 1/4" (29mm x 57mm) standard. 1" x 2 1/4" (25.4mm x 57mm) faceplate available.

Keying

- 6-pin brass cylinders. Many keying options available from our factory to include, but not limited to, master keying, grand master keying and construction keying. Small format interchangeable core cylinder also available.
- 2 keys per lockset.
- Offered with the following keyway options: SMT-SmartKey, KW-Kwikset, WE-Weiser, SC-Schlage, GA-Yale, LA-Sargent, BF-BEST, & LC-Less Cylinder. Consult factory for other cylinder options.

Warranty

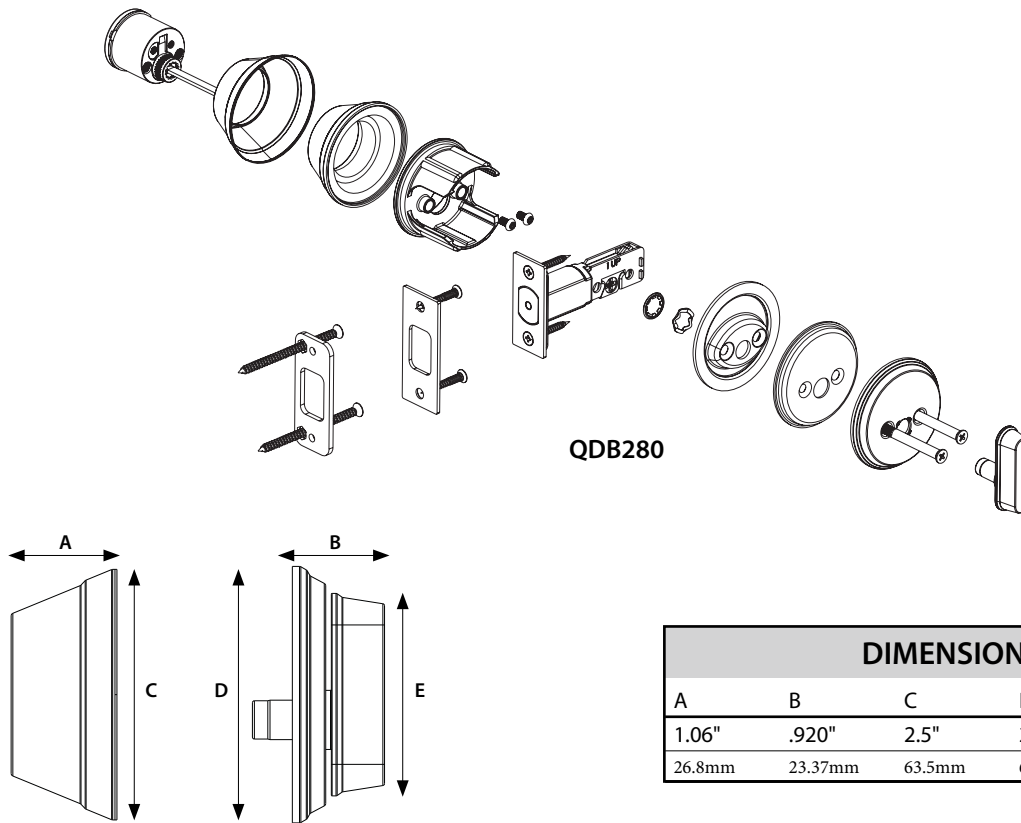
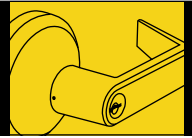
- Lifetime Mechanical and 3-year finish*
- *(613/US10B carries no finish warranty)*

Functions

ANSI	Series	Description
E0152	QDB280	Single Cylinder
E0152	QDB281	Single Cylinder SFIC
E0142	QDB282	Double Cylinder
E0142	QDB283	Double Cylinder SFIC
E0193	QDB284	Inside Turnbolt
—	QDB285	Indicator
E0172	QDB286	Classroom
E0172	QDB287	Classroom SFIC
E0152	QDB288	Key Control

Finishes

BHMA	US	Description
605	US3	Bright Brass
613	US10B	Oil Rubbed Bronze
619	US15	Satin Nickel
625	US26	Bright Chrome
626	US26D	Satin Chrome



DIMENSIONS				
A	B	C	D	E
1.06"	.920"	2.5"	2.56"	2.02"
26.8mm	23.37mm	63.5mm	65mm	51.31mm

Model/ Series	ANSI		Description	Case Qty
QDB280/281 <i>Single Cylinder</i>	E0152		Deadbolt is operated by a key outside and a thumbturn inside.	12
QDB282/283 <i>Double Cylinder</i>	E0142		Deadbolt is operated by a key on both sides.	12
QDB284 <i>Inside Turnbolt</i>	E0193		Deadbolt is operated by a thumbturn inside. <u>There is no trim on the other side.</u>	20
QDB285 <i>Indicator</i>	—		Deadbolt is operated by turn inside. Occupancy indicator plate on outside. Indicator visually shows red closed padlock for locked/in-use, green opened padlock for unlocked/vacant. Emergency key included.	12
QDB286/287* <i>Classroom</i>	E0172		Deadbolt operated by key from outside. Thumbturn retracts deadbolt for egress but cannot project it.	12
QDB288† <i>Key Control</i>	E0152		Deadbolt operated by either tenant or control key from outside. Thumbturn on inside projects and retracts deadbolts.	12

NOTES:

*Classroom indicator deadbolts available in 626 finish at standard lead times. Consult factory for lead times on alternative finishes.

†Key control deadbolt available with SmartKey cylinders only.

MECHANICAL LOCKS

How to Order QDB 200 Series Grade 2 Standard-Duty Auxiliary Deadbolts

80	Single Cylinder
81	Single Cylinder SFIC
82	Double Cylinder
83	Double Cylinder SFIC
84	Inside Turnbolt
85	Indicator
86	Classroom
87	Classroom SFIC
88	Key Control†

605	Bright Brass
613	Oil Rubbed Bronze
619	Satin Nickel
625	Bright Chrome
626	Satin Chrome

BF	BEST
KW	Kwikset "KW"
WE	Weiser "E"
SC	Schlage "C"
GA	Yale "GA"
LA	Sargent "LA"
LC	Less Cylinder

Base Part Number								Additional Options
Series	Function	Finish	Latch	Strike	Keyway	# of Pins	Keying	Hurricane Compliant
QDB2	82	626	S8	DBS	F	6	KD	H

QDB2 LATCH TABLE (New)	
6A	6-Way Adjustable
NOL	No Latch
NR4	Narrow Radius 2-3/4
NR8	Narrow Radius 2-3/8
NS4	Narrow Square 2-3/4
NS8	Narrow Square 2-3/8
RA	Adjustable Radius
R4	Radius 2-3/4
R8	Radius 2-3/8
SA	Adjustable Square
S4	Square 2-3/4
S8	Square 2-3/8

KD	Keyed Different
KA	Keyed Alike
SK	Special Keying
	-Construction Keyed
	-Construction Master Keyed
	-Maison Keyed
	-Master Keyed
	-Grand Master Keyed
	-Great Grand Master Keyed
ZB	Zero Bitted

478S	ANSI 4 ⁷ / ₈ " x 1 ¹ / ₄ " Strike
DBS	Deadbolt Strike 1 ¹ / ₈ " x 2 ³ / ₄ " Square
DBR	Deadbolt Strike 1 ¹ / ₈ " x 2 ³ / ₄ " Radius
FLS	Full Lip Square Corner Strike
FLR	Full Lip 1 ¹ / ₄ " Radius Corner Strike

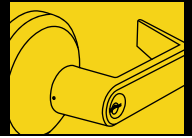
Example

If you ordered: QDB282 626 S8 DBS F6 KD H

You would get: Grade 2 Double Cylinder Auxiliary Deadbolt, Satin Chrome, 2³/₈" Deadbolt Latch Square, Standard Deadbolt Strike, Standard "F" Keyway, Keyed Different, Hurricane Compliant.

NOTES:

†Key control deadbolt only available with SmartKey cylinders.



SFIC Cores

- A2 keying system offered with multiple levels of master keying.
- Standard keyway BF: BEST "F"
- Offered in three finishes (626, 605, 613).
- Optional 7-pin configurations for additional security and greater combination.
- 6-pin or 7-pin uncombined.
- Complies to Buy American Act.
- Plastic construction core available.



626
Satin
Chrome



605
Bright
Brass



613
Oil Rubbed
Bronze

Standard Cores

- Q01 - Q06 Stanley Select Keyway and Best-F Keyway.
- Various keyways available include, but are not limited to: Schlage, Sargent and Yale.
- Optional construction keying available.
- Construction use – Prepared at the factory with construction pinning and key.
- Standard use – First use of operating key will supersede all construction keys.
- Complies to Buy American Act (BF, Q01 - Q06).



Keying

- Two keys provided with each lockset.
- Keying options available include: master keying, grand master keying and construction keying.
- Key stamping.



Warranty

- Lifetime Mechanical, 3-year finish,* 1-year electrical

**(613/US10B carries no finish warranty)*

SFIC Cores

Base Part Number				
Core Type	Lock Body	Keyway	Combination Code	Finish
6CS	7	BF	2	626
6CS - SFIC	6 - 6-pin 7 - 7-pin	BF - BEST "F"	1 - Uncombined 2 - Combined	605 Bright Brass 613 Oil Rubbed Bronze 626 Satin Chrome

Example

If you ordered: 6CS 7BF2 626

You would get: Small Format Interchangeable Core (SFIC), 7-pin, Best "F" Keyway, Factory Combined, Satin Chrome.

Standard Cores

Base Part Number								
Core Type	Core Type	Lock Body	Keyway	Combination Code	Finish	Tailpiece	Length	Options
6EQ	L	6	BF	1	626	QCL160	—	—
6EQ - Standard Cylinder	L - Key in Lever M - Mortise D - Deadbolt R - Rim	6 - 6-pin	Q01-06 - Stanley Select BF - BEST "F" KW - Kwikset SC - Schlage "C" SE - Schlage "E" CB - C4 Corbin GA - Yale "GA" LA - Sargent "LA" AA - Arrow	1 - Uncombined 2 - Combined	605 - Bright Brass 626 - Satin Chrome	Series/ Function	118 - 1 1/8" 138 - 1 3/8" (Mortise Cylinder only)	CC - Construction (Optional)

Example

If you ordered: 6EQL 6BF1 626 QCL160

You would get: Standard Key in Lever Cylinder, 6-pin, BEST "F" Keyway, Uncombined, Satin Chrome, QCL160 Tailpiece.

Keys

Base Part Number					
Key	Key Type	Keyway	Cut Code	Pin Size	Options
6AQ	1	BF	1	7	DND
6AQ - Standard	1 - Operating or blank 2 - Control 3 - Master 4 - Submaster 5 - Grand Master	Q01-06 - Stanley Select BF - BEST "F" KW - Kwikset WS - Weiser SC - Schlage C SE - Schlage E GA - Yale LA - Sargent AA - Arrow	1 - Blank 2 - Cut	6 - 6-pin 7 - 7-pin	S - Key Serialization DND - Do Not Duplicate

Example

If you ordered: 6AQ1 BF 17 DND

You would get: Standard Operating Key, Best "F" Keyway, cut for 7-pin, marked Do Not Duplicate.

EXIT

EXIT DEVICES



Rim Type

Performance Features

- Tested and certified to significantly exceed 1,000,000 cycles – well above the requirements for Grade 1 certification.
- Thru-bolt trim design for increased security and durability.
- Wide variety of trim options to fit any job.
- Consistent styling allows for suiting with other Stanley Commercial Hardware products.

Certifications



- ANSI/BHMA A156.13 – Grade 1
- UL/cUL listed (3 hours) for “A” label single-door applications (4' x 8') (1.219m x 2.438m)
- UL10C/UBC 7-2 (1997) Positive Pressure Rated
- UL10B Pressure Rated
- ANSI A117.1 Accessibility Code (ADA Compliant)
- California State Reference Code (formerly Title 19 – Fire Marshal)
- Hurricane Compliant – Miami-DADE N.O.A. See page 72 for more details.

Product Specifications

- Handing – All QED100 Series Exit Devices are non-handed.
- Door thickness – 1 3/4" standard (44.5mm).
- Latch bolt – Stainless steel 3/4" standard (19mm).
- Fasteners – Wood screws, machine screws and sex bolts standard.
- Head cap & end cap – Zinc die-cast.
- Trims – Sierra and Summit styles available.
Escutcheon offering – Dummy, passage, keyed, night latch.
Pull plate offering – Dummy, thumbpiece, night latch, flat plate.
- Stile width – 4 1/4" minimum (108mm).
- Dogging – Hex key dogging and cylinder dogging available.
- 36" field sizeable to 32" door.
48" field sizeable to 36" door.
- Standard backset – 2 7/8" (62mm) to face of doorstop.
- Electrification options available.

Keying

- Offered with the following keyway options: KW-Kwikset, WE-Weiser, SC-Schlage, GA-Yale, LA-Sargent, BF-SFIC “F” & LC-Less Cylinder.
Consult factory for other cylinder options and for details on Mortise and Rim Cylinder requirements.

Warranty

- Lifetime Mechanical, 3-year finish, 1-year electrical



QED111



Sierra (E)



Summit (M)



Pull Plate (L)

Functions

Series	Description
QED111	Rim Hex Dog
QED112	Rim Cylinder Dog
QED113	Rim Fire-Rated

Exit Trim Offerings

ANSI	Series	Description
02	QET120	Dummy Lever Escutcheon
02	QET125	Dummy Pull Plate
14	QET130	Passage Lever Escutcheon
08	QET160	Keyed Lever Escutcheon
05	QET165	Thumbpiece
02	QET167	Dummy Thumbpiece
09	QET170	Night Latch Lever Escutcheon
03	QET175	Night Latch Pull
01	QET190	Flat Plate

Finishes

BHMA	US	Description
605	US3	Bright Brass
710	313AN	Anodized Duranodic Bronze
626	US26D	Satin Chrome



Surface Vertical Rod (SVR) Type

Performance Features

- Tested and certified to significantly exceed 1,000,000 cycles – well above the requirements for Grade 1 certification.
- Thru-bolt trim design for increased security and durability.
- Wide variety of trim options to fit any job.
- Consistent styling allows for suiting with other Stanley Commercial Hardware products.

Certifications



- ANSI/BHMA A156.13 – Grade 1
- UL/cUL listed (3 hours) for “A” label single-door applications (8' x 8') (2.438m x 2.438m)
- UL10C/UBC 7-2 (1997) Positive Pressure Rated
- UL10B Pressure Rated
- ANSI A117.1 Accessibility Code (ADA Compliant)
- California State Reference Code (formerly Title 19 – Fire Marshal)
- Hurricane Compliant – Miami-DADE N.O.A. See page 72 for more details.

Product Specifications

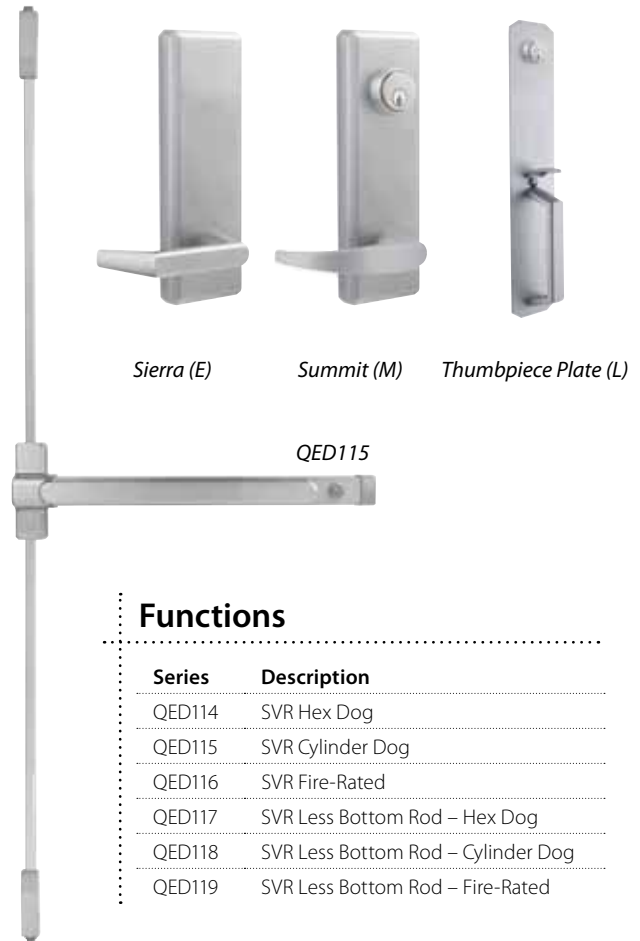
- Handing – All QED100 Series Exit Devices are non-handed.
- Door thickness – 1 3/4" standard (44.5mm).
- Door height – 7" standard with 84" rods; 8" with 96" rods.
- Latch bolt – Stainless steel 1/2" throw (12.7mm).
- Fasteners – Wood screws, machine screws and sex bolts standard.
- Head cap & end cap – Zinc die-cast.
- Trims – Sierra and Summit styles available.
Escutcheon offering – Dummy, passage, keyed, night latch.
Pull plate offering – Dummy, thumbpiece, night latch, flat plate.
- Stile width – 3 1/2" minimum (89mm).
- Dogging – Hex key dogging and cylinder dogging available.
- 36" field sizeable to 32" door.
48" field sizeable to 36" door.
- Standard backset – 2 7/8" (62mm) to face of doorstop.
- Electrification options available.
- QED119 includes bottom fire latch.

Keying

- Offered with the following keyway options: KW-Kwikset, WE-Weiser, SC-Schlage, GA-Yale, LA-Sargent, BF-SFIC “F” & LC-Less Cylinder.
Consult factory for other cylinder options and for details on Mortise and Rim Cylinder requirements.

Warranty

- Lifetime Mechanical, 3-year finish, 1-year electrical



Functions

Series	Description
QED114	SVR Hex Dog
QED115	SVR Cylinder Dog
QED116	SVR Fire-Rated
QED117	SVR Less Bottom Rod – Hex Dog
QED118	SVR Less Bottom Rod – Cylinder Dog
QED119	SVR Less Bottom Rod – Fire-Rated

Exit Trim Offerings

ANSI	Series	Description
02	QET120	Dummy Lever Escutcheon
02	QET125	Dummy Pull Plate
14	QET130	Passage Lever Escutcheon
08	QET160	Keyed Lever Escutcheon
05	QET165	Thumbpiece
02	QET167	Dummy Thumbpiece
09	QET170	Night Latch Lever Escutcheon
03	QET175	Night Latch Pull
01	QET190	Flat Plate

Finishes

BHMA	US	Description
605	US3	Bright Brass
710	313AN	Anodized Duranodic Bronze
626	US26D	Satin Chrome

EXIT DEVICES

Concealed Vertical Rod (CVR) Type

Performance Features

- Tested and certified to significantly exceed 1,000,000 cycles – well above the requirements for Grade 1 certification.
- Thru-bolt trim design for increased security and durability.
- Wide variety of trim options to fit any job.
- Consistent styling allows for suiting with other Stanley Commercial Hardware products.

Certifications



- ANSI/BHMA A156.13 – Grade 1
- UL/cUL listed (3 hours) for “A” label single-door applications (8' x 8') (2.438m x 2.438m)
- UL10C/UBC 7-2 (1997) Positive Pressure Rated
- UL10B Pressure Rated
- ANSI A117.1 Accessibility Code (ADA Compliant)
- California State Reference Code (formerly Title 19 – Fire Marshal)

Product Specifications

- Handing – All QED100 Series Exit Devices are non-handed.
- Door thickness – 1 3/4" standard (44.5mm).
- Door height – 7' standard with 84" rods; 8' with 96" rods.
- Latch bolt – Stainless steel 1/2" throw (12.7mm).
- Fasteners – Wood screws, machine screws and sex bolts standard.
- Head cap & end cap – Zinc die-cast.
- Trims – Sierra and Summit styles available.
Escutcheon offering – Dummy, passage, keyed, night latch.
Pull plate offering – Dummy, thumbpiece, night latch, flat plate.
- Stile width – 3 1/2" minimum (89mm).
- Dogging – Hex key dogging and cylinder dogging available.
- 36" field sizeable to 32" door.
48" field sizeable to 36" door.
- Standard backset – 2 7/8" (62mm) to face of doorstop.
- Electrification options available.
- QED129 includes bottom fire latch.

Keying

- Offered with the following keyway options: KW-Kwikset, WE-Weiser, SC-Schlage, GA-Yale, LA-Sargent, BF-SFIC "F" & LC-Less Cylinder.
Consult factory for other cylinder options and for details on Mortise and Rim Cylinder requirements.

Warranty

- Lifetime Mechanical, 3-year finish, 1-year electrical



Sierra (IE)



Summit (M)



Thumbpiece Plate (L)



QED124

Functions

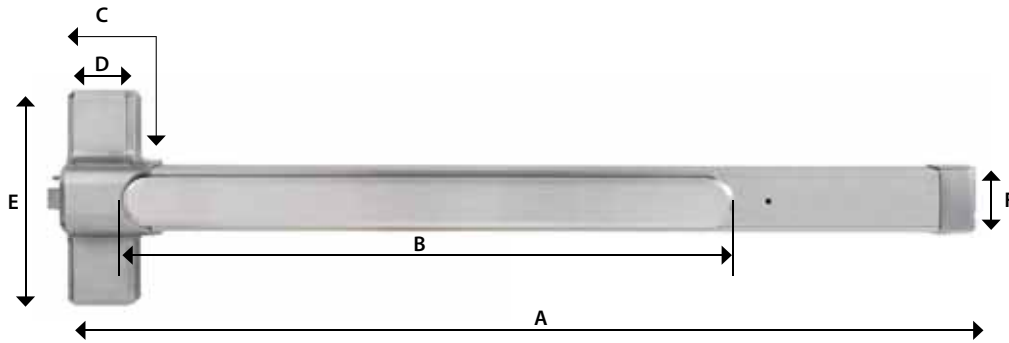
Series	Description
QED124	CVR Hex Dog
QED125	CVR Cylinder Dog
QED126	CVR Fire-Rated
QED127	CVR Less Bottom Rod – Hex Dog
QED128	CVR Less Bottom Rod – Cylinder Dog
QED129	CVR Less Bottom Rod – Fire-Rated

Exit Trim Offerings

ANSI	Series	Description
02	QET120	Dummy Lever Escutcheon
02	QET125	Dummy Pull Plate
14	QET130	Passage Lever Escutcheon
08	QET160	Keyed Lever Escutcheon
05	QET165	Thumbpiece
02	QET167	Dummy Thumbpiece
09	QET170	Night Latch Lever Escutcheon
03	QET175	Night Latch Pull
01	QET190	Flat Plate

Finishes

BHMA	US	Description
605	US3	Bright Brass
710	313AN	Anodized Duranodic Bronze
626	US26D	Satin Chrome



QED100 Series	36" Device			48" Device			All QED100 Devices			
	Minimum Door Width	Device Length	Pushpad Length	Minimum Door Width	Device Length	Pushpad Length	Head Cap Length	Head Cap Length	Head Cap Width	End Cap Length
Measurement		A	B		A	B	C	D	E	F
Panic-Rated (with Dogging)	30"	33"	20.5"	36"	45"	24.5"	3.625"	2.75"	9"	2.5"
	762mm	838.20mm	520.70mm	914.40mm	1143mm	622.30mm	92.10mm	69.90mm	228.60mm	63.50mm
Fire-Rated or Panic (with Dogging Removed)	29"	33"	20.5"	33"	45"	24.5"	3.625"	2.75"	9"	2.5"
	736.60mm	838.20mm	520.70mm	838.20mm	1143mm	622.30mm	92.10mm	69.90mm	228.60mm	63.50mm

Model/Series	Functions	Style	Case Qty
QED111	Rim Hex Dog	—	1
QED112	Rim Cylinder Dog	—	1
QED113	Rim Fire-Rated	—	1
QED114	SVR Hex Dog	7FT	1
QED115	SVR Cylinder Dog	7FT	1
QED116	SVR Fire-Rated	7FT	1
QED117	SVR Less Bottom Rod (LBR) Hex Dog	7FT	1
QED118	SVR LBR Cylinder Dog	7FT	1
QED119	SVR LBR Fire-Rated	7FT	1
QED124	CVR Hex Dog	7FT	1
QED125	CVR Cylinder Dog	7FT	1
QED126	CVR Fire-Rated	7FT	1
QED127	CVR LBR Hex Dog	7FT	1
QED128	CVR LBR Cylinder Dog	7FT	1
QED129	CVR LBR Fire-Rated	7FT	1

NOTES:
All Less Bottom Rod (LBR) fire-rated devices include a bottom fire latch.

Other Options

8FT	Vertical rod kit for 8FT door application
48"	48" Device (Consult factory for lead-time)
HC	Hurricane Compliant

ELECTRIFIED OPTIONS (CONSULT FACTORY FOR LEAD TIMES)



Model #	Description
QED__LR	Electrified Latch Retraction (LR) allows for the remote unlatching of exit devices. Continuous duty solenoids retract latches momentarily or for extended periods of time. <u>Requires</u> the use of Stanley Commercial Hardware power supply 8Q00312 or 8Q00313.
QED__ED	Electrified Dogging (ED) allows continuous latch retraction and dogging simultaneously. ED requires first-time mechanical activation after which the push bar will continuously hold the push bar and latch retracted. When power is removed or interrupted from the device, the latch bolt will extend and push bar will release. Uses power supply 8Q00314 (see p. 20).
QED__X	Request to Exit (X) is an SPDT (Single Pole Double Throw) switch which monitors the push bar of the exit device. The X switch can be used to activate a door alarm, control a magnetic locking device, shunt a door alarm or signal a control console when the push bar is depressed.
QED__LRX	Electrified Latch Retraction (LR) device with a Request to Exit (X) switch. <u>Requires</u> the use of Stanley Commercial Hardware power supply 8Q00312 or 8Q00313.
QED__EDX	Electrified Dogging (ED) device with a Request to Exit (X) switch. Uses power supply 8Q00314 (see p. 20).

POWER SUPPLY OPTIONS (CONSULT FACTORY FOR LEAD TIMES)

Model #	Description
8Q00312	Power supply for Electronic Latch Retraction Devices (LR/LRX).
8Q00313	Power supply with day/night mode for Electronic Latch Retraction Devices (LR/LRX).

Electrified Product Specifications

- Consult factory for lead times.
- Electrification prices should be added to price of device.
- Continuous duty solenoids.
- Ties into alarm systems and electromagnetic locks.
- 24V AC/DC with .150 AMP current.
- Lifetime warranty on exit device; 1-year warranty on electronic components.
- LR or LRX require power supply 8Q00312 or 8Q00313.
- Minimum door width 36"
- LR and ED require the removal of mechanical dogging mechanism.
- Options can be used in any Hex Dog or Fire-Rated QED100 Series Device (How to order example: QED111LR 36" 626).

Power Supply Specifications (10" x 10" x 4.25")

- 8Q00312:**
 - Provides power for up to two LR or LRX devices.
 - Supplied with wiring diagram in detailed instructions.
 - Automatic door operator interface.
 - Independent control of single exit devices (one or two single-doors) or sequential operation of two devices (pair of doors).
 - Field adjustable latch retraction time delay.
 - 24V DC or 12V DC auxiliary power, unfiltered and unregulated.
- 8Q00313:**
 - Same as 8Q00312 with the addition of a day/night mode.
 - Provides separate input for retracting one exit device or two exit devices sequentially without activating the auto door operator. While the latches are held retracted, auto operator can be activated independently from a different output.



11	Rim Hex Dog	24	CVR Hex Dog
12	Rim Cylinder Dog	25	CVR Cylinder Dog
13	Rim Fire-Rated	26	CVR Fire-Rated
14	SVR Hex Dog	27	CVR LBR – Hex Dog
15	SVR Cylinder Dog	28	CVR LBR – Cylinder Dog
16	SVR Fire-Rated	29	CVR LBR – Fire-Rated
17	SVR LBR – Hex Dog		
18	SVR LBR – Cylinder Dog		
19	SVR LBR – Fire-Rated		

605	Bright Brass
313AN	Anodized Duranodic Bronze
626	Satin Chrome

KD	Keyed Different
KA	Keyed Alike
CK	Construction Keyed
CMK	Construction Master Keyed
MAIS	Maison Keyed
MK	Master Keyed
GMK	Grand Master Keyed
GGMK	Great Grand Master Keyed
ZB	Zero Bitted

Base Part Number								
Series	Function	Options	Size	Height	Finish	Keyway	Keying	Notes
QED1	15	LR	36"	7FT	313AN	KW	KD	XXXX

QED1xx	Grade 1 Architectural Exit Device
--------	-----------------------------------

36"	36" Device
48"	48" Device

7FT	7 ft Rod
8FT	8 ft Rod

KW	Kwikset "KW"
WE	Weiser "E"
SC	Schlage "C"
GA	Yale "GA"
LA	Sargent "LA"
BF	SFIC "F"
LC	Less Cylinder

LR	Electrified Latch Retraction
LRX	Electrified Latch Retraction with Request to Exit
ED	Electrified Dogging
EDX	Electrified Dogging with Request to Exit
X	Request to Exit
HC	Hurricane Compliant

Example

If you ordered: QED115 LR 36" 7FT 313AN KW KD

You would get: Grade 1 Heavy-Duty Architectural Surface Vertical Rod Exit Device with Cylinder Dogging for a 7' Door, in Anodized Duranodic Bronze, Kwikset Keyway, Keyed Different.

Performance Features

- 2" x 3" steel mullion tube. 1/8" wall thickness.
- Hurricane – 2" x 3" steel mullion tube. 5/16" wall thickness.
- Head cap, bottom sill & hurricane mullion adapters – investment cast steel.
- Size – Standard for openings 8' high, field sizable for openings less than 8', 9', 10', 11' & 12' also available and are field sizable.
- Mullion is pre-prepped for QED100 Series Exit Devices.
- **Fire and Hurricane Rating 8' high max.**
- Available finishes – Primer (600), Aluminum (689) and Dark Bronze (695).

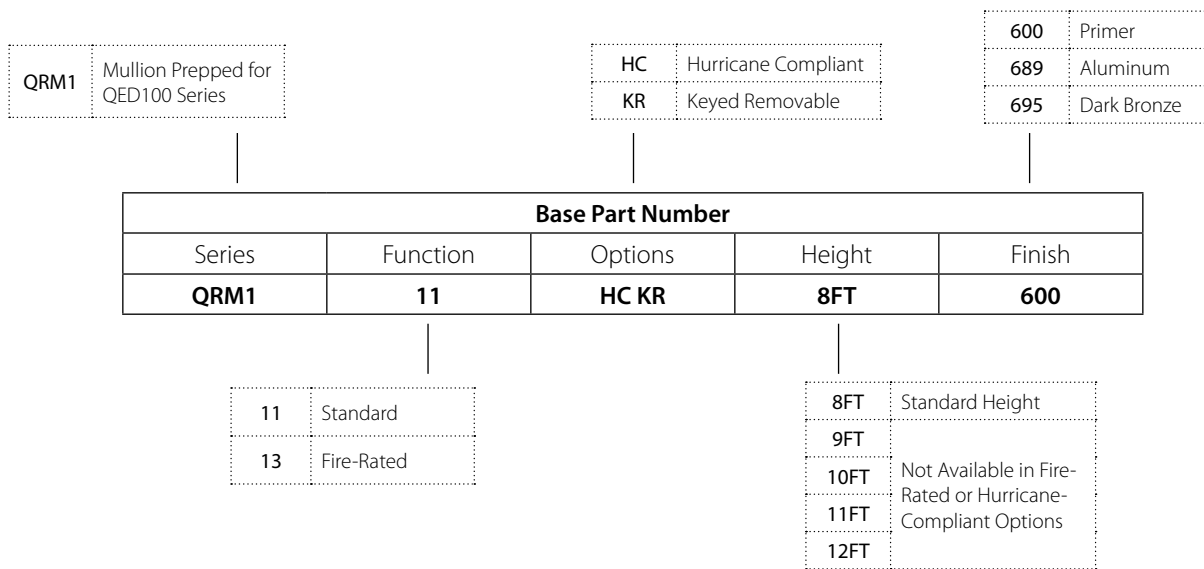


KEYED REMOVABLE MULLIONS (CONSULT FACTORY FOR MULLION LEAD TIMES)

Order	Description
Cylinder not included. Keyed removable mullions utilize standard rim cylinders. Reference cylinders, keys & keying section for more details.	
QRM111 KR	Keyed Removable Mullion. Includes: Mullion tube, cap, base, fasteners & strike.
QRM111 HC KR	Hurricane Compliant, Keyed Removable Mullion. Includes: Mullion tube, cap, base, fasteners & strike interlock.
QRM113 KR	Fire-Rated, Keyed Removable Mullion. Includes: Mullion tube, cap, base, fasteners & strike interlock.
QRM113 HC KR	Fire-Rated, Hurricane Compliant, Keyed Removable Mullion. Includes: Mullion tube, cap, base, fasteners & strike interlock.

REMOVABLE MULLIONS (CONSULT FACTORY FOR MULLION LEAD TIMES)

Order	Description
QRM111	Removable Mullion. Includes: Mullion tube, cap, base, fasteners & strike.
QRM111 HC	Hurricane Compliant, Removable Mullion. Includes: Mullion tube, cap, base, fasteners & strike interlock.
QRM113	Fire-Rated, Removable Mullion. Includes: Mullion tube, cap, base, fasteners & strike interlock.
QRM113 HC	Fire-Rated, Hurricane Compliant, Removable Mullion. Includes: Mullion tube, cap, base, fasteners & strike interlock.



EXIT DEVICES

Example

If you ordered: QRM111 HC KR 8FT 600

You would get: Keyed Removable, Hurricane Compliant Mullion, 8' Height, with Primer finish. Prepped for QED100 Series strike.

EXIT DEVICES

QET
100 Series Grade 1
Extra Heavy-Duty Exit Trims



Escutcheon Trims Sierra (E)

Available in: 605, 613,* 626



Escutcheon Trims Summit (M)

Available in: 605, 613,* 626

Model/Series	Functions	Style	Cylinder Type	Qty
QET120	Dummy Lever Escutcheon	E/M	—	6
QET130	Passage Lever Escutcheon	E/M	—	6
QET160	Keyed Lever Escutcheon (Classroom)	E/M	Mortise	6
QET170	Night Latch Lever Escutcheon (Storeroom)	E/M	Rim	6

NOTES:

Cylinders ordered separately.

*613 Finish trims match 313 finish exit devices.

Escutcheon Trims Pull & Flat Plates

Available in: 605, 626, 690



Dummy Pull
QET125



Thumbpiece
QET165



Dummy Thumbpiece
QET167



Night Latch Pull
QET175

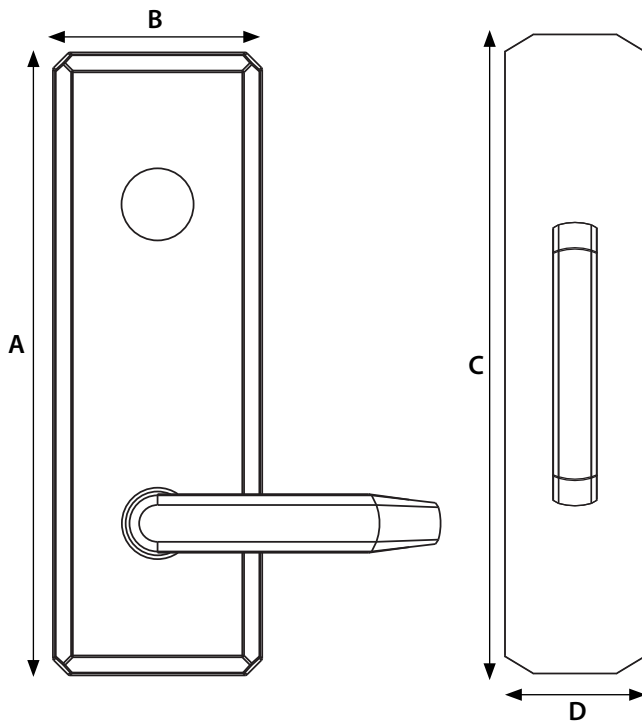


Flat Plate
QET190

Model/Series	Functions	Style	Cylinder Type	Qty
QET125	Dummy Pull Escutcheon	L	—	6
QET165	Thumbpiece Pull Escutcheon	L	Mortise	6
QET167	Dummy Thumbpiece Pull Escutcheon	L	—	6
QET175	Night Latch Pull Escutcheon	L	Rim	6
QET190	Flat Plate Escutcheon	L	—	6

NOTES:

Cylinders ordered separately.



DIMENSIONS			
A	B	C	D
9.78"	3.28"	14"	3"
248.60mm	83.31mm	355.60mm	76.20mm

Functions	Description	
QET120	Dummy Lever Escutcheon	Used for door pull when device is dogged or as matching inactive trim. No mechanical operation.
QET125	Dummy Pull Escutcheon	Used for door pull when device is dogged or as matching inactive trim. No mechanical operation.
QET130	Passage Lever Escutcheon	Levers always unlocked and always free for immediate ingress.
QET160	Keyed Lever Escutcheon	Key locks & unlocks lever (operates same as classroom function).
QET165	Thumbpiece Pull Escutcheon	Key locks & unlocks thumbpiece (operates same as classroom function).
QET167	Dummy Thumbpiece Pull Escutcheon	Used for door pull when device is dogged or as matching inactive trim. No mechanical operation. Matches QET165.
QET170	Night Latch Lever Escutcheon	Lever always locked, key retracts latch for entrance (operates same as storeroom function).
QET175	Night Latch Pull Escutcheon	Outside always locked, key retracts latch for entrance (operates same as storeroom function).
QET190	Flat Plate Escutcheon	Blank trim plate—used to cover existing door prep for an exit-only application.

EXIT DEVICES

How to Order QET 100 Series Grade 1 Extra Heavy-Duty Exit Trims

20	DL – Dummy Trim Lever
25	DP – Dummy Trim Pull
30	PL – Passage Lever
60	KL – Keyed Lever
65	TP – Thumbpiece Escutcheon
67	DT – Dummy Thumbpiece Escutcheon
70	NL – Night Latch Lever Escutcheon
75	NL – Night Latch Pull Escutcheon
90	Flat Plate

605	Bright Brass
613†	Oil Rubbed Bronze
626	Satin Chrome
690†	Painted Duranodic Bronze

KD	Keyed Different
KA	Keyed Alike
CK	Construction Keyed
CMK	Construction Master Keyed
MAIS	Maison Keyed
MK	Master Keyed
GMK	Grand Master Keyed
GGMK	Great Grand Master Keyed
ZB	Zero Bitted

Base Part Number						
Series	Function	Design	Finish	Keyway	Keying	Notes
QET1	60	SUM	626	KW	KD	XXXX

QET1xx	Grade 1 Architectural Exit Trim
--------	---------------------------------

PUL	Pull
SIE	Sierra
SUM	Summit

KW	Kwikset "KW"*
WE	Weiser "E"*
SC	Schlage "C"*
GA	Yale "GA"
LA	Sargent "LA"
BF	Best "F" (SFIC)
LC	Less Cylinder

Example

If you ordered: QET160 SUM 626 KW KD

You would get: Grade 1 Escutcheon Trim Lever, Summit design, Satin Chrome, Kwikset Keyway, Keyed Different. This trim matches to the QED100 Series Exit Devices.

NOTES:

†613 finish available for lever escutcheon trims; 690 finish available for escutcheon pull trims.

*Available in 6-pin and 5-pin. 6-pin is standard.



Rim Type

Performance Features

- Tested and certified to significantly exceed 500,000 cycles required for Grade 1 certification.
- Field sizeable. 36" to 32" door application (91.44cm-81.28cm).
- Consistent styling allows for suiting with other Stanley Commercial Hardware products.

Certifications



- ANSI/BHMA A156.13 – Grade 1.
- UL/cUL listed (3 hours) for "A" label single-door applications (4' x 8') (1.219m x 2.438m)
- UL10C/UBC 7-2 (1997) Positive Pressure Rated
- UL10B Pressure Rated
- UL305 for Panic Hardware
- ANSI A117.1 Accessibility Code (ADA Compliant)
- California State Reference Code (formerly Title 19 – Fire Marshal)

Product Specifications

- Handing – All QED300 Series Exit Devices are non-handed.
- Door thickness – 1 3/4" standard (44.5mm).
- Latch bolt – Stainless steel 3/4" throw (19mm).
- Strike – Stainless steel body with plated steel roller standard fire-rated stainless steel strike, with stainless steel roller standard on QED313.
- Fasteners – Wood and machine screws standard. Sex bolts optional. (Standard on fire-rated device).
- Head cap & end cap – Zinc die-cast.
- Trims – Pinnacle and Pearce styles available.
Escutcheon offering – Dummy, passage, keyed, night latch.
Pull plate offering – Dummy, thumbpiece, night latch, flat plate.
- Stile width – 3 7/8" minimum (98mm).
- Dogging – Hex key dogging and cylinder dogging available.
- Standard backset – 2 1/4" (57mm) to face of doorstop.

Keying

- Offered with the following keyway options: KW-Kwikset, WE-Weiser, SC-Schlage, GA-Yale, LA-Sargent, BF-SFIC "F" & LC-Less Cylinder. Consult factory for other cylinder options and for details on Mortise and Rim Cylinder requirements.

Warranty

- Lifetime Mechanical and 3-year finish



Pinnacle (PNN)

Pearce (PEA)

Thumbpiece Plate (L)



QRT360 PEA



QRT320 PNN

Functions

Series	Description
QED311	Rim Hex Dog
QED312	Rim Cylinder Dog
QED313	Rim Fire-Rated

Exit Trim Offerings

ANSI	Series	Description
02	QET320	Dummy Lever Escutcheon
02	QET325	Dummy Pull Plate
14	QET330	Passage Lever Escutcheon
08	QET360	Keyed Lever Escutcheon
05	QET365	Thumbpiece
—	QET367	Dummy Thumbpiece Pull Escutcheon
09	QET370	Night Latch Lever Escutcheon
03	QET375	Night Latch Pull
—	QET377	Gull Wing Pull Escutcheon
01	QET390	Flat Plate
02	QRT320	Dummy Round Rose Lever
14	QRT330	Passage Round Rose Lever
08	QRT360	Keyed Round Rose Lever
09	QRT370	Night Latch Round Rose Lever

Finishes

BHMA	Description
689	Painted Aluminum
690	Painted Duranodic Bronze

Surface Vertical Rod (SVR) Type

Performance Features

- Tested and certified to significantly exceed 500,000 cycles required for Grade 1 certification.
- Field sizeable. 36" to 32" door application (91.44cm-81.28cm).
- Thru-bolt trim design for increased security and durability.
- Consistent styling allows for suiting with other Stanley Commercial Hardware products.

Certifications



- ANSI/BHMA A156.13 – Grade 1.
- UL/cUL listed (3 hours) for "A" label single-door applications (8' x 8') (2.438m x 2.438m)
- UL10C/UBC 7-2 (1997) Positive Pressure Rated
- UL10B Pressure Rated
- UL305 for Panic Hardware
- ANSI A117.1 Accessibility Code (ADA Compliant)
- California State Reference Code (formerly Title 19 – Fire Marshal)

Product Specifications

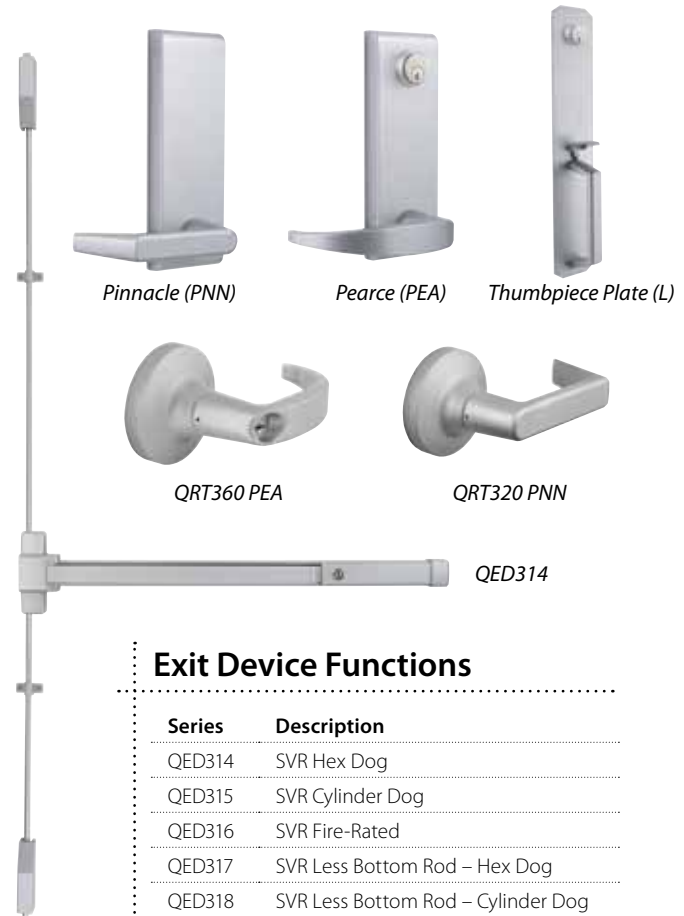
- Handing – All QED300 Series Exit Devices are non-handed.
- Door thickness – 1 3/4" standard (44.5mm).
- Door height – 7' standard with 84" rods; 8' optional with 96" rods (2.1336m x 2.438m).
- Latch bolt – 1/2" (12.7mm) throw on top latch; 3/8" (9.53mm) on bottom latch.
- Fasteners – Wood and machine screws standard. Sex bolts optional. (Standard on fire-rated device).
- Head cap & end cap – Zinc die-cast.
- Trims – Pinnacle and Pearce styles available.
Escutcheon offering – Dummy, passage, keyed, night latch.
Pull plate offering – Dummy, thumbpiece, night latch, flat plate.
- Stile width – 3 1/2" minimum (89mm).
- Dogging – Hex key dogging and cylinder dogging available.
- Standard backset – 2 1/4" (57mm) to face of doorstop.
- QED319 includes bottom fire latch.

Keying

- Offered with the following keyway options: KW-Kwikset, WE-Weiser, SC-Schlage, GA-Yale, LA-Sargent, BF-SFIC "F" & LC-Less Cylinder. Consult factory for other cylinder options and for details on Mortise and Rim Cylinder requirements.

Warranty

- Lifetime Mechanical and 3-year finish



Exit Device Functions

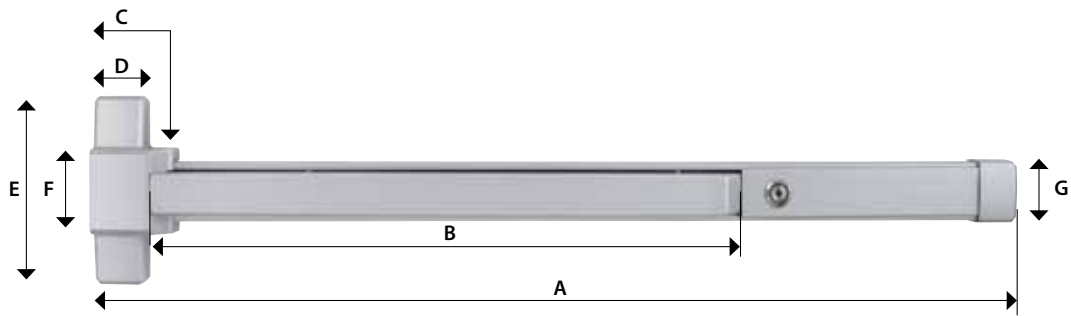
Series	Description
QED314	SVR Hex Dog
QED315	SVR Cylinder Dog
QED316	SVR Fire-Rated
QED317	SVR Less Bottom Rod – Hex Dog
QED318	SVR Less Bottom Rod – Cylinder Dog
QED319	SVR Less Bottom Rod – Fire-Rated

Exit Trim Offerings

ANSI	Series	Description
02	QET320	Dummy Lever Escutcheon
02	QET325	Dummy Pull Plate
14	QET330	Passage Lever Escutcheon
08	QET360	Keyed Lever Escutcheon
05	QET365	Thumbpiece
09	QET370	Night Latch Lever Escutcheon
03	QET375	Night Latch Pull
01	QET390	Flat Plate
02	QRT320	Dummy Round Rose Lever
14	QRT330	Passage Round Rose Lever
08	QRT360	Keyed Round Rose Lever
09	QRT370	Night Latch Round Rose Lever

Finishes

BHMA	Description
689	Painted Aluminum
690	Painted Duranodic Bronze



QED300 Series	36" Device							
	Minimum Door Width	Device Length	Pushpad Length	Head Cap Length	Head Cap Length	Head Cap Width	Head Cap Width	End Cap Length
Measurement		A	B	C	D	E	F	G
Panic Rated (with Dogging)	30"	27"	19"	2.75"	1.75"	6.25"	3"	2"
	762mm	685.80mm	482.60mm	69.90mm	44.50mm	158.80mm	76.20mm	50.80mm
Fire-Rated or Panic with Dogging Removed	28"	25"	19"	2.75"	1.75"	6.25"	3"	2"
	711.20mm	635mm	482.60mm	69.90mm	44.50mm	158.80mm	76.20mm	50.80mm

Model/Series	Functions	Case Qty
QED311	Rim Hex Dog	4
QED312	Rim Cylinder Dog	4
QED313	Rim Fire-Rated	4
QED314	SVR Hex Dog	4
QED315	SVR Cylinder Dog	4
QED316	SVR Fire-Rated	4
QED317	SVR Less Bottom Rod – Hex Dog	4
QED318	SVR Less Bottom Rod – Cylinder Dog	4
QED319	SVR Less Bottom Rod – Fire-Rated (Includes Auxiliary Bottom Fire Latch)	4

Other Options

8FT	Vertical rod kit for 8FT door application
48"	48" Device

11	Rim Hex Dog
12	Rim Cylinder Dog
13	Rim Fire-Rated
14	SVR Hex Dog
15	SVR Cylinder Dog
16	SVR Fire-Rated
17	SVR LBR – Hex Dog
18	SVR LBR – Cylinder Dog
19	SVR LBR – Fire-Rated

7FT	7 ft Rod
8FT	8 ft Rod

KW	Kwikset "KW"
WE	Weiser "E"
SC	Schlage "C"
GA	Yale "GA"
LA	Sargent "LA"
BF	SFIC "F"
LC	Less Cylinder

Base Part Number							
Series	Function	Size	Height	Finish	Keyway	Keying	Notes
QED3	15	36"	7FT	689	KW	KD	XXXX

QED3xx	Grade 1 Standard-Duty Exit Device
--------	-----------------------------------

36"	36" Device	689	Painted Aluminum
48"	48" Device	690	Painted Duranodic Bronze

KD	Keyed Different
KA	Keyed Alike
CK	Construction Keyed
CMK	Construction Master Keyed
MAIS	Maison Keyed
MK	Master Keyed
GMK	Grand Master Keyed
GGMK	Great Grand Master Keyed
ZB	Zero Bitted

Example

If you ordered: QED315 36" 7FT 689 KW KD

You would get: Grade 1 Standard-Duty Surface Vertical Rod Exit Device 36", with Cylinder Dogging, for a 7' height, in Painted Aluminum finish. Kwikset Keyway, Keyed Different.



Performance Features

- 2" x 3" steel mullion tube. 1/8" wall thickness.
- Size – Standard for openings 8' high, field sizeable for openings less than 8'; 9', 10', 11' & 12' also available and are field sizeable.
- Mullion is pre-prepped for QED300 Series Exit Devices.
- **Fire Rating 8' high max.**
- Available finishes – Primer (600), Aluminum (689) & Dark Bronze (695).

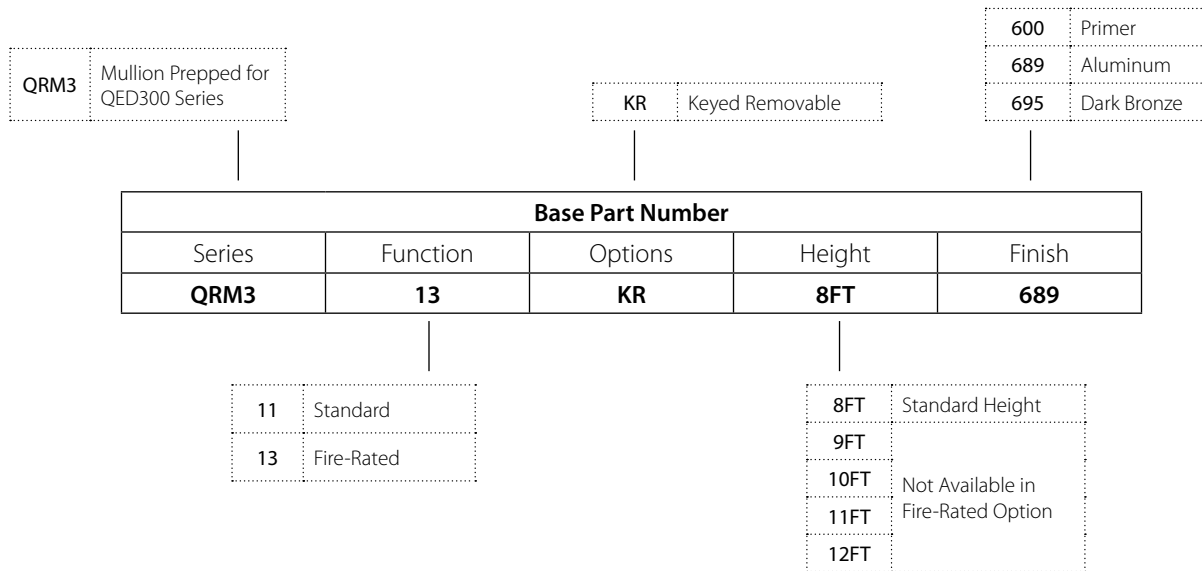


KEYED REMOVABLE MULLIONS (CONSULT FACTORY FOR MULLION LEAD TIMES)

Order	Description
Cylinder not included. Keyed removable mullions utilize standard rim cylinders. Reference cylinders, keys & keying section for more details.	
QRM311 KR	Keyed Removable Mullion. Includes: Mullion tube, cap, base, fasteners & strike.
QRM313 KR	Fire-Rated, Keyed Removable Mullion. Includes: Mullion tube, cap, base, fasteners & strike interlock.

REMOVABLE MULLIONS (CONSULT FACTORY FOR MULLION LEAD TIMES)

Order	Description
QRM311	Removable Mullion. Includes: Mullion tube, cap, base, fasteners & strike.
QRM313	Fire-Rated, Removable Mullion. Includes: Mullion tube, cap, base, fasteners & strike interlock.



Example

If you ordered: QRM313 KR 8FT 689

You would get: Keyed Removable, Fire-Rated Mullion, 8' Height, with Aluminum finish. Prepped for QED300 Series strike.



Escutcheon Trims Pinnacle (PNN)

Available in: 689, 690



Escutcheon Trims Pearce (PEA)

Available in: 689, 690

Model/Series	Functions	Style	Cylinder Type	Qty
QET320	Dummy Lever Escutcheon	PNN/PEA	—	12
QET330	Passage Lever Escutcheon	PNN/PEA	—	12
QET360	Keyed Lever Escutcheon (Classroom)	PNN/PEA	Mortise	12
QET370	Night Latch Lever Escutcheon (Storeroom)	PNN/PEA	Rim	12

NOTES:
Cylinders ordered separately.

Escutcheon Trims Pull & Flat Plates

Available in: 689, 690



Dummy Pull
QET325



Thumbpiece
QET365



Dummy Thumbpiece
QET367



Night Latch Pull
QET375



Gull Wing Pull
QET377



Flat Plate
QET390

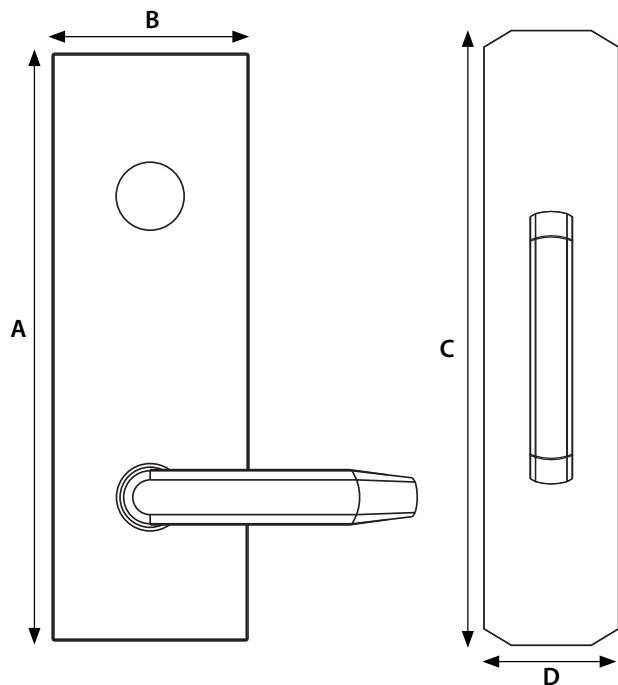
Model/Series	Functions	Style	Cylinder Type	Qty
QET325	Dummy Pull Escutcheon	PUL	—	12
QET365	Thumbpiece Pull Escutcheon	PUL	Mortise	12
QET367	Dummy Thumbpiece Pull Escutcheon	PUL	—	12
QET375	Night Latch Pull Escutcheon	PUL	Rim	12
QET377	Gull Wing Pull Escutcheon	PUL	Rim	12
QET390	Flat Plate Escutcheon	PUL	—	12

NOTES:
Cylinders ordered separately.

EXIT DEVICES

EXIT DEVICES

QET 300 Series Grade 1 Heavy-Duty Exit Escutcheon Trims



DIMENSIONS			
A	B	C	D
8.0625"	2.625"	14"	3"
204.79mm	66.675mm	355.60mm	76.70mm

Model/Series	Functions	Description
QET320	Dummy Lever Escutcheon	Used for door pull when device is dogged or as matching inactive trim. No mechanical operation.
QET325	Dummy Pull Escutcheon	Used for door pull when device is dogged or as matching inactive trim. No mechanical operation.
QET330	Passage Lever Escutcheon	Lever is always unlocked and always free for immediate ingress.
QET360	Keyed Lever Escutcheon	Key locks & unlocks lever (operates same as classroom function).
QET365	Thumbpiece Pull Escutcheon	Key locks & unlocks thumbpiece (operates same as classroom function).
QET367	Dummy Thumbpiece Pull Escutcheon	Used for door pull when device is dogged or as matching inactive trim. No mechanical operation. Matches QET365.
QET370	Night Latch Escutcheon	Lever always locked, key retracts latch for entrance (operates same as storeroom function).
QET375	Night Latch Pull Escutcheon	Outside always locked, key retracts latch for entrance (operates same as storeroom function).
QET377	Gull Wing Pull Escutcheon	Outside always locked, key retracts latch for entrance (operates same as storeroom function).
QET390	Flat Plate Escutcheon	Blank trim plate—used to cover existing door prep for an exit-only application.



20	DL – Dummy Trim Lever
25	DP – Dummy Trim Pull
30	PL – Passage Lever
60	KL – Keyed Lever
65	TP – Thumbpiece Escutcheon
67	DT – Dummy Thumbpiece Escutcheon
70	NL – Night Latch Lever Escutcheon
75	NL – Night Latch Pull
77	GW – Gull Wing
90	Flat Plate

689	Painted Aluminum
690	Painted Duranodic Bronze

KD	Keyed Different
KA	Keyed Alike
CK	Construction Keyed
CMK	Construction Master Keyed
MAIS	Maison Keyed
MK	Master Keyed
GMK	Grand Master Keyed
GGMK	Great Grand Master Keyed
ZB	Zero Bitted

Base Part Number						
Series	Function	Design	Finish	Keyway	Keying	Notes
QET3	60	PNN	689	KW	KD	XXXX

QET3xx	Grade 1 Standard-Duty Exit Trim
--------	---------------------------------

PUL	Pull
PNN	Pinnacle
PEA	Pearce

KW	Kwikset "KW"
WE	Weiser "E"
SC	Schlage "C"
GA	Yale "GA"
LA	Sargent "LA"
BF	SFIC "F"
LC	Less Cylinder

Example

If you ordered: QET360 PNN 689 KW KD

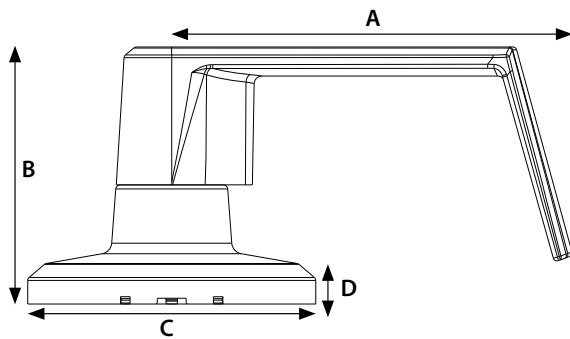
You would get: Grade 1 Escutcheon Keyed Lever, Pinnacle design, Painted Aluminum finish, Kwikset Keyway, Keyed Different. This trim matches the QED300 Series Exit Devices.

EXIT DEVICES

QRT
300 Series Grade 1
Standard-Duty Exit Rose Trims

Round Rose Trims Pinnacle (PNN)

Available in: 689, 690



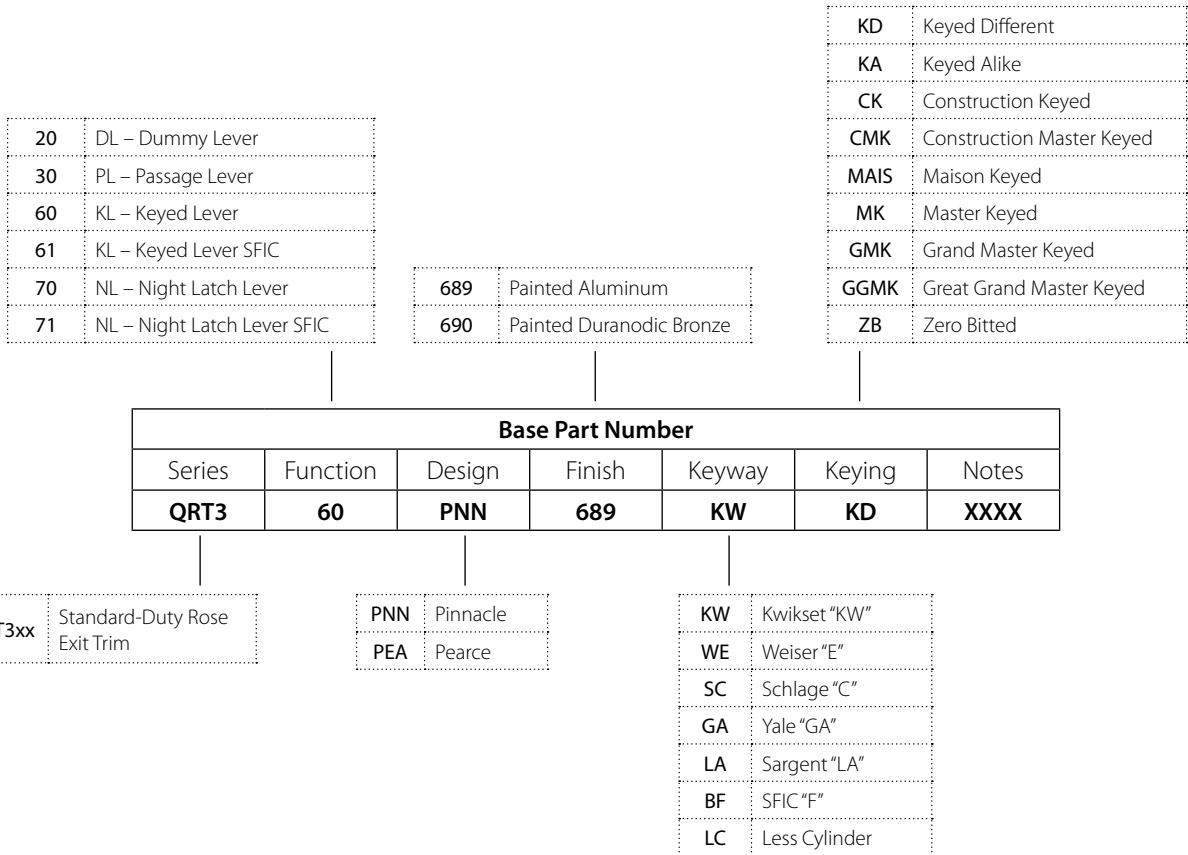
Round Rose Trims Pearce (PEA)

Available in: 689, 690



DIMENSIONS				
	A	B	C	D
Pinnacle	4.98"	3.15"	3.12"	.52"
	126.49mm	80.01mm	79.25mm	13.21mm
Pearce	4.95"	3.45"	3.12"	.52"
	125.73mm	87.63mm	79.25mm	13.21mm

Model/Series	Functions	Description	Style	Case Qty
QRT320	Dummy Lever	Used for door pull when device is dogged or as matching inactive trim. No mechanical operation.	PNN/PEA	12
QRT330	Passage Lever	Levers always unlocked and always free for immediate ingress.	PNN/PEA	12
QRT360/361	Keyed Lever (Classroom)	Key locks & unlocks lever (operates same as classroom function). Clutch feature disengages outside lever from latch when locked to prevent vandalism.	PNN/PEA	12
QRT370/371	Keyed Lever (Storeroom)	Lever always locked, key retracts latch for entrance (operates same as storeroom function). Clutch feature disengages outside lever from latch when locked to prevent vandalism.	PNN/PEA	12



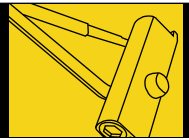
Example

If you ordered: QRT360 PNN 689 KW KD

You would get: Standard-Duty Keyed Lever Round Rose Trim, Pinnacle design, Painted Aluminum finish, Kwikset Keyway, Keyed Different. This trim matches the QED300 Series Exit Devices.

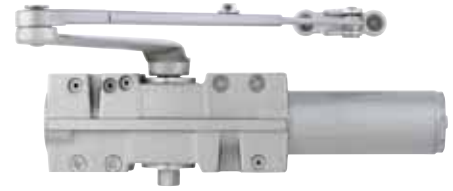


DOOR CLOSERS



Performance Features

- Tested to significantly exceed the performance requirements for Grade 1 certification.
- Fully adjustable from 1-6 allowing for maximum flexibility.
- All-weather oil ensures optimal operational performance in multiple climate conditions.



QDC111

Certifications



- ANSI/BHMA A156.4 Series – Grade 1
- ANSI A117.1 Accessibility Code (ADA Compliant)
- UL/cUL listed (3 hour) for self closing
- UL10C Positive Pressure Rated
- UL10B Pressure Rated



Cover

Product Specifications

- Handing – All QDC100 Series Closers are non-handed (QDC116 arms are handed).
- Cast-iron construction.
- All-weather fluid.
- Stacked valves prevent oil leaks from screws being backed out too far.
- Cover – plastic cover standard.
- Arms & brackets – Tri-pack standard, additional arms optional.
- Arm material – Heat-treated carbon steel.
- Springs – High-impact hand-drawn steel wires.
- Pinions – Heat-treated chrome molybdenum steel.
- Cylinder construction – Heat-treated free-cutting carbon steel.
- Fasteners – Wood and machine screws standard; sex nuts and self-tapping screws optional.
- Door weights & sizes:

Size	Applicable Door Weight	Door Width Ranges	
		Interior	Exterior
1	33 – 55 LBS (15 – 30 Kg)	32" (0.81m)	28" (0.71m)
2	56 – 99 LBS (30 – 45 Kg)	36" (0.91m)	32" (0.81m)
3	99 – 143 LBS (45 – 65 Kg)	42" (1.07m)	36" (0.91m)
4	143 – 187 LBS (65 – 85 Kg)	48" (1.22m)	42" (1.07m)
5	187 – 264 LBS (85 – 120 Kg)	54" (1.37m)	48" (1.22m)
6*	264 – 330 LBS (120 – 150 Kg)	58" (1.47m)	54" (1.32m)

*50% spring power adjustment over size 6.

Door Closer Functions

Series	Description
QDC111	Tri-Packed Arm, Non-Hold Open
QDC112	Hold Open Arm
QDC113	Dead Stop Arm
QDC114	Dead Stop Hold Open Arm
QDC115	Extra-Duty Arm (EDA)
QDC116	Hold Open Extra-Duty Arm (HEDA)
QDC117	Heavy-Duty with Compression Stop Arm
QDC118	Heavy-Duty with Compression Stop and Hold Open Arm

Finishes

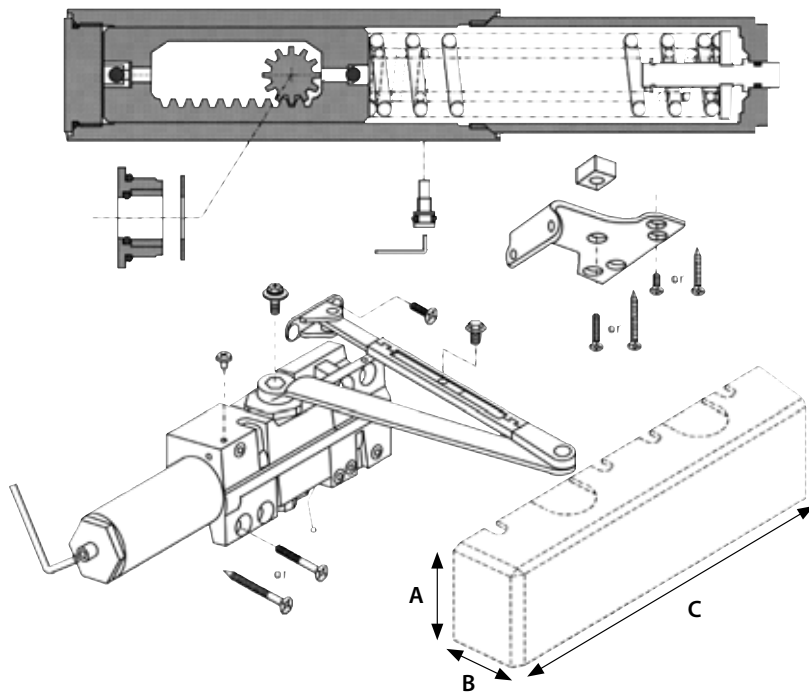
BHMA	Description
689	Painted Aluminum
690	Painted Duranodic Bronze
696	Painted Satin Brass

Warranty

- Lifetime Mechanical and 3-year finish



DOOR CLOSERS

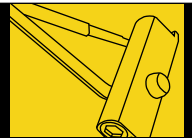
QDC
100 Series Grade 1
Extra Heavy-Duty Door Closers



DIMENSIONS		
A	B	C
3.50"	2.25"	12.1875"
88.90mm	57.15mm	309.56mm

Model/ Series	Functions	Case Qty
QDC111	Tri-Packed Arm, Non-Hold Open	3
QDC112	Hold Open Arm	1
QDC113	Dead Stop Arm	1
QDC114	Dead Stop Hold Open Arm	1
QDC115	Extra-Duty Arm (EDA)	1
QDC116	Hold Open Extra-Duty Arm (HEDA) – Handed	1
QDC117	Heavy-Duty with Compression Stop Arm	1
QDC118	Heavy-Duty with Compression Stop and Hold Open Arm	1

Order with Closer	Description	Service Part #
 SN	Sex nuts (Qty 4) (specify finish)	8Q00097
 S/TAP	Self-tapping screws (specify finish)	8Q00547



11	Tri-Packed Arm, Non-Hold Open
12	Hold Open Arm
13	Dead Stop Arm
14	Dead Stop Hold Open Arm
15	Extra-Duty Arm (EDA)
16	Hold Open Extra-Duty Arm (HEDA)
17	Heavy-Duty with Compression Stop Arm
18	Heavy-Duty with Compression Stop and Hold Open Arm

SN	Sex Nuts
S/TAP	Self-Tapping Screws
DP	Drop Plate
BF	Barrier Free

Base Part Number				
Series	Function	Finish	Options	Handing
QDC1	11	689	SN	

QDC1xx	Grade 1 Extra Heavy-Duty Architectural
--------	--

689	Painted Aluminum
690	Painted Duranodic Bronze
696	Painted Satin Brass

QDC 116 HEDA Arm Only	
LH	Left Hand
RH	Right Hand

Example

If you ordered: QDC111 689 SN

You would get: Grade 1 Extra Heavy-Duty Non-Hold Open Door Closer – Full Adjustable (Sized 1-6), Tri-Packed Arms with both Delayed Action & Backcheck Standard, Painted Aluminum finish, and Sex Nuts.

Performance Features

- Tested to significantly exceed the performance requirements for Grade 1 certification.
- Fully adjustable from 1 - 6 allowing for maximum flexibility.
- Delayed action and backcheck are standard in the same door closer body.
- All-weather oil ensures optimal operational performance in multiple climate conditions.
- Sized for interior doors to 5'0"; exterior doors to 4'6".

Certifications



- ANSI/BHMA A156.4 Series – Grade 1
- ANSI A117.1 Accessibility Code (ADA Compliant)
- UL/cUL listed (3 hour) for self-closing doors without hold open
- UL10C Positive Pressure Rated
- UL10B Pressure Rated

Product Specifications

- Handing – All QDC200 Series Closers are non-handed.
- Material – Cast aluminum.
- All-weather fluid.
- Cover – Slim-line plastic cover standard. Full, architectural plastic cover also available.
- Arms & brackets – Tri-pack standard (regular, top jamb, parallel configurations). Hold open and dead stop arms also available.
- Arm material – Heat-treated carbon steel.
- Springs – High-impact hand-drawn steel wires.
- Pinions – Heat-treated chrome molybdenum steel.
- Cylinder construction – Heat-treated free-cutting carbon steel.
- Fasteners – Wood and machine screws standard; sex nuts and self-tapping screws optional.
- Door weights & sizes:

Size	Applicable Door Weight	Door Width Ranges	
		Interior	Exterior
1	33 – 55 LBS (15 – 30 Kg)	32" (0.81m)	28" (0.71m)
2	56 – 99 LBS (30 – 45 Kg)	36" (0.91m)	32" (0.81m)
3	99 – 143 LBS (45 – 65 Kg)	42" (1.07m)	36" (0.91m)
4	143 – 187 LBS (65 – 85 Kg)	48" (1.22m)	42" (1.07m)
5	187 – 264 LBS (85 – 120 Kg)	54" (1.37m)	48" (1.22m)
6	264 – 330 LBS (120 – 150 Kg)	58" (1.47m)	54" (1.32m)

Warranty

- Lifetime Mechanical and 3-year finish



Tri-Pack Arm



Hold Open Arm



Cush Arm



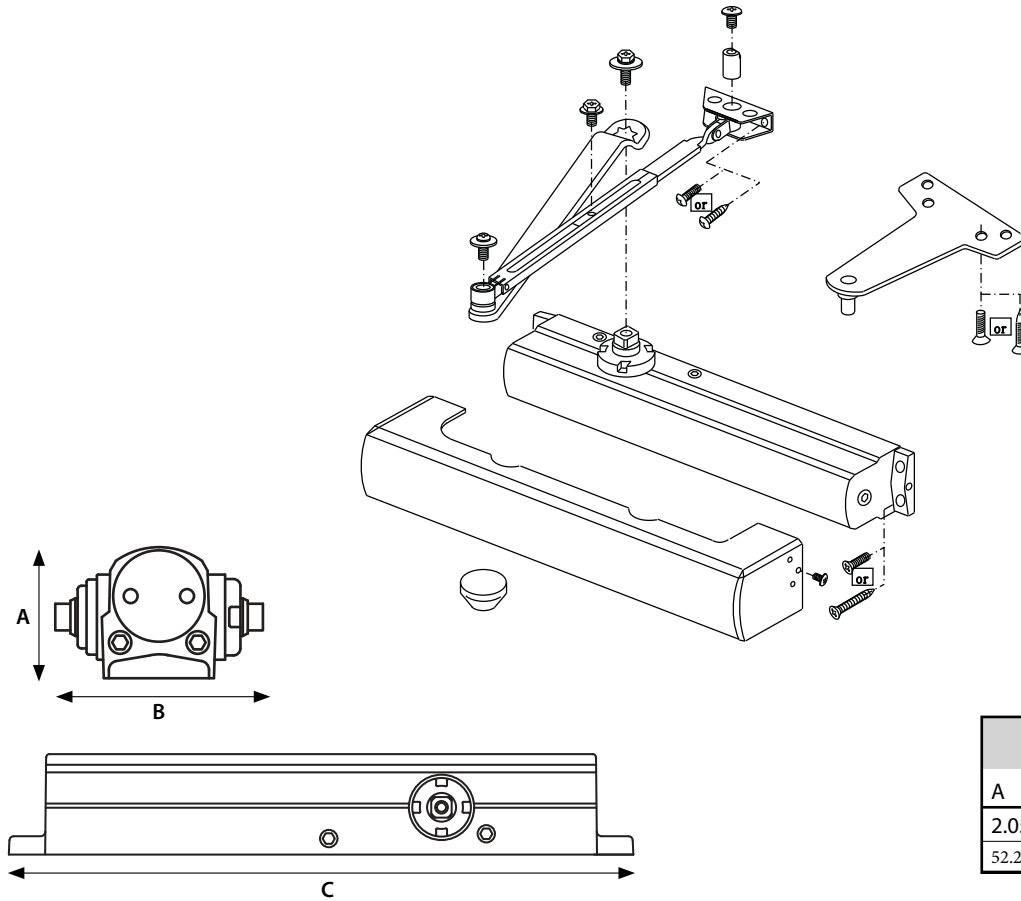
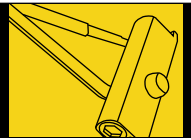
Cush Hold Open Arm

Door Closer Functions

Series	Description
QDC211	Tri-Packed Arm, Non-Hold Open
QDC212	Hold Open Arm
QDC213	Dead Stop (Cush) Arm
QDC214	Dead Stop (Cush) Hold Open Arm





Finishes

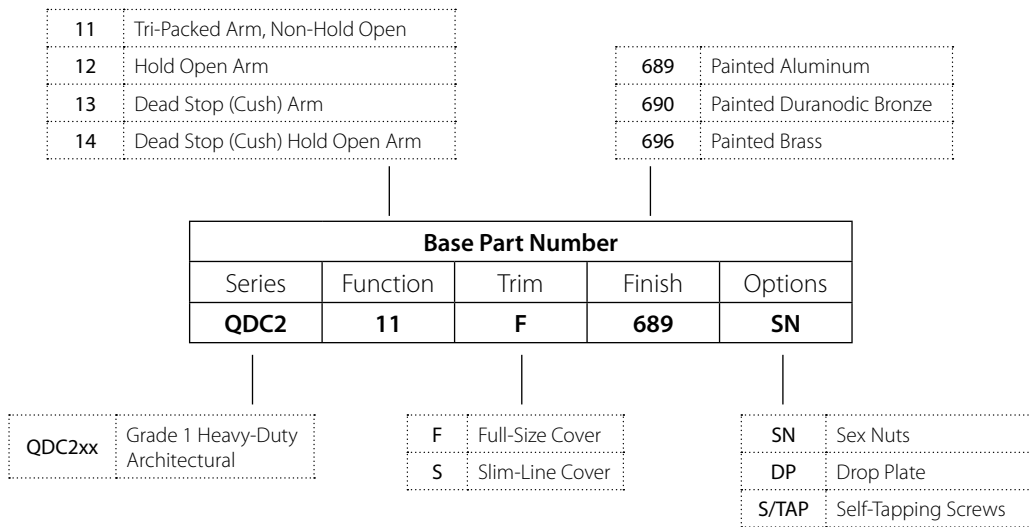
BHMA	Description
689	Painted Aluminum
690	Painted Duranodic Bronze
696	Painted Satin Brass



DIMENSIONS		
A	B	C
2.05"	3.18"	12"
52.20mm	80.70mm	305mm

Model/Series	Functions	Qty
QDC211	Tri-Packed Arm, Non-Hold Open	6
QDC212	Hold Open Arm	6
QDC213	Dead Stop (Cush) Arm	3
QDC214	Dead Stop (Cush) Hold Open Arm	3

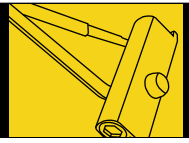
Order with Closer	Description	Service Part #
 F	Full-size cover (specify finish)	8Q00094
 S	Slim-line cover (specify finish)	8Q00096
 SN	Sex nuts (Qty 4) (specify finish)	8Q00097
 S/TAP	Self-tapping screws (Qty 8) (specify finish)	8Q00436



Example

If you ordered: QDC211 F 689 SN

You would get: Grade 1 Heavy-Duty Slim-Line Non-Hold Open Door Closer – Full Adjustable (Sized 1-6), Tri-Packed Arms with both Delayed Action & Backcheck Standard, full-size cover, Painted Aluminum finish, and Sex Nuts.



Performance Features

- Tested to significantly exceed the performance requirements for Grade 1 certification.
- Fully adjustable from 1 - 6 allowing for maximum flexibility.
- Delayed action and backcheck are standard in the same door closer body.
- All-weather oil ensures optimal operational performance in multiple climate conditions.
- Sized for interior doors to 4' 6"; exterior doors to 4' 0".

Certifications



- ANSI/BHMA A156.4 Series – Grade 1
- ANSI A117.1 Accessibility Code (ADA Compliant)
- UL/cUL listed (3 hour) for self-closing doors without hold open
- UL10C Positive Pressure Rated
- UL10B Pressure Rated

Product Specifications

- Handing – All QDC300 Series Closers are non-handed.
- Material – Cast aluminum.
- All-weather fluid.
- Cover – Full, architectural plastic cover also available.
- Arms & brackets – Tri-pack standard (regular, top jamb, parallel configurations). Hold open and dead stop arms also available.
- Arm material – Heat-treated carbon steel.
- Springs – High-impact hand-drawn steel wires.
- Pinions – Heat-treated chrome molybdenum steel.
- Cylinder construction – Heat-treated free-cutting carbon steel.
- Fasteners – Wood and machine screws standard; sex nuts and self-tapping screws optional.
- Door weights & sizes:

Size	Applicable Door Weight	Door Width Ranges	
		Interior	Exterior
1	33 – 55 LBS (15 – 30 Kg)	32" (0.81m)	28" (0.71m)
2	56 – 99 LBS (30 – 45 Kg)	36" (0.91m)	32" (0.81m)
3	99 – 143 LBS (45 – 65 Kg)	42" (1.07m)	36" (0.91m)
4	143 – 187 LBS (65 – 85 Kg)	48" (1.22m)	42" (1.07m)
5	187 – 264 LBS (85 – 120 Kg)	54" (1.37m)	48" (1.22m)
6	264 – 330 LBS (120 – 150 Kg)	58" (1.47m)	54" (1.32m)

Warranty

- Lifetime Mechanical and 3-year finish



Tri-Pack Arm



Hold Open Arm



Cush Arm



Cush Hold Open Arm

Door Closer Functions

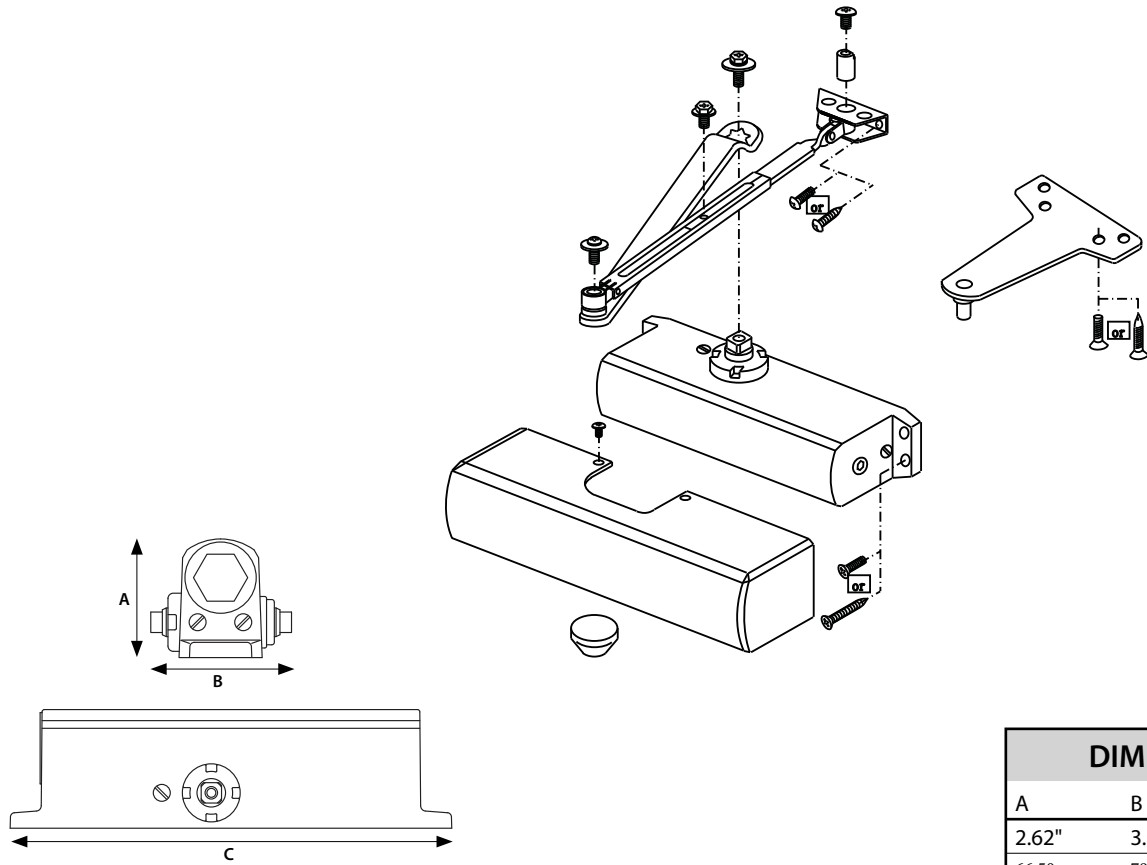
Series	Description
QDC311	Tri-Packed Arm, Non-Hold Open
QDC312	Hold Open Arm
QDC313	Dead Stop (Cush) Arm
QDC314	Dead Stop (Cush) Hold Open Arm

Finishes

BHMA	Description
689	Painted Aluminum
690	Painted Duranodic Bronze
696	Painted Satin Brass





DOOR CLOSERS

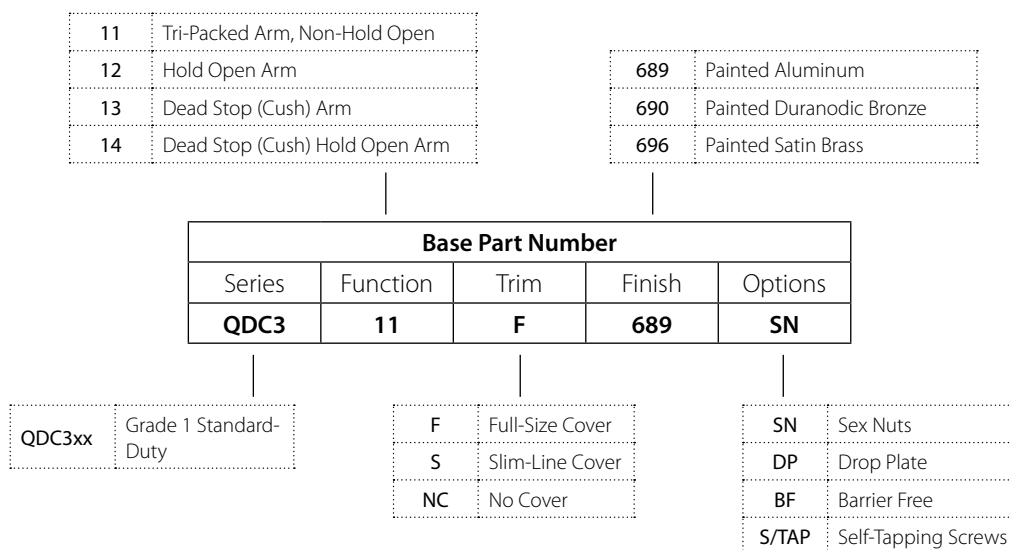
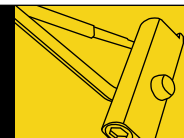
QDC
300 Series Grade 1
Standard-Duty Door Closers



DIMENSIONS		
A	B	C
2.62"	3.08"	9.80"
66.50mm	78.10mm	249mm

Model/Series	Functions	Qty
QDC311	Tri-Packed Arm, Non-Hold Open	6
QDC312	Hold Open Arm	6
QDC313	Dead Stop (Cush) Arm	3
QDC314	Dead Stop (Cush) Hold Open Arm	3

Order with Closer	Description	Service Part #
 F	Full-size cover (specify finish)	8Q00094
 S	Slim-line cover (specify finish)	8Q00096
 SN	Sex nuts (Qty 4) (specify finish)	8Q00097
 S/TAP	Self-tapping screws (Qty 8) (specify finish)	8Q00436



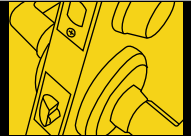
Example

If you ordered: QDC311 F 689 SN

You would get: Grade 1 Standard-Duty Non-Hold Open Door Closer – Full Adjustable (Sized 1-6), Tri-Packed Arms with Both Delayed Action & Backcheck Standard, full-size cover, Painted Aluminum finish, and Sex Nuts.

MISCELLANEOUS INFORMATION





Windstorm- and Hurricane-Compliant Hardware have passed structural tests as per South Florida Building Code Protocol. These tests are designed to provide sufficient resistance to high-wind forces and windborne debris. The hardware provides a high level of security for door openings even if hurricane-rated door components are not required. A brief description of the test is provided below.

Static Air Pressure Test

Test simulates wind loading by evenly distributing air pressure to the face of the door assembly in positive and negative directions. The door assembly must not have excessive deflection or deformation and must remain secure in the chamber.

Missile Impact Test

Test simulates impacts created by wind driven debris by impacting the exterior face of the doors with a 2" x 4" x 9' board at 50 feet per second. The board must not pass through the doors and the doors must remain secure in the chamber.

Cyclic Wind Pressure Test

Test simulates wind gusts by repeating cycles of positive and negative air pressure to determine that the integrity of the door assembly is not compromised with the Missile Impact Test. The door assembly must not have excessive deflection or deformation and must remain secure in the chamber.

Component Approval

The hardware listed is approved as components to be used with any 18-gauge single or pair of hollow metal doors with 16-gauge frames holding a current Notice of Acceptance (NOA). The lowest Design Pressure Rating of the doors or components shall apply.

Notice of Acceptance (NOA)

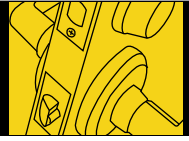
The Miami-Dade County Product Control Division has approved these devices to be used in Miami-Dade County and other areas where allowed by the Authority Having Jurisdiction (AHJ). Product Control NOA Numbers 11-0325.04 (locking products) and 11-0606.02 (exit devices) have been issued and expire on August 18, 2016.

To see the NOA documentation online, visit: <http://www.miamidade.gov/building/pc-search.app.asp> and type in the NOA numbers referenced above under the Product Search Application link.

Locks & Deadbolts									
Product	Single Door			Pair of Doors with Mullion			Pair of Doors with SVR		
	Opening Size	Model #*	Max Design Pressure Rating (PSF)	Opening Size	Model #	Max Design Pressure Rating (PSF)	Opening Size	Model #	Max Design Pressure Rating (PSF)
Grade 1 Cylindrical with Deadbolt	4' 0" x 8' 0"	QCL100 with QDB100/200	75	8' 0" x 8' 0"	QCL100 with QDB100/200 & QED111/112/113	75	8' 0" x 8' 0"	QCL100 with QDB100/200 & QED114/115/116	68
Grade 2 Cylindrical with Deadbolt		QCL200 with QDB100/200			QCL200 with QDB100/200 & QED111/112/113			QCL200 with QDB100/200 & QED114/115/116	
Grade 2 Tubular with Deadbolt		QTL200 with QDB100/200			QTL200 with QDB100/200 & QED111/112/113			QTL200 with QDB100/200 & QED114/115/116	

* Dummy functions not included.

Exit Devices							
Product	Single Door			Pair of Doors with Mullion			
	Opening Size	Model #	Max Design Pressure Rating (PSF)	Opening Size	Model #	Max Design Pressure Rating (PSF)	
Grade 1 Heavy-Duty	4' 0" x 8' 0"	QED111	75	8' 0" x 8' 0"	QED111	75	
		QED112			QED112		
		QED113			QED113		
					Pair of Doors with SVR		
					8' 0" x 8' 0"	QED114	68
						QED115	
				QED116			



	STANLEY Commercial Hardware	Arrow	Corbin Russwin	Sargent	Yale	Marks	Schlage	Falcon	Hager	Dorma	Cal Royal
Auxiliary Deadbolts											
Grade 1 Deadbolt	QDB100 Series	DC60 Series	DL3100 Series	480 Series	3600 Series	140 Series	B600 Series	D100 Series	3100 Series	DB800 Series	CRB800 Series
Grade 2 Deadbolt	QDB200 Series	E60 Series	DL2100 Series	470 Series	3500 Series	—	BC100 Series	D200 Series	3200 Series	DB600 Series	T300 Series

	STANLEY Commercial Hardware	Arrow	Corbin Russwin	Sargent	Yale	Marks	Schlage	Falcon	Hager	Dorma	Cal Royal
Mechanical Locksets											
Grade 1 Mortise	QML100 Series	BW Series	ML2000 Series	8200 Series	8800 Series	—	L Series	MA Series	3800 Series	M9000 Series	NM Series
Grade 1 Cylindrical	QCL100 Series	Q Series W Series	CL3300 Series	10 Line Series	5400LN Series	95 Line Series	ND Series	T Series	3400 Series	CL800 Series	Genesys Series/Calypto Series
Grade 2 Cylindrical	QCL200 Series	ML Series	CL3800 Series	7 Line Series	5300LN Series	70 Line Series	AL Series	B Series W Series	3500 Series	CL700 Series	SL Series
Grade 2 Tubular	QTL200 Series	C Series	CL3700 Series	DL Series	4300LN Series	—	S Series	Y Series	3600 Series	CL600 Series	SG Series

	STANLEY Commercial Hardware	Arrow	Corbin Russwin	Sargent	Yale	Marks	Von Duprin	Falcon	Hager	Dorma	Cal Royal
Exit Devices											
Grade 1 Heavy-Duty Architectural Push Bar	QED100 Series	3000 Series	ED5000 Series	80 Series	7000 Series	—	98/99 Series	24 Series 25 Series	4500 Series	9000 Series	7700 Series
Grade 1 Economy Standard Push Bar	QED300 Series	1000 Series	ED8000 Series	30 Series	2100 Series	—	22 Series	19 Series	4700 Series	8000 Series	2200 Series

	STANLEY Commercial Hardware	Arrow	Corbin Russwin	Sargent	Yale	Norton	LCN	Falcon	Hager	Dorma	Cal Royal
Door Closers											
Grade 1 Extra Heavy-Duty	QDC100 Series	DC500 Series	DC6200 Series	281 Series	4400 Series	7500 Series	4040 Series	SC70 Series	5100 Series	8900 Series	CR441 Series
Grade 1 Heavy-Duty (Slim-Line)	QDC200 Series	5000N Series	DC3000 Series	1331 Series	3000 Series	8000 Series	1460 Series	SC80 Series	5200 Series	8600 Series	CR801 Series 900 Series
Grade 1 Standard-Duty	QDC300 Series	900N Series	DC4600 Series	1130 Series	51 Series	1601 Series	1070 Series	SC60 Series	5300 Series	7400 Series	300 Series



Stanley Security Solutions, a business division of Stanley Black & Decker, is a provider of integrated access control and security solutions for institutional, commercial and industrial businesses and organizations. Stanley Security Solutions delivers a comprehensive suite of security products, software and integrated systems with a strong emphasis on service. Stanley Security Solutions is committed to extending its position as a leading comprehensive resource for a broad and extensive array of solutions that span the entire security spectrum.