

FS-DM-180EX

Bid-Spec

1.0 Description

The FS-DM-180EX is a fixed 180° housing that has been manufactured to protect the Pro Series 180° cameras against water and dust and other minor weather hazards. Its side-opening housing design is produced from die-castings in highest quality aluminum materials that make this accessory durable and reliable with easy install.

2.0 Bid Specification

- This accessory shall be compatible with the Pro Series 180° cameras.
- This accessory shall be mounted using the IS-IH-80-C accessory.
- This accessory shall be produced from aluminum that is IP68 rated.
- This accessory shall feature a sunshield.
- This accessory shall be used for indoor and outdoor applications.
- This accessory's primary power source shall be Power over Ethernet (PoE) complying with the IEEE 802.3af standard.
- This accessory shall have the alternative option to be powered from a 12V DC power source.
- This accessory shall be supplied with two 1/4-20 UNC screws, one spring washer, one flat washer, and one wrench.
- This accessory shall feature Auto-restart Fault Management.
- This accessory shall feature In-rush Current Limit, Over-current protection.

FS-DM-180EX

Quick-Spec

3.0 Minimum Performance Specification

The FS-DM-180EX accessory will meet the following operating requirements:

Mechanical

Dimensions	17.9 x 5.7 x 10.5 in (455 x 145 x 267mm)
Mounting Pattern	2 x 4.25 (51 x 108mm)
Weight	5.5 lbs (2495 g)
Construction	Sunshield and Body- Aluminum Window- Plastic

Electrical

Input Voltage	DC12V or PoE
Power Consumption	9W Maximum (Heater: 3W, Blower: 1W, User Power: 5W)
Power Output	5W Maximum (PoE 802.3af or DC12V +/- 0.5V)

Environmental

Certificates	IP68
Operating Temperature	-40°C to 60°C (-40°F to 140°F)
Humidity	0-90%
Blower	Continuous
Heater	Activates: 4°C +/- 3°C

Compatibility	IS-IH-WALL, IS-IH-80-C
----------------------	------------------------

Model Number

- FS-DM-180EX

Warranty

- *Minimum 3 Year Parts and Labor*

Sentry360, Inc. reserves the right to change products or specifications without notice.

FS-DM-DOME

Bid-Spec

1.0 Description

The FS-DM-DOME is a dome housing that has been manufactured to protect the Pro Series 360° cameras against water, dust, and other minor weather hazards with an IP66 rating. Its housing design permits unhindered 360° viewing for indoor or outdoor applications with easy installation. It has been produced with die-cast aluminum materials, powder coating, and a high impact-resistant, ultra-transparent cover that make this housing durable and reliable.

2.0 Bid Specification

- This accessory shall be compatible with the Pro Series 360° cameras.
- This accessory shall be mounted to a wall using the FS-DM-WALL with a FS-DM-POLE or FS-DM-CORNER, or it shall be mounted in the ceiling using the FS-DM-CEILING.
- This accessory shall feature an aluminum housing that is IP66 rated.
- This accessory shall be used for indoor and outdoor applications.
- This accessory shall be compatible with IEEE802.3af PD.
- This accessory shall be supplied with one 5mm Wrench, four Plastic Expansion Plugs, four M4 Steel Screws, and one Network Cable.
- This accessory shall contain Auto-Restart Fault Management.
- This accessory shall feature In-rush Current Limit, Over-current Protection.
- This accessory shall have an operating temperature of -40° C (-40° F) to 60° C (140° F) with 0-95% humidity.

FS-DM-DOME

Quick-Spec

3.0 Minimum Performance Specification

The FS-DM-DOME accessory will meet the following operating requirements:

Mechanical

Dimensions	5.75 x 6.5 in (146.05 x 165.1 mm)
Weight	3.97 lbs (1801 g)
Construction	Body- Aluminum (ADC-12) Window- Transparent Cover

Environmental

Certificates	IP66
Operating Temperature	-40° C to 60° C (-40° F to 140° F)
Humidity	0-95%

Compatibility FS-DM-WALL, FS-DM-CEILING

Model Number

- FS-DM-DOME

Warranty

- *Minimum 3 Year Parts and Labor*

FS-DM-DOME

Sentry360, Inc. reserves the right to change products or specifications without notice.



NVR Server Switch: Mini and Pro Series

SentryEdge™ is an ecosystem-driven appliance that combines a server and smart network switch in one product. SentryEdge™ allows for flexible video management software options as well as versatile storage selection such as NAS, RAID, or any other third-party storage system. IP video has struggled to replicate the plug-and-play legacy that was created by analog systems, and sentryEdge™ brings that ease of use one step closer to the integrator and the end-user alike. Designed for entry-level systems with the mini-series, or enterprise class deployments with the pro-series, the sentryEdge™ unit provides a scalable solution regardless of project size. All systems come with solid state drives securing the operating system for reliability, Intel processors ensuring speed and security, and high wattage PoE ports to allow for all camera types from Panoramic 360°/180°, PTZ, and Ultra HD surveillance cameras. Each system comes pre-installed with sentryView™ configuration software, which allows users to automatically assign IP addresses, gateway, subnet, image quality, and motion detection settings. Using sentryView™, these settings can then be exported to the video management software of choice. SentryView™ is designed to make the configuration process a simple task and also allows for batch firmware updates to cameras as a maintenance tool. Have more reliable, flexible, and scalable surveillance systems by **controlling the edge with sentryEdge™**.



sentryEdge™ Pro-24 Port NVR
sentryEdge™ Pro-16 Port NVR



sentryEdge™ Mini-8 Port NVR



Back interface; high-powered PoE switch

- Solid State Drive Operating System
- 1, 2, 4, 8, 12 or 16 TB Storage Options
- Windows Operating System
- Includes eSATA and HDMI Ports
- Multi-Platform Compatible
- Low Power Consumption
- RAID Support on Select Models



Mini (1-8 Channels)

Technical Specifications

OS: Windows 7 Professional 64 Bit

Hardware:

Intel Core i3-3220 3.3 GHz Dual Core

8 GB DDR3 RAM

Intel HD Graphics 2500 (1920x1080)

x1 3.5" SATA (1 TB, 2 TB, and 4 TB configurations)

DC 52 V 150 W (External, 70 W PoE+, 80 W system)

Environmental:

Operational Temp: 0°–40° C (32°–104° F)

Relative Humidity: 10–90% Non-Condensing

Media Ports

x3 USB 2.0 Ports

x2 USB 3.0 Ports

x2 eSATA Port

x1 VGA Port

x1 HDMI Port

x1 Earphone 3.5 mm

Networking Ports

x1 RJ-45, 10/100/1000 Mbps (WAN Uplink)

x1 Gbps SFP Combo (LAN Uplink)

x8 RJ-45 (PoE+ IEEE 802.3at)

Dimensions/Weight

Unit Dimensions:

228 x 187 x 45 mm (8.97 x 7.36 x 1.77 in)

Unit Weight:

4.5kg (9.92lb)

Package Dimensions:

293 x 354 x 105 mm (11.53 x 13.93 x 4.13 in)

Package Weight:

6kg (13.22lb)

Model Numbers

SE-8-1 sentryEdge™ Mini - 1 TB storage

SE-8-2 sentryEdge™ Mini - 2 TB storage

SE-8-4 sentryEdge™ Mini - 4 TB storage

Pro (9-24 Channels)

Technical Specifications

OS: Windows 7 Professional 64 Bit

Hardware:

Intel Core i7-3770 3.4 GHz Quad Core

8 GB DDR3 RAM

Intel HD Graphics 4000 (1920x1080)

x4 3.5" SATA (2 TB, 4 TB, 8 TB, and 12 TB configurations)

x1 2.5" SATA and x4 3.5" RAID (16 TB RAID configuration only)

AC 100–240 V 420 W PSU (300 W PoE+ / 120 W system, non-RAID models; 280 W / 140 W, RAID model only)

Environmental:

Operational Temp: 0°–40° C (32°–104° F)

Relative Humidity: 10–90% Non-Condensing

Media Ports

x4 USB 2.0 Ports

x2 USB 3.0 Ports

x1 eSATA Port

x1 RS-232 Port

x1 VGA Port

x1 HDMI Port

x1 Earphone 3.5 mm

Networking Ports

x1 RJ-45, 10/100/1000 Mbps (WAN Uplink)

x1 Gbps SFP Combo (LAN Uplink)

x24 RJ-45 (PoE+ IEEE 802.3at)

Dimensions/Weight

Unit Dimensions:

430 x 414 x 43.5 mm (16.93 x 16.30 x 1.71 in) (non-RAID models)

430 x 444 x 43.5 mm (16.93 x 17.48 x 1.71 in) (RAID model only)

Unit Weight:

7kg (15.43lb) (non-RAID models)

7.5kg (16.53lb) (RAID model only)

Package Dimensions:

552 x 552 x 225 mm (21.73 x 21.73 x 8.85 in)

Package Weight:

10kg (22.04lb)

Model Numbers

SE-16P-2T sentryEdge™ Pro - 2 TB storage

SE-16P-4T sentryEdge™ Pro - 4 TB storage

SE-16P-8T sentryEdge™ Pro - 8 TB storage

SE-16P-12T sentryEdge™ Pro - 12 TB storage

SE-16P-16T-R sentryEdge™ Pro - 16 TB RAID storage

SE-24P-2T sentryEdge™ Pro - 2 TB storage

SE-24P-4T sentryEdge™ Pro - 4 TB storage

SE-24P-8T sentryEdge™ Pro - 8 TB storage

SE-24P-12T sentryEdge™ Pro - 12 TB storage

SE-24P-16T-R sentryEdge™ Pro - 16 TB RAID storage

Certified VMS Partners





FS-IP10K

FS-IP10K

The FS-IP10K Pro Series was designed to utilize 10.0 megapixel resolution (3648 x 2752) from its 360° field-of-view. Traditional cameras have an inherent weakness: only recording images specifically where they are pointed, zoomed and focused at a given time. The FS-IP10K Pro Series can handle multiple dewarped or corrected perspective angles from its omni-directional vantage point. The Pro Series is perfectly suited for large environments with heavy traffic areas and can drastically reduce the camera count, labor costs, maintenance and investigation time.

Dimensions

- 1.38 x 2.52 x 3.27 in (35.1 x 64 x 83.1 mm)*
- 0.33 lb (150 g)*

Performance Specification

- Field of View: 360°
- Sensor: 10.0MP CMOS
- Maximum Resolution: 3648x 2752
- Active Pixel Count: 10,039,096
- Maximum Frame Rate: 6 fps (at max res)
- Compression: MJPEG / H.264
- Streaming: Quad H.264 + MJPEG
- 0.01 Lux (color) at F/1.4
- Backlight Compensation
- Dynamic Range: 65 dB
- Owl Eye™ Noise Reduction
- Full Onvif Compatibility

*Without lens

Technical Specification

- Lens: CS Mount
- Motion Detection
- UDP, TCP, HTTP, TFTP, RTSP
- 100/10 LAN Connection

Electrical Specification

- PoE / 10 - 16V
- 4 - 4.5 watts

Environmental Specification

- Operating Temperature: -4° - 122° F
-20° - 50° C
- Humidity: 0% to 90%, No condensation

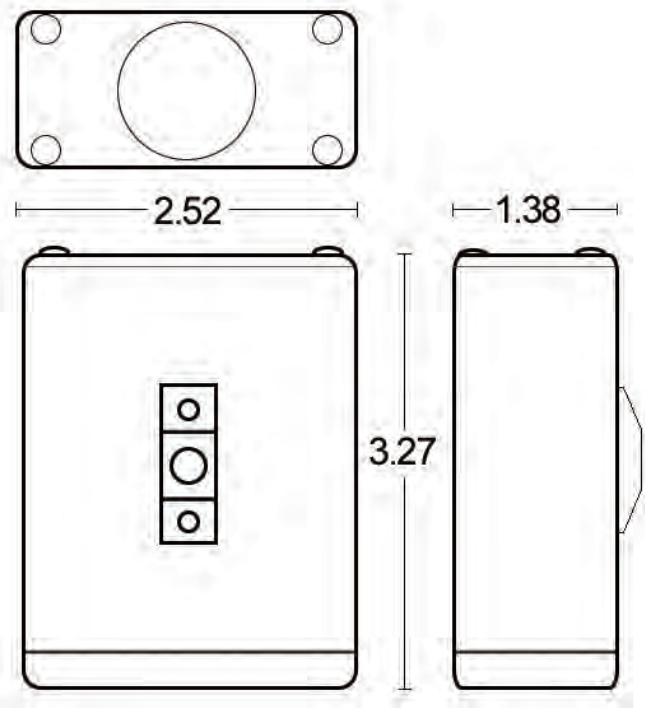
Warranty

- 3 Year, Parts and Labor

Images



Dimensional Outline



Compatible Accessories

- FS-DM-DOME
- FS-DM-WALL
- FS-DM-CEILING
- FS-DM-CORNER
- FS-DM-POLE
- FS-DM-RECESSED



FS-IP12180

FS-IP12180

The FS-IP12180 Pro Series was designed to utilize 12.0 megapixel resolution from its 180° field-of-view. Traditional cameras have an inherent weakness: only recording images specifically where they are pointed, zoomed and focused at a given time. The FS-IP12180 Pro Series can handle a very wide field-of-view. The Pro Series is perfectly suited for large environments with heavy traffic areas and can drastically reduce the camera count, labor costs, maintenance and investigation time.

Dimensions

- 1.38 x 2.52 x 3.27 in (35.1 x 64 x 83.1 mm) without lens
- 0.33 lb (150 g)

Performance Specification

- Field of View: 180°
- Sensor: 12.0MP CMOS
- Maximum Resolution: 4600 x 2650
- Active Pixel Count: 12,197,950
- Maximum Frame Rate: 8 fps (at max res)
- Compression: MJPEG / H.264
- Streaming: Quad H.264+ MJPEG
- 0.02 Lux (color) at F/1.4
- Backlight Compensation
- Dynamic Range: 65 dB
- Owl Eye™ Noise Reduction
- Full Onvif Compatibility

Technical Specification

- Lens: CS Mount
- Day / Night Option (IR Cut Filter)
- Motion Detection
- 100/10 LAN Connection
- UDP, TCP, HTTP, TFTP, RTSP

Electrical Specification

- DC Voltage: 12VDC
- PoE: 4.5 watts maximum

Environmental Specification

- Operating Temperature: -4° - 122° F
-20° - 50° C
- Humidity: 0% to 90%, No condensation

Warranty

- 3 Year, Parts and Labor

Images

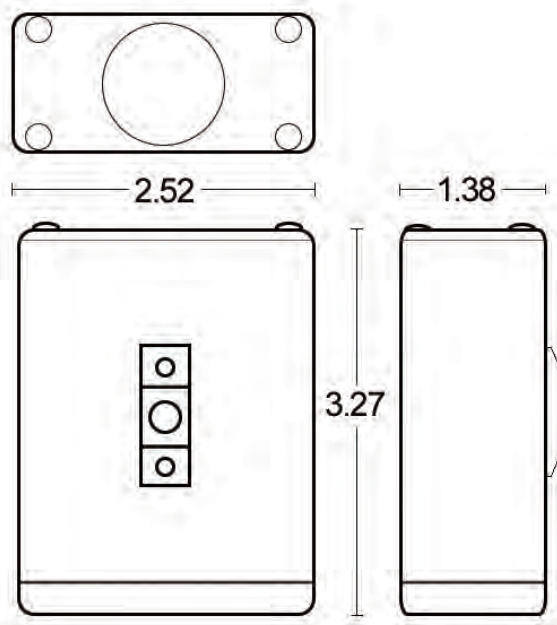


1



2

Dimensional Outline



Compatible Accessories

- FS-DM-180EX



FS-IP14K

FS-IP14K

The FS-IP14K Pro Series was designed to utilize 14.0 megapixel resolution (4352 x 3264) from its 360° field-of-view. Traditional cameras have an inherent weakness: only recording images specifically where they are pointed, zoomed and focused at a given time. The FS-IP14K Pro Series can handle multiple dewarped or corrected perspective angles from its omni-directional vantage point. The Pro Series is perfectly suited for large environments with heavy traffic areas and can drastically reduce the camera count, labor costs, maintenance and investigation time.

Dimensions

- 1.38 x 2.52 x 3.27 in (35.1 x 64 x 83.1 mm)*
- 0.33 lb (150 g)*

Performance Specification

- Field of View: 360°
- Sensor: 14.0MP CMOS
- Maximum Resolution: 4352x 3264
- Active Pixel Count: 14,204,928
- Maximum Frame Rate: 6 fps (at max res)
- Compression: MJPEG / H.264
- Streaming: Quad H.264 + MJPEG
- 0.02 Lux (color) at F/1.4
- Backlight Compensation
- Dynamic Range: 65 dB
- Owl Eye™ Noise Reduction
- Full Onvif Compatibility

*Without lens

Technical Specification

- Lens: CS Mount
- Motion Detection
- UDP, TCP, HTTP, TFTP, RTSP
- 100/10 LAN Connection

Electrical Specification

- DC Voltage: 12VDC
- PoE: 4 Watts maximum

Environmental Specification

- Operating Temperature: -4° - 122° F
-20° - 50° C
- Humidity: 0% to 90%, No condensation

Warranty

- 3 Year, Parts and Labor

Images

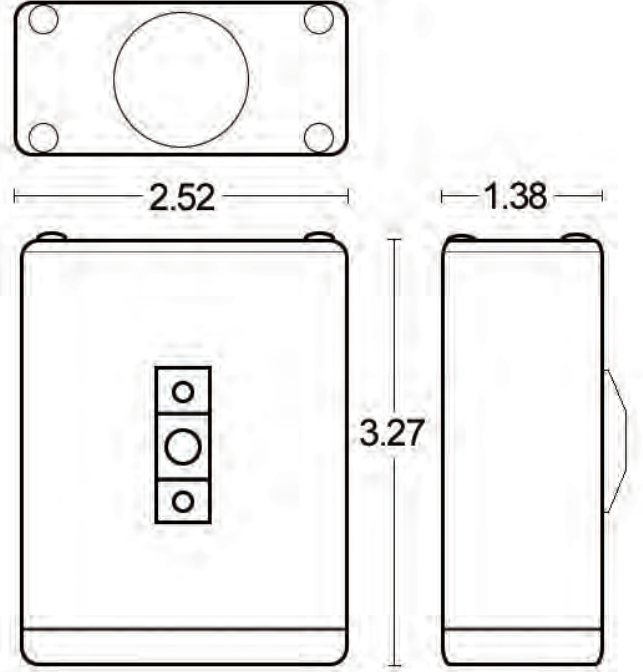


1



2

Dimensional Outline



Compatible Accessories

- FS-DM-DOME
- FS-DM-WALL
- FS-DM-CEILING
- FS-DM-CORNER
- FS-DM-POLE
- FS-DM-RECESSED



FS-IP4180

FS-IP4180

The FS-IP4180 is an ultra-compact, 4.0 megapixel 180° security and surveillance network camera. Designed with a discrete form factor, the FS-IP4180 is a cost-effective, unobtrusive security and surveillance solution for a variety of applications. A built-in Micro-SD slot allows the FS-IP4180 to be the perfect solution in distributed or standalone surveillance systems.

The camera was first launched in August 2012, and since has been a staple in the Sentry360 line.

Dimensions

- 4.6 x 1.9 in (117 x 47.7 mm)
- 0.40 lb (180 g)

Performance Specification

- Field of View: 180°
- Sensor: 4.0MP CMOS
- Maximum Resolution: 2560 x 1800
- Active Pixel Count: 4,608,000
- Maximum Frame Rate: 15 fps (at max res)
- Compression: MJPEG / H.264
- Streaming: Quad H.264 + MJPEG
- 0.04 Lux (color) at F/1.8
- Backlight Compensation
- Wide Dynamic Range
- Dynamic Range: 95 dB
- 3D Noise Reduction
- Full Onvif Compatibility

Technical Specification

- Lens: M12-Mount Fisheye
- Micro-SD Storage
- Motion Detection
- Tamper Detection
- UDP, TCP/IP, HTTP, TFTP, RTP/RTSP
- 100/10 LAN Connection
- Weatherproof Standard: IP66
- Security: Username and password

Electrical Specification

- PoE 802.3af
- 3.5 watts

Environmental Specification

- Operating Temperature: 14° - 122° F
-10° - 50° C
- Humidity: 10% to 90%, No condensation

Warranty

- 3 Year, Parts and Labor

Images

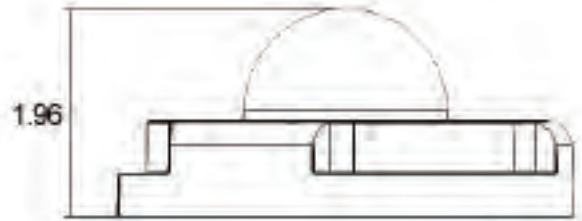
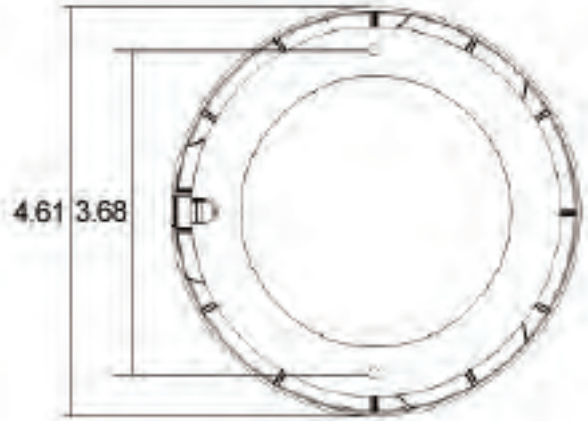


1



2

Dimensional Outline



Unit: Inches



FS-IP5000-M

FS-IP5000-M

The FS-IP5000-M is an ultra-compact, 5.0 megapixel 360° security and surveillance network camera. Designed with a discrete form factor, the FS-IP5000-M is a cost-effective, unobtrusive security and surveillance solution for a variety of applications. A built-in Micro-SD slot allows the FS-IP5000-M to be the perfect solution in distributed or standalone surveillance systems.

Dimensions

- 4.6 x 1.9 in (117 x 47.7 mm)
- 0.40 lb (180 g)

Performance Specification

- Field of View: 360°
- Sensor: 5.0MP CMOS
- Maximum Resolution: 2592 x 1944
- Active Pixel Count: 5,038,848
- Maximum Frame Rate: 12 fps (at max res)
- Compression: MJPEG / H.264
- Streaming: Quad H.264 + MJPEG
- 0.04 Lux (color) at F/1.8
- Backlight Compensation
- Wide Dynamic Range
- Dynamic Range: 95 dB
- 3D Noise Reduction
- Full Onvif Compatibility

Technical Specification

- Lens: M12-Mount Fisheye
- Micro-SD Storage
- Motion Detection
- Tamper Detection
- UDP, TCP/IP, HTTP, TFTP, RTP/RTSP
- 100/10 LAN Connection
- Weatherproof Standard: IP66
- Security: Username and password

Electrical Specification

- PoE 802.3af
- 3.5 watts

Environmental Specification

- Operating Temperature: 14° - 122° F
-10° - 50° C
- Humidity: 10% to 90%, No condensation

Warranty

- 3 Year, Parts and Labor

Images

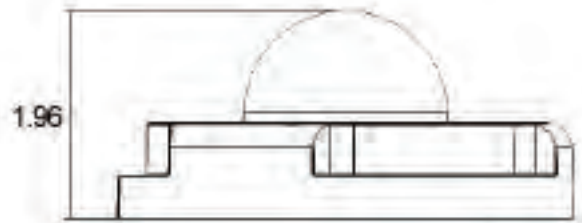
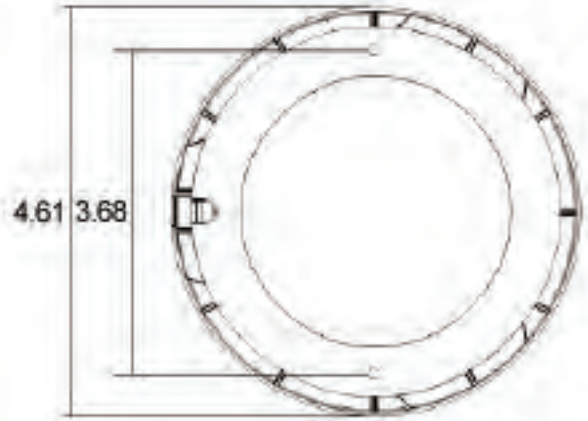


1



2

Dimensional Outline



Unit: Inches



FS-IP8180

FS-IP8180

The FS-IP8180 Pro Series was designed to utilize 8.0 megapixel resolution from its 180° field-of-view. Traditional cameras have an inherent weakness: only recording images specifically where they are pointed, zoomed and focused at a given time. The FS-IP8180 Pro Series can handle a very wide field-of-view. The Pro Series is perfectly suited for large environments with heavy traffic areas and can drastically reduce the camera count, labor costs, maintenance and investigation time.

Dimensions

- 1.38 x 2.52 x 3.27 in (35.1 x 64 x 83.1 mm) without lens
- 0.33 lb (150 g)

Performance Specification

- Field of View: 180°
- Sensor: 8.0MP CMOS
- Maximum Resolution: 3840 x 2100
- Active Pixel Count: 8,064,000
- Maximum Frame Rate: 12 fps (at max res)
- Compression: MJPEG / H.264
- Streaming: Quad H.264 + MJPEG
- 0.02 Lux (color) at F/1.4
- Backlight Compensation
- Dynamic Range: 65 dB
- Owl Eye™ Noise Reduction
- Full Onvif Compatibility

Technical Specification

- Lens: CS Mount
- Day / Night Option (IR Cut Filter)
- Motion Detection
- 100/10 LAN Connection
- UDP, TCP, HTTP, TFTP, RTSP

Electrical Specification

- DC Voltage: 12VDC
- PoE: 4.0 watts maximum

Environmental Specification

- Operating Temperature: -4° - 122° F
-20° - 50° C
- Humidity: 0% to 90%, No condensation

Warranty

- 3 Year, Parts and Labor

Images

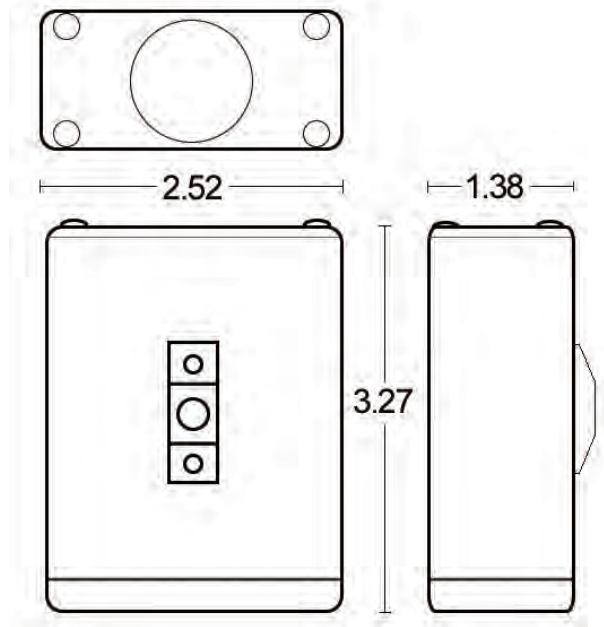


1



2

Dimensional Outline



Compatible Accessories

- FS-DM-180EX

IS-DM200



The IS-DM200 camera is a Quad-streaming, H.264 & MJPEG encoding, 2.0 Megapixel resolution, IP-addressable, network camera. It is designed to deliver full-motion, high-definition, progressive scan digital video across local area networks. The IS-DM200 features a 1/2.8" CMOS sensor, Power over Ethernet, 21 IR LED, Audio-In and Audio-Out. The IS-DM200 is a cost-effective, high-level, megapixel network camera.



Dimensions

- **Weight:** 0.62 lbs. (280 g)
- **Dimensions:** 4.6 x 3.6 in (117 x 90 mm)

Performance Specification

- **Sensor:** 2.0 MP CMOS
- **Maximum Resolution:** 1920 x 1080
- **Active Pixel Count:** 2,073,600
- **Maximum Frame Rate:** 60 FPS (at max res.)
- **Compression:** MJPEG / H.264
- **Streaming:** Quad H.264 + MJPEG
- **0.2 lux (color)** at F/1.4
- **0.02 lux (BW)** at F/1.4
- **Backlight Compensation**
- **Wide Dynamic Range**
- **Dynamic Range:** 96 dB
- **3D Noise Reduction**
- **ONVIF Profile S**

Technical Specification

- **Lens:** 3 - 10.5 mm Vari-Focal Zoom Lens
- **Two-Way Audio**
- **Micro-SD Storage**
- **Motion Detection**
- **Tamper Detection**
- **Alarm I/O**
- **UDP, TCP/IP, HTTP, TFTP, RTP/RTSP**
- **100/10 LAN Connection**
- **Security:** User name and Password

Electrical Specification

- **Power Consumption:** 12 watts (Camera: 7.5W, Lens: 2W, and IRs 2.5W)
- **Power requirement:** 12 VDC/ 24 VAC or via a 3-pin removable connector or via IEEE 802.3af Power over Ethernet on CAT-5 cable

Environmental Specification:

Operating Temperature -10 to -50 Degrees Celsius

Warranty

3 Years, Parts and Labor

IS-DM210



The IS-DM210 camera is a Quad-streaming, H.264 & MJPEG encoding, 2.0 Megapixel resolution, IP-addressable, network camera. It is designed to deliver full-motion, high-definition, progressive scan digital video across local area networks. The IS-DM210 features a 1/2.8" CMOS sensor, Power over Ethernet, Audio-In and Audio-Out. The IS-DM210 is a cost-effective, high-level, megapixel network camera.



Dimensions

- **Weight:** 0.62 lbs. (280 g)
- **Dimensions:** 4.6 x 3.6 in (117 x 90 mm)

Performance Specification

- **Sensor:** 2.0 MP CMOS
- **Maximum Resolution:** 1920 x 1080
- **Active Pixel Count:** 2,073,600
- **Maximum Frame Rate:** 60 FPS (at max res.)
- **Compression:** MJPEG / H.264
- **Streaming:** Quad H.264 + MJPEG
- **0.2 lux (color) at F/1.4**
- **0.02 lux (BW) at F/1.4**
- **Backlight Compensation**
- **Wide Dynamic Range**
- **Dynamic Range:** 96 dB
- **3D Noise Reduction**
- **ONVIF Profile S**

Technical Specification

- **Lens:** 3-10.5 mm Auto Focus Motorized Lens
- **Two-Way Audio**
- **Micro-SD Storage**
- **Motion Detection**
- **Tamper Detection**
- **Alarm I/O**
- **UDP, TCP/IP, HTTP, TFTP, RTP/RTSP**
- **100/10 LAN Connection**
- **Security:** User name and Password

Electrical Specification

- **Power requirement:** 12 VDC/ 24 VAC or via a 3-pin removable connector or via IEEE 802.3af Power over Ethernet on CAT-5 cable
- **Power Consumption:** 9.5 watts (Camera: 7.5W and Lens: 2W) over Ethernet on CAT-5 cable

Environmental Specification:

Operating Temperature -10 to -50 Degrees Celsius

Warranty

3 Years, Parts and Labor

IS-DM210-IR



The IS-DM210-IR camera is a Quad-streaming, H.264 & MJPEG encoding, 2.0 Megapixel resolution, IP-addressable, network camera. It is designed to deliver full-motion, high-definition, progressive scan digital video across local area networks. The IS-DM210-IR features a 1/2.8" CMOS sensor, Power over Ethernet, 21 IR LED, Audio-In and Audio-Out. The IS-DM210-IR is a cost-effective, high-level, megapixel network camera.



Dimensions

- **Weight:** 0.62 lbs. (280 g)
- **Dimensions:** 4.6 x 3.6 in (117 x 90 mm)

Performance Specification

- **Sensor:** 2.0 MP CMOS
- **Maximum Resolution:** 1920 x 1080
- **Active Pixel Count:** 2,073,600
- **Maximum Frame Rate:** 60 FPS (at max res.)
- **Compression:** MJPEG / H.264
- **Streaming:** Quad H.264 + MJPEG
- **0.2 lux (color)** at F/1.4
- **0.02 lux (BW)** at F/1.4
- **Backlight Compensation**
- **Wide Dynamic Range**
- **Dynamic Range:** 96 dB
- **3D Noise Reduction**
- **ONVIF Profile S**

Technical Specification

- **Lens:** 3-10.5 mm Auto Focus Motorized Lens
- **Two-Way Audio**
- **Micro-SD Storage**
- **Motion Detection**
- **Tamper Detection**
- **Alarm I/O**
- **UDP, TCP/IP, HTTP, TFTP, RTP/RTSP**
- **100/10 LAN Connection**
- **Security:** User name and Password

Electrical Specification

- **Power Consumption:** 12 watts (Camera: 7.5W, Lens: 2W, and IRs 2.5W)
- **Power requirement:** 12 VDC/ 24 VAC or via a 3-pin removable connector or via IEEE 802.3af Power over Ethernet on CAT-5 cable

Environmental Specification:

Operating Temperature -10 to -50 Degrees Celsius

Warranty

3 Years, Parts and Labor



IS-DM220

IS-DM220

The IS-DM220 is a professional-grade multi-megapixel network security and surveillance camera. A vandal resistant polycarbonate dome, on-board Micro-SD storage, and 2.0 megapixel sensor make the IS-DM220 a standout choice for high-traffic applications.

Launched in mid-July 2010, the IS-DM220 features full compliance with the ONVIF interoperability standard.

Dimensions

- 5.9 x 5.1 in (151 x 130 mm)
- 1.8 lb (0.8 kg)

Performance Specification

- Sensor: 2.0MP CMOS
- Maximum Resolution: 1920 x 1080
- Active Pixel Count: 2,073,600
- Maximum Frame Rate: 15 fps (at max res)
- Compression: MJPEG / H.264
- Streaming: Quad H.264 + MJPEG
- 0.2 lux (color) at F/1.2
- 0.02 lux (BW) at F/1.2
- Backlight Compensation
- Wide Dynamic Range
- Dynamic Range: 95 dB
- 3D Noise Reduction
- Full Onvif Compatibility

Technical Specification

- Lens: 3-9mm Auto-Focus Motorized Zoom
- Two-Way Audio
- Micro-SD Storage
- Motion Detection
- Tamper Detection
- Alarm I/O
- UDP, TCP/IP, HTTP, TFTP, RTP/RTSP
- 100/10 LAN Connection
- Weatherproof Standard: IP66
- BNC
- Security: Username and password

Electrical Specification

- DC12V / AC24V / PoE
- 8.6 watts

Environmental Specification

- Operating Temperature: 14° - 122° F
-10°C - 50°C
- Humidity: 10% to 90%, No condensation

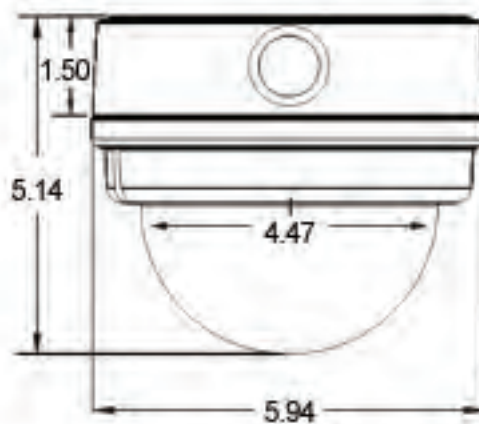
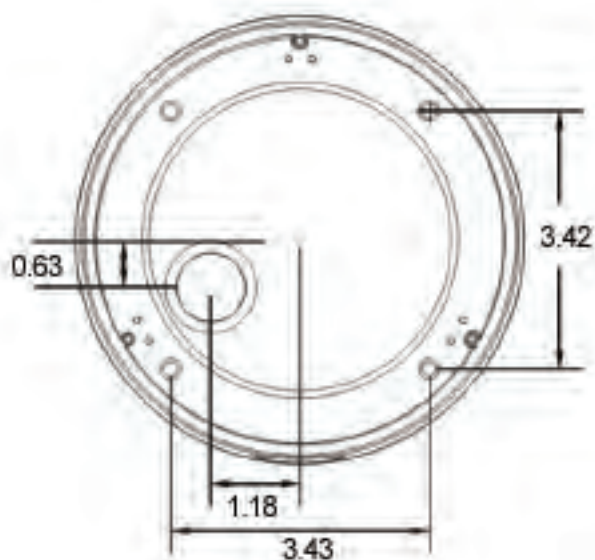
Warranty

- 3 Year, Parts and Labor

Images



Dimensional Outline



Unit: Inch

Compatible Accessories

- IS-DM-IMK (Required for ALL mounting accessories)
- IS-DM-CM1
- IS-DM-CM2
- IS-DM-GM
- IS-DM-PM
- IS-DM-WMB (Requires IS-DM-GM or IS-DM-PM or IS-DM-CM)
- IS-DM-CMP (Requires IS-DM-GM or IS-DM-PM)
- IS-DM-CMB1 (Requires IS-DM-GM or IS-DM-PM)
- IS-DM-CMB2 (Requires IS-DM-GM or IS-DM-PM)
- IS-DM-PMP1 (Requires IS-DM-GM or IS-DM-PM)
- IS-DM-PMP2 (Requires IS-DM-GM or IS-DM-PM)
- IS-DM-PMB1 (Requires IS-DM-GM or IS-DM-PM)
- IS-DM-PMB2 (Requires IS-DM-GM or IS-DM-PM)



IS-DM220-HB

IS-DM220-HB

The IS-DM220-HB is a professional-grade multi-megapixel network security and surveillance camera. A vandal resistant polycarbonate dome, on-board Micro-SD storage, and 2.0 megapixel sensor make the IS-DM220-HB a standout choice for high-traffic applications.

Launched in mid-July 2010, the IS-DM220-HB features full compliance with the ONVIF interoperability standard.

Dimensions

- 5.9 x 5.1 in (151 x 130 mm)
- 1.8 lb (0.8 kg)

Performance Specification

- Sensor: 2.0MP CMOS
- Maximum Resolution: 1920 x 1080
- Active Pixel Count: 2,073,600
- Maximum Frame Rate: 15 fps (at max res)
- Compression: MJPEG / H.264
- Streaming: Quad H.264 + MJPEG
- 0.2 lux (color) at F/1.2
- 0.02 lux (BW) at F/1.2
- Backlight Compensation
- Wide Dynamic Range
- Dynamic Range: 95 dB
- 3D Noise Reduction
- Full Onvif Compatibility

Technical Specification

- Lens: 3-9mm Auto-Focus Motorized Zoom
- Day / Night (Built-In IR-LED)
- Two-Way Audio
- Heater / Blower
- Micro-SD Storage
- Motion Detection
- Tamper Detection
- Alarm I/O
- UDP, TCP/IP, HTTP, TFTP, RTP/RTSP
- 100/10 LAN Connection
- Weatherproof Standard: IP66
- BNC
- Security: Username and password

Electrical Specification

- DC12V / AC24V / PoE
- 18.6 watts

Environmental Specification

- Operating Temperature:
 - DC12V: -22° - 122° F (-30°C - 50°C)
 - AC24V: -31° - 122° F (-35°C - 50°C)
- Humidity: 10% to 90%, No condensation

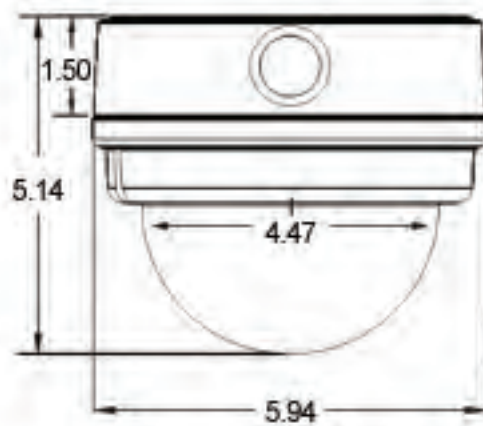
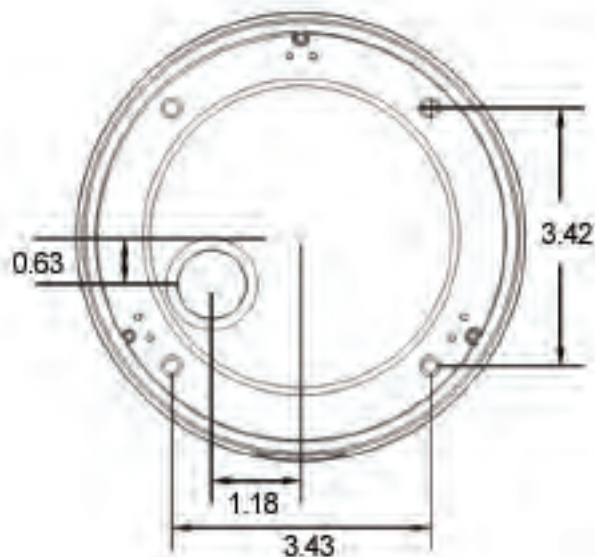
Warranty

- 3 Year, Parts and Labor

Images



Dimensional Outline



Unit: Inch

Compatible Accessories

- IS-DM-IMK (Required for ALL mounting accessories)
- IS-DM-CM1
- IS-DM-CM2
- IS-DM-GM
- IS-DM-PM
- IS-DM-WMB (Requires IS-DM-GM or IS-DM-PM or IS-DM-CM)
- IS-DM-CMP (Requires IS-DM-GM or IS-DM-PM)
- IS-DM-CMB1 (Requires IS-DM-GM or IS-DM-PM)
- IS-DM-CMB2 (Requires IS-DM-GM or IS-DM-PM)
- IS-DM-PMP1 (Requires IS-DM-GM or IS-DM-PM)
- IS-DM-PMP2 (Requires IS-DM-GM or IS-DM-PM)
- IS-DM-PMB1 (Requires IS-DM-GM or IS-DM-PM)
- IS-DM-PMB2 (Requires IS-DM-GM or IS-DM-PM)



IS-DM240

IS-DM240

The IS-DM240 is a professional-grade PTZ multi-megapixel network security and surveillance camera. A vandal resistant polycarbonate dome, on-board Micro-SD storage, and 2.0 megapixel sensor make the IS-DM240 a standout choice for high traffic applications.

Launched in mid-July 2012, the IS-DM240 features full compliance with the ONVIF interoperability standard.

Dimensions

- 6.76 x 9 in (172 x 228 mm)
- 3.57 lb (1.6 kg)

Performance Specification

- Sensor: 2.0MP CMOS
- Maximum Resolution: 1920 x 1080
- Active Pixel Count: 2,073,600
- Maximum Frame Rate: 30 fps (at max res)
- Compression: MJPEG / H.264
- Streaming: Quad H.264 + MJPEG
- 0.05 lux (color) at F/1.6
- 0.01 lux (BW) at F/1.6
- Backlight Compensation
- Wide Dynamic Range
- Dynamic Range: 95 dB
- Digital Noise Reduction
- Full Onvif Compatibility

Technical Specification

- Lens: 4.7 - 94 mm Auto-Focus Motorized Zoom (20x Optical)
- Two-Way Audio
- IR Cut Filter
- Micro-SD Storage
- Motion Detection
- Tamper Detection
- Alarm I/O
- UDP, TCP/IP, HTTP, TFTP, RTP/RTSP
- 100/10 LAN Connection
- Weatherproof Standard: IP66
- BNC
- Security: Username and password

Electrical Specification

- AC24V / PoE
- 20 watts

Environmental Specification

- Operating Temperature: 32° F - 104° F
0° C - 40° C
- Humidity: 0% to 90%, No condensation

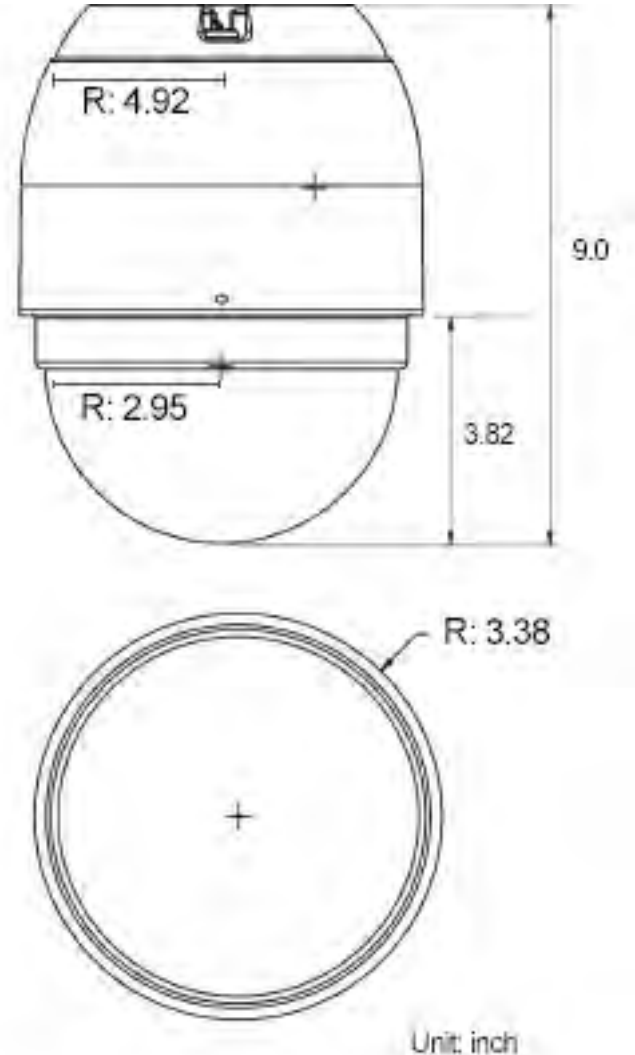
Warranty

- 3 Year, Parts and Labor

Images



Dimensional Outline



Compatible Accessories

- IS-DM-IMK (Required for ALL mounting accessories)
- IS-DM-CM1
- IS-DM-CM2
- IS-DM-GM
- IS-DM-PM
- IS-DM-TBAR
- IS-DM-PCAP
- IS-DM-WMB (Requires IS-DM-GM or IS-DM-PM or IS-DM-CM)
- IS-DM-CMP (Requires IS-DM-GM or IS-DM-PM)
- IS-DM-CMB1 (Requires IS-DM-GM or IS-DM-PM)
- IS-DM-CMB2 (Requires IS-DM-GM or IS-DM-PM)
- IS-DM-PMP1 (Requires IS-DM-GM or IS-DM-PM)
- IS-DM-PMP2 (Requires IS-DM-GM or IS-DM-PM)
- IS-DM-PMB1 (Requires IS-DM-GM or IS-DM-PM)
- IS-DM-PMB2 (Requires IS-DM-GM or IS-DM-PM)



IS-DM240-V

IS-DM240-V

The IS-DM240-V is a professional-grade PTZ multi-megapixel network security and surveillance camera. A vandal resistant polycarbonate dome, on-board Micro-SD storage, and 2.0 megapixel sensor make the IS-DM240-V a standout choice for high traffic applications.

Launched in mid-July 2012, the IS-DM240-V features full compliance with the ONVIF interoperability standard.

Dimensions

- 7.55 x 11.1 in (192 x 282 mm)
- 5.11 lb (2.3kg)

Performance Specification

- Sensor: 2.0MP CMOS
- Maximum Resolution: 1920 x 1080
- Active Pixel Count: 2,073,600
- Maximum Frame Rate: 30 fps (at max res)
- Compression: MJPEG / H.264
- Streaming: Quad H.264 + MJPEG
- 0.05 lux (color) at F/1.6
- 0.01 lux (BW) at F/1.6
- Backlight Compensation
- Wide Dynamic Range
- Dynamic Range: 95 dB
- Digital Noise Reduction
- Full Onvif Compatibility

Technical Specification

- Lens: 4.7 - 94 mm Auto-Focus Motorized Zoom (20x Optical)
- IR Cut Filter
- Two-Way Audio
- Heater / Blower
- Micro-SD Storage
- Motion Detection
- Tamper Detection
- Alarm I/O
- UDP, TCP/IP, HTTP, TFTP, RTP/RTSP
- 100/10 LAN Connection
- Weatherproof Standard: IP66
- BNC
- Security: Username and password

Electrical Specification

- AC24V / PoE+
- 50 watts

Environmental Specification

- Operating Temperature: -40° F - 122° F
-40° C - 50° C
- Humidity: 0% to 90%, No condensation

Warranty

- 3 Year, Parts and Labor

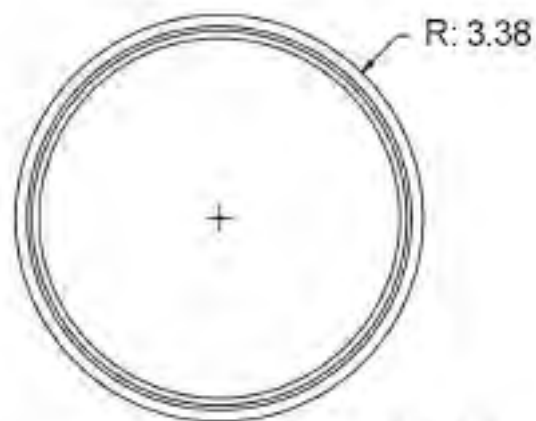
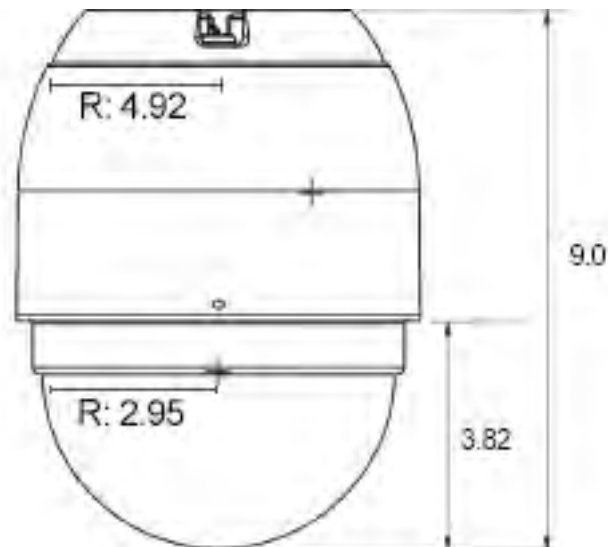
Images



Compatible Accessories

- IS-DM-IMK (Required for ALL mounting accessories)
- IS-DM-CM1
- IS-DM-CM2
- IS-DM-GM
- IS-DM-PM
- IS-DM-TBAR
- IS-DM-PCAP
- IS-DM-WMB (Requires IS-DM-GM or IS-DM-PM or IS-DM-CM)
- IS-DM-CMP (Requires IS-DM-GM or IS-DM-PM)
- IS-DM-CMB1 (Requires IS-DM-GM or IS-DM-PM)
- IS-DM-CMB2 (Requires IS-DM-GM or IS-DM-PM)
- IS-DM-PMP1 (Requires IS-DM-GM or IS-DM-PM)
- IS-DM-PMP2 (Requires IS-DM-GM or IS-DM-PM)
- IS-DM-PMB1 (Requires IS-DM-GM or IS-DM-PM)
- IS-DM-PMB2 (Requires IS-DM-GM or IS-DM-PM)

Dimensional Outline



Unit: inch



IS-DM260

IS-DM260

The IS-DM260 is an ultra-compact multi-megapixel security and surveillance network camera. Designed with a discrete form factor, the IS-DM260 is an unobtrusive security and surveillance solution for a variety of applications. A built-in Micro-SD slot allows the IS-DM260-R to be the perfect solution in distributed or standalone surveillance systems.

Launched in July 2010, the IS-DM260-R features full compliance with the ONVIF interoperability standard.

Dimensions

- 4.3 x 1.9 in (110.2 x 47.7 mm)
- 0.40 lb (180 g)

Performance Specification

- Sensor: 2.0MP CMOS
- Maximum Resolution: 1920 x 1080
- Active Pixel Count: 2,073,600
- Maximum Frame Rate: 15 fps (at max res)
- Compression: MJPEG / H.264
- Streaming: Quad H.264 + MJPEG
- 0.1 lux (color) at F/1.5
- Backlight Compensation
- Wide Dynamic Range
- Dynamic Range: 95 dB
- 3D Noise Reduction
- Full Onvif Compatibility

Technical Specification

- Lens: 4 mm fixed
- Mic-In Audio
- Micro-SD Storage
- Motion Detection
- Tamper Detection
- UDP, TCP/IP, HTTP, TFTP, RTP/RTSP
- 100/10 LAN Connection
- Security: Username and password

Electrical Specification

- PoE
- 3.5 watts

Environmental Specification

- Operating Temperature: 14° - 122° F
-10°C - 50°C
- Humidity: 0% to 90%, No condensation

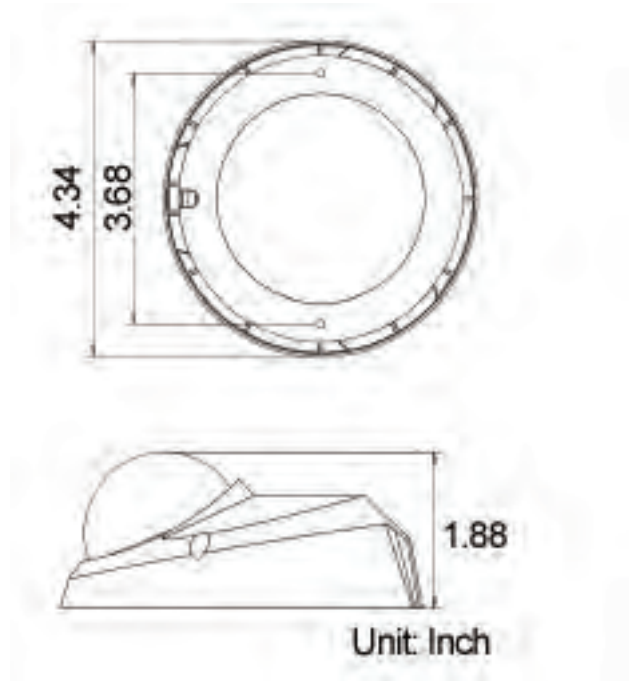
Warranty

- 3 Year, Parts and Labor

Images



Dimensional Outline





IS-DM260-R

IS-DM260-R

The IS-DM260-R is an ultra-compact multi-megapixel security and surveillance network camera. Designed with a discrete form factor, the IS-DM260-R is an unobtrusive security and surveillance solution for a variety of applications. A built-in Micro-SD slot allows the IS-DM260-R to be the perfect solution in distributed or standalone surveillance systems.

Launched in July 2010, the IS-DM260-R features full compliance with the ONVIF interoperability standard.

Dimensions

- 4.3 x 1.9 in (110.2 x 47.7 mm)
- 0.40 lb (180 g)

Performance Specification

- Sensor: 2.0MP CMOS
- Maximum Resolution: 1920 x 1080
- Active Pixel Count: 2,073,600
- Maximum Frame Rate: 15 fps (at max res)
- Compression: MJPEG / H.264
- Streaming: Quad H.264 + MJPEG
- 0.1 lux (color) at F/1.5
- Backlight Compensation
- Wide Dynamic Range
- Dynamic Range: 95 dB
- 3D Noise Reduction
- Full Onvif Compatibility

Technical Specification

- Lens: 4 mm fixed
- Mic-In Audio
- Micro-SD Storage
- Motion Detection
- Tamper Detection
- UDP, TCP/IP, HTTP, TFTP, RTP/RTSP
- 100/10 LAN Connection
- Weatherproof Standard: IP66
- Security: Username and password

Electrical Specification

- PoE
- 3.5 watts

Environmental Specification

- Operating Temperature: 14° - 122° F
-10°C - 50°C
- Humidity: 0% to 90%, No condensation

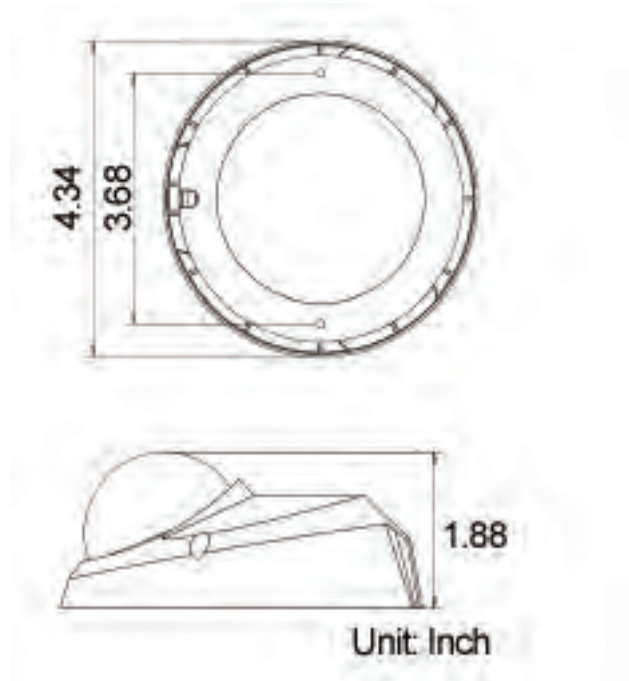
Warranty

- 3 Year, Parts and Labor

Images



Dimensional Outline





IS-DM320-HB

IS-DM320-HB

The IS-DM320-HB is a professional-grade multi-megapixel network security and surveillance camera. A vandal resistant polycarbonate dome, on-board Micro-SD storage, and 3.0 megapixel sensor make the IS-DM320-HB a standout choice for high-traffic applications.

The IS-DM320-HB features full compliance with the ONVIF interoperability standard.

Dimensions

- 5.9 x 5.1 in (151 x 130 mm)
- 1.8 lb (0.8 kg)

Performance Specification

- Sensor: 3.0MP CMOS
- Maximum Resolution: 2048 x 1536
- Active Pixel Count: 3,145,728
- Maximum Frame Rate: 15 fps (at max res)
- Compression: MJPEG / H.264
- Streaming: Quad H.264 + MJPEG
- 0.2 lux (color) at F/1.2
- 0.02 lux (BW) at F/1.2
- Backlight Compensation
- Wide Dynamic Range
- Dynamic Range: 95 dB
- 3D Noise Reduction
- Full Onvif Compatibility
- 24 IR LEDs W/25M working distance & 90° angle of illumination

Technical Specification

- Lens: 3-9mm Auto-Focus Motorized Zoom
- Day / Night (Built-in IR-LED)
- Two-Way Audio
- Heater / Blower
- Micro-SD Storage
- Motion Detection
- Tamper Detection
- Alarm I/O
- UDP, TCP/IP, HTTP, TFTP, RTP/RTSP
- 100/10 LAN Connection
- Weatherproof Standard: IP66
- BNC
- Security: Username and password

Electrical Specification

- DC12V / AC24V / PoE
- 18.6 watts

Environmental Specification

- Operating Temperature:
 - DC12V: -22° - 122° F (-30°C - 50°C)
 - AC24V: -31° - 122° F (-35°C - 50°C)
- Humidity: 10% to 90%, No condensation

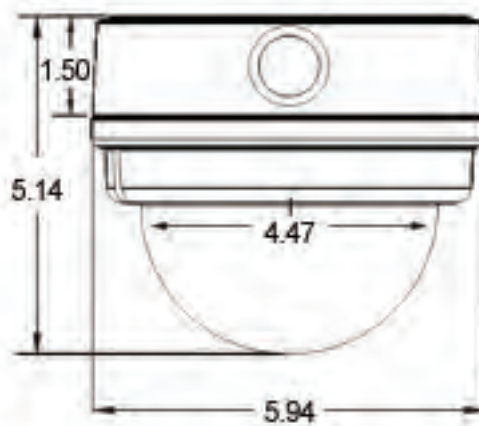
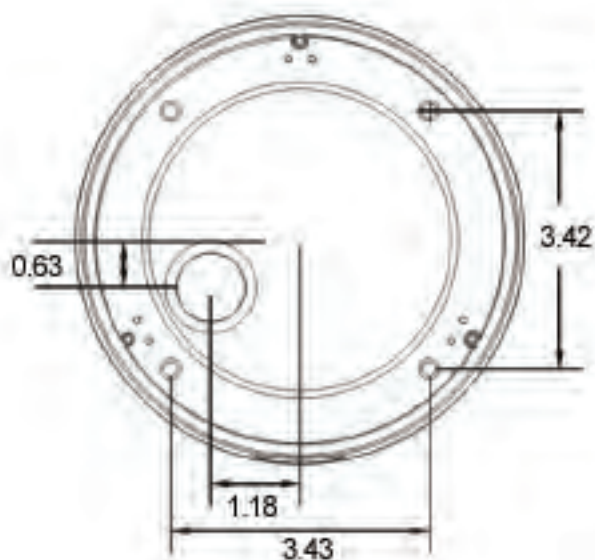
Warranty

- 3 Year, Parts and Labor

Images



Dimensional Outline



Unit: Inch

Compatible Accessories

- IS-DM-IMK (Required for ALL mounting accessories)
- IS-DM-CM1
- IS-DM-CM2
- IS-DM-GM
- IS-DM-PM
- IS-DM-WMB (Requires IS-DM-GM or IS-DM-PM or IS-DM-CM)
- IS-DM-CMP (Requires IS-DM-GM or IS-DM-PM)
- IS-DM-CMB1 (Requires IS-DM-GM or IS-DM-PM)
- IS-DM-CMB2 (Requires IS-DM-GM or IS-DM-PM)
- IS-DM-PMP1 (Requires IS-DM-GM or IS-DM-PM)
- IS-DM-PMP2 (Requires IS-DM-GM or IS-DM-PM)
- IS-DM-PMB1 (Requires IS-DM-GM or IS-DM-PM)
- IS-DM-PMB2 (Requires IS-DM-GM or IS-DM-PM)



IS-DM520-HB

IS-DM520-HB

The IS-DM520-HB is a professional-grade multi-megapixel network security and surveillance camera. A vandal resistant polycarbonate dome, on-board Micro-SD storage, and 5.0 megapixel sensor make the IS-DM520-HB a standout choice for high-traffic applications.

The IS-DM520-HB features full compliance with the ONVIF interoperability standard.

Dimensions

- 5.9 x 5.1 in (151 x 130 mm)
- 1.8 lb (0.8 kg)

Performance Specification

- Sensor: 5.0MP CMOS
- Maximum Resolution: 2592 x 1944
- Active Pixel Count: 5,038,848
- Maximum Frame Rate: 12 fps (at max res)
- Compression: MJPEG / H.264
- Streaming: Quad H.264 + MJPEG
- 0.2 lux (color) at F/1.2
- 0.02 lux (BW) at F/1.2
- Backlight Compensation
- Wide Dynamic Range
- Dynamic Range: 95 dB
- 3D Noise Reduction
- Full Onvif Compatibility
- 24 IR LEDs W/25M working distance & 90° angle of illumination

Technical Specification

- Lens: 3.6-9mm Auto-Focus Motorized Zoom
- Day / Night (Built-In-IR-LED)
- Two-Way Audio
- Heater / Blower
- Micro-SD Storage
- Motion Detection
- Tamper Detection
- Alarm I/O
- UDP, TCP/IP, HTTP, TFTP, RTP/RTSP
- 100/10 LAN Connection
- Weatherproof Standard: IP66
- BNC
- Security: Username and password

Electrical Specification

- DC12V / AC24V / PoE
- 18.6 watts

Environmental Specification

- Operating Temperature:
 - DC12V: -22° - 122° F (-30°C - 50°C)
 - AC24V: -31° - 122° F (-35°C - 50°C)
- Humidity: 10% to 90%, No condensation

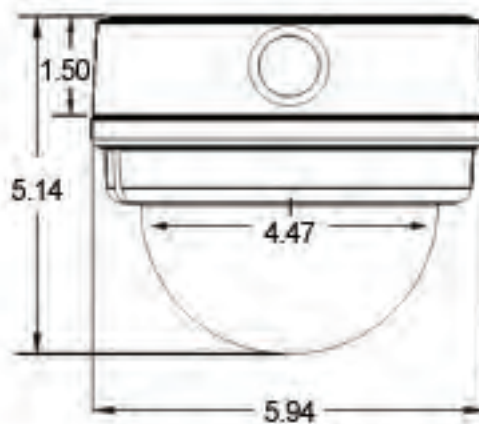
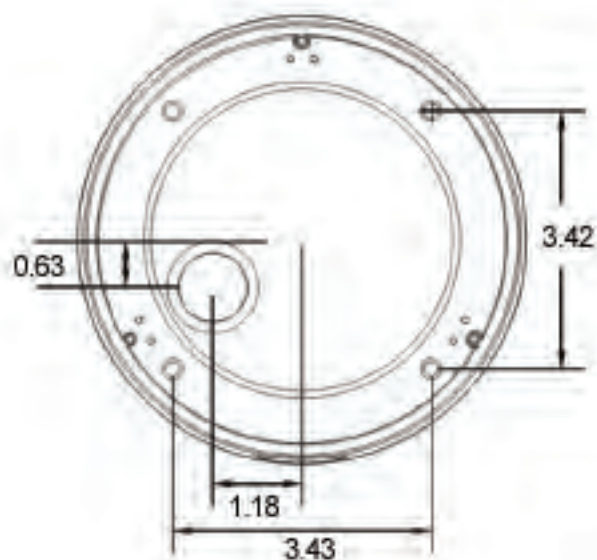
Warranty

- 3 Year, Parts and Labor

Images



Dimensional Outline



Unit: Inch

Compatible Accessories

- IS-DM-IMK (Required for ALL mounting accessories)
- IS-DM-CM1
- IS-DM-CM2
- IS-DM-GM
- IS-DM-PM
- IS-DM-WMB (Requires IS-DM-GM or IS-DM-PM or IS-DM-CM)
- IS-DM-CMP (Requires IS-DM-GM or IS-DM-PM)
- IS-DM-CMB1 (Requires IS-DM-GM or IS-DM-PM)
- IS-DM-CMB2 (Requires IS-DM-GM or IS-DM-PM)
- IS-DM-PMP1 (Requires IS-DM-GM or IS-DM-PM)
- IS-DM-PMP2 (Requires IS-DM-GM or IS-DM-PM)
- IS-DM-PMB1 (Requires IS-DM-GM or IS-DM-PM)
- IS-DM-PMB2 (Requires IS-DM-GM or IS-DM-PM)



IS-IP10K

IS-IP10K

The IS-IP10K is a professional-grade multi-megapixel network security and surveillance camera. With an active resolution more than 32x that of traditional CCTV cameras, the IS-IP10K is a state-of-the-art surveillance system.

The IS-IP10K is a great choice in applications requiring the highest forensic detail.

Dimensions

- 1.38 x 2.52 x 3.27 in (35.1 x 64 x 83.1 mm)*
- 0.33 lb (150 g)*

Performance Specification

- Sensor: 10.0MP CMOS
- Maximum Resolution: 3648 x 2752
- Active Pixel Count: 10,039,096
- Maximum Frame Rate: 6 fps (at max res)
- Compression: MJPEG / H.264
- Streaming: Quad H.264 + MJPEG
- 0.01 Lux (color) at F/1.4
- Backlight Compensation
- Dynamic Range: 65 dB
- Owl Eye™ Noise Reduction
- Full Onvif Compatibility

*Without lens

Technical Specification

- Lens: CS Mount
- Motion Detection
- UDP, TCP, HTTP, TFTP, RTSP
- 100/10 LAN Connection

Electrical Specification

- PoE / 10 - 16V
- 4 - 4.5 watts

Environmental Specification

- Operating Temperature: -4° - 122° F
-20° - 50° C
- Humidity: 0% to 90%, No condensation

Warranty

- 3 Year, Parts and Labor

Images

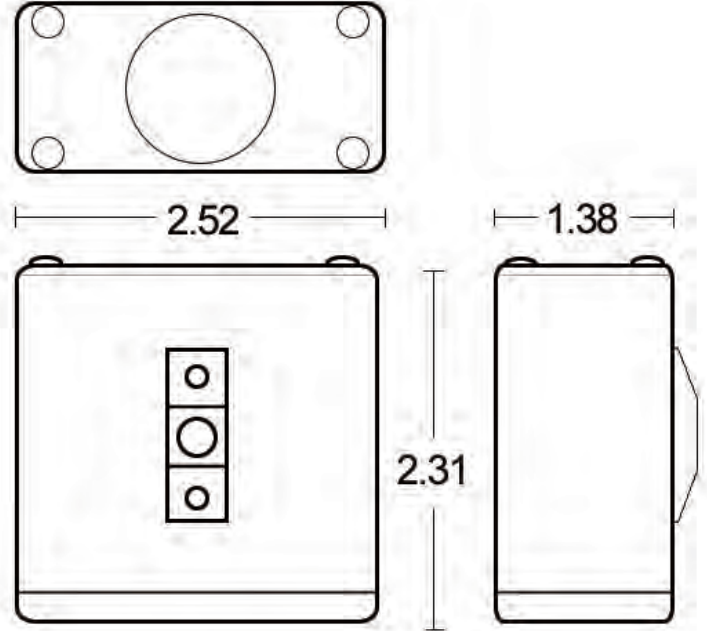


1



2

Dimensional Outline



Compatible Accessories

- IS-IR-850-50
- IS-IR-850-70
- IS-IR-850-100
- IS-IH
- IS-OH-HB
- IS-IH-WALL
- All C / CS Mount Lenses



IS-IP14K

IS-IP14K

The IS-IP14K is a professional-grade multi-megapixel network security and surveillance camera. With an active resolution more than 32x that of traditional CCTV cameras, the IS-IP14K is a state-of-the-art surveillance system.

The IS-IP14K is a great choice in applications requiring the highest forensic detail.

Dimensions

- 1.38 x 2.52 x 2.31 in (35.1 x 64 x 58.7 mm)*
- 0.33 lb (150 g)*

Performance Specification

- Sensor: 14.0MP CMOS
- Maximum Resolution: 4384 x 3288
- Active Pixel Count: 14,414,592
- Maximum Frame Rate: 6 fps (at max res)
- Compression: MJPEG / H.264
- Streaming: Quad H.264 + MJPEG
- 0.01 Lux (color) at F/1.4
- Backlight Compensation
- Dynamic Range: 65 dB
- Owl Eye™ Noise Reduction
- Full Onvif Compatibility

*Without lens

Technical Specification

- Lens: CS Mount
- Motion Detection
- UDP, TCP, HTTP, TFTP, RTSP
- 100/10 LAN Connection

Electrical Specification

- PoE / 10 - 16V
- 4 - 4.5 watts

Environmental Specification

- Operating Temperature: -4° - 122° F
-20° - 50° C
- Humidity: 0% to 90%, No condensation

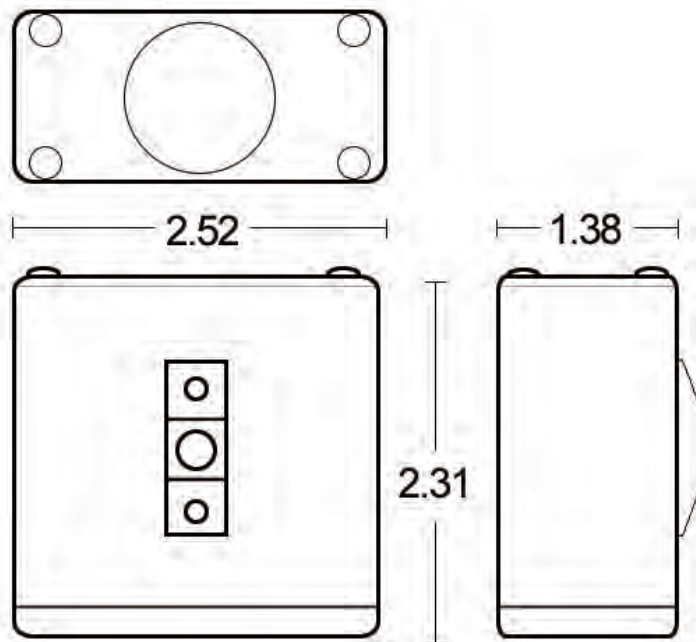
Warranty

- 3 Year, Parts and Labor

Images



Dimensional Outline



Compatible Accessories

- IS-IR-850-50
- IS-IR-850-70
- IS-IR-850-100
- IS-OH-HB
- IS-IH-WALL
- IS-IH-JPIPE
- 14 MP Lenses



IS-IP200-DN

IS-IP200-DN

The IS-IP200-DN is a professional-grade multi-megapixel network security and surveillance camera. With on-board Micro-SD, a 2.0 megapixel sensor and true IR cut filter, the IS-IP200-DN is a high performance yet cost effective surveillance solution.

Launched in mid-July 2010, the IS-IP200-DN features full compliance with the ONVIF interoperability standard.

Dimensions

- 4.92 x 3.22 x 2.05 in (125 x 82 x 52 mm)*
- 0.73 lb (330g)*

Performance Specification

- Sensor: 2.0MP CMOS
- Maximum Resolution: 1920 x 1080
- Active Pixel Count: 2,073,600
- Maximum Frame Rate: 15 fps (at max res)
- Compression: MJPEG / H.264
- Streaming: Quad H.264 + MJPEG
- 0.2 Lux (color) at F/1.2
- 0.02 Lux (BW) at F/1.2
- Backlight Compensation
- Wide Dynamic Range
- Dynamic Range: 95 dB
- 3D Noise Reduction
- Full Onvif Compatibility

*Without lens

Technical Specification

- Lens: CS Mount
- Day / Night (IR Cut Filter)
- Two-Way Audio
- Micro-SD Storage
- Motion Detection
- Tamper Detection
- UDP, TCP/IP, HTTP, TFTP, RTP/RTSP
- 100/10 LAN Connection
- BNC
- Security: Username and password

Electrical Specification

- DC12V / AC 24V / PoE
- 4 watts

Environmental Specification

- Operating Temperature: 14° - 122° F
-10° - 50° C
- Humidity: 10% to 90%, No condensation

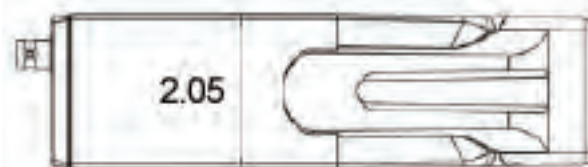
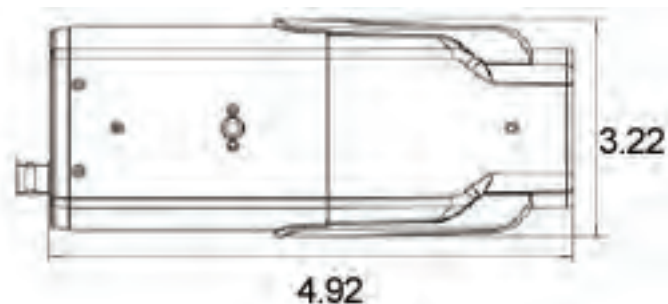
Warranty

- 3 Year, Parts and Labor

Images



Dimensional Outline



Unit: Inch

Compatible Accessories

- IS-IH



IS-IP200-IRB

IS-IP200-IRB

The IS-IP200-IRB is a professional grade multi-megapixel network security and surveillance camera. With on-board Micro-SD, a 2.0 megapixel sensor and true IR cut filter, IR illuminator, and line-in audio, the IS-IP200-IRB is a high-performance yet cost-effective surveillance solution.

Launched in mid-August 2011, the IS-IP200-IRB features full compliance with the ONVIF interoperability standard.

Dimensions

- 3.3 x 7.6 in (84 x 193mm)
- 2.07 lb (0.94 kg)

Performance Specification

- Sensor: 2.0MP CMOS
- Maximum Resolution: 1920 x 1080
- Active Pixel Count: 2,073,600
- Maximum Frame Rate: 15 fps (at max res)
- Compression: MJPEG / H.264
- Streaming: Quad H.264 + MJPEG
- 0.2 lux (color) at F/1.2
- 0.02 lux (BW) at F/1.2
- Backlight Compensation
- Wide Dynamic Range
- Dynamic Range: 95 dB
- 3D Noise Reduction
- Full Onvif Compatibility

Technical Specification

- Lens: 3-9mm Auto-Focus Motorized Zoom
- Day / Night (23 Built-In IR-LEDs)
- Two-Way Audio
- Heater
- Micro-SD Storage
- Motion Detection
- Tamper Detection
- Alarm I/O
- UDP, TCP/IP, HTTP, TFTP, RTP/RTSP
- 100/10 LAN Connection
- Weatherproof Standard: IP67
- BNC
- Security: Username and password

Electrical Specification

- DC12V / AC24V / PoE
- 23.6 watts (11.6 system + 12 heater)

Environmental Specification

- Operating Temperature:
 - w/o Heater: 14° - 122° F (-10° - 50° C)
 - with Heater: -31° - 122° F (-35°C - 50°C)
- Humidity: 10% to 90%, No condensation

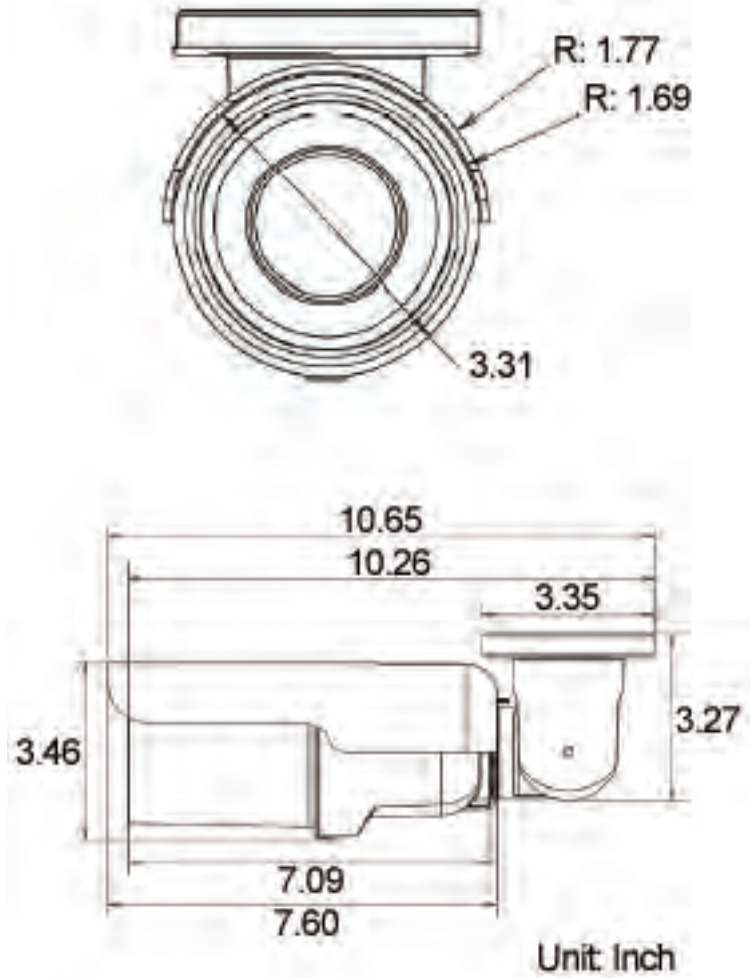
Warranty

- 3 Year, Parts and Labor

Images



Dimensional Outline





IS-IP290

IS-IP290

The IS-IP290 is a full-featured network security and surveillance camera. With a built-in 18x optical zoom that has instant auto-focus feature and high-performing CMOS sensor, the IS-IP290 is a great choice for outdoor applications. The 18x optical zoom allows an operator the ability to gain a closer view without the noise and degraded image quality of a digital zoom.

Launched in mid-July 2012, the IS-IP290 features full compliance with the ONVIF interoperability standard and stand alone Micro-SD technology.

Dimensions

- 7.22 x 3.16 x 2.06in (183.3 x 80.2 x 52.4mm)
- 1 lb (450 g)

Performance Specification

- Sensor: 2.0MP CMOS
- Maximum Resolution: 1920 x 1080
- Active Pixel Count: 2,073,600
- Maximum Frame Rate: 30 fps (at max res)
- Compression: MJPEG / H.264
- Streaming: Quad H.264 + MJPEG
- 0.2 Lux (color) at F/1.2
- 0.02 Lux (BW) at F/1.2
- Backlight Compensation
- Wide Dynamic Range
- Dynamic Range: 95 dB
- 3D Noise Reduction
- Full Onvif Compatibility

Technical Specification

- Lens: 4.7 - 84.6 mm Auto-Focus
- Zoom: Motorized 18x Lens
- Two-Way Audio
- Micro-SD Storage
- Motion Detection
- Tamper Detection
- UDP, TCP/IP, HTTP, TFTP, RTP/RTSP
- 100/10 LAN Connection
- BNC
- Security: Username and password

Electrical Specification

- DC 12V / AC 24V / PoE
- 6 watts

Environmental Specification

- Operating Temperature: 32° - 104° F
0° - 40° C
- Humidity: 10% to 90%, No condensation

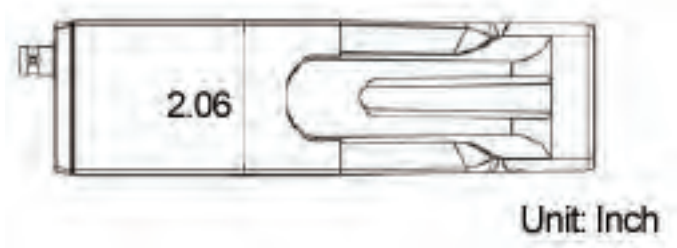
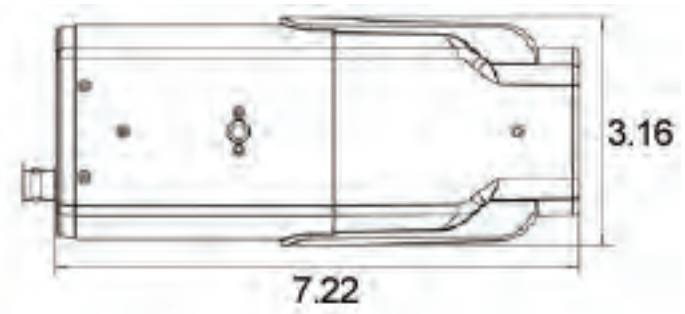
Warranty

- 3 Year, Parts and Labor

Images



Dimensional Outline



Compatible Accessories

- IS-IH



IS-IP300-IRB



The IS-IP300-IRB camera is a Quad-streaming, H.264 & MJPEG encoding, 3.0 Megapixel resolution, IP-addressable, network camera. It is designed to deliver full-motion, high-definition, progressive scan digital video across local area networks. The IS-IP300-IRB features a design with no moving parts, a 1/2.7" CMOS sensor, Power over Ethernet, 23 built-in IR-LEDs, and Audio-In/Audio-Out. The IS-IP300-IRB is a cost effective, high-level, megapixel network camera.



Dimensions

- 3.3 x 7.6 in (84 x 193mm)
- 2.07 lb (0.94 kg)

Performance Specification

- Sensor: 3.0MP CMOS
- Maximum Resolution: 2048 x 1536
- Active Pixel Count: 3,145,728
- Maximum Frame Rate: 15 fps (at max res)
- Compression: MJPEG / H.264
- Streaming: Quad H.264 + MJPEG
- 0.2 lux (color) at F/1.2
- 0.02 lux (BW) at F/1.2
- Backlight Compensation
- Wide Dynamic Range
- Dynamic Range: 120 dB
- 3D Noise Reduction
- ONVIF Profile S

Technical Specification

- Lens: 3-9mm Auto-Focus Motorized Zoom
- Day / Night (23 Built-In IR-LEDs)
- Two-Way Audio
- Heater
- Micro-SD Storage
- Motion Detection
- Tamper Detection
- Alarm I/O
- UDP, TCP/IP, HTTP, TFTP, RTP/RTSP
- 100/10 LAN Connection
- Weatherproof Standard: IP67
- BNC
- Security: Username and password

Editorial Specification

- Operating Temperature:
 - w/o Heater: 14° - 122° F (-10° - 50° C)
 - with Heater: -31° - 122° F (-35°C - 50°C)
- Humidity: 10% to 90%, No condensation

Warranty

- 3 years, parts and labor



IS-IP500

IS-IP500

The IS-IP500 is a professional-grade multi-megapixel network security and surveillance camera. With an active resolution more than 16x that of traditional CCTV cameras, the IS-IP500 is a state-of-the-art surveillance system. The IS-IP500 is a great choice in applications requiring the highest forensic detail.

Dimensions

- 1.38 x 2.52 x 3.27 in (35.1 x 64 x 83.1 mm)*
- 0.33 lb (150 g)*

Performance Specification

- Sensor: 5.0MP CMOS
- Maximum Resolution: 2560 x 1920
- Active Pixel Count: 4,915,200
- Maximum Frame Rate: 14 fps (at max res)
- Compression: MJPEG / H.264
- Streaming: Quad H.264 + MJPEG
- 0.02 Lux (color) at F/1.4
- Backlight Compensation
- Dynamic Range: 70 dB
- Owl Eye™ Noise Reduction
- Full Onvif Compatibility

*Without lens

Technical Specification

- Lens: CS Mount
- Motion Detection
- 100/10 LAN Connection
- UDP, TCP, HTTP, TFTP, RTSP

Electrical Specification

- PoE / 10 - 16V
- 4 - 4.5 watts

Environmental Specification

- Operating Temperature: -4° - 122° F
-20° - 50° C
- Humidity: 0% to 90%, No condensation

Warranty

- 3 Year, Parts and Labor

Images

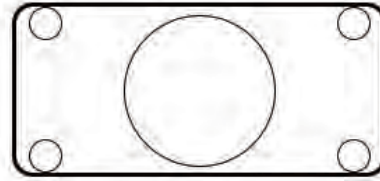


1



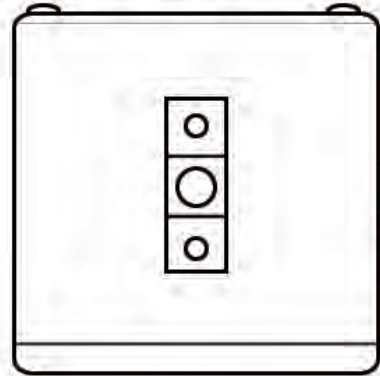
2

Dimensional Outline



2.52

1.38



2.31



Compatible Accessories

- IS-IR-850-50
- IS-IR-850-70
- IS-IR-850-100
- IS-IH
- IS-OH-HB
- IS-IH-WALL
- All C / CS Mount Lenses



IS-IP4K

IS-IP4K

The IS-IP4K is a professional-grade 4K resolution network security and surveillance camera. Engineered to meet the highest standard in ultra-resolution surveillance, the IS-IP4K is capable of producing video that is 32x the quality of traditional CCTV cameras. Its small form factor and low power requirement make the IS-IP4K a clear choice for any security application requiring precision detail on a consumer budget.

Dimensions

- 1.38 x 2.52 x 3.27 in (35.1 x 64 x 83.1 mm)*
- 0.33 lb (150 g)*

Performance Specification

- Sensor: 12.6MP CMOS
- Maximum Resolution: 4096 x 3072
- Active Pixel Count: 12,582,912
- Maximum Frame Rate: 10 fps (at max res)
- Compression: MJPEG / H.264
- Streaming: Quad H.264 + MJPEG
- 0.02 Lux (color) at F/1.4
- Backlight Compensation
- Dynamic Range: 65 dB
- Owl Eye™ Noise Reduction
- Full Onvif Compatibility

*Without lens

Technical Specification

- Lens: CS Mount
- Motion Detection
- UDP, TCP, HTTP, TFTP, RTSP
- 100/10 LAN Connection

Electrical Specification

- PoE / 10 - 16V
- 4.5 watts

Environmental Specification

- Operating Temperature: -4° - 122° F
-20° - 50° C
- Humidity: 0% to 90%, No condensation

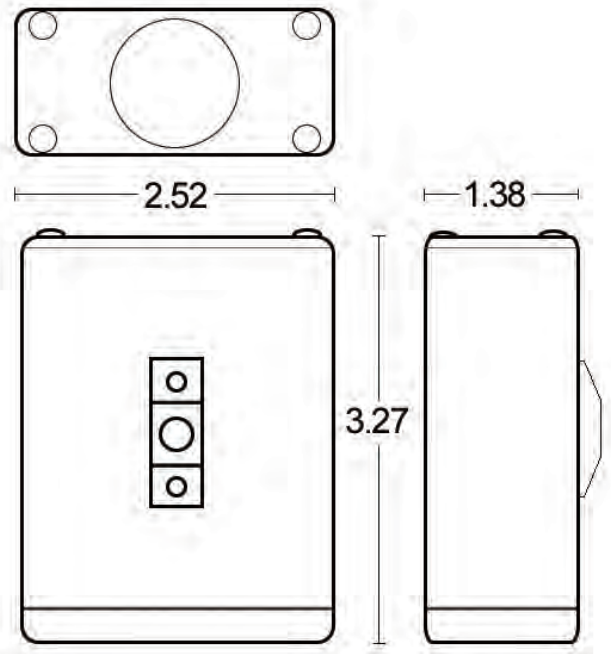
Warranty

- 3 Year, Parts and Labor

Images



Dimensional Outline



Compatible Accessories

- IS-IR-850-50
- IS-IR-850-70
- IS-IR-850-100
- IS-OH-HB
- IS-IH-WALL
- IS-IH-JPIPE
- 14 MP Lenses

FS-DM-FLUSH

Bid-Spec

1.0 Description

The FS-DM-FLUSH is a fixed indoor flush ceiling mount that has been manufactured to protect the Pro Series 360° cameras. Its unique, plenum-rated design provides easy install and access for 360° cameras that need drop ceiling and overhang installations.

2.0 Bid Specification

- This accessory shall be compatible with the Pro Series 360° cameras.
- This accessory shall be mounted directly into a drop ceiling or overhang.
- This accessory shall feature an aluminum and steel body that is fire resistant that is plenum rated.
- This accessory shall be used for indoor applications.
- This accessory shall be supplied with one 1/2" Hex Head Stainless Steel with 1/2 x 20 thread, one 3/8" Hex Head Stainless Steel with 1/2 x 20 thread, one 1/4" Stainless Steel Flat Washer and one Stainless Steel 1/4" Split Lock Washer.

FS-DM-FLUSH

Quick-Spec

3.0 Minimum Performance Specification

The FS-DM-FLUSH accessory will meet the following operating requirements:

Mechanical

Dimensions	7.9 x 8.6 in (201 x 220mm)
Weight	3.65 lbs (1656 g) w/o camera
Construction	Body- 20 & 22 gauge steel Trim- stamped steel Flush Lens Plate- 1/8 in aluminum

Environmental

Certificates	Plenum rated, RoHS certified
Operating Temperature	0°C to 49°C (32°F to 120°F)

Model Number

- FS-DM-FLUSH

Warranty

- *Minimum 3 Year Parts and Labor*

Sentry360, Inc. reserves the right to change products or specifications without notice.



IS-DM320

IS-DM320

The IS-DM320 is a professional-grade multi-megapixel network security and surveillance camera. A vandal resistant polycarbonate dome, on-board Micro-SD storage, and 3.0 megapixel sensor make the IS-DM320 a standout choice for high-traffic applications.

The IS-DM320 features full compliance with the ONVIF interoperability standard.

Dimensions

- 5.9 x 5.1 in (151 x 130 mm)
- 1.8 lb (0.8 kg)

Performance Specification

- Sensor: 3.0MP CMOS
- Maximum Resolution: 2048 x 1536
- Active Pixel Count: 3,145,728
- Maximum Frame Rate: 15 fps (at max res)
- Compression: MJPEG / H.264
- Streaming: Quad H.264 + MJPEG
- 0.2 lux (color) at F/1.2
- 0.02 lux (BW) at F/1.2
- Backlight Compensation
- Wide Dynamic Range
- Dynamic Range: 95 dB
- 3D Noise Reduction
- Full Onvif Compatibility

Technical Specification

- Lens: 3-9mm Auto-Focus Motorized Zoom
- Two-Way Audio
- Micro-SD Storage
- Motion Detection
- Tamper Detection
- Alarm I/O
- UDP, TCP/IP, HTTP, TFTP, RTP/RTSP
- 100/10 LAN Connection
- Weatherproof Standard: IP66
- Impact Protection: IK10
- BNC
- Security: Username and password

Electrical Specification

- DC12V / AC24V / PoE
- 8.6 watts

Environmental Specification

- Operating Temperature: 14° - 122° F
-10°C - 50°C
- Humidity: 10% to 90%, No condensation

Warranty

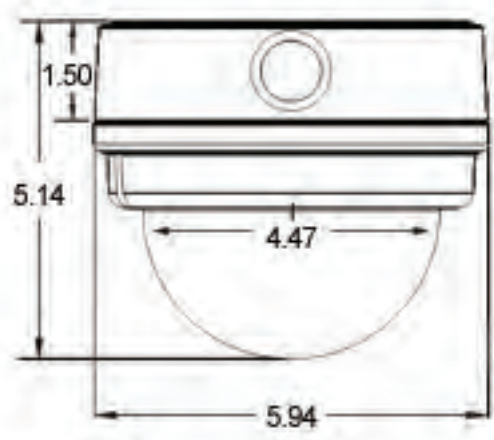
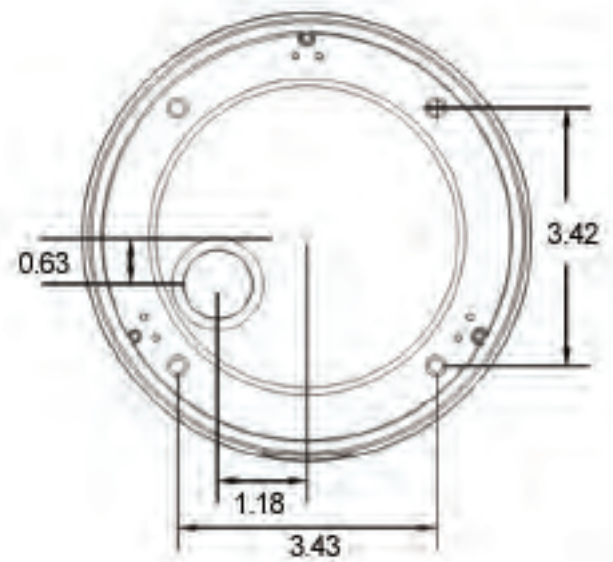
- 3 Year, Parts and Labor

Images



1

Dimensional Outline



Unit: Inch

Compatible Accessories

- IS-DM-MK (Required for ALL mounting accessories)
- IS-DM-CM
- IS-DM-PM1
- IS-DM-PM2
- IS-DM-RECESSED
- IS-DM-CORNER
- IS-DM-POLE



IS-DM520

IS-DM520

The IS-DM520 is a professional-grade multi-megapixel network security and surveillance camera. A vandal resistant polycarbonate dome, on-board Micro-SD storage, and 5.0 megapixel sensor make the IS-DM520 a standout choice for high-traffic applications.

The IS-DM520 features full compliance with the ONVIF interoperability standard.

Dimensions

- 5.9 x 5.1 in (151 x 130 mm)
- 1.8 lb (0.8 kg)

Performance Specification

- Sensor: 5.0MP CMOS
- Maximum Resolution: 2592 x 1944
- Active Pixel Count: 5,038,848
- Maximum Frame Rate: 12 fps (at max res)
- Compression: MJPEG / H.264
- Streaming: Quad H.264 + MJPEG
- 0.2 lux (color) at F/1.2
- 0.02 lux (BW) at F/1.2
- Backlight Compensation
- Wide Dynamic Range
- Dynamic Range: 95 dB
- 3D Noise Reduction
- Full Onvif Compatibility

Technical Specification

- Lens: 3.6-9mm Auto-Focus Motorized Zoom
- Two-Way Audio
- Micro-SD Storage
- Motion Detection
- Tamper Detection
- Alarm I/O
- UDP, TCP/IP, HTTP, TFTP, RTP/RTSP
- 100/10 LAN Connection
- Weatherproof Standard: IP66
- Impact Protection: IK10
- BNC
- Security: Username and password

Electrical Specification

- DC12V / AC24V / PoE
- 8.6 watts

Environmental Specification

- Operating Temperature: 14° - 122° F
-10°C - 50°C
- Humidity: 10% to 90%, No condensation

Warranty

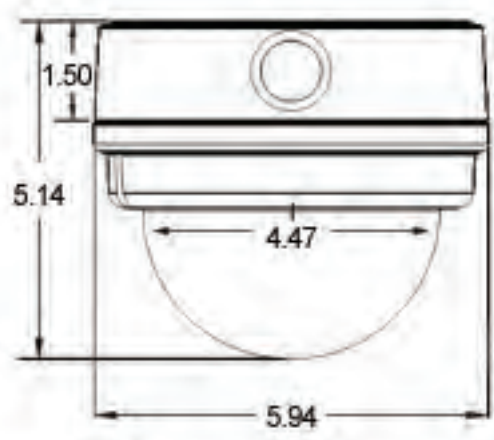
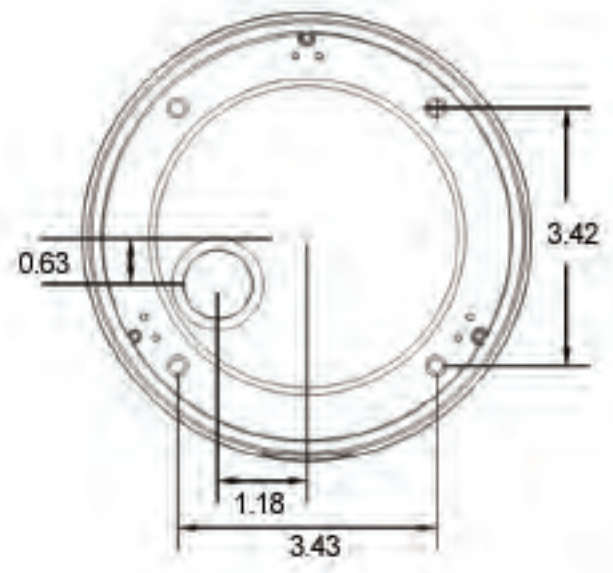
- 3 Year, Parts and Labor

Images



1

Dimensional Outline



Unit: Inch

Compatible Accessories

- IS-DM-MK (Required for ALL mounting accessories)
- IS-DM-CM
- IS-DM-PM1
- IS-DM-PM2
- IS-DM-RECESSED
- IS-DM-CORNER
- IS-DM-POLE

FS-IP10K



The FS-IP10K camera is an MJPEG or H.264 encoding, 10.0 Megapixel resolution, IP addressable 360 degree camera. It is designed to deliver full-motion, high-definition, progressive scan digital video across local area networks. The FS-IP10K features a design with no moving parts, creating a full 360 degree view with no blind spots. An optically corrected fish-eye lens, designed exclusively for the FullSight™ camera, allows for immersive 360 degree live view as well as pan-tilt-zoom during playback with the use of Sentry360's API or SDK with any 3rd party network video recording software certified partner.

SPECIFICATIONS

CAMERA

Image Sensor	10.0 megapixel 1/2.3" CMOS
Effective Pixels	3680 (H) x 2760 (V)
Minimum Illumination	Color: 0.1 lux
Shutter Speed	~ 1 - 1/10000 sec
Dynamic Range	65 db

LENS

Lens Type	Fisheye: 1.4 mm f-theta
F Number	F/1.2
Field of View	360°

OPERATION

Languages	English
Image Control	Exposure (Auto / Manual), White Balance (Auto / Manual)
Image Settings	Brightness, Sharpness, Contrast, Saturation
Pan / Tilt / Zoom	N/A
Audio	N/A
SD Card	N/A

EVENTS

Motion Detection	Single window
Alarms	N/A
Event Notification	N/A

NETWORK

Interface	RJ-45, 10/100 Mbps Ethernet
Protocols	ARP, ICMP, UDP, TCP, HTTP, TFTP, RTSP, ONVIF
Security	N/A
Accounts	User and Administrator
Web Browser	Internet Explorer (6.0+) / Chrome / Firefox / Safari

STREAMING

Video Format	Dual Streaming, H.264 + MJPEG	
Resolution / FPS	3680 x 2760	5
	2592 x 1944	9
	2560 x 1920	9
	2560 x 1600	11
	2048 x 1536	13
	1920 x 1080	19
Data Transmission	1600 x 1200	19
	Data Rate MJPEG	18.4 Mbps @ 3680x2760
	Data Rate H.264	10.9 Mbps @ 3680x2760
	Frame Rate	5 fps @ 3680x2760
	Max Frame Rate	19 fps @ 1920x1080

MECHANICAL

Gimbal	N/A	
IR Filter	Mechanical cut	
IR Illuminator	N/A	
Connectors	Alarm	N/A
	Power	DC Jack
	Analog Video	N/A
Dimensions	1.38 x 2.52 x 3.27 in (35 x 64 x 83 mm)	
Weight	0.33 lbs (150 g)	

ELECTRICAL

Consumption	4.0 watts maximum
Source	DC 12-16V / PoE 802.3af

ENVIRONMENTAL

Operating Temperature	-20° to 50° C (-4° to 122° F)
Humidity	~ 0% - 90% Non-condensing
Weather Rating	N/A
Impact Rating	N/A

REGULATORY

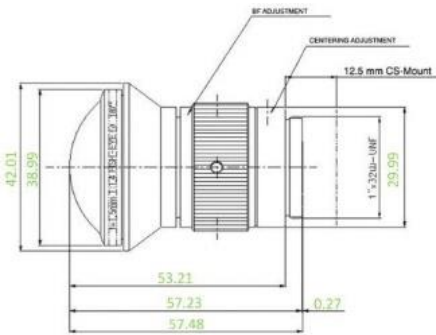
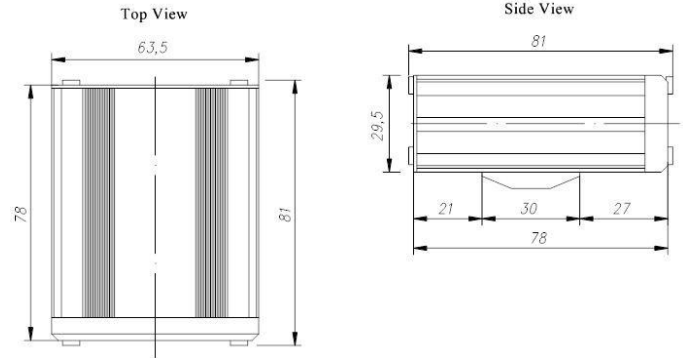
Certifications	FCC
-----------------------	-----

ACCESSORIES

Dome Mount	FS-DM-DOME, FS-DM-DOME-HB
Wall Mount	FS-DM-WALL (Use with DOME or DOME-HB)
Ceiling Mount	FS-DM-CEILING (Use with DOME or DOME-HB)
Corner Mount	FS-DM-CORNER (Use with WALL)
Pole Mount	FS-DM-POLE (Use with WALL)
Flush Mount	FS-DM-FLUSH (Indoor only)
Recessed Mount	FS-DM-RECESSED (Indoor only)

WARRANTY

Minimum 3 Year Parts and Labor



Sentry 360 Security, Inc. reserves the right to change products or specifications without notice.



FS-IP12180

FS-IP12180

The FS-IP12180 Pro Series was designed to utilize 12.0 megapixel resolution from its 180° field-of-view. Traditional cameras have an inherent weakness: only recording images specifically where they are pointed, zoomed and focused at a given time. The FS-IP12180 Pro Series can handle a very wide field-of-view. The Pro Series is perfectly suited for large environments with heavy traffic areas and can drastically reduce the camera count, labor costs, maintenance and investigation time.

Dimensions

- 1.38 x 2.52 x 3.27 in (35.1 x 64 x 83.1 mm) without lens
- 0.33 lb (150 g)

Performance Specification

- Field of View: 180°
- Sensor: 12.0MP CMOS
- Maximum Resolution: 4600 x 2650
- Active Pixel Count: 12,197,950
- Maximum Frame Rate: 8 fps (at max res)
- Compression: MJPEG / H.264
- Streaming: Quad H.264+ MJPEG
- 0.02 Lux (color) at F/1.4
- Backlight Compensation
- Dynamic Range: 65 dB
- Owl Eye™ Noise Reduction
- Full Onvif Compatibility

Technical Specification

- Lens: CS Mount
- Day / Night Option (IR Cut Filter)
- Motion Detection
- 100/10 LAN Connection
- UDP, TCP, HTTP, TFTP, RTSP

Electrical Specification

- DC Voltage: 12VDC
- PoE: 4.5 watts maximum

Environmental Specification

- Operating Temperature: -4° - 122° F
-20° - 50° C
- Humidity: 0% to 90%, No condensation

Warranty

- 3 Year, Parts and Labor

Images

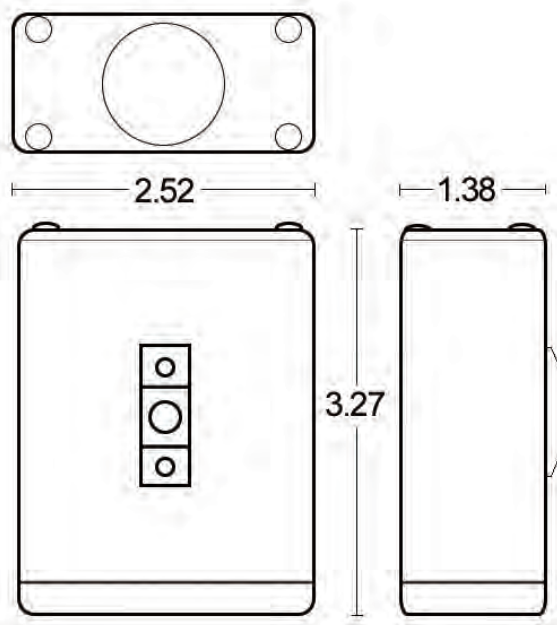


1



2

Dimensional Outline



Compatible Accessories

- FS-DM-180EX

FS-IP14K



The FS-IP14K camera is an MJPEG or H.264 encoding, 14.0 Megapixel resolution, IP addressable 360 degree camera. It is designed to deliver full-motion, high-definition, progressive scan digital video across local area networks. The FS-IP14K features a design with no moving parts, creating a full 360 degree view with no blind spots. An optically corrected fish-eye lens, designed exclusively for the FullSight™ camera, allows for immersive 360 degree live view as well as pan-tilt-zoom during playback with the use of Sentry360's API or SDK with any 3rd party network video recording software certified partner.

SPECIFICATIONS

CAMERA

Image Sensor	14.0 megapixel 1/2.3" CMOS
Effective Pixels	4352 (H) x 3264 (V)
Minimum Illumination	Color: 0.1 lux
Shutter Speed	~ 1 - 1/10000 sec
Dynamic Range	65 db

LENS

Lens Type	Fisheye: 1.4 mm f-theta
F Number	F/1.2
Field of View	360°

OPERATION

Languages	English
Image Control	Exposure (Auto / Manual), White Balance (Auto / Manual)
Image Settings	Brightness, Sharpness, Contrast, Saturation
Pan / Tilt / Zoom	N/A
Audio	N/A
SD Card	N/A

EVENTS

Motion Detection	Single window
Alarms	N/A
Event Notification	N/A

NETWORK

Interface	RJ-45, 10/100 Mbps Ethernet
Protocols	ARP, ICMP, UDP, TCP, HTTP, TFTP, RTSP, ONVIF
Security	N/A
Accounts	User and Administrator
Web Browser	Internet Explorer (6.0+) / Chrome / Firefox / Safari

STREAMING

Video Format	Dual Streaming, H.264 + MJPEG	
Resolution / FPS	4352 x 3264	4
	3840 x 2760	5
	3680 x 2760	5
	2592 x 1944	7
	2560 x 1920	7
	2560 x 1600	7
	2048 x 1536	9
Data Transmission	1920 x 1080	9
	1600 x 1200	9
	Data Rate MJPEG	24.8 Mbps @ 4352x3264
	Data Rate H.264	19.8 Mbps @ 4352x3264
	Frame Rate	4 fps @ 4352x3264
	Max Frame Rate	9 fps @ 2048x1536

MECHANICAL

Gimbal	N/A	
IR Filter	Mechanical cut	
IR Illuminator	N/A	
Connectors	Alarm	N/A
	Power	DC Jack
	Analog Video	N/A
Dimensions	1.38 x 2.52 x 3.27 in (35 x 64 x 83 mm)	
Weight	0.33 lbs (150 g)	

ELECTRICAL

Consumption	4.5 watts maximum
Source	DC 12-16V / PoE 802.3af

ENVIRONMENTAL

Operating Temperature	-20° to 50° C (-4° to 122° F)
Humidity	~ 0% - 90% Non-condensing
Weather Rating	N/A
Impact Rating	N/A

REGULATORY

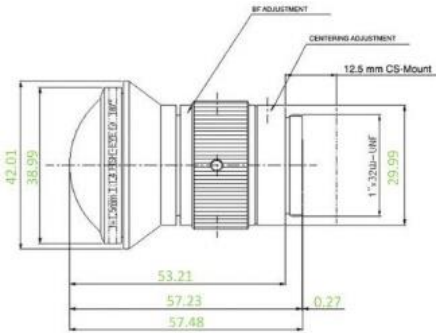
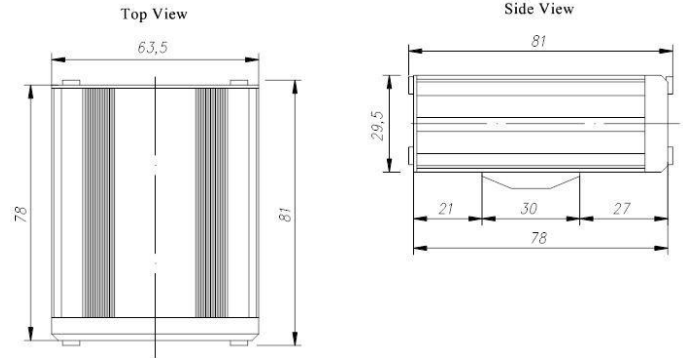
Certifications	FCC
-----------------------	-----

ACCESSORIES

Dome Mount	FS-DM-DOME, FS-DM-DOME-HB
Wall Mount	FS-DM-WALL (Use with DOME or DOME-HB)
Ceiling Mount	FS-DM-CEILING (Use with DOME or DOME-HB)
Corner Mount	FS-DM-CORNER (Use with WALL)
Pole Mount	FS-DM-POLE (Use with WALL)
Flush Mount	FS-DM-FLUSH (Indoor only)
Recessed Mount	FS-DM-RECESSED (Indoor only)

WARRANTY

Minimum 3 Year Parts and Labor



Sentry 360 Security, Inc. reserves the right to change products or specifications without notice.

FS-IP8180



The FS-IP8180 camera is an MJPEG or H.264 encoding, 8.0 Megapixel resolution, IP-addressable, 180 degree camera. It is designed to deliver full-motion, high-definition, progressive scan digital video across local area networks. The FS-IP8180 features a design with no moving parts, creating a full 180-degree view with no blind spots. An optically corrected fish-eye lens, designed exclusively for the FullSight™ camera, allows for immersive 180 degree live view. The FS-IP8180 is equipped with a mechanical IR cut filter that filters infrared light to display high-quality video images in low-light environments.

SPECIFICATIONS

CAMERA

Image Sensor	10.0 megapixel 1/2.3" CMOS
Effective Pixels	8.0 megapixel @ 2352 (H) x 1008 (V)
Minimum Illumination	Color: 0.1 lux
Shutter Speed	~ 1 - 1/10000 sec
Dynamic Range	65 db

LENS

Lens Type	Fisheye: 1.4 mm f-theta
F Number	F/1.2
Field of View	180°

OPERATION

Languages	English
Image Control	Exposure (Auto / Manual), White Balance (Auto / Manual)
Image Settings	Brightness, Sharpness, Contrast, Saturation
Pan / Tilt / Zoom	N/A
Audio	N/A
SD Card	N/A

EVENTS

Motion Detection	Single window
Alarms	N/A
Event Notification	N/A

NETWORK

Interface	RJ-45, 10/100 Mbps Ethernet
Protocols	ARP, ICMP, UDP, TCP, HTTP, TFTP, RTSP, ONVIF
Security	N/A
Accounts	User and Administrator
Web Browser	Internet Explorer (6.0+) / Chrome / Firefox / Safari

STREAMING

Video Format	Dual Streaming, H.264 + MJPEG	
Resolution / FPS	2352 x 1008	17
	(8.0 MP effective)	
Data Transmission	Data Rate MJPEG	14.1 Mbps @ 2352x1008
	Data Rate H.264	7.7 Mbps @ 2352x1008
	Frame Rate	17 fps @ 2352x1008

MECHANICAL

Gimbal	N/A	
IR Filter	Mechanical cut	
IR Illuminator	N/A	
Connectors	Alarm	N/A
	Power	DC Jack
	Analog Video	N/A
Dimensions	1.38 x 2.52 x 3.27 in (35 x 64 x 83 mm)	
Weight	0.33 lbs (150 g)	

ELECTRICAL

Consumption	4.0 watts maximum
Source	DC 12-16V / PoE 802.3af

ENVIRONMENTAL

Operating Temperature	-20° to 50° C (-4° to 122° F)
Humidity	~ 0% - 90% Non-condensing
Weather Rating	N/A
Impact Rating	N/A

REGULATORY

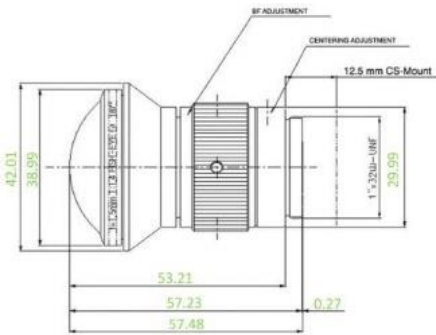
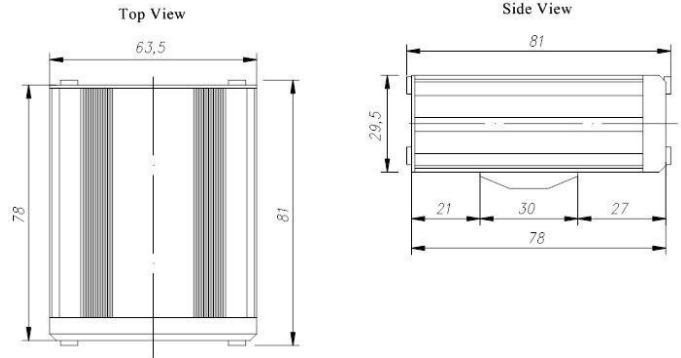
Certifications	FCC
-----------------------	-----

ACCESSORIES

Wall Mount	FS-DM-180EX
Corner Mount	FS-DM-CORNER (Use with 180EX)
Pole Mount	FS-DM-POLE (Use with 180EX)

WARRANTY

Minimum 3 Year Parts and Labor



Sentry 360 Security, Inc. reserves the right to change products or specifications without notice.

IS-BL800



The IS-BL800 camera is a Quad-streaming, H.264 & MJPEG encoding, 8K resolution, IP-addressable, network camera. It is designed to deliver full-motion, high-definition, progressive scan digital video across local area networks. The IS-BL800 features a design with a 1/1.7" CMOS sensor, Power over Ethernet, 6 IR LED, heater, and Audio-In and Audio-Out.

SPECIFICATIONS

CAMERA

Image Sensor	8.0 megapixel 1/1.7" CMOS	
Effective Pixels	3840 (H) x 2160 (V)	
Minimum Illumination	Color: 0.05 lux	B/W: 0.005 lux
Shutter Speed	~ 1 - 1/10000 sec	
Dynamic Range	95 db	

LENS

Lens Type	Motorized Vari-focal: 3.5 - 8 mm
F Number	F/1.45
Field of View	~ 52° -116°

OPERATION

Languages	English / French / German / Italian / Japanese / Korean / Portuguese / Russian / Simplified Chinese / Spanish / Traditional Chinese
Image Control	P-Iris, Backlight Compensation, Exposure (Auto / Manual), White Balance (Auto / Manual), 3D Noise Reduction, Wide Dynamic Range, Privacy Mask
Image Settings	Brightness, Sharpness, Contrast, Saturation, Hue
Pan / Tilt / Zoom	Digital PTZ
Audio	Line in / Line out
SD Card	microSDHC 32 GB Support

EVENTS

Motion Detection	Multiple groups and windows
Alarms	Tampering, Network Failure Detection, Audio Detection, Input / Output
Event Notification	HTTP / FTP / SMTP

NETWORK

Interface	RJ-45, 10/100 Mbps Ethernet
Protocols	ARP, IPv4/v6, TCP/IP, UDP, RTP, RTSP, HTTP, HTTPS, ICMP, FTP, SMTP, DHCP, PPPoE, UPnP, IGMP, SNMP, QoS, ONVIF
Security	HTTPS / IP Filter / IEEE 802.1X
Accounts	User and Administrator, Up to 20
Web Browser	Internet Explorer (6.0+) / Chrome / Firefox / Safari

STREAMING

Video Format	Quad Streaming, H.264 + MJPEG	
Resolution / FPS	3840 x 2160	30
	1920 x 1080	60
	1280 x 1024	60
	1280 x 720	60
	1024 x 768	60
	800 x 600	60
	720 x 480	60
	640 x 480	60
	352 x 240	60
Data Transmission	Data Rate MJPEG	TBD
	Data Rate H.264	TBD
	Frame Rate	TBD
	Max Frame Rate	TBD

MECHANICAL

Gimbal	N/A	
IR Filter	Mechanical cut	
IR Illuminator	6 LEDs, 850 nm, up to 50 m	
Connectors	Alarm	4 pin Terminal Block
	Power	3 pin Terminal Block
	Analog Video	BNC
Dimensions	3.3 x 7.6 in (90 x 270 mm)	
Weight	2.07 lbs (940 g)	

ELECTRICAL

Consumption	15 watts Maximum (Camera: 6.05W, Heater: 5W, ICR Switching: 0.5W, IR-LED: 2.9W, Motorized Lens: 0.55W)
Source	DC 12V / AC 24V / PoE 802.3af

ENVIRONMENTAL

Operating Temperature	-20° ~ 50° C (-4° ~ 122°F) w/Heater -40°~50°C (-40 ~ 122°F)
Humidity	~ 10% - 90% Non-condensing
Weather Rating	IP66
Impact Rating	IK10 Body
Heater / Blower	Yes

REGULATORY

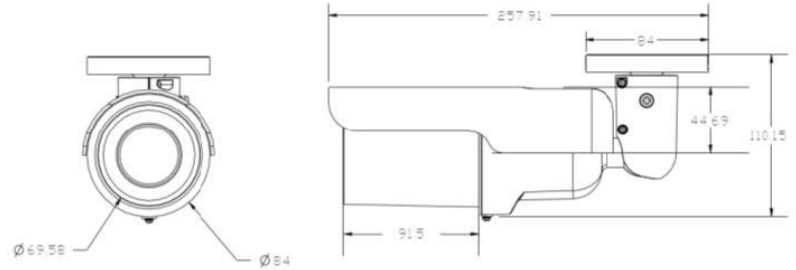
Certifications	CE / FCC / UL Listed
-----------------------	----------------------

ACCESSORIES

BL-POLE	Pole Mount
----------------	------------

WARRANTY

Minimum 3 Year Parts and Labor



Sentry 360 Security, Inc. reserves the right to change products or specifications without notice.



IS-IP10K

IS-IP10K

The IS-IP10K is a professional grade multi-megapixel network security and surveillance camera. With an active resolution more than 32x that of traditional CCTV cameras, the IS-IP10K is a state of the art surveillance system. The IS-IP10K is a great choice in applications requiring the highest forensic detail.

New Features

- Dual H.264
- Full High Definition at 6 FPS
- Owl Eye - Noise Reduction
- IP65

Existing Features

- Full Onvif Compatibility
- Motion Detection
- PoE 802.3af
- 0.3 Lux at F/1.8 (Color)

Technical Specification

- 10.0 Megapixel CMOS sensor
- Maximum Resolution: 3840x2752
- Maximum Framerate: 6 fps
- Full Onvif Compatibility
- Motion Detection
- PoE 802.3af
- 0.3 Lux at F/1.8 (Color)
- 100/10 LAN Connection
- Maximum Data Rate: 75 mbps
- Protocols: TCP/IP, HTTP, FTP RTP/RTSP
- Automatic Exposure
- Automatic White Balance
- Brightness, Contrast, Saturation Controls

Performance Specification

- Operational
 - Imaging: 10.0 Megapixel CMOS Sensor
 - Active Pixel Count: 10,567,680
 - Dynamic Range: 65 dB
 - Codecs: H.264 and MJPEG
 - Data: 32 mbps MJPEG, 18 mbps H.264
- Environmental
 - Operating Temperature: -20-50 C
 - Storage Temperature: -40-70 C
 - Humidity: 10% to 90% relative
- Regulatory
 - Emissions: FCC: Part 15, Class B
 - Certification: CE
 - Safety: UL Listed

Performance Specification

- Security
 - Username/Password
- Electrical
 - Power Consumption: 4 watts
 - Power over Ethernet: PoE 802.3af
 - 12 VDC +/- 10%
- Mechanical
 - Lens Type: None Included
 - Dimensions: 1.38 x 2.52 x 3.27 inches
 - Unit Weight: 5 oz (without lens)

Warranty

- 3 Year Parts and Labor

Images



1



2

Dimensional Outline

- 1.38 x 2.52 x 3.27 (inches HxWxD)



IS-IP14K

IS-IP14K

The IS-IP14K is a professional-grade multi-megapixel network security and surveillance camera. With an active resolution more than 32x that of traditional CCTV cameras, the IS-IP14K is a state-of-the-art surveillance system.

The IS-IP14K is a great choice in applications requiring the highest forensic detail.

Dimensions

- 1.38 x 2.52 x 2.31 in (35.1 x 64 x 58.7 mm)*
- 0.33 lb (150 g)*

Performance Specification

- Sensor: 14.0MP CMOS
- Maximum Resolution: 4352 x 3264
- Active Pixel Count: 14,204,928
- Maximum Frame Rate: 4 fps (at max res)
- Compression: MJPEG / H.264
- Streaming: Quad H.264 + MJPEG
- 0.1 Lux (color) at F/1.2
- Backlight Compensation
- Dynamic Range: 65 dB
- Owl Eye™ Noise Reduction
- Full Onvif Compatibility

*Without lens

Technical Specification

- Lens: CS Mount
- Day / Night Option (IR Cut Filter)
- Motion Detection
- UDP, TCP, HTTP, TFTP, RTSP
- 100/10 LAN Connection

Electrical Specification

- PoE / 12-16V DC
- 4.5 watts power consumption

Environmental Specification

- Operating Temperature: -4° - 122° F
-20° - 50° C
- Humidity: 0% to 90%, No condensation

Warranty

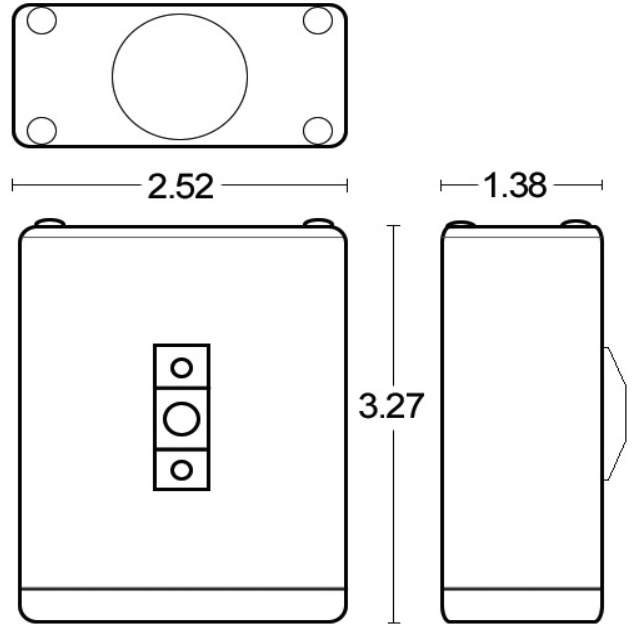
- 3 Year, Parts and Labor

Images



*Lens sold separately

Dimensional Outline



Compatible Accessories

- IS-OH-HB
- 14 MP Lenses



IS-IP200-DN

IS-IP200-DN

The IS-IP200-DN is a professional-grade multi-megapixel network security and surveillance camera. With on-board Micro-SD, a 2.0 megapixel sensor and true IR cut filter, the IS-IP200-DN is a high performance yet cost effective surveillance solution.

Launched in mid-July 2010, the IS-IP200-DN features full compliance with the ONVIF interoperability standard.

Dimensions

- 4.92 x 3.22 x 2.05 in (125 x 82 x 52 mm)*
- 0.73 lb (330g)*

Performance Specification

- Sensor: 2.0MP CMOS
- Maximum Resolution: 1920 x 1080
- Active Pixel Count: 2,073,600
- Maximum Frame Rate: 15 fps (at max res)
- Compression: MJPEG / H.264
- Streaming: Quad H.264 + MJPEG
- 0.2 Lux (color) at F/1.2
- 0.02 Lux (BW) at F/1.2
- Backlight Compensation
- Wide Dynamic Range
- Dynamic Range: 95 dB
- 3D Noise Reduction
- Full Onvif Compatibility

*Without lens

Technical Specification

- Lens: CS Mount
- Day / Night (IR Cut Filter)
- Two-Way Audio
- Micro-SD Storage
- Motion Detection
- Tamper Detection
- UDP, TCP/IP, HTTP, TFTP, RTP/RTSP
- 100/10 LAN Connection
- BNC
- Security: Username and password

Electrical Specification

- DC12V / AC 24V / PoE
- 4 watts

Environmental Specification

- Operating Temperature: 14° - 122° F
-10° - 50° C
- Humidity: 10% to 90%, No condensation

Warranty

- 3 Year, Parts and Labor

Images

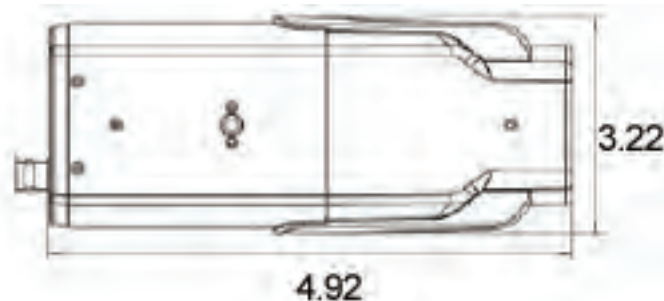


1



2

Dimensional Outline



Unit: Inch

Compatible Accessories

- IS-IH

IS-IP 200-IRB InSight IP 2MP Bullet IP Camera

Bid-Spec

1.0 Description

The IS-IP 200-IRB camera is a Dual-streaming H.264 & MJPEG encoding, 1080P resolution, IP addressable network camera. It is designed to deliver full motion high definition progressive scan digital video across local area networks. The IS-IP 200-IRB features a design with no moving parts, a 1/2.5" CMOS sensor, Power over Ethernet, 23 LED IR Bulbs, and Audio-In and Audio-Out. The IS-IP 200-IRB is a cost effective high-level, megapixel network camera.

2.0 Bid Specification

- The camera shall utilize one high sensitivity 2 Megapixel CCD sensor.
- The camera shall support MJPEG and H.264 encoding formats.
- The camera shall output at a maximum resolution of 1920(H) x 1080(V) pixels per sensor.
- The cameras maximum frame rate shall be 30 frames per second either at MJPEG or H.264 at the maximum resolution.
- The camera shall feature streaming of the full field of view (FOV) and multiple regions of interest (ROI) for forensic zooming.
- The camera shall feature a tampering alarm.
- The camera shall be equipped with a 100 Mbps LAN connector and will deliver image data at a maximum data rate of up to 5 Megabits per second (5 Mbps).
- The camera shall utilize a fixed 4mm lens.
- The camera shall provide 21 levels of compression quality for optimal viewing and archiving.
- The camera shall support a minimum TCP/IP, HTTP, FTP, RTP/RTSP, and DHCP network protocols.
- The camera shall feature automatic exposure, automatic multi-matrix white balance, shutter speed control, programmable brightness, saturation, gamma and sharpness.
- The camera shall incorporate necessary algorithms and circuits to detect motion in low light.
- The camera shall support a minimum illumination of 0.02 Lux @ F1.5 in color mode.
- The camera's primary power source shall be Power over Ethernet (PoE) complying with the IEEE 802.3af standard.
- The camera shall have the alternative option to be powered from a 12V DC power source, or 24V AC power source providing at least 5.5W.
- This camera shall feature a durable aluminum housing that minimizes fire hazards.
- The camera's operating ambient temperature is -10°C (14°F) to 50°C (122°F).
- The camera will have a factory burned in MAC (Media Access Control) address ranging from 00:50:C2:A9:80:00 to 00:50:C2:A9:8F:FF that is registered and owned by Sentry 360 Security through IEEE Registration Authority.
- This cameras housing is IP66 rated.

IS-IP 200-IRB InSight IP 2MP Bullet IP Camera

Quick-Spec

3.0 Manufacturer

The IS-IP 200-IRB will be manufactured by:

Sentry 360 Security, Inc.
24012 W. Renwick Road
Plainfield, IL 60544
(800) 271-2707
www.sentry360.com

4.0 Minimum Performance Specification

The IS-IP 200-IRB megapixel camera will meet the following operating requirements:

Operational

Imaging	One 2 megapixel CCD image sensor 1/2.5" optical format
Active Pixel Count	1920(H) x 1080(V) pixel array
Auto Recovery	Embedded watchdog
Luminance	Color: 0.02 Lux @ F1.5

Image

Format	JPEG still images, Motion-JPEG video, and H.264
Compression	High speed hardware-based image compression
Output	Additional BNC video output

Full Field of View (FOV) Resolutions

1920x1080 (HxV) 2 megapixel

Data Transmission

Data Rate	5Mbps
Max Frame Rate	30 fps @ 1920x1080 (HxV)

Environmental

Operating Temperature	-10 to 50 Degrees Celsius
Storage Temperature	-35 to 70 Degrees Celsius
Humidity	10% to 90% relative, non condensing

Regulatory

Emissions	FCC: Part 15, Class B
Certification	CE
Safety	UL Listed

Supported Protocols

Standards	TCP/IP, IPv6, HTTP, FTP, RTP/RTSP, DHCP and more
-----------	--

IS-IP 200-IRB InSight IP 2MP Bullet IP Camera

Security

Access Password / username protection for restricted camera access

Electrical

DC Voltage 12 VDC +/- 10% AC
Voltage 24 VAC +/- 10%
Power Consumption 5.5 watts maximum
Power over Ethernet PoE 802.3af compliant

Mechanical

Dimensions (W x H x D) 84mm x 180 mm
(3.3in x 7.6 in)
Unit Weight 0.84kg (2.07 lbs.)

Related Documentation

1. InSight IP User Manual
2. InSight IP Installation & Quick Start Guide

5.0 Model Numbers

The camera shall be Sentry 360 Security's InSight IP model IS-IP 200-IRB, 2 megapixel IP camera

6.0 Warranty

Minimum 1 Year parts and labor

Sentry 360 Security, Inc. reserves the right to change products or specifications without notice.

IS-IP290



The IS-IP290 camera is a Quad-streaming, H.264 & MJPEG encoding, 2.0 Megapixel resolution, IP-addressable network camera. It is designed to deliver full-motion, high-definition, progressive scan digital video across local area networks. The IS-IP290 features a design with no moving parts, with Power over Ethernet, 18x Optical Zoom, a 1/2.8" CMOS sensor, and Audio-In/Audio-Out. The IS-IP290 is a high-level, cost effective, megapixel network camera.

SPECIFICATIONS

CAMERA

Image Sensor	2.0 megapixel 1/2.8" CMOS	
Effective Pixels	1920 (H) x 1080 (V)	
Minimum Illumination	Color: 0.2 lux	B/W: 0.02 lux
Shutter Speed	~ 1 - 1/10000 sec	
Dynamic Range	95 db	

LENS

Lens Type	Motorized Vari-focal: 4.7 - 84.6 mm
F Number	F/1.6
Field of View	~ 4° - 66°

OPERATION

Languages	English / French / German / Italian / Japanese / Korean / Portuguese / Russian / Simplified Chinese / Spanish / Traditional Chinese
Image Control	DC-IRIS, Backlight Compensation, Exposure (Auto / Manual), White Balance (Auto / Manual), 3D Noise Reduction, Wide Dynamic Range, Privacy Mask
Image Settings	Brightness, Sharpness, Contrast, Saturation, Hue
Pan / Tilt / Zoom	Digital PTZ
Audio	Line in / Line out
SD Card	microSDHC 32 GB Support

EVENTS

Motion Detection	Multiple groups and windows
Alarms	Tampering, Network Failure Detection, Audio Detection, Input / Output
Event Notification	HTTP / FTP / SMTP

NETWORK

Interface	RJ-45, 10/100 Mbps Ethernet
Protocols	ARP, IPv4/v6, TCP/IP, UDP, RTP, RTSP, HTTP, HTTPS, ICMP, FTP, SMTP, DHCP, PPPoE, UPnP, IGMP, SNMP, QoS, ONVIF
Security	HTTPS / IP Filter / IEEE 802.1X
Accounts	User and Administrator, Up to 20
Web Browser	Internet Explorer (6.0+) / Chrome / Firefox / Safari

STREAMING

Video Format	Quad Streaming, H.264 + MJPEG	
Resolution / FPS	1920 x 1080	30 (Low Latency)
	1920 x 1080	30
	1280 x 1024	30
	1280 x 720	30
	1024 x 768	30
	800 x 600	30
	720 x 480	30
	640 x 480	30
	352 x 240	30
Data Transmission	Data Rate MJPEG	18.2 Mbps @ 1920x1080
	Data Rate H.264	4.2 Mbps @ 1920x1080
	Frame Rate	30 fps @ 1920x1080
	Max Frame Rate	30 fps @ 1920x1080

MECHANICAL

Gimbal	N/A	
IR Filter	Mechanical cut	
IR Illuminator	N/A	
Connectors	Alarm	4 pin Terminal Block
	Power	3 pin Terminal Block
	Analog Video	BNC
Dimensions	7.22 x 3.16 x 2.06 in (183 x 80 x 52 mm)	
Weight	1 lbs (450 g)	

ELECTRICAL

Consumption	6 watts maximum
Source	DC 12V / AC 24V / PoE 802.3af

ENVIRONMENTAL

Operating Temperature	0° to 40° C (32° to 104° F)
Humidity	~ 10% - 90% Non-condensing
Weather Rating	N/A
Impact Rating	N/A

REGULATORY

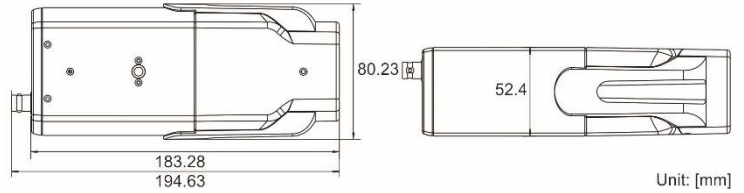
Certifications	CE / FCC / RoHS / UL Listed
-----------------------	-----------------------------

ACCESSORIES

Wall Mount	IS-OH-HB
Corner Mount	IS-DM-CORNER (Use with OH-HB)
Pole Mount	IS-DM-POLE (Use with OH-HB)

WARRANTY

Minimum 3 Year Parts and Labor



Sentry 360 Security, Inc. reserves the right to change products or specifications without notice.

IS-IP300-IRB



The IS-IP300-IRB is a Quad-streaming, H.264 & MJPEG encoding, 3.0 Megapixel resolution, IP-addressable, network camera. It is designed to deliver full-motion, high-definition, progressive scan digital video across local area networks. The IS-IP300-IRB features a design with no moving parts, a 1/2.8" CMOS sensor, Power over Ethernet, 24 built-in IR-LEDs, and Audio-In/Audio-Out. The IS-IP300-IRB is a cost effective, high level, megapixel network camera.

SPECIFICATIONS

CAMERA

Image Sensor	3.0 megapixel 1/2.8" CMOS	
Effective Pixels	2048 (H) x 1536 (V)	
Minimum Illumination	Color: 0.2 lux	B/W: 0.02 lux
Shutter Speed	~ 1 - 1/10000 sec	
Dynamic Range	95 db	

LENS

Lens Type	Motorized Vari-focal: 3 - 9 mm
F Number	F/1.2
Field of View	~ 33° - 99°

OPERATION

Languages	English / French / German / Italian / Japanese / Korean / Portuguese / Russian / Simplified Chinese / Spanish / Traditional Chinese
Image Control	DC-IRIS, Backlight Compensation, Exposure (Auto / Manual), White Balance (Auto / Manual), 3D Noise Reduction, Wide Dynamic Range, Privacy Mask
Image Settings	Brightness, Sharpness, Contrast, Saturation, Hue
Pan / Tilt / Zoom	Digital PTZ
Audio	Line in / Line out
SD Card	microSDHC 32 GB Support

EVENTS

Motion Detection	Multiple groups and windows
Alarms	Tampering, Network Failure Detection, Audio Detection, Input / Output
Event Notification	HTTP / FTP / SMTP

NETWORK

Interface	RJ-45, 10/100 Mbps Ethernet
Protocols	ARP, IPv4/v6, TCP/IP, UDP, RTP, RTSP, HTTP, HTTPS, ICMP, FTP, SMTP, DHCP, PPPoE, UPnP, IGMP, SNMP, QoS, ONVIF
Security	HTTPS / IP Filter / IEEE 802.1X
Accounts	User and Administrator, Up to 20
Web Browser	Internet Explorer (6.0+) / Chrome / Firefox / Safari

STREAMING

Video Format	Quad Streaming, H.264 + MJPEG	
Resolution / FPS	2048 x 1536	15
	1920 x 1080	30 (Low Latency)
	1920 x 1080	30
	1280 x 1024	30
	1280 x 720	30
	1024 x 768	30
	800 x 600	30
	720 x 480	30
Data Transmission	640 x 480	30
	352 x 240	30
	Data Rate MJPEG	18.2 Mbps @ 1920x1080
	Data Rate H.264	4.4 Mbps @ 2048x1536
	Frame Rate	15 fps @ 2048x1536
	Max Frame Rate	30 fps @ 1920x1080

MECHANICAL

Gimbal	N/A	
IR Filter	Mechanical cut	
IR Illuminator	24 LEDs, 850 nm, up to 25 m	
Connectors	Alarm	4 pin Terminal Block
	Power	3 pin Terminal Block
	Analog Video	BNC
Dimensions	3.3 x 7.6 in (90 x 270 mm)	
Weight	2.07 lbs (940 g)	

ELECTRICAL

Consumption	23.6 watts maximum (Camera: 5W, Lens: 3.6W, Heater: 12W, and IRs: 3W)
Source	DC 12V / AC 24V / PoE 802.3af

ENVIRONMENTAL

Operating Temperature	DC 12V: -30° to 50° C (-22° to 122° F) AC 24V / PoE+: -40° to 50° C (-40° to 122° F)
Humidity	~ 10% - 90% Non-condensing
Weather Rating	IP66
Impact Rating	IK06 (camera body)

REGULATORY

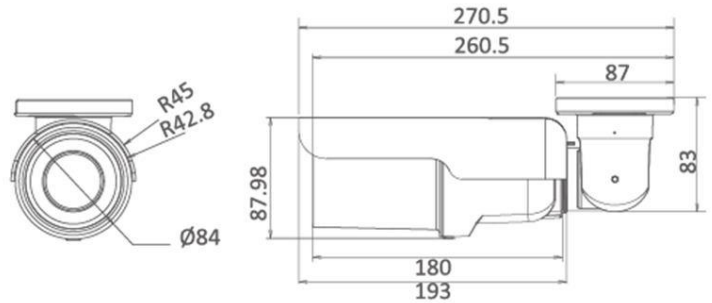
Certifications	CE / FCC / RoHS / UL Listed
-----------------------	-----------------------------

ACCESSORIES

N/A

WARRANTY

Minimum 3 Year Parts and Labor



Sentry 360 Security, Inc. reserves the right to change products or specifications without notice.



IS-IP4K

IS-IP4K

The IS-IP4K is a professional-grade 4K resolution network security and surveillance camera. Engineered to meet the highest standard in ultra-resolution surveillance, the IS-IP4K is capable of producing video that is 32x the quality of traditional CCTV cameras. Its small form factor and low power requirement make the IS-IP4K a clear choice for any security application requiring precision detail on a consumer budget.

Dimensions

- 1.38 x 2.52 x 3.27 in (35.1 x 64 x 83.1 mm)*
- 0.33 lb (150 g)*

Performance Specification

- Sensor: 12.6MP CMOS
- Maximum Resolution: 4096 x 3072
- Active Pixel Count: 12,582,912
- Maximum Frame Rate: 10 fps (at max res)
- Compression: MJPEG / H.264
- Streaming: Quad H.264 + MJPEG
- 0.02 Lux (color) at F/1.4
- Backlight Compensation
- Dynamic Range: 65 dB
- Owl Eye™ Noise Reduction
- Full Onvif Compatibility

*Without lens

Technical Specification

- Lens: CS Mount
- Motion Detection
- UDP, TCP, HTTP, TFTP, RTSP
- 100/10 LAN Connection

Electrical Specification

- PoE / 10 - 16V
- 4.5 watts

Environmental Specification

- Operating Temperature: -4° - 122° F
-20° - 50° C
- Humidity: 0% to 90%, No condensation

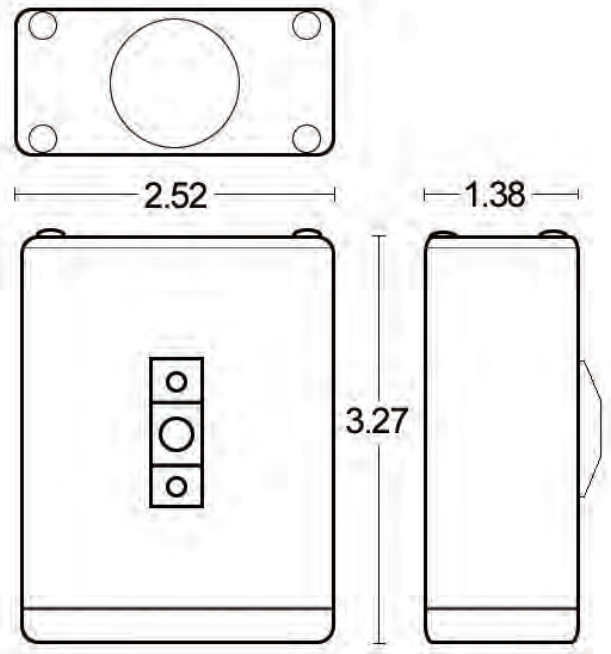
Warranty

- 3 Year, Parts and Labor

Images



Dimensional Outline



Compatible Accessories

- IS-IR-850-50
- IS-IR-850-70
- IS-IR-850-100
- IS-OH-HB
- IS-IH-WALL
- IS-IH-JPIPE
- 14 MP Lenses



IS-IP500

IS-IP500

The IS-IP500 is a professional-grade multi-megapixel network security and surveillance camera. With an active resolution more than 16x that of traditional CCTV cameras, the IS-IP500 is a state-of-the-art surveillance system. The IS-IP500 is a great choice in applications requiring the highest forensic detail.

Dimensions

- 1.38 x 2.52 x 3.27 in (35.1 x 64 x 83.1 mm)*
- 0.33 lb (150 g)*

Performance Specification

- Sensor: 5.0MP CMOS
- Maximum Resolution: 2560 x 1920
- Active Pixel Count: 4,915,200
- Maximum Frame Rate: 14 fps (at max res)
- Compression: MJPEG / H.264
- Streaming: Quad H.264 + MJPEG
- 0.02 Lux (color) at F/1.4
- Backlight Compensation
- Dynamic Range: 70 dB
- Owl Eye™ Noise Reduction
- Full Onvif Compatibility

*Without lens

Technical Specification

- Lens: CS Mount
- Motion Detection
- 100/10 LAN Connection
- UDP, TCP, HTTP, TFTP, RTSP

Electrical Specification

- PoE / 10 - 16V
- 4 - 4.5 watts

Environmental Specification

- Operating Temperature: -4° - 122° F
-20° - 50° C
- Humidity: 0% to 90%, No condensation

Warranty

- 3 Year, Parts and Labor

Images

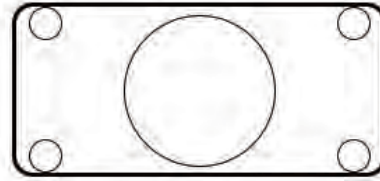


1



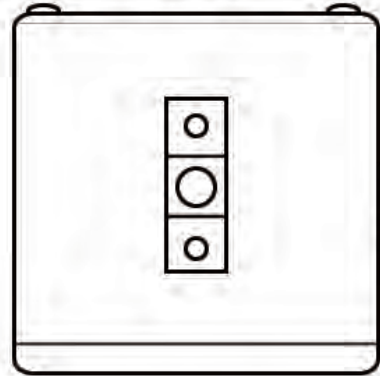
2

Dimensional Outline



2.52

1.38



2.31



Compatible Accessories

- IS-IR-850-50
- IS-IR-850-70
- IS-IR-850-100
- IS-IH
- IS-OH-HB
- IS-IH-WALL
- All C / CS Mount Lenses

S360-BW-GW25



The SentryMobile S360-BW-GW25 is a mobile body worn camera designed for full chain-of-command mobile evidence collection. The S360-BW-GW25 is an elite and cost-effective mobile body-worn camera for a variety of applications including law enforcement, service technicians, firefighters, EMTs/paramedics, vehicle surveillance and covert surveillance operations. The SentryMobile camera is designed to be easy to use, operate and manage critical surveillance evidence in demanding environments with its rugged design and low-light sensitivity.



(Wi-Fi)



(GPS)



(140° FOV)



(Vandal Proof)



(Weather Rating IP68)



(On-Board Storage 32GB)

SPECIFICATIONS

CAMERA

Resolution	1920 x 1080 (2.0 megapixels)
Field of View	140° Wide Angle
Night Vision	Manual/Auto switch, up to 15 meters with visible face detection
PTT	Can connect to different types of radios
Photo Format	JPEG
White Balance	Supported
Chipset	Ambarella A7

OPERATION

Languages	English
Operating System	Windows 98/2000/ME/XP/Windows 7/Windows8
Audio	High-quality built-in microphone
Audio Format	WAV
Secondary Light Sources	Infrared light, the highlighting LED flash light, laser positioning

EVENTS

Snapshot	Capture photos during video recording
Log	Supported
Status Indicators	Audible, visual, and vibration alert for record and stop
Pre and Post-Event Recordings	Up to 30 seconds (depends on video resolution)
Motion Detection	Image objects move, video recording starts automatically

STREAMING

Video Format	MOV and H.264 (AVI,MP4) video streams
Resolution / FPS	Normal Operation
	1920 x 1080 30
	1440 x 1080 30
	1280 x 720 30
	848 x 480 30
	720 x 480 60

VIDEO / IMAGE REVIEW

LCD Screen	2 inch TFT-LCD high-resolution color display
Audio Playback	Yes
Video Output	HDMI 1.3 Port
Video Transfer	USB 2.0
Storage Capacity	16GB /32GB
One-Touch Recording	Yes
AV In / AV Out	Supported

ELECTRICAL

Battery Type	3900 mAh
Charging Time	2.5 Hours / USB via 1amp charger
Battery Life	24 hours (standby) 10 - 15 hours (working)
Battery Level	Visual Indicator

MECHANICAL

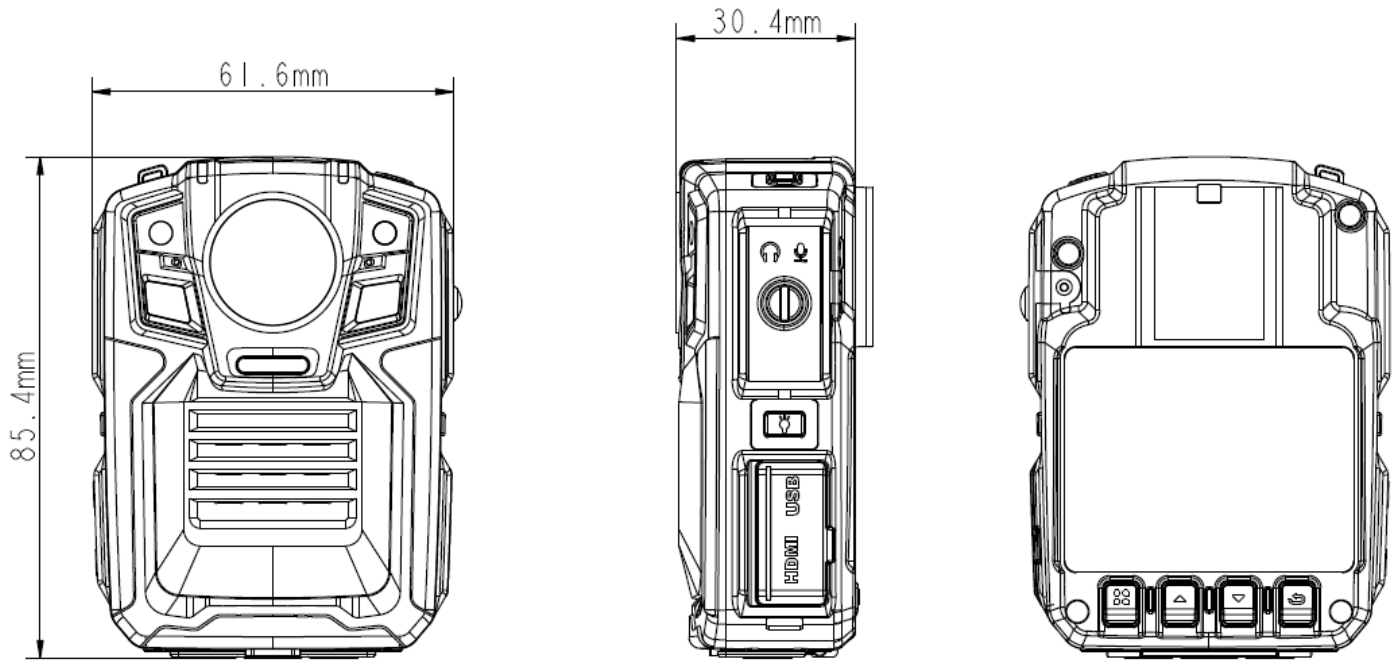
Dimensions	85*61*31mm
Weight	160g
Standard Accessories	Charger, USB cable, car charger, charging cradle, CD (if with encryption function)
Weather Rating	IP67 (waterproof)
Working Temperature	-40° to 60°C
Working Relative Humidity	40% - 80%
Storage Temperature	-20 to 55°C
Drop Resistance	2.5 meters

OTHER

In-vehicle Mode	Motor-start, video recording began. Could work with the car charger and the dash mount, as the automobile data recorder
Wi-Fi network & Wi-Fi encryption	N/A
GPS	N/A
Wi-Fi APP	N/A

WARRANTY

Minimum 3 Year Parts and Labor



Sentry 360 Security, Inc. reserves the right to change products or specifications without notice.