

The Leader in Innovative Access Control Accessories



2012 CATALOG

About Securitron®

As one of the world's most complete suppliers of electric locking systems and access control components, Securitron excels in manufacturing a wide range of quality products. From electromagnetic locks and accessories, to exit bars and devices, power supplies, digital entry systems and much more, Securitron is known for its continued commitment to excellence in customer service and product quality.

»» An Industry Leader.

Securitron was the first electric lock manufacturer to receive the prestigious ISO 9001 certification for its international Quality Management System. Securitron was also first in the industry with its "no strings attached" MagnaCare® warranty program.

The award-winning MagnaCare® warranty replaces any product that we manufacture, for any failure reason, for the life of the installation. The Security Industry

Association recently honored Securitron's MagnaCare® warranty program with its Business Product Achievement Award.

»» A Bright Future.

Backed by the strength of ASSA ABLOY, Securitron continues to grow. Our new, LEED Silver designed, eco-friendly manufacturing facility in Phoenix, AZ features improved energy efficiency, air quality and sustainability.

»» Our Customers Come First.

At Securitron, we pay special attention to the needs of our customers. Our 1-800 MAGLOCK sales and service support line puts you in touch with the most knowledgeable and friendly team to assist you with the smallest detail, or the most difficult application. For more information, visit www.securitron.com

Visit Our Website
securitron.com



Our website offers complete product information including:

- Latest Product Releases
- Installation Instructions
- Installation Presentations
- Mounting Templates
- Architectural Specifications
- Wiring Diagrams
- Quick Tips
- Troubleshooting Tips
- Product Literature
- Product Images
- Training Opportunities
- Events Calendar
- Door Control Wizard Download and More!

Electromagnetic Locks & Accessories

M680, M670, M38, M68, M34R, M32, M62, DM62, M82B, SAM, iMXDa, Component EXD, Brackets & Accessories, Vista® VM300, VM600, VM1200/VM1290

» 7

MAG LOCKS

Electromechanical Locks

MM15, UNL

» 37

ELECTROMECH LOCKS

Gate Locks, Cabinet Locks & Accessories

SAM2-24, M62FG-SASM, GL1, FMK, MCL, M32-SS

» 41

SPECIALTY LOCKS

Exit Devices

DSB, TSB, TSH, SP-1, EMB, EMH

» 49

EXIT DEVICES

Entry Devices

PB Series, EEB Series, XMS, DK-12, DK-16, DK-26, Keyswitch Series

» 56

ENTRY DEVICES

Access Control Accessories

DPS, LM-Latch Monitor, MSS, DPA/DT-7, TM-2/TM-9, RLP/PZ-1, RB-Relay Board

» 66

ACCESS CONTROL ACCESSORIES

Power Supplies

BPS-12/24-1, BPS, BPSM, BPSS, PSM, PSP, BACS, AQD3, AQD5, AQM20, AQU126, AQU128, AQU243, AQU244, PDB, PDB-1R, PDB-8C1R, PDB-8F8R/8C8R

» 77

POWER SUPPLIES

Power Transfer

CEPT, EPT, SEPT, EH, TSB-C

» 96

POWER TRANSFER

Power Accessories

FAR, TP-12-3, TP-24-2, B-12-5, B-24-5, BR-4, CCB-8, CKL

» 101

POWER ACCESSORIES

Resources & Extras

AHJ Handbook information, Icon Glossary, Demo Mounts, Code-Compliant Systems, Index, Terms and Conditions

» 105

RESOURCES

Securitron Magnalock® Glossary

»» **Anti-Tamper Sensor (T)**

The Anti-Tamper option provides an SPDT (Single Pole Double Throw) switch output that indicates if the wire access chamber cover has been tampered with or removed. When connected to an alarm point on an alarm panel or access control system it offers real-time notification of tampering attempts. To add this upgrade kit to existing M38 or M68 locks, choose part M38T-KIT or M68T-KIT.

»» **BondSTAT (B)** Patented

BondSTAT is the next generation of electromagnetic lock monitoring. BondSTAT delivers unparalleled peace of mind by detecting an armature plate and notifying access control and/or alarm systems that a door is properly secured. BondSTAT's sensitive magnetic field monitors the entire surface of the armature plate, providing maximum assurance that the lock is engaged. Movement in the armature's position beyond the set tolerance alerts the access control system that the Magnalock® may not be generating its full holding force.

»» **Camera (C)**

Some Securitron models offer an integrated video surveillance camera. Camera options are available in black-and-white or color with analog output for use with existing video surveillance systems.

»» **Conduit Fitting (G)**

The conduit fitting option is offered on some Magnalocks that can be used for gate-mounting applications and features a ¾" outer diameter and ½" inner diameter.

»» **Door Position (D)**

The DPS Door Position Switch provides a signal to an access control system indicating whether the door is open or closed. When used in conjunction with BondSTAT or Senstat, it provides layered status indication for precise information about the door state. The DPS may be ordered included with many Securitron Magnalocks - or as an upgrade kit.

»» **Face Mount (F)**

Face Mount Magnalock options provide the holes for the mounting bolts through the face of the magnet in a front-to-back orientation rather than through the magnet bottom-to-top.

»» **LED (L)**

The LED provides a local visual indicator of the status of the lock. On locks with the Senstat option, the LED will be green when the lock is powered but not secure, and red when the lock is secure. Locks without the Senstat option will only indicate green when powered.

»» **Request to Exit (X)**

Some Securitron Magnalock models offer an integrated motion detector that automatically signals the lock to disengage when it detects approaching traffic.

»» **Senstat (S)**

Unlike commonly used door position switches that indicate only that a door is closed, Senstat detects the presence of an armature plate and notifies the access control or alarm system that the magnet is engaged. All Senstat Magnalocks use Form 'c' isolated contacts.

LOCKING PRODUCTS

SECURITRON[®]
ASSA ABLOY

Electromagnetic Locks & Accessories

- » M680, M670, M38, M68, M34R, M32, M62, DM62, M82B, SAM, iMXDa, Component EXD, Brackets & Accessories, Vista® VM300, VM600, VM1200/VM1290

Electromechanical Locks

- » MM15, UNL

Gate Locks, Cabinet Locks & Accessories

- » M62FG-SASM, GL1, FMK, MCL, M32-SS, SAM2-24

Exit Devices

- » DSB, TSB, TSH, SP-1, EMB, EMH

Entry Devices

- » PB Series, EEB Series, XMS, DK-12, DK-16, DK-26, Keypress Series

Access Control Accessories

- » DPS, LM-Latch Monitor, MSS, DPA/DT-7, TM-2/TM-9, RLP/PZ-1, RB-Relay Board

Power Supplies

- » BPS-12/24-1, BPS, BPSM, BPSS, PSM, PSP, BACS, AQD3, AQD5, AQM20, AQU126, AQU128, AQU243, AQU244, PDB, PDB-1R, PDB-8C1R, PDB-8F8R/8C8R

Power Transfer

- » CEPT, EPT, SEPT, EH

Power Accessories

- » FAR, TP-12-3, TP-24-2, B-12-5, B-24-5, BR-4, CCB-8, CKL

Resources & Extras

- » AHJ Handbook information, Icon Glossary, Demo Mounts, Code-Compliant Systems, Index, Terms and Conditions

Genuine Magalock® Selection Guide

Out-Swing Door Magalock Selection Guide

Locks Mount on the Secure Side of the Door & Door Swings Away from Secure Side.
Dual Doors Will Require Two Locks (X2), One for Each Leaf Except for DM62.

Preferred Application = **X** Also Acceptable for Application = **X**

DOOR TYPE	M32	M38	M62	DM62	M68	M82B	SAM	SAM2-24
Glass Door (w/ Aluminum Frame)	X	X	X*				X	X**
Wooden Door (Traffic Control)	X	X						X
Wooden Door (High Security)			X	X	X	X	X	
Metal Door (Traffic Control)	X	X						X**
Metal Door (High Security)			X	X	X	X	X	
Herculite Door (w/out Top or Bottom Rail)	X	X	X		X			
Herculite Door (w/Top or Bottom Rail)			X		X		X	X**
* Requires an Offset Strike for proper installation. **Not for use with Open Channel doors								

In-Swing Door Magalock Selection Guide

Locks Mounted on the Secure Side of the Door & Door Swings Toward Secure Side.
Dual Doors Will Require Two Locks (X2), One for Each Leaf.

Preferred Application = **X** Also Acceptable for Application = **X**

DOOR TYPE	M32F	M38	M62F	M68	M82FB	SAM	SAM2-24
Glass Door (w/ Aluminum Frame)	X	X	X	X		X	X
Wooden Door (Traffic Control)	X	X					
Wooden Door (High Security)			X	X	X	X	
Metal Door (Traffic Control)	X	X					X
Metal Door (High Security)			X	X	X	X	
In-Swing Door Magalocks (except SAM & SAM2-24) will require a corresponding "Z" Bracket to mount the Strike Plate (Armature). M38 and M68 will require TJ-38 or TJ-68 Top Jamb Mounting Kit respectively.							

Sliding Door Magalock Selection Guide

Preferred Application = **X** Also Acceptable for Application = **X**

DOOR TYPE	M34R	SAM	SAM2-24
All Sliding Door Types (Dual)	X	X (X2)	X (X2)
All Sliding Door Types (Single)	X	X	X

All Securitron Magalocks are Fail Safe Electric Locking Devices

M680 SERIES

1100lbs Holding Force



Specifications:

- UL 10C Listed
- CAN4-S104, CAN/ULC Listed
- UL 1034 Burglary-Resistant Listed
- ANSI/BHMA A156.23, Grade 1; E180501-1000
- NFPA 101
- CSFM- California State Fire Marshal Approved
- Holding Force: 1100lbs [499 kg]
- Patents Pending

Electrical:

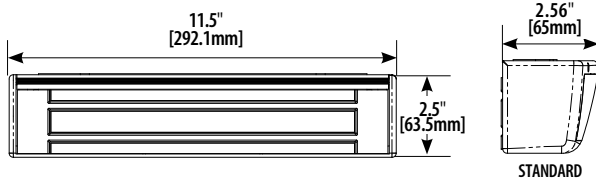
600mA at 12VDC
325mA at 24VDC

Operating Temperature:

+32 to +110F
[0 to +43C]

Finishes:

US03/605 - Polished Brass
US04/606 - Satin Brass
US10/612 - Satin Bronze
US10B/613 - Satin Brown
US19/622 - Satin Black
US26D/626 - Satin Chrome (Standard)



SECURITRON
ASSA ABLOY



The Smart, Stylish and Secure Magnalock®

The new M680 from Securitron delivers unsurpassed intelligence, style and modularity.

Intelligence. A built-in, smart voltage sensing microprocessor controls Securitron's patented BondSTAT and door position status monitoring.

Style. The aesthetics of the M680 are refined enough for the most discriminating designer openings.

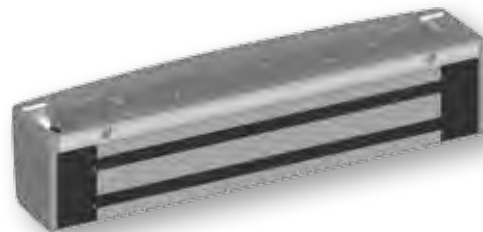
Modularity. An integrated camera option provides a unique perspective for discreet surveillance and clear facial views.

Use the integrated motion sensor exit device alone, or with the camera for advanced access control.

Easy installation. The fastest, easiest, most secure installation of any bracket-mount maglock.

PRODUCT FEATURES

- Bracket mounting provides the easiest install for out-swing doors
- Innovative install templating for an effortlessly accurate alignment between magnet and armature plate
- Sleek, low profile and refined lines for improved aesthetics
- LED visual locked status with configurable red/green color output
- BondSTAT lock bond sensor - Patented
- Integrated door position switch
- Autosensing dual voltage with microprocessor technology
- Adjustable automatic relock timer (0 to 30 seconds)
- Wire chamber anti-tamper switch
- Instant release circuit - no residual magnetism
- Efficient, low power usage
- Size optimized for use with door closers
- MagnaCare Lifetime Replacement No Fault Warranty



MODELS

Part #
Description

M680BD
Satin Chrome Finish

M680BD-605
Polished Brass Finish

M680BD-606
Satin Brass Finish

M680BD-612
Satin Bronze Finish

M680BD-613
Satin Brown Finish

M680BD-622
Satin Black Finish

M680BDC and Options

The Smart, Stylish and Secure Magnalock® with Integrated Video Surveillance Camera

Product Features and Specifications:

- All M680 features and standards from page 8

Special Product Features:

- Analog black/white CCTV camera
- 112 degree view angle
- 420 TV line resolution
- 48db S/N ratio
- 0.1 LUX minimum illumination day/night operation
- 2.5W at 9V power
- Supports BNC connection

Optional Features:

- Analog color CCTV camera
- 112 degree view angle
- 520 TV line resolution
- 48db S/N ratio
- 1.5 LUX minimum illumination day/night operation
- 2.5W at 9V power
- Supports BNC connection

Electrical:

- 825mA at 12VDC
- 550mA at 24VDC
- Requires three wires for installation. (A continuous power input is required to power the camera.)



Embedded CCTV captures full facial view of persons exiting door



As viewed from the Security Video Screen

MODELS Part # Description

Magnalock model M680 with B&W camera

M680BDC

Satin Chrome Finish

M680BDC-605

Polished Brass Finish

M680BDC-606

Satin Brass Finish

M680BDC-612

Satin Bronze Finish

M680BDC-613

Satin Brown Finish

M680BDC-622

Satin Black Finish

Magnalock model M680 with color camera

M680BDC2

Satin Chrome Finish

M680BDC2-605

Polished Brass Finish

M680BDC2-606

Satin Brass Finish

M680BDC2-612

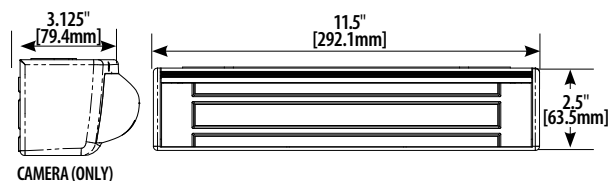
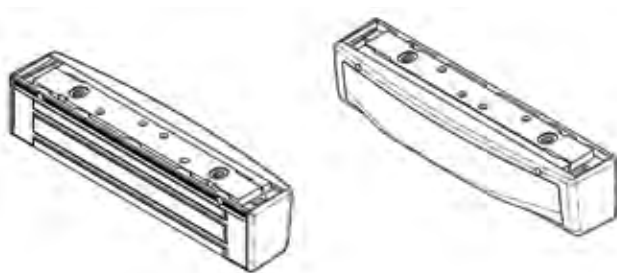
Satin Bronze Finish

M680BDC2-613

Satin Brown Finish

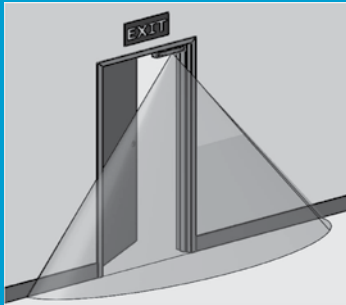
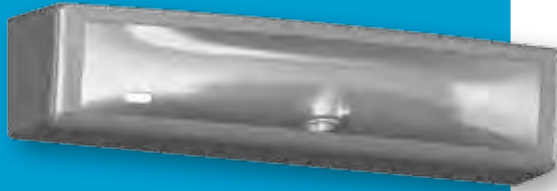
M680BDC2-622

Satin Black Finish

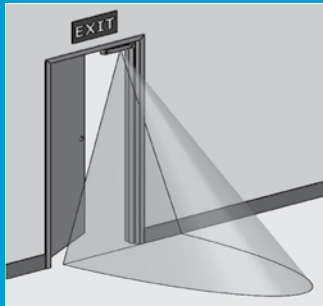


SECURITRON®
ASSA ABLOY

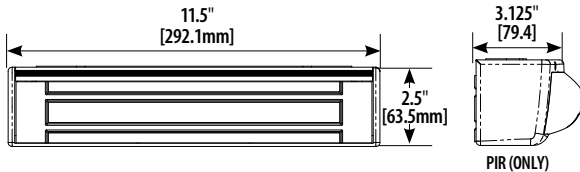
M680BDX



Motion sensor shown adjusted for hallways



Motion sensor shown adjusted for door approach



SECURITRON
ASSA ABLOY



The Smart, Stylish and Secure Magnalock® with Integrated Adjustable Passive Infrared Motion Detector

The M680BDX with Integrated Motion Detector provides optimum coverage for detecting an approaching person so the door unlocks for egress. The configurability of the passive infrared beam allows the detection area to be tailored to your environment, for better accuracy.

Product Features and Specifications:

- All M680 features and standards from page 8

Special Product Features:

- Adjustable passive infrared (PIR) exit motion detector
 - › Automatically cuts power to the M680 for egress
 - › Request to exit (REX) output
 - › Easily adjustable beam pattern
 - › Adjustable relock timer

Electrical:

- 650mA at 12VDC
- 350mA at 24VDC
- Requires three wires for installation. (A continuous power input is required to power the motion detector.)

MODELS

Part #
Description

Magnalock model M680 with PIR

M680BDX
Satin Chrome Finish

M680BDX-606
Satin Brass Finish

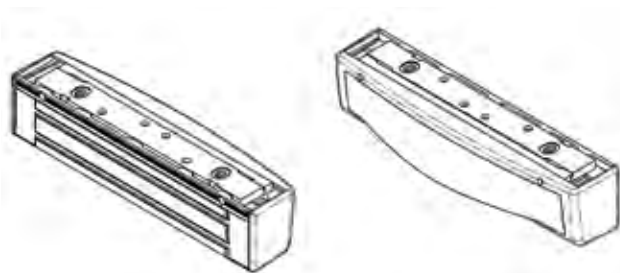
M680BDX-613
Satin Brown Finish

M680BDX-605
Polished Brass Finish

M680BDX-612
Satin Bronze Finish

M680BDX-622
Satin Black Finish

Safety Note: Securitron recommends an emergency exit button be used in conjunction with the M680BDX to meet applicable building and life safety codes.



The Smart, Stylish and Secure Maglock® with Integrated Video Surveillance Camera and Passive Infrared Motion Detector

Product Features and Specifications:

- All M680 features and standards from page 8

Special Product Features:

- Analog black/white CCTV camera
 - › 112 degree view angle
 - › 420 TV line resolution
 - › 48db S/N ratio
 - › 0.1 LUX minimum illumination day/night operation
 - › 2.5W at 9V power
 - › Supports BNC connection
- Adjustable passive infrared (PIR) exit motion detector
 - › Automatically cuts power to the M680 for egress
 - › Request to exit (REX) output
 - › Easily adjustable beam pattern
 - › Adjustable relock timer

Optional Features:

- Analog color CCTV camera
 - › 112 degree view angle
 - › 520 TV line resolution
 - › 48db S/N ratio
 - › 1.5 LUX minimum illumination day/night operation
 - › 2.5W at 9V power
 - › Supports BNC connection

Electrical:

- 875mA at 12VDC
- 600mA at 24VDC
- Requires three wires for installation. (A continuous power input is required to power the camera and motion detector.)

MODELS Part # Description

Magnalock model M680 with B&W camera and REX

M680BDCX

Satin Chrome Finish

M680BDCX-606

Satin Brass Finish

M680BDCX-613

Satin Brown Finish

M680BDCX-605

Polished Brass Finish

M680BDCX-612

Satin Bronze Finish

M680BDCX-622

Satin Black Finish

Magnalock model M680 with color camera and REX

M680BDC2X

Satin Chrome Finish

M680BDC2X-606

Satin Brass Finish

M680BDC2X-613

Satin Brown Finish

M680BDC2X-605

Polished Brass Finish

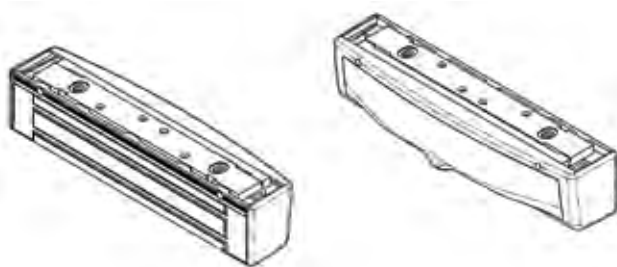
M680BDC2X-612

Satin Bronze Finish

M680BDC2X-622

Satin Black Finish

Safety Note: Securitron recommends an emergency exit button be used in conjunction with the M680BDCX to meet applicable building and life safety codes.



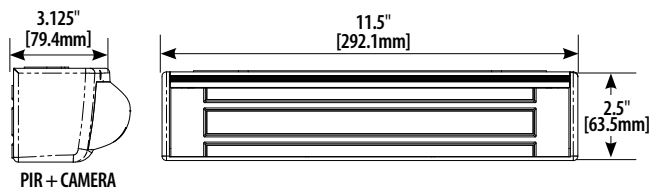
M680BDCX



Integrated Video Surveillance Camera



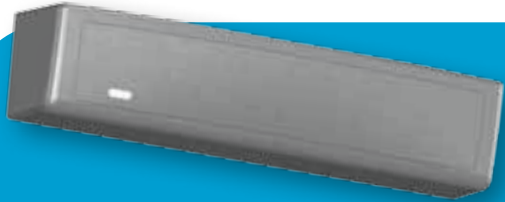
Integrated Adjustable Motion Detector



SECURITRON®
ASSA ABLOY

M670 SERIES

1100lbs Holding Force



Specifications:

- UL 10C Listed
- CAN4-S104, CAN/ULC Listed
- UL 1034 Burglary-Resistant Listed
- ANSI/BHMA A156.23, Grade 1; E180501-1000
- NFPA 101
- CSFM- California State Fire Marshal Approved
- Holding Force: 1100lbs [499 kg]
- Dimensions: 11-1/2" L x 2-9/16" D x 2-1/2" H
- Patents Pending

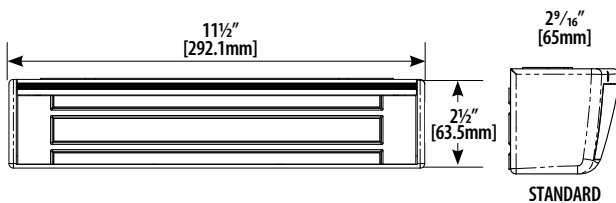
Electrical:

550mA at 12VDC
275mA at 24VDC

Operating Temperature:
+32 to +110F
[0 to +43C]

Finishes:

US19/622 - Satin Black
US26D/626 - Satin Chrome (Standard)



SECURITRON
ASSA ABLOY



The Simple, Stylish and Secure Magnalock®

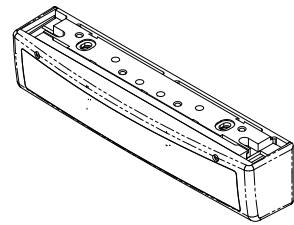
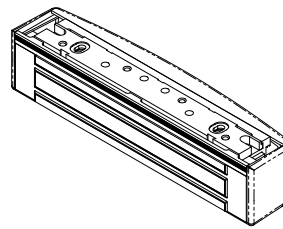
The new M670 from Securitron delivers unsurpassed style and ease of installation.

Style. The aesthetics of the M670 are refined enough for the most discriminating designer openings.

Easy installation. The fastest, easiest, most secure installation of any bracket-mount maglock.

PRODUCT FEATURES

- Bracket mounting provides the easiest install for out-swing doors
- Innovative templating for an effortlessly accurate alignment between magnet and armature plate
- Sleek, low profile and refined lines for improved aesthetics
- LED shows red or green for lock status indication
- Autosensing dual voltage with microprocessor technology
- Wire chamber anti-tamper switch
- Instant release circuit - no residual magnetism
- Efficient, low power usage
- Size optimized for use with door closers
- MagnaCare Lifetime Replacement No Fault Warranty



MODELS Part # Description

M670
Satin Chrome Finish

M670-622
Satin Black Finish

Bracket Mounted with Easy Installation for Interior Applications

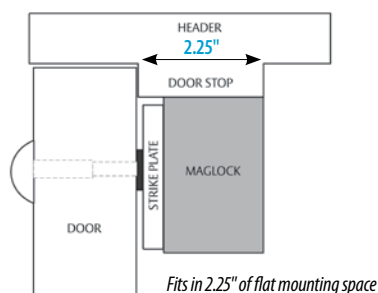
The M38 electromagnetic lock is ideal for traffic control in high-use areas within secured or monitored perimeters. Offerings include solutions for interior rooms, closets and hallways where reliability, high durability and low-maintenance are required. Bracket mounting and wiring chamber provide quick, accurate installation.

PRODUCT FEATURES

- Bracket mounts easily using common tools
- Internal wire access chamber
- Automatic dual voltage - no field adjustment required
- Instant release circuit - no residual magnetism
- Efficient, low power usage
- All ferrous metal surfaces plated for durability and rust resistance
- MagnaCare Lifetime Replacement No Fault Warranty

PRODUCT OPTIONS

- Flexible mounting options for
 - › Out-swing doors
 - › In-swing doors
 - › Metal, wood, Herculite or glass-with-aluminum frame
- Dress Covers
- Senstat
- Door position switch
- LED indicator
- Anti-tamper switch



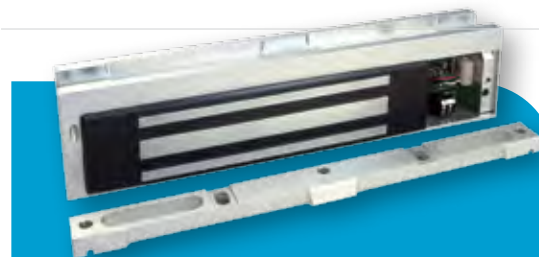
MODELS Part # Description

M38 Magnalock® Model 38	M38DS M38, Door Position, Senstat	M38ST M38, Senstat, Tamper
M38D M38, Door Position	M38DST M38, Door Position, Senstat, Tamper	M38T M38, Tamper
M38DL M38, Door Position, LED	M38DT M38, Door Position, Tamper	M38/68D-KIT Retrofit Door Position Switch for M38 or M68
M38DLS M38, Door Position, LED, Senstat	M38L M38, LED	M38T-KIT Retrofit Anti- Tamper Switch for M38
M38DLST M38, Door Position, LED, Senstat, Tamper	M38LS M38, LED, Senstat	
M38DLT M38, Door Position, LED, Tamper	M38LT M38, LED, Tamper	
	M38S M38, Senstat	

For dress cover and bracket options model numbers, see page 15 and 27.

M38 SERIES

600lbs Holding Force



Specifications:

- UL 10C Listed
- CAN4-S104, CAN/ULC-S533 Listed
- ANSI/UL 294 Listed
- CSA-C22.2 No.205 Listed
- ANSI/BHMA 156.23, Grade 1; E18501-1000
- NFPA 101
- CSFM- California State Fire Marshal Approved
- Holding Force: 600lbs [272 kg]
- Dimensions: 10-1/2" L x 1-11/16" D x 2-1/2" H

Electrical:

350mA at 12VDC
170mA at 24VDC

Operating Temperature:

+32 to +110F
[0 to +43C]

Recommended for indoor use

Shipping Weight:
8lbs [3.63 kg]

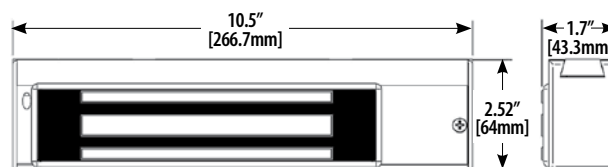
Finishes:

US28/628 - Brushed Aluminum

US32/629 - Polished Stainless (Dress Cover)

US03/605 - Polished Brass (Dress Cover)

BK - Black (Dress Cover)



SECURITRON®
ASSA ABLOY

M68 SERIES

1200lbs Holding Force



Specifications:

- UL 10C Listed
- CAN4-S104, CAN/ULC-S533 Listed
- ANSI/UL 294 Listed
- CSA-C22.2 No.205 Listed
- ANSI/BHMA 156.23, Grade 1; E18501-1000
- NFPA 101
- CSFM- California State Fire Marshal Approved
- Holding Force: 1200lbs [544 kg]
- Dimensions: 10-1/2" L x 2" D x 3-5/8" H

Electrical:

250mA at 12VDC
125mA at 24VDC

Operating Temperature:

+32 to +110F
[0 to +43C]

Recommended for indoor use

Shipping Weight:

13lbs [5.44 kg]

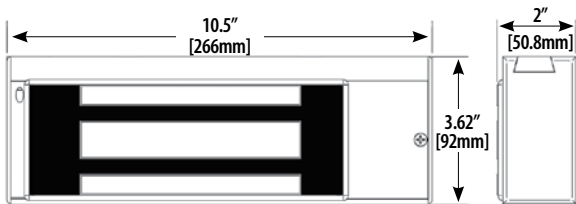
Finishes:

US28/628 - Brushed Aluminum

US32/629 - Polished Stainless (Dress Cover)

US03/605 - Polished Brass (Dress Cover)

BK - Black (Dress Cover)



SECURITRON
ASSA ABLOY



Bracket Mounted with Easy Installation for Higher Security Interior Applications

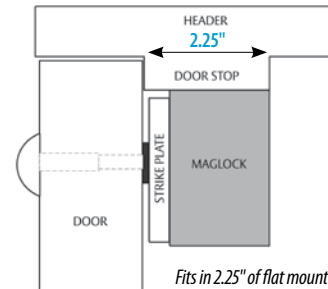
Ideal for traffic control in high-use areas where higher security is needed, the M68 electromagnetic lock provides reliability, durability and strength with low maintenance and efficient power consumption. Bracket mounting and wiring chamber provide ease of installation.

PRODUCT FEATURES

- Strong hold and low maintenance
- Bracket mounts easily using common tools
- Internal wire access chamber
- Automatic dual voltage - no field adjustment required
- Instant release circuit - no residual magnetism
- Efficient, low power usage
- All ferrous metal surfaces plated for durability and rust resistance
- MagnaCare Lifetime Replacement No Fault Warranty

PRODUCT OPTIONS

- Flexible mounting options for
 - › Out-swing doors
 - › In-swing doors
 - › Metal, wood, Herculite or glass-with-aluminum frames
- Dress Covers
- Senstat
- Door position switch
- LED indicator
- Anti-tamper switch



MODELS

Part #
Description

M68

Magnalock
Model 68

M68D

M68, Door Position

M68DL

M68, Door Position,
LED

M68DLS

M68, Door Position,
LED, Senstat

M68DLST

M68, Door Position,
LED, Senstat,
Tamper

M68DLT

M68, Door Position,
LED, Tamper

M68DS

M68, Door Position,
Senstat

M68DST

M68, Door Position,
Senstat, Tamper

M68DT

M68, Door Position,
Tamper

M68L

M68, LED

M68LS

M68, LED, Senstat

M68LT

M68, LED, Tamper

M68S

M68, Senstat

M68ST

M68, Senstat,
Tamper

M68T

M68, Tamper

M38/68D-KIT

Retrofit Door
Position Switch for
M38 or M68

M68T-KIT

Retrofit Anti-
Tamper Switch
for M68

For dress cover and bracket option model numbers, see page 15.
For filler plates and header brackets, see page 27.

M38/M68 SERIES Options & Upgrades

DC » Dress Covers

- Available for the M38 and M68
- Install using foam adhesive tape

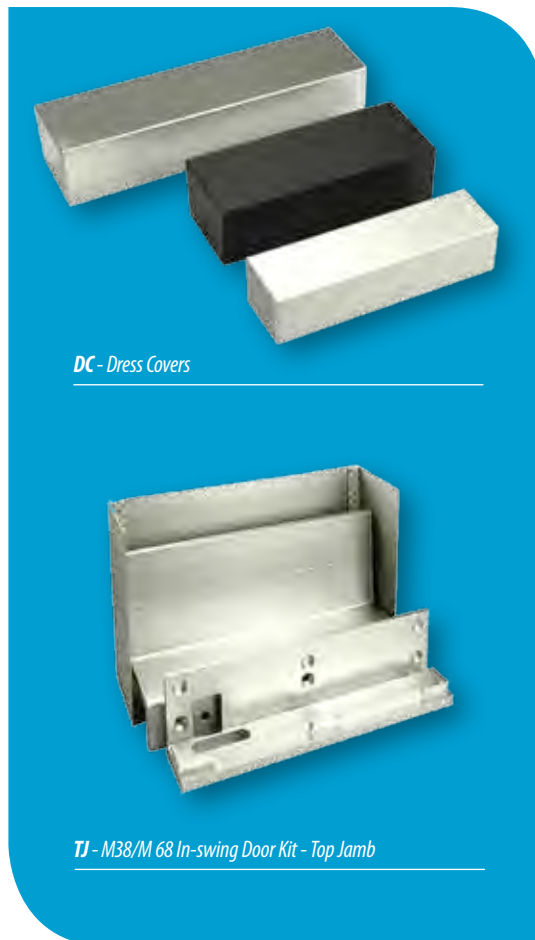
» MODELS		Part # Description
DC-38BK	DC - M38, Black	DC-38BP DC - M38, Brass Polished
DC-38SP	DC - M38, Stainless Polished	
DC-68SP	DC - M68, Stainless Polished	DC-68BP DC - M68, Brass Polished
DC-68BK	DC - M68, Black	

TJ » M38/M68 In-swing Door Kit - Top Jamb

- Used to mount the M38 or M68 lock on the secure side of a door that swings into a secured area
- Includes a Z-Bracket and an oversized Dress Cover

» MODELS		Part # Description
TJ-38BK	In-swing Door Kit - M38, Black	TJ-68BK In-swing Door Kit - M68, Black
TJ-38CL	In-swing Door Kit - M38, Clear	
TJ-68CL	In-swing Door Kit - M38, Clear	

Note: M38/M68 may also be used with SFP and UHB brackets. See page 27.



DC - Dress Covers

TJ - M38/M 68 In-swing Door Kit - Top Jamb

SECURITRON®
ASSA ABLOY

M34R SERIES

500lbs Holding Force



Specifications:

- UL 10C Listed
- CAN4-S104, CAN/ULC-S533 Listed
- CSFM- California State Fire Marshal Approved
- CE:EN 50091-1, EN 61000-6-2 Approved
- NEMA: 4X
- IEC: IP66
- Holding Force: 500lbs [227 kg]
- Dimensions: 10-1/2" L x 1-1/8" D x 1-1/2" H

Electrical:

320mA at 12VDC
170mA at 24VDC

Operating Temperature:

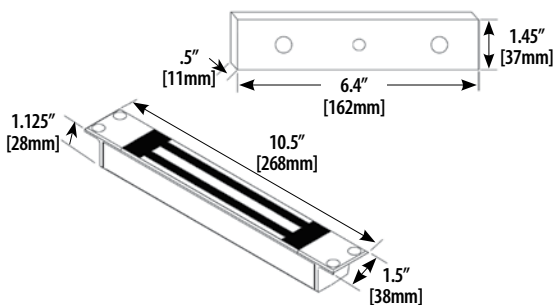
-40 to +140F
[-40 to +60C]
Indoor or Outdoor use

Shipping Weight:

5lbs [2.23 kg]

Finishes:

US32D/630 - Satin
Stainless Steel



SECURITRON
ASSA ABLOY



Recessed Magalock® for Traffic Control

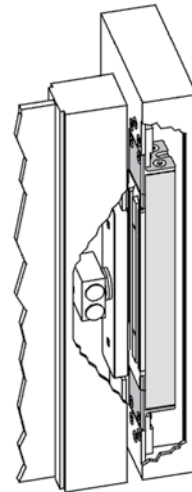
The M34R secures sliding doors with Magalock strength for traffic control applications within a monitored perimeter. The recessed design conceals the maglock for hidden protection that blends with the aesthetics of the opening. Works great on automatic single sliding doors or on sliding doors for storage closets, patios and more.

PRODUCT FEATURES

- Recessed for aesthetically appealing finish
- Fully sealed and conformal coated for weatherproof operations
- Sealed 10 ft. [3.05m] jacketed, stranded conductor cable
- Automatic dual voltage - no field adjustment required
- Instant release circuit - no residual magnetism
- Noise suppression - no interference with sensitive electronics
- Efficient, low power usage
- All ferrous metal surfaces plated for durability and rust resistance
- MagnaCare Lifetime Replacement No Fault Warranty

PRODUCT OPTIONS

- BondSTAT magnetic bond sensor - Patented
- Integrated door position switch



MODELS Part # Description

M34R
Magalock
Model 34 - Recessed

M34RB
M34 - Recessed,
Mag Bond Sensor

M34RBD
M34 - Recessed,
Mag Bond Sensor,
Door Position Switch

M34RD
M34 - Recessed,
Door Position Switch

The Ultimate in Magalock® Reliability for Indoor/Outdoor Traffic Control

The M32 electromagnetic lock is ideal for traffic control in high-use areas within secured or monitored perimeters.

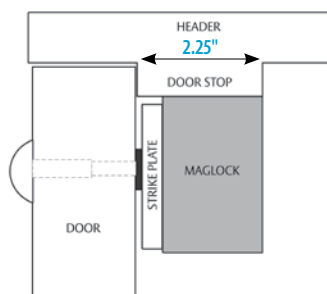
With unsurpassed durability, the M32 will last long after most buildings wear out. Applications include storage areas, rooms, and hallways where reliability, high durability and low-maintenance are required.

PRODUCT FEATURES

- Ultra-secure Direct Mount to the door frame for strength and reliability
- Fully sealed and conformal coated for weatherproof operations
- Sealed 10 ft. [3.05m] jacketed, stranded conductor cable
- Automatic dual voltage - no field adjustment required
- Instant release circuit - no residual magnetism
- Noise suppression – no interference with sensitive electronics
- Efficient, low power usage
- All ferrous metal surfaces plated for durability and rust resistance
- MagnaCare Lifetime Replacement No Fault Warranty

PRODUCT OPTIONS

- Flexible mounting options for
 - › *Out-swing doors*
 - › *In-swing doors*
 - › *Metal, wood, Herculite or glass with aluminum frame*
- BondSTAT magnetic bond sensor - Patented
- Integrated door position switch



Fits in 2.25" of flat mounting space

MODELS Part # Description

M32

Magalock
Model 32

M32F

M32, Face Mount

M32FB

M32, Face Mount,
Magnetic Bond
Sensor

M32FBD

M32, Face Mount,
Magnetic Bond
Sensor, Door
Position Switch

M32FD

M32, Face Mount,
Door Position
Switch

M32B

M32, Magnetic
Bond Sensor

M32BD

M32, Magnetic
Bond Sensor, Door
Position Switch

M32D

M32, Door
Position Switch

For dress cover and bracket option model numbers, see pages 27-32.

M32 SERIES

600lbs Holding Force



Specifications:

- UL 10C Listed
- CAN4-S104, CAN/ULC-S533 Listed
- ANSI/UL 294 Listed
- CSA-C22.2 No.205 Listed
- ANSI/BHMA 156.23, Grade 1; E08501-500
- NFPA 101
- CSFM- California State Fire Marshal Approved
- MEA – City of New York Approved
- CE:EN 50091-1, EN 61000-6-2 Approved
- NEMA: 4X
- IEC: IP66
- Holding Force: 600lbs [272 kg]
- Dimensions: 8" L x 1-3/5" D x 1-5/8" H

Electrical:

300mA at 12VDC
150mA at 24VDC

Operating Temperature:

-40 to +140F
[-40 to +60C]
Indoor or Outdoor use

Shipping Weight:

6lbs [2.72 kg]

Finishes:

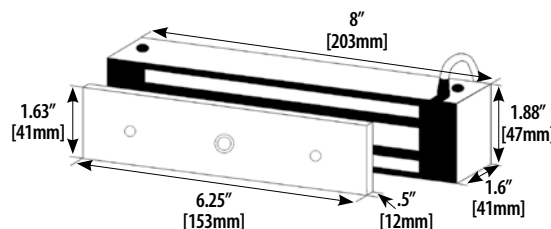
US32D/630 - Satin
Stainless Steel Finish

CL - Clear (Dress Cover)

BK - Black (Dress Cover)

US32/629 - Polished
Stainless (Dress Cover)

US03/605 - Polished
Brass (Dress Cover)



SECURITRON®
ASSA ABLOY

M62 SERIES

1200lbs Holding Force



Specifications:

- UL 10C Listed
- CAN4-S104, CAN/ULC-S533 Listed
- ANSI/UL 294 Listed
- CSA-C22.2 No.205 Listed
- ANSI/BHMA 156.23, Grade 1; E08501-1000
- NFPA 101
- CSFM- California State Fire Marshal Approved
- MEA – City of New York Approved
- CE:EN 50091-1, EN 61000-6-2
- NEMA: 4X
- IEC: IP66
- Holding Force: 1200lbs. [544 kg]
- Dimensions: 8" L x 1-3/4" D x 3" H

Electrical:

250mA at 12VDC
150mA at 24VDC

Operating Temperature:

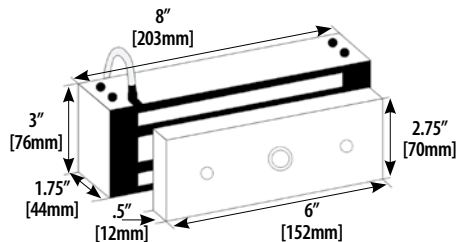
-40 to +140F
[-40 to +60C]
Indoor or Outdoor use

Shipping Weight:

11lbs [5 kg]

Finishes:

US32D/630 -
Satin Stainless Steel
CL - Clear (Dress Cover)
BK - Black (Dress Cover)
US32/629 - Polished
Stainless (Dress Cover)
US03/605 - Polished
Brass (Dress Cover)



SECURITRON
ASSA ABLOY



The Ultimate in Magnalock® Versatility for Indoor/Outdoor Higher Security

The M62 is a strong, easy-to-maintain solution for interior, perimeter and exterior access control. With unsurpassed durability, the M62 will last long after most buildings wear out. Flexible mounting options support applications for hollow metal, concrete filled metal, wood, or glass with aluminum frames, and Herculite doors. Options include single and double door configurations, or specialty applications such as gates and fences.

PRODUCT FEATURES

- Ultra-secure Direct Mount to door frame for strength and reliability
- Fully sealed and conformal coated for weatherproof operations
- Sealed ten foot [3.05m] jacketed, stranded conductor cable
- Automatic dual voltage - no field adjustment required
- Instant release circuit - no residual magnetism
- Noise suppression - no interference with sensitive electronics
- Efficient, low power usage
- All ferrous metal surfaces plated for durability and rust resistance
- Fits in 2.5" of flat space
- MagnaCare Lifetime Replacement No Fault Warranty

PRODUCT OPTIONS

- Flexible mounting options for
 - › *Out-swing doors*
 - › *In-swing doors*
 - › *Metal, wood, Herculite or glass with aluminum frames*
 - › *Swinging and sliding gates*
- BondSTAT magnetic bond sensor - Patented
- Integrated door position switch
- Universal threaded conduit fitting is 1/2" female - 3/4" male
- Split Strike Plates and Offset Strike Plates

MODELS Part # Description

M62 Magnalock Model 62	M62FBD M62, Face Mount, Mag Bond Sensor, Door Position Switch	M62FGD M62, Face Mount, Conduit, Door Position Switch
M62B M62, Mag Bond Sensor	M62FD M62, Face Mount, Door Position Switch	M62G M62, Conduit
M62BD M62, Mag Bond Sensor, Door Position Switch	M62FG M62, Face Mount, Conduit	M62GB M62, Conduit, Mag Bond Sensor
M62D M62, Door Position Switch	M62FGB M62, Face Mount, Conduit, Mag Bond Sensor	M62GBD M62, Conduit, Mag Bond Sensor, Door Position Switch
M62F M62, Face Mount	M62FGBD M62, Face Mount, Conduit, Mag Bond Sensor, Door Position Switch	M62GD M62, Conduit, Door Position Switch
M62FB M62, Face Mount, Mag Bond Sensor		

For dress cover and bracket option model numbers, see pages 27-32.
For gate bracket options, see pages 41 and 42.

Magnalock® Installation Kit

OFFSET STRIKES »

- An offset strike may be required for proper installation of the M62 in aluminum frame door applications

» MODELS Part # Description

M62-OS

M62, Offset Strike

M62G-OS

M62, Conduit, Offset
Strike

M62B-OS

M62, Mag Bond
Sensor, Offset Strike

M62BD-OS

M62, Mag Bond
Sensor, Door
Position Switch,
Offset Strike

SPLIT STRIKES »

- A pair of Split Strikes may be used for each leaf of a double door with no mullion to provide traffic control using a single magnet

» MODELS Part # Description

M62-SS

M62, Split Strike

M62B-SS

M62, Mag Bond
Sensor, Split Strike

IK » Installation Kit

- This convenient, cost effective kit contains everything an installer needs to achieve professional, high quality Securitron Magnalock® installations. The IK offers substantial savings over purchasing the same items separately.

Securitron's original Installation Kit includes the following components:

Tool Box

Heavy Duty Drill Guide

Blind Nut Placement Tool

Sex Bolt – M32/M62/M82

T-Handle Hex Wrench

Hardware Packs –
M32, M62/M82

Rubber Washers

Flat Washers

Insulated Crimp Connectors

Threadlock

1/8" Cobalt Drill Bit

3/8" Cobalt Drill Bit

3/8" Carbide Drill Bit

1/2" High Speed Drill Bit

Blind Nuts with Collapsing Tool

Finish Caps

Long Screw Pack

Product Installation CD



Offset Strikes

Split Strikes

IK - Installation Kit

SECURITRON®
ASSA ABLOY

DM62 SERIES

Double Magnalock



Specifications:

- UL 10C Listed
- CAN4-S104, CAN/ULC-S533 Listed
- ANSI/BHMA 156.23, Grade 1; E08511-1000
- NFPA 101
- CSFM- California State Fire Marshal Approved
- NEMA: 4X
- IEC: IP66
- Holding Force: 1200lbs [544 kg] per lock
- Dimensions: 22" L x 1-3/4" D x 3" H

Electrical:

250mA at 12VDC/lock
150mA at 24VDC/lock

Operating Temperature:

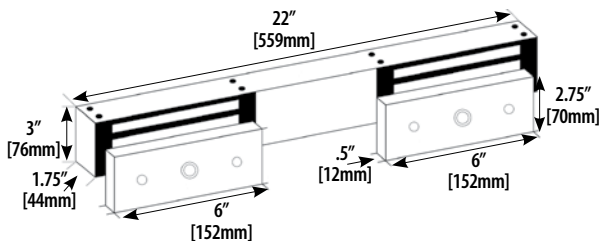
-40 to +140F
[-40 to +60C]
Indoor or Outdoor use

Shipping Weight:

16lbs [7.26 kg]

Finishes:

US32D/630 – Satin
Stainless Steel Finish



The Ultimate Magnalock® Double Magnet for Indoor/Outdoor Higher Security

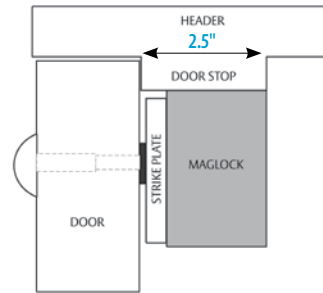
The versatile DM62 electromagnetic lock offers strength and ease of maintenance for interior, perimeter and exterior access control - in a compact double magnet. This all-in-one unit is designed for double doors with no mullion. With unsurpassed durability, the DM62 will last long after most buildings wear out.

PRODUCT FEATURES

- Ultra-secure Direct Mount to door frame for strength and reliability
- Fully sealed and conformal coated for weatherproof operations
- Sealed 18" [45.7cm] jacketed, stranded conductor cable for each lock
- Automatic dual voltage - no field adjustment required
- Instant release circuit - no residual magnetism
- Noise suppression - no interference with sensitive electronics
- Efficient, low power usage
- All ferrous metal surfaces plated for durability and rust resistance
- MagnaCare Lifetime Replacement No Fault Warranty

PRODUCT OPTIONS

- Flexible mounting options for
 - › *Out-swing doors*
 - › *Metal or wood doors*
- BondSTAT magnetic bond sensor - Patented
- Integrated door position switch
- Offset strike plates



The DM62 with Strike fits in 2.5" of flat mounting space

MODELS Part # Description

DM62
Double Magnalock
Model DM62

DM62-OS
DM62, Offset Strike

DM62B
DM62, Mag Bond
Sensor

DM62BD
DM62, Mag Bond
Sensor, Door
Position Switch

DM62B-OS
DM62, Mag Bond
Sensor, Offset
Strike

DM62D
DM62, Door
Position Switch

ASCWB-DM62CL
Combo ASB/CWB
Bracket - DM62,
Clear, 22"

For bracket option model numbers, see page 28.

SECURITRON
ASSA ABLOY



Magnalock® Industrial Strength Hold for Challenging Indoor/Outdoor Environments

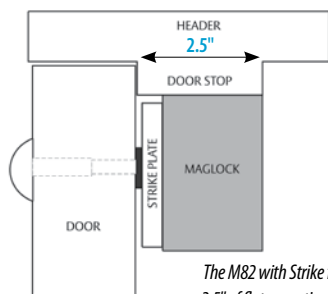
The M82 electromagnetic lock offers unsurpassed magnetic-holding strength, durability and ease of maintenance for interior, perimeter and exterior access control applications in high-risk environments. With unsurpassed durability, the M82 will last long after most buildings wear out. Flexible mounting options are available for higher security locations and other environments where extreme forces may be encountered.

PRODUCT FEATURES

- Ultra-secure Direct Mount to door frame for strength and reliability
- Fully sealed for weatherproof and tamper-resistant operations
- Sealed 10 ft. [3.05m] jacketed, stranded conductor cable
- Automatic dual voltage - no field adjustment required
- Instant release circuit - no residual magnetism
- Noise suppression - no interference with sensitive electronics
- Efficient, low power usage
- All ferrous metal surfaces plated for durability and rust resistance
- MagnaCare Lifetime Replacement No Fault Warranty

PRODUCT OPTIONS

- Flexible mounting options for out-swing doors, in-swing doors and metal or wood doors
- BondSTAT magnetic bond sensor - Patented
- Integrated door position switch
- Universal threaded conduit fitting is 1/2" female - 3/4" male
- Split Strike Plates and Offset Strike Plates available



MODELS Part # Description

M82B
Magnalock Model 82, Mag Bond Sensor

M82BD
M82, Mag Bond Sensor, Door Position Switch

M82B-SS
M82, Mag Bond Sensor, Split Strike

M82FB
M82, Face Mount, Mag Bond Sensor

M82FBD
M82, Face Mount, Mag Bond Sensor, Door Position Switch

M82FGB
M82, Face Mount, Conduit, Mag Bond Sensor

M82FGBD
M82, Face Mount, Conduit, Mag Bond Sensor, Door Position Switch

M82GB
M82, Conduit, Mag Bond Sensor

M82GBD
M82, Conduit, Mag Bond Sensor, Door Position Switch

For dress cover and bracket option model numbers, see pages 27-32.

M82B SERIES

1800lbs Holding Force



Specifications:

- UL 10C Listed
- CE:EN 50091-1, EN 61000-6-2
- CAN4-S104, CAN/ULC-S533 Listed
- NEMA: 4X
- ANSI/UL 294 Listed
- IEC: IP66
- ANSI/BHMA 156.23, Grade 1; E08501-1500
- Holding Force: 1800lbs [816 kg]
- NFPA 101
- Dimensions: 12" L x 1-3/4" D x 3" H
- CSFM - California State Fire Marshal Approved

Electrical:

350mA at 12VDC
200mA at 24VDC

Operating Temperature:

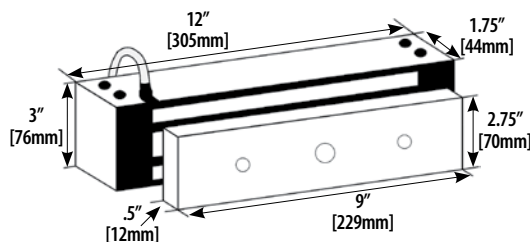
-40 to +140F
[-40 to +60C]
Indoor or Outdoor use

Shipping Weight:

16lbs [7.26 kg]

Finishes:

- US32D/630 - Satin Stainless Steel Finish
- CL - Clear (Dress Cover)
- BK - Black (Dress Cover)
- US32/629 - Polished Stainless (Dress Cover)
- US03/605 - Polished Brass (Dress Cover)



SAM

1200lbs Shear Aligning Magnalock®



Specifications:

- UL 10C Listed
- CAN4-S104, CAN/ULC-S533 Listed
- ANSI/UL 294 Listed
- ANSI/BHMA 156.23, Grade 1; E08561-1000, E08571-1000, E08581-1000, E08591-1000
- CSFM - California State Fire Marshal Approved
- CE:EN 50091-1, EN 61000-6-2
- NEMA: 4X
- IEC: IP66
- Holding Force: 1200lbs [544 kg]

Dimensions:

Magnalock: 10-7/8" L
x 1-3/16" D x 1-1/2" H
Strike: 10-7/8" L x
1-7/16" D x 1-1/2" H

Patent numbers:

6,007,119; 6,135,515;
1,021,633; 741,880;
ZL98809925X

Electrical:

320mA at 12VDC
170mA at 24VDC

Operating Temperature:

-40 to +140F
[-40 to +60C]

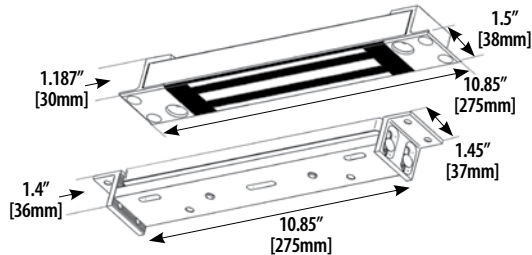
Indoor or Outdoor use

Shipping Weight:

6lbs [2.72 kg]

Finishes:

US32D/630 - Satin
Stainless Steel Finish



Hidden Strength at Any Angle for Any Application

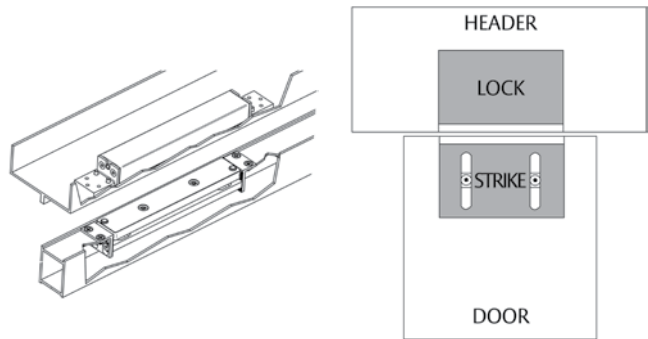
Magnalock quality with concealed holding force and flexible mounting options for the most challenging door control situations. The SAM Shear Aligning Magnalock mounts fully concealed into wood, steel, aluminum or Herculite doors in any position: top, side or bottom. The SAM also has mounting options for swing through and sliding single or double doors.

PRODUCT FEATURES

- Secure mounted to door frame for strength and reliability
- Fully sealed and conformal coated for weatherproof operations
- Sealed 10 ft. [3.05m] jacketed, stranded conductor cable
- Automatic dual voltage - no field adjustment required
- Instant release circuit - no residual magnetism
- Noise suppression - no interference with sensitive electronics
- Efficient, low power usage
- All ferrous metal surfaces plated for durability and rust resistance
- MagnaCare Lifetime Replacement No Fault Warranty

PRODUCT OPTIONS

- Flexible mounting options for
 - › *Out-swing*
 - › *In-swing*
 - › *Swing through*
 - › *Sliding*
 - › *Metal, wood, Herculite and glass door with aluminum frame*
 - › *Surface mounting for magnet or strike plate*
- BondSTAT magnetic bond sensor - Patented
- Integrated door position switch
- Narrow strike plate



MODELS Part # Description

SAM
Shear Aligning
Magnalock®

SAMB
SAM, Mag Bond
Sensor

SAMBD
SAM, Mag Bond
Sensor, Door
Position Switch

SAMD
SAM, Door Position
Switch

SAMN
SAM, Narrow Strike
Plate

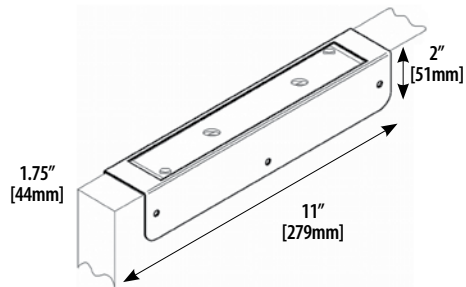
SECURITRON®
ASSA ABLOY



SAM Accessories

SWB » SAM Wood Bracket

- SAM Wood Door Bracket provides additional strength and protection for the SAM strike plate in wood door applications



» MODELS

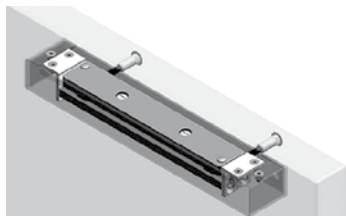
SWB-26D
SAM Wood Door
Bracket, Clear

SWB-10B
SAM Wood Door
Bracket, Oil Rubbed
Bronze

SWB-03
SAM Wood Door
Bracket, Polished
Brass

SAM » Surface Mount Kit

- For specialty applications
- Permits the SAM magnet, strike or both to be surface mounted when mortising is not possible
- Stainless Steel

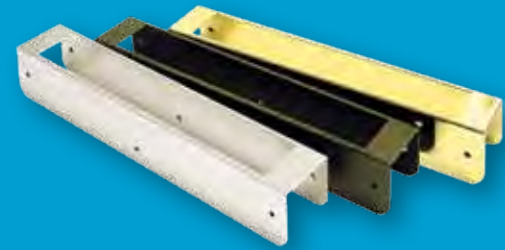


SMSS

» MODELS

SMLS
Surface Mount
Lock Housing

SMSS
Surface Mount
Strike Housing



SWB - SAM Wood Bracket



SMLS, SMSS - Surface Mount Kit

SECURITRON
ASSA ABLOY

iMXDa

Integrated Movement Exit Delay with Advanced Technology



Specifications:

- CAN/ULC-S533 Listed
- ANSI/UL 294 Listed
- NFPA 101
- Holding Force: 1200lbs [544 kg]
- Dimensions: 12-1/2" L x 2" D x 3-5/8" H
- Patent Numbers: 5,758,913; 6,609,738
- Patents Pending

Electrical:

370mA max at 12VDC
270mA max at 24VDC

Operating Temperature:

+32 to +104F
[0 to +40C]

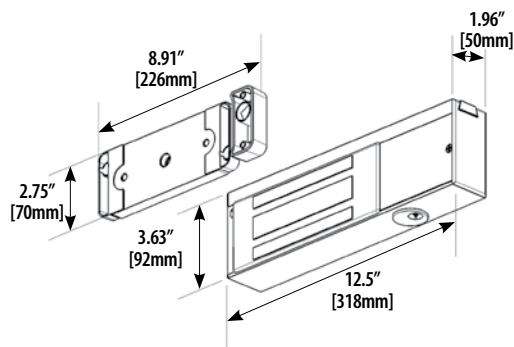
Recommended for indoor use

Shipping Weight:

15lbs [6.80 kg]

Finishes:

US32D/630 - Satin
Stainless Steel



Magnalock® Reliability with All-In-One Exit Delay

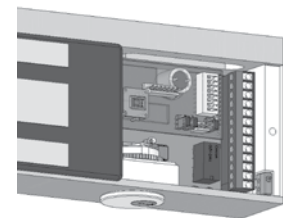
Prevent losses at emergency exits with iMXDa. An attempted exit initiates an alarm and a brief delay before the lock releases, giving personnel time to respond before an exit occurs. Protect memory care wards, hospitals, dormitories, airports, child care facilities and retail or warehouse environments. Used on out-swing doors, installation requires no alteration or replacement of existing fire-rated or non-fire-rated latching hardware.

PRODUCT FEATURES

- Fully integrated delay and detection features for fast installation of delayed egress system
- Easily adjustable door movement detection from 1/8" [3.2mm] to 1" [25mm]
- Bracket mounted for ease of installation
- Automatic dual voltage - no field adjustment required
- Permits free egress in emergency situations
- Efficient, low power usage
- Compact 12-1/2" length can be used with most door closers
- BondSTAT and Integrated Door Position Switch (DPS) included
- Internal wire access chamber with tamper switch
- Easily visible LEDs indicate status on secure side of door
- Advanced intelligent microprocessors provide alarm options and trainable door movement detection to minimize false alarms
- Configurable settings include
 - › Nuisance alarm times - 0 to 3 seconds
 - › Irrevocable delay times - 15 or 30 seconds - user selectable
 - › External bypass delay times - 0, 5, 10, or 15 seconds
 - › Post alarm reminder - user selectable
 - › Bypass expiration alarm - user selectable
 - › Manual relock or delayed automatic relock (BOCA) - user selectable
- External alarm relay isolated dry contact (1A at 24VDC)
- External reset
- All ferrous metal surfaces plated for durability
- MagnaCare Lifetime Replacement No Fault Warranty
- Instant release circuit - no residual magnetism

PRODUCT OPTIONS

- iEXD version allows alarm initiation via an external panic device



SECURITRON®
ASSA ABLOY



MODELS Part # Description

iMXDa
Integrated Motion
Exit Delay System -
Advanced

iEXDa
Integrated Electronic
Exit Delay System -
Advanced

Build an Exit Delay System Customized to Your Specific Environment

When the demands of your door environment require customized components, Securitron's UL/ULC Exit Delay System (EXD) delivers a system that meets your specific needs. EXD provides modular delayed egress that complies with NFPA 101 Life Safety Code and conforms to BOCA, UBC, SBC and National Building Code of Canada. This modular approach suits the specific locking requirements of all doors, as well as the desired level of physical security and ease of maintenance.

COMPONENT EXD

Modular Exit Delay System

With modular upgrades, maintenance and replacement, Securitron Component EXD evolves with your changing access control needs.

1. Select a LOCKING DEVICE (one per door)

Choose from Maglock® Series: M32, M38, M62, M68, M82, or SAM



2. Choose an INITIATE DEVICE (one per door)

Determine type of egress - Egress Control Only or Egress Control w/Electronic Access Capability

Determine door type - Fire Rated or Non-Fire Rated

Choose from:

Securitron: SB-MXD, LML, LMS, DSB, TSB, TSH, EMB

Sargent: 80 Series w/55 prefix

Adams Rite: 3700, 3600, 3300 & 3100



3. Choose an EXIT DELAY TIMER (one per opening)

Choose from: XDT, BA-XDT, FA-XDT

Note: If XDT is chosen, a sounder must be installed. If BA-XDT or FA-XDT, a Sonalert and exit sticker are included

More than one door requires purchase of additional EXD-1L Door Label



4. Choose a SYSTEM RESET (one per opening)

Choose from:

Manual Reset: MK Series w/momentary switch

Automatic Reset: DPS-W and DPS-M

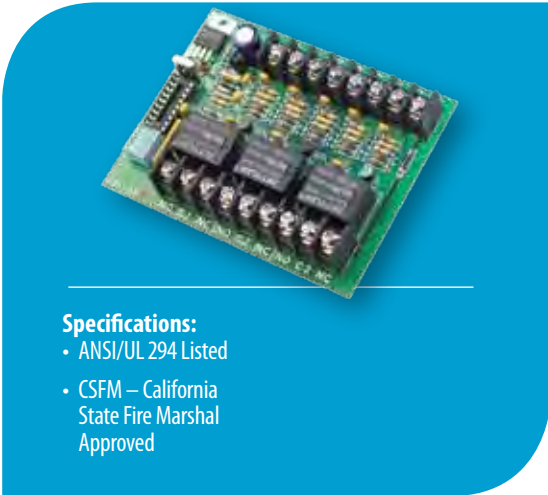
Note: Manual Reset (NBC of Canada, NFPA 101 & UBC) or Automatic Reset (UBC & BOCA).

Please consult local jurisdiction for specific requirements.



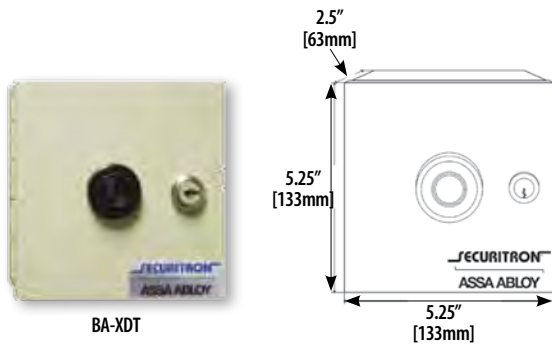
XDT

Exit Delay Initiate Device



Specifications:

- ANSI/UL 294 Listed
- CSFM – California State Fire Marshal Approved



BA-XDT



SB-MXD - Exit Delay initiate Device

Sophisticated Control in an Easy To Use, Modular Exit Delay Timer

Configurable exit delay is ideal for fail-safe environments that have varying needs throughout the day. Function is compatible with entry control, door/lock monitoring, and authorized immediate exit. Widely used in health-care environments to alert for patient exit and in retail environments to prevent theft.

PRODUCT FEATURES

- Meets all code requirements including the BOCA 30 second relock function
- Nuisance delay and release times are digitally set using precise DIP switches
- Three 5 Amp SPDT relays for interface capabilities
- External switches such as time clocks can put the XDT into different modes when delayed exit is not desired at all times

PRODUCT OPTIONS

- 12VDC
- 24VDC
- XDT is board only
- BA-XDT in surface mount enclosure with piezo sounder and door label
- FA-XDT is a flush mount plate enclosure with piezo sounder and door label

MODELS Part # Description

XDT-12
Exit Delay Timer
12VDC

XDT-24
Exit Delay Timer
24VDC

BA-XDT-12
Exit Delay Timer
Surface Mount Box
12VDC

BA-XDT-24
Exit Delay Timer
Surface Mount Box
24VDC

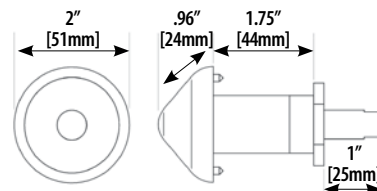
FA-XDT-12
Exit Delay Timer
Flush Mount 12VDC

FA-XDT-24
Exit Delay Timer
Flush Mount 24VDC

EXD-1L
Exit Delay Door
Label *Push Until
Alarm Sounds...30
Seconds*

SB-MXD » Exit Delay Initiate Device

- The SB-MXD detects door movement and initiates a signal for delayed egress when used in conjunction with Securiton's XDT logic timers. Door movement tolerance ranges from 1/2" - 3/4" [12-18mm]. Options are available for standard, thin and thick doors.



MODELS Part # Description

SB-MXD
Door Movement
Sex Bolt Kit

Request part 390-15690 for doors > 2" thick
Request part 390-15650 for doors < 1.75" thick

SECURITRON
ASSA ABLOY



SFP » Stop Filler Plate

- Used to fill or extend a door stop
- Creates a flat mounting surface for the Magnalock®
- Available in 1/4", 3/8", 1/2" and 5/8" thickness, all 1-1/4" wide
- Use with M32, M62, M82, M38, M68
- Available in clear aluminum or black anodized



» MODELS Part # Description

SFP-1/2BK-8

SFP 1/2" Black 8"

SFP-1/2BK-12

SFP 1/2" Black 12"

SFP-1/2CL-8

SFP 1/2" Clear 8"

SFP-1/2CL-12

SFP 1/2" Clear 12"

SFP-1/4BK-8

SFP 1/4" Black 8"

SFP-1/4BK-12

SFP 1/4" Black 12"

SFP-1/4CL-8

SFP 1/4" Clear 8"

SFP-1/4CL-12

SFP 1/4" Clear 12"

SFP-3/8CL-8

SFP 3/8" Clear 8"

SFP-3/8BK-12

SFP 3/8" Black 12"

SFP-3/8BK-8

SFP 3/8" Black 8"

SFP-3/8CL-12

SFP 3/8" Clear 12"

SFP-5/8CL-8

SFP 5/8" Clear 8"

SFP-5/8BK-8

SFP 5/8" Black 8"

SFP-5/8CL-12

SFP 5/8" Clear 12"

SFP-5/8BK-12

SFP 5/8" Black 12"

UHB » Universal Header Bracket

- Used to extend the header 1" or 1-1/2"
- Provides a concealed wiring chamber
- Use with M32, M62, M82, M38/M68
- Available in clear aluminum or black anodized



» MODELS Part # Description

UHB-BK-8

UHB, Black 9-1/2"

UHB-BK-12

UHB, Black 13-1/2"

UHB-CL-8

UHB, Clear 9-1/2"

UHB-CL-12

UHB, Clear 13-1/2"

HEB » Header Extension Bracket

- 90 degree angle brackets
- Extends narrow headers to permit proper mounting of Magnalocks
- Use with M32, M62, M82
- Available in clear aluminum or black anodized



» MODELS Part # Description

HEB-1BK-8

HEB 1", Black 8"

HEB-1BK-12

HEB 1", Black 12"

HEB-1CL-8

HEB 1", Clear 8"

HEB-1CL-12

HEB 1", Clear 12"

HEB-2BK-8

HEB 2", Black 8"

HEB-2BK-12

HEB 2", Black 12"

HEB-2CL-8

HEB 2", Clear 8"

HEB-2CL-12

HEB 2", Clear 12"

HEB-3BK-8

HEB 3", Black 8"

HEB-3BK-12

HEB 3", Black 12"

HEB-3CL-8

HEB 3", Clear 8"

HEB-3CL-12

HEB 3", Clear 12"

Magnalock® Accessories



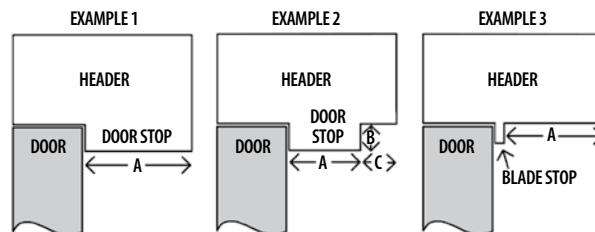
SFP - Stop Filler Plate

UHB - Universal Header Bracket

HEB - Header Extension Bracket

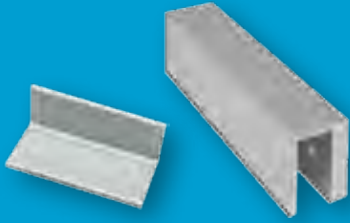
Out-swing Header Configuration Questions?

Unsure which brackets you need for your out-swing application?
Call us with the following measurement(s) based on your frame type.



SECURITRON®
ASSA ABLOY

Magnalock® Accessories



HEB-3G/GDB/AKG - Accessories for Glass Door Installations



ASB - Aluminum Shim Bracket

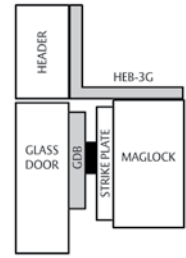


CWB - Concrete Wood Bracket

SECURITRON®
ASSA ABLOY

Accessories for Glass Door Installations

- HEB-3G allows for Magnalock installation on all-glass header when used with AKG
- GDB permits strike plate installation on a solid glass door
- AKG permanently bonds to the glass using a special industrial adhesive
- Strike Plate screws into the bracket, as glass doors cannot be drilled
- Use HEB-3G with M32, M62, 3" x 3" x 8" with specially milled back



» MODELS Part # Description

HEB-3G

HEB - M32, M62
Glass Door 3" x 3"
x 8" with specially
milled back

GDB

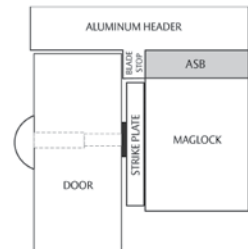
Glass Door Bracket
M32, M38, M62,
M68

AKG

Adhesive Kit (up to
10 applications)

ASB » Aluminum Shim Bracket

- Use when a blade stop requires the Magnalock to be lowered
- Comes pre-drilled for the mounting bolts and wire
- Provides a blind nut for surface installation of strike
- Available in clear aluminum or black anodized



» MODELS Part # Description

ASB-32BK

ASB - M32, Black 8"

ASB-32CL

ASB - M32, Clear 8"

ASB-62BK

ASB - M62, Black 8"

ASB-62CL

ASB - M62, Clear 8"

ASB-82BK

ASB - M82, Black 12"

ASB-82CL

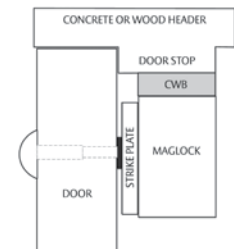
ASB - M82, Clear 12"

ASCWB-DM62CL

Combo ASB/CWB
Bracket - DM62,
Clear 22"

CWB » Concrete Wood Bracket

- Used on wood or concrete filled metal frames
- Provides a concealed wire chamber
- Available in clear aluminum or black anodized



» MODELS Part # Description

CWB-32BK

CWB - M32, Black 8"

CWB-32CL

CWB - M32, Clear 8"

CWB-62BK

CWB - M62, Black 8"

CWB-62CL

CWB - M62, Clear 8"

CWB-82BK

CWB - M82, Black 12"

CWB-82CL

CWB - M82, Clear 12"

Offset Strikes/Replacement Strike Plates

- Alters the position of the mounting hole by 1/4" [6mm]. This is often required to clear the glass on aluminum frame store front doors
- Includes Offset Strike Plate only

» MODELS Part # Description

AOS-62

Replacement 1/4"
Offset Strike - M62,
DM62 (X2), M68

AOS-62D

Replacement 1/4"
Offset DPS Strike -
M62, DM62 (X2)

AOS-82

Replacement 1/4"
Offset Strike - M82

AOS-82D

Replacement 1/4"
Offset DPS Strike
- M82

Split Strikes/Replacement Strike Plates

- Allows a single M32, M62 or M82 Magalock to secure a double door at traffic control holding force level
- Includes Split Strike Plates only

» MODELS Part # Description

ASS-32

Replacement Split
Strike Set - M32,
(3" x 1.62" Each Side)

ASS-62

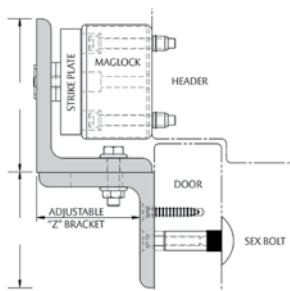
Replacement Split
Strike Set - M62,
(3" x 2.75" Each Side)

ASS-82

Replacement Split
Strike Set - M82,
(4.25" x 2.75" Each Side)

ZA » Z Bracket Kits - Adjustable

- Use on in-swing doors with Magalock "F" options (8.5" overall length)
- Provides 1.25" of lateral movement to accommodate most openings and allows for precision adjustments (2-1/4" to 3-1/2" from door/header)
- Includes an oversized dress cover



» MODELS Part # Description

ZA-32/62BK

Adjustable
Z-Bracket - M32,
M62, Black

ZA-32/62CL

Adjustable
Z-Bracket - M32,
M62, Clear

ZA-32/62SS

Adjustable
Z-Bracket - M32,
M62, Stainless Steel

ZA-82BK

Adjustable
Z-Bracket - M82,
Black

ZA-82CL

Adjustable
Z-Bracket - M82,
Clear

ZA-82SS

Adjustable
Z-Bracket - M82,
Stainless Steel

Magalock® Accessories



AOS - Offset Strikes/Replacement Strike Plates



ASS - Split Strikes/Replacement Strike Plates



ZA - Z Bracket Kits - Adjustable

SECURITRON®
ASSA ABLOY

Magnalock® Accessories



EASB - Energy Absorbing Sex Bolt



TDK-1 - Accessories for Thick Doors

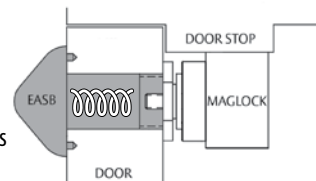


SB-1 - Sex Bolt Replacement Kit

EASB » Energy Absorbing Sex Bolt

The Energy Absorbing Sex Bolt provides additional protection and shock absorption to augment holding force when a door experiences dynamic forces such as kicks or repeated blows. Used in mental health care and detention ancillary or administrative doors, and perimeter doors.

- For high-security applications on inflexible doors
- Replaces the standard Sex Bolt
- Contains a powerful internal spring that absorbs and dissipates the force of a blow



» MODELS Part # Description

EASB-32

Sex Bolt, Energy Absorbing - M32, M38

EASB-62

Sex Bolt, Energy Absorbing - M62, M68

EASB-82

Sex Bolt, Energy Absorbing - M82

EASB-250

.25 Inch Spacer for EASB-62/82

TDK-1 » Accessory for Thick Doors

- The TDK-1 provides replacement screws so armature plates for the M32, M62, M82, M38 and M68 can be used on doors thicker than 1-3/4", and up to 3".

» MODELS Part # Description

TDK-1

Thick Door Kit

SB-1 » Sex Bolt Replacement Kit

- Replaces armature plate sex bolt for M32, M38, M62, M68, and M82B Magnalocks
- Available in clear, polished brass or oil rubbed bronze

» MODELS Part # Description

SB-1

Sex Bolt - Replacement, Clear

SB-1-03

Sex Bolt - Replacement, Polished Brass

SB-1-10B

Sex Bolt - Replacement, Oil Rubbed Bronze

SECURITRON®
ASSA ABLOY

Magnalock® Accessories

DC » Dress Covers

- Use with M32, M62, and M82
- Install using foam adhesive tape
- Available in clear, black, polished stainless and polished brass finish

» MODELS Part # Description

DC-32BK

DC - M32, Black

DC-32BP

DC - M32, Brass
Polished

DC-32CL

DC - M32, Clear

DC-32SP

DC - M32, Stainless
Polished

DC-62BK

DC - M62, Black

DC-62BP

DC - M62, Brass
Polished

DC-62CL

DC - M62, Clear

DC-62SP

DC - M62, Stainless
Polished

DC-82BK

DC - M82, Black

DC-82BP

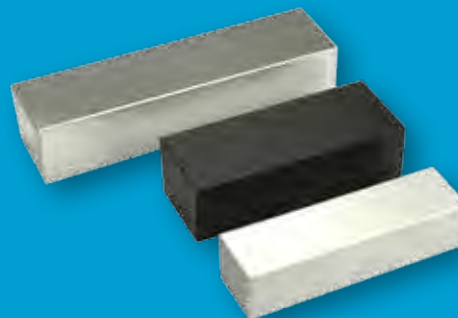
DC - M82, Brass
Polished

DC-82CL

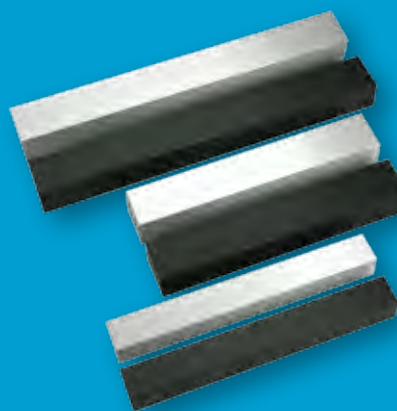
DC - M82, Clear

DC-82SP

DC - M82, Stainless
Polished



DC - Dress Covers



DDC - Double Dress Covers

DDC » Double Dress Covers

- Available in clear and black finish
- For use with a pair of Magnalocks on a double door separated by no more than 2"
- Not for use with the DM62 Magnalock

» MODELS Part # Description

DDC-32BK

DDC - M32, Black

DDC-32CL

DDC - M32, Clear

DDC-62BK

DDC - M62, Black

DDC-62CL

DDC - M62, Clear

DDC-82BK

DDC - M82, Black

DDC-82CL

DDC - M82, Clear

SECURITRON®
ASSA ABLOY

Magnalock® Accessories



HVD-62 - Vertical Housing

Full Length Housings

- Vertical or horizontal configurations
- Fit one or two locks (not included)
- SLR = Single Left Hand Reverse
- SRR = Single Right Hand Reverse

MODELS Part # Description

HHD-32
Full Length
Housing - M32,
Dbl. Horizontal

HHD-62
Full Length
Housing - M62,
Dbl. Horizontal

HHD-82
Full Length
Housing - M82,
Dbl. Horizontal

HHSL-32
Full Length
Housing - M32,
SLR Horizontal

HHSL-62
Full Length
Housing - M62,
SLR Horizontal

HHSL-82
Full Length
Housing - M82,
SLR Horizontal

HHSR-32
Full Length
Housing - M32,
SRR Horizontal

HHSR-62
Full Length
Housing - M62,
SRR Horizontal

HHSR-82
Full Length
Housing - M82,
SRR Horizontal

HVD-32
Full Length
Housing - M32,
Dbl. Vertical

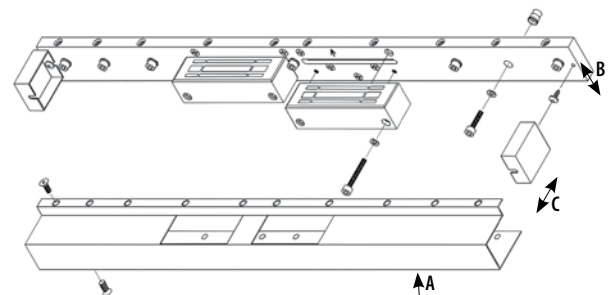
HVD-62
Full Length
Housing - M62,
Dbl. Vertical

HVD-82
Full Length
Housing - M82,
Dbl. Vertical

Reference the table below. Indicate size when ordering.

Model	A	B	C	Max Length*
HHD-32	1.75"	2.1"	2.35"	96"
HHD-62	2.1"	2.6"	3.5"	96"
HHD-82	2.1"	2.6"	3.5"	96"
HHSL-32	1.75"	2.1"	2.35"	48"
HHSL-62	2.1"	2.6"	3.5"	48"
HHSL-82	2.1"	2.6"	3.5"	48"
HHSR-32	1.75"	2.1"	2.35"	48"
HHSR-62	2.1"	2.6"	3.5"	48"
HHSR-82	2.1"	2.6"	3.5"	48"
HVD-32	1.75"	2.1"	2.35"	96"
HVD-62	2.1"	2.6"	3.5"	96"
HVD-82	2.1"	2.6"	3.5"	96"

*Full length housings are individually manufactured to custom specifications up to the maximum length shown.



HHD Horizontal Housing

SECURITRON®
ASSA ABLOY

Light Duty Access Control for Cabinets and Retail Display

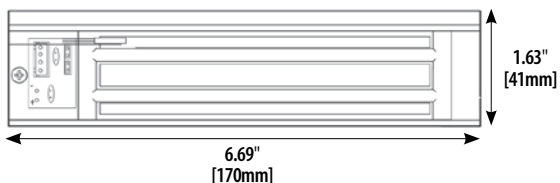
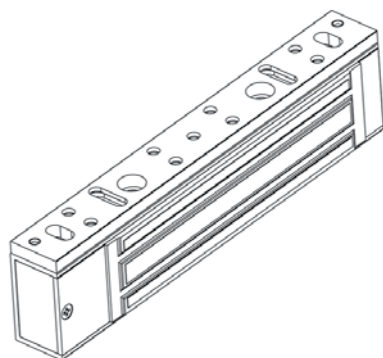
The VM300 is an affordable Securiton solution for securing cases, closets, cabinets, display windows and more. With mounting options for in-swing, out-swing and solid glass doors, this compact solution is ideal for light-duty applications.

PRODUCT FEATURES

- Adjustable bracket for easy mounting
- Wire Access Chamber with Plug-In Connectors
- Dual Voltage 12/24VDC
- Instant release circuit - no residual magnetism
- All ferrous metal surfaces plated for durability and rust resistance
- VistaCare One Year Hassle-Free, No Fault Warranty

PRODUCT OPTIONS

- Mounting options for in-swing, out-swing and solid glass doors
- Bond Sensor



VM300 SERIES

300lbs Holding Force



Specifications:

- ULC Listed
- CAN4-S104, CAN/ULC-S533 Listed
- NFPA 101
- Holding Force: 300lbs [136 kg]
- Dimensions: 6-11/16" L x 7/8" D x 1-5/8" H

Electrical:

300mA at 12VDC
150mA at 24VDC

Operating

Temperature:
+32 to +110F
[0 to +43C]

Recommended for indoor use

Shipping Weight:

2lbs [0.91 kg]

Finishes:

US28/628 -
Brushed Aluminum
Finish



MODELS

Part #
Description

VM300
Vista Model VM300
Maglock

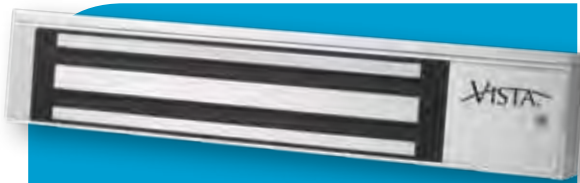
VM300B
VM300, Bond
Sensor



SECURITRON
ASSA ABLOY

VM600 SERIES

600lbs Holding Force



Specifications:

- ULC Listed
- CAN4-S104, CAN/ULC-S533 Listed
- NFPA 101
- Holding Force: 60 lbs [272 kg]
- Dimensions: 9-3/8" L x 1-1/16" D x 1-7/8" H

Electrical:
520mA at 12VDC
260mA at 24VDC

Operating Temperature:
+32 to +110F
[0 to +43C]

Recommended for indoor use

Shipping Weight:
5lbs [2.27 kg]

Finishes:
US28/628 - Brushed Aluminum

An Affordable Securiton Maglock for Interior Applications

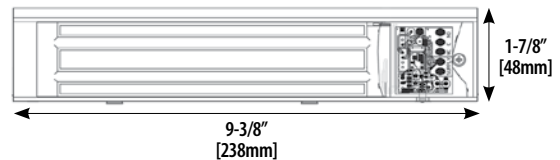
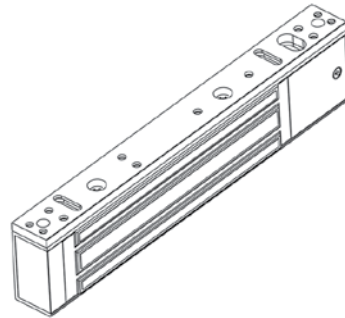
The affordable VM600 offers traffic control for a wide selection of interior applications. Its field-selectable dual voltage and easy bracket-mount installation delivers Securiton value in a no-frills value package.

PRODUCT FEATURES

- Adjustable bracket for easy installation
- Wire Access Chamber with Plug-In Connectors
- Dual Voltage 12/24VDC
- Instant release circuit - no residual magnetism
- All ferrous metal surfaces plated for durability and rust resistance
- VistaCare One Year Hassle-Free, No Fault Warranty

PRODUCT OPTIONS

- Bond Sensor
- Door Position Switch
- Mounting brackets for a variety of installations (Page 36)



SECURITRON
ASSA ABLOY



MODELS Part # Description

VM600
Vista Model VM600
Maglock

VM600DB
VM600, Door
Position Switch,
Bond Sensor

Value and Strength in a No-Frills Package –Retrofits Competitive Footprint

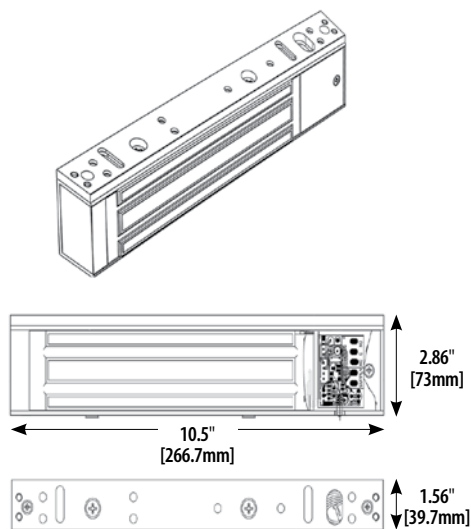
Get Vista Maglock value with 1,200 lbs. of holding force to secure interior and sheltered perimeter doors. The VM1290 is a direct retrofit for the Locknetics 390+ Maglock, complete with a specialized mounting plate to use with existing mounting holes.

PRODUCT FEATURES

- Easy Mount Adjustable Bracket
- Wire Access Chamber with Plug-In Connectors
- Dual Voltage 12/24VDC
- Instant release circuit - no residual magnetism
- All ferrous metal surfaces plated for durability
- VistaCare One Year Hassle-Free, No Fault Warranty
- Retrofits Locknetics 390+ using existing mounting holes (VM1290)

PRODUCT OPTIONS

- Bond Sensor
- Door Position Switch
- Flexible mounting options for out-swing, in-swing, and solid glass doors



VM1200/VM1290 SERIES

1200lbs Holding Force



Specifications:

- ULC Listed
- CAN4-S104, CAN/ULC-S533 Listed
- NFPA 101
- Holding Force: 1200lbs [544 kg]
- Dimensions: 10-1/2" L x 1-9/16" D x 2-7/8" H

Electrical:

520mA at 12VDC
260mA at 24VDC

Operating Temperature:

+32 to +110F
[0 to +43C]

Recommended for indoor use

Shipping Weight:

8lbs [3.63 kg]

Finishes:

US28/628 - Brushed Aluminum

MODELS Part # Description

VM1200
Vista Model
VM1200 Maglock

VM1200DB
VM1200, Door
Position Switch,
Magnetic Bond
Sensor

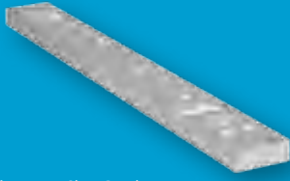
VM1290
VM1290 Retrofit for
Locknetics 390+

VM1290DB
VM1290 Door
Position Switch,
Magnetic Bond
Sensor Retrofit for
Locknetics 390+

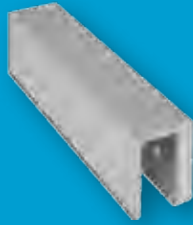


SECURITRON
ASSA ABLOY

Vista Maglock Mounting Brackets



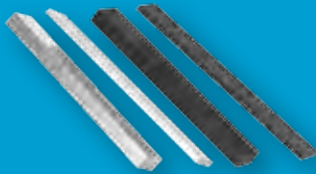
ASB - Aluminum Shim Bracket



GDB - Glass Door Bracket



HEB - Header Extension Bracket



SFP - Stop Filler Plate

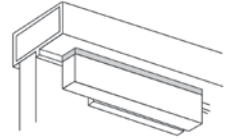


Z - Z Bracket Kit

SECURITRON
ASSA ABLOY

ASB » Aluminum Shim Bracket

- Used when a blade stop requires the Vista Maglock to be lowered
- Comes pre-drilled for the mounting bolts and wire



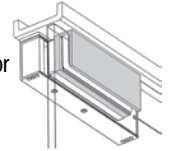
» MODELS Part # Description

ASB-VM600
Aluminum Shim Bracket, 1/2", VM600

ASB-VM1200
Aluminum Shim Bracket, 1/2", VM1200

GDB » Glass Door Bracket

- GDB permits strike plate installation on a solid glass door
- Strike Plate screws into the bracket, as glass doors cannot be drilled



» MODELS Part # Description

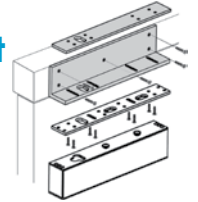
GDB-VM300
Glass Door Bracket, VM300

GDB-VM600
Glass Door Bracket, VM600

GDB-VM1200
Glass Door Bracket, VM1200

HEB » Header Extension Bracket

- 90 degree angle bracket with lateral adjustability
- Extends narrow headers to permit proper mounting of Vista Maglocks



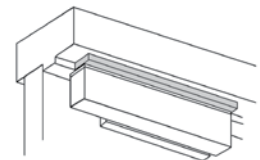
» MODELS Part # Description

HEB-VM600
Header Extension Bracket, VM600

HEB-VM1200
Header Extension Bracket, VM1200

SFP » Stop Filler Plate

- Used to fill or extend a door stop
- Creates a flat mounting surface for the Vista Maglock
- Available in 1/4", 3/8", and 1/2" - Clear finish



» MODELS Part # Description

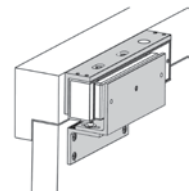
SFP-VM-1/2-CL
1/2", Clear

SFP-VM-1/4-CL
1/4", Clear

SFP-VM-3/8-CL
3/8", Clear

Z » Z Bracket Kit

- Use on in-swing doors
- Provides enough lateral movement to accommodate most openings
- Allows for precision adjustments



» MODELS Part # Description

Z-VM300
Z Bracket Kit, VM300

Z-VM600
Z Bracket Kit, VM600

Z-VM1200
Z Bracket Kit, VM1200

Unique Hybrid Design, Two Tons of Holding Power

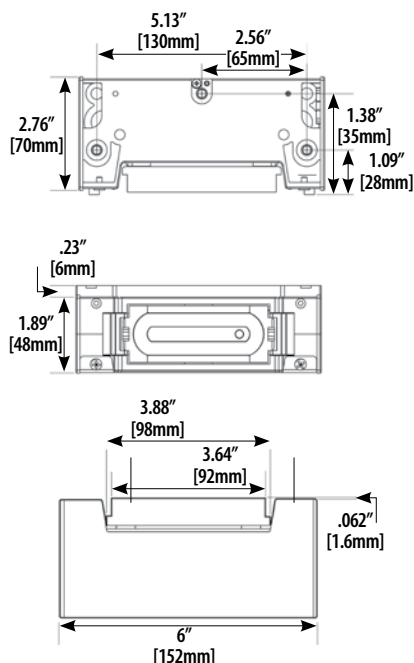
The hybrid design of the MM15 includes two spring-loaded, hardened steel jaws that deliver up to 4000lbs of ultimate holding power. In a forced-entry assault, the jaws clamp down on the armature plate and hold firm, for an unmatched level of access control.

PRODUCT FEATURES

- 4000lbs holding power
- Mounting plate for easy, accurate installation
- Automatic dual voltage (12/24V)
- Accepts AC or DC current
- Fail Safe
- Ideal for mental health care and auxiliary detention facilities and other high-risk locations
- MagnaCare Lifetime Replacement Warranty

PRODUCT OPTIONS

- Door Position Switch
- Anti-tamper switch
- 1/2" conduit fitting
- Mounting options for out-swing or in-swing metal door applications
- Tamper shield
- Dress covers



MODELS Part # Description

MM15
4000lbs
Electromechanical
Maglock, Satin
Stainless

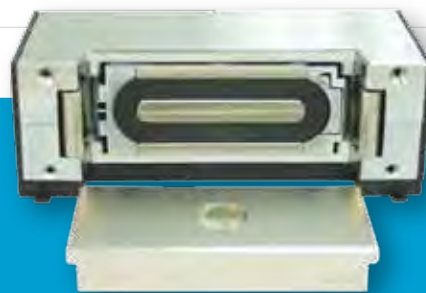
MM15DT
4000lbs MM15,
Door Position/
Tamper Switch
Option

MM15G
4000lbs MM15,
Conduit Prep

MM15GDT
4000lbs MM15,
Conduit Prep, Door
Position/Tamper
Switch Option

MM15

E-Mag



Specifications:

- ULC Listed
- CAN/ULC-S533 Listed
- ANSI/UL 294 Listed
- CSFM – California State Fire Marshal Approved
- Holding Force: 4000lbs [1814 kg]
- Dimensions: 6" L x 1-7/8" D x 2 3/4" H

Electrical:

AC Current: 130mA at 12VAC; 250mA at 24VAC
DC Current: 100mA at 12VDC; 200mA at 24VDC

Operating Temperature:

-40 to +140F
[-40 to +60C]
Indoor Use Only

Shipping Weight:

6lbs [2.72 kg]

Finishes:

US26D/626 - Brushed Stainless
US03/605 - Polished Brass (Dress Cover)
US04/606 - Satin Brass (Dress Cover)
BK - Black (Dress Cover)

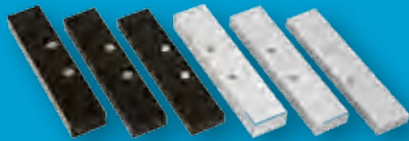


SECURITRON
ASSA ABLOY

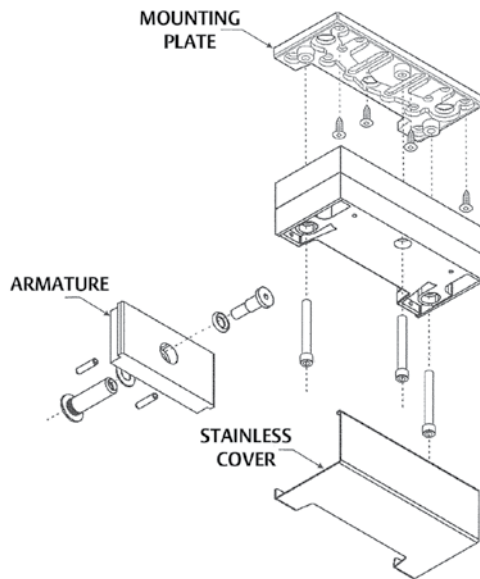
MM15 E-Mag Accessories



TS - Tamper Shield



SFP - Stop Filler Plates



TS » Tamper Shield

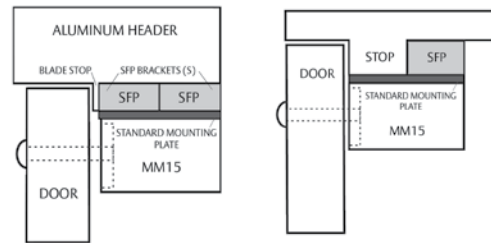
Protect your locks with Tamper Shield

The TS Tamper Shield completely encases the lock face, providing an added layer of protection against attempts to compromise or vandalize the magnetic locking mechanism.

» MODELS Part # Description

MM15-TS
MM15 Tamper
Shield, Stainless

SFP » Stop Filler Plates



» MODELS Part # Description

SFP-1/2BKMM15
MM15 SFP, 1/2"
Black 6"

SFP-1/2CLMM15
MM15 SFP, 1/2"
Clear 6"

SFP-3/8BKMM15
MM15 SFP, 3/8"
Black 6"

SFP-3/8CLMM15
MM15 SFP, 3/8"
Clear 6"

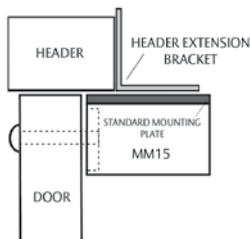
SFP-5/8CLMM15
MM15 SFP, 5/8"
Clear 6"

SFP-5/8BKMM15
MM15 SFP, 5/8"
Black 6"

SECURITRON
ASSA ABLOY

MM15 E-Mag Accessories

HEB-MM15 » Header Extension Brackets



» MODELS Part # Description

HEB-1BK-MM15

MM15 HEB, 1"
Black 6"

HEB-2BK-MM15

MM15 HEB, 2"
Black 6"

HEB-3BK-MM15

MM15 HEB, 3"
Black 6"

HEB-1CL-MM15

MM15 HEB, 1"
Clear 6"

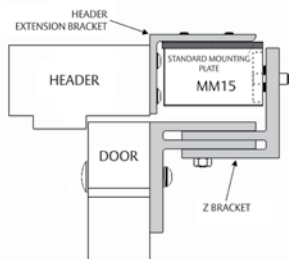
HEB-2CL-MM15

MM15 HEB, 2"
Clear 6"

HEB-3CL-MM15

MM15 HEB, 3"
Clear 6"

Z-MM15 » Z Bracket Kits



» MODELS Part # Description

Z-MM15BK

Z Bracket
MM15, Black 6"

Z-MM15CL

Z Bracket MM15,
Clear 6"

DC-MM15 » Dress Covers

- Available in Black, Polished Brass or Satin Brass finish

» MODELS Part # Description

DC-MM15-BK

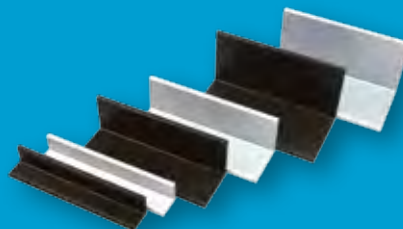
MM15 Dress Cover,
Black

DC-MM15-BP

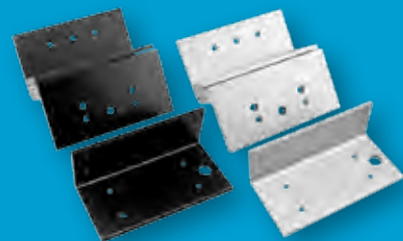
MM15 Dress Cover,
Polished Brass

DC-MM15-BS

MM15 Dress Cover,
Satin Brass



HEB-MM15 - Header Extension Brackets



Z-MM15 - Z Bracket Kits



DC-MM15 - Dress Covers

SECURITRON
ASSA ABLOY

UNL

UnLatch® Strike



Specifications:

- UL 10C Listed, 3 hour single door
- CAN4-S104-80m Listed, 3 hour single door
- UL listed to ANSI/SDI-BHMA A250.13 (60 PSI) Windstorm
- ANSI/BHMA A156.31, Grade 1; E09321, E09322, E09323
- NFPA-252 fire door compliant
- ASTM-E152 fire door compliant
- Patent numbers: 5,474,342; 6,022,056

Current Draw:

12VDC: 40mA continuous, minimum 300mA when operating
24VDC: 40mA continuous, minimum 200mA when operating

Operating Temperature:

-20 to +125F
[-29 to +52C]

Shipping Weight:

6lbs [2.72 kg]

Finishes:

US26D/626 – Stainless Steel
US10B/613 – Oil Rubbed Bronze
US03/605 – Polished Brass

Windstorm-Rated, Preload-Handling Electromechanical Strike

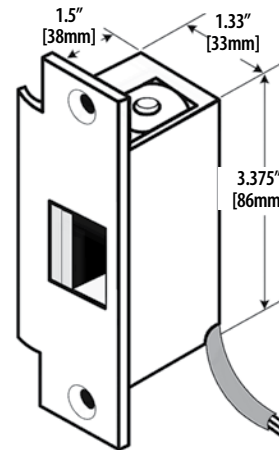
The universal electromechanical UNL strike works with most North American cylindrical locksets, with or without deadlatches. The UNL supports full deadlatch function, releases under pressure and includes latch status monitoring. Strong enough to withstand windstorm conditions, the UNL provides Grade 1 holding power and is UL listed and fire-rated. Like all Securitron locks, the UNL is backed by Securitron MagnaCare—the industry's best lifetime, no fault replacement warranty.

PRODUCT FEATURES

- No cutting or altering of the jamb required
- Releases under preload
- Supports deadlatch function
- Fits standard ANSI 4-7/8" strike cutout
- Motor driven action
- Latch status sensor included (SPDT)
- MagnaCare Lifetime Replacement No Fault Warranty

PRODUCT OPTIONS

- 12VDC
- 24VDC
- FSUNL for field-selectable fail-safe operation



BPS-12-1 or BPS-24-1 with battery backup or a 3 Amp/1.5 Amp 12/24VDC power supply output recommended for startup inrush to achieve best operation when used in preload conditions

MODELS

Part #
Description

FSUNL-12

Fail Safe/Fail Secure UnLatch Module, 12VDC, .90mA

FSUNL-24

Fail Safe/Fail Secure UnLatch Module, 24VDC, 1.4mA

UNL-12

UnLatch for Cylindrical Locks, 12VDC

UNL-12-10B
UnLatch 12VDC, Oil Rubbed Bronze

UNL-12-US3
UnLatch 12VDC, Polished Brass

UNL-24

UnLatch for Cylindrical Locks, 24VDC

UNL-24-10B
UnLatch 24VDC, Oil Rubbed Bronze

UNL-24-US3
UnLatch 24VDC, Polished Brass

SECURITRON®

ASSA ABLOY



GRADE 1



ANSI A250.12-2003
WINDSTORM RESISTANT



CYLINDRICAL LOCKSETS



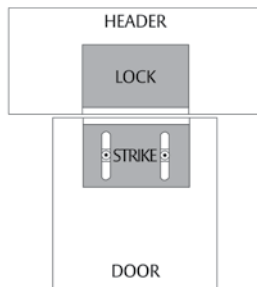
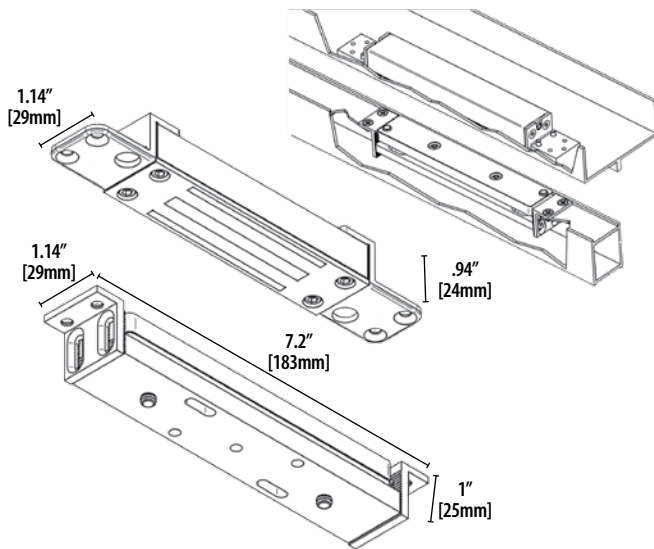
FIRE RATED

Strong Hold for Better Asset Management

The compact, concealed SAM2-24 Shear Aligning Magnalock provides 600lbs of holding force to swinging doors or sliding doors. The discreet SAM 2-24 mounts fully concealed and is ideally suited to secure smaller applications, like sliding closet doors, atriums, and more.

PRODUCT FEATURES

- Direct mount to door frame for strength and reliability
- Compact design fits tight spaces
- Fully sealed for weatherproof operations
- Sealed six foot [1.8m] jacketed, stranded conductor cable
- Instant release circuit - no residual magnetism
- Efficient, low-voltage, low power usage
- All ferrous metal surfaces plated for durability and rust resistance
- MagnaCare Lifetime Replacement No Fault Warranty



MODELS Part # Description

SAM2-24
SAM2 Magnalock
24VDC

SAM2-24

Shear Aligning Magnalock®



Specifications:

- UL 10C Listed
- CAN4-S104, CAN/ULC-S533 Listed
- ANSI/UL 294 Listed
- ANSI/BHMA 156.23, Grade 1; E08571-1000, E08581-1000
- CSFM - California State Fire Marshal Approved
- CE:EN 50091-1, EN 61000-6-2 Approved
- NEMA: 4X
- IEC: IP66
- Holding Force: 600lbs [272 Kg]
- Dimensions: 7-3/16" L x 1-1/8" D x 1" H
- Patent numbers: 6,007,119; 6,135,515

Electrical:
62mA at 24VDC only

Operating Temperature:
-40 to +140F
[-40 to +60C]

Indoor or outdoor use

Shipping Weight:
2.5lbs [1.13 Kg]

Finishes:
US32D/630 - Satin
Stainless Steel



SECURITRON®
ASSA ABLOY

M62FG-SASM

1200lbs Holding Force Gate Magnalock



Specifications:

- UL 10C Listed
- CAN4-S104, CAN/ULC-S533 Listed
- ANSI/UL 294 Listed
- CSA-C22.2 No.205 Listed
- ANSI/BHMA 156.23, Grade 1; E08501-1000
- NFPA 101
- CSFM- California State Fire Marshal Approved
- MEA – City of New York Approved
- CE:EN 50091-1, EN 61000-6-2 Approved
- NEMA: 4X
- IEC: IP66
- Holding Force: 1200lbs [544 Kg]
- Dimensions: 8" L x 1-3/4" D x 3" H

Electrical:
250mA at 12VDC
150mA at 24VDC

Operating Temperature:
-40 to +140F
[-40 to +60C]

Recommended for indoor or outdoor use

Shipping Weight:
12lbs [5.44 Kg]

Finishes:
US32D/630 - Satin
Stainless Steel Finish

The Low Maintenance Magnalock® Solution for Outdoor Gates

The M62FG-SASM is the only heavy duty Magnalock specifically designed to secure and protect gates. This weatherproof unit delivers 1200lbs of holding force and comes equipped with conduit fittings and a special shock absorbing strike mount (SASM). This unique design dramatically prolongs the life of the lock, the gate and other hardware by controlling excessive impact between the strike plate and the magnet.

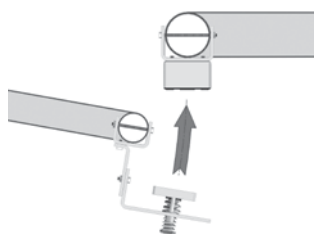
The SASM is also available as a separate retrofit kit and is compatible with M32, M62 or M82 Magnalock strike plates for areas prone to excessive force closures or slamming.

PRODUCT FEATURES

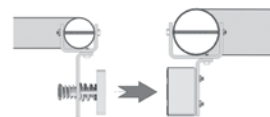
- Flexible bracket options for swinging or sliding applications
- Fully sealed and conformal coated for weatherproof operations
- Includes universal threaded conduit fitting 1/2" female - 3/4" male
- Sealed 10 ft. [3.05m] jacketed, stranded conductor cable
- Automatic dual voltage - no field adjustment required
- All ferrous metal surfaces plated for durability
- MagnaCare Lifetime Replacement No Fault Warranty

PRODUCT OPTIONS

- Flexible mounting options for
 - › *Swinging gates*
 - › *Sliding gates*
- SASM for shock absorption and rebound assistance for proper gate alignment



M62FG-SASM on Swinging Gate Using Flex-Mount Bracket Kit FMK-SW



M62FG-SASM on Sliding Gate Using Flex-Mount Bracket Kit FMK-SL

SECURITRON
ASSA ABLOY



MODELS Part # Description

M62FG
Model 62, Face Mount, Conduit

M62FG-SASM
Model 62, Face Mount, Conduit with SASM Kit

M62FGB
Model 62, Face Mount, Conduit, Mag Bond Sensor

M62FGD
Model 62, Face Mount, Conduit, Door Position Switch

M62FGDB
Model 62, Face Mount, Conduit, Mag Bond Sensor, Door Position Switch

SASM
Shock Absorbing Strike Mount Kit

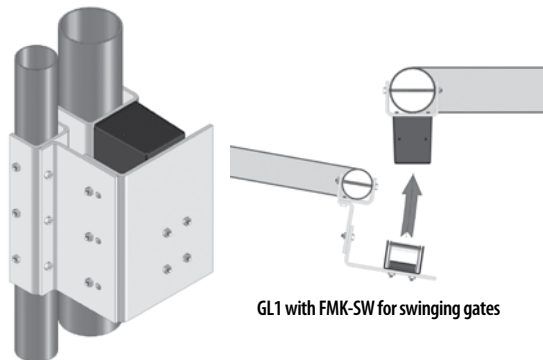
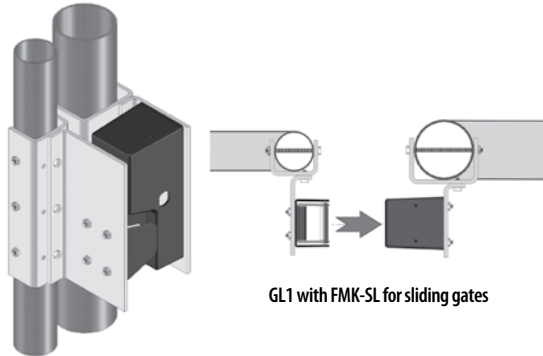
See page 18 for more M62 options. See page 28 for mounting kits, brackets.

Electromechanical Gate Solution Offers One Ton of Holding Power

The heavy duty GL1 Electromechanical Gate Lock provides weather-resistant access control for a wide range of gate applications. The GL1 provides 2000lbs of holding force for electrical and manually operated indoor or outdoor gates where preload is a concern. Ideal for swinging or sliding vehicle, pedestrian, or stock gate access control. Use with the BPSS Solar Power Supply for remote outdoor locations.*

PRODUCT FEATURES

- 2000lbs holding force
- Operates under preload up to 100lbs
- Automatic dual voltage - no field adjustment required
- Field-selectable fail secure/fail safe
- Manual key override (right or left hand)
- Self-aligning receiver (+/- 1/2" horizontally) helps compensate for gate misalignment and sag
- Tamper resistant cast aluminum housing
- Latch status monitor switch (SPDT)
- Heavy wall 1/2" inside diameter threaded steel coupling
- Hardened steel latch and pin standard
- Surface mount
- MagnaCare Lifetime Replacement No Fault Warranty



GL1

2000lbs Holding Force Gate Lock



Specifications:

- Holding Force: 2000lbs [907 kg]
- Dimensions: 2-3/4" L x 7-1/4" W x 3-1/4" D
- Patent Pending

Electrical:

12 Volts Initial (Peak): (~1.0 sec.) @ 870mA - Reduced: 290mA Power Consumption: 3.5 Watts
 24 Volts Initial (Peak): (~1.0 sec.) @ 720mA - Reduced: 170mA Power Consumption: 4.1 Watts

Operating Temperature:

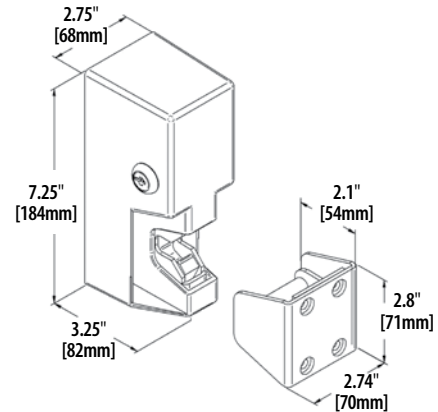
-58 to +167F [-50 to +75C]
 Indoor or outdoor use

Shipping Weight:

6lbs [2.72 kg]

Finishes:

Black Crinkle Powder Coated Finish



MODELS Part # Description

GL1
 Gate Lock 2000 lbs

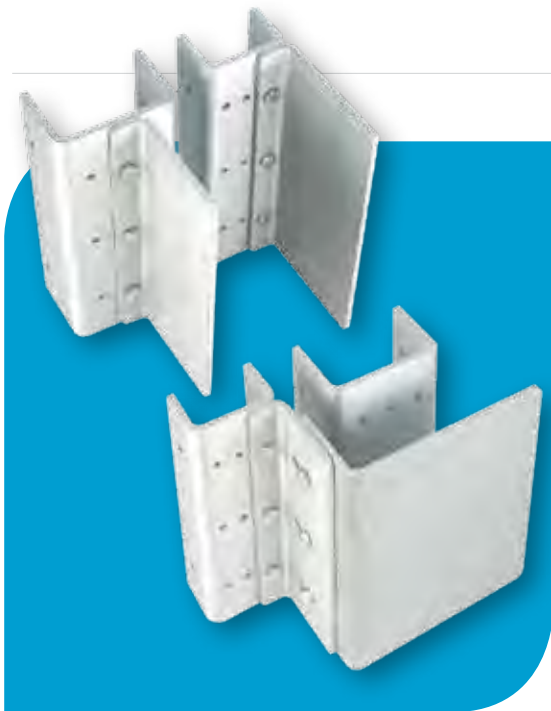
*For BPSS information, see page 81.



SECURITRON
ASSA ABLOY

FMK

Flex-Mount Gate Lock Bracket Kits



Bracket Kits Extend Access Control to Gates and Fences

The FMK Flex-Mount Bracket System is an intuitive set of mounting brackets designed exclusively for use with the M62FG Magnalock® and the GL1 Gate Lock. Pre-formed post channels and plates of varying lengths make it easy for you to assemble a professional looking, high-security gate lock mounting platform in minutes, without special tools.

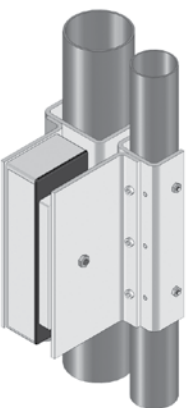
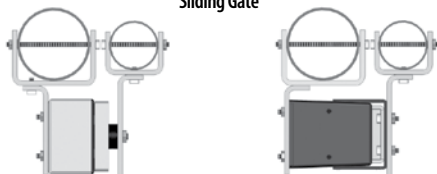
PRODUCT FEATURES

- Permits electronics to be mounted on fence posts or gate posts
- Brackets are reversible
- Bracket kits include brackets, mounting hardware and post shims
- Post brackets are pre-drilled
- Zinc-plated steel provides durability and long life
- Bolt on or weld for installation
- Compatible with maximum 3" round post with minimum pole separation of 1"
- Use with Post Shim Brackets for smaller post sizes
- MagnaCare Lifetime Replacement No Fault Warranty

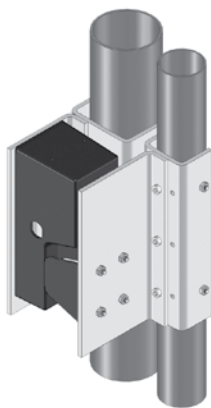
NOTES:

- M62FG can be direct mounted on square posts
- To use FMK-SL with M62FG-SASM, post separation should be 1" to 2-1/4"
- To use FMK-SW with M62FG or the GL1, post separation should be 1" to 2-3/4"
- To use FMK-SL with GL1 or M62FG, post separation should be 1" to 3-3/4"

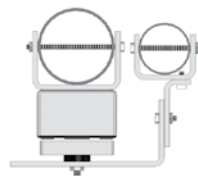
Sliding Gate



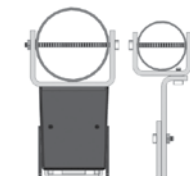
FMK-SL shown with M62FG



FMK-SL shown with GL1



FMK-SW shown with M62FG



FMK-SW shown with GL1

SECURITRON
ASSA ABLOY

MODELS Part # Description

FMB9-4
Flex-Mount
1/8" Post Shim
Brackets (Pkg of 4)

FMK-SL
Flex-Mount Bracket
Kit, Sliding Gate

FMK-SW
Flex-Mount Bracket
Kit, Swinging Gate

Compact Magalock Quality for Versatile Asset Management

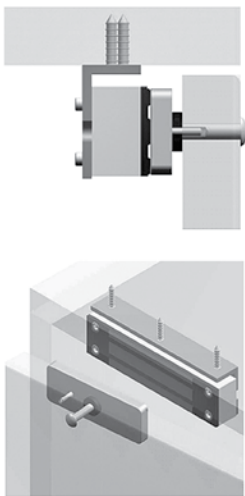
The compact MCL Magalock is ideal for extending access control to all types of asset protection. Typical applications include jewelry cases, museum cases, gun cabinets, pharmaceutical storage cabinets, cash drawers and any swinging or sliding door or drawer that needs asset control – indoors or out.

PRODUCT FEATURES

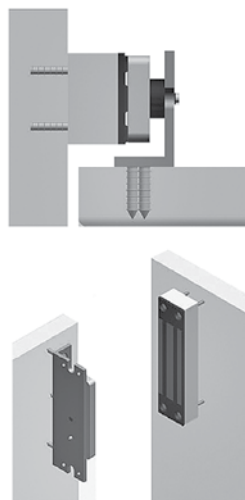
- Direct mount or bracket mount with common tools for easy installation
- Fully sealed and conformal coated for weatherproof operation
- Universal bracket included to support a variety of applications
- Sealed six foot [1.8m] jacketed, stranded conductor cable
- Efficient, low power usage
- All ferrous metal surfaces plated for durability and rust resistance
- MagnaCare Lifetime Replacement No Fault Warranty

MODELS Part # Description

MCL-24
Magnetic Cabinet
Lock 24VDC



Swinging Door



Sliding Door

MCL

200lbs Holding Force Magalock®



Specifications:

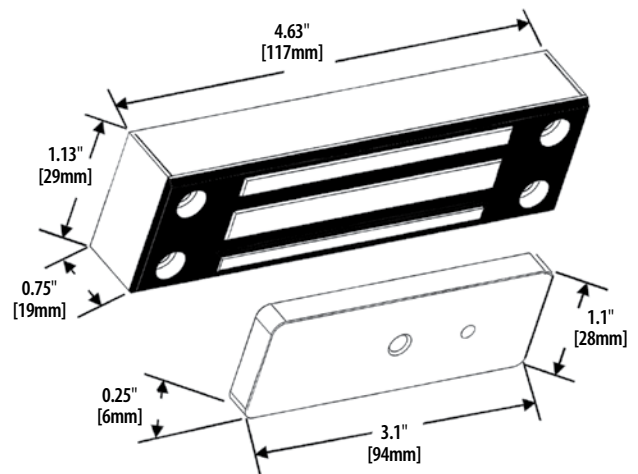
- CE: EN 50091-1, EN 61000-6-2 Approved
- Holding Force: 200lbs [91 kg]
- Dimensions: 4-5/8" L x 3/4" D x 1-1/8" H
- For Indoor or Outdoor Use

Electrical:
62mA at 24VDC only

Operating Temperature:
-40 to +140F
[-40 to +60C]

Shipping Weight:
1.5lbs [0.68 kg]

Finishes:
US32D/630 - Satin
Stainless Steel



SECURITRON®
ASSA ABLOY

M32-SS

Split Strike Magnalock®



Specifications:

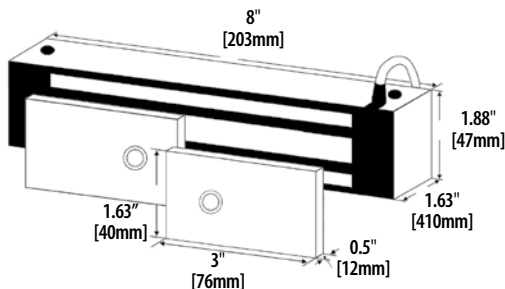
- UL 10C Listed
- CAN4-S104, CAN/ULC-S533 Listed
- ANSI/UL 294 Listed
- CSA-C22.2 No.205 Listed
- NFPA 101
- CSFM- California State Fire Marshal Approved
- MEA – City of New York Approved
- CE:EN 50091-1, EN 61000-6-2 Approved
- NEMA: 4X
- IEC: IP66
- Holding Force: 300lbs. [136 kg] per strike
- Dimensions: 8" L x 1-5/8" D x 1-7/8" H

Electrical:
300mA at 12VDC
150mA at 24VDC

Operating Temperature:
-40 to +140F
[-40 to +60C]
Indoor or outdoor use

Shipping Weight:
6lbs [2.72 kg]

Finishes:
US32D/630 – Satin
Stainless Steel Finish



Split Strike for Double-Door Cabinet Control

Now you can add asset control to your existing access control system with the durable, power-efficient M32-SS. Each strike plate of the M32-SS delivers 250lbs of holding force (500lbs total). Ideal for securing large two-door cabinets, retail cases or double-door, indoor/outdoor storage applications with out-swinging doors that share a common, center latching point.

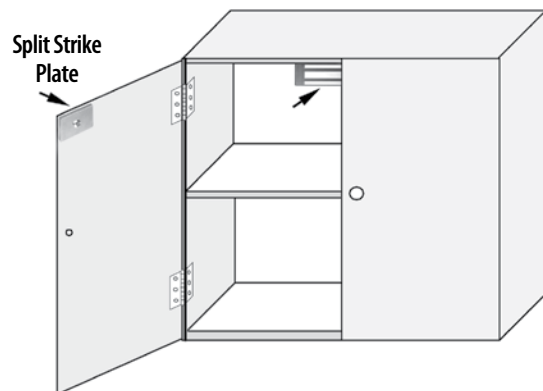
PRODUCT FEATURES

- Direct mount with common tools for strength and reliability
- Fully sealed and conformal coated for weatherproof operations
- Sealed 10 ft. [3.05m] jacketed, stranded conductor cable
- Automatic dual voltage - no field adjustment required
- Instant release circuit - no residual magnetism
- Efficient, low power usage
- All ferrous metal surfaces plated for durability
- MagnaCare Lifetime Replacement No Fault Warranty

PRODUCT OPTIONS

- BondSTAT magnetic bond sensor - Patent Pending
- Use with CWB-32 bracket for mounting option on wood or concrete*

Cabinet Mount
Quarter View



SECURITRON®
ASSA ABLOY



MODELS Part # Description

M32-SS
Model 32
Magnalock, Split
Strike

M32B-SS
Model 32,
Magnetic Bond
Sensor, Split Strike

*For CWB-32 Concrete Wood Bracket, see page 28.

ACCESS CONTROL PRODUCTS

SECURITRON[®]
ASSA ABLOY

MAG LOCKS



Electromagnetic Locks & Accessories

M680, M670, M38, M68, M34R, M32, M62, DM62, M82B, SAM, iMXDa, Component EXD, Brackets & Accessories, Vista® VM300, VM600, VM1200/VM1290

ELECTROMECH
LOCKS



Electromechanical Locks

MM15, UNL

SPECIALTY LOCKS



Gate Locks, Cabinet Locks & Accessories

M62FG-SASM, GL1, FMK, MCL, M32-SS, SAM2-24

EXIT DEVICES



Exit Devices

DSB, TSB, TSH, SP-1, EMB, EMH

ENTRY DEVICES



Entry Devices

PB Series, EEB Series, XMS, DK-12, DK-16, DK-26, Keypress Series

ACCESS CONTROL
ACCESSORIES



Access Control Accessories

DPS, LM-Latch Monitor, MSS, DPA/DT-7, TM-2/TM-9, RLP/PZ-1, RB-Relay Board

POWER SUPPLIES



Power Supplies

BPS-12/24-1, BPS, BPSM, BPSS, PSM, PSP, BACS, AQD3, AQD5, AQM20, AQU126, AQU128, AQU243, AQU244, PDB, PDB-1R, PDB-8C1R, PDB-8F8R/8C8R

POWER TRANSFER



Power Transfer

CEPT, EPT, SEPT, EH

POWER
ACCESSORIES



Power Accessories

FAR, TP-12-3, TP-24-2, B-12-5, B-24-5, BR-4, CCB-8, CKL

RESOURCES



Resources & Extras

AHJ Handbook information, Icon Glossary, Demo Mounts, Code-Compliant Systems, Index, Terms and Conditions

Dependable Touch and Mechanical Release for Superior Safety and Redundancy

The dependable DSB Dual Sense Bar is the most reliable exit device available for magnetically locked, non-fire-rated doors. Its unique design delivers superior fault tolerance with two independent, redundant switch circuits for releasing the lock. The DSB can be installed on all types of interior metal, aluminum or wood doors. Meets "no special tools or knowledge" criteria required by code.

PRODUCT FEATURES

- Redundant switches
- Release triggered by either 1/8" mechanical movement or reliable touch sense technology
- Optional MicroShield Anti-microbial coating ideal for infection control in health care environment
- Resistant to interference from radio frequency or electromagnetic frequency and external impact/bounce attempts
- All metal construction
- Can be field cut to fit non-standard door widths
- 16 ft. [4.8m] 22AWG 6 conductor cable and armored door cord included
- Automatic dual voltage 12VDC or 24VDC
- Resists electrostatic discharge up to 27,000 volts
- MagnaCare Lifetime Replacement Warranty

PRODUCT OPTIONS

- 36" Length
- 42" Length
- 48" Length
- **EL-** Prefix any model for ElectroLynx® ready
- Through-bolt kit for doors 1-3/4" to 2-1/4" thick
- **D-** Prefix any model for dummy bar with no release function
- **-I** Add to any model for Illuminated via fiber optics
- **-A** Add to any model for MicroShield Anti-microbial coating

MODELS Part # Description

Base Model (DSB Only)

DSB-BK DSB Black 36"	DSB-BK48 DSB Black 48"	DSB-CL42 DSB Clear 42"
DSB-BK42 DSB Black 42"	DSB-CL DSB Clear 36"	DSB-CL48 DSB Clear 48"

Anti-microbial (A) - Includes MicroShield

DSB-BKA DSB Black 36"	DSB-BKA48 DSB Black 48"	DSB-CLA42 DSB Clear 42"
DSB-BKA42 DSB Black 42"	DSB-CLA DSB Clear 36"	DSB-CLA48 DSB Clear 48"

Illuminated (I) - Includes Illuminated Sign

DSB-BKI DSB Black 36"	DSB-BKI48 DSB Black 48"	DSB-CLI42 DSB Clear 42"
DSB-BKI42 DSB Black 42"	DSB-CLI DSB Clear 36"	DSB-CLI48 DSB Clear 48"

Illuminated/Anti-Microbial (I/A) - Includes Illuminated Sign & MicroShield

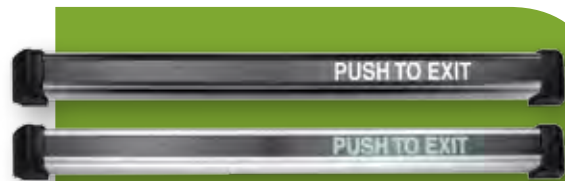
DSB-BKIA DSB Black 36"	DSB-BKIA48 DSB Black 48"	DSB-CLIA42 DSB Clear 42"
DSB-BKIA42 DSB Black 42"	DSB-CLIA DSB Clear 36"	DSB-CLIA48 DSB Clear 48"

Accessories

DSB-TDM Through-Bolt Mounting Kit	TCP-BK Door Cover Plates (2), Black	TCP-CL Door Cover Plates (2), Clear
---	---	---

DSB

Dual Sense Bar



Specifications:

- CAN/ULC-S533 Listed
- ANSI/UL 294 Listed
- CSA-C22.2 No.205 Listed
- NFPA 101
- Patent pending

Electrical:

Dual Sense Bar Only - 24mA at 12VDC or 24VDC
Dual Sense Bar with Illumination - 44mA at 12VDC or 24VDC

Recommended for indoor use only

Shipping Weight: 6lbs [2.72 Kg.] to 8lbs. [3.63 Kg.] depending on length

Operating Temperature:

+32 to +120F [0 to +49C]

Finishes:

Black anodized
Clear anodized



TSB

Touch Sense Bar



Specifications:

- ANSI/UL 294 Listed
- CSA-C22.2 No.205 Listed
- CSFM – California State Fire Marshal Approved
- MEA- City of New York Approved
- CE: EN 50091-1, EN 61000-6-2 Approved

Electrical:

40mA at rest; 25mA releasing at 12VDC or 24VDC

Operating Temperature:

+32 to +110F
[0 to +43C]
Recommended for indoor use

Shipping Weight:

7lbs [3.18 Kg.] to 9lbs. [4.08 Kg.] depending on length

Finishes:

Black anodized
Clear anodized



Touch-Triggered Release for Reliable Egress

The TSB Touch Sense Bar provides touch-triggered release of magnetically locked, non-fire-rated doors. Touching the bar, even through light gloves or clothing, triggers an electronic sensor that releases the lock. For indoor use only, the TSB installs easily on all types of metal, aluminum or wood frame doors. Meets “no special tools or knowledge” criteria in code requirements.

PRODUCT FEATURES

- Can be field cut to accommodate non-standard openings up to 48”
- Activates a DPST 2 Amp rated relay when touched (no mechanical movement) which will allow free egress, or initiates the delay on an exit delay timer
- Backup push button
- 16 ft. [4.8m] 22AWG 6 conductor cable and armored door cord included
- Operates on either 12 or 24VDC
- Available ElectroLynx® ready
- MagnaCare Lifetime Replacement Warranty

PRODUCT OPTIONS

- 36” Length
- 42” Length
- 48” Length
- EL- Prefix any model for ElectroLynx® ready
- D- Prefix any model for dummy bar with no release function
- Through-bolt kit works on doors up to 2-1/4” thick
- Cover plates for retrofit of competitor products
- Trailing edge timer

MODELS Part # Description

Standard (TSB Only)

TSB-BK-42 TSB Black 42”	TSB-BKT-48 TSB Black 48” with Trailing Edge Timer	TSB-BK TSB Black 36”
TSB-BK-48 TSB Black 48”	TSB-CL TSB Clear 36”	TSB-CLT TSB Clear with Trailing Edge Timer
TSB-BKT TSB Black 36” with Trailing Edge Timer	TSB-CL-42 TSB Clear 42”	TSB-CLT-42 TSB Clear 42” with Trailing Edge Timer
	TSB-CL-48 TSB Clear 48”	

Dummy Bar - Dummy TSB (no electronics, no releasing function)

DTSB-BK TSB Black 36”	DTSB-BK-48 TSB Black 48”	DTSB-CL-42 TSB Clear 42”
DTSB-BK-42 TSB Black 42”	DTSB-CL TSB Clear 36”	DTSB-CL-48 TSB Clear 48”

ElectroLynx Compatible - ElectroLynx TSB

EL-TSB-BK Black 36”	EL-TSB-BK-48 TSB Black 48”	EL-TSB-CL-42 Clear 42”
EL-TSB-BK-42 TSB Black 42”	EL-TSB-CL TSB Clear 36”	EL-TSB-CL-48 TSB Clear 48”

Accessories

TCP-BK Door Cover Plates (2), Black	TCP-CL Door Cover Plates (2), Clear	TSB-TDM Through-bolt kit for TSB
---	---	--

Compact Push or Pull Egress Alternative for Maglock Release

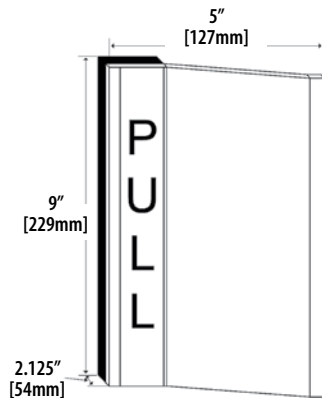
Sized to conceal existing mounting holes, the TSH Touch Sense Handle replaces standard pulls on aluminum doors to allow maglock release for egress. With flexible options, it works equally well on inswing doors or as a push-open device for outswing doors, offering a clean look on aluminum frame glass doors.

PRODUCT FEATURES

- For use on any push, pull or swing-through door
- Activates electronic release via DPST 2 Amp rated relay when touched to allow free egress
- Backup push button
- 16 ft. [4.8m] 22AWG 6 conductor cable and armored door cord included
- Automatic dual voltage 12VDC/24VDC
- MagnaCare Lifetime Replacement Warranty

PRODUCT OPTIONS

- EL- Prefix any model for ElectroLynx® ready
- D- Prefix any model for dummy bar with no release function



MODELS Part # Description

Standard (TSB Only, Touch Sense Handle)

TSH-BK Touch Sense Handle, Black	TSH-CL Touch Sense Handle, Clear
--	--

Dummy Bar - Dummy TSB (no electronics, no releasing function)

DTSH-BK Dummy TSH, Black	DTSH-CL Dummy TSH, Clear
------------------------------------	------------------------------------

ElectroLynx Compatible - ElectroLynx TSB

EL-TSH-BK ElectroLynx TSH, Black	EL-TSH-CL ElectroLynx TSH, Clear
--	--

TSH

Touch Sense Handle



Specifications:

- ANSI/UL 294 Listed
- CSA-C22.2 No.205 Listed
- CSFM – California State Fire Marshal Approved
- MEA- City of New York Approved
- CE: EN 50091-1, EN 61000-6-2 Approved

Dimensions:

5" L x 2-1/8" D x 9" H

Electrical:

40mA at rest;
25mA releasing at
12VDC or 24VDC

Operating Temperature:

+32 to +110F
[0 to +43C]
Indoor use only

Shipping Weight:

3lbs [1.36 Kg.]

Finishes:

Black anodized
Clear anodized



SP-1

Touch Sense Plate



Electrical:
40mA at rest; 25mA
releasing at 12VDC or
24VDC

**Operating
Temperature:**
+32 to +110F
[0 to +43C]

Indoor use only

Shipping Weight:
1.5lbs [0.68 kg]

Finish:
US32D/630 – Satin
Stainless Steel finish

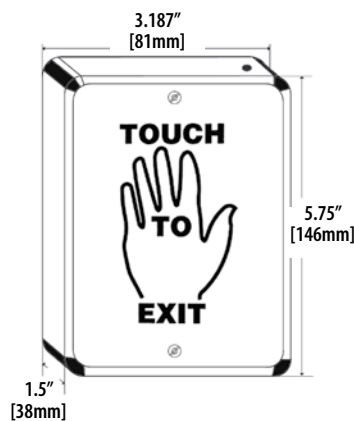
Dimensions:
3-3/16" L x 1-1/2" D
x 5-3/4" H

Touch Sense Technology in a Wall-Mount Request to Exit Plate

The SP-1 uses patented touch sensing technology to create a push plate with no moving parts. For indoor use only, the unit is oversized to cover a single gang cutout. Ideal to assist with ADA compliance, the unit includes a three-part vinyl "Touch to Exit" decal. A red LED is incorporated into the backbox.

PRODUCT FEATURES

- DPST 2 Amp rated relay
- Built-in redundant button
- Internal 0-25 second timer
- MagnaCare Lifetime Replacement Warranty



SECURITRON
ASSA ABLOY

» MODELS Part # Description

SP-1
Touch Sense Plate

SP-1L
Replacement Touch
Sense Plate Sticker
Only

SP-1LH
Touch Sense Plate,
Handicapped
Sticker Only

Better Technical Service Builds Stronger Relationships

» The technicians in our award-winning Technical Services Department are more than experts on Securitron products. They are also familiar with many of the electrified locking products supplied by other ASSA ABLOY companies.

We can help you configure complete, stand-alone door access control with ASSA ABLOY products or provide guidance on components that complement an enterprise-level online access control or security system.

Securitron's technicians can supply you with application-specific, point-to-point and riser diagrams upon request, in a timely manner – 100% free of charge. From locking products, to access control accessories and the products that power them, Securitron can be a one-stop source for products, sales assistance, wiring diagrams and technical support.

Contact us at techsupport@securitron.com

Securitron Supports You with Interactive Tools for Education and Convenience

» There's a lot to know about access control – products, applications, codes, specifications. Securitron provides a comprehensive assortment of interactive tools to help you maintain your competitive edge and expertise.

Our Product Reference Library contains detailed information on every Securitron product to make any project easier from start to finish, including:

<i>Brochures</i>	<i>Installation Instructions</i>
<i>Detailed Wiring Diagrams</i>	<i>Architectural Specifications</i>
<i>Templates</i>	<i>Images</i>

Securitron also offers our most popular documents in convenient CD format to carry with you, including our entire product reference library.

"Your Single Source" Product Line Presentation

This overview on the full Securitron product line is ideal for individuals or group product introductions

Product Installation Presentation

Become familiar with the installation of our most popular products before you reach the job site.

Securitron "Wizard" Configuration Tool

All the information you need to configure door control using products and create a shopping list

Visit the Library tab at www.securitron.com for all of your information needs.



Door Control Wizard

Download the Securitron configurator tool for creating electronically accessed openings from our home page at www.securitron.com.

Also available for download:

- Smartphone Version
- Gate Control Wizard
- Magalock® Bracket Wizard
- Wiring Diagram Wizard
- Quick Product Selector

EMB

Electromechanical Bar



Specifications:

- ANSI/UL 294 Listed

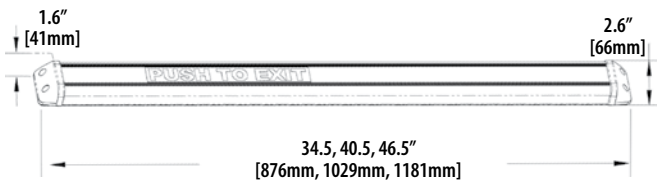
Operating Temperature:
-4 to +185F
[-20 to +85C]

Finishes:
Black anodized
Clear anodized

Shipping Weight:
7lbs [3.18 Kg.] to 9 lbs.
[4.08 Kg.] depending
on length



TCP covers unwanted holes from previously installed exit bars, strengthens the mounting area and provides a clean look.



SECURITRON
ASSA ABLOY



Mechanical Motion for Maglock Release in a Reliable, Durable Exit Bar

Use the Electromechanical Exit Bar (EMB) on magnetically locked, non fire-rated doors or as an initiate device for a delayed egress timer. Pressing the bar activates internal mechanical switches that release the lock. Optional waterproof switches are available, which allow the EMB to function in protected outdoor applications. Meets "no special tools or knowledge" criteria for code requirements.

PRODUCT FEATURES

- Low profile design requires only 1/4" movement for activation
- Three standard lengths: 36", 42" or 48"
- Can be field cut to accommodate non-standard openings up to 48"
- Uses same mounting pattern as the TSB and DSB
- Direct retrofit for some competitor footprints
- Mechanical action activates a DPDT 5 Amp rated output to allow free egress or initiate an exit delay timer
- Redundant switches ensure reliable, fault-tolerant operation
- All metal construction
- 16 ft. [4.8m] 22AWG 6 conductor cable and armored door cord included
- MagnaCare Lifetime Replacement Warranty

PRODUCT OPTIONS

- 36" Length
- 42" Length
- 48" Length
- **EL-** Prefix any model for ElectroLynx® ready
- **W-** Prefix on any model for weather-resistant upgrade
- Through-bolt kit works on doors 1-3/4" to 2-1/4" thick
- Cover plates for retrofit of competitor products

MODELS Part # Description

Standard (EMB Only)

EMB-BK
Electromechanical Bar, Black 36"

EMB-BK-48
Electromechanical Bar, Black 48"

EMB-CL-42
Electromechanical Bar, Clear 42"

EMB-BK-42
Electromechanical Bar, Black 42"

EMB-CL
Electromechanical Bar, Clear 36"

EMB-CL-48
Electromechanical Bar, Clear 48"

ElectroLynx Compatible - ElectroLynx EMH & EMB

EL-EMB-BK
Electromechanical Bar, Black 36"

EL-EMB-BK-48
Electromechanical Bar, Black 48"

EL-EMB-CL-42
Electromechanical Bar, Clear 42"

EL-EMB-BK-42
Electromechanical Bar, Black 42"

EL-EMB-CL
Electromechanical Bar, Clear 36"

EL-EMB-CL-48
Electromechanical Bar, Clear 48"

Weather Resistant

W-EMB-BK
Electromechanical Bar, Black 36"

W-EMB-BK-48
Electromechanical Bar, Black 48"

W-EMB-CL-42
Electromechanical Bar, Clear 42"

W-EMB-BK-42
Electromechanical Bar, Black 42"

W-EMB-CL
Electromechanical Bar, Clear 36"

W-EMB-CL-48
Electromechanical Bar, Clear 48"

Accessories

TCP-BK
Door Cover Plates (2), Black

TCP-CL
Door Cover Plates (2), Clear

EMB-TDM
Through-bolt kit for EMB

Mechanical Motion for Mag Release in a Compact Handle

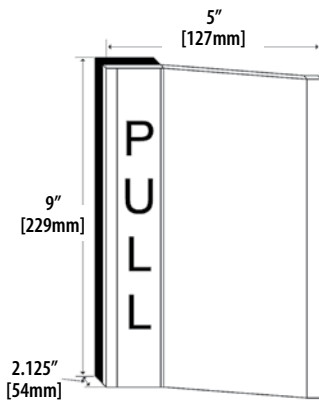
The EMH ElectroMechanical Handle works on any push, pull or swing-through door, and is designed for specialized outdoor applications. Pressing the Handle activates internal mechanical switches that release the lock. Meets "no special tools or knowledge" criteria for code requirements.

PRODUCT FEATURES

- Activates a DPDT 2 Amp rated output when pushed or pulled, to allow free egress or initiate an exit delay timer
- 16 ft. [4.8m] 22AWG 3 conductor cable and armored door cord included

PRODUCT OPTIONS

- Available ElectroLynx® ready



MODELS Part # Description

Standard (EMH Only)

EMH-CL Electromechanical Handle, Clear	EMH-BK Electromechanical Handle, Black
--	--

ElectroLynx Compatible - ElectroLynx EMH & EMB

EL-EMH-CL Electromechanical Handle, Clear	EL-EMH-BK Electromechanical Handle, Black
---	---

EMH

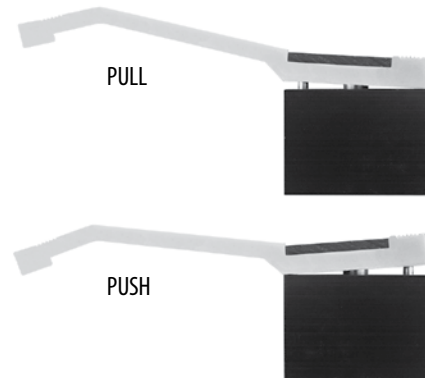
Electromechanical Handle



Shipping Weight:
1.5lbs [0.68 Kg.]

Dimensions:
5" L x 2-1/8" D x 9" H

Finishes:
Black anodized
Clear anodized



EMH Movement

SECURITRON®
ASSA ABLOY

Push Button Selector Chart

	Waterproof	Single Gang	Narrow Style	Surface	Green Button	Red Button	Blue Button	Steel Button	Illuminated	Momentary	Alternate	DPST	DPDT	SPDT	LED Color
PB	X	X			X	X			X	X		X			R
PBA	X	X			X	X			X		X	X			R
PB2		X			X	X	X		X	X				X	R
PB22		X			X	X	X		X	X			X		R
PB2E		X			X	X	X			X				X	
PB3		X			X	X			X	X		X	*		R
PB3A		X			X	X			X		X	X	*		R
PB3AN			X		X	X			X		X	X	*		R
PB3E		X			X	X				X		X	*		
PB3ER				X	X	X				X		X	*		
PB3EAR				X	X	X					X	X	*		
PB3EA		X			X	X					X	X	*		
PB3EAN			X		X	X					X	X	*		
PB3EN			X		X	X				X		X	*		
PB3N			X		X	X			X	X		X	*		R
PB4L-2		X						X	X	X			X		Bi-C
PB4LA-2		X						X	X		X		X		Bi-C
PB4LN-2			X					X	X	X			X		Bi-C
PB4LAN-2			X					X	X		X		X		Bi-C
PB5		X			X	X	X		X	X		X	*		
PB5E		X			X	X	X			X		X	*		
EEB2		X			X	X	X								
EEB3N			X		X	X					30 Seconds Timed		Release Hold Timer		

*All PB3 and PB5 Series can be field converted from DPST to DPDT. PB4 Series feature bi-colored LEDs.

Push Button Accessories



WCC



WBB

WCC and WBB weatherize any single gang Push Button to permit mounting in outdoor locations not directly exposed to rain or snow



PB2-LK



PB3-LK

PB2-LK - Illumination kit for PB2E, PB5E & EEB2
PB3-LK - Illumination kit for PB3E, PB3EN & EEB3N Series


Securiton® Quality with a Wide Range of Options for Size, Color and Function

High-quality Securiton Push Buttons are available in a broad selection of colors, sizes, switch types and outputs.

With a wide range of options for interchangeable lenses and field convertible outputs, Securiton push buttons can release any maglock, alone or in conjunction with door closers and other hardware.

PB SERIES » Medium Round Illuminated

- 7 Amp rated contacts
- Includes interchangeable green and red lenses
- Red LED on plate
- Stainless Steel single gang plate: 4.5" x 2.75" [114mm x 70mm]
- UL outdoor rated

» MODELS		Part # Description
Standard (DPST, Illuminated)		
PB 1-1/2" Round Momentary	PBA 1-1/2" Round Alternate	

PB2 SERIES » Large Square

- Easy to read 2" size
- 5 Amp rated contacts
- Includes interchangeable green, red and blue ADA lenses
- Stainless steel single gang plate: 4.5" x 2.75" [114mm x 70mm]

PRODUCT OPTIONS

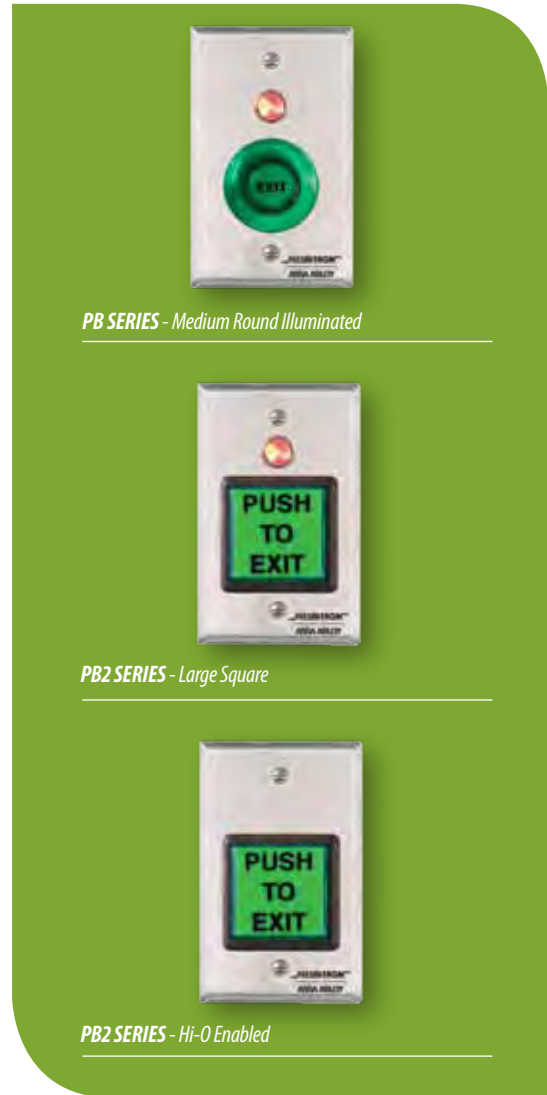
- Standard or Illuminated
- Single Pole-Double Throw
- Double Pole-Double Throw
- Red LED on plate

» MODELS		Part # Description
PB2 2" Square Momentary, SPDT, Illuminated plus red LED	PB22 2" Square Momentary, DPDT, Illuminated plus red LED	PB2E 2" Square Momentary, SPDT
		PB2-LK Illumination Kit for PB2E, PB5E

PB2 SERIES » Hi-O Enabled

» MODELS		Part # Description
Standard (2" Square Momentary, SPDT, Hi-O Enabled)		
HT-PB2 2" Square Momentary (Hi-O), Illuminated	HT-PB2E Push Button (Hi-O) Momentary	

PB Push Buttons



PB SERIES - Medium Round Illuminated

PB2 SERIES - Large Square

PB2 SERIES - Hi-O Enabled



PB2 and PB2E are available with Hi-O Technology. For more detailed information on this state of the art intelligent openings platform, please visit www.IntelligentOpenings.com/Hi-O

SECURITRON®
ASSA ABLOY

Push Buttons (continued)



PB3 SERIES - Assorted Sizes and Colors with a Uniform Look



PB3E - Rectangle Momentary, DPST



PB3EN - Rectangle Momentary, Narrow Stile



PB3N - Illuminated Narrow Stile plus red LED



PB4L - Vandal-resistant Stainless Steel Button Illuminated Halo



PB5 - Easy to Read Large Round

PB3 SERIES » Assorted Sizes and Colors with a Uniform Look

- 3 Amp rated contacts
- Includes interchangeable green and red lenses
- Field convertible from DPST to DPDT
- Stainless steel single gang plate: 4.5" x 2.75" [114mm x 70mm]
- Stainless steel narrow stile plate: 4.5" x 1.75" [114mm x 44mm]
- Surface mount: 3.875" x 2" [98mm x 51mm]
- Red LED on plate

» MODELS Part # Description

PB3

1" x 3/4" Rectangle Momentary, DPST, Illuminated Plus Red LED

PB3A

1" x 3/4" Rectangle Alternate, DPST, Illuminated Plus Red LED

PB3N

1" x 3/4" Rectangle Momentary, DPST, Illuminated, Narrow Stile Plus Red LED

PB3AN

1" x 3/4" Rectangle Alternate, DPST, Illuminated, Narrow Stile Plus Red LED

PB3E

1" x 3/4" Rectangle Momentary, DPST

PB3EA

1" x 3/4" Rectangle Alternate, DPST

PB3ER

1" x 3/4" Momentary, DPST, Surface Mount

PB3EAR

1" x 3/4" Alternate, DPST, Surface Mount

PB3EN

1" x 3/4" Rectangle Momentary, DPST, Narrow Stile

PB3EAN

1" x 3/4" Rectangle Alternate, DPST, Narrow Stile

PB3-LK

Illumination Kit for PB3 Series Push Buttons

PB4 SERIES » Vandal-Resistant Stainless Button with Illuminated Halo

- 4 Amp rated contacts
- Illuminated green Halo-style button
- Bi-color LED
- Vandal and tamper resistant
- Stainless steel single gang plate: 4.5" x 2.75" [114mm x 70mm]
- Stainless steel narrow stile plate: 4.5" x 1.75" [114mm x 44mm]

» MODELS Part # Description

PB4L-2

1" Stainless Momentary, DPDT, Single Gang

PB4LA-2

1" Stainless Alternate, DPDT, Single Gang

PB4LN-2

1" Stainless Momentary, DPDT, Narrow Stile

PB4LAN-2

1" Stainless Alternate, DPDT, Narrow Stile

PB5 SERIES » Easy to Read Large Round

- 5 Amp rated contacts
- Includes interchangeable green, red and blue ADA lenses
- Stainless Steel single gang plate: 4.5" x 2.75" [114mm x 70mm]
- Field convertible from DPST to DPDT

» MODELS Part # Description

PB5

2" Round Momentary, DPST, Illuminated

PB5E

2" Round Momentary, DPST

PB2-LK

Illumination kit for PB2, PB5, EEB2

SECURITRON
ASSA ABLOY

Redundant Backup Ensures Safe Egress

Install the EEB Emergency Exit Button next to the door to provide additional safety and redundancy as required by code when using a motion detector for a request-to-exit device.

PRODUCT FEATURES

- Backup device in case of exit sensor failure per BOCA, NFPA, NBC, and VBC code
- SPST 3 Amp wet N/C contacts
- Momentarily pressing the EEB releases the door for 30-seconds
- Re-triggerable for added 30-second release
- Field-selectable 12VDC or 24VDC to match lock voltage
- Interchangeable green and red lenses included standard

PRODUCT OPTIONS

- Single gang
- Narrow stile
- EEB2 includes standard lenses plus blue ADA lens
- Illumination kits



MODELS Part # Description

EEB2
2" Square
Emergency Exit

EEB3N
1" x 3/4" Rectangle
Emergency Exit

PB2-LK
Illumination
Kit for PB2, PB5E,
EEB2

PB3-LK
Illumination
Kit for EEB3N, PB3E

EEB

Emergency Exit Buttons



Specifications: (EEB2, EEB3N only)

- ANSI/UL 294 Listed
- CSA-C22.2 No.205 Listed
- CSFM – California State Fire Marshal

Note: Securitron's UL294 certification indicates that when the EEB is used with the XMS Motion Sensor, it meets the NFPA Life Safety Code 101 requirements for exit of access-controlled egress doors.



XMS

Exit Motion Sensor



Specifications:

- ANSI/UL 294 Listed Indoor use only

Dimensions:

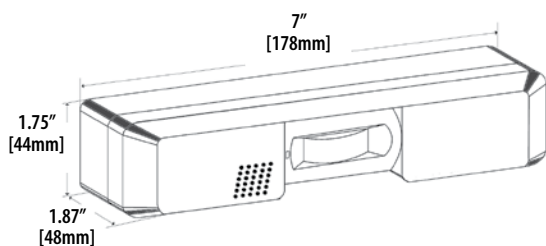
7" L x 1-7/8" W x 1-3/4" H

Electrical:

20mA-50mA
(depending on
switching status) at
12VDC or 24VDC

Shipping Weight:

0.5lbs. [0.23 kg.]

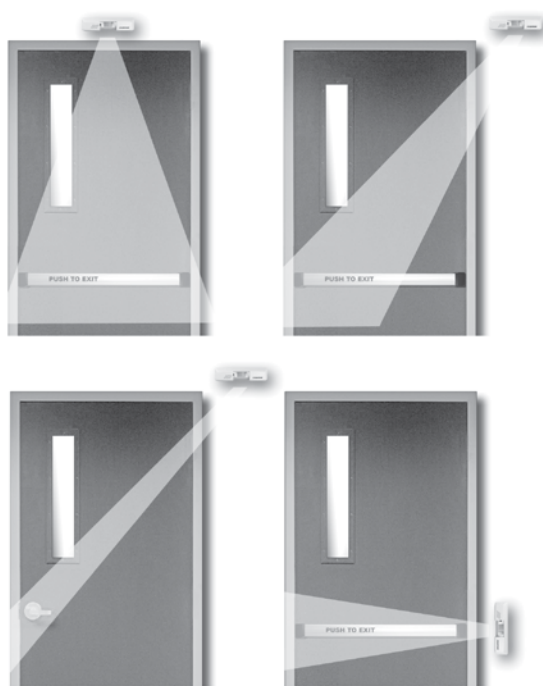


Versatile Motion Detection for Hands-Free Exit Request

The XMS Passive Infrared motion sensor reliably detects motion near a door and releases its magnetic lock. Versatile mounting options and an easily adjustable infrared beam pattern provide optimal coverage of the egress area for smooth, hands-free lock release and exit.

PRODUCT FEATURES

- Passive Infrared Request to Exit Device
- Automatically and reliably cuts power to the lock with no human intervention
- Request to exit (REX) output
- Easily adjustable beam pattern
- Adjustable time relock
- MagnaCare Lifetime Replacement Warranty



Safety Note: Securiton recommends that an emergency exit button, such as the EEB, be used in conjunction with the XMS to meet applicable building codes and specific life safety issues. See page 59.

» MODELS Part # Description

XMS
Exit Motion Sensor

SECURITRON
ASSA ABLOY



All-in-One Keypad System for Single-Door Traffic Control

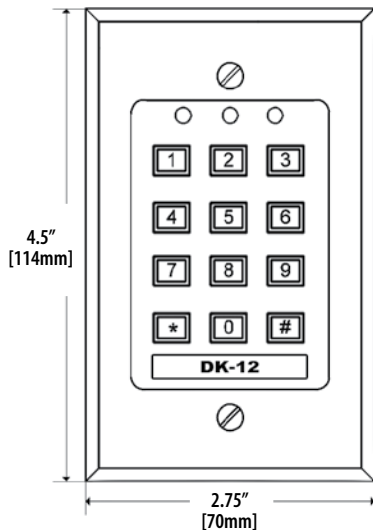
The DK-12 standalone keypad and controller is ideal for lower security requirements such as traffic control. Easy to install and easy to program, the one-piece DK-12 supports 99 user codes, including Passage mode and Lockout mode.

PRODUCT FEATURES

- Single gang, stainless steel plate with low voltage mounting ring
- 12 key illuminated 3x4 keypad
- True 10-digit operation (10 digits plus * and # keys)
- 99 user code capability
- Easy programming from the keypad
- Passage mode and Lockout mode
- Configurable audible keystroke echo
- Red, green and yellow LEDs for status and programming feedback
- Fail secure or fail safe-capable
- Easy to install with simple hand tools
- Accepts 12V or 24VAC or DC current
- 5 Amp SPDT timed, control relay output
- Request to Exit (REX) input
- MagnaCare Lifetime Replacement Warranty

PRODUCT OPTIONS

- Weather-resistant cover
- Weather-resistant backbox



DK-12

Digital Keypad



Electrical:
70mA at 12VDC or 24VDC

Maximum 30VDC or 300VAC switched voltage

Operating Temperature:
-10 to +140F
[-23 to +60C]

Primarily for indoor applications

Shipping Weight:
1lb. [0.45 Kg.]

Finishes:
US32B/630 -
Satin Stainless
Steel Finish

Dimensions:
2-3/4" W x 4-1/2" H
x 5/32" D



WCC



WBB

WCC and WBB allow DK-12 keypad to be mounted in outdoor locations not directly exposed to rain or snow

MODELS

Part #
Description

DK-12
Digital Keypad
System Single
Gang

WCC
Weather Cover
Single Gang

WBB
Gasketed Backbox
Single Gang

SECURITRON
ASSA ABLOY

DK-16

Digital Keypad



Electrical:
7mA at rest; 160mA active at 12VAC or 12VDC
20mA at rest; 190mA active at 24VAC or 24VDC

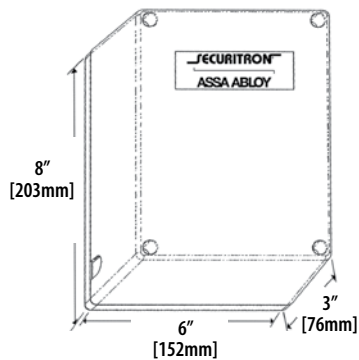
Operating Temperature:
CPU +32 to +158F [0 to +70C]
Keypad +32 to +110F [0 to +43C]
Primarily for indoor use

Shipping Weight:
4.2lbs. [1.91 Kg.]

Finishes:
US32D/630 – Satin Stainless Steel

Dimensions: Keypad
2-3/4" W x 4-1/2" H x 5/32" D

Enclosure:
6" W x 8" H x 3" D



Secure, Easy-to-Program Single Door Control System

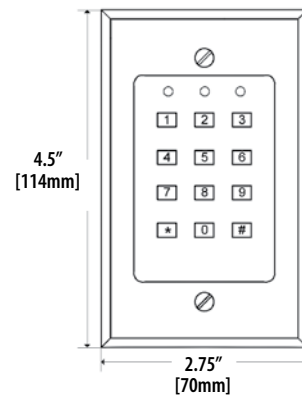
The DK-16 digital keypad system provides medium/high security control of electric locks in a one- or two-door application where both doors have the same control needs. The tamper-resistant 3x4 keypad provides true 10-key operation for use and programming. Encased in a separate enclosure for secure installation in a protected area, the controller offers REX input and relay output for lock control, alarm shunt or other interfaces.

PRODUCT FEATURES

- 12 key 3x4 keypad with engraved and paint filled numbers
- Stainless steel plate
- Red, green and yellow LEDs for status and programming feedback
- Audible keystroke echo
- Controller mounted in plastic enclosure
- 59 users, expandable to 119
- User code and/or hard code disable feature
- 5 Amp DPDT relay output
- Request-to-exit (REX) input
- True 10 digit operation (keys are not paired), 3 LEDs and a beeper
- 16 ft. [4.8m], 12 conductor, 22 gauge keypad cable
- MagnaCare Lifetime Replacement Warranty

PRODUCT OPTIONS

- Wiegand output
- Expansion board to expand users to 119
- Weather-resistant cover
- Weather-resistant back box
- Keypad available as system or separately



MODELS

DK-16
Digital Keypad System Single Gang (59 Users)

DK-16XB
DK-16 with Expansion Circuit Board Single Gang (119 Users)

DK-16P
Digital Keypad Only Single Gang

DK-16W
Digital Keypad System Single Gang Wiegand

WCC
Weather Cover Single Gang

WBB
Weather Gasketed Backbox Single Gang

Digital Control System for Narrow Stile Applications

The DK-26 digital keypad system provides medium/high security control of electric locks in one or two door applications where doors have the same control needs. The fully weatherproof, rugged stainless steel keypad can be mounted in most outdoor environments. Encased in a separate enclosure for secure installation, the full-featured, easy to program, DK-26 is ideal for narrow stile applications.

PRODUCT FEATURES

- Cast stainless steel with 11 EPDM rubber keys
- Weatherproof and vandal resistant
- 12V or 24V/ AC or DC current
- Mounts on a narrow mullion
- Audible keystroke echo
- True 10 digit operation (keys are not paired)
- 59 users with multiple entry codes
- Expansion board adds users, real time calendar, more relays and outputs
- User code and hard code disable feature
- Passage Mode and Lockout Mode
- 5 Amp DPDT relay
- Request-to-exit (REX) input
- 16 ft. [4.8m], 12 conductor, 22 gauge keypad cable
- 3 LEDs and a bell button
- MagnaCare Lifetime Replacement Warranty

PRODUCT OPTIONS

- "W" indicates Wiegand output
- Expansion board for up to 119 users
- Spy Shield
- Cover plate
- Keypad available as system or separately



MODELS Part # Description

DK-26BK
Digital Keypad System Narrow Stile, Black (59 Users)

DK-26BKXB
DK-26 with Expansion Circuit Board, Black (119 Users)

DK-26PBK
Digital Keypad Only Narrow Stile, Black

DK-26PSS
Digital Keypad Only Narrow Stile, Stainless

DK-26SS
Digital Keypad System Narrow Stile, Stainless (59 Users)

DK-26SSXB
DK-26 with Expansion Circuit Board, Stainless (119 Users)

DK-26WBK
Digital Keypad System Wiegand, Black

DK-26WSS
Digital Keypad System Wiegand, Stainless

DK-26

Digital Keypad



Specifications:

- CE: EN 50091-1, EN 61000-6-2 Approved

Electrical:

7mA at rest; 160mA active at 12VAC or 12VDC

20mA at rest; 190mA active at 24VAC or 24VDC

Operating Temperature:

CPU +32 to +158F [0 to +70C]

Keypad -22 to +158F [-30 to +70C]

Shipping Weight:

5lbs. [2.27 Kg.]

Finishes:

US32D/630 – Satin Stainless Steel

Black

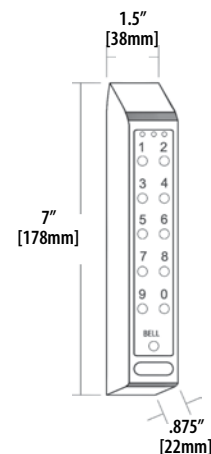
Dimensions:

Keypad
1-1/2" W x 7" H x 7/8" D

Enclosure

6" W x 8" H x 3" D

Indoor or Outdoor use



SECURITRON
ASSA ABLOY

DKC SERIES

Digital Keypad Controller



DKC Controller



Easy-to-use software

Electrical:
12/24VAC or DC;
Minimum 1A supply
for the base unit, add
supply current for any
devices connected to
the DC outputs

**Operating
Temperature:**
32°F to 158°F
[0 to +70C]

Shipping Weight:
1.4lbs.

Coming Soon

The DKC digital keypad controller provide stand-alone control of up to two electrically locked doors. Adding door users is fast and simple, either program directly from the keypad or upload via easy-to-use software.

DKC Controller for Stand-Alone Control and Reader Flexibility

The DKC offers broad flexibility and ease-of-use for access control professionals looking for a cost-effective solution for small configurations.

With a new, easy-to-use software programming option and upload feature, you can quickly deploy a two-door, stand-alone system that gives you the flexibility to use any Wiegand output reader or keypad. Choose from high quality Securitron options or connect to HID proximity or smart card readers for sophisticated yet simple access control.

CONTROLLER FEATURES

- New, easy-to-use, intuitive remote programming option
 - › Allows users and user codes to be entered from the comfort of the administrator's desk for later upload to the controllers
 - › Still maintains option for the industry's easiest keypad programming at the reader or the controller board
- Ability to independently control up to two doors
- Expanded users – up to 250 per reader
- Downloadable audit trail for time/date stamped user access
 - › Stores up to 2000 total events
- The controller supports any keypad or card reader capable of 26-bit Wiegand output
- Non-volatile memory for fast recovery in power outages with no data loss
- User code and/or hard code disable feature
- 5 Amp DPDT relay output for lock control and alarm shunt, camera call-up or other device interface, REX input
- Configurable keypad sound feedback with keystrokes

SECURITRON
ASSA ABLOY

DK-XB » Expansion Board

- Real-time printer capability
- Provides an additional 60 user codes (for a total of 119 user codes, plus the programming code and a hard code)
- Serial printer output
- Additional programmable relay
- On-board, real-time clock and calendar for time/date reporting of access events
- Mounts inside DK-16, DK-26 CPU box

» MODELS Part # Description

DK-XB
DK-16/26
Expansion Circuit
Board Upgrade Kit

DK-S » Spy Shield

- Prevents viewing of the code being entered into the DK-26
- Available in both stainless and black

» MODELS Part # Description

DK-SSS
Spy Shield for
DK-26, Stainless

DK-SBK
Spy Shield for
DK-26, Black

DK26-CPSS » Cover Plate

- Allows DK-26 to be mounted over a single gang box

» MODELS Part # Description

DK-CPSS
DK-26 Cover Plate
Stainless Steel

DK-WRI » Wiegand Output

- Output Wiegand 2601 format data
- Interface with any access control system that accepts this data protocol
- Easily add keypad controlled entries
- Combine a keypad with a card reader
- DK-26/16 - external board is used
- May be purchased individually or together with the pad

» MODELS Part # Description

DK-WRI
Digital Keypad
Wiegand
Circuit
Board Only

Digital Keypad Accessories



DK-XB - Expansion Board



DK-S - Spy Shield



DK26-CPSS - Cover Plate



DK-WRI - Wiegand Output

SECURITRON
ASSA ABLOY

Keyswitch Selection Guide

	Single Gang	Narrow Style	Double Gang	Lock #/Z Keys	Momentary	Alternate	SPDT	DPDT	Bi-Colored LED	Add On
MK	X				X		X		X	
MK2	X				X			X	X	
MKA	X					X	X		X	
MKA2	X					X		X	X	
MKAN		X				X	X		X	
MKAN2		X				X		X	X	
MKN		X			X		X		X	
MKN2		X			X			X	X	
MKPZ			X		X		X		X	
MKAPZ			X			X	X		X	
MKS					X		X			X
MKS2					X			X		X
MKSA						X	X			X
MKSA2						X		X		X
MKC										X
MKC-KA										X
KP1	X			X	X		X		X	
KP1A	X			X		X	X		X	
KP1AN		X		X		X	X		X	
KP1N		X		X	X		X		X	

Single Pole - Single Throw (SPST)

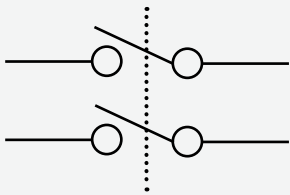
Switches that have one input and one output (NO or NC) and turn on or off in response to the switch action

Single Pole - Double Throw (SPDT)

Switches with one input and two outputs. When the switch operation occurs, the connection shifts from output A to output B

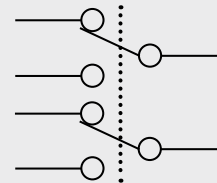
Double Pole - Single Throw (DPST)

Two SPST switches that operate in tandem using one switch operation so that two outputs turn on or off simultaneously in reaction to the switch operation



Double Pole - Double Throw

Two SPDT switches that operate in tandem using one switch operation so that each connection shifts simultaneously from its primary output to its secondary output



Momentary Switch

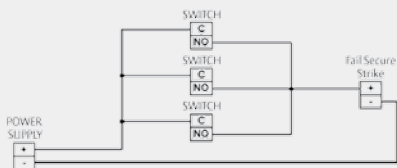
A momentary switch changes state during activation and reverts to its original state upon deactivation. A doorbell is a common example of a momentary switch. A timer can be used to extend the effect of the switch operation for a specific amount of time.

Double Pole - Single Throw (DPST)

An Alternate Switch changes state upon activation and does not change back until reactivated. A light switch is a common example of an alternate switch. Alternate switches are also called maintained or latching switches

Normally Open Contacts (NO)

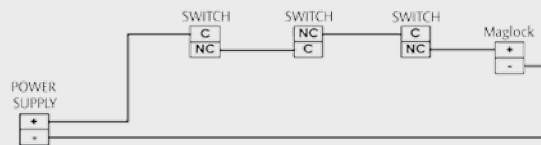
A normally open contact provides an open circuit where no current is flowing in its usual state.



Wired in Parallel for Fail Secure type electric locks. i.e. Electric strike. Activating any switch will apply power releasing the lock.

Normally Closed Contacts (NC)

A normally closed contact provides a closed circuit where current is flowing in its usual state.



Wired in Series for Fail Safe type electric locks. i.e. Securtron Maglocks. Activating any switch will break power releasing the lock.

Simple Solution for Exit, Door Release, Manual Override or Reset

PRODUCT FEATURES

- For less demanding applications
- Stainless steel face plates
- 12/24VDC bi-color LED, tubular style keyswitches
- 7 Amp rated SPDT switch
- Momentarily turning the key changes the state of the contacts
- Includes anti-tamper screws
- Includes two keys

PRODUCT OPTIONS

- Momentary or Alternate switch
- Single gang or narrow stile

MODELS Part # Description

KPI	KPIN	KPIA	KPIAN
Tubular Keyswitch Momentary, SPDT, Single Gang	Tubular Keyswitch Momentary, SPDT, Narrow Stile	Tubular Keyswitch Alternate, SPDT, Single Gang	Tubular Keyswitch Alternate, SPDT, Narrow Stile

KPI

Tubular Keyswitch



MK

Mortise Keyswitch



Specifications:

- ANSI/UL 294
- CSFM – California State Fire Marshal Approved
- MEA – City of New York Approved

Turns Standard Mortise Cylinder into Full Featured Key Switch

The MK keyswitch supports electric lock control, alarm panel arming, reset and override when paired with any mortise cylinder 1-1/8" to 1-1/2".

PRODUCT FEATURES

- Standard with momentary SPDT switch
- 12 or 24VDC
- Bi-color LED
- Backing bracket permits integration with any 1-1/4" [32mm] or 1-1/8" [28mm] mortise cylinder (not included),
- Support for 1-1/2" cylinder using spacer ring and backset
- Additional switch position on backing bracket allows another switch to be activated by turning the key in the opposite direction
- 5 Amp rated plunger switch
- Includes anti-tamper screws

PRODUCT OPTIONS

- Momentary or Alternate
- SPDT or DPDT
- Narrow Stile, Single- or Double-Gang
- Local annunciation via Piezo sounder
- Additional switch add on
- 1-1/8" Key Cylinder, 26D Finish, SC Keyway

MODELS Part # Description

MK Mortise Keyswitch Momentary, SPDT	MKAN Mortise Keyswitch Alternate, SPDT, Narrow Stile	MKAPZ Mortise Keyswitch Alternate, SPDT, Piezo, Double Gang	MKSA2 Additional Switch Alternate, DPDT, for MKA2
MKA Mortise Keyswitch Alternate, SPDT	MKN2 Mortise Keyswitch Momentary, DPDT, Narrow Stile	MKS Additional Switch Momentary, SPDT, for MK	MKC Mortise Cylinder 1-1/8" 26D Keyway SC, 2 Keys
MK2 Mortise Keyswitch Momentary, DPDT	MKAN2 Mortise Keyswitch Alternate, DPDT, Narrow Stile	MKSA Additional Switch Alternate, SPDT, for MKA	MKC-KA Mortise Cylinder 1-1/8" 26D Keyway SC Keyed Alike, 2 Keys
MKA2 Mortise Keyswitch Alternate, DPDT	MKPZ Mortise Keyswitch Momentary, SPDT, Piezo, Double Gang	MKS2 Additional Switch Momentary, DPDT, for MK2	
MKN Mortise Keyswitch Momentary, SPDT, Narrow Stile			



DPS

Door Position Switches



Electrical:
Switching Current AC/DC
(max): 0.4A

Operating Temperatures:
-40 to +150F
[-40 to +65C]

MODELS Part # Description

DPS-W-BK
DPS - Wood Door,
Black

DPS-W-GY
DPS - Wood Door,
Gray

DPS-W-WH
DPS - Wood Door,
White

DPS-M-BK
DPS - Metal Door,
Black

DPS-M-GY
DPS - Metal Door,
Gray

DPS-M-WH
DPS - Metal Door,
White

DPS-W and DPS-M door position switches enable access control systems to monitor the open or closed state of a door. These switches can transmit an initiate signal to Securitron's XDT delayed exit logic timers and DPA door prop logic timers

DPS-W » Concealed Door Position Switch for Wood Doors

- Mated magnetic switch and cylindrical magnetic contact
- Recesses into door and frame
- 3/4" [19mm] round installation, 15/16" deep
- Provides Normally Closed SPST switch
- Works with door gap up to 3/4" [18mm]
- MagnaCare Lifetime Replacement Warranty

DPS-M » Concealed Door Position Switch for Metal Doors

- Mated magnetic switch and magnetic contact
- Recessed into door and frame
- 3/4" [19mm] round installation, 1/2" deep
- Larger cylindrical magnet counters shielding effect of steel
- Provides Normally Closed SPST switch
- Works with door gap up to 3/4" [18mm]
- MagnaCare Lifetime Replacement Warranty

PRODUCT OPTIONS

- Available in white, gray or black

This economical, versatile door position switch fits into smaller spaces. Its compact, concealed design is ideal for wood door installations.

PRODUCT FEATURES

- Mated magnetic switch and magnetic contact
- Recessed into door and frame
- 1/4" round installation, approximately 1-1/4" deep
- Provides Normally Closed SPST switch
- Can be field modified to provide Normally Open contact
- MagnaCare Lifetime Replacement Warranty

MODELS Part # Description

J-1055-04F
Door Position
Switch - Wood
Door

J-1055-04F

Compact Concealed Door Position Switch for Wood Doors



Electrical:
Switching Current AC/DC
(max): 0.5A

Operating Temperatures:
-40 to +150F
[-40 to +65C]

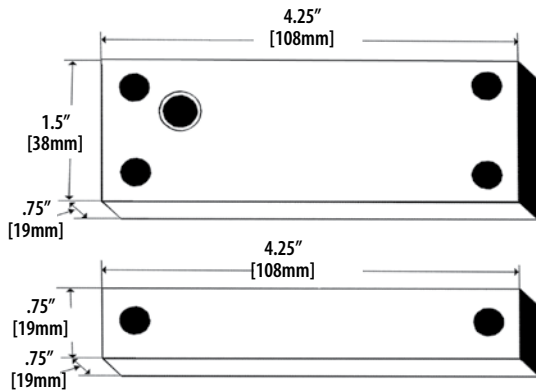
Tamper-resistant Maximum Security Switches (MSS) provide versatile door monitoring with armored cable options to detect the status of windows, doors, gates and more in higher security settings. With multiple options for different environments, MSS can be used with access control or alarm systems to provide peace of mind where status detection is a critical concern.

PRODUCT FEATURES

- Interfaces to access control and alarm systems for remote indication of open/closed status
- Unique "mated" magnetic contact for preventing defeat attempts by foreign magnets
- Can be used to provide initiate signal to XDT delayed egress timer
- Hidden anti tamper output (MSS-1 and MSS-1G)
- Layered protection for tamper detection and reporting
- SPDT Contact
- MagnaCare Lifetime Replacement Warranty

PRODUCT OPTIONS

- MSS-1 includes jacketed cable for hollow metal applications
- MSS-1G includes a 3-foot [936mm] stainless steel cable
- MSS-1C conceals in standard ANSI 4-7/8" strike cutout
- -RT added to any product enables remote testing to confirm function



MSS

Maximum Security Switches for Door Position Detection



Specifications:

- UL 634 Listed
- Patent number: 5,668,533
- ULC/ORD-C634 Listed

Electrical:

Main Output: SPDT at max of 125mA at 24VDC; 250mA at 12VDC
 Tamper Output: Closed when secure; open to alarm - 1 Amp max current

Operating Temperature:

-40 to +150F
 [-40 to +65C]

Shipping Weight:

1.5lbs. [0.68 Kg.]

Dimensions:

Contact 3/4" H x 4-1/4" L x 3/4" D
 Switch 1-1/2" H x 4-1/4" L x 3/4" D

MODELS Part # Description

MSS-1
 High Security Switch, Surface Mount

MSS-1C
 High Security Switch, Concealed

MSS-1G
 High Security Switch, Surface Mount, Conduit

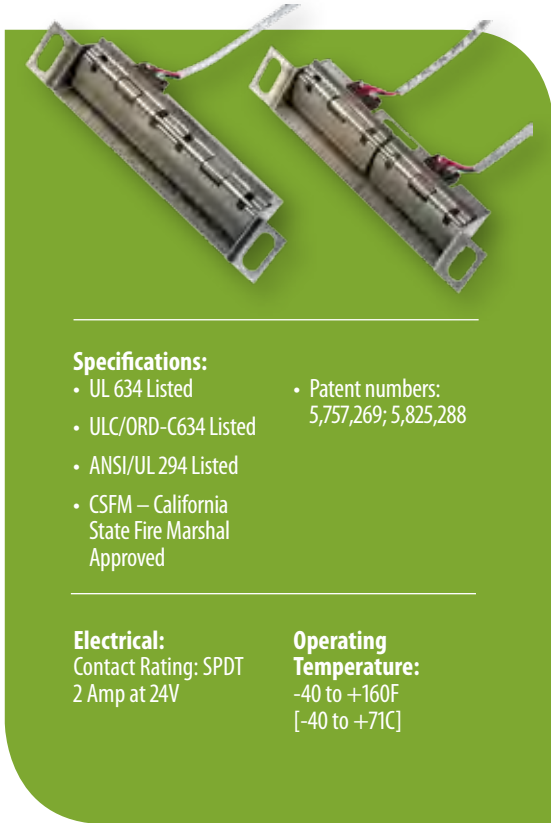
MSS-1RT
 High Security Switch, Surface Mount with Remote Test

MSS-1C-RT
 High Security Switch, Concealed with Remote Test



LM

Latch Monitors



Specifications:

- UL 634 Listed
- ULC/ORD-C634 Listed
- ANSI/UL 294 Listed
- CSFM – California State Fire Marshal Approved
- Patent numbers: 5,757,269; 5,825,288

Electrical:
Contact Rating: SPDT
2 Amp at 24V

Operating Temperature:
-40 to +160F
[-40 to +71C]

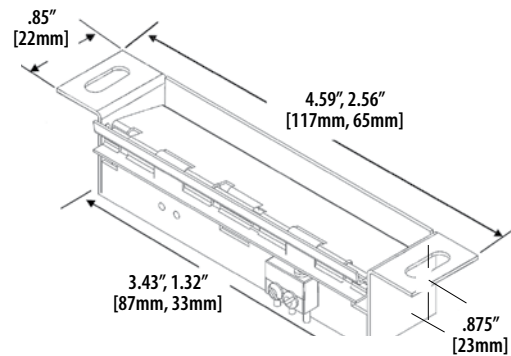
The LM Series interfaces with an access control or alarm system to indicate the state of the latchbolt. Used alone or in conjunction with a door position switch, the LM provides confirmation that the door is secure, preventing false alarms and unauthorized access while providing tamper detection. Can also be used to transmit an initiate signal to model XDT delayed egress logic timers.

PRODUCT FEATURES

- Electronically detects and reports mechanical latch and bolt positions
- Provides peace of mind that the door is secure
- Installs easily, conceals behind existing hardware
- Requires no jamb or strike plate modification
- MagnaCare Lifetime Replacement Warranty

PRODUCT OPTIONS

- LMS-1 provides SPDT switch, fits ANSI 4-7/8" cutout
- LML-1 provides SPDT switch, fits ANSI 2-3/4" cutout
- LML-2 monitors mortise latch and deadbolt separately with two SPDT switches



MODELS Part # Description

LML-1
Latch Monitor ANSI
4-7/8"

LML-2
Latch Monitor
ANSI 4-7/8" with
Deadbolt

LMS-1
Latch Monitor ANSI
2-3/4"

The DPA complements door position/door state detection with timed logic and relays that provide escalating alerts when a door is held, propped or unsecure after a defined time period. This unit promotes safety and loss prevention at ancillary exits for healthcare, commercial and retail facilities, and dorms.

PRODUCT FEATURES

- Multi-functional control timer provides relay action for alarms and alerts
- Monitors whether a door remains open after a defined time frame
- Includes three 5 Amp SPDT outputs providing local and remote signaling
- Digital time settings from 30 to 240 seconds
- Detects attempts to tamper with lock or door status
- Multiple time ranges for escalating alerts
- Bypass mode for valid access/ egress needs
- BA-DPA models come with Piezo sounder and LED

MODELS Part # Description

DPA-12
Door Prop Alarm
12VDC

DPA-24
Door Prop Alarm
24VDC

BA-DPA-12
Door Prop Alarm
Enclosed 12VDC
with Local Sounder

BA-DPA-24
Door Prop Alarm
Enclosed 24VDC
with Local Sounder

DPA

Door Prop Alarm



Electrical:
Max draw 100mA at 12VDC
Max draw 50mA at 24VDC

Operating Temperature:
+32 to +120F
[0 to +49C]

Shipping Weight:
DPA SERIES
DPA-24 0.5lbs.
DPA-12 0.5lbs.

BA-DPA SERIES
BA-DPA-24 2.05lbs.
BA-DPA-12 2.05lbs.

DT-7

Prime Time Digital Timer



Electrical:
170mA at 12V or 24 V
(VAC or VDC)

Operating Temperature:
+32 to +113F
[0 to +45C]

Shipping Weight:
.75 lbs.

Control doors equipped with electrified hardware - with or without access control - with The DT-7 digital timer. The DT-7 can be used as a stand-alone unit, or in conjunction with DK and other products. Versatile programming supports timed unlocked/locked/or access-control-only states to turn electric locks or other security systems on and off at programmed times.

PRODUCT FEATURES

- 7-day digital timer
- 10 Amp DPDT relay can be operated in toggle or pulse mode
- 12 programmed on/off times
- Set daily (6 on, 6 off), on selected days, or on blocks of days
- "First Man In" feature delays preset action until first access
- Supports holiday programming
- 12 or 24VAC or VDC
- AA battery provides backup to the display module program memory - battery not included

MODELS Part # Description

DT-7
Prime Time 7 Day
Digital Timer

The TM-2 is a premium, industrial duty, multi-function timer that provides precise timing using stackable increments in seconds or minutes and easy-to-use dip switch settings. Ideally suited for unusual time sequencing requests, like bank or ATM vaults.

PRODUCT FEATURES

- Industrial quality multi-function timer for delay or time sequencing
- Triggering can be from an N/O or N/C switch
- DIP switches select delay times of 1 to 255 seconds or minutes
- Flashing LED provides visual indication of remaining time or alert status



MODELS

Part #
Description

TM-2

Time Master II
Multi-Function
Timer

TM-2

Time Master II Multi-Function Timer



Electrical:

12 or 24VAC or VDC
with 5 Amp DPDT
relay output

Operating Temperature:

+32 to +149F
[0 to +65C]

TM-9

Time Mate Timer



Electrical:
12 or 24VDC or 24VAC

**Operating
Temperature:**
+32 to +158F
[0 to +70C]

The compact TM-9 extends the hold-open request of a pushbutton or keyswitch, enabling single-hand operation of the door or delaying re-arming of alarms.

PRODUCT FEATURES

- Miniature timer extends momentary switches
- Time setting is selected by easy to configure DIP switches
- Fits in outlet boxes with push buttons or keyswitches
- Applications include releasing electric locks and shunting alarm contacts
- 3 Amp SPDT relay energizes for 2 to 36 seconds



MODELS

Part #
Description

TM-9

Time Mate Timer

The economical, multi-function RLP logic circuit can be used as a DPDT latching alarm relay, or provide a relay for two-door interlocks (mantrap), or can initiate a brief signal delay to eliminate timing problems among multiple monitoring points on a door under access control.

PRODUCT FEATURES

- Provides additional relay to access control systems requiring N/O or N/C dry status signals
- Provides a brief delay to harmonize door state reporting from multiple detection points
- Can create a relay interlock circuit
- Use with locks to create an interlocked trap entry
- Provides DPDT relay with 1 Amp contacts
- Provides time delay of door operator when electric lock is used

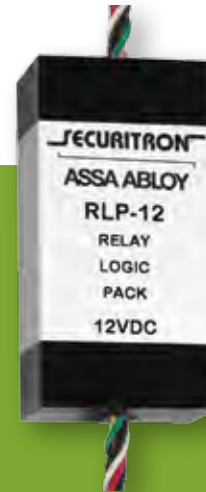
» MODELS Part # Description

RLP-12
Relay Logic Pack
12VDC

RLP-24
Relay Logic Pack
24VDC

RLP

Relay Logic Pack



Electrical Max Draw:
30mA at 12VDC or 15mA
at 24 VDC Max

Operating Temperature:
-13 to +158F
[-25 to +70C]

PZ1

Piezo Sounder



The PZ-1 can be used as a local or remote alarm sounder for exit delay or door prop alarm.

PRODUCT FEATURES

- Remote annunciator
- Powerful Piezo sounder - 86 db
- Includes anti-tamper screws
- Stainless steel single gang plate 4 -1/2" x 2-3/4" [114mm x 70mm]

» MODELS Part # Description

PZ1
Piezo Single Gang

The RB4 provides Normally - Open or Normally - Closed relays that can be interconnected. Ideal for interlock installations or wherever a basic relay board is used to trigger action, shunt alarms or report status from an access control system.

PRODUCT FEATURES

- 4 DPDT relays with 2 Amp contacts
- Relays have low current coils (13mA at 12VDC; 8mA at 24VDC)
- Individual coil connections - common negative or positive
- Allows operation from most LED drive outputs
- Replaces socket mount relays
- Dry contact connections via screw terminals

MODELS Part # Description

RB-4-12
Relay Board 12VDC

RB-4-24
Relay Board 24VDC

RB

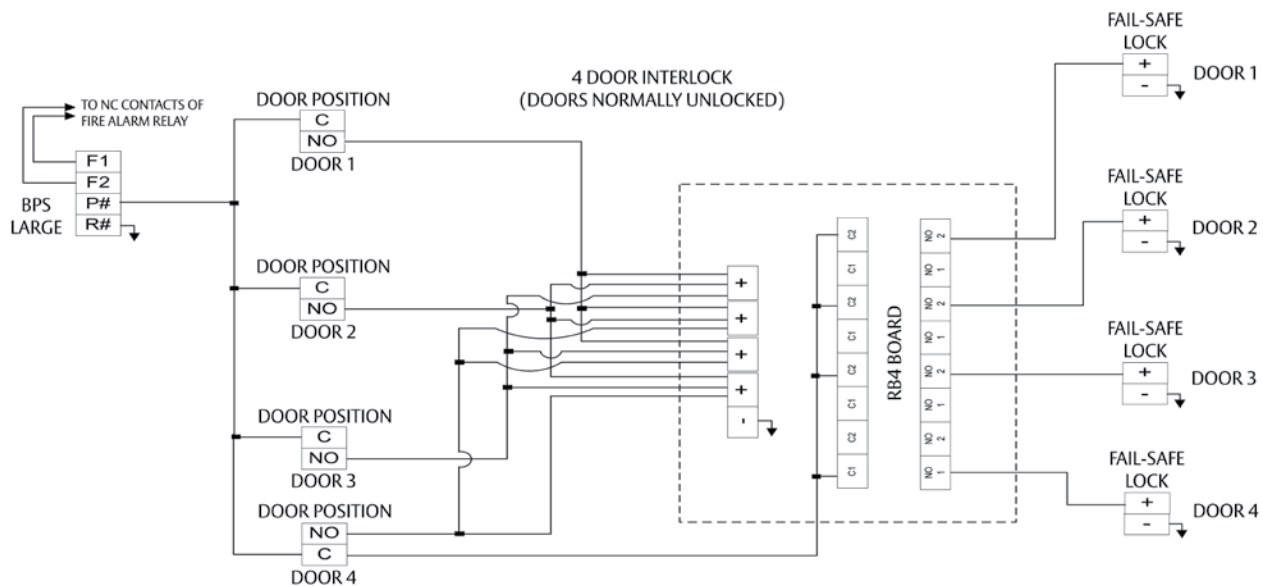
Relay Board



Electrical Max Draw:
32mA at 12VDC or
32mA at 24VDC

Operating Temperature:
-13 to +158F
[-25 to +70C]

Dimensions:
4" W x 3-1/2" H



POWER PRODUCTS

SECURITRON[®]
ASSA ABLOY

MAG LOCKS

» **Electromagnetic Locks & Accessories**
M680, M670, M38, M68, M34R, M32, M62, DM62, M82B,
SAM, iMXDa, Component EXD, Brackets & Accessories,
Vista® VM300, VM600, VM1200/VM1290

ELECTROMECH
LOCKS

» **Electromechanical Locks**
MM15, UNL

SPECIALTY LOCKS

» **Gate Locks, Cabinet Locks & Accessories**
M62FG-SASM, GL1, FMK, MCL, M32-SS, SAM2-24

EXIT DEVICES

» **Exit Devices**
DSB, TSB, TSH, SP-1, EMB, EMH

ENTRY DEVICES

» **Entry Devices**
PB Series, EEB Series, XMS, DK-12, DK-16, DK-26,
Keyswitch Series

ACCESS CONTROL
ACCESSORIES

» **Access Control Accessories**
DPS, LM-Latch Monitor, MSS, DPA/DT-7, TM-2/TM-9,
RLP/PZ-1, RB-Relay Board

POWER SUPPLIES

» **Power Supplies**
BPS-12/24-1, BPS, BPSM, BPSS, PSM, PSP, BACS, AQD3,
AQD5, AQM20, AQU126, AQU128, AQU243, AQU244, PDB,
PDB-1R, PDB-8C1R, PDB-8F8R/8C8R

POWER TRANSFER

» **Power Transfer**
CEPT, EPT, SEPT, EH

POWER
ACCESSORIES

» **Power Accessories**
FAR, TP-12-3, TP-24-2, B-12-5, B-24-5, BR-4, CCB-8, CKL

RESOURCES

» **Resources & Extras**
AHJ Handbook information, Icon Glossary, Demo Mounts,
Code-Compliant Systems, Index, Terms and Conditions

BPS Linear Power Supply Selection Guide

	Plug-In	Hard Wired	Input Voltage	Output Voltage	Output Current	Battery Charger	UL Listed	# of Outputs	AC Loss and Low Battery Status	Manual Reset Option
BPS-12/24-1		X	120VAC	12/24VDC	1 AMP	X	X	1	AC LOSS ONLY	W/FAR
BPSH-12/24-1		X	220VAC	12/24VDC	1 AMP	X	X	1	AC LOSS ONLY	W/FAR
BPS-12-1		X	120VAC	12VDC	1 AMP	X	X	1		W/FAR-12
BPS-12-3		X	120VAC	12VDC	3 AMP	X	X	4	W/PSM-12	W/FAR-12
BPS-12-45		X	120VAC	12VDC	4.5 AMP	X	X	4	W/PSM-12	W/FAR-12
BPS-12-6		X	120VAC	12VDC	6 AMP	X	X	8	W/PSM-12	W/FAR-12
BPS-12-9		X	120VAC	12VDC	9 AMP	X	X	8	W/PSM-12	W/FAR-12
BPS-12-15		X	120VAC	12VDC	15 AMP	X	X	8	W/PSM-12	W/FAR-12
BPS-24-1		X	120VAC	24VDC	1 AMP	X	X	1		W/FAR-24
BPS-24-2		X	120VAC	24VDC	2 AMP	X	X	4	W/PSM-24	W/FAR-24
BPS-24-3		X	120VAC	24VDC	3 AMP	X	X	4	W/PSM-24	W/FAR-24
BPS-24-4		X	120VAC	24VDC	4 AMP	X	X	8	W/PSM-24	W/FAR-24
BPS-24-6		X	120VAC	24VDC	6 AMP	X	X	8	W/PSM-24	W/FAR-24
BPS-24-10		X	120VAC	24VDC	10 AMP	X	X	8	W/PSM-24	W/FAR-24
BPSM-12-6		X	120VAC	12VDC	6 AMP	X	X	8	X	W/FAR-12
BPSM-12-9		X	120VAC	12VDC	9 AMP	X	X	8	X	W/FAR-12
BPSM-12-15		X	120VAC	12VDC	15 AMP	X	X	8	X	W/FAR-12
BPSM-24-4		X	120VAC	24VDC	4 AMP	X	X	8	X	W/FAR-24
BPSM-24-6		X	120VAC	24VDC	6 AMP	X	X	8	X	W/FAR-24
BPSM-24-10		X	120VAC	24VDC	10 AMP	X	X	8	X	W/FAR-24
BACS-12-20		X	120VAC	12VAC	20 AMP		X	16		
BACS-24-10		X	120VAC	24VAC	10 AMP		X	8		

Plug In Power Supply Selection Guide

	Plug-In	Hard Wired	Input Voltage	Output Voltage	Output Current	Battery Charger	UL Listed	# of Outputs	AC Loss and Low Battery Status	Manual Reset Option
TP-12-3	X		120VAC	12VAC	3 AMP			1		
TP-24-2	X		120VAC	24VAC	1.5 AMP			1		
PSP-12	X		120VAC	12VDC	700mA			1		
PSP-12-3	X		120-220VAC	12VDC	3 AMP			1		
PSP-24	X		120VAC	24VDC	350mA			1		
PSP-24-15	X		120-220VAC	24VDC	1.5 AMP			1		

BPS 12/24-1

Dual Voltage Boxed Power Supply

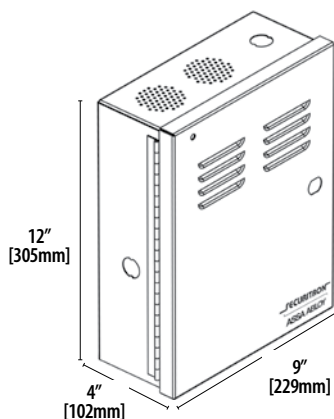


Electrical:
12V/24V selector switch
Input Voltage:
120VAC
Output Current: 1 Amp
at 12VDC or 24VDC

Dimensions:
9" L x 12" H x 4" D

**Operating
Temperature:**
+32 to +105F
[0 to +40C]

Shipping Weight:
9lbs. [4.08 Kg.]



Dual-Voltage Linear Power for Sensitive Electronics

The BPS series of power supplies delivers linear technology recommended by most manufacturers of sensitive electronic access control and security components. Safe for use with readers, electric strikes, and maglocks, these units interface to fire alarm systems and provide battery backup. The BPS-12/24-1 is UL Class 2 listed, allowing for wire runs without the use of conduit from power supply to door.

PRODUCT FEATURES

- Dual output, field selectable 12 or 24VDC via clearly marked toggle switch
- Supplies 1 full AMP continuous current output, even while charging back-up batteries
- Linear regulated power supply provides the cleanest power available
- UL Class 2 power limited output
- SPDT AC monitoring output allows for remote monitoring of the power supply's 110VAC input
- External LED indicator (AC and DC) easily determines power status
- UL Listed, low-current fire alarm disconnect requires only a minimum size fire alarm relay and wire gauge
- Polyswitch 2A breaker allows for large short duration inrush current if batteries are installed (approx. 20A for 1 second)
- Line voltage and DC fuses
- Sealed lead acid-gel battery charging capability (battery sold separately)
- MagnaCare Lifetime Replacement No Fault Warranty



SECURITRON
ASSA ABLOY



MODELS Part # Description

BPS-12/24-1
Power Supply
12/24VDC - 1A

12VDC or 24VDC Linear Output for High Performance

The BPS series single voltage power supplies deliver linear technology recommended by most manufacturers of sensitive electronic access control and security components. Safe for use with readers, electric strikes, and maglocks, these units interface to fire alarm systems and provide battery backup. The BPS power supplies provide 12 VDC or 24VDC output with a variety of amp sizes that support small or large power needs.

PRODUCT FEATURES

- 1, 4 or 8 outputs protected with polyswitch (PTC) 2A circuit breakers
- LEDs provide an easy-to-read voltage indicator for output zone status (voltage, no voltage)
- Slide switches connect or disconnect load from power (excludes 1 Amp)
- Battery charging and backup capability (battery sold separately)
- Rugged steel enclosure
- Fire alarm relay connection for release of all devices upon fire alarm activation
- Clean linear power for flawless operation with all sensitive active electronic components
- MagnaCare Lifetime Replacement No Fault Warranty

12VDC	Capacity	24VDC	Capacity	Cabinet Size	Outputs
BPS-12-1	1 Amp	BPS-24-1	1 Amp	12" x 9" x 4"	1
BPS-12-3	3 Amp	BPS-24-2	2 Amp	14" x 14" x 4"	4
BPS-12-45	4.5 Amp	BPS-24-3	3 Amp	14" x 14" x 4"	4
BPS-12-6	6 Amp	BPS-24-4	4 Amp	15" x 18" x 6"	8
BPS-12-9	9 Amp	BPS-24-6	6 Amp	15" x 18" x 6"	8
BPS-12-15	15 Amp	BPS-24-10	10 Amp	15" x 18" x 6"	8

MODELS Part # Description

12VDC

BPS-12-1
Power Supply, 1 Amp

BPS-12-3
Power Supply, 3 Amp

BPS-12-45
Power Supply, 4.5 Amp

BPS-12-6
Power Supply, 6 Amp

BPS-12-9
Power Supply, 9 Amp

BPS-12-15
Power Supply, 15 Amp

24VDC

BPS-24-1
Power Supply, 1 Amp

BPS-24-2
Power Supply, 2 Amp

BPS-24-3
Power Supply, 3 Amp

BPS-24-4
Power Supply, 4 Amp

BPS-24-6
Power Supply, 6 Amp

BPS-24-10
Power Supply, 10 Amp

BPS

Boxed Power Supply



Specifications:

- ANSI/UL 294 Listed
- CSA-C22.2 No.205 Listed
- MEA – City of New York Approved

Electrical:

Input Voltage: 120VAC

Operating Temperature:

+32 to +105F
[0 to +40C]

Shipping Weight:

BPS-12-1, BPS-24-1:
9lbs. [4.08 Kg.]

BPS-12-3, BPS-24-2:
15lbs. [6.80 Kg.]

BPS-12-45, BPS-24-3:
18lbs. [8.16 Kg.]

BPS-12-6, BPS-24-4:
24lbs. [10.89 Kg.]

BPS-12-9, BPS-24-6:
28lbs. [12.70 Kg.]

BPS-12-15, BPS-24-10:
33lbs. [14.97 Kg.]



SECURITRON
ASSA ABLOY

BPSM

Self Monitoring Power Supply



Specifications:

- ANSI/UL 294 Listed
- CSA-C22.2 No.205 Listed

Electrical:

Input Voltage: 120VAC
Voltage and Capacity:
 › 12VDC - 6A, 9A, 15A
 › 24VDC - 4A, 6A, 10A
Monitoring: 110VAC
Status, Battery Status

Operating Temperature:
+32 to +105F
[0 to +40C]

Dimensions:

15" W x 8" H x 6" D

Shipping Weight:

BPSM-12-6, BPS-24-4:
24lbs. [10.89 Kg.]

BPSM-12-9, BPS-24-6:
28lbs. [12.70 Kg.]

BPSM-12-15, BPS-24-10:
33lbs. [14.97 Kg.]

Clean Linear Output with Built-In Supervision

The BPSM self-monitoring power supply delivers all the benefits of linear technology with battery supervision for real-time power status information. This unit is the right choice when interfacing to fire alarm systems with auxiliary relays that can't handle the full current potential of the power supply, or when monitoring power systems for AC failure or DC battery failure. BPSM status LED indicators and status output terminals offer advanced protection.

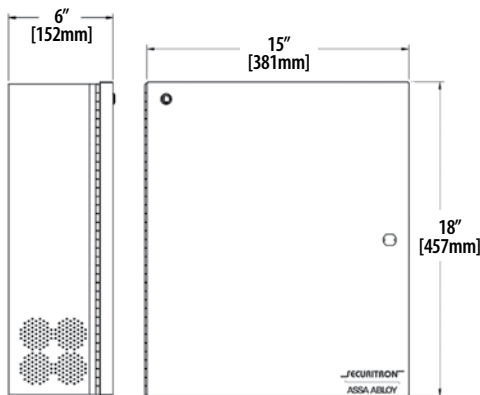
PRODUCT FEATURES

- Polyswitch (PTC) 2A output breakers protect 8 outputs
- Easy-to-use slide switches connect or disconnect load from power
- LED indicators (AC and DC) provide easy-to-read visual status of power supply
- Emergency low-current, fire-release terminals
- AC status output terminals provide real time status information, SPDT, 3 Amp
- Battery status output terminals supply real time information, Form "C" SPDT, 3 Amp
- Line voltage and DC fuses
- Sealed lead acid-gel battery charging capability (battery sold separately)
- Automatic battery disconnect to prevents deep discharge
- Clean linear power delivers flawless operation with all sensitive active electronic components
- MagnaCare Lifetime Replacement No Fault Warranty

PRODUCT OPTIONS

Output Current

- 6 Amp /12VDC
- 9 Amp/12VDC
- 15 Amp/12VDC
- 4 Amp/24VDC
- 6 Amp/24VDC
- 10 Amp/24VDC



MODELS

BPSM-12-6
Power Supply
12VDC - 6A with
Status Monitor

BPSM-12-9
Power Supply
12VDC - 9A with
Status Monitor

BPSM-12-15
Power Supply
12VDC - 15A with
Status Monitor

BPSM-24-4
Power Supply
24VDC - 4A with
Status Monitor

BPSM-24-6
Power Supply
24VDC - 6A with
Status Monitor

BPSM-24-10
Power Supply
24VDC - 10A with
Status Monitor

Clean Power meets Green Power with Securitron's BPSS Outdoor Solar Power Supply

The BPSS is the only out-of-the-box solution specifically designed for remote electric lock control where conventional power is impractical or not available. This complete solar power system powers most any single-point access control device and fail secure lock (intermittent duty only) by producing sustainable solar and battery operated power. Select the BPSS-10 or BPSS-20 (10 or 20 charging Watts respectively), based on solar activity in the area/region where you're installing.

PRODUCT FEATURES

- Works with most fail-secure electric locks
- Works with most keypads or card readers.
- Available in 10W and 20W versions
- Operates Outdoors
- 100% Solid State Solar Controller comes with anodized aluminum case and marine-rated terminals
- Low voltage battery monitor protects batteries from deep discharge
- High-efficiency photovoltaic panels use silicon nitride multicrystalline cells
- Green charging LED indicator
- Comes with mounting brackets for enclosure and solar panel
- Protected by SecuriCare 3-Year, No Fault Warranty
- Approved for use in hazardous locations - Class 1, Division 2, Groups A, B, C, D

PRODUCT OPTIONS

- Mounting brackets available for fence/pole mounting (to 3" diameter)
- Wind kit available for high wind areas

BPSS Standard 2" Pole Mounting Kit



PMK-3 - Optional 3" Large Pole Mounting Kit

Included Solar Panel Mounting Kit



SWK - Optional Solar Panel High Wind Kit for 20W Panel

MODELS Part # Description

BPSS-10
Solar Power Supply, 10 Watt Panel, 9 Amp Hour Battery

BPSS-20
Solar Power Supply, 20 Watt Panel, 18 Amp Hour Battery

PMK-3
Optional Large Pole Mounting Kit - 3" OD

SWK
Optional Solar Panel High Wind Kit for 20W Panel

SPK
Solar Panel Kit (20W panel/ Bracket Kit Only) - Achieve 30 or 40 Total Watts of Charging Power by Adding to the Basic System

BPSS

Boxed Power Supply - Solar



Enclosure dimensions:

- Outdoor (NEMA-3R) - 12-1/2" x 13-5/8" x 4-7/16"
- Standard Enclosure Brackets: Accommodates up to 2" diameter pole/post
- Operating Temperature: -4 to +113F [-20 to +45C]

Electrical:

- Maximum 125mA continuous, 450mA maximum operating the locking device - intermittent duty only. Number of daily lock operations will vary due to solar activity and current draw

Output Voltage: 14.4VDC Max

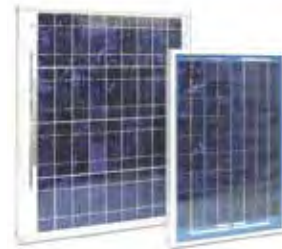
Solar Panels:

	BPSS-10	BPSS-20
Size:	14.5" x 12.2" x .7"	22" x 14.2" x .7"
Rated Power:	10 Watts	20 Watts
Panel Weight:	3.3 lbs	5.5 lbs

Panel(s) Operating Temperature:

- -40 to +185F [-40 to +85C]

20W Panel



10W Panel

SECURITRON
ASSA ABLOY

PSM

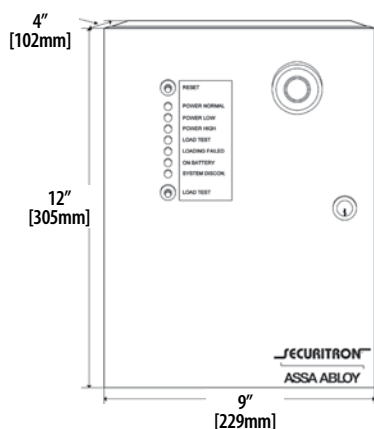
Power Supply Monitor



Electrical:
Voltage:
VDC power from
corresponding power
supply
Current Draw:
250mA at 12VDC;
200mA at 24VDC

**Operating
Temperature:**
+32 to +105F
[0 to +40C]

Shipping Weight:
5lbs. [2.27 Kg.]



Add-On Monitoring for BPS

The PSM Series works with larger DC power supplies when real-time power and battery status information is critical. Compatible with all BPS supplies of 2 Amps or more, the PSM acts as a power supply alarm system, monitoring all key functions and reporting any trouble. This unit constantly monitors its output voltage to ensure it remains within tight limits for proper float charging of the battery pack.

PRODUCT FEATURES

- Monitors and reports the status of the power supply system's output voltage
- Load tests and reports on the battery pack every 8 hours
- Audio and visual alarm
- Monitors/tests DC output of power supply load
- Available for both 12V and 24VDC systems
- MagnaCare Lifetime Replacement No Fault Warranty

Power Supply Compatibility:

PSM-12:
3 Amp or greater at 12VDC

- BPS-12-3
- BPS-12-45
- BPS-12-6
- BPS-12-9
- BPS-12-15

PSM-24:
2 Amp or greater at 24VDC

- BPS-24-2
- BPS-24-3
- BPS-24-4
- BPS-24-6
- BPS-24-10



SECURITRON
ASSA ABLOY



MODELS

Part #
Description

PSM-12
Power Supply
Monitor for 12VDC
Power Supply

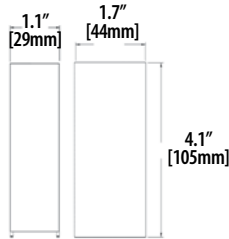
PSM-24
Power Supply
Monitor for 24VDC
Power Supply

Medium Capacity Plug-in Power Supply

The PSP Plug-in DC Power Supplies are available in 12 volts at 3 Amp max. capacity (model PSP-12-3) and 24 volts at 1.5 Amp max. capacity (model PSP-24-1.5). 6 ft. output cable is included. Input voltage 100VAC to 240VAC. PSPs are ideal for powering a wide range of DC devices where power is available via an outlet.

PRODUCT FEATURES

- 36 watts continuous output
- 6 ft. [1.8m] output cable included
- Folding, two-prong AC connector
- UL Listed
- MagnaCare Lifetime Replacement Warranty



MODELS

PSP-12-3
Plug-In Regulated
Switching Power
Supply 12VDC

PSP-24-1.5
Plug-In Regulated
Switching Power
Supply 24VDC

PSP

Plug-In DC Filtered Regulated Power Supply



PSP

Plug-In DC Power Supply

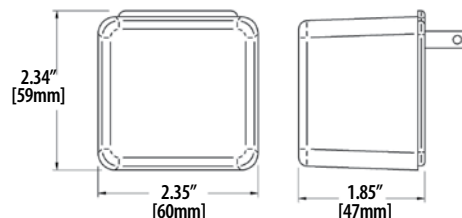
Small Plug-in Power Supply

PSP plug-in DC power supplies are available in 12 volts at 700mA max. capacity (model PSP-12) and 24 volts at 350mA capacity (model PSP-24). PSPs are ideal for powering a wide range of DC devices where 120 AC power is available via wall outlet.



PRODUCT FEATURES

- Internal thermal fuse
- 16 ft. [4.8m] output cable included
- UL Listed
- 120 VAC input
- MagnaCare Lifetime Replacement No Fault Warranty



MODELS

PSP-12
Plug-In Power
Supply 12VDC

PSP-24
Plug-In Power
Supply 24VDC

BACS

Hard Wired AC Power Supply



Specifications:

- UL 2044 Listed

Electrical:

Input Voltage:
120VAC BACS,

Capacity and Voltage:

- › BACS-12-20: 20 Amp 12VAC
- › BACS-24-10: 10 Amp 24VAC

Dimensions:

15" L x 18" H x 6" D

Operating Temperature:

+32 to +105F
[0 to +40C]

Shipping Weight:
23lbs. [10.43 Kg.]

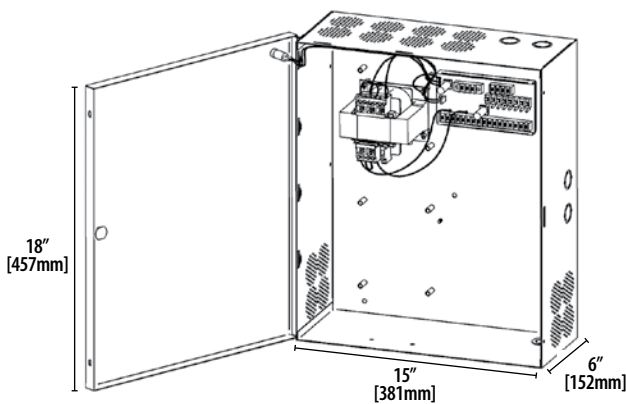
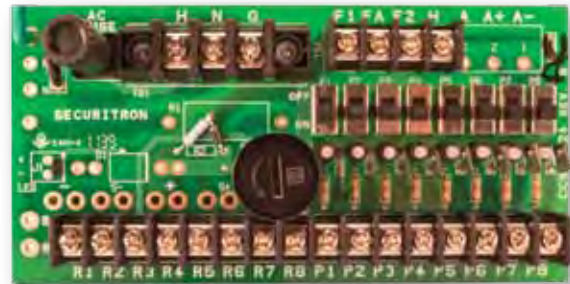
Intended primarily for powering CCTV cameras. BACS hard-wired power supplies employ the same multiple zone concept as the BPS, but provide AC output. These units come complete with PTC-protected outputs, individual control switches and easy-to-read output status LEDs.

PRODUCT FEATURES

- Supplies AC output power
- Provides distribution outputs with 2 Amp PTC circuit breakers, individual control switches and LEDs
- 240 watts total capacity
- 24 watts per channel max
- Additional 8-zone expansion boards are available (based on load and power supply size)
- MagnaCare Lifetime Replacement No Fault Warranty included

PRODUCT OPTIONS

- 20 Amp/12VAC with 16 outputs
- 10 Amp/24VAC with 8 outputs



SECURITRON
ASSA ABLOY



» MODELS Part # Description

BACS-12-20
Power Supply
12VAC - 20 Amp

BACS-24-10
Power Supply
24VAC - 10 Amp

3 Amp/1.5 Amp 12VDC/24VDC Dual Voltage

The Securitron AccuPower™ AQD3 Series of switching power supplies are dual voltage, supervised units with a battery charger. These field selectable units have a fast battery charge reserve. They provide a maximum 2.8 Amps at 12VDC or 1.4 Amps at 24VDC, with up to eight (8) independently controlled, power limited outputs.

PRODUCT FEATURES

- Up to 3 Amp/12VDC or 1.5 Amp/24VDC total output. Rated up to 2.8 Amp/1.4 Amp continuous output
- Dual voltage 12VDC/24VDC field selectable
- Internal transformer
- Tolerates brownout or overvoltage input from 60-260VAC
- Thermal shutdown protection comes with auto restart
- Circuit breaker protects against over current and reverse battery faults
- Includes battery charger and power supervision included
- Low battery disconnect prevents deep discharge
- Dedicated voltage enables faster battery charging even under full load
- 14" x 9" x 3.5" enclosure
- MagnaCare Lifetime Replacement No Fault Warranty included



AQD3 SERIES



Specifications:

- ANSI/UL 603 Listed
- ANSI/UL 294 Listed
- ULC-S318 Listed

Electrical:

- Power supply outputs are Class 2 power limited
- Expandable up to eight (8) independently controlled power limited outputs
- Available with configurable access control input/outputs with fire trigger in either PTC or with fuse/dry contact option, fire relay only, or configurable outputs with fire relay input
- LED indicators and form "C" contacts provide supervision
- Universal input 90-240VAC
- Supports up to two (2) sealed gel, AGM or wet lead acid batteries

Operating Temperature:
-4° to +104° F
[-20° to +40° C]

Shipping Weight:
7.65lbs. [3.47 Kg.]

Product Number	Amps	Outputs	Class 2 Power Limited	Fuse Rating	Fuse Type	# of Relays	Relay Type	UL294	UL603	ULCS318-96
AQD3	3/1.5	1	Y	N/A	N/A	-	-	Listed	Listed	Listed
AQD3-4C	3/1.5	4	Y	0.35A	PTC	-	-	Listed	Listed	Listed
AQD3-8C	3/1.5	8	Y	0.35A	PTC	-	-	Listed	Listed	Listed
AQD3-4F	3/1.5	4	Y	1A	Fuse	-	-	Listed	Listed	Listed
AQD3-8F	3/1.5	8	Y	0.5A	Fuse	-	-	Listed	Listed	Listed
AQD3-1R	3/1.5	1	Y	N/A	N/A	1	Fire Relay	Listed	Listed	Listed
AQD3-8C1R	3/1.5	8	Y	1.23A	PTC	1	Fire Relay	Listed	Listed	Listed
AQD3-8F8R	3/1.5	8	Y	0.5A	Fuse	8	Access Control w/Fire	Listed	-	-



AQD5 SERIES



Specifications:

- ANSI/UL 603 Listed
- ANSI/UL 294 Listed
- ULC-S318 Listed

Electrical:

- Power supply outputs are Class 2 power limited
- Expandable up to eight (8) independently controlled power limited outputs
- Available with configurable access control input/outputs with fire trigger and fuse/dry contact option, fire relay only, or configurable outputs with fire relay input
- Universal input 90-240VAC
- LED indicators and form "C" contacts for supervision
- Enclosure supports up to two (2) 7Amp-hour sealed gel, AGM or wet lead acid batteries

Operating Temperature:

-5° to +104°F
[-20° to +40°C]

Shipping Weight:

Average shipping weight is 7.65lbs.

5 Amp/3 Amp 12VDC/24VDC Dual Voltage

The Securitron AccuPower™ AQD5 Series of switching power supplies are dual voltage supervised units with a battery charger. These units provide field selectable 5 Amps at 12VDC or 3 Amps at 24VDC, with up to eight (8) independently controlled, power limited outputs.

PRODUCT FEATURES

- Dual voltage 5 Amp/12VDC or 3 Amp/24VDC field selectable continuous output
- Internal transformer included
- Tolerates brownout or overvoltage input from 60-260VAC
- Thermal shutdown protection with auto restart provided
- Circuit breaker protects against over-current and reverse-battery faults
- Battery charger and power supervision
- Low battery disconnect prevents deep discharge
- Dedicated voltage enables faster battery charging even under full load
- 14" x 9" x 3.5" enclosure
- MagnaCare Lifetime Replacement No Fault Warranty included



Product Number	Amps	Outputs	Class 2 Power Limited	Fuse Rating	Fuse Type	# of Relays	Relay Type	UL294	UL603	ULCS318-96	CAN/ULC S533-M87
AQD5	5/3	1	Y	N/A	N/A	-	-	Listed	Listed	Listed	Listed
AQD5-4F	5/3	4	Y	2A	Fuse	-	-	Listed	Listed	Listed	Listed
AQD5-4C	5/3	4	Y	1.4A	PTC	-	-	Listed	Listed	Listed	Listed
AQD5-8F	5/3	8	Y	2A	Fuse	-	-	Listed	Listed	Listed	Listed
AQD5-8C	5/3	8	Y	0.72A	PTC	-	-	Listed	Listed	Listed	Listed
AQD5-8C1R	5/3	8	Y	1.23A	PTC	1	Fire Relay	Recognized*	Recognized*	Recognized*	-
AQD5-8F8R	5/3	8	Y	0.5A	Fuse	8	Access Control with Fire	Recognized*	-	-	-

* UL recognized components



Up to 20 Amps, Multi Voltage 12VDC, 24VDC or 12VDC and 24VDC

The Securitron AccuPower™ AQM20 Series of multi voltage, supervised switching power supplies come with a battery charger, and provide up to 20 total amps of low-voltage DC output. These

field selectable units contain two (2) power modules with the flexibility for delivering 12VDC, 24VDC or 12 and 24VDC at the same time, with up to 16 independently controlled, power limited outputs.

PRODUCT FEATURES

- Offers output in either 12VDC or 24VDC, or both 12VDC and 24VDC, field selectable
- Rated up to 16 Amps continuous output 12VDC, 8 Amp continuous output at 24VDC
- Two internal transformers included
- Tolerates brownout and overvoltage input at +30% to -30% of selected line voltage, either 120VAC or 240VAC
- Includes thermal shutdown protection with auto restart
- Circuit breaker protects against over-current and reverse-battery faults
- Battery charger and power supervision included
- Dedicated voltage enables faster battery charging even under full load
- 14" x 14" x 4.75" enclosure
- MagnaCare Lifetime Replacement No Fault Warranty included



AQM20 SERIES



Specifications:

- ANSI/UL 294 Listed

Electrical:

- Available with up to 16 Class 2 power limited outputs
- Available with configurable access control input/ outputs with fire trigger in either PTC or with fuse/dry contact option, or configurable outputs with fire relay input
- 120/240VAC field selectable AC input**

- LED indicators and form "C" contacts for supervision
- Requires two (2) 12V or 24V sealed gel, AGM or wet lead acid batteries

Operating

Temperature:
-4° to +104° F
[-20° to +40°C]

Shipping Weight:
12.70lbs.

Product Number	Amps	Outputs	Class 2 Power Limited	Fuse Rating	Fuse Type	# of Relays	Relay Type	UL294
AQM20	20/10	2	N	N/A	N/A	-	-	Listed
AQM20-8F	20/10	8	N	4A	Fuse	-	-	Listed
AQM20-8C	20/10	8	N	3.08A	PTC	-	-	Listed
AQM20-16F	20/10	16	N	3A	Fuse	-	-	Listed
AQM20-16C	20/10	16	Y	1.5A	PTC	-	-	Listed
AQM20-8F8R	20/10	8	N	0.5A	Fuse	8	Access Control with Fire	Recognized*
AQM20-8C8R	20/10	8	Y	1.04A	PTC	8	Access Control with Fire	Recognized*

* UL recognized components



AQU126 SERIES



Specifications:

- ANSI/UL 603 Listed
- UL 1418 Listed
- ULC-S527 Listed
- ULC-S318 Listed
- CAN/ULC-S533-M87 Listed
- CSA-C22.2 No.205 Listed
- ANSI/UL 294 Listed

Electrical:

- Available with up to eight (8) Class 2 power limited outputs
- Available with configurable access control input/outputs with fire trigger in either PTC or with fuse/dry contact option, fire relay only, or configurable outputs with fire relay input
- Universal input 90-240VAC
- LED indicators and form "C" contacts for supervision
- Supports up to two (2) sealed gel, AGM or wet lead acid batteries

Operating Temperature:

-4° to +104° F
[-20° to +40° C]

Shipping Weight:
7.65lbs. [3.47 Kg.]

6 Amp / 12VDC Single Voltage

The Securitron AccuPower™ AQU126 Series of switching power supplies are single voltage, supervised units with a battery charger. These units provide 6 Amps at 12VDC, with up to eight (8) independently controlled, power limited outputs.

PRODUCT FEATURES

- Provides 6 Amp/12VDC continuous output
- Internal transformer included
- Tolerates brownout or overvoltage input from 60-260VAC
- Includes thermal shutdown protection with auto restart
- Circuit breaker protects against over current and reverse battery faults
- Low battery disconnect prevents deep discharge
- Dedicated voltage enables faster battery charging even under full load
- 14" x 9" x 3.5" enclosure
- MagnaCare Lifetime Replacement No Fault Warranty included



AQU126-8C1R

Product Number	Amps	Outputs	Class 2 Power Limited	Fuse Rating	Fuse Type	# of Relays	Relay Type	UL294	UL603	ULCS318-96
AQU126	6	1	N	N/A	N/A	-	-	Listed	Listed	Listed
AQU126-8C	6	8	Y	1.5A	PTC	-	-	Listed	Listed	Listed
AQU126-8C1R	6	8	Y	1.23A	PTC	1	Fire Relay	Recognized*	Recognized*	-
AQU126-8F8R	6	8	N	0.5A	Fuse	8	Access Control w/Fire	Recognized*	-	-
AQU126-8C8R	6	8	Y	1.04A	PTC	8	Access Control w/Fire	-	-	-

* UL recognized components

SECURITRON
ASSA ABLOY

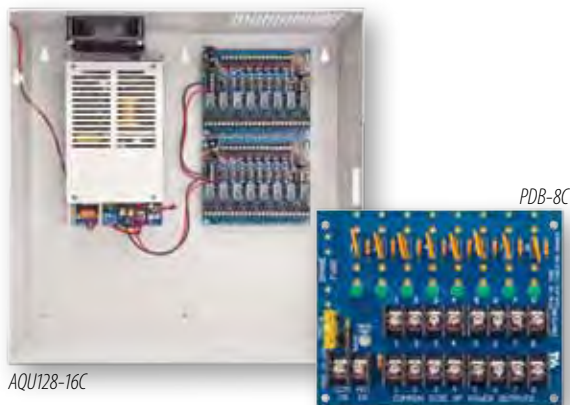


8 Amp / 12VDC Single-Voltage

The Securitron AccuPower™ AQU128 Series of switching power supplies are single voltage, supervised units with a battery charger. They provide 8 Amps at 12VDC, with up to 16 independently controlled, power limited outputs.

PRODUCT FEATURES

- Provides 8 Amp/12VDC continuous output
- Internal transformer included
- Tolerates brownout or overvoltage input from 60-260VAC
- Includes thermal shutdown protection with auto restart
- Circuit breaker protects against overcurrent and reverse battery faults
- Low battery disconnect prevents deep discharge
- Dedicated voltage enables faster battery charging even under full load
- 14" x 14" x 4.75" enclosure
- MagnaCare Lifetime Replacement No Fault Warranty included



AQU128 SERIES



Specifications:

- ANSI/UL 603 Listed
- ANSI/UL 294 Listed
- ULCS318 Listed

Electrical:

- Available with up to 16 Class 2 power limited outputs
- Available with configurable access control input/outputs with fire trigger in either PTC or with fuse/dry contact option, fire relay only, or configurable outputs with fire relay input
- Universal input 90-240VAC
- LED indicators and form "C" contacts for supervision
- Supports up to two (2) sealed gel, AGM or wet lead acid batteries

Operating Temperature:
-4° to +104° F
[-20° to +40° C]

Shipping Weight:
12.5lbs. [5.7 Kg.]

Product Number	Amps	Outputs	Class 2 Power Limited	Fuse Rating	Fuse Type	# of Relays	Relay Type	UL294	UL603	ULCS318-96
AQU128	8	1	N	-	-	-	-	Listed	Listed	Listed
AQU128-8C	8	8	Y	1.5A	PTC	-	-	Listed	Listed	Listed
AQU128-16C	8	16	Y	1.5A	PTC	-	-	Listed	Listed	Listed
AQU128-8C1R	8	8	Y	1.23A	PTC	1	Fire Relay	Recognized*	Recognized*	-
AQU128-8F8R	8	8	N	0.54A	Fuse	8	Access Control w/Fire	Recognized*	-	-
AQU128-8C8R	8	8	Y	1.04A	PTC	8	Access Control w/Fire	-	-	-
AQU128-16F16R	8	16	N	0.5A	Fuse	16	Access Control w/Fire	Recognized*	-	-
AQU128-16C16R	8	16	Y	1.04A	PTC	16	Access Control w/Fire	-	-	-

* UL recognized components



AQU243 SERIES



Specifications:

- ANSI/UL 603 Listed
- UL 1418 Listed
- ULC-S527 Listed
- ULC-S318 Listed
- CAN/ULC-S533-M87 Listed
- CSA-C22.2 No.205 Listed
- ANSI/UL 294 Listed

Electrical:

- Available with up to eight (8) Class 2 power limited outputs
- Available with configurable access control input/outputs with fire trigger in either PTC or with fuse/dry contact option, fire relay only, or configurable outputs with fire relay input
- Universal input 90-240VAC
- LED indicators and form "C" contacts for supervision
- Supports up to two (2) sealed gel, AGM or wet lead acid batteries

Operating Temperature:

-4° to +104° F
[-20° to +40° C]

Shipping Weight:
7.65lbs. [3.47 Kg]

3 Amp / 24VDC Single-Voltage

The Securitron AccuPower™ AQU243 Series of switching power supplies are single voltage, supervised units with a battery charger. They provide 3 Amps at 24VDC, with up to eight (8) independently controlled, power limited outputs.

PRODUCT FEATURES

- Provides 3 Amp /24VDC continuous output
- Internal transformer included
- Tolerates brownout or overvoltage input from 60-260VAC
- Includes thermal shutdown protection with auto restart
- Circuit breaker protects against overcurrent and reverse battery faults
- Low battery disconnect prevents deep discharge
- Dedicated voltage enables faster battery charging even under full load
- 14" x 9" x 3.5" enclosure
- MagnaCare Lifetime Replacement No Fault Warranty included



PDB-8F8R

AQU243-8C

Product Number	Amps	Outputs	Class 2 Power Limited	Fuse Rating	Fuse Type	# of Relays	Relay Type	UL294	UL603	ULCS318-96
AQU243	3	1	N	N/A	N/A	-	-	Listed	Listed	Listed
AQU243-8F	3	8	N	1A	Fuse	-	-	-	-	-
AQU243-8C	3	8	Y	0.72A	PTC	-	-	Listed	Listed	Listed
AQU243-8C1R	3	8	Y	1.23A	PTC	1	Fire Relay	Recognized*	Recognized*	-
AQU243-8F8R	3	8	N	0.5A	Fuse	8	Access Control w/Fire	Recognized*	-	-
AQU243-8C8R	3	8	Y	1.04A	PTC	8	Access Control w/Fire	-	-	-

* UL recognized components

SECURITRON
ASSA ABLOY

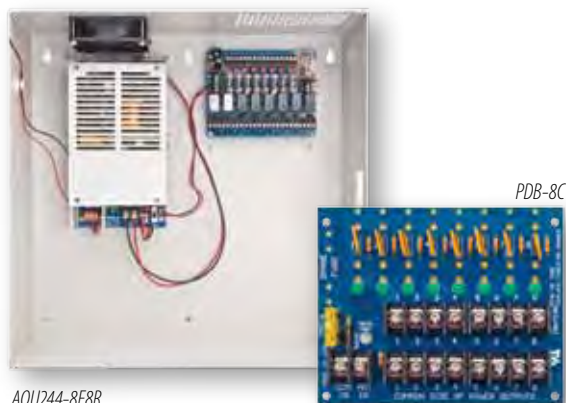


4 Amp / 24VDC Single-Voltage

The Securiton AccuPower™ AQU244 Series of switching power supplies are single voltage supervised units with a battery charger. These units provide 4 Amps at 24VDC, with up to 16 independently controlled, power limited outputs.

PRODUCT FEATURES

- Provides 4 Amp /24VDC continuous output
- Internal transformer included
- Tolerates brownout or overvoltage input from 60-260VAC
- Includes thermal shutdown protection with auto restart
- Circuit breaker protects against overcurrent and reverse battery faults
- Low battery disconnect prevents deep discharge
- Dedicated voltage enables faster battery charging even under full load
- 14" x 14" x 4.75" enclosure
- MagnaCare Lifetime Replacement No Fault Warranty included



AQU244-8F8R

PDB-8C

AQU244 SERIES



Specifications:

- ANSI/UL 603 Listed
- ANSI/UL 294 Listed
- ULC-S318 Listed

Electrical:

- Available with up to 16 Class 2 power limited outputs
- Available with configurable access control input/outputs with fire trigger in either PTC or with fuse/dry contact option, fire relay only, or configurable outputs with fire relay input
- Universal input 90-240VAC
- LED indicators and form "C" contacts for supervision
- Supports up to two (2) sealed gel, AGM or wet lead acid batteries

Operating Temperature:

-4° to +104° F
[-20° to +40° C]

Shipping Weight:
12.5lbs. [5.7 Kg.]

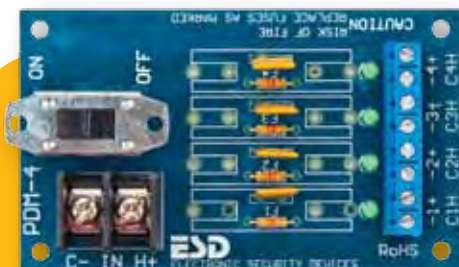
Product Number	Amps	Outputs	Class 2 Power Limited	Fuse Rating	Fuse Type	# of Relays	Relay Type	UL294	UL603	ULCS318-96
AQU244	4	1	N	N/A	N/A	-	-	Listed	Listed	Listed
AQU244-8C	4	8	Y	0.72A	Fuse	-	-	Listed	Listed	Listed
AQU244-16C	4	16	Y	0.72A	PTC	-	-	Listed	Listed	Listed
AQU244-8C1R	4	8	Y	1.23A	PTC	1	Fire Relay	Recognized*	Recognized*	-
AQU244-8F8R	4	8	N	0.5A	Fuse	8	Access Control w/Fire	Recognized*	-	-
AQU244-8C8R	4	8	Y	1.04A	PTC	8	Access Control w/Fire	-	-	-
AQU244-16F16R	4	16	N	0.5A	Fuse	16	Access Control w/Fire	Recognized*	-	-
AQU244-16C16R	4	16	Y	1.04A	PTC	16	Access Control w/Fire	-	-	-

* UL recognized components



PDB

Power Distribution Boards



Specifications:

PDB-4C, PDB-8C

- PTC circuit breakers rated holding current at 130° F
- UL 294, UL 603, ULC S318-96 recognized components
- Accepts AC or DC input up to 32V
- Outputs rated Class 2 power limited*

PDB-4F, PDB-8F

- Fuses for individual outputs are standard 3AGC
- Accepts AC or DC input
- Outputs rated Class 2 power limited*

Dimensions:

PDB-4

3.75"H x 2.22"W x 1"D

Mounting:

3.41"H x 1.87"W

PDB-8

3.87"H x 4.84"W x 1"D

Mounting:

3.41"H x 4.49"W

SECURITRON
ASSA ABLOY

Creates Multiple Outputs for Separate Circuits

Accupower™ Power Distribution Boards (PDB) split the primary AC or DC output from a power supply into multiple outputs of the same voltage type to separate equipment onto individual circuits.

PRODUCT FEATURES

- Splits main board output into multiple outputs*
- Each output has a status LED indicator
- Main input has a status LED indicator
- 12 or 24V output (based on power supply output)
- Accepts AC or DC input/provides same output
- PDB-4 has an on/off power switch
- PDB-8 has a main power indicator that indicates AC, DC or reverse DC input
- RoHS lead-free
- Magnacare No-Fault Lifetime Warranty
- Made in USA
- 8C/8F have separate fuse
- Separate fuse for main input surge protection—standard automotive ATO sizes

PRODUCT OPTIONS

- 4 Outputs
- 8 Outputs
- Fuse protection for outputs
- PTC circuit breaker protection for outputs
- Fuse rating options for compatibility with various power supply sizes

MODELS Part # Description

PDB-4C07
4 PTC Output/
700mA Each

PDB-4C1
4 PTC Output/
1.04 Amp Each

PDB-4C2
4 PTC Output/
1.93 Amp Each

PDB-4C3
4 PTC Output/
3.08 Amp Each

PDB-4C4
4 PTC Output/
3.85 Amp Each

PDB-4C5
4 PTC Output/
4.62 Amp Each

PDB-4F05
4 Fused Output/
500mA Each

PDB-4F1
4 Fused Output/
1 Amp Each

PDB-4F2
4 Fused Output/
2 Amp Each

PDB-4F3
4 Fused Output/
3 Amp Each

PDB-4F4
4 Fused Output/
4 Amp Each

PDB-4F5
4 Fused Output/
5 Amp Each

PDB-8F05
8 Fused Output/
500mA Each

PDB-8F1
8 Fused Output/
1 Amp Each

PDB-8F2
8 Fused Output/
2 Amp Each

PDB-8F3
8 Fused Output/
3 Amp Each

PDB-8F4
8 Fused Output/
4 Amp Each

PDB-8F5
8 Fused Output/
5 Amp Each

PDB-8C07
8 PTC Output/
700mA Each

PDB-8C1
8 PTC Output/
1.04 Amp Each

PDB-8C2
8 PTC Output/
1.93 Amp Each

PDB-8C3
8 PTC Output/
3.08 Amp Each

PDB-8C4
8 PTC Output/
3.85 Amp Each

PDB-8C5
8 PTC Output/
4.62 Amp Each

*Class 2 power limited outputs when PTC rating is 1.42 Amps or less.

Fire Relay Triggers Power Transfer in Alarm Situation

The PDB-1R uses an end-of-line resistor to trigger a form "C" contact in response to a fire system alarm condition. In response to the trigger, the unit transfers power from the "Normally On" output to the "Normally Off" output. Additional triggered reactions include status feedback to fire control or annunciation systems, ground fault trigger and input trigger that latches until reset.

PRODUCT FEATURES

- Individual LED indicators show which output is powered
- Form "C" contact indicates trigger status.
- Latching or non-latching mode
- Can provide ground supervision via jumper configuration
- Output triggers include:
 - › Normally Open or Normally Closed with supervised End-of-Line resistor
 - › Normally Closed override switch trigger input
 - › Normally Closed Auxiliary switch trigger input
 - › Ground fault detection
 - › Trigger status reporting

PDB-1R

Fire Trigger/Relay



Specifications:

- 70 mA used for relay control
- Universal 11-29 VDC input
- 2.23" W x 3.75" L x 0.8" H
- 15 amp transfer relay
- UL 294 Recognized
- UL603 Recognized
- ULC-S318-96 Recognized

Dimensions:

Board:
3.75" H x 2.23" W x 0.8" D
Mounting:
3.41" H x 1.89" W

Shipping Weight:
0.75lbs. [0.45 Kg.]

» MODELS Part # Description

PDB-1R
Fire Trigger/Relay
Board

SECURITRON
ASSA ABLOY

PDB-8C1R

Eight-Output Power Distribution with Fire Trigger/Relay



Specifications:

- Universal 11-28 VDC input
- 90-160 mA per relay
- 1.23 Amps max. per output
- 15 Amp transfer relay
- 2 Amp form C contacts

Dimensions:

Board:
3.88" H x 4.84" W x
0.75" D

Mounting:
3.41" H x 4.5" W

Shipping Weight:

1lb. [0.45 Kg.]

Power Distribution with Configurable, Supervised Fire Relay

The PDB-8C1R splits a main DC power source into eight Class 2 power limited outputs. Each output is individually configurable for Normally On or Normally Off and can change state in response to an alarm condition from either or both supervised triggers, or can remain in its native state.

PRODUCT FEATURES

- 8 Class 2 power limited outputs with PTC circuit breakers
- Individual LED output status indicators
- LED main input power indicator
- Removable terminal blocks for easy connection
- Two supervised triggers
 - › End-of-line resistor
 - › Optically isolated trigger by voltage or reverse polarity
- LEDs and form "C" contacts indicate trigger status

SECURITRON
ASSA ABLOY

» MODELS Part # Description

PDB-8C1R
8 Output Power
Distribution with
Fire Trigger/Relay

Power Plus Interfaces for Sophisticated Access Control

The PDB-8F8R and -8C8R split a power supply main output into eight fused- or PTC circuit breaker-protected outputs. Each output is individually configurable to respond and react to access control relay inputs and fire trigger/relay.

PRODUCT FEATURES

- Eight power outputs
- Eight individually configurable relays with status LEDs
- End-of-Line resistor master trigger for Fire System interface
- LED indicator for trigger status
- Removable terminal blocks for easy connection
- Each output individually configurable for:
 - › *Fire trigger Enabled or Disabled*
 - › *Normally Open or Normally Closed*
 - › *Continuous Output*
- 8F8R can provide dry contacts by removing fuses
- Relay inputs individually configurable for:
 - › *Low current open collector*
 - › *Normally Closed switch*
 - › *Normally Open switch*

PDB-8F8R PDB-8C8R

Power Outputs with Access Control Relay and Fire Trigger/Relay



Specifications:

- 8C8R offers 1.23 Amp PTC Class 2 power limited outputs
- 8F8R offers 0.5 Amp fused outputs
- Uses 20 mA per relay
- 7 Amp relays

Dimensions:

Board:
3.73"H x 4.82"W x 0.8"D
Mounting:
3.41"H x 4.49"W

Shipping Weight:
11lb. [0.45 Kg.]

MODELS Part # Description

PDB-8C8R
8 PTC Protected Output Power Distribution with 8 Relays and Fire Trigger

PDB-8F8R
8 Fused Output Power Distribution with 8 Relays and Fire Trigger

SECURITRON
ASSA ABLOY

CEPT

Concealed Electrical Power Transfer

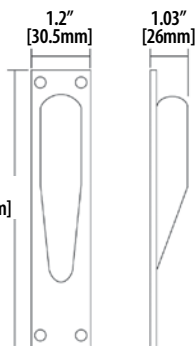


Specifications:

- ANSI/UL 10C Listed, 3 hour rated
- ULC-S318 Listed, 3 hour rated
- ANSI/SDI-BHMA A250.13 (+/- 150 PSF) Windstorm Listed
- Florida Building Code Approved
- Dimensions:
 - › CEPT Housing: 9-1/16" L x 1-3/16" W x 1-7/16" D
- Patent Pending

Shipping Weight:
2.40lbs. [1.09 Kg.]

Finishes:
US32D/630 - Stainless Steel
US04/606 - Dull Brass
US10/612 - Dull Bronze
US10B/613 - Oil Rubbed Bronze



Technical note:

- Not for use with center hung or balanced doors, pocket or offset pivots or swing clear hinges.
- Door swing ranges when installed with butt hinges are:

Hinge Size
5" or less
5-1/2"
6" Butt Hinge

Door Swing Range
up to 180
up to 130
up to 110

SECURITRON
ASSA ABLOY



Beautifully Crafted, Compact, Secure Power Transfer

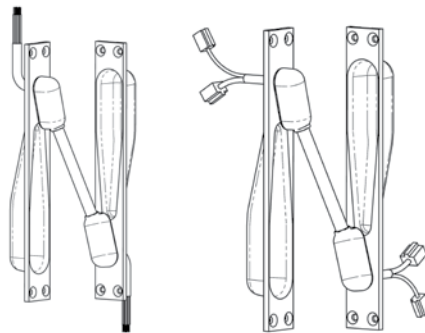
The heavy-duty, tamper-resistant Concealed Electrical Power Transfer (CEPT) securely transfers power and data from the hinge side of the frame to electrified hardware on the door. The unit is discreetly concealed between the frame and door when the door is closed. Available in three multi-wire configurations and four finishes, the CEPT complements any architectural setting.

PRODUCT FEATURES

- Mortises into the edges of the door and frame
- Direct retrofit for competitor products
- Tamper resistant
- All metal construction including back boxes
- 7/8" knockouts on back boxes accommodate EMF-type fittings
- Tested to 1,000,000 cycles
- Compatible with butt hinges up to 6" and continuous hinges with cutout

PRODUCT OPTIONS

- CEPT-10 includes 8 - 22 AWG wires plus 2 - 18 AWG wires for higher-current devices
- CEPT-CSE includes CAT5E compatible with 9 - 22 AWG wire stranded conductor, Molex connectors
- EL-CEPT is ElectroLynx compatible with 12 - 22 AWG wires, ElectroLynx connectors



MODELS

Part #
Description

CEPT-10
CEPT with 10 Wires,
US32D Finish

CEPT-10-04
CEPT-10 in US04 Dull
Brass Finish

CEPT-10-10
CEPT-10 in US10 Dull
Bronze Finish

CEPT-10-10B
CEPT-10 in US10B
Oil Rubbed Bronze
Finish

EL-CEPT
ElectroLynx CEPT
US32D Finish

EL-CEPT-04
EL-CEPT in US04
Dull Brass Finish

EL-CEPT-10
EL-CEPT in US10 Dull
Bronze Finish

EL-CEPT-10B
EL-CEPT in US10B
Oil Rubbed Bronze
Finish

CEPT-CSE
CEPT CAT5E Wires
and Connectors,
US32D Finish

CEPT-CSE-04
CEPT-CSE in US04
Dull Brass Finish

CEPT-CSE-10
CEPT-CSE in US10
Dull Bronze Finish

CEPT-CSE-10B
CEPT-CSE in US10B
Oil Rubbed Bronze
Finish

Concealed, Tamper Resistant, Flexible Power and Data Transfer

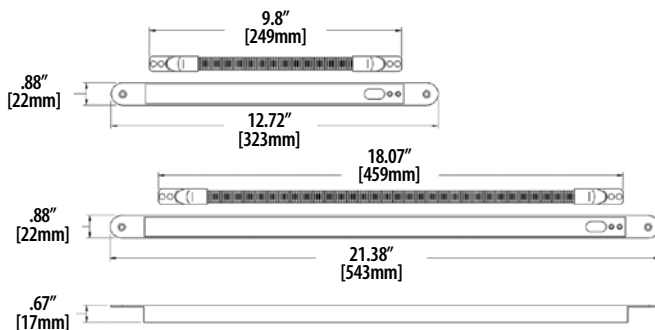
The EPT Electric Power Transfer provides concealed, secure power and data conduit between a frame and door, transmitting power to electrified locks, exit bars and more. Its durable stamped steel housing and flexible spring steel conduit make the EPT suitable for most types of swinging doors with butt or continuous hinges or pivot hinges up to 3/4" offset. The EPT-SC accommodates swing-clear hinges and most pivot hinges*.

PRODUCT FEATURES

- Installs in the door and frame edges
- Flexible steel shield protects wire bundles up to 5/16" thick
- Works with almost any type butt hinge, continuous hinges and some pivot hinges.
- Rounded mounting tabs

PRODUCT OPTIONS

- EPT for standard hinges and pivot hinges less than 3/4" offset
- EPTL for extended length
- EPT-SC for swing clear hinges or pivot hinges with larger offset*
- EL- Models are ElectroLynx compatible including 12 - 22 AWG wires, ElectroLynx connectors



MODELS Part # Description

Base Model (EPT Only)

EPT Electrical Power Transfer	EPT-SC EPT – for Swing Clear and Pivot Hinges*	EPTL EPT, Long
---	--	--------------------------

ElectroLynx-Compatible - includes 12 - 22 AWG wires, ElectroLynx connectors

EL-EPT ElectroLynx EPT, US32D finish	EL-EPT-SC ElectroLynx EPT for Swing Clear and Pivot Hinges*	EL-EPTL ElectroLynx EPT, Long
--	---	---

*Not for use with center pivot doors

EPT

Electrical Power Transfer



Specifications:

- UL 10C Listed
- CAN4-S104 Listed
- UL 634 Listed (EL-EPT/EL-EPTL)
- ULC/ORD-C634 (EL-EPT/EL-EPTL)
- ANSI/SDI-BHMA A250.13 (+/- 60 PSF) Windstorm Listed
- Dimensions:
EPT Housing: 12-3/4" L x 7/8" W x 11/16" D
EPTL Housing: 21-3/8" L x 7/8" W x 11/16" D
Interior flex shield: 3/8" [9.5mm]

Shipping Weight:

- EPT 0.75lbs. [0.34 Kg.]
- EPTL 1.20lbs. [0.54 Kg.]
- EPT-SC 1.25lbs. [0.57 Kg.]
- EL-EPT 0.75lbs. [0.34 Kg.]
- EL-EPTL 1.20lbs. [0.54 Kg.]
- EL-EPT-SC 1.25lbs. [0.57 Kg.]

Finishes:

- US26/625 - Bright
- Chrome plated



SEPT

Square-Cut Electrical Power Transfer

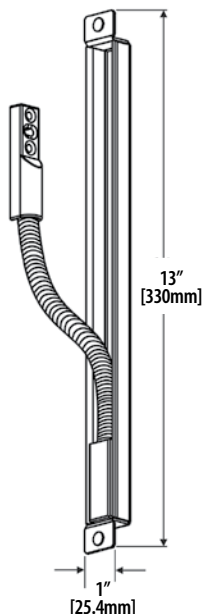


Specifications:

- UL 10C Listed
- CAN4-S104 Listed
- Dimensions:
 - › SEPT Housing: 13" L x 1" W x 11/16" D
 - › Interior Flex Shield: 1/4" [6.3mm]

Shipping Weight:
0.85lbs. [0.39 Kg.]

Finish:
US26/625 - Bright
Chrome plated



Square Tabs, Medium Length for Flexible Power & Data Transfer

The SEPT offers concealed, secure conduit for power and data transfer between a frame and door. This unit is designed with a stamped steel housing and spring steel conduit to protect power and data wires. The square mounting tabs provide easier installation for recessed installation. The SEPT can be used on swing doors with butt hinges, continuous hinges or pivots with less than 3/4" offset.

PRODUCT FEATURES

- Heavy duty design
- Works with almost any type butt hinge or continuous hinges
- Installs in the door and frame edges
- Flexible steel shield protects wires - 1/4" [6.3mm] inside diameter

PRODUCT OPTIONS

- SEPT-10 includes 8 - 22 AWG wires plus 2 - 18 AWG wires for higher-current devices
- EL-SEPT: ElectroLynx compatible with 12 - 22 AWG Wires, ElectroLynx connectors
- SEPT-C5E CAT5E compatible with 9 - 22 AWG wire stranded conductor, Molex connectors

MODELS Part # Description

SEPT
Square-Cut Electrical Power Transfer (No Wires)

SEPT-10
SEPT with 10 Wires

SEPT-C5E
SEPT, CAT5E Wires and Connectors

EL-SEPT
ElectroLynx® SEPT

Square mounting tabs simplify recessed prep on any door



SECURITRON
ASSA ABLOY



Double Duty Hinge for Streamlined Power Transfer

The EH is an efficient, discreet, concealed solution that provides secure power and data transfer from frame to door when streamlined wiring is needed. Each hinge features concealed plug connectors that eliminate separate or exposed wiring. Ultimate concealment for tamper-resistance.

PRODUCT FEATURES

- Transfer power with the highest level of concealment
- Produces the most aesthetically pleasing appearance
- Available in 4.5" or 4" hinge length
- 500mA power capability
- 6 conductor, 28 gauge wire
- 6" pigtail provided for connections

» MODELS Part # Description

EH-40
Electrified Hinge 4"

EH-45
Electrified Hinge 4.5"



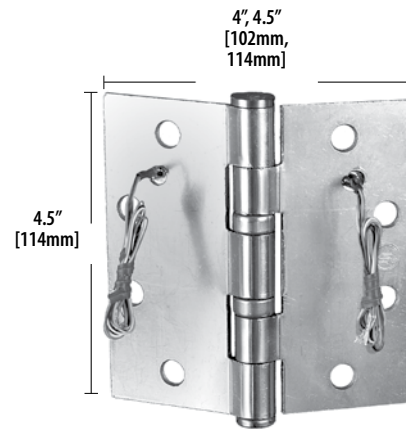
EH

Electric Hinge



Shipping Weight:
1.10lbs. [0.50 Kg.]

Finish:
US32/63025 - Satin
Stainless Steel



SECURITRON
ASSA ABLOY

TSB-C

Door Cord



Shipping Weight:
0.10lbs. [0.05 Kg.]

Finish:
US32/630 - Satin
Stainless Steel flex cord,
with plastic end caps



Simple, Affordable Solution for Durable, Tamper Resistant Power and Data Transfer

The TSB – Door Cord is the simplest and most economical solution for power transfer between a door frame and the door. Designed with an armored stainless steel cable and mounting caps for ease of installation.

PRODUCT FEATURES

- Flexible armored stainless steel cable conduit with plastic end caps
- Maximum flexibility for installation site on door/frame
- Include both gray and black end caps
- Interior diameter: ¼" [6mm]

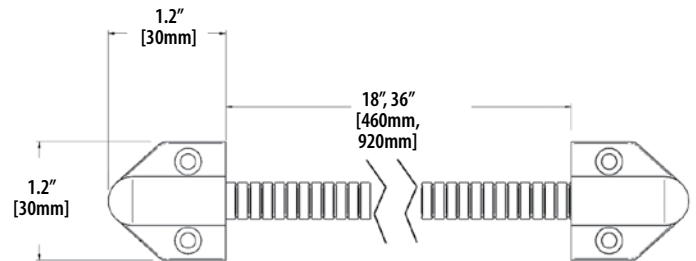
PRODUCT OPTIONS

- 18" [460mm] length
- 36" [920mm] length

MODELS

TSB-C
Door Cord with
Gray/Black Caps
18" Cord

TSB-CXL
Door Cord with
Gray/Black Caps
36" Cord



SECURITRON
ASSA ABLOY

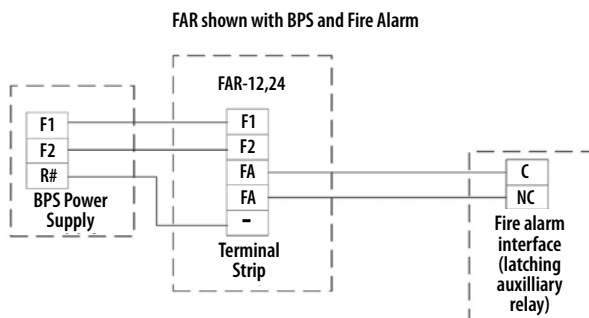
Manual Door Lock Power Reset for Code Compliance

The FAR module provides functionality (beyond a standard fire trigger relay) when local code requires manual reset after a fire alarm.

This self-contained unit interfaces to a fire alarm unit to cut power to devices downstream of the power supply in an alarm situation. The power stays off until the FAR's keyswitch is manually reset. This feature is required by some jurisdictions to prevent the unintentional re-arming of doors if the fire alarm is reset and power is restored to the access control system during an ongoing emergency.

PRODUCT FEATURES

- Keyswitch for manual reset capability where required by code
- Enables manual cut-off of power for testing and other emergency situations
- Simple bi-color, LED status indicator for easy-to-read power status
- Easy-to-mount metal enclosure equipped with security cam lock
- CFAR version available to meet Canadian fire release requirements
- Select 12VDC unit or 24VDC unit to match power supply output voltage
- 5 Amp-rated SPDT plunger switches



MODELS Part # Description

FAR-12
Fire Alarm Reset
12VDC

FAR-24
Fire Alarm Reset
24VDC

FAR

Fire Alarm Reset



Electrical:

Input Voltage:
12VDC or 24VDC (based
on unit)

Operating Temperature:

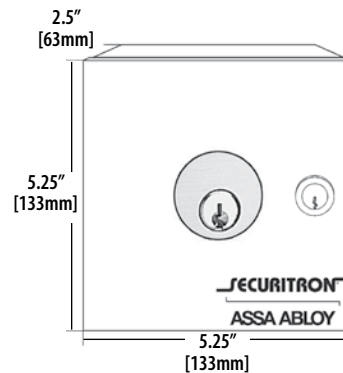
-4 to +122F
[-20 to +50C]

Indoor use only

Dimensions:

5.25" L x 5.5" H x 2.5" D

Shipping Weight:
3lbs. [1.36 Kg.]



SECURITRON
ASSA ABLOY

Power Supply Accessories



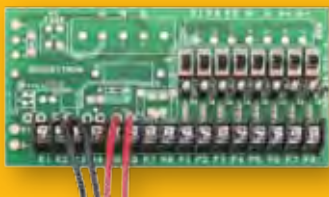
TP-12-3, TP-24-2



B-12-5, B-24-5 - Lead Acid Battery



BR-4 - Bridge Rectifier



CCB-8 - Control Board



CKL - Cabinet Key Lock

SECURITRON
ASSA ABLOY

TP-12-3, TP-24-2

AC Plug-In Transformer

» MODELS

Part #
Description

TP-12-3
Transformer, Plug-In
12VAC - 3 Amp

TP-24-2
Transformer, Plug-In
24VAC - 1.5 Amp

B-12-5, B-24-5 » Lead Acid Battery

Lead Acid Batteries provide 5 Amp Hours of battery back up when used with BPS power supplies, ensuring continued operation of access control devices when the AC source power is compromised.

» MODELS

Part #
Description

B-12-5
Battery 12VDC -
5 Amp Hour

B-24-5
Battery 24VDC -
5 Amp Hour

BR-4 » Bridge Rectifier

Converts AC input to full wave rectified DC output with a maximum 4 Amp output capacity

» MODELS

Part #
Description

BR-4
Bridge Rectifier -
4 Amp

CCB-8 » Control Board

Eight (8)-output power distribution board splits a BPS primary output into eight (8), Class 2 power-limited outputs protected by 2A polyswitch breakers.

- Slide switches connect or disconnect load from power
- LEDs indicate power status for each output zone
- Compatible with all BPS models larger than 2 Amp output.

» MODELS

Part #
Description

CCB-8-12
Control Board 8
Fused Outputs
12VDC

CCB-8-24
Control Board 8
Fused Outputs
24VDC

CKL » Cabinet Key Lock

Fits the standard knockout on all Securitron BPS power supply enclosures to protect against tampering and unauthorized access. Includes two (2) keys.

» MODELS

Part #
Description

CKL
Cabinet Key Lock

EXTRAS & RESOURCES

SECURITRON[®]
ASSA ABLOY



Electromagnetic Locks & Accessories

M680, M670, M38, M68, M34R, M32, M62, DM62, M82B, SAM, iMXDa, Component EXD, Brackets & Accessories, Vista® VM300, VM600, VM1200/VM1290



Electromechanical Locks

MM15, UNL



Gate Locks, Cabinet Locks & Accessories

M62FG-SASM, GL1, FMK, MCL, M32-SS, SAM2-24



Exit Devices

DSB, TSB, TSH, SP-1, EMB, EMH



Entry Devices

PB Series, EEB Series, XMS, DK-12, DK-16, DK-26, Keypress Series



Access Control Accessories

DPS, LM-Latch Monitor, MSS, DPA/DT-7, TM-2/TM-9, RLP/PZ-1, RB-Relay Board



Power Supplies

BPS-12/24-1, BPS, BPSM, BPSS, PSM, PSP, BACS, AQD3, AQD5, AQM20, AQU126, AQU128, AQU243, AQU244, PDB, PDB-1R, PDB-8C1R, PDB-8F8R/8C8R



Power Transfer

CEPT, EPT, SEPT, EH



Power Accessories

FAR, TP-12-3, TP-24-2, B-12-5, B-24-5, BR-4, CCB-8, CKL



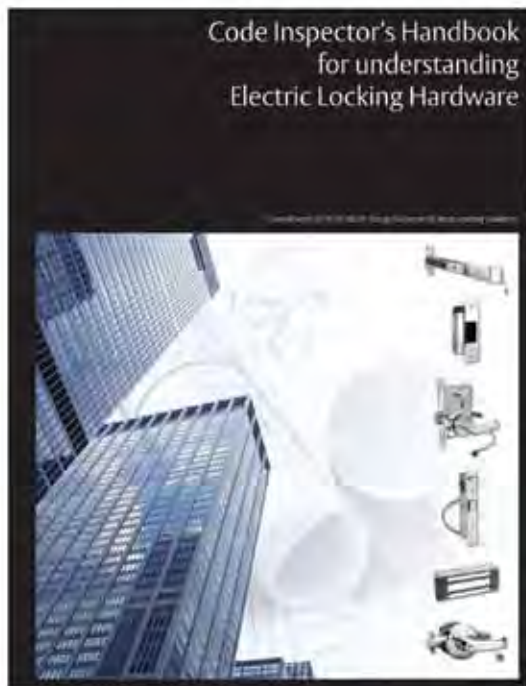
Resources & Extras

AHJ Handbook information, Icon Glossary, Demo Mounts, Code-Compliant Systems, Index, Terms and Conditions

Our Code Inspector's Handbook for understanding electric locking hardware is a quick-start reference guide designed to assist code officials, building inspectors, Fire Marshalls, hardware consultants, and field sales representatives. This 28 page educational booklet examines the full range of electrified locking hardware commonly used in commercial door applications. The primary purpose is to highlight and clarify IBC/IFC and NFPA code language as it relates to electronically and magnetically locked egress doors.

CONTENTS INCLUDE

- Glossary of Electrified Locking Terms
- Common Electrified Locking Solutions
- Specific Roles of Electric Lock Components
- 2009 Comparison of "Access Controlled Egress Doors"
- 2009 Positions of the Model Codes Regarding Electromagnetically Locked Egress Doors Being Released by a Switch
- 2009 Positions of the Model Codes on Delayed Egress
- The History of the Conflict Between Codes and Electromagnetic Locks
- New 2012 Code Language Regarding Electromagnetically Locked Egress Doors
- Electrified Hardware Summary Chart



HOW TO ORDER

Part #
Description

910-10105
Code Inspector's
Handbook - Electric
Locking Hardware

Understanding Terminology and Codes for Magnetically Locked Egress Doors

This booklet is available at no charge for customer training events, code official presentations and student education. It is also a helpful tool for hardware consultants and sales representatives who wish to improve their knowledge of code-approved maglock applications. Limited quantities only. Please allow 3 - 4 weeks for delivery.

To order the booklet go to www.securitron.com and visit the Library tab. Use the **Literature Request Form** to receive a printed version.

An electronic version of the booklet is also available on our website:

www.securitron.com/Other/Securitron/Documents/AHJ-Handbook.pdf

Do you know the code?

Beginning with the IBC 2007 Supplement, electromagnetic locks can be installed on doors not requiring panic hardware and released by switches in hardware specifically tested and listed for that purpose.

The 2012 IBC will allow control of electromagnetic locks with proven and listed switches in panic and fire hardware as long as the use of the bar directly interrupts power supplying the electromagnetic lock. There will be no requirement for fire connection, and no other releasing devices are required.

Check your jurisdiction to determine if the adoption of the updated codes.

SECURITRON
ASSA ABLOY

ICON GLOSSARY

icon		description
 AMPERAGE	Amperage	Power products Amperage indicator identifies the maximum output amperage for the specified voltage
 ANSI A250.13-2003 WINDSTORM RESISTANT	ANSI A250.13-2003 Windstorm Resistant	Products with an ANSI Windstorm Rating are certified and tested to perform in sustained winds or gusts of 100-to-150 miles per hour.
 BATTERY BACKUP	Battery Backup	Supports the addition of batteries to provide backup power in case of a primary source power outage
 CYLINDRICAL LOCKSETS	Cylindrical Locksets	A lock for a door prepared with one or more cross-bores and one or more edge-bores.
 ELD SELECTABLE (12 OR 24VDC)	Field Selectable 12/24	Ability to select either 12 or 24 volt DC in the field.
 FIRE RATED	Fire-Rated	Products with a Fire Rating have been evaluated and listed to UL10B, "Fire Test of Door Assemblies" and UL10C, "Positive Pressure Fire Tests with Door Assemblies". The hourly rating qualification is also noted.
 GRADE 1	Grade 1	Passed requirements of 1500 lbs. static force, 70 ft. lbs of impact force and withstands 500,000 cycles of operation.
 SUPERVISION	Supervision	Provides contacts that support remote monitoring of power status as indicated in the product specifications
 VOLTAGE	Voltage	Power products voltage indicator identifies output voltage

Use on Any Exit Door Where
Free Egress is Permitted

BASIC MAGNETIC LOCKING SYSTEM

Shown with Optional Access Control Keypad - see p. 63

OUTSIDE OPERATION

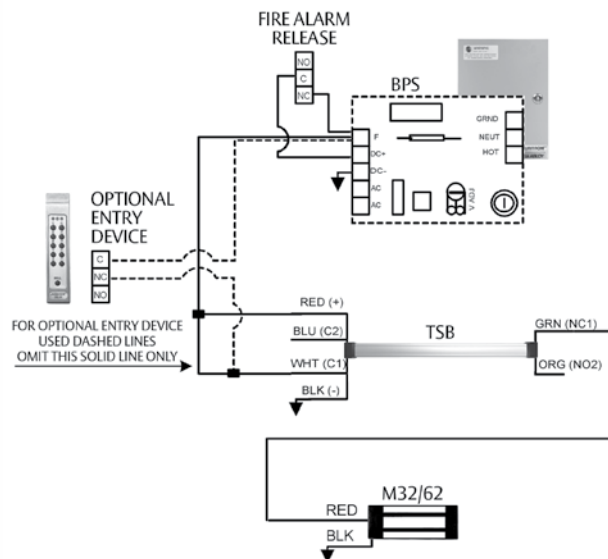
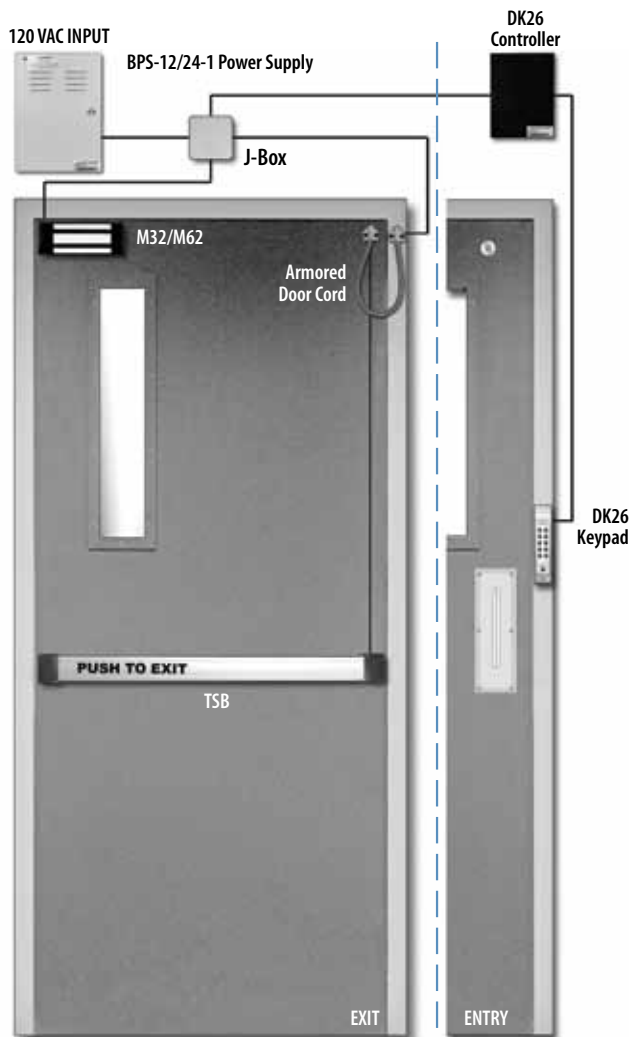
The door is secured via the M32/M62 Magalock. Entry is permitted using an optional entry device which releases the magnetic lock.

INSIDE OPERATION

The door is secured via the Magalock. Free egress is accomplished by pushing on the TSB which de-energizes the lock. Contact the factory for additional exit devices necessary for fire-rated installations.

SYSTEM COMPONENTS

M32/M62 Magalock®	p. 17
BPS-12/24-1 Power Supply	p. 78
TSB Touch Sense Bar	p. 50
DK26 Digital Keypad	p. 63
TSB-C Door Cord	p. 100



System Approvals and Listings

Underwriter's Laboratories: ALVY Access Control System Units File BP7041
California State Fire Marshal: 3774-0923:103
City of New York MEA: 251-95E & 254-95E

SECURITRON®
ASSA ABLOY

DELAYED EGRESS MAGNETIC LOCKING SYSTEM

Shown with Optional
Access Control Keypad -
see p. 61

SYSTEM COMPONENTS

M32/M62 Magnalock®	p. 17
BPS-12/24-1 Power Supply	p. 78
TSB Touch Sense Bar	p. 50
DK26 Digital Keypad	p. 63
TSB-C Door Cord	p. 100

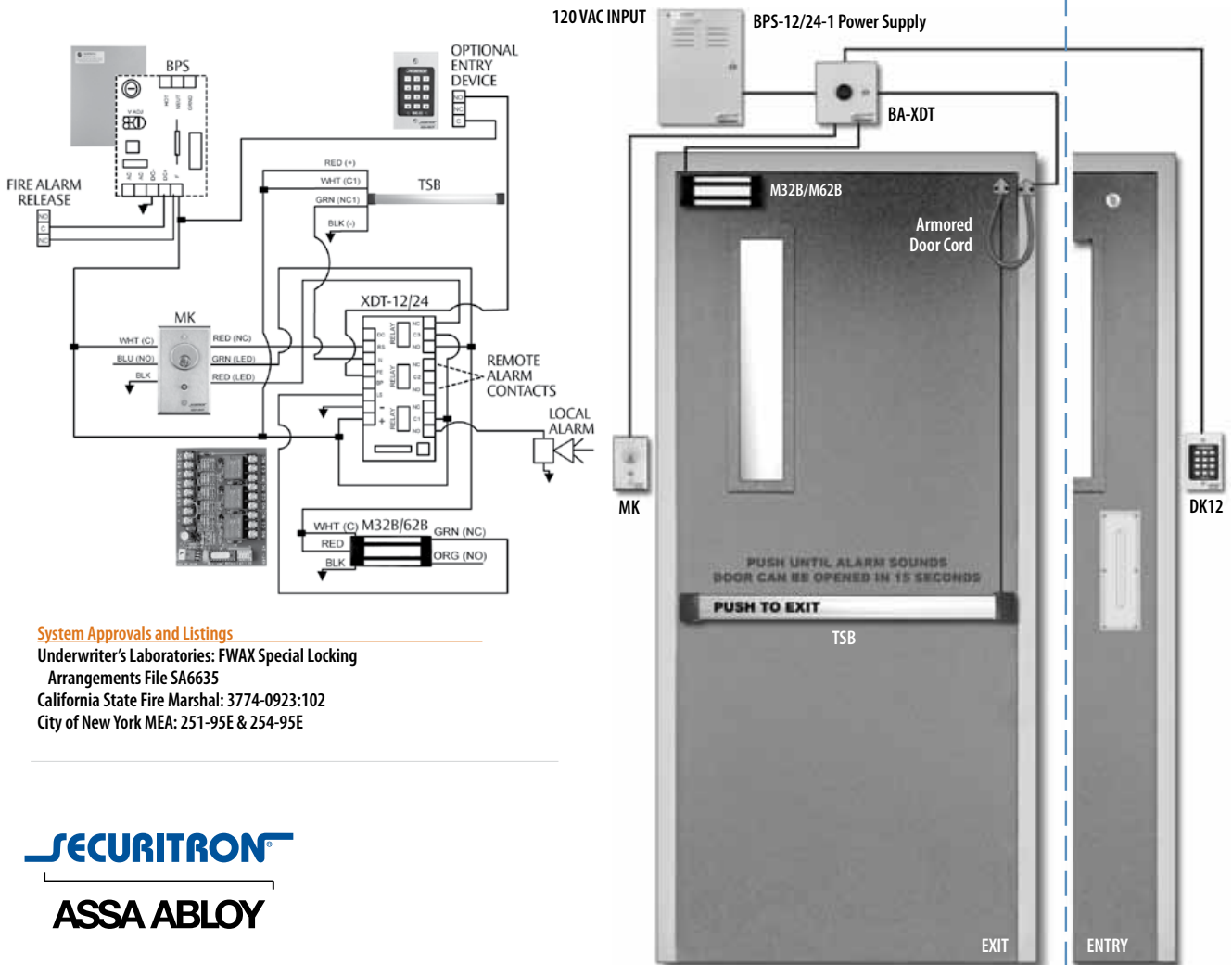
Use on Exit Doors Where a 15 to 30 Second delay is desirable before egress is allowed. This exit delay system is typically used to fight risk of loss by theft in Retail Sites, Museums, Libraries, etc. Exit delay technology is also an important safety consideration for Hospitals and Nursing Homes as these facilities are often responsible for preventing unauthorized exit by patients under their supervision. This system meets NFPA life safety code 101 and all US/Canada model codes.

OUTSIDE OPERATION

The door is secured via the M32B/M62B Magnalock. Entry is permitted using an optional entry device which releases the magnetic lock and shunts the exit delay system as well as the alarm contacts.

INSIDE OPERATION

The door is secured via the Magnalock. Egress without the alarm is accomplished using an optional bypass device. Emergency egress is accomplished when the BA-XDT is activated by pushing on the TSB bar which will initiate the exit delay cycle. The Magnalock will release after the selected delay period has expired, allowing egress. The Magnalock will not resecure until the door system is reset using the MK keyswitch.



System Approvals and Listings

Underwriter's Laboratories: FWAX Special Locking
Arrangements File SA6635
California State Fire Marshal: 3774-0923:102
City of New York MEA: 251-95E & 254-95E

SECURITRON
ASSA ABLOY

MAG LOCKS
ELECTROMECH LOCKS
SPECIALTY LOCKS
EXIT DEVICES
ENTRY DEVICES
ACCESS CONTROL ACCESSORIES
POWER SUPPLIES
POWER TRANSFER
POWER ACCESSORIES
RESOURCES

Use on any Bi-Directional Exit Door Where Free Egress is Permitted

OUTSIDE OPERATION

The door is secured via the Shear Aligning Magnalock. Entry is permitted using an optional entry device which releases the magnetic lock.

INSIDE OPERATION

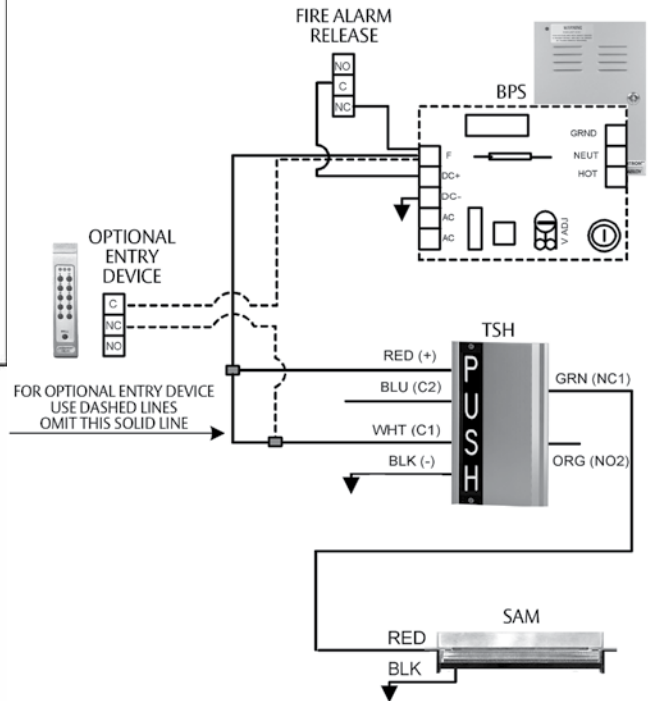
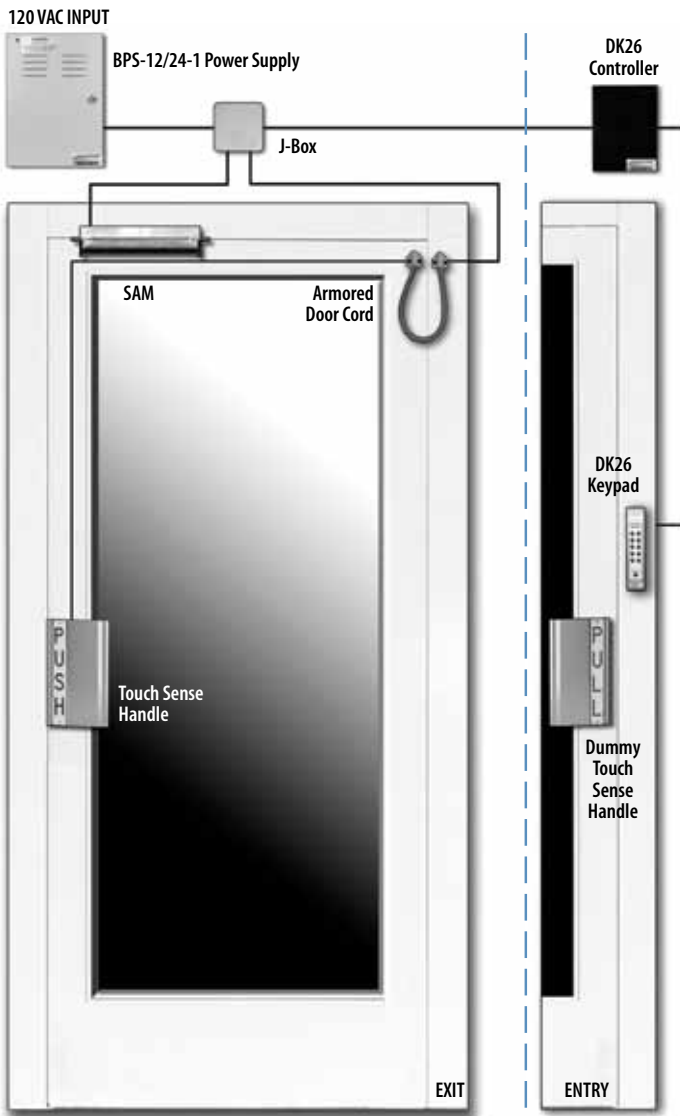
The door is secured via the SAM. Free egress is accomplished by pushing on the TSH which de-energizes the lock.

STORE FRONT MAGNETIC LOCKING SYSTEM

Shown with Optional Access Control Keypad - see p. 63

SYSTEM COMPONENTS

SAM Shear Magnalock®	p. 22
BPS-12/24-1 Power Supply	p. 78
TSH Touch Sense Handle	p. 51
TSB-C Door Cord	p. 100



SECURITRON®
ASSA ABLOY

MAG LOCKS
ELECTROMECH LOCKS
SPECIALTY LOCKS
EXIT DEVICES
ENTRY DEVICES
ACCESS CONTROL ACCESSORIES
POWER SUPPLIES
POWER TRANSFER ACCESSORIES
POWER ACCESSORIES

RESOURCES

MOTION ACTIVATED MAGNETIC LOCKING SYSTEM

Shown with Optional
Access Control Keypad -
see p. 62

SYSTEM COMPONENTS

M32B/M62B Magnalock®	p. 17
BPS-12/24-1 Power Supply	p. 78
EEB Emergency Exit Button	p. 59
MK Mortise Keyswitch	p. 67
XMS Exit Motion Sensor	p. 60

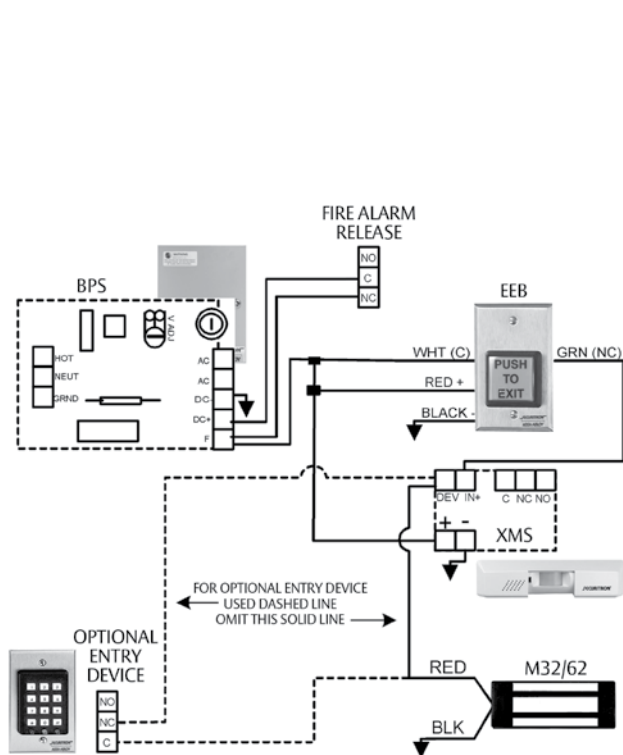
Use on Any Interior or Exterior Access Controlled Egress Security Door

OUTSIDE OPERATION

The door is secured via the M32/M62 Magnalock. Entry is permitted using the key or optional entry device.

INSIDE OPERATION

The door is secured via the Magnalock. Free egress is accomplished by activating the motion sensor or by pushing the emergency exit button. Both will de-energize the lock.



SECURITRON
ASSA ABLOY

Durable Demo Mounts for Securitron® Products

» Display and demonstrate Securitron products easily with durable demo mounts designed to help you showcase the features and benefits of Securitron products for your customers. Select from electrified horizontal and vertical mounts for a wide range of products, as well as non-electrified, “mountless” demos for the BPS-12/24 Power

Supply, AccuPower Power Supplies, M32/M62 Magnalocks, SASM and Vista Magnetic Locks.

For more information about demo mounts, please contact your Securitron sales professional or call Securitron Customer Service at **1-800-624-5625** or via email at **customer@securitron.com**



BondSTAT (Mag Bond Sensor)
Order#: DU-MBS
8.5" x 11" x 4", 6 lbs.



DPS (Door Position Switch)
Order#: DU-DPS
8.5" x 11" x 4", 6 lbs.



MM15 E-Mag
Order#: DU-MM15
8.5" x 11" x 5.5", 4 lbs.



GL1 Gate Lock
Order#: DU-GL1
8" x 8" x 17.5", 16 lbs.



Electromechanical Bar
Order#: DU-EMB
20.25" x 6" x 3.1", 6 lbs



Dual Sense Bar
Order#: DU-DSB
20.25" x 6" x 3.5", 6 lbs



BPS-12/24-1
Order#: DU-BPS
12" x 9" x 4", 9 lbs.



Adjustable Z Bracket
Order#: DU-ZA
8" x 9" x 3", 5 lbs.



SASM (Shock Absorbing Strike Mount)
Order#: DU-SASM
3" x 4" x 8", 3.5 lbs.

Terms & Conditions

PRICES: Prices are subject to change without notice. Our website price list will serve as the most current list price. All shipments will be made at prices in effect at the time of shipment. The customer shall also be responsible for payment of all applicable sales and/or use taxes.

MINIMUM ORDER: Minimum product charge per invoice is \$40.00 USD.

PAYMENT TERMS: Net thirty (30) days from date of invoice. Interest at the rate of up to 1½% per month may be charged on all past due accounts. Custom orders may require a deposit.

DELIVERY TERMS: All prices are Ex-works factory.

SHORTAGE: Any claim for shortages must be made to SECURITRON in writing within one (1) week of receipt of merchandise.

RETURNS: A Return Merchandise Authorization (RMA) must be obtained from SECURITRON before any merchandise can be returned. RMAs are valid for sixty (60) days. Returned goods are subject to a restocking charge plus an additional charge for any damage. Goods returned under the terms of SECURITRON's MAGNACARE Lifetime Warranty must be accompanied by a copy of the original invoice.

CANCELLATIONS: Any order may be subject to a 5% cancellation charge for catalog items. Cancellation of non-catalog or custom items will be subject to a 20% cancellation charge plus all costs (both direct and indirect) incurred by manufacturing at the point of cancellation that are properly allocated to the cancelled item(s).

DROPSHIP FEE: A 5% fee will be applied to all orders that contain products that are on SECURITRON's Suggested Stocking Distributor Inventory Checklist. Exceptions must be approved by the factory in writing.

Product Index

AKG	28	AQU128-16C16R	89	BACS-12-20	84	CEPT-C5E	96	DDC-62BK	31
AOS-62	29	AQU128-16F16R	89	BACS-24-10	84	CEPT-C5E-04	96	DDC-62CL	31
AOS-62D	29	AQU128-8C	89	BA-DPA-12	71	CEPT-C5E-10	96	DDC-82BK	31
AOS-82	29	AQU128-8C1R	89	BA-DPA-24	71	CEPT-C5E-10B	96	DDC-82CL	31
AOS-82D	29	AQU128-8C8R	89	BA-XDT-12	26	CKL	104	DK-12	61
AQD3	85	AQU128-8F8R	89	BA-XDT-24	26	CWB-32BK	28	DK-16	62
AQD3-1R	85	AQU243	90	BPS-12/24-1	78	CWB-32CL	28	DK-16P	62
AQD3-4C	85	AQU243-8C	90	BPS-12-1	79	CWB-62BK	28	DK-16W	16
AQD3-4F	85	AQU243-8C1R	90	BPS-12-15	79	CWB-62CL	28	DK-16XB	62
AQD3-8C	85	AQU243-8C8R	90	BPS-12-3	79	CWB-82BK	28	DK-26BK	63
AQD3-8C1R	85	AQU243-8F	90	BPS-12-45	79	CWB-82CL	28	DK-26BKXB	63
AQD3-8F	85	AQU243-8F8R	90	BPS-12-6	79	DC-32BK	31	DK-26PBK	63
AQD3-8F8R	85	AQU244	91	BPS-12-9	79	DC-32BP	31	DK-26PSS	63
AQD5	86	AQU244-16C	91	BPS-24-1	79	DC-32CL	31	DK-26SS	63
AQD5-4C	86	AQU244-16C16R	91	BPS-24-10	79	DC-32SP	31	DK-26SSXB	63
AQD5-4F	86	AQU244-16F16R	91	BPS-24-2	79	DC-38BK	15	DK-26WBK	63
AQD5-8C	86	AQU244-8C	91	BPS-24-3	79	DC-38BP	15	DK-26WSS	63
AQD5-8C1R	86	AQU244-8C1R	91	BPS-24-4	79	DC-38SP	15	DK-CPSS	65
AQD5-8F	86	AQU244-8C8R	91	BPS-24-6	79	DC-62BK	31	DK-SBK	65
AQD5-8F8R	86	AQU244-8F8R	91	BPSM-12-15	80	DC-62BP	31	DK-SSS	65
AQM20	87	ASB-32BK	28	BPSM-12-6	80	DC-62CL	31	DK-WRI	65
AQM20-16C	87	ASB-32CL	28	BPSM-12-9	80	DC-62SP	31	DK-XB	65
AQM20-16F	87	ASB-62BK	28	BPSM-24-10	80	DC-68BK	15	DM62	20
AQM20-8C8R	87	ASB-62CL	28	BPSM-24-4	80	DC-68BP	15	DM62B	20
AQM20-8C8R	87	ASB-82BK	28	BPSM-24-6	80	DC-68SP	15	DM62BD	20
AQM20-8F	87	ASB-82CL	28	BPSS-10	81	DC-82BK	31	DM62B-OS	20
AQM20-8F8R	87	ASB-VM1200	36	BPSS-20	81	DC-82BP	31	DM62D	20
AQU126	88	ASB-VM600	36	BR-4	102	DC-82CL	31	DM62-OS	20
AQU126-8C	88	ASCWB-DM62CL	20, 28	CCB-8-12	102	DC-82SP	31	DPA-12	71
AQU126-8C1R	88	ASS-32	29	CCB-8-24	102	DC-MM15BK	39	DPA-24	71
AQU126-8C8R	88	ASS-62	29	CEPT-10	96	DC-MM15BP	39	DPS-M-BK	68
AQU126-8F8R	88	ASS-82	29	CEPT-10-04	96	DC-MM15BS	39	DPS-M-GY	68
AQU128	89	B-12-5	102	CEPT-10-10	96	DDC-32BK	31	DPS-M-WH	68
AQU128-16C	89	B-24-5	102	CEPT-10-10B	96	DDC-32CL	31	DPS-W-BK	68

DPS-W-GY	68	EL-TSB-BK-48	50	HHSR-62	32	M62FGB	18, 42	M68ST	14
DPS-W-WH	68	EL-TSB-CL	50	HHSR-82	32	M62FGBD	18, 42	M68T	14
DSB-BK	49	EL-TSB-CL-42	50	HT-PB2	57	M62FGD	18, 42	M82B	21
DSB-BK42	49	EL-TSB-CL-48	50	HT-PB2E	57	M62FG-SASM	42	M82BD	21
DSB-BK48	49	EL-TSH-BK	51	HVD-32	32	M62G	18	M82B-SS	21
DSB-BKA	49	EL-TSH-CL	51	HVD-62	32	M62GB	18	M82FB	21
DSB-BKA42	49	EMB-BK	54	HVD-82	32	M62GBD	18	M82FBD	21
DSB-BKA48	49	EMB-BK-42	54	IEXDA	24	M62GD	18	M82FGB	21
DSB-BKI	49	EMB-BK-48	54	IK	19	M62-0S	19	M82FGBD	21
DSB-BKI42	49	EMB-CL	54	IMXDA	24	M62-SS	19	M82GB	21
DSB-BKI48	49	EMB-CL-42	54	J-1055-04F	68	M670	12	M82GBD	21
DSB-BKIA	49	EMB-CL-48	54	KP1	67	M670DB-622	12	MCL-24	45
DSB-BKIA42	49	EMB-TDM	54	KP1A	67	M680BD	8	MK	67
DSB-BKIA48	49	EMH-BK	55	KP1AN	67	M680BD-605	8	MK2	67
DSB-CL	49	EMH-CL	55	KP1N	67	M680BD-606	8	MKA	67
DSB-CL42	49	EPT	97	LML-1	70	M680BD-612	8	MKA2	67
DSB-CL48	49	EPTL	97	LML-2	70	M680BD-613	8	MKAN	67
DSB-CLA	49	EPT-SC	97	LMS-1	70	M680BD-622	8	MKAN2	67
DSB-CLA42	49	EXD-1L	26	M32	17	M680BDC	9	MKAPZ	67
DSB-CLA48	49	FAR-12	101	M32B	17	M680BDC-605	9	MKC	67
DSB-CLI	49	FAR-24	101	M32BD	17	M680BDC-606	9	MKC-KA	67
DSB-CLI42	49	FA-XDT-12	26	M32B-SS	46	M680BDC-612	9	MKN	67
DSB-CLIA	49	FA-XDT-24	26	M32D	17	M680BDC-613	9	MKN2	67
DSB-CLIA42	49	FMB9-4	44	M32F	17	M680BDC-622	9	MKPZ	67
DSB-CLIA48	49	FMK-SL	44	M32FB	17	M680BDC2	9	MKS	67
DSB-TDM	49	FMK-SW	44	M32FBD	17	M680BDC2-605	9	MKS2	67
DT-7	71	FSUNL-12	44	M32FD	17	M680BDC2-606	9	MKSA	67
DTSB-BK	50	FSUNL-24	44	M32-SS	46	M680BDC2-612	9	MKSA2	67
DTSB-BK-42	50	GDB	28	M34R	16	M680BDC2-613	9	MM15	37
DTSB-BK-48	50	GDB-VM1200	36	M34RB	16	M680BDC2-622	9	MM15DT	37
DTSB-CL	50	GDB-VM300	36	M34RBD	16	M680BDC2X	11	MM15G	37
DTSB-CL-42	50	GDB-VM600	36	M34RD	16	M680BDC2X-605	11	MM15GDT	37
DTSB-CL-48	50	GL1	43	M38	13	M680BDC2X-606	11	MM15-TS	38
DTSH-BK	51	HEB-1BK-12	27	M38/68D-KIT	13	M680BDC2X-612	11	MSS-1	69
DTSH-CL	51	HEB-1BK-8	27	M38D	13	M680BDC2X-613	11	MSS-1C	69
EASB-250	30	HEB-1BK-MM15	39	M38DL	13	M680BDC2X-622	11	MSS-1C-RT	69
EASB-32	30	HEB-1CL-12	27	M38DLS	13	M680BDCX	11	MSS-1G	69
EASB-62	30	HEB-1CL-8	27	M38DLST	13	M680BDCX-605	11	MSS-1-RT	69
EASB-82	30	HEB-1CL-MM15	39	M38DLT	13	M680BDCX-606	11	PB	57
EEB2	59	HEB-2BK-12	27	M38DS	13	M680BDCX-612	11	PB2	57
EEB3N	59	HEB-2BK-8	27	M38DST	13	M680BDCX-613	11	PB22	57
EH-40	99	HEB-2BK-MM15	39	M38DT	13	M680BDCX-622	11	PB2E	57
EH-45	99	HEB-2CL-12	27	M38L	13	M680BDX	10	PB2-LK	57, 58, 59
EL-CEPT	96	HEB-2CL-8	27	M38LS	13	M680BDX-605	10	PB3	58
EL-CEPT-04	96	HEB-2CL-MM15	39	M38LT	13	M680BDX-606	10	PB3A	58
EL-CEPT-10	96	HEB-3BK-12	27	M38S	13	M680BDX-612	10	PB3AN	58
EL-CEPT-10B	96	HEB-3BK-8	27	M38ST	13	M680BDX-613	10	PB3E	58
EL-EMB-BK	54	HEB-3BK-MM15	39	M38T	13	M680BDX-622	10	PB3EA	58
EL-EMB-BK-42	54	HEB-3CL-12	27	M38T-KIT	13	M68	14	PB3EAN	58
EL-EMB-BK-48	54	HEB-3CL-8	27	M62	18	M68D	14	PB3EAR	58
EL-EMB-CL	54	HEB-3CL-MM15	39	M62B	18	M68DL	14	PB3EN	58
EL-EMB-CL-42	54	HEB-3G	28	M62BD	18	M68DLS	14	PB3ER	58
EL-EMB-CL-48	54	HEB-VM1200	36	M62BD-0S	19	M68DLST	14	PB3-LK	58, 59
EL-EMH-BK	55	HEB-VM600	36	M62B-0S	19	M68DLT	14	PB3N	58
EL-EMH-CL	55	HHD-32	32	M62B-SS	19	M68DS	14	PB4-2	58
EL-EPT	97	HHD-62	32	M62D	18	M68DST	14	PB4LA-2	58
EL-EPTL	97	HHD-82	32	M62F	18	M68DT	14	PB4LAN-2	58
EL-EPT-SC	97	HHSL-32	32	M62FB	18	M68L	14	PB4LN-2	58
EL-SEPT	98	HHSL-62	32	M62FBD	18	M68LS	14	PB5	58
EL-TSB-BK	50	HHSL-82	32	M62FD	18	M68LT	14	PB5E	58
EL-TSB-BK-42	50	HHSR-32	32	M62FG	18, 42	M68S	14	PBA	57

PDB-1R	93	SFP-1/4CL-12	27	UNL-24-US3	40
PDB-4C07	92	SFP-1/4CL-8	27	VM1200	35
PDB-4C1	92	SFP-3/8BK-12	27	VM1200DB	35
PDB-4C2	92	SFP-3/8BK-8	27	VM1290	35
PDB-4C3	92	SFP-3/8BKMM15	38	VM1290DB	35
PDB-4C4	92	SFP-3/8CL-12	27	VM300	33
PDB-4C5	92	SFP-3/8CL-8	27	VM300B	33
PDB-4F05	92	SFP-3/8CLMM15	38	VM600	33
PDB-4F1	92	SFP-5/8BK-12	27	VM600DB	33
PDB-4F2	92	SFP-5/8BK-8	27	WBB	61, 62
PDB-4F3	92	SFP-5/8BKMM15	38	WCC	61, 62
PDB-4F4	92	SFP-5/8CL-12	27	WEMB-BK	54
PDB-4F5	92	SFP-5/8CL-8	27	WEMB-BK-42	54
PDB-8C07	92	SFP-5/8CLMM15	38	WEMB-BK-48	54
PDB-8C1	92	SFP-VM-1/2-CL	36	WEMB-CL	54
PDB-8C2	92	SFP-VM-1/4-CL	36	WEMB-CL-42	54
PDB-8C3	92	SFP-VM-3/8-CL	36	WEMB-CL-48	54
PDB-8C4	92	SMLS	23	XDT-12	26
PDB-8C5	92	SMSS	23	XDT-24	26
PDB-8C1R	94	SP-1	52	XMS	60
PDB-8C8R	95	SP-1L	52	ZA-32/62BK	29
PDB-8F05	92	SP-1LH	52	ZA-32/62CL	29
PDB-8F1	92	SPK	81	ZA-32/62SS	29
PDB-8F2	92	SWB-03	23	ZA-82BK	29
PDB-8F3	92	SWB-10B	23	ZA-82CL	29
PDB-8F4	92	SWB-26D	23	ZA-82SS	29
PDB-8F5	92	SWK	81	Z-MM15BK	39
PDB-8F8R	95	TCP-BK	49, 50	Z-MM15CL	39
PMK-3	81	TCP-CL	49, 50	Z-VM1200	36
PSM-12	82	TDK-1	30	Z-VM300	36
PSM-24	82	TJ-38BK	15	Z-VM600	36
PSP-12	83	TJ-38CL	15		
PSP-12-3	83	TJ-68BK	15		
PSP-24	83	TJ-68CL	15		
PSP-24-1.5	83	TM-2	72		
PZ1	73	TM-9	72		
RB-4-12	74	TP-12-3	102		
RB-4-24	74	TP-24-2	102		
RLP-12	73	TSB-BK	50		
RLP-24	73	TSB-BK-42	50		
SAM	22	TSB-BK-48	50		
SAM2-24	41	TSB-BKT	50		
SAMB	22	TSB-BKT-48	50		
SAMBD	22	TSB-C	100		
SAMD	22	TSB-CL	50		
SAMN	22	TSB-CL-42	50		
SASM	42	TSB-CL-48	50		
SB-1	30	TSB-CLT	50		
SB-1-03	30	TSB-CLT-42	50		
SB-1-10B	30	TSB-CXL	100		
SB-MXD	26	TSB-TDM	50		
SEPT	98	TSH-BK	51		
SEPT-10	98	TSH-CL	51		
SEPT-CSE	98	UHB-BK-12	27		
SFP-1/2BK-12	27	UHB-BK-8	27		
SFP-1/2BK-8	27	UHB-CL-12	27		
SFP-1/2BKMM15	38	UHB-CL-8	27		
SFP-1/2CL-12	27	UNL-12	40		
SFP-1/2CL-8	27	UNL-12-10B	40		
SFP-1/2CLMM15	38	UNL-12-US3	40		
SFP-1/4BK-12	27	UNL-24	40		
SFP-1/4BK-8	27	UNL-24-10B	40		

Warranty Information: Lifetime - No Fault, Three Year - No Fault, One Year - No Fault

MagnaCare Warranty

SECURITRON MAGNALOCK CORPORATION warrants that it will replace at customer's request, at any time for any reason, products manufactured and branded by SECURITRON since January 1, 1999. SECURITRON will use its best efforts to ship a replacement product by next day air freight at no cost to the customer within 24 hours of SECURITRON's receipt of the product from customer. If the customer has an account with SECURITRON or a valid credit card, the customer may order an advance replacement product, whereby SECURITRON will charge the customer's account for the price of the product plus next day air freight, and will credit back to the customer the full amount of the charge, including outbound freight, upon SECURITRON's receipt of the original product from the customer. SECURITRON's sole and exclusive liability, and customer's sole remedy, is limited to the replacement of the SECURITRON product when delivered to SECURITRON's facility (freight and insurance charges prepaid by customer). The replacement, at SECURITRON's sole option, may be the identical item or a newer unit which serves as a functional replacement. In the event that the product type has become obsolete in SECURITRON's product line, this MAGNACARE warranty will not apply. This MAGNACARE warranty also does not apply to custom, built to order, or non-catalog items, items made by others (such as batteries), returns for payment, distributor stock reductions, returns seeking replacement with anything other than the identical product, or products installed outside of the United States or Canada. This MAGNACARE warranty also does not apply to removal or installation costs. SECURITRON will not be liable to the purchaser, the customer or anyone else for incidental or consequential

damages arising from any defect in, or malfunction of, its products. SECURITRON does not assume any responsibility for damage or injury to person or property due to improper care, storage, handling, abuse, misuse, or an act of God. EXCEPT AS STATED ABOVE, SECURITRON MAKES NO WARRANTIES, EITHER EXPRESS OR IMPLIED, AS TO ANY MATTER WHATSOEVER, INCLUDING WITHOUT LIMITATION THE CONDITION OF ITS PRODUCTS, THEIR MERCHANTABILITY OR FITNESS FOR ANY PARTICULAR PURPOSE.

SecuriCare Warranty

SECURITRON MAGNALOCK CORPORATION warrants that it will repair or replace at customer's request, at any time for any reason, products manufactured and branded by SECURITRON and warranted by SECURICARE since June 1, 2009, for a period of three (3) years from the original purchase date. SECURITRON will use its best efforts to ship a replacement product by next day air freight at no cost to the customer within 24 hours of SECURITRON's receipt of the product from customer. If the customer has an account with SECURITRON or a valid credit card, the customer may order an advance replacement product, whereby SECURITRON will charge the customer's account for the price of the product plus next day air freight, and will credit back to the customer the full amount of the charge, including outbound freight, upon SECURITRON's receipt of the original product from the customer. SECURITRON's sole and exclusive liability, and customer's sole remedy, is limited to the replacement of the SECURITRON product when delivered to SECURITRON's facility (freight and insurance charges prepaid by customer). The replacement, at SECURITRON's sole option, may be the identical item or a newer unit

which serves as a functional replacement. In the event that the product type has become obsolete in SECURITRON's product line, this SECURICARE warranty will not apply. This SECURICARE warranty also does not apply to custom, built to order, or non-catalog items, items made by others (such as batteries), returns for payment, distributor stock reductions, returns seeking replacement with anything other than the identical product, or products installed outside of the United States or Canada. This SECURICARE warranty also does not apply to removal or installation costs. SECURITRON will not be liable to the purchaser, the customer or anyone else for incidental or consequential damages arising from any defect in, or malfunction of, its products. SECURITRON does not assume any responsibility for damage or injury to person or property due to improper care, storage, handling, abuse, misuse, or an act of God. EXCEPT AS STATED ABOVE, SECURITRON MAKES NO WARRANTIES, EITHER EXPRESS OR IMPLIED, AS TO ANY MATTER WHATSOEVER, INCLUDING WITHOUT LIMITATION THE CONDITION OF ITS PRODUCTS, THEIR MERCHANTABILITY OR FITNESS FOR ANY PARTICULAR PURPOSE.

VistaCare Warranty

SECURITRON MAGNALOCK CORPORATION warrants that it will replace at customer's request, for one (1) year from the date of invoice, for any reason, products branded VISTA by Securitron. SECURITRON will use its best efforts to ship a replacement product by next day air freight at no cost to the customer within 24 hours of SECURITRON's receipt of the product from customer. If the customer has an account with SECURITRON or a valid credit card, the customer may order an advance replacement product, whereby SECURITRON will charge the

customer's account for the price of the product plus next day air freight, and will credit back to the customer the full amount of the charge, including outbound freight, upon SECURITRON's receipt of the original product from the customer. SECURITRON's sole and exclusive liability, and customer's sole remedy, is limited to the replacement of the VISTA product when delivered to SECURITRON's facility (freight and insurance charges prepaid by customer). The replacement, at SECURITRON's sole option, may be the identical item or a newer unit which serves as a functional replacement. In the event that the product type has become obsolete in SECURITRON's product line, this VISTA warranty will not apply. This VISTA warranty also does not apply to custom, built to order, or non-catalog items, items made by others (such as batteries), returns for payment, distributor stock reductions, returns seeking replacement with anything other than the identical product, or products installed outside of the United States or Canada. This VISTA warranty also does not apply to removal or installation costs. SECURITRON will not be liable to the purchaser, the customer or anyone else for incidental or consequential damages arising from any defect in, or malfunction of, its products. SECURITRON does not assume any responsibility for damage or injury to person or property due to improper care, storage, handling, abuse, misuse, or an act of God. EXCEPT AS STATED ABOVE, SECURITRON MAKES NO WARRANTIES, EITHER EXPRESS OR IMPLIED, AS TO ANY MATTER WHATSOEVER, INCLUDING WITHOUT LIMITATION THE CONDITION OF ITS PRODUCTS, THEIR MERCHANTABILITY OR FITNESS FOR ANY PARTICULAR PURPOSE.



USA

10027 S. 51st Street
Phoenix, AZ 85044

1.800.MAGLOCK

p 800.624.5625

p 623.582.4626

f 866.582.4641

www.securitron.com

CANADA

ASSA ABLOY DSS Canada
Vaughan, Ontario

p 800.461.3007

p 905.738.2466

f 800.461.8989

f 905.738.2478

www.assaabloy.ca



ASSA ABLOY is the global leader in door opening solutions, dedicated to satisfying end-user needs for security, safety and convenience

customercare@securitron.com
general inquiries, order/inventory status, pricing, lead times

techsupport@securitron.com
installation, operation, system design, product returns

orders@securitron.com
products, promotions, product literature & CDs, product demos

Securitron, Magnalock, MagnaCare, UnLatch, Accu Power and Vista are all ® registered trademarks of Securitron Magnalock Corporation.

© Copyright 2012, Securitron Magnalock Corp. All rights reserved. Reproduction in whole or in part without express written permission from Securitron Magnalock Corp. is strictly prohibited.

CONNECT WITH US



[@securitronaces](https://twitter.com/securitronaces)



Securitron Magnalock Corp