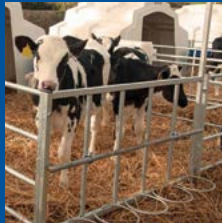




1.800.MAGLOCK | SECURITRON.COM

**SECURITRON**<sup>®</sup>  
ASSA ABLOY

# GATE & FENCE



ASSA ABLOY, the global leader  
in door opening solutions

# ABOUT SECURITRON

As the world's premier supplier of electric locking systems and access control components, Securitron, an ASSA ABLOY Group brand, excels in manufacturing a wide range of products, from electromagnetic locks and accessories, to exit devices, power supplies, digital entry systems and much more. Securitron is known for its continued commitment to excellence in customer service and product quality.

## An Industry Leader.

Securitron proudly offers the best warranty in the industry to our customers. Nearly all of Securitron's products are covered by our award-winning MagnaCare® lifetime, no fault, no strings attached, replacement warranty. The other 5% are covered under our three-year SecuriCare and one-year VistaCare warranties. All warranties provide for product replacement for ANY REASON. We believe your customer care experience should be NO FAULT and HASSLE FREE.

The Security Industry Association honored Securitron and its MagnaCare warranty program with the

Business Product Achievement Award. Securitron is the only manufacturer in the industry with this no strings attached warranty program on all product categories, from maglocks and power supplies to keypads, exit devices and accessories.

## Our Customers Come First.

At Securitron, we pay special attention to the needs of our customers. Our 1-800-MAGLOCK sales and services support line puts you in touch with our knowledgeable and friendly team to assist you with the smallest detail, or the most difficult application. We also offer free wiring diagrams and expert technical support to help you with your installation.

## A Bright Future.

Backed by the strength of ASSA ABLOY, Securitron continues to grow. Our LEED Silver designed, eco-friendly manufacturing facility in Phoenix, AZ features improved energy efficiency, air quality and sustainability.

For more information, visit [www.securitron.com](http://www.securitron.com)

ASSA ABLOY, the global leader in door opening solutions



# PERIMETER ACCESS CONTROL ANYWHERE THE SUN SHINES



Do you need a proven perimeter locking system for a location that's off the power grid? No problem. Securitron offers perimeter access control for most any vehicle or pedestrian gate using 100% sustainable solar power. Forget trenching and wiring. This proven set of products will protect your gated assets - no matter where they are located.



**DKC-37**  
Digital Keypad System



**GLI**  
2,000 lbs Holding Force  
Gate Lock



**BPSS**  
Boxed Power Supply  
Solar - 10W or 20W

**SECURITRON**  
ASSA ABLOY

1.800.MAGLOCK | [www.securitron.com](http://www.securitron.com)

ASSA ABLOY, the global leader  
in door opening solutions



# GL1

## 2,000 lbs Holding Force Gate Lock

### Electromechanical Gate Solution Offers One Ton of Holding Power

The heavy duty GL1 Electromechanical Gate Lock provides weather-resistant access control for a wide range of gate applications. The GL1 provides 2,000 lbs of holding force for electrical and manually operated indoor or outdoor gates where preload is a concern. Ideal for swinging or sliding vehicle, pedestrian, or stock gate access control.

#### PRODUCT FEATURES

- 2,000 lbs holding force
- Operates under preload up to 100 lbs
- Automatic dual-voltage - no field adjustment required
- Accepts a standard mortise cylinder with Adams Rite MS cam for manual key override (not included, see spacer guide below)
- Self-aligning receiver (+/- 1/2" horizontally) helps compensate for gate misalignment and sag
- Tamper resistant cast housing
- Optional latch status monitor
- Surface mount
- MagnaCare® lifetime replacement, no fault warranty

#### SPECIFICATIONS

- Patent: 8,047,582

**Holding Force:**  
2,000 lbs [907kg]

**Dimensions:**  
2-3/4"L x 7-1/4"W x 3-1/4"D

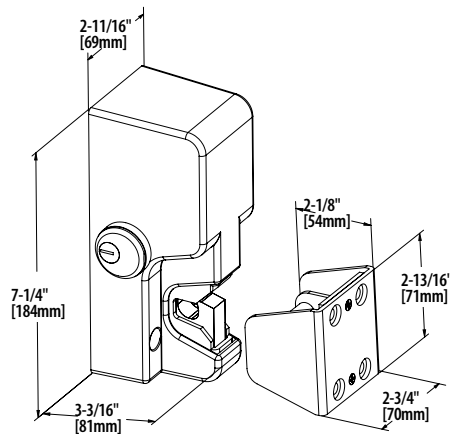
**Electrical:**  
12 Volts Initial (Peak): (~1.0 sec.) at 870 mA - Reduced: 290 mA Power Consumption: 3.5 Watts

24 Volts Initial (Peak): (~1.0 sec.) at 720 mA - Reduced: 170 mA Power Consumption: 4.1 Watts

**Operating temperature:**  
-58 to +167F [-50 to +75C]  
Indoor or outdoor use

**Shipping Weight:**  
6 lbs [2.72kg]

**Finishes:**  
Black Finish



#### Mortise Spacer Guide

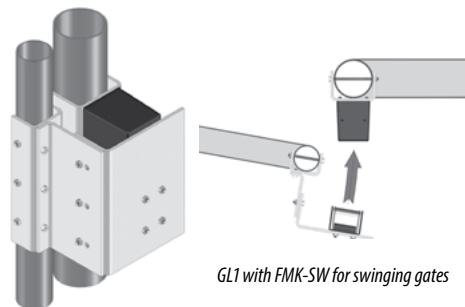
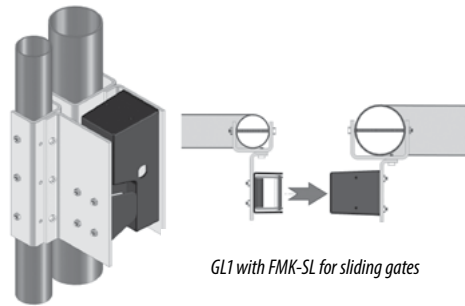
Cylinder Length	Spacer Required
1"	1/4"
1-1/8"	3/8"
1-1/4"	1/2"



#### MODELS

PART # | Description

<b>GL1-FL</b>	Gate Lock, 12/24 VDC, Standard Fail Locked (Fail Secure)
<b>GL1-FS</b>	Gate Lock, 12/24 VDC, Standard Fail Safe
<b>GL1-FLM</b>	Gate Lock, 12/24 VDC, Fail Locked Monitored (Fail Secure)
<b>GL1-FSM</b>	Gate Lock, 12/24 VDC, Fail Safe Monitored
<b>GMC</b>	Gate Lock Mortise Cylinder for use with FL models only





# M62FG-SASM

## 1,200 lbs Holding Force Gate Magnalock®

### The Shock Absorbing Magnalock Solution for Outdoor Gates

The M62FG-SASM is the only heavy duty Magnalock specifically designed to secure and protect gates. This weatherproof unit delivers 1,200 lbs of holding force and comes equipped with conduit fittings and a special shock absorbing strike mount (SASM). This unique design dramatically prolongs the life of the lock, the gate and other hardware by controlling excessive impact between the strike plate and the magnet.

The SASM is also available as a separate retrofit kit and is compatible with M32, M62 or M82 Magnalock strike plates for areas prone to excessive force closures or slamming.

#### PRODUCT FEATURES

- Flexible bracket options for swinging or sliding applications
- Fully sealed for weather-proof operations
- Includes universal threaded conduit fitting 1/2" female - 3/4" male
- 10 ft. [3.05m] of jacketed, stranded conductor cable
- Noise suppression with included MOV
- Automatic dual-voltage - no field adjustment required
- Rust resistant - all ferrous metal surfaces plated for durability
- MagnaCare® lifetime replacement, no fault warranty

#### PRODUCT OPTIONS

- (B) BondSTAT™ magnetic bond sensor - Patented (MBS)
- (D) Integrated door position switch (DPS)
- (F) Face drilled
- (G) Gate conduit
- (SASM) Shock absorbing strike mount - shock absorption and rebound assistance for proper gate alignment

#### SPECIFICATIONS

- UL 10C Listed
- CAN4-S104, CAN/ULC-S533 Listed
- ANSI/UL 294 Listed
- CSA-C22.2 No.205 Listed
- ANSI/BHMA A156.23, Grade 1; E08501-1000
- CSFM - California State Fire Marshal Approved
- MEA - City of New York Approved
- Patent: 8,094,017

**Holding Force:**  
1,200 lbs [544kg]

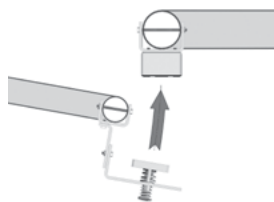
**Dimensions:**  
8"L x 1-3/4"D x 3"H

**Electrical:**  
250 mA at 12 VDC  
150 mA at 24 VDC

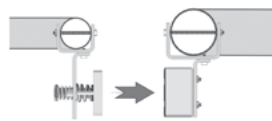
**Operating Temperature:**  
-40 to +140F [-40 to +60C]  
Indoor or outdoor use

**Shipping Weight:**  
12 lbs [5.44kg]

**Finishes:**  
US32D/630 - Satin Stainless Steel



M62FG-SASM on Swinging Gate Using Flex-Mount Bracket Kit FMK-SW



M62FG-SASM on Sliding Gate Using Flex-Mount Bracket Kit FMK-SL

#### MODELS

PART # | Description

M62FG-SASM	M62 Magnalock- 12/24 VDC, Face Drilled, Gate Conduit w/SASM Bracket
M62FG	M62 Magnalock- 12/24 VDC, Face Drilled, Gate Conduit
M62FGB	M62 Magnalock- 12/24 VDC, Face Drilled, Gate Conduit, MBS
M62FGBD	M62 Magnalock- 12/24 VDC, Face Drilled, Gate Conduit, MBS, DPS
M62FGD	M62 Magnalock- 12/24 VDC, Face Drilled, Gate Conduit, DPS
SASM	Shock Absorbing Strike Mount for M32, M62, M82

For flexible mounting brackets, see page 39.



**SECURITRON**  
**ASSA ABLOY**



### PRODUCT FEATURES

- Permits electronics to be mounted on fence posts or gate posts
- Brackets are reversible
- Bracket kits include brackets, mounting hardware and post shims
- Post brackets are pre-drilled
- Zinc-plated steel provides durability and long life
- Bolt on or weld for installation
- Compatible with maximum 3" round post with minimum pole separation of 1"
- Use with Post Shim Brackets for smaller post sizes
- MagnaCare® lifetime replacement, no fault warranty

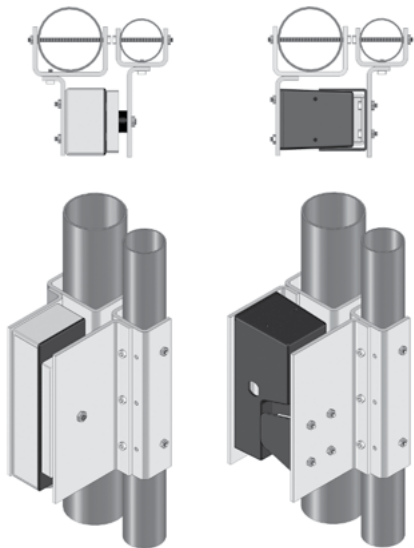
### Notes:

- M62FG can be direct mounted on square posts
- To use FMK-SL with M62FG-SASM, post separation should be 1" to 2-1/4"
- To use FMK-SW with M62FG or the GL1, post separation should be 1" to 2-3/4"
- To use FMK-SL with GL1 or M62FG, post separation should be 1" to 3-3/4"

### SPECIFICATIONS

**Shipping weight:**  
7 lbs (3.18kg)

*Sliding Gate*



*FMK-SL shown with M62FG*

*FMK-SL shown with GL1*

# FMK

## Flex-Mount Gate Lock Bracket Kits

### Bracket Kits Extend Access Control to Gates and Fences

The FMK Flex-Mount Bracket System is an intuitive set of mounting brackets designed exclusively for use with the M62FG Magalock® and the GL1 Gate Lock. Pre-formed post channels and plates of varying lengths make it easy for you to assemble a professional looking, high-security gate lock mounting platform in minutes, without special tools.

### MODELS

PART #	Description
FMB9-4	Post Shim Kit for Flex Mount Brackets - (Set of 4)
FMK-SL	Flex Mount Kit for Sliding Gate
FMK-SW	Flex Mount Kit for Swing Gate



*FMK-SW shown with M62FG*

*FMK-SW shown with GL1*





# BPSS

## Solar Boxed Power Supply

### Clean Power Meets Green Power

The BPSS is the only out-of-the-box solution specifically designed for remote electric lock control where conventional power is impractical or not available. This complete solar power system powers most single-point access control device and fail secure lock (intermittent duty only) by producing sustainable solar and battery operated power. Select the BPSS-10 or BPSS-20 (10 or 20 charging watts respectively), based on solar activity in the area/region where you're installing.

### PRODUCT FEATURES

- Works with most fail secure electric locks
- Works with most keypads or card readers
- Available in 10W and 20W versions
- Operates outdoors
- 100% solid state solar controller comes with anodized aluminum case and marine-rated terminals
- Low voltage battery monitor protects batteries from deep discharge
- High-efficiency photovoltaic panels use silicon nitride multicrystalline cells
- Green charging LED indicator
- Comes with mounting brackets for enclosure and solar panel
- Approved for use in hazardous locations - Class 1, Division 2, Groups A, B, C, D
- SecuriCare three-year, no fault warranty

### PRODUCT OPTIONS

- Mounting brackets available for fence/pole mounting (to 3" diameter)
- Wind kit available for high wind areas

### SPECIFICATIONS

**Output Voltage:**  
14.4 VDC max

**Enclosure dimensions:**  
**Outdoor (NEMA-3R):**  
12-1/2" x 13-5/8" x 4-7/16"

**Standard Enclosure Brackets:**  
Accommodates up to 2" diameter pole/post

**Solar Panels:**  
Size:  
BPSS-10: 14-1/2" x 12-3/16" x 11/16"  
BPSS-20: 22" x 14-3/16" x 11/16"

**Rated Power:**  
BPSS-10: 10 Watts  
BPSS-20: 20 Watts

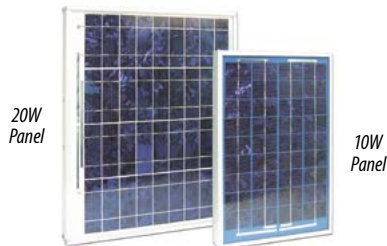
**Panel Weight:**  
BPSS-10: 3.3 lbs [1.5kg]  
BPSS-20: 5.5 lbs [2.5kg]

**Electrical:**  
Maximum 125 mA continuous, 1A maximum operating the locking device - intermittent duty only. Number of daily lock operations will vary due to solar activity and current draw

**Operating Temperature:**  
-4 to +113F [-20 to +45C]

**Panel(s) Operating Temperature:**  
-40 to +185F [-40 to +85C]

**Shipping Weight:**  
15 lbs [6.8kg]



20W Panel

10W Panel

### MODELS

PART # | Description

<b>BPSS-10</b>	Solar Power Supply - 12V w/ 10W Solar Panel and 9Ah Battery
<b>BPSS-20</b>	Solar Power Supply - 12V w/ 20W Solar Panel and 18Ah Battery
<b>PMK-3</b>	Mounting Kit 3" Pole for CCM Nema Enclosure
<b>SPK</b>	Solar Panel Kit - 20 Watt
<b>SWK</b>	High Wind Kit for 20W Solar Panel



BPSS Standard  
2" Pole Mounting Kit



PMK-3 - Optional  
3" Large Pole Mounting Kit



Included Solar Panel  
Mounting Kit

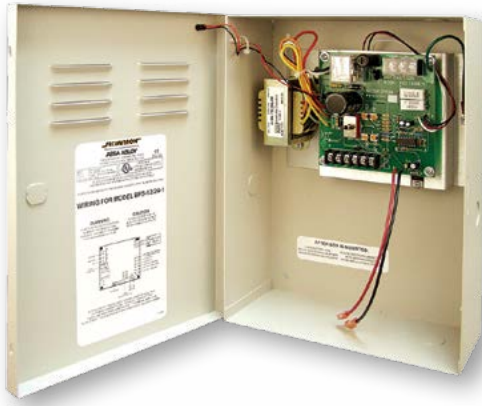


SWK - Optional Solar Panel High  
Wind Kit for 20W Panel



SECURICARE WARRANTY

**SECURITRON**  
**ASSA ABLOY**



# BPS 12/24-1

## Dual Voltage Linear Power Supply

### Linear Power for Sensitive Electronics

The BPS series of power supplies delivers linear technology recommended by most manufacturers of sensitive electronic access control and security components. Safe for use with readers, electric strikes, and maglocks, these units interface to fire alarm systems and provide battery backup. The BPS-12/24-1 is UL Class 2 listed.

#### PRODUCT FEATURES

- Dual output, field selectable 12 or 24 VDC via clearly marked toggle switch
- Supplies 1 full AMP continuous current output, even while charging back-up batteries
- Linear regulated power supply provides the cleanest power available
- UL Class 2 power limited output
- SPDT AC monitoring output allows for remote monitoring of the power supply's 110 VAC input
- External LED indicator (AC and DC) easily determines power status
- UL Listed, low-current fire alarm disconnect requires only a minimum size fire alarm relay and wire gauge
- Polyswitch 2A breaker allows for large short duration inrush current if batteries are installed (approx. 20A for 1 second)

- Line voltage and DC fuses
- Sealed lead acid or gel battery charging capability (battery sold separately, see page 114)
- MagnaCare® lifetime replacement, no fault warranty

#### SPECIFICATIONS

- UL Listed

#### Electrical:

12V/24V selector switch

Input Voltage: 120 VAC

Output Current:

1A at 12 VDC or 24 VDC

#### Dimensions:

9"L x 12"H x 4"D

#### Operating Temperature:

+32 to +105F [0 to +40C]

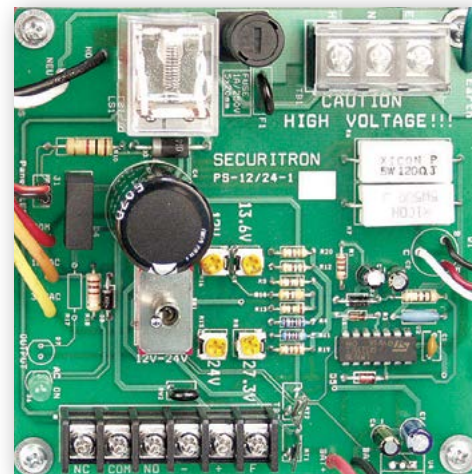
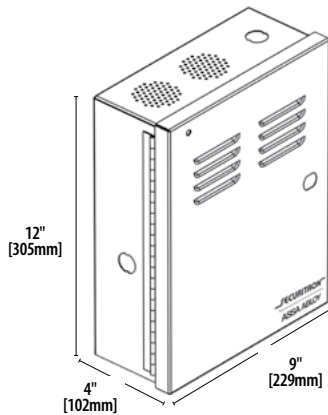
#### Shipping Weight:

9 lbs [4.08kg]

#### MODELS

PART # | Description

BPS-12/24-1 | Dual Voltage Power Supply - 12/24 VDC, 1A



BATTERY BACKUP



DUAL VOLTAGE



SUPERVISION



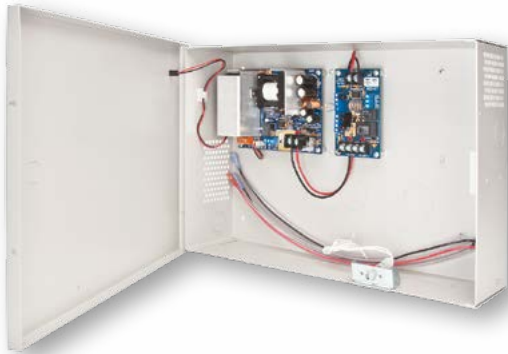
MAGNACARE WARRANTY



UL LISTED

**SECURITRON**  
ASSA ABLOY





# AQR3 SERIES

## Switching Power Supply

### 3A/1.5A 12 VDC/24 VDC Dual-Voltage

The Securitron AccuPower® AQR3 Series of switching power supplies are dual voltage, supervised units with a battery charger. These field selectable units have a fast battery charge reserve. They provide a maximum 3As at 12 VDC or 1.5As at 24 VDC, with up to eight (8) independently controlled, power limited outputs.

#### PRODUCT FEATURES

- Rated up to 2.8A/1.4A continuous output
- Dual-voltage 12/24 VDC field selectable
- Tolerates brownout or overvoltage input from 90-240 VAC
- Thermal shutdown protection comes with auto restart
- Circuit breaker protects against Over-current and reverse battery faults
- Includes battery charger and power supervision
- Low battery disconnect prevents deep discharge
- Dedicated voltage enables faster battery charging even under full load
- MagnaCare® lifetime replacement, no fault warranty

#### SPECIFICATIONS

Please refer to the table

- ANSI/UL 603 Listed
- UL-C-5318 Listed
- ANSI/UL 294 Listed

#### Dimensions:

14"x 9" x 3-1/2" enclosure

#### Electrical:

- Power supply outputs are Class 2 power limited
- Expandable up to eight (8) independently controlled power limited outputs
- Available with configurable access control input/outputs with fire trigger in either PTC or with fuse/ dry contact option, fire relay only, or configurable outputs with fire relay input
- LED indicators and form "C" contacts provide supervision
- Universal input 90-240 VAC
- Supports up to two (2) sealed gel, AGM or wet lead acid batteries

#### Operating Temperature:

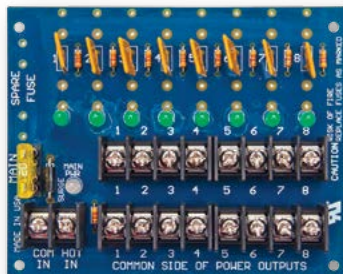
-4 to +104F [-20 to +40C]

#### Shipping Weight:

7.65 lbs [3.47kg]

Product Number	Output Amps	# of Outputs	Class 2 Power Limited	Fuse Rating	Fuse Type	# of Relays	Relay Type	UL 294	UL 603	ULC S318-96
AQR3	3/1.5	1	Y	-	-	-	-	L	L	L
AQR3-1R	3/1.5	1	Y	-	-	1	Fire	L	L	L
AQR3-4F	3/1.5	4	Y	1A	Fuse	-	-	L	L	L
AQR3-4C	3/1.5	4	Y	0.35A	PTC	-	-	L	L	L
AQR3-8F	3/1.5	8	Y	0.5A	Fuse	-	-	L	L	L
AQR3-8C	3/1.5	8	Y	0.35A	PTC	-	-	L	L	L
AQR3-8C1R	3/1.5	8	Y	1.23A	PTC	1	Fire	L	L	L
AQR3-8F8R	3/1.5	8	Y	0.5A	Fuse	8	Access Control w/Fire	L	-	-

L: Listed R: Recognized



PDB-8C





# DK-26

## Digital Keypad System

### Digital Control System for Narrow Stile Outdoor Applications

The DK-26 digital keypad system provides medium/high security control of electric locks in one or two door applications where doors have the same control needs. The fully weatherproof, rugged stainless steel keypad can be mounted in most outdoor environments. Encased in a separate enclosure for secure installation, the full-featured, easy to program, DK-26 is ideal for narrow stile applications.

#### PRODUCT FEATURES

- Cast stainless steel with 11 EPDM rubber keys
- Weatherproof and vandal resistant
- 12V or 24V/ AC or DC current
- Mounts on a narrow mullion
- Audible keystroke echo
- True 10 digit operation (keys are not paired)
- 59 users with multiple entry codes
- User code and hard code disable feature
- Passage Mode and Lockout Mode
- 5A DPDT relay
- Request to exit (REX) input
- 16 ft. [4.8m], 12 conductor, 22 gauge keypad cable
- 3 LEDs and a bell button
- MagnaCare® lifetime replacement, no fault warranty

#### PRODUCT OPTIONS

- Cover plate
- Keypad available as system or separately

#### SPECIFICATIONS

- CE: EN 50091-1, EN 61000-6-2 Approved

#### Dimensions:

Keypad: 1-1/2"W x 7"H x 7/8"D

Enclosure: 6"W x 8"H x 3"D

#### Electrical:

12 VAC/VDC: 7 mA at rest; 160 mA active  
24 VAC/VDC: 20 mA at rest; 190 mA active

#### Operating Temperature:

CPU: +32 to +158F [0 to +70C]

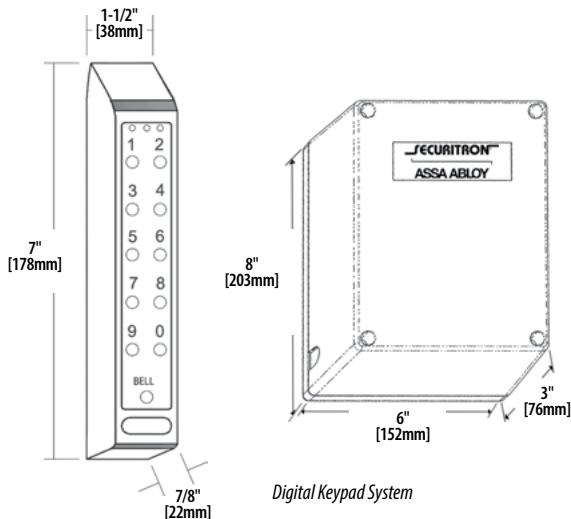
Keypad: -22 to +158F [-30 to +70C]  
Indoor or Outdoor use

#### Shipping Weight:

5 lbs [2.27kg]

#### Finishes:

US32D/630 - Satin Stainless Steel  
BK - Black



Digital Keypad System



#### » MODELS

PART # | Description

DK-26BK	Keypad and Controller - Narrow Stile, Black Anodized
DK-26SS	Keypad and Controller - Narrow Stile, Satin Stainless
DK-26PBK	Keypad only - Narrow Stile, Black Anodized
DK-26PSS	Keypad only - Narrow Stile, Stainless Steel

## ACCESSORIES for DK-26



#### DK26-CPSS » COVER PLATE

- Allows DK-26 and DKC-37 to be mounted over a single gang box
- MagnaCare® lifetime replacement, no fault warranty

#### » MODELS

PART # | Description

DK-CPSS	Digital Keypad Cover Plate - [3 x 8] Satin Stainless
---------	--





# DK-37

## Digital Keypad

### Keypad for Narrow Stile Applications

The DK-37 digital keypad offers Wiegand output for universal compatibility with access control systems. The fully weatherproof stainless steel keypad is designed for narrow stile applications.

#### PRODUCT FEATURES

- MagnaCare® lifetime replacement, no fault warranty
- 12-key cast stainless steel 2x6 keypad with silicone rubber keys
- Weatherproof and vandal resistant
- Dual-voltage 12 VDC or 24 VDC
- Mounts on narrow mullion
- Keypad compatible with access control systems using standard Wiegand output
- Red, green and yellow status LEDs
- Audible keystroke echo
- 16 foot (4.88m) cable included

#### SPECIFICATIONS

- FCC Part 15 & Industry Canada Compliant
- Patents Pending

##### Dimensions:

Keypad: 1-1/2"W x 7"H x 1"D

##### Electrical:

12 VDC: 7 mA at rest; 35 mA active  
24 VDC: 16 mA at rest; 75 mA active

##### Operating Temperature:

-22to +158F[-30to +70C]  
Indoor or outdoor use

##### Endurance:

1,000,000 cycles

##### Shipping Weight:

1.75lbs [0.8kg]

##### Finishes:

US32D/630 - Satin Stainless Steel  
BK - Black Powder Coat

#### » MODELS

PART # | Description

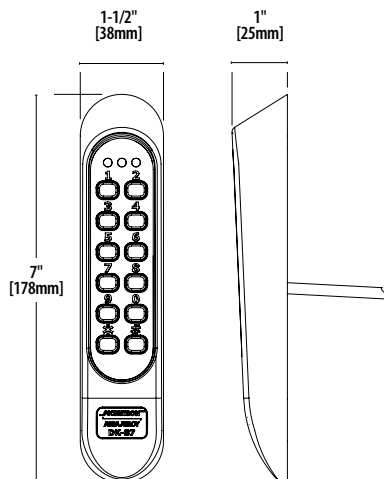
<b>DK-37WSS</b>	Keypad only - Wiegand Mode, Narrow Stile, Stainless Steel
<b>DK-37WBK</b>	Keypad only - Wiegand Mode, Narrow Stile, Black



DUAL VOLTAGE



MAGNACARE WARRANTY



**SECURITRON™**  
**ASSA ABLOY**

# TM-9

## Time Mate Timer

The compact TM-9 extends the hold-open request of a pushbutton or Key switch, enabling single-hand operation of the door or delaying re-arming of alarms.



### PRODUCT FEATURES

- Miniature timer extends momentary switches
- Fits in outlet boxes with push buttons or keyswitches
- 3A SPDT relay energizes for 2 to 36 seconds
- Time setting is selected by easy to configure DIP switches

- Applications include releasing electric locks and shunting alarm contacts
- MagnaCare® lifetime replacement, no fault warranty

### SPECIFICATIONS

#### Electrical:

12 or 24 VDC or 24VAC

#### Operating Temperature:

+32 to +158F [0 to +70C]

### » MODELS

PART #	Description
TM-9	Time Mate

# B-12-5, B-24-5

## Lead Acid Batteries



### B-12-5 / B-24-5 » LEAD ACID BATTERY

Lead Acid Batteries provide 5 Ah of battery back up when used with BPS power supplies, ensuring continued operation of access control devices when the AC source power is compromised.

- Batteries are not covered under warranty

### » MODELS

PART #	Description
B-12-5	Battery - 12VDC, 5 Ah
B-24-5	Battery - 24VDC, 5 Ah

# DT-7

## Prime Time Digital Timer

Control doors equipped with electrified hardware - with or without access control - with The DT-7 digital timer. The DT-7 can be used as a stand-alone unit, or in conjunction with DK and other products. Versatile programming supports timed unlocked/locked/or access- control-only states to turn electric locks or other security systems on and off at programmed times.



### PRODUCT FEATURES

- 7-day digital timer
- 10A DPDT relay can be operated in toggle or pulse mode
- 12 programmed on/off times
- Set daily (6 on, 6 off), on selected days, or on blocks of days
- "First Man In" feature delays preset action until first access
- Supports holiday programming
- 12 or 24 VAC or VDC

- AA battery provides backup to the display module program memory - battery not included
- MagnaCare® lifetime replacement, no fault warranty

### SPECIFICATIONS

#### Electrical:

170 mA at 12V or 24V (VAC or VDC)

#### Operating Temperature:

+32 to +113F [0 to +45C]

#### Shipping Weight:

.75 lbs [0.34kg]

### » MODELS

PART #	Description
DT-7	Prime Time Digital Timer



**SECURITRON**  
ASSA ABLOY

# PB

## Push Buttons

High-quality Securitron Push Buttons are available in a broad selection of colors, sizes, switch types and outputs. With a wide range of options for interchangeable lenses and field convertible outputs, Securitron push buttons can release any maglock, alone or in conjunction with door closers and other hardware.

	PB	PB2	PB3	PB4L	PB5
<b>Shape/Size</b>	Medium Round	Large Square	Assorted	Stainless Push Button with Halo	Large Round
<b>Contacts</b>	7A; DPST	5A; SPDT or DPDT	3A; DPST field convertible to DPDT	M4A; DPST	5A; DPST field convertible to DPDT
<b>Current Draw</b>	Switch LED: 30 mA; indicator LED: 20 mA	12VDC- indicator LED: 20 mA and switch LED: 9 mA 24VDC - indicator LED: 20 mA and switch LED: 20 mA	Indicator LED: 20mA		Switch LED: 9 mA @ 12VDC or 20 mA @ 24VDC
<b>Voltage</b>	12 or 24VDC	12 or 24VDC	12 or 24VDC	12 or 24VDC	12 or 24VDC
<b>Plate</b>	Stainless steel, single gang	Stainless steel, single gang	Stainless steel single gang or narrow stile	Stainless steel single gang or narrow stile	Stainless steel, single gang
<b>Size</b>	4.5" x 2.75" (114mm x 70mm)	4.5" x 2.75" (114mm x 70mm)	single gang: 4.5" x 2.75" (114mm x 70mm); narrow stile: 4.5" x 1.75" (114mm x 44mm); Surface Mount: 3.875" x 2" (98mm x 51mm)	single gang: 4.5" x 2.75" (114mm x 70mm) narrow stile: 4.5" x 1.75" (114mm x 44mm)	4.5" x 2.75" (114mm x 70mm)



PB



PB2



PB3



PB4L



PB5

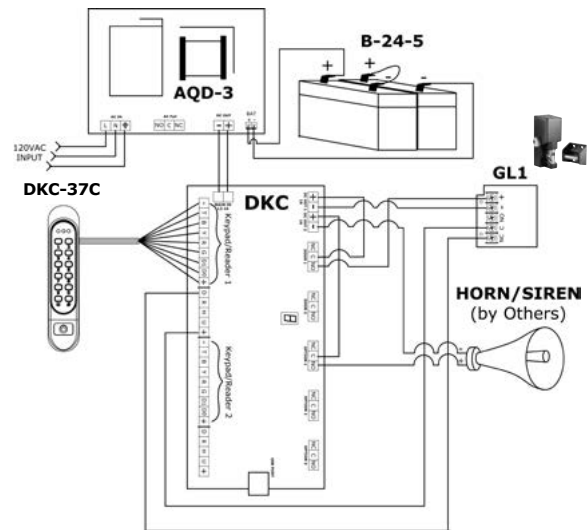
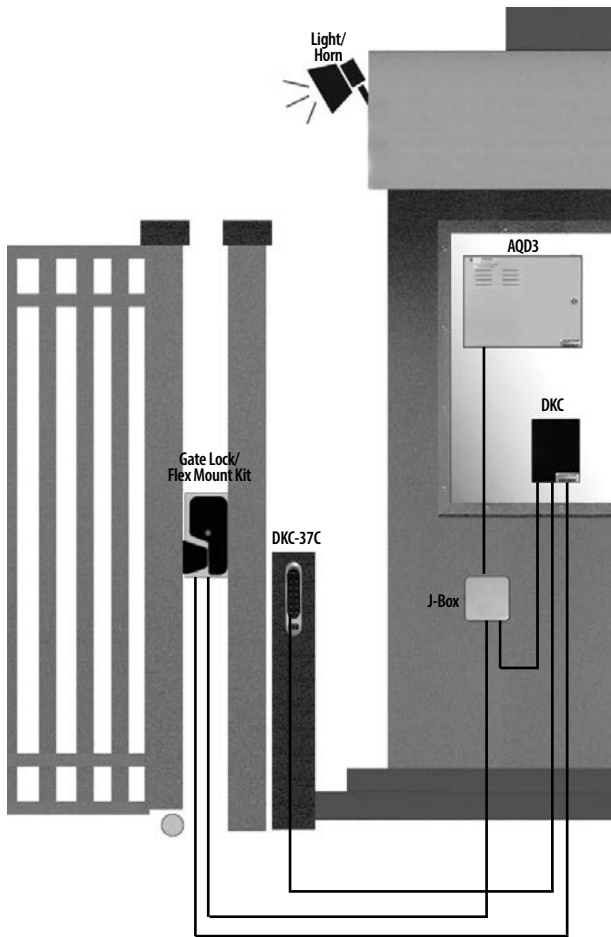


**SECURITRON**  
ASSA ABLOY

# GATE LOCKING SYSTEM

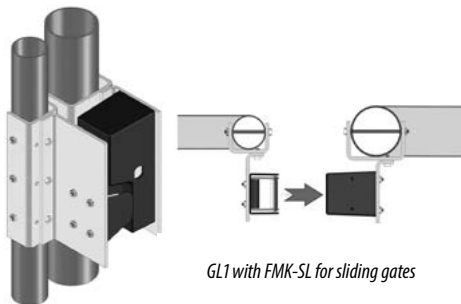
## Shown with Access Control Keypad System

Use on any Exterior Access Controlled Security Gate



### OUTSIDE OPERATION

The gate is secured via the GL1 Gate Lock. Entry is permitted using the weatherproof keypad. DKC's internal door prop alarm feature activates horn if gate remains open too long.



GL1 with FMK-SL for sliding gates

### SYSTEM COMPONENTS

- Gate Lock GL1-FS
- AccuPower AQD3 Power Supply
- Flex Mounting Kit
- DKC-37C Digital Keypad System
- Battery B-24-5

Maximize your Securitron gate locking system by pairing it with an Ameristar fence. ASSA ABLOY group brand Ameristar, based in Tulsa, Oklahoma, focuses on increasing strength & durability, enhancing the aesthetic appearance of modern fence products, and promoting ease of installation. They are known for producing the highest quality residential, commercial, industrial and high-end security fences in today's market place, including sites such as the Statue of Liberty, the 9/11 Memorial in New York City, and the Dallas Cowboys Stadium.



# SECURITRON® WARRANTIES

At **Securitron**, we pay special attention to the needs of our customers. In 1999, Securitron introduced the first no strings attached warranty program called MagnaCare®, because we believe quality products and quality service should be the expectation, not the exception.



## MagnaCare® Warranty

- **Duration:** Lifetime
- **Conditions:** Any reason, including but not limited to installation error, vandalism or act of God
- **Replacement:** Replacement product shipped at Securitron's expense via next day air freight if necessary
- **Products Covered:** Most Securitron branded products manufactured since 1999



## SecuriCare Warranty

- **Duration:** Three Years
- **Conditions:** Any reason, including but not limited to installation error, vandalism or act of God
- **Replacement:** Replacement product shipped at Securitron's expense
- **Products Covered:** Select products, including those with Aperio® technology and solar components.

Check your individual product to determine warranty coverage. Batteries and consumables are not covered by Securitron warranty programs.

*Learn more about Securitron's Warranty Programs at [securitron.com](http://securitron.com).*

*Need to make a claim? Contact Securitron Customer Care at 1.800.MAGLOCK or [customercare@securitron.com](mailto:customercare@securitron.com)*

# SECURITRON GATE & FENCE

## USA

Customer Support  
**1.800.MAGLOCK**

**p** 800.624.5625

**p** 623.582.4626

**f** 866.582.4641

**securitron.com**

10027 S. 51st Street, Ste 102  
Phoenix, AZ 85044

## CANADA

Customer Support  
**1.800.MAGLOCK**

**p** 800.461.3007

**p** 905.738.2466

**f** 800.461.8989

**f** 905.738.2478

**assaabloy.ca**

ASSAABLOY DSS Canada  
Vaughan, Ontario

**customercare@securitron.com**  
*general inquiries, pricing, lead times,  
order/inventory status, returns*

**support@securitron.com**  
*installation, operation, system design*

**orders@securitron.com**  
*products, promotions, product literature,  
product demos*

# securitron.com



Follow us on Twitter at  
[securitronaces](#)



Subscribe to our YouTube  
Channel at [SecuritonAccess](#)



Like us on Facebook at  
[Securiton ASSA ABLOY](#)



Connect with us on LinkedIn  
at [Securiton](#)

**SECURITRON**  
**ASSA ABLOY**

ASSA ABLOY is the global leader in door opening solutions, dedicated to satisfying end-user needs for security, safety and convenience

*Securiton is a brand associated with Hanchett Entry Systems, Inc., an ASSA ABLOY Group company. Copyright © 2016, Hanchett Entry Systems, Inc. All rights reserved. Reproduction in whole or in part without the express written permission of Hanchett Entry Systems, Inc. is prohibited.*