



SCHLAGE

Portable
security and
cabinet locks





Contents

- 4-5 One key convenience
- 6-7 Portable security product guide
- 8 Brass padlocks
- 9 Steel padlocks
- 10 Chrome-plated brass padlocks
- 11 Locking cables, security chains, padlocks
- 12 Complete cylinders
- 13 KS Series padlock parts
- 13 KS Series cables
- 14-15 Padlock parts and accessories
- 16 CL Series cabinet locks product guide
- 17-18 Cabinet lock functions
- 19 Conversion chart

Pictured here: Braided steel cable with vinyl coating

Cover photo: 90 Series lock and CL Series 777R cabinet lock both with full size interchangeable core shown in 652 Steel

Put your trust in the name you know

For more than 90 years, Schlage® has been creating the strongest and most technologically advanced security products for schools, hospitals, hotels, commercial and institutional buildings, multi-family properties and homes. From durable mechanical locks to comprehensive electronic access control solutions and biometrics, Schlage provides protection at critical moments – when property and personal security are at stake. With a wide range of products, styles and finishes, Schlage has products for the most demanding project specifications. In public buildings, in the workplace, and in homes, at the end of the day Schlage stands for one thing: strong.

Real security is knowing exactly what you want and getting it

When you know exactly what you want, you don't want to waste time finding out whether it meets your project specifications. That's why we offer the world's largest team of hardware specification writers to help you and your clients turn your vision into reality. And when it comes to products, our full range of portable security products, commercial suiting options, wide variety of lever designs and rich selection of finishes give you the tools you need to make your projects perfect. You know what you want. With Schlage, you can be sure you'll get it.

Safety, security and confidence

When you choose a Schlage lock, you can be sure you've done the job right, the first time. After all, our products are among the most durable and dependable on the market today. Our locks are easy to install, and simple to repair and maintain. That means fewer callbacks for you and total safety and security for your customers.



One key convenience

Schlage portable security products provide single-key convenience throughout any facility or security area. These locks can be master keyed into any new or existing Schlage key system, allowing you to integrate padlocks with door hardware and eliminating the need for separate keys. These products are also available with Primus® or Everest® cylinders for applications that require extra security.

Education

- Perimeter security
- Storage facilities
- Athletic equipment storage
- Gym, auditorium, cafeteria seating
- Cafeteria food storage
- Utility/mechanical control cabinets
- Janitorial storage
- Classroom mechanical and electronic equipment immobilization

Transportation

- Perimeter security
- Storage facilities
- Containers

Airport

- Perimeter security
- Equipment storage facilities
- Utility mechanical control cabinets
- Janitorial storage
- Fuel distribution and storage
- Retail / kiosk security and immobilization

Retail loss prevention

- Kiosk security and immobilization
- Outdoor product displays
- Valuable indoor product displays
- Storage facilities

Commercial job site

- Perimeter security
- Outbuildings/storage facilities
- Office/model home
- Tools and equipment

Healthcare

- Perimeter security
- Outbuildings/storage facilities
- Medical equipment storage
- Utility/mechanical control cabinets
- Cafeteria food storage

Pictured here: Security chain and padlock shown in 652 Steel



Portable security

Heavy duty performance for high-traffic applications

At Schlage, we know that every product you choose has to stand up to constant use and abuse without compromising security. Our full line of portable security products delivers tough protection on the job site or at your business, keeping your tools, equipment, supplies, and buildings safe and secure. A wide range of sizes, styles and finishes ensures you get the right lock for the job.

We don't compromise on security

The safety and security of your property and equipment is something we take very seriously. Every Schlage lock undergoes intensive testing including:

- Cycle tests
- Corrosion tests
- Resistance tests
- Impact tests

Portable security product guide

Experience one-key convenience with Schlage portable security products. This extensive range of commercial-grade products includes padlocks, flexible steel locking cables and security chains. These products can be integrated into a new or existing key system, eliminating the need for separate keys, and are perfect for securing a wide variety of lock-up situations.

20 Series



Bright brass 605



Chrome plated brass 625



5/16" Shackle diameter

40 Series



Bright brass 605



Chrome plated brass 625



3/8" Shackle diameter

Security chain & padlock



70 Series



Steel 652



7/16" Shackle diameter

Locking cables



Brass padlocks

- Meet or exceed ASTM standards for standard steel shackle, shackle cutting and corrosion resistance
- Solid brass body resists corrosion for all-weather performance
- Molybdenum hardened steel shackle offers greater cut resistance
- Double deadbolt locking mechanism provides extra security
- Patented interchangeable shackle design allows for easy disassembly
- Standard cylinder features include:
 - Schlage conventional key-in-knob (KNK) cylinder
 - 6-pin solid brass cylinder (pinned 5) offers increased pick resistance
 - Two nickel silver cut Schlage keys



43 Series

23 Series

Part #	Body size			Shackle dimension			Shackle dimension (metric)			Cylinder type	Case pack	Master pack
	Width	Height	Depth	A	B	C	A	B	C			
Keyed different												
KS23D2300	1 ²⁵ / ₃₂ "	2 ³ / ₁₆ "	7/8"	5/16"	1 1/2"	3/4"	8 mm	38 mm	19 mm	KNK	6	24
KS23F2300	1 ²⁵ / ₃₂ "	2 ³ / ₁₆ "	7/8"	5/16"	2"	3/4"	8 mm	51 mm	19 mm	KNK	6	24
KS43D2300	1 ¹⁵ / ₁₆ "	2 ³ / ₁₆ "	7/8"	3/8"	1 1/2"	3/4"	9.5 mm	38 mm	19 mm	KNK	6	24
KS43F2300	1 ¹⁵ / ₁₆ "	2 ³ / ₁₆ "	7/8"	3/8"	2"	3/4"	9.5 mm	51 mm	19 mm	KNK	6	24
Less cylinder - KNK												
KS23D2200	1 ²⁵ / ₃₂ "	2 ³ / ₁₆ "	7/8"	1/4"	2"	3/4"	6.4 mm	51 mm	19 mm	KNK	6	24
KS23F2200	1 ²⁵ / ₃₂ "	2 ³ / ₁₆ "	7/8"	5/16"	3/4"	3/4"	8 mm	19 mm	19 mm	KNK	6	24
KS43D2200	1 ²⁵ / ₃₂ "	2 ³ / ₁₆ "	7/8"	1/4"	2"	3/4"	6.4 mm	51 mm	19 mm	KNK	6	24
KS43F2200	1 ²⁵ / ₃₂ "	2 ³ / ₁₆ "	7/8"	5/16"	3/4"	3/4"	8 mm	19 mm	19 mm	KNK	6	24
Less cylinder - FSIC¹												
KS43D3200	1 ¹⁵ / ₁₆ "	2 ³ / ₁₆ "	7/8"	3/8"	1 1/2"	3/4"	9.5 mm	38 mm	19 mm	KNK	6	24
KS43F3200	1 ¹⁵ / ₁₆ "	2 ³ / ₁₆ "	7/8"	3/8"	2"	3/4"	9.5 mm	51 mm	19 mm	KNK	6	24

Note: 1) Less cylinder padlocks ship without a cylinder. Driver and all other internal padlock parts are included.

Steel padlock

- Meet or exceed ASTM standards for standard steel shackle, shackle cutting and corrosion resistance
- Case hardened solid steel body resists impact
- Molybdenum hardened steel shackle offers greater cut resistance
- Double deadbolt locking mechanism provides extra security
- Patented interchangeable shackle design allows for easy disassembly
- Shrouded padlocks (80 & 90 Series) provide increased cut resistance
- Standard cylinder features include:
 - Schlage conventional key-in-knob (KNK) cylinder
 - 6-pin solid brass cylinder (pinned 5) offers increased pick resistance
 - Two nickel silver cut Schlage keys
 - 7-pin SFIC – less cylinder
 - Compatible with Schlage, Falcon®, Best®, Master Lock® and Arrow®
 - Full size interchangeable core



72 Series

Part #	Body size			Shackle dimension			Shackle dimension (metric)			Cylinder type	Case pack	Master pack
	Width	Height	Depth	A	B	C	A	B	C			
Keyed different												
KS72F2300	2 ⁵ / ₈ "	2 ³ / ₈ "	1 ³ / ₃₂ "	7/ ₁₆ "	2"	7/ ₈ "	11 mm	51 mm	22 mm	KNK	6	18

Notes: 1) Product is shipped without cylinder and with driver (for KNK). For cylinder and keying options, refer to your Schlage price book.

Chrome-plated brass padlocks

- Meet or exceed ASTM standards for standard steel shackle, shackle cutting and corrosion resistance
- Chrome-plated solid brass body resists corrosion for all-weather performance
- Molybdenum hardened steel shackle offers greater cut resistance
- Double deadbolt locking mechanism provides extra security
- Patented interchangeable shackle design allows for easy disassembly
- Standard cylinder features include:
 - 7-pin SFIC – less cylinder
 - Compatible with Schlage, Falcon, Best, Master lock and arrow



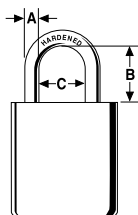
21 Series



41 Series

Part #	Body size			Shackle dimension			Shackle dimension (metric)			Cylinder type	Case pack	Master pack
	Width	Height	Depth	A	B	C	A	B	C			
Less cylinder												
KS11D1200	1 ²⁵ / ₃₂ "	2 ³ / ₁₆ "	7/8"	1/4"	1 1/2"	3/4"	6.4 mm	38 mm	19 mm	SFIC	6	24
KS11F1200	1 ²⁵ / ₃₂ "	2 ³ / ₁₆ "	7/8"	1/4"	2"	3/4"	6.4 mm	51 mm	19 mm	SFIC	6	24
KS21D1200	1 ²⁵ / ₃₂ "	2 ³ / ₁₆ "	7/8"	5/16"	1 1/2"	3/4"	8 mm	38 mm	19 mm	SFIC	6	24
KS21F1200	1 ²⁵ / ₃₂ "	2 ³ / ₁₆ "	7/8"	5/16"	2"	3/4"	8 mm	51 mm	19 mm	SFIC	6	24
KS41D1200	1 ¹⁵ / ₁₆ "	2 ³ / ₁₆ "	7/8"	3/8"	1 1/2"	3/4"	9.5 mm	38 mm	19 mm	SFIC	6	24
KS41F1200	1 ¹⁵ / ₁₆ "	2 ³ / ₁₆ "	7/8"	3/8"	2"	3/4"	9.5 mm	51 mm	19 mm	SFIC	6	24

Notes: 1) Product is shipped without cylinder. For cylinder and keying options, refer to your Schlage price book.



Shackle dimensions

Locking cables

- Braided steel vinyl coated cable provides greater cut resistance than twisted cable
- Integrated die-cast zinc locking head (407 satin finish)
- Standard cylinder features include:
 - Schlage conventional key-in-knob (KNK) cylinder
- 6-pin solid brass cylinder (pinned 5) offers increased pick resistance
- Two nickel silver cut Schlage keys
 - 7-pin SFIC
 - Less cylinder
- Compatible with Schlage, Falcon, Best, Master lock and arrow



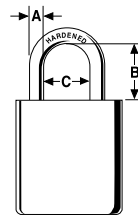
Cable series - KC215 Series

Part #	Cable size		Cable size (metric)				
	Length	Diameter	Length	Diameter	Cylinder type	Case pack	Master pack
Keyed different							
KC215E220	6'	5/8"	182 cm	15 mm	KNK	1	5
Less cylinder							
KC215A130	2'	5/8"	60 cm	15 mm	SFIC	1	5
KC215B130	4'	5/8"	120 cm	15 mm	SFIC	1	5

Note: 1) Product is shipped without cylinder and with driver. For cylinder and keying options, refer to your Schlage price book.

Security chains and padlocks

- Triple heat-treated boron manganese steel chain
- Unique trapezoidal-shaped chain links for maximum cut resistance
- Recommended for use with KS72F2300



Shackle dimensions



Chain series - KKY Series

Part #	Chain size	Chain size (metric)	Shackle dimension			Shackle dimension (metric)			Cylinder type	Case pack	Master pack
	Length	Length	A	B	C	A	B	C			
Chain only (no cover)											
999478	5'	150 cm	N/A			N/A			N/A	1	1
999461	3' 3"	100 cm	N/A			N/A			N/A	1	1

Note: 1) For master keyed or keyed alike product, order chain and padlocks separately.
Order chains #999478 or #999461 with padlock KS72F 2300. Prices are for chains only. Chains and padlocks must be ordered separately.

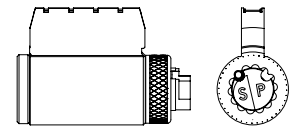
Complete cylinders

Conventional key-in-knob

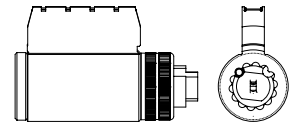


Cylinder mechanism	KS Series part number	KC Series part number
Conventional	47-413	47-414
Primus® XP	47-743-XP	47-744-XP
Primus XP UL437	47-542-XP	47-543-XP

KNK



KS Series



KC Series

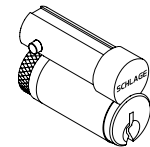
Full size interchangeable core (FSIC)

Schlage figure-8 full size interchangeable core (FSIC) locks allow immediate rekeying simply by using a special control key to replace the core. Available in PL4000 series, full size interchangeable cores can be integrated into any 5 or 6-pin Schlage key.

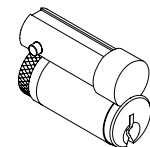


Description	Part number
Conventional core	23-030
Conventional core less Schlage logo	23-031
Primus® XP core	20-740-XP
Primus XP core less Schlage logo	20-741-XP

Full size IC



23-030



23-031

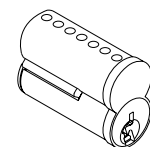
Small format interchangeable core (SFIC)

The SFIC option is designed for Schlage Everest B family restricted keyway cores and is also completely compatible with Best, Falcon, and other small format interchangeable cores.

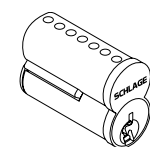


Description	Part number
7-pin uncombined Everest 29 R family restricted keyways	80-036
7-pin combined Everest 29 R family restricted keyways	80-037
6-Pin uncombined Falcon/Best keyways	80-043
7-Pin uncombined Falcon/Best keyways	80-033

SFIC



80-033

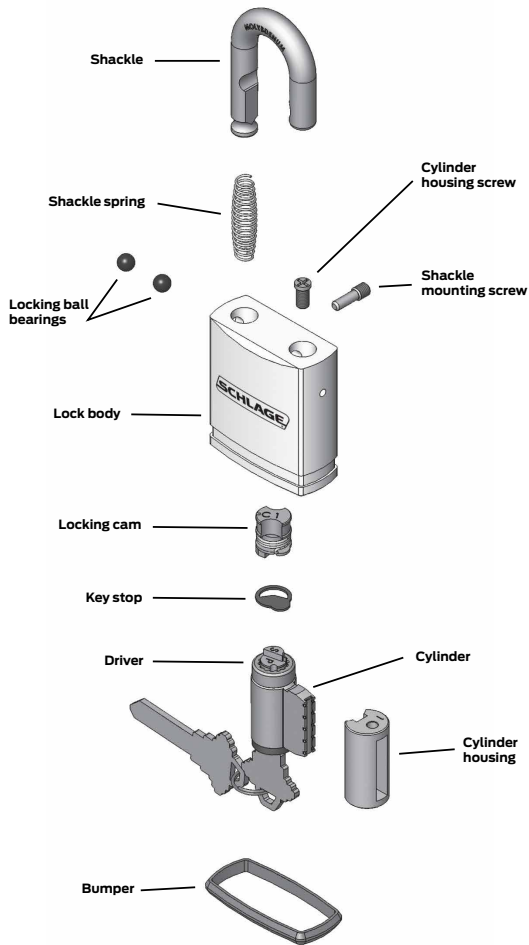


80-037

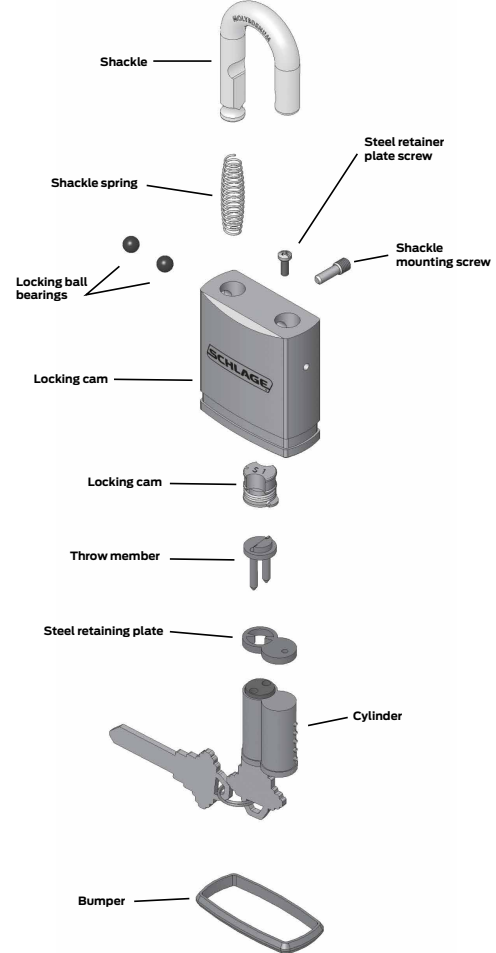
- Notes:
- 1) Falcon and Primus cylinders will ship separately.
 - 2) Control keys must be ordered separately.
 - 3) Specify keyway for existing systems.
 - 4) 80-033 and 80-043 cores are available in Best A, D, E, F, G, H, J, K, L and M keyways. Specify keyway by suffixing "B" to keyway letter, e.g. "AB".
 - 5) 80-036 and 80-037 restricted keyway cores require a letter of authorization from the end user.
 - 6) For details see Keys and Keying section of your Schlage price book.

KS Series padlock parts

Conventional key-in-knob



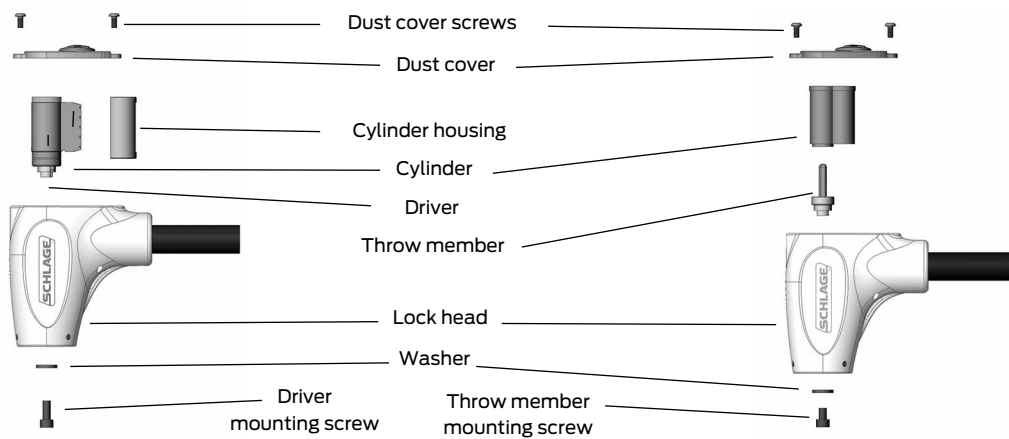
Small format interchangeable core



KS Series cable

Conventional key-in-knob

Small format interchangeable core



Parts and accessories - replacement parts

Stocked parts

Part #	Description	Box Qty	Carton Qty
Service repair - padlock and cables - conventional key-in-knob and SFIC			
KZ390AL	Service repair kit — Includes 10 of each part below except KZ35AC1, KZ35AC2, KZ36EB0 - Qty 20; KZ37000 - Qty 1 and also includes pliers	1	6
Padlock parts - conventional key-in-knob			
KZ32CB1	Key retaining locking cam, 10, 20, 40, 80, 90 Series	30	240
KZ32CB2	Key retaining locking cam, 70 Series	30	240
KZ32DA0	Driver	30	240
Padlock parts - SFIC			
KZ31CB1	Key retaining locking cam, 10, 20, 40, 80, 90 Series	30	240
KZ31CB2	Key retaining locking cam, 70 Series	30	240
Cable parts			
KZ34DA0	Driver, key-in-knob	30	240



While supplies last

Part #	Description	Box Qty	Carton Qty
Padlock parts - conventional key-in-knob & SFIC			
KZ35AA1	Shackle spring, 10 Series	30	240
KZ35AA2	Shackle spring, 20, 80 Series	30	240
KZ35AA3	Shackle spring, 40, 90 Series	30	240
KZ35AA4	Shackle spring, 70 Series	30	240
KZ35AB1	Shackle mounting screw, 10, 20, 40 Series	30	240
KZ35AB2	Shackle mounting screw, 70, 80, 90 Series	30	240
KZ35AC1	Locking ball bearing, 10, 20, 40, 80, 90 Series	30	240
KZ35AC2	Locking ball bearing, 70 Series	30	240
KZ35EC1	Bumper, 10, 20 Series	30	240
KZ35EC2	Bumper, 40 Series	30	240
KZ35EC3	Bumper, 80 Series	30	240
KZ35EC4	Bumper, 90 Series		
Padlock parts - conventional key-in-knob			
KZ32BB0	Cylinder housing screw	30	240
KZ32CA1	Locking cam, 10, 20, 40, 80, 90 Series	30	240
KZ32CA2	Locking cam, 70 Series	30	240
KZ32CC0	Key stop	30	240
Padlock and cable parts - conventional key-in-knob			
KZ38BA1*	Cylinder housing, 20, 40, 70, 80, 90, KC Series	20	160
KZ38BA2*	Cylinder housing, 10, KC Series	20	160
Padlock parts - SFIC			
KZ31CA1	Locking cam, 10, 20, 40, 80, 90 Series	30	240
KZ31CA2	Locking cam, 70 Series	30	240
KZ31CC1	Steel retainer plate, 10, 20, 40, 80, 90 Series	30	240
KZ31CC2	Steel retainer plate, 70 Series	30	240
KZ31CD0	Steel retainer plate screw	30	240
KZ31DAO	Throw member	30	240
KZ37000	Installation tool	6	36
Cable parts			
KZ33CA0	Throw member, SFIC	30	240
KZ33DB0	Washer, key-in-knob/SFIC	30	240
KZ33DC0	Driver mounting screw, key-in-knob	30	240
KZ34CA0	Cylinder cap, key-in-knob	30	240
KZ34DC0	Throw member mounting screw, SFIC	30	240
KZ34ED0	Cylinder cap pin, key-in-knob	30	240
KZ36EA0	Dust cover, key-in-knob/SFIC	30	240
KZ36EB0	Dust cover screw, key-in-knob/SFIC	30	240

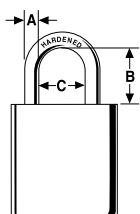
*Cable series can use either cylinder housing part KZ38BA1 or KZ38BA2.

Parts and accessories - replacement shackles



Part #	Shackle Dimension			Shackle Dimension (metric)			Box Qty	Carton Qty
	A	B	C	A	B	C		
Hardened steel shackles - for use with 10 series padlocks								
KZ11A10	1/4"	3/4"	3/4"	6.4 mm	19 mm	19 mm	6	36
KZ11D10	1/4"	1 1/2"	3/4"	6.4 mm	38 mm	19 mm	6	36
KZ11F10	1/4"	2"	3/4"	6.4 mm	51 mm	19 mm	6	36
KZ11G10	1/4"	4"	3/4"	6.4 mm	102 mm	19 mm	6	36
Hardened steel shackles - for use with 20 Series padlocks								
KZ11A20	5/16"	3/4"	3/4"	8 mm	19 mm	19 mm	6	36
KZ11D20	5/16"	1 1/2"	3/4"	8 mm	38 mm	19 mm	6	36
KZ11F20	5/16"	2"	3/4"	8 mm	51 mm	19 mm	6	36
KZ11G20	5/16"	4"	3/4"	8 mm	102 mm	19 mm	6	36
Hardened steel shackles - for use with 40 Series padlocks								
KZ11A40	3/8"	3/4"	3/4"	9.5 mm	19 mm	19 mm	6	36
KZ11D40	3/8"	1 1/2"	3/4"	9.5 mm	38 mm	19 mm	6	36
KZ11F40	3/8"	2"	3/4"	9.5 mm	51 mm	19 mm	6	36
KZ11G40	3/8"	4"	3/4"	9.5 mm	102 mm	19 mm	6	36
Brass shackles - for use with 10 Series padlocks								
KZ12A10	1/4"	3/4"	3/4"	6.4 mm	19 mm	19 mm	6	36
KZ12D10	1/4"	1 1/2"	3/4"	6.4 mm	38 mm	19 mm	6	36
KZ12F10	1/4"	2"	3/4"	6.4 mm	51 mm	19 mm	6	36
KZ12G10	1/4"	4"	3/4"	6.4 mm	102 mm	19 mm	6	36
Brass shackles - for use with 20 Series padlocks								
KZ12A20	5/16"	3/4"	3/4"	8 mm	19 mm	19 mm	6	36
KZ12D20	5/16"	1 1/2"	3/4"	8 mm	38 mm	19 mm	6	36
KZ12F20	5/16"	2"	3/4"	8 mm	51 mm	19 mm	6	36
KZ12G20	5/16"	4"	3/4"	8 mm	102 mm	19 mm	6	36
Brass shackles - for use with 40 Series padlocks								
KZ12A40	3/8"	3/4"	3/4"	9.5 mm	19 mm	19 mm	6	18
KZ12D40	3/8"	1 1/2"	3/4"	9.5 mm	38 mm	19 mm	6	18
KZ12F40	3/8"	2"	3/4"	9.5 mm	51 mm	19 mm	6	18
KZ12G40	3/8"	4"	3/4"	9.5 mm	102 mm	19 mm	6	18
Accessories								
KZ200AL	9" Retaining nickel plated steel chain						6	36

Shackle dimensions



CL Series cabinet locks

Schlage CL Series cabinet locks use Schlage cylinders that can be master keyed to door hardware for single-key convenience in both new and existing systems. Designed for door, drawer, or cabinets and utility cabinets, the locks are also available with Primus XP high security cylinders for added security.

CL100 Series door lock

- Cylinder retaining screw for quick, easy rekeying
- 1" (25 mm) throw steel deadbolt for reliable strength
- Solid brass cylinder for toughness
- Primus high security cylinder

CL200 Series drawer lock

- $\frac{3}{4}$ " (19 mm) throw steel deadbolt for optimum toughness
- Solid brass cylinder for added strength
- Primus high security cylinder

Cabinet lock functions

Conventional cylinder



Cabinet door lock - CL100PB

Rekeyable: Easily rekeyed via patented set-screw cylinder removal mechanism

Certifications: ANSI A156.11, Grade 2

Body: Die cast zinc

Bolt: Brass, 1⁵/₁₆" projection

Door thickness: 7/8" to 1³/₈"

Barrel diameter: 1¹/₈"

Cylinder: Everest 29 S123 keyway standard, Available in Primus XP, Everest 29, Everest and Classic keyways

Keying: KD, KA or MK

Finishes: 605, 626

Not available without cylinder



Drawer lock - CL200PB

Rekeyable: Easily rekeyed via patented set-screw cylinder removal mechanism

Certifications: ANSI A156.11, Grade 2

Body: Die cast zinc

Bolt: Steel, 3/4" throw

Door thickness: 7/8" to 1³/₈"

Barrel diameter: 1¹/₈"

Cylinder: Everest 29 S123 keyway standard, Available in Primus XP, Everest 29, Everest and Classic keyways

Stock keying: KD, KA or MK

Finishes: 605, 626

Not available without cylinder

Finishes

Bright brass 605



Satin chrome 626



Full size interchangeable core (FSIC)



Cabinet door lock - CL777R

Rekeyable: Easily rekeyed via patented set-screw cylinder mechanism

Certifications: ANSI A156.11, Grade 1

Body: Die cast zinc

Bolt: Brass, 1⁵/₁₆" projection

Barrel length: 17/16"

Barrel diameter: 1¹/₈"

Cylinder: Everest 29 S123 keyway standard, Available in Primus XP, Everest 29, Everest and Classic keyways

Keying: KA, KD, MK or construction core

Finishes: 605, 626

Not available without cylinder



Drawer lock - CL888R

Rekeyable: Easily rekeyed via patented set-screw cylinder mechanism

Certifications: ANSI 156.11, Grade 2

Body: Die cast zinc

Bolt: Brass, 7/8" projection

Door thickness: 7/8" to 1³/₈"

Barrel diameter: 1¹/₈"

Cylinder: Everest 29 S123 keyway standard, Available in Primus XP, Everest 29, Everest and Classic keyways

Keying: KA, KD, MK or construction core

Finishes: 605, 626

Not available without cylinder



Cam lock - CL920R

Body: Die cast zinc

Body diameter: 1¹/₈"

Mounting cutout: 1⁵/₃₂"

Max material thickness: 1¹/₈"

Min material thickness: 0.08"

Across flats: 7/8"

Cylinder: Everest 29 S123 keyway standard, Available in Primus XP, Everest 29, Everest and Classic keyways

Keying: KA, KD, MK or construction core

Finishes: 605, 626

Not available without cylinder



Ratchet lock - CL929R

Body: Die cast zinc

Body diameter: 1¹/₈"

Max door material thickness: 1/4"

Cylinder: Everest 29 S123 keyway standard, Available in Primus XP, Everest 29, Everest and Classic keyways

Keying: KA, KD, MK or construction core

Finishes: 626

Not available without cylinder

Cabinet lock functions (continued)

Small format interchangeable core (SFIC)



Cabinet door lock - CL721G

Certifications: ANSI A156.11, Grade 1
 Body: Die cast zinc
 Bolt: Brass, 3/4" projection
 Door thickness: Fits up to 1 1/4" doors
 Barrel diameter: 1 1/8"
 Cylinder: Everest 29 R
 Keying: MK or construction core
 Finishes: 626

Not available without cylinder



Drawer lock - CL771G

Certifications: ANSI A156.11, Grade 1
 Body: Die cast zinc
 Bolt: Brass, 3/4" projection
 Door thickness: Fits up to 1 1/4" doors
 Barrel diameter: 1 1/8"
 Cylinder: Everest 29 R
 Keying: MK or construction core
 Finishes: 626

Not available without cylinder



Rim latch lock - CL725G

Body: Die cast zinc cylinder housing, stamped steel back plate and steel case
 Barrel diameter: 1 1/8"
 Max material thickness: 1/16"
 Compatibility: Retrofits Best 5L Series
 Cylinder: Everest 29 R
 Keying: MK or construction core
 Finishes: 626

Not available without cylinder



Rim deadbolt lock - CL775G

Body: Die cast zinc cylinder housing, stamped steel back plate and steel case
 Barrel diameter: 1 1/8"
 Max material thickness: 1/16"
 Compatibility: Retrofits Best 5L Series
 Cylinder: Everest 29 R
 Keying: MK or construction core
 Finishes: 626

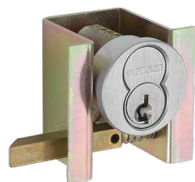
Not available without cylinder



Cam lock - CL720G

Body: Die cast zinc
 Body diameter: 1 1/8"
 Mounting cutout: 1 5/32"
 Max material thickness: 1/8"
 Min material thickness: 0.08"
 Across flats: 7/8"
 Cylinder: Everest 29 R
 Keying: MK or construction core
 Finishes: 626

Not available without cylinder



Mailbox lock - CL728G

Material: Zinc die cast cylinder housing, steel body
 Barrel length: Adjustable
 Handing: RH standard
 Retrofits: Best 8L
 Cylinder: Everest 29 R
 Keying: MK or construction core
 Finishes: 626

Not available without cylinder



Ratchet lock - CL729G

Body: Die cast zinc
 Body diameter: 1 1/8"
 Max door material thickness: 1/4"
 Cylinder: Everest 29 R
 Keying: MK or construction core
 Finishes: 626

Not available without cylinder

Conversion chart

Description	Schlage	Olympus	Best	National	CCL	Sargent	Yale
Door cabinet lock, 6-pin cylinder, 1" throw bolt	CL100PB	700SC	N/A	C9000	N/A	1654	911
Drawer cabinet lock, 6-pin cylinder, 3/4" throw bolt	CL200PB	800SC	N/A	C9000	N/A	N/A	N/A
Door cabinet lock, FSIC, 1" throw bolt	CL777R	777ICP-DR	N/A	N/A	N/A	N/A	N/A
Drawer cabinet lock, FSIC, 3/4" throw bolt	CL888R	888ICP	N/A	N/A	N/A	N/A	N/A
FSIC cam lock	CL920R	920LM/DM	N/A	N/A	N/A	N/A	N/A
FSIC ratchet lock	CL929R	929R	N/A	N/A	N/A	N/A	N/A
Everest 29 SFIC door cabinet lock, 1" throw bolt	CL721G	721DR	N/A	N/A	N/A	N/A	N/A
Everest 29 SFIC Drawer cabinet lock, 3/4" throw bolt	CL771G	721DW	3L7RD2	N/A	N/A	N/A	N/A
Everest patented SFIC rim latch lock	CL725G	725RL	5L7RL2	N/A	N/A	N/A	N/A
Everest 29 SFIC rim deadbolt lock	CL775G	725RD	5L7RD2	N/A	N/A	N/A	N/A
Everest 29 SFIC cam lock	CL720G	720LM/DM	1E7D4/1E7E4	N/A	N/A	N/A	N/A
Everest 29 SFIC mail box lock	CL728G	728MBL	8L7SPR	N/A	N/A	N/A	N/A
Everest 29 SFIC ratchet lock	CL729G	729R	3S	N/A	N/A	N/A	N/A

About Allegion

Allegion (NYSE: ALLE) creates peace of mind by pioneering safety and security. As a \$2 billion provider of security solutions for homes and businesses, Allegion employs more than 8,000 people and sells products in more than 120 countries across the world. Allegion comprises 27 global brands, including strategic brands CISA®, Interflex®, LCN®, Schlage® and Von Duprin®.

For more, visit www.allegion.com

aptiQ ■ LCN ■ **SCHLAGE** ■ STEELCRAFT ■ VON DUPRIN