



## LM9200 Series

Two-point latch for wood or hollow metal doors



The Schlage LM9200 Series is an innovative one or two point latch solution for pairs of wood or hollow metal doors where both leaves need to be active. Instead of traditional concealed rods, the LM9200 utilizes concealed vertical cables—a proven technology that enables simple installation and maintenance. Furthermore, the LM9200 is based on the Schlage L Series mortise lock - a foundation built on unsurpassed reliability, flexibility, and performance.

Aesthetics are a key component of any project. Sectional (rose) trim offers the clean aesthetic preferred by most architects; the Schlage LM9200 is compatible with sectional trim as well as escutcheon trim. Furthermore, all the lever designs suite with the Schlage L mortise lock, Schlage LT tubular lock, and Von Duprin exit devices to ensure a consistent and stylish aesthetic throughout the facility. With the Schlage LM9200, you also never have to worry about unsightly metal wraps for fire protection or backer plates when used with wood doors.

The unique design of the Schlage LM9200 offers a number of advantages. Installation is simple - thread the cable through the door and insert into the lock body, then use the patented spool system to remove the cable slack. Automatically deadlatching top and bottom latches, and a top latch with greater than 90 degree strike engagement, work together to ensure the opening is robust and secure. The Schlage LM9200 Series is also available without the bottom latch for top latch only applications.

### Key features

- Concealed vertical cables for easy installation and adjustment
- 13 functions (mechanical and electrical) for application flexibility
- 30 lever designs that suite with Schlage L mortise locks, Schlage LT tubular locks, and Von Duprin exit devices for a consistent aesthetic throughout the facility
- Compatible with both sectional (rose) and escutcheon trim
- Door compatibility
  - Non-firerated: Wood or hollow metal doors 6'8" - 10'0"
  - Fire rated wood doors: 6'8"-8'0", 60 minute rating (2pt latch), 20 minute (1pt)
  - Fire rated hollow metal doors: 6'8"-8'0", 90 minute fire rating (2 or 1 pt, double egress w/ astragal)
- Electrified lock offers 0.4 amp maximum current draw with 0.01 amp holding current; autodetecting 12/24V DC operation and customer-selectable EL/EU switch located on mortise case

## Product detail

- 1** Latches are designed for optimized door prep, retaining the structural integrity of the door
- 2** Concealed vertical cables instead of rods for quick installation & adjustment
- 3** Accessible adjustment from edge of door
- 4** Self-adjusting bottom bolt that deadlocks in any adjustment position providing enhanced security

## Ordering instructions

### L Series mortise indicators

| Function + fire rating + cylinder | Trim | Finish | Handing | Opening Height | Option code |
|-----------------------------------|------|--------|---------|----------------|-------------|
| LM9250PF                          | O6A  | 626    | RH      | 6' 10"         | LBL         |

### Lock specifications

**Function** Mechanical: LM9210 Passage, LM9225 Exit, LM9250 Office/entry; LM9256 Office/entry with automatic unlock, LM9270 Classroom, LM9271 Classroom security, LM9280 Storeroom  
 Electrical: LM9290EL/EU, LM9291EL/EU, LM9292EL/EU, LM9293EL/EU, LM9295EL/EU

**Fire rating** No specification necessary for non-firerated openings. Specify 'F' for fire rated wood doors, specify 'M' for fire rated hollow metal doors.  
 (Note: Fire rated product requires fire rated doors.)

| Cylinder          | P (Everest 29 standard cylinder) | R (Everest 29 FSIC)   | J (Less FSIC)          | GD (Everest 29 SFIC) | BD (Less SFIC) |
|-------------------|----------------------------------|-----------------------|------------------------|----------------------|----------------|
| L (Less cylinder) | T (Construction FSIC)            | BDC (Disposable SFIC) | HD (Construction SFIC) |                      |                |

**Trim** Standard levers: 01, 02, 03, 05, 06, 07, 12, 17, 18, ACC, AST, LAT, LON, MER, OME  
 Decorative levers: M51, M52, M53, M54, M55, M56, M57, M61, M62, M63, M81, M82, M83, M84, M85  
 A, B, or C Sectional (Rose) trim; L or N escutcheon; AVA rose (AST lever only) and MER rose (MER lever only)

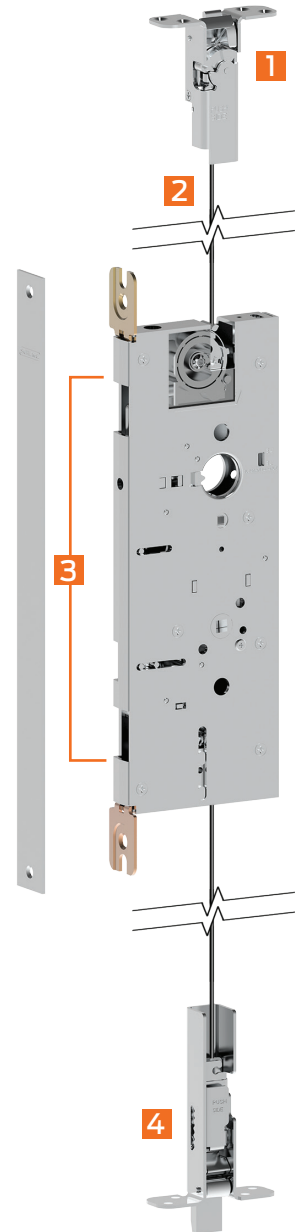
| Finish | 605 Bright brass           | 613 Oil rubbed bronze | 626AM Satin chrome anti-microbial | 630AM Satin stainless steel anti-microbial |
|--------|----------------------------|-----------------------|-----------------------------------|--|
|        | 606 Satin brass            | 619 Satin nickel      | 629 Bright stainless steel        | 643e Aged bronze                           |
|        | 609 Satin brass, blackened | 625 Bright chrome     | 630 Satin stainless steel         |  |
|        | 612 Satin bronze           | 626 Satin chrome      |                                   |  |

**Handing** LH (Left Hand), LR (Left Hand Reverse), RH (Right Hand), RR (Right Hand Reverse)

**Opening height** Specify door opening height (distance from bottom of frame header to finished floor)  
 Non-fire rated door range: 6'8" - 10'0"; Fire rated door range: 6'8" - 8'0"

**Option** Specify "LBL" for less bottom latch (product will latch in top only). See pricebook for additional options.

\* 612 and 613 finishes not available on Decorative M collection levers.



## Product suiting

The Schlage LM9200 series is specifically designed to suite with the following products:



**Von Duprin 98/99 exit devices**  
Grade 1

Von Duprin created the first exit device in 1908, and continues to redefine the industry today with unsurpassed quality and industry-unique features such as concealed vertical cables. The 98/99 Series exit device is intended for standard-stile doors.



**Schlage L Series mortise locks**  
Grade 1

Schlage L Series locks have long been the industry standard for mortise locks, with a comprehensive offering of functions and options to support any opening need.



**Von Duprin 33A/35A exit devices**  
Grade 1

Offering the same innovative features as the 98/99, the 33A/35A Series is intended for narrow stile doors.



**Schlage LT Series tubular locks**  
Grade 2

The perfect compliment to the Schlage L or LM Series and Von Duprin exit devices. The LT Series tubular lock provides a consistent look and feel at a lower price point for less demanding applications.

**SCHLAGE**



**STEELCRAFT**



**VON DUPRIN**



**ALLEGION**

# Windstorm solutions

**For the harshest environmental  
conditions**

# When safety is as important as security™

Severe weather takes a tremendous toll in the United States. From 2011-2013, there were over 3,500 tornadoes resulting in 678 deaths in the US<sup>1</sup>. Between 2010-2012, 89 hurricanes or tropical storms resulted in 586 deaths and over \$108 billion in damages<sup>2</sup>.

This brochure is intended as an introduction to severe weather codes and guidelines in the United States, and as an overview of Allegion severe weather solutions. Requirements and details vary state to state so please contact your local Allegion representative to discuss the appropriate solution for your needs or call 877-671-7011 to get connected with someone in your area.

#### References

1. <http://www.spc.noaa.gov/climo/online/monthly/newm.html>
2. <http://www.wunderground.com/hurricane/hurrarchive.asp>

Be sure to ask your local Allegion representative about windstorm solutions and building codes for your area. To learn more visit [www.allegion.com/us](http://www.allegion.com/us).



Quiet Solutions



Custom Décor



High Security and Safety



Environmental Solutions



Flexible Configurations

## Contents

|                                |            |
|--------------------------------|------------|
| <b>Types of severe weather</b> | <b>4</b>   |
| <b>Codes and requirements</b>  | <b>5</b>   |
| <b>Testing standards</b>       | <b>5</b>   |
| <b>Complete solutions</b>      | <b>6-7</b> |
| Tornado solutions              |            |
| Hurricane solutions            |            |
| <b>MultiPoint locks</b>        | <b>8</b>   |
| Door applications              |            |
| Storm shutter applications     |            |
| <b>Exit devices</b>            | <b>9</b>   |
| <b>Locks</b>                   | <b>10</b>  |
| <b>Doors</b>                   | <b>11</b>  |

# Types of severe weather



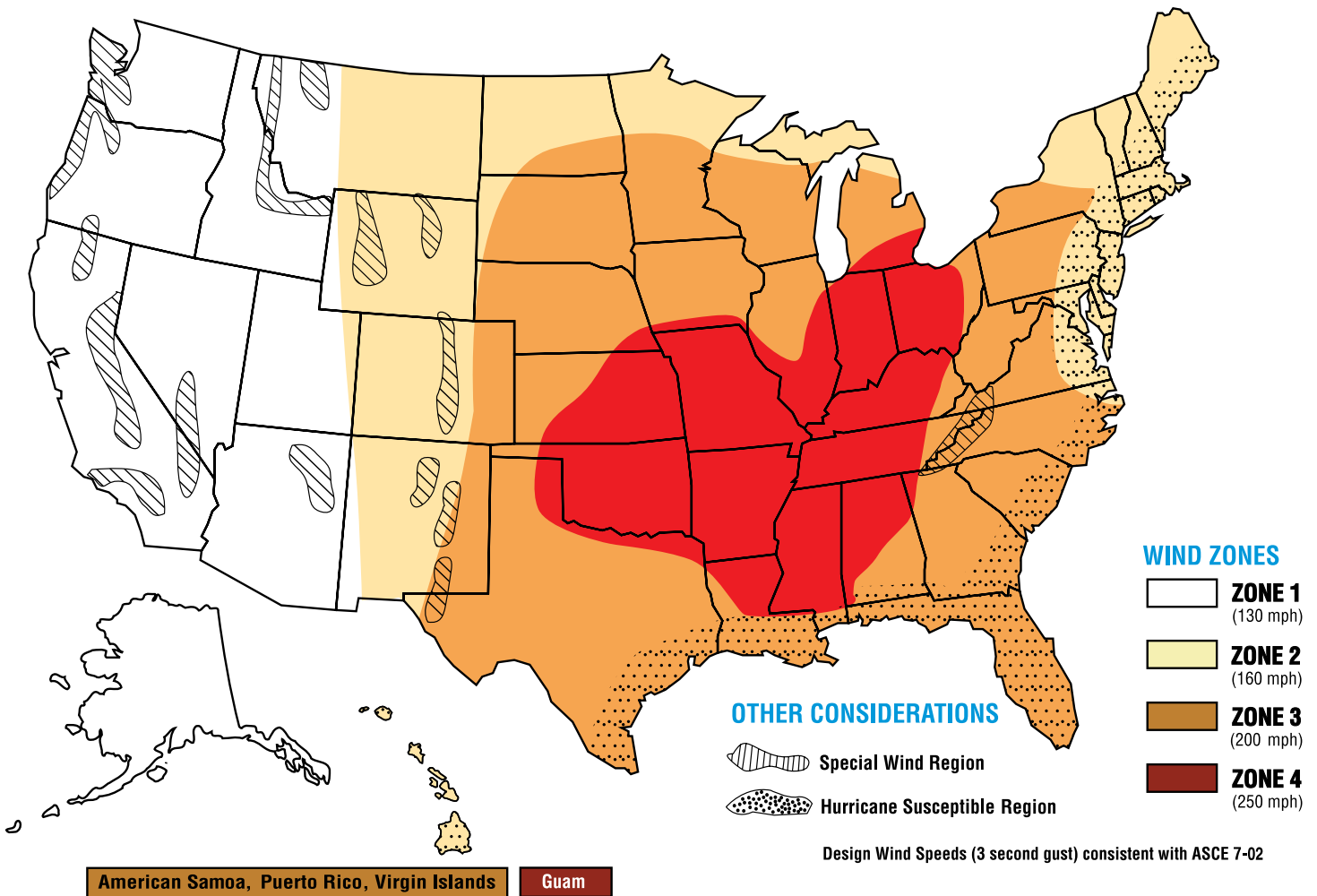
## Tornado

Tornado resistant openings are designed to protect occupants during short periods of high-velocity winds. The strongest tornadoes produce wind speeds up to 250 mph and dangerous projectile debris. Tornado devices are specially designed and tested to withstand these conditions. Most tornadoes in the United States occur in the Midwest, Central and Southeastern states. The primary guidelines and standards concerning tornado applications are FEMA 361, FEMA 320 and ICC 500.



## Hurricane

Hurricane resistant openings are designed to withstand storm conditions for long periods of time while maintaining the structural and functional integrity of the opening. The primary function is to not only prevent debris and wind from penetrating the assembly but also to continue functioning after the storm. Florida was the first state to develop hurricane codes. As a result, the requirements set by the Florida Building Codes may be adopted by jurisdictions in other states where hurricane protection is a necessity.



Note: Always reference local codes for specific jurisdiction requirements.

# Codes and requirements



## **Tornado guidelines and standards**

The tornado guidelines used in the United States were established by the Federal Emergency Management Agency (FEMA) after a series of devastating tornadoes in the 1990s. Today, the FEMA 320/361 guidelines and ICC 500 test standards are the principle governing documents for tornado protection.

### **FEMA 320, FEMA 361 (guidelines):**

Both FEMA 320 and FEMA 361 provide guidelines for tornado resistant structures. The difference is that FEMA 320 pertains to residential safe rooms (occupancy <16 people) whereas FEMA 361 is for community storm shelters (occupancy ≥ 16 people). All products in this catalog identified as FEMA compliant are held to the more stringent FEMA 361 standard and can be used in both residential and community applications. For more information, visit [www.FEMA.gov](http://www.FEMA.gov).

### **ICC 500 (testing standard):**

ICC 500 is the general testing standard for community and residential storm shelters that provide a safe refuge from storms that produce high winds, hurricanes, and tornadoes. While the design guidelines are contained within FEMA 320/FEMA 361, the testing standards are contained within ICC 500. All tornado assemblies listed within this document are tested at the highest level of ICC 500, and have passed all tests deemed necessary to withstand windspeeds up to 250 mph and 15 lb projectile impacts at 100 mph, the equivalent of an EF5 tornado. For more information, visit [www.iccsafe.org](http://www.iccsafe.org).



## **Hurricane codes**

Miami-Dade County in Florida was the first to certify products for Hurricane resistant structures. Subsequently the Florida Building Code enacted all the requirements for Hurricane resistance and now has standards equivalent to, and in some cases in excess of, the Miami-Dade County requirements. Because of their leadership in hurricane codes, many states reference the requirements set forth in the Florida Building Code, whereas some states have developed their own requirements. Texas, for example, developed their standard in cooperation with the Texas Department of Insurance. The intent of this brochure is to provide a general guideline for severe weather – always work with your local SSC representative for the specific requirements in your state.

### **Florida building code (FBC) TAS 201, 202, 203 (wind & impact zone (HVHZ)):**

Exterior door assemblies certified for installation within the Florida High Velocity Hurricane Zone (coastal region of the state) are subject to specific tests for both wind speed and flying debris called out in the TAS protocols of the Florida Building Code. Impact, structural, and cyclic tests must be conducted on full assemblies (i.e. lock or exit device and door) as part of the standard.

### **ANSI-ASTM E330 (wind only (non-impact zone)):**

Exterior door assemblies certified for installation in non-impact regions (typically inland regions) are tested for structural integrity in accordance with ASTM E330 for Wind-Only applications. These doors are subject to a structural test load equal to 1.5 times their actual design pressure rating, and must remain operable with no breakage of glazing panels.

# Full building support

with wind and impact-resistant locks, MultiPoint locks, exit devices, and doors



## Tornado solutions

All tornado solutions meet FEMA 320/361 guidelines and are tested to standards for the most powerful EF5 tornadoes, providing protection from windspeeds up to 250 mph and 15 lb projectile impacts at 100 mph. Because of the extreme requirements, all tornado solutions are tested as complete assemblies (e.g., lock or exit device along with a Steelcraft Paladin™ door and frame). Two different tornado solutions are available:

**MultiPoint locks:** MultiPoint locks are three-point locking systems that secure the door at three points – top, bottom, and traditional center latch location. Operating just like traditional locks, MultiPoint locks are ideally suited for classrooms, storerooms, community rooms, or dedicated storm shelters. MultiPoint locks can also be used as “storm shutters” to secure window openings from the inside, protecting occupants from glass and flying debris.

**Windstorm exit devices:** Tornado- and windstorm-qualified exit devices are operationally and aesthetically identical to a standard exit device, but are specially designed to the same wind and impact standards as the MultiPoint lock and can withstand the most powerful tornadoes.



## Hurricane solutions

The appropriate hurricane solution depends on the specific requirements for the application zone. There are two different hurricane zones:\*



**Hurricane wind & impact (HVHZ\*):** Coastal regions take the brunt of hurricanes, with threats from both wind and flying debris. Hurricane wind & impact devices are tested to meet or exceed all windstorm risk categories. Furthermore, the Schlage LM9300 MultiPoint locks and Von Duprin WS98/9927 Exit Devices meet the additional Florida Building Code Enhanced Hurricane Protection Area (EHPA) requirements, providing additional protection against projectile impacts.






**Hurricane wind-only:** Inland regions have lower hurricane requirements, with only high wind pressure posing a threat. All Von Duprin exit devices and most Schlage locks, when paired with select Steelcraft doors, are approved for wind-only applications.

\* Please note that the terminology used in this brochure - wind & impact, wind-only - is general terminology and the exact verbiage used in a specific state may differ (example: Florida refers to its wind & impact region as a “High Velocity Hurricane Zone” [HVHZ]).



# Schlage, Von Duprin and Steelcraft have combined to offer a complete solution specifically designed for severe weather

Locks, MultiPoint locks, exit devices and doors offer safety and security from tornadoes and/or hurricanes, complying with the most stringent testing standards. Tornado solutions meet the most stringent FEMA 361/FEMA 320/ICC 500 requirements, withstanding 250 mph windspeeds and 15 lb projectile impacts at 100 mph. Hurricane solutions are likewise tested to meet wind-only or wind & impact requirements for inland or coastal regions.

|   | <b>Schlage MultiPoint locks</b>                           | <b>Von Duprin exit devices</b>  | <b>Schlage locks</b>   | <b>Steelcraft Doors</b>   |
|---|---|---|--|---|
| Door swing  | Inswing (single and pairs)<br>Outswing (single and pairs) | Outswing only   | Outswing only<br>(L9400 Series approved<br>inswing/outswing)   |   |
| Application   | Single or pair doors,<br>storm shutters                   | Single or pair doors  | Single or pair doors   |   |
| <br>Tornado                                  | LM9300 Series   | Von Duprin WS98/9927, 237*<br>(pair doors), WS98/9957<br>(single doors)     | Not applicable for<br>tornado applications   | Paladin (PW)  |
| <br>Hurricane<br>Wind & Impact               | LM9300 Series<br>(Compatible with H Series<br>door only)  | 33A/35A Series, 88 Series,<br>98/99 Series, WS98/9927,<br>XP98/99 Rim, 2670 | AL, D, and ND Series<br>cylindrical locks,<br>L Series mortise locks,<br>B600/700/800 Series<br>deadbolts, AD/CO Series<br>electronic locks    | Hurricane (H)<br>Hurricane Embossed (HE)  |
| <br>Hurricane<br>Wind-only<br>(non-impact) | Not required for hurricane<br>wind-only applications      | All Von Duprin exit devices   | A, AL, D, and ND Series<br>cylindrical locks,<br>L Series mortise locks,<br>B600/700/800 Series<br>deadbolts, AD/CO Series<br>electronic locks | Steel reinforced (B)<br>Embossed (CE)<br>Honeycomb core (L)<br>Mineral board core (T) |

\* Von Duprin 237 is a Lever x Lever 2 point latching product, not an exit device.

# MultiPoint locks



## Storm shelter applications

Schlage MultiPoint locks secure the door at three points – top, bottom, and the traditional center latch location – resulting in an assembly that is exceptionally strong and can withstand tremendous abuse. When the Schlage MultiPoint lock is paired with a Steelcraft Paladin tornado door it can withstand the most severe EF5 class tornadoes, with windspeeds up to 250 mph and 15 lb projectile impacts at 100 mph.

The MultiPoint lock utilizes a unique mortise lock that interfaces with top and bottom latches contained within the door. Rotating the handle retracts all three latches; closing the door automatically engages all three latches and immediately secures the door. From a user perspective, operation is identical to a standard door.

The Schlage MultiPoint lock offers the following advantages:

- Multiple available functions for applications in schools, assisted living/healthcare, government, or corporate campuses
- Availability of both traditional key access locks and advanced electronic access solutions that can be suited together to solve all levels of your security needs
- A full range of Schlage levers, trim and finish options
- Vertical rods pre-assembled and factory aligned in the door for ease of installation



## Storm shutter applications

In the event of a tornado, all openings to a shelter must be secured – including the windows. For that reason, the MultiPoint lock is available in a shutter configuration. The storm shutter utilizes a 4-sided frame that mounts against a window from the inside of the shelter to protect the occupants from flying glass and debris.



## Hurricane protection

The Schlage MultiPoint lock, when paired with a Steelcraft H hurricane door, meets the Florida Building Code Enhanced Hurricane Protection Area (EHPA) standard.

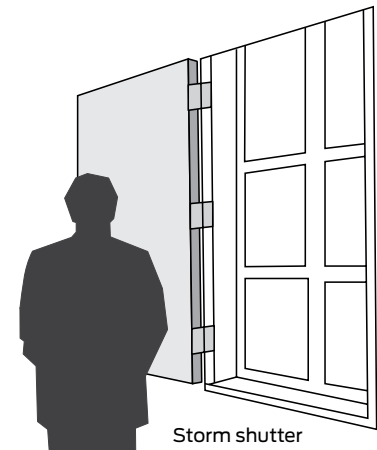
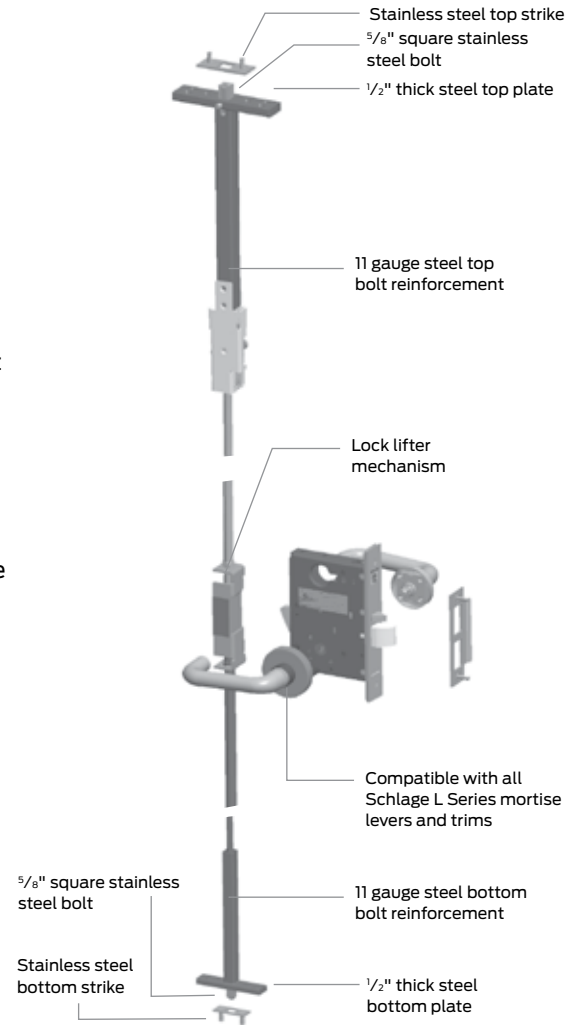
### Available functions

| Passage | Exit   | Office/entry       | Classroom          | Classroom security | Storeroom          |
|---------|--------|--------------------|--------------------|--------------------|--------------------|
| LM9310  | LM9325 | LM9350<br>LMV9350† | LM9370<br>LMV9370† | LM9371<br>LMV9371† | LM9380<br>LMV9380† |

|  | Schlage MultiPoint lock    | Steelcraft door/shutter* | UL fire rating |           |
|--|----------------------------|--------------------------|----------------|-----------|
|  | Tornado                    | Any LM/LMV 9300 Series†  | Paladin (PW)   | Available |
|  | Hurricane<br>Wind & Impact | Any LM/LMV 9300 Series†  | Hurricane (H)  | Available |

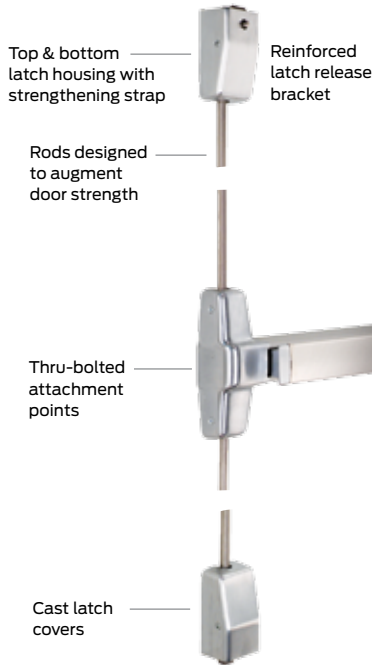
\* Door includes Vertical rod system; see data sheet for ordering information.

† Denotes VandlGard® option that allows the exterior lever to rotate fully down when locked, preventing damage to internal lock components caused by excessive force in trying to gain access.



# Exit devices

## VON DUPRIN®



For areas where panic hardware is required by code for expedited egress, exit devices can be used to both manage the area and provide safety during storms. The exact exit device solution depends on the requirements of that particular application. All Von Duprin windstorm solutions provide the necessary storm protection while operating like traditional exit devices.

Note: The WS98/9927 Series exit device when paired with a Steelcraft H or HE Series door, meets the Florida standard for Enhanced Hurricane Protection Area.

### Tornado applications:

For tornado pair door applications, the WS98/9927 exit device is based on the popular 98/9927 Series exit device, with the full complement of features and accessories – from decorative levers to electrified functions. For single tornado door applications, the WS98/9957 is used. Both devices utilize reinforced rods and latches that, when paired with the Steelcraft Paladin door, meet the most stringent FEMA and ICC standards for protection during tornadoes – withstanding 250 mph windspeeds and 15 lb projectile impacts at 100 mph. For Lever by Lever applications (levers on both inside and outside of door), the Von Duprin 237 is also rated to the same FEMA and ICC standards for tornado protection when used with a Steelcraft Paladin door.




### Hurricane wind & impact applications:

For coastal regions requiring protection from both debris and high winds resulting from hurricanes, multiple Von Duprin exit devices can be utilized when paired with a Steelcraft Hurricane H or HE Series embossed door. The following solutions – when used with the Steelcraft H or HE Series door – meet the wind & impact requirements set forth in the Florida Building Code:

|                |                                    |
|----------------|------------------------------------|
| 33A/35A Series | Narrow stile pushbar exit device   |
| 88 Series      | Crossbar exit device               |
| 98/99 Series   | Wide stile pushbar exit device     |
| WS98/9927      | Windstorm-rated 98/9927            |
| XP98/99 Rim    | Heavy-duty 98/99 Series rim device |
| 2670           | Guard-X® exit alarm lock           |

### Hurricane wind-only applications:

For inland regions where risk of damage due to debris impact is not as severe, all Von Duprin exit devices can be utilized with select Steelcraft doors for wind-only applications. Details of the relevant Steelcraft door models can be found on page 11 of this brochure.

|   | Von Duprin exit device  | Steelcraft door   | UL fire rating*                          |                              |
|---|---|---|--|------------------------------|
|  | Tornado   |   |  |                              |
|   |   | WS98/9927, 237  | Paladin (PW)                             | Available (pair doors only)  |
|   |   | WS98/9957   | Paladin (PW)                             | Available (single-door only) |
|  | Hurricane wind & impact   | 33A/35A Series, 88 Series, 98/99 Series, WS98/9927, XP98/99 Rim, 2670 | Hurricane (H)<br>Hurricane Embossed (HE) | Available (except 2670)      |
|   |  | Hurricane wind-only   | All Von Duprin exit devices              | B, L, CE, T                  |

\* Available UL rating varies by exit device model, features, and door type; please review specific details for your particular model.

# Locks



## Locks for hurricane applications

Most Schlage commercial locksets can be utilized in either wind-only or wind & impact applications when paired with the appropriate Steelcraft rated door.

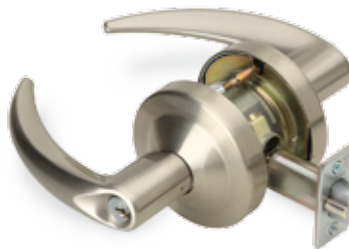
### Approved Schlage locksets

| Type        | Description                          |
|-------------|--------------------------------------|
| Mortise     | L Series (Grade 1 levers/knobs)      |
| Cylindrical | ND Series (Grade 1 levers)           |
|             | D Series (Grade 1 knobs)             |
|             | AL Series (Grade 2 levers)           |
|             | A Series (Grade 2 knobs)             |
|             | B600/700/800 Series (Grade 1)        |
| Deadbolts   | B600/700/800 Series (Grade 1)        |
| Electronic  | AD Series (networked and standalone) |
|             | CO Series (standalone)               |

Note: Wind & impact applications may require a specific door frame strike available through Allegion. As with any windstorm and code related items, please discuss with your local SSC representative.



B600/700/800 Series deadbolt



ND Series cylindrical lock



L Series mortise lock



AL Series cylindrical lock



D Series cylindrical lock



AD/CO electronic lock

|                         | Schlage lockset*                      | Steelcraft door | UL fire rating* |
|-------------------------|---------------------------------------|-----------------|-----------------|
| Hurricane wind & impact | AD, AL, B600/700/800, CO, D, ND, L    | H, HE           | Available       |
| Hurricane wind-only     | A, AD, AL, B600/700/800, CO, D, ND, L | B, CE, L, T     | Available       |

\* May require a specific strike for wind & impact rating. Please discuss with your local SSC representative.

\* Available UL rating varies by lock model, features, and door type; please review specific details for your particular model.

# Doors

## STEELCRAFT®

Whether you're in a coastal area subject to hurricane-force storms, or in one of the many areas across the country at risk for tornadoes, Steelcraft has a tough, dependable door system that can take whatever nature dishes out. Our tornado- and hurricane-rated doors are built to exact standards that ensure tough protection when it's needed most.



### Tornado

Paladin (PW):

Specifically designed for tornadoes, Paladin doors have a specially designed steel-stiffened core. When paired with the Schlage LM9300 MultiPoint lock, Von Duprin WS98/9927 or WS98/9957 exit device, or Von Duprin 237 Lever x Lever solution, the assembly withstands 250 mph windspeeds and multiple 15 lb projectile impacts at 100 mph.

### Available elevations



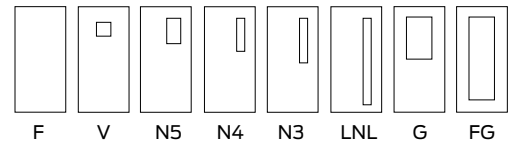
### Hurricane wind & impact

Hurricane flush (H):

Specifically designed for Wind & Impact hurricane zones, Hurricane doors are specially designed to withstand the high winds and flying debris associated with hurricanes. Multiple core options are available for improved thermal performance or for additional steel reinforcements. The MultiPoint Lock is only compatible with F elevations.

Hurricane Embossed (HE):

Embossed version of the H Series door. Not compatible with the Schlage MultiPoint lock.



### Hurricane wind-only

CE Series embossed door:

Designed to meet the architectural requirements for embossed doors, the CE Series combines the features and benefits of polystyrene core laminated construction with the strength and structural stability of steel.

L Series door:

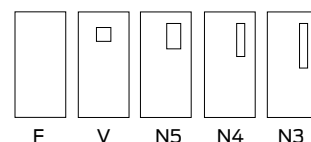
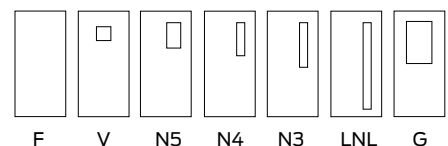
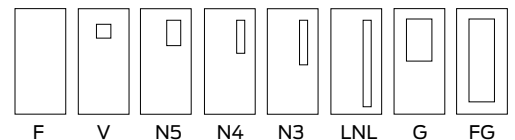
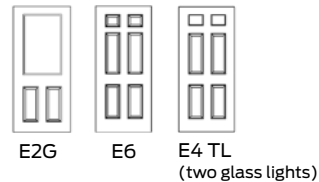
Steelcrafts most popular door, the L Series comes standard with a kraft cell honeycomb core for increased structural integrity while reducing overall weight. Available with a polystyrene core for enhanced thermal performance or polyurethane core for extreme thermal performance.

B Series door:

With steel reinforcement, the B Series flush door provides a more secure entry.

T Series door:

With a mineral board core, T Series doors are designed to meet the architectural requirements for temperature rise rated doors.



## About Allegion

Allegion (NYSE: ALLE) is a global pioneer in safety and security, with leading brands like CISA®, Interflex®, LCN®, Schlage®, SimonsVoss® and Von Duprin®. Focusing on security around the door and adjacent areas, Allegion produces a range of solutions for homes, businesses, schools and other institutions. Allegion is a \$2 billion company, with products sold in almost 130 countries.

For more, visit [www.allegion.com](http://www.allegion.com)

*aptiQ* ■ LCN ■ **SCHLAGE** ■ STEELCRAFT ■ VON DUPRIN

## MultiPoint Lock Security

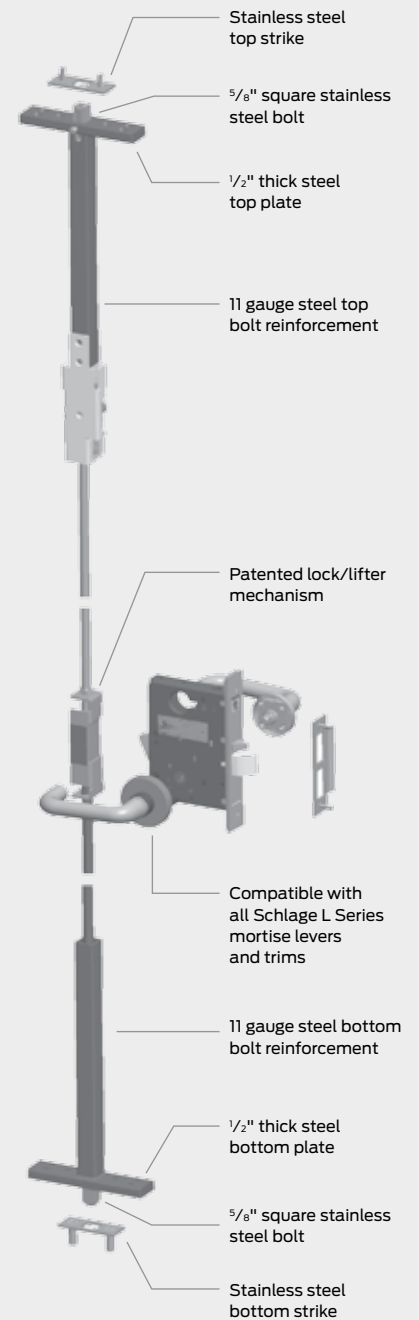
for high security applications

### Overview

MultiPoint Lock Security is an integrated door, frame, and three-point lock solution specifically designed for high security applications where a single latch or latch and deadbolt are insufficient. MultiPoint Lock Security is a three-point locking system that secures the door at three locations – the top, bottom, and center latch points.

### Features and benefits

- Six available functions supporting a wide range of applications
  - Passage, exit, storeroom, classroom, classroom security, and office/inner entry
  - VandIGard® available for additional protection from forced entry
- Compatible with all Schlage Mortise lock key systems
  - Standard, FSIC and SFIC key systems available
  - Patented key systems, including Everest 29™ with patented keyway through 2029
- Compatible with all Schlage L Series Mortise trims and finishes
  - 31 lever designs allow complete suiting with Schlage L Mortise and LT Tubular locks along with Von Duprin exit devices.
  - Sectional (rose) or escutcheon trim
  - 13 different finishes
- Seamless operation
  - Handle rotation retracts all three latches; closing door re-engages all latches
- Simple installation
  - Vertical rods pre-assembled and factory aligned in door
  - Mortise lock can be installed/removed with door installed
- Multiple door designs available (compatible with B Series steel stiffened or L Series doors with a variety of cores for enhanced strength or thermal performance)
  - 2' 6" x 6' 8" minimum to 4' 0" x 8' 0" maximum single door (inswinging and outswing)
  - 5' 0" x 6' 8" minimum to 8' 0" x 8' 0" maximum pair doors (inswinging and outswing)
- Certifications
  - UL10C 3 hour fire rating available



Note: This datasheet is for MultiPoint Lock Security only. For information on MultiPoint Lock Tornado, Tornado Shutter or Hurricane specific solutions, visit [www.allegion.com/us](http://www.allegion.com/us).

## Ordering guidelines

The MultiPoint Lock Security solution requires separate orders for the lock, door (includes the vertical rods), frame and miscellaneous hardware.

**MultiPoint Lock** Order from Schlage using the Schlage order form as follows:

| Function | Trim | Finish | Handing | Options  |
|----------|------|--------|---------|----------|
| LM9350P  | 03A  | 626    | RHR     | XLxx-xxx |

### Lock specifications

|           |   |
|-----------|---|
| Function* | LM9310 (passage), LM9325 (exit), LM/LMV9350 (office/entry), LM/LMV9370 (classroom), LM/LMV9371 (classroom security), LM/LMV9380 (storeroom) |
| Trim**    | All L Series levers, knobs, roses, and escutcheons available  |
| Finish**  | All L Series finishes available   |
| Handing   | LH, LHR, RH, RHR (Note: must specify handing on order)  |
| Options   | All L Series options available except electrified   |

All other lock parameters pre-defined as part of MultiPoint Lock Security solution, no value required.

\*Include cylinder suffix when ordering function. Less cylinder not available on storeroom function. LMV refers to Vandlgard® free-wheeling outside trim option.

\*\*Not all lever/knobs available in all finishes; consult price book or customer care.

**MultiPoint Security Door** Order from Steelcraft using the Steelcraft door ordering form as follows (includes vertical rods):

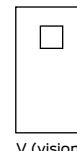
| Door type | Gauge | Width | Height | Type | Hand | Lock prep   | Galv. A-60 | Closer prep | Cores       | Labels    | Hinge prep        | Inactive leaf | Floor clear |
|-----------|-------|-------|--------|------|------|-------------|------------|-------------|-------------|-----------|-------------------|---------------|-------------|
| L         | 14    | 8'    | 8'     | V    | RHR  | LM9350 rose | Galv.      | Standard    | Polystyrene | UL 3 hour | 5" high frequency | Inactive      | 3/8"        |

### Door specifications

|                    |   |
|--------------------|---|
| Door type          | B Series (steel-reinforced) or L Series (selectable core)   |
| Gauge              | 14, 16  |
| Width              | 2' 6" - 8' 0"   |
| Height             | 6' 8" - 8' 0"   |
| Type               | F (flush), V (vision light)   |
| Handing            | LH, LHR, RH, RHR  |
| Lock prep          | LM/LMV function, rose or escutcheon trim  |
| Galv. A-60         | Optional  |
| Closer prep        | Optional (standard only)  |
| Cores              | B Series doors: Steel-reinforced only / L Series doors: Kraft Cell Honeycombed standard, polystyrene or polyurethane optional   |
| Labels             | B Series doors: Optional UL 20 minute, 45 minute, 1 hour, 90 minute, 3 hour / L Series doors: Optional UL or WH 20 minute, 45 minute, 1 hour, 90 minute, 3 hour / NOTE: Labels not available for L Series door with Polyurethane core |
| Hinge prep         | 4 1/2", 4 1/2" high frequency top hinge, 5", 5" high frequency top hinge, continuous (full mortise only)  |
| Inactive leaf      | Optional (inactive with or without Z- astragal, wide inactive)  |
| Floor clearance*** | 1/4", 3/8", 1/2", 5/8", 3/4"  |



F (flush)



V (vision)

For use with Steelcraft B Series (steel stiffened) or L Series (selectable core) doors, in either F (flush) or V (vision light) configurations.

All other door parameters pre-defined as part of MultiPoint Lock Security solution, no value required.

\*\*\*Refer to hardware template for recommended clearance.

**MultiPoint Security Frame** Order from Steelcraft using the Steelcraft frame ordering form as follows:

| Frame series | Gauge | Jamb depth | Width | Height | Hand | Strike prep | Closer prep | Labels    | Hinge prep        | Anchors | Head |
|--------------|-------|------------|-------|--------|------|-------------|-------------|-----------|-------------------|---------|------|
| F            | 14    | 5 3/4"     | 8'    | 8'     | RHA  | LM9350, ASA | Regular     | UL 3 hour | 5" high frequency | Masonry | 4"   |

### Frame specifications

|              |  |
|--------------|--|
| Frame series | F for Security applications  |
| Gauge        | 14, 16   |
| Jamb depth   | 5 3/4" - 14 3/4"   |
| Width        | 2' 6" - 8' 0"  |
| Height       | 6' 8" - 8' 0"  |
| Handing      | LH, RH for single door; specify active leaf for pairs (LHA, RHA)   |
| Strike prep  | LM/LMV function head and sill; ASA strike prep   |
| Closer prep  | Optional (regular or parallel arm)   |
| Labels       | B Series doors: Optional UL 20 minute, 45 minute, 1 hour, 90 minute, 3 hour<br>L Series doors: Optional UL or WH 20 minute, 45 minute, 1 hour, 90 minute, 3 hour |
| Hinge prep   | 4 1/2", 4 1/2" high frequency top hinge, 5", 5" high frequency top hinge, continuous (full mortise only)   |
| Anchors      | Masonry, wood stud, steel stud, wire, EMA, welded EMA  |
| Heads        | Optional (4")  |

All other frame parameters pre-defined as part of MultiPoint Lock Security solution, no value required.



# MultiPoint Lock Tornado

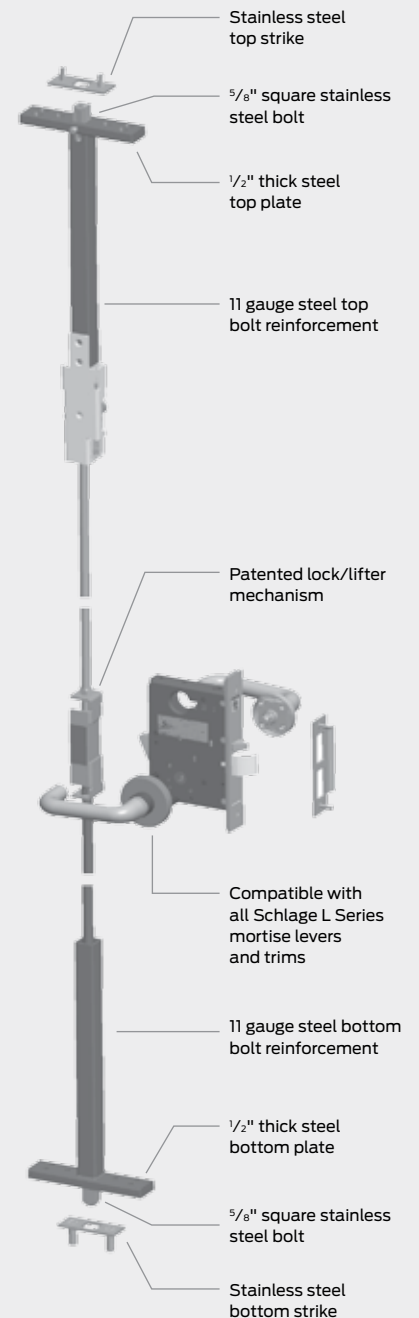
for tornado storm  
shelter applications

## Overview

MultiPoint Lock Tornado is an integrated door, frame, and three-point lock solution specifically designed to meet FEMA 320/361 Guidelines and ICC 500 standards for protection in tornadoes. The patented system secures the door at three locations - the top, bottom, and center latch points - and has been tested to withstand the most powerful EF5 tornadoes, providing protection from winds up to 250 mph and 15 lb. projectile impacts up to 100 mph.

## Features and benefits

- Six available functions supporting a wide range of applications
  - Passage, exit, storeroom, classroom, classroom security, and office/inner entry functions
  - VandlGard® available for additional protection from forced entry
- Compatible with all Schlage Mortise lock key systems
  - Standard, FSIC and SFIC key systems available
  - Patented key systems, including Everest 29™ with patented keyway through 2029
- Compatible with all Schlage L Series Mortise trims and finishes
  - 31 lever designs allow complete suiting with Schlage L Mortise and LT Tubular locks along with Von Duprin exit devices.
  - Sectional (rose) or escutcheon trim
  - 13 different finishes
- Seamless operation
  - FEMA/ICC compliant when door is shut - no secondary operation required
  - Handle rotation retracts all three latches; closing door re-engages all latches
- Simple installation
  - Vertical rods pre-assembled and factory installed in door
  - Mortise lock can be installed/removed with door installed
- Multiple door configurations available (for use with Steelcraft Paladin door and frame systems only)
  - 2' 6" x 6' 8" minimum to 4' 0" x 8' 0" maximum single door (inswinging or outswinging)
  - 5' 0" x 6' 8" minimum to 8' 0" x 8' 0" maximum pair doors (inswinging or outswinging)
- Certifications
  - UL approved to FEMA 361 and FEMA 320 guidelines and ICC 500 test standards for inswinging and outswinging single and pair of doors
  - UL10C 3 hour fire rating available



Note: This datasheet is for MultiPoint Lock Tornado only. For information on MultiPoint Lock Tornado Storm Shutter, Hurricane, or High Security solutions, visit [www.allegion.com/us](http://www.allegion.com/us).

## Ordering guidelines

The MultiPoint Lock Tornado solution requires separate orders for the lock, door (includes the vertical rods), frame and miscellaneous hardware.

**MultiPoint Lock** Order from Schlage using the Schlage order form as follows:

| Function | Trim | Finish | Handing | Options  |
|----------|------|--------|---------|----------|
| LM9350P  | O3A  | 626    | RHR     | XLxx-xxx |

### Lock specifications

|           |   |
|-----------|---|
| Function* | LM9310 (passage), LM9325 (exit), LM/LMV9350 (office/entry), LM/LMV9370 (classroom), LM/LMV9371 (classroom security), LM/LMV9380 (storeroom) |
| Trim**    | All L Series levers, knobs, roses, and escutcheons available  |
| Finish**  | All L Series finishes available   |
| Handing   | LH, LHR, RH, RHR (Note: must specify handing on order)  |
| Options   | All L Series options available except electrified   |

All other lock parameters pre-defined as part of MultiPoint Lock Tornado solution, no value required.

\*Include cylinder suffix when ordering function. Less cylinder not available on storeroom function. LMV refers to Vandlgard® free-wheeling outside trim option.

\*\*Not all lever/knobs available in all finishes; consult price book or customer care.

**MultiPoint Tornado Door** Order from Steelcraft using the Steelcraft door ordering form as follows (includes vertical rods):

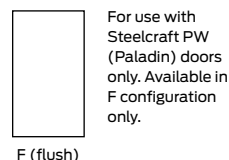
| Door type | Width | Height | Hand | Lock prep   | Closer prep | Labels    | Hinge prep | Inactive leaf | Floor clear |
|-----------|-------|--------|------|-------------|-------------|-----------|------------|---------------|-------------|
| PW        | 8'    | 8'     | RHR  | LM9350 rose | Standard    | UL 3 hour | 5"         | Inactive      | 1/4"        |

### Door specifications

|                    |  |
|--------------------|--|
| Door type          | PW Series (Paladin)  |
| Width              | 2' 6" - 8' 0"  |
| Height             | 6' 8" - 8' 0"  |
| Handing            | LH, LHR, RH, RHR   |
| Lock prep          | LM/LMV function, rose or escutcheon trim   |
| Closer prep        | Standard   |
| Labels             | Optional (UL 20 minute, 45 minute, 1 hour, 90 minute, 3 hour)  |
| Hinge prep         | 4 1/2", 4 1/2" high frequency top hinge, 5", 5" high frequency top hinge, continuous (full mortise only) |
| Inactive leaf      | Optional (inactive with or without Z astragal, wide inactive)  |
| Floor clearance*** | 1/4", 3/8", 1/2", 5/8", 3/4"   |

All other door parameters pre-defined as part of MultiPoint Tornado solution, no value required.

\*\*\* Set floor clearance for 1/8" - 1/4" separation between top of strike and bottom of door.



**MultiPoint Tornado Frame** Order from Steelcraft using the Steelcraft frame ordering form as follows:

| Frame series | Jamb depth | Width | Height | Hand | Strike prep | Closer prep | Labels    | Hinge prep | Anchors | Head |
|--------------|------------|-------|--------|------|-------------|-------------|-----------|------------|---------|------|
| FP           | 5 3/4"     | 8'    | 8'     | LHA  | LM9350, ASA | Regular     | UL 3 hour | 5"         | EMA     | 4"   |

### Frame specifications

|              |  |
|--------------|--|
| Frame series | FP for Tornado applications  |
| Jamb depth   | 5 3/4" - 10 3/4"   |
| Width        | 2' 6" - 8' 0"  |
| Height       | 6' 8" - 8' 0"  |
| Handing      | LH, RH for single door; specify active leaf for pairs (LHA, RHA)   |
| Strike prep  | LM/LMV function head and sill; ASA strike prep   |
| Closer prep  | Standard (specify regular or parallel arm)   |
| Labels       | Optional (UL 20 minute, 45 minute, 1 hour, 90 minute, 3 hour)  |
| Hinge prep   | 4 1/2", 4 1/2" high frequency top hinge, 5", 5" high frequency top hinge, continuous (full mortise only) |
| Anchors      | Wire, EMA, welded EMA  |
| Heads        | Optional (4", for new masonry wall construction only)  |

All other frame parameters pre-defined as part of MultiPoint Tornado solution, no value required.

### Hinges, closers and surface bolts

Hinges must be heavyweight 4 1/2", 5" or continuous (Ives recommended). For inactive leaves, Ives SB360 surface bolts required.

# MultiPoint Lock Tornado Shutter

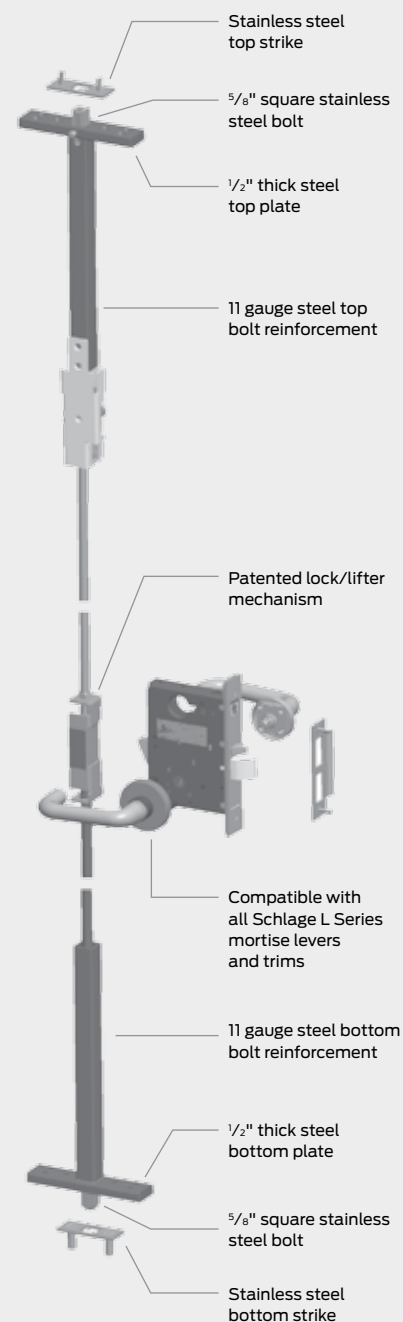
for tornado storm  
shutter applications

## Overview

Multipoint Lock Tornado Shutter is specifically designed to secure window openings during tornadoes. Mounted on the inside of the room to protect occupants from flying glass and debris, Multipoint Lock Tornado Shutter is an integrated system consisting of a 4-sided frame and a shutter with a unique 3-point locking system specifically designed to meet all guidelines set forth in the FEMA 361 and 320 standards as well as ICC 500 for protection in tornadoes. The patented system secures the shutter to the frame at 3 locations - the top, bottom, and center latch points - and has been tested to withstand the most powerful EF5 tornadoes, providing protection from windspeeds up to 250 mph and 15 lb. projectile impacts up to 100 mph.

## Features and benefits

- Six available functions supporting a wide range of applications
  - Passage, exit, storeroom, classroom, classroom security, and office/inner entry (exit function recommended for shutter applications)
  - VandlGard® available for additional protection from forced entry
- Compatible with all Schlage Mortise lock key systems
  - Standard, FSIC and SFIC key systems available
  - Patented key systems, including Everest 29™ with patented keyway through 2029
- Compatible with all Schlage L Series Mortise trims and finishes
  - 31 lever designs allow complete suiting with Schlage L Mortise and LT Tubular locks along with Von Duprin exit devices.
  - Sectional (rose) or escutcheon trim
  - 13 different finishes
- Seamless operation
  - FEMA/ICC compliant when door is shut - no secondary operation required
  - Handle rotation retracts all three latches; closing door re-engages all latches
- Simple installation
  - Vertical rods pre-assembled and factory aligned in door
  - Mortise lock can be installed/removed with door installed
- Wide range of shutter sizes available (for use with Steelcraft Paladin door and frame systems only)
  - 2' 6" x 3' 1" minimum to 4' 0" x 8' 0" maximum single door (inswinging only)
  - 5' 2" x 3' 1" minimum to 8' 0" x 8' 0" maximum pair doors (inswinging only)
- Certifications
  - UL approved to FEMA 361 and FEMA 320 guidelines and ICC 500 test standards for inswinging and outswinging single and pair of doors
  - UL10C 3 hour fire rating available



Note: This datasheet is for MultiPoint Lock Tornado Shutter only. For information on MultiPoint Lock Tornado, Hurricane, or High Security solutions, visit [www.allegion.com/us](http://www.allegion.com/us).

## Ordering guidelines

The MultiPoint Lock Tornado Shutter solution requires separate orders for the lock, door/shutter (includes the vertical rods), frame and miscellaneous hardware.

**MultiPoint Lock** Order from Schlage using the Schlage order form as follows:

| Function | Trim | Finish | Handing | Options  |
|----------|------|--------|---------|----------|
| LM9325   | O3A  | 626    | LH      | XLxx-xxx |

### Lock specifications

|           |  |
|-----------|--|
| Function* | LM9310 (passage), <b>LM9325 (exit) - recommended function</b> , LM/LMV9350 (office/entry), LM/LMV9370 (classroom), LM/LMV9371 (classroom security), LM/LMV9380 (storeroom) |
| Trim**    | All L Series levers, knobs, roses, and escutcheons available   |
| Finish**  | All L Series finishes available  |
| Handing   | LH, RH (Note: must specify handing on order)   |
| Options   | All L Series options available except electrified  |

All other lock parameters pre-defined as part of MultiPoint Lock Tornado Shutter solution, no value required.

\*Include cylinder suffix when ordering function. Less cylinder not available on storeroom function. LMV refers to Vandlgard® free-wheeling outside trim option.

\*\*Not all lever/knobs available in all finishes; consult price book or customer care.

**MultiPoint Tornado Shutter** Order from Steelcraft using the Steelcraft door ordering form as follows (includes vertical rods):

| Door type | Width | Height | Hand | Lock prep   | Closer prep | Labels    | Hinge prep | Inactive leaf | Floor clear |
|-----------|-------|--------|------|-------------|-------------|-----------|------------|---------------|-------------|
| PW        | 3' 0" | 6' 0"  | LH   | LM9325 rose | Standard    | UL 3 hour | 5"         | As required   | 1/4"        |

### Door specifications

|                 |  |
|-----------------|--|
| Door type       | PW Series (Paladin)  |
| Width           | 2' 6" - 8' 0"  |
| Height          | 3' 1" - 8' 0"  |
| Handing         | LH, RH   |
| Lock prep       | LM/LMV function, rose or escutcheon trim   |
| Closer prep     | Standard   |
| Labels          | Optional (UL 20 minute, 45 minute, 1 hour, 90 minute, 3 hour)  |
| Hinge prep      | 4 1/2", 4 1/2" high frequency top hinge, 5", 5" high frequency top hinge, continuous (full mortise only) |
| Inactive leaf   | Optional (inactive with or without Z-astragal, wide inactive)  |
| Floor clearance | 1/4"   |

All other door parameters pre-defined as part of MultiPoint Tornado Shutter solution, no value required.

For use with Steelcraft PW (Paladin) doors only. Available in F configuration only.

F (flush)

### Lock centerlines

| Shutter height | Centerline (from top of sill) |
|----------------|-------------------------------|
| 3' 1" - 3' 11" | 15"                           |
| 4' 0" - 5' 11" | 26"                           |
| 6' 0" - 8' 0"  | 39 15/16"                     |

**MultiPoint Tornado Shutter Frame** Order from Steelcraft using the Steelcraft frame ordering form as follows:

| Frame series | 4 Sided frame | Gauge | Glazing beads | Jamb depth | Width | Height | Hand | Strike prep | Closer prep | Labels    | Hinge prep | Anchors | Head |
|--------------|---------------|-------|---------------|------------|-------|--------|------|-------------|-------------|-----------|------------|---------|------|
| FP           | BLF04         | 14    | pkg. #4702    | 5 3/4"     | 3' 0" | 6' 0"  | LH   | LM9325, ASA | Optional    | UL 3 hour | 5"         | EMA     | 4"   |

### Frame specifications

|               |  |
|---------------|--|
| Frame series  | FP for Tornado applications  |
| 4 Sided frame | BLF04 for Shutters   |
| Gauge         | 14   |
| Glazing beads | Optional, for use if installing glass directly to frame (Pkg. 4700: 1/16" width x 5/8" height; Pkg. 4701: 5/8" width x 5/8" height; Pkg. 4702: 1" width x 5/8" height) Glazing beads only available with LM9325 (exit) function. Security screws not included. |
| Jamb depth    | 5 3/4" - 10 3/4"   |
| Width         | 2' 6" - 8' 0"  |
| Height        | 3' 1" - 8' 0"  |
| Handing       | LH, RH for single door; specify active leaf for pairs (LHA, RHA)   |
| Strike prep   | LM/LMV function head and sill; ASA strike prep   |
| Closer prep   | Standard (specify regular or parallel arm)   |
| Labels        | Optional (UL 20 minute, 45 minute, 1 hour, 90 minute, 3 hour)  |
| Hinge prep    | 4 1/2", 4 1/2" high frequency top hinge, 5", 5" high frequency top hinge, continuous (full mortise only)   |
| Anchors       | Wire, EMA, welded EMA  |
| Heads         | Optional (4", for new masonry wall construction only)  |

All other frame parameters pre-defined as part of MultiPoint Tornado Shutter solution, no value required.

## Hinges, closers and surface bolts

Hinges must be heavyweight 4 1/2", 5" or continuous (Ives recommended). For inactive leaves, Ives SB360 surface bolts required.

# MultiPoint Lock Hurricane

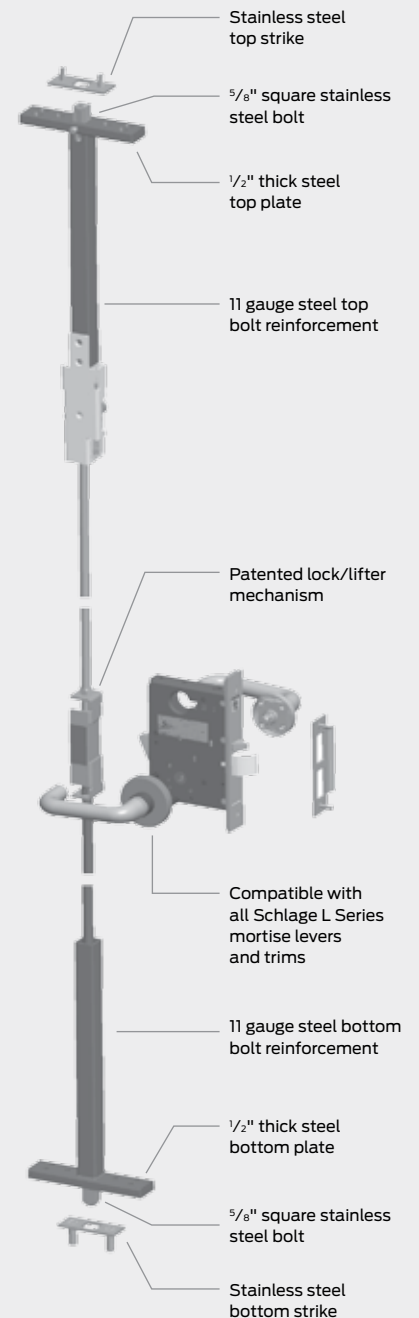
for hurricane applications

## Overview

MultiPoint Lock Hurricane is an integrated door, frame, and three-point lock solution specifically designed to withstand the high winds and flying debris associated with hurricanes. MultiPoint Lock Hurricane is a three-point locking system that secures the door at three locations – the top, bottom, and center latch points.

## Features and benefits

- Six available functions supporting a wide range of applications
  - Passage, exit, storeroom, classroom, classroom security, and office/inner entry
  - VandIGard® available for additional protection from forced entry
- Compatible with all Schlage Mortise lock key systems
  - Standard, FSIC and SFIC key systems available
  - Patented key systems, including Everest 29™ with patented keyway through 2029
- Compatible with all Schlage L Series Mortise trims and finishes
  - 31 lever designs allow complete suiting with Schlage L Mortise and LT Tubular locks along with Von Duprin exit devices.
  - Sectional (rose) or escutcheon trim
  - 13 different finishes
- Seamless operation
  - Handle rotation retracts all three latches; closing door re-engages all latches
- Simple installation
  - Vertical rods pre-assembled and factory aligned in door
  - Mortise lock can be installed/removed with door installed
- Wide range of door sizes available (for use with Steelcraft H Series Hurricane door and frame system only)
  - 2' 6" x 6' 8" minimum to 4' 0" x 8' 0" maximum single door (inswinging and outswing)
  - 5' 0" x 6' 8" minimum to 8' 0" x 8' 0" maximum pair doors (inswinging and outswing)
- Certifications
  - UL10C 3 hour fire rating available
  - Florida Building Code



Note: This datasheet is for MultiPoint Lock Hurricane only. For information on MultiPoint Lock Tornado, Tornado Shutter or High Security specific solutions, visit [www.allegion.com/us](http://www.allegion.com/us).

## Ordering guidelines

The MultiPoint Lock Hurricane solution requires separate orders for the lock, door (includes the vertical rods), frame and miscellaneous hardware.

**MultiPoint Lock** Order from Schlage using the Schlage order form as follows:

| Function | Trim | Finish | Handing | Options  |
|----------|------|--------|---------|----------|
| LM9350P  | 03A  | 626    | RHR     | XLxx-xxx |

### Lock specifications

Function\* LM9310 (passage), LM9325 (exit), LM/LMV9350 (office/entry), LM/LMV9370 (classroom), LM/LMV9371 (classroom security), LM/LMV9380 (storeroom)

Trim\*\* All L Series levers, knobs, roses, and escutcheons available

Finish\*\* All L Series finishes available

Handing LH, LHR, RH, RHR (Note: must specify handing on order)

Options All L Series options available except electrified

All other lock parameters pre-defined as part of MultiPoint Lock Security solution, no value required.

\*Include cylinder suffix when ordering function. Less cylinder not available on storeroom function. LMV refers to Vandlgard® free-wheeling outside trim option.

\*\*Not all lever/knobs available in all finishes; consult price book or customer care.

**MultiPoint Hurricane Door** Order from Steelcraft using the Steelcraft door ordering form as follows (includes vertical rods):

| Door type | Gauge | Width | Height | Type | Hand | Lock prep   | Galvanized | Closer prep | Cores       | Labels    | Hinge prep        | Inactive leaf | Floor clear |
|-----------|-------|-------|--------|------|------|-------------|------------|-------------|-------------|-----------|-------------------|---------------|-------------|
| H         | 14    | 8'    | 8'     | F    | RHR  | LM9350 rose | G-90x      | Surface     | Polystyrene | UL 3 hour | 5" high frequency | Inactive      | 3/8"        |

### Door specifications

Door type H Series (Hurricane)

Gauge 14, 16

Width 2' 6" - 8' 0"

Height 6' 8" - 8' 0"

Type F (flush)

Handing LH, LHR, RH, RHR

Lock prep LM/LMV function, rose or escutcheon trim

Galvanized A60 galvanealed standard, G-90 Galvanized optional

Closer prep Optional (surface mounted only)

Cores Optional honeycomb, polystyrene, vertical steel stiffened, polyurethane (non-labeled only), temperature rise core

Labels Florida Building Code Label standard, optional UL (20 minute, 45 minute, 1 hour, 90 minute, 3 hour)

Hinge prep 4 1/2", 4 1/2" high frequency top hinge, 5", 5" high frequency top hinge, continuous (full mortise only)

Inactive leaf With Z-astragal only

Top caps Standard (screw-in)

Floor clearance\*\*\* 1/4", 3/8", 1/2", 5/8", 3/4"

All other door parameters pre-defined as part of MultiPoint Lock Security solution, no value required.

\*\*\*Refer to hardware template for recommended clearance.



F (flush)

For use with Steelcraft H series (Hurricane) doors only. Available in F configuration only.

**MultiPoint Hurricane Frame** Order from Steelcraft using the Steelcraft frame ordering form as follows:

| Frame series | Gauge | Jamb depth | Width | Height | Hand | Strike prep | Galvanized | Closer prep | Labels    | Hinge prep        | Anchors | Head |
|--------------|-------|------------|-------|--------|------|-------------|------------|-------------|-----------|-------------------|---------|------|
| F            | 14    | 5 3/4"     | 8'    | 8'     | RHA  | LM9350, ASA | A-60       | Regular     | UL 3 hour | 5" high frequency | Masonry | 4"   |

### Frame specifications

Frame series F for Security applications

Gauge 14, 16

Jamb depth 5 3/4" - 14 3/4"

Width 2' 6" - 8' 0"

Height 6' 8" - 8' 0"

Handing LH, RH for single door; specify active leaf for pairs (LHA, RHA)

Strike prep LM/LMV function head and sill; ASA strike prep

Galvanized Optional A-60 or G-90 (A-60 recommended)

Closer prep Optional (regular or parallel arm)

Labels Optional Florida Building Code; optional UL (20 minute, 45 minute, 1 hour, 90 minute, 3 hour)

Hinge prep 4 1/2", 4 1/2" high frequency top hinge, 5", 5" high frequency top hinge, continuous (full mortise only)

Anchors Masonry, wood stud, steel stud, wire, EMA, welded EMA (Note: reference applicable FBC documents for location and quantity information)

Heads Optional (4", for use with new masonry construction only)

All other frame parameters pre-defined as part of MultiPoint Lock Hurricane solution, no value required.



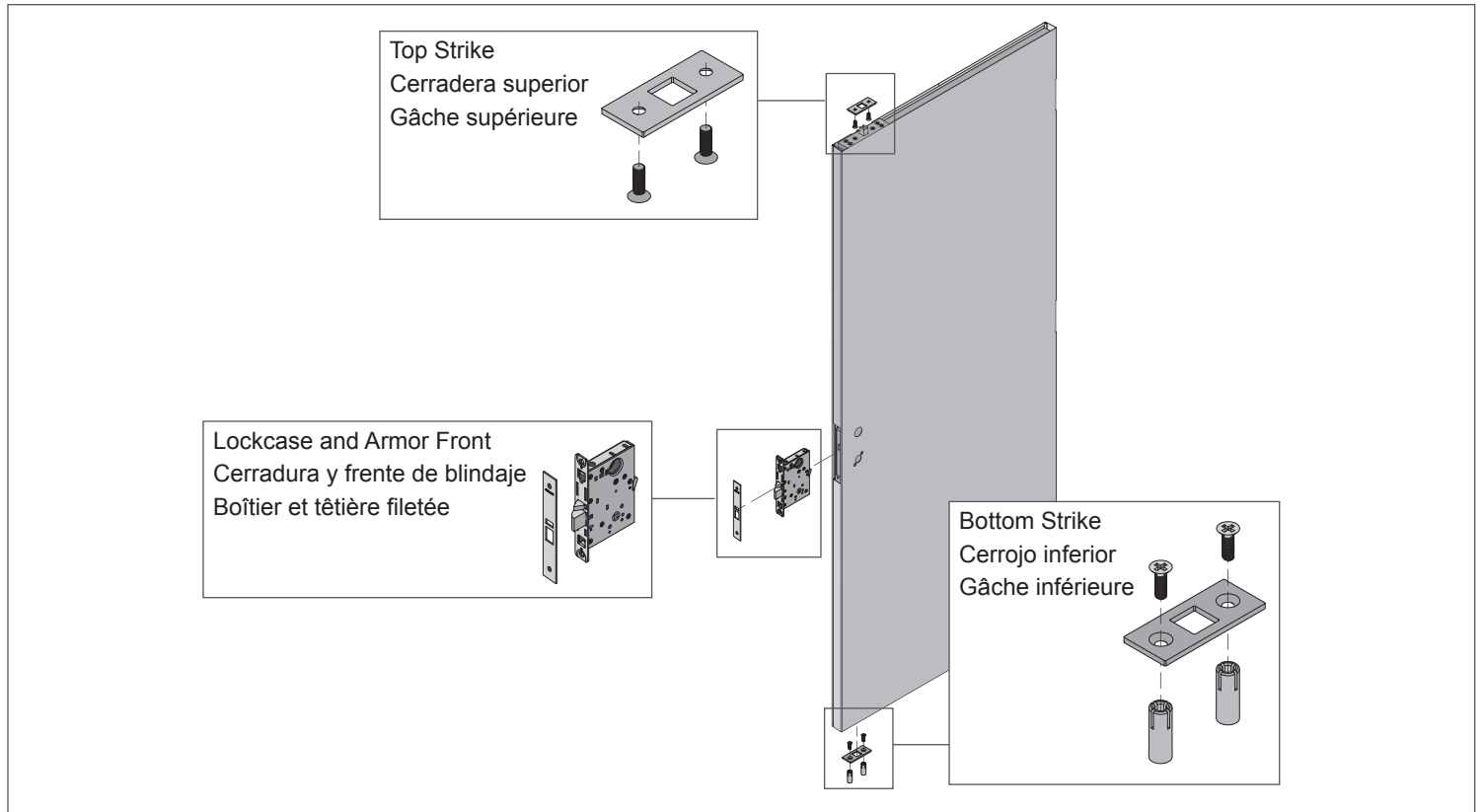
24514200

# LM9300

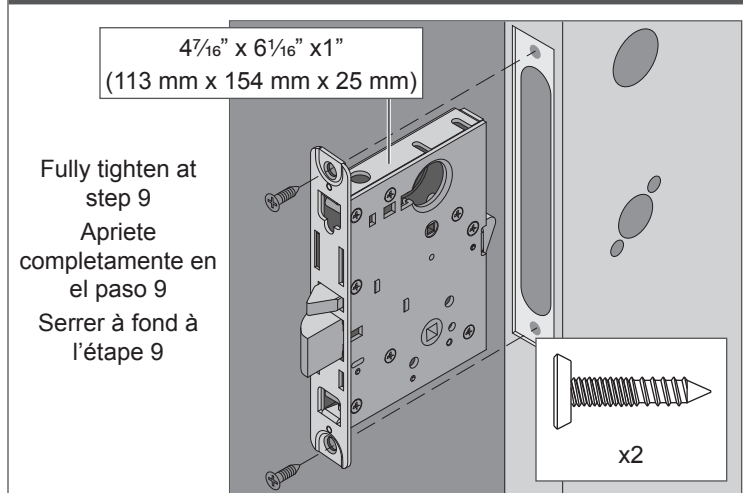


Multi-Point Lock  
Cerradura multipunto  
Serrure multipoint

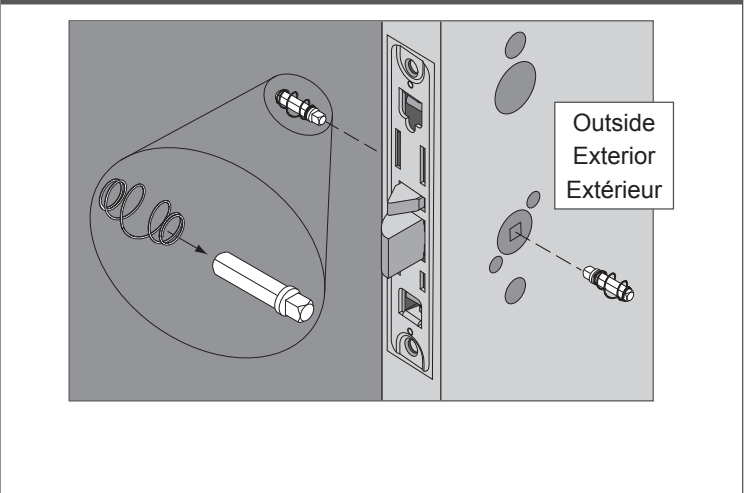
Installation Instructions  
Instrucciones de instalación  
Notice d'installation



|                                    |   |
|------------------------------------|---|
| <b>1</b> Install mortise case      | <b>2</b> Install spindles and springs         |
| Instalación de la carcasa embutida | Instale los husillos y los resortes           |
| Installer la serrure à mortaise    | Installer l'axe de la poignée et la paillette |



- ① See end of instructions for lock handing directions.
- ① Consulte el final de las instrucciones para obtener información sobre las direcciones de apertura de la cerradura.
- ① Voir la fin des instructions pour des directives sur le sens de la serrure.



### 3 Install outside lever

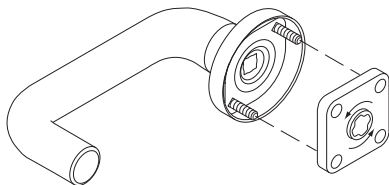
Instale la manija exterior

Installer la gorge extérieure

#### 3a Install spring cage

Instale la jaula del resorte

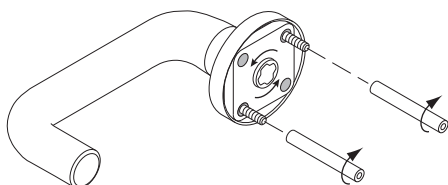
Installer la cage à ressorts



#### 3b Install posts

Instale los postes

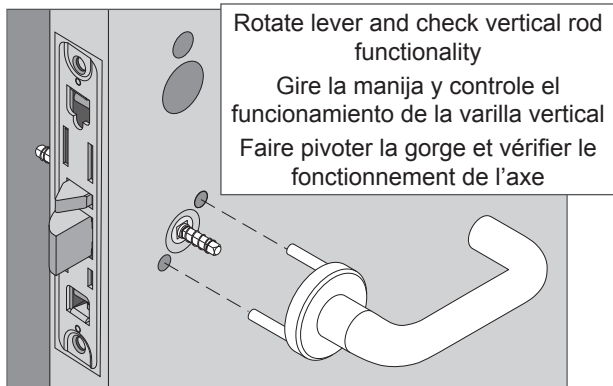
Installer les poteaux



#### 3c Install lever onto door

Instale la palanca en la puerta

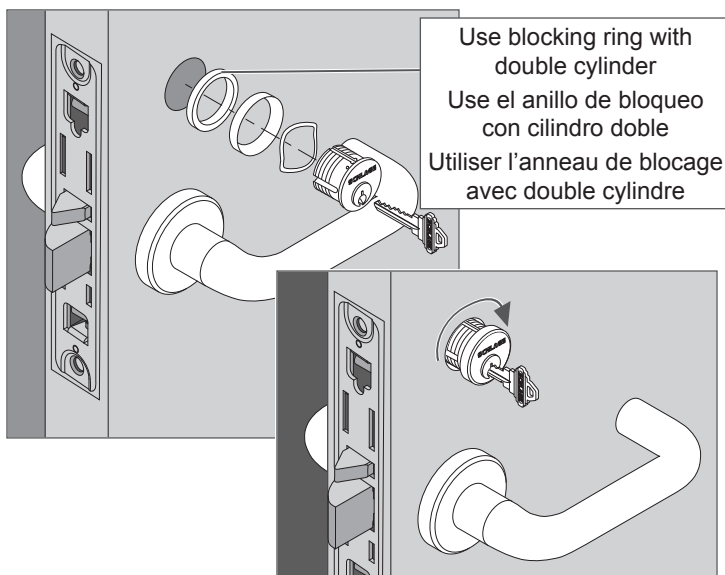
Installer le levier sur la porte



### 4 Install outside cylinder (if included)

Instale el cilindro externo (si hubiere)

Installer le cylindre extérieur (si inclus)



### 5 Install inside lever

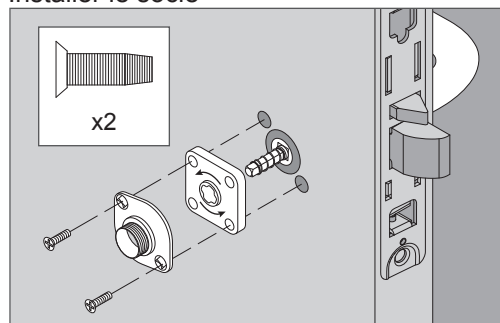
Instale la palanca interna

Installer le levier intérieur

#### 5a Install baseplate

Instale la placa base

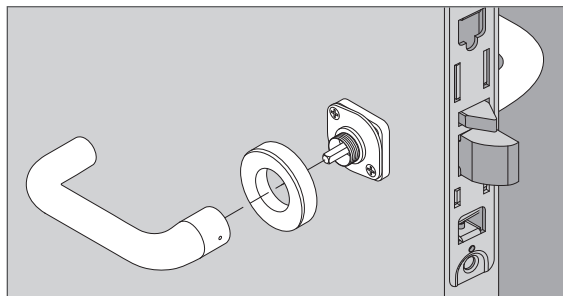
Installer le socle



#### 5b Install lever onto door

Instale la palanca en la puerta

Installer le levier sur la porte





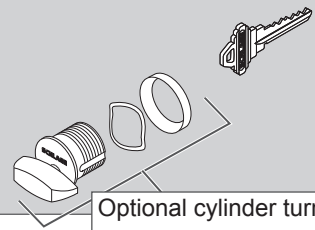
## 6 Install Inside Cylinder/Thumbturn (If Included)

Instale el cilindro interno/cierre giratorio del pestillo (si hubiere)

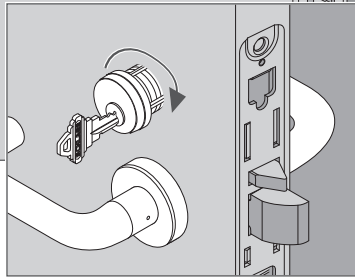
Installer le cylindre intérieur et la barrette tournante (si incluse)

### Cylinder | Cilindro | Cylindre

Use blocking ring with double cylinder  
Use el anillo de bloqueo con cilindro doble  
Utiliser l'anneau de blocage avec double cylindre



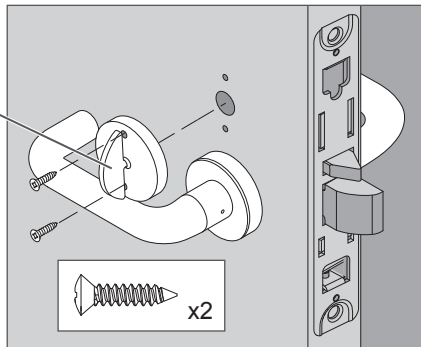
Optional cylinder turn  
Opcional mariposa por cilindro  
En option tourniquet pour cylindre



OR O OU

### Thumbturn | Mariposa | Tourniquet

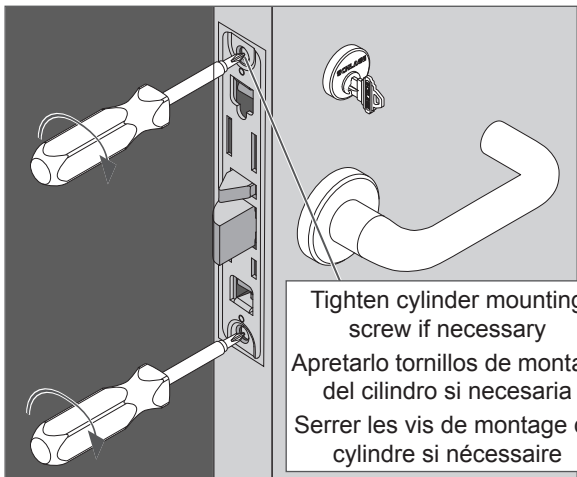
Thumbturn vertical  
Mariposa se coloca vertical  
Le tourniquet est verticale placée



## 7 Tighten mounting screws

Apretarlo los tornillos de montaje

Serrer les vis de montage

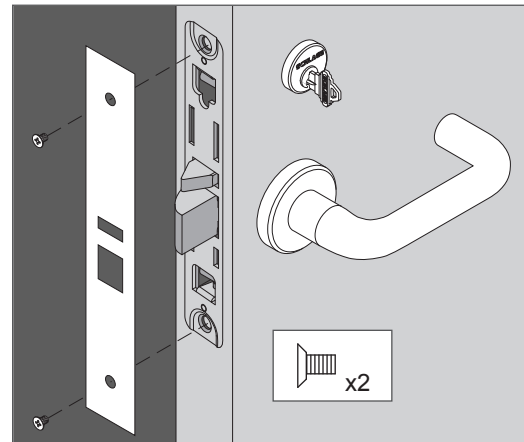


Tighten cylinder mounting screw if necessary  
Apretarlo tornillos de montaje del cilindro si necesaria  
Serrer les vis de montage du cylindre si nécessaire

## 8 Install faceplate

Instale la placa delantera

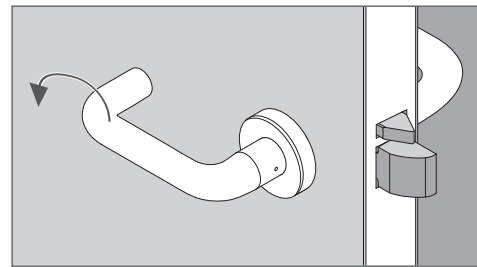
Installer la plaque frontale



## 9 Check Lock Functionality

Verifique que el cerrojo funcione correctamente

Vérifier que la serrure fonctionne adéquatement

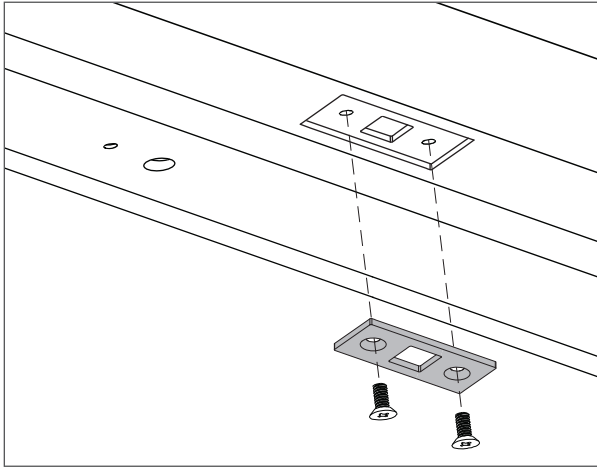


- Turn a lever inside the mortise lock and ensure both the mortise latch and top & bottom latches retract.
  - Top latch should remain retracted. If not, the top rod is too short.
  - If mortise latch does not retract, the top rod is too long
  - After function verification, hang the door.
- Haga girar un picaporte dentro de la cerradura embutida y asegúrese de que ambos: el cerrojo embutido y los cerrojos superior e inferior se retraigan.
  - El cerrojo superior debe mantenerse retraído. De lo contrario, la barra superior es demasiado corta.
  - Si la cerradura embutida no se retrae, la barra superior es demasiado larga.
  - Tras la verificación de funciones, sostenga la puerta.
- Faire pivoter un levier dans la serrure à mortaiser et s'assurer que le loquet à mortaiser ET les loquets inférieurs et supérieurs sont rétractés.
  - Le loquet supérieur doit rester rétracté. Si ce n'est pas le cas, cela signifie que la tige supérieure est trop courte.
  - Si le loquet à mortaiser ne se rétracte pas, cela signifie que la tige supérieure est trop longue.
  - Vérifier que le mécanisme fonctionne et fermer la porte.

## 10 Install Top Strike into Frame

Instale la cerradura superior en el marco

Installez la gâche supérieure dans le cadre



## 11 Install Bottom Strike

Instalar el cerrojo inferior

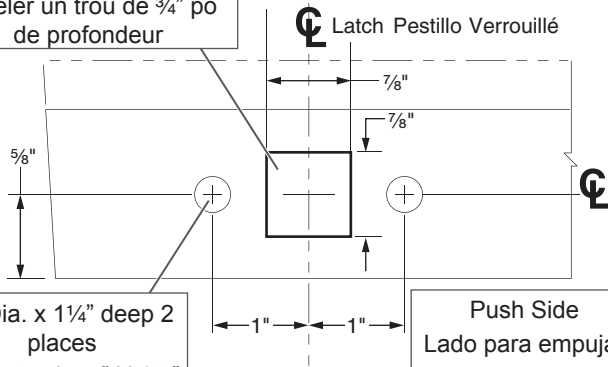
Installer la gâche inférieure

### 11a Prepare Floor for bottom strike.

Prepare el piso para la cerradura inferior

Préparez le plancher pour la gâche inférieure

Chisel out pocket  $\frac{3}{4}$ " deep  
Cincele un bolsillo de  $\frac{3}{4}$ " de profundidad  
Ciseler un trou de  $\frac{3}{4}$ " po de profondeur



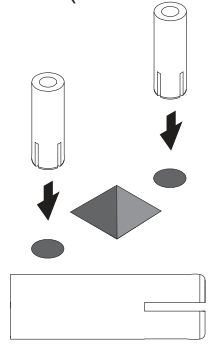
$\frac{3}{8}$ " Dia. x  $1\frac{1}{4}$ " deep 2 places  
Diámetro de  $\frac{3}{8}$ " X  $1\frac{1}{4}$ " de profundidad en 2 lugares  
 $\frac{3}{8}$ " po de diamètre x  $1\frac{1}{4}$ " po de profondeur, 2 endroits

Push Side  
Lado para empujar  
Pousser sur le côté

### 11b Clear holes of debris, then drop in anchors (slotted end first)

Limpiar todo el polvo de los orificios, luego insertar los anclajes (extremo ranurado primero)

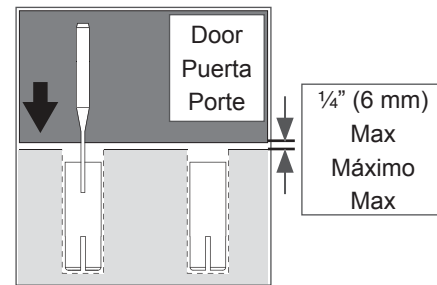
Nettoyer les trous de tout débris, puis y déposer les ancrages (extrémité rainurée en premier)



### 11c Secure the anchors using a hammer and punch

Sujetar los anclajes usando un martillo y punzón

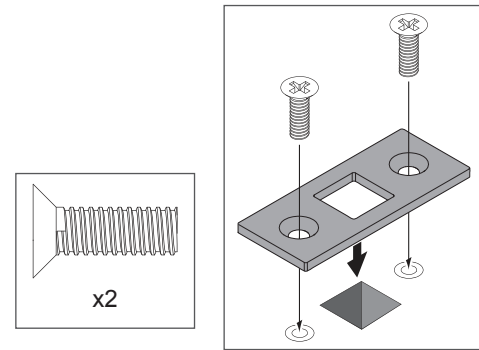
Fixer les ancrages à l'aide d'un marteau et d'un poinçon



### 11d Install strike plate and secure with 2 screws

Instale la placa del cerrojo y sujete con 2 tornillos

Installer la gâche et la fixer à l'aide de 2 vis.



Customer Service Servicio al cliente Service à la clientèle

1-877-671-7011

www.allegion.com/us



© Allegion 2014  
Printed in U.S.A.  
24514200 Rev. 07/14-b



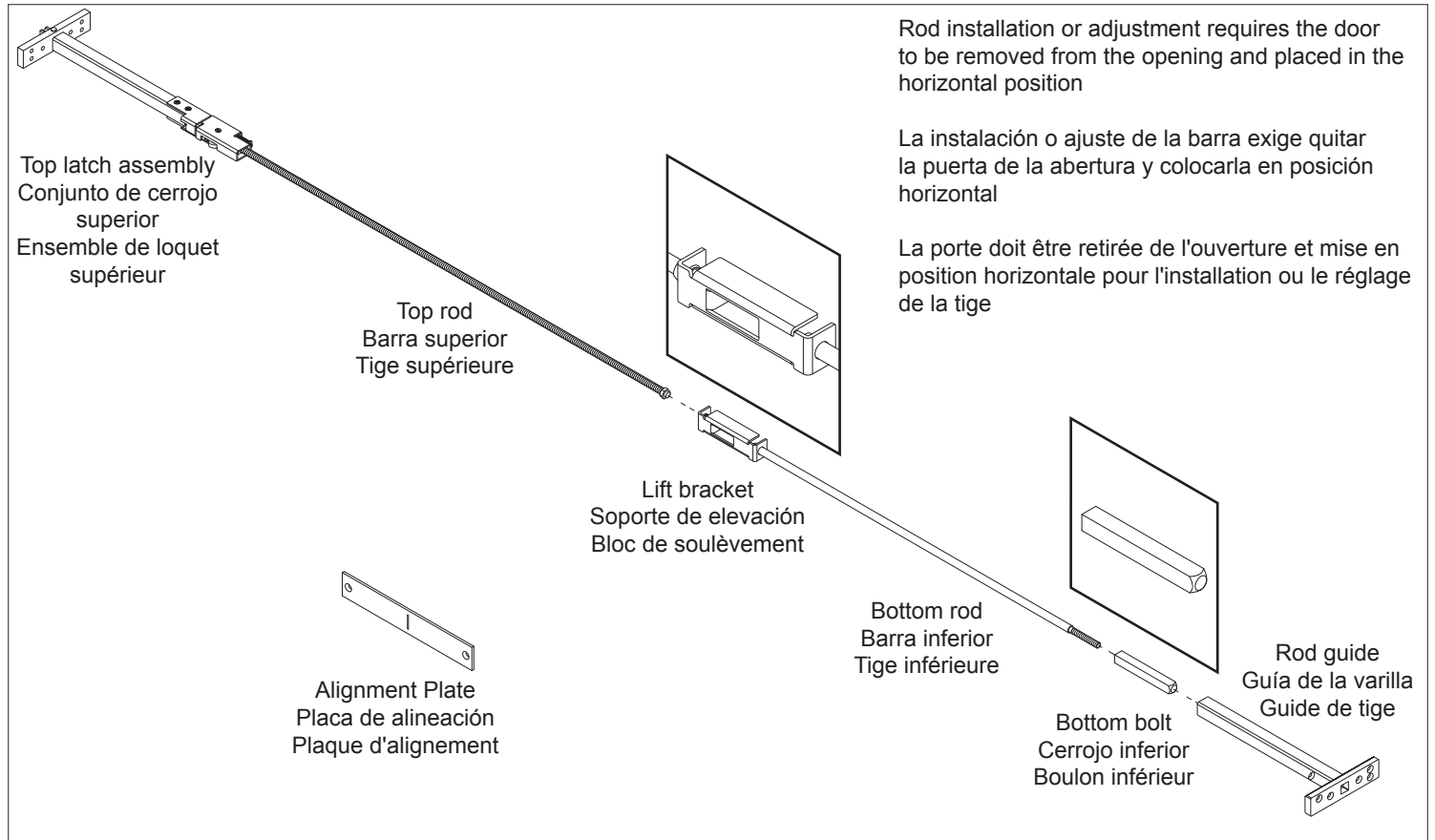
24515215

# LM9300



Multi-Point Rod  
Barra de puntas múltiples  
Tige multipoint

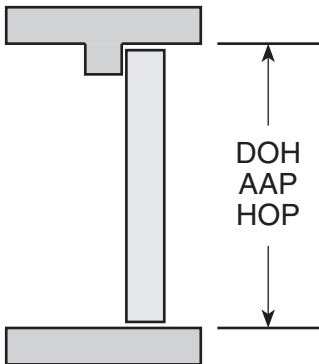
Installation Instructions  
Instrucciones de instalación  
Notice d'installation



## 1 Cut top rod to required length

Corte la barra superior a la longitud requerida

Couper la tige supérieure à la longueur requise



| DOH (Door Opening Height)<br>AAP (Altura de la abertura de la puerta)<br>HOP (Hauteur de l'ouverture de la porte) | Centerline<br>Línea central<br>Ligne centrale | Rod Length Calculation<br>Cálculo de la longitud de la barra<br>Calcul de la longueur de la tige                      |
|---|---|---|
| 6'0" - 8'0" (1.83m - 2.44m)   | 39 15/16"<br>(1.01m)                          | DOH - 57 1/2" = Cut Rod Length<br>AAP - 1.46m = Longitud de la barra cortada<br>HOP - 1.46m = longueur de tige coupée |
| 4'0" - 5'11" (1.22m - 1.80m)  | 26"<br>(66cm)                                 | DOH - 43 5/8" = Cut Rod Length<br>AAP - 1.11m = Longitud de la barra cortada<br>HOP - 1.11m = longueur de tige coupée |
| 3'1" - 3'11" (.91m - 1.19m)   | 15"<br>(38.1cm)                               | DOH - 32 5/8" = Cut Rod Length<br>AAP - 83cm = Longitud de la barra cortada<br>HOP - 83cm = longueur de tige coupée   |

Note: Rod is factory sized for 8'0" opening.

Nota: La barra tiene un tamaño de fábrica para aberturas de 2.44m.

Remarque : les tiges sont conçues à l'usine pour une ouverture de 2.44 pi.

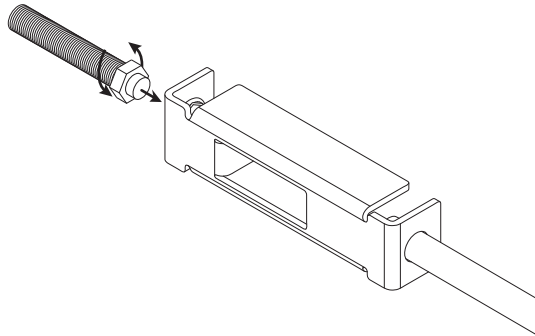
Example: DOH = 5'1" (61")  
Ejemplo: DOH = 1.55m (155cm)  
Exemple : HOP = 1.55m (155cm)

61" - 43 5/8" = Cut Rod Length of 17 3/8"  
155cm - 111cm = Longitud de la barra cortada de 44cm  
155cm - 111cm = longueur de tige coupée de 44cm

## 2 Thread top rod into lift bracket

Enrosque la varilla superior en el soporte de elevación

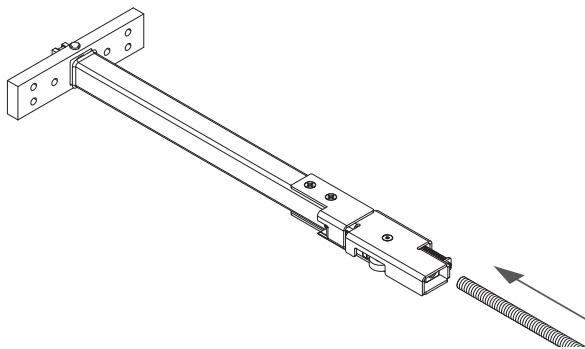
Enfiler la tige supérieure sur le bloc de soulèvement



## 3 Thread rod into top latch assembly

Enroscar la barra en la unidad del cerrojo superior

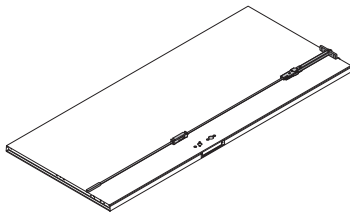
Visser la tige dans l'ensemble de loquet supérieur



## 4 Adjust rod assembly for door

Ajustar la unidad de la barra para la puerta

Ajuster l'ensemble de la tige pour la porte



### 4a Align rod assembly on top of door

Alinee la unidad de la barra sobre la puerta

Aligner l'ensemble de la tige sur le dessus de la porte

### 4b Ensure latch bolt is in the extended position

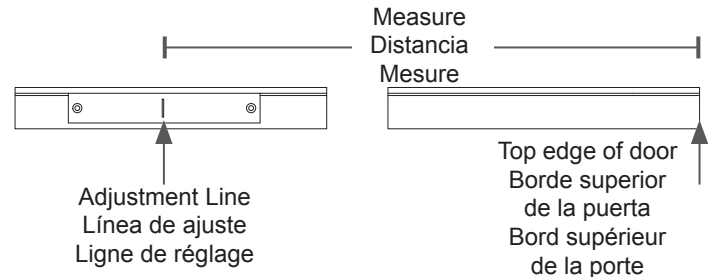
Verifique que el perno del cerrojo esté en la posición extendida

S'assurer que le boulon du loquet est en position sortie

### 4c Install alignment plate and measure from the top edge of the door to the adjustment line of the alignment plate

Instale la placa de alineación y mida la distancia desde el borde superior de la puerta hasta la línea de ajuste en la placa de alineación

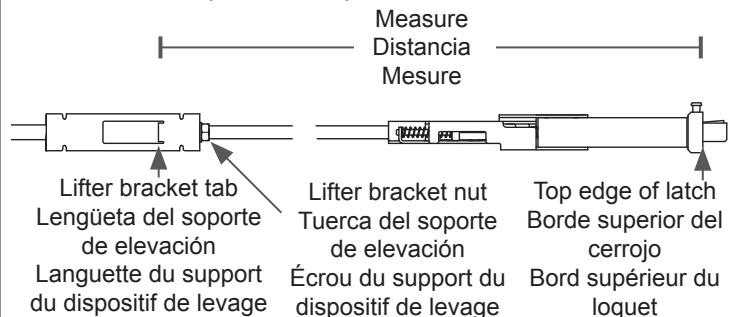
Installez la plaque d'alignement et mesurez à partir du bord supérieur de la porte jusqu'à la ligne de réglage de la plaque d'alignement



### 4d Rotate lifter block until the length from lifter bracket tab to the top of the latch is equal to the measurement from step 4c. Tighten nut against lift block

Gire el bloque de elevación hasta que la distancia desde la lengüeta del soporte de elevación hasta el cerrojo sea igual a la distancia que se tomó en el paso 4c.

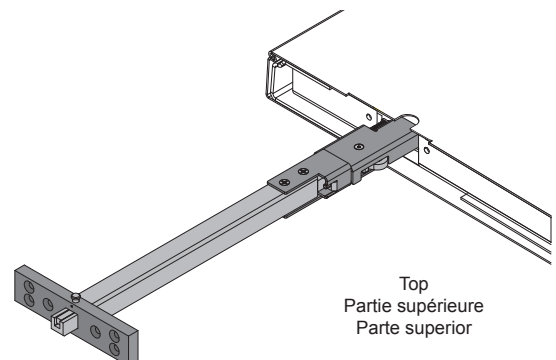
Faites pivoter le bloc du dispositif de levage jusqu'à ce que la longueur entre la languette du support du dispositif de levage et le dessus du loquet soit égale à la mesure prise à l'étape 4c.



## 5 Insert rod assembly in top of door

Inserte el conjunto de barra en la parte superior de la puerta

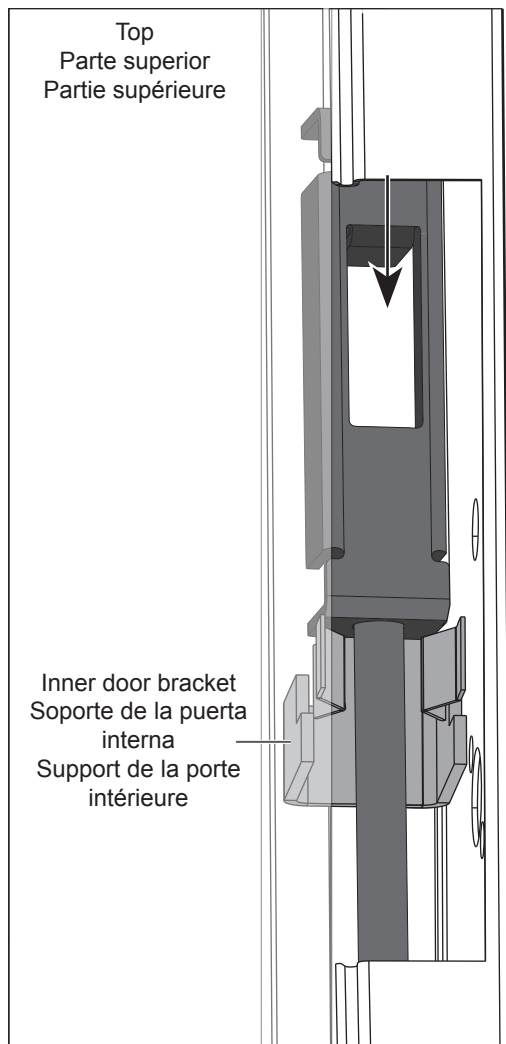
Insérer l'ensemble de la tige dans le dessus de la porte



## 6 Slide lift bracket into inner door brackets

Deslice el soporte de elevación en los soportes internos de la puerta

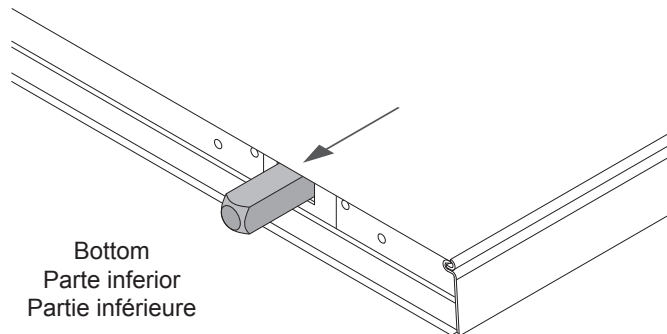
Glisser le bloc de soulèvement dans les supports de la porte intérieure



## 7 Slide bolt through bottom of door

Deslice el cerrojo a través de la parte inferior de la puerta

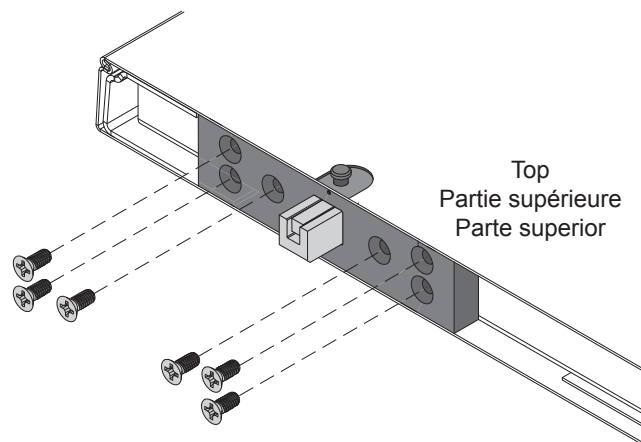
Glisser le boulon au bas de la porte



## 8 Install screws into top latch

Instale los tornillos en el cerrojo superior

Installer les vis dans le loquet supérieur

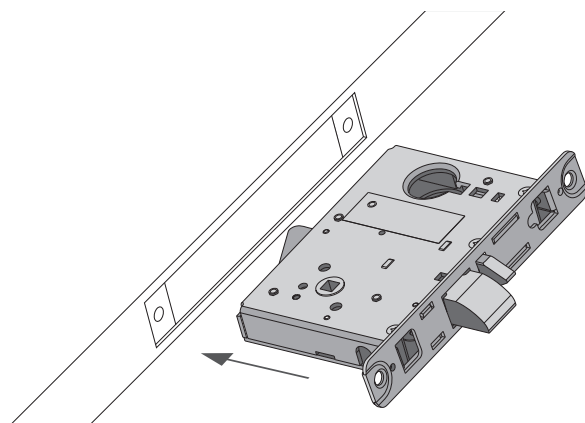


- ① Ensure latch is tightened against top channel
- ① Asegúrese de que el cerrojo esté apretado contra el canal superior
- ① S'assurer que le loquet est solidement fixé au montant supérieur

## 9 Temporarily install mortise lock in door

Instale provisoriamente el cerrojo embutido en la puerta

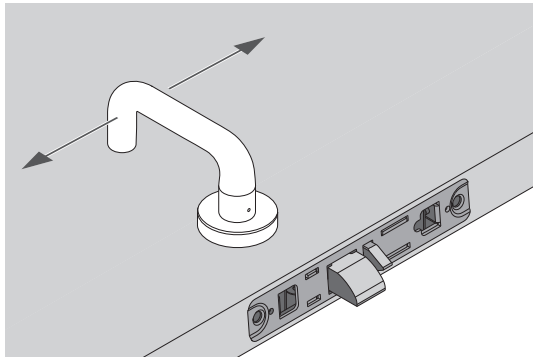
Installer temporairement la serrure à mortaiser sur la porte



## 10 Check lock functionality

Verifique que el cerrojo funcione correctamente

Vérifier que la serrure fonctionne adéquatement



10a Turn a lever inside the mortise lock and ensure both the mortise latch and top & bottom latches retract  
Haga girar un picaporte dentro de la cerradura embutida y asegúrese de que ambos: el cerrojo embutido y los cerrojos superior e inferior se retraigan  
Faire pivoter un levier dans le serrure à mortaiser et s'assurer que le loquet à mortaiser and les loquets inférieurs et supérieurs sont rétractés

10b Top latch should remain retracted. If not, the top rod is too short  
El cerrojo superior debe mantenerse retraído. De lo contrario, la barra superior es demasiado corta  
Le loquet supérieur doit rester rétracté. Si ce n'est pas le cas, cela signifie que la tige supérieure est trop courte

10c If mortise latch does not retract, the top rod is too long  
Si la cerradura embutida no se retrae, la barra superior es demasiado larga  
Si le loquet à mortaiser ne se rétracte pas, cela signifie que la tige supérieure est trop longue

## 11 Adjustment procedure

Procedimiento de ajuste

Procédure de réglage

11a If rod adjustment is required, remove mortise lock and rods  
Si fuera necesario ajustar la barra, quite la cerradura embutida y las barras  
Si la tige doit être réglée, retirez la serrure à mortaise et les tiges

11b Adjust the lifter length (see step 4) as required  
Ajuste la distancia del elevador (ver paso 4) según corresponda  
Réglez la longueur du dispositif de levage (voir étape 4) si nécessaire

① **Note: Lifter block may no longer align with default adjustment line**

① **Nota: Es posible que el bloque de elevación ya no esté alineado con la línea de ajuste estándar**

① **Remarque : il est possible que le bloc du dispositif de levage ne soit plus aligné avec la ligne de réglage par défaut**

11c Repeat steps 5-10 until functional check passes

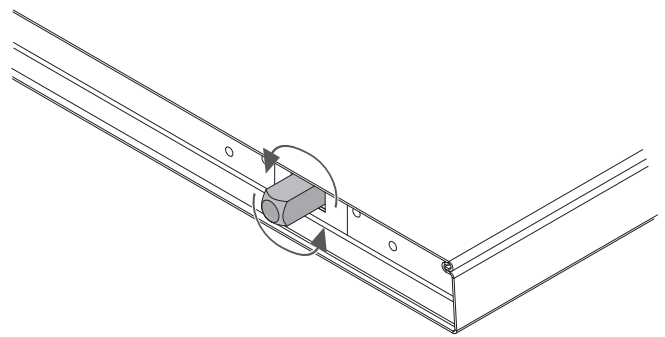
Repita los pasos 5 a 10 hasta comprobar que funcione correctamente

Répétez les étapes 5 à 10 jusqu'à ce que le test de fonctionnement réussisse

## 12 Adjust bottom bolt for 5/8" engagement

Ajuste el perno inferior para un acople de 5/8"

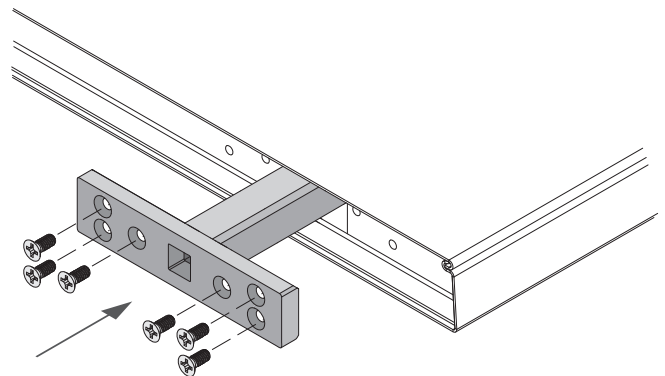
Ajuster le boulon inférieur pour un engagement de 5/8"



## 13 Install bottom rod guide

Instale la guía de la varilla inferior

Installer le guide de tige inférieure



Customer Service Servicio al cliente Service à la clientèle

1-877-671-7011

www.allegion.com/us



© Allegion 2014  
Printed in U.S.A.  
24515215 Rev. 08/14-b