



Schlage Master Template Index 2016





AD

-series-



AD-Series

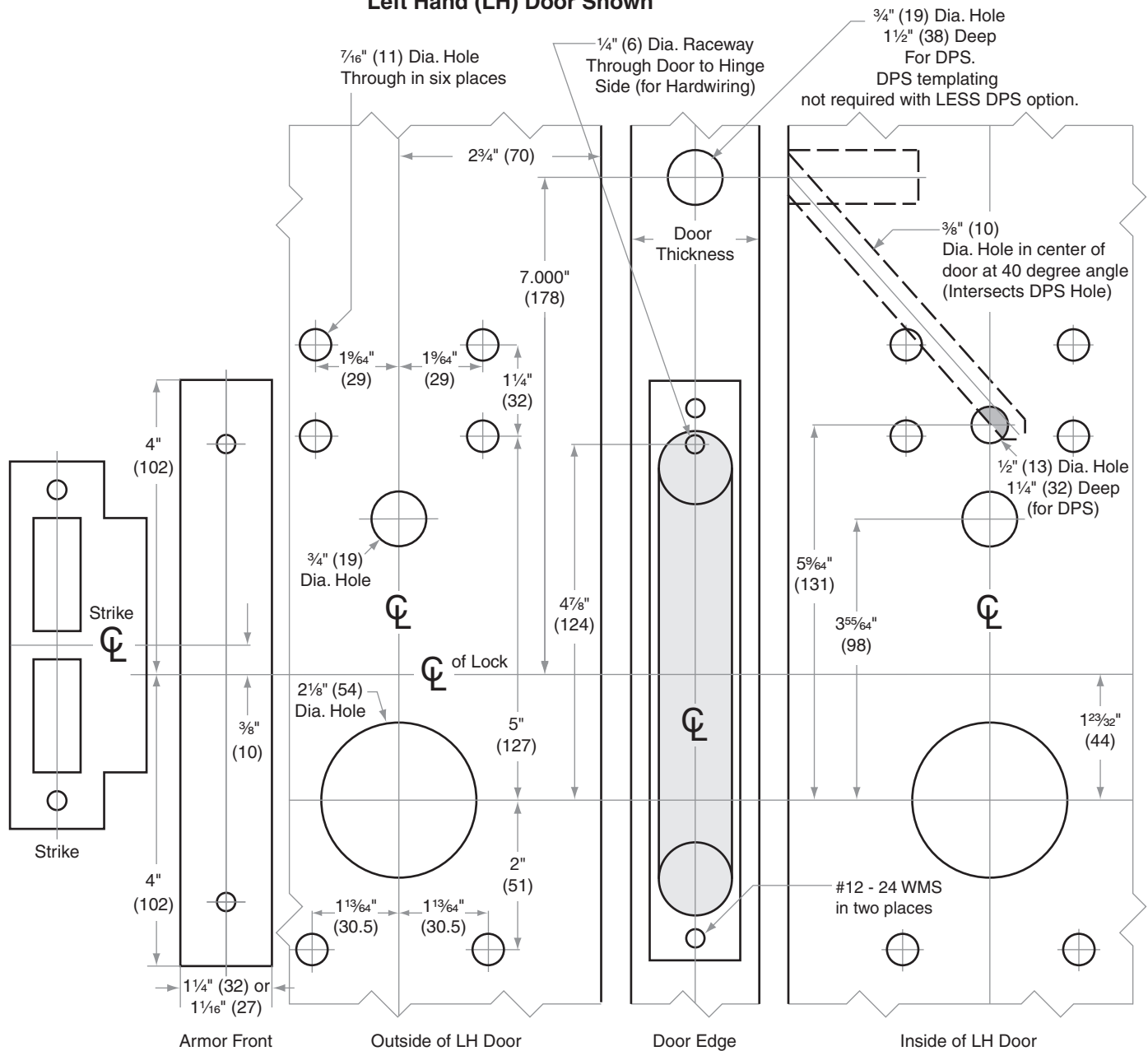
Models AD-200/250/300/400-MS

- Door Type: Wood or Composite, Flat or Beveled Conforms to ANSI BHMA A156.115-W
- Door Thickness: 1 3/8" (35 mm) – 2 3/4" (70 mm)
- Faceplate: Square Corner, 1 1/16" (27 mm) or 1 1/4" (32 mm) wide
- Backsets: 2 3/4" (70 mm)

For Mortise Case Dimensions, see Template L1

For Mortise Strike Dimensions, see Templates J918, J919, and J557

Left Hand (LH) Door Shown



Dimensions shown in parentheses () are in millimeters.

Door preparation template

AD103



AD-Series

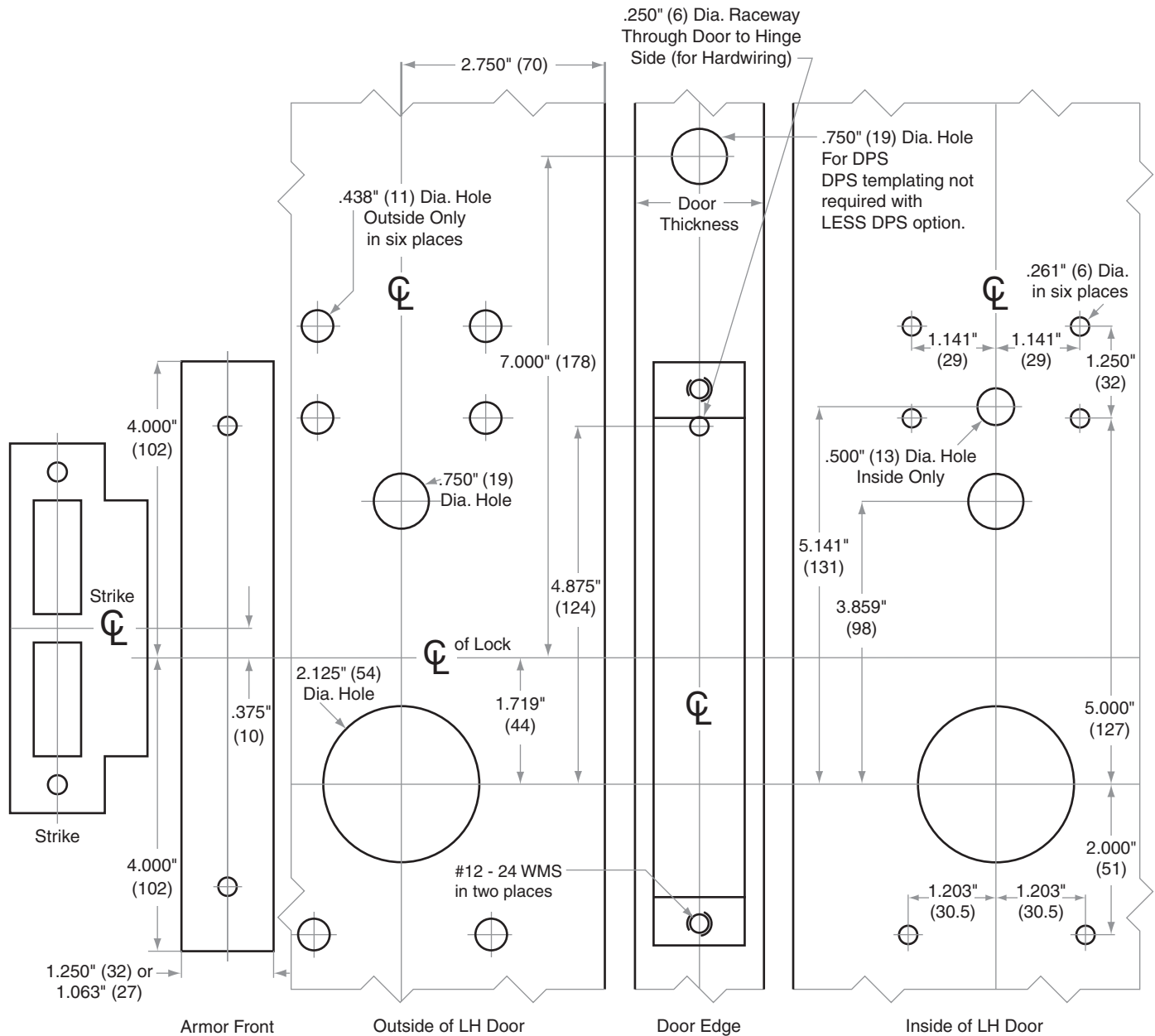
Models AD-200/250/300/400-MS

- Door Type: Metal, Flat or Beveled Conforms to ANSI/BHMA A156.115
- Door Thickness: 1 $\frac{3}{8}$ " (35 mm) – 2 $\frac{3}{4}$ " (70 mm)
- Faceplate: Square Corner, 1 $\frac{1}{16}$ " (27 mm) or 1 $\frac{1}{4}$ " (32 mm) wide
- Backsets: 2 $\frac{3}{4}$ " (70 mm)

For Mortise Case Dimensions, see Template L1

For Mortise Strike Dimensions, see Templates J918, J919, and J557

Left Hand (LH) Door Shown



Dimensions shown in parentheses () are in millimeters.

Door preparation template

AD104

AD-Series

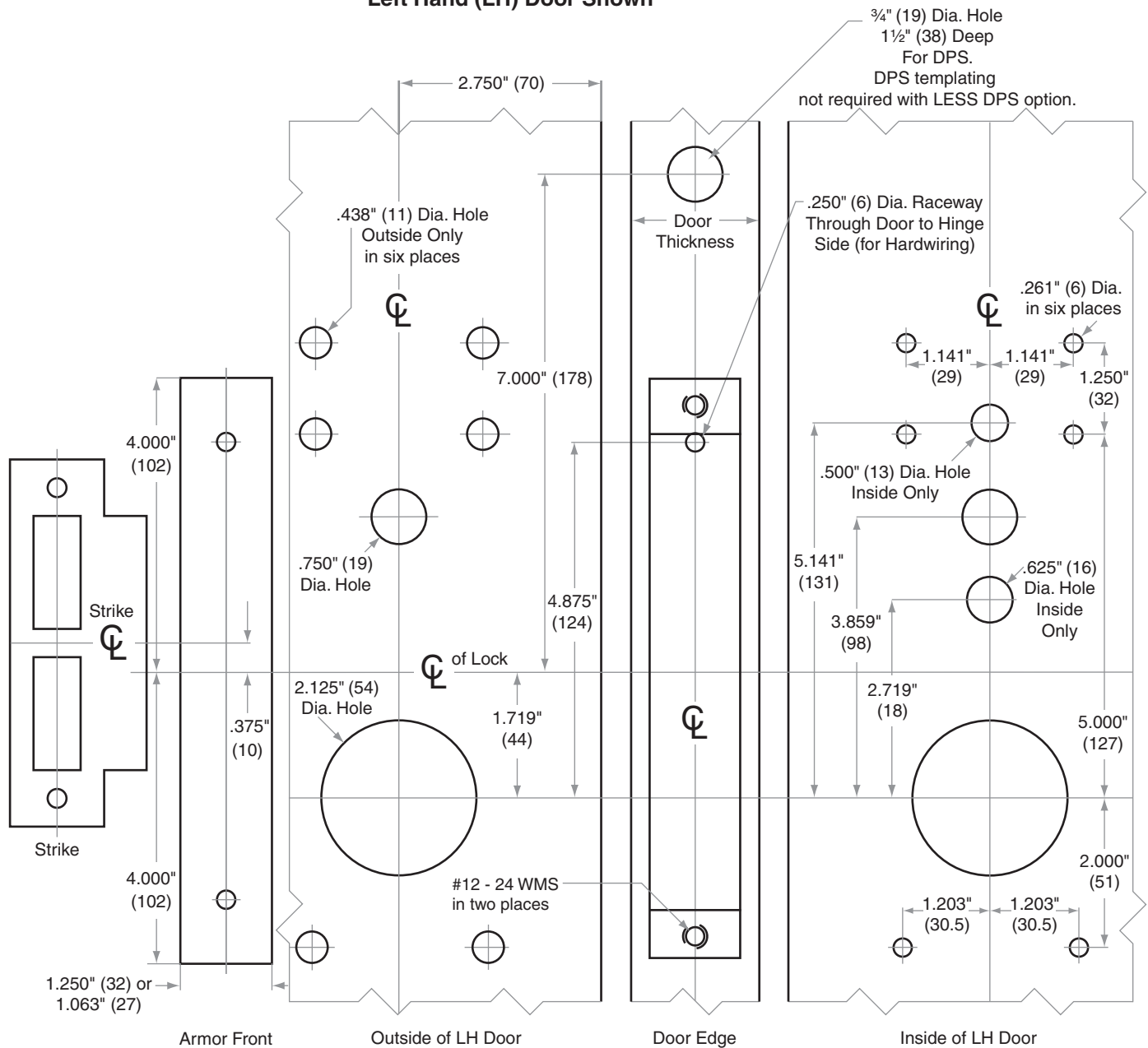
Models AD-200/250/300/400-MD

- Door Type: Metal, Flat or Beveled Conforms to ANSI/BHMA A156.115
- Door Thickness: 1 $\frac{3}{8}$ " (35 mm) – 2 $\frac{3}{4}$ " (70 mm)
- Faceplate: Square Corner, 1 $\frac{1}{16}$ " (27 mm) or 1 $\frac{1}{4}$ " (32 mm) wide
- Backsets: 2 $\frac{3}{4}$ " (70 mm)

For Mortise Case Dimensions, see Template L1

For Mortise Strike Dimensions, see Templates J918, J919, and J557

Left Hand (LH) Door Shown



Dimensions shown in parentheses () are in millimeters.

Door preparation template

AD106

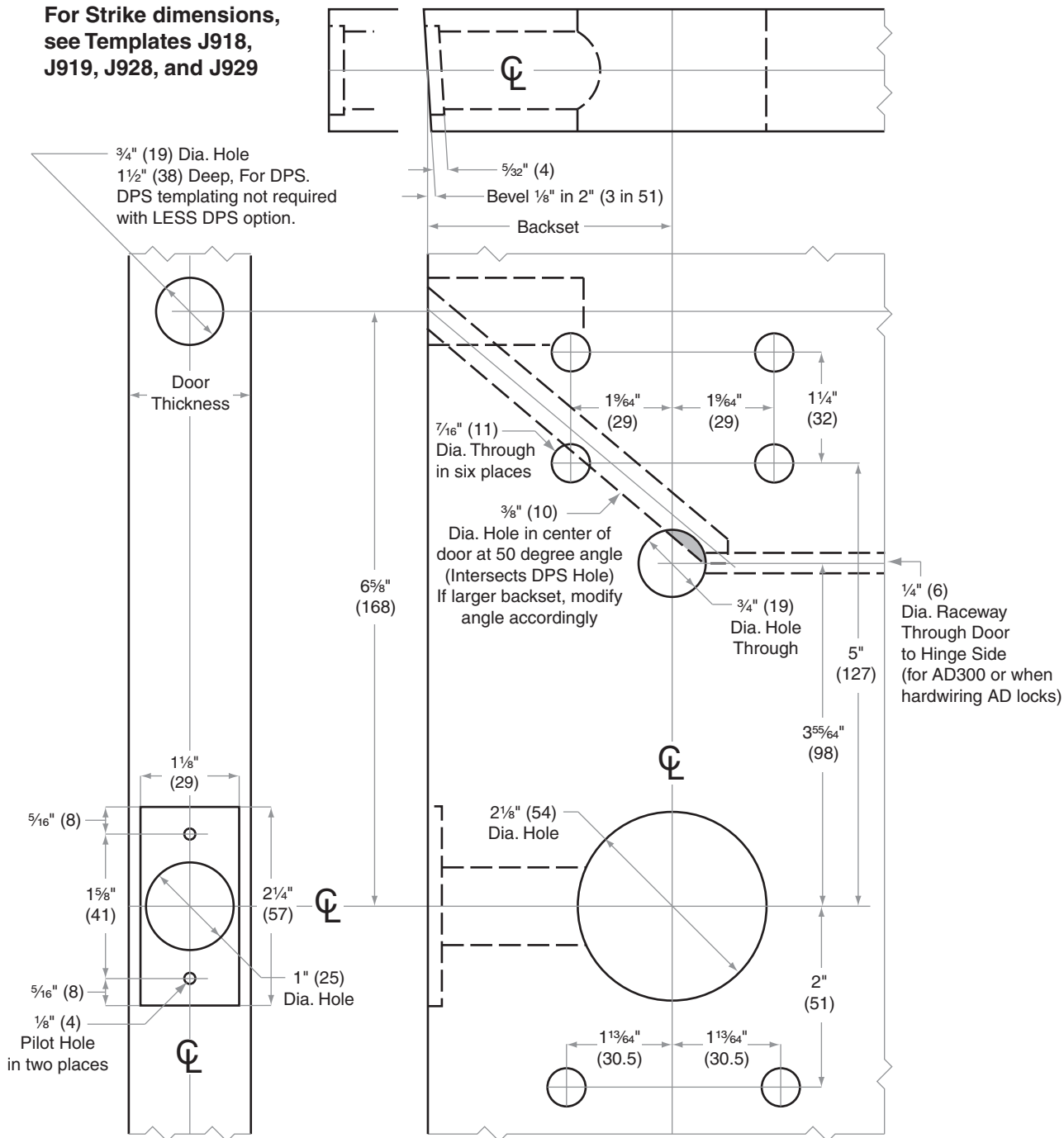


AD-Series

Models AD-200/250/300/400-CY

- Door Type: Wood or Composite, Flat or Beveled Conforms to ANSI BHMA A156.115-W
- Door Thickness: 1 3/8" (35 mm) – 2 3/4" (70 mm)
- Faceplate: Square Corner, 1 1/8" (29 mm) wide
- Backsets: 2 3/4" (70 mm), 2 3/8" (60 mm), 3 3/4" (95 mm), 5 3/4" (146 mm)

For Strike dimensions, see Templates J918, J919, J928, and J929



Dimensions shown in parentheses () are in millimeters.

Door preparation template

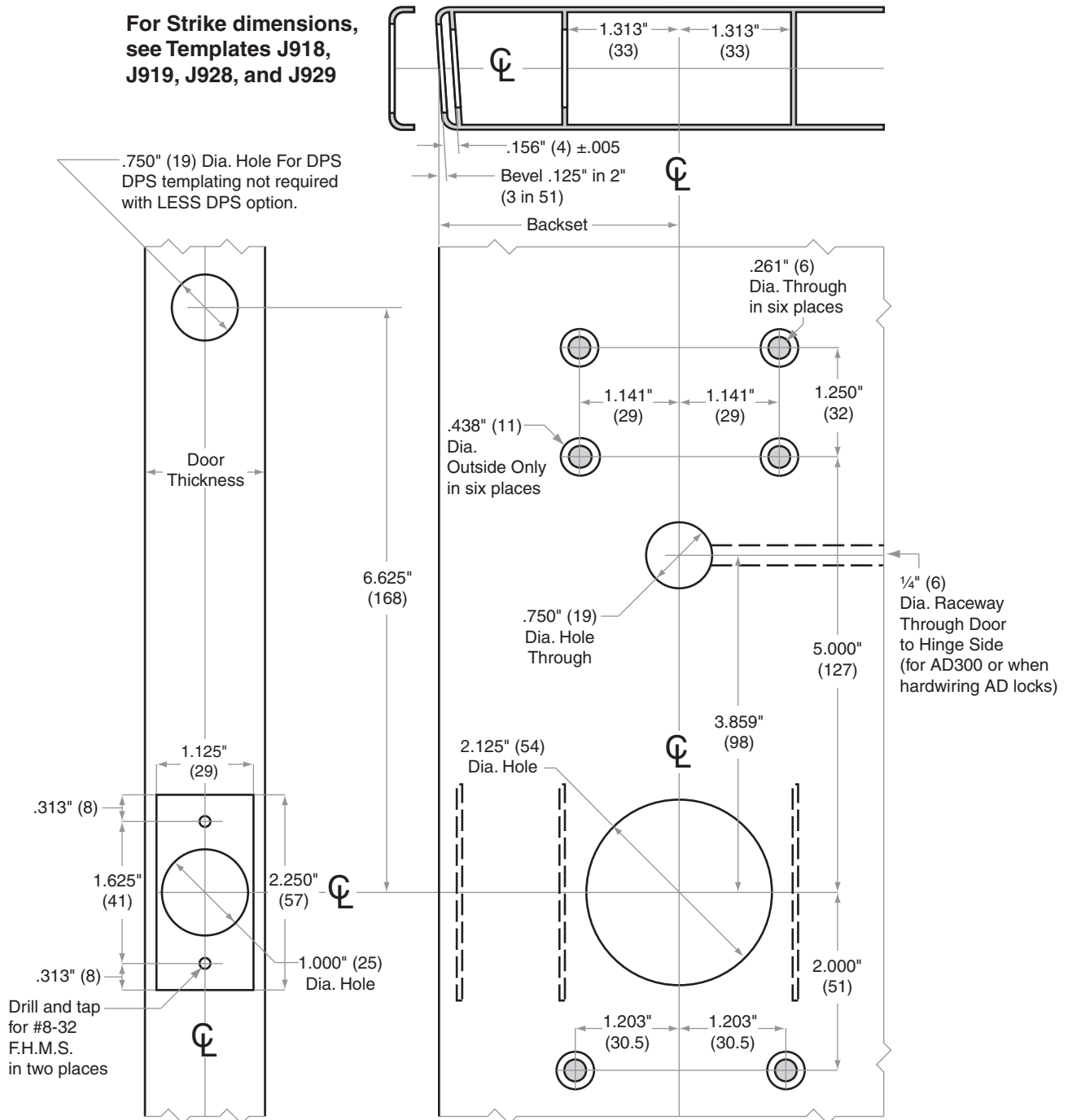


AD-Series

Models AD-200/250/300/400-CY

- Door Type: Metal, Flat or Beveled Conforms to ANSI/BHMA A156.115
- Door Thickness: 1 $\frac{1}{8}$ " (35 mm) – 2 $\frac{3}{4}$ " (70 mm)
- Faceplate: Square Corner, 1 $\frac{1}{8}$ " (29 mm) wide
- Backsets: 2 $\frac{3}{4}$ " (70 mm), 2 $\frac{3}{8}$ " (60 mm), 3 $\frac{3}{4}$ " (95 mm), 5 $\frac{3}{4}$ " (146 mm)

For Strike dimensions, see Templates J918, J919, J928, and J929



Dimensions shown in parentheses () are in millimeters.

Door preparation template

AD102



AL

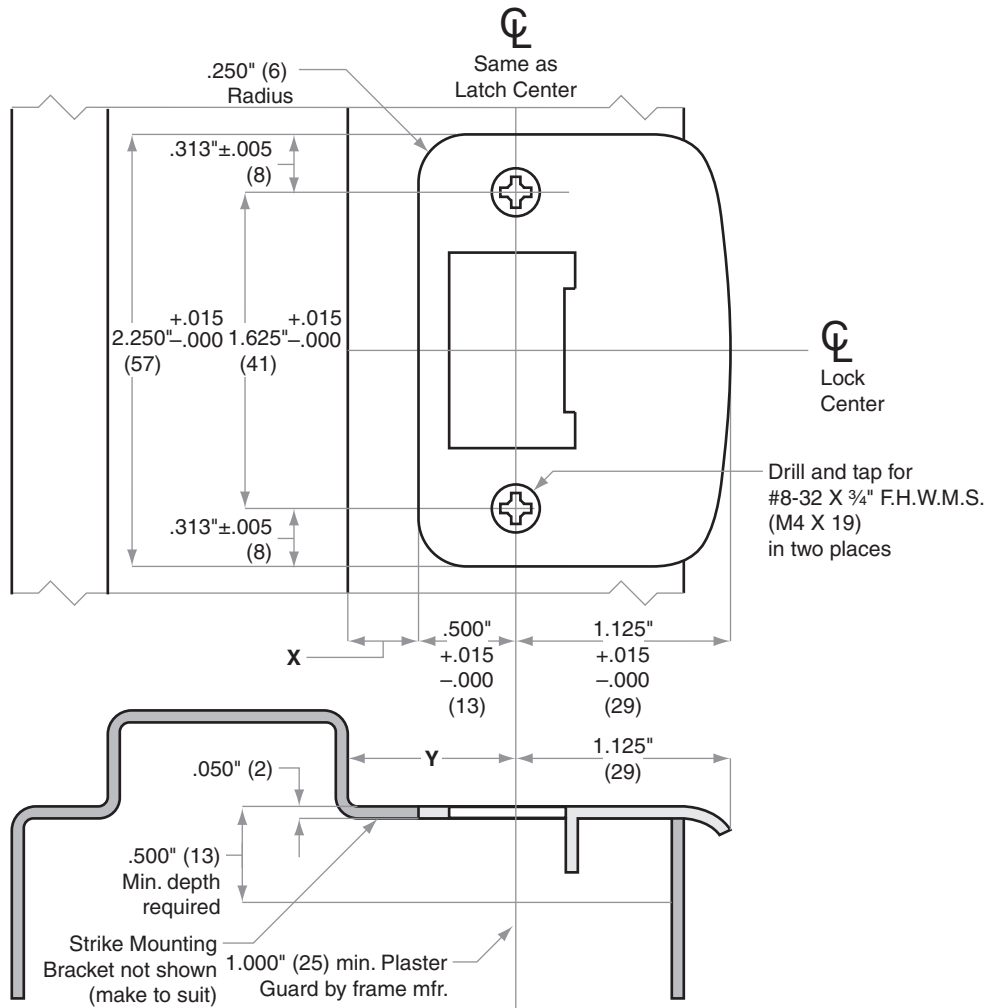
-series-



Strikes

Model 10-027

Jamb Type: Metal
 Style: Full Lip, Round Corner, 1/4" (6 mm) Radius
 Standard for: F-Series | FE-Series
 Optional for: A-Series | AL-Series | S-Series



Dimensions X and Y are variables dependent on the door thickness

Dimensions shown in parentheses () are in millimeters.

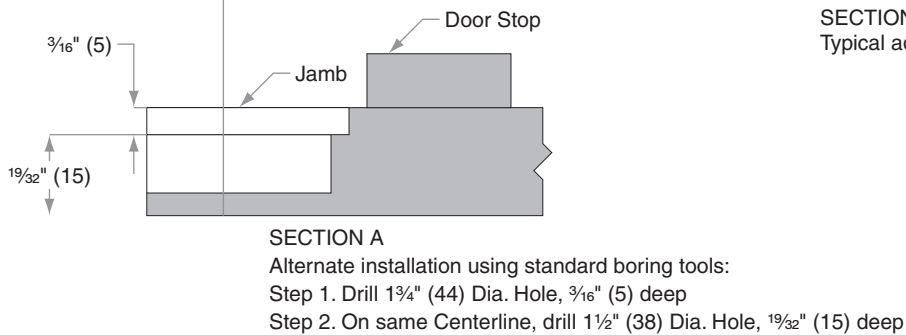
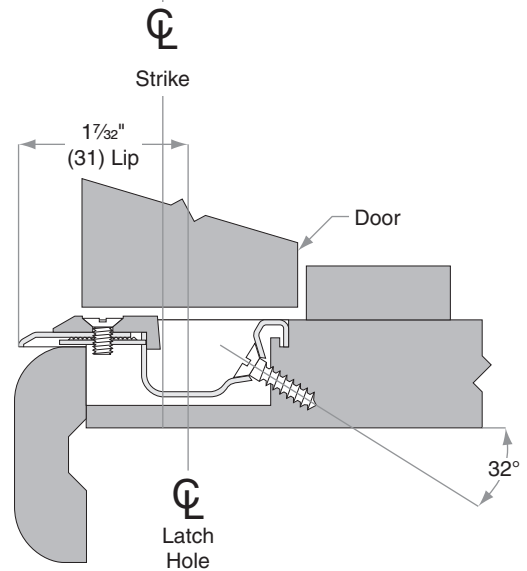
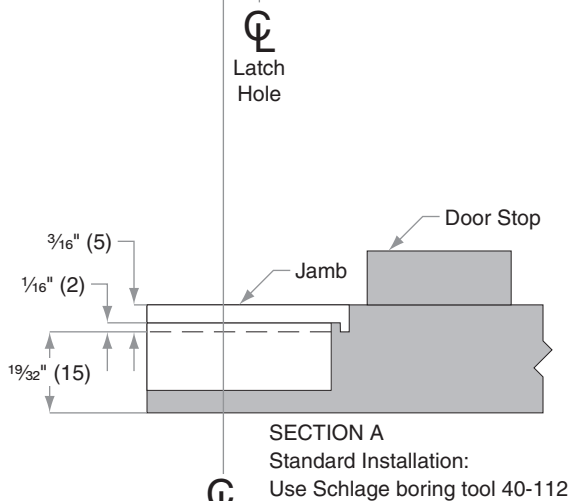
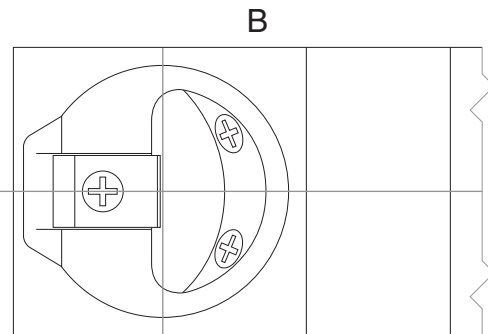
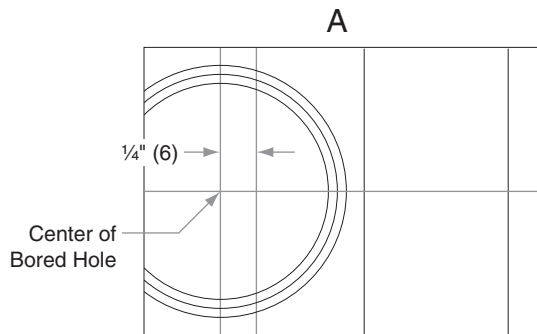
Door preparation template



Strikes

Model 10-058

Jamb Type: Wood
 Style: Circular Drive-In
 Standard for:
 Optional for: A-Series | AL-Series | F-Series



Dimensions shown in parentheses () are in millimeters.

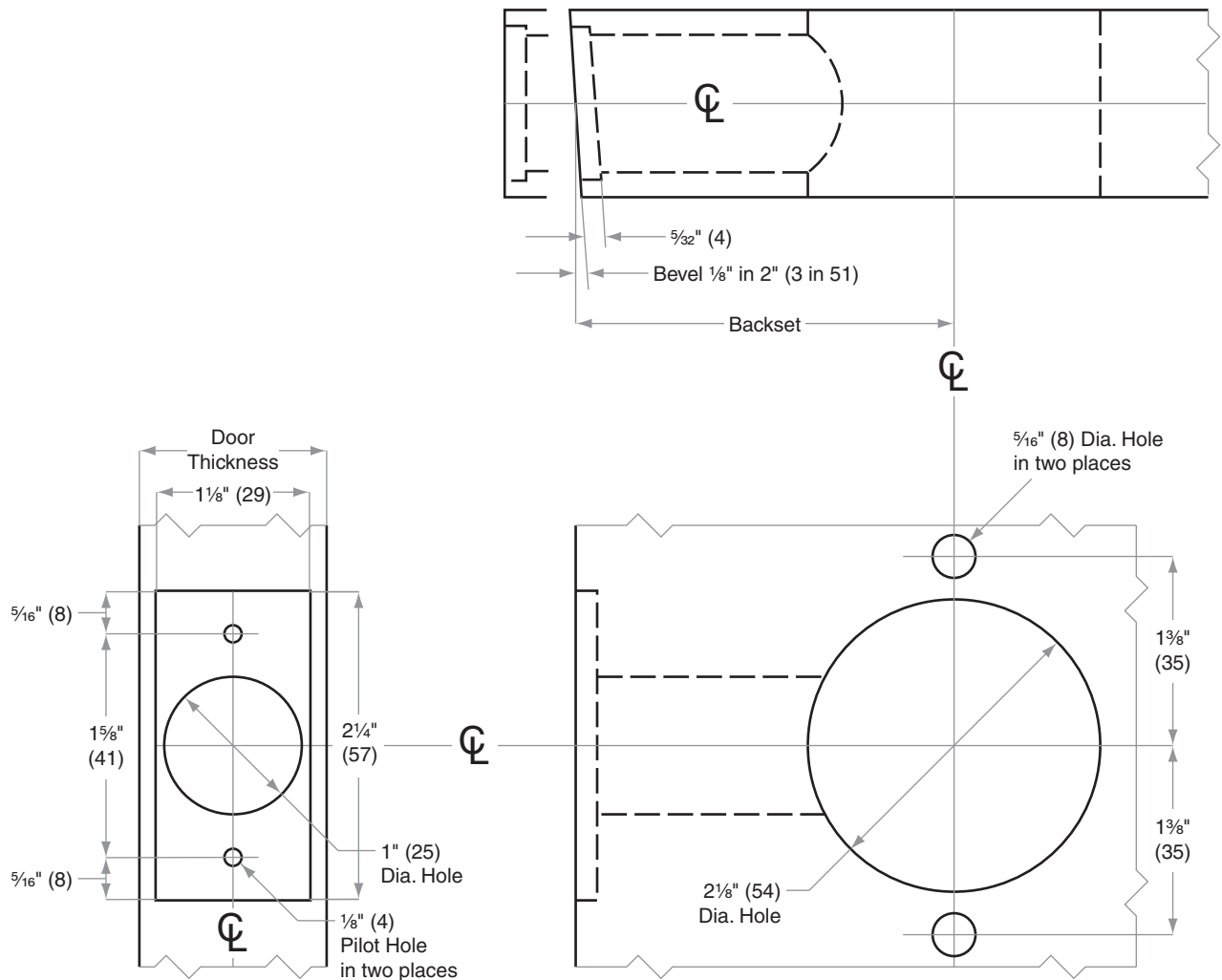
Door preparation template



AL-Series

Models AL10– AL85

- Door Type:** Wood or Composite, Flat or Beveled
Door Thickness: 1 $\frac{3}{8}$ " (35 mm)– 1 $\frac{7}{8}$ " (48 mm)
Faceplate: Square Corner, 1 $\frac{1}{8}$ " (29 mm) wide
Backsets: 2 $\frac{3}{8}$ " (60 mm), **2 $\frac{3}{4}$ " (70 mm)**, 3 $\frac{3}{4}$ " (95 mm), 5" (127 mm)



Dimensions shown in parentheses () are in millimeters.

Door preparation template

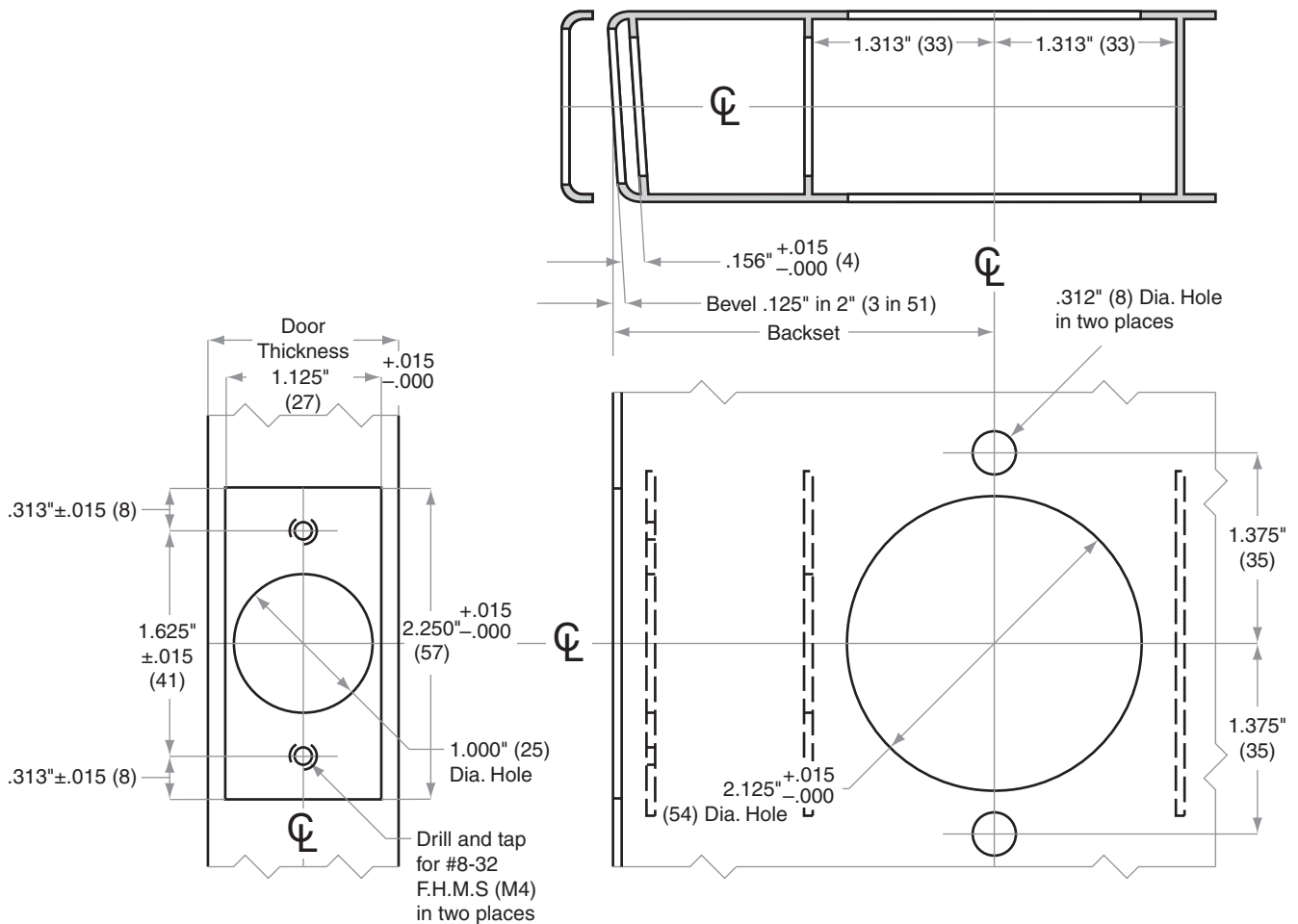


AL-Series

Models AL10– AL85

- Door Type:** Metal, Flat or Beveled
Door Thickness: 1 $\frac{1}{8}$ " (35 mm)– 1 $\frac{7}{8}$ " (48 mm)
Faceplate: Square Corner, 1 $\frac{1}{8}$ " (29 mm) wide
Backsets: 2 $\frac{3}{8}$ " (60 mm), **2 $\frac{3}{4}$ " (70 mm)**, 3 $\frac{3}{4}$ " (95 mm), 5" (127 mm)

For metal door installations, suitable reinforcement is required to support latch in center of door and to prevent lateral movement



Dimensions shown in parentheses () are in millimeters.

Door preparation template

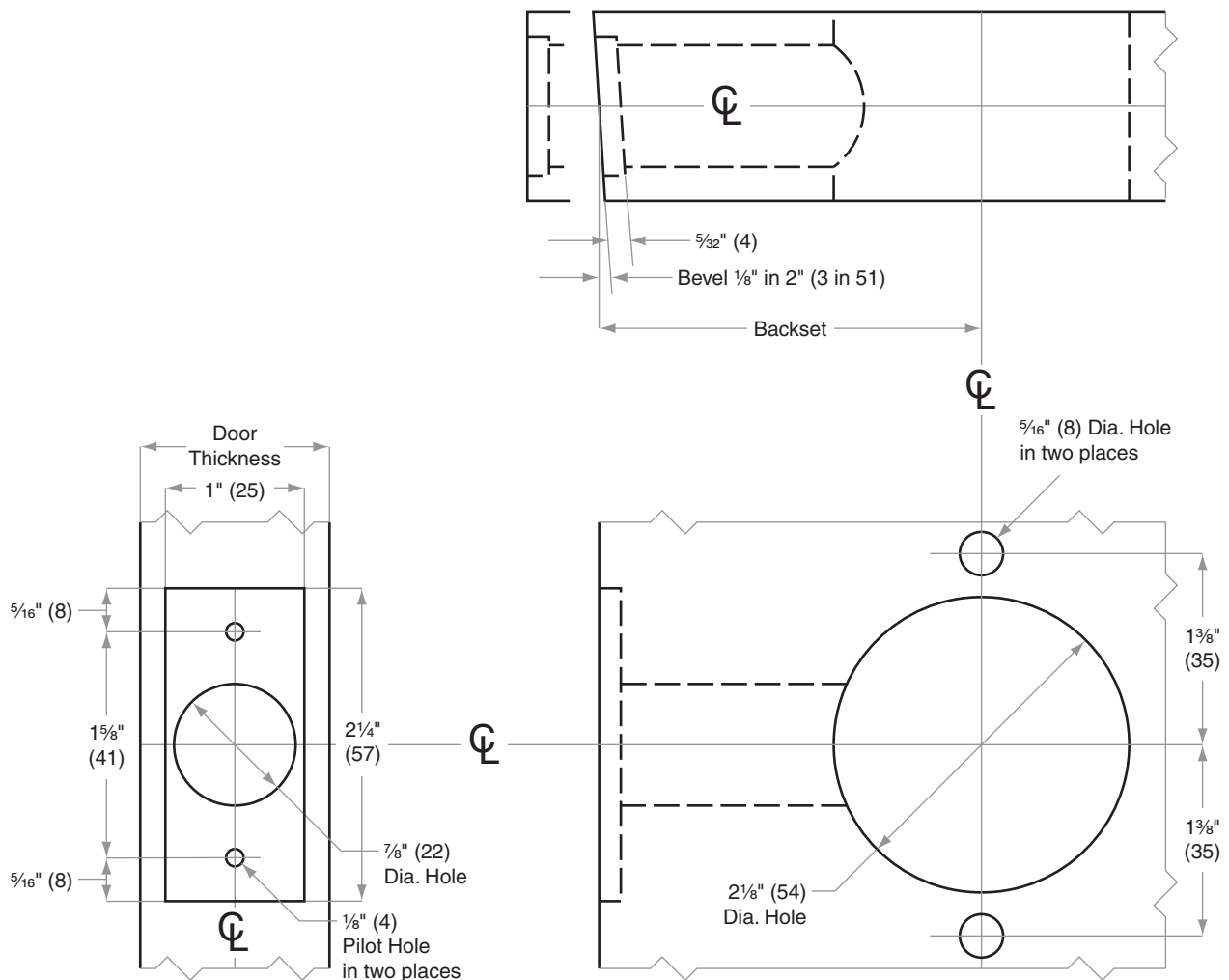
AL889



AL-Series

Models AL10– AL85

- Door Type:** Wood or Composite, Flat or Beveled
Door Thickness: 1 $\frac{1}{8}$ " (35 mm)– 1 $\frac{7}{8}$ " (48 mm)
Faceplate: Square Corner, 1" (25 mm) wide
Backsets: 2 $\frac{3}{8}$ " (60 mm), **2 $\frac{3}{4}$ " (70 mm)**, 3 $\frac{3}{4}$ " (95 mm), 5" (127 mm)



Dimensions shown in parentheses () are in millimeters.

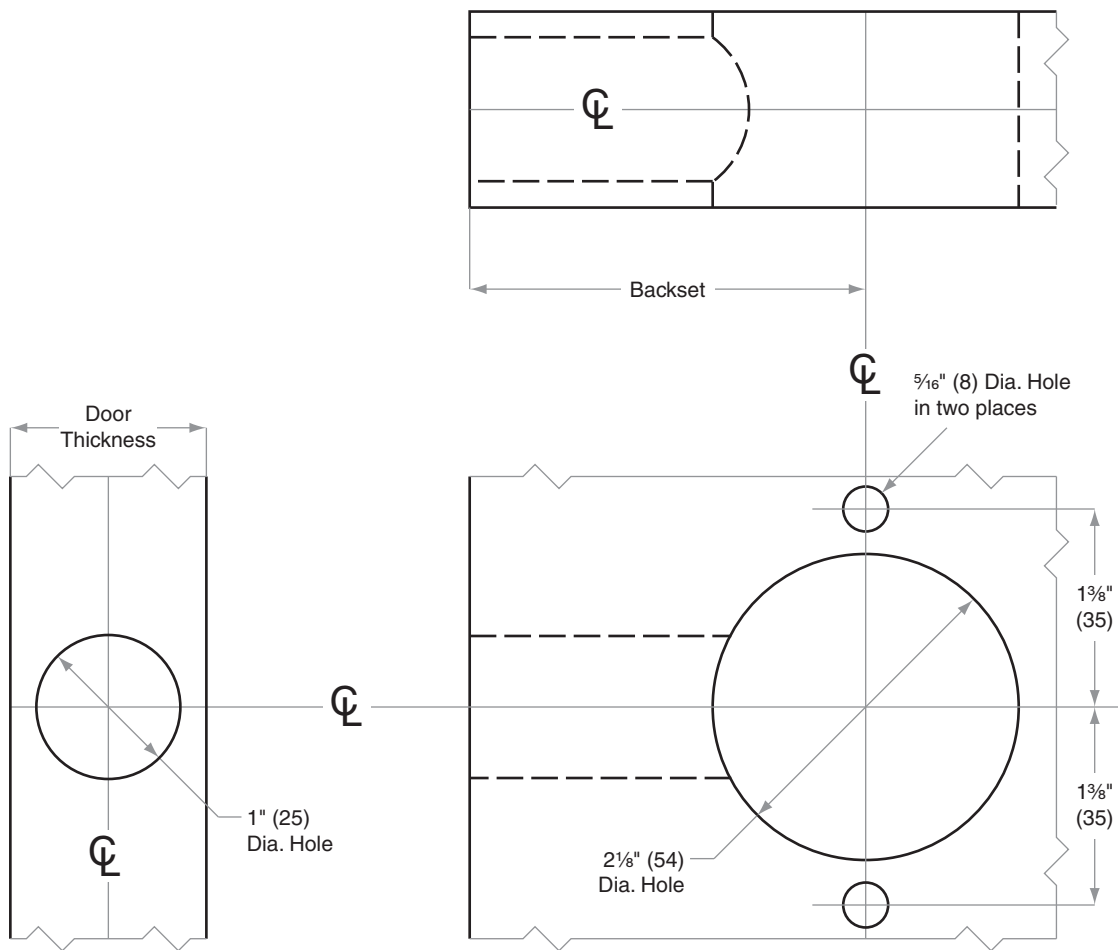
Door preparation template



AL-Series

Models AL10– AL85

Door Type: Wood or Composite, Flat
Door Thickness: 1 $\frac{3}{8}$ " (35 mm)– 1 $\frac{7}{8}$ " (48 mm)
Faceplate: Circular Drive-In
Backsets: 2 $\frac{3}{8}$ " (60 mm), 2 $\frac{3}{4}$ " (70 mm)



Dimensions shown in parentheses () are in millimeters.

Door preparation template

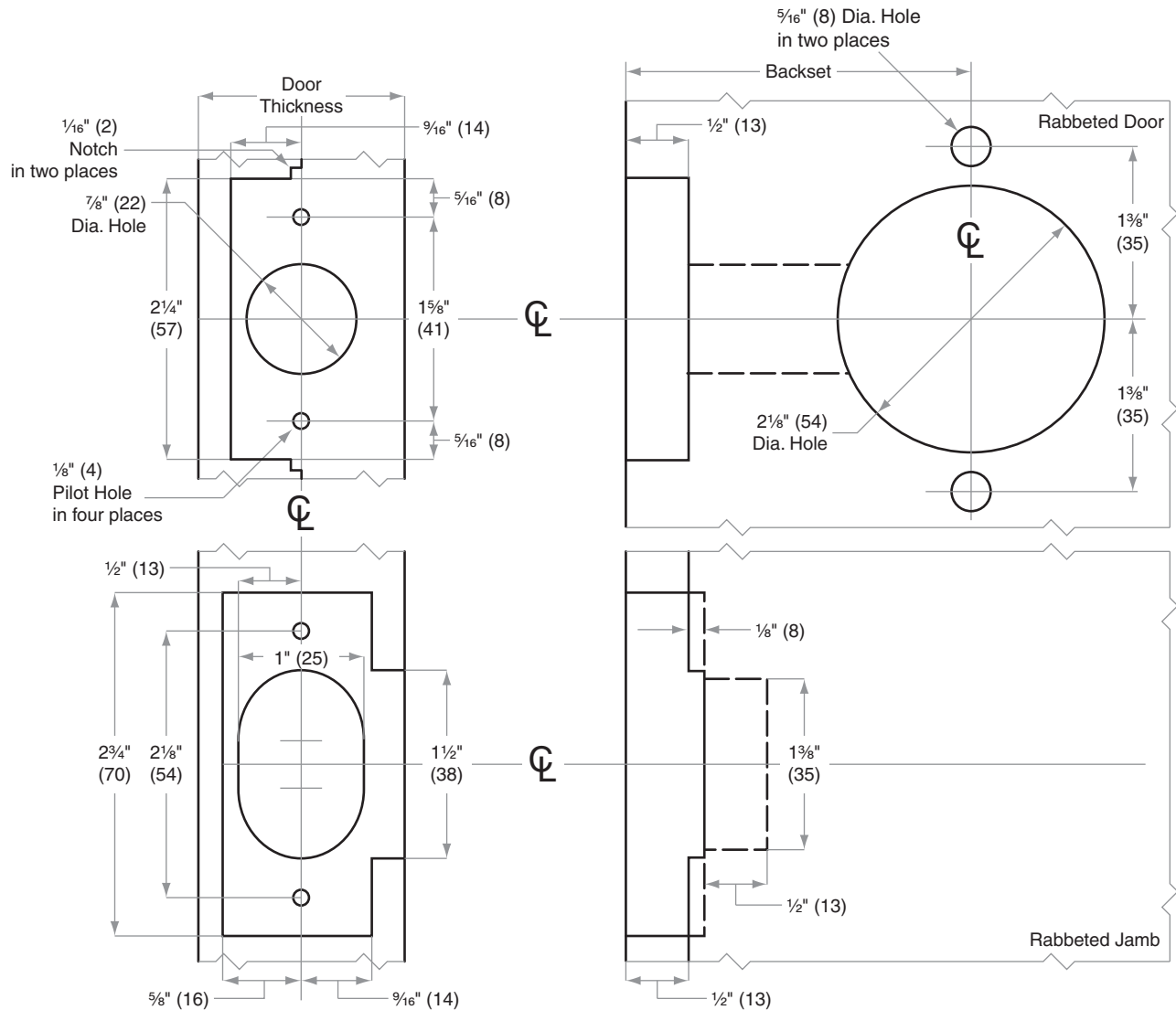
AL893



AL-Series

Models AL10– AL85

- Door Type:** Wood or Composite, rabbeted, flat
Door Thickness: 1 $\frac{3}{8}$ " (35 mm)– 1 $\frac{7}{8}$ " (48 mm)
Faceplate: Square Corner, 1" (25 mm) wide, $\frac{1}{2}$ " (6 mm) rabbeted and strike
Backsets: 2 $\frac{3}{8}$ " (60 mm), **2 $\frac{3}{4}$ " (70 mm)**, 3 $\frac{3}{4}$ " (95 mm), 5" (127 mm)



Dimensions shown in parentheses () are in millimeters.

Door preparation template



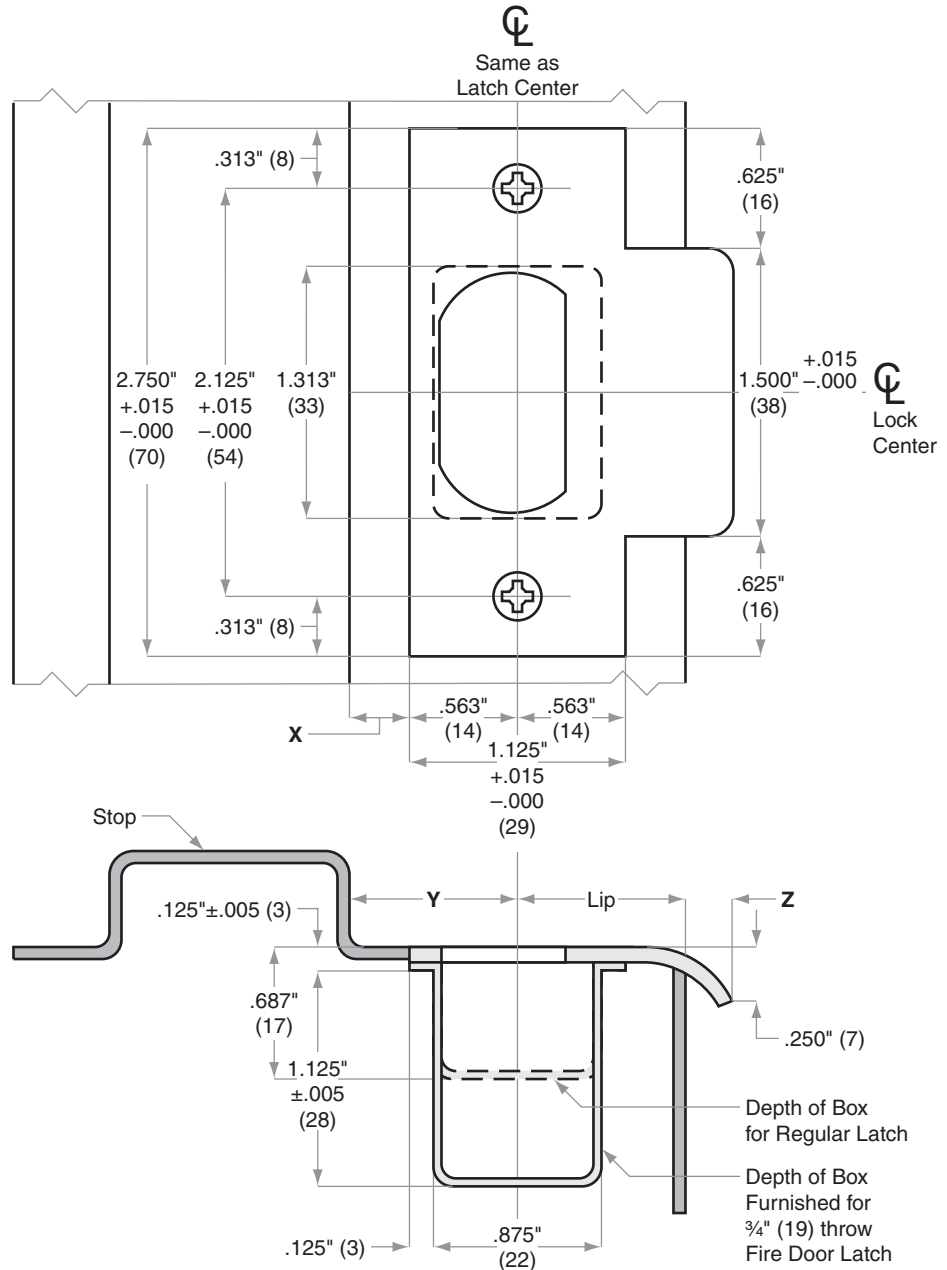
Strikes

Models 10-001, 10-013, 10-016, 10-019

Jamb Type: Metal
 Style: T-Strike, Square Corner
 Standard for: A-Series | B250-Series | S-Series
 Optional for: AL-Series | F-Series | D-Series Knobs | ND-Series Levers

NOTE:

1. Dimensions X and Y are variables dependent on door thickness
2. Curved strike extension beyond jamb at Z must not be less than $\frac{3}{16}$ " (5) to ensure proper functioning of latch bolt
3. $1\frac{1}{8}$ " (29) Lip length for $1\frac{3}{8}$ " (35) to $1\frac{3}{4}$ " (44) doors. Other lengths available
4. Strike location on frames must be adjusted for thickness of door silencers, when used



Dimensions shown in parentheses () are in millimeters.

Door preparation template



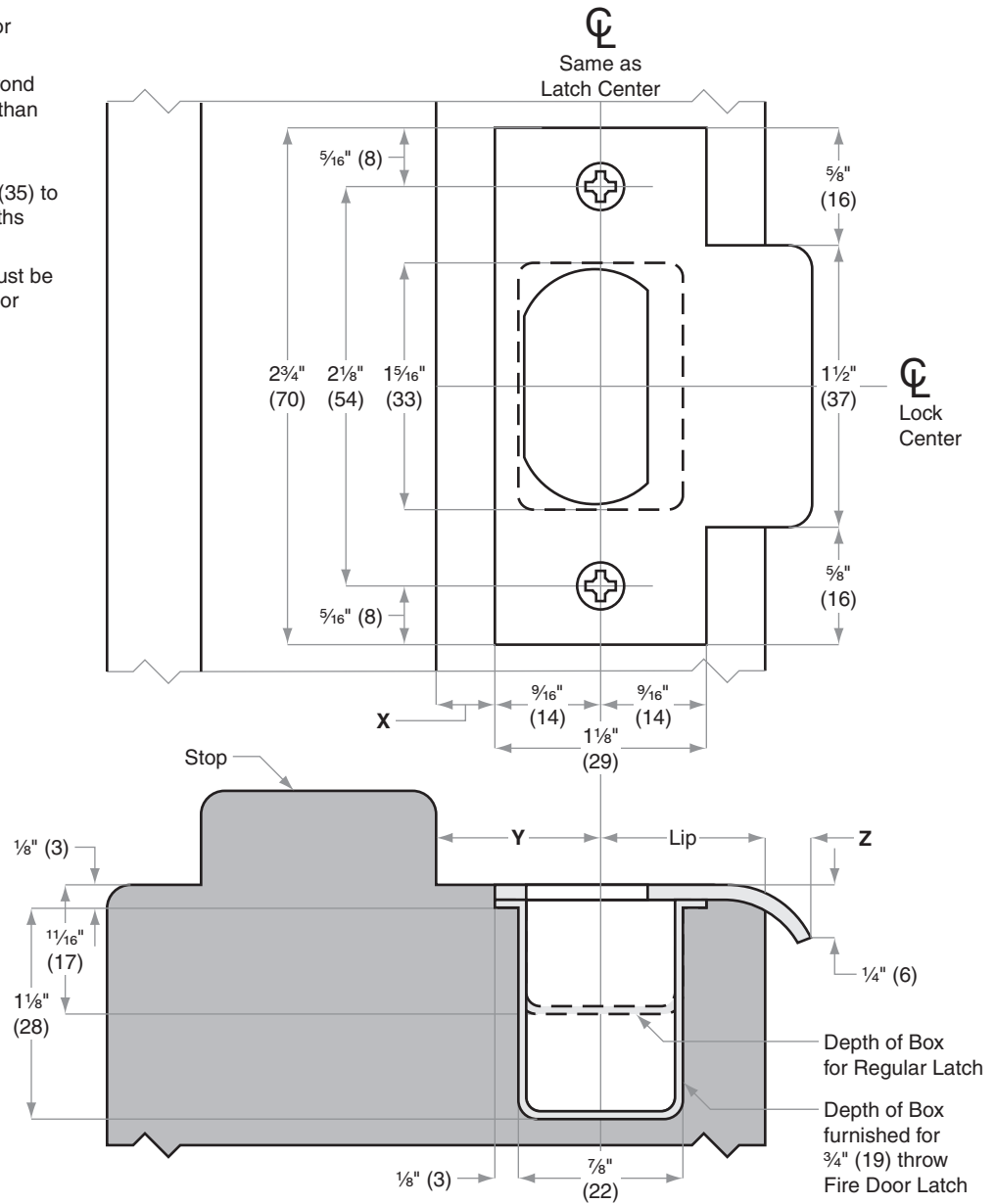
Strikes

Models 10-001, 10-013, 10-016, 10-019

Jamb Type: Wood
Style: T-Strike, Square Corner
Standard for: A-Series | B250-Series | S-Series
Optional for: AL-Series | F-Series | D-Series Knobs | ND-Series Levers

NOTE:

1. Dimensions X, Y and Z are variables dependent on door thickness
2. Curved strike extension beyond jamb at Z must not be less than 3/16" (5) to ensure proper functioning of latch bolt
3. 1 1/8" (29) Lip length for 1 3/8" (35) to 1 3/4" (44) doors. Other lengths available
4. Strike location on frames must be adjusted for thickness of door silencers, when used



Dimensions shown in parentheses () are in millimeters.

Door preparation template

J928

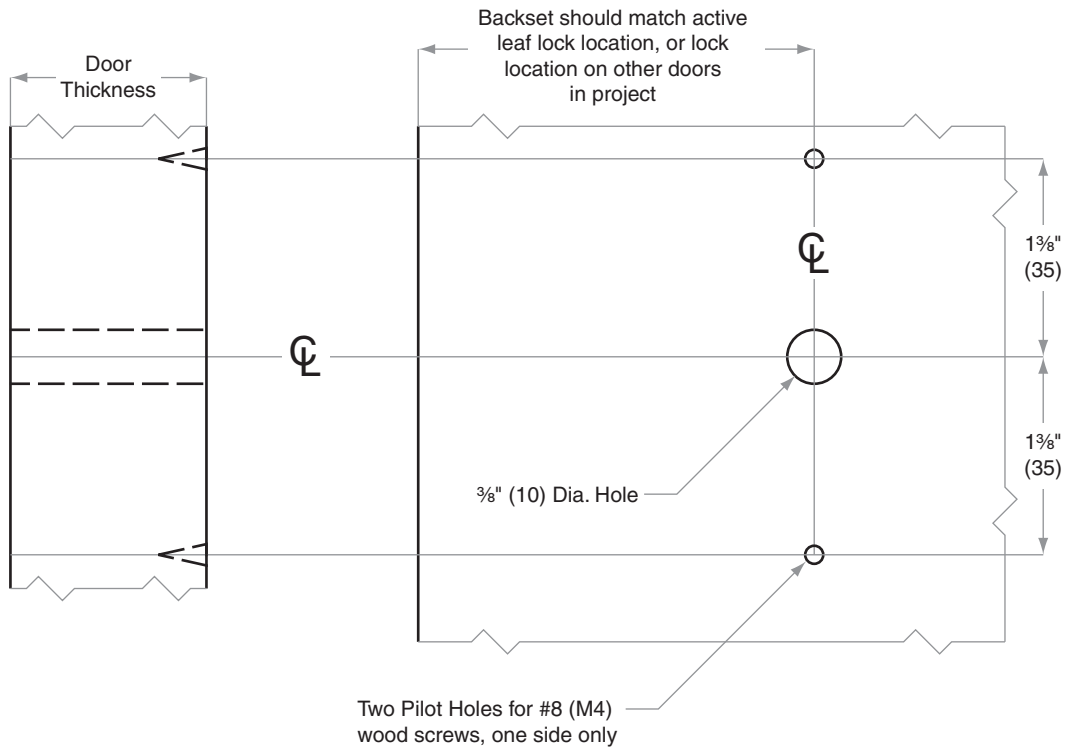


AL-Series

Models AL170



Door Type: Wood or Composite
Door Thickness: 1 3/8" (35 mm) – 2" (51 mm)
Faceplate: None
Backsets: Any



Dimensions shown in parentheses () are in millimeters.

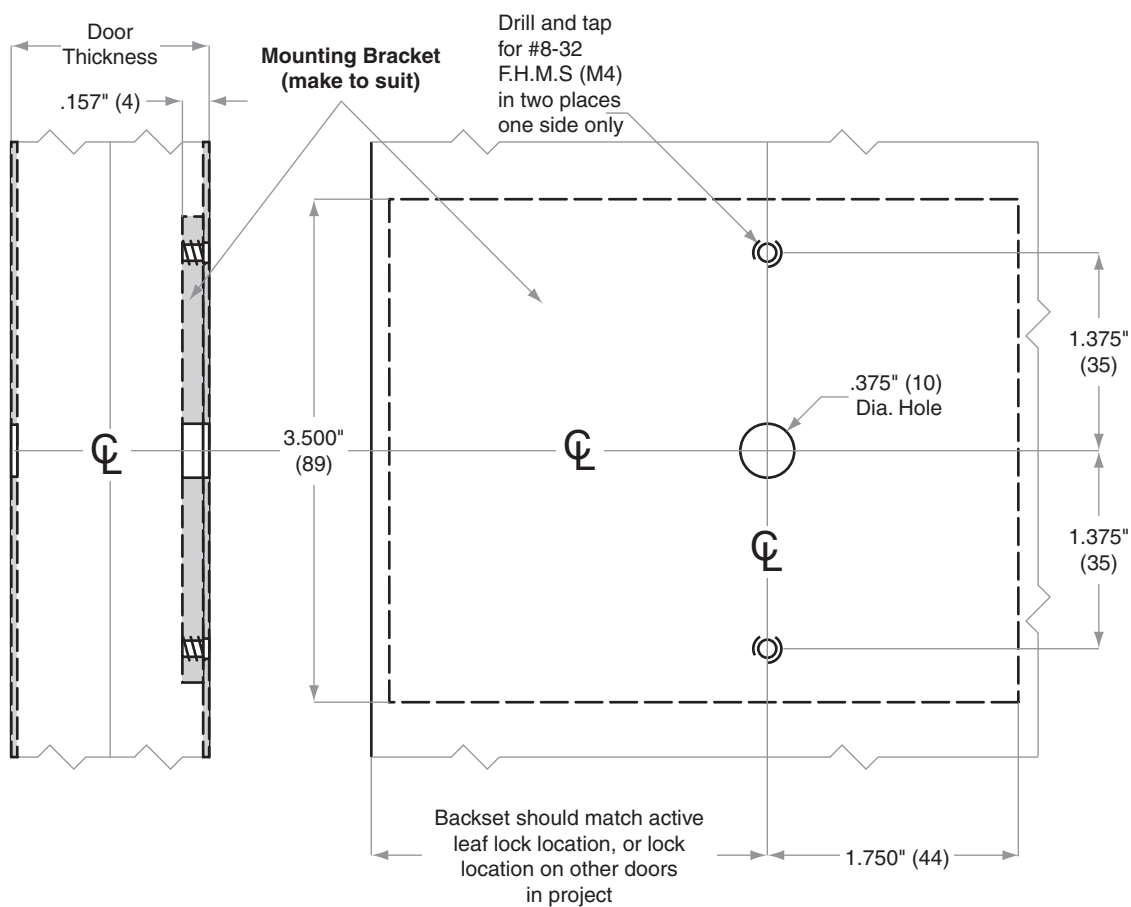
Door preparation template



AL-Series

Models AL170

Door Type: Metal
Door Thickness: 1 3/8" (35 mm) – 2" (51 mm)
Faceplate: None
Backsets: Any



Dimensions shown in parentheses () are in millimeters.

Door preparation template



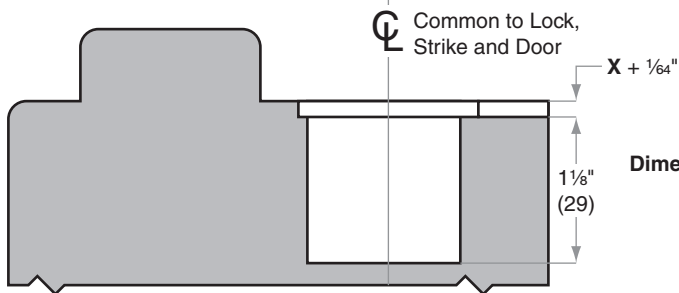
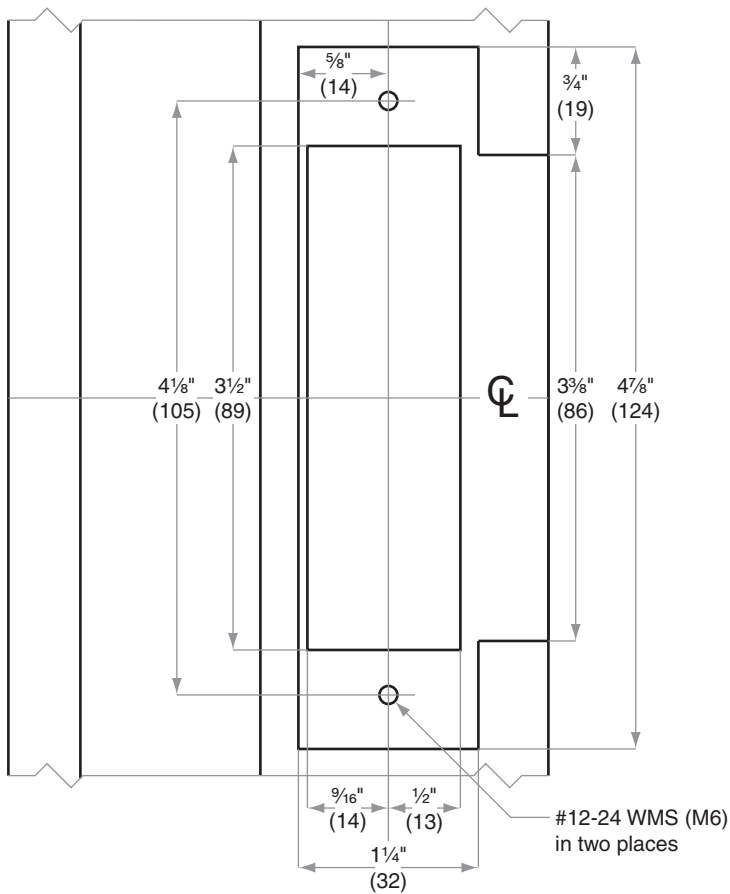
Strikes

Models 10-025, 10-072, 10-087

Jamb Type: Wood
Style: ANSI Standard for 1¾" (44 mm) doors
Standard for: AL-Series (10-025) | D-Series Knobs (10-025) | ND-Series Lever (10-025) | L/LV9000-Series (10-072)
Optional for: A-Series | B250-Series | F-Series | S-Series

NOTE:

1. When reinforcement plate is specified, mortise additional 1/8" (3) to Dimension X
2. Strike location on frames must be adjusted for thickness of door silencers when used



Dimension X: 10-025: 3/32" (2) when strike box not specified
 10-072 and 10-087: 5/32" (4) for strike box, detached

Dimensions shown in parentheses () are in millimeters.

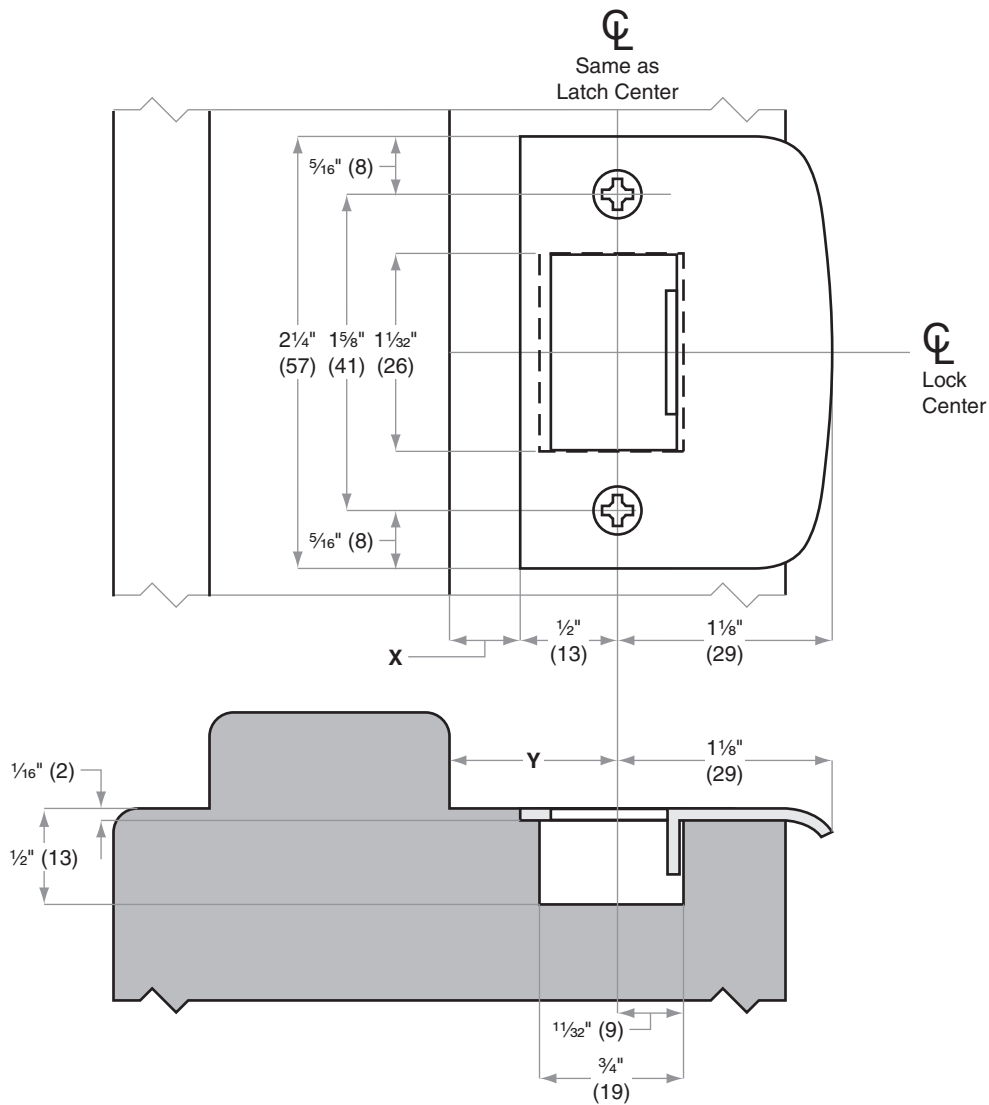
Door preparation template



Strikes

Model 10-026

Jamb Type: Wood
Style: Full Lip, Square Corner
Standard for:
Optional for: A-Series | AL-Series | F-Series



Dimensions X and Y are variables dependent on door thickness

Dimensions shown in parentheses () are in millimeters.

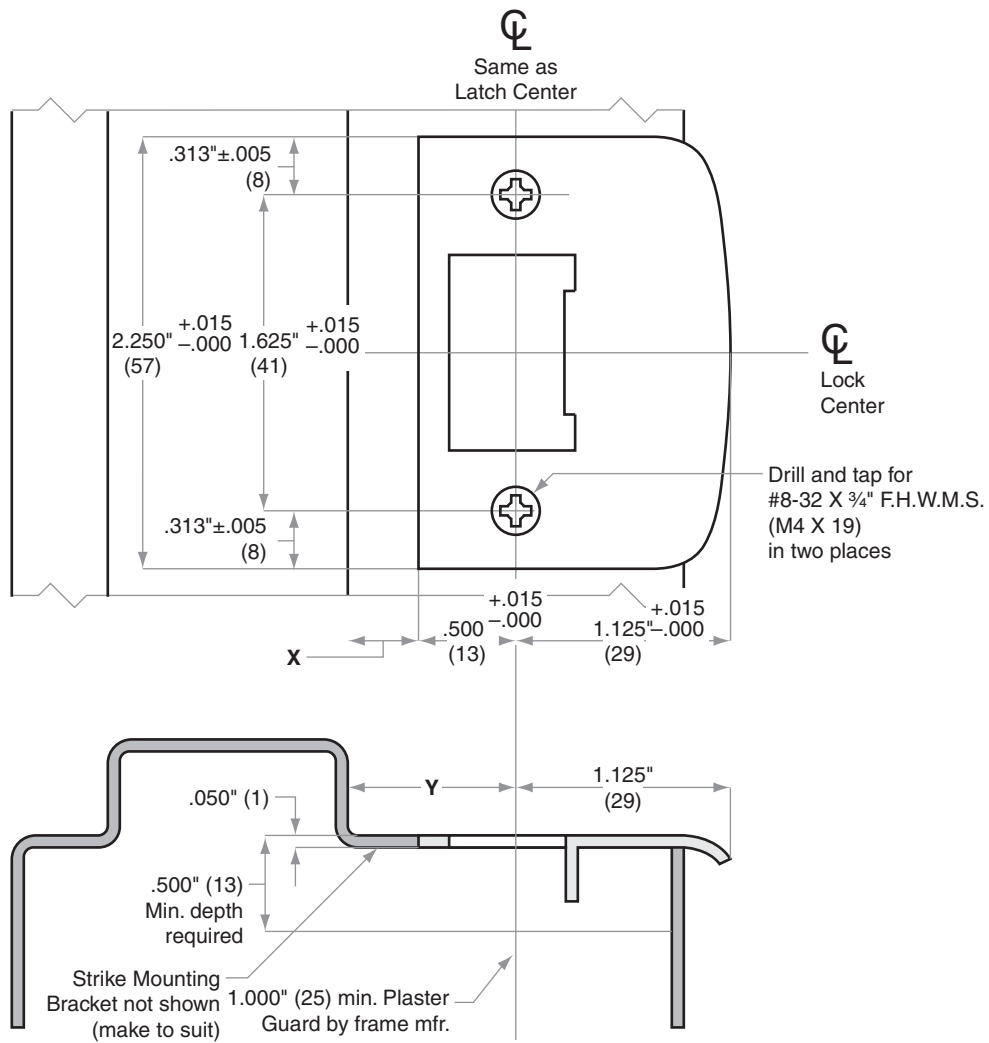
Door preparation template



Strikes

Model 10-026

Jamb Type: Metal
 Style: Full Lip, Square Corner
 Standard for:
 Optional for: A-Series | AL-Series | F-Series



Dimensions X and Y are variables dependent on the door thickness used

Dimensions shown in parentheses () are in millimeters.

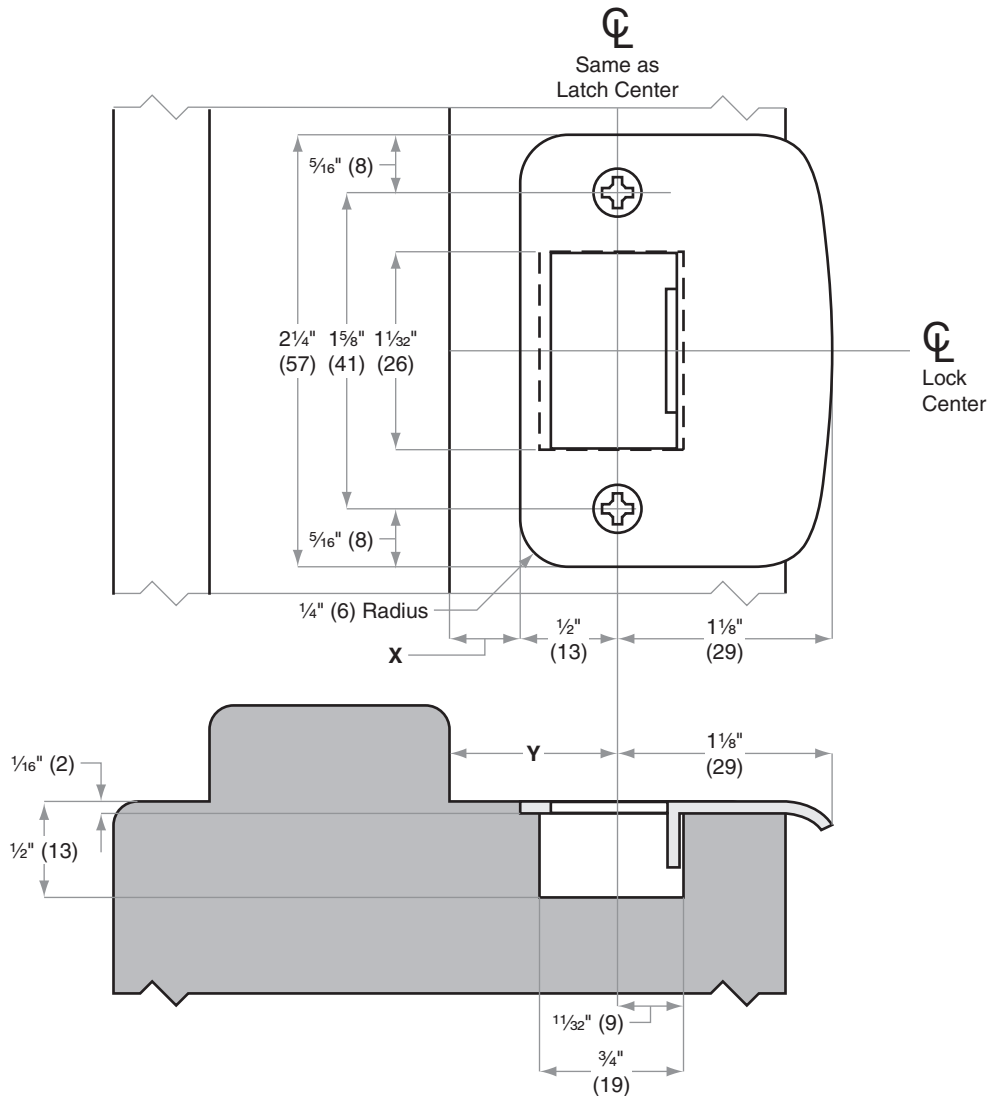
Door preparation template



Strikes

Model 10-027

Jamb Type: Wood
 Style: Full Lip, Round Corner, 1/4" (6 mm) Radius
 Standard for: F-Series | FE-Series
 Optional for: A-Series | AL-Series | S-Series



Dimensions X and Y are variables dependent on door thickness

Dimensions shown in parentheses () are in millimeters.

Door preparation template



A

-series-

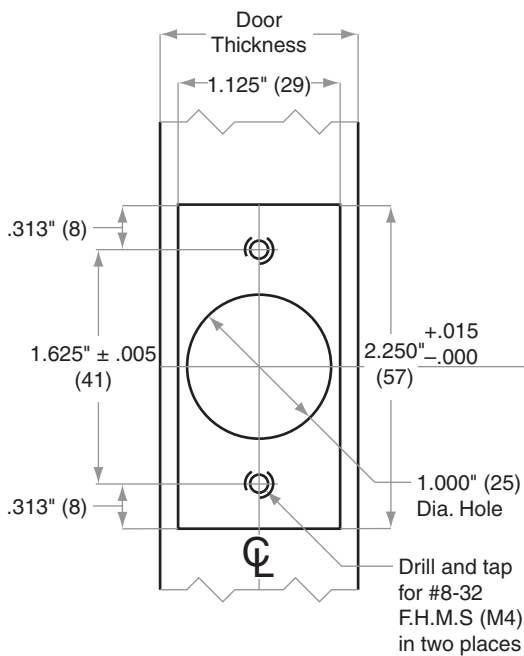
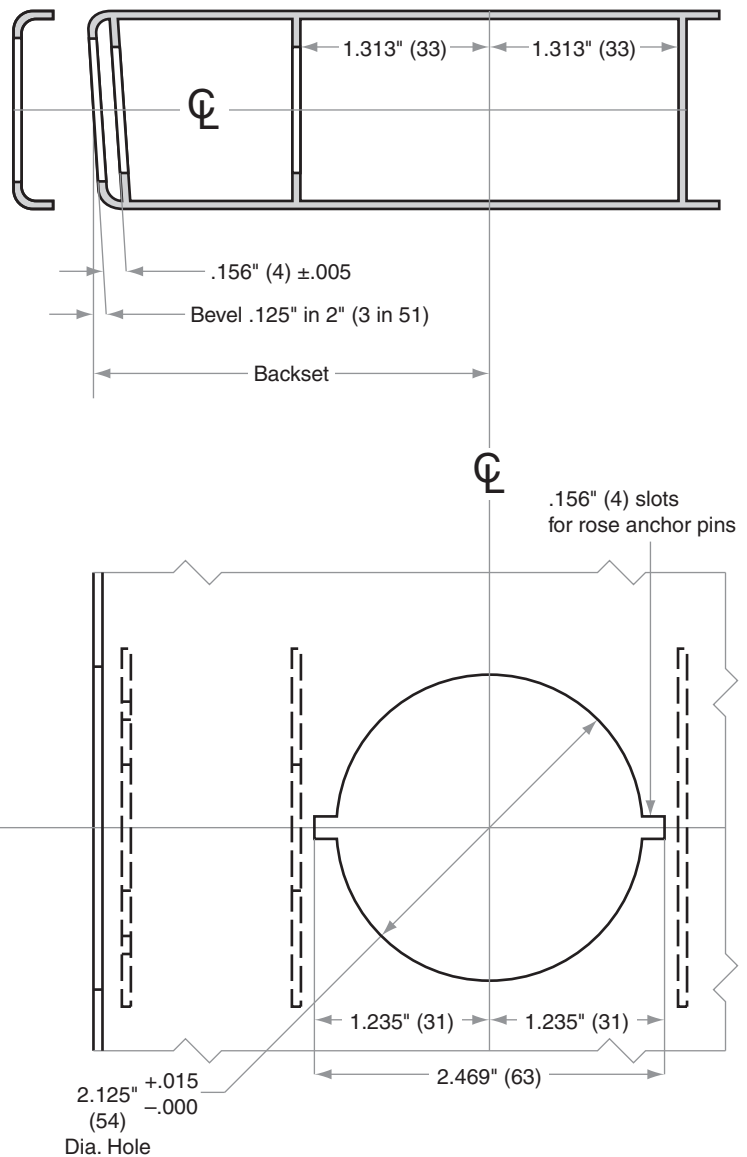


A-Series

Models A10–A85

Door Type: Metal, flat or beveled
 Door Thickness: $1\frac{3}{8}$ " (35 mm)– $1\frac{7}{8}$ " (48 mm)
 Faceplate: Square Corner, $1\frac{1}{8}$ " (29 mm) width
 Backsets: $2\frac{3}{4}$ " (70 mm) | $3\frac{3}{4}$ " (95 mm)

For metal door installations, suitable reinforcement is required to support latch in center of door and to prevent lateral movement.



Dimensions shown in parentheses () are in millimeters.

Door preparation template

A864

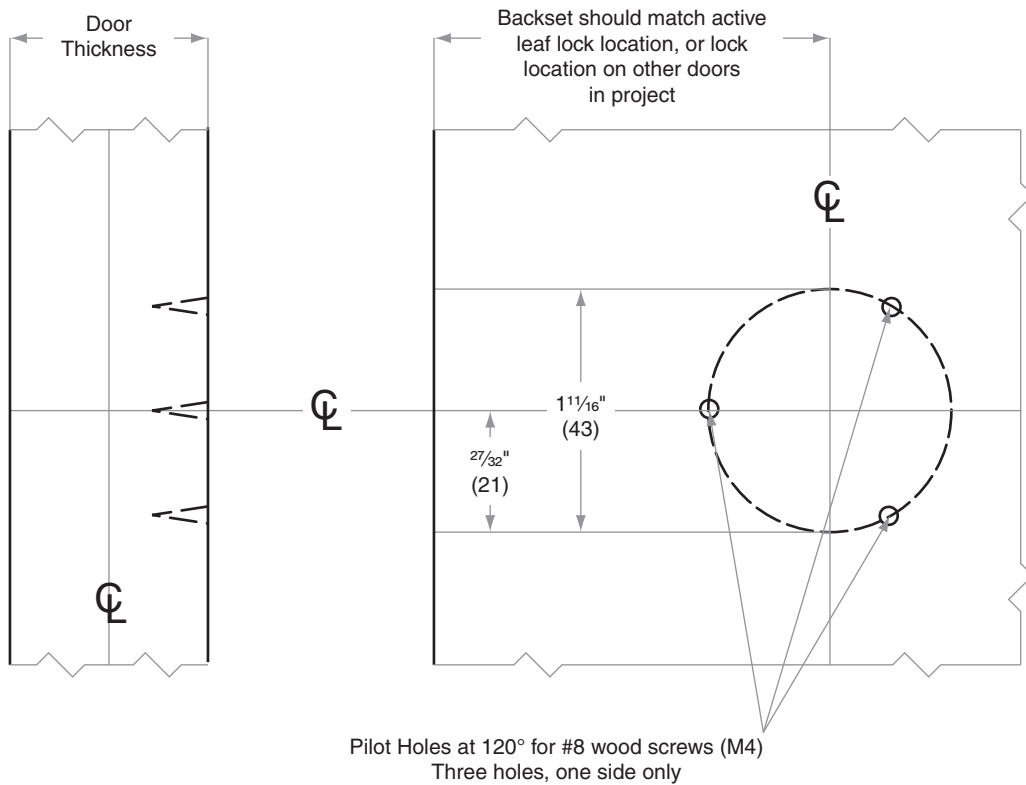


A-Series

Model A170

Door Type: Wood or Composite
Door Thickness: Various
Faceplate: None
Backsets: Any, surface mounted

This door preparation is oriented for Right Hand (RH) and Right Hand Reverse (RHR) doors. For Left Hand (LH) and Left Hand Reverse (LHR) doors, mounting screw location must be rotated 180°



Dimensions shown in parentheses () are in millimeters.

Door preparation template

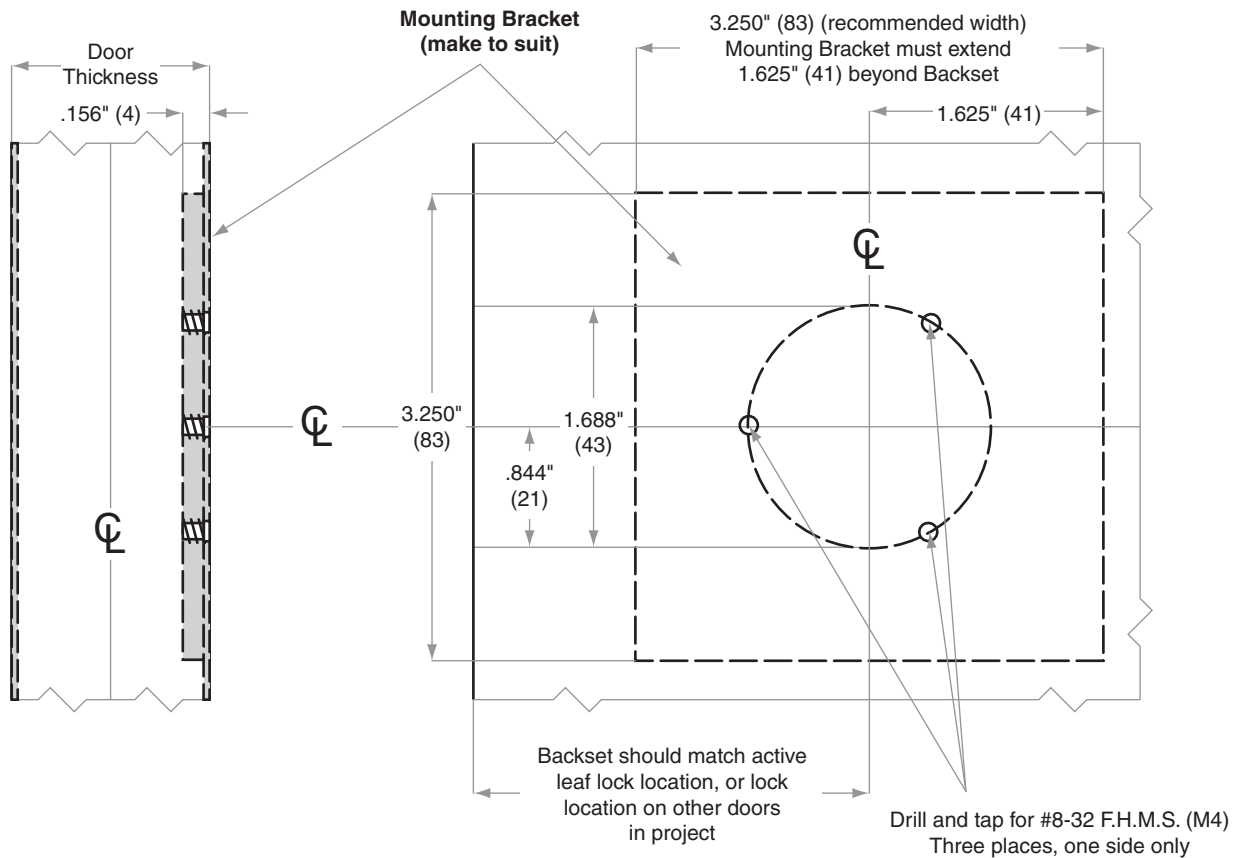


A-Series

Model A170

Door Type: Metal
 Door Thickness: Various
 Faceplate: None
 Backsets: Any, surface mounted

This door preparation is oriented for Right Hand (RH) and Right Hand Reverse (RHR) doors. For Left Hand (LH) and Left Hand Reverse (LHR) doors, mounting screw location must be rotated 180°



Dimensions shown in parentheses () are in millimeters.

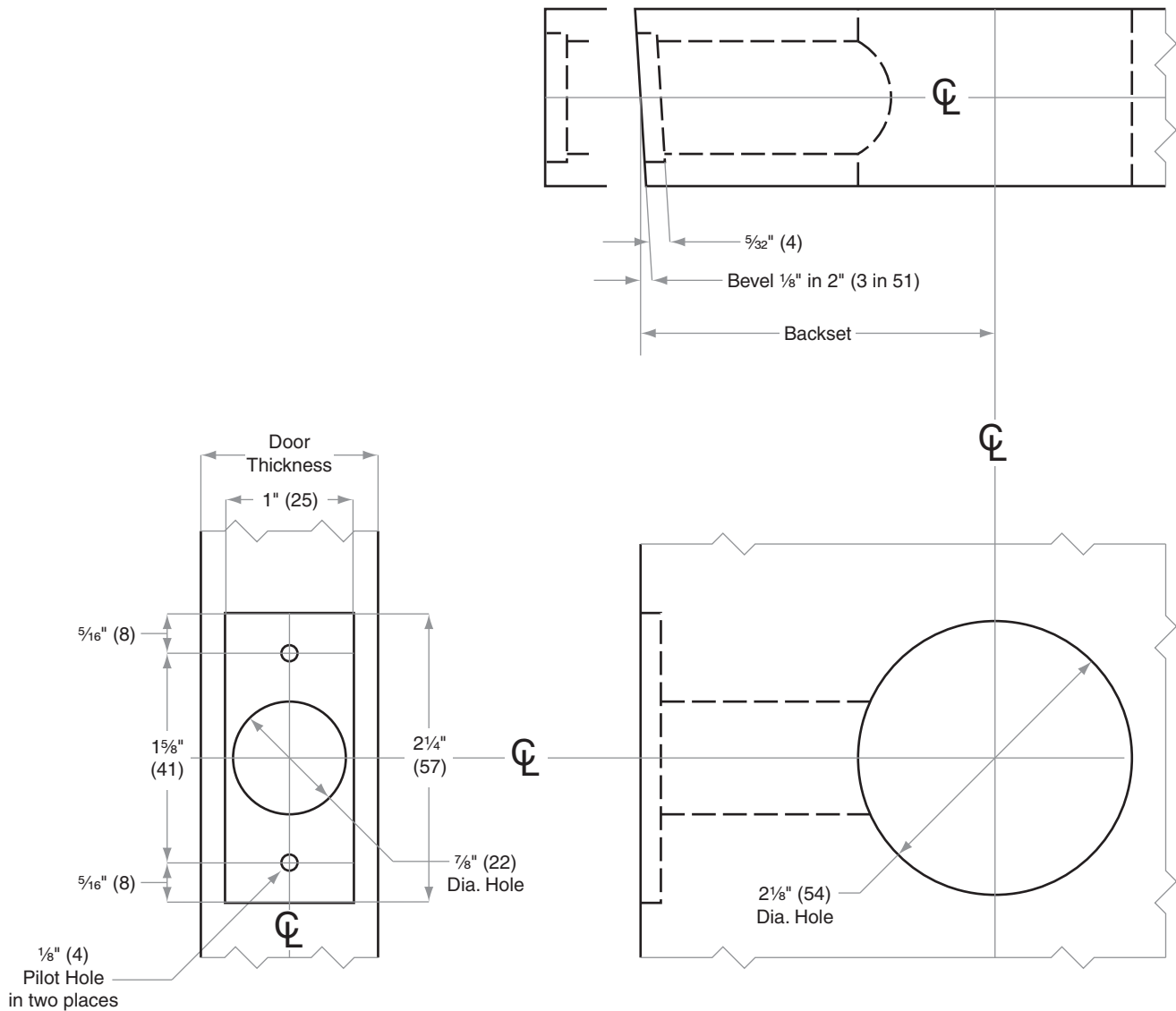
Door preparation template



A-Series

Models A10–A85

- Door Type:** Wood or Composite, Flat or Beveled
Door Thickness: 1 $\frac{3}{8}$ " (35 mm)–1 $\frac{7}{8}$ " (48 mm)
Faceplate: Square Corner, 1" (25 mm) wide
Backsets: 2 $\frac{3}{8}$ " (60 mm) | 2 $\frac{1}{4}$ " (70 mm) | 3 $\frac{3}{4}$ " (95 mm) | 5" (127 mm)



Dimensions shown in parentheses () are in millimeters.

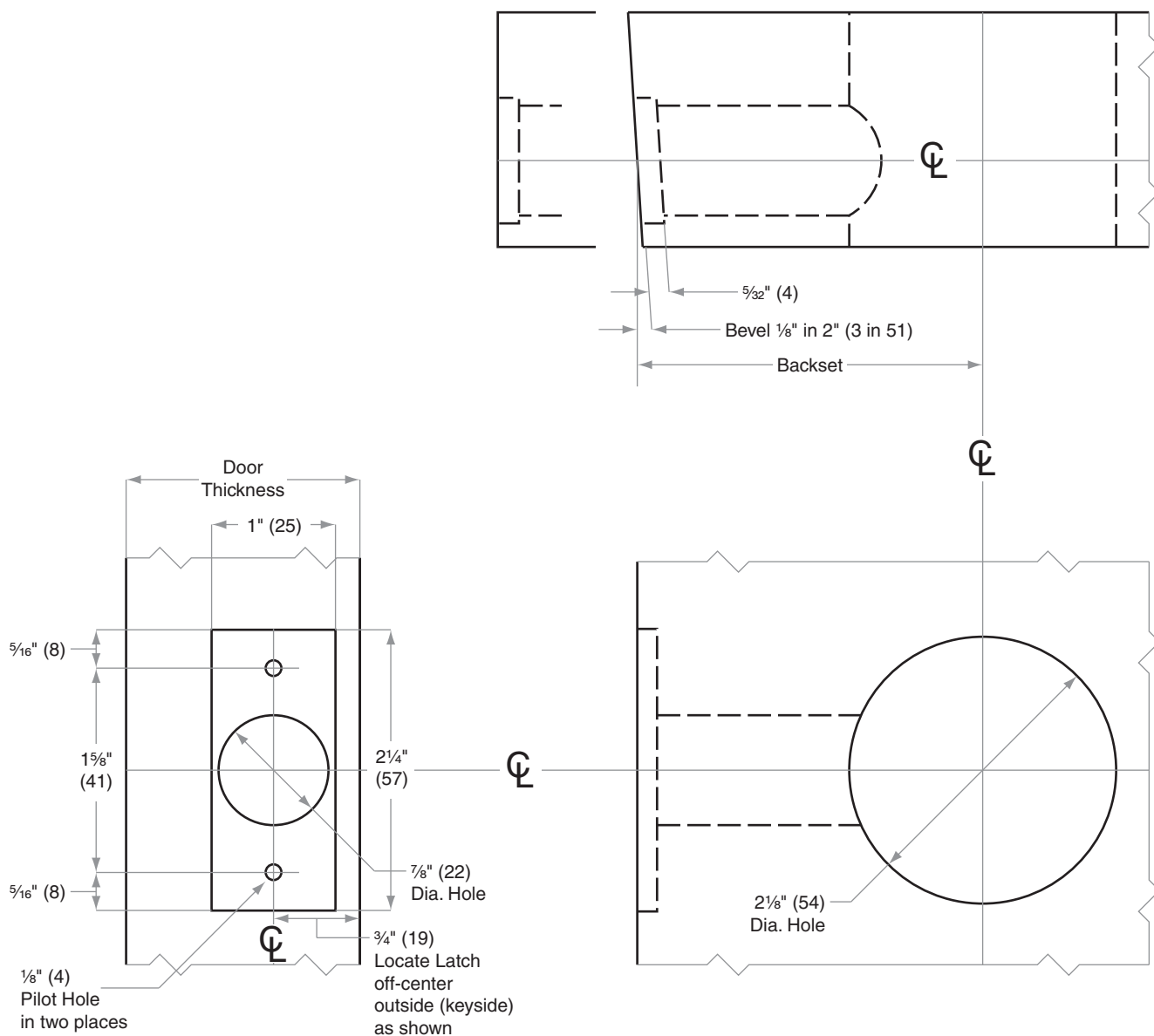
Door preparation template



A-Series

Models A10–A85

- Door Type:** Wood or Composite, Flat or Beveled
Door Thickness: Over 1 $\frac{1}{8}$ " (48 mm) up to 2 $\frac{1}{2}$ " (64 mm), extended inside only
Faceplate: Square Corner, 1" (25 mm) wide
Backsets: 2 $\frac{3}{8}$ " (60 mm) | 2 $\frac{3}{4}$ " (70 mm) | 3 $\frac{3}{4}$ " (95 mm) | 5" (127 mm)



Dimensions shown in parentheses () are in millimeters.

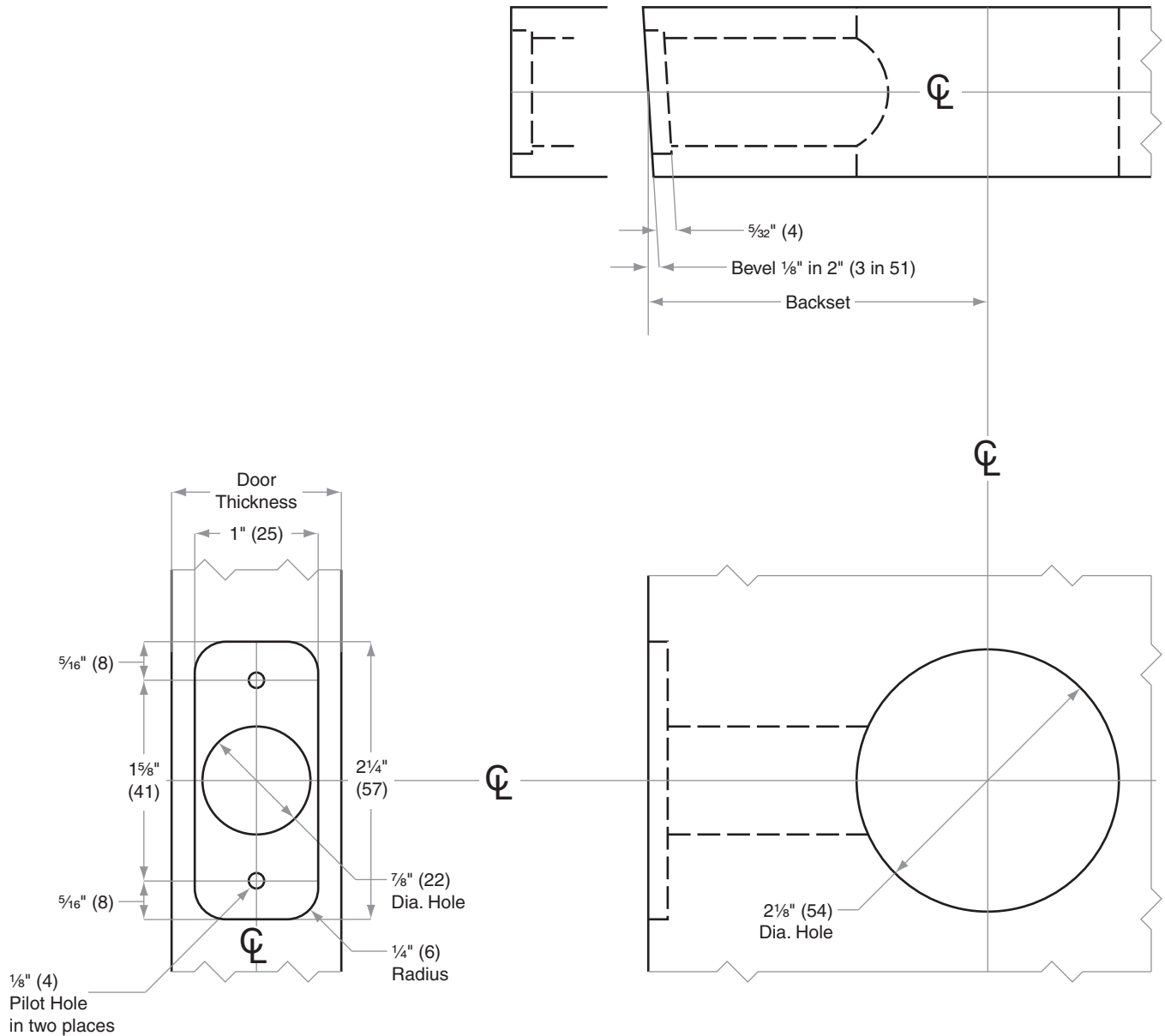
Door preparation template



A-Series

Models A10–A85

- Door Type:** Wood or Composite, Flat or Beveled
Door Thickness: 1 $\frac{3}{8}$ " (35 mm)–1 $\frac{7}{8}$ " (48 mm)
Faceplate: Round Corner, $\frac{1}{4}$ " (6 mm) radius, 1" (25 mm) wide
Backsets: 2 $\frac{3}{8}$ " (60 mm) | 2 $\frac{1}{4}$ " (70 mm) | 3 $\frac{3}{4}$ " (95 mm) | 5" (127 mm)



Dimensions shown in parentheses () are in millimeters.

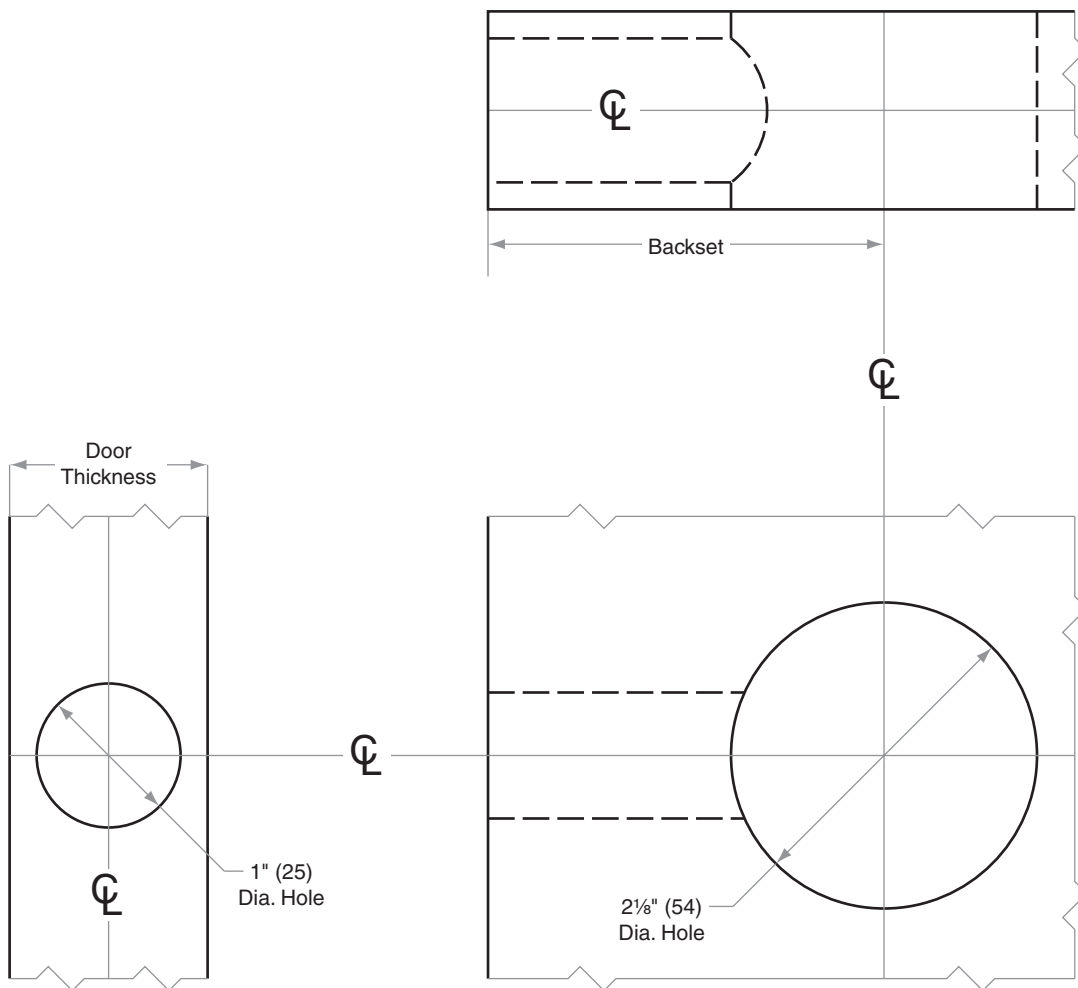
Door preparation template



A-Series

Models A10–A85

Door Type: Wood or Composite, Flat
Door Thickness: 1 $\frac{3}{8}$ " (35 mm)–1 $\frac{7}{8}$ " (48 mm)
Faceplate: Circular Drive-In
Backsets: 2 $\frac{3}{8}$ " (60 mm) | 2 $\frac{3}{4}$ " (70 mm)



Dimensions shown in parentheses () are in millimeters.

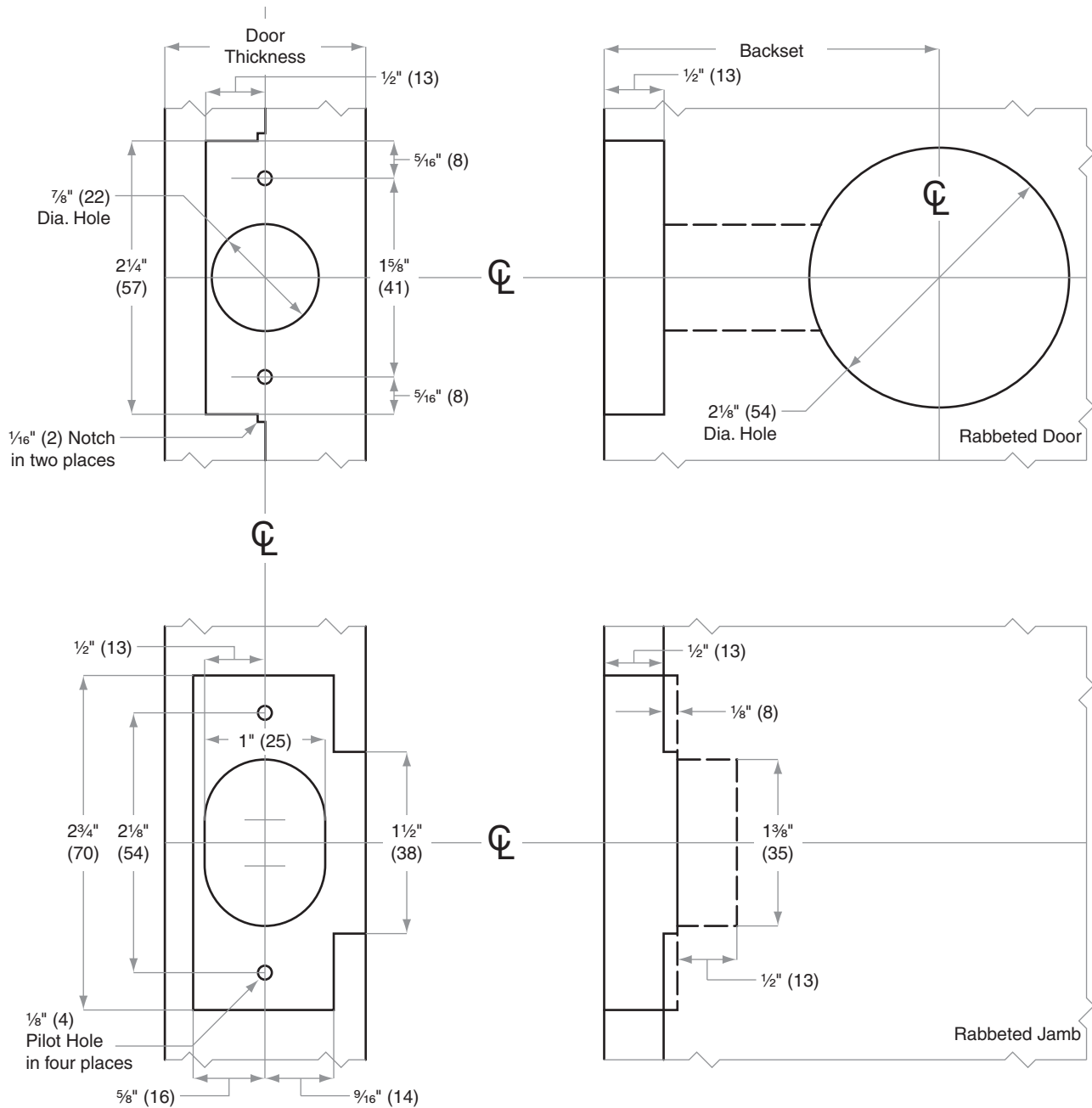
Door preparation template



A-Series

Models A10–A85

- Door Type:** Wood or Composite, rabbeted, flat
Door Thickness: 1 $\frac{3}{8}$ " (35 mm)–1 $\frac{7}{8}$ " (48 mm)
Faceplate: Square Corner, 1" (25 mm) width, $\frac{1}{2}$ " (6 mm) rabbeted and strike
Backsets: 2 $\frac{3}{8}$ " (60 mm) | 2 $\frac{3}{4}$ " (70 mm) | 3 $\frac{3}{4}$ " (95 mm) | 5" (127 mm)



Dimensions shown in parentheses () are in millimeters.

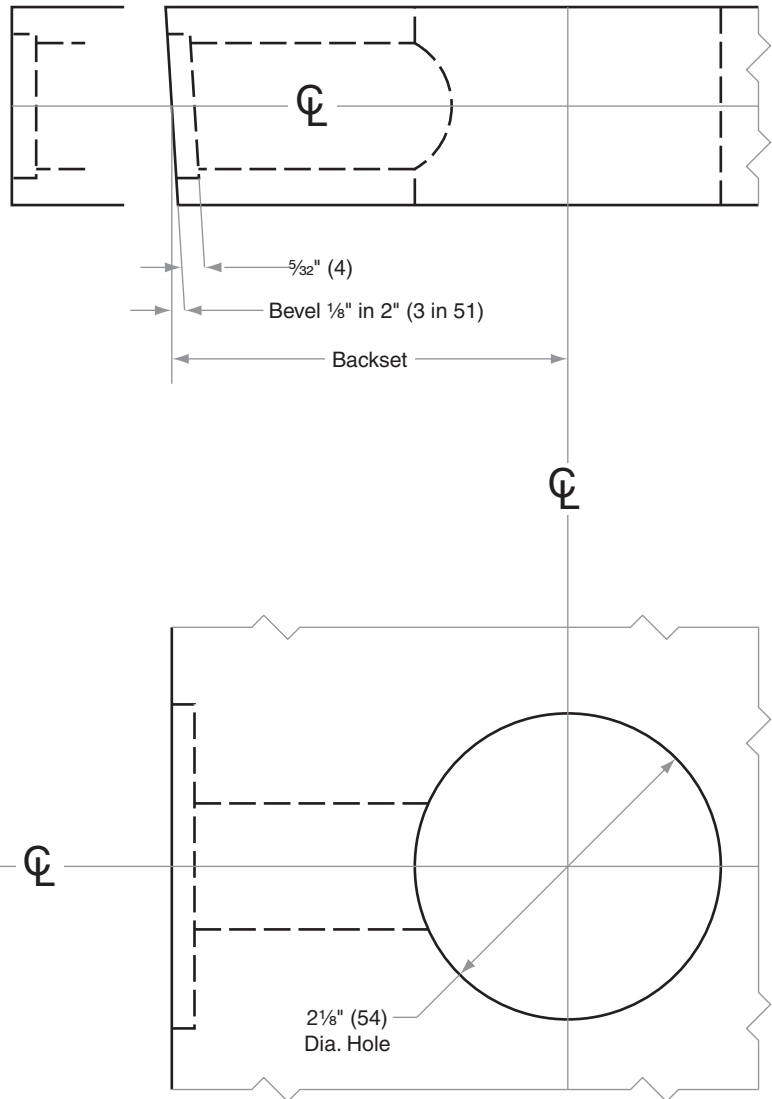
Door preparation template



A-Series

Models A10–A85

Door Type: Wood or Composite, Flat or Beveled
Door Thickness: 1 $\frac{3}{8}$ " (35 mm)–1 $\frac{7}{8}$ " (48 mm)
Faceplate: Square Corner, 1 $\frac{1}{8}$ " (29 mm) width
Backsets: 2 $\frac{3}{4}$ " (70 mm) | 3 $\frac{3}{4}$ " (95 mm)



Dimensions shown in parentheses () are in millimeters.

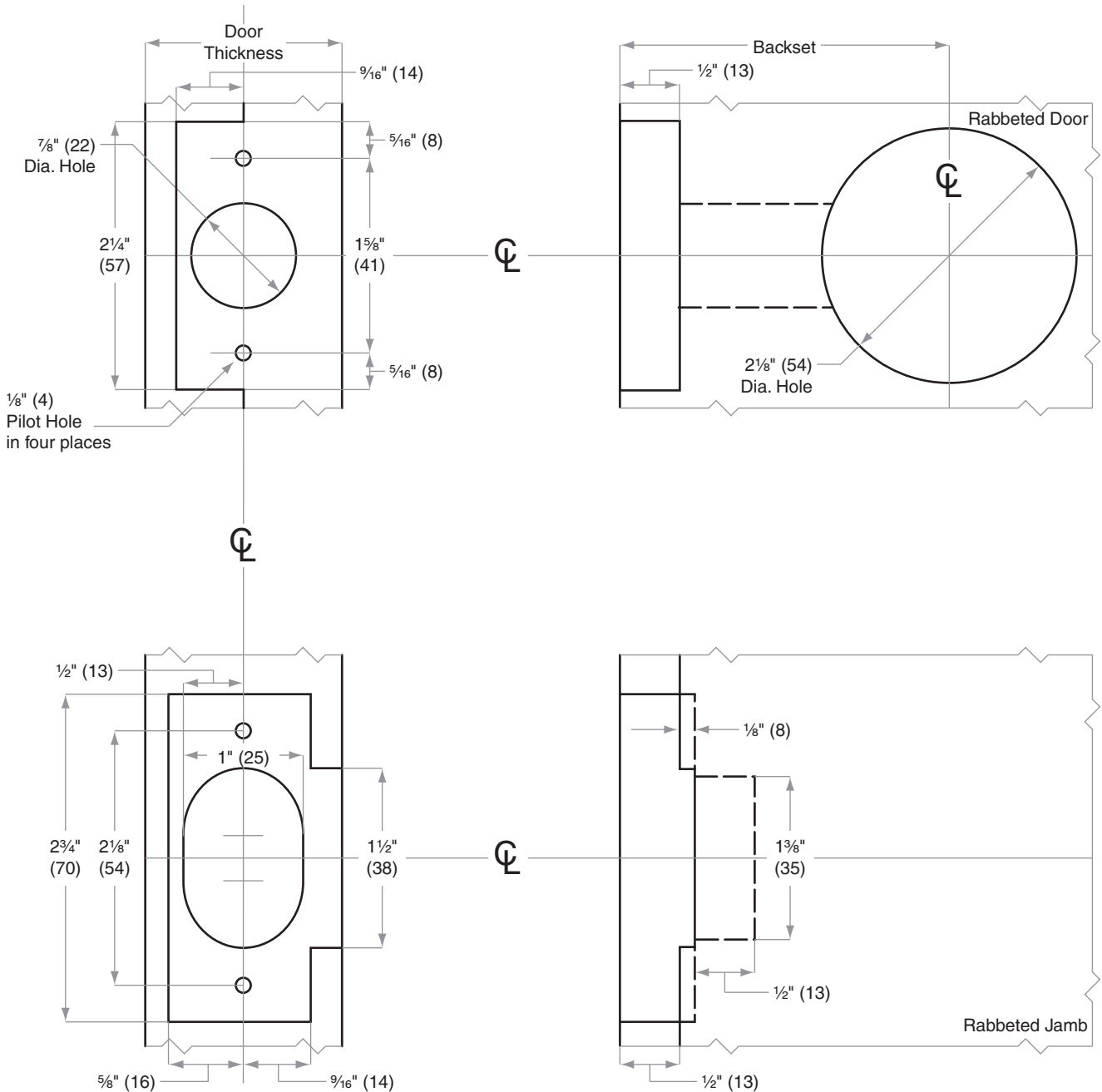
Door preparation template



A-Series

Models A10–A85

Door Type: Wood or Composite, rabbeted, flat
Door Thickness: 1 3/8" (35 mm)–1 7/8" (48 mm)
Faceplate: Square Corner, 1 1/8" (29 mm) width, 1/2" (6 mm) rabbeted and strike
Backsets: 2 3/4" (70 mm) | 3 3/4" (95 mm)



Dimensions shown in parentheses () are in millimeters.

Door preparation template

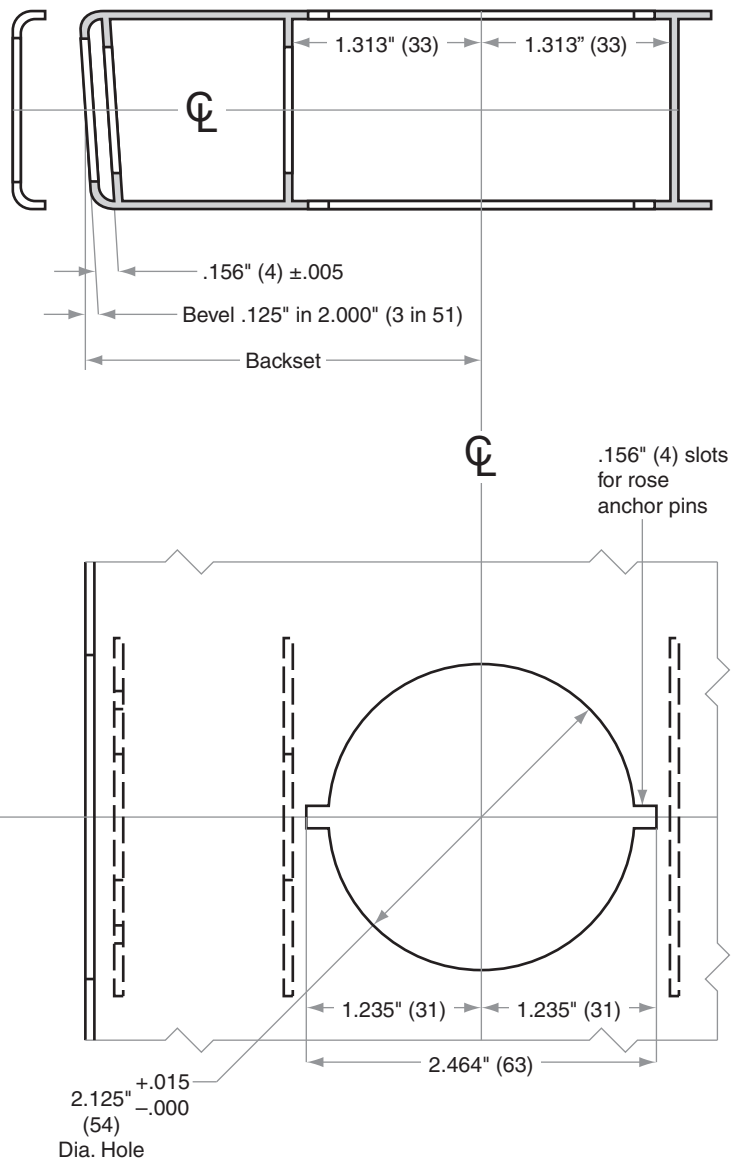


A-Series

Models A10–A85

Door Type: Metal, flat or beveled
 Door Thickness: 1 $\frac{1}{8}$ " (35 mm)–1 $\frac{7}{8}$ " (48 mm)
 Faceplate: Square Corner, 1" (25 mm) width
 Backsets: 2 $\frac{3}{8}$ " (60 mm) | 2 $\frac{3}{4}$ " (70 mm) | 3 $\frac{3}{4}$ " (95 mm) | 5" (127 mm)

For metal door installations, suitable reinforcement is required to support latch in center of door and to prevent lateral movement



Dimensions shown in parentheses () are in millimeters.

Door preparation template

A863



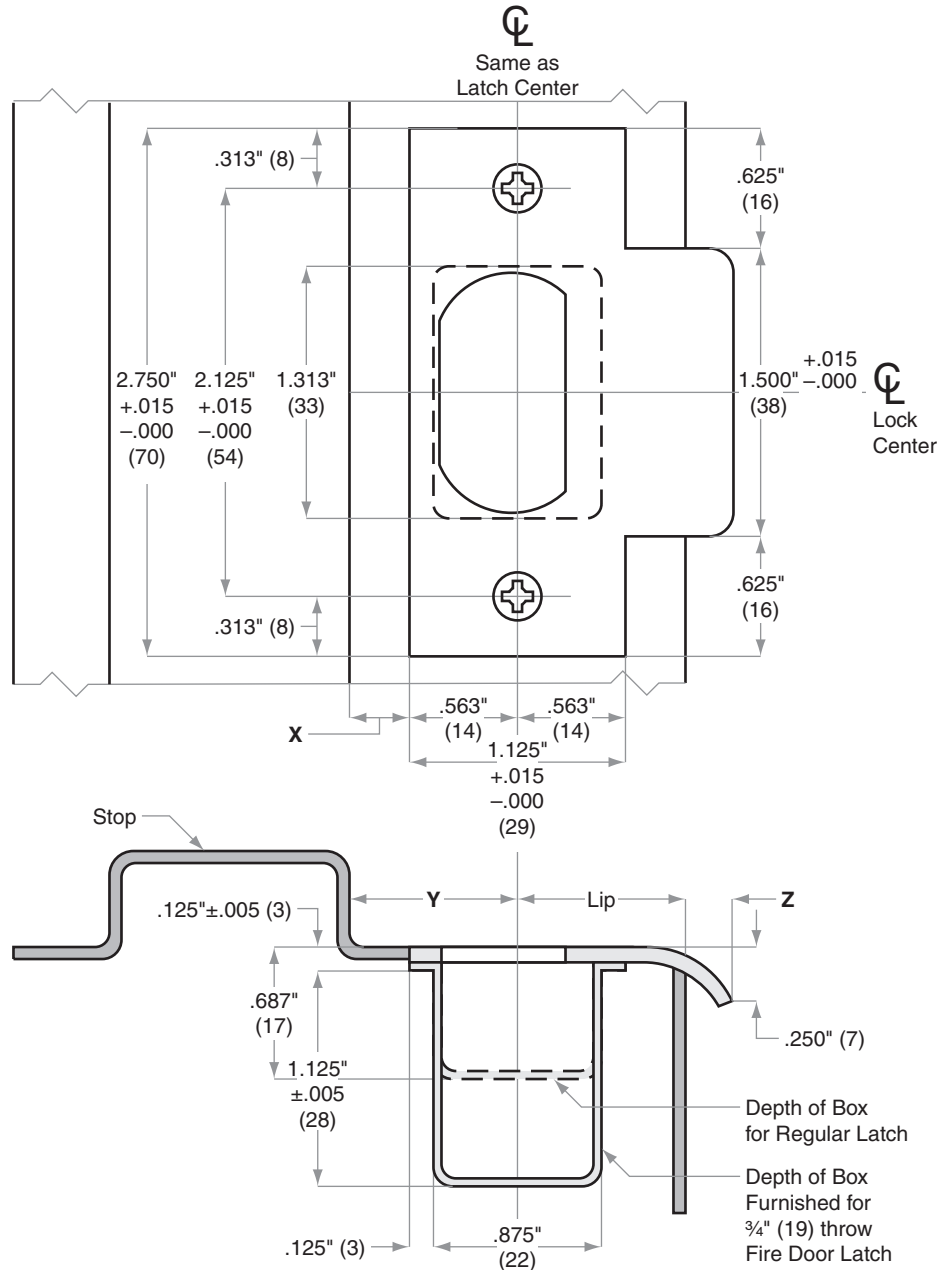
Strikes

Models 10-001, 10-013, 10-016, 10-019

Jamb Type: Metal
 Style: T-Strike, Square Corner
 Standard for: A-Series | B250-Series | S-Series
 Optional for: AL-Series | F-Series | D-Series Knobs | ND-Series Levers

NOTE:

1. Dimensions X and Y are variables dependent on door thickness
2. Curved strike extension beyond jamb at Z must not be less than $\frac{3}{16}$ " (5) to ensure proper functioning of latch bolt
3. $1\frac{1}{8}$ " (29) Lip length for $1\frac{3}{8}$ " (35) to $1\frac{3}{4}$ " (44) doors. Other lengths available
4. Strike location on frames must be adjusted for thickness of door silencers, when used



Dimensions shown in parentheses () are in millimeters.

Door preparation template



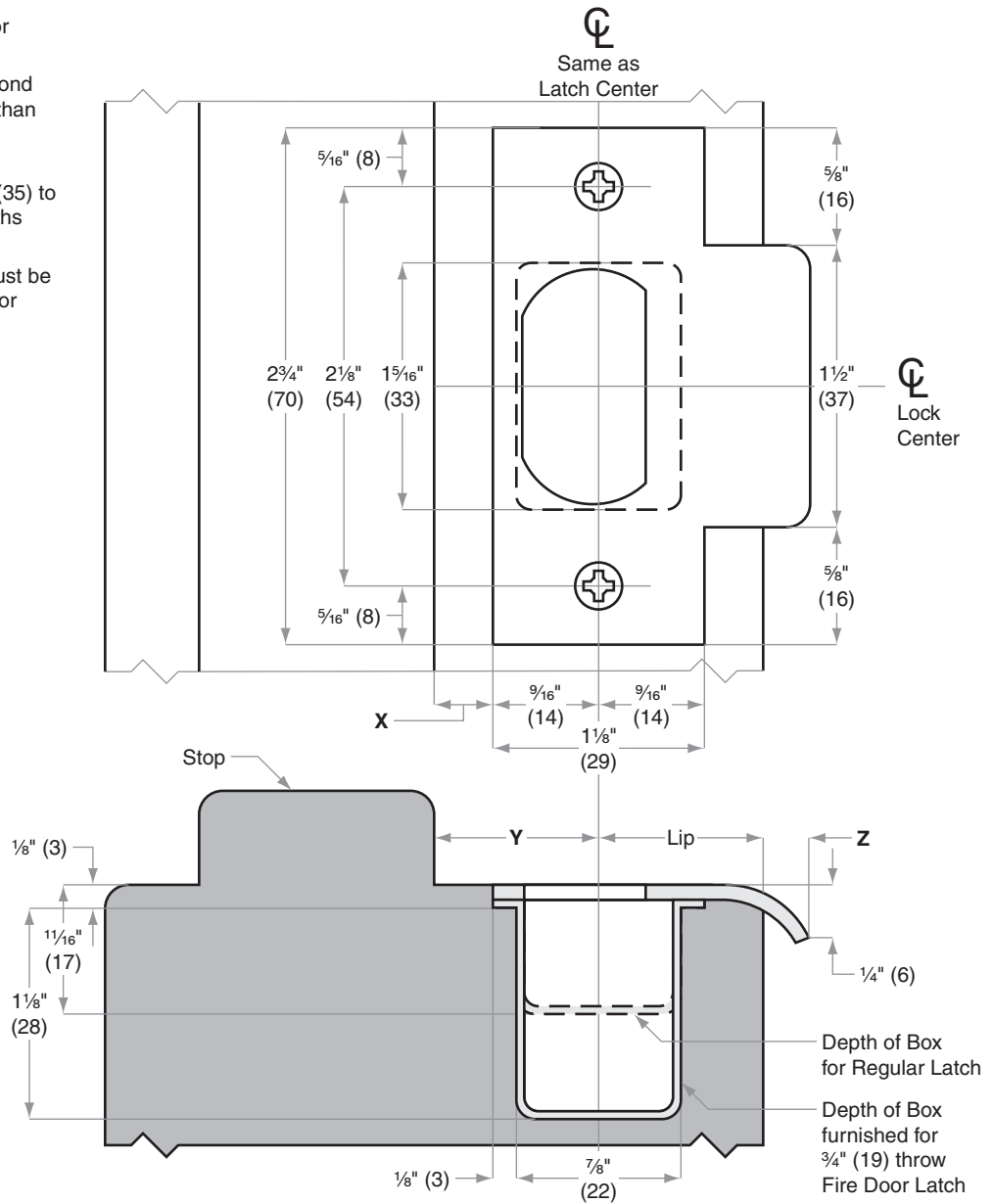
Strikes

Models 10-001, 10-013, 10-016, 10-019

Jamb Type: Wood
Style: T-Strike, Square Corner
Standard for: A-Series | B250-Series | S-Series
Optional for: AL-Series | F-Series | D-Series Knobs | ND-Series Levers

NOTE:

1. Dimensions X, Y and Z are variables dependent on door thickness
2. Curved strike extension beyond jamb at Z must not be less than 3/16" (5) to ensure proper functioning of latch bolt
3. 1 1/8" (29) Lip length for 1 3/8" (35) to 1 3/4" (44) doors. Other lengths available
4. Strike location on frames must be adjusted for thickness of door silencers, when used



Dimensions shown in parentheses () are in millimeters.

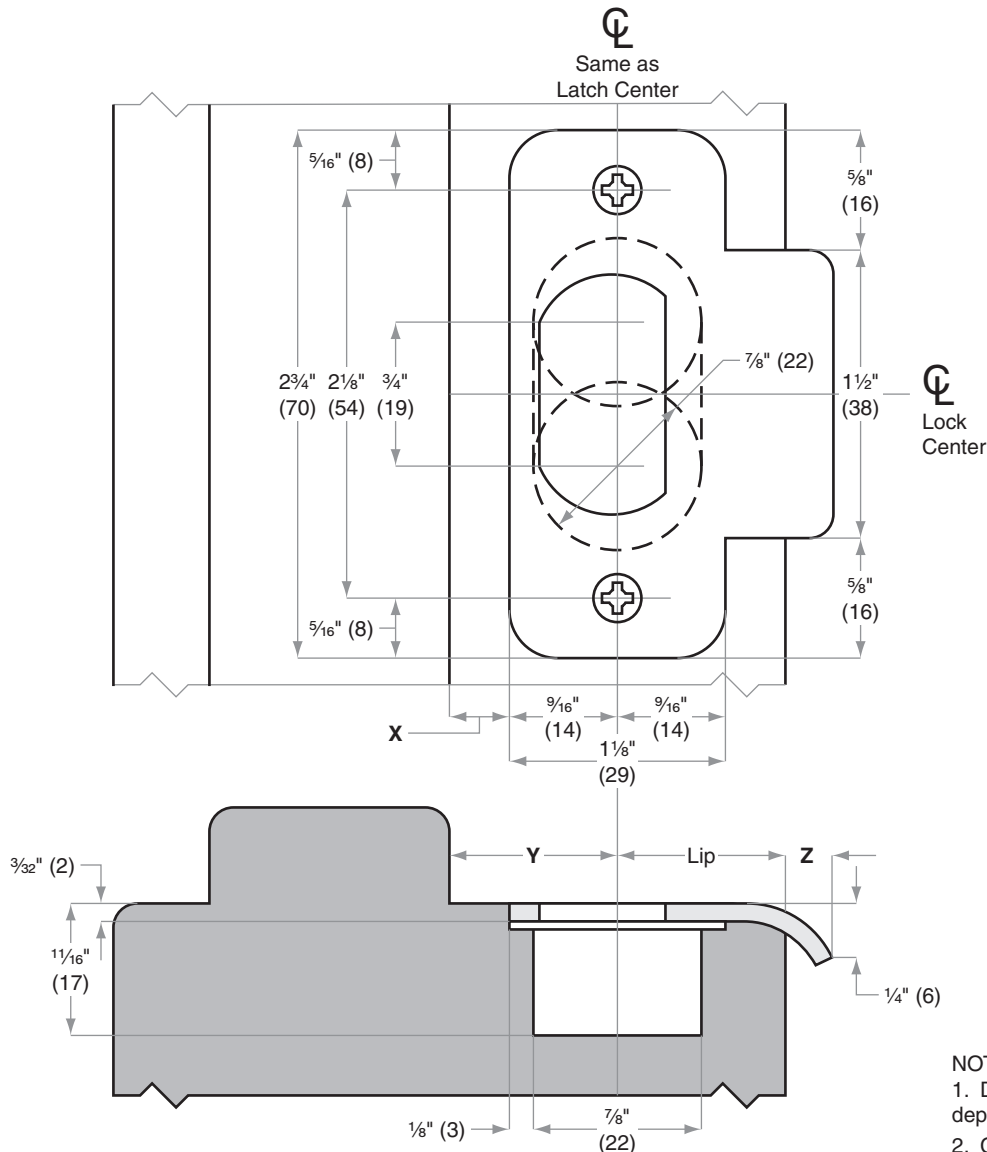
Door preparation template



Strikes

Model 10-004

Jamb Type: Wood
 Style: T-Strike, Round Corner, 1/4" (6 mm) Radius
 Standard for:
 Optional for: A-Series | B250-Series



- NOTE:**
1. Dimensions X, Y and Z are variables dependent on the door thickness used
 2. Curved strike extension beyond jamb at Z must not be less than 3/16" (5) to ensure proper functioning of latch bolt
 3. 1 1/8" (29) Lip length for 1 3/8" (35) to 1 3/4" (44) doors. Other lengths available
 4. Strike location on frames must be adjusted for thickness of door silencers when used

Dimensions shown in parentheses () are in millimeters.

Door preparation template



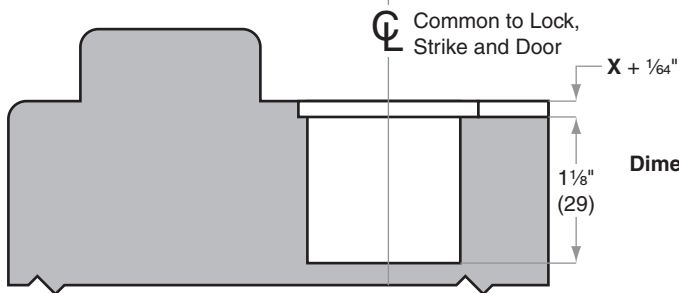
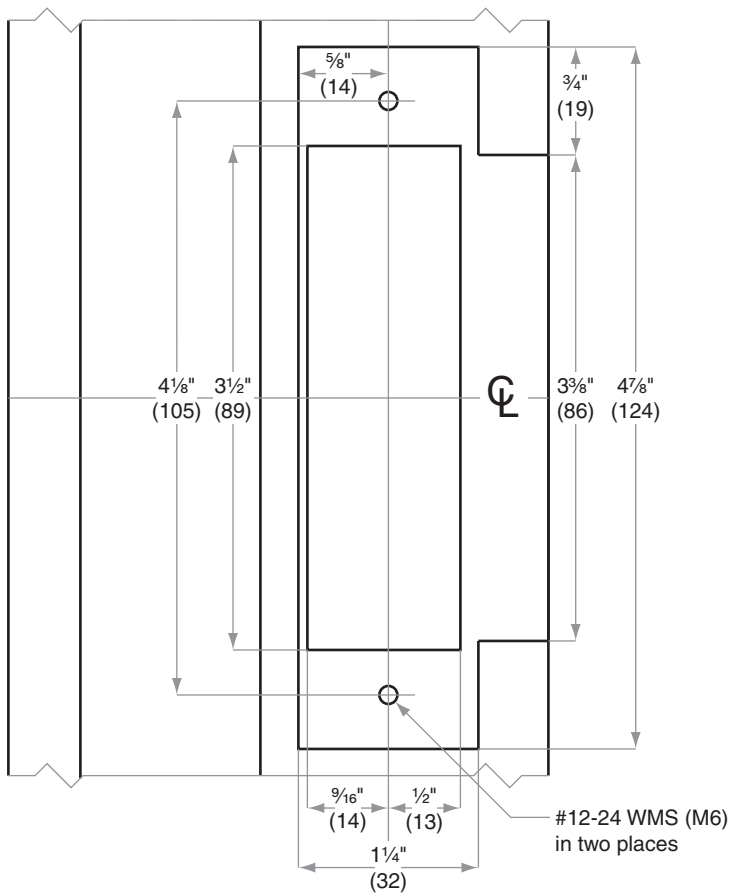
Strikes

Models 10-025, 10-072, 10-087

Jamb Type: Wood
Style: ANSI Standard for 1¾" (44 mm) doors
Standard for: AL-Series (10-025) | D-Series Knobs (10-025) | ND-Series Lever (10-025) | L/LV9000-Series (10-072)
Optional for: A-Series | B250-Series | F-Series | S-Series

NOTE:

1. When reinforcement plate is specified, mortise additional 1/8" (3) to Dimension X
2. Strike location on frames must be adjusted for thickness of door silencers when used



Dimension X: 10-025: 3/32" (2) when strike box not specified
 10-072 and 10-087: 5/32" (4) for strike box, detached

Dimensions shown in parentheses () are in millimeters.

Door preparation template



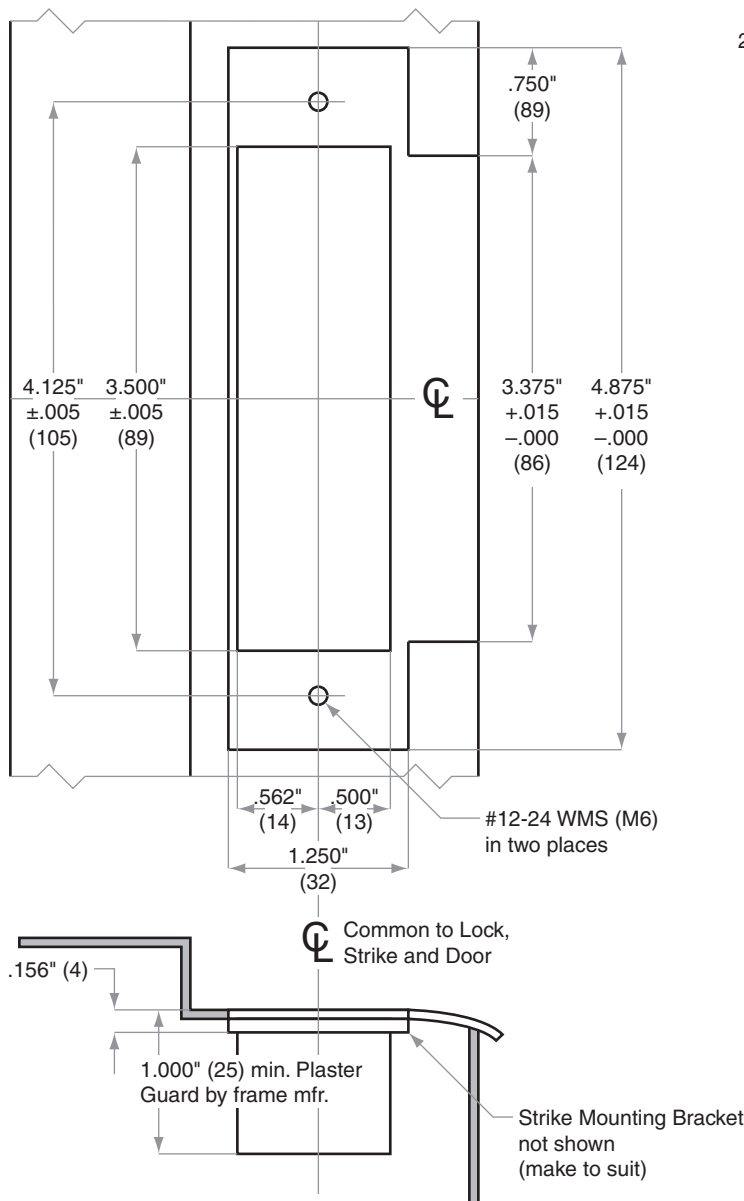
Strikes

Models 10-025, 10-072, 10-087

Jamb Type: Metal
Style: ANSI Standard for 1¾" (44 mm) doors
Standard for: AL-Series (10-025) | D-Series Knobs (10-025) | ND-Series Levers (10-025) | LXLV9000-Series (10-072)
Optional for: A-Series | B250-Series | F-Series | S-Series

NOTE:

1. Strike box furnished detached or 10-072 and 10-087, but not required as Plaster Guard is furnished by frame mfr.
2. Strike location on frames must be adjusted for thickness of door silencers when used



Dimensions shown in parentheses () are in millimeters.

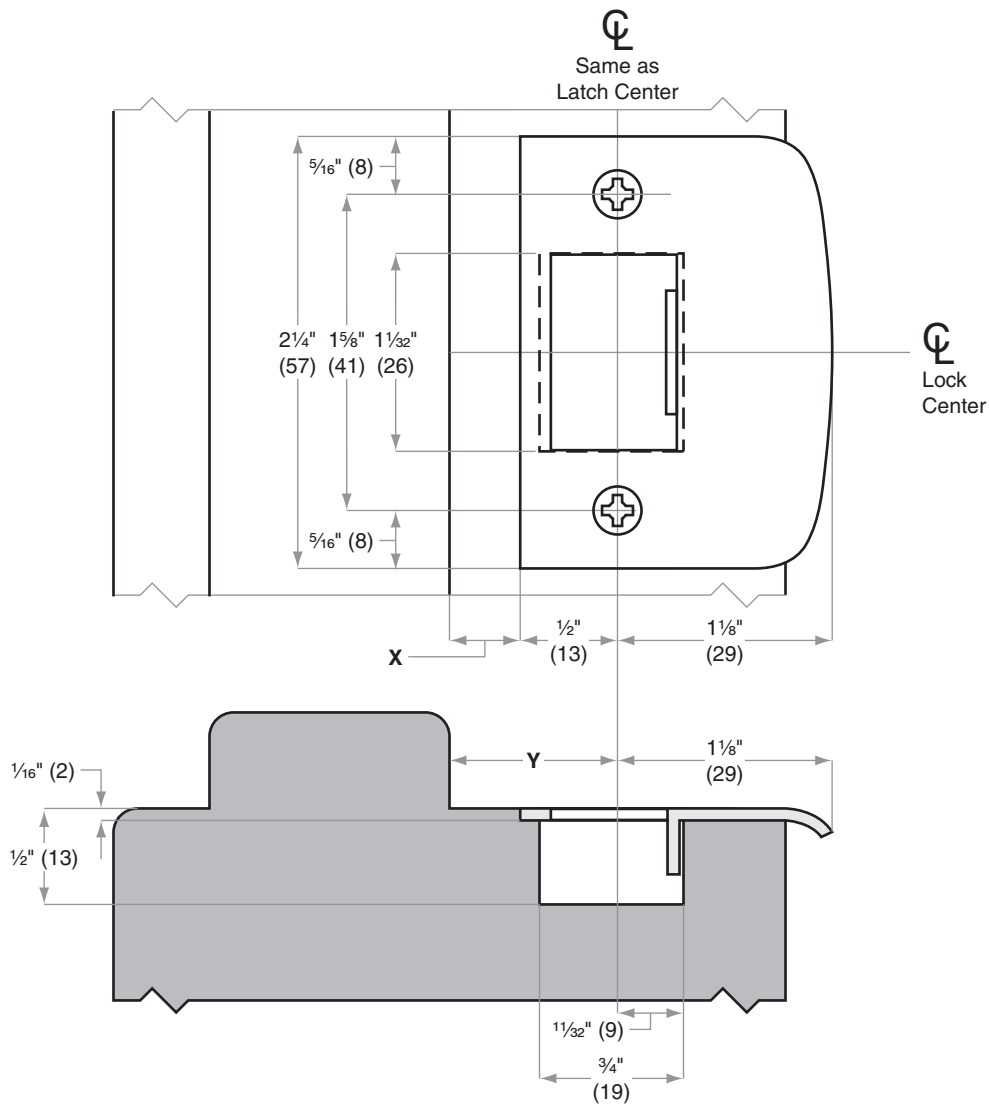
Door preparation template



Strikes

Model 10-026

Jamb Type: Wood
Style: Full Lip, Square Corner
Standard for:
Optional for: A-Series | AL-Series | F-Series



Dimensions X and Y are variables dependent on door thickness

Dimensions shown in parentheses () are in millimeters.

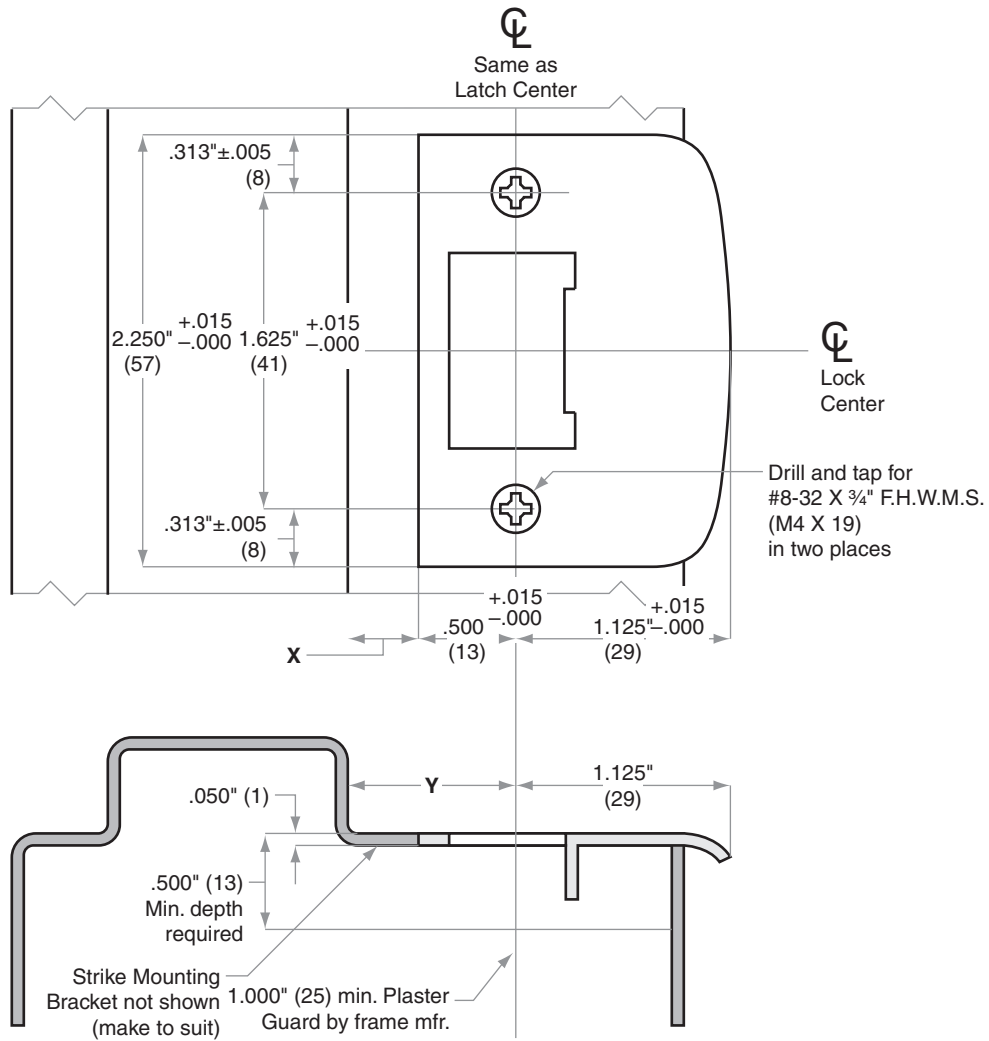
Door preparation template



Strikes

Model 10-026

Jamb Type: Metal
 Style: Full Lip, Square Corner
 Standard for:
 Optional for: A-Series | AL-Series | F-Series



Dimensions X and Y are variables dependent on the door thickness used

Dimensions shown in parentheses () are in millimeters.

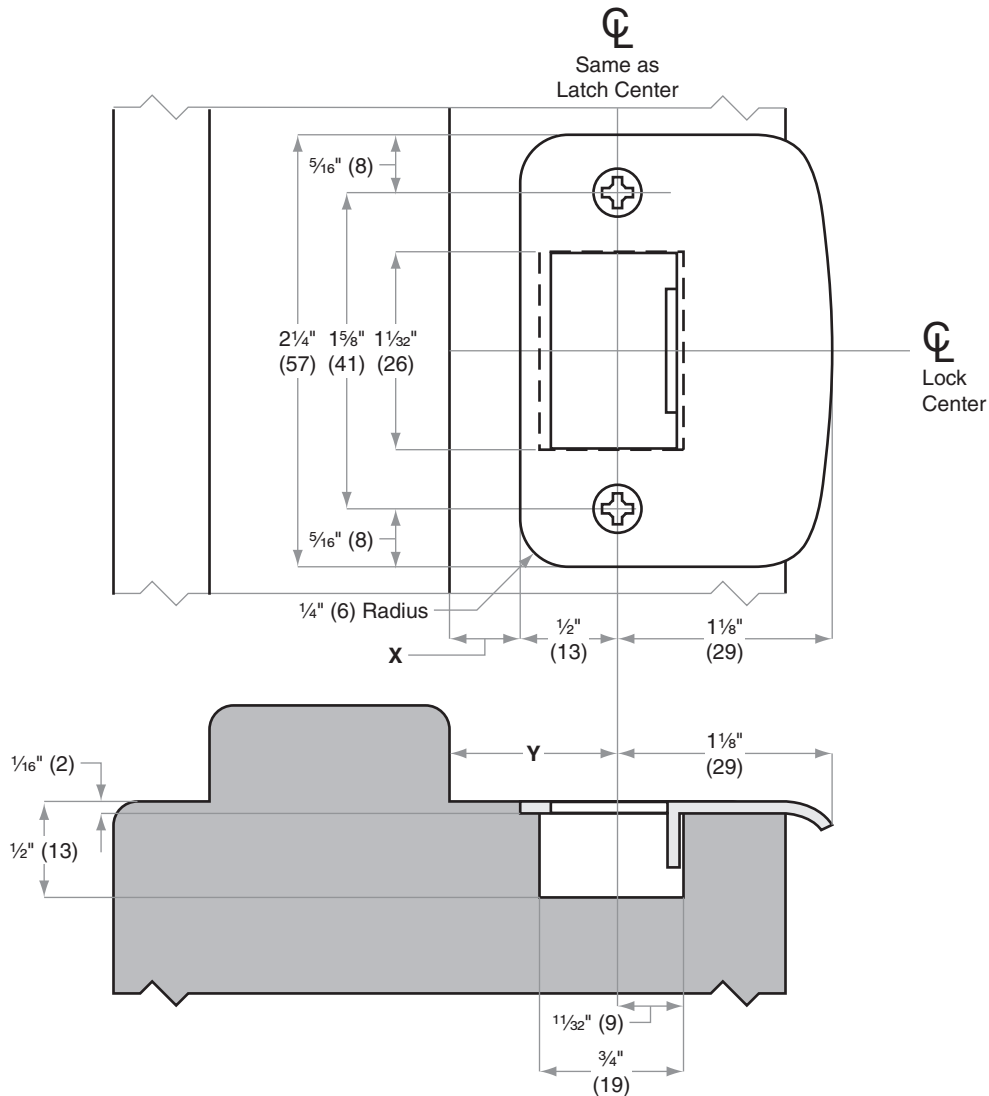
Door preparation template



Strikes

Model 10-027

Jamb Type: Wood
 Style: Full Lip, Round Corner, 1/4" (6 mm) Radius
 Standard for: F-Series | FE-Series
 Optional for: A-Series | AL-Series | S-Series



Dimensions X and Y are variables dependent on door thickness

Dimensions shown in parentheses () are in millimeters.

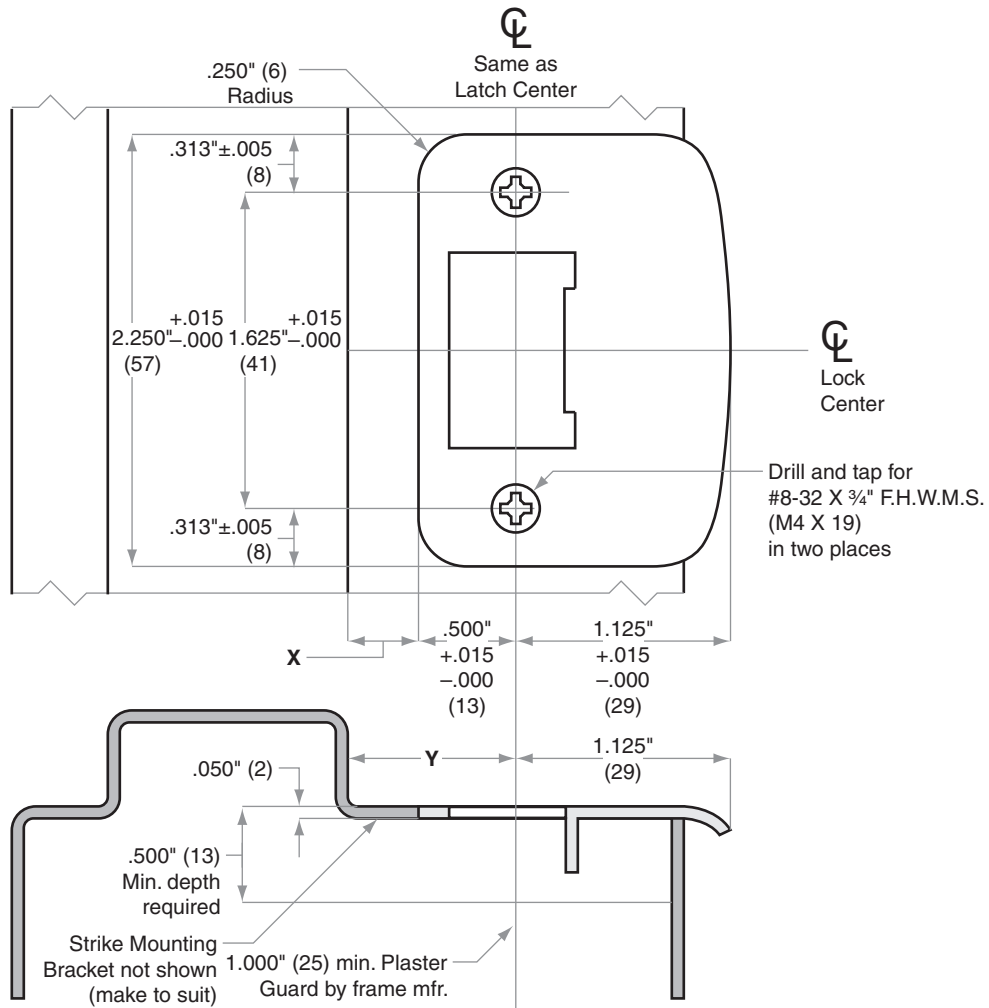
Door preparation template



Strikes

Model 10-027

Jamb Type: Metal
 Style: Full Lip, Round Corner, 1/4" (6 mm) Radius
 Standard for: F-Series | FE-Series
 Optional for: A-Series | AL-Series | S-Series



Dimensions X and Y are variables dependent on the door thickness

Dimensions shown in parentheses () are in millimeters.

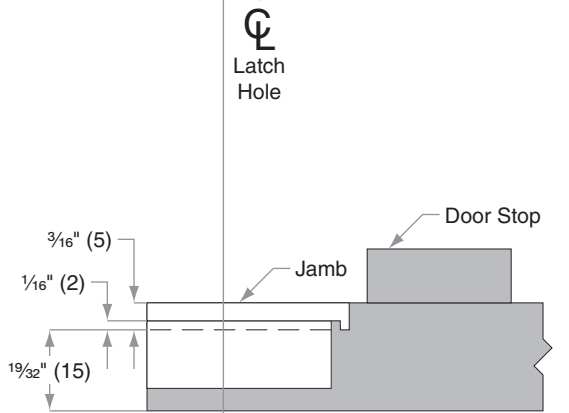
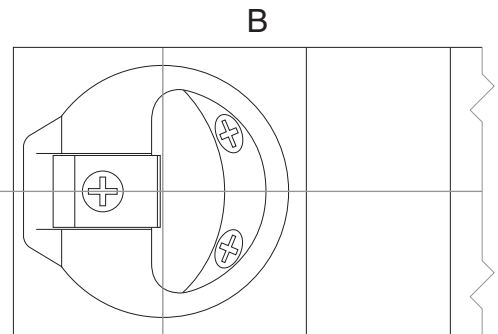
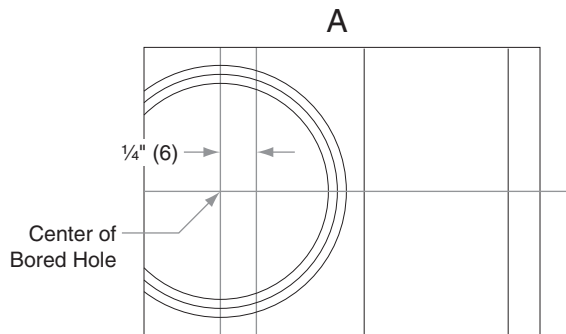
Door preparation template



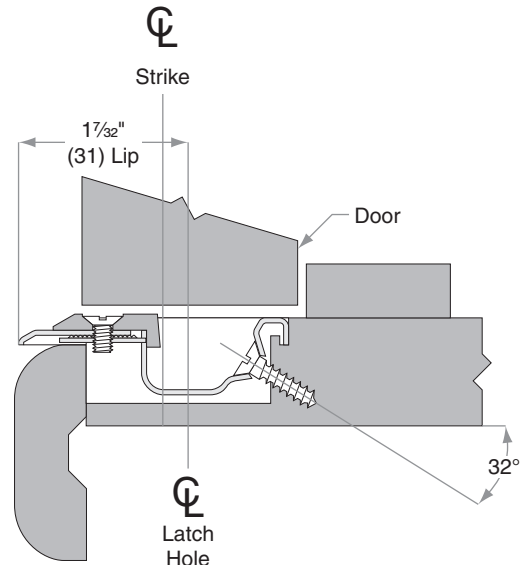
Strikes

Model 10-058

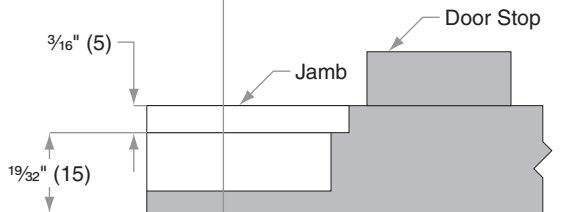
Jamb Type: Wood
 Style: Circular Drive-In
 Standard for:
 Optional for: A-Series | AL-Series | F-Series



SECTION A
 Standard Installation:
 Use Schlage boring tool 40-112



SECTION B
 Typical adjustable circular strike installation



SECTION A
 Alternate installation using standard boring tools:
 Step 1. Drill 1 3/4" (44) Dia. Hole, 3/16" (5) deep
 Step 2. On same Centerline, drill 1 1/2" (38) Dia. Hole, 19/32" (15) deep

Dimensions shown in parentheses () are in millimeters.

Door preparation template



B/B A300

-series-

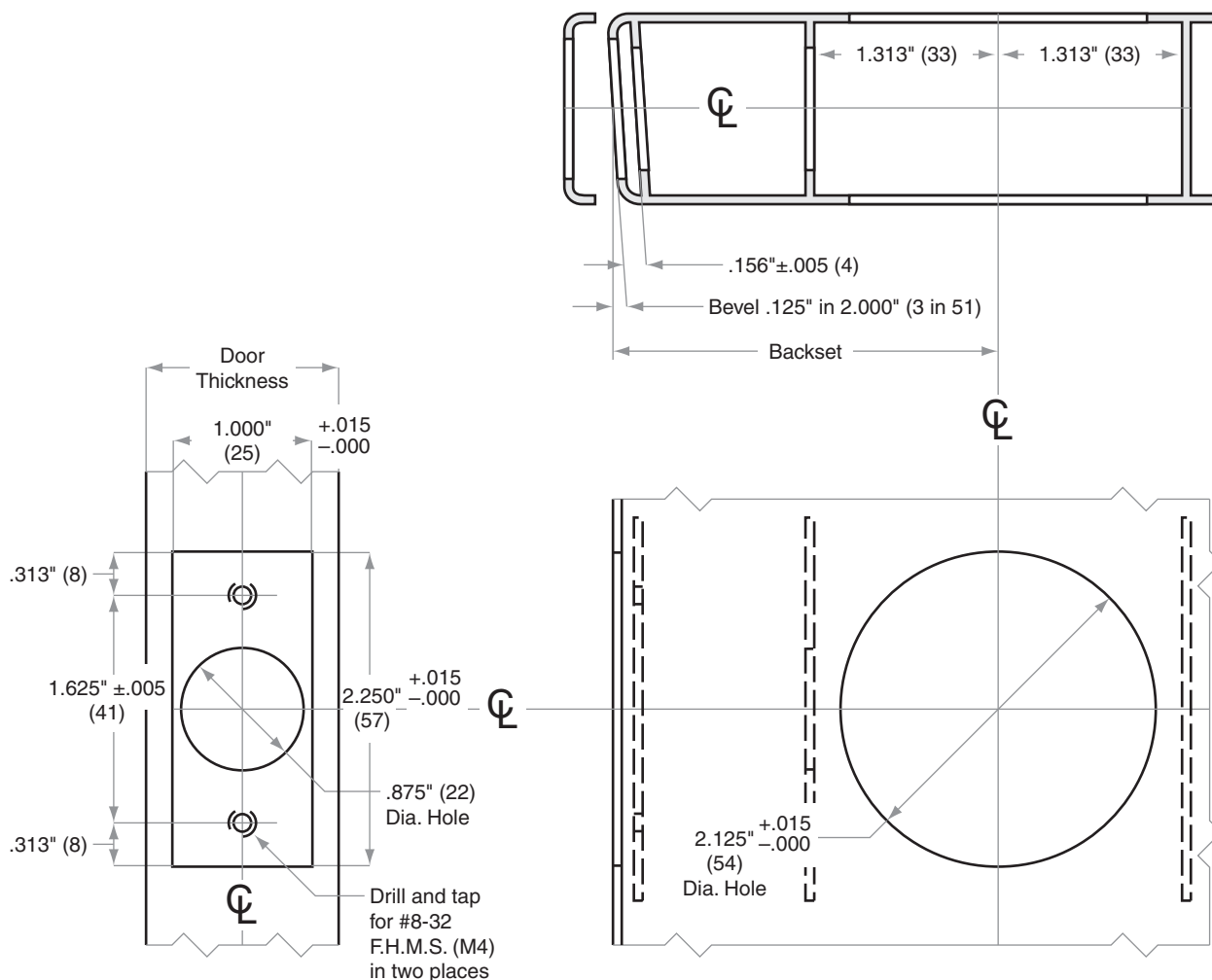


BC100 and B/BA300-Series

Models BC160, BC162, B360, B362, BA360, BA362

- Door Type: Metal, Flat or Beveled
- Door Thickness: 1 $\frac{1}{8}$ " (35 mm)–2 $\frac{1}{4}$ " (57 mm)
- Faceplate: Square Corner, 1" (25 mm) wide
- Backsets: 2 $\frac{3}{8}$ " (60 mm), 2 $\frac{3}{4}$ " (70 mm), 5" (127 mm) (B/BA360/362 only)

For metal door installations, suitable reinforcement is required to support latch in center of door and to prevent lateral movement



Dimensions shown in parentheses () are in millimeters.

Door preparation template



B/BA300-Series Door Preparation Template Models B360, B362, BA360, BA362

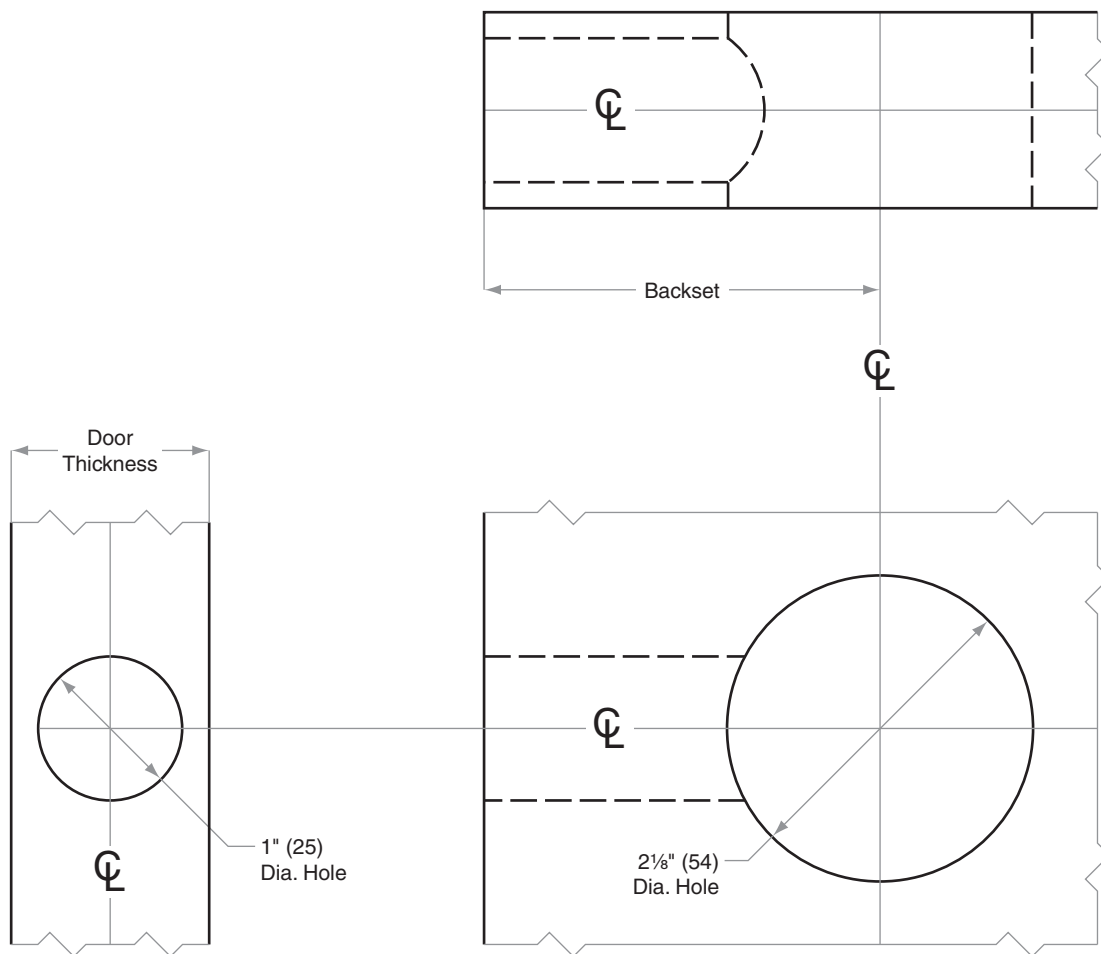
TEMPLATE B912

Door Type: Wood or Composite, Flat

Door Thickness: 1 $\frac{3}{8}$ " (35 mm)–2 $\frac{1}{4}$ " (57 mm)

Faceplate: Circular Drive-In

Backsets: 2 $\frac{3}{8}$ " (60 mm), 2 $\frac{3}{4}$ " (70 mm)





B/BA300-Series Door Preparation Template Models B380, BA380

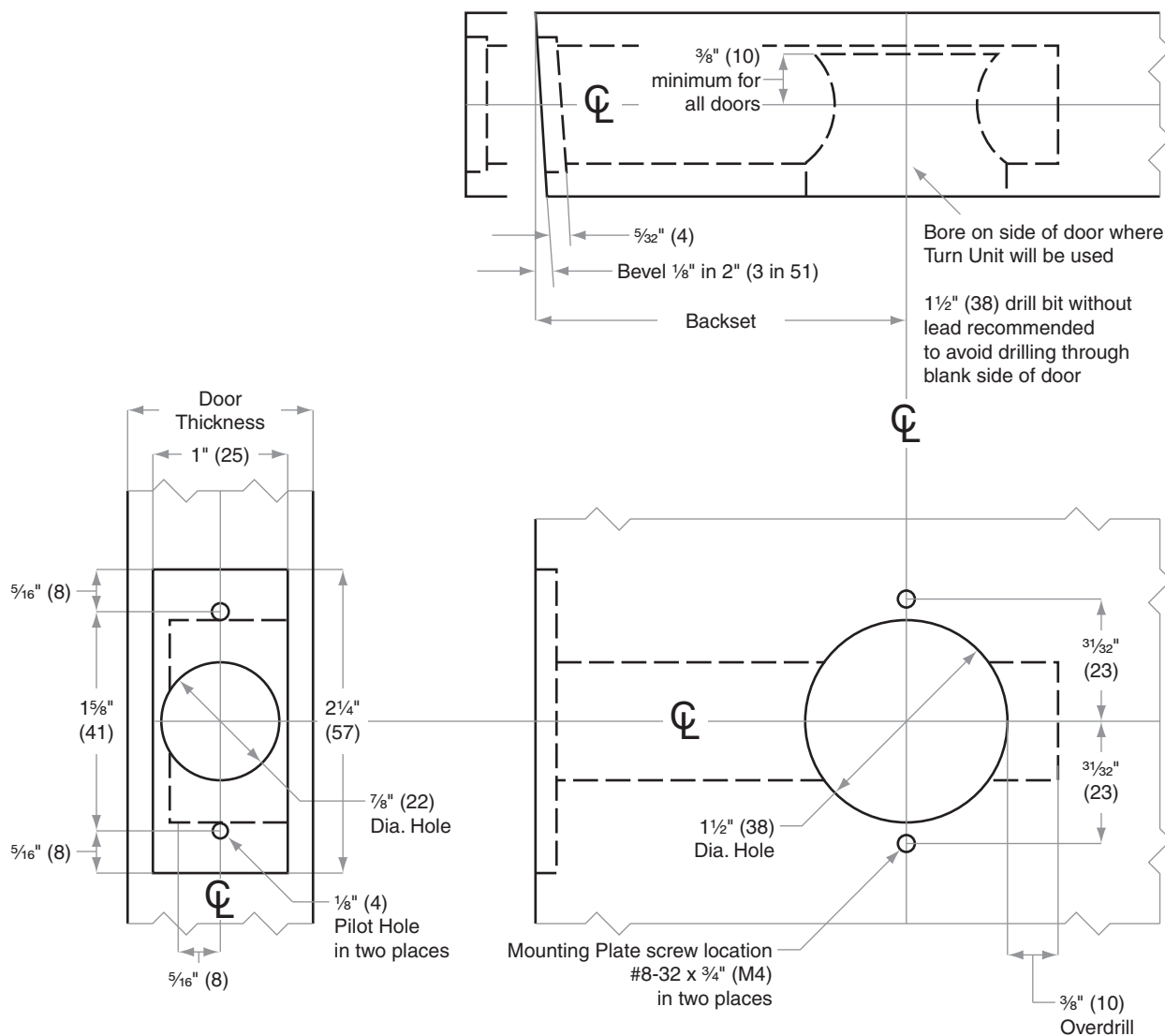
TEMPLATE B913

Door Type: Wood or Composite, Flat or Beveled

Door Thickness: Various

Faceplate: Square Corner, 1" (25 mm) wide

Backsets: **2³/₈" (60 mm)**, **2³/₄" (70 mm)**, **5" (127 mm)**



Dimensions shown in parentheses () are in millimeters.
Template is not to scale. Standard backset in **bold**.

© 2011 Schlage Lock Company
B913 Rev. 06/11-a

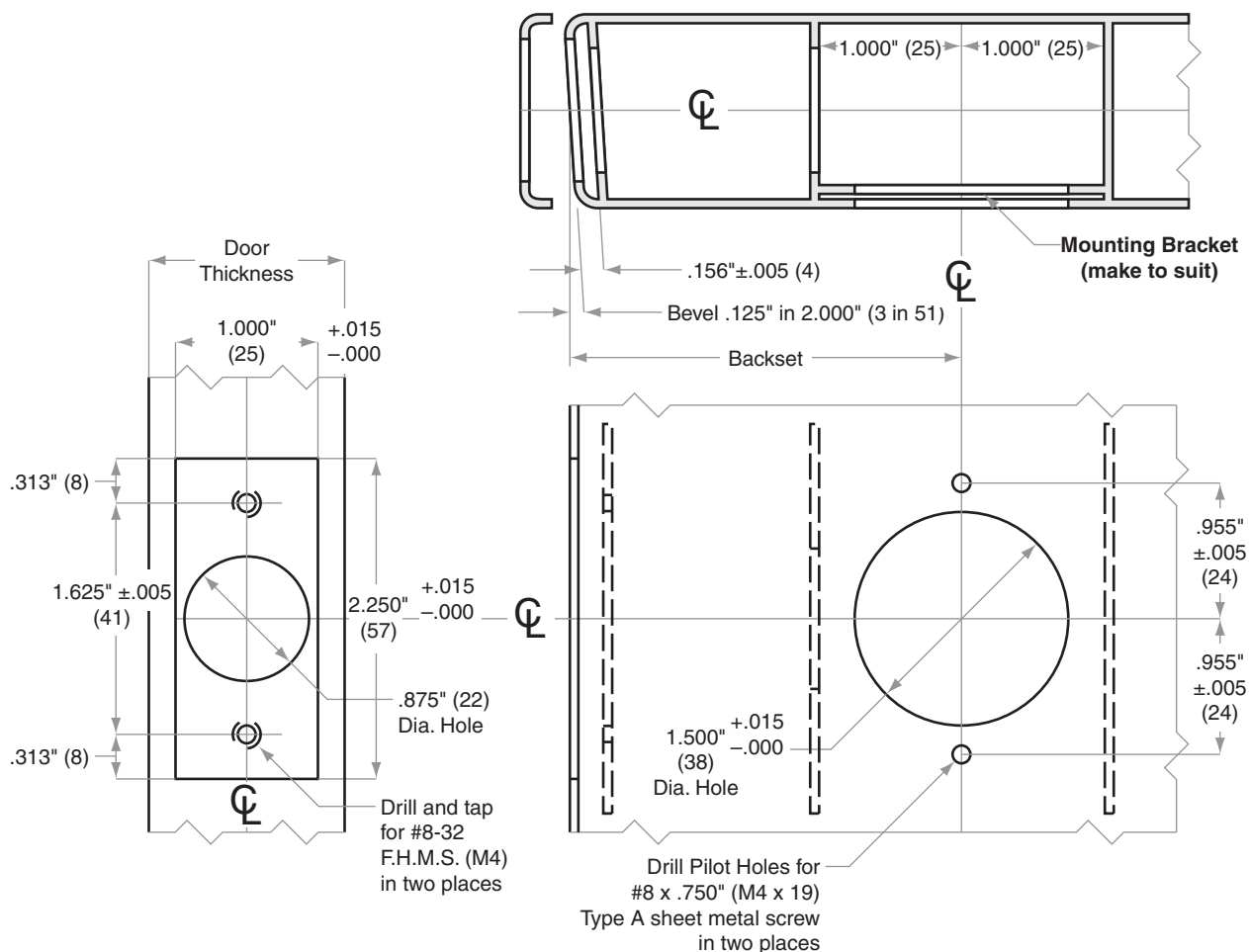


B/BA300-Series

Models B380, BA380

Door Type: Metal, Flat or Beveled
 Door Thickness: Various
 Faceplate: Square Corner, 1" (25 mm) wide
 Backsets: 2 $\frac{3}{8}$ " (60 mm), 2 $\frac{3}{4}$ " (70 mm), 5" (127 mm)

For metal door installations, suitable reinforcement is required to support latch in center of door and to prevent lateral movement.



Dimensions shown in parentheses () are in millimeters.

Door preparation template

B914



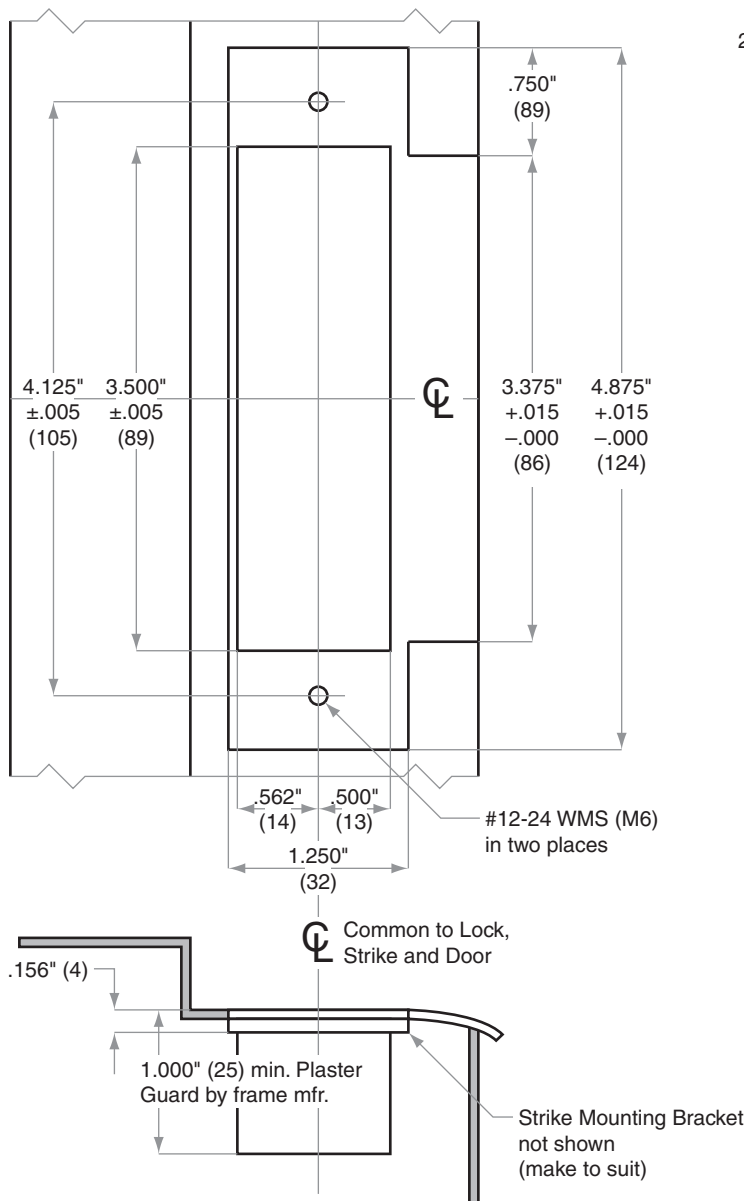
Strikes

Models 10-025, 10-072, 10-087

Jamb Type: Metal
Style: ANSI Standard for 1¾" (44 mm) doors
Standard for: AL-Series (10-025) | D-Series Knobs (10-025) | ND-Series Levers (10-025) | LXLV9000-Series (10-072)
Optional for: A-Series | B250-Series | F-Series | S-Series

NOTE:

1. Strike box furnished detached or 10-072 and 10-087, but not required as Plaster Guard is furnished by frame mfr.
2. Strike location on frames must be adjusted for thickness of door silencers when used



Dimensions shown in parentheses () are in millimeters.

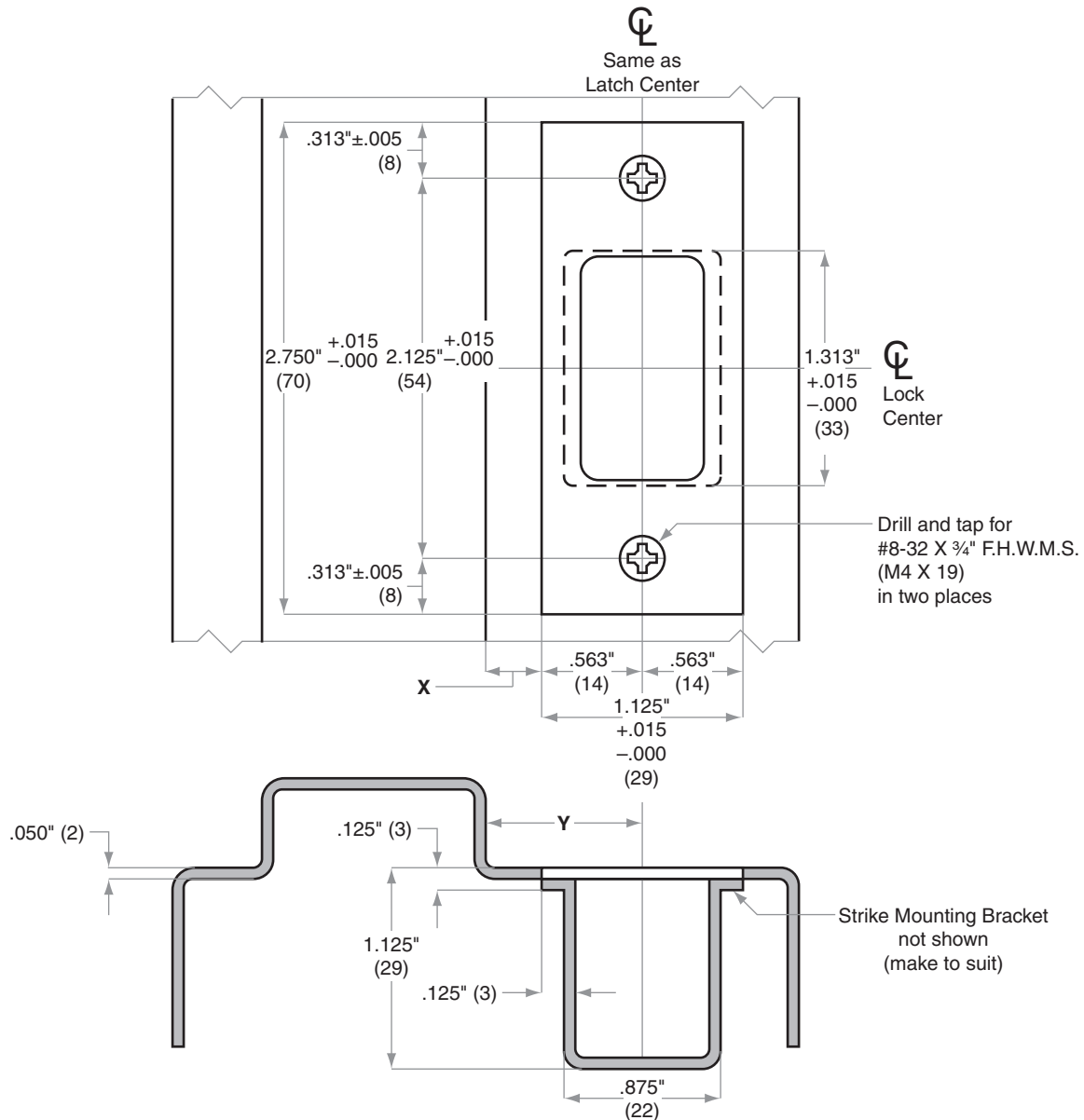
Door preparation template



Strikes

Models 10-055, 10-081, 10-094

Jamb Type: Wood
 Style: Square Corner, Deadbolt
 Standard for: B600/700/800-Series | B280-Series | B/BA300-Series | BE-Series | BR260-Series
 Optional for:



Dimensions X and Y are variables dependent on door thickness

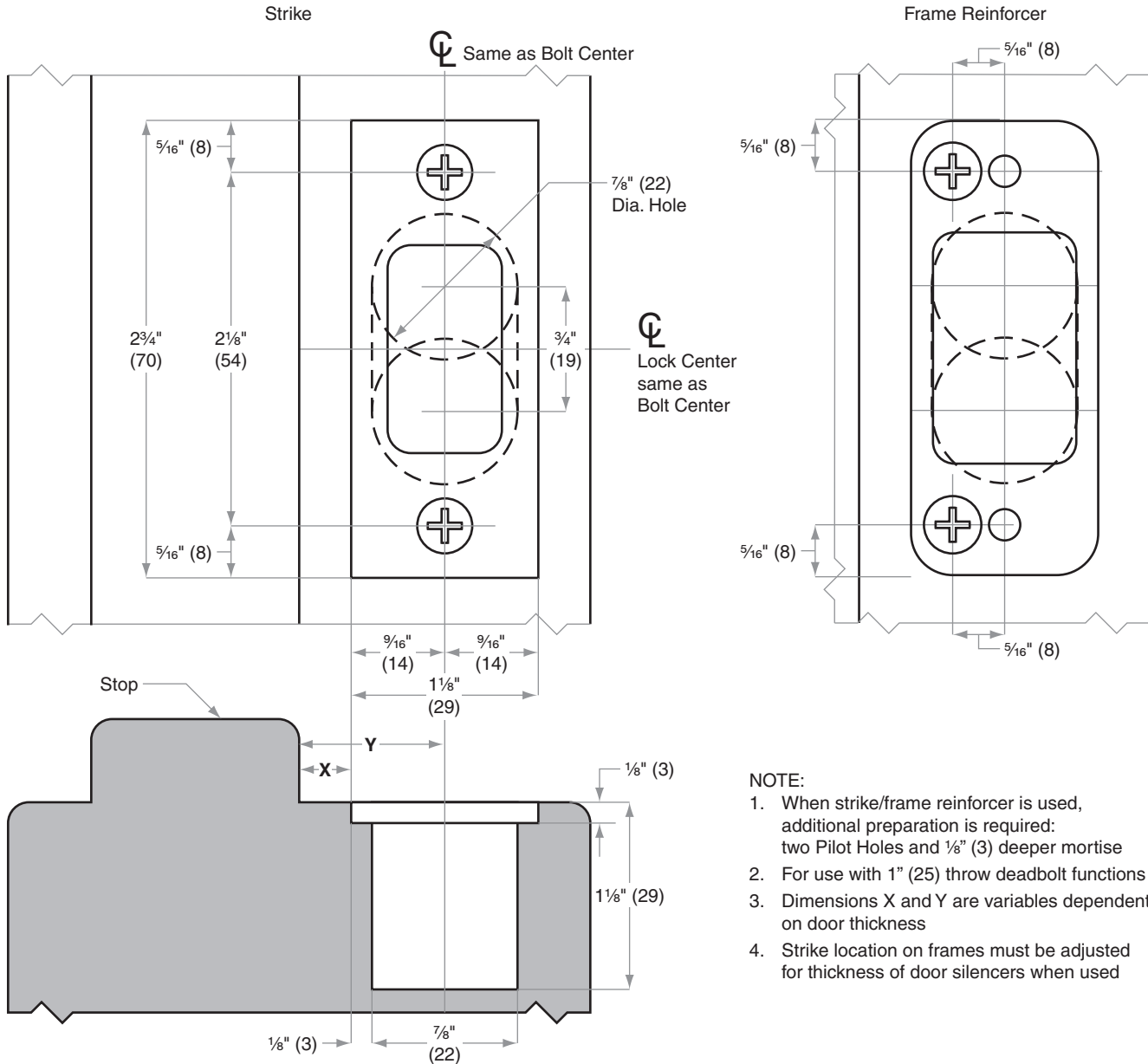
Dimensions shown in parentheses () are in millimeters.

Door preparation template

Strikes

Models 10-055, 10-081, 10-094

Jamb Type: Metal
 Style: Square Corner, Deadbolt
 Standard for: B600/700/800-Series | B280-Series | B/BA300-Series | BC100-Series | BE-Series | BR260-Series
 Optional for:



NOTE:

1. When strike/frame reinforcer is used, additional preparation is required: two Pilot Holes and 1/8" (3) deeper mortise
2. For use with 1" (25) throw deadbolt functions
3. Dimensions X and Y are variables dependent on door thickness
4. Strike location on frames must be adjusted for thickness of door silencers when used

Dimensions shown in parentheses () are in millimeters.

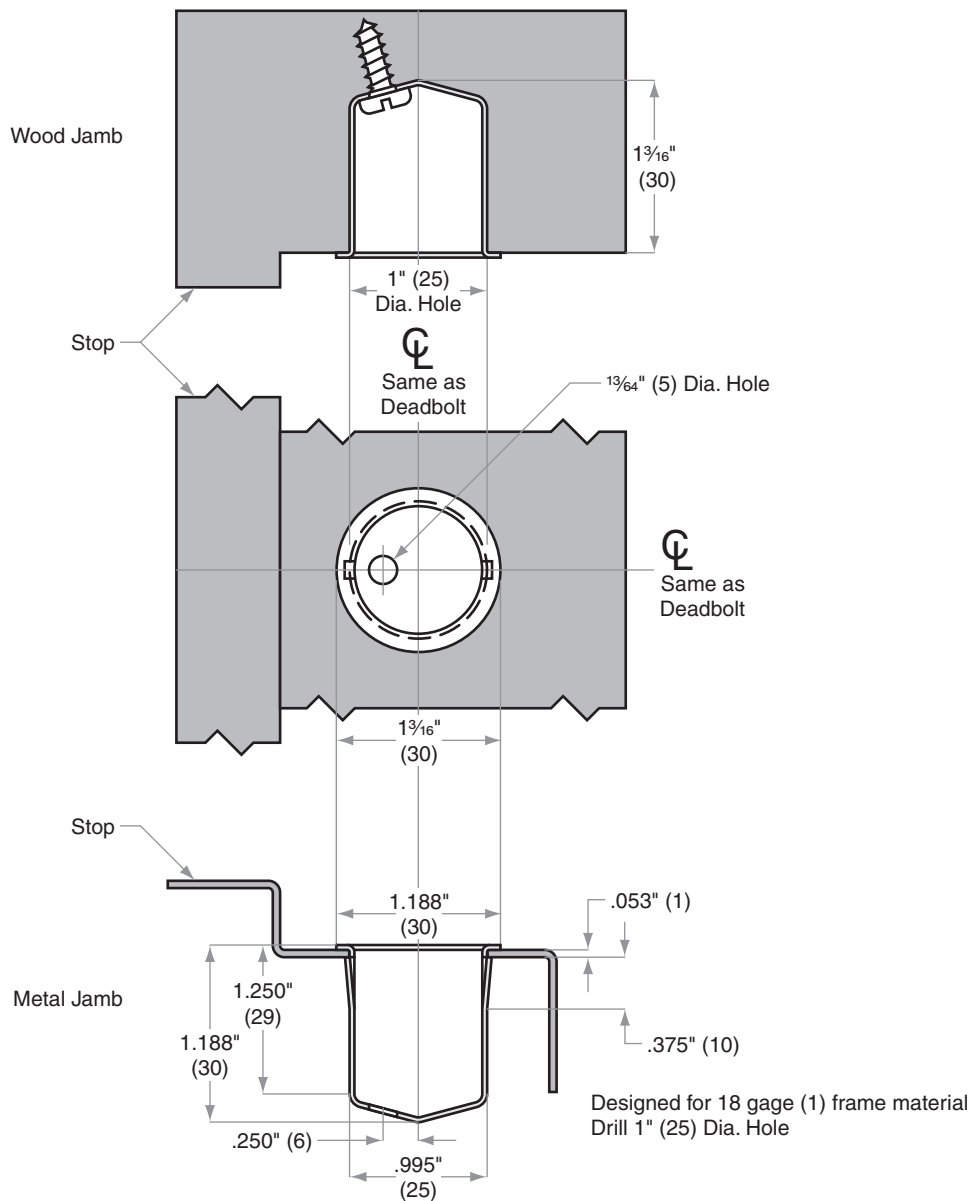
Door preparation template



Strikes

Model 10-064

Jamb Type: Wood and Metal
Style: Thimble, Deadbolt
Standard for:
Optional for: BC100-Series | B/BA300-Series | B600/700/800-Series



Dimensions shown in parentheses () are in millimeters.

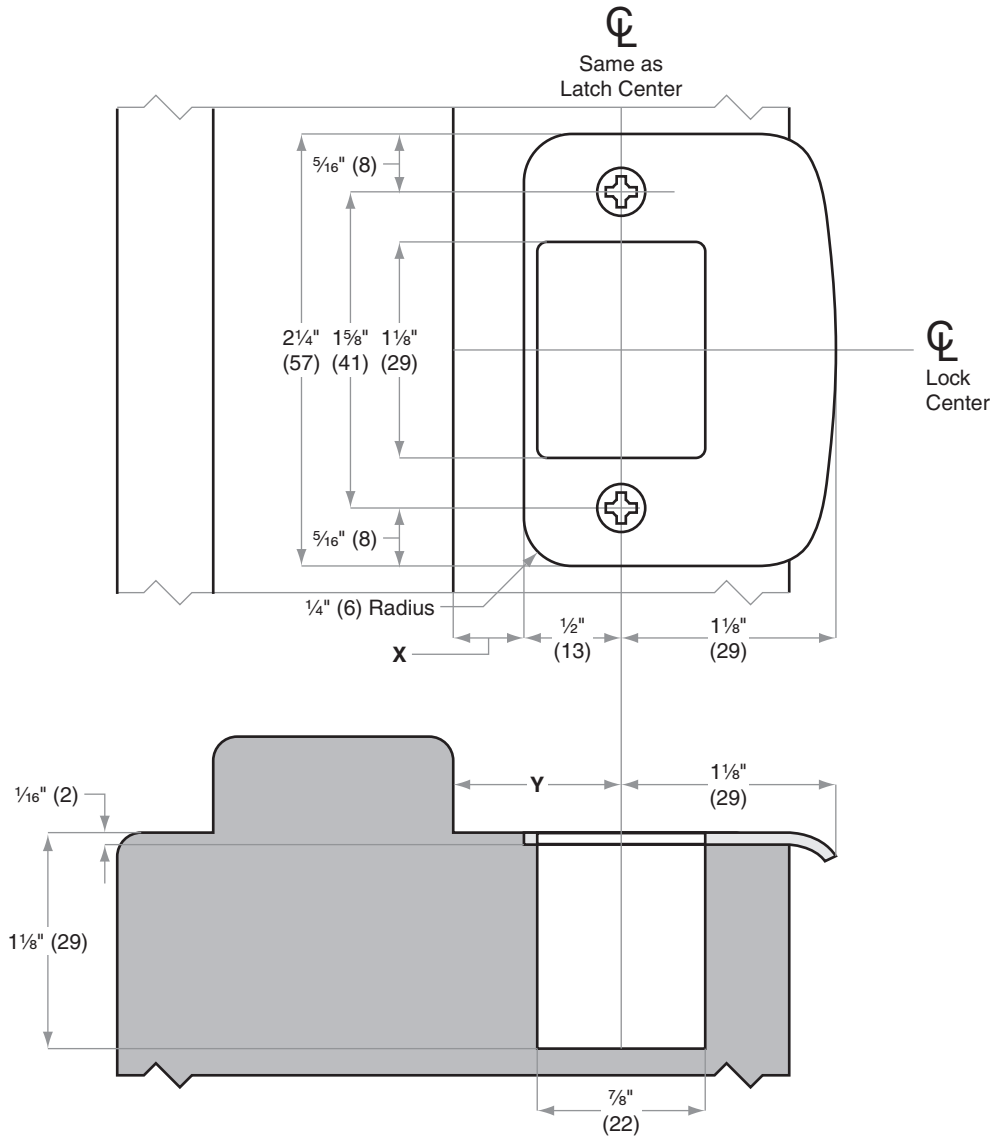
Door preparation template



Strikes

Model 10-092

Jamb Type: Wood
 Style: Full Lip, Round Corner, 1/4" (6 mm) Radius, Deadbolt
 Standard for:
 Optional for: BC100-Series | BR260-Series | B/BA300-Series | B600/700/800-Series



Dimensions X and Y are variables dependent on door thickness

Dimensions shown in parentheses () are in millimeters.

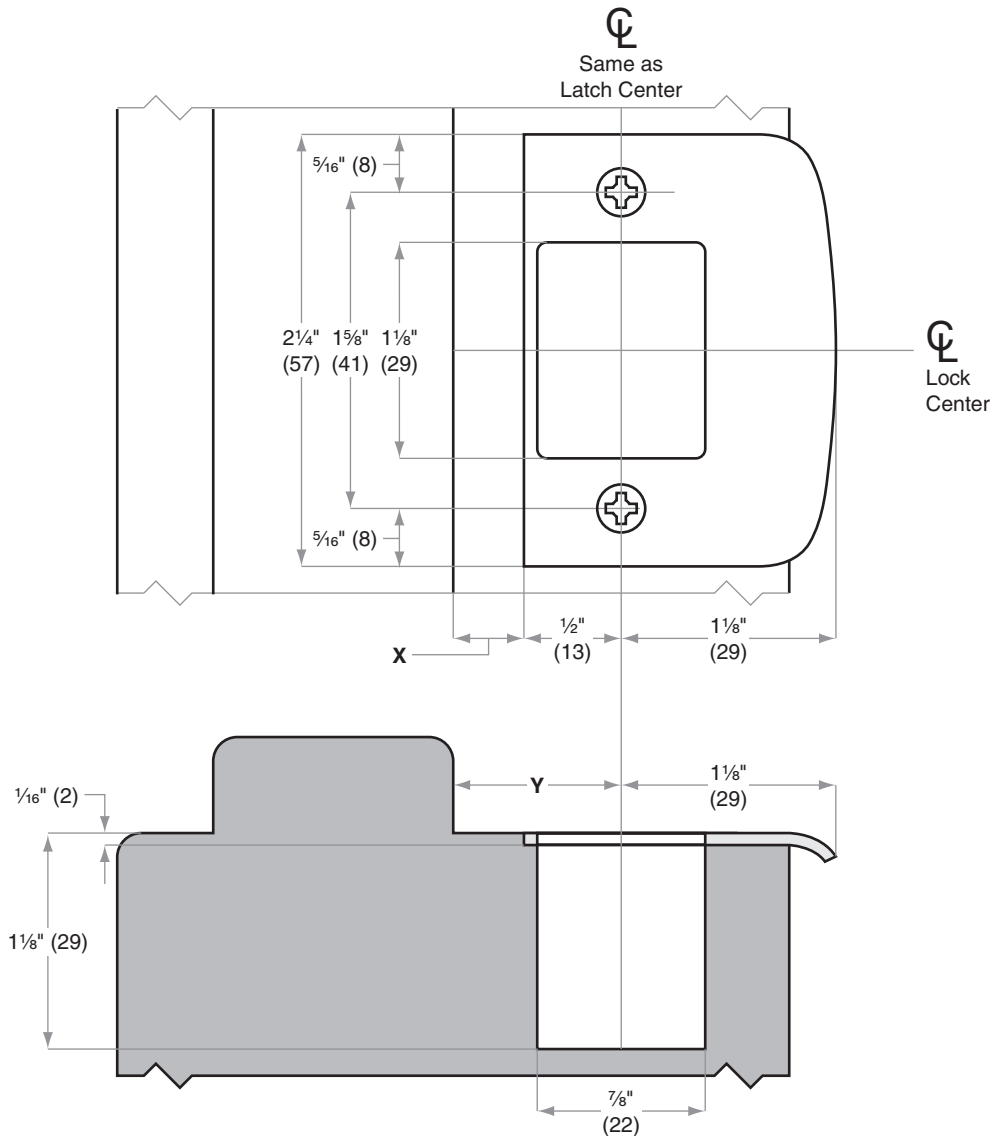
Door preparation template



Strikes

Model 10-095

Jamb Type: Wood
Style: Full Lip, Square Corner, Deadbolt
Standard for:
Optional for: BC100-Series | BR260-Series | B/BA300-Series | B600/700/800-Series



Dimensions X and Y are variables dependent on door thickness

Dimensions shown in parentheses () are in millimeters.

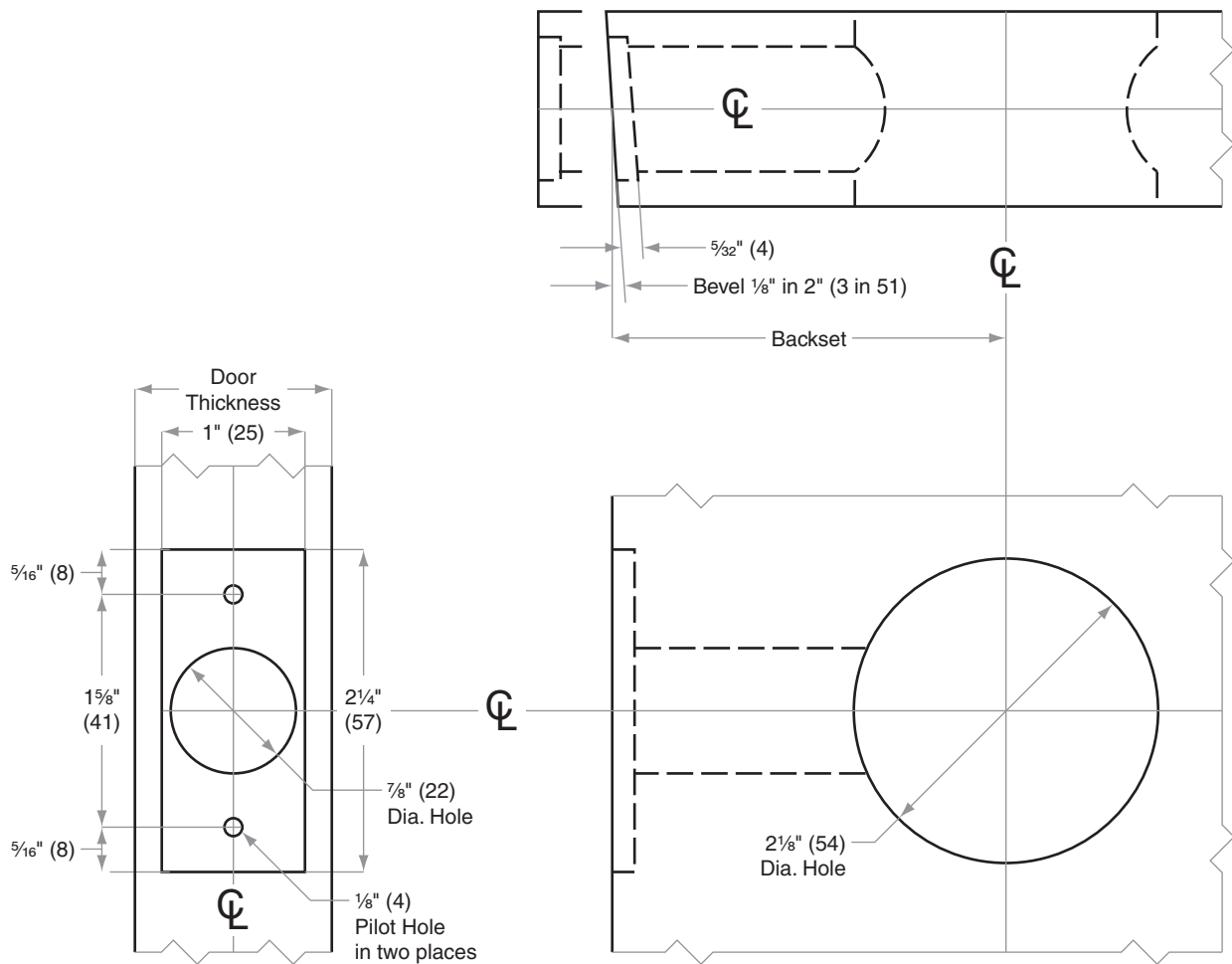
Door preparation template



BC100 and B/BA300-Series

Models BC160, BC162, B360, B362, BA360, BA362

- Door Type:** Wood or Composite, Flat or Beveled
Door Thickness: 1 $\frac{3}{8}$ " (35 mm)–2 $\frac{1}{4}$ " (57 mm)
Faceplate: Square Corner, 1" (25 mm) wide
Backsets: 2 $\frac{3}{8}$ " (60 mm), 2 $\frac{3}{4}$ " (70 mm), 5" (127 mm)



Dimensions shown in parentheses () are in millimeters.

Door preparation template



B250

B252

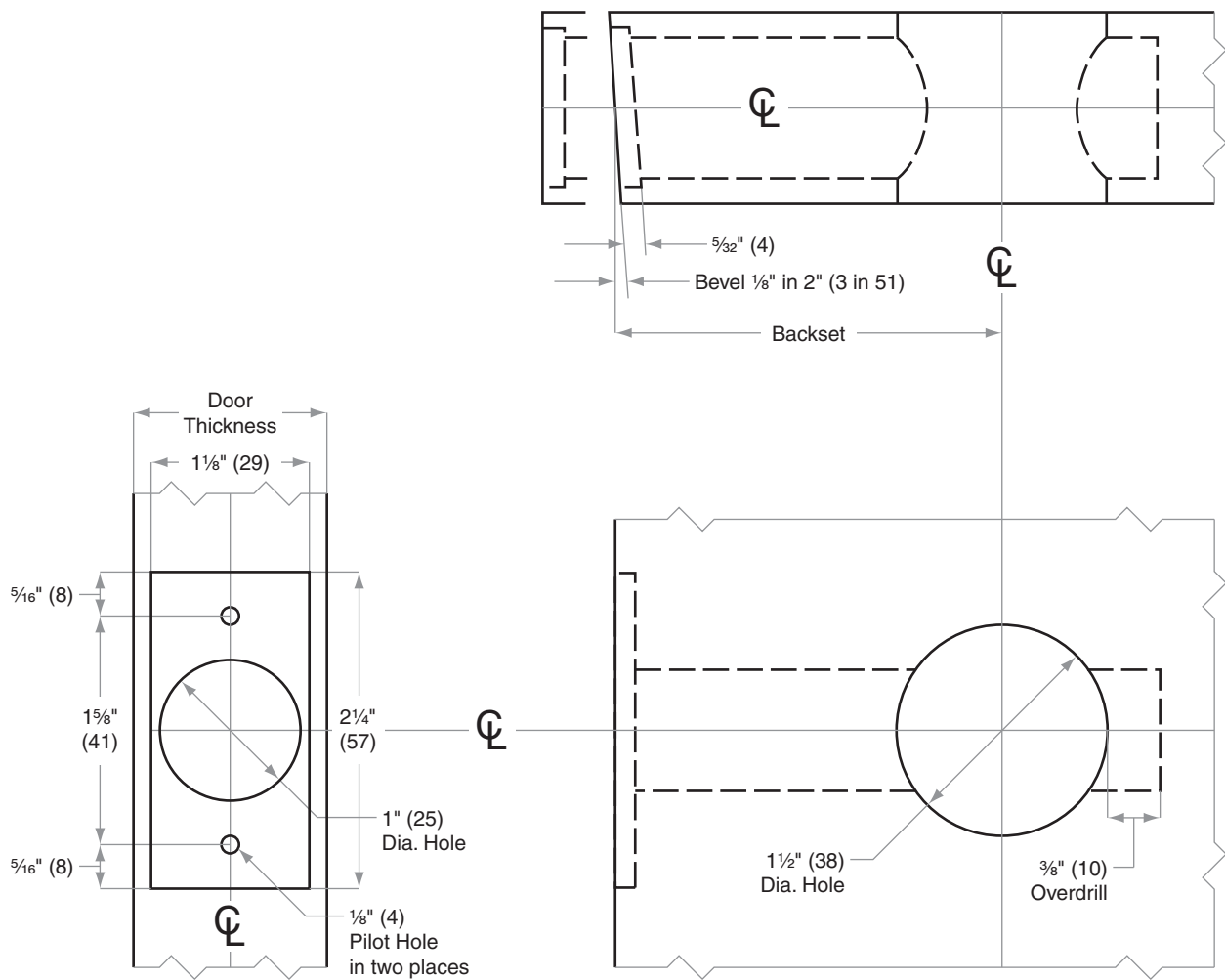
-series-



B250-Series

Models B250, B252

Door Type: Wood or Composite, Flat or Beveled
Door Thickness: Various
Faceplate: Square Corner, 1 1/8" (29 mm) wide
Backsets: 2 3/8" (60 mm), 2 3/4" (70 mm)



Dimensions shown in parentheses () are in millimeters.

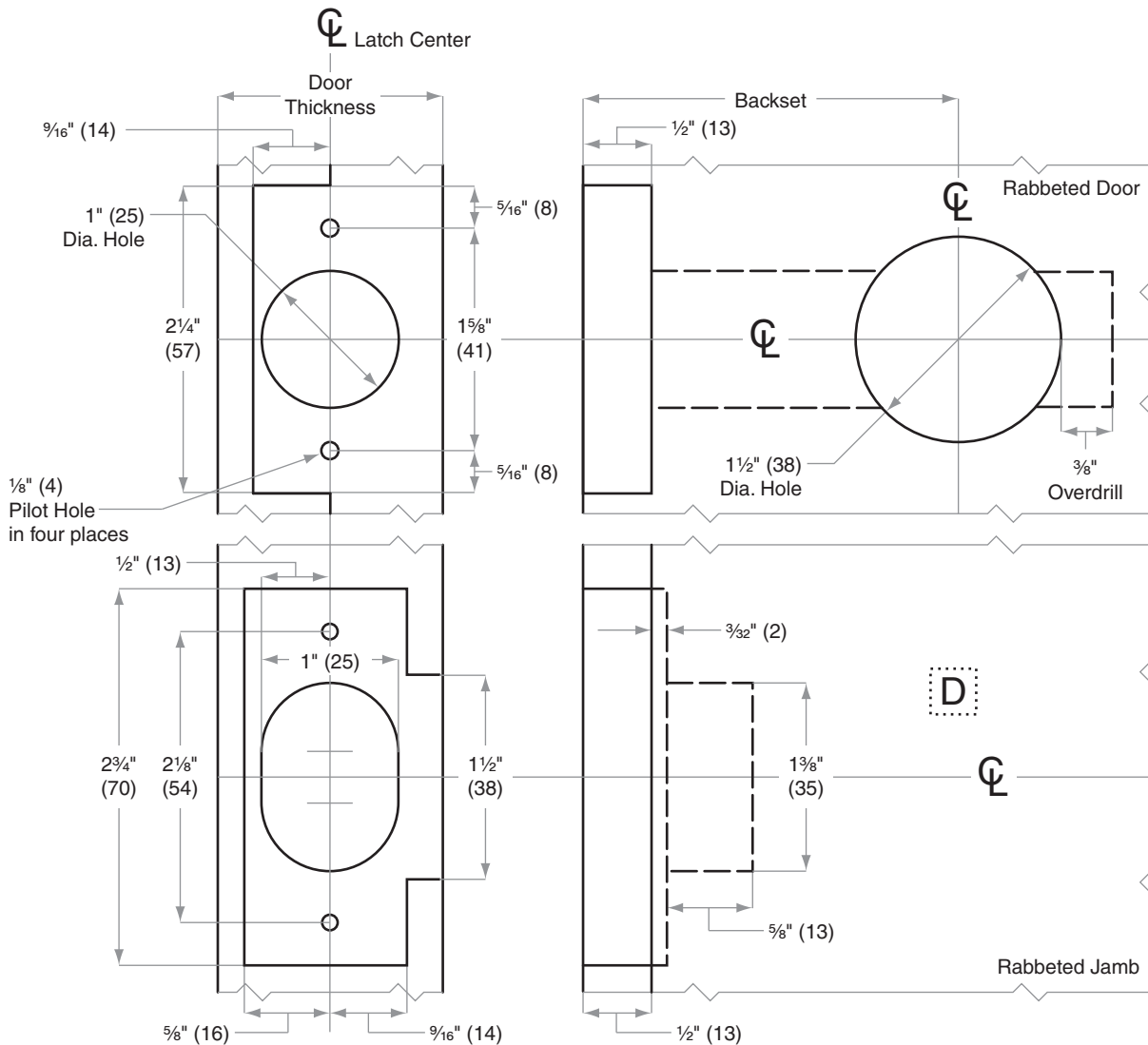
Door preparation template



B250-Series

Models B250, B252

Door Type: Wood or Composite, rabbeted, flat
Door Thickness: Various
Faceplate: Square Corner, 1 1/8" (29 mm) wide, 1/2" (13 mm) rabbeted and strike
Backsets: 2 3/8" (60 mm), 2 3/4" (70 mm)



Dimensions shown in parentheses () are in millimeters.

Door preparation template



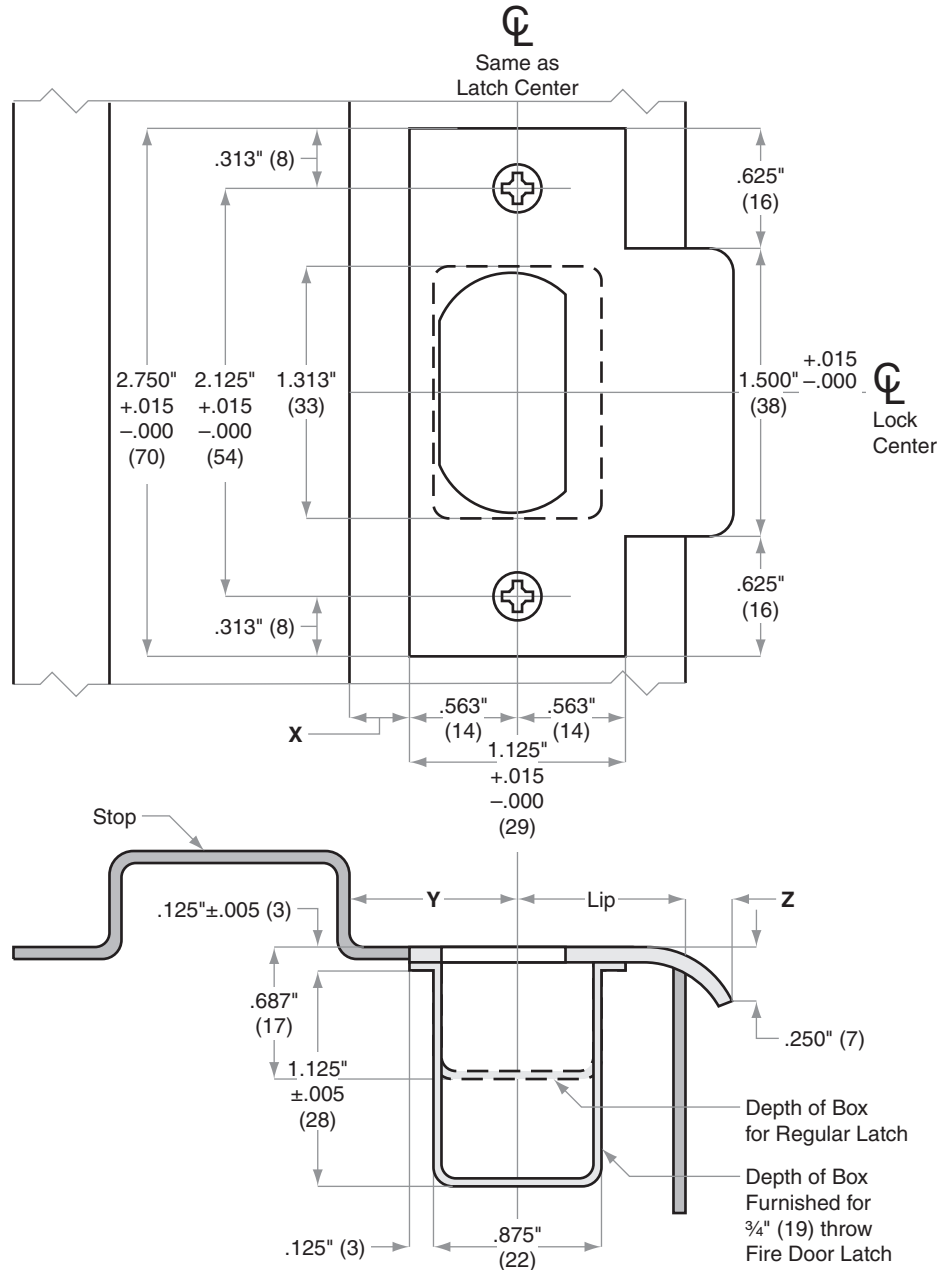
Strikes

Models 10-001, 10-013, 10-016, 10-019

Jamb Type: Metal
 Style: T-Strike, Square Corner
 Standard for: A-Series | B250-Series | S-Series
 Optional for: AL-Series | F-Series | D-Series Knobs | ND-Series Levers

NOTE:

1. Dimensions X and Y are variables dependent on door thickness
2. Curved strike extension beyond jamb at Z must not be less than $\frac{3}{16}$ " (5) to ensure proper functioning of latch bolt
3. $1\frac{1}{8}$ " (29) Lip length for $1\frac{3}{8}$ " (35) to $1\frac{3}{4}$ " (44) doors. Other lengths available
4. Strike location on frames must be adjusted for thickness of door silencers, when used



Dimensions shown in parentheses () are in millimeters.

Door preparation template



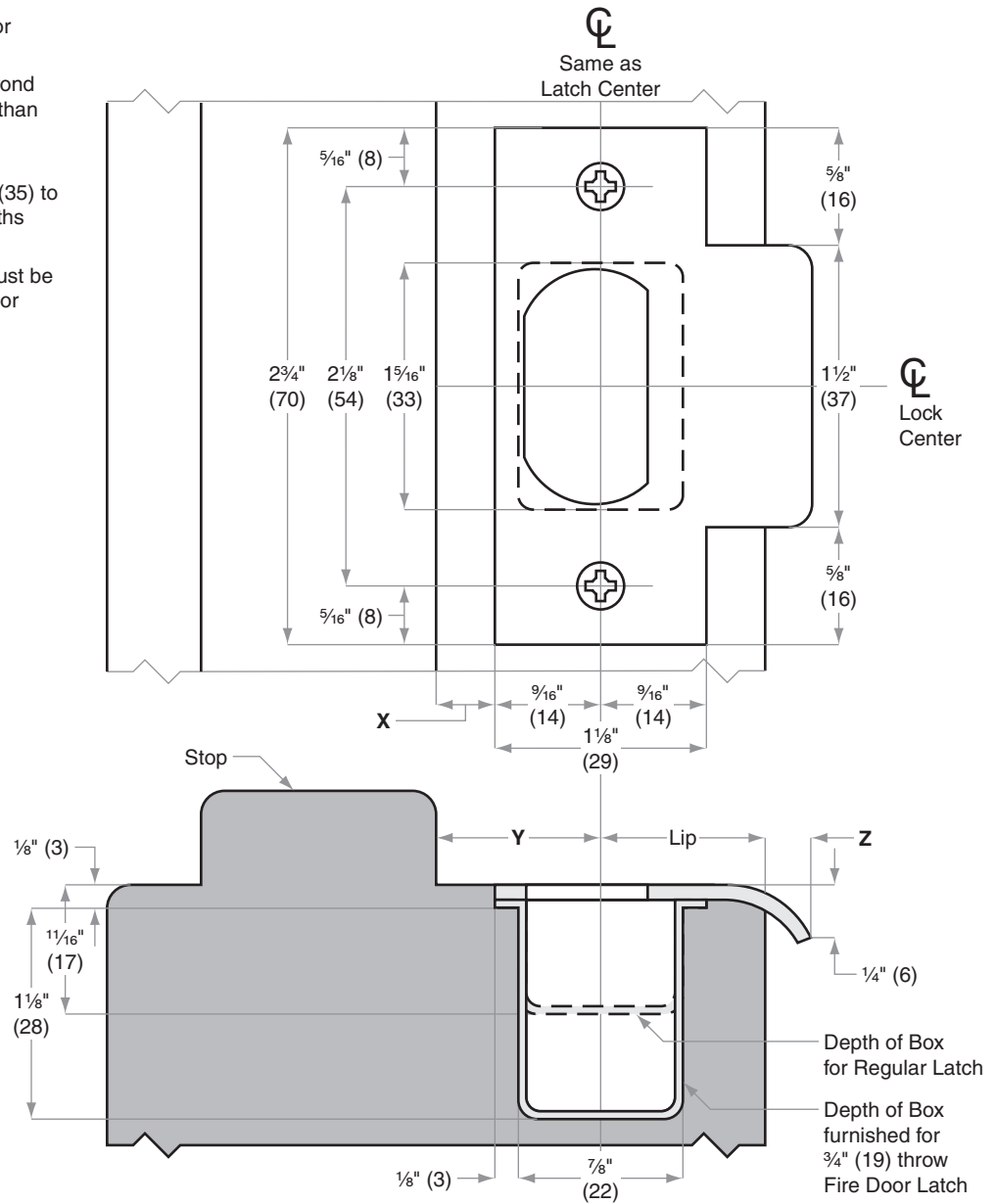
Strikes

Models 10-001, 10-013, 10-016, 10-019

Jamb Type: Wood
Style: T-Strike, Square Corner
Standard for: A-Series | B250-Series | S-Series
Optional for: AL-Series | F-Series | D-Series Knobs | ND-Series Levers

NOTE:

1. Dimensions X, Y and Z are variables dependent on door thickness
2. Curved strike extension beyond jamb at Z must not be less than 3/16" (5) to ensure proper functioning of latch bolt
3. 1 1/8" (29) Lip length for 1 3/8" (35) to 1 3/4" (44) doors. Other lengths available
4. Strike location on frames must be adjusted for thickness of door silencers, when used



Dimensions shown in parentheses () are in millimeters.

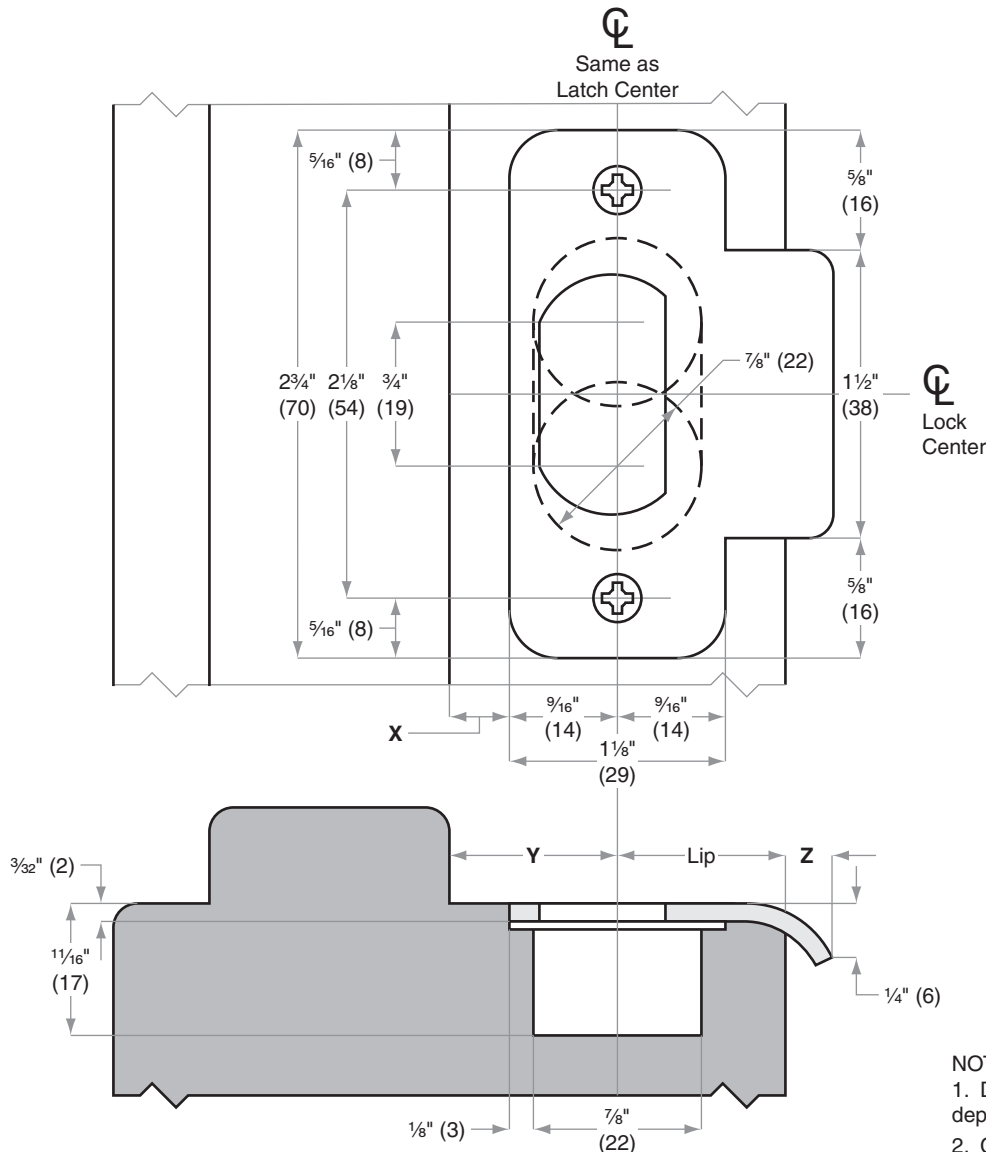
Door preparation template



Strikes

Model 10-004

Jamb Type: Wood
 Style: T-Strike, Round Corner, 1/4" (6 mm) Radius
 Standard for:
 Optional for: A-Series | B250-Series



NOTE:

1. Dimensions X, Y and Z are variables dependent on the door thickness used
2. Curved strike extension beyond jamb at Z must not be less than 3/16" (5) to ensure proper functioning of latch bolt
3. 1 1/8" (29) Lip length for 1 3/8" (35) to 1 3/4" (44) doors. Other lengths available
4. Strike location on frames must be adjusted for thickness of door silencers when used

Dimensions shown in parentheses () are in millimeters.

Door preparation template



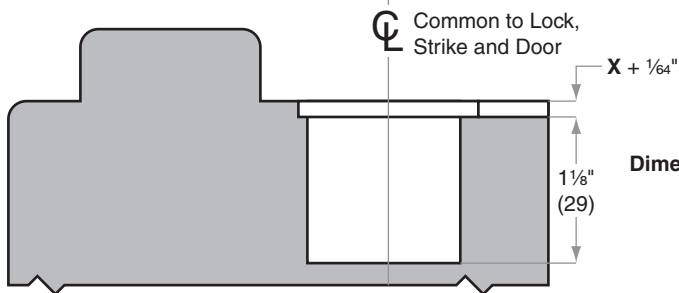
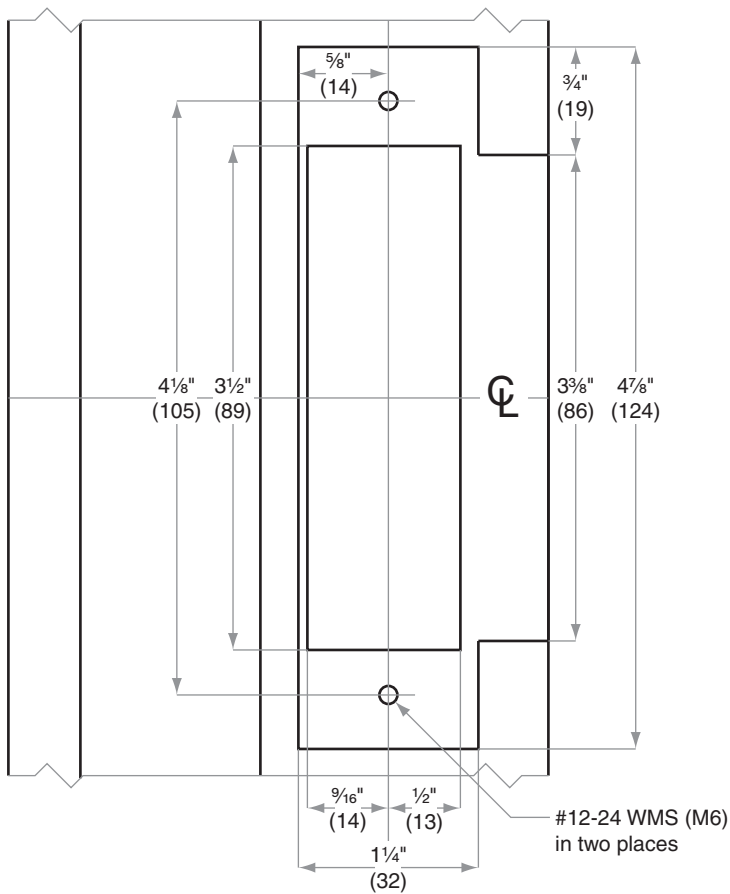
Strikes

Models 10-025, 10-072, 10-087

Jamb Type: Wood
Style: ANSI Standard for 1¾" (44 mm) doors
Standard for: AL-Series (10-025) | D-Series Knobs (10-025) | ND-Series Lever (10-025) | L/LV9000-Series (10-072)
Optional for: A-Series | B250-Series | F-Series | S-Series

NOTE:

1. When reinforcement plate is specified, mortise additional 1/8" (3) to Dimension X
2. Strike location on frames must be adjusted for thickness of door silencers when used



Dimension X: 10-025: 3/32" (2) when strike box not specified
 10-072 and 10-087: 5/32" (4) for strike box, detached

Dimensions shown in parentheses () are in millimeters.

Door preparation template



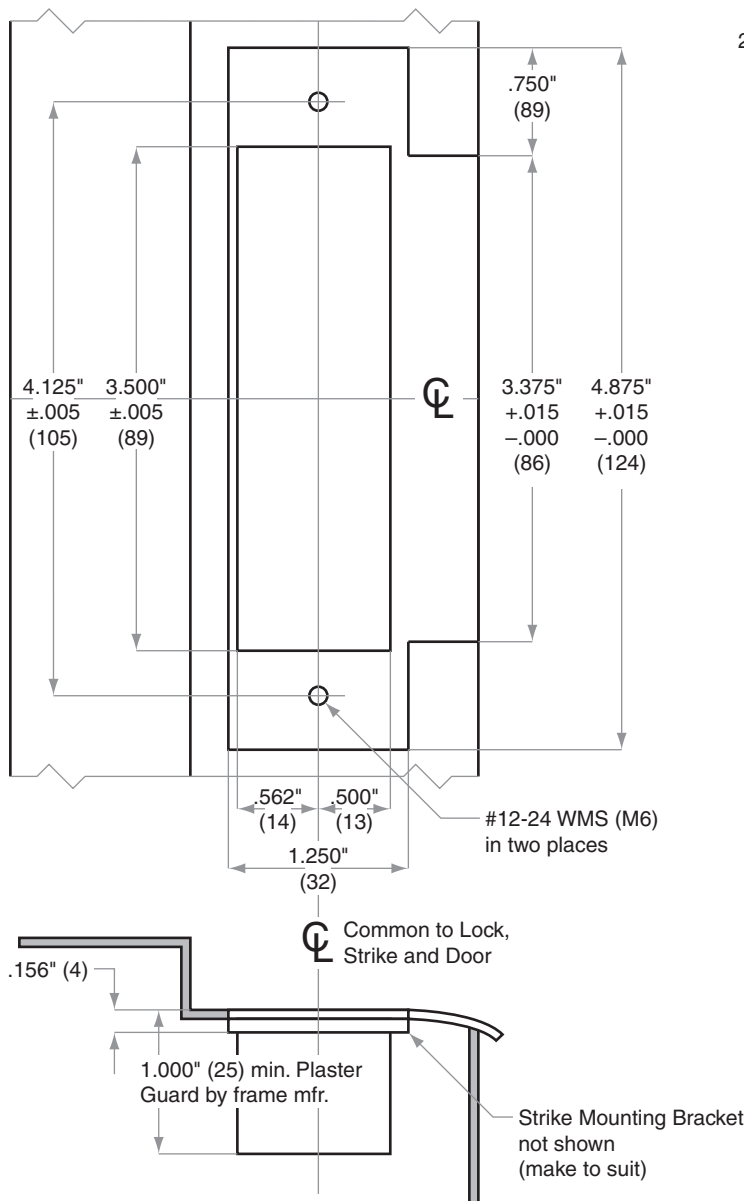
Strikes

Models 10-025, 10-072, 10-087

Jamb Type: Metal
Style: ANSI Standard for 1¾" (44 mm) doors
Standard for: AL-Series (10-025) | D-Series Knobs (10-025) | ND-Series Levers (10-025) | LXLV9000-Series (10-072)
Optional for: A-Series | B250-Series | F-Series | S-Series

NOTE:

1. Strike box furnished detached or 10-072 and 10-087, but not required as Plaster Guard is furnished by frame mfr.
2. Strike location on frames must be adjusted for thickness of door silencers when used



Dimensions shown in parentheses () are in millimeters.

Door preparation template

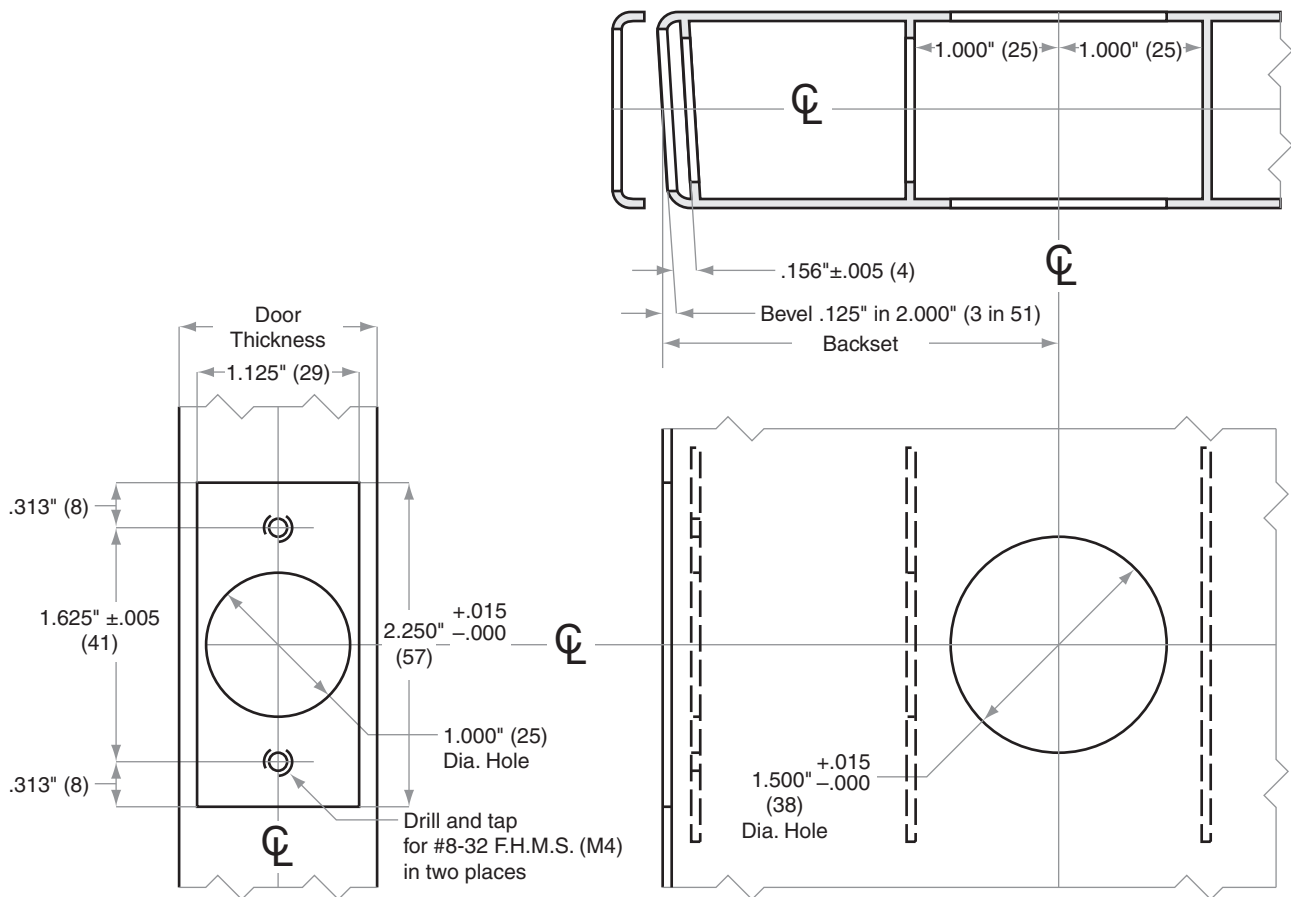


B250-Series

Models B250, B252

Door Type: Metal, Flat or Beveled
Door Thickness: Various
Faceplate: Square Corner, 1 1/8" (29 mm) wide
Backsets: 2 3/8" (60 mm), 2 3/4" (70 mm)

For metal door installations, suitable reinforcement is required to support latch in center of door and to prevent lateral movement



Dimensions shown in parentheses () are in millimeters.

Door preparation template



B500

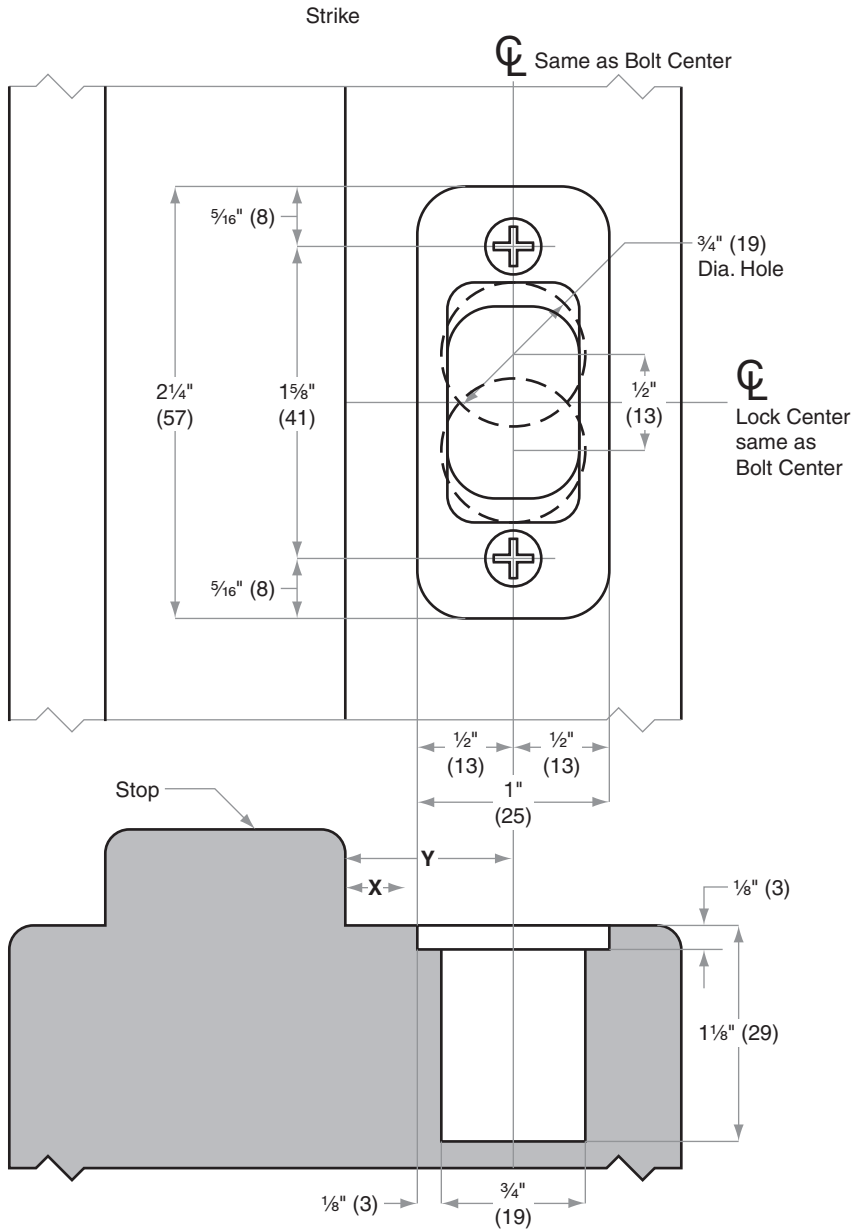
-series-



Strikes

Model 10-103

Jamb Type: Wood
 Style: 1" (25 mm) Round Corner, 1/4" (6 mm) Radius, no box, Deadbolt
 Standard for:
 Optional for: B500-Series



NOTE:

1. For use with 1" (25) throw deadbolt functions
2. Dimensions X and Y are variables dependent on door thickness
3. Strike location on frames must be adjusted for thickness of door silencers when used

Dimensions shown in parentheses () are in millimeters.

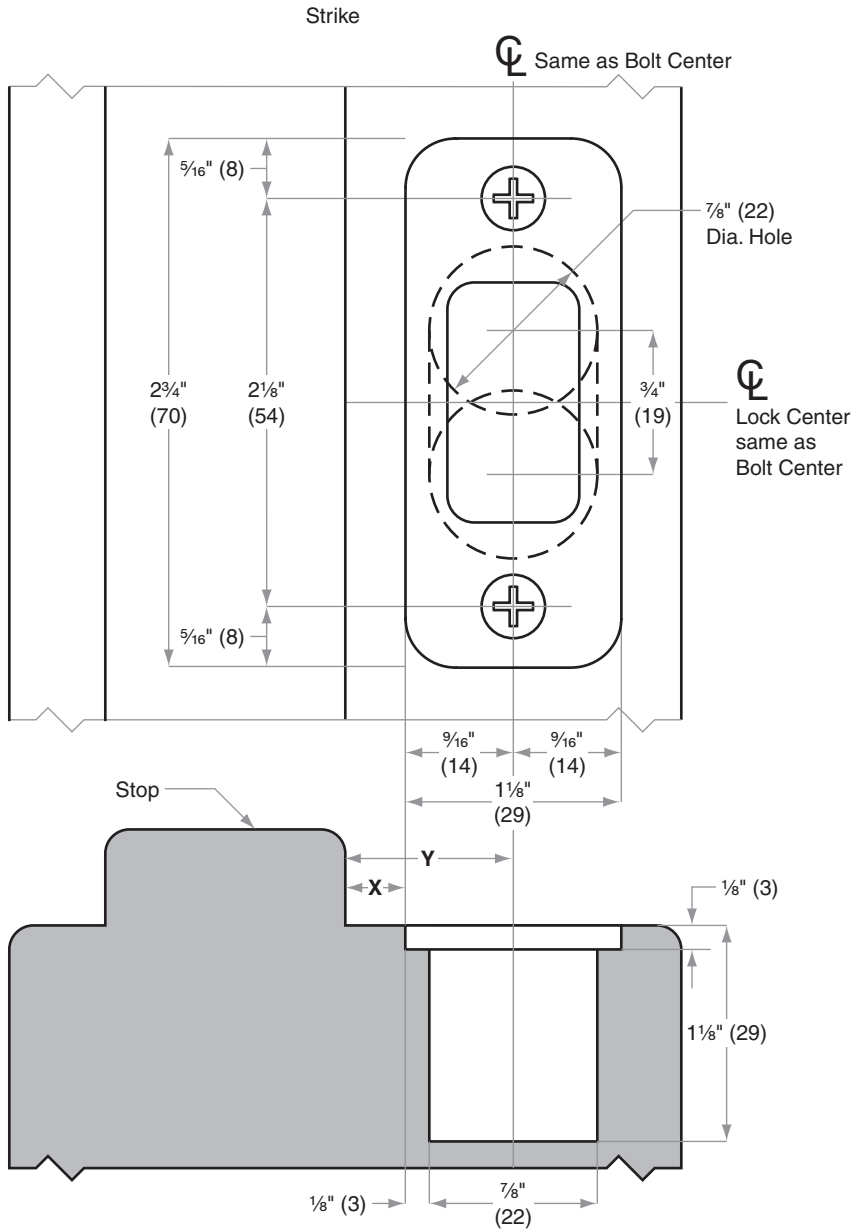
Door preparation template



Strikes

Model 10-108

Jamb Type: Wood
 Style: Round Corner, 1/4" (6 mm) Radius, no box, Deadbolt
 Standard for:
 Optional for: B500-Series



NOTE:

1. For use with 1" (25) throw deadbolt functions
2. Dimensions X and Y are variables dependent on door thickness
3. Strike location on frames must be adjusted for thickness of door silencers when used

Dimensions shown in parentheses () are in millimeters.

Door preparation template

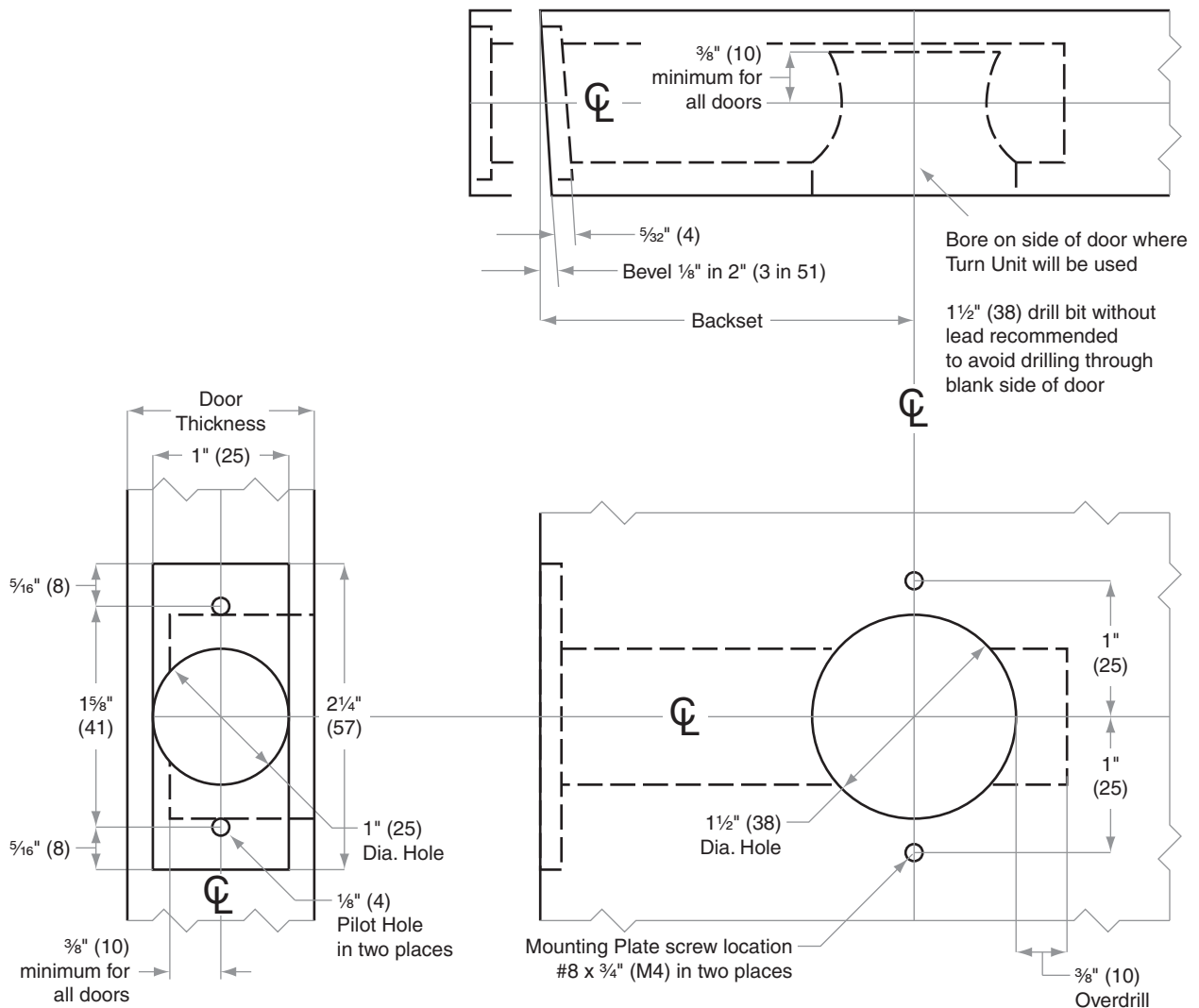
J930



B500-Series

Models B580

Door Type: Wood or Composite, Flat or Beveled
 Door Thickness: 1 $\frac{3}{8}$ " (35 mm)–2 $\frac{1}{4}$ " (57 mm)
 Faceplate: Square Corner, 1" (25 mm)
 Backsets: 2 $\frac{3}{8}$ " (60 mm), 2 $\frac{3}{4}$ " (70 mm), 5" (127 mm)



Dimensions shown in parentheses () are in millimeters.

Door preparation template

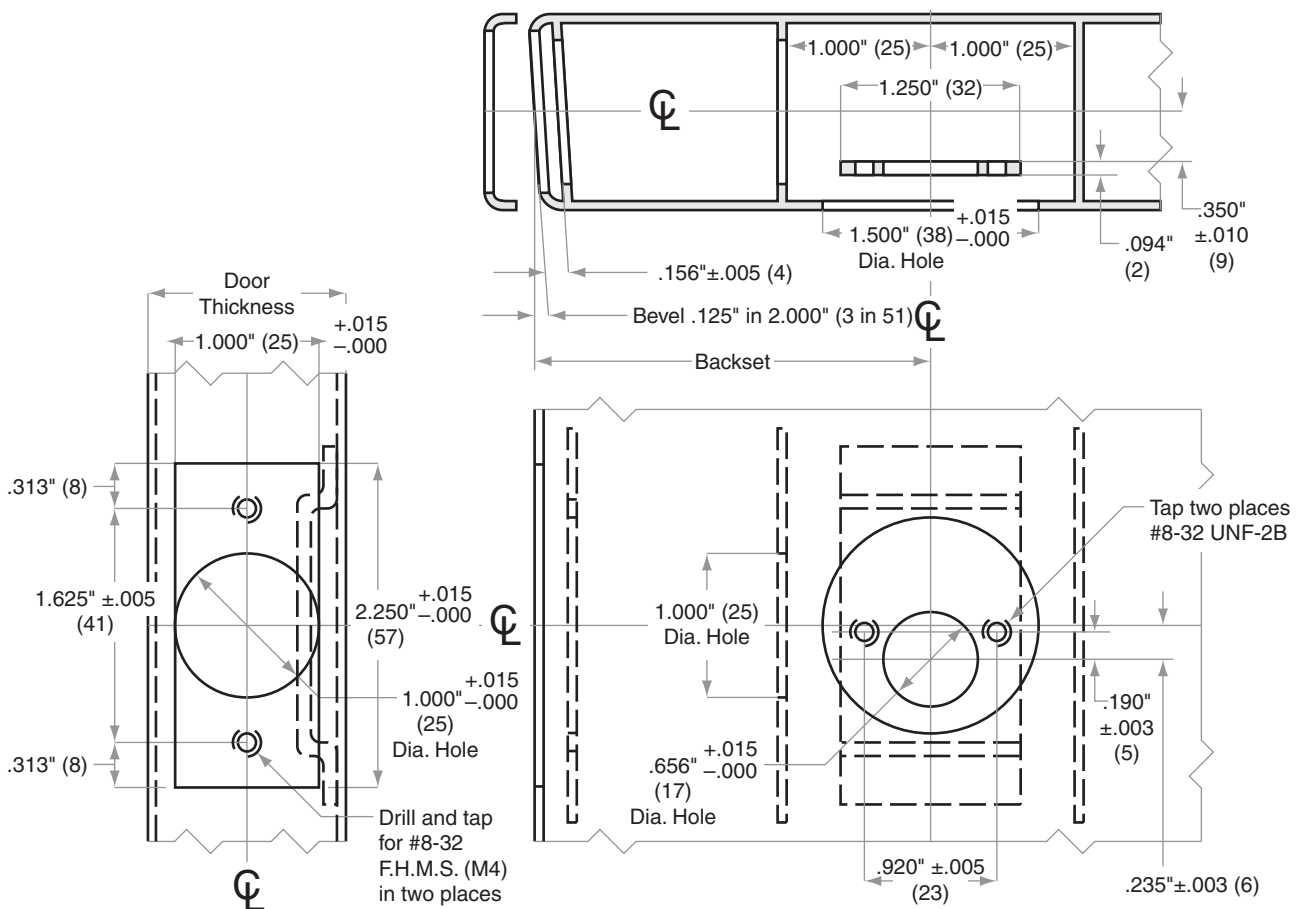


B500-Series

Models B580

Door Type: Metal, Flat or Beveled
 Door Thickness: 1 $\frac{3}{8}$ " (35 mm)–2 $\frac{1}{4}$ " (57 mm)
 Faceplate: Square Corner, 1" (25 mm) wide
 Backsets: 2 $\frac{3}{8}$ " (60 mm), 2 $\frac{3}{4}$ " (70 mm), 5" (127 mm)

For metal door installations, suitable reinforcement is required to support latch in center of door and to prevent lateral movement



Dimensions shown in parentheses () are in millimeters.

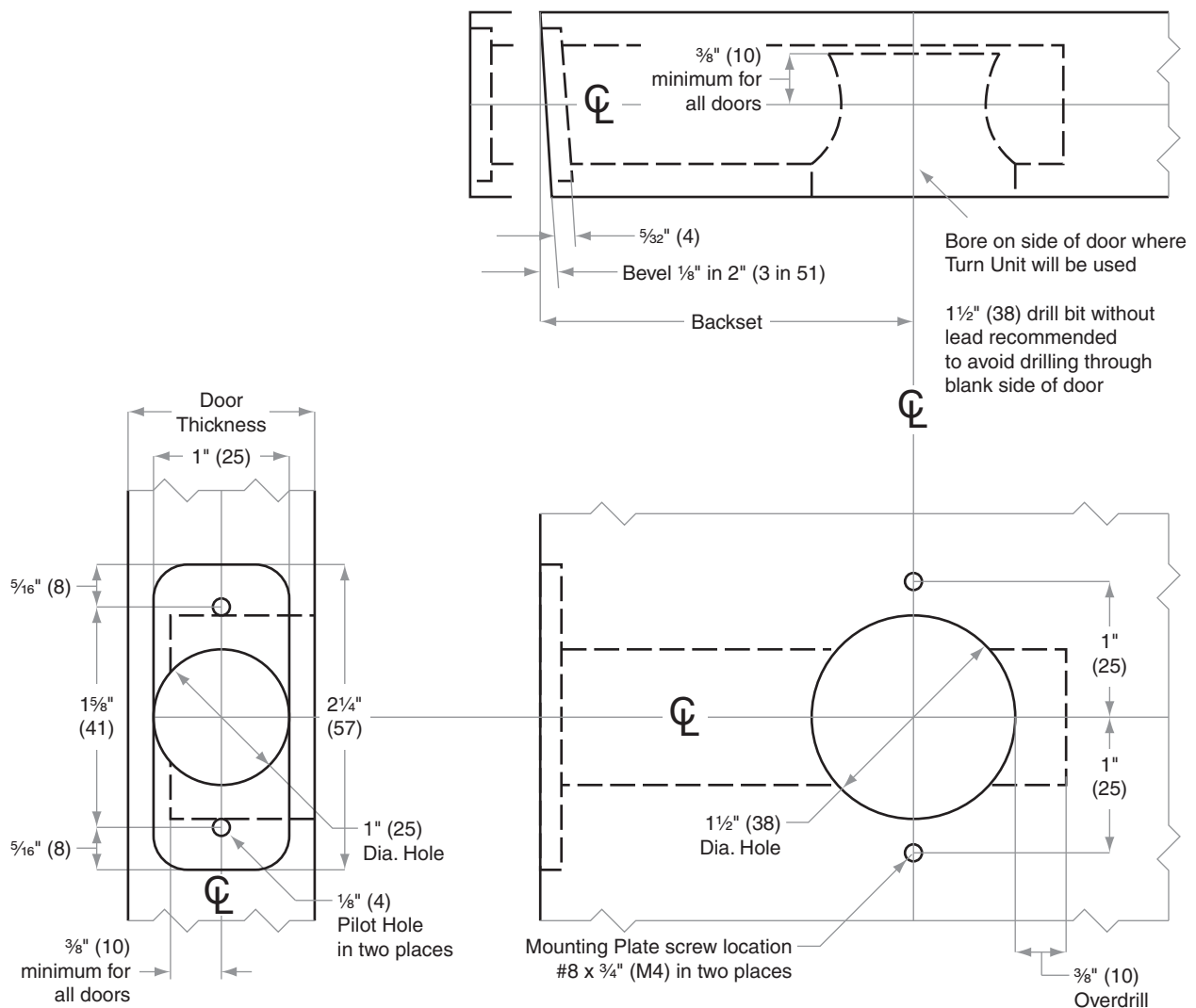
Door preparation template



B500-Series

Models B580

- Door Type:** Wood or Composite, Flat or Beveled
Door Thickness: 1 $\frac{3}{8}$ " (35 mm)–2 $\frac{1}{4}$ " (57 mm)
Faceplate: Round Corner, $\frac{1}{4}$ " (6 mm) Radius, 1" (25 mm) wide
Backsets: 2 $\frac{3}{8}$ " (60 mm), 2 $\frac{3}{4}$ " (70 mm), 5" (127 mm)



Dimensions shown in parentheses () are in millimeters.

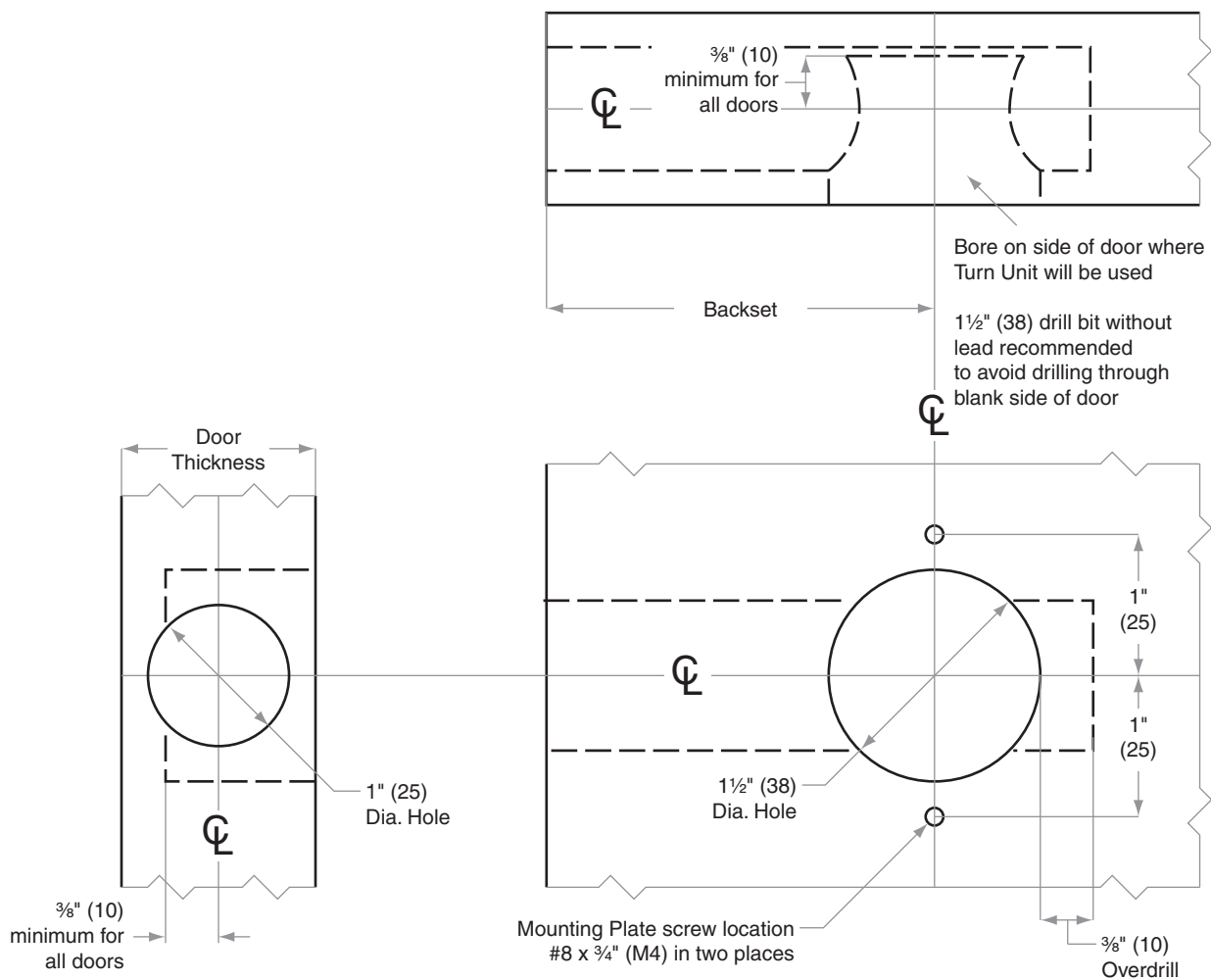
Door preparation template



B500-Series

Models B580

Door Type: Wood or Composite, Flat
Door Thickness: 1 $\frac{3}{8}$ " (35 mm)–2 $\frac{1}{4}$ " (57 mm)
Faceplate: Circular Drive-In
Backsets: 2 $\frac{3}{8}$ " (60 mm), 2 $\frac{3}{4}$ " (70 mm), 5" (127 mm)



Dimensions shown in parentheses () are in millimeters.

Door preparation template

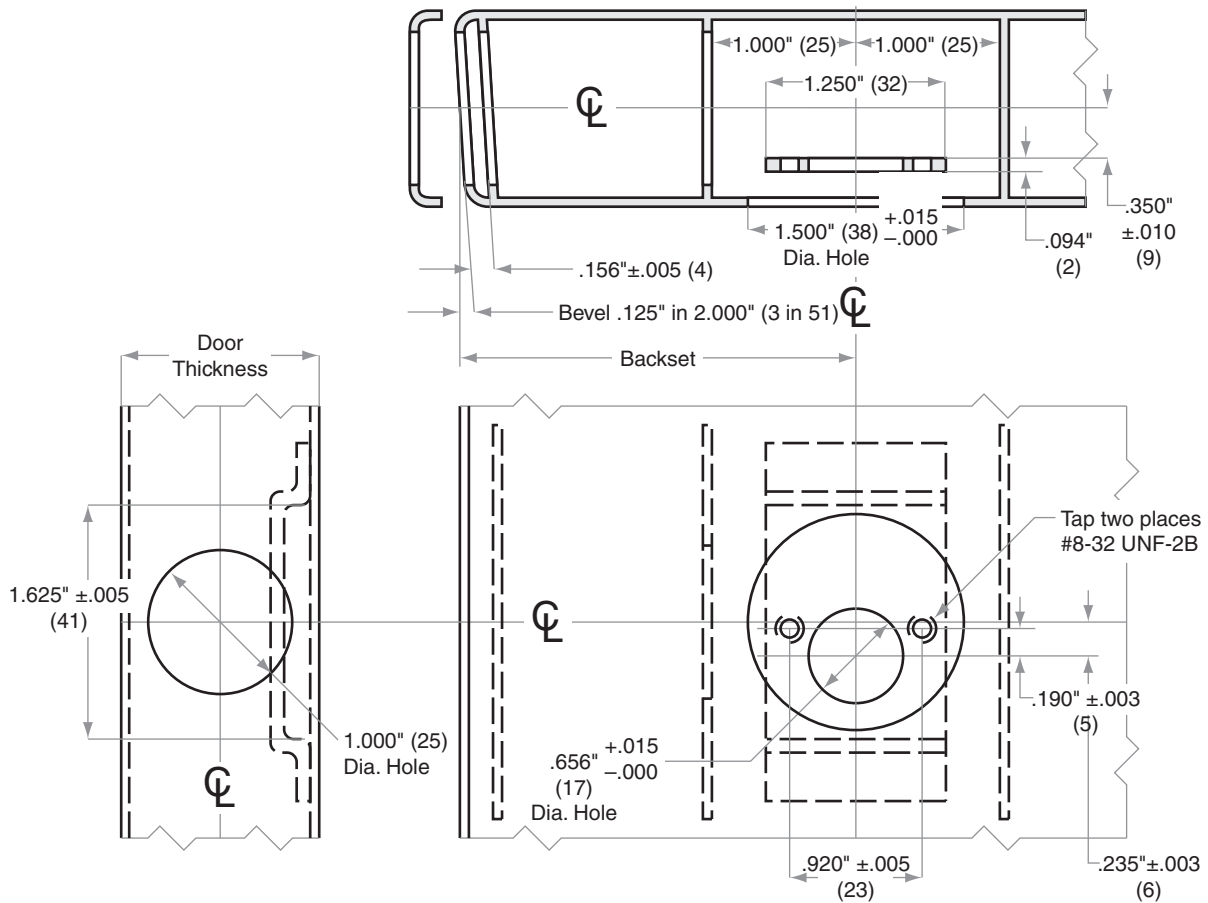


B500-Series

Models B580

Door Type: Metal, Flat
 Door Thickness: 1 $\frac{3}{8}$ " (35 mm)–2 $\frac{1}{4}$ " (57 mm)
 Faceplate: Circular Drive-In
 Backsets: 2 $\frac{3}{8}$ " (60 mm), 2 $\frac{3}{4}$ " (70 mm), 5" (127 mm)

For metal door installations, suitable reinforcement is required to support latch in center of door and to prevent lateral movement



Dimensions shown in parentheses () are in millimeters.

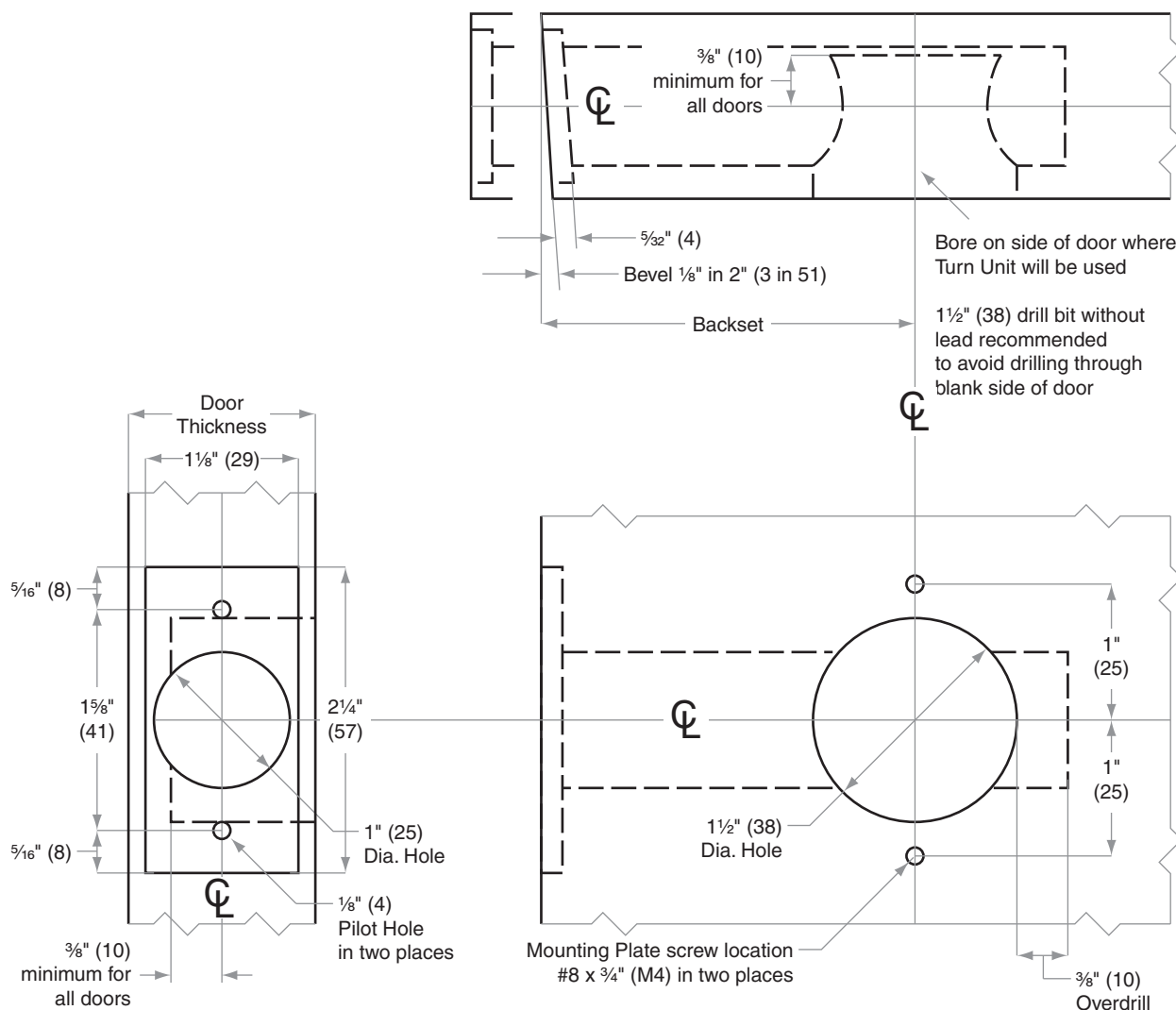
Door preparation template



B500-Series

Models B580

Door Type: Wood or Composite, Flat or Beveled
Door Thickness: 1 $\frac{3}{8}$ " (35 mm)–2 $\frac{1}{4}$ " (57 mm)
Faceplate: Square Corner, 1 $\frac{1}{8}$ " (29 mm) wide
Backsets: 2 $\frac{3}{8}$ " (60 mm), 2 $\frac{3}{4}$ " (70 mm), 5" (127 mm)



Dimensions shown in parentheses () are in millimeters.

Door preparation template

B945

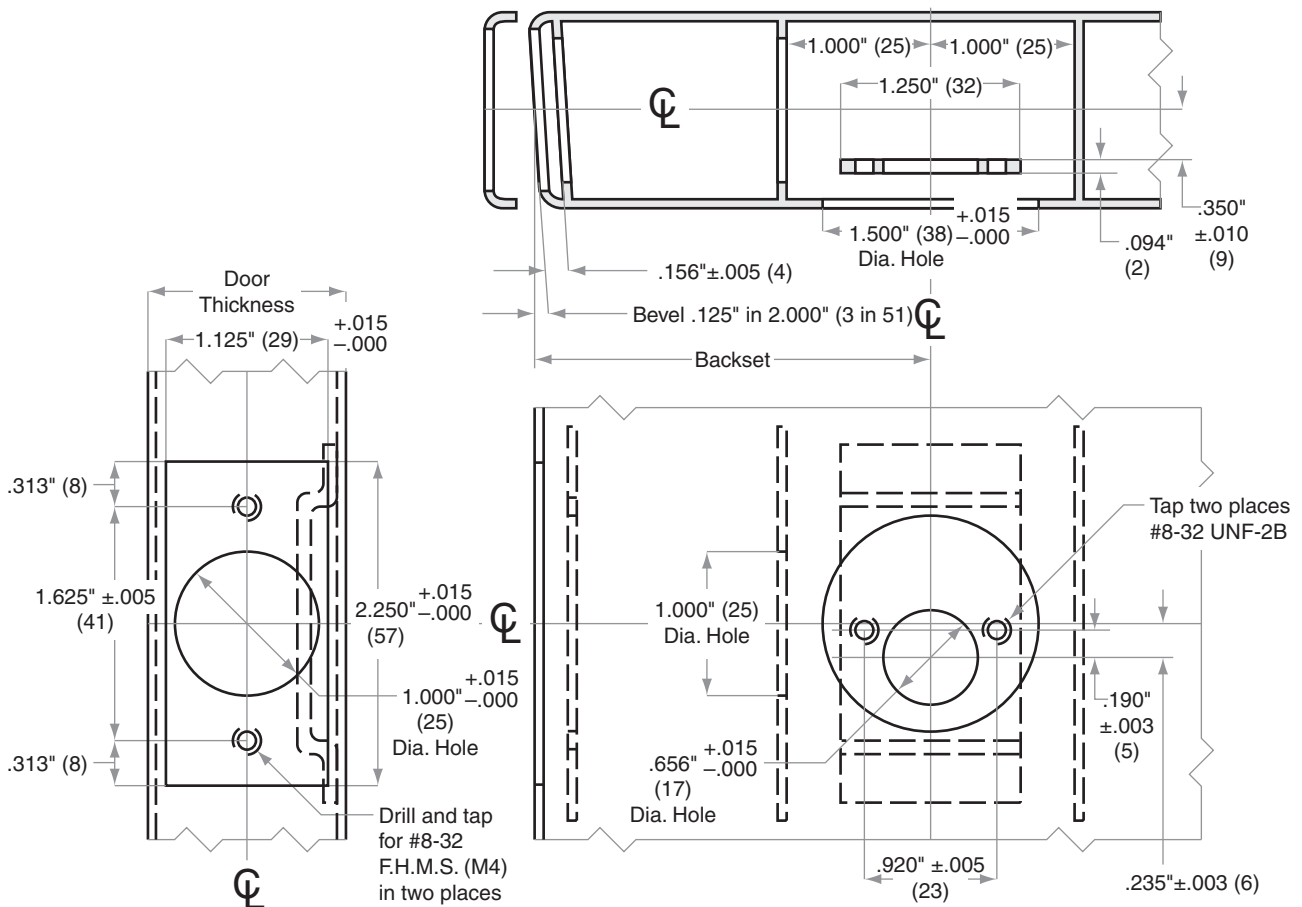


B500-Series

Models B580

Door Type: Metal, Flat or Beveled
 Door Thickness: 1 $\frac{3}{8}$ " (35 mm)–2 $\frac{1}{4}$ " (57 mm)
 Faceplate: Square Corner, 1 $\frac{1}{8}$ " (29 mm) wide
 Backsets: 2 $\frac{3}{8}$ " (60 mm), 2 $\frac{3}{4}$ " (70 mm), 5" (127 mm)

For metal door installations, suitable reinforcement is required to support latch in center of door and to prevent lateral movement



Dimensions shown in parentheses () are in millimeters.

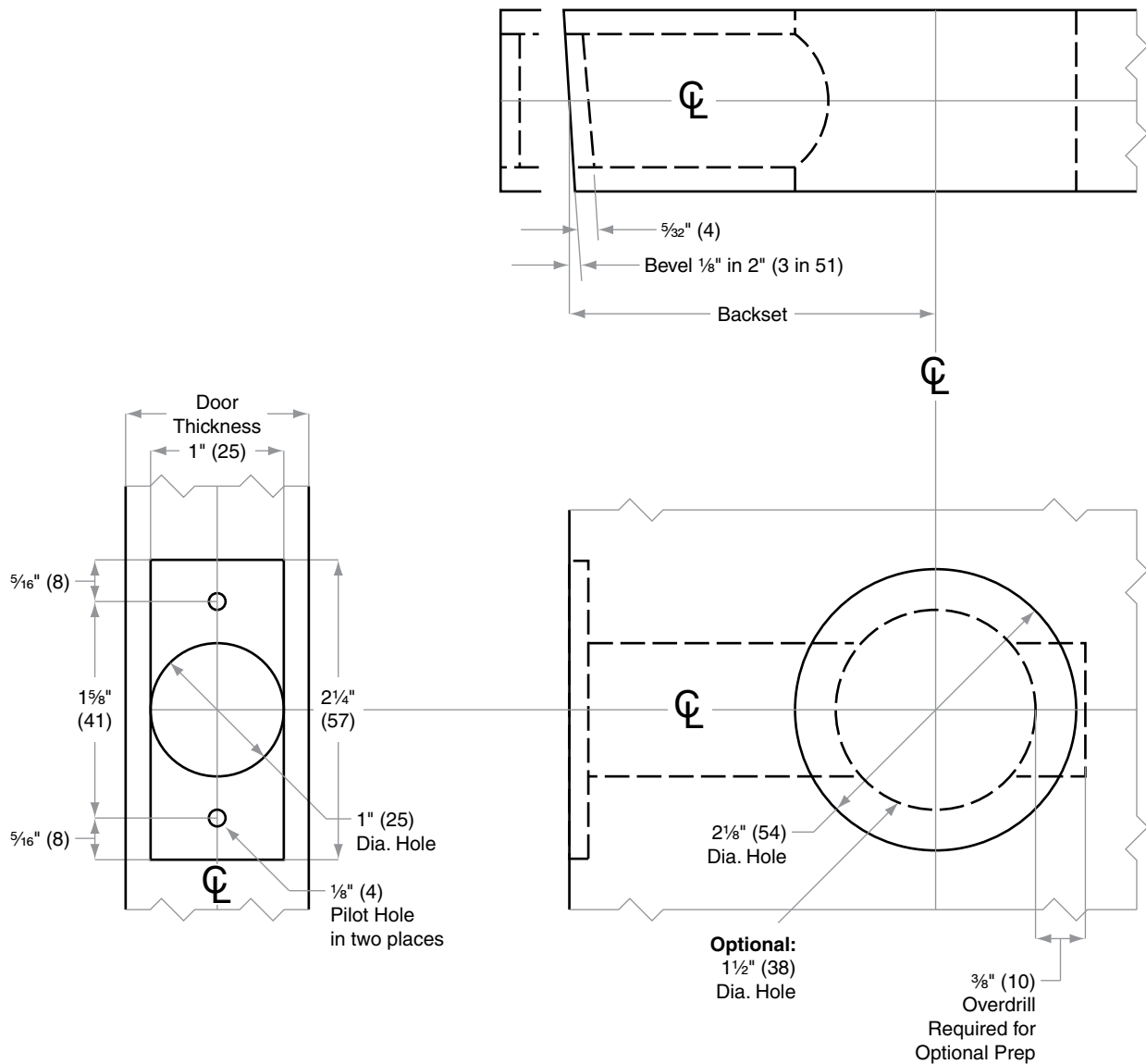
Door preparation template



B500-Series, B60-Series

Models B560, B561, B562, B563, B60, B62

Door Type: Wood or Composite, Flat or Beveled
Door Thickness: 1 $\frac{3}{8}$ " (35 mm)–1 $\frac{7}{8}$ " (48 mm)
Faceplate: Square Corner, 1" (25 mm) wide
Backsets: 2 $\frac{3}{8}$ " (60 mm), 2 $\frac{3}{4}$ " (70 mm), 5" (127 mm)



Dimensions shown in parentheses () are in millimeters.

Door preparation template

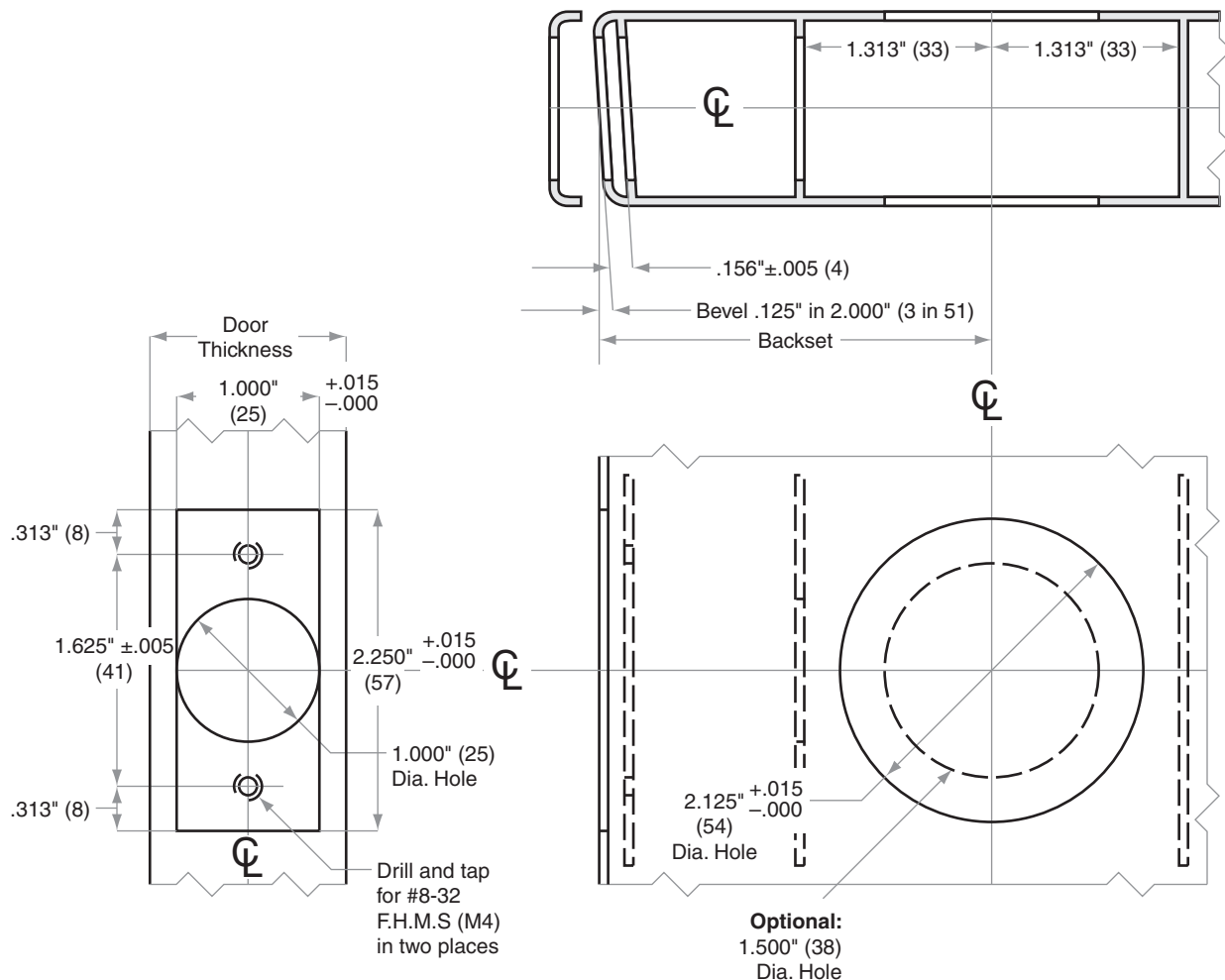


B500-Series

Models B560, B561, B562, B563

- Door Type: Metal, Flat or Beveled
- Door Thickness: 1 $\frac{1}{8}$ " (35 mm)–1 $\frac{7}{8}$ " (48 mm)
- Faceplate: Square Corner, 1" (25 mm) wide
- Backsets: 2 $\frac{3}{8}$ " (60 mm), 2 $\frac{3}{4}$ " (70 mm), 5" (127 mm)

For metal door installations, suitable reinforcement is required to support latch in center of door and to prevent lateral movement



Dimensions shown in parentheses () are in millimeters.

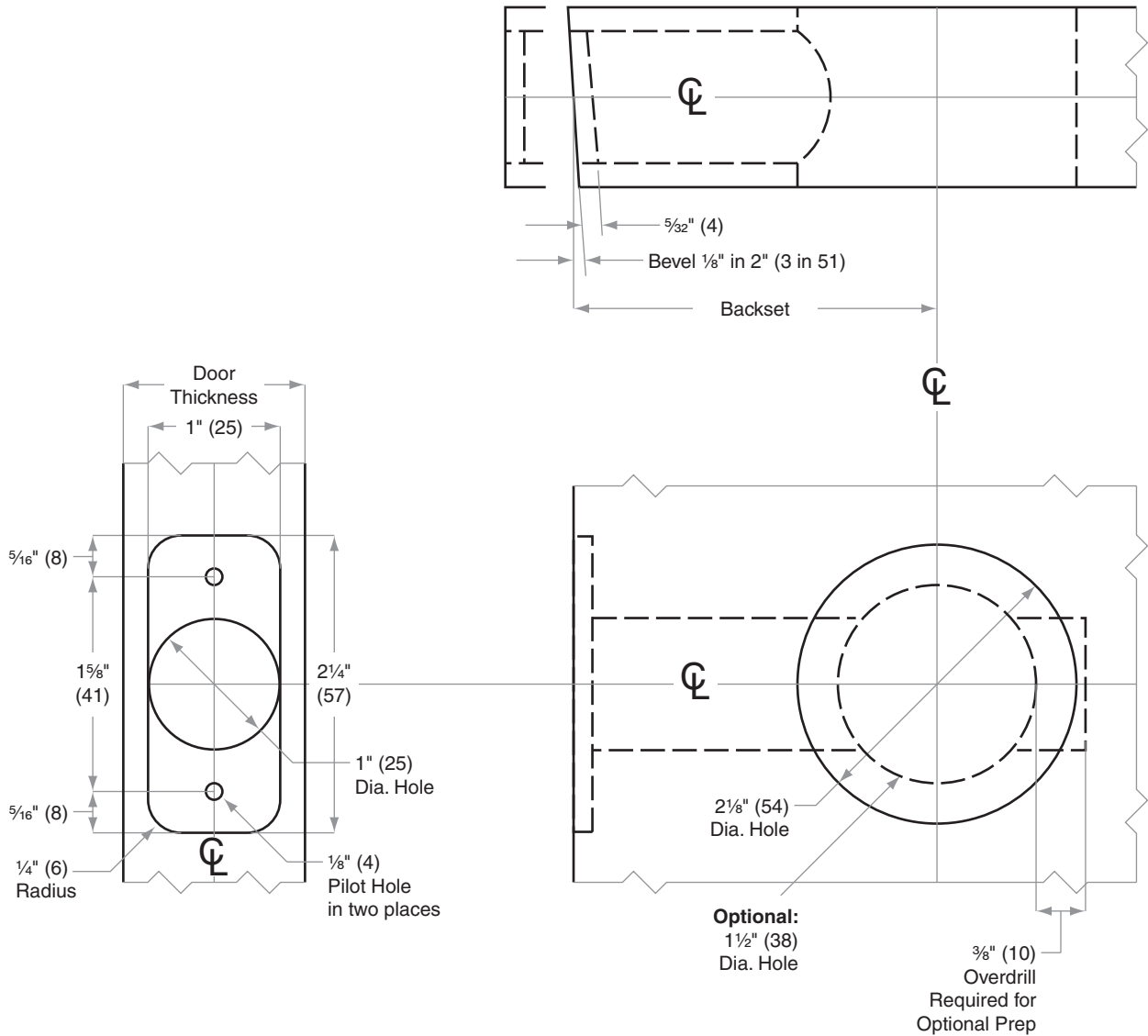
Door preparation template



B500-Series

Models B560, B561, B562, B563

- Door Type:** Wood or Composite, Flat or Beveled
- Door Thickness:** 1 $\frac{3}{8}$ " (35 mm)–1 $\frac{7}{8}$ " (48 mm)
- Faceplate:** Round Corner, $\frac{1}{4}$ " (6 mm) Radius, 1" (25 mm) wide
- Backsets:** 2 $\frac{3}{8}$ " (60 mm), 2 $\frac{3}{4}$ " (70 mm), 5" (127 mm)



Dimensions shown in parentheses () are in millimeters.

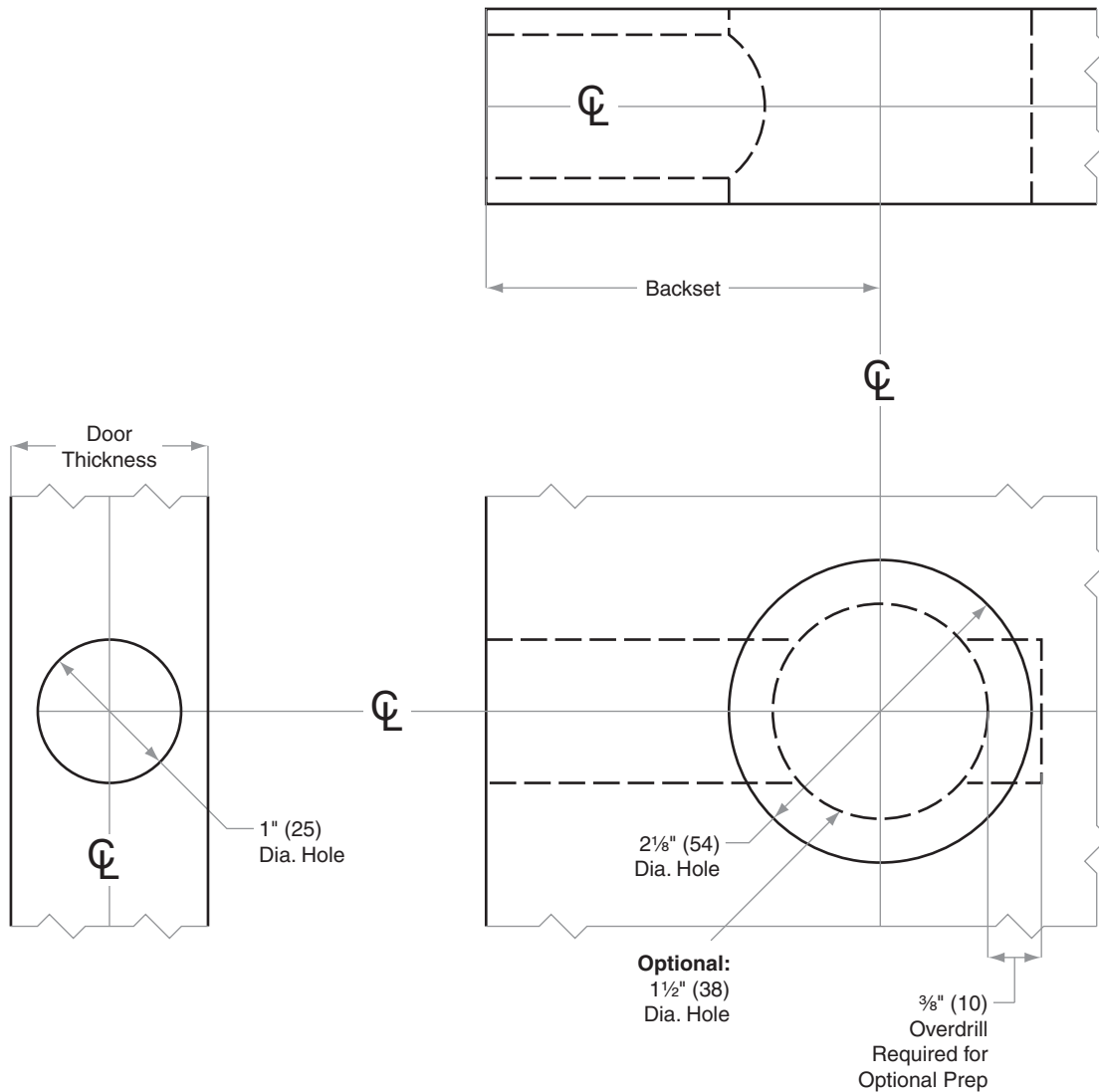
Door preparation template



B500-Series

Models B560, B561, B562, B563

- Door Type: Wood or Composite, Flat
- Door Thickness: 1 $\frac{3}{8}$ " (35 mm)–1 $\frac{7}{8}$ " (48 mm)
- Faceplate: Circular Drive-In
- Backsets: 2 $\frac{3}{8}$ " (60 mm), 2 $\frac{3}{4}$ " (70 mm), 5" (127 mm)



Dimensions shown in parentheses () are in millimeters.

Door preparation template

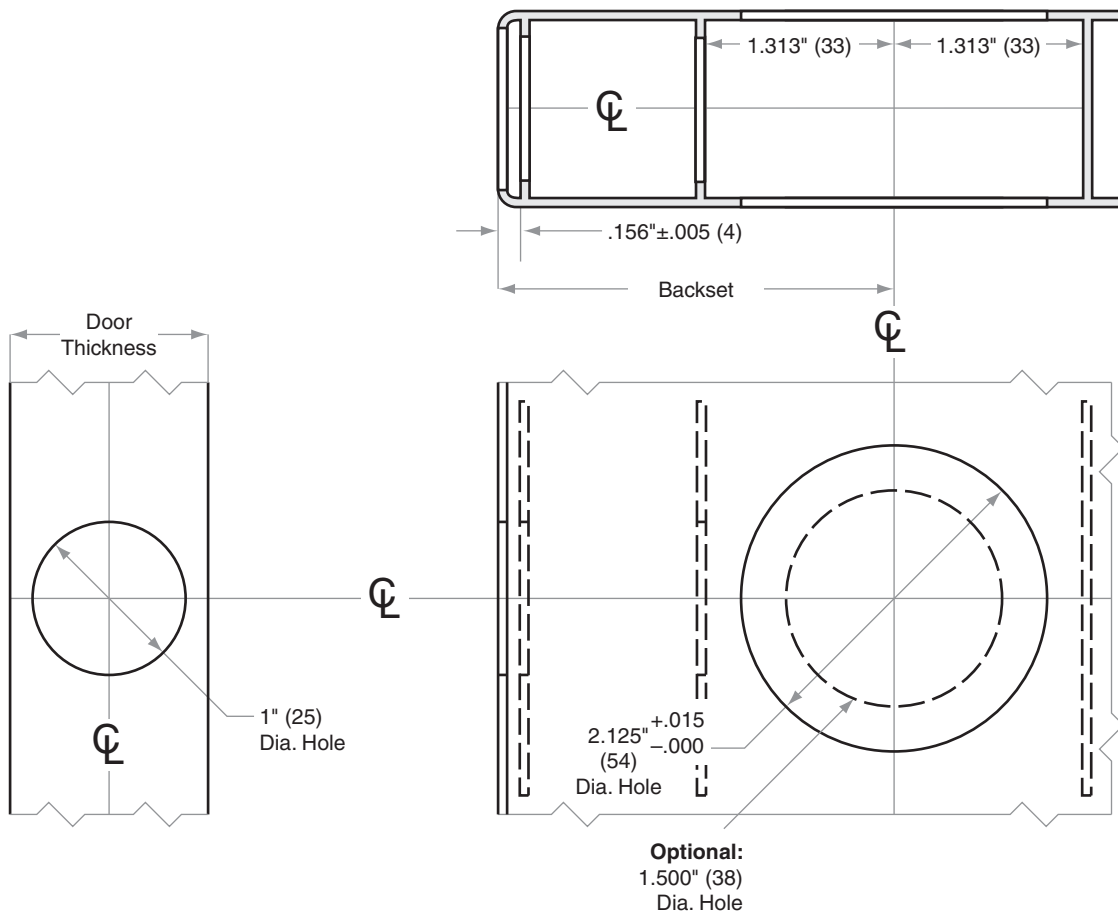


B500-Series

Models B560, B561, B562, B563

- Door Type: Metal, Flat
- Door Thickness: $1\frac{3}{8}$ " (35 mm)– $1\frac{7}{8}$ " (48 mm)
- Faceplate: Circular Drive In
- Backsets: $2\frac{3}{8}$ " (60 mm), $2\frac{3}{4}$ " (70 mm), 5" (127 mm)

For metal door installations, suitable reinforcement is required to support latch in center of door and to prevent lateral movement



Dimensions shown in parentheses () are in millimeters.

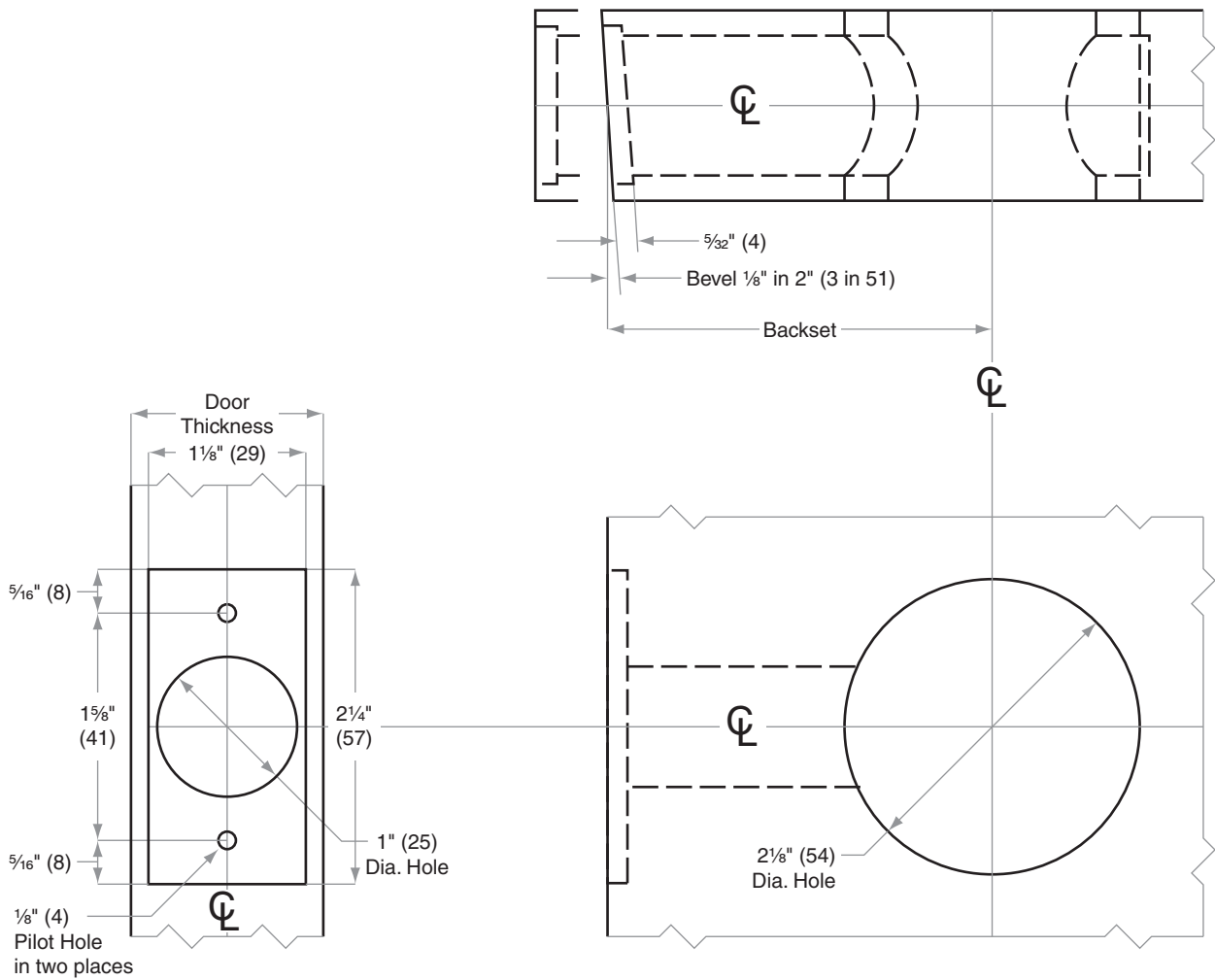
Door preparation template



B500-Series

Models B560, B561, B562, B563

- Door Type: Wood or Composite, Flat or Beveled
- Door Thickness: $1\frac{1}{8}$ " (35 mm)– $1\frac{1}{2}$ " (48 mm)
- Faceplate: Square Corner, $1\frac{1}{8}$ " (48 mm) wide
- Backsets: $2\frac{3}{8}$ " (60 mm), $2\frac{3}{4}$ " (70 mm), 5" (127 mm)



Dimensions shown in parentheses () are in millimeters.

Door preparation template

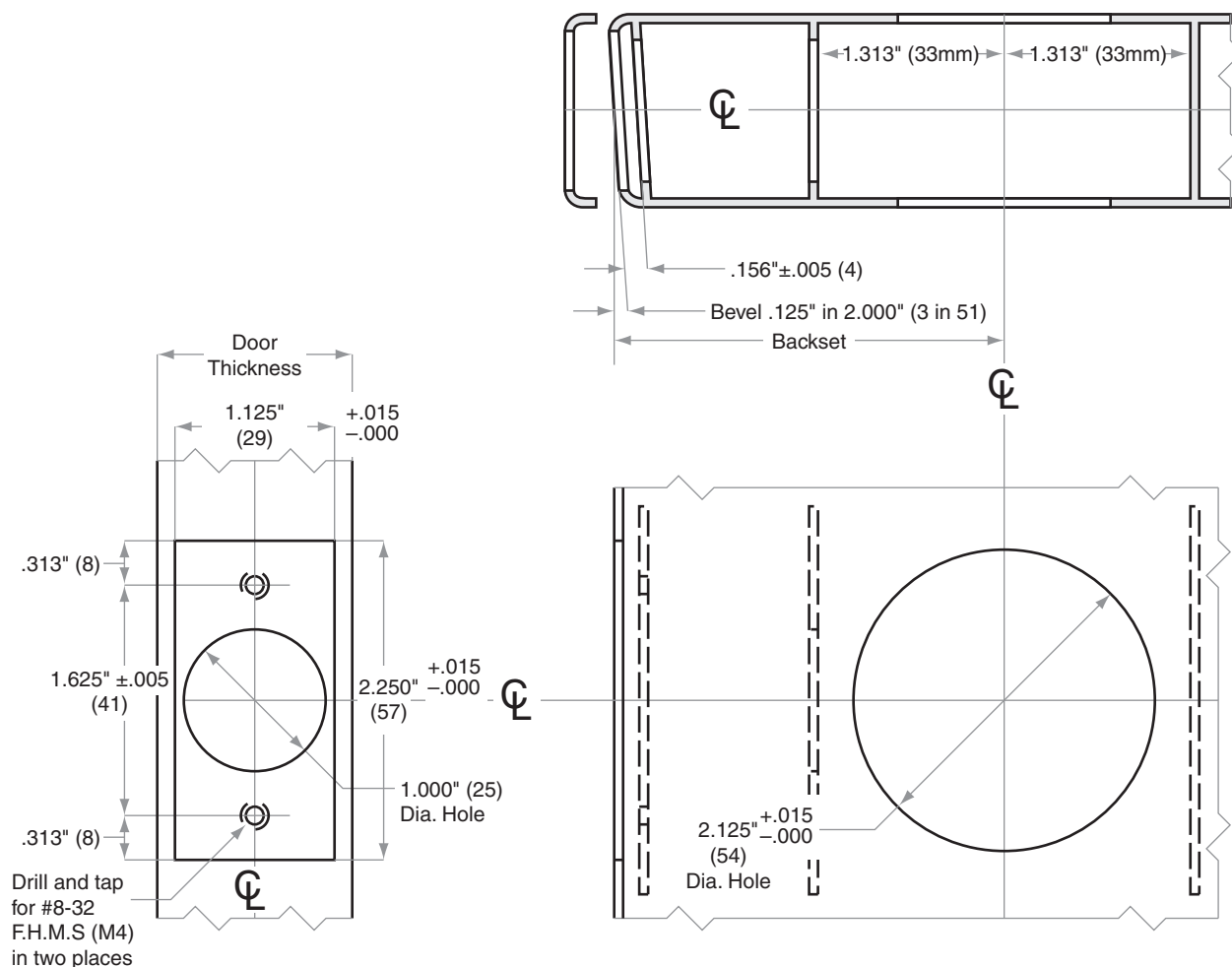


B500-Series

Models B560, B561, B562, B563

- Door Type: Metal, Flat or Beveled
- Door Thickness: $1\frac{1}{8}$ " (35 mm)– $1\frac{7}{8}$ " (48 mm)
- Faceplate: Square Corner, $1\frac{1}{8}$ " (29 mm) wide
- Backsets: $2\frac{3}{8}$ " (60 mm), $2\frac{3}{4}$ " (70 mm), 5" (127 mm)

For metal door installations, suitable reinforcement is required to support latch in center of door and to prevent lateral movement



Dimensions shown in parentheses () are in millimeters.

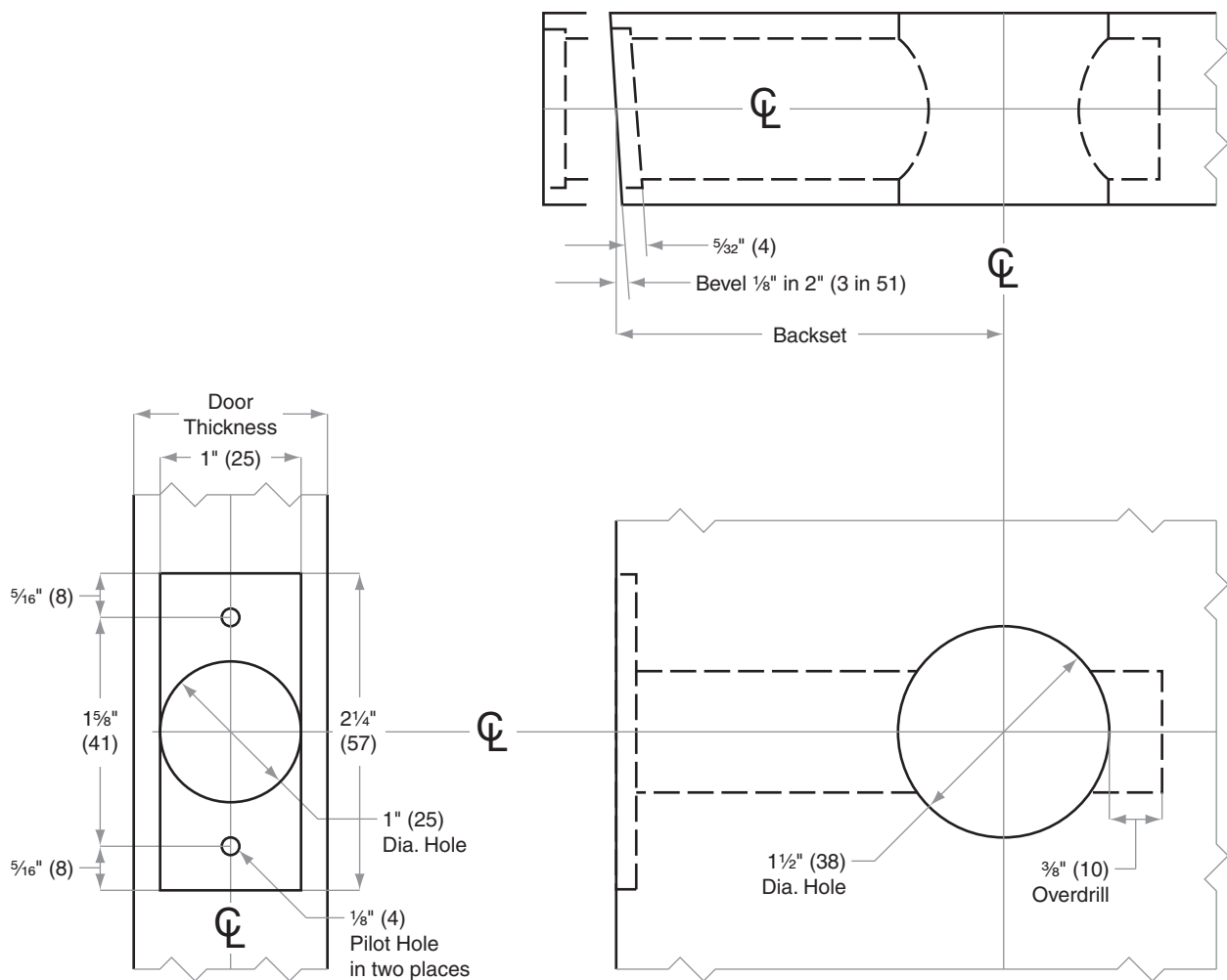
Door preparation template



B500-Series

Models B571, B581

- Door Type:** Wood or Composite, Flat or Beveled
Door Thickness: 1 $\frac{1}{8}$ " (35 mm)–1 $\frac{7}{8}$ " (48 mm)
Faceplate: Square Corner, 1" (25 mm) wide
Backsets: 2 $\frac{3}{8}$ " (60 mm), 2 $\frac{3}{4}$ " (70 mm), 5" (127 mm)



Dimensions shown in parentheses () are in millimeters.

Door preparation template

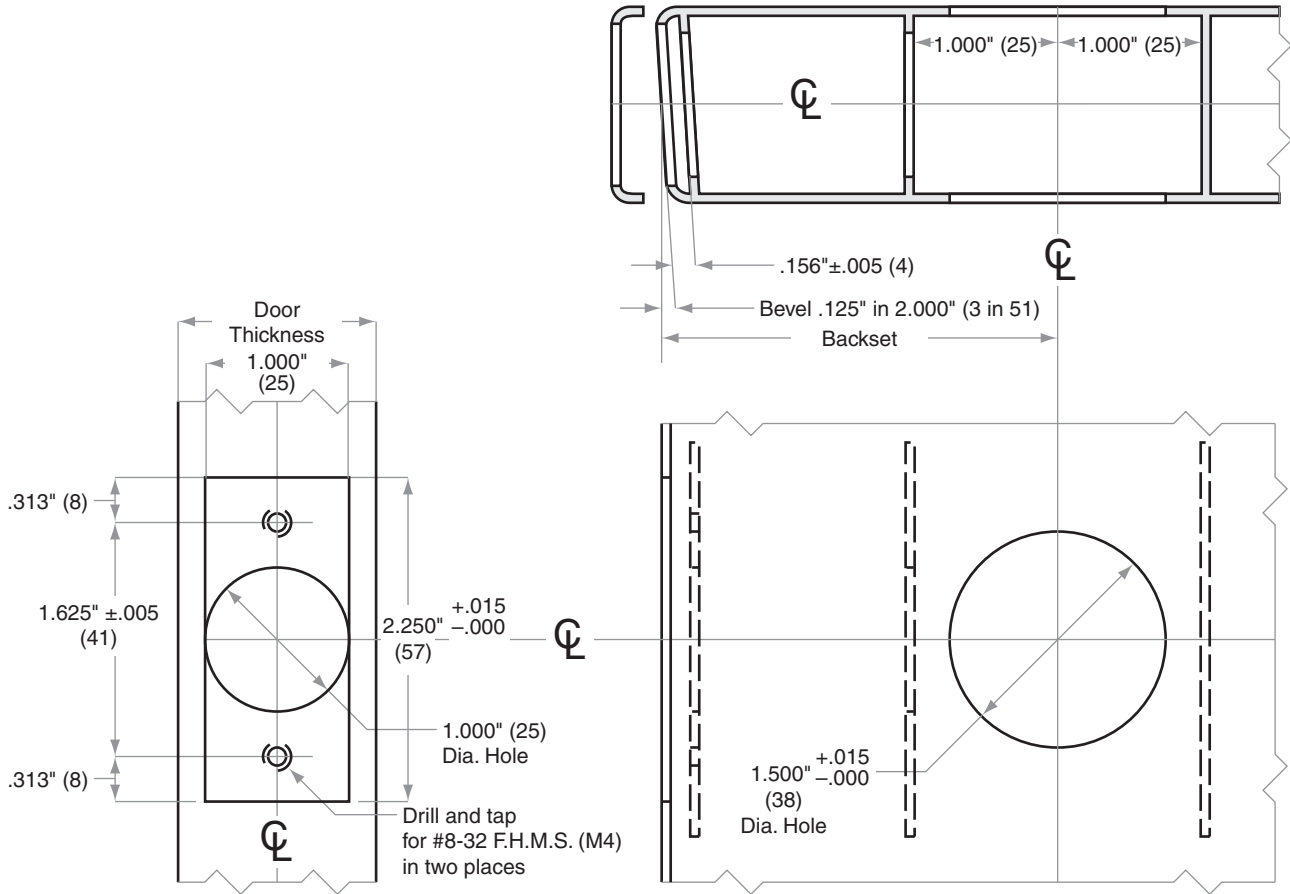


B500-Series

Models B571, B581

- Door Type:** Metal, Flat or Beveled
Door Thickness: 1 $\frac{3}{8}$ " (35 mm)–1 $\frac{7}{8}$ " (48 mm)
Faceplate: Square Corner, 1" (25 mm) wide
Backsets: 2 $\frac{3}{8}$ " (60 mm), 2 $\frac{3}{4}$ " (70 mm), 5" (127 mm)

For metal door installations, suitable reinforcement is required to support latch in center of door and to prevent lateral movement



Dimensions shown in parentheses () are in millimeters.

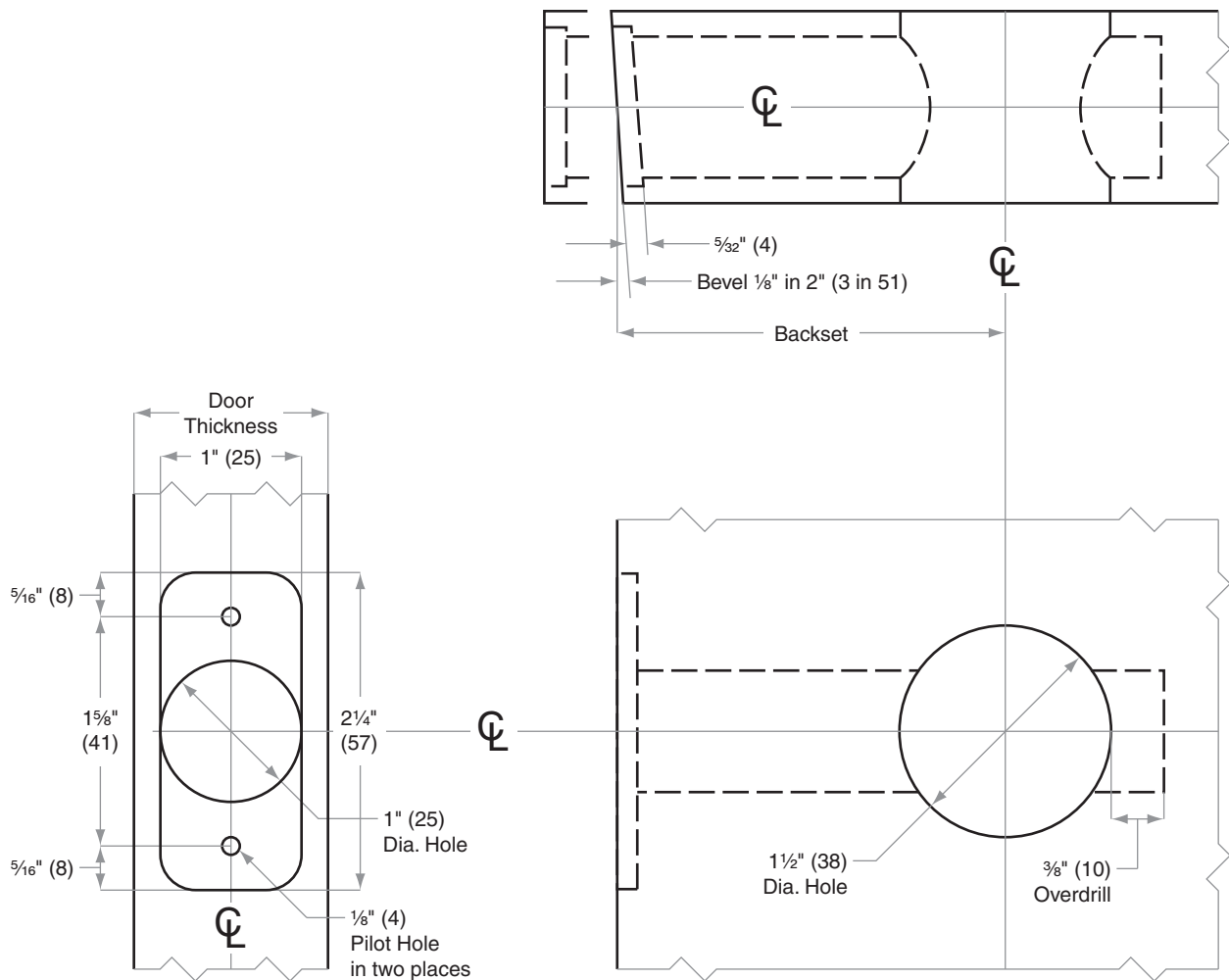
Door preparation template



B500-Series

Models B571, B581

- Door Type:** Wood or Composite, Flat or Beveled
Door Thickness: 1 $\frac{3}{8}$ " (35 mm)–1 $\frac{7}{8}$ " (48 mm)
Faceplate: Round Corner, $\frac{1}{4}$ " (6 mm) Radius, 1" (25 mm) wide
Backsets: 2 $\frac{3}{8}$ " (60 mm), 2 $\frac{3}{4}$ " (70 mm), 5" (127 mm)



Dimensions shown in parentheses () are in millimeters.

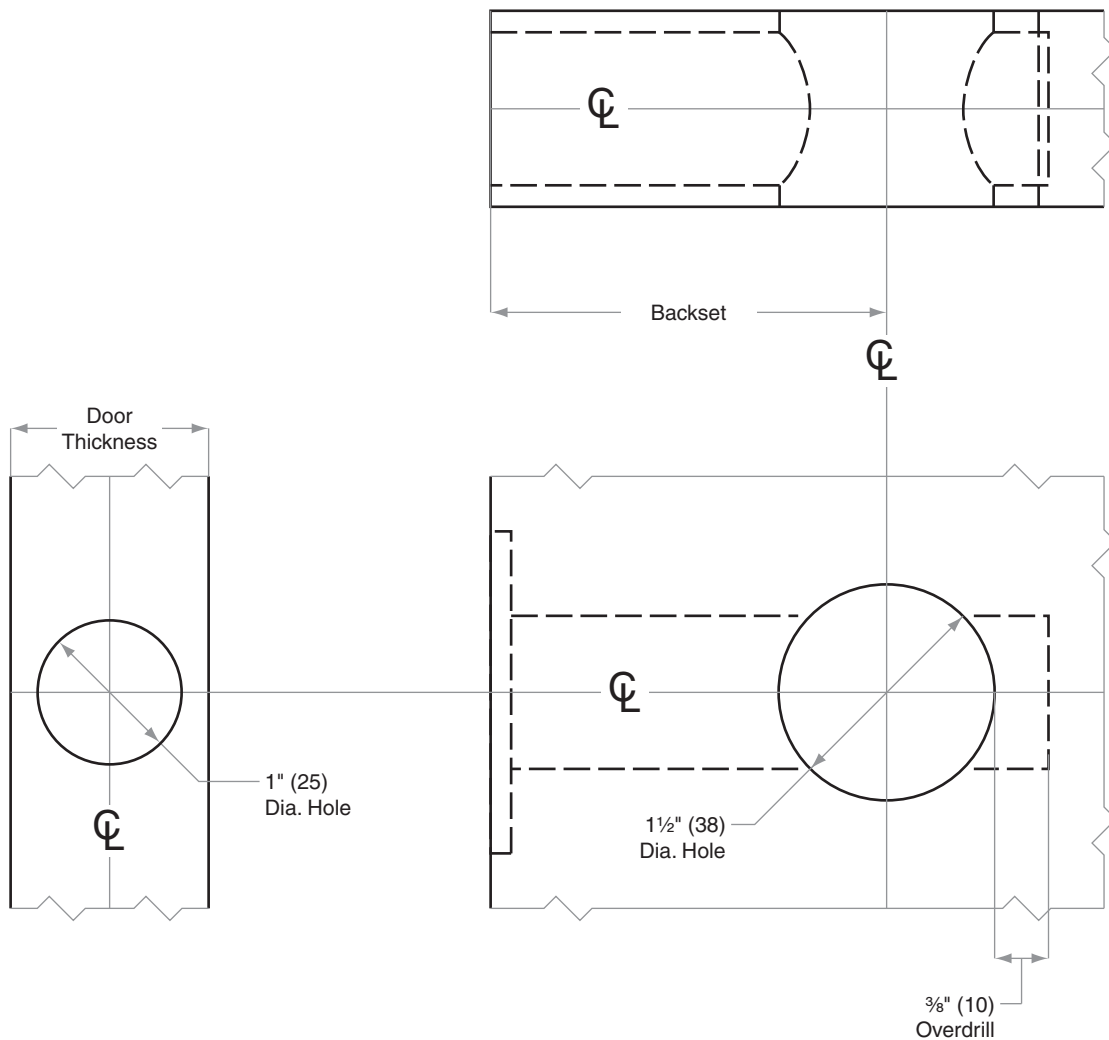
Door preparation template



B500-Series

Models B571, B581

Door Type: Wood or Composite, Flat
Door Thickness: 1 $\frac{3}{8}$ " (35 mm)–1 $\frac{7}{8}$ " (48 mm)
Faceplate: Circular Drive-In
Backsets: 2 $\frac{3}{8}$ " (60 mm), 2 $\frac{3}{4}$ " (70 mm), 5" (127 mm)



Dimensions shown in parentheses () are in millimeters.

Door preparation template

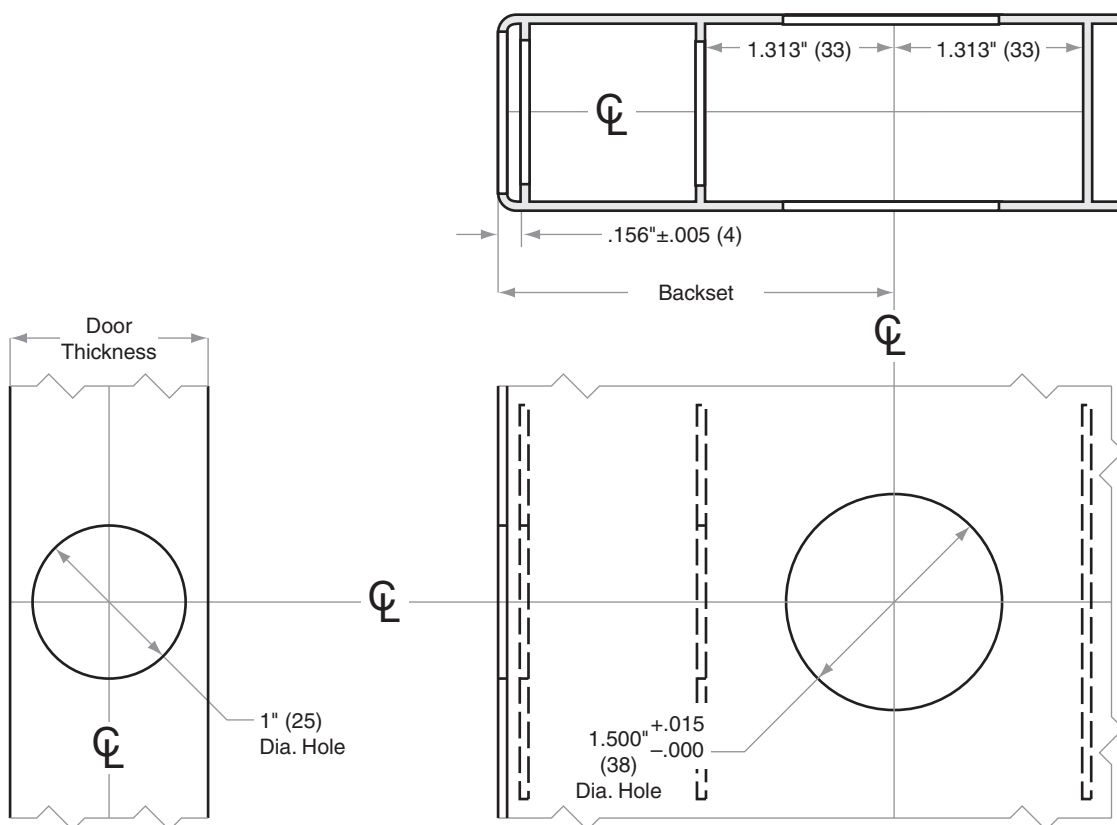


B500-Series

Models B571, B581

Door Type: Metal, Flat
Door Thickness: $1\frac{3}{8}$ " (35 mm)– $1\frac{7}{8}$ " (48 mm)
Faceplate: Circular Drive-In
Backsets: $2\frac{3}{8}$ " (60 mm), $2\frac{3}{4}$ " (70 mm), 5" (127 mm)

For metal door installations, suitable reinforcement is required to support latch in center of door and to prevent lateral movement



Dimensions shown in parentheses () are in millimeters.

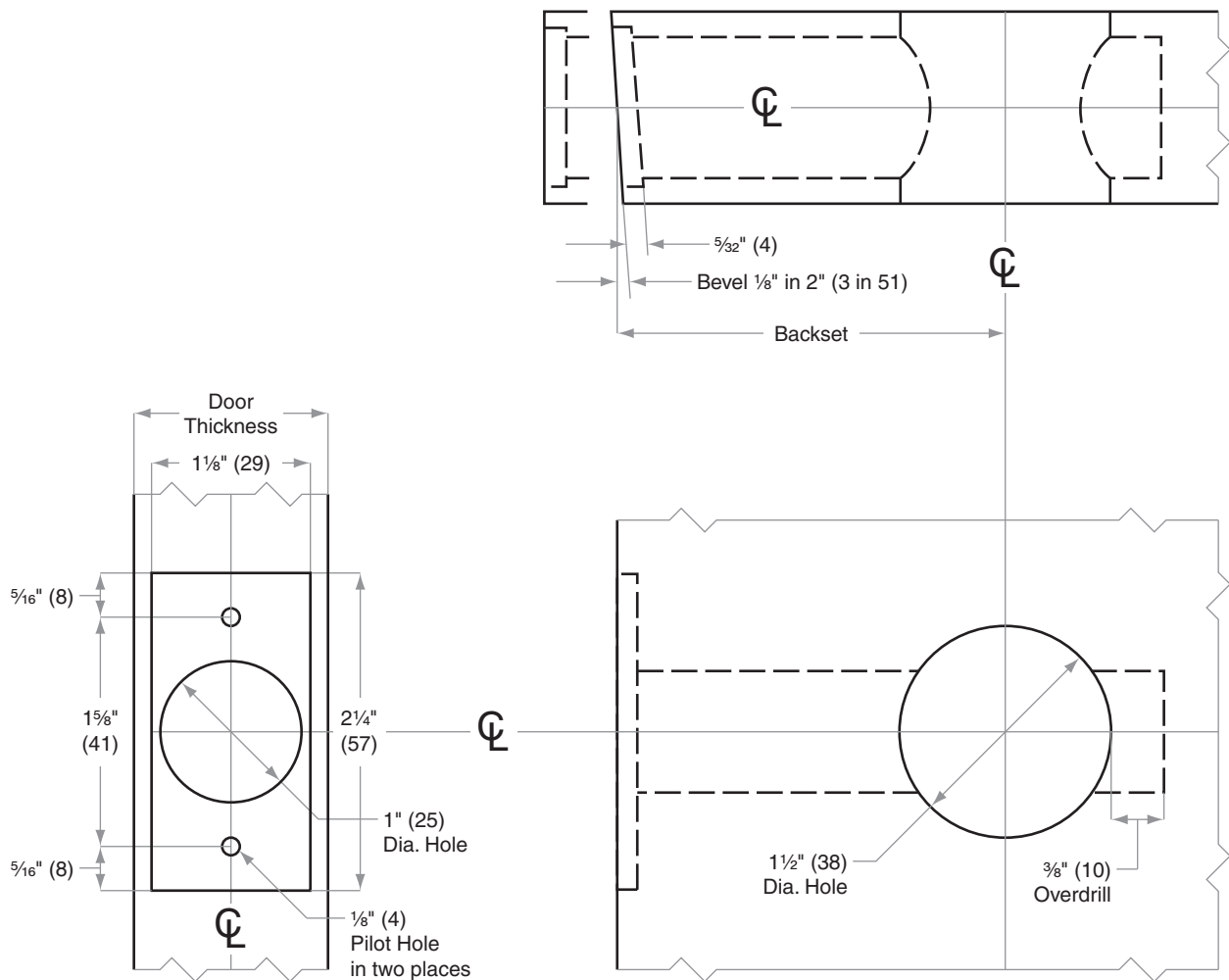
Door preparation template



B500-Series

Models B571, B581

- Door Type:** Wood or Composite, Flat or Beveled
Door Thickness: 1 $\frac{3}{8}$ " (35 mm)–2 $\frac{1}{4}$ " (57 mm)
Faceplate: Square Corner, 1 $\frac{1}{8}$ " (29 mm) wide
Backsets: 2 $\frac{3}{8}$ " (60 mm), 2 $\frac{3}{4}$ " (70 mm), 5" (127 mm)



Dimensions shown in parentheses () are in millimeters.

Door preparation template

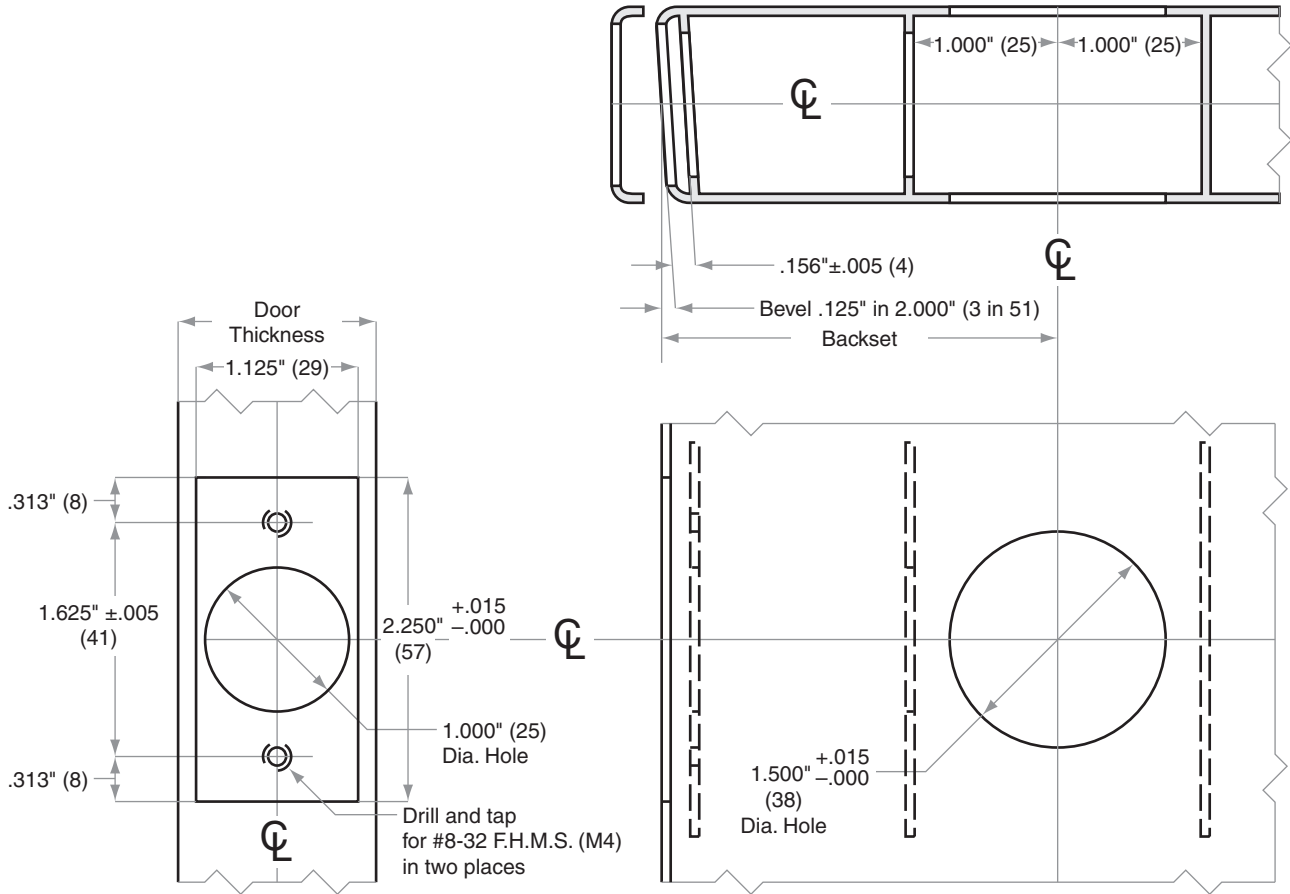


B500-Series

Models B571, B581

Door Type: Metal, Flat or Beveled
 Door Thickness: 1 $\frac{3}{8}$ " (35 mm)–2 $\frac{1}{4}$ " (57 mm)
 Faceplate: Square Corner, 1 $\frac{1}{8}$ " (29 mm) wide
 Backsets: 2 $\frac{3}{8}$ " (60 mm), 2 $\frac{3}{4}$ " (70 mm), 5" (127 mm)

For metal door installations, suitable reinforcement is required to support latch in center of door and to prevent lateral movement



Dimensions shown in parentheses () are in millimeters.

Door preparation template



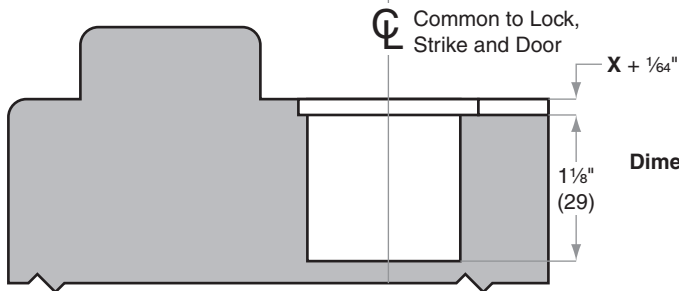
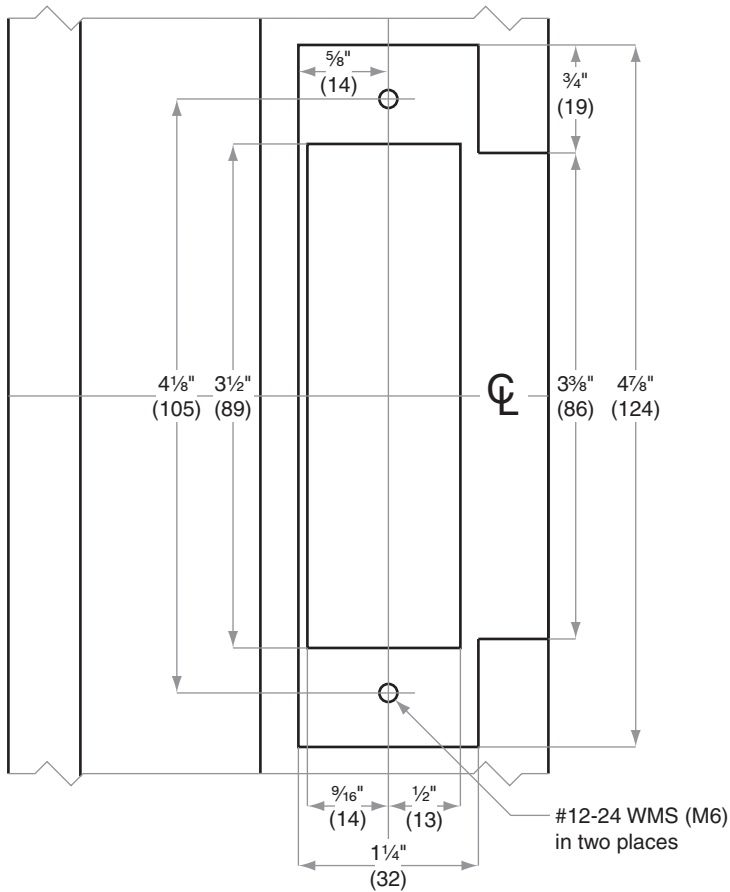
Strikes

Models 10-025, 10-072, 10-087

Jamb Type: Wood
Style: ANSI Standard for 1¾" (44 mm) doors
Standard for: AL-Series (10-025) | D-Series Knobs (10-025) | ND-Series Lever (10-025) | L/LV9000-Series (10-072)
Optional for: A-Series | B250-Series | F-Series | S-Series

NOTE:

1. When reinforcement plate is specified, mortise additional 1/8" (3) to Dimension X
2. Strike location on frames must be adjusted for thickness of door silencers when used



Dimension X: 10-025: 3/32" (2) when strike box not specified
 10-072 and 10-087: 5/32" (4) for strike box, detached

Dimensions shown in parentheses () are in millimeters.

Door preparation template



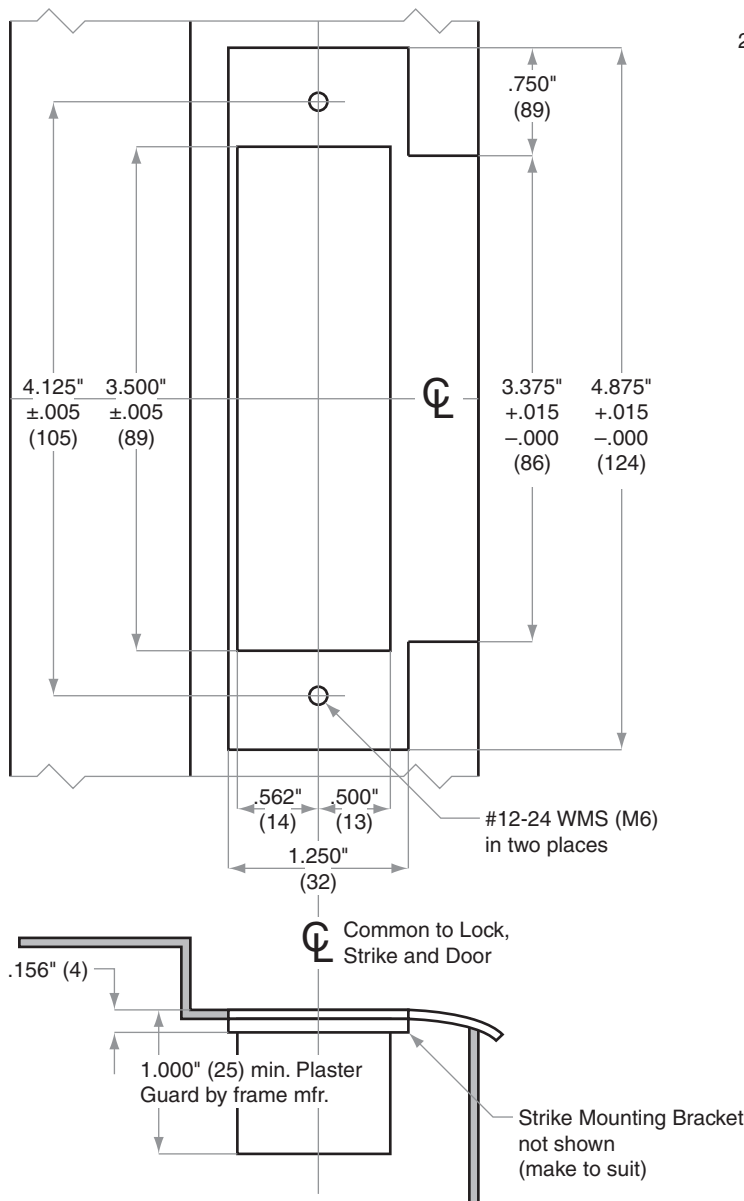
Strikes

Models 10-025, 10-072, 10-087

Jamb Type: Metal
Style: ANSI Standard for 1¾" (44 mm) doors
Standard for: AL-Series (10-025) | D-Series Knobs (10-025) | ND-Series Levers (10-025) | LXLV9000-Series (10-072)
Optional for: A-Series | B250-Series | F-Series | S-Series

NOTE:

1. Strike box furnished detached or 10-072 and 10-087, but not required as Plaster Guard is furnished by frame mfr.
2. Strike location on frames must be adjusted for thickness of door silencers when used



Dimensions shown in parentheses () are in millimeters.

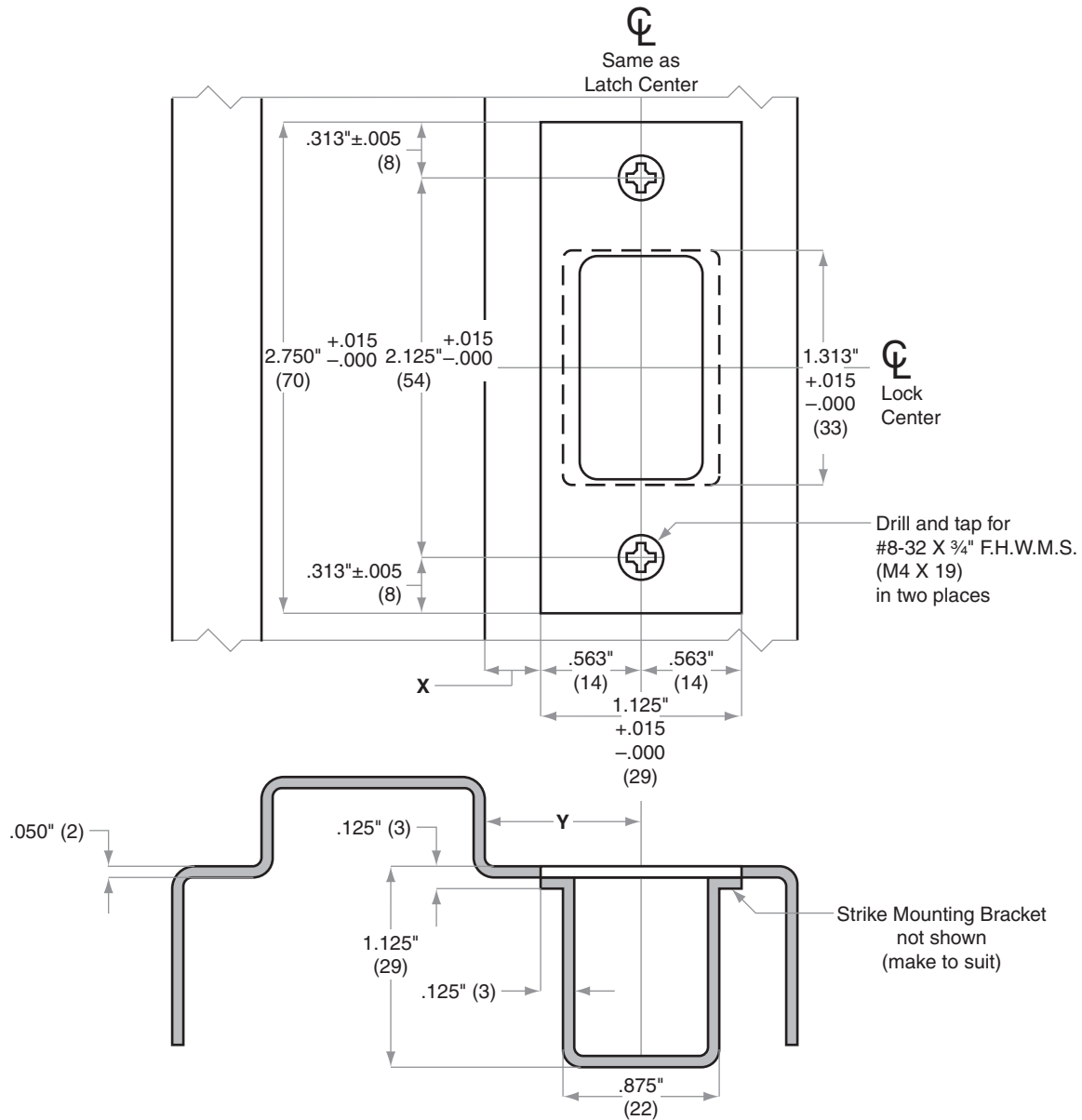
Door preparation template



Strikes

Models 10-055, 10-081, 10-094

Jamb Type: Wood
 Style: Square Corner, Deadbolt
 Standard for: B600/700/800-Series | B280-Series | B/BA300-Series | BE-Series | BR260-Series
 Optional for:



Dimensions X and Y are variables dependent on door thickness

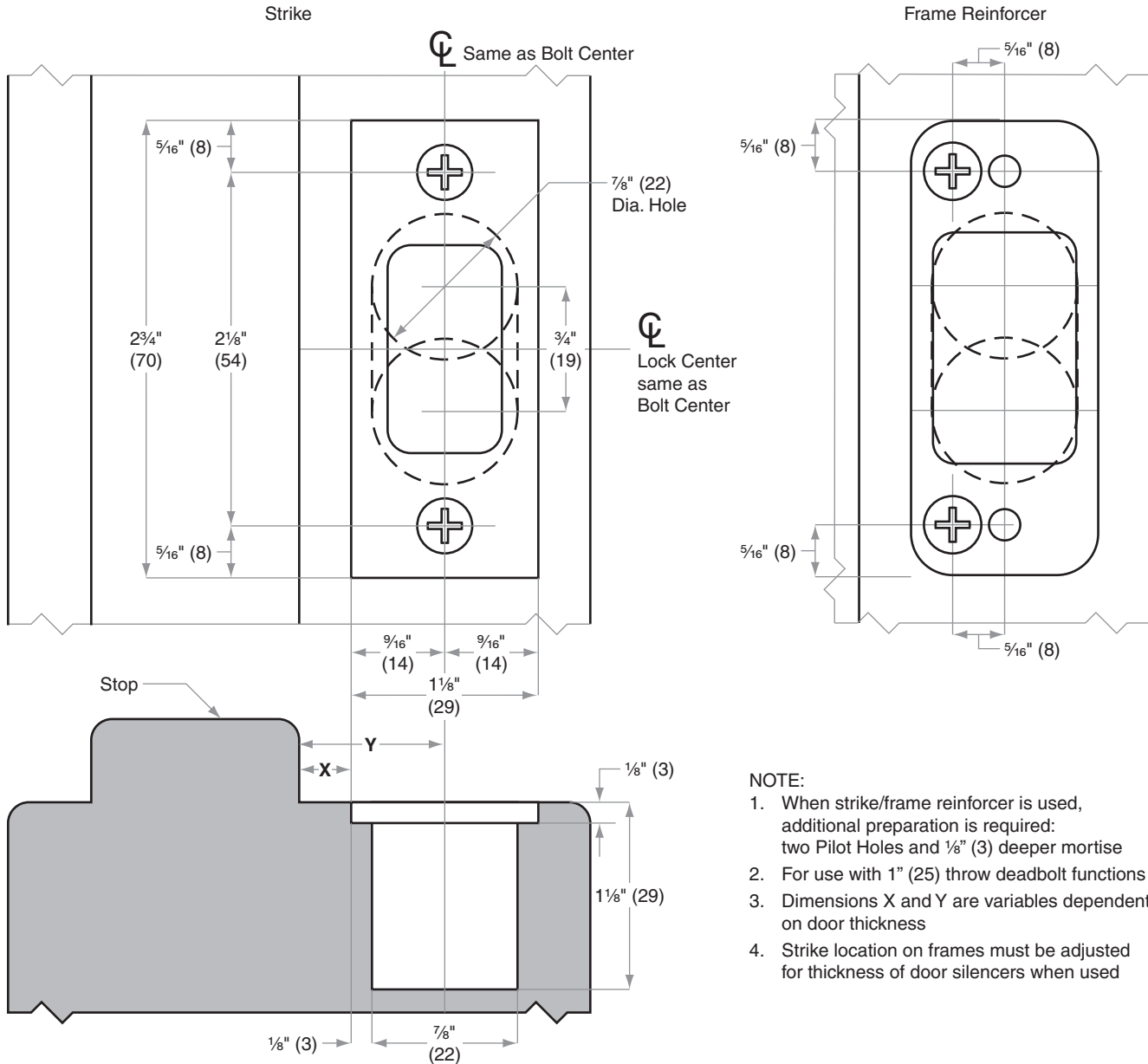
Dimensions shown in parentheses () are in millimeters.

Door preparation template

Strikes

Models 10-055, 10-081, 10-094

Jamb Type: Metal
 Style: Square Corner, Deadbolt
 Standard for: B600/700/800-Series | B280-Series | B/BA300-Series | BC100-Series | BE-Series | BR260-Series
 Optional for:



Dimensions shown in parentheses () are in millimeters.

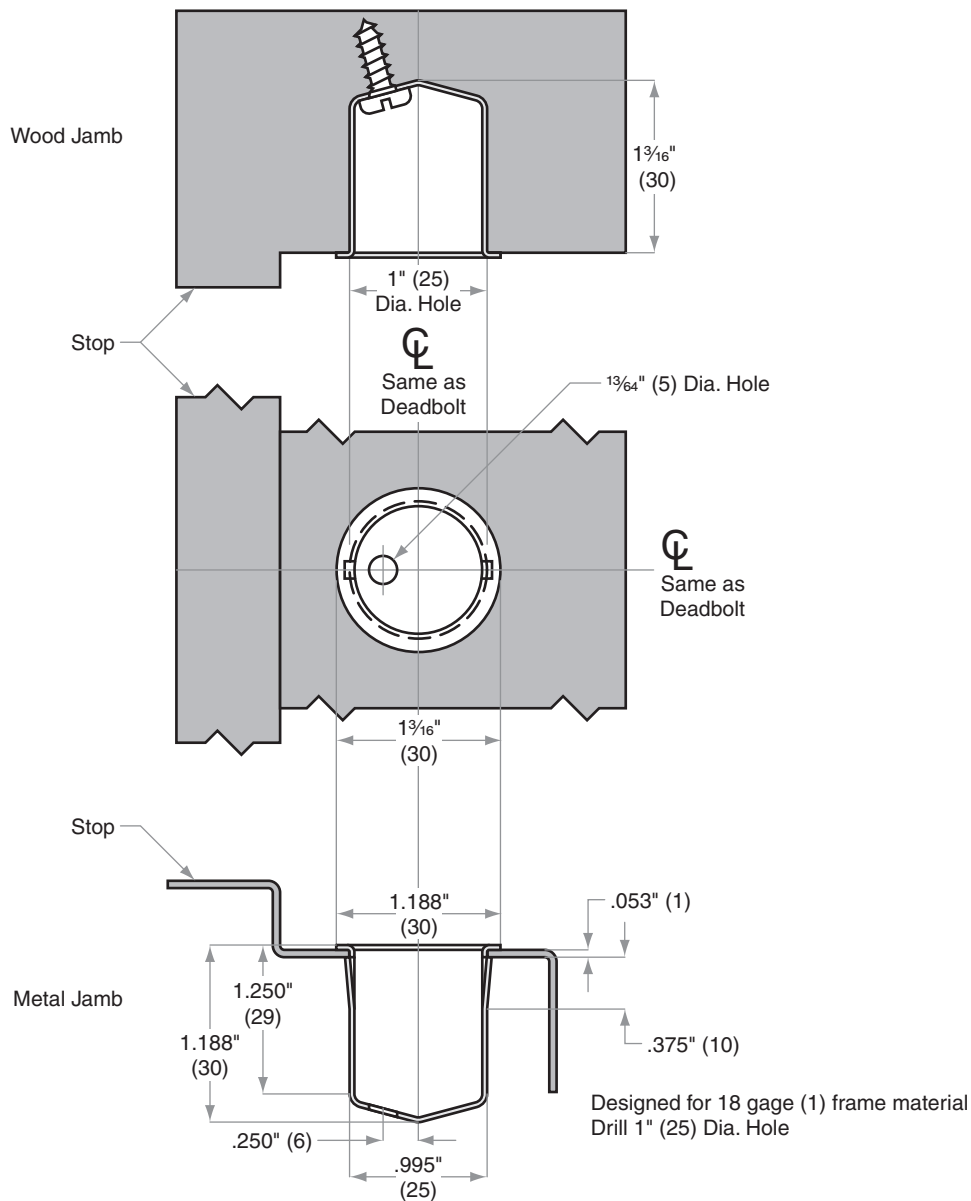
Door preparation template



Strikes

Model 10-064

Jamb Type: Wood and Metal
Style: Thimble, Deadbolt
Standard for:
Optional for: BC100-Series | B/BA300-Series | B600/700/800-Series



Dimensions shown in parentheses () are in millimeters.

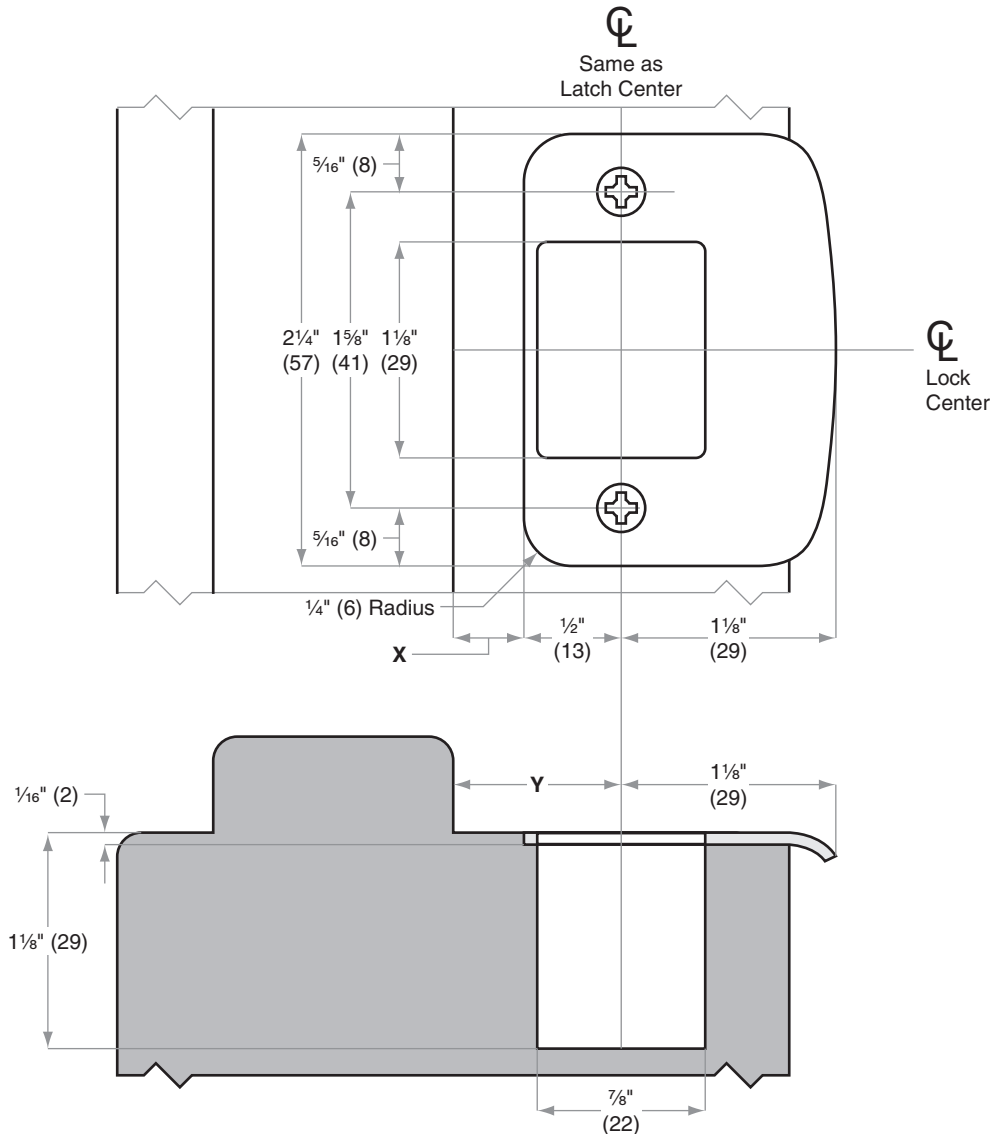
Door preparation template



Strikes

Model 10-092

Jamb Type: Wood
 Style: Full Lip, Round Corner, 1/4" (6 mm) Radius, Deadbolt
 Standard for:
 Optional for: BC100-Series | BR260-Series | B/BA300-Series | B600/700/800-Series



Dimensions X and Y are variables dependent on door thickness

Dimensions shown in parentheses () are in millimeters.

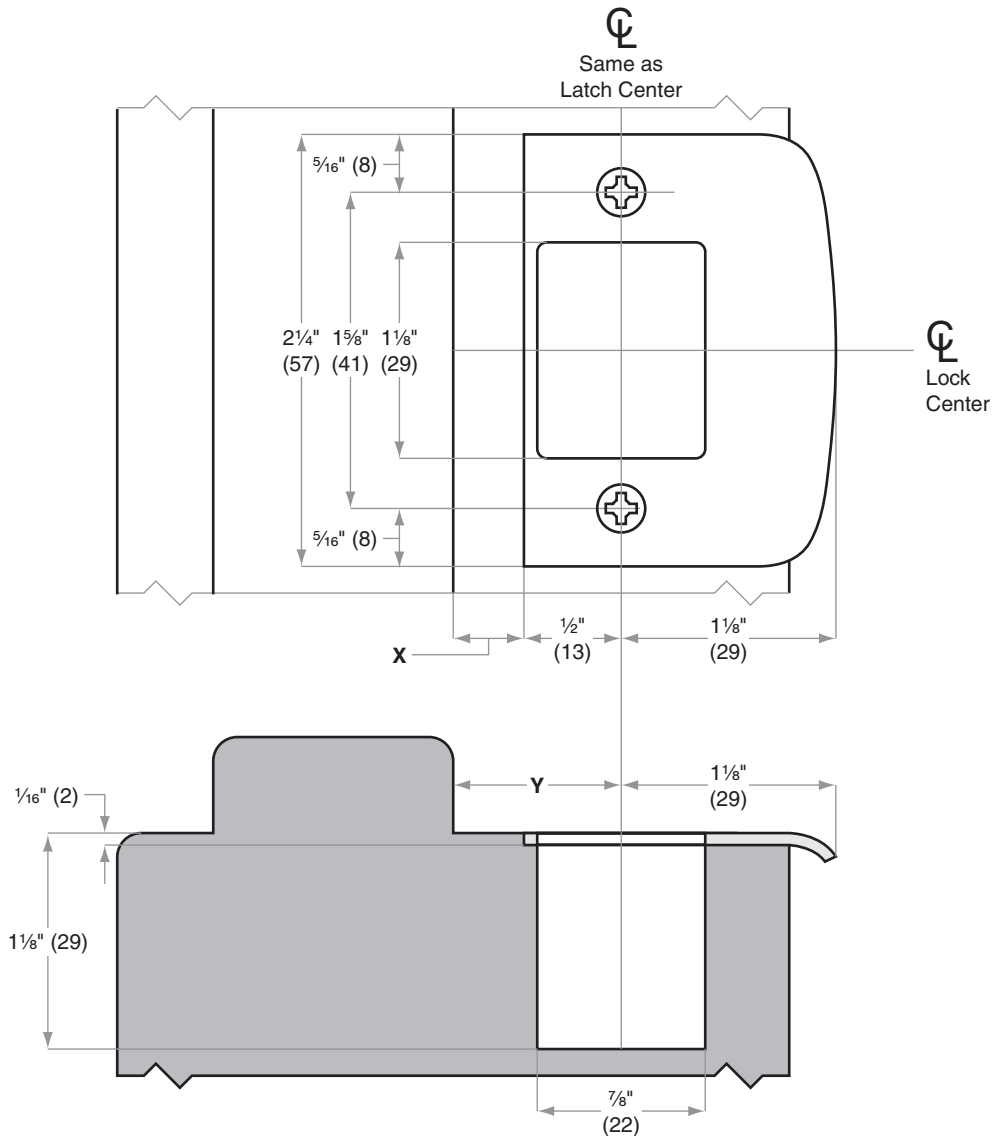
Door preparation template



Strikes

Model 10-095

Jamb Type: Wood
Style: Full Lip, Square Corner, Deadbolt
Standard for:
Optional for: BC100-Series | BR260-Series | B/BA300-Series | B600/700/800-Series



Dimensions X and Y are variables dependent on door thickness

Dimensions shown in parentheses () are in millimeters.

Door preparation template



B600

B700

B800

-series-

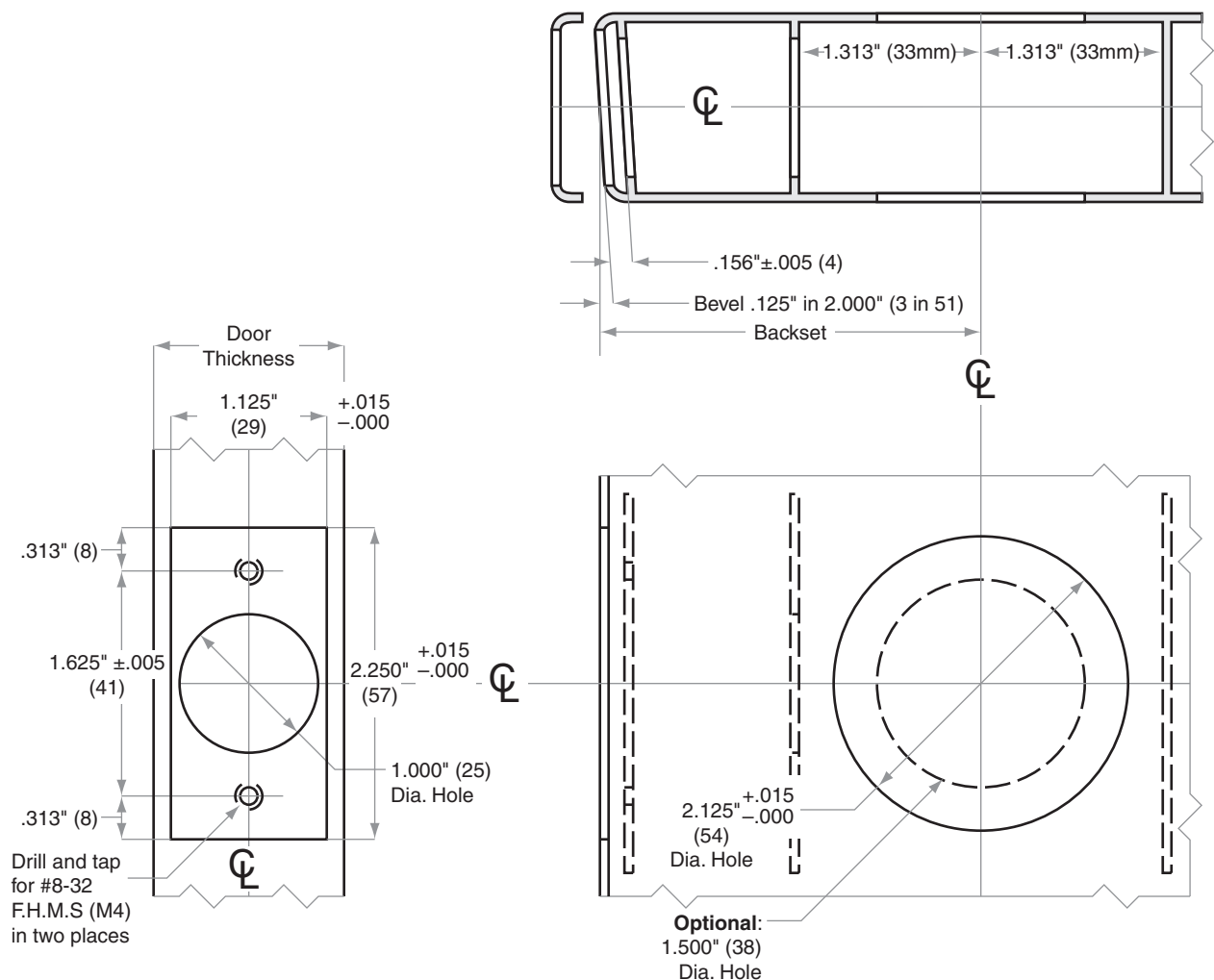


B600/700/800-Series

Models B660/661/662/663, B760/761/762/763, B860/861/862/863

- Door Type: Metal, Flat or Beveled
- Door Thickness: 1 $\frac{1}{8}$ " (35 mm)–2 $\frac{1}{2}$ " (64 mm)
- Faceplate: Square Corner, 1 $\frac{1}{8}$ " (29 mm) wide
- Backsets: 2 $\frac{3}{8}$ " (60 mm), 2 $\frac{3}{4}$ " (70 mm), 3 $\frac{3}{4}$ " (95 mm), 5" (127 mm)

For metal door installations, suitable reinforcement is required to support latch in center of door and to prevent lateral movement



Dimensions shown in parentheses () are in millimeters.

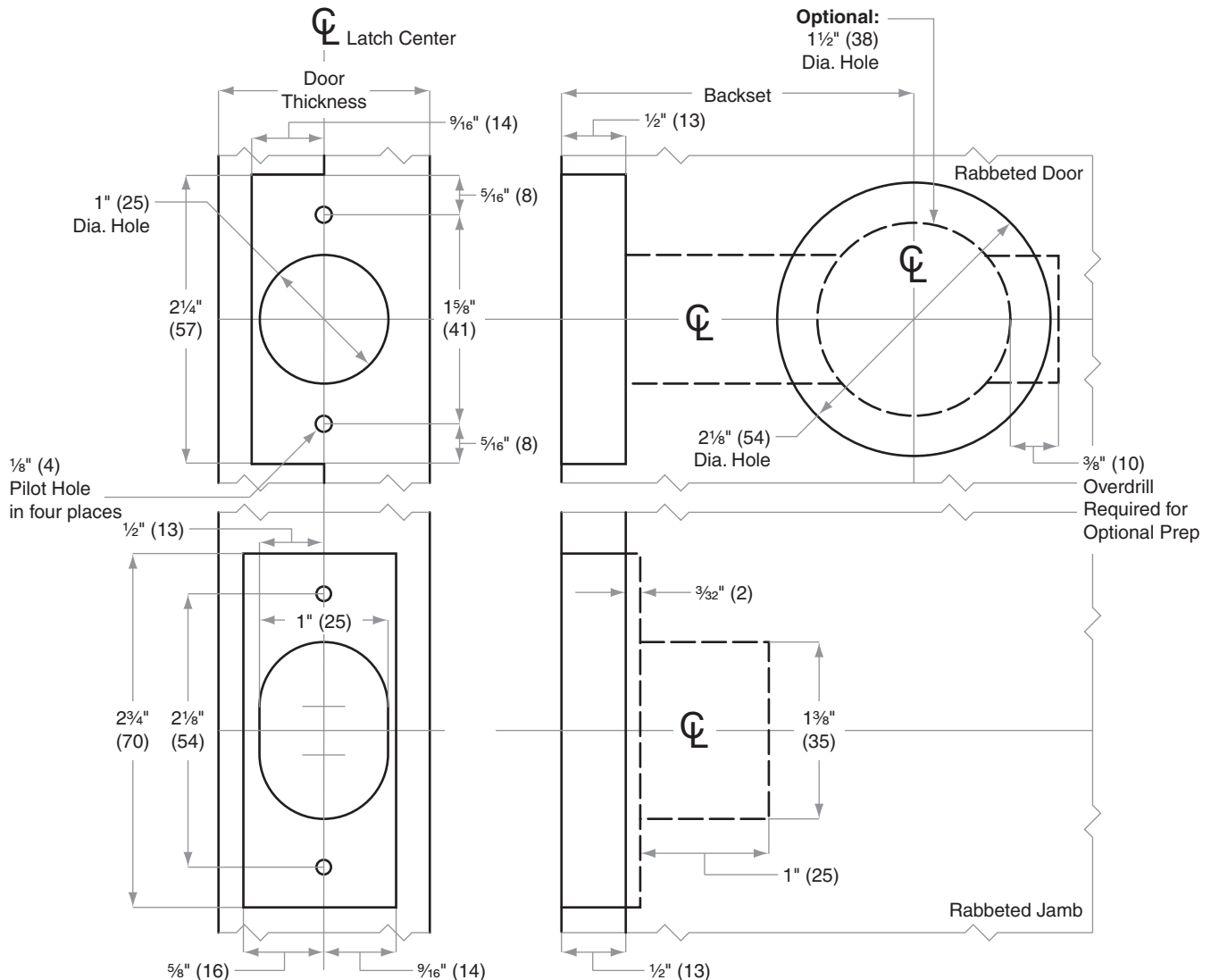
Door preparation template



B600/700/800-Series

Models B660/661/662/663, B760/761/762/763,
B860/861/862/863

- Door Type: Wood or Composite, rabbeted, flat
- Door Thickness: 1 3/8" (35 mm)–2 1/2" (64 mm)
- Faceplate: Square Corner, 1 1/8" (29 mm) wide, 1/2" (6 mm) rabbeted and strike
- Backsets: 2 3/8" (60 mm), 2 3/4" (70 mm), 3 3/4" (95 mm), 5" (127 mm)



Dimensions shown in parentheses () are in millimeters.

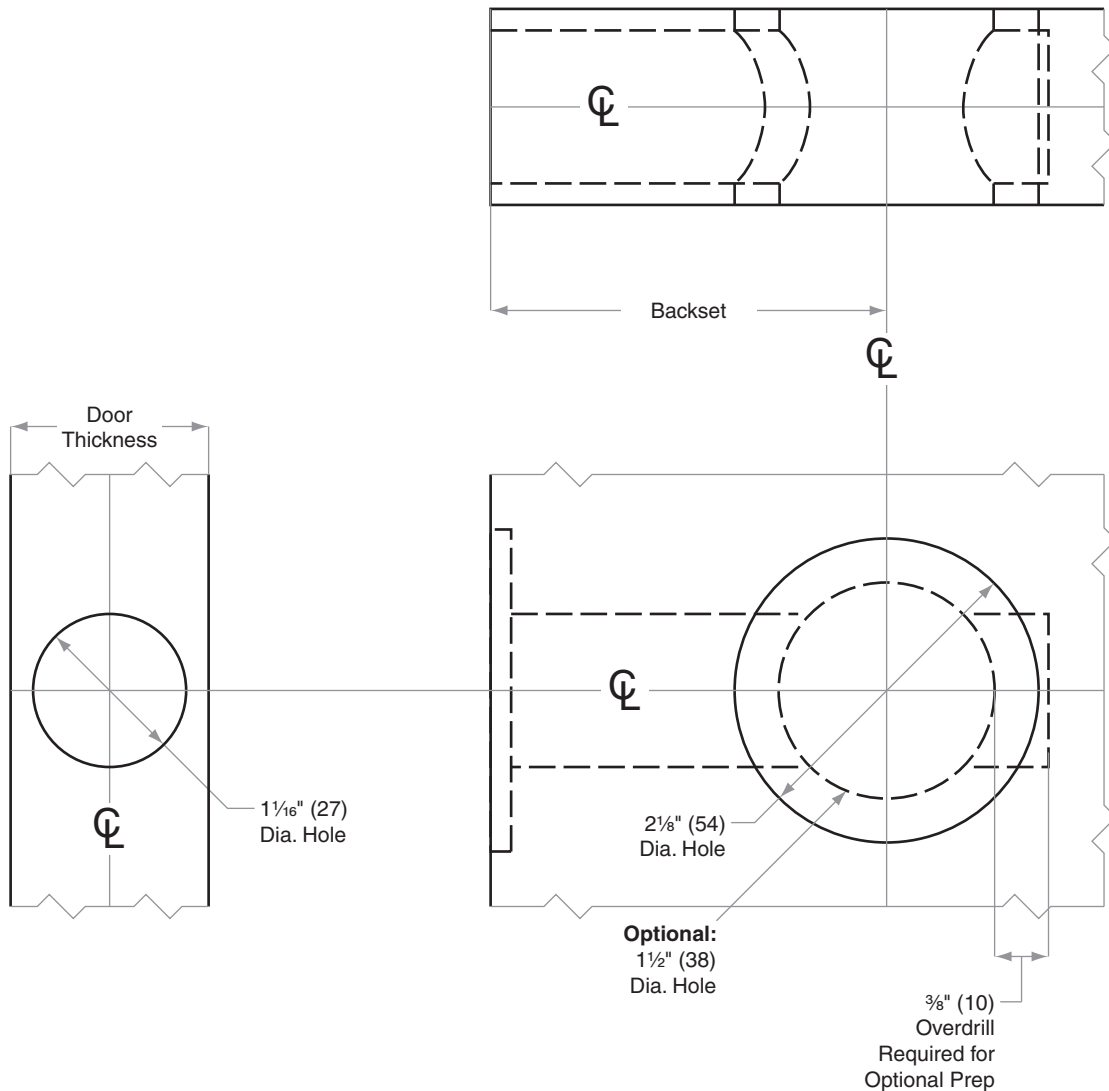
Door preparation template



B600/700/800-Series

Models B660/661/662/663, B760/761/762/763,
B860/861/862/863

- Door Type:** Wood or Composite, Flat
Door Thickness: 1 $\frac{3}{8}$ " (35 mm)–2 $\frac{1}{2}$ " (64 mm)
Faceplate: Circular Drive-In
Backsets: 2 $\frac{3}{8}$ " (60 mm), 2 $\frac{3}{4}$ " (70 mm), 3 $\frac{3}{4}$ " (95 mm), 5" (127 mm)



Dimensions shown in parentheses () are in millimeters.

Door preparation template

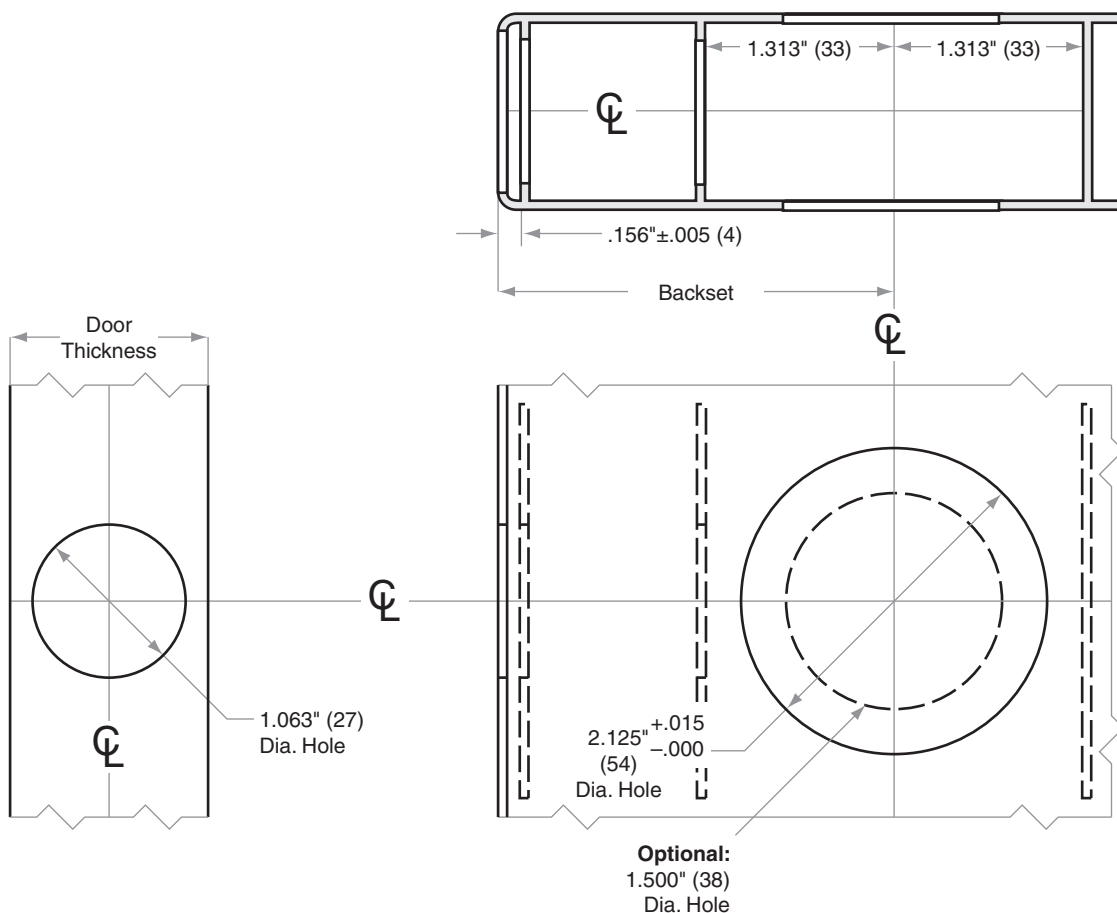


B600/700/800-Series

Models B660/661/662/663, B760/761/762/763,
B860/861/862/863

- Door Type: Metal, Flat
Door Thickness: 1 $\frac{3}{8}$ " (35 mm)–2 $\frac{1}{2}$ " (64 mm)
Faceplate: Circular Drive-In
Backsets: 2 $\frac{3}{8}$ " (60 mm), 2 $\frac{3}{4}$ " (70 mm), 3 $\frac{3}{4}$ " (95 mm), 5" (127 mm)

For metal door installations, suitable reinforcement is required to support latch in center of door and to prevent lateral movement



Dimensions shown in parentheses () are in millimeters.

Door preparation template

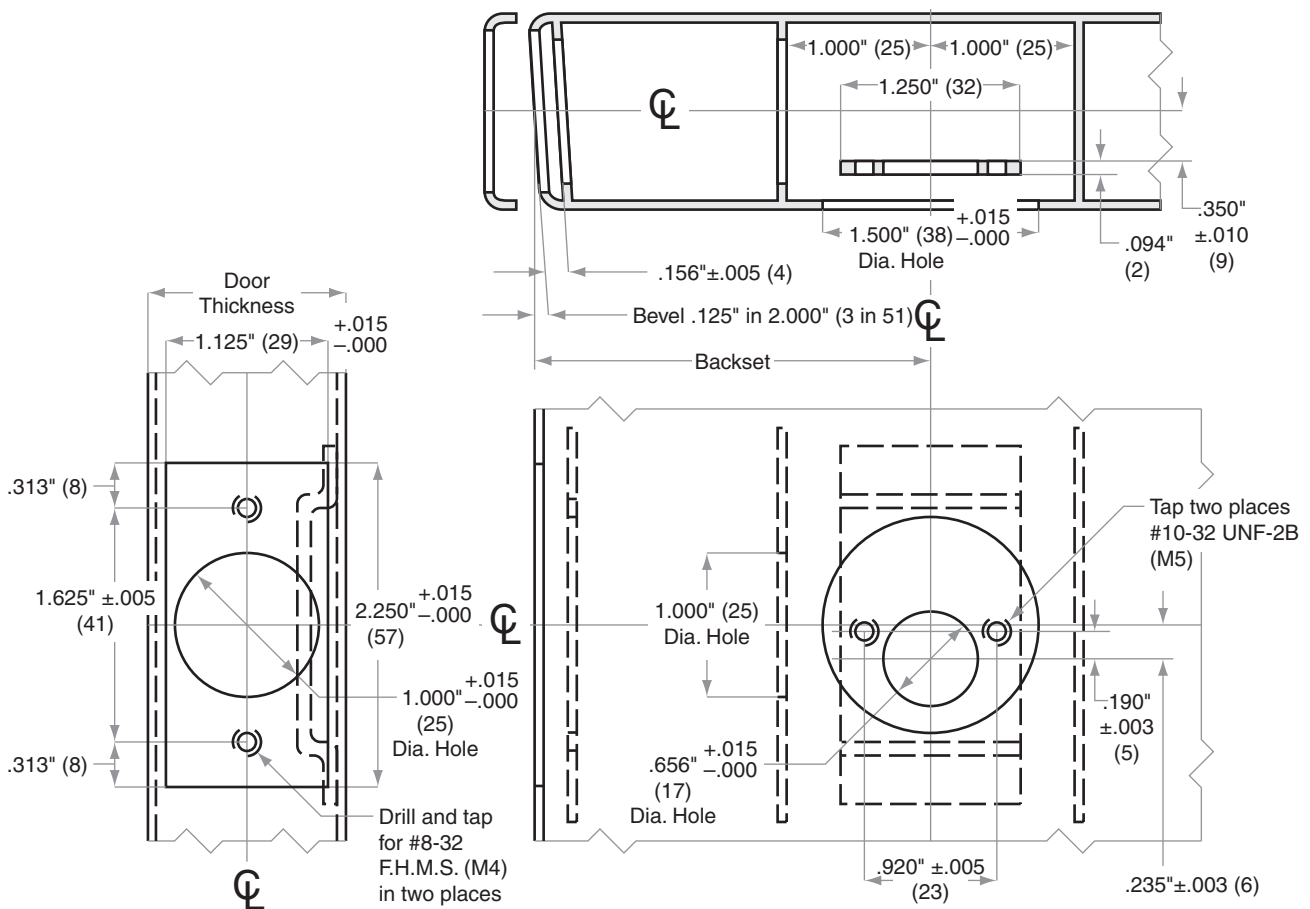


B600/700/800-Series

Models B664, B680, B764, B864

Door Type: Metal, Flat or Beveled
 Door Thickness: 1 $\frac{3}{8}$ " (35 mm)–2 $\frac{1}{2}$ " (64 mm)
 Faceplate: Square Corner, 1 $\frac{1}{8}$ " (29 mm) wide
 Backsets: 2 $\frac{3}{8}$ " (60 mm), 2 $\frac{3}{4}$ " (70 mm), 3 $\frac{3}{4}$ " (95 mm), 5" (127 mm)

For metal door installations, suitable reinforcement is required to support latch in center of door and to prevent lateral movement



Dimensions shown in parentheses () are in millimeters.

Door preparation template

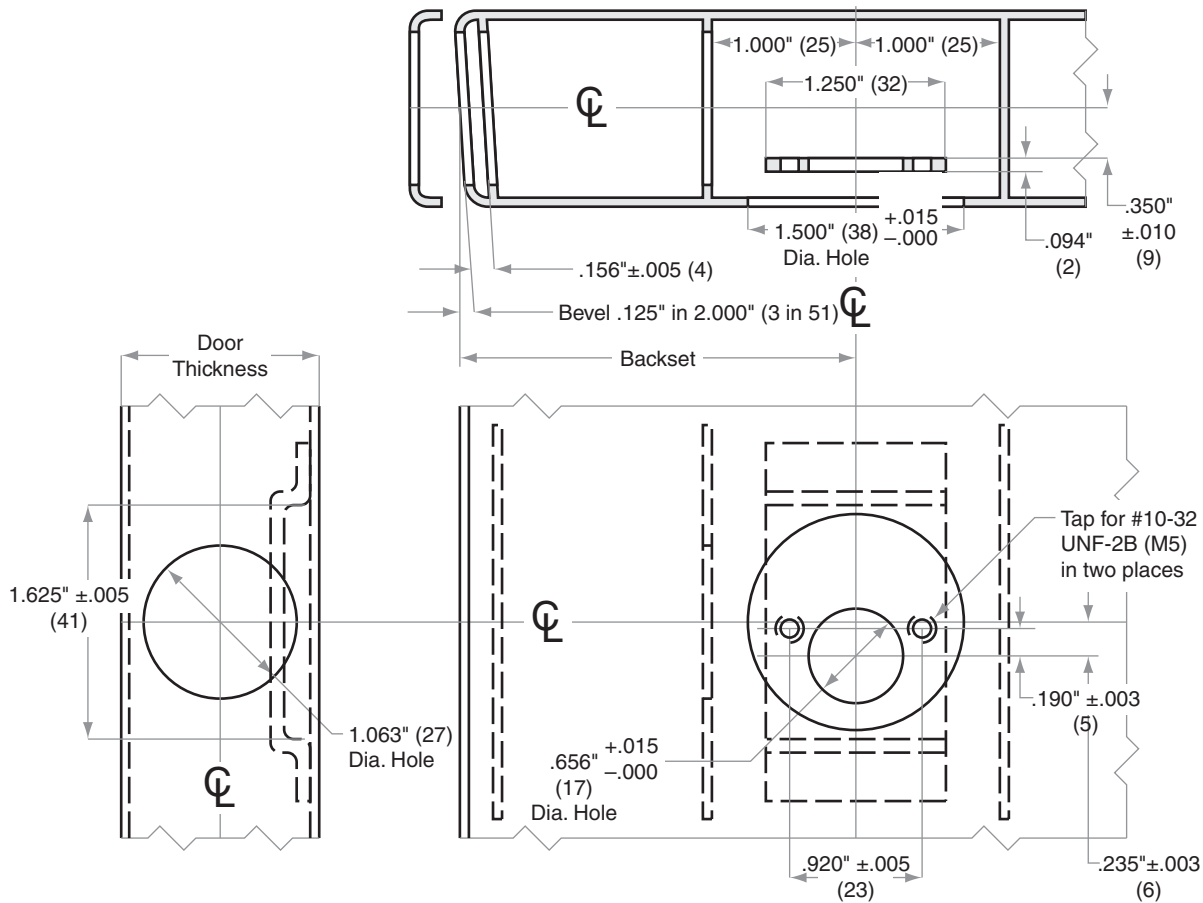


B600/700/800-Series

Models B664, B680, B764, B864

Door Type: Metal, Flat
 Door Thickness: 1 $\frac{3}{8}$ " (35 mm)–2 $\frac{1}{2}$ " (64 mm)
 Faceplate: Circular Drive-In
 Backsets: 2 $\frac{3}{8}$ " (60 mm), 2 $\frac{3}{4}$ " (70 mm), 3 $\frac{3}{4}$ " (95 mm), 5" (127 mm)

For metal door installations, suitable reinforcement is required to support latch in center of door and to prevent lateral movement



Dimensions shown in parentheses () are in millimeters.

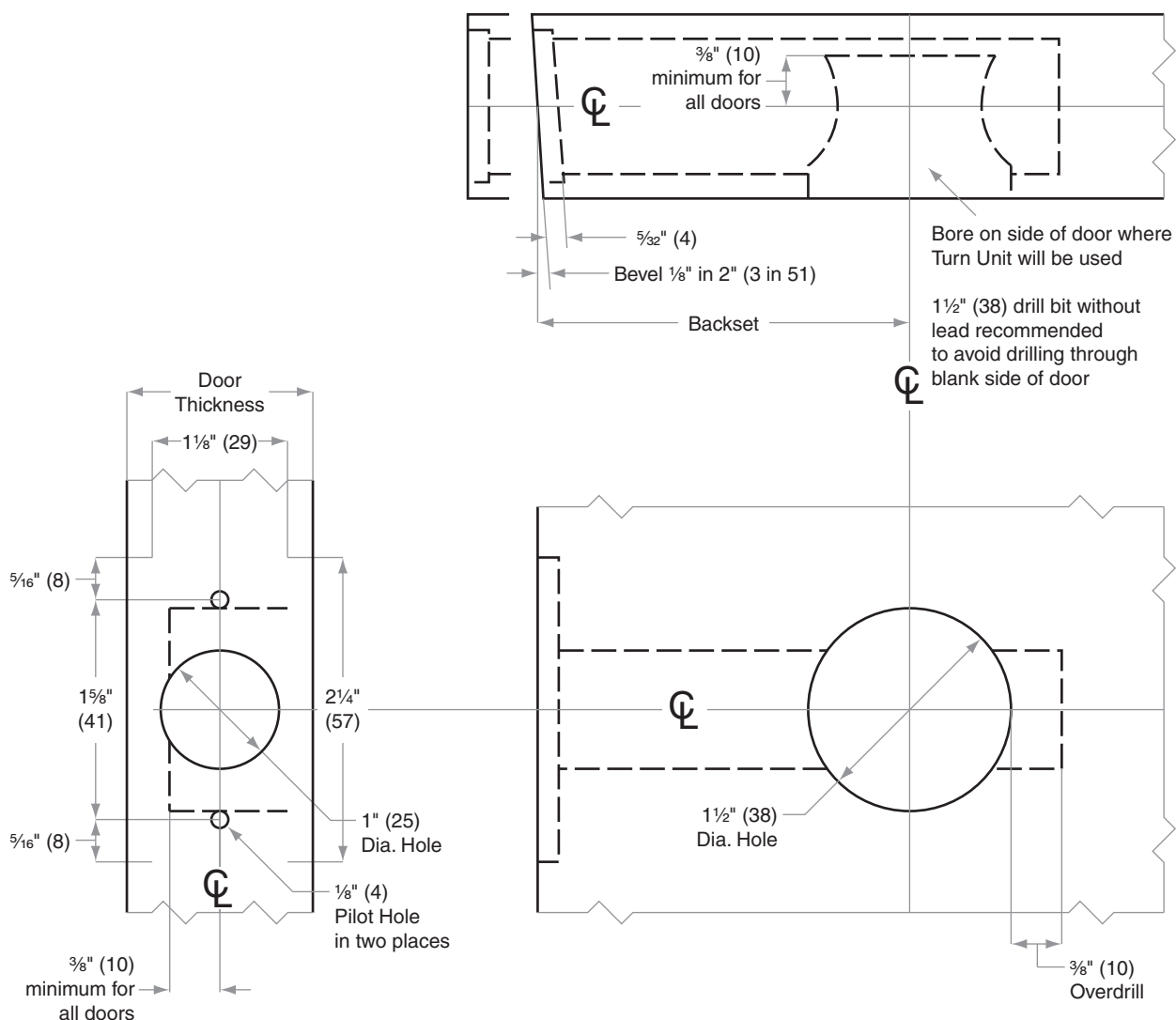
Door preparation template



B600/700/800-Series

Models B664, B764, B864

- Door Type: Wood or Composite, Flat or Beveled
- Door Thickness: 1 3/8" (35 mm)–2 1/2" (64 mm)
- Faceplate: Square Corner, 1 1/8" (29 mm) wide
- Backsets: 2 3/8" (60 mm), 2 3/4" (70 mm), 3 3/4" (95 mm), 5" (127 mm)



Dimensions shown in parentheses () are in millimeters.

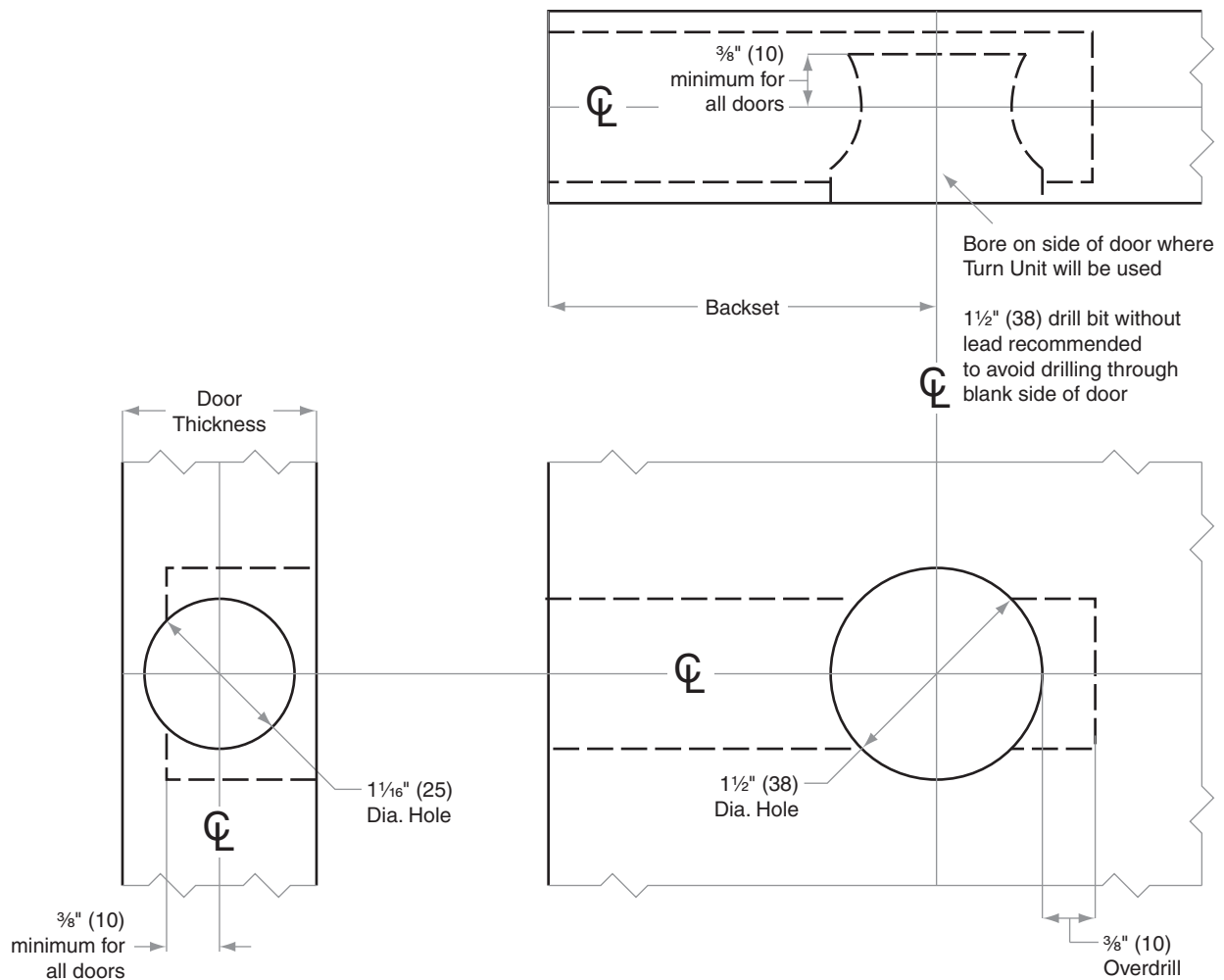
Door preparation template



B600/700/800-Series

Models B664, B764, B864

- Door Type: Wood or Composite, Flat
- Door Thickness: 1 $\frac{3}{8}$ " (35 mm)–2 $\frac{1}{2}$ " (64 mm)
- Faceplate: Circular Drive-In
- Backsets: 2 $\frac{3}{8}$ " (60 mm), 2 $\frac{3}{4}$ " (70 mm), 3 $\frac{3}{4}$ " (95 mm), 5" (127 mm)



Dimensions shown in parentheses () are in millimeters.

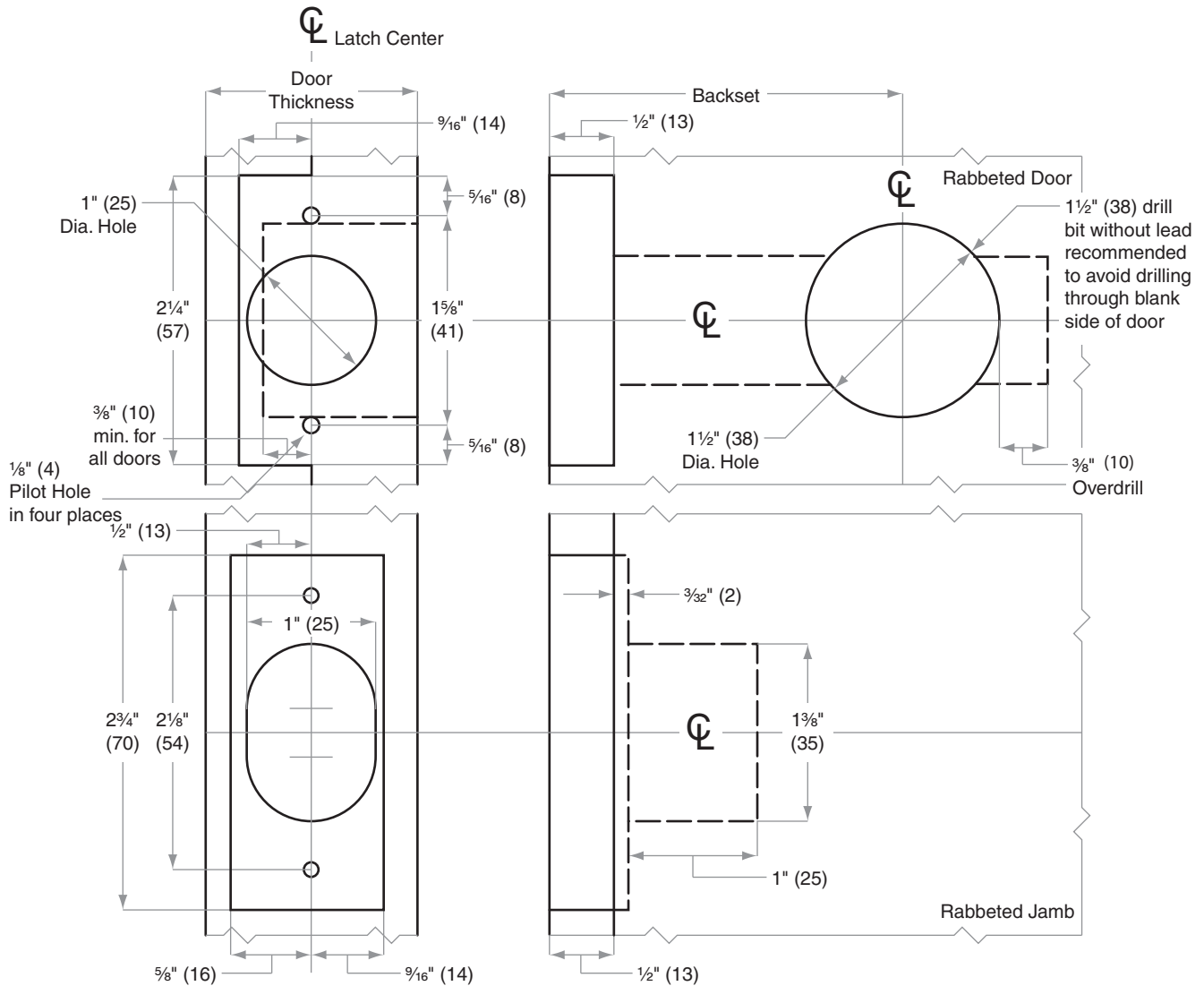
Door preparation template



B600/700/800-Series

Models B664, B764, B864

- Door Type: Wood or Composite, rabbeted, flat
- Door Thickness: 1 3/8" (35 mm)–2 1/2" (64 mm)
- Faceplate: Square Corner, 1 1/8" (29 mm) wide, 1/2" (6 mm) rabbeted and strike
- Backsets: 2 3/8" (60 mm), 2 3/4" (70 mm), 3 3/4" (95 mm), 5" (127 mm)



Dimensions shown in parentheses () are in millimeters.

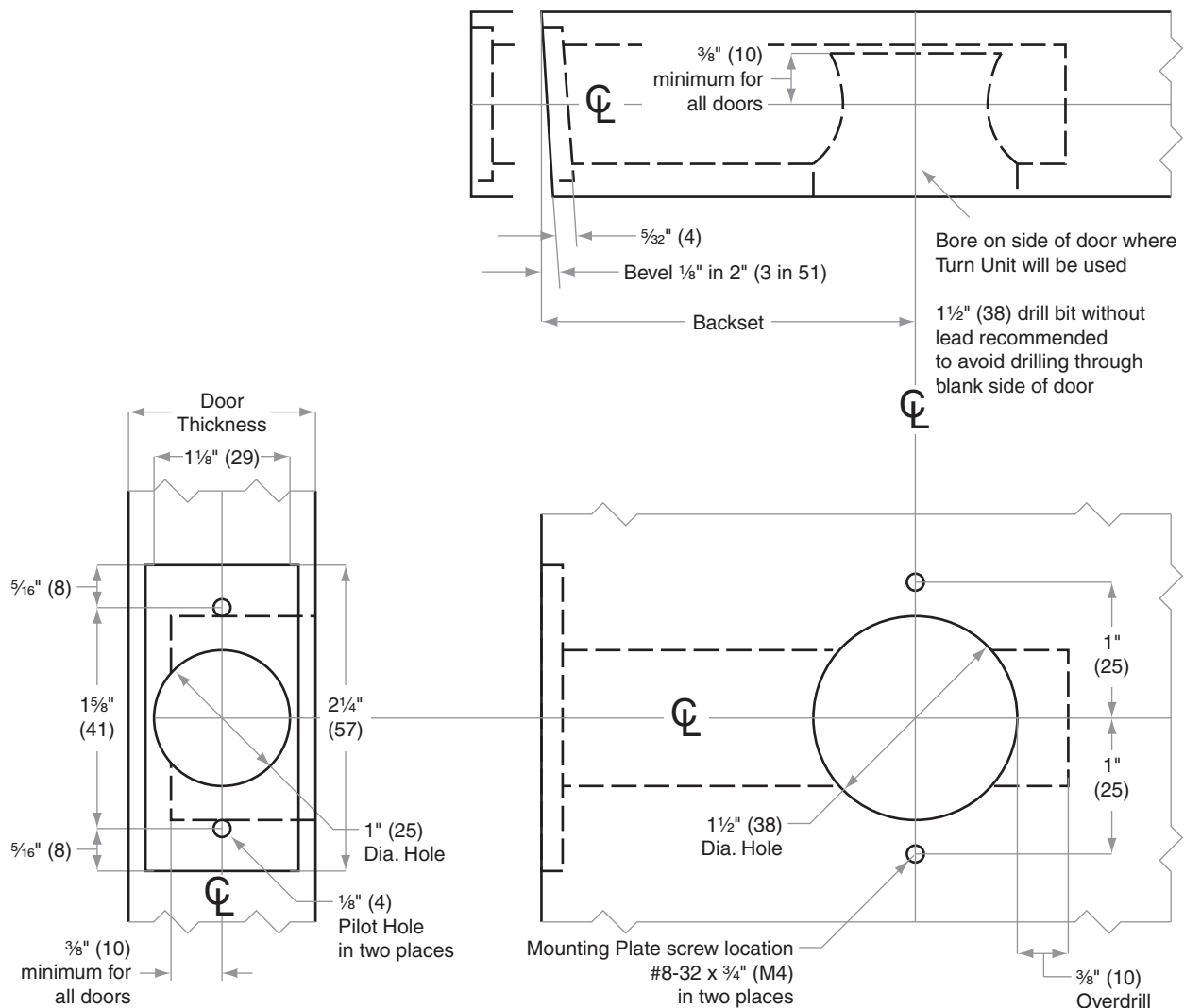
Door preparation template



B600-Series

Models B680

- Door Type:** Wood or Composite, Flat or Beveled
Door Thickness: 1 3/8" (35 mm)–2 1/2" (64 mm)
Faceplate: Square Corner, 1 1/8" (29 mm) wide
Backsets: 2 3/8" (60 mm), 2 3/4" (70 mm), 3 3/4" (95 mm), 5" (127 mm)



Dimensions shown in parentheses () are in millimeters.

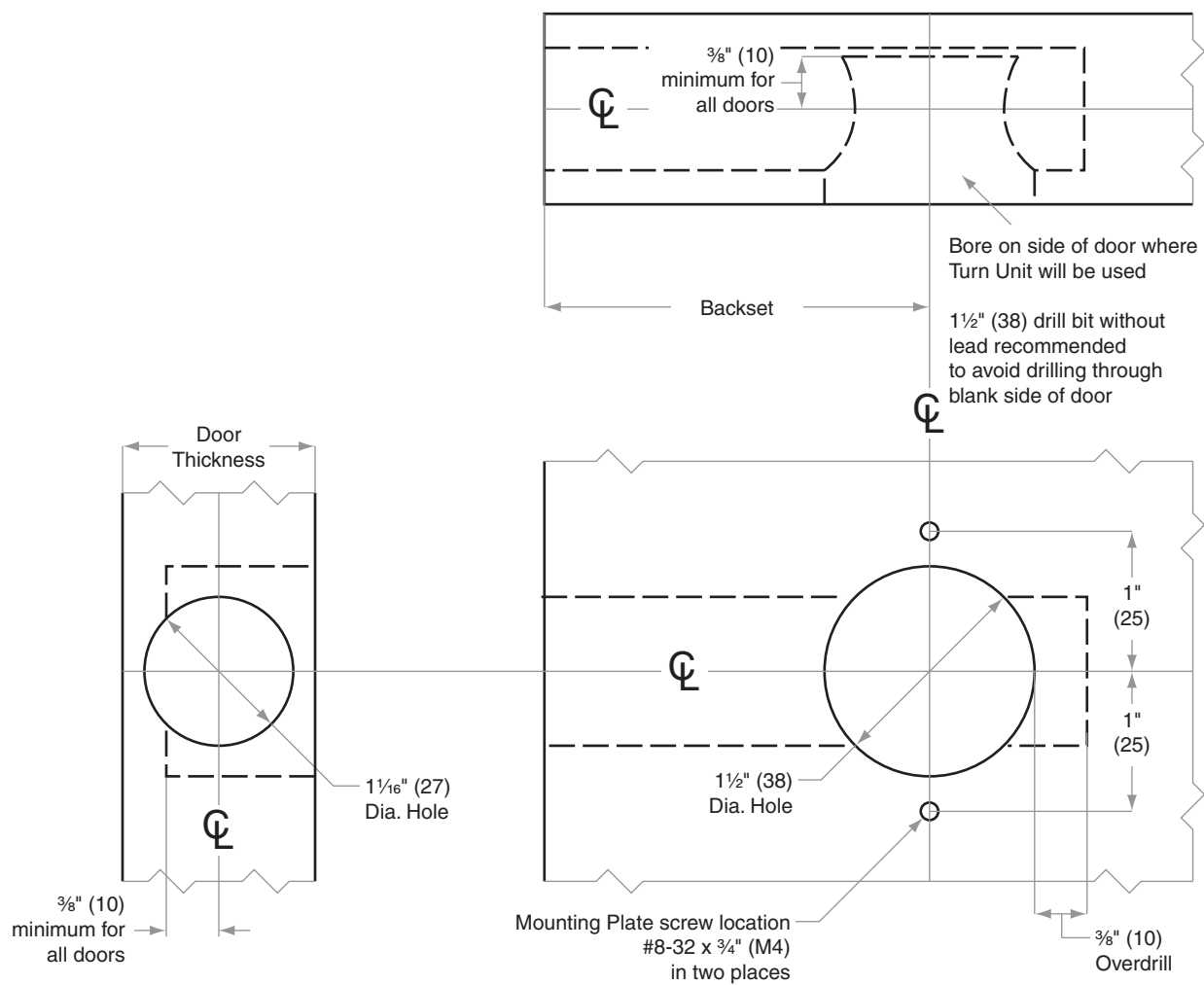
Door preparation template



B600-Series

Models B680

Door Type: Wood or Composite, Flat
Door Thickness: 1 $\frac{3}{8}$ " (35 mm)–2 $\frac{1}{2}$ " (64 mm)
Faceplate: Circular Drive-In
Backsets: 2 $\frac{3}{8}$ " (60 mm), 2 $\frac{3}{4}$ " (70 mm), 3 $\frac{3}{4}$ " (95 mm), 5" (127 mm)



Dimensions shown in parentheses () are in millimeters.

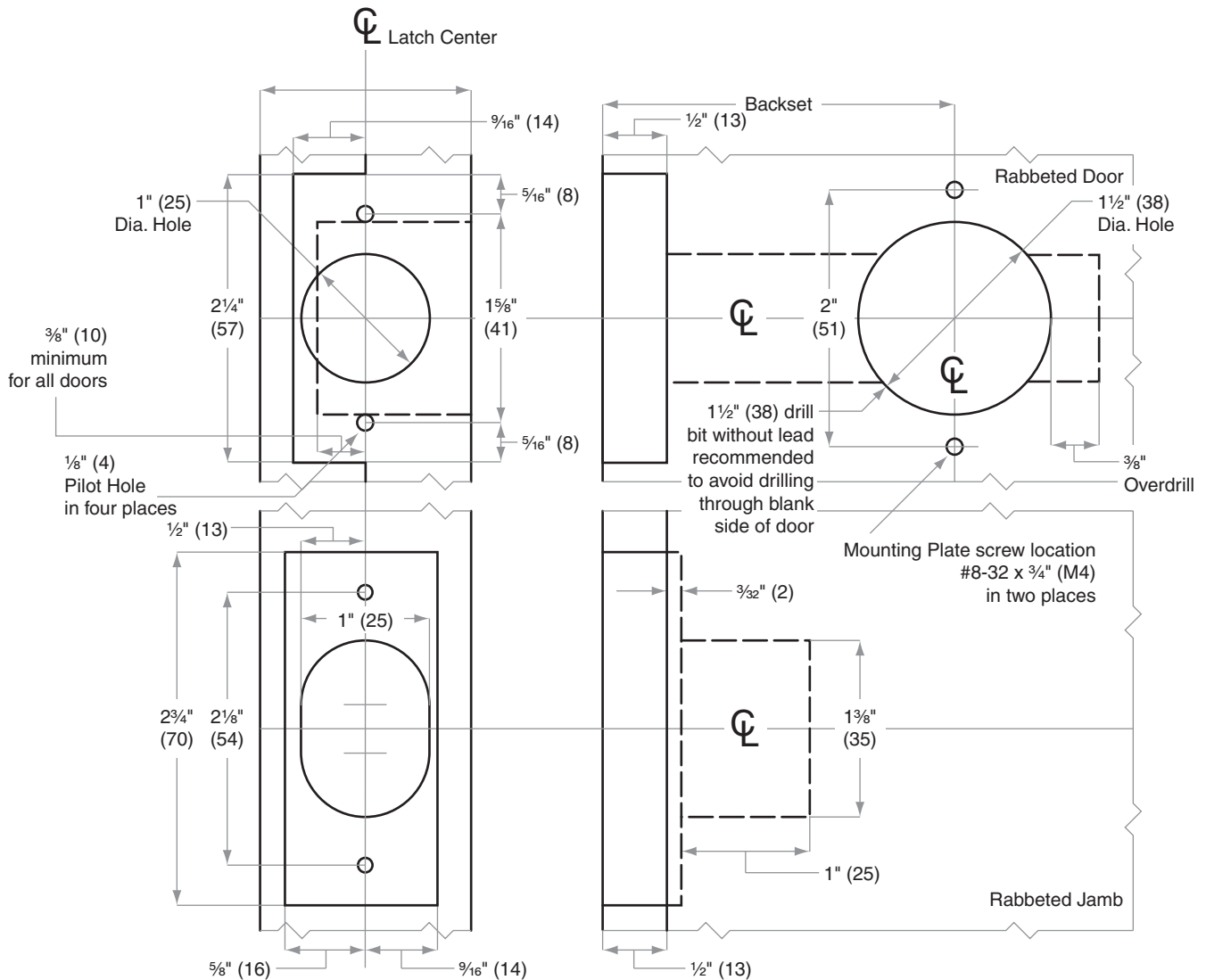
Door preparation template



B600-Series

Models B680

Door Type: Wood or Composite, rabbeted, flat
Door Thickness: 1 $\frac{3}{8}$ " (35 mm)–2 $\frac{1}{2}$ " (64 mm)
Faceplate: Square Corner, 1 $\frac{1}{8}$ " (29 mm) wide, $\frac{1}{2}$ " (6 mm) rabbeted and strike
Backsets: 2 $\frac{3}{8}$ " (60 mm), 2 $\frac{3}{4}$ " (70 mm), 3 $\frac{3}{4}$ " (95 mm), 5" (127 mm)



Dimensions shown in parentheses () are in millimeters.

Door preparation template



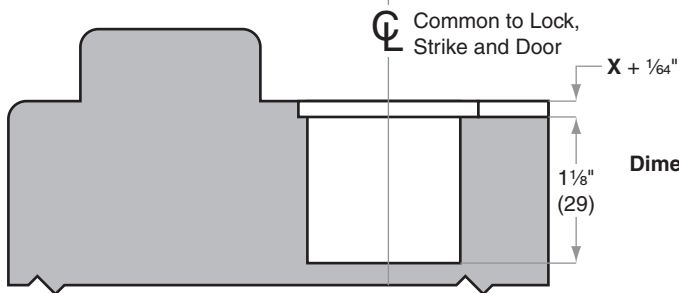
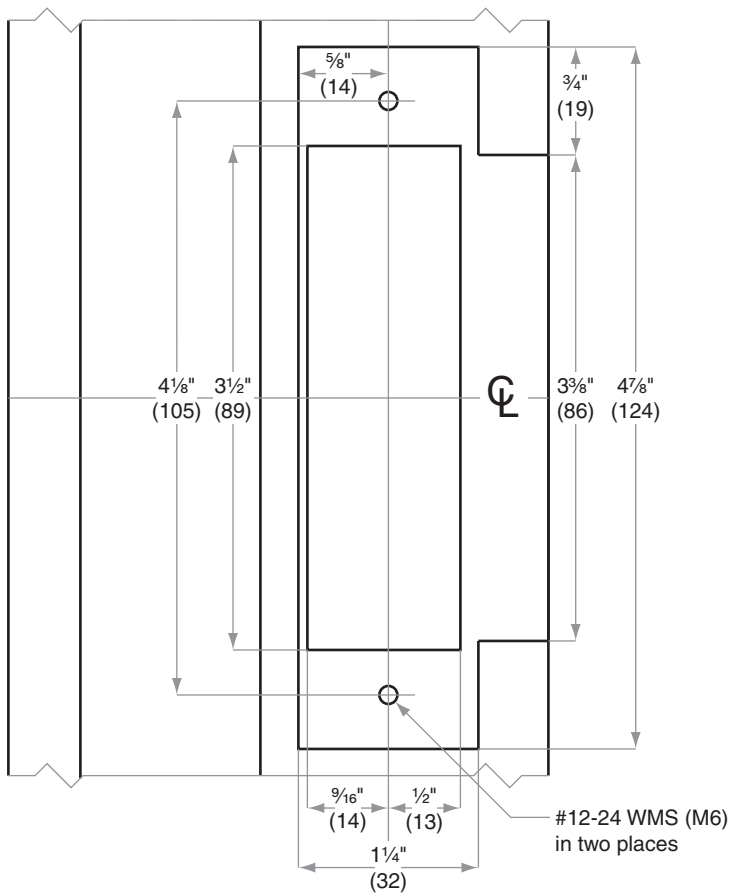
Strikes

Models 10-025, 10-072, 10-087

Jamb Type: Wood
Style: ANSI Standard for 1¾" (44 mm) doors
Standard for: AL-Series (10-025) | D-Series Knobs (10-025) | ND-Series Lever (10-025) | L/LV9000-Series (10-072)
Optional for: A-Series | B250-Series | F-Series | S-Series

NOTE:

1. When reinforcement plate is specified, mortise additional 1/8" (3) to Dimension X
2. Strike location on frames must be adjusted for thickness of door silencers when used



Dimension X: 10-025: 3/32" (2) when strike box not specified
 10-072 and 10-087: 5/32" (4) for strike box, detached

Dimensions shown in parentheses () are in millimeters.

Door preparation template



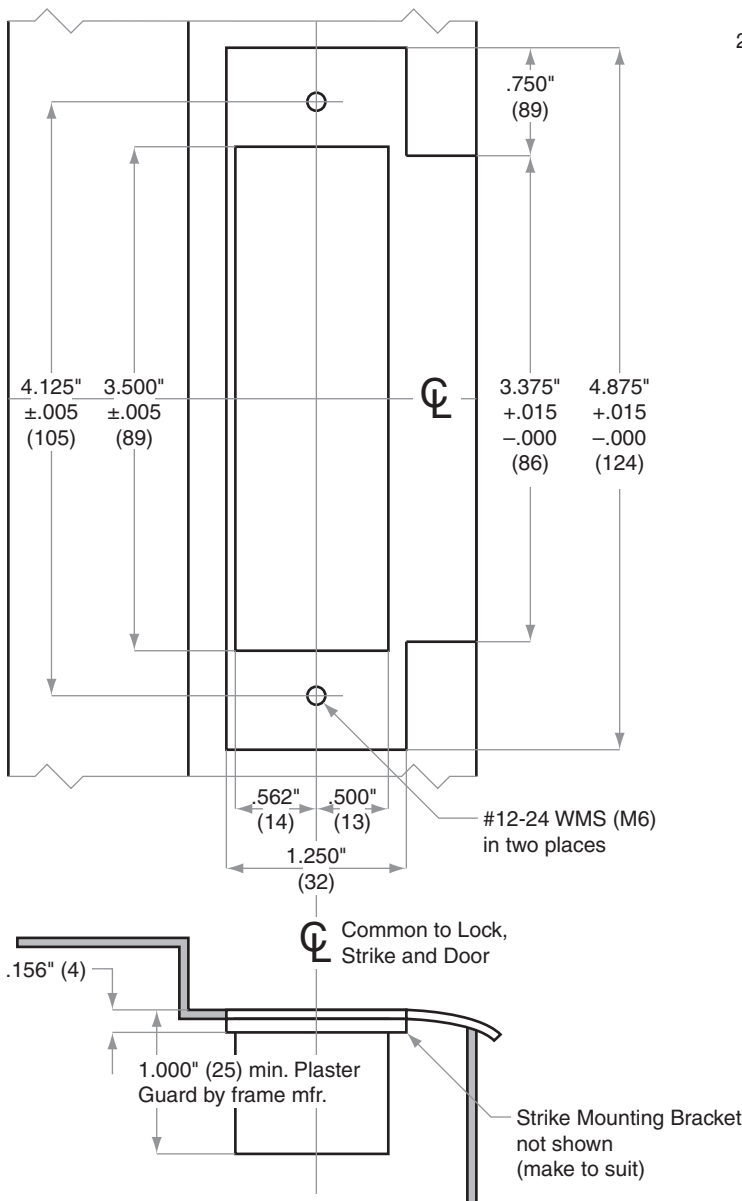
Strikes

Models 10-025, 10-072, 10-087

Jamb Type: Metal
Style: ANSI Standard for 1¾" (44 mm) doors
Standard for: AL-Series (10-025) | D-Series Knobs (10-025) | ND-Series Levers (10-025) | LXLV9000-Series (10-072)
Optional for: A-Series | B250-Series | F-Series | S-Series

NOTE:

1. Strike box furnished detached or 10-072 and 10-087, but not required as Plaster Guard is furnished by frame mfr.
2. Strike location on frames must be adjusted for thickness of door silencers when used



Dimensions shown in parentheses () are in millimeters.

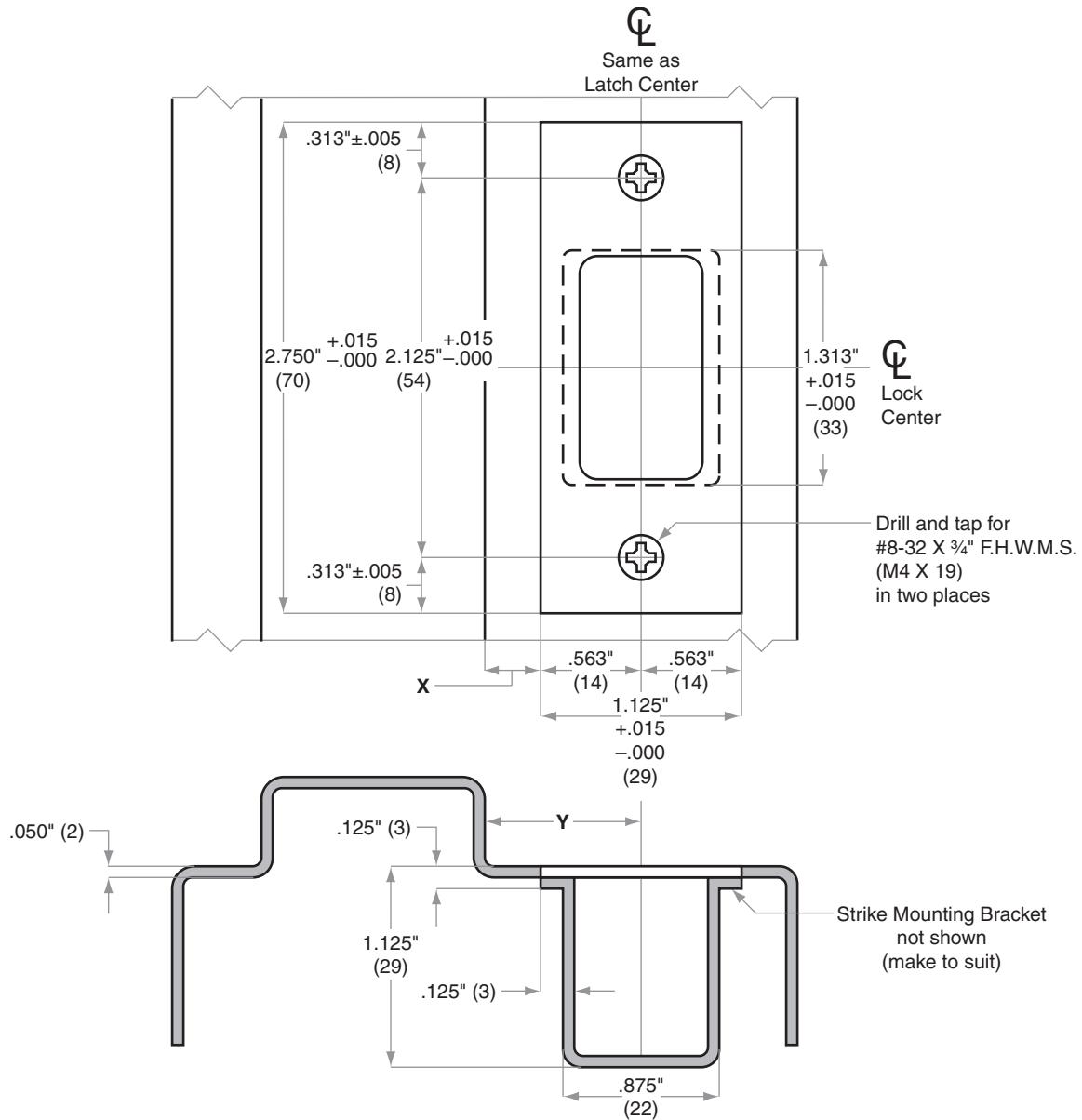
Door preparation template



Strikes

Models 10-055, 10-081, 10-094

Jamb Type: Wood
 Style: Square Corner, Deadbolt
 Standard for: B600/700/800-Series | B280-Series | B/BA300-Series | BE-Series | BR260-Series
 Optional for:



Dimensions X and Y are variables dependent on door thickness

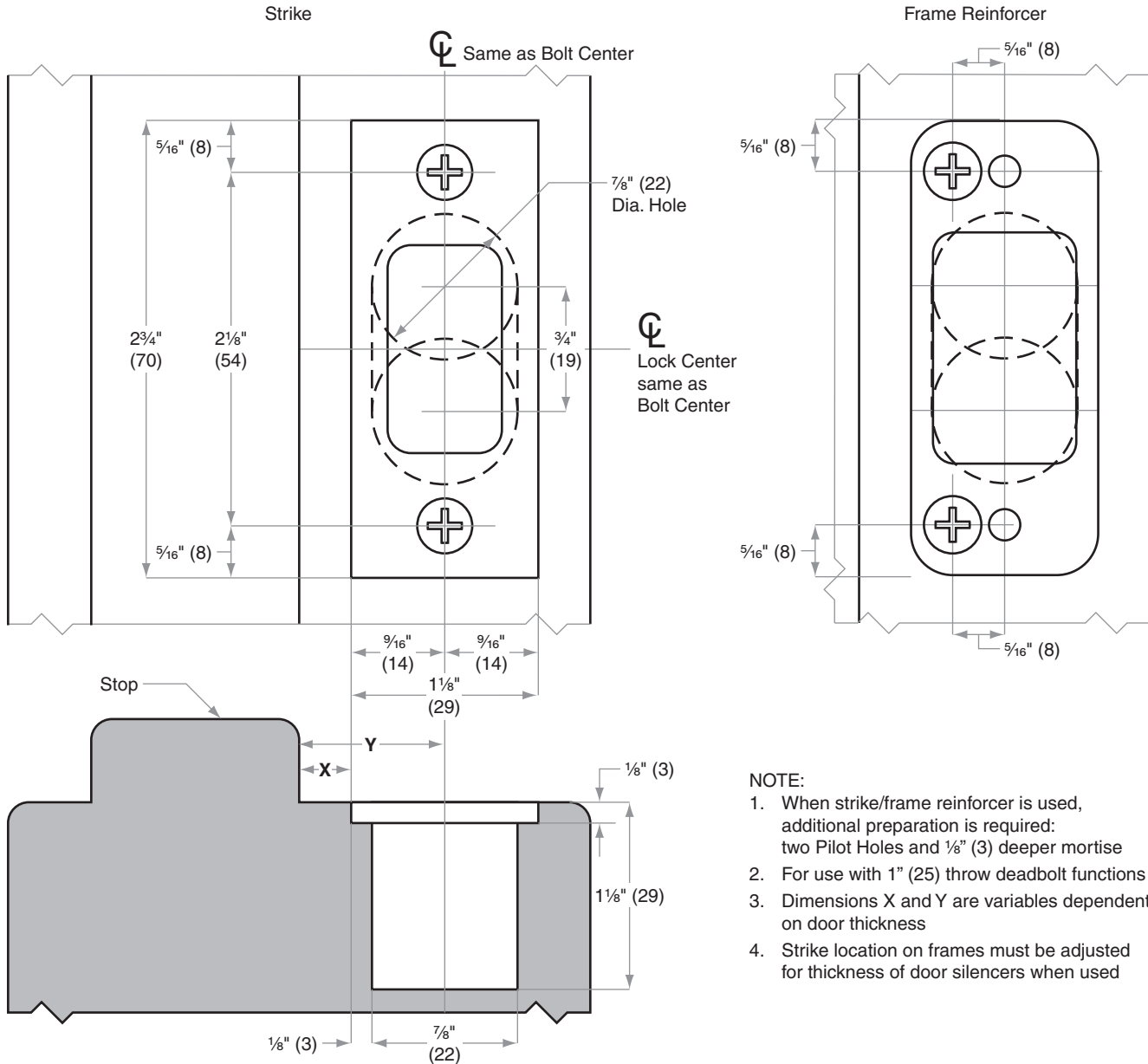
Dimensions shown in parentheses () are in millimeters.

Door preparation template

Strikes

Models 10-055, 10-081, 10-094

Jamb Type: Metal
 Style: Square Corner, Deadbolt
 Standard for: B600/700/800-Series | B280-Series | B/BA300-Series | BC100-Series | BE-Series | BR260-Series
 Optional for:



NOTE:

1. When strike/frame reinforcer is used, additional preparation is required: two Pilot Holes and $\frac{1}{8}$ " (3) deeper mortise
2. For use with 1" (25) throw deadbolt functions
3. Dimensions X and Y are variables dependent on door thickness
4. Strike location on frames must be adjusted for thickness of door silencers when used

Dimensions shown in parentheses () are in millimeters.

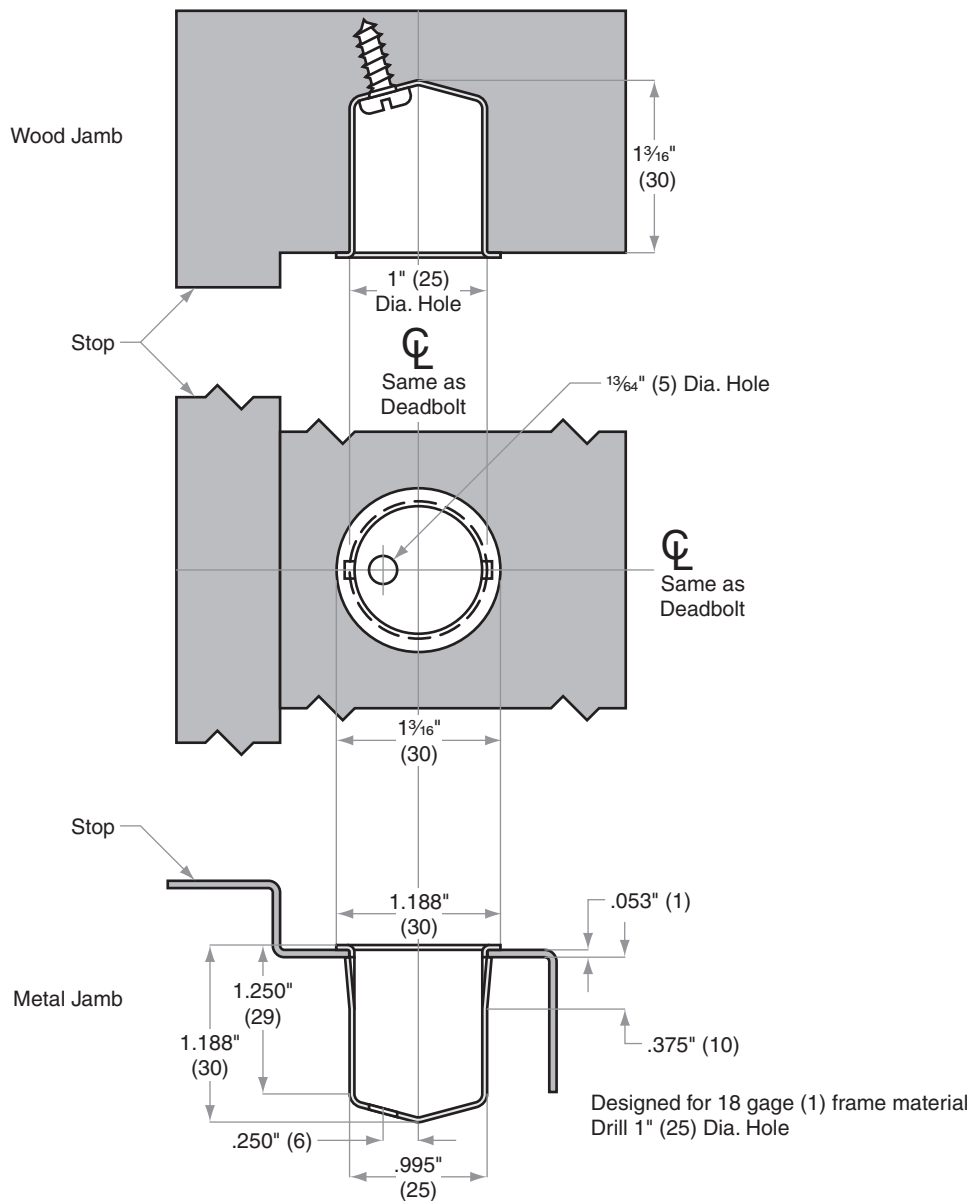
Door preparation template



Strikes

Model 10-064

Jamb Type: Wood and Metal
Style: Thimble, Deadbolt
Standard for:
Optional for: BC100-Series | B/BA300-Series | B600/700/800-Series



Dimensions shown in parentheses () are in millimeters.

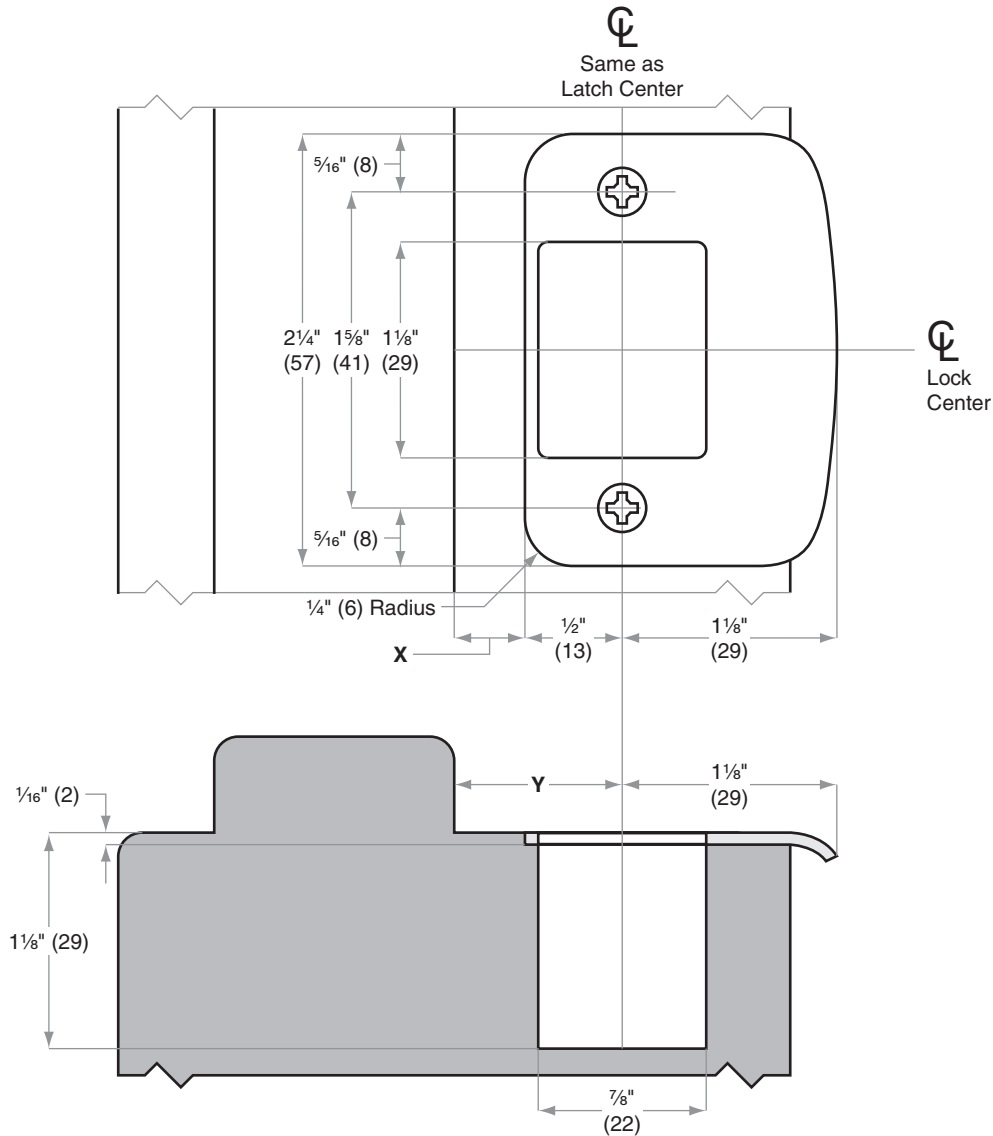
Door preparation template



Strikes

Model 10-092

Jamb Type: Wood
 Style: Full Lip, Round Corner, 1/4" (6 mm) Radius, Deadbolt
 Standard for:
 Optional for: BC100-Series | BR260-Series | B/BA300-Series | B600/700/800-Series



Dimensions X and Y are variables dependent on door thickness

Dimensions shown in parentheses () are in millimeters.

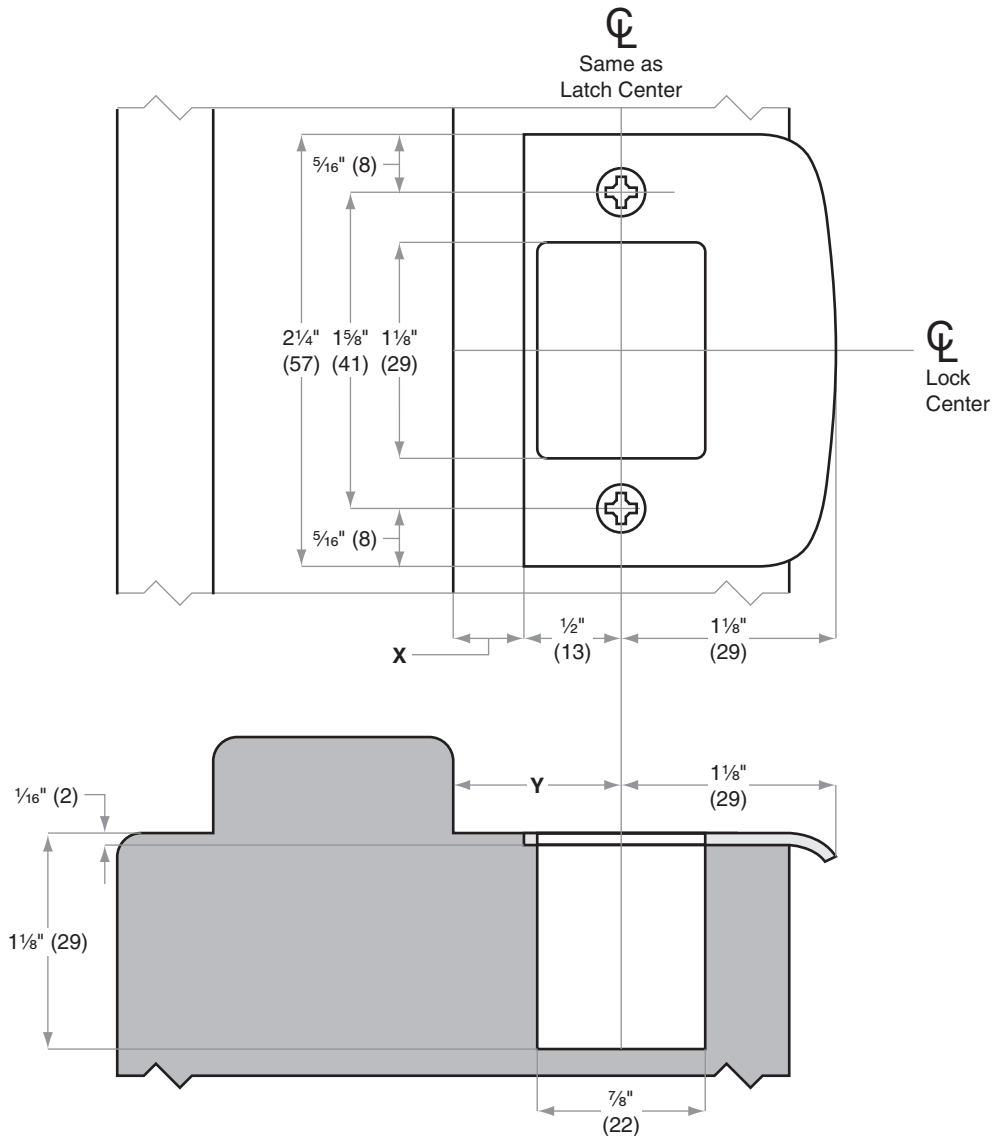
Door preparation template



Strikes

Model 10-095

Jamb Type: Wood
Style: Full Lip, Square Corner, Deadbolt
Standard for:
Optional for: BC100-Series | BR260-Series | B/BA300-Series | B600/700/800-Series



Dimensions X and Y are variables dependent on door thickness

Dimensions shown in parentheses () are in millimeters.

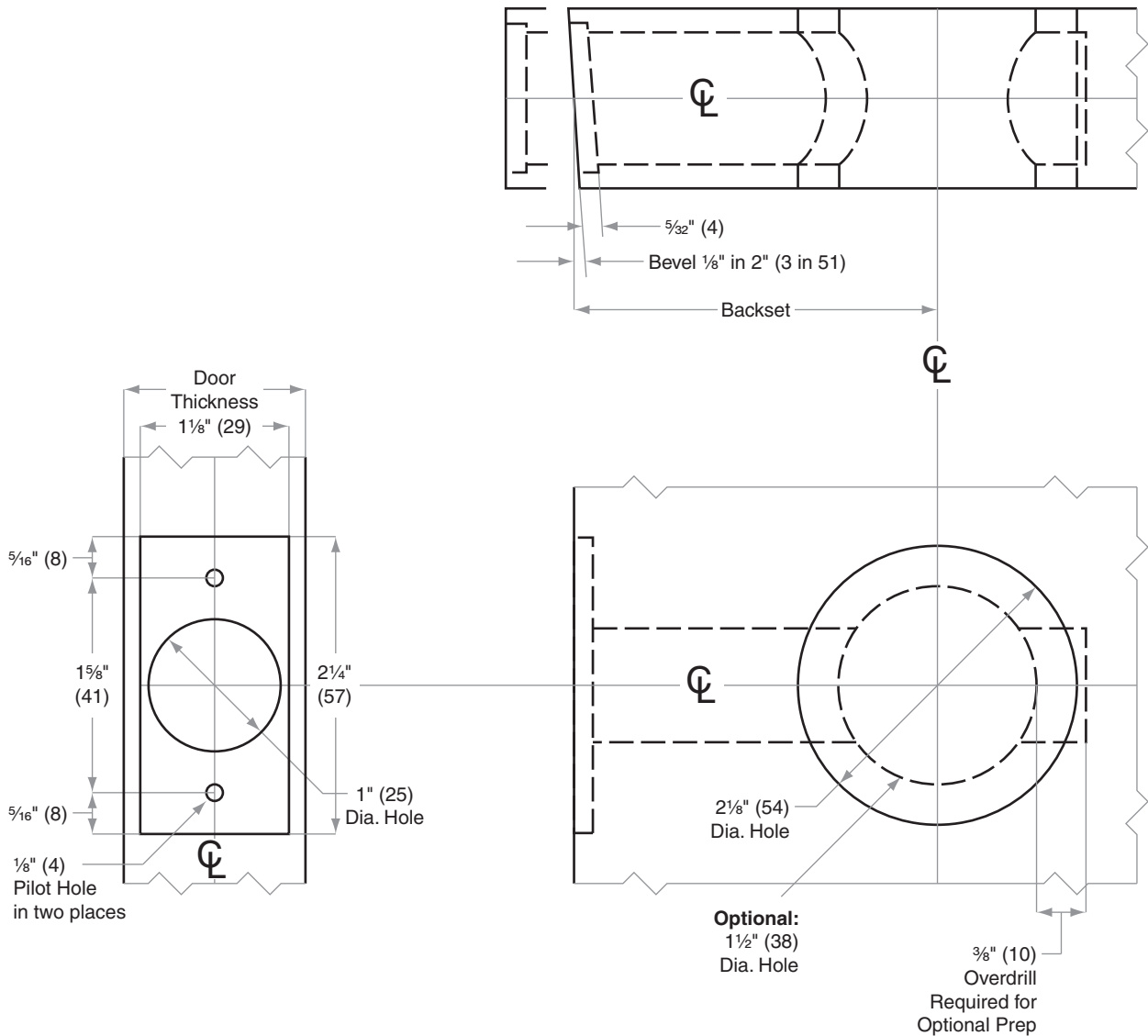
Door preparation template



B600/700/800-Series

Models B660/661/662/663, B760/761/762/763,
B860/861/862/863

- Door Type:** Wood or Composite, Flat or Beveled
- Door Thickness:** 1 $\frac{1}{8}$ " (35 mm)–2 $\frac{1}{2}$ " (64 mm)
- Faceplate:** Square Corner, 1 $\frac{1}{8}$ " (29 mm) wide
- Backsets:** 2 $\frac{3}{8}$ " (60 mm), 2 $\frac{3}{4}$ " (70 mm), 3 $\frac{3}{4}$ " (95 mm), 5" (127 mm)



Dimensions shown in parentheses () are in millimeters.

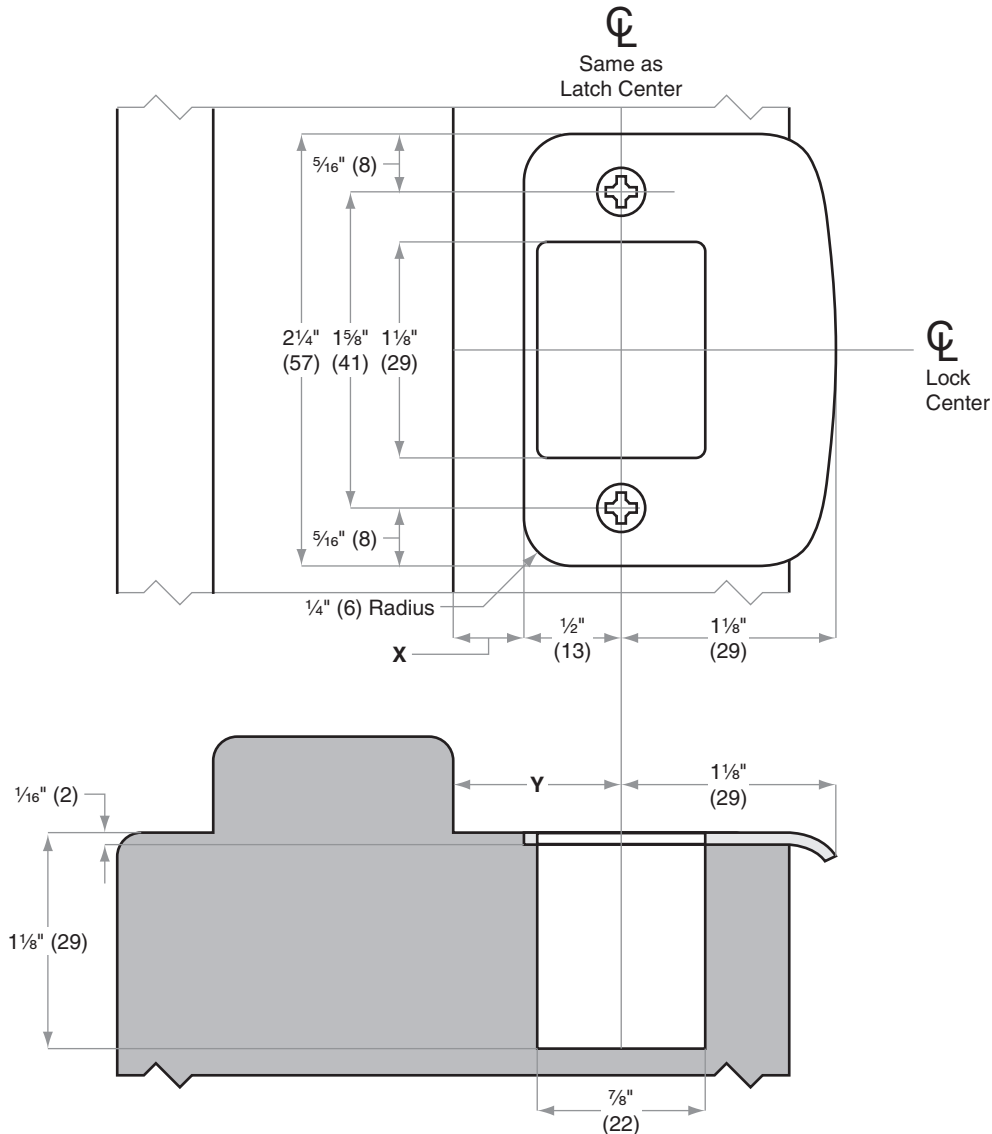
Door preparation template



Strikes

Model 10-092

Jamb Type: Wood
 Style: Full Lip, Round Corner, 1/4" (6 mm) Radius, Deadbolt
 Standard for:
 Optional for: BC100-Series | BR260-Series | B/BA300-Series | B600/700/800-Series



Dimensions X and Y are variables dependent on door thickness

Dimensions shown in parentheses () are in millimeters.

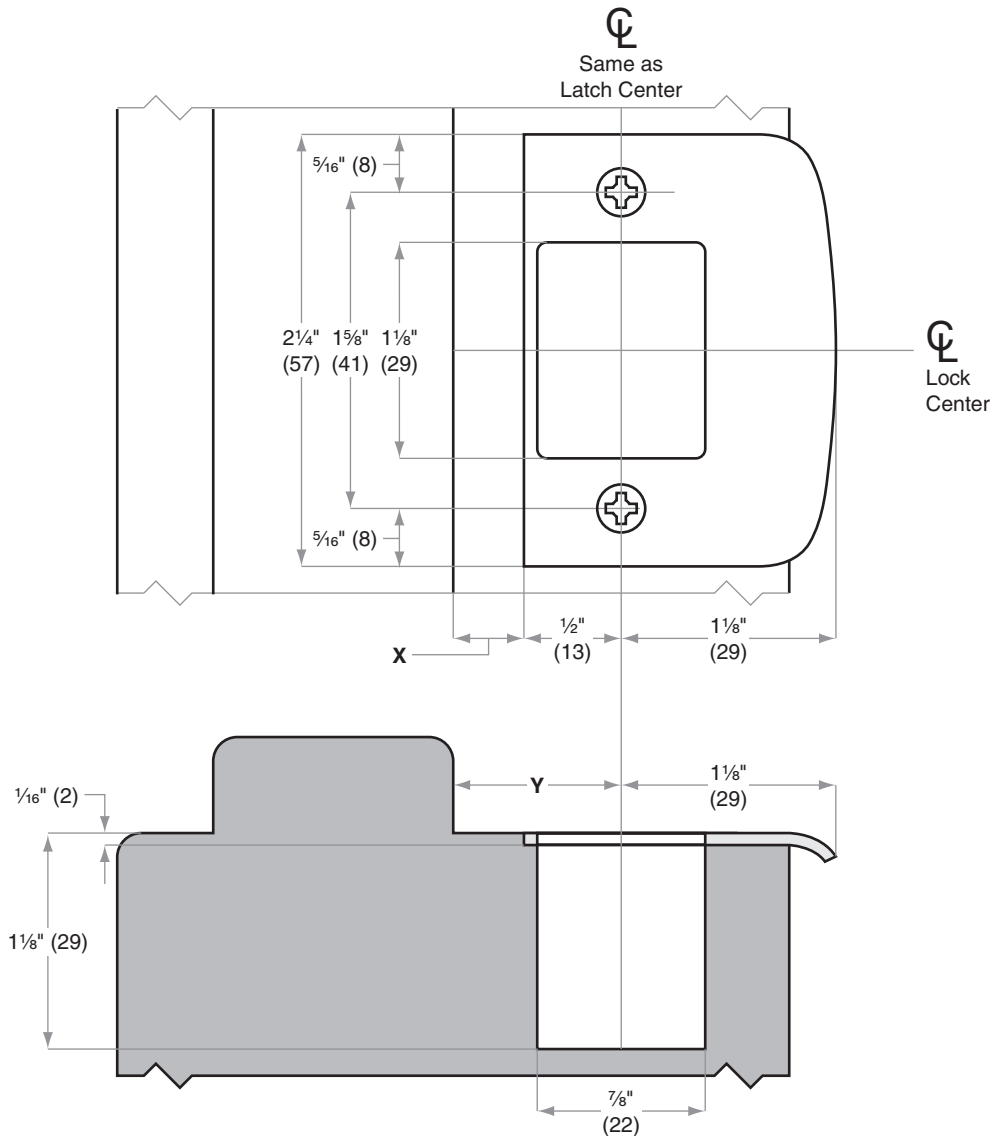
Door preparation template



Strikes

Model 10-095

Jamb Type: Wood
Style: Full Lip, Square Corner, Deadbolt
Standard for:
Optional for: BC100-Series | BR260-Series | B/BA300-Series | B600/700/800-Series



Dimensions X and Y are variables dependent on door thickness

Dimensions shown in parentheses () are in millimeters.

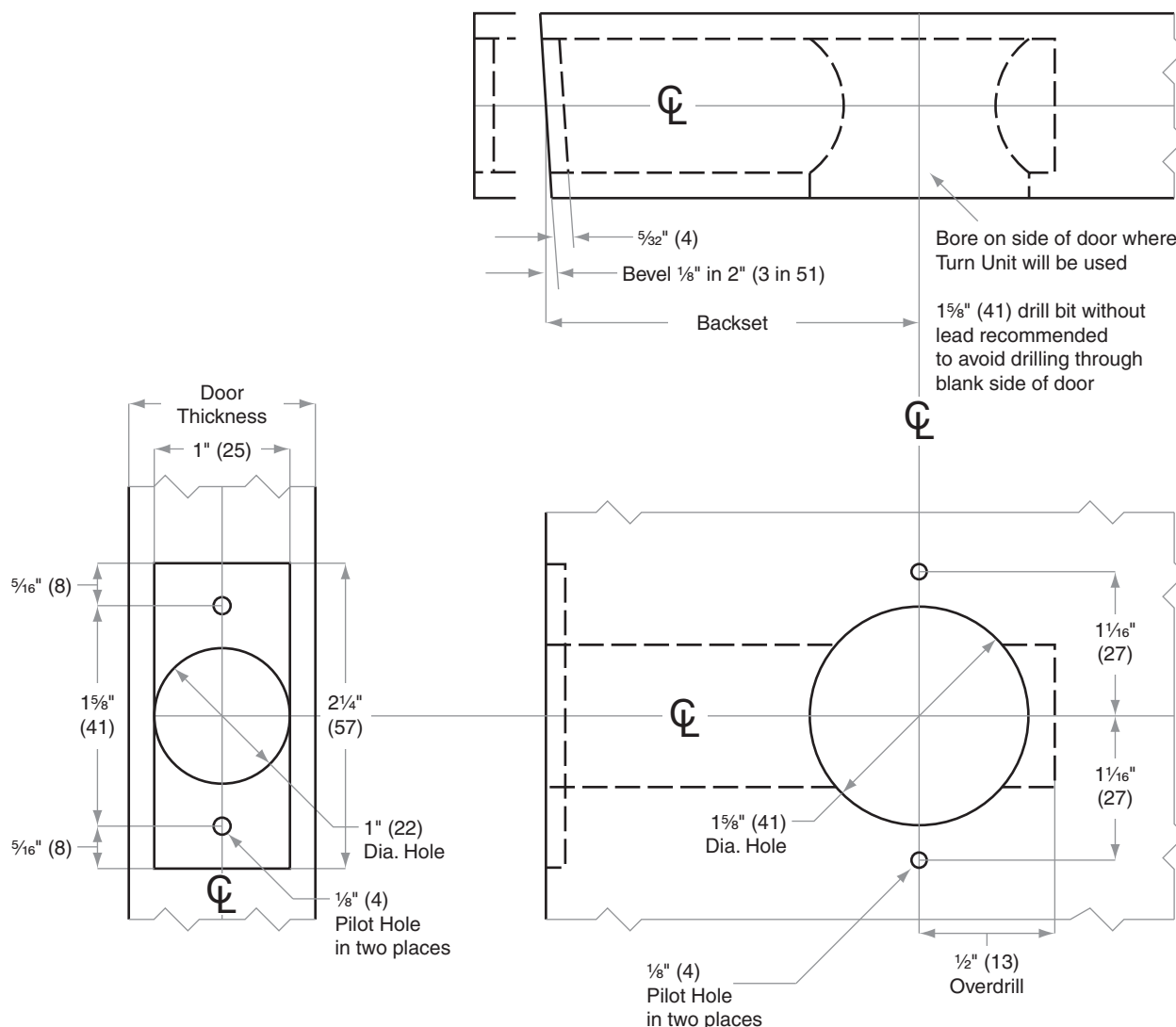
Door preparation template



B280-Series

Models B280

Door Type: Wood or Composite, Flat or Beveled
Door Thickness: Various
Faceplate: Square Corner, 1" (25 mm) wide
Backsets: 2 $\frac{3}{8}$ " (60 mm), 2 $\frac{3}{4}$ " (70 mm)



Dimensions shown in parentheses () are in millimeters.

Door preparation template

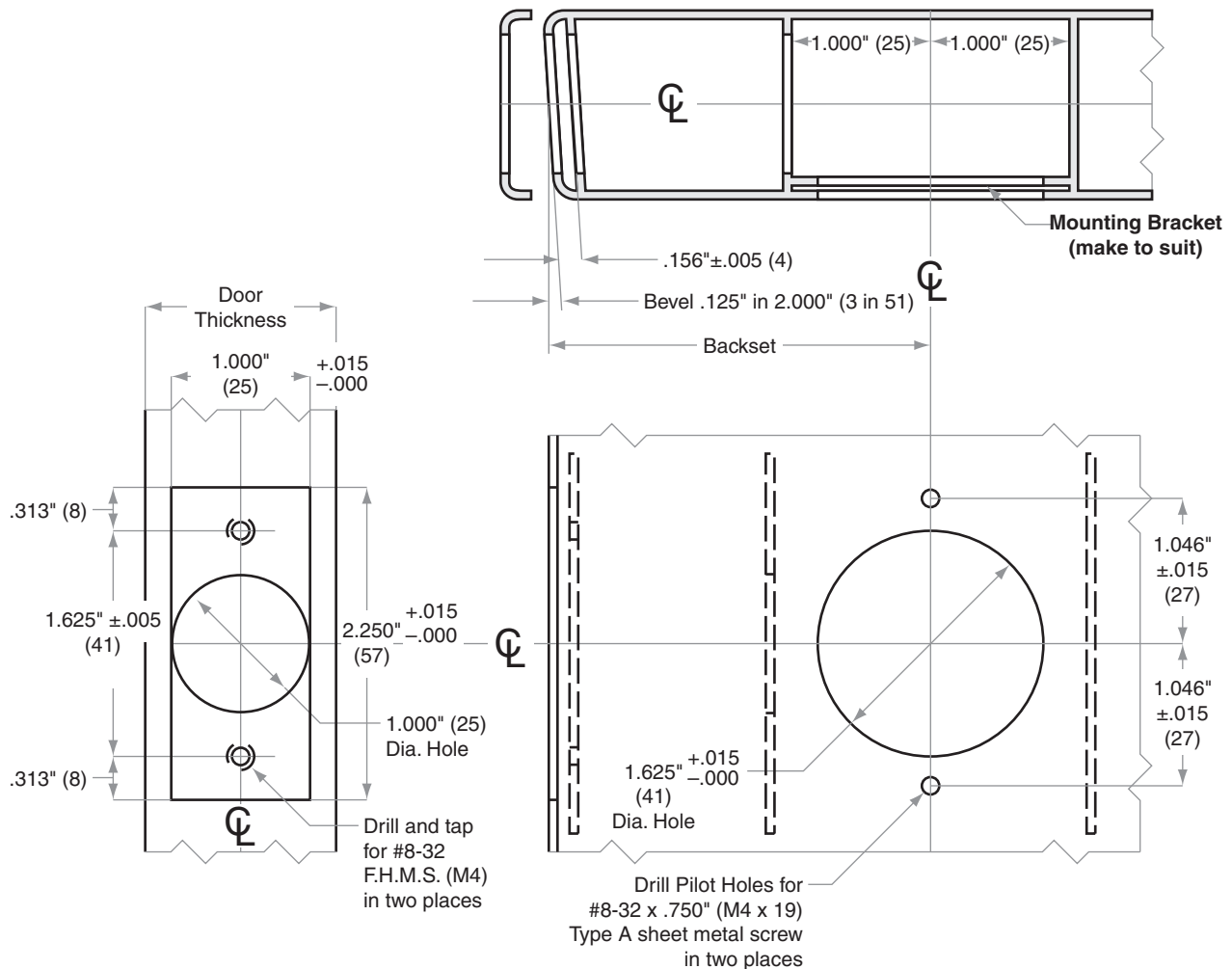


B280-Series

Models B280

Door Type: Metal, Flat or Beveled
 Door Thickness: Various
 Faceplate: Square Corner, 1" (25 mm) wide
 Backsets: 2 $\frac{3}{8}$ " (60 mm), 2 $\frac{3}{4}$ " (70 mm)

For metal door installations, suitable reinforcement is required to support latch in center of door and to prevent lateral movement



Dimensions shown in parentheses () are in millimeters.

Door preparation template

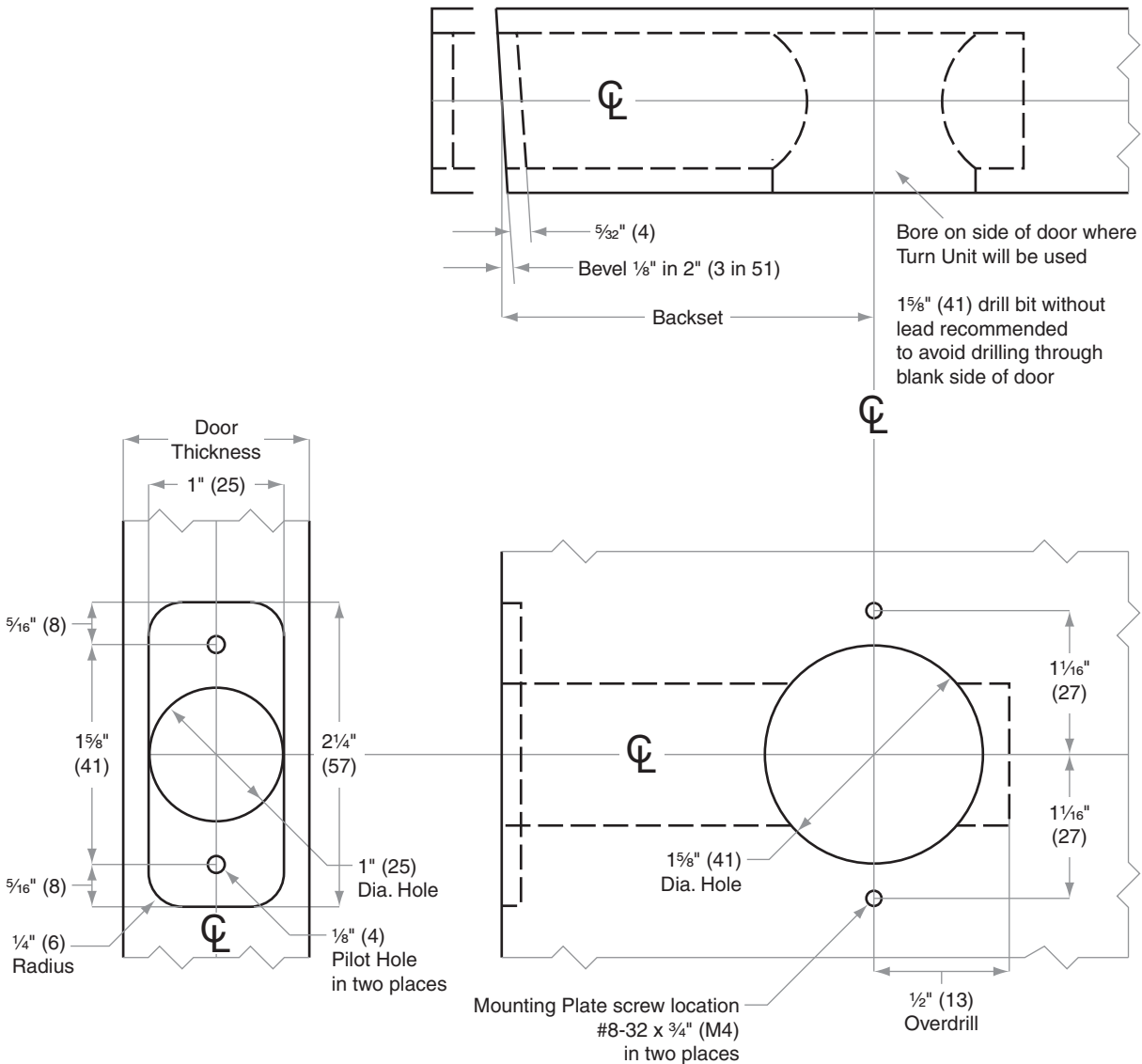
B908



B280-Series

Models B280

Door Type: Wood or Composite, Flat or Beveled
 Door Thickness: Various
 Faceplate: Round Corner, 1/4" (6 mm) Radius, 1" (25 mm) wide
 Backsets: 2 3/8" (60 mm), 2 3/4" (70 mm)



Dimensions shown in parentheses () are in millimeters.

Door preparation template

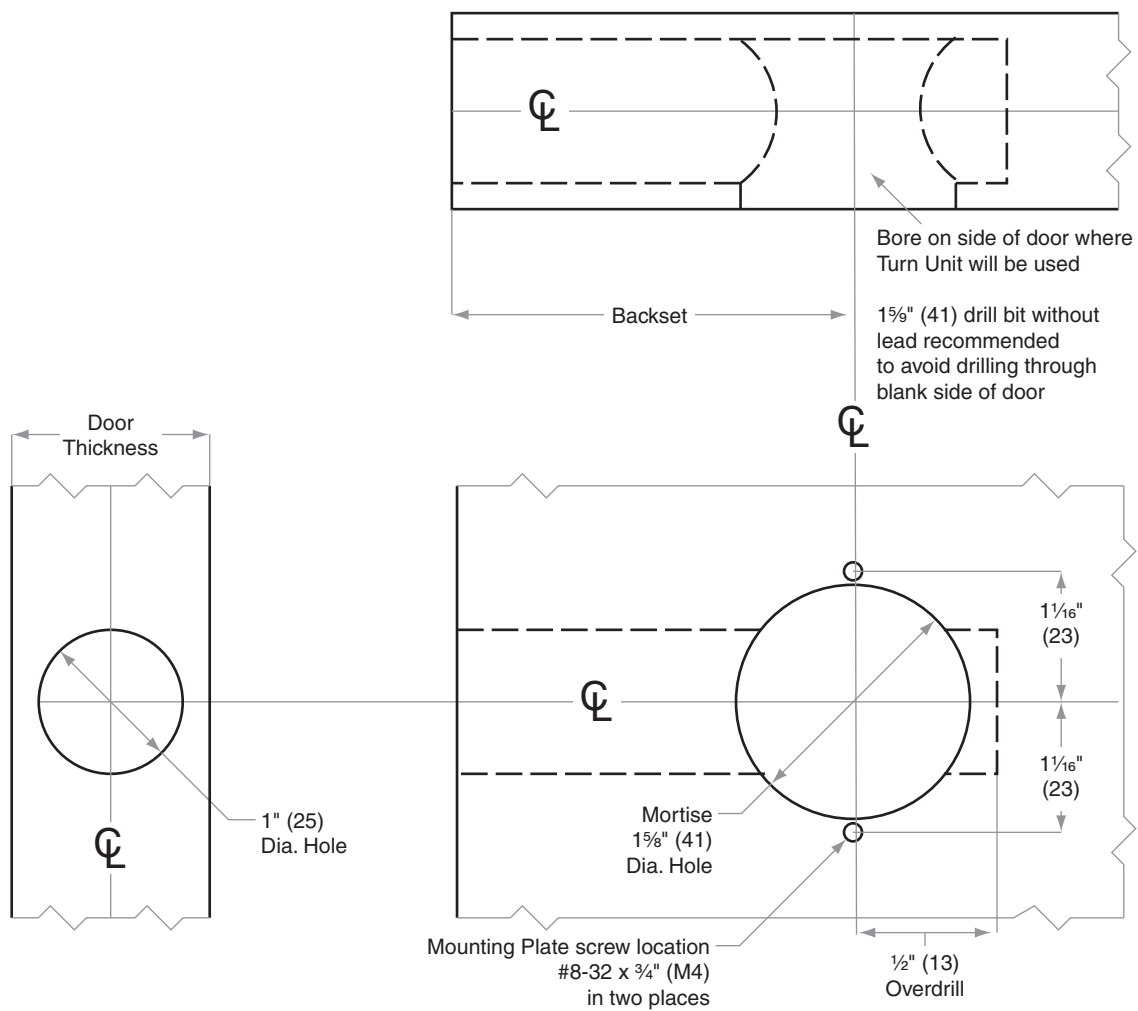
B909



B280-Series

Models B280

Door Type: Wood or Composite, Flat
Door Thickness: Various
Faceplate: Circular Drive-In
Backsets: 2 $\frac{3}{8}$ " (60 mm), 2 $\frac{3}{4}$ " (70 mm)



Dimensions shown in parentheses () are in millimeters.

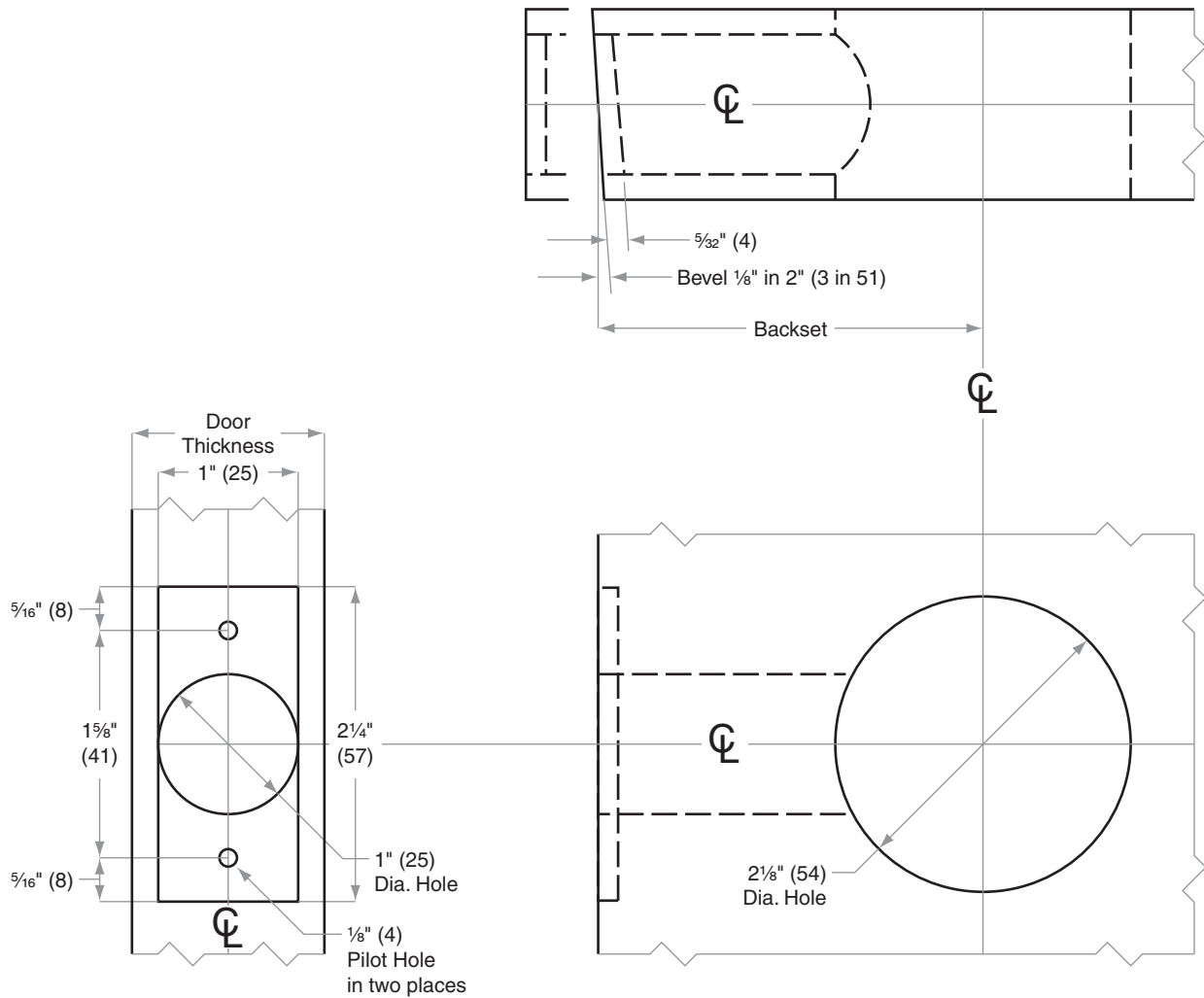
Door preparation template



BR260-Series

Models BR260, BR262

Door Type: Wood or Composite, Flat or Beveled
Door Thickness: 1 $\frac{1}{8}$ " (35 mm)–1 $\frac{7}{8}$ " (48 mm)
Faceplate: Square Corner, 1" (25 mm) wide
Backsets: 2 $\frac{3}{8}$ " (60 mm), 2 $\frac{3}{4}$ " (70 mm)



Dimensions shown in parentheses () are in millimeters.

Door preparation template

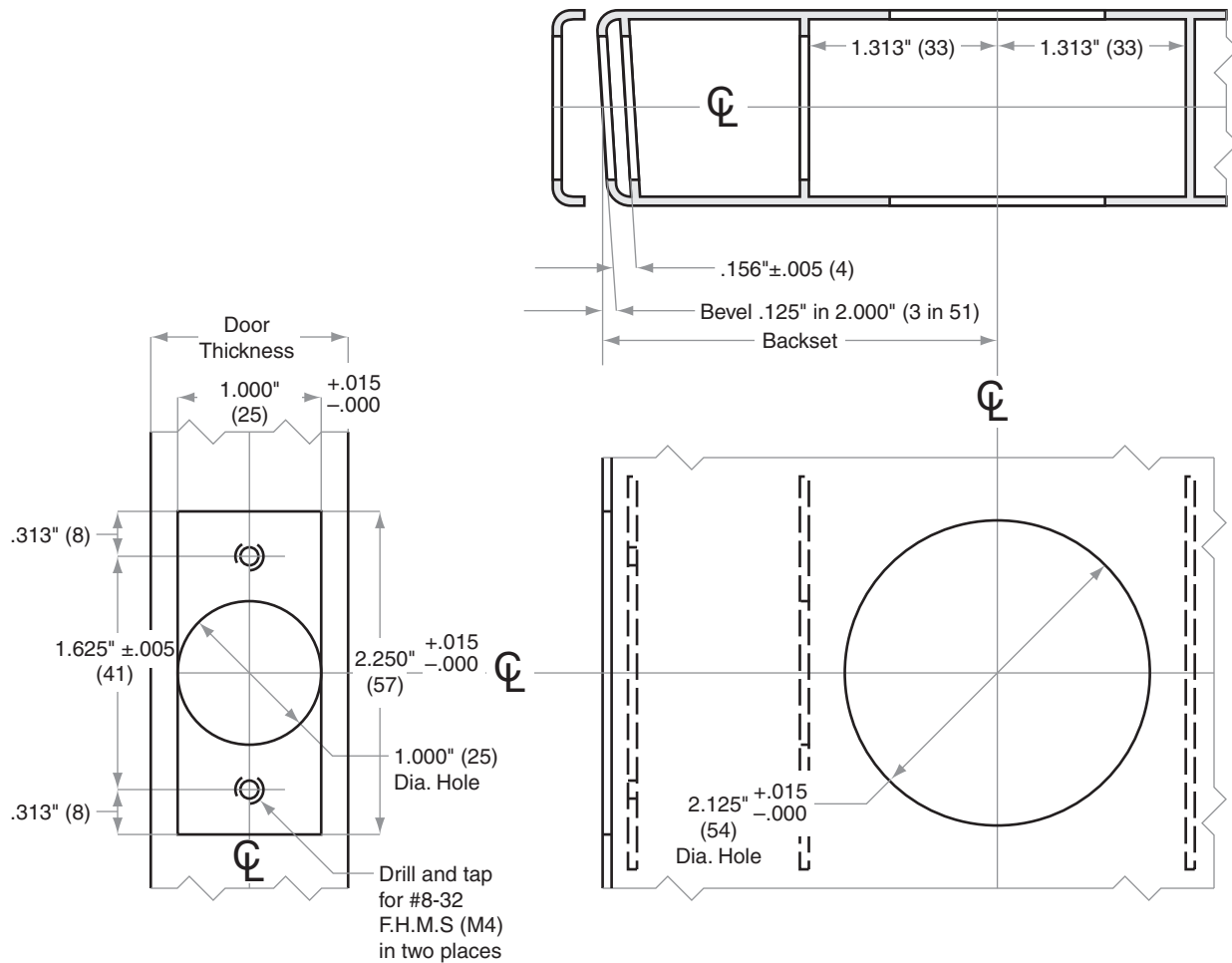


BR260-Series

Models BR260, BR262

Door Type: Metal, Flat or Beveled
 Door Thickness: $1\frac{3}{8}$ " (35 mm)– $1\frac{7}{8}$ " (48 mm)
 Faceplate: Square Corner, 1" (25 mm) wide
 Backsets: $2\frac{3}{8}$ " (60 mm), $2\frac{3}{4}$ " (70 mm)

For metal door installations, suitable reinforcement is required to support latch in center of door and to prevent lateral movement



Dimensions shown in parentheses () are in millimeters.

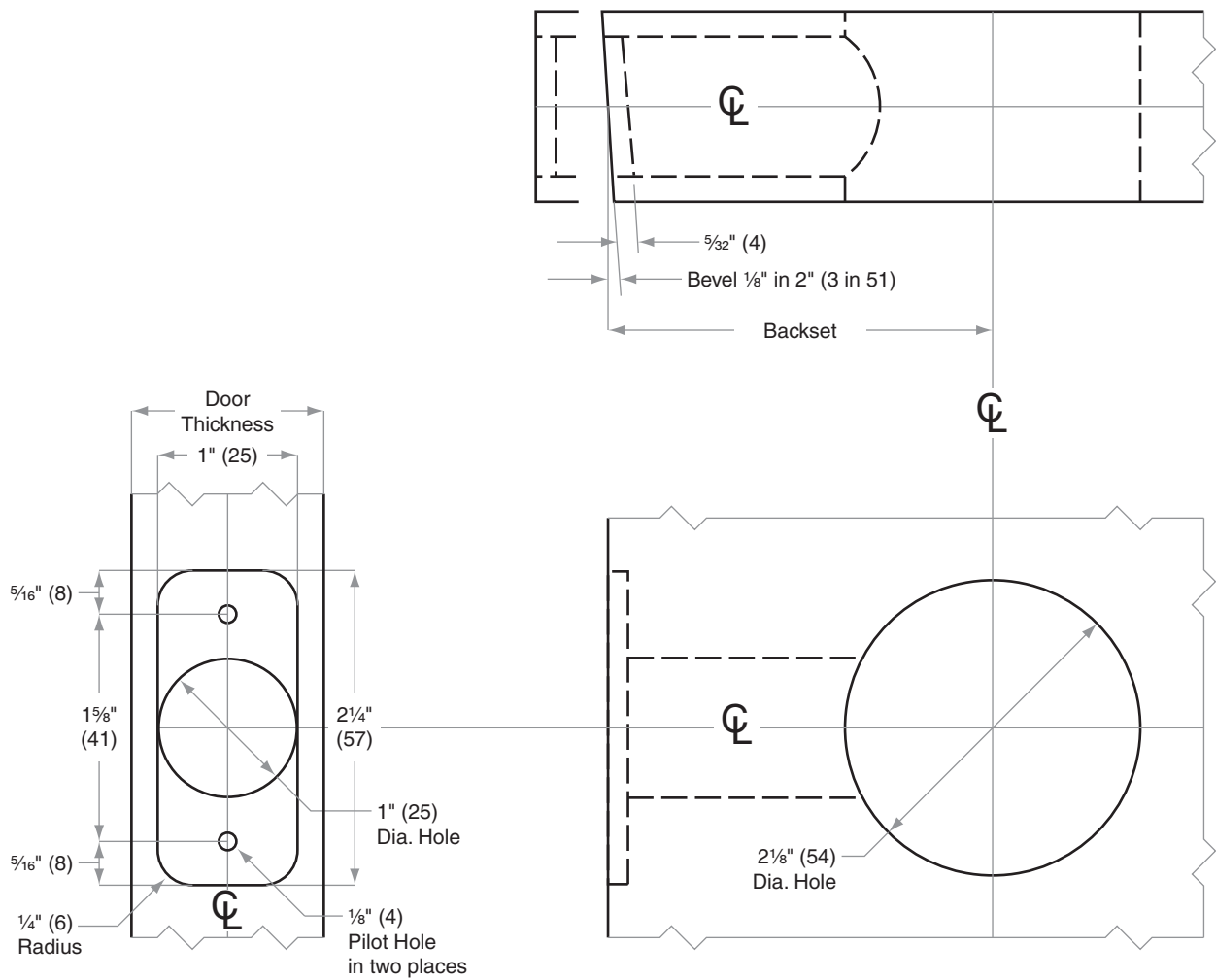
Door preparation template



BR260-Series

Models BR260, BR262

- Door Type:** Wood or Composite, Flat or Beveled
Door Thickness: 1 $\frac{3}{8}$ " (35 mm)–1 $\frac{7}{8}$ " (48 mm)
Faceplate: Round Corner, $\frac{1}{4}$ " (6 mm) Radius, 1" (25 mm) wide
Backsets: 2 $\frac{3}{8}$ " (60 mm), 2 $\frac{3}{4}$ " (70 mm)



Dimensions shown in parentheses () are in millimeters.

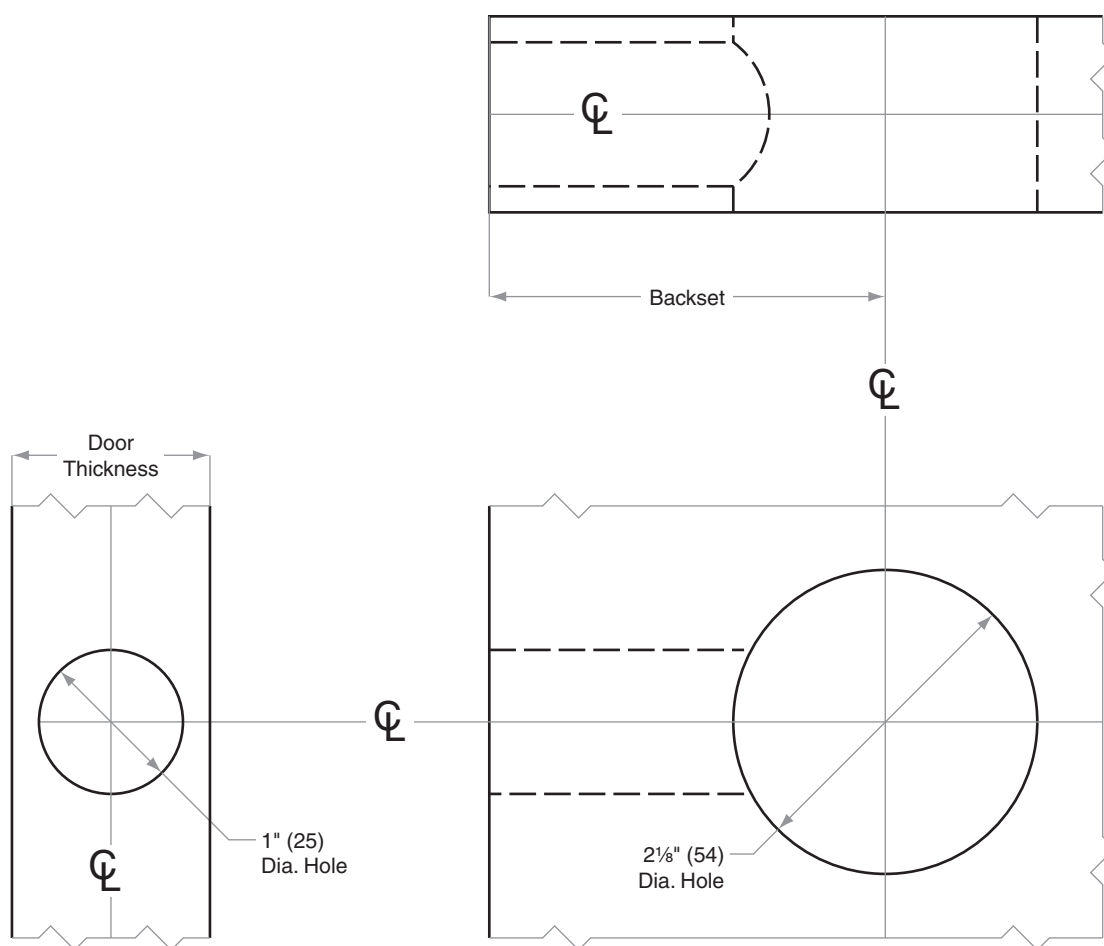
Door preparation template



BR260-Series

Models BR260, BR262

Door Type: Wood or Composite, Flat
Door Thickness: 1 $\frac{3}{8}$ " (35 mm)–1 $\frac{7}{8}$ " (48 mm)
Faceplate: Circular Drive-In
Backsets: 2 $\frac{3}{8}$ " (60 mm), 2 $\frac{3}{4}$ " (70 mm)



Dimensions shown in parentheses () are in millimeters.

Door preparation template



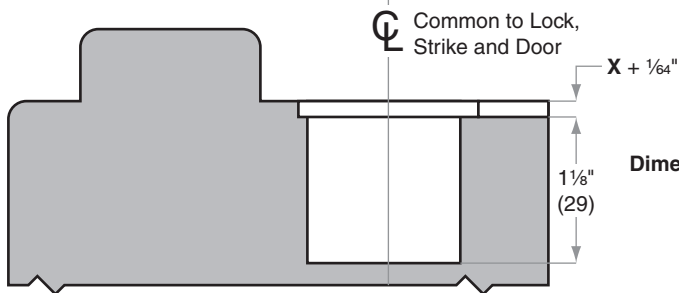
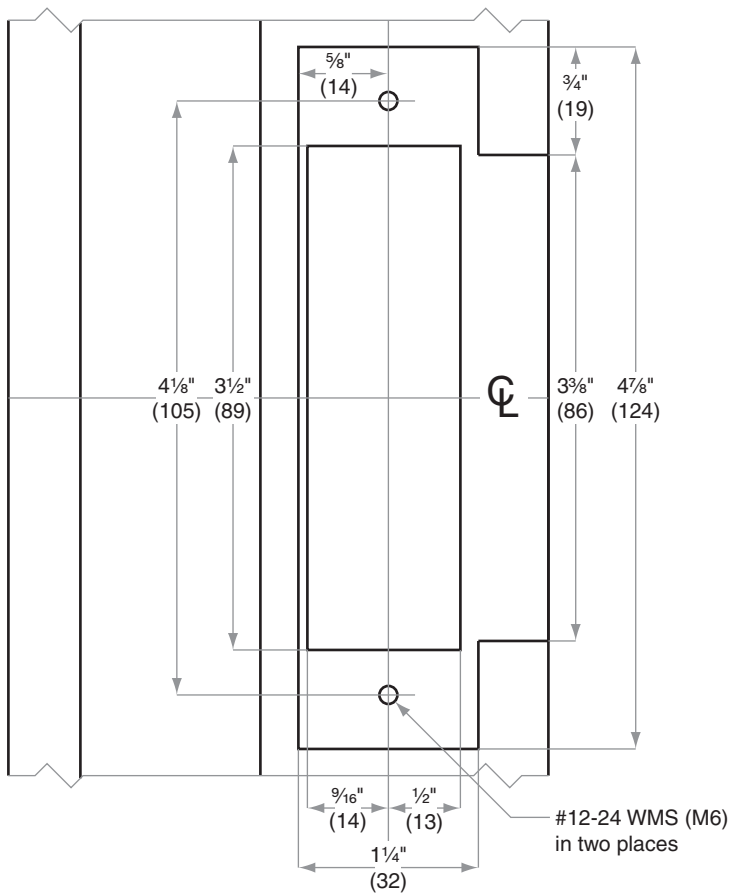
Strikes

Models 10-025, 10-072, 10-087

Jamb Type: Wood
Style: ANSI Standard for 1¾" (44 mm) doors
Standard for: AL-Series (10-025) | D-Series Knobs (10-025) | ND-Series Lever (10-025) | L/LV9000-Series (10-072)
Optional for: A-Series | B250-Series | F-Series | S-Series

NOTE:

1. When reinforcement plate is specified, mortise additional 1/8" (3) to Dimension X
2. Strike location on frames must be adjusted for thickness of door silencers when used



Dimension X: 10-025: 3/32" (2) when strike box not specified
 10-072 and 10-087: 5/32" (4) for strike box, detached

Dimensions shown in parentheses () are in millimeters.

Door preparation template



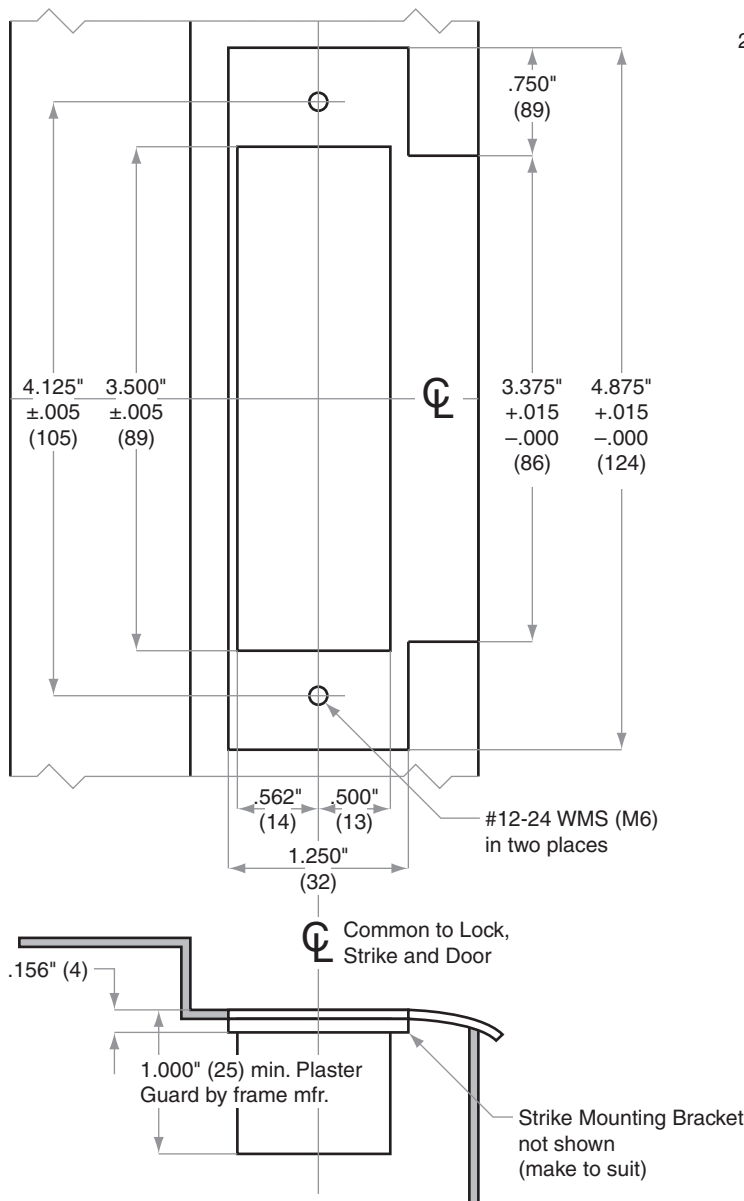
Strikes

Models 10-025, 10-072, 10-087

Jamb Type: Metal
Style: ANSI Standard for 1¾" (44 mm) doors
Standard for: AL-Series (10-025) | D-Series Knobs (10-025) | ND-Series Levers (10-025) | LXLV9000-Series (10-072)
Optional for: A-Series | B250-Series | F-Series | S-Series

NOTE:

1. Strike box furnished detached or 10-072 and 10-087, but not required as Plaster Guard is furnished by frame mfr.
2. Strike location on frames must be adjusted for thickness of door silencers when used



Dimensions shown in parentheses () are in millimeters.

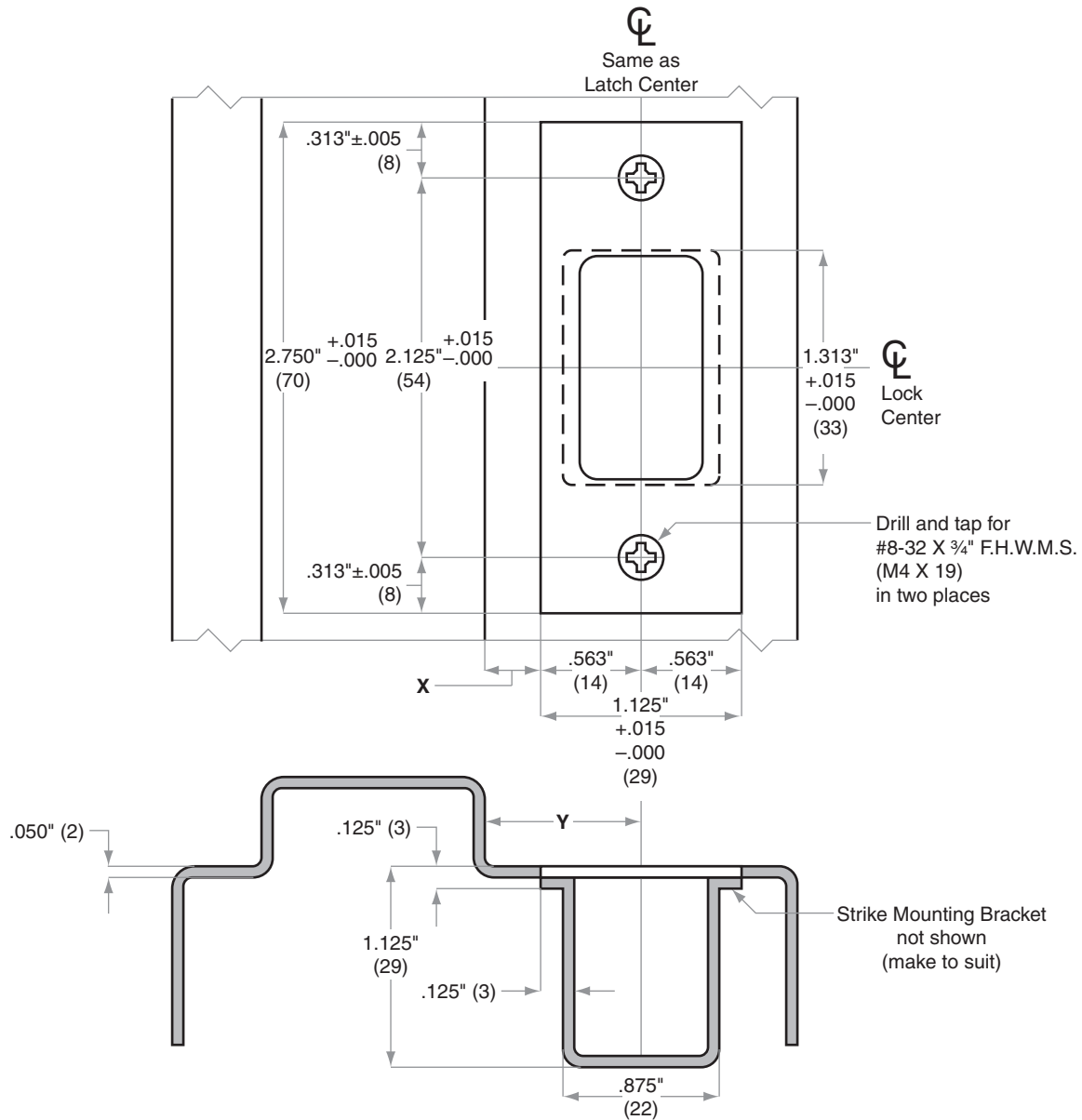
Door preparation template



Strikes

Models 10-055, 10-081, 10-094

Jamb Type: Wood
 Style: Square Corner, Deadbolt
 Standard for: B600/700/800-Series | B280-Series | B/BA300-Series | BE-Series | BR260-Series
 Optional for:



Dimensions X and Y are variables dependent on door thickness

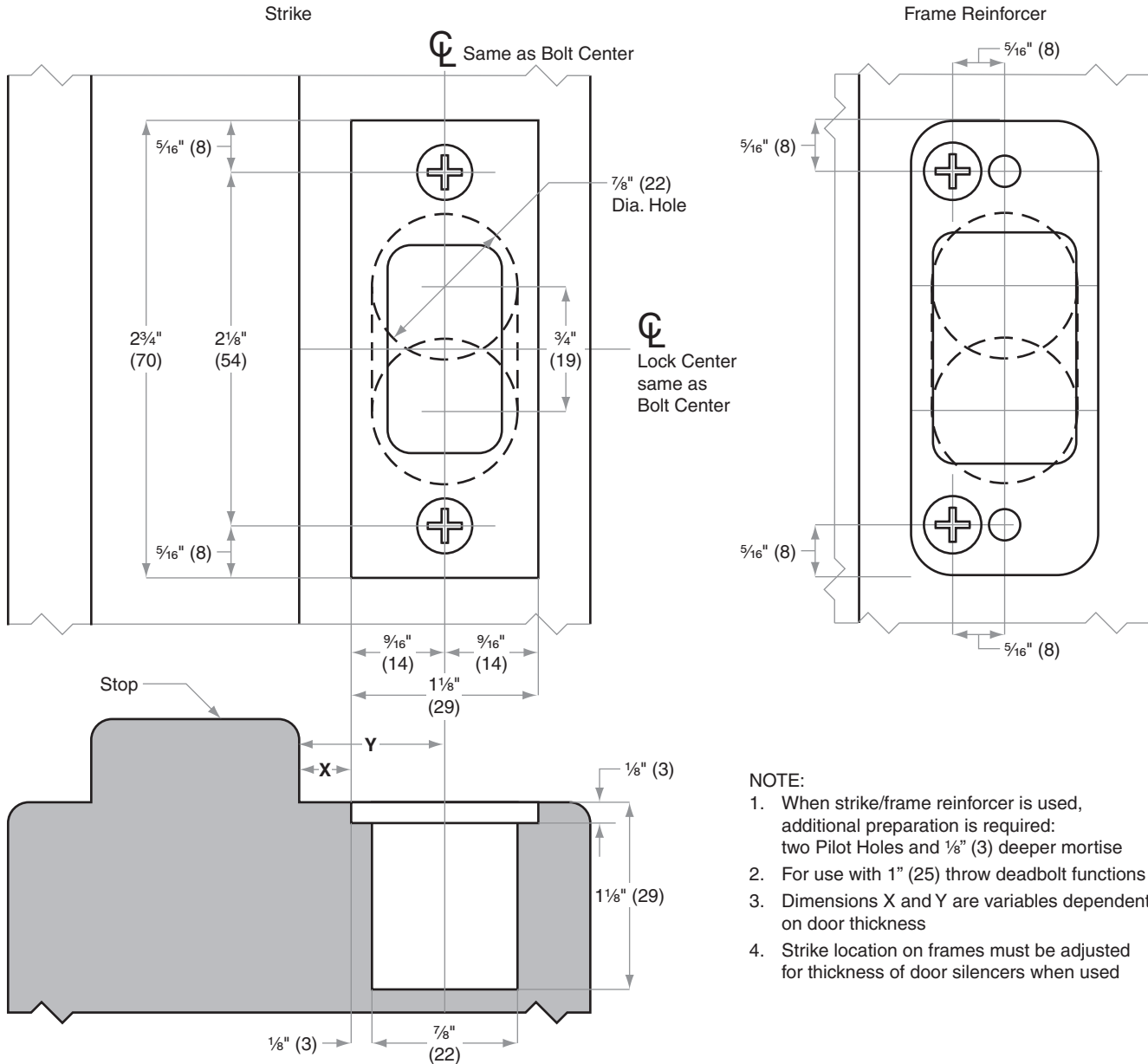
Dimensions shown in parentheses () are in millimeters.

Door preparation template

Strikes

Models 10-055, 10-081, 10-094

Jamb Type: Metal
 Style: Square Corner, Deadbolt
 Standard for: B600/700/800-Series | B280-Series | B/BA300-Series | BC100-Series | BE-Series | BR260-Series
 Optional for:



NOTE:

1. When strike/frame reinforcer is used, additional preparation is required: two Pilot Holes and $\frac{1}{8}$ " (3) deeper mortise
2. For use with 1" (25) throw deadbolt functions
3. Dimensions X and Y are variables dependent on door thickness
4. Strike location on frames must be adjusted for thickness of door silencers when used

Dimensions shown in parentheses () are in millimeters.

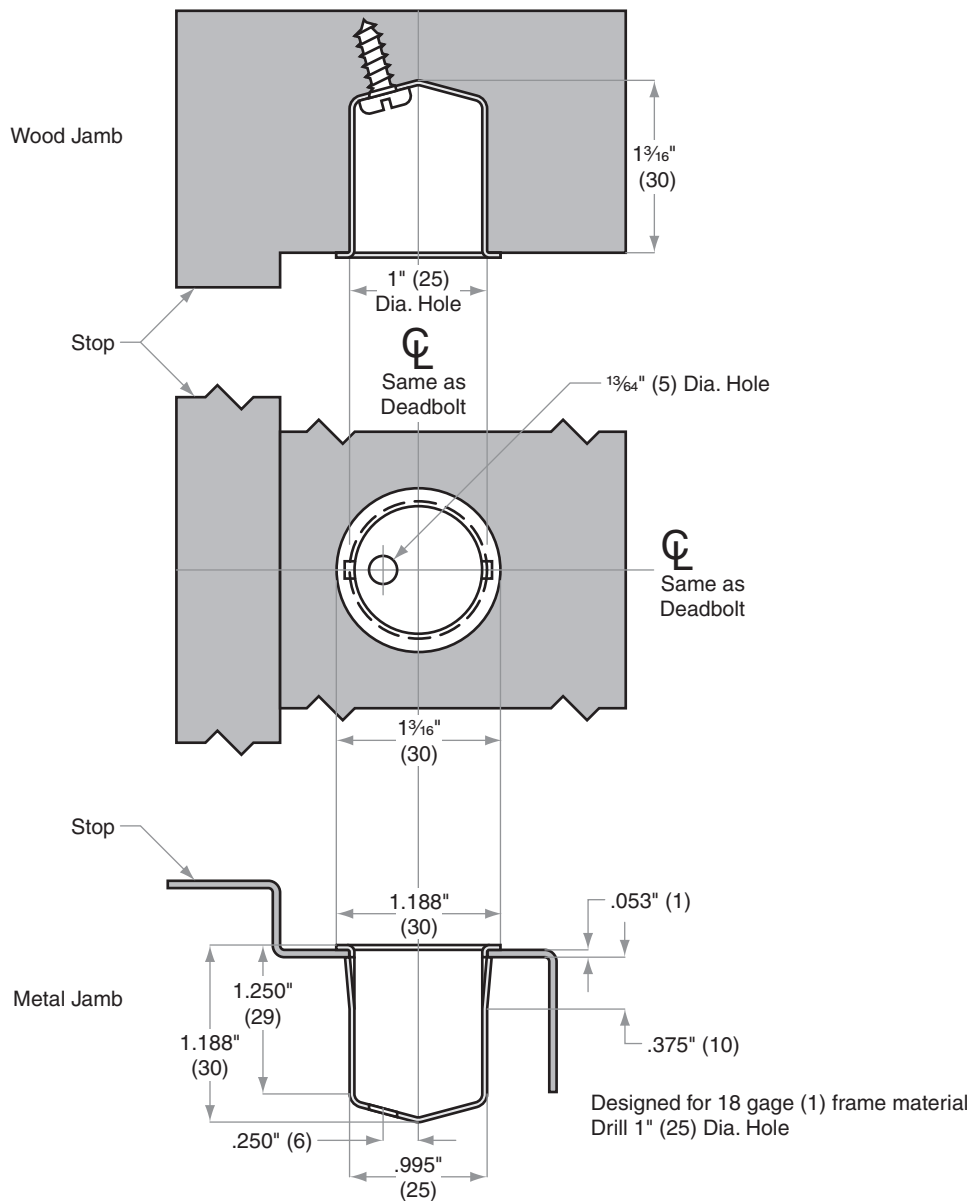
Door preparation template



Strikes

Model 10-064

Jamb Type: Wood and Metal
Style: Thimble, Deadbolt
Standard for:
Optional for: BC100-Series | B/BA300-Series | B600/700/800-Series



Dimensions shown in parentheses () are in millimeters.

Door preparation template



BR260

BR262

B280

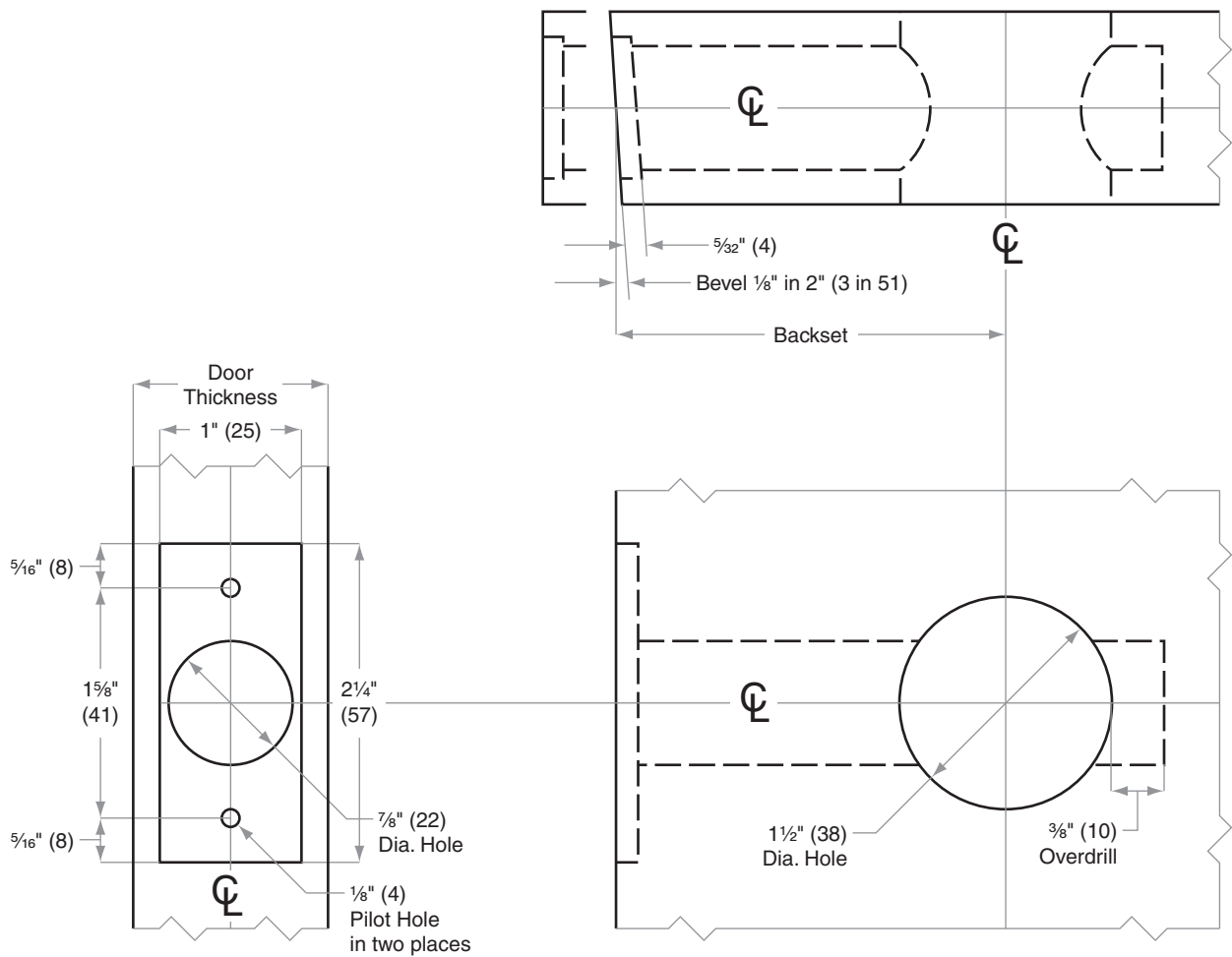
-series-



BC100-Series

Models BC160, BC162

Door Type: Wood or Composite, Flat or Beveled
Door Thickness: 1 $\frac{1}{8}$ " (35 mm)–2 $\frac{1}{4}$ " (57 mm)
Faceplate: Square Corner, 1" (25 mm) wide
Backsets: 2 $\frac{3}{8}$ " (60 mm), 2 $\frac{3}{4}$ " (70 mm)



Dimensions shown in parentheses () are in millimeters.

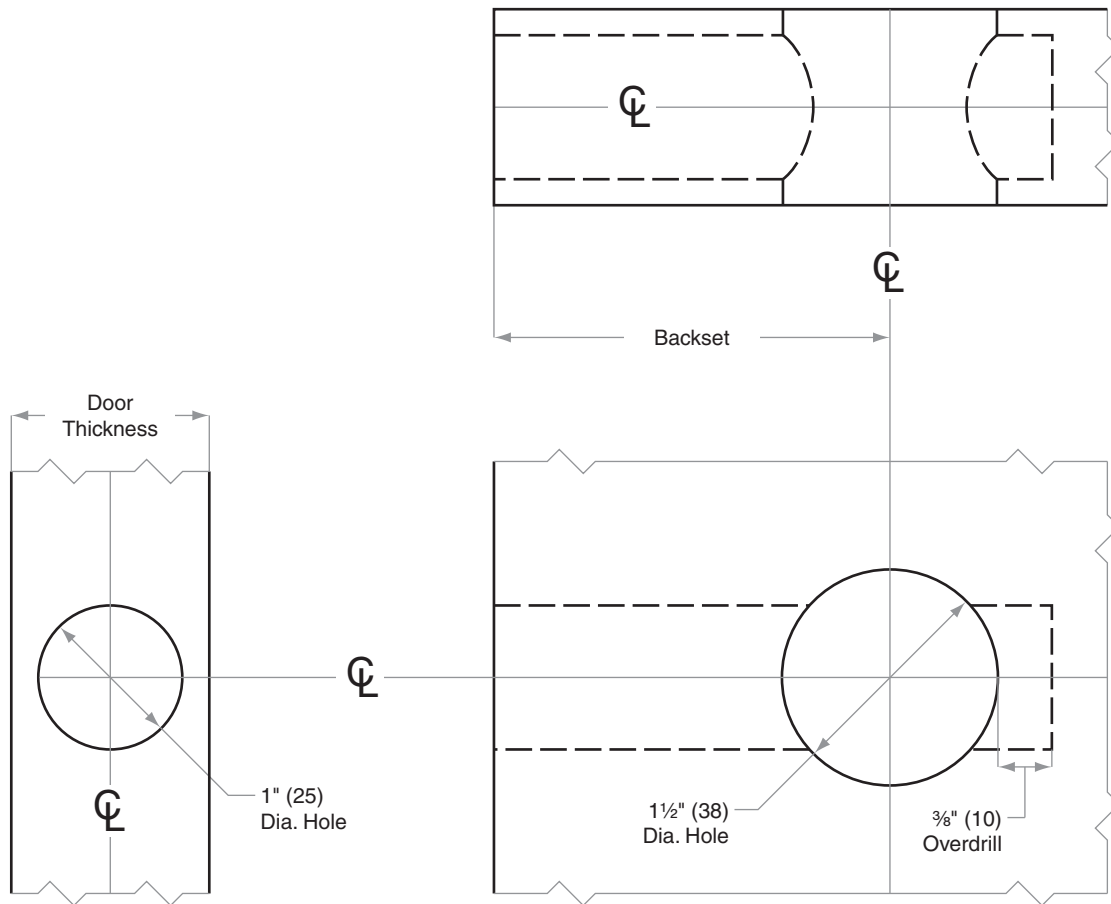
Door preparation template



BC100-Series

Models BC160, BC162

Door Type: Wood or Composite, Flat
Door Thickness: 1 $\frac{3}{8}$ " (35 mm)–2 $\frac{1}{4}$ " (57 mm)
Faceplate: Circular Drive-In
Backsets: 2 $\frac{3}{8}$ " (60 mm), 2 $\frac{3}{4}$ " (70 mm)



Dimensions shown in parentheses () are in millimeters.

Door preparation template

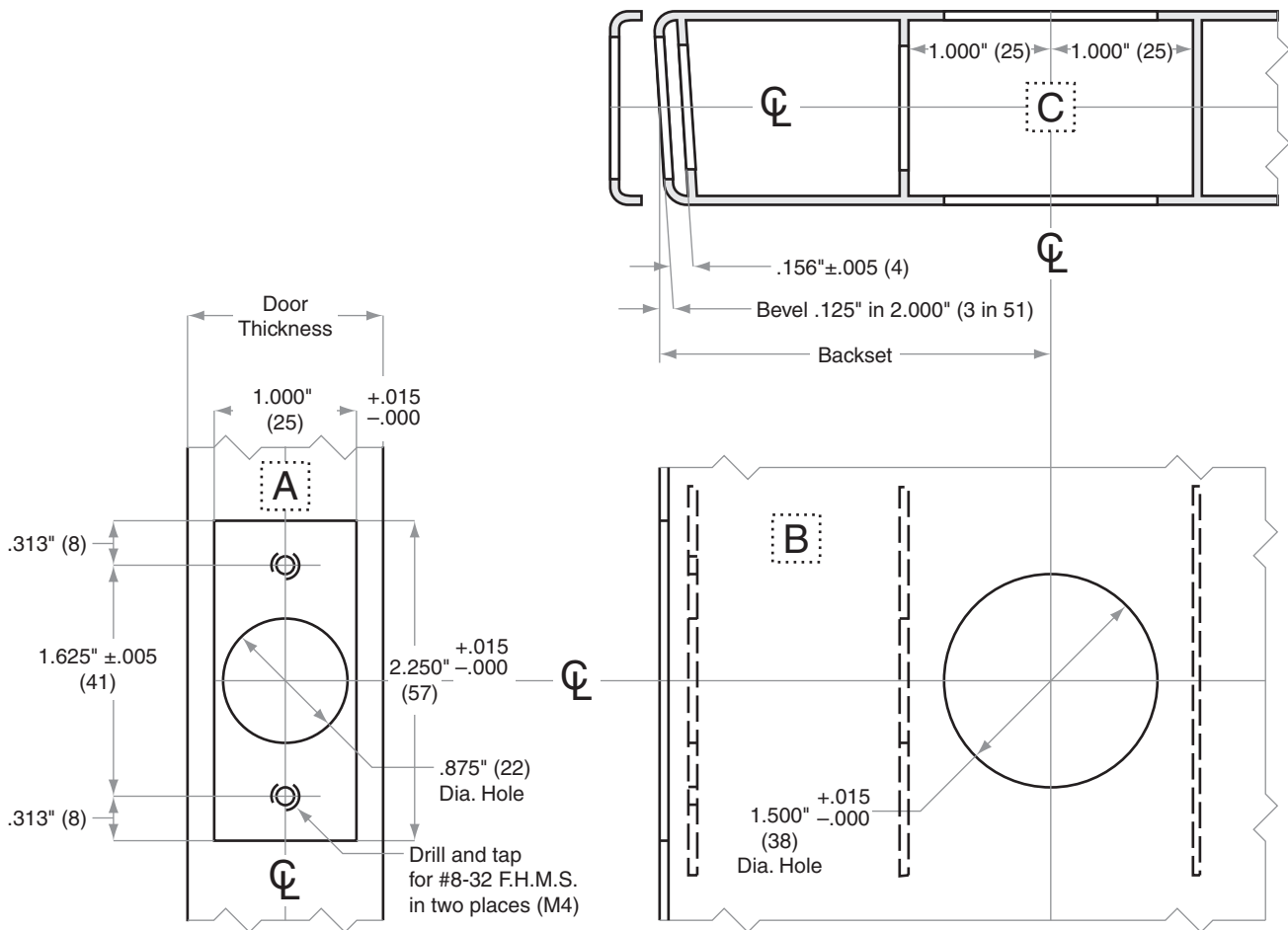


BC100-Series

Models BC160, BC162

Door Type: Metal, Flat or Beveled
 Door Thickness: 1 $\frac{3}{8}$ " (35 mm)–2 $\frac{1}{4}$ " (57 mm)
 Faceplate: Square Corner, 1" (25 mm) wide
 Backsets: 2 $\frac{3}{8}$ " (60 mm), 2 $\frac{3}{4}$ " (70 mm)

For metal door installations, suitable reinforcement is required to support latch in center of door and to prevent lateral movement



Dimensions shown in parentheses () are in millimeters.

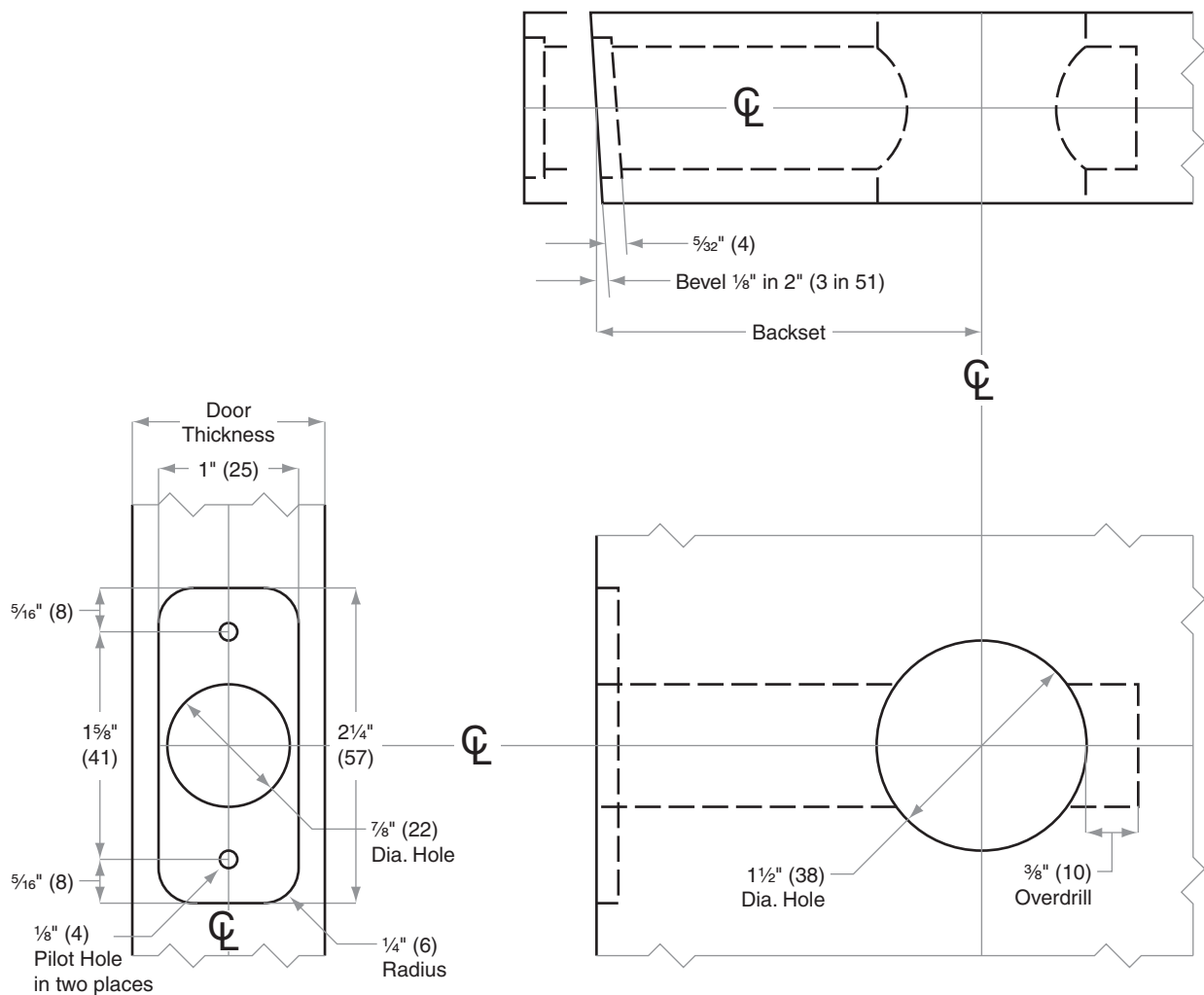
Door preparation template



BC100-Series

Models BC160, BC162

- Door Type: Wood or Composite, Flat or Beveled
- Door Thickness: 1 $\frac{1}{8}$ " (35 mm)–2 $\frac{1}{4}$ " (57 mm)
- Faceplate: Round Corner, $\frac{1}{4}$ " (6 mm) Radius, 1" (25 mm) wide
- Backsets: 2 $\frac{3}{8}$ " (60 mm), 2 $\frac{3}{4}$ " (70 mm)



Dimensions shown in parentheses () are in millimeters.

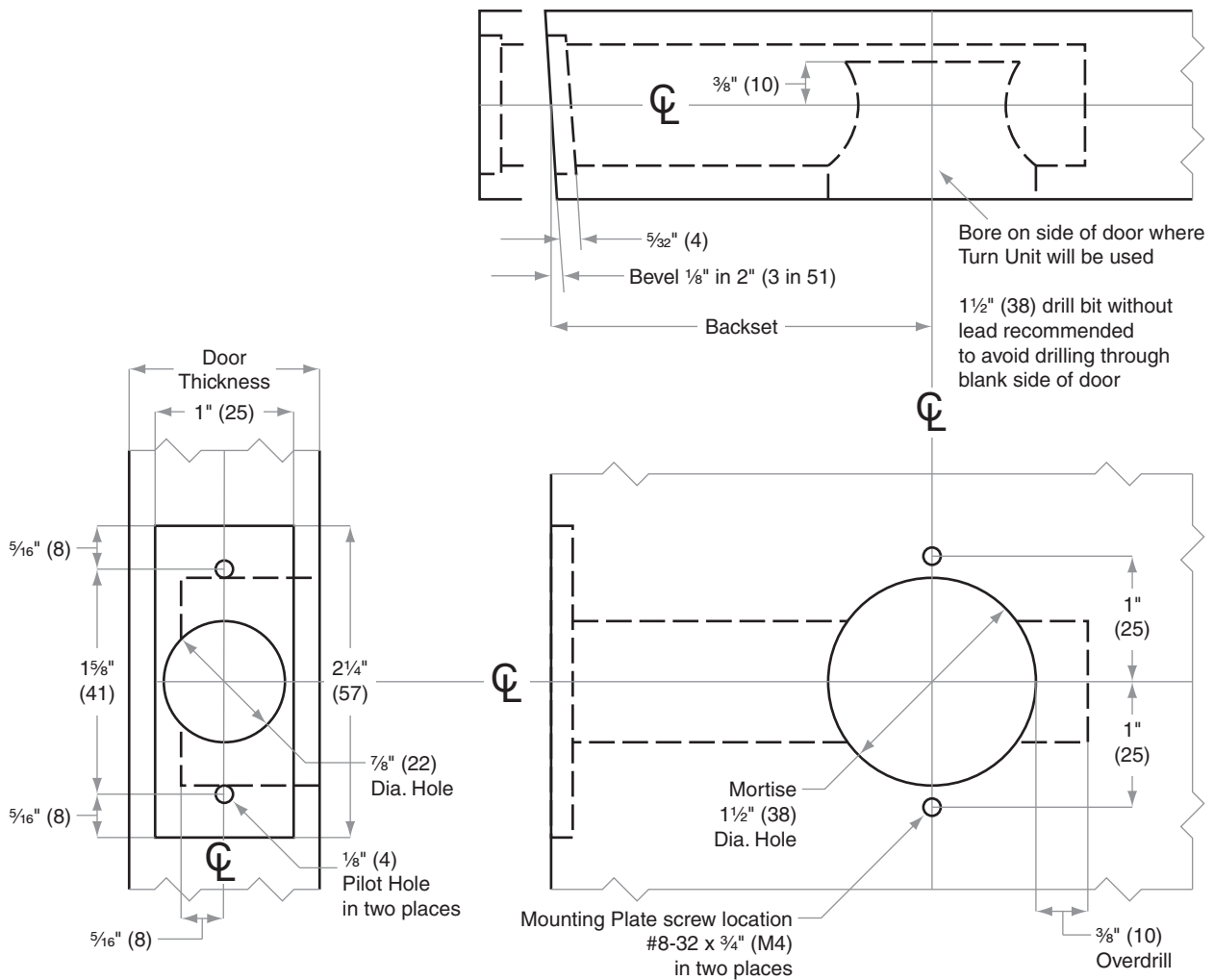
Door preparation template



BC100-Series

Model BC180

Door Type: Wood or Composite, Flat or Beveled
Door Thickness: Various
Faceplate: Square Corner, 1" (25 mm) wide
Backsets: 2³/₈" (60 mm), 2³/₄" (70 mm)



Dimensions shown in parentheses () are in millimeters.

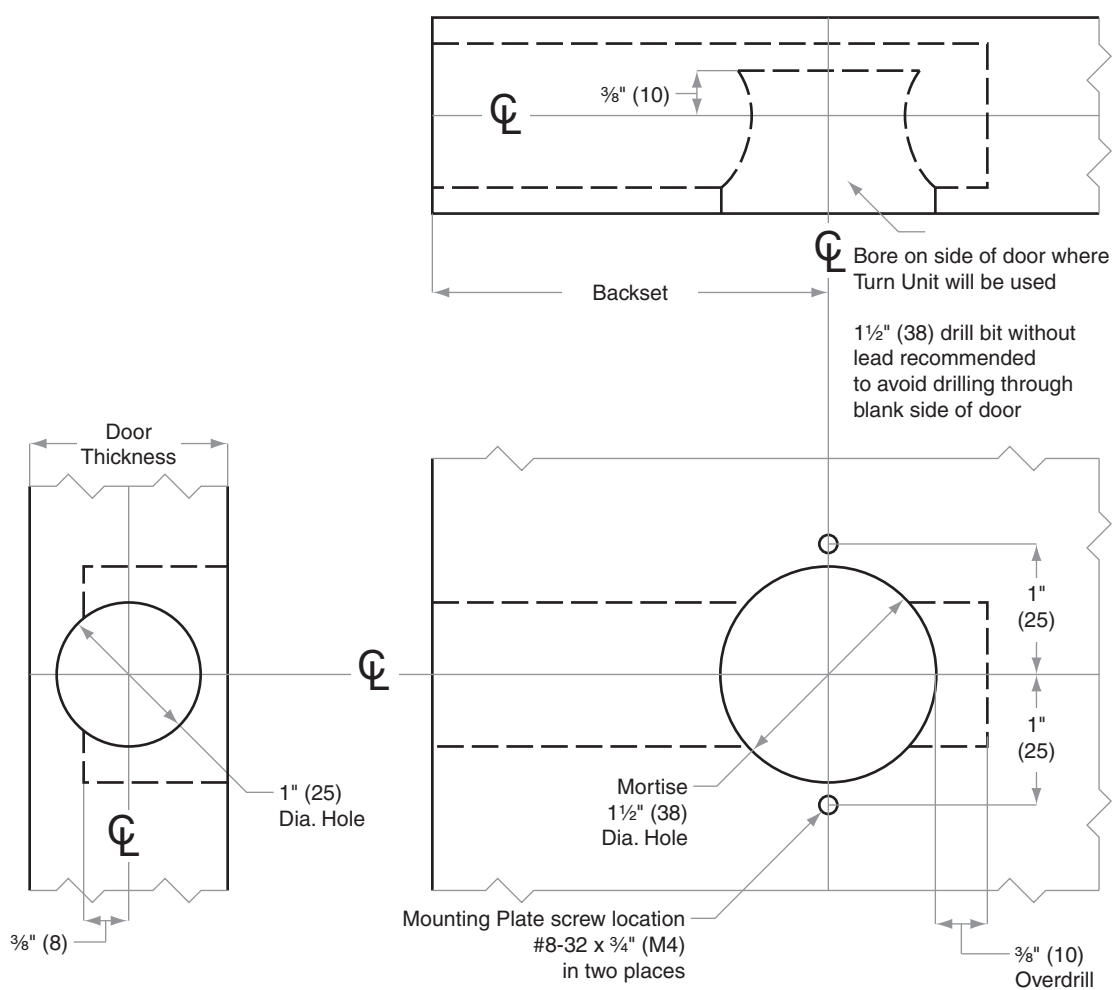
Door preparation template



BC100-Series

Model BC180

Door Type: Wood or Composite, Flat
Door Thickness: Various
Faceplate: Circular Drive-In
Backsets: 2 $\frac{3}{8}$ " (60 mm), 2 $\frac{3}{4}$ " (70 mm)



Dimensions shown in parentheses () are in millimeters.

Door preparation template

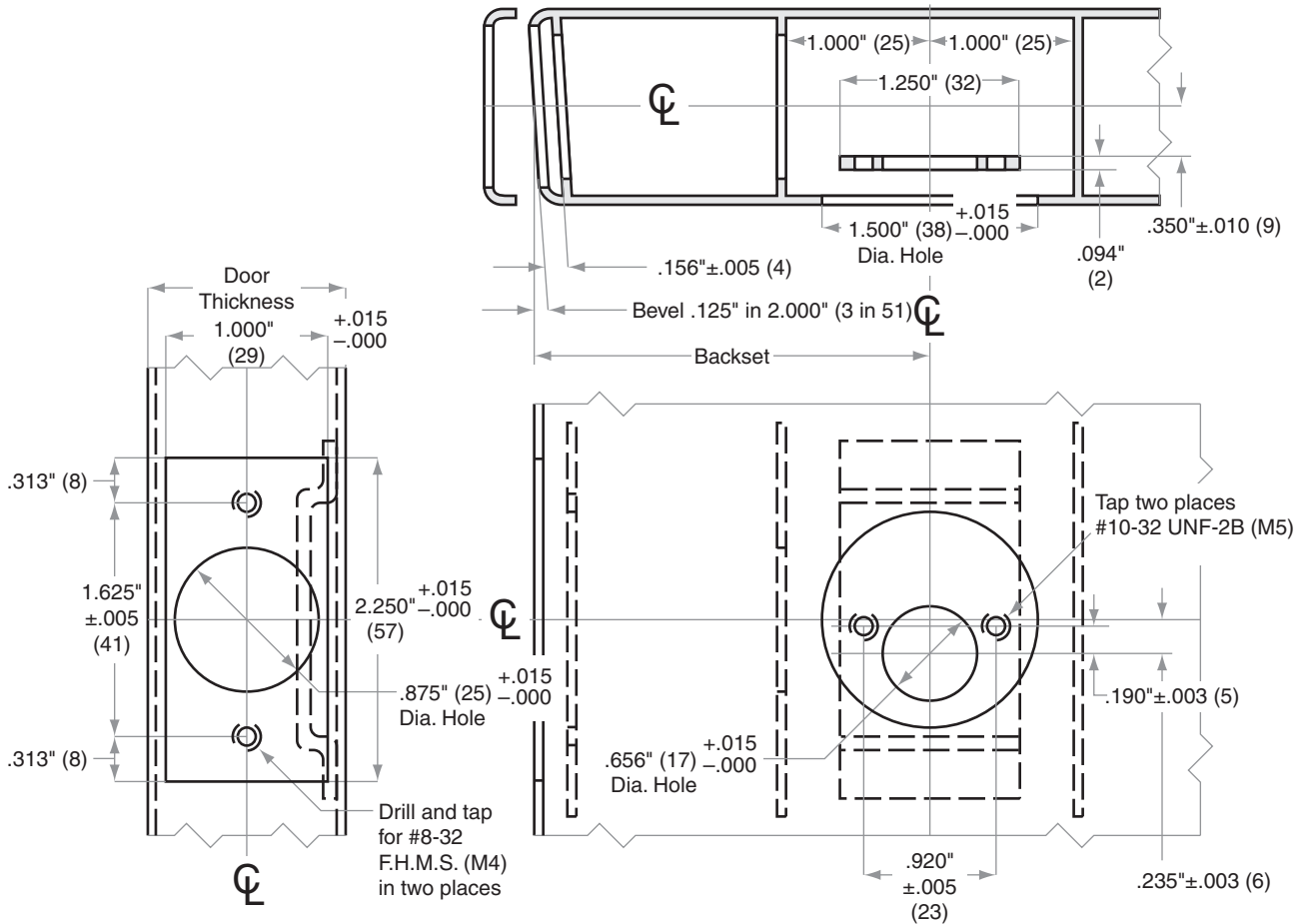


BC100-Series

Model BC180

Door Type: Metal, Flat or Beveled
 Door Thickness: Various
 Faceplate: Square Corner, 1" (25 mm) wide
 Backsets: 2 $\frac{3}{8}$ " (60 mm), 2 $\frac{3}{4}$ " (70 mm)

For metal door installations, suitable reinforcement is required to support latch in center of door and to prevent lateral movement



Dimensions shown in parentheses () are in millimeters.

Door preparation template

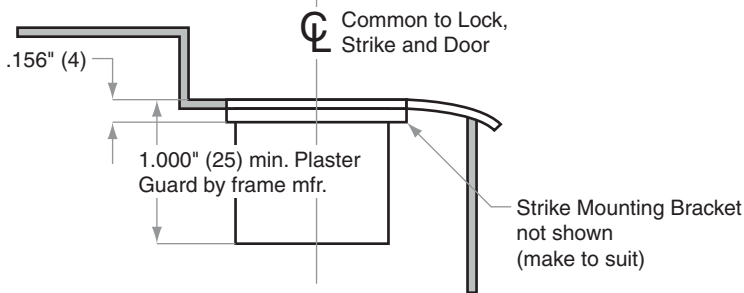
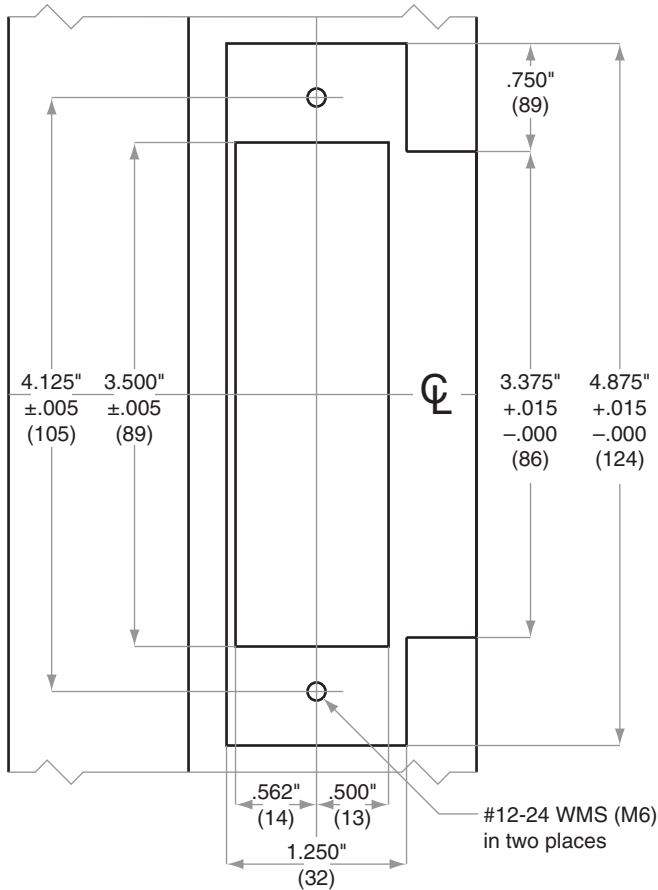
Strikes

10-025, 10-072, 10-087

Jamb Type:	Metal
Style:	ANSI Standard for 1¾" (44mm) doors
Standard for:	AL-Series (10-025) D-Series Knobs (10-025) ND-Series Levers (10-025) L\L\LV9000-Series (10-072)
Optional for:	A-Series B250-Series F-Series S-Series

NOTE:

1. Strike box furnished detached or 10-072 and 10-087, but not required as Plaster Guard is furnished by frame mfr.
2. Strike location on frames must be adjusted for thickness of door silencers when used



Dimensions shown in parentheses () are in millimeters

Job: _____

Date: _____

Door Thickness: _____

Remarks: _____

**TEMPLATE
J919**



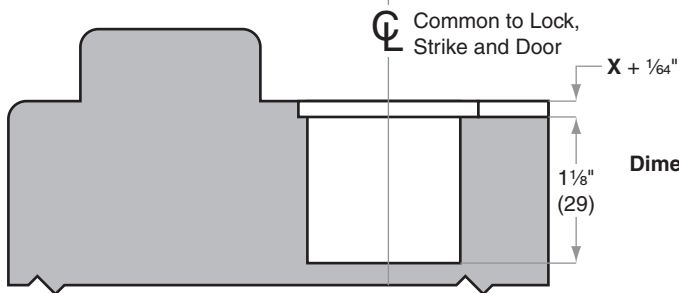
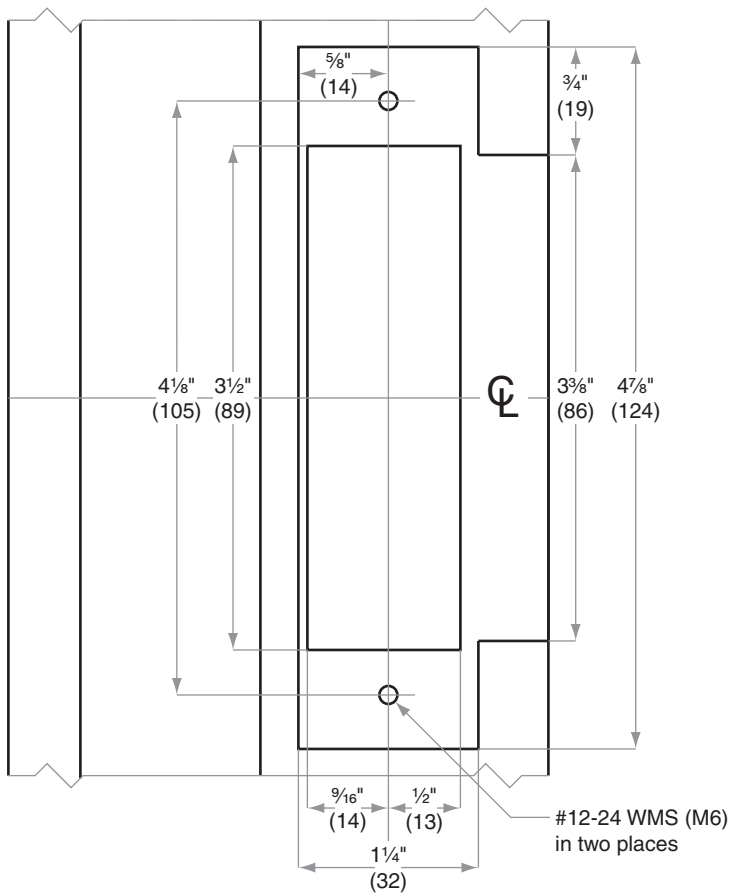
Strikes

Models 10-025, 10-072, 10-087

Jamb Type: Wood
Style: ANSI Standard for 1¾" (44 mm) doors
Standard for: AL-Series (10-025) | D-Series Knobs (10-025) | ND-Series Lever (10-025) | L/LV9000-Series (10-072)
Optional for: A-Series | B250-Series | F-Series | S-Series

NOTE:

1. When reinforcement plate is specified, mortise additional 1/8" (3) to Dimension X
2. Strike location on frames must be adjusted for thickness of door silencers when used



Dimension X: 10-025: 3/32" (2) when strike box not specified
 10-072 and 10-087: 5/32" (4) for strike box, detached

Dimensions shown in parentheses () are in millimeters.

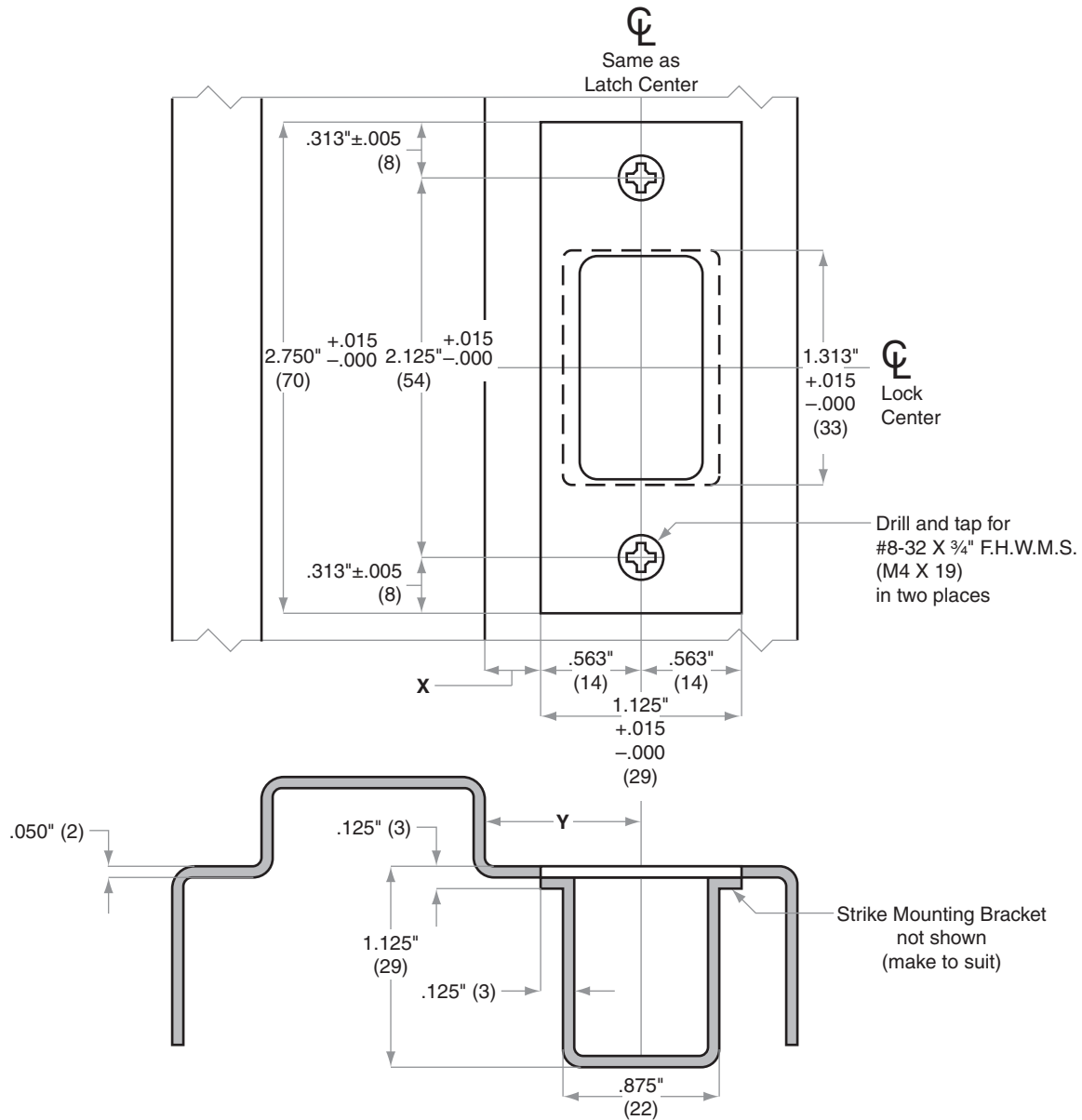
Door preparation template



Strikes

Models 10-055, 10-081, 10-094

Jamb Type: Wood
 Style: Square Corner, Deadbolt
 Standard for: B600/700/800-Series | B280-Series | B/BA300-Series | BE-Series | BR260-Series
 Optional for:



Dimensions X and Y are variables dependent on door thickness

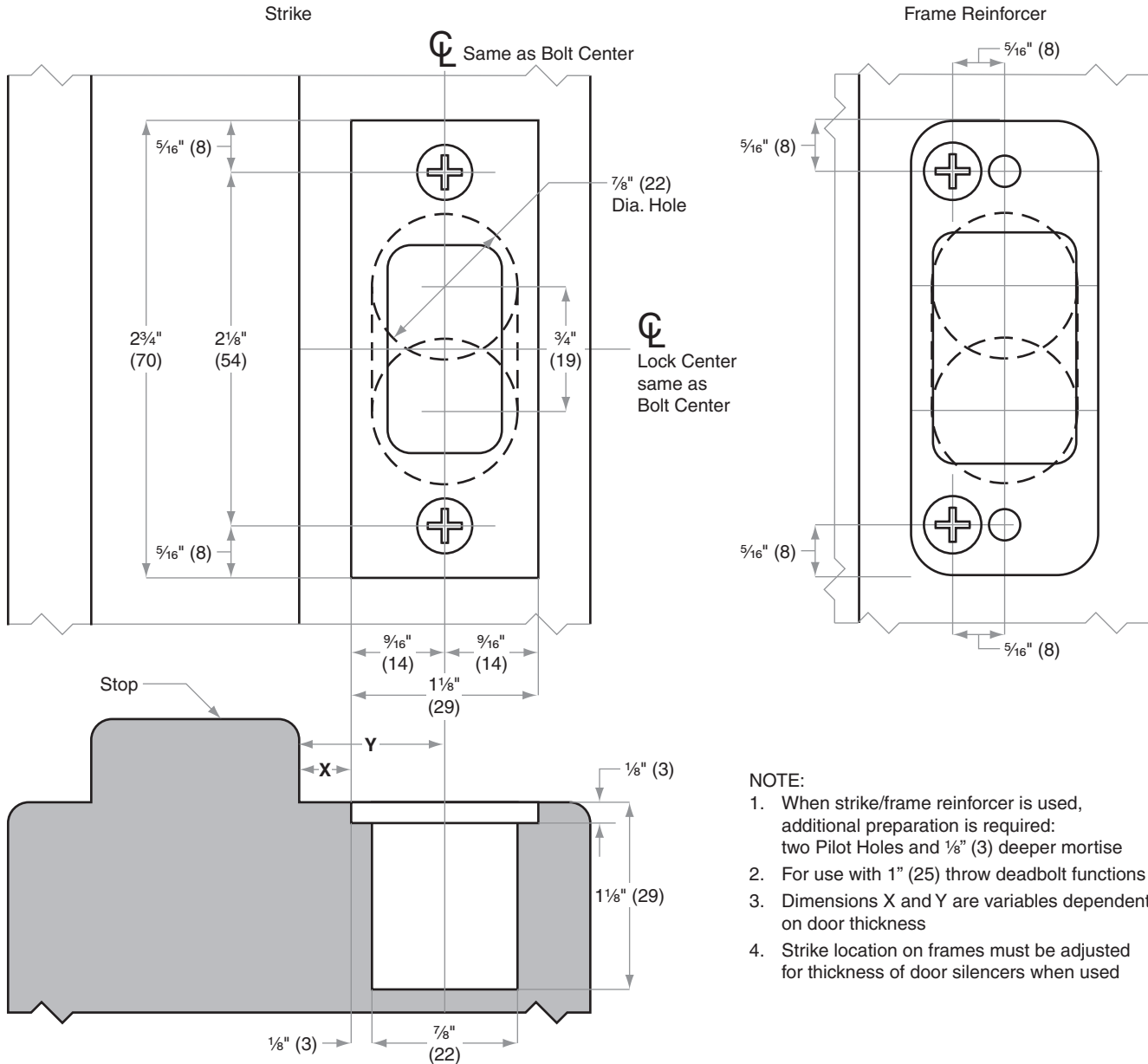
Dimensions shown in parentheses () are in millimeters.

Door preparation template

Strikes

Models 10-055, 10-081, 10-094

Jamb Type: Metal
 Style: Square Corner, Deadbolt
 Standard for: B600/700/800-Series | B280-Series | B/BA300-Series | BC100-Series | BE-Series | BR260-Series
 Optional for:



NOTE:

1. When strike/frame reinforcer is used, additional preparation is required: two Pilot Holes and 1/8" (3) deeper mortise
2. For use with 1" (25) throw deadbolt functions
3. Dimensions X and Y are variables dependent on door thickness
4. Strike location on frames must be adjusted for thickness of door silencers when used

Dimensions shown in parentheses () are in millimeters.

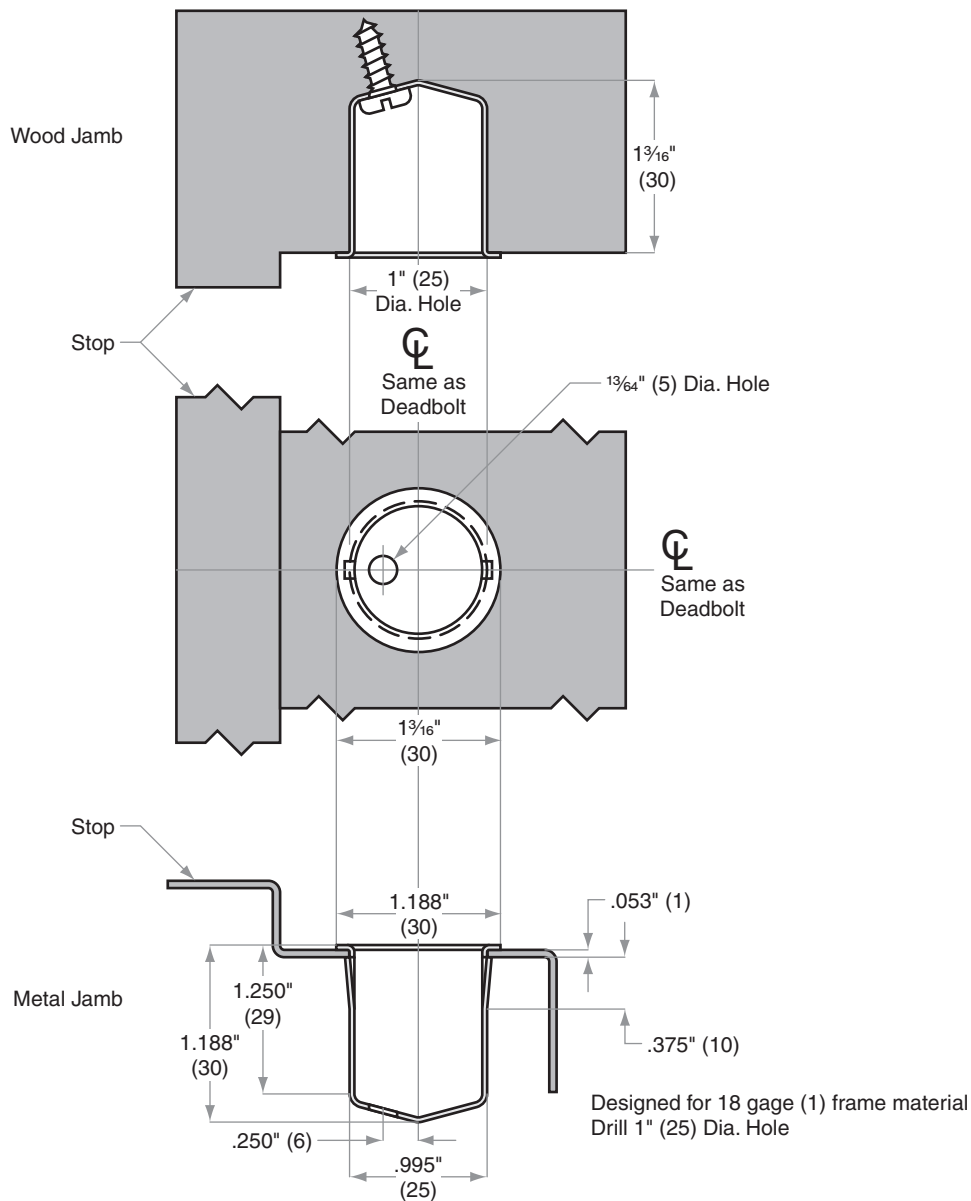
Door preparation template



Strikes

Model 10-064

Jamb Type: Wood and Metal
Style: Thimble, Deadbolt
Standard for:
Optional for: BC100-Series | B/BA300-Series | B600/700/800-Series



Dimensions shown in parentheses () are in millimeters.

Door preparation template



BS

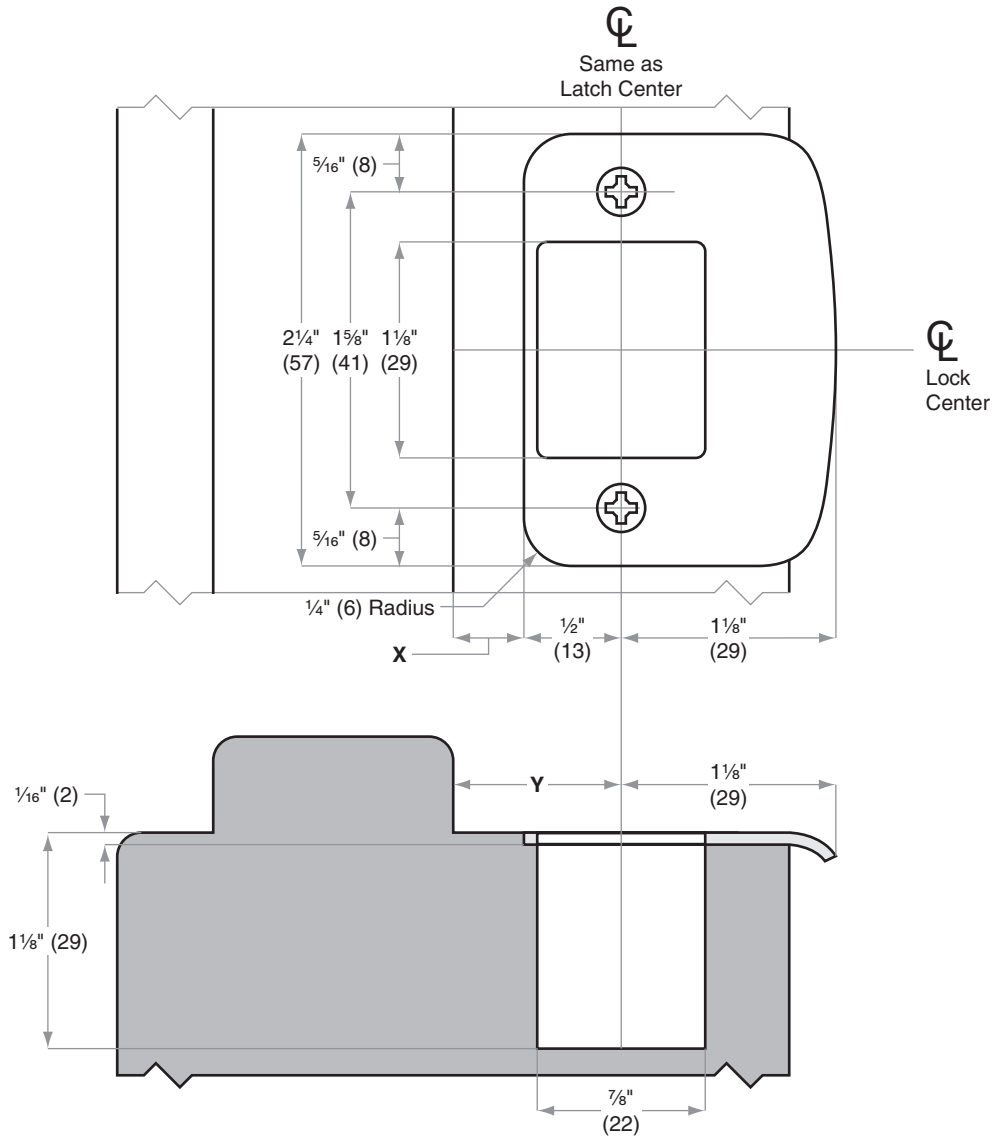
-series-



Strikes

Model 10-092

Jamb Type: Wood
 Style: Full Lip, Round Corner, 1/4" (6 mm) Radius, Deadbolt
 Standard for:
 Optional for: BC100-Series | BR260-Series | B/BA300-Series | B600/700/800-Series



Dimensions X and Y are variables dependent on door thickness

Dimensions shown in parentheses () are in millimeters.

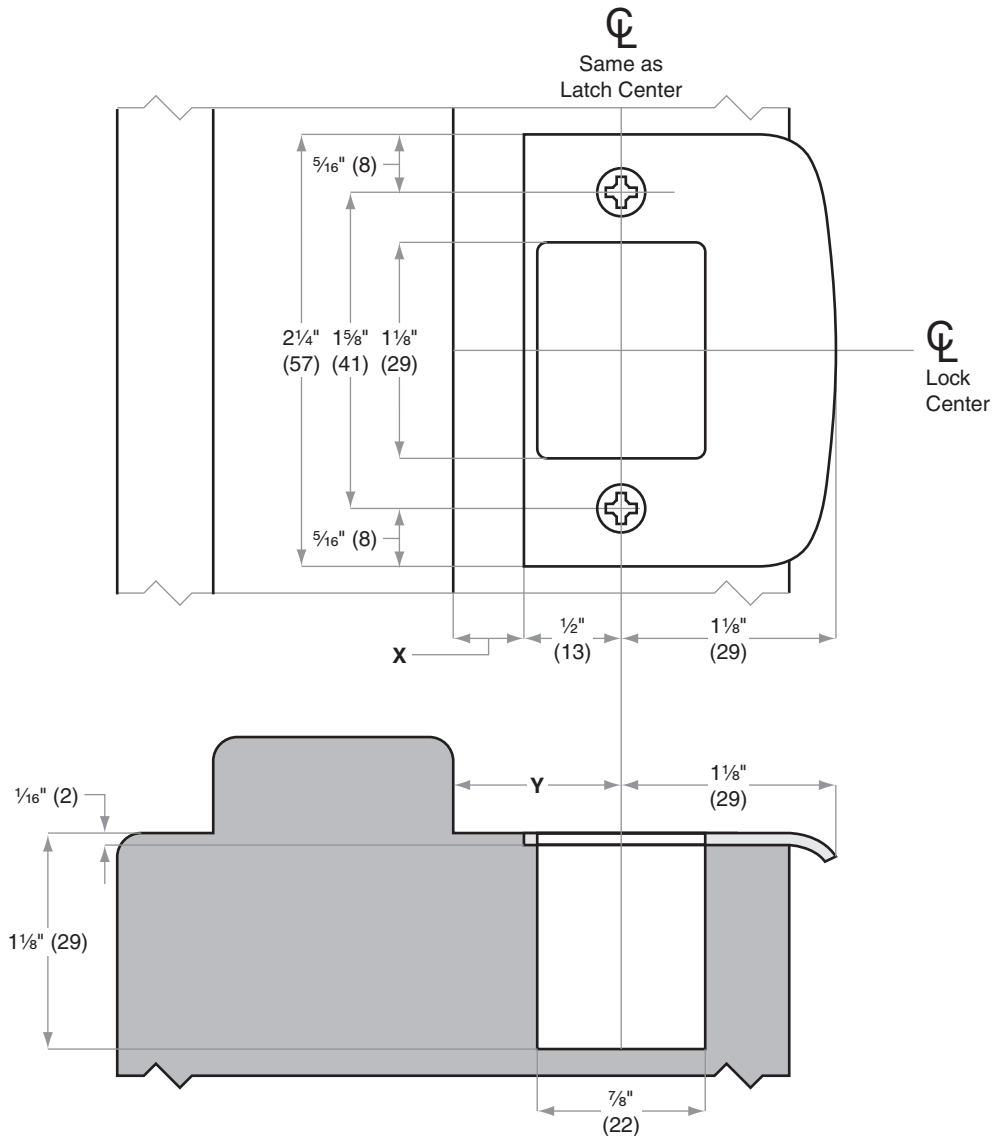
Door preparation template



Strikes

Model 10-095

Jamb Type: Wood
Style: Full Lip, Square Corner, Deadbolt
Standard for:
Optional for: BC100-Series | BR260-Series | B/BA300-Series | B600/700/800-Series



Dimensions X and Y are variables dependent on door thickness

Dimensions shown in parentheses () are in millimeters.

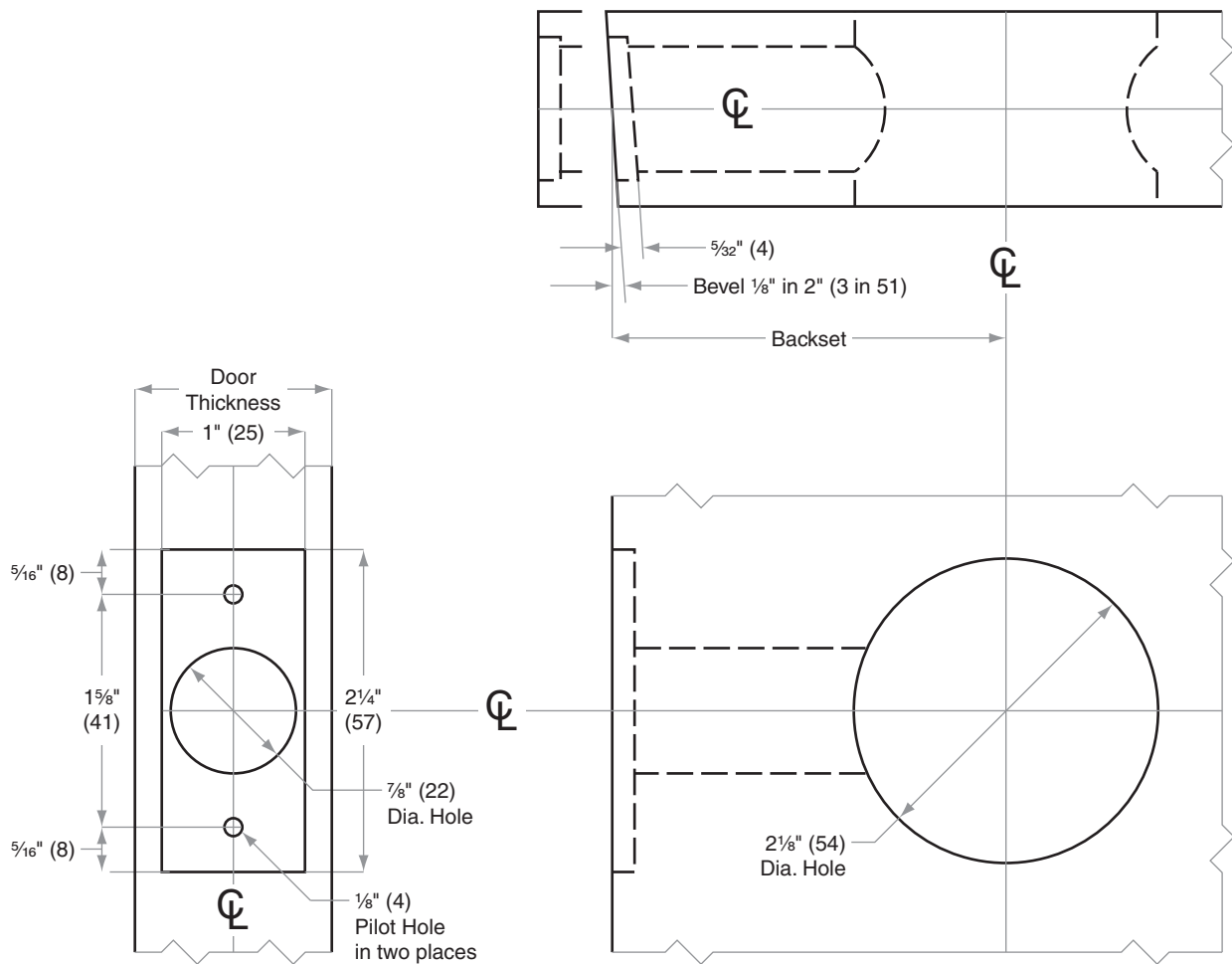
Door preparation template



BC100 and B/BA300-Series

Models BC160, BC162, B360, B362, BA360, BA362

- Door Type:** Wood or Composite, Flat or Beveled
Door Thickness: 1 $\frac{3}{8}$ " (35 mm)–2 $\frac{1}{4}$ " (57 mm)
Faceplate: Square Corner, 1" (25 mm) wide
Backsets: 2 $\frac{3}{8}$ " (60 mm), 2 $\frac{3}{4}$ " (70 mm), 5" (127 mm)



Dimensions shown in parentheses () are in millimeters.

Door preparation template

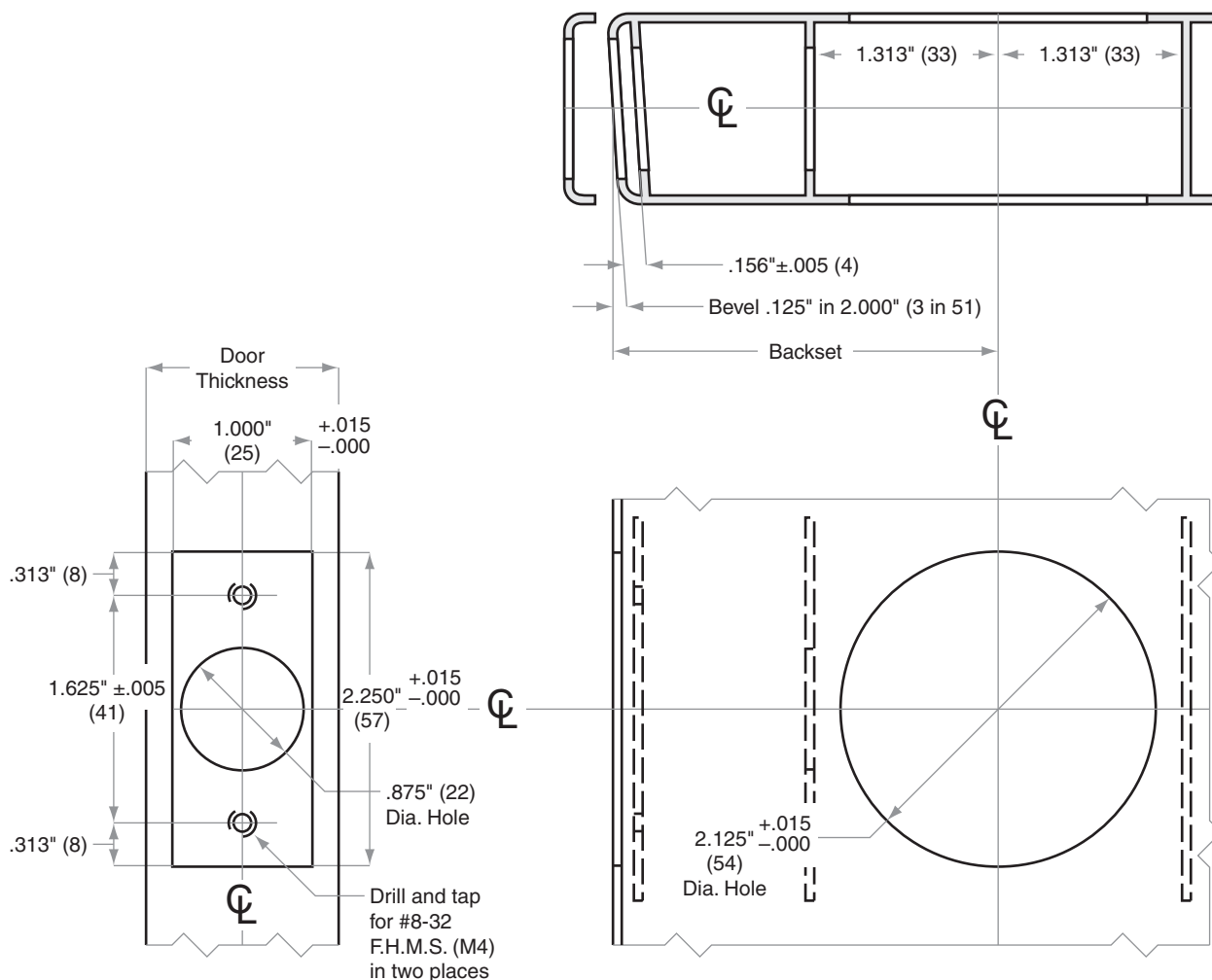


BC100 and B/BA300-Series

Models BC160, BC162, B360, B362, BA360, BA362

- Door Type: Metal, Flat or Beveled
- Door Thickness: 1 $\frac{3}{8}$ " (35 mm)–2 $\frac{1}{4}$ " (57 mm)
- Faceplate: Square Corner, 1" (25 mm) wide
- Backsets: 2 $\frac{3}{8}$ " (60 mm), 2 $\frac{3}{4}$ " (70 mm), 5" (127 mm) (B/BA360/362 only)

For metal door installations, suitable reinforcement is required to support latch in center of door and to prevent lateral movement



Dimensions shown in parentheses () are in millimeters.

Door preparation template



CL

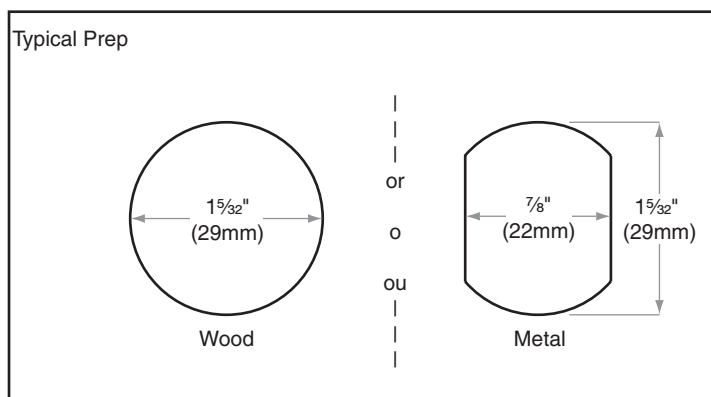
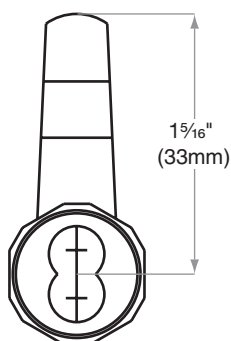
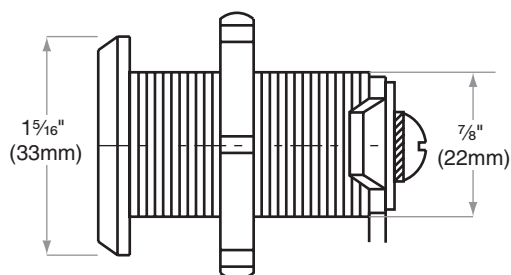
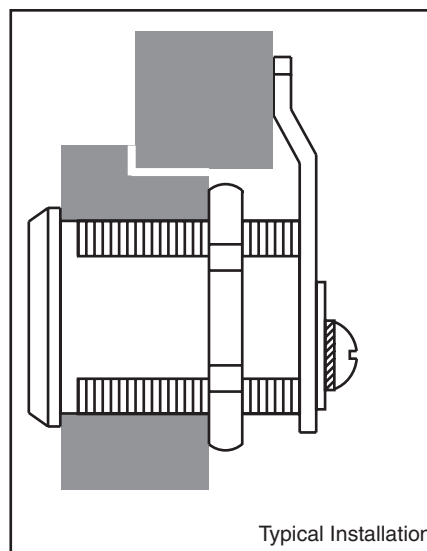
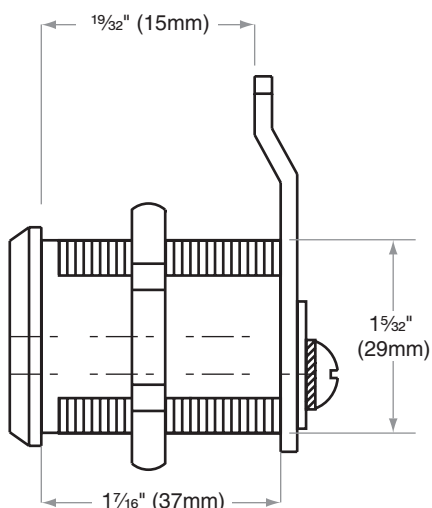
-series-



CL-Series

CL720, CL920, CL974

Door Type: Wood, Composite or Metal
 Door Thickness: $\frac{7}{8}$ " (22 mm), 1" (25 mm) $1\frac{1}{8}$ " (29 mm)



Dimensions shown in parentheses () are in millimeters.

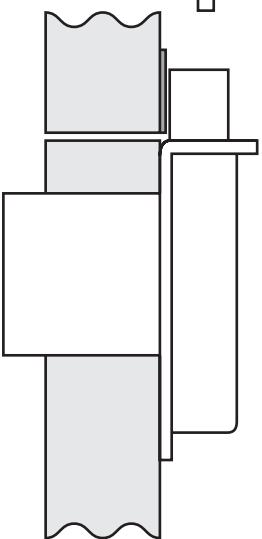
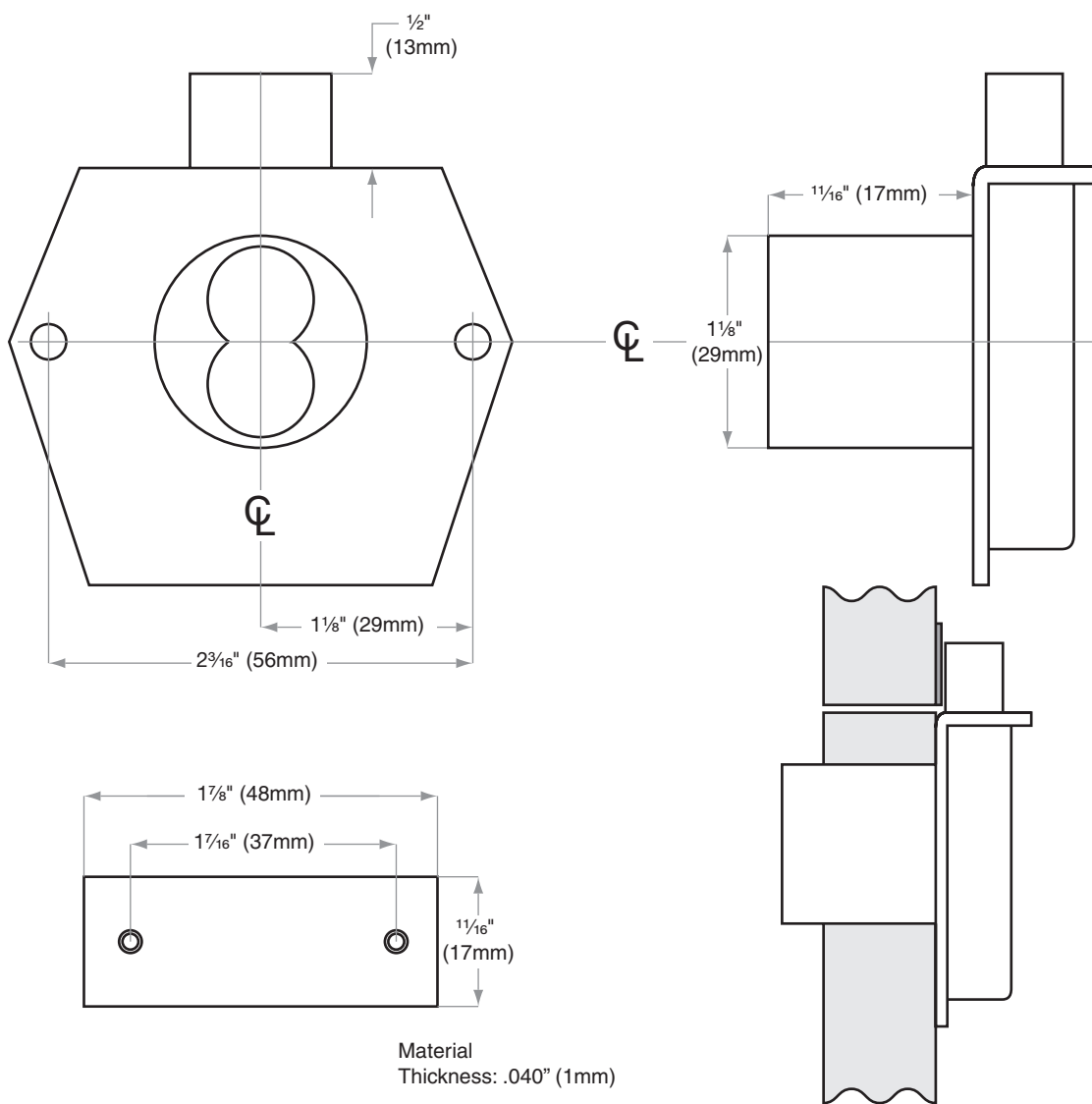
Door preparation template



CL-Series

CL775

Door Type: Wood, Composite or Metal
Door Thickness: $\frac{7}{8}$ " (22 mm), 1" (25 mm) $1\frac{1}{8}$ " (29 mm)



Dimensions shown in parentheses () are in millimeters.

Door preparation template

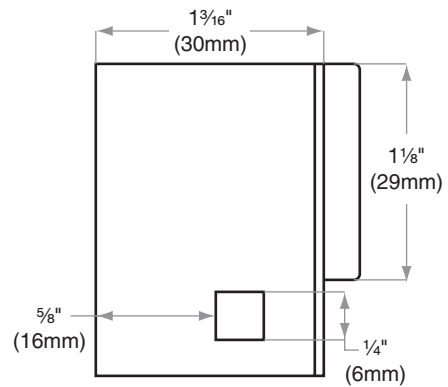
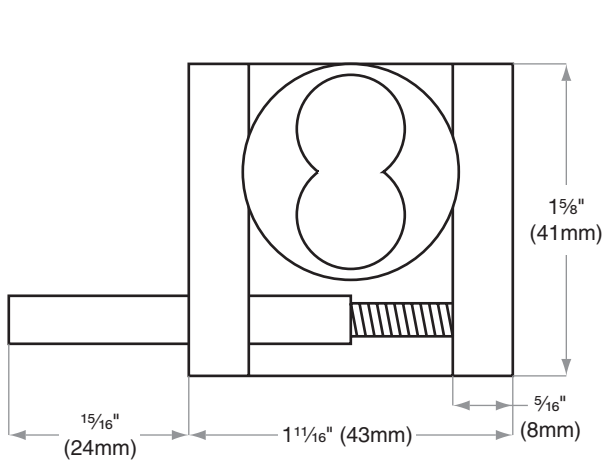


CL-Series

CL728



Door Type: Wood, Composite or Metal
Door Thickness: $\frac{7}{8}$ " (22 mm), 1" (25 mm) $1\frac{1}{8}$ " (29 mm)



Dimensions shown in parentheses () are in millimeters.

Door preparation template

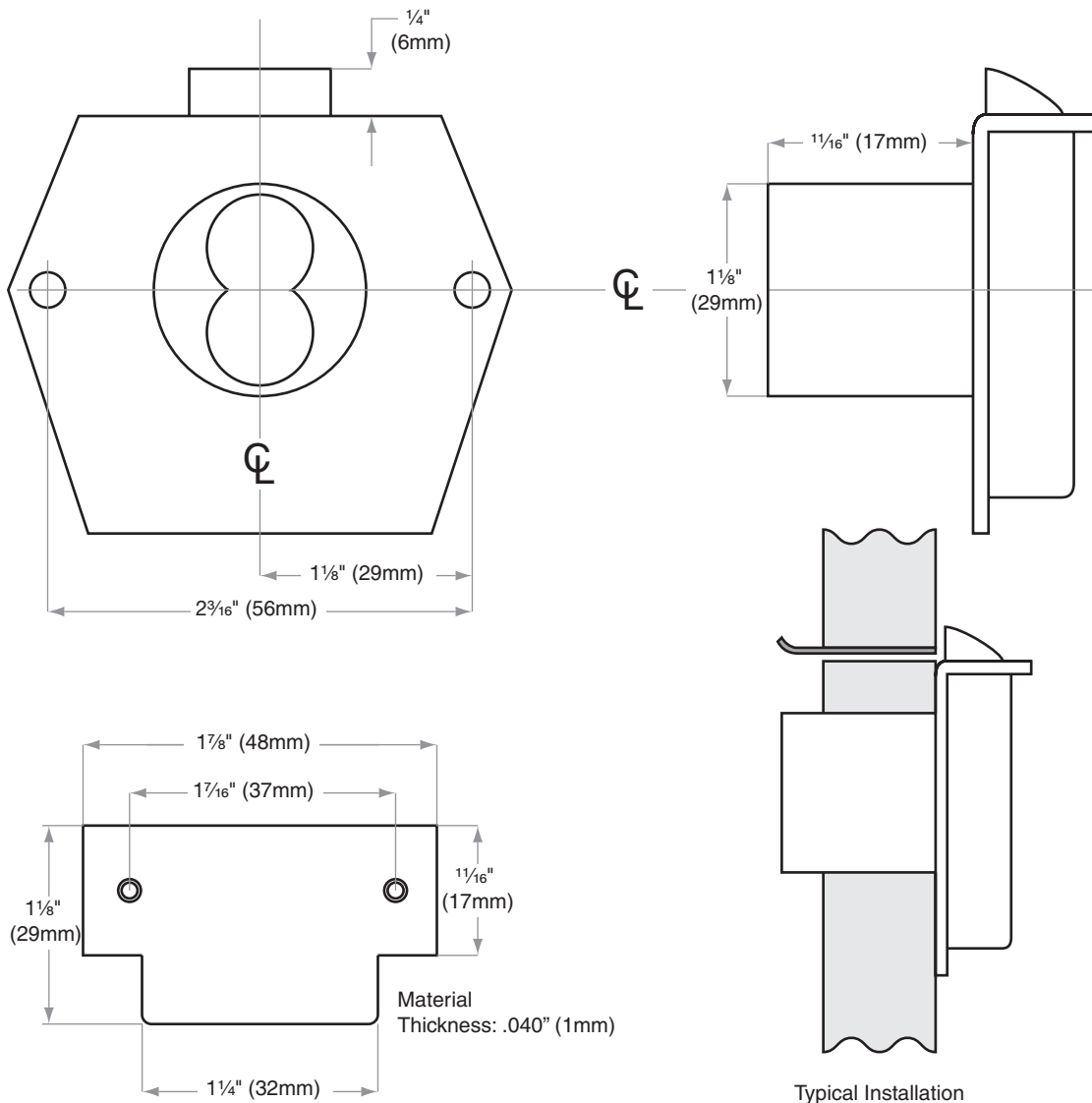
CL893



CL-Series

CL725

Door Type: Wood, Composite or Metal
Door Thickness: $\frac{7}{8}$ " (22 mm), 1" (25 mm) $1\frac{1}{8}$ " (29 mm)



Dimensions shown in parentheses () are in millimeters.

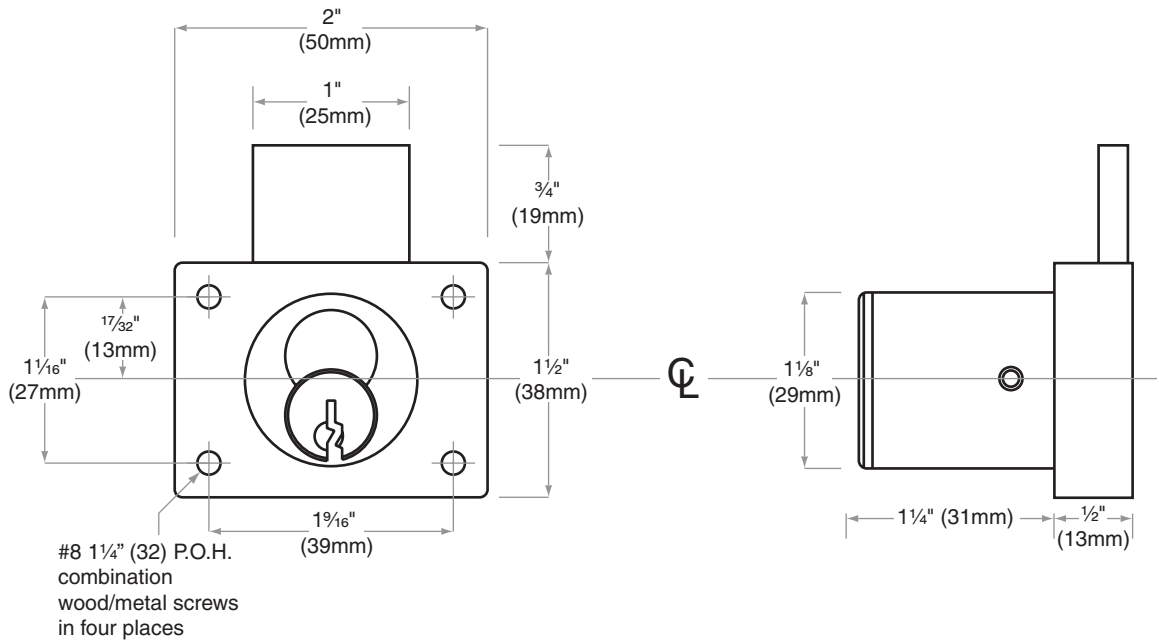
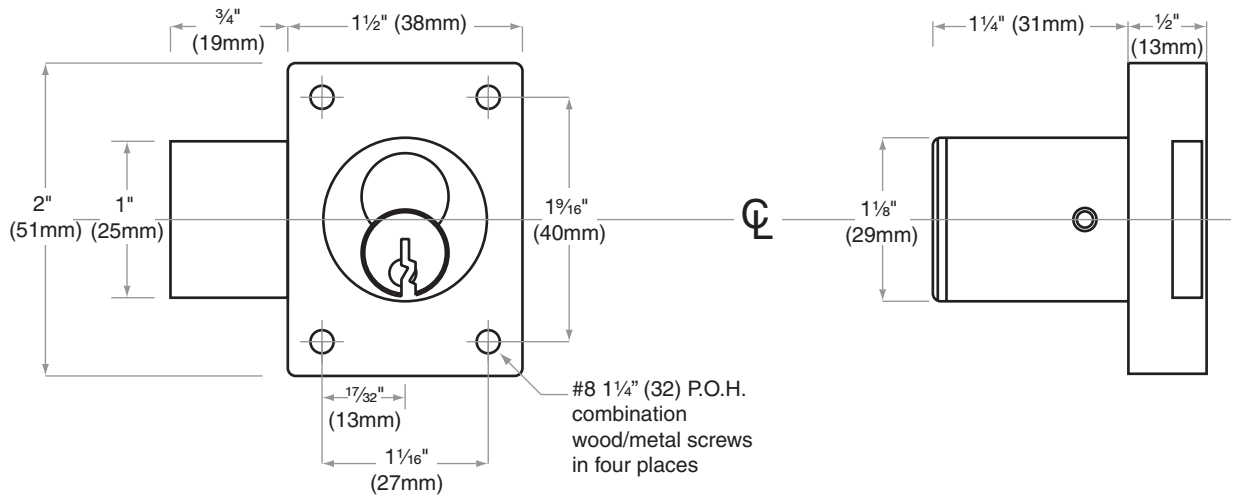
Door preparation template



CL-Series

CL721, CL771

Door Type: Wood, Composite or Metal
 Door Thickness: $\frac{7}{8}$ " (22 mm), 1" (25 mm) $1\frac{1}{8}$ " (29 mm)



Dimensions shown in parentheses () are in millimeters.

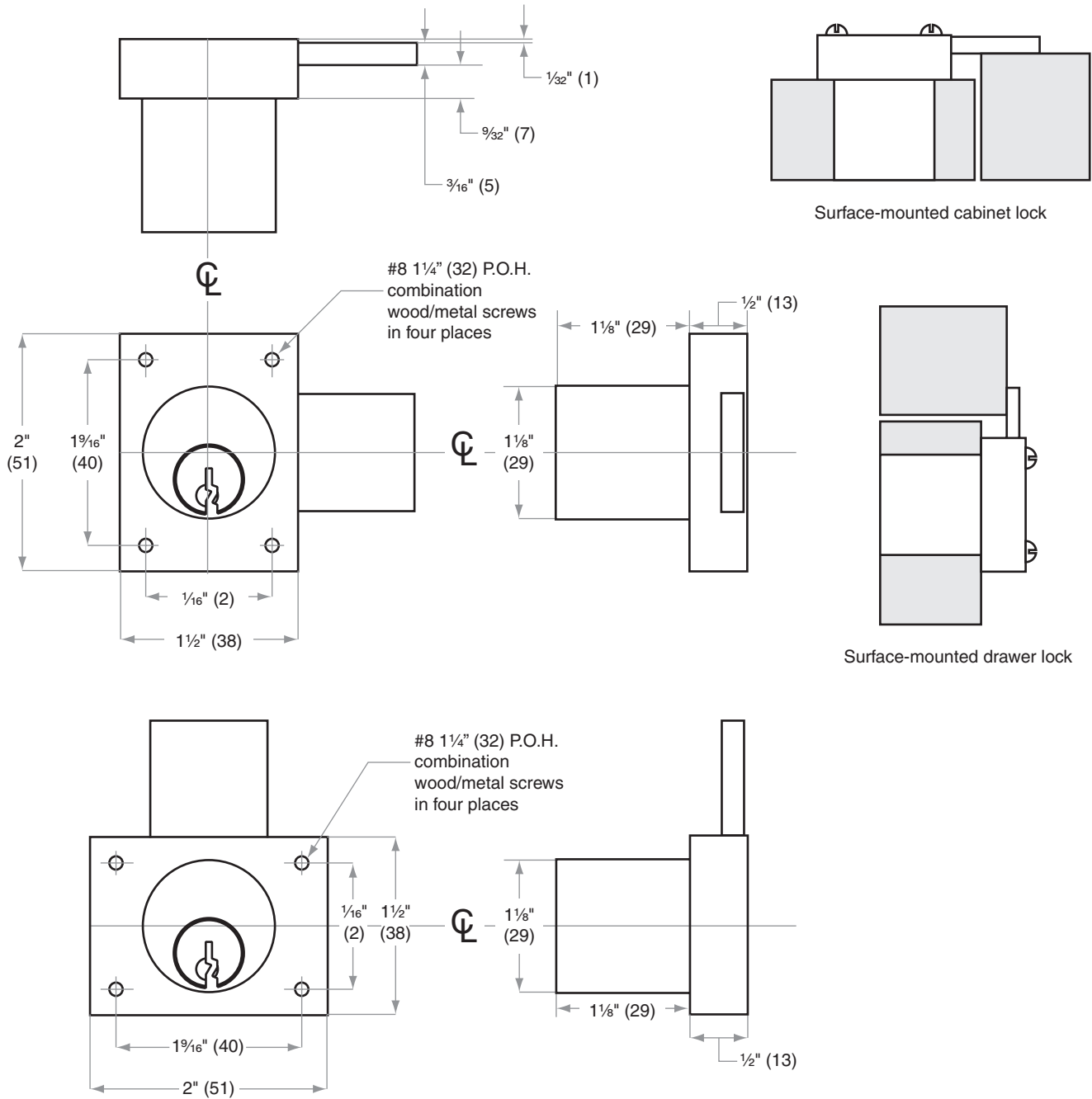
Door preparation template



CL-Series

CL100, CL200, CL777, CL888

Door Type: Wood, Composite or Metal
 Door Thickness: $\frac{7}{8}$ " (22 mm), 1" (25 mm) $1\frac{1}{8}$ " (29 mm)



Dimensions shown in parentheses () are in millimeters.

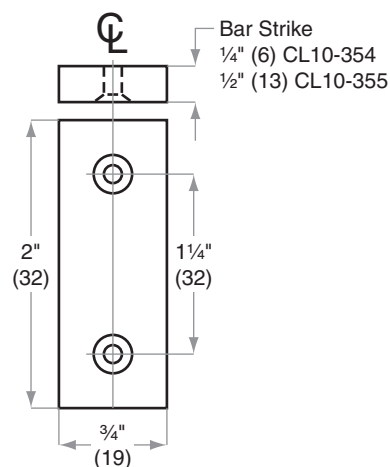
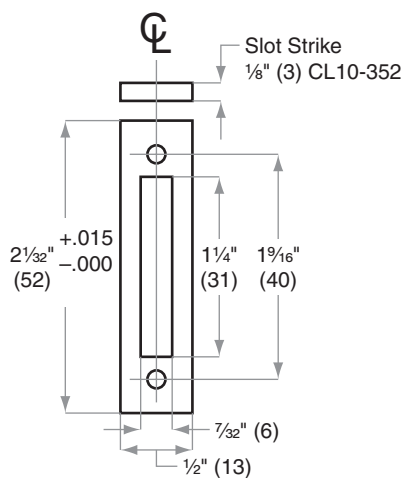
Door preparation template



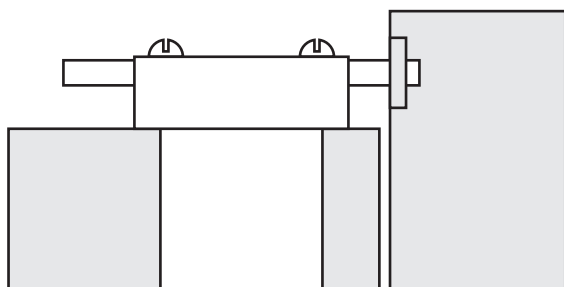
CL-Series Strikes

CL10-352, CL10-354, CL10-355

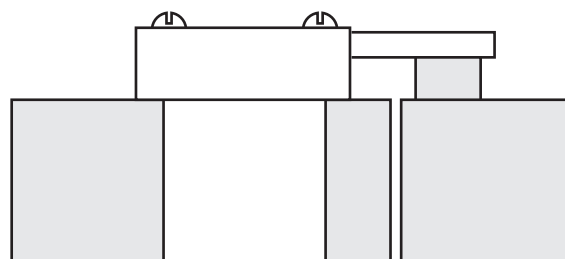
Door Type: Wood or Metal Jamb



Mounting Screws
 Slot and 1/4" Bar Strike
 #8-1/2" PFH combination wood/metal
 1/2" Bar Strike
 #8-1 1/4" PFH combinaton wood/metal



CL10-352 Slot Strike
 Shown surface mounted on wood
 Surface mount on metal also acceptable



CL10-354 or CL10-355 Bar Strike
 Shown surface mounted on wood
 Surface mount on metal also acceptable

Dimensions shown in parentheses () are in millimeters.

Door preparation template



CS200

-series-

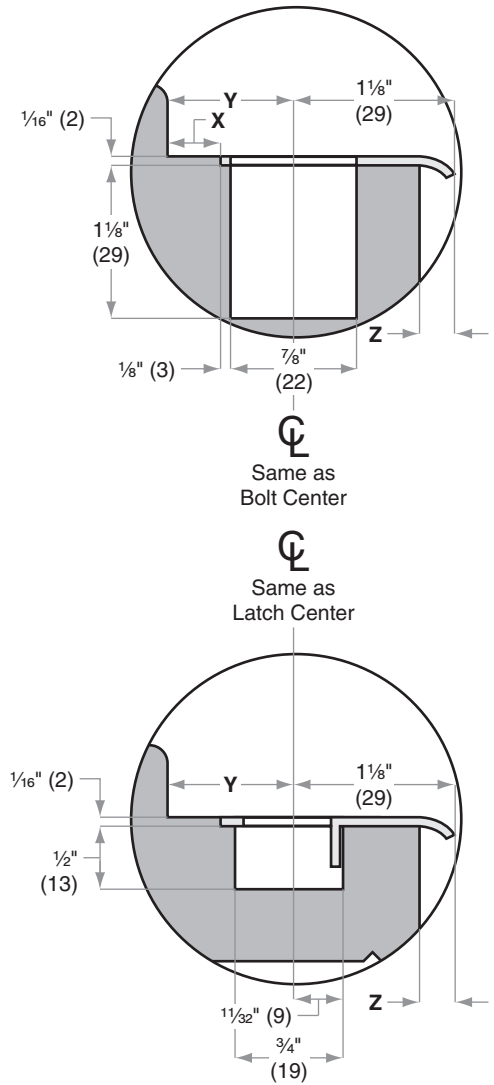
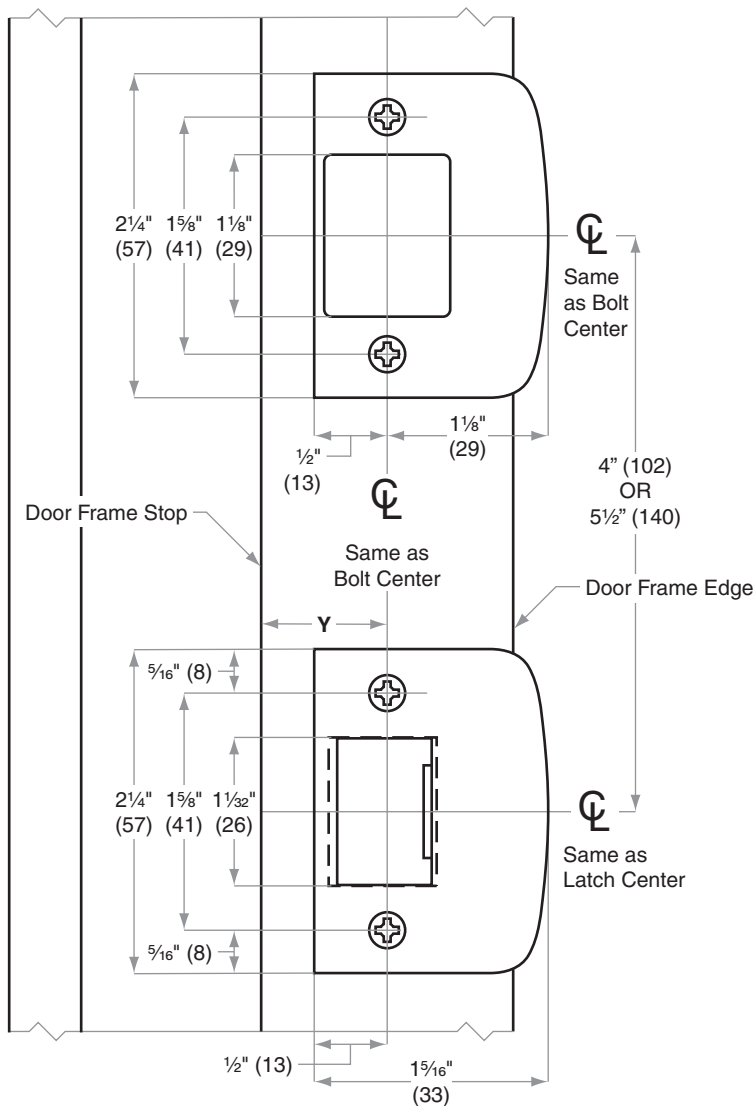
Strikes

Model 10-124

Jamb Type: Wood
 Style: Combo Square corner, full lip, 1 $\frac{1}{8}$ " x 2 $\frac{1}{4}$ ", no box
 Standard for:
 Optional for: FE210F, RS210F, CS210

NOTE:

1. Dimensions X, Y and Z are variables dependent on door thickness.
2. Strike location on frames must be adjusted for thickness of door silencers when used.



Dimensions shown in parentheses () are in millimeters.

Door preparation template

J936



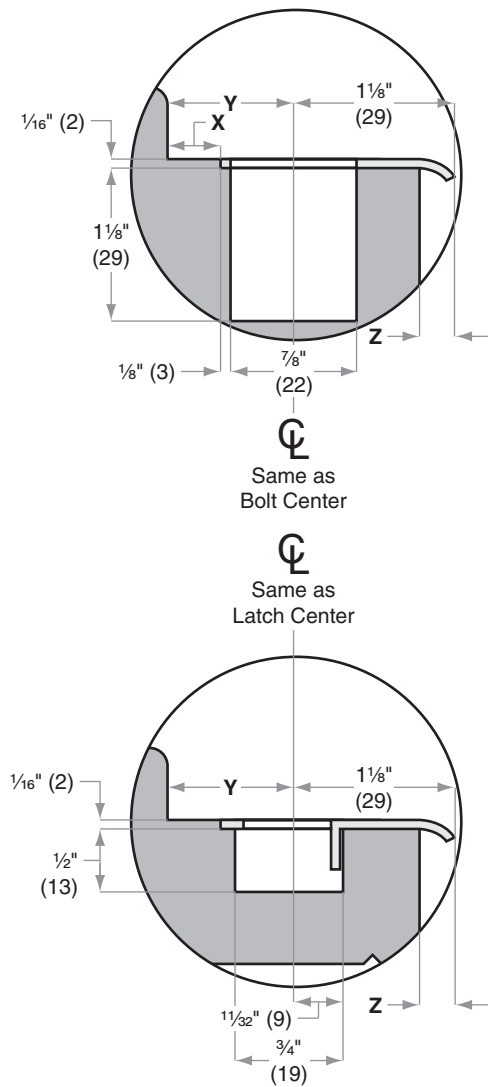
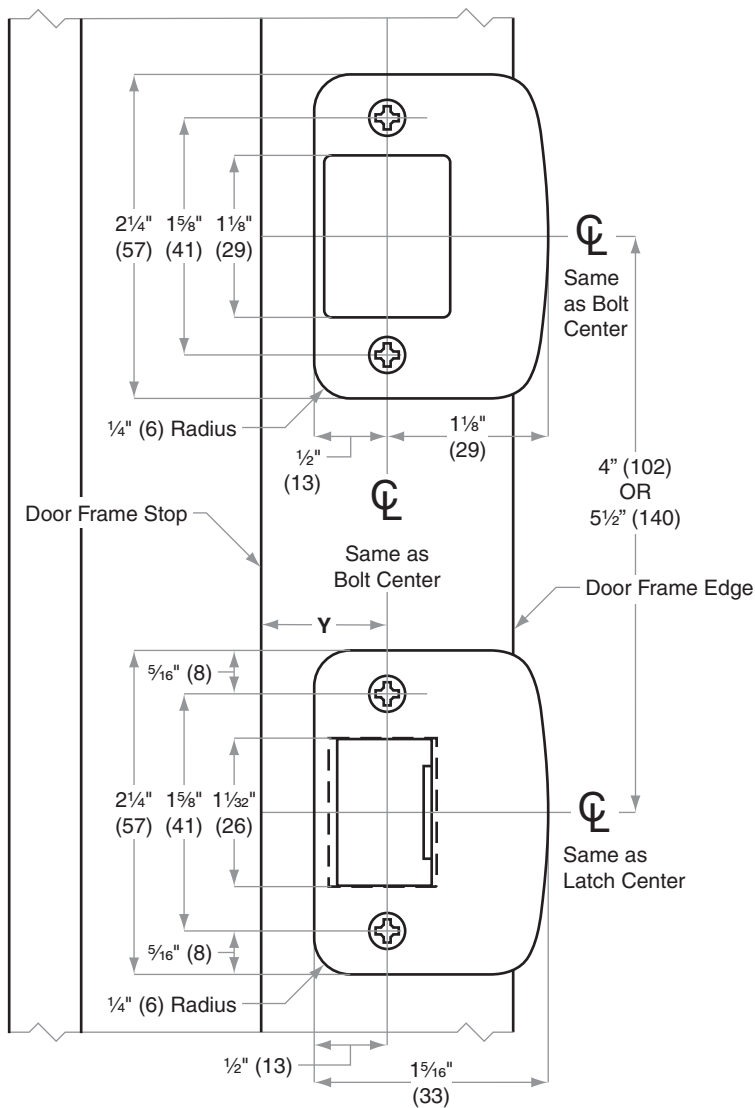
Strikes

Model 10-123

Jamb Type: Wood
 Style: Combo 1/4" Radius round corner, full lip, 1 5/8" x 2 1/4", no box
 Standard for:
 Optional for: FE210F, RS210F, CS210

NOTE:

1. Dimensions X, Y and Z are variables dependent on door thickness.
2. Strike location on frames must be adjusted for thickness of door silencers when used.



Dimensions shown in parentheses () are in millimeters.

Door preparation template

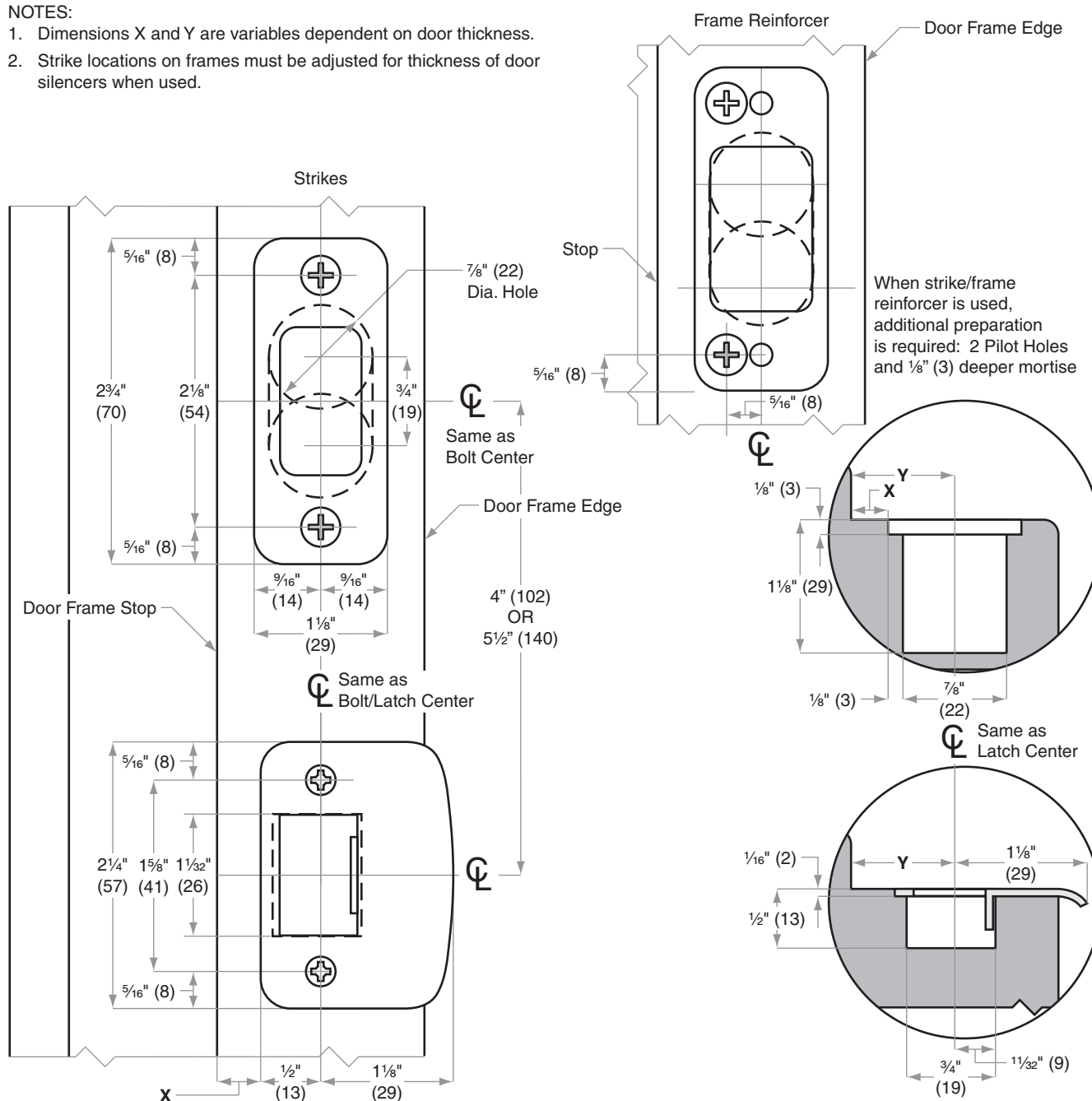
Strikes

Model 10-122

Jamb Type: Wood
 Style: Combo 1/2" radius corner, box 1 1/8" x 2 3/4", 1/2" radius corner, full lip 1 5/8" x 2 1/4"
 Standard for:
 Optional for: FE210F, RS210F, CS210

NOTES:

1. Dimensions X and Y are variables dependent on door thickness.
2. Strike locations on frames must be adjusted for thickness of door silencers when used.



Dimensions shown in parentheses () are in millimeters.

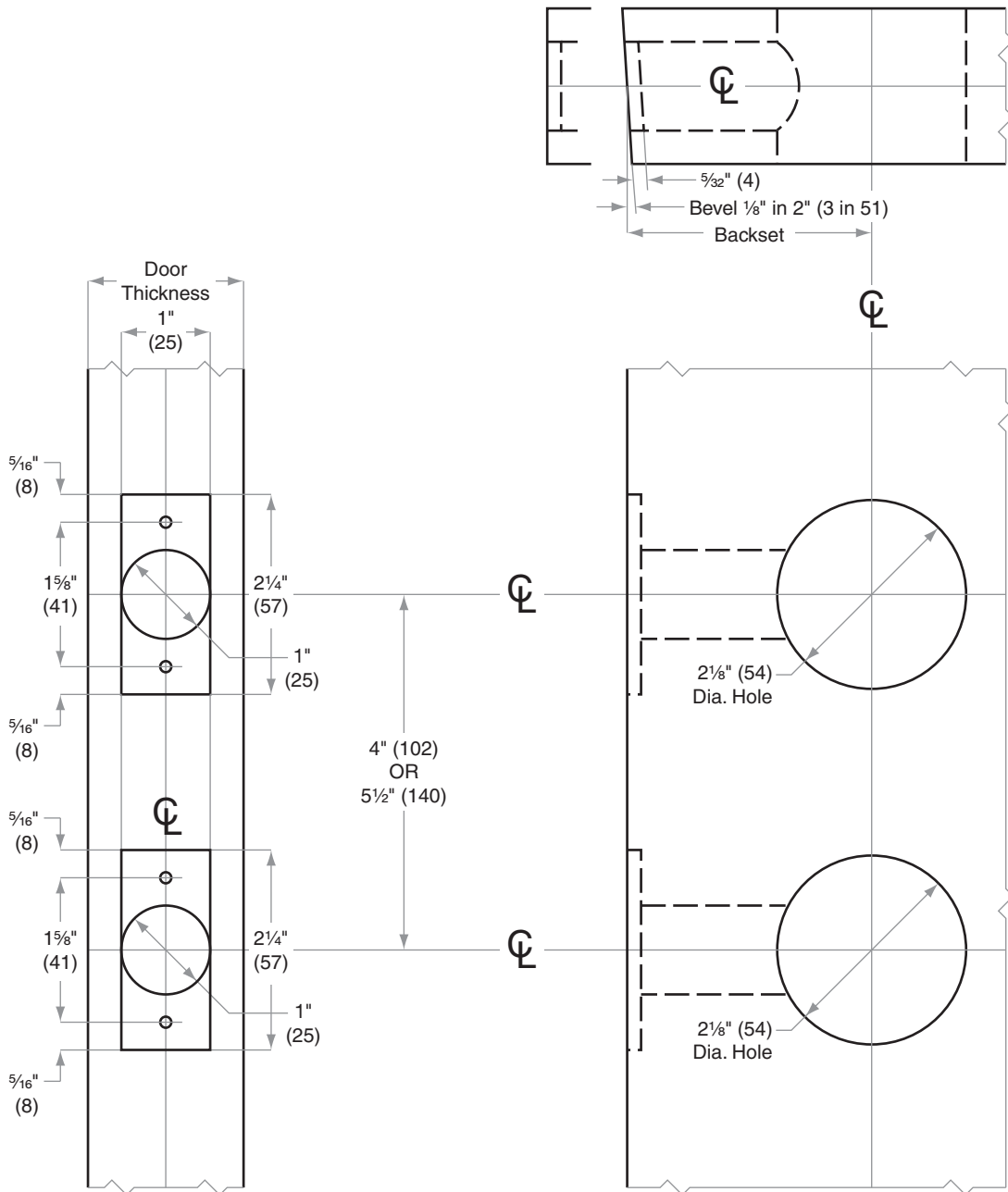
Door preparation template



CS-Series

Model CS210

Door Type: Wood or Composite, Flat or Beveled
 Door Thickness: 1¾" (44 mm)–2" (51 mm)
 Faceplate: Square Corner, 1" (25 mm) wide
 Backsets: 2¾" (70 mm)



Dimensions shown in parentheses () are in millimeters.

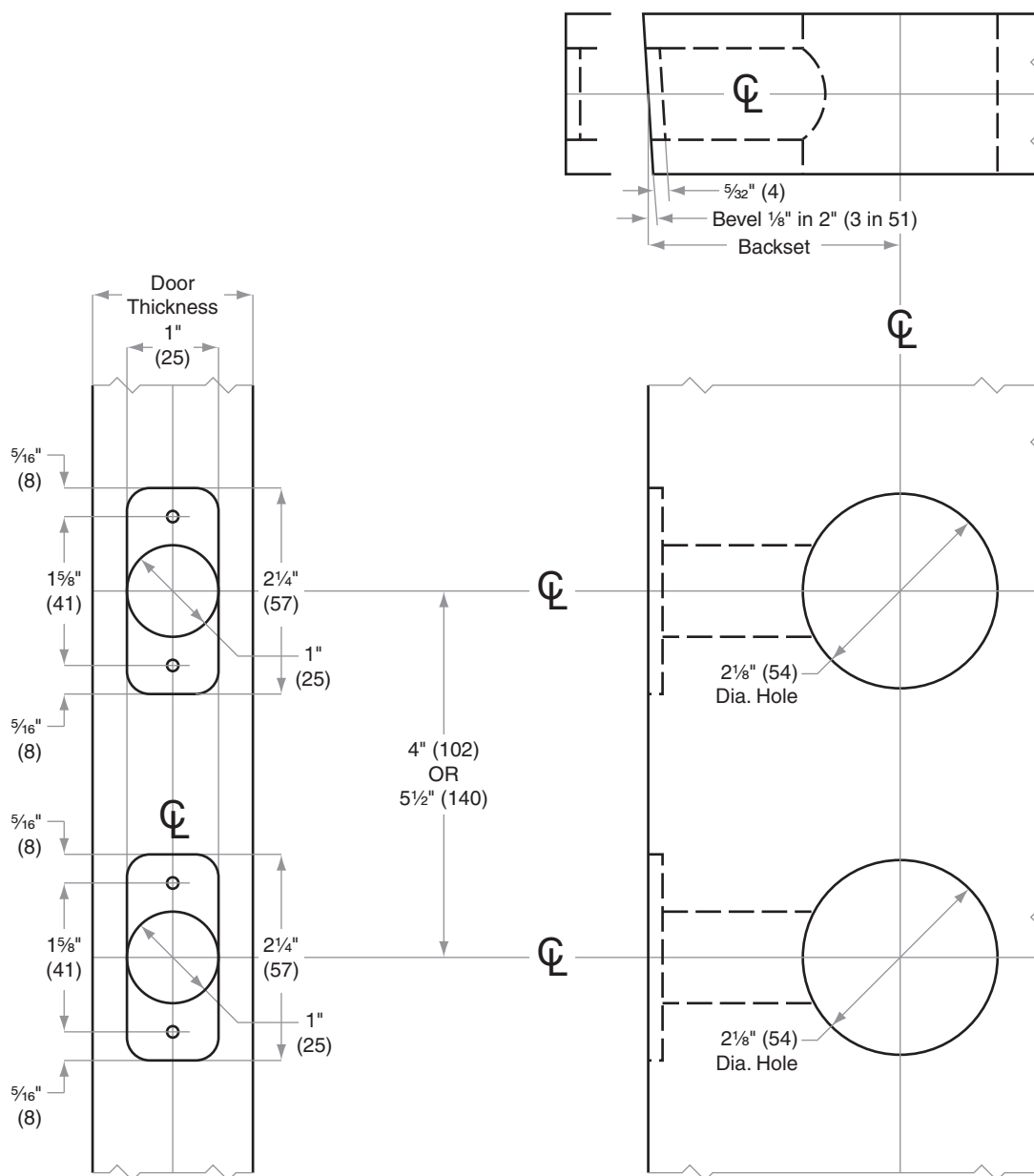
Door preparation template



CS-Series

Model CS210

Door Type: Wood or Composite, Flat or Beveled
Door Thickness: 1 3/4" (44 mm) – 2" (51 mm)
Faceplate: Rounded Corner, 1" (25 mm) wide
Backsets: 2 3/4" (70 mm)



Dimensions shown in parentheses () are in millimeters.

Door preparation template



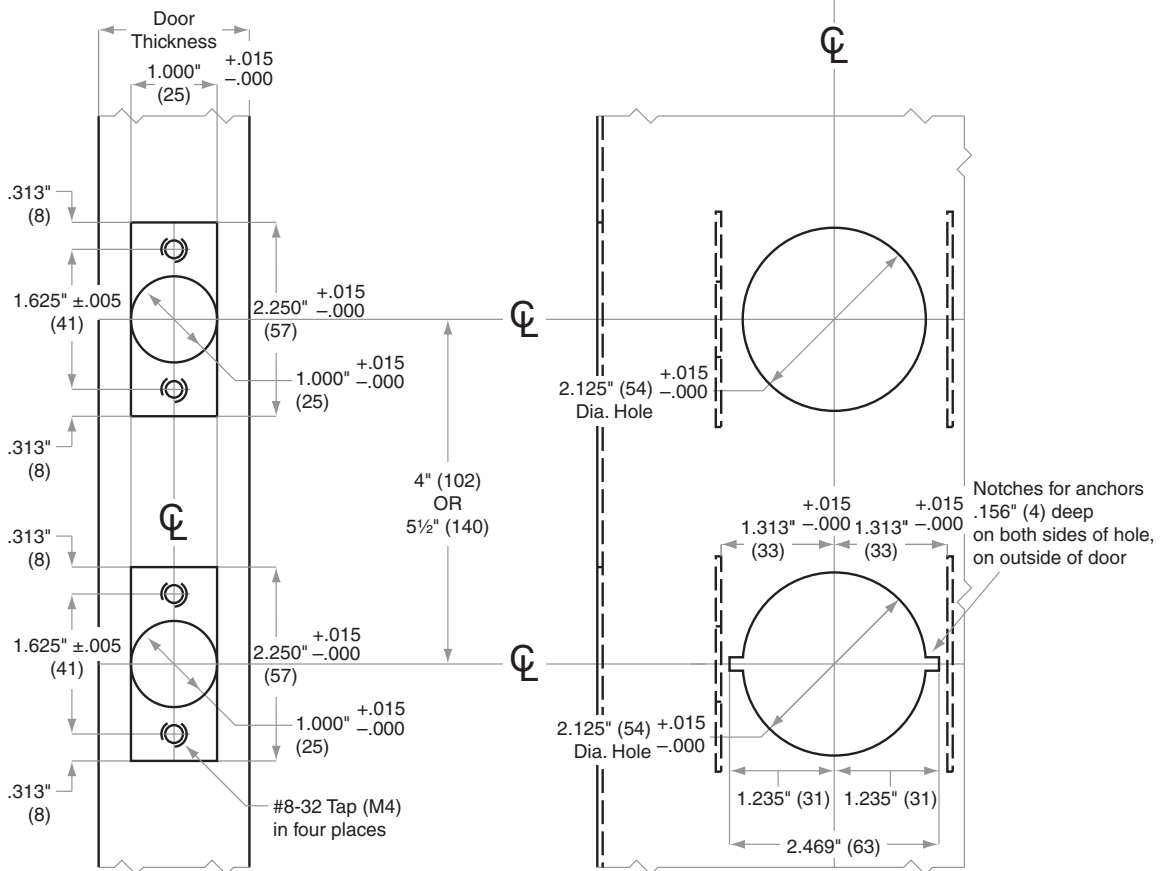
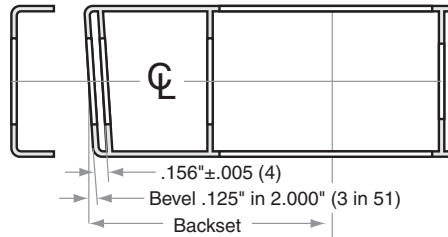
CS-Series

Model CS210



Door Type: Metal, Flat or Beveled
 Door Thickness: 1¾" (44 mm) – 2" (51 mm)
 Faceplate: Square Corner, 1" (25 mm)
 Backsets: 2¾" (70 mm)

For metal door installations suitable reinforcement is required to support latch in center of door and to prevent lateral movement.



Dimensions shown in parentheses () are in millimeters.

Door preparation template

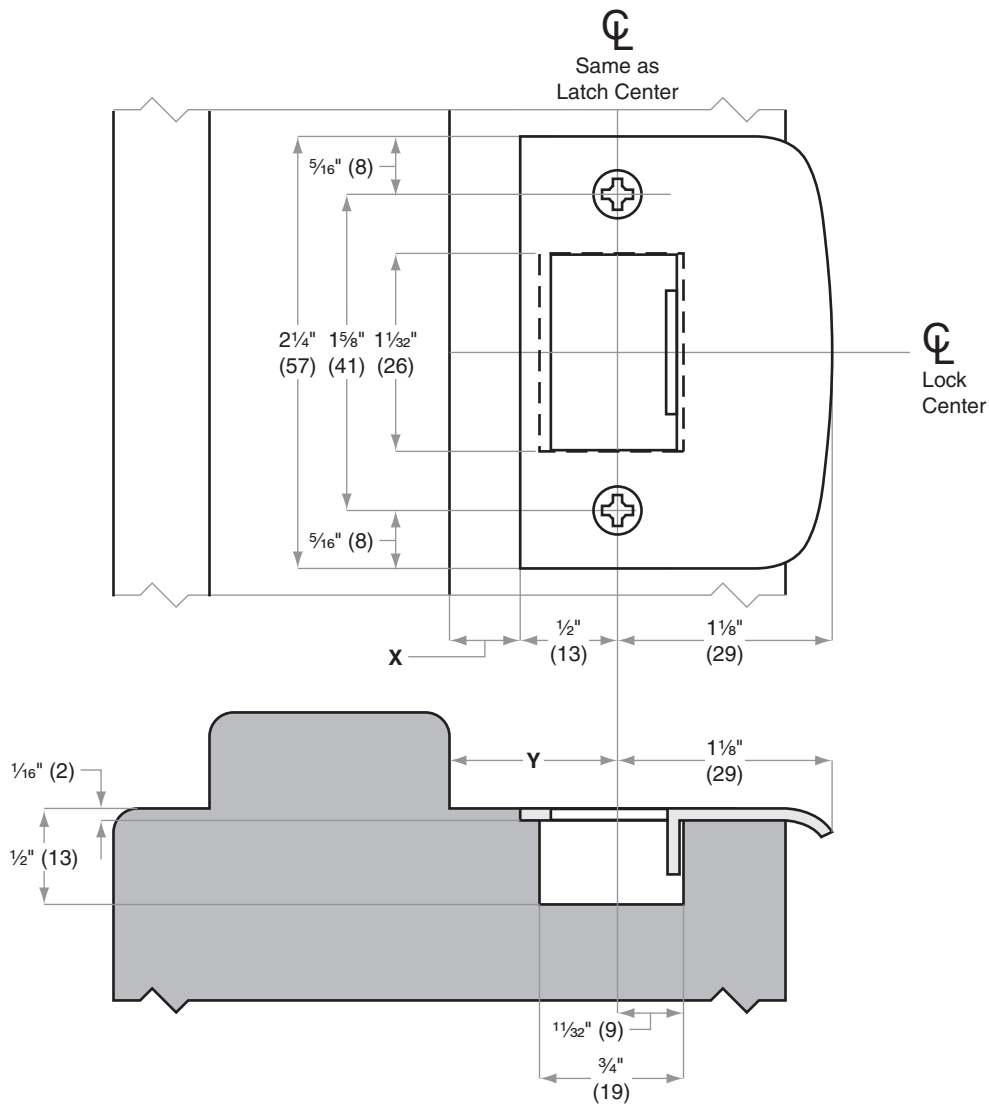
CS103



Strikes

Model 10-026

Jamb Type: Wood
Style: Full Lip, Square Corner
Standard for:
Optional for: A-Series | AL-Series | F-Series



Dimensions X and Y are variables dependent on door thickness

Dimensions shown in parentheses () are in millimeters.

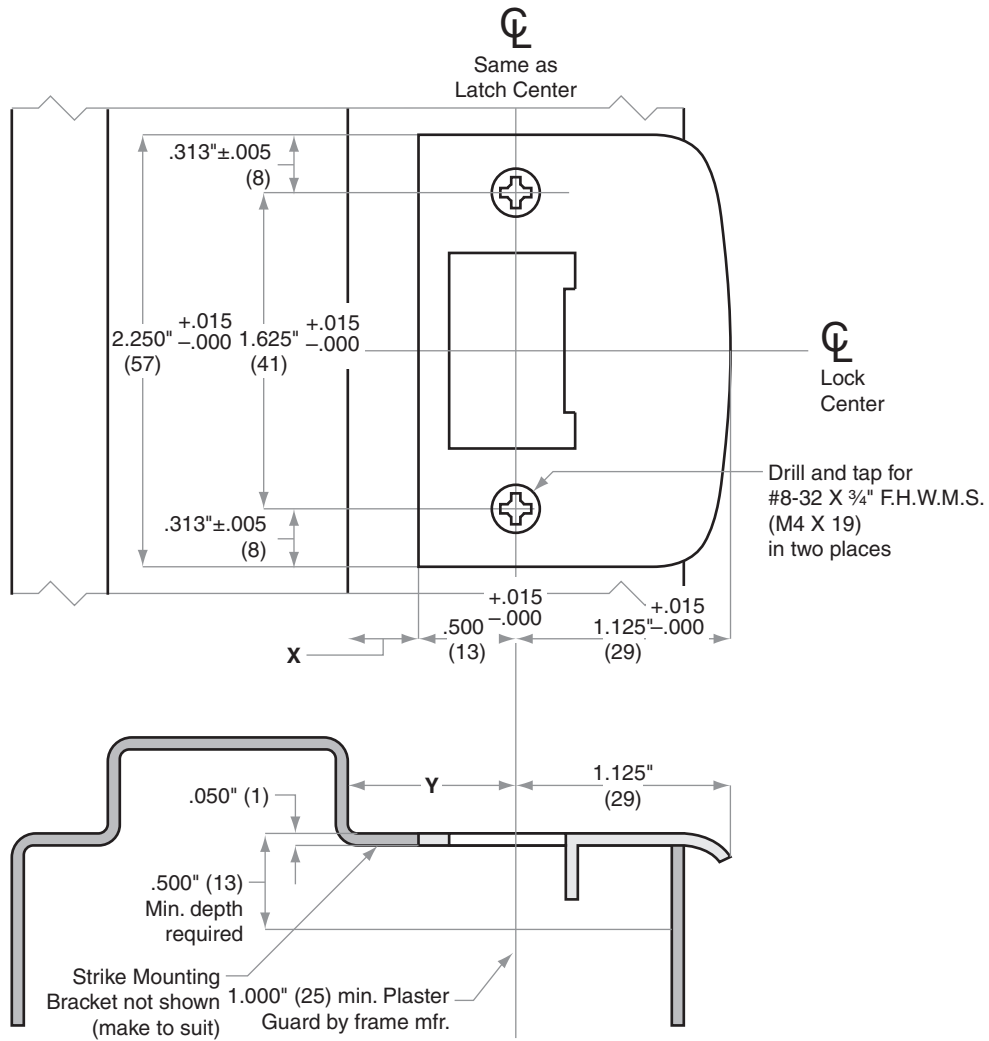
Door preparation template



Strikes

Model 10-026

Jamb Type: Metal
 Style: Full Lip, Square Corner
 Standard for:
 Optional for: A-Series | AL-Series | F-Series



Dimensions X and Y are variables dependent on the door thickness used

Dimensions shown in parentheses () are in millimeters.

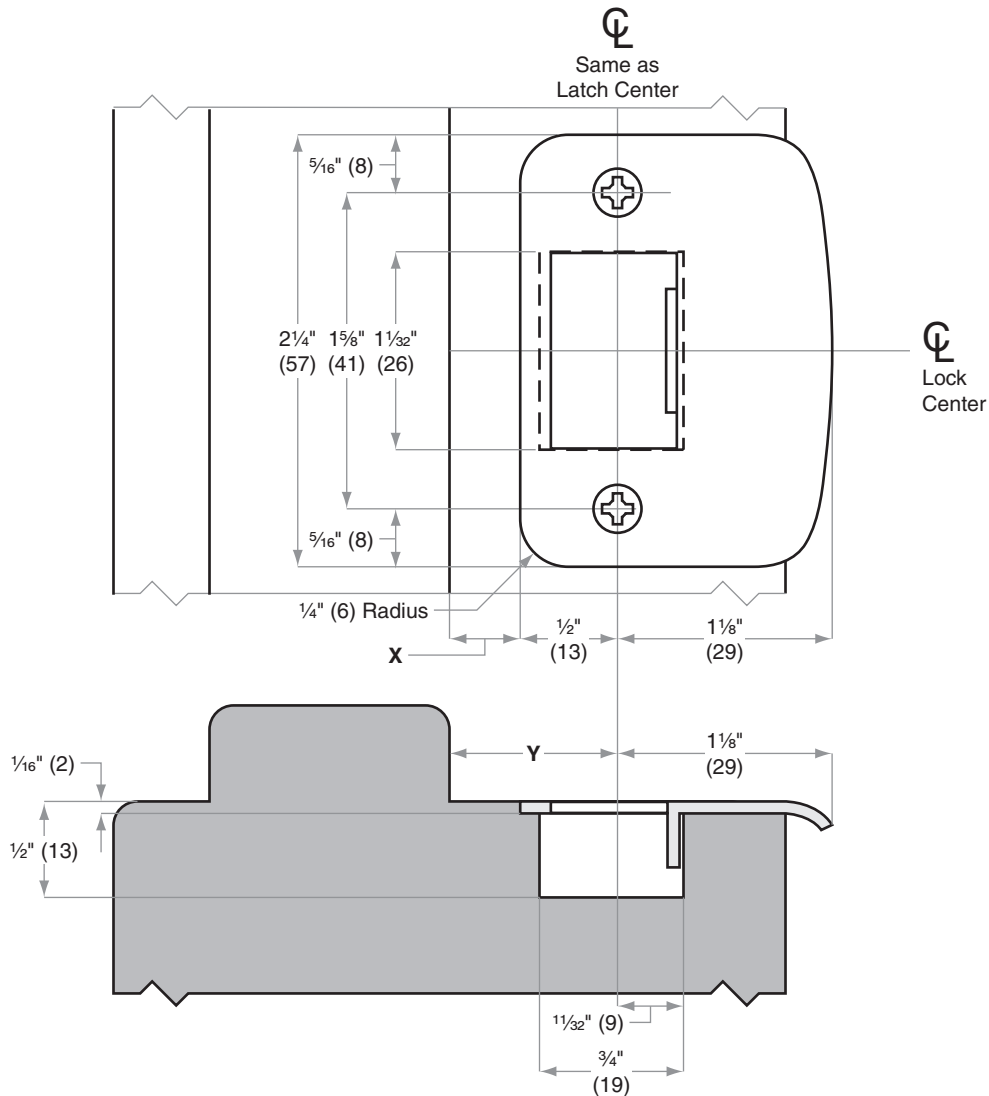
Door preparation template



Strikes

Model 10-027

Jamb Type: Wood
Style: Full Lip, Round Corner, 1/4" (6 mm) Radius
Standard for: F-Series | FE-Series
Optional for: A-Series | AL-Series | S-Series



Dimensions X and Y are variables dependent on door thickness

Dimensions shown in parentheses () are in millimeters.

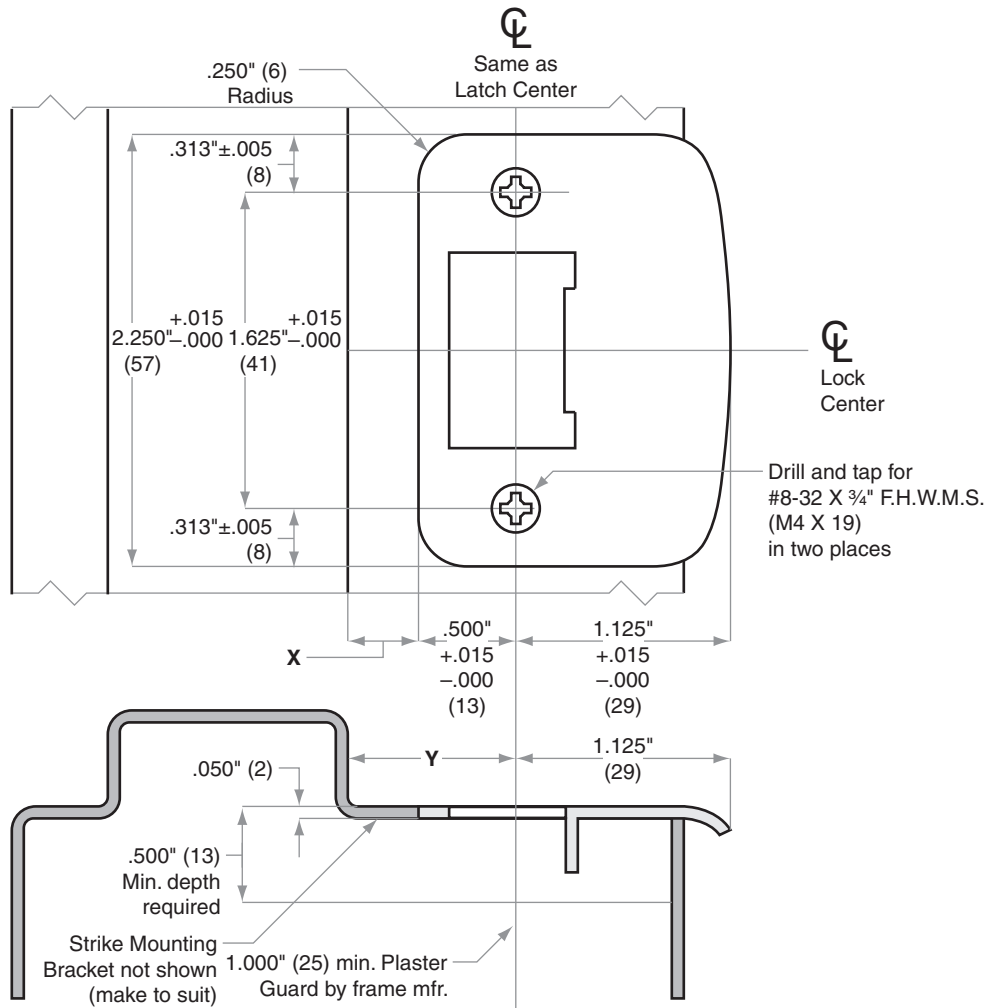
Door preparation template



Strikes

Model 10-027

Jamb Type: Metal
 Style: Full Lip, Round Corner, 1/4" (6 mm) Radius
 Standard for: F-Series | FE-Series
 Optional for: A-Series | AL-Series | S-Series



Dimensions X and Y are variables dependent on the door thickness

Dimensions shown in parentheses () are in millimeters.

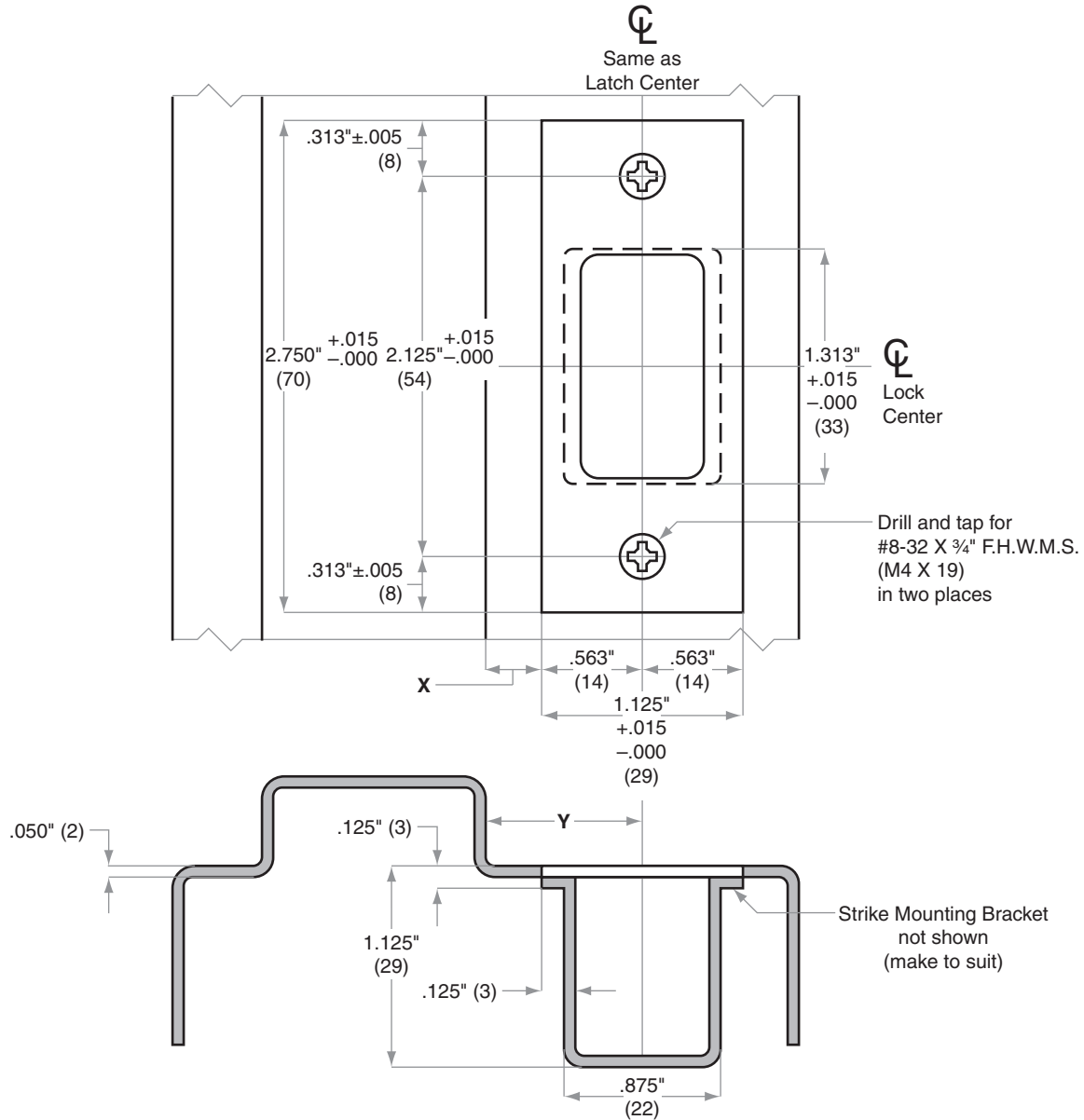
Door preparation template



Strikes

Models 10-055, 10-081, 10-094

Jamb Type: Wood
 Style: Square Corner, Deadbolt
 Standard for: B600/700/800-Series | B280-Series | B/BA300-Series | BE-Series | BR260-Series
 Optional for:



Dimensions X and Y are variables dependent on door thickness

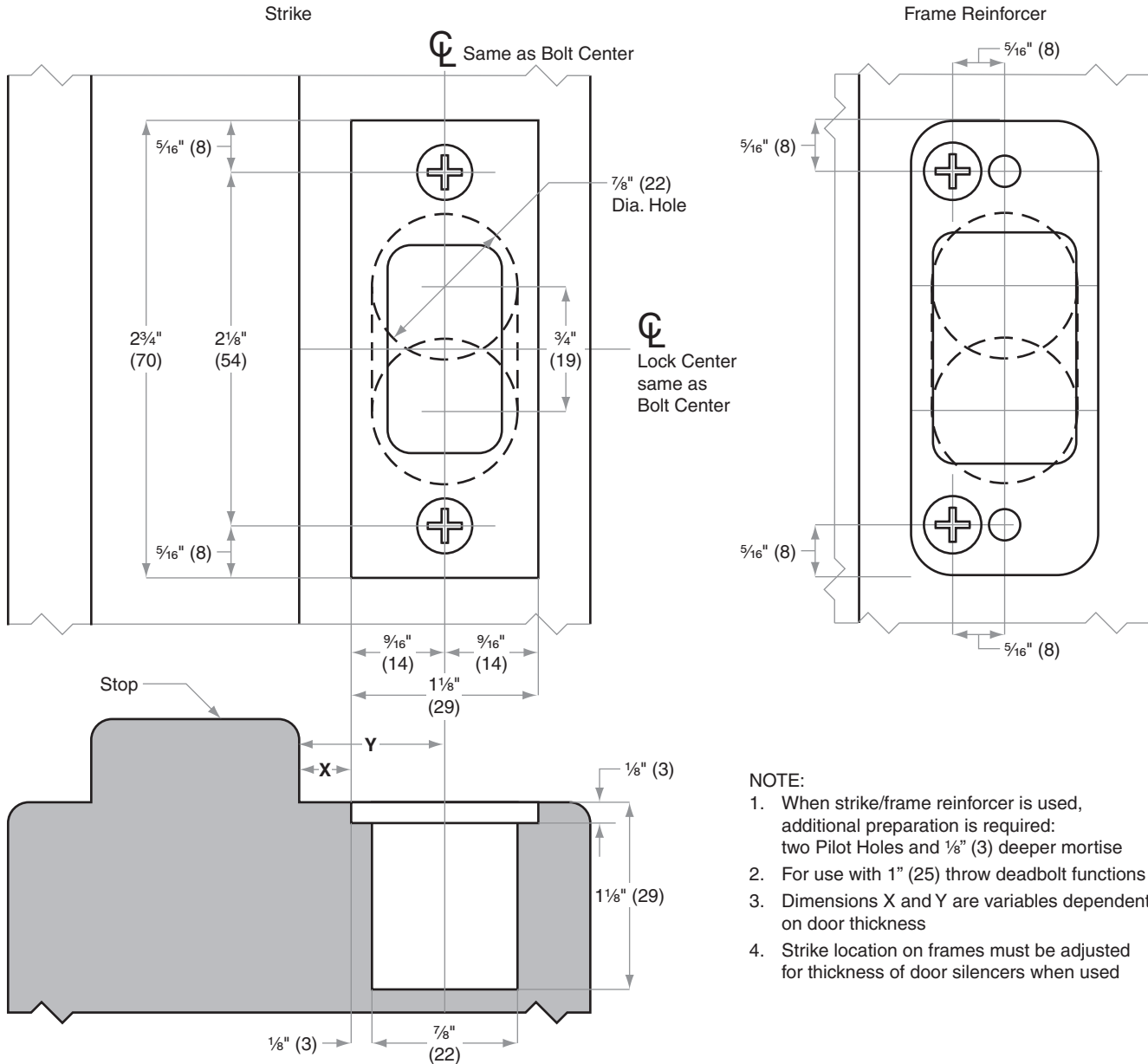
Dimensions shown in parentheses () are in millimeters.

Door preparation template

Strikes

Models 10-055, 10-081, 10-094

Jamb Type: Metal
 Style: Square Corner, Deadbolt
 Standard for: B600/700/800-Series | B280-Series | B/BA300-Series | BC100-Series | BE-Series | BR260-Series
 Optional for:



NOTE:

1. When strike/frame reinforcer is used, additional preparation is required: two Pilot Holes and 1/8" (3) deeper mortise
2. For use with 1" (25) throw deadbolt functions
3. Dimensions X and Y are variables dependent on door thickness
4. Strike location on frames must be adjusted for thickness of door silencers when used

Dimensions shown in parentheses () are in millimeters.

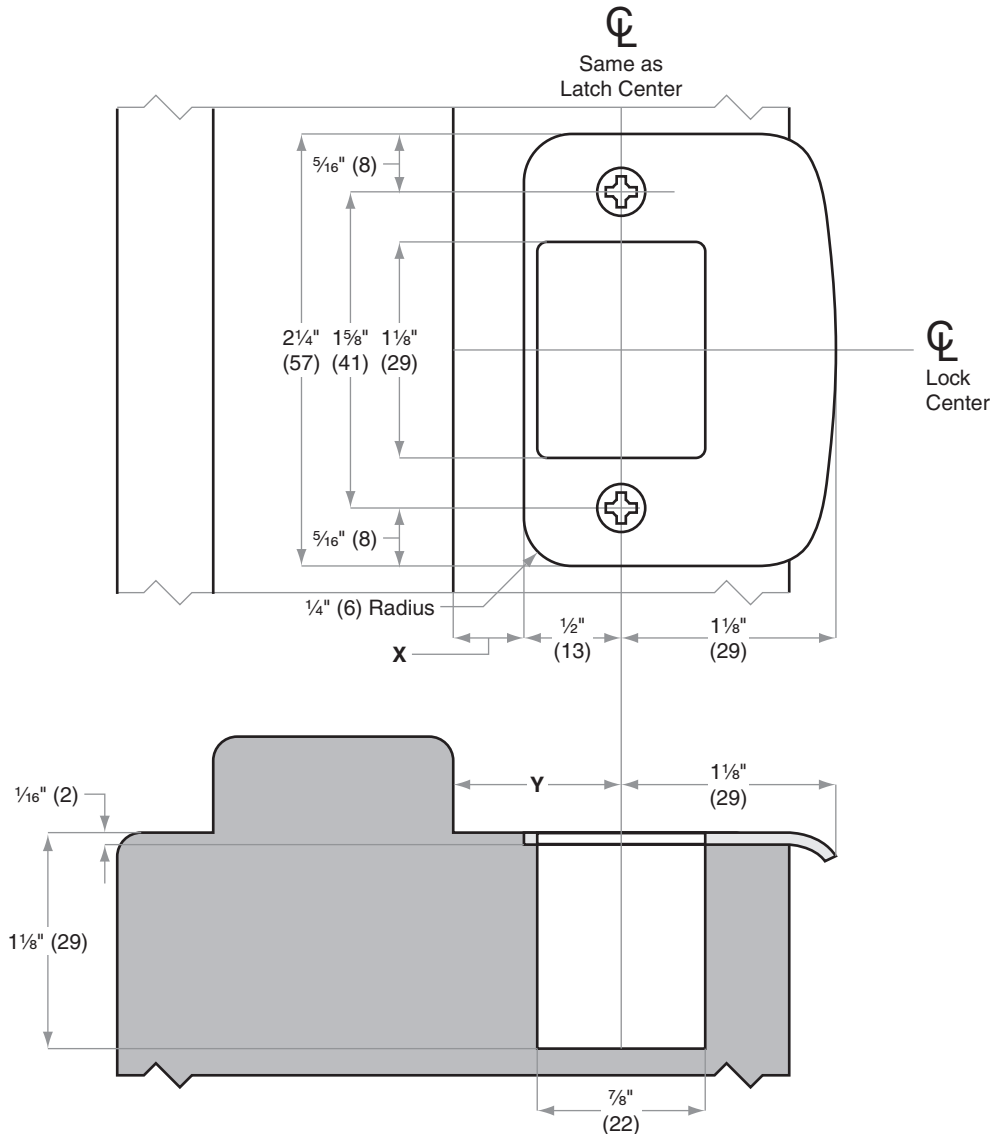
Door preparation template



Strikes

Model 10-092

Jamb Type: Wood
Style: Full Lip, Round Corner, 1/4" (6 mm) Radius, Deadbolt
Standard for:
Optional for: BC100-Series | BR260-Series | B/BA300-Series | B600/700/800-Series



Dimensions X and Y are variables dependent on door thickness

Dimensions shown in parentheses () are in millimeters.

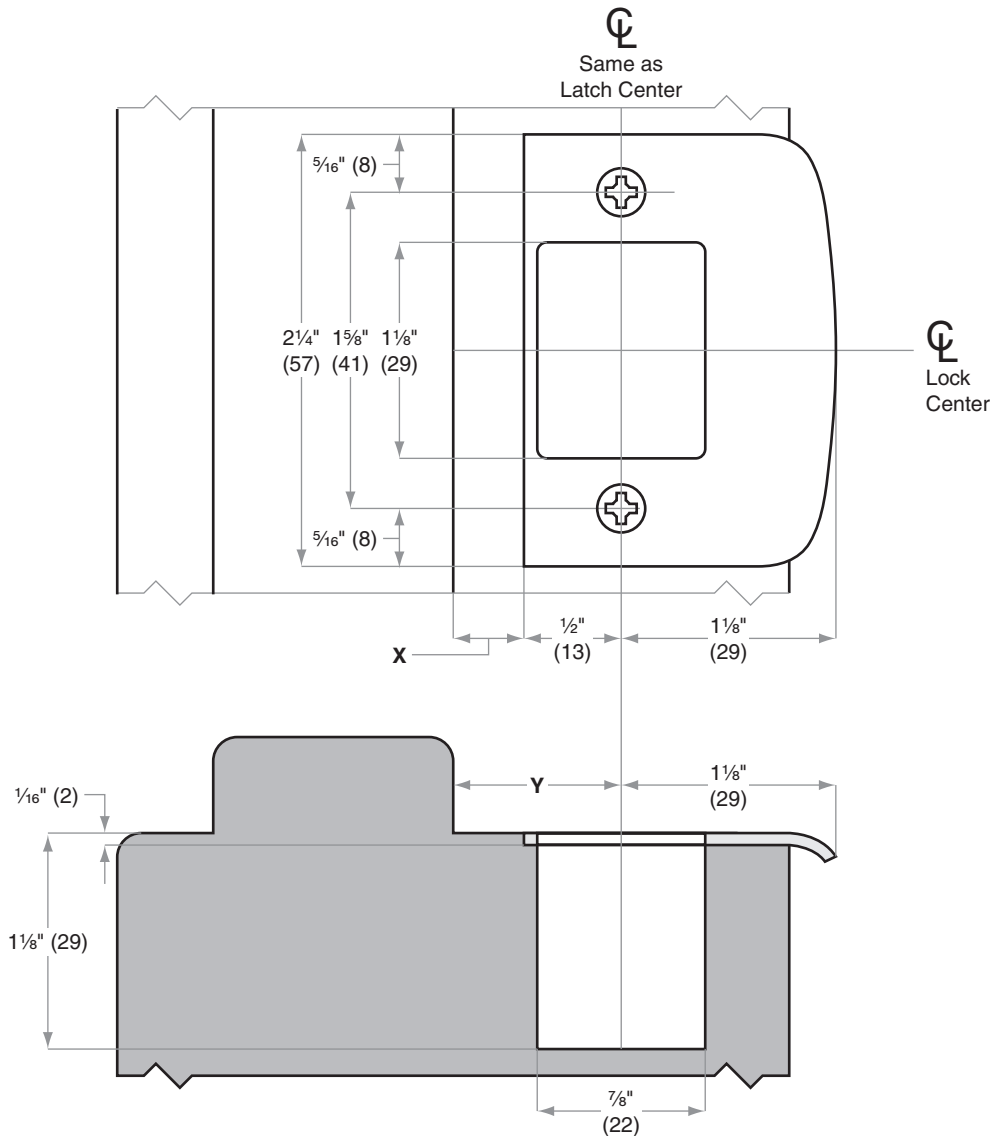
Door preparation template



Strikes

Model 10-095

Jamb Type: Wood
Style: Full Lip, Square Corner, Deadbolt
Standard for:
Optional for: BC100-Series | BR260-Series | B/BA300-Series | B600/700/800-Series



Dimensions X and Y are variables dependent on door thickness

Dimensions shown in parentheses () are in millimeters.

Door preparation template



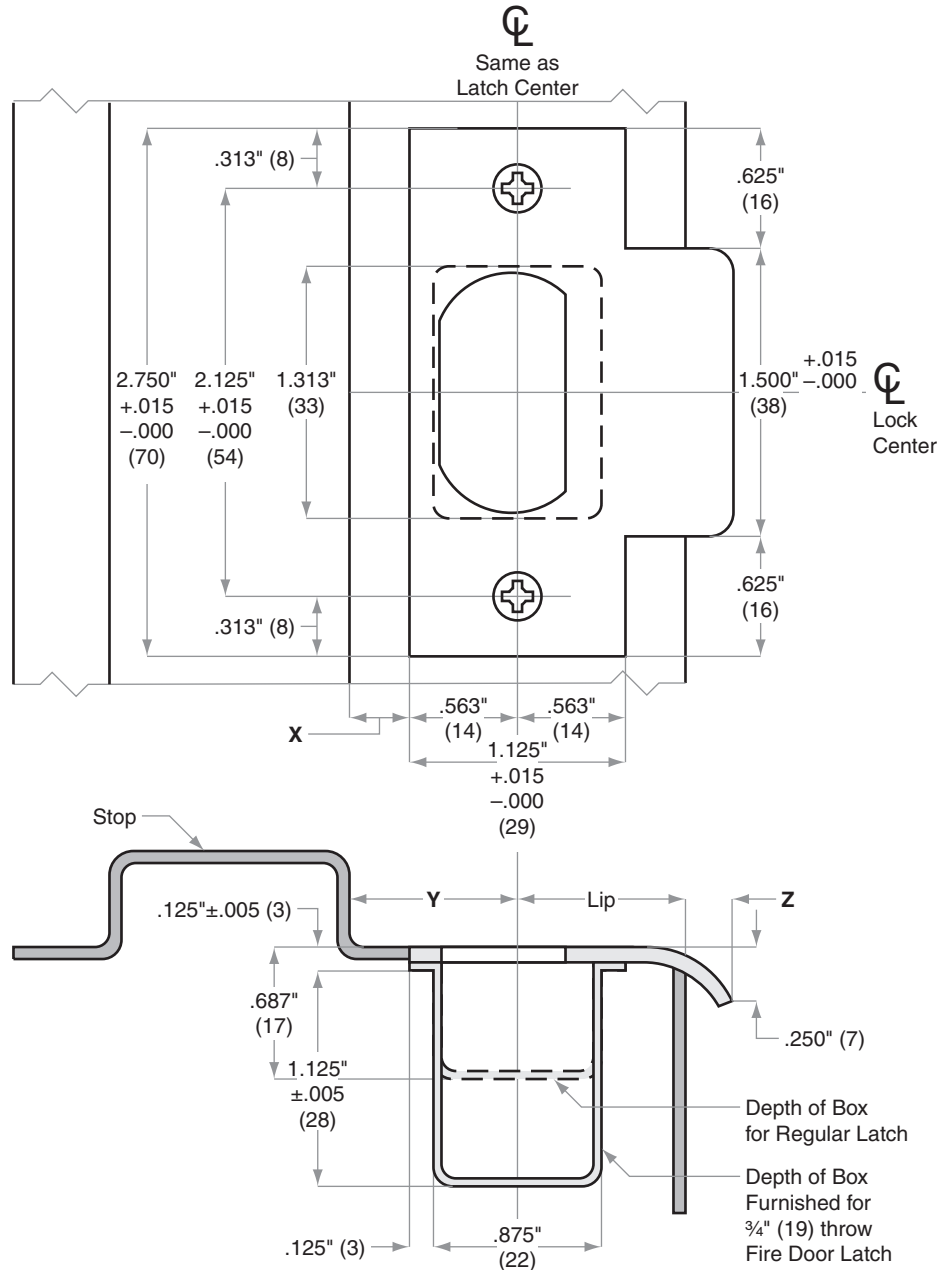
Strikes

Models 10-001, 10-013, 10-016, 10-019

Jamb Type: Metal
 Style: T-Strike, Square Corner
 Standard for: A-Series | B250-Series | S-Series
 Optional for: AL-Series | F-Series | D-Series Knobs | ND-Series Levers

NOTE:

1. Dimensions X and Y are variables dependent on door thickness
2. Curved strike extension beyond jamb at Z must not be less than $\frac{3}{16}$ " (5) to ensure proper functioning of latch bolt
3. $1\frac{1}{8}$ " (29) Lip length for $1\frac{3}{8}$ " (35) to $1\frac{3}{4}$ " (44) doors. Other lengths available
4. Strike location on frames must be adjusted for thickness of door silencers, when used



Dimensions shown in parentheses () are in millimeters.

Door preparation template



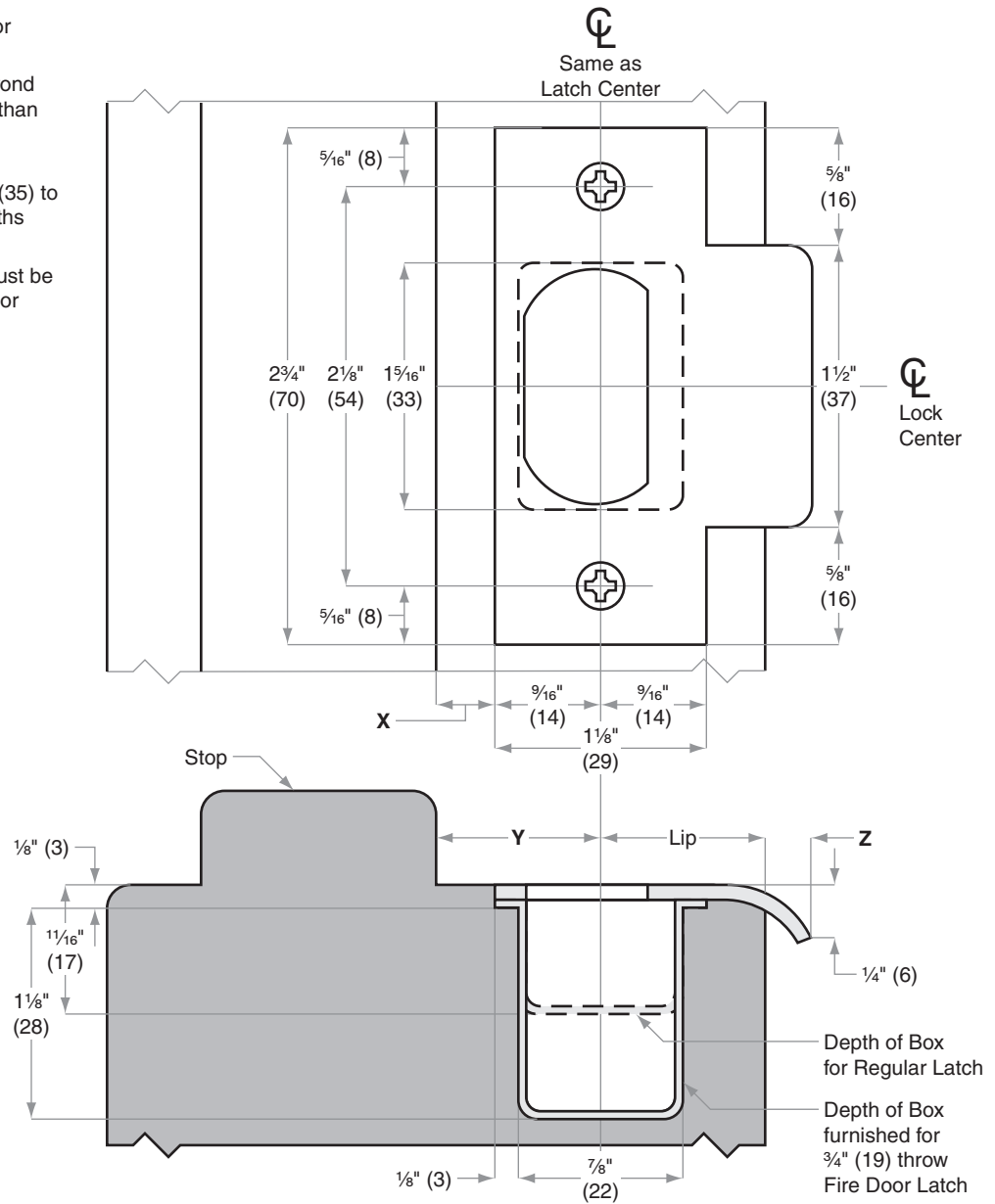
Strikes

Models 10-001, 10-013, 10-016, 10-019

Jamb Type: Wood
Style: T-Strike, Square Corner
Standard for: A-Series | B250-Series | S-Series
Optional for: AL-Series | F-Series | D-Series Knobs | ND-Series Levers

NOTE:

1. Dimensions X, Y and Z are variables dependent on door thickness
2. Curved strike extension beyond jamb at Z must not be less than 3/16" (5) to ensure proper functioning of latch bolt
3. 1 1/8" (29) Lip length for 1 3/8" (35) to 1 3/4" (44) doors. Other lengths available
4. Strike location on frames must be adjusted for thickness of door silencers, when used



Dimensions shown in parentheses () are in millimeters.

Door preparation template

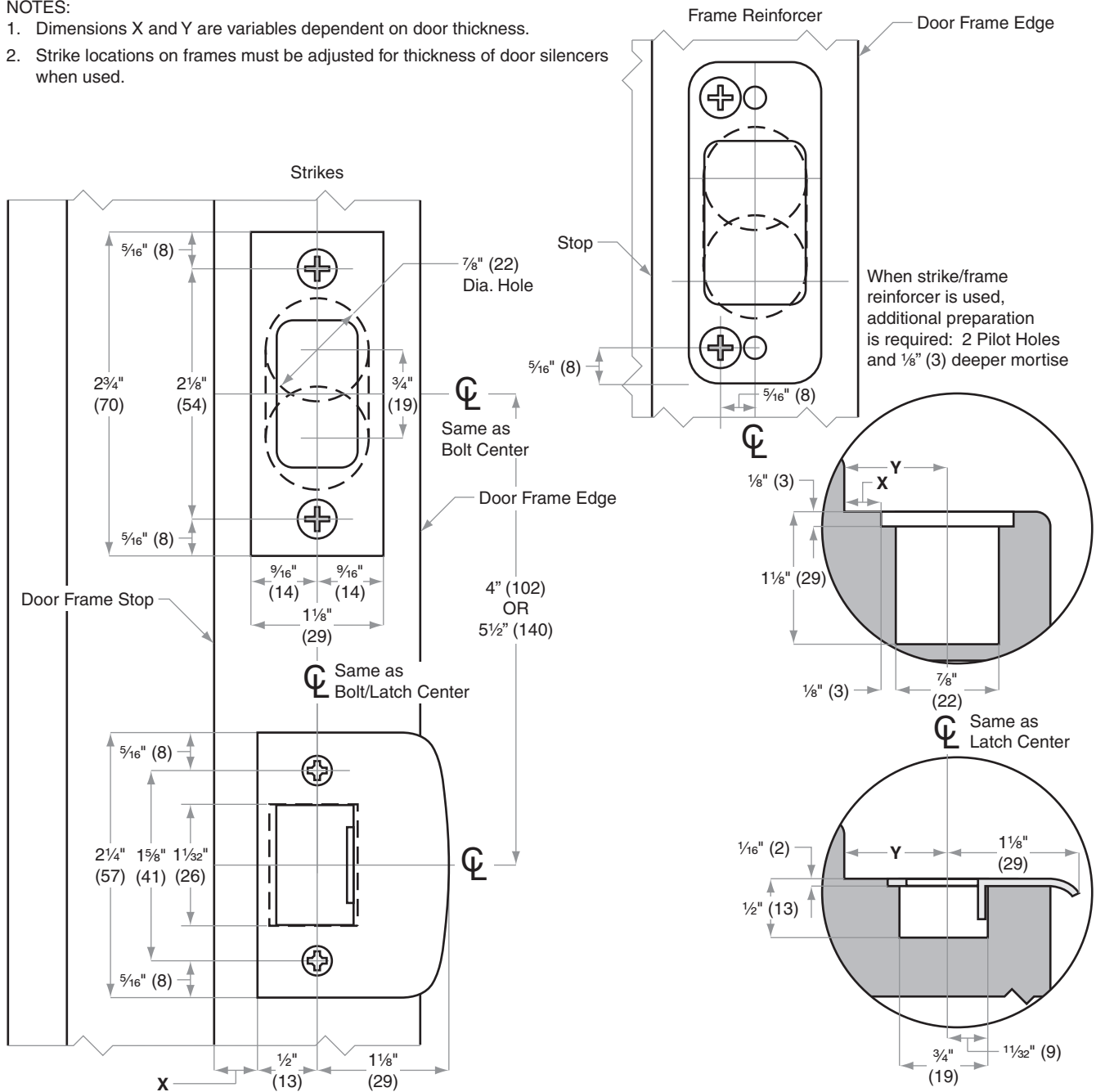
Strikes

Model 10-121

Jamb Type: Wood
Style: Combo Square corner, box 1 1/8" x 2 3/4", Square corner, full lip 1 5/8" x 2 1/4"
Standard for: FE210F, RS210F, CS210
Optional for:

NOTES:

1. Dimensions X and Y are variables dependent on door thickness.
2. Strike locations on frames must be adjusted for thickness of door silencers when used.



Dimensions shown in parentheses () are in millimeters.

Door preparation template



D

-series-

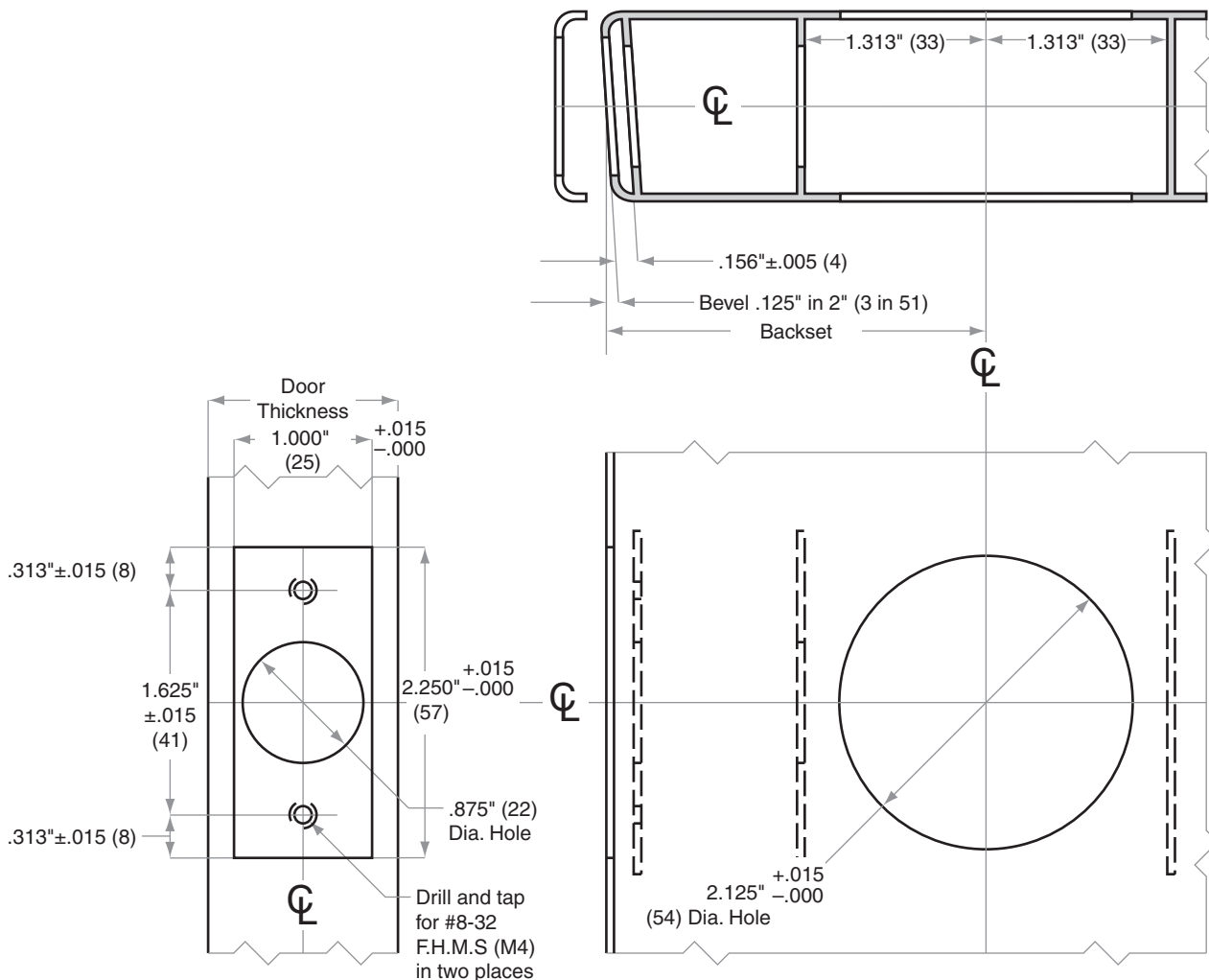


D-Series Knobs

Models D10–D85, D12EL/EU, D80PDEL/EU

- Door Type: Metal
- Door Thickness: 1 $\frac{1}{8}$ " (35 mm)–2" (51 mm)
- Faceplate: Square Corner, 1" (25 mm) wide
- Backsets: 2 $\frac{3}{8}$ " (60 mm), 2 $\frac{3}{4}$ " (70 mm), 3 $\frac{3}{4}$ " (95 mm), 5" (127 mm), other

For metal door installations, suitable reinforcement is required to support latch in center of door and to prevent lateral movement



Dimensions shown in parentheses () are in millimeters.

Door preparation template

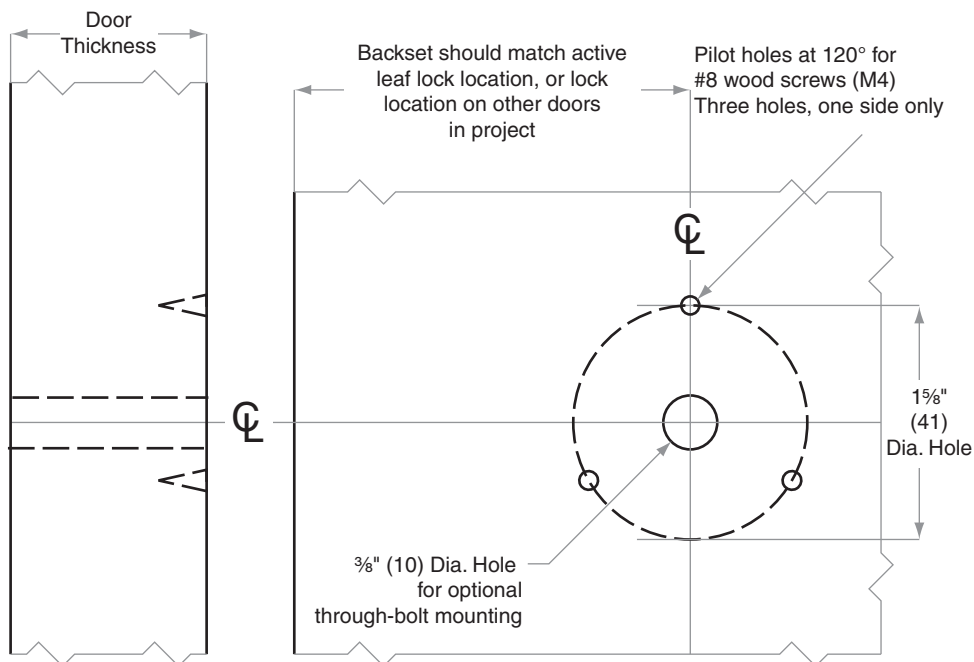


D-Series Knobs

Model D170

Door Type: Wood or Composite
Door Thickness: Various
Faceplate: None
Backsets: Any

This door preparation is oriented for Right Hand (RH) and Right Hand Reverse (RHR) doors. For Left Hand (LH) and Left Hand Reverse (LHR) doors, mounting screw location must be rotated 180°



Dimensions shown in parentheses () are in millimeters.

Door preparation template

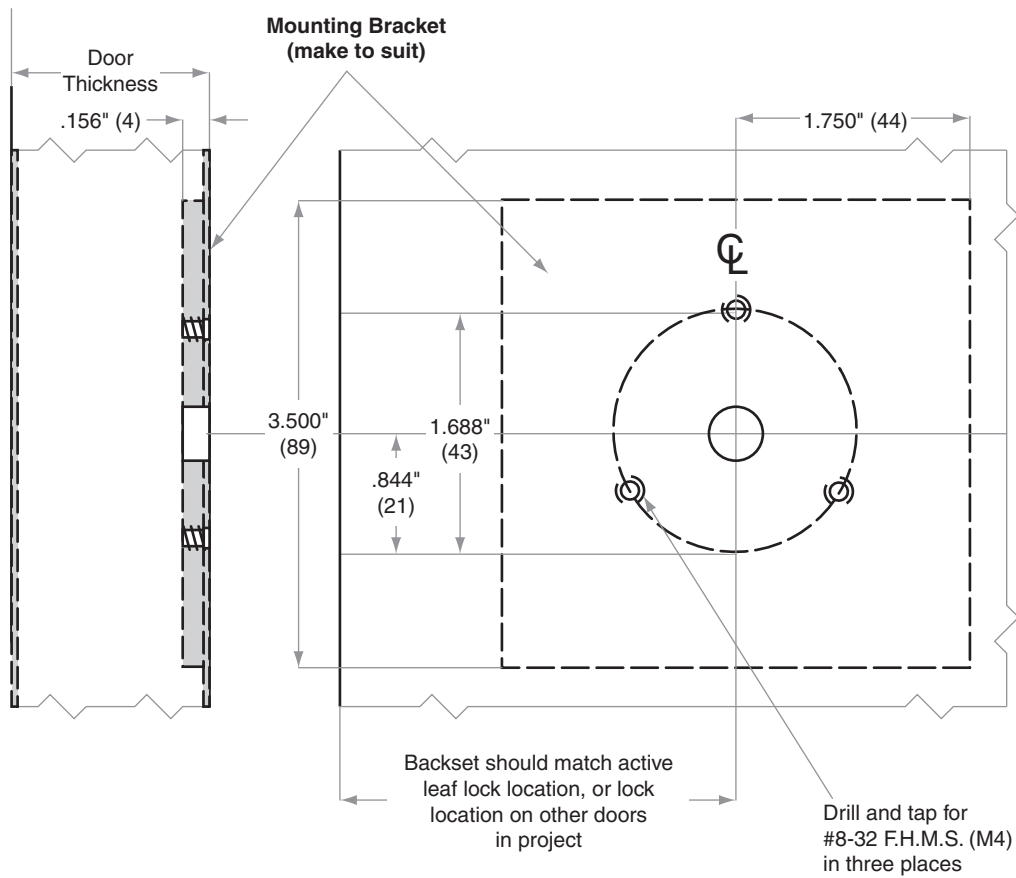


D-Series Knobs

Model D170

Door Type: Metal
Door Thickness: Various
Faceplate: None
Backsets: Any

This door preparation is oriented for Right Hand (RH) and Right Hand Reverse (RHR) doors. For Left Hand (LH) and Left Hand Reverse (LHR) doors, mounting screw location must be rotated 180°



Dimensions shown in parentheses () are in millimeters.

Door preparation template



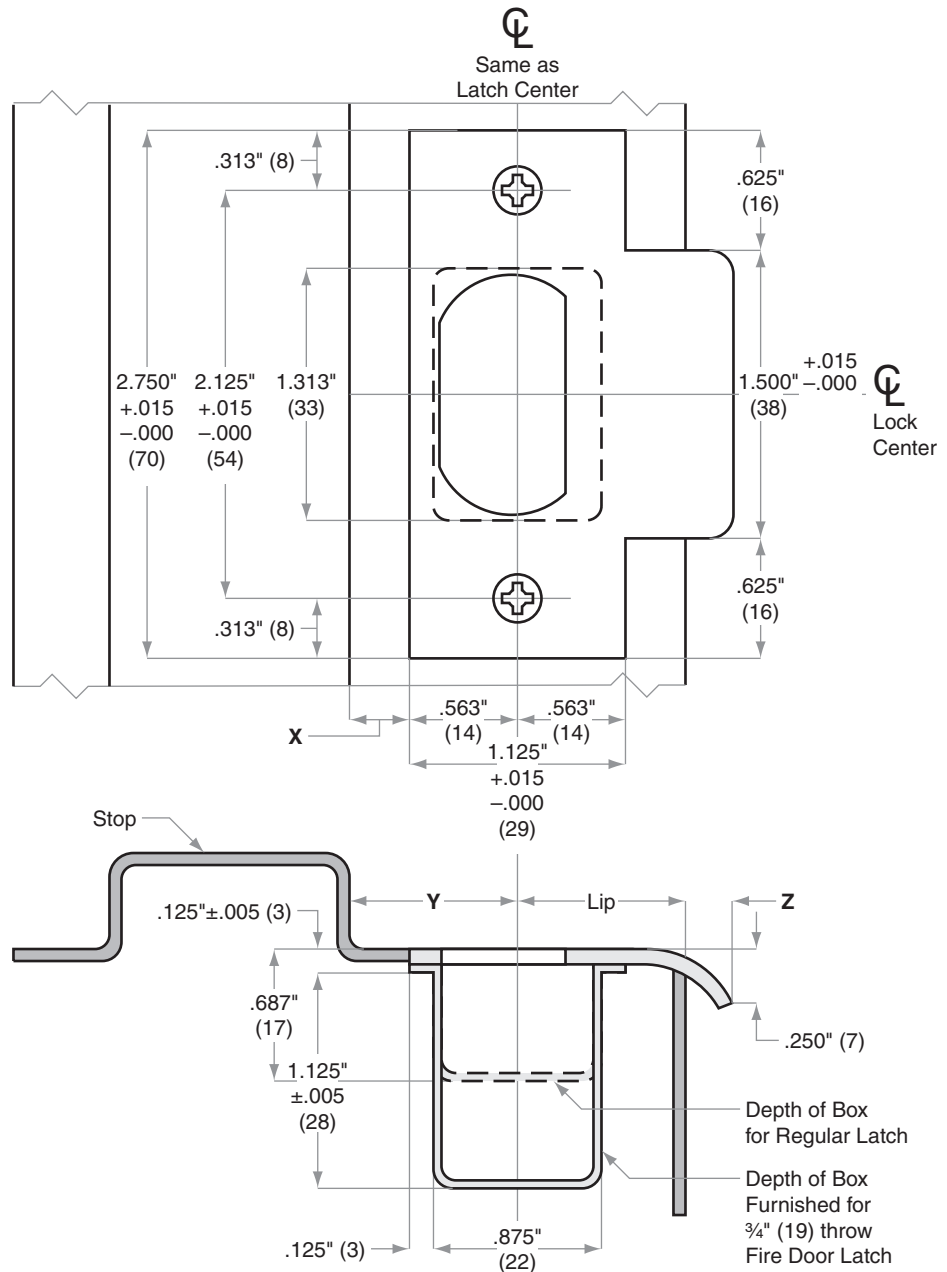
Strikes

Models 10-001, 10-013, 10-016, 10-019

Jamb Type: Metal
 Style: T-Strike, Square Corner
 Standard for: A-Series | B250-Series | S-Series
 Optional for: AL-Series | F-Series | D-Series Knobs | ND-Series Levers

NOTE:

1. Dimensions X and Y are variables dependent on door thickness
2. Curved strike extension beyond jamb at Z must not be less than $\frac{3}{16}$ " (5) to ensure proper functioning of latch bolt
3. $1\frac{1}{8}$ " (29) Lip length for $1\frac{3}{8}$ " (35) to $1\frac{3}{4}$ " (44) doors. Other lengths available
4. Strike location on frames must be adjusted for thickness of door silencers, when used



Dimensions shown in parentheses () are in millimeters.

Door preparation template



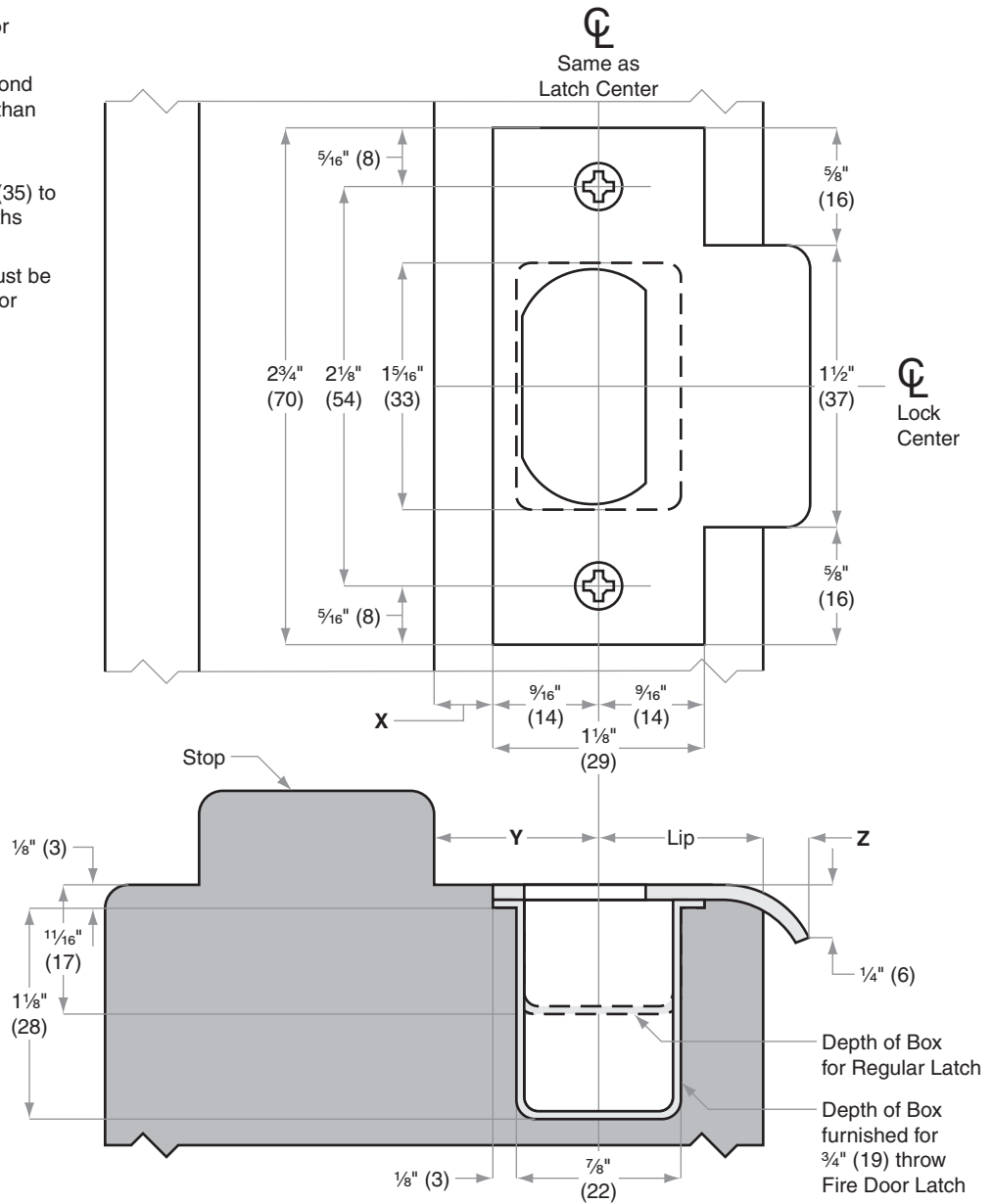
Strikes

Models 10-001, 10-013, 10-016, 10-019

Jamb Type: Wood
Style: T-Strike, Square Corner
Standard for: A-Series | B250-Series | S-Series
Optional for: AL-Series | F-Series | D-Series Knobs | ND-Series Levers

NOTE:

1. Dimensions X, Y and Z are variables dependent on door thickness
2. Curved strike extension beyond jamb at Z must not be less than 3/16" (5) to ensure proper functioning of latch bolt
3. 1 1/8" (29) Lip length for 1 3/8" (35) to 1 3/4" (44) doors. Other lengths available
4. Strike location on frames must be adjusted for thickness of door silencers, when used



Dimensions shown in parentheses () are in millimeters.

Door preparation template



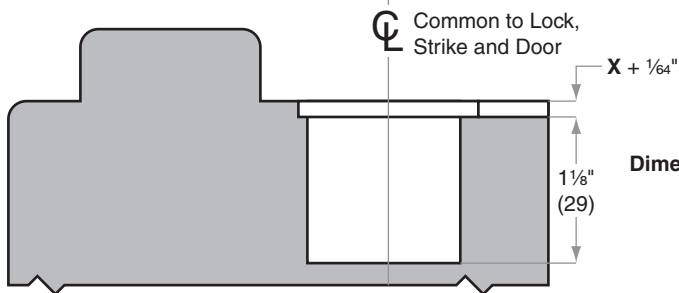
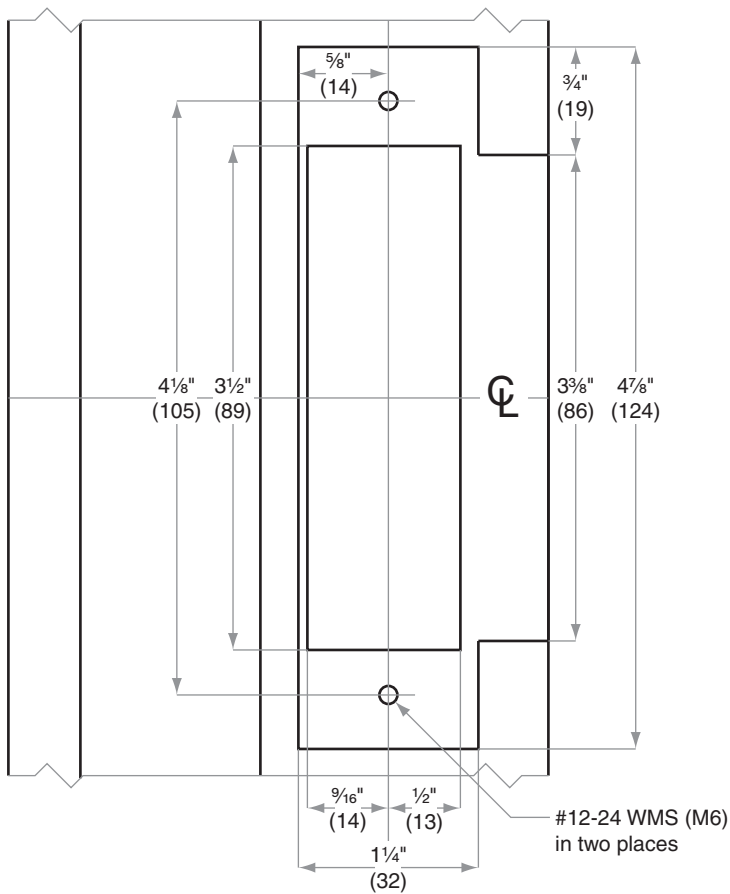
Strikes

Models 10-025, 10-072, 10-087

Jamb Type: Wood
Style: ANSI Standard for 1¾" (44 mm) doors
Standard for: AL-Series (10-025) | D-Series Knobs (10-025) | ND-Series Lever (10-025) | L/LV9000-Series (10-072)
Optional for: A-Series | B250-Series | F-Series | S-Series

NOTE:

1. When reinforcement plate is specified, mortise additional 1/8" (3) to Dimension X
2. Strike location on frames must be adjusted for thickness of door silencers when used



Dimension X: 10-025: 3/32" (2) when strike box not specified
 10-072 and 10-087: 5/32" (4) for strike box, detached

Dimensions shown in parentheses () are in millimeters.

Door preparation template



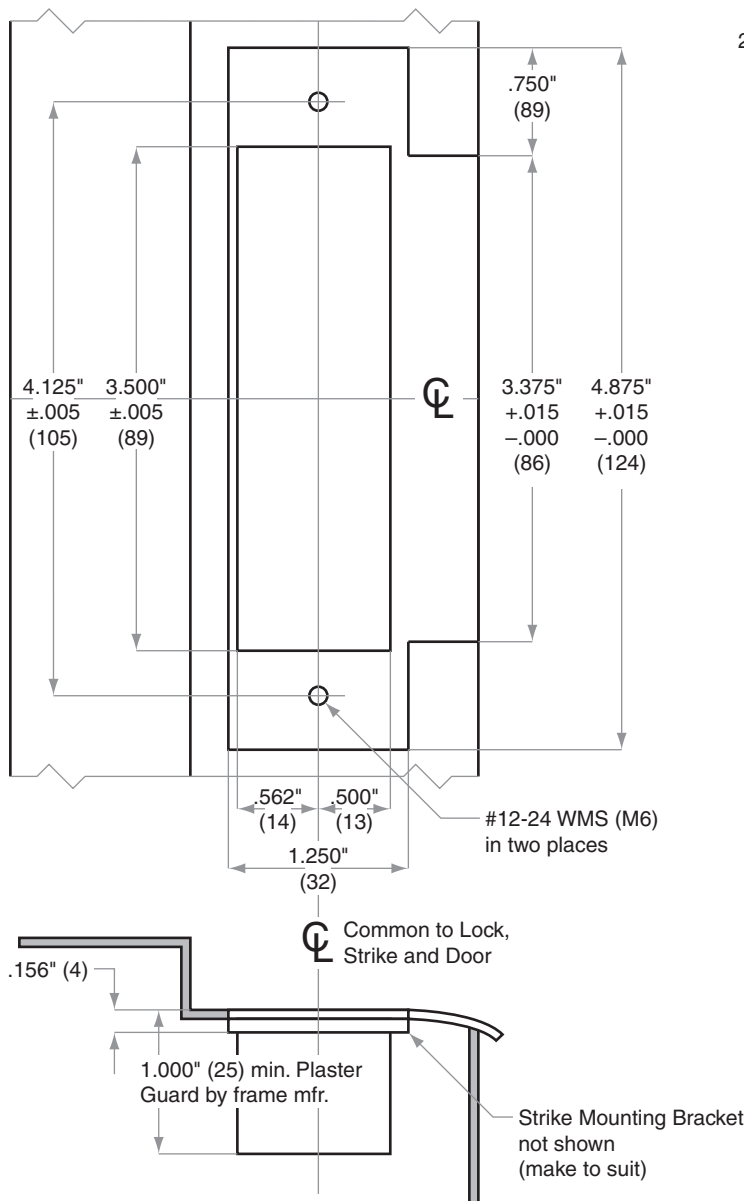
Strikes

Models 10-025, 10-072, 10-087

Jamb Type: Metal
Style: ANSI Standard for 1¾" (44 mm) doors
Standard for: AL-Series (10-025) | D-Series Knobs (10-025) | ND-Series Levers (10-025) | LXLV9000-Series (10-072)
Optional for: A-Series | B250-Series | F-Series | S-Series

NOTE:

1. Strike box furnished detached or 10-072 and 10-087, but not required as Plaster Guard is furnished by frame mfr.
2. Strike location on frames must be adjusted for thickness of door silencers when used



Dimensions shown in parentheses () are in millimeters.

Door preparation template

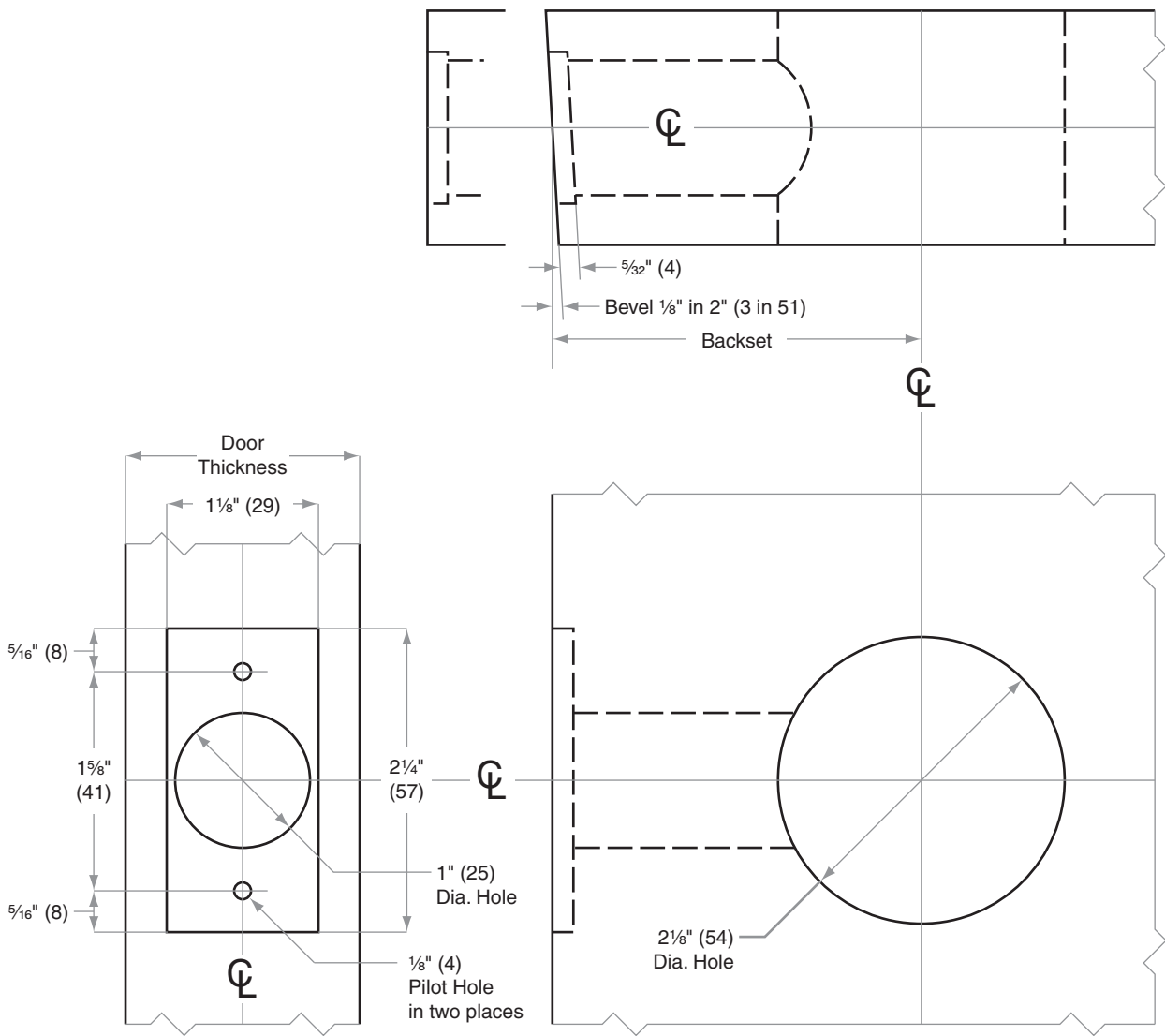


D-Series Knobs

Models D10–D85, D12EL/EU, D80PDEL/EU

- Door Type:** Wood or Composite, Flat or Beveled
Door Thickness: 1 $\frac{1}{8}$ " (35 mm)–2" (51 mm)
Faceplate: Square Corner, 1 $\frac{1}{8}$ " (29 mm) wide
Backsets: 2 $\frac{3}{8}$ " (60 mm), **2 $\frac{3}{4}$ " (70 mm)**, 3 $\frac{3}{4}$ " (95 mm), 5" (127 mm), other

For EL/EU functions, provision must be made to route low voltage wire to lock. **A clearance hole is required to accommodate the rectifier, $\frac{7}{16}$ " (11) diameter by 2 $\frac{7}{8}$ " (73) long.**



Dimensions shown in parentheses () are in millimeters.

Door preparation template

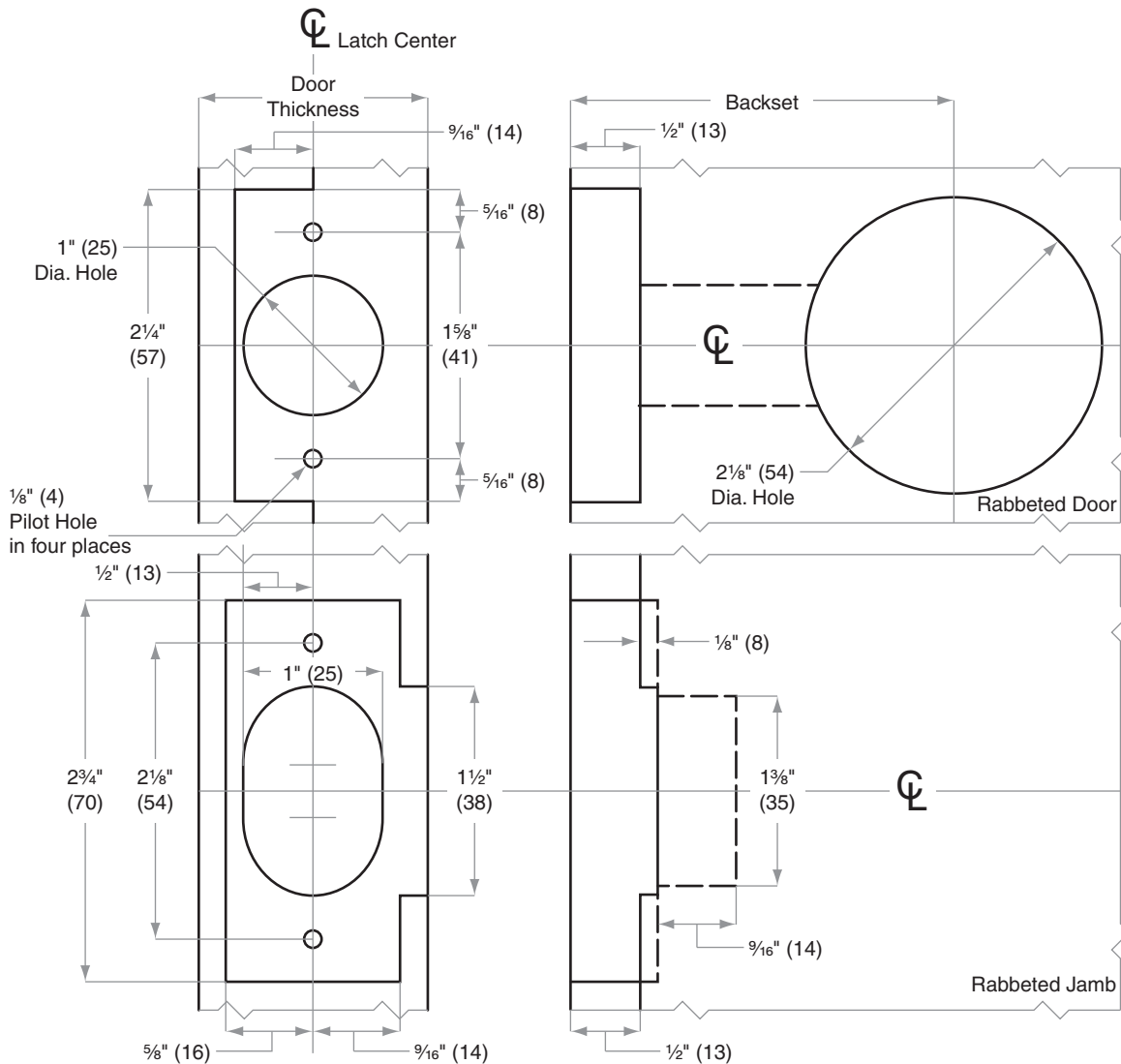


D-Series Knobs

Models D10–D85, D12EL/EU, D80PDEL/EU

- Door Type: Wood or Composite, rabbeted, flat
- Door Thickness: 1 3/8" (35 mm)–2" (51 mm)
- Faceplate: Square Corner, 1 1/8" (25 mm) wide, 1/2" (13 mm) rabbeted and strike
- Backsets: 2 3/8" (60 mm), 2 3/4" (70 mm), 3 3/4" (95 mm), 5" (127 mm), other

For EL/EU functions, provision must be made to route low voltage wire to lock. **A clearance hole is required to accommodate the rectifier, 7/16" (11) diameter by 2 7/8" (73) long.**



Dimensions shown in parentheses () are in millimeters.

Door preparation template

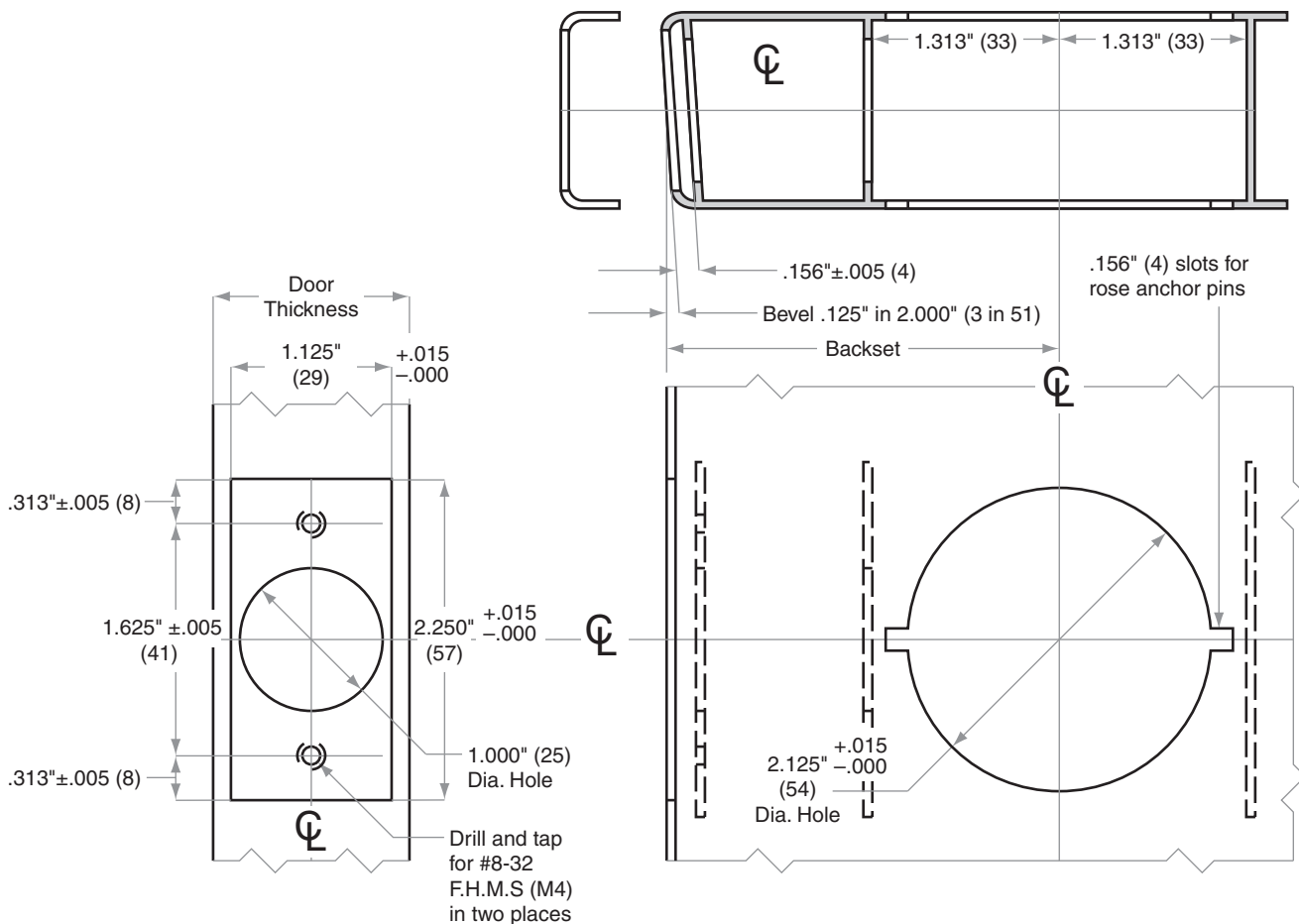


D-Series Knobs

Models D10–D85, D12EL/EU, D80PDEL/EU

- Door Type: Metal, Flat or Beveled
- Door Thickness: 1 $\frac{1}{8}$ " (35 mm)–2" (51 mm)
- Faceplate: Square Corner, 1 $\frac{1}{8}$ " (29 mm) wide
- Backsets: 2 $\frac{3}{8}$ " (60 mm), **2 $\frac{3}{4}$ " (70 mm)**, 3 $\frac{3}{4}$ " (95 mm), 5" (127 mm), other

For metal door installations, suitable reinforcement is required to support latch in center of door and to prevent lateral movement



Dimensions shown in parentheses () are in millimeters.

Door preparation template

D865

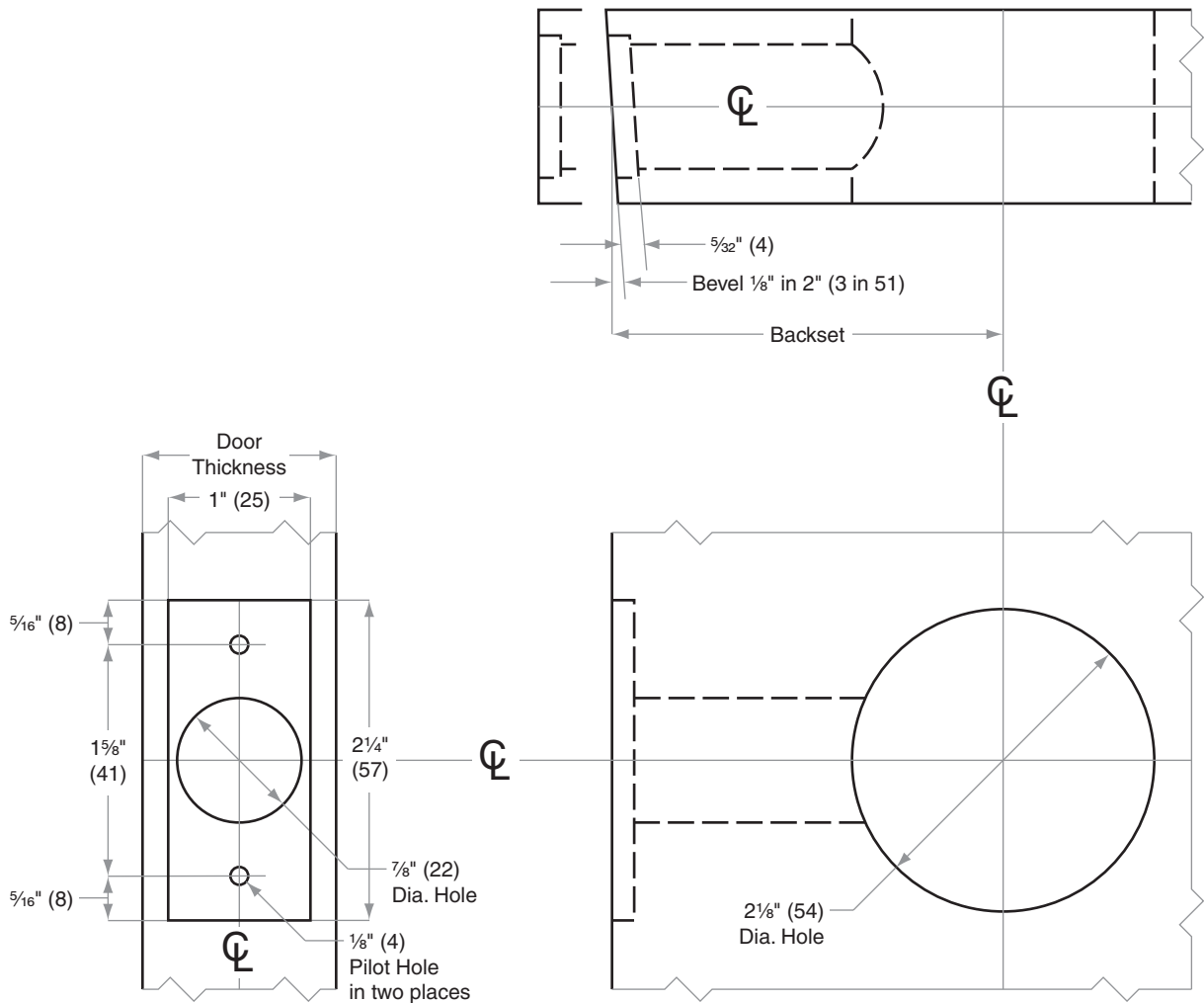


D-Series Knobs

Models D10–D85, D12EL/EU, D80PDEL/EU

- Door Type: Wood or Composite, Flat or Beveled
- Door Thickness: 1 $\frac{3}{8}$ " (35 mm)–2" (51 mm)
- Faceplate: Square Corner, 1" (25 mm) wide
- Backsets: 2 $\frac{3}{8}$ " (60 mm), 2 $\frac{3}{4}$ " (70 mm), 3 $\frac{3}{4}$ " (95 mm), 5" (127 mm), other

For EL/EU functions, provision must be made to route low voltage wire to lock. **A clearance hole is required to accommodate the rectifier, $\frac{7}{16}$ " (11) diameter by $2\frac{7}{8}$ " (73) long.**



Dimensions shown in parentheses () are in millimeters.

Door preparation template



H

-series-

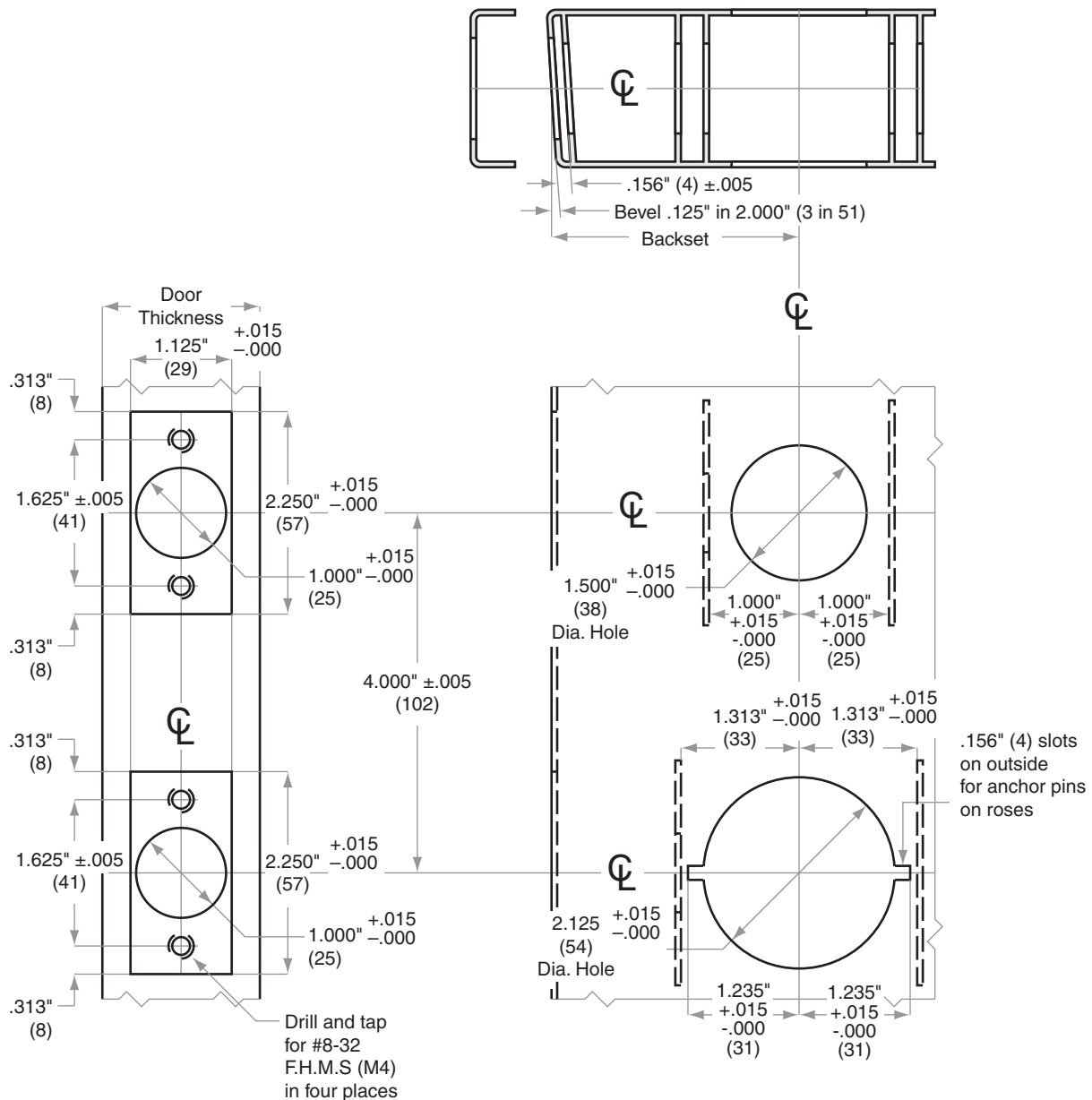


H-Series

H110, H153, H180, H185

Door Type: Metal, Flat or Beveled
 Door Thickness: $1\frac{1}{8}$ " (35 mm)– $1\frac{3}{4}$ " (44 mm)
 Faceplate: Square Corner, $1\frac{1}{8}$ " (29 mm) wide
 Backsets: $2\frac{3}{8}$ " (60 mm) | $2\frac{3}{4}$ " (70 mm)

For metal door installations, suitable reinforcement is required to support latch in center of door to prevent lateral movement



Dimensions shown in parentheses () are in millimeters.

Door preparation template

H872

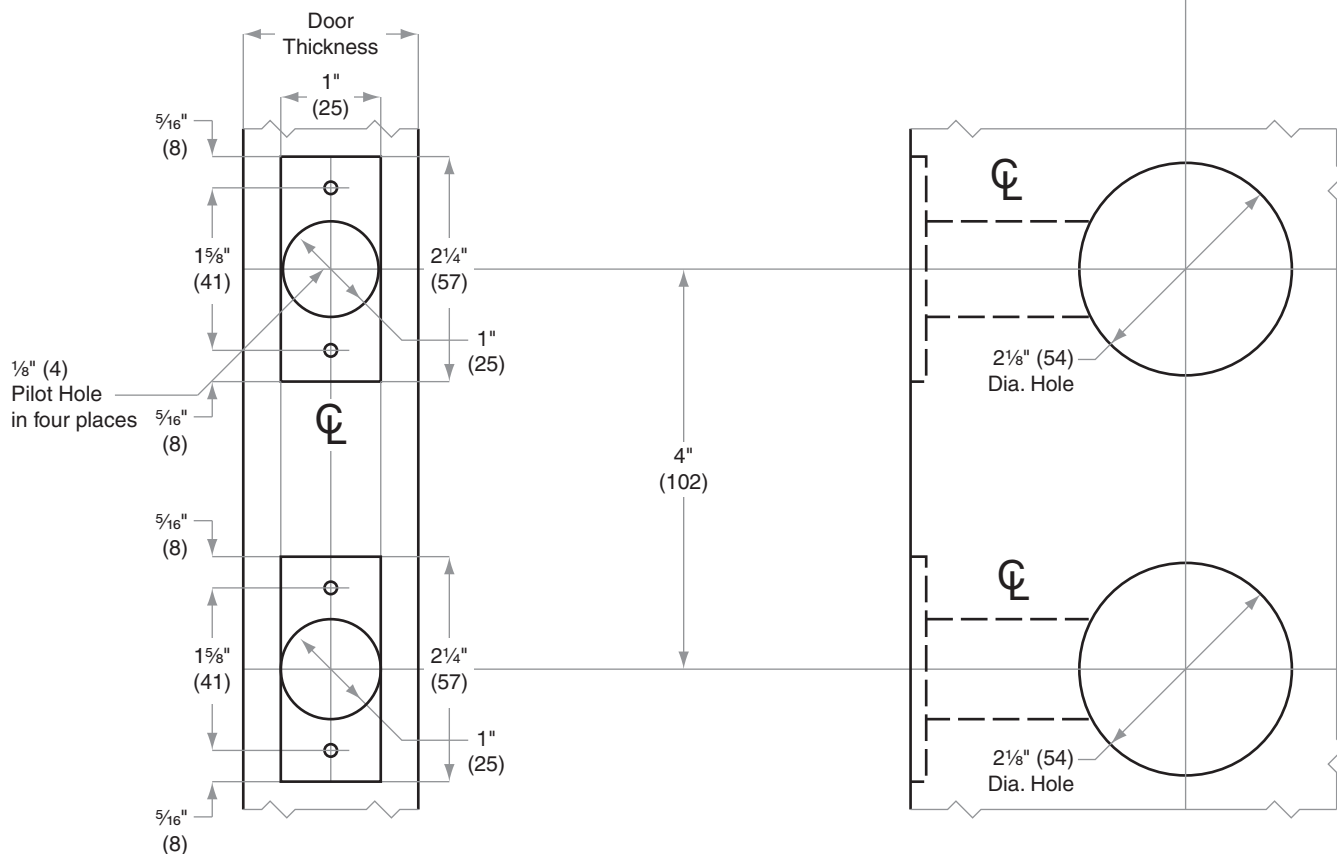
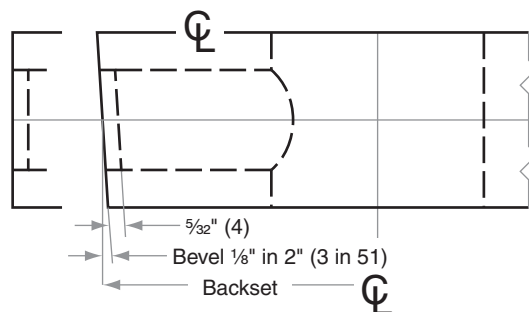


H-Series

H110H, H153H, H180H, H185H

- Door Type: Wood or Composite, Flat or Beveled
- Door Thickness: 1 $\frac{3}{8}$ " (35 mm)–1 $\frac{3}{4}$ " (44 mm)
- Faceplate: Square Corner, 1" (25 mm) wide
- Backsets: 2 $\frac{3}{8}$ " (60 mm) | 2 $\frac{3}{4}$ " (70 mm)

This template is for use with the adapter ring for a 2 $\frac{1}{8}$ " (54) prepped hole, both upper and lower



Dimensions shown in parentheses () are in millimeters.

Door preparation template

H769

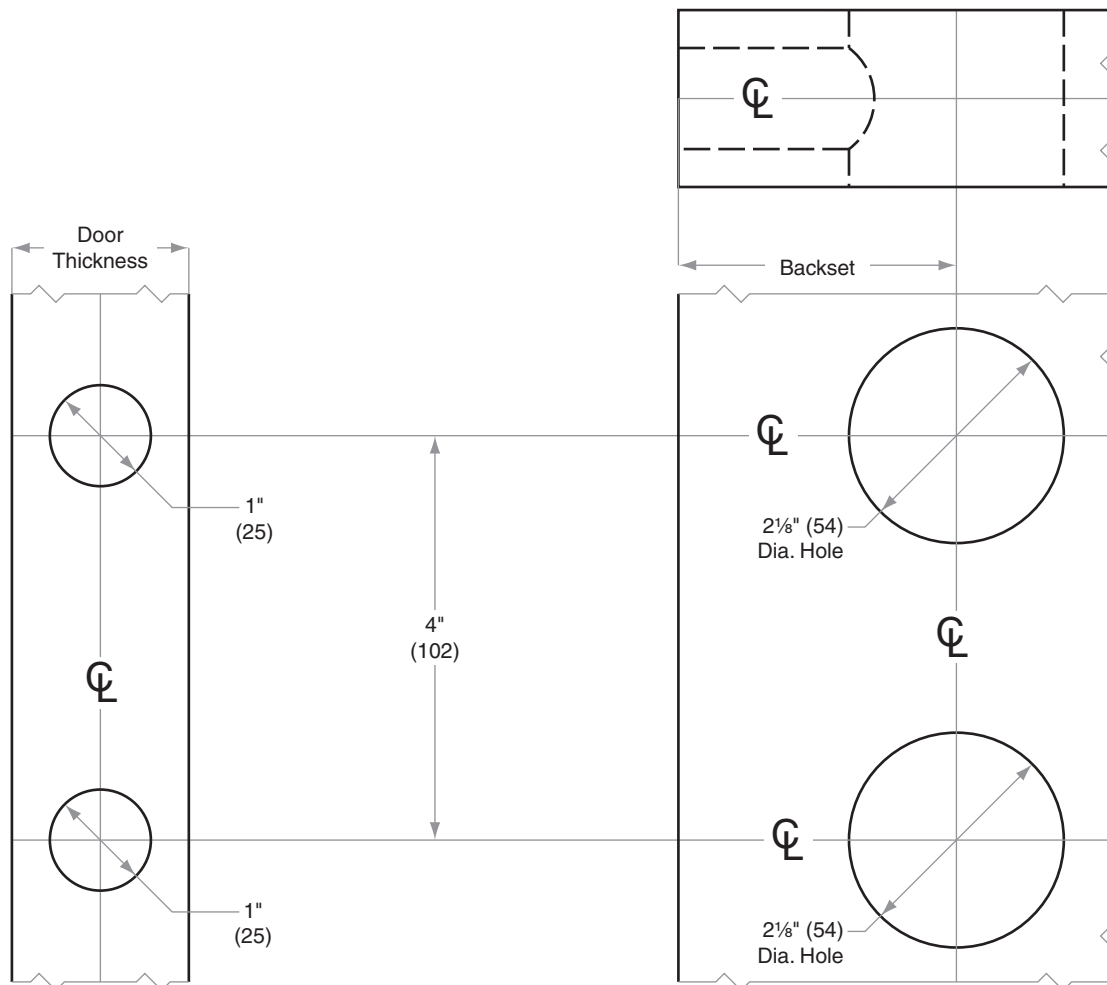


H-Series

H110H, H153H, H180H, H185H

- Door Type: Wood or Composite, Flat
- Door Thickness: $1\frac{3}{8}$ " (35 mm)– $1\frac{3}{4}$ " (44 mm)
- Faceplate: Circular Drive-In
- Backsets: $2\frac{3}{8}$ " (60 mm) | $2\frac{3}{4}$ " (70 mm)

This template is for use with the adapter ring for a $2\frac{1}{8}$ " (54) prepped hole, both upper and lower



Dimensions shown in parentheses () are in millimeters.

Door preparation template

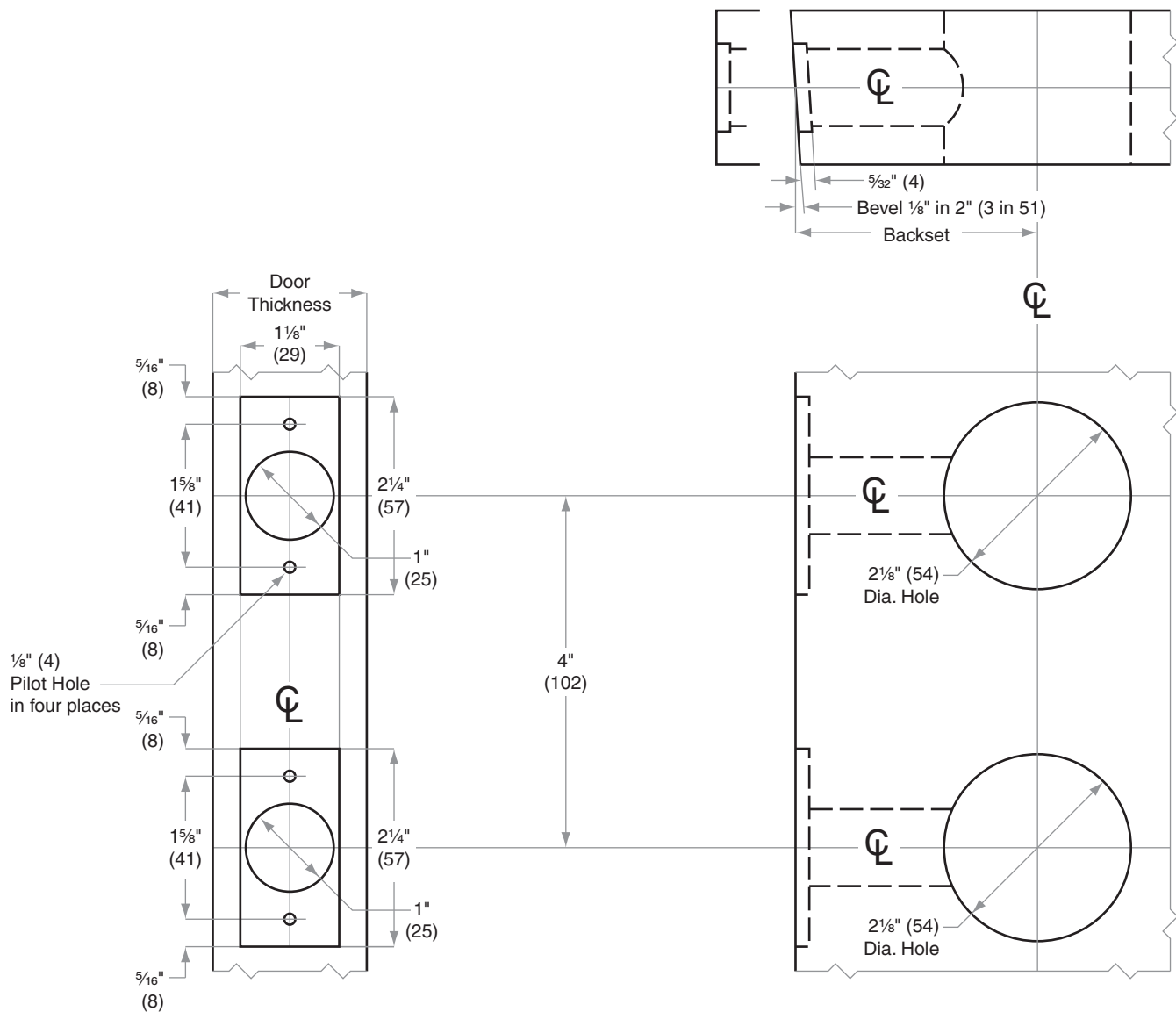


H-Series

H110H, H153H, H180H, H185H

Door Type: Wood or Composite, Flat or Beveled
Door Thickness: $1\frac{3}{8}$ " (35 mm)– $1\frac{3}{4}$ " (44 mm)
Faceplate: Square Corner, $1\frac{1}{8}$ " (29 mm) wide
Backsets: $2\frac{3}{8}$ " (60 mm) | $2\frac{3}{4}$ " (70 mm)

This template is for use with the adapter ring for a $2\frac{1}{8}$ " (54) prepped hole, both upper and lower



Dimensions shown in parentheses () are in millimeters.

Door preparation template

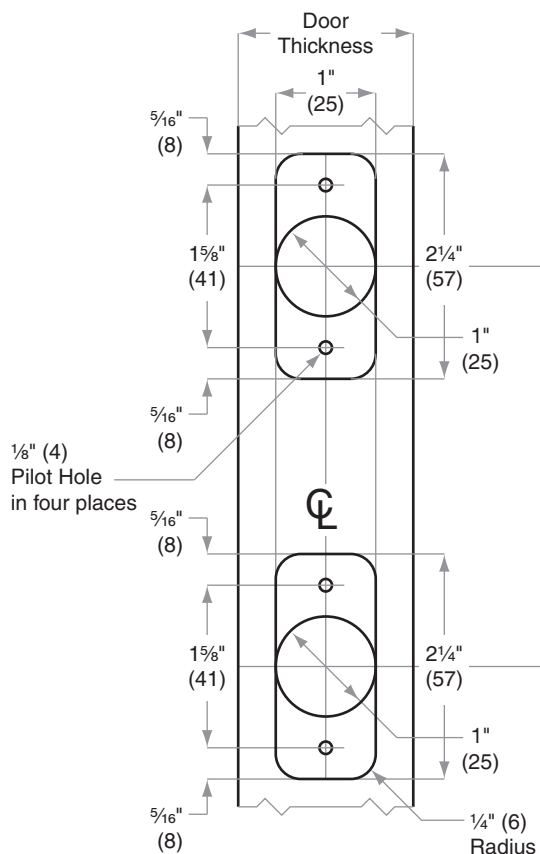
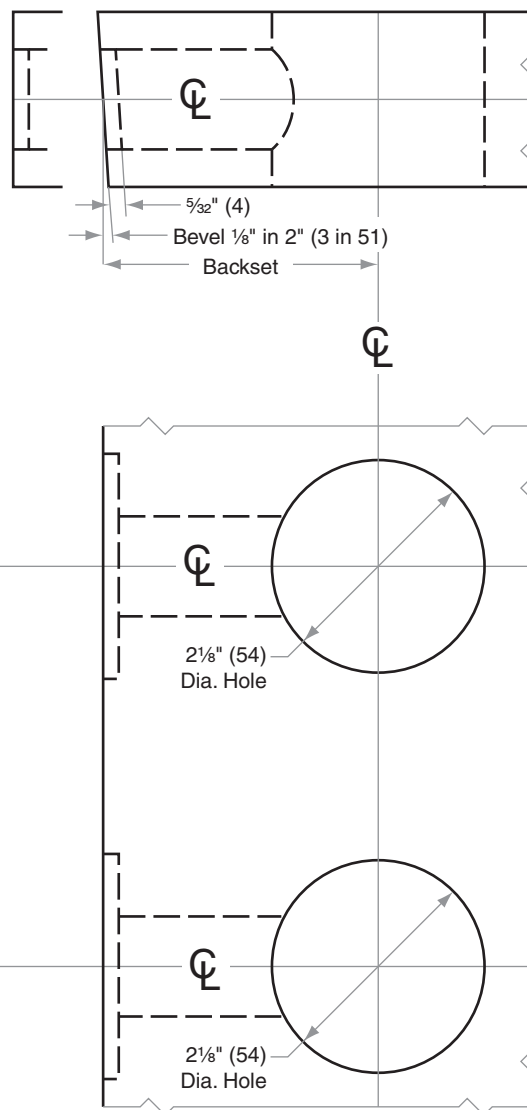


H-Series

H110H, H153H, H180H, H185H

- Door Type: Wood or Composite, Flat or Beveled
- Door Thickness: $1\frac{3}{8}$ " (35 mm)– $1\frac{3}{4}$ " (44 mm)
- Faceplate: Round Corner, $\frac{1}{4}$ " (6 mm) Radius, 1" (25 mm) wide
- Backsets: $2\frac{3}{8}$ " (60 mm) | $2\frac{3}{4}$ " (70 mm)

This template is for use with the adapter ring for a $2\frac{1}{8}$ " (54) prepped hole, both upper and lower



Dimensions shown in parentheses () are in millimeters.

Door preparation template



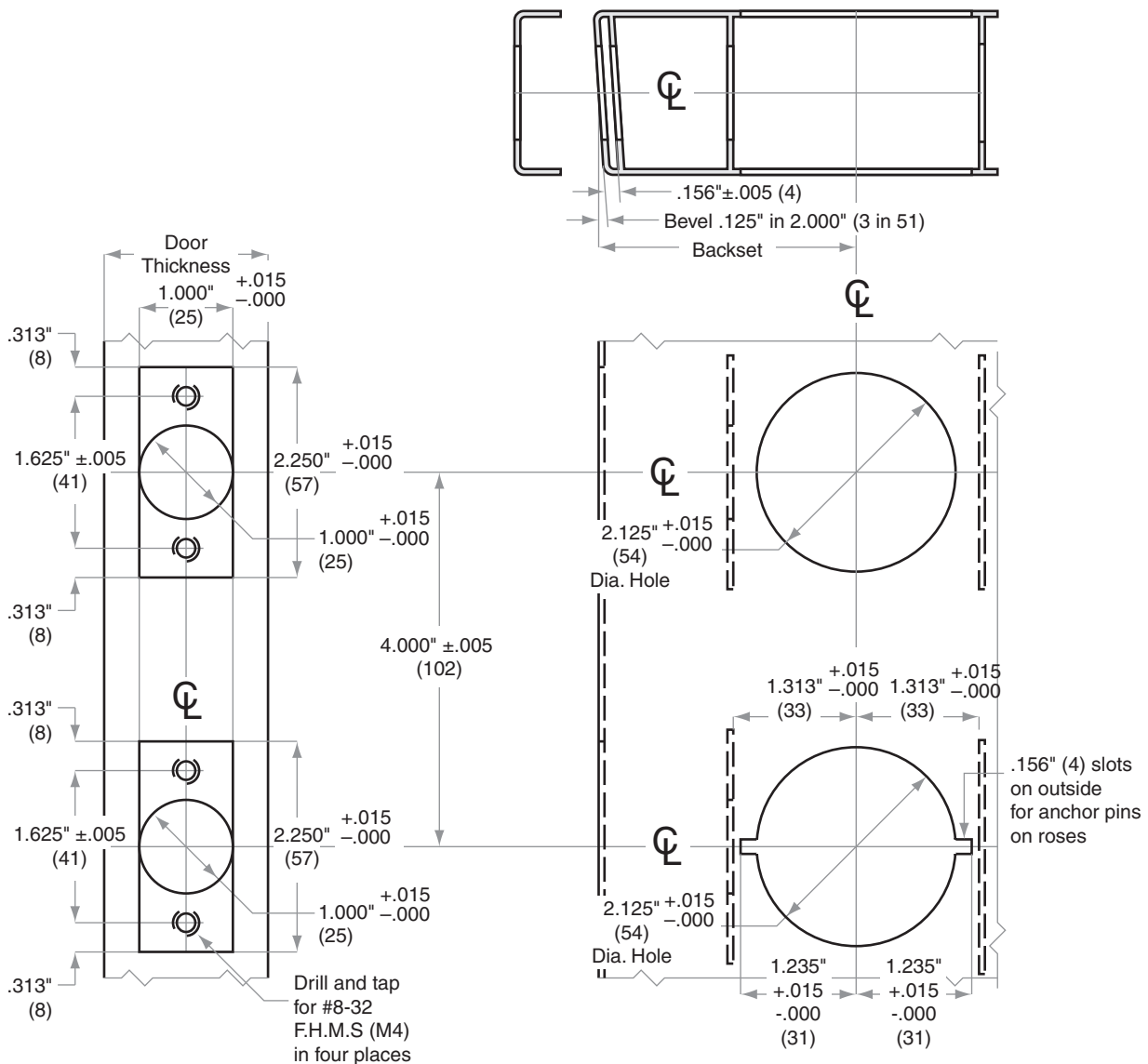
H-Series

H110H, H153H, H180H, H185H

Door Type: Metal, Flat or Beveled
 Door Thickness: 1 $\frac{1}{8}$ " (35 mm)–1 $\frac{3}{4}$ " (44 mm)
 Faceplate: Square Corner, 1" (25 mm) wide
 Backsets: 2 $\frac{3}{8}$ " (60 mm) | 2 $\frac{3}{4}$ " (70 mm)

For metal door installations, suitable reinforcement is required to support latch in center of door to prevent lateral movement

This template is for use with the adapter ring for a 2 $\frac{1}{8}$ " (54) prepped hole, both upper and lower



Dimensions shown in parentheses () are in millimeters.

Door preparation template

H873

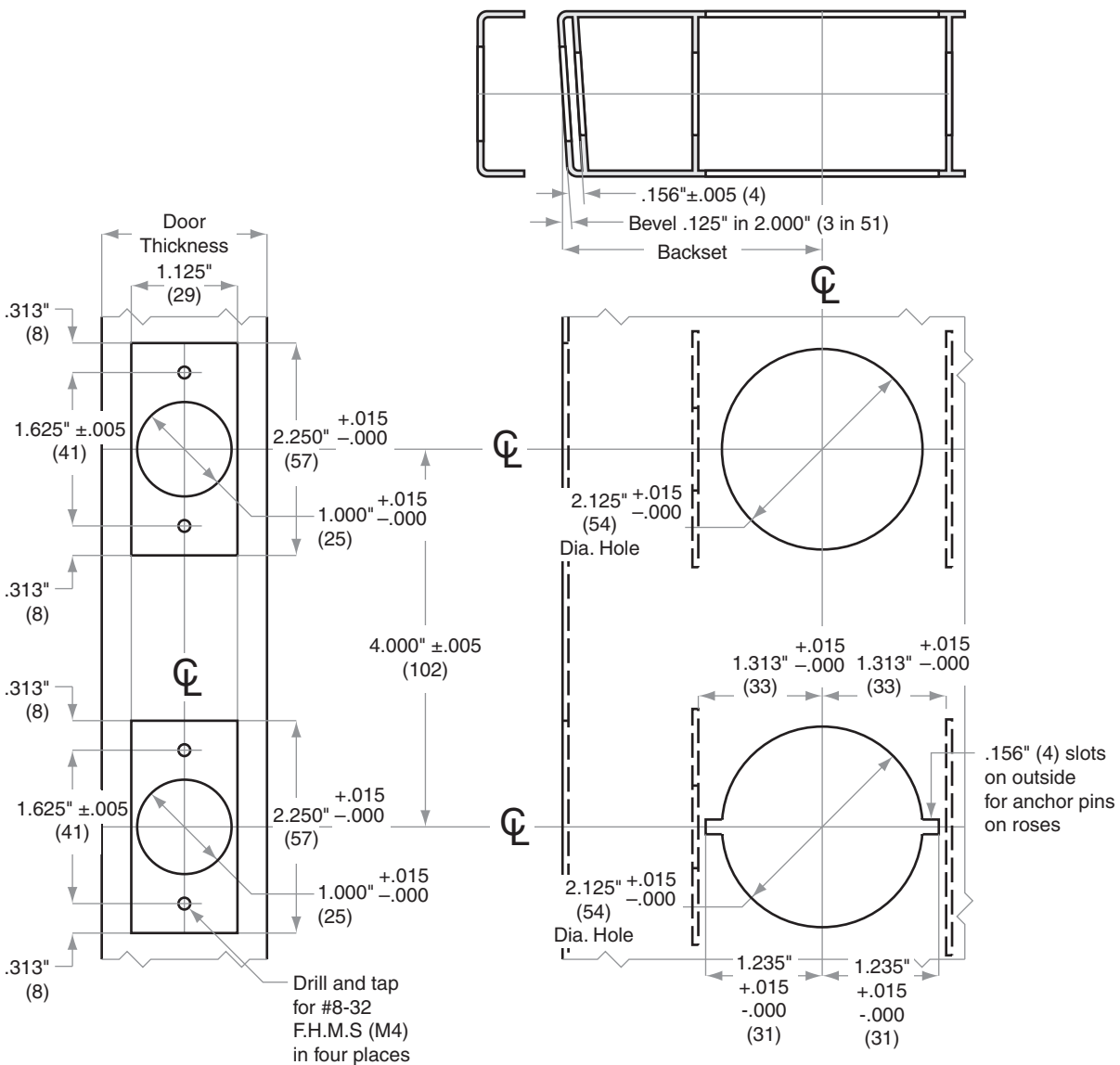
H-Series

H110H, H153H, H180H, H185H

Door Type: Metal, Flat or Beveled
 Door Thickness: 1 $\frac{3}{8}$ " (35 mm)–1 $\frac{3}{4}$ " (44 mm)
 Faceplate: Square Corner, 1 $\frac{1}{8}$ " (29 mm) wide
 Backsets: 2 $\frac{3}{8}$ " (60 mm) | 2 $\frac{3}{4}$ " (70 mm)

For metal door installations, suitable reinforcement is required to support latch in center of door to prevent lateral movement

This template is for use with the adapter ring for a 2 $\frac{1}{8}$ " (54) prepped hole, both upper and lower



Dimensions shown in parentheses () are in millimeters.

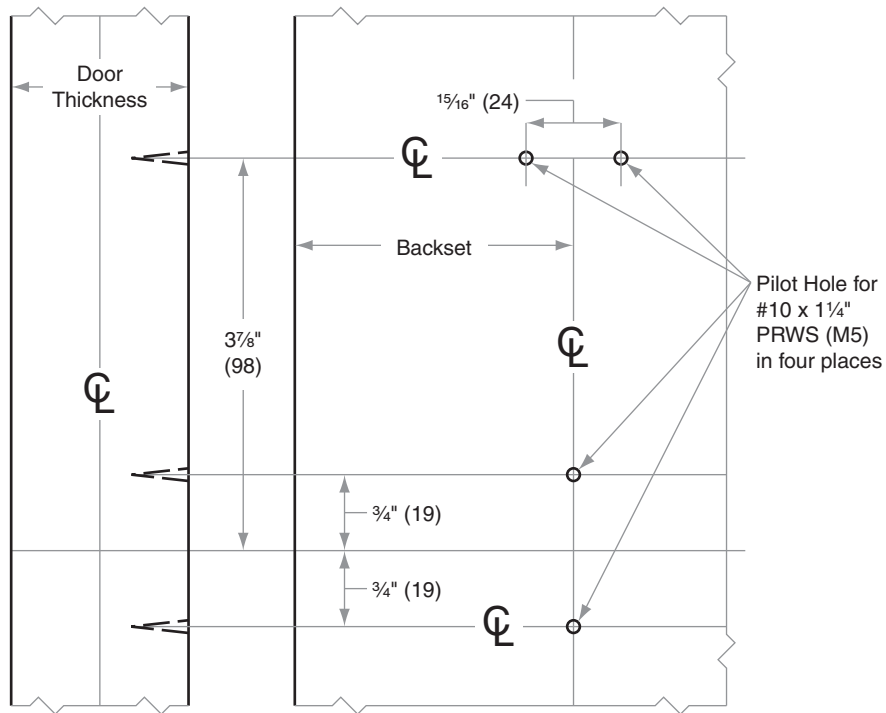
Door preparation template



H-Series

H170

Door Type: Wood or Composite
Door Thickness: Various, surface mounted
Faceplate: None
Backsets: Any



Dimensions shown in parentheses () are in millimeters.

Door preparation template



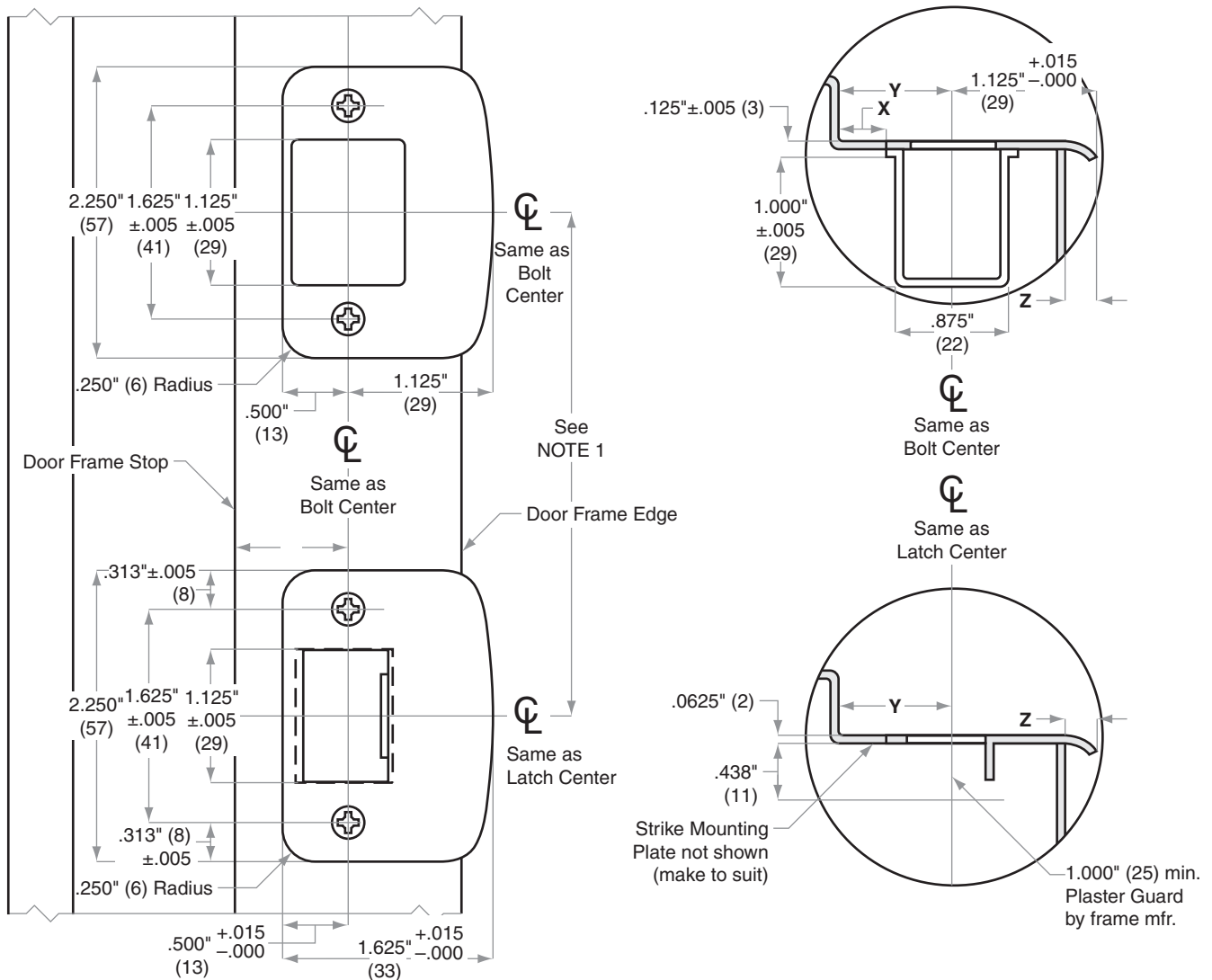
Strikes, Combination

Model 10-257=10-092x10-027

Jamb Type: Metal
 Style: Combination
 Standard for:
 Optional for: F/FA300-Series | H-Series | S200-Series

NOTE:

- 4.000" (102) For H- and S200-Series
 4.000" (102) minimum for F360/362
 5.500" (138) minimum for FA360/362
- Dimensions X, Y and Z are variables dependent on door thickness
- Strike location on frames must be adjusted for thickness of door silencers when used



Dimensions shown in parentheses () are in millimeters.

Door preparation template

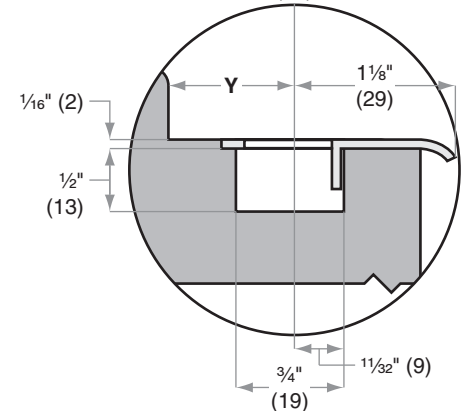
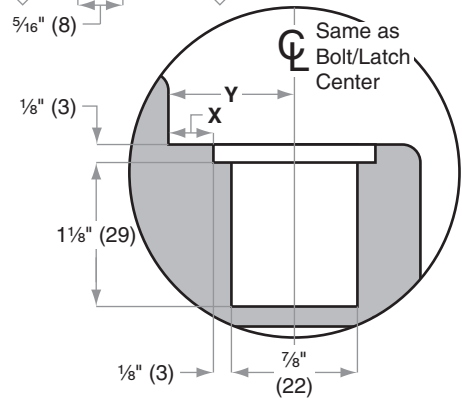
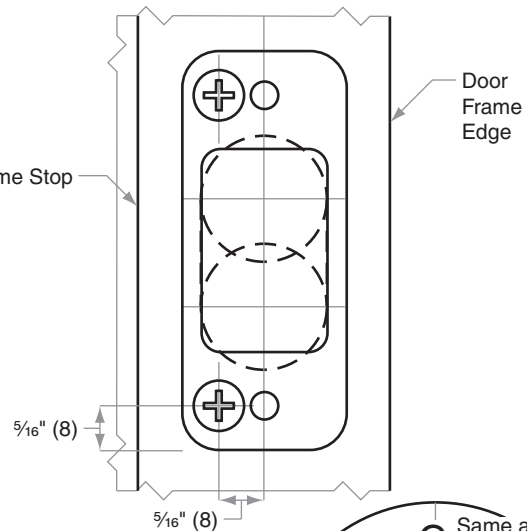
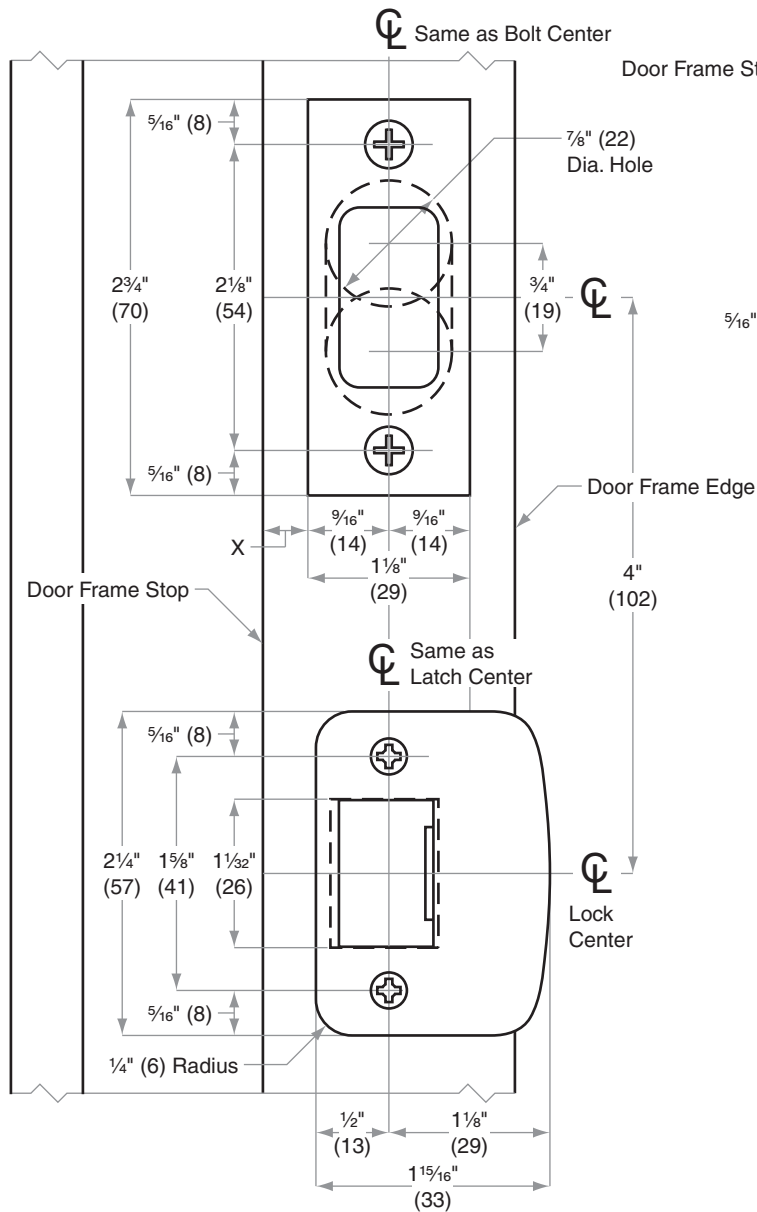


Strikes, Combination

Model 10-255=10-055x10-027

Jamb Type: Wood
 Style: Combination
 Standard for:
 Optional for: H-Series | S200-Series

- NOTE:
- When strike/frame reinforcer is used, additional preparation is required:
2 Pilot Holes and 1/8" (3) deeper mortise
 - Dimensions X and Y are variables dependent on door thickness



Dimensions shown in parentheses () are in millimeters.

Door preparation template



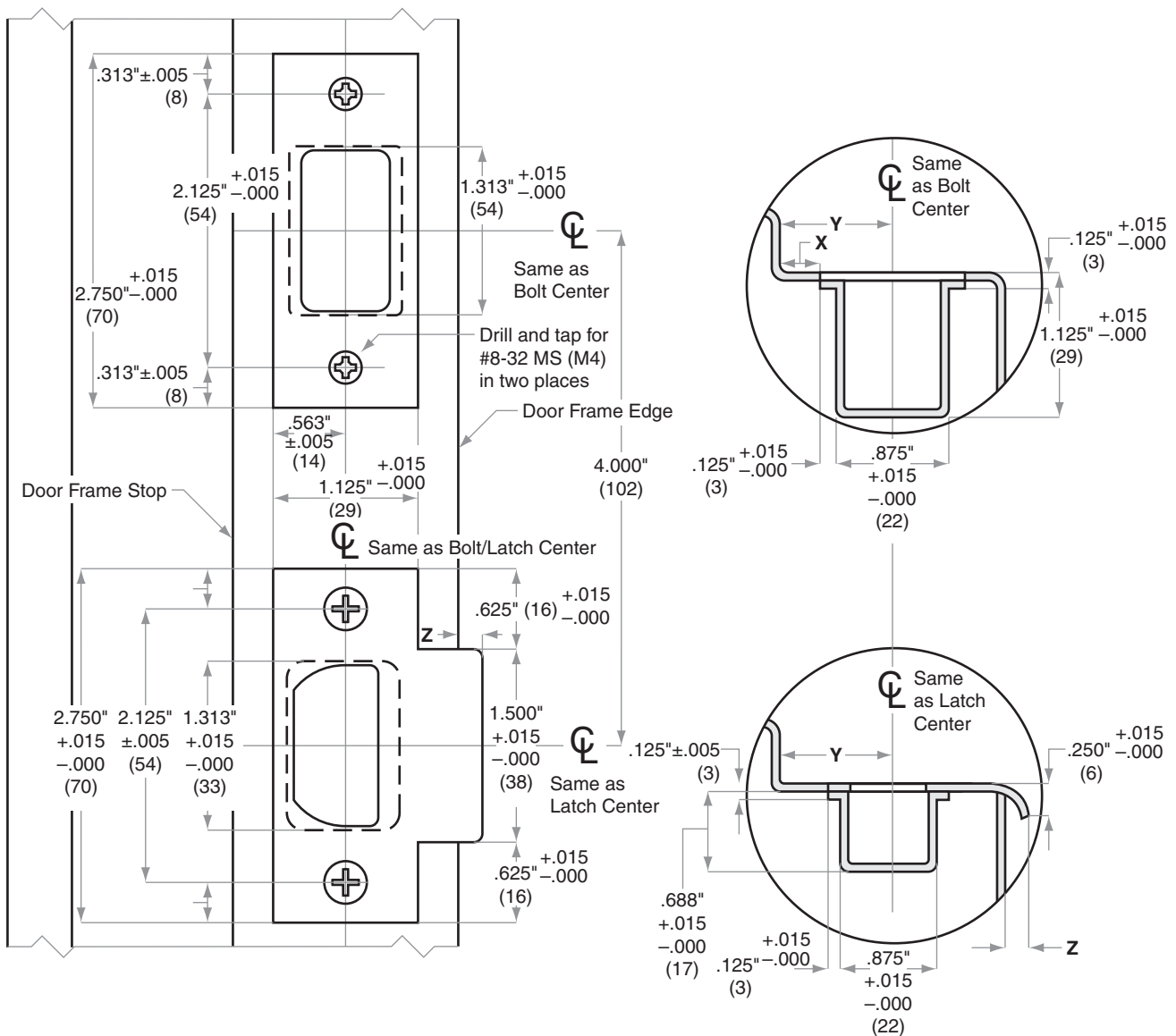
Strikes, Combination

Model 10-250=10-055x10-001

Jamb Type: Metal
 Style: Combination
 Standard for: H-Series | S200-Series
 Optional for:

NOTE:

1. Dimensions X, Y and Z are variables dependent on door thickness
2. Curved strike extension beyond jamb at Z must not be less than 3/16" (5) to ensure proper functioning of latch bolt



Dimensions shown in parentheses () are in millimeters.

Door preparation template

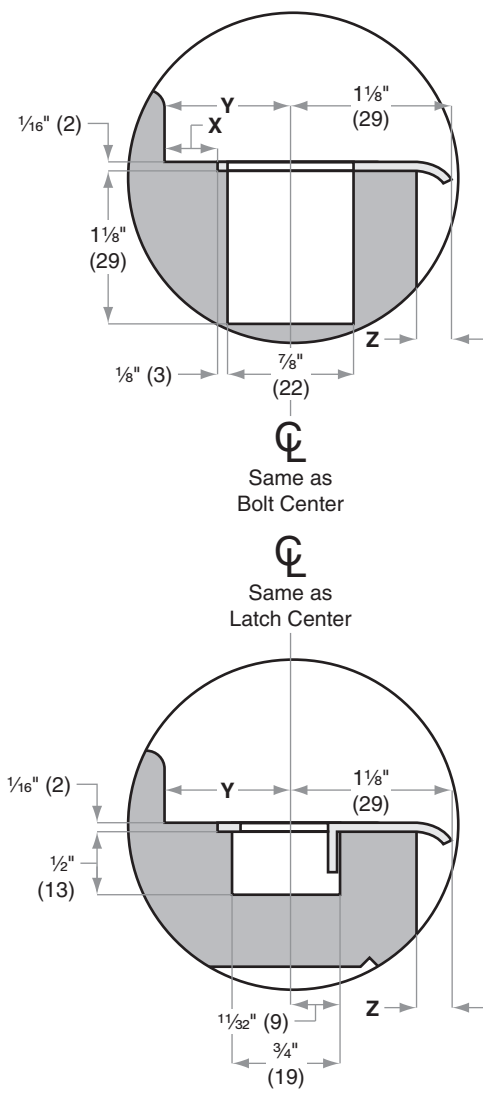
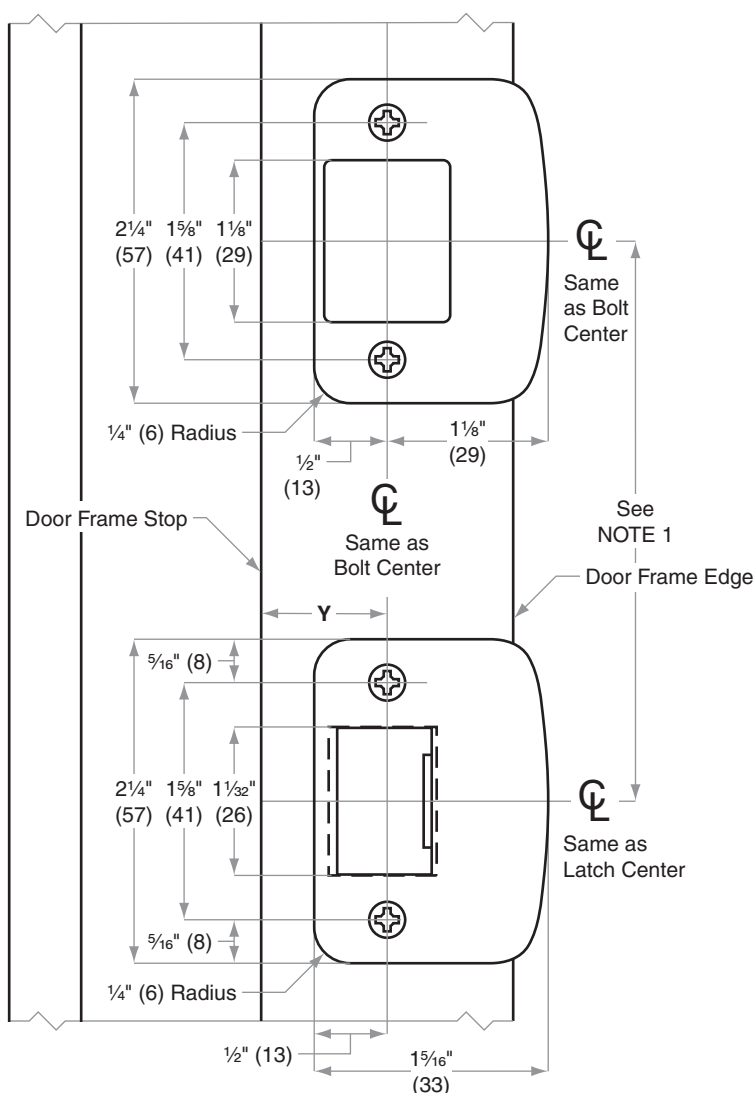
Strikes, Combination

Model 10-257=10-092x10-027

Jamb Type: Wood
 Style: Combination
 Standard for:
 Optional for: F/FA300-Series | H-Series | S200-Series

NOTE:

- 4" (102) For H- and S200-Series
 4" (102) minimum for F360/362
 5½" (138) minimum for FA360/362
- Dimensions X, Y and Z are variables dependent on door thickness
- Strike location on frames must be adjusted for thickness of door silencers when used



Dimensions shown in parentheses () are in millimeters.

Door preparation template

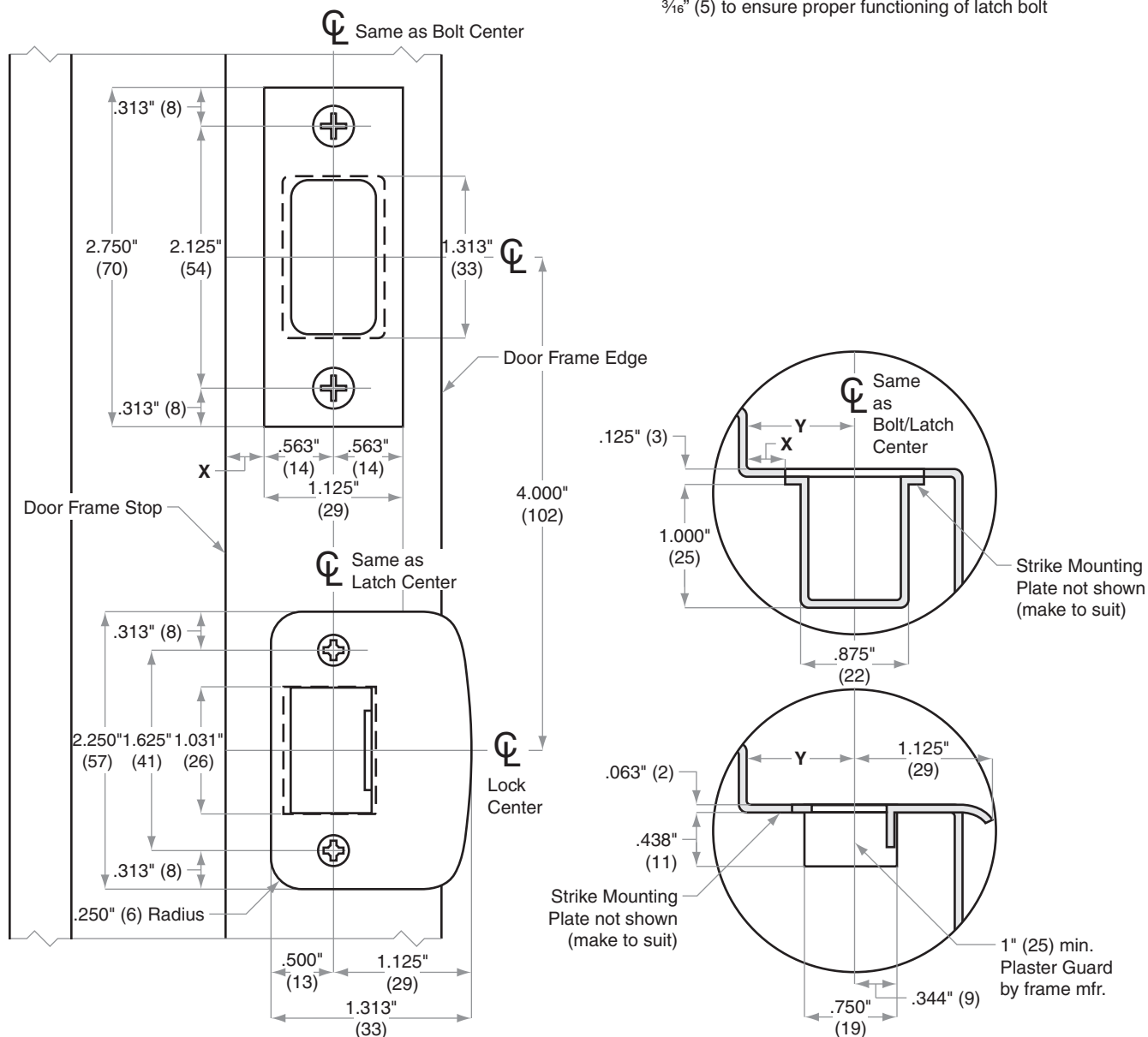


Strikes, Combination

Model 10-255=10-055x10-027

Jamb Type: Metal
 Style: Combination
 Standard for:
 Optional for: H-Series | S200-Series

- NOTE:
1. Dimensions X and Y are variables dependent on door thickness
 2. Distance from upper strike to lower strike same as latch and bolt
 3. Curved strike extension beyond jamb at Z must not be less than 3/16" (5) to ensure proper functioning of latch bolt



Dimensions shown in parentheses () are in millimeters.

Door preparation template

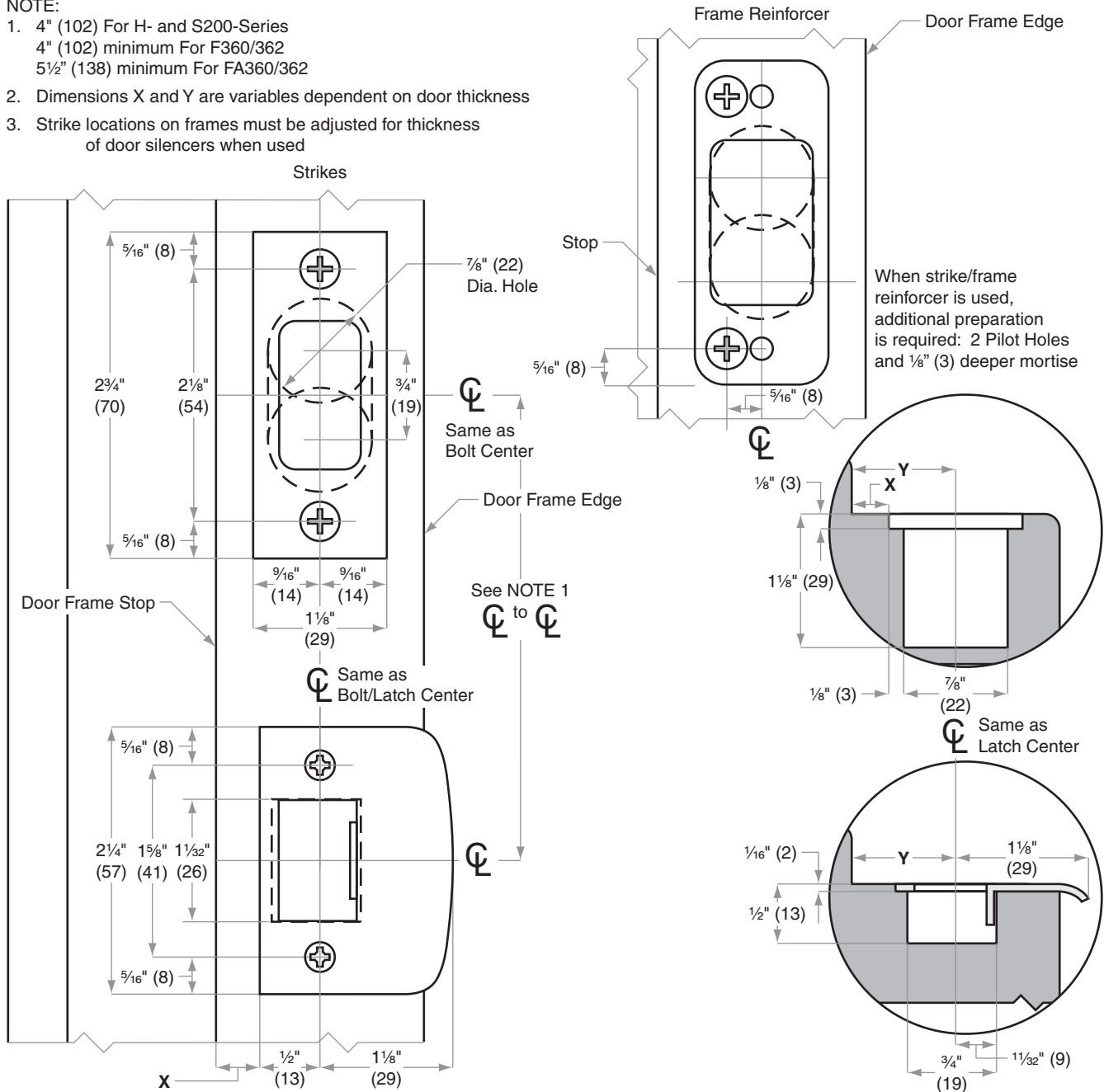
Strikes, Combination

Models 10-252=10-055x10-026, 10-254=10-094x10-026,
10-248=10-063x10-094

Jamb Type: Wood
 Style: Combination
 Standard for: F300-Series
 Optional for: H-Series | S200-Series

NOTE:

- 4" (102) For H- and S200-Series
 4" (102) minimum For F360/362
 5½" (138) minimum For FA360/362
- Dimensions X and Y are variables dependent on door thickness
- Strike locations on frames must be adjusted for thickness of door silencers when used



Dimensions shown in parentheses () are in millimeters.

Door preparation template

J905

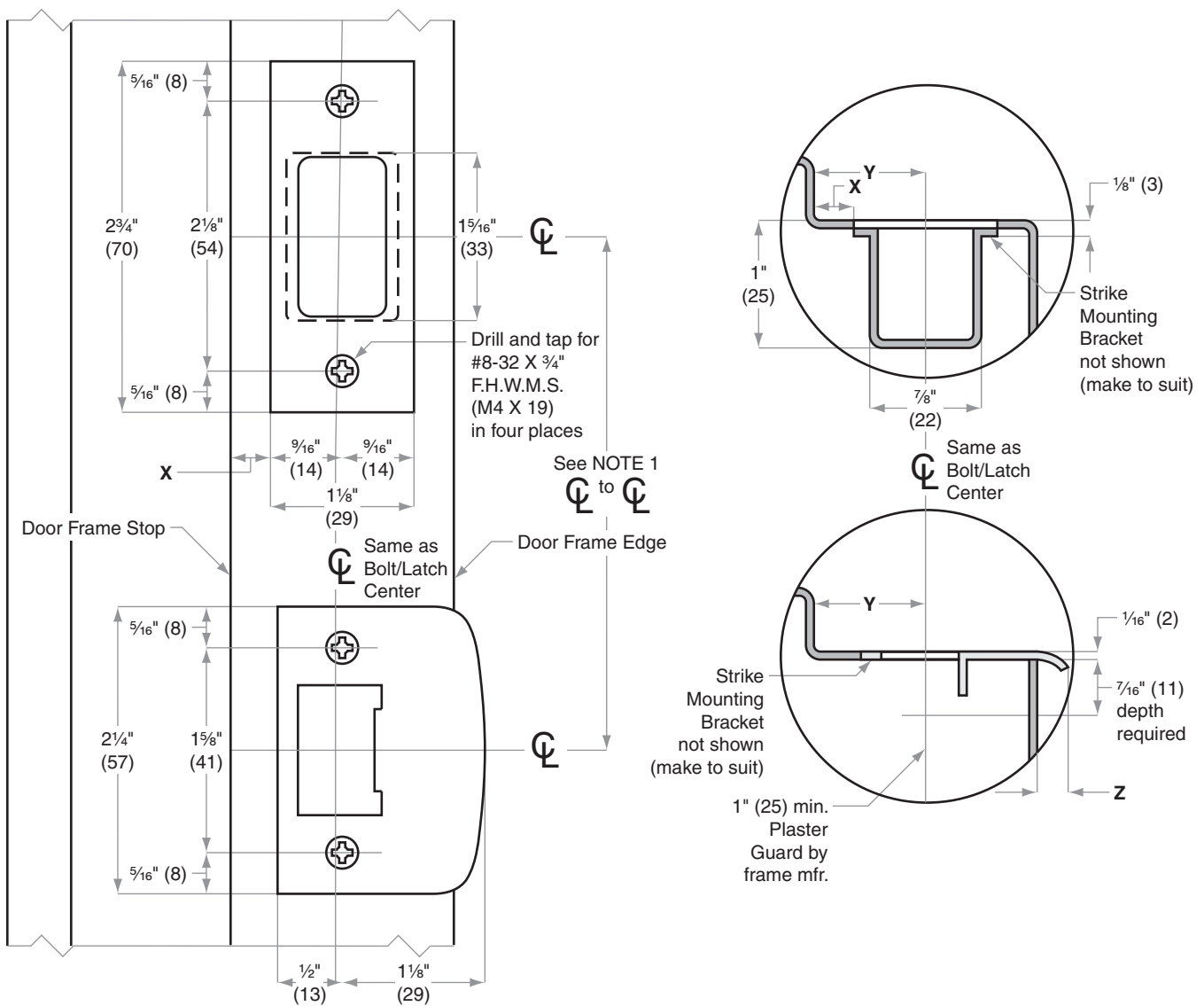
Strikes, Combination

Models 10-252=10-055x10-026, 10-254=10-094x10-026,
10-248=10-063x10-094

Jamb Type: Metal
 Style: Combination
 Standard for: F300-Series
 Optional for: H-Series | S200-Series

NOTE:

- 4" (102) For H- and S200-Series
 4" (102) minimum for F360/362
 5½" (138) minimum for FA360/362
- Dimensions X, Y and Z are variables dependent on door thickness
- Curved strike extension beyond jamb at Z must not be less than ¾" (5) to ensure proper functioning of latch bolt
- Strike location on frames must be adjusted for thickness of door silencers when used



Dimensions shown in parentheses () are in millimeters.

Door preparation template

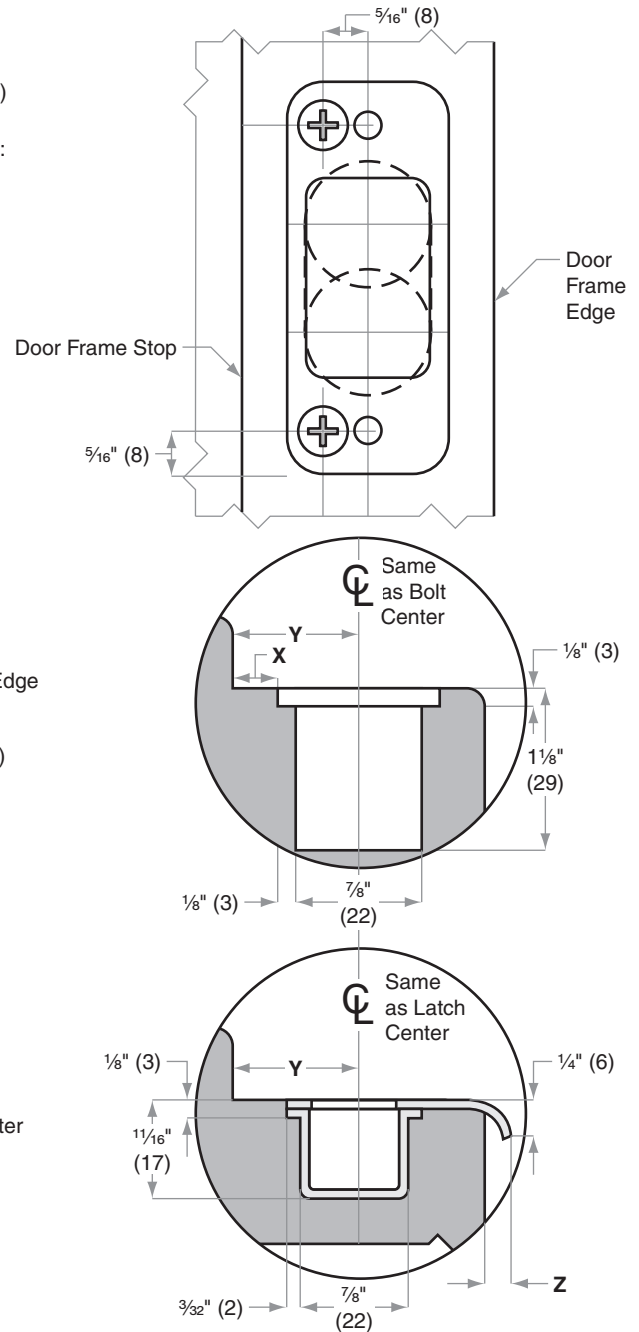
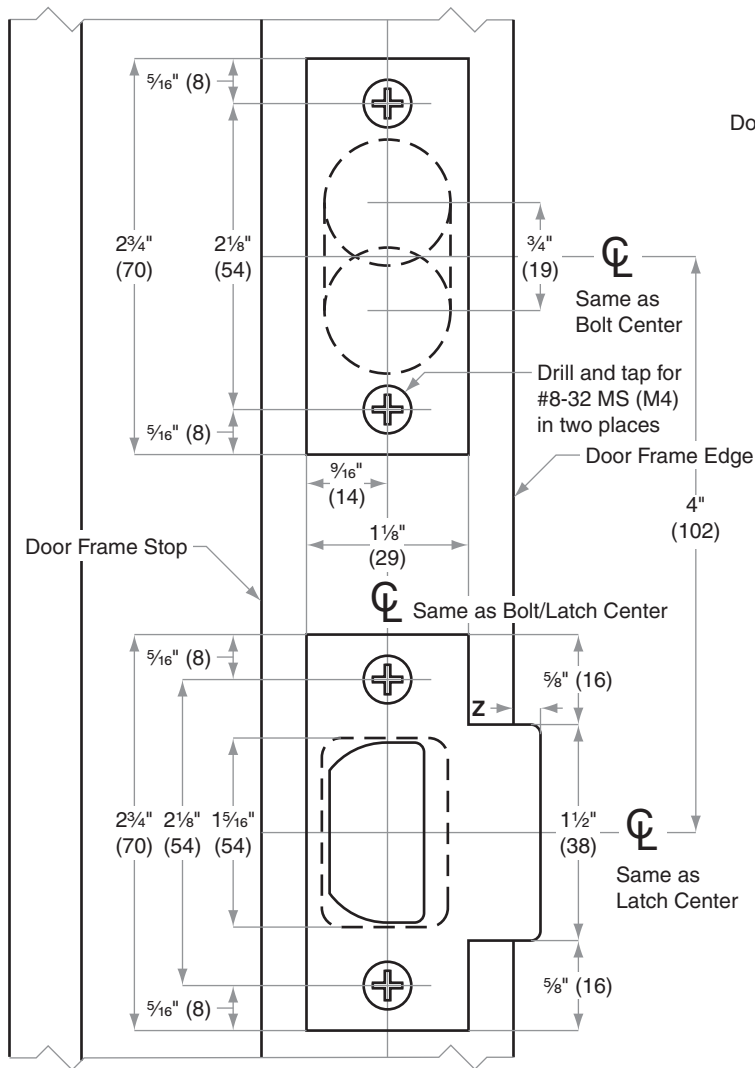
Strikes, Combination

Model 10-250=10-055x10-011

Jamb Type: Wood
 Style: Combination
 Standard for: H-Series | S200-Series
 Optional for:

NOTE:

1. Dimensions X, Y and Z are variables dependent on door thickness
2. Curved strike extension beyond jamb at Z must not be less than 3/16" (5) to ensure proper functioning of latch bolt
3. When strike/frame reinforcer is used, additional preparation is required: 2 Pilot Holes and 1/8" (3) deeper mortise



Dimensions shown in parentheses () are in millimeters.

Door preparation template



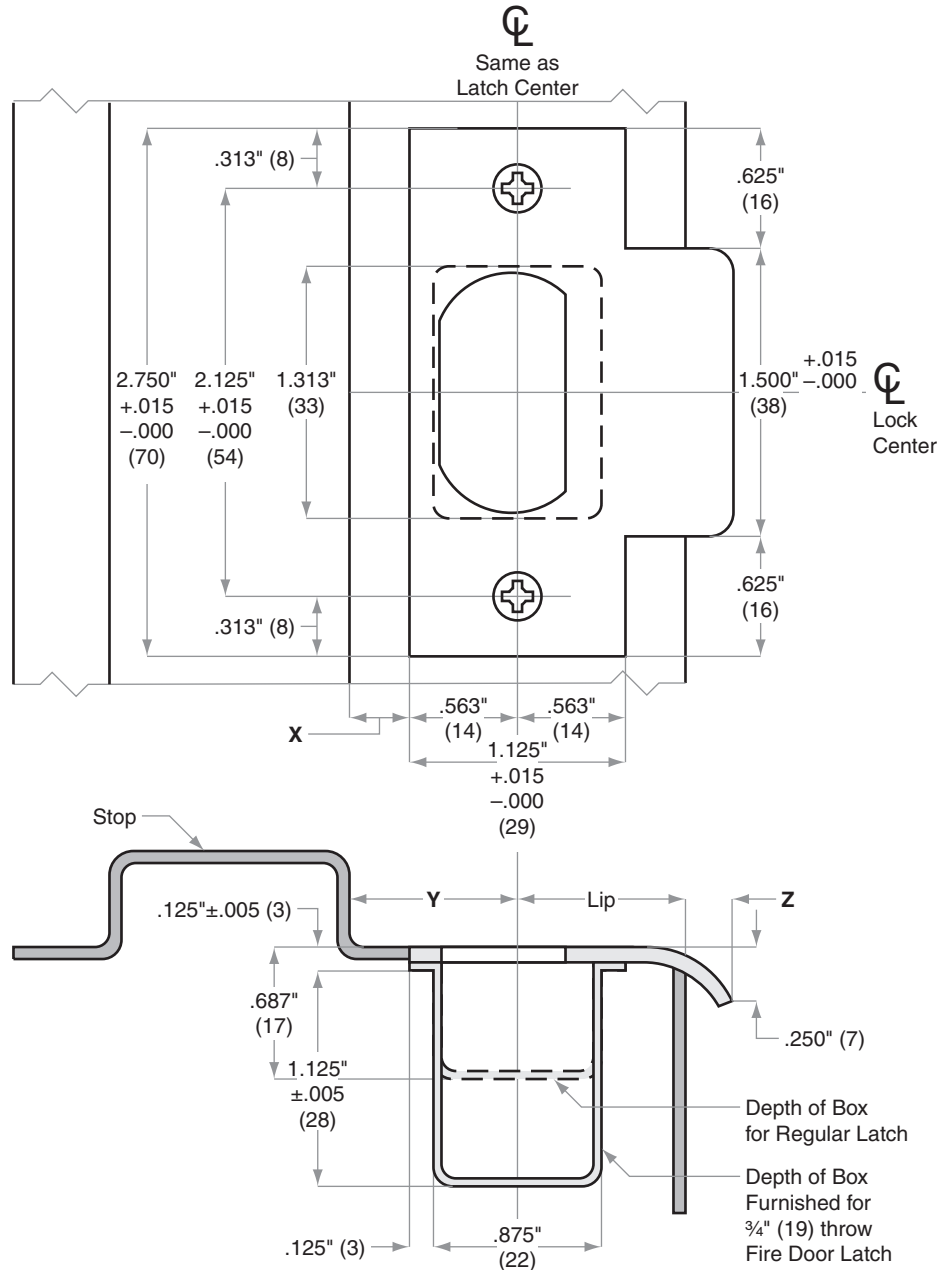
Strikes

Models 10-001, 10-013, 10-016, 10-019

Jamb Type: Metal
 Style: T-Strike, Square Corner
 Standard for: A-Series | B250-Series | S-Series
 Optional for: AL-Series | F-Series | D-Series Knobs | ND-Series Levers

NOTE:

1. Dimensions X and Y are variables dependent on door thickness
2. Curved strike extension beyond jamb at Z must not be less than $\frac{3}{16}$ " (5) to ensure proper functioning of latch bolt
3. $1\frac{1}{8}$ " (29) Lip length for $1\frac{3}{8}$ " (35) to $1\frac{3}{4}$ " (44) doors. Other lengths available
4. Strike location on frames must be adjusted for thickness of door silencers, when used



Dimensions shown in parentheses () are in millimeters.

Door preparation template



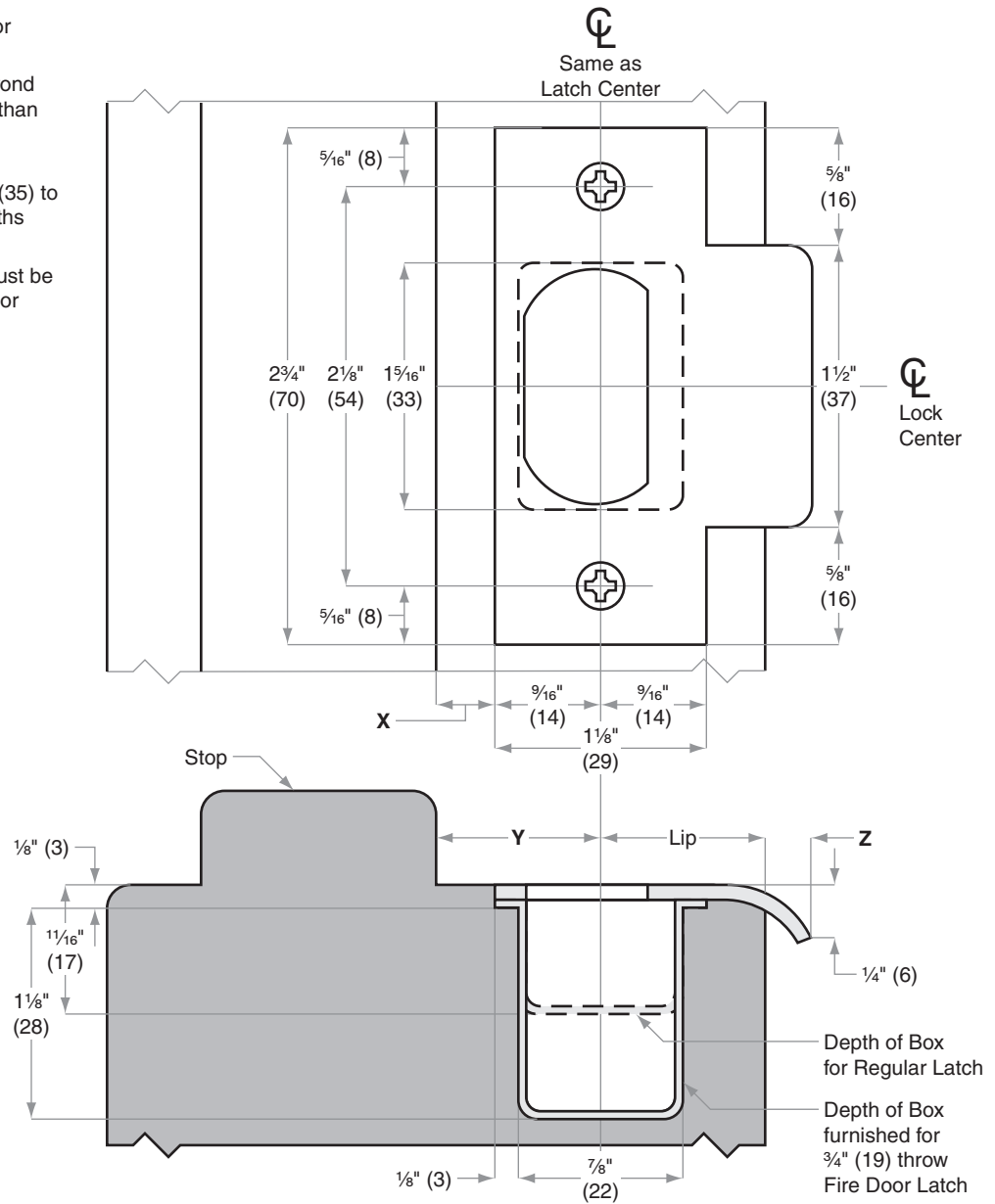
Strikes

Models 10-001, 10-013, 10-016, 10-019

Jamb Type: Wood
Style: T-Strike, Square Corner
Standard for: A-Series | B250-Series | S-Series
Optional for: AL-Series | F-Series | D-Series Knobs | ND-Series Levers

NOTE:

1. Dimensions X, Y and Z are variables dependent on door thickness
2. Curved strike extension beyond jamb at Z must not be less than 3/16" (5) to ensure proper functioning of latch bolt
3. 1 1/8" (29) Lip length for 1 3/8" (35) to 1 3/4" (44) doors. Other lengths available
4. Strike location on frames must be adjusted for thickness of door silencers, when used



Dimensions shown in parentheses () are in millimeters.

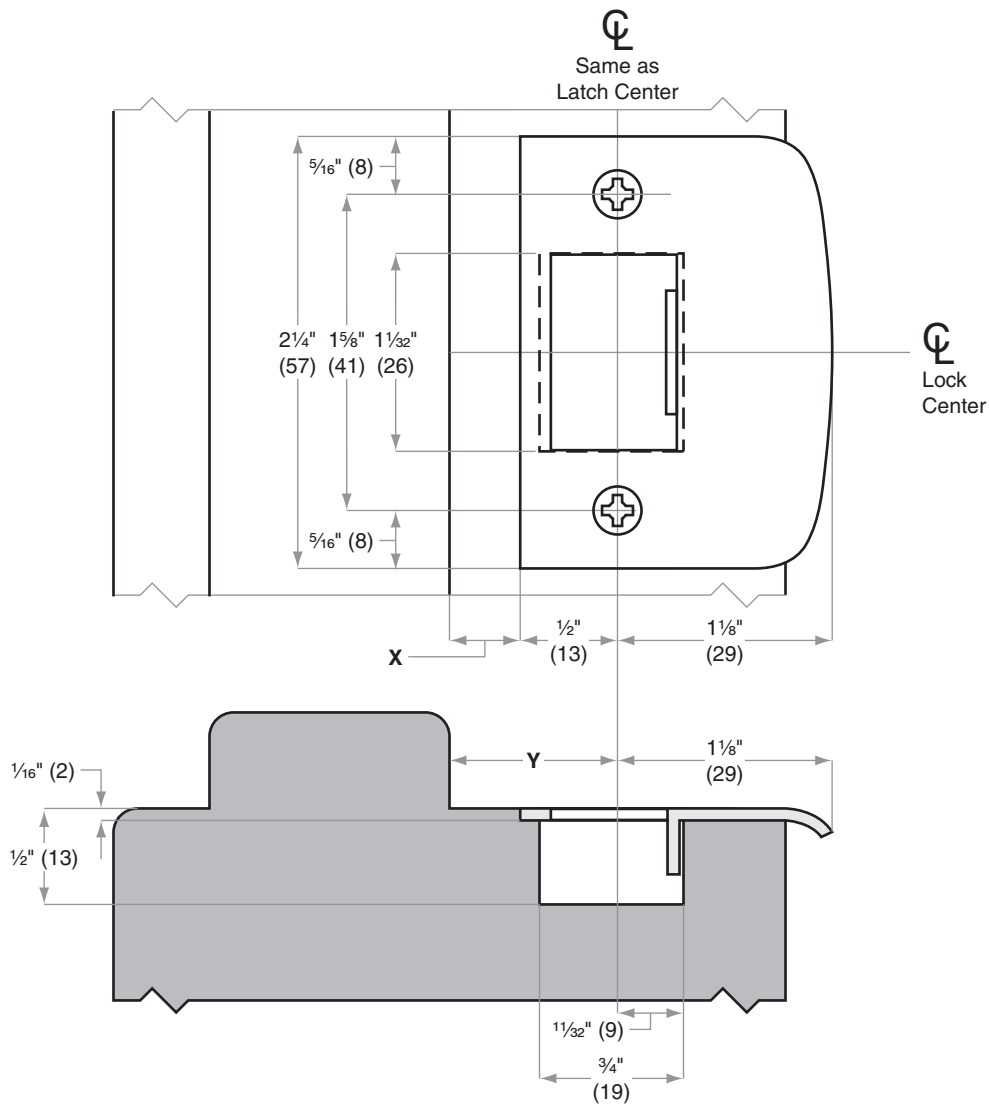
Door preparation template



Strikes

Model 10-026

Jamb Type: Wood
Style: Full Lip, Square Corner
Standard for:
Optional for: A-Series | AL-Series | F-Series



Dimensions X and Y are variables dependent on door thickness

Dimensions shown in parentheses () are in millimeters.

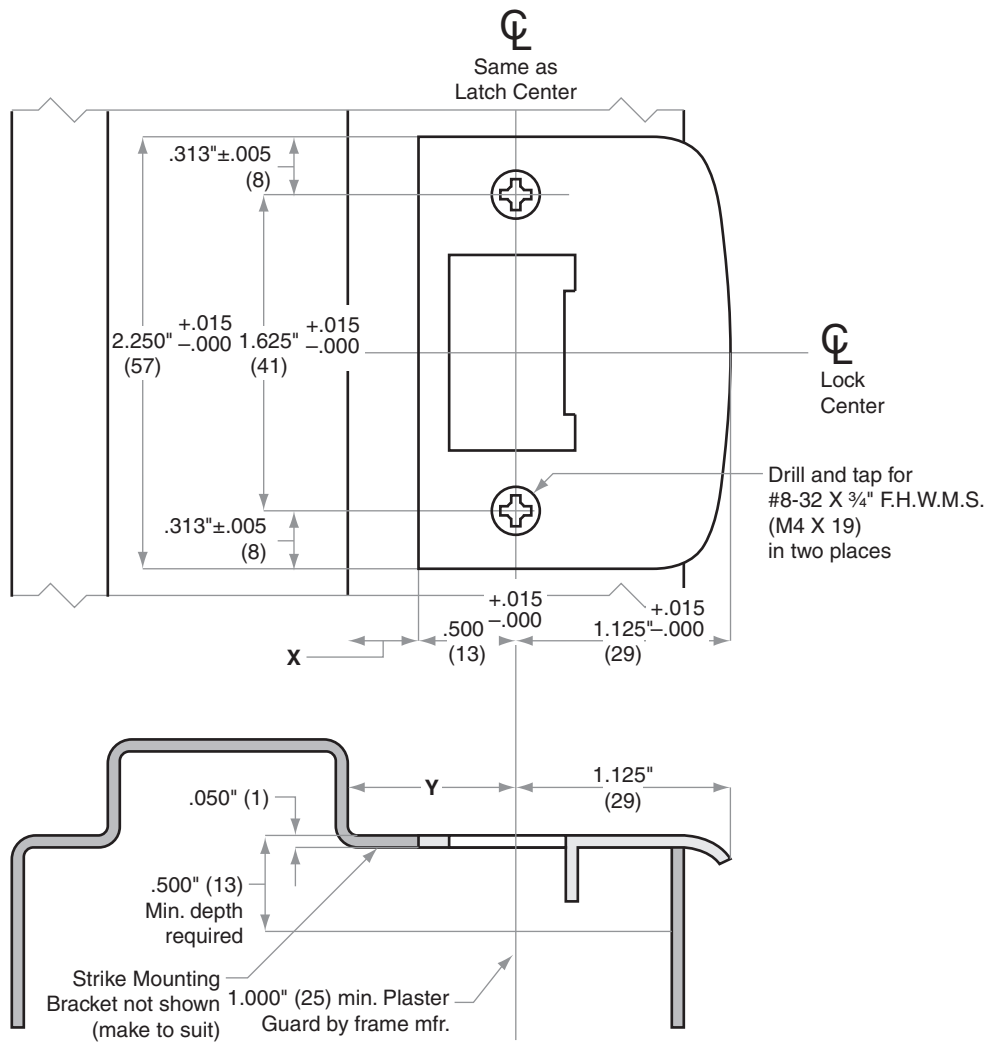
Door preparation template



Strikes

Model 10-026

Jamb Type: Metal
 Style: Full Lip, Square Corner
 Standard for:
 Optional for: A-Series | AL-Series | F-Series



Dimensions X and Y are variables dependent on the door thickness used

Dimensions shown in parentheses () are in millimeters.

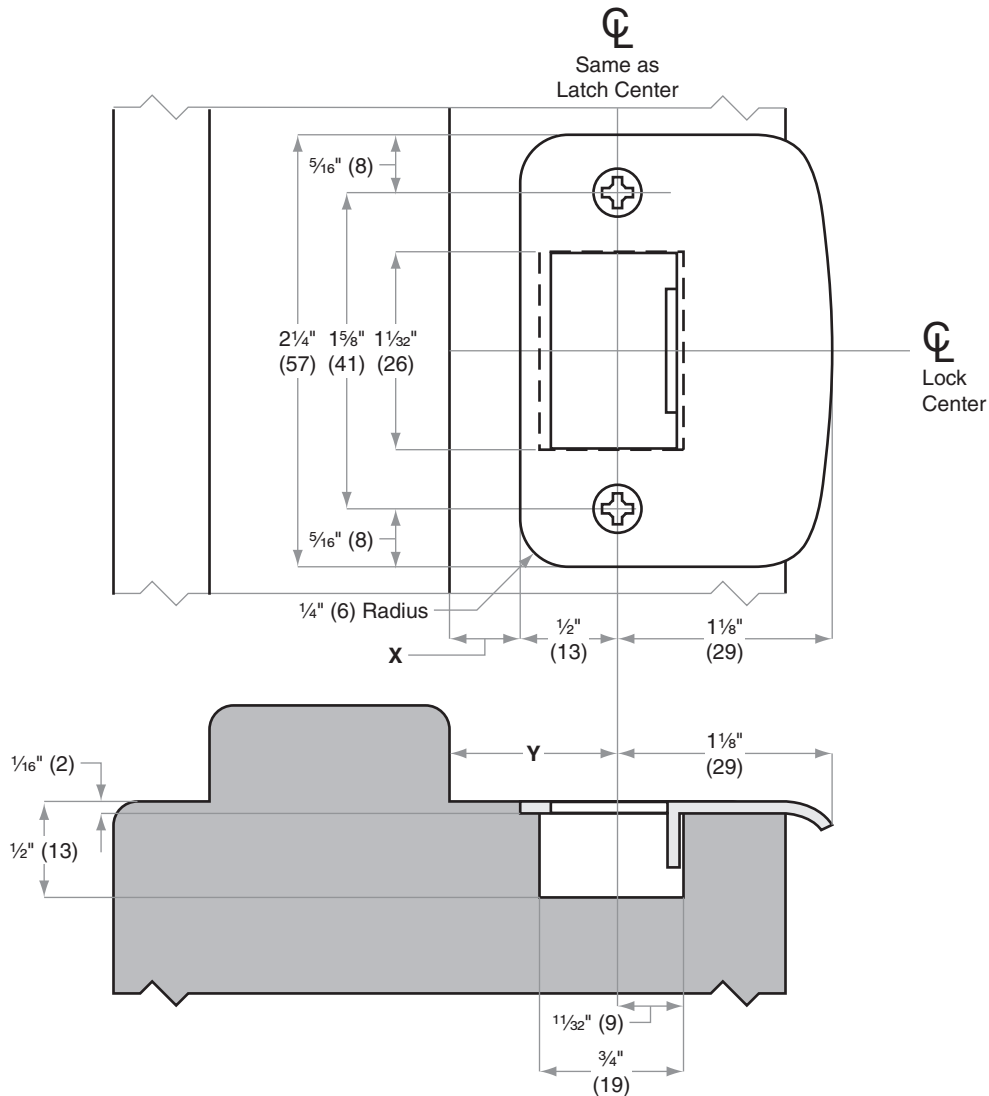
Door preparation template



Strikes

Model 10-027

Jamb Type: Wood
 Style: Full Lip, Round Corner, 1/4" (6 mm) Radius
 Standard for: F-Series | FE-Series
 Optional for: A-Series | AL-Series | S-Series



Dimensions X and Y are variables dependent on door thickness

Dimensions shown in parentheses () are in millimeters.

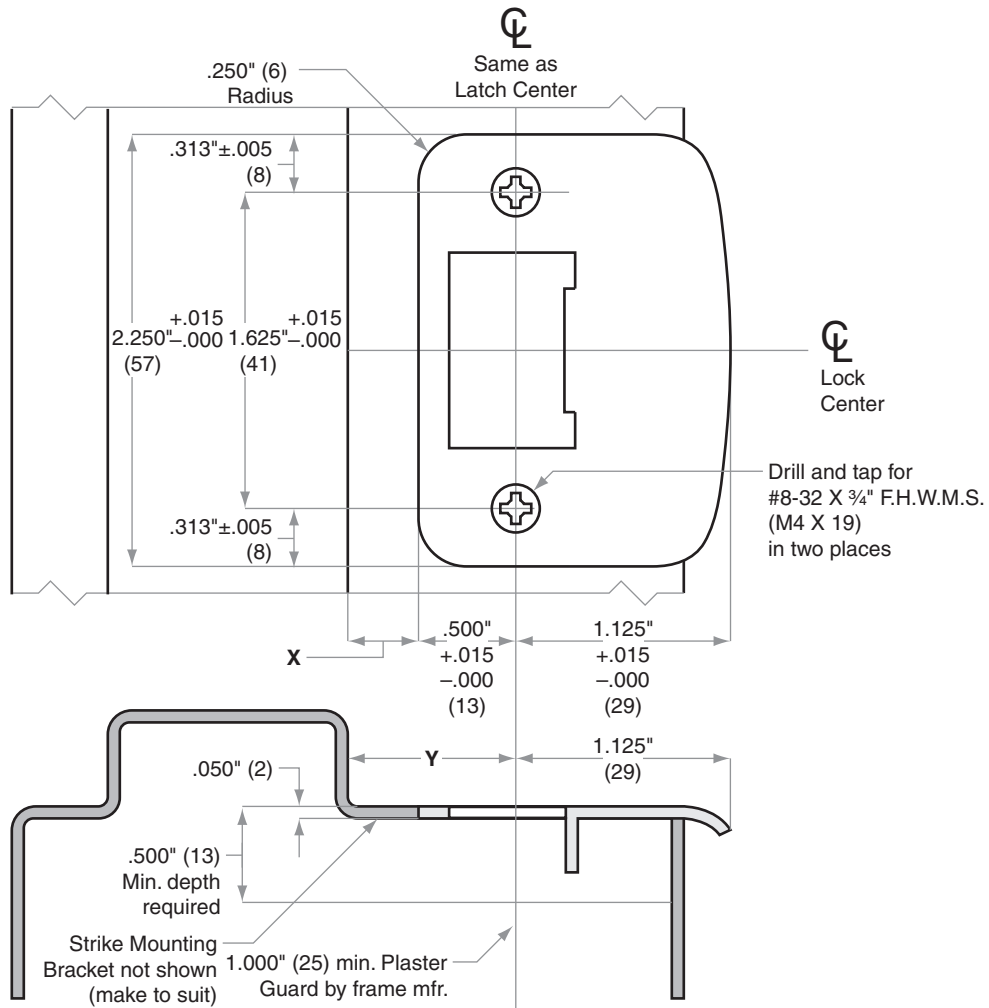
Door preparation template



Strikes

Model 10-027

Jamb Type: Metal
 Style: Full Lip, Round Corner, 1/4" (6 mm) Radius
 Standard for: F-Series | FE-Series
 Optional for: A-Series | AL-Series | S-Series



Dimensions X and Y are variables dependent on the door thickness

Dimensions shown in parentheses () are in millimeters.

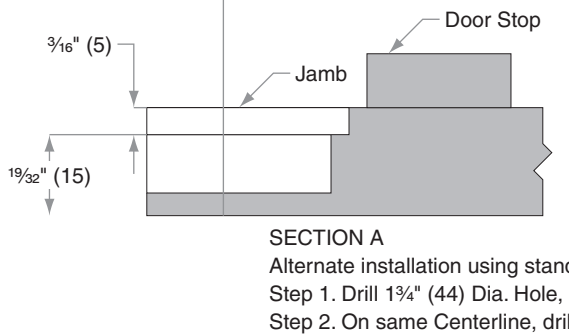
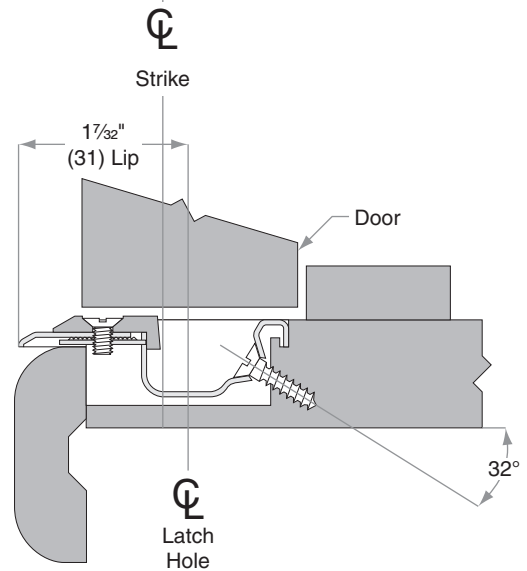
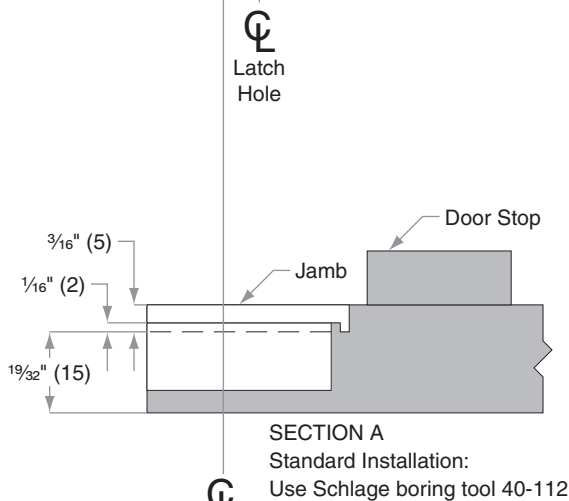
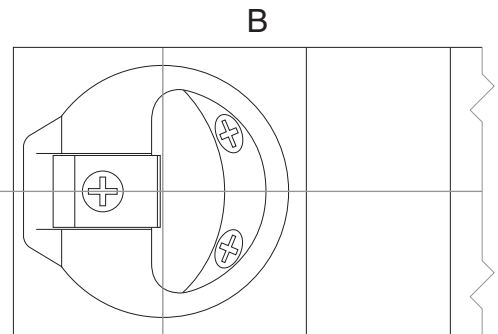
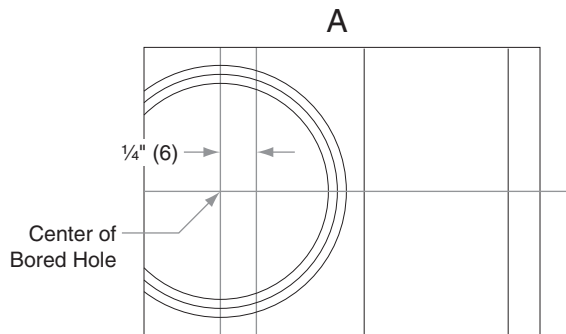
Door preparation template



Strikes

Model 10-058

Jamb Type: Wood
 Style: Circular Drive-In
 Standard for:
 Optional for: A-Series | AL-Series | F-Series



Dimensions shown in parentheses () are in millimeters.

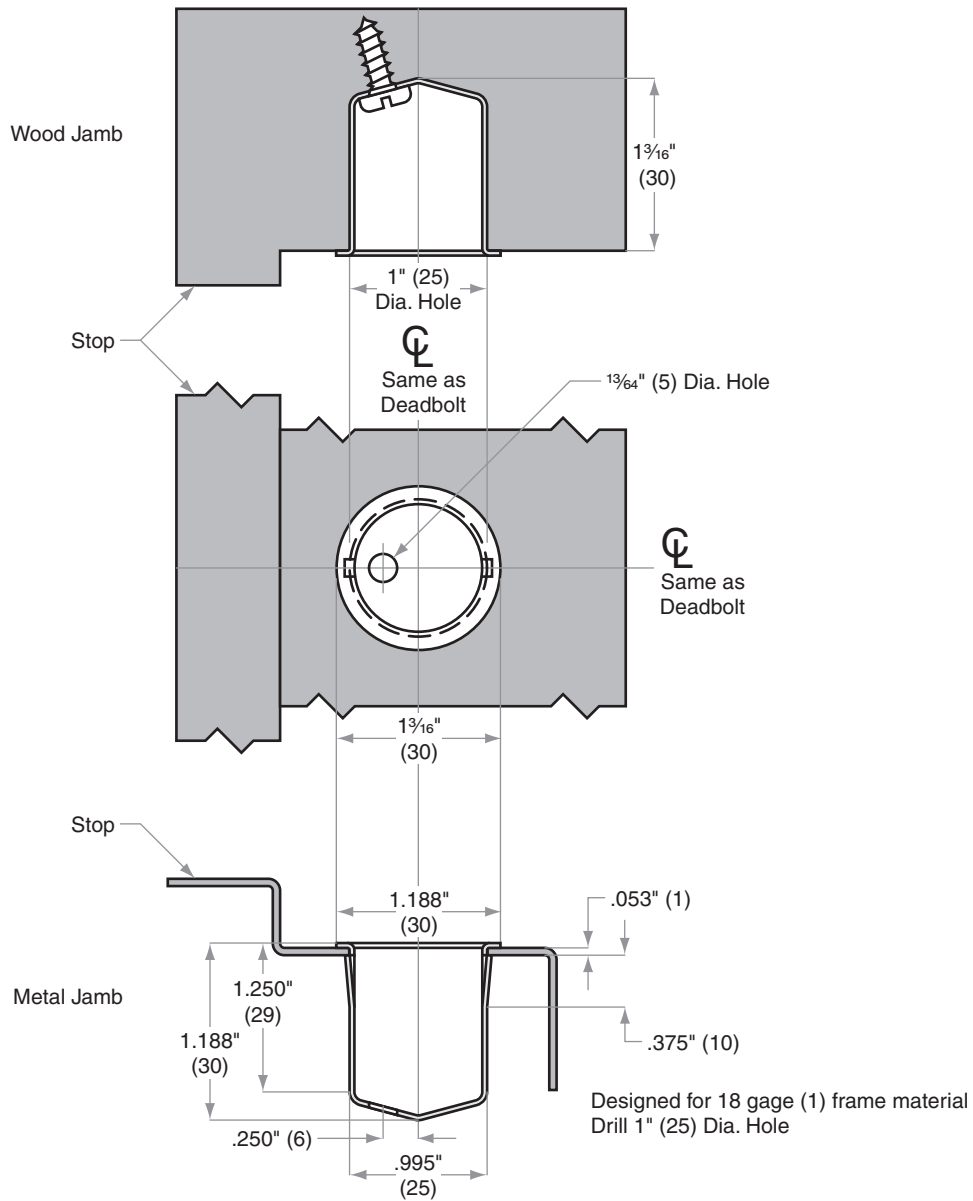
Door preparation template



Strikes

Model 10-064

Jamb Type: Wood and Metal
Style: Thimble, Deadbolt
Standard for:
Optional for: BC100-Series | B/BA300-Series | B600/700/800-Series



Dimensions shown in parentheses () are in millimeters.

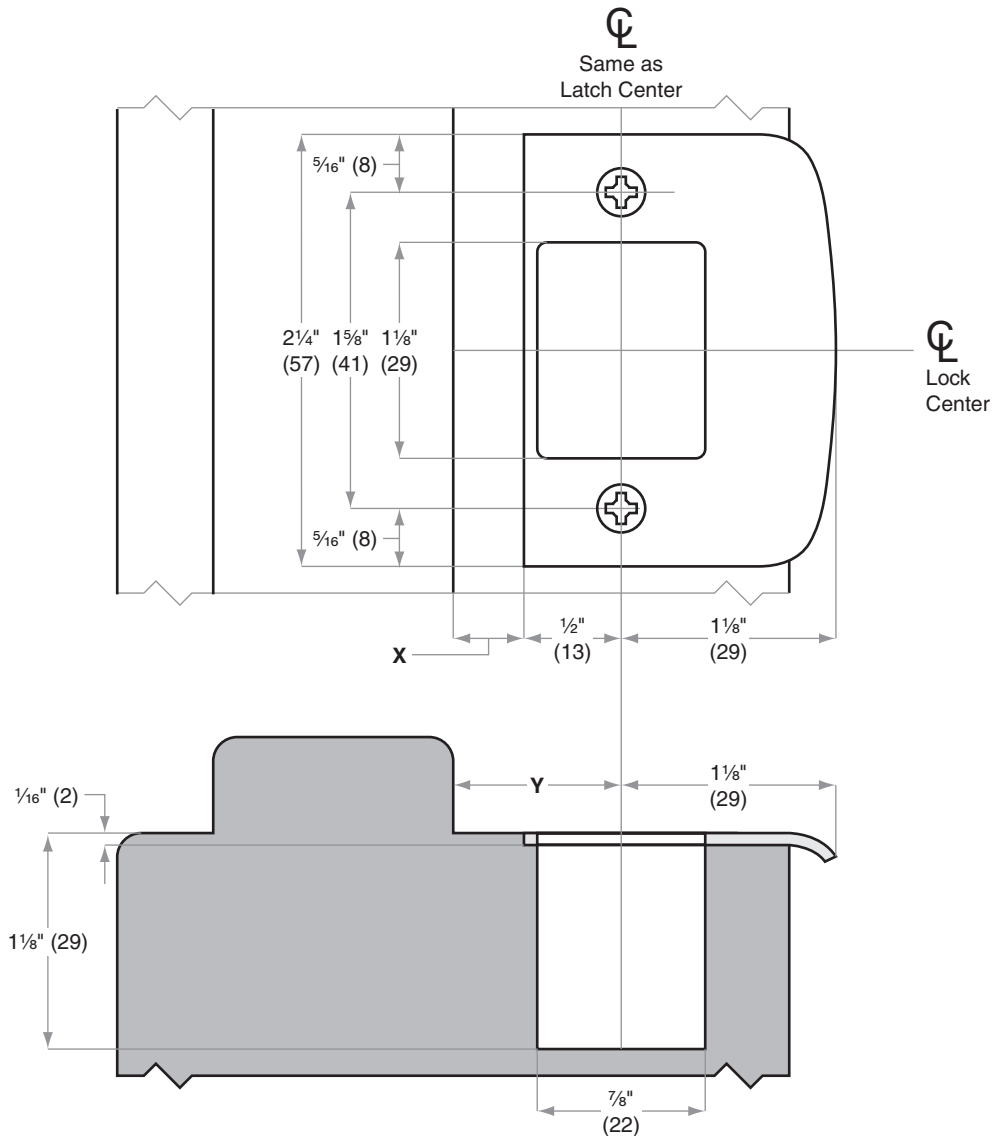
Door preparation template



Strikes

Model 10-095

Jamb Type: Wood
Style: Full Lip, Square Corner, Deadbolt
Standard for:
Optional for: BC100-Series | BR260-Series | B/BA300-Series | B600/700/800-Series



Dimensions X and Y are variables dependent on door thickness

Dimensions shown in parentheses () are in millimeters.

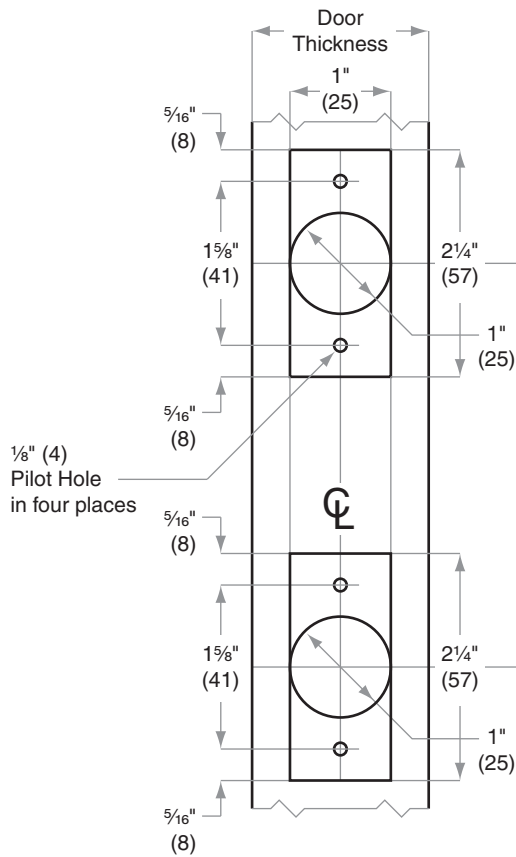
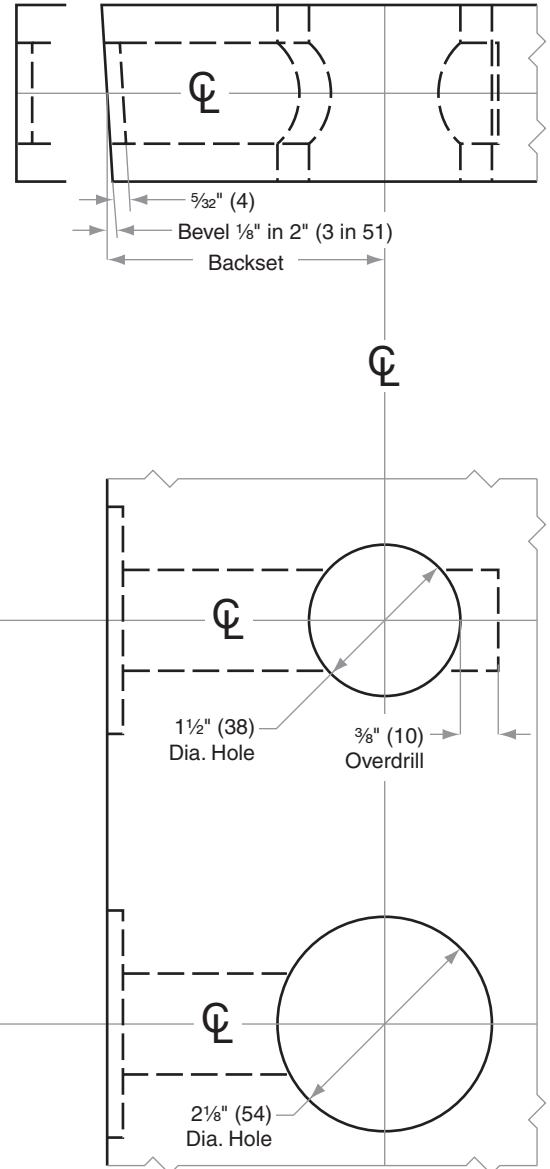
Door preparation template



H-Series

Models H110, H153, H180, H185

Door Type: Wood or Composite, Flat or Beveled
 Door Thickness: 1 $\frac{3}{8}$ " (35 mm)–1 $\frac{3}{4}$ " (44 mm)
 Faceplate: Square Corner, 1" (25 mm) wide
 Backsets: 2 $\frac{3}{8}$ " (60 mm) | 2 $\frac{3}{4}$ " (70 mm)



Dimensions shown in parentheses () are in millimeters.

Door preparation template

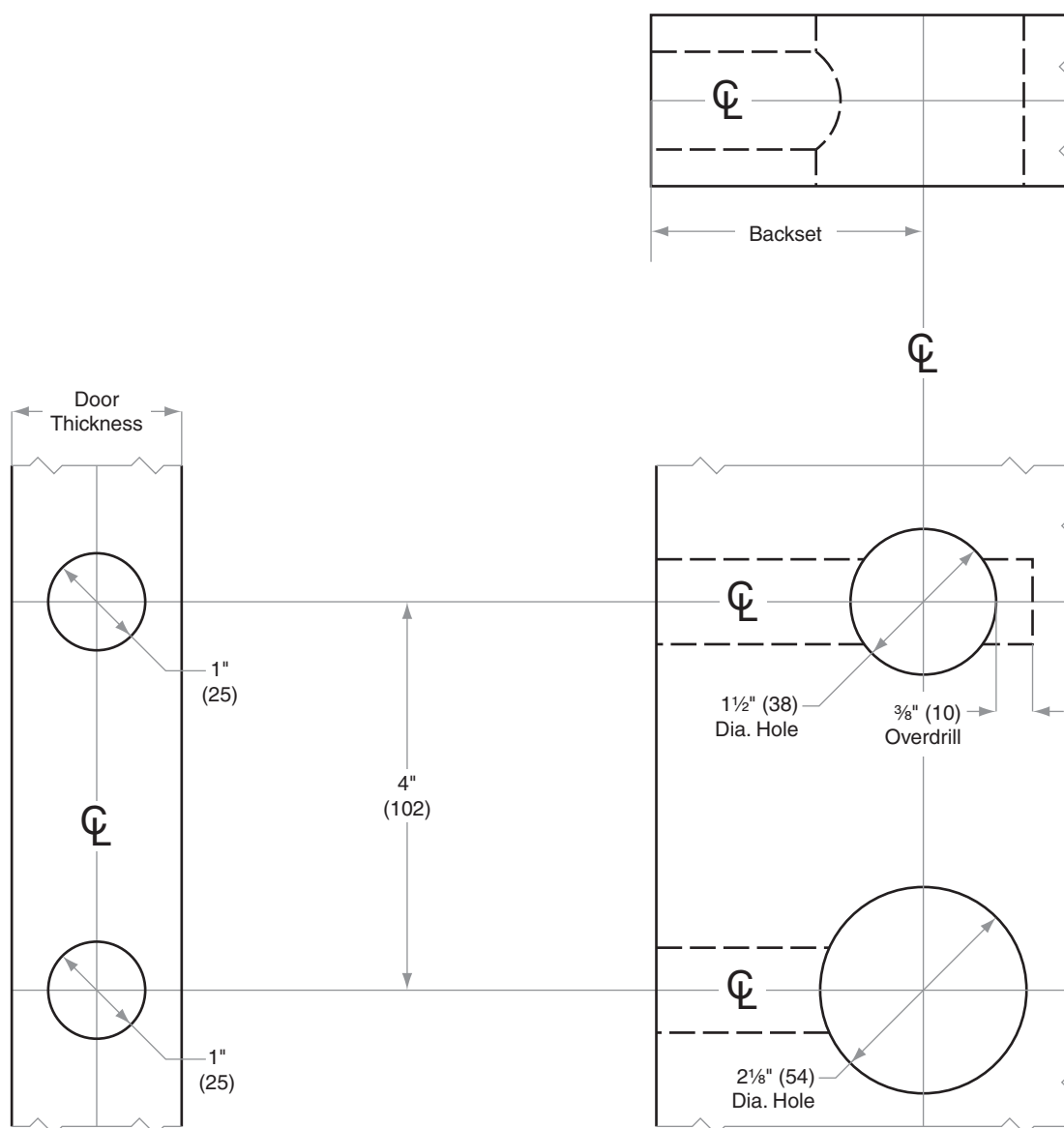
H496



H-Series

Models H110, H153, H180, H185

- Door Type: Wood or Composite, Flat
- Door Thickness: 1 $\frac{3}{8}$ " (35 mm)–1 $\frac{3}{4}$ " (44 mm)
- Faceplate: Circular Drive-In
- Backsets: 2 $\frac{3}{8}$ " (60 mm) | 2 $\frac{3}{4}$ " (70 mm)



Dimensions shown in parentheses () are in millimeters.

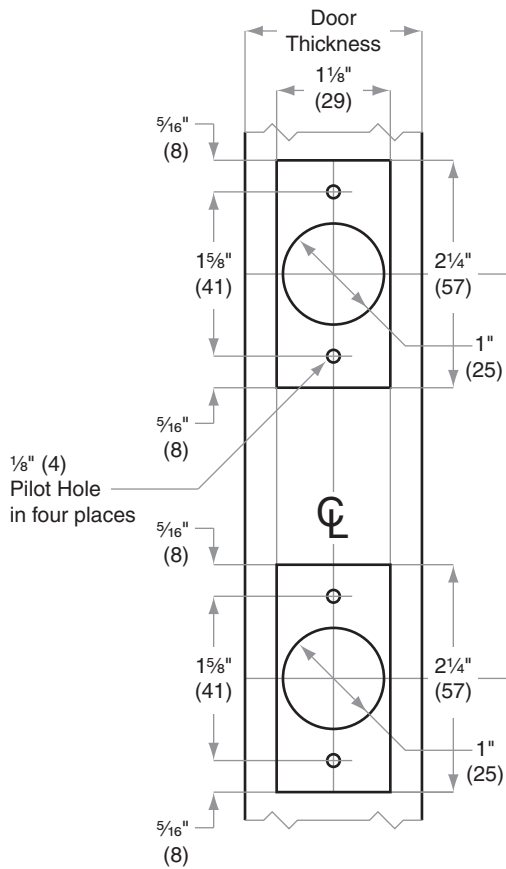
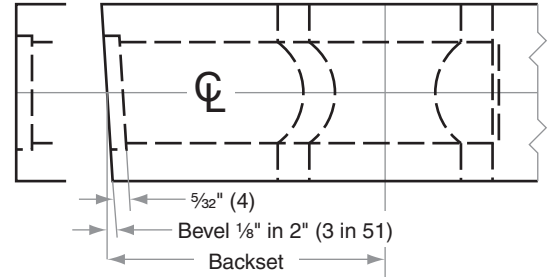
Door preparation template



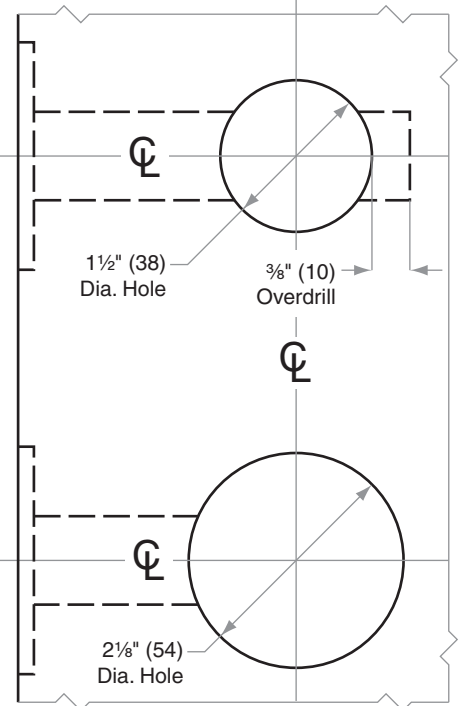
H-Series

H110, H153, H180, H185

Door Type: Wood or Composite, Flat or Beveled
Door Thickness: $1\frac{1}{8}$ " (35 mm)– $1\frac{3}{4}$ " (44 mm)
Faceplate: Square Corner, $1\frac{1}{8}$ " (29 mm) wide
Backsets: $2\frac{3}{8}$ " (60 mm) | $2\frac{3}{4}$ " (70 mm)



4" (102)



Dimensions shown in parentheses () are in millimeters.

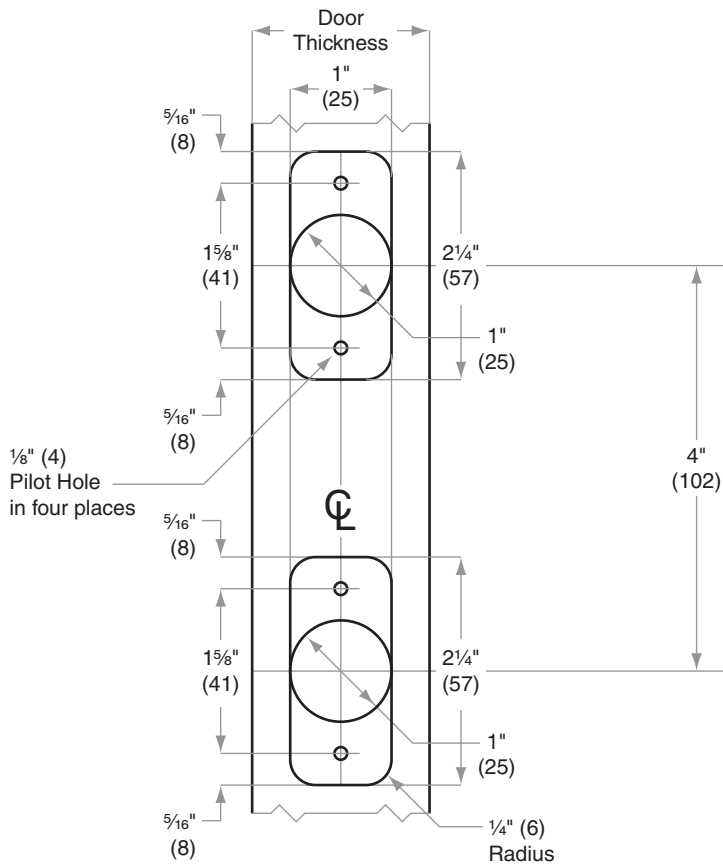
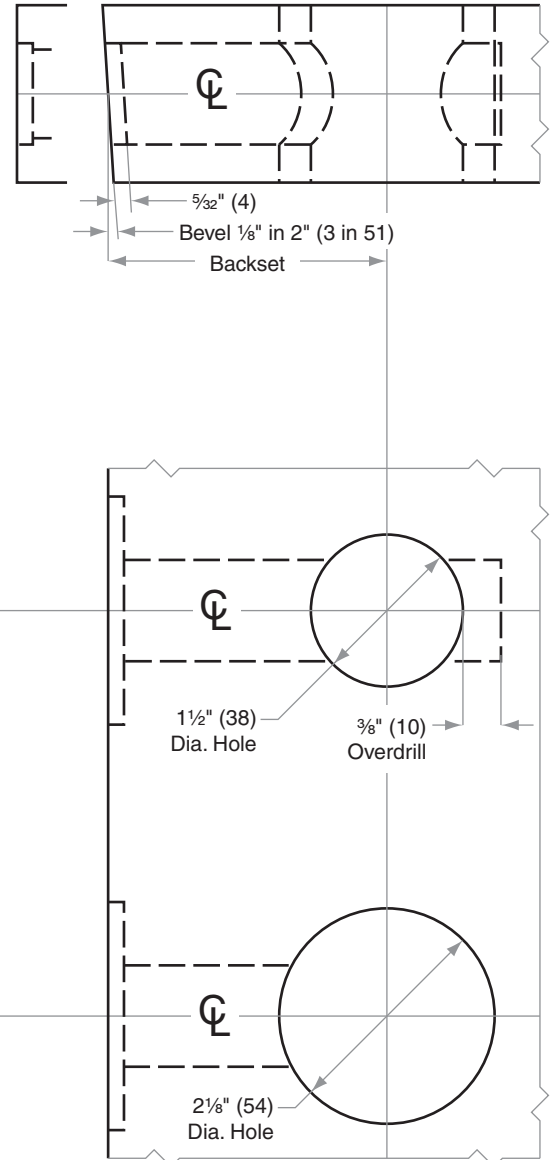
Door preparation template



H-Series

H110, H153, H180, H185

- Door Type: Wood or Composite, Flat or Beveled
- Door Thickness: 1 $\frac{3}{8}$ " (35 mm)–1 $\frac{3}{4}$ " (44 mm)
- Faceplate: Round Corner, $\frac{1}{4}$ " (6 mm) Radius, 1" (25 mm) width
- Backsets: 2 $\frac{3}{8}$ " (60 mm) | 2 $\frac{3}{4}$ " (70 mm)



Dimensions shown in parentheses () are in millimeters.

Door preparation template

H688

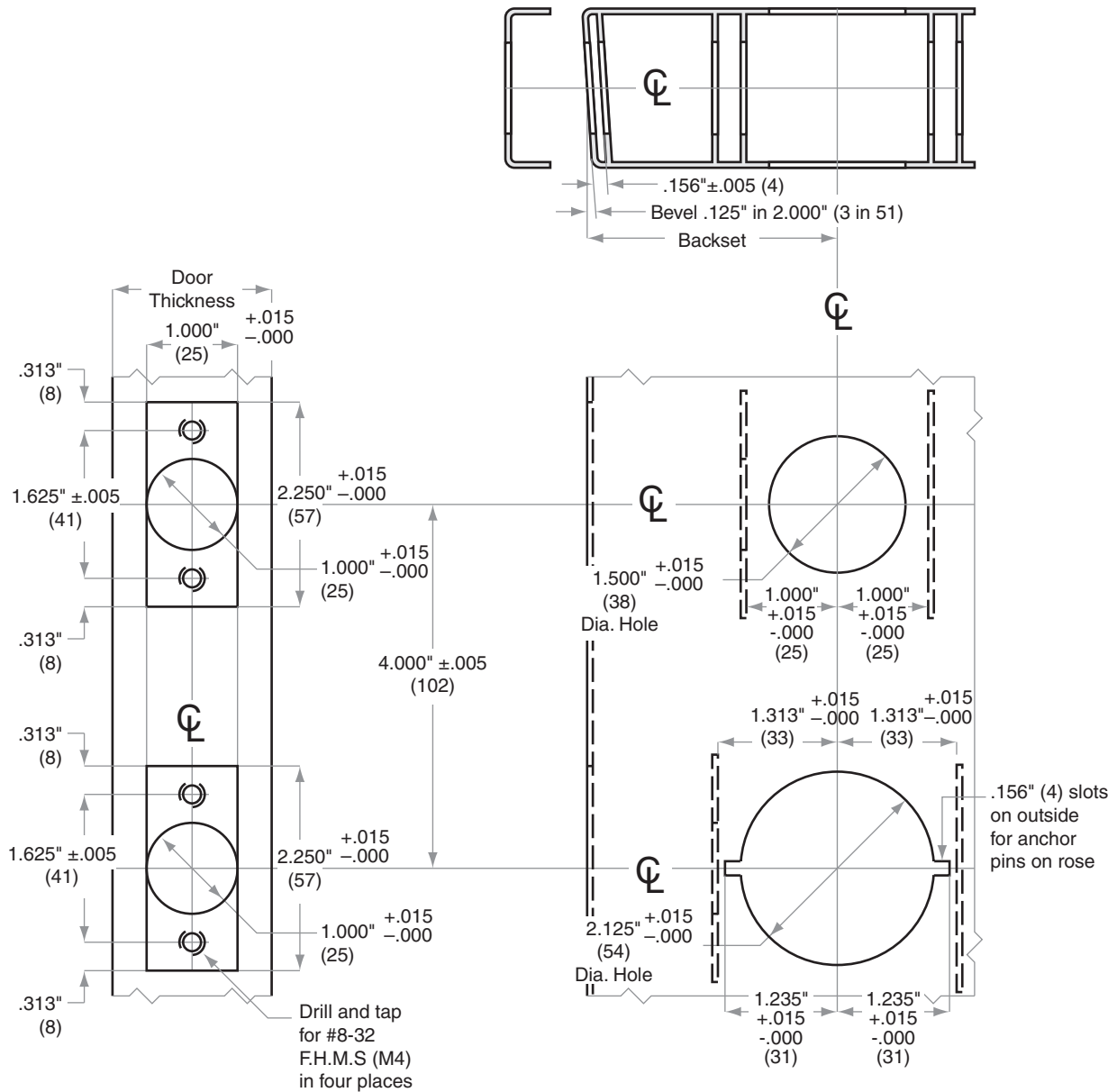


H-Series

H110, H153, H180, H185

Door Type: Metal, Flat or Beveled
 Door Thickness: 1 3/8" (35 mm)–1 3/4" (44 mm)
 Faceplate: Square Corner, 1" (25 mm) wide
 Backsets: 2 3/8" (60 mm) | 2 3/4" (70 mm)

For metal door installations, suitable reinforcement is required to support latch in center of door to prevent lateral movement



Dimensions shown in parentheses () are in millimeters.

Door preparation template

H871



L

LV

LM

LMV
-series-



ALLEGION™

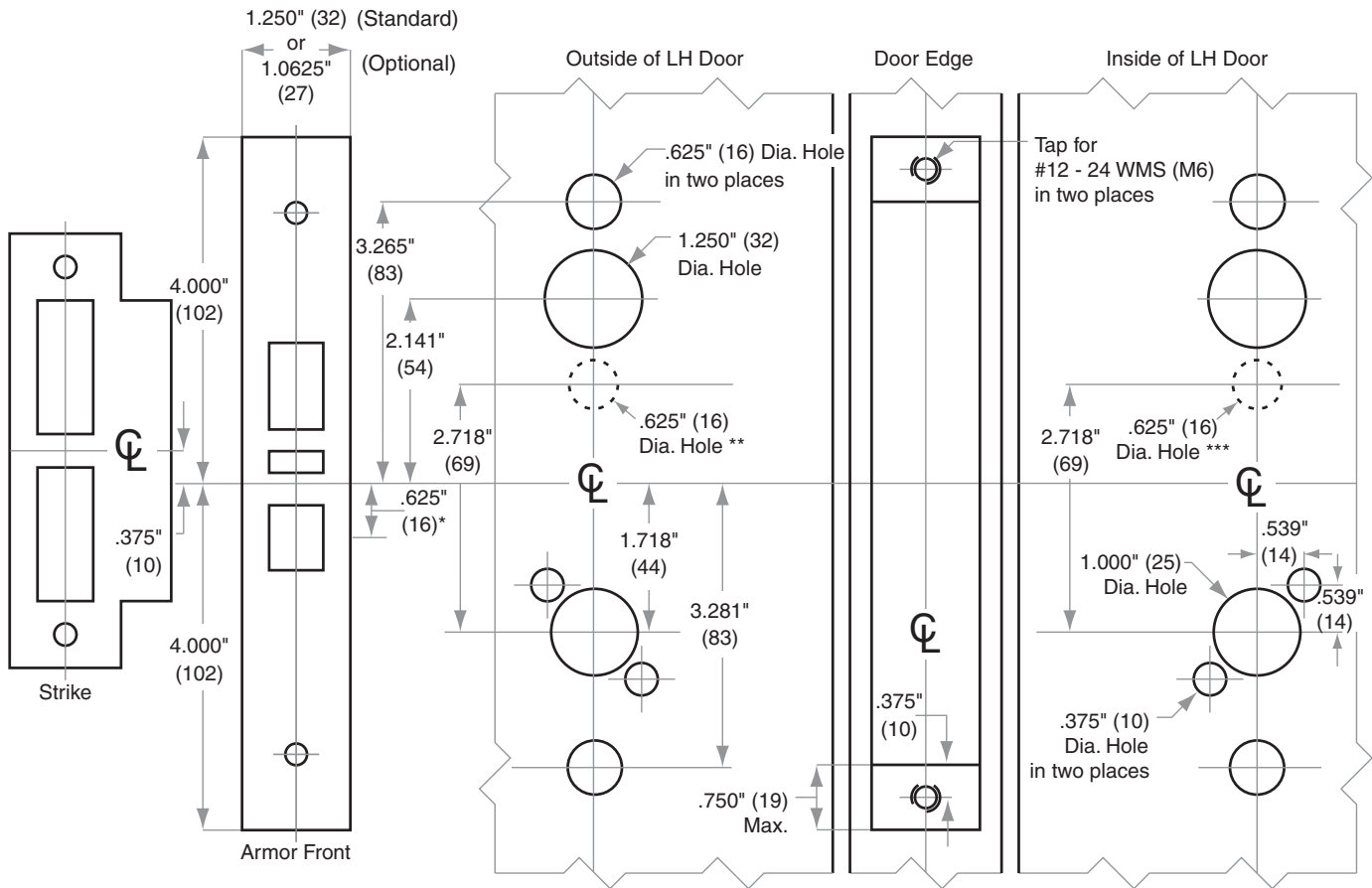
L/LV/LM/LMV-Series

Model L/LV9060, L/LV/LM/LMV9071, L/LV9077, L/LV9082EL/EU, L/LV9457, L/LV9458, L9466, L/LV9482, LM/LMV9371

Door Type: Metal, flat or beveled
Trim: Escutcheon

For Case and Strike dimensions, see Template L1
Refer to Template L1 for information to prepare the door for wire routing

Left Hand (LH) Door Shown



- * Centerline of Armor Front to Centerline of Latch dimension
- ** Additional preparation for L283-721, L283-722, L283-723, L283-724
- *** Additional preparation for L283-711, L283-712, L283-713, L283-714

Dimensions shown in parentheses () are in millimeters.

© 2015 Allegion
L829 Rev. 08/15
www.allegion.com/us

DRAWING IS NOT TO SCALE!
Customer service: 877-671-7011
We can help you find the correct guide for your product and application!

Door preparation template
L829



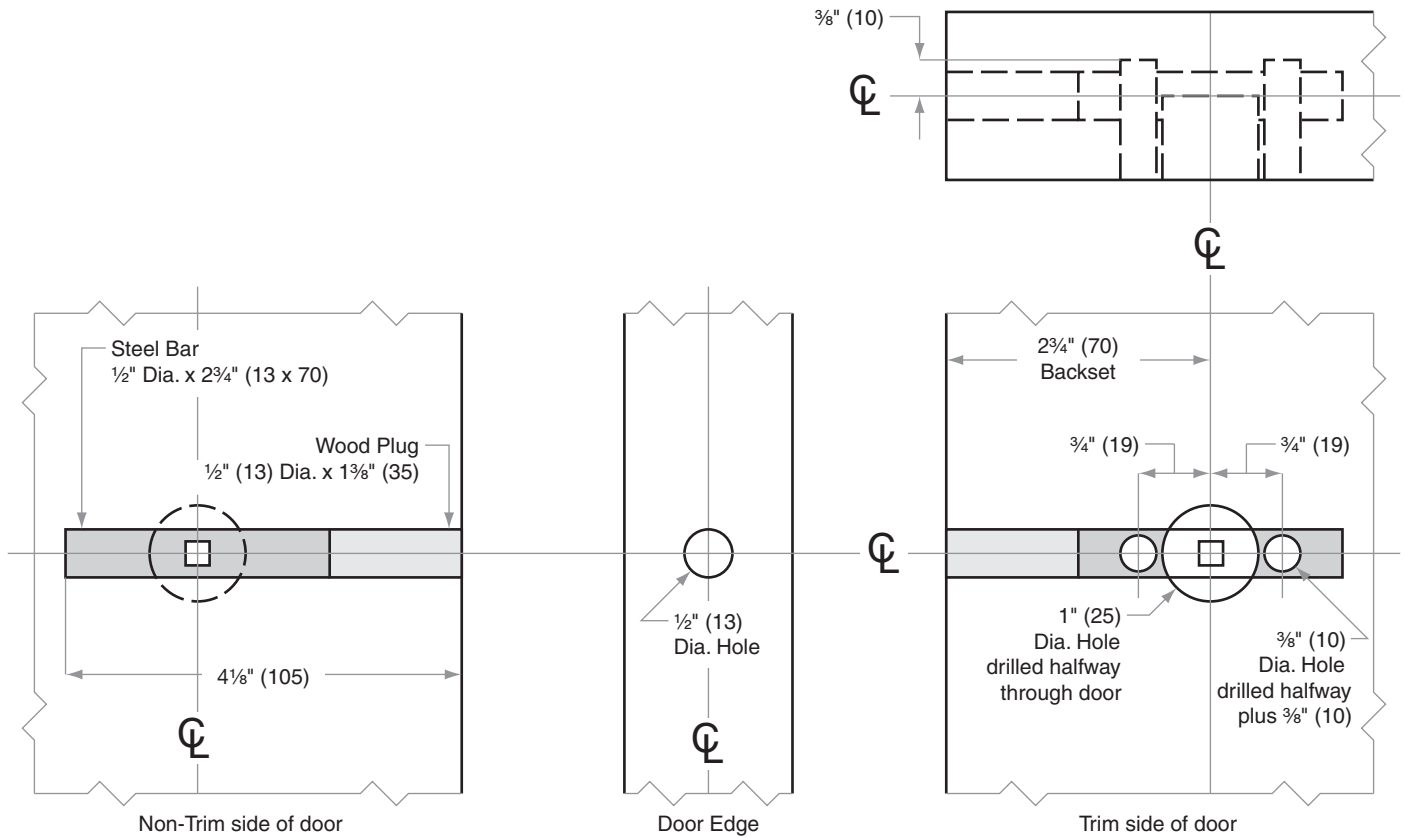
L/LV/LM/LMV-Series

Model L0170



Door Type: Wood or composite, flat
 Trim: Rose

Trim is mounted on one side only



Dimensions shown in parentheses () are in millimeters.

© 2014 Allegion
 L739 Rev. 12/14
www.allegion.com/us

DRAWING IS NOT TO SCALE!
 Customer service: 877-671-7011
 We can help you find the correct guide for your product and application!

Door preparation template

L739

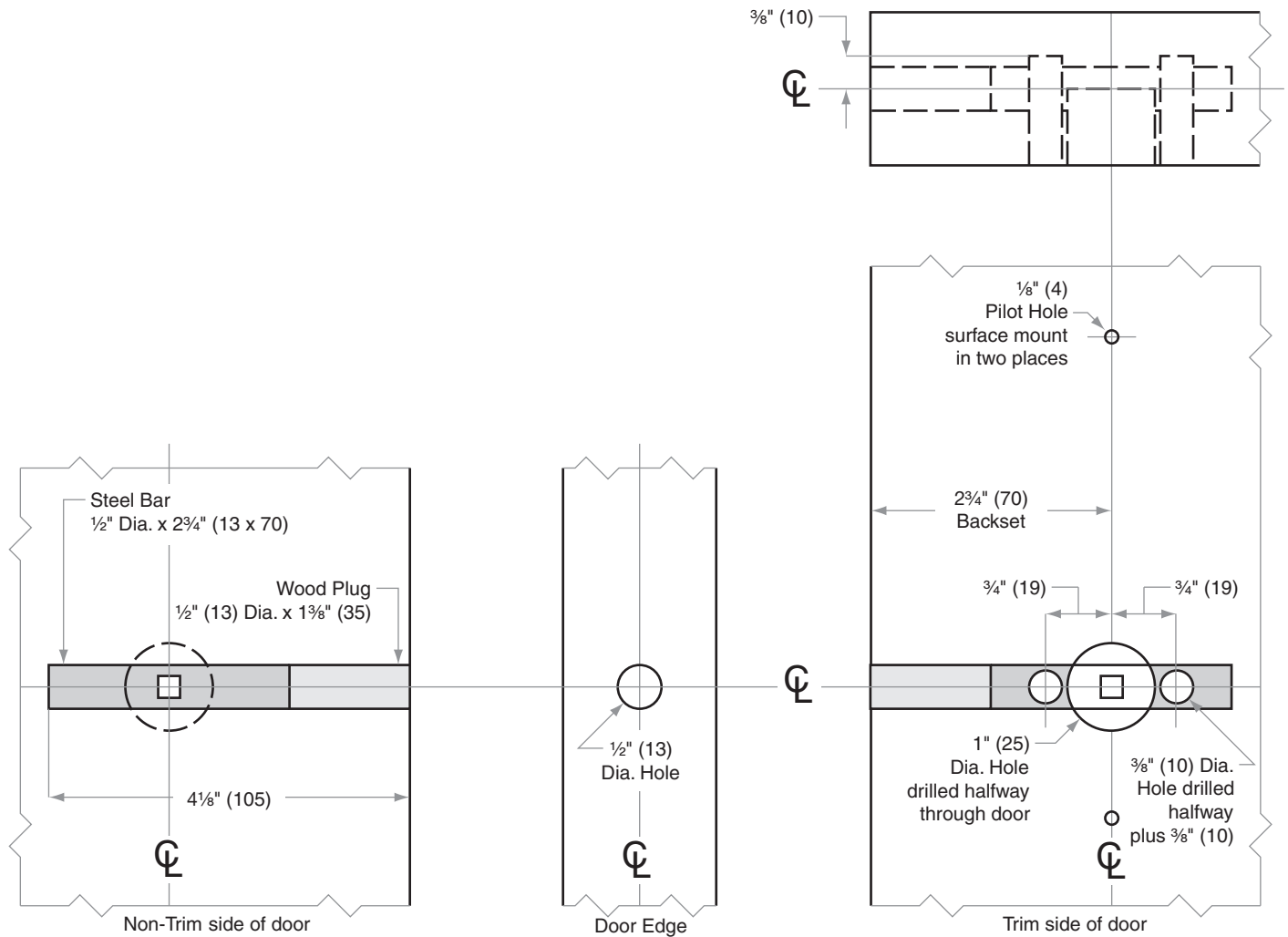


L/LV/LM/LMV-Series

Model L0170

Door Type: Wood or composite, flat
Trim: N Escutcheon
Notes: Not to be used with L Escutcheon

Trim is mounted on one side only



Dimensions shown in parentheses () are in millimeters.

© 2014 Allegion
 L741 Rev. 12/14
 www.allegion.com/us

DRAWING IS NOT TO SCALE!
Customer service: 877-671-7011
We can help you find the correct guide for your product and application!

Door preparation template

L741



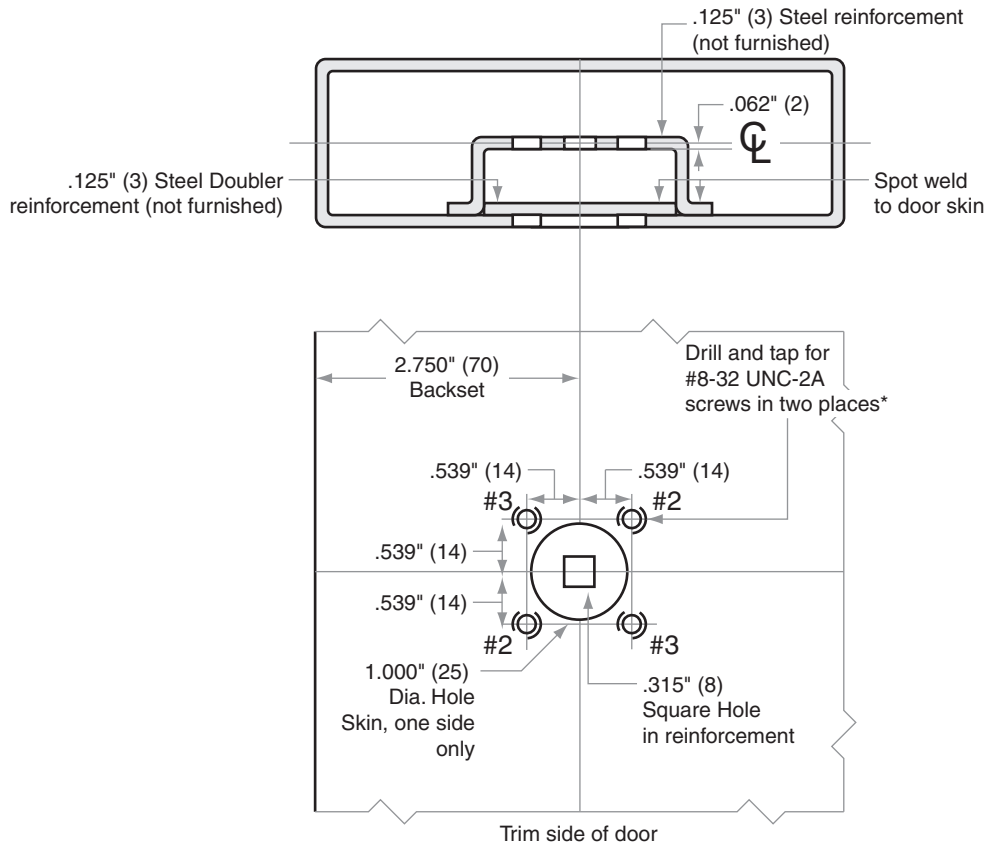
L/LV/LM/LMV-Series

Model L0170



Door Type: Metal, flat or beveled
 Trim: Rose

Suitable reinforcement required for metal door installation



*** Drill and tap two holes at locations #2 for outside RH/RHR or inside LH/LHR doors or Drill and tap two holes at locations #3 for outside LH/LHR or inside RH/RHR doors**

Dimensions shown in parentheses () are in millimeters.

© 2014 Allegion
 L781 Rev. 12/14
 www.allegion.com/us

DRAWING IS NOT TO SCALE!
Customer service: 877-671-7011
We can help you find the correct guide for your product and application!

Door preparation template

L781

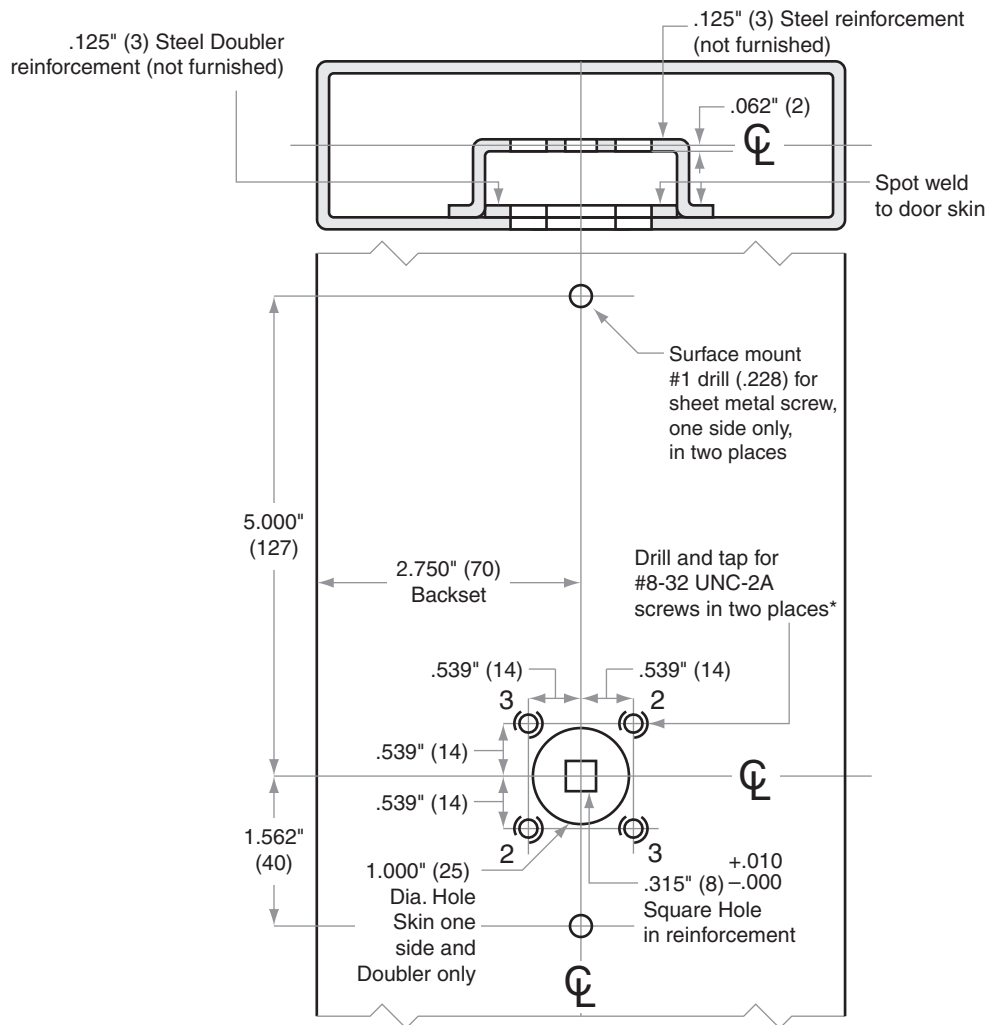


L/LV/LM/LMV-Series

Model L0170

Door Type: Metal, flat or beveled
 Trim: Escutcheon

Suitable reinforcement required for metal door installation



***Drill two holes at locations #2 for outside RH/RHR or
 Drill two holes at locations #3 for outside LH/LHR**

Dimensions shown in parentheses () are in millimeters.

© 2015 Allegion
 L782 Rev. 08/15
 www.allegion.com/us

DRAWING IS NOT TO SCALE!
Customer service: 877-671-7011
**We can help you find the correct guide for
 your product and application!**

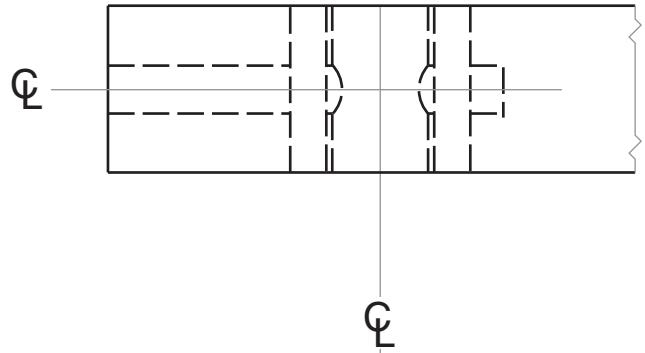
Door preparation template
L782



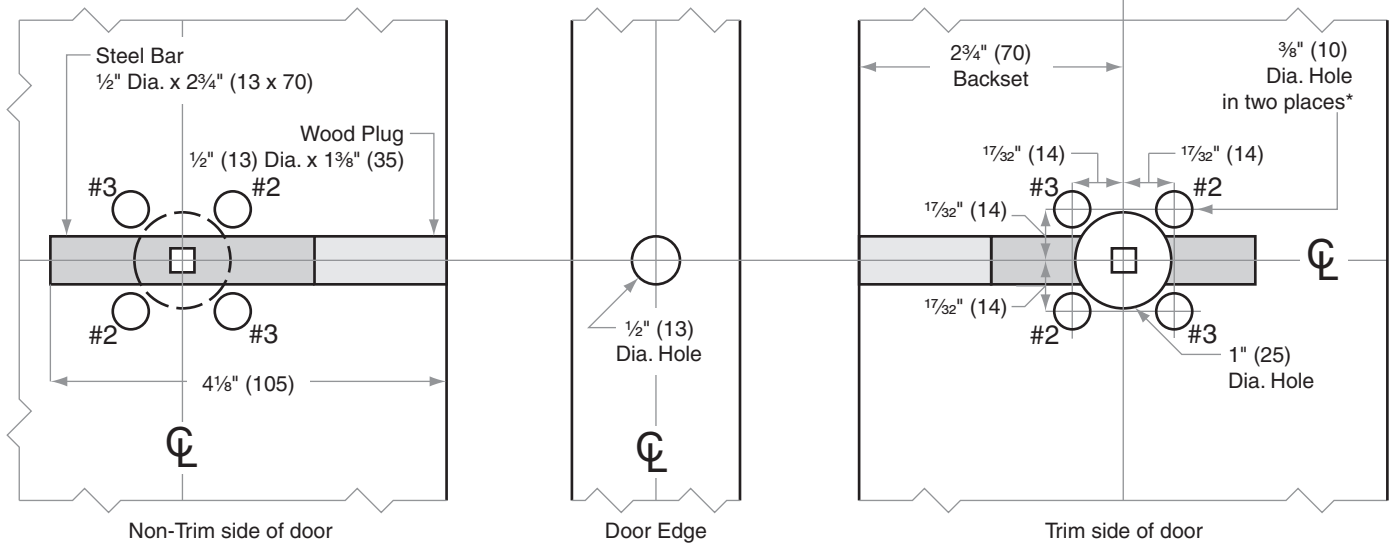
L/LV/LM/LMV-Series

Model L0172

Door Type: Wood or composite, flat
 Trim: Rose



Outside Right Hand (RH) / Right Hand Reverse (RHR) shown



***Drill two holes at locations #2 for outside RH/RHR or
 Drill two holes at locations #3 for outside LH/LHR**

Dimensions shown in parentheses () are in millimeters.

© 2014 Allegion
 L743 Rev. 12/14
 www.allegion.com/us

DRAWING IS NOT TO SCALE!
Customer service: 877-671-7011
**We can help you find the correct guide for
 your product and application!**

Door preparation template

L743



L/LV/LM/LMV-Series

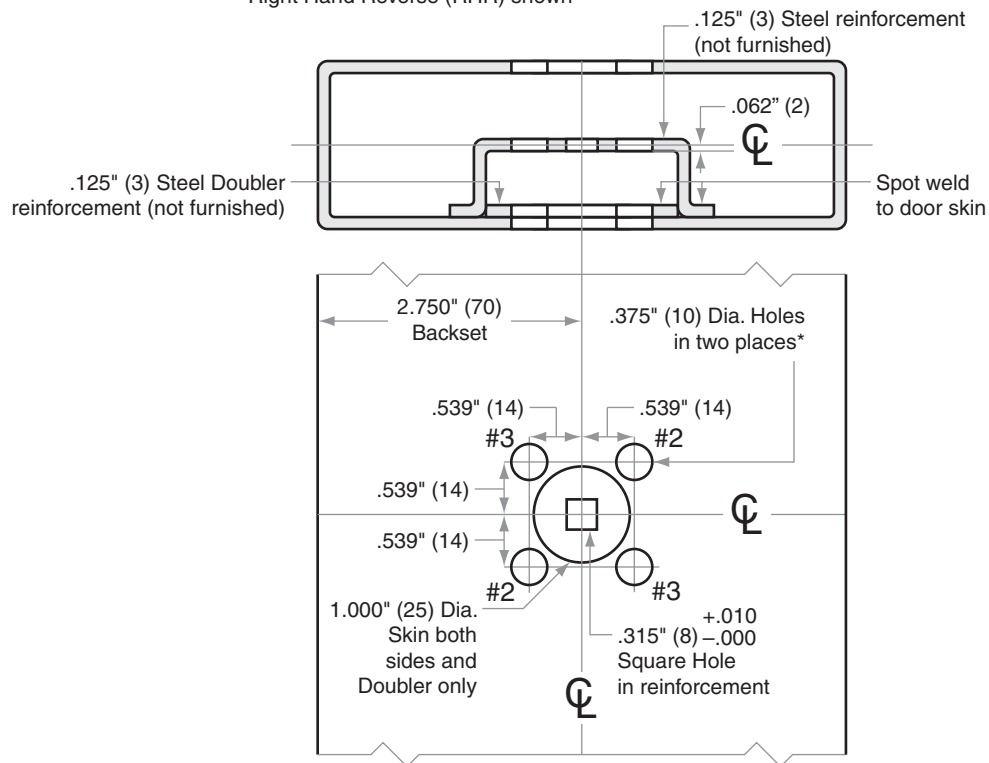
Model L0172



Door Type: Metal, flat or beveled
Trim: Rose

Suitable reinforcement required for metal door installation

Outside Right Hand (RH) /
Right Hand Reverse (RHR) shown



***Drill two holes at locations #2 for outside RH/RHR or
Drill two holes at locations #3 for outside LH/LHR**

Dimensions shown in parentheses () are in millimeters.

© 2014 Allegion
L744 Rev. 12/14
www.allegion.com/us

DRAWING IS NOT TO SCALE!

Customer service: 877-671-7011

**We can help you find the correct guide for
your product and application!**

Door preparation template

L744

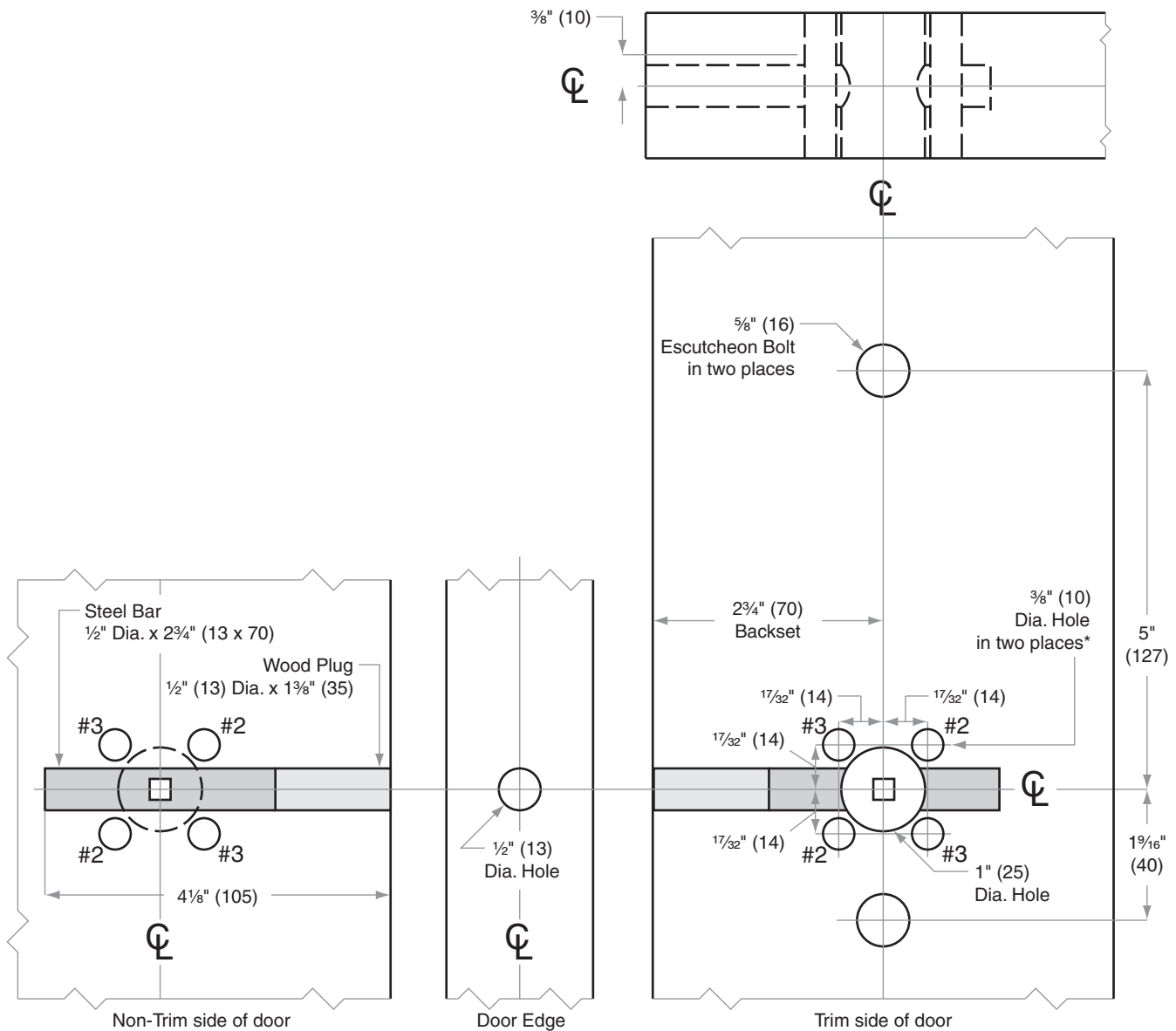


L/LV/LM/LMV-Series

Model L0172



Door Type: Wood or composite, flat
 Trim: Escutcheon



***Drill two holes at locations #2 for outside RH/RHR or
 Drill two holes at locations #3 for outside LH/LHR**

Dimensions shown in parentheses () are in millimeters.

© 2014 Allegion
 L745 Rev. 12/14
 www.allegion.com/us

DRAWING IS NOT TO SCALE!
Customer service: 877-671-7011
**We can help you find the correct guide for
 your product and application!**

Door preparation template

L745



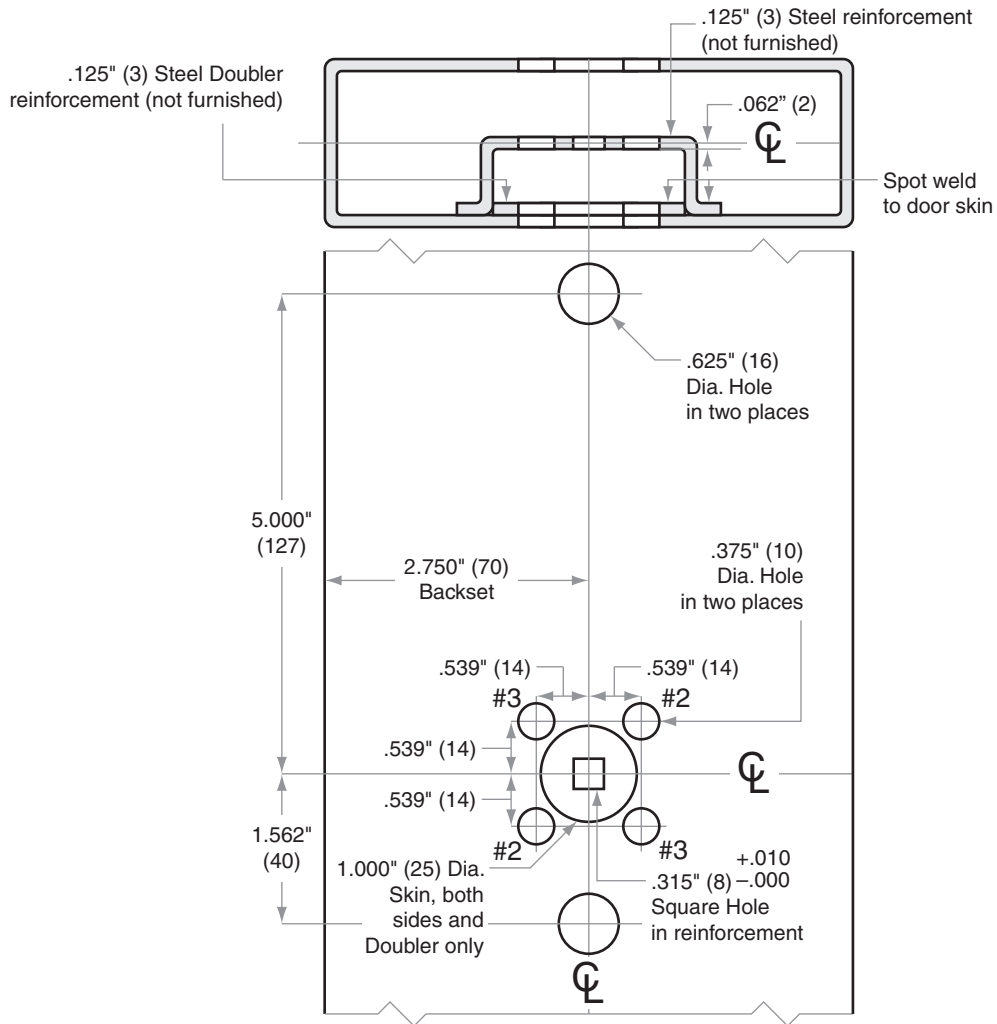
L/LV/LM/LMV-Series

Model L0172

Door Type: Metal, flat or beveled
 Trim: Escutcheon



Suitable reinforcement required for metal door installation



***Drill two holes at locations #2 for outside RH/RHR or
 Drill two holes at locations #3 for outside LH/LHR**

Dimensions shown in parentheses () are in millimeters.

© 2014 Allegion
 L746 Rev. 12/14
www.allegion.com/us

DRAWING IS NOT TO SCALE!

Customer service: 877-671-7011

**We can help you find the correct guide for
 your product and application!**

Door preparation template

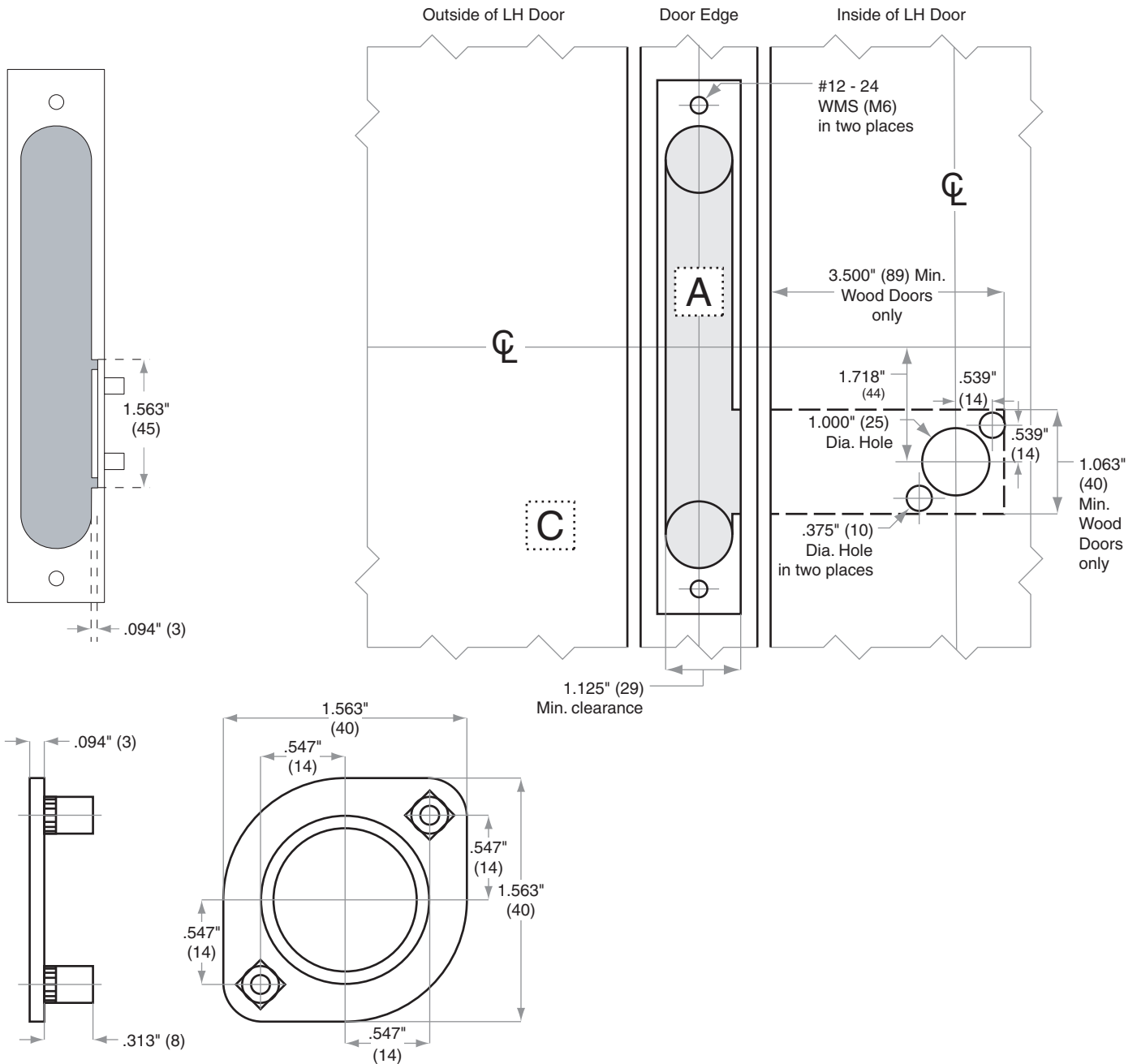
L746



L/LV/LM/LMV-Series

Model L283-150

Door Type: Any
 Trim: Mounting Plate, Rose, one side only



Dimensions shown in parentheses () are in millimeters.

Door preparation template

L904



L/LV/LM/LMV-Series

Model L460, L462, L463, L464, L480, L496

Door Type: Wood or composite, flat or beveled

Trim: Small case deadbolt

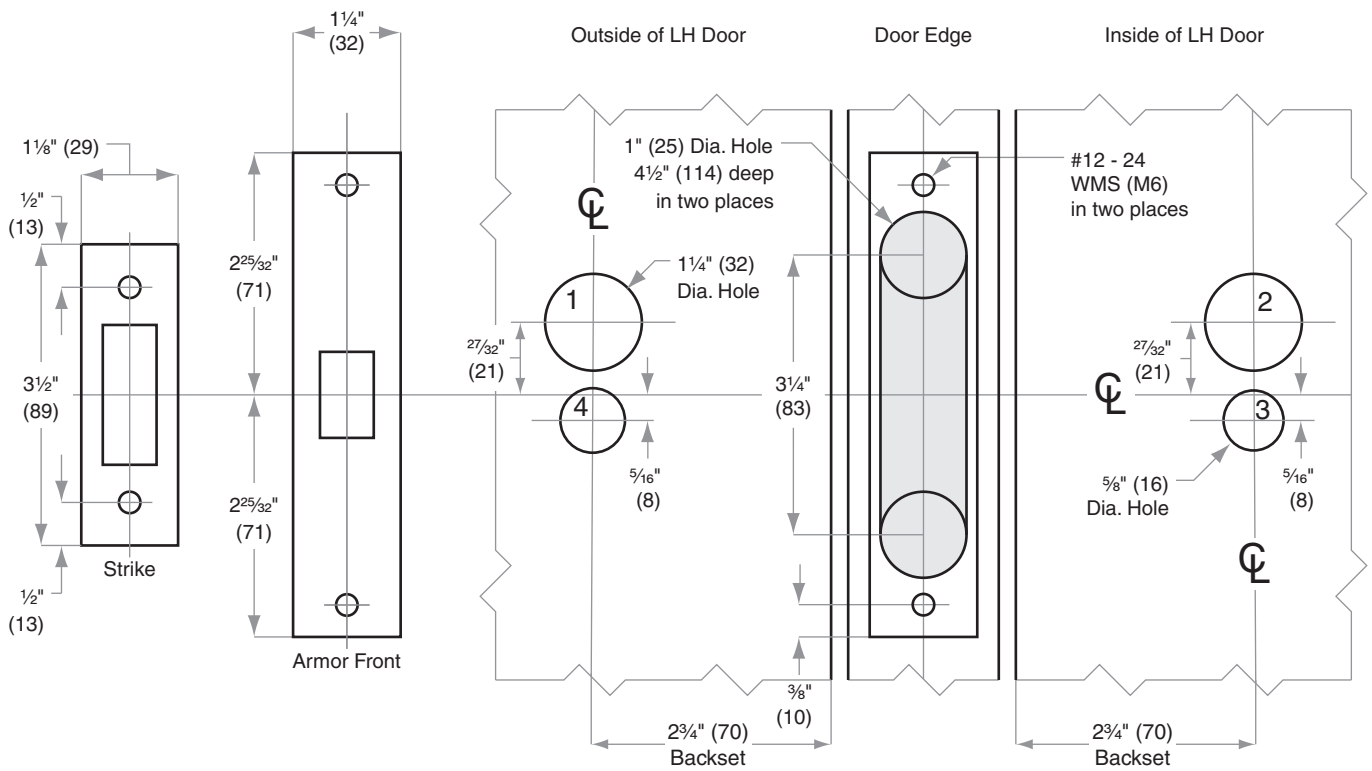
FUNCTION	DRILL			
	1	2	3	4
L460	X		X	**
L462, L463	X	X	***	**
L464	X			**
L480			X	
L496*	X		X	X

* Drill through-hole from 3 to 4 for L496

** Additional preparation for L283-721, L283-722, L283-723, L283-724

*** Additional preparation for L283-711, L283-712, L283-713, L283-714

Left Hand (LH) Door Shown



Dimensions shown in parentheses () are in millimeters.

Door preparation template

L909



L/LV/LM/LMV-Series

Model L460, L462, L463, L464, L480, L496

Door Type: Metal, flat or beveled

Trim: Small case deadbolt

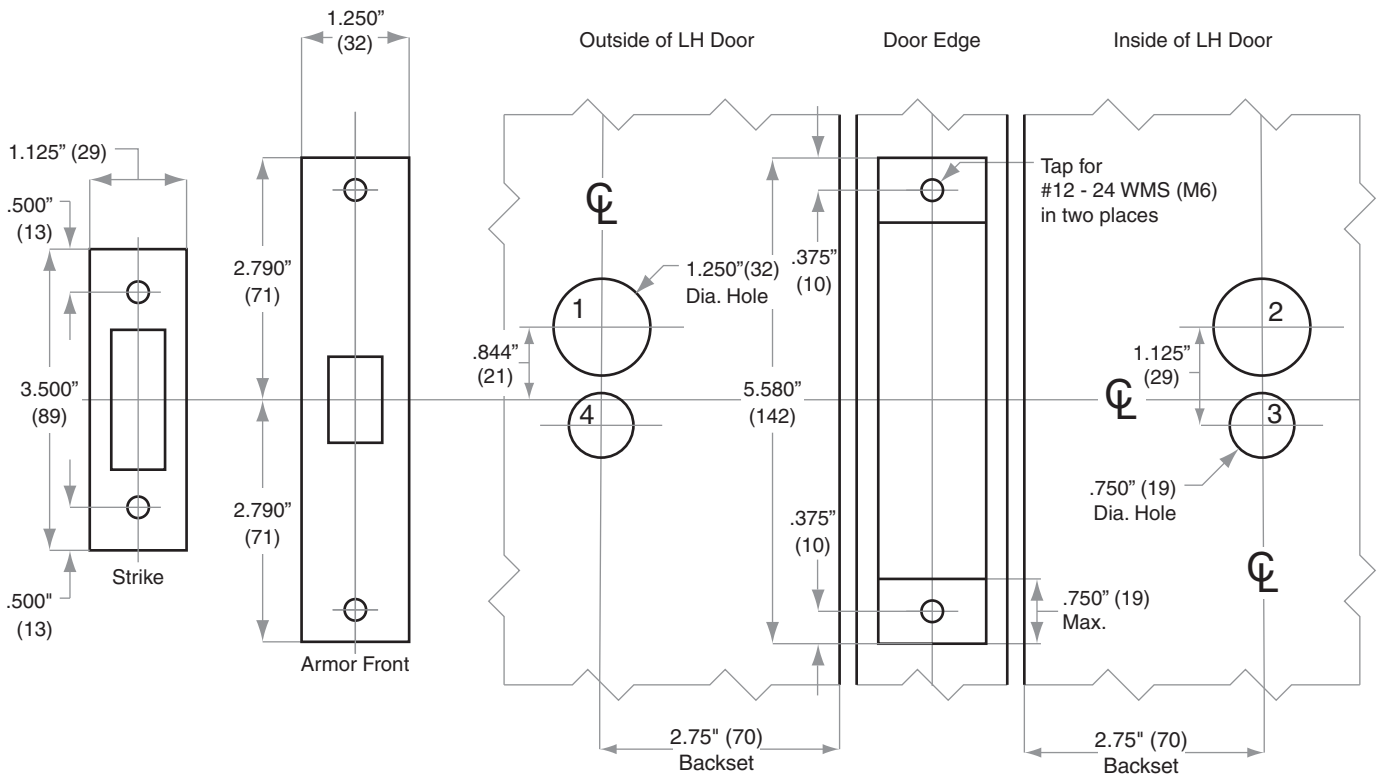
FUNCTION	DRILL			
	1	2	3	4
L460	X		X	**
L462, L463	X	X	***	**
L464	X			**
L480			X	
L496*	X		X	X

* Drill through-hole from 3 to 4 for L496

** Additional preparation for L283-721, L283-722, L283-723, L283-724

*** Additional preparation for L283-711, L283-712, L283-713, L283-714

Left Hand (LH) Door Shown



Dimensions shown in parentheses () are in millimeters.

Door preparation template



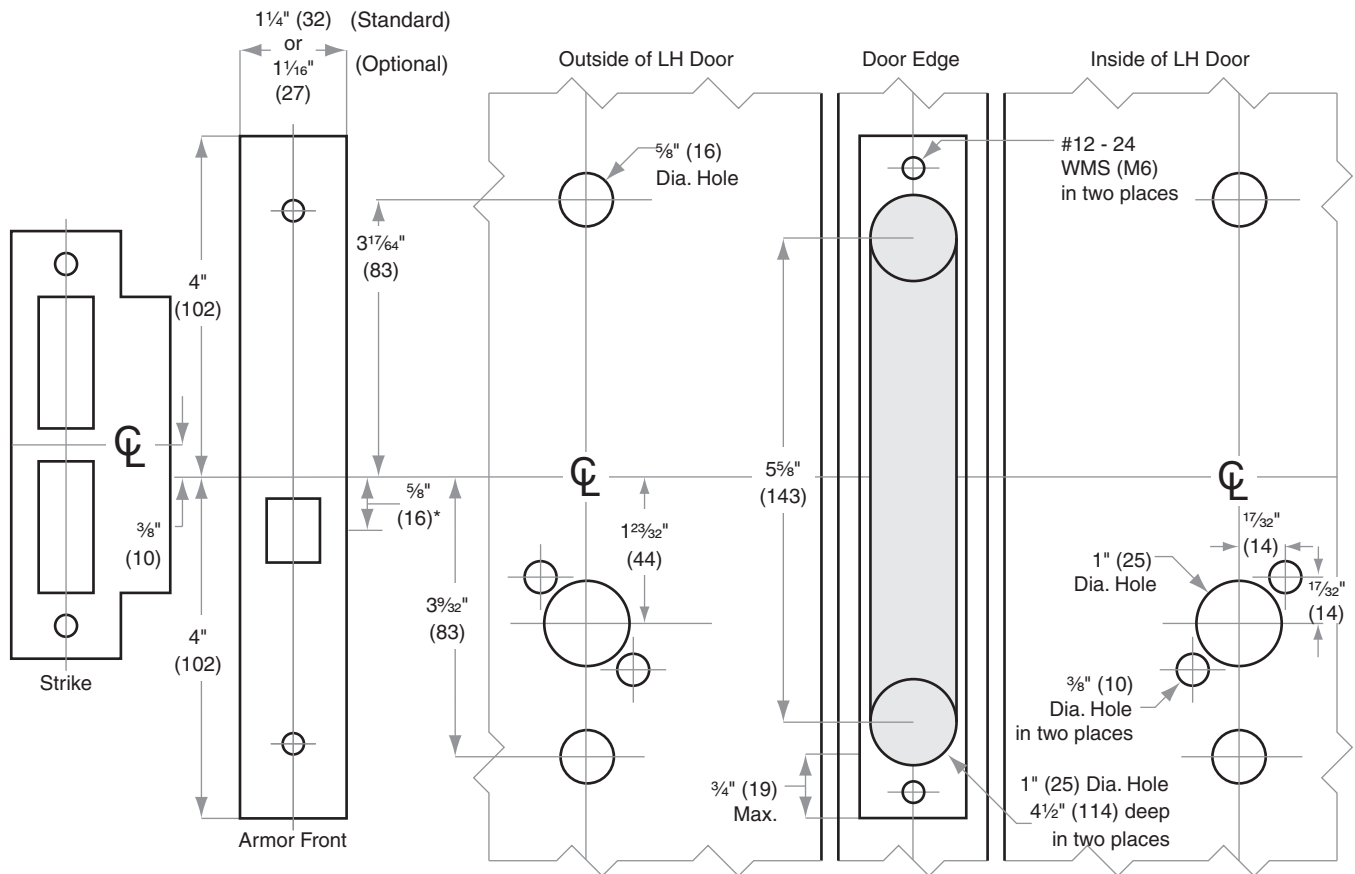
L/LV/LM/LMV-Series

Models L9010, L9110

Door Type: Wood or Composite, flat or beveled
 Trim: Escutcheon

For Case and Strike dimensions, see Template L1

Left Hand (LH) Door Shown



*Centerline of Armor Front to Centerline of Latch dimension

Dimensions shown in parentheses () are in millimeters.

Door preparation template



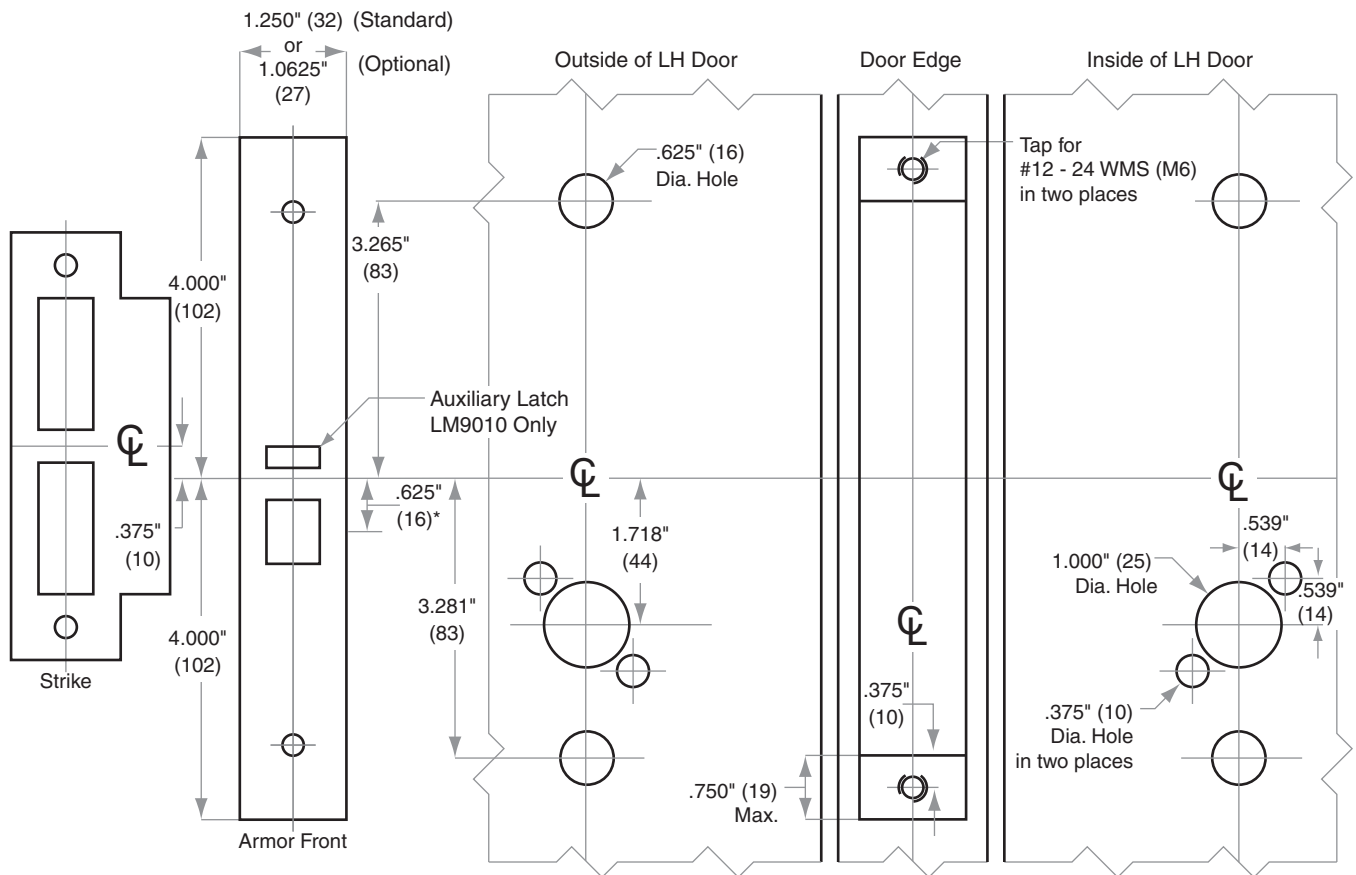
L/LV/LM/LMV-Series

Models L9010, LM9010, L9110, LM9310

Door Type: Metal, flat or beveled
 Trim: Escutcheon

For Case and Strike dimensions, see Template L1

Left Hand (LH) Door Shown



*Centerline of Armor Front to Centerline of Latch dimension

Dimensions shown in parentheses () are in millimeters.

Door preparation template

L899



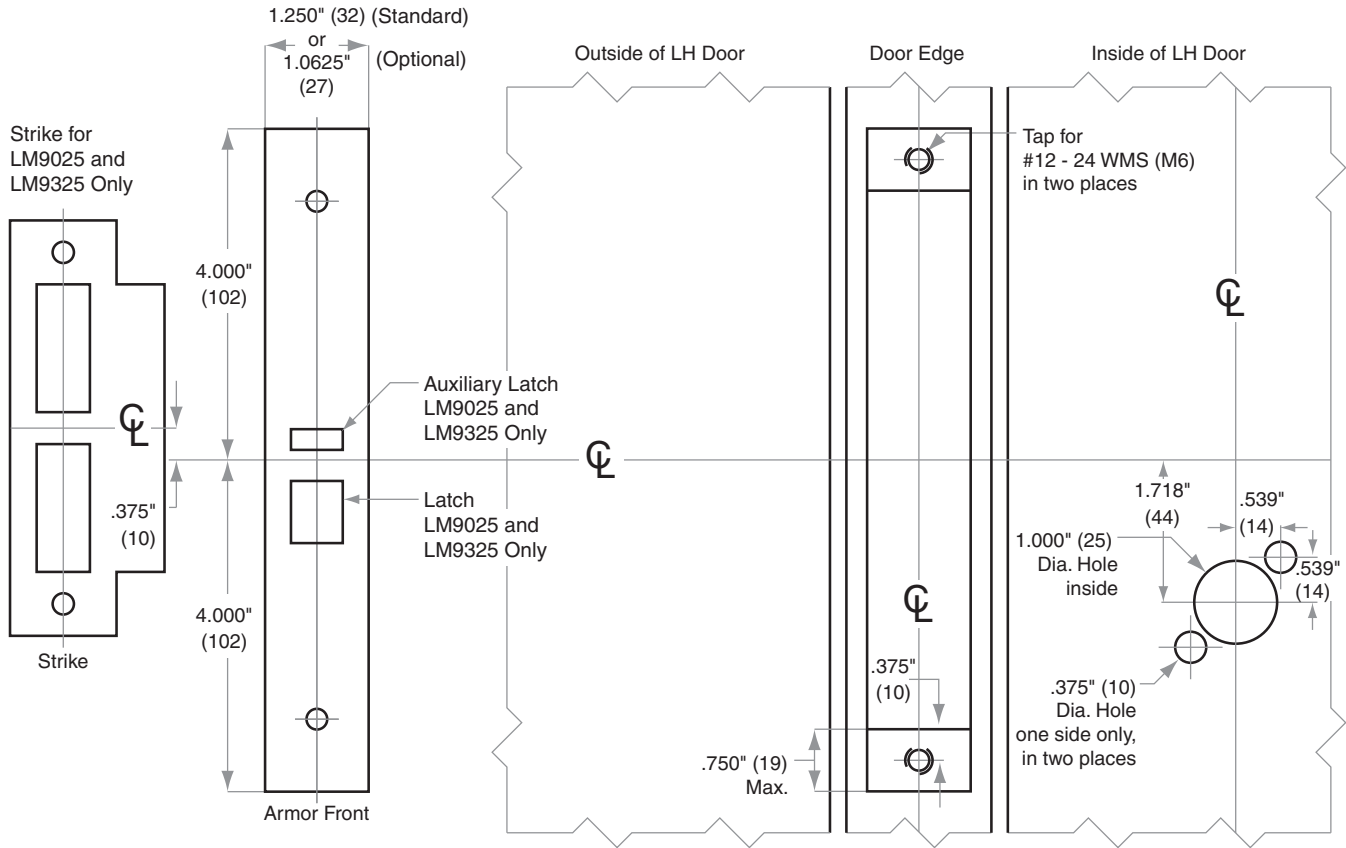
L/LV/LM/LMV-Series

Model L9175, LM9025, LM9325

Door Type: Metal, flat or beveled
 Trim: Rose

For Case and Strike dimensions, see Template L1

Left Hand (LH) Door Shown



Dimensions shown in parentheses () are in millimeters.

© 2014 Allegion
 L806 Rev. 12/14
www.allegion.com/us

DRAWING IS NOT TO SCALE!
Customer service: 877-671-7011
We can help you find the correct guide for your product and application!

Door preparation template

L806



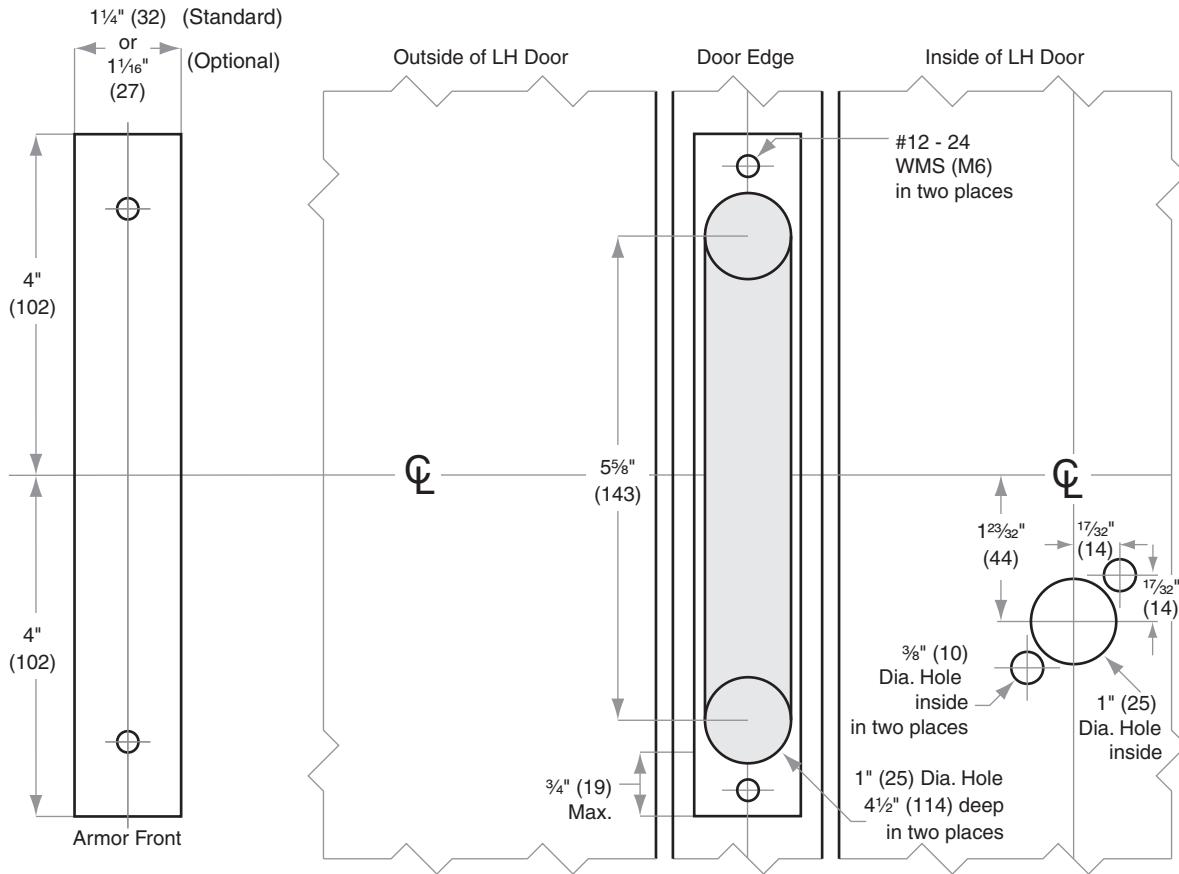
L/LV/LM/LMV-Series

Model L9175

Door Type: Wood or composite, flat or beveled
 Trim: Rose

For Case dimensions see Template L1

Left Hand (LH) Door Shown



Dimensions shown in parentheses () are in millimeters.

© 2014 Allegion
 L851 Rev. 12/14
 www.allegion.com/us

DRAWING IS NOT TO SCALE!
Customer service: 877-671-7011
We can help you find the correct guide for your product and application!

Door preparation template

L851



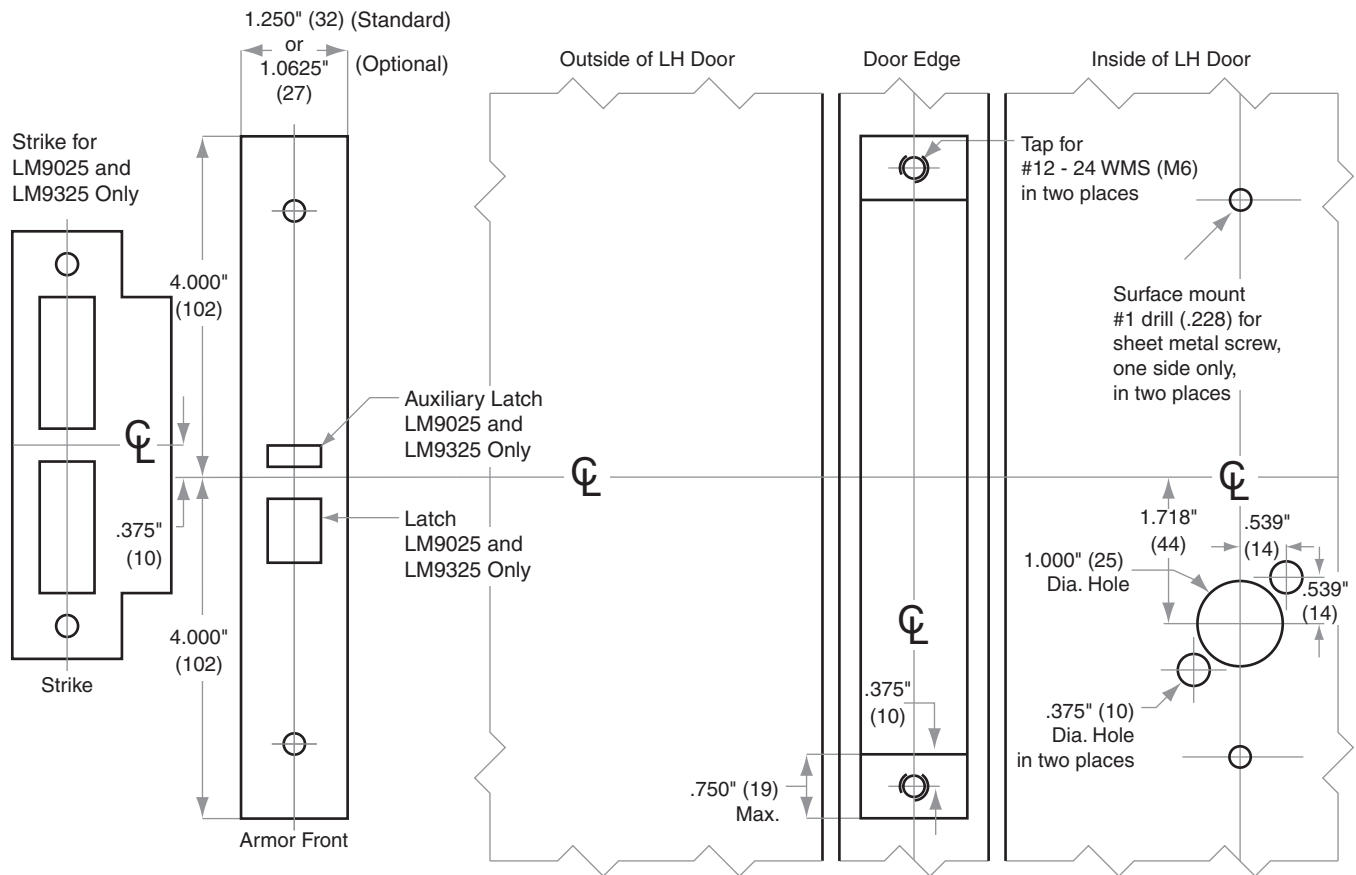
L/LV/LM/LMV-Series

Model L9175, LM9025, LM9325

Door Type: Metal, flat or beveled
 Trim: Escutcheon

For Case and Strike dimensions, see Template L1

Left Hand (LH) Door Shown



Dimensions shown in parentheses () are in millimeters.

© 2014 Allegion
 L855 Rev. 12/14
 www.allegion.com/us

DRAWING IS NOT TO SCALE!
Customer service: 877-671-7011
We can help you find the correct guide for your product and application!

Door preparation template

L855



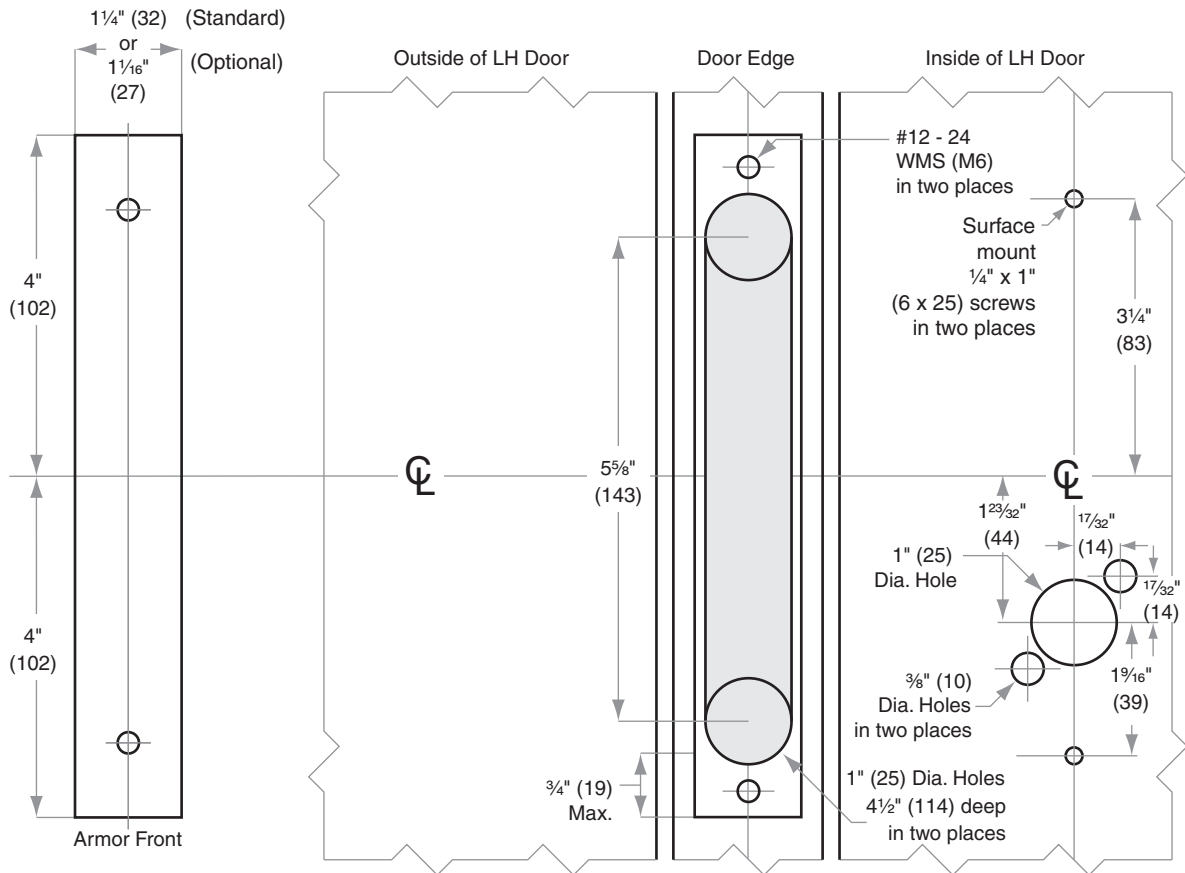
L/LV/LM/LMV-Series

Model L9175

Door Type: Wood or composite, flat or beveled
 Trim: Escutcheon

For Case and Strike dimensions, see Template L1

Left Hand (LH) Door Shown



Dimensions shown in parentheses () are in millimeters.

© 2014 Allegion
 L859 Rev. 12/14
www.allegion.com/us

DRAWING IS NOT TO SCALE!
 Customer service: 877-671-7011
 We can help you find the correct guide for
 your product and application!

Door preparation template

L859



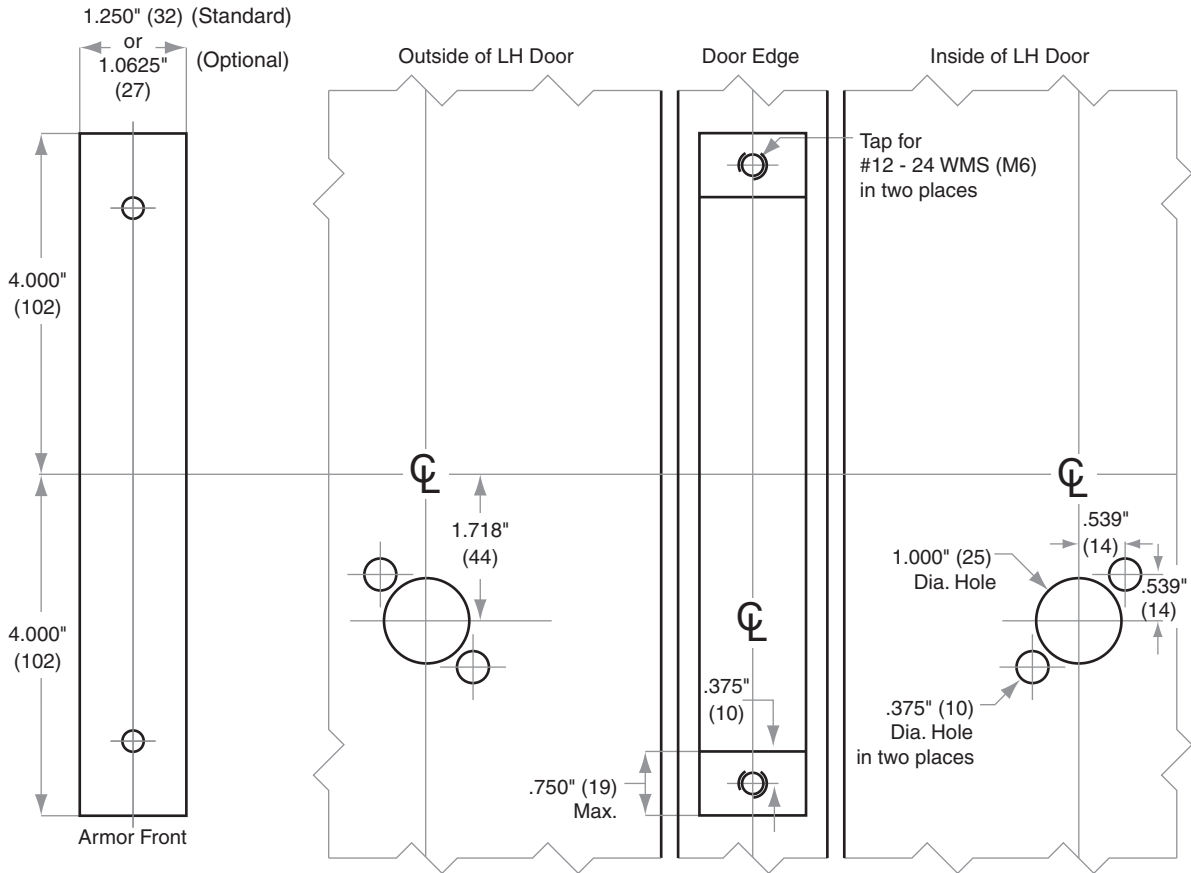
L/LV/LM/LMV-Series

Model L9176

Door Type: Metal, flat or beveled
 Trim: Rose

For Case and Strike dimensions, see Template L1

Left Hand (LH) Door Shown



Dimensions shown in parentheses () are in millimeters.

© 2014 Allegion
 L807 Rev. 12/14
 www.allegion.com/us

DRAWING IS NOT TO SCALE!
Customer service: 877-671-7011
We can help you find the correct guide for your product and application!

Door preparation template

L807



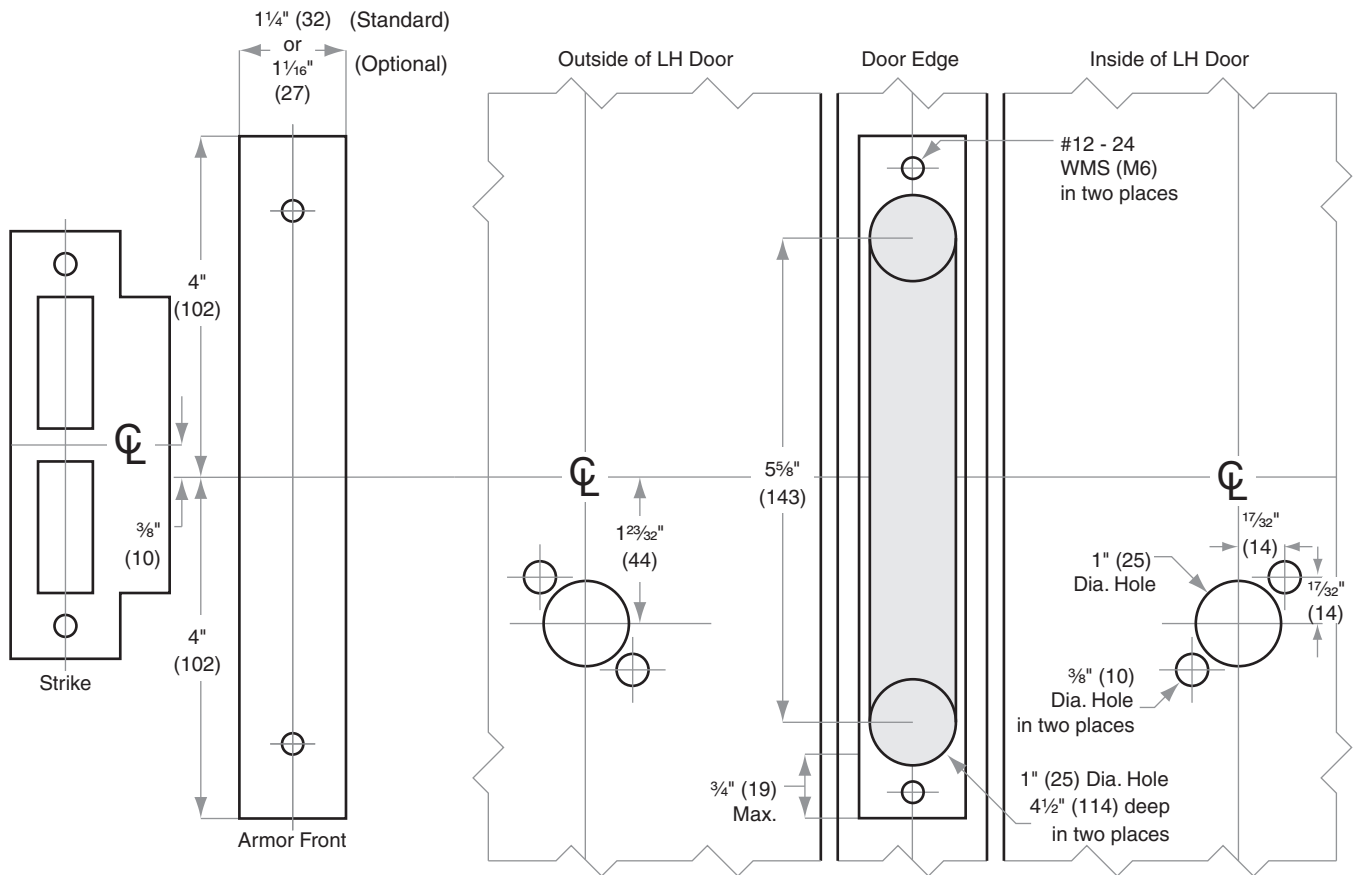
L/LV/LM/LMV-Series

Model L9176

Door Type: Wood or Composite, flat or beveled
 Trim: Rose

For Case and Strike dimensions, see Template L1

Left Hand (LH) Door Shown



Dimensions shown in parentheses () are in millimeters.

Door preparation template

L852



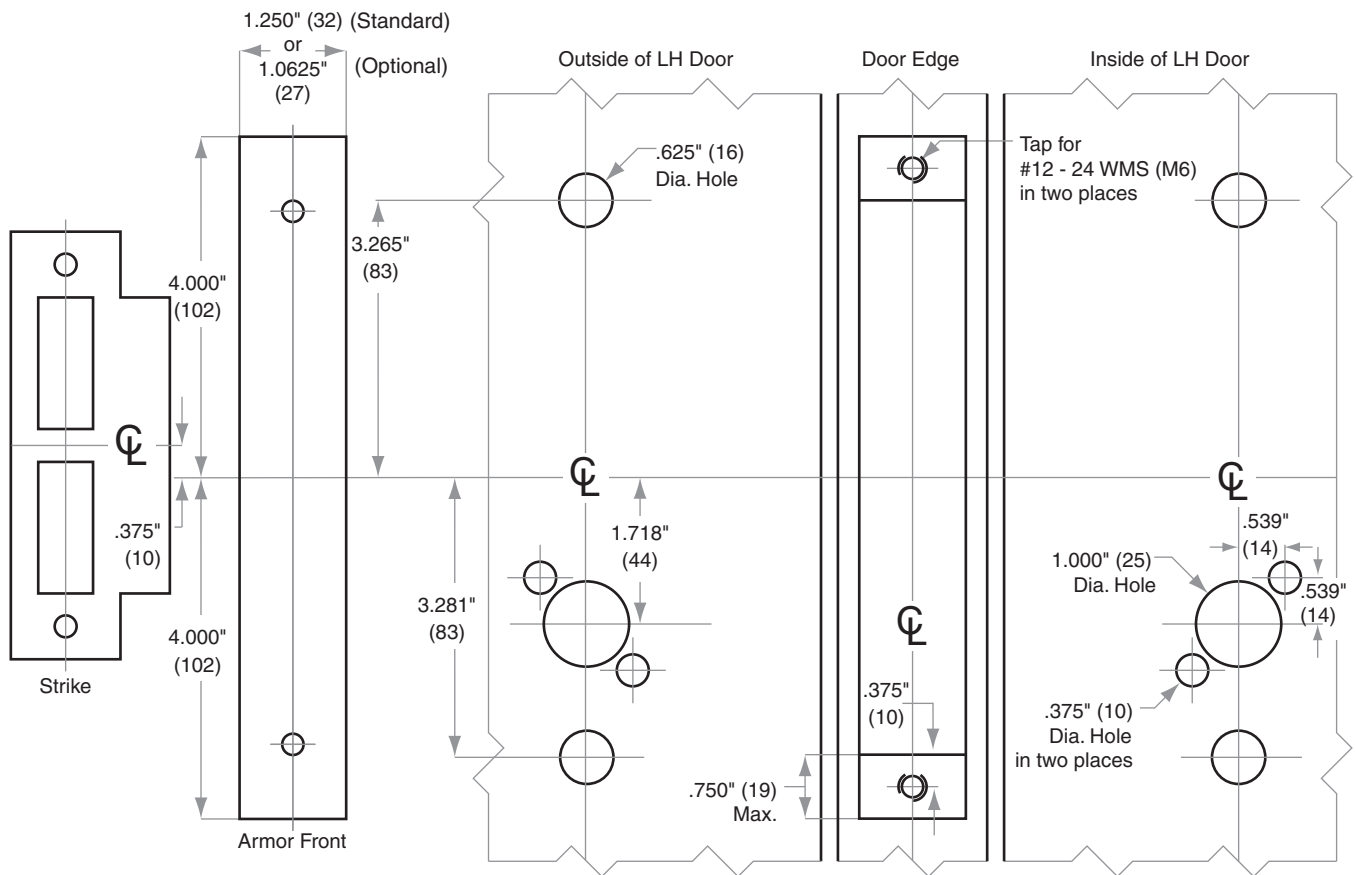
L/LV/LM/LMV-Series

Model L9176

Door Type: Metal, flat or beveled
Trim: Escutcheon

For Case and Strike dimensions, see Template L1

Left Hand (LH) Door Shown



Dimensions shown in parentheses () are in millimeters.

Door preparation template



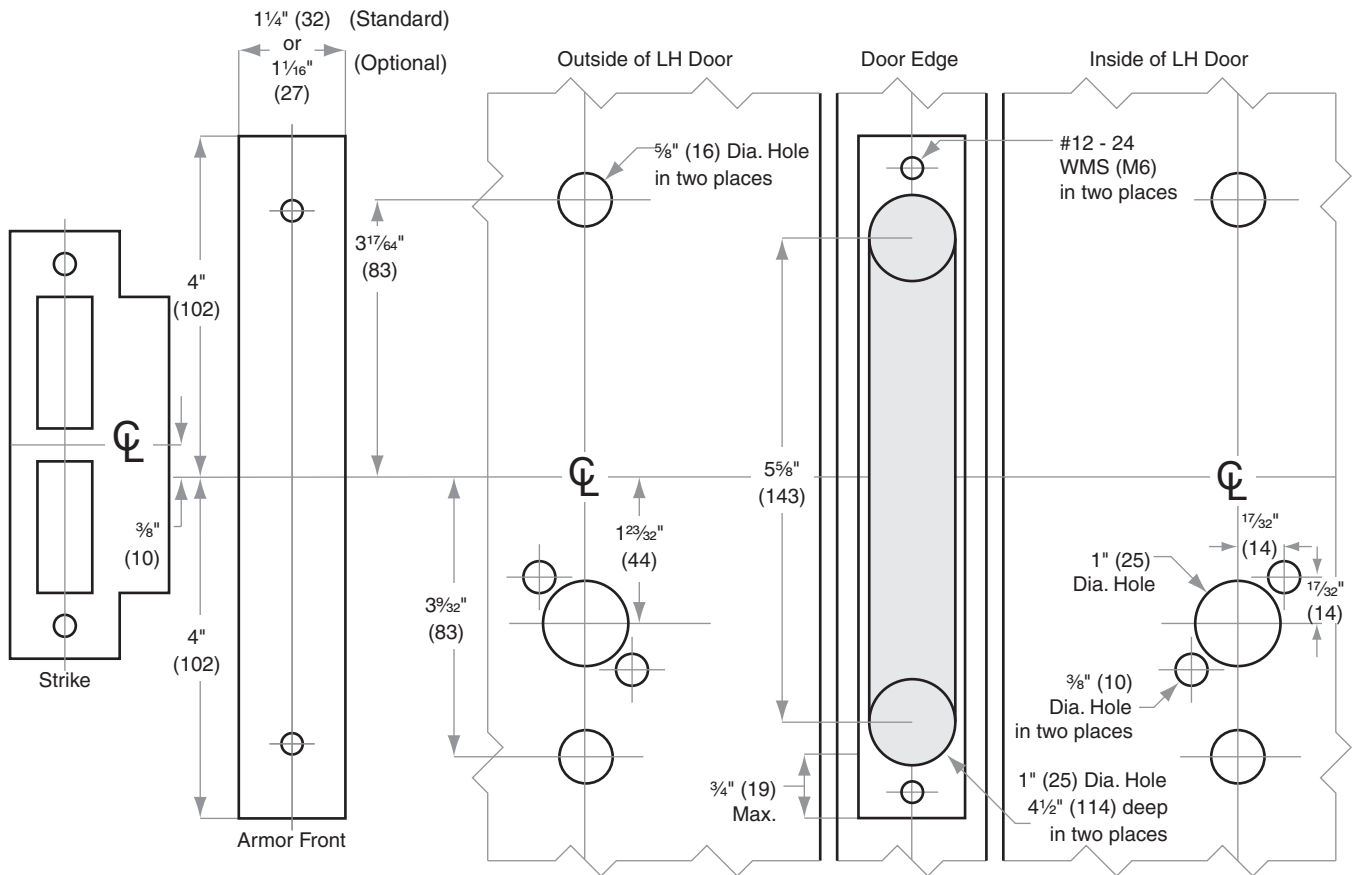
L/LV/LM/LMV-Series

Model L9176

Door Type: Wood or Composite, flat or beveled
 Trim: Escutcheon

For Case and Strike dimensions, see Template L1

Left Hand (LH) Door Shown



Dimensions shown in parentheses () are in millimeters.

Door preparation template

L860



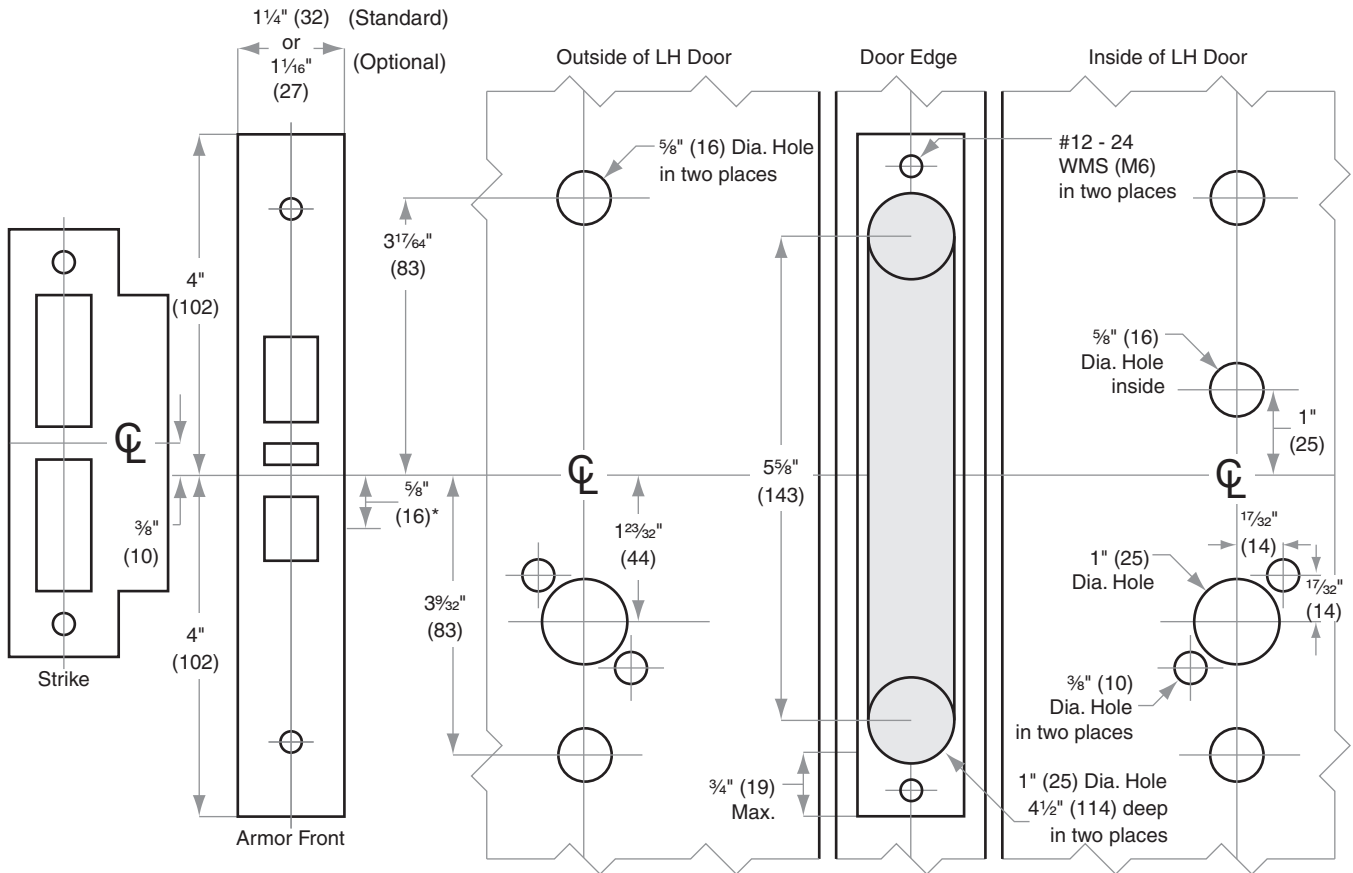
L/LV/LM/LMV-Series

Model L9412

Door Type: Wood or Composite, flat or beveled
 Trim: Escutcheon

For Case and Strike dimensions, see Template L1

Left Hand (LH) Door Shown



*Centerline of Armor Front to Centerline of Latch dimension

Dimensions shown in parentheses () are in millimeters.

Door preparation template

L911



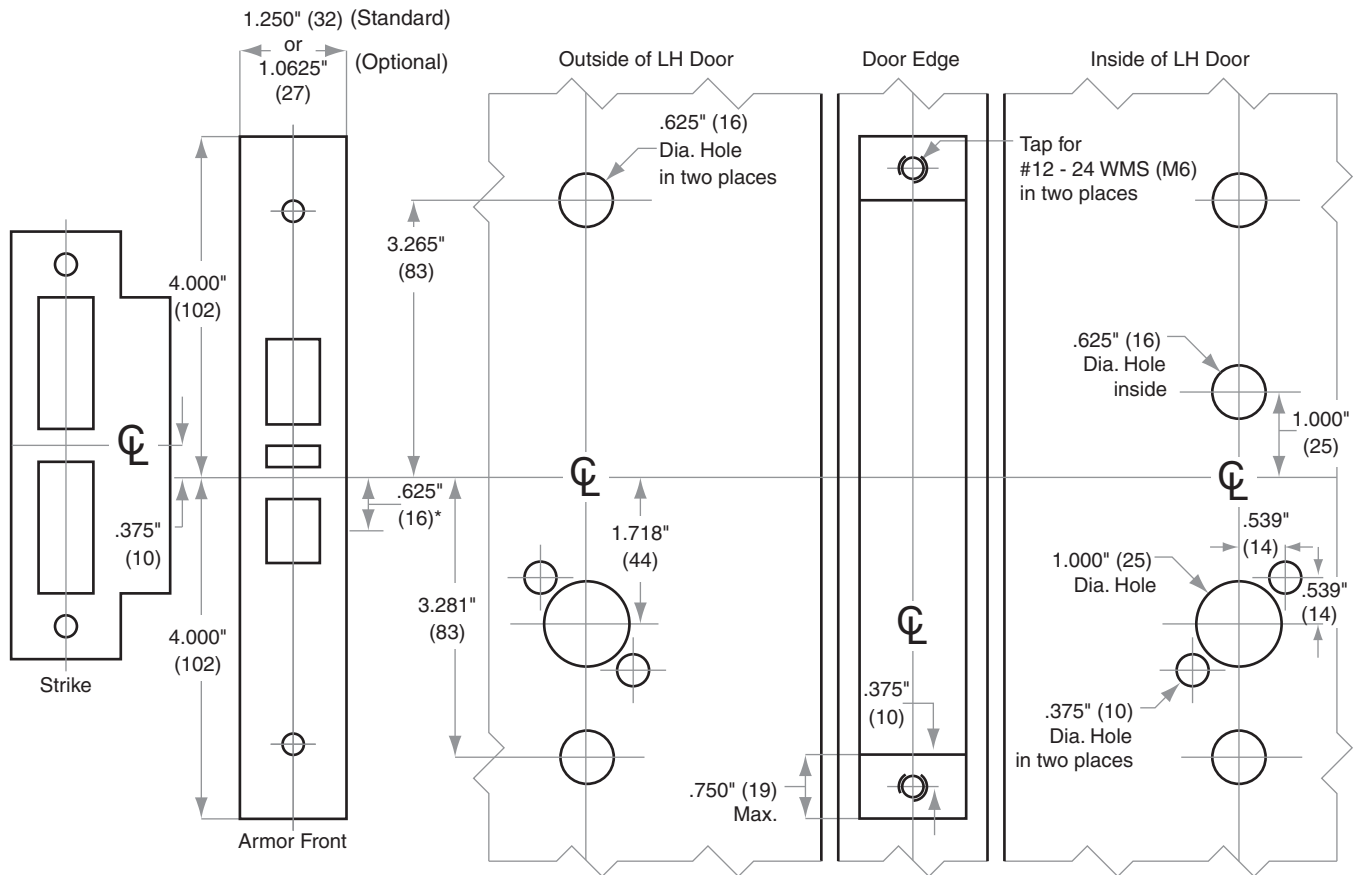
L/LV/LM/LMV-Series

Model L9412

Door Type: Metal, flat or beveled
 Trim: Escutcheon

For Case and Strike dimensions, see Template L1

Left Hand (LH) Door Shown



*Centerline of Armor Front to Centerline of Latch dimension

Dimensions shown in parentheses () are in millimeters.

Door preparation template

L912



L/LV/LM/LMV-Series

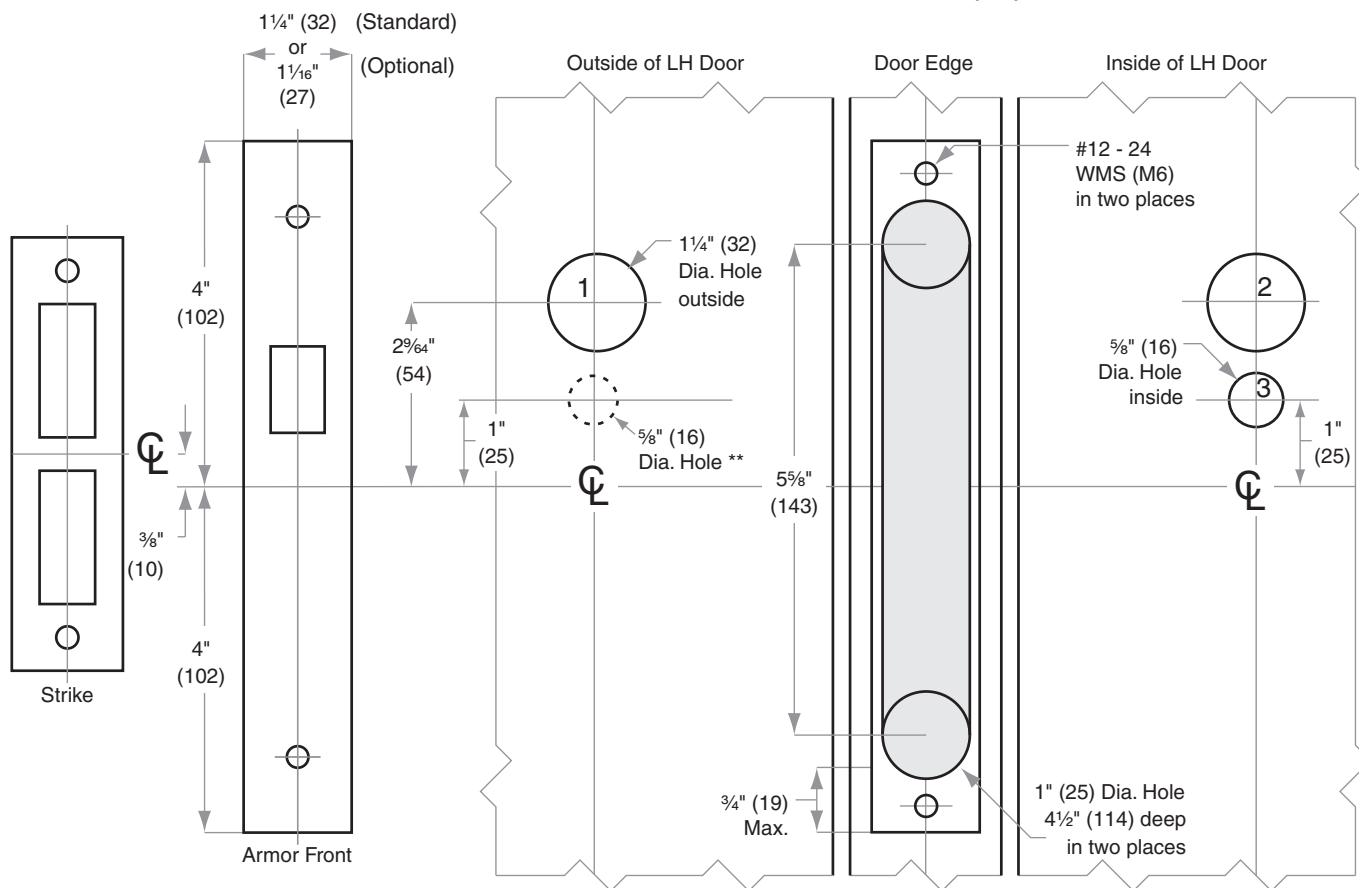
Model L9460, L9462, L9463, L9464

Door Type: Wood or composite, flat or beveled
 Trim: Deadbolt

For Case dimensions, see Template L1

FUNCTION	DRILL HOLE		
	1	2	3
L9460	X		X
L9462, L9463	X	X	***
L9464	X		

Left Hand (LH) Door Shown



- * Centerline of Armor Front to Centerline of Latch dimension
- ** Additional preparation for L283-721, L283-722, L283-723, L283-724
- *** Additional preparation for L283-711, L283-712, L283-713, L283-714

Dimensions shown in parentheses () are in millimeters.

© 2016 Allegion
 L902 Rev. 10/16
www.allegion.com/us

DRAWING IS NOT TO SCALE!
Customer service: 877-671-7011

We can help you find the correct guide for your product and application!

Door preparation template

L902



L/LV/LM/LMV-Series

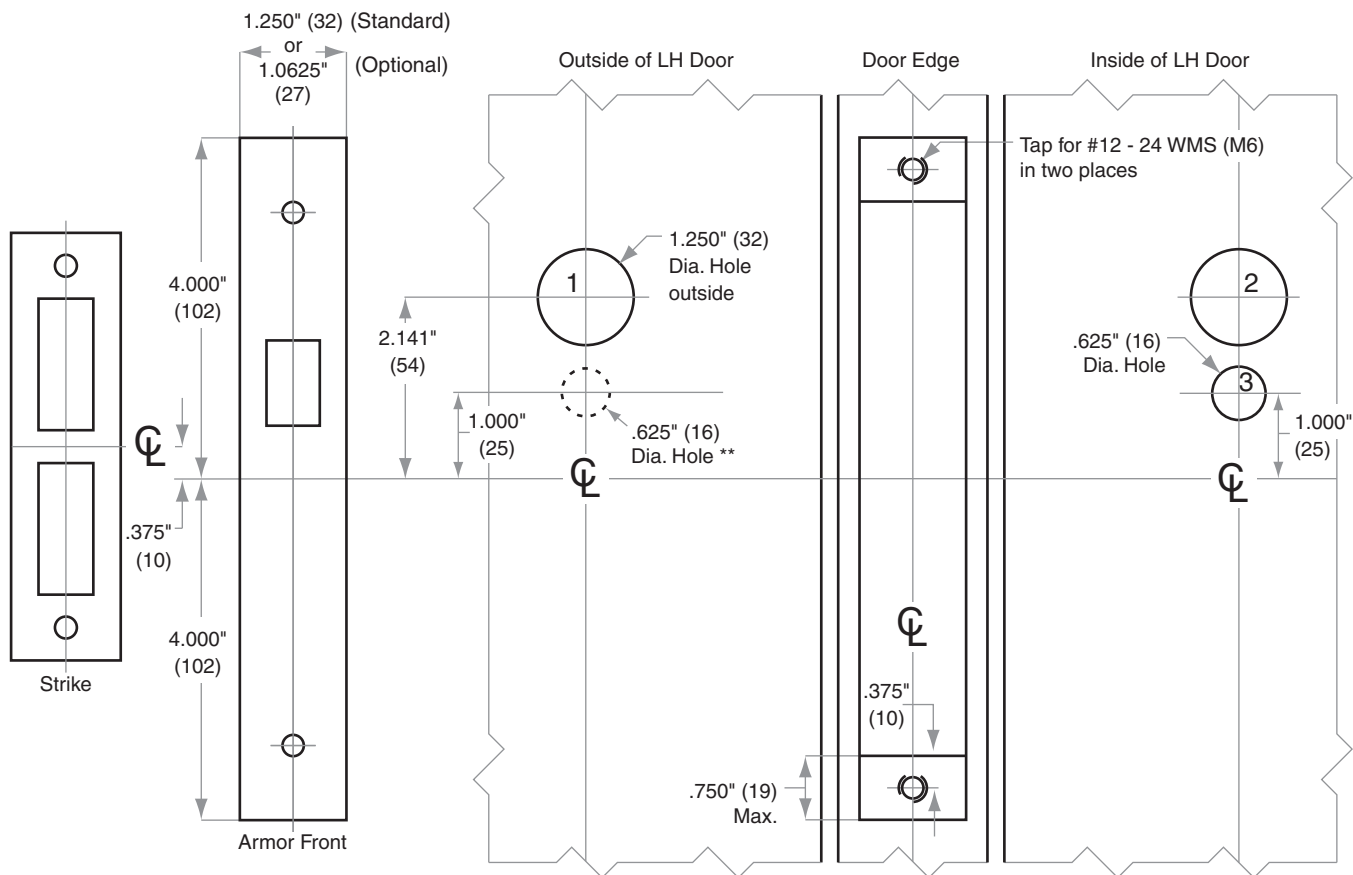
Model L9460, L9462, L9463, L9464

Door Type: Metal, flat or beveled
 Trim: Deadbolt

For Case and Strike dimensions, see Template L1

FUNCTION	DRILL HOLE		
	1	2	3
L9460	X		X
L9462, L9463	X	X	***
L9464	X		

Left Hand (LH) Door Shown



- * Centerline of Armor Front to Centerline of Latch dimension
- ** Additional preparation for L283-721, L283-722, L283-723, L283-724
- *** Additional preparation for L283-711, L283-712, L283-713, L283-714

Dimensions shown in parentheses () are in millimeters.

Door preparation template

L903



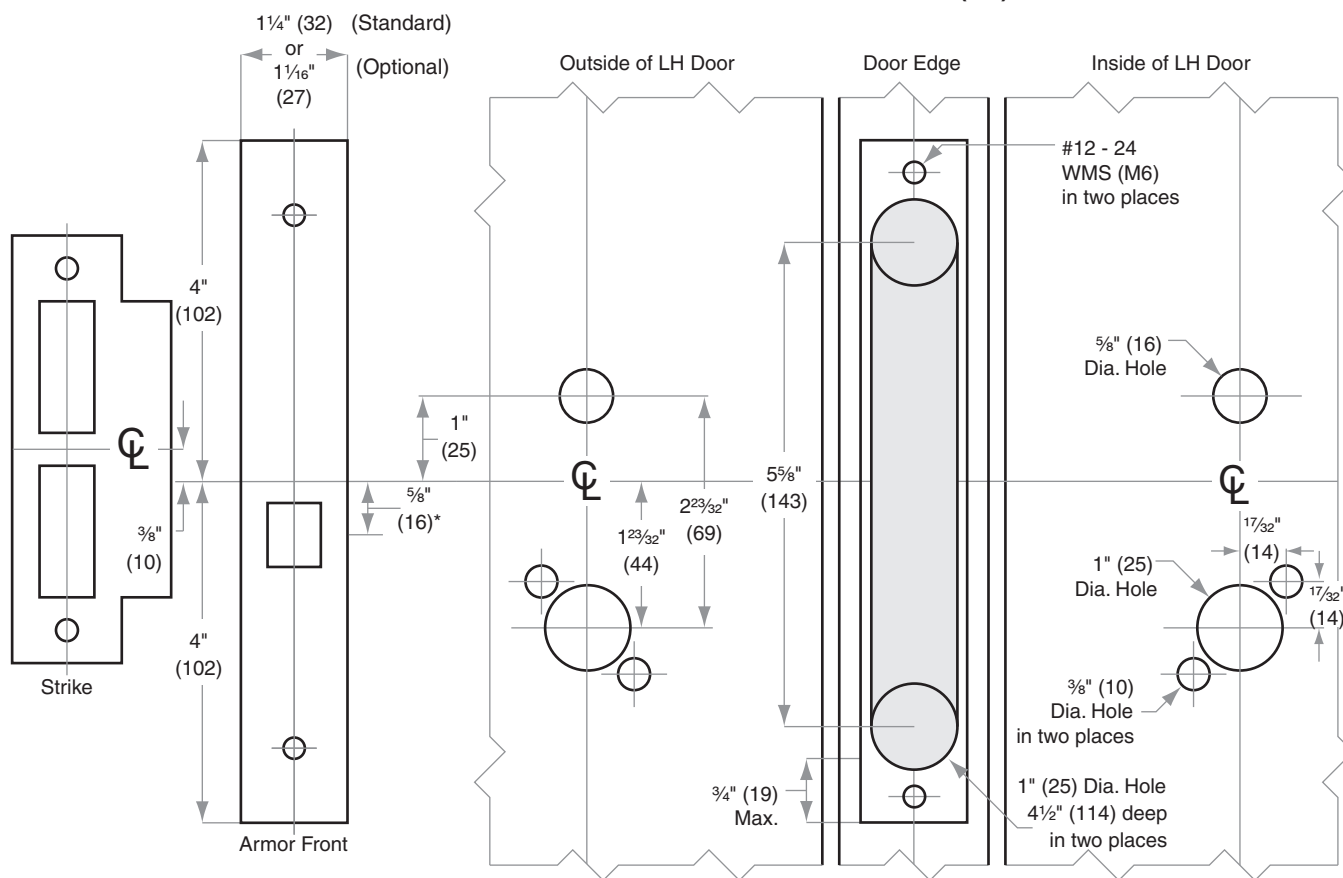
L/LV/LM/LMV-Series

Models L/LV9040, L/LV9044, L/LV9440, L/LV9444

Door Type: Wood or Composite, flat or beveled
Trim: Rose

For Case and Strike dimensions, see Template L1

Left Hand (LH) Door Shown



*Centerline of Armor Front to Centerline of Latch dimension

Dimensions shown in parentheses () are in millimeters.

Door preparation template

L894



L/LV/LM/LMV-Series

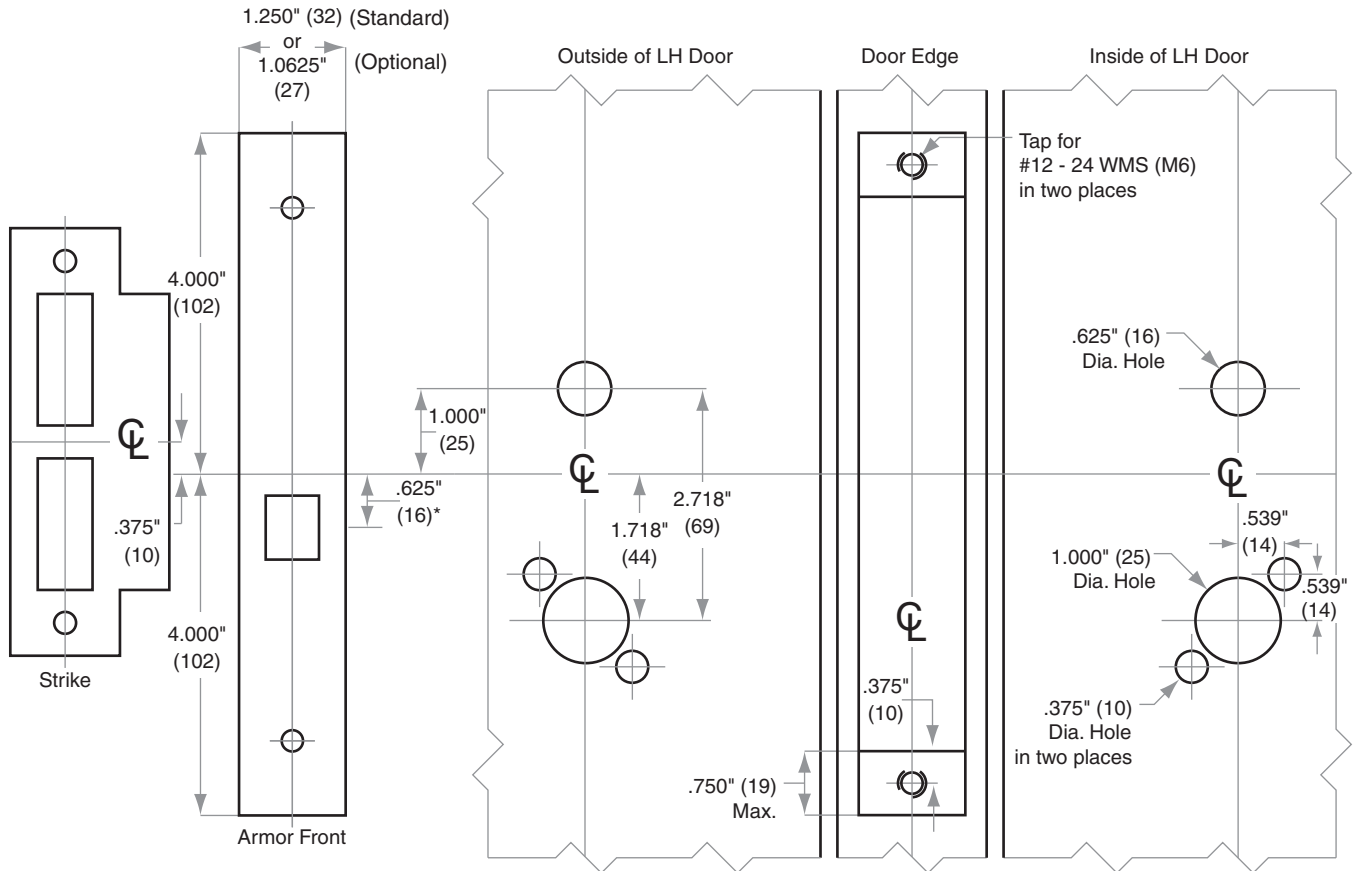
Models L/LV9040, L/LV9044, L/LV9440, L/LV9444

Door Type: Metal, flat or beveled

Trim: Rose

For Case and Strike dimensions, see Template L1

Left Hand (LH) Door Shown



*Centerline of Armor Front to Centerline of Latch dimension

Dimensions shown in parentheses () are in millimeters.

Door preparation template

L895



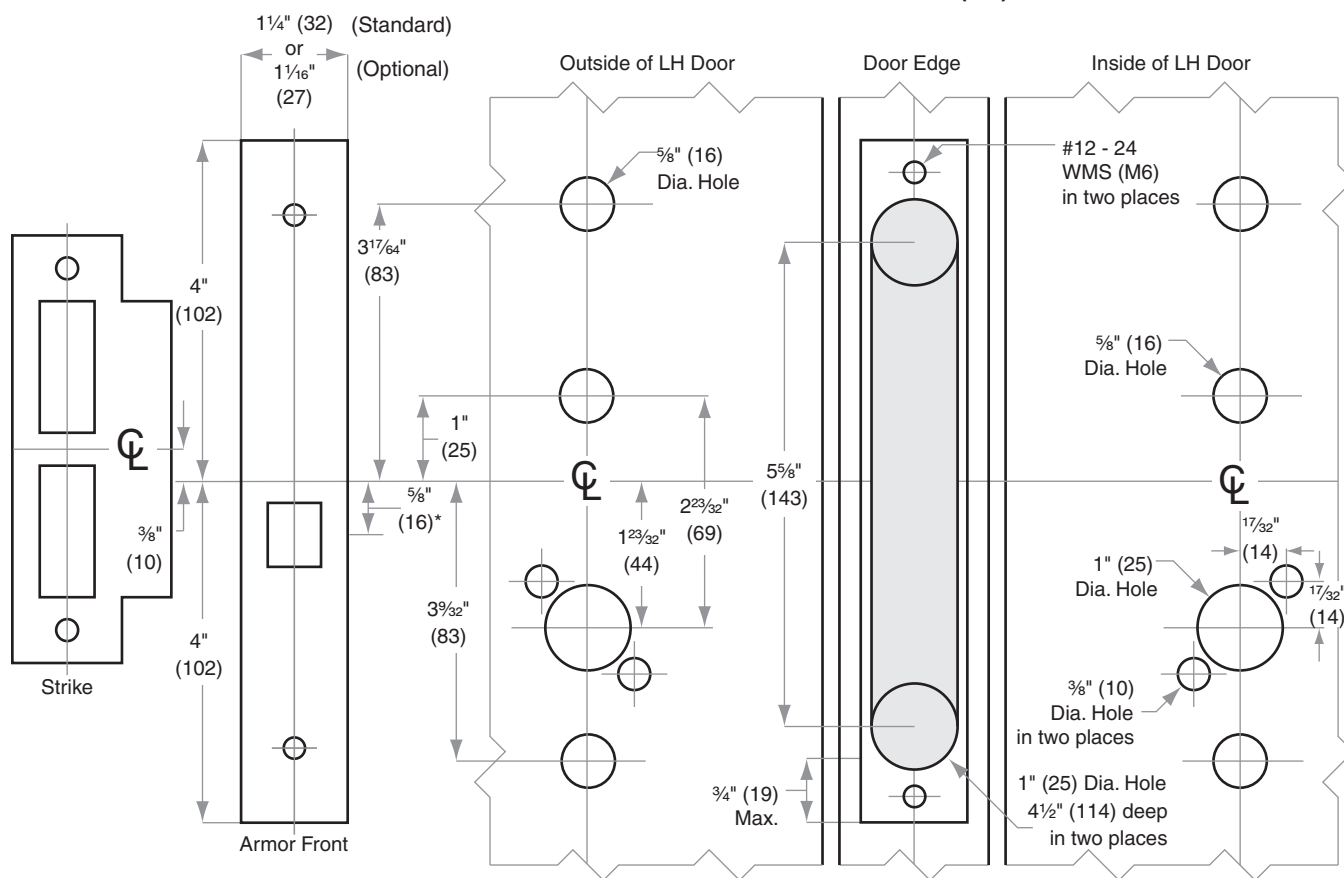
L/LV/LM/LMV-Series

Models L/LV9040, L/LV9440, L/LV9444

Door Type: Wood or Composite, flat or beveled
 Trim: Escutcheon

For Case and Strike dimensions, see Template L1

Left Hand (LH) Door Shown



*Centerline of Armor Front to Centerline of Latch dimension

Dimensions shown in parentheses () are in millimeters.

Door preparation template

L900



L/LV/LM/LMV-Series

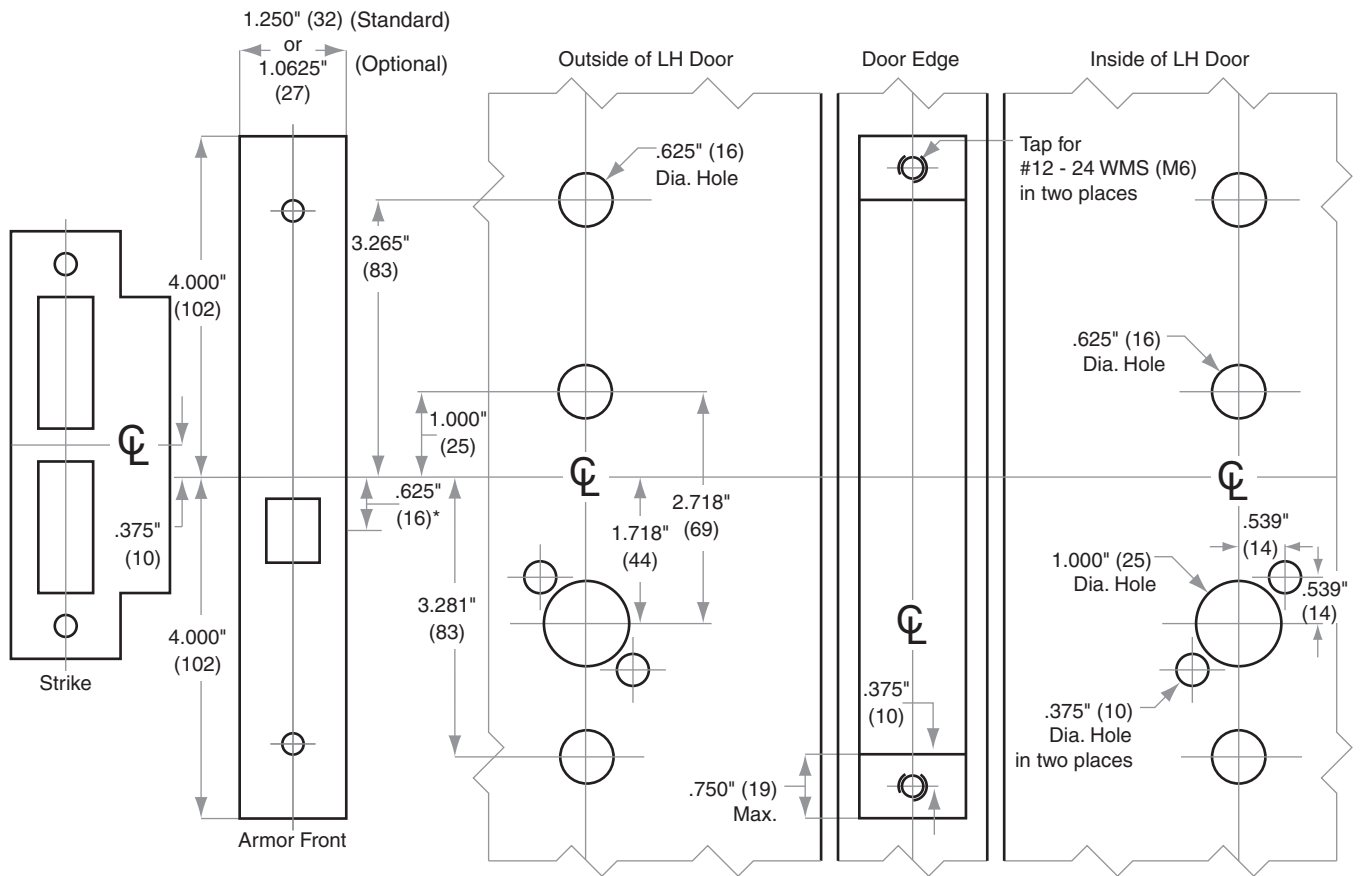
Models L/LV9040, L/LV9440, L/LV9444

Door Type: Metal, flat or beveled

Trim: Escutcheon

For Case and Strike dimensions, see Template L1

Left Hand (LH) Door Shown



*Centerline of Armor Front to Centerline of Latch dimension

Dimensions shown in parentheses () are in millimeters.

Door preparation template



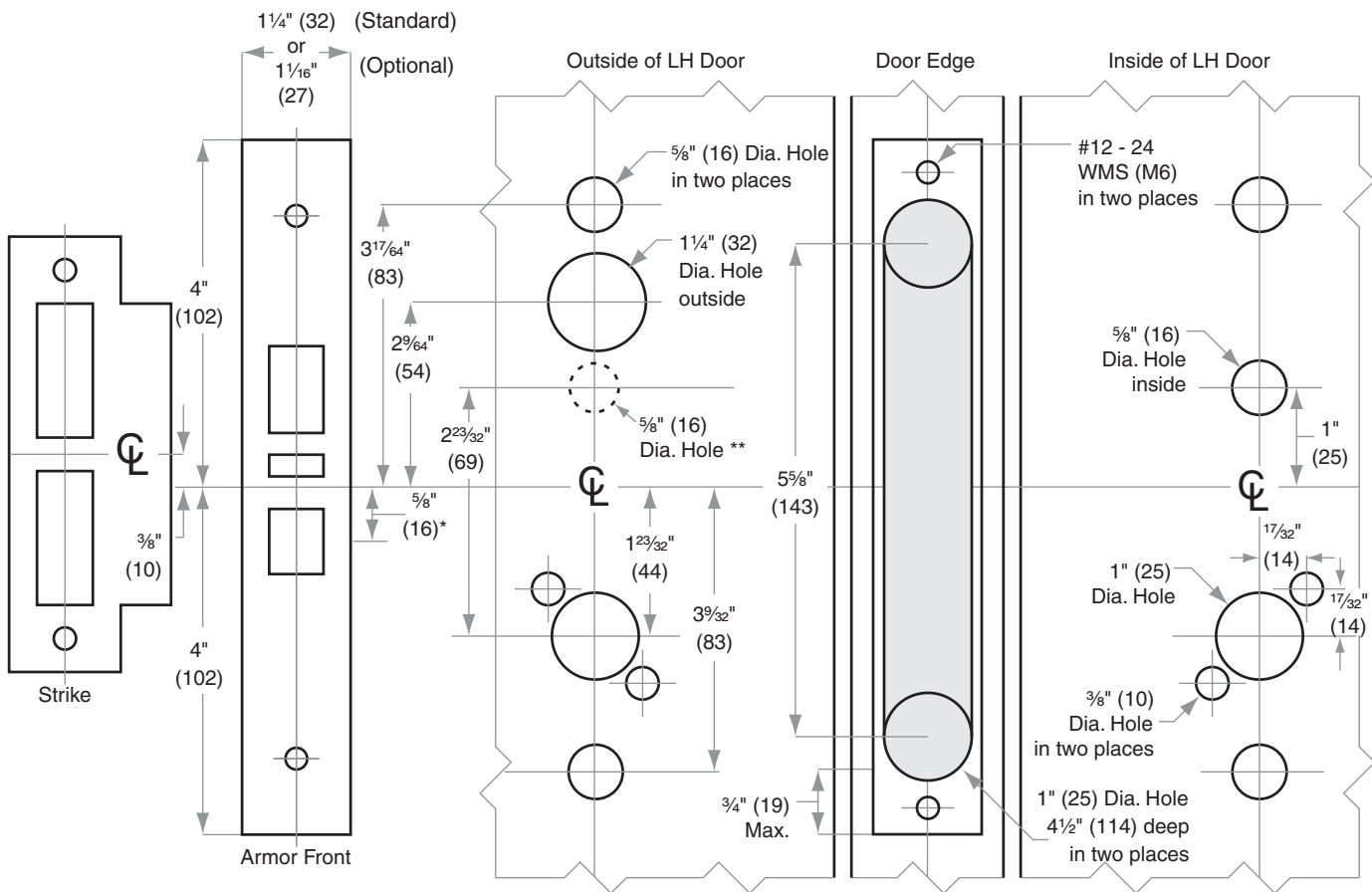
L/LV/LM/LMV-Series

Model L/LV9050, L/LV9056, L/LV9453, L/LV9456, L9473, L/LV9480, L/LV9485

Door Type: Wood or composite, flat or beveled
Trim: Escutcheon

For Case and Strike dimensions, see Template L1

Left Hand (LH) Door Shown



* Centerline of Armor Front to Centerline of Latch dimension
 ** Additional preparation for L283-721, L283-722, L283-723, L283-724

Dimensions shown in parentheses () are in millimeters.

© 2016 Allegion
L826 Rev. 03/16
www.allegion.com/us

DRAWING IS NOT TO SCALE!
Customer service: 877-671-7011
We can help you find the correct guide for your product and application!

Door preparation template

L826



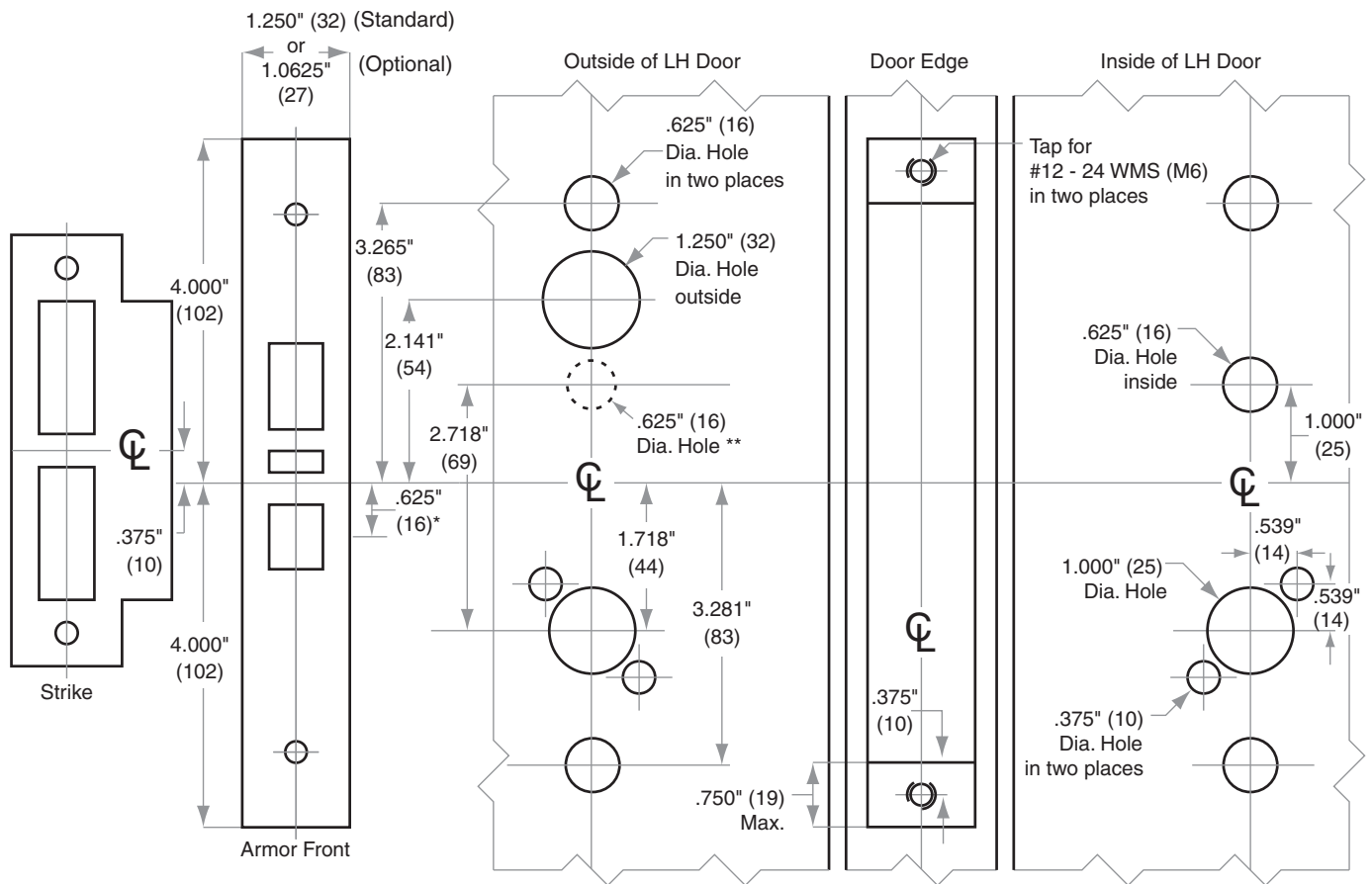
L/LV/LM/LMV-Series

Model L/LV/LM/LMV9050, L/LV/LM/LMV9056, L/LV9453, L/LV9456, L9473, L/LV9480, L/LV9485, LM/LMV9350, LM/LMV9356

Door Type: Metal, flat or beveled
Trim: Escutcheon

For Case and Strike dimensions, see Template L1

Left Hand (LH) Door Shown



* Centerline of Armor Front to Centerline of Latch dimension
** Additional preparation for L283-721, L283-722, L283-723, L283-724

Dimensions shown in parentheses () are in millimeters.

DRAWING IS NOT TO SCALE!

Customer service: 877-671-7011

We can help you find the correct guide for your product and application!

Door preparation template

L827



L/LV/LM/LMV-Series

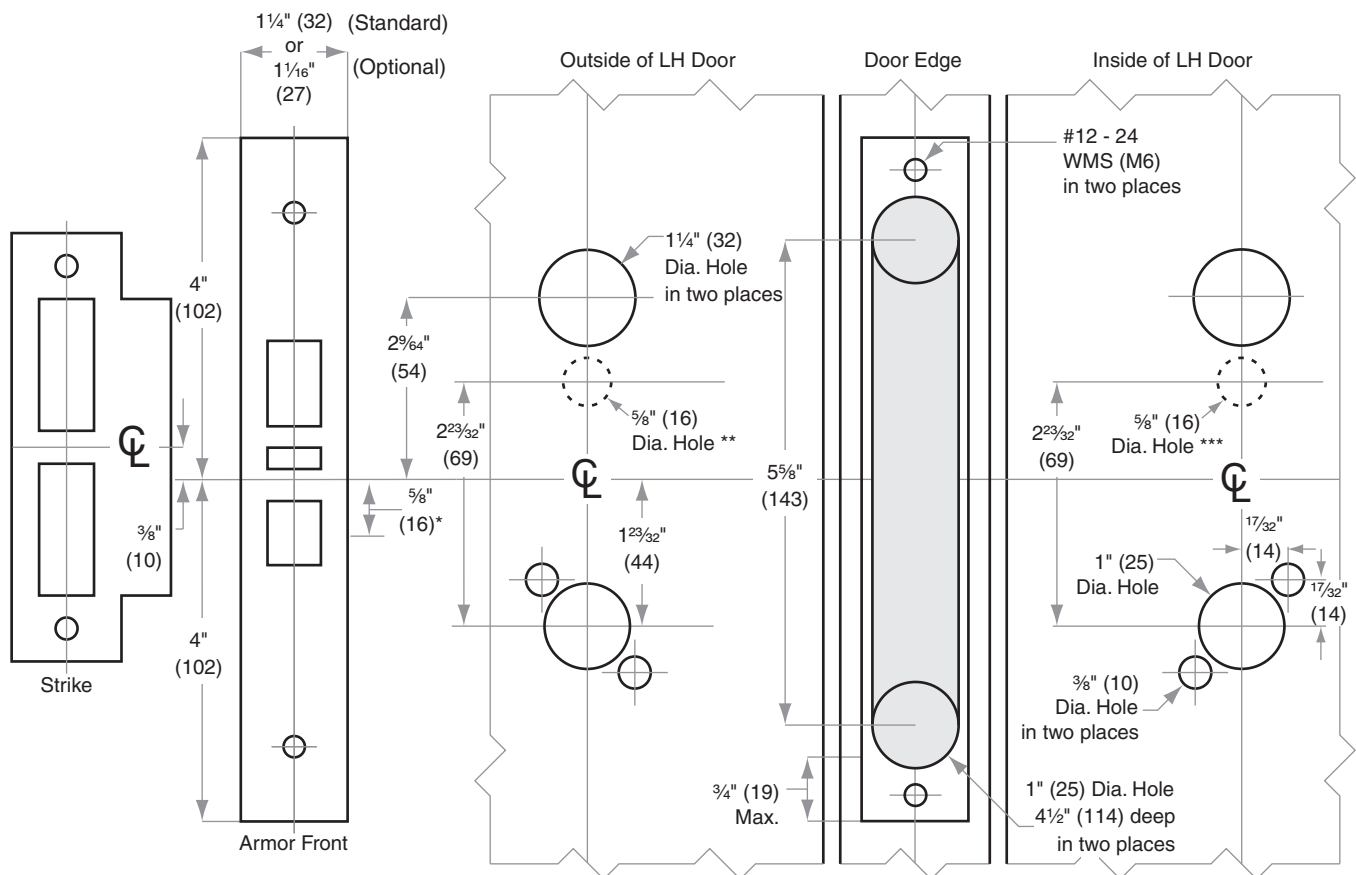
Model L/LV9060, L/LV/LM/LMV9071, L/LV9077,
L/LV9082/EL/EU, L/LV9457, L/LV9458, L9466, L/LV9482

Door Type: Wood or composite, flat or beveled

Trim: Rose

**For Case and Strike dimensions, see Template L1
Refer to Template L1 for information to prepare
the door for wire routing**

Left Hand (LH) Door Shown



- * Centerline of Armor Front to Centerline of Latch dimension
- ** Additional preparation for L283-721, L283-722, L283-723, L283-724
- *** Additional preparation for L283-711, L283-712, L283-713, L283-714

Dimensions shown in parentheses () are in millimeters.

DRAWING IS NOT TO SCALE!

Customer service: 877-671-7011

**We can help you find the correct guide for
your product and application!**

Door preparation template

L816



L/LV/LM/LMV-Series

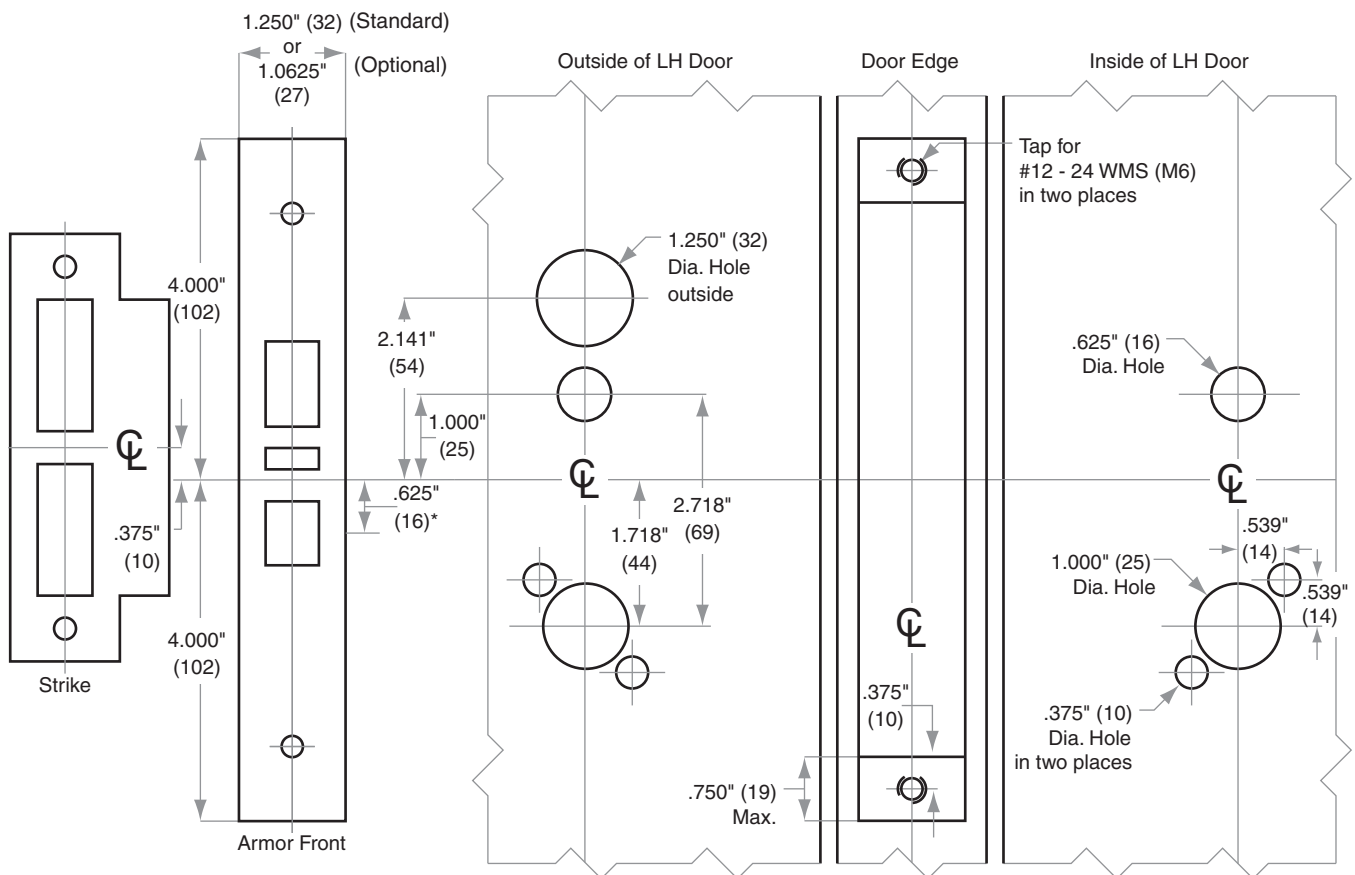
Model L/LV9486, L/LV9496



Door Type: Metal, flat or beveled
Trim: Rose

For Case and Strike dimensions, see Template L1

Left Hand (LH) Door Shown



*Centerline of Armor Front to Centerline of Latch dimension

Dimensions shown in parentheses () are in millimeters.

© 2014 Allegion
L821 Rev. 12/14
www.allegion.com/us

DRAWING IS NOT TO SCALE!

Customer service: 877-671-7011

We can help you find the correct guide for your product and application!

Door preparation template

L821



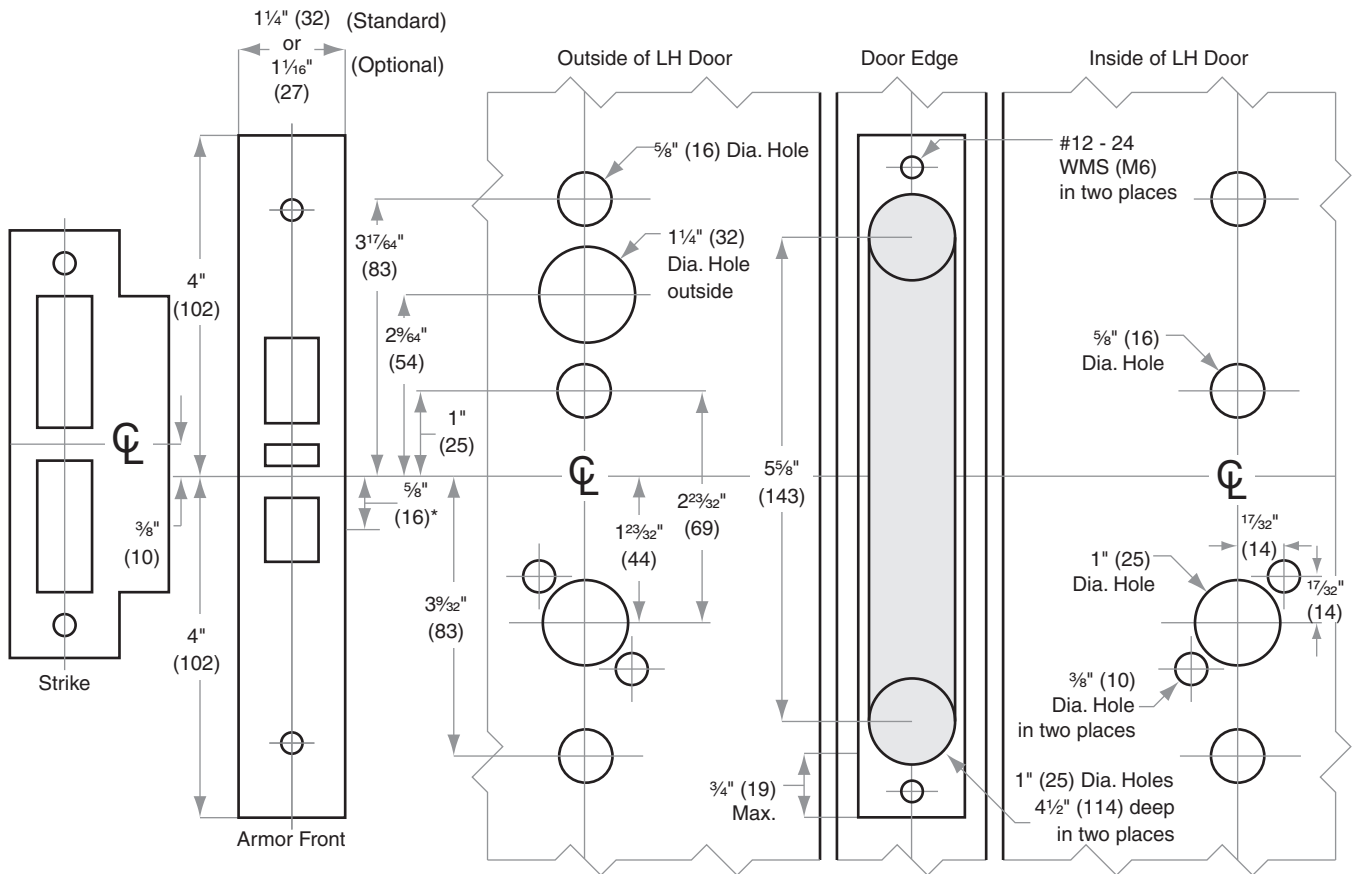
L/LV/LM/LMV-Series

Models L/LV9486, L/LV9496

Door Type: Wood or Composite, flat or beveled
 Trim: Escutcheon

For Case and Strike dimensions, see Template L1

Left Hand (LH) Door Shown



*Centerline of Armor Front to Centerline of Latch dimension

Dimensions shown in parentheses () are in millimeters.

Door preparation template

L832



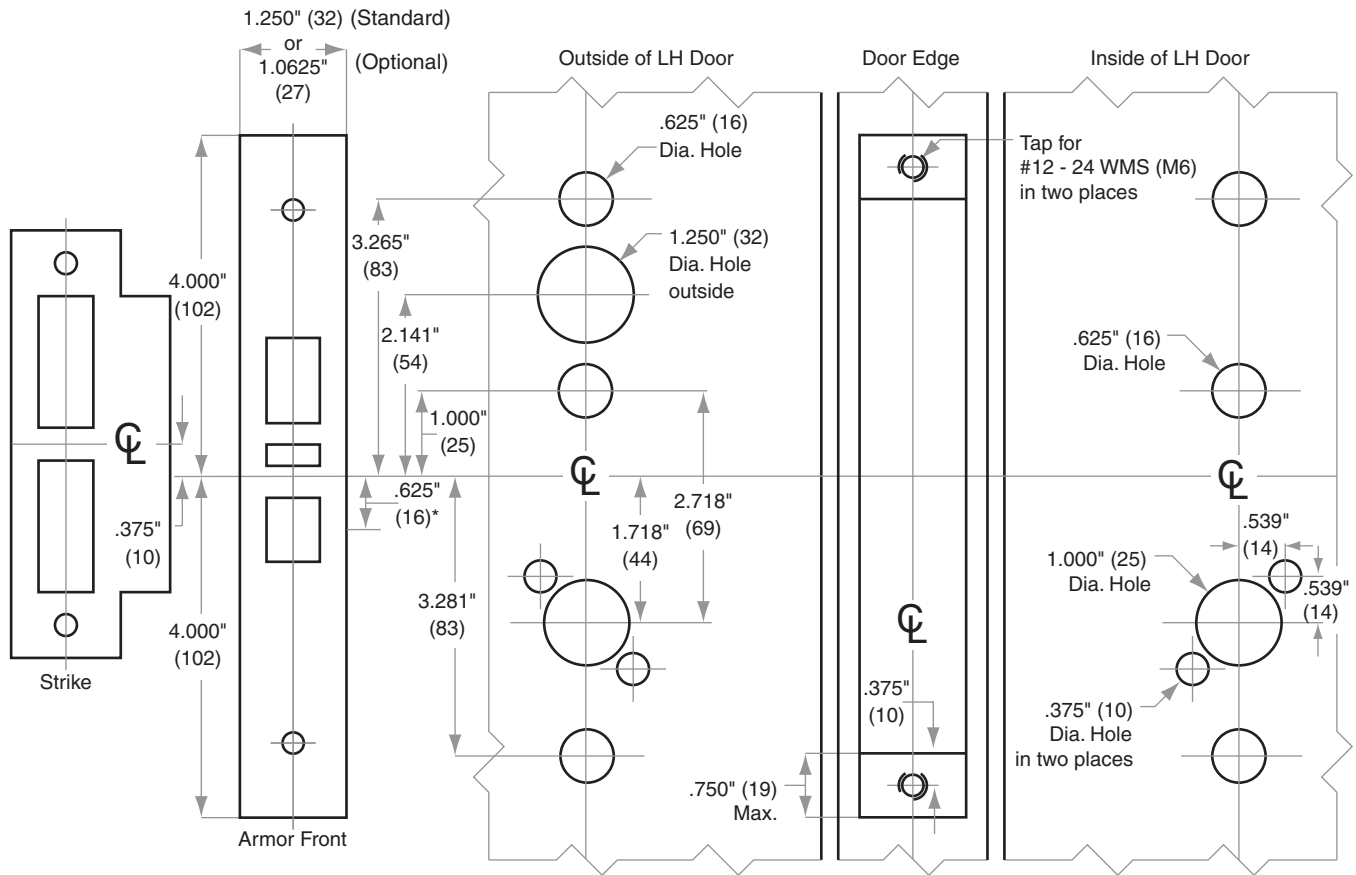
L/LV/LM/LMV-Series

Models L/LV9486, L/LV9496

Door Type: Metal, flat or beveled
 Trim: Escutcheon

For Case and Strike dimensions, see Template L1

Left Hand (LH) Door Shown



*Centerline of Armor Front to Centerline of Latch dimension

Dimensions shown in parentheses () are in millimeters.

Door preparation template



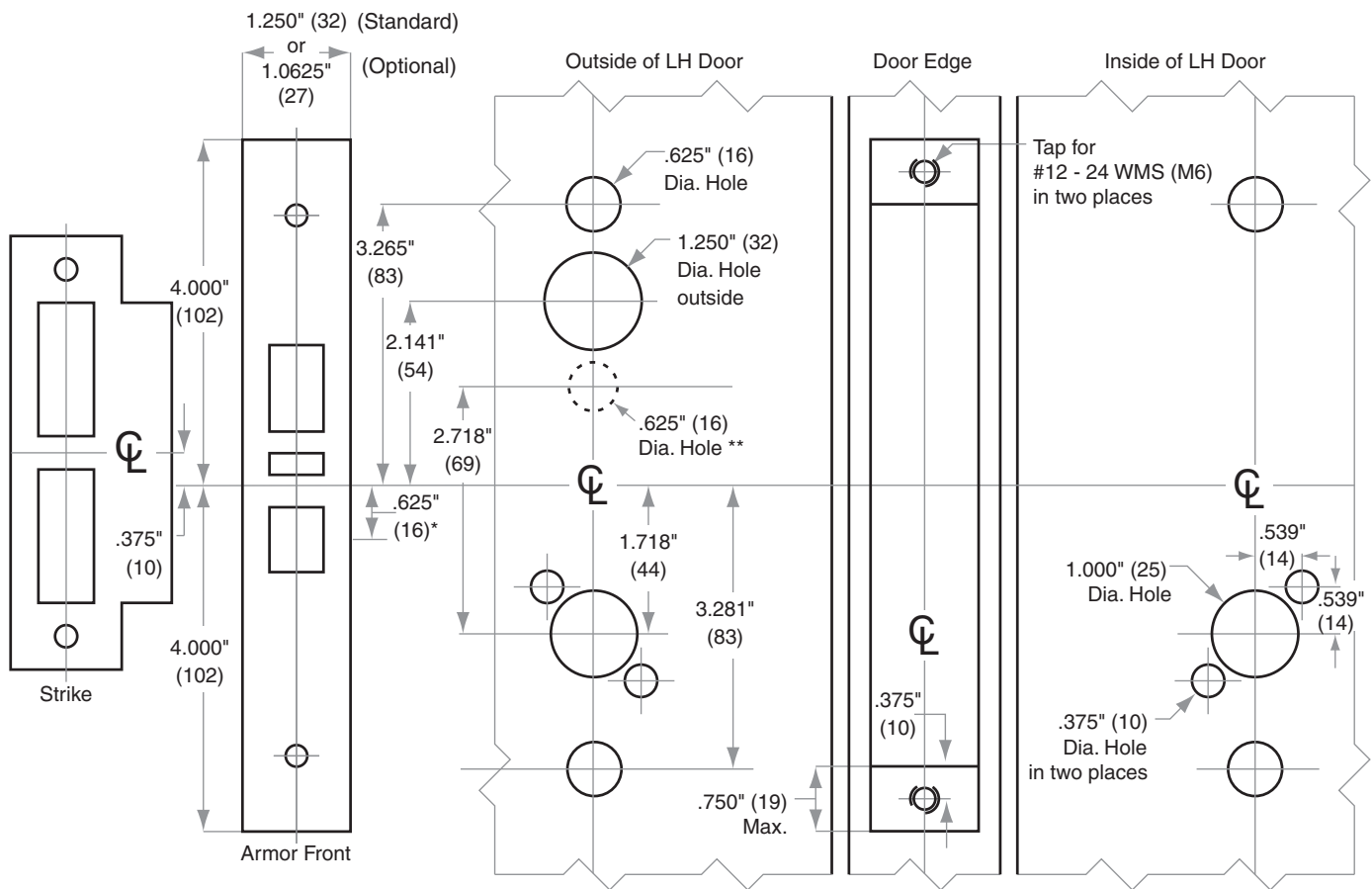
L/LV/LM/LMV-Series

Model L/LV/LM/LMV9070, L/LV9076,
L/LV/LM/LMV9080, L/LV9080EL/EU, L9465,
LM/LMV9370, LM/LMV9380

Door Type: Metal, flat or beveled
Trim: Escutcheon

**For Case and Strike dimensions, see Template L1
Refer to Template L1 for information to prepare
the door for wire routing**

Left Hand (LH) Door Shown



* Centerline of Armor Front to Centerline of Latch dimension
** Additional preparation for L283-721, L283-722, L283-723, L283-724

Dimensions shown in parentheses () are in millimeters.

Door preparation template

L908



L/LV/LM/LMV-Series

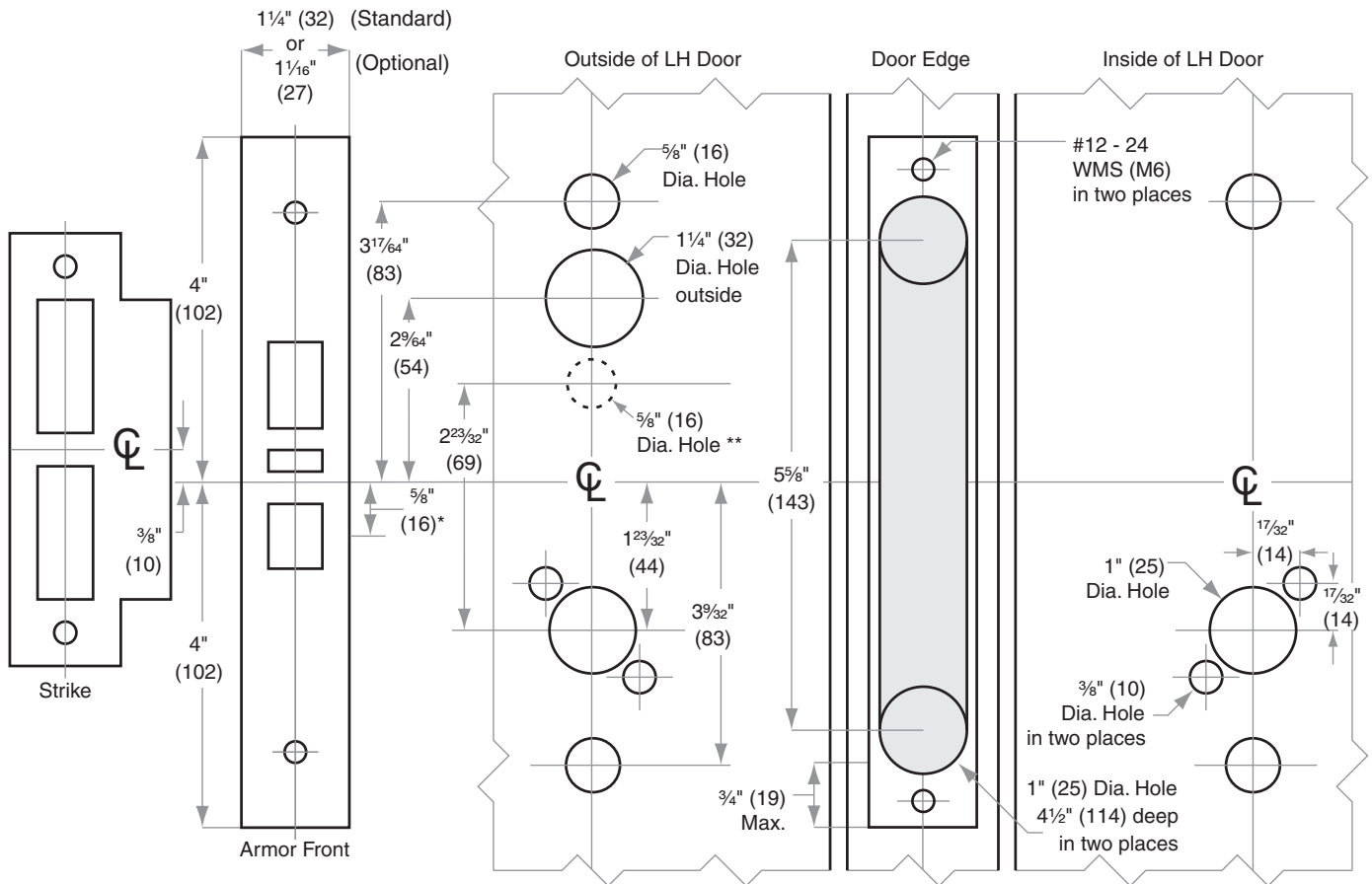
Model L/LV9070, L/LV9076, L/LV9080,
L/LV9080EL/EU, L9465

Door Type: Wood or composite, flat or beveled

Trim: Escutcheon

**For Case and Strike dimensions, see Template L1
Refer to Template L1 for information to prepare
the door for wire routing**

Left Hand (LH) Door Shown



* Centerline of Armor Front to Centerline of Latch dimension
 ** Additional preparation for L283-721, L283-722, L283-723, L283-724

Dimensions shown in parentheses () are in millimeters.

Door preparation template



L/LV/LM/LMV-Series

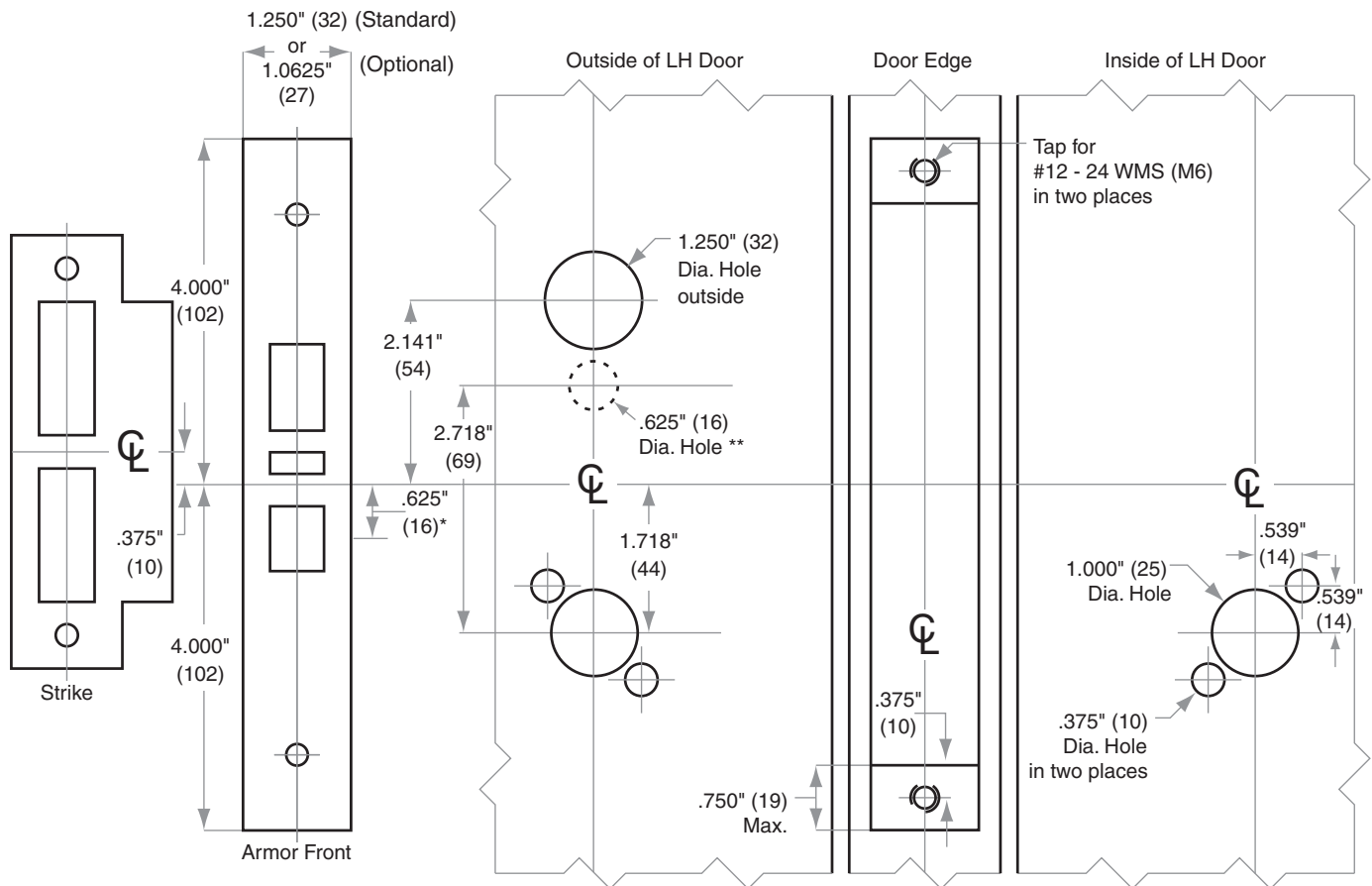
Model L/LV/LM/LMV9070, L/LV9076, L/LV/LM/LMV9080, L/LV9080EL/EU, L9465, LM/LMV9370, LM/LMV9380

Door Type: Metal, flat or beveled

Trim: Rose

For Case and Strike dimensions, see Template L1
Refer to Template L1 for information to prepare the door for wire routing

Left Hand (LH) Door Shown



* Centerline of Armor Front to Centerline of Latch dimension
 ** Additional preparation for L283-721, L283-722, L283-723, L283-724

Dimensions shown in parentheses () are in millimeters.

Door preparation template

L906



L/LV/LM/LMV-Series

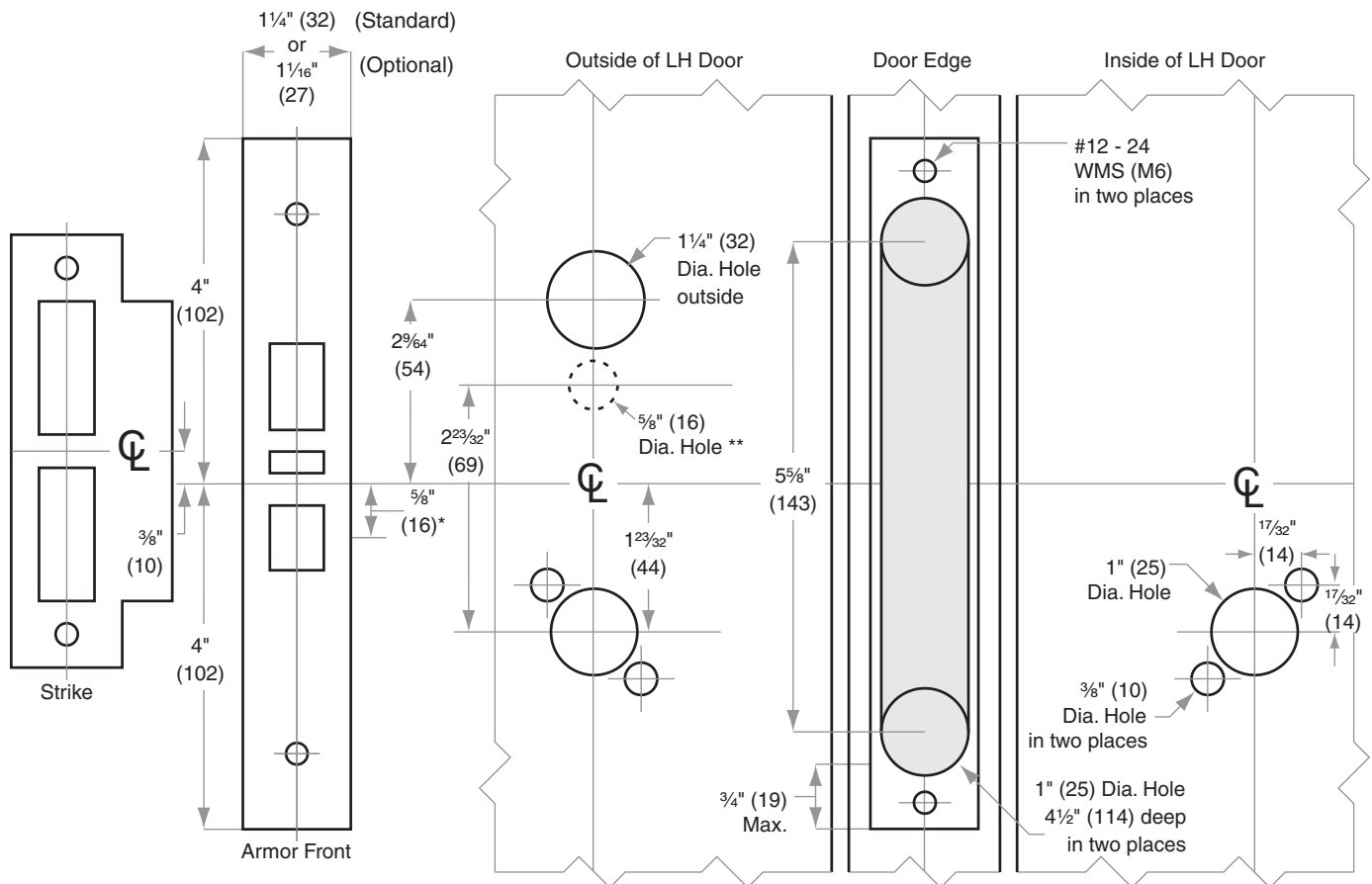
Model L/LV9070, L/LV9076, L/LV9080,
L/LV9080EL/EU, L9465

Door Type: Wood or composite, flat or beveled

Trim: Rose

**For Case and Strike dimensions, see Template L1
Refer to Template L1 for information to prepare
the door for wire routing**

Left Hand (LH) Door Shown



* Centerline of Armor Front to Centerline of Latch dimension

** Additional preparation for L283-721, L283-722, L283-723, L283-724

Dimensions shown in parentheses () are in millimeters.

Door preparation template



L/LV/LM/LMV-Series

Lock Case Dimensions



ALLEGION™

Case Size: 4⁷/₁₆" x 6¹/₁₆" x 1" (113 mm x 154 mm x 25 mm)

Backset: 2³/₄" (70 mm)

Door Range: 1³/₈" – 2¹/₂" (35 mm – 64 mm)

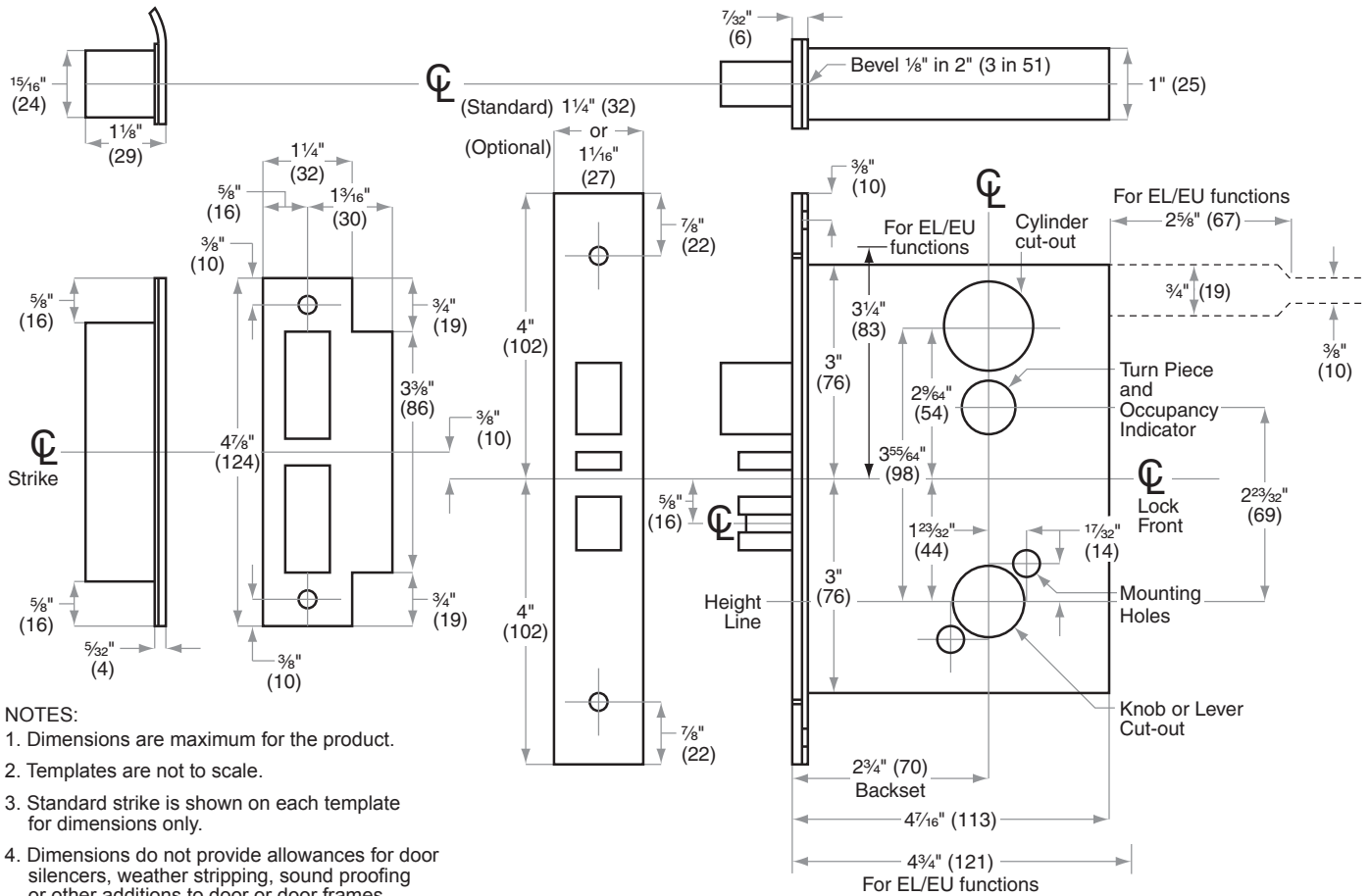
Lock Front: 1¹/₄" x 8" x 7⁷/₃₂" (32 mm x 203 mm x 6 mm) Standard

1¹/₁₆" x 8" x 7⁷/₃₂" (27 mm x 203 mm x 6 mm)

Knob or Lever to Cylinder: 3⁵⁵/₆₄" (98 mm)

Knob or Lever to Turn Piece: 2²³/₃₂" (69 mm)

Height Line to Center of Deadbolt: 3¹/₃₂" (77 mm)



NOTES:

1. Dimensions are maximum for the product.
2. Templates are not to scale.
3. Standard strike is shown on each template for dimensions only.
4. Dimensions do not provide allowances for door silencers, weather stripping, sound proofing or other additions to door or door frames.

- ANSI Standards:** L9000-Series locks meet all requirements for installations in doors and frames prepared in accordance with ANSI specifications A156.13, 2012.
- Metal Doors:** Suitable reinforcement is required to support lock case in center of door and to prevent door from compressing when trim is tightened. (See ANSI A115.1)
- Thick Doors:** Locks for non-standard door thickness may require special instructions.
- Lead Lining:** When L9000-Series or L400-Series locks are ordered with lead lining, add 1/8" (3) to the width of the mortise cut-out on the lock case cover side of installation.
- Electrified Locks:** Provisions must be made to route low voltage wire to the lock. Power transfer unit and low voltage wiring are not furnished.

Dimensions shown in parentheses () are in millimeters.

DRAWING IS NOT TO SCALE!

Customer service: 877-671-7011

We can help you find the correct guide for your product and application!

Door preparation template





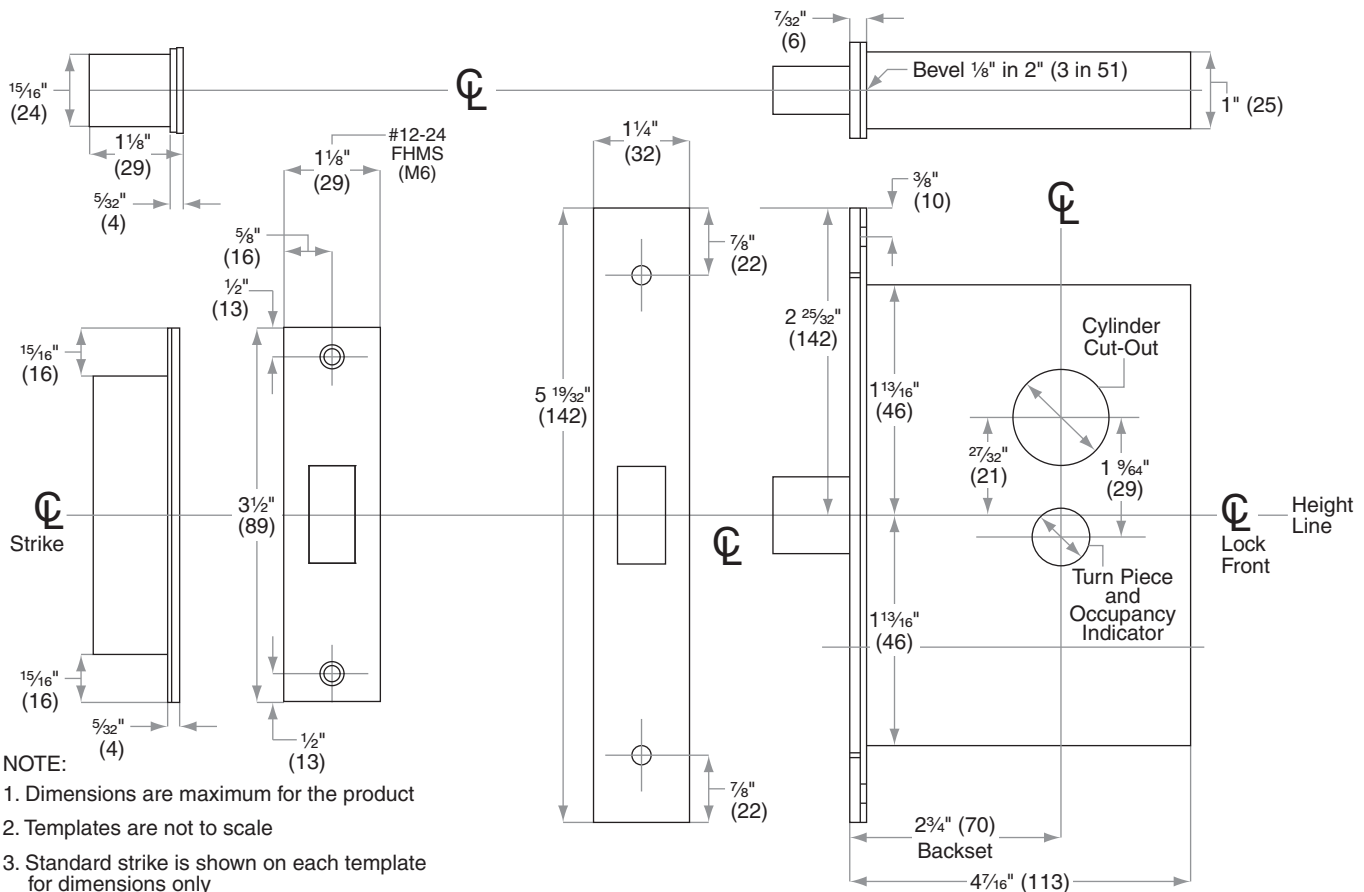
L400-Series

Lock Case Dimensions



Case Size: 4⁷/₁₆" x 3⁵/₈" x 1" (113 mm x 92 mm x 25 mm)
 Backset: 2³/₄" (70 mm)
 Door Range: 1³/₄" – 3" (44 mm–76 mm)
 Lock Front: 1¹/₄" x 5¹⁹/₃₂" x 7¹/₃₂" (32 mm x 142 mm x 6 mm)

Knob or Lever to Turn Piece: 1¹/₄" (29 mm)
 Height Line to Center of Deadbolt: 1¹³/₁₆" (46 mm)



ANSI Standards: L400-Series locks meet all requirements for installations in doors and frames prepared in accordance with ANSI specifications A156.13, 2010

Metal Doors: Suitable reinforcement is required to support lock case in center of door and to prevent door from compressing when trim is tightened. (See ANSI A115.1)

Thick Doors: Locks for non-standard door thickness may require special instructions

Lead Lining: When L9000-Series or L400-Series locks are ordered with lead lining, add 1/8" (3) to the width of the mortise cut-out on the lock case cover side of installation

Dimensions shown in parentheses () are in millimeters.

DRAWING IS NOT TO SCALE!

Door preparation template

Customer service: 877-671-7011

© 2014 Allegion
 L2 Rev.12/14
 www.allegion.com/us

We can help you find the correct guide for your product and application!

L2



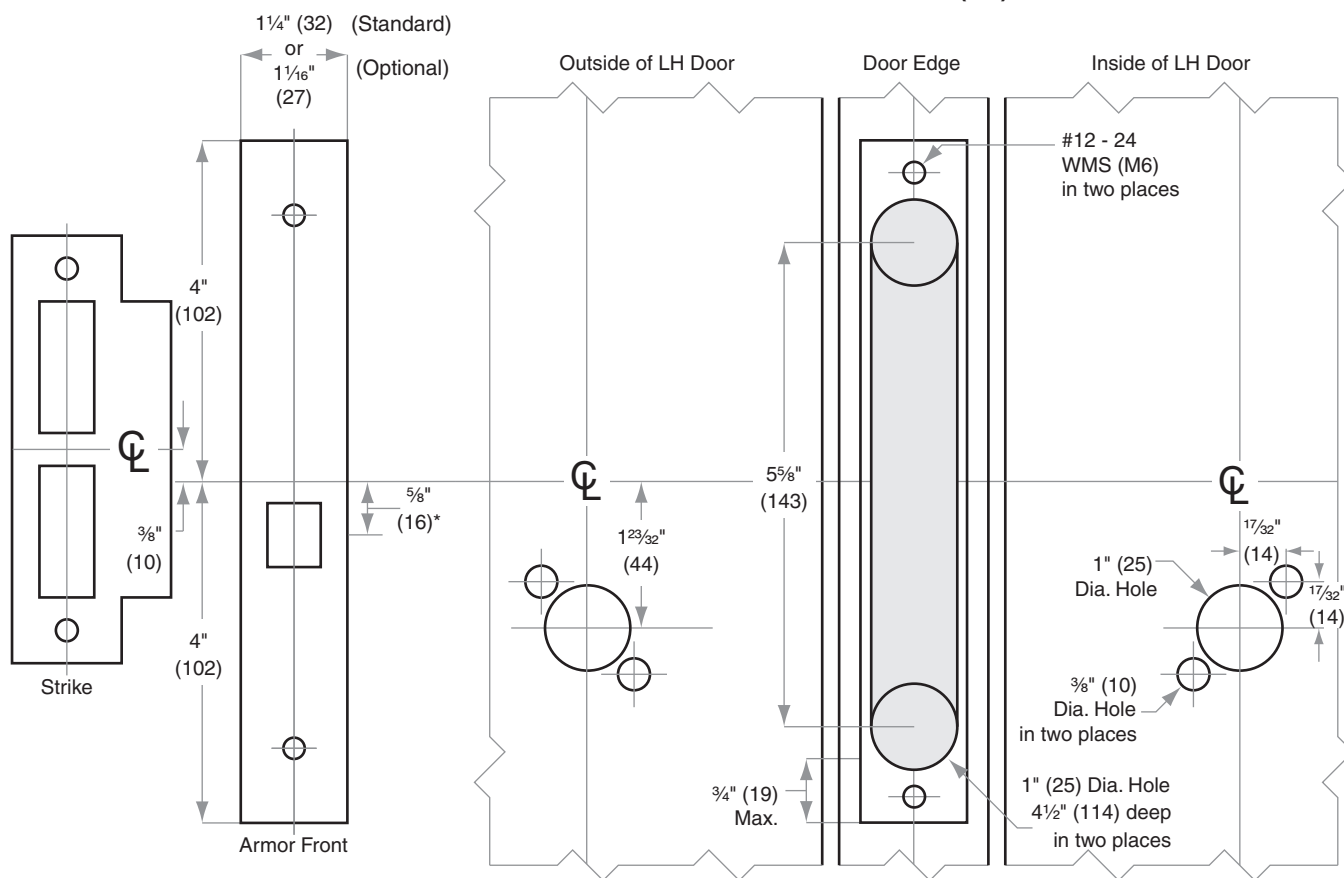
L/LV/LM/LMV-Series

Model L9010, L9110

Door Type: Wood or Composite, flat or beveled
 Trim: Rose

For Case and Strike dimensions, see Template L1

Left Hand (LH) Door Shown



Dimensions shown in parentheses () are in millimeters.

Door preparation template

L892



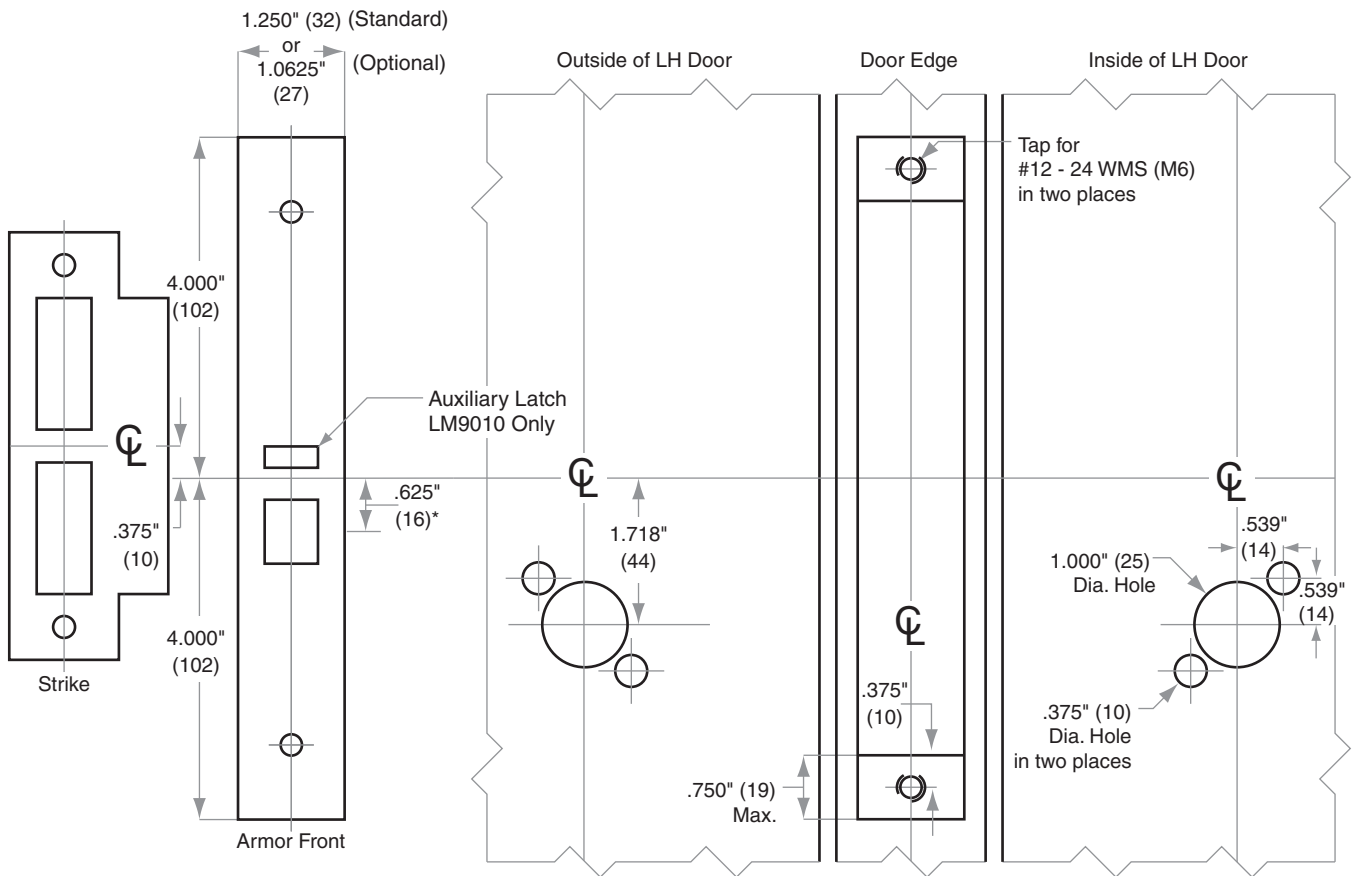
L/LV/LM/LMV-Series

Models L9010, LM9010, L9110, LM9310

Door Type: Metal, flat or beveled
 Trim: Rose

For Case and Strike dimensions, see Template L1

Left Hand (LH) Door Shown



*Centerline of Armor Front to Centerline of Latch dimension

Dimensions shown in parentheses () are in millimeters.

Door preparation template

L893



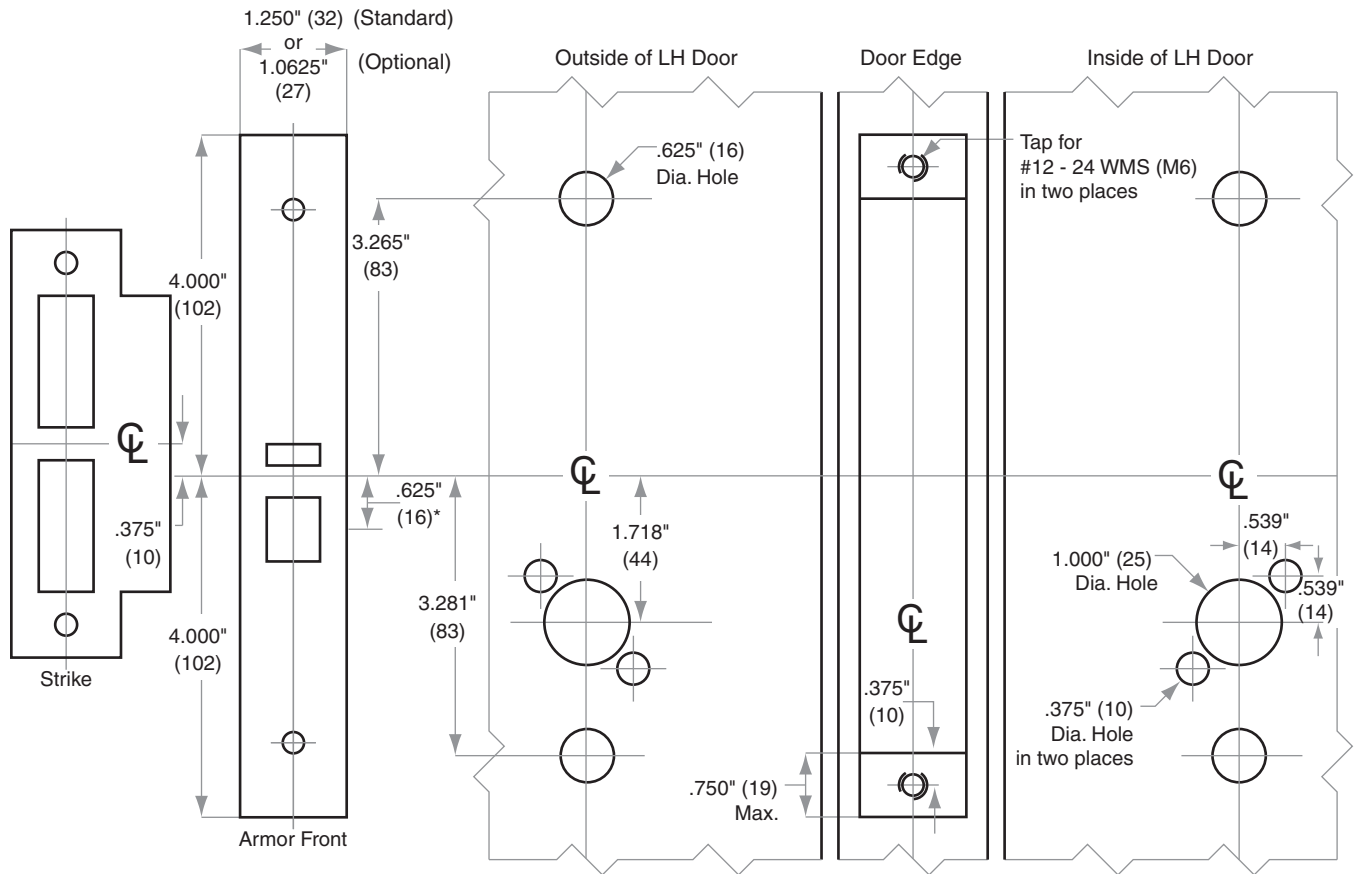
L/LV/LM/LMV-Series

Models L9090, L9091 Electrified Locks

Door Type: Metal, flat or beveled
 Trim: Escutcheon

For Case and Strike dimensions, see Template L1
Refer to Template L1 (revised October 2014 or later) for information to prepare the door for wire routing

Left Hand (LH) Door Shown



*Centerline of Armor Front to Centerline of Latch dimension

Dimensions shown in parentheses () are in millimeters.

© 2014 Allegion
 L915 Rev. 12/14
 www.allegion.com/us

DRAWING IS NOT TO SCALE!
Customer service: 877-671-7011
We can help you find the correct guide for your product and application!

Door preparation template

L915



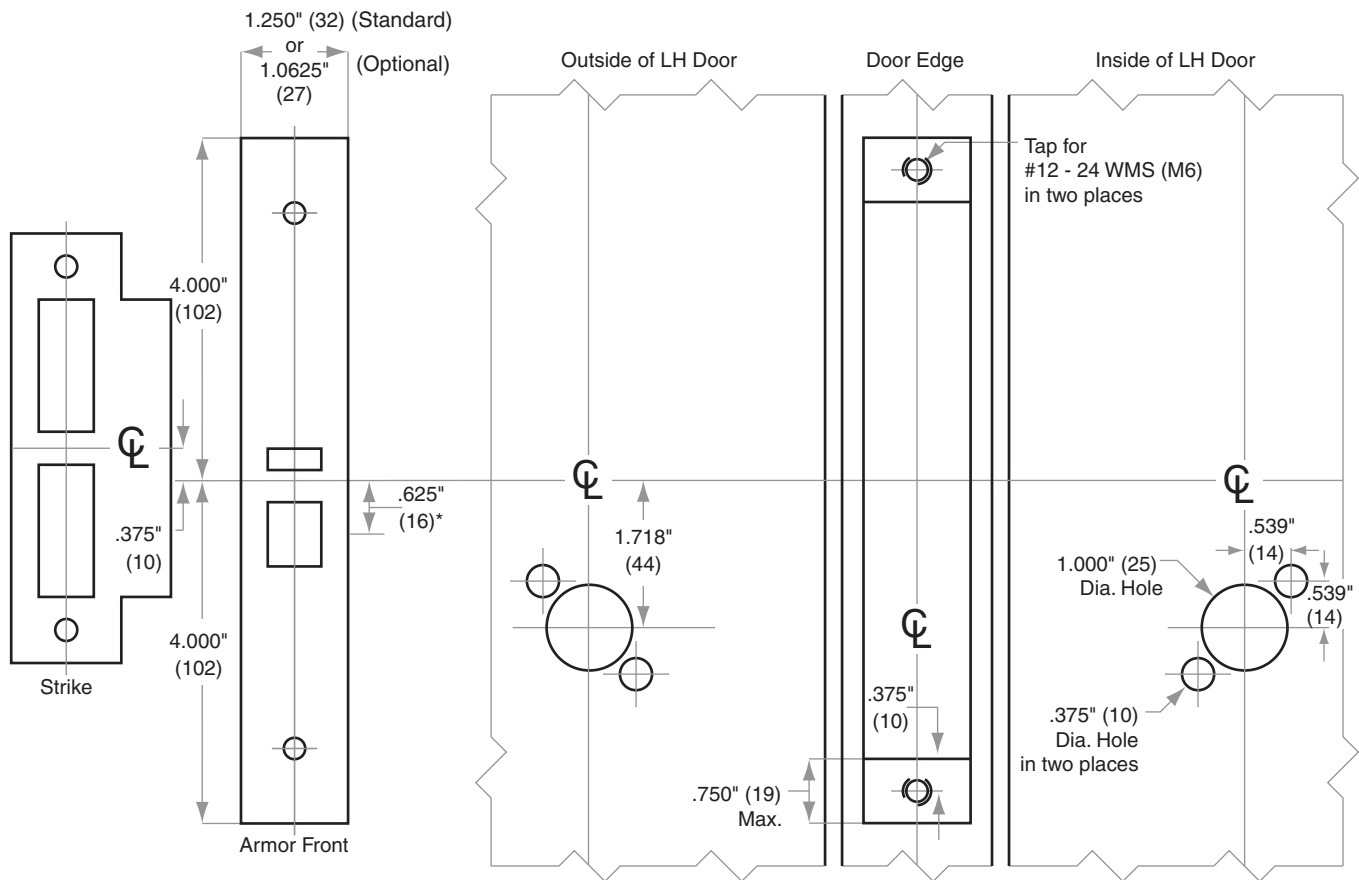
L/LV/LM/LMV-Series

Models L9090, L9091 Electrified Locks

Door Type: Metal, flat or beveled
 Trim: Rose

**For Case and Strike dimensions, see Template L1
 Refer to Template L1 (revised October 2014 or
 later) for information to prepare the door for
 wire routing**

Left Hand (LH) Door Shown



*Centerline of Armor Front to Centerline of Latch dimension

Dimensions shown in parentheses () are in millimeters.

© 2014 Allegion
 L916 Rev. 12/14
 www.allegion.com/us

DRAWING IS NOT TO SCALE!
Customer service: 877-671-7011
**We can help you find the correct guide for
 your product and application!**

Door preparation template

L916



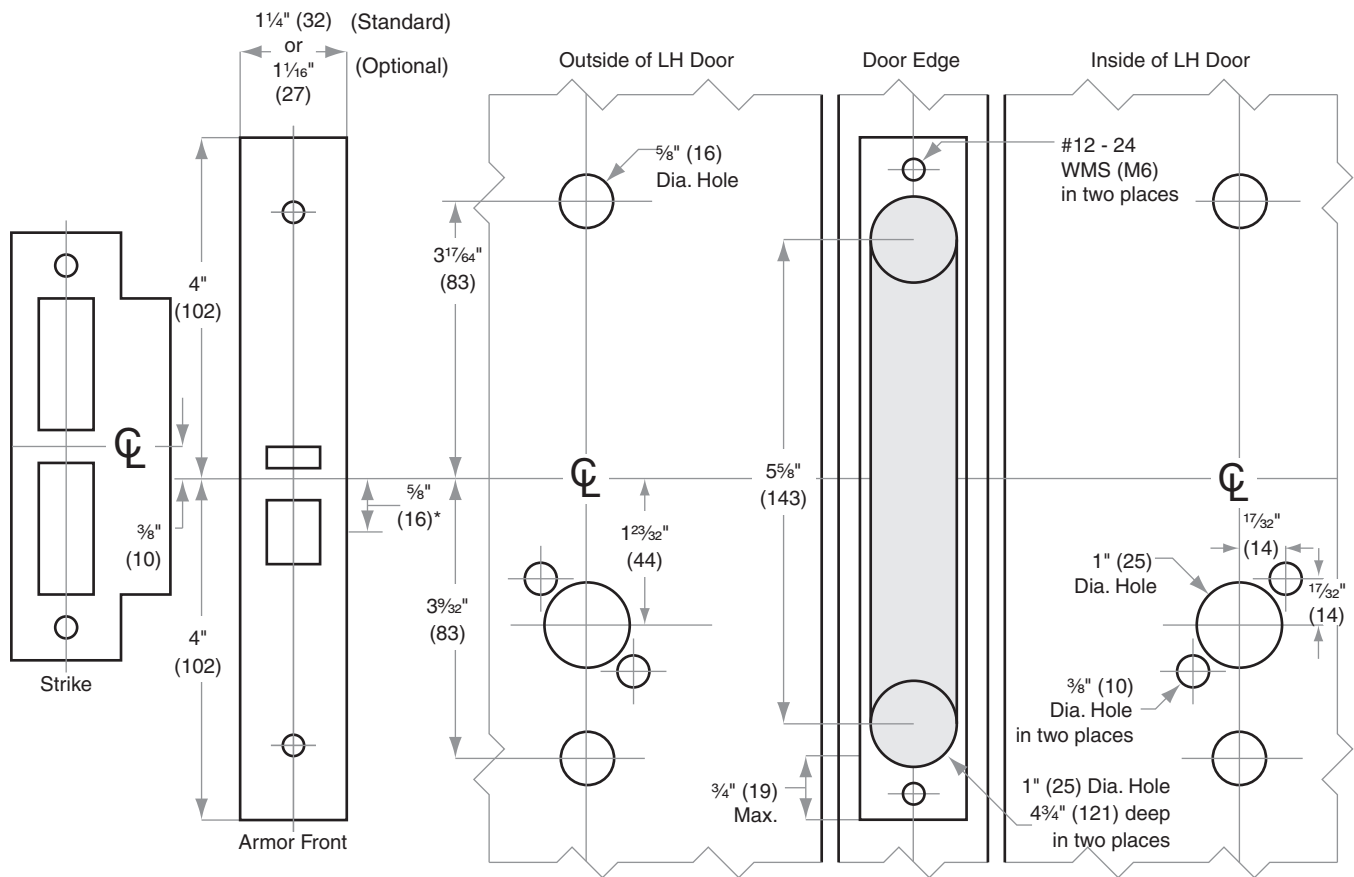
L/LV/LM/LMV-Series

Models L9090, L9091 Electrified Locks

Door Type: Wood or composite, flat or beveled
 Trim: Escutcheon

**For Case and Strike dimensions, see Template L1
 Refer to Template L1 (revised October 2014 or
 later) for information to prepare the door for
 wire routing**

Left Hand (LH) Door Shown



*Centerline of Armor Front to Centerline of Latch dimension

Dimensions shown in parentheses () are in millimeters.

© 2014 Allegion
 L917 Rev. 12/14
 www.allegion.com/us

DRAWING IS NOT TO SCALE!
Customer service: 877-671-7011
**We can help you find the correct guide for
 your product and application!**

Door preparation template

L917



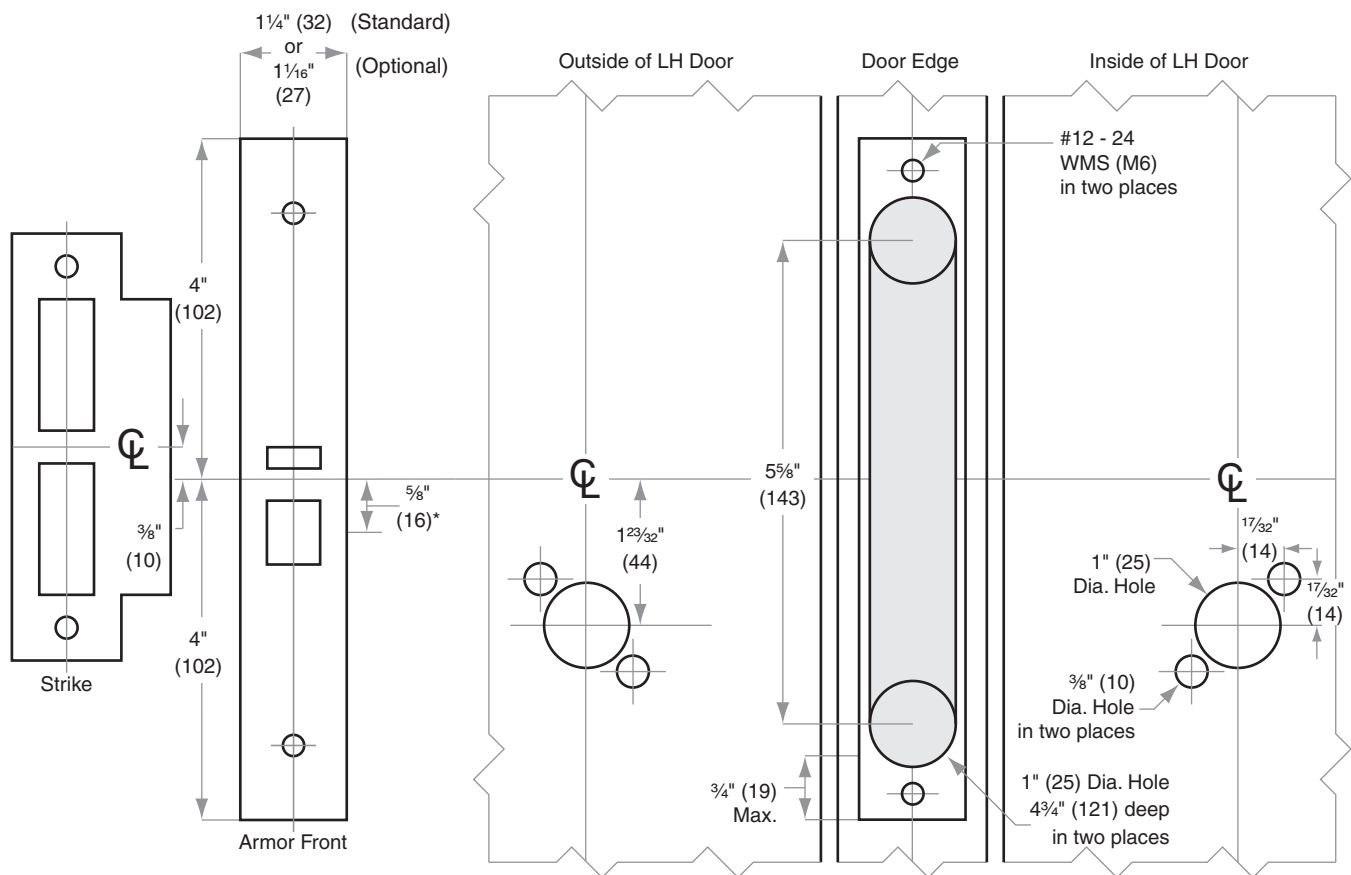
L/LV/LM/LMV-Series

Models L9090, L9091 Electrified Locks

Door Type: Wood or composite, flat or beveled
 Trim: Rose

**For Case and Strike dimensions, see Template L1
 Refer to Template L1 (revised October 2014 or
 later) for information to prepare the door for
 wire routing**

Left Hand (LH) Door Shown



*Centerline of Armor Front to Centerline of Latch dimension

Dimensions shown in parentheses () are in millimeters.

© 2014 Allegion
 L918 Rev. 12/14
 www.allegion.com/us

DRAWING IS NOT TO SCALE!
Customer service: 877-671-7011
**We can help you find the correct guide for
 your product and application!**

Door preparation template

L918



L/LV/LM/LMV-Series

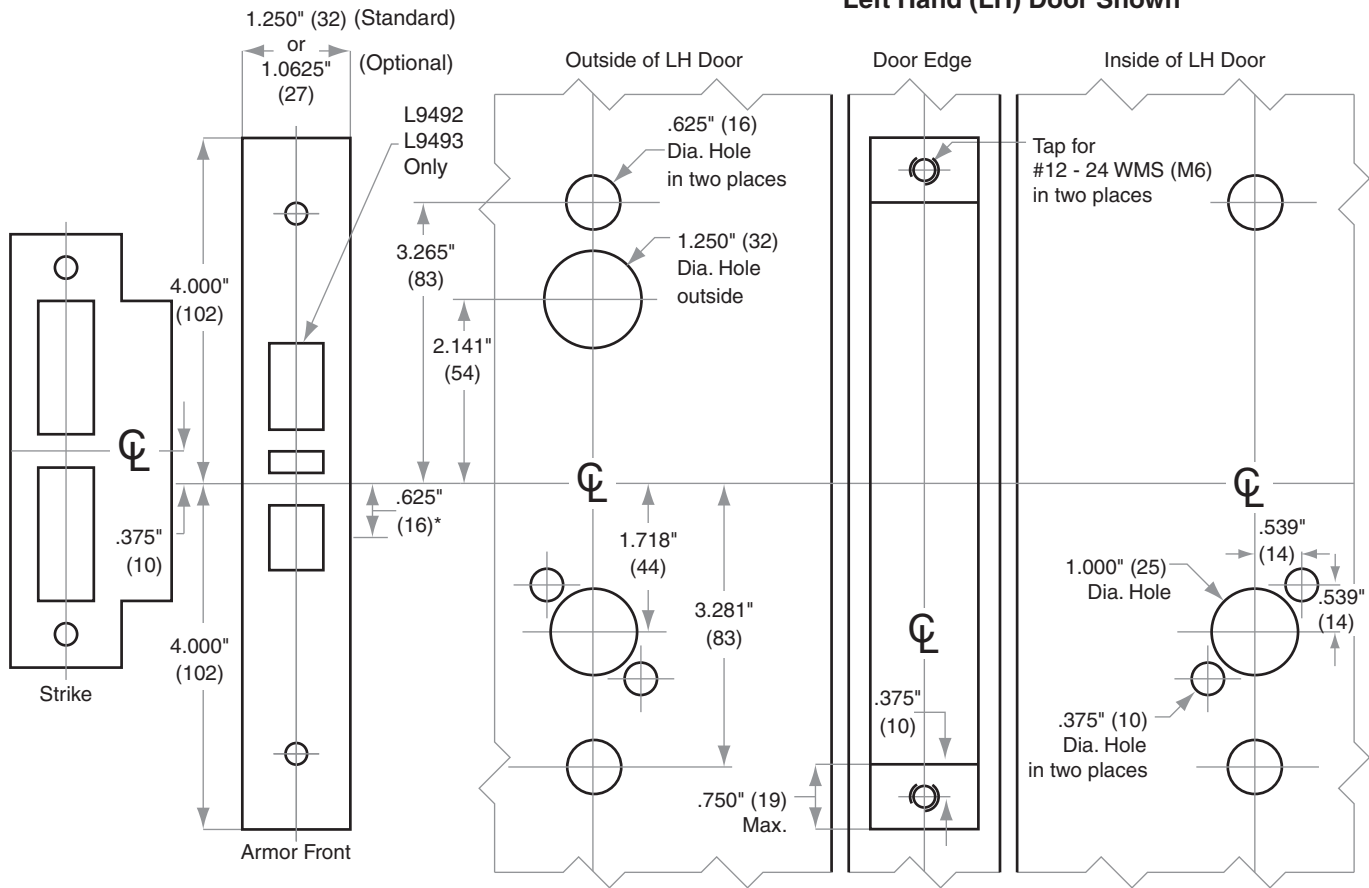
Models L9092, L9093, L9492, L9493 Electrified Locks

Door Type: Metal, flat or beveled

Trim: Escutcheon

**For Case and Strike dimensions, see Template L1
Refer to Template L1 (revised October 2014 or
later) for information to prepare the door for
wire routing**

Left Hand (LH) Door Shown



* Centerline of Armor Front to Centerline of Latch dimension

Dimensions shown in parentheses () are in millimeters.

© 2014 Allegion
L919 Rev. 12/14
www.allegion.com/us

DRAWING IS NOT TO SCALE!

Customer service: 877-671-7011

**We can help you find the correct guide for
your product and application!**

Door preparation template

L919



L/LV/LM/LMV-Series

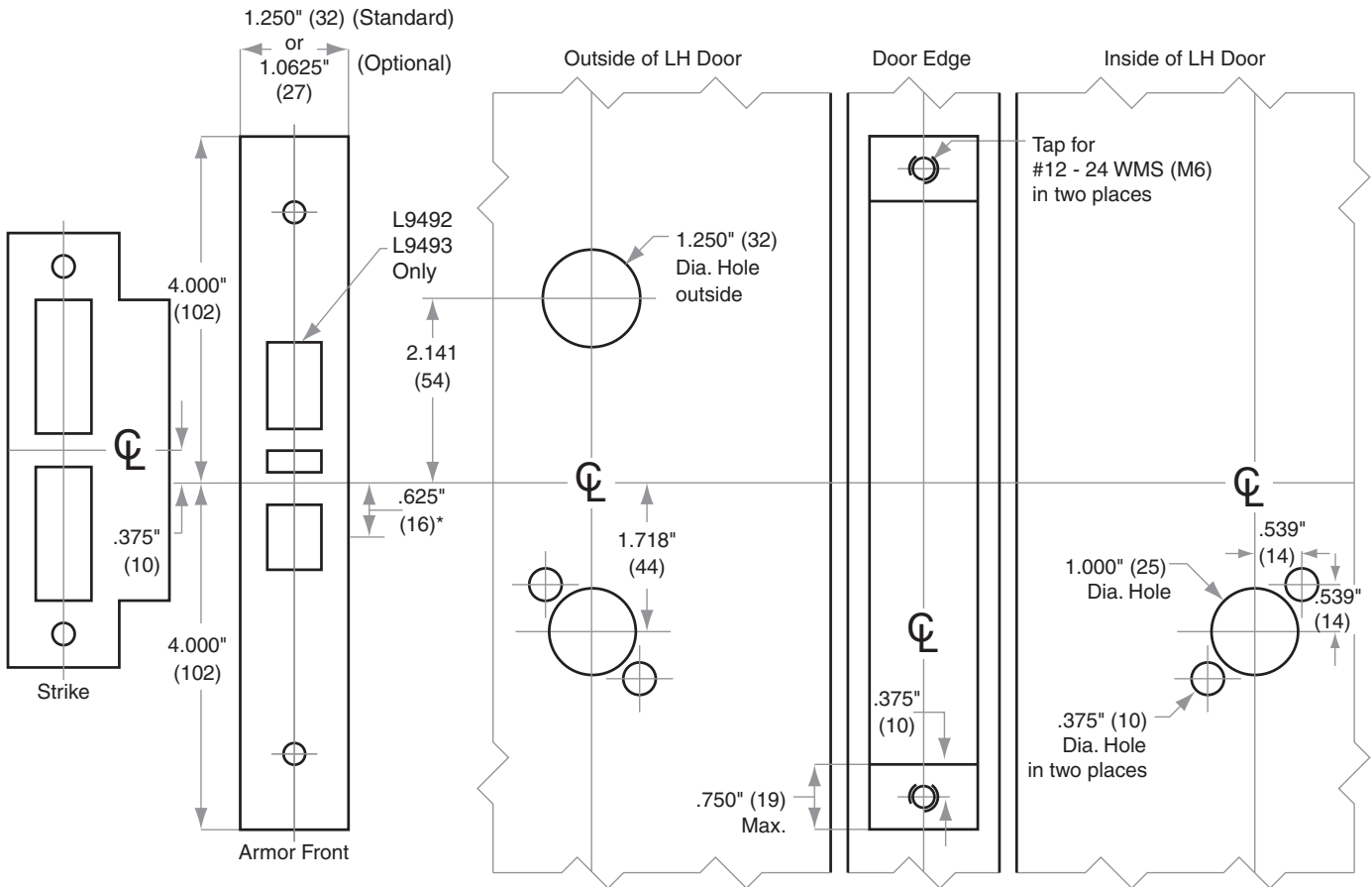
Models L9092, L9093, L9492, L9493 Electrified Locks

Door Type: Metal, flat or beveled

Trim: Rose

**For Case and Strike dimensions, see Template L1
Refer to Template L1 (revised October 2014 or
later) for information to prepare the door for
wire routing**

Left Hand (LH) Door Shown



* Centerline of Armor Front to Centerline of Latch dimension

Dimensions shown in parentheses () are in millimeters.

© 2014 Allegion
L920 Rev. 12/14
www.allegion.com/us

DRAWING IS NOT TO SCALE!
Customer service: 877-671-7011
**We can help you find the correct guide for
your product and application!**

Door preparation template

L920



L/LV/LM/LMV-Series

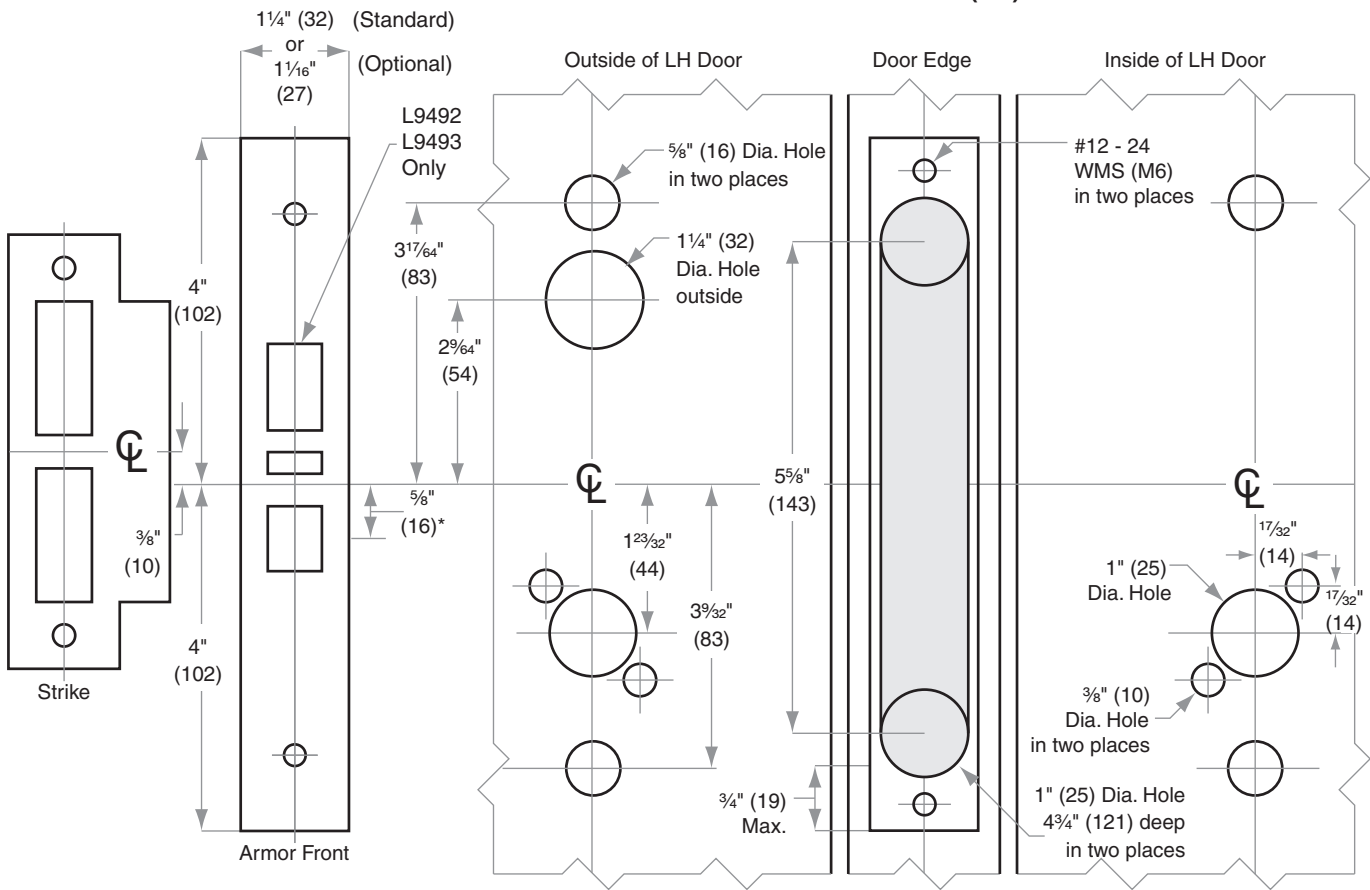
Models L9092, L9093, L9492, L9493 Electrified Locks

Door Type: Wood or composite, flat or beveled

Trim: Escutcheon

**For Case and Strike dimensions, see Template L1
Refer to Template L1 (revised October 2014 or
later) for information to prepare the door for
wire routing**

Left Hand (LH) Door Shown



* Centerline of Armor Front to Centerline of Latch dimension

Dimensions shown in parentheses () are in millimeters.

© 2015 Allegion
L921 Rev. 12/14
www.allegion.com/us

DRAWING IS NOT TO SCALE!
Customer service: 877-671-7011
**We can help you find the correct guide for
your product and application!**

Door preparation template

L921



L/LV/LM/LMV-Series

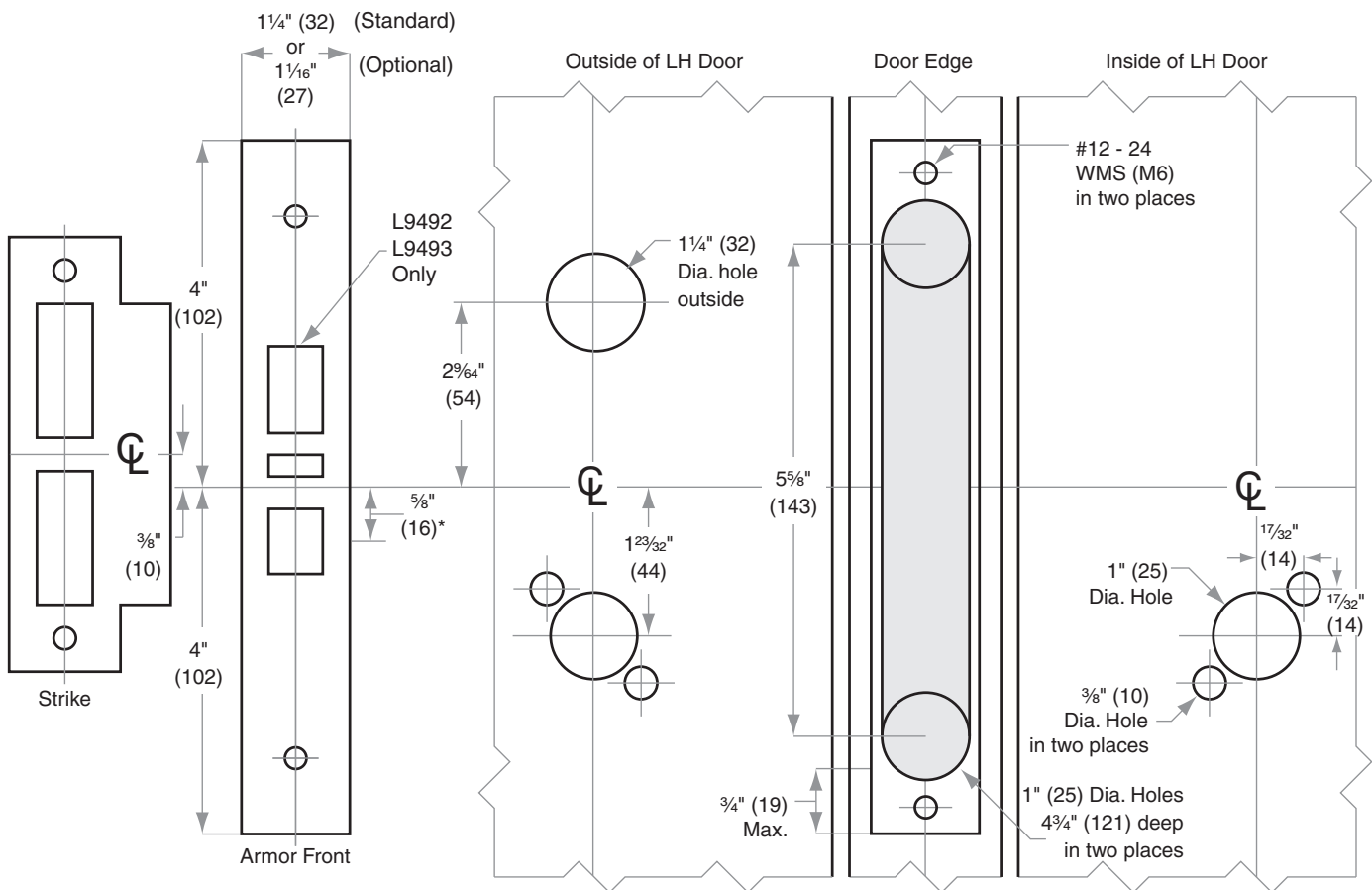
Models L9092, L9093, L9492, L9493 Electrified Locks

Door Type: Wood or composite, flat or beveled

Trim: Rose

**For Case and Strike dimensions, see Template L1
Refer to Template L1 (revised October 2014 or
later) for information to prepare the door for
wire routing**

Left Hand (LH) Door Shown



* Centerline of Armor Front to Centerline of Latch dimension

Dimensions shown in parentheses () are in millimeters.

© 2014 Allegion
L922 Rev. 12/14
www.allegion.com/us

DRAWING IS NOT TO SCALE!
Customer service: 877-671-7011
**We can help you find the correct guide for
your product and application!**

Door preparation template

L922



L/LV/LM/LMV-Series

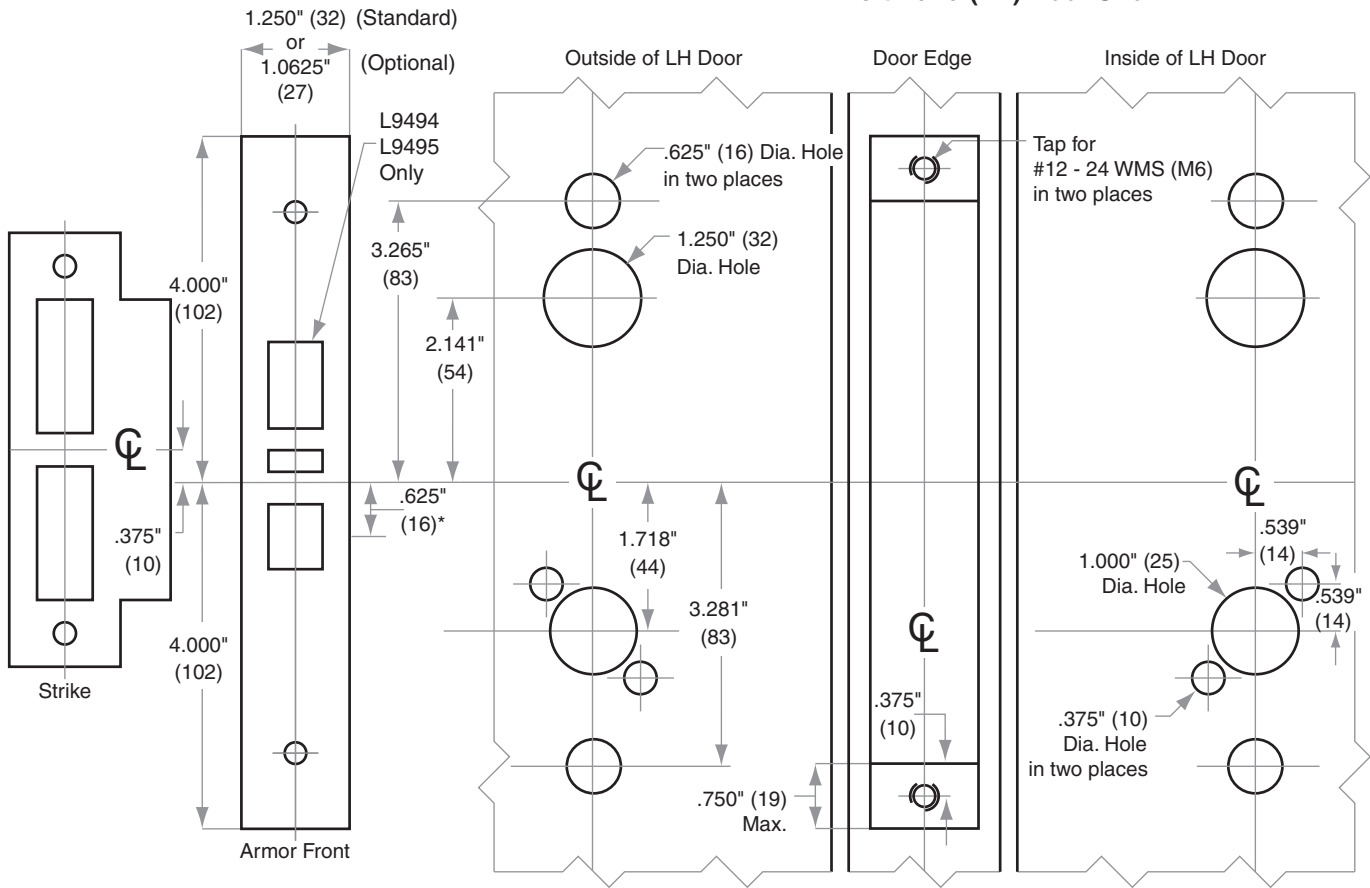
Models L9094, L9095, L9494, L9495 Electrified Locks

Door Type: Metal, flat or beveled

Trim: Escutcheon

**For Case and Strike dimensions, see Template L1
Refer to Template L1 (revised October 2014 or
later) for information to prepare the door for
wire routing**

Left Hand (LH) Door Shown



* Centerline of Armor Front to Centerline of Latch dimension

Dimensions shown in parentheses () are in millimeters.

© 2014 Allegion
L923 Rev. 12/14
www.allegion.com/us

DRAWING IS NOT TO SCALE!
Customer service: 877-671-7011
**We can help you find the correct guide for
your product and application!**

Door preparation template

L923



L/LV/LM/LMV-Series

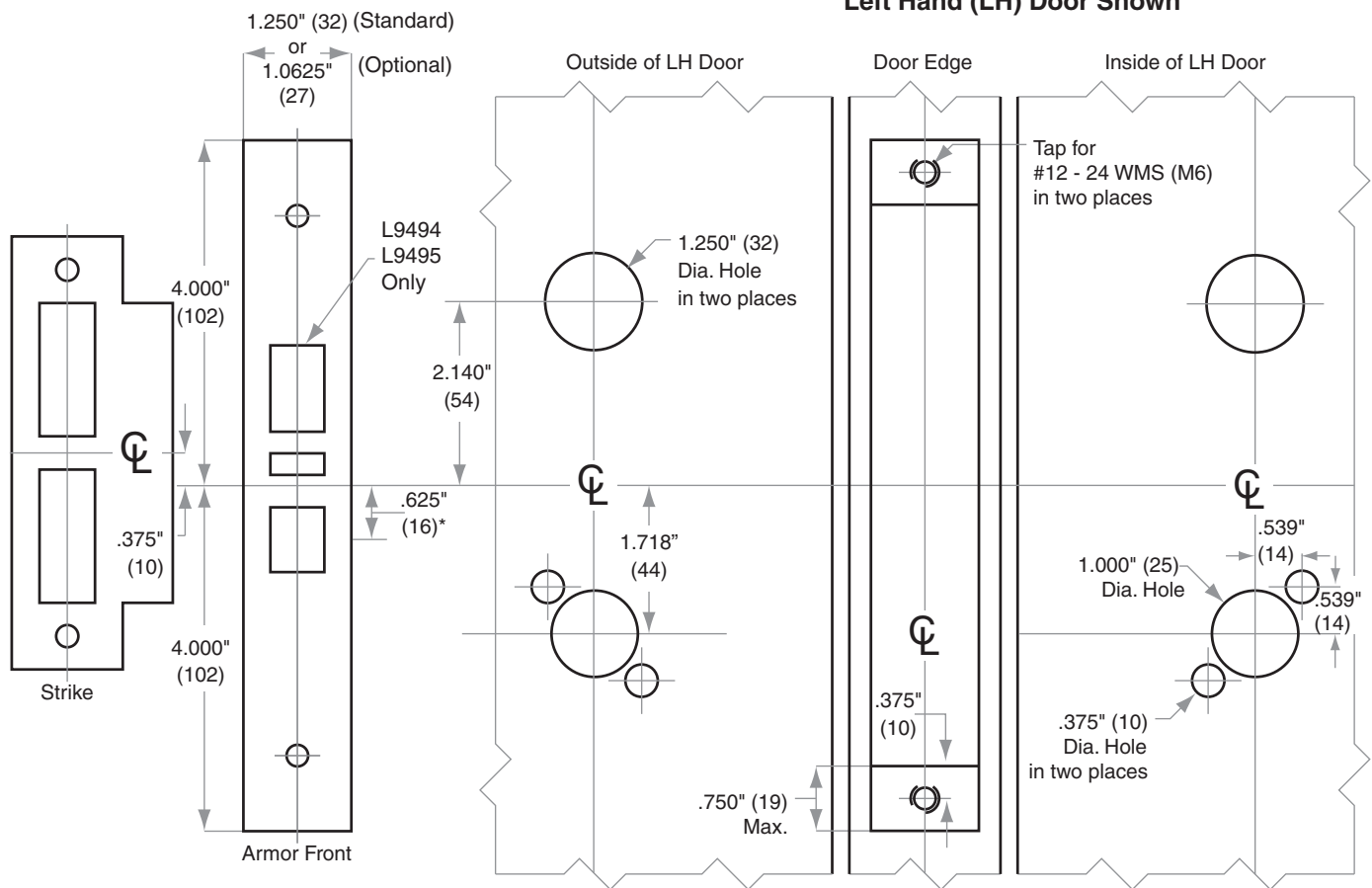
Models L9094, L9095, L9494, L9495 Electrified Locks

Door Type: Metal, flat or beveled

Trim: Rose

**For Case and Strike dimensions, see Template L1
Refer to Template L1 (revised October 2014 or
later) for information to prepare the door for
wire routing**

Left Hand (LH) Door Shown



* Centerline of Armor Front to Centerline of Latch dimension

Dimensions shown in parentheses () are in millimeters.

© 2014 Allegion
L924 Rev. 12/14
www.allegion.com/us

DRAWING IS NOT TO SCALE!
Customer service: 877-671-7011
**We can help you find the correct guide for
your product and application!**

Door preparation template

L924



L/LV/LM/LMV-Series

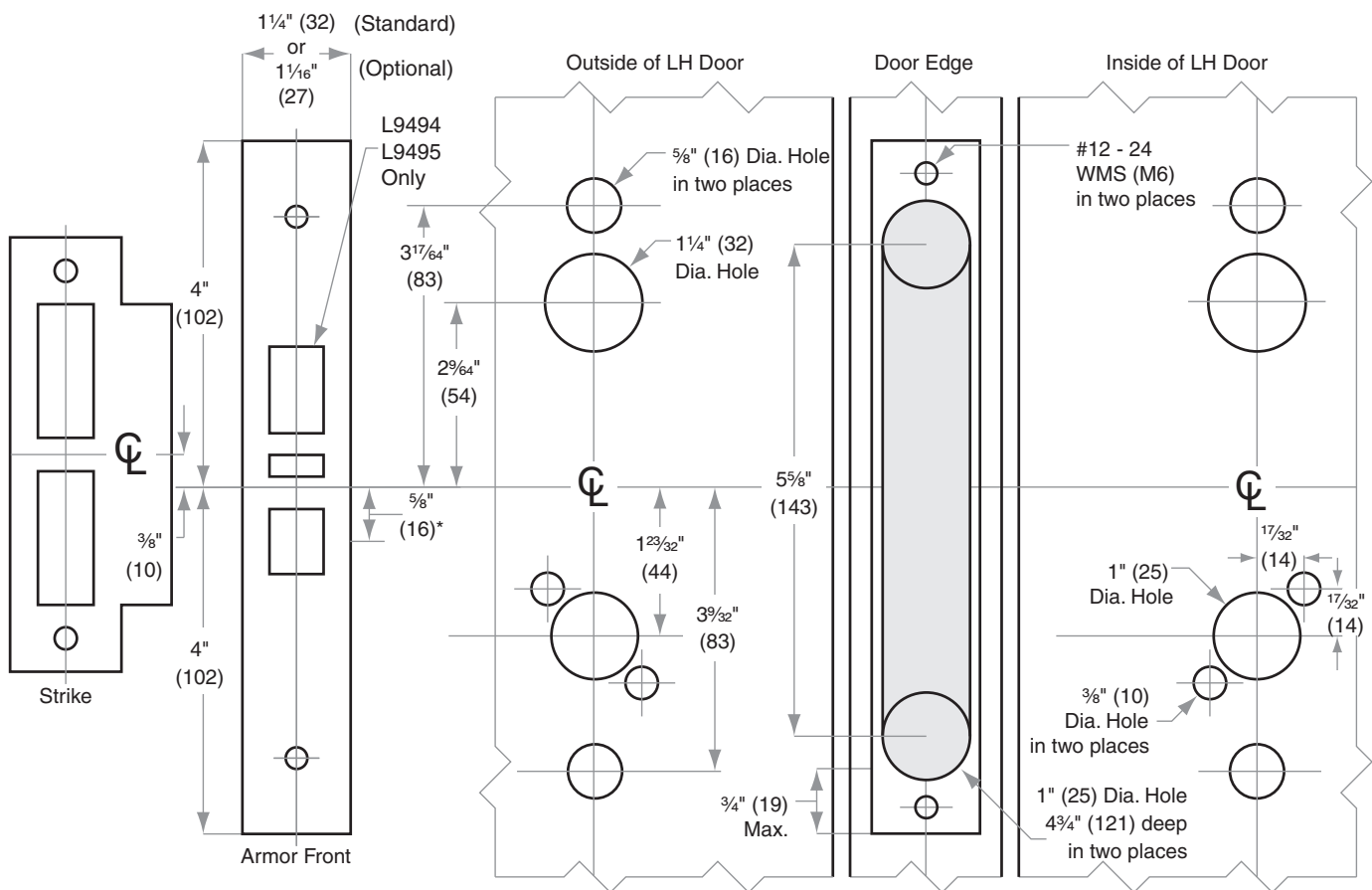
Models L9094, L9095, L9494, L9495 Electrified Locks

Door Type: Wood or composite, flat or beveled

Trim: Escutcheon

**For Case and Strike dimensions, see Template L1
Refer to Template L1 (revised October 2014 or
later) for information to prepare the door for
wire routing**

Left Hand (LH) Door Shown



* Centerline of Armor Front to Centerline of Latch dimension

Dimensions shown in parentheses () are in millimeters.

© 2014 Allegion
L925 Rev. 12/14
www.allegion.com/us

DRAWING IS NOT TO SCALE!
Customer service: 877-671-7011
**We can help you find the correct guide for
your product and application!**

Door preparation template

L925



L/LV/LM/LMV-Series

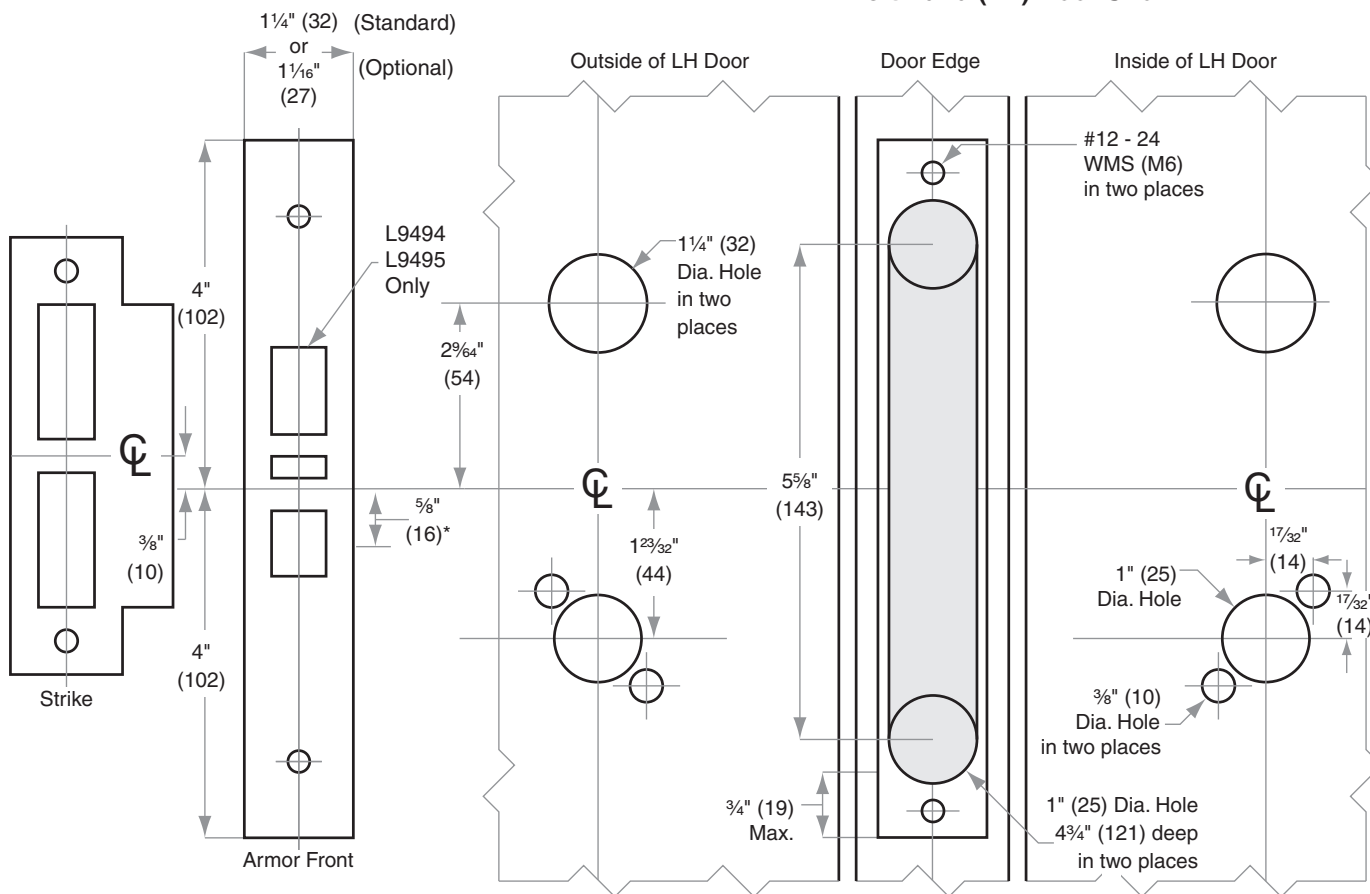
Models L9094, L9095, L9494, L9495 Electrified Locks

Door Type: Wood or composite, flat or beveled

Trim: Rose

**For Case and Strike dimensions, see Template L1
Refer to Template L1 (revised October 2014 or
later) for information to prepare the door for
wire routing**

Left Hand (LH) Door Shown



* Centerline of Armor Front to Centerline of Latch dimension

Dimensions shown in parentheses () are in millimeters.

© 2014 Allegion
L926 Rev. 12/14
www.allegion.com/us

DRAWING IS NOT TO SCALE!
Customer service: 877-671-7011
**We can help you find the correct guide for
your product and application!**

Door preparation template

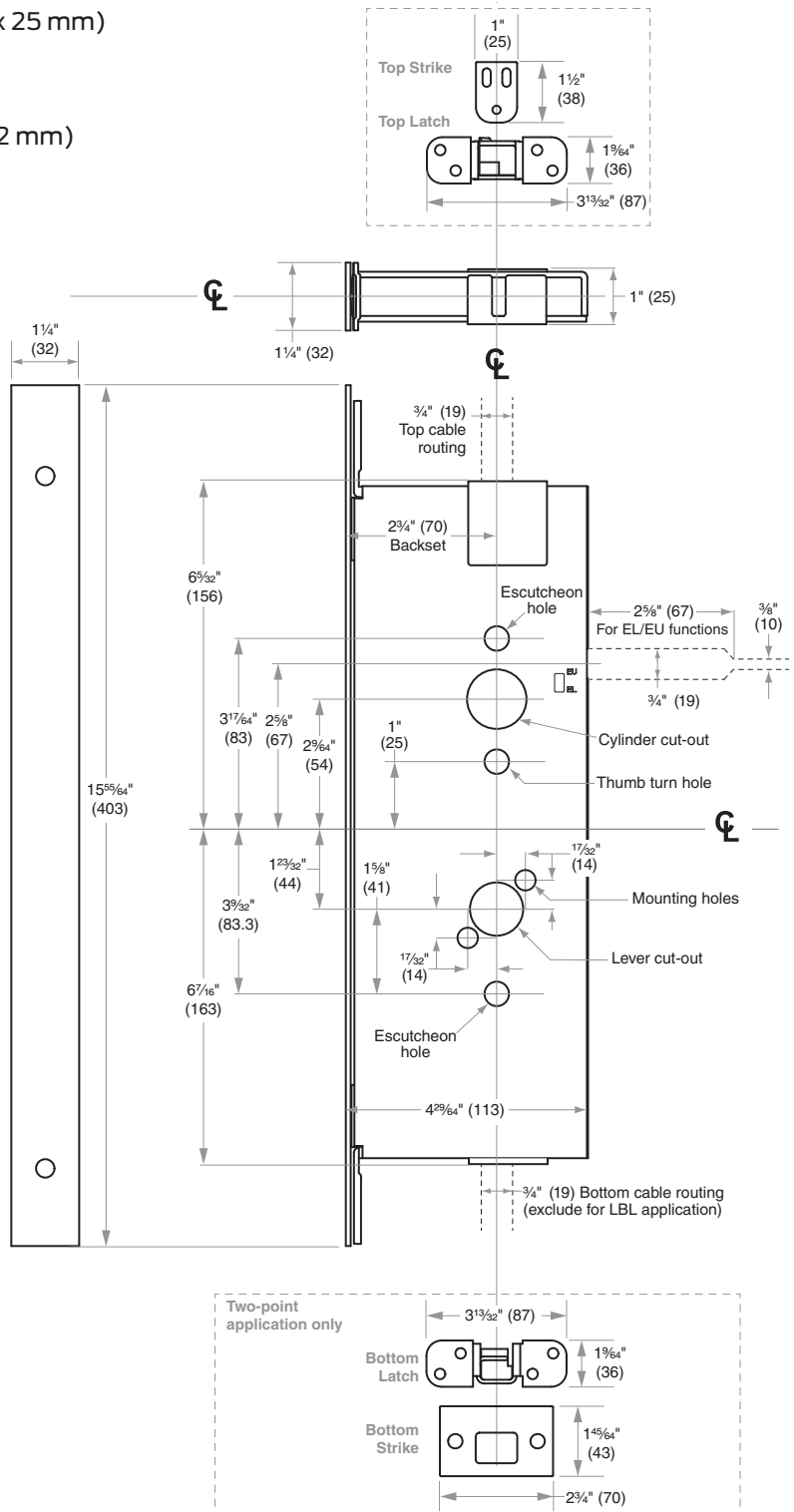
L926



LM9200-Series

Lock Case Dimensions

- Case Size: 4²⁹/₆₄" x 12¹⁹/₃₂" x 1" (113 mm x 319 mm x 25 mm)
- Backset: 2³/₄" (70 mm)
- Door Range: 1³/₄" – 2¹/₂" (44 mm – 64 mm)
- Lock Front: 1¹/₄" x 15⁷/₈" x 3³/₃₂" (32 mm x 403 mm x 2 mm)
- Lever to Cylinder: 3⁵⁵/₆₄" (98 mm)
- Lever to Turn Piece: 2²³/₃₂" (69 mm)



NOTES:

1. Dimensions are maximum for the product.
2. Templates are not to scale.
3. Dimensions do not provide allowances for door silencers, weather stripping, sound proofing or other additions to door or door frames.

ANSI Standards:

LM9200-Series locks meet all requirements for installations in doors and frames prepared in accordance with ANSI specifications A 156.37, 2014.

Electrified Locks:

Provisions must be made to route low voltage wire to the lock. Power transfer unit and low voltage wiring are not furnished.

Dimensions shown in parentheses () are in millimeters.

© 2015 Allegion
L3 Rev. 06/15
www.allegion.com/us

DRAWING IS NOT TO SCALE!
Customer service: 877-671-7011

We can help you find the correct guide for your product and application!

Door preparation template

L3



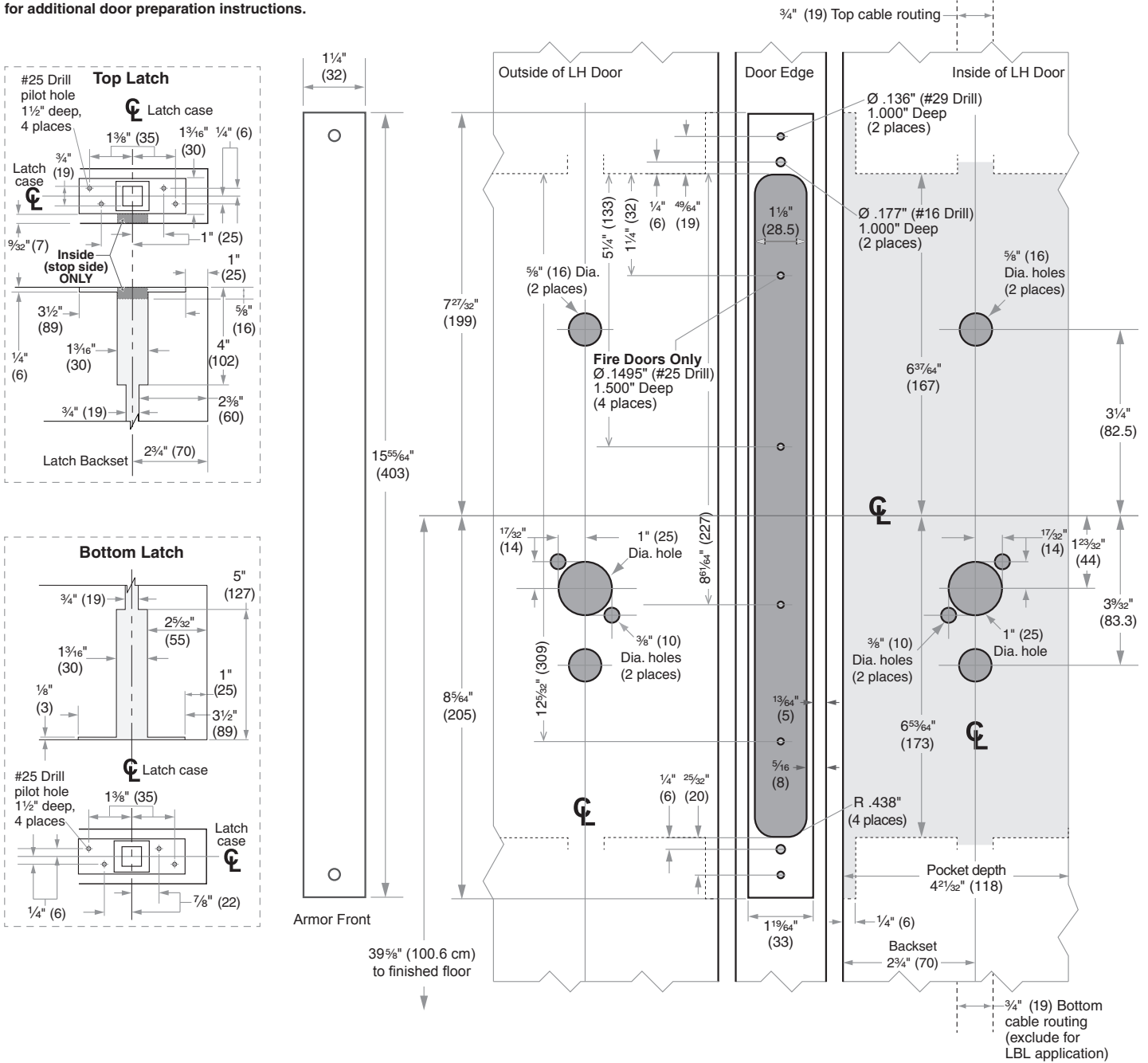
ALLEGION™

LM9200-Series Model LM9210, LM9210F Locks

Door Type: Wood or composite, flat or beveled
Trim: Escutcheon

For case and strike dimensions, see Template L3.

NOTE: For fire-rated locks less bottom latch (LBL), refer to template #L959 for additional door preparation instructions.



Dimensions shown in parentheses () are in millimeters.

© 2016 Allegion
L927 Rev. 06/16
www.allegion.com/us

DRAWING IS NOT TO SCALE!
Customer service: 877-671-7011
We can help you find the correct guide for your product and application!

Door preparation template
L927



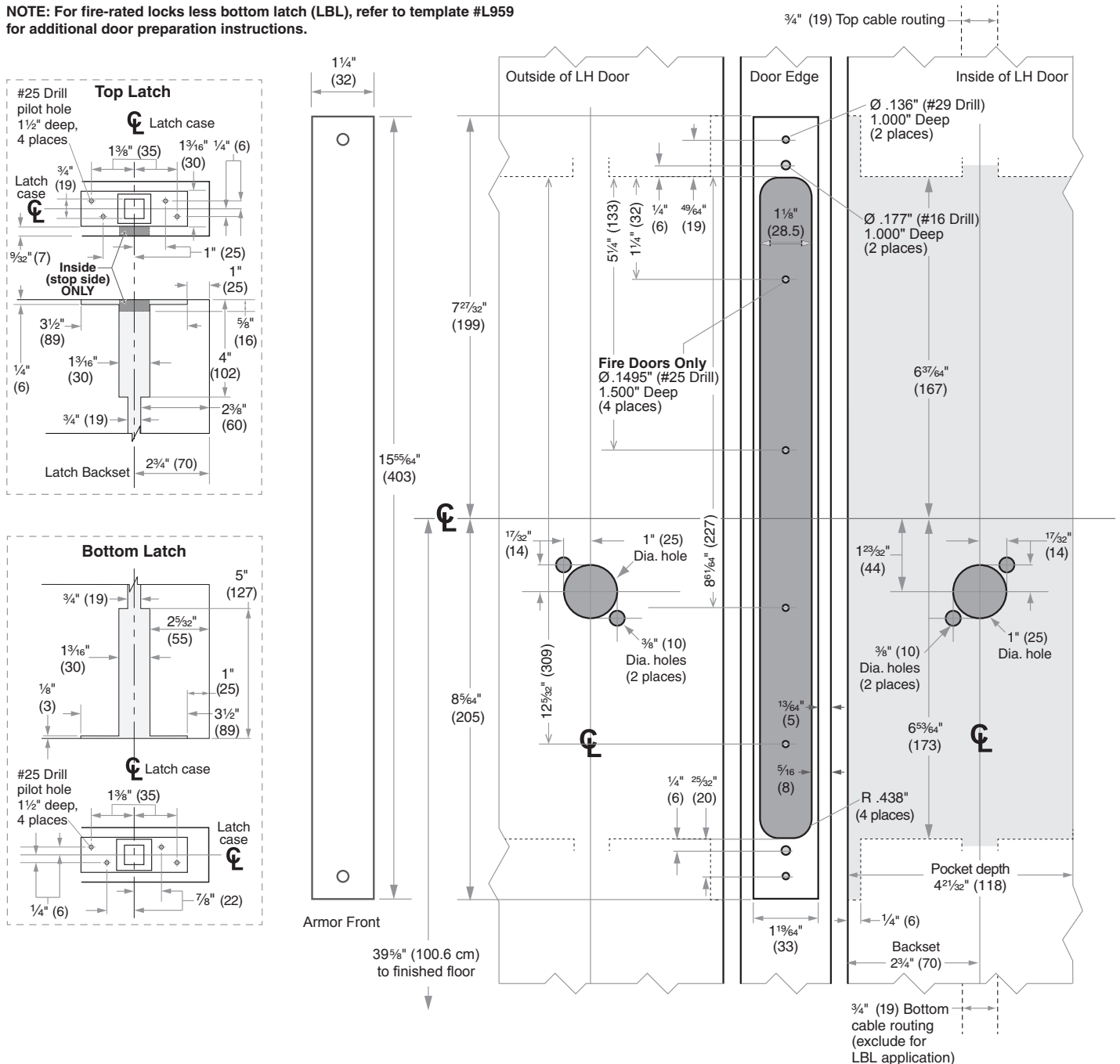
LM9200-Series

Model LM9210, LM9210F Locks

Door Type: Wood or composite, flat or beveled
 Trim: Rose

For case and strike dimensions, see Template L3.

NOTE: For fire-rated locks less bottom latch (LBL), refer to template #L959 for additional door preparation instructions.



Dimensions shown in parentheses () are in millimeters.

© 2016 Allegion
 L928 Rev. 10/16
www.allegion.com/us

DRAWING IS NOT TO SCALE!
Customer service: 877-671-7011

We can help you find the correct guide for your product and application!

Door preparation template

L928



ALLEGION™

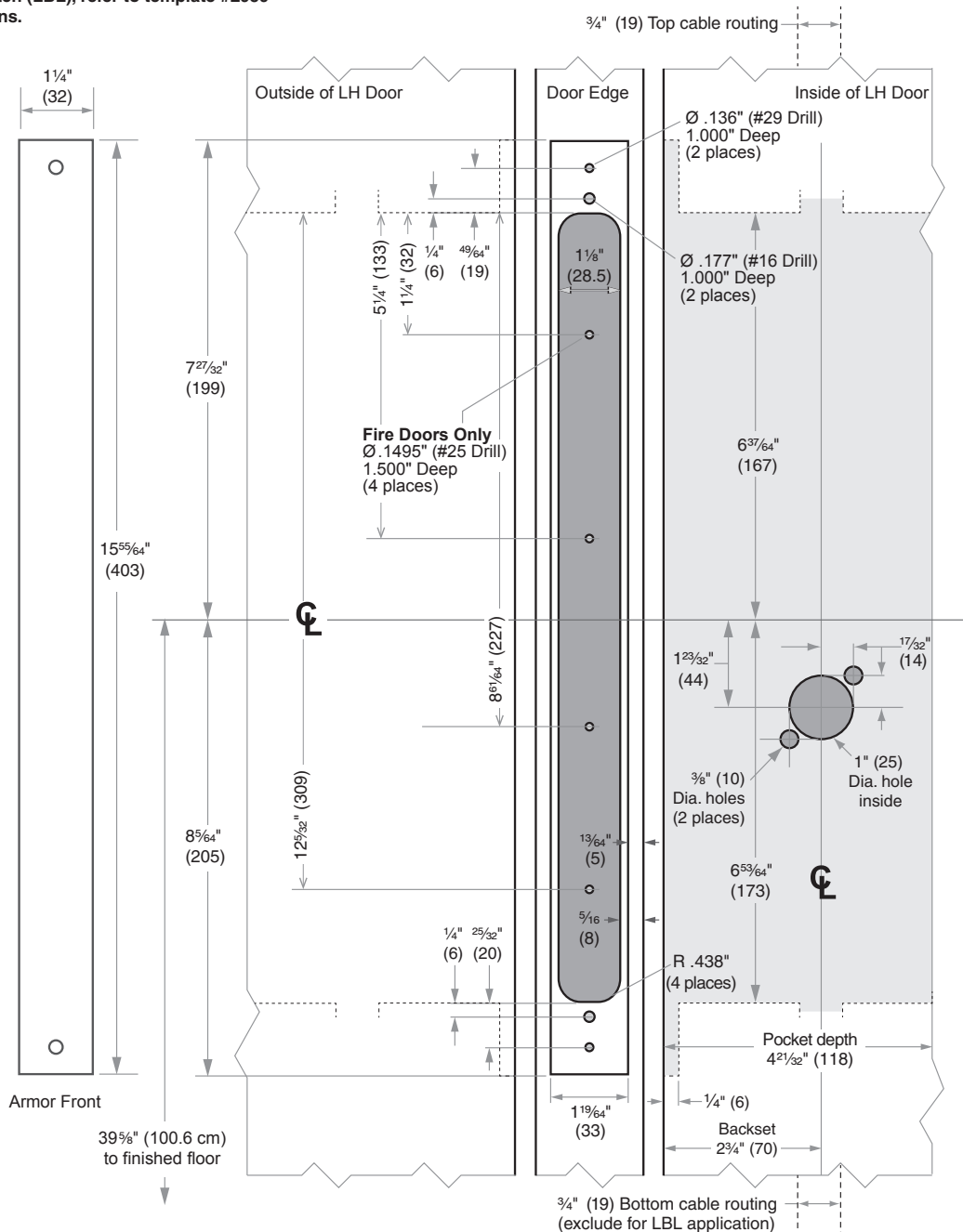
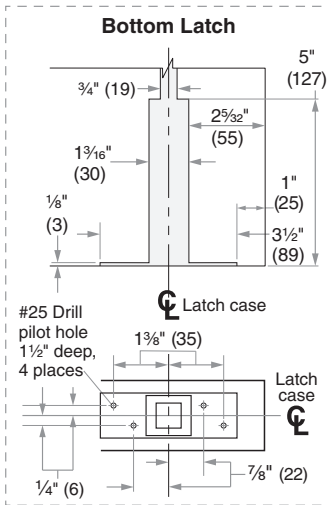
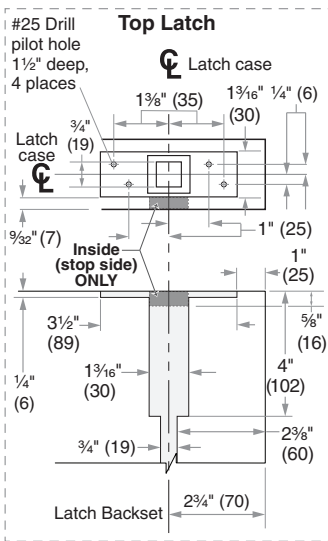
LM9200-Series

Model LM9225, LM9225F Locks

Door Type: Wood or composite, flat or beveled
Trim: Rose

For case and strike dimensions, see Template L3.

NOTE: For fire-rated locks less bottom latch (LBL), refer to template #L959 for additional door preparation instructions.



Dimensions shown in parentheses () are in millimeters.

© 2016 Allegion
L930 Rev. 06/16
www.allegion.com/us

DRAWING IS NOT TO SCALE!
Customer service: 877-671-7011
We can help you find the correct guide for your product and application!

Door preparation template
L930



ALLEGION™

LM9200-Series

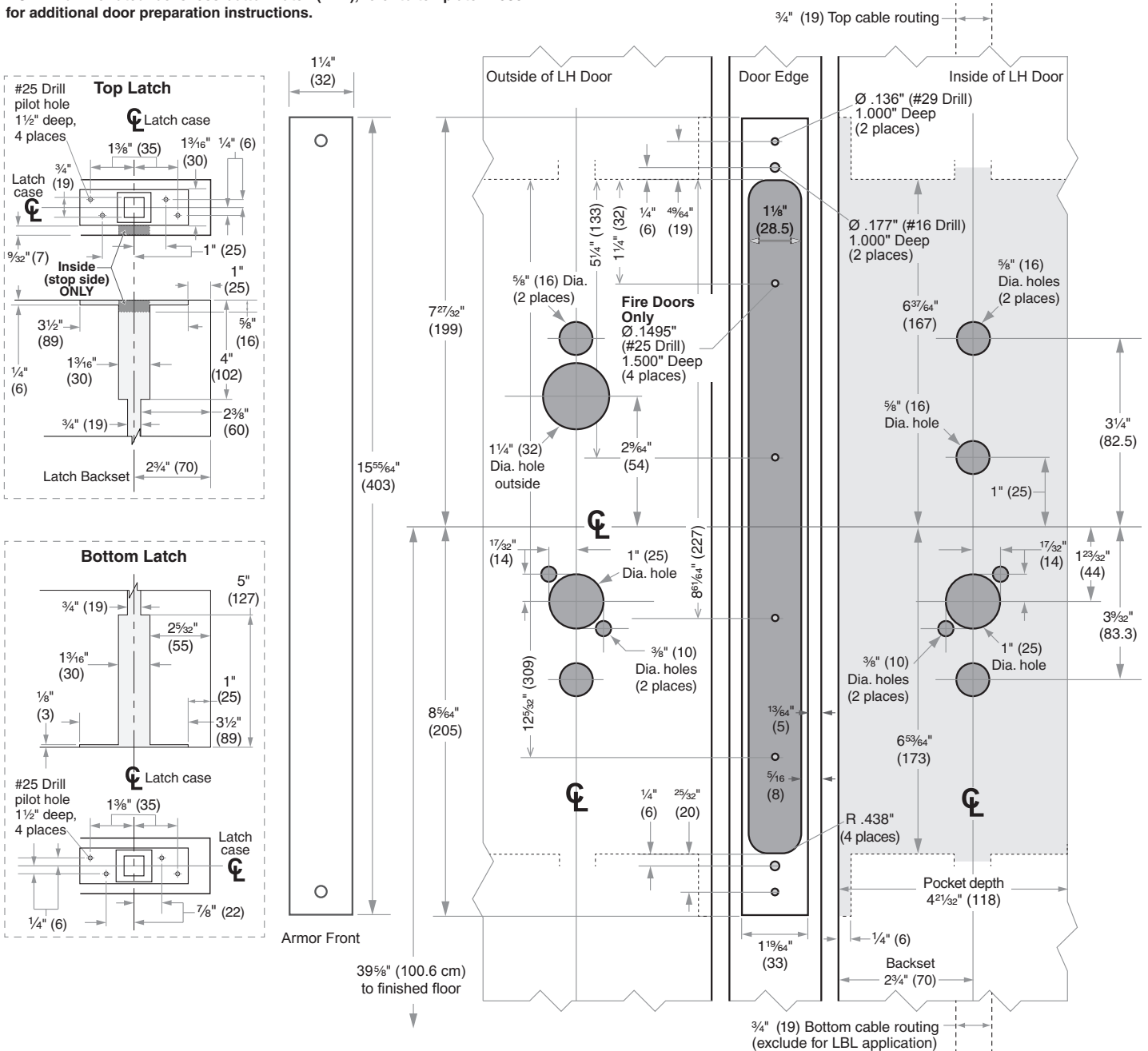
Models LM9250, LM9250F, LM9256, LM9256F Locks

Door Type: Wood or composite, flat or beveled

Trim: Escutcheon

For case and strike dimensions, see Template L3.

NOTE: For fire-rated locks less bottom latch (LBL), refer to template #L959 for additional door preparation instructions.



Dimensions shown in parentheses () are in millimeters.

© 2016 Allegion
L931 Rev. 06/16
www.allegion.com/us

DRAWING IS NOT TO SCALE!

Customer service: 877-671-7011

We can help you find the correct guide for your product and application!

Door preparation template

L931



ALLEGION™

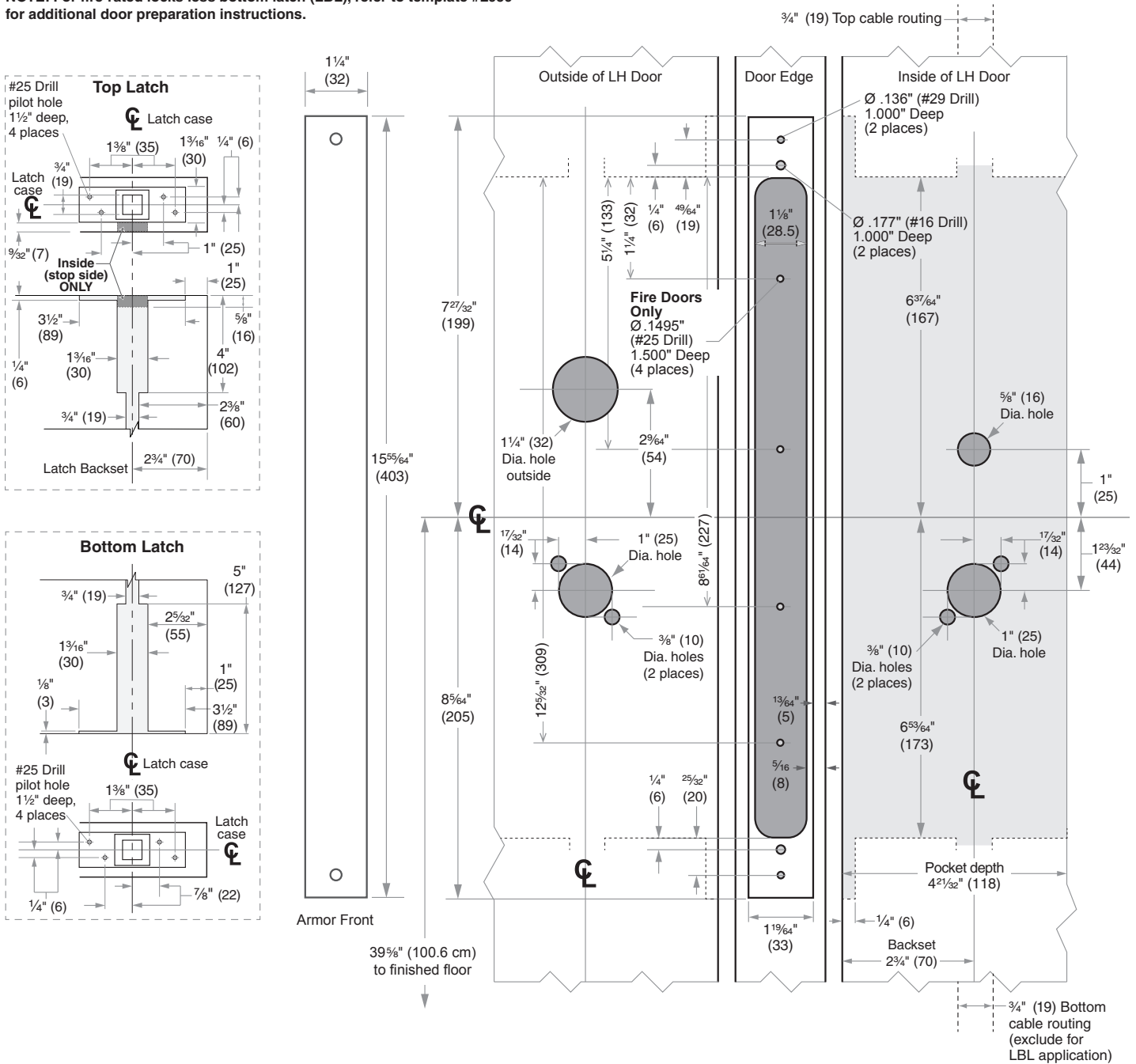
LM9200-Series

Models LM9250, LM9250F, LM9256, LM9256F Locks

Door Type: Wood or composite, flat or beveled
Trim: Rose

For case and strike dimensions, see Template L3.

NOTE: For fire-rated locks less bottom latch (LBL), refer to template #L959 for additional door preparation instructions.



Dimensions shown in parentheses () are in millimeters.

© 2016 Allegion
L932 Rev. 06/16
www.allegion.com/us

DRAWING IS NOT TO SCALE!
Customer service: 877-671-7011

We can help you find the correct guide for your product and application!

Door preparation template

L932



ALLEGION™

LM9200-Series

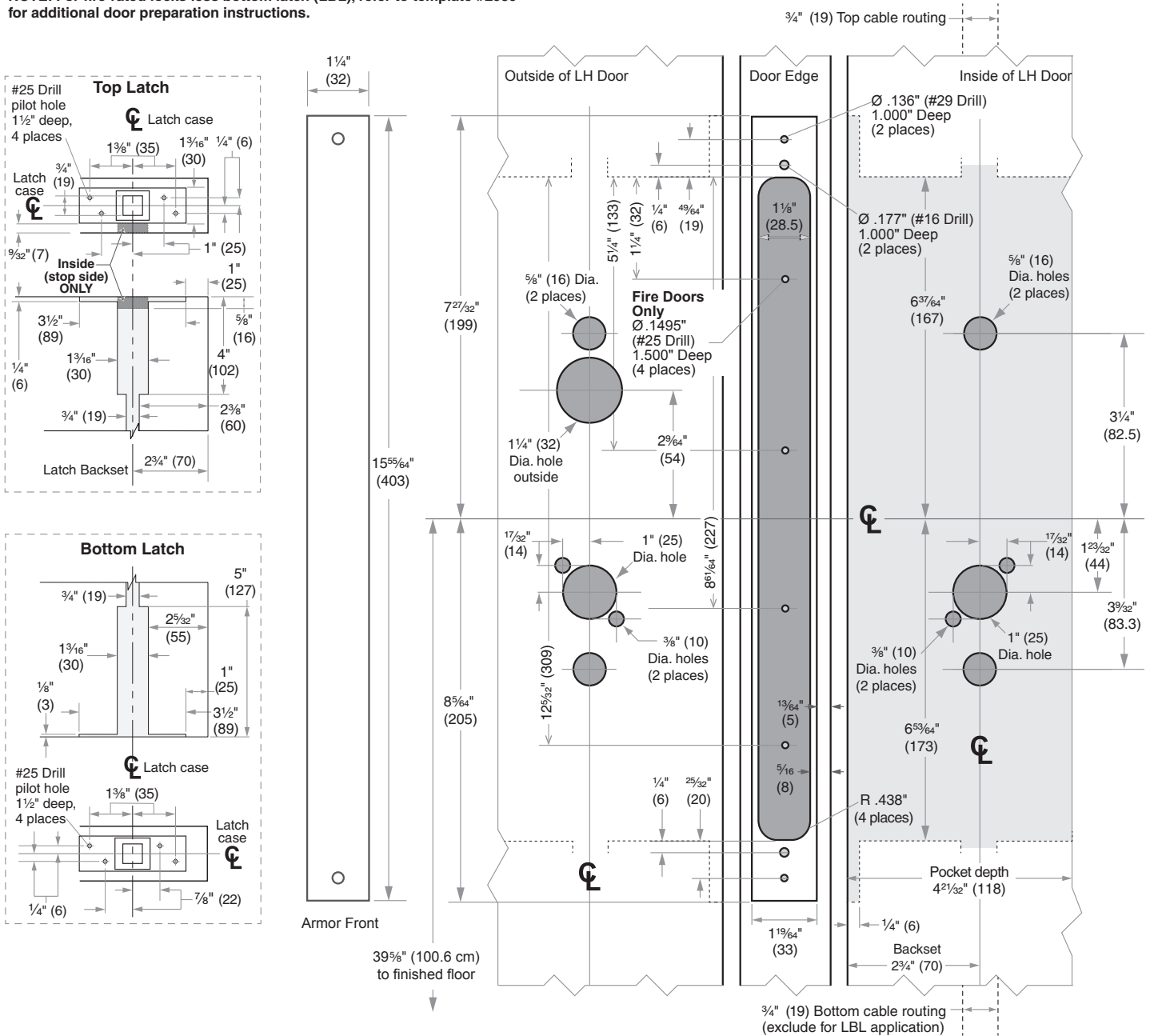
Models LM9270, LM9270F, LM9280, LM9280F Locks

Door Type: Wood or composite, flat or beveled

Trim: Escutcheon

For case and strike dimensions, see Template L3.

NOTE: For fire-rated locks less bottom latch (LBL), refer to template #L959 for additional door preparation instructions.



Dimensions shown in parentheses () are in millimeters.

© 2016 Allegion
L933 Rev. 06/16
www.allegion.com/us

DRAWING IS NOT TO SCALE!

Customer service: 877-671-7011

We can help you find the correct guide for your product and application!

Door preparation template

L933



ALLEGION™

LM9200-Series

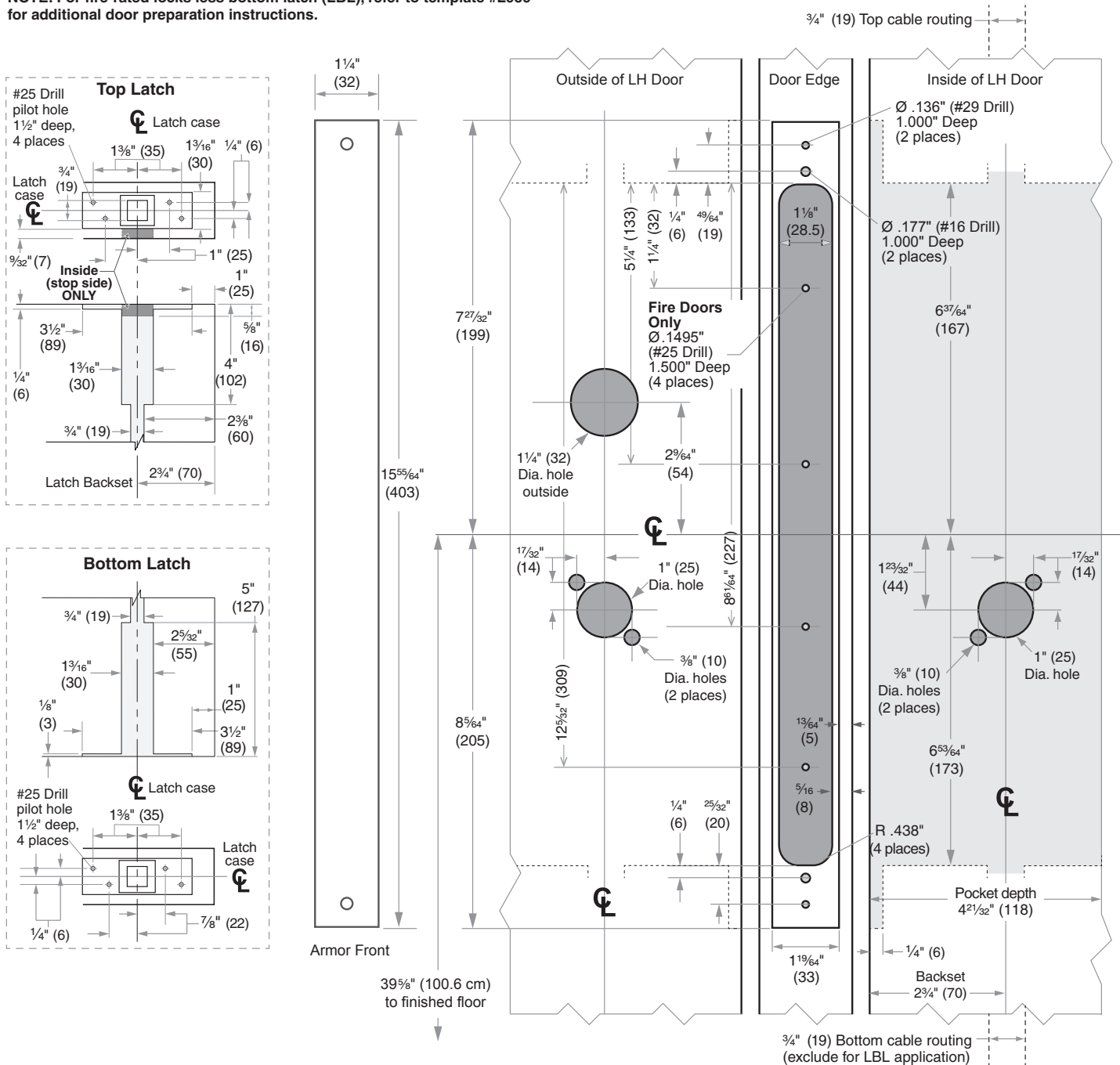
Models LM9270, LM9270F, LM9280, LM9280F Locks

Door Type: Wood or composite, flat or beveled

Trim: Rose

For case and strike dimensions, see Template L3.

NOTE: For fire-rated locks less bottom latch (LBL), refer to template #L959 for additional door preparation instructions.



Dimensions shown in parentheses () are in millimeters.

© 2016 Allegion
L934 Rev. 06/16
www.allegion.com/us

DRAWING IS NOT TO SCALE!
Customer service: 877-671-7011
We can help you find the correct guide for your product and application!

Door preparation template
L934



ALLEGION™

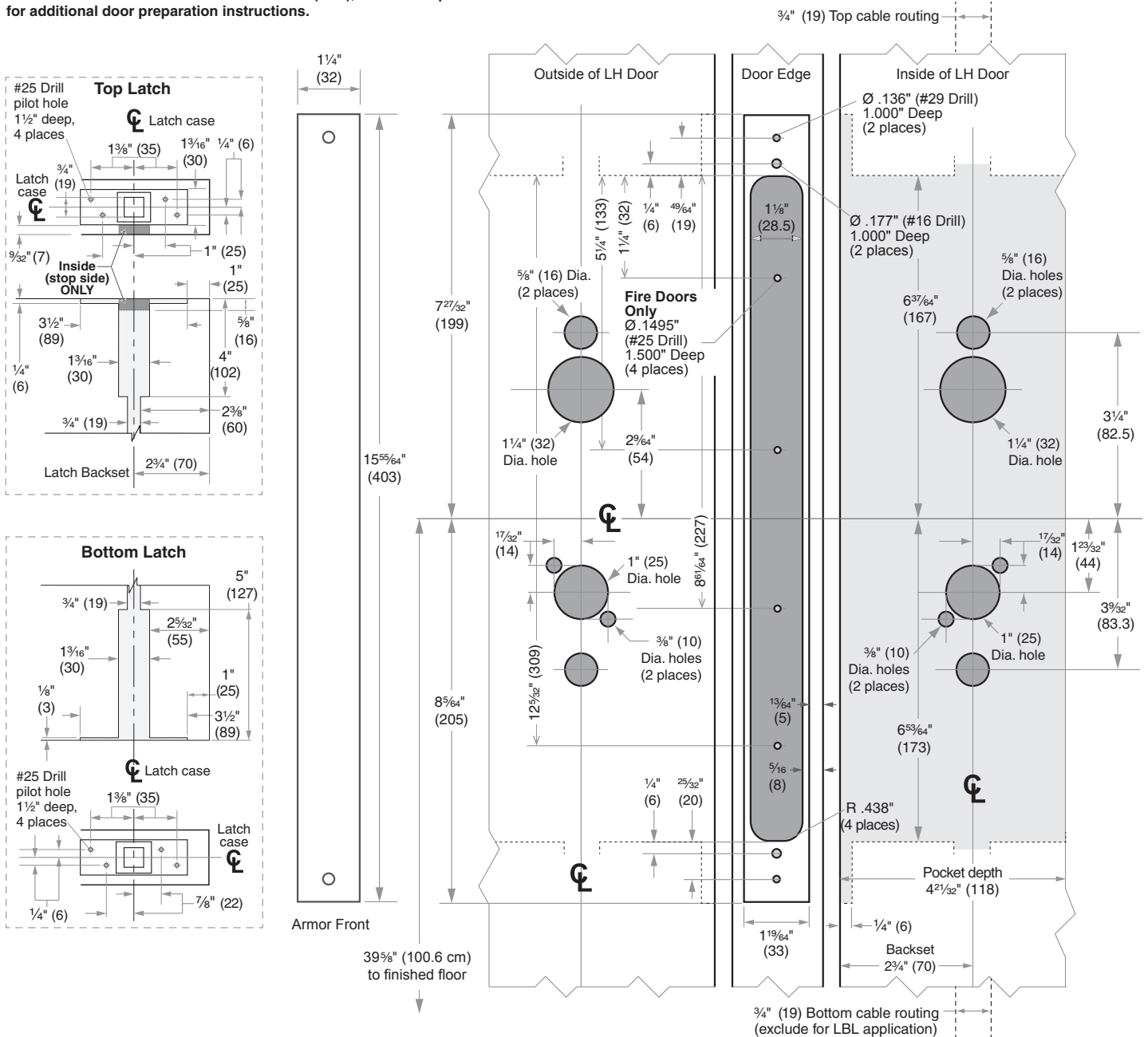
LM9200-Series

Model LM9271, LM9271F Locks

Door Type: Wood or composite, flat or beveled
Trim: Escutcheon

For case and strike dimensions, see Template L3.

NOTE: For fire-rated locks less bottom latch (LBL), refer to template #L959 for additional door preparation instructions.



Dimensions shown in parentheses () are in millimeters.

© 2016 Allegion
 L935 Rev. 06/16
 www.allegion.com/us

DRAWING IS NOT TO SCALE!

Customer service: 877-671-7011

We can help you find the correct guide for your product and application!

Door preparation template

L935



ALLEGION™

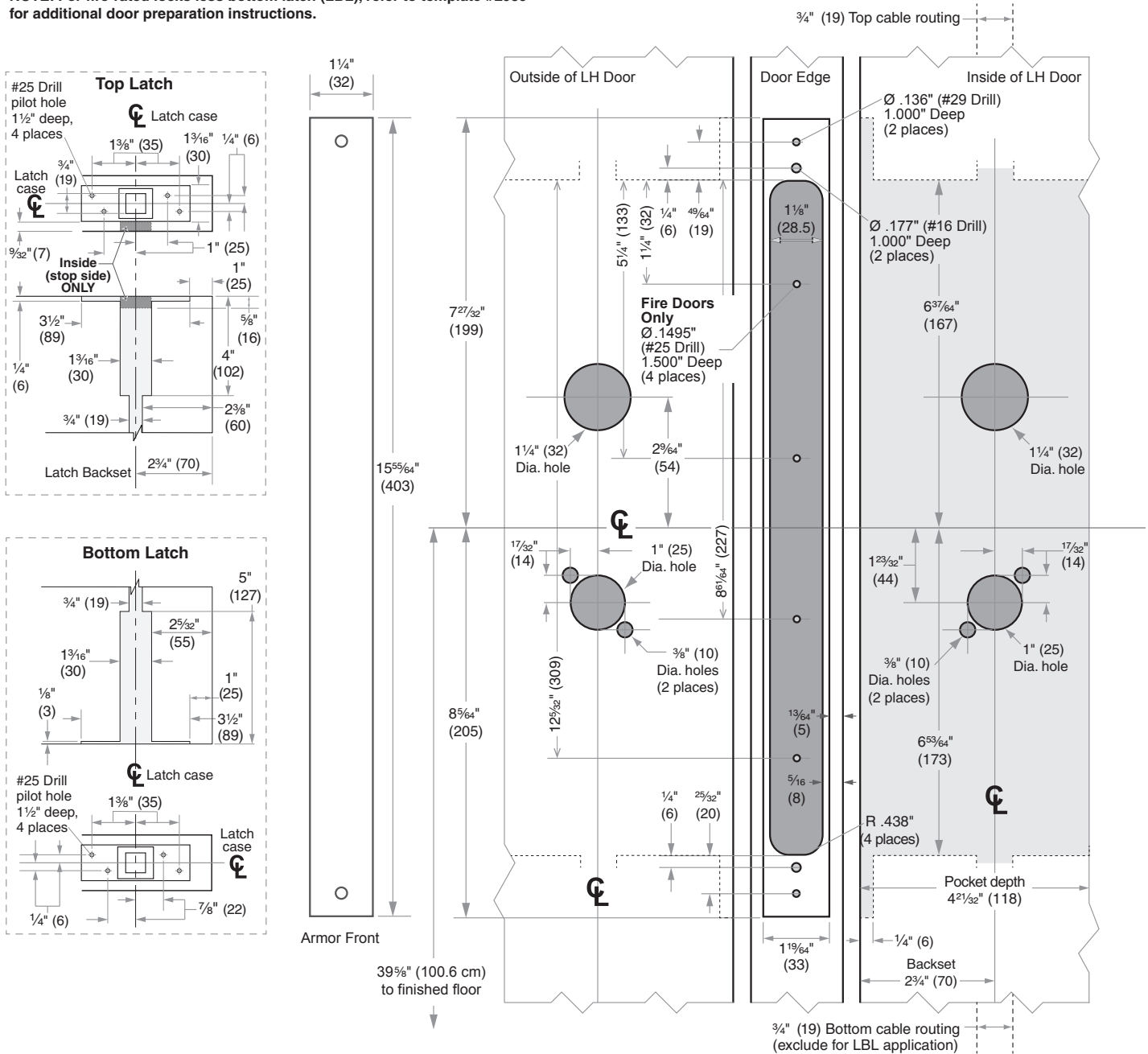
LM9200-Series

Model LM9271, LM9271F Locks

Door Type: Wood or composite, flat or beveled
Trim: Rose

For case and strike dimensions, see Template L3.

NOTE: For fire-rated locks less bottom latch (LBL), refer to template #L959 for additional door preparation instructions.



Dimensions shown in parentheses () are in millimeters.

© 2016 Allegion
L936 Rev. 06/16
www.allegion.com/us

DRAWING IS NOT TO SCALE!
Customer service: 877-671-7011
We can help you find the correct guide for your product and application!

Door preparation template
L936



ALLEGION™

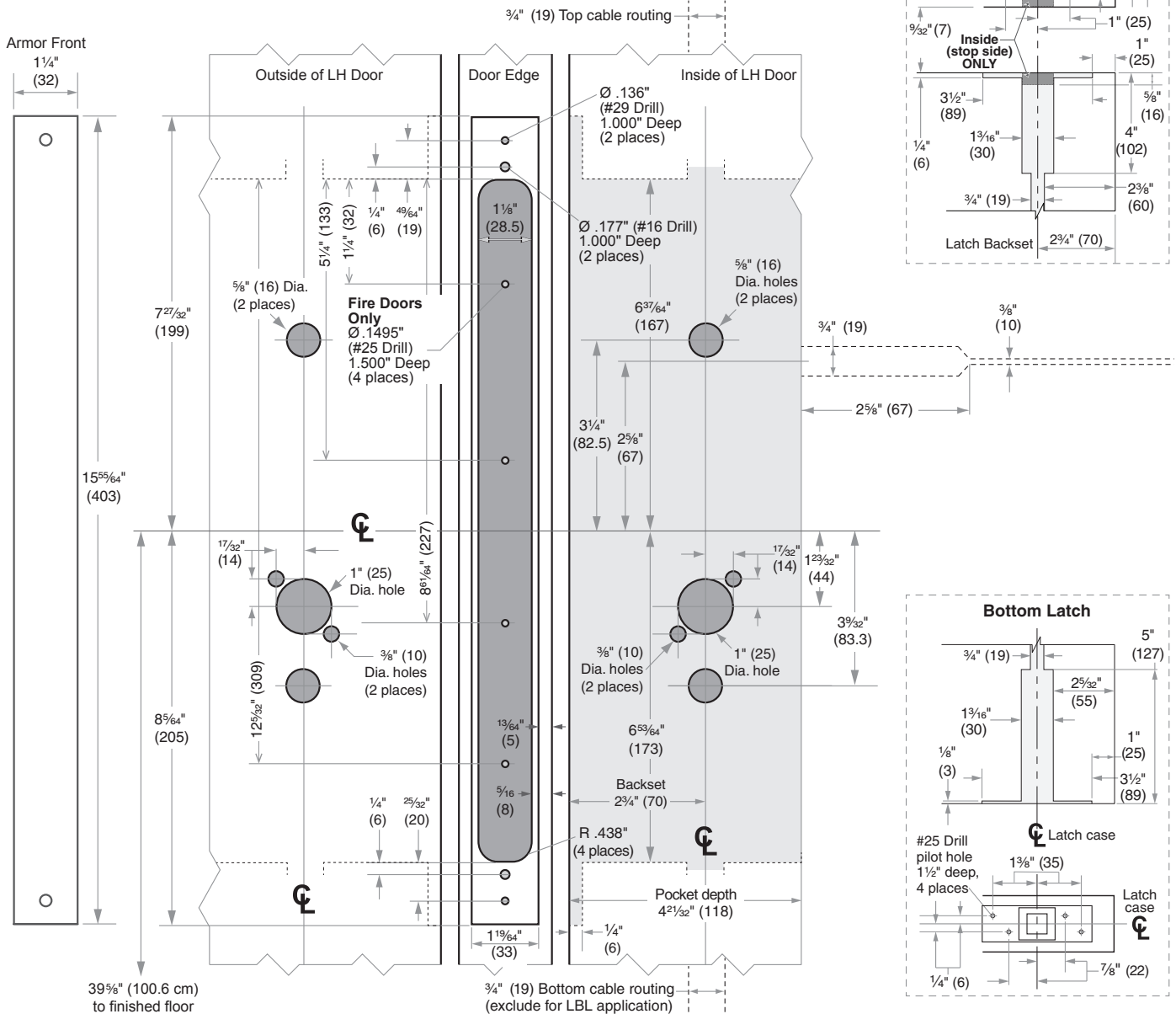
LM9200-Series

Models LM9290 EL/EU, LM9290F EL/EU, LM9291 EL/EU, LM9291F EL/EU Locks

Door Type: Wood or composite, flat or beveled
Trim: Escutcheon

For case and strike dimensions, see Template L3.

NOTE: For fire-rated locks less bottom latch (LBL), refer to template #L959 for additional door preparation instructions.



Dimensions shown in parentheses () are in millimeters.

DRAWING IS NOT TO SCALE!

Customer service: 877-671-7011

We can help you find the correct guide for your product and application!

© 2016 Allegion
L937 Rev. 06/16
www.allegion.com/us

Door preparation template

L937



ALLEGION™

LM9200-Series

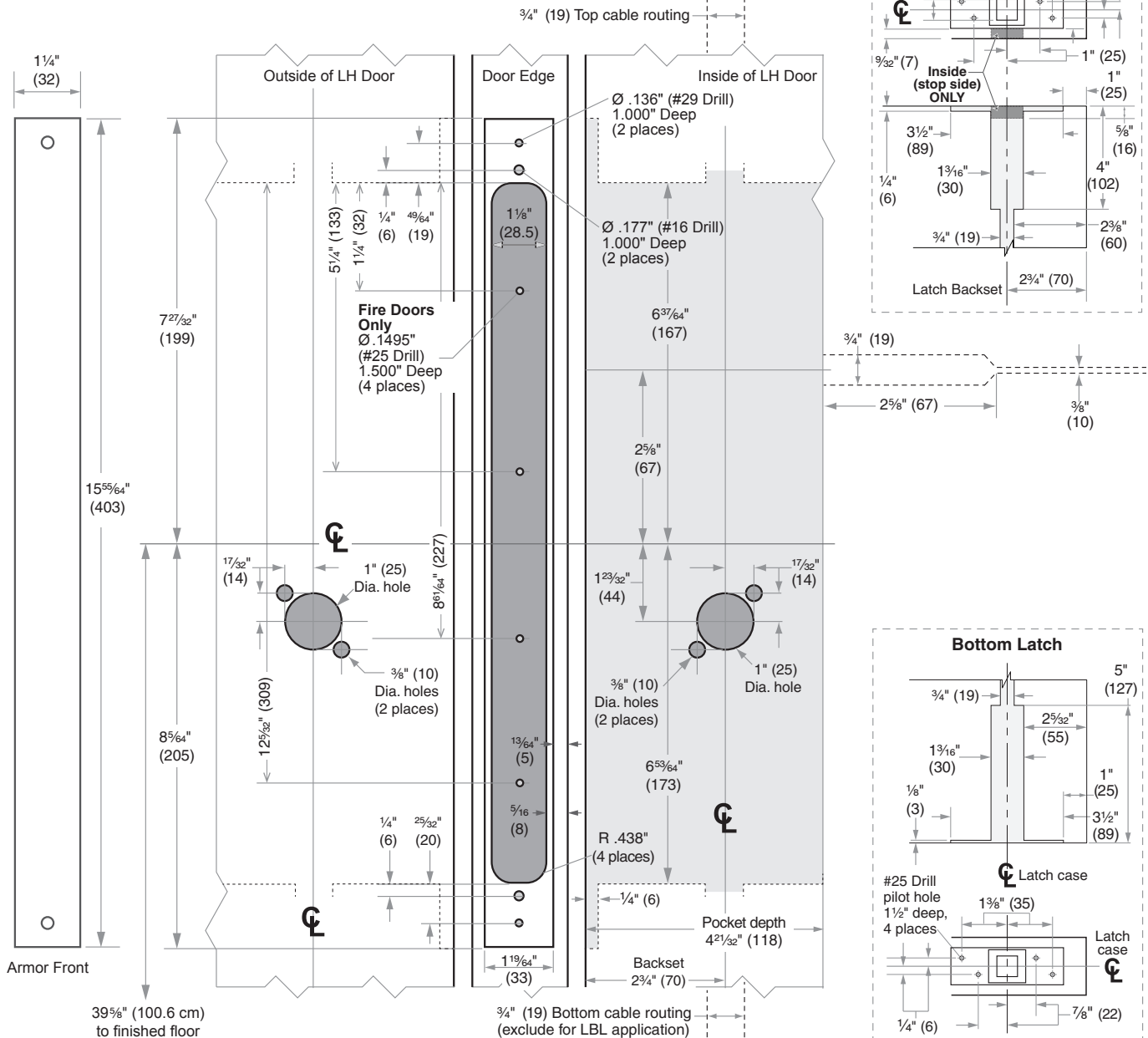
Models LM9290 EL/EU, LM9290F EL/EU, LM9291 EL/EU, LM9291F EL/EU Locks

Door Type: Wood or composite, flat or beveled

Trim: Rose

For case and strike dimensions, see Template L3.

NOTE: For fire-rated locks less bottom latch (LBL), refer to template #L959 for additional door preparation instructions.



Dimensions shown in parentheses () are in millimeters.

DRAWING IS NOT TO SCALE!

Customer service: 877-671-7011

We can help you find the correct guide for your product and application!

Door preparation template

L938



LM9200-Series

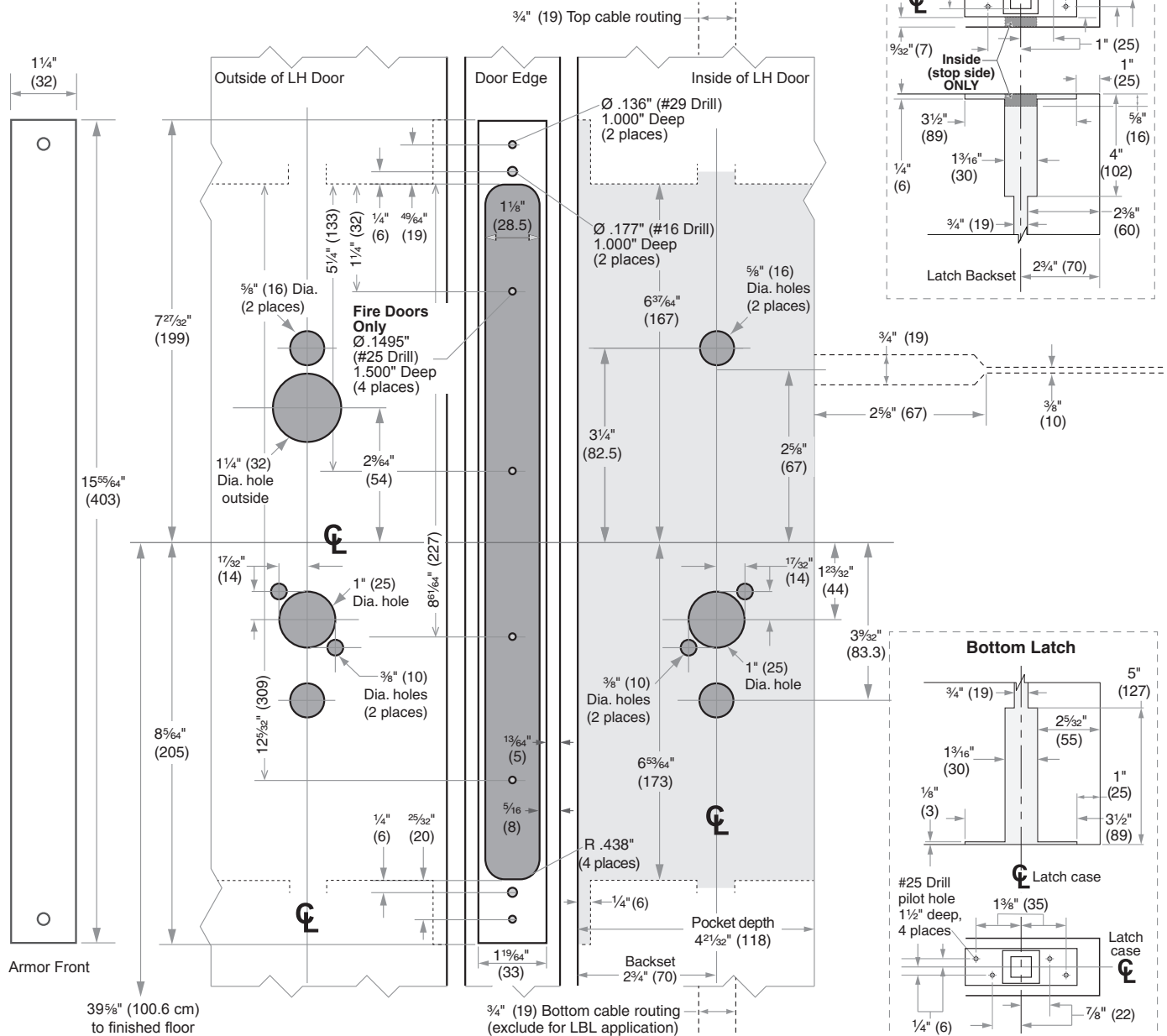
Models LM9292 EL/EU, LM9292F EL/EU, LM9293 EL/EU, LM9293F EL/EU Locks

Door Type: Wood or composite, flat or beveled

Trim: Escutcheon

For case and strike dimensions, see Template L3.

NOTE: For fire-rated locks less bottom latch (LBL), refer to template #L959 for additional door preparation instructions.



Dimensions shown in parentheses () are in millimeters.

DRAWING IS NOT TO SCALE!
Customer service: 877-671-7011

We can help you find the correct guide for your product and application!

Door preparation template

L939



ALLEGION™

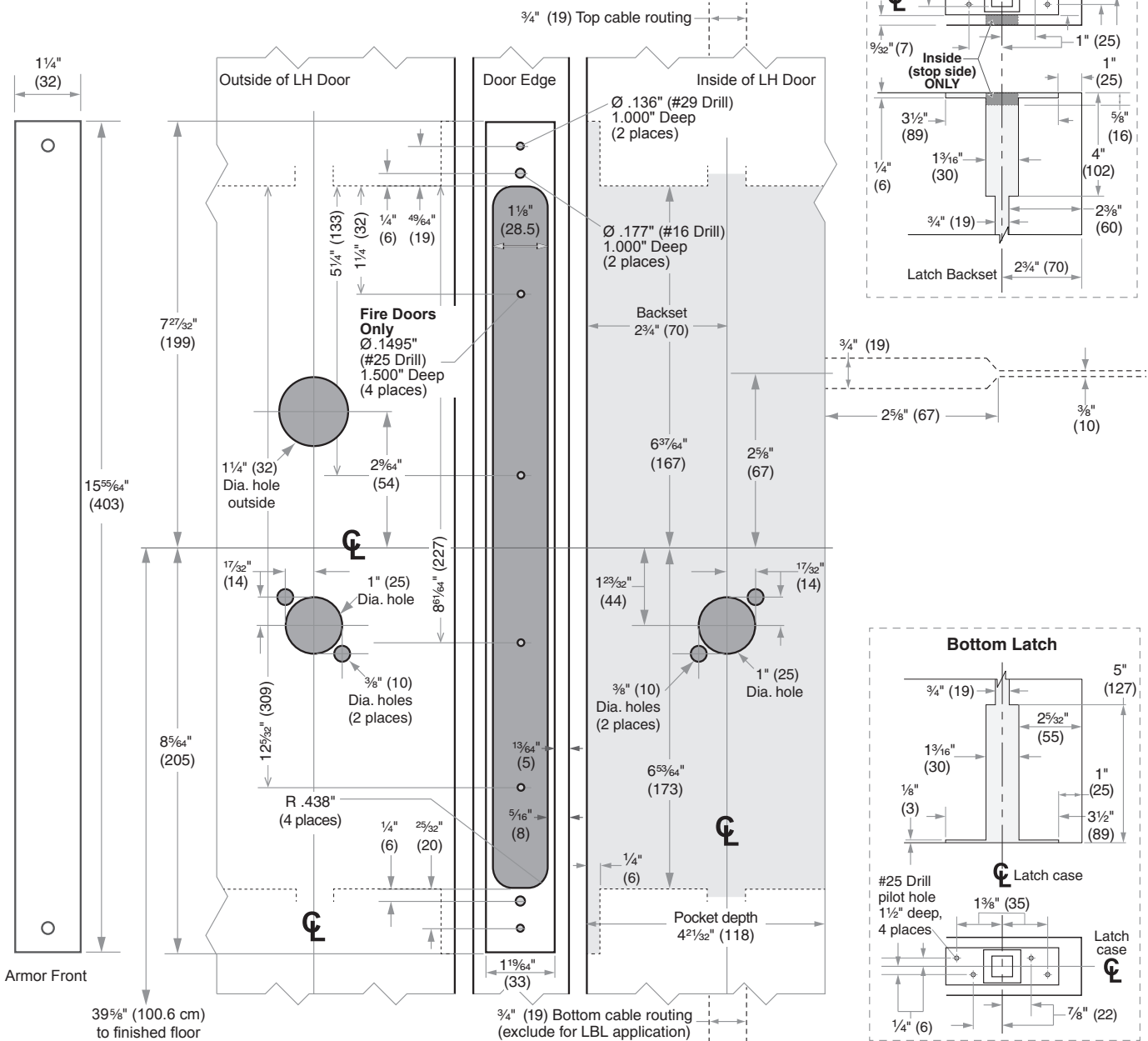
LM9200-Series

Models LM9292 EL/EU, LM9292F EL/EU, LM9293 EL/EU, LM9293F EL/EU Locks

Door Type: Wood or composite, flat or beveled
Trim: Rose

For case and strike dimensions, see Template L3.

NOTE: For fire-rated locks less bottom latch (LBL), refer to template #L959 for additional door preparation instructions.



Dimensions shown in parentheses () are in millimeters.

DRAWING IS NOT TO SCALE!
Customer service: 877-671-7011

We can help you find the correct guide for your product and application!

© 2016 Allegion
L940 Rev. 06/16
www.allegion.com/us

Door preparation template

L940



ALLEGION™

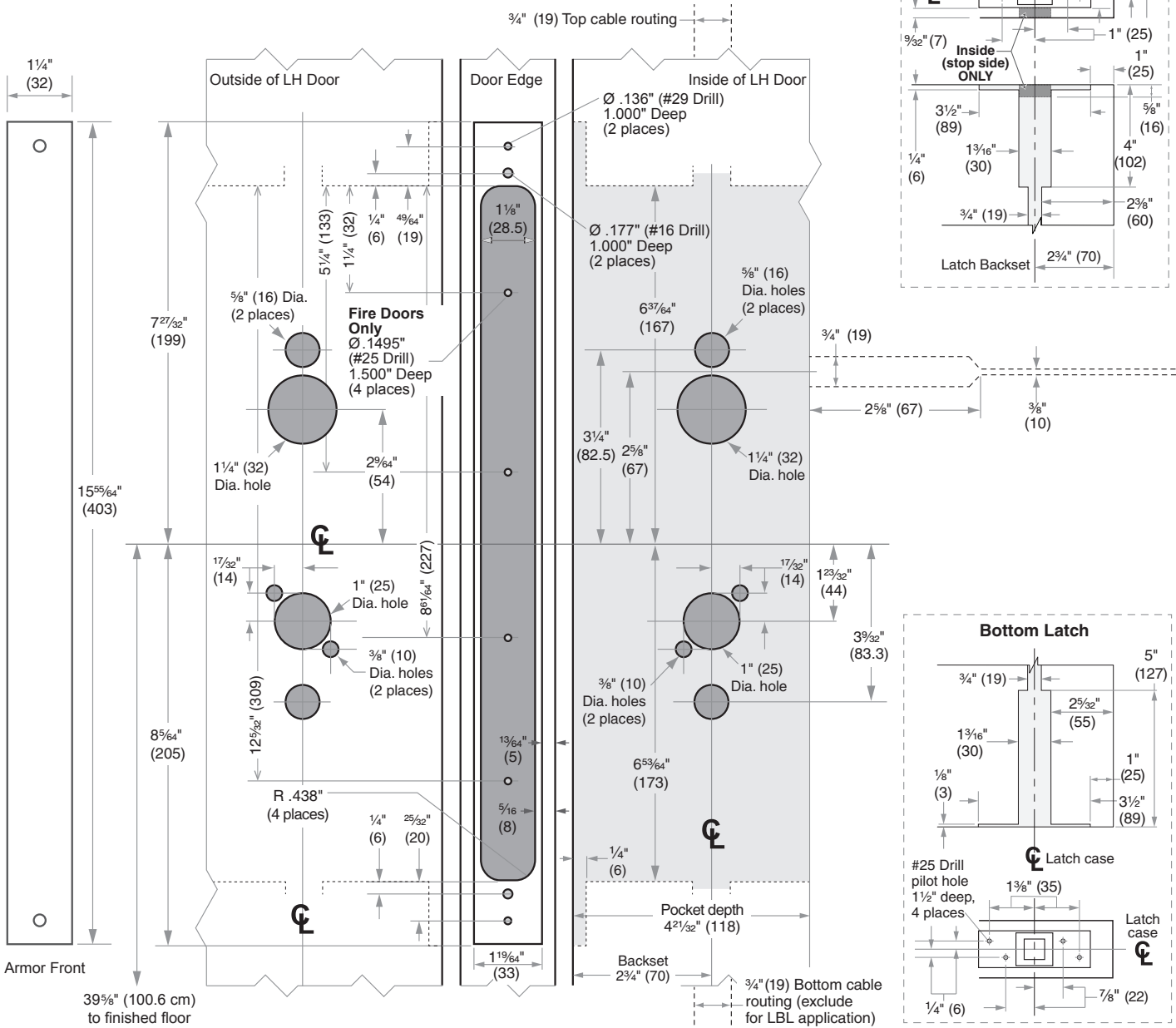
LM9200-Series

Models LM9294 EL/EU, LM9294F EL/EU, LM9295 EL/EU, LM9295F EL/EU Locks

Door Type: Wood or composite, flat or beveled
Trim: Escutcheon

For case and strike dimensions, see Template L3.

NOTE: For fire-rated locks less bottom latch (LBL), refer to template #L959 for additional door preparation instructions.



Dimensions shown in parentheses () are in millimeters.

© 2016 Allegion
L941 Rev. 06/16
www.allegion.com/us

DRAWING IS NOT TO SCALE!

Customer service: 877-671-7011

We can help you find the correct guide for your product and application!

Door preparation template

L941



ALLEGION™

LM9200-Series

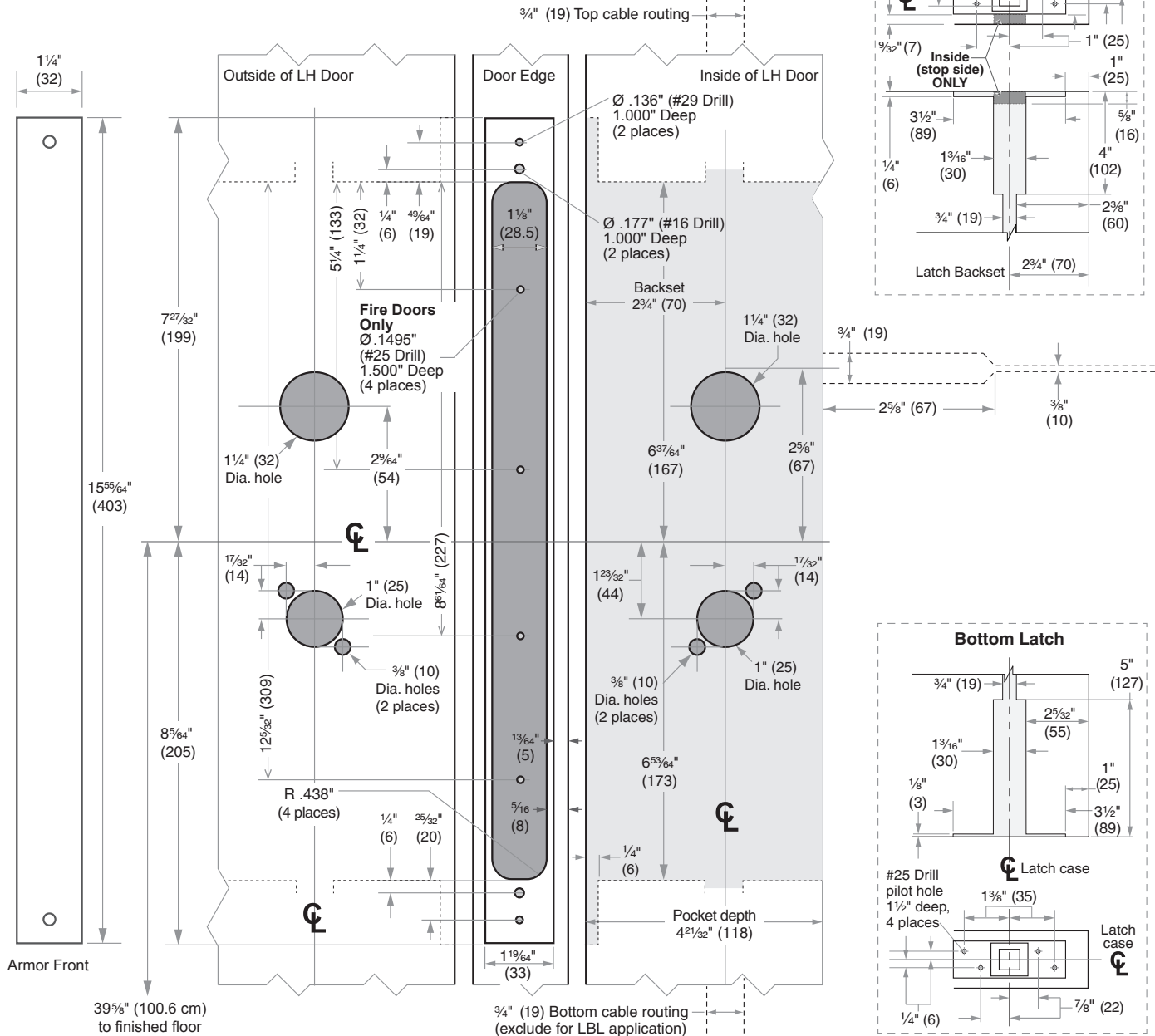
Models LM9294 EL/EU, LM9294F EL/EU, LM9295 EL/EU, LM9295F EL/EU Locks

Door Type: Wood or composite, flat or beveled

Trim: Rose

For case and strike dimensions, see Template L3.

NOTE: For fire-rated locks less bottom latch (LBL), refer to template #L959 for additional door preparation instructions.



Dimensions shown in parentheses () are in millimeters.

DRAWING IS NOT TO SCALE!

Customer service: 877-671-7011

We can help you find the correct guide for your product and application!

Door preparation template

L942



ALLEGION™

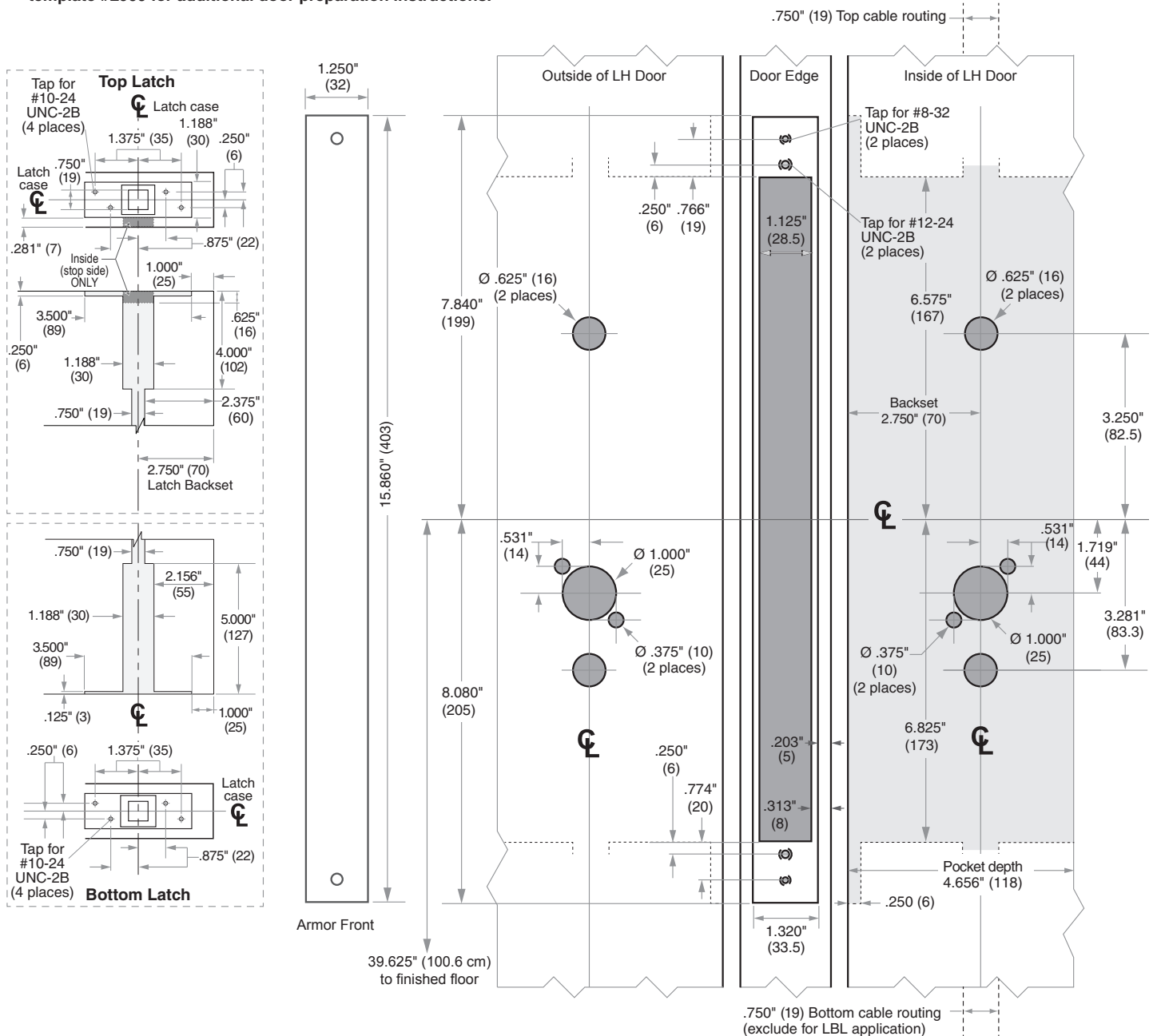
LM-Series

Models LM9210, LM9210M Locks

Door Type: Metal, flat or beveled
Trim: Escutcheon

For case and strike dimensions, see Template L3.

NOTE: For fire-rated locks less bottom latch (LBL), refer to template #L960 for additional door preparation instructions.



Dimensions shown in parentheses () are in millimeters.

© 2016 Allegion
L943 Rev. 06/16
www.allegion.com/us

DRAWING IS NOT TO SCALE!
Customer service: 877-671-7011
We can help you find the correct guide for your product and application!

Door preparation template
L943



ALLEGION™

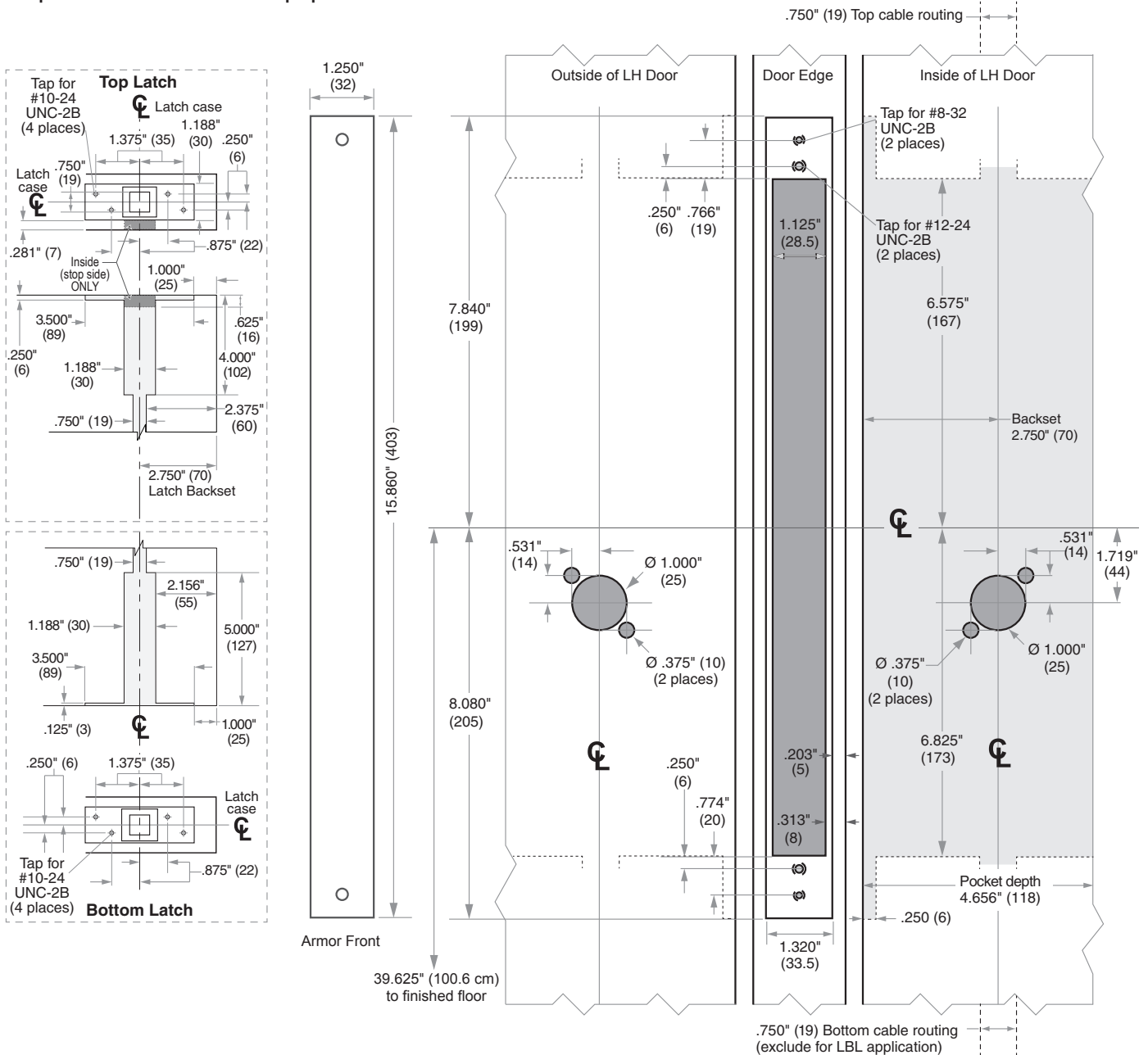
LM-Series

Models LM9210, LM9210M Locks

Door Type: Metal, flat or beveled
Trim: Rose

For case and strike dimensions, see Template L3.

NOTE: For fire-rated locks less bottom latch (LBL), refer to template #L960 for additional door preparation instructions.



Dimensions shown in parentheses () are in millimeters.

© 2016 Allegion
L944 Rev. 06/16
www.allegion.com/us

DRAWING IS NOT TO SCALE!
Customer service: 877-671-7011
We can help you find the correct guide for your product and application!

Door preparation template
L944



ALLEGION™

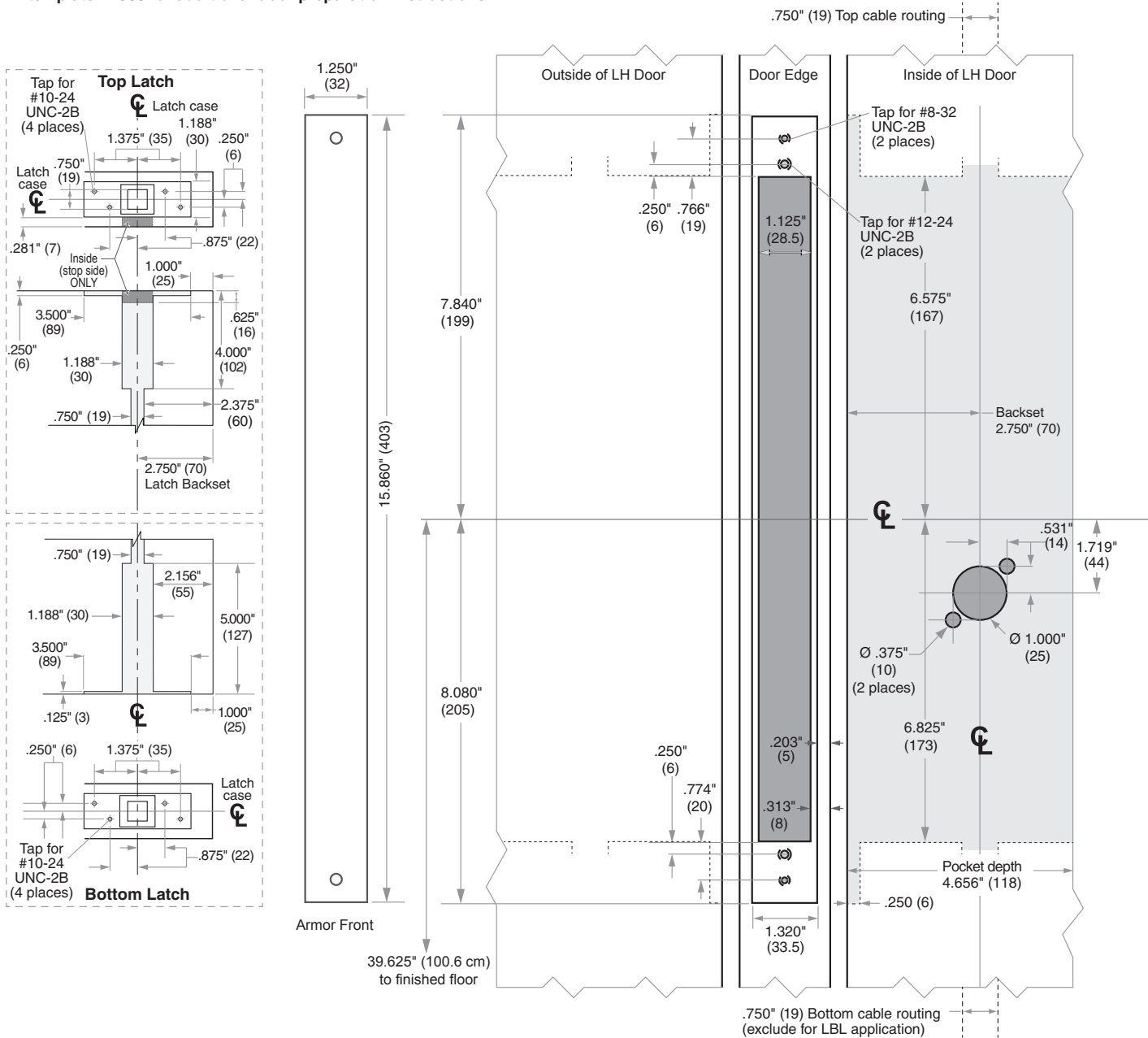
LM-Series

Models LM9225, LM9225M Locks

Door Type: Metal, flat or beveled
Trim: Rose

For case and strike dimensions, see Template L3.

NOTE: For fire-rated locks less bottom latch (LBL), refer to template #L960 for additional door preparation instructions.



Dimensions shown in parentheses () are in millimeters.

© 2016 Allegion
L946 Rev. 06/16
www.allegion.com/us

DRAWING IS NOT TO SCALE!

Customer service: 877-671-7011

We can help you find the correct guide for your product and application!

Door preparation template

L946



ALLEGION™

LM-Series

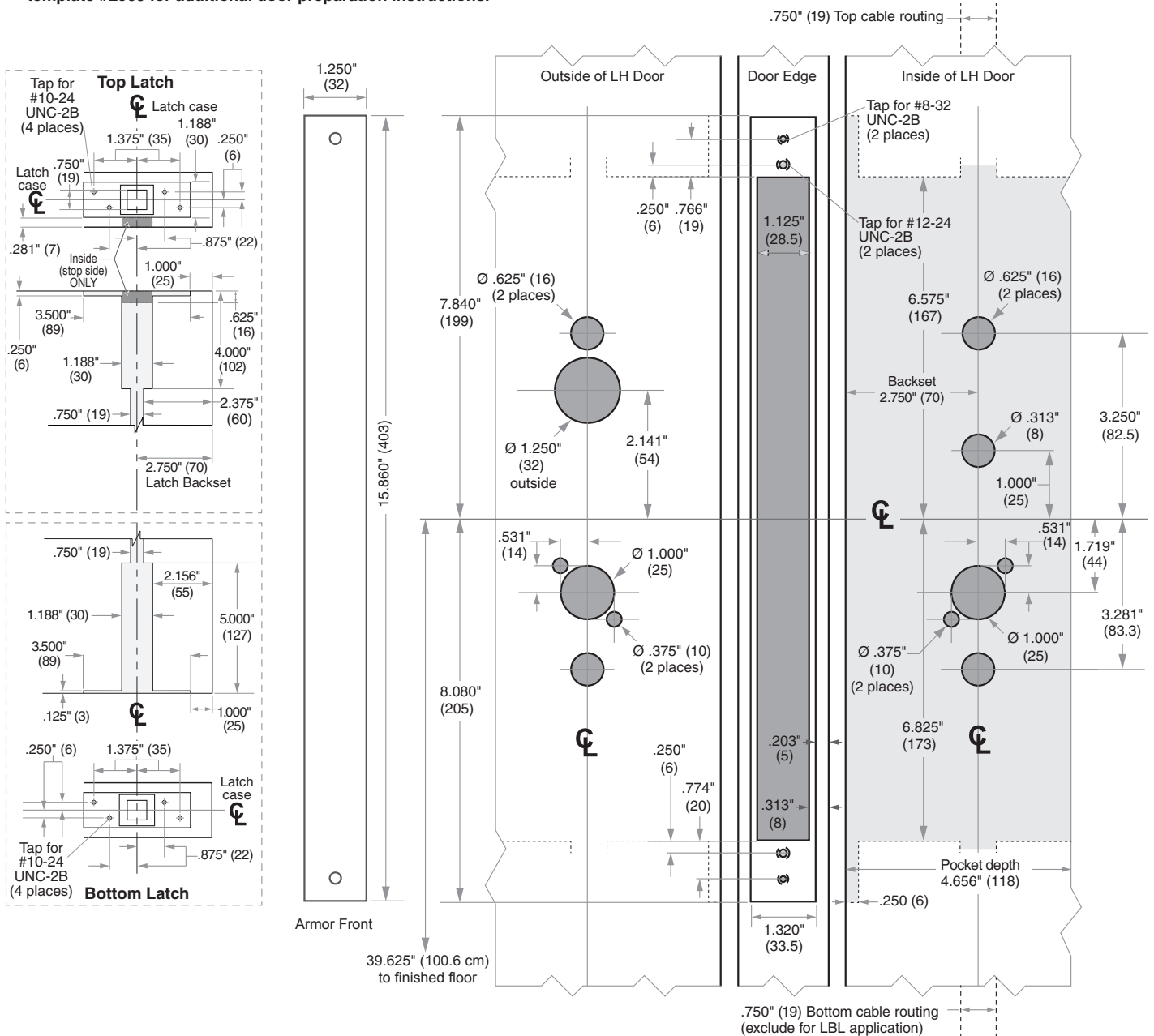
Models LM9250, LM9250M, LM9256, LM9256M Locks

Door Type: Metal, flat or beveled

Trim: Escutcheon

For case and strike dimensions, see Template L3.

NOTE: For fire-rated locks less bottom latch (LBL), refer to template #L960 for additional door preparation instructions.



Dimensions shown in parentheses () are in millimeters.

© 2016 Allegion
L947 Rev. 06/16
www.allegion.com/us

DRAWING IS NOT TO SCALE!
Customer service: 877-671-7011
We can help you find the correct guide for your product and application!

Door preparation template
L947



ALLEGION™

L/LV/LM/LMV-Series

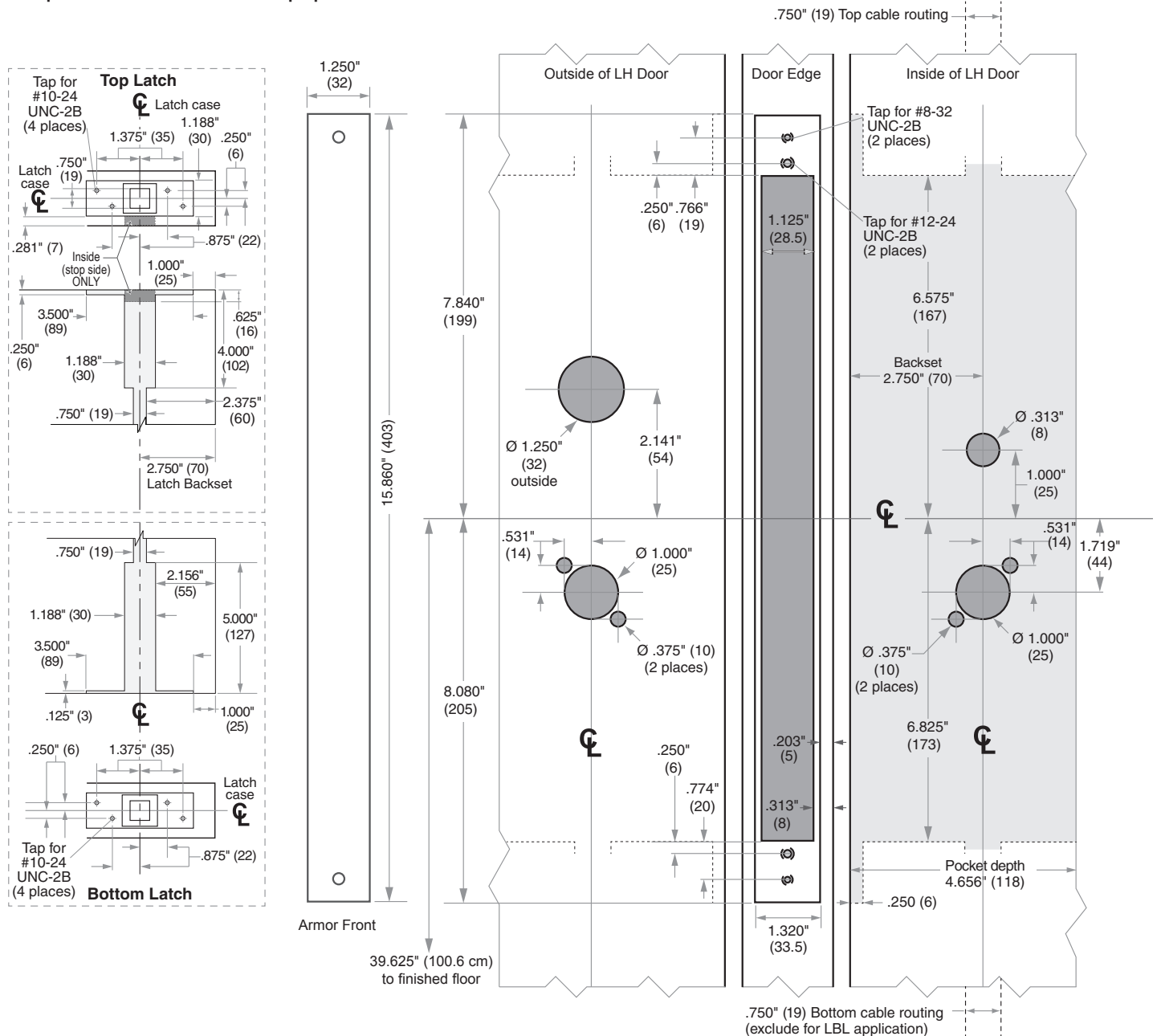
Models LM9250, LM9250M, LM9256, LM9256M Locks

Door Type: Metal, flat or beveled

Trim: Rose

For case and strike dimensions, see Template L3.

NOTE: For fire-rated locks less bottom latch (LBL), refer to template #L960 for additional door preparation instructions.



Dimensions shown in parentheses () are in millimeters.

© 2016 Allegion
L948 Rev. 06/16
www.allegion.com/us

DRAWING IS NOT TO SCALE!

Customer service: 877-671-7011

We can help you find the correct guide for your product and application!

Door preparation template

L948



ALLEGION™

LM-Series

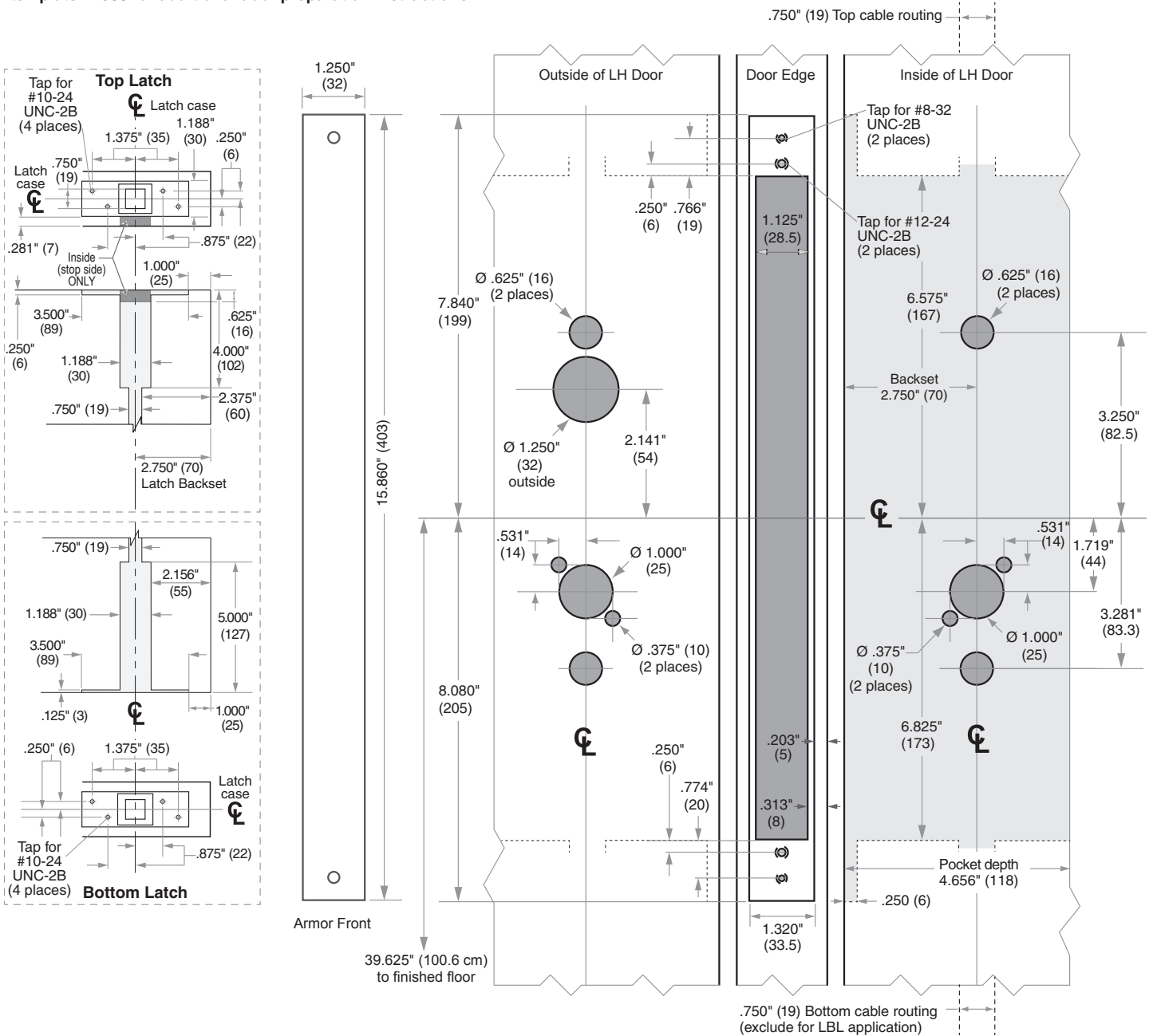
Models LM9270, LM9270M, LM9280, LM9280M Locks

Door Type: Metal, flat or beveled

Trim: Escutcheon

For case and strike dimensions, see Template L3.

NOTE: For fire-rated locks less bottom latch (LBL), refer to template #L960 for additional door preparation instructions.



Dimensions shown in parentheses () are in millimeters.

© 2016 Allegion
L949 Rev. 06/16
www.allegion.com/us

DRAWING IS NOT TO SCALE!

Customer service: 877-671-7011

We can help you find the correct guide for your product and application!

Door preparation template

L949



ALLEGION™

LM-Series

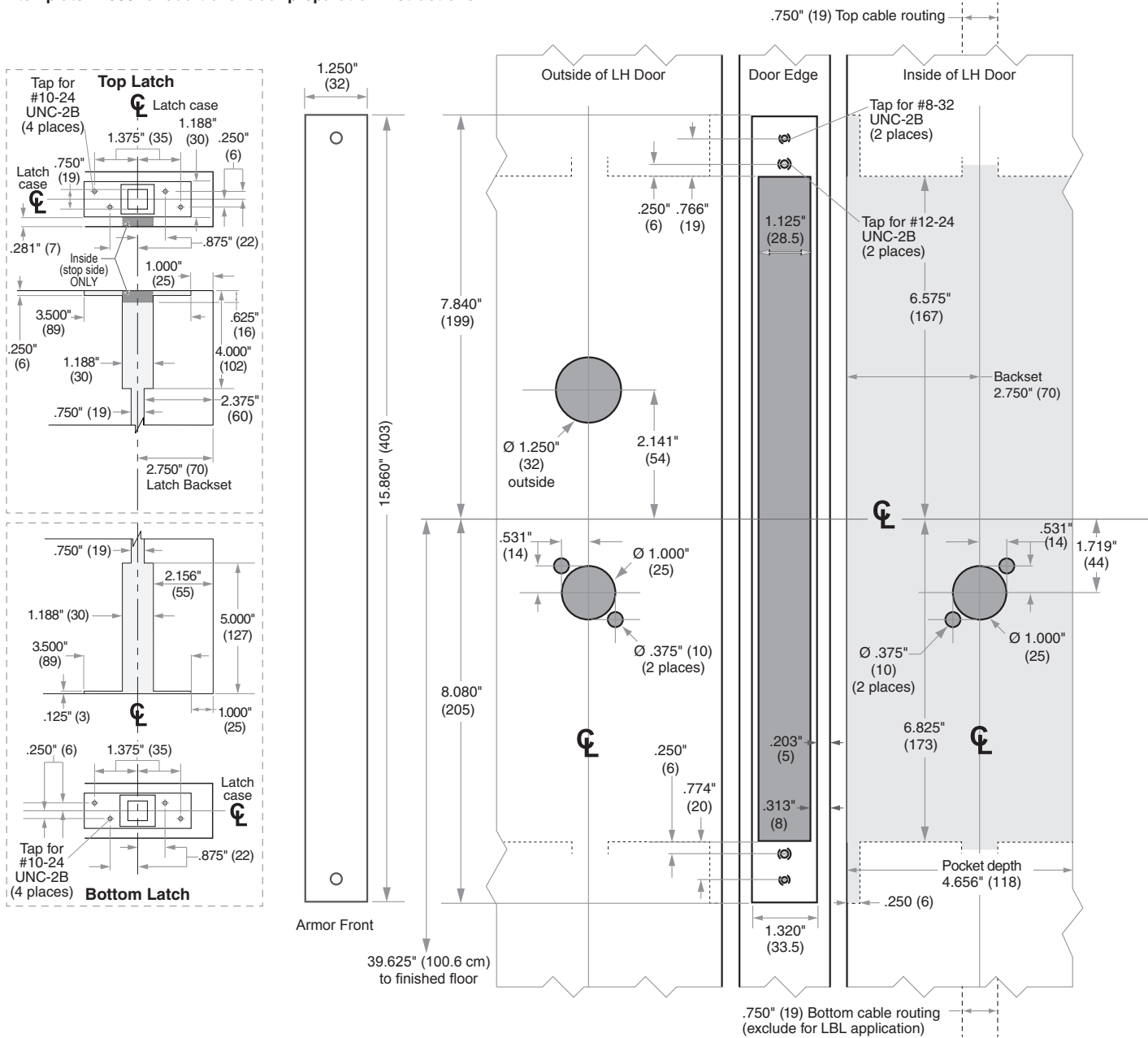
Models LM9270, LM9270M, LM9280, LM9280M Locks

Door Type: Metal, flat or beveled

Trim: Rose

For case and strike dimensions, see Template L3.

NOTE: For fire-rated locks less bottom latch (LBL), refer to template #L960 for additional door preparation instructions.



Dimensions shown in parentheses () are in millimeters.

© 2016 Allegion
L950 Rev. 06/16
www.allegion.com/us

DRAWING IS NOT TO SCALE!

Customer service: 877-671-7011

We can help you find the correct guide for your product and application!

Door preparation template

L950



ALLEGION™

LM-Series

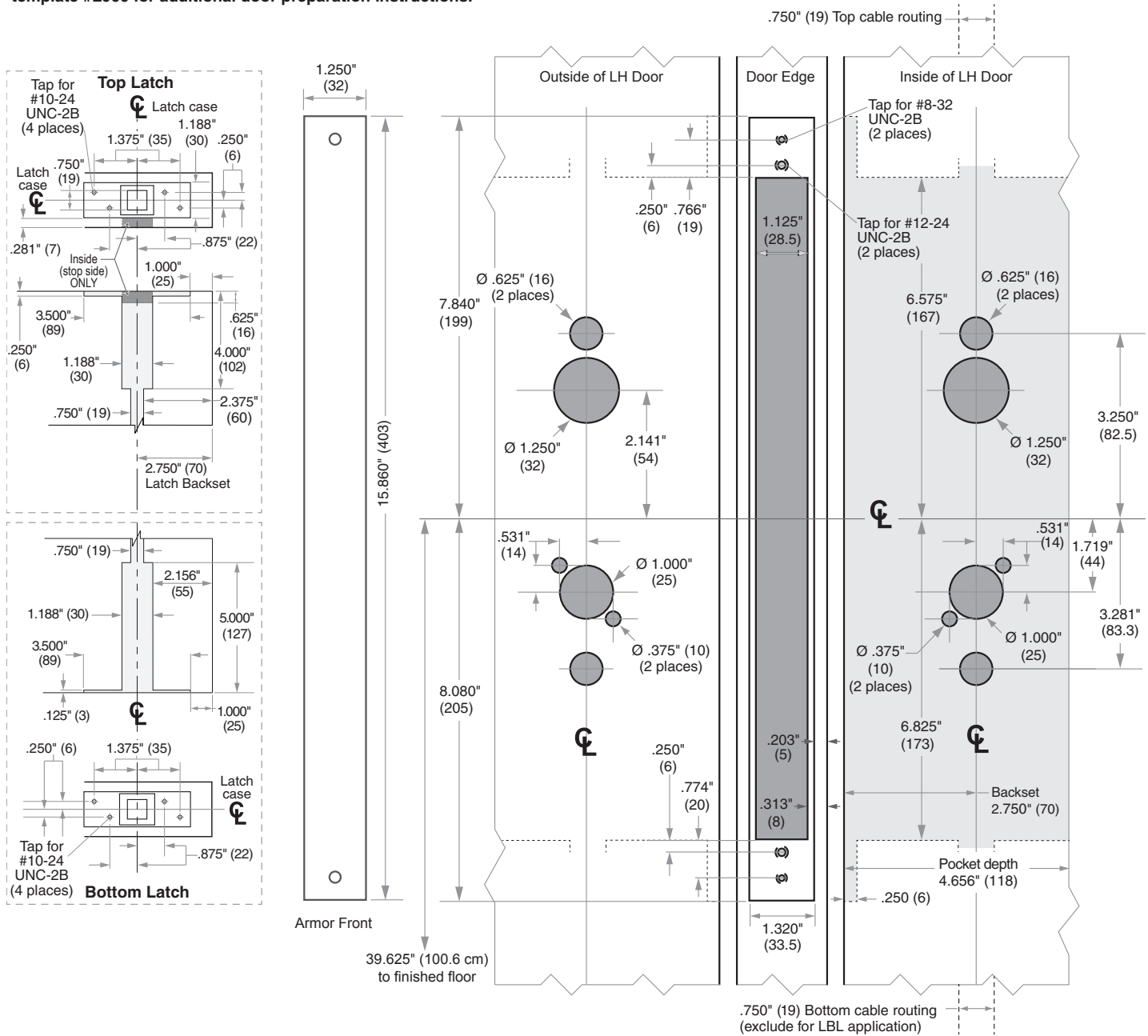
Models LM9271, LM9271M Locks

Door Type: Metal, flat or beveled

Trim: Escutcheon

For case and strike dimensions, see Template L3.

NOTE: For fire-rated locks less bottom latch (LBL), refer to template #L960 for additional door preparation instructions.



Dimensions shown in parentheses () are in millimeters.

© 2016 Allegion
L951 Rev. 06/16
www.allegion.com/us

DRAWING IS NOT TO SCALE!

Customer service: 877-671-7011

We can help you find the correct guide for your product and application!

Door preparation template

L951



ALLEGION™

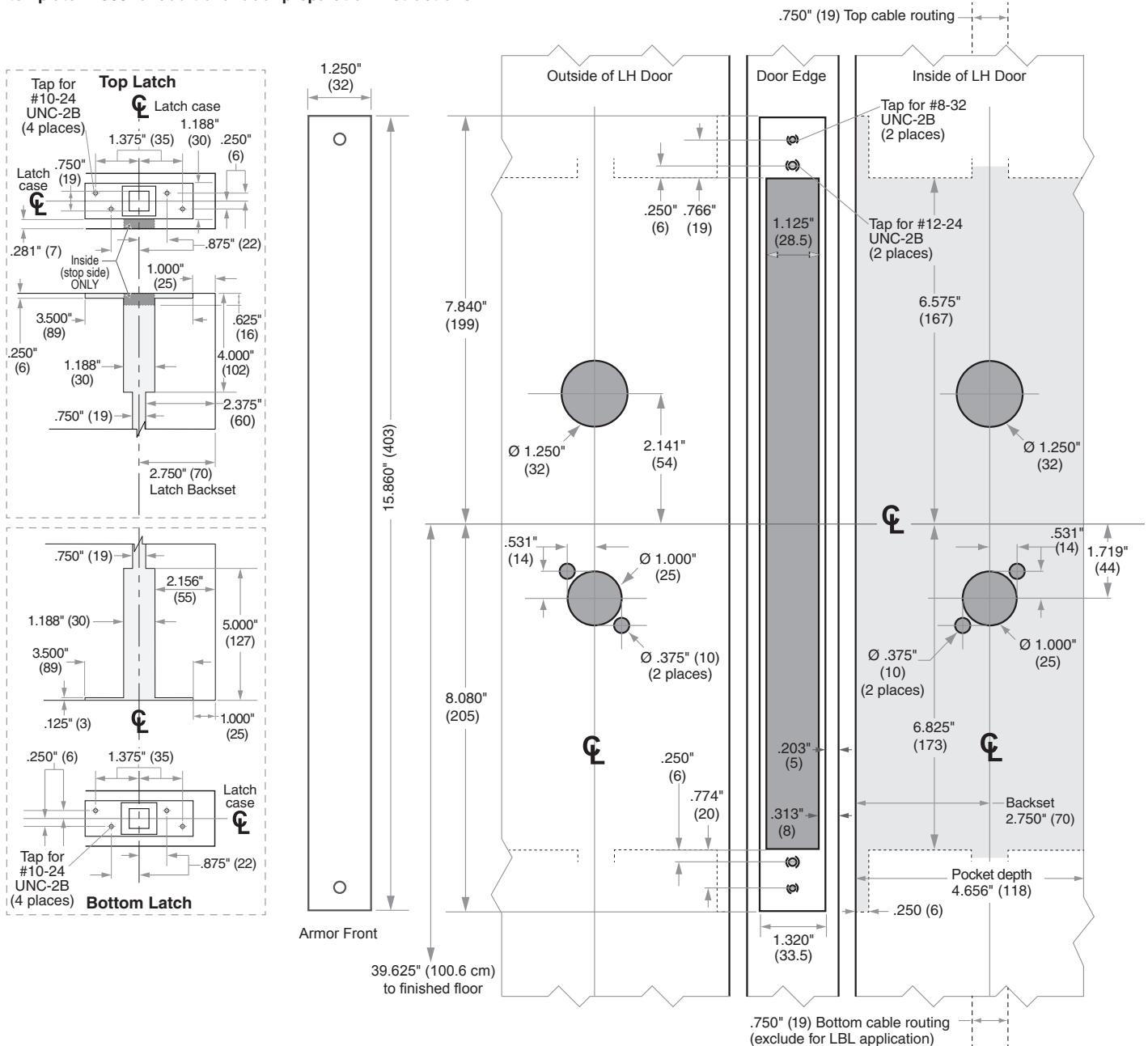
L/LV/LM/LMV-Series

Models LM9271, LM9271M Locks

Door Type: Metal, flat or beveled
Trim: Rose

For case and strike dimensions, see Template L3.

NOTE: For fire-rated locks less bottom latch (LBL), refer to template #L960 for additional door preparation instructions.



Dimensions shown in parentheses () are in millimeters.

© 2016 Allegion
L952 Rev. 06/16
www.allegion.com/us

DRAWING IS NOT TO SCALE!
Customer service: 877-671-7011
We can help you find the correct guide for your product and application!

Door preparation template
L952



ALLEGION™

LM-Series

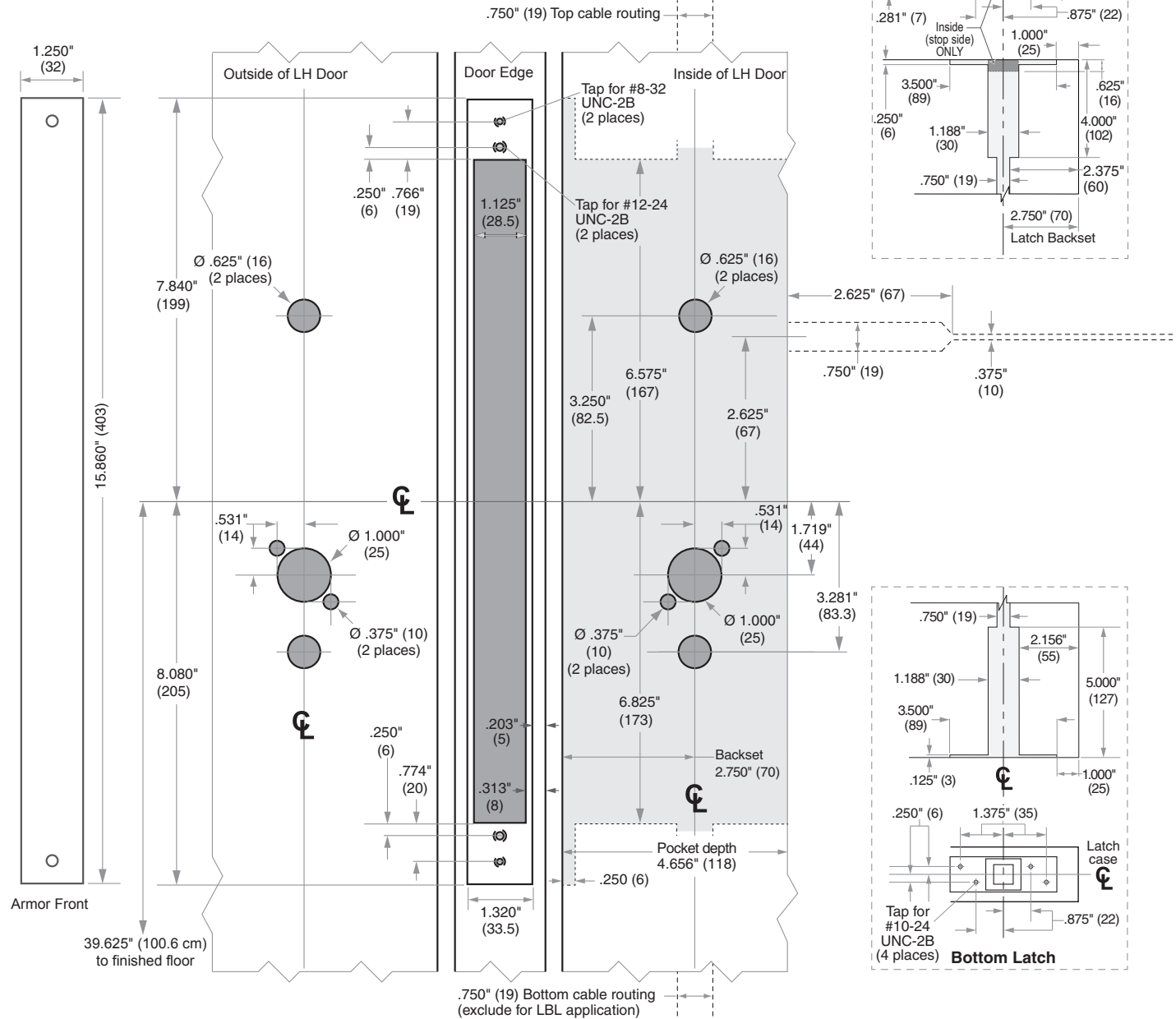
Models LM9290EL/EU, LM9290M EL/EU, LM9291 EL/EU, LM9291M EL/EU Locks

Door Type: Metal, flat or beveled

Trim: Escutcheon

For case and strike dimensions, see Template L3.

NOTE: For fire-rated locks less bottom latch (LBL), refer to template #L960 for additional door preparation instructions.



Dimensions shown in parentheses () are in millimeters.

© 2016 Allegion
L953 Rev. 06/16
www.allegion.com/us

DRAWING IS NOT TO SCALE!

Customer service: 877-671-7011

We can help you find the correct guide for your product and application!

Door preparation template

L953



ALLEGION™

LM-Series

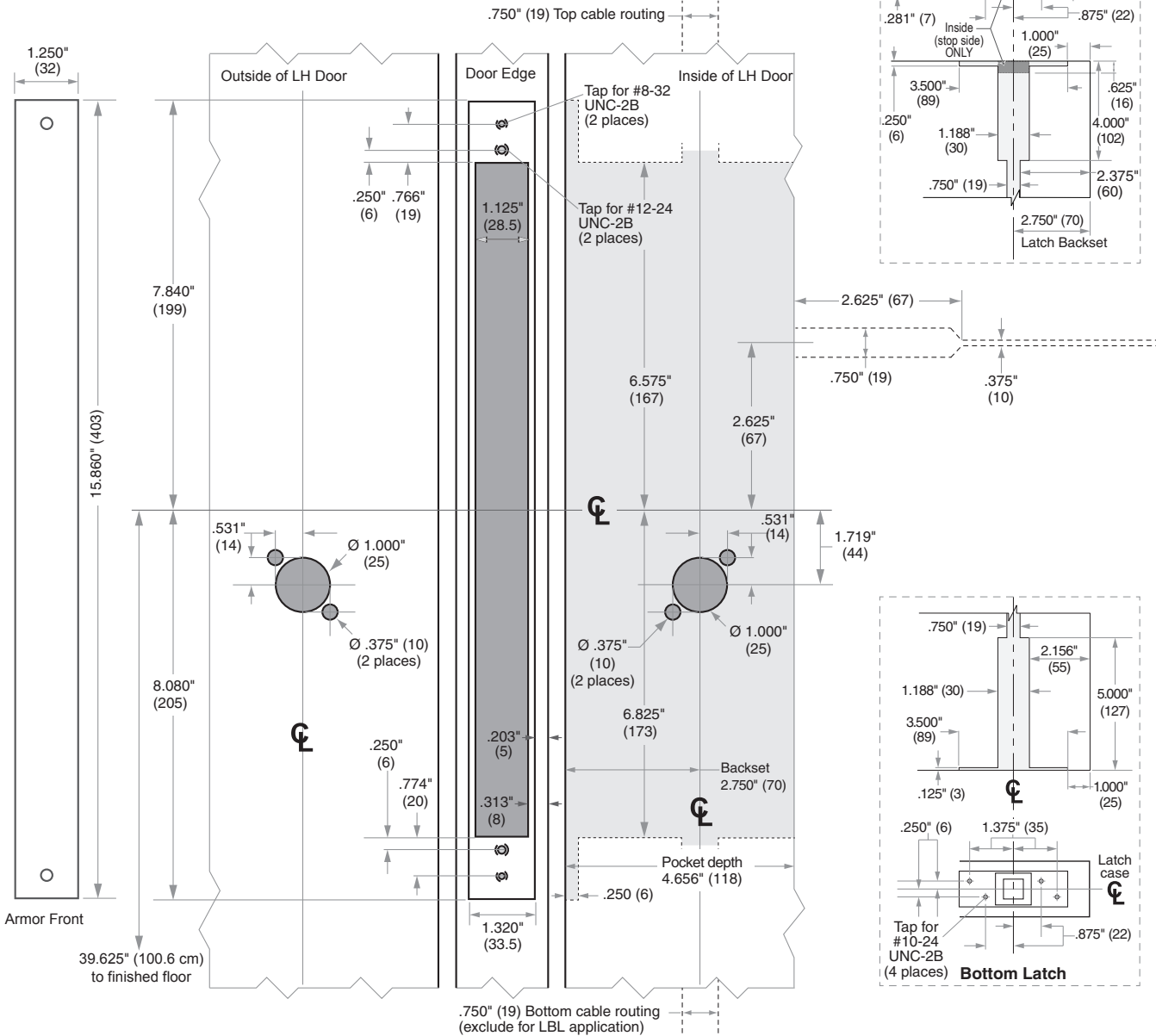
Models LM9290EL/EU, LM9290M EL/EU, LM9291 EL/EU, LM9291M EL/EU Locks

Door Type: Metal, flat or beveled

Trim: Rose

For case and strike dimensions, see Template L3.

NOTE: For fire-rated locks less bottom latch (LBL), refer to template #L960 for additional door preparation instructions.



Dimensions shown in parentheses () are in millimeters.

DRAWING IS NOT TO SCALE!

Customer service: 877-671-7011

We can help you find the correct guide for your product and application!

© 2016 Allegion
L954 Rev. 06/16
www.allegion.com/us

Door preparation template

L954



ALLEGION™

LM-Series

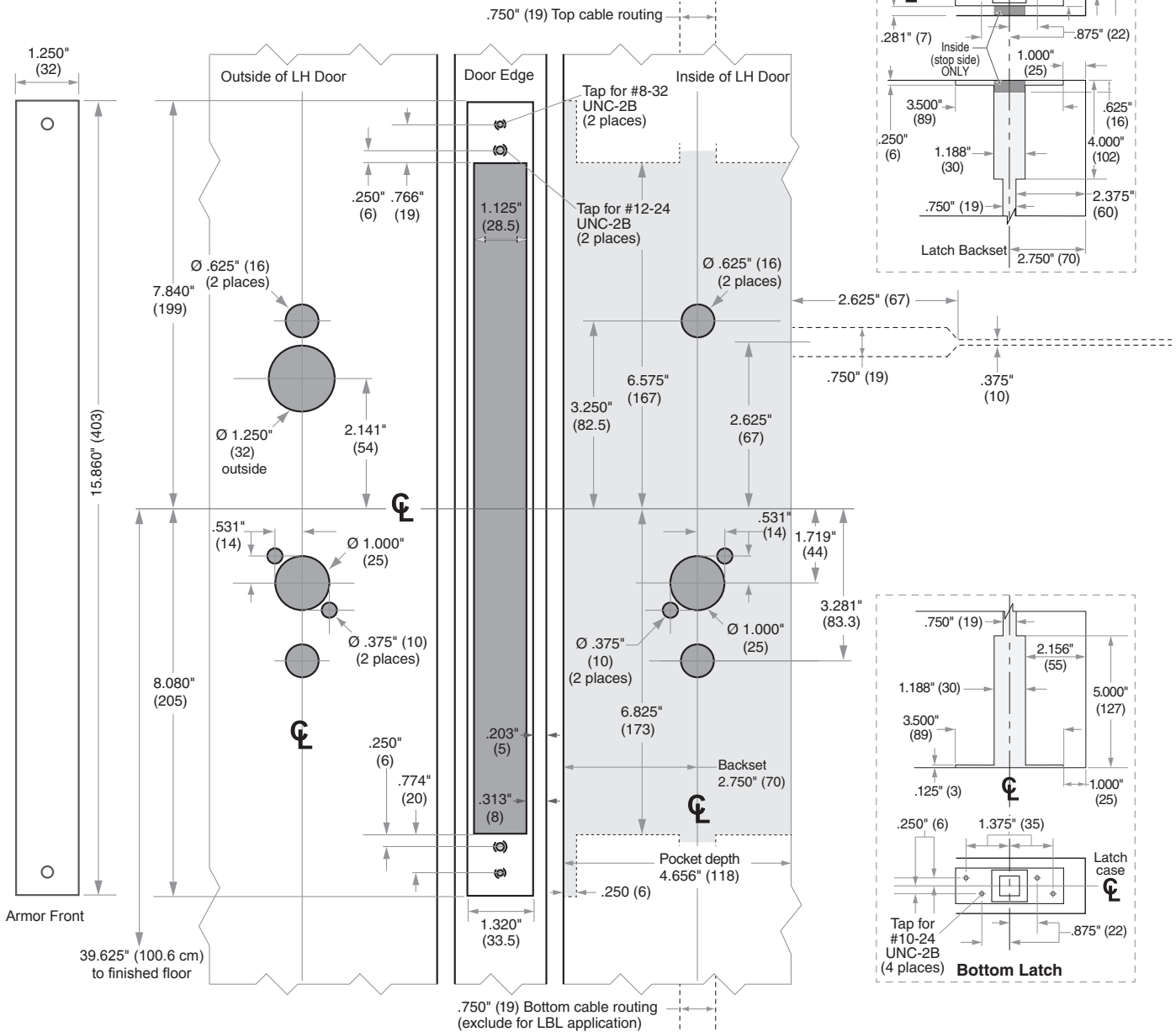
Models LM9292EL/EU, LM9292M EL/EU, LM9293 EL/EU, LM9293M EL/EU Locks

Door Type: Metal, flat or beveled

Trim: Escutcheon

For case and strike dimensions, see Template L3.

NOTE: For fire-rated locks less bottom latch (LBL), refer to template #L960 for additional door preparation instructions.



Dimensions shown in parentheses () are in millimeters.

© 2016 Allegion
L955 Rev. 06/16
www.allegion.com/us

DRAWING IS NOT TO SCALE!

Customer service: 877-671-7011

We can help you find the correct guide for your product and application!

Door preparation template

L955



ALLEGION™

LM-Series

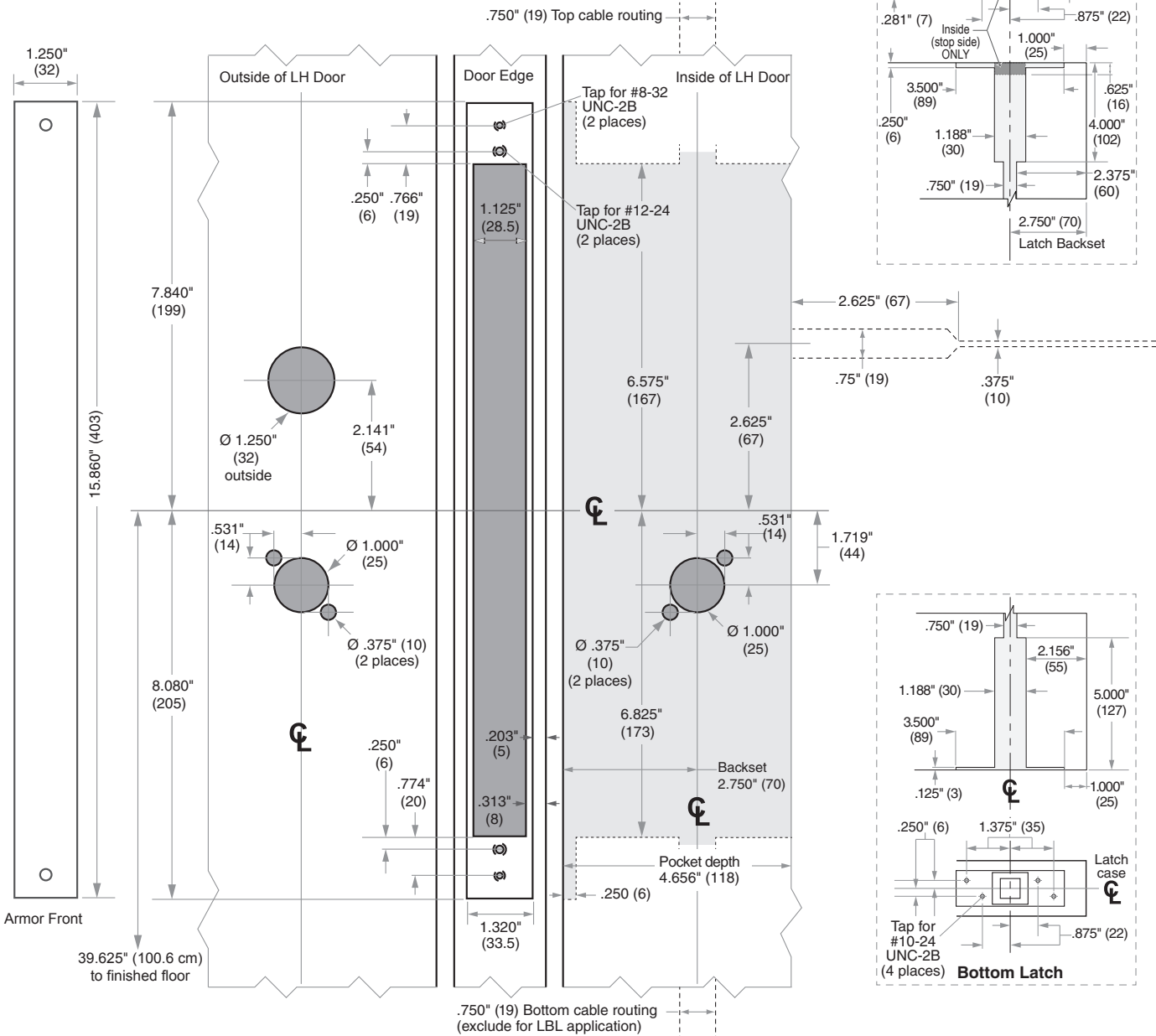
Models LM9292EL/EU, LM9292M EL/EU, LM9293 EL/EU, LM9293M EL/EU Locks

Door Type: Metal, flat or beveled

Trim: Rose

For case and strike dimensions, see Template L3.

NOTE: For fire-rated locks less bottom latch (LBL), refer to template #L960 for additional door preparation instructions.



Dimensions shown in parentheses () are in millimeters.

© 2016 Allegion
L956 Rev. 06/16
www.allegion.com/us

DRAWING IS NOT TO SCALE!

Customer service: 877-671-7011

We can help you find the correct guide for your product and application!

Door preparation template

L956



ALLEGION™

LM-Series

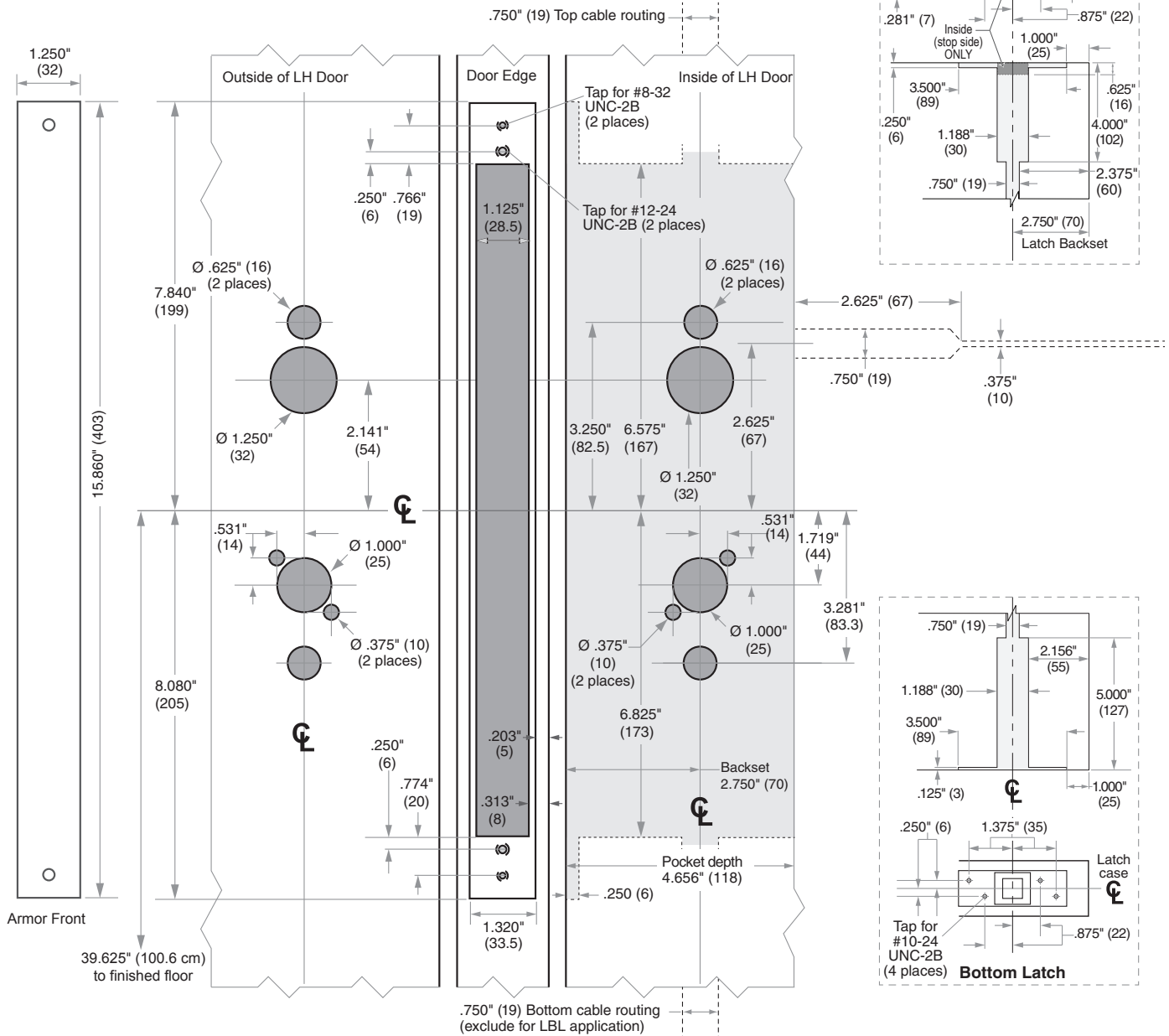
Models LM9294EL/EU, LM9294M EL/EU, LM9295 EL/EU, LM9295M EL/EU Locks

Door Type: Metal, flat or beveled

Trim: Escutcheon

For case and strike dimensions, see Template L3.

NOTE: For fire-rated locks less bottom latch (LBL), refer to template #L960 for additional door preparation instructions.



Dimensions shown in parentheses () are in millimeters.

© 2016 Allegion
L957 Rev. 06/16
www.allegion.com/us

DRAWING IS NOT TO SCALE!

Customer service: 877-671-7011

We can help you find the correct guide for your product and application!

Door preparation template

L957



ALLEGION™

LM-Series

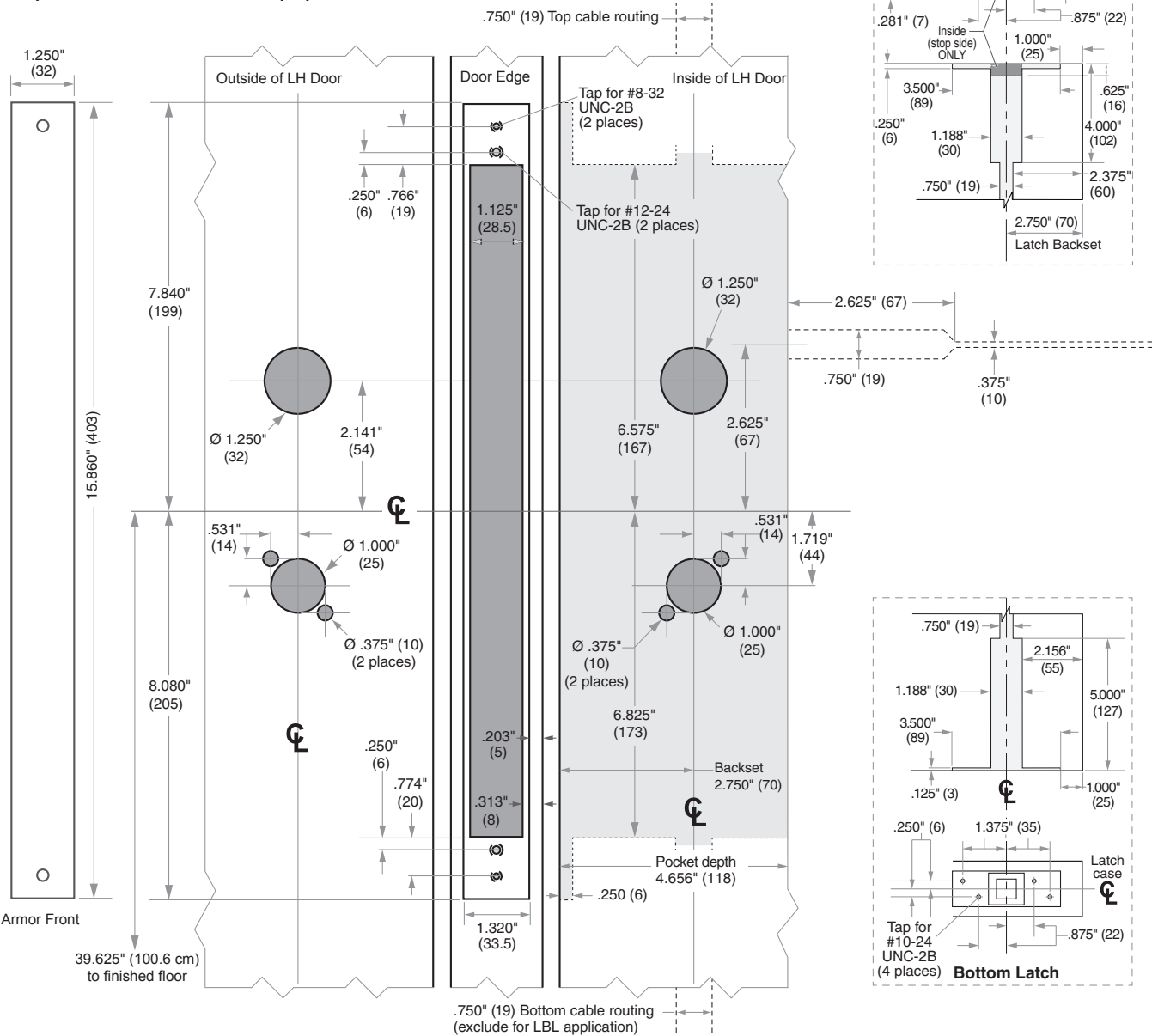
Models LM9294EL/EU, LM9294M EL/EU, LM9295 EL/EU, LM9295M EL/EU Locks

Door Type: Metal, flat or beveled

Trim: Rose

For case and strike dimensions, see Template L3.

NOTE: For fire-rated locks less bottom latch (LBL), refer to template #L960 for additional door preparation instructions.



Dimensions shown in parentheses () are in millimeters.

© 2016 Allegion
L958 Rev. 06/16
www.allegion.com/us

DRAWING IS NOT TO SCALE!

Customer service: 877-671-7011

We can help you find the correct guide for your product and application!

Door preparation template

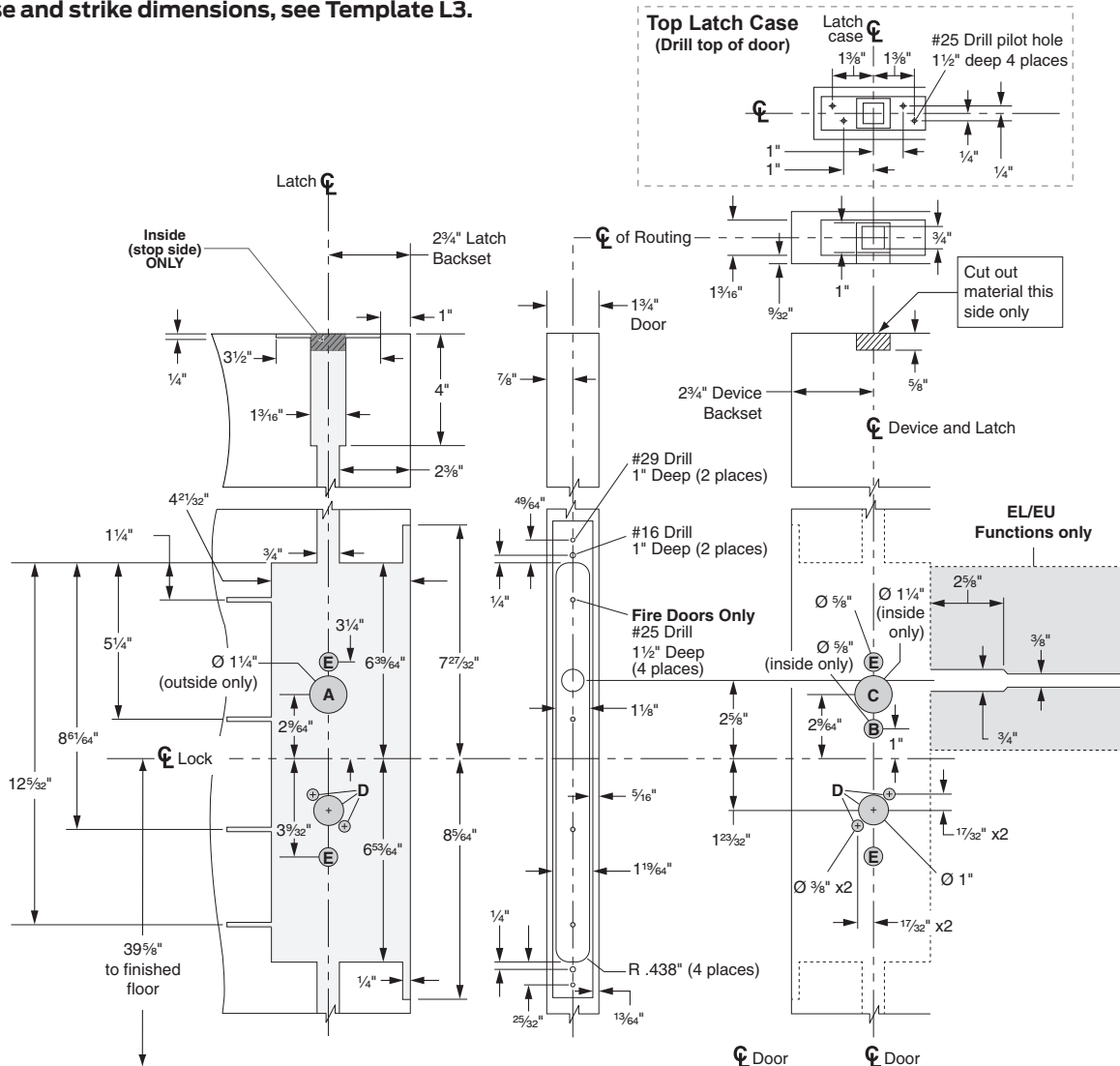
L958

LM9200F-LBL (Less bottom latch)

Multi-Point Locks (20-minute wood door application)

Door Type: Wood or composite, flat or beveled
 Trim: Escutcheon or rose

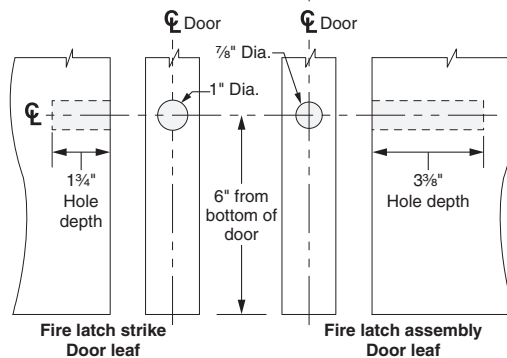
For case and strike dimensions, see Template L3.



Functions	OUTSIDE			INSIDE			
	A	D	E	B	C	D	E
LM9225							X
LM9210		X					X
LM9250, LM9256	X	X		X			X
LM9270, LM9280	X	X					X
LM9271, LM9294, LM9295	X	X			X	X	
LM9290, LM9291	X	X					X
LM9292, LM9293	X	X					X

Escutcheon trim

Escutcheon trim



NOTE:
 For additional information on fire door less bottom latch installation, please refer to instruction sheet #911009.

Dimensions shown in parentheses () are in millimeters.

DRAWING IS NOT TO SCALE!
 Customer service: 877-671-7011

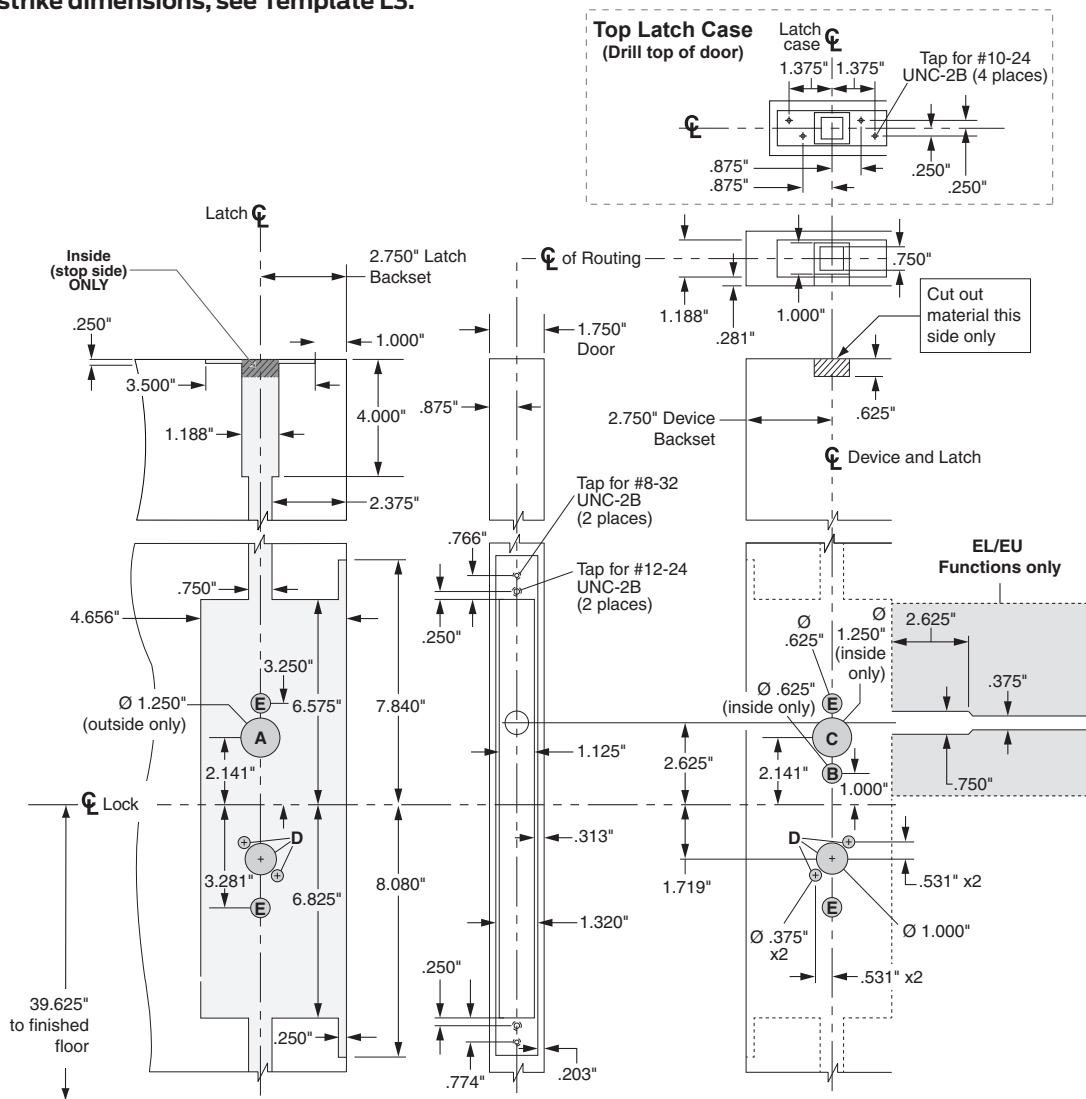
Door preparation template

LM9200M-LBL (Less bottom latch)

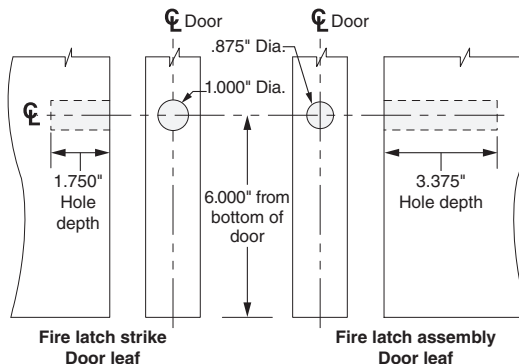
Multi-Point Locks (90-minute metal door application)

Door Type: Metal, flat or beveled
 Trim: Escutcheon or rose

For case and strike dimensions, see Template L3.



Functions	OUTSIDE			INSIDE		
	A	D	E	B	C	E
LM9225	No holes					X
LM9210		X				X
LM9250, LM9256	X	X		X		X
LM9270, LM9280	X	X				X
LM9271, LM9294, LM9295	X	X			X	X
LM9290, LM9291		X				X
LM9292, LM9293	X	X				X



NOTE:
 For additional information on fire door less bottom latch installation, please refer to instruction sheet #911009.

Dimensions shown in parentheses () are in millimeters.

DRAWING IS NOT TO SCALE!
 Customer service: 877-671-7011

Door preparation template



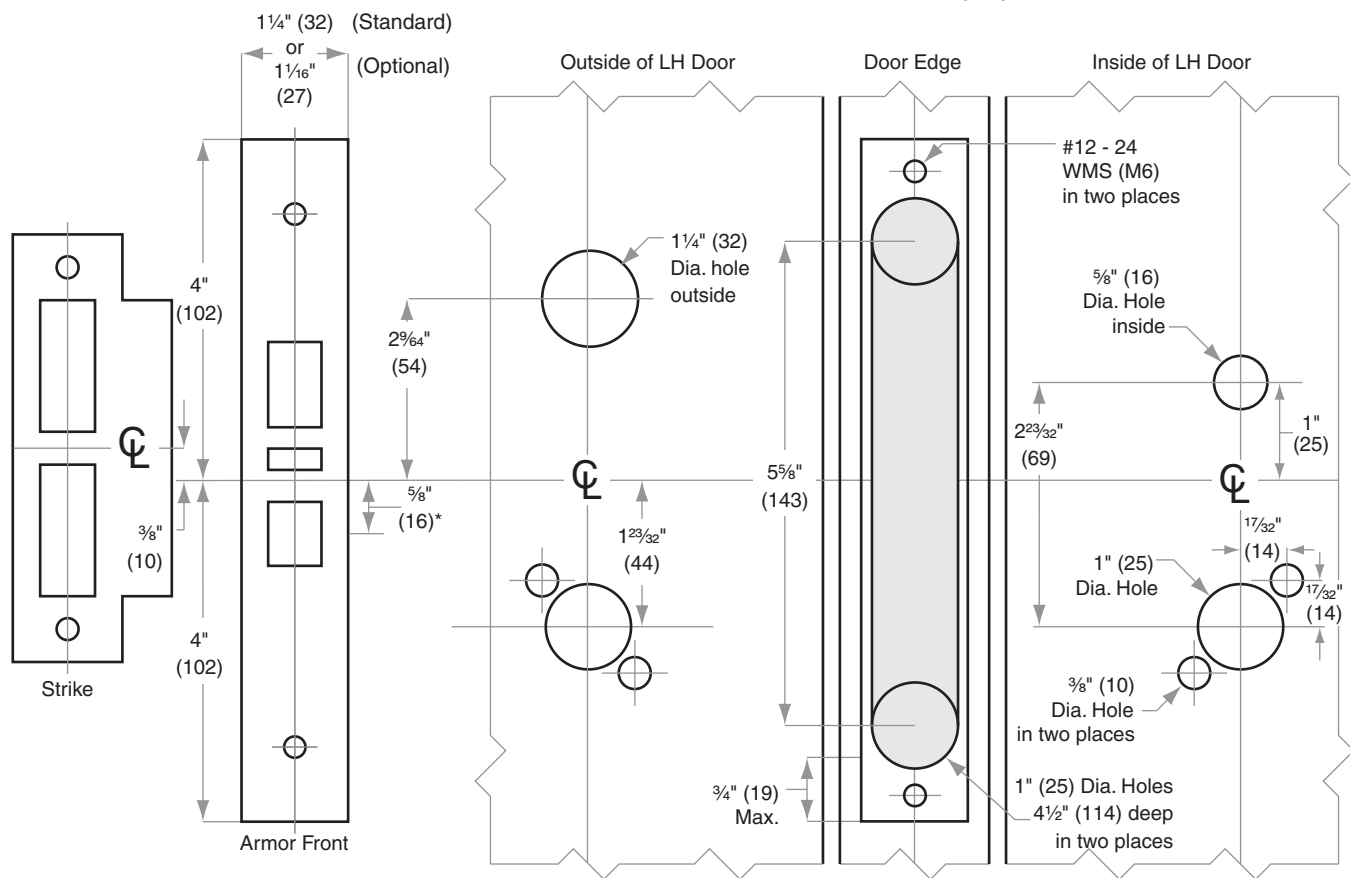
L/LV/LM/LMV-Series

Models L9492, L9493 Electrified Locks

Door Type: Wood or composite, flat or beveled
 Trim: Rose

**For Case and Strike dimensions, see Template L1
 Refer to Template L1 (revised October 2014 or
 later) for information to prepare the door for
 wire routing.**

Left Hand (LH) Door Shown



* Centerline of Armor Front to Centerline of Latch dimension

Dimensions shown in parentheses () are in millimeters.

© 2016 Allegion
 L961 Rev. 03/16
 www.allegion.com/us

DRAWING IS NOT TO SCALE!
Customer service: 877-671-7011
**We can help you find the correct guide for
 your product and application!**

Door preparation template

L961



ALLEGION™

L/LV/LM/LMV-Series

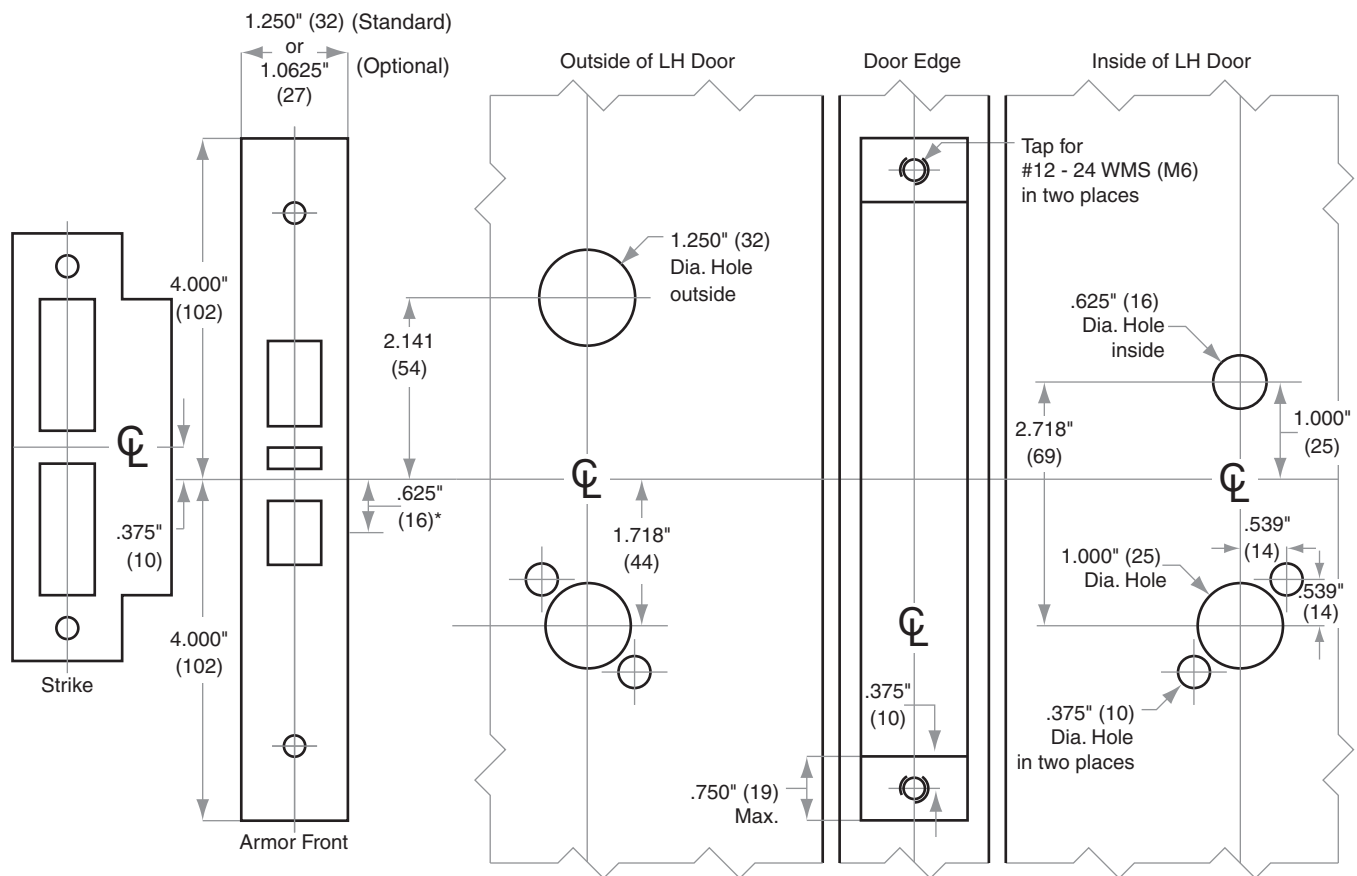
Models L9492, L9493 Electrified Locks

Door Type: Metal, flat or beveled

Trim: Rose

For Case and Strike dimensions, see Template L1
Refer to Template L1 (revised October 2014 or later) for information to prepare the door for wire routing.

Left Hand (LH) Door Shown



* Centerline of Armor Front to Centerline of Latch dimension

Dimensions shown in parentheses () are in millimeters.

© 2016 Allegion
L962 Rev. 03/16
www.allegion.com/us

DRAWING IS NOT TO SCALE!
Customer service: 877-671-7011
We can help you find the correct guide for your product and application!

Door preparation template

L962



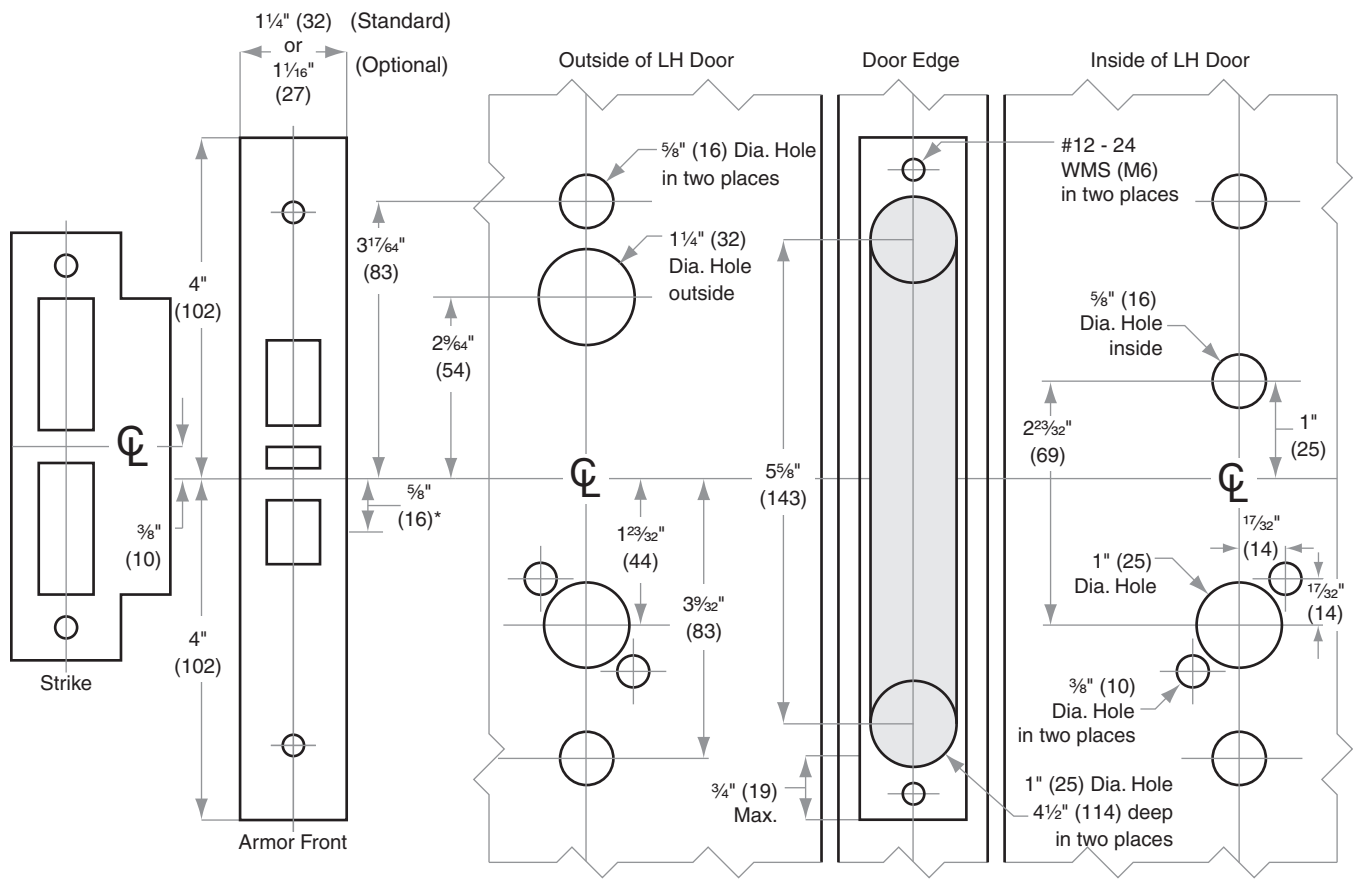
L/LV/LM/LMV-Series

Models L9492, L9493 Electrified Locks

Door Type: Wood or composite, flat or beveled
 Trim: Escutcheon

For Case and Strike dimensions, see Template L1
Refer to Template L1 (revised October 2014 or later) for information to prepare the door for wire routing.

Left Hand (LH) Door Shown



* Centerline of Armor Front to Centerline of Latch dimension

Dimensions shown in parentheses () are in millimeters.

© 2016 Allegion
 L963 Rev. 03/16
 www.allegion.com/us

DRAWING IS NOT TO SCALE!
Customer service: 877-671-7011
We can help you find the correct guide for your product and application!

Door preparation template

L963



ALLEGION™

L/LV/LM/LMV-Series

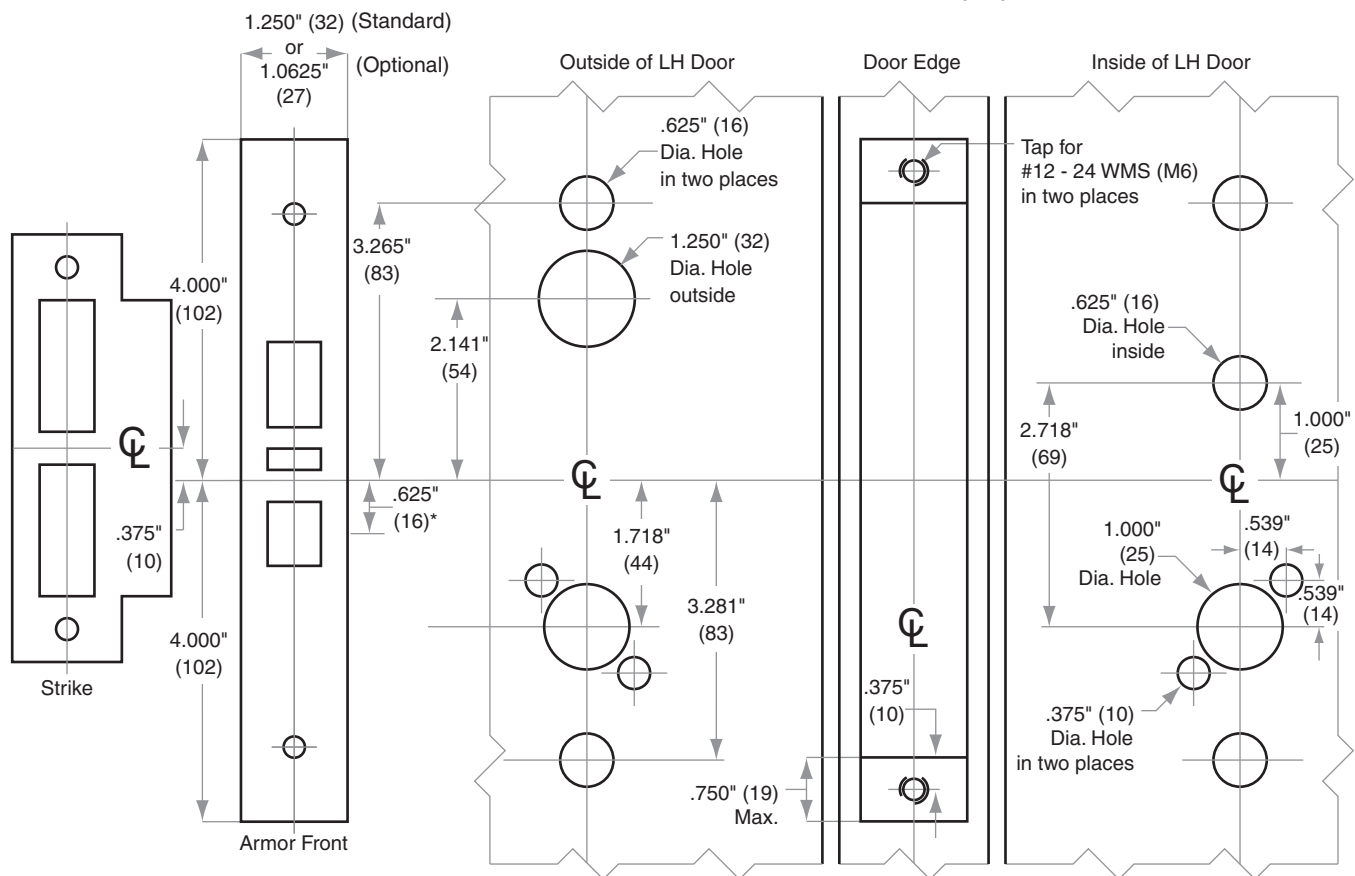
Models L9492, L9493 Electrified Locks

Door Type: Metal, flat or beveled

Trim: Escutcheon

**For Case and Strike dimensions, see Template L1
Refer to Template L1 (revised October 2014 or
later) for information to prepare the door for
wire routing.**

Left Hand (LH) Door Shown



* Centerline of Armor Front to Centerline of Latch dimension

Dimensions shown in parentheses () are in millimeters.

© 2016 Allegion
L964 Rev. 03/16
www.allegion.com/us

DRAWING IS NOT TO SCALE!

Customer service: 877-671-7011

**We can help you find the correct guide for
your product and application!**

Door preparation template

L964

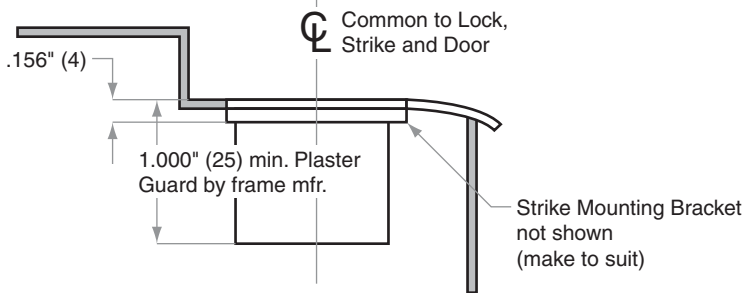
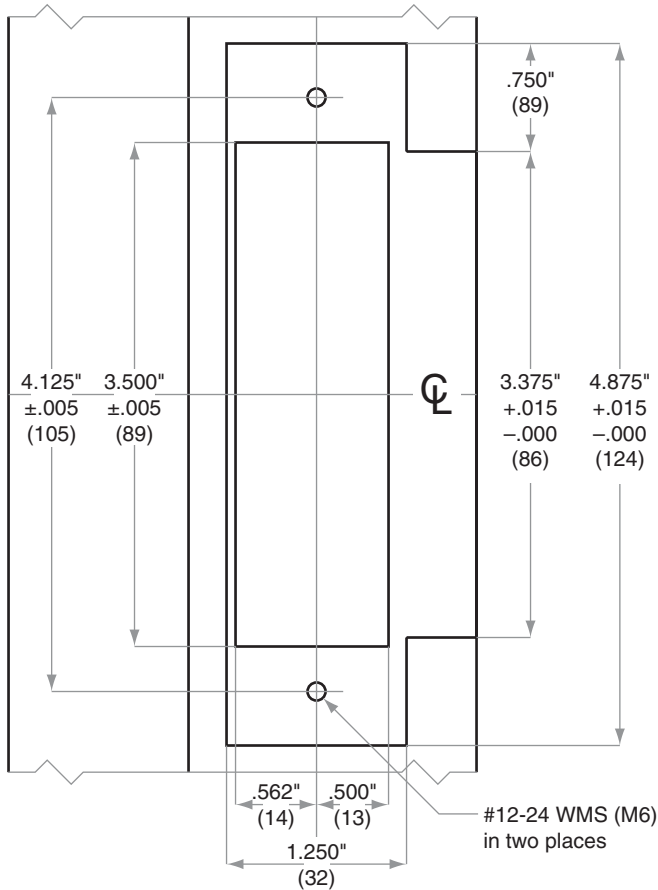
Strikes

10-025, 10-072, 10-087

Jamb Type:	Metal
Style:	ANSI Standard for 1¾" (44mm) doors
Standard for:	AL-Series (10-025) D-Series Knobs (10-025) ND-Series Levers (10-025) L\L V9000-Series (10-072)
Optional for:	A-Series B250-Series F-Series S-Series

NOTE:

1. Strike box furnished detached or 10-072 and 10-087, but not required as Plaster Guard is furnished by frame mfr.
2. Strike location on frames must be adjusted for thickness of door silencers when used



Dimensions shown in parentheses () are in millimeters

Job: _____

Date: _____

Door Thickness: _____

Remarks: _____

**TEMPLATE
J919**



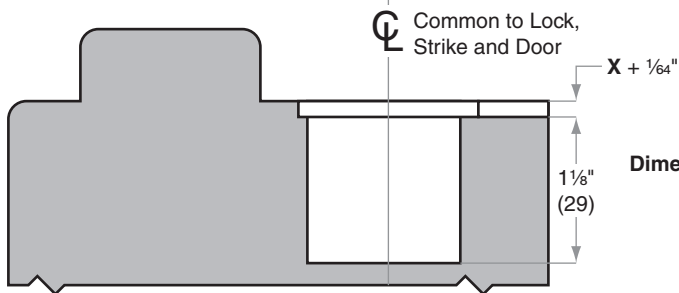
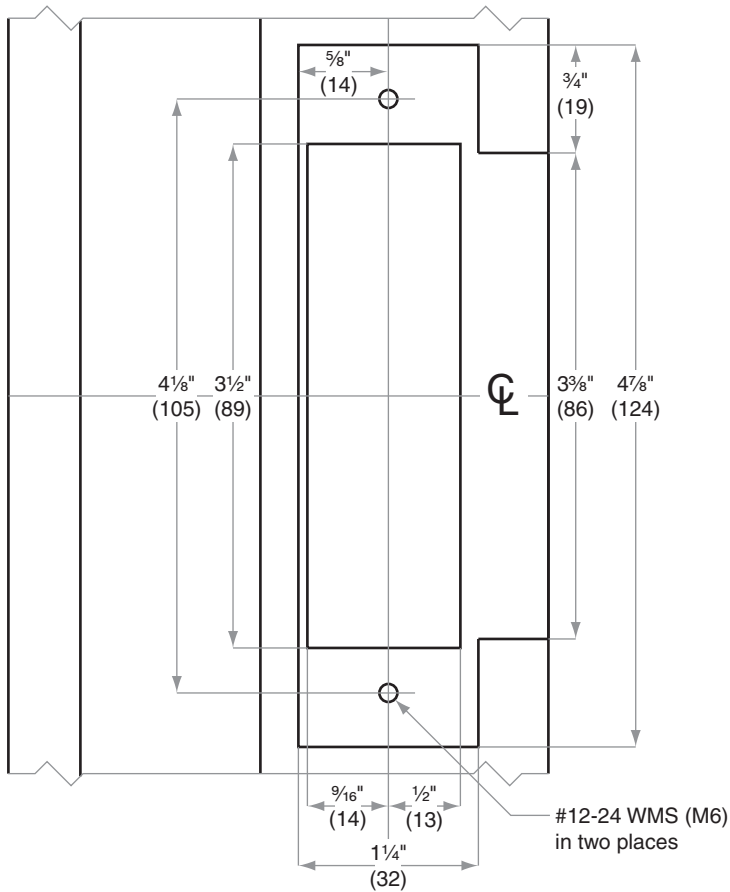
Strikes

Models 10-025, 10-072, 10-087

Jamb Type: Wood
Style: ANSI Standard for 1¾" (44 mm) doors
Standard for: AL-Series (10-025) | D-Series Knobs (10-025) | ND-Series Lever (10-025) | L/LV9000-Series (10-072)
Optional for: A-Series | B250-Series | F-Series | S-Series

NOTE:

1. When reinforcement plate is specified, mortise additional 1/8" (3) to Dimension X
2. Strike location on frames must be adjusted for thickness of door silencers when used



Dimension X: 10-025: 3/32" (2) when strike box not specified
 10-072 and 10-087: 5/32" (4) for strike box, detached

Dimensions shown in parentheses () are in millimeters.

Door preparation template



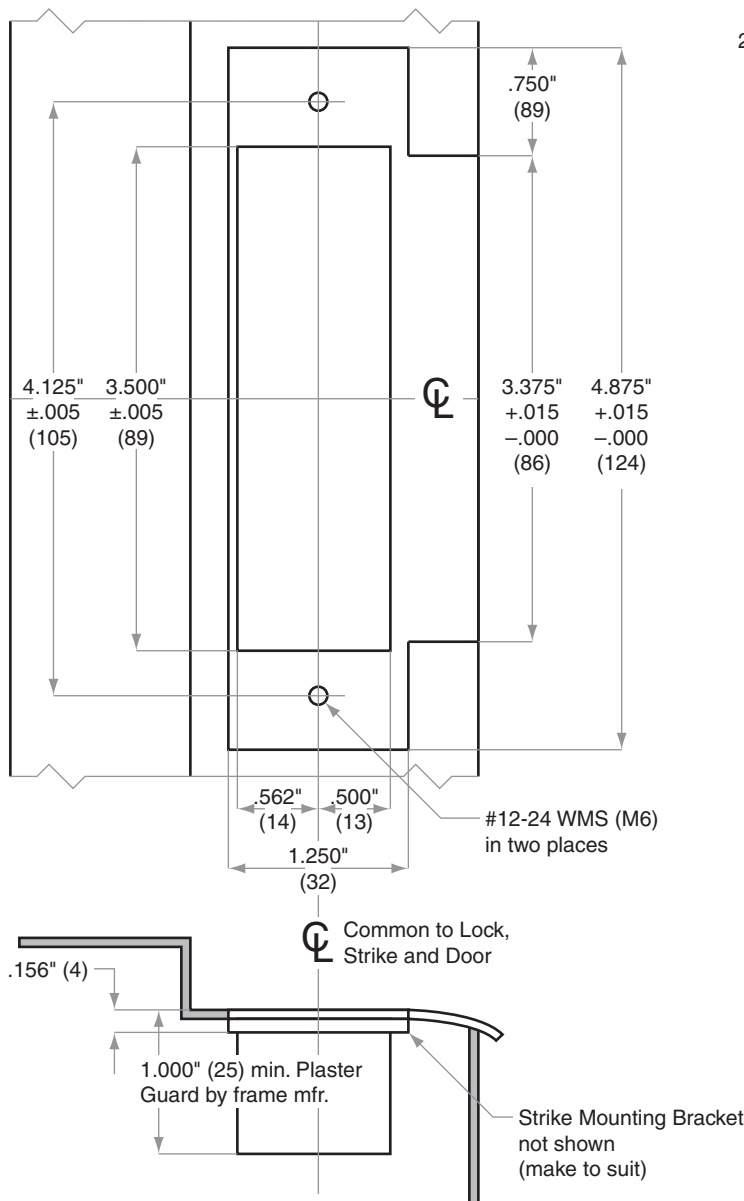
Strikes

Models 10-025, 10-072, 10-087

Jamb Type: Metal
Style: ANSI Standard for 1¾" (44 mm) doors
Standard for: AL-Series (10-025) | D-Series Knobs (10-025) | ND-Series Levers (10-025) | LXLV9000-Series (10-072)
Optional for: A-Series | B250-Series | F-Series | S-Series

NOTE:

1. Strike box furnished detached or 10-072 and 10-087, but not required as Plaster Guard is furnished by frame mfr.
2. Strike location on frames must be adjusted for thickness of door silencers when used



Dimensions shown in parentheses () are in millimeters.

Door preparation template



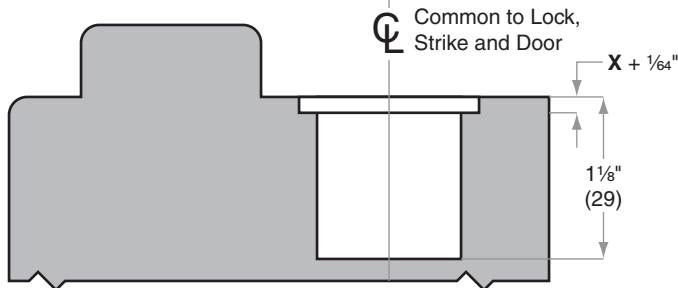
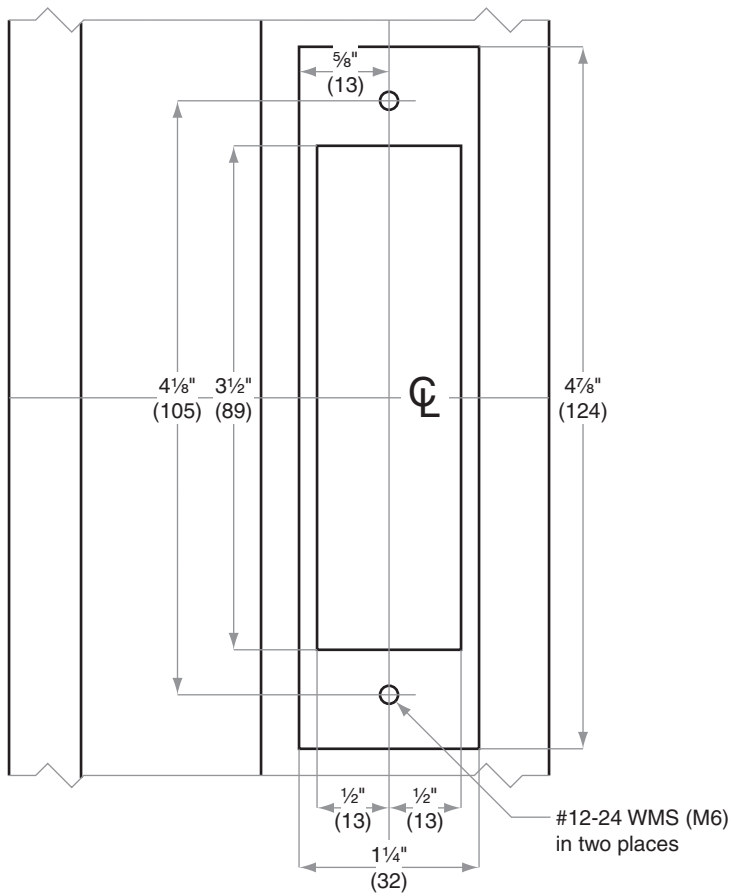
Strikes

Models 10-073, 10-078

Jamb Type: Wood
 Style: Mortise, No Lip, Deadbolt
 Standard for:
 Optional for: L400-Series

NOTE:

1. When reinforcement plate is specified, mortise additional $\frac{1}{8}"$ (3) to Dimension X
2. Strike location on frames must be adjusted for thickness of door silencers when used



Dimension X: 10-025: $\frac{3}{32}"$ (2) when strike box not specified
 10-072 and 10-087: $\frac{5}{32}"$ (4) for strike box, detached

Dimensions shown in parentheses () are in millimeters.

Door preparation template



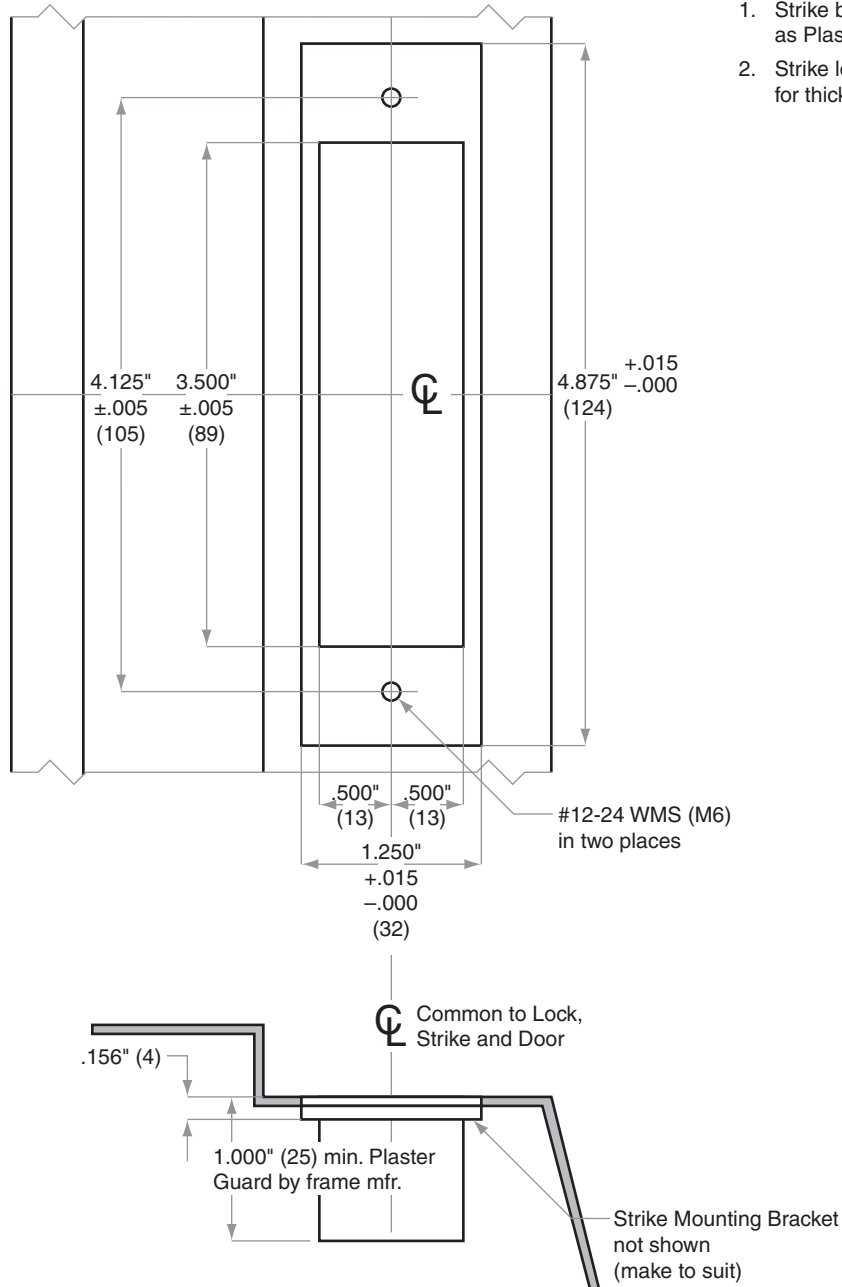
Strikes

Models 10-073, 10-078

Jamb Type: Metal
 Style: Mortise, No Lip, Deadbolt
 Standard for:
 Optional for: L400-Series

NOTE:

1. Strike box furnished detached, but not required as Plaster Guard is furnished by frame mfr.
2. Strike location on frames must be adjusted for thickness of door silencers, when used



Dimensions shown in parentheses () are in millimeters.

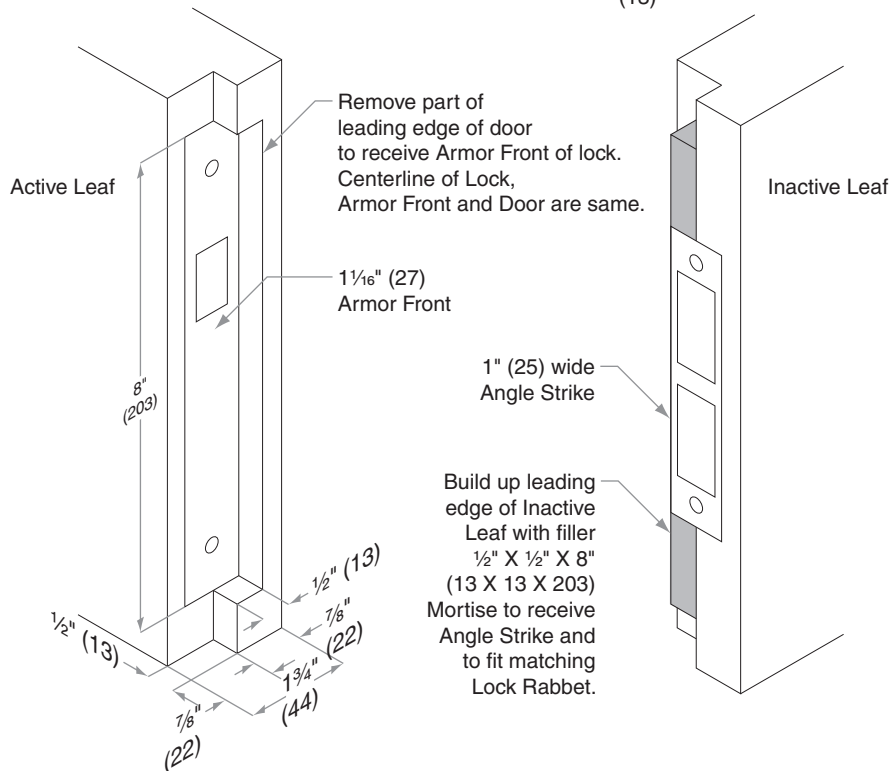
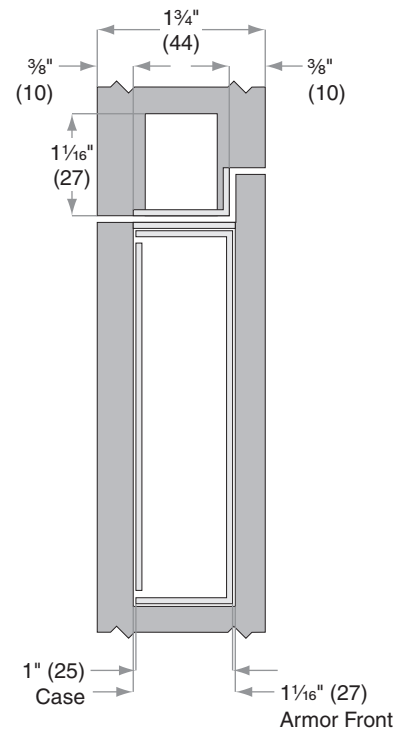
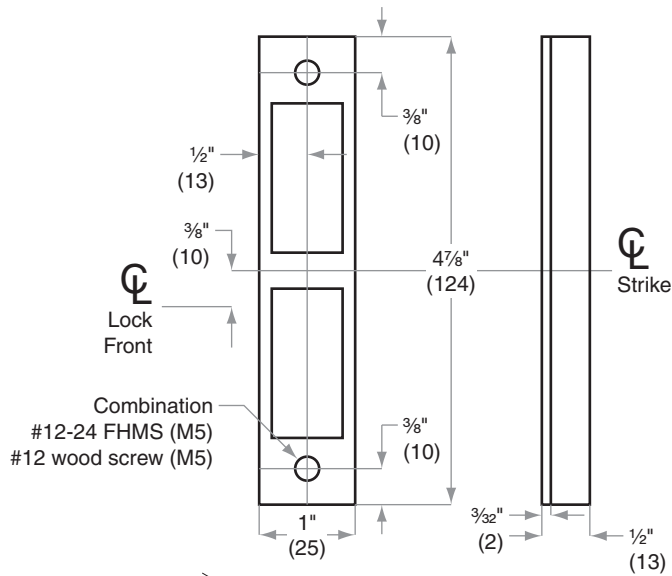
Door preparation template



Strikes

Model 10-075

Jamb Type: Wood and Metal
 Style: Square Corner, 1/2" (13 mm) rabbeted
 Standard for:
 Optional for: L/LV-Series



Dimensions shown in parentheses () are in millimeters.

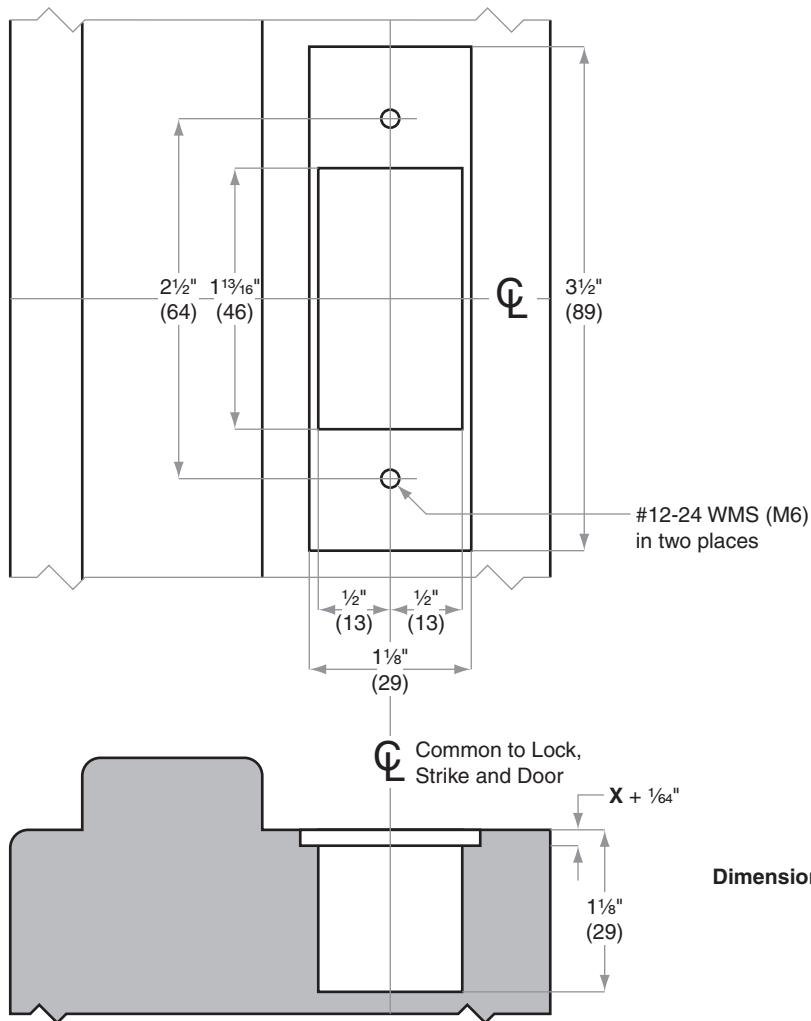
Door preparation template



Strikes

Model 10-079

Jamb Type: Wood
 Style: Mortise, No Lip, Deadbolt
 Standard for: L400-Series
 Optional for:



Dimension X: $\frac{5}{32}''$ (4) for strike box, detached
 Strike location on frames must be adjusted for thickness of door silencers, when used

Dimensions shown in parentheses () are in millimeters.

Door preparation template



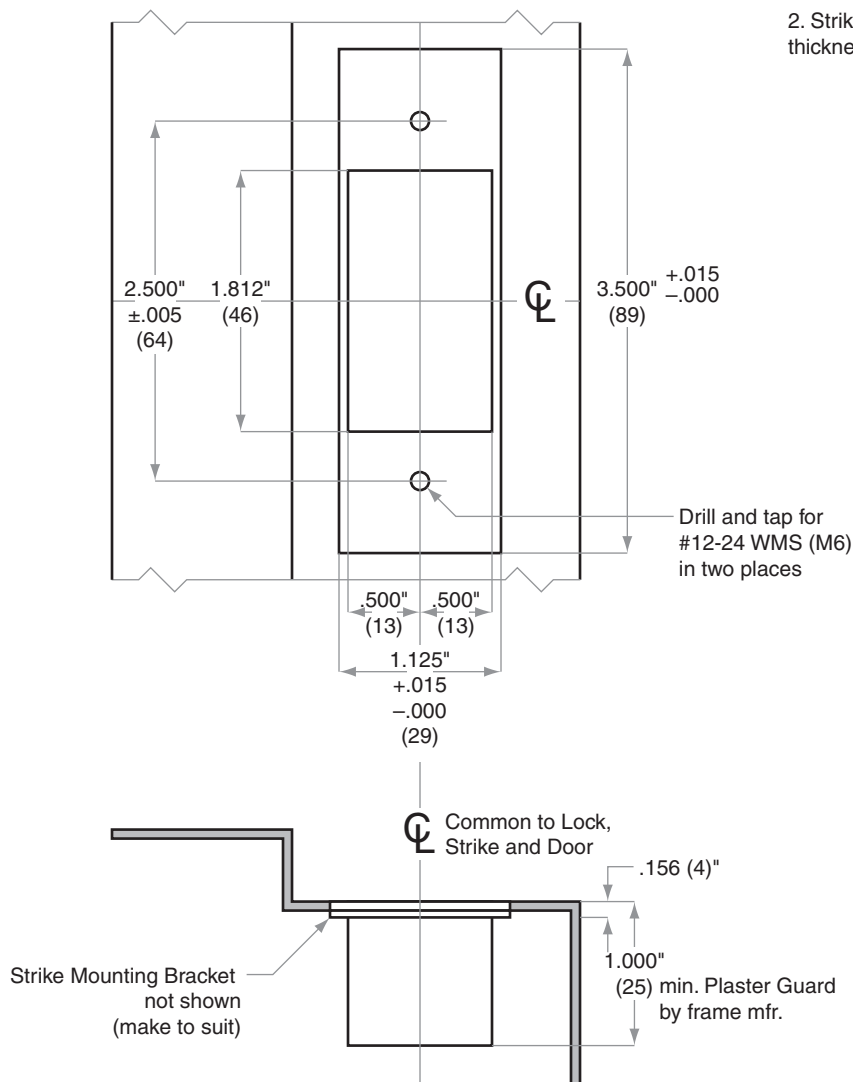
Strikes

Model 10-079

Jamb Type: Metal
 Style: Mortise, No Lip, Deadbolt
 Standard for: L400-Series
 Optional for:

NOTE:

1. Strike box furnished detached, but not required as Plaster Guard is furnished by frame mfr.
2. Strike location on frames must be adjusted for thickness of door silencers, when used



Dimensions shown in parentheses () are in millimeters.

Door preparation template



Strikes

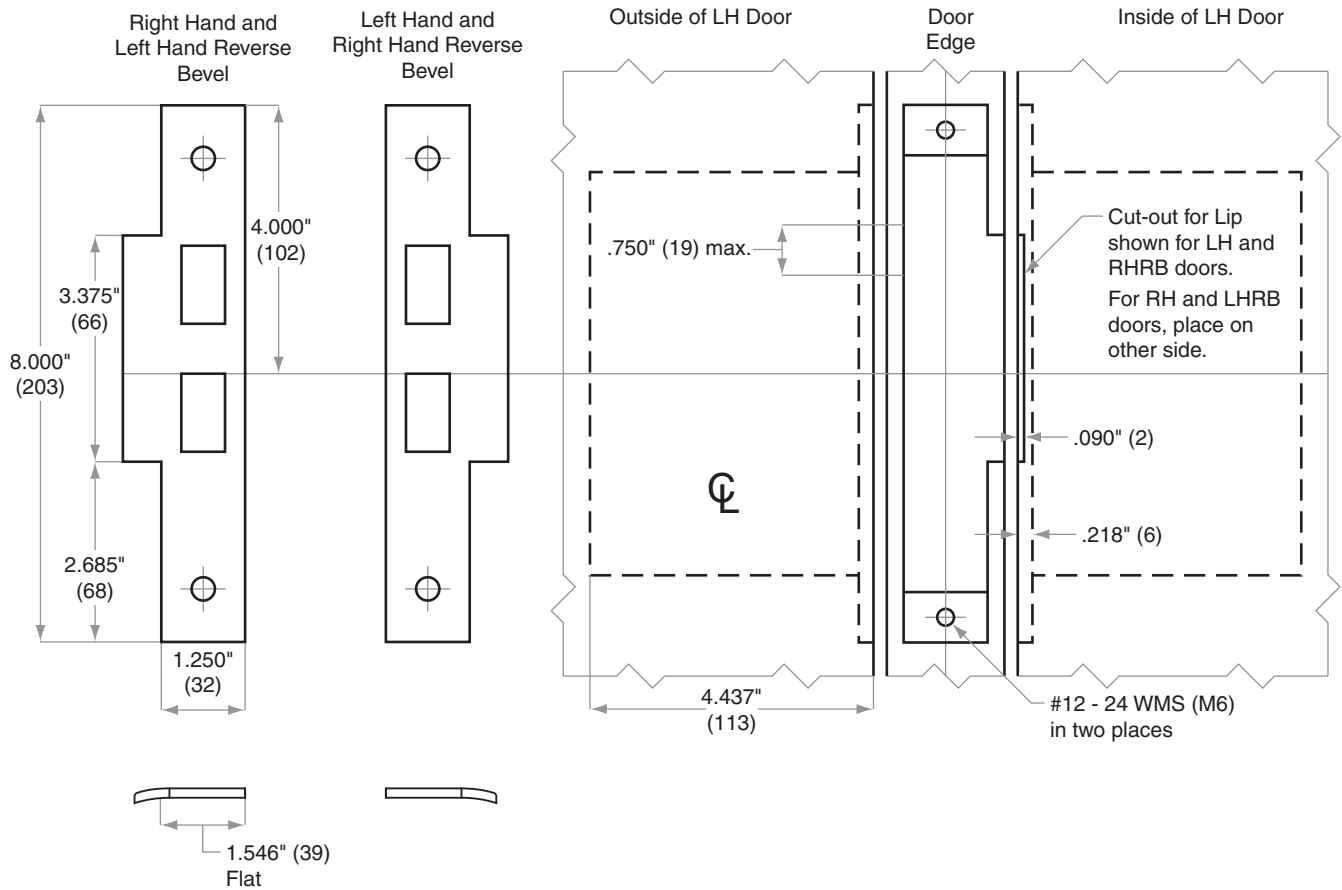
Model 10-091

Jamb Type: Wood or Metal
 Style: Mortise, Armor Front Strike (handed to inactive door)
 Standard for:
 Optional for:

- NOTE:
1. Lock Case cavity and Strike shown for dimensions only
 2. Prepare door cut-outs as indicated under **Door Detail**
 3. Dimensions shown are maximum for this product
 4. Measure backset from Centerline of Door Edge

10-091 Detail

Door Detail



Dimensions shown in parentheses () are in millimeters.

Door preparation template



L/LV/LM/LMV-Series

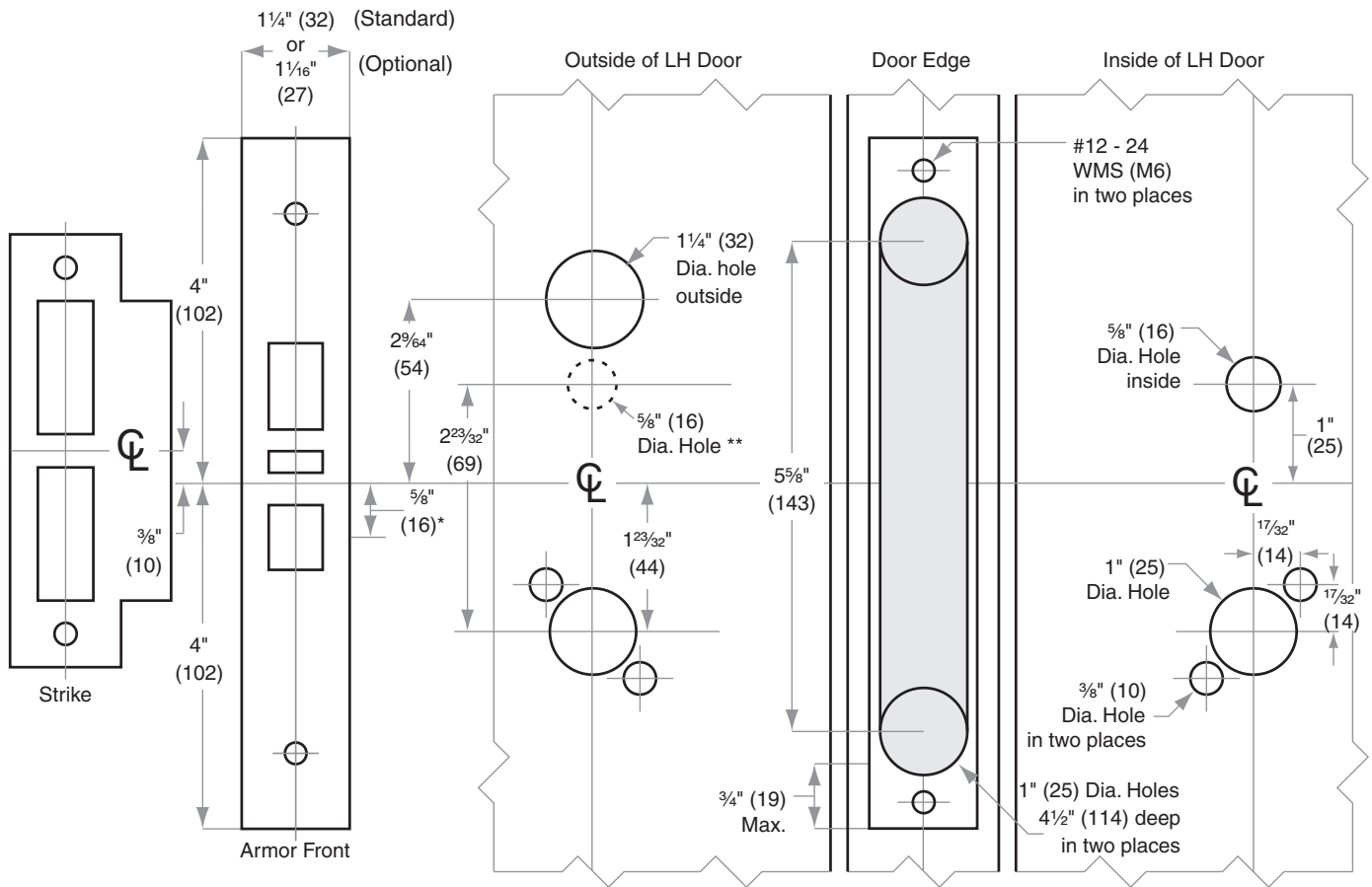
Model L/LV9050, L/LV9056, L/LV9453, L/LV9456, L9473, L/LV9480, L/LV9485

Door Type: Wood or composite, flat or beveled

Trim: Rose

For Case and Strike dimensions, see Template L1

Left Hand (LH) Door Shown



* Centerline of Armor Front to Centerline of Latch dimension

** Additional preparation for L283-721, L283-722, L283-723, L283-724

Dimensions shown in parentheses () are in millimeters.

Door preparation template

L896



ALLEGION™

L/LV/LM/LMV-Series

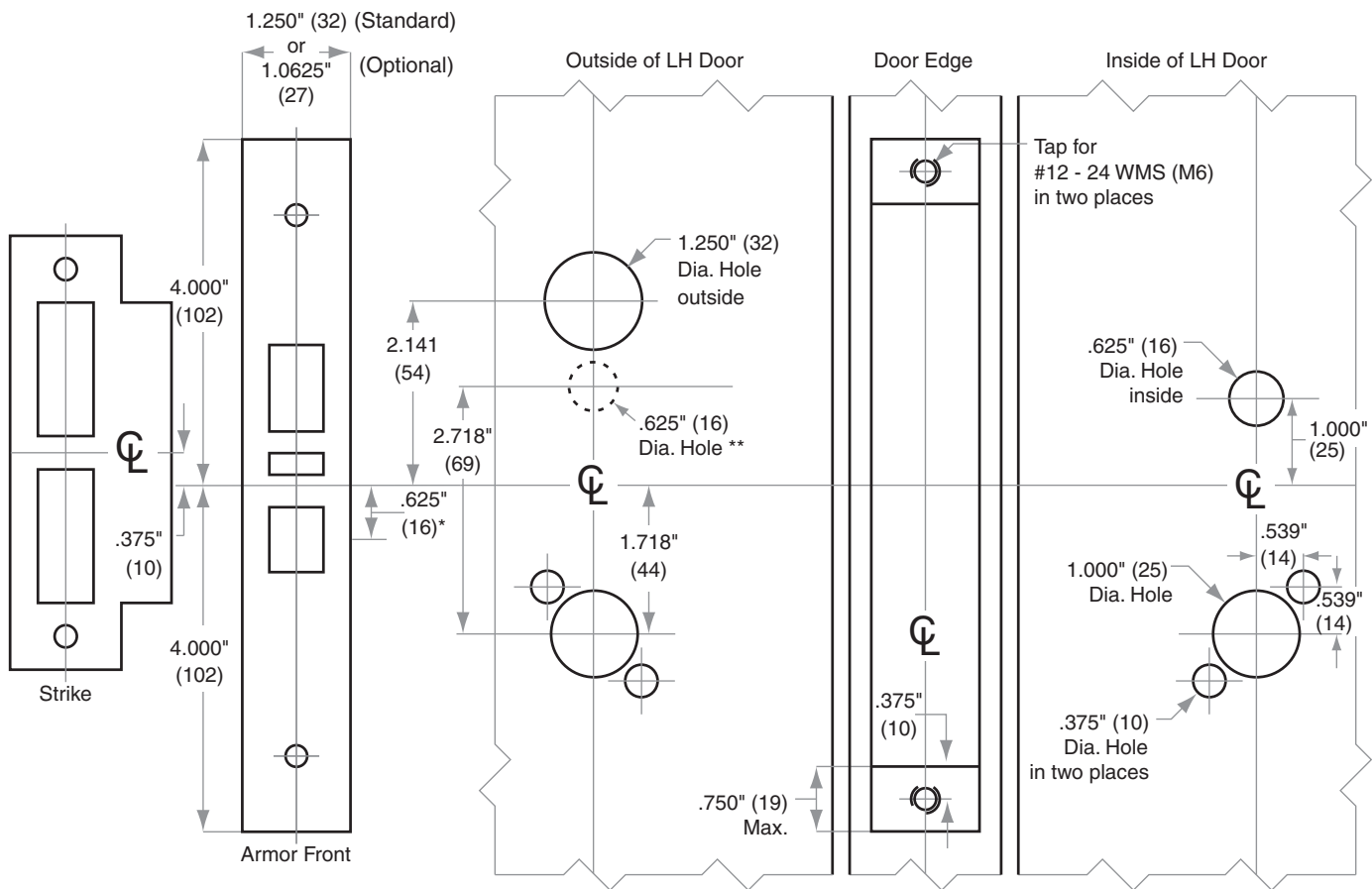
Model L/LV/LM/LMV9050, L/LV/LM/LMV9056, L/LV9453, L/LV9456, L9473, L/LV9480, L/LV9485, LM/LMV9350, LM/LMV9356

Door Type: Metal, flat or beveled

Trim: Rose

For Case and Strike dimensions, see Template L1

Left Hand (LH) Door Shown



* Centerline of Armor Front to Centerline of Latch dimension

** Additional preparation for L283-721, L283-722, L283-723, L283-724

Dimensions shown in parentheses () are in millimeters.

© 2016 Allegion
L897 Rev. 03/16
www.allegion.com/us

DRAWING IS NOT TO SCALE!

Customer service: 877-671-7011

We can help you find the correct guide for your product and application!

Door preparation template

L897



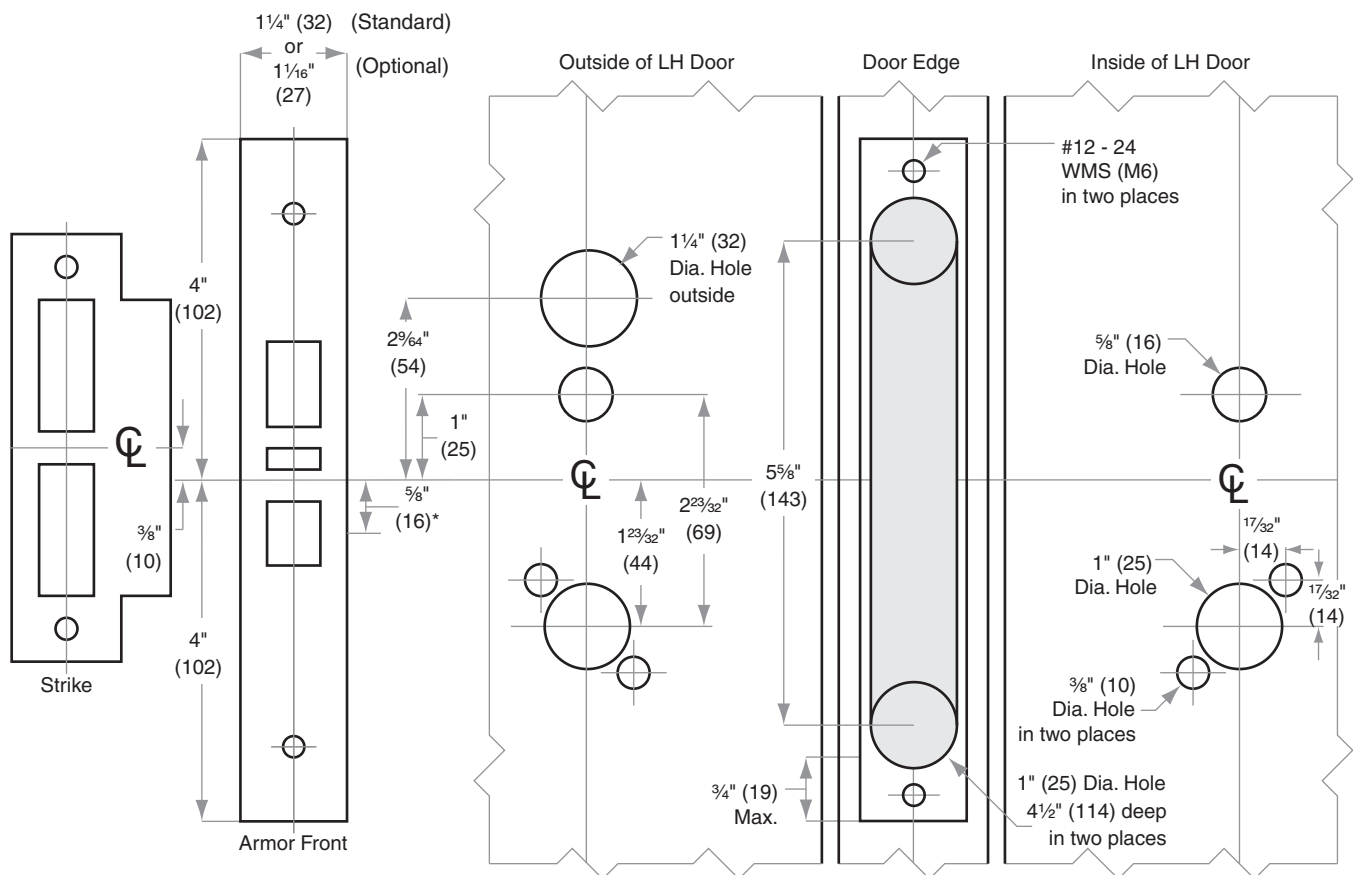
L/LV/LM/LMV-Series

Model L/LV9486, L/LV9496

Door Type: Wood or composite, flat or beveled
 Trim: Rose

For Case and Strike dimensions, see Template L1

Left Hand (LH) Door Shown



*Centerline of Armor Front to Centerline of Latch dimension

Dimensions shown in parentheses () are in millimeters.

© 2014 Allegion
 L820 Rev. 12/14
 www.allegion.com/us

DRAWING IS NOT TO SCALE!
Customer service: 877-671-7011
We can help you find the correct guide for your product and application!

Door preparation template

L820



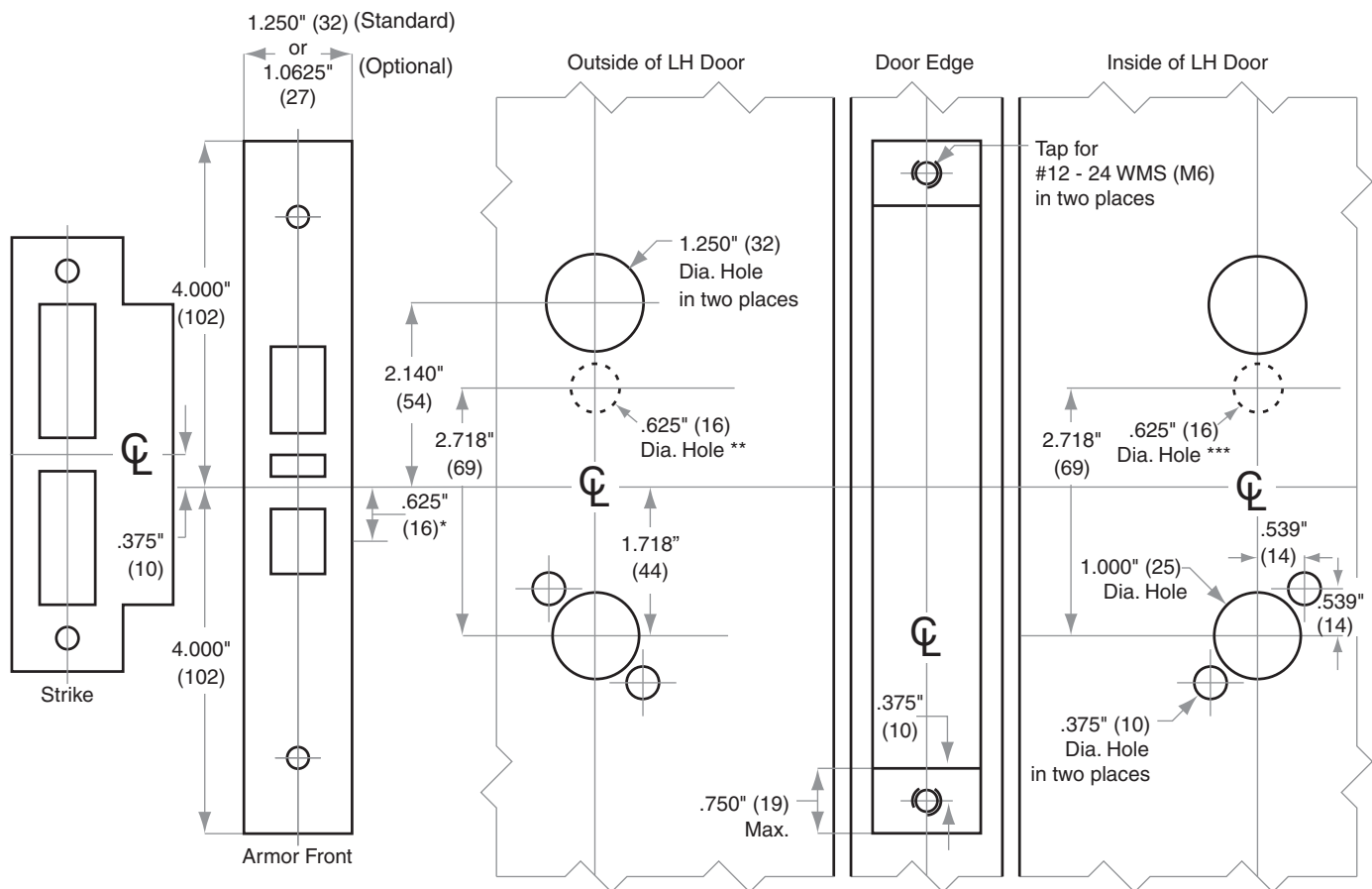
L/LV/LM/LMV-Series

Model L/LV9060, L/LV/LM/LMV9071, L/LV9077,
L/LV9082/EL/EU, L/LV9457, L/LV9458, L9466,
L/LV9482, LM/LMV9371

Door Type: Metal, flat or beveled
Trim: Rose

For Case and Strike dimensions, see Template L1
Refer to Template L1 for information to prepare
the door for wire routing

Left Hand (LH) Door Shown



- * Centerline of Armor Front to Centerline of Latch dimension
- ** Additional preparation for L283-721, L283-722, L283-723, L283-724
- *** Additional preparation for L283-711, L283-712, L283-713, L283-714

Dimensions shown in parentheses () are in millimeters.

© 2014 Allegion
L817 Rev. 12/14
www.allegion.com/us

DRAWING IS NOT TO SCALE!
Customer service: 877-671-7011
We can help you find the correct guide for
your product and application!

Door preparation template

L817



ALLEGION™

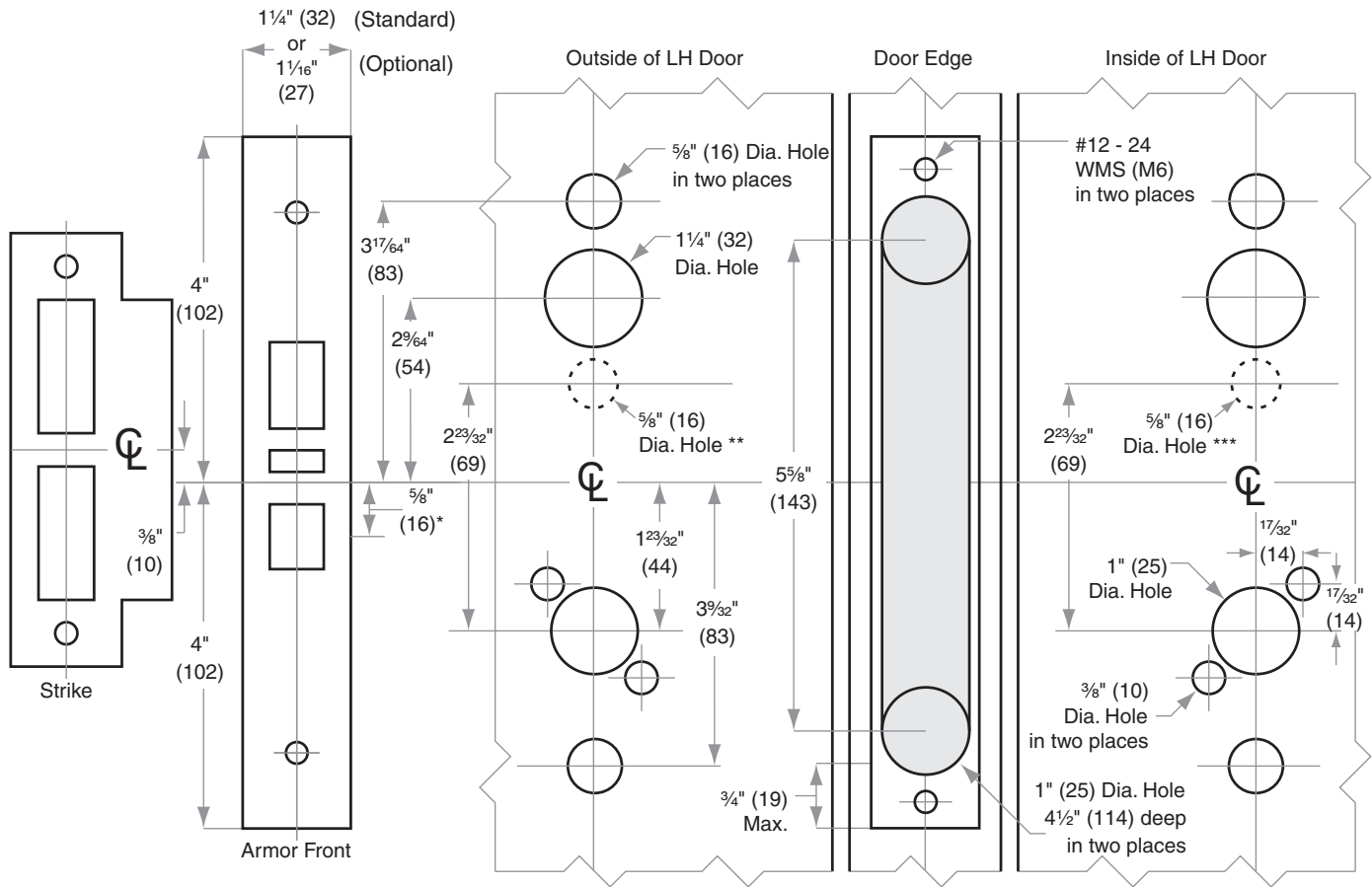
L/LV/LM/LMV-Series

Model L/LV9060, L/LV9071, L/LV9077, L/LV9082/EL/EU,
L/LV9457, L/LV9458, L9466, L/LV9482

Door Type: Wood or composite, flat or beveled
Trim: Escutcheon

For Case and Strike dimensions, see Template L1
Refer to Template L1 for information to prepare
the door for wire routing

Left Hand (LH) Door Shown



- * Centerline of Armor Front to Centerline of Latch dimension
- ** Additional preparation for L283-721, L283-722, L283-723, L283-724
- *** Additional preparation for L283-711, L283-712, L283-713, L283-714

Dimensions shown in parentheses () are in millimeters.

© 2015 Allegion
L828 Rev. 08/15
www.allegion.com/us

DRAWING IS NOT TO SCALE!
Customer service: 877-671-7011
We can help you find the correct guide for
your product and application!

Door preparation template

L828



LT

-series-

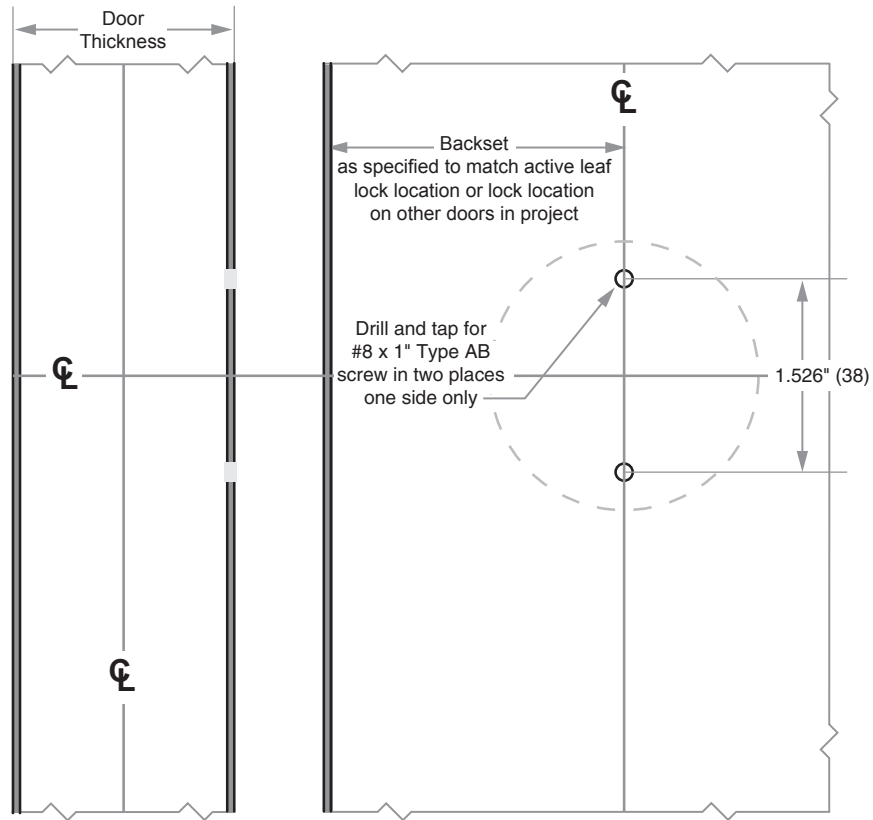


LT-Series

Model LT170



Door Type: Metal, Flat or beveled
Door Thickness: Any
Faceplate: None
Backsets: Any



Dimensions shown in parentheses () are in millimeters.

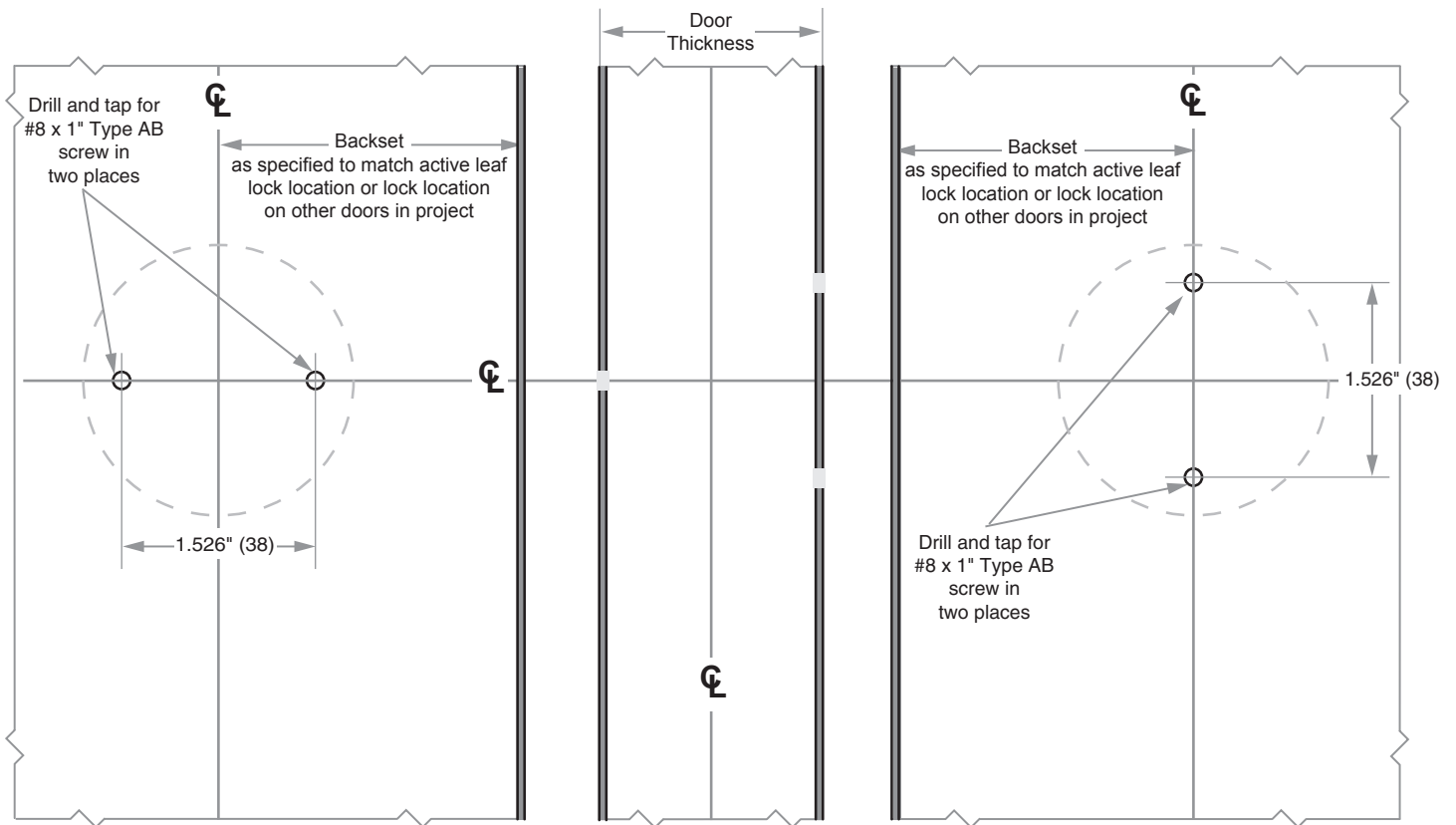
Door preparation template



LT-Series

Model LT172

Door Type: Metal, Flat or beveled
Door Thickness: Any
Faceplate: None
Backsets: Any



Dimensions shown in parentheses () are in millimeters.

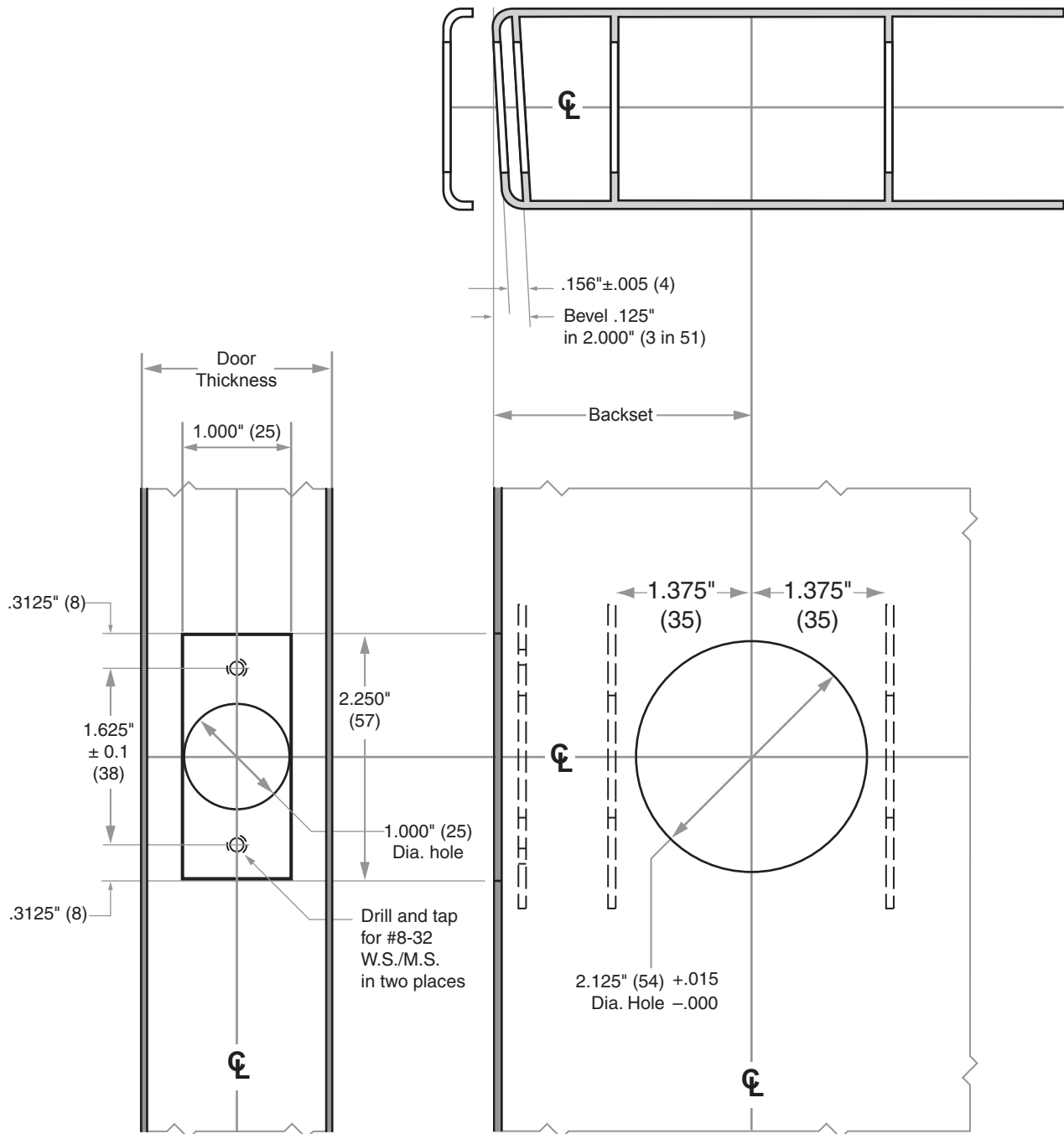
Door preparation template



LT-Series

Model LT10, LT40

Door Type: Metal, Flat or beveled
 Door Thickness: 1 3/8" (35 mm)–2" (51 mm)
 Faceplate: Square Corner, 1" (25 mm) wide
 Backsets: 2 3/8" (60 mm)



Dimensions shown in parentheses () are in millimeters.

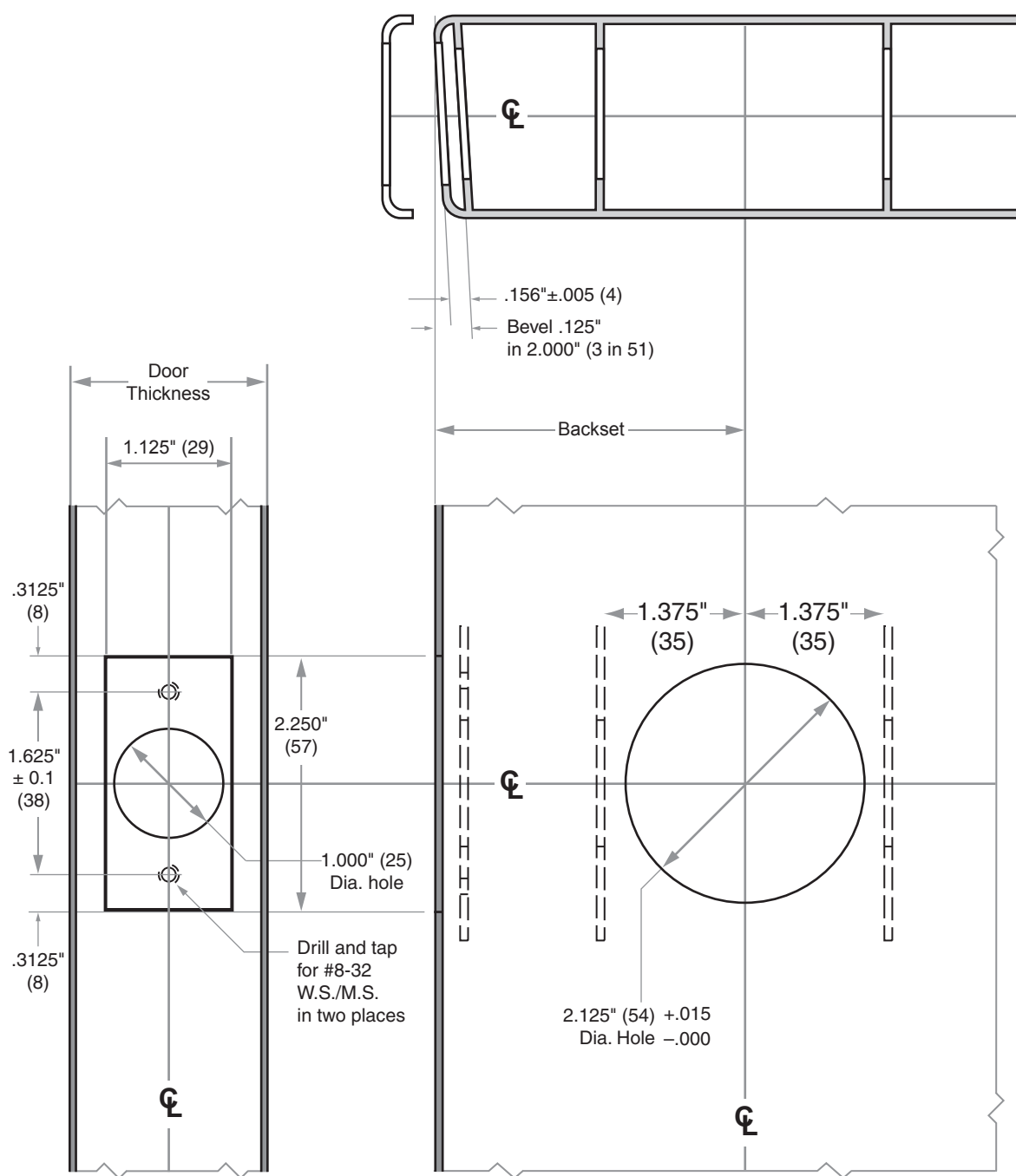
Door preparation template



LT-Series

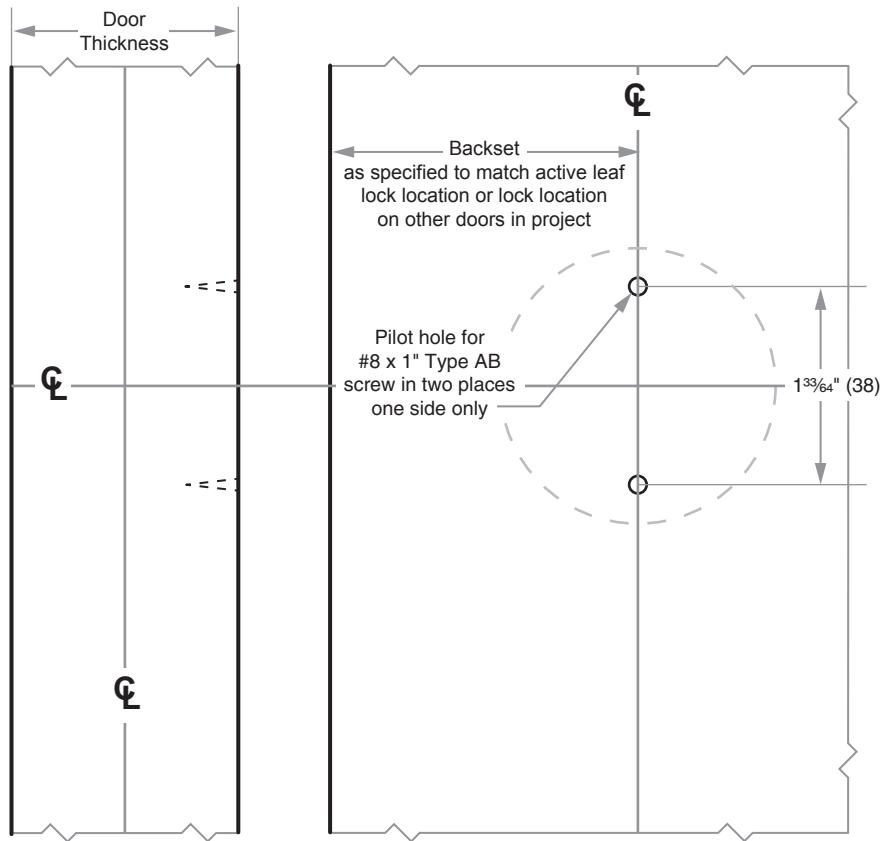
Model LT10, LT40

Door Type: Metal, Flat or beveled
Door Thickness: $1\frac{1}{8}$ " (35 mm)–2" (51 mm)
Faceplate: Square Corner, $1\frac{1}{8}$ " (29 mm) wide
Backsets: $2\frac{3}{4}$ " (70 mm)



Dimensions shown in parentheses () are in millimeters.

Door preparation template

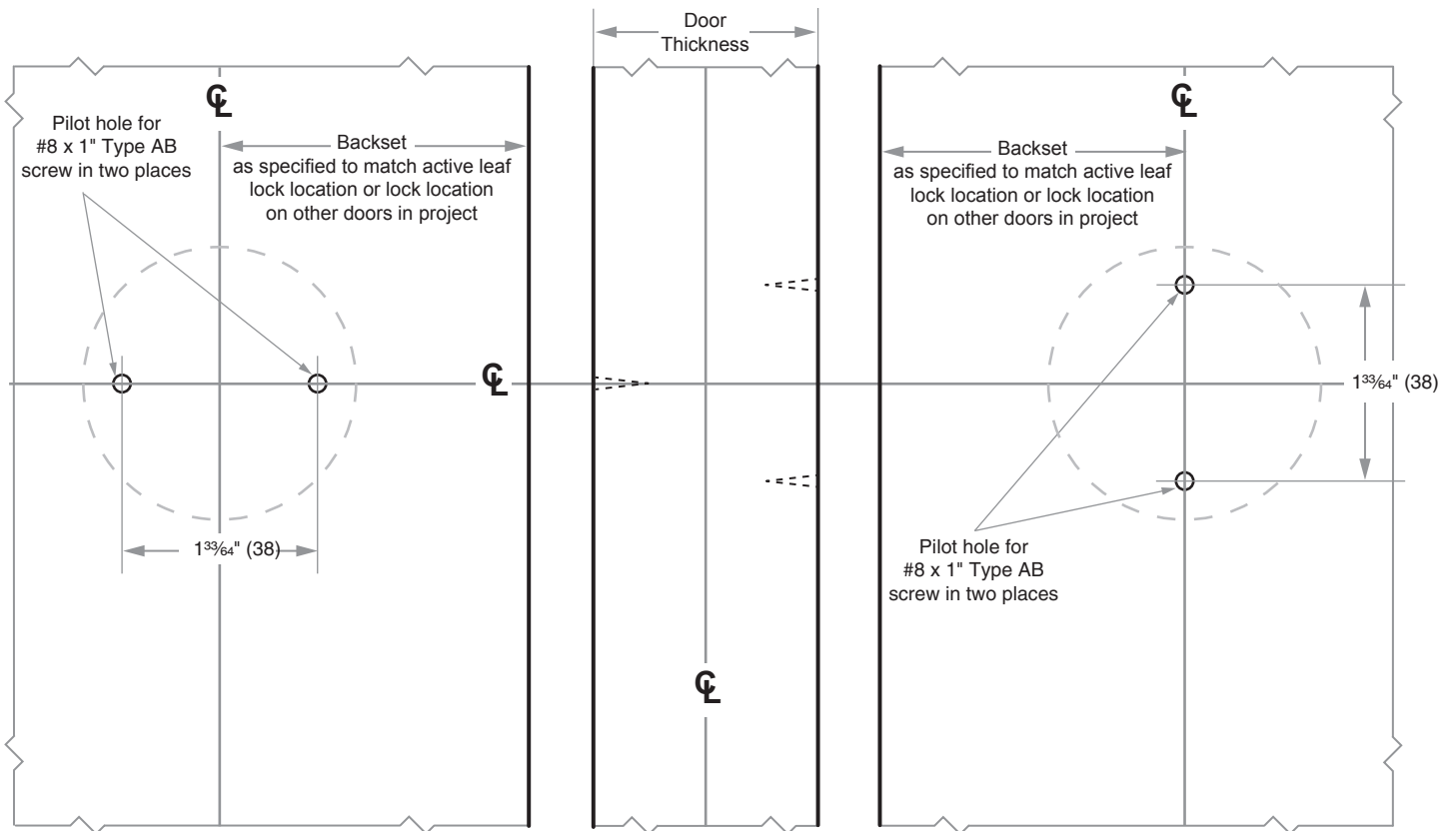




LT-Series

Model LT172

Door Type: Wood or Composite, Flat or beveled
Door Thickness: Any
Faceplate: None
Backsets: Any



Dimensions shown in parentheses () are in millimeters.

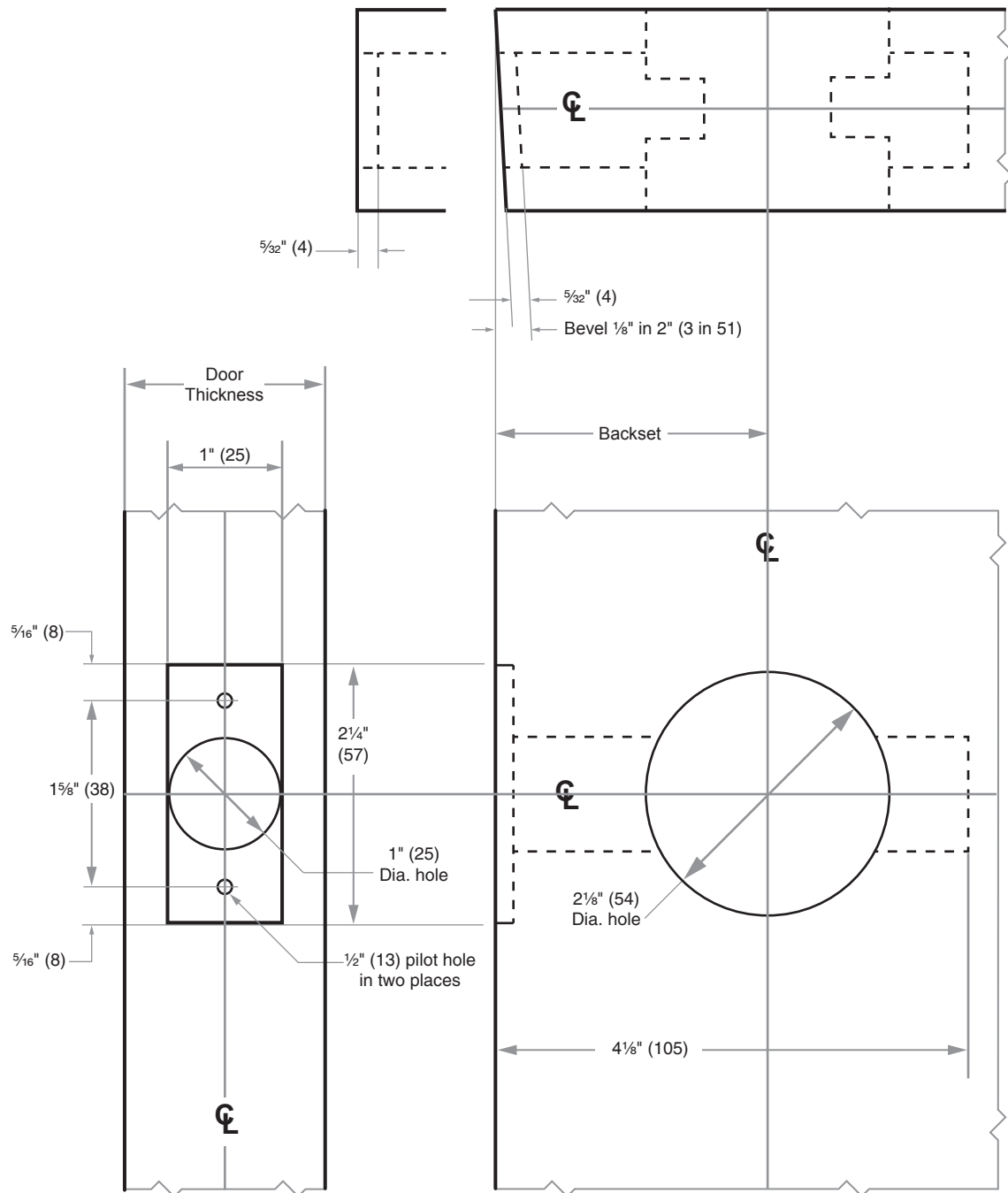
Door preparation template



LT-Series

Models LT10, LT40

- Door Type: Wood or Composite, Flat or beveled
- Door Thickness: 1 $\frac{1}{8}$ " (35 mm)–2" (51 mm)
- Faceplate: Square Corner, 1" (25 mm) wide
- Backsets: 2 $\frac{3}{8}$ " (60 mm)



Dimensions shown in parentheses () are in millimeters.

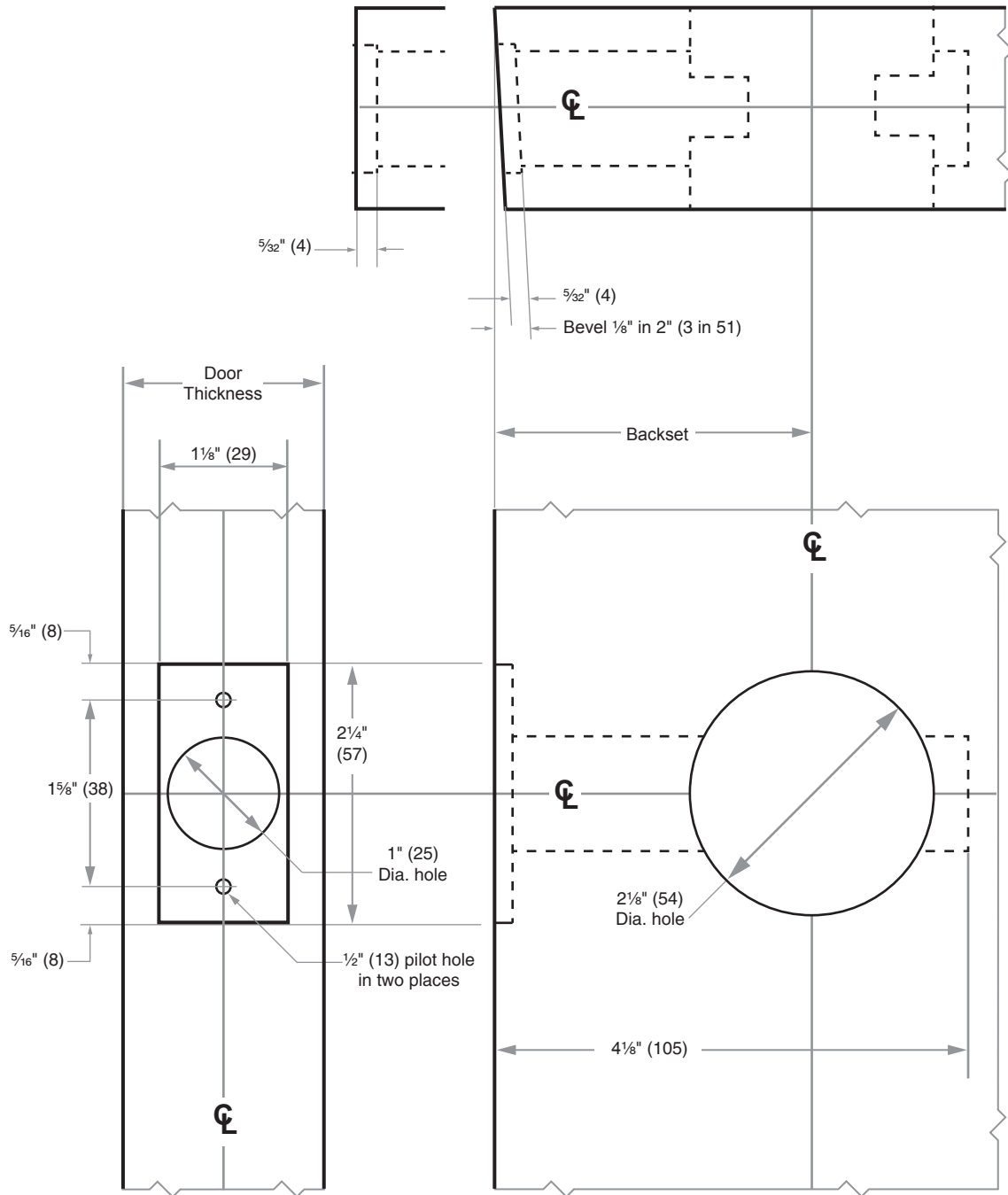
Door preparation template



LT-Series

Models LT10, LT40

Door Type: Wood or Composite, Flat or beveled
Door Thickness: 1 3/8" (35 mm)–2" (51 mm)
Faceplate: Square Corner, 1 1/8" (29 mm) wide
Backsets: 2 3/4" (70 mm)



Dimensions shown in parentheses () are in millimeters.

Door preparation template



ND

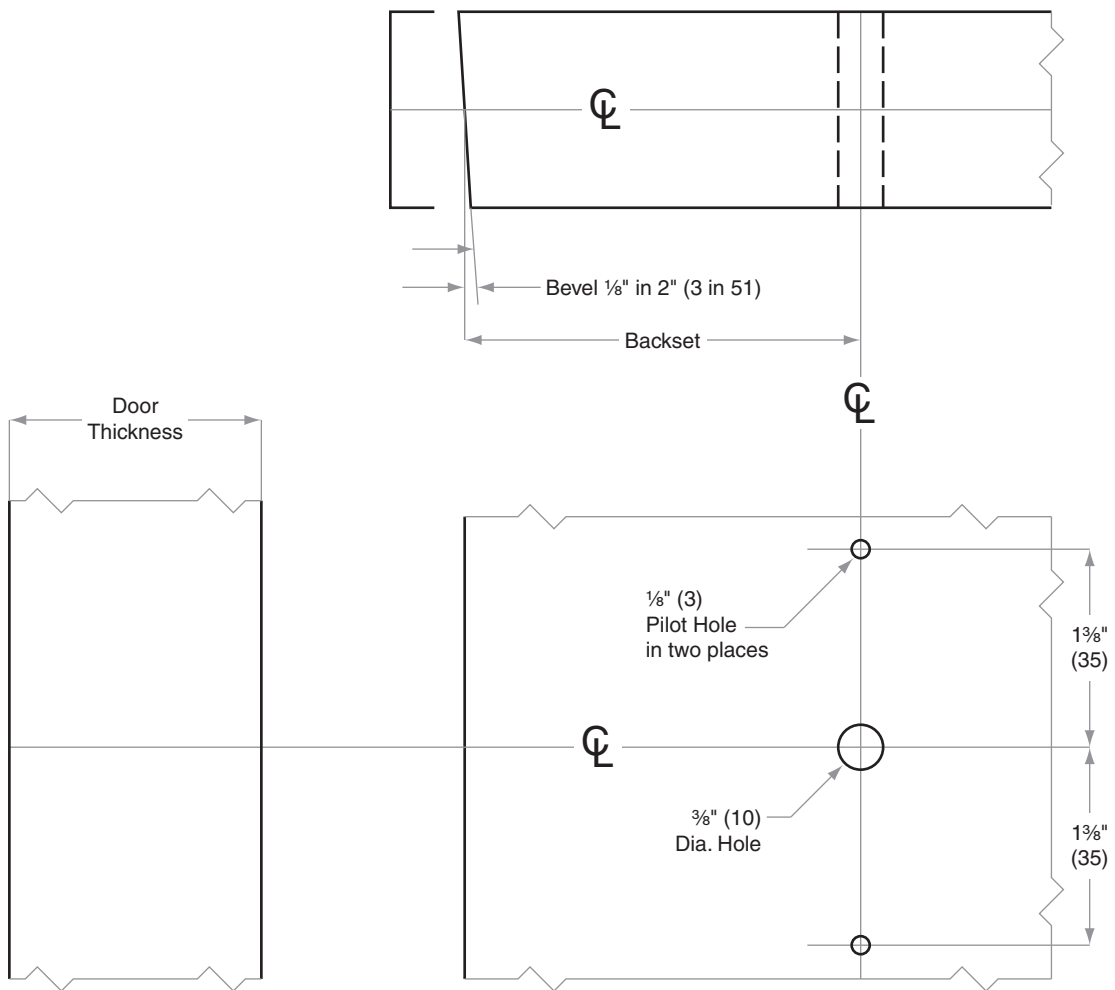
-series-



ND-Series Levers

Model ND170

Door Type: Wood or Composite
Door Thickness: Various
Faceplate: None
Backsets: Any



Dimensions shown in parentheses () are in millimeters.

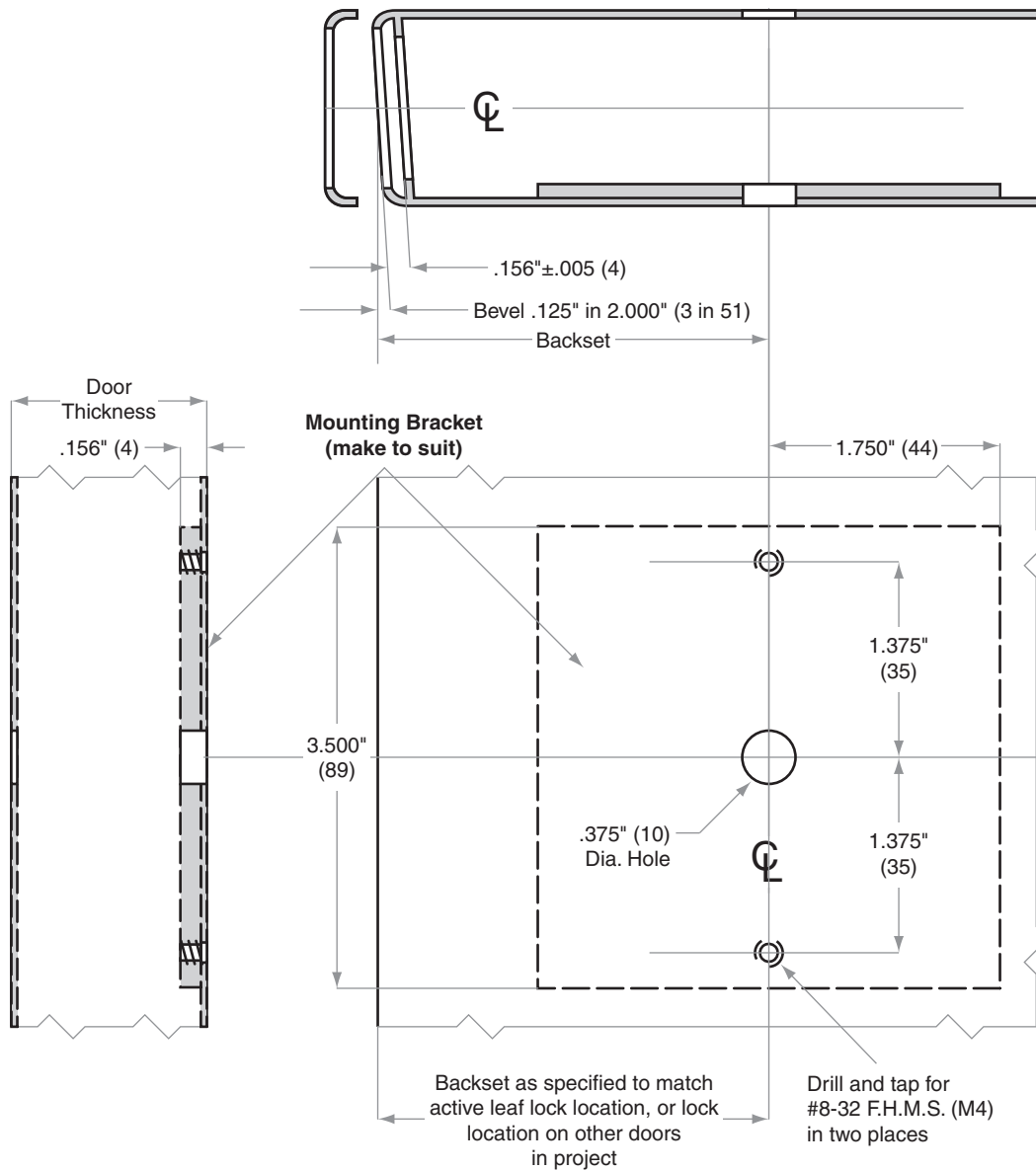
Door preparation template



ND-Series Levers

Model ND170

Door Type: Metal
Door Thickness: Various
Faceplate: None
Backsets: Any



Dimensions shown in parentheses () are in millimeters.

Door preparation template



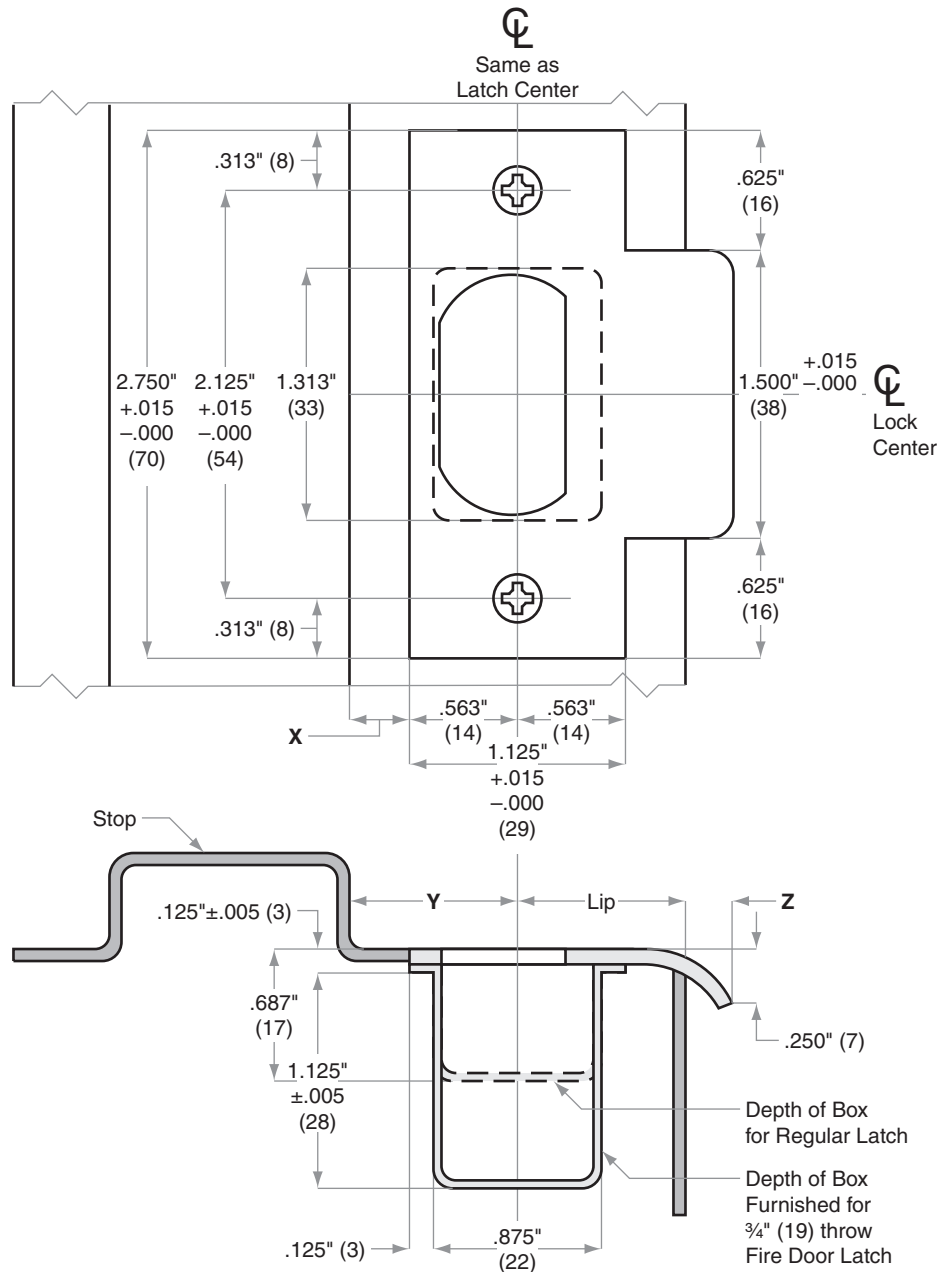
Strikes

Models 10-001, 10-013, 10-016, 10-019

Jamb Type: Metal
 Style: T-Strike, Square Corner
 Standard for: A-Series | B250-Series | S-Series
 Optional for: AL-Series | F-Series | D-Series Knobs | ND-Series Levers

NOTE:

1. Dimensions X and Y are variables dependent on door thickness
2. Curved strike extension beyond jamb at Z must not be less than $\frac{3}{16}$ " (5) to ensure proper functioning of latch bolt
3. $1\frac{1}{8}$ " (29) Lip length for $1\frac{3}{8}$ " (35) to $1\frac{3}{4}$ " (44) doors. Other lengths available
4. Strike location on frames must be adjusted for thickness of door silencers, when used

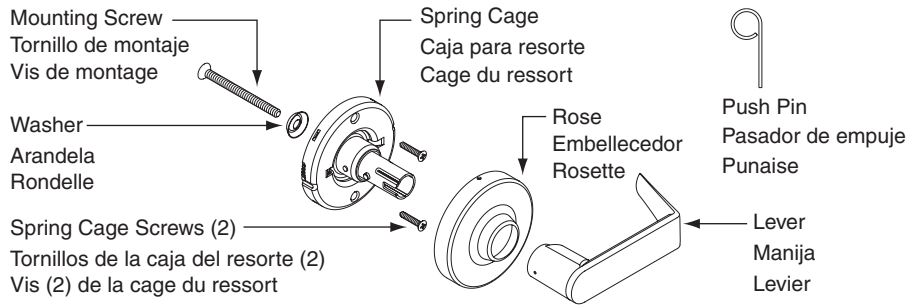


Dimensions shown in parentheses () are in millimeters.

Door preparation template

P515-169

D170 Dummy Lock New



Tools for Door Prep

Drill bits: 3/8" and 1/8"
Pencil

Tools For Install

Phillips screwdriver

Herramientas para preparar la puerta

Brocas de perforación: 10mm y 3mm
Lápiz

Herramientas para la instalación

Desatornillador Phillips

Tools for Door Prep

Forets: 10mm et 3mm
Crayon

Outils pour l'installation

Tournevis cruciforme

Preparación de la puerta

Door Preparation

Préparation de la porte

A. Mark Centerline

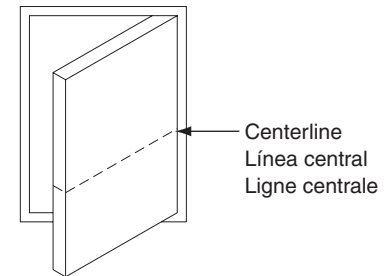
Mark centerline on both door faces and door edge. (Usually 38" from finished floor.)

A. Marcado de la línea central

Marcar la línea central en ambas caras de la puerta y en el canto. (Normalmente a 965mm desde el piso.)

A. Marquer la ligne centrale

Marquer la ligne centrale des deux côtés et sur le bord de la porte. (Généralement à 965mm du plancher.)



B. Mark Trim Drill Points

NOTE: ONLY mark the 1/8" holes on ONE side of the door.

- Stand so door swings towards you. Fold and mark template as shown.
- Stand so door swings away from you. Fold and mark template as shown.

B. Marcado de los puntos de perforación de la guarnición

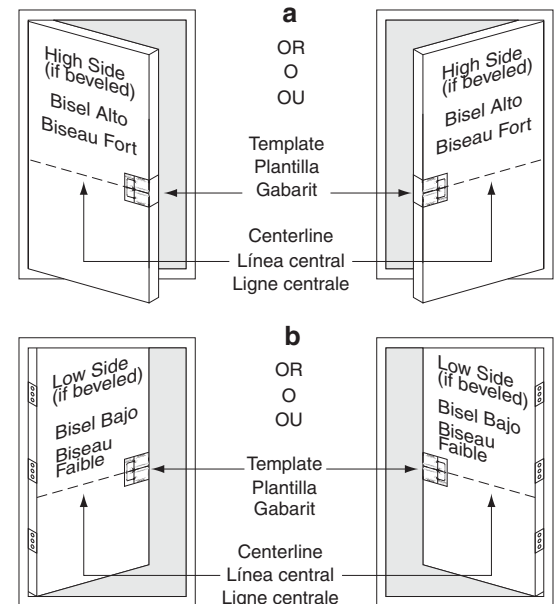
NOTA: Marcar SOLAMENTE los agujeros de 3mm en UN lado de la puerta.

- Colocarse de tal modo que la puerta gire hacia usted. Plegar y marcar la plantilla tal y como se muestra.
- Colocarse de tal modo que la puerta gire alejándose de usted. Plegar y marcar la plantilla tal y como se muestra.

B. Marquer les points de perçage de la bordure

REMARQUE: Marquer les trous d'3mm pouce sur UN côté de la porte UNIQUEMENT.

- Se tenir de sorte que la porte se déplace vers soi. Plier et marquer le gabarit comme illustré.
- Se tenir de sorte que la porte se déplace en direction opposée. Plier et marquer le gabarit comme illustré.



C. Drill Trim Holes

- Drill 1/8" (3mm) holes on ONE side of the door, 1/2" (13mm) deep.
- Drill 3/8" (10mm) hole from both sides of door to avoid splintering wood.

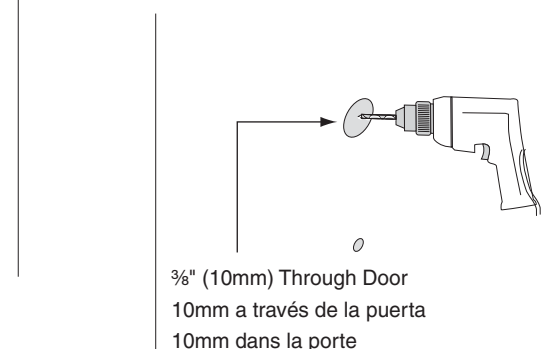
C. Perforación de los agujeros de la guarnición

- Taladrar agujeros de 3mm en UNO de los lados de la puerta, a una profundidad de 13mm.
- Taladrar un agujero de 10mm desde ambos lados de la puerta para evitar que se astille la madera.

C. Percer des trous dans la bordure

- Percer des trous de 3mm, de 13mm de profondeur sur UN côté de la porte.
- Percer un trou de 10mm des deux côtés de la porte pour éviter l'éclatement du bois.

1/8" (3mm), 1/2" (13mm) Deep
3mm, 13mm de profundidad
3mm, 13mm de profondeur



Instalación de la cerradura

Lock Installation

Pose de la serrure

Install Spring Cage

- Place spring cage against door.
- Secure with two (2) spring cage screws.

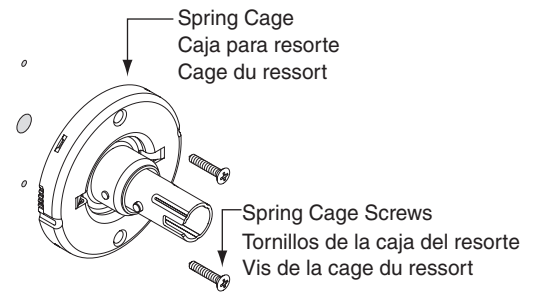
Instalación de la caja del resorte

- Colocar la caja del resorte contra la puerta.
- Afianzar con los dos (2) tornillos de la caja del resorte.

Poser la cage du ressort

- Mettre la cage du ressort contre la porte.
- Fixer avec deux (2) vis de la cage du ressort.

1



Install Mounting Screw and Washer

- Insert mounting screw through washer and into hole in door.
- Tighten until screw head is flush with washer.

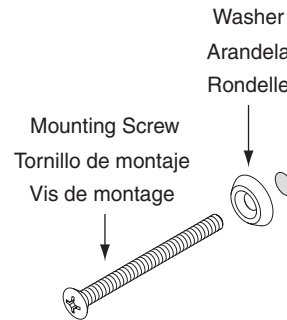
Instalación del tornillo de montaje y la arandela

- Introducir el tornillo de montaje en el agujero de la puerta, a través de la arandela.
- Apretar hasta que la cabeza del tornillo quede al ras con la arandela.

Poser la vis de montage et la rondelle

- Insérer la vis de montage par la rondelle et dans le trou de la porte.
- Serrer jusqu'à ce que la tête de la vis soit à niveau avec la rondelle.

2



Install Rose

- Align dimples on rose with grooves on spring cage.
- Place rose against the door and rotate rose clockwise until it no longer turns.

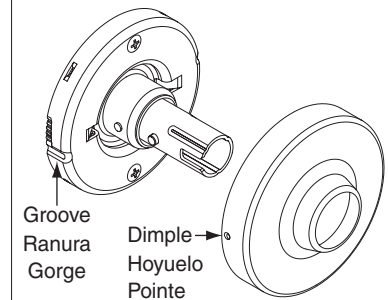
Instalación del embellecedor

- Alinear los hoyuelos del embellecedor con las ranuras en la caja del resorte.
- Colocar el embellecedor al ras contra la puerta y girarlo en sentido horario hasta que quede apretado.

Install Rose

- Aligner les pointes de la rosette avec les gorges de la cage du ressort.
- Placer la rosette contre la porte et la faire tourner dans le sens horaire jusqu'à ce qu'elle soit serrée.

3



Install Lever

Push lever onto spindle until lever engages with lever catch.

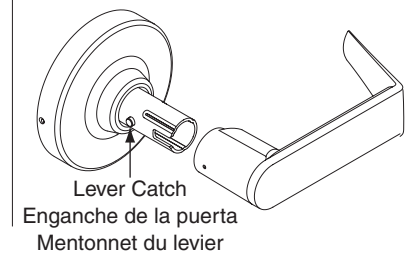
Instalación de la manija

Presionar la manija en el vástago hasta que ésta encaje en su enganche.

Poser le levier

Pousser le levier sur la tige jusqu'à ce que le mentonnet du levier s'enclenche avec le levier.

4



Lever Removal

Remove Lever

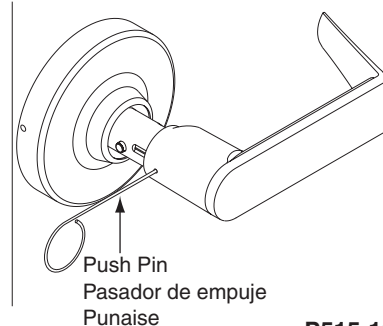
- Insert push pin into hole and depress lever catch.
- Pull lever straight off.

Extracción de la manija

- Introducir el pasador de empuje en el agujero y presionar el enganche de la manija.
- Tirar en línea recta de la manija para sacarla.

Enlever le levier

- Insérer une punaise dans le trou et appuyer sur le mentonnet du levier.
- Tirer le levier directement.

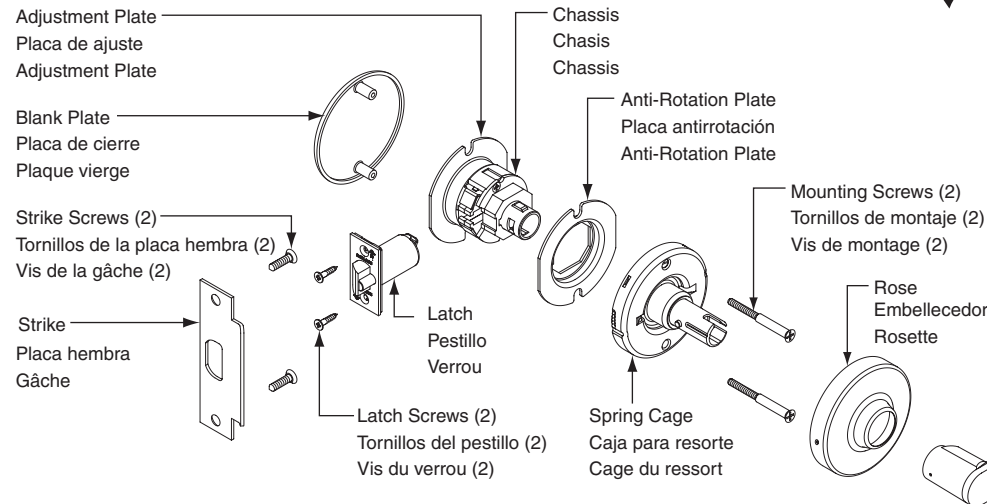


© Allegion 2014
Printed in U.S.A.

P515-169 Rev. 08/03-b

P515-168

D25 Exit Lock **New**



Tools for Door Prep 2 1/8" hole saw Drill bits: 1", 5/16", 1/8" Pencil and Chisel	Tools for Install Phillips screwdriver
Herramientas para preparar la puerta Sierra de perforación de 54mm Brocas de perforación: 25mm, 8mm, 3mm Lápiz y cincel	Herramientas para la instalación Desatornillador Phillips
Outils pour la préparation de la porte Scie cloche de 54mm Forets : 25mm, 8mm, 3mm Crayon et ciseau	Outils pour l'installation Tournevis cruciforme

Preparación de la puerta

Door Preparation

Préparation de la porte

A. Mark Centerline

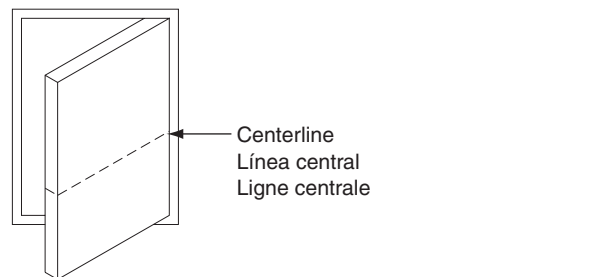
Mark centerline on both door faces and door edge. (Usually 38" from finished floor.)

A. Marcado de la línea central

Marcar la línea central en ambas caras de la puerta y en el canto. (Normalmente a 96.5 cm desde el piso.)

A. Marquer la ligne centrale

Marquer la ligne centrale des deux côtés et sur le bord de la porte (généralement à 96.5 cm du plancher).



B. Mark Trim Drill Points

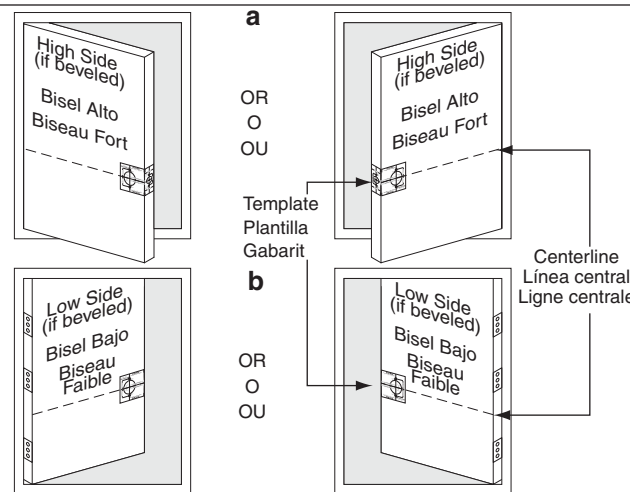
- a. Stand so door swings towards you. Fold and mark template as shown.
- b. Stand so door swings away from you. Fold and mark template as shown.

B. Marcado de los puntos de perforación de la guarnición

- a. Colocarse de tal modo que la puerta gire hacia usted. Plegar y marcar la plantilla tal y como se muestra.
- b. Colocarse de tal modo que la puerta gire alejándose de usted. Plegar y marcar la plantilla tal y como se muestra.

B. Marquer les points de perçage de la bordure

- a. Se tenir de sorte que la porte se déplace vers soi. Plier et marquer le gabarit comme illustré.
- b. Se tenir de sorte que la porte se déplace en direction opposée. Plier et marquer le gabarit comme illustré.



C. Drill Trim Holes

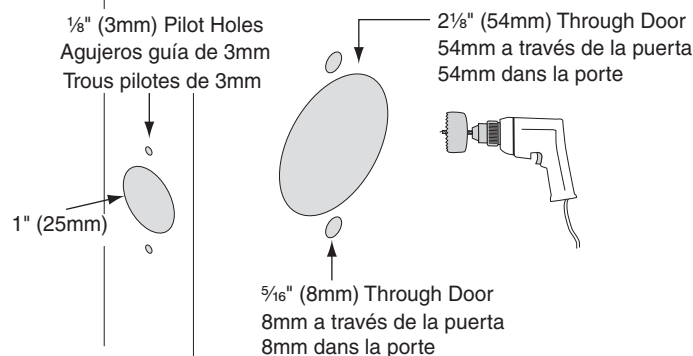
Drill holes in door face from both sides of door to avoid splintering wood.

C. Perforación de los agujeros de guarnición

Perforar los agujeros en la superficie de la puerta desde ambos lados de la misma para evitar que se astille la madera.

C. Percer des trous de bordure

Percer des trous des deux côtés de la porte pour éviter l'éclatement du bois.



D. Mortise Cutout for Latch

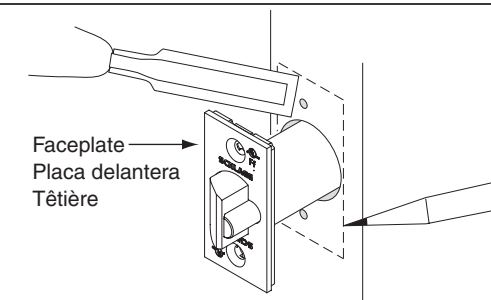
Using faceplate as a pattern, mortise cutout for latch. (Faceplate should fit flush with door.)

D. Escopleado de la entalladura para el pestillo

Usando la placa delantera como patrón, escoplear la entalladura para el pestillo. (La placa delantera debe quedar al ras con la puerta.)

D. Mortaiser la découpe pour le verrou

En utilisant la têtère comme gabarit, mortaiser une découpe pour le verrou. (La têtère doit s'ajuster à niveau avec la porte.)



E. Prepare Door Jamb

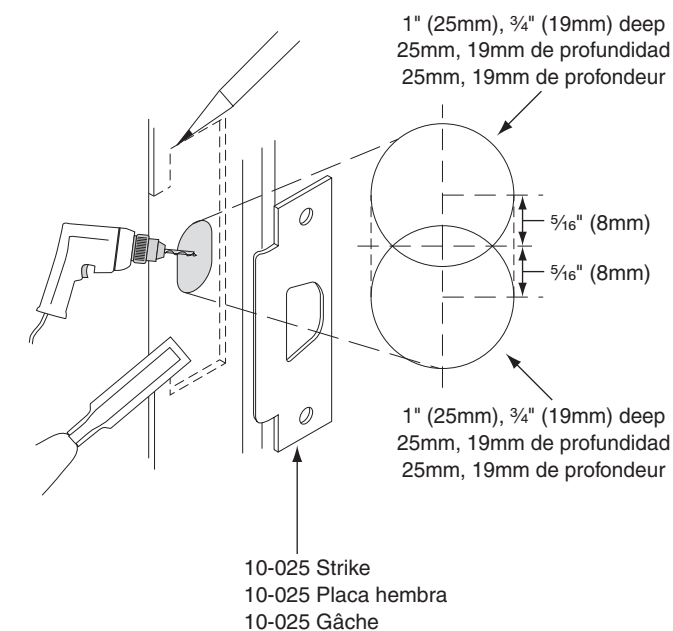
- a. Mark vertical line and centerline on door jamb exactly opposite center of latch hole.
- b. Drill two (2) 1" (25mm) holes 5/16" (8mm) above and below centerline
- c. Mortise a cutout for strike. Use strike as a pattern for mortise. (Strike should fit flush with door jamb.)

E. Preparación del batiente

- a. Marcar la línea vertical y la central en el batiente, exactamente enfrente del centro del agujero para el pestillo.
- b. Taladrar dos agujeros de 25mm, a una distancia de 8mm por encima y por debajo de la línea central.
- c. Escoplear una entalladura para la placa hembra. Usar la placa hembra como patrón para el escopleo de la entalladura. (La placa hembra debe quedar al ras con el batiente.)

E. Préparer l'embrasure de la porte

- a. Tracer une ligne verticale et une ligne centrale sur l'embrasure de la porte exactement à l'opposé du centre du verrou.
- b. Percer deux trous de 25mm à 8mm au-dessus et au-dessous de la ligne centrale.
- c. Mortaiser une découpe pour la gâche. Utiliser une gâche comme gabarit pour la mortaise (la gâche doit s'ajuster à niveau avec l'embrasure de la porte).



Instalación de la cerradura

Lock Installation

Pose de la serrure

Remove Assembly From Box

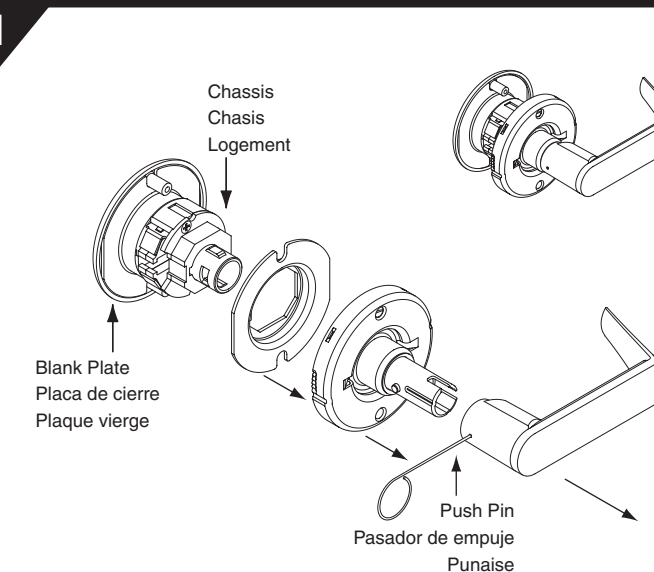
- a. Leave blank plate and chassis together.
- b. Remove inside lever by inserting push pin into hole and depressing lever catch. Pull lever straight off.
- c. Remove inside trim parts as shown.

Extracción del conjunto de la caja

- a. Mantener la placa de cierre y el chasis juntos.
- b. Quitar la manija interior introduciendo el pasador de empuje dentro del agujero y presionando en el enganche de la manija. Tirar en línea recta de la manija para sacarla.
- c. Quitar las piezas internas de la guarnición tal y como se muestra.

Retirer l'ensemble de la boîte

- a. Laisser la plaque vierge et le logement ensemble.
- b. Enlever le levier intérieur en insérant une punaise dans le trou et en appuyant sur le mentonnet du levier. Extraire le levier directement.
- c. Enlever les pièces de bordure intérieure comme illustré.



Install Latch

- Insert latch into side bore with bevel facing door jamb.
- Secure with two (2) latch screws.

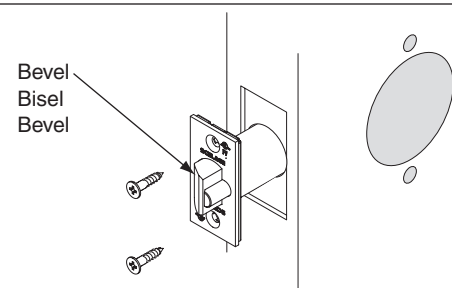
Instalación del pestillo

- Deslizar el pestillo en el agujero con el lado biselado del pestillo hacia el batiente.
- Asegurar el pestillo con dos tornillos para pestillo.

Poser le verrou

- Faire glisser le verrou dans le trou, côté biseauté du verrou vers l'embrasure de la porte.
- Fixer le verrou avec deux vis de verrou.

2



Install Blank Plate and Chassis

NOTE: Chassis is factory set for 1 3/4" (44mm) door. For other door thicknesses, see DOOR THICKNESS section.

- Insert blank plate and chassis into cross bore.
- Latch prongs should fit between slide and slide clip. Latch tail should fit inside slide.

Instalación de la placa de cierre y el chasis

NOTA: El chasis está fijado en la fábrica para una puerta de 44mm. Para puertas de otros grosores, consultar la sección GROSOR DE LA PUERTA.

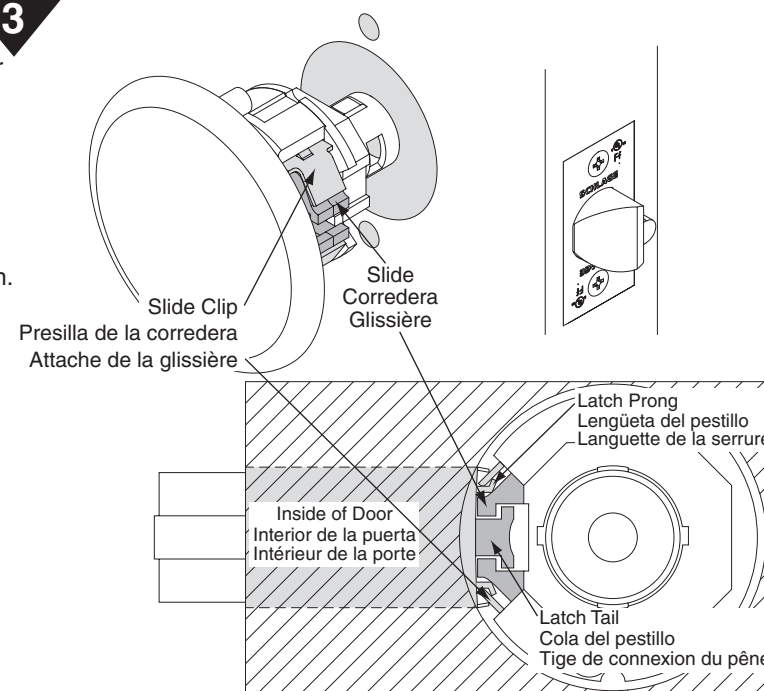
- Introducir la placa de cierre y el chasis a través del agujero transversal.
- Las lengüetas del pestillo deben encajar entre la corredera y su presilla. La cola del pestillo debe encajar dentro de la corredera.

Poser la plaque vierge et le logement

REMARQUE: Le logement est réglé en usine pour une porte de 44mm. Pour d'autres épaisseurs de porte, voir la section ÉPAISSEUR DE PORTE.

- Insérer la plaque vierge et le logement sur l'alésage transversal.
- Les languettes du verrou doivent s'ajuster entre la glissière et l'attache de la glissière. La tige de connexion du pêne doit s'ajuster dans la glissière.

3



Install Anti-Rotation Plate

Align tab on plate with slot in chassis. Slide plate over chassis and into cross bore as shown.

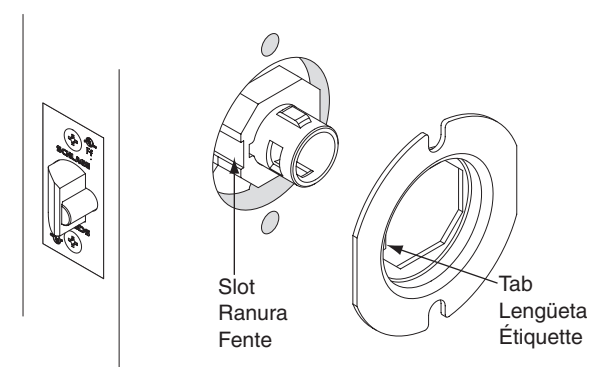
Instalación de la placa antirrotación

Alinear la lengüeta de la placa con la ranura en el chasis. Deslizar la placa sobre el chasis introduciéndola en el agujero transversal, tal y como se muestra.

Poser la plaque anti-rotation

Aligner l'ergot de la plaque avec la fente du logement. Faire glisser la plaque sur le logement et dans l'alésage transversal comme illustré.

4



Install Spring Cage

With lever catch facing door edge, slide spring cage onto chassis as shown. Secure with two (2) mounting screws.

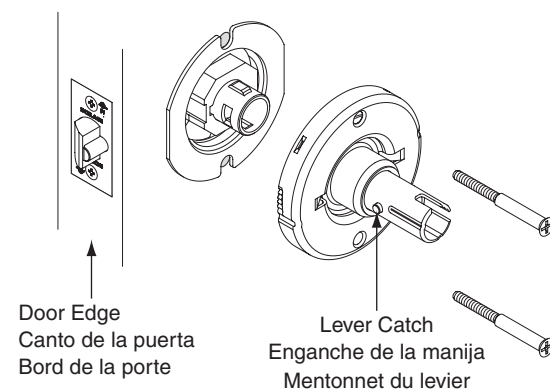
Instalación de la caja del resorte

Con el enganche de la manija orientado hacia el canto de la puerta, deslizar la caja del resorte en el chasis tal y como se muestra. Afianzar con los dos (2) tornillos de montaje.

Poser la cage du ressort

Le mentonnet du levier face au bord de la porte, faire glisser la cage du ressort sur le logement comme illustré. Fixer avec deux (2) vis de montage.

5



Install Rose

- Align dimples in rose with grooves in spring cage.
- Place rose flush against door and rotate clockwise until tight.

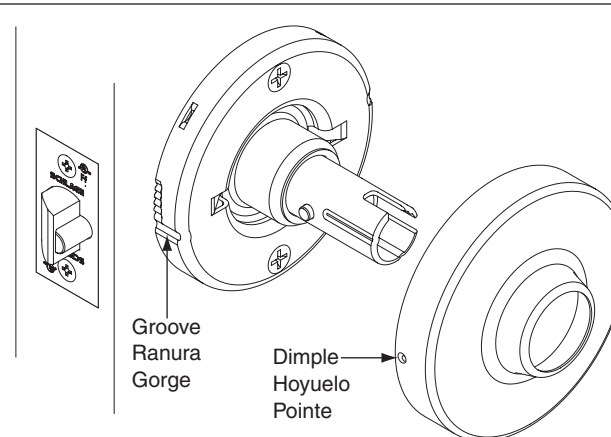
Instalación del embellecedor

- Alinear los hoyuelos del embellecedor con las ranuras en la caja del resorte.
- Colocar el embellecedor al ras contra la puerta y girarlo en sentido horario hasta que quede apretado.

Poser la rosette

- Aligner les pointes de la rosette avec les gorges de la cage du ressort.
- Placer la rosette contre la porte et la faire tourner dans le sens horaire jusqu'à ce qu'elle soit serrée.

6



Install Lever

Push lever onto spindle until lever catch engages with lever.

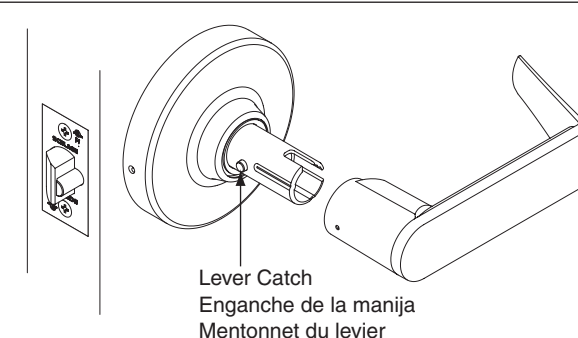
Instalación de la manija

Presionar la manija en el vástago hasta que ésta encaje en su enganche

Poser le levier

Pousser le levier sur la tige jusqu'à ce que le mentonnet du levier s'enclenche avec le levier.

7



Install Strike

Install strike and secure with two screws.

Instalación de la placa hembra

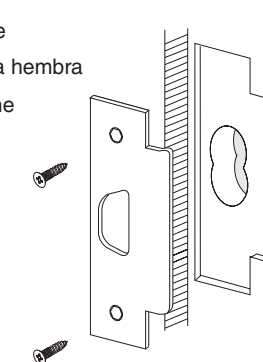
Instalar la placa hembra y afianzarla con dos tornillos.

Poser la gâche

Poser la gâche et la fixer avec deux vis.

8

10-025 Strike
10-025 Placa hembra
10-025 Gâche



Grosor de la puerta

Door Thickness

Épaisseur de la porte

Adjust Chassis

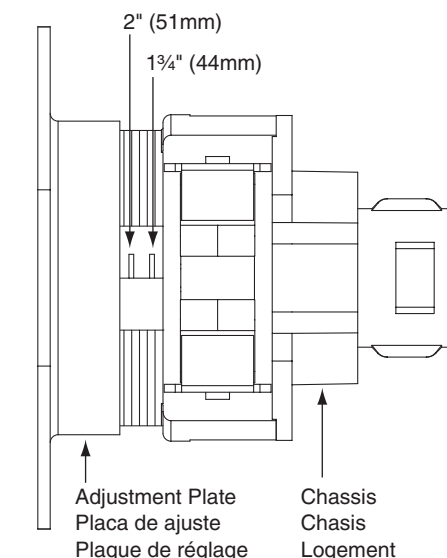
- For 1 5/8" (41mm) door: Rotate adjustment plate clockwise until tight against chassis. Then rotate counterclockwise one turn.
- For 1 3/4" (44mm) door: Rotate adjustment plate until aligned with 1 3/4" mark.
- For 2" (51mm) door: Rotate adjustment plate until aligned with 2" mark.

B. Ajuste del chasis

- Para una puerta de 41mm: Girar la placa de ajuste en sentido horario hasta que quede apretada contra el chasis. Darle entonces una vuelta en sentido antihorario.
- Para una puerta de 44mm: Girar la placa de ajuste hasta que quede alineada con la marca de 44mm.
- Para una puerta de 51mm: Girar la placa de ajuste hasta que quede alineada con la marca de 51mm.

B. Réglage du logement

- Pour les PORTES de 41mm : Faire tourner la plaque de réglage dans le sens horaire jusqu'à ce qu'elle soit serrée contre le logement. Puis la faire tourner d'un tour dans le sens anti-horaire.
- Pour les PORTES de 44mm: Faire tourner la plaque de réglage jusqu'à ce qu'elle soit alignée avec la marque d' 44mm.
- Pour les PORTES de 51mm: Faire tourner la plaque de réglage jusqu'à ce qu'elle soit alignée avec la marque de 51mm.





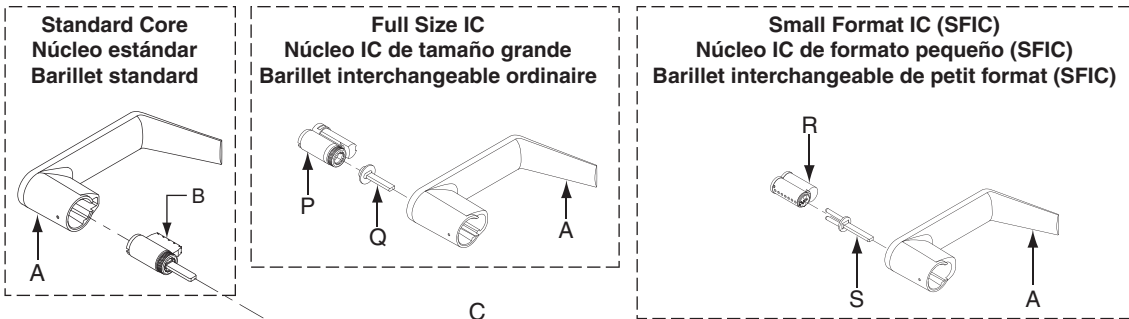
P515-167



Instrucciones de instalación

Installation Instructions ND-Series Standard Installation

Notice d'installation



A. Outside Lever
A. Manija Exterior
A. Levier extérieur

B. Cylinder
B. Cilindro
B. Cylindre

C. Outside Spring Cage (with Rose)
C. Caja para el resorte exterior
(con Embellecedor)
C. Cage à ressort extérieure
(avec Rosette)

D. Adjustment Plate
D. Placa a ajuste
D. Plaque de réglage

E. Chassis
E. Chasis
E. Logement

F. Optional 1 3/8" (35 mm)
Door Spacer (2)
F. Espaciador opcional de 35 mm
para la puerta (2)
F. Entretoise de porte de 35 mm
en option (2)

G. Anti-Rotation Plate
G. Placa antirrotación
G. Plaque anit-rotation

H. Rose (2)
H. Embellecedor (2)
H. Rosette (2)

I. Latch Screws (2)
I. Tornillos del pestillo (2)
I. Vis du verrou (2)

J. Strike
J. Place hembra
J. Vis de la gâche

K. Strike Screws (2)
K. Tornillos de la placa hembra (2)
K. Vis de la gâche (2)

L. Latch
L. Pestillo
L. Verrou

M. Inside Spring Cage
M. Caja del resorte interior
M. Cage de ressort intérieure

N. Mounting Screws (2)
N. Tornillos de montaje (2)
N. Vis de montage (2)

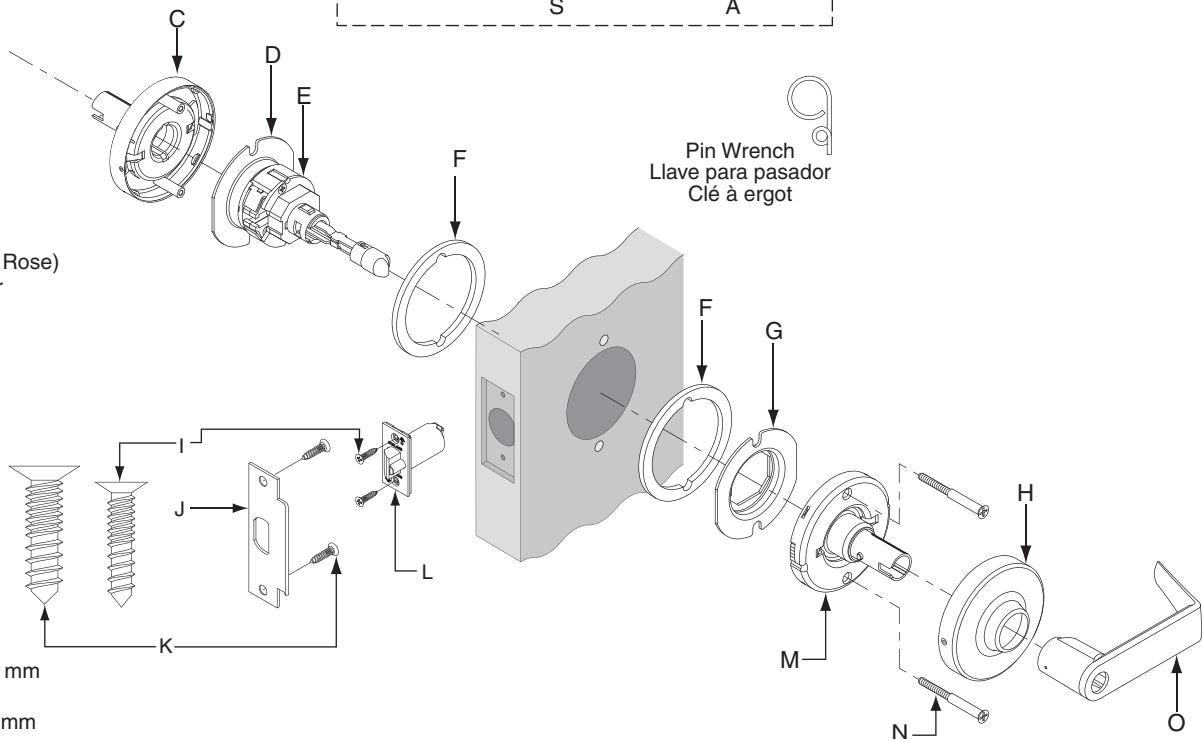
O. Inside Lever
O. Manija interior
O. Levier intérieure

P. IC Core
P. Núcleo IC
P. Barillet interchangeable

Q. Driver
Q. Impulsor
Q. Mécanisme d'entraînement

R. SFIC Core
R. Núcleo SFIC
R. Barillet interchangeable de petit format

For Installation
Para la instalación
Outils pour l'installation



Pin Wrench
Llave para pasador
Clé à ergot

ND53 Shown
Se muestra el ND53
ND53 illustré

Door Preparation

For door preparation instructions, please see the Product Catalog / Templates page in the Commercial Security section of Schlage.com or contact Technical Service at 1-800-847-1864.

Preparación de la Puerta

Para consultar las instrucciones para la preparación de la puerta, consulte el Catálogo de productos / Plantilla que se encuentra en la sección de Seguridad Comercial de Schlage.com, o llame al Departamento de Servicio Técnico al 1-800-847-1864.

Préparation de la Porte

Pour les instructions concernant la préparation de la porte, veuillez vous référer au catalogue de produits/page de gabarit dans la section Sécurité commerciale sur Schlage.com ou contactez notre service technique au 1-800-347-1864.

Instalación de la cerradura

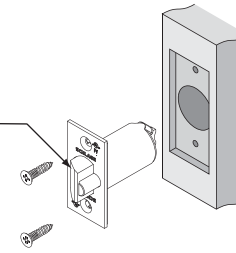
Lock Installation

Installation de la serrure

1

Install Latch
Instalación del pestillo
Poser le verrou

Bevel toward door jamb
Biselado del pestillo
hacia el batiente
Côté biseauté du verrou
vers l'embrasure de la porte



2

Disassembly for Installation

For keyed inside levers, see KEYED LEVER section.

Extracción del conjunto de la caja

Para manijas interiores con llave, consulta la sección MANIJA CON LLAVE.

Retirer l'ensemble de la boîte

Pour les leviers avec clé, voir la section LEVIER À CLÉ.

Outside Lever
Manija exterior
Levier extérieur

Chassis
Chasis
Logement

Rose
Embellecedor
Rosette

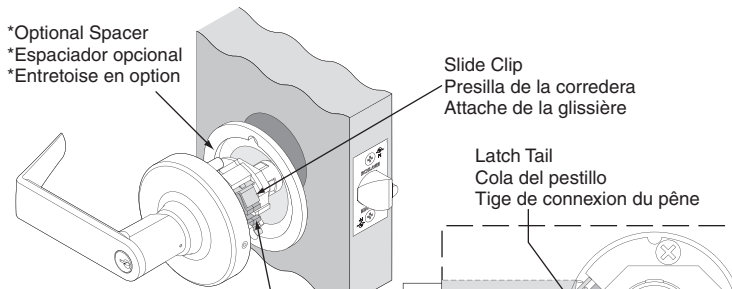
Keep together
Keep together
Keep together

Disassemble
Disassemble
Disassemble

3

Install Outside Lever and Chassis
Instalación de la manija exterior y el chasis
Pose du levier extérieur et du logement

*Optional Spacer
*Espaciador opcional
*Entretoise en option



Slide Clip
Presilla de la corredera
Attache de la glissière

Latch Tail
Cola del pestillo
Tige de connexion du pêne

*For 1 3/8" (35 mm) thick door only.
*Solamente para puertas de 35 mm de grosor.
*Pour les portes d'35 mm d'épaisseur seulement.

Slide
Corredera
Glissière

Latch Prong
Lengüeta del pestillo
Languette de la serrure

Latch prongs fit between slide and slide clip. Latch tail fits inside slide.
Las lengüetas del pestillo encajan entre corredera y su presilla. La cola del pestillo encaja dentro de la corredera.
Les languettes du verrou doivent s'ajuster entre la glissière. La tige de connexion du pêne doit s'ajuster dans la glissière.

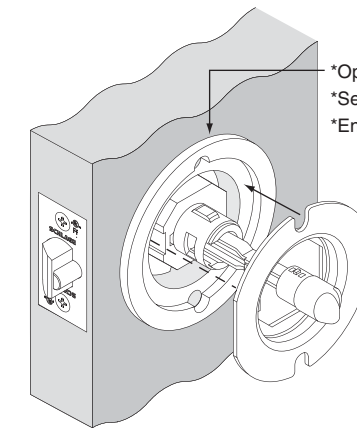
NOTE: For door thickness other than 1 3/4" (44 mm), see "Door Thickness Adjustment" section.

NOTA: Para los grosos de puertas otra que 44mm, consulta la sección "Ajuste del Grosor de la Puerta".

NOTE: Le logement est réglé en usine pour une porte de 44 mm. Pour d'autres épaisseurs de porte, voir la section "Réglage de l'Épaisseur de Porte".

4

Install Inside Anti-Rotation Plate
Instalación de la placa antirrotación
Poser la plaque anti-rotation



*Optional Spacer Shown
*Se muestra el espaciador opcional
*Entretoise en option illustrée

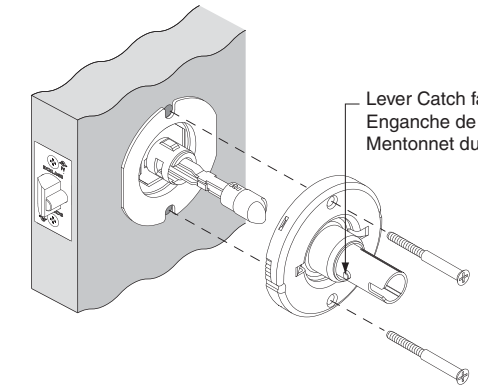
*For 1 3/8" (35 mm) thick door only: Place spacer against door as shown.

*Solamente para puertas de 35 mm de grosor: Coloca el espaciador contra la puerta, como se muestra.

*Pour les portes d'35 mm d'épaisseur seulement: Placer l'entretroise contre le porte comme illustré.

5

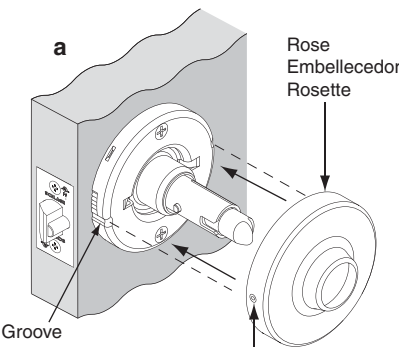
Install Inside Spring Cage Assembly
Instalación del conjunto interior de la caja para el resorte
Poser la cage dur ressort interne



Lever Catch faces door edge
Enganche de la puerta
Mentonnet du levier

6

Install Inside Rose
Instalación del embellecedor interior
Poser la rosette interne

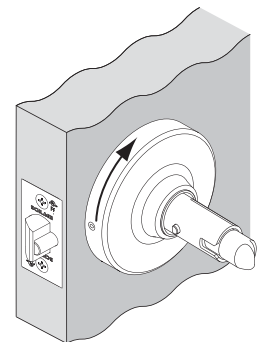


Groove
Ranura
Gorge

Rose
Embellecedor
Rosette

Dimple
Hoyuelo
Pointe

b Rotate until rose stops.
Rotar hasta que se detenga la rosa.
Tournez jusqu'à ce que la rosette arrête.



7 Install Inside Lever*
Instalación de la manija interior*
Poser le levier intérieur*

Lever Catch
Enganche de la manija
Mentonnet du levier

* For keyed levers, see KEYED LEVER section.
 * Para manijas con llave, consultar la sección MANIJA CON LLAVE.
 * Pour les leviers à clé, voir la section LEVIER À CLÉ.

8 Install Strike
Instalación de la placa hembra
Poser la gâche

10-025 Strike
10-025 Placa hembra
10-025 Gâche

9 Check Lock Function
 Test lock. If a keyed function is not working properly, check the TIMING INSTRUCTIONS section.
Revisión del funcionamiento de la cerradura
 Probar la cerradura. Si alguna de las funciones con la llave no funciona bien, revisar la sección SINCRONIZACIÓN DE LA CERRADURA.
Vérifier le fonctionnement du verrou
 Tester le verrou. Si la fonction à clé ne fonctionne pas correctement, consulter la section CALAGE DU VERROU.

Interchangeable Cores
Núcleos Intercambiables
Barillets Interchangeables

Installation of Full Size IC or Small Format IC
Instalación del núcleo intercambiable (IC) de tamaño grande o del núcleo intercambiable de formato pequeño (SFIC)
Pour barillet interchangeable de petit format ou standard

a Insert driver as shown.
 Introducir el impulsor se muestra.
 Insérer le mécanisme d'entraînement comme illustré.

b Turn key and hold.
 Girar la llave y sujetarla.
 Tourner la clé et maintenir en position.

c Insert core into lever.
 Insérer le barillet dans le levier.
 Introducir el núcleo en la manija.

Core
Núcleo
Barillet

Full Size IC
Núcleo IC de tamaño grande
Barillet interchangeable ordinaire

Small Format Interchangeable Core (SFIC)
Núcleo intercambiable de formato pequeño (SFIC)
Barillet interchangeable de petit format

Timing Instructions
Sincronización de la Cerradura/Calage du Verrou

1 Install Lock Except Inside Lever (No Key in Outside Lever)
Instalar la cerradura, sin la palanca interior (Sin llave en la palanca exterior)
Installez le verrou à l'exception du levier interne (aucune clef dans le levier extérieur)

2 Align Tailpiece and Keyway
Alinear la cola y la ranura de la llave
Alignez l'about et le chemin de clef

Tailpiece
Tailpiece
Tailpiece

Keyway
Keyway
Keyway

Classic
FSIC

3 ND50, ND53, ND60*, ND70, ND73, ND80, ND91, ND92, ND93, ND94, ND95, ND96, ND96EL/EU, ND97
ONLY/SOLAMENTE/SUELEMENT
***Inside/Inside/Inside**

For Keyed Functions
Para funciones que requieren llave
Pour les fonctions à clé

a Insert key into cylinder. Rotate key 90° and hold.
 Meter la llave en el cilindro. Girar la llave 90° y sujetarla.
 Insérer le clé dans le cylindre. Faire tourner la clé de 90° et la maintenir.

90°

b Push pin wrench into hole and pull lever off.
 Introducir el pasador de empuje en el agujer, presionar el enganche de la manija y tirar de ella para sacarla.
 Insérer une punaise dans le trou, appuyer sur le mentonnet du levier et extraire le levier.

c Rotate key 180°.
 Girar la llave 180°.
 Faire tourner la clé de 180°.

180°

d Slide lever back into place.
 Deslizar la manija para colocarla en su posición.
 Faire coulisser le levier en place.

For All Other Functions, contact Technical Service at 1-800-847-1864.
Para las demás funciones, llame al Departamento de Servicio Técnico al 1-800-847-1864.
Pour toutes les autres fonctions, contactez le service d'assistance technique au 1-800-847-1864.

Manija con Llave **Keyed Lever** **Levier à clé**

Install Lever
Manija con llave
Installer le levier

***a** Rotate cam until slot is vertical
 Girar la leva hasta que su ranura esté vertical
 Tourner la came jusqu'à ce que le fonte de la came soit verticale

b Rotate key 90° and install lever
 Girar la llave 90° y deslizar la manija sobre el vástago
 Tourner la clé de 90° et glisser le levier sur l'axe

*FOR ND66 INSIDE ONLY
 *SÓLO PARA INTERIOR DE ND66
 *POUR ND66 INTERNE SEULEMENT

90°

Remove Lever
Extracción de la manija
Retirer le levier

90°

Ajuste del grosor de la puerta **Door Thickness Adjustment** **Réglage de la l'épaisseur de la porte**

A. Adjust Button/Ajuste del botón/Régler le bouton

Squeeze
Apreta
Serre

Prongs
Lengüetas
Languettes

2" (51 mm)
1 1/4" (44 mm) or 1 3/8" (35 mm)
1 1/8" (41 mm)

B. Adjust Chassis/Ajuste del chasis/Régler le châssis

Rotate from front
Girar desde el frente
Rotation depuis l'avant

Adjustment Plate
Placa de ajuste
Plaque de réglage

Outside
Exterior
Extérieur

Inside
Interior
Intérieur

Chassis
Chasis
Logement

2" (51 mm)
1 1/4" (44 mm)

Door Thickness	Directions
1 1/8" (35 mm)	Rotate adjustment plate until aligned with 1 1/4" mark. FOR ND85: Rotate counterclockwise 1/2 turn.
1 1/4" (41 mm)	Rotate adjustment plate clockwise until tight against chassis. Then rotate counterclockwise 1/2 turn.
1 3/4" (44 mm)	Rotate adjustment plate until aligned with 1 3/4" mark. FOR ND85: Rotate counterclockwise 1/2 turn.
2" (51 mm)	Rotate adjustment plate until aligned with 2" mark.
2 1/8" (54 mm)	Rotate adjustment plate until aligned with 2" mark, then rotate counterclockwise 1 turn.

Grosor de la puerta	Direcciones
35 mm	Gira la placa de ajuste hasta que quede alineada con la marca de 44 mm. PARA ND85: Rotar en sentido contrario de las manecillas del reloj 1/2 vuelta.
41 mm	Gira la placa de ajuste en sentido horario hasta que quede apretada contra el chasis. Rotar en sentido contrario de las manecillas del reloj 1/2 vuelta.
44 mm	Gira la placa de ajuste hasta que quede alineada con la marca de 44 mm. PARA ND85: Rotar en sentido contrario de las manecillas del reloj 1/2 vuelta.
51 mm	Gira la placa ajuste hasta que quede alineada con la marca de 51 mm.
54 mm	Gira la placa ajuste hasta que quede alineada con la marca de 51 mm, luego, rotar en sentido contrario de las manecillas del reloj 1 vuelta.

Epaisseur de porte	Directions
35 mm	Tourner la plaque de réglage jusqu'à ce qu'elle soit alignée avec le repère 44 mm. POUR ND85: Tournez 1/2 tour dans le sens des aiguilles d'une montre.
41 mm	Tourner la plaque de réglage dans le sens horaire jusqu'à ce qu'elle soit serrée contre le châssis. Tournez 1/2 tour dans le sens des aiguilles d'une montre.
44 mm	Tourner la plaque de réglage jusqu'à ce qu'elle soit alignée avec le repère 44 mm. POUR ND85: Tournez 1/2 tour dans le sens des aiguilles d'une montre.
51 mm	Tourner la plaque de réglage jusqu'à ce qu'elle soit alignée avec le repère 51 mm.
54 mm	Tourner la plaque de réglage jusqu'à ce qu'elle soit alignée avec le repère 51 mm, faites ensuite 1 tour dans le sens contraire des aiguilles d'une montre.



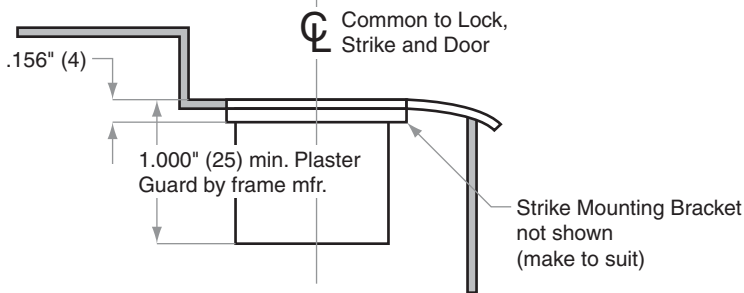
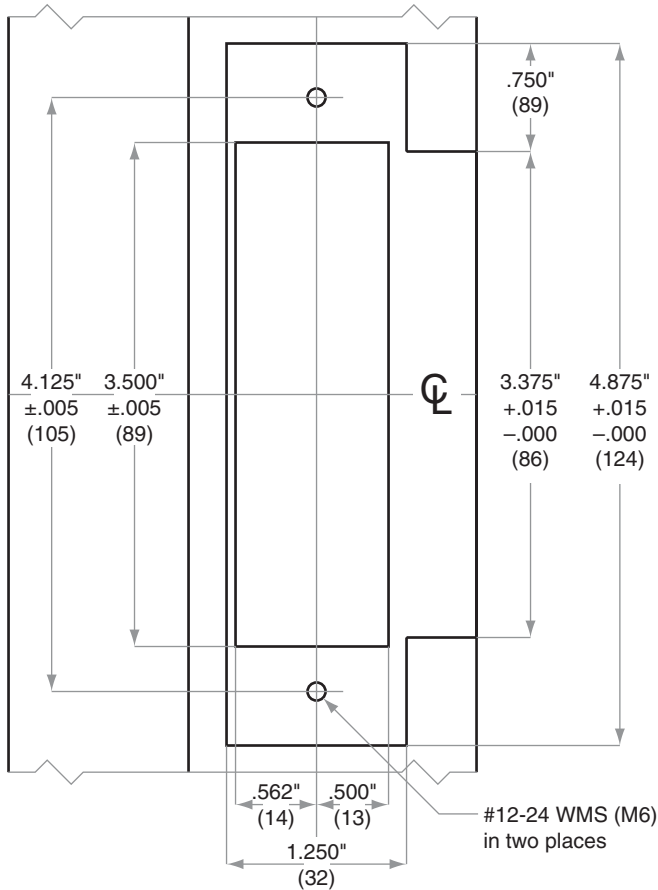
Strikes

10-025, 10-072, 10-087

Jamb Type:	Metal
Style:	ANSI Standard for 1¾" (44mm) doors
Standard for:	AL-Series (10-025) D-Series Knobs (10-025) ND-Series Levers (10-025) L\L\LV9000-Series (10-072)
Optional for:	A-Series B250-Series F-Series S-Series

NOTE:

1. Strike box furnished detached or 10-072 and 10-087, but not required as Plaster Guard is furnished by frame mfr.
2. Strike location on frames must be adjusted for thickness of door silencers when used



Dimensions shown in parentheses () are in millimeters

Job: _____

Date: _____

Door Thickness: _____

Remarks: _____

**TEMPLATE
J919**



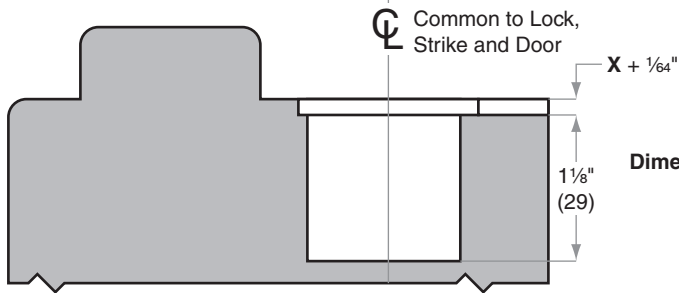
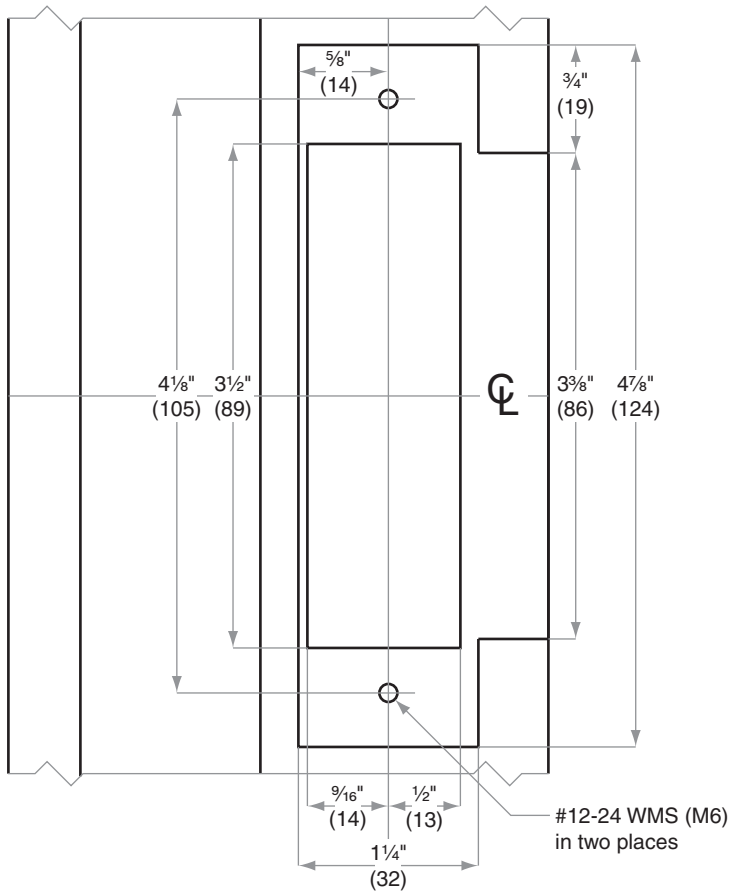
Strikes

Models 10-025, 10-072, 10-087

Jamb Type: Wood
Style: ANSI Standard for 1¾" (44 mm) doors
Standard for: AL-Series (10-025) | D-Series Knobs (10-025) | ND-Series Lever (10-025) | L/LV9000-Series (10-072)
Optional for: A-Series | B250-Series | F-Series | S-Series

NOTE:

1. When reinforcement plate is specified, mortise additional 1/8" (3) to Dimension X
2. Strike location on frames must be adjusted for thickness of door silencers when used



Dimension X: 10-025: 3/32" (2) when strike box not specified
 10-072 and 10-087: 5/32" (4) for strike box, detached

Dimensions shown in parentheses () are in millimeters.

Door preparation template

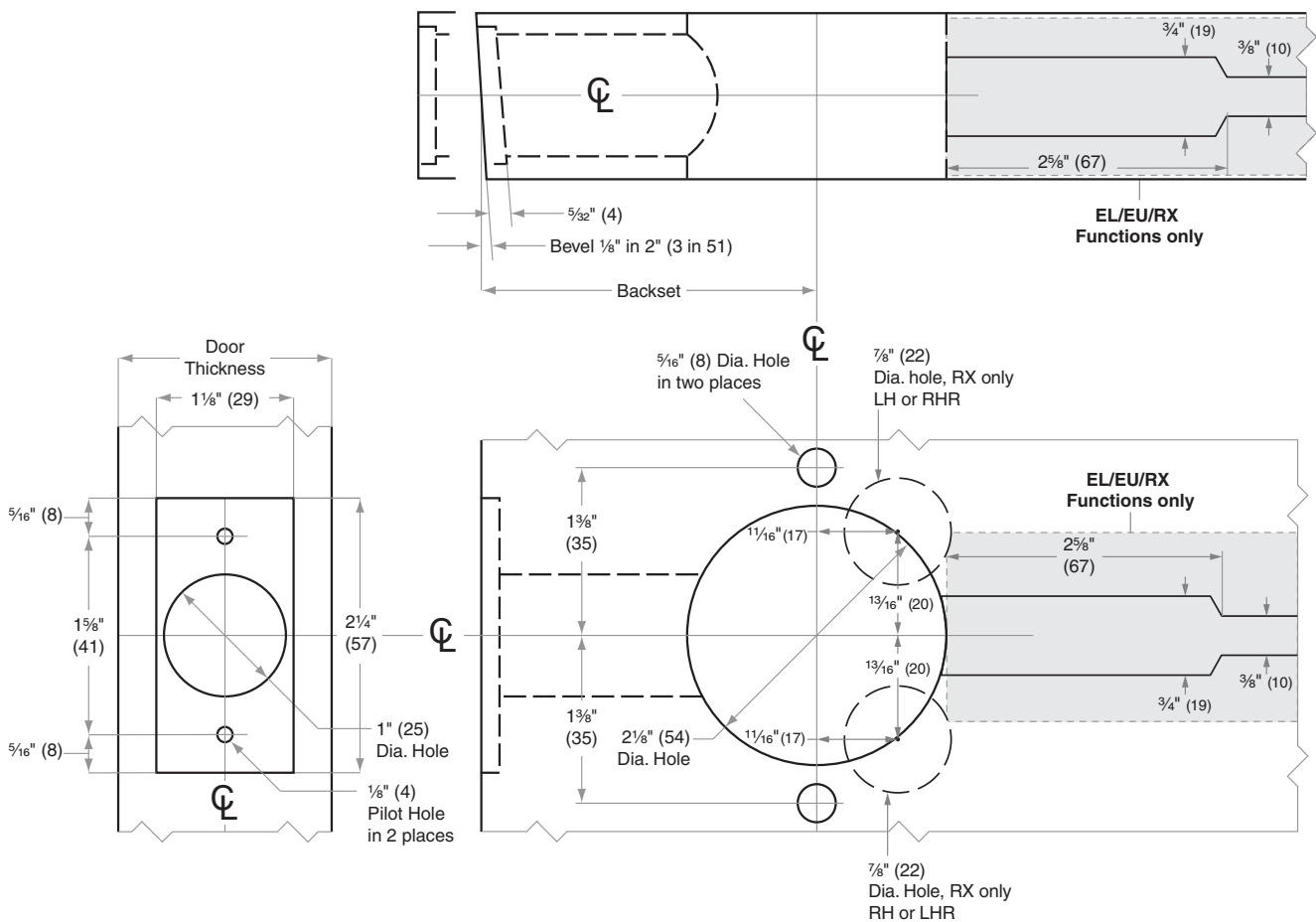


ND-Series Levers

Models ND10-ND97, ND12EL/EU/RX, ND80PDEL/EU/RX, ND96EL/EU

- Door Type: Wood or Composite, Flat or Beveled
- Door Thickness: 1 3/8" (35 mm)–2 1/8" (54 mm) except ND85: 1 3/4" (44 mm)–2" (51 mm)
- Faceplate: Square Corner, 1 1/8" (29 mm) wide
- Backsets: 2 3/8" (60 mm), 2 3/4" (70 mm), 3 3/4" (95 mm), 5" (127 mm), other

For EL/EU and RX functions, provision must be made to route low voltage wire to lock (recommend minimum 3/8" (10) diameter hole). **A clearance hole is required to accommodate the wire connectors, 3/4" (19) diameter by 2 5/8" (67) long.**



Dimensions shown in parentheses () are in millimeters.

Door preparation template

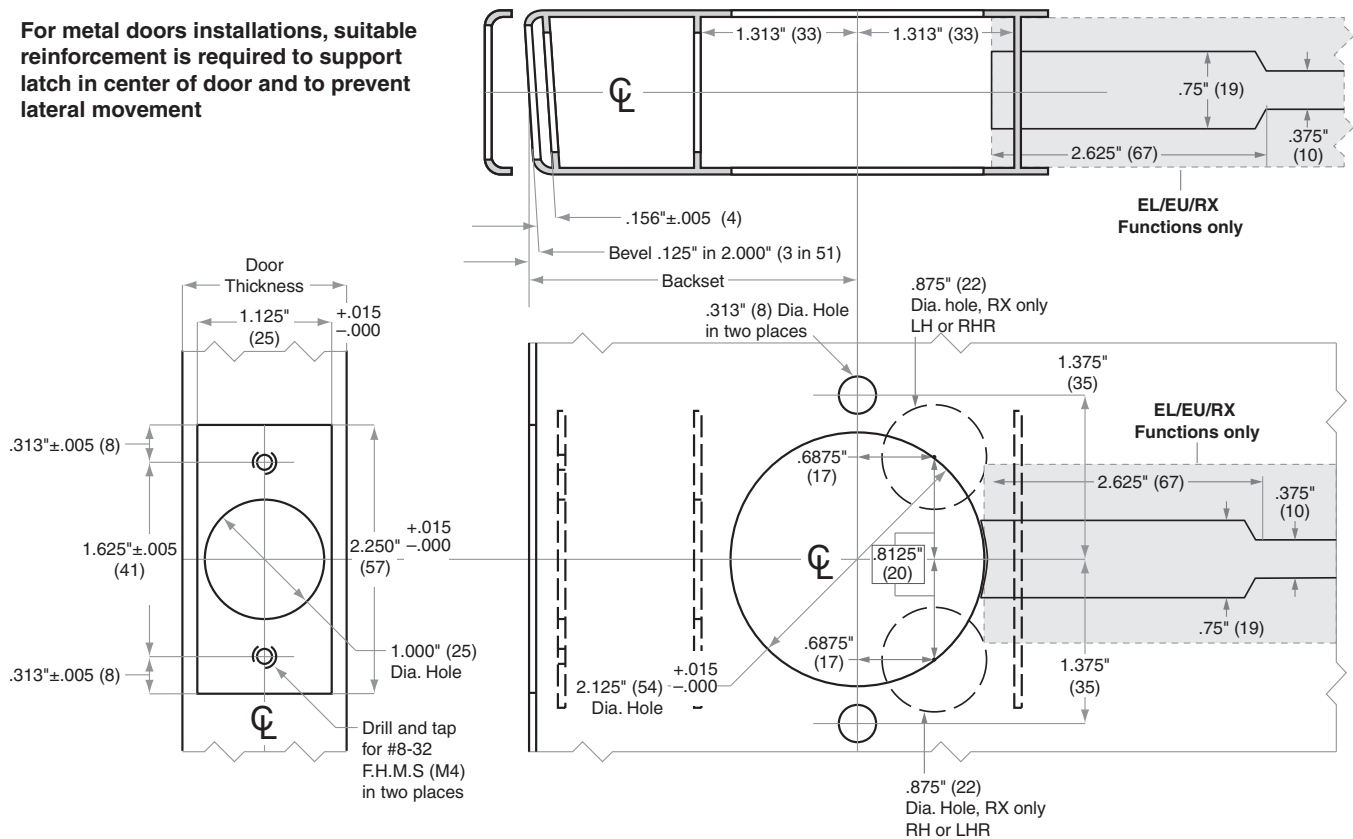


ND-Series Levers

Models ND10-ND97, ND12EL/EU/RX, ND80PDEL/EU/RX, ND96EL/EU

- Door Type: Metal, Flat or Beveled
- Door Thickness: 1 3/8" (35 mm)–2 1/8" (54 mm) except ND85: 1 3/4" (44 mm)–2" (51 mm)
- Faceplate: Square Corner, 1 1/8" (29 mm) wide
- Backsets: 2 3/8" (60 mm), 2 3/4" (70 mm), 3 3/4" (95 mm), 5" (127 mm), other

For metal doors installations, suitable reinforcement is required to support latch in center of door and to prevent lateral movement



Dimensions shown in parentheses () are in millimeters.

Door preparation template

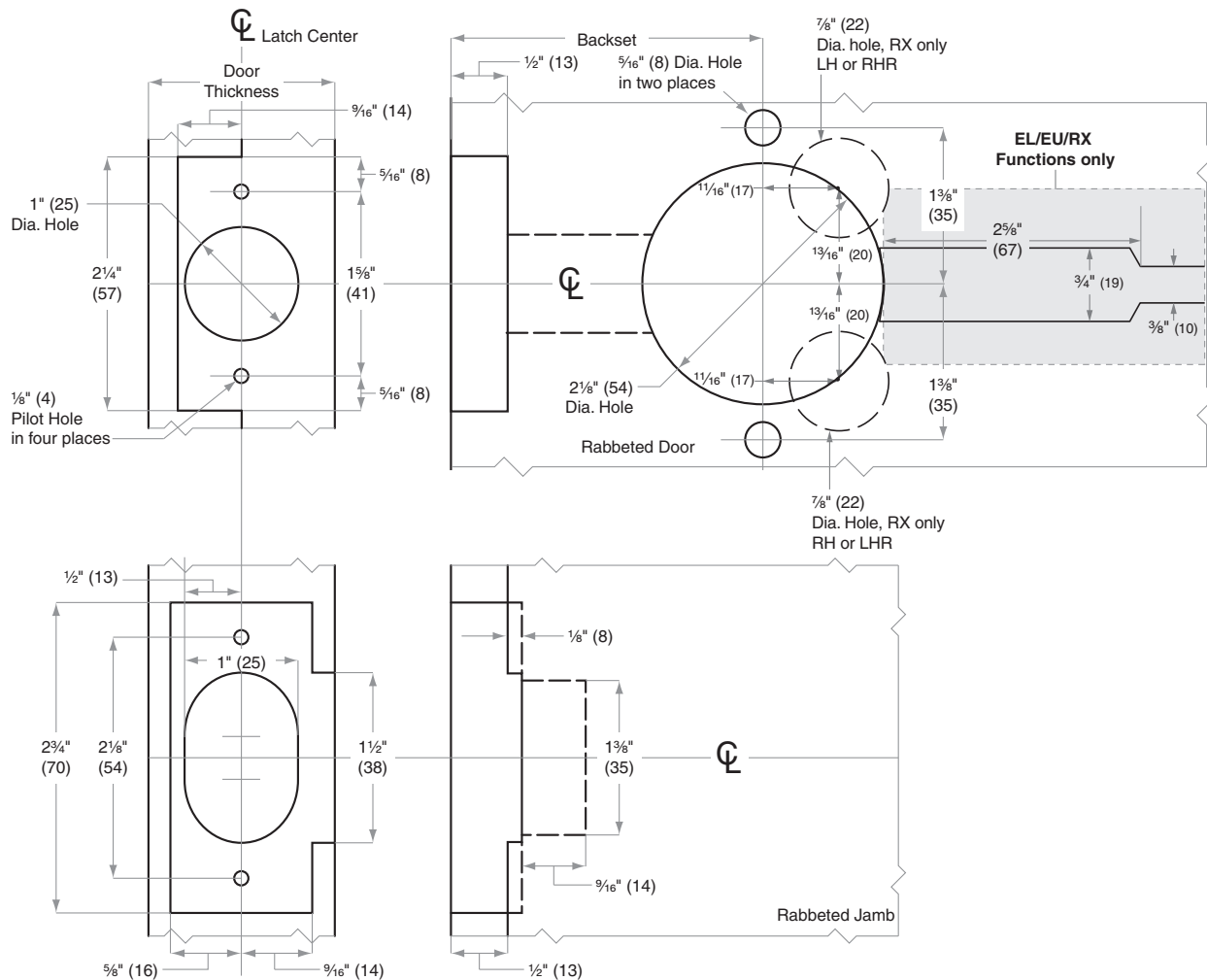


ND-Series Levers

Models ND10-ND97, ND12EL/EU/RX, ND80PDEL/EU/RX, ND96EL/EU

- Door Type: Wood or Composite, rabbeted, flat
- Door Thickness: 1 3/8" (35 mm)–2 1/8" (54 mm) except ND85: 1 3/4" (44 mm)–2" (51 mm)
- Faceplate: Square Corner, 1 1/8" (29 mm) wide, 1/2" (13 mm) rabbeted and strike
- Backsets: 2 3/8" (60 mm), 2 3/4" (70 mm), 3 3/4" (95 mm), 5" (127 mm), other

For EL/EU and RX functions, provision must be made to route low voltage wire to lock (recommend minimum 3/8" (10) diameter hole). **A clearance hole is required to accommodate the wire connectors, 3/4" (19) diameter by 2 5/8" (67) long.**



Dimensions shown in parentheses () are in millimeters.

Door preparation template



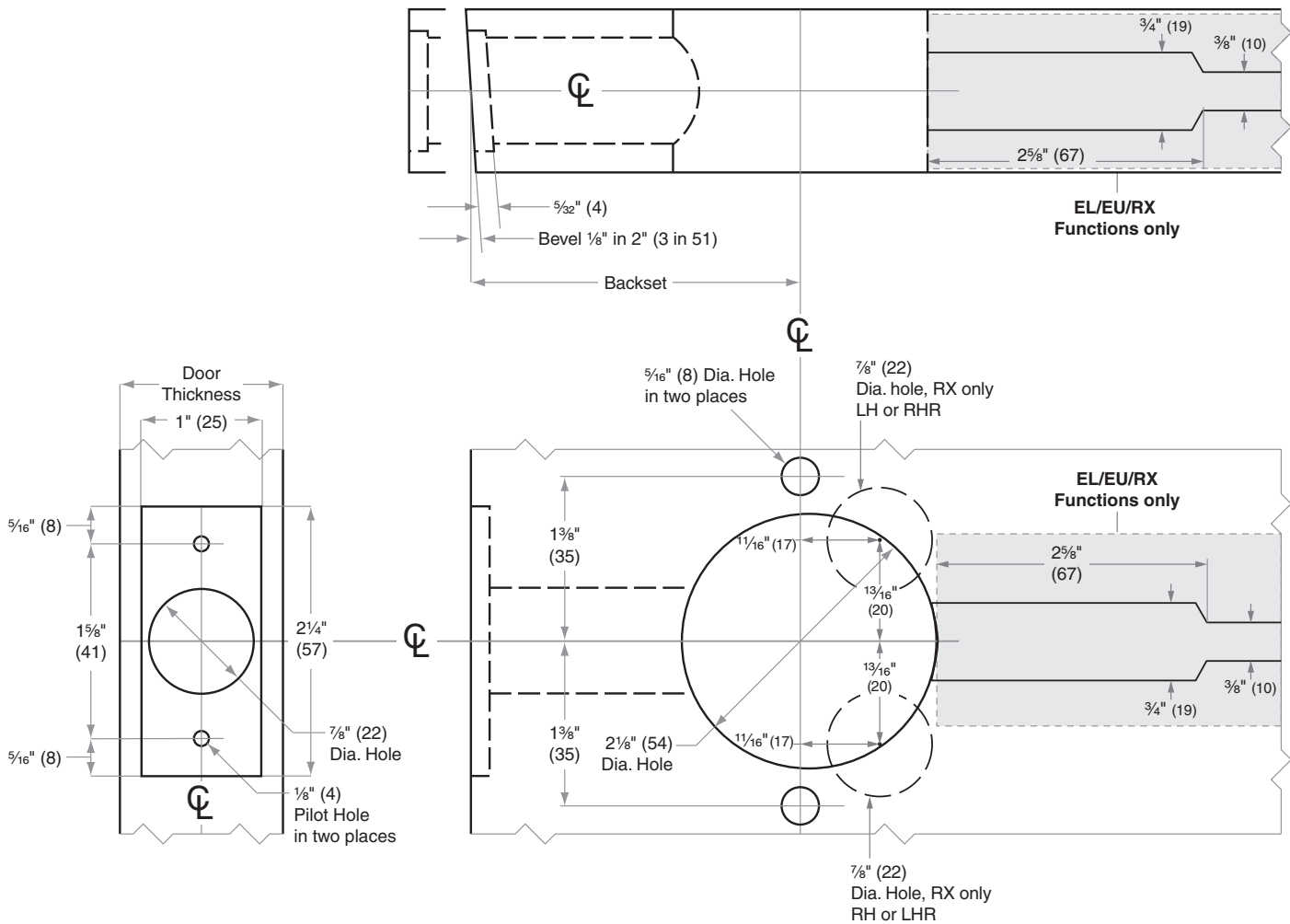
ALLEGION™

ND-Series Levers

Models ND10–ND97, ND12EL/EU/RX, ND80PDEL/EU/RX, ND96EL/EU

- Door Type: Wood or Composite, Flat or Beveled
- Door Thickness: 1 3/8" (35 mm)–2 1/8" (54 mm) except ND85: 1 3/4" (44 mm)–2" (51 mm)
- Faceplate: Square Corner, 1" (25 mm) wide
- Backsets: 2 3/8" (60 mm)

For EL/EU and RX functions, provision must be made to route low voltage wire to lock (recommend minimum 3/8" (10) diameter hole). A clearance hole is required to accommodate the wire connectors, 3/4" (19) diameter by 2 5/8" (67) long.



Dimensions shown in parentheses () are in millimeters.

Door preparation template

ND405

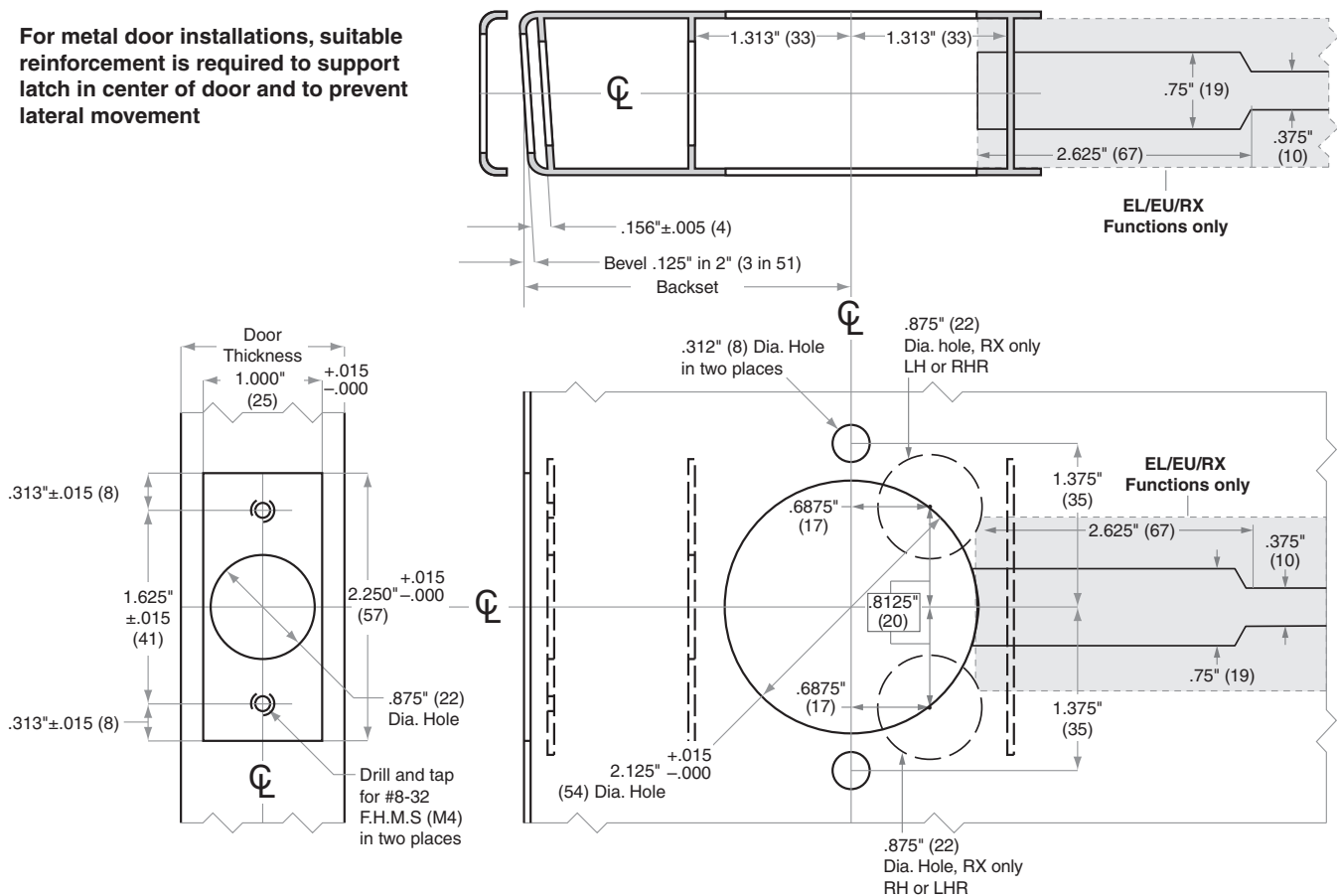


ND-Series Levers

Models ND10-ND97, ND12EL/EU/RX, ND80PDEL/EU/RX, ND96EL/EU

- Door Type: Metal, Flat or Beveled
- Door Thickness: 1 3/8" (35 mm)–2 1/8" (54 mm) except ND85: 1 3/4" (44 mm)–2" (51 mm)
- Faceplate: Square Corner, 1" (25 mm) wide
- Backsets: 2 3/8" (60 mm)

For metal door installations, suitable reinforcement is required to support latch in center of door and to prevent lateral movement



Dimensions shown in parentheses () are in millimeters.

Door preparation template



S200

-series-

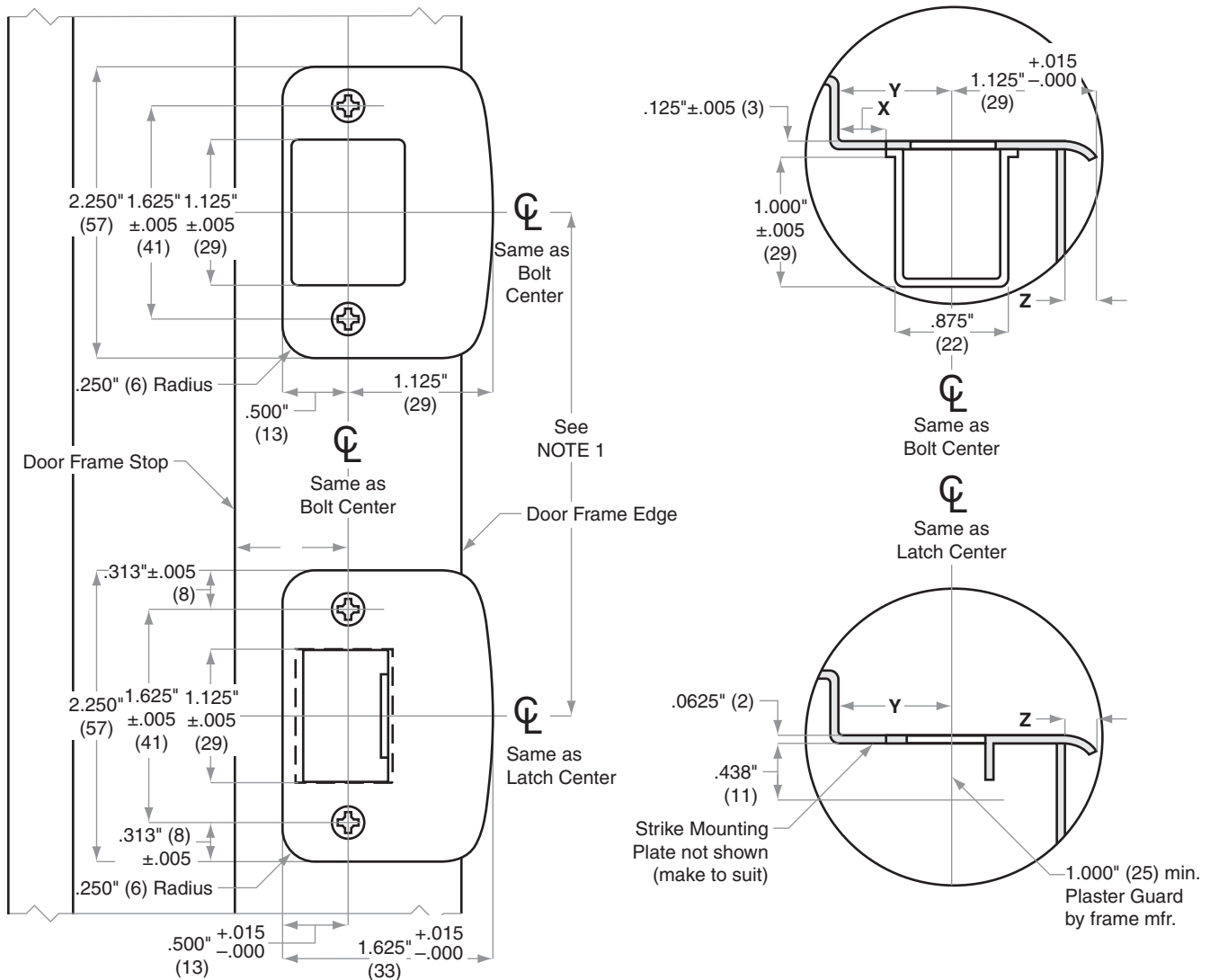
Strikes, Combination

Model 10-257=10-092x10-027

Jamb Type: Metal
 Style: Combination
 Standard for:
 Optional for: F/FA300-Series | H-Series | S200-Series

NOTE:

- 4.000" (102) For H- and S200-Series
 4.000" (102) minimum for F360/362
 5.500" (138) minimum for FA360/362
- Dimensions X, Y and Z are variables dependent on door thickness
- Strike location on frames must be adjusted for thickness of door silencers when used



Dimensions shown in parentheses () are in millimeters.

Door preparation template

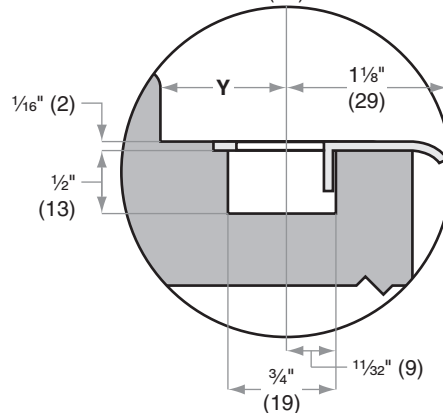
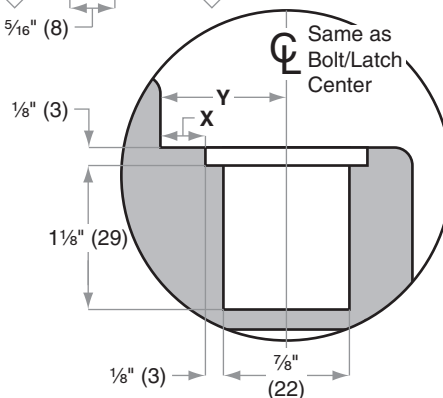
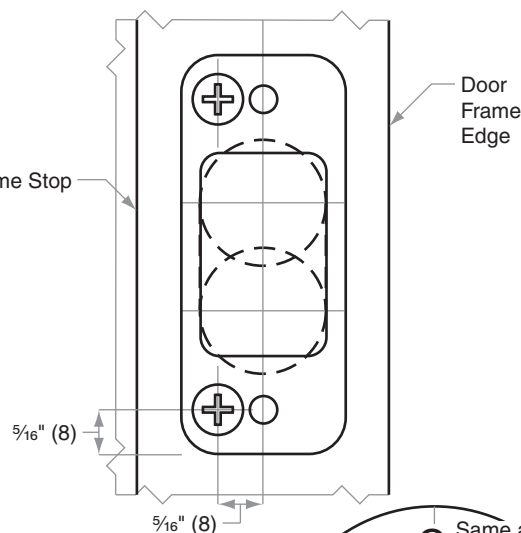
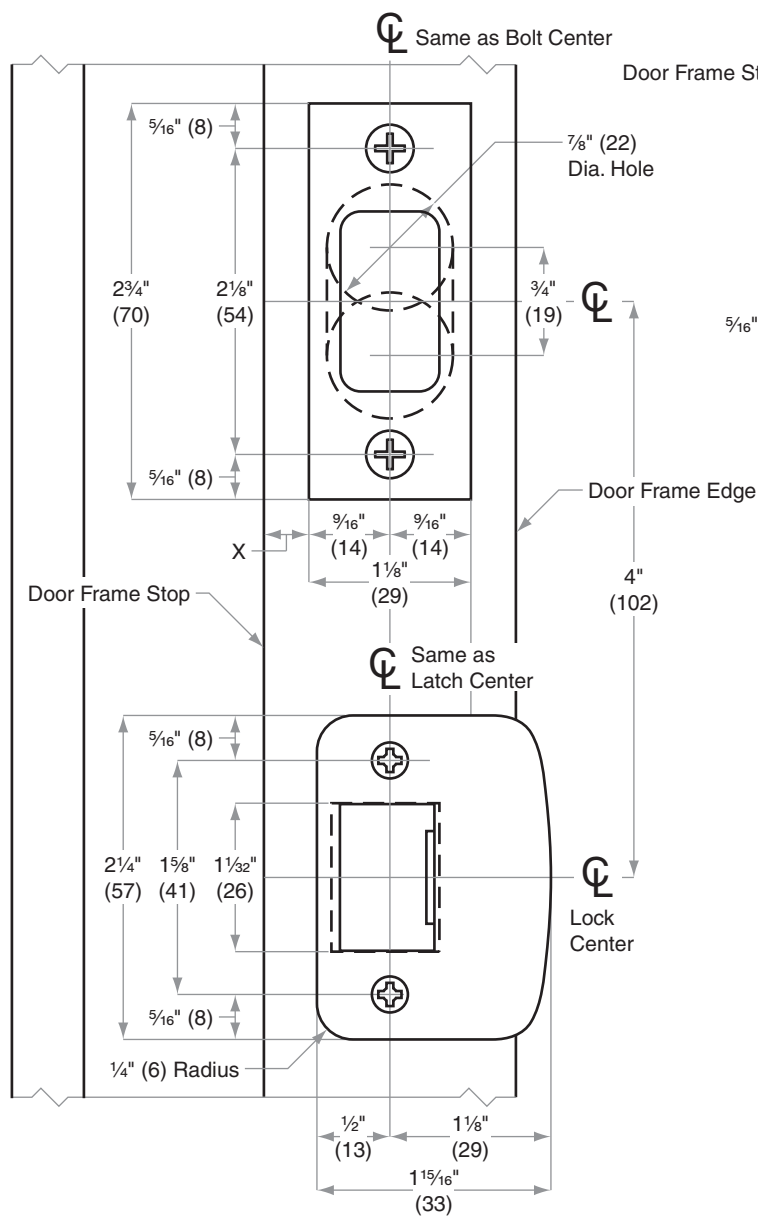


Strikes, Combination

Model 10-255=10-055x10-027

Jamb Type: Wood
 Style: Combination
 Standard for:
 Optional for: H-Series | S200-Series

- NOTE:
- When strike/frame reinforcer is used, additional preparation is required:
2 Pilot Holes and 1/8" (3) deeper mortise
 - Dimensions X and Y are variables dependent on door thickness



Dimensions shown in parentheses () are in millimeters.

Door preparation template



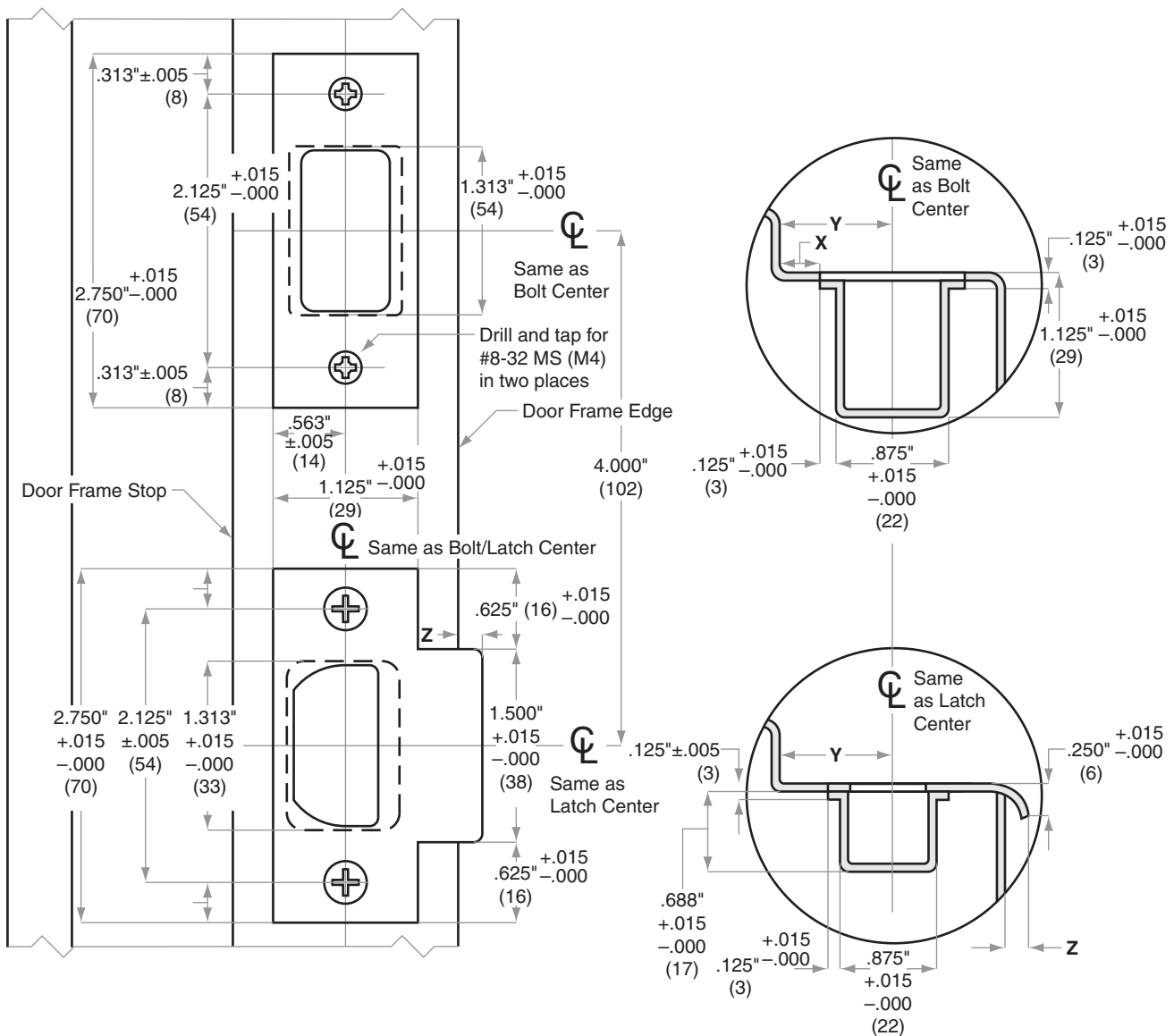
Strikes, Combination

Model 10-250=10-055x10-001

Jamb Type: Metal
 Style: Combination
 Standard for: H-Series | S200-Series
 Optional for:

NOTE:

1. Dimensions X, Y and Z are variables dependent on door thickness
2. Curved strike extension beyond jamb at Z must not be less than $\frac{3}{16}$ " (5) to ensure proper functioning of latch bolt



Dimensions shown in parentheses () are in millimeters.

Door preparation template

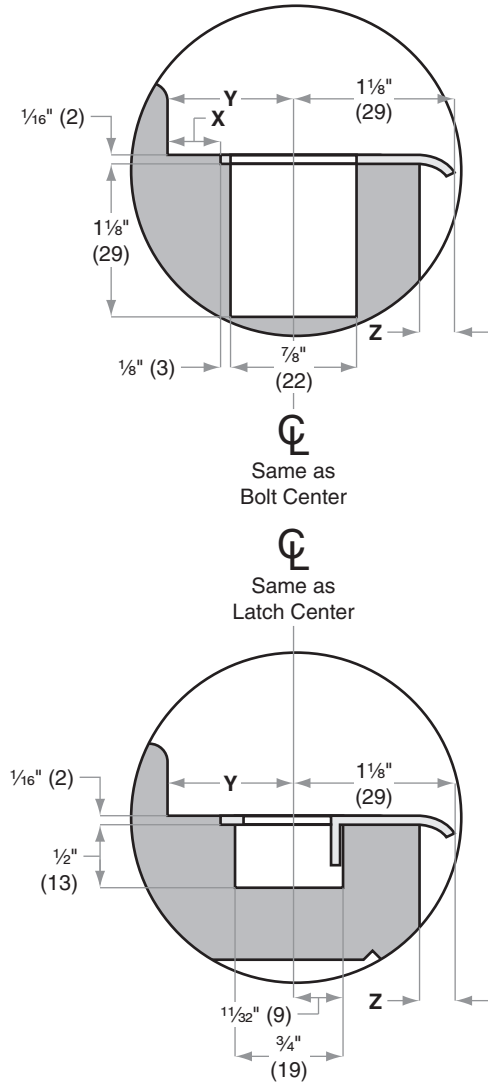
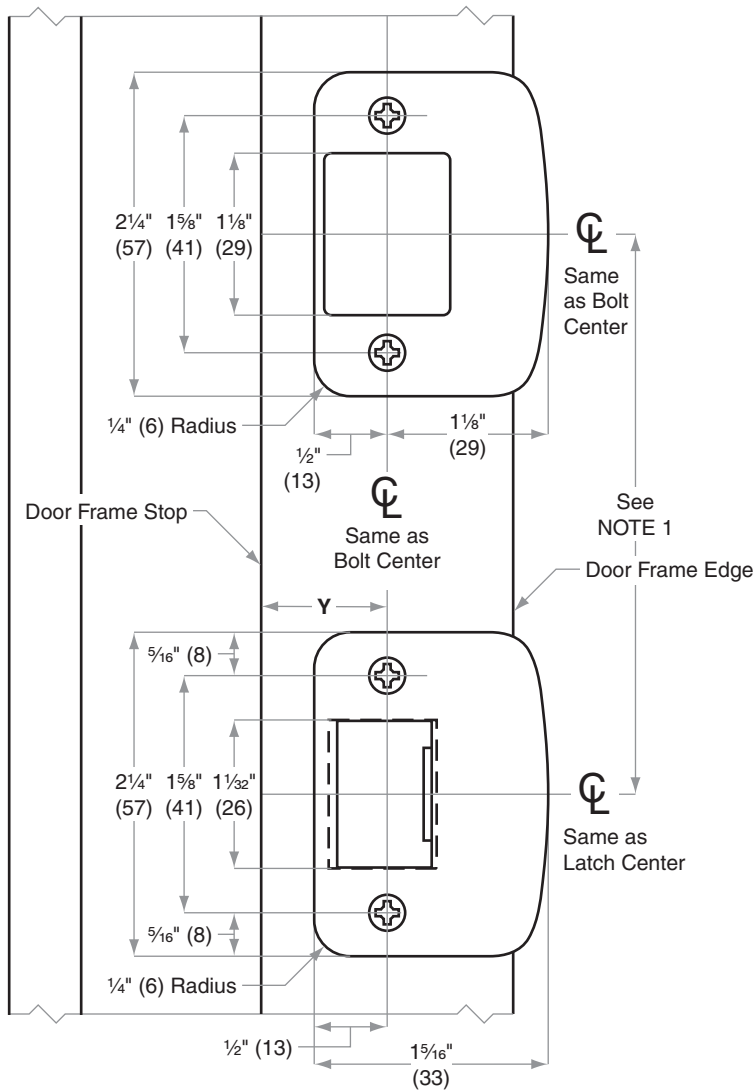
Strikes, Combination

Model 10-257=10-092x10-027

Jamb Type: Wood
 Style: Combination
 Standard for:
 Optional for: F/FA300-Series | H-Series | S200-Series

NOTE:

- 4" (102) For H- and S200-Series
 4" (102) minimum for F360/362
 5½" (138) minimum for FA360/362
- Dimensions X, Y and Z are variables dependent on door thickness
- Strike location on frames must be adjusted for thickness of door silencers when used



Dimensions shown in parentheses () are in millimeters.

Door preparation template



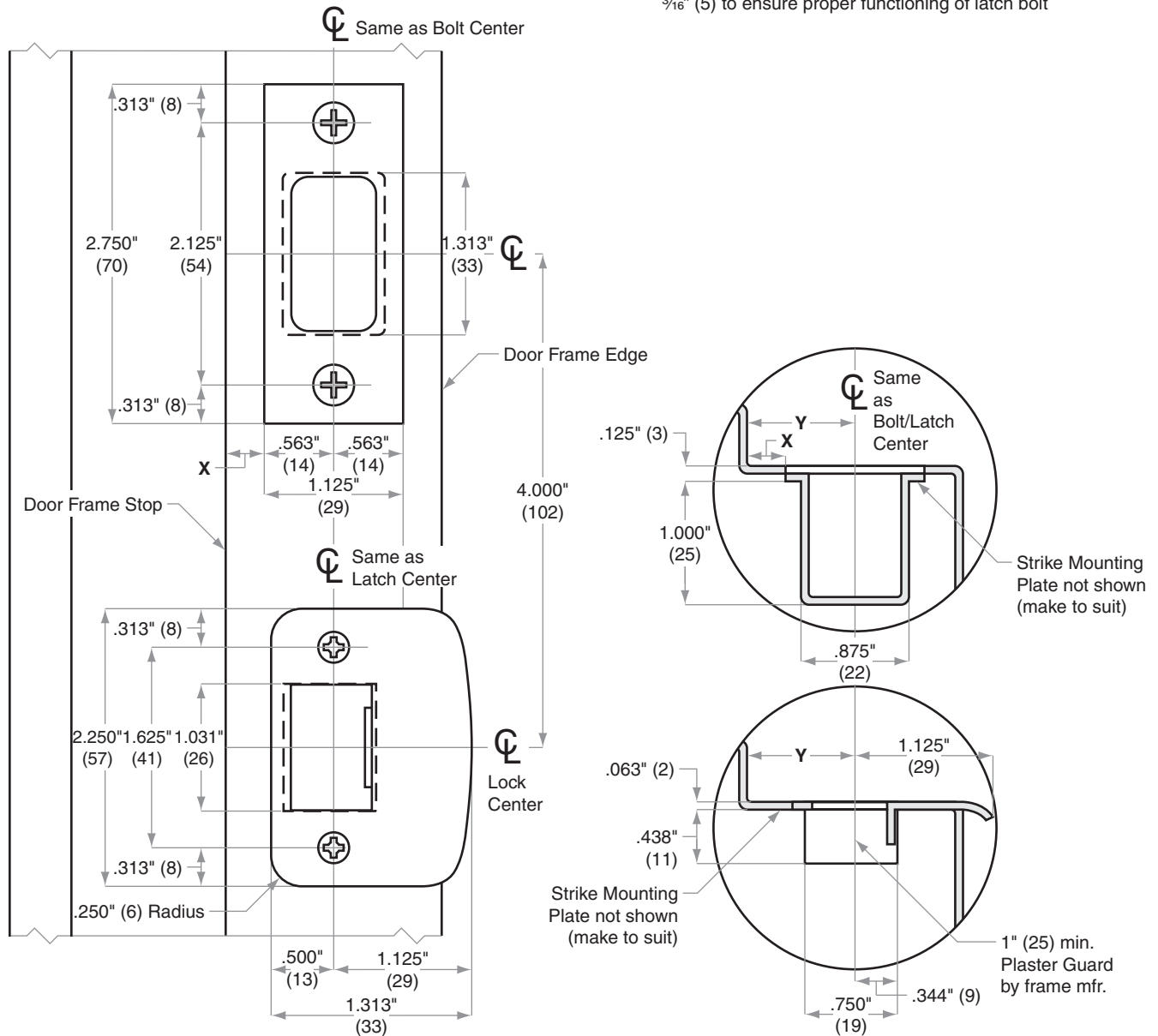
Strikes, Combination

Model 10-255=10-055x10-027

Jamb Type: Metal
 Style: Combination
 Standard for:
 Optional for: H-Series | S200-Series

NOTE:

1. Dimensions X and Y are variables dependent on door thickness
2. Distance from upper strike to lower strike same as latch and bolt
3. Curved strike extension beyond jamb at Z must not be less than 3/16" (5) to ensure proper functioning of latch bolt



Dimensions shown in parentheses () are in millimeters.

Door preparation template



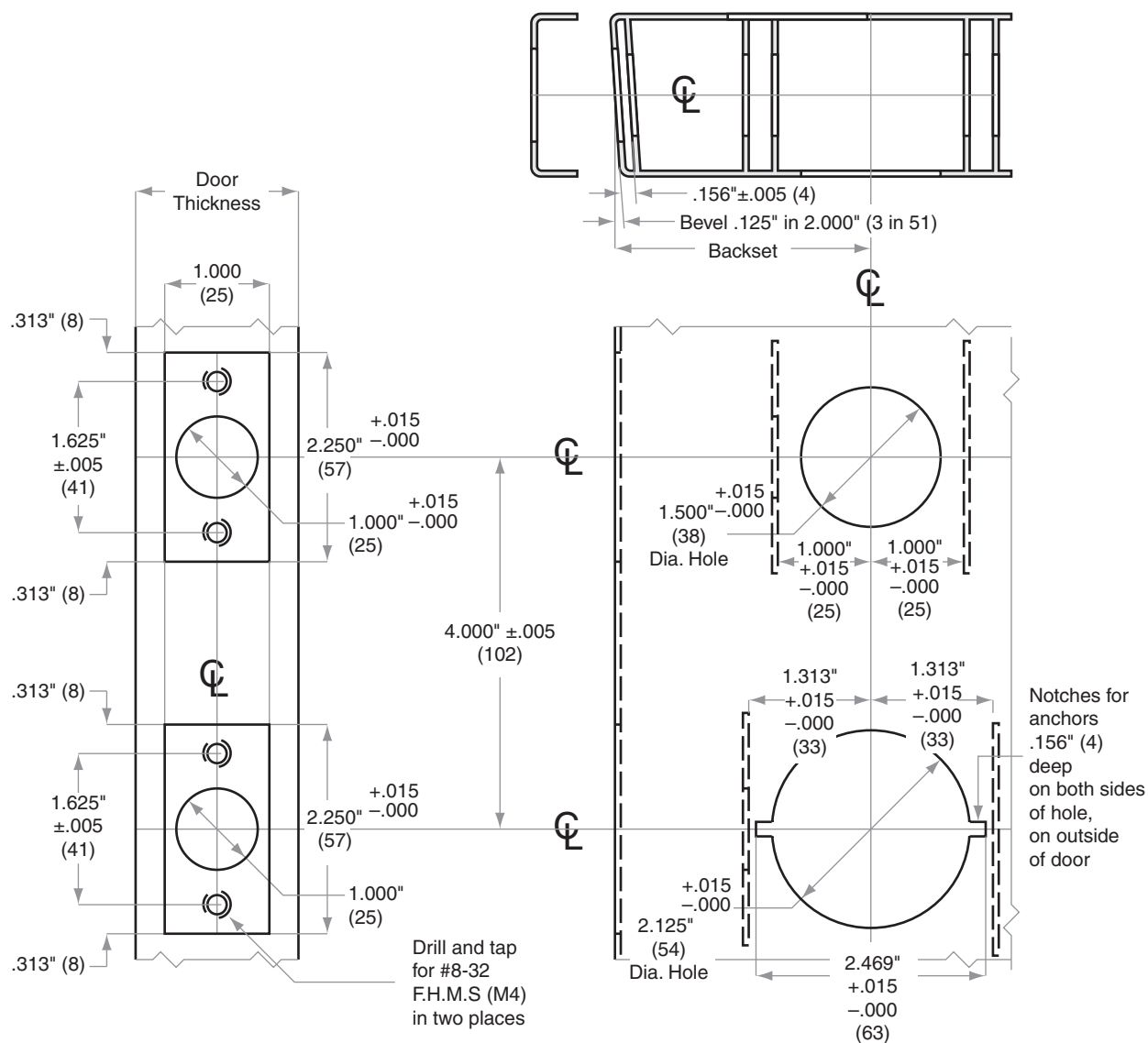
S200-Series

Models S210, S251, S270, S280

- Door Type: Metal, Flat or Beveled
- Door Thickness: 1 3/8" (35 mm)–2" (51 mm)
- Faceplate: Square Corner, 1" (25 mm) wide
- Backsets: 2 3/8" (60 mm), 2 3/4" (70 mm), 5" (127 mm)

Strikes located 4" (102) Centerline to Centerline, same as Latch and Bolt

For metal door installations, suitable reinforcement is required to support latch and bolt in center of door to prevent lateral movement



Dimensions shown in parentheses () are in millimeters.

Door preparation template

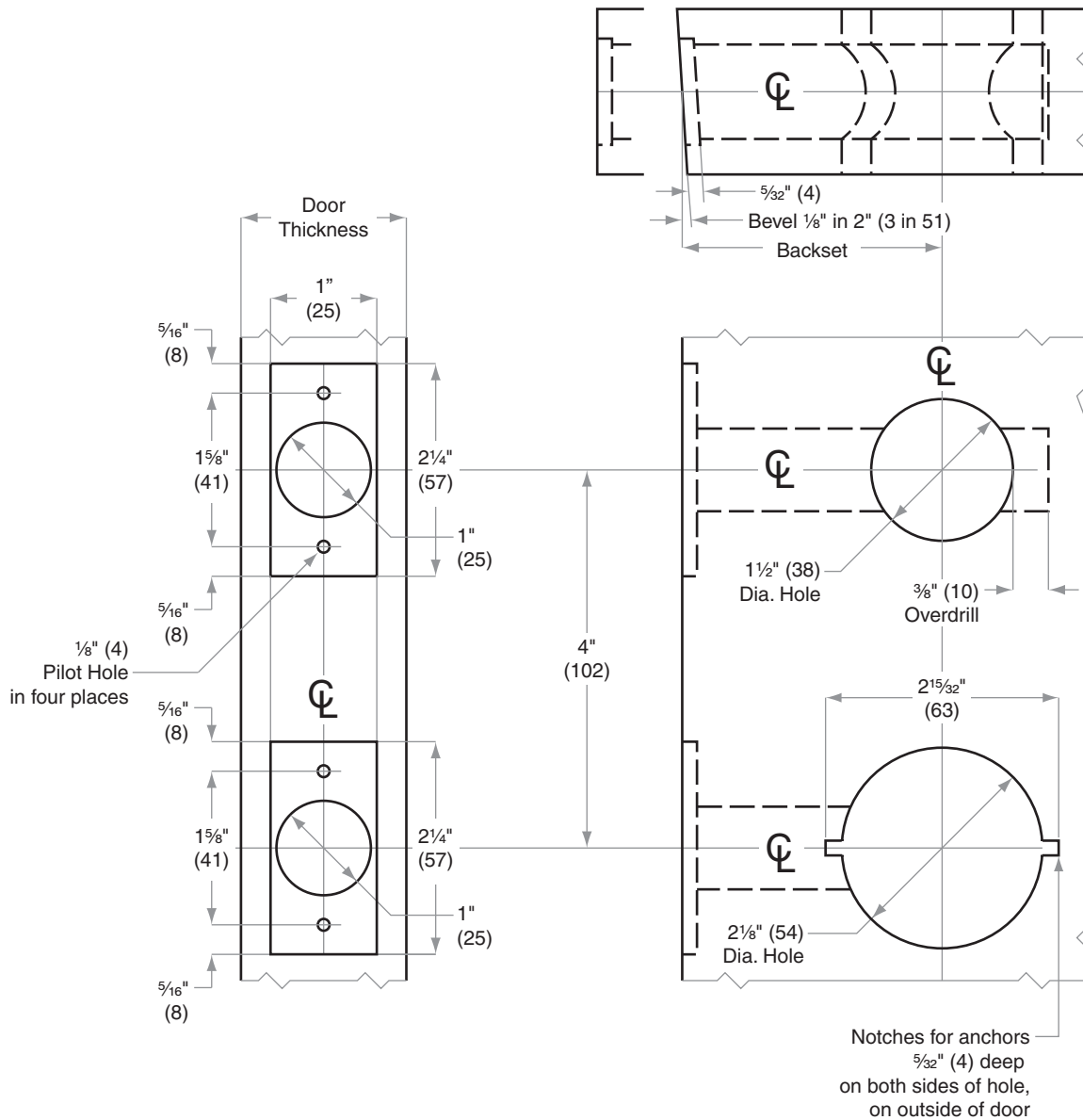


S200-Series

Models S210, S251, S270, S280

- Door Type: Wood or Composite, Flat or Beveled
- Door Thickness: 1 3/8" (35 mm)–2" (51 mm)
- Faceplate: Square Corner, 1" (25 mm) wide
- Backsets: 2 3/8" (60 mm), 2 3/4" (70 mm), 5" (127 mm)

Strikes located 4" (102) Centerline to Centerline, same as Latch and Bolt



Dimensions shown in parentheses () are in millimeters.

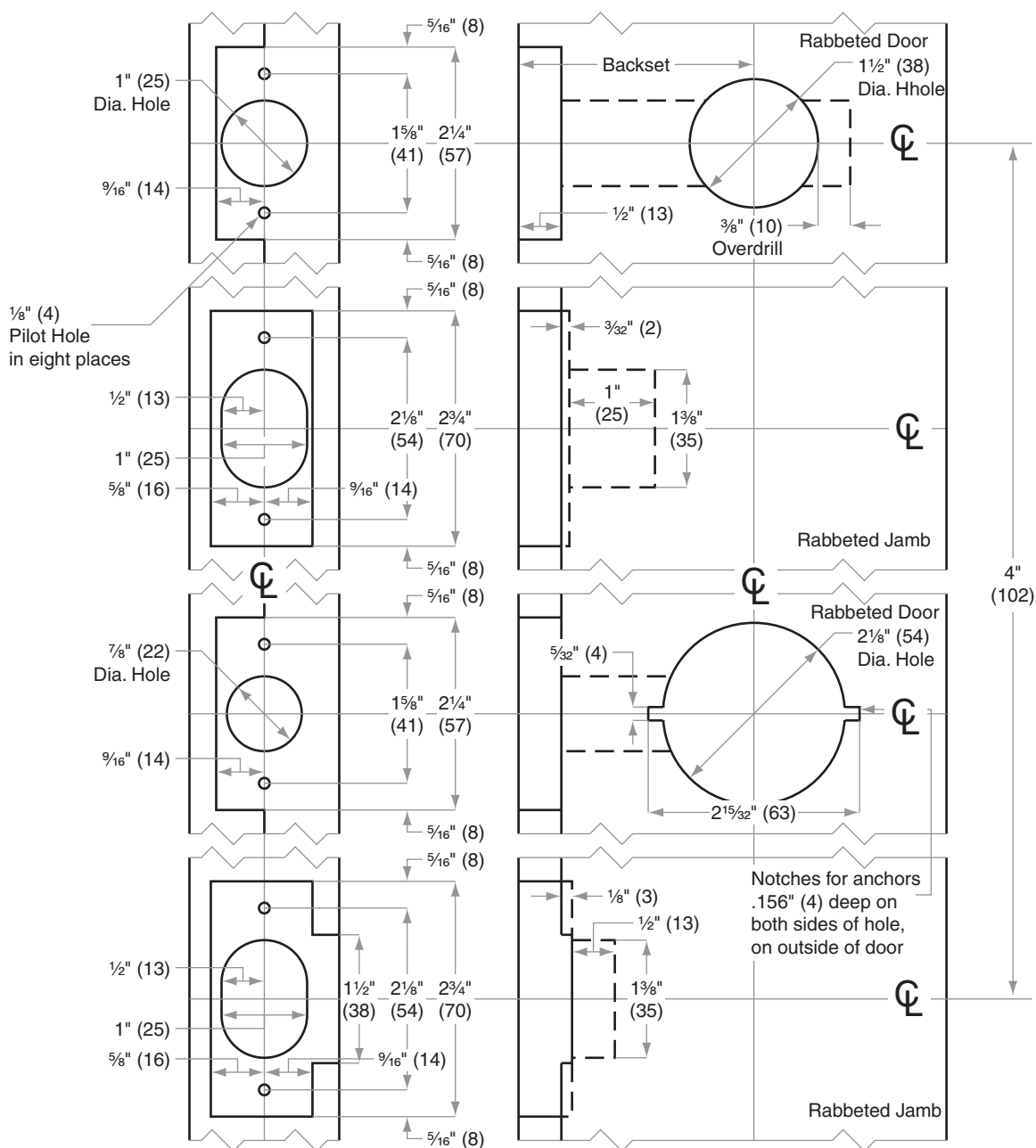
Door preparation template



S200-Series

Models S210, S251, S270, S280

- Door Type: Wood or Composite, rabbeted, flat
- Door Thickness: 1 3/8" (35 mm)–2" (51 mm)
- Faceplate: Square Corner, 1" (25 mm) width, 1/2" (6 mm) rabbeted and strike
- Backsets: 2 3/8" (60 mm), 2 3/4" (70 mm), 5" (127 mm)



Dimensions shown in parentheses () are in millimeters.

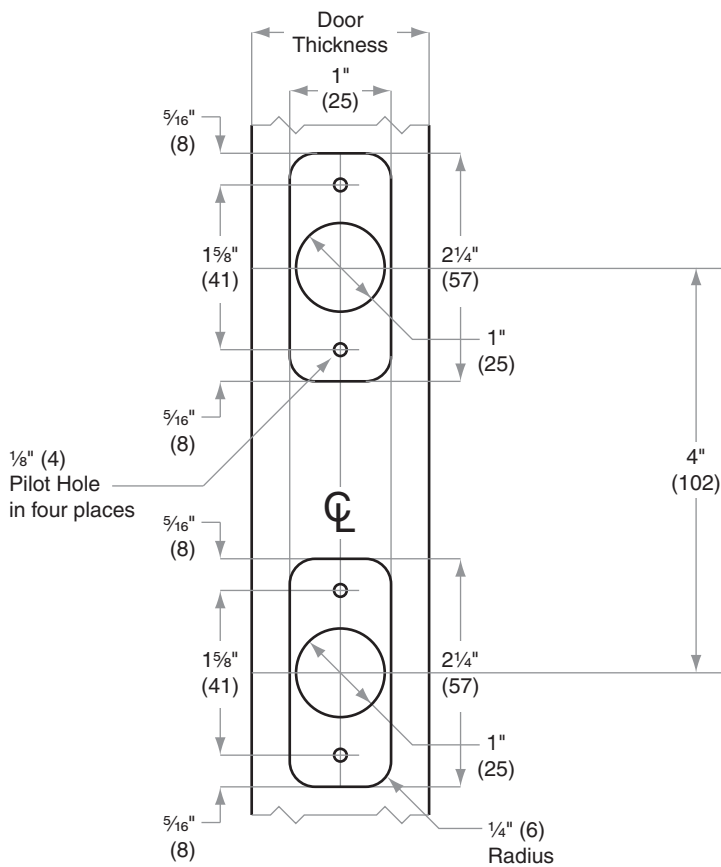
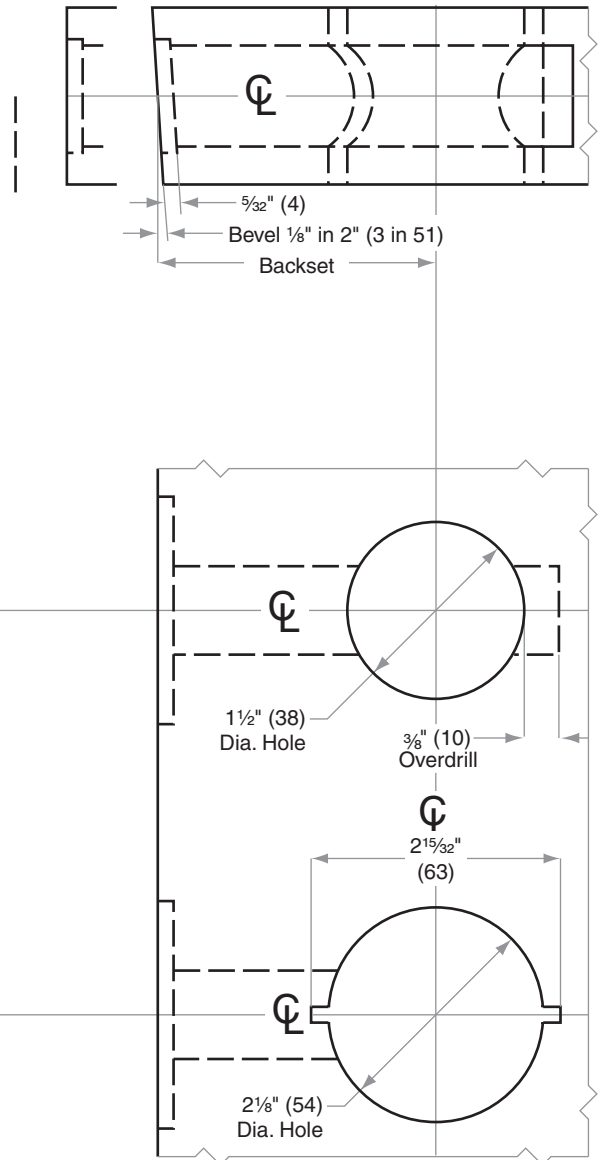
Door preparation template



S200-Series

Models S210, S251, S270, S280

- Door Type: Wood or Composite, Flat or Beveled
- Door Thickness: 1 3/8" (35 mm)–2" (51 mm)
- Faceplate: Round Corner, 1/4" (6 mm) radius, 1" (25 mm) wide
- Backsets: 2 3/8" (60 mm), 2 3/4" (70 mm), 5" (127 mm)



Dimensions shown in parentheses () are in millimeters.

Door preparation template

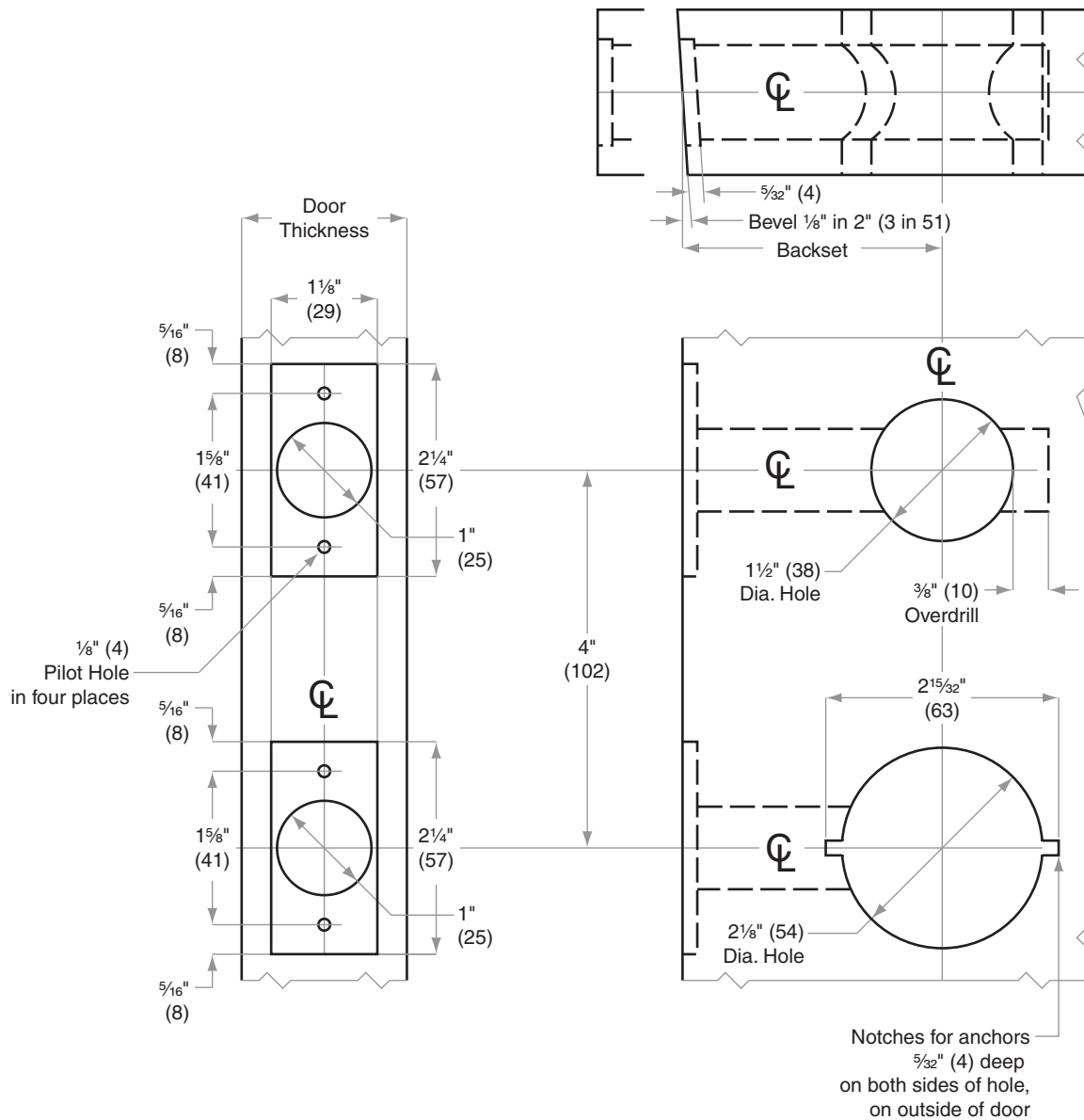


S200-Series

Models S210, S251, S270, S280

- Door Type: Wood or Composite, Flat or Beveled
- Door Thickness: 1 3/8" (35 mm)–2" (51 mm)
- Faceplate: Square Corner, 1 1/8" (29 mm) wide
- Backsets: 2 3/8" (60 mm), 2 3/4" (70 mm), 5" (127 mm)

Strikes located 4" (102) Centerline to Centerline, same as Latch and Bol



Dimensions shown in parentheses () are in millimeters.

Door preparation template



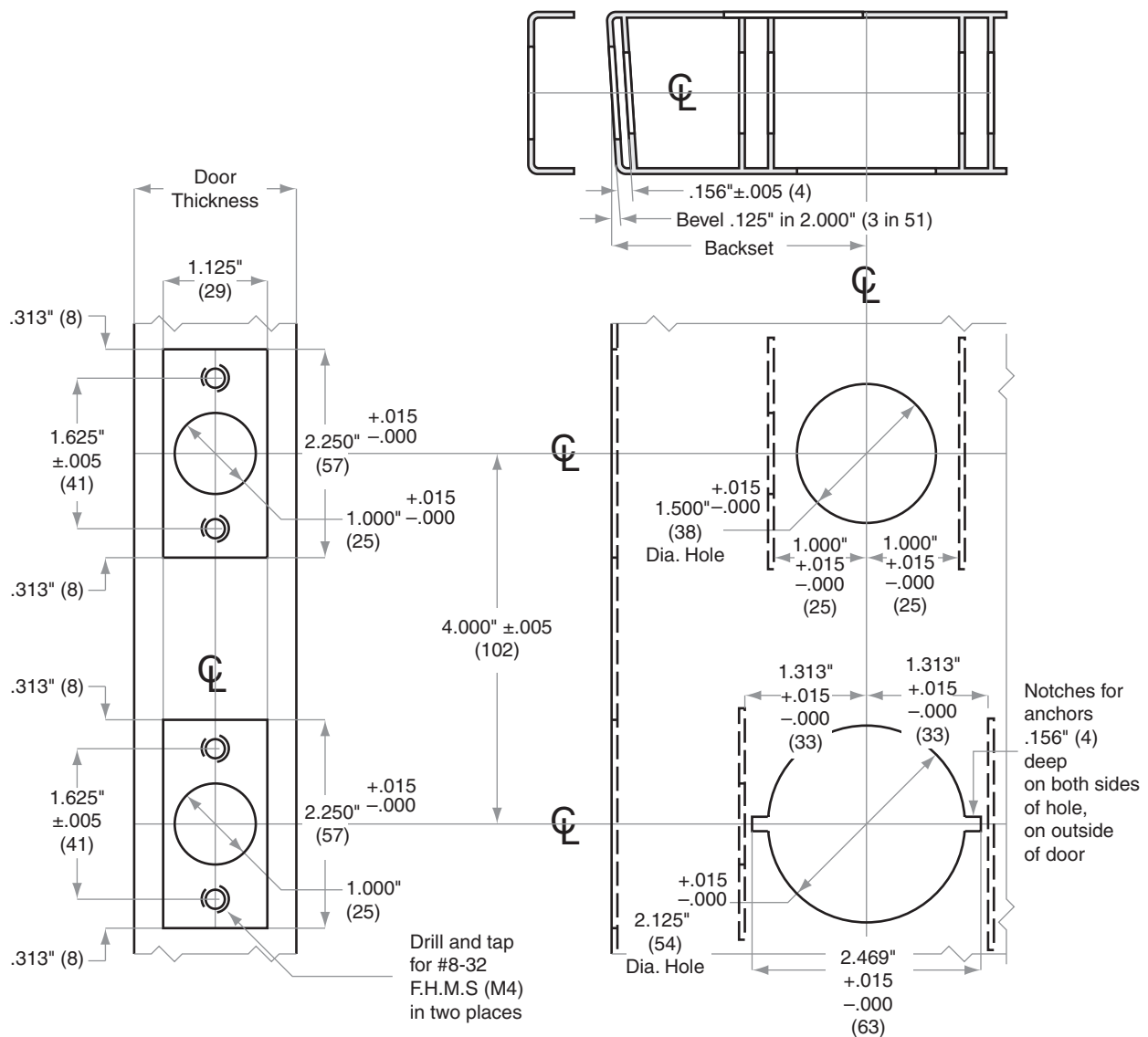
S200-Series

Models S210, S251, S270, S280

Door Type: Metal, Flat or Beveled
 Door Thickness: 1 3/8" (35 mm)–2" (51 mm)
 Faceplate: Square Corner, 1 1/8" (29 mm) wide
 Backsets: 2 3/8" (60 mm), 2 3/4" (70 mm), 5" (127 mm)

Strikes located 4" (102) Centerline to Centerline, same as Latch and Bolt

For metal door installations, suitable reinforcement is required to support latch and bolt in center of door to prevent lateral movement



Dimensions shown in parentheses () are in millimeters.

Door preparation template

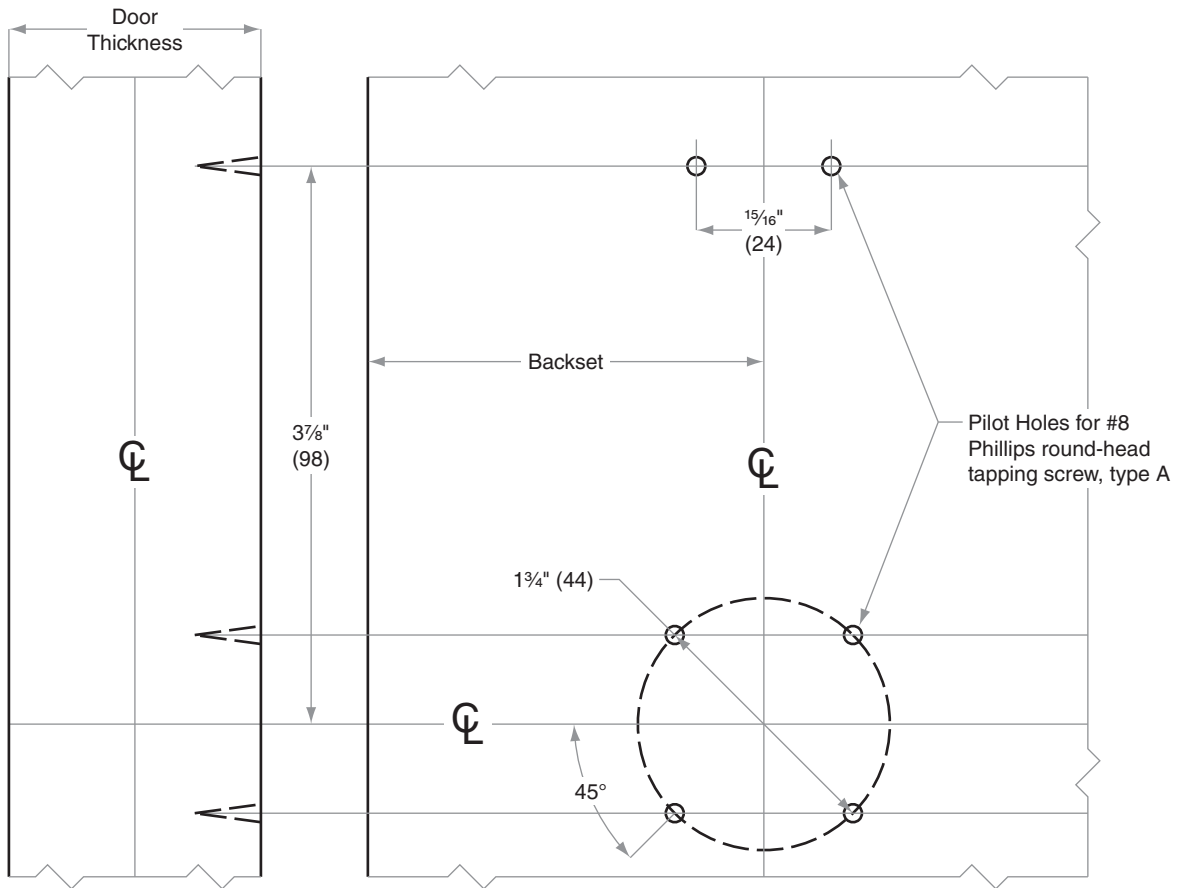


S200-Series

Model S290



Door Type: Wood or Composite
Door Thickness: Any
Faceplate: None
Backsets: Any



Dimensions shown in parentheses () are in millimeters.

Door preparation template

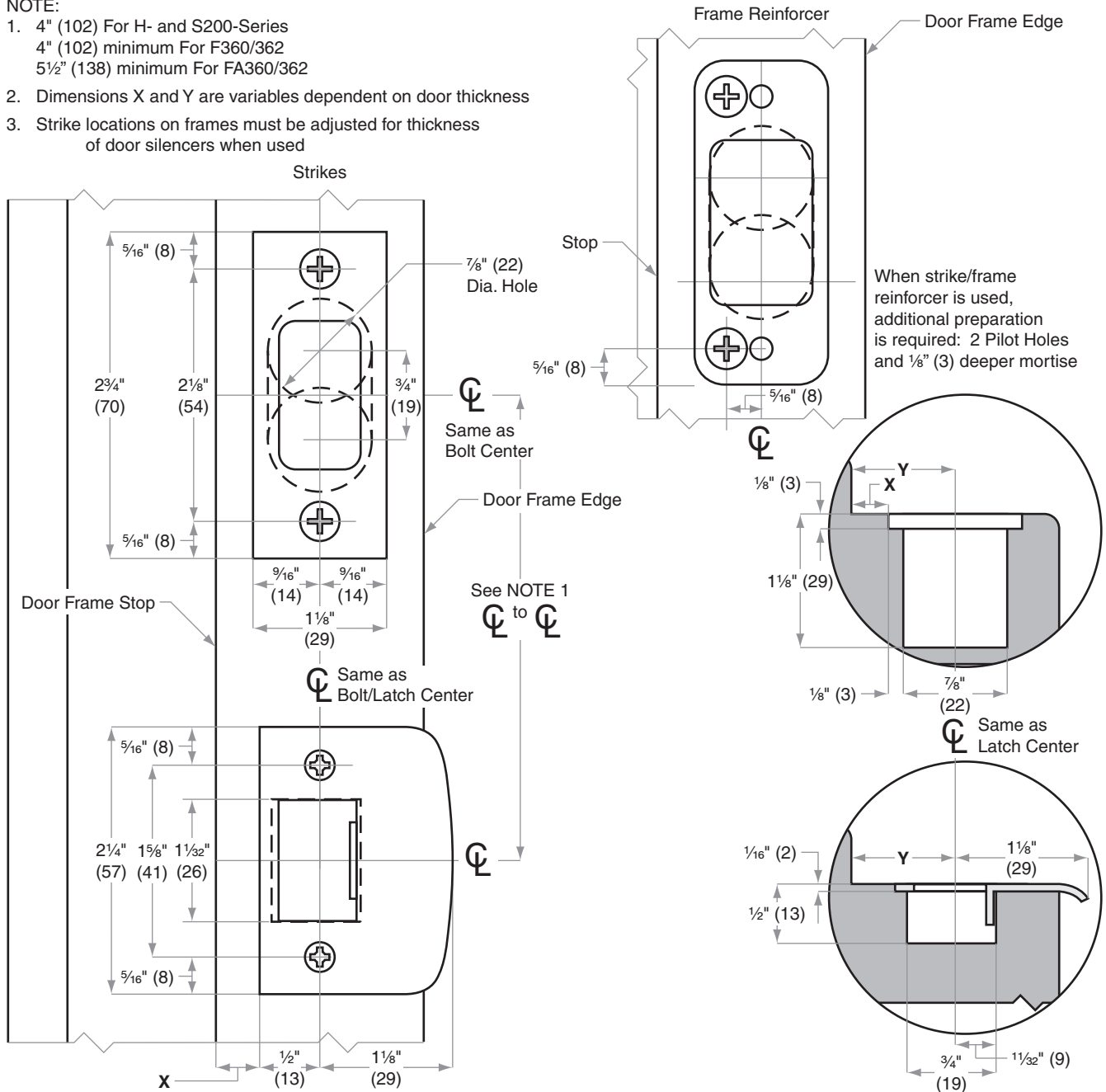
Strikes, Combination

Models 10-252=10-055x10-026, 10-254=10-094x10-026,
10-248=10-063x10-094

Jamb Type: Wood
 Style: Combination
 Standard for: F300-Series
 Optional for: H-Series | S200-Series

NOTE:

- 4" (102) For H- and S200-Series
 4" (102) minimum For F360/362
 5½" (138) minimum For FA360/362
- Dimensions X and Y are variables dependent on door thickness
- Strike locations on frames must be adjusted for thickness of door silencers when used



Dimensions shown in parentheses () are in millimeters.

Door preparation template

J905

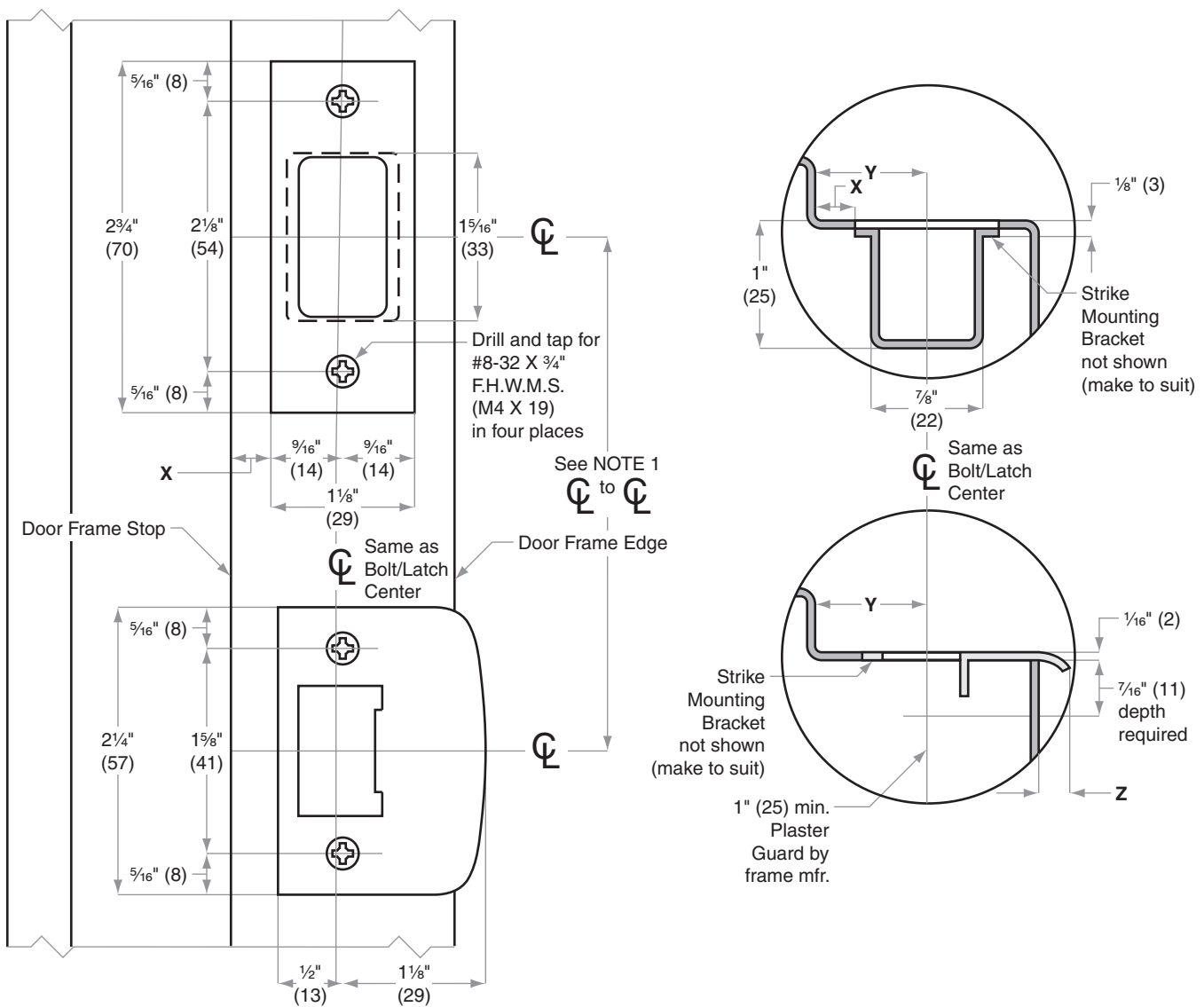
Strikes, Combination

Models 10-252=10-055x10-026, 10-254=10-094x10-026,
10-248=10-063x10-094

Jamb Type: Metal
 Style: Combination
 Standard for: F300-Series
 Optional for: H-Series | S200-Series

NOTE:

- 4" (102) For H- and S200-Series
 4" (102) minimum for F360/362
 5½" (138) minimum for FA360/362
- Dimensions X, Y and Z are variables dependent on door thickness
- Curved strike extension beyond jamb at Z must not be less than ¾" (5) to ensure proper functioning of latch bolt
- Strike location on frames must be adjusted for thickness of door silencers when used



Dimensions shown in parentheses () are in millimeters.

Door preparation template

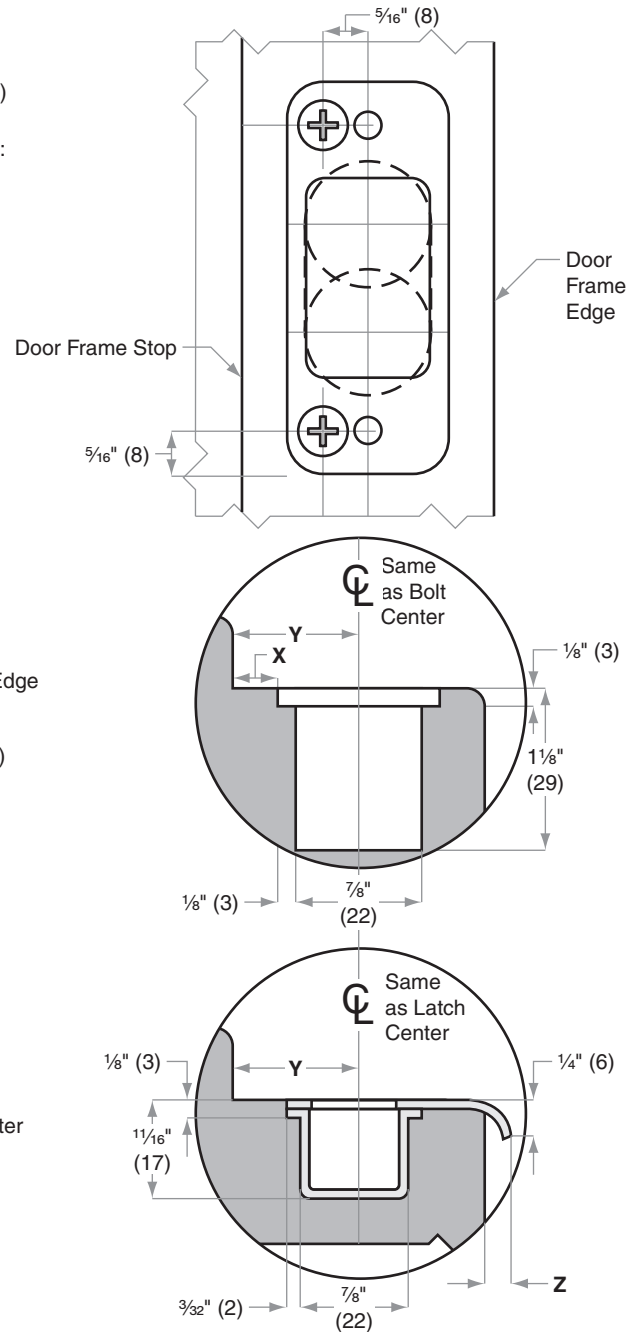
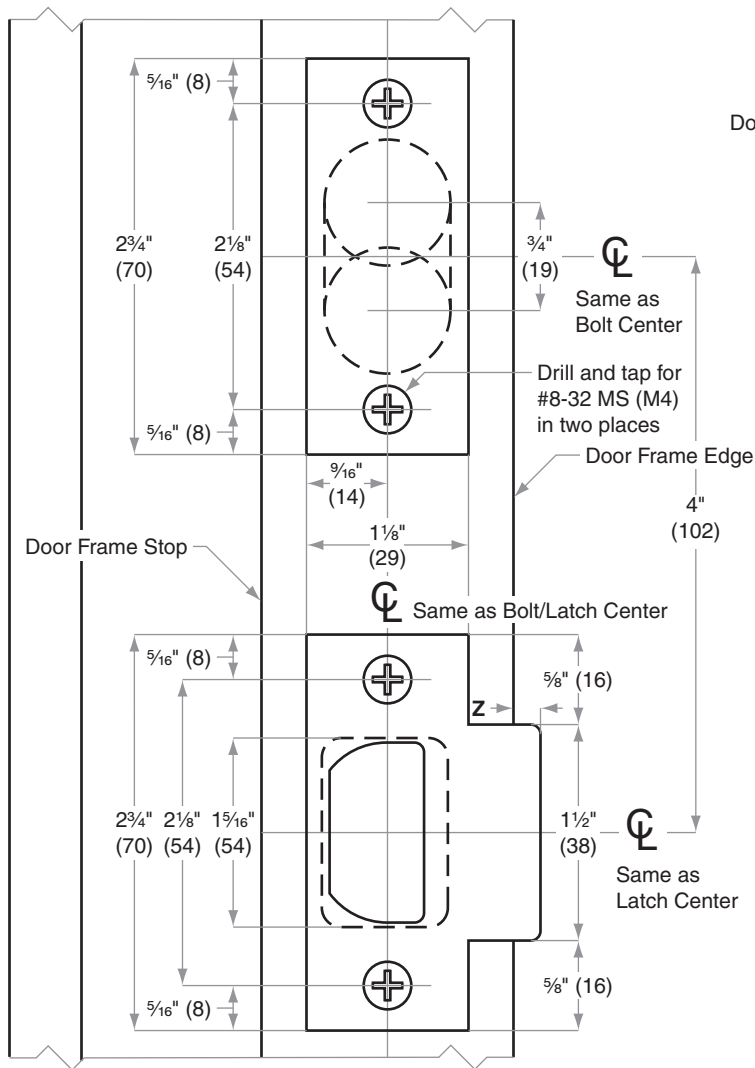
Strikes, Combination

Model 10-250=10-055x10-011

Jamb Type: Wood
 Style: Combination
 Standard for: H-Series | S200-Series
 Optional for:

NOTE:

1. Dimensions X, Y and Z are variables dependent on door thickness
2. Curved strike extension beyond jamb at Z must not be less than 3/16" (5) to ensure proper functioning of latch bolt
3. When strike/frame reinforcer is used, additional preparation is required: 2 Pilot Holes and 1/8" (3) deeper mortise



Dimensions shown in parentheses () are in millimeters.

Door preparation template



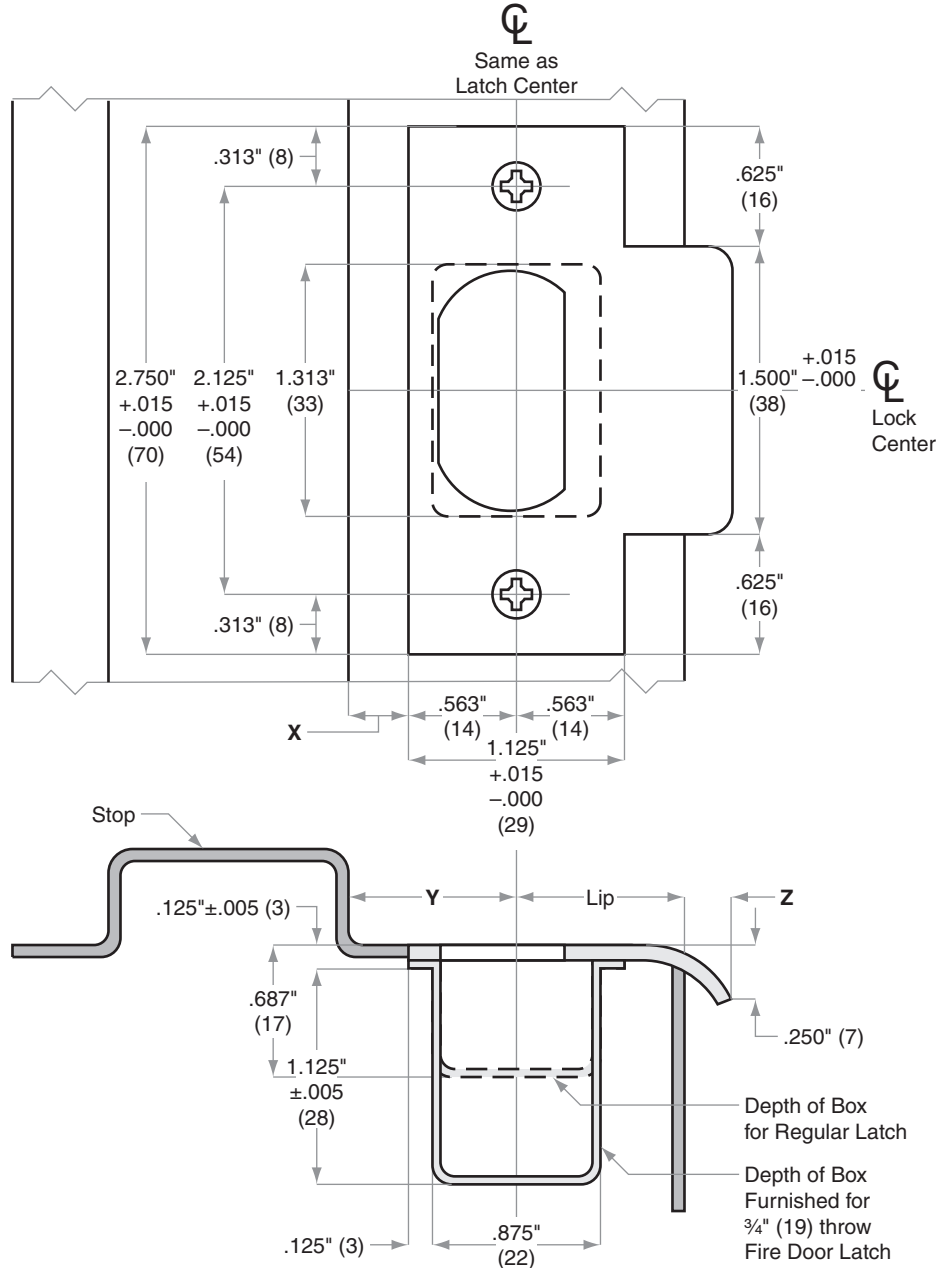
Strikes

Models 10-001, 10-013, 10-016, 10-019

Jamb Type: Metal
 Style: T-Strike, Square Corner
 Standard for: A-Series | B250-Series | S-Series
 Optional for: AL-Series | F-Series | D-Series Knobs | ND-Series Levers

NOTE:

1. Dimensions X and Y are variables dependent on door thickness
2. Curved strike extension beyond jamb at Z must not be less than $\frac{3}{16}$ " (5) to ensure proper functioning of latch bolt
3. $1\frac{1}{8}$ " (29) Lip length for $1\frac{3}{8}$ " (35) to $1\frac{3}{4}$ " (44) doors. Other lengths available
4. Strike location on frames must be adjusted for thickness of door silencers, when used



Dimensions shown in parentheses () are in millimeters.

Door preparation template



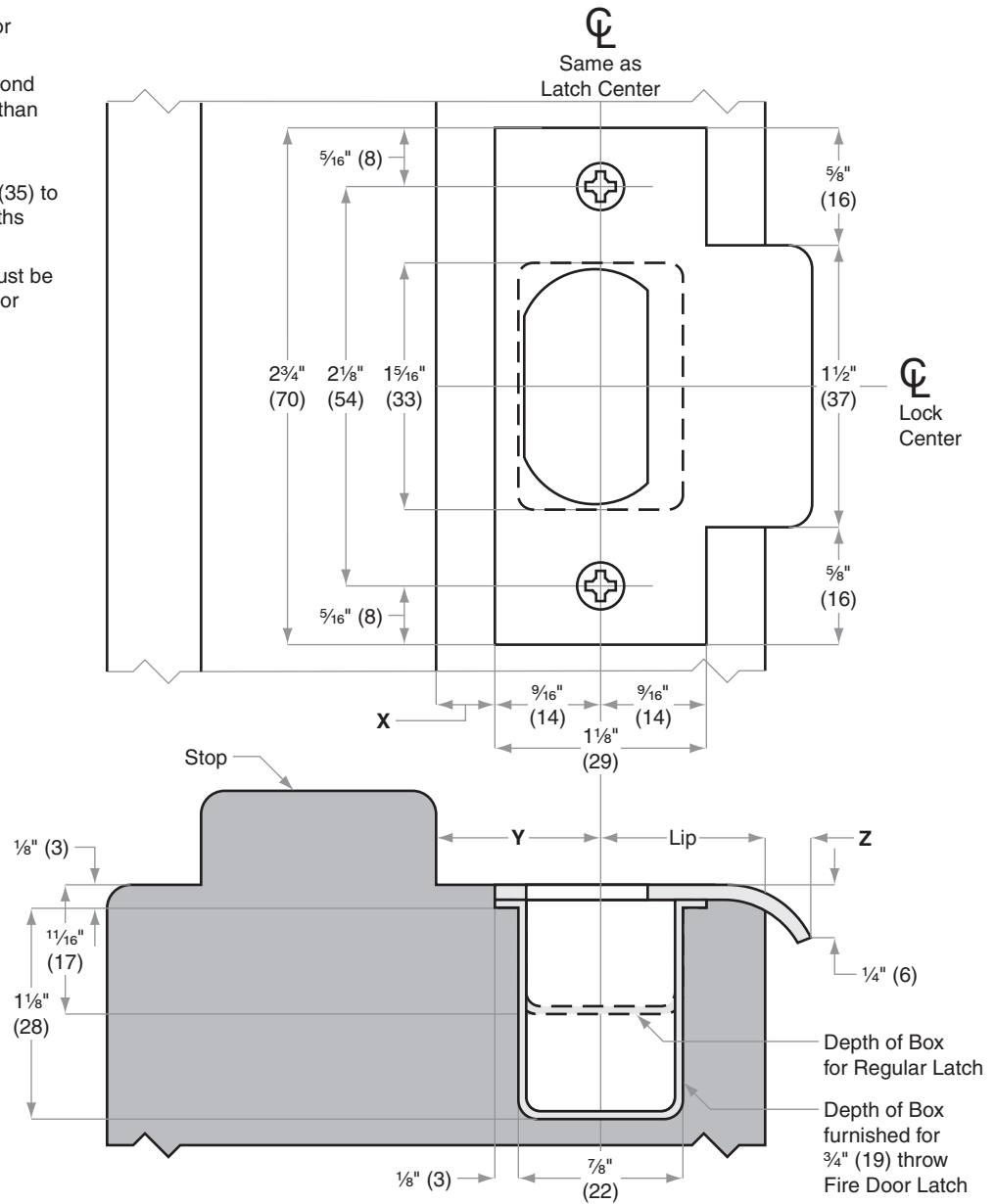
Strikes

Models 10-001, 10-013, 10-016, 10-019

- Jamb Type: Wood
- Style: T-Strike, Square Corner
- Standard for: A-Series | B250-Series | S-Series
- Optional for: AL-Series | F-Series | D-Series Knobs | ND-Series Levers

NOTE:

- Dimensions X, Y and Z are variables dependent on door thickness
- Curved strike extension beyond jamb at Z must not be less than $\frac{3}{16}$ " (5) to ensure proper functioning of latch bolt
- $1\frac{1}{8}$ " (29) Lip length for $1\frac{3}{8}$ " (35) to $1\frac{3}{4}$ " (44) doors. Other lengths available
- Strike location on frames must be adjusted for thickness of door silencers, when used



Dimensions shown in parentheses () are in millimeters.

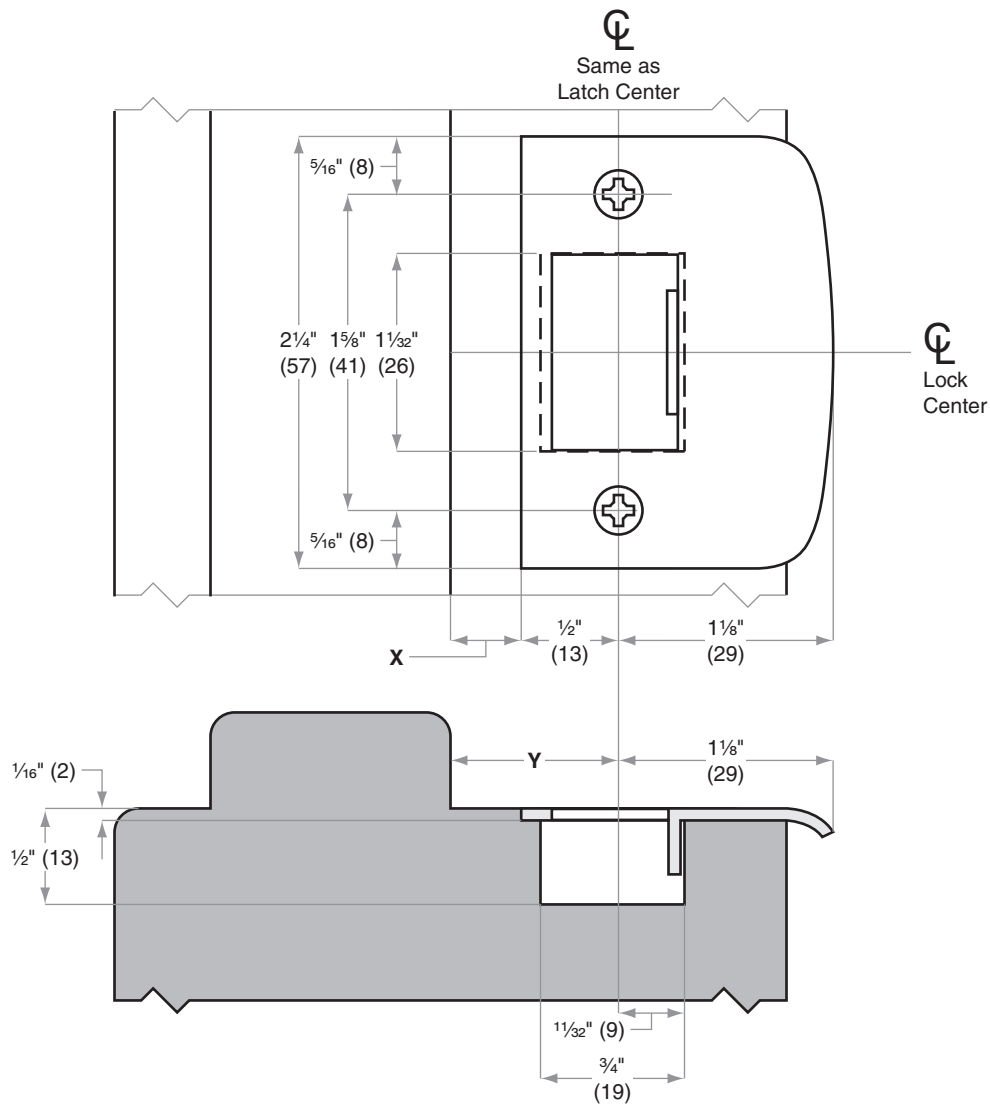
Door preparation template



Strikes

Model 10-026

Jamb Type: Wood
Style: Full Lip, Square Corner
Standard for:
Optional for: A-Series | AL-Series | F-Series



Dimensions X and Y are variables dependent on door thickness

Dimensions shown in parentheses () are in millimeters.

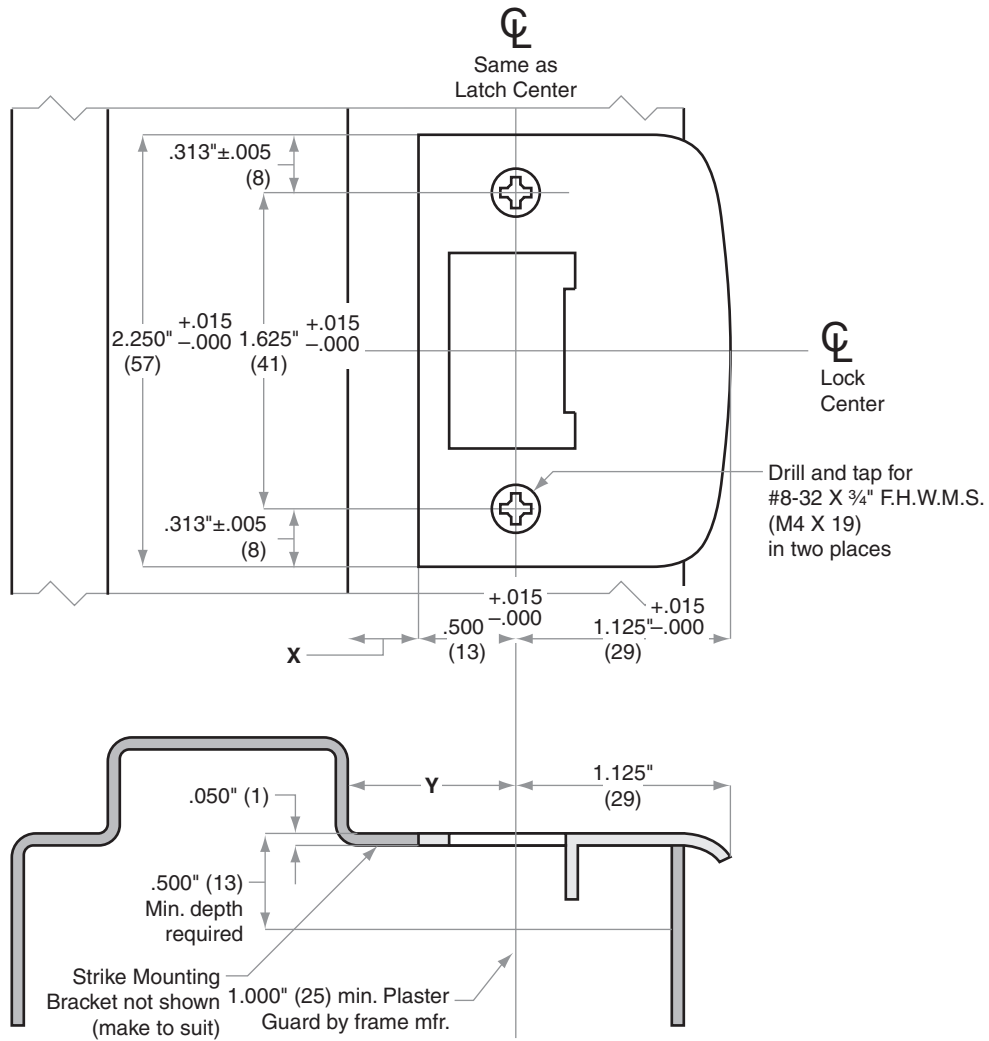
Door preparation template



Strikes

Model 10-026

Jamb Type: Metal
 Style: Full Lip, Square Corner
 Standard for:
 Optional for: A-Series | AL-Series | F-Series



Dimensions X and Y are variables dependent on the door thickness used

Dimensions shown in parentheses () are in millimeters.

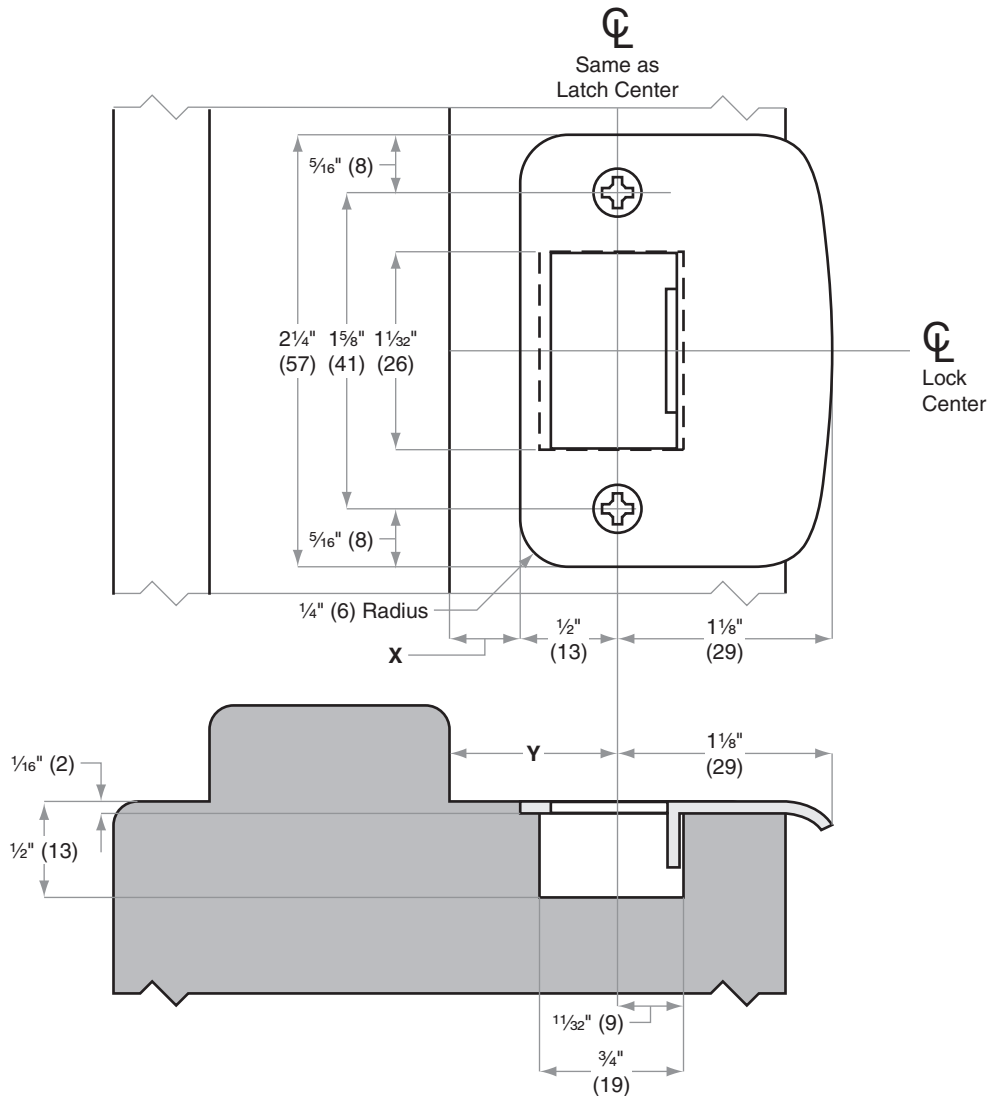
Door preparation template



Strikes

Model 10-027

Jamb Type: Wood
 Style: Full Lip, Round Corner, 1/4" (6 mm) Radius
 Standard for: F-Series | FE-Series
 Optional for: A-Series | AL-Series | S-Series



Dimensions X and Y are variables dependent on door thickness

Dimensions shown in parentheses () are in millimeters.

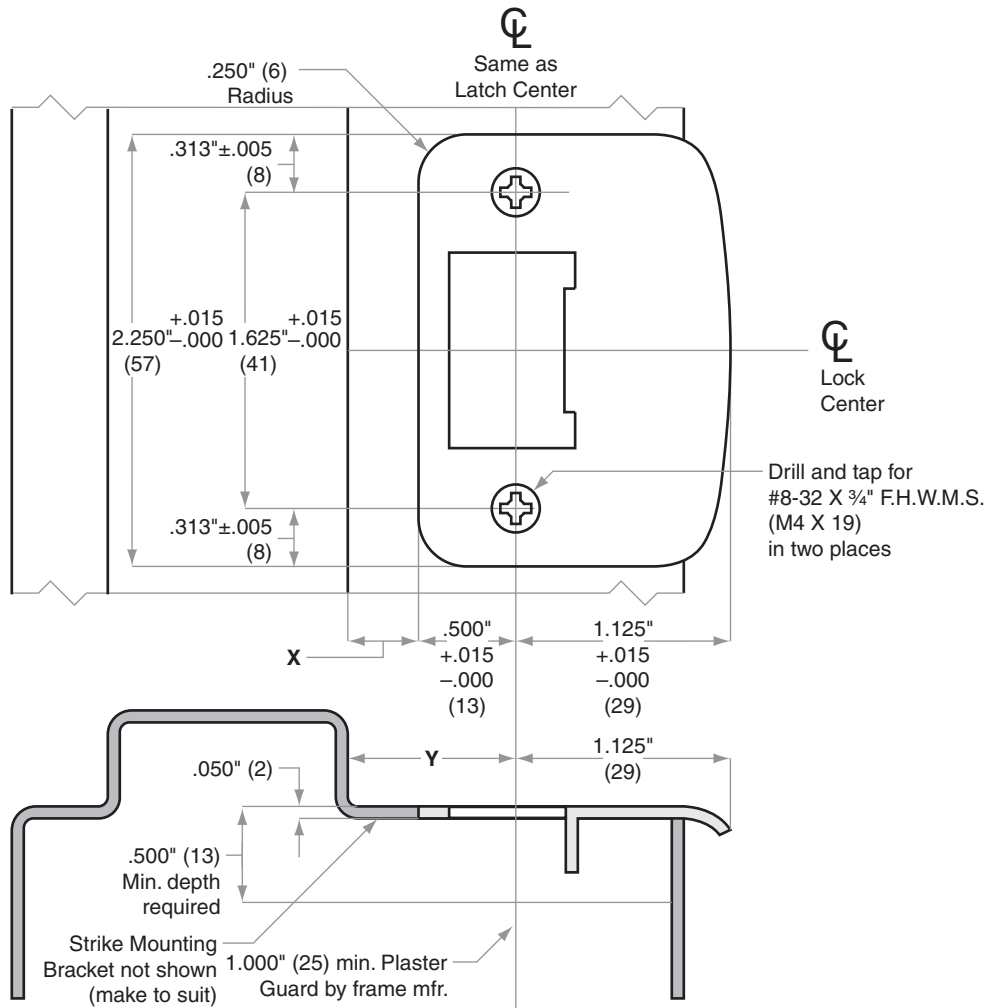
Door preparation template



Strikes

Model 10-027

Jamb Type: Metal
 Style: Full Lip, Round Corner, 1/4" (6 mm) Radius
 Standard for: F-Series | FE-Series
 Optional for: A-Series | AL-Series | S-Series



Dimensions X and Y are variables dependent on the door thickness

Dimensions shown in parentheses () are in millimeters.

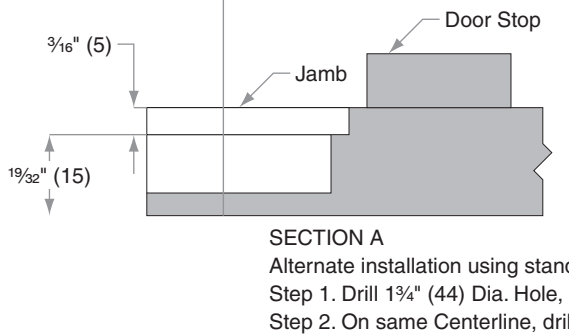
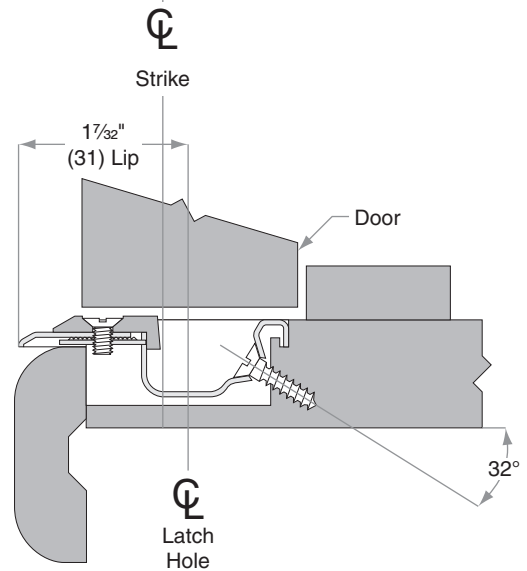
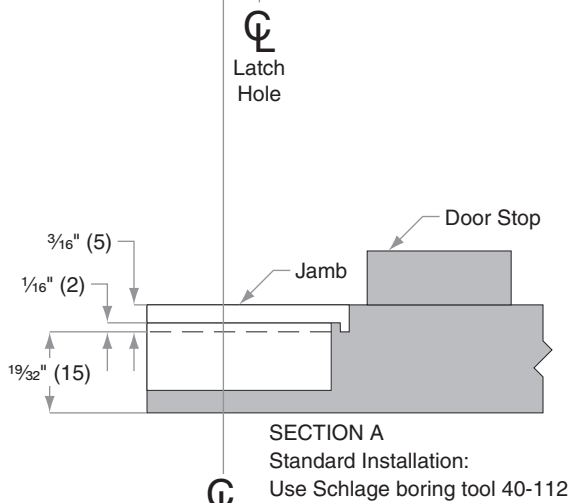
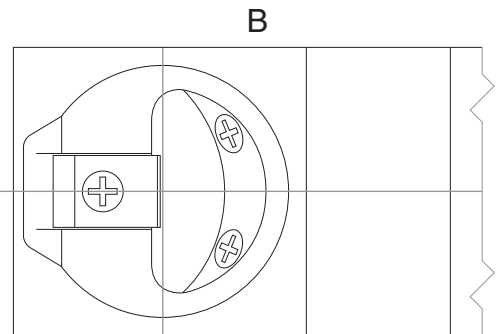
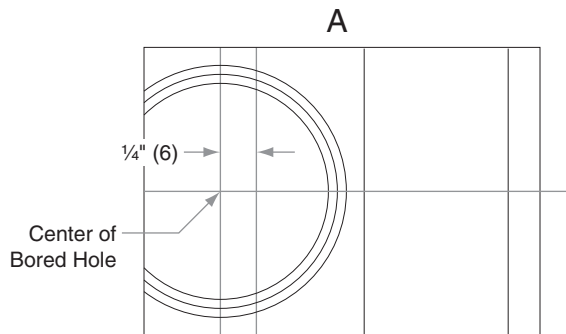
Door preparation template



Strikes

Model 10-058

Jamb Type: Wood
 Style: Circular Drive-In
 Standard for:
 Optional for: A-Series | AL-Series | F-Series



Dimensions shown in parentheses () are in millimeters.

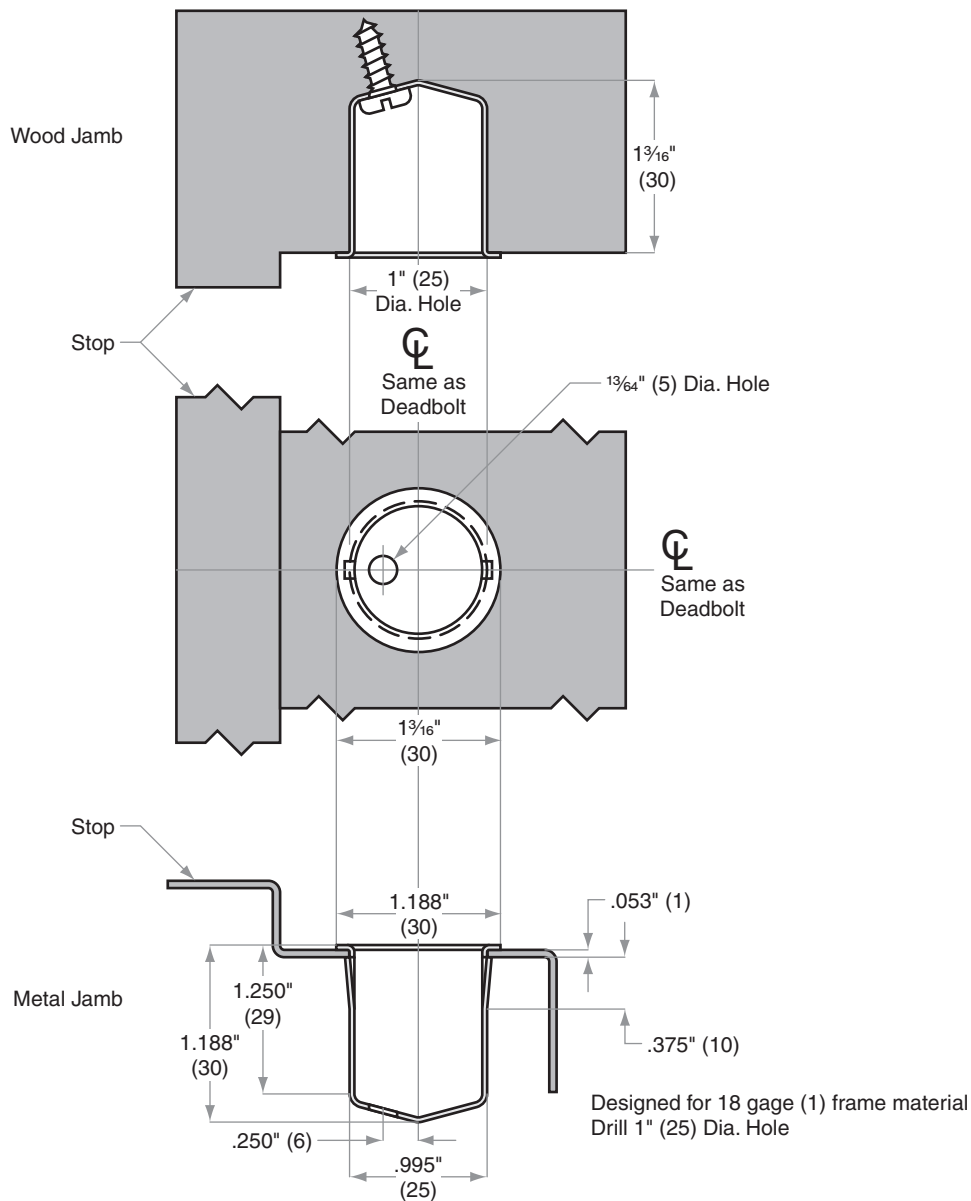
Door preparation template



Strikes

Model 10-064

Jamb Type: Wood and Metal
Style: Thimble, Deadbolt
Standard for:
Optional for: BC100-Series | B/BA300-Series | B600/700/800-Series



Dimensions shown in parentheses () are in millimeters.

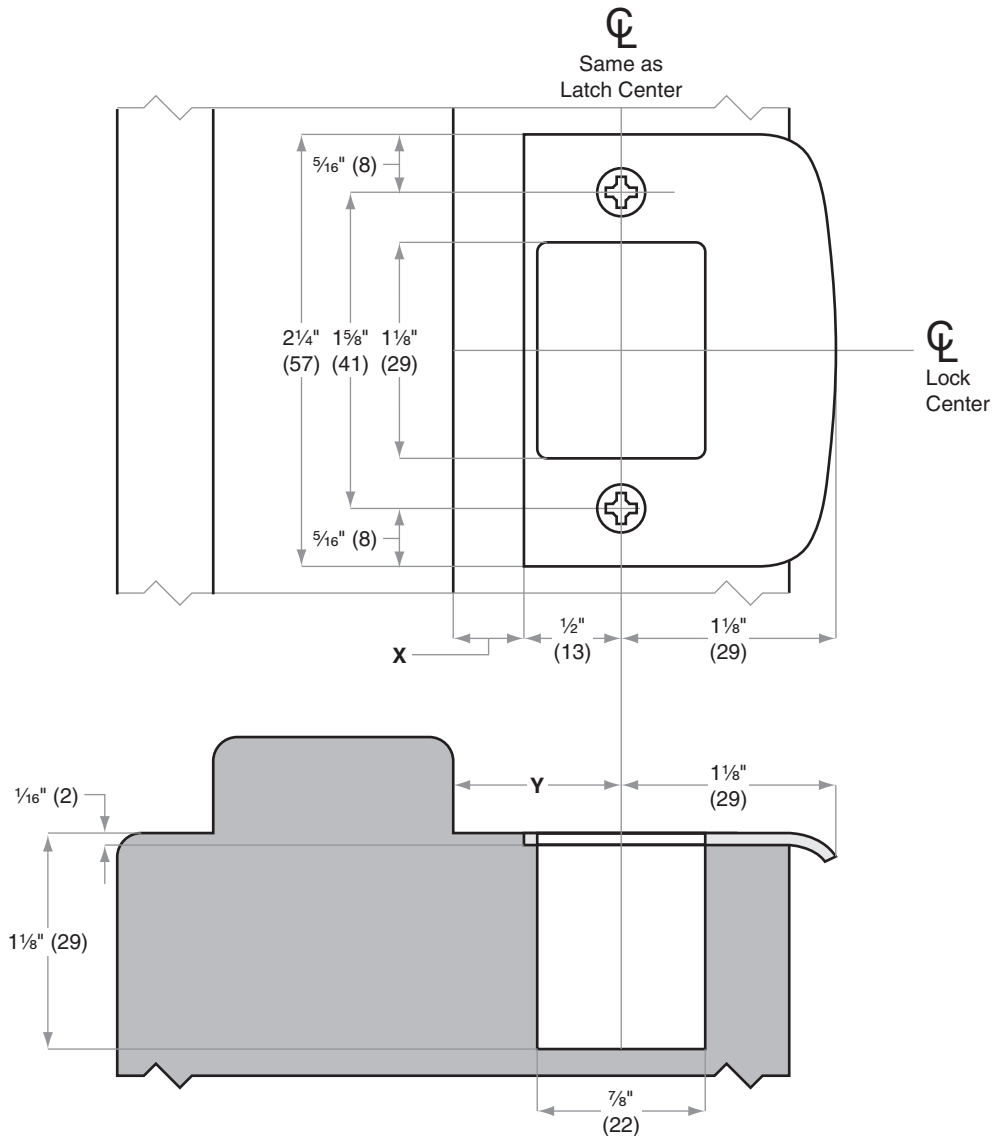
Door preparation template



Strikes

Model 10-095

Jamb Type: Wood
Style: Full Lip, Square Corner, Deadbolt
Standard for:
Optional for: BC100-Series | BR260-Series | B/BA300-Series | B600/700/800-Series



Dimensions X and Y are variables dependent on door thickness

Dimensions shown in parentheses () are in millimeters.

Door preparation template



S

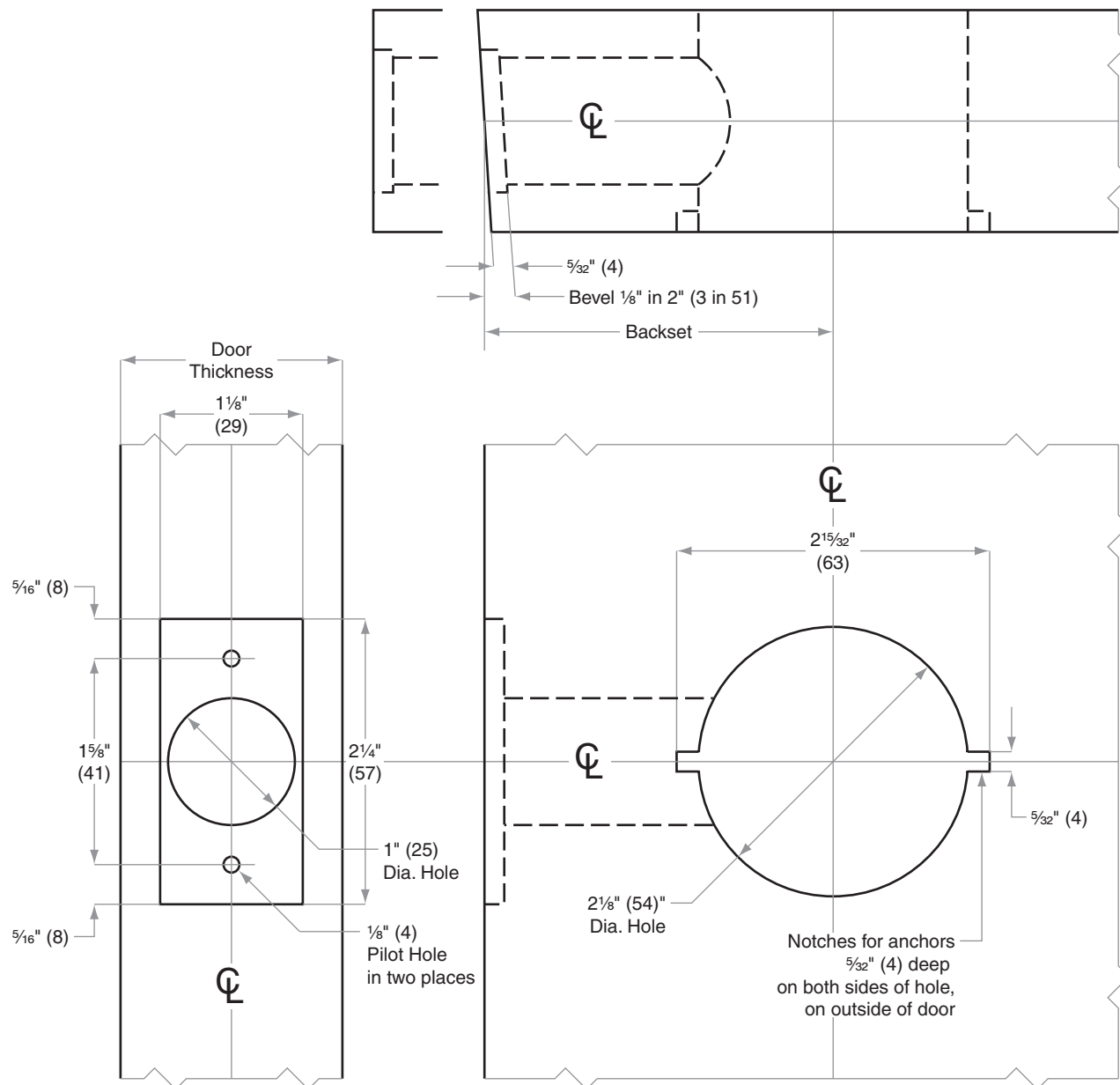
-series-



S-Series

Models S10–S80

- Door Type:** Wood or Composite, Flat or Beveled
Door Thickness: 1 $\frac{1}{8}$ " (35 mm)–2" (51 mm) except S40D: 1 $\frac{1}{8}$ " (35 mm)–1 $\frac{7}{8}$ " (47 mm)
Faceplate: Square Corner, 1 $\frac{1}{8}$ " (29 mm) wide
Backsets: 2 $\frac{3}{8}$ " (60 mm), 2 $\frac{3}{4}$ " (70 mm), 5" (127 mm)



Dimensions shown in parentheses () are in millimeters.

Door preparation template

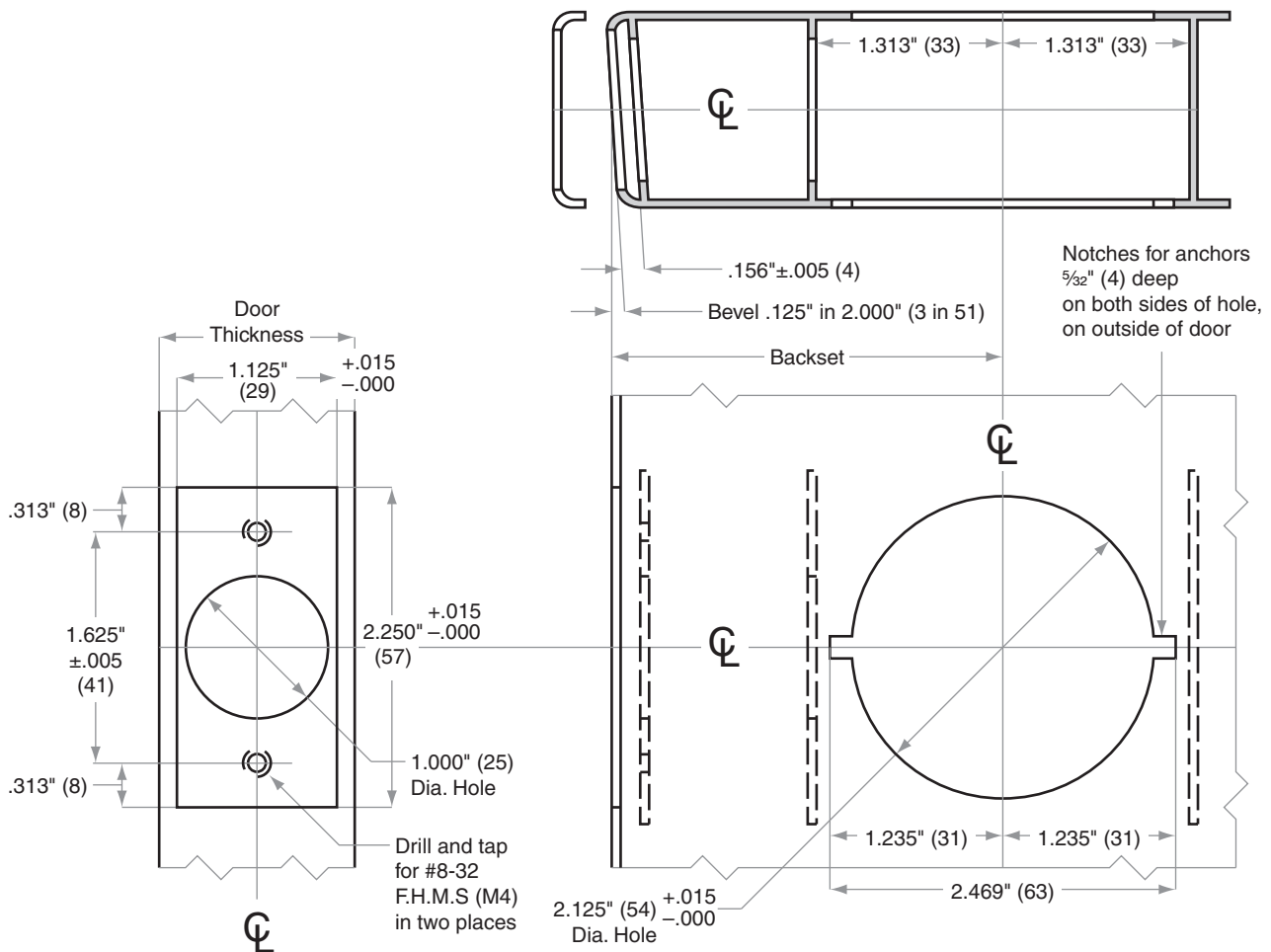


S-Series

Models S10-S80

- Door Type: Metal, Flat or Beveled
 Door Thickness: 1 3/8" (35 mm)–2" (51 mm) except S40D: 1 3/8" (35 mm)–1 7/8" (47 mm)
 Faceplate: Square Corner, 1 1/8" (29 mm) wide
 Backsets: 2 3/8" (60 mm), 2 3/4" (70 mm), 5" (127 mm)

For metal door installations, suitable reinforcement is required to support latch in center of door and to prevent lateral movement



Dimensions shown in parentheses () are in millimeters.

Door preparation template

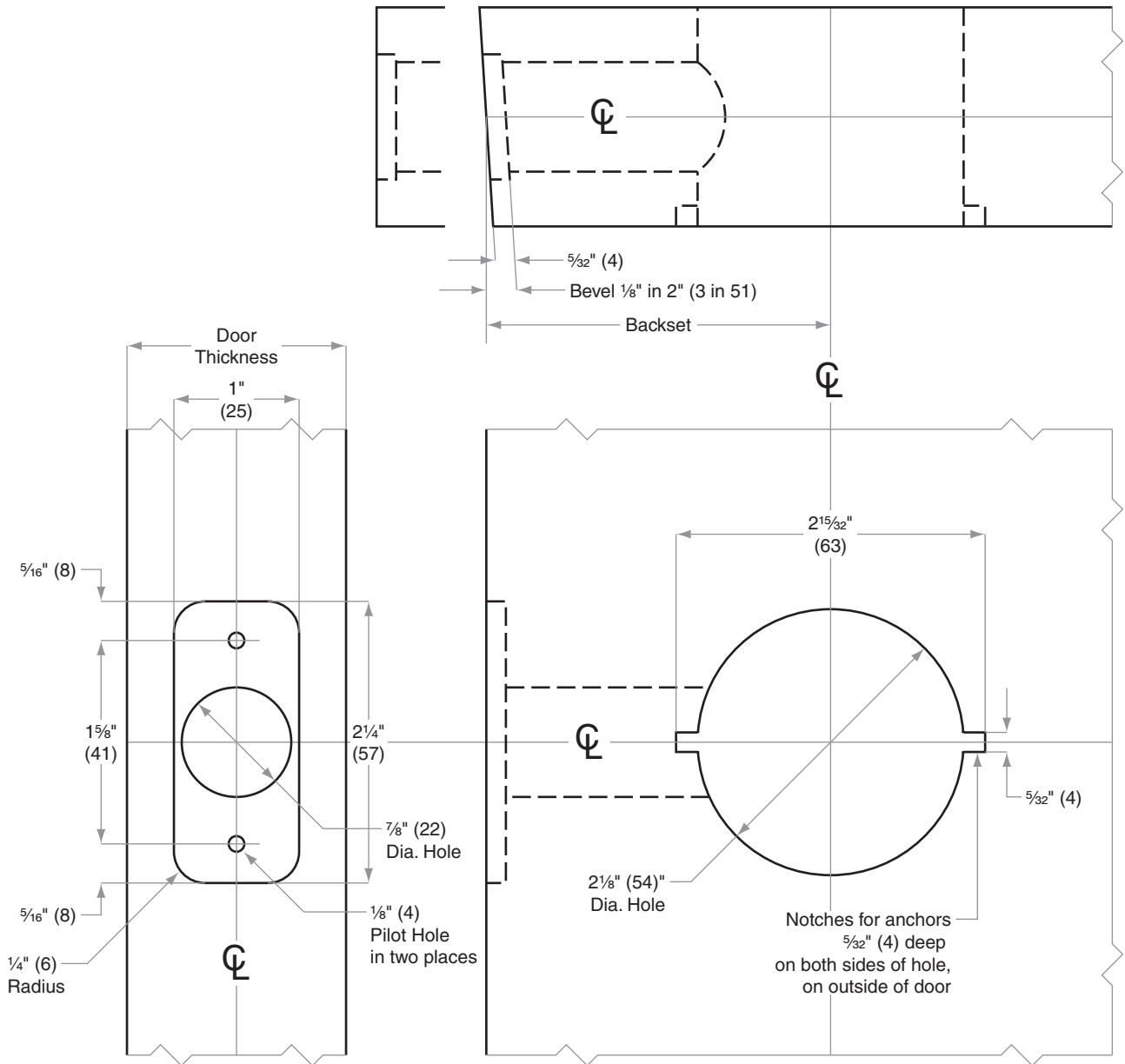
S879



S-Series

Models S10-S80

- Door Type:** Wood or Composite, Flat or Beveled
Door Thickness: 1 3/8" (35 mm)–2" (51 mm) except S40D: 1 3/8" (35 mm)–1 7/8" (47 mm)
Faceplate: Round Corner, 1/4" (6 mm) Radius, 1" (25 mm) wide
Backsets: 2 3/8" (60 mm), 2 3/4" (70 mm), 5" (127 mm)



Dimensions shown in parentheses () are in millimeters.

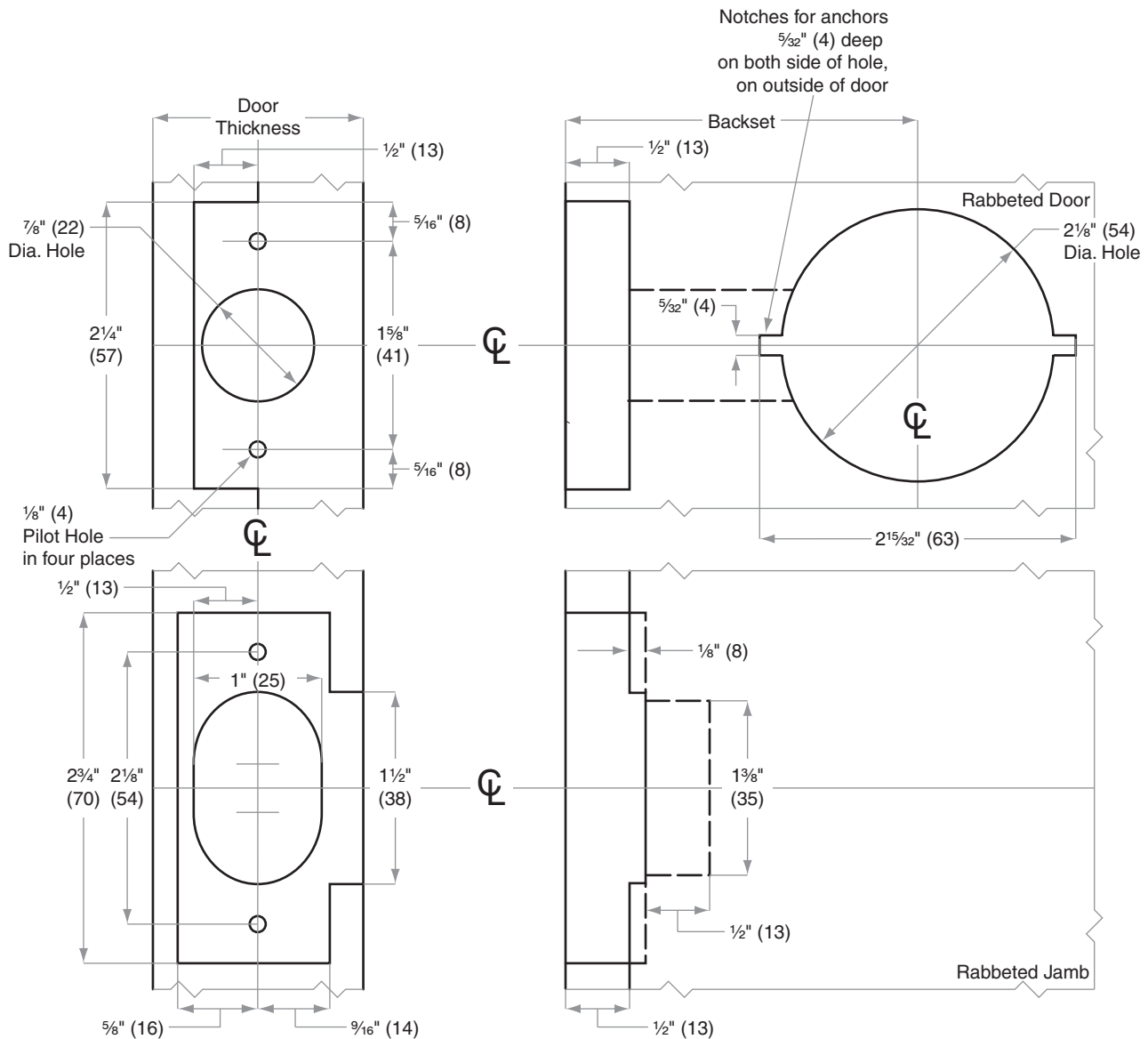
Door preparation template



S-Series

Models S10–S80

- Door Type:** Wood or Composite, rabbeted, flat
Door Thickness: 1 $\frac{3}{8}$ " (35 mm)–2" (51 mm) except S40D: 1 $\frac{3}{8}$ " (35 mm)–1 $\frac{7}{8}$ " (47 mm)
Faceplate: Square Corner, 1" (25 mm) wide, 1 $\frac{1}{2}$ " (13 mm) rabbeted and strike
Backsets: 2 $\frac{3}{8}$ " (60 mm), 2 $\frac{3}{4}$ " (70 mm), 5" (127 mm)



Dimensions shown in parentheses () are in millimeters.

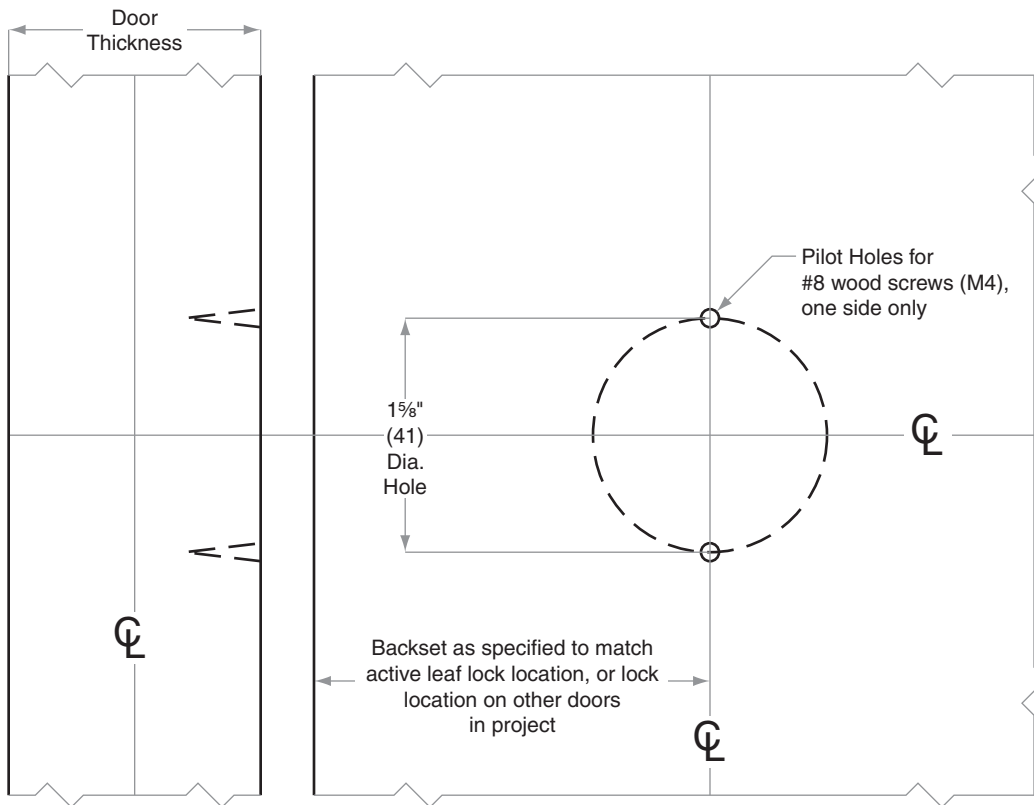
Door preparation template



S-Series

Model S170

Door Type: Wood or Composite
Door Thickness: Any
Faceplate: None
Backsets: Any



Dimensions shown in parentheses () are in millimeters.

Door preparation template

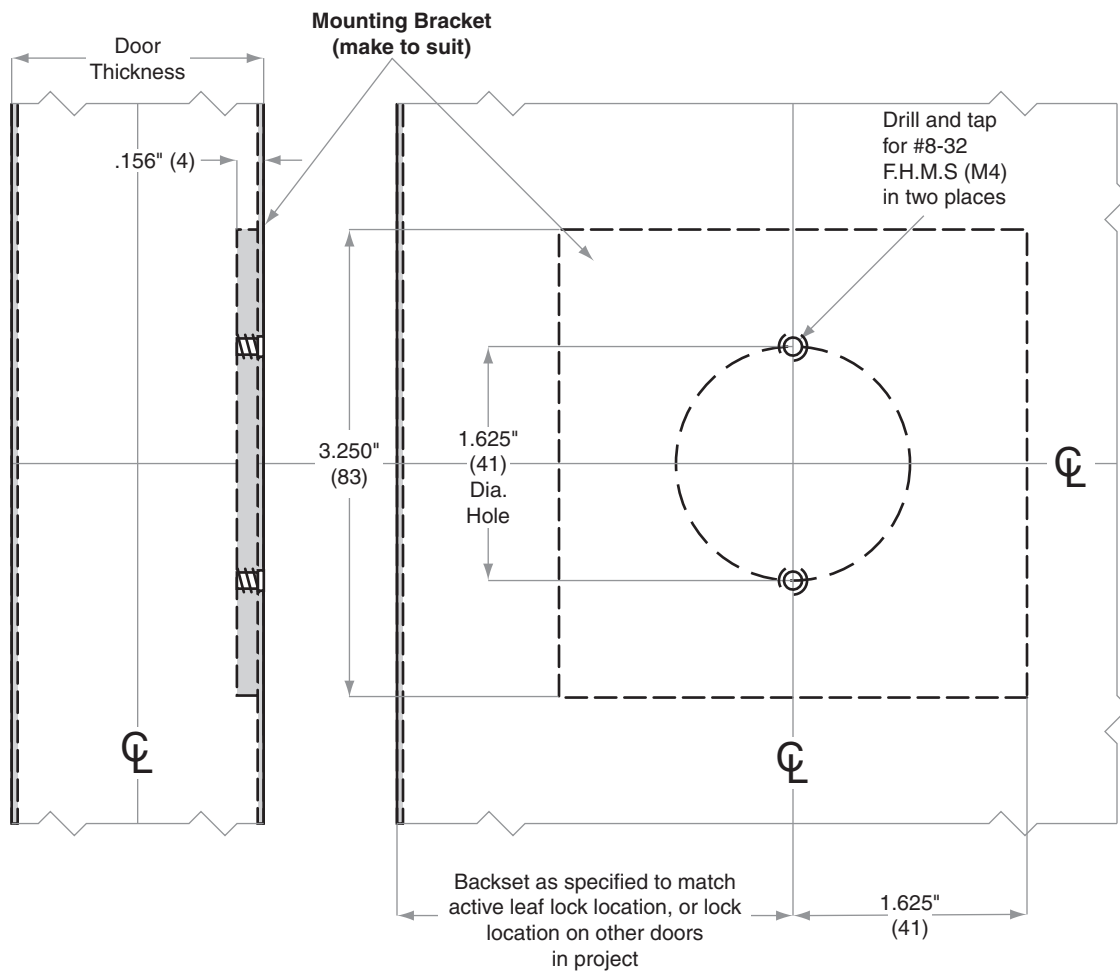


S-Series

Model S170



Door Type: Metal
Door Thickness: Any
Faceplate: None
Backsets: Any



Dimensions shown in parentheses () are in millimeters.

Door preparation template



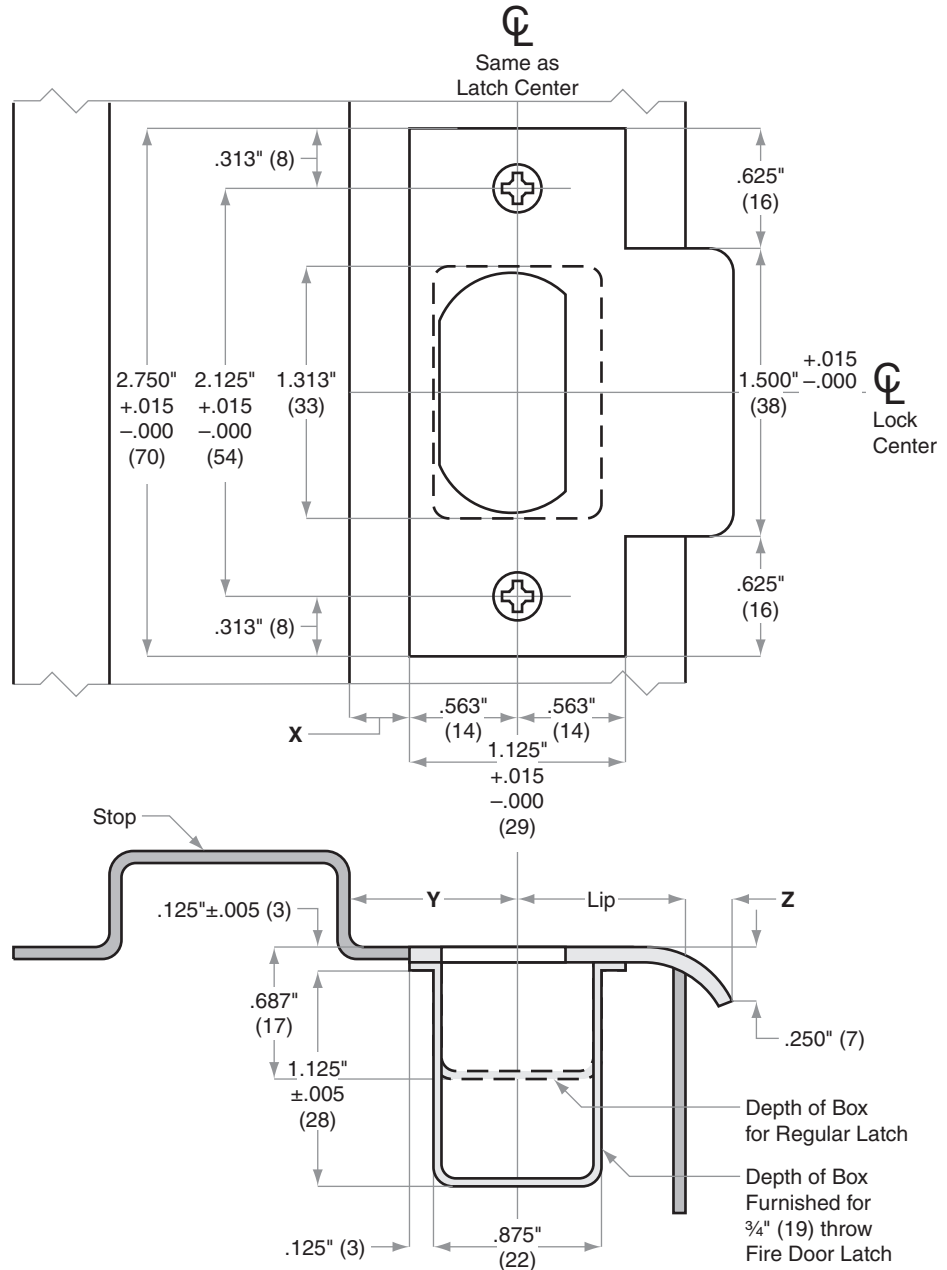
Strikes

Models 10-001, 10-013, 10-016, 10-019

Jamb Type: Metal
 Style: T-Strike, Square Corner
 Standard for: A-Series | B250-Series | S-Series
 Optional for: AL-Series | F-Series | D-Series Knobs | ND-Series Levers

NOTE:

1. Dimensions X and Y are variables dependent on door thickness
2. Curved strike extension beyond jamb at Z must not be less than $\frac{3}{16}$ " (5) to ensure proper functioning of latch bolt
3. $1\frac{1}{8}$ " (29) Lip length for $1\frac{3}{8}$ " (35) to $1\frac{3}{4}$ " (44) doors. Other lengths available
4. Strike location on frames must be adjusted for thickness of door silencers, when used



Dimensions shown in parentheses () are in millimeters.

Door preparation template



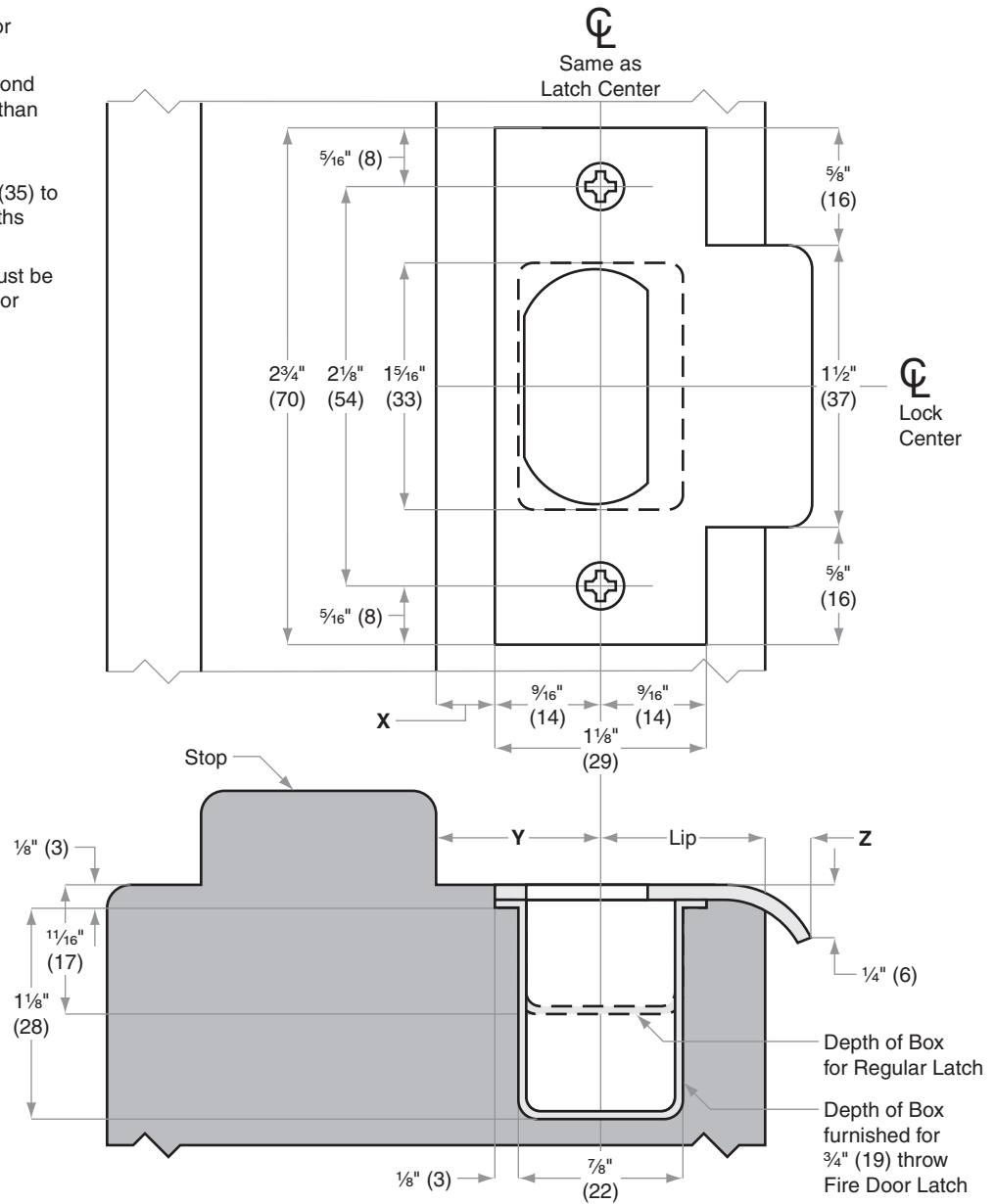
Strikes

Models 10-001, 10-013, 10-016, 10-019

Jamb Type: Wood
Style: T-Strike, Square Corner
Standard for: A-Series | B250-Series | S-Series
Optional for: AL-Series | F-Series | D-Series Knobs | ND-Series Levers

NOTE:

1. Dimensions X, Y and Z are variables dependent on door thickness
2. Curved strike extension beyond jamb at Z must not be less than 3/16" (5) to ensure proper functioning of latch bolt
3. 1 1/8" (29) Lip length for 1 3/8" (35) to 1 3/4" (44) doors. Other lengths available
4. Strike location on frames must be adjusted for thickness of door silencers, when used



Dimensions shown in parentheses () are in millimeters.

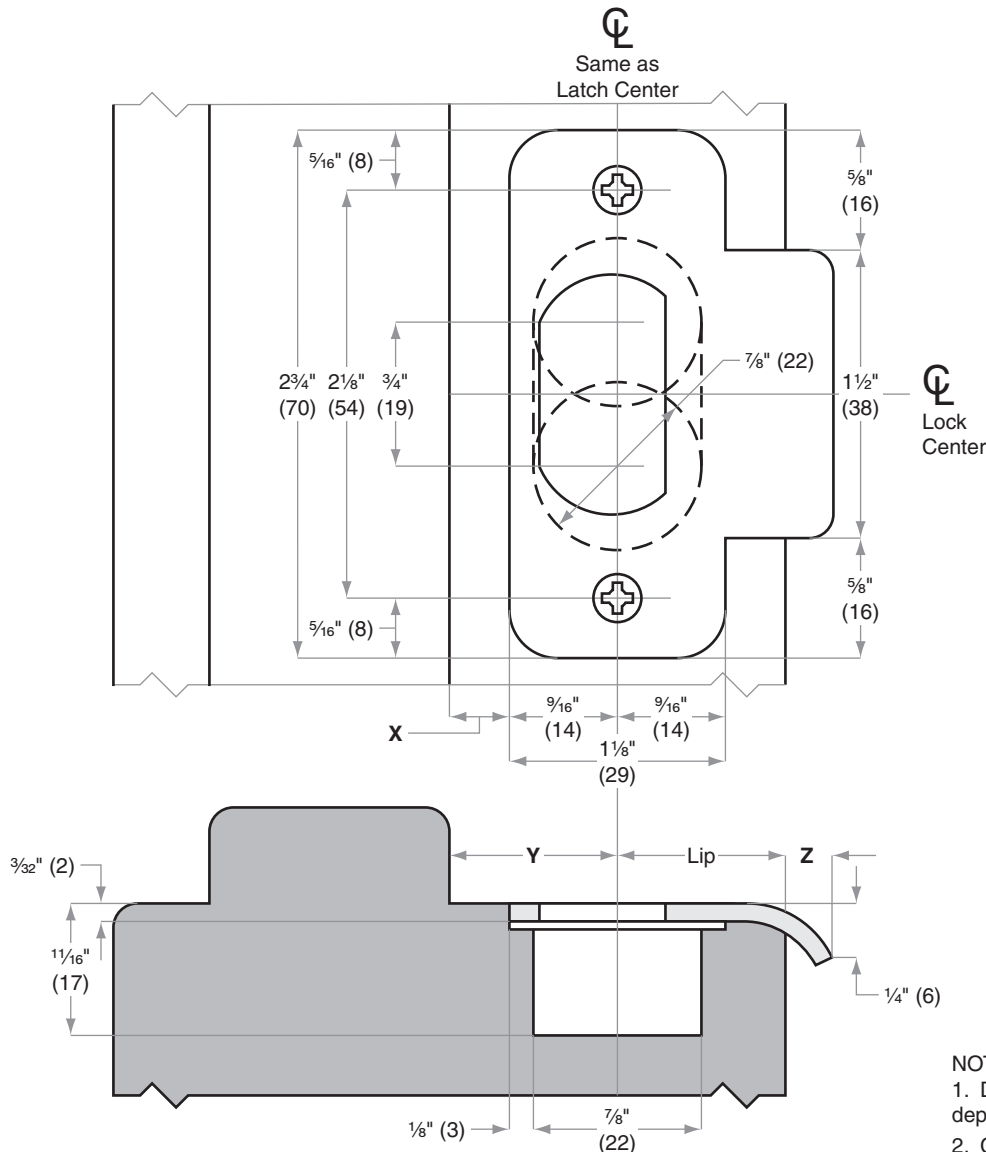
Door preparation template



Strikes

Model 10-004

Jamb Type: Wood
 Style: T-Strike, Round Corner, 1/4" (6 mm) Radius
 Standard for:
 Optional for: A-Series | B250-Series



- NOTE:**
1. Dimensions X, Y and Z are variables dependent on the door thickness used
 2. Curved strike extension beyond jamb at Z must not be less than 3/16" (5) to ensure proper functioning of latch bolt
 3. 1 1/8" (29) Lip length for 1 3/8" (35) to 1 3/4" (44) doors. Other lengths available
 4. Strike location on frames must be adjusted for thickness of door silencers when used

Dimensions shown in parentheses () are in millimeters.

Door preparation template



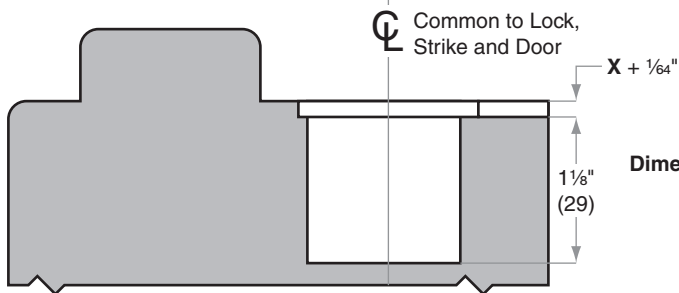
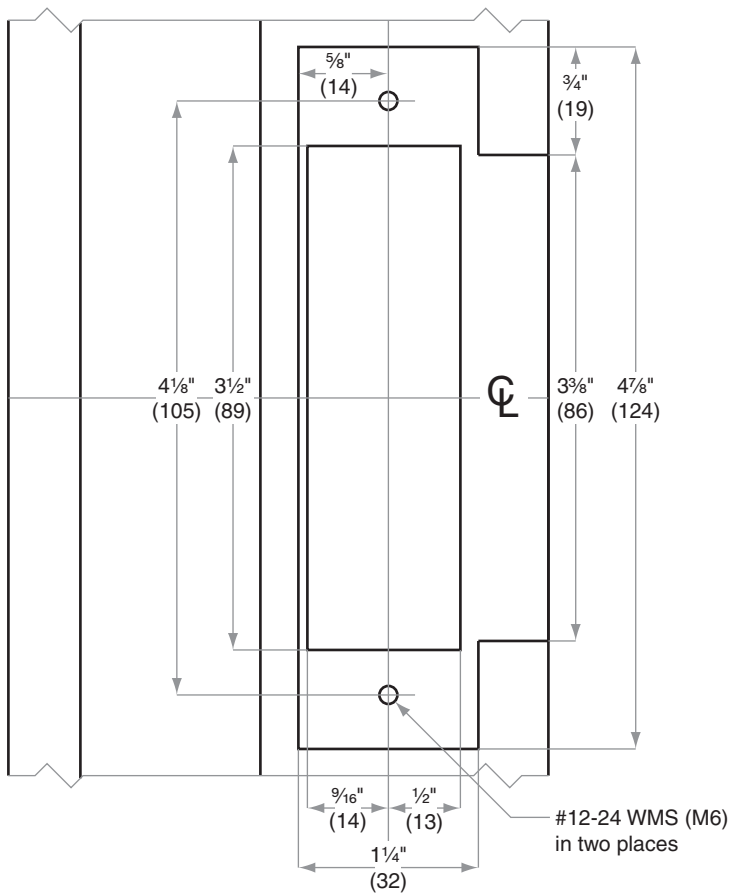
Strikes

Models 10-025, 10-072, 10-087

Jamb Type: Wood
Style: ANSI Standard for 1¾" (44 mm) doors
Standard for: AL-Series (10-025) | D-Series Knobs (10-025) | ND-Series Lever (10-025) | L/LV9000-Series (10-072)
Optional for: A-Series | B250-Series | F-Series | S-Series

NOTE:

1. When reinforcement plate is specified, mortise additional 1/8" (3) to Dimension X
2. Strike location on frames must be adjusted for thickness of door silencers when used



Dimension X: 10-025: 3/32" (2) when strike box not specified
 10-072 and 10-087: 5/32" (4) for strike box, detached

Dimensions shown in parentheses () are in millimeters.

Door preparation template



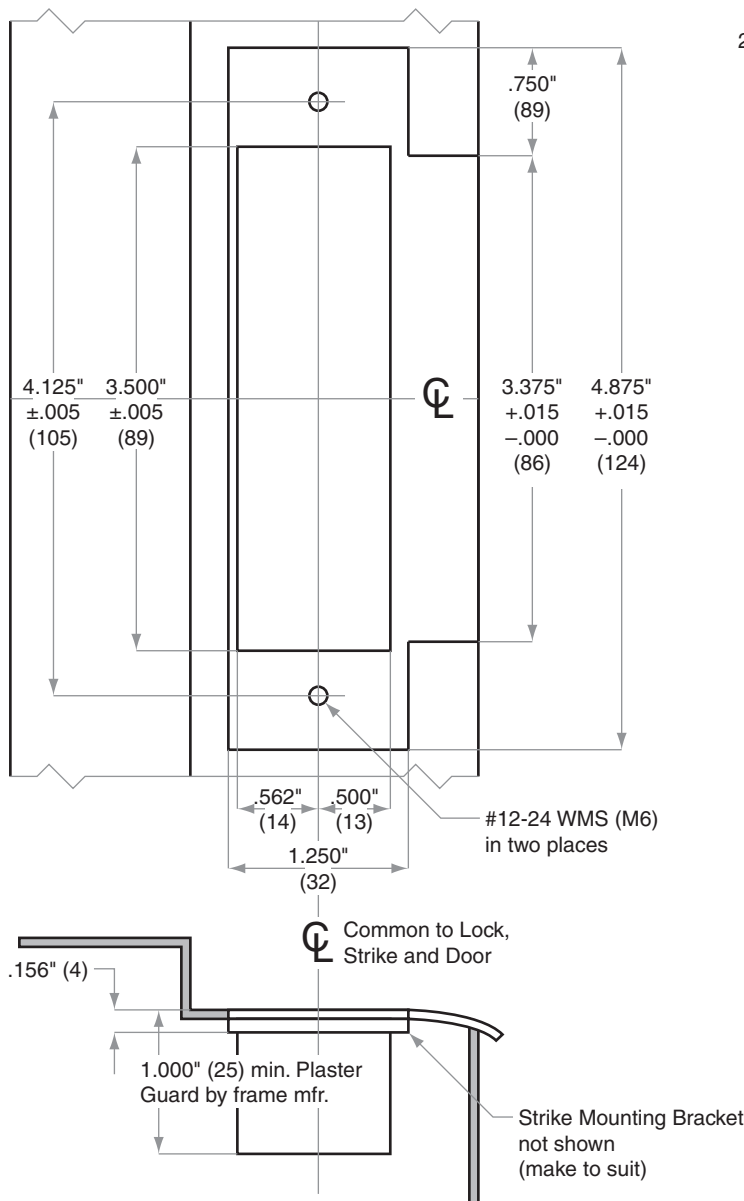
Strikes

Models 10-025, 10-072, 10-087

Jamb Type: Metal
Style: ANSI Standard for 1¾" (44 mm) doors
Standard for: AL-Series (10-025) | D-Series Knobs (10-025) | ND-Series Levers (10-025) | LXLV9000-Series (10-072)
Optional for: A-Series | B250-Series | F-Series | S-Series

NOTE:

1. Strike box furnished detached or 10-072 and 10-087, but not required as Plaster Guard is furnished by frame mfr.
2. Strike location on frames must be adjusted for thickness of door silencers when used



Dimensions shown in parentheses () are in millimeters.

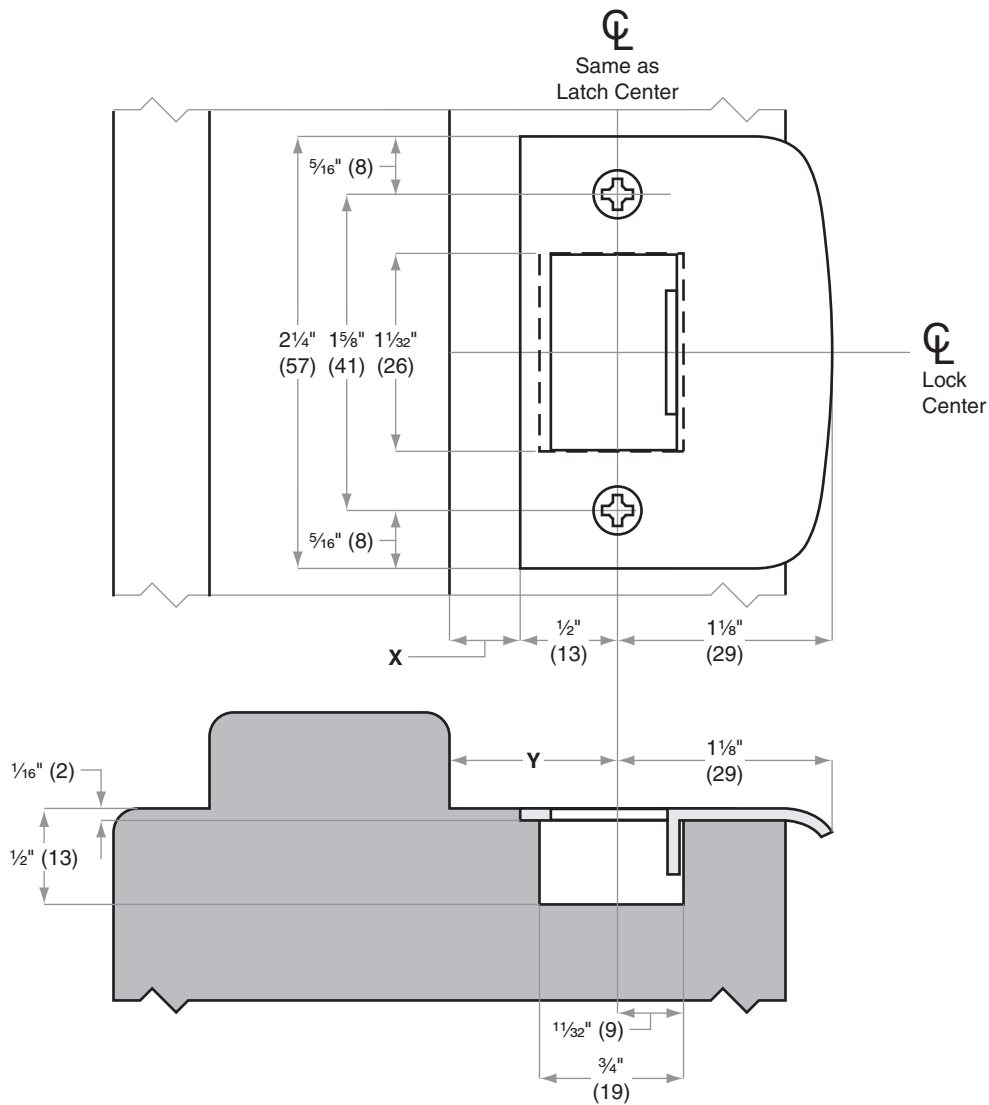
Door preparation template



Strikes

Model 10-026

Jamb Type: Wood
Style: Full Lip, Square Corner
Standard for:
Optional for: A-Series | AL-Series | F-Series



Dimensions X and Y are variables dependent on door thickness

Dimensions shown in parentheses () are in millimeters.

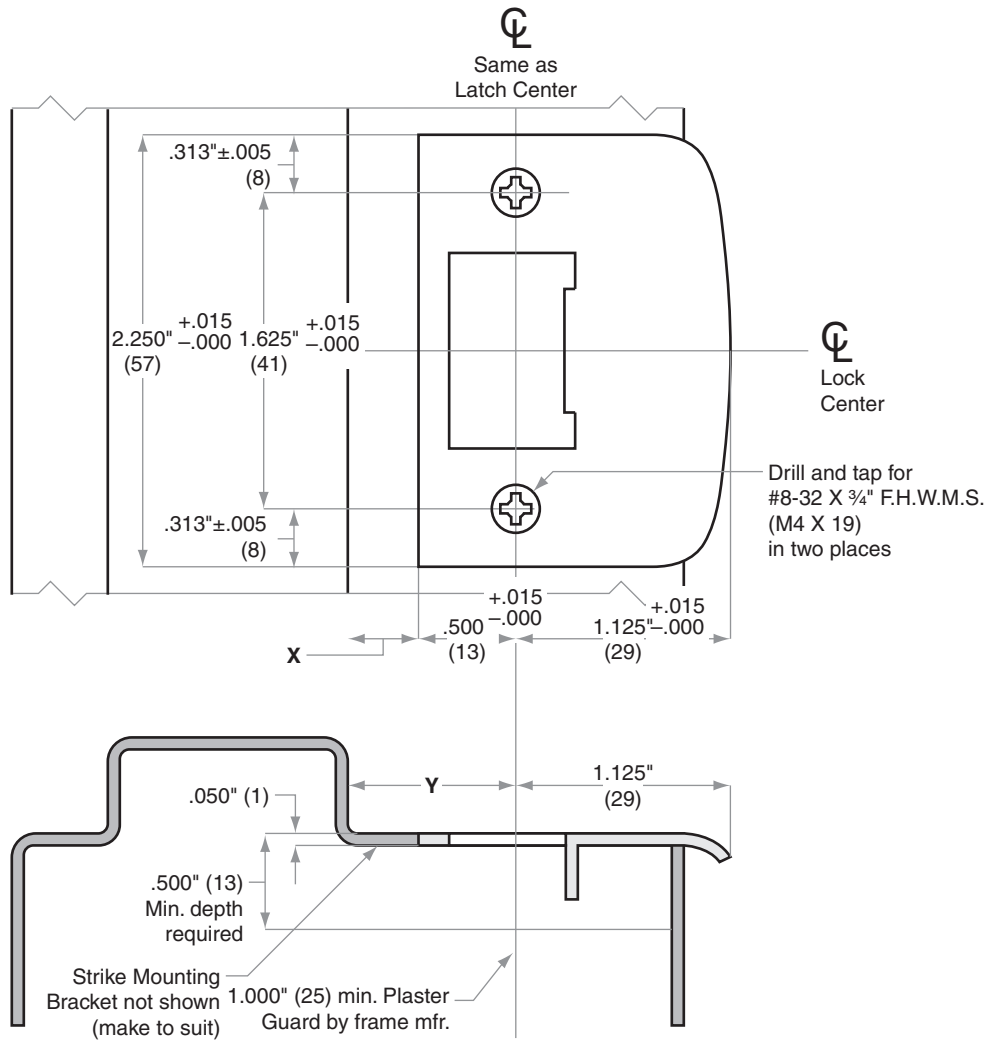
Door preparation template



Strikes

Model 10-026

Jamb Type: Metal
 Style: Full Lip, Square Corner
 Standard for:
 Optional for: A-Series | AL-Series | F-Series



Dimensions X and Y are variables dependent on the door thickness used

Dimensions shown in parentheses () are in millimeters.

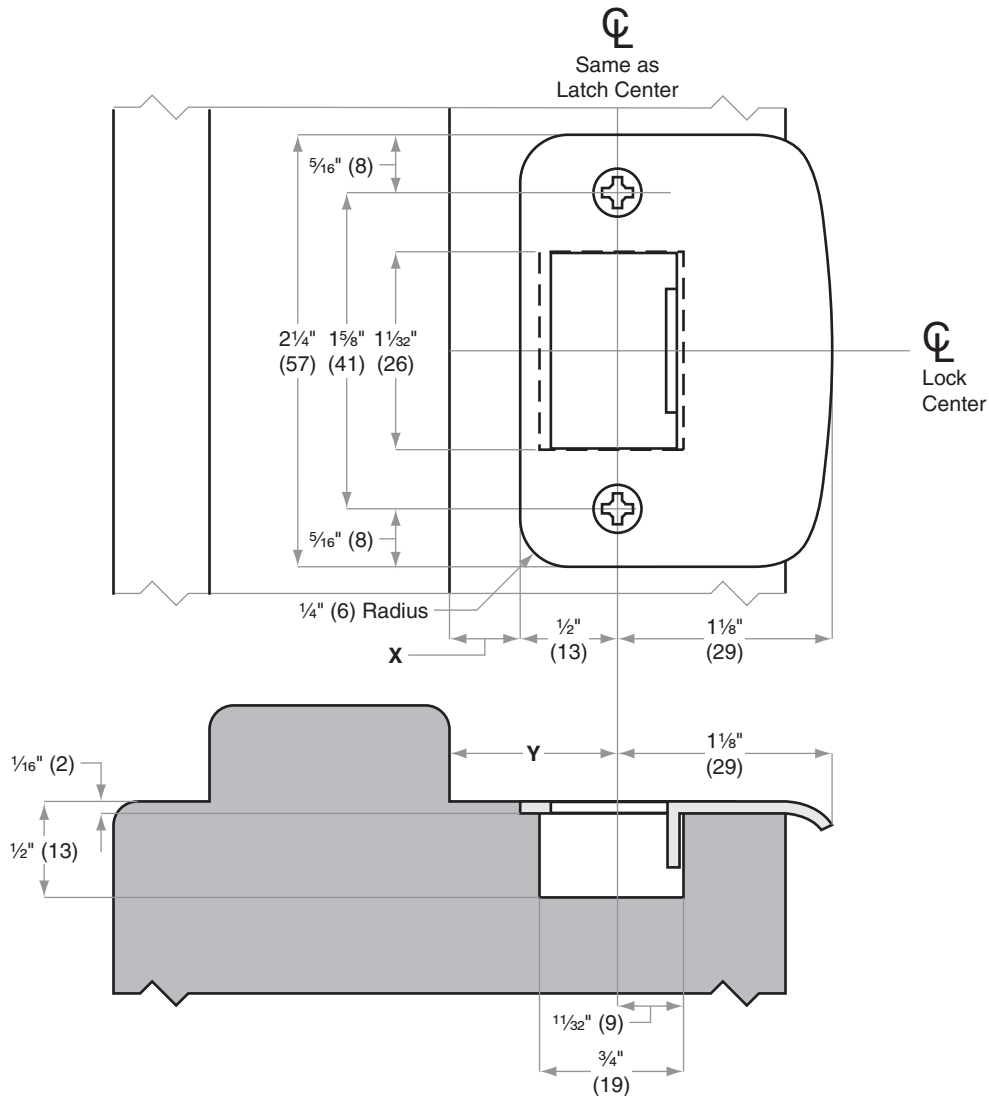
Door preparation template



Strikes

Model 10-027

Jamb Type: Wood
Style: Full Lip, Round Corner, 1/4" (6 mm) Radius
Standard for: F-Series | FE-Series
Optional for: A-Series | AL-Series | S-Series



Dimensions X and Y are variables dependent on door thickness

Dimensions shown in parentheses () are in millimeters.

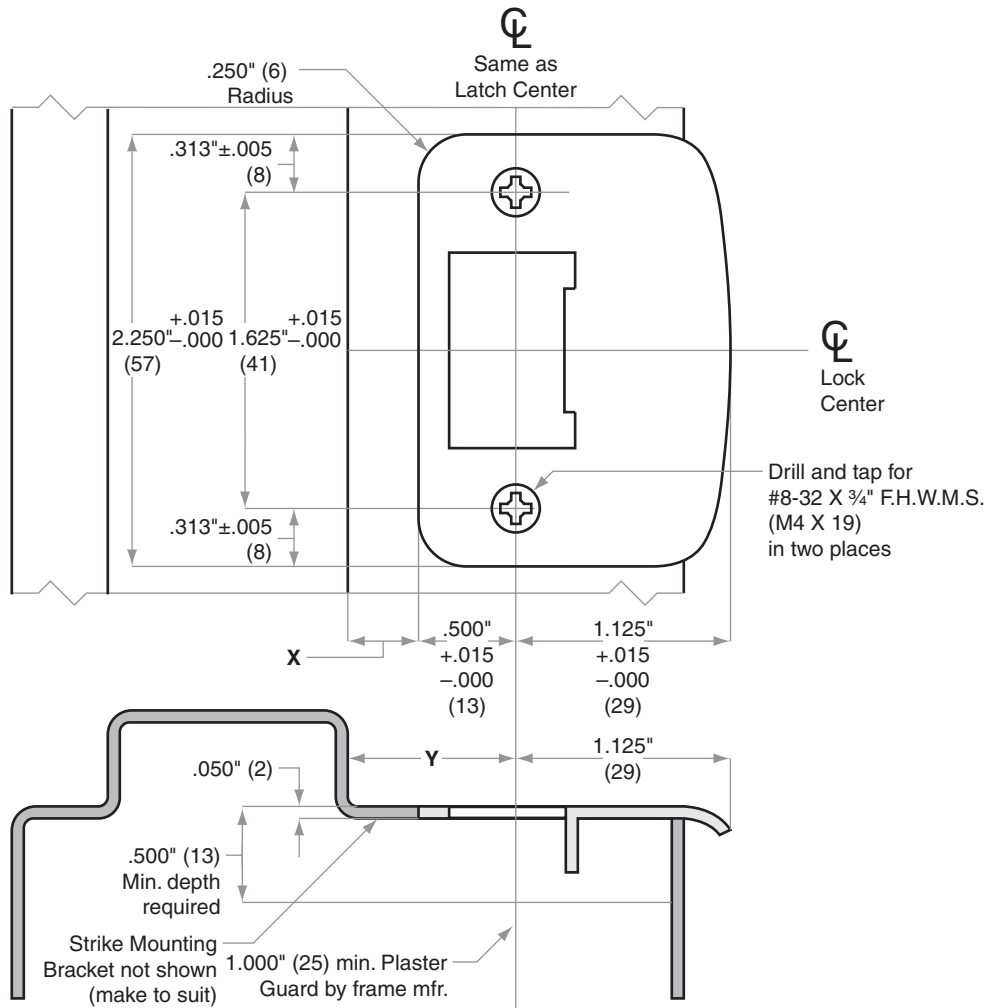
Door preparation template



Strikes

Model 10-027

Jamb Type: Metal
 Style: Full Lip, Round Corner, 1/4" (6 mm) Radius
 Standard for: F-Series | FE-Series
 Optional for: A-Series | AL-Series | S-Series



Dimensions X and Y are variables dependent on the door thickness

Dimensions shown in parentheses () are in millimeters.

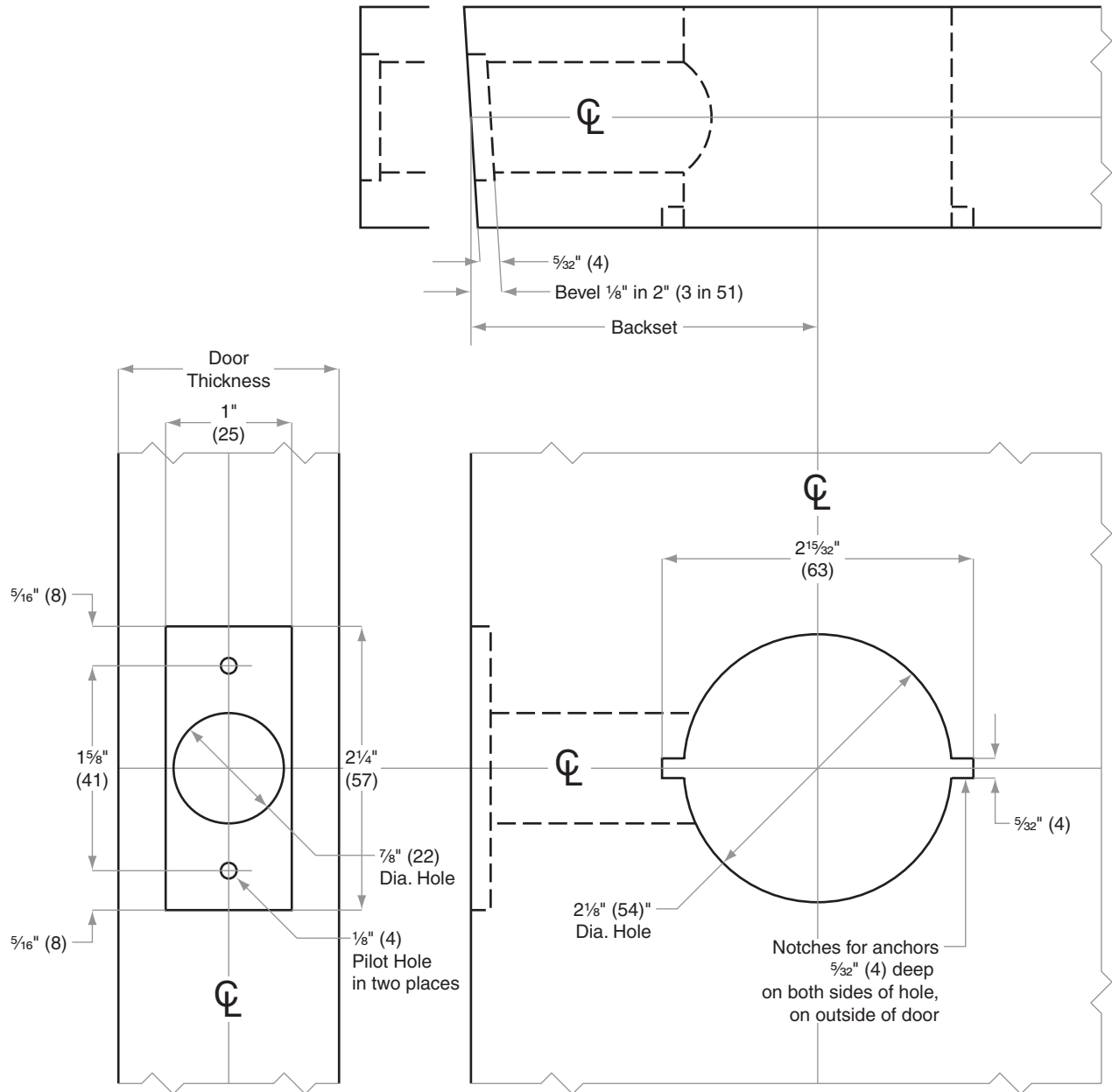
Door preparation template



S-Series

Models S10–S80

- Door Type:** Wood or Composite, Flat or Beveled
Door Thickness: 1 $\frac{1}{8}$ " (35 mm)–2" (51 mm) except S40D: 1 $\frac{1}{8}$ " (35 mm)–1 $\frac{7}{8}$ " (47 mm)
Faceplate: Square Corner, 1" (25 mm) wide
Backsets: 2 $\frac{3}{8}$ " (60 mm), 2 $\frac{3}{4}$ " (70 mm), 5" (127 mm)



Dimensions shown in parentheses () are in millimeters.

Door preparation template

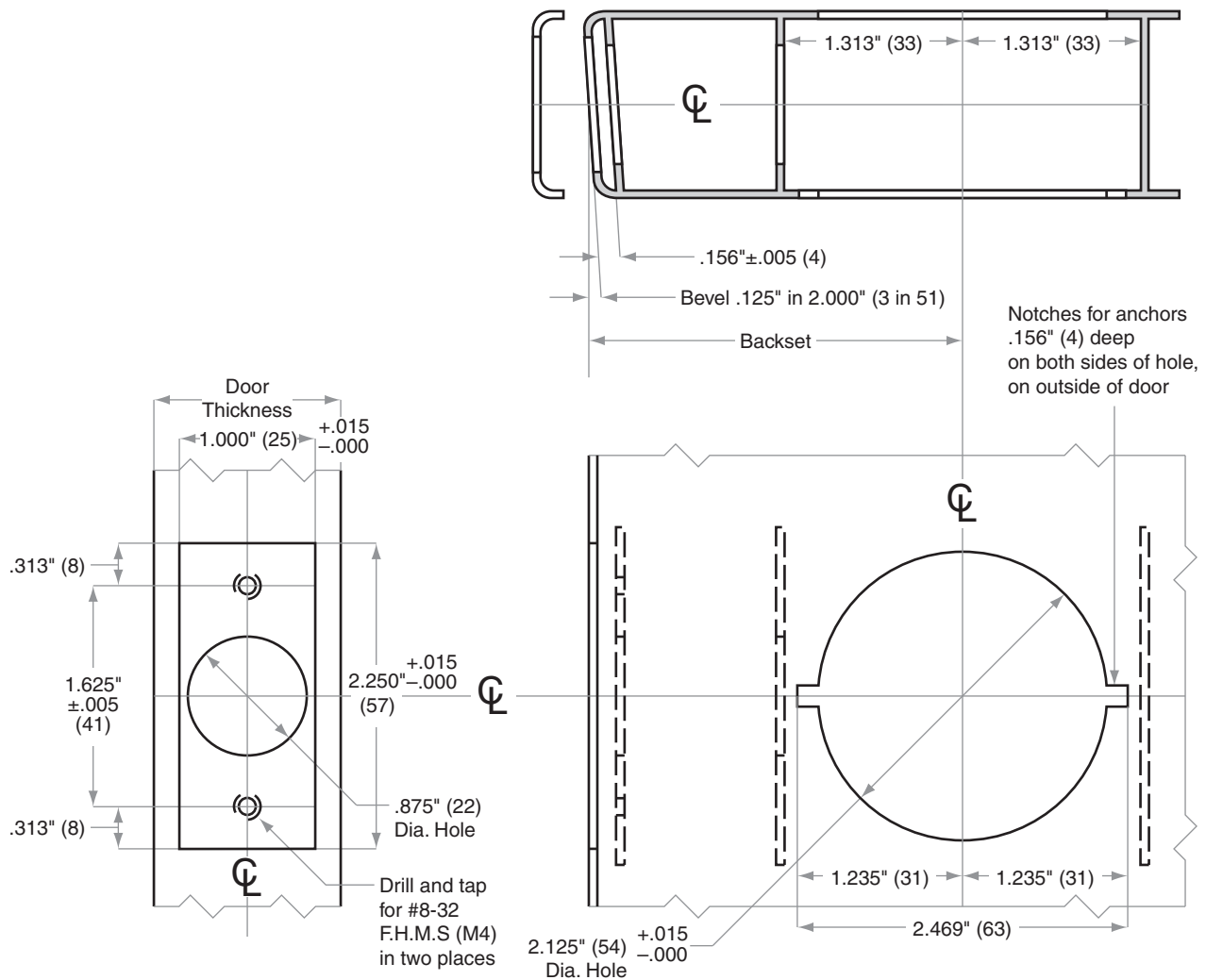


S-Series

Models S10-S80

- Door Type: Metal, Flat or Beveled
 Door Thickness: 1 1/8" (35 mm)–2" (51 mm) except S40D: 1 3/8" (35 mm)–1 7/8" (47 mm)
 Faceplate: Square Corner, 1" (25 mm) wide
 Backsets: 2 3/8" (60 mm), 2 3/4" (70 mm), 5" (127 mm)

For metal door installations, suitable reinforcement is required to support latch in center of door and to prevent lateral movement



Dimensions shown in parentheses () are in millimeters.

Door preparation template



Strike

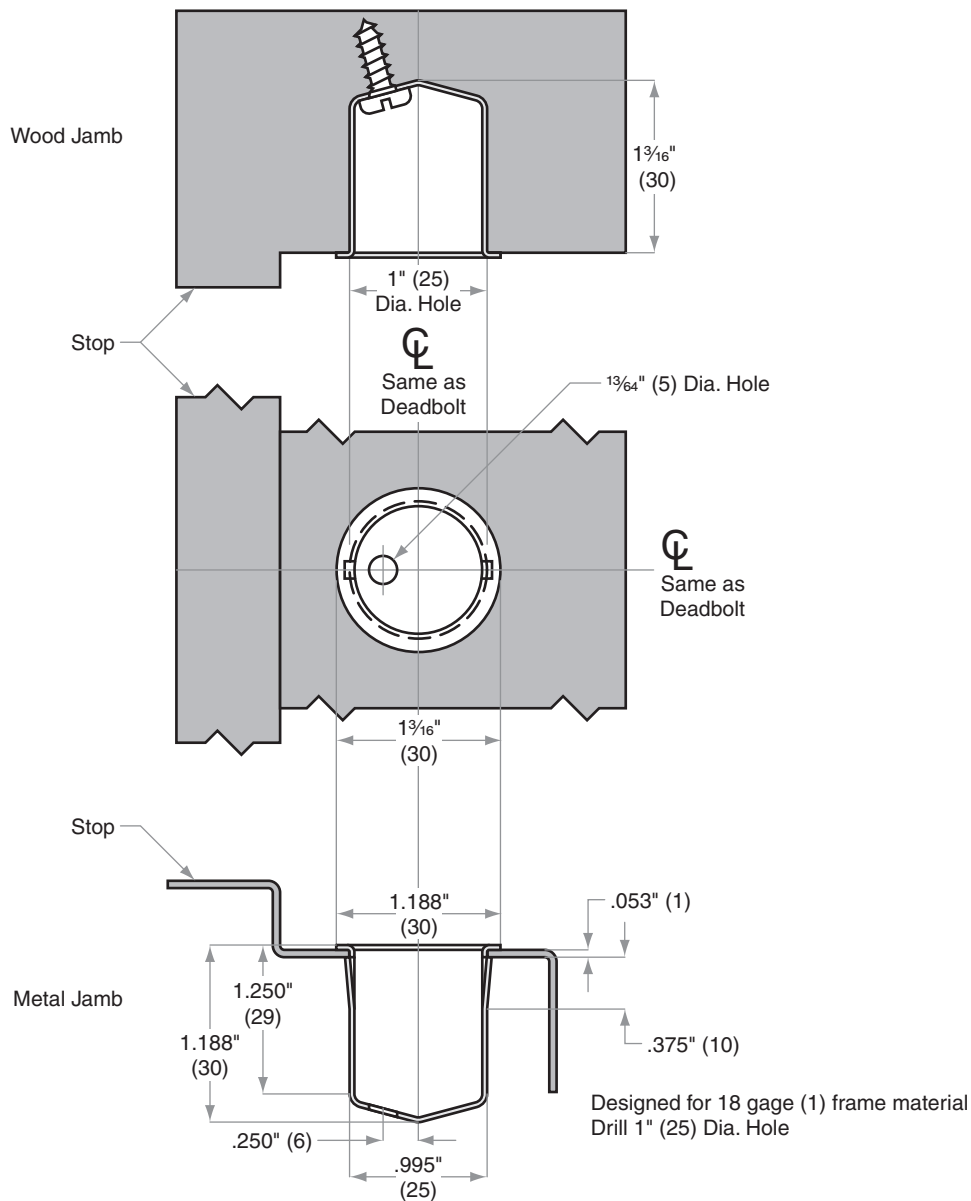
-series-



Strikes

Model 10-064

Jamb Type: Wood and Metal
Style: Thimble, Deadbolt
Standard for:
Optional for: BC100-Series | B/BA300-Series | B600/700/800-Series



Dimensions shown in parentheses () are in millimeters.

Door preparation template



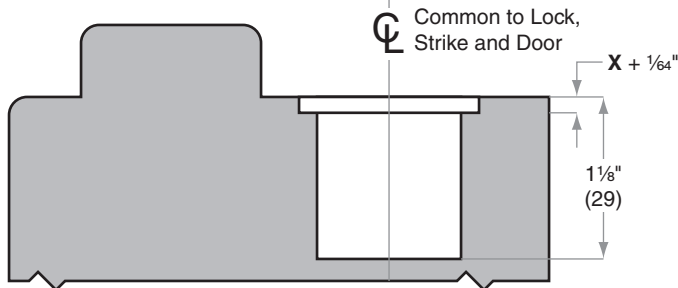
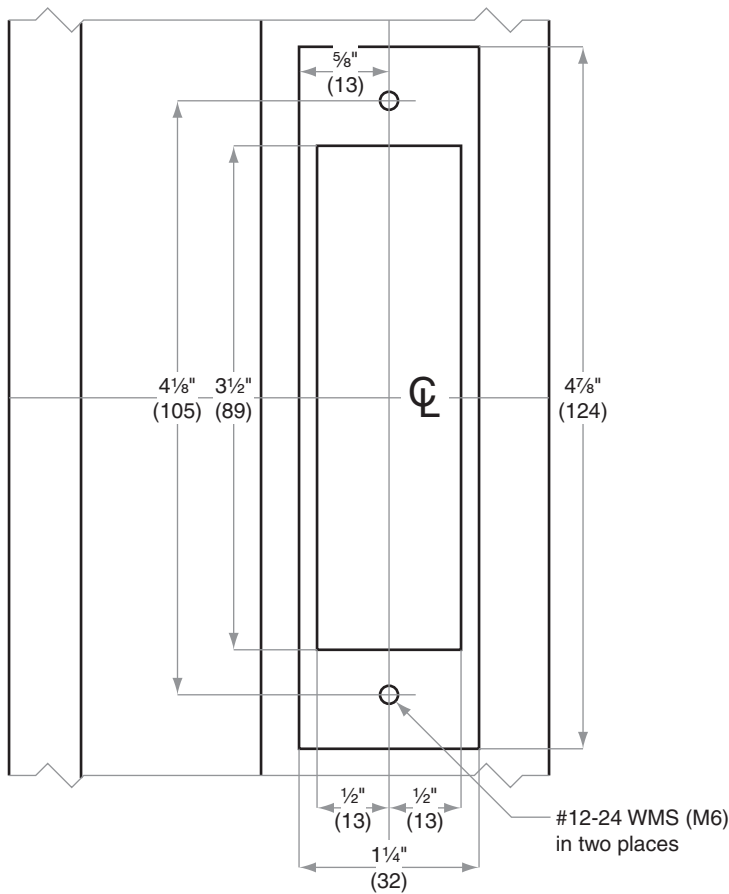
Strikes

Models 10-073, 10-078

Jamb Type: Wood
 Style: Mortise, No Lip, Deadbolt
 Standard for:
 Optional for: L400-Series

NOTE:

1. When reinforcement plate is specified, mortise additional $\frac{1}{8}$ " (3) to Dimension X
2. Strike location on frames must be adjusted for thickness of door silencers when used



Dimension X: 10-025: $\frac{3}{32}$ " (2) when strike box not specified
 10-072 and 10-087: $\frac{5}{32}$ " (4) for strike box, detached

Dimensions shown in parentheses () are in millimeters.

Door preparation template



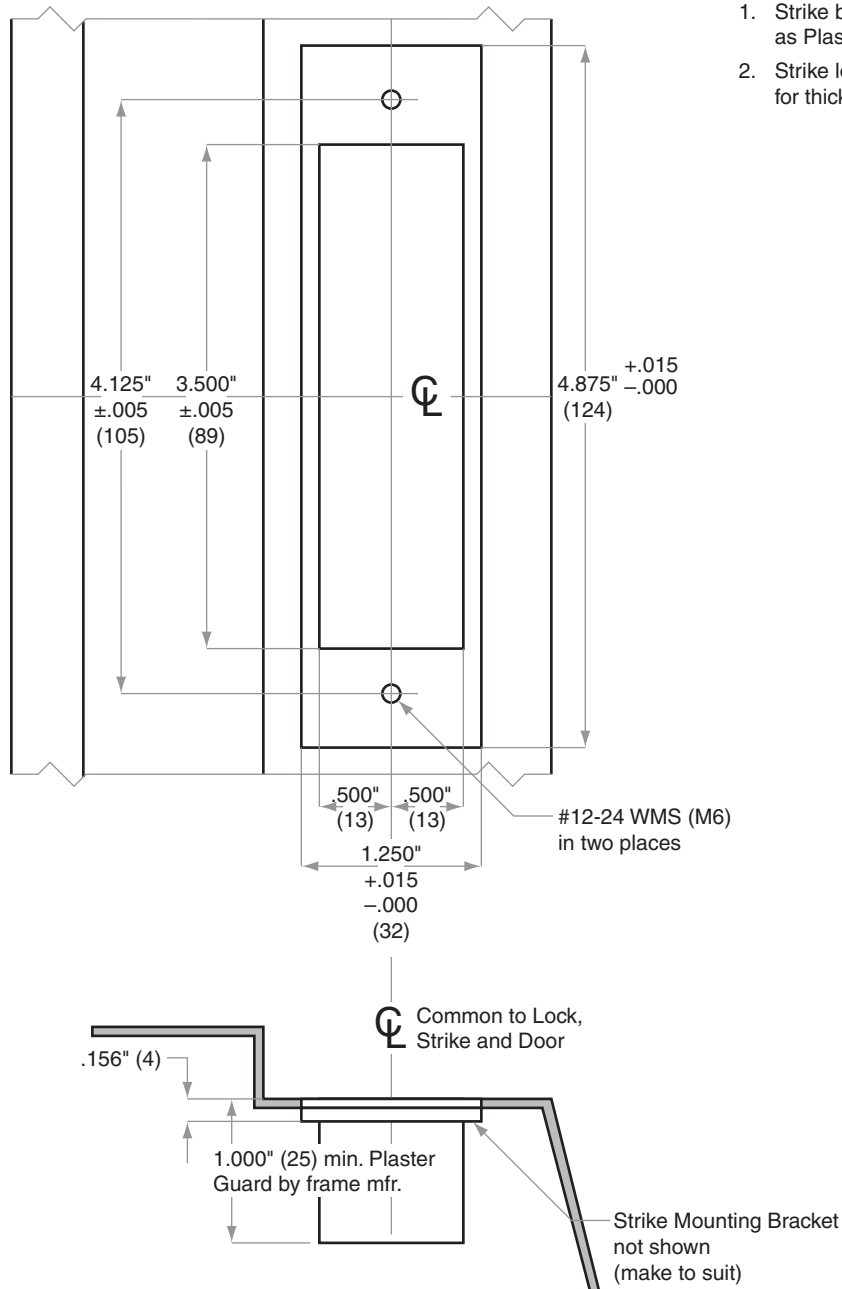
Strikes

Models 10-073, 10-078

Jamb Type: Metal
 Style: Mortise, No Lip, Deadbolt
 Standard for:
 Optional for: L400-Series

NOTE:

1. Strike box furnished detached, but not required as Plaster Guard is furnished by frame mfr.
2. Strike location on frames must be adjusted for thickness of door silencers, when used



Dimensions shown in parentheses () are in millimeters.

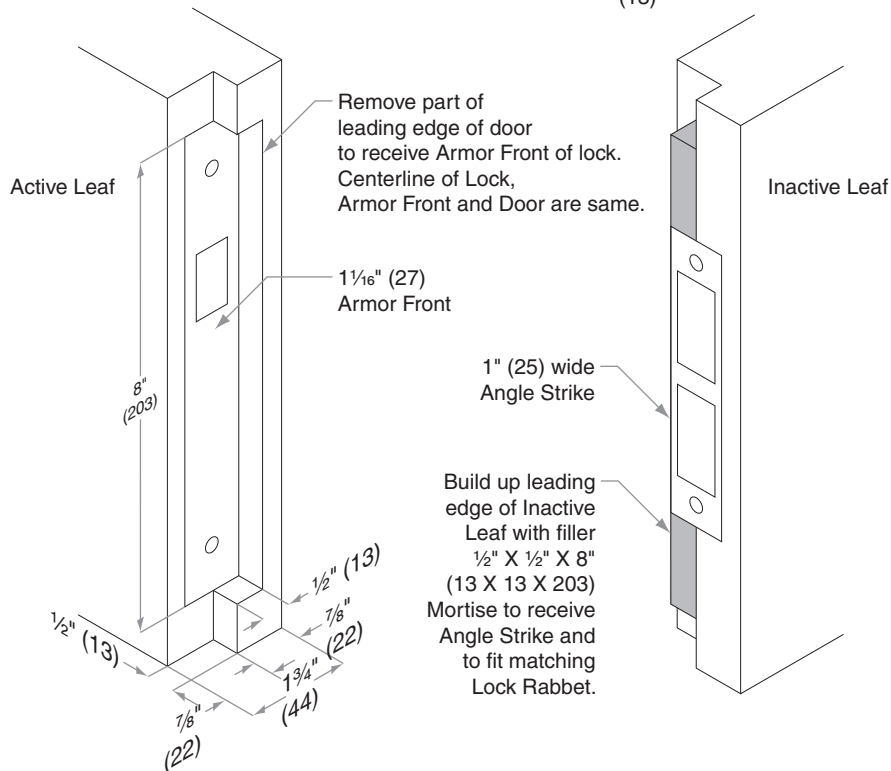
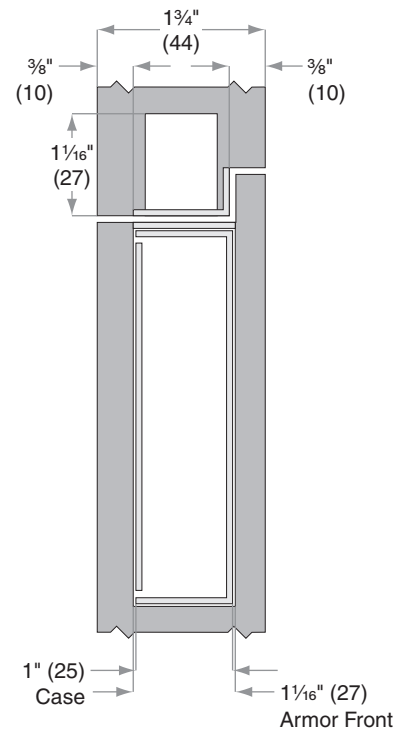
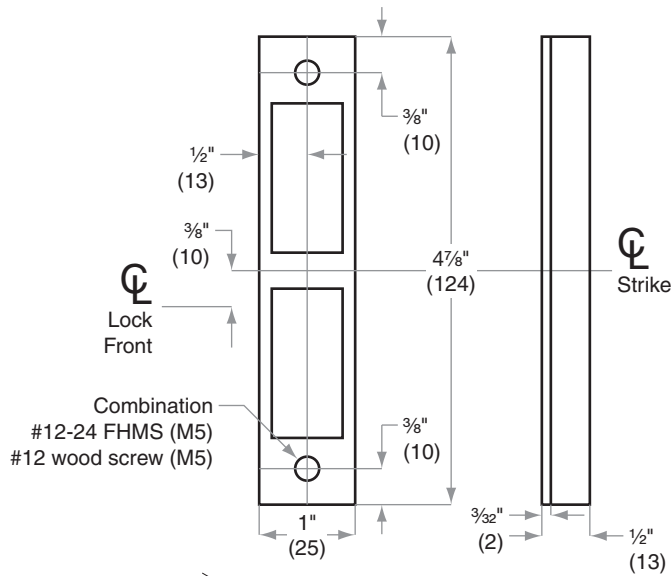
Door preparation template



Strikes

Model 10-075

Jamb Type: Wood and Metal
 Style: Square Corner, 1/2" (13 mm) rabbeted
 Standard for:
 Optional for: L/LV-Series



Dimensions shown in parentheses () are in millimeters.

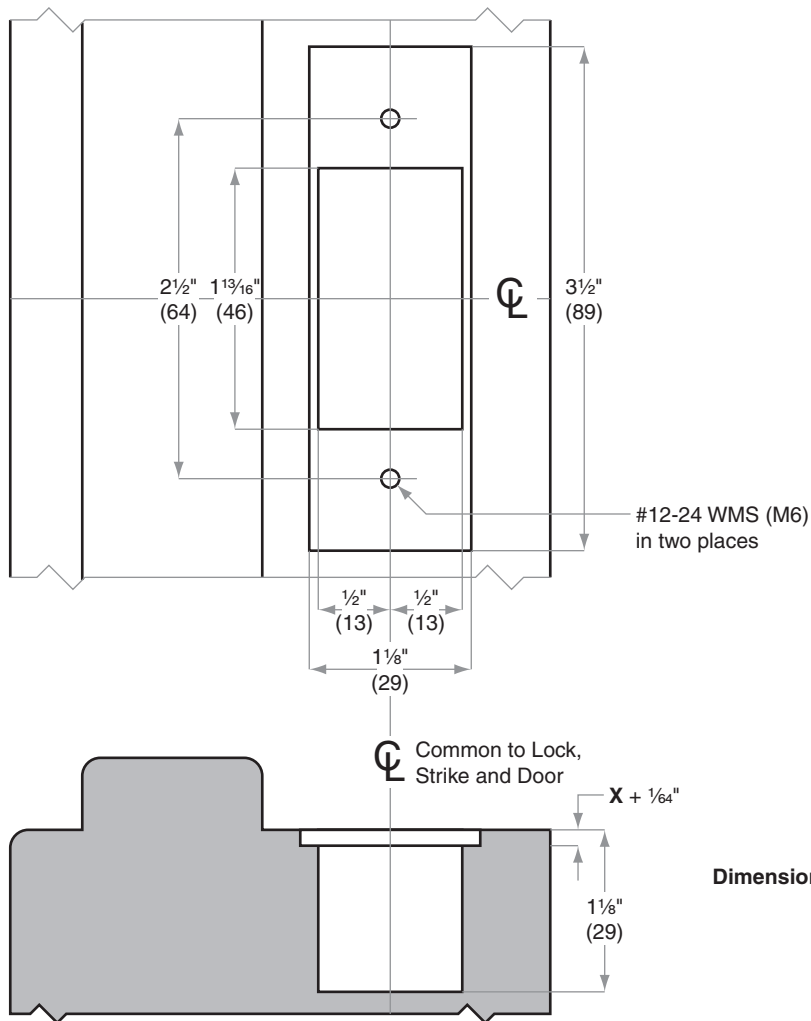
Door preparation template



Strikes

Model 10-079

Jamb Type: Wood
 Style: Mortise, No Lip, Deadbolt
 Standard for: L400-Series
 Optional for:



Dimension X: $\frac{5}{32}"$ (4) for strike box, detached
 Strike location on frames must be adjusted for thickness of door silencers, when used

Dimensions shown in parentheses () are in millimeters.

Door preparation template



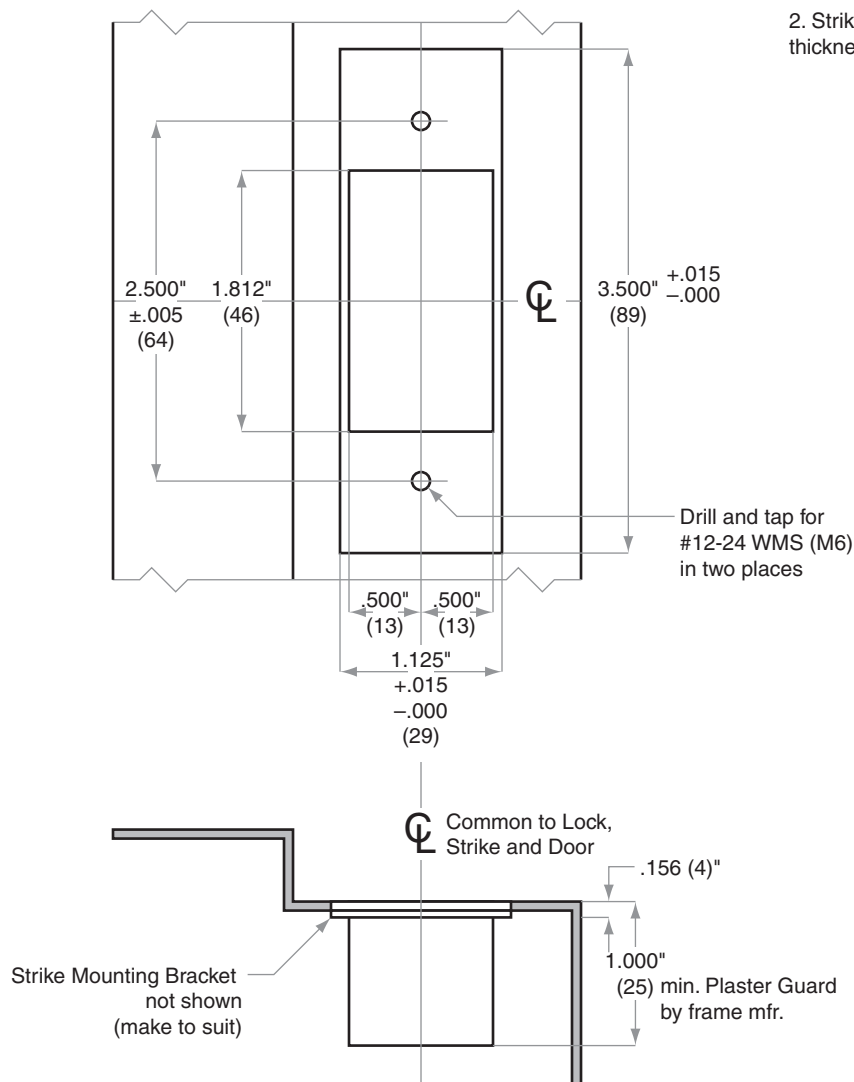
Strikes

Model 10-079

Jamb Type: Metal
 Style: Mortise, No Lip, Deadbolt
 Standard for: L400-Series
 Optional for:

NOTE:

1. Strike box furnished detached, but not required as Plaster Guard is furnished by frame mfr.
2. Strike location on frames must be adjusted for thickness of door silencers, when used



Dimensions shown in parentheses () are in millimeters.

Door preparation template

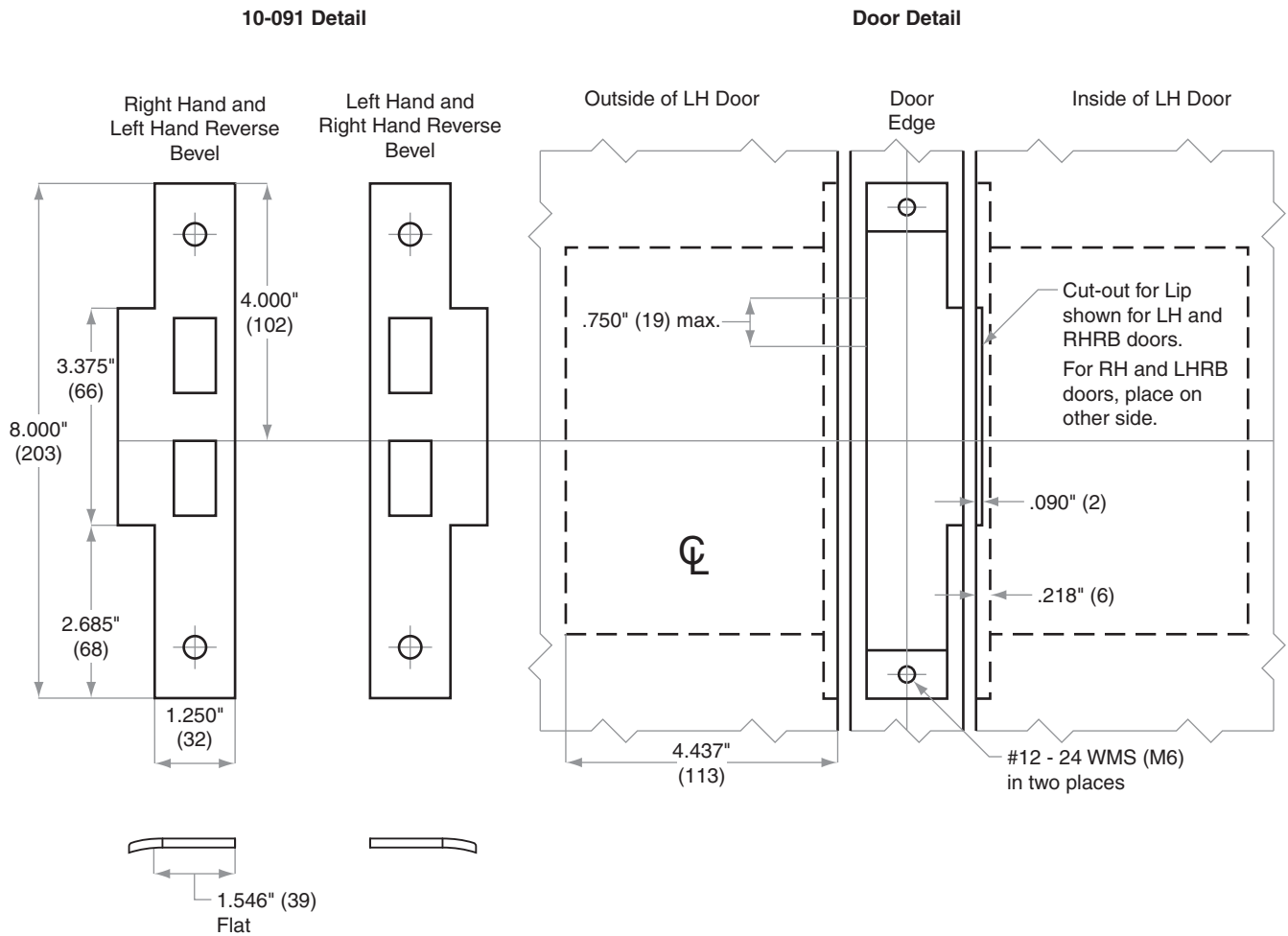


Strikes

Model 10-091

Jamb Type: Wood or Metal
 Style: Mortise, Armor Front Strike (handed to inactive door)
 Standard for:
 Optional for:

- NOTE:
1. Lock Case cavity and Strike shown for dimensions only
 2. Prepare door cut-outs as indicated under **Door Detail**
 3. Dimensions shown are maximum for this product
 4. Measure backset from Centerline of Door Edge



Dimensions shown in parentheses () are in millimeters.

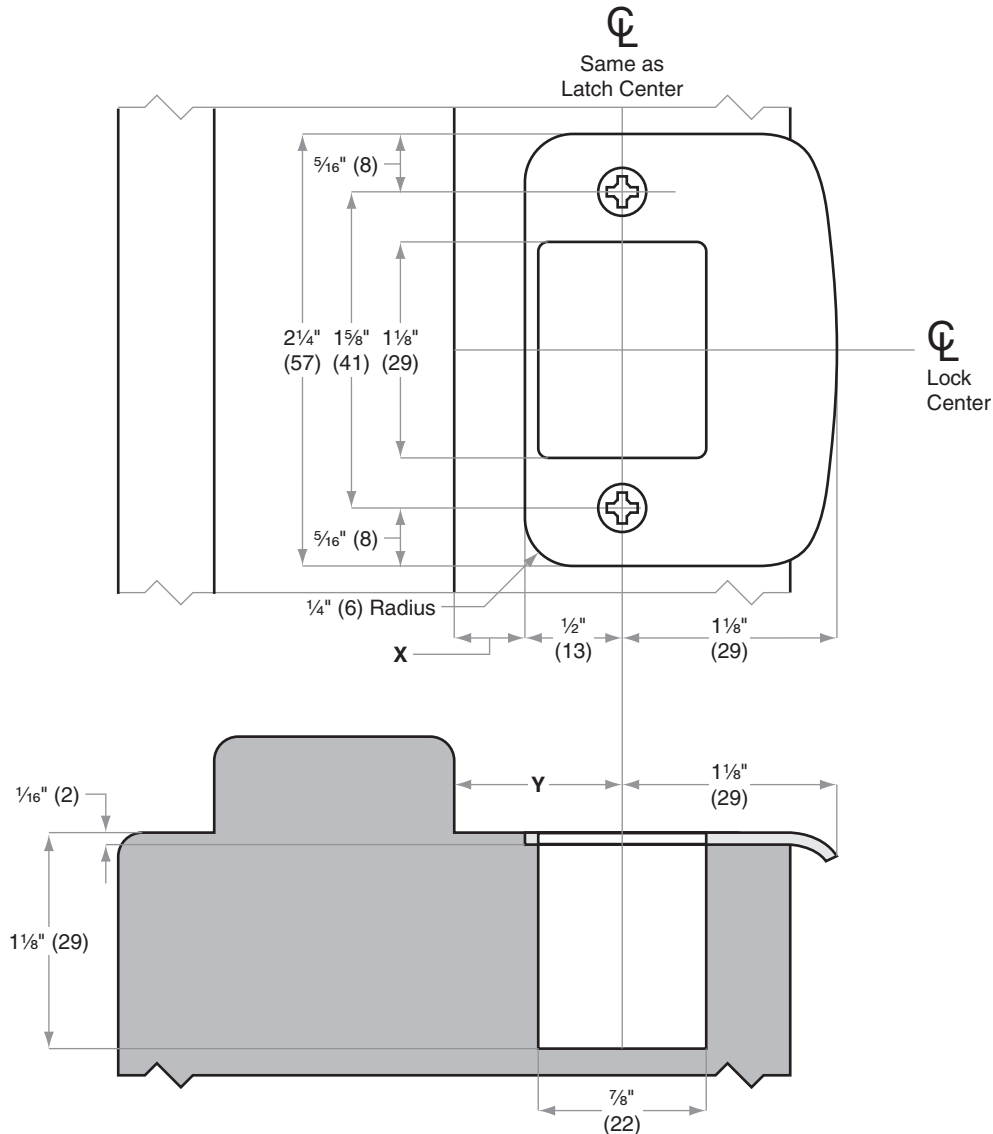
Door preparation template



Strikes

Model 10-092

Jamb Type: Wood
Style: Full Lip, Round Corner, 1/4" (6 mm) Radius, Deadbolt
Standard for:
Optional for: BC100-Series | BR260-Series | B/BA300-Series | B600/700/800-Series



Dimensions X and Y are variables dependent on door thickness

Dimensions shown in parentheses () are in millimeters.

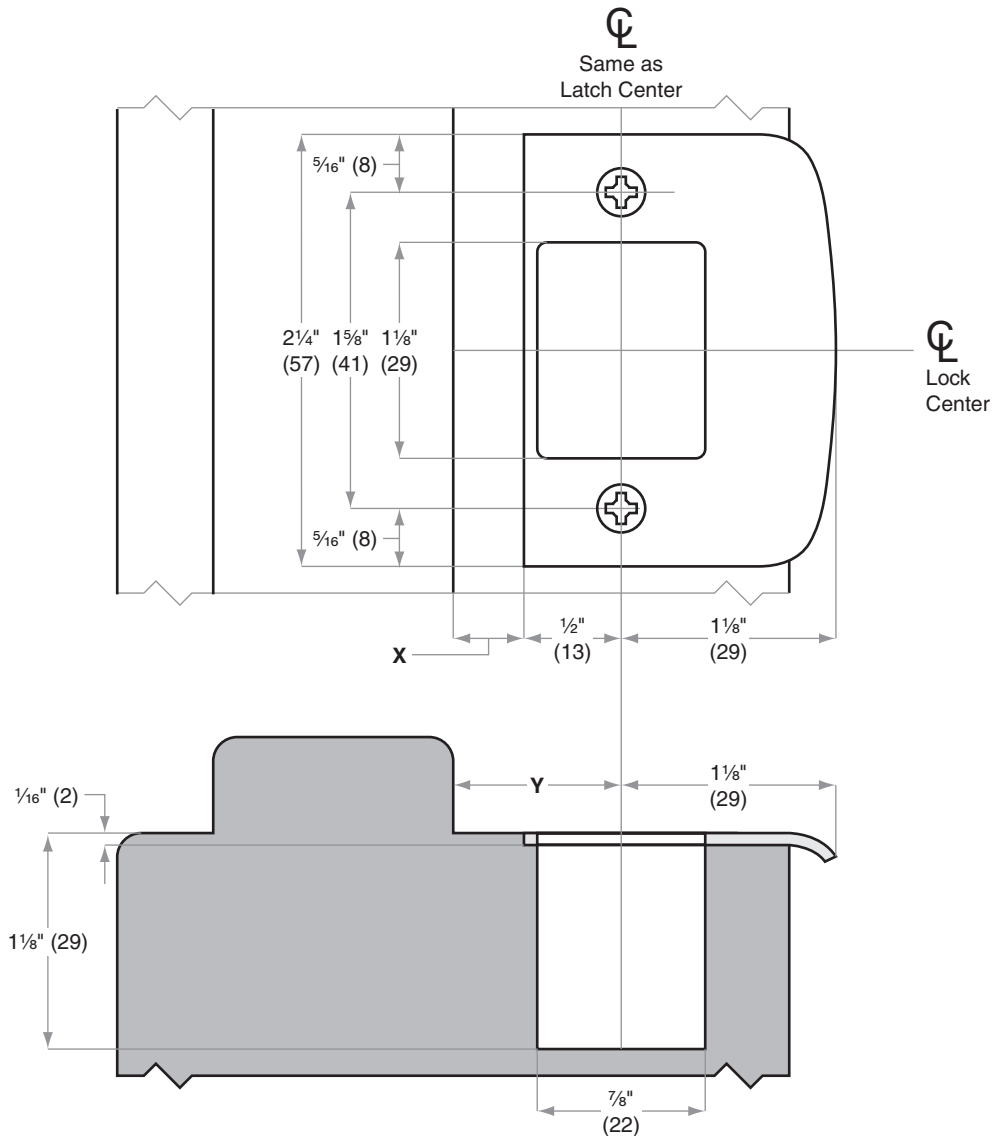
Door preparation template



Strikes

Model 10-095

Jamb Type: Wood
Style: Full Lip, Square Corner, Deadbolt
Standard for:
Optional for: BC100-Series | BR260-Series | B/BA300-Series | B600/700/800-Series



Dimensions X and Y are variables dependent on door thickness

Dimensions shown in parentheses () are in millimeters.

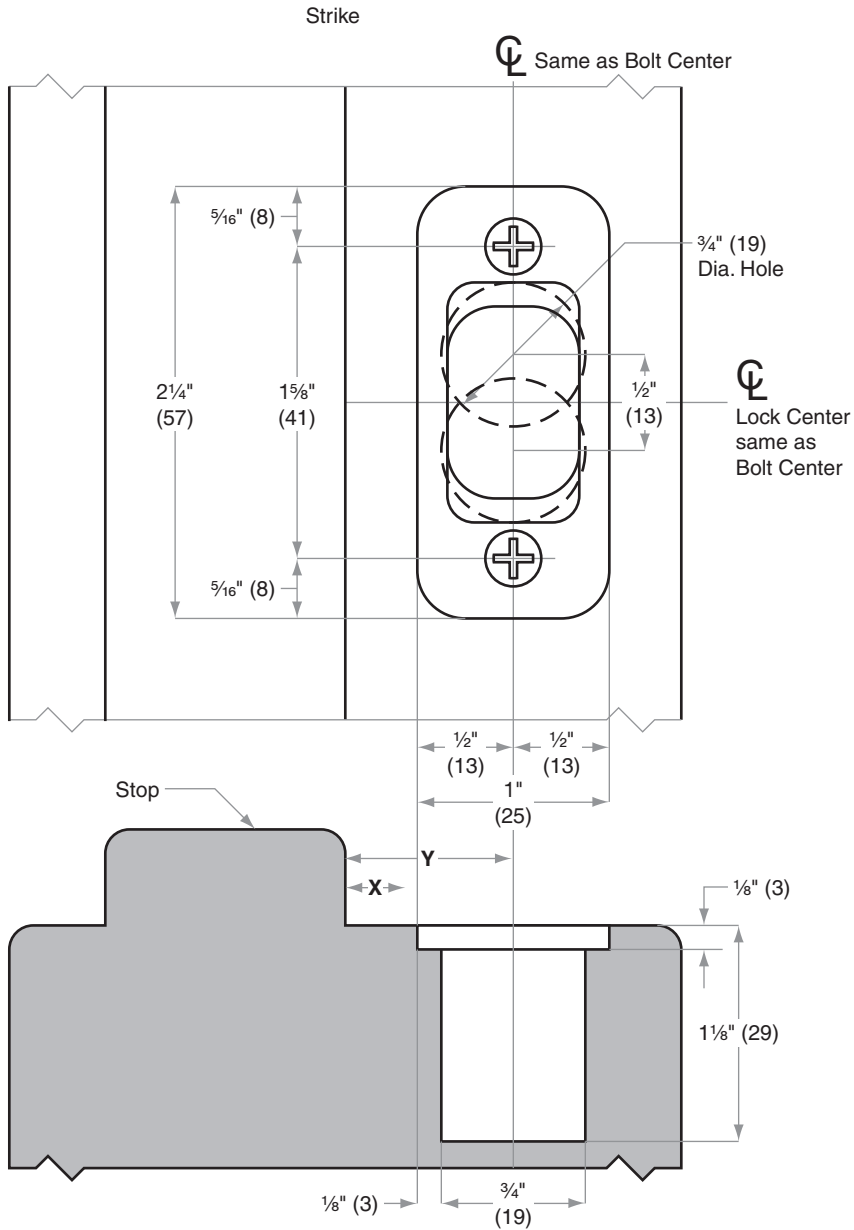
Door preparation template



Strikes

Model 10-103

Jamb Type: Wood
 Style: 1" (25 mm) Round Corner, 1/4" (6 mm) Radius, no box, Deadbolt
 Standard for:
 Optional for: B500-Series



NOTE:

1. For use with 1" (25) throw deadbolt functions
2. Dimensions X and Y are variables dependent on door thickness
3. Strike location on frames must be adjusted for thickness of door silencers when used

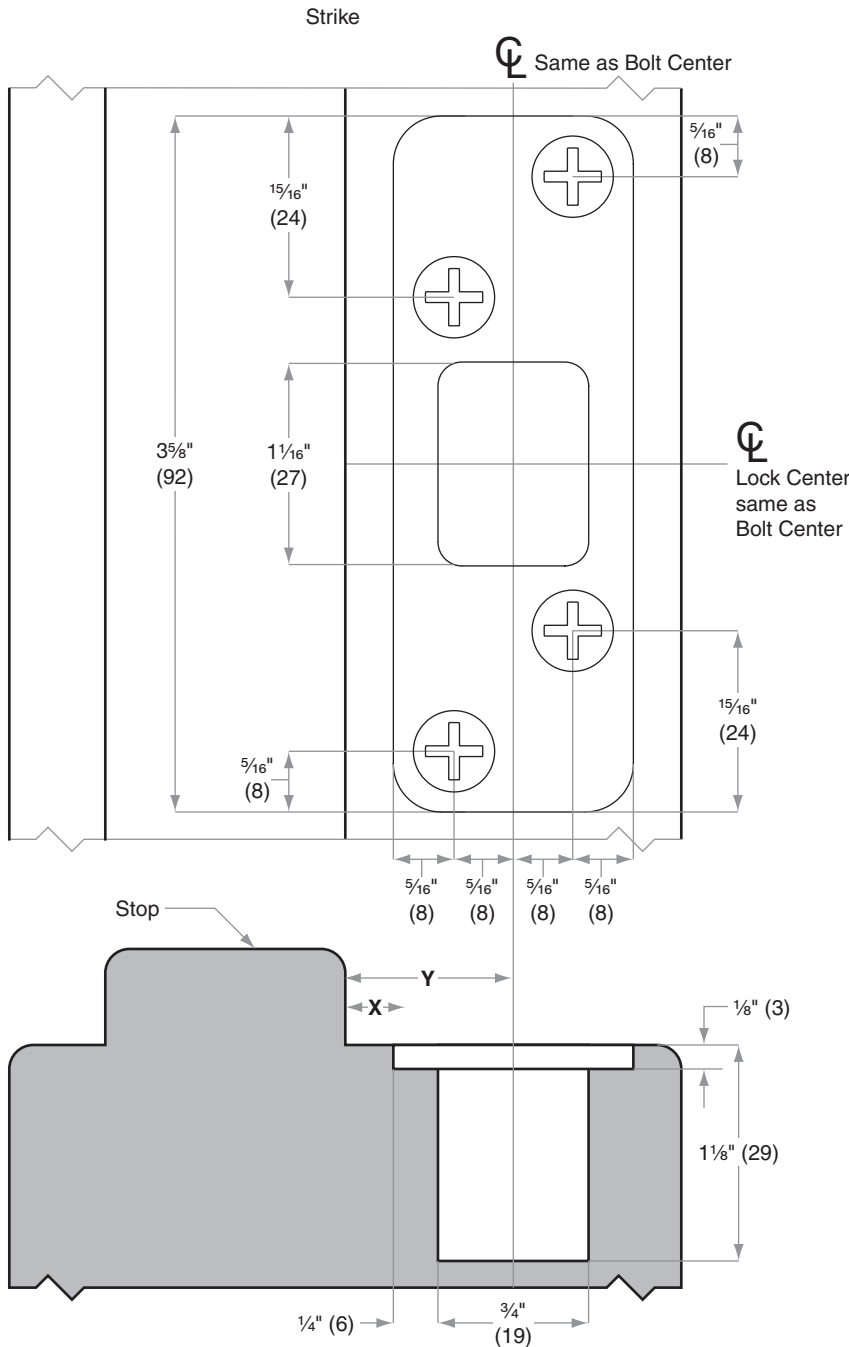
Dimensions shown in parentheses () are in millimeters.

Door preparation template

Strikes

Model 10-104

Jamb Type: Wood
 Style: 1¼" (32 mm) Round Corner, ¼" (6 mm) Radius, four Screw, no box, Deadbolt
 Standard for:
 Optional for: B500-Series



NOTE:

1. For use with 1" (25) throw deadbolt functions
2. Dimensions X and Y are variables dependent on door thickness
3. Strike location on frames must be adjusted for thickness of door silencers when used

Dimensions shown in parentheses () are in millimeters.

Door preparation template

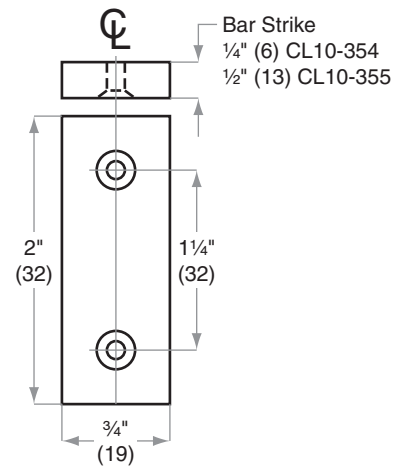
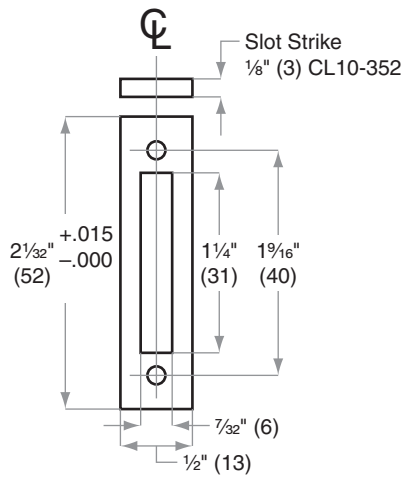
J932



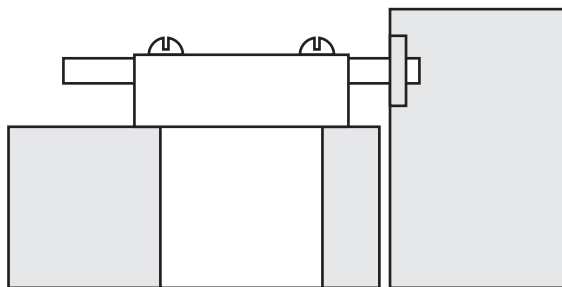
CL-Series Strikes

CL10-352, CL10-354, CL10-355

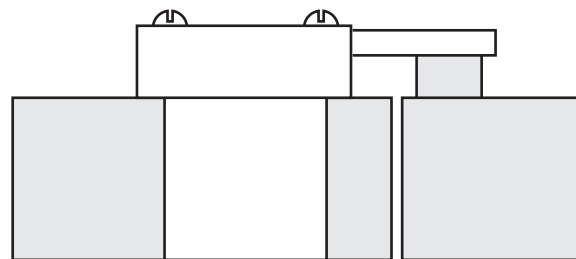
Door Type: Wood or Metal Jamb



Mounting Screws
 Slot and 1/4" Bar Strike
 #8-1/2" PFH combination wood/metal
 1/2" Bar Strike
 #8-1 1/4" PFH combinaton wood/metal



CL10-352 Slot Strike
 Shown surface mounted on wood
 Surface mount on metal also acceptable



CL10-354 or CL10-355 Bar Strike
 Shown surface mounted on wood
 Surface mount on metal also acceptable

Dimensions shown in parentheses () are in millimeters.

Door preparation template

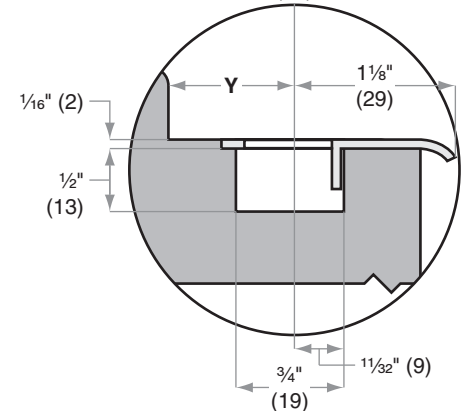
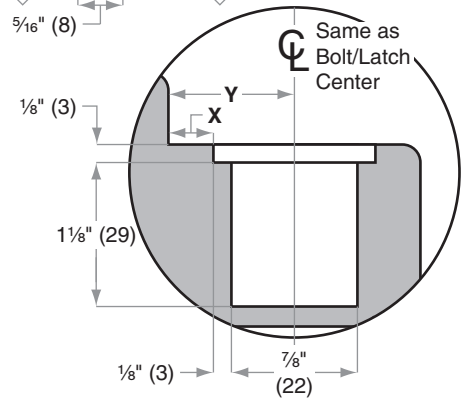
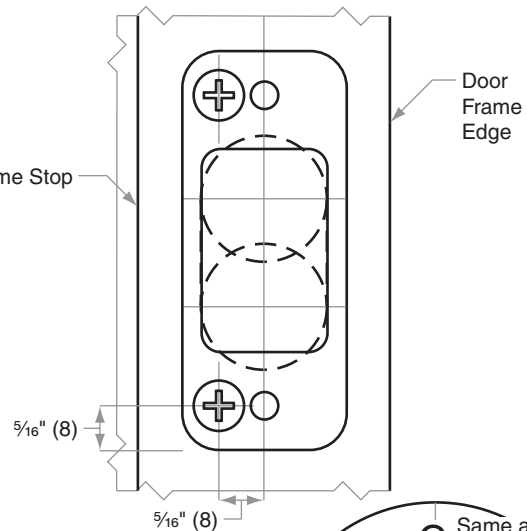
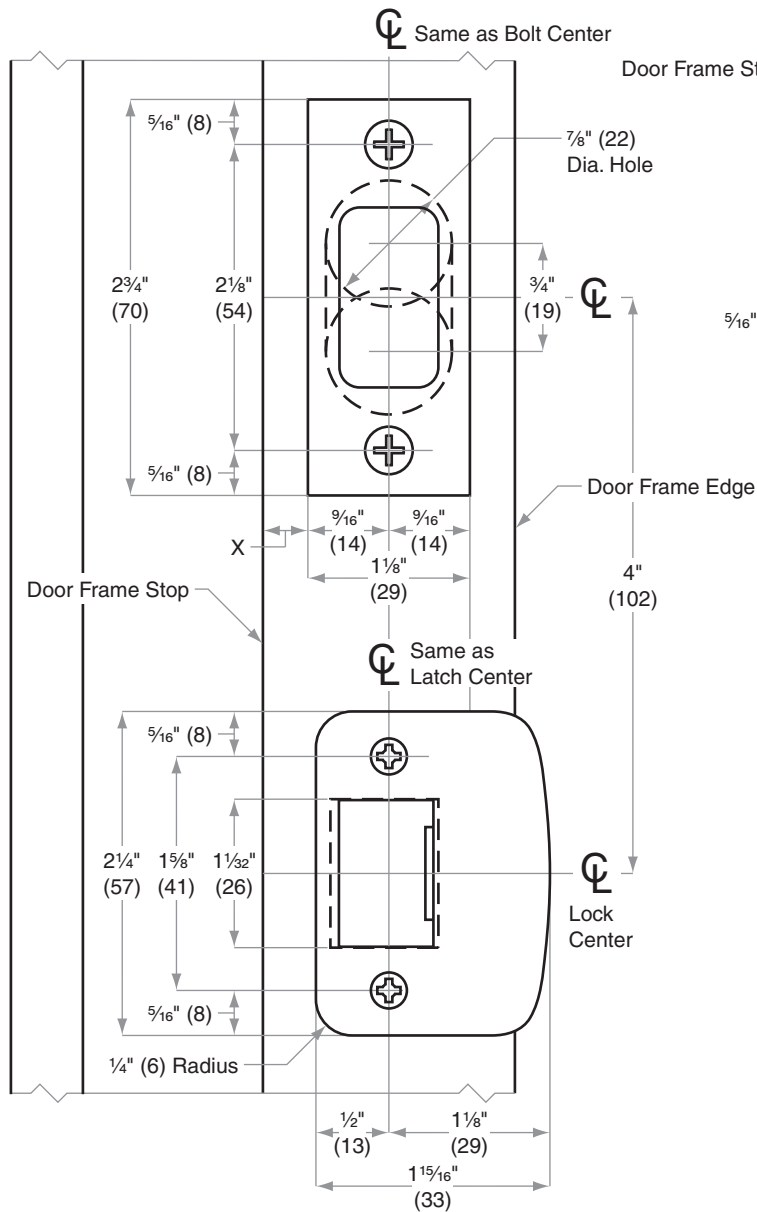


Strikes, Combination

Model 10-255=10-055x10-027

Jamb Type: Wood
 Style: Combination
 Standard for:
 Optional for: H-Series | S200-Series

- NOTE:
- When strike/frame reinforcer is used, additional preparation is required:
 2 Pilot Holes and 1/8" (3) deeper mortise
 - Dimensions X and Y are variables dependent on door thickness



Dimensions shown in parentheses () are in millimeters.

Door preparation template



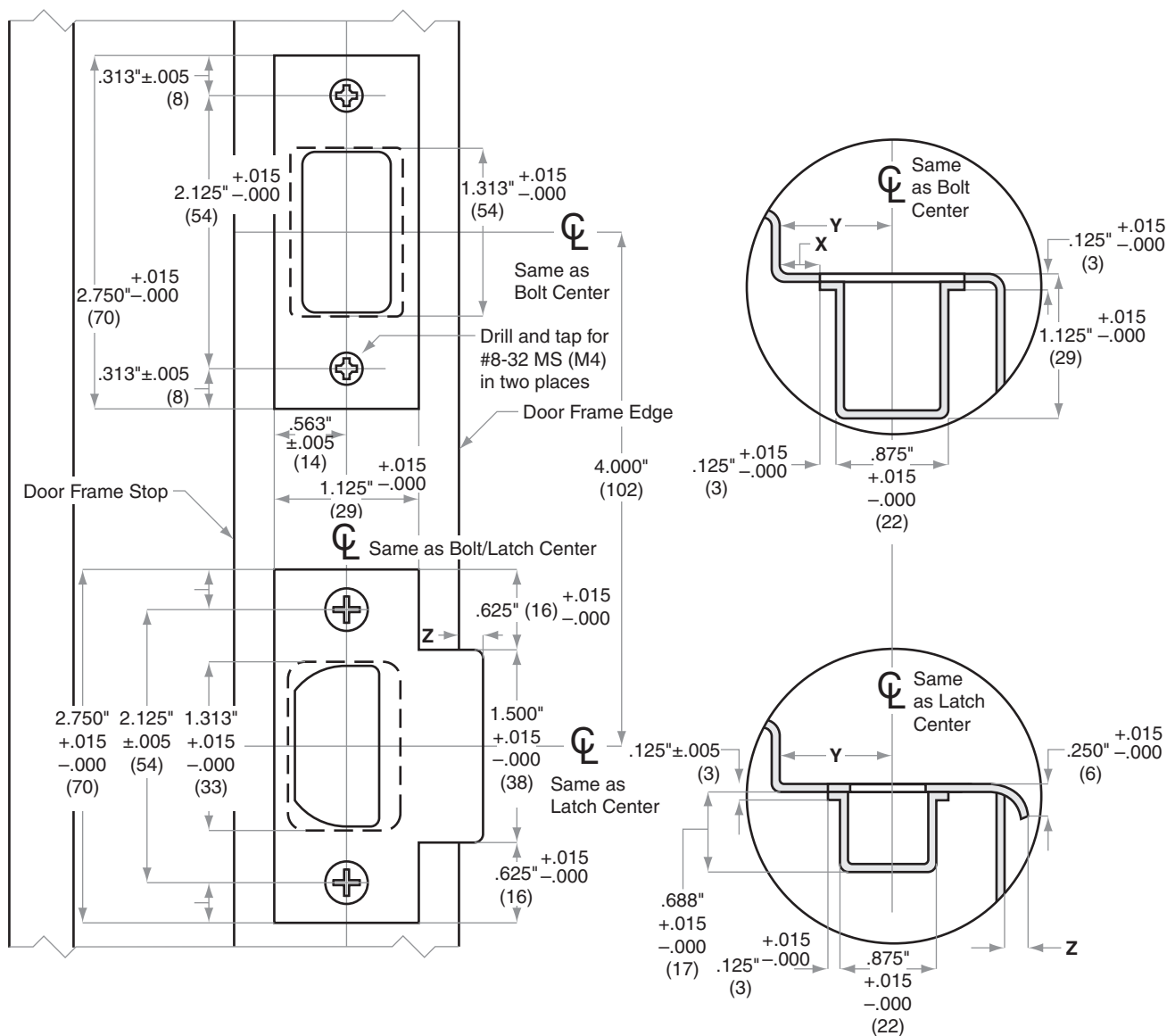
Strikes, Combination

Model 10-250=10-055x10-001

Jamb Type: Metal
 Style: Combination
 Standard for: H-Series | S200-Series
 Optional for:

NOTE:

1. Dimensions X, Y and Z are variables dependent on door thickness
2. Curved strike extension beyond jamb at Z must not be less than 3/16" (5) to ensure proper functioning of latch bolt



Dimensions shown in parentheses () are in millimeters.

Door preparation template

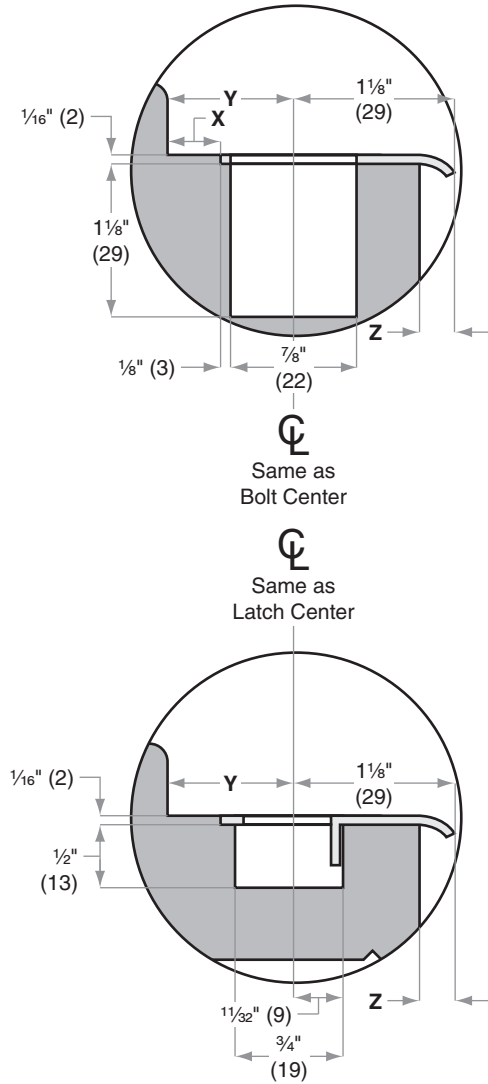
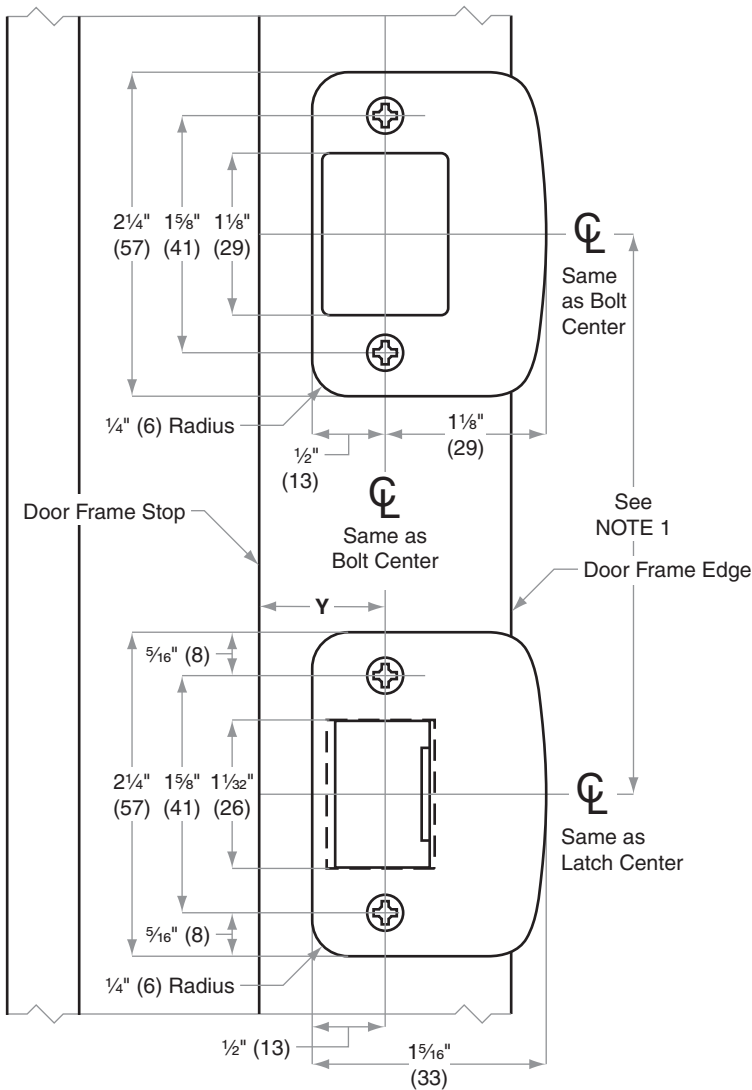
Strikes, Combination

Model 10-257=10-092x10-027

Jamb Type: Wood
 Style: Combination
 Standard for:
 Optional for: F/FA300-Series | H-Series | S200-Series

NOTE:

- 4" (102) For H- and S200-Series
 4" (102) minimum for F360/362
 5½" (138) minimum for FA360/362
- Dimensions X, Y and Z are variables dependent on door thickness
- Strike location on frames must be adjusted for thickness of door silencers when used



Dimensions shown in parentheses () are in millimeters.

Door preparation template

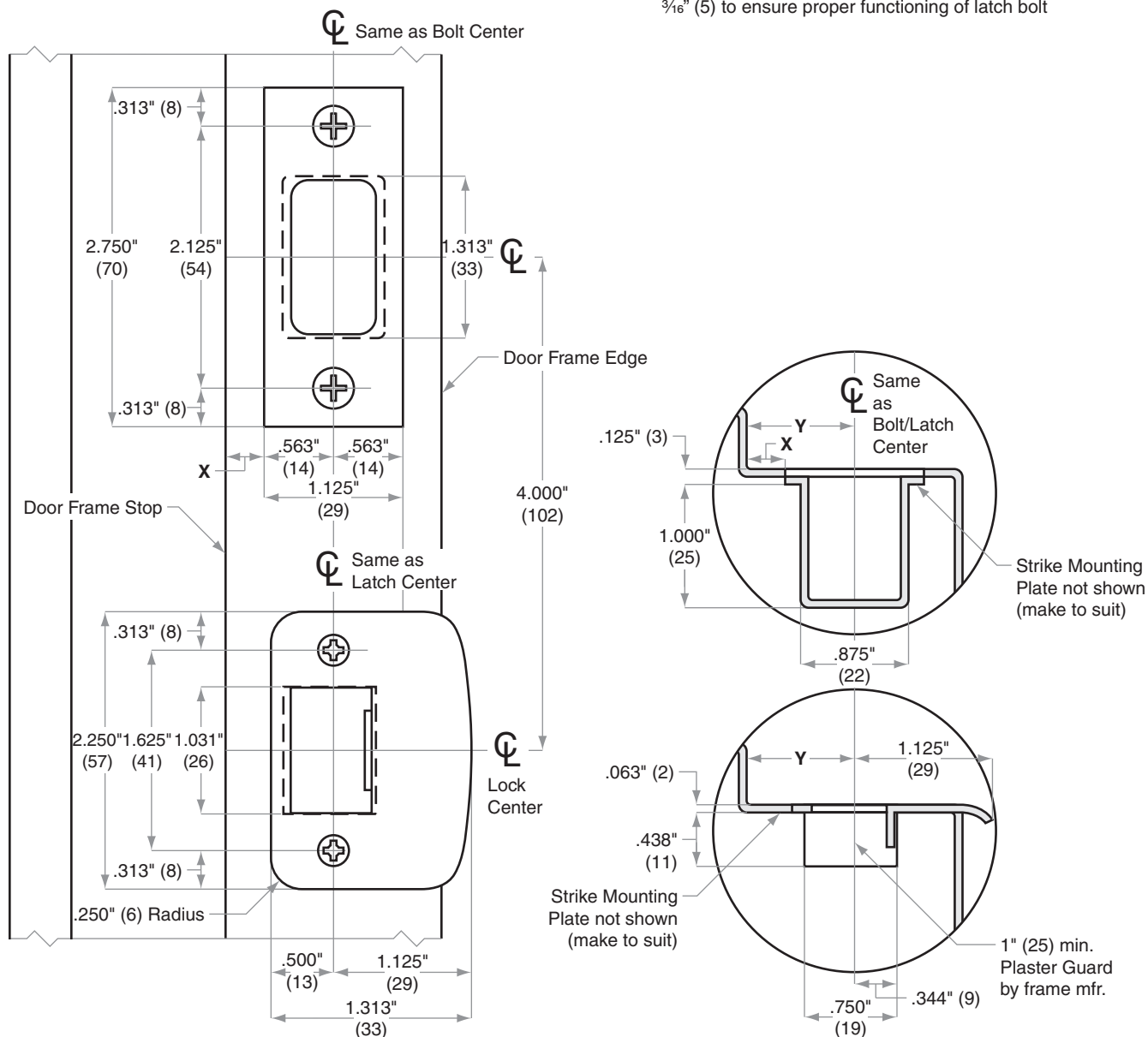


Strikes, Combination

Model 10-255=10-055x10-027

Jamb Type: Metal
 Style: Combination
 Standard for:
 Optional for: H-Series | S200-Series

- NOTE:
1. Dimensions X and Y are variables dependent on door thickness
 2. Distance from upper strike to lower strike same as latch and bolt
 3. Curved strike extension beyond jamb at Z must not be less than 3/16" (5) to ensure proper functioning of latch bolt



Dimensions shown in parentheses () are in millimeters.

Door preparation template

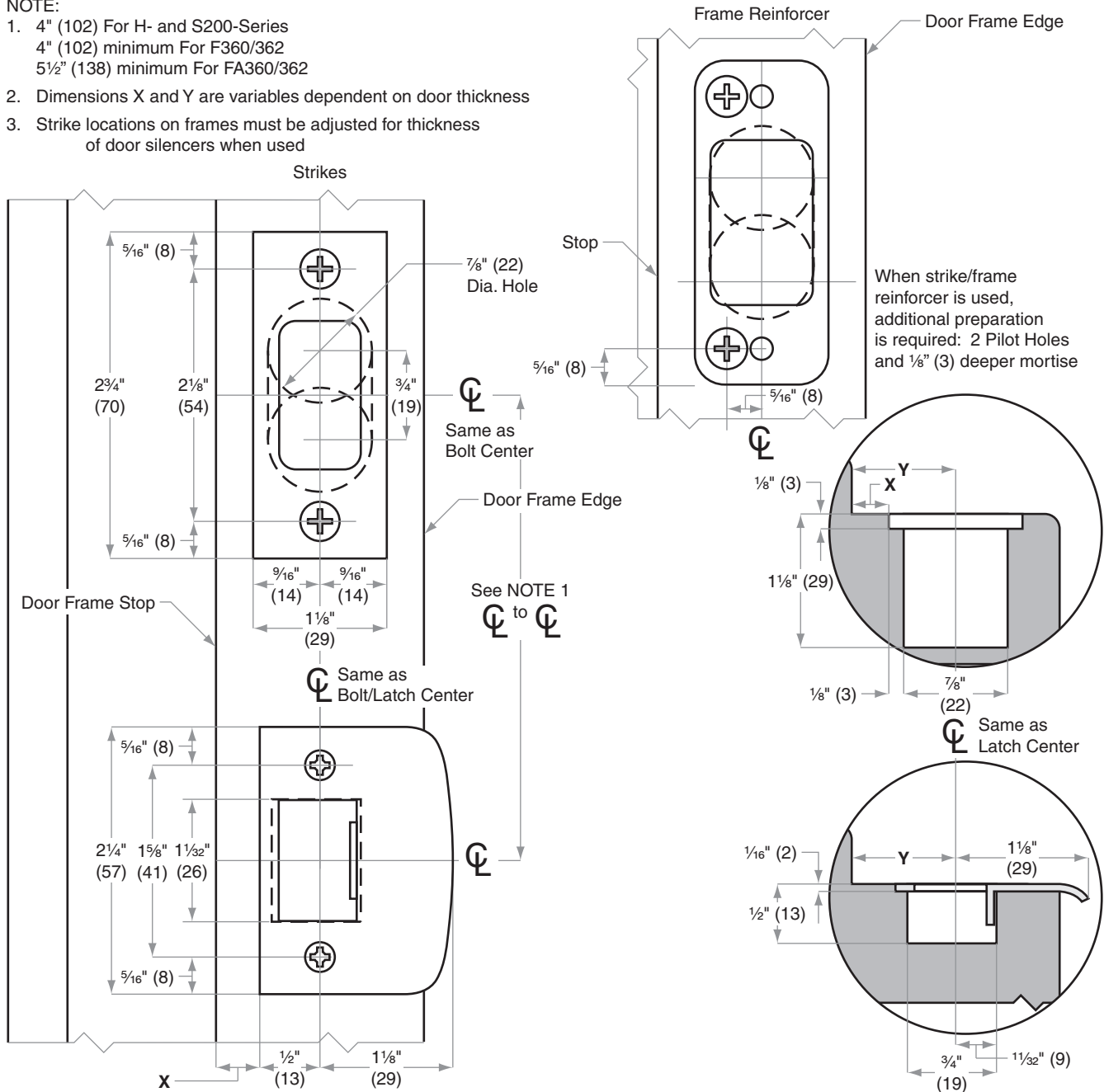
Strikes, Combination

Models 10-252=10-055x10-026, 10-254=10-094x10-026,
10-248=10-063x10-094

Jamb Type: Wood
 Style: Combination
 Standard for: F300-Series
 Optional for: H-Series | S200-Series

NOTE:

- 4" (102) For H- and S200-Series
 4" (102) minimum For F360/362
 5½" (138) minimum For FA360/362
- Dimensions X and Y are variables dependent on door thickness
- Strike locations on frames must be adjusted for thickness of door silencers when used



Dimensions shown in parentheses () are in millimeters.

Door preparation template

J905

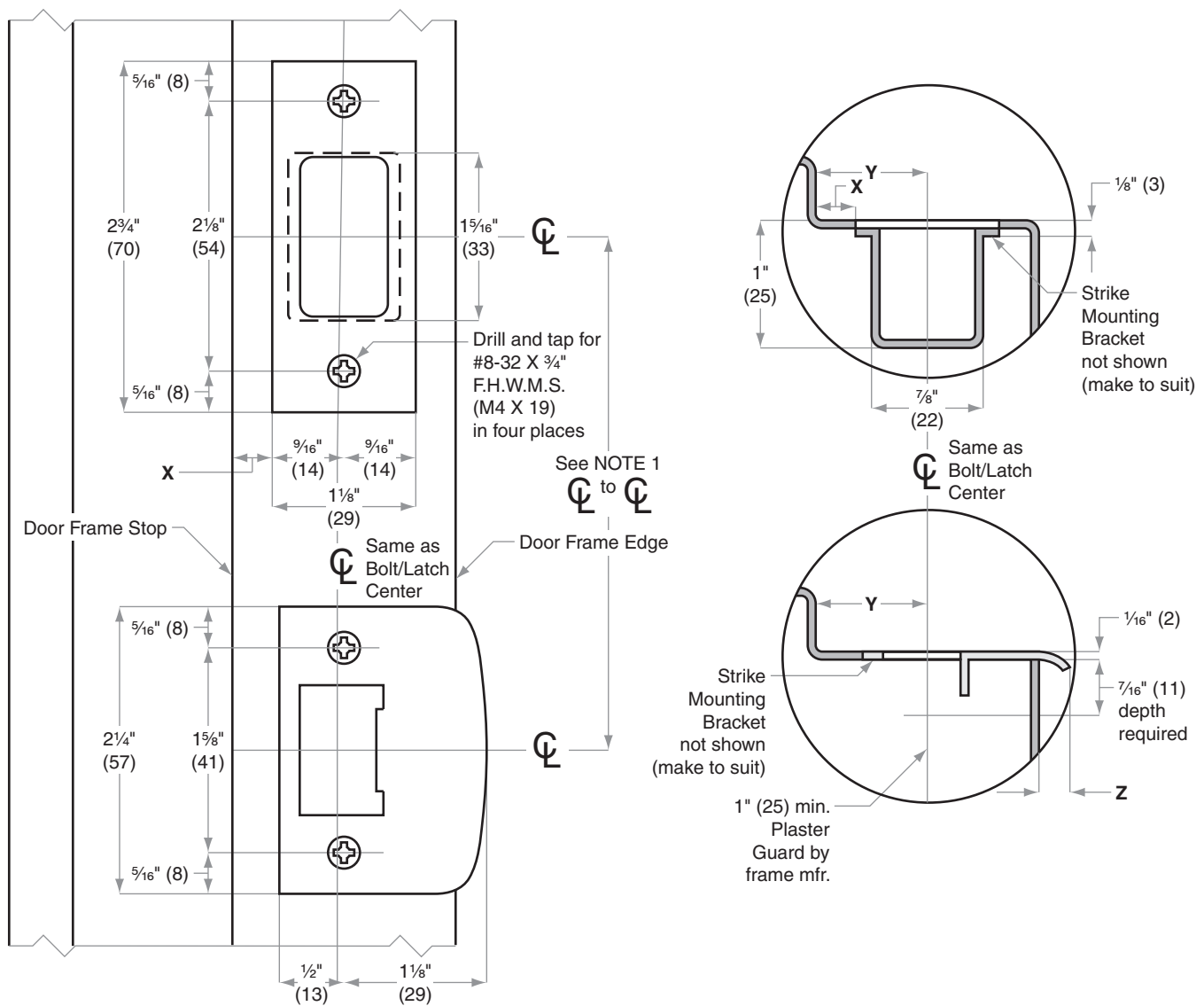
Strikes, Combination

Models 10-252=10-055x10-026, 10-254=10-094x10-026,
10-248=10-063x10-094

Jamb Type: Metal
 Style: Combination
 Standard for: F300-Series
 Optional for: H-Series | S200-Series

NOTE:

- 4" (102) For H- and S200-Series
 4" (102) minimum for F360/362
 5½" (138) minimum for FA360/362
- Dimensions X, Y and Z are variables dependent on door thickness
- Curved strike extension beyond jamb at Z must not be less than ¾" (5) to ensure proper functioning of latch bolt
- Strike location on frames must be adjusted for thickness of door silencers when used



Dimensions shown in parentheses () are in millimeters.

Door preparation template



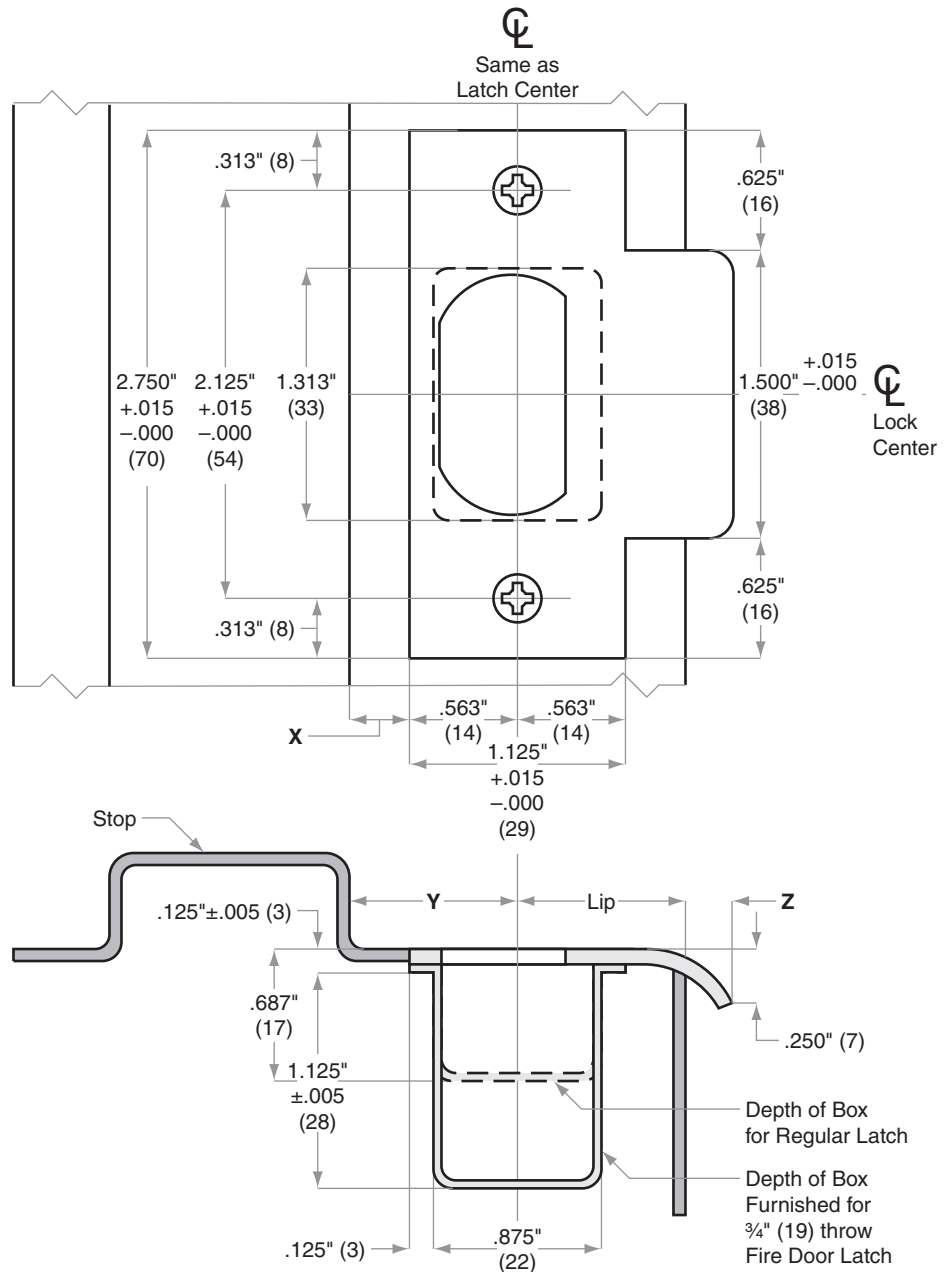
Strikes

Models 10-001, 10-013, 10-016, 10-019

Jamb Type: Metal
 Style: T-Strike, Square Corner
 Standard for: A-Series | B250-Series | S-Series
 Optional for: AL-Series | F-Series | D-Series Knobs | ND-Series Levers

NOTE:

1. Dimensions X and Y are variables dependent on door thickness
2. Curved strike extension beyond jamb at Z must not be less than $\frac{3}{16}$ " (5) to ensure proper functioning of latch bolt
3. $1\frac{1}{8}$ " (29) Lip length for $1\frac{3}{8}$ " (35) to $1\frac{3}{4}$ " (44) doors. Other lengths available
4. Strike location on frames must be adjusted for thickness of door silencers, when used



Dimensions shown in parentheses () are in millimeters.

Door preparation template



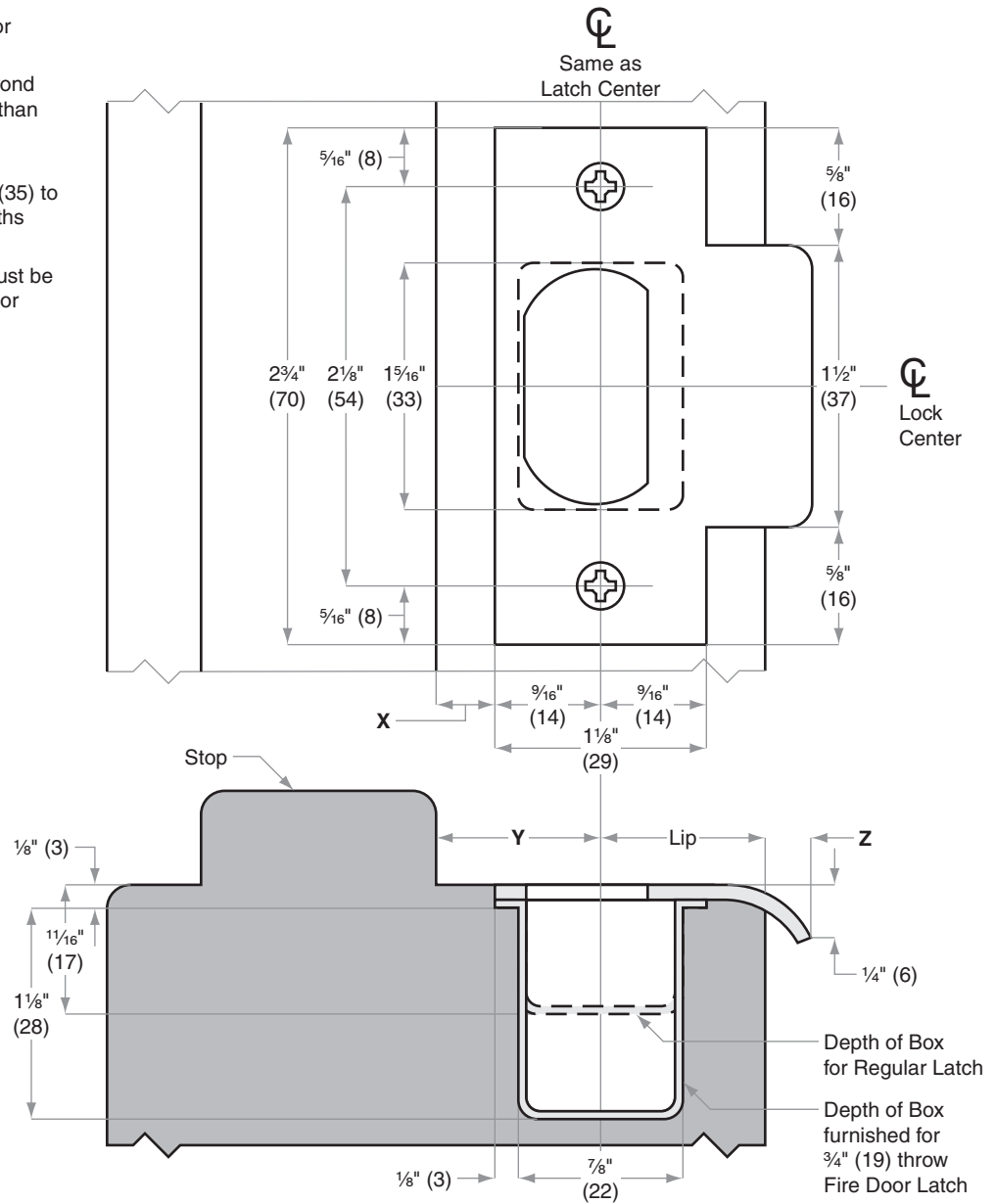
Strikes

Models 10-001, 10-013, 10-016, 10-019

Jamb Type: Wood
Style: T-Strike, Square Corner
Standard for: A-Series | B250-Series | S-Series
Optional for: AL-Series | F-Series | D-Series Knobs | ND-Series Levers

NOTE:

1. Dimensions X, Y and Z are variables dependent on door thickness
2. Curved strike extension beyond jamb at Z must not be less than 3/16" (5) to ensure proper functioning of latch bolt
3. 1 1/8" (29) Lip length for 1 3/8" (35) to 1 3/4" (44) doors. Other lengths available
4. Strike location on frames must be adjusted for thickness of door silencers, when used



Dimensions shown in parentheses () are in millimeters.

Door preparation template

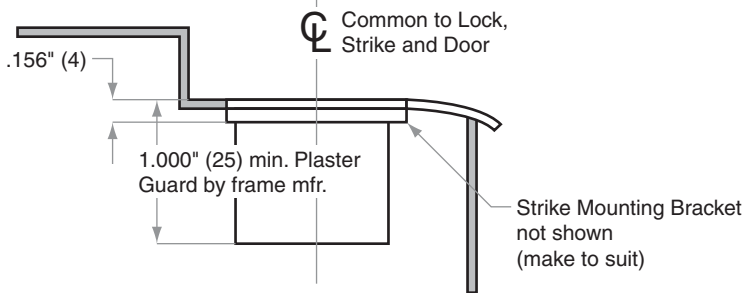
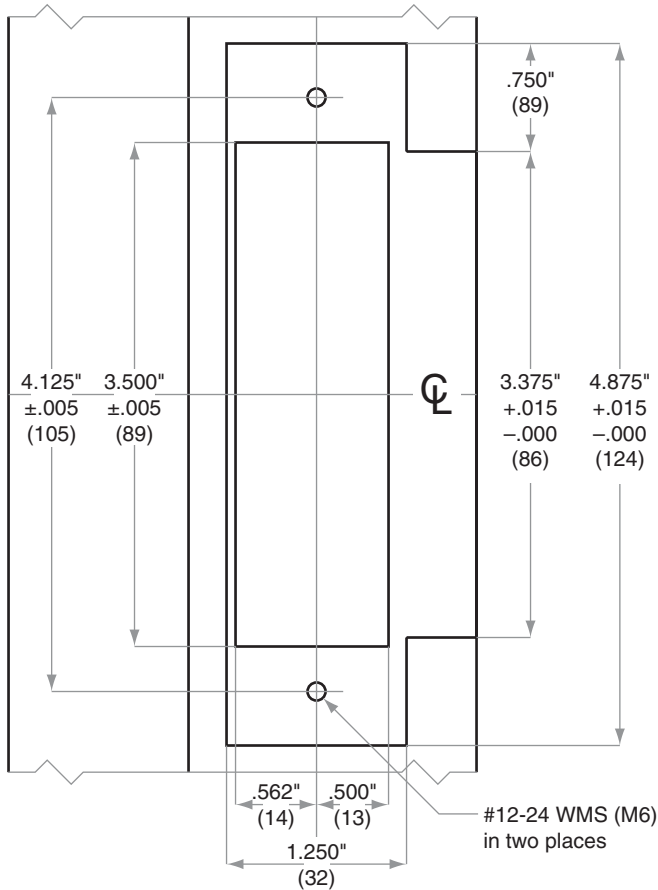
Strikes

10-025, 10-072, 10-087

Jamb Type:	Metal
Style:	ANSI Standard for 1¾" (44mm) doors
Standard for:	AL-Series (10-025) D-Series Knobs (10-025) ND-Series Levers (10-025) L\L\LV9000-Series (10-072)
Optional for:	A-Series B250-Series F-Series S-Series

NOTE:

1. Strike box furnished detached or 10-072 and 10-087, but not required as Plaster Guard is furnished by frame mfr.
2. Strike location on frames must be adjusted for thickness of door silencers when used



Dimensions shown in parentheses () are in millimeters

Job: _____

Date: _____

Door Thickness: _____

Remarks: _____

**TEMPLATE
J919**



Strikes

Door Preparation Template

Model 10-004

TEMPLATE

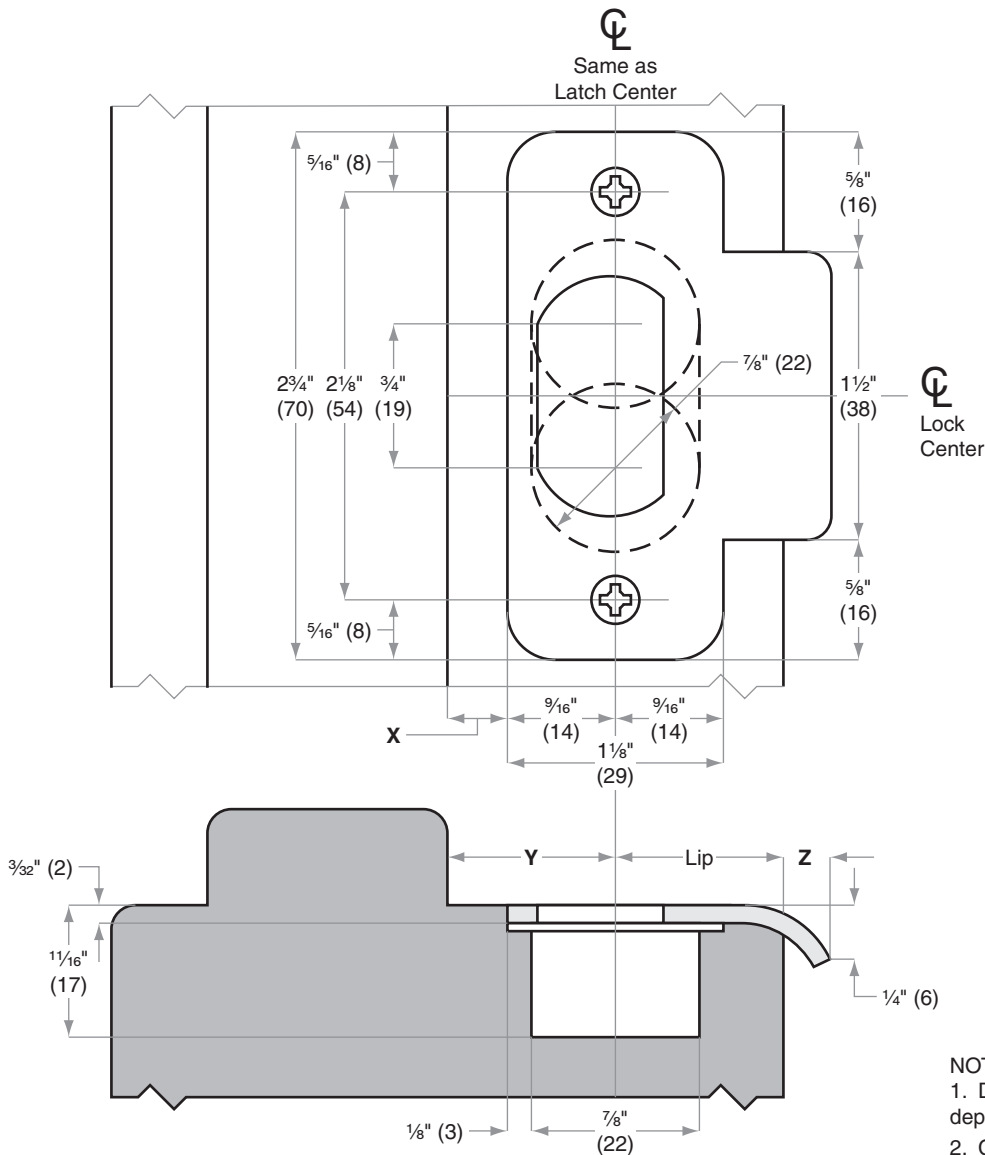
J456

Jamb Type: Wood

Style: T-Strike, Round Corner, 1/4" (6 mm) Radius

Standard for:

Optional for: A-Series | B250-Series



NOTE:

1. Dimensions X, Y and Z are variables dependent on the door thickness used
2. Curved strike extension beyond jamb at Z must not be less than 3/16" (5) to ensure proper functioning of latch bolt
3. 1 1/8" (29) Lip length for 1 3/8" (35) to 1 3/4" (44) doors. Other lengths available
4. Strike location on frames must be adjusted for thickness of door silencers when used



Dimensions shown in parentheses () are in millimeters.
Template is not to scale. Standard backset in **bold**.

© 2011 Schlage Lock Company
J456 Rev. 06/11-a



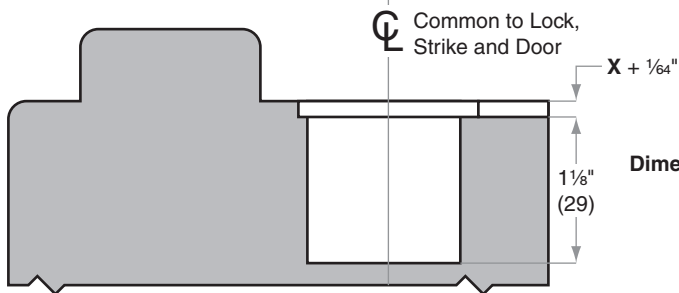
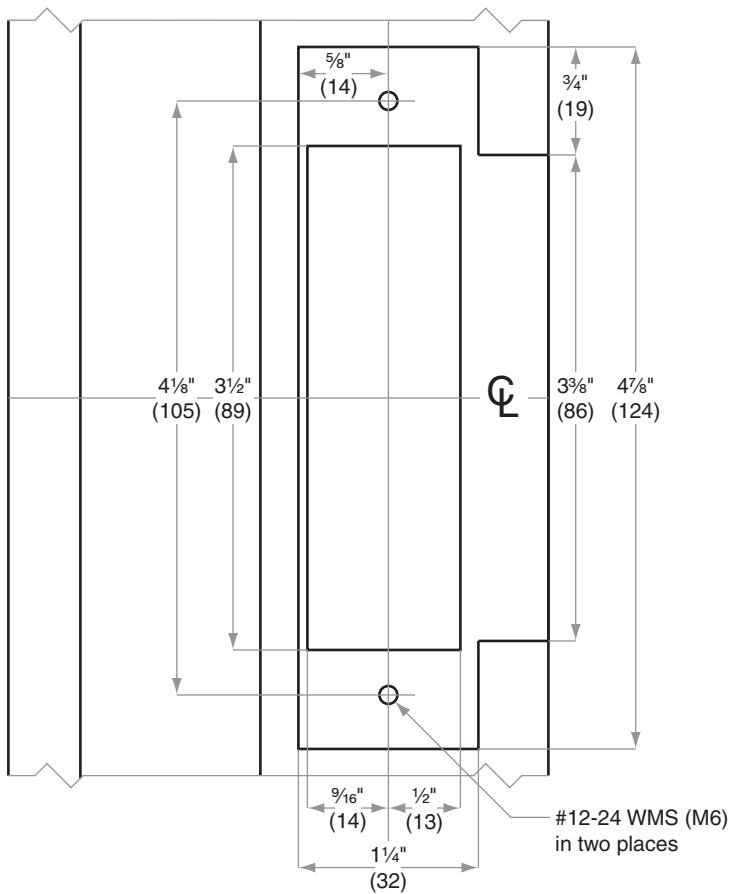
Strikes

Models 10-025, 10-072, 10-087

Jamb Type: Wood
Style: ANSI Standard for 1¾" (44 mm) doors
Standard for: AL-Series (10-025) | D-Series Knobs (10-025) | ND-Series Lever (10-025) | L/LV9000-Series (10-072)
Optional for: A-Series | B250-Series | F-Series | S-Series

NOTE:

1. When reinforcement plate is specified, mortise additional 1/8" (3) to Dimension X
2. Strike location on frames must be adjusted for thickness of door silencers when used



Dimension X: 10-025: 3/32" (2) when strike box not specified
 10-072 and 10-087: 5/32" (4) for strike box, detached

Dimensions shown in parentheses () are in millimeters.

Door preparation template



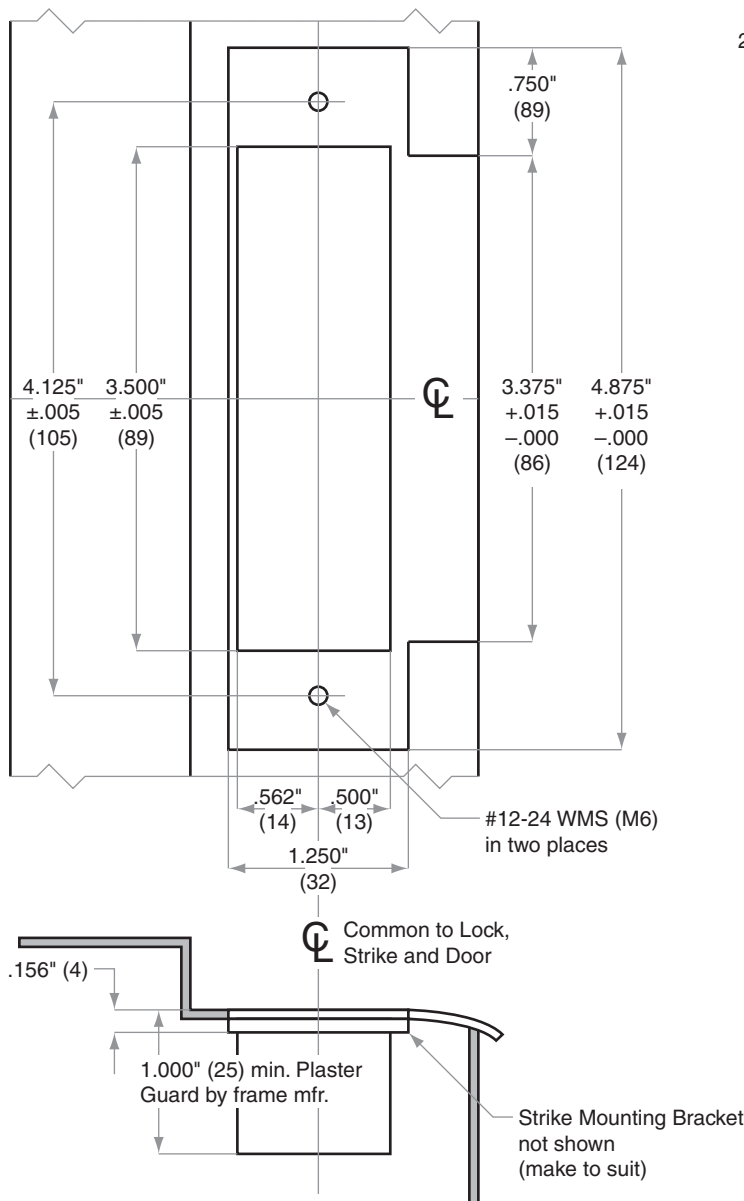
Strikes

Models 10-025, 10-072, 10-087

Jamb Type: Metal
Style: ANSI Standard for 1¾" (44 mm) doors
Standard for: AL-Series (10-025) | D-Series Knobs (10-025) | ND-Series Levers (10-025) | LXLV9000-Series (10-072)
Optional for: A-Series | B250-Series | F-Series | S-Series

NOTE:

1. Strike box furnished detached or 10-072 and 10-087, but not required as Plaster Guard is furnished by frame mfr.
2. Strike location on frames must be adjusted for thickness of door silencers when used



Dimensions shown in parentheses () are in millimeters.

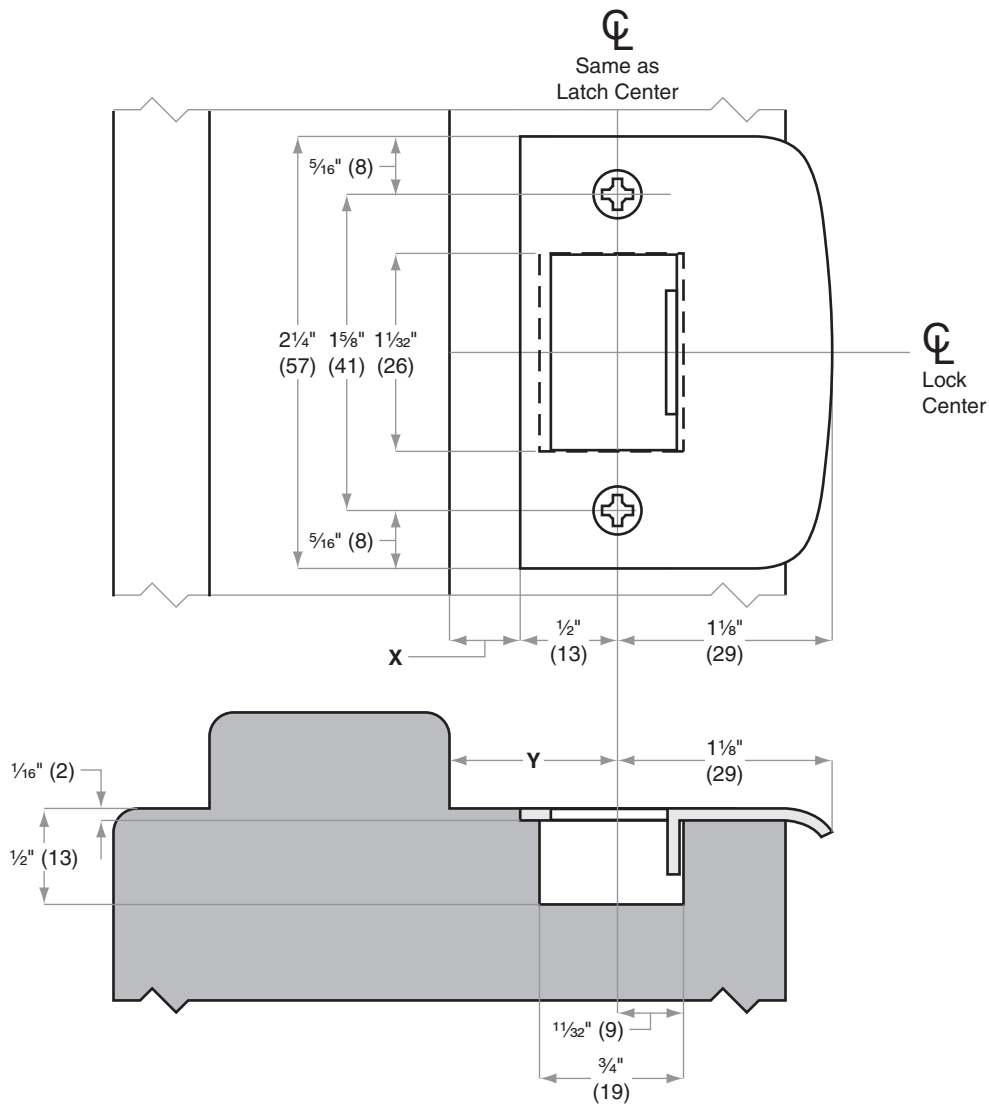
Door preparation template



Strikes

Model 10-026

Jamb Type: Wood
Style: Full Lip, Square Corner
Standard for:
Optional for: A-Series | AL-Series | F-Series



Dimensions X and Y are variables dependent on door thickness

Dimensions shown in parentheses () are in millimeters.

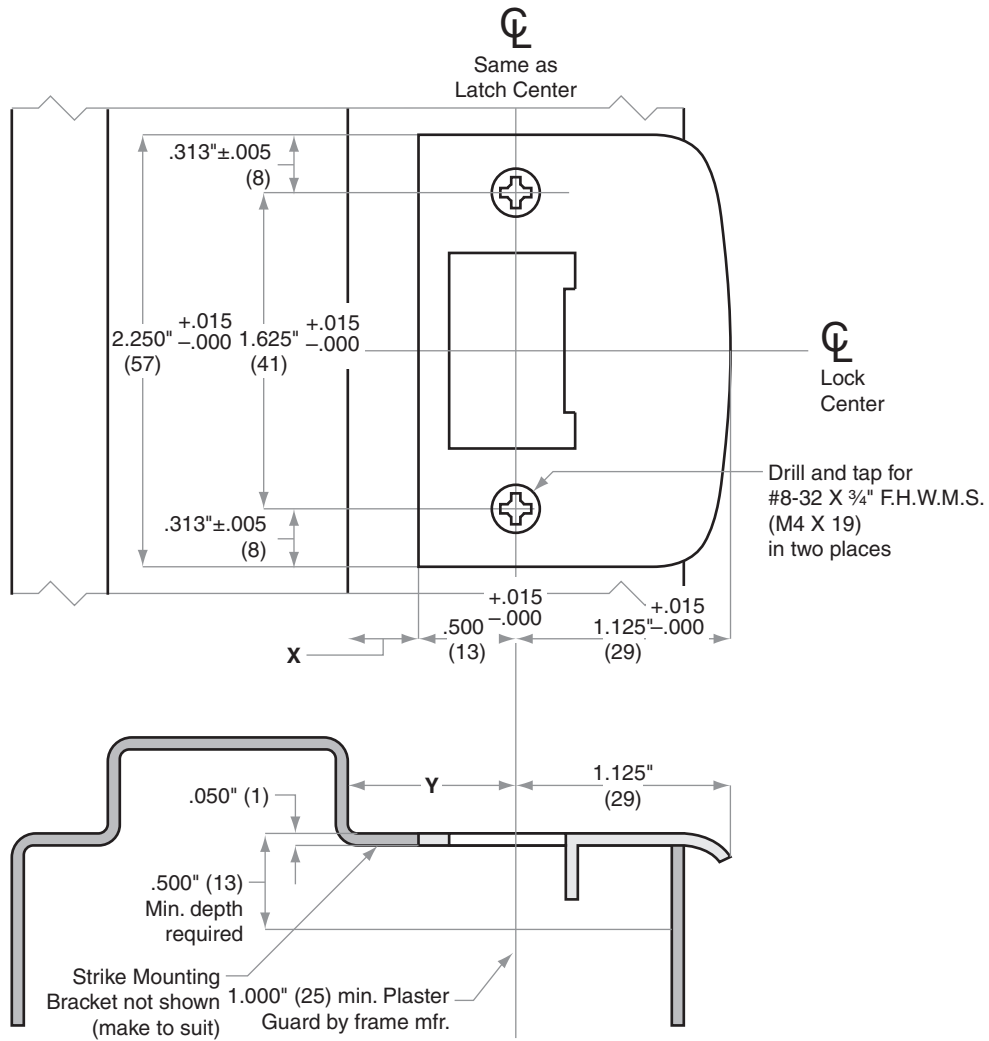
Door preparation template



Strikes

Model 10-026

Jamb Type: Metal
 Style: Full Lip, Square Corner
 Standard for:
 Optional for: A-Series | AL-Series | F-Series



Dimensions X and Y are variables dependent on the door thickness used

Dimensions shown in parentheses () are in millimeters.

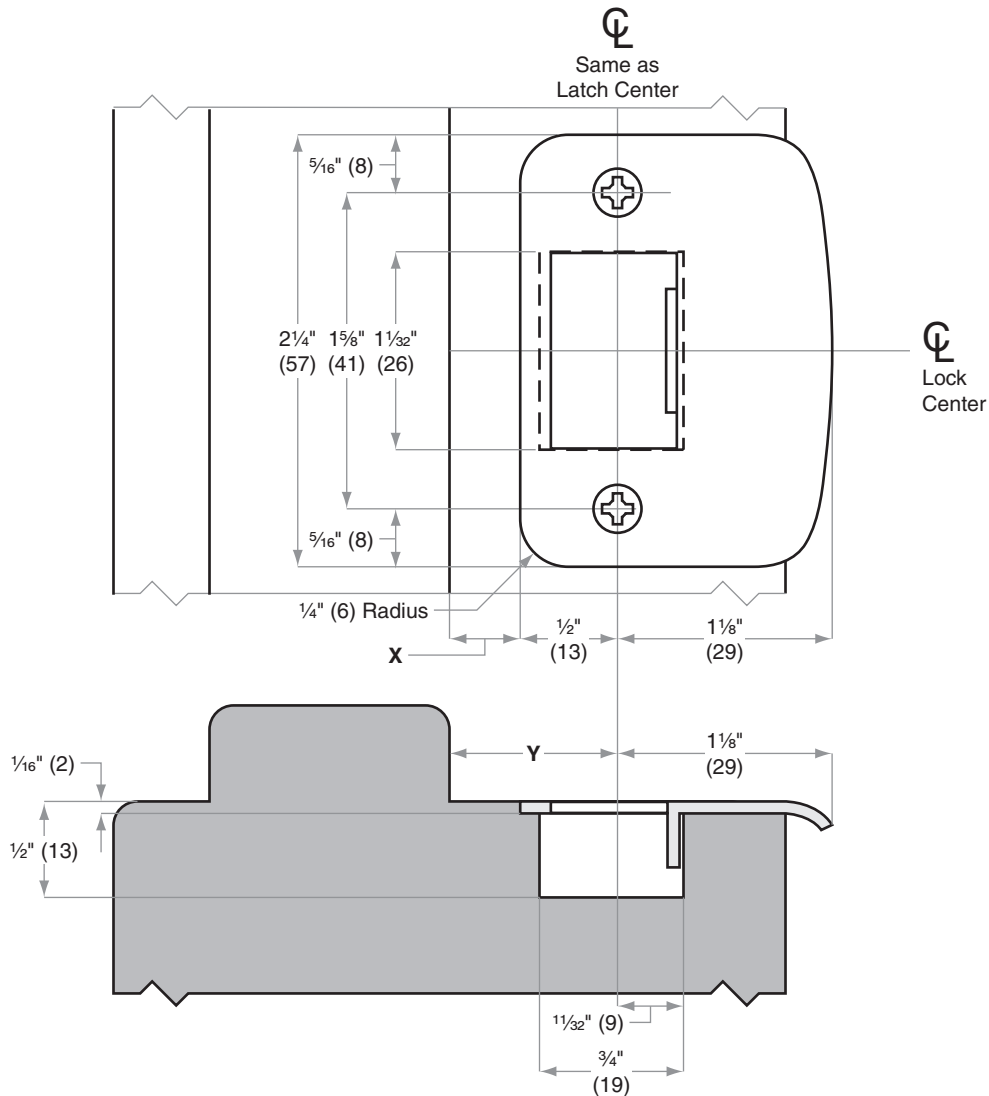
Door preparation template



Strikes

Model 10-027

Jamb Type: Wood
 Style: Full Lip, Round Corner, 1/4" (6 mm) Radius
 Standard for: F-Series | FE-Series
 Optional for: A-Series | AL-Series | S-Series



Dimensions X and Y are variables dependent on door thickness

Dimensions shown in parentheses () are in millimeters.

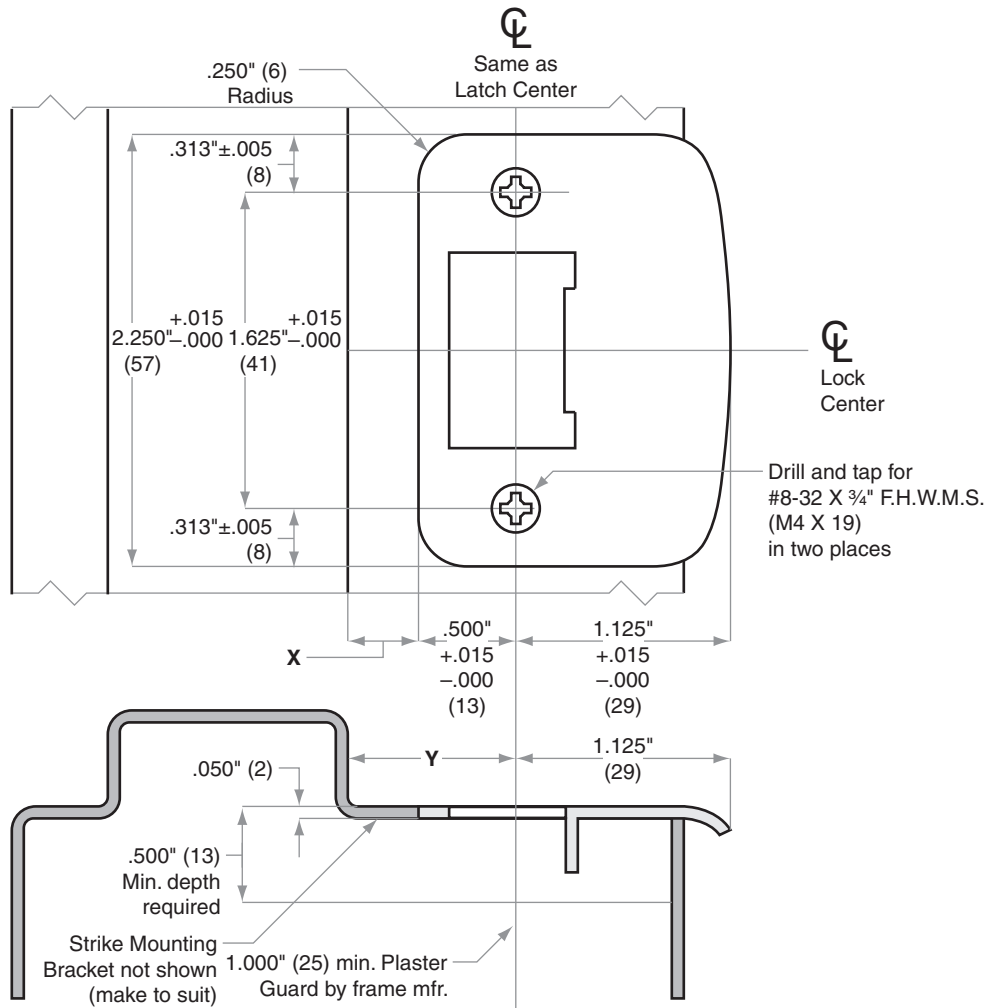
Door preparation template



Strikes

Model 10-027

Jamb Type: Metal
 Style: Full Lip, Round Corner, 1/4" (6 mm) Radius
 Standard for: F-Series | FE-Series
 Optional for: A-Series | AL-Series | S-Series



Dimensions X and Y are variables dependent on the door thickness

Dimensions shown in parentheses () are in millimeters.

Door preparation template



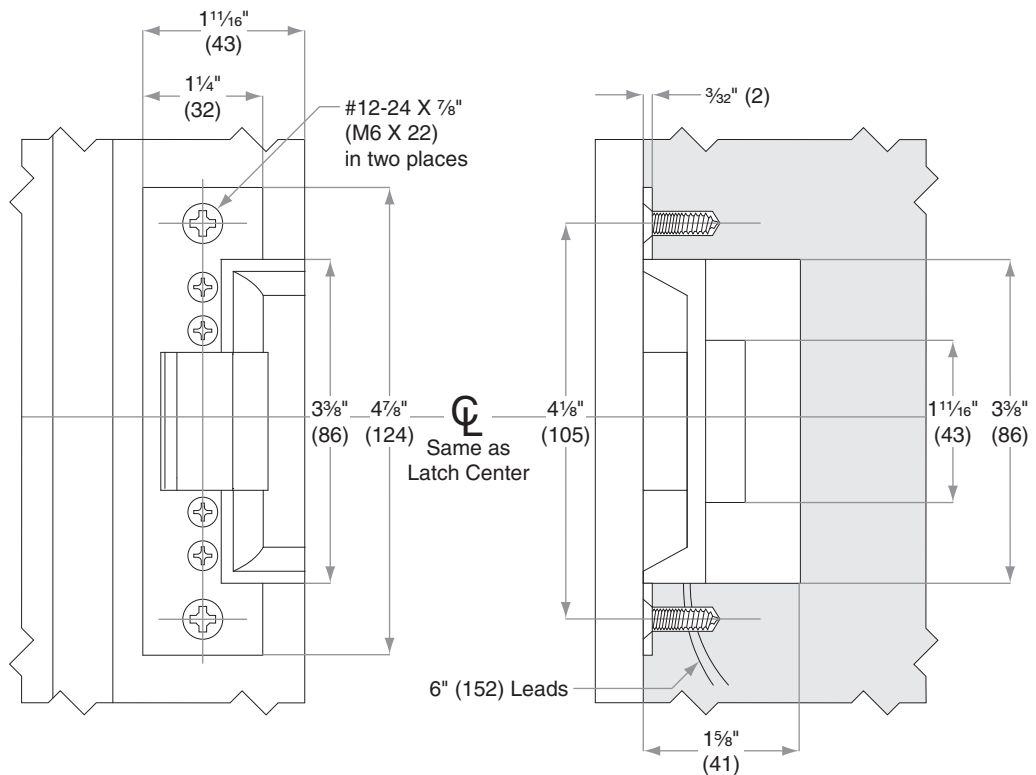
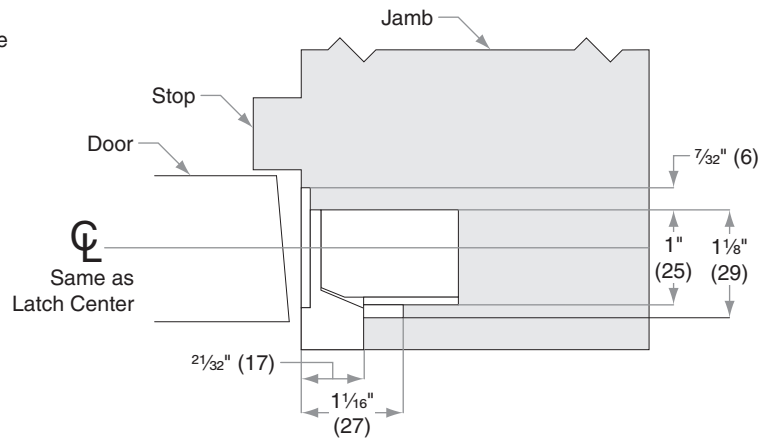
Strikes

Model 10-042

Jamb Type: Wood
 Style: Electric Latch Release
 Standard for:
 Optional for:

NOTE:

1. Provision must be made to route low voltage wire to latch release
2. Attach wires to the 6" (152) pigtails of the latch release
3. Pigtail leads located as shown for Right Hand swinging doors
4. For Left Hand swinging doors, leads are located at the top of latch release
5. Power transformer unit and low voltage wiring are not provided
6. All installations should be in accordance with local electrical codes



Dimensions shown in parentheses () are in millimeters.

Door preparation template



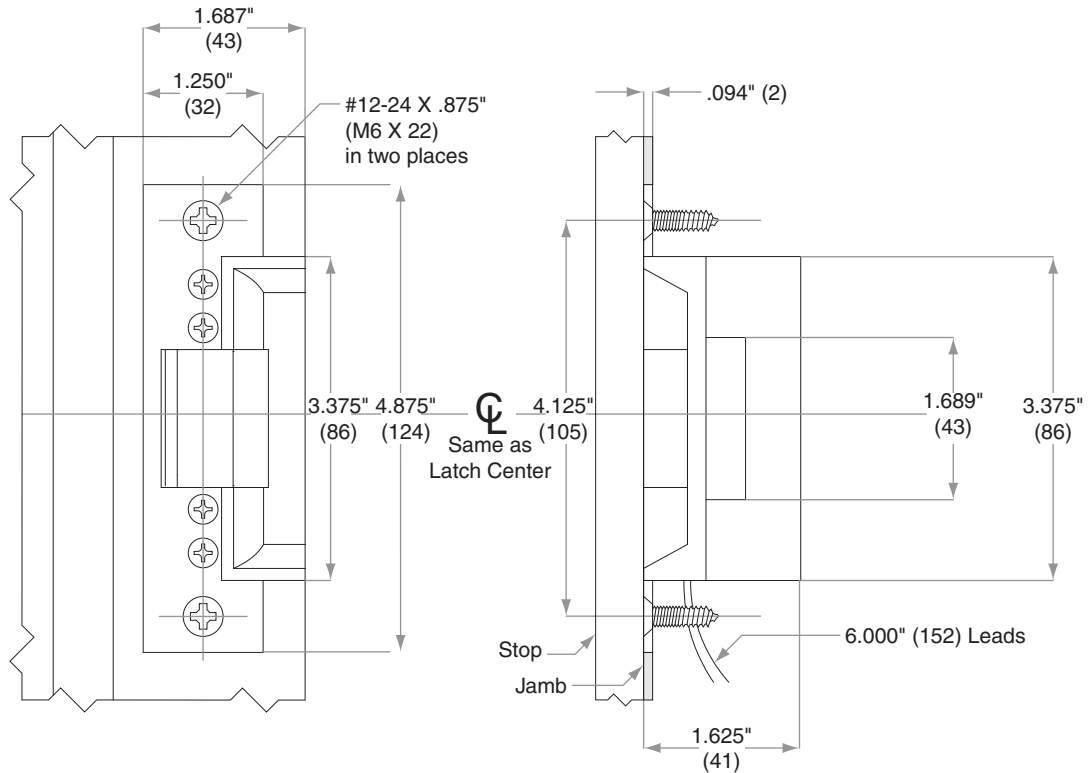
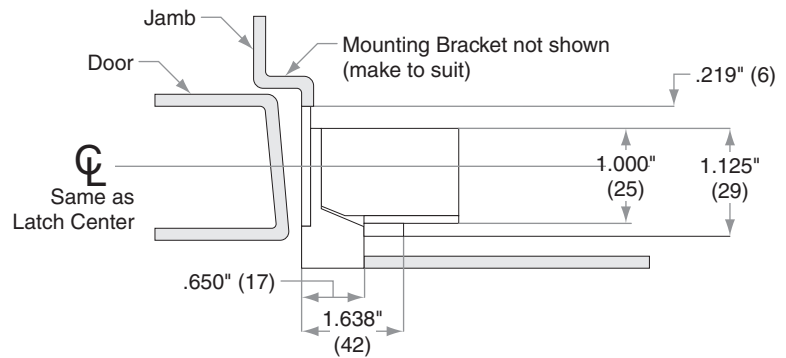
Strikes

Model 10-042

Jamb Type: Metal
 Style: Electric Latch Release
 Standard for:
 Optional for:

NOTE:

1. Provision must be made to route low voltage wire to latch release
2. Attach wires to the 6" (152) pigtails of the latch release
3. Pigtail leads located as shown for Right Hand swinging doors
4. For Left Hand swinging doors, leads are located at the top of latch release
5. Power transformer unit and low voltage wiring are not provided
6. All installations should be in accordance with local electrical codes



Dimensions shown in parentheses () are in millimeters.

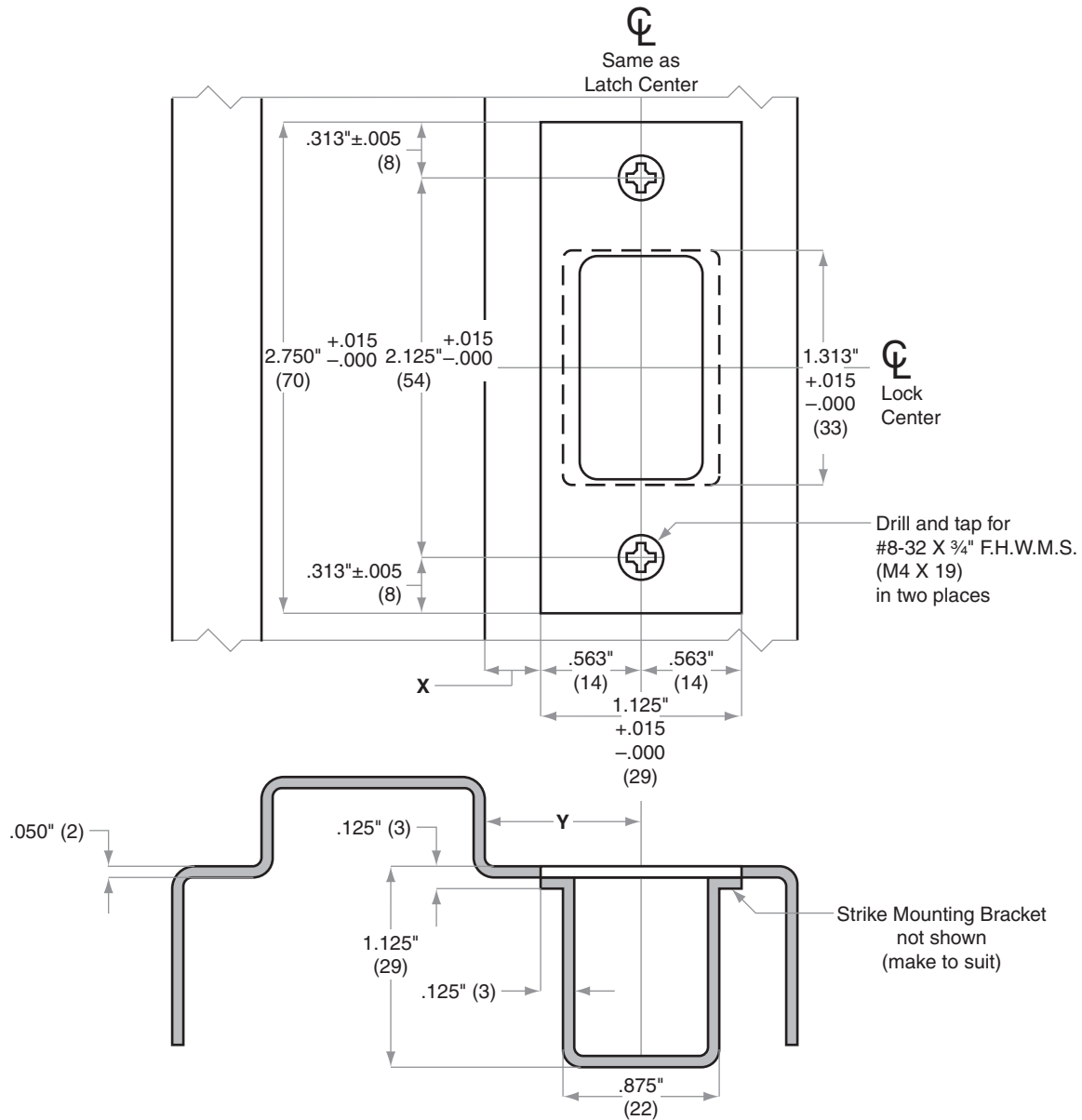
Door preparation template



Strikes

Models 10-055, 10-081, 10-094

Jamb Type: Wood
 Style: Square Corner, Deadbolt
 Standard for: B600/700/800-Series | B280-Series | B/BA300-Series | BE-Series | BR260-Series
 Optional for:



Dimensions X and Y are variables dependent on door thickness

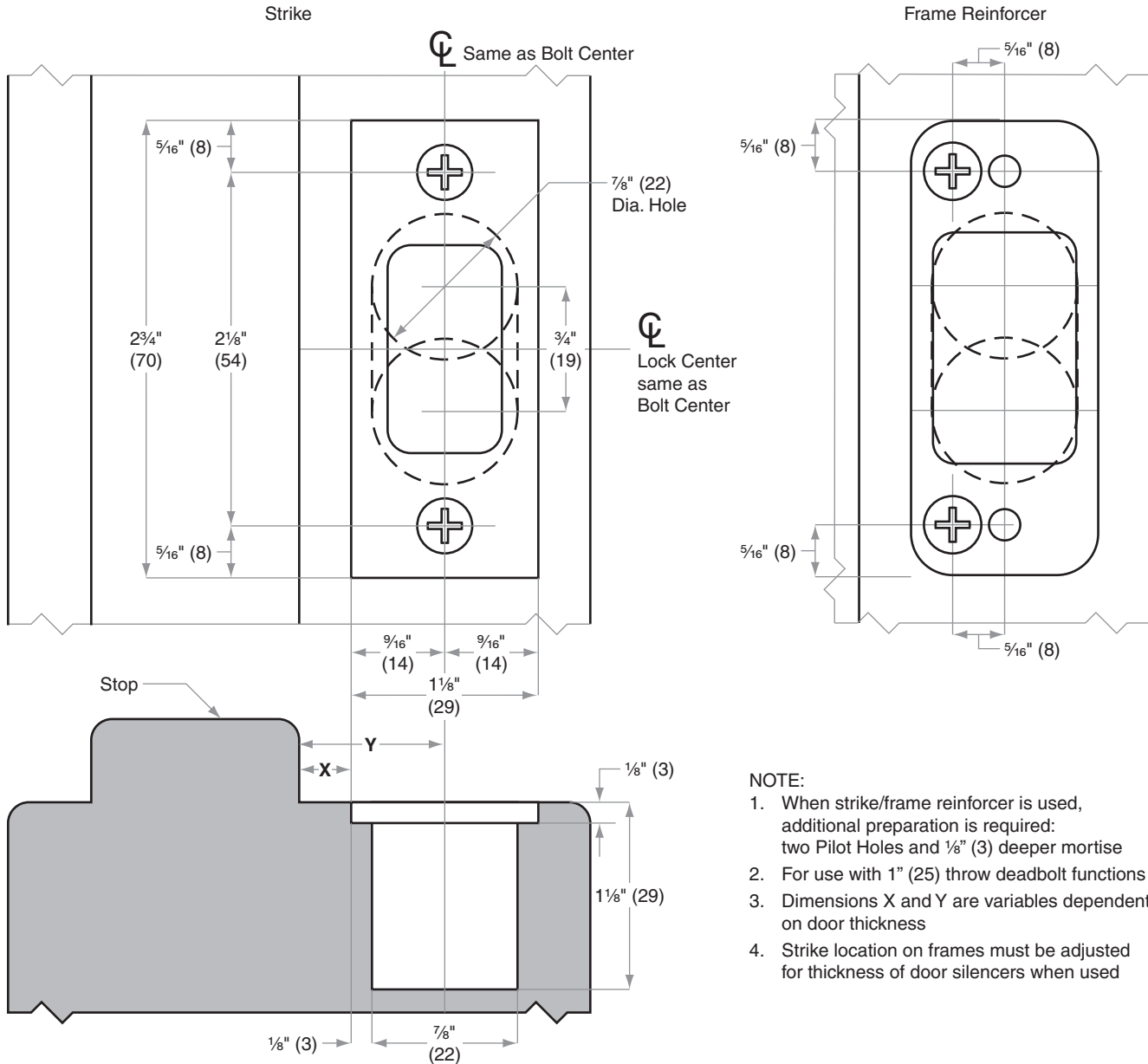
Dimensions shown in parentheses () are in millimeters.

Door preparation template

Strikes

Models 10-055, 10-081, 10-094

Jamb Type: Metal
 Style: Square Corner, Deadbolt
 Standard for: B600/700/800-Series | B280-Series | B/BA300-Series | BC100-Series | BE-Series | BR260-Series
 Optional for:



NOTE:

1. When strike/frame reinforcer is used, additional preparation is required: two Pilot Holes and 1/8" (3) deeper mortise
2. For use with 1" (25) throw deadbolt functions
3. Dimensions X and Y are variables dependent on door thickness
4. Strike location on frames must be adjusted for thickness of door silencers when used

Dimensions shown in parentheses () are in millimeters.

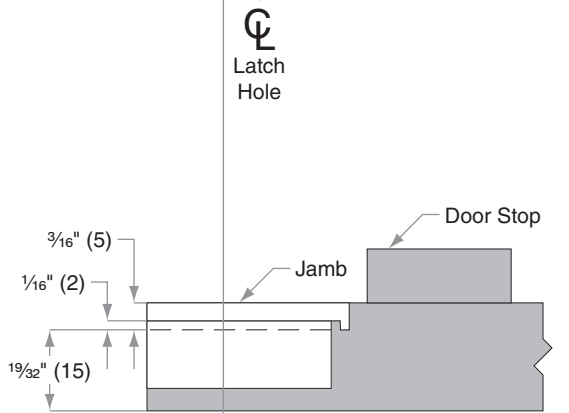
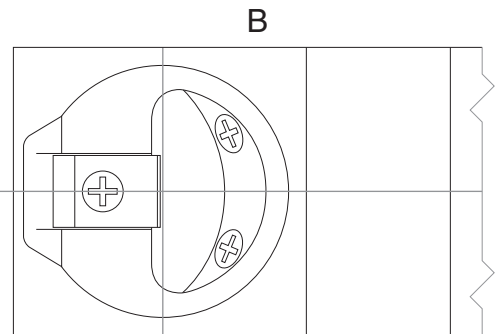
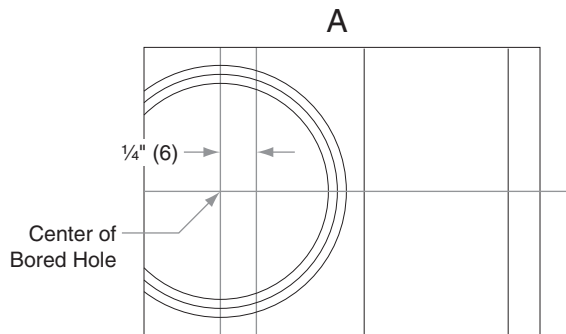
Door preparation template



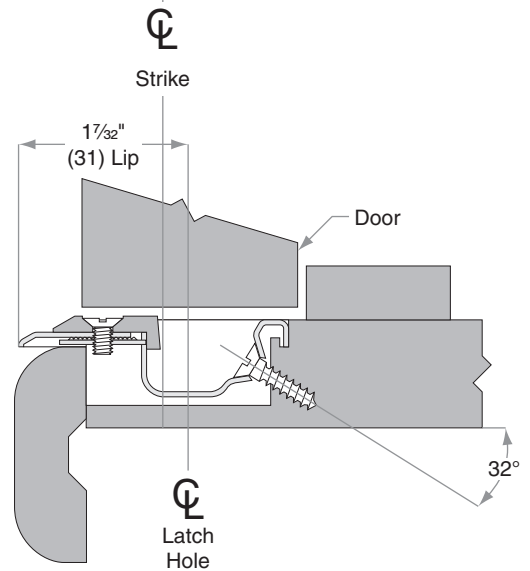
Strikes

Model 10-058

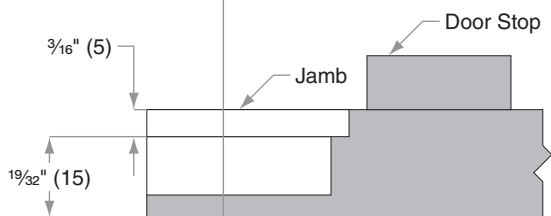
Jamb Type: Wood
 Style: Circular Drive-In
 Standard for:
 Optional for: A-Series | AL-Series | F-Series



SECTION A
 Standard Installation:
 Use Schlage boring tool 40-112



SECTION B
 Typical adjustable circular strike installation



SECTION A
 Alternate installation using standard boring tools:
 Step 1. Drill 1 3/4" (44) Dia. Hole, 3/16" (5) deep
 Step 2. On same Centerline, drill 1 1/2" (38) Dia. Hole, 19/32" (15) deep

Dimensions shown in parentheses () are in millimeters.

Door preparation template