

Electronic access control

aptiQ™, Ives®, LCN®, Schlage®,
Von Duprin® and XceedID®

March 2014 edition



Thank you for choosing Allegion electronic access control products. This catalog contains overviews and technical specifications. In the back of the catalog you will find several wiring and riser diagrams for a number of products.

The electronic security industry is ever-changing. In order to make sure that you have the most current and up to date product information, we recommend that you register your catalog by clicking on the registration button in the toolbar seen on the left side of your viewer. By registering and providing your email address, you will receive important updates to your catalog, and other product and solution information from Allegion.

Quick Links

- Allegion website
www.allegion.com/us
- YouTube Channel
<http://www.youtube.com/user/allegionus>
- Facebook Page
<http://www.facebook.com/AllegionPlc>
- Blog
<http://blog.allegion.com>
- Twitter
<http://www.twitter.com/allegionus>

Contact Information

Customer Care & Sales Support:
877-671-7011

Technical Support
www.schlage.com/support

Electronic Access Control Catalog

Open architecture products
and solutions

Table of contents

Networked locking solutions

005022 Networked locking solutions introduction

Networked locks

004446 AD-400 networked wireless electronic lock

004870 AD-401 wireless electronic integrated lock with FIPS 201 Compliant multi-tech + keypad reader

004448 AD-300 networked hardwired electronic lock

004869 AD-301 hardwired electronic integrated lock with FIPS 201 Compliant multi-tech + keypad reader

004382 AD Series exit trim compatibility

Networked accessories

004447 PIM400-485 Panel Interface Module for RS-485 communication

004441 PIM400-TD2 Panel Interface Module Wiegand or Clock & Data communication

005131 PIM400-1501 Sixteen door intelligent controller

004094 TK400 AD Series wireless test kit

004096 WPR400 AD Series Wireless Portable Reader

004014 WRI400 Wireless Reader Interface

004013 GCK400 and ECK400 wireless gate control kits and elevator control kits

004095 ANT400-REM remote antennas for wireless system

004097 RLBD AD Series dry contact relay board

004015 REPTR400 wireless repeater kit

004443 Schlage Utility Software (SUS) on the Handheld Device (HHD)

Standalone locking solutions

005427 Standalone locking solutions introduction

Standalone locks and devices

004442 AD-200 standalone electronic lock

009820 AD-201 FIPS 201-1 Compliant standalone electronic lock with multi-technology + keypad reader

004436 AD-250 standalone electronic lock

004382 AD Series exit trim compatibility

004186 CO-100 standalone electronic lock

004185	CO-200 standalone electronic lock
009575	CO-220 standalone classroom lockdown solution with remote fob and visual indicator
004184	CO-250 standalone electronic lock
004183	CO Series exit trim compatibility
004016	CT5000 offline controller
Standalone accessories	
004443	Schlage Utility Software (SUS) on the Handheld Device (HHD)
003940	Schlage Express™ offline access control software
009396	Schlage Express™ compatibility matrix

Electromechanical solutions

005024	Electromechanical solutions introduction
--------	--

Electrified locks

004998	L Series mortise electrified lock
004999	ND Series cylindrical electrified lock

Exit devices - electrical options

Electric latch retraction

010105	EL
010109	QEL

Monitoring switches

010108	Signal switch RX, LX
010111	Signal switch SS

Electrified exit trim

010103	E996L Electrified breakaway lever trim
010104	E7500 Electric mortise lock

Delayed egress/alarmed exits

010102	Chexit®
010101	ALK - alarm Kit
010107	GUARD-X™

Monitor strikes

010118	Monitor strikes
--------	-----------------

Door control - electrical options

Automatic operators

010112	Electrohydraulic automatic operators
010113	Electromechanical automatic operators

Sentronics (fire and life safety)

010115	Fire and life safety Sentronic closer/holders
--------	---

Actuators and sensors

010114	Actuators and sensors
--------	-----------------------

Readers

005025	Readers introduction
005354	Multi-technology readers
009209	Multi-technology magnetic stripe readers

009621	Reader accessories for aptiQ™ readers
004256	FIPS 201-1 compliant readers
009488	SUSB89 & SSRL89 USB and serial enrollment readers
004250	SERIII-W scramble keypad
004246	SMR10 and SMR20 mercury magnetic stripe readers
004253	SMR5 magnetic stripe reader
004252	SEKPDWG & SEKPDMGW Essex electronic keypads
005000	KP212 and KP232 mullion mounted keypad
005132	CRM2 and CRP2 enrollment readers

Credentials

005388	Credentials introduction
005424	Smart credentials
005425	Multi-technology credentials
005426	Proximity credentials

Biometrics

005027	Biometrics introduction
004535	HandKey® II biometric hand geometry reader
004400	Biometric terminal accessories for HandKey®
004398	Enclosure options for the HandKey® series
004399	HandNet® for Windows
002872	Biometrics for access control training course outline

System components

005028	System components introduction
--------	--------------------------------

Electric strikes

005282	6100 Series electric strikes
005368	6200 Series electric strikes
003242	6300 Series surface mount electric strikes
009011	6400 Series modular strike
010151	4200 Series electric strikes
005009	5100 Series electric strikes

Electromagnetic locks

M400 Series

004204	M490/492 electromagnetic locks
004205	M450/452 electromagnetic locks
004206	M420/422 electromagnetic locks
004158	M490G electromagnetic gate lock
004762	M490DE delayed egress electromagnetic lock

Specialty

004160	GF3000 mortise mounted shear lock
004159	GF3000 surface mounted shear lock
004157	320M mortise mount MiniLine™ electromagnetic lock
004156	40/70 Series electromagnetic locks
009007	M390RFK electromagnetic locks

Power supplies

PS900 Series power supplies

004193	PS906 6 amp power supply
004194	PS904 4 amp power supply
004195	PS902 2 amp power supply
004101	PS914 4 amp power supply (Von Duprin)

System component accessories

Pushbuttons

003910	620/631 Series heavy duty pushbuttons
003911	700 Series pushbuttons
003906	740 Series emergency break glass release
003912	660 Series mini station control

Keyswitches

003907	650 Series keyswitches
--------	------------------------

Request-to-exit bars

003909	672 Series TouchBar
003904	692 Series SmartBar™

Power transfers

010106	Electric Power Transfer
010116	Electrified Hinge
010117	Power Transfer Pivot
005006	Armored door cords with caps

Monitoring stations and consoles

005007	800 Series remote and local monitoring stations
005004	8200 Series consoles

Other

003908	Scan II™ passive infrared motion sensors
003905	Electronic horns
005005	Door position switches
005011	PB405 and PB405S electrified deadbolts
010152	442S Cabinet lock

Appendix

005138	Appendix introduction
--------	-----------------------

Resource guides

004085	AD Series resource guide
004084	CO Series resource guide

Solution sheets

000076	Open architecture solution
--------	----------------------------

Wiring diagrams

Access control

109439	Single with 99 exit and FSE 6111 estrike
109440	4 Singles with EL panic bars
109444	Pair with ELs and push button
109445	Pair with Fail Safe E996L and push button
109499	Single with EL and MT15 reader
109550	Single with EL and push button
109551	Pair of EL and push button
109552	Single EL with push button – Fire Rated
109553	Pair EL with push button – Fire Rated

Doors with automatic operators – LCN 4600

109463	Pair EL with 4600
109464	Single with 99 and Fail Secure 6111 estrike

Doors with automatic operators – generic

109441	Single with EL and generic auto operator
--------	--

Security interlocks

109438	2 Single doors with M400 mag locks, security interlock
109442	2 Single doors with M400P mag locks and access control, security interlock

Safety interlocks

109437	2 Door safety interlock with M400 P magnetic locks
--------	---

Delayed egress – CX panic bars

109519	Single door with CX Rim and MTK15 reader
109520	Pair CX with MTK15 reader

Delayed egress – delayed egress magnetic locks

109498	Single Door with M490DEP mag lock and access control
109500	Pair Doors with M490DEP-2 mag lock and access control

Shared spaces – 2 door

109529	2 Single doors with ND80 HDEL RX locksets on shared restroom
--------	---

Shared spaces – 3 door

109537	3 Single doors with ND80 HD EL RX locksets on shared restroom
--------	--

This page intentionally left blank.

Allegion, the Allegion logo, aptiQ, Schlage and Von Duprin are trademarks of Allegion plc, its subsidiaries and/or affiliates in the United States and other countries. All other trademarks are the property of their respective owners.

About Allegion

Allegion (NYSE: ALLE) creates peace of mind by pioneering safety and security. As a \$2 billion provider of security solutions for homes and businesses, Allegion employs more than 7,800 people and sells products in more than 120 countries across the world. Allegion comprises 23 global brands, including strategic brands CISA®, Interflex®, LCN®, Schlage® and Von Duprin®. For more, visit www.allegion.com.

aptiQ ■ LCN ■  ■ STEELCRAFT ■ VON DUPRIN



© 2014 Allegion
005391, Rev. 03/14
www.allegion.com/us

Networked locking



This section of the Electronic Access Control catalog covers networked AD Series adaptable electronic locks and other devices and accessories that can be easily integrated into an access control system.

Overview

The AD Series was built from the ground up to provide more options, more functionality and more compatibility than any other electronic locking solution on the market today. The AD Series meets today's security needs while also easily adapting to future needs as they emerge. The AD Series is designed on an open architecture platform to provide users with enhanced flexibility and scalability, resulting in an investment that's every bit as secure as your facility.

Features

The AD Series simplifies installation by combining the electrified lock, reader, door position switch, request-to-exit, and other status monitors together. Panel interface options such as RS-485, Wiegand and Clock & Data ensure seamless, real-time communication with the access control system. The AD Series is available with seven different credential reader options. For added convenience, security personnel can configure failure modes, card formats and other features in the field. The AD Series is compatible with most popular models of standard, SFIC and FSIC cylinders. It is also compatible with popular exit devices with low current REX switches including Von Duprin 98/99 and 98/99XP (Rim, Mortise, SVR and CVC/CVR on metal doors only), Von Duprin 22/22F (Rim and SVR only) as well as Falcon 25 (rim only). The AD Series is ANSI/BHMA A156.25, ANSI/BHMA Grade 1 certified and is UL 294 Listed.

Benefits

The modular design of the AD Series creates an easy and affordable way to expand a security system and integrate emerging technologies over time and when budgets permit. Customers can easily upgrade readers or networking options – all without having to remove the lock from the door. And the wireless technology gives you the option to install access control on doors that have traditionally been difficult to wire while providing real-time monitoring and centralized lockdown capabilities. The AD Series was designed to be the right choice for today, and ready for whatever the future holds. With the AD Series you can be assured that your investment is every bit as protected as your facility.

Lock options:

AD Series networked locks have several options to choose from including:

- Class: AD-300 hardwired, AD-400 wireless, AD-301 FIPS 201-1 compliant, AD-401 FIPS 201-1 compliant (Choice of class may limit other available options)
- Chassis: Cylindrical, mortise, mortise deadbolt, exit trim
- Function¹: Classroom/storeroom, office, privacy, apartment
- Readers¹: Keypad, magnetic stripe, and multi-technology (proximity 125 kHz and smart card 13.56 MHz). All card readers are available with + PIN option for added security.
- Lever style: Sparta, Rhodes, Athens, Tubular (Tactile warning available)
- Finishes: 626 satin chrome, 605 bright brass, 606 satin brass, 612 satin bronze, 619 satin nickel, 625 bright chrome, 643e aged bronze, 626AM satin chrome with antimicrobial

AD Series FIPS 201-1 compliant solution:

The AD Series is an ideal solution for applications which require approval by the U.S. Federal Government under HSPD-12 for FIPS 201-1 compliance. In order to meet requirements, the AD Series lock can either be:

- Sold as a complete unit with the FMK multi-technology + keypad reader, or
- Field upgraded to a FIPS 201-1 compliant solution by adding the FMK reader (sold separately) and by utilizing the most current firmware available.

Keyway/cylinders

Cylinder compatibility	Full size (key-in-lever 6 pin)	Full size (key-in-lever 7 pin)	FSIC (6 pin)	SFIC (6 and 7 Pin)
Schlage	●		●	●
Falcon®	▲	◆		▲
Sargent® (10L + 11L full size)	▲		▲	▲
Corbin Russwin®			▲ ²	▲
Yale® (includes Medeco 31 ³ 0100 FSIC)			▲	▲
Best®				▲

● = With cylinder or less cylinder options ▲ = Less cylinder only
 ◆ = Less cylinder, only with Sparta and Rhodes levers

Exit Trim compatibility

Devices	AD-300/AD-301	AD-400/AD-401
Von Duprin 98/99 and 98/99XP Rim/SVR/CVR ³ /CVC ³ /Mortise	X	X
Von Duprin 22/22F Rim/SVR	X	X
Falcon 25 Rim	X	X

Notes:

- 1 Check with access control provider to verify support of reader/credential formats and lock functions.
- 2 JDC07 Corbin Russwin 7 Pin cylinder available in Rhodes, Sparta and Tubular
- 3 Metal doors only
- 4 AD-300/301 and AD-400/401 exit trim is exclusively compatible with Von Duprin 98/99, 98/99XP (rim, mortise, and SVR, CVC and CVR on metal doors only) and 22/22F (rim and SVR) and Falcon 25 (rim) exit devices made by Allegion. The proper low current request to exit switch (RX-LC or AE) is required.
 - Part numbers for request to exit switch:
 - Von Duprin: 050281
 - Falcon: 650359

Extend the reach of access control with proven 900 MHz wireless technology

The Schlage AD Series wireless system allows users to extend the reach of access control to areas where running wires is difficult, expensive or virtually impossible. Installations on interior doors, remote doors, historic buildings, 24/7 facilities, elevators and parking gates are now made possible by eliminating the need to run wires directly to the access point. Options are available to accommodate Wiegand, and Clock & Data, as well as RS-485 connections to the access control system.

The AD Series wireless system communicates via 900 MHz frequency to a Panel Interface Module (PIM) which is then hardwired back to the access control panel. Each PIM can support up to 16 wireless devices within a 200' range in most facilities and up to 1000' with clear line of sight. The 900 MHz band enables longer transmission ranges; wavelengths travel a greater distance and better penetrate typical building construction – allowing for simplified system design. And since 900 MHz operates on a different frequency versus WiFi, it won't burden existing IT infrastructure.

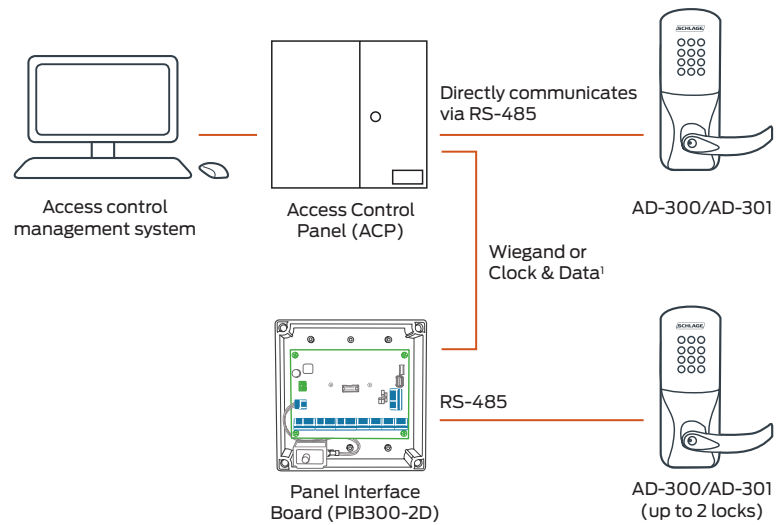
Secure and reliable wireless communication (heartbeat) from the PIM to the access control system occurs on a periodic basis and is field configurable; the factory default is set at 10 minutes. The AD Series wireless system utilizes patent-pending Wake-Up On Radio™ technology to deliver real-time activation at a remote wireless lock while maintaining up to a 2 year battery life. This feature, which is configurable from 10 seconds to as fast as 1 second, enables centralized emergency lockdown and unlock commands in applications where both speed and battery life are critical.

In addition to the AD Series locks, a variety of wireless devices are available to extend the reach of access control to applications which may be difficult to wire. These include wireless remote antennas (ANT400), Wireless Portable Readers (WPR400), Wireless Reader Interfaces (WRI400), Wireless Repeaters (REPTR400), Wireless Gate Control Kits (GCK400), and Wireless Elevator Control Kits (ECK400).

AD-300 and AD-301 FIPS 201-1 compliant networked hardwired solution:

- Direct connection from lock to ACP via RS-485 with specific integrated access control software providers.
- PIB300-2D required for Wiegand or Clock & Data connection; supports up to 2 AD-300/AD-301 devices.
- Utilize relay/dry contact board (RLBD) if supervised inputs are required in Wiegand systems.
- Verify requirements for reader Interface or gateway with your OEM access control provider.
- FMK reader can now be ordered as separate component for upgrade to a FIPS201-1 compliant lock; must utilize most current firmware.

1 Clock and Data AD-300 only



	AD-300/AD-301 Hardwired	AD-300/AD-301 Hardwired
Features		
Consult with OEM access control system provider for specific requirements		
Communication to/from controller	Direct - RS-485	Wiegand or Clock & Data
Panel Interface Module	N/A	PIB300-2D
Number of locks per panel interface module	N/A	Up to 2
Reader options		
Consult with OEM access control system provider for supported card formats		
Keypad only	AD-300 only ¹	AD-300 only ¹
Magnetic stripe card	AD-300 only ¹	AD-300 only ¹
FIPS 201-1 multi-technology - 125 kHz and 13.56 MHz	Yes ^{1,2}	Yes ^{1,2}
Multi-technology - 125 kHz and 13.56 MHz	Yes ¹	Yes ¹
PIV and PIV-I compatible ²	Yes ^{1,2}	Yes ^{1,2}
Card + PIN	Yes ¹	Yes ¹
Status monitors		
Consult with OEM access control system provider for supported card formats		
Request-to-exit	Yes ¹	Yes ¹
Door position switch	Yes ¹	Yes ¹
Mechanical key override (ATK)	Yes ¹	No
Request-to-enter	Yes ¹	Yes ¹
Low battery status	N/A	N/A
Communication status: RF/RS-485	Yes/ Yes ¹	Yes/ Yes ¹
Remote lockdown/unlock	Yes	Yes
Deadbolt position	Yes ¹	No
Interior push button	Yes ¹	No
Functions		
Consult with OEM access control system provider for specific support		
Classroom/storeroom (70)	Yes ³	Yes ³
Privacy (40)	Yes ^{1,4}	No
Office (50)	Yes ^{1,4}	No
Apartment (60)	Yes ^{1,4}	No

1 As supported by OEM access control system.

2 AD Series FIPS 201-1 compliant solution: The AD Series is an ideal solution for applications which require approval by the U.S. Federal Government under HSPD-12 for FIPS 201-1 compliance. In order to meet requirements, the AD Series lock can either be: sold as a complete unit with the FMK multi-technology + keypad reader, or field upgraded to a FIPS 201-1 compliant solution by adding the FMK reader (sold separately) and by utilizing the most current firmware available.

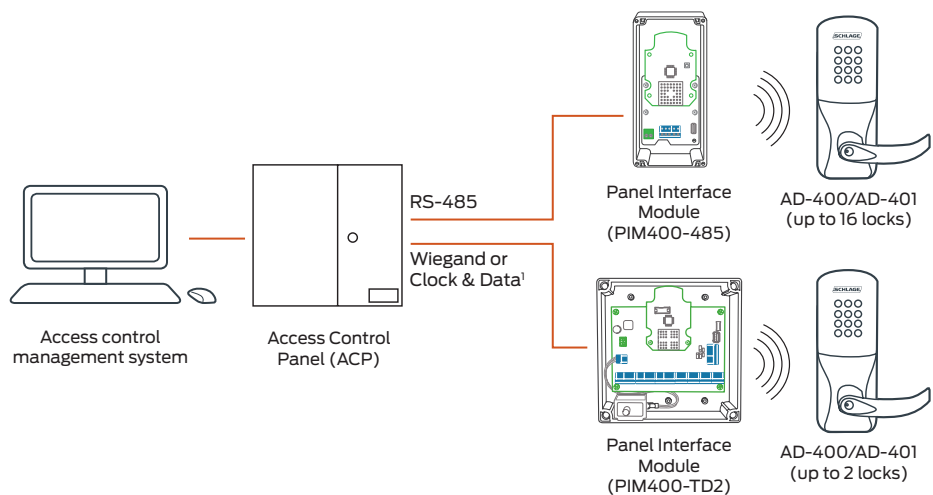
3 Not available with mortise deadbolt chassis.

4 Not available with exit trim.

AD-400 and AD-401 FIPS201-1 compliant networked wireless solution:

- PIM400-TD2 required for Wiegand or Clock & Data connections; supports up to 2 AD Series devices.
- PIM400-485, if supported by OEM provider, supports up to 16 AD-400/AD-401 devices.
- Utilize relay/dry contact board (RLBD) if supervised inputs are required in Wiegand systems.
- Verify requirements for reader interface or gateway with your OEM access control provider.
- FMK reader can now be ordered as separate component for upgrade to a FIPS201-1 compliant lock; must utilize most current firmware.

1 Clock and Data AD-400 only



	AD-400/AD-401 wireless	AD-400/AD-401 wireless
Features		
Consult with OEM access control system provider for specific requirements		
Communication to/from controller	Direct - RS-485	Wiegand or Clock & Data
Panel Interface Module	PIM400-485 (sold exclusively through OEM providers)	PIM400-TD2
Number of locks per panel interface module	Up to 16	Up to 2
Reader options		
Consult with OEM access control system provider for supported card formats		
Keypad only	AD-400 only ¹	AD-400 only ¹
Magnetic stripe card	AD-400 only ¹	AD-400 only ¹
FIPS 201-1 multi-technology - 125 khz and 13.56 Mhz	Yes ^{1,2}	Yes ^{1,2}
Multi-technology - 125 khz and 13.56 Mhz	Yes ¹	Yes ¹
PIV AND PIV-I compatible ⁴	Yes ^{1,2}	Yes ^{1,2}
Card + PIN	Yes ¹	Yes ¹
Status monitors		
Consult with OEM access control system provider for specific support		
Request-to-exit	Yes ¹	Yes ¹
Door position switch	Yes ¹	Yes ¹
Mechanical key override (ATK)	Yes ¹	No
Request-to-enter	Yes ¹	Yes ¹
Low battery status	Yes ¹	Yes ¹
Communication status: RF/RS-485	Yes/ Yes ¹	Yes/ Yes ¹
Remote lockdown/unlock	Yes ¹	Yes ¹
Deadbolt position	Yes ¹	No
Interior push button	Yes ¹	No
Functions		
Consult with OEM access control system provider for specific support		
Classroom/storeroom (70)	Yes ³	Yes ³
Privacy (40)	Yes ^{1,4}	No
Office (50)	Yes ^{1,4}	No
Apartment (60)	Yes ^{1,4}	No

1 As supported by OEM access control system.

2 AD Series FIPS 201-1 compliant solution: The AD Series is an ideal solution for applications which require approval by the U.S. Federal Government under HSPD-12 for FIPS 201-1 compliance. In order to meet requirements, the AD Series lock can either be: sold as a complete unit with the FMK multi-technology + keypad reader, or field upgraded to a FIPS 201-1 compliant solution by adding the FMK reader (sold separately) and by utilizing the most current firmware available.

3 Not available with mortise deadbolt chassis.

4 Not available with exit trim.

This page intentionally left blank.

Allegion, the Allegion logo, Schlage, the Schlage logo, Von Duprin, Falcon, and aptiQ are trademarks of Allegion plc, its subsidiaries and/or affiliates in the United States and other countries. All other trademarks are the property of their respective owners.

About Allegion

Allegion (NYSE: ALLE) creates peace of mind by pioneering safety and security. As a \$2 billion provider of security solutions for homes and businesses, Allegion employs more than 7,800 people and sells products in more than 120 countries across the world. Allegion comprises 23 global brands, including strategic brands CISA®, Interflex®, LCN®, Schlage® and Von Duprin®. For more, visit www.allegion.com.

aptiQ ■ LCN ■  ■ STEELCRAFT ■ VON DUPRIN



© 2014 Allegion
005022, Rev. 03/14
www.allegion.com/us

SCHLAGE

AD-400

Networked wireless
electronic lock



Overview

AD Series electronic locks from Schlage are designed to be modular and provide more options to choose from, more functionality in the lock and more compatibility with existing systems. Its patent-pending modular design allows the lock to be customized to fit the needs of an application now, and can change to meet future needs without removing it from the door.

Factory orderable options include choices of credential readers, chassis type, network configurations, locking functions, power options, lever styles and finishes. It also offers a wide selection of features that can be configured in the field to customize your openings.

To simplify installation, the AD Series combines all the hardware components required at the door for a complete access control system into one integrated design that includes the electrified lock, credential reader, request-to-exit and request-to-enter sensors, door position switch, tamper guard and more.

The AD-400 wireless networked lock gives you many of the key benefits of a hardwired access control system — without the wires. This allows you to secure doors that were traditionally difficult to run wires to in the past—and increase the security throughout your facility.

The AD-400 has a number of features built in, that are configurable in the field and a long list of items that can be monitored by access control software. Please consult your access control software partner for details on the integration of specific features.

Features and benefits

- Open Architecture platform
- Panel interface options ensure seamless communication with your system
- Non-invasive installations for historic buildings and sensitive areas
- Secure encrypted data transmission
- Unique communication protocols that won't interfere with other wireless networks
- Patent-pending wireless feature that enables efficient centralized lockdown in less than 10 seconds while still optimizing battery life up to 2 years
- Available in cylindrical, mortise, mortise deadbolt and exit trim
- Compatible with major brands of master key systems
- Wireless accessories available for remote, gate, elevator and portable (muster) applications
- AD Series with multi-technology readers are NFC compatible¹
- FIPS 201-1 compliant when applied with the FIPS multi-technology plus keypad reader module (FMK)
- ANSI/BHMA A156.25, ANSI/BHMA Grade 1, UL 294, UL10C, FCC Part 15, ADA, RoHS, Industry Canada (IC)

¹ Please refer to aptiQmobile compatibility chart for a list of certified devices

Reliable communications

Secure and reliable wireless communication with the Panel Interface Module (PIM) is accomplished using 900 MHz frequency. 900 MHz band enables longer transmission ranges because signal propagation with longer wavelengths travel a greater distance and better penetrates typical building construction – allowing for simplified system design.

Wake-Up on Radio

This feature enables implementation of wireless locks in applications where centralized lockdown or unlock is required. 'Wake Up on Radio' utilizes patent-pending technology to enable real-time activation at a remote battery-powered wireless lock. The technology is configurable from 10 to 1 second increments. When Wake-Up on Radio is used in critical applications Dynamic Channel Switching should also be enabled.

Panel Interface Module (PIM400)

The PIM400 (sold separately) is required for communication between the AD-400 wireless lock and the access control panel, and can support up to 16 locks depending on your access control system.

AD-400 electronic lock specifications

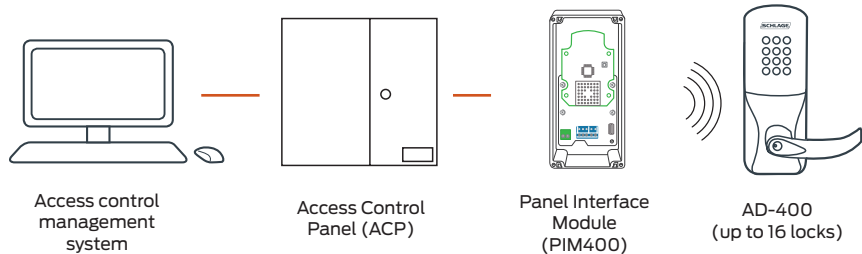
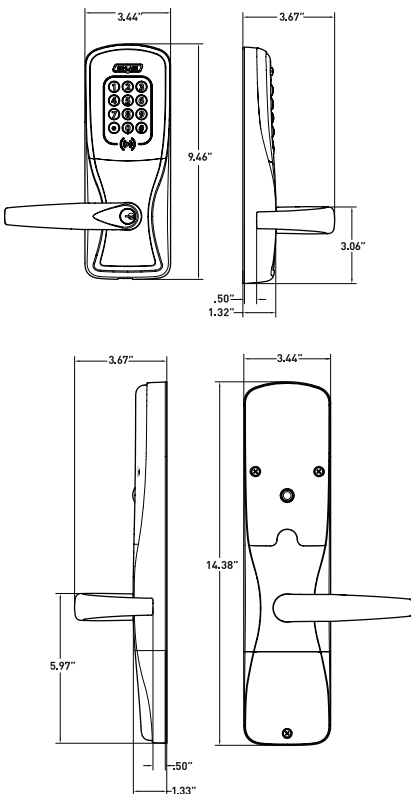
Modulation	900 MHz spread spectrum, direct sequence, 10 channels
Frequency range	902-928 MHz
Transmission/encryption	AES-128 bit key
Credential verification time	< 1 second ¹
Wake-Up on Radio	Responds to lock/unlock command from host in less than 10 seconds in battery powered applications (per field configuration)
Communication range	Up to 200 ft with obstructions (normal building construction), up to 1000 ft clear line of sight
RF interference avoidance	Configurable dynamic channel switching
Data rate	RF: 40 kbps
Visual/audible communications	Tri-colored LED's and audible indicators (field configurable)
System interface	RS-485, Wiegand, or Clock & Data via PIM400 to host
Power supply	4AA, 8AA, 12 VDC or 24 VDC
Voltage range	4 VDC to 26 VDC
Max current requirement	Up to 250 mA
Battery life	Up to 2 yrs with 4AA
Operating temperature/ exterior	-31° to 151°F (-35° to 66°C)
Operating temperature/ interior	32° to 120°F (0° to 49°C) (battery)
Operating humidity	0 - 100% non-condensing
Certifications	ANSI/BHMA A156.25, ANSI/BHMA Grade 1, UL 294, UL10 C, FCC Part 15, ADA, RoHS
Accessories	Panel Interface Module (PIM400), Handheld Device (HHD), remote antennas for PIM400 to extend range, Dry Contact Relay Board (RLBD) may be required for supervised inputs (Wiegand systems)

Functions

- Classroom/storeroom²
- Office^{2, 3, 4}
- Privacy^{3, 4}
- Apartment^{3, 4}

Available status signals

- Lock/unlock status⁵
- Request-to-exit
- Door position
- Mechanical key override³
- Deadbolt position³
- Interior push button³
- Interior cover tamper guard³
- Battery status
- Communication status³
- Request-to-enter³



¹ Lock requires less than 100 msec, response time does not include latency time of ACP.

² Classroom/storeroom and office function not available with mortise deadbolt option.

³ Consult your access control software provider for specific scope of support. Interior pushbutton, mechanical key override and deadbolt position are only available when linked via PIM400-485.

⁴ Not available on exit trim.

⁵ Software indicates lock/unlock status based on sequence of events, but cannot validate mechanical clutch position unless monitored on RS-485 connection.

Mechanical specifications

Chassis	Cylindrical	Mortise	Exit trim
Handing	Handed to order, field reversible		
ANSI standard (Meets or exceeds)	A156.25 A156.2 Series 4000 Grade 1	A156.25 A156.13 Series 1000 Grade 1	A156.25 A156.3
Door thickness	1 3/4" standard, 1 3/8" to 2 3/4" optional (available in 1/8" increments)		
Backset	Standard: 2 3/4" Optional: 2 3/8", 3 3/4", 5"	2 3/4" only	Defined by exit device
Latch bolt	Standard: 1/2" throw Optional: 3/4" throw	Standard: 3/4" throw Optional: 1" throw on mortise deadbolt	Provided by exit device
Levers	Pressure cast zinc, plated	Steel, plated	Steel, plated
Strike	Standard: 1 3/16" lip, ANSI, 1 1/4" x 4 7/8" Optional: Additional configurations available please see price book		Provided by exit device
Cylinder and keys	Schlage 6-pin Everest 29 S123 keyway cylinder with two patented keys standard Additional options available including Standard, SFIC, FSIC and competitor brands		

Multi-technology reader specification

Frequency	125 kHz proximity and 13.56 MHz smart card
Standards	ISO standard 15693 and ISO 14443
Maximum read range	Up to 1.25" on 125 kHz proximity, up to 0.75" on 13.56 MHz smart card
125 kHz compatibility	Schlage Proximity, XceedID™ Proximity, HID® Proximity, GE/CASI ProxLite®, AWID® Proximity, LenelProx®
13.56 MHz compatibility	Schlage MIFARE® Secure Sector, XceedID™ MIFARE® Secure Sector, aptiQ™ smart cards using MIFARE DESFire™ EV1 with PACSA; PIV and PIV-I ^{1,2}
13.56 MHz compatibility (serial number only)	DESFire® CSN, HID iCLASS® CSN, Inside Contactless PicoTag® CSN, MIFARE® MIFARE DESFire™ EV1, ST Microelectronics® CSN, Texas Instruments Tag-It® Serial Number, Phillips I-Code® CSN
125 kHz compatible XceedID credentials	125 kHz clamshell, ISO card, ISO card with magnetic stripe, keyfob, and PVC disk (7000 series)
13.56 MHz compatible aptiQ™ credentials	aptiQ™ smart cards using MIFARE® in clamshell, ISO card, ISO card with magnetic stripe, keyfob and PVC Patch (9000 Series); aptiQ™ smart cards using MIFARE DESFire™ EV1 in clamshell, ISO card, ISO card with magnetic stripe, keyfob, and PVC disk (8000 Series)
Certifications/standards	FCC, Industry Canada (IC), UL 294 Listed, ISO standard 15693, and ISO standard 14443
Style/layout	Option for 12 button, 3x4 matrix backlit keypad

¹ FIPS 201-1 compliant option available: The AD Series can be used in applications which require approval by the U.S. Federal Government under HSPD-12 for FIPS 201-1 compliance. Specific components are required, please see the AD 401 data sheet or AD 301 data sheet for complete details.

² 75 bit output format default. Configurable to other output formats.

³ Please refer to aptiQmobile compatibility chart for a list of certified devices.

AD Series exit trim:

AD-300 and AD-400 exit trim is exclusively compatible with Von Duprin 98/99 and 98/99XP (Rim, Mortise, and SVR. CVC and CVR on metal doors only), Von Duprin 22/22F (Rim and SVR) and Falcon 25 (Rim) exit devices made by Allegion. The proper low current request-to-exit switch (RX-LC or AE) is required.

Part numbers for request-to-exit switch:

- Von Duprin: 050281
- Falcon: 650359

Benefits of AD Series multi-technology readers:

- Reads multiple brand of both proximity (125 kHz) and smart (13.56 MHz) technologies with single device
- AD Series multi-technology readers are NFC compatible³
- Allows end user to migrate to more secure credentials over time and as budgets permit

Additional readers

Magnetic stripe

- Now available with choice of insertion or swipe style readers
- Triple track reader (1, 2 or 3), field configurable
- ABA, ISO76XX standard
- Option for 12 button, 3x4 matrix backlit keypad

Keypad

- Backlit keypad
- 12 button, 3x4 matrix

Available AD Series reader modules



Multi-technology

- Proximity
- Smart card

KEYPAD
 FIPS 201-1 compliant option available (FMK)



Multi-technology

- Proximity
- Smart card



Magnetic stripe (insertion)
KEYPAD



Magnetic stripe (insertion)



Magnetic stripe (swipe)
KEYPAD



Magnetic stripe (swipe)



Keypad

Ordering information

Available through one of our GSA schedule 84 approved distributions; BAA options available

AD-400-CY-70-MG-SPA-626-PD-S123-RH-4B-13-049-10-025-1 3/4

Series	Class	Chassis	Function	Reader	Lever style	Finish	Lever cylinder	Keying type	Handing	Battery	Backset & latch	Strike	Door thickness
1	2	3	4	5	6	7	8	9	10	11	12	13	14

Selections correspond with the numbers above

Standards options are indicated in bold. See price book for specific configuration options.

3	Chassis
CY	Cylindrical
MS	Mortise
MD	Mortise deadbolt
993R	Exit trim – Rim/CVC/CVR
993S	Exit trim – SVR
993M	Exit trim – mortise
993DT	Non-functioning dummy trim for exit
4	Function
70	Classroom/storeroom
50	Office
40	Privacy
60	Apartment

Lock function capabilities are determined by users access control system

5	Reader
KP	Keypad
MG	Magnetic stripe (insertion)
MGK	Magnetic stripe + keypad (insertion)
MS	Magnetic stripe (swipe)
MSK	Magnetic stripe + keypad (swipe)
MT	Multi-technology (125kHz and 13.56 MHz)
MTK	Multi-technology + keypad (125kHz and 13.56 MHz)
FMK	FIPS 201-1 compliant multi-technology + keypad (125 kHz and 13.56 MHz)
DT	Dummy trim

6	Lever
SPA	Sparta
RHO	Rhodes
ATH	Athens
TLR	Tubular

Available with knurled surface

7	Finish
626	Satin chrome
605	Bright brass
606	Satin brass
612	Satin bronze
619	Satin nickel
625	Bright chrome
643e	Aged bronze
626AM	Satin chrome antimicrobial

8	Lever cylinder type
PD	Schlage 6-pin full cylinder

See price book for other SFIC, FSIC and less cores options available. Compatible with Schlage, Sargent, Corbin, Medeco and Yale.

9	Keyway type
S123	Everest 29

See price book for other available keyway options including master keying

10	Handling
RH	Right handed
LH	Left handed

Field reversible

11	Battery
4B	4AA
8B	8AA

12	Backset & latch or armor front
Cylindrical	
13-049	2 3/4" backset, deadlatch, square corner, 1 1/8" x 2 1/4"
Mortise	
09-663	Armor front, 1 1/4" wide, square corner

See price book for mortise deadbolt and other backset and latch options or armor front options

13	Strike
Cylindrical	
10-025	1 3/16" lip, ANSI, no box, 1 1/4" x 4 7/8"
Mortise	
10-072	1 3/16" lip, 1 1/4" x 4 7/8" square corner, box

See price book for other available strikes

14	Door thickness
1 3/4"	
Other thicknesses available between 1 3/8" and 2 3/4"	

See price book for detail

Lever styles

Standard cylinders shown, SFIC and FSIC also available.



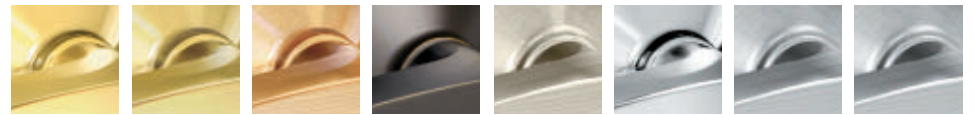
Sparta Rhodes



Athens Tubular

Finishes

Warm tone finishes Cool tone finishes



605 Bright brass 606 Satin brass 612 Satin bronze 643e Aged bronze 619 Satin nickel 625 Bright chrome 626 Satin chrome 626AM Satin chrome with antimicrobial

Allegion, the Allegion logo, Schlage, the Schlage logo, XceedID, Von Duprin, Falcon and aptiQ are trademarks of Allegion plc, its subsidiaries and/or affiliates in the United States and other countries. All other trademarks are the property of their respective owners.

About Allegion

Allegion (NYSE: ALLE) creates peace of mind by pioneering safety and security. As a \$2 billion provider of security solutions for homes and businesses, Allegion employs more than 7,800 people and sells products in more than 120 countries across the world. Allegion comprises 23 global brands, including strategic brands CISA®, Interflex®, LCN®, Schlage® and Von Duprin®. For more, visit www.allegion.com.

aptiQ ■ LCN ■ SCHLAGE ■ STEELCRAFT ■ VON DUPRIN



ALLEGION™

© 2014 Allegion
004446, Rev. 02/14
www.allegion.com/us

SCHLAGE

AD-401

FIPS 201-1 compliant
networked wireless lock
with multi-technology and
keypad reader



Overview

AD Series electronic locks from Schlage are designed to be modular and provide more options to choose from, more functionality in the lock and more compatibility with existing systems. Its patent-pending modular design allows the lock to be customized to fit the needs of an application now, and can change to meet future needs without removing it from the door.

The AD-401 is an ideal solution for applications that require approval by the U.S. Federal Government under HSPD-12 for FIPS 201 Compliance. The AD-401 electronic integrated lock with FMK multi-technology reader + keypad is FIPS 201-1 compliant for use in U.S. Federal Agency Buildings using smart card technology. The AD-401 lock with an FMK reader allows both a Wiegand and RS-485 solution.

Factory orderable options include choices of chassis type, network configurations, locking functions, power options, lever styles and finishes. It also offers a selection of features that can be configured in the field to customize your openings.

To simplify installation, the AD Series combines all the hardware components required at the door for a complete access control system into one integrated design that includes the electrified lock, credential reader, request-to-exit and request-to-enter sensors, door position switch, tamper guard and more.

The AD-401 wireless networked lock gives you many of the key benefits of a hardwired access control system — without the wires. This allows you to secure doors that were traditionally difficult to run wires to in the past—and increase the security throughout your facility.

The AD-401 has a number of features built in that are configurable in the field and a long list of items that can be monitored by access control software. Please consult your access control software partner for details on the integration of specific features.

Features and benefits

- Open Architecture platform
- Panel interface options ensure seamless communication with your system:
 - AD-401 with integrated RS-485 software providers will require the use of a PIM400-485 Panel Interface Module which can support up to 16 AD-401 devices
 - AD-401 in Wiegand systems will require the use of a PIM400-TD2 Panel Interface Module which can support up to 2 AD-401 devices and may require the optional dry-contact relay board (RLBD)
- Non-invasive installations for historic buildings and sensitive areas
- Secure encrypted data transmission
- Unique communication protocols that won't interfere with other wireless networks
- Patent-pending wireless feature that enables efficient centralized lockdown in less than 10 seconds while still optimizing battery life up to 2 years
- Available in cylindrical, mortise, mortise deadbolt and exit trim
- Compatible with major brands of master key systems
- Wireless accessories available for remote, gate, elevator and portable (muster) applications
- ANSI/BHMA A156.25, ANSI/BHMA Grade 1, UL 294, UL10C, FCC Part 15, ADA, RoHS, Industry Canada (IC), FIPS 201-1

Reliable communications

Secure and reliable wireless communication with the Panel Interface Module (PIM) is accomplished using 900 MHz frequency. 900 MHz band enables longer transmission ranges because signal propagation with longer wavelengths travel a greater distance and better penetrates typical building construction – allowing for simplified system design.

Wake-Up on Radio

This feature enables implementation of wireless locks in applications where centralized lockdown or unlock is required. 'Wake Up on Radio' utilizes patent-pending technology to enable real-time activation at a remote battery-powered wireless lock. The technology is configurable from 10 to 1 second increments. When Wake-Up on Radio is used in critical applications Dynamic Channel Switching should also be enabled.

Panel Interface Module (PIM400)

The PIM400 (sold separately) is required for communication between the AD-401 wireless lock and the access control panel, and can support up to 16 locks depending on your access control system.

AD-401 electronic lock specifications

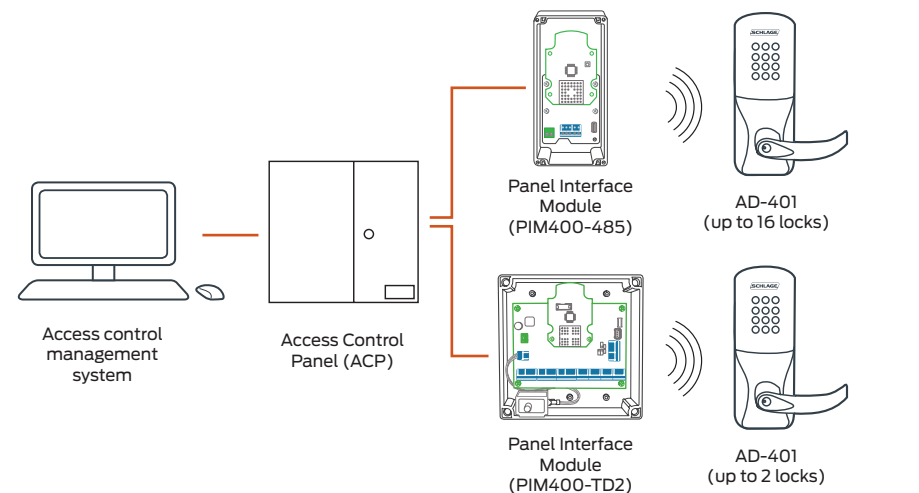
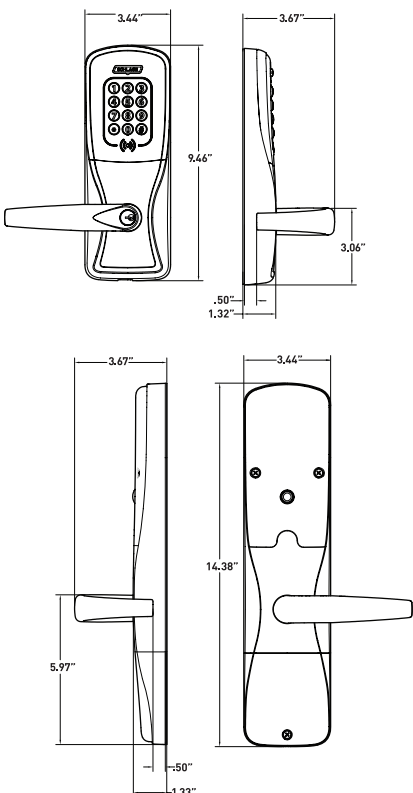
Modulation	900 MHz spread spectrum, direct sequence, 10 channels
Frequency range	902-928 MHz
Transmission/encryption	AES-128 bit key
Credential verification time	< 1 second ¹
Wake-Up on Radio	Responds to lock/unlock command from host in less than 10 seconds in battery powered applications (per field configuration)
Communication range	Up to 200 ft with obstructions (normal building construction), up to 1000 ft clear line of sight
RF interference avoidance	Configurable dynamic channel switching
Data rate	RF: 40 kbps
Visual/audible communications	Tri-colored LED's and audible indicators (field configurable)
System interface	RS-485, Wiegand, or Clock & Data via PIM400 to host
Power supply	4AA, 8AA, 12 VDC or 24 VDC
Voltage range	4 VDC to 26 VDC
Max current requirement	Up to 250 mA
Battery life	Up to 2 yrs with 4AA
Operating temperature/ exterior	-31° to 151°F (-35° to 66°C)
Operating temperature/ interior	32° to 120°F (0° to 49°C) (battery)
Operating humidity	0 - 100% non-condensing
Certifications	ANSI/BHMA A156.25, ANSI/BHMA Grade 1, UL 294, UL10 C, FCC Part 15, ADA, RoHS, FIPS 201-1
Accessories	Panel Interface Module (PIM400), Handheld Device (HHD), remote antennas for PIM400 to extend range, Dry Contact Relay Board (RLBD) may be required for supervised inputs (Wiegand systems)

Functions

- Classroom/storeroom²
- Office^{2, 3, 4}
- Privacy^{3, 4}
- Apartment^{3, 4}

Available status signals

- Lock/unlock status⁵
- Request-to-exit
- Door position
- Mechanical key override³
- Deadbolt position³
- Interior push button³
- Interior cover tamper guard³
- Battery status
- Communication status³
- Request-to-enter³



¹ Lock requires less than 100 msec, response time does not include latency time of ACP.
² Classroom/storeroom and office function not available with mortise deadbolt option.
³ Consult your access control software provider for specific scope of support. Interior pushbutton, mechanical key override and deadbolt position are only available when linked via PIM400-485.
⁴ Not available on exit trim.
⁵ Software indicates lock/unlock status based on sequence of events, but cannot validate mechanical clutch position unless monitored on RS-485 connection.

Mechanical specifications

Chassis	Cylindrical	Mortise	Exit trim
Handing	Handed to order, field reversible		
ANSI standard (Meets or exceeds)	A156.25 A156.2 Series 4000 Grade 1	A156.25 A156.13 Series 1000 Grade 1	A156.25 A156.3
Door thickness	1 3/4" standard, 1 3/8" to 2 3/4" optional (available in 1/8" increments)		
Backset	Standard: 2 3/4" Optional: 2 3/8", 3 3/4", 5"	2 3/4" only	Defined by exit device
Latch bolt	Standard: 1/2" throw Optional: 3/4" throw	Standard: 3/4" throw Optional: 1" throw on mortise deadbolt	Provided by exit device
Levers	Pressure cast zinc, plated	Steel, plated	Steel, plated
Strike	Standard: 1 3/16" lip, ANSI, 1 1/4" x 4 7/8" Optional: Additional configurations available please see price book		Provided by exit device
Cylinder and keys	Schlage 6-pin Everest 29 S123 keyway cylinder with two patented keys standard Additional options available including Standard, SFIC, FSIC and competitor brands		

FMK multi-technology reader specification

Frequency	125 kHz proximity and 13.56 MHz smart card
Standards	ISO standard 15693 and ISO 14443
Maximum read range	Up to 1.25" on 125 kHz proximity, up to 0.75" on 13.56 MHz smart card
125 kHz compatibility	Schlage Proximity, XceedID™ Proximity, HID® Proximity, GE/CASI ProxLite®, AWID® Proximity, LenelProx®
13.56 MHz compatibility	Schlage MIFARE® Secure Sector, XceedID™ MIFARE® Secure Sector, aptiQ™ smart cards using MIFARE DESFire™ EV1 with PACSA; PIV and PIV-1 ²
13.56 MHz compatibility (serial number only)	DESFire® CSN, HID iCLASS® CSN, Inside Contactless PicoTag® CSN, MIFARE® MIFARE DESFire™ EV1, ST Microelectronics® CSN, Texas Instruments Tag-It® Serial Number, Phillips I-Code® CSN
125 kHz compatible XceedID credentials	125 kHz clamshell, ISO card, ISO card with magnetic stripe, keyfob, and PVC disk (7000 series)
13.56 MHz compatible aptiQ™ credentials	aptiQ™ smart cards using MIFARE® in clamshell, ISO card, ISO card with magnetic stripe, keyfob and PVC Patch (9000 Series); aptiQ™ smart cards using MIFARE DESFire™ EV1 in clamshell, ISO card, ISO card with magnetic stripe, keyfob, and PVC disk (8000 Series)
Certifications/standards	FCC, Industry Canada (IC), UL 294 Listed, ISO standard 15693, and ISO standard 14443, FIPS 201-1
Style/layout	12 button, 3x4 matrix backlit keypad

¹ The AD Series can be used in applications which require approval by the U.S. Federal Government under HSPD-12 for FIPS 201-1 compliance.

² 75 bit output format default. Configurable to other output formats.

AD Series FMK reader module

The AD Series is an ideal solution for applications which require approval by the U.S. Federal Government under HSPD-12 for FIPS 201-1 compliance. In order to meet requirements, the AD-401 networked lock can either be 1.) sold as a complete unit with the FMK multi-technology + keypad reader, or 2.) the AD-400 can be field upgraded to a FIPS 201-1 compliant solution by adding the FMK reader (sold separately) and by utilizing the most current firmware available.



FIPS 201-1 compliant multi-technology

- FMK reader required for FIPS 201-1 compliant multi-technology & keypad reader supporting both proximity and smart cards

+ KEYPAD

AD Series exit trim:

AD-301 and AD-401 exit trim is exclusively compatible with Von Duprin 98/99 and 98/99XP (Rim, Mortise, and SVR. CVC and CVR on metal doors only), Von Duprin 22/22F (Rim and SVR) and Falcon 25 (Rim) exit devices made by Allegion. The proper low current request-to-exit switch (RX-LC or AE) is required.

Part numbers for request-to-exit switch:

- Von Duprin: 050281
- Falcon: 650359

Ordering information

Available through one of our GSA schedule 84 approved distributions; BAA options available

AD-401-CY-70-FMK-SPA-626-PD-S123-RH-4B-13-049-10-025-1 3/4

Series	Class	Chassis	Function	Reader	Lever style	Finish	Lever cylinder	Keying type	Handing	Battery	Backset & latch	Strike	Door thickness
1	2	3	4	5	6	7	8	9	10	11	12	13	14

Selections correspond with the numbers above

Standards options are indicated in bold. See price book for specific configuration options.

3	Chassis
CY	Cylindrical
MS	Mortise
MD	Mortise deadbolt
993R	Exit trim – Rim/CVC/CVR
993S	Exit trim – SVR
993M	Exit trim – mortise
993DT	Non-functioning dummy trim for exit
4	Function
70	Classroom/storeroom
50	Office
40	Privacy
60	Apartment
Lock function capabilities are determined by users access control system	
5	Reader
FMK	FIPS 201-1 compliant multi-technology + keypad (125 kHz and 13.56 MHz)
6	Lever
SPA	Sparta
RHO	Rhodes
ATH	Athens
TLR	Tubular
Available with knurled surface	

7	Finish
626	Satin chrome
605	Bright brass
606	Satin brass
612	Satin bronze
619	Satin nickel
625	Bright chrome
643e	Aged bronze
626AM	Satin chrome antimicrobial
8	Lever cylinder type
PD	Schlage 6-pin full cylinder
See price book for other SFIC, FSIC and Less Cores options available. Compatible with Schlage, Sargent, Corbin, Medeco and Yale.	
9	Keyway type
S123	Everest 29
See price book for other available keyway options including master keying	
10	Handling
RH	Right handed
LH	Left handed
Field reversible	

11	Battery
4B	4AA
8B	8AA
12	Backset & latch or armor front
Cylindrical	
13-049	2 3/4" backset, deadlatch, square corner, 1 1/8" x 2 1/4"
Mortise	
09-663	Armor front, 1 1/4" wide, square corner
See price book for mortise deadbolt and other backset and latch options or armor front options	
13	Strike
Cylindrical	
10-025	1 3/16" lip, ANSI, no box, 1 1/4" x 4 7/8"
Mortise	
10-072	1 3/16" lip, 1 1/4" x 4 7/8" square corner, box
See price book for other available strikes	
14	Door thickness
1 3/4"	
Other thicknesses available between 1 3/8" and 2 3/4"	
See price book for detail	

Lever styles

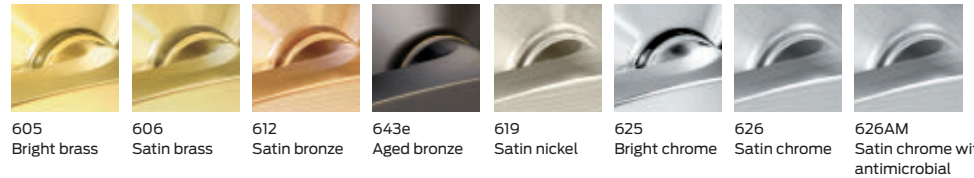
Standard cylinders shown, SFIC and FSIC also available.



Sparta Rhodes Athens Tubular

Finishes

Warm tone finishes Cool tone finishes



Allegion, the Allegion logo, Schlage, the Schlage logo, XceedID, Von Duprin, Falcon, and aptiQ are trademarks of Allegion plc, its subsidiaries and/or affiliates in the United States and other countries. All other trademarks are the property of their respective owners.

About Allegion

Allegion (NYSE: ALLE) creates peace of mind by pioneering safety and security. As a \$2 billion provider of security solutions for homes and businesses, Allegion employs more than 7,800 people and sells products in more than 120 countries across the world. Allegion comprises 23 global brands, including strategic brands CISA®, Interflex®, LCN®, Schlage® and Von Duprin®. For more, visit www.allegion.com.

aptiQ ■ LCN ■ SCHLAGE ■ STEELCRAFT ■ VON DUPRIN



© 2014 Allegion
004870, Rev. 02/13
www.allegion.com/us



AD-300

Networked hardwired
electronic lock



Overview

AD Series electronic locks from Schlage are designed to be modular and provide more options to choose from, more functionality in the lock and more compatibility with existing systems. Its patent-pending modular design allows the lock to be customized to fit the needs of an application now, and can change to meet future needs without removing it from the door.

Factory orderable options include choices of credential readers, chassis type, network configurations, locking functions, lever styles and finishes. It also offers a wide selection of features that can be configured in the field to customize your openings.

To simplify installation, the AD Series combines all the hardware components required at the door for a complete access control system into one integrated design that includes the electrified lock, credential reader, request-to-exit and request-to-enter sensors, door position switch, tamper switch and more.

The AD-300 has a number of features built-in that are configurable in the field and a long list of items that can be monitored by access control software. Please consult your access control software partner for details on the integration of specific features.

Features and benefits

- Open Architecture platform
- Panel interface options ensure seamless communication with your system
- Real-time communication between access control system and lock
- Field configurable fail safe/fail secure and other capabilities per code
- Available in cylindrical, mortise, mortise deadbolt and exit trim
- Compatible with major brands of master key systems
- A wide selection of credential readers and networking options to choose from
- AD Series with multi-technology readers are NFC compatible¹
- FIPS 201-1 compliant when applied with the FIPS multi-technology plus keypad reader module (FMK)
- ANSI/BHMA A156.25, ANSI/BHMA Grade 1, UL 294, UL10C, FCC Part 15, ADA, RoHS, Industry Canada (IC)

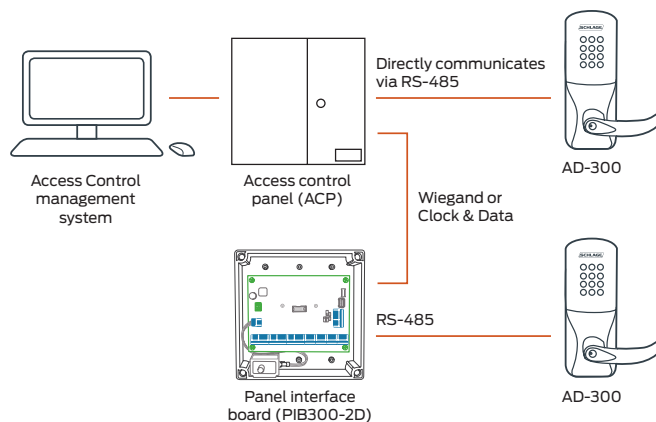
¹ Please refer to aptiQmobile compatibility chart for a list of certified devices

AD-300 electronic lock specifications

Credential verification time	< 1 second ¹
Data rate	RS-485 : 9.6 kbps
Visual/audible communications	Tri-colored LED's and audible indicators (field configurable)
System interface	Wiegand or Clock & Data via PIB300 or RS-485 directly
Power supply	12 VDC or 24 VDC
Voltage range	4 VDC to 26 VDC
Max current requirement	Up to 250 mA
Cable specifications for power	18AWG, 2 conductor (Belden 8760 or equivalent)
Cable distance for power	AD-300 to power supply: up to 1000 ft (303 m)
Cable specifications for data	24AWG, 2 or 4 conductor shielded (Belden 9841, 9842 or equivalent)
Cabling distance for data	AD-300 to PIB300 or ACP, RS-485: up to 4000 ft (1219 m)
Operating temperature	-31° to 151°F (-35° to 66°C)
Operating humidity	0 - 100% non-condensing
Certifications	ANSI/BHMA A156.25, ANSI/BHMA Grade 1, UL 294, UL10 C, FCC Part 15, ADA, RoHS
Accessories	Panel Interface Board (PIB300), Handheld Device (HHD), Dry Contact Relay Board (RLBD) may be required for supervised inputs (Wiegand systems)

PIB300-2D specifications

Communication range	PIB300 to lock, RS-485: up to 4000' PIB300 to ACP, Wiegand or Clock & Data: up to 500'
Visual/audible	13 LEDs for status indicators
System interface	Wiegand or Clock & Data
Power supply	12 VDC or 24 VDC
Voltage range	9.5 VDC to 26 VDC
Max current requirement	Up to 250 mA
Operating temperature	-31° to 151°F (-35° to 66°C)
Dimensions (H x W x D)	7.1" x 7.1" x 3.0" (18.0 cm x 18.0 cm x 7.6 cm)
Weight	1.25 lb (.57 kg)
Cable specifications (PIB300 to ACP)	22AWG, 8 conductor shielded (Alpha 1298C or equivalent)
Certifications	NEMA 1, 4, 4X, 6; UL 294; FCC Part 15; RoHS



¹ Lock requires less than 100 msec, response time does not include latency time of ACP.

² Classroom/storeroom and office function not available with mortise deadbolt option.

³ Consult your access control software provider for specific scope of support. Interior pushbutton, mechanical key override and deadbolt position are only available when linked via PIM400-485.

⁴ Not available on exit trim.

⁵ Software indicates lock/unlock status based on sequence of events, but cannot validate mechanical clutch position unless monitored on RS-485 connection.

Functions

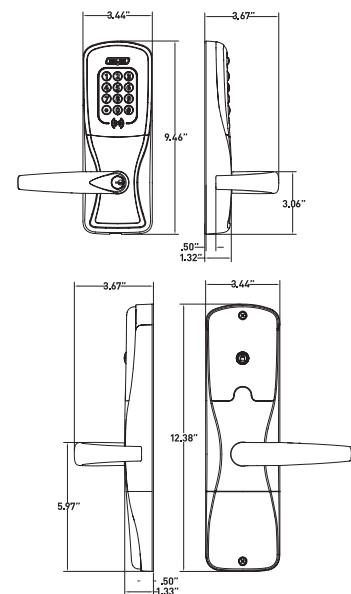
- Classroom/storeroom²
- Office^{2, 3, 4}
- Privacy^{3, 4}
- Apartment^{3, 4}

Available status signals

- Lock/unlock status⁵
- Request-to-exit
- Door position
- Mechanical key override³
- Deadbolt position³
- Interior cover tamper guard³
- Communication status³
- Interior push button³
- Request-to-enter³

Panel Interface Board (PIB300-2D)

If the system requires Wiegand or Clock & Data protocol (rather than a direct RS-485 connection), the AD Series open architecture platform connects up to two AD-300 locks to the Panel Interface Board (PIB300 - sold separately, if required) that seamlessly connects to an access control panel or reader interface board. All monitoring is captured at the remote monitoring station.



Mechanical specifications

Chassis	Cylindrical	Mortise	Exit trim
Handing	Handed to order, field reversible		
ANSI standard (Meets or exceeds)	A156.25 A156.2 Series 4000 Grade 1	A156.25 A156.13 Series 1000 Grade 1	A156.25 A156.3
Door thickness	1 3/4" standard, 1 3/8" to 2 3/4" optional (available in 1/8" increments)		
Backset	Standard: 2 3/4" Optional: 2 3/8", 3 3/4", 5"	2 3/4" only	Defined by exit device
Latch bolt	Standard: 1/2" throw Optional: 3/4" throw	Standard: 3/4" throw Optional: 1" throw on mortise deadbolt	Provided by exit device
Levers	Pressure cast zinc, plated	Steel, plated	Steel, plated
Strike	Standard: 1 3/16" lip, ANSI, 1 1/4" x 4 7/8" Optional: Additional configurations available please see price book		Provided by exit device
Cylinder and keys	Schlage 6-pin Everest 29 S123 keyway cylinder with two patented keys standard Additional options available including Standard, SFIC, FSIC and competitor brands		

Multi-technology reader specification

Frequency	125 kHz proximity and 13.56 MHz smart card
Standards	Standards ISO standard 15693 and ISO 14443
Maximum read range	Up to 1.25" on 125 kHz proximity, up to 0.75" on 13.56 MHz smart card
125 kHz compatibility	Schlage Proximity, XceedID™ Proximity, HID® Proximity, GE/CASI ProxLite®, AWID® Proximity, LenelProx®
13.56 MHz compatibility	Schlage MIFARE® Secure Sector, XceedID™ MIFARE® Secure Sector, aptiQ™ smart cards using MIFARE DESFire™ EV1 with PACSA; PIV and PIV-1 ²
13.56 MHz compatibility (serial number only)	DESFire® CSN, HID iCLASS® CSN, Inside Contactless PicoTag® CSN, MIFARE® MIFARE DESFire™ EV1, ST Microelectronics® CSN, Texas Instruments Tag-It® Serial Number, Phillips I-Code® CSN
125 kHz compatible XceedID credentials	125 kHz clamshell, ISO card, ISO card with magnetic stripe, keyfob, and PVC disk (7000 series)
13.56 MHz compatible aptiQ™ credentials	aptiQ™ smart cards using MIFARE® in clamshell, ISO card, ISO card with magnetic stripe, keyfob and PVC Patch (9000 Series); aptiQ™ smart cards using MIFARE DESFire™ EV1 in clamshell, ISO card, ISO card with magnetic stripe, keyfob, and PVC disk (8000 Series)
Certifications/standards	FCC, Industry Canada (IC), UL 294 Listed, ISO standard 15693, and ISO standard 14443
Style/layout	Option for 12 button, 3x4 matrix backlit keypad

¹ FIPS 201-1 compliant option available: The AD Series can be used in applications which require approval by the U.S. Federal Government under HSPD-12 for FIPS 201-1 compliance. Specific components are required, please see the AD 401 data sheet or AD 301 data sheet for complete details.

² 75 bit output format default. Configurable to other output formats.

³ Please refer to aptiQmobile compatibility chart for a list of certified devices

AD Series exit trim:

AD-300 and AD-400 exit trim is exclusively compatible with Von Duprin 98/99 and 98/99XP (Rim, Mortise, and SVR. CVC and CVR on Metal doors only), Von Duprin 22/22F (Rim and SVR) and Falcon 25 (Rim) exit devices made by Allegion. The proper low current request-to-exit switch (RX-LC or AE) is required.

Part numbers for request-to-exit switch:

- Von Duprin: 050281
- Falcon: 650359

Benefits of AD Series multi-technology readers:

- Reads multiple brand of both proximity (125 kHz) and smart (13.56 MHz) technologies with single device
- AD Series multi-technology readers are NFC compatible³
- Allows end user to migrate to more secure credentials over time and as budgets permit

Additional readers

Magnetic stripe

- Now available with choice of insertion or swipe style readers
- Triple track reader (1, 2 or 3), field configurable
- ABA, ISO76XX standard
- Option for 12 button, 3x4 matrix backlit keypad

Keypad

- Backlit keypad
- 12 button, 3x4 matrix

Available AD Series reader modules



Multi-technology

- Proximity
- Smart card
- KEYPAD



Multi-technology

- Proximity
- Smart card



Magnetic stripe (insertion)

- KEYPAD



Magnetic stripe (insertion)



Magnetic stripe (swipe)

- KEYPAD



Magnetic stripe (swipe)



Keypad

FIPS 201-1 compliant option available (FMK)

Ordering information

Available through one of our GSA schedule 84 approved distributions; BAA options available

AD-300-CY-70-MG-SPA-626-PD-S123-RH-13-049-10-025-1^{3/4}

Series	Class	Chassis	Function	Reader	Lever style	Finish	Lever cylinder	Keying type	Handing	Backset and latch	Strike	Door thickness
1	2	3	4	5	6	7	8	9	10	11	12	13

Selections correspond with the numbers above

Standards options are indicated in bold. See price book for specific configuration options.

3	Chassis
CY	Cylindrical
MS	Mortise
MD	Mortise deadbolt
993R	Exit trim – Rim/CVC/CVR
993S	Exit trim – SVR
993M	Exit trim – mortise
993DT	Non-functioning dummy trim for exit
4	Function
70	Classroom/storeroom
50	Office
40	Privacy
60	Apartment
Lock function capabilities are determined by users access control system	
5	Reader
KP	Keypad
MG	Magnetic stripe (insertion)
MGK	Magnetic stripe + keypad (insertion)
MS	Magnetic stripe (swipe)
MSK	Magnetic stripe + keypad (swipe)
MT	Multi-technology (125kHz and 13.56 MHz)
MTK	Multi-technology + keypad (125kHz and 13.56 MHz)
FMK	FIPS 201-1 compliant multi-technology + keypad (125 kHz and 13.56 MHz)
DT	Dummy trim

6	Lever
SPA	Sparta
RHO	Rhodes
ATH	Athens
TLR	Tubular
Available with knurled surface	
7	Finish
626	Satin chrome
605	Bright brass
606	Satin brass
612	Satin bronze
619	Satin nickel
625	Bright chrome
643e	Aged bronze
626AM	Satin chrome antimicrobial
8	Lever cylinder type
PD	Schlage 6-pin full cylinder
See price book for other SFIC, FSIC and less cores options available. Compatible with Schlage, Sargent, Corbin, Medeco and Yale.	
9	Keyway type
S123	Everest 29
See price book for other available keyway options including master keying	

10	Handling
RH	Right handed
LH	Left handed
Field reversible	
11	Backset and latch or armor front
Cylindrical	
13-049	2 3/4" backset, deadlatch, square corner, 1 1/8" x 2 1/4"
Mortise	
09-663	Armor front, 1 1/4" wide, square corner
See price book for mortise deadbolt and other backset and latch options or armor front options	
12	Strike
Cylindrical	
10-025	1 3/16" lip, ANSI, no box, 1 1/4" x 4 7/8"
Mortise	
10-072	1 3/16" lip, 1 1/4" x 4 7/8" square corner, box
See price book for other available strikes	
13	Door thickness
1 3/4"	
Other thicknesses available between 1 3/8" and 2 3/4"	
See price book for detail	

Lever styles

Standard cylinders shown, SFIC and FSIC also available.



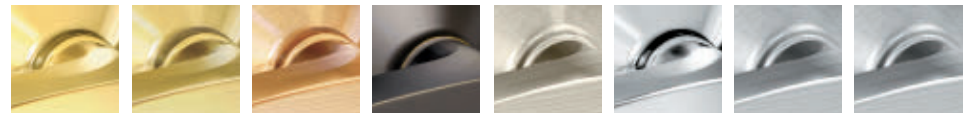
Sparta Rhodes



Athens Tubular

Finishes

Warm tone finishes Cool tone finishes



605 Bright brass 606 Satin brass 612 Satin bronze 643e Aged bronze 619 Satin nickel 625 Bright chrome 626 Satin chrome 626AM Satin chrome with antimicrobial

Allegion, the Allegion logo, Schlage, the Schlage logo, XceedID, Von Duprin, Falcon, and aptiQ are trademarks of Allegion plc, its subsidiaries and/or affiliates in the United States and other countries. All other trademarks are the property of their respective owners.

About Allegion

Allegion (NYSE: ALLE) creates peace of mind by pioneering safety and security. As a \$2 billion provider of security solutions for homes and businesses, Allegion employs more than 7,800 people and sells products in more than 120 countries across the world. Allegion comprises 23 global brands, including strategic brands CISA®, Interflex®, LCN®, Schlage® and Von Duprin®. For more, visit www.allegion.com.

aptiQ ■ LCN ■ SCHLAGE ■ STEELCRAFT ■ VON DUPRIN



ALLEGION™

© 2014 Allegion
004448, Rev. 02/14
www.allegion.com/us



AD-301

FIPS 201-1 compliant
networked hardwired lock
with multi-technology and
keypad reader



Overview

AD Series electronic locks from Schlage are designed to be modular and provide more options to choose from, more functionality in the lock and more compatibility with existing systems. Its patent-pending modular design allows the lock to be customized to fit the needs of an application now, and can change to meet future needs without removing it from the door.

The AD-301 is an ideal solution for applications that require approval by the U.S. Federal Government under HSPD-12 for FIPS 201-1 Compliance. The AD-301 electronic integrated lock with FMK multi-technology reader + keypad is FIPS 201-1 compliant for use in U.S. Federal Agency buildings using smart card technology. The AD-301 lock with an FMK reader allows both a Wiegand and RS-485 solution.

Factory orderable options include choices of chassis type, network configurations, locking functions, lever styles and finishes. It also offers a wide selection of features that can be configured in the field to customize your openings.

To simplify installation, the AD Series combines all the hardware components required at the door for a complete access control system into one integrated design that includes the electrified lock, credential reader, request-to-exit and request-to-enter sensors, door position switch, tamper switch and more.

The AD-301 has a number of features built in that are configurable in the field and a long list of items that can be monitored by access control software. Please consult your access control software partner for details on the integration of specific features.

Features and benefits

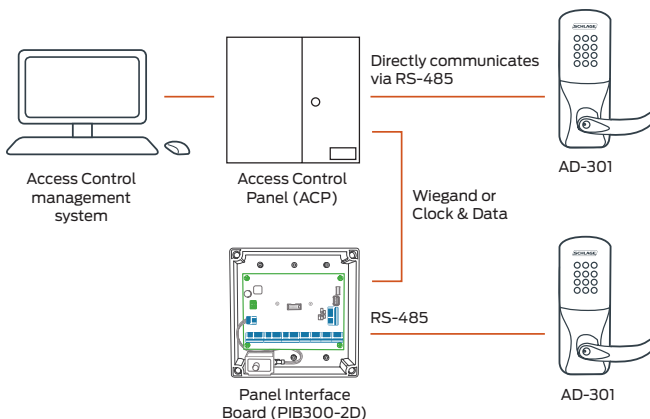
- Open Architecture platform
- Panel interface options ensure seamless communication with your system:
 - AD-301 locks can wire directly into the RS-485 partners access control panel.
 - AD-301 in Wiegand solutions will require the use of a PIB300-2D Panel Interface Board which can support up to 2 AD-301 devices and may require the optional dry-contact relay board (RLBD).
- Real-time communication between access control system and lock
- Field configurable fail safe/fail secure and other capabilities per code
- Available in cylindrical, mortise, mortise deadbolt and exit trim
- Compatible with major brands of master key systems
- ANSI/BHMA A156.25, ANSI/BHMA Grade 1, UL 294, UL10C, FCC Part 15, ADA, RoHS, Industry Canada (IC), FIPS 201-1

AD-301 electronic lock specifications

Credential verification time	< 1 second ¹
Data rate	RS-485 : 9.6 kbps
Visual/audible communications	Tri-colored LED's and audible indicators (field configurable)
System interface	Wiegand or Clock & Data via PIB300, or RS-485 directly
Power supply	12 VDC or 24 VDC
Voltage range	4 VDC to 26 VDC
Max current requirement	Up to 250 mA
Cable specifications for power	18AWG, 2 conductor (Belden 8760 or equivalent)
Cable distance for power	AD-301 to power supply: up to 1000 ft (303 m)
Cable specifications for data	24AWG, 2 or 4 conductor shielded (Belden 9841, 9842 or equivalent)
Cabling distance for data	AD-301 to PIB300 or ACP, RS-485: up to 4000 ft (1219 m)
Operating temperature	-31° to 151°F (-35° to 66°C)
Operating humidity	0 - 100% non-condensing
Certifications	ANSI/BHMA A156.25, ANSI/BHMA Grade 1, UL 294, UL10 C, FCC Part 15, ADA, RoHS, FIPS 201-1
Accessories	Panel Interface Board (PIB300), Handheld Device (HHD), Dry Contact Relay Board (RLBD) may be required for supervised inputs (Wiegand systems)

PIB300-2D specifications

Communication range	PIB300 to lock, RS-485: up to 4000' PIB300 to ACP, Wiegand or Clock & Data: up to 500'
Visual/audible	13 LEDs for status indicators
System interface	Wiegand or Clock & Data
Power supply	12 VDC or 24 VDC
Voltage range	9.5 VDC to 26 VDC
Max current requirement	Up to 250 mA
Operating temperature	-31° to 151°F (-35° to 66°C)
Dimensions (H x W x D)	7.1" x 7.1" x 3.0" (18.0 cm x 18.0 cm x 7.6 cm)
Weight	1.25 lb (.57 kg)
Cable specifications (PIB300 to ACP)	22AWG, 8 conductor shielded (Alpha 1298C or equivalent)
Certifications	NEMA 1, 4, 4X, 6; UL 294, FCC Part 15; RoHS, FIPS 201-1



¹ Lock requires less than 100 msec, response time does not include latency time of ACP.

² Classroom/storeroom and office function not available with mortise deadbolt option.

³ Consult your access control software provider for specific scope of support. Interior pushbutton, mechanical key override and deadbolt position are only available when linked via PIM400-485.

⁴ Not available on exit trim.

⁵ Software indicates lock/unlock status based on sequence of events, but cannot validate mechanical clutch position unless monitored on RS-485 connection.

Functions

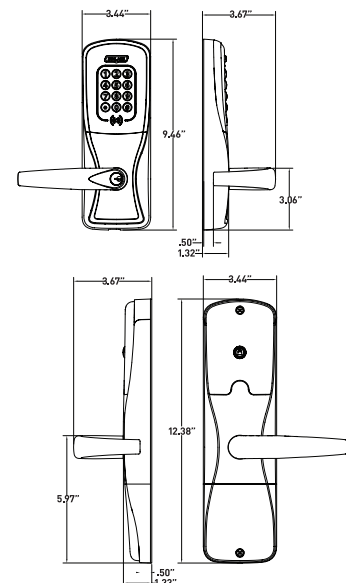
- Classroom/storeroom²
- Office^{2,3,4}
- Privacy^{3,4}
- Apartment^{3,4}

Available status signals

- Lock/unlock status⁵
- Request-to-exit
- Door position
- Mechanical key override³
- Deadbolt position³
- Interior cover tamper guard³
- Communication status³
- Interior push button³
- Request-to-enter³

Panel Interface Board (PIB300-2D)

If the system requires Wiegand or Clock & Data protocol (rather than a direct RS-485 connection), the AD Series open architecture platform connects up to two AD-301 locks to the Panel Interface Board (PIB300 - sold separately, if required) that seamlessly connects to an access control panel or reader interface board. All monitoring is captured at the remote monitoring station.



Mechanical specifications

Chassis	Cylindrical	Mortise	Exit trim
Handing	Handed to order, field reversible		
ANSI standard (Meets or exceeds)	A156.25 A156.2 Series 4000 Grade 1	A156.25 A156.13 Series 1000 Grade 1	A156.25 A156.3
Door thickness	1 3/4" standard, 1 3/8" to 2 3/4" optional (available in 1/8" increments)		
Backset	Standard: 2 3/4" Optional: 2 3/8", 3 3/4", 5"	2 3/4" only	Defined by exit device
Latch bolt	Standard: 1/2" throw Optional: 3/4" throw	Standard: 3/4" throw Optional: 1" throw on mortise deadbolt	Provided by exit device
Levers	Pressure cast zinc, plated	Steel, plated	Steel, plated
Strike	Standard: 1 3/16" lip, ANSI, 1 1/4" x 4 7/8" Optional: Additional configurations available please see price book		Provided by exit device
Cylinder and keys	Schlage 6-pin Everest 29 S123 keyway cylinder with two patented keys standard Additional options available including Standard, SFIC, FSIC and competitor brands		

FMK multi-technology reader specification

Frequency	125 kHz proximity and 13.56 MHz smart card
Standards	Standards ISO standard 15693 and ISO 14443
Maximum read range	Up to 1.25" on 125 kHz proximity, up to 0.75" on 13.56 MHz smart card
125 kHz compatibility	Schlage Proximity, XceedID™ Proximity, HID® Proximity, GE/CASI ProxLite®, AWID® Proximity, LenelProx®
13.56 MHz compatibility	Schlage MIFARE® Secure Sector, XceedID™ MIFARE® Secure Sector, aptiQ™ smart cards using MIFARE DESFire™ EV1 with PACSA; PIV and PIV-I ^{1,2}
13.56 MHz compatibility (serial number only)	DESFire® CSN, HID iCLASS® CSN, Inside Contactless PicoTag® CSN, MIFARE® MIFARE DESFire™ EV1, ST Microelectronics® CSN, Texas Instruments Tag-It® Serial Number, Phillips I-Code® CSN
125 kHz compatible XceedID credentials	125 kHz clamshell, ISO card, ISO card with magnetic stripe, keyfob, and PVC disk (7000 series)
13.56 MHz compatible aptiQ™ credentials	aptiQ™ smart cards using MIFARE® in clamshell, ISO card, ISO card with magnetic stripe, keyfob and PVC Patch (9000 Series); aptiQ™ smart cards using MIFARE DESFire™ EV1 in clamshell, ISO card, ISO card with magnetic stripe, keyfob, and PVC disk (8000 Series)
Certifications/standards	FCC, Industry Canada (IC), UL 294 Listed, ISO standard 15693, and ISO standard 14443, FIPS 201-1
Style/layout	12 button, 3x4 matrix backlit keypad

¹ The AD Series can be used in applications which require approval by the U.S. Federal Government under HSPD-12 for FIPS 201-1 compliance.

² 75 bit output format default. Configurable to other output formats.

AD Series FMK reader module

The AD Series is an ideal solution for applications which require approval by the U.S. Federal Government under HSPD-12 for FIPS 201-1 compliance. In order to meet requirements, the AD-301 networked lock can either be 1.) sold as a complete unit with the FMK multi-technology + keypad reader, or 2.) the AD-300 can be field upgraded to a FIPS 201-1 compliant solution by adding the FMK reader (sold separately) and by utilizing the most current firmware available.



FIPS 201-1 compliant multi-technology

- FMK reader required for FIPS 201-1 compliant multi-technology and keypad reader supporting both proximity and smart cards

+ KEYPAD

AD Series exit trim:

AD-301 and AD-401 exit trim is exclusively compatible with Von Duprin 98/99 and 98/99XP (Rim, Mortise, and SVR. CVC and CVR on metal doors only), Von Duprin 22/22F (Rim and SVR) and Falcon 25 (Rim) exit devices made by Allegion. The proper low current request-to-exit switch (RX-LC or AE) is required.

Part numbers for request-to-exit switch:

- Von Duprin: 050281
- Falcon: 650359

Ordering information

Available through one of our GSA schedule 84 approved distributions; BAA options available

AD-301-CY-70-FMK-SPA-626-PD-S123-RH-13-049-10-025-1^{3/4}

Series	Class	Chassis	Function	Reader	Lever style	Finish	Lever cylinder	Keying type	Handing	Backset and latch	Strike	Door thickness
1	2	3	4	5	6	7	8	9	10	11	12	13

Selections correspond with the numbers above

Standards options are indicated in bold. See price book for specific configuration options.

3	Chassis
CY	Cylindrical
MS	Mortise
MD	Mortise deadbolt
993R	Exit trim – Rim/CVC/CVR
993S	Exit trim – SVR
993M	Exit trim – mortise
993DT	Non-functioning dummy trim for exit
4	Function
70	Classroom/storeroom
50	Office
40	Privacy
60	Apartment
Lock function capabilities are determined by users access control system	
5	Reader
FMK	FIPS 201-1 compliant multi-technology + keypad (125 kHz and 13.56 MHz)
6	Lever
SPA	Sparta
RHO	Rhodes
ATH	Athens
TLR	Tubular
Available with knurled surface	

7	Finish
626	Satin chrome
605	Bright brass
606	Satin brass
612	Satin bronze
619	Satin nickel
625	Bright chrome
643e	Aged bronze
626AM	Satin chrome antimicrobial
8	Lever cylinder type
PD	Schlage 6-pin full cylinder
See price book for other SFIC, FSIC and less cores options available. Compatible with Schlage, Sargent, Corbin, Medeco and Yale.	
9	Keyway type
S123	Everest 29
See price book for other available keyway options including master keying	
10	Handing
RH	Right handed
LH	Left handed
Field reversible	

11	Backset and latch or armor front
Cylindrical	
13-049	2 3/4" backset, deadlatch, square corner, 1 1/8" x 2 1/4"
Mortise	
09-663	Armor front, 1 1/4" wide, square corner
See price book for mortise deadbolt and other backset and latch options or armor front options	
12	Strike
Cylindrical	
10-025	1 3/16" lip, ANSI, no box, 1 1/4" x 4 7/8"
Mortise	
10-072	1 3/16" lip, 1 1/4" x 4 7/8" square corner, box
See price book for other available strikes	
13	Door thickness
1 3/4"	
Other thicknesses available between 1 3/8" and 2 3/4"	
See price book for detail	

Lever styles

Standard cylinders shown, SFIC and FSIC also available.



Sparta Rhodes Athens Tubular

Finishes

Warm tone finishesCool tone finishes



Allegion, the Allegion logo, Schlage, the Schlage logo, XceedID, Von Duprin, Falcon, and aptiQ are trademarks of Allegion plc, its subsidiaries and/or affiliates in the United States and other countries. All other trademarks are the property of their respective owners.

About Allegion

Allegion (NYSE: ALLE) creates peace of mind by pioneering safety and security. As a \$2 billion provider of security solutions for homes and businesses, Allegion employs more than 7,800 people and sells products in more than 120 countries across the world. Allegion comprises 23 global brands, including strategic brands CISA®, Interflex®, LCN®, Schlage® and Von Duprin®. For more, visit www.allegion.com.

aptiQ ■ LCN ■ SCHLAGE ■ STEELCRAFT ■ VON DUPRIN



© 2014 Allegion
004869, Rev. 02/14
www.allegion.com/us



AD Series

Exit trim compatibility



Overview

The AD Series electronic lock is available in 993 Exit Trim for use on openings that require exit devices for either retrofit or new construction applications. Offline and networked solutions are available. The 993 Exit Trim was designed to suite with AD Series cylindrical and mortise locksets to ensure that the facility remains aesthetically consistent. The AD Series 993 Exit Trim utilizes universal hardware to simplify installation of offline trim to a variety of exit devices, including rim style from Von Duprin, Falcon, Sargent®, Precision™ Corbin Russwin®, Dorma®, and Yale®.

Available Exit Trim styles:

- 993R – Rim, concealed vertical cable or concealed vertical rod (CVC and CVR for metal doors only)
- 993S – Surface vertical rod
- 993M – Mortise

Compatibility

Devices	AD-200/ 201/250	AD-300/ AD-301 ³	AD-400/ AD-401 ³
Von Duprin 98/99 and 98/99XP rim/SVR/CVR ¹ / CVC ¹ /mortise	X	X	X
Von Duprin 22/22F rim/SVR	X	X	X
Falcon 25 rim	X	X	X
Sargent® 80 ² rim	X		
Precision™ 21 rim (2100 converts to 21 with Precision's BP21 kit)	X		
Yale® 7000 rim	X		
Corbin Russwin® 5000 rim	X		
Dorma® 9300 rim	X		

Features and benefits

- Multiple credential reader options
- FIPS 201-1 compliant when applied with the FIPS multi-technology plus keypad reader module (FMK)
- Offline and networked communication options
- A wide variety of finishes and lever styles
- Power options that include hardwired (12 VDC or 24 VDC) or batteries (4AA or 8AA)
- Compatible with most standard, FSIC or SFIC keyways from major brands of master key systems including Schlage, Sargent®, Corbin Russwin®, Medeco® and Yale®

¹ For metal doors only

² Narrow design and reversible rim exits not compatible.

³ The proper low current request to exit switch (RX-LC) is required for AD-300/301 and AD-400/401. Part numbers for request to exit switch:

- Von Duprin: 050281
- Falcon: 650359

Available AD Series reader modules²

- Multi-technology (125 kHz proximity and 13.56 MHz smart card)
- FIPS 201-1 compliant multi-technology (125 kHz proximity and 13.56 MHz smart card)
- Magnetic stripe
- Keypad only
- All credential readers available + keypad

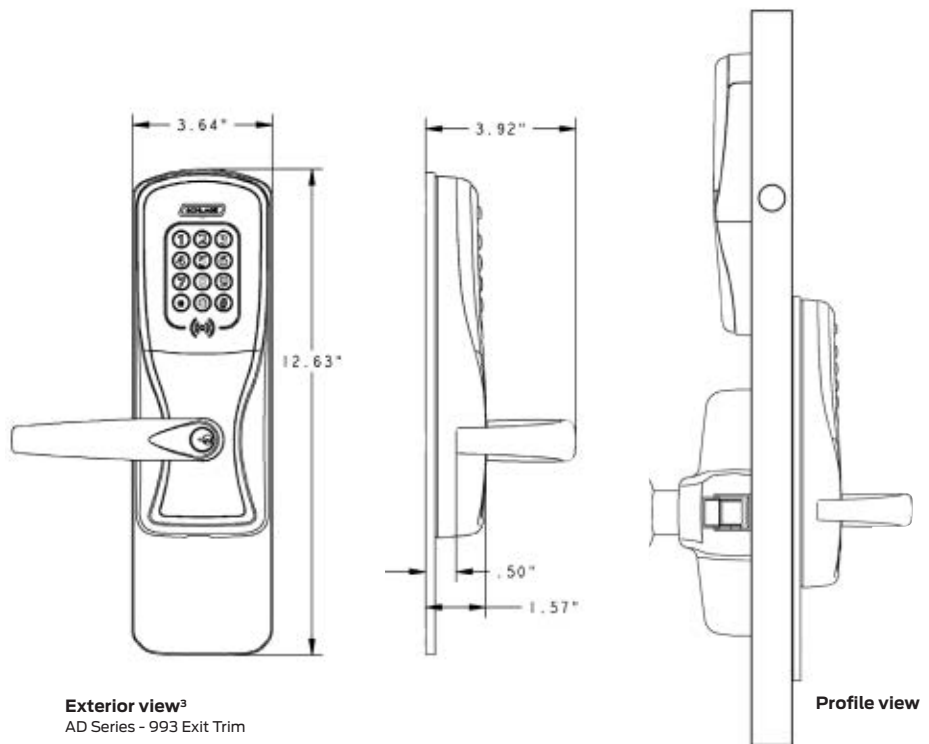
Available communication options

- AD-400: Networked wireless locks
- AD-401: Networked wireless locks - FIPS 201-1 compliant
- AD-300: Networked hardwired locks
- AD-301: Networked hardwired locks - FIPS 201-1 compliant
- AD-250: Offline, access rights stored on the magnetic stripe credential
- AD-200: Offline, access rights stored on the lock
- AD-201: Offline, access rights stored on the lock FIPS 201-1 compliant

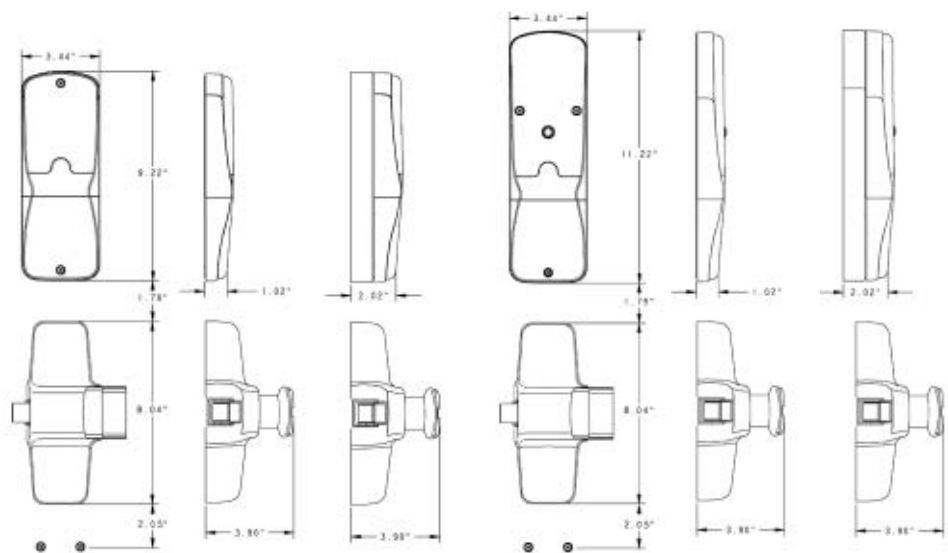
¹ AD-300/301 includes LED indicator

² Unlike other AD Series chassis styles, upgrading reader modules on the 993 Exit Trim requires the exterior escutcheon to be removed from the door

³ (2) #7 fasteners with decorative washers located 11.88" below bottom edge of lock



Exterior view³
AD Series - 993 Exit Trim



Interior view
AD-200/201/
250/300*/
301 -
all styles

Side view
AD-200/
201/250/
300/301 -
rim/CVR/CVC
or mortise

Side view
AD-200/
201/250/
300/301¹
SVR

Interior view
AD-400/401
all styles

Side view
AD-400/
401 rim/CVR/CVC
or mortise

Side view
AD-400/
401 SVR

Allegion, the Allegion logo, Schlage, the Schlage logo, Von Duprin, and Falcon are trademarks of Allegion plc, its subsidiaries and/or affiliates in the United States and other countries. All other trademarks are the property of their respective owners.

About Allegion

Allegion (NYSE: ALLE) creates peace of mind by pioneering safety and security. As a \$2 billion provider of security solutions for homes and businesses, Allegion employs more than 7,800 people and sells products in more than 120 countries across the world. Allegion comprises 23 global brands, including strategic brands CISA®, Interflex®, LCN®, Schlage® and Von Duprin®. For more, visit www.allegion.com.



PIM400-485

Panel Interface Module
for RS-485 communication



Overview

The PIM400-485 seamlessly integrates to select access control panels via RS-485, eliminating the need for reader interface modules. Each PIM400-485 supports up to 16 wireless access devices such as AD-400/401 locks.

Reliability

Reliable communications result from several technological advances and incorporated features. 900 MHz spread spectrum technology enables high transmission power in a license-free band. Error detection algorithm maintains data integrity on each transmission, and redundant transmissions ensure communication success. Periodic “heartbeat” signals provide supervision and assure reliable RF communications are maintained. Lastly, dynamic channel switching (DCS) can be enabled to overcome harsh RF environments by automatically changing channels to avoid potential interference.

Security

Used extensively by government and military organizations, spread spectrum technology provides significant security advantages over conventional transmission methods. Wireless access devices utilize spread spectrum transmissions, which are encrypted with AES 128-bit keys, to yield a system that is virtually uncompromisable. In addition, scalability is virtually unlimited as each AD-Series wireless access module has nearly a million addresses to choose from during the linking process.

Centralized lock/unlock command in 10 seconds or less

Patent-pending Wake-Up on Radio (WOR) feature drives communication from the PIM400 to any or all linked wireless devices in 10 seconds or less. This innovative feature works efficiently in parallel with periodic “heartbeat”, to maintain up to 2 year battery life on wireless devices such as the AD-400/401 locks. Response rate can be field configured down to 1 second with consideration of battery life. When Wake-Up on Radio is used in critical applications, dynamic channel switching should also be enabled.

Features and benefits

- 900 MHz spread spectrum RF technology for long range, reliable communications
- Automatic linking to remote wireless access points with 10 channel frequencies to select from enables easy commissioning
- AES-128 bit encrypted spread spectrum transmissions
- 5 visual indicators to quickly pinpoint and display status
- Flash memory for easy firmware upgrades
- Certifications: NEMA 1, 4, 4X, 6; UL 294; FCC Part 15; RoHS; Industry Canada (IC)
- Redesigned with smaller footprint

PIM400-485 specifications

Frequency range	902-928 MHz
Modulation	900 MHz spread spectrum, direct sequence, 10 channels
RF interference avoidance	Optional dynamic channel switching
Transmission/encryption	AES-128 bit key (optional)
Credential verification time	< 1 second ¹
Communication range	Up to 200 ft (61 m) with obstructions Up to 1000 ft (305 m) clear line of sight Up to 2000 ft (609 m) line of sight with high gain antenna on PIM400 Up to 4000 ft (1219 m) line of sight with high gain antennas on PIM400 and WRI400
Visual/audible communications	5 LEDs for status indicators
System interface	Wiegand (data1/data0) or magnetic stripe (Clock & Data)
Power supply	12 VDC or 24 VDC
Voltage range	9.5 VDC to 26 VDC
Max current requirement	Up to 250 mA
Operating temperature	-31° to 151°F (-35° to 66°C)
Operating humidity	0% to 100% non-condensing
Dimensions (H x W x D)	6.3" x 3.2" x 2.2" (16.0 cm x 8.13 cm x 5.59 cm)
Weight	1.25 lb (.56 kg)
Cable specifications	DC power Input: 18AWG, 2 conductor (Belden 8760 or equivalent) up to 1000 ft (305 m) PIM400-485 to ACP: 24AWG, 2 or 4 conductor shielded (Belden 9842, 9841 or equivalent) up to 4000 ft (1219 m)
Data rate	RF: 40 kbps; RS-485: 9.6 kbps
Certifications	NEMA 1, 4, 4X, 6; UL 294; FCC Part 15; Industry Canada (IC); RoHS

Ordering information

- **PIM400-485** – Panel Interface Module with outdoor enclosure standard. Supports up to 16 access points via RS-485 with select brands of access control panels.

Optional accessories

- **ANT400-REM-I/O** – Omni-directional remote indoor/ outdoor antenna module. Requires available grounding kit (MGB+MCA5) for outdoor installations
- **ANT400-REM-I/O+6dB** – Directional, flat panel, remote indoor/outdoor antenna with 6dB of gain. Requires available grounding kit (MGB+MCA5) for outdoor installations
- **MGB+MCA5** – Grounding kit for outdoor installations
- **ANT400-REM-CEILING** – Omni-directional ceiling mount indoor remote antenna
- **ANT400-REM-HALL** – Bi-directional indoor hall application remote antenna
- **HHD kit** – Handheld device with SUS installed and HH-USB cable
- **593PI-12DC** – 12 VDC power supply

¹ Dependant on latency time of access control panel.

Additional features

Reliable communications

900 MHz band enables longer transmission ranges. In general, signal propagation with longer wavelengths travel a greater distance and penetrate through, and around objects better than signals with shorter wavelengths.

Online communications (heartbeat)

Regular communications between the AD-Series wireless access module and PIM400 monitor transmission presence and integrity. Online communications enable the PIM400 to download information or instructions such as unlock and relock.

Auto addressing (linking)

One of the final steps in the installation process is called "linking". Linking ties a specific wireless access module to a selected PIM400 and assigns a unique address. There are over 65,000 unique addresses available per channel, providing nearly a million combinations for virtually unlimited scalability.

Assured communications

A Packet-Error-Rate-Test (PERT) is performed during linking at reduced power levels to ensure reliable communication during operation.

Encoded transmissions

Each RF transmission is encrypted with AES-128 bit keys to provide virtually uncompromisable security.

Tamper

The PIM400 cover is monitored by an optical tamper switch.

Visual indications

- Power on
- Microprocessor running
- Linking status
- PIM receiving RF data
- PIM transmitting RF data
- PIM receiving RS-485 data
- PIM transmitting RS-485 data
- PIM firmware version
- PIM tamper status

Access point status available through RS-485 connection

- Card and keypad data
- Door position
- Loss of RF communication
- Request-to-exit
- Request-to-enter
- Low battery
- Pim tamper
- Mechanical key override
- Deadbolt position
- Interior cover tamper guard
- Lock/unlock status
- Interior push button

Configurable items from PIM400-485

- Wake-Up on Radio (WOR)
- Heartbeat frequency
- Relock parameters
- Card data format conversion
- Extended unlock
- Fail safe/fail secure/fail as-is
- Door held pre-alarm
- Cache memory parameters
- Dynamic channel switching (DCS)
- Reader configuration
- Keypad configuration
- Inside pushbutton configuration
- User interface configuration

About Allegion

Allegion (NYSE: ALLE) creates peace of mind by pioneering safety and security. As a \$2 billion provider of security solutions for homes and businesses, Allegion employs more than 7,800 people and sells products in more than 120 countries across the world. Allegion comprises 23 global brands, including strategic brands CISA®, Interflex®, LCN®, Schlage® and Von Duprin®. For more, visit www.allegion.com.





PIM400-TD2

Panel Interface Module
Wiegand or Clock & Data
communication



Overview

The PIM400-TD2 seamlessly integrates to virtually any access control panel and their reader interface modules via Wiegand or Clock & Data protocols. Each PIM400-TD2 supports up to two wireless access devices such as AD-400/401 series locks.

Reliability

Reliable communications result from several technological advances and incorporated features. 900 MHz spread spectrum technology enables high transmission power in a license-free band. Error detection algorithm maintains data integrity on each transmission and redundant transmissions ensure communication success. Periodic "heartbeat" signals provide supervision and assure reliable RF communications are maintained. Lastly, dynamic channel switching (DCS) can be enabled to overcome harsh RF environments by automatically changing channels to avoid potential interference.

Security

Used extensively by government and military organizations, spread spectrum technology provides significant security advantages over conventional transmission methods. Wireless access devices utilize spread spectrum transmissions, which are encrypted with AES-128 bit keys, to yield a system that is virtually uncompromisable. In addition, scalability is virtually unlimited as each AD Series wireless access module has nearly a million addresses to choose from during the linking process.

Centralized lock/unlock command in 10 seconds or less

Patent-pending Wake-Up on Radio (WOR) feature drives communication from the PIM400 to any or all linked wireless devices in 10 seconds or less. This innovative feature works efficiently in parallel with periodic "heartbeat" to maintain up to 2 year battery life on wireless devices such as the AD-400/401 locks. Response rate can be field configured down to 1 second with consideration of battery life. When Wake-Up on Radio is used in critical applications, dynamic channel switching should also be enabled.

Features and benefits

- 900 MHz spread spectrum RF technology for long range, reliable communications
- Supports up to two AD Series wireless devices
- Automatic linking to remote wireless access points with 10 channel frequencies to select from enables easy commissioning
- AES-128 bit encrypted spread spectrum transmissions
- 13 visual indicators to quickly verify operation and troubleshoot
- Flash memory for easy software upgrades
- Certifications: NEMA 1, 4, 4X, 6; UL 294; FCC Part 15; RoHS; Industry Canada (IC)

PIM400-TD2 specifications	
Frequency range	902-928 MHz
Modulation	900 MHz spread spectrum, direct sequence, 10 channels
RF interference avoidance	Optional dynamic channel switching
Transmission/encryption	AES-128 bit key (optional)
Credential verification time	< 1 second ¹
Communication range	Up to 200 ft (61 m) with obstructions Up to 1000 ft (305 m) clear line of sight Up to 2000 ft (609 m) line of sight with high gain antenna on PIM400 Up to 4000 ft (1219 m) line of sight with high gain antennas on PIM400 and WRI400
Visual/audible communications	13 LEDs for status indicators
System interface	Wiegand (data1/data0) or magnetic stripe (Clock & Data)
Power supply	12 VDC or 24 VDC
Voltage range	9.5 VDC to 26 VDC
Max current requirement	Up to 250 mA
Operating temperature	-31° to 151°F (-35° to 66°C)
Operating humidity	0 - 100% non-condensing
Dimensions (H x W x D)	7.1" x 7.1" x 3.0" (18.0 cm x 18.0 cm x 7.6 cm)
Weight	1.25 lb (.56 kg)
Cable specifications	DC power Input: 18AWG, 2 conductor (Belden 8760 or equivalent) up to 1000 ft (303 m) PIM400-TD2 to ACP: 22AWG, 8 conductor shielded (Alpha 1298C or equivalent) up to 500 ft (152 m)
Data rate	RF: 40 kbps
Certifications	NEMA 1, 4, 4X, 6; UL 294; FCC Part 15; RoHS; Industry Canada (IC)

Ordering information

- **PIM400-TD2** – Panel Interface Module with outdoor enclosure standard. Supports up to two access points via Wiegand or Clock & Data with virtually any access control panel.

Optional accessories

- **ANT400-REM-I/O** – Omni-directional remote indoor/outdoor antenna module. Requires available grounding kit (MGB+MCA5) for outdoor installations
- **ANT400-REM-I/O+6dB** – Directional, flat panel, remote indoor/outdoor antenna with 6dB of gain. Requires available grounding kit (MGB+MCA5) for outdoor installations
- **MGB+MCA5** – Grounding kit for outdoor installations
- **ANT400-REM-CEILING** – Omni-directional ceiling mount indoor remote antenna
- **ANT400-REM-HALL** – Bi-directional indoor hall application remote antenna
- **HHD kit** – Handheld device with SUS installed and HH-USB cable
- **593PI-12DC** – 12 VDC power supply

Available through one of our GSA schedule 84 approved distributors

¹ Dependant on latency time of access control panel.

Additional features

Reliable communications

900 MHz band enables longer transmission ranges. In general, signal propagation with longer wavelengths travel a greater distance and penetrate through, and around objects better than signals with shorter wavelengths.

Online communications (heartbeat)

Regular communications between the AD Series wireless access module and PIM400 monitor transmission presence and integrity. Online communications enable the PIM400 to download information or instructions such as unlock and relock.

Auto addressing (linking)

One of the final steps in the installation process is called "linking". Linking ties a specific wireless access module to a selected PIM400 and assigns a unique address. There are over 65,000 unique addresses available per channel, providing nearly a million combinations for virtually unlimited scalability.

Assured communications

A packet-error-rate-test (PERT) is performed during linking at reduced power levels to ensure reliable communication during operation.

Encoded transmissions

Each RF transmission is encrypted with AES-128 bit keys to provide virtually uncompromisable security.

Tamper

The PIM400 cover is monitored by a tamper switch.

Visual LED indications

- Power on
- Microprocessor running
- Linking status to WAPM
- PIM transmitting RF data
- PIM receiving RF data
- PIM receiving data
- PIM transmitting data
- Door position
- PIM tamper status
- PIM firmware version
- Wiegand and Clock & Data status 1 & 2
- Door status 1 & 2
- Trouble 1 & 2

Standard open collector contacts

- Configurable for normally open or normally closed
- Door position
- Request-to-exit
- Request-to-enter
- Trouble

Optional relay board (RLBD) to achieve dry contact

- Configurable for normally open or normally closed
- Door position
- Request-to-exit
- Request-to-enter
- Trouble

Access point status available through PIM400-TD2

- Wiegand or magnetic stripe card data
- Door position
- Request-to-exit
- Request-to-enter (optional)
- Trouble
 - Loss of RF communication
 - Low battery
 - PIM tamper
 - Reader tamper

Configurable items from PIM400-TD2

- Wake-Up on Radio (WOR)
- Heartbeat frequency
- Relock parameters
- Card data format conversion
- Extended unlock
- Fail safe/fail secure/fail as-is
- Door held pre-alarm
- Cache memory parameters
- Dynamic channel switching (DCS)
- Reader configuration
- Keypad configuration
- User interface configuration

About Allegion

Allegion (NYSE: ALLE) creates peace of mind by pioneering safety and security. As a \$2 billion provider of security solutions for homes and businesses, Allegion employs more than 7,800 people and sells products in more than 120 countries across the world. Allegion comprises 23 global brands, including strategic brands CISA®, Interflex®, LCN®, Schlage® and Von Duprin®. For more, visit www.allegion.com.





PIM400-1501

16 door intelligent controller
for AD Series wireless
devices; powered by Mercury



Overview

The Schlage intelligent controller powered by Mercury is designed to provide a complete and cost effective IP addressable access control solution for up to 16 wireless AD Series devices. By combining the strength of the AD Series wireless PIM400 with customized functionality of the EPI1501 intelligent controller from Mercury, this single device provides a compact solution that simplifies installation and cost of implementation.

The PIM400-1501 can extend a facility's access control to remote locations and can be centrally managed by an IP network connection. By having an IP connection you can easily hook on to the existing network without the need for additional wiring requirements such as RS232 or RS485 cables. By leveraging the full portfolio of Schlage Wireless devices including the AD-400 locksets, WPR400 portable readers, and WRI400 reader interfaces there is the ability to support a broad range of applications including traditional openings that may require electric strikes or wall mounted readers.

The PIM400-1501 is pre-wired with external RJ-45 and USB connections. To further simplify installation, the device can be Powered over Ethernet (PoE) or receive 12VDC supply.

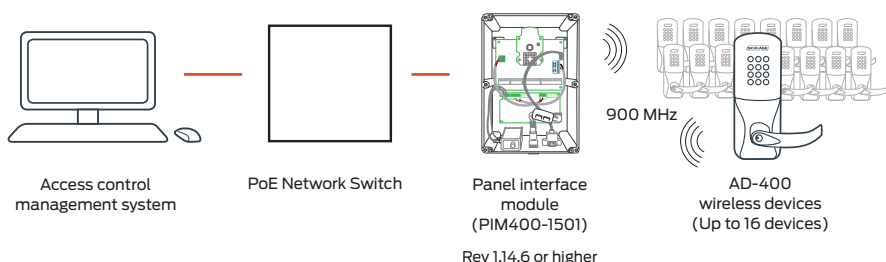
Once configured, the PIM400-1501 functions independently of the host in the event network connectivity is lost. Thus, the PIM400-1501 can continue to manage access control to up to 16 wireless devices even when the network is disconnected. The intelligence of the PIM400-1501 extends beyond just its capacity for 240,000 cardholders and 50,000 audit events to include the ability to manage elaborate interdependencies among the devices.

Features and benefits

- Standard IP addressable intelligent controller for up to 16 AD Series wireless devices.
- Decentralized system intelligence capable of managing up to 240,000 cardholders and 50,000 transactions in memory if temporarily disconnected from network
- PoE compliant to IEEE 802.3af
- Optional 12VDC external power supply to achieve UL294 Listing
- 900 MHz communication between PIM400-1501 and AD Series wireless devices for secure, AES-128 bit encrypted transmission
- Patent-pending wireless lockdown/unlock feature (10 seconds or less) preserves up to 2 year battery life in wireless device
- External RJ-45 and USB connectors for simplified installation and use
- Capable of managing a combination of AD-400, WPR400, and WRI400 devices for applications ranging from traditional doors to elevators and parking gates

PIM400-1501 16 door intelligent controller

Modulation / encryption	900 MHz spread spectrum, direct sequence, 10 channels, AES-128 bit key
Frequency range	902-928 MHz
Credential verification time ¹	< 1 second ¹
Communication range	<ul style="list-style-type: none"> ▪ Up to 200 ft (61 m) indoor range, with normal building obstructions ▪ Up to 1000 ft (305 m) clear line of sight ▪ Up to 2000 ft (609 m) line of sight with high gain antenna on PIM400 ▪ Up to 4000 ft (1219 m) line of sight with high gain antennas on PIM400 -1501 and WRI400.
RF interference avoidance	Configurable Dynamic Channel Switching
Operating temperature	32° F to 151° F, 0° C to 66° C
Humidity	10% to 95% relative humidity non-condensing
Power input	PoE, 12.95W compliant to IEEE 802.3af or 12VDC +- 10% 400mA max power supply
Communication to host	10 Base-T / 100Base-TX
Intelligent controller memory	240,000 cardholders, 50,000 transaction buffer 32 Access levels per cardholder Activation/deactivation dates
Dimensions	10.43" X 7.28" X 3.79" (26.49cm X 18.49 cm X 9.63 cm)
Weight	2.8 lbs.
Certifications	FCC Part 15, Industry Canada (IC), RoHS UL294 Listed ² when connected to UL294 power supply
Optional accessories	Handheld Device (HHD), AD Series wireless locks (AD-400), Wireless Portable Readers (WPR400), Wireless Reader Interfaces (WRI400)



¹ Lock requires less than 100 msec, response time does not include latency time of ACP

² Confirm with your access control software provider

Allegion, the Allegion logo, Schlage, and the Schlage logo are trademarks of Allegion plc, its subsidiaries and/or affiliates in the United States and other countries. All other trademarks are the property of their respective owners.

Optional accessories

- **ANT400-REM-I/O** – Omni-directional remote indoor/ outdoor antenna module. Requires available grounding kit (MGB+MCA5) for outdoor installations
- **ANT400-REM-I/O+6dB** – Directional, flat panel, remote indoor/outdoor antenna with 6dB of gain. Requires available grounding kit (MGB+MCA5) for outdoor installations
- **MGB+MCA5** – Grounding kit for outdoor installations
- **ANT400-REM-CEILING** – Omni-directional ceiling mount indoor remote antenna
- **ANT400-REM-HALL** – Bi-directional indoor hall application remote antenna
- **HHD kit** – Handheld device with SUS installed and HH-USB cable
- **WPR400** – Wireless Portable Reader
- **WRI400** – Wireless Reader Interface
- **REPTR400** – Wireless Repeater



PIM400-1501 has RJ-45 and USB external connectors to make installation easy.

About Allegion

Allegion (NYSE: ALLE) creates peace of mind by pioneering safety and security. As a \$2 billion provider of security solutions for homes and businesses, Allegion employs more than 7,800 people and sells products in more than 120 countries across the world. Allegion comprises 23 global brands, including strategic brands CISA®, Interflex®, LCN®, Schlage® and Von Duprin®. For more, visit www.allegion.com.



TK400

AD Series Wireless Test Kit



Overview

The Schlage AD Series TK400 Wireless Test Kit can help you evaluate system design on new AD-400 wireless networked systems prior to installation. The TK400 can also be used to diagnose communication strength on existing AD-400 wireless applications. AD-400 locks and devices including the Wireless Reader Interface (WRI400), and Wireless Portable Reader (WPR400) communicate via 900 MHz frequency to the Panel Interface Module (PIM400); the PIM400 is required for communication between the AD-400 devices and the access control panel.

The TK400 Wireless Test Kit contains a Wireless Portable Signal Tester (WPR400-DT), a Panel Interface Module (PIM400-TD2), a PIM400 power supply, 8 AA alkaline batteries, and a convenient carrying case. The WPR400-DT operates on batteries, making it convenient and easy to maintain on job sites.

The Wireless Portable Signal Tester (WPR400-DT) is used to communicate to the PIM400 as an access control module. LED lights provide intuitive feedback about the quality of the signal.

The communication range of the AD-400 to the PIM400 is up to 200 feet with normal building construction and up to 1000 feet with clear line of sight. The TK400 can be used to determine the proper location of each Panel Interface Module (PIM) to optimize system design. When installed properly, an AD-400 wireless solution is an extremely reliable and cost effective alternative to a hardwired networked system.

Features and benefits

- Allows you to test the range of 900 MHz signals between AD-400 devices and PIM400 to ensure proper location prior to installation of complete system.
- Can be used to test existing installations for signal strength
- LED light feedback for signal strength communication; green for strong connection, red for weak connection
- Kit comes complete with:
 - Wireless portable signal tester (WPR400-DT)
 - Panel Interface Module (PIM400-TD2)
 - Power supply for PIM400-TD2
 - 8 AA alkaline batteries
 - Carrying case
- WPR400-DT certifications: FCC Part 15, Industry Canada (IC), RoHS
- PIM400-TD2 certifications: NEMA 1, 4, 4X, 6; UL 294, FCC Part 15, Industry Canada (IC), RoHS

Wireless portable signal tester

Frequency range	902-928 MHz
Modulation	900 MHz spread spectrum, direct sequence, 10 channels
Communication	Up to 200 ft with obstructions (normal building); up to 1000 ft clear line of sight
Operating temperature	0°C (32°F) to 49°C (120°F)
Humidity	0% to 100% non-condensing
Battery type	8AA alkaline batteries
Dimensions (H x W x D)	2.375" x 5.0" x 6.25" (6.03 cm x 12.7 cm x 15.88 cm)
Certifications	<ul style="list-style-type: none">▪ FCC Part 15▪ Industry Canada (IC)▪ RoHS

Visual LED indications

- Wireless signal quality
- Low battery

PIM400-TD2

Frequency range	902-928 MHz
Modulation	900 MHz spread spectrum, direct sequence, 10 channels
Communication	Up to 200 ft with obstructions (normal building); up to 1000 ft clear line of sight
Operating temperature	-31° to 151°F (-35° to 66°C)
Humidity	0% to 100% condensing
Power supply	12 VDC or 24VDC (12 VDC power supply included)
Dimensions (H x W x D)	7.1" x 7.1" x 3.0" (18.0 cm x 18.0 cm x 7.6 cm)
Weight	1.25 lb (.56 kg)
Certifications	<ul style="list-style-type: none">▪ NEMA 1, 4, 4X, 6▪ UL 294▪ FCC Part 15▪ Industry Canada (IC)▪ RoHS

Visual LED indications

- Power on
- Linking status to AD-400 devices
- PIM transmitting/receiving RF data

Available through one of our GSA schedule 84 approved distributors

Allegion, the Allegion logo, Schlage, and the Schlage logo are trademarks of Allegion plc, its subsidiaries and/or affiliates in the United States and other countries. All other trademarks are the property of their respective owners.

About Allegion

Allegion (NYSE: ALLE) creates peace of mind by pioneering safety and security. As a \$2 billion provider of security solutions for homes and businesses, Allegion employs more than 7,800 people and sells products in more than 120 countries across the world. Allegion comprises 23 global brands, including strategic brands CISA®, Interflex®, LCN®, Schlage® and Von Duprin®. For more, visit www.allegion.com.

aptiQ ■ LCN ■  ■ STEELCRAFT ■ VON DUPRIN



© 2014 Allegion
004094, Rev. 02/14
www.allegion.com/us



WPR400

AD Series Wireless Portable Reader



Overview

The Schlage AD Series Wireless Portable Reader (WPR400) was designed to extend a facility's access control to remote locations, at a moment's notice.

The WPR400 is a portable device that utilizes the same credential reader module as an AD Series electronic lock. The WPR400 can be held by hand or placed in a convenient temporary location to allow for credential verification. Whether it is at a temporary check point or bus load registration, the WPR400 will provide simple, intuitive feedback to the user if the credential being presented is valid or invalid via real time connectivity to the access control system.

The WPR400, as well as other AD-400 locks and devices, communicate via 900 MHz frequency to the Panel Interface Module (PIM400); the PIM400 is required for communication between the AD-400 devices and the access control panel.

The WPR400 was designed to be intuitive to use and easy to set up, which is critical in situations where there is a need for remote credential verification. At power-on and within range, the WPR400 is ready to accept its first credential within moments of powering up and reconnecting to the previously paired PIM400. After the credential has been authenticated by the access control system, the WPR400 provides intuitive LED light feedback.

The WPR400 also has the ability to be configured to cache mode. When enabled, the WPR400 keeps a local database of valid access grants. Upon moving the WPR400 to an offline location away from the PIM400, credentials can be verified for the last 1000 valid users.

Finally, the WPR400 can be manually configured to operate as a wireless portable tester. In Wireless Test Mode, the device can be used to evaluate the location of PIM400s and AD-400 devices within a specific environment, or the existing reader module can remain installed on the WPR400.

Features and benefits

- Fully compatible with Schlage AD Series credential reader modules & Panel Interface Modules
- Reader options include multi-technology (reads both 13.56 MHz smart card and 125 kHz proximity, magnetic stripe and keypad)
- WPR401 with FIPS 201-1 compliant multi-technology reader is available
- Card reader options available with keypad for multi-factor authentication
- Cache mode option for offline applications
- Field configurable to work as a wireless portable signal tester
- Configured with Schlage hand held device (HHD)
- LED indicators communicate valid (green) and invalid (red) credential status
- Communicates to access control system via PIM400
- FCC Part 15, Industry Canada (IC), RoHS

Wireless portable reader specifications

Modulation / encryption	900 MHz spread spectrum, direct sequence, 10 channels AES-128 bit key
Frequency range	902-928 MHz
Credential verification time ¹	< 1 second ¹
Communication range	Up to 200 ft with obstructions (normal building); up to 1000 ft clear line of sight
RF interference avoidance	Configurable dynamic channel switching
Data rate	40 kbps
Operating temperature	0°C (32°F) to 49°C (120°F)
Humidity	0% to 100% non-condensing
Battery type	8AA alkaline batteries
Battery life	Up to 2 years at 40,000 card reads or PIN codes per year
Dimensions (H x W x D, less reader)	3.375" x 5.0" x 6.25" (8.57 cm x 12.7 cm 15.88 cm)
Weight (less reader)	1.5 lb (0.68 kg)
Certifications	FCC Part 15, Industry Canada (IC), RoHS
Additional accessories	Panel Interface Module (PIM400), handheld device (HHD)

Reliability

Secure and reliable wireless communication with the Panel Interface Module (PIM400) is accomplished using 900 MHz frequency. 900 MHz band enables longer transmission ranges because signal propagation with longer wavelengths travels a greater distance and better penetrates typical building construction – allowing for simplified system design.

Panel Interface Module (PIM400)

The PIM400 (sold separately) is required for communication between the WPR400/401 and the access control panel, and can support up to 16 AD-400 devices depending on your access control system.

Included with WPR400

- AD Series credential reader module
- Specified at ordering

Modes of operation

- Reader mode (default)
- Wireless test mode (field configurable)

Available AD Series reader modules²



Multi-technology

- Proximity
- Smart card



KEYPAD

FIPS 201-1 compliant option available (FMK)



FIPS 201-1 compliant multi-technology

- Proximity
- Smart card



KEYPAD



Multi-technology

- Proximity
- Smart card



Magnetic stripe



KEYPAD



Magnetic stripe



Magnetic stripe (swipe)



KEYPAD



Magnetic stripe (swipe)



Keypad

Available through one of our GSA schedule 84 approved distributors

¹ WPR requires less than 100 msec, response time does not include latency time of ACP

² Dummy trim reader module also available. Please see AD Series data sheets for more details on credential reader modules.

Allegion, the Allegion logo, Schlage and the Schlage logo are trademarks of Allegion plc, its subsidiaries and/or affiliates in the United States and other countries. All other trademarks are the property of their respective owners.

About Allegion

Allegion (NYSE: ALLE) creates peace of mind by pioneering safety and security. As a \$2 billion provider of security solutions for homes and businesses, Allegion employs more than 7,800 people and sells products in more than 120 countries across the world. Allegion comprises 23 global brands, including strategic brands CISA®, Interflex®, LCN®, Schlage® and Von Duprin®. For more, visit www.allegion.com.

aptiQ ■ LCN ■ SCHLAGE ■ STEELCRAFT ■ VON DUPRIN

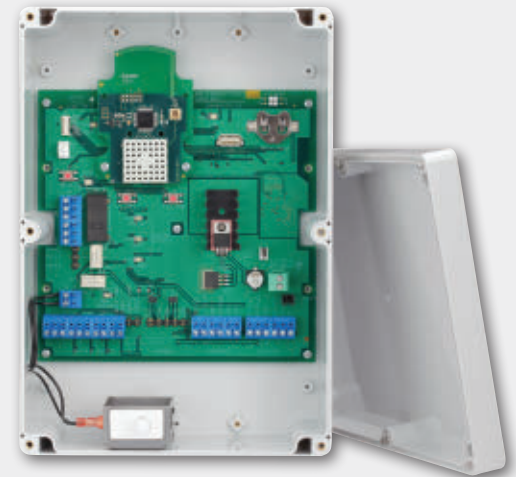


© 2014 Allegion
004096, Rev. 02/14
www.allegion.com/us



WRI400

Wireless Reader Interface



Overview

The WRI400 is a networked access point controller designed to provide wireless connectivity to traditional electronic access control components including credential readers, door position and request-to-exit switches.

The WRI400 Wireless Reader Interface provides local termination points for your wall or mullion mounted reader, door position switch, request-to-exit (RX) and reader tamper. The WRI400 communicates data via 900 MHz back to either a PIM400-485 or PIM400-TD2 which are hardwired to the Access Control Panel (ACP) where all access and specific reporting decisions are made and recorded.

The WRI400 is designed to be compatible with most of the popular Wiegand or Clock & Data format readers that exist in the market today. Utilizing the two form C relays on board expands the capability at the door to control electronic locking hardware as well as other devices such as automatic operators.

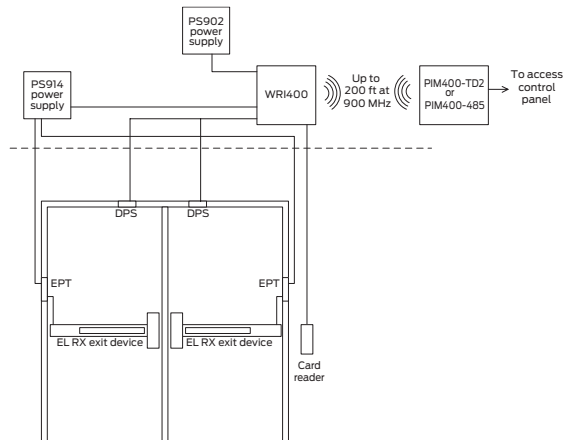
The WRI400 allows you to extend the reach of your access control system to openings that are hard to reach with network wiring. Ideal applications include remote doors, historic buildings, gates and elevators. Since the WRI400 is built on an open architecture platform it is designed for seamless integration with most access control systems.

Features and benefits

- Visual LED indications – WRI400 cover is monitored by a tamper switch
- Encryption – Each RF transmission is encrypted with AES-128 bit keys
- Reader interfaces support:
 - Wiegand (data1/data0) up to 255 bits
 - Magnetic stripe (Clock & Data) up to 255 bits
- Form C relay outputs:
 - Strike relay
 - Auxiliary output relay
- Signal inputs:
 - Request-to-enter
 - Request-to-exit
 - Door position switch
 - Reader tamper 1
 - Reader tamper 2
- Certification: NEMA 1, 4, 4X, 6; UL 294, FCC Part 15; Industry Canada (IC), RoHS

WRI400 specifications

Frequency range	902-928 MHz	
Modulation	900 MHz spread spectrum, direct sequence, 10 channels	
RF interference avoidance	Optional dynamic channel switching	
Transmission/encryption	AES-128 bit key (optional)	
Data rate	RF: 40 kbps	
Credential verification time*	< 1 second ¹	
Communication range	Up to 200 ft (61 m) normal building construction Up to 1000 ft (305 m) clear line of sight (See ANT400-REM data sheet for increasing distance)	
Power supply requirements	12 VDC or 24 VDC; 500 mA maximum current	
Connector cable specifications	DC power input	18AWG, 2 conductor (Belden 8760 or equivalent) up to 1000 ft (305 m)
	Credential readers (x2)	Data signals: 22AWG, 6 conductor (Alpha 1296C or equivalent) up to 500 feet (152 meters) Reader tamper signals: 18AWG, twisted pair shielded (Belden 8760 or equivalent) up to up to 500 feet (152 meters)
	Strike/aux relay outputs	18AWG, 2 conductor (Belden 8760 or equivalent) up to 2000 feet (610 meters)
	Request-to-enter and -exit inputs	18AWG, 2 conductor (Belden 8760 or equivalent) up to 2000 feet (610 meters)
Relay output tolerances	Strike output relay	Form C relay; 6 amps at 24 VDC or 6 amps at 120 VAC or 3 amps at 240 VAC
	Auxiliary output relay	Form C relay; 2 amps at 24 VDC or 0.5 amps at 120 VAC
Operating temperature	-31°F (-35°C) to 151°F (66°C)	
Operating humidity	0 - 100% condensing	
Dimensions (H x W x D)	10.43" x 7.28" x 3.79" (26.49 cm x 18.49 cm x 9.63 cm)	
Certifications	NEMA 1, 4, 4X, 6; UL 294; FCC Part 15; Industry Canada (IC); RoHS	



Remote door application

- For hard to reach openings, the WRI400 can extend your access control system saving you time and money by reducing wiring to the door from the panel.

¹ WRI requires less than 100 msec, response time does not include latency time of ACP.

Additional features

Reliable communications

900 MHz band enables longer transmission ranges. In general, signal propagation with longer wavelengths travel a greater distance and penetrate through, and around objects better than signals with shorter wavelengths.

Online communications (heartbeat)

Regular communications between the WRI400 and PIM400 monitor transmission presence and integrity. Online communications enable the WRI400 to download information or instructions such as unlock and relock.

Optional accessories

- ANT400-REM-I/O** – Omni-directional remote indoor/ outdoor antenna module. Requires available grounding kit (MGB+MCA5) for outdoor installations
- ANT400-REM-I/O+6DB** – Directional, flat panel, remote indoor/outdoor antenna with 6DB of gain. Requires available grounding kit (MGB+MCA5) for outdoor installations
- MGB+MCA5** – Grounding kit for outdoor installations
- ANT400-REM-CEILING** – Omni-directional ceiling mount indoor remote antenna
- ANT400-REM-HALL** – Bi-directional indoor hall application remote antenna
- HH kit** – Handheld device with SUS installed and HH-USB cable
- 593PI-12DC** – 12 VDC power supply

Available through one of our GSA schedule 84 approved distributors

About Allegion

Allegion (NYSE: ALLE) creates peace of mind by pioneering safety and security. As a \$2 billion provider of security solutions for homes and businesses, Allegion employs more than 7,800 people and sells products in more than 120 countries across the world. Allegion comprises 23 global brands, including strategic brands CISA®, Interflex®, LCN®, Schlage® and Von Duprin®. For more, visit www.allegion.com.



GCK400 & ECK400

Wireless Gate Control Kits
and Elevator Control Kits



Overview

The Gate Control Kit (GCK400) and the Elevator Control Kit (ECK400) complement and expand the AD Series platform by bringing wireless access control to applications that are difficult to reach with a traditional wired approach.

The GCK400 and the ECK400 are kits comprised of the Wireless Reader Interface (WRI400), the Panel Interface Module (PIM400-TD2), a Remote Antenna (ANT-REM I/O) and a power supply (593PI-12DC). The GCK400 kit also includes an antenna grounding kit (MGB+MCA5).

The Wireless Reader Interface (WRI400) is compatible with most popular Wiegand or Clock & Data format credential readers on the market today. The WRI400 communicates via 900MHz to the PIM400-TD2 within a range of up to 1000 feet with a clear line of sight. The PIM400-TD2 is hardwired to the access control panel where decisions are validated and recorded.

The GCK400 kit eliminates the need for trenching in gate applications, driving a significant reduction of installation time and cost. The gate kit is ideal for parking lots, airports, military bases and garages. Roadways, parking lots and landscape are left intact since the need to run wires underground is eliminated.

The ECK400 eliminates the need for traveling cables to elevator applications simplifying installation. Access control can be applied to elevators at a much faster rate, reducing downtime and disruption within the facility.

Features and benefits

- Real time access control
- Reduced installation time
- Eliminates trenching to gates
- Eliminates traveling cables in elevators
- 2 reader inputs
- Supports all Wiegand (data1/data0) and magnetic stripe (clock/data) reader technologies

GCK400 contents

Qty	Description
1	ANT400-REM-I/O
1	WRI400
1	PIM400-TD2
1	593PI-12
1	MGB-MCA5

GCK400 contents

Qty	Description
1	ANT400-REM-I/O
1	WRI400
1	PIM400-TD2
1	593PI-12

PIM400-TD2 specifications

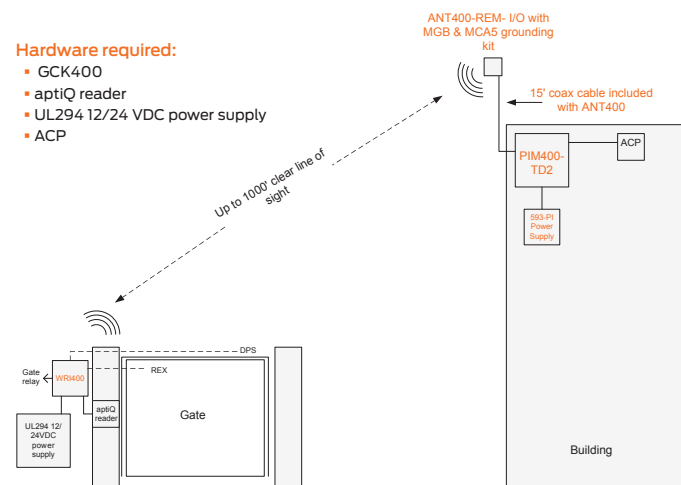
Transmission / encryption	AES - 128 bit (optional)
Communication range	Up to 200 ft (61 m) with obstructions Up to 1000 ft (305 m) clear line of sight Up to 2000 ft (609 m) line of sight with high gain antenna on PIM400 Up to 4000 ft (1219 m) line of sight with high gain antennas on PIM400 and WRI400
Dimensions (H x W x D)	10.43" x 7.28" x 3.79" (26.49 cm x 18.49 cm x 9.63 cm)

WRI400 specification

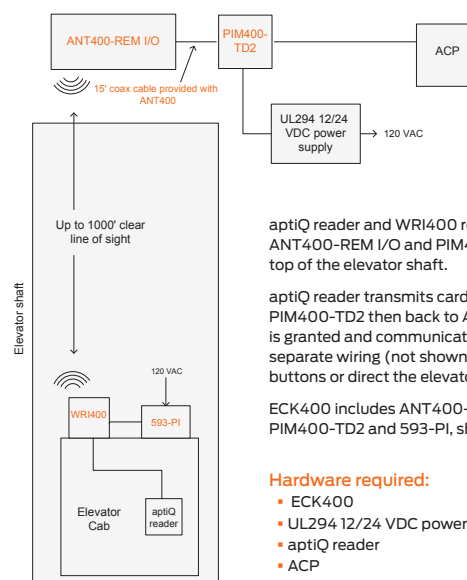
Frequency range	902-928 MHz
Modulation	900 MHz spread spectrum, direct sequence, 10 channels
RF interference avoidance	Optional dynamic channel switching
Data rate	RF: 40 kbps
Power supply requirements	12 VDC or 24 VDC
Dimensions (H x W x D)	10.43" x 7.28" x 3.79" (26.49 cm x 18.49 cm x 9.63 cm)
Operating temperature	- 31°F (-35°C) to 151°F (66°C)
Strike output relay	Form C relay: 6 amps at 24 VDC or 6 amps at 120 VAC or 3 amps at 240 VAC
Auxiliary output relay	Form C relay: 2 amps at 24 VDC or 0.5 amps at 120 VAC
Dimensions (overall)	8.7 in x 6.94 in x 4.5 in (220 mm x 176 mm x 140 mm)
Weight	4.2 oz (120 grams)

Hardware required:

- GCK400
- aptiQ reader
- UL294 12/24 VDC power supply
- ACP



GCK includes WRI400, PIM400-TD2, ANT-REM I/O, MGB + MCA5 and 593-PI and are shown in orange. Items not included are in black. DPS and REX are optional.



aptiQ reader and WRI400 reside in or on the elevator cab. ANT400-REM I/O and PIM400-TD2 normally reside at the top of the elevator shaft.

aptiQ reader transmits card data through WRI400 to PIM400-TD2 then back to ACP. ACP determines if access is granted and communicates back to elevator cab via separate wiring (not shown here) to either enable floor buttons or direct the elevator cab to a specific floor.

ECK400 includes ANT400-REM I/O, WRI400, PIM400-TD2 and 593-PI, shown in orange.

Hardware required:

- ECK400
- UL294 12/24 VDC power supply
- aptiQ reader
- ACP

Ordering information

- **GCK400** - Wireless Gate Control Kit
- **ECK400** - Wireless Elevator Control Kit

Optional accessories

- **ANT400 Hall** - Bi-directional indoor antenna ceiling mount
- **ANT400-REM-I/O + 6 DB** - Directional, flat panel remote indoor/outdoor antenna with 6 DB gain.
- **MGB + MCA5** - Antenna grounding kit for outdoor applications
- **ANT400-REM-I/O** - Omni directional, flat panel, remote indoor/outdoor antenna with adjustable mount

Available through one of our GSA schedule 84 approved distributors

About Allegion

Allegion (NYSE: ALLE) creates peace of mind by pioneering safety and security. As a \$2 billion provider of security solutions for homes and businesses, Allegion employs more than 7,800 people and sells products in more than 120 countries across the world. Allegion comprises 23 global brands, including strategic brands CISA®, Interflex®, LCN®, Schlage® and Von Duprin®. For more, visit www.allegion.com.

aptiQ ■ LCN ■ SCHLAGE ■ STEELCRAFT ■ VON DUPRIN



© 2014 Allegion
004013, Rev. 02/14
www.allegion.com/us



ANT400-REM

AD Series remote antennas
for wireless system



Note: Images not to scale

Overview

The Schlage ANT400-REM optional remote antennas are designed for use with the AD-400 Series devices. They increase installation flexibility of wireless products, extend the range of wireless communication in certain directions and expand the range of applications of AD Series solution.

A remote antenna is used to improve signal communication strength for wireless communications through an obstruction. A typical application would be when a remote device down a hallway requires a few extra feet of signal strength to reach the PIM400, which is sometimes located around a corner or behind a wire mesh or thick brick construction material.

When increased wireless communication range is required, the ANT400-REM-I/O+6dB model can up to double the range in the line of sight that it is aimed. This “gain antenna” increases the signal strength by focusing the energy in a single direction instead of broadcasting in all directions.

AD Series remote antennas are important components to environments with limited installation flexibility. The connected PIM400 can be up to 15 feet away from the remote antenna via the included coaxial cable. The outdoor rated antennas create new applications that allow a PIM400 to communicate to external remote access points such as gates or remote buildings without the need to trench cables.

Features and benefits

- Use with PIM400 and WRI400
- Increase installation flexibility
- Optimize installation location
- Extend communication range with high-gain antenna
- Directional, bi-directional or omni-directional
- Indoor and outdoor options

Included In:

- ECK400 wireless elevator kit
- GCK400 wireless gate control kit

Remote antenna models

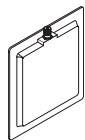
Model			Description
ANT400-REM-I/O	Type	Quasi omni-directional, unity gain	<p>Intended use: an omni-directional flat-panel antenna for use with indoor or outdoor applications. To be mounted vertically on a wall or post.</p> <p>Included: antenna, 15 ft coax cable, coax whip, articulated wall/post mounting bracket.</p> <p>Requires grounding kit (MGB+MCA5) for outdoor installations.</p>
	Communication range extension	15 ft due to cable length	
	Location	Indoor/outdoor	
	Dimensions (HxWxD)	9.1" x 8.4" x 1.2"	
	Weight:	0.5 kg	
	Temperature range:	-40°C to +65°C (-40°F to +150°F)	
ANT400-REM-I/O+6dB	Type	Directional, high gain	<p>Intended use: a high gain, directional flat-panel antenna for use with indoor or outdoor applications. To be mounted vertically on a wall or post.</p> <p>Included: antenna, 15 ft coax cable, coax whip and articulated wall/post mounting bracket.</p> <p>Requires grounding kit (MGB+MCA5) for outdoor installations.</p>
	Communication range extension	Up to 2x the original range without antenna (single direction), plus 15 ft due to cable length. Up to 200' in typical building construction or up to 2000' clear line of sight.	
	Location	Indoor/outdoor	
	Dimensions (HxWxD)	9.1" x 8.4" x 1.2"	
	Weight:	0.5 kg	
	Temperature range:	-40°C to +65°C (-40°F to +150°F)	
ANT400-REM-CEILING	Type	Omni-directional, unity gain	<p>Intended use: an omni-directional antenna for use with indoor applications. To be mounted horizontally on ceiling.</p> <p>Included: antenna, 15 ft coax cable, and coax whip.</p>
	Communication range extension	15 ft due to cable length. Up to 200' in typical building construction or up to 1000' clear line of sight.	
	Location	Indoor/outdoor	
	Dimensions (HxWxD)	9.1" x 8.4" x 1.2"	
	Weight:	0.5 kg	
	Temperature range:	-40°C to +65°C (-40°F to +150°F)	
ANT400-REM-HALL	Type	Bi-directional, unity gain	<p>Intended use: an bi-directional antenna for use with indoor applications. To be mounted on wall or ceiling.</p> <p>Included: antenna, 15 ft coax cable, and coax whip.</p>
	Communication range extension	15 ft due to cable length. Up to 200' in typical building construction or up to 1000' clear line of sight.	
	Location	Indoor	
	Dimensions (HxWxD)	7.2" x 3.9" x 4.9"	
	Weight:	0.24 kg	
	Temperature range:	-10°C to + 65°C (14° F to + 150° F)	

Accessories

- **MGB+MCA5 grounding kit**
 - The National Electrical Code (NEC) requires that any outdoor antenna be properly grounded.
 - The Schlage remote antenna grounding kit is compatible with all models of remote antenna.

Certification

- FCC Part 15



ANT400-REM-I/O¹
ANT400-REM-I/O+6dB¹



ANT400-REM-CEILING¹



ANT400-REM-HALL¹

¹ These are the only remote antennas that have been approved by FCC for use with Allegion AD Series 900MHz communication modules. Any other antenna with an Allegion AD Series 900MHz communication modules would be in violation of FCC regulation.

Available through one of our GSA schedule 84 approved distributors

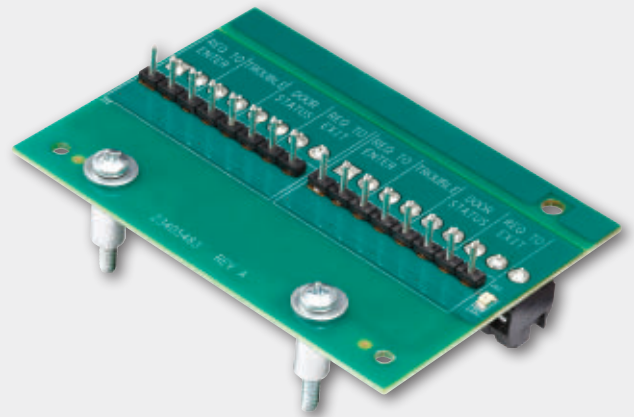
About Allegion

Allegion (NYSE: ALLE) creates peace of mind by pioneering safety and security. As a \$2 billion provider of security solutions for homes and businesses, Allegion employs more than 7,800 people and sells products in more than 120 countries across the world. Allegion comprises 23 global brands, including strategic brands CISA®, Interflex®, LCN®, Schlage® and Von Duprin®. For more, visit www.allegion.com.



RLBD

AD Series Dry Contact Relay Board



Overview

The Schlage AD Series Relady Board (RLBD) is an add on board used on the PIM400-TD2 and PIB300-2D for access control systems that require Dry Contact closures for supervised inputs.

The optional RLBD Relay Board removes the need for slave wired relays which can be cumbersome to source, complicated to install, and difficult to troubleshoot. The use of this board over custom wired solutions increases system reliability and reduces installation labor.

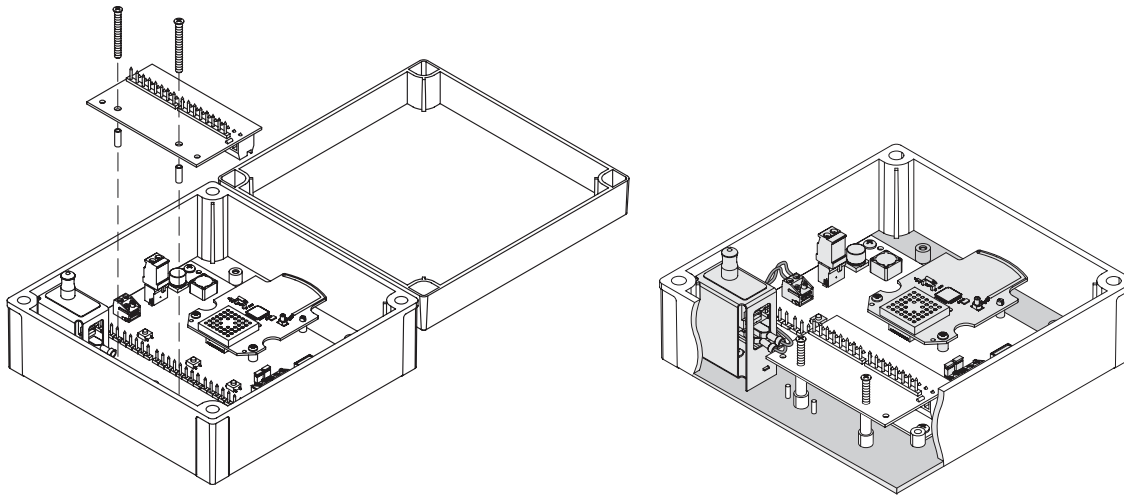
The RLBD is not required for integration of the PIM400-TD2 or the PIB3000-2D where the access control system can accept unsupervised inputs.

Features and benefits

- Use with PIM400-TD2 or PIB300-2D
- Red LED light indicates power status
- Longer cycle lifetime than traditional mechanical-based relay solutions
- Access point status signals:
 - Request-to-enter
 - Request-to-exit
 - Door position/status
 - Tamper switch

RLBD specifications

Voltage maximum (contact-to-contact)	28V
Maximum contact current	110 mA
"Open" state resistance	5 mega-ohms
"Closed" state resistance	2 ohms
Dimensions (H x W x D)	2.1" x 3.5" x 1.0" (5.33 cm x 8.89 cm x 2.54 cm)
Weight	0.125 lb (56.7 g)
Operating temperature	-31°F to 151°F (-35°C to 66°C)
Operating humidity	0-100% non-condensing



Installation of RLBD in a PIM400-TD2

Available through one of our GSA schedule 84 approved distributors

Allegion, the Allegion logo, Schlage, and the Schlage logo are trademarks of Allegion plc, its subsidiaries and/or affiliates in the United States and other countries. All other trademarks are the property of their respective owners.

About Allegion

Allegion (NYSE: ALLE) creates peace of mind by pioneering safety and security. As a \$2 billion provider of security solutions for homes and businesses, Allegion employs more than 7,800 people and sells products in more than 120 countries across the world. Allegion comprises 23 global brands, including strategic brands CISA®, Interflex®, LCN®, Schlage® and Von Duprin®. For more, visit www.allegion.com.

aptiQ ■ LCN ■ **SCHLAGE** ■ STEELCRAFT ■ VON DUPRIN



© 2014 Allegion
004097, Rev. 02/14
www.allegion.com/us



REPTR400

Wireless Repeater Kit



Overview

The Schlage REPTR400 Wireless Repeater Kit is a simple, all-in-one package solution for access control applications that require an extended wireless range. The Schlage REPTR400 includes an AD Series Panel Interface Module (PIM400-TD2) and an AD Series Wireless Reader Interface (WRI400). The PIM400-TD2 interfaces with most access control systems. The WRI400 gathers signals from around the door components and wirelessly transmits them back to the PIM400-TD2.

The REPTR400 extends the wireless range by receiving information on one radio frequency (RF) channel and retransmits it on another RF channel. Each REPTR400 can extend the wireless range of your access control system by up to 200 feet indoors or up to 1000 feet, line of sight.

The use of multiple REPTR400's in series allows an indefinite expansion of the RF signal between the access control panel and the Schlage AD Series Wireless Reader Interface of Schlage AD-400 electronic locks.

Use of the REPTR400 allows you to extend the reach of your access control system to remote locations without running wires, thus saving you time and money on installation.

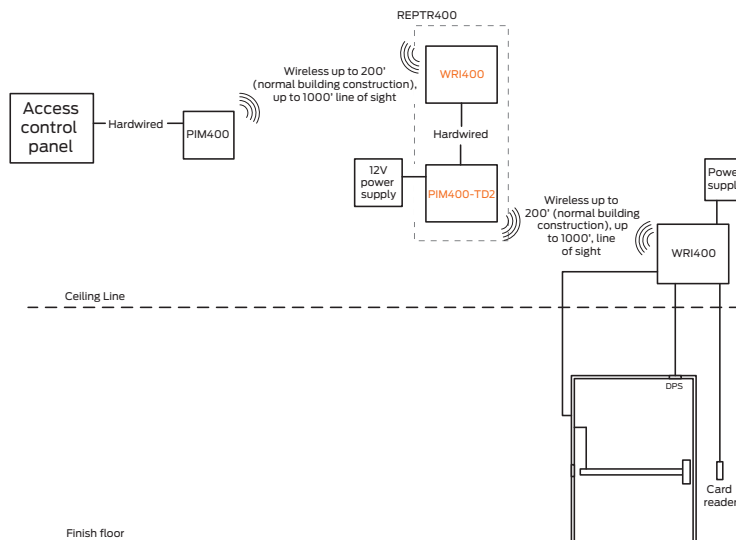
For example, the REPTR400 can be used for gate applications. The PIM400 is located inside of a building, up to 500 feet from the access control panel. A remote antenna (sold separately) can be wired into the PIM400 and installed on the exterior of the building. The REPTR400 can be installed at the gate, up to 1000 feet away, with a clear line of sight, connecting the card reader and locking hardware to the WRI400. This solution eliminates the need for considerable trenching and the installation of an access control panel at the gate location, while giving the access control system real-time information at the remote gate.

Features and benefits

- Convenient kit includes the WRI400 and PIM400-TD2
- Extends the reach of your access control system to remote locations without running wires
- WRI400:
 - 2 form C relay outputs –strike and auxiliary
 - Each RF transmission is encrypted with AES-128 bit keys
 - Reader interfaces support– Wiegand (data1/data 0) up to 255 bits and magnetic stripe (Clock & Data) up to 255 bits
 - UL 294 certified
- PIM400-TD2:
 - 900 MHz spread spectrum RF technology for long range, reliable communications
 - Supports up to two AD Series wireless devices
 - Automatic linking to remote wireless access points with 10 channel frequencies to select from enables easy commissioning
 - AES-128 bit encrypted spread spectrum transmissions
 - UL 294 certified

PIM400-TD2 specifications

Frequency range	902-928 MHz
Modulation	900 MHz spread spectrum, direct sequence, 10 channels
Communication	Up to 200 ft (normal building construction); up to 1000 ft, clear line of sight
Operating temperature	-31° to 151°F (-35° to 66°C)
Humidity	0% to 100% condensing
Power supply	12 VDC or 24VDC (12 VDC power supply included)
Dimensions (H x W x D)	7.1" x 7.1" x 3.0" (18.0 cm x 18.0 cm x 7.6 cm)
Weight	1.25 lb (.56 kg)
Certifications	NEMA 1, 4, 4X, 6; UL 294; FCC Part 15; RoHS; Industry Canada (IC)



Note: There are many other applications that use different wireless access points; this is one example of how a REPTR400 can be used.

WRI400 specifications

Frequency range	902-928 MHz	
Modulation	900 MHz spread spectrum, direct sequence, 10 channels	
RF interference avoidance	Optional dynamic channel switching	
Transmission/encryption	AES-128 bit key (optional)	
Data rate	RF: 40 kbps	
Credential verification time*	< 1 second*	
Communication range	Up to 200 ft (61 m), normal building construction Up to 1000 ft (305 m), clear line of sight (See ANT400-REM data sheet for increasing distance)	
Power supply requirements	12 VDC or 24 VDC; 500 mA maximum current	
Connector cable specifications	DC power input	18AWG, 2 conductor (Belden 8760 or equivalent), up to 1000 ft (305 m)
	Credential readers (x2)	Data signals: 22AWG, 6 conductor (Alpha 1296C or equivalent) up to 500 feet (152 meters) Reader tamper signals: 18AWG, twisted pair shielded (Belden 8760 or equivalent) up to 500 feet (152 meters)
	Strike/aux relay outputs	18AWG, 2 conductor (Belden 8760 or equivalent), up to 2000 feet (610 meters)
	Request-to-enter and -exit inputs	18AWG, 2 conductor (Belden 8760 or equivalent), up to 2000 feet (610 meters)
Relay output tolerances	Strike output relay	Form C relay; 6 amps at 24 VDC or 6 amps at 120 VAC or 3 amps at 240 VAC
	Auxiliary output relay	Form C relay; 2 amps at 24 VDC or 0.5 amps at 120 VAC
Operating temperature	-31°F (-35°C) to 151°F (66°C)	
Operating humidity	0 - 100% condensing	
Dimensions (H x W x D)	10.43" x 7.28" x 3.79" (26.49 cm x 18.49 cm x 9.63 cm)	
Certifications	NEMA 1, 4, 4X, 6; UL 294; FCC Part 15; Industry Canada (IC); RoHS	
Optional accessories	593PI-12 DC - power supply for Panel Interface Module (PIM)	

Available through one of our GSA schedule 84 approved distributors

About Allegion

Allegion (NYSE: ALLE) creates peace of mind by pioneering safety and security. As a \$2 billion provider of security solutions for homes and businesses, Allegion employs more than 7,800 people and sells products in more than 120 countries across the world. Allegion comprises 23 global brands, including strategic brands CISA®, Interflex®, LCN®, Schlage® and Von Duprin®. For more, visit www.allegion.com.

aptiQ ■ LCN ■ SCHLAGE ■ STEELCRAFT ■ VON DUPRIN



© 2014 Allegion
004015, Rev. 02/14
www.allegion.com/us



Schlage Utility Software (SUS)

on the Handheld Device (HHD)



Overview

Schlage Utility Software (SUS) is designed specifically for use on the Handheld Device (HHD) as the link between your access control management software and Schlage electronic offline and networked locks and accessories.

This solution consolidates and simplifies programming and managing your access control system. The SUS and HHD are used to initialize, configure and test product operation, and also provides an easy way to manage people, audits, locks and other network panel interface devices for simple access control. The intuitive screen layout for the SUS provides easy navigation during use.

For offline products, the SUS is utilized to transfer access control data, such as authorized user lists, via the HHD to the locks. The SUS is also utilized to download audit trail information from offline devices to the HHD and then transfer that data to the access control management software.

In addition, the SUS can configure other networked electronic devices (including PIM and PIB) and update firmware revision updates to the devices, as desired.

The HHD connects with Schlage AD Series electronic locks and accessories via a USB interface and utilizes active Synch or Win mobile device manager to communicate with your PC via the USB port. The HHD is also able to connect to the SPED, KC2, CM, CL, CT500, CT1000, CL Controller and WA Series PIMs via a serial cable connection.

Features and benefits

- Handheld Device with Schlage Utility Software installed
- Touch screen operation
- Initialize lock and accessories with SUS
- Configure and test devices
- New device template simplifies configuration

HHD compatible devices and required cable and adaptors

Devices	Cable and adaptors
AD Series and CO Series locks PIM400, WRI400, ECK400, GCK400, WPR400, TK400 and CT5000 controller	HH-USB (included in HHD-kit)
BE367, KC-2, CM, CL, CT500, CT1000, CL Controller	HH-Serial + CIP
WA Series PIM	HH-Serial + PIMWA-CV

Ordering information

- **HHD kit** – Handheld device with SUS installed and HH-USB cable
- **HH-USB** – USB cable
- **HH-Serial** – Serial cable used to connect HHD to CIP
- **PIMWA-CV** – Converter used to connect HH-Serial to WA Series PIM
- **P512112** – CIP, utilized with HH-Serial to connect to CM, CL and KC-2 locks

Features and specifications

Schlage Utility Software

- Initialize lock and accessories
- Field configure devices
 - Credential reader formats
 - Lock function
 - Unlock period
 - Failure mode
 - Audible alarm on/off
- Offline devices
 - Manage up to 100 unique door files
 - Retrieve audit trails from up to 100 devices
- Networked devices
 - Communication settings
 - Validate status monitor
- Service and diagnostics
 - Battery status
 - Validate hardware and software revision
 - Troubleshooting status signals
 - Firmware upgrades

HHD specifications

- 3.5 in LCD display
- Touch screen with backlit keypad
- 32-bit processor
- Operating system: Windows Mobile 5.0
- Memory: 128 MB RAM / 256 MB ROM
- Battery: rechargeable 3.7 V, 1,230mAh, Li-ion
- Dimensions (H x W x D): 5.3" X 2.9" X 0.7" (13.5 cm x 7.3 cm x 1.8 cm)
- Weight: 0.42 lbs (190 g)
- 4 ft (1.2 m) drop to steel surface, 2 drops per 6 sides

How-to-videos

- Specially formatted how-to-videos for the HHD are available
- They can be downloaded from www.schlage.com/support
- If additional storage is needed, a standard mini SD memory card can be used
- Videos should be saved on the SD card or in a new folder on the device rather than in the shared sync folder or root directory

Allegion, the Allegion logo, Schlage, and the Schlage logo are trademarks of Allegion plc, its subsidiaries and/or affiliates in the United States and other countries. All other trademarks are the property of their respective owners.

About Allegion

Allegion (NYSE: ALLE) creates peace of mind by pioneering safety and security. As a \$2 billion provider of security solutions for homes and businesses, Allegion employs more than 7,800 people and sells products in more than 120 countries across the world. Allegion comprises 23 global brands, including strategic brands CISA®, Interflex®, LCN®, Schlage® and Von Duprin®. For more, visit www.allegion.com.

aptiQ ■ LCN ■  ■ STEELCRAFT ■ VON DUPRIN



© 2014 Allegion
004443, Rev. 02/14
www.allegion.com/us

Standalone locking



This section of the Electronic Access Control catalog covers standalone locks, controllers and accessories including the AD Series, CO Series and CT5000.

Overview

Standalone access control solutions provide added security, convenience and efficiency for openings that do not require real-time monitoring. They allow you to reduce rekeying costs by issuing electronic credentials which can easily be added or deleted at any time. Audit trails tell you who requested access and when. You can also save time and money by setting automatic lock and unlock schedules for specific time zones and holidays.

Schlage AD Series and CO Series are the first electronic locks to achieve UL 294 certification which is the standard for safety of access control units. Both models feature a robust integrated design which incorporates many of the components typically found around the door including the lockset, credential reader and door position switch. They also offer a choice of chassis, credential reader, lever and finish options to meet the needs of a variety of applications and facilities.

The AD Series:

Features

The AD Series is a flexible, adaptable and scalable solution that provides you with an extended breadth of options as well as a migration path to future technologies. It is ideal for applications with more advanced security needs.

Three different classifications are offered in the AD Series for standalone applications. The AD-200 and the AD-201 FIPS 201-1 compliant lock are computer managed systems where user access rights are stored in the lock. Modifications to user access privileges as well as audits are transferred between the access control software and the lock with the handheld programming device (HHD).

The AD-250 is a computer managed system where user access rights are stored on magnetic stripe cards. The AD-250 is often used in campus-like environments with a large number of users and offline openings.

The AD Series offers keypad, magnetic stripe, multi-technology and FIPS 201-1 compliant multi-technology readers (reads both 125 kHz proximity and 13.56 MHz smart). All AD Series card readers are all available with dual authentication for added security (card + PIN).

Benefits

The AD Series can be customized to meet the specific needs of each opening in a facility with a wide variety of factory orderable and field configurable options. The innovative modular design of the AD Series allows you to upgrade from standalone to networked if your needs change in the future. The AD Series also allows you to upgrade credential readers, for example, from magnetic stripe to multi-technology.

Options¹

The AD Series has several options to choose from including:

- **Class:** AD-200, AD-201 FIPS 201-1 compliant² & AD-250 (For AD-300 and AD-400 networked options, see the networked locking Introduction pages of this catalog)
- **Chassis:** Cylindrical, mortise, mortise deadbolt, exit trim
- **Function:** Classroom/Storeroom, Office, Privacy, and Apartment
- **Readers:** Keypad, magnetic stripe and multi-technology readers (reads both 125 kHz proximity and 13.56 MHz smart). All card readers are available with + PIN option for added security.
- **Lever style:** Sparta, Rhodes, Athens, Tubular (tactile warning available)
- **Finishes:** 626 satin chrome, 605 bright brass, 606 satin brass, 612 satin bronze, 619 satin nickel, 625 bright chrome, 643e aged bronze, 626AM satin chrome with antimicrobial

The CO Series:

Features

The CO Series is a reliable, compatible and proven solution backed by extensive testing and certification and the strong mechanical heritage of Schlage. It is ideal for applications that desire a cost effective solution for basic security needs.

Four different classifications are offered in the CO Series for standalone applications. The CO-100 is a manually programmed keypad only lock which allows up to 500 unique PIN codes for user access. The CO-200 and CO-220 can be manually programmed or computer managed with user access rights are stored in the lock. Modifications to user access privileges as well as audits are transferred between the access control software to the lock with a handheld programming device (HHD). The CO-220 is unique because it allows for immediate local lockdown by simply pushing the button on the remote fob from anywhere in the classroom. An illuminated visual indicator located on the interior side of the lock provides instant verification that the door is secured from inside the room. The CO-250 is a computer managed system where user access rights are stored on magnetic stripe cards. The CO-250 is often used in campus-like environments with a large number of users and offline openings.

The CO Series offers keypad, magnetic stripe and proximity readers (125 kHz); CO Series readers are all available with dual authentication for added security (card + PIN). The CO Series is an excellent choice if the needs of the facility are not expected to change in the future.

Benefits

The CO Series provides the added security and convenience of electronic access control without the cost or complexity of a networked system. By providing electronic credentials you can minimize the number of mechanical keys issued which protects the integrity of key systems. Choose from basic PIN code access for a small number of users or a card based system to serve a larger population of users.

Options¹

The CO Series has several options to choose from including:

- **Class:** CO-100, CO-200, CO-220, CO-250
- **Chassis:** Cylindrical, mortise, mortise deadbolt, exit trim
- **Function:** Classroom/storeroom, office, and privacy
- **Readers:** Keypad, magnetic stripe, proximity (125 kHz); all card readers are available with + PIN option for added security*.
- **Lever style:** Sparta, Rhodes, Athens, Tubular (tactile warning available)
- **Finishes:** 626 satin chrome, 605 bright brass, 606 satin brass, 612 satin bronze, 619 satin nickel, 625 bright chrome, 643e aged bronze, 626AM satin chrome with antimicrobial

¹ Some options are dependent upon choice class and chassis; see price book for complete details.

² AD Series FIPS 201-1 Compliant Solution: The AD Series is an ideal solution for applications which require approval by the U.S. Federal Government under HSPD-12 for FIPS 201-1 compliance. In order to meet requirements, the AD-201 standalone lock can either be 1.) sold as a complete unit with the FMK multi-technology + keypad reader, or 2.) the AD-200 can be field upgraded to a FIPS 201-1 compliant solution by adding the FMK reader (sold separately) and by utilizing the most current firmware available.

Keyway/cylinders

Cylinder compatibility	Full size (Key-in-lever 6 pin)	Full size (Key-in-lever 7 pin)	FSIC (7 Pin)	SFIC (6 & 7 Pin)
Schlage	●		●	●
Falcon®	▲	◆		▲
Sargent® (10L + 11L full size)	▲		▲	▲
Corbin Russwin®			▲ ¹	▲
Yale® (includes Medeco 31*0100 FSIC)				▲
Best®				▲

● = With cylinder or less cylinder options ▲ = Less cylinder only
 ◆ = Lss cylinder only, only with Sparta and Rhodes levers

Exit trim

Devices	AD Series (AD-200 & AD-250) and CO Series
Von Duprin 98/99 and 98/99XP rim/SVR/CVR ² /CVC ² /mortise	X
Von Duprin 22/22F rim/SVR	X
Falcon 25 rim	X
Sargent 80 (Narrow design & reversible rim exits not compatible) rim	X
Precision® 21 rim (2100 converts to 21 with Precision's BP21 kit)	X
Yale 7000 rim	X
Corbin Russwin 5000 rim	X
Dorma® 9300 rim	X

1 JDCO7 Corbin Russwin 7 Pin cylinder available in Rhodes, Sparta & Tubular

2 Metal door only

	CO-100	CO-200/220	CO-250	AD-200/201	AD-250
Device capacity					
Number of users	500	2000 ¹	Unlimited ¹	5000 ¹	Unlimited ¹
Number of audits	N/A	2000 ¹	4000 ¹	5000 ¹	10000 ¹
Reader options					
Consult with OEM access control system provider for credential format compatibility					
Keypad only	Yes	Yes	No	AD-200 only	No
Magnetic stripe card	No	Yes	Yes	AD-200 only	Yes
125 KHz proximity card	No	Yes	No	No	No
Multi-technology - 125 khz proximity and 13.56 Mhz smart	No	Yes	Yes	Yes	Yes
PIV & PIV-I card compatible	No	Yes	Yes	Yes ³	Yes
Fips 201-1 compliant multi-technology -125 khz proximity and 13.56 Mhz smart	No	Yes	Yes	Yes	Yes
Card + PIN	No	Yes	Yes	Yes	Yes
Status monitors					
Request to exit	No	Yes	Yes	Yes ²	Yes
Door position switch	No	Yes	Yes	Yes	Yes
Mechanical key override (AKT)	Yes	Yes	Yes	Yes	Yes
Request to enter	No	No	No	No	No
Low battery status	Yes	Yes	Yes	Yes	Yes
Communication status	No	No	No	No	No
Remote lockdown /unlock	No	No	No	No	No
Deadbolt position	No	No	No	No	No
Interior push button	No	No	No	No	No
Chassis options					
Cylindrical	Yes	Yes	Yes	Yes	Yes
Mortise	Yes	Yes	Yes	Yes	Yes
Mortise deadbolt	No	Yes	Yes	Yes	Yes
Exit trim	Yes	Yes	Yes	Yes	Yes
Functions					
Consult with OEM access control system provider for specific support					
Classroom/storeroom (70)	Yes	CO-200 only	Yes	Yes	Yes
Privacy (40)	No	CO-200 only	Yes	Yes	Yes
Office (50)	Yes	CO-200 only	Yes	Yes	Yes
Apartment (60)	No	No	No	No	Yes
Classroom security (75)	No	CO-220 only	No	No	No

1 Depending on your access control software

2 Built in status signals available to enable migration to networked, not monitored in standalone application

3 AD Series FIPS 201-1 compliant solution: The AD Series is an ideal solution for applications which require approval by the U.S. Federal Government under HSPD-12 for FIPS 201-1 compliance. In order to meet requirements, the AD-201 standalone lock can either be 1.) sold as a complete unit with the FMK multi-technology + keypad reader, or 2.) the AD-200 can be field upgraded to a FIPS 201-1 compliant solution by adding the FMK reader (sold separately) and by utilizing the most current firmware available.

Accessories:

A variety of accessories are available for use with AD Series and CO Series standalone locks including:

- The Schlage utility software (SUS) on the handheld programming device (HHD) provides an easy way to retrieve audits and transfer information between your access control software and electronic locks.
- The combo proximity keyfobs with iButton® option is available which allows you to manage proximity and iButton® technologies in the same facility.
- Decorative plates are available for retrofit applications where the new lock does not completely cover the existing door prep.

The CT5000 offline controller:

Features

The CT5000 offline single opening controller is also available for standalone applications. The CT5000 can support up to two separate Wiegand readers as well as interface with peripheral devices such as automatic operators, electric strikes, and electromagnetic locks.

Benefits

The CT5000 offline single opening controller is an ideal solution for narrow stile store front and exit door applications. The CT5000 can operate in the same system as the AD Series and CO Series electronic locks. If networked functionality is required in the future, the CT5000 can be easily upgraded to a networked WRI400 wireless reader interface.

This page intentionally left blank.

Allegion, the Allegion logo, Schlage and aptiQ are trademarks of Allegion plc, its subsidiaries and/or affiliates in the United States and other countries. All other trademarks are the property of their respective owners.

About Allegion

Allegion (NYSE: ALLE) creates peace of mind by pioneering safety and security. As a \$2 billion provider of security solutions for homes and businesses, Allegion employs more than 7,800 people and sells products in more than 120 countries across the world. Allegion comprises 23 global brands, including strategic brands CISA®, Interflex®, LCN®, Schlage® and Von Duprin®. For more, visit www.allegion.com.

aptiQ ■ LCN ■ **SCHLAGE** ■ STEELCRAFT ■ VON DUPRIN



© 2014 Allegion
005427, Rev. 03/14
www.allegion.com/us



AD-200

Standalone electronic lock



Overview

AD Series electronic locks from Schlage are designed to be modular and provide more options to choose from, more functionality in the lock and more compatibility with existing systems. Its patent-pending modular design allows the lock to be customized to fit the needs of an application now, and can change to meet future needs without removing it from the door.

Factory orderable options include choices of credential readers, chassis type, locking functions, power options, lever styles and finishes. It also offers a wide selection of features that can be configured in the field to customize your openings.

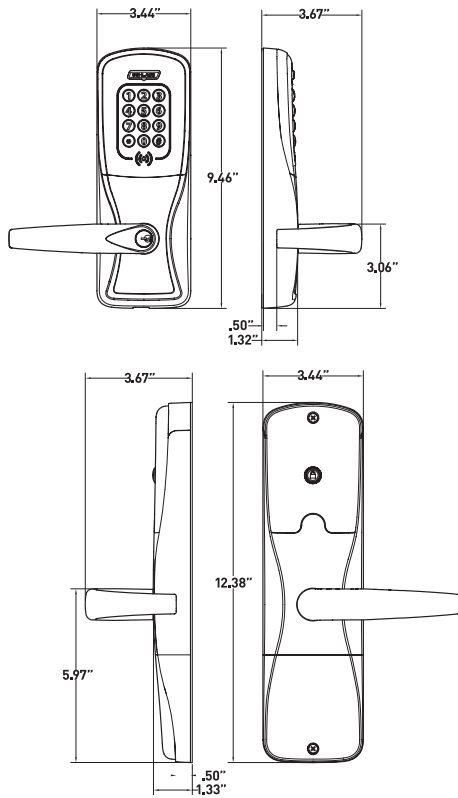
The AD-200 is a simple, economical solution if no access control system currently exists in facility, or for openings that don't require the control of a networked solution. The AD-200 is easily upgradable to a networked lock if requirements change in the future.

On all AD Series standalone locks, Schlage has built in many of the incremental features needed in a networked system such as request-to-exit and -enter sensors, interior cover tamper guard, as well as the door position switch. This way, if the customer chooses to network this opening in the future, all the components will be there to make the transition an easy one.

Features and benefits

- Security that's more intelligent and convenient than traditional mechanical locking devices
- Audit trail reports that allow you to track usage and events
- Update users and access rights at the lock using the keypad or handheld device
- The ability to upgrade to a networked solution without removing the lock from the door
- Available in cylindrical, mortise, mortise deadbolt and exit trim
- Compatible with major brands of master key systems and exit devices
- Now available with magnetic swipe reader
- AD Series with multi-technology readers are NFC compatible¹
- FIPS 201-1 compliant when applied with the FIPS multi-technology plus keypad reader module (FMK)
- ANSI/BHMA A156.25, ANSI/BHMA Grade 1, UL 294, UL 10C, FCC Part 15, ADA, RoHS

¹ Please refer to aptiQmobile compatibility chart for a list of certified devices



AD-200 electronic lock specifications

Users	Up to 5000
Audits	Up to 5000
Credential verification time	≤ 1 second ¹
Visual/audible communications	Tri-colored LEDs and audible indicators (field configurable)
System interface	Handheld Device (HHD)
Power supply	4AA, 8AA, 12 VDC or 24 VDC
Voltage range	4 VDC to 26 VDC
Max current requirement	Up to 250 mA
Battery life	Up to 2 yrs with 4AA
Operating temperature - exterior	-31° to 151°F (-35° to 66°C)
Operating temperature - interior	32° to 120°F (0° to 49°C) (battery)
Operating humidity	0 - 100% non-condensing
Certifications	ANSI/BHMA A156.25, ANSI/BHMA Grade 1, UL 294, UL 10C, FCC Part 15, ADA, RoHS
Accessories	Handheld Device (HHD)

Functions

- Classroom/storeroom²
- Office^{2,3}
- Privacy³
- Apartment³

Standard status signals

- Lock/unlock status
- Mechanical key override
- Battery status

Schlage Utility Software on Handheld Device

The Schlage Utility Software (SUS) on the Handheld Device (HHD) provides an easy way to manage people, audits and locks for simple access control management.

Schlage Utility Software

- Initialize lock and accessories
- Field configure devices
 - Credential reader formats
 - Lock function
 - Unlock period
 - Failure mode
 - Audible alarm on/off
- Service and diagnostics
 - Battery status
 - Validate hardware and software revision
 - Troubleshooting status signals
- New device template simplifies configuration

HHD

- 3.5 in LCD display
- Touch screen/keypad backlit
- 32-bit processor
- OS: Windows Mobile 5.0
- Memory: 128 MB RAM/ 256 MB ROM
- Battery: rechargeable 3.7 v, 1,230 mAh, Li-ion
- Dimensions: 5.3" x 2.9" x 0.7" (13.5 cm x 7.3 cm x 1.8 cm)
- Weight: 0.42 lbs (190 g)
- 4 ft (1.2 m) drop to steel surface, 2 drops per 6 sides



The HHD connects with AD Series and CO Series locks and accessories via the USB interface

HHD is also compatible with CM, CL, VIP, WA and KC2 Series locks in a serial cable connection.

¹ Verification time is dependent on size of user base

² Classroom/storeroom and office function not available with mortise deadbolt option.

³ Not available on exit trim

Mechanical specifications

Chassis	Cylindrical	Mortise	Exit trim
Handing	Handed to order, field reversible		
ANSI standard (Meets or exceeds)	A156.25 A156.2 Series 4000 Grade 1	A156.25 A156.13 Series 1000 Grade 1	A156.25 A156.3
Door thickness	1 3/4" standard, 1 3/8" to 2 3/4" optional (available in 1/8" increments)		
Backset	Standard: 2 3/4" Optional: 2 3/8", 3 3/4", 5"	2 3/4" only	Defined by exit device
Latch bolt	Standard: 1/2" throw Optional: 3/4" throw	Standard: 3/4" throw Optional: 1" throw on mortise deadbolt	Provided by exit device
Levers	Pressure cast zinc, plated	Steel, plated	Steel, plated
Strike	Standard: 1 3/16" lip, ANSI, 1 1/4" x 4 7/8" Optional: Additional configurations available please see price book		Provided by exit device
Cylinder and keys	Schlage 6-pin Everest 29 S123 keyway cylinder with two patented keys standard Additional options available including Standard, SFIC, FSIC and competitor brands		

Multi-technology reader specification

Frequency	125 kHz proximity and 13.56 MHz smart card
Standards	ISO standard 15693 and ISO 14443
Maximum read range	Up to 1.25" on 125 kHz proximity, up to 0.75" on 13.56 MHz smart card
125 kHz compatibility	Schlage Proximity, XceedID™ Proximity, HID® Proximity, GE/CASI ProxLite®, AWID® Proximity, LenelProx®
13.56 MHz compatibility	Schlage MIFARE® Secure Sector, XceedID™ MIFARE® Secure Sector, aptiQ™ smart cards using MIFARE DESFire™ EV1 with PACSA; PIV and PIV-3.4
13.56 MHz compatibility (serial number only)	DESFire® CSN, HID iCLASS® CSN, Inside Contactless PicoTag® CSN, MIFARE®, MIFARE DESFire™ EV1, ST Microelectronics® CSN, Texas Instruments Tag-It® Serial Number, Phillips I-Code® CSN
125 kHz compatible XceedID credentials	125 kHz clamshell, ISO card, ISO card with magnetic stripe, keyfob, and PVC disk (7000 Series)
13.56 MHz compatible aptiQ™ credentials	aptiQ™ smart cards using MIFARE® in clamshell, ISO card, ISO card with magnetic stripe, Keyfob and PVC Patch (9000 Series); aptiQ™ smart cards using MIFARE DESFire™ EV1 in clamshell, ISO card, ISO card with magnetic stripe, keyfob, and PVC disk (8000 Series)
Certifications/standards	FCC, UL 294 Listed, ISO standard 15693, and ISO standard 14443
Style/layout	Option for 12 button, 3x4 matrix backlit keypad

¹ Request-to-exit switch optional for future network migration

² Narrow design and reversible rim exits not compatible

³ 75 bit output format default. Configurable to other output formats. Check with access control provider for specific support.

⁴ Smart card functionality dependant on access control software

⁵ Please refer to aptiQmobile compatibility chart for a list of certified devices

AD Series exit trim

Installed with a universal mounting plate, the AD Series exit trim is compatible with the following exit devices:

- Von Duprin 98/99 & 98/99XP¹ Rim, surface vertical rod, mortise. Concealed vertical cable and concealed vertical rod on metal doors only.
- Von Duprin 22/22F¹ Rim, surface vertical rod
- Falcon 25¹ - Rim
- Sargent® 80² Series - Rim
- Precision™ 21 Rim 2100 converts to 21 with Precision's BP21 kit
- Corbin Russwin® 5000 Series - Rim
- Yale® 7000 - Rim
- Dorma® 9300 - Rim

Benefits of AD Series multi-technology readers:

- Reads both proximity (125 kHz) and smart (13.56 MHz) technologies with single device
- AD Series multi-technology readers are NFC compatible⁵
- Allows end user to migrate to more secure credentials over time and as budgets permit

Additional readers

Magnetic stripe

- Now available with choice of insertion or swipe style readers
- Triple track reader (1, 2 or 3), field configurable
- ABA, ISO76XX Standard
- Option for 12 button, 3x4 matrix backlit keypad

Keypad

- Backlit keypad
- 12 button, 3x4 matrix

Available AD Series reader modules



Multi-technology

- Proximity
- Smart card

KEYPAD

FIPS 201-1 compliant option available (FMK)



Multi-technology

- Proximity
- Smart card



Magnetic stripe (insertion)

- KEYPAD



Magnetic stripe (insertion)



Magnetic stripe (swipe)

- KEYPAD



Magnetic stripe (swipe)



Keypad

Ordering information

Available through one of our GSA schedule 84 approved distributions; BAA options available

AD-200-CY-70-MG-SPA-626-PD-S123-RH-4B-13-049-10-025-1 3/4

Series	Class	Chassis	Function	Reader	Lever style	Finish	Lever cylinder	Keying type	Handing	Battery	Backset and latch	Strike	Door thickness
1	2	3	4	5	6	7	8	9	10	11	12	13	14

Selections correspond with the numbers above

Standards options are indicated in bold. See price book for specific configuration options.

3	Chassis
CY	Cylindrical
MS	Mortise
MD	Mortise deadbolt
993R	Exit trim – Rim/CVC/CVR
993S	Exit trim – SVR
993M	Exit trim – mortise
993DT	Non-functioning dummy trim for exit
4	Function
70	Classroom/storeroom
50	Office
40	Privacy
60	Apartment
5	Reader
KP	Keypad
MG	Magnetic stripe (insertion)
MGK	Magnetic stripe + keypad (insertion)
MS	Magnetic stripe (swipe)
MSK	Magnetic stripe + keypad (swipe)
MT	Multi-technology (125kHz and 13.56 MHz)
MTK	Multi-technology + keypad (125kHz and 13.56 MHz)
FMK	FIPS 201-1 compliant multi-technology + keypad (125 kHz and 13.56 MHz)
DT	Dummy trim

6	Lever
SPA	Sparta
RHO	Rhodes
ATH	Athens
TLR	Tubular
Available with knurled surface	
7	Finish
626	Satin chrome
605	Bright brass
606	Satin brass
612	Satin bronze
619	Satin nickel
625	Bright chrome
643e	Aged bronze
626AM	Satin chrome antimicrobial
8	Lever cylinder type
PD	Schlage 6-pin full cylinder
See price book for other SFIC, FSIC and Less Cores options available. Compatible with Schlage, Sargent, Corbin, Medeco and Yale.	
9	Keyway type
S123	Everest 29
See price book for other available keyway options including master keying	
10	Handling
RH	Right handed
LH	Left handed
Field reversible	
11	Battery

4B	4AA
8B	8AA
12	Backset and latch or armor front
Cylindrical	
13-049	2 3/4" backset, deadlatch, square corner, 1 1/8" x 2 1/4"
Mortise	
09-663	Armor front, 1 1/4" wide, square corner
See price book for mortise deadbolt and other backset and latch options or armor front options	
13	Strike
Cylindrical	
10-025	1 3/16" lip, ANSI, no box, 1 1/4" x 4 7/8"
Mortise	
10-072	1 3/16" lip, 1 1/4" x 4 7/8" square corner, box
See price book for other available strikes	
14	Door thickness
1 3/4"	
Other thicknesses available between 1 3/8" and 2 3/4"	
See price book for detail	

Lever styles

Standard cylinders shown, SFIC and FSIC also available.



Sparta

Rhodes

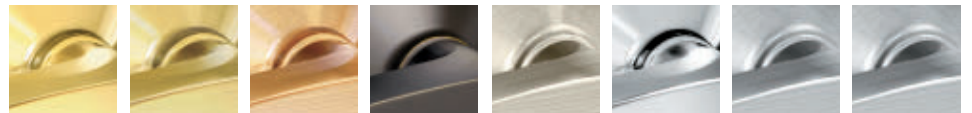


Athens

Tubular

Finishes

Warm tone finishes Cool tone finishes



605
Bright brass

606
Satin brass

612
Satin bronze

643e
Aged bronze

619
Satin nickel

625
Bright chrome

626
Satin chrome

626AM
Satin chrome with antimicrobial

Allegion, the Allegion logo, Schlage, the Schlage logo, XceedID, Von Duprin, Falcon and aptiQ are trademarks of Allegion plc, its subsidiaries and/or affiliates in the United States and other countries. All other trademarks are the property of their respective owners.

About Allegion

Allegion (NYSE: ALLE) creates peace of mind by pioneering safety and security. As a \$2 billion provider of security solutions for homes and businesses, Allegion employs more than 7,800 people and sells products in more than 120 countries across the world. Allegion comprises 23 global brands, including strategic brands CISA®, Interflex®, LCN®, Schlage® and Von Duprin®. For more, visit www.allegion.com.

aptiQ ■ LCN ■ SCHLAGE ■ STEELCRAFT ■ VON DUPRIN



ALLEGION™

© 2014 Allegion
004442, Rev. 02/14
www.allegion.com/us



AD-201

FIPS 201-1 compliant
standalone electronic lock
with multi-technology +
keypad reader



Overview

The AD-201 is a simple and economical standalone solution for applications which require approval by the U.S. Federal Government under HSPD-12 for FIPS 201-1 compliance. The solution consists of the AD-201 integrated electronic lock with multi-technology + keypad (FMK) reader module, the handheld programming device (HHD) and the SUSB-89 enrollment reader.

The innovative modular design of the AD-201 allows reader modules and communication modules to easily be upgraded. As a result, the AD-201 standalone lock can become an AD-401 networked wireless locks in minutes, without even taking it off the door.

The FMK reader module comes standard with the AD-201 lock and also can be ordered separately for field upgrades. It is for use with PIV and PIV-I credentials. The FMK is a multi-technology reader that supports 125 kHz proximity and 13.56 MHz smart cards.

Schlage Express offline access control software is used in conjunction with the AD-201 to manage access points, users and schedules. Reporting capability is available to show audit trails retrieved, access privileges granted, and time functions established by either user or door.

The SUSB-89 is an enrollment reader is designed to simplify the credential enrollment process. You can easily enroll a PIV, PIV-I or other smart card into Schlage Express using the SUSB-89 connected to your computer's USB port.

The handheld device is the link between Schlage Express software and the AD-201 lock. It consolidates and simplifies programming and managing your access control system. It is used to initialize, configure and test product operation as well as to transfer information between the lock and the software.

Features and benefits

AD-201 FIPS 201 lock

- FIPS 201 compliant multi-technology reader for use with PIV and PIV-I credentials
- Upgradable to an AD-401 FIPS 201-1 compliant wireless lock
- Available in cylindrical, mortise, mortise deadbolt and exit trim
- UL 294 listed, ANSI/BHMA A156.25 and ANSI/BHMA Grade 1 certified

Schlage Express™ offline software

- Offline software used to manage AD-201 locks
- Supports up to 2000 users/audits with 50 locks or 1000 users/audits with 100 locks
- Supports up to 8 time zone and up to 16 holidays and auto unlocks per system

SUSB-89 enrollment reader

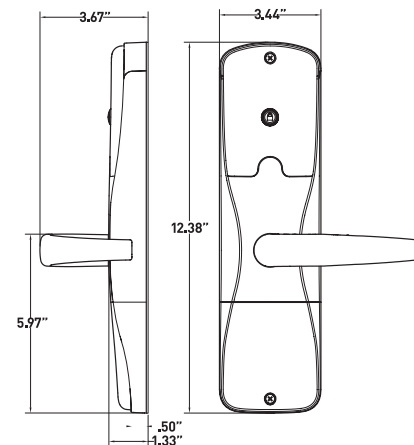
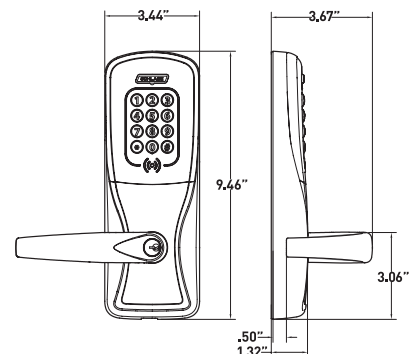
- USB reader makes it easy to enroll credentials in Schlage Express™
- Recognizes aptiQ™ smart credentials (MIFARE® classic and MIFARE DESFire™ EV1) and PIV credentials

Handheld programming device

- Allows you to initialize, configure and test AD-201 locks
- Used to transfer user rights from Schlage Express to AD-201
- Transfers audits trails from AD-201 to Schlage Express

AD-201 electronic lock specifications

Credential verification time	≤ 1 second ¹
Visual/audible communications	Tri-colored LEDs and audible indicators (field configurable)
System interface	Handheld Device (HHD)
Power supply	4AA, 8AA, 12 VDC or 24 VDC
Voltage range	4 VDC to 26 VDC
Max current requirement	Up to 250 mA
Battery life	Up to 2 yrs with 4AA
Operating temperature - exterior	-31° to 151°F (-35° to 66°C)
Operating temperature - interior	32° to 120°F (0° to 49°C) (battery)
Operating humidity	0 - 100% non-condensing
Certifications	ANSI/BHMA A156.25, ANSI/BHMA Grade 1, UL 294, UL 10C, FCC Part 15, ADA, RoHS
Accessories	Handheld Device (HHD)



Mechanical specifications

Chassis	Cylindrical	Mortise	Exit trim
Handing	Handed to order, field reversible		
ANSI standard (Meets or exceeds)	A156.25 A156.2 Series 4000 Grade 1	A156.25 A156.13 Series 1000 Grade 1	A156.25 A156.3
Door thickness	1 3/4" standard, 1 3/8" to 2 3/4" optional (available in 1/8" increments)		
Backset	Standard: 2 3/4" Optional: 2 3/8", 3 3/4", 5"	2 3/4" only	Defined by exit device
Latch bolt	Standard: 1/2" throw Optional: 3/4" throw	Standard: 3/4" throw Optional: 1" throw on mortise deadbolt	Provided by exit device
Levers	Pressure cast zinc, plated	Steel, plated	Steel, plated
Strike	Standard: 1 3/16" lip, ANSI, 1 1/4" x 4 7/8" Optional: Additional configurations available please see price book		Provided by exit device
Cylinder and keys	Schlage 6-pin Everest 29 S123 keyway cylinder with two patented keys standard Additional options available including Standard, SFIC, FSIC and competitor brands		

Multi-technology reader specification

Frequency	125 kHz proximity and 13.56 MHz smart card
Standards	ISO standard 15693 and ISO 14443
Maximum read range	up to 1.25" on 125 kHz proximity, up to 0.75" on 13.56 MHz smart card
125 kHz compatibility	Schlage Proximity, XceedID™ Proximity, HID® Proximity, GE/CASI ProxLite®, AWID® Proximity, LenelProx®
13.56 MHz compatibility	Schlage MIFARE® Secure Sector, XceedID™ MIFARE® Secure Sector, aptiQ™ smart cards using MIFARE DESFire™ EV1 with PACSA; PIV and PIV-I ²
13.56 MHz compatibility (serial number only)	DESFire® CSN, HID iCLASS® CSN, Inside Contactless PicoTag® CSN, MIFARE®, MIFARE DESFire™ EV1, ST Microelectronics® CSN, Texas Instruments Tag-It® Serial Number, Phillips I-Code® CSN
125 kHz compatible XceedID credentials	125 kHz clamshell, ISO card, ISO card with magnetic stripe, keyfob, and PVC disk (7000 Series)
13.56 MHz compatible aptiQ™ credentials	aptiQ™ smart cards using MIFARE® in clamshell, ISO card, ISO card with magnetic stripe, Keyfob and PVC Patch (9000 Series); aptiQ™ smart cards using MIFARE DESFire™ EV1 in clamshell, ISO card, ISO card with magnetic stripe, keyfob, and PVC disk (8000 Series)
Certifications/standards	FCC, UL 294 Listed, ISO standard 15693, ISO standard 14443, and FIPS 201-1
Style/layout	Option for 12 button, 3x4 matrix backlit keypad

AD Series FMK reader modules



FIPS 201-1 compliant multi-technology

- FMK reader required for FIPS 201-1 compliant multi technology and keypad reader supporting both proximity and smart cards

+ KEYPAD

¹ Verification time is dependent on size of user base

² The AD Series FIPS 201-1 compliant option can be used in applications which require approval by the U.S. Government under HSPD-12 for FIPS 201-1

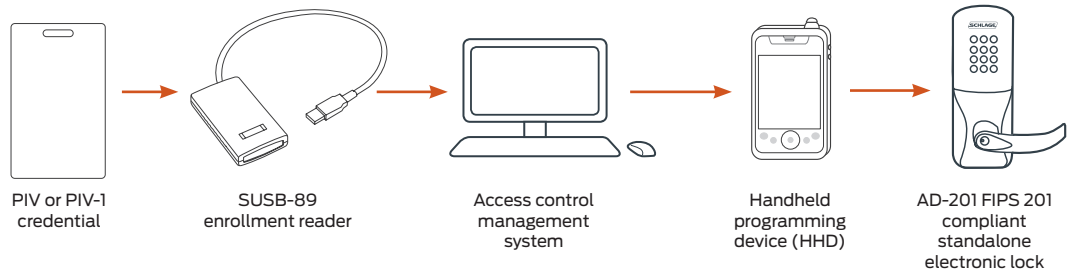
Schlage Express specifications

Hardware	Intel Pentium II processor (Pentium III or IV recommended), CD-ROM, mouse or compatible pointing device, VGA or Super VGA monitor, keyboard
Hard disk space	250 MB for software; will require additional space for stored data
Memory	256 MB RAM minimum or the memory required for the operating system, whichever is greater
Operating system	Microsoft Windows XP, Windows 7 and Windows 8
Reports with the built-in viewer Internet Explorer 6 or higher must be installed.	

Schlage Express AD-201 specifications

Users/audits	<ul style="list-style-type: none"> ▪ 2,000 Users/audits with 50 AD-201 locks/devices ▪ 1,000 Users/audits with 100 AD-201 locks/devices
User time zones	Limits the hours and days a user can access up to 8 assigned points
Holidays	Suspends normal operations for user defined periods per door during up to 16 non-normal days
PIN codes	<ul style="list-style-type: none"> ▪ Supports up to 6 digit PIN codes ▪ Duplicate PIN notification feature
Auto unlock schedules	Allows weekly repeating for automatic locking and unlocking of up to 16 defined

AD-201 standalone system



Schlage Utility Software on Handheld Device

The Schlage Utility Software (SUS) on the Handheld Device (HHD) provides an easy way to manage people, audits and locks for simple access control management.

Schlage Utility Software

- Initialize lock and accessories
- Field configure devices
 - Credential reader formats
 - Lock function
 - Unlock period
 - Failure mode
 - Audible alarm on/off
- Service and diagnostics
 - Battery status
 - Validate hardware and software revision
 - Troubleshooting status signals
- New device template simplifies configuration

HHD

- 3.5 in LCD display
- Touch screen/keypad backlit
- 32-bit processor
- OS: Windows Mobile 5.0
- Memory: 128 MB RAM/ 256 MB ROM
- Battery: Rechargeable 3.7 v, 1,230 mAh, Li-ion
- Dimensions: 5.3" x 2.9" x 0.7" (13.5 cm x 7.3 cm x 1.8 cm)
- Weight: 0.42 lbs (190 g)
- 4 ft (1.2 m) drop to steel surface, 2 drops per 6 sides



The HHD connects with AD Series and CO Series locks and accessories via the USB interface

HHD is also compatible with CM, CL, VIP, WA and KC2 Series locks in a serial cable connection.

Ordering information

Available through one of our GSA schedule 84 approved distributions; BAA options available

AD-201-CY-70-FMK-SPA-626-PD-S123-RH-4B-13-049-10-025-1 3/4

Series	Class	Chassis	Function	Reader	Lever style	Finish	Lever cylinder	Keying type	Handing	Battery	Backset and latch	Strike	Door thickness
1	2	3	4	5	6	7	8	9	10	11	12	13	14

Selections correspond with the numbers above

Standards options are indicated in bold. See price book for specific configuration options.

3	Chassis
CY	Cylindrical
MS	Mortise
MD	Mortise deadbolt
993R	Exit trim – Rim/CVC/CVR
993S	Exit trim – SVR
993M	Exit trim – mortise
993DT	Non-functioning dummy trim for exit
4	Function
70	Classroom/storeroom
50	Office
40	Privacy
60	Apartment
5	Reader
FMK	FIPS 201-1 compliant multi-technology + keypad (125 kHz and 13.56 MHz)
6	Lever
SPA	Sparta
RHO	Rhodes
ATH	Athens
TLR	Tubular

Available with knurled surface

7	Finish
626	Satin chrome
605	Bright brass
606	Satin brass
612	Satin bronze
619	Satin nickel
625	Bright chrome
643e	Aged bronze
626AM	Satin chrome antimicrobial
8	Lever cylinder type
PD	Schlage 6-pin full cylinder
	See price book for other SFIC, FSIC and Less Cores options available. Compatible with Schlage, Sargent, Corbin, Medeco and Yale.
9	Keyway type
S123	Everest 29
	See price book for other available keyway options including master keying
10	Handing
RH	Right handed
LH	Left handed
	Field reversible
11	Battery
4B	4AA
8B	8AA

12	Backset and latch or armor front
Cylindrical	
13-049	2 3/4" backset, deadlatch, square corner, 1 1/8" x 2 1/4"
Mortise	
09-663	Armor front, 1 1/4" wide, square corner
	See price book for mortise deadbolt and other backset and latch options or armor front options
13	Strike
Cylindrical	
10-025	1 3/16" lip, ANSI, no box, 1 1/4" x 4 7/8"
Mortise	
10-072	1 3/16" lip, 1 1/4" x 4 7/8" square corner, box
	See price book for other available strikes
14	Door thickness
1 3/4"	
	Other thicknesses available between 1 3/8" and 2 3/4"
	See price book for detail

Lever styles

Standard cylinders shown, SFIC and FSIC also available.



Sparta

Rhodes

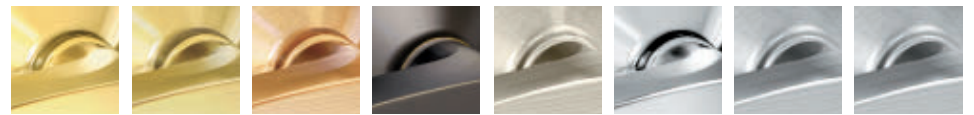


Athens

Tubular

Finishes

Warm tone finishes Cool tone finishes



605
Bright brass

606
Satin brass

612
Satin bronze

643e
Aged bronze

619
Satin nickel

625
Bright chrome

626
Satin chrome

626AM
Satin chrome with antimicrobial

Allegion, the Allegion logo, Schlage, the Schlage logo, XceedID, Von Duprin, Falcon and aptiQ are trademarks of Allegion plc, its subsidiaries and/or affiliates in the United States and other countries. All other trademarks are the property of their respective owners.

About Allegion

Allegion (NYSE: ALLE) creates peace of mind by pioneering safety and security. As a \$2 billion provider of security solutions for homes and businesses, Allegion employs more than 7,800 people and sells products in more than 120 countries across the world. Allegion comprises 23 global brands, including strategic brands CISA®, Interflex®, LCN®, Schlage® and Von Duprin®. For more, visit www.allegion.com.

aptiQ ■ LCN ■ SCHLAGE ■ STEELCRAFT ■ VON DUPRIN



ALLEGION™

© 2014 Allegion
009820, Rev. 03/14
www.allegion.com/us



AD-250

Standalone electronic lock



Overview

AD Series electronic locks from Schlage are designed to be modular and provide more options to choose from, more functionality in the lock and more compatibility with existing systems. Its patent-pending modular design allows the lock to be customized to fit the needs of an application now, and can change to meet future needs without removing it from the door.

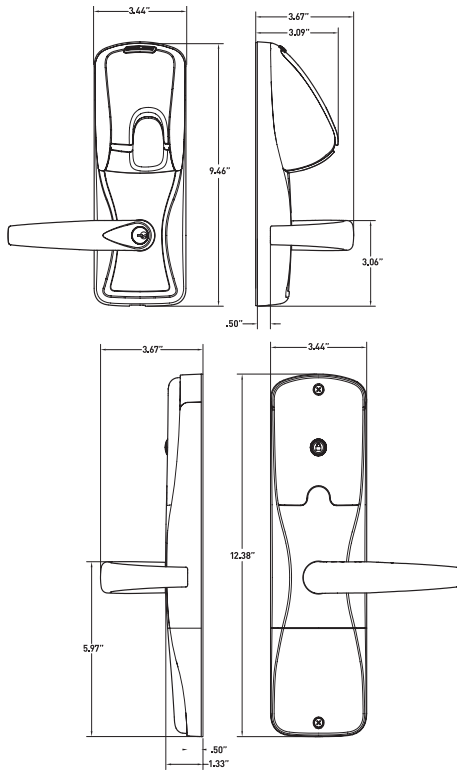
Factory orderable options include choices of magnetic stripe credential readers, chassis type, locking functions, power options, lever styles and finishes. It also offers a wide selection of features that can be configured in the field to customize your openings.

The AD-250 is a unique solution in which the credential, not the lock, carries access rights on a magnetic stripe card. This allows dynamic rights management on the card without reprogramming each lock in the facility. And the lock still maintains an audit trail of events at the door. This makes it a smart and economical solution for campus-like environments with a large number of users and offline openings.

On all AD Series standalone locks, Schlage has built in many of the incremental features needed in a networked system such as request-to-exit and request-to-enter sensors, interior cover tamper guard, as well as the door position switch. This way, if the customer chooses to network this opening in the future, all the components will be there to make the transition an easy one.

Features and benefits

- Security that's more intelligent and convenient than traditional mechanical locking devices
- Audit trail reports that allow you to track usage
- Update users and access rights using credentials instead of having to visit each lock
- The ability to upgrade to a networked solution without removing the lock from the door
- Available in cylindrical, mortise, mortise deadbolt and exit trim
- Compatible with major brands of master key systems and exit devices
- Now available with magnetic swipe reader
- ANSI/BHMA A156.25, ANSI/BHMA Grade 1, UL 294, UL 10C, FCC Part 15, ADA, RoHS



AD-250 electronic lock specifications

Users	Unlimited, dependent on software
Audits	Up to 10,000
Credential verification time	≤ 1 second
Visual/audible communications	Tri-colored LEDs and audible indicators (field configurable)
System interface	Handheld Device (HHD)
Power supply	4AA, 8AA, 12 VDC or 24 VDC
Voltage range	4 VDC to 26 VDC
Max current requirement	Up to 250 mA
Battery life	Up to 2 yrs with 4AA
Operating temperature - exterior	-31° to 151°F (-35° to 66°C)
Operating temperature - interior	32° to 120°F (0° to 49°C) (battery)
Operating humidity	0 - 100% non-condensing
Certifications	ANSI/BHMA A156.25, ANSI/BHMA Grade 1, UL 294, U L10C, FCC Part 15, ADA, RoHS
Accessories	Handheld Device (HHD), magnetic stripe credential encoder (CL-Encoder 2)

Functions

- Classroom/storeroom¹
- Office^{1, 2}
- Privacy²
- Apartment²

Standard status signals

- Lock/unlock status
- Mechanical key override
- Battery status

Schlage Utility Software on Handheld Device

The Schlage Utility Software (SUS) on the Handheld Device (HHD) provides an easy way to manage people, audits and locks for simple access control management.

Schlage Utility Software

- Initialize lock and accessories
- Field configure devices
 - Credential reader formats
 - Lock function
 - Unlock period
 - Failure mode
 - Audible alarm on/off
- Service and diagnostics
 - Battery status
 - Validate hardware and software revision
 - Troubleshooting status signals
- New device template simplifies configuration

HHD

- 3.5 in LCD display
- Touch screen/keypad backlit
- 32-bit processor
- OS: Windows Mobile 5.0
- Memory: 128 MB RAM/ 256 MB ROM
- Battery: Rechargeable 3.7 v, 1,230 mAh, Li-ion
- Dimensions: 5.3" x 2.9" x 0.7" (13.5 cm x 7.3 cm x 1.8 cm)
- Weight: 0.42 lbs (190 g)
- 4 ft (1.2 m) drop to steel surface, 2 drops per 6 sides



The HHD connects with AD Series and CO Series locks and accessories via the USB interface

HHD is also compatible with CM, CL, VIP, WA and KC2 Series locks in a serial cable connection.

¹ Classroom/storeroom and office function not available with mortise deadbolt option. To ensure safety, all functions always allow for free egress.

² Not available on exit trim.

Mechanical specifications

Chassis	Cylindrical	Mortise	Exit trim
Handing	Handed to order, field reversible		
ANSI standard (Meets or exceeds)	A156.25 A156.2 Series 4000 Grade 1	A156.25 A156.13 Series 1000 Grade 1	A156.25 A156.3
Door thickness	1 3/4" standard, 1 3/8" to 2 3/4" optional (available in 1/8" increments)		
Backset	Standard: 2 3/4" Optional: 2 3/8", 3 3/4", 5"	2 3/4" only	Defined by exit device
Latch bolt	Standard: 1/2" throw Optional: 3/4" throw	Standard: 3/4" throw Optional: 1" throw on mortise deadbolt	Provided by exit device
Levers	Pressure cast zinc, plated	Steel, plated	Steel, plated
Strike	Standard: 1 3/16" lip, ANSI, 1 1/4" x 4 7/8" Optional: Additional configurations available please see price book		Provided by exit device
Cylinder and keys	Schlage 6-pin Everest 29 S123 keyway cylinder with two patented keys standard Additional options available including Standard, SFIC, FSIC and competitor brands		

AD Series exit trim

Installed with a universal mounting plate, the AD Series exit trim is compatible with the following exit devices:

- Von Duprin 98/99 & 98/99XP¹ Rim, surface vertical rod, mortise. Concealed vertical cable and concealed vertical rod on metal doors only.
- Von Duprin 22/22F¹ Rim, surface vertical rod
- Falcon 25¹ - Rim
- Sargent® 80² Series - Rim
- Precision™ 21 Rim 2100 converts to 21 with Precision's BP21 kit
- Corbin Russwin® 5000 Series - Rim
- Yale® 7000 - Rim
- Dorma® 9300 - Rim



Magnetic stripe (swipe)

▪ KEYPAD



Magnetic stripe (swipe)



Magnetic stripe (insertion)

▪ KEYPAD

- Triple track reader (1, 2 or 3), field configurable
- ABA, ISO76XX Standard
- Reader can be cleaned without removing lock from door
- 12 button, 3x4 matrix backlit keypad



Magnetic stripe (insertion)

- Triple track reader (1, 2 or 3), field configurable
- ABA, ISO76XX standard

¹ Request-to-exit switch optional for future network migration

² Narrow design and reversible rim exits not compatible

Ordering information

Available through one of our GSA schedule 84 approved distributions; BAA options available

AD-250-CY-70-MG-SPA-626-PD-S123-RH-4B-13-049-10-025-1 3/4

Series	Class	Chassis	Function	Reader	Lever style	Finish	Lever cylinder	Keying type	Handing	Battery	Backset and latch	Strike	Door thickness
1	2	3	4	5	6	7	8	9	10	11	12	13	14

Selections correspond with the numbers above

Standards options are indicated in bold. See price book for specific configuration options.

3	Chassis
CY	Cylindrical
MS	Mortise
MD	Mortise deadbolt
993R	Exit trim – Rim/CVC/CVR
993S	Exit trim – SVR
993M	Exit trim – mortise
993DT	Non-functioning dummy trim for exit
4	Function
70	Classroom/storeroom
50	Office
40	Privacy
60	Apartment
5	Reader
MG	Magnetic stripe (insertion)
MGK	Magnetic stripe + keypad (insertion)
MS	Magnetic stripe (swipe)
MSK	Magnetic stripe + keypad (swipe)
DT	Dummy trim
6	Lever
SPA	Sparta
RHO	Rhodes
ATH	Athens
TLR	Tubular

Available with knurled surface

7	Finish
626	Satin chrome
605	Bright brass
606	Satin brass
612	Satin bronze
619	Satin nickel
625	Bright chrome
643e	Aged bronze
626AM	Satin chrome antimicrobial
8	Lever cylinder type
PD	Schlage 6-pin full cylinder
See price book for other SFIC, FSIC and Less Cores options available. Compatible with Schlage, Sargent, Corbin, Medeco and Yale.	
9	Keyway type
S123	Everest 29
See price book for other available keyway options including master keying	
10	Handing
RH	Right handed
LH	Left handed
Field reversible	
11	Battery
4B	4AA
8B	8AA

12	Backset and latch or armor front
Cylindrical	
13-049	2 3/4" backset, deadlatch, square corner, 1 1/8" x 2 1/4"
Mortise	
09-663	Armor front, 1 1/4" wide, square corner
See price book for mortise deadbolt and other backset and latch options or armor front options	
13	Strike
Cylindrical	
10-025	1 3/16" lip, ANSI, no box, 1 1/4" x 4 7/8"
Mortise	
10-072	1 3/16" lip, 1 1/4" x 4 7/8" square corner, box
See price book for other available strikes	
14	Door thickness
1 3/4"	
Other thicknesses available between 1 3/8" and 2 3/4"	
See price book for detail	

Lever styles

Standard cylinders shown, SFIC and FSIC also available.



Sparta

Rhodes

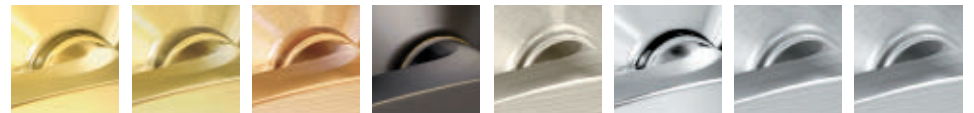


Athens

Tubular

Finishes

Warm tone finishes Cool tone finishes



605
Bright brass

606
Satin brass

612
Satin bronze

643e
Aged bronze

619
Satin nickel

625
Bright chrome

626
Satin chrome

626AM
Satin chrome with antimicrobial

Allegion, the Allegion logo, Schlage, the Schlage logo, Von Duprin and Falcon are trademarks of Allegion plc, its subsidiaries and affiliates in the United States and other countries. All other trademarks are the property of their respective owners.

About Allegion

Allegion (NYSE: ALLE) creates peace of mind by pioneering safety and security. As a \$2 billion provider of security solutions for homes and businesses, Allegion employs more than 7,800 people and sells products in more than 120 countries across the world. Allegion comprises 23 global brands, including strategic brands CISA®, Interflex®, LCN®, Schlage® and Von Duprin®. For more, visit www.allegion.com.

aptiQ ■ LCN ■ SCHLAGE ■ STEELCRAFT ■ VON DUPRIN



ALLEGION™

© 2014 Allegion
004436, Rev. 02/14
www.allegion.com/us



AD Series

Exit trim compatibility



Overview

The AD Series electronic lock is available in 993 Exit Trim for use on openings that require exit devices for either retrofit or new construction applications. Offline and networked solutions are available. The 993 Exit Trim was designed to suite with AD Series cylindrical and mortise locksets to ensure that the facility remains aesthetically consistent. The AD Series 993 Exit Trim utilizes universal hardware to simplify installation of offline trim to a variety of exit devices, including rim style from Von Duprin, Falcon, Sargent®, Precision™ Corbin Russwin®, Dorma®, and Yale®.

Available Exit Trim styles:

- 993R – Rim, concealed vertical cable or concealed vertical rod (CVC and CVR for metal doors only)
- 993S – Surface vertical rod
- 993M – Mortise

Compatibility

Devices	AD-200/ 201/250	AD-300/ AD-301 ³	AD-400/ AD-401 ³
Von Duprin 98/99 and 98/99XP rim/SVR/CVR ¹ / CVC ¹ /mortise	X	X	X
Von Duprin 22/22F rim/SVR	X	X	X
Falcon 25 rim	X	X	X
Sargent® 80 ² rim	X		
Precision™ 21 rim (2100 converts to 21 with Precision's BP21 kit)	X		
Yale® 7000 rim	X		
Corbin Russwin® 5000 rim	X		
Dorma® 9300 rim	X		

Features and benefits

- Multiple credential reader options
- FIPS 201-1 compliant when applied with the FIPS multi-technology plus keypad reader module (FMK)
- Offline and networked communication options
- A wide variety of finishes and lever styles
- Power options that include hardwired (12 VDC or 24 VDC) or batteries (4AA or 8AA)
- Compatible with most standard, FSIC or SFIC keyways from major brands of master key systems including Schlage, Sargent®, Corbin Russwin®, Medeco® and Yale®

¹ For metal doors only

² Narrow design and reversible rim exits not compatible.

³ The proper low current request to exit switch (RX-LC) is required for AD-300/301 and AD-400/401. Part numbers for request to exit switch:

- Von Duprin: 050281
- Falcon: 650359

Available AD Series reader modules²

- Multi-technology (125 kHz proximity and 13.56 MHz smart card)
- FIPS 201-1 compliant multi-technology (125 kHz proximity and 13.56 MHz smart card)
- Magnetic stripe
- Keypad only
- All credential readers available + keypad

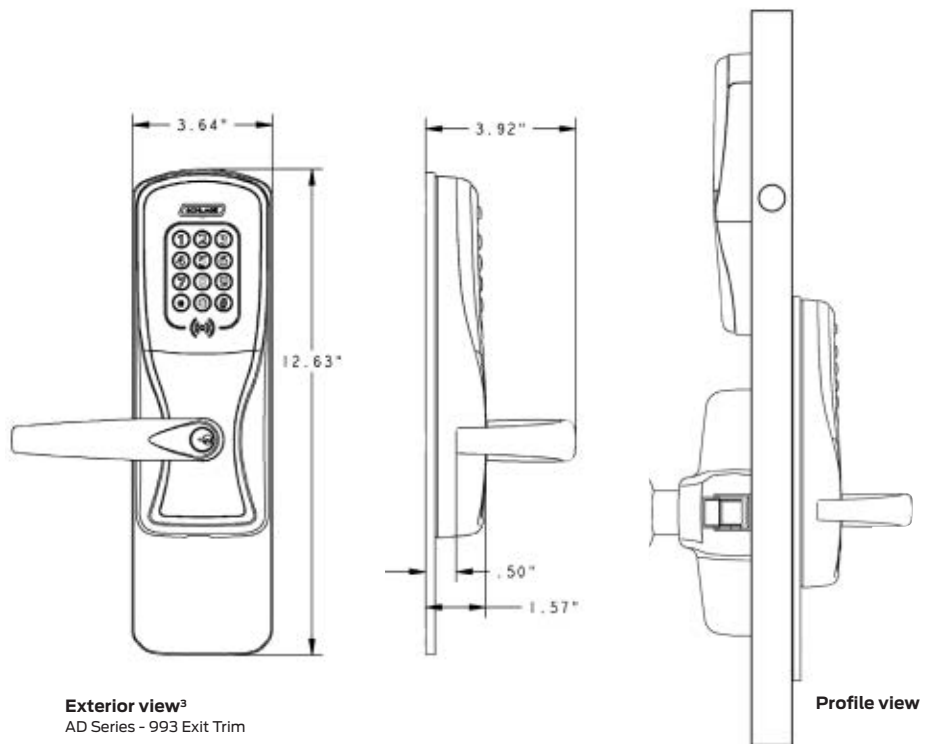
Available communication options

- AD-400: Networked wireless locks
- AD-401: Networked wireless locks - FIPS 201-1 compliant
- AD-300: Networked hardwired locks
- AD-301: Networked hardwired locks - FIPS 201-1 compliant
- AD-250: Offline, access rights stored on the magnetic stripe credential
- AD-200: Offline, access rights stored on the lock
- AD-201: Offline, access rights stored on the lock FIPS 201-1 compliant

¹ AD-300/301 includes LED indicator

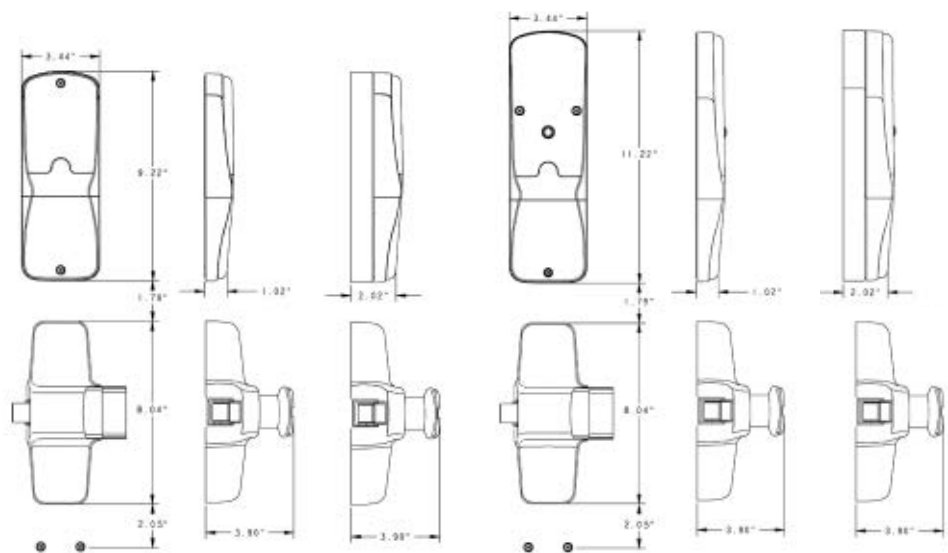
² Unlike other AD Series chassis styles, upgrading reader modules on the 993 Exit Trim requires the exterior escutcheon to be removed from the door

³ (2) #7 fasteners with decorative washers located 11.88" below bottom edge of lock



Exterior view³
AD Series - 993 Exit Trim

Profile view



Interior view
AD-200/201/
250/300*/
301 -
all styles

Side view
AD-200/
201/250/
300/301 -
rim/CVR/CVC
or mortise

Side view
AD-200/
201/250/
300/301¹ -
SVR

Interior view
AD-400/401
all styles

Side view
AD-400/
401 rim/CVR/CVC
or mortise

Side view
AD-400/
401 SVR

Allegion, the Allegion logo, Schlage, the Schlage logo, Von Duprin, and Falcon are trademarks of Allegion plc, its subsidiaries and/or affiliates in the United States and other countries. All other trademarks are the property of their respective owners.

About Allegion

Allegion (NYSE: ALLE) creates peace of mind by pioneering safety and security. As a \$2 billion provider of security solutions for homes and businesses, Allegion employs more than 7,800 people and sells products in more than 120 countries across the world. Allegion comprises 23 global brands, including strategic brands CISA®, Interflex®, LCN®, Schlage® and Von Duprin®. For more, visit www.allegion.com.



CO-100

Standalone electronic lock



Images shown are not to scale.

Overview

The CO Series is the ideal solution for customers seeking the added security and convenience of electronic access control without the cost or complexity of a fully networked system.

The CO-100 is a standalone lock that is manually programmable. User rights for the CO-100 are stored on the lock. Unique PIN codes can be assigned to each user. This minimizes the number of mechanical keys issued which protects the integrity of your key system. PIN codes can be easily added or deleted at anytime, right at the door.

The CO-100 from Schlage offers you many choices. Cylindrical, mortise, and exit trim chassis options are available, as well as a wide variety of finishes and levers to suite with your existing hardware.

Mechanical key override is standard and compatible with multiple cylinder types. The CO Series is also compatible with many popular brands of exit devices.

The CO Series has been tested the highest standards in the industry to ensure the quality and reliability you have come to expect from Schlage. The CO Series is ANSI/BHMA A156.25, ANSI/BHMA Grade 1 certified and UL 294 Listed.

Features and benefits

- Manually programmable
- Up to 500 unique 3-6 digit PIN codes stored on the lock
- ANSI/BHMA A156.25, ANSI/BHMA Grade 1 certified and UL 294 Listed
- Classroom/storeroom function and office function available
- Chassis options include cylindrical, mortise, and exit trim
- Compatible with most major brands of key systems and exit devices
- Normal, toggle, pass through, and freeze credential attributes available

CO-100 electronic lock specifications

Users	500
Credential verification time (keypad only)	≤ 1 second
Visual/audible communications	Tri-colored LED's and audible indicators
Power supply	4 AA batteries (standard off the shelf: included)
Battery life	Up to 2 yrs with 4 AA batteries
Operating temperature - exterior	-31° to 151°F (-35° to 66°C)
Operating temperature - interior	32° to 120°F (0° to 49°C) due to battery
Operating humidity	0 - 100% non-condensing
Certifications	ANSI/BHMA A156.25, ANSI/BHMA Grade 1, UL 294, UL 10 C, FCC Part 15, ADA and RoHS

Functions

- Classroom/storeroom
- Office

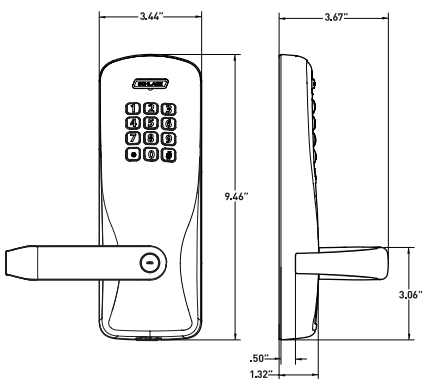
Standard status signals

- Battery status - indicated by blinking lights

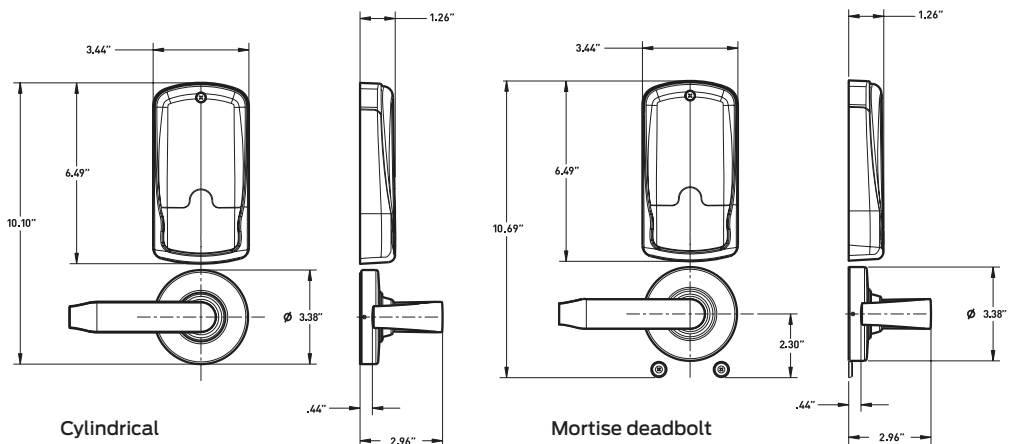
Manually programmable options

Credential type	Function
Programming ¹	Used to enable programming of the lock. Does not unlock the lock.
Normal use ¹	Unlocks the lock momentarily when in a normally secured state.
Toggle ¹	Changes the state of the lock unless in freeze state.
Freeze ¹	Maintains the lock in current state until freeze PIN is entered again.
Pass-through ¹	Unlocks a lock momentarily, regardless of state.

Exterior of the lock



Interior of the lock



¹ Credentials can be 3-6 digits in length

Mechanical specifications

Chassis	Cylindrical	Mortise	Exit trim
Handing	Handed to order, field reversible		
ANSI standard (Meets or exceeds)	A156.25 A156.2 Series 4000 Grade 1	A156.25 A156.13 Series 1000 Grade 1	A156.25 A156.3
Door thickness	1 3/4" standard, 1 3/8" to 2 3/4" optional (available in 1/8" increments)		
Backset	Standard: 2 3/4" Optional: 2 3/8", 3 3/4", 5"	2 3/4" only	Defined by exit device
Latch bolt	Standard: 1/2" throw Optional: 3/4" throw	Standard: 3/4" throw Optional: 1" throw on mortise deadbolt	Provided by exit device
Levers	Pressure cast zinc, plated	Steel, plated	Steel, plated
Strike	Standard: 1 3/16" lip, ANSI, 1 1/4" x 4 7/8" Optional: Additional configurations available please see price book		Provided by exit device
Cylinder and keys	Schlage 6-pin Everest 29 S123 keyway cylinder with two patented keys standard Additional options available including Standard, SFIC, FSIC and competitor brands		

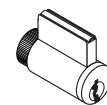
Exit device compatibility

		Rim	SVR	CVR/CVC	Mortise
Von Duprin	98/99 and 98/99 XP	✓	✓	✓ ¹	✓
Von Duprin	22/22F	✓	✓		
Falcon	25	✓			
Corbin Russwin®	5000	✓			
Precision™ 21 Rim 2100 converts to 21 with Precision's BP21 kit		✓			
Yale®	7000	✓			
Dorma®	9300	✓			
Sargent®	80 ²	✓			

Cylinder compatibility

	Full size key-in-lever 6 pin	Full size key-in-lever 7 pin	FSIC 6 pin	SFIC 6 and 7 pin
Schlage	●		●	●
Falcon	▲	▲		▲
Sargent® (10L + 11L full size)	▲		▲	▲
Corbin Russwin®			▲ ³	▲
Yale® (also includes Medeco 31* 0100 FSIC)			▲	▲
Best®				▲

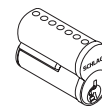
● = With cylinder or less cylinder options ▲ = Less cylinder only
 ▲ = Less cylinder, only with Sparta and Rhodes levers



Full cylinder



Full Size Interchangeable Core



Small Format Interchangeable Core

¹ Metal door only

² Narrow design and reversible rim exits not compatible

³ JDCO7 Corbin Russwin 7 pin cylinder available in Rhodes, Sparta and Tubular

Ordering information

Available through one of our GSA schedule 84 approved distributions

Required fields						Factory defaults and options						
CO-100-CY-70-KP-SPA-626-PD-S123-RH-13-049-10-025-1 3/4												
Series	Class	Chassis	Function	Reader	Lever style	Finish	Lever cylinder	Keying type	Handing	Backset and latch	Strike	Door thickness
1	2	3	4	5	6	7	8	9	10	11	12	13

Selections correspond with the numbers above

Standards options are indicated in bold. See price book for specific configuration options.

3	Chassis
CY	Cylindrical
MS	Mortise
993R	Exit trim – Rim/CVR/CVC
993S	Exit trim – SVR
993M	Exit trim – mortise
993DT	Exit dummy trim
4	Function
70	Classroom/storeroom
50	Office
5	Reader
KP	Keypad
6	Lever
SPA	Sparta
RHO	Rhodes
ATH	Athens
TLR	Tubular

Available with knurled surface

7	Finish
626	Satin chrome
605	Bright brass
606	Satin brass
612	Satin bronze
619	Satin nickel
625	Bright chrome
643e	Aged bronze
626AM	Satin chrome antimicrobial
8	Lever cylinder type
PD	Schlage 6-pin full cylinder
See price book for other SFIC, FSIC and less cores options available. Compatible with Schlage, Sargent, Corbin, Medeco and Yale.	
9	Keyway type
S123	Everest 29
See price book for other available keyway options including master keying	
10	Handing
RH	Right handed
RHR	Right handed reverse
LH	Left handed
LHR	Left handed reverse

Field reversible

11	Backset and latch or armor front
Cylindrical	
13-049	2 3/4" backset, deadlatch, square corner, 1 1/8" x 2 1/4"
Mortise	
09-663	Armor front, 1 1/4" wide, square corner
12	Strike
Cylindrical	
10-025	1 3/16" lip, ANSI, no box, 1 1/4" x 4 7/8"
Mortise	
10-072	1 3/16" lip, 1 1/4" x 4 7/8" square corner, box
See price book for other available strikes	
13	Door thickness
1 3/4"	
Other thicknesses available between 1 3/8" and 2 3/4"	
See price book for details	

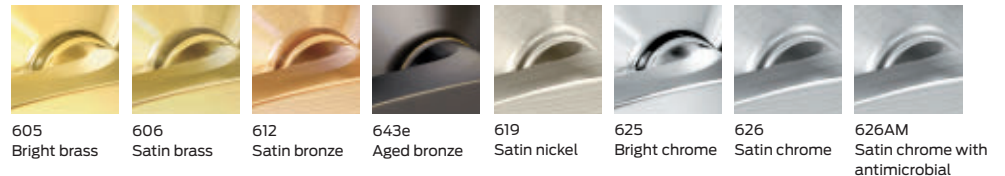
Lever styles

Standard cylinders shown, SFIC and FSIC also available.



Finishes

Warm tone finishes Cool tone finishes



Allegion, the Allegion logo, Schlage, the Schlage logo, Von Duprin and Falcon are trademarks of Allegion plc, its subsidiaries and/or affiliates in the United States and other countries. All other trademarks are the property of their respective owners.

About Allegion

Allegion (NYSE: ALLE) creates peace of mind by pioneering safety and security. As a \$2 billion provider of security solutions for homes and businesses, Allegion employs more than 7,800 people and sells products in more than 120 countries across the world. Allegion comprises 23 global brands, including strategic brands CISA®, Interflex®, LCN®, Schlage® and Von Duprin®. For more, visit www.allegion.com.

aptiQ ■ LCN ■ SCHLAGE ■ STEELCRAFT ■ VON DUPRIN



ALLEGION™

© 2014 Allegion
004186, Rev. 02/14
www.allegion.com/us



CO-200

Standalone electronic lock



Images shown are not to scale.

Overview

The CO Series is the ideal solution for customers seeking the added security and convenience of electronic access control without the cost or complexity of a fully networked system.

The CO-200 is computer or manually programmable with users rights stored on the lock. The Handheld Device (HHD) used in conjunction with your access control software, allows you to easily add or delete users and retrieve audits.

By issuing electronic credentials you can minimize the number of mechanical keys issued which protects the integrity of your key system. A variety of credential readers are also available including keypad only, magnetic stripe, and proximity. The magnetic stripe and proximity readers are also available with keypad for the added security of dual authentication.

Cylindrical, mortise, mortise deadbolt, and exit trim chassis options are available as well as a wide variety of finishes and levers to suite with your existing hardware.

Mechanical key override is standard and compatible with multiple cylinder types. The CO Series is also compatible with many popular brands and types of exit devices.

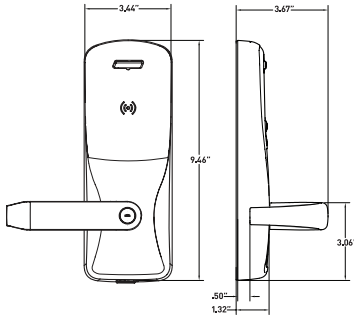
The CO Series has been tested the highest standards in the industry to ensure quality and reliability you have come to expect from Schlage. The CO Series is ANSI/BHMA A156.25, ANSI/BHMA Grade 1 certified and UL 294 Listed.

Features and benefits

- Computer programmable with audit trail
- Up to 2000 users and up to 2000 audits¹
- Up to 32 holidays and 16 time zones¹
- ANSI/BHMA A156.25, ANSI/BHMA Grade 1 certified and UL 294 Listed
- User rights stored on the lock
- The ability to add and delete users at the lock
- Available in cylindrical, mortise, mortise deadbolt, and exit trim
- Compatible with major brands of key systems and exit devices
- Classroom/storeroom, office, and privacy functions available

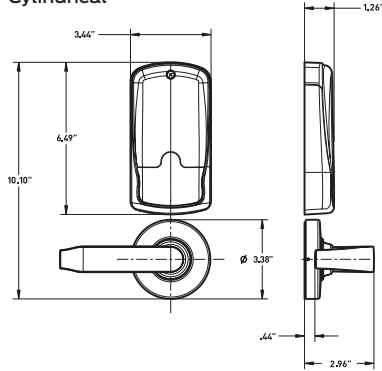
¹ Depending on access control software.

Exterior of the lock

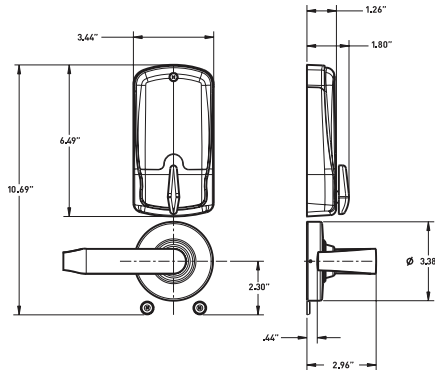


Interior of the lock

Cylindrical



Mortise deadbolt



CO-200 electronic lock specifications

Users	Up to 2,000 ¹
Audits	Up to 2,000 ¹
Credential verification time	≤ 1 second
Visual/audible communications	Tri-colored LED's and audible indicators
Power supply	4 AA batteries (standard off the shelf: included)
Voltage range	4 VDC to 7 VDC
Max current requirement	Up to 250 mA
Battery life	Up to 2 yrs with 4AA batteries
Operating temperature - exterior	-31° to 151°F (-35° to 66°C)
Operating temperature - interior	32° to 120°F (0° to 49°C) due to batteries
Operating humidity	0 - 100% non-condensing
Certifications	ANSI/BHMA A156.25, ANSI/BHMA Grade 1, UL 294, UL 10 C, FCC Part 15, ADA and RoHS

Functions

- Classroom/storeroom²
- Office²
- Privacy³

Standard status signals

- Mechanical key override
- Battery status - indicated by blinking lights

Schlage Utility Software on Handheld Device

The Schlage Utility Software (SUS) on the Handheld Device (HHD), in conjunction with your access control software, provides an easy way to manage people, audits and locks for simple access control management.

Schlage Utility Software

- Initialize lock and accessories
- Field configure devices
 - Credential reader formats
 - Lock function
 - Unlock period
 - Failure mode
 - Audible alarm on/off
- Service and diagnostics
 - Battery status
 - Validate hardware and software revision
 - Troubleshooting status signals
- New device template simplifies configuration

HHD

- 3.5 in LCD display
- Touch screen/keypad backlit
- 32-bit processor
- OS: Windows Mobile 5.0
- Memory: 128 MB RAM/ 256 MB ROM
- Battery: Rechargeable 3.7 v, 1,230 mAh, Li-ion
- Dimensions: 5.3" x 2.9" x 0.7" (13.5 cm x 7.3 cm x 1.8 cm)
- Weight: 0.42 lbs (190 g)
- 4 ft (1.2 m) drop to steel surface, 2 drops per 6 sides



The HHD connects with CO Series and AD Series locks and accessories via the USB interface

HHD is also compatible with CM, CL, VIP, WA and KC2 Series locks in a serial cable connection.

¹ Depending on access control software.

² Classroom/storeroom and office function not available with mortise deadbolt option. To ensure safety, all functions always allow for free egress.

³ Door position switch is required for cylindrical and mortise chassis with privacy function.

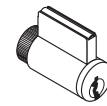
Mechanical specifications

Chassis	Cylindrical	Mortise	Exit trim
Handing	Handed to order, field reversible		
ANSI standard (Meets or exceeds)	A156.25 A156.2 Series 4000 Grade 1	A156.25 A156.13 Series 1000 Grade 1	A156.25 A156.3
Door thickness	1 3/4" standard, 1 3/8" to 2 3/4" optional (available in 1/8" increments)		
Backset	Standard: 2 3/4" Optional: 2 3/8", 3 3/4", 5"	2 3/4" only	Defined by exit device
Latch bolt	Standard: 1/2" throw Optional: 3/4" throw	Standard: 3/4" throw Optional: 1" throw on mortise deadbolt	Provided by exit device
Levers	Pressure cast zinc, plated	Steel, plated	Steel, plated
Strike	Standard: 1 3/16" lip, ANSI, 1 1/4" x 4 7/8" Optional: Additional configurations available please see price book		Provided by exit device
Cylinder and keys	Schlage 6-pin Everest 29 S123 keyway cylinder with two patented keys standard Additional options available including Standard, SFIC, FSIC and competitor brands		

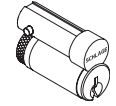
Cylinder compatibility

	Full size key-in-lever 6 pin	Full size key-in-lever 7 pin	FSIC 6 pin	SFIC 6 and 7 pin
Schlage	●		●	●
Falcon	▲	◆		▲
Sargent® (10L + 11L full size)	▲		▲	▲
Corbin Russwin®			▲ ¹	▲
Yale® (also includes Medeco 31* 0100 FSIC)			▲	▲
Best®				▲

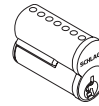
● = With cylinder or less cylinder options ▲ = Less cylinder only
 ◆ = Less cylinder, only with Sparta and Rhodes levers



Full cylinder



Full Size Interchangeable Core



Small Format Interchangeable Core

Reader specifications

	Keypad	Magnetic stripe	Proximity
Frequency standards	N/A	ABA, ISO76XX standard high and low coercivity	125 kHz
Maximum read range	N/A	N/A (swipe card)	up to 1.25"
Compatibility	3-6 digit pin code	Triple track reader (1, 2 or 3), field configurable	Schlage, XceedID®, HID®, GE/CASI ProxLite™ and AWID®
Compatible XceedID/Schlage credentials	N/A	Configurable to read complete track 1, 2 or 3	125 kHz clamshell, ISO card, ISO card with magnetic stripe, keyfob, and PVC disk (7000 Series)
Style/layout	12-button, 3x4 matrix	Option for 12-button, 3x4 matrix	Option for 12-button, 3x4 matrix

The combo proximity keyfobs with iButton® option are available which allows you to manage proximity and iButton® technologies in the same facility.



Available
CO-200
reader
options



Keypad



Proximity
■ KEYPAD



Proximity



Magnetic stripe



Magnetic stripe
■ KEYPAD

¹ JDC07 Corbin Russwin 7 pin cylinder available in Rhodes, Sparta and Tubular

Ordering information

Available through one of our GSA schedule 84 approved distributions

Required fields					Factory defaults and options							
CO-200-CY-70-PR-SPA-626-PD-S123-RH-13-049-10-025-1 3/4												
Series	Class	Chassis	Function	Reader	Lever style	Finish	Lever cylinder	Keying type	Handing	Backset and latch	Strike	Door thickness
1	2	3	4	5	6	7	8	9	10	11	12	13

Selections correspond with the numbers above

Standards options are indicated in bold. See price book for specific configuration options.

3	Chassis
CY	Cylindrical
MS	Mortise
MD	Mortise deadbolt
993R	Exit trim – Rim/CVC/CVR
993S	Exit trim – SVR
993M	Exit trim – mortise
993DT	Exit dummy trim
4	Function
70	Classroom/storeroom
50	Office
40	Privacy
5	Reader
KP	Keypad
MS	Magnetic stripe
MSK	Magnetic stripe + keypad
PR	Proximity
PRK	Proximity + keypad
6	Lever
SPA	Sparta
RHO	Rhodes
ATH	Athens
TLR	Tubular

Available with knurled surface

7	Finish
626	Satin chrome
605	Bright brass
606	Satin brass
612	Satin bronze
619	Satin nickel
625	Bright chrome
643e	Aged bronze
626AM	Satin chrome antimicrobial
8	Lever cylinder type
PD	Schlage 6-pin full cylinder
See price book for other SFIC, FSIC and less cores options available. Compatible with Schlage, Sargent, Corbin, Medeco and Yale.	
9	Keyway type
S123	Everest 29
See price book for other available keyway options including master keying	
10	Handing
RH	Right handed
RHR	Right handed reverse
LH	Left handed
LHR	Left handed reverse
Field reversible	

11	Backset and latch or armor front
Cylindrical	
13-049	2 3/4" backset, deadlatch, square corner, 1 1/8" x 2 1/4"
Mortise	
09-663	Armor front, 1 1/4" wide, square corner
See price book for mortise deadbolt and other backset and latch options or armor front options	
12	Strike
Cylindrical	
10-025	1 3/16" lip, ANSI, no box, 1 1/4" x 4 7/8"
Mortise	
10-072	1 3/16" lip, 1 1/4" x 4 7/8" square corner, box
See price book for other available strikes	
13	Door thickness
1 3/4"	
Other thicknesses available between 1 3/8" and 2 3/4"	
See price book for detail	

Lever styles

Standard cylinders shown, SFIC and FSIC also available.



Sparta

Rhodes

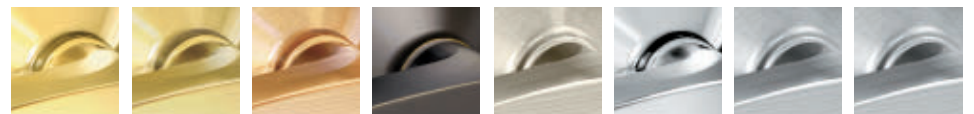


Athens

Tubular

Finishes

Warm tone finishes Cool tone finishes



605
Bright brass

606
Satin brass

612
Satin bronze

643e
Aged bronze

619
Satin nickel

625
Bright chrome

626
Satin chrome

626AM
Satin chrome with antimicrobial

Allegion, the Allegion logo, Schlage, the Schlage logo, XceedID and Falcon are trademarks of Allegion plc, its subsidiaries and/or affiliates in the United States and other countries. All other trademarks are the property of their respective owners.

About Allegion

Allegion (NYSE: ALLE) creates peace of mind by pioneering safety and security. As a \$2 billion provider of security solutions for homes and businesses, Allegion employs more than 7,800 people and sells products in more than 120 countries across the world. Allegion comprises 23 global brands, including strategic brands CISA®, Interflex®, LCN®, Schlage® and Von Duprin®. For more, visit www.allegion.com.

aptiQ ■ LCN ■ SCHLAGE ■ STEELCRAFT ■ VON DUPRIN



ALLEGION™

© 2014 Allegion
004185, Rev. 02/14
www.allegion.com/us

SCHLAGE

CO-220

Standalone classroom lockdown solution with remote fob and visual indicator



Images shown are not to scale and are subject to change.

Overview

The CO Series standalone classroom lockdown solution with remote fob and visual indicator is the ideal solution for customers who require the ability to initiate immediate local lockdown in the event of an emergency. The CO-220 classroom lockdown solution with remote fob and visual indicator can be put into a lockdown state (panic mode) from within the room by authorized staff members utilizing a pre-paired remote fob.

The CO-220 classroom lockdown solution with remote fob and visual indicator is computer or manually programmable with user rights stored on the lock. The Handheld Device (HHD), used in conjunction with your access control software, allows you to easily add or delete users and retrieve audits.

By issuing electronic credentials, you can minimize the number of mechanical keys issued which protects the integrity of your key system. A variety of credential readers are also available, including keypad, magnetic stripe and proximity.

Cylindrical, mortise and exit trim¹ chassis options are available as well as a wide variety of finishes and levers to suite with your existing hardware. Mechanical key override is standard and compatible with multiple cylinder types.

The CO Series has been tested to the highest standards in the industry to ensure the quality and reliability you have come to expect from Schlage. The CO Series is ANSI/BHMA A156.25, ANSI/BHMA Grade 1 certified, and UL 10C Listed.

Features and benefits

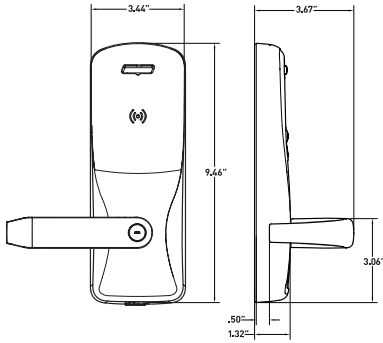
- Includes one pre-paired remote lockdown fob
 - Typical range of up to 75' on secured side and up to 25' on exterior side of the door²
- Continuous internal LED illumination during lockdown/panic mode
- In lockdown/panic mode, only administrative/safety official credentials will override lock
- Always free egress even in lockdown/panic mode
- Manually or computer programmable with audit trail
- Up to 2000 users and up to 2000 audits³
- Up to 32 holidays and 16 time zones³
- ANSI/BHMA A156.25, ANSI/BHMA Grade 1 certified and UL 10C Listed
- User rights stored on the lock
- The ability to add and delete users at the lock
- Available in cylindrical and mortise; Exit trim option available summer 2014
- Compatible with major brands of key systems

¹ Exit trim option available summer 2014

² Depending on building construction

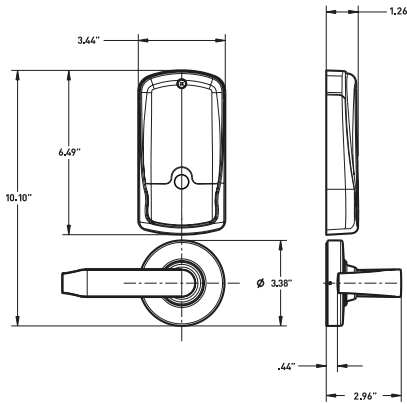
³ Depending on standalone access control software

Exterior of the lock



Interior of the lock

Cylindrical



CO-220 electronic lock specifications

Users	Up to 2,000 ¹
Audits	Up to 2,000 ¹
Credential verification time	≤ 1 second
Visual/audible communications	Tri-colored LED's and audible indicators
Power supply	4 AA batteries (standard off the shelf: included)
Voltage range	4 VDC to 7 VDC
Max current requirement	Up to 250 mA
Battery life	Up to 2 yrs with 4AA batteries
Operating temperature - exterior	-31° to 151°F (-35° to 66°C)
Operating temperature - interior	32° to 120°F (0° to 49°C) due to batteries
Operating humidity	0 - 100% non-condensing
Certifications	ANSI/BHMA A156.25, ANSI/BHMA Grade 1, UL 10 C, FCC Part 15, ADA and RoHS

Functions

- Classroom security²

Standard status signals

- Mechanical key override
- Battery status - indicated by blinking lights

Fob specifications

Battery life	Up to 2 years with a CR2025 coin cell battery
--------------	---

- Each fob is designed to be paired with a unique lock
- Up to 10 fobs can be paired per unique lock
- **Fob designed to pair with up to 10 locks available summer 2014**

Schlage Utility Software on Handheld Device

The Schlage Utility Software (SUS) on the Handheld Device (HHD), in conjunction with your access control software, provides an easy way to manage people, audits and locks for simple access control management.

Schlage Utility Software

- Initialize lock and accessories
- Field configure devices
 - Credential reader formats
 - Lock function
 - Unlock period
 - Failure mode
 - Audible alarm on/off
- Service and diagnostics
 - Battery status
 - Validate hardware and software revision
 - Troubleshooting status signals
- New device template simplifies configuration

HHD

- 3.5 in LCD display
- Touch screen/keypad backlit
- 32-bit processor
- OS: Windows Mobile 5.0
- Memory: 128 MB RAM/ 256 MB ROM
- Battery: Rechargeable 3.7 v, 1,230 mAh, Li-ion
- Dimensions: 5.3" x 2.9" x 0.7" (13.5 cm x 7.3 cm x 1.8 cm)
- Weight: 0.42 lbs (190 g)
- 4 ft (1.2 m) drop to steel surface, 2 drops per 6 sides



The HHD connects with CO Series and AD Series locks and accessories via the USB interface

HHD is also compatible with CM, CL, VIP, WA and KC2 Series locks in a serial cable connection.

¹ Depending on access control software

² To ensure safety, all functions always allow for free egress

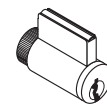
Mechanical specifications

Chassis	Cylindrical	Mortise	Exit trim
Handing	Handed to order, field reversible		
ANSI standard (Meets or exceeds)	A156.25 A156.2 Series 4000 Grade 1	A156.25 A156.13 Series 1000 Grade 1	A156.25 A156.3
Door thickness	1 3/4" standard, 1 3/8" to 2 3/4" optional (available in 1/8" increments)		
Backset	Standard: 2 3/4" Optional: 2 3/8", 3 3/4", 5"	2 3/4" only	Defined by exit device
Latch bolt	Standard: 1/2" throw Optional: 3/4" throw	Standard: 3/4" throw Optional: 1" throw on mortise deadbolt	Provided by exit device
Levers	Pressure cast zinc, plated	Steel, plated	Steel, plated
Strike	Standard: 1 3/16" lip, ANSI, 1 1/4" x 4 7/8" Optional: Additional configurations available please see price book		Provided by exit device

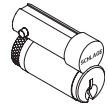
Cylinder compatibility

	Full size key-in-lever 6 pin	Full size key-in-lever 7 pin	FSIC 6 pin	SFIC 6 and 7 pin
Schlage	●		●	●
Falcon	▲	◆		▲
Sargent® (10L + 11L full size)	▲		▲	▲
Corbin Russwin®			▲ ¹	▲
Yale® (also includes Medeco 31® 0100 FSIC)			▲	▲
Best®				▲

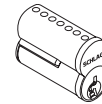
● = With cylinder or less cylinder options ▲ = Less cylinder only
 ◆ = Less cylinder, only with Sparta and Rhodes levers



Full cylinder



Full Size Interchangeable Core



Small Format Interchangeable Core

Reader specifications

	Keypad	Magnetic stripe	Proximity
Frequency standards	N/A	ABA, ISO76XX standard high and low coercivity	125 kHz
Maximum read range	N/A	N/A (swipe card)	up to 1.25"
Compatibility	3-6 digit pin code	Triple track reader (1, 2 or 3), field configurable	Schlage, XceedID®, HID®, GE/CASI ProxLite™ and AWID®
Compatible XceedID/Schlage credentials	N/A	Configurable to read complete track 1, 2 or 3	125 kHz clamshell, ISO card, ISO card with magnetic stripe, keyfob, and PVC disk (7000 Series)
Style/layout	12-button, 3x4 matrix	Option for 12-button, 3x4 matrix	Option for 12-button, 3x4 matrix

Available
CO-220
reader
options



Keypad



Proximity
■ KEYPAD



Proximity



Magnetic Stripe



Magnetic Stripe
■ KEYPAD

¹ JDCO7 Corbin Russwin 7 pin cylinder available in Rhodes, Sparta and Tubular

Ordering information

Required fields						Factory defaults and options							
CO-220-CY-75-PR-SPA-626-PD-S123-RH-13-049-10-025-1 3/4													
Series	Class	Chassis	Function	Reader	Lever style	Finish	Lever cylinder	Keying type	Handling	Backset and latch	Strike	Door thickness	
1	2	3	4	5	6	7	8	9	10	11	12	13	

Selections correspond with the numbers above

Standards options are indicated in bold. See price book for specific configuration options.

3	Chassis
CY	Cylindrical
MS	Mortise
993R	Exit trim- Rim/CVC/CVR ¹
993M	Exit trim- mortise
993DT	Exit dummy trim
¹ Available summer 2014	
4	Function
75	Classroom Security
5	Reader
KP	Keypad
PR	Proximity
PRK	Proximity + keypad
MS	Magnetic stripe
MSK	Magnetic stripe + keypad
6	Lever
SPA	Sparta
RHO	Rhodes
ATH	Athens
TLR	Tubular
Available with knurled surface	
7	Finish

626	Satin chrome
605	Bright brass
606	Satin brass
612	Satin bronze
619	Satin nickel
625	Bright chrome
643e	Aged bronze
626AM	Satin chrome antimicrobial
8	Lever cylinder type
PD	Schlage 6-pin full cylinder
See price book for other SFIC, FSIC and less cores options available. Compatible with Schlage, Sargent, Corbin, Medeco and Yale.	
9	Keyway type
S123	Everest 29
See price book for other available keyway options including master keying	
10	Handling
RH	Right handed
RHR	Right handed reverse
LH	Left handed
LHR	Left handed reverse
Field reversible	
11	Backset and latch or armor front

Cylindrical	
13-049	2 3/4" backset, deadlatch, square corner, 1 1/8" x 2 1/4"
Mortise	
09-663	Armor front, 1 1/4" wide, square corner
See price book for mortise deadbolt and other backset and latch options or armor front options	
12	Strike
Cylindrical	
10-025	1 3/16" lip, ANSI, no box, 1 1/4" x 4 7/8"
Mortise	
10-072	1 3/16" lip, 1 1/4" x 4 7/8" square corner, box
See price book for other available strikes	
13	Door thickness
1 3/4"	Other thicknesses available between 1 3/8" and 2 3/4"
See price book for detail	

Lever styles

Standard cylinders shown, SFIC and FSIC also available.



Sparta

Rhodes



Athens

Tubular

Warm tone finishes



605
Bright brass

606
Satin brass

612
Satin bronze

643e
Aged bronze

Cool tone finishes



619
Satin nickel

625
Bright chrome

626
Satin chrome

626AM
Satin chrome with antimicrobial

Alllegion, the Alllegion logo, Schlage, the Schlage logo, XceedID, and Falcon are trademarks of Alllegion plc, its subsidiaries and/or affiliates in the United States and other countries. All other trademarks are the property of their respective owners.

About Alllegion

Alllegion (NYSE: ALLE) creates peace of mind by pioneering safety and security. As a \$2 billion provider of security solutions for homes and businesses, Alllegion employs more than 7,800 people and sells products in more than 120 countries across the world. Alllegion comprises 23 global brands, including strategic brands CISA®, Interflex®, LCN®, Schlage® and Von Duprin®. For more, visit www.alllegion.com.

aptiQ ■ LCN ■ SCHLAGE ■ STEELCRAFT ■ VON DUPRIN



© 2014 Alllegion
009575, Rev. 02/14
www.alllegion.com/us



CO-250

Standalone electronic lock



Images shown are not to scale.

Overview

The CO Series is the ideal solution for customers seeking the added security and convenience of electronic access control without the cost or complexity of a fully networked system.

The CO-250 is a computer programmable offline lock that stores user rights on the magnetic stripe credential, and captures an audit trail in the lock. The CO-250 provides dynamic rights management, meaning you do not have to visit the door to change user access rights. This makes it a cost effective solution for offline environments with a large number of users. The CO-250 also allows you to retrieve audits by using the Handheld Device (HHD) in conjunction with your access control software.

The CO-250 from Schlage offers you many choices. Cylindrical, mortise, mortise deadbolt, and exit trim chassis options are available as well as a wide variety of finishes and levers to suite with your existing hardware.

Mechanical key override is standard and compatible with multiple cylinder types. The CO Series is also compatible with many popular brands of exit devices.

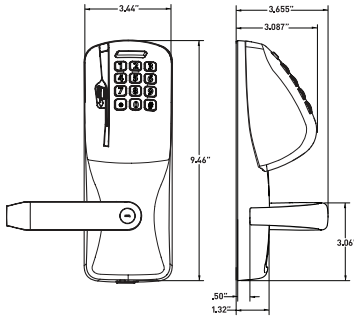
The CO Series has been tested the highest standards in the industry to ensure quality and reliability you have come to expect from Schlage. The CO Series is ANSI/BHMA A156.25, ANSI/BHMA Grade 1 certified and UL 294 Listed.

Features and benefits

- Computer programmable with audit trail
- Unlimited number of users and up to 4000 audits¹
- Available with magnetic stripe and magnetic stripe plus keypad
- Up to 32 holidays and 16 time zones¹
- ANSI/BHMA A156.25, ANSI/BHMA Grade 1 certified and UL 294 Listed
- User rights stored on the magnetic stripe credential
- The ability to easily add and delete users
- Available in cylindrical, mortise, mortise deadbolt, and exit trim
- Compatible with major brands of key systems and exit devices
- Classroom/storeroom, office, and privacy functions available

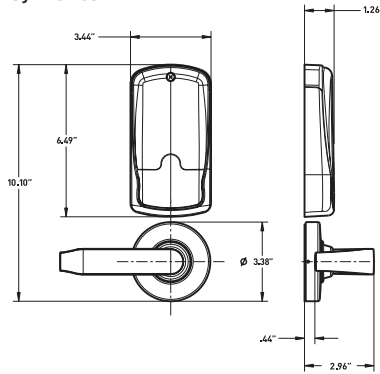
¹ Depending on access control software.

Exterior of the lock

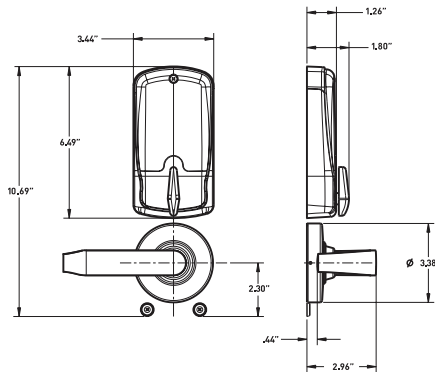


Interior of the lock

Cylindrical



Mortise deadbolt



Schlage Utility Software on Handheld Device

The Schlage Utility Software (SUS) on the Handheld Device (HHD), in conjunction with your access control software, provides an easy way to manage people, audits and locks for simple access control management.

Schlage Utility Software

- Initialize lock and accessories
- Field configure devices
 - Credential reader formats
 - Lock function
 - Unlock period
 - Failure mode
 - Audible alarm on/off
- Service and diagnostics
 - Battery status
 - Validate hardware and software revision
 - Troubleshooting status signals
- New device template simplifies configuration

HHD

- 3.5 in LCD display
- Touch screen/keypad backlit
- 32-bit processor
- OS: Windows Mobile 5.0
- Memory: 128 MB RAM/ 256 MB ROM
- Battery: Rechargeable 3.7 v, 1,230 mAh, Li-ion
- Dimensions: 5.3" x 2.9" x 0.7" (13.5 cm x 7.3 cm x 1.8 cm)
- Weight: 0.42 lbs (190 g)
- 4 ft (1.2 m) drop to steel surface, 2 drops per 6 sides



The HHD connects with CO Series and AD Series locks and accessories via the USB interface

CO-250 electronic lock specifications

Users	Unlimited ¹
Audits	Up to 4,000 ¹
Credential verification time	≤ 1 second
Visual/audible communications	Tri-colored LED's and audible indicators (field configurable)
System Interface	Handheld device
Power supply	4 AA batteries
Battery life	Up to 2 yrs with 4 AA batteries
Operating temperature - exterior	-31° to 151°F (-35° to 66°C)
Operating temperature - interior	32° to 120°F (0° to 49°C) due to batteries
Operating humidity	0 - 100% non-condensing
Certifications	ANSI/BHMA A156.25, ANSI/BHMA Grade 1, UL 294, UL 10 C, FCC Part 15, ADA and RoHS
Accessories	Handheld Device (HHD), magnetic stripe credential encoder (CL-Encoder 2)

Functions

- Classroom/storeroom²
- Office²
- Privacy³

Standard status signals

- Mechanical key override
- Battery status

HHD is also compatible with CM, CL, VIP, WA and KC2 Series locks in a serial cable connection.

¹ Depending on access control software.

² Classroom/storeroom and office function not available with mortise deadbolt option. To ensure safety, all functions always allow for free egress.

³ Door position switch is required for cylindrical and mortise chasis with privacy function.

Mechanical specifications

Chassis	Cylindrical	Mortise	Exit trim
Handing	Handed to order, field reversible		
ANSI standard (Meets or exceeds)	A156.25 A156.2 Series 4000 Grade 1	A156.25 A156.13 Series 1000 Grade 1	A156.25 A156.3
Door thickness	1 3/4" standard, 1 3/8" to 2 3/4" optional (available in 1/8" increments)		
Backset	Standard: 2 3/4" Optional: 2 3/8", 3 3/4", 5"	2 3/4" only	Defined by exit device
Latch bolt	Standard: 1/2" throw Optional: 3/4" throw	Standard: 3/4" throw Optional: 1" throw on mortise deadbolt	Provided by exit device
Levers	Pressure cast zinc, plated	Steel, plated	Steel, plated
Strike	Standard: 1 3/16" lip, ANSI, 1 1/4" x 4 7/8" Optional: Additional configurations available please see price book		Provided by exit device
Cylinder and keys	Schlage 6-pin Everest 29 S123 keyway cylinder with two patented keys standard Additional options available including Standard, SFIC, FSIC and competitor brands		

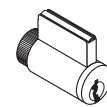
Exit device compatibility

		Rim	SVR	CVR/CVC	Mortise
Von Duprin	98/99 and 98/99 XP	✓	✓	✓ ¹	✓
Von Duprin	22/22F	✓	✓		
Falcon	25	✓			
Corbin Russwin®	5000	✓			
Precision™ 21 Rim 2100 converts to 21 with Precision's BP21 kit		✓			
Yale®	7000	✓			
Dorma®	9300	✓			
Sargent®	80 ²	✓			

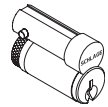
Cylinder compatibility

	Full size key-in-lever 6 pin	Full size key-in-lever 7 pin	FSIC 6 pin	SFIC 6 and 7 pin
Schlage	●		●	●
Falcon	▲	▲		▲
Sargent® (10L + 11L full size)	▲		▲	▲
Corbin Russwin®			▲ ³	▲
Yale® (also includes Medeco 31* 0100 FSIC)			▲	▲
Best®				▲

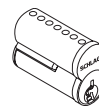
● = With cylinder or less cylinder options ▲ = Less cylinder only
 ▲ = Less cylinder, only with Sparta and Rhodes levers



Full cylinder



Full Size Interchangeable Core



Small Format Interchangeable Core

Reader specifications



- Magnetic stripe**
- Triple track reader (1, 2 or 3), field configurable
 - ABA, ISO76XX standard
 - 12 button, 3x4 matrix keypad



- Magnetic stripe**
- KEYPAD
 - Triple track reader (1, 2 or 3), field configurable
 - ABA, ISO76XX standard

¹ Metal door only

² Narrow design and reversible rim exits not compatible

³ JDCO7 Corbin Russwin 7 pin cylinder available in Rhodes, Sparta and Tubular

Ordering information

Available through one of our GSA schedule 84 approved distributions

Required fields						Factory defaults and options						
CO-250-CY-70-MS-SPA-626-PD-S123-RH-13-049-10-025-1 3/4												
Series	Class	Chassis	Function	Reader	Lever style	Finish	Lever cylinder	Keying type	Handing	Backset and latch	Strike	Door thickness
1	2	3	4	5	6	7	8	9	10	11	12	13

Selections correspond with the numbers above

Standards options are indicated in bold. See price book for specific configuration options.

3	Chassis
CY	Cylindrical
MS	Mortise
MD	Mortise deadbolt
993R	Exit trim – Rim/CVC/CVR
993S	Exit trim – SVR
993M	Exit trim – mortise
993DT	Dummy exit trim
4	Function
70	Classroom/storeroom
50	Office
40	Privacy
5	Reader
MS	Magnetic stripe
MSK	Magnetic stripe + keypad
6	Lever
SPA	Sparta
RHO	Rhodes
ATH	Athens
TLR	Tubular

Available with knurled surface

7	Finish
626	Satin chrome
605	Bright brass
606	Satin brass
612	Satin bronze
619	Satin nickel
625	Bright chrome
643e	Aged bronze
626AM	Satin chrome antimicrobial
8	Lever cylinder type
PD	Schlage 6-pin full cylinder
See price book for other SFIC, FSIC and less cores options available. Compatible with Schlage, Sargent, Corbin, Medeco and Yale.	
9	Keyway type
S123	Everest 29
See price book for other available keyway options including master keying	
10	Handing
RH	Right handed
RHR	Right handed reverse
LH	Left handed
LHR	Left handed reverse

Field reversible

11	Backset and latch or armor front
Cylindrical	
13-049	2 3/4" backset, deadlatch, square corner, 1 1/8" x 2 1/4"
Mortise	
09-663	Armor front, 1 1/4" wide, square corner
See price book for mortise deadbolt and other backset and latch options or armor front options	
12	Strike
Cylindrical	
10-025	1 3/16" lip, ANSI, no box, 1 1/4" x 4 7/8"
Mortise	
10-072	1 3/16" lip, 1 1/4" x 4 7/8" square corner, box
See price book for other available strikes	
13	Door thickness
1 3/4"	
Other thicknesses available between 1 3/8" and 2 3/4"	
See price book for details	

Lever styles

Standard cylinders shown, SFIC and FSIC also available.



Sparta

Rhodes

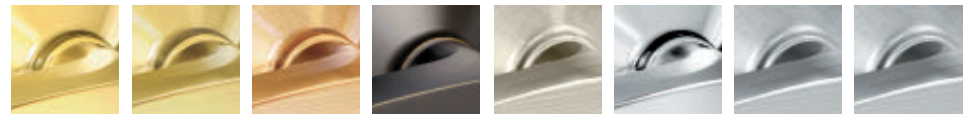


Athens

Tubular

Finishes

Warm tone finishes Cool tone finishes



605
Bright brass

606
Satin brass

612
Satin bronze

643e
Aged bronze

619
Satin nickel

625
Bright chrome

626
Satin chrome

626AM
Satin chrome with antimicrobial

Allegion, the Allegion logo, Schlage, the Schlage logo, Von Duprin and Falcon are trademarks of Allegion plc, its subsidiaries and/or affiliates in the United States and other countries. All other trademarks are the property of their respective owners.

About Allegion

Allegion (NYSE: ALLE) creates peace of mind by pioneering safety and security. As a \$2 billion provider of security solutions for homes and businesses, Allegion employs more than 7,800 people and sells products in more than 120 countries across the world. Allegion comprises 23 global brands, including strategic brands CISA®, Interflex®, LCN®, Schlage® and Von Duprin®. For more, visit www.allegion.com.

aptiQ ■ LCN ■ SCHLAGE ■ STEELCRAFT ■ VON DUPRIN



ALLEGION™

© 2014 Allegion
004184, Rev. 02/14
www.allegion.com/us



CO Series

Exit Trim compatibility



Overview

The CO Series offers 993 Exit Trim for use with compatible exit devices in retrofit or new construction applications. The 993 Exit Trim was designed to suite with CO Series cylindrical and mortise locksets to ensure that the facility remains aesthetically consistent. The CO Series 993 Exit Trim utilizes universal hardware to simplify installation of offline trim to a variety of exit devices, including Rim style from Von Duprin, Falcon, Sargent®, Precision™ Corbin Russwin®, Dorma® and Yale®

Available Exit Trim styles:

- 993R – Rim, Concealed Vertical Rod or Concealed Vertical Cable (CVR/CVC for metal doors only)
- 993S – Surface vertical rod
- 993M – Mortise
- 993DT – Non-functioning dummy trim for exit

Features and benefits

- Multiple credential reader options
- A wide variety of finishes and lever styles
- Powered by 4 AA batteries¹
- Compatible with most standard, FSIC or SFIC keyways from major brands of master key systems including Schlage, Sargent®, Corbin Russwin®, Medeco® and Yale®
- UL 294 Listed, ANSI/BHMA A156.25, ANSI/BHMA Grade 1 certified²

Compatibility

Devices	CO-100	CO-200	CO-250
Von Duprin 98/99 and 98/99XP Rim/SVR/CVR ³ /CVC ³ /mortise	X	X	X
Von Duprin 22/22F Rim/SVR	X	X	X
Falcon 25 Rim	X	X	X
Sargent® 80 ⁴ Rim	X	X	X
Precision™ 21 Rim (2100 converts to 21 with Precision's BP21 kit)	X	X	X
Yale® 7000 Rim	X	X	X
Corbin Russwin® 5000 Rim	X	X	X
Dorma® 9300 Rim	X	X	X

¹ Excluding 993DT

² UL 294 does not apply to dummy trim devices or CO-220 locks

³ Metal door only

⁴ Narrow design and reversible Rim exits not compatible

Compatibility

Reader options	CO-100	CO-200	CO-250
KP keypad	X	X	
PR proximity		X	
PRK proximity + keypad		X	
MS magnetic stripe		X	X
MSK magnetic stripe + keypad		X	X

Programming options

Reader options	CO-100	CO-200	CO-250
Computer		X	X
Manual	X	X	

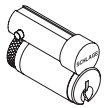
Cylinder compatibility

	Full size (key-in-lever 6 pin)	Full size (key-in-lever 7 pin)	FSIC (6 pin)	SFIC (6 and 7 Pin)
Schlage	●		●	●
Falcon	▲	◆		▲
Sargent®	▲		▲	▲
Corbin Russwin®			▲ ¹	▲
Yale® (also includes Medeco 31*0100 FSIC)			▲	▲
Best®				▲

● = with cylinder or less cylinder options ▲ = less cylinder only
◆ = less cylinder, SPA and RHO only



Full cylinder

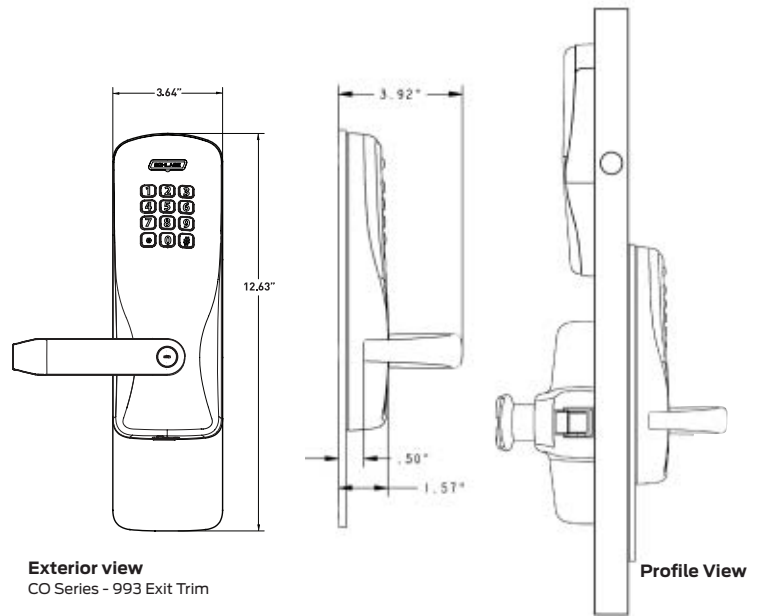


Full Size
Interchangeable Core

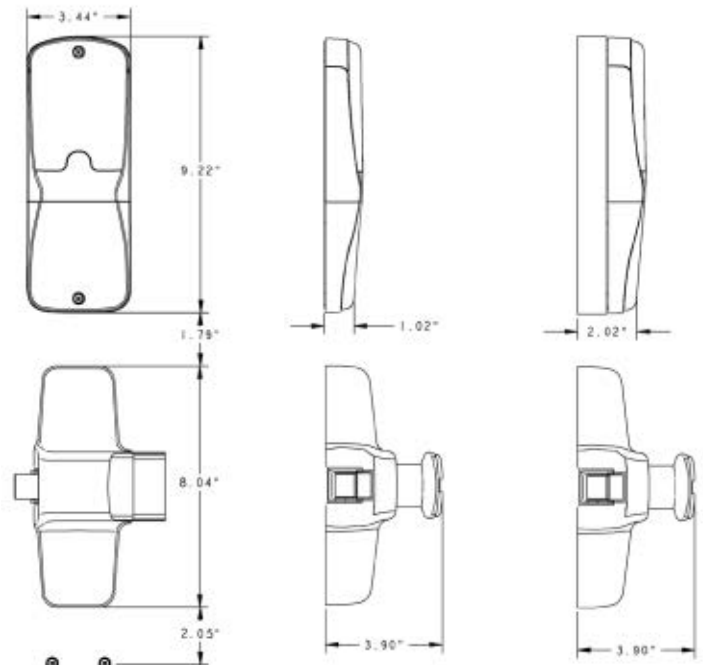


Small Format
Interchangeable Core

¹ JDC07 Corbin Russwin 7 Pin cylinder available in Rhodes, Sparta and Tubular



Exterior view
CO Series - 993 Exit Trim



Interior view
CO-100/200/250
-all styles

Side view
CO-100/200/250
- Rim/CVR/CVC or
mortise

Side view
CO-100/200/
250 SVR

Note: (2) #7 fasteners with decorative washers located 11.88" below bottom edge of lock

Allegion, the Allegion logo, Schlage, the Schlage logo, Von Duprin and Falcon are trademarks of Allegion plc, its subsidiaries and/or affiliates in the United States and other countries. All other trademarks are the property of their respective owners.

About Allegion

Allegion (NYSE: ALLE) creates peace of mind by pioneering safety and security. As a \$2 billion provider of security solutions for homes and businesses, Allegion employs more than 7,800 people and sells products in more than 120 countries across the world. Allegion comprises 23 global brands, including strategic brands CISA®, Interflex®, LCN®, Schlage® and Von Duprin®. For more, visit www.allegion.com.

aptiQ ■ LCN ■ SCHLAGE ■ STEELCRAFT ■ VON DUPRIN



ALLEGION™

© 2014 Allegion
004183, Rev. 02/14
www.allegion.com/us

SCHLAGE

CT5000

Offline controller



Overview

The CT5000 is an offline single opening controller designed for applications where the security and convenience of offline electronic access control is desired, but an integrated electronic lock may not be practical. It is an ideal solution for narrow stile aluminum store front applications because it can work with a variety of readers, as well as interface with peripheral devices such as automatic operators, electric strikes, and electromagnet locks.

The CT5000 supports up to two separate Wiegand reader inputs. It is compatible with many types of credential technologies. The CT5000 has three form C relay outputs, for strike, auxiliary and alarm. It also has three inputs that include door position and request-to-exit.

The CT5000 is compatible with many brands and types of credential technologies including magnetic stripe (tracks 1, 2, and 3), 125 kHz proximity, and 13.56 MHz smart cards. It also supports a variety of card functions including: normal, toggle, freeze, pass through, construction, lockdown and card + PIN applications.

The CT5000 offline controller has the unique ability to be programmed locally via keypad or via the Schlage handheld programming device. The CT5000 is compatible with Schlage express access control software. The CT5000 compliments your facility's portfolio of CO Series and AD Series devices along with all of your other networked readers.

If networked functionality is required in the future, the CT5000 can be upgraded. With the addition of a networked communication board and upgraded firmware, the CT5000 becomes a wireless reader interface (WRI400). The WRI400 communicates via 900MHz wireless signals to an AD Series PIM400, which connects to the networked access control system. The WRI400 eliminates the need to run additional wires to the door, saving you time and money on installation.

Features and benefits

- Supports up to 5000 users and 5000 audits¹
- UL 294, Canada UL, FCC Part 15, RoHS
- Includes 15 foot USB remote cable connector and decorative wall plate with USB input
- Supports up to two Wiegand reader inputs
- Programmed using Schlage handheld device (HHD) via USB connection or compatible keypad
- Requires 2 amp power supply, such as the Schlage PS902 (sold separately)
- Request-to-exit (remote release)
- LED visual indicators (including low battery and state of the relay)

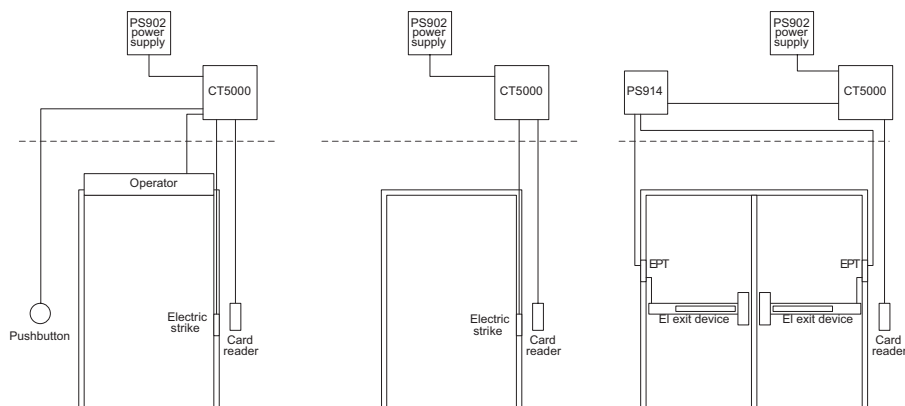
¹ Depending on your access control software

CT5000 offline controllers

The CT5000 can be used for front door applications with an automatic operator, electric strike and card reader

For narrow stile applications, the CT5000 can be used with an electric strike and card reader

The CT5000 and a card reader along with the Von Duprin 914 Power Supply can control two EL exit devices for double door applications



Note: PS902 and Von Duprin PS914 are sold separately.

CT5000 offline controller specifications

Users	Up to 5000	
Audits	Up to 5000	
Power supply	12 VDC or 24 VDC (sold separately, must be UL 294 Class 2 listed power supply)	
Voltage range	9.5 VDC to 26 VDC	
Connector cable specifications	DC power input	18AWG, 2 conductor (Belden 8760 or equivalent) up to 1000 ft (305 m)
	Credential readers (x2)	Data signals: 22AWG, 6 conductor (Alpha 1296C or equivalent) up to 500 feet (152 meters) Reader tamper signals: 18AWG, twisted pair shielded (Belden 8760 or equivalent) up to 500 feet (152 meters)
	Strike/aux relay outputs	18AWG, 2 conductor (Belden 8760 or equivalent) up to 2000 feet (610 meters)
Relay output tolerances	Strike output relay	Form C relay; 6 amps @ 24VDC or 6 amps @ 20 VAC or 3 amps @ 240 VAC
	Auxiliary output relay	Form C relay; 6 amps @ 24VDC or 6 amps @ 20 VAC or 3 amps @ 240 VAC
	Alarm output relay	Form C relay; 6 amps @ 24VDC or 6 amps @ 20 VAC or 3 amps @ 240 VAC
Operating temperature	-31°F (-35°C) to 151°F (66°C)	
Operating humidity	0 - 100% condensing	
Certifications	UL 294; Canada UL; FCC Part 15; RoHS	
Dimensions	10.43" x 7.28" x 3.79" 26.49 cm x 18.49 cm x 9.63 cm	
Programming method	Manually programmed via compatible keypad or computer programmed via SUS software on the Schlage handheld programming device (HHD)	
Optional accessories	125 foot USB remote cable connector, PS902, PS904 or Von Duprin PS914 (sold separately)	

Credential compatibility (software and reader dependent)

Magnetic stripe card	Field configurable track 1, 2, or 3
125 KHz proximity card	Schlage, XceedID® (34X, 35X, 35C, 37X bit formats), HID®, GE/CASI ProxLite™ and AWID® 26 bit format
13.56 Mhz smart card	aptiQ™ smart cards featuring MIFARE DESFire™ EV1 HID iCLASS® CSN only 26 bit format

The following readers are UL 294 listed for use with the CT5000:

- Essex Electronics model KTP-162
- Mercury Security models MR-5 and MR-20
- XceedID model PR10
- aptiQ models MT11, MT15, MTK15, MTMS15, MTMSK15, and SM10

About Allegion

Allegion (NYSE: ALLE) creates peace of mind by pioneering safety and security. As a \$2 billion provider of security solutions for homes and businesses, Allegion employs more than 7,800 people and sells products in more than 120 countries across the world. Allegion comprises 23 global brands, including strategic brands CISA®, Interflex®, LCN®, Schlage® and Von Duprin®. For more, visit www.allegion.com.

aptiQ ■ LCN ■ SCHLAGE ■ STEELCRAFT ■ VON DUPRIN



© 2014 Allegion
004016, Rev. 02/14
www.allegion.com/us



Schlage Utility Software (SUS)

on the Handheld Device (HHD)



Overview

Schlage Utility Software (SUS) is designed specifically for use on the Handheld Device (HHD) as the link between your access control management software and Schlage electronic offline and networked locks and accessories.

This solution consolidates and simplifies programming and managing your access control system. The SUS and HHD are used to initialize, configure and test product operation, and also provides an easy way to manage people, audits, locks and other network panel interface devices for simple access control. The intuitive screen layout for the SUS provides easy navigation during use.

For offline products, the SUS is utilized to transfer access control data, such as authorized user lists, via the HHD to the locks. The SUS is also utilized to download audit trail information from offline devices to the HHD and then transfer that data to the access control management software.

In addition, the SUS can configure other networked electronic devices (including PIM and PIB) and update firmware revision updates to the devices, as desired.

The HHD connects with Schlage AD Series electronic locks and accessories via a USB interface and utilizes active Synch or Win mobile device manager to communicate with your PC via the USB port. The HHD is also able to connect to the SPED, KC2, CM, CL, CT500, CT1000, CL Controller and WA Series PIMs via a serial cable connection.

Features and benefits

- Handheld Device with Schlage Utility Software installed
- Touch screen operation
- Initialize lock and accessories with SUS
- Configure and test devices
- New device template simplifies configuration

HHD compatible devices and required cable and adaptors

Devices	Cable and adaptors
AD Series and CO Series locks PIM400, WRI400, ECK400, GCK400, WPR400, TK400 and CT5000 controller	HH-USB (included in HHD-kit)
BE367, KC-2, CM, CL, CT500, CT1000, CL Controller	HH-Serial + CIP
WA Series PIM	HH-Serial + PIMWA-CV

Ordering information

- **HHD kit** – Handheld device with SUS installed and HH-USB cable
- **HH-USB** – USB cable
- **HH-Serial** – Serial cable used to connect HHD to CIP
- **PIMWA-CV** – Converter used to connect HH-Serial to WA Series PIM
- **P512112** – CIP, utilized with HH-Serial to connect to CM, CL and KC-2 locks

Features and specifications

Schlage Utility Software

- Initialize lock and accessories
- Field configure devices
 - Credential reader formats
 - Lock function
 - Unlock period
 - Failure mode
 - Audible alarm on/off
- Offline devices
 - Manage up to 100 unique door files
 - Retrieve audit trails from up to 100 devices
- Networked devices
 - Communication settings
 - Validate status monitor
- Service and diagnostics
 - Battery status
 - Validate hardware and software revision
 - Troubleshooting status signals
 - Firmware upgrades

HHD specifications

- 3.5 in LCD display
- Touch screen with backlit keypad
- 32-bit processor
- Operating system: Windows Mobile 5.0
- Memory: 128 MB RAM / 256 MB ROM
- Battery: rechargeable 3.7 V, 1,230mAh, Li-ion
- Dimensions (H x W x D): 5.3" X 2.9" X 0.7" (13.5 cm x 7.3 cm x 1.8 cm)
- Weight: 0.42 lbs (190 g)
- 4 ft (1.2 m) drop to steel surface, 2 drops per 6 sides

How-to-videos

- Specially formatted how-to-videos for the HHD are available
- They can be downloaded from www.schlage.com/support
- If additional storage is needed, a standard mini SD memory card can be used
- Videos should be saved on the SD card or in a new folder on the device rather than in the shared sync folder or root directory

Allegion, the Allegion logo, Schlage, and the Schlage logo are trademarks of Allegion plc, its subsidiaries and/or affiliates in the United States and other countries. All other trademarks are the property of their respective owners.

About Allegion

Allegion (NYSE: ALLE) creates peace of mind by pioneering safety and security. As a \$2 billion provider of security solutions for homes and businesses, Allegion employs more than 7,800 people and sells products in more than 120 countries across the world. Allegion comprises 23 global brands, including strategic brands CISA®, Interflex®, LCN®, Schlage® and Von Duprin®. For more, visit www.allegion.com.

aptiQ ■ LCN ■  ■ STEELCRAFT ■ VON DUPRIN

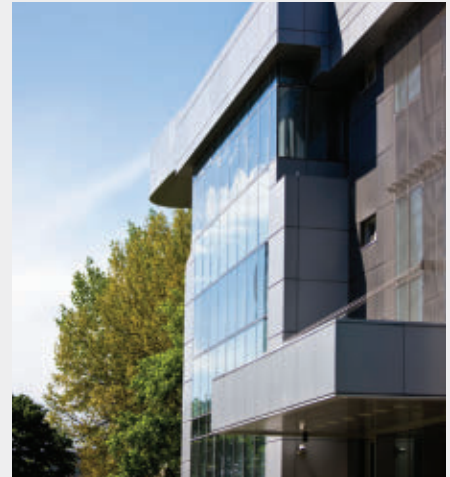


© 2014 Allegion
004443, Rev. 02/14
www.allegion.com/us



Schlage Express™

Offline Access Control
Software



Overview

Schlage Express™ Offline Access Control Software provides a simple and effective means to manage access control within your facility. It supports Schlage offline locks including the CO-200, CO-220, AD-200 and AD-201, as well as the CT5000 controller. Schlage Express is recommended for smaller facilities with basic access control needs.

It allows you to quickly enter or delete users and access points. It is compatible with a variety of credential options including PIN codes, iButtons, magnetic stripe, proximity and smart cards. For added security, dual authentication (card + PIN) is also supported.

Reporting capability is available to show audit trails retrieved, access privileges granted, and time functions established by either user or door.

Features and benefits

- A variety of credential functions are supported including normal, toggle, one time and pass through
- Auto unlock schedules - allows weekly repeating for automatic locking and unlocking of doors (up to 16 defined per system; up to 8 assigned per lock)
- Supports magnetic stripe, proximity and smart cards
- Supported devices include CO-200, CO-220, AD-200, AD-201, CM, KC-2, CT-1000, CT5000 and BE367
- Supports Windows XP, Windows 7 and Windows 8
- User times zones- limits the hours and days a user can access assigned points (Up to 8)
- Holidays - suspends normal operations for user defined periods per door during non-normal days (Up to 16)
- Users/audits and lock support
- 2,000 Users/audits and 50 locks/devices
- 1,000 Users/audits and 100 locks/devices
- Supports 12 button keypad with up to 6 digit PIN codes
- Duplicate PIN notification feature

Specifications

Hardware	Intel Pentium II processor (Pentium III or IV recommended), CD-ROM, mouse or compatible pointing device, VGA or Super VGA monitor, keyboard
----------	---

Hard disk space	250 MB for software; will require additional space for stored data
-----------------	--

Memory	256 MB RAM minimum or the memory required for the operating system, whichever is greater
--------	--

Operating system	Microsoft Windows XP, Windows 7 and Windows 8
------------------	---

Reports with the built-in viewer Internet Explorer 6 or higher must be installed.

Required for programming	<p>For offline locking system programming using a Schlage approved HHD device, the following is required:</p> <ul style="list-style-type: none">▪ Available USB port on the PC▪ Approved HHD device with installed communications software and interface cables from Schlage <p>For offline legacy locking system programming done directly from the PC, the following is required:</p> <ul style="list-style-type: none">▪ Available USB port on the PC▪ Programming interface cables
--------------------------	--

Ordering information

- **SXPR-SFT-1** - Schlage Express software only

Accessories

- **HHD KIT** - Handheld device to manage Schlage offline locks (USB cable included for managing AD Series and CO Series locks)
- **HHD-USB** - Additional or replacement cable used to connect HHD to AD Series and CO Series products
- **HH-Serial** - Serial cable used in conjunction with HHD KIT and CIP for managing legacy Schlage offline locks
- **PS12112** - Computer interface module used in conjunction with HH-Serial cable for managing legacy Schlage offline locks
- **P101203** - Computer Interface module with ibutton reader used in conjunction with HH-Serial Cable for managing legacy Schlage offline locks
- **P394548** - Female/female serial cable. Used to connect computer interface module to laptop/PC
- **SDB9USBCBL** - Six inch cable adapter allows a serial port device to be used with a USB port device (for use with PS12112)
- **CRP2** - Proximity credential enrollment reader. Used to read proximity data for enrollment into Schlage Express 4.0 and higher
- **CRM2** - Magnetic stripe credential enrollment reader. Used to read magnetic stripe data for enrollment into Schlage Express 4.0 and higher

Allegion, the Allegion logo, Schlage, the Schlage logo, and Schlage Express are trademarks of Allegion plc, its subsidiaries and/or affiliates in the United States and other countries. All other trademarks are the property of their respective owners.

About Allegion

Allegion (NYSE: ALLE) creates peace of mind by pioneering safety and security. As a \$2 billion provider of security solutions for homes and businesses, Allegion employs more than 7,800 people and sells products in more than 120 countries across the world. Allegion comprises 23 global brands, including strategic brands CISA®, Interflex®, LCN®, Schlage® and Von Duprin®. For more, visit www.allegion.com.

aptiQ ■ LCN ■  ■ STEELCRAFT ■ VON DUPRIN



© 2014 Allegion
003940, Rev. 02/14
www.allegion.com/us



Schlage Express™

Offline access control
software capability matrix

	CO-200 & CO-220	AD-200 & AD-201
System capacity at lock		
Number of users or audits/locks	2,000 users/audits, 50 lock max.	2,000 users/audits, 50 lock max.
	1,000 users/audits, 100 lock max.	1,000 users/audits, 100 lock max.
Holidays	16	16
1st person in	Yes	Yes
Time zones	8	8
Auto unlocks	8	8
Reader		
Keypad only	Yes	AD-200 only
Magnetic stripe	Yes	AD-200 only
Proximity	Yes	AD-200 only
Multi-technology - 125 kHz prox and 13.56 MHz smart card	No	Yes
Card + PIN	Yes (3 to 6)	Yes (3 to 6)
FIPS 201-1 compliant multi-technology - 125 kHz prox and 13.56 MHz smart card	No	Yes
Status monitors		
Mechanical key override (ATK)	Yes	Yes
Battery status	Yes	Yes

NOTE: Shaded boxes indicate features that are only available in Express v4.0 or higher.

Previous versions (Express 3.5.7 and older) support 1000 users/audits and 100 locks, and do not include AD Series and CO Series software labels.

	CO-200 & CO-220	AD-200 & AD-201
Lock functions		
Classroom/storeroom	CO-200 only	Yes
Office/toggle	CO-200 only	Yes
Privacy	CO-200 only	Yes
Apartment	CO-200 only	Yes
Classroom security	CO-200 only	No
Credential attributes		
Normal credential	Yes	Yes
Toggle credential	Yes	Yes
Pass thru credential	Yes	Yes
Visitor/one time use credential	Yes	Yes
Freeze credential	Yes	Yes
Lock down credential	No	No

Allegion, the Allegion logo, Schlage, and the Schlage logo are trademarks of Allegion plc, its subsidiaries and/or affiliates in the United States and other countries. All other trademarks are the property of their respective owners.

About Allegion

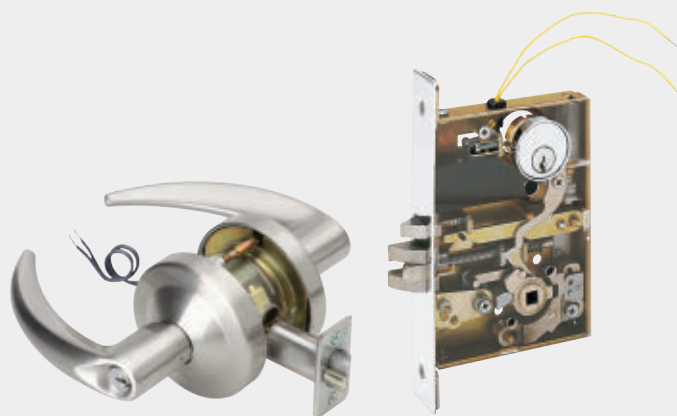
Allegion (NYSE: ALLE) creates peace of mind by pioneering safety and security. As a \$2 billion provider of security solutions for homes and businesses, Allegion employs more than 7,800 people and sells products in more than 120 countries across the world. Allegion comprises 23 global brands, including strategic brands CISA®, Interflex®, LCN®, Schlage® and Von Duprin®. For more, visit www.allegion.com.

aptiQ ■ LCN ■  ■ STEELCRAFT ■ VON DUPRIN



© 2014 Allegion
009396, Rev. 03/14
www.allegion.com/us

Electro- mechanical Solutions



This section of the Electronic Access Control catalog covers mechanical Ives, LCN, Schlage and Von Duprin products which can be equipped with electronic features for added security and functionality.

Electrified locks

Overview

The mechanical lock is one of the most basic aspects of electronic access systems; however, they are as important as any other component of such a system. Mechanical security components must be able to stand up to constant wear and tear, and in some cases be durable enough to handle direct attack or abuse. Without such durability and integrity, the building's assets and people are at risk.

Features

The two primary electromechanical Schlage products are the L Series mortise Lock and the ND Series cylindrical Lock. Both of these are offered as mechanical solutions without electronic capabilities; however, they may be ordered to incorporate electronic wiring and function. The L Series and ND Series can both be equipped with electrified locking capabilities. When triggered by the corresponding access control system, the lock will engage or disengage depending on the command.

The L Series and ND Series can also be fitted with Vandlgard® technology exclusive to Schlage products. The Vandlgard®

option allows the lever to be rotated down even when the door is in the locked position. This prevents the lever from being vandalized or damaged when locked, improving both the functional integrity of the lock as well as the security which it provides. A full array of options, including levers, functions, and finishes are also available with both the L Series and ND Series.

Benefits

Years of engineering and design have been put into the L Series and ND Series from Schlage. This means with both sets of locks, strength, dependability, and flexibility are the best on the market today. Even after purchasing an expensive electronic access control system, there can still be a point of weakness at the opening if the mechanical lock does not function properly or stand up to abuse. Moreover, many tenants are depending on the mechanical aspects of an opening to be completely functional every day. When so much is at stake, you can rely on Schlage products to be dependable, strong, and flexible.

ND Series and L Series comparison

	ND Series	L Series
Handing	Non-handed	Field reversible
Door thickness	1 5/8 in to 2 1/8 in standard	1 3/4 in (44 mm) standard, 1 3/8 in (35 mm) to 2 1/2 in (64 mm) optional. Over 2 1/2 in (64 mm) door ranges vary by function. Specify door thickness other than 1 3/4 in
Backset	2 3/4 in standard, 2 3/8 in, 3 3/4 in and 5 in optional	2 3/4 in (70 mm) only
Levers	Pressure cast zinc, plated to match finish symbols	Forged brass, bronze or cast stainless steel. Designs available to match ND and S Series levers and Von Duprin exit devices. 93 lever design: Extruded brass, bronze, or stainless steel
Strike	ANSI curved lip strike 1 1/4 in x 4 7/8 in x 1 3/16 in lip to center standard	ANSI curved lip strike 1 1/4 in x 4 7/8 in (32 mm x 124 mm) x 1 3/16 in (30 mm) lip to center with dust box standard
Cylinders and keys	6-pin solid brass cylinder is standard with Everest 29 S123 keyway furnished as default. Furnished with 2 nickel silver keys. Additional Schlage keyways available.	6-pin solid brass cylinder is standard with Everest 29 S123 keyway furnished as default. Furnished with 2 nickel silver keys. Additional Schlage keyways available.

Exit devices - electrical options

Overview

Exit devices are a critical part of the fire and life safety egress system and provide safe and reliable service when properly applied and maintained. Von Duprin's portfolio of exit device hardware features a variety of options that allow the device to be controlled electronically. When an electrical option is used, the exit device integrates into any access control system.

Features

There are a variety of electrical options that can be applied to a Von Duprin exit device. Electric latch retraction allows for the remote unlatching of exit devices. Monitoring switches, such as RX and LX, are used to signal the state of an opening. Delayed egress and alarmed exits, such as the Chexit and ALK exit, help to deter unauthorized use of certain openings. Von Duprin also offers a variety of electrified exit trims that work seamlessly with the exit device.

Benefits

Applying electrical features to your Von Duprin exit devices allows you to remotely control, monitor and delay or alarm latch retraction, while allowing safe and efficient egress.

Allegion, the Allegion logo, Ives, LCN, Schlage and Von Duprin are trademarks of Allegion plc, its subsidiaries and/or affiliates in the United States and other countries. All other trademarks are the property of their respective owners.

About Allegion

Allegion (NYSE: ALLE) creates peace of mind by pioneering safety and security. As a \$2 billion provider of security solutions for homes and businesses, Allegion employs more than 7,800 people and sells products in more than 120 countries across the world. Allegion comprises 23 global brands, including strategic brands CISA®, Interflex®, LCN®, Schlage® and Von Duprin®. For more, visit www.allegion.com.

aptiQ ■ LCN ■ SCHLAGE ■ STEELCRAFT ■ VON DUPRIN

Door control - electrical options

Overview

LCN has automatic operator solutions to meet the full array of ADA accessibility and door control needs, from low-energy pneumatic to high-energy electric. What's more, they utilize several patented components, and are all assembled by hand in the United States. LCN's comprehensive portfolio of solutions help building owners bridge the gap between business objectives and ADA accessibility, without sacrificing other needs related to high use and abuse, design, fire and life safety and security.

Features

LCN pneumatic auto equalizer systems use the power of pressurized air to do the work of automatically opening the door. A basic pneumatic system consists of an automatic operator to provide the door control, a control box that contains the valves and electrical timing circuits, actuators to start the system and a compressed air source. Electrohydraulic auto equalizer products can operate as normal rack & pinion door closers or, at the touch of a button, open automatically. An integrated digital control suite provides all electrical control functions. Two surface mount models are available; the 4630 Series mounts on the pull side of the door and the 4640 Series mounts on the push side of the door. LCN's electromechanical products are designed primarily for automatic opening applications that occasionally require manual opening. A control box provides all electrical functions. Surface mounted and overhead concealed mountings are available.

Benefits

LCN automatic operator solutions have been the proven standard in schools and health care facilities for over 20 years and are designed to meet ADA regulations for accessible openings. They are easily retrofitted into existing doors and frames, as well as new construction.

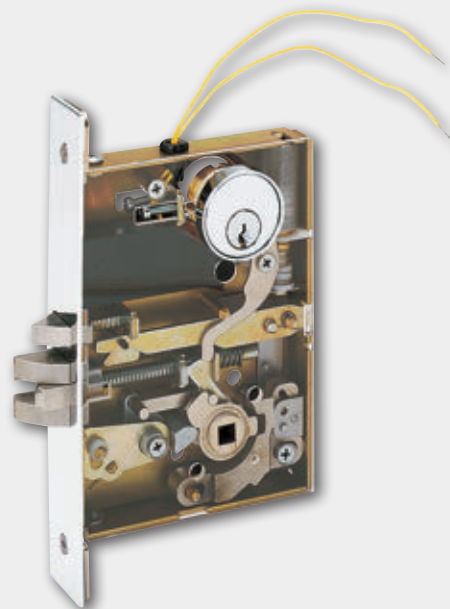


© 2014 Allegion
005024, Rev. 02/14
www.allegion.com/us



L Series

Mortise Electrified Lock



Overview

The most complex electronic access systems still rely on mechanical hardware to operate properly. Advanced electronic technology can go to waste without adequate mechanical locking strength and functionality.

The Schlage L Series is a mortise lock which can be equipped with an electrified locking option. The L Series Mortise Lock is designed for the highest security applications, featuring a heavy-duty deadbolt and superior strength and durability.

The L Series can serve as the mechanical component to nearly any electronic access system. With the electrified option, the L Series is wired to two sources; a regulating device and a power source. A regulating device such as a hand or card reader signals the L Series to lock or unlock, while the power source serves as the energy source to change the status of the lock.

Top of the line security means getting the most of both mechanical and electrical components. The Schlage L Series has a proven record of performance, strength, and durability from the most trusted name in the industry.

Recommended applications

The L Series Electrified Mortise Lock is useful for many applications, including but not limited to:

- Security control centers
- Cashier rooms
- Fire safety exits
- Equipment rooms
- Hazardous material storage

Features and benefits

- Vandlgard® option prevents damage to internal lock when lever is subjected to force
- Fully wrapped heavy-gauge steel case protects against door edge attacks
- Universal lock case provides up to ten functions in one case
- Features reversible handing without opening the case
- Lever rotation up or down for easy use

L Series mechanical specifications

Handing	Non-handed
Door thickness	1 3/4" (44 mm) standard, 1 3/8" (35 mm) to 2 1/2" (64 mm) optional. Over 2 1/2" (64 mm) door ranges vary by function. Specify door thickness other than 1 3/4".
Backset	2 3/4" (70 mm) only
Armored front	Standard: 1 1/4" x 8" x 7/32" (32 mm x 203 mm x 6 mm) Optional: 1 1/16" x 8" x 7/32" (27 mm x 203 mm x 6 mm)
Case size	4 7/16" x 6 1/16" x 1" (113 mm x 154 mm x 25 mm)
Spacing	Knob or lever to cylinder, 3 7/8" (98 mm); knob or lever to thumbturn hub, 2 11/16" (68 mm)
Bolts	1" (25 mm) throw stainless steel deadbolt and 3/4" (19 mm) throw stainless steel latch with anti-friction tongue
Cylinders and keys	6-pin solid brass cylinder is standard with Everest 29 S123 keyway furnished as default. Furnished with 2 nickel silver keys. Additional Schlage keyways available.
Keying options	Available in full size interchangeable core (FSIC) and small format interchangeable core (SFIC). Also available less cylinder and less FSIC to allow for Primus XP cylinder usage.
Strike	ANSI curved lip strike 1 1/4" x 4 7/8" (32 mm x 124 mm) x 1 3/16" (30 mm) lip to center with dust box standard
Trim combinations	Available with knobs both sides, levers both sides or knob and lever with rose or escutcheon on each side
Escutcheons	L escutcheons are cold forged brass or bronze and stainless steel. N escutcheons are heavy wrought reinforced brass, bronze or stainless steel
Knobs	#41 and #42 heavy-duty wrought brass, bronze or stainless steel knobs match D Series knobs
Levers	See pricebook for details.

L Series electronic specifications

Voltage	24V AC or 24 V DC (Max 26V; Min 22V)
Peak current	1.3 amps at 5 to 10 second intervals
Holding current	.135 amps between peak current intervals
Operating temperature	Maximum +151°F (+66°C) Minimum -31°F (-33°C)
Interfacing devices	HandReaders, wall switches, security consoles, access card readers, thermo-sensitive devices, smoke and fire alarms, telephone access controls, automatic time devices and computerized controls
Micro switch electrical requirements for request-to-exit (RX) function)	Current: 1.0 amps Voltage: 24V AC or 24V DC Peak load: 5 amps, 250 V AC or DC

L Series electrified functions

Note: See pricebook for details.

Allegion, the Allegion logo, Schlage, and the Schlage logo are trademarks of Allegion plc, its subsidiaries and/or affiliates in the United States and other countries. All other trademarks are the property of their respective owners.

About Allegion

Allegion (NYSE: ALLE) creates peace of mind by pioneering safety and security. As a \$2 billion provider of security solutions for homes and businesses, Allegion employs more than 7,800 people and sells products in more than 120 countries across the world. Allegion comprises 23 global brands, including strategic brands CISA®, Interflex®, LCN®, Schlage® and Von Duprin®. For more, visit www.allegion.com.

aptiQ ■ LCN ■ SCHLAGE ■ STEELCRAFT ■ VON DUPRIN



© 2014 Allegion
004998, Rev. 02/14
www.allegion.com/us



ND Series

Cylindrical Electrified Lock



Overview

Electronic access control systems can be installed in a variety of applications, but they always require a mechanical lock to ensure that safety and security needs are met.

The Schlage ND Series is a cylindrical lock which can be equipped with an electrified locking option. It can be quickly and easily installed and integrates with various key systems for field adaptability.

The ND Series serves as the mechanical component to nearly any electronic access system. With the electrified option, the ND Series is wired to two sources, a regulating device and a power source. A regulating device such as a hand or card reader signals the ND Series to lock or unlock, while the power source serves as the energy source to change the status of the lock.

When it comes to access control, mechanical components can be just as important as their electronic counterparts. The Schlage ND Series provides versatility and easy installation to complete your access control system.

Features and benefits

- Vandlgard® option prevents damage to internal lock when lever is subjected to force
- Exceeds ANSI A156.2 series 4000 Grade 1 torque requirements
- Extensive options for lever, finish, handing, and functions
- Can be set to fail safe or fail secure
- Is available with request-to-exit functionality

ND Series mechanical specifications

Handing	Non-handed
Door thickness	1 5/8" to 2 1/8" standard including Vandlgard
Backset	2 3/4" standard, 2 3/8", 3 3/4" and 5" optional
Faceplate	Brass, bronze or stainless steel. 1 1/8" x 2 1/4" (29 mm x 57 mm) square corner, beveled.
Lock chassis	Zinc plated for corrosion resistance.
Latchbolt	Steel, 1/2" (12 mm) throw, deadlocking on keyed and exterior functions. 3/4" (19 mm) throw anti-friction latch available for pairs of fire doors.
Exposed trim levers	Pressure cast zinc, plated to match finish symbols.
Roses	Brass or bronze.
Strike	ANSI curved lip strike 1 1/4" x 4 7/8" x 1 3/16" lip to center standard.
Cylinders and keys	6 pin solid brass cylinder is standard with Everest 29 S123 keyway furnished as default. Furnished with 2 nickel silver keys. Additional Schlage keyways available.
Keying options	Available in full size interchangeable core (FSIC) and small format interchangeable core (SFIC). Also available less cylinder and less FSIC to allow for Primus XP cylinder usage.
Lever design and finish	All ND levers and all ND finishes available

ND Series electronic specifications

Voltage	24V AC or 24 V DC
Holding current	.35A or .15A
Operating temperature	Maximum +151°F (+66°C) Minimum -31°F (-33°C)
Rectifier used on AC operation unit only	.35A @ 24 (Current requirements per lock)

ND Series electrified functions

Note: See pricebook for details.

Allegion, the Allegion logo, Schlage, and the Schlage logo are trademarks of Allegion plc, its subsidiaries and/or affiliates in the United States and other countries. All other trademarks are the property of their respective owners.

About Allegion

Allegion (NYSE: ALLE) creates peace of mind by pioneering safety and security. As a \$2 billion provider of security solutions for homes and businesses, Allegion employs more than 7,800 people and sells products in more than 120 countries across the world. Allegion comprises 23 global brands, including strategic brands CISA®, Interflex®, LCN®, Schlage® and Von Duprin®. For more, visit www.allegion.com.

aptiQ ■ LCN ■  ■ STEELCRAFT ■ VON DUPRIN



© 2014 Allegion
004999, Rev. 02/14
www.allegion.com/us

VON DUPRIN®

EL

Electric latch retraction



Overview

The Electric Latch (EL) feature provides remote latch retraction ability to exit devices. A control station operator can flip a switch to retract the latch bolt and immediately change an exit door to push-pull operation. A powerful, continuous solenoid retracts the latch bolt, either for momentary unlatching, or for extended periods of time. The EL feature is an alternative to manual dogging. This feature is available for 98/99 and 33A/35A Series rim, mortise and vertical rod exit devices. There are three dogging options available with the EL feature:

- **EL** - electric latch retraction with no manual dogging
- **HD-EL** - electric latch retraction with manual hex key dogging
- **SD-EL** - electric latch retraction with special center case cylinder dogging (Note: this option is not available on some exit devices. Please refer to price book.)

EL devices are also useful with automatic door operators, and may be applied to fire-rated devices when under the control of an automatic fire alarm system.

Features and benefits

- UL approved for Class II circuit applications
- UL listed FVSR SA163 panic hardware and/or GXHX R450(N) fire exit hardware (consult device catalog for fire rated models)
- Retro-fit kits available to add the EL feature to non-EL devices
- Integrates with reader, strike and software to complete any access control system

EL electrical specifications

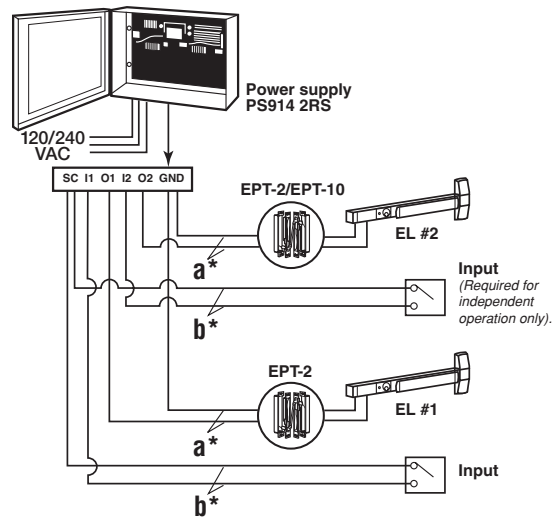
Solenoid	Continuous duty 24VDC
Inrush	16 Amps
Holding	.3 Amp

Wire length and gauge

	Wire length (feet) ¹	Wire gauge (AWG)
EL 98/99	0-500	12
EL 33A/35A	0-300	14
	0-200	16
	0-100	16
a* All other EL 98/99 and EL 33A/35A device types	0-250	12
	0-150	14
	0-100	16
b* Control switch	0-1200	18

¹ Wire lengths include an EPT, door loop, electric hinge or pivot and are measure one way between the PS914/option board and the device.

² Table is applicable to devices that have shipped after August 2012.



To order, specify

- Standard - Use prefix EL, example EL99L or EL33AL
- Hex key dogging - Use prefix HD-EL, example HD-EL99L or HD-EL33AL
- Special center case dogging (98/99 only) - Use prefix SD-EL, example SD-EL99L, handing is required for Special Dogging devices, specify RHR or LHR

Allegion, the Allegion logo, Schlage, Von Duprin and the Von Duprin logo are trademarks of Allegion plc, its subsidiaries and/or affiliates in the United States and other countries. All other trademarks are the property of their respective owners.

About Allegion

Allegion (NYSE: ALLE) creates peace of mind by pioneering safety and security. As a \$2 billion provider of security solutions for homes and businesses, Allegion employs more than 7,800 people and sells products in more than 120 countries across the world. Allegion comprises 23 global brands, including strategic brands CISA®, Interflex®, LCN®, Schlage® and Von Duprin®. For more, visit www.allegion.com.

aptiQ ■ LCN ■ SCHLAGE ■ STEELCRAFT ■ VON DUPRIN



© 2014 Allegion
010105, Rev. 03/14
www.allegion.com/us

VON DUPRIN®

QEL

Quiet electric latch
retraction



Overview

The Quiet electric latch (QEL) option provides electronic control of an exit device and is ideally suited for environments where limited operational noise is desired. The feature allows for the electronic unlatching of exit devices for continuous push-pull operation and/or access control and can be activated through a building automation system, access control system or by a control system operator.

The device always provides mechanical egress but can also be tied to an access system to unlatch when a credential is presented or may be held unlatched (dogged) for extended periods to provide free entry. If manual dogging is also required, special center case dogging is available for 98/99 rim and vertical systems.

QEL devices are also useful with automatic door operators, and may be applied to fire-rated applications when under the control of an automatic fire alarm system.

QEL is an option for 98/99 Series (including XP,) 94/95 Series and 33A/35A Series devices. The PS900 Series power supplies, with the 900-2RS option card, is the minimum option card requirement. Other option cards are available for various functions.

Features and benefits

- Quiet operation
- On-board installation and troubleshooting diagnostics
- Automatic calibration- automatically adjusts latch throw and pull.
- Vandal resistant
- BHMA certified to ANSI/BHMA A156.3 Grade 1 for exit devices
- UL and cUL listed as "Panic Hardware" (UL 305) and as "Fire Exit Hardware" (UL 10C)
- QEL conversion kit is UL classified under Accessories for Single-Point Locks and Latches and Fire Exit Hardware (UL 10C)

QEL electrical specifications

Voltage	24VDC
Current inrush	1.4 Amps
Current holding	.014 Amp
Current calibrate	2.0 Amps (3 sec one time)

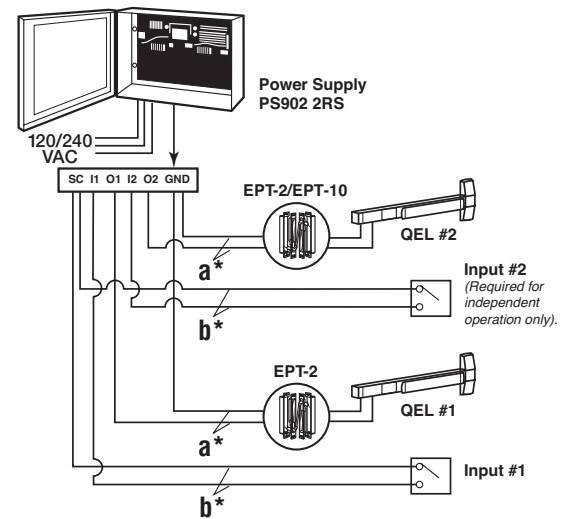
Wire length and gauge

Wire length (feet)	Wire gauge (AWG)
200'	18
320'	16
500'	14
800'	12

The QEL option does not include the power transfer from door to frame, the power supply, or the control operator. Refer to Von Duprin catalog for information on EPT-2/10 power transfer and the 900 Series power supplies.

To order, specify

- Standard - Use prefix QEL, example QEL99L.
- Special center case dogging - Use prefix SD-QEL, example SD-QEL99L.



Allegion, the Allegion logo, Von Duprin and the Von Duprin logo are trademarks of Allegion plc, its subsidiaries and/or affiliates in the United States and other countries. All other trademarks are the property of their respective owners.

About Allegion

Allegion (NYSE: ALLE) creates peace of mind by pioneering safety and security. As a \$2 billion provider of security solutions for homes and businesses, Allegion employs more than 7,800 people and sells products in more than 120 countries across the world. Allegion comprises 23 global brands, including strategic brands CISA®, Interflex®, LCN®, Schlage® and Von Duprin®. For more, visit www.allegion.com.

aptiQ ■ LCN ■ SCHLAGE ■ STEELCRAFT ■ VON DUPRIN

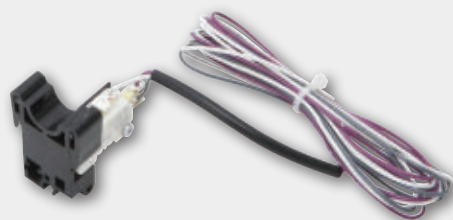


© 2014 Allegion
010109, Rev. 03/14
www.allegion.com/us

VON DUPRIN®

RX and LX

Monitoring switches



Overview

The RX and LX features are used to signal the use of an opening. The exit devices are equipped with one internal SPDT switch that monitors the pushpad (RX) and one internal SPDT switch that monitors the latch bolt (LX.) The device can be connected to a security console, or may be used as a single door alarm when used with a horn and power supply. A continuous current electric transfer must be used for transferring power from the frame to the door. The RX and LX switches should not be used to control a load, but as a signaling switches. The RX and LX switches are available in a low current (LC) switches which are most commonly used in a computer operated monitoring system.

Features and benefits

- UL listed FVSR SA163 panic hardware and/or GXHX R4505(N) fire exit hardware

RX/LX electrical rating

Standard	Up to 2.0 Amps @ 24VDC maximum
Low current (LC)	below 50 Milliamps at 24VDC

To order RX or LX, specify

- Standard - Use prefix RX or LX, example RX99EO or LX33AEO
- Low current - Use prefix RX-LC or LX-LC, example RX-LC98EO or LX-LC35AEO
- RX2 standard (RX only) - Use prefix RX2, example RX299EO or RX233AEO

Allegion, the Allegion logo, Von Duprin and the Von Duprin logo are trademarks of Allegion plc, its subsidiaries and/or affiliates in the United States and other countries. All other trademarks are the property of their respective owners.

About Allegion

Allegion (NYSE: ALLE) creates peace of mind by pioneering safety and security. As a \$2 billion provider of security solutions for homes and businesses, Allegion employs more than 7,800 people and sells products in more than 120 countries across the world. Allegion comprises 23 global brands, including strategic brands CISA®, Interflex®, LCN®, Schlage® and Von Duprin®. For more, visit www.allegion.com.

aptiQ ■ LCN ■  ■ STEELCRAFT ■ VON DUPRIN



© 2014 Allegion
010108, Rev. 03/14
www.allegion.com/us

VON DUPRIN®

SS

Signal switch device



Overview

The SS feature is used to signal the unauthorized use of an opening. Available on the 33A/35A and 98/99 Series devices, these device are equipped with two internal SPDT switches. One switch monitors both the pushpad and the latch bolt assembly, making the latch bolt tamper resistant, for positive security. An additional SPDT switch is connected to the 1 1/4" (32mm) mortise cylinder with straight cam for alarm resetting. The device can be connected to a security console, or may be used as a single door alarm when used with a horn and power supply. A continuous current electric transfer must be used for transferring power from the frame to the door.

Pushpad reads: "EMERGENCY EXIT ONLY – PUSH TO OPEN AND SOUND ALARM."
Pushpad is only available in US32D finish with red silkscreened lettering.

Features and benefits

- UL listed FVSR SA163 panic hardware and/or GXHX R4504(N) fire exit hardware
- SS mortise lock devices furnished with signal switches and the SS7500 mortise lock, totaling four switches
- The SS7500 mortise lock monitors latch bolt operation and trim locking function

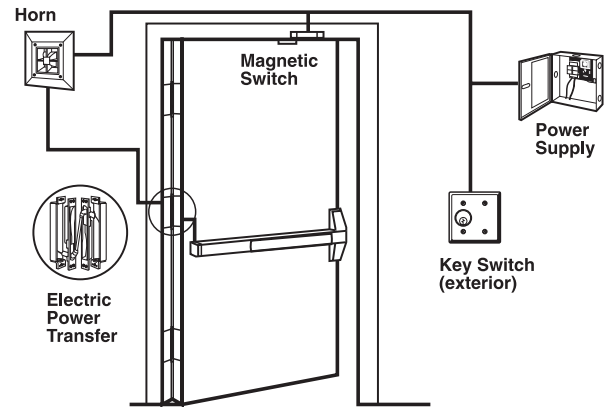
SS electrical specifications

Standard Up to 2.0 Amps @ 24VDC maximum

To order, specify

- Standard - Use prefix SS, example SS99L
- Handling required - LHR or RHR

Popular SS application



Allegion, the Allegion logo, Von Duprin and the Von Duprin logo are trademarks of Allegion plc, its subsidiaries and/or affiliates in the United States and other countries. All other trademarks are the property of their respective owners.

About Allegion

Allegion (NYSE: ALLE) creates peace of mind by pioneering safety and security. As a \$2 billion provider of security solutions for homes and businesses, Allegion employs more than 7,800 people and sells products in more than 120 countries across the world. Allegion comprises 23 global brands, including strategic brands CISA®, Interflex®, LCN®, Schlage® and Von Duprin®. For more, visit www.allegion.com.

aptiQ ■ LCN ■ **SCHLAGE** ■ STEELCRAFT ■ VON DUPRIN



© 2014 Allegion
01011, Rev. 02/14
www.allegion.com/us

VON DUPRIN®

E996L

Electrified breakaway
lever trim



Overview

E996L electrified breakaway lever trim provides remote locking and unlocking capabilities while incorporating the patented breakaway trim design. The E996L comes furnished standard in Fail-Safe (FS) condition and can be field converted to Fail-Secure (FSE) where allowed. The E996L is also furnished standard with cylinder operation for NightLatch (NL) function, or with Blank Escutcheon (BE).

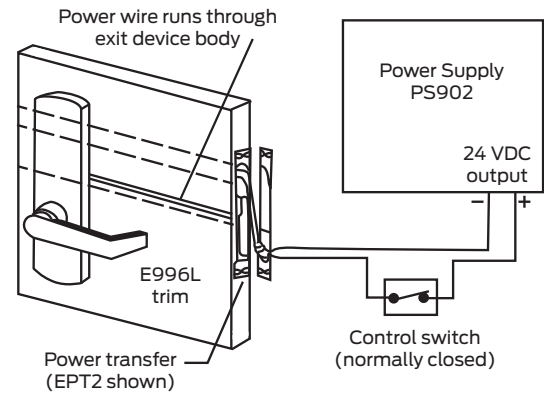
When electrically unlocked the unit operates as a normal lever trim. When electrically locked, the lever feels locked, but when more than 35 pounds of torque pressure is applied, the breakaway lever feature engages.

Features and benefits

- Wide variety of finishes and lever styles
- Retro-fit kits available

Electrical specifications

Solenoid	Continuous duty 24VDC
Solenoid draw	0.22 AMPS



Allegion, the Allegion logo, Von Duprin and the Von Duprin logo are trademarks of Allegion plc, its subsidiaries and/or affiliates in the United States and other countries. All other trademarks are the property of their respective owners.

About Allegion

Allegion (NYSE: ALLE) creates peace of mind by pioneering safety and security. As a \$2 billion provider of security solutions for homes and businesses, Allegion employs more than 7,800 people and sells products in more than 120 countries across the world. Allegion comprises 23 global brands, including strategic brands CISA®, Interflex®, LCN®, Schlage® and Von Duprin®. For more, visit www.allegion.com.

aptiQ ■ LCN ■ **SCHLAGE** ■ STEELCRAFT ■ VON DUPRIN

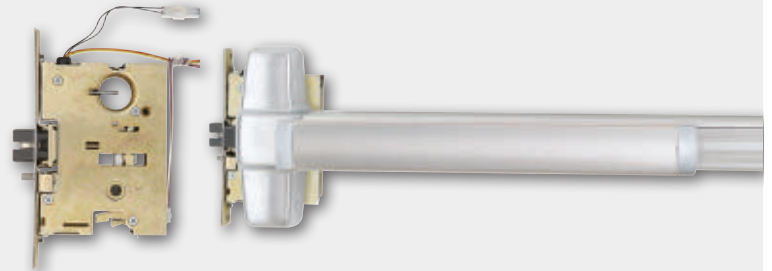


© 2014 Allegion
010103, Rev. 03/14
www.allegion.com/us

VON DUPRIN®

E7500

Electric mortise lock



Overview

E7500 electric mortise lock has all the versatility and advantages of the standard mortise lock device, plus the advantage of being electrically controlled by a remote switching device, an access control system or an automatic fire alarm system. The E7500 is available for use with the 98/99 Series devices.

The E7500 controls the locking of the outside trim. When unlocked, the door remains latched, preserving the fire rating of the door and making it particularly useful where codes permit locking, but require unlocking during a fire emergency.

The E7500 locks and unlocks electrically and cannot be locked or unlocked mechanically. The outside trim cylinder retracts the latch bolt for mechanical override, night latch function. An SPDT signal monitors the outside trim condition (locked or unlocked) and a second SPDT signal switch to monitor the latch bolt.

Features and benefits

- UL listed FVSR SA163 panic hardware and/or GXHX R4504(N) fire exit hardware
- Field reversible handing
- 24VDC continuous duty solenoid
- Tamper resistant
- Corrosion resistant
- Internal solenoid
- Fail Safe or Fail Secure optional ¹

¹ Some fire codes will require "Fail Safe" (FS) operation for stairwell doors. Be sure to specify the correct operation for you application

E7500 electrical specifications

	12VDC	24VDC
Solenoid	.60 Amp	.30 Amp
Switches	Up to 2.0 Amps @ 24VDC maximum	

Minimum requirements

- PS902
- EPT-10

To order, specify

- Use prefix "E", example E9975
- FS or FSE
- Voltage and current

Allegion, the Allegion logo, Von Duprin and the Von Duprin logo are trademarks of Allegion plc, its subsidiaries and/or affiliates in the United States and other countries. All other trademarks are the property of their respective owners.

About Allegion

Allegion (NYSE: ALLE) creates peace of mind by pioneering safety and security. As a \$2 billion provider of security solutions for homes and businesses, Allegion employs more than 7,800 people and sells products in more than 120 countries across the world. Allegion comprises 23 global brands, including strategic brands CISA®, Interflex®, LCN®, Schlage® and Von Duprin®. For more, visit www.allegion.com.

aptiQ ■ LCN ■  ■ STEELCRAFT ■ VON DUPRIN



© 2014 Allegion
010104, Rev. 02/14
www.allegion.com/us

VON DUPRIN®

Chexit®



Overview

Designed for use on delayed exit applications, the Chexit system is ideal for controlled areas. This concept in delayed exit systems combines life safety with the needs of security and meets all requirements of NFPA 101 for Special locking arrangement.

The Chexit system will keep an exit door secured for a 15 second period, yet tied into the fire alarm system will release immediately when an alarm condition exists. All controls, auxiliary locking, local alarm and remote signaling output are self-contained in the Chexit assembly, providing safe, secure, easy to install and simple to operate door control and exit hardware.

The Chexit system is ideal for highly controlled areas such as airports, hospitals, government facilities and development labs, retail stores, libraries and security facilities.

Chexit controlled exit device can be used on panic or fire exit hardware applications.

Features and benefits

- Non-handed
- Field sizeable
- ¾" (19mm) throw, latch bolt
- Deadlocking
- Internal RX switch detects attempt to exit (applying less than 15lbs to the push pad will cause this switch to start an irreversible alarm cycle)
- Nuisance alarm
- Remote alarm
- Key switch can arm, disarm or reset the Chexit
- Indicator lamp determines status of the Chexit
- Internal horn
- Door position input
- External inhibit input
- Fire alarm input
- Internal auxiliary lock
- User definable rearm time
- Factory definable delay

Chexit electrical specifications

Continuous duty	24VDC
Inrush	16 Amps
Holding	.3 Amp

Minimum door openings

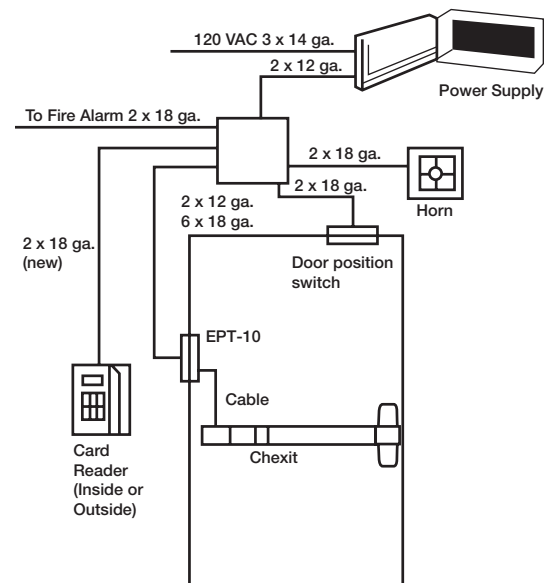
Device	3' (914mm) Length	4' (121mm) Length
CX98/98-F/99/99-F	2' 10 1/2" (864mm)	3' 4 1/2" (1016mm)
CX9875/9875-F/9975/9975-F	2' 10" (864mm)	3' 4" (1016mm)
CX9827/9827-F/9927/9927-F	2' 10" (864mm)	3' 4" (1016mm)
CX9857/9857-F/9957/9957-F	2' 10" (864mm)	3' 4" (1016mm)
CX9847/9847-F/9947/9947-F	2' 9" (864mm)	3' 3" (991mm)
CX9848/9848-F/9948/9948-F	2' 9" (864mm)	3' 3" (991mm)
CX9849/9849-F/9949/9949-F	2' 9" (864mm)	3' 3" (991mm)
CX9849/9849-F/9949/9949-F	2' 9" (864mm)	3' 3" (991mm)

Minimum door opening 3' devices for 34" opening and 4' device for 40" opening

To order, specify:

- Use prefix CX, example CX99EO, 15 second delay furnished standard
- For other Chexit options consult Von Duprin pricebook

Chexit popular application



Allegion, the Allegion logo, Von Duprin and the Von Duprin logo are trademarks of Allegion plc, its subsidiaries and/or affiliates in the United States and other countries. All other trademarks are the property of their respective owners.

About Allegion

Allegion (NYSE: ALLE) creates peace of mind by pioneering safety and security. As a \$2 billion provider of security solutions for homes and businesses, Allegion employs more than 7,800 people and sells products in more than 120 countries across the world. Allegion comprises 23 global brands, including strategic brands CISA®, Interflex®, LCN®, Schlage® and Von Duprin®. For more, visit www.allegion.com.

aptiQ ■ LCN ■ SCHLAGE ■ STEELCRAFT ■ VON DUPRIN



ALLEGION™

© 2014 Allegion
010102, Rev. 03/14
www.allegion.com/us

VON DUPRIN®

ALK

Alarm kit



Overview

The ALK battery alarm kit is a simple yet effective way to deter unauthorized use of an opening. While the exit device is still a means of egress, the ALK kit contains an internal horn. When the touch bar is depressed, the horn sounds to provide an audible means of signaling that the opening has been violated. The alarm kit can be armed or disarmed by key. The horn is rated at 85 decibel.

The key switch uses a standard 1 1/4" (32mm) mortise cylinder with a straight cam (Schlage 20-001, B502-191 cam). The unit operates on one standard 9-volt alkaline battery.

Alarm kits are available with a choice of two switch kits, RX or LX. RX monitors the touchpad and is furnished standard. LX optional latch bolt monitoring is recommended for use with surface vertical rod exit devices or when alarm needs to sound from both the exit device and trim side of the door. Specify ALK-LX.

The ALK is available in two styles, 33A/99ALK, grooved cover and 35A/98ALK, smooth cover.

Features and benefits

- 24VDC Input and External Inhibit standard
- External Inhibit provides remote arming and disarming
- Automatically re-arms with 1 1/2, 3 or 4 1/2 minute time delay upon request
- Horn emits intermittent low battery alert signal
- Includes 6" x 20" decal for application on door "EMERGENCY EXIT ONLY. ALARM WILL SOUND."

98/99 Series

Minimum door openings

Device	3' (914mm) Length	4' (1219mm) Length
98/98-F/99/99-F	2' 10" (864mm)	3' 4" (1016mm)
9875/9875-F/9975/9975-F	2' 10" (864mm)	3' 4" (1016mm)
9827/9827-F/9927/9927-F	2' 10" (864mm)	3' 4" (1016mm)
9857/9857-F/9957/9957-F	2' 10" (864mm)	3' 4" (1016mm)
9847/9847-F/9947/9947-F	2' 9" (864mm)	3' 3" (991mm)
9848/9848-F/9948/9948-F	2' 9" (864mm)	3' 3" (991mm)
9849/9849-F/9949/9949-F	2' 9" (864mm)	3' 3" (991mm)
9849/9849-F/9949/9949-F	2' 9" (864mm)	3' 3" (991mm)

To order, specify:

- Standard - 98 ALK or 99 ALK
- Cylinder dogging - CD98 ALK or CD99 ALK
- Special center case dogging - SD98 ALK or SD99 ALK
- Auto reset - AR 1 ½, 3 or 4 ½

33A/35A Series

Minimum door openings

Device	3' (914mm) Length	4' (1219mm) Length
33A/35A	2' 9" (838mm)	3' 3" (991mm)
3327A/3527A	2' 8" (813mm)	3' 2" (966mm)
3347A/3347A-F 3547A/3547A-F	2' 8" (813mm)	3' 2" (966mm)
3348A/3348A-F 3548A/3548A-F	2' 8" (813mm)	3' 2" (966mm)

To order, specify:

- Standard - 33A ALK or 35A ALK
- Cylinder dogging - CD33A ALK or CD35A ALK¹
- Auto reset - ALK-AR3

- 1 When the ALK is used, standard dogging is removed. If cylinder dogging is required for 3' or 4' doors the ALK can be moved to the hinge side of the device and standard cylinder dogging can be added.

Allegion, the Allegion logo, Schlage, Von Duprin and the Von Duprin logo are trademarks of Allegion plc, its subsidiaries and/or affiliates in the United States and other countries. All other trademarks are the property of their respective owners.

About Allegion

Allegion (NYSE: ALLE) creates peace of mind by pioneering safety and security. As a \$2 billion provider of security solutions for homes and businesses, Allegion employs more than 7,800 people and sells products in more than 120 countries across the world. Allegion comprises 23 global brands, including strategic brands CISA®, Interflex®, LCN®, Schlage® and Von Duprin®. For more, visit www.allegion.com.

aptiQ ■ LCN ■  ■ STEELCRAFT ■ VON DUPRIN



© 2014 Allegion
010101, Rev. 03/14
www.allegion.com/us

VON DUPRIN®

GUARD-X

Exit alarm lock



Overview

GUARD-X provides secure, alarmed code-compliant protection for secondary exits. GUARD-X exit alarm lock readily identifies the door on which it is mounted as an emergency exit and secures the opening against unauthorized use. It is ideal for deterring theft in restaurants and retail establishment such as: discount stores, grocery stores, drug stores, clothing stores and sporting goods stores.

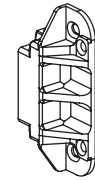
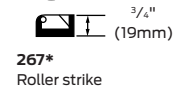
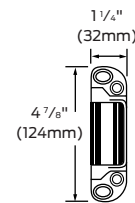
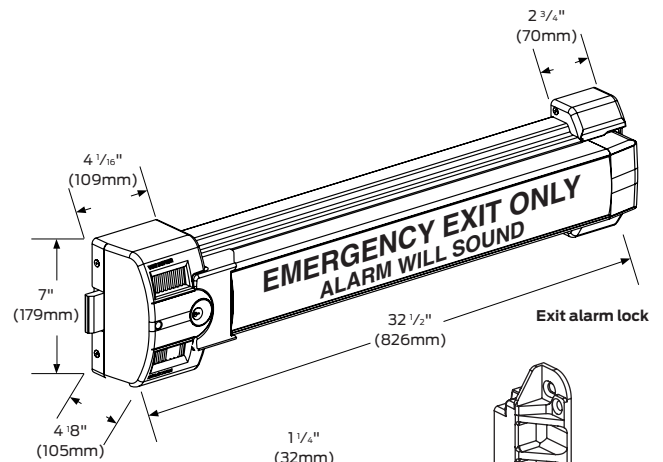
Features and benefits

- UL listed for panic exit hardware (UL305)
- Tested in accordance to ANSI A156.3 Grade 1 panic hardware (250,000 cycles)
- Quick installation with an easy-to-use adhesive back template
- Non-handed design allows installer to mount for either hand by just removing and reversing the "Emergency Exit - Alarm Will Sound" sign built into the device
- Three finishes available: SP28, 313, 315
- Heavy duty construction with stainless steel deadbolt with cast aluminum latch case
- Only authorized person with a key can re-latch or reset the alarm after unauthorized exit
- 100-decibel alarm
- Armed and disarmed by key
- Alarm is powered by standard 9V battery or hardwired using optional PT790 power supply

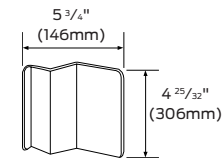
Dimensions - outside trim

Touchbar height to finished floor	40" (1016mm) at center
Door width range	36" to 48" (914mm to 1219mm)
Touchbar projection	
Neutral	4 1/8" (103mm)
Depressed	2 3/4" (70mm)
Latch case housing	7" X 4 1/16" X 4 1/8" (179mm X 103mm X 105mm)
Device length	32 1/2" (826mm)
Minimum stile requirement	
Single door	5 7/8"
Double door	6 1/4"

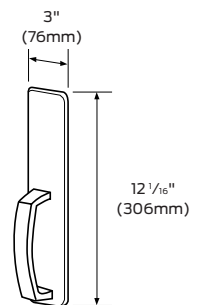
Note: Von Duprin trim does not thru-bolt to the Guard-X Ives door pulls 8102-6 and 8105-6 offer dimension that align and thru-bolt to the Guard-X exit lock - order separately from Ives.



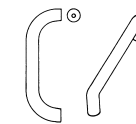
2609
Double door strike



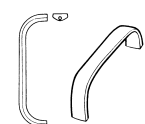
2100T
1 31/32" (50mm) protection



2300T
2" (51mm) protection



Ives 8102-6



Ives 8105-6

To order, specify

- **Model number 2670**- Includes strike, screw pack and battery.
- **Finish** - US28, 313AN or 315AN
- **French or Spanish sign, when required** - English with Braille is standard.

Accessories

- **Sex nuts and bolts (6 #325)**- when required.
- **PT790 9-volts external power supply** - when required.
- **210DT X 050140 or 230DT X 050140** - when required.
- **3216 rim cylinder** - when required.

Allegion, the Allegion logo, Von Duprin and the Von Duprin logo are trademarks of Allegion plc, its subsidiaries and/or affiliates in the United States and other countries. All other trademarks are the property of their respective owners.

About Allegion

Allegion (NYSE: ALLE) creates peace of mind by pioneering safety and security. As a \$2 billion provider of security solutions for homes and businesses, Allegion employs more than 7,800 people and sells products in more than 120 countries across the world. Allegion comprises 23 global brands, including strategic brands CISA®, Interflex®, LCN®, Schlage® and Von Duprin®. For more, visit www.allegion.com.

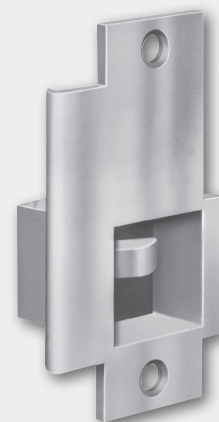
aptiQ ■ LCN ■ SCHLAGE ■ STEELCRAFT ■ VON DUPRIN



© 2014 Allegion
010107, Rev. 03/14
www.allegion.com/us

VON DUPRIN®

Monitor strikes



Overview

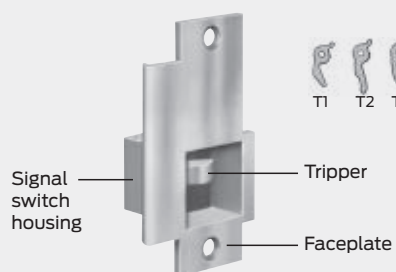
Monitor strikes are designed to offer remote door monitoring through the use of a signal switch mounted in the strike to monitor the latch bolt. This series of monitor strikes is designed for use with Von Duprin and most other manufacturers' rim, mortise, surface and concealed vertical rod exit devices and cylindrical, mortise and unit type locks.

The monitor strike replaces the standard door strike. The tripper in the monitor strike is depressed when the latch bolt is fully inserted in the strike. The stainless steel tripper activates an electric switch.

Features and benefits

- UL listed as "miscellaneous door accessory"

Monitor strike overview



Note: Tripper selection is based on the throw and shape of the latch bolt.

Monitor strike electrical rating

SPDT switch (single pole double throw) 24VDC @ 2 Amps (resistive)



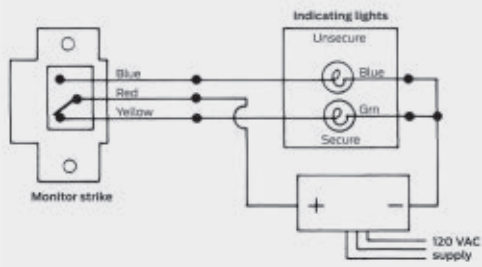
Model specifications

Model #	4263	4268-T1	4582
Lockset	Rim or surface vertical rod exit devices	Rim fire exit devices	Mortise or cylindrical locks
# Doors	Single or pair	Single or pair	Single or pair
Compatibility (with tripper type)	<p>Von Duprin 22, T3 2227, T1 33A/35A, T3 3327A/3527A, T3 44, T1 55, T1 88, T1 8827, T1 98/99, T3 9827/9927, T1</p> <p>Monarch Rim, T3 (³/₄" [19mm] throw)</p> <p>Yale® 1500, T1 (⁵/₈" [16mm] throw)</p>	<p>Von Duprin 22/22-F 33A/35A 88/88-F 98/99 98-F/99-F</p>	<p>Schlage ³/₄" (19mm) Cyl., T2 L90, T2</p> <p>Falcon ⁵/₈" (16mm) ML (LR), T2</p> <p>Arrow™ ⁵/₈" (16mm) ML (LR), T1</p> <p>Corbin Ruswin® ⁵/₈" (16mm) ML (LR) 5999 ML (LR), T2</p> <p>Yale® ⁵/₈" (16mm) ML (LR), T2</p>
Certifications		UL list (GXHX R4504) fire exit hardware	UL List (GXHX R4504) fire exit hardware
Application notes	1	2	3

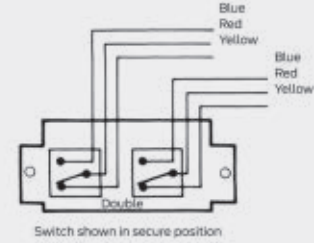
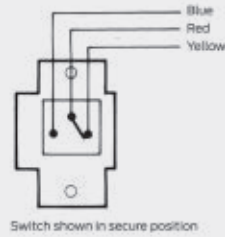
Application notes:

1. The 4263 is non-handed and features horizontal adjustment to compensate for misalignment of door and frame. 4263 may be used with a mullion. Tripper selection (-T1 or -T3) is based upon the lock to be used with.
2. The 4268 features horizontal adjustment to compensate for misalignment of door and frame. 4268-T1 is not for use with mullions.
3. For use on single or pair of doors with ANSI 115.3 frame cutout (frame modification required.) Tripper selection (-T1 or -T2) is based upon the lock to be used.

Basic monitor strike circuit



Power supply same voltage as lamps with sufficient current capabilities



Model specifications

Model #	4570-T1	4670-T1	4690-T2	4690-I-T2
Lockset	Cylindrical locks	Cylindrical locks	Concealed vertical rod exit devices	Concealed vertical rod exit devices
# Doors	Single or pair	Single or pair	Wide stile pair of doors	Narrow stile pair of doors
Compatibility (with tripper type)	Schlage 1/29" (13mm) Cyl. 5/89" (14mm) Cyl. Falcon 1/29" (13mm) Cyl. 9/169" (14mm) Cyl. Adams Rite® 4510 8400 Arrow™ 1/29" (13mm) Cyl. Best® 9/169" (14mm) Cyl. Corbin Russwin® 5/89" (16mm) Cyl. Dexter® 7/169" (11mm) Cyl. Kwikset® 1/29" (13mm) Cyl. Precision™ 1040 Automatic Flush Bolt ¹ Sargent® 1/29" (13mm) Cyl. Yale® 1/29" (13mm) Cyl.	Schlage 1/29" (13mm) Cyl. 5/89" (14mm) Cyl. Falcon 1/29" (13mm) Cyl. 9/169" (14mm) Cyl. Adams Rite® 4510 8400 Arrow™ 1/29" (13mm) Cyl. Best® 9/169" (14mm) Cyl. Corbin Russwin® 5/89" (16mm) Cyl. Dexter® 7/169" (11mm) Cyl. Kwikset® 1/29" (13mm) Cyl. Precision™ 1040 Automatic Flush Bolt ¹ Sargent® 1/29" (13mm) Cyl. Yale® 1/29" (13mm) Cyl.	Von Duprin 3347A-F 3347A 9947 9947F	Von Duprin 3347A
Certifications			UL list (GXHX R4504) fire exit hardware	
Application notes	1	2	3	4

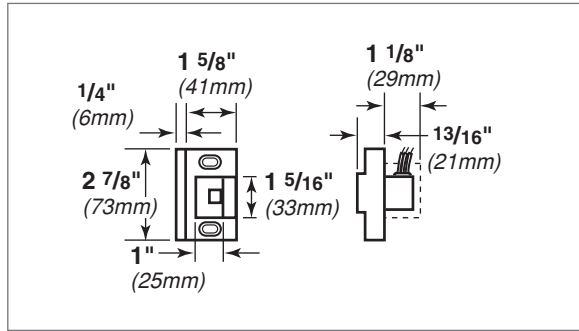
¹ Special template required

Application notes:

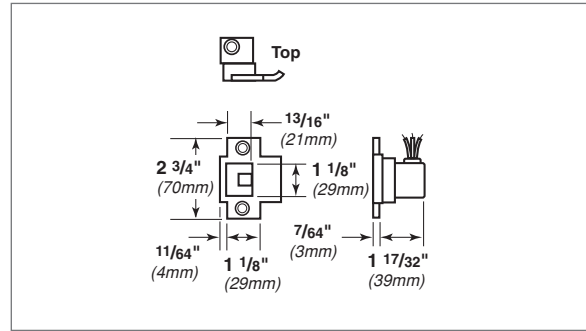
- For use on single or pair of doors with ANSI 115.2 frame cutout (frame modification required.) 4570-T1 is only used with T1.
- For use on single or double doors with ANSI 115.3 frame cutout (frame modification required.) 4670-T1 is only used with T1.
- For use with pair of doors where one leaf has concealed vertical rods. 4690-T2 is only used with T2.
- For use with pair of doors where both leaves have concealed vertical rods. 4690-I-T2 is only used with T2.

Dimensions

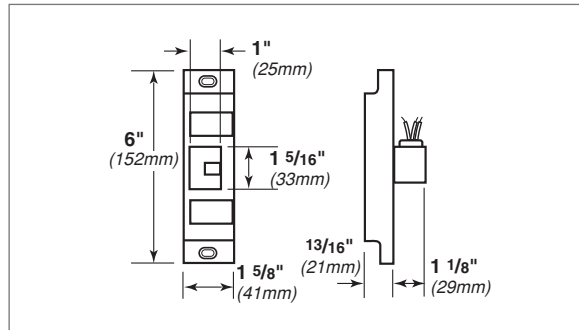
4263



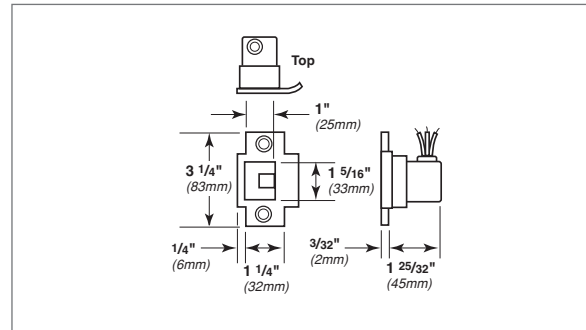
4670-T1



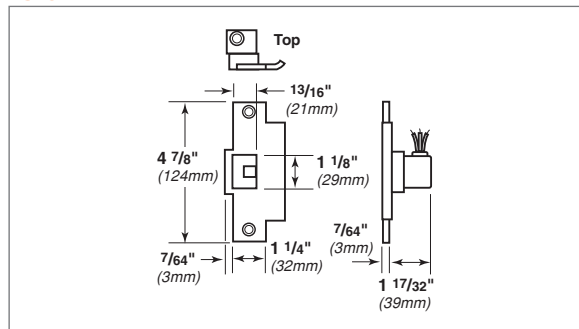
4268-T1



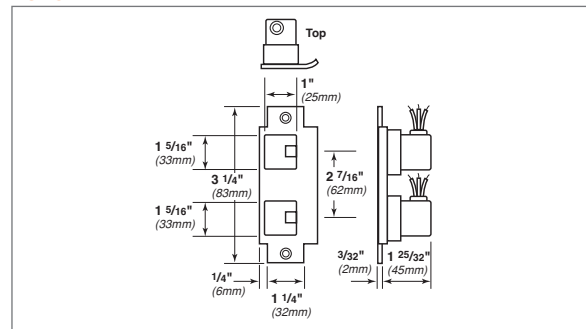
4690-T2



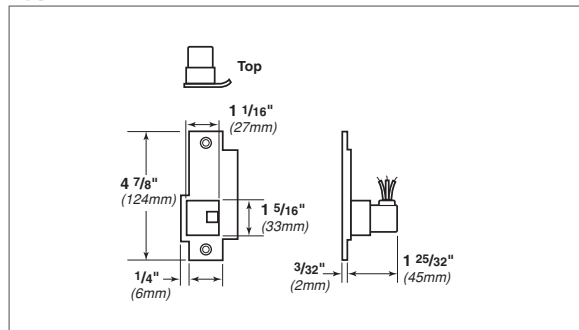
4570-T1



4690-1-T2



4582



To order, specify

- Model
- Tripper T1, T2 or T3
- Handing required on model 4582
- Specify LHR or RHR
- Finish: US3, US4, US10, US10B, US26, US26D

Allegion, the Allegion logo, Von Duprin and the Von Duprin logo are trademarks of Allegion plc, its subsidiaries and/or affiliates in the United States and other countries. All other trademarks are the property of their respective owners.

About Allegion

Allegion (NYSE: ALLE) creates peace of mind by pioneering safety and security. As a \$2 billion provider of security solutions for homes and businesses, Allegion employs more than 7,800 people and sells products in more than 120 countries across the world. Allegion comprises 23 global brands, including strategic brands CISA®, Interflex®, LCN®, Schlage® and Von Duprin®. For more, visit www.allegion.com.

LCN®

Electrohydraulic automatic operators



Overview

LCN's electrohydraulic automatic operators integrates the 4000 Series mechanical closer to provide a smooth and easy manual opening experience for preliminary manual use applications. When activated, the door works as a fully functional low energy automatic operator to increase accessibility.

The low energy electric autoequalizer 4600 Series utilizes LCN's 4040 mechanical closer to increase product life when the door is primarily used manually. When activated, a motor/clutch system drives the manual closer to automatically open the door.

The low energy pneumatic autoequalizer 4800/2600 Series provides quiet, smooth and reliable door operation and allows for use in hazardous locations where electronically operated devices are not permitted.

Features and benefits

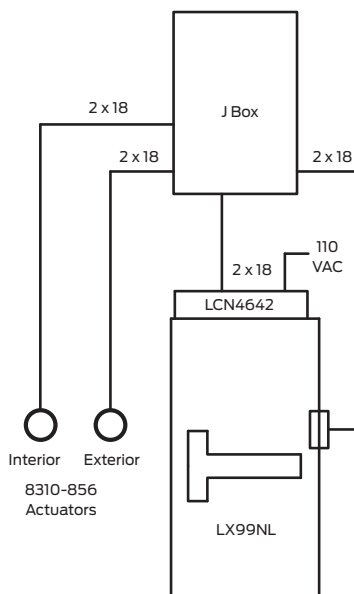
- UL Listed for self-closing doors without hold open under "Swinging door closers (GVEV)" file R1943
- Tested and certified under ANSI Standard A156.19
- ANSI Standard A117.1, Section 4.13.13
- Electric autoequalizer has a no-destruct feature that allows clutch to slip when abused to reduce damage to the operator
- Digital control suite in electric autoequalizer has on-board diagnostics to ensure easy, trouble-free installation
- Pneumatic autoequalizer has easily adjustable air pressure and timing cycle to meet the needs of a specific installation
- Pneumatic autoequalizer is available in three different mounting configurations

Features	4600 Series	4800/2600 Series
Handed	No	No
Mounting options	Push (4640) Pull (4630)	Push (4820) Pull (4810) Parallel arm (4840) Concealed (2610)
On board power supply	Yes	No
Digital control box	Yes	No
Header length	33 1/2"	20"
Maintains memory after power loss	Yes	Yes
Adjustable manual open face	Yes	Yes
Blow open capability	No	Yes
Meets UL requirements	UL/cUL 325 and 228	UL 228

All electrohydraulic operators are available in seven standard or 150+ custom powder coated finishes.

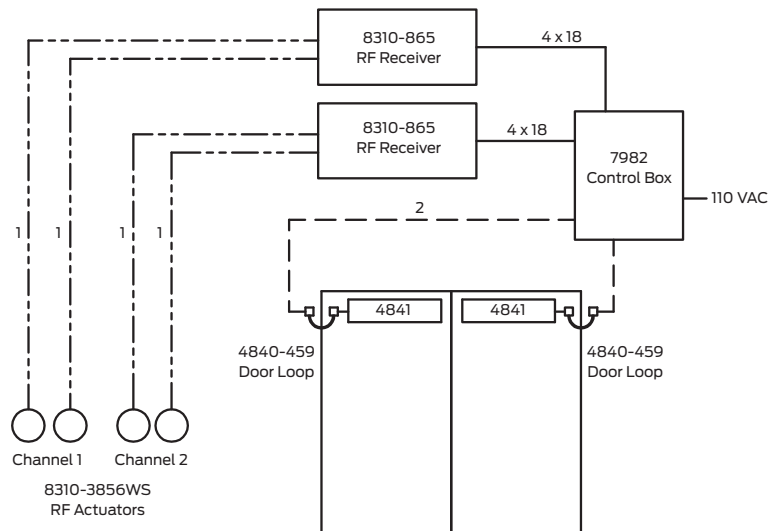
Sample common applications

Exterior retail entrance



Operation: When panic device is mechanically dogged both interior and exterior actuators will be enabled through LX switch. When device is undogged actuators will not function.

Church/library entrance



Operation: Doors normally closed, not latched. Two 8310-3856WS actuators to independently signal each door to swing.

¹ Dashed/dotted lines indicate RF signal, not a wiring connection.

² Dashed lines indicate pneumatic 7910-925 tubing.

Allegion, the Allegion logo, LCN and the LCN logo are trademarks of Allegion plc, its subsidiaries and/or affiliates in the United States and other countries. All other trademarks are the property of their respective owners.

About Allegion

Allegion (NYSE: ALLE) creates peace of mind by pioneering safety and security. As a \$2 billion provider of security solutions for homes and businesses, Allegion employs more than 7,800 people and sells products in more than 120 countries across the world. Allegion comprises 23 global brands, including strategic brands CISA®, Interflex®, LCN®, Schlage® and Von Duprin®. For more, visit www.allegion.com.

LCN®

Electromechanical automatic operators



Overview

LCN's electromechanical automatic operators are designed for durability and extended performance when used in primarily automatic applications. The electromechanical gearbox acts as a manual closer when the door is not automated or power is lost.

The low energy electromechanical Senior Swing (2800 and 9500 Series) is LCN's toughest operator—designed specifically for medium to heavy duty use in mostly automated applications. The Senior Swing offers a digital control suite that provides exceptionally precise control of a large range of built-in functions.

The low energy Benchmark operator (9100 Series) is designed for low to medium use commercial applications, also for primarily automated applications. With its slim design, the Benchmark is great for interior door applications when aesthetics are a concern.

Features and benefits

- UL Listed for self-closing doors without hold open, UL 325
- Tested and certified under ANSI
- Low energy electromechanical operators ANSI 156.19
- ADA compliant
- Opening time from full close to backcheck is no faster than 3 seconds
- Less than 15 lbs. to open door manually on-board power supply (Benchmark 24VDC output and Senior Swing 24V AC or 24V DC output) to power card readers, actuators and safety circuits

Features	2800 Series	9500 Series	9100 Series
Handed	Yes	Yes	No
Mounting options	Concealed	Push (9540) Pull (9530)	Push (9140) Pull (9130)
On board power supply	Yes	Yes	Yes
Digital control box	Yes	Yes	No
Header length	Variable- See LCN catalog	36" - 49" (single) 72" - 98" (double)	27" or 36" (single) 72" (double)
Maintains memory after power loss	Yes	Yes	Yes
Push 'n go	Yes	Yes	Yes
Power Boost	Yes	Yes	Yes
Simultaneous pair with single control box	Yes	Yes	No
Meets UL requirements	UL 325	UL 325	UL 325

All electromechanical operators are available in aluminum and dark bronze finishes.

Electrical data

2800, 9500 Series

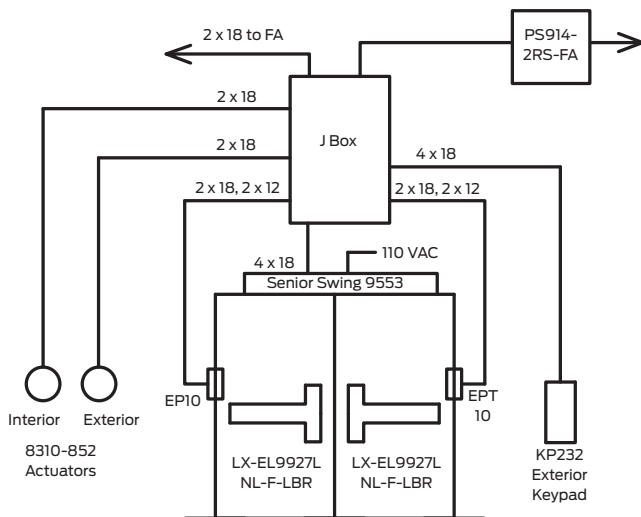
- 120 VAC 60Hz input at 2.5 AMPS (2800 and 9500 Series)
- 240 VAC 50/60 Hz at 2.5 AMPS (2800 and 9500 Series)
- 24 VAC output at 1.5 AMPS (protected by self-resetting thermal fuse)
- 24 VDC available with SO kit included

9100 Series

- 120 VAC 60Hz input at 1 AMPS
- 24 VDC output at 2.5 AMPS

Sample common applications

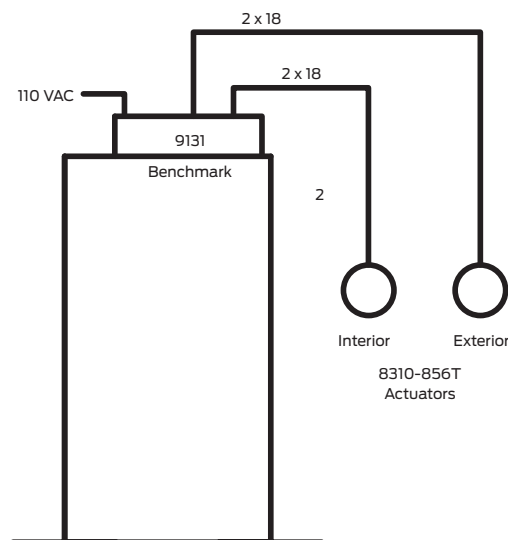
Secure hospital hallway



Operation: KP232 keypad exterior to signal EL latch retraction and enable exterior actuator through LX switches in panic device. Interior actuator always active.

Fire alarm to extend EL latch and disable automatic operator.

Restroom doors



Operation: No latching at this door. For a single occupancy restroom. Either actuator will open door at any time.

Allegion, the Allegion logo, LCN and the LCN logo are trademarks of Allegion plc, its subsidiaries and/or affiliates in the United States and other countries. All other trademarks are the property of their respective owners.

About Allegion

Allegion (NYSE: ALLE) creates peace of mind by pioneering safety and security. As a \$2 billion provider of security solutions for homes and businesses, Allegion employs more than 7,800 people and sells products in more than 120 countries across the world. Allegion comprises 23 global brands, including strategic brands CISA®, Interflex®, LCN®, Schlage® and Von Duprin®. For more, visit www.allegion.com.

aptiQ ■ LCN ■ SCHLAGE ■ STEELCRAFT ■ VON DUPRIN



© 2014 Allegion
010113, Rev. 03/14
www.allegion.com/us

LCN®

Fire/life safety closers/holders series



Overview

Sentronic Series LCN closers/holders combine heavy duty closers with electrically controlled hold-open functions to control fire and smoke barrier doors. Automatic detection and containment of fire and smoke are the best ways to minimize danger to life and property. Patented Sentronic door closer/holders are designed to hold swinging doors open in normal use and release and automatically close the doors under fire conditions. These products integrate in your larger fire and life safety system.

LCN's fire/life safety closers/holders series includes:

- SE Series - offers adjustable single-point hold-open function controlled by solenoid assembly located in the SE track
- ME Series - offers infinitely adjustable, multi-point hold-open function controlled by solenoid on the cylinder assembly
- SEM Series - Electromagnetic door holders work with manual door closer to provide single-point hold-open
- HSA Series - Best suited for high traffic emergency doors, this product provides easy passage for groups of pedestrians through high traffic doors with electronically controlled closer/holder

Features and benefits

- Conforms to NFPA 101 and ANSI 156.15
- 24V AC/DC or 120V AC input
- When current is interrupted, hold-open releases and door closes
- Adjustable hydraulic backcheck cushions opening swing prior to 90°
- Separate regulation of general closing speed and latching speed
- Available in wide range of powder coated finishes to blend with door and frame (SEM magnets available in aluminum and dark bronze only)
- Circuit automatically handles AC or DC input
- Can be pushed safely and easily out of hold-open
- Functions as full rack and pinion door closer when hold-open is not engaged or current is interrupted
- High strength cast iron cylinder
- Forged steel main arm and piston
- All weather fluid

Holding solenoids current draw

SE/ME

- 24V AC/DC (+10% - 15%) at 90 mA maximum
- 120V AC/DC (+10% - 15%) at 30 mA maximum

SEM (tri-volt)

- 12V DC (+10% - 15%) at 30 mA maximum
- 24V AC/DC (+10% - 15%) at 20 mA maximum
- 120V AC/DC (+10% - 15%) at 20 mA maximum

HSA

- 24V AC/DC (+10% - 15%) at 120 mA maximum

Allegion, the Allegion logo, LCN and the LCN logo are trademarks of Allegion plc, its subsidiaries and/or affiliates in the United States and other countries. All other trademarks are the property of their respective owners.

About Allegion

Allegion (NYSE: ALLE) creates peace of mind by pioneering safety and security. As a \$2 billion provider of security solutions for homes and businesses, Allegion employs more than 7,800 people and sells products in more than 120 countries across the world. Allegion comprises 23 global brands, including strategic brands CISA®, Interflex®, LCN®, Schlage® and Von Duprin®. For more, visit www.allegion.com.

aptiQ ■ LCN ■  ■ STEELCRAFT ■ VON DUPRIN



© 2014 Allegion
010115, Rev. 03/14
www.allegion.com/us

LCN®

Actuators and sensors



Overview

LCN actuators and sensors are designed to be used with LCN automatic operators. The desired function, traffic patterns and physical design of the opening will determine the type of actuator used.

Safety and activation sensors are designed to both protect pedestrians, and help prolong the life of an automatic operator. LCN safety sensors can be used on all automatic operators – high and low energy.

LCN also offers a full line of activation device accessories, including: surface and flush mounted boxes, weather rings, escutcheons, wireless transmitters and receivers (4 channel), key chain activation devices (up to 4 buttons), sequencers, and a bollard post (used with 4 3/4" square actuator.)

Features and benefits

- Complies with ANSI 156.19
- Can be ordered individually or in kits that combine common products for a specific application
- Beveled edges provide a tamper and vandal resistant solution to push plate needs, allowing no room for objects to get between plate and mounting box
- An all-active plate activates with any "push" location
- Stainless steel finish will not deteriorate or rust where it is touched – scratch and scuff resistant
- All activation push plates are available with ADA logo art and text or with ADA logo art only
- Text and ADA Compliant logo art are baked onto the surface for added durability

Push plates

Round push plates



Stainless steel
6" Round style push plate



Stainless steel
4 1/2" Round style push plate

Square push plates



Stainless steel
4 3/4" Square style push plate

Jamb push plates



Stainless steel
Jamb style push plate



Stainless steel
Dual jamb style push plate

Ready mount actuators



Stainless steel
6" Slim profile push plate



Stainless steel
4 3/4" Round style push plate

Sensors



Door mount
Safety sensor



Header mount
Safety sensor



Header mount
Activation sensor

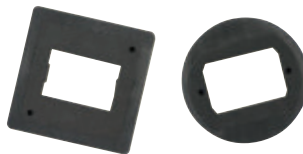
Actuator accessories

LCN offers a full line of activation device accessories, including: surface and flush mounted boxes, weather rings, escutcheons, wireless transmitters and receivers (4 channel), key chain activation devices (up to 4 buttons), sequencers, and a bollard post (used with 4 3/4" square actuator)

Mounting boxes



Weather rings



Bollard post



Wireless transmitters/receivers



Allegion, the Allegion logo, LCN and the LCN logo are trademarks of Allegion plc, its subsidiaries and/or affiliates in the United States and other countries. All other trademarks are the property of their respective owners.

About Allegion

Allegion (NYSE: ALLE) creates peace of mind by pioneering safety and security. As a \$2 billion provider of security solutions for homes and businesses, Allegion employs more than 7,800 people and sells products in more than 120 countries across the world. Allegion comprises 23 global brands, including strategic brands CISA®, Interflex®, LCN®, Schlage® and Von Duprin®. For more, visit www.allegion.com.

Readers



This section of the Electronic Access Control catalog covers XceedID® proximity readers and aptiQ™ smart and multi-technology readers from Allegion.

Overview

Allegion offers a comprehensive line of credential readers with a range of technologies and form factors to meet a variety of security needs and budgets. The aptiQ™ line of multi-technology readers delivers complete flexibility when transitioning from magnetic stripe or proximity to smart technology. A variety of reader designs are available to accommodate a wide range of mounting applications.

Proximity readers

- XceedID® proximity technology offers your facility an easy and convenient access control solution. Proximity technology, which operates on 125 kHz frequency, is easily integrated into existing legacy proximity systems or ideal for a new installation.
- The PR10 proximity mini-mullion reader is attractive, cost-effective, and well suited for exterior and interior applications. This reader also has a sleek and attractive architectural styling. The PR10 proximity reader by XceedID offers a visual indicator and audio feedback representing status and activity information which make access control simple for users to understand.
- The proximity reader by XceedID operates on a Wiegand interface, and is compatible with industry leading proximity credentials.

Smart readers

- The aptiQ™ SM10 mini-mullion smart reader by Allegion is one of the most secure readers in the industry. Instead of using open transmission protocols, the SM10 smart card reader utilizes high security data. Each message between the card and the reader is digitally signed using message authentication coding (MAC) to ensure the integrity of the data.
- Smart reader technology can be used in applications such as logical access, cashless vending, and cafeteria services.

Multi-technology readers

- aptiQ™ multi-technology readers are the most flexible readers in the industry. Finally, one reader handles all applicable ISO standards (14443) and can handle multiple formats simultaneously. aptiQ™ multi-technology readers contain both 125 kHz proximity and 13.56 MHz contactless smart card capability in one unit, which allows customers to economically migrate to the latest in smart card technology at their own pace.
- aptiQ™ MTMS15 and MTMSK15 multi-technology magnetic stripe readers can handle all applicable ISO standards (14443) and can handle multiple formats simultaneously. These multi-technology readers contain the contact technology of magnetic stripe and both 125 KHz proximity and 13.56 MHz contactless smart card capability in one unit.

Allegion, the Allegion logo, aptiQ, and XceedID are trademarks of Allegion plc, its subsidiaries and/or affiliates in the United States and other countries. All other trademarks are the property of their respective owners.

About Allegion

Allegion (NYSE: ALLE) creates peace of mind by pioneering safety and security. As a \$2 billion provider of security solutions for homes and businesses, Allegion employs more than 7,800 people and sells products in more than 120 countries across the world. Allegion comprises 23 global brands, including strategic brands CISA®, Interflex®, LCN®, Schlage® and Von Duprin®. For more, visit www.allegion.com.

aptiQ ■ LCN ■  ■ STEELCRAFT ■ VON DUPRIN



© 2014 Allegion
005025, Rev. 03/14
www.allegion.com/us

aptiQ™

aptiQ™

Multi-technology readers



Overview

aptiQ™ multi-technology readers by Allegion are designed to simplify your access control solutions. Transition your system from proximity to smart card technology at your own pace without having to change out readers as new technologies are available. aptiQ readers handle all applicable ISO standards (14443A, 14443B, 15693), are FIPS 201-1 compliant and are versatile enough to read 125kHz proximity and 13.56MHz contactless smart cards in a single unit. aptiQ multi-technology readers interface with aptiQ smart credentials (MIFARE® classic and MIFARE DESFire™ EV1) and can read the card serial numbers of a variety of smart cards from other manufacturers, making your next upgrade in technology simple and seamless. Additionally, aptiQ readers are already NFC compatible and able to communicate with NFC-enabled phones whenever you're ready to take that step.

aptiQ multi-technology readers use an open architecture platform designed to work with industry standards and common access control system interfaces. Multiple aptiQ reader form factors are designed to fit a variety of placement needs, with an attractive modern design which will complement any facility's architecture and décor. aptiQ readers are very easy to install with the quick-connect design and a standard wiring color scheme that most technicians are already accustomed to. But if you do have questions, you'll never worry about lack of service or assistance. As always, our knowledgeable sales and support staff is ready to assist you with any design or technology questions you may have.

Note: Magnetic stripe multi-technology readers also available.

Allegion, the Allegion logo, Schlage, aptiQ, the aptiQ logo, aptiQmobile and XceedID, are trademarks of Allegion plc, its subsidiaries and/or affiliates in the United States and other countries. All other trademarks are the property of their respective owners.

Features and benefits

- Accommodates interior, exterior, metal, and non-metal installation environments
- Recognizes most proximity credentials, and aptiQ smart credentials (MIFARE® classic and MIFARE DESFire™ EV1)
- FIPS 201-1 compliant
- NFC compatible, reads aptiQmobile™ credentials
- Quick-connect design for easy installation
- Simple wiring – color scheme is identical to most readers in the market
- Easy-to-install mounting bracket
- Tri-state LED (red, green, amber) visual indicator and audio feedback representing status and activity information, easily discernible for the audibly or visually impaired
- Wiegand output for simple interface with most access control panels
- Multiple reader cover color options
- Limited lifetime warranty
- Multi-technology readers may also be ordered with RS-485 capability

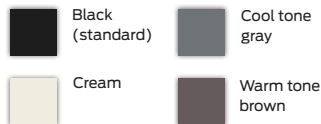


Model*	PR10	SM10	MT11	MT15	MTK15	
Reader type	Proximity mini-mullion*	Smart mini-mullion*	Multi-technology mullion	Multi-technology single gang	Multi-technology single gang keypad	
Frequency	125 kHz	13.56 MHz	13.56 MHz and 125 kHz			
FIPS 201-1 compliant	No	Yes				
Standard default PIV output	N/A	75 bit PIV**				
Standards	N/A	ISO 14443A, 14443B, 15693				
Certifications	FCC Certification · IC Certification · UL 294 Listed · R&TTE Directive (15 EU Countries) · CE Mark · IP65					
Voltage range	5-16 VDC					
Power supply	Linear DC					
Current requirement (at 12 VDC and 25 C; mAmps)	Avg. 65 mA Peak 110 mA	Avg. 95 mA Peak 195 mA	MT11 Avg. 100 mA Peak 170 mA	MT11-485 Avg. 115 mA Peak 145 mA	MT15 & MT15-485 Avg. 120 mA Peak 200 mA	MTK15 and MTK15-485 Avg. 120 mA Peak 230 mA
Read range	Proximity: Up to 3" (7.5 cm)	MIFARE: Up to 3" (7.5 cm) DESFire EV1: Up to 2" (5.1 cm)	Proximity: Up to 5" (12.7 cm) MIFARE: Up to 4" (10 cm)	Proximity: Up to 5" (12.7 cm) MIFARE: Up to 4" (10 cm)	DESFire EV1: Up to 2" (5.1 cm) PIV credential: Up to 2.5" (6.5 cm)	
Cable specification	18 AWG, 5 conductor stranded/shielded					
System interfaces	Wiegand	Wiegand / Clock & Data	Wiegand / Clock & Data / RS-485*** (OSDP)			
Cabling distance	Wiegand output: 500 ft. (152 m)					
Physical dimensions (H x W x D)	4.26" x 1.72" x 0.81" 10.8 cm x 4.4 cm x 2.1 cm	4.26" x 1.72" x 0.81" 10.8 cm x 4.4 cm x 2.1 cm	5.91" x 1.72" x 0.81" 15 cm x 4.4 cm x 2.1 cm	5.1" x 3.25" x 0.76" 12.9 cm x 8.3 cm x 1.9 cm	5.1" x 3.25" x 0.76" 12.9 cm x 8.3 cm x 1.9 cm	
Operating temperatures	-40° to 158°F (-40° to 70°C)					
Weight	4.1 oz	3.9 oz	5.7 oz	9.1 oz	9.3 oz	
Material	PBT Polymer					

Technologies supported in default mode

Schlage Proximity	■		■	■	■
XceedID™ Proximity	■		■	■	■
HID® Proximity	■		■	■	■
GE/CASI ProxLite®	■		■	■	■
AWID® Proximity	■		■	■	■
LenelProx®	■		■	■	■
aptiQmobile		■	■	■	■
Schlage MIFARE®		■	■	■	■
XceedID MIFARE®		■	■	■	■
aptiQ smart cards using MIFARE™		■	■	■	■
aptiQ smart cards using MIFARE DESFire™ EV1		■	■	■	■
DESFire® CSN		■	■	■	■
HID iCLASS® CSN		■	■	■	■
Inside Contactless PicoTag® CSN		■	■	■	■
ST Microelectronics® CSN		■	■	■	■
Texas Instruments Tag-It® CSN		■	■	■	■
Phillips I-Code® CSN		■	■	■	■

Color options



* Some features and benefits listed on the front may not be applicable to the smart-only and proximity-only readers.
 ** Other output options available through configuration.
 *** RS-485 model numbers include "-485" after the original model number. For example, MT11-485 is the RS-485 version of the multi-technology mini-mullion reader. Multi-drop, Open Standard Device Protocol (OSDP).

About Allegion

Allegion (NYSE: ALLE) creates peace of mind by pioneering safety and security. As a \$2 billion provider of security solutions for homes and businesses, Allegion employs more than 7,800 people and sells products in more than 120 countries across the world. Allegion comprises 23 global brands, including strategic brands CISA®, Interflex®, LCN®, Schlage® and Von Duprin®. For more, visit www.allegion.com.



ALLEGION™

aptiQ™

aptiQ™

Multi-technology
magnetic stripe readers



Overview

aptiQ™ multi-technology magnetic stripe readers by Allegion are designed to simplify your access control solutions. Transition your system from an existing population of magnetic stripe cards to more secure smart card technology at your own pace. aptiQ multi-technology readers are versatile enough to read magnetic stripe, 125 kHz proximity, and 13.56MHz contactless smart cards in a single unit, handle all applicable ISO standards (14443A, 14443B, 15693), and are FIPS 201-1 compliant. aptiQ multi-technology magnetic stripe readers interface with aptiQ smart credentials (MIFARE® classic and MIFARE® DESFire™ EV1), and can read the card serial numbers of a variety of smart cards from other manufacturers, making your next upgrade in technology simple and seamless. Additionally, aptiQ readers are already NFC compatible and able to communicate with NFC-enabled phones whenever you're ready to take that step.

aptiQ multi-technology magnetic stripe readers use an open architecture platform designed to work with industry standards and common access control system interfaces. And with an attractive modern design they'll complement any facility's architecture and décor. aptiQ readers are very easy to install with the quick-connect design and a standard wiring color scheme that most technicians are already accustomed to. But if you do have questions, you'll never worry about lack of service or assistance. As always, our knowledgeable sales and support staff is ready to assist you with any design or technology questions you may have.

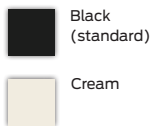
Features and benefits

- Accommodates interior, exterior, metal, and non-metal environments
- Recognizes magnetic stripe credentials, most proximity credentials, and aptiQ smart credentials (MIFARE® classic and MIFARE DESFire™ EV1)
- FIPS 201-1 compliant
- NFC compatible, reads aptiQmobile™ credentials
- Quick-connect cable for easy installation
- Simple wiring – color scheme is identical to most readers in the market
- Easy-to-install mounting bracket
- Tri-state LED (red, green, amber) visual indicator and audio feedback representing status and activity information, easily discernible for the audibly or visually impaired
- Wiegand or RS-485 output for simple interface with most access control panels
- Multiple reader cover color options
- Limited lifetime warranty
- Magnetic stripe track 2 default, tracks 1 and 3 configurable



Model	MTMS15	MTMSK15
Reader type	Multi-technology magnetic stripe	Multi-technology magnetic stripe with keypad
Frequency	13.56MHz, 125 kHz, and magnetic stripe	13.56MHz, 125 kHz, and magnetic stripe
FIPS 201-1 compliant	Yes	Yes
Standard default PIV output	75 bit PIV*	75 bit PIV*
Standards	ISO 14443A, 14443B, 15693	ISO 14443A, 14443B, 15693
Certifications	FCC certification · IC certification · UL 294 Listed · R&TTE directive (15 EU countries) · CE mark · IP65	FCC certification · IC certification · UL 294 Listed · R&TTE directive (15 EU countries) · CE mark · IP65
Voltage range	5-16 VDC	5-16 VDC
Power supply	Linear DC	Linear DC
Current requirement (at 12 VDC and 25 C; mAmps)	MTMS15 and MTMS15-485 Avg. 120mA Peak 200mA	MTMSK15 and MTMSK15-485 Avg. 120mA Peak 230mA
Read range	Proximity: up to 5" (12.7 cm) MIFARE: up to 4" (10 cm) DESFire EV1: up to 2" (5.1 cm) PIV credential: up to 2.5" (6.5 cm)	Proximity: up to 5" (12.7 cm) MIFARE: up to 4" (10 cm) DESFire EV1: up to 2" (5.1 cm) PIV credential: up to 2.5" (6.5 cm)
Cable specification	18 AWG, 5 conductor stranded/shielded	18 AWG, 5 conductor stranded/shielded
System interfaces	Wiegand / Clock & Data / RS-485** (OSDP)	Wiegand / Clock & Data / RS-485** (OSDP)
Cabling distance	Wiegand output: 500 ft (152 m)	Wiegand output: 500 ft (152 m)
Physical dimensions (H x W x D)	4.43" x 5.17" x 1.15" 11.25 cm x 13.13 cm x 2.92 cm	4.43" x 5.17" x 1.15" 11.25 cm x 13.13 cm x 2.92 cm
Operating temperatures	-31° to 151°F (-35 to 67°C)	-31° to 151°F (-35 to 67°C)
Weight	8.9 oz	9.5 oz
Material	PBT polymer	PBT polymer
Technologies supported in default mode		
Magnetic stripe (tracks 1, 2, or 3)***	■	■
Schlage Proximity	■	■
XceedID® Proximity	■	■
HID® Proximity	■	■
GE/CASI ProxLite®	■	■
AWID® Proximity	■	■
LenelProx®	■	■
Schlage MIFARE®	■	■
XceedID MIFARE®	■	■
aptiQmobile	■	■
aptiQ smart cards using MIFARE®	■	■
aptiQ smart cards using MIFARE DESFire™ EV1	■	■
DESFire® CSN	■	■
HID iClass® CSN	■	■
Inside Contactless PicoTag® CSN	■	■
ST Microelectronics® CSN	■	■
Texas Instruments Tag-It® CSN	■	■
Phillips I-Code® CSN	■	■

Color options



* Other output options available through configuration.

** RS-485 model numbers include "-485" after the original model number. For example, MTMS15-485 is the RS-485 version of the multi-technology mini-mullion reader. Multi-drop, Open Standard Device Protocol (OSDP).

*** By default, the MTMS15 and MTMSK15 readers will read track 2 of the magnetic strip. If you require the ability to read track 1 or track 3, please contact technical support at 1-877-671-7011 for configuration options.

† Lead time may apply for non-standard colors

About Allegion

Allegion (NYSE: ALLE) creates peace of mind by pioneering safety and security. As a \$2 billion provider of security solutions for homes and businesses, Allegion employs more than 7,800 people and sells products in more than 120 countries across the world. Allegion comprises 23 global brands, including strategic brands CISA®, Interflex®, LCN®, Schlage® and Von Duprin®. For more, visit www.allegion.com.

aptiQ ■ LCN ■ SCHLAGE ■ STEELCRAFT ■ VON DUPRIN



ALLEGION™

© 2014 Allegion
009209, Rev. 01/14
www.allegion.com/us

aptiQ™

Reader accessories

for aptiQ™ readers

Overview

aptiQ™ multi-technology readers by Allegion are designed to simplify your access control solutions. A variety of accessories and replacement parts are available to ensure your readers are always performing well.

Reader covers

Replacement reader covers can be used to replace faded or cracked covers and to change the color of your readers along with any updates to the facility's décor. We offer four color options — black, cream, cool tone gray, and warm tone brown.

Cosmetic backplate covers

While replacing legacy readers with aptiQ readers, the footprint of the legacy reader may be larger than that of the new reader. Cosmetic backplate covers accommodate this issue. Available in three sizes, our cosmetic backplate covers are designed to cover holes and unpainted areas that you do not wish to invest time and money to repair.

Quick-connect cable

The quick connect cable allows the installer to connect the necessary reader wires without the hassle of a reader case hanging off the other end. Simply connect the wiring harness and plug the reader in, it's that easy. Every reader already comes with a quick-connect cable, but you can order the cable separately if you need extras.

Other accessories

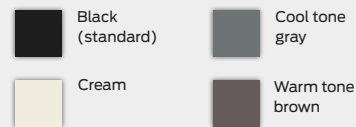
Following repeated use, the magnetic stripe read head in a reader can wear down. We offer a replacement magnetic stripe read head for our aptiQ multi-technology magnetic stripe readers.

Reader mounting backplates are designed as a quick mounting bracket for a simplified installation process. Every reader comes with a reader backplate, but you can also order these separately if you need replacements and extras.



Reader covers

Color options



Cosmetic backplate covers



Quick-connect cable

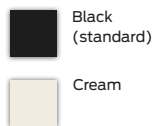


Part number	Black	23846520	23846553	23846587	23846611	24064149	24064198
	Brown	23846546	23846579	23846603	23846637	24064156	24064206
	Gray	23846538	23846561	23846595	23846629	24064172	24064222
	Cream	23920648	23920655	23920598	23920606	24064164	24064214
Corresponding reader model	PR10 and SM10	MT11	MT15	MTK15	MTMS15	MTMSK15	
Reader type	Mini-mullion	Mullion	Single gang	Single gang with keypad	Magnetic stripe	Magnetic stripe with keypad	
Dimensions	4.26" x 1.72" x 0.81"	5.91" x 1.72" x 0.81"	5.1" x 3.25" x 0.76"	5.1" x 3.25" x 0.76"	4.43" x 5.17" x 1.15"	4.43" x 5.17" x 1.15"	
Material	PNT polymer	PNT polymer	PNT polymer	PNT polymer	PNT polymer	PNT polymer	PNT polymer



Part	Cosmetic backplate cover	Quick connect cable/ pigtail – 18 inch	Magnetic stripe read head	Mounting backplate
Part number	Mini-mullion/ mullion Single gang Mid range	CP-11 CP-15 CP-21	23846462	21074009
Dimensions	Mini-mullion/ mullion Single gang Mid-range	6.70" x 2.50" 5.65" x 3.85" 6.45" x 5.50"	N/A	N/A
				Mini-mullion Mullion Single gang Magnetic stripe
				23846355 23846397 23846439 24152654

Color options



Allegion, the Allegion logo, and aptiQ, are trademarks of Allegion plc, its subsidiaries and/or affiliates in the United States and other countries. All other trademarks are the property of their respective owners.

About Allegion

Allegion (NYSE: ALLE) creates peace of mind by pioneering safety and security. As a \$2 billion provider of security solutions for homes and businesses, Allegion employs more than 7,800 people and sells products in more than 120 countries across the world. Allegion comprises 23 global brands, including strategic brands CISA®, Interflex®, LCN®, Schlage® and Von Duprin®. For more, visit www.allegion.com.

aptiQ ■ LCN ■ SCHLAGE ■ STEELCRAFT ■ VON DUPRIN



© 2014 Allegion
009621, Rev. 03/14
www.allegion.com/us

aptiQ™

FIPS 201-1 compliant readers



Overview

aptiQ™ smart and multi-technology readers by Allegion have been approved by the U.S. Government under HSPD-12 for FIPS 201-1 compliance as PIV transparent readers. PIV compliance is available on six reader models, including the SM10 smart mini-mullion, MT11 multi-technology mullion, MT15 multi-technology single gang, MTK15 multi-technology single gang with keypad, MTMS15 multi-technology magnetic stripe and MTMSK multi-technology magnetic stripe with keypad.

aptiQ™ multi-technology readers are a unique and critical component of successful security upgrades in all sectors of the government. FIPS 201-1 is a Federal Information Processing Standard (“FIPS”) developed by the National Institute of Standards and Technology (“NIST”) to satisfy the requirements of HSPD-12, a Homeland Security Presidential Directive. One of the main objectives of HSPD-12 is to ensure government-wide interoperability for information technology and security through the implementation of a range of federal standards and product requirements. FIPS 201-1 seeks to improve identification and authentication of Federal employees and contractors for access to the federal facilities and information systems.

aptiQ™ FIPS 201-1 PIV compliant readers are available with multiple data output formats, which provide unprecedented versatility within the PIV & PIV-I specification.

In addition to reading approved FIPS 201-1 PIV & PIV-I credentials, aptiQ™ smart and multi-technology readers are also compatible with many standard proximity and leading smart card technologies (see specifications). The ability to read multiple existing card types and PIV & PIV-I cards simultaneously is a tremendous benefit to those agencies looking to transition seamlessly from older proximity technologies to new, mandated PIV & PIV-I credentials. A mixed population of old prox credentials and new PIV & PIV-I credentials is unavoidable during the government’s multi-year upgrade path to FIPS 201-1 compliance.

Features and benefits

- Compatibility: compatible with industry standard magnetic stripe technology (tracks 1, 2, or 3) and 125 kHz and 13.56 MHz contactless technologies
- Read range: up to 6 inches (proximity), up to 2 inches for PIV & PIV-I credentials
- Tri-state LED (red, green, amber): visual indicator and audio feedback representing status and activity information
- Tamper detection
- Environment: accommodates interior, exterior, metal and non-metal installation environments

Additional features

- Compliance: compatible with applicable ISO standards
- Compatible with all access control systems that support Wiegand format
- Warranty: limited lifetime against defective workmanship and materials
- Additional technologies supported
 - Magnetic stripe
 - Track 1, 2, or 3
 - Proximity
 - Schlage
 - XceedID®
 - HID® Proximity (certain formats)
 - GE/CASI ProxLite™
 - AWID® Proximity
 - Smart card (secure sector only)
 - Schlage
 - aptiQ™ using MIFARE®
 - aptiQ™ using MIFARE DESFire™ EV1
 - FIPS 201-1/PIV & PIV-I
 - Smart card (card serial number only)
 - DESFire® application HID iClass®
 - Inside contactless PicoTag™

Ordering information

- **SM10** - Smart mini-mullion reader
- **MT11** - Multi-technology mullion reader
- **MT15** - Multi-technology single gang reader
- **MTK15** - Multi-technology single gang reader with keypad
- **MTMS15** - Multi-technology magnetic stripe reader
- **MTMSK15** - Multi-technology magnetic stripe reader with keypad

aptiQ™ PIV readers have been approved by the GSA lab as compliant with FIPS 201-1 and the appropriate PIV credentials.

Please see individual data sheets for each reader for more specific technical information.

Allegion, the Allegion logo, aptiQ, the aptiQ logo, Schlage, and XceedID, are trademarks of Allegion plc, its subsidiaries and/or affiliates in the United States and other countries. All other trademarks are the property of their respective owners. All other trademarks are the property of their respective owners.

About Allegion

Allegion (NYSE: ALLE) creates peace of mind by pioneering safety and security. As a \$2 billion provider of security solutions for homes and businesses, Allegion employs more than 7,800 people and sells products in more than 120 countries across the world. Allegion comprises 23 global brands, including strategic brands CISA®, Interflex®, LCN®, Schlage® and Von Duprin®. For more, visit www.allegion.com.

aptiQ ■ LCN ■  ■ STEELCRAFT ■ VON DUPRIN



© 2014 Allegion
004256, Rev. 01/14
www.allegion.com/us

aptiQ™

SUSB89 & SSRL89

USB & serial enrollment
readers



Overview

aptiQ™ USB and serial enrollment readers are designed to simplify your credential enrollment process. With the use of one of these enrollment readers, you can easily enroll a smart card in your access control system using your computer. No software is required to operate the enrollment readers. The readers will also function on any operating system.

The USB model (SUSB89) emulates a keyboard and will keystroke facility code and badge ID fields from the card to the cursor's location on the screen. The serial model (SSRL89) delivers the card's data in 4 bit Binary Coded Data (BCD) with delimiters. Facility code data is of variable length and badge ID data is a fixed length of 9 digits right justified with zeros as pad data.

Each reader is compatible with aptiQ™ smart credentials (MIFARE® classic and MIFARE DESFire™ EV1) and recognizes PIV credentials.

Features and benefits

- Use your computer to easily enroll a credential in your access control system — no software required
- Recognizes aptiQ™ smart credentials (MIFARE® classic and MIFARE DESFire™ EV1)
- Recognizes PIV credentials
- Limited lifetime warranty

Model	SUSB89	SSRL89
Reader type	USB enrollment reader	Serial enrollment reader
Software & operating system requirements	N/A	N/A
Frequencies reader	13.56 MHz	13.56 MHz
Bit formats recognized	26A, 37X, 40X	26A, 37X, 40X
Technologies supported	aptiQ™ MIFARE® - aptiQ™ MIFARE DESFire™ EV1 - PIV	aptiQ™ MIFARE® - aptiQ™ MIFARE DESFire™ EV1 - PIV
Physical dimensions (H x W x D)	3.5" x 2" x 0.63" (8.89 cm x 5.08 cm x 1.6 cm)	3.5" x 2" x 0.63" (8.89 cm x 5.08 cm x 1.6 cm)
Operating temperatures	-31° to 151°F (-35° to 67°C)	-31° to 151°F (-35° to 67°C)
Weight	3.2 oz	3.2 oz
Power supply	Connect to powered USB port	External power supply (included)
Interface	USB	RS232 DB9
Current requirement (peak)	180 mA	180 mA

Allegion, the Allegion logo, Schlage, and aptiQ are trademarks of Allegion plc, its subsidiaries and/or affiliates in the United States and other countries. All other trademarks are the property of their respective owners.

About Allegion

Allegion (NYSE: ALLE) creates peace of mind by pioneering safety and security. As a \$2 billion provider of security solutions for homes and businesses, Allegion employs more than 7,800 people and sells products in more than 120 countries across the world. Allegion comprises 23 global brands, including strategic brands CISA®, Interflex®, LCN®, Schlage® and Von Duprin®. For more, visit www.allegion.com.

aptiQ ■ LCN ■  ■ STEELCRAFT ■ VON DUPRIN



© 2014 Allegion
009488, Rev. 01/14
www.allegion.com/us



SERIII-W

Scramble keypad



Overview

The SERIII scramble keypad is a keypad reader designed to prevent onlookers from detecting the PIN code being entered. The LED's display a randomly allocated set of numbers from 0 to 9. The position of the numbers change every time the keypad is activated. Only the user standing directly in front of the keypad can see the scrambled digits.

Features and benefits

- Very narrow viewing angle of the lighted, scrambled digits
- The membrane keypad is extremely durable
- Random allocation of digits ensures even wear to the keys
- Individual PIN codes can be up to 9 digits in length
- The SERIII has a weatherproof rating of IP65
- An audible alarm signals when a button is depressed
- Robust polycarbonate enclosure
- The unit is equipped with power-up diagnostics and self-test routine
- The SERIII is provided with Wiegand communication protocol
- Over 3.6 million unique permutations are available
- Terminal connection on the rear of the unit

Specifications

Dimensions	5.39" x 4.17" x 2.05"
Input voltage	8 - 12 VDC
Input current	500mA max.
Operating temperature	5° F to 122° F
Weight	16.76 oz
Cable distance (Wiegand)	500' with 22AWG 6 conductor stranded with overall shield

Ordering information

- **SERIII-W-GR** - Scramble keypad (gray)
- **SERIII-W-BLK** - Scramble keypad (black)

- **SMK-2-GR** - Scramble keypad surface mount kit (gray)
- **SMK-2-BLK** - Scramble keypad surface mount kit (black)
- **SSMK-2-ADA** - Scramble keypad surface mount kit (ADA compliant)

- **PMK-2-GR** - Panel mount kit (gray)
- **PMK-2-BLK** - Panel mount kit (black)
- **SPMK-2-GR** - Panel mount kit with steel back box (gray)
- **SPMK-2-BLK** - Panel mount kit with steel back box (black)

Allegion, the Allegion logo, Schlage, and the Schlage logo are trademarks of Allegion plc, its subsidiaries and/or affiliates in the United States and other countries. All other trademarks are the property of their respective owners.

About Allegion

Allegion (NYSE: ALLE) creates peace of mind by pioneering safety and security. As a \$2 billion provider of security solutions for homes and businesses, Allegion employs more than 7,800 people and sells products in more than 120 countries across the world. Allegion comprises 23 global brands, including strategic brands CISA®, Interflex®, LCN®, Schlage® and Von Duprin®. For more, visit www.allegion.com.

aptiQ ■ LCN ■  ■ STEELCRAFT ■ VON DUPRIN



© 2014 Allegion
004250, Rev. 01/14
www.allegion.com/us



SMR10 and SMR20

Magnetic stripe readers



Overview

The SMR10 and SMR20 stripe readers have a slim, mullion style design. The die cast metal housing makes it ideal for indoor or outdoor applications. The SMR20 has a 12 position membrane style keypad.

Features and benefits

- Rugged metal housing
- All stainless steel hardware is standard
- Audiovisual indication provides two LED's (red/green) and beeper sounds
- Static discharge protection
- Accepts low or high coercivity-magnetic cards
- Standard track 2 encoding (track 1 and 3 are available)
- One security screw mounting
- Supports Wiegand or Clock & Data interface formats via dip switches

Specifications

Dimensions (W x H x L)	1.95" x 1.3" x 5.5"
Power requirements	5 or 12 VDC
Power consumption	20 mA at 12 VDC
Operating temperature	-40° F to 170° F
Weight	10 oz
Cable distance	500' with 18AWG 6 conductor stranded with overall shield

Ordering information

- **SMR10-5V-BLK** - 5 VDC standard, magnetic stripe card reader (black)
- **SMR10-5V-BG** - 5 VDC standard, magnetic stripe card reader (beige)
- **SMR10-12V-BLK** - 12 VDC magnetic stripe card reader (black)
- **SMR10-12V-BG** - 12 VDC magnetic stripe card reader (beige)
- **SMR20-5V-BLK** - 5 VDC standard, magnetic stripe card reader with keypad (black)
- **SMR20-5V-BG** - 5 VDC standard, magnetic stripe card reader with keypad (beige)
- **SMR20-12V-BLK** - 12 VDC magnetic stripe card reader with keypad (black)
- **SMR20-12V-BG** - 12 VDC magnetic stripe card reader with keypad (beige)

Allegion, the Allegion logo, Schlage, and the Schlage logo are trademarks of Allegion plc, its subsidiaries and/or affiliates in the United States and other countries. All other trademarks are the property of their respective owners.

About Allegion

Allegion (NYSE: ALLE) creates peace of mind by pioneering safety and security. As a \$2 billion provider of security solutions for homes and businesses, Allegion employs more than 7,800 people and sells products in more than 120 countries across the world. Allegion comprises 23 global brands, including strategic brands CISA®, Interflex®, LCN®, Schlage® and Von Duprin®. For more, visit www.allegion.com.

aptiQ ■ **LCN** ■ **SCHLAGE** ■ **STEELCRAFT** ■ **VON DUPRIN**



© 2014 Allegion
004246, Rev. 01/14
www.allegion.com/us



SMR5

Magnetic stripe reader



Overview

The SMR5 Mercury magnetic stripe reader has a slim, mullion style design. The die cast metal housing makes it ideal for indoor or outdoor applications.

Features and benefits

- Rugged metal housing
- All stainless steel hardware is standard
- Audiovisual indication provides multicolor LED (red/green) and beeper sounds
- Static discharge protection
- Accepts low or high coercivity-magnetic cards
- Standard track 2 encoding (track 1 and 3 are available)
- One security screw mounting
- Supports Wiegand or Clock & Data interface formats

Specifications

Dimensions (W x H x L)	1.95" x 1.3" x 5.5'
Power requirements	5 or 12 VDC
Power consumption	20 mA at 12 VDC
Operating temperature	-40° F to 170° F
Weight	10 oz
Cable distance	500' with 18AWG 6 conductor stranded with overall shield

Ordering information

- **SMR5-5V-BLK** - 5 VDC magnetic stripe card reader (black)
- **SMR5-5V-BG** - 5 VDC magnetic stripe card reader (beige)
- **SMR5-12V-BLK** - 12 VDC magnetic stripe card reader (black)
- **SMR5-12V-BG** - 12 VDC magnetic stripe card reader (beige)

Allegion, the Allegion logo, Schlage, and the Schlage logo are trademarks of Allegion plc, its subsidiaries and/or affiliates in the United States and other countries. All other trademarks are the property of their respective owners.

About Allegion

Allegion (NYSE: ALLE) creates peace of mind by pioneering safety and security. As a \$2 billion provider of security solutions for homes and businesses, Allegion employs more than 7,800 people and sells products in more than 120 countries across the world. Allegion comprises 23 global brands, including strategic brands CISA®, Interflex®, LCN®, Schlage® and Von Duprin®. For more, visit www.allegion.com.

aptiQ ■ LCN ■  ■ STEELCRAFT ■ VON DUPRIN



© 2014 Allegion
004253, Rev. 01/14
www.allegion.com/us



SEKPDWG and SEKPDMWG

Electronic keypads



Overview

The fully encapsulated electronic keypad can be used by itself or next to another reader device for additional security. Its stainless steel construction is ideal for indoor or outdoor applications. The two designs, single gang box or the mullion mount style, give it the diversity needed for any application.

Features and benefits

- Field selectable keypad configurations
- SEKPDWG mounts directly to a single gang electrical box
- SEKPDMWG mounts to any mullion style frame
- No moving parts to replace

Specifications

Dimensions	SEKPDWG: 5.125" x 3.375" x .437" SEKPDMWG: 7.125" x 1.75" x .75"
Power supply	5-12 VDC (field selectable)
Operating temperature	-40° F to 160° F
Weight	SEKPDWG: 16 oz SEKPDMWG: 4.4 oz
Material	316L stainless steel
Standby current draw	SEKPDWG: 5V-20mA, SEKPDMWG: 5V-20mA

Ordering information

- **SEKPDWG** - Single gang style keypad
- **SEKPDMWG** - Mullion style keypad
- **SEKPD8B** - Mullion style keypad (8 bit)

Note: Specify 5V or 12V

Allegion, the Allegion logo, Schlage, and the Schlage logo are trademarks of Allegion plc, its subsidiaries and/or affiliates in the United States and other countries. All other trademarks are the property of their respective owners.

About Allegion

Allegion (NYSE: ALLE) creates peace of mind by pioneering safety and security. As a \$2 billion provider of security solutions for homes and businesses, Allegion employs more than 7,800 people and sells products in more than 120 countries across the world. Allegion comprises 23 global brands, including strategic brands CISA®, Interflex®, LCN®, Schlage® and Von Duprin®. For more, visit www.allegion.com.

aptiQ ■ LCN ■  ■ STEELCRAFT ■ VON DUPRIN



© 2014 Allegion
004252, Rev. 03/14
www.allegion.com/us

SCHLAGE

KP212, KP232 and KP2000



KP212 and KP232

Mullion mounted keypad series

The mullion keypad series is a standalone solution and is ideal for controlling electrified door hardware such as electric strikes or electromagnetic locks. The one-piece design allows easy installation, mounting directly to mullion. Designed with backlit keys and weather resistant, they are well suited for both indoor and outdoor applications.

The mullion stile readers can be programmed to accept up to 120 user codes, are equipped with a Form C, dry contact relay and can be released by using a momentary request-to-exit switch.

The KP232 is designed to meet most residential, commercial, and industrial single door access control needs, and has two inputs and four outputs and factory set access control.

KP2000

Single gang flush mount

The KP2000 series single gang flush mount keypads manage up to 500 users and provide complete access control functionality including monitoring door position, controlling locking hardware, triggering propped or forced alert or alarm shunt output. Other applications for the KP2000 series keypads include: controlling electronic devices such as handicapped doors, gate controls, alarm systems, ATM vestibules, and other types of machinery requiring momentary or latched outputs.

You can select between two modes of functionality with the KP2000 series keypads. They can operate most Wiegand access system controllers, or as standalone access control devices.

The KP2000 Series comes in two different styles: the “e” style and the “eM” style. The “e” style keypad uses hardened backlit keys while the “eM” style uses a durable metal keypad including Braille alpha-numeric keys. The KP2000 series can be used in interior and exterior applications. The flush-mount keypads are constructed to meet your aesthetic needs while ensuring long-term durability and high-quality performance.

Features and benefits

- KP212 and KP232
 - Up to 120 users
 - Illuminated hardened keys
 - Sounder
 - Doorbell relay
 - Weather resistant
 - Programmable 00-99 second relay activation time
 - Remote trigger input (REX)
 - Bell output (timed or continuous)
 - Applications:
 - Heavy traffic
 - Indoor/outdoor
- KP2000
 - Features and benefits on back

Reader specifications



Feature set	KP212	KP232	KP2000E	KP2000EM
Mounting	Mullion	Mullion	Single gang/flush	Single gang/flush
Users	120	120	500	500
PIN length	1-6 digits	1-6 digits	1-10 digits	1-10 digits
Duty cycles	Medium	Medium	Medium	Heavy-duty
Back light	Yes	Yes	Yes	No
Keys	Hard plastic	Hard plastic	Heavy-duty plastic	Heavy-duty metal with braille
Weather resistant	Indoor/outdoor	Indoor/outdoor	Indoor/outdoor	Indoor/outdoor
Doorbell key	Yes	Yes	No	No
Wiegand output	No	No	No	No
Remote trigger (REX)	Yes	Yes	Yes	Yes
Access control functionality	Programmable relay activation time (0-99 seconds). Perfect for electric or magnetic locks requiring momentary control.	4 dedicated relay outputs (lock release, door forced, door propped and alarm shunt)	Monitors DPS, controls various electronic hardware, triggers door propped, forced door alert or alarm shunt	Monitors DPS, controls various electronic hardware, triggers door propped, forced door alert or alarm shunt
Relays	2 relays (main and aux)	Main, prop door, forced door and alarm shunt relay	2 Form C, expandable to 10 programmable outputs	2 Form C, expandable to 10 programmable outputs
Outputs	2 independent (configurable)	4 independent (dedicated)	2 independent (programmable with the option to add 8 more)	Programmable
Finish	Aluminum	Aluminum	Aluminum	Aluminum
UL 294	No	No	Yes	Yes

- KP2000 features
 - 500 users
 - Door position input
 - Request-to-exit input
 - 2 Form C SPDT relay outputs – default for access control function
 - Sounder for key press and alert conditions
 - All outputs can be programmed independently if required
 - Option for secure installation with control electronics in protected area
 - Widest array of user type options including single use and two man rule
 - 10-30 VDC and 12-24 VAC operation
 - Over-voltage protection for reliable operation
 - Single-gang flush mount design
 - Indoor/outdoor use
 - Keypad programmable
 - Key press feedback via sounder and yellow LED
 - Built-in assignable sounder
 - Bi-color red/green LED indicates relay status

Allegion, the Allegion logo, Schlage, and the Schlage logo are trademarks of Allegion plc, its subsidiaries and/or affiliates in the United States and other countries. All other trademarks are the property of their respective owners.

About Allegion

Allegion (NYSE: ALLE) creates peace of mind by pioneering safety and security. As a \$2 billion provider of security solutions for homes and businesses, Allegion employs more than 7,800 people and sells products in more than 120 countries across the world. Allegion comprises 23 global brands, including strategic brands CISA®, Interflex®, LCN®, Schlage® and Von Duprin®. For more, visit www.allegion.com.

aptiQ ■ LCN ■ SCHLAGE ■ STEELCRAFT ■ VON DUPRIN



ALLEGION™

© 2014 Allegion
005000, Rev. 01/14
www.allegion.com/us



CRM2 and CRP2

Enrollment readers



Overview

The CRM2 magnetic stripe credential enrollment reader and the CRP2 Proximity Credential Enrollment Reader are designed to allow easy enrollment of credentials into the Schlage Express access control system. These compact readers eliminate the need for manual data entry, and provide error-free identification and security throughout the workplace. The plug and play functionality provided via a convenient USB connection allows either of these readers to seamlessly integrate with the Schlage Express software. Additionally, the reader allows for keystrokes to be added before and after the card's data, providing flexibility and data customization.

Note: Compatible with Schlage Express version 4.0 and higher

Features and benefits

- CRM2
 - Magnetic stripe reader
 - Reads data from any data track location on the card
 - USB connectivity
 - Plug-and-play functionality
- CRP2
 - Proximity reader
 - USB connectivity
 - Plug-and-play functionality

CRP2 specifications

Typical maximum read range	1.0" – 3.0" (2.5 – 7.6 cm) dependent upon proximity card type and environmental conditions
Dimensions (H x W x D)	3 3/8" x 2" x 0.6"
Weight	0.45 lbs (12.7g)
Power supply and interface	USB self-powered
Indicators	Tri-state LED, beeper
Transmit frequency	125 kHz
Operating temperature range	-22° to 150°F (-30° to 65°C)
Operating humidity range	5% to 95% relative humidity, non-condensing
Storage temperature range	-40° to 185°F (-40° to 85°C)
Certifications	FCC, United States; CE Mark Europe, C-tic Australia, RoHS
Warranty	One year for material/workmanship and defects

CRM2 specifications

Desktop dimensions (H x W x D)	3.674" x 1.325" x 1.193" (93.32 x 33.65 x 30.3 mm); Optional base: 3.375" x 3.5" x 0.5" (86 x 89 x 13 mm)
Desktop weight	4.6 oz (136 g); Base: 13 oz (369 g)
Media thickness	0.015" (0.127 mm) to 0.038" (1.14 mm)
Slot width	0.040" (1.0 mm)
Swipe speed	3 to 60 inches per second, bi-directional
Power supply and interface	USB: self-powered; RS-232 [DB9F] model: 5V supplied by either PS/2 keyboard pass-through or USB power tap
Indicators	Tri-state LED, beeper
Operating temperature range	32° to 131°F (0° to 55°C)
Operating humidity range	5% to 95% relative humidity, non-condensing
Storage temperature range	-22° to 158°F (-30° to 70°C)
Cable length	6 foot articulated cable
Operating life	1,000,000 cycles minimum
Warranty	One year for material/workmanship and defects

Allegion, the Allegion logo, Schlage, and the Schlage logo are trademarks of Allegion plc, its subsidiaries and/or affiliates in the United States and other countries. All other trademarks are the property of their respective owners.

About Allegion

Allegion (NYSE: ALLE) creates peace of mind by pioneering safety and security. As a \$2 billion provider of security solutions for homes and businesses, Allegion employs more than 7,800 people and sells products in more than 120 countries across the world. Allegion comprises 23 global brands, including strategic brands CISA®, Interflex®, LCN®, Schlage® and Von Duprin®. For more, visit www.allegion.com.

aptiQ ■ LCN ■ SCHLAGE ■ STEELCRAFT ■ VON DUPRIN



© 2014 Allegion
005132, Rev. 01/14
www.allegion.com/us



Credentials



This section of the Electronic Access Control catalog covers proximity, smart, and multi-technology credentials from Allegion.

Overview

Allegion offers a comprehensive line of smart, multi-technology and proximity credentials with an array of technological capabilities and form factors to meet the security needs and budget of virtually any customer. Allegion has a full offering of credentials to provide complete flexibility when transitioning from proximity to smart technology. Additionally, a variety of designs are available to accommodate a wide range of needs, from ISO card styles for name badges to keyfobs.

Proximity credentials

- XceedID proximity technology offers your facility an easy and convenient access control solution. Proximity technology, which operates on 125 kHz frequency, is easily integrated into existing legacy proximity systems and new installations.
- Offered in several different form factors, XceedID has the proximity credentials to meet your needs.
 - The **clamshell style** is highly durable and more ridged than the typical credit card, making this card ideal for harsh environments.
 - The **ISO style** card is similar in size and thickness to a credit card and has the ideal surface to print custom artwork, images, and photographs for identification. This card can also include a magnetic stripe.
 - The **keyfob** can be easily attached to any key ring for convenience.
 - The **PVC disk** credential can be adhered to any frequently used surface.
- Proximity credentials by XceedID are compatible with most industry leading proximity readers and are completely ISO compliant. These credentials also have a passive design, requiring no batteries or maintenance for the life of the card.

Smart credentials

- aptiQ™ contactless smart credentials (MIFARE® and MIFARE DESFire™ EV1) put you in control by delivering smarter solutions. Storage options of 2.5k, 8k, 16k, 32k, or 64k bits will meet the most demanding storage requirements, and allow for a wide range of card applications to be utilized.
- Aside from physical access, smart credential uses could include transit and point of sale applications, such as cashless vending and cafeteria services.
- aptiQ smart credentials operate on 13.56 MHz frequency, and utilize high security encrypted data, which is mutually authenticated in communication between the card and reader, providing optimum security.
- Smart credentials are also offered in clamshell style, ISO style cards, keyfobs, and PVC patches.

Multi-technology credentials

- aptiQ multi-technology credentials are extremely flexible. Particularly useful during a transition from proximity technology to smart technology, this card can be read by both proximity readers and smart readers, which allows customers to economically migrate to the latest in smart technology at their own pace.
- This type of credential is only available in an ISO style card.

125 kHz proximity credentials



Model number	7410	7510	7610	7710
Credential type	Clamshell	ISO-Glossy White*	Keyfob	PVC disk
Credential technology; ISO standard	125 kHz Prox	125 kHz Prox	125 kHz Prox	125 kHz Prox
Dimensions (H x W x T in inches)	3.37 x 2.125 x 0.075	3.37 x 2.125 x 0.033	2 x 1.24 x 0.38	1.38 in. or 35mm diameter
Slot punch (printed guide)	Vertical (punched)	Vertical or horizontal	Key ring	N/A
Memory capacity; application sectors	N/A	N/A	N/A	N/A

125 kHz/13.56 MHz multi-technology credentials



Model number	9951	9958	8920/8940/8980
Credential type	ISO-Glossy White*	ISO-Glossy White*	ISO-Glossy White*
Credential technology; ISO standard	125 kHz Prox/MIFARE; ISO 14443	125 kHz Prox/MIFARE; ISO 14443	125 kHz Prox/MIFARE DESFire™ EV1; ISO 14443
Dimensions (H x W x T in inches)	3.37 x 2.125 x 0.033	3.37 x 2.125 x 0.033	3.37 x 2.125 x 0.033
Slot punch (printed guide)	Vertical	Vertical	Vertical
Memory capacity; application sectors	8k bit/1K byte; 16 sectors	32k bit/4K byte; 40 sectors	2K/4K/8K byte

* All ISO-Glossy White cards are printable with a magnetic stripe option. Add M1 to the model number for magnetic stripes when ordering.

13.56 MHz smart credentials



Model number	9420	9451	9520	9551	9558
Credential type	Clamshell	Clamshell	ISO-Glossy White*	ISO-Glossy White*	ISO-Glossy White*
Credential technology; ISO standard	MIFARE Lite; ISO 14443	MIFARE; ISO 14443	MIFARE; ISO 14443	MIFARE; ISO 14443	MIFARE; ISO 14443
Dimensions (H x W x T in inches)	3.37 x 2.125 x 0.075	3.37 x 2.125 x 0.075	3.37 x 2.125 x 0.033	3.37 x 2.125 x 0.033	3.37 x 2.125 x 0.033
Slot punch (printed guide)	Vertical (punched)	Vertical (punched)	Vertical or horizontal	Vertical or horizontal	Vertical or horizontal
Memory capacity; application sectors	2.5k bit; 5 sectors	8k bit/1K byte; 16 sectors	2.5k bit; 5 sectors	8k bit/1K byte; 16 sectors	32k bit/4K byte; 40 sectors

13.56 MHz smart credentials



Model number	9651	9751	9758
Credential type	Keyfob	PVC patch	PVC patch
Credential technology; ISO standard	MIFARE; ISO 14443	MIFARE; ISO 14443	MIFARE; ISO 14443
Dimensions (H x W x T in inches)	2 x 1.24 x 0.38	3.37 x 2.125 x 0.033	3.37 x 2.125 x 0.033
Slot punch (printed guide)	Key ring	Vertical	Vertical
Memory capacity; application sectors	8k bit/ 1K byte; 16 sectors	8k bit/ 1K byte; 16 sectors	32k bit/ 4K byte; 40 sectors

13.56 MHz smart credentials



Model number	8420/8440/8480	8520/8540/8580	8620/8640/8680	8720/8740/8780
Credential type	Clamshell	ISO-Glossy White*	Keyfob	PVC patch
Credential technology; ISO standard	MIFARE DESFire™ EV1	MIFARE DESFire™ EV1	MIFARE DESFire™ EV1	MIFARE DESFire™ EV1
Dimensions (H x W x T in inches)	3.37 x 2.125 x 0.033	3.37 x 2.125 x 0.033	2 x 1.24 x 0.38	3.37 x 2.125 x 0.033
Slot punch (printed guide)	Vertical (punched)	Vertical or horizontal	Key ring	Vertical
Memory capacity; application sectors	2k/4k/8k bytes	2k/4k/8k bytes	2k/4k/8k bytes	2k/4k/8k bytes

*All ISO-Glossy White cards are printable with a magnetic stripe option. Add M1 to the model number for magnetic stripes when ordering.

Allegion, the Allegion logo, aptiQ, and XceedID are trademarks of Allegion plc, its subsidiaries and/or affiliates in the United States and other countries. All other trademarks are the property of their respective owners.

About Allegion

Allegion (NYSE: ALLE) creates peace of mind by pioneering safety and security. As a \$2 billion provider of security solutions for homes and businesses, Allegion employs more than 7,800 people and sells products in more than 120 countries across the world. Allegion comprises 23 global brands, including strategic brands CISA®, Interflex®, LCN®, Schlage® and Von Duprin®. For more, visit www.allegion.com.

aptiQ™

Smart credentials



Overview

aptiQ™ contactless smart credentials put you in control by delivering smarter solutions. These credentials protect your most sensitive data by utilizing extra layers of security protection, and can be used for many other applications including transit, cashless vending, and cafeteria point of sale.

aptiQ™ contactless smart credentials operate on a 13.56 MHz frequency, and utilize high security encrypted data, which is mutually authenticated in communication between the card and reader, providing optimum security. aptiQ™ smart credentials offer the choice of 2.5k, 8k, 16k, 32k, and 64k bits of storage, which will meet the most demanding storage requirements.

Features and benefits

- Open architecture design is built on ISO 14443A standards, providing for a faster data transfer speed
- Offered in clamshell, ISO style cards, key fobs, and adhesive patches
- Utilize MIFARE® or MIFARE DESFire™ EV1 technology
- Custom artwork and laser engraving available for clamshell and ISO style cards



13.56 MHz smart credentials

Model number	9420	9451	9520	9551	9558	9651
Credential type	Clamshell	Clamshell	ISO-Glossy White ¹	ISO-Glossy White ¹	ISO-Glossy White ¹	Keyfob
Credential technology; ISO standard	MIFARE; ISO 14443	MIFARE; ISO 14443	MIFARE; ISO 14443	MIFARE; ISO 14443	MIFARE; ISO 14443	MIFARE; ISO 14443
Dimensions (H x W x T in inches)	3.37 x 2.125 x 0.075	3.37 x 2.125 x 0.075	3.37 x 2.125 x 0.033	3.37 x 2.125 x 0.033	3.37 x 2.125 x 0.033	2 x 1.24 x 0.038
Slot punch (printed guide)	Vertical (punched)	Vertical (punched)	Vertical or horizontal	Vertical or horizontal	Vertical or horizontal	Key ring
Memory capacity; application sectors	2.5k bit; 5 sectors	8k bit/1K byte; 16 sectors	2.5k bit; 5 sectors	8k bit/1K byte; 16 sectors	32k bit/4K byte; 40 sectors	8k bit/1K byte; 16 sectors
Warranty	Lifetime - Credentials have a lifetime warranty against manufacturers defects. See sales policy for complete warranty details.					



13.56 MHz smart credentials

Model number	9751	9758	8420 8440 8480	8520 8540 8580	8620 8640 8680	8720 8740 8780
Credential type	PVC patch	PVC patch	Clamshell	ISO-Glossy White ¹	Keyfob	PVC patch
Credential technology; ISO standard	MIFARE; ISO 14443	MIFARE; ISO 14443	MIFARE DESFire™ EV1	MIFARE DESFire™ EV1	MIFARE DESFire™ EV1	MIFARE DESFire™ EV1
Dimensions (H x W x T in inches)	3.37 x 2.125 x 0.033	3.37 x 2.125 x 0.033	3.37 x 2.125 x 0.075	3.37 x 2.125 x 0.033	2 x 1.24 x 0.28	3.37 x 2.125 x 0.033
Slot punch (printed guide)	Vertical	Vertical	Vertical (punched)	Vertical or horizontal	Keyring	Vertical
Memory capacity; application sectors	8k bit/1K byte; 16 sectors	32k bit/4K byte; 40 sectors	2K/4K/8K byte	2K/4K/8K byte	2K/4K/8K byte	2K/4K/8K byte
Warranty	Lifetime - Credentials have a lifetime warranty against manufacturers defects. See sales policy for complete warranty details.					

¹ ISO Glossy White style credentials are made from composite material, are printable, and can include a magnetic stripe as an option. Add M1 to the model number for a magnetic stripe when ordering.

Allegion, the Allegion logo, and aptiQ are trademarks of Allegion plc, its subsidiaries and/or affiliates in the United States and other countries. All other trademarks are the property of their respective owners.

About Allegion

Allegion (NYSE: ALLE) creates peace of mind by pioneering safety and security. As a \$2 billion provider of security solutions for homes and businesses, Allegion employs more than 7,800 people and sells products in more than 120 countries across the world. Allegion comprises 23 global brands, including strategic brands CISA®, Interflex®, LCN®, Schlage® and Von Duprin®. For more, visit www.allegion.com.

aptiQ™

Multi- technology credentials



Overview

aptiQ™ multi-technology credentials are extremely flexible. Particularly useful during a transition from proximity technology to smart technology, this card can be read by both proximity readers and smart readers. This allows customers to economically migrate to the latest smart technology at their own pace.

aptiQ™ multi-technology credentials contain both 125 kHz proximity and 13.56 MHz contactless smart card capability in one unit, and are available in the newest technologies of today, including both MIFARE® and MIFARE DESFire™ EV1 technology.

Features and benefits

- Open architecture design is built on ISO 14443A standards, providing for a faster data transfer speed
- Only available in ISO style cards
- Utilize 125 kHz proximity and 13.56 MHz MIFARE® technology or 125 kHz proximity and 13.56 MHz MIFARE DESFire™ EV1 technology
- Custom artwork and laser engraving available



125 kHz/13.56 MHz multi-technology credentials

Model number	9951	9958	8920/8940/8980
Credential type	ISO-Glossy White ¹	ISO-Glossy White ¹	ISO-Glossy White ¹
Credential technology; ISO standard	125 kHz Prox/MIFARE®; ISO 14443	125 kHz Prox/MIFARE®; ISO 14443	125 kHz Prox/MIFARE DESFire™ EV1; ISO 14443
Dimensions (H x W x D)	3.37" x 2.125" x 0.033"	3.37" x 2.125" x 0.033"	3.37" x 2.125" x 0.033"
Slot punch (printed guide)	Vertical	Vertical	Vertical
Memory capacity; application sectors	8K bit/1K byte; 16 sectors	32K bit/4K byte; 40 sectors	2K/4K/8K byte
Warranty	Lifetime - Credentials have a lifetime warranty against manufacturers defects. See sales policy for complete warranty details.		

¹ ISO-Glossy White style credentials are made from composite material, are printable, and can include a magnetic stripe as an option. Add M1 to the model number for a magnetic stripe when ordering.

Allegion, the Allegion logo, and aptiQ are trademarks of Allegion plc, its subsidiaries and/or affiliates in the United States and other countries. All other trademarks are the property of their respective owners.

About Allegion

Allegion (NYSE: ALLE) creates peace of mind by pioneering safety and security. As a \$2 billion provider of security solutions for homes and businesses, Allegion employs more than 7,800 people and sells products in more than 120 countries across the world. Allegion comprises 23 global brands, including strategic brands CISA®, Interflex®, LCN®, Schlage® and Von Duprin®. For more, visit www.allegion.com.

aptiQ ■ LCN ■ SCHLAGE ■ STEELCRAFT ■ VON DUPRIN



© 2014 Allegion
005425, Rev. 01/14
www.allegion.com/us



Proximity credentials



Overview

XceedID® proximity technology is an easy, convenient access control solution. Proximity technology, which operates on 125 kHz frequency, is easily integrated into existing legacy proximity systems or ideal for a new installation. Proximity credentials can easily fit into a wallet or may be used as a strapped or clipped badge.

From highly durable clamshell-style cards, to basic ISO style cards, to keyfobs and adhesive patches, XceedID offers several different form factors to meet the needs of many different customers.

Proximity credentials by XceedID are compatible with all industry leading proximity readers and are also completely ISO compliant. These credentials also have a passive design, requiring no batteries or maintenance for the life of the card.

Features and benefits

- Clamshell style offers high durability, and is suitable for harsh environments
- ISO style card is similar in size and thickness to a credit card, and has the ideal surface to print custom artwork, images, and photographs for identification
- Keyfob proximity credentials can easily be attached to any key ring for convenience
- Adhesive patch proximity credentials can be adhered to any frequently used surface
- Custom artwork and laser engraving available for clamshell and ISO style cards



125 kHz proximity credentials

Model number	7410	7510	7610	7710
Credential type	Clamshell	ISO-Glossy White ¹	Keyfob	PVC Disk
Credential technology; ISO standard	125 kHz prox	125 kHz prox	125 kHz prox	125 kHz prox
Dimensions (H x W x T)	3.37" x 2.125" x 0.075"	3.37" x 2.125" x 0.033"	2" x 1.24" x 0.38"	35 mm
Slot punch (printed guide)	Vertical (punched)	Vertical or horizontal	Keyring	N/A
Memory capacity; application sectors	N/A	N/A	N/A	N/A
Warranty	Lifetime - Credentials have a lifetime warranty against manufacturers defects. See sales policy for complete warranty details.			

¹ ISO-Glossy White style credentials are made from composite material, are printable, and can include a magnetic stripe as an option. Add M1 to the model number for a magnetic stripe when ordering.

Allegion, the Allegion logo, and XceedID are trademarks of Allegion plc, its subsidiaries and/or affiliates in the United States and other countries. All other trademarks are the property of their respective owners.

About Allegion

Allegion (NYSE: ALLE) creates peace of mind by pioneering safety and security. As a \$2 billion provider of security solutions for homes and businesses, Allegion employs more than 7,800 people and sells products in more than 120 countries across the world. Allegion comprises 23 global brands, including strategic brands CISA®, Interflex®, LCN®, Schlage® and Von Duprin®. For more, visit www.allegion.com.

aptiQ ■ LCN ■ SCHLAGE ■ STEELCRAFT ■ VON DUPRIN



© 2014 Allegion
005426, Rev. 01/14
www.allegion.com/us

Biometrics



This section of the Electronic Access Control catalog covers HandKey® biometric hand geometry readers and other accessories that can be easily integrated into an access control system.

Overview

HandKey® biometric hand geometry readers from Schlage provide increased security for the most important openings in your facilities. The HandKey utilizes the size and shape of the hand to verify the identity of the user, ensuring that only authorized users can access the door. While other credentials can be lost, stolen or duplicated without authorization, the HandKey eliminates this risk. The open-architecture design of the HandKey makes integrating biometric hand readers into critical access points easy, simple, and seamless for new or existing access control systems.

Features

The HandKey provides the flexibility to be used as a stand-alone device that protects a single critical access point, or integrated into virtually any new or existing access control system in the market. Standalone operation is enabled utilizing the built-in door lock output, and a programmable auxiliary output that can be used to output audible or silent alarms, or activate lighting systems or other peripheral devices. The same HandKey reader can be set up to operate in card reader emulation mode, outputting Wiegand data to an access control system. This enables the HandKey to look just like a card reader to your access control system, ensuring real-time monitoring and communication between the device and your access control panel.

Event monitoring alerts you in the event that the device has been tampered with, when a user is refused after exceeding the user definable number of verification attempts, or when the user is under duress. With the HandKey, you can also customize security levels, time zones, holidays and languages based on your unique needs.

Benefits

The HandKey creates an affordable way to provide the highest level of security possible for your access control application. Verification of identity takes less than one second, making it ideal for even high throughput applications.

The hand reader ensures that you are only allowing the correct people, not just the proper cards, to access the most important areas of your facility. The cost commonly associated with managing an access control system can be minimized with the help of a HandKey. Since the credential cannot be forgotten or stolen, you eliminate the need to replace lost, damaged, or stolen cards or keys.

The HandKey readers measure the size and shape of a user's hand, including length, width, thickness and surface area, to verify identity. The HandKey does not read fingerprints or palm prints, and works effectively even if the user's hand is wet, dirty or injured.

Designed upon an open architecture platform, the HandKey ensures that you can incorporate biometrics where you need them, whether it is on a single high-security door within your facility, or on many openings throughout your whole organization as part of an access control system.

Options

The HandKey II has several options to choose from including:

- **Biometric reader model:** HandKey II
- **Communications:** Ethernet or modem communications module options to meet the needs of your communication environment.
- **Memory:** Field-upgradeable and expandable memory options to support from 512 to 259,072 users.
- **Outdoor enclosures:** To protect the reader from the elements and enable operations in a variety of outdoor or other harsh environments.
- **Card reader and keypads:** A variety of reader mounted or wall-mounted options, including proximity, magnetic stripe, barcode, HID iCLASS® and MIFARE®.
- **Mounting options:** Enable mounting on table-top or surface wall-mount.

Accessories

A variety of HandKey accessories are available to maximize the flexibility of your solution:

- HandNet Lite provides an easy way to manage hand templates for up to 32 HandKeys.
- HandNet for Windows enables you to control and monitor a network of HandKey® readers. With one program you can monitor activity and alarms on all readers, manage hand templates between readers, and control the access of each user. HandNet for Windows comes in three tiers to enable flexibility based upon the size of your system. These tiers are upgradable for added flexibility to meet your future needs as your application grows.

HandKey II

Construction	Polycarbonate housing with aluminum fingerpins
Base users	512 users
User memory options	Expandable to 259,072 users
Template size	9 bytes
Verification time	Less than one second for comparison to reference template
ID number length	1-10 digits
Duress code	1 leading digit, user definable

Communications

RS232	Baud rate 300 bps to 28,800 bps
RS485	Baud rate 300 bps to 28,800 bps
RS422	Baud rate 300 bps to 28,800 bps
Optional modem	Baud rate 300 bps to 14,400 bps
Optional ethernet	Field Installable: 10 Base T

Mounting options

Table mount	Option available
Surface wall mount	Standard
Recessed wall mount	N/A

Other options and requirements

Left hand option	N/A
Antimicrobial coating on platen	Standard
Blue hand outline	Standard
Outdoor and enclosure options	Heater option available; polyethylene enclosure with UV resistance available; metal water tight enclosure available
Dimensions (H x W x D)	11.65 in x 8.85 in x 8.55 in. (29.6 cm x 22.5 cm x 21.7 cm)
Power requirements	12 to 24 VDC or 12 to 24 VAC 50-60 Hz 7 watts (without options)
Weight	5.3 lbs. (2.4 kgs.) (Without battery back-up or wall plate)

Temperature

Operating	0° C to +45° C /32° F to 113° F
Non-operating (storage)	-10° C to +60° C /14° F to 140° F

Relative humidity

Operating	20% to 80% RH non-condensing
Non-operating (storage)	5% to 85% RH non-condensing

Inputs

Standard	26 bit, 9 bit ID Wiegand
Optional	Mag stripe, bar code, smart card
HandKey Inputs	Request-to-exit, door switch input, 2 auxiliary inputs

Outputs

Door control	Lock output
Card reader emulation mode	Wiegand (standard), mag stripe, bar code
Auxiliary output	1 programmable auxiliary
Outputs to peripheral devices	Audible or silent alarms, door locks, lighting systems

Event monitoring

Tamper	HandKey opened or removed
ID refused	User not verified after user definable number of tries exceeded
Duress	User entered duress code digit
Power failure	HandKey switched to optional battery power

Programmable HandKey commands

Add/remove users; set global operating thresholds; set individual user data (authority or threshold levels, time zones); transmit data from master to remote; data received by master from remote; transmit/receive data from optional software; check status of door (tamper, door monitor switch); time zones – 62 total (2 fixed, 60 programmable); set language; set date format, date and time; edit holidays

This page intentionally left blank.

Allegion, the Allegion logo, SCHLAGE, the SCHLAGE logo are trademarks of Allegion plc, its subsidiaries and/or affiliates in the United States and other countries. All other trademarks are the property of their respective owners.

About Allegion

Allegion (NYSE: ALLE) creates peace of mind by pioneering safety and security. As a \$2 billion provider of security solutions for homes and businesses, Allegion employs more than 7,800 people and sells products in more than 120 countries across the world. Allegion comprises 23 global brands, including strategic brands CISA®, Interflex®, LCN®, Schlage® and Von Duprin®. For more, visit www.allegion.com.

aptiQ ■ LCN ■  ■ STEELCRAFT ■ VON DUPRIN



© 2014 Allegion
005027, Rev. 03/14
www.allegion.com/us



HandKey® II

Biometric hand geometry reader



Overview

Nothing is tougher!

Our HandKey II product is ideal for applications where consistent and dependable security is of prime importance. The product is easy to maintain, and provides an ideal mix of convenience, security and peace of mind.

Top 10 reasons to select hand geometry

Field proven reliability

- Hundreds of thousands of HandKeys are installed all over the world in diverse applications, providing millions of error free transactions every day

Convenience and cost savings

- Incredibly fast installation and intuitive enrollment increases user convenience
- Verification in less than one second makes it ideal for high throughput applications
- High product quality + low maintenance costs = low total cost of ownership
- Eliminate the worry of lost, stolen or unauthorized transfer of ID cards plus the cost of purchasing and maintaining these cards

Eliminate privacy concerns

- Hand geometry technology is well accepted by end users, as there are no fingerprints or palm prints taken and the user does not leave behind any trace of their biometric data

Amazing versatility

- HandKeys can be used as standalone systems to protect critical access points that can be easily integrated into virtually every new or existing access control system in the market today
- Ability to customize user-specific security levels, time zones, holidays and languages based on your needs
- Optional access control template management software allows the HandKeys to form a system that communicates alarms and transactions in real time, provides activity reports, allows supervised on-site or remote user enrollment and expiring privileges for temporary access
- Environmental enclosures and integrated heater units make the HandKey an ideal solution for outdoor usage

Features and benefits

- Convenience of multiple credential options such as proximity, magnetic stripe, barcode, HID iCLASS® and MIFARE®
- Field installable Ethernet module
- Outdoor enclosure options that make the HandKey II an ideal solution for outdoor usage
- Field upgradable and expandable memory options from 512 to 259,072 users for scalable security that grows with your needs
- Three user-definable outputs to connect to auxiliary devices such as audible or silent alarms, door locks or lighting systems
- Ability to write the industry's most compact biometric template on a card instead of in a database results in higher security and unlimited user capacity
- Specially formulated antimicrobial coating with silver ions on the platen to inhibit the growth of bacteria, mold and mildew to mitigate hygiene concerns. The coating is safe and lasts for the life of the product
- Blue hand outline on the platen facilitates easy enrollment and reduces error rates during verification

Door control and monitoring

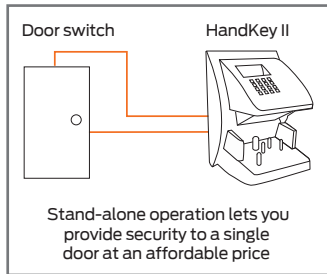
Each HandKey II is a complete, integrated door controller providing lock operation, request-for-exit and alarm monitoring. Biometric templates and decision-making capability reside locally, ensuring your doors are always secure and will continue to operate properly even if all communication to the main access control system is lost.

Standalone or fully integrated

HandKey readers can be used as a stand-alone unit or as part of an integrated access control system.

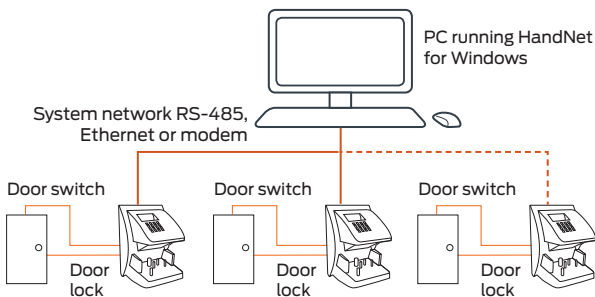
The units easily integrate into existing systems using the card reader emulation mode. Or, by using the HandNet software for template management, thousands of units can be linked together to form a

system that communicates alarms and transactions in real time, provides activity, user and systems reports, and allows supervised user enrollment and deletions at any reader. A variety of communications options, including dial-up modems and Ethernet, allow you to design a system that's right for your facilities.



In a network

Schlage's HandNet software links a virtually unlimited number of HandKey units into an integrated door access control system. All alarms and transactions report back in real time to the central computer, making door and alarm monitoring easy and efficient. Activity, user and system reports can be easily generated. The central computer handles all hand template management allowing supervised enrollment at any reader and system wide deletions. An optional internal modem lets you include remote site operations. Ethernet communication is also available.



Base model	HandKey II
Description	HandKey with base memory for 512 users
Verification time	≤ 1 second for comparison to reference template
ID number length	1 – 10 digits
Duress code	1 leading digit, user definable
Communication	RS232: Baud rate 300 bps to 28,800 bps RS422: Baud rate 300 bps to 28,800 bps RS485: Baud rate 300 bps to 28,800 bps Optional modem: Baud rate 300 bps to 14,400 bps Optional ethernet: 10 Base T
Template Size	9 bytes
User memory	512 users field expandable up to 32,512 users Memory module upgrade up to 259,072 users
Inputs	Standard: 26 bit, 9 bit ID Wiegand Optional: Mag stripe, bar code, smart card HandKey input: Request-to-exit, door switch input, 2 auxiliary inputs
Outputs	Door control: Lock output Card reader emulation mode: Wiegand, mag stripe, bar code 1 programmable auxiliary Outputs to peripheral devices: Audible or silent alarms, door locks, lighting systems
Event monitoring	Tamper: HandKey opened or removed ID refused: User not verified after user definable number of tries exceeded Duress: User entered duress code digit Power failure: HandKey switched to optional battery power
Programmable HandKey commands	<ul style="list-style-type: none"> ▪ Add / remove users ▪ Set global operating thresholds ▪ Set individual user data (authority or threshold levels, time zones) ▪ Transmit data from master to remote ▪ Data received by master from remote ▪ Transmit / receive data from optional software ▪ Check status of door (tamper, door monitor switch) ▪ Time zones – 62 total (2 fixed, 60 programmable) ▪ Set language ▪ Set date format, date and time ▪ Edit holidays
Antimicrobial	Available on platen
Blue hand outline	Available on platen
Dimensions H x W x D	11.65 in x 8.85 in x 8.55 in 29.6 cm x 22.5 cm x 21.7 cm
Power requirements	12 to 24 VDC or 12 to 24 VAC 50-60 Hz 7 Watts (without options)
Weight	5.3 lbs (2.4 kgs.) Without battery back-up or wall plate
Temperature	Operating: 0° - 45°C / 32° - 113°F Non-operating (storage): -10° - 60°C / 14° - 140°F
Relative humidity	Operating: 20% to 80% RH non-condensing Non-operating (storage): 5% to 85% RH Non-condensing

About Allegion

Allegion (NYSE: ALLE) creates peace of mind by pioneering safety and security. As a \$2 billion provider of security solutions for homes and businesses, Allegion employs more than 7,800 people and sells products in more than 120 countries across the world. Allegion comprises 23 global brands, including strategic brands CISA®, Interflex®, LCN®, Schlage® and Von Duprin®. For more, visit www.allegion.com.

aptiQ ■ LCN ■ SCHLAGE ■ STEELCRAFT ■ VON DUPRIN



© 2014 Allegion
004535, Rev. 01/14
www.allegion.com



Biometric terminal options and accessories

for HandKey®



Schlage offers a number of accessories for access control HandReader terminals. From networking options to memory expansions, we'll help you create the solution to meet your specific needs.

Base Model	HandKey II
Card readers	<ul style="list-style-type: none"> ▪ Prox: Externally top mounted HID prox reader, factory option only ▪ HID iCLASS®: iCLASS reader, factory option only ▪ SC-100: MIFARE® reader, factory option only ▪ CR-2: Mag stripe wall mount card reader ▪ BC-100: Bar code reader, wall mount swipe
Memory	<ul style="list-style-type: none"> ▪ EM-801-F3: Field upgradable memory expansion up to 9,728 users ▪ EM-803-F3: Field upgradable memory expansion up to 32,512 users ▪ EM-813-F3: Memory expansion up to 64,768 users ▪ EM-823-F3: Memory expansion up to 129,536 users ▪ EM-833-F3: Memory expansion up to 194,304 users ▪ EM-843-F3: Memory expansion up to 259,072 users
Communication	<ul style="list-style-type: none"> ▪ EN-200: Field upgradable Ethernet communication module 10baseT ▪ MD-500: Internal dial-up modem
Power options	<ul style="list-style-type: none"> ▪ PS-110: Power supply, 120VAC to 13.5 VDC ▪ PS-220: Power supply, 220VAC to 13.5 VDC ▪ BB-250: Optional battery backup
Mounting	<ul style="list-style-type: none"> ▪ TM-100: Table top secure mount for flat surfaces
Left hand option	<ul style="list-style-type: none"> ▪ NA
Network accessories	<ul style="list-style-type: none"> ▪ DC-102: Data converter for 4 wire system, RS-232 to RS-422 with 120V, 60Hz power supply ▪ DC-102 with 220V, 50Hz power supply ▪ DC-104: Data converter for 2 or 4 wire systems, RS232 to RS485/RS 422 with 120V, 60Hz power supply ▪ DC-104 with 220V, 50Hz power supply

This page intentionally left blank.

About Allegion

Allegion (NYSE: ALLE) creates peace of mind by pioneering safety and security. As a \$2 billion provider of security solutions for homes and businesses, Allegion employs more than 7,800 people and sells products in more than 120 countries across the world. Allegion comprises 23 global brands, including strategic brands CISA®, Interflex®, LCN®, Schlage® and Von Duprin®. For more, visit www.allegion.com.

aptiQ ■ LCN ■ **SCHLAGE** ■ STEELCRAFT ■ VON DUPRIN



ALLEGION™

© 2014 Allegion
004400, Rev. 01/14
www.allegion.com



Enclosure options for the HandKey® series



FX enclosure



TX enclosure

Overview

Schlage biometrics provides various options to protect your HandKeys® from the elements. Two different, proven solutions are available to ensure your HandKeys keep performing regardless of your environment.

FX Enclosure (FX-ENCL)

Biometric HandKey Enclosure

Constructed from high impact UV resistant polycarbonate material, the FX Enclosure provides a degree of protection against dusty, dirty, or rainy environments. This enclosure has been designed so that it can be added to an existing installation. When used with an integrated heater option (INT-HTR), it provides a comfortable heated platen against a cold climate.

TX Enclosure (TX-ENCL)

Biometric HandKey Enclosure

The TX Enclosure provides a higher degree of protection against dusty, dirty, or rainy environments. When used with an integrated heater option (INT-HTR), it provides a comfortable heated platen against a cold climate.



Specifications

Enclosure type	FX enclosure	TX enclosure
Part number	FX-ENCL	TX-ENCL
Temperature range	-20F to 120F / -29C to 49C	-45F to 120F / -43C to 49C
Dimensions (H x W x D)	14.75 in x 12.00 in x 10.50 in 37.5 cm x 30.5 cm x 26.7 cm	23.00 in x 14.00 in x 11.25 in 58.4 cm x 35.6 cm x 28.6 cm
Cross weight (including reader)	7.3 lbs / 3.3 kg	45.0 lbs / 20.4 kg
HandReader models	HK-2-F3	HK-2-F3
Heater	Factory installed option only, Model No. INT-HTR	Factory installed option only, Model No. INT-HTR

Allegion, the Allegion logo, Schlage, the Schlage logo, HandPunch, and HandKey are trademarks of Allegion plc, its subsidiaries and/or affiliates in the United States and other countries. All other trademarks are the property of their respective owners.

About Allegion

Allegion (NYSE: ALLE) creates peace of mind by pioneering safety and security. As a \$2 billion provider of security solutions for homes and businesses, Allegion employs more than 7,800 people and sells products in more than 120 countries across the world. Allegion comprises 23 global brands, including strategic brands CISA®, Interflex®, LCN®, Schlage® and Von Duprin®. For more, visit www.allegion.com.

aptiQ ■ LCN ■ SCHLAGE ■ STEELCRAFT ■ VON DUPRIN



© 2014 Allegion
004398, Rev. 01/14
www.allegion.com



HandNet® for Windows



Overview

HandNet for Windows lets you control and monitor a network of HandKey readers. With just one comprehensive program, you can monitor activity and alarms on all readers, and control the access of each user.

Features and benefits

- Automatic hand template management feature allows template distribution from an enrollment HandKey to other selected HandKeys thus eliminating the need for a user to be enrolled at every HandReader
- Independent door control capability without the need for an access control panel
- Monitor multiple remote sites from the convenience of your PC
- Remote enrollment feature enables a HandKey to be controlled from the software. For example, a guard behind a glass partition or a supervisor in a distant office can enroll new users without physically going to the HandKey
- Assign temporary access to selected users by specifying a user's access start and stop days and times
- Manage archive activity to keep old information available for reports
- Manage alarms for additional security

Specifications	HandNet For Windows	HandNet Lite
Computer	Intel Pentium 1 GHz or higher, AMD Athlon 1GHz or higher	Intel Pentium 1 GHz or higher, AMD Athlon 1 GHz or higher
Operating system	<ul style="list-style-type: none"> ▪ Windows XP SP3 32-bit ▪ Windows 7 Professional SP1 32-bit and 64-bit ▪ Windows 8 Professional 32-bit and 64-bit 	<ul style="list-style-type: none"> ▪ Windows XP SP3 32-bit ▪ Windows 7 Professional SP1 32-bit and 64-bit ▪ Windows Server 2003 SP3 32-bit
Drive	CD ROM for installation	CD ROM for installation
Hard disk	2 GB minimum, 1 GB Free space	60 GB minimum, 10 GB free space
Monitor	Minimum resolution 1024 x 768	Minimum resolution 1024 x 768
Memory	2 GB (minimum 1 GB)	4 GB (minimum 2 GB)
Database	MS Access	MS SQL Server 2000 MSDE
Products supported	HK-2-F3	HK-2-F3
Template managements	Available	Available
Supported communications	RS232, RS485, Ethernet	RS232, RS485, Ethernet
Time zones	Available	Available
Reports	Available	Limited – use reports from an access control panel
Door control	Available	NA – use panel door control
Alarms	Available	NA – use panel alarms
Open door remotely	Available	NA – use panel door control
Network readers	Available	Available
Archive activity	Available	Available – database backup
Remote enrollment	Available	Available

Options

- **HN-2-T1** - Manages up to 5 HandKeys
- **HN-2-T2** - Manages up to 25 HandKeys
- **HN-2-T3** - Manages an unlimited number of HandKeys
- **HandNet Lite** - Software program to manage up to 32 HandKeys

Allegion, the Allegion logo, Schlage, the Schlage logo, and HandKey are trademarks of Allegion plc, its subsidiaries and/or affiliates in the United States and other countries. All other trademarks are the property of their respective owners.

About Allegion

Allegion (NYSE: ALLE) creates peace of mind by pioneering safety and security. As a \$2 billion provider of security solutions for homes and businesses, Allegion employs more than 7,800 people and sells products in more than 120 countries across the world. Allegion comprises 23 global brands, including strategic brands CISA®, Interflex®, LCN®, Schlage® and Von Duprin®. For more, visit www.allegion.com.

aptiQ ■ LCN ■  ■ STEELCRAFT ■ VON DUPRIN

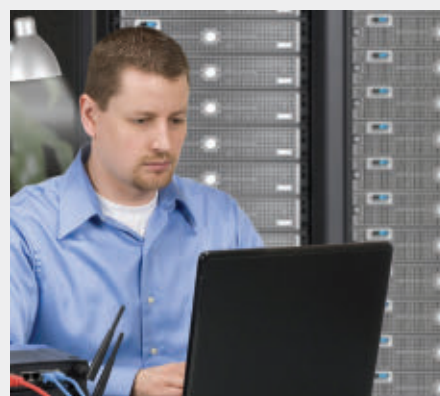


© 2014 Allegion
004399, Rev. 01/14
www.allegion.com/us



Biometrics for access control

Training course outline



Overview

Schlage biometrics offers training courses to provide you with the tools and services needed to optimize the performance and reliability of the HandKey® and related software solutions.

Keeping installers, technicians, and sales people current on the HandKey features, capabilities, troubleshooting techniques, and installation guidelines is key to profitability and maintaining customer satisfaction.

The goals of these courses are to provide a working knowledge of the HandKey hardware and software and be able to perform basic troubleshooting. The Schlage HandKey training classes are technically oriented and feature hands-on training through classroom exercises. Training is regularly scheduled at our factory location or can be delivered at your location.

Schlage biometrics access control training courses

SBT-HK	1-day Schlage biometrics training - HandKey
SBT-HNWL	1-day Schlage biometrics HandNet for Windows and HandNet Lite software training

Allegion, the Allegion logo, Schlage, the Schlage logo, HandKey and HandNet are trademarks of Allegion plc, its subsidiaries and/or affiliates in the United States and other countries. All other trademarks are the property of their respective owners.

Training courses

HandKey training:

- Introduction to biometrics
- Access control product line
- Options and accessories
- Installation
- Hands-on training
- Troubleshooting

Access control HandKey software training:

- Comparison of HandNet® for Windows vs. HandNet Lite
- Overview of HandNet for Windows and HandNet Lite
- Installing HandNet for Windows and HandNet Lite
- Adding users
- Connecting to the HandKey
- Creating reports
- Archiving
- Database backup and restore
- Troubleshooting

This page intentionally left blank.

About Allegion

Allegion (NYSE: ALLE) creates peace of mind by pioneering safety and security. As a \$2 billion provider of security solutions for homes and businesses, Allegion employs more than 7,800 people and sells products in more than 120 countries across the world. Allegion comprises 23 global brands, including strategic brands CISA®, Interflex®, LCN®, Schlage® and Von Duprin®. For more, visit www.allegion.com.

aptiQ ■ LCN ■ **SCHLAGE** ■ STEELCRAFT ■ VON DUPRIN



ALLEGION™

© 2014 Allegion
002872, Rev. 01/14
www.allegion.com/us

System components



The systems components category features a variety of devices which are utilized as part of an access control system. Products include electric strikes, electromagnetic locks, power supplies, and system accessories.

Electric strikes

Overview

Electric strikes provide remote release of a locked door, allowing a door to be opened without retracting the latch bolt. Von Duprin offers a selection of strikes for a variety of applications and door preps.

Features

The 6000 Series features stainless steel construction for heavy duty applications. The 6100 Series is designed for use with rim exit devices and the 6200 Series is designed for use with mortise or cylindrical locks. Both the 6100 and 6200 Series are available with a variety of options including AC operation, dual switch monitoring, entry buzzer, fail secure and fail safe.

The 6300 Series is a surface mounted electric strike which is ideal for aftermarket applications. It can be used with the Von Duprin 98/99 as well as most rim exit devices and can be mounted on any hollow metal, aluminum or wood frame.

The 6400 Series is an all-in-one strike with field configurable deadbolt keeper and dead latch ramp to allow for alignment with a wide variety of doors and frames.

The 5100 Series has been designed for medium duty applications, specifically to control traffic flow through interior and exterior openings in retail and commercial facilities.

Benefits

Electric strikes can be used in standalone applications or as part of a sophisticated access control system and can be deployed on a variety of openings. In many cases electric strikes are an ideal solution for end users who are ready to migrate from mechanical to electronic access control.

Electromagnetic locks

Overview

Schlage offers a broad selection of electromagnetic locks – with feature and function sets to address a variety of applications. Whether it's securing a hospital laboratory, monitoring a controlled area in an airport or providing traffic control for doors in a commercial or education building, Schlage electromagnetic locks are designed to exceed the standards set by the Builders Hardware Manufacturers Association (BHMA).

Features

The newly designed M400 Series electromagnetic locks are available in two configurations to meet your specific security needs. The M420/450/490 provides basic security while the M420P/450P/490P provides intelligent sensing and reporting features needed to integrate with access control systems. The M400 Series is available with BHMA hold force ratings of 500 lbs, 1000 lbs and 1500 lbs.

For retrofit applications, the 40 Series and 70 Series electromagnetic locks are fully featured and cost effective. The 40 Series is rated to 500 lbs and the 70 Series is rated to 1000 lbs of hold force.

Schlage offers a variety of electromagnetic locks for specialty applications including the M490DE for delayed egress, 490G for gates, GF3000 shear locks for mortised/vertical doors, and the 320M for sliding door applications.

Benefits

The M400 Series electromagnetic locks were redesigned with a new bayonet mounting feature that allows the installer to have their hands free during the mounting process. The M400 Series electromagnetic locks are non-handed and symmetrical, allowing for optimum placement of the magnet no matter the application.

The 40 and 70 Series electromagnetic locks feature common templates for cost effective retrofit installations. The specialty electromagnetic locks are designed with specific feature sets which optimize performance in a variety of unique, harsh and complex environments.

Power supplies

Overview

The PS900 Series is a consolidated line of power supplies and accessories that offer enhanced flexibility and functionality specific to the changing needs of the access control market. The PS900 Series can be used in a variety of applications to convert high voltage AC power into the low voltage DC outputs required by most access control devices. The PS900 Series protects devices downstream by providing Class 2¹, filtered and regulated power. The full line is UL 294 certified.

Features

The PS900 Series features three Schlage branded models; PS902 - 2 amp, PS904 - 4 amp and PS906 - 6 amp. The PS900 Series also features the Von Duprin PS914 - 4 amp with high in-rush which is designed specifically for use with electrified exit devices. These PS900 Series power supplies can be outfitted with a variety of distribution options including basic fuse protection, simple relay, and advanced logic providing complex sequencing and timing functions.

Benefits

Common to the line of PS900 Series power supplies is a constant output rating at both 12v and 24v settings, universal 120 VAC to 240 VAC input, and polarized option board connectors. New fire alarm interface board mounting allows outputs to be configured as switched (power cut) or unswitched (power continues) when signal provided.

Installation is simplified by utilizing a flat mounting design and polarized locking connectors for option boards. This new design eliminates the need for racks and side connectors. The flat mounting of the option boards also provides for easier access to the terminal blocks for connection of electrified devices (such as electrified strikes, electromagnetic locks, card readers, etc).

¹ PS906 can provide Class 2 rated outputs when used with 900-8P distribution board.

System accessories

Overview

System accessories include a variety of devices that enable specific functionality whether in standalone applications or as part of networked access control systems. The category is comprised of pushbuttons, key switches, request-to-exit bars, monitoring stations and consoles, exit sensors, electric horns and more.

Features

The specially designed 620 Series heavy-duty pushbuttons and 700 Series general purpose pushbuttons, as well as the 650 Series heavy-duty keyswitches, offer momentary or maintained SPDT or DPDT contact configurations.

The 700 Series pushbuttons are used to control the ingress and/or egress of a door.

The 620 to 631 Series are heavy-duty and have multiple button configurations and finish options.

The 650 Series keyswitches utilize an innovative magnetic spring design which allows installers to configure both clockwise and counterclockwise key turn direction, as well as momentary or maintained action in seconds.

The 740 Series emergency break glass releases are designed for use as emergency releases of non-designated egress doors such as in individual and partitioned laboratories, secluded testing areas, or other isolated work rooms that are purposely provided with exit doors.

The 672/692 Series request-to-exit bars are non-latching releasing devices which allow egress at doors with electric locking devices, such as electromagnetic locks. The SCAN II is a passive infrared (PIR) sensor specifically designed for request-to-exit applications.

The 8200 Series consoles provide door control and monitoring for up to eight zones. The 8204 is used for one to four zones and the 8208 for one to eight zones.

The 800 Series monitoring stations can provide monitoring for a single zone with up to 2 LED indicators. The 801 unit includes an audible and visual indication of lock status and delay activation.

The 660 Series mini station control is designed for concealed desk application, and it is used to release an electric or electronic locking mechanism from a remote location.

Electric horns are designed for use as an immediate local audible warning device incorporated in a security system. Horns are 12 or 24VDC, field selectable and have eight sound tones up to 3000Hz.

Magnetic door position switches can be used to monitor a wide range of conditions for doors, roof hatches, gates or the proximity of any two objects.

Electric power transfers (EPT) are also used when installing electrified exit devices or electrified locks. They provide a means of transferring electrical power from a door frame to the edge of a swinging door.

Electrified hinges and power transfer pivots integrate seamlessly with your access control system and your door mounted electrified hardware.

Armored door cords are used when installing electric exit devices or electric locks and provide a simple and economical solution for transferring power from frame to door.

The 4425 cabinet lock by Schlage provides a versatile solution to add access control to a cabinet.

The PB405 PowerBolt is a mortise, right angle deadbolt with which is available with fail-safe or fail-secure options.

Benefits

System accessories allow you to customize each opening to meet specific security and safety needs. Schlage offers a variety of the most popular accessories designed for medium to heavy-duty applications. By choosing Schlage components, you can be assured that the system will meet the requirements of the job, whether new construction or aftermarket.

Power supplies - Schlage and Von Duprin

	PS902	PS904	PS906	PS914
Features				
Input voltage	120V/240V AC, 50/60 Hz, universal input			
Output voltage	2 amp @ 12V or 24V DC, field selectable	4 amp @ 12V or 24V DC, field selectable	6 amp @ 12V or 24V DC, field selectable	4 amp, High Inrush @ 12V or 24V
Distribution/option board connectors	1	2	3	2
Fire alarm board connector	Yes	No	No	No
Enclosure				
Fire alarm board connector (H x W x D)	14 in x 12 in x 4 in			
Key lock option	Y	Y	Y	Y
Option boards				
900-BB: battery backup board only	Y	Y	Y	Y
900-BAT: battery backup pack	Y	Y	Y	Y
900-BBK: battery backup kit	Y	Y	Y	Y
900-FA: fire alarm	Y	Y (Must be installed on distribution boards)	Y (Must be installed on distribution boards)	Y (Must be installed on distribution boards)
900-2RS: 2 relay EL control board				Y
900-4R: 4 relay output board	Y	Y	Y	Y
900-4RL: 4 relay logic board	Y	Y	Y	Y
900-8F: fused 8 zone distribution board	Y	Y	Y	Y
900-8P: PTC 8 zone distribution board	Y	Y	Y	Y
Certifications				
UL294	Y	Y	Y	Y
Class 2	Y	Y	Y	Y
RoHS	Y	Y	Y ¹	Y
FCC Part 15	Y	Y	Y	Y

¹ Class 2 rated outputs can be provided using 900-8P distribution board in conjunction with the PS906.

Mag locks

	M400 high security mag locks				
	M420, M420P	M450, M450P	M490, M490P	M490DE, M490DEP	M490G
Features					
Hold force	500 lbs.	1000 lbs	1500 lbs	1500 lbs	1500 lbs
Input voltage	12V/24V DC	12V/24V DC	12V/24V DC	12V/24V DC	12V/24V DC
Current draw	0.75A @ 12V DC 0.38A @ 24V DC	0.75A @ 12V DC 0.38A @ 24V DC	0.65A @ 12V DC 0.35A @ 24V DC	.75A @ 12V DC .45A @ 24V DC	0.65A @ 12V DC 0.35A @ 24V DC
Dimensions					
Lock dimensions (H x W x L)	2.5 in x 9 in x 1.375 in	3 in x 10.25 in x 1.75 in	3 in x 12.5 in x 1.75 in	3 in x 12.5 in x 3.0625 in	3 in x 11 in x 1.75 in
Weight	6 lbs	10 lbs	14 lbs	16 lbs	14 lbs
Certifications					
ANSI/BHMA 156.23	Y	Y	Y	Y	-
UL1034	Y	Y	Y		-
UL10C	3HR	3HR	3HR	3HR	-
cUL	Y	Y	Y	Y	-
NFPA101	-	-	-	Y	-
BOCA	-	-	-	Y	-

Mag locks

	Specialty mag locks			40/70 Standard duty mag locks	
	GF3000SM (Surface mount)	GF3000 (Mortise mount)	320M	40	70
Features					
Hold force	3000 lbs	3000 lbs	500 lbs	500 lbs	1000 lbs
Input voltage	12V/24V DC	12V/24V DC	12V/24V DC	12V/24V DC	12V/24V DC
Current draw	0.90A @ 12V DC 0.45A @ 24V DC	0.90A @ 12V DC 0.45A @ 24V DC	0.23A @ 12V DC 0.45A @ 24V DC	0.32A @ 12V DC 0.15A @ 24V DC	0.25A @ 12V DC 0.12A @ 24V DC
Dimensions					
Lock dimensions (H x W x L)	1.25 in X 9.8125 in X 1.5 in	1.5 in X 9.5 in X 1.5 in	1.375 in x 7 in x 1.875 in	1.875 in x 8 in x 1.625 in	3 in x 8 in x 1.875 in
Weight	9 lbs	7 lbs	6 lbs		8 lbs
Certifications					
ANSI/BHMA 156.23	Y	Y	Y	Y	Y
UL1034	-	-	Y	Y	Y
UL10C	3HR	3HR	3HR	1HR	1HR
cUL	Y	Y	Y	Y	Y
CSFM	Y	Y	Y	Y	Y
NFPA101	-	-	-	-	-
BOCA	-	-	-	-	-

This page intentionally left blank.

Allegion, the Allegion logo, Schlage, the Schlage logo, XceedID, Von Duprin, Falcon, and aptiQ are trademarks of Allegion plc, its subsidiaries and/or affiliates in the United States and other countries. All other trademarks are the property of their respective owners.

About Allegion

Allegion (NYSE: ALLE) creates peace of mind by pioneering safety and security. As a \$2 billion provider of security solutions for homes and businesses, Allegion employs more than 7,800 people and sells products in more than 120 countries across the world. Allegion comprises 23 global brands, including strategic brands CISA®, Interflex®, LCN®, Schlage® and Von Duprin®. For more, visit www.allegion.com.

aptiQ ■ LCN ■  ■ STEELCRAFT ■ VON DUPRIN



© 2014 Allegion
005028, Rev. 03/14
www.allegion.com/us

VON DUPRIN®

6100 Series

Strikes for rim exit devices



Overview

Von Duprin electric strikes are known for their reliability, durability and security. The 6100 Series is designed to withstand abuse. Its heavy-duty stainless steel construction is fully UL1034 and UL10C Listed and ANSI/BHMA Grade 1, 1500 lb hold force rated.

6100 Series electric strikes are designed for use with a variety of rim exit devices. They interface with the latch mechanism of the exit device. The movable lip (keeper) allows a door to open even when the latch bolt is extended. This feature, called remote release, provides added benefits such as increased convenience and efficiency. The 6100 Series also provides added security and traffic control.

6100 Series electric strikes can be used for retrofit applications or new construction. To assure the proper selection of an electric strike on new applications, lockset compatibility charts are shown on the next page. When using a lockset not listed or when retrofitting a strike to an existing application, please contact Von Duprin technical support for application assistance.

The power failure mode of the 6100 can be specified at the time of order. Fail-secure is available for fire rated openings. In a fail-secure application, the door is normally locked. To unlock the door, power must be applied. Fail-safe strikes which are commonly used for life safety applications are non-fire-rated. To unlock a fail-safe strike, power is removed. The 6100 comes standard 24 VDC; 12 VDC and AC operation are optional.

Features and benefits

- Non-handed design provides greater flexibility
- Strike box is adjustable to compensate for misalignment of the door or frame
- Two piece plug connectors are furnished for ease of installation and for removal during strike servicing
- ANSI 156.5 Grade 1, 1500 lb hold force rated
- UL1034 burglary-resistant and UL10C electric strike for fire door
- Six finishes available to suite with existing hardware
- Durable stainless steel construction
- 24 VDC standard with 12 VDC and AC operation optional
- Meets BHMA A156.31, Grade 1 for endurance and strength
- Static strength 1300 lbs
- Dynamic strength 70 ft-lbs
- Endurance 1,000,000 cycles



Model specifications

Model number	6111	6112	6113	6114	6121	
Retrofits model	VD 3031	FA 310-4	VD 3011 VD 3021	FA 310-5	FA 310-4-100	
Latchbolt throw	3/4"	3/4"	3/4"	3/4"	3/4"	
Face plate length	6"	9"	6"	7"	9 1/8"	
Backbox depth	1 3/4"	1 3/4"	1 15/16"	---	N/A	
Lockset	Rim exit device	Rim exit device	Rim exit device	Rim nightlatch	Rim exit device	
Number of doors	Single	■	■	■	---	
	Double door with mullion	■	---	---	---	
	Double door without mullion	---	---	---	■	
Door/frame type	Hollow metal	■	■	■	■	
	Aluminum	■	■	■	■	
	Wood	■	■	■	---	■
Options	Blade stop shim	Yes	No	Yes	No	No
	DS or DS-LC (dual monitor switches)	Yes	Yes	Yes	Yes	Yes
	EB (entry buzzer - fail-secure only)	Yes	Yes	Yes	Yes	Yes
Certifications	UL1034, UL10C, ANSI/BHMA 156.5 Grade 1, 1500 lb hold-force rated					
Application notes	1	2	3	4	5	

Note: 16 VDC and 28 VDC solenoid are sold as replacement parts for existing strikes. Please contact customer care for details.

Application notes:

- For use with rim exit devices on single doors or double doors with mullion applications. 1/2" projection blade stop shim 010055-XX available for use on cased opening or blade stop frames. Specify when using 55 rim devices. May also be used with vertical rod exit devices noted on previous page x Pullman latch LBR. Non-fired-rated.
- For use with rim exit devices on single door applications. Designed to replace Folger Adam 310-4, minor frame prep modification required.
- 1/2" projection blade stop shim 010055-XX available for use on cased opening or blade stop frames. **Non-fire rated.**
- Surface applied strike for use with rim nightlatches on single door applications. Designed to replace Folger Adam 310-5, with different mounting hole locations from Folger Adam.
- Non-fire rated.** For use with rim exit devices on double door applications without mullion. Strike mounts on inactive leaf. Replace Folger Adam 310-4-100.

Rim exit device compatibility 6111, 6112, 6113 & 6121 strikes

Manufacturer	Device
Von Duprin	22, 33A, 35A, 55 ¹ , 88, 98, 99 8827 LBR ⁴ x Pullman latch Non-Fire rated 9827 LBR ⁴ x Pullman latch Non-Fire rated 9927 LBR ⁴ x Pullman latch Non-Fire rated
Falcon Monarch ²	XX-R, 18-R, 19-R, 24-R, 25-R
Falcon Doromatic	1790
Precision ²	2100
Sargent	2800, 6500, 6800, 8500, 8800, 9500, 9800 ³ , 9898
Yale	1500, 700

- Strike must be factory modified, specify when using with a 55 Rim device
- Deadlocking feature will not properly function, consult factory
- Panic only, Not fire-rated
- 6111 is recommended for LBR applications

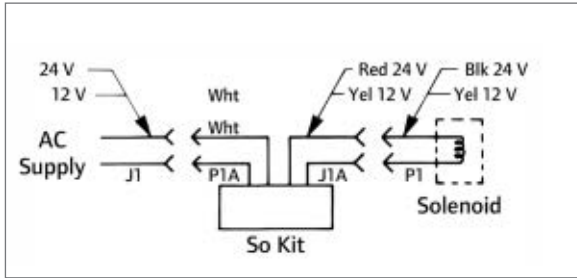
Note: When using a lockset not listed or when retrofitting an existing application, please contact Von Duprin technical support for application assistance

6100 Series specifications

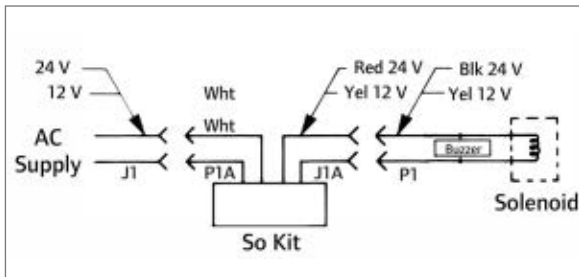
	12VDC	24VDC
Resistance in ohms +/- 10% @ 70F	21	82
Watt-seated @ 70F	7.5	8
Amps-seated @ 70F	0.6	0.33
Amps-inrush @ 70F	0.6	0.33

Wiring

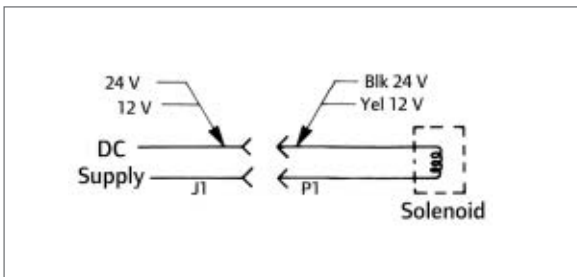
AC



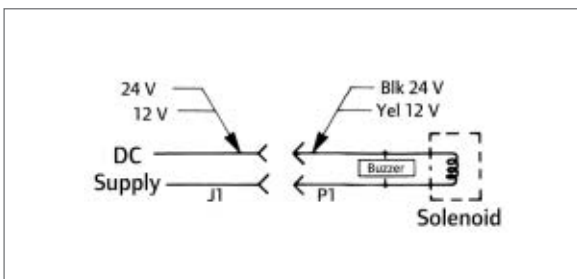
AC with buzzer



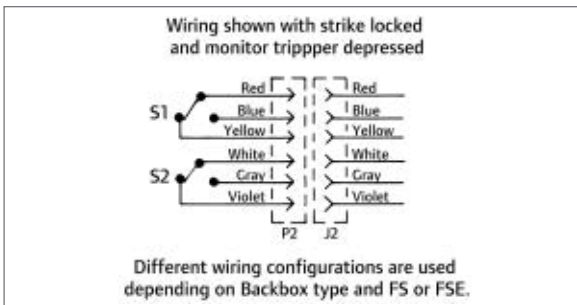
DC



DC with Buzzer

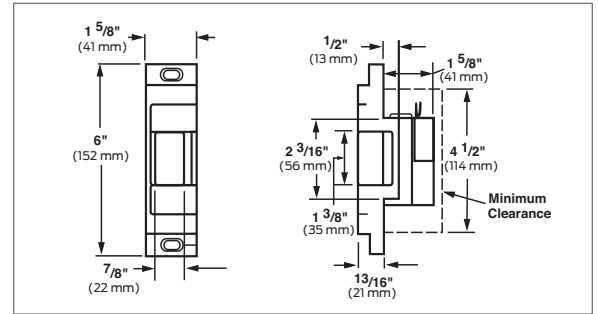


Optional DS (FSE Shown)

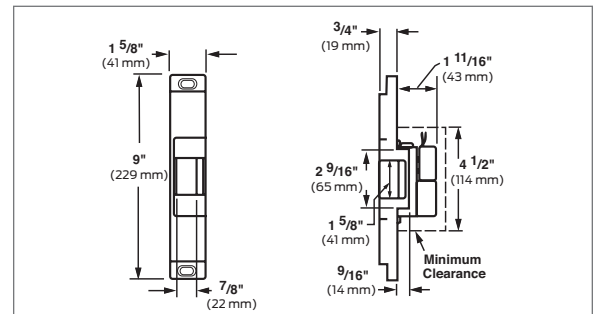


Dimensions

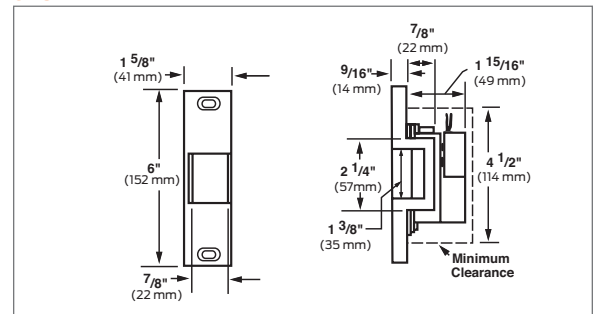
6111



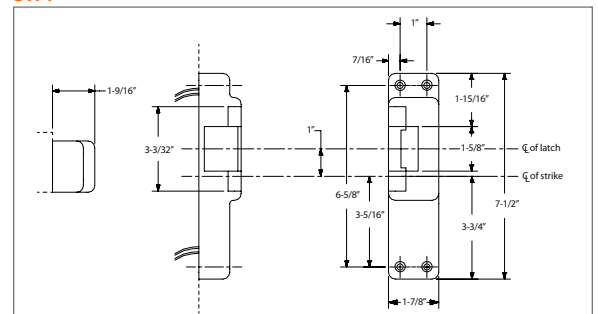
6112



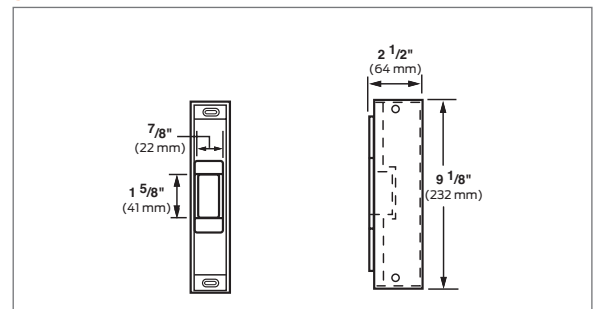
6113



6114



6121



Ordering information

6112-FSE-DS-24-S024-US3-EB

Model	Power failure mode	Dual switch*	Voltage	Rectifier kit*	Finish	Buzzer*
1	2	3	4	5	6	7

* Optional

Selections correspond with the numbers above

1	Model	3	Dual switch (optional)	6	Finish
6111	See chart on page 3 to make the proper selection	DS	Monitors latch bolt and lock status. DS switches rated at 24 VDC 50 milliampere - 2 amps.	US3/85	Plated polished brass on stainless steel
6112	See chart on page 3 to make the proper selection	DS-LC	Optional for computer monitoring. Monitors latch bolt & lock status. DS switches rated 24 VDC 50 milliampere or less.	US4/84	Plated dull brass on stainless steel
6113	See chart on page 3 to make the proper selection			US10/06	Plated dull bronze on stainless steel
6114	See chart on page 3 to make the proper selection			US10B/86	Plated dark bronze on stainless steel
6121	See chart on page 3 to make the proper selection	4	Voltage (VDC)	US32/31	Stainless steel, polished
		24	Low voltage DC power	US32D/32	Stainless steel, satin
		12	Low voltage DC power	7	Buzzer (optional)
			If AC power is required specify rectifier kit below.	EB	Entry Buzzer.
2	Power failure mode	5	Rectifier kit (optional)		Only available if Fail-Secure (FSE) is specified.
FSE	Fail-secure. Requires power to be applied to unlock the strike lip. On loss of power, the strike lip is locked. Fire-rated.	SO12	Converts 12 VAC voltage to 12 VDC to operate the solenoid		
FS	Fail-safe. Requires power to be applied to lock the strike lip. On loss of power, the strike lip is unlocked. Non-fire-rated.	S024	Converts 24 VAC voltage to 24 VDC to operate the solenoid		

Allegion, the Allegion logo, Von Duprin, the Von Duprin logo, and Falcon are trademarks of Allegion plc, its subsidiaries and/or affiliates in the United States and other countries. All other trademarks are the property of their respective owners.

About Allegion

Allegion (NYSE: ALLE) creates peace of mind by pioneering safety and security. As a \$2 billion provider of security solutions for homes and businesses, Allegion employs more than 7,800 people and sells products in more than 120 countries across the world. Allegion comprises 23 global brands, including strategic brands CISA®, Interflex®, LCN®, Schlage® and Von Duprin®. For more, visit www.allegion.com.

aptiQ ■ LCN ■ SCHLAGE ■ STEELCRAFT ■ VON DUPRIN



© 2014 Allegion
005282, Rev. 03/14
www.allegion.com/us

VON DUPRIN®

6200 Series

Strikes for mortise or cylindrical devices



Overview

Von Duprin electric strikes are known for their reliability, durability and security. The 6200 Series is designed to withstand abuse. Its heavy-duty stainless steel construction is fully UL1034 and UL10C Listed and ANSI/BHMA Grade 1, 1500 lb hold force rated.

6200 Series electric strikes are designed for use with a variety of mortise or cylindrical locksets, as well as mortise exit devices. It interfaces with the latch mechanism of the exit device. The 6200 Series movable lip (keeper) allows a door to open, even when the latch bolt is extended. This feature, called remote release provides added benefits such as increased convenience and efficiency. The 6200 Series also provides added security and traffic control.

6200 Series electric strikes can be used for retrofit applications or new construction. To assure the proper selection of an electric strike on new applications, lockset compatibility charts are shown on the next page. When using a lockset not listed or when retrofitting a strike to an existing application, please contact Von Duprin Technical Support for application assistance.

The power failure mode of the 6200 Series can be specified at the time of order. Fail-secure is available for fire rated openings. In a fail-secure application, the door is normally locked. To unlock the door power must be applied. Fail-safe strikes, which are commonly used for life safety applications, are non-fire rated. To unlock a fail-safe strike, power is removed. The 6200 Series comes standard with 24 VDC; 12 VDC and AC operation are optional.

Features and benefits

- Non handed design provides greater flexibility
- Strike box is adjustable to compensate for misalignment of the door or frame
- Two piece plug connectors are furnished for ease of installation and for removal during strike servicing
- ANSI 156.5 Grade 1, 1500 lb hold-force rated
- UL1034 Burglary-Resistant and UL10C Electric Strike for Fire Door
- Six finishes available to suite with existing hardware
- Durable stainless steel construction
- 24 VDC standard with 12 VDC and AC operation optional
- Meets BHMA A156.31, Grade 1 for endurance and strength
- Static strength 1300 lbs
- Dynamic strength 70 ft-lbs
- Endurance 1,000,000 cycles

6200 Series specifications

	12VDC	24VDC
Resistance in ohms +/- 10% @ 70F	21	82
Watt-seated @ 70F	7.5	8
Amps-seated @ 70F	0.6	0.33
Amps-inrush @ 70F	0.6	0.33

Mortise lockset compatibility^{1,3}

6211, 6211AL, 6211WF, 6212, 6213, 6214, 6215, 6221, 6222, 6223, 6224, 6224AL, 6225 and 6226 strikes

Manufacturer	Model number
Von Duprin	7500
Adams Rite	4510, 4710
Baldwin	6000
Best	24H, 30H
Corbin	9000
Falcon	M2300, M2500, M2600, M3300, M3500, M3600
Precision	Mortise
Russwin	Mortise
Sargent	7700, 8100, 9000
Schlage	L9000, K30, K40, K50, K60
Yale	7030, 7130, 8600, 8700

Mortise lockset compatibility^{1,3}

6210

Manufacturer	Model number
Von Duprin	7500
Best	30H (not 45H/47H)
Corbin/Russwin	ML2200, 5000, 9000, CR2200 (not 2000)
Falcon	M100, M200, M300, M400, M500, M600
Sargent	7700, 8100 (not 7800/8200)
Schlage	L9000
Yale	8700 (not 8800)

Cylindrical lockset compatibility^{1,3}

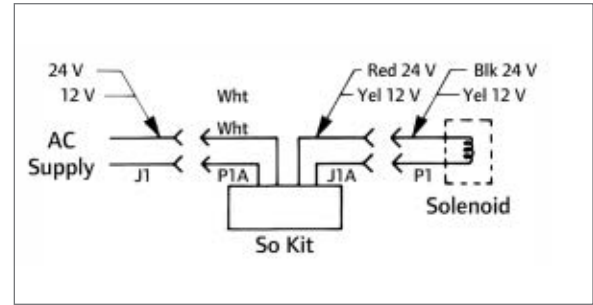
6211, 6211AL, 6211WF, 6212, 6213, 6214, 6215, 6221, 6222, 6223, 6224, 6224AL, 6225 and 6226 strikes

Manufacturer	Cylindrical latchbolt projection
Baldwin	1/2" – 3/4" (13 mm – 19 mm)
Best	3/8" – 3/4" (10 mm – 19 mm) ²
Corbin	1/2" – 3/4" (13 mm – 19 mm)
Falcon	1/2" – 3/4" (13 mm – 19 mm)
Russwin	1/2" – 3/4" (13 mm – 19 mm)
Sargent	1/2" – 3/4" (13 mm – 19 mm)
Schlage	3/8" – 3/4" (10 mm – 19 mm) ²
Yale	1/2" – 3/4" (13 mm – 19 mm)

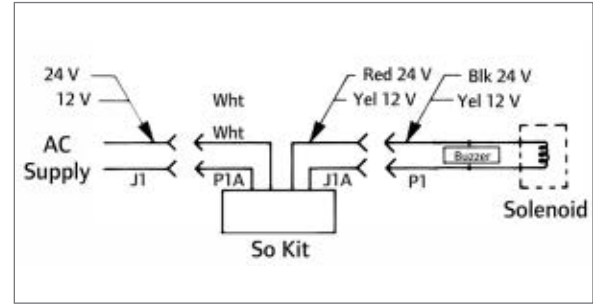
1. Von Duprin cannot guarantee compatibility, as other manufacturer's designs may change without notice.
2. Signalling may not function when using 3/8" (10 mm) throw bolt. Deadlocking cannot be guaranteed with all locks.
3. When using a lockset not listed or when retrofitting a strike to an existing application, please contact Von Duprin Technical Support for assistance.

Wiring

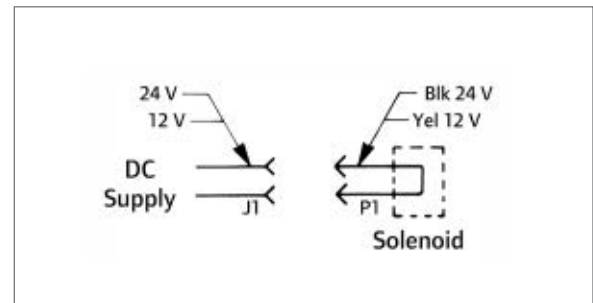
AC



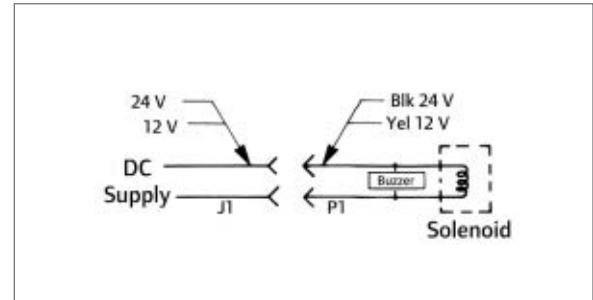
AC with Buzzer



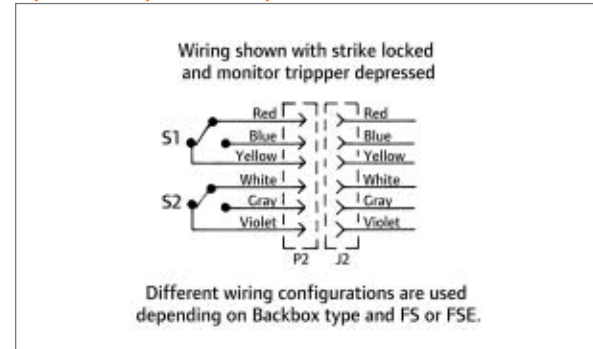
DC



DC with Buzzer



Optional DS (FSE Shown)



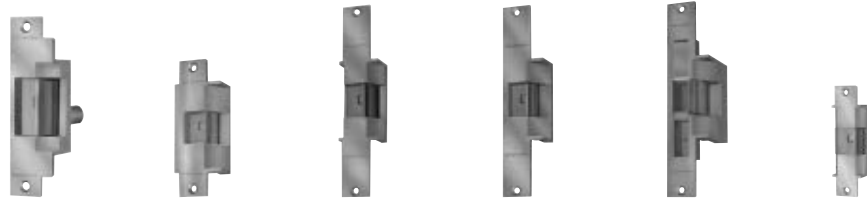


Model specifications

Model number		6210	6211	6211AL	6211WF	6212
Retrofits model		N/A	VD 3140 FA 712	FA 722	FA 732	VD 3146
Latchbolt throw		3/4"	3/4"	3/4"	3/4"	3/4"
Face plate length		4 7/8"	4 7/8"	4 7/8"	4 7/8"	6 3/8"
Backbox depth		1 21/32"	1 21/32"	1 21/32"	4 1/2"	1 21/32"
Lockset	Mortise	■	■	■	■	■
	Cylindrical	---	■	■	■	■
Number of doors	Single	■	■	■	■	■
	Pair	---	---	---	---	---
Door and frame type	Hollow metal	■	■	---	---	■
	Aluminum	■	■	■	---	■
	Wood	---	---	---	■	---
Options	DS or DS-LC (dual monitor switches)	■	■	■	■	■
	EB (entry buzzer - fail-secure only)	■	■	■	■	■
	28 VDC AC rectifier kit	■	■	■	■	■
	16 VDC solenoid	■	■	■	■	■
Certifications	UL1034	■	■	■	■	■
	UL10C	■	■	■	■	■
	ANSI/BHMA 156.5 Grade 1 1500 lb Hold force rated	■	■	■	■	■
Application Notes		1	2	3	4	5

Application notes:

- For use with mortise locks without deadbolt on single door, hollow metal frame applications and using ANSI prep at standard height. Strike pocket inserts are provided to accommodate different manufacturers deadlocking trigger locations.
- For use on new installations with mortise locks without deadbolt or cylindrical locks on single door, hollow metal frame applications. Designed to replace Von Duprin 3140 or Folger Adam 712.
- For use on new installations with mortise locks without deadbolt or cylindrical locks on single door, aluminum frame applications.
- For use on new installations with mortise locks without deadbolt or cylindrical locks on single door wood frame applications. Designed to replace Folger Adams 732. Wood frame horizontal solenoid location differs from Folger Adams. Requires additional frame prep when retrofitting.
- For use with mortise locks without deadbolt or cylindrical locks on single door, hollow metal or aluminum frame applications. Fits modified ANSI 115.2 cutout. Designed to replace Von Duprin 3146.



Model specifications

Model number		6212WF	6213	6214	6215	6216	6221
Retrofits model		N/A	VD 3041 VD 3042 VD 3061 VD 3062	FA 310-2 3/4	FA 310-2	FA 310-3-1	VD 3071 VD 3072
Latchbolt throw		3/4"	3/4"	3/4"	3/4"	3/4"	3/4"
Face plate length		6 3/8"	6"	9"	9"	9"	6"
Backbox depth		4 3/4"	2 1/2"	1 5/8"	1 5/8"	3 5/32"	4 3/4"
Lockset	Mortise	■	■	■	■	■	■
	Cylindrical	■	■	■	■	---	■
Number of doors	Single	■	■	■	■	■	---
	Pair	---	---	---	---	---	■
Door and frame type	Hollow metal	---	■	■	■	■	■
	Aluminum	---	■	■	■	■	■
	Wood	■	See note 2 below	---	---	■	■
Options	DS or DS-LC (dual monitor switches)	■	■	■	■	■	■
	EB (entry buzzer - fail-secure only)	■	■	■	■	■	■
	28VDC AC rectifier kit	■	■	■	■	■	■
	16VDC solenoid	■	■	■	■	■	■
Certifications	UL1034	■	■	■	■	■	■
	UL10C	■	■	■	■	■	■
	ANSI/BHMA 156.5 Grade 1, 1500 lb hold force rated	■	■	■	■	■	■
Application notes		1	2	3	4	5	6

Application notes:

- For use with mortise locks without deadbolt or cylindrical locks on single door, wood frame applications.
- For use with mortise locks without deadbolt or cylindrical locks on single door hollow metal or aluminum frame applications (includes wood frame on retrofit applications). Designed to replace Von Duprin 3041, 3042, 3061 and 3062.
- For use with mortise locks without deadbolt or cylindrical locks on single door hollow metal or aluminum frame applications. Designed to replace Folger Adams 310-2 3/4.
- For use with mortise locks without deadbolt or cylindrical locks on single door hollow metal or aluminum frame applications. Designed to replace Folger Adams 310-2.
- For use with mortise locks with deadbolt 1" throw on single door hollow metal aluminum or wood frame applications. Deadbolt must be manually operated. Designed to replace Folger Adams 310-3-1.
- Open back electric strike for use with mortise locks without deadbolt or cylindrical locks on 1 3/4" (44 mm) thick double door applications. 4 3/4" (120 mm) minimum stile required. For a concealed vertical rod and mortise device combination, specify "A" backbox.



Model specifications

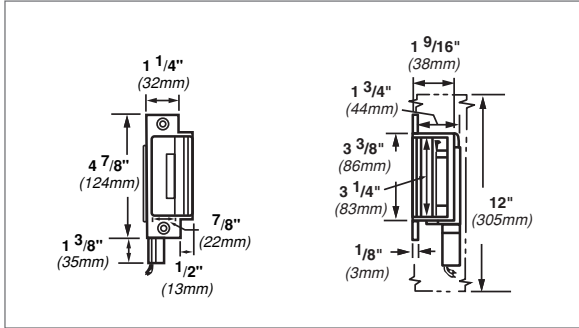
Model number		6222	6223	6224	6224AL	6225	6226
Retrofits model		FA 310-2 ¾ OB	VD 3091 VD 3092	FA 310-2 ¾	FA 310-2RF	FA 310-2 OB	FA 310-2
Latchbolt throw		¾"	¾"	¾"	¾"	¾"	¾"
Face plate length		9"	6"	9"	9"	9"	9"
Backbox depth		1 ⅝"	4 ½"	1 ⅝"	1 ⅝"	1 ⅝"	1 ⅝"
Lockset	Mortise	■	■	■	■	■	■
	Cylindrical	■	■	■	■	■	■
Number of doors	Single	---	---	---	---	---	---
	Pair	■	■	■	■	■	■
Door and frame type	Hollow metal	■	■	■	---	■	■
	Aluminum	■	■	■	■	■	■
	Wood	---	■	---	---	---	---
Options	DS or DS-LC (dual monitor switches)	■	■	■	■	■	■
	EB (entry buzzer - fail-secure only)	■	■	■	■	■	■
	28VDC AC rectifier kit	■	■	■	■	■	■
	16VDC solenoid	■	■	■	■	■	■
Certifications	UL1034	■	■	■	■	■	■
	UL10C	■	■	■	■	■	■
	ANSI/BHMA 156.5 Grade 1, 1500 lb hold force rated	■	■	■	■	■	■
Application notes		1	2	3	4	5	6

Application notes:

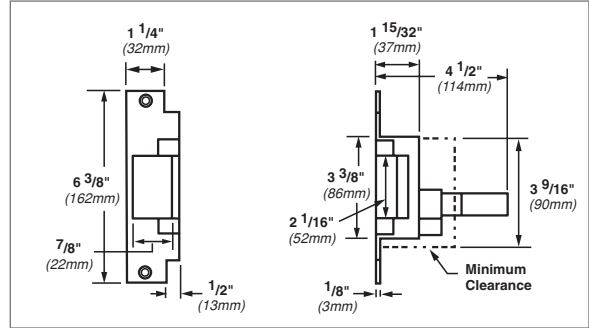
1. Open back electric strike for use with mortise locks without deadbolt or cylindrical locks on 1 ¾" (44 mm) thick double door applications
2. Closed back electric strike for use with mortise locks without deadbolt or cylindrical locks on 1 ¾" (44 mm) thick double door applications. 4 ¾" (120 mm) minimum stile required. For a concealed vertical rod and mortise device combination specify "A" backbox.
3. Closed back electric strike for use with mortise locks without deadbolt or cylindrical locks on 1 ¾" (44 mm) or 2 ¼" (57 mm) thick double door applications.
4. Closed back electric strike for use with mortise locks without deadbolt or cylindrical locks on 1 ¾" (44 mm) or 2 ¼" (57 mm) thick aluminum double door applications.
5. Open back electric strike for use with mortise locks without deadbolt or cylindrical locks on 1 ¾" (44 mm) thick double door applications.
6. Closed back electric strike for use with mortise locks without deadbolt or cylindrical locks on 1 ¾" (44 mm) or 2 ¼" (57 mm) thick double door applications.

Dimensions

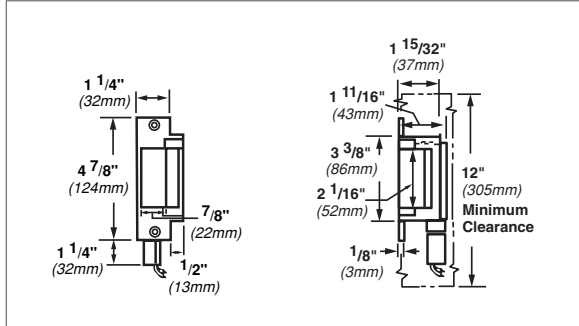
6210



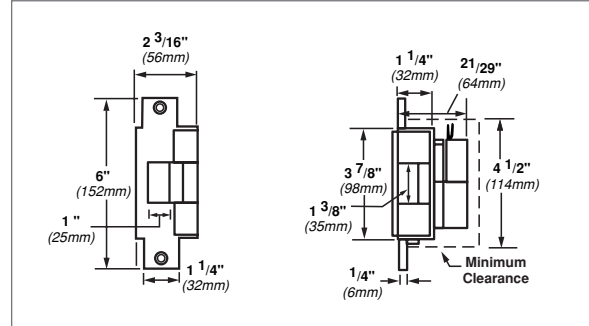
6212WF



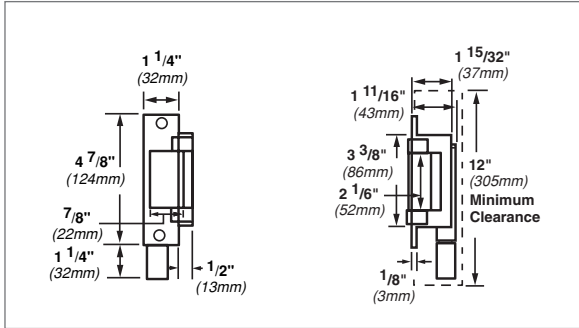
6211



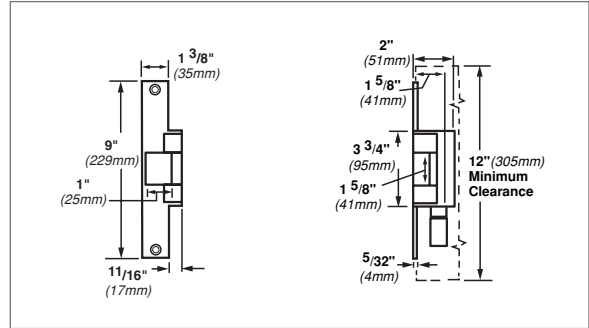
6213



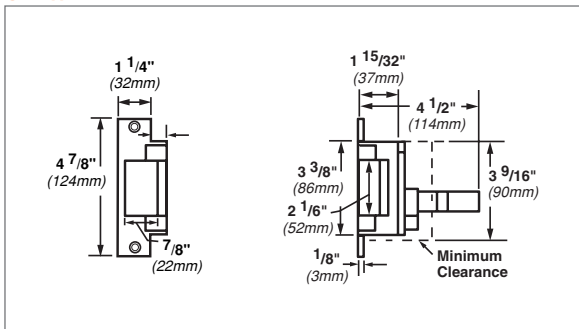
6211AL



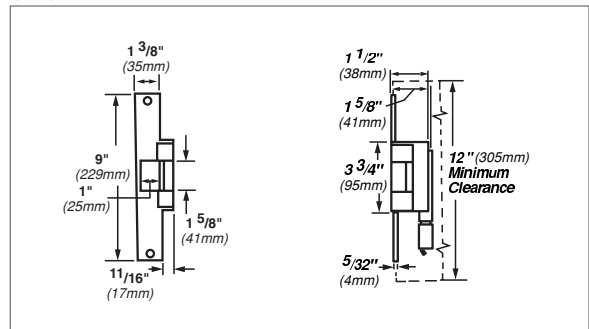
6214



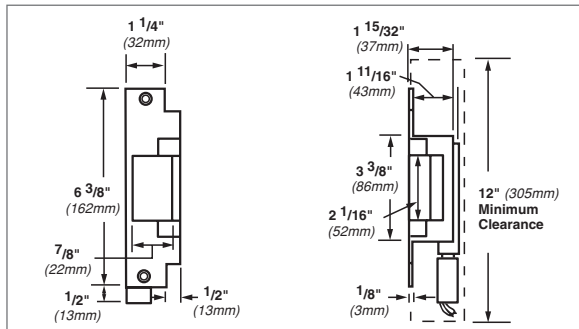
6211WF



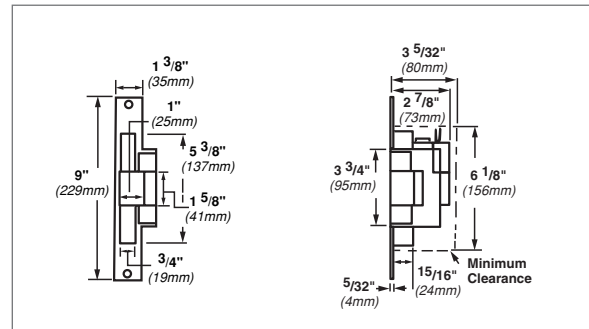
6215



6212

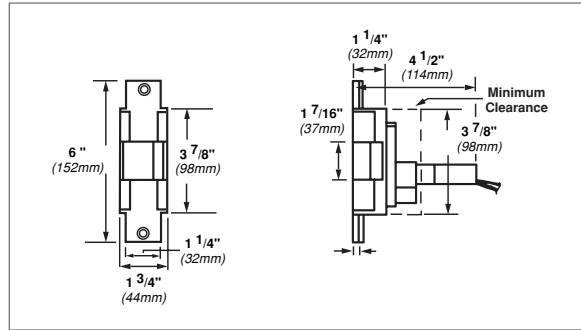


6216

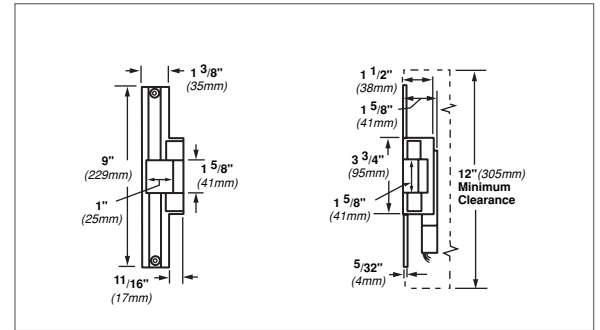


Dimensions

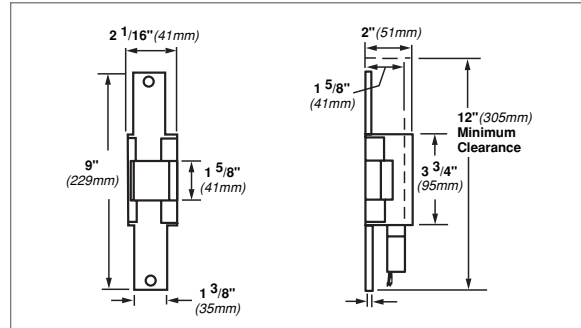
6221



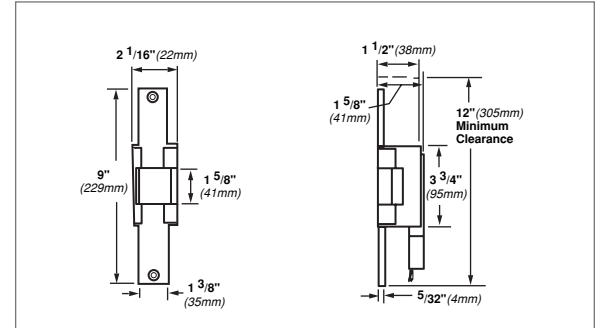
6224AL



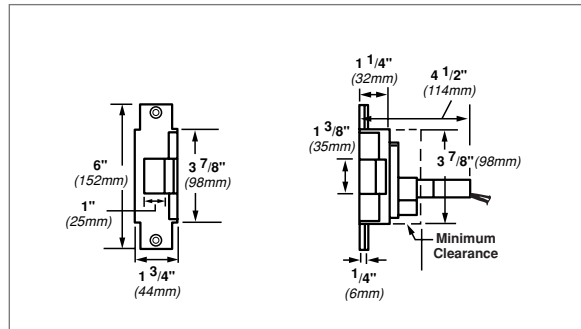
6222



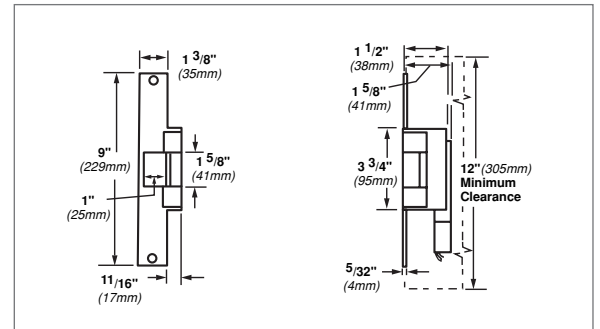
6225



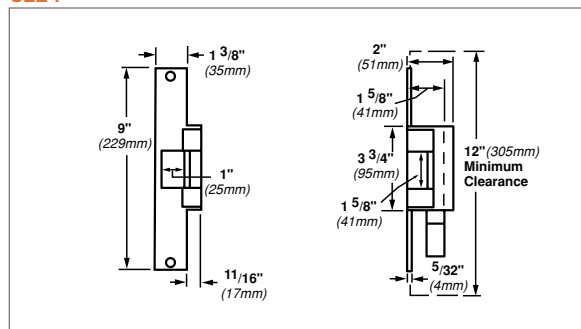
6223



6226



6224



Ordering information

6210-FSE-DS-24-S024-US3-EB

Model	Power failure mode	Dual switch*	Voltage	Rectifier kit*	Finish	Buzzer*
1	2	3	4	5	6	7

* Optional

Selections correspond with the numbers above

1	Model	2	Power failure mode	6	Finish US number/Von Duprin number
6210	See chart on page 3 to make the proper selection	FSE	Fail-secure. Requires power to be applied to unlock the strike lip. On loss of power, the strike lip is locked. Fire-rated.	US3/85	Plated polished brass on stainless steel
6211	See chart on page 3 to make the proper selection	FS	Fail-safe. Requires power to be applied to lock the strike lip. On loss of power, the strike lip is unlocked. Non-fire-rated.	US4/84	Plated dull brass on stainless steel
6211AL	See chart on page 3 to make the proper selection			US10/06	Plated dull bronze on stainless steel
6211WF	See chart on page 3 to make the proper selection			US10B/86	Plated dark bronze on stainless steel
6112	See chart on page 3 to make the proper selection			US32/31	Stainless steel, polished
6212WF	See chart on page 4 to make the proper selection	3	Dual switch (optional)	US32D/32	Stainless steel, satin
6213	See chart on page 4 to make the proper selection	DS	Monitors latch bolt and lock status. DS switches rated at 24 VDC 50 milliampere - 2 amps.		
6214	See chart on page 4 to make the proper selection	DS-LC	Optional for computer monitoring. Monitors latch bolt & lock status. DS-LS switches rated 24 VDC 50 milliampere or less.		
6215	See chart on page 4 to make the proper selection				
6216	See chart on page 4 to make the proper selection	4	Voltage (VDC)		
6221	See chart on page 4 to make the proper selection	24	Low voltage DC power		
6222	See chart on page 5 to make the proper selection	12	Low voltage DC power		
6223	See chart on page 5 to make the proper selection		If AC power is required, specify rectifier kit below.		
6224	See chart on page 5 to make the proper selection	5	Rectifier kit (optional)		
6224AL	See chart on page 5 to make the proper selection	SO12	Converts 12 VAC voltage to 12 VDC to operate the solenoid		
6225	See chart on page 5 to make the proper selection	SO24	Converts 24 VAC voltage to 24 VDC to operate the solenoid		
6226	See chart on page 5 to make the proper selection				
				7	Buzzer (optional)
				EB	Entry Buzzer. Only available if Fail-Secure (FSE) is specified.

Allegion, the Allegion logo, Schlage, Von Duprin, the Von Duprin logo, and Falcon are trademarks of Allegion plc, its subsidiaries and/or affiliates in the United States and other countries. All other trademarks are the property of their respective owners.

About Allegion

Allegion (NYSE: ALLE) creates peace of mind by pioneering safety and security. As a \$2 billion provider of security solutions for homes and businesses, Allegion employs more than 7,800 people and sells products in more than 120 countries across the world. Allegion comprises 23 global brands, including strategic brands CISA®, Interflex®, LCN®, Schlage® and Von Duprin®. For more, visit www.allegion.com.

aptiQ ■ LCN ■ SCHLAGE ■ STEELCRAFT ■ VON DUPRIN



© 2014 Allegion
005368, Rev. 02/14
www.allegion.com/us

VON DUPRIN®

6300 Series

Surface mounted strike for rim exit devices



Overview

Von Duprin electric strikes are known for their reliability, durability and security. The 6300 Series is designed to withstand abuse. Its heavy-duty stainless steel construction is fully UL1034 and UL10C Listed.

6300 Series electric strikes are designed for use with a variety of rim devices. It interfaces with the latch mechanism of the exit device. The movable lip (keeper) allows a door to open even when the latch bolt is extended. This feature, called remote release, provides added benefits such as increased convenience and efficiency. The 6300 Series also provides added security and traffic control.

6300 Series electric strikes are ideal for aftermarket applications. It is easy to install without modifying or altering the door frame. To assure the proper selection of an electric strike on new applications, lockset compatibility charts are shown on the next page. When using a lockset not listed or when retrofitting a strike to an existing application, please contact Von Duprin technical support for application assistance.

The 6300 is fail-secure (FSE) only to achieve compliance with UL10C for fire-rated openings. In a fail-secure application, the door is normally locked. To unlock the door, power must be applied. The 6300 strike can be used with either 12VDC or 24VDC. There are 2 connectors that ship with it and the appropriate connector for either 12VDC or 24VDC will be used, based upon the available voltage at the opening.

Features and benefits

- Non-handed design provides greater flexibility
- Requires no alteration or cutting to existing frame
- UL1034 burglary-resistant and UL10C electric strike for fire door
- Stainless steel (satin) finish
- Durable stainless steel construction
- Field selectable voltage 12VDC or 24VDC
- Meets BHMA A156.31, Grade 1 for endurance and strength
- Static strength 1300 lbs
- Dynamic strength 70 ft-lbs
- Endurance 1,000,000 cycles

6300 Surface mount specifications

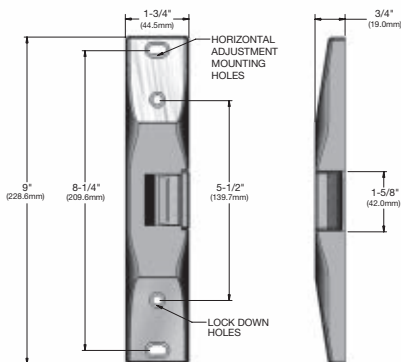
Model	Voltage	Current	Duty	Amps	Ohms
6300	12V	DC	Continuous	0.50	22
6300	24V	DC	Continuous	0.24	89

Rim exit device compatibility 6300 strikes

Manufacturer	Model Number
Von Duprin	VD 22/22-F Rim
Von Duprin	VD 33A/35A Rim
Von Duprin	VD 55 Rim
Von Duprin	VD 88/88-F Rim device
Von Duprin	VD 98/99 and 98/99-F Rim
Falcon	Falcon 24/24-F Rim
Falcon	Falcon 25/25-F Rim
Falcon	Falcon 19/19-F Rim
Falcon Doromatic	Falcon Doromatic 1790
Falcon Doromatic	Falcon Doromatic 2090

Model specifications

Model #	6300
Retrofits model	N/A
Latchbolt throw	3/4"
Face plate length	9"
Projection	3/4"
Lockset	Rim exit device
# Doors	Single or pair with mullion
Door/frame type	Hollow metal, aluminum and wood
EB (entry buzzer)	Optional
Certifications	UL1034, UL10C
Application notes	Surface mounted electric strike ideal for aftermarket applications. Strike designed for use with Von Duprin 98/99, however it can be used with most rim exit devices.

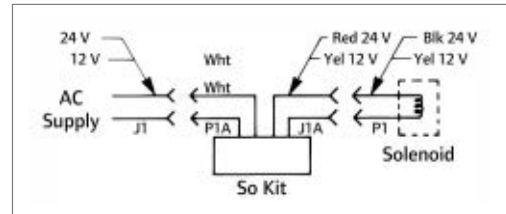


DC = Direct current

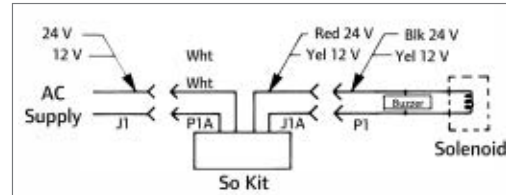
Continuous duty = Energized 1 min. or more

Note: When using device not listed or when retrofitting a strike to an existing application, please contact Von Duprin Technical Support for application assistance.

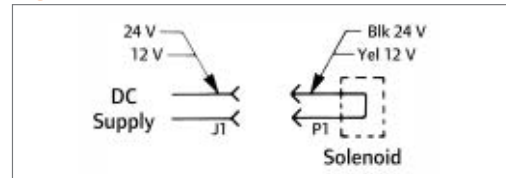
AC



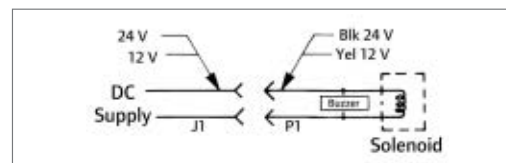
AC with buzzer



DC



DC with Buzzer



Ordering information

6300-S024-EB

Model	Rectifier kit*	Buzzer*
1	2	3

* Optional

Selections correspond with the numbers above

1	Model
6300	Surface mounted strike for rim exit devices
2	Rectifier kit (optional)
S012	Converts 12 VAC voltage to 12 VDC to operate the solenoid
S024	Converts 24 VAC voltage to 24 VDC to operate the solenoid
3	Buzzer (optional)
EB	Entry buzzer

Standard features

- Power failure mode: Fail-Secure (FSE)
- Voltage: field selectable 24 VDC or 12 VDC
- Finish: stainless steel, satin (US32D/32)

About Allegion

Allegion (NYSE: ALLE) creates peace of mind by pioneering safety and security. As a \$2 billion provider of security solutions for homes and businesses, Allegion employs more than 7,800 people and sells products in more than 120 countries across the world. Allegion comprises 23 global brands, including strategic brands CISA®, Interflex®, LCN®, Schlage® and Von Duprin®. For more, visit www.allegion.com.

aptiQ ■ LCN ■ SCHLAGE ■ STEELCRAFT ■ VON DUPRIN



© 2014 Allegion
003242, Rev. 02/14
www.allegion.com/us

VON DUPRIN®

6400 Series

Modular strike



Overview

The 6400 fire-rated strike from Schlage combines strength and convenience in an “all in one” compact, easy-to-install design. The 6400 is UL Listed for 1500 lb static strength.

The unique design of the 6400 allows the installer to move the deadbolt keeper or plug and deadlatch ramp vertically, to align with a wide variety of mortise locks with offset latches. This, combined with a 1/8" horizontal adjustment, provides a highly flexible and easy-to-install design while also eliminating the need for special face plates.

A trim plate for frame cuts and a hands-free adhesive paper template are provided to simplify installation. Additional flexibility is provided by a “plug in” latch monitor switch that can be added in the field at any time after installation.

The power failure mode of the 6400 is fail-secure only for fire-rated openings. In a fail-secure application, the door is normally locked without power. To unlock the door power must be applied. The voltage of the 6400 is also field selectable 12 or 24 VDC and 12 to 24 VAC.

Features and benefits

- Vertical adjustment of the deadbolt keeper or deadlatch ramp allows for alignment with a wide variety of mortise locks with offset latches
- Field selectable voltage 12 or 24VDC and 12 to 24VAC
- Accommodates 3/4" latch projection
- Centerline face plate included for centerline entry
- Accommodates up to 1" deadbolt (for night latch application only, bolt will not release)
- Horizontal adjustment of up to 1/8" for misaligned frames
- Heavy-duty stainless steel construction
- Plug connectors are furnished for ease of installation and removal during strike servicing
- Optional plug-in latch monitor can be added in the field
- Non-handed design provides greater flexibility
- Tamper-resistant screws included
- Hex and security driver bit included
- Low current draw (0.19 amps @ 24 VDC)
- Unique solenoid design prevents keeper from heating up
- Trim plate included
- Adhesive paper template included
- UL Listed for 1500 lb static strength, UL 1034 burglary-resistant listed & UL 10 C 3 hour fire-rated (fail-secure only)
- Meets BHMA A156.31, Grade 1 for endurance and strength
- Static strength 1300 lbs
- Dynamic strength 70 ft-lbs
- Endurance 1,000,000 cycles

Lockset compatibility

Vertical adjustment of the deadbolt keeper or deadlatch ramp allows for alignment with a wide variety of mortise locks with offset latches. Accommodates up to 1" deadbolt*. Up to 1/8" horizontal adjustment for misaligned frames.

* Night-latch function only, bolt will not release

Wiring Instructions

Use the appropriate wire harness supplied.

- 12V for 12VDC & 12-24VAC
- 24 for 24VDC only

Attach the red wire to (+) positive of the power supply. Attach the black wire to the (-) negative of the power supply. If using AC power, polarity is not observed.

Note: If a suppression diode is required for access control, observe proper polarity.

Latch monitor wires

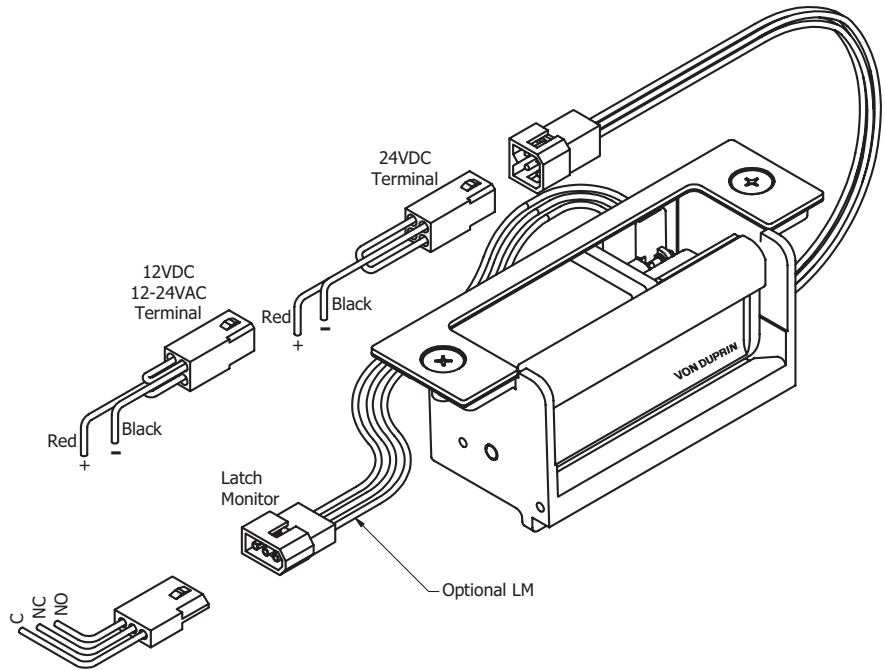
- Black = Common (C)
- Blue = Normal Close (NC)
- Orange = Normal Open (NO)

Technical specifications

Model	Mode	Voltage	Duty	Sound	Amps ¹	Ohms ²
6400	Fail-locked	12 VDC	Continuous	Silent	.375	37
6400	Fail-locked	24 VDC	Continuous	Silent	.190	148
6400	Fail-locked	12-24 VAC	Intermittent	Buzz	.280 - .565	37

Intermittent duty = Energized less than 1 min. with duty ratio 1:5

Continuous duty = Energized 1 min. or more



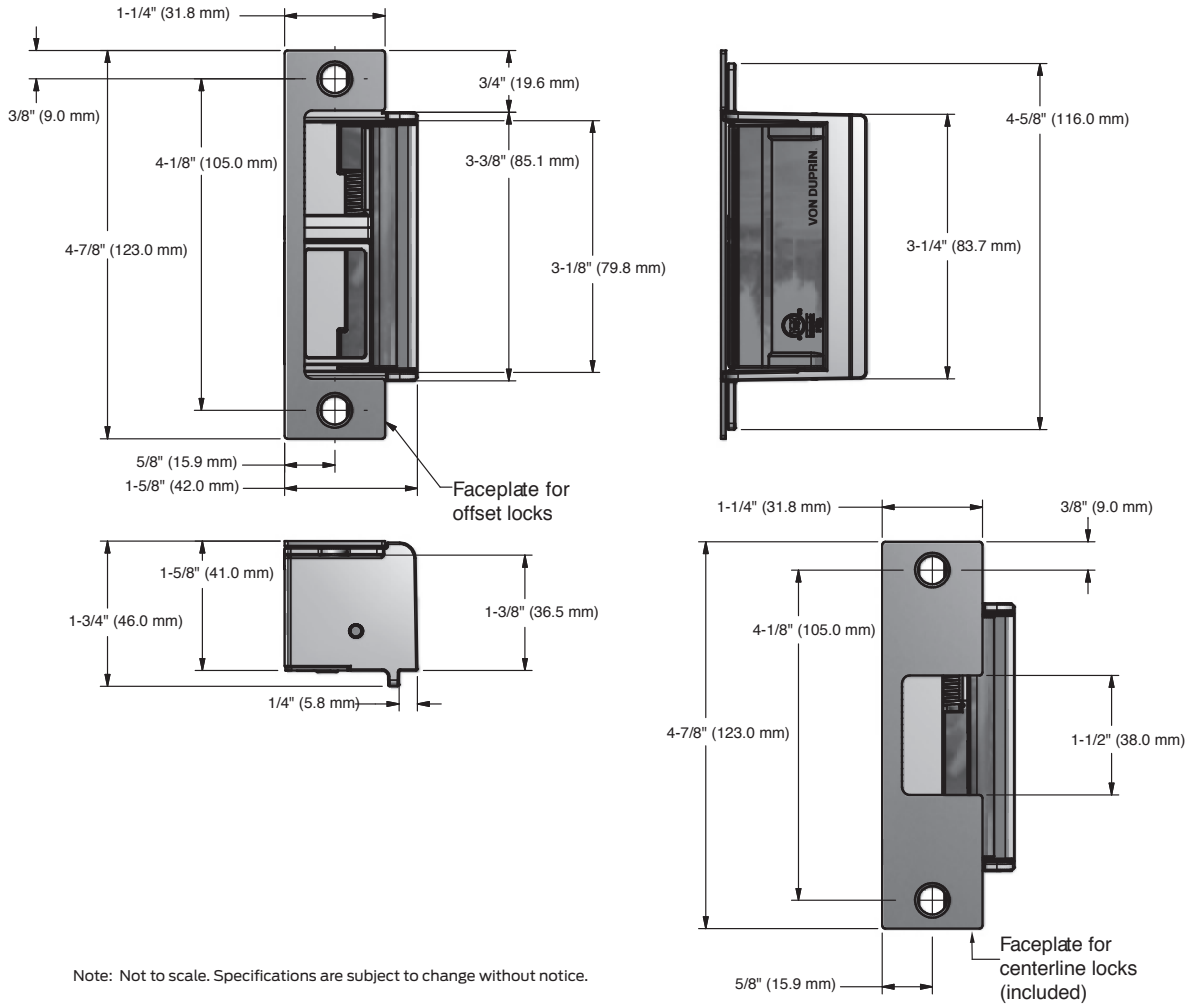
Model specifications

Model #	6400
Latchbolt throw	3/4"
Face plate length	4 7/8"
Depth	1 5/8"
Lockset	Cylindrical, mortise, mortise exit
Door/frame type	Hollow metal, aluminum & wood
Certifications	UL Listed for 1500 lb static strength, UL 1034 burglary-resistant listed & UL 10 C three hour fire-rated (fail-secure only)
Application notes	Modular electric strike ideal for aftermarket applications. Fail-secure only for fire-rated openings.

¹ Ratings are based on maximum current draw at +10°C and include initial power-up current draw.

² Nominal resistance at +25°C +/- 7% tolerance.

Dimensions



Ordering information

- **6400** - Modular strike

Options

- **LM6400** – Indicates when door is latched (ships separately)

Standard features

- Power failure mode: fail-secure only for fire-rated openings
- Voltage: 12 or 24 VDC and 12 or 24 VAC voltage is field selectable
- Finish: Stainless steel, satin (US32D)

This page intentionally left blank.

Allegion, the Allegion logo, Schlage, the Schlage logo are trademarks of Allegion plc, its subsidiaries and/or affiliates in the United States and other countries. All other trademarks are the property of their respective owners.

About Allegion

Allegion (NYSE: ALLE) creates peace of mind by pioneering safety and security. As a \$2 billion provider of security solutions for homes and businesses, Allegion employs more than 7,800 people and sells products in more than 120 countries across the world. Allegion comprises 23 global brands, including strategic brands CISA®, Interflex®, LCN®, Schlage® and Von Duprin®. For more, visit www.allegion.com.

aptiQ ■ LCN ■  ■ STEELCRAFT ■ VON DUPRIN



© 2014 Allegion
009011, Rev. 02/14
www.allegion.com/us

VON DUPRIN®

4200 Series

Electric strikes for
cylindrical locks



Overview

The 4200 Series electric strikes are easy to order, configure in the field and install. This makes it a great choice for commercial applications where traffic control is the primary function.

Compatible with a wide range of cylindrical devices, the 4200 series makes electrifying an opening simple. It is designed and tested to work with all Schlage and Falcon cylindrical locks as well those of many other manufacturers'.

With a variety of field configurable options, the 4200 series is able to address a broad range of needs. The power failure mode (fail safe or fail secure) can be changed in the field without disassembling the strike. The 4200 series also features a 12/24 dual-voltage solenoid for field wiring of either input voltage.

Additional factory orderable options provide even greater flexibility. The 4200 series can be ordered with or without latchbolt monitor. Square face plate is offered standard to accommodate hollow metal frames, and rounded corner faceplates are available as an option for aluminum frames. An entry buzzer and rectifier kits are also available options.

The 4200 was developed with Von Duprin's high standards and engineering expertise. Its heavy duty stainless steel construction is designed to withstand abuse.

Features and benefits

- Field configurable 12/24 voltage utilizing dual-voltage internal solenoid
- Field configurable power failure mode (fail-safe/fail-secure)
- Non-handed, internal solenoid design
- Heavy duty stainless steel faceplate
- Latchbolt monitoring standard on 4212 only
- Optional entry buzzer and rectifier kits available for AC to DC operation
- 1 year electrical product warranty

Lockset compatibility

The 4200 series is compatible with all Schlage and Falcon cylindrical locks as well as cylindrical and deadlatch locks of many other manufacturers.

- The 4211 is compatible with locksets with $\frac{5}{8}$ " (15 mm) throw latchbolts, or up to $\frac{3}{4}$ " (19mm) throw latchbolts with a $\frac{1}{8}$ " door gap.
- The 4212 is compatible with locksets with $\frac{1}{2}$ " (12.7mm) throw latchbolts, or up to $\frac{5}{8}$ " (15 mm) throw latchbolts with a $\frac{1}{8}$ " door gap.

Technical specifications

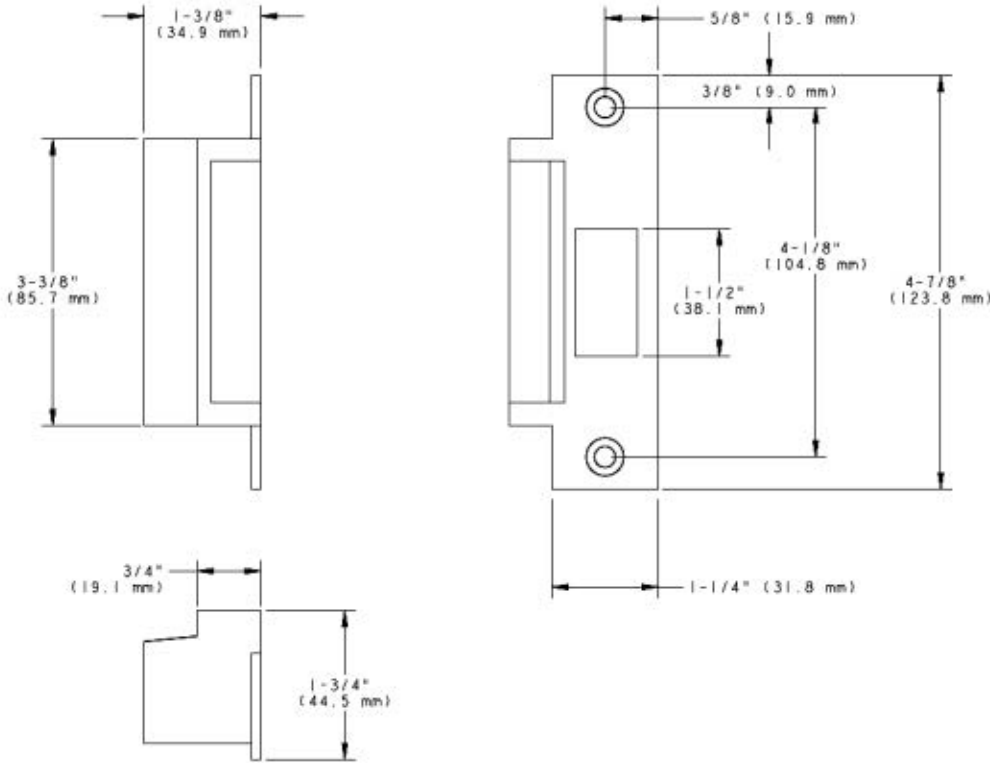
Strike	12 VDC	12 VDC
Current (amps)	0.20 A	0.10 A
Latchbolt monitor	30 VDC	
Current (amps)	0.20 A	

The 4200 series requires a DC regulated power supply, and the Schlage PS900 series power supplies are recommended.

Model specifications

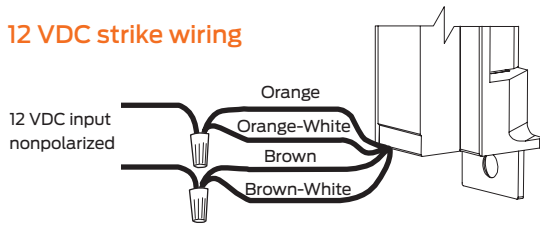
Model number		4211	4212
Latchbolt throw		$\frac{3}{4}$ "	$\frac{5}{8}$ "
Latchbolt monitor switch		---	■
Face plate length		4 $\frac{7}{8}$ "	4 $\frac{7}{8}$ "
Backbox depth		1 $\frac{3}{8}$ "	1 $\frac{3}{8}$ "
Lockset	Cylindrical	■	■
	Deadlatch	■	■
	Mortise	---	---
	Rim exit devices	---	---
Number of doors	Single	■	■
	Pair	---	---
Door and frame type	Hollow metal	■	■
	Aluminum	■	■
	Wood	---	---
Options	EB (entry buzzer - fail-secure only)	■	■
	SO12 & SO24 rectifier kit for AC to DC operation	■	■
	Round corner faceplate	■	■

Dimensions

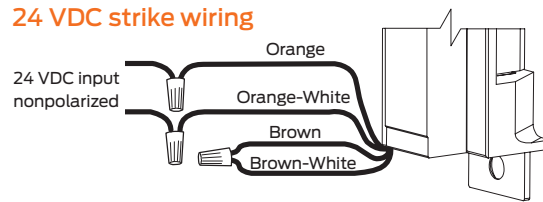


Wiring

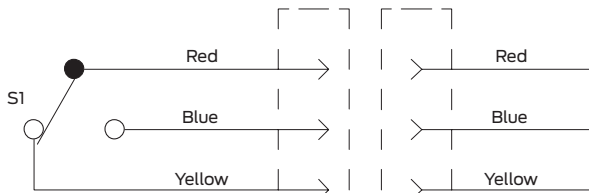
12 VDC strike wiring



24 VDC strike wiring



Latchbolt monitoring switch (4212 only)



Switch shown with latch status tripper depressed

Ordering information

4200-S024-EB



* Optional

Selections correspond with the numbers above

1	Model
4211	See model specification chart to make the proper selection
4212	See model specification chart to make the proper selection
2	Rectifier kit (optional)
S012	Converts 12 VAC voltage to 12 VDC to operate the solenoid
S024	Converts 24 VAC voltage to 24 VDC to operate the solenoid
3	Buzzer (optional)
EB	Entry Buzzer, with fail-secure (FSE) configured

Standard features

- Power failure mode: Field configurable fail-secure/ fail-safe
- Voltage: Field configurable 12 VDC/24 VDC dual voltage solenoid
- Finish: 630 satin stainless steel

Allegion, the Allegion logo, Schlage, the Schlage logo are trademarks of Allegion plc, its subsidiaries and/or affiliates in the United States and other countries. All other trademarks are the property of their respective owners.

About Allegion

Allegion (NYSE: ALLE) creates peace of mind by pioneering safety and security. As a \$2 billion provider of security solutions for homes and businesses, Allegion employs more than 7,800 people and sells products in more than 120 countries across the world. Allegion comprises 23 global brands, including strategic brands CISA®, Interflex®, LCN®, Schlage® and Von Duprin®. For more, visit www.allegion.com.

aptiQ ■ LCN ■ **SCHLAGE** ■ STEELCRAFT ■ VON DUPRIN

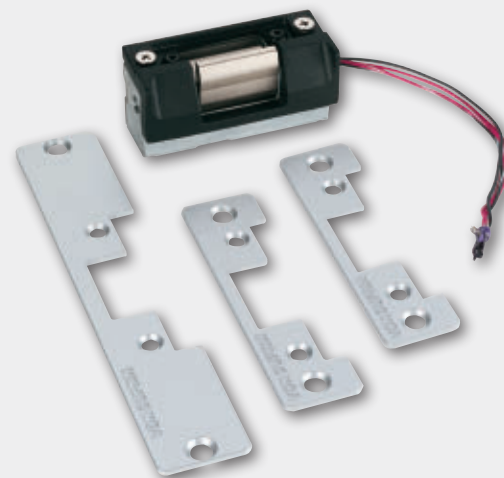


© 2014 Allegion
010151, Rev. 03/14
www.allegion.com/us

VON DUPRIN®

5100 Series

Electric strikes for
cylindrical locksets



Overview

The Von Duprin 5100 electric strike has been designed and manufactured to meet the needs of locksmiths and security professionals. This easy-to-install electric strike was created for medium-duty applications, specifically to control traffic flow through interior and exterior openings in retail and commercial environments.

The 5100 electric strike is designed for maximum flexibility. It comes standard with three faceplates for hollow metal, wood or aluminum frames in every box. The internal 12/24VDC solenoid provides additional versatility. While the adjustable keeper improves fit for applications with weather stripping or tight door preps. Furthermore, power failure mode is field selectable fail-safe/fail-secure.

With multiple faceplates and flexible options, the 5100 provides added convenience by ensuring the right parts are in the box to get the job done. This reduces labor expense and reduces return trips to the job site.

The 5100 was developed with Von Duprin's high standards and engineering expertise. Its heavy-duty construction and tamper-resistant design is able to withstand abuse. The 5100 is tested to over one million cycles and provides 1300 lbs holding strength.

Features and benefits

- Three faceplates standard in every box
- 12/24 dual-voltage
- Fail-safe/fail-secure
- Adjustable keeper
- Internal solenoid
- Non-handed
- Backbox depth of 1 11/16"
- Keeper depth of 1/2"
- Mounting tabs
- Retrofit kit
- Illustrated installation instructions
- Tamper resistant
- One year electrical product warranty
- Continuous duty operation
- Heavy-duty construction
- Meets BHMA A156.31, Grade 1 for endurance and dynamic strength, and Grade 2 for static strength
- Static strength 1300 lbs
- Dynamic strength 70 ft-lbs
- Endurance 1,000,000 cycles

Technical specifications

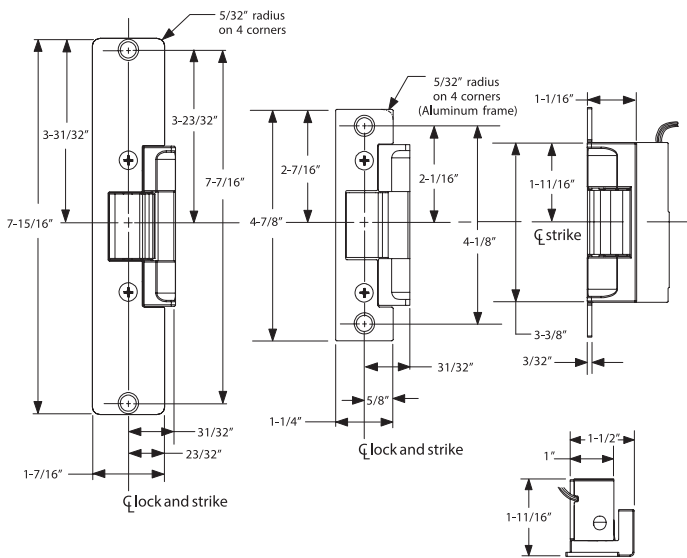
Power options

DC: Regulated power supplies (recommended)	PS902 power supply	
AD/DC: Conversion	Von Duprin SO-24 kit	
	12VDC	12VDC
Resistance (ohms)	32	128
Power (watts)	4.5	4.5
Current (amps)	0.38	0.19
All specs $\pm 10\%$ @ 77°F/25°C		

Model specifications

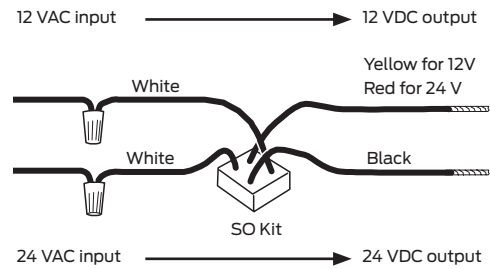
Model #	5100
Latchbolt throw	1/2" to 5/8" with 1/8" door-frame gap
Face plate length	4 7/8" or 7 15/16"
Depth	1 11/16"
Lockset	Cylindrical
Door/frame type	Hollow metal, aluminum and wood
Number of doors	Single
Certifications	ANSI/BHMA 156.5 Grade 1, UL 1034 burglary listing
Application notes	Versatile electric strike for aftermarket, covering multiple applications in one SKU.

Lockset compatibility: Keeper depth of 1/2" is sufficient to accommodate all cylindrical locksets up to 5/8" throw and most aluminum narrow stile deadlatches.

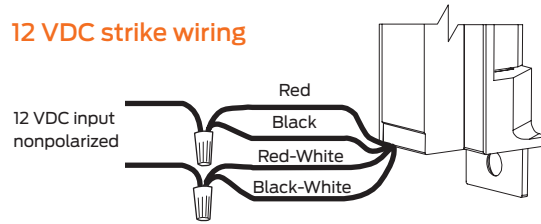


Solenoid power requirements; 12VDC, 0.38 A, 24 VDC, 0.19 A

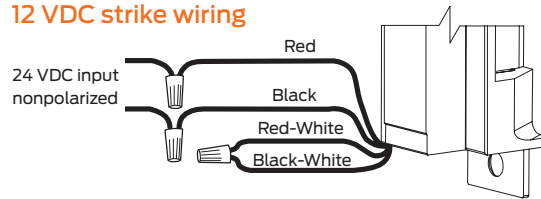
For DC operation, Von Duprin PS902 series power supply is recommended.
For AC operation, Von Duprin SO24 kit is recommended.



12 VDC strike wiring



12 VDC strike wiring



Ordering information

5100-S024

Model	Rectifier kit*
1	2

* Optional

Selections correspond with the numbers above

1	Model
5100	Electric strike for cylindrical locksets
2	Rectifier kit (optional)
S012	Converts 12 VAC voltage to 12 VDC to operate the solenoid
S024	Converts 24 VAC voltage to 24 VDC to operate the solenoid

Standard features

- 24 volts DC
- Fail-secure
- Field convertible to fail-safe

About Allegion

Allegion (NYSE: ALLE) creates peace of mind by pioneering safety and security. As a \$2 billion provider of security solutions for homes and businesses, Allegion employs more than 7,800 people and sells products in more than 120 countries across the world. Allegion comprises 23 global brands, including strategic brands CISA®, Interflex®, LCN®, Schlage® and Von Duprin®. For more, visit www.allegion.com.

aptiQ ■ LCN ■ SCHLAGE ■ STEELCRAFT ■ VON DUPRIN



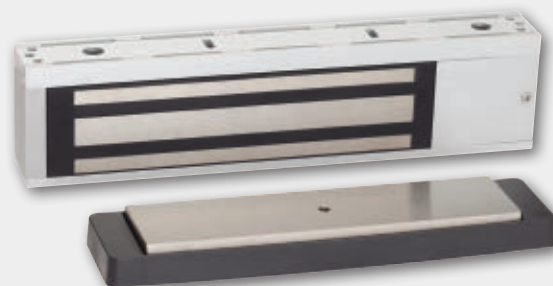
© 2013 Allegion
005009, Rev. 11/13
allegion.com



SCHLAGE

M490/492

Electromagnetic locks



Overview

The M400 Series line of electromagnetic locks from Schlage are designed with the customer in mind, to be robust, easy-to-install, and secure. The new bayonet mounting feature makes installs easier, allowing the installer to have their hands free during the mounting process. There is no need to consider door handing, as all the M400 Series electromagnetic locks are both non-handed and symmetrical, allowing optimum placement of the magnet no matter the application.

All M400 Series locks have automatic voltage sensing for 12 and 24 volts along with polarity protection to make wiring less complex. The M490 is tested and certified to meet or exceed UL1034 and BHMA 1500 lb hold force requirements.

The M490 electromagnetic lock comes in two configurations to meet your specific security needs. The M490 provides basic security, while the M490P provides intelligent sensing and reporting features needed to integrate with access control systems. Additional options are available for the M490P. Kits are available for top jam, double door, and glass door applications.

Features and benefits

- Bayonet mount makes installation simpler by not requiring magnet to be held overhead while mounting screws are installed
- New design allows for RH/LH configuration in the field
- Armature mount allows armature to pivot, compensating for slight opening imperfections
- Limited lifetime warranty
- UL1034 burglary-resistant electronic locking mechanisms, UL10C positive pressure fire tests of door assemblies and ANSI/BHMA Grade 1 certifications
- 1500 lb hold force
- See page 2 for additional features and options

Additional features

M490/M492

- Automatic Voltage Selection (AVS) senses the voltage applied to the lock and responds accordingly

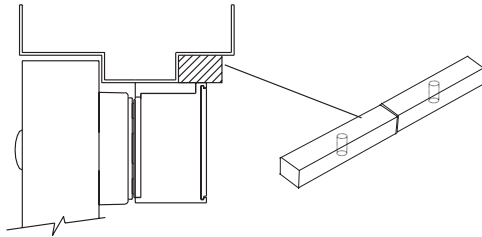
M490P/M492P

- Magnetic Bond Sensor (MBS) monitors the strength of the bond between the lock and armature so you know the door is secure
- Door Position Switch (DPS) monitors whether the door is open or closed
- Relock Time Delay (RTD) provides a relock delay that is adjustable from 0.5 to 30 seconds
- Optional
 - Anti-Tamper Switch (ATS) provides an indication that the cover of the magnet is securely fastened to the lock and that the on board circuitry is secure
 - MBS Indicator (LED) provides visual indication of magnetic bond at the lock

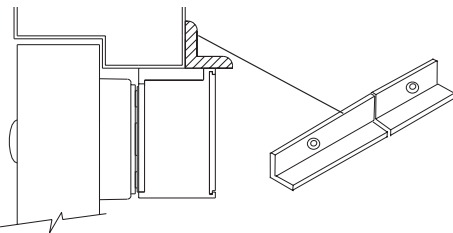
Options (for all)

- Herculite door bracket
- Top jamb (inswinging doors)

Filler Plate



Angle Bracket



M490/M492 electromagnetic lock specifications

Specification	M490/M490P	M492/M492P
Holding force	Meets or exceeds BHMA standard of 1500 lbs	Meets or exceeds BHMA standard of 1500 lbs
Input voltage (standard unit)	12/24 VDC	12/24 VDC
Current draw (amps standard unit)	.65A @ 12 VDC .35A @ 24 VDC	1.3A @ 12 VDC .7A @ 24 VDC
Automatic dual voltage	12/24 VDC	12/24 VDC
Height	3"	3"
Length	12 1/2"	25 1/16"
Width	1 3/4"	1 3/4"
Weight (approximate)	14 lbs	28 lbs
Certifications	UL10C, UL1034, ANSI/BHMA A156.23	UL10C, UL1034, ANSI/BHMA A156.23
Temperature	0° to 49°C (32° to 120° F)	0° to 49°C (32° to 120° F)
Wire gauge	14-22 AWG	14-22 AWG

Filler plates and angle brackets specifications

	M490	M492
Length	10 1/2"	20 5/8"

Filler plates

Width x Height		
1 1/4" x 1/8"	4901F	4921F
1 1/4" x 1/4"	4902F	4922F
1 1/4" x 3/8"	4903F	4923F
1 1/4" x 1/2"	4904F	4924F
1 1/4" x 5/8"	4905F	4925F
3/4" x 1/2"	4906F	4926F
3/4" x 5/8"	4907F	4927F
3/4" x 3/4"	4908F	4928F

Angle brackets

Width x Height	Plate no.	Plate no.
1" x 1"	4901A	4921A
1 1/2" x 1"	4902A	4922A
1 1/2" x 1 1/2"	4903A	4923A
1 1/2" x 2"	4904A	4924A
1 1/2" x 2 1/2"	4905A	4925A

Allegion, the Allegion logo, Schlage, and the Schlage logo are trademarks of Allegion plc, its subsidiaries and/or affiliates in the United States and other countries. All other trademarks are the property of their respective owners.

About Allegion

Allegion (NYSE: ALLE) creates peace of mind by pioneering safety and security. As a \$2 billion provider of security solutions for homes and businesses, Allegion employs more than 7,800 people and sells products in more than 120 countries across the world. Allegion comprises 23 global brands, including strategic brands CISA®, Interflex®, LCN®, Schlage® and Von Duprin®. For more, visit www.allegion.com.



M450/452

Electromagnetic locks



Overview

The M400 Series line of electromagnetic locks from Schlage are designed with the customer in mind, to be robust, easy-to-install, and secure. The new bayonet mounting feature makes installs easier, allowing the installer to have their hands free during the mounting process. There is no need to consider door handing, as all the M400 Series electromagnetic locks are both non-handed and symmetrical, allowing optimum placement of the magnet, no matter the application.

All M400 Series locks have automatic voltage sensing for 12 and 24 volts along with polarity protection to make wiring less complex. The M450 is tested and certified to meet or exceed UL1034 and BHMA 1000 lb hold force requirements.

The M450 electromagnetic lock comes in two configurations to meet your specific security needs. The M450 provides basic security, while the M450P provides intelligent sensing and reporting features needed to integrate with access control systems. Additional options are available for the M450P. Kits are available for top jam, double door, and glass door applications.

Features and benefits

- Bayonet mount makes installation simpler by not requiring magnet to be held overhead while mounting screws are installed
- New design allows for RH/LH configuration in the field
- Armature mount allows armature to pivot, compensating for slight opening imperfections
- Limited lifetime warranty
- UL1034 burglary-resistant electronic locking mechanisms, UL10C positive pressure fire tests of door
- 1000 lb hold force
- See page 2 for additional features and options

Additional features

M450/M452

- **Automatic Voltage Selection (AVS)** senses the voltage applied to the lock and responds accordingly

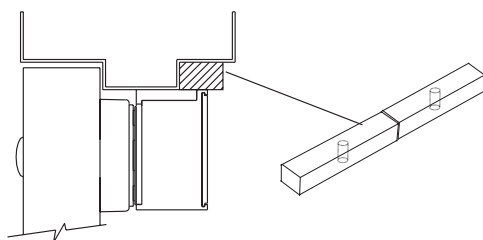
M450P/M452P

- **Magnetic Bond Sensor (MBS)** monitors the strength of the bond between the lock and armature so you know the door is secure
- **Door Position Switch (DPS)** monitors whether the door is open or closed
- **Relock Time Delay (RTD)** provides a relock delay that is adjustable from 0.5 to 30 seconds
- **Optional (P models only)**
 - **Anti-Tamper Switch (ATS)** provides an indication that the cover of the magnet is securely fastened to the lock and that the on board circuitry is secure
 - **MBS Indicator (LED)** provides visual indication of magnetic bond at the lock

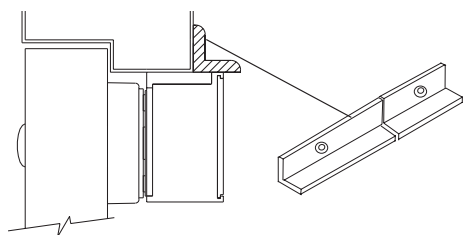
Options (for all)

- Herculite door bracket
- Top jamb (inswinging doors)

Filler Plate



Angle Bracket



M450/M452 electromagnetic lock specifications

Specification	M450/M450P	M452/M452P
Holding force	meets or exceeds BHMA standard of 1000 lbs	1000 lbs per door leaf
Input voltage (standard unit)	12/24 VDC	12/24 VDC
Current draw (amps standard unit)	.75A @ 12 VDC .38A @ 24 VDC	1.5A @ 12 VDC .75A @ 24 VDC
Automatic dual voltage	12/24 VDC	12/24 VDC
Height	3"	3"
Length	10 1/4"	20 9/16"
Width	1 3/4"	1 3/4"
Weight (approximate)	10 lbs	20 lbs
Certifications	UL1034, UL10C, ANSI/BHMA156.23	UL1034, UL10C, ANSI/BHMA156.23
Temperature	0° to 49°C (32° to 120° F)	0° to 49°C (32° to 120° F)
Wire gauge	14-22 AWG	14-22 AWG

Filler plates and angle brackets specifications

	M450
Length	10 1/2"

Filler plates (order 2 if purchasing a double lock)

Width x Height	
1 1/4" x 1/8"	4501F
1 1/4" x 1/4"	4502F
1 1/4" x 3/8"	4503F
1 1/4" x 1/2"	4504F
1 1/4" x 5/8"	4505F
3/4" x 1/2"	4506F
3/4" x 5/8"	4507F
3/4" x 3/4"	4508F

Angle brackets (order 2 if purchasing a double lock)

Width x Height	Plate no.
1" x 1"	4501A
1 1/2" x 1"	4502A
1 1/2" x 1 1/2"	4503A
1 1/2" x 2"	4504A
1 1/2" x 2 1/2"	4505A

Allegion, the Allegion logo, Schlage, and the Schlage logo are trademarks of Allegion plc, its subsidiaries and/or affiliates in the United States and other countries. All other trademarks are the property of their respective owners.

About Allegion

Allegion (NYSE: ALLE) creates peace of mind by pioneering safety and security. As a \$2 billion provider of security solutions for homes and businesses, Allegion employs more than 7,800 people and sells products in more than 120 countries across the world. Allegion comprises 23 global brands, including strategic brands CISA®, Interflex®, LCN®, Schlage® and Von Duprin®. For more, visit www.allegion.com.

aptiQ ■ LCN ■ SCHLAGE ■ STEELCRAFT ■ VON DUPRIN



© 2015 Allegion
004205 Rev. 02/14
www.allegion.com/us



M420/422

Electromagnetic locks



Overview

The M400 Series line of electromagnetic locks from Schlage are designed with the customer in mind, to be robust, easy-to-install, and secure. The new bayonet mounting feature makes installs easier, allowing the installer to have their hands free during the mounting process. There is no need to consider door handing as all the M400 Series electromagnetic locks are both non-handed and symmetrical, allowing optimum placement of the magnet, no matter the application.

All M400 Series locks have automatic voltage sensing for 12 and 24 volts along with polarity protection to make wiring less complex. The M420 is tested and certified to meet or exceed UL1034 and BHMA 500 lb hold force requirements.

The M420 electromagnetic lock comes in two configurations to meet your specific security needs. The M420 provides basic security, while the M420P provides intelligent sensing and reporting features needed to integrate with access control systems. Additional options are available for the M420P. Kits are available for top jam, double door, and glass door applications.

Features and benefits

- Bayonet mount makes installation simpler by not requiring magnet to be held overhead while mounting screws are installed
- New design allows for RH/LH configuration in the field
- Armature mount allows armature to pivot, compensating for slight opening imperfections
- Limited lifetime warranty
- UL1034 burglary-resistant electronic locking mechanisms, UL10C positive pressure fire tests of door assemblies and ANSI/BHMA Grade 1 certifications
- 500 lb hold force
- See page 2 for additional features and options

Additional features

M420/M422

- **Automatic Voltage Selection (AVS)** senses the voltage applied to the lock and responds accordingly

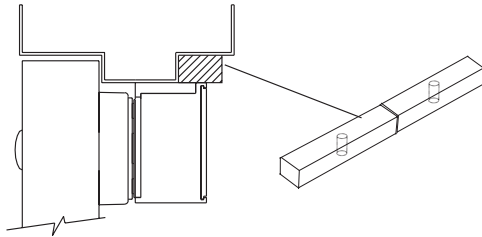
M420P/M422P

- **Magnetic Bond Sensor (MBS)** monitors the strength of the bond between the lock and armature so you know the door is secure
- **Door Position Switch (DPS)** monitors whether the door is open or closed
- **Relock Time Delay (RTD)** provides a relock delay that is adjustable from 0.5 to 30 seconds
- **Optional (P models only)**
 - **Anti-Tamper Switch (ATS)** provides an indication that the cover of the magnet is securely fastened to the lock and that the on board circuitry is secure
 - **MBS indicator (LED)** provides visual indication of magnetic bond at the lock

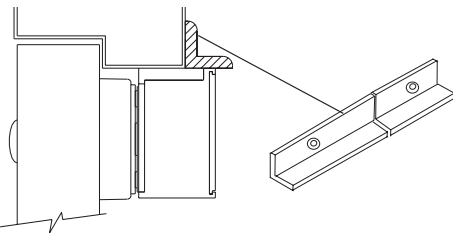
Options (for all)

- Herculite door bracket
- Top jamb (inswinging doors)

Filler Plate



Angle Bracket



M420/M422 electromagnetic lock specifications

Specification	M420/M420P	M422/M422P
Holding force	meets or exceeds BHMA standard of 500 lbs	meets or exceeds BHMA standard of 500 lbs
Input voltage (standard unit)	12/24 VDC	12/24 VDC
Current draw (amps standard unit)	.75A @ 12 VDC .38A @ 24 VDC	1.5A @ 12 VDC .76A @ 24 VDC
Automatic dual voltage	12/24 VDC	12/24 VDC
Height	2 1/2"	2 1/2"
Length	9"	18 1/16"
Width	1 3/8"	1 3/8"
Weight (approximate)	6 lbs	12 lbs
Certifications	UL1034, UL10C, ANSI/BHMA156.23	UL1034, UL10C, ANSI/BHMA156.23
Temperature	0° to 49°C (32° to 120° F)	0° to 49°C (32° to 120° F)
Wire gauge	14-22 AWG	14-22 AWG

Filler plates and angle brackets specifications

	M420	M422
Length	10 1/2"	20 5/8"

Filler plates

Width x Height		
1 1/4" x 1 1/8"	4201F	4221F
1 1/4" x 1 1/4"	4202F	4222F
1 1/4" x 3/8"	4203F	4223F
1 1/4" x 1/2"	4204F	4224F
1 1/4" x 5/8"	4205F	4225F
3/4" x 1/2"	4206F	4226F
3/4" x 5/8"	4207F	4227F
3/4" x 3/4"	4208F	4228F

Angle brackets

Width x Height	Plate no.	Plate no.
1" x 1"	4201A	4221A
1 1/2" x 1"	4202A	4222A
1 1/2" x 1 1/2"	4203A	4223A
1 1/2" x 2"	4204A	4224A
1 1/2" x 2 1/2"	4205A	4225A

Allegion, the Allegion logo, Schlage, and the Schlage logo are trademarks of Allegion plc, its subsidiaries and/or affiliates in the United States and other countries. All other trademarks are the property of their respective owners.

About Allegion

Allegion (NYSE: ALLE) creates peace of mind by pioneering safety and security. As a \$2 billion provider of security solutions for homes and businesses, Allegion employs more than 7,800 people and sells products in more than 120 countries across the world. Allegion comprises 23 global brands, including strategic brands CISA®, Interflex®, LCN®, Schlage® and Von Duprin®. For more, visit www.allegion.com.



M490G

Electromagnetic gate lock



Overview

The Schlage M490G electromagnetic gate lock is a weather resistant electromagnetic lock with 1500 lbs of holding force, designed for use on all types of sliding and swinging gates. As a high security magnetic lock, it can accommodate misalignment problems while supplying superior holding force.

A 1/2" compression connector is provided for installation of 1/2" EMT conduit, insuring protection of hook-up wiring from weather and vandalism. Heavy-duty plating resists corrosion of mating surfaces, providing a low maintenance locking device.

A modified top jamb mounting bracket allows a single M490G to be mounted in a variety of positions. The M490G gate lock may be mounted to any gate frame or post. Special brackets may be required to adapt the lock to a particular frame or post. It is important that the lock is mounted so that the armature pulls straight back from the magnet face.

The M490G can be field configured for either 12 or 24 VDC operation. Magnetic Bond Sensor (MBS) and Gate Status Monitor (DPS) are standard.

Features and benefits

- 1500 lbs of direct holding force
- Magnetic Bond Sensor (MBS) and Gate Status Monitor (DPS)
- Field selectable 12 or 24VDC operation
- Built-in voltage spike suppressor
- Electroless nickel plated finish
- Universal mounting brackets
- 1/2" EMT compression fitting
- Two foot wire leads
- Weather resistant for exterior use
- Accomodates gate misalignment
- No moving parts - low maintenance

Standard features

M490G

- Magnetic Bond Sensor (MBS) monitors the strength of the bond between the lock and armature so you know the door is secure
- Door Position Switch (DPS) monitors whether the door is open or closed
- Universal Mounting Brackets for swinging or sliding gate applications
- Built-in voltage spike suppression
- 1/2" EMT compression fitting
- Special corrosion resistant plating

M490G electromagnetic gate lock specifications

Specifications	M490/M490G
Holding force	Meets or exceeds BHMA standard of 1500 lbs
Input voltage (field selectable)	12/24 VDC
Current draw (amps standard unit)	.65A @ 12 VDC .35A @ 24 VDC
Height	3"
Length	11"
Width	1 3/4"
Weight (approximates)	14 lbs
Temperature	0° - 49° C (32° - 120° F)
Wire gauge	14-22 AWG

Filler plates

Electromagnetic lock	M490G
Length	9"
Width x Height	Plate no.
1 1/4" x 1/8"	49G1F
1 1/4" x 1/4"	49G2F
1 1/4" x 3/8"	49G3F
1 1/4" x 1/2"	49G4F
1 1/4" x 5/8"	49G5F
1 1/4" x 3/4"	49G6F
3/4" x 1/2"	49G7F
3/4" x 5/8"	49G8F

Angle brackets

Electromagnetic lock	M490G
Length	9"
Width x Height	Bracket no.
1" x 1"	49G1A
1 1/2" x 1"	49G2A
1 1/2" x 1 1/2"	49G3A
1 1/2" x 2"	49G4A
1 1/2" x 2 1/2"	49G5A

Allegion, the Allegion logo, Schlage, and the Schlage logo are trademarks of Allegion plc, its subsidiaries and/or affiliates in the United States and other countries. All other trademarks are the property of their respective owners.

About Allegion

Allegion (NYSE: ALLE) creates peace of mind by pioneering safety and security. As a \$2 billion provider of security solutions for homes and businesses, Allegion employs more than 7,800 people and sells products in more than 120 countries across the world. Allegion comprises 23 global brands, including strategic brands CISA®, Interflex®, LCN®, Schlage® and Von Duprin®. For more, visit www.allegion.com.

aptiQ ■ LCN ■  ■ STEELCRAFT ■ VON DUPRIN



© 2014 Allegion
004158, Rev. 02/14
www.allegion.com/us

SCHLAGE

M490DE

Delayed egress
electromagnetic lock



Overview

The Schlage M490DE delayed egress locking system is designed to meet NFPA 101 Life Safety Code, while providing the same robust, easy-to-install, security of our M400 Series line of electromagnetic locks. The M490DE has a 15 second delayed egress timer with audible alarm which can be configured to trigger by an internal "plunger switch," or by external contacts, such as an request-to-exit push bar.

All M400 Series locks have automatic voltage sensing for 12 and 24 volts along with polarity protection to make wiring less complex. The M490DE is tested and certified to meet or exceed UL special locking arrangements and BHMA 1500 lb hold force requirements.

The M490DE electromagnetic lock comes in two configurations to meet your specific security needs. The M490DE provides basic security and delayed egress functionality, while the M490DEP provides intelligent sensing and reporting features needed to integrate with access control systems.

This easy-to-install, cost effective solution provides the highest access security and safety.

Features and benefits

- Bayonet mount makes installation simpler by not requiring magnet to be held overhead while mounting screws are installed
- 15 second delay - activated by internal plunger switch or auxiliary input
- Automatic voltage selection
- LED Indication with audible alerts
- Release input
- Reset input
- Fire alarm input
- UL special locking arrangements, ANSI/BHMA 156.23 Grade 1, UL10C Positive Pressure Fire Tests of Door Assemblies Certifications
- 1500 lbs hold force

Standard features

M490DE/M490DE-2

- Auto Voltage Selection (AVS) senses the voltage applied to lock and responds accordingly
- Internal plunger switch activates delayed egress timer

Additional options and accessories

- Herculite Door Bracket (HDB)

M490DEP/M490DEP-2

- Magnetic Bond Sensor (MBS) monitors the strength of the bond between the lock and armature so you know the door is secure
- Door Position Switch (DPS) monitors whether the door is open or closed
- Relocking time delay
- BOCA compliant (upon request)

M490DE electromagnetic delayed egress lock specifications

Specification	M490DE	M490DE-2
Holding force	Meets or exceeds BHMA standard of 1500 lbs	Meets or exceeds BHMA standard of 1500 lbs per door leaf
Input voltage (standard unit)	12/24 VDC	12/24 VDC
Current draw (amps standard unit)	.75A @ 12 VDC .45A @ 24 VDC	1.25A @ 12 VDC .76A @ 24 VDC
Height	3"	3"
Length	12 1/2"	25 1/16"
Width	3 1/16"	3 1/16"
Weight (approximate)	16 lbs	32 lbs
Certifications	UL294 special locking arrangement including BOCA, UL1034, UL10C, ANSI/BHMA156.23	
Temperature	0° to 49°C (32° to 120° F)	0° to 49°C (32° to 120° F)
Wire gauge	14-22 AWG	14-22 AWG

Filler plates

Electromagnetic lock	M490DE/M490DE-2
Length	12 1/2"
Width x Height	Plate no.
1 1/4" x 1/8"	4901F
1 1/4" x 1/4"	4902F
1 1/4" x 3/8"	4903F
1 1/4" x 1/2"	4904F
1 1/4" x 5/8"	4905F
3/4" x 1/2"	4906F
3/4" x 5/8"	4907F
3/4" x 3/4"	4908F

Angle brackets

Electromagnetic lock	M490DE/M490DE-2
Length	10 1/2"
Width x Height	Bracket no.
1" x 1"	4901A
1 1/2" x 1"	4902A
1 1/2" x 1 1/2"	4903A
1 1/2" x 2"	4904A
1 1/2" x 2 1/2"	4905A

Allegion, the Allegion logo, Schlage, and the Schlage logo are trademarks of Allegion plc, its subsidiaries and/or affiliates in the United States and other countries. All other trademarks are the property of their respective owners.

About Allegion

Allegion (NYSE: ALLE) creates peace of mind by pioneering safety and security. As a \$2 billion provider of security solutions for homes and businesses, Allegion employs more than 7,800 people and sells products in more than 120 countries across the world. Allegion comprises 23 global brands, including strategic brands CISA®, Interflex®, LCN®, Schlage® and Von Duprin®. For more, visit www.allegion.com.

aptiQ ■ LCN ■ SCHLAGE ■ STEELCRAFT ■ VON DUPRIN

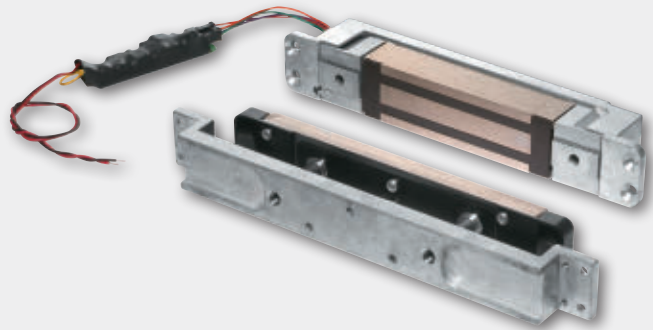


© 2013 Allegion
004762 Rev. 11/13
allegion.com



GF3000

Mortise mounted shear lock



Overview

The GF3000 Series shear lock features a patented design, offering advances over any shear lock in the market.

A microprocessor-based control module provides advanced electronic features. This circuitry automatically senses and adjusts input voltage, allowing for operation from 12 to 24 volt DC power sources.

The mortise shear lock offers the advantage of a totally concealed locking mechanism, providing superior security and appearance. The patented design incorporates locking “tabs” on the magnet assembly with mating grooves in the armature plate. The flexible mounting features allows for normal door and frame movement.

The shear lock is ideally suited for commercial grade quality hollow metal doors and frames, as well as herculite doors with top rail. Advances in design provide low operating temperatures, making this shear lock suitable for use in the growing demand for concealed locks in wood frames.

The GF3000 TRD model is available when armature adjustment is required from the edge of the door due to flush ceiling conditions. The GF3000BRD model is available when no top rail mounting is available.

Features and benefits

- Automatic voltage selection 12/24 VDC (filtered)
- 3000 lbs of holding force
- Requires filtered, regulated power supply
- Built-in automatic relock switch
- Adjustable time delay on relock, 0-30 seconds
- Low temperature operation
- Microprocessor controlled
- Optional Magnetic Bond Sensor (MBS) to monitor the secure/not secure condition of the lock
- Optional Door Status Monitor (DSM) to sense the open/closed position of the door
- UL 10C Positive Pressure Fire Tests of Door Assemblies, cUL, CSFM and MEA listed to use on fire labeled openings
- Meets ANSI/BHMA A156.23 standards

Specifications

Holding force	3000 lbs
Current draw	0.90 amp @ 12 VDC 0.45 amp @ 24VDC
Weight	7 lbs
Lock body (L x H x D)	9 1/2" x 1 1/2" x 1 1/2"
With mounting tabs (L x H x D)	11 9/16" x 1 1/2" x 1 1/2"
Armature (L x H x D)	8 3/8" x 1 3/8" x 1/2"
Armature bracket (L x H x D)	10 5/8" x 1 3/8" x 1"
Certifications	UL 10C Positive Pressure Fire Tests of Door Assemblies ANSI/BHMA A156.23 1500 lbs

Ordering information

- **GF3000** - Adjustable from top edge of door
- **GF3000TRD** - Mounting assembly which provides armature adjustable from the latch edge of the door. Recommended with zero clearance condition between top of door and ceiling.
- **GF3000BRD** - Mounting assembly to mortise armature into bottom rail of door. Magnet is installed in floor/threshold. Provides solution when no top rail is available.

Options

- **DSM/MBS** - Door Status Monitor/Magnetic Bond Sensor

Allegion, the Allegion logo, Schlage, and the Schlage logo are trademarks of Allegion plc, its subsidiaries and/or affiliates in the United States and other countries. All other trademarks are the property of their respective owners.

About Allegion

Allegion (NYSE: ALLE) creates peace of mind by pioneering safety and security. As a \$2 billion provider of security solutions for homes and businesses, Allegion employs more than 7,800 people and sells products in more than 120 countries across the world. Allegion comprises 23 global brands, including strategic brands CISA®, Interflex®, LCN®, Schlage® and Von Duprin®. For more, visit www.allegion.com.

aptiQ ■ LCN ■  ■ STEELCRAFT ■ VON DUPRIN

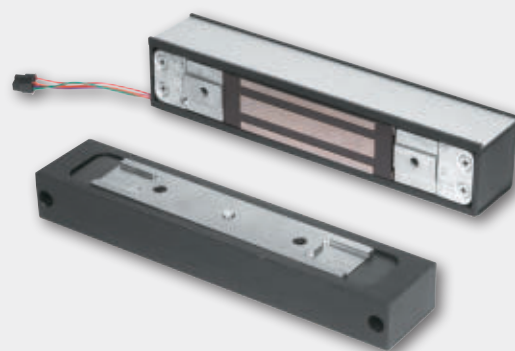


© 2014 Allegion
004160, Rev. 02/14
www.allegion.com/us



GF3000

Surface mounted
shear lock



Overview

The GF3000 Series shear lock features a patented design offering advances over any shear lock on the market.

A microprocessor-based control module provides advanced electronic features. This circuitry automatically senses and adjusts input voltage, allowing for operation from 12 to 24 volt DC power sources.

The surface shear lock offers the advantage of a totally concealed locking mechanism, providing superior security and appearance. The patented design incorporates locking “tabs” on the magnet assembly with mating grooves in the armature plate. While the strength afforded by this design is a major advantage, the flexible mounting features are as important. This design allows for normal door and frame movement.

This surface shear lock offers maximum versatility in application. The GF3000SM model provides a low profile, surface mount lock for outswinging doors. The GF3000TJ model provides a low profile, surface mount lock for inswinging doors. It provides a unique mounting solution with no brackets needed, which are standard with direct pull magnets.

The GF3000SM and TJ models feature a black anodized housing with the choice of modular finish plates.

Features and benefits

- Automatic voltage selection 12/24 VDC (filtered)
- 3000 lbs of holding force
- Requires filtered, regulated power supply
- Built-in automatic relock switch
- Adjustable time delay on relock, 0-30 seconds
- Low temperature operation
- Microprocessor controlled
- Optional Magnetic Bond Sensor (MBS) to monitor the secure/not secure condition of the lock
- Optional Door Status Monitor (DSM) to sense the open/closed position of the door
- Modular, slide-in finish plates on SM and TJ models
- UL10C Positive Pressure Fire Tests of Door Assemblies, cUL, CSFM and MEA listed to use on fire labeled openings
- Meets ANSI/BHMA 156.23 standards

Specifications

Holding force	3000 lbs
Current draw	0.90 amp @ 12 VDC 0.45 amp @ 24VDC
Weight	9 lbs
Lock housing (L x H x D)	9 13/16" x 1 7/8" x 2"
Armature housing (L x H x D)	9 13/16" x 1 1/4" x 2"
Certifications	UL 10C Positive Pressure Fire Tests of Door Assemblies ANSI/BHMA A156.23

Ordering information

- **GGF3000SM** - Standard unit (outswinging doors). Adjustable from top edge of armature. Available in special finishes.
- **GF3000TJ** - Top jamb unit (inswinging doors). Magnet mounts on inside top jamb. Adjustable from top edge of armature. Available in special finish.

Options

- **DSM/MBS** - Door Status Monitor/Magnetic Bond Sensor

Finish (for GF3000SM and GF3000TJ only)

- **628** US28 Satin aluminum, anodized (standard)
- **335** US19 Satin black, anodized
- **613** US10B Dark satin bronze, anodized
- **626** US26D Satin chrome
- **606** US4 Satin brass
- **630** US32D Satin stainless steel
- **612** US10 Satin bronze
- **625** US26 Bright chrome
- **605** US3 Bright brass

Allegion, the Allegion logo, Schlage, and the Schlage logo are trademarks of Allegion plc, its subsidiaries and/or affiliates in the United States and other countries. All other trademarks are the property of their respective owners.

About Allegion

Allegion (NYSE: ALLE) creates peace of mind by pioneering safety and security. As a \$2 billion provider of security solutions for homes and businesses, Allegion employs more than 7,800 people and sells products in more than 120 countries across the world. Allegion comprises 23 global brands, including strategic brands CISA®, Interflex®, LCN®, Schlage® and Von Duprin®. For more, visit www.allegion.com.

aptiQ ■ LCN ■  ■ STEELCRAFT ■ VON DUPRIN



© 2014 Allegion
004159, Rev. 02/14
www.allegion.com/us



320M

Mortise mount Miniline™
electromagnetic locks



Overview

Schlage provides the industry's most complete selection of electromagnetic locks. The 320M mortise mounted electromagnetic lock is designed to interface with electronic access control systems, automatic door operators, and fire or hazard sensing systems, to provide egress upon detectable emergency. With no moving parts and a fail-safe design, it offers an excellent solution for both security and life safety requirements when connected to the fire alarm circuit.

The 320M has been installed on thousands of locations worldwide including airports, hospitals, nursing homes, schools, universities, libraries, museums, retail and office buildings, laboratories, and government buildings.

The 320M MiniLine is UL Listed and engineered to meet the ANSI/BHMA standards for electromagnetic locks.

Features and benefits

- Mortise mount for sliding doors
- Includes mounting tabs and armature mounting block
- Low maintenance - no moving parts
- Meets security and life safety requirements
- Field selectable 12 or 24 VDC operation
- UL Listed
- Meets ANSI/BHMA standards
- ATD - Adjustable Time Delay
- DSM - Door Status Monitor
- MBS - Magnetic Bond Sensor

Specifications

Holding force	Meets or exceeds BHMA standard of 500 lbs
Input voltage	12/24 VDC
Current draw	.45A@ 12 VDC .23A @ 24 VDC
Wiring	Wire leads 12" long
Lock body (L x H x D)	7" x 1 ³ / ₈ " x 1 ⁷ / ₈ "
Armature (L x H x D)	4 ¹ / ₄ " x 1 ¹ / ₂ " x 5 ⁵ / ₈ "
Weight	6 lbs

Note for wood frames: Due to higher ambient operating temperatures, it is required that the 12 VDC configuration be used.

Allegion, the Allegion logo, Schlage, and the Schlage logo are trademarks of Allegion plc, its subsidiaries and/or affiliates in the United States and other countries. All other trademarks are the property of their respective owners.

About Allegion

Allegion (NYSE: ALLE) creates peace of mind by pioneering safety and security. As a \$2 billion provider of security solutions for homes and businesses, Allegion employs more than 7,800 people and sells products in more than 120 countries across the world. Allegion comprises 23 global brands, including strategic brands CISA®, Interflex®, LCN®, Schlage® and Von Duprin®. For more, visit www.allegion.com.

aptiQ ■ LCN ■  ■ STEELCRAFT ■ VON DUPRIN

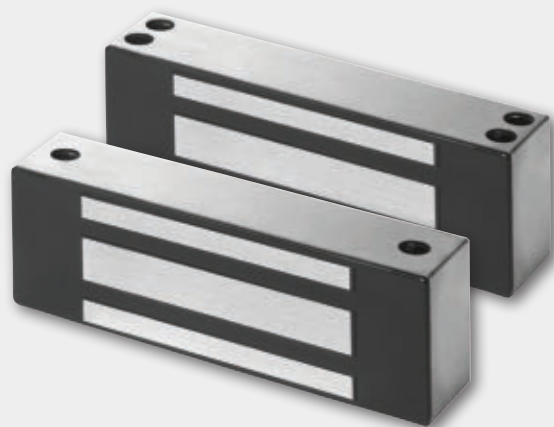


© 2014 Allegion
004157, Rev. 02/14
www.allegion.com/us



40/70 Series

Electromagnetic locks



Overview

Schlage introduces the integrator's answer to retrofit needs for electromagnetic locks. These "full featured" electromagnetic locks are easy-to-stock, easy-to-select and easy-to-install. With common templating and standard features, the 40 and 70 Series electromagnetic locks for retrofit make sense for virtually every application.

Features and benefits

- Stainless steel housing - standard
- Low amp draw:
 - 70 Series - .12A @ 24 VDC, .25A @ 12 VDC
 - 40 Series - .15A @ 24 VDC, .32A @ 12 VDC
- Simplified armature installation
- Strong holding forces:
 - 70 Series - BHMA Grade 1 certified
1000 lb rating
 - 40 Series - BHMA Grade 1 certified
500 lb rating
- Universal Header Bracket (UHB)
- Double magnet available with 70 Series
- ANSI/BHMA A156.23 Grade 1
- UL 10C - 1 hour fire rated
- UL1034 certified: burglary-resistant electronic locking mechanisms

Specifications

	40	40TJ	70	70TJ	72
Holding force	BHMA 500 lb rating	BHMA 500 lb rating	BHMA 1000 lb rating	BHMA 1000 lb rating	BHMA 1000 lb rating per door leaf
Input voltage	12/24 VDC	12/24 VDC	12/24 VDC	12/24 VDC	12/24 VDC
Current draw	.32A @ 12 VDC .15A @ 24VDC	.32A @ 12 VDC .15A @ 24VDC	.25A @ 12 VDC .12 @24 VDC	.25A @ 12 VDC .12 @24 VDC	.50A @ 12 VDC .25A @ 24 VDC
Length	8"	8"	8"	8"	22"
Height	1 7/8"	1 7/8"	3"	3"	3"
Depth	1 5/8"	1 5/8"	1 7/8"	1 7/8"	1 7/8"
Weight	4 lbs	4 lbs	8 lbs	12 lbs	15 lbs
Certifications	ANSI/BHMA A156.23, UL10C & UL1034	ANSI/BHMA A156.23, UL10C & UL1034	ANSI/BHMA A156.23, UL10C & UL1034	ANSI/BHMA A156.23, UL10C & UL1034	ANSI/BHMA A156.23, UL10C & UL1034

Filler plates

Filler plates available in 628 satin aluminum or 335 satin black finishes

1 1/4" x 1/8"

1 1/4" x 1/4"

1 1/4" x 3/8"

1 1/4" x 1/2"

1 1/4" x 5/8"

Ordering information

- **40** - Single lock
- **70** - Single lock
- **72** - Double lock

Accessories

- **HDB70** - Herculite door bracket
- **HDB40** - Herculite door bracket
- **UHB** - Universal header bracket
- **HEB** - Header extension bracket
- **CWB70** - Concrete/wood bracket
- **CWB40** - Concrete/wood bracket
- **ASB70** - Aluminum spacer brackets
- **ASB40** - Aluminum spacer brackets
- **DC70** - Dress cover
- **DC40** - Dress cover
- **OSA** - 1/4" offset armature strike

Finishes (accessories only)

- **628** US28 Satin aluminum, anodized (standard)
- **605** US3 Bright brass (dress cover only)
- **335** US19 Satin black, anodized

Allegion, the Allegion logo, Schlage, and the Schlage logo are trademarks of Allegion plc, its subsidiaries and/or affiliates in the United States and other countries. All other trademarks are the property of their respective owners.

About Allegion

Allegion (NYSE: ALLE) creates peace of mind by pioneering safety and security. As a \$2 billion provider of security solutions for homes and businesses, Allegion employs more than 7,800 people and sells products in more than 120 countries across the world. Allegion comprises 23 global brands, including strategic brands CISA®, Interflex®, LCN®, Schlage® and Von Duprin®. For more, visit www.allegion.com.

aptiQ ■ LCN ■ SCHLAGE ■ STEELCRAFT ■ VON DUPRIN



© 2014 Allegion
004156 Rev. 02/14
www.allegion.com/us

SCHLAGE

M390RFK

Electromagnetic locks



Overview

The M390RFK surface mounted electromagnetic lock is ideal for high security applications. It's modular design employs a standardized circuit board with easy-to-install connectors, adjustable mounting brackets and integrated mounting screws. The armature housing holds the armature in place, eliminating noise and sagging, and increasing the overall reliability of the product. The armature housing also provides an aesthetically pleasing look over traditional armature mountings, allowing it to blend into the surrounding environment. The armature housing also holds magnets for the DSM option without having to mount an additional plate to the armature, ensuring quicker, more reliable installations.

All models easily interface with most electronic access control systems in the market today, as well as automatic door operators and fire, or other hazard sensing systems for egress and emergency egress.

The M390RFK is designed to retrofit the Locknetics 390+ without any additional prep. This ensures ease of installation for retrofit applications. The M390RFK comes standard with a Door Position Switch (DPS), Magnetic Bond Sensor (MBS), and Relocking Time Delay (RTD).

Features and benefits

- Direct replacement for the Locknetics 390+ with same template
- Door Position Switch (DPS)
- Magnetic Bond Sensor with LED indicator (MBS)
- Relocking Time Delay (RTD)
- Field selectable 12/24 VDC
- Adjustable mounting brackets
- ANSI/BHMA A156.23 Grade 1 with 1500 lbs direct holding force
- UL Listed for 3 hour fire rating

M390RFK electromagnetic lock specifications

Holding force	1500 lbs
Input voltage (standard unit)	12 or 24 VDC
Current draw (amps standard unit)	.65A @ 12 VDC .45A @ 24 VDC
Height	2 ⁷ / ₈ "
Length	10 ¹ / ₂ "
Width	1 ⁵ / ₈ "
Weight (approximate)	12.4 lbs
Certifications	ANSI/BHMA A156.23 Grade 1 with 1500 lbs direct holding force, and UL Listed for 3 hour fire rating and for burglary resistance
Temperature	14° - 140° F

Allegion, the Allegion logo, Schlage, and the Schlage logo are trademarks of Allegion plc, its subsidiaries and/or affiliates in the United States and other countries. All other trademarks are the property of their respective owners.

About Allegion

Allegion (NYSE: ALLE) creates peace of mind by pioneering safety and security. As a \$2 billion provider of security solutions for homes and businesses, Allegion employs more than 7,800 people and sells products in more than 120 countries across the world. Allegion comprises 23 global brands, including strategic brands CISA®, Interflex®, LCN®, Schlage® and Von Duprin®. For more, visit www.allegion.com.

aptiQ ■ LCN ■ **SCHLAGE** ■ STEELCRAFT ■ VON DUPRIN



© 2014 Allegion
009007, Rev. 02/14
www.allegion.com/us

SCHLAGE

PS906

6 amp power supply



Photo as shown includes optional board(s). Please contact your local sales office or visit the support section on our website for configuration assistance.

Overview

Schlage's comprehensive line of power supplies and option boards were designed to address the changing needs of the access control market.

Installation is simplified by utilizing a flat mounting design and polarized locking connectors for option boards. This new design eliminates the need for racks and side connectors. The flat mounting of the option boards also provides for easier access to the terminal blocks for connection of electrified devices (such as electrified strikes, electromagnetic locks, card readers, etc.).

Common to the line of PS900 Series power supplies is a constant output rating at both 12v and 24v settings, universal 120 VAC to 240 VAC input, and polarized option board connectors. New fire alarm interface board mounting allows outputs to be configured as switched (power cut) or unswitched (power continues) when signal is provided.

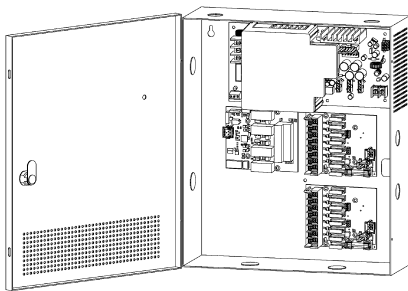
* All PS900 Series of power supplies and option boards have been tested and certified to meet UL 294.

Features and benefits

- 6A @ 12/24 VDC output, field selectable with jumper
- Universal 120 - 240 VAC input
- Low voltage DC, regulated and filtered
- Three polarized connectors for distribution boards
- Fused primary input
- AC input and DC output monitoring circuit with LED indicators
- Cover mounted AC input indication
- Hinged cover with lock down screws
- High voltage protective cover

Options

- Emergency Interface/Fire Alarm Relay (FA)
 - Must be installed on distribution boards
- Key lock available for added security (KL)
- Battery backup
- 2 relay QEL panic device control board
- 4 relay distribution board
- 4 relay distribution board with logic
 - Field configurable for:
 - Time delay function
 - Auto operator
 - Security interlock
- 8 fused output distribution board
- 8 PTC output distribution board



PS906

PS906 power supply specifications

Specification	Description
Input voltage	120/240 VAC, 50/60 Hz, universal input
Output voltage	6A @ 12 or 24 VDC Field selectable with jumper Switching supply, 5% regulation, 240mVpp max ripple
Enclosure	Grey/baked enamel 14"x 12"x 4" (H x W x D) Eight 1/2" x 3/4" knockouts NEMA Grade 1 Hinged cover with lock down screws
Operating temperature	32° - 120°F (0° - 49°C)
Certifications	UL 294 RoHS FCC Part 15 Class 2
Option board compatibility	900-BB: Battery backup 900-BAT: Backup battery pack 900-BBK: Battery backup kit (backup board and battery pack) 900-FA: Fire alarm (must be installed on distribution boards) 900-2RS*: 2 Relay EL panic device control board 900-4R*: 4 Relay output board 900-4RL*: 4 Relay logic board 900-8F*: Fused 8 zone distribution board 900-8P*: PTC 8 zone distribution board
AC primary fuse size	6.3A, 250v, 5 x 20 mm SLOW-BLOW
Battery fuse size	7.5A 32v ATO blade style
DC output protection	Overload protection - current limited foldback circuit
Indicators	LED indicators: - AC input (visible on outside of enclosure) - DC output Isolated SPDT contacts to monitor AC power status
Weight (power supply)	Approx. 9.0 lbs
Weight (each battery)	4.0 lbs
AC input termination	3 position terminal block with protective cover Wire capacity: 10 AWG max.
DC output termination	2 position terminal block Wire capacity: 12 AWG max.
Distribution board connectors	2
Fire alarm board connector	No
Keylock	Optional

* Optional distribution boards available with or without FA (Fire Alarm Relay)

Allegion, the Allegion logo, Schlage, and the Schlage logo are trademarks of Allegion plc, its subsidiaries and/or affiliates in the United States and other countries. All other trademarks are the property of their respective owners.

About Allegion

Allegion (NYSE: ALLE) creates peace of mind by pioneering safety and security. As a \$2 billion provider of security solutions for homes and businesses, Allegion employs more than 7,800 people and sells products in more than 120 countries across the world. Allegion comprises 23 global brands, including strategic brands CISA®, Interflex®, LCN®, Schlage® and Von Duprin®. For more, visit www.allegion.com.

aptiQ ■ LCN ■ SCHLAGE ■ STEELCRAFT ■ VON DUPRIN



© 2014 Allegion
004193, Rev. 02/14
www.allegion.com/us

SCHLAGE

PS904

4 amp power supply



Photo as shown includes optional board(s). Please contact your local sales office or visit the support section on our website for configuration assistance.

Overview

Schlage's comprehensive line of power supplies and option boards were designed to address the changing needs of the access control market.

Installation is simplified by utilizing a flat mounting design and polarized locking connectors for option boards. This new design eliminates the need for racks and side connectors. The flat mounting of the option boards also provides for easier access to the terminal blocks for connection of electrified devices (such as electrified strikes, electromagnetic locks, card readers, etc.).

Common to the line of PS900 Series power supplies is a constant output rating at both 12v and 24v settings, universal 120 VAC to 240 VAC input, and polarized option board connectors. New fire alarm interface board mounting allows outputs to be configured as switched (power cut) or unswitched (power continues) when signal is provided.

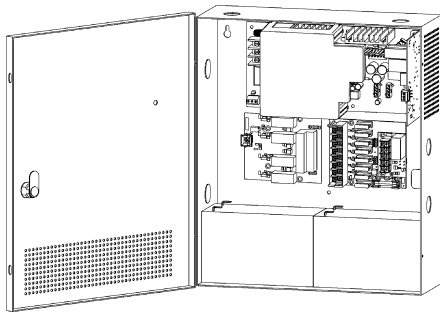
* All PS900 Series of power supplies and option boards have been tested and certified to meet UL 294.

Features and benefits

- 4A @ 12/24 VDC output, field selectable with jumper
- Class 2 Rated power limited output
- Universal 120 -240 VAC input
- Low voltage DC, regulated and filtered
- Two polarized connectors for distribution boards
- Fused primary input
- AC input and DC output monitoring circuit with LED indicators
- Cover mounted AC input indication
- Hinged cover with lock down screws
- High voltage protective cover

Options

- Emergency Interface/Fire Alarm Relay (FA)
 - Must be installed on distribution boards
- Key lock available for added security (KL)
- Battery backup
- 2 relay QEL panic device control board
- 4 relay distribution board
- 4 relay distribution board with logic
 - Field configurable for:
 - Time delay function
 - Auto operator
 - Security interlock
- 8 fused output distribution board
- 8 PTC output distribution board



PS904

PS904 power supply specifications

Specification	Description
Input voltage	120/240 VAC, 50/60 Hz, universal input
Output voltage	4A @ 12 or 24 VDC Field selectable with jumper Switching supply, 5% regulation, 240mVpp max ripple
Enclosure	Grey/baked enamel 14" x 12" x 4" (H x W x D) Eight 1/2" x 3/4" knockouts NEMA Grade 1 Hinged cover with lock down screws
Operating temperature	32° - 120°F (0° - 49°C)
Certifications	UL 294 Class 2 RoHS FCC Part 15
Option board compatibility	900-BB: Battery backup 900-BAT: Backup battery pack 900-BBK: Battery backup kit (backup board and battery pack) 900-FA: Fire alarm (must be installed on distribution boards) 900-2RS*: 2 Relay EL panic device control board 900-4R*: 4 Relay output board 900-4RL*: 4 Relay logic board 900-8F*: Fused 8 zone distribution board 900-8P*: PTC 8 zone distribution board
AC primary fuse size	4A, 250v, 5 x 20mm SLOW-BLOW
Battery fuse size	7.5A 32v ATO blade style
DC output protection	Overload protection - current limited foldback circuit
Indicators	LED indicators: - AC input (visible on outside of enclosure) - DC output Isolated SPDT contacts to monitor AC power status
Weight (power supply)	Approx. 9.0 lbs
Weight (each battery)	4.0 lbs
AC input termination	3 position terminal block with protective cover Wire capacity: 10 AWG max.
DC output termination	2 position terminal block Wire capacity: 12 AWG max.
Distribution board connectors	2
Fire alarm board connector	No
Keylock	Optional

* Optional distribution boards available with or without FA (Fire Alarm Relay)

Allegion, the Allegion logo, Schlage, and the Schlage logo are trademarks of Allegion plc, its subsidiaries and/or affiliates in the United States and other countries. All other trademarks are the property of their respective owners.

About Allegion

Allegion (NYSE: ALLE) creates peace of mind by pioneering safety and security. As a \$2 billion provider of security solutions for homes and businesses, Allegion employs more than 7,800 people and sells products in more than 120 countries across the world. Allegion comprises 23 global brands, including strategic brands CISA®, Interflex®, LCN®, Schlage® and Von Duprin®. For more, visit www.allegion.com.



PS902

2 amp power supply



Photo as shown includes optional board(s). Please contact your local sales office or visit the support section on our website for configuration assistance.

Overview

Schlage's comprehensive line of power supplies and option boards were designed to address the changing needs of the access control market.

Installation is simplified by utilizing a flat mounting design and polarized locking connectors for option boards. This new design eliminates the need for racks and side connectors. The flat mounting of the option boards also provides for easier access to the terminal blocks for connection of electrified devices (such as electrified strikes, electromagnetic locks, card readers, etc.).

Common to the line of PS900 Series power supplies is a constant output rating at both 12v and 24v settings, universal 120 VAC to 240 VAC input, and polarized option board connectors. New fire alarm interface board mounting allows outputs to be configured as switched (power cut) or unswitched (power continues) when signal is provided.

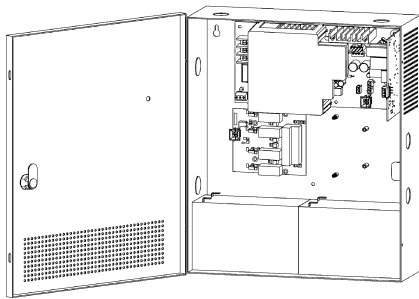
* All PS900 Series of power supplies and option boards have been tested and certified to meet UL 294.

Features and benefits

- 2A @ 12/24 VDC output, field selectable with jumper
- Class 2 Rated power limited output
- Universal 120 - 240 VAC input
- Low voltage DC, regulated and filtered
- Single polarized connector for distribution board
- Fused primary input
- AC input and DC output monitoring circuit with LED indicators
- Cover mounted AC input indication
- Hinged cover with lock down screws
- High voltage protective cover

Options

- Emergency Interface/Fire Alarm Relay (FA)
- Key lock available for added security (KL)
- Battery backup
- 2 relay QEL panic device control board
- 4 relay distribution board
- 4 relay distribution board with logic
 - Field configurable for:
 - Time delay function
 - Auto operator
 - Security interlock
- 8 fused output distribution board
- 8 PTC output distribution board



PS902

PS904 power supply specifications

Specification	Description
Input voltage	120/240 VAC, 50/60 Hz, universal input
Output voltage	2A @ 12 or 24 VDC Field selectable with jumper Switching supply, 5% regulation, 240mVpp max ripple
Enclosure	Grey/baked enamel 14" x 12" x 4" (H x W x D) Eight 1/2" x 3/4" knockouts NEMA Grade 1 Hinged cover with lock down screws
Operating temperature	32° - 120°F (0° - 49°C)
Certifications	UL 294 Class 2 RoHS FCC Part 15
Option board compatibility	900-BB: Battery backup 900-BAT: Backup battery pack 900-BBK: Battery backup kit (backup board and battery pack) 900-FA: Fire alarm 900-2RS*: 2 Relay EL panic device control board 900-4R*: 4 Relay output board 900-4RL*: 4 Relay logic board 900-8F*: Fused 8 zone distribution board 900-8P*: PTC 8 zone distribution board
AC primary fuse size	3.15A, 250v, 5 x 20mm SLOW-BLOW
Battery fuse size	7.5A 32v ATO blade style
DC output protection	Overload protection - current limited foldback circuit
Indicators	LED indicators: - AC input (visible on outside of enclosure) - DC output Isolated SPDT contacts to monitor AC power status
Weight (power supply)	Approx. 9.0 lbs
Weight (each battery)	4.0 lbs
AC input termination	3 position terminal block with protective cover Wire capacity: 10 AWG max.
DC output termination	2 position terminal block Wire capacity: 12 AWG max.
Distribution board connectors	1
Fire alarm board connector	Yes
Keylock	Optional

* Optional distribution boards available with or without FA (Fire Alarm Relay)

Allegion, the Allegion logo, Schlage, and the Schlage logo are trademarks of Allegion plc, its subsidiaries and/or affiliates in the United States and other countries. All other trademarks are the property of their respective owners.

About Allegion

Allegion (NYSE: ALLE) creates peace of mind by pioneering safety and security. As a \$2 billion provider of security solutions for homes and businesses, Allegion employs more than 7,800 people and sells products in more than 120 countries across the world. Allegion comprises 23 global brands, including strategic brands CISA®, Interflex®, LCN®, Schlage® and Von Duprin®. For more, visit www.allegion.com.

aptiQ ■ LCN ■ SCHLAGE ■ STEELCRAFT ■ VON DUPRIN



© 2014 Allegion
004195, Rev. 02/14
www.allegion.com/us

VON DUPRIN®

PS914

4 amp power supply
(Von Duprin)

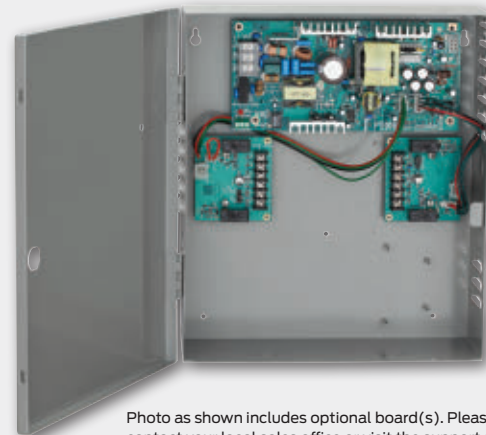


Photo as shown includes optional board(s). Please contact your local sales office or visit the support section on our website for configuration assistance.

Overview

Von Duprin's power supply and option boards were designed to meet the specific requirements of electrified fire exit devices.

Installation is simplified by utilizing a flat mounting design and polarized locking connectors for option boards. This new design eliminates the need for racks and side connectors. The flat mounting of the option boards also provides for easier access to the terminal blocks for connection of electrified devices (such as electrified panic devices, strikes, card readers, etc.).

Common to the line of PS900 Series power supplies is a constant output rating at both 12v and 24v settings, universal 120 VAC to 240 VAC input, and polarized option board connectors. New fire alarm interface board mounting allows outputs to be configured as switched (power cut) or unswitched (power continues) when signal is provided.

* All PS900 Series power supplies and option boards have been tested and certified to meet UL 294.

Features and benefits

- 4A @ 12/24 VDC output, field selectable with jumper
- Designed with high inrush current for powering electrified panic devices
- Universal 120 - 240 VAC input
- Low voltage DC, regulated and filtered
- Electronic power limiting foldback circuit for AC current overload protection
- Two polarized connectors for distribution boards
- Fused primary input
- AC status monitor - isolated SPDT contacts
- AC input and DC output LED status indicators
- Cover mounted AC input indication
- Hinged cover with lock down screws
- High voltage protective cover

Options

- Emergency Interface/Fire Alarm Relay (FA)
 - Must be installed on distribution boards
- Key lock available for added security (KL)
- Battery backup
- 2 relay EL panic device control board
- 2 relay QEL panic device control board
- 4 relay distribution board
- 4 relay distribution board with logic
 - Field configurable for:
 - Time delay function
 - Auto operator
 - Security interlock
- 8 fused output distribution board
- 8 PTC output distribution board

PS914 power supply specifications

Specification	Description
Input voltage	120/240 VAC, 50/60 Hz, universal input
Output voltage	4A @ 12 or 24 VDC Field selectable with jumper Switching supply, 5% regulation, 360mVpp max ripple
Enclosure	Grey/baked enamel 14" x 12" x 4" (H x W x D) Eight 1/2" x 3/4" knockouts Hinged cover with lock down screws
Operating temperature	32° - 120°F (0° - 49°C)
Certifications	UL 294 RoHS FCC Part 15 Class 2
Option board compatibility	900-BB: Battery backup 900-BAT: Backup battery pack 900-BBK: Battery backup kit (backup board and battery pack) 900-FA: Fire alarm (must be installed on distribution boards) 900-2RS*: 2 Relay EL panic device control board 900-4R*: 4 Relay output board 900-4RL*: 4 Relay logic board 900-8F*: Fused 8 zone distribution board 900-8P*: PTC 8 zone distribution board
AC primary fuse size	6.3A, 250v, 5 x 20mm SLOW-BLOW
Battery fuse size	7.5A 32v ATO blade style
DC output protection	Overload protection - current limited foldback circuit
Indicators	LED indicators: - AC input (visible on outside of enclosure) - DC output Isolated SPDT contacts to monitor AC power status
Weight (power supply)	Approx. 9.0 lbs
Weight (each battery)	4.0 lbs
AC input termination	3 position terminal block with protective cover Wire capacity: 10 AWG max.
DC output termination	2 position terminal block Wire capacity: 12 AWG max.
Distribution board connectors	2
Fire alarm board connector	No
Keylock	Optional

* Optional distribution boards available with or without FA (Fire Alarm Relay)

Allegion, the Allegion logo, Von Duprin, and the Von Duprin logo are trademarks of Allegion plc, its subsidiaries and/or affiliates in the United States and other countries. All other trademarks are the property of their respective owners.

About Allegion

Allegion (NYSE: ALLE) creates peace of mind by pioneering safety and security. As a \$2 billion provider of security solutions for homes and businesses, Allegion employs more than 7,800 people and sells products in more than 120 countries across the world. Allegion comprises 23 global brands, including strategic brands CISA®, Interflex®, LCN®, Schlage® and Von Duprin®. For more, visit www.allegion.com.

aptiQ ■ LCN ■ SCHLAGE ■ STEELCRAFT ■ VON DUPRIN



© 2014 Allegion
004101 Rev. 02/14
www.allegion.com/us



620/631 Series

Heavy-duty pushbuttons



Overview

Schlage pushbuttons are used to control the ingress and/or egress of a door. The 620 and 631 Series pushbuttons are easy to install and operate. Their standard and narrow stile plates offer ultimate flexibility. The 620 to 631 Series have multiple button configuration and finish options provide enhanced architectural appeal.

Schlage 620 and 631 Series pushbuttons also offer significant installer-friendly innovations such as screw terminal connections for the momentary action models and easy-to-install L2/ILL optional PC board, offering backlit illumination for the cone with green and red LEDs for monitoring purposes. Additional options include delayed action, double pole double throw a heavy-duty plate with several architectural finishes and extreme-duty pushbuttons.

Features and benefits

- Pushbuttons are available in 1 1/4", 1 5/8", and 2 3/4" sizes
- Two metal 1 1/4" button options: aluminum with engraved, painted red "PUSH TO EXIT", and red coated aluminum button with engraved "PUSH TO EXIT"
- 631 pushbutton available in 1 1/4" metal button, single gang and narrow stile.
- Two models of metal 1 1/4" button: aluminum with engraved, painted red "PUSH TO EXIT" and new red coated aluminum with engraved "PUSH TO EXIT"
- Variety of colors and finishes available

Ordering information

621-GID-DA-SF-626

Selections correspond with the numbers to the left

Model	Button	Options	Finish
1	2	3	4

1	Model
621	1 1/4" Button, single gang
623	1 5/8" Mushroom button, single gang
625	2 3/4" Mushroom button, single gang
631	1 1/4" Metal button, single gang
2	Button
GID-EX	Glow-in-the-dark "PUSH TO EXIT"
GID-H	Glow-in-the-dark handicapped symbol
GID	Glow-in-the-dark
RD-EX	Red, "PUSH TO EXIT"
RD	Red
GR-EX	Green, "PUSH TO EXIT"
GR	Green
BL-H	Blue, handicapped symbol
BK	Black
AL-EX-RD	Aluminum button red coated, engraved "PUSH TO EXIT"
AL-EX	Aluminum button, engraved "PUSH TO EXIT"
AL	Aluminum button

Note: Heavy-duty plate (HDP) 1/4" thick cast zinc standard

3	Options
DA	Delayed action (0-60 seconds)
AA	Alternate action - maintained
DP	Double pole double throw (not available with DA option)
L2/ILL	3 LEDs - green/yellow/red concealed within opaque cone (not available for 625/625-NS models)
NS	Narrow stile - stainless steel plate (1 3/4" x 4 1/2")
4	Finish
SF-626	Satin chrome (standard)
SF-605	Bright brass
SF-612	Satin bronze
SF-613	Oil satin bronze
SF-625	Bright chrome
SF-1	White powder coat
SF-2	Black powder coat

Button configurations

	GID-EX	GID-H	GID	RD-EX	RD	GR-EX	GR	BL-H	BK
621									
623									
625									
	AL-EX	AL	AL-RD-EX						
621									
	AL-EX	AL	AL-RD-EX						
631									

Finishes

SF-626 Satin chrome (standard)	SF-605 Bright brass	SF-612 Satin bronze	SF-613 Oil rubbed bronze
SF-625 Bright chrome	SF-1 White powder coat	SF-2 Black powder coat	

Multiple button configuration

1 1/4" Button



1 5/8" Mushroom button



2 3/4" Mushroom button



1 1/4" Metal button



About Allegion

Allegion (NYSE: ALLE) creates peace of mind by pioneering safety and security. As a \$2 billion provider of security solutions for homes and businesses, Allegion employs more than 7,800 people and sells products in more than 120 countries across the world. Allegion comprises 23 global brands, including strategic brands CISA®, Interflex®, LCN®, Schlage® and Von Duprin®. For more, visit www.allegion.com.

aptiQ ■ LCN ■ SCHLAGE ■ STEELCRAFT ■ VON DUPRIN



© 2014 Allegion
003910, Rev. 02/14
www.allegion.com/us



700 Series

Pushbuttons



Overview

Schlage pushbuttons are used to control the ingress and/or egress of a door. The 700 Series pushbuttons are easy to install and operate.

Schlage 700 Series entry level pushbuttons are designed to meet commercial applications. Use with egress swinging or sliding doors that are electrically or electronically locked. 700 Series entry level pushbuttons are available for single gang and narrow stile applications. The 709 model includes backlit buttons with "PUSH TO EXIT" or handicap symbol to meet ADA requirements.

Features and benefits

- Single gang and narrow stile
- Standard stainless steel
- Momentary action (standard)
- Options include LEDs, alternate action - maintained (AA)

700 specifications

701 Pushbutton

Contact ratings	5A @ 30VAC/UDC, momentary SPDT contacts
Wire leads	20 awg – 6" long

709 Pushbutton

Contact ratings	5A @ 30VAC/UDC, momentary SPDT contacts
Wire leads	20 awg – 8" long

Input requirements with LED option

Voltage	12/24 VDC
---------	-----------

Current draw	30 mA
--------------	-------

Wire leads	24 awg – 6" long
------------	------------------

Input requirements with ILL option

Voltage	12 VDC for 709 series only 24 VDC for 701/709 series
---------	---

Ordering information

- **701RD** - 7/8" Red mushroom button
- **701BK** - 7/8" Black mushroom button
- **701RDEX** - 5/8" Red button - engraved "PUSH TO EXIT"
- **701RDEX ILL** - 5/8" Red button – illuminated "PUSH TO EXIT"
- **709RDEX ILL** - 2" Red square - illuminated "PUSH TO EXIT"
- **709GRDEX ILL** - 2" Green square – illuminated "PUSH TO EXIT"
- **709BLH ILL** - 2" Blue square – illuminated handicapped symbol

Options

- **L2** - Two LEDs, red and green, dual voltage
- **AA** - Alternate action – maintained (not available for 709 models)
- **NS** - Narrow stile plate (not available for 709 models)

Allegion, the Allegion logo, Schlage, and the Schlage logo are trademarks of Allegion plc, its subsidiaries and/or affiliates in the United States and other countries. All other trademarks are the property of their respective owners.

About Allegion

Allegion (NYSE: ALLE) creates peace of mind by pioneering safety and security. As a \$2 billion provider of security solutions for homes and businesses, Allegion employs more than 7,800 people and sells products in more than 120 countries across the world. Allegion comprises 23 global brands, including strategic brands CISA®, Interflex®, LCN®, Schlage® and Von Duprin®. For more, visit www.allegion.com.

aptiQ ■ LCN ■  ■ STEELCRAFT ■ VON DUPRIN



© 2014 Allegion
003911, Rev. 02/14
www.allegion.com/us



740 Series

Emergency break glass releases



Overview

Schlage 740 Series emergency break glass releases are designed for use as emergency releases of non-designated egress doors such as in individual and partitioned laboratories, secluded testing areas or other isolated work rooms that are purposely provided with exit doors. In perimeter protection systems that involve the central control of electric locking devices, an on-site emergency release may be required. The “break glass” concept may be preferred over the pull station, because it is less vulnerable to misuse or tamper actuation.

The 740 Series emergency break glass units consist of a replacement break glass cartridge that normally holds the plunger-activated switch depressed until the cartridge lens is broken. When the lens is broken, the plunger moves forward and alters the switch contact position. Four replacement lens disks are provided with each assembly. The small hammer is attached to the break glass assembly via a mounting clip, along with a 12" chain, to insure it will not detach from the assembly.

Features and benefits

- Surface mount in a standard 3-gang enclosure
- Compatible with all fail-safe type electronic locking systems
- An effective alternative to the standard pull box
- Stainless steel standard finish
- Models with LED or audible alarm
- Clearly marked signage indicating purpose of the release

740 specifications - contact box from "Z" switch

Contact rating	6A @ 120 VAC Normally Open (NO) Normally Closed (NC) contacts with color-coded leads
LED	12/24 VDC
Horn	3-18 mA
Input	6-28 VDC
Decibels	80 dB @ 2 ft

Ordering information

- **740** – Includes break glass switch assembly and hammer mounted to a silk-screened 3-gang stainless switch plate
- **741** – Includes an attached indicator light with red lens
- **742** – Includes a Sonalert horn for 6-24 VDC operation attached to the plate

Allegion, the Allegion logo, Schlage, and the Schlage logo are trademarks of Allegion plc, its subsidiaries and/or affiliates in the United States and other countries. All other trademarks are the property of their respective owners.

About Allegion

Allegion (NYSE: ALLE) creates peace of mind by pioneering safety and security. As a \$2 billion provider of security solutions for homes and businesses, Allegion employs more than 7,800 people and sells products in more than 120 countries across the world. Allegion comprises 23 global brands, including strategic brands CISA®, Interflex®, LCN®, Schlage® and Von Duprin®. For more, visit www.allegion.com.

aptiQ ■ LCN ■  ■ STEELCRAFT ■ VON DUPRIN



© 2014 Allegion
003906, Rev. 02/14
www.allegion.com/us



660 Series

Mini station control



Overview

The 660 Series mini station control is designed for concealed desk application, and it is used to release an electric or electronic locking mechanism from a remote location. The 660 Series mini station control is mounted in a mini aluminum box, 2" x 2" x 1". The 660 is available with a momentary action pushbutton or maintained action toggle switch. Both can be surface mounted. A typical application is under a desk to release an entrance door.

Features and benefits

- Surface mount application
- Choice of maintained or momentary action
- Compact size
- Recommended for concealed desk application

Specifications

Switch contact rating	6 amp @ 120 VAC
Length	2"
Width	2"
Height	1"

Ordering information

- **660-T4** - SPDT maintained toggle
- **660-PB** - PB SP momentary pushbutton (DPDT optional)

Allegion, the Allegion logo, Schlage, and the Schlage logo are trademarks of Allegion plc, its subsidiaries and/or affiliates in the United States and other countries. All other trademarks are the property of their respective owners.

About Allegion

Allegion (NYSE: ALLE) creates peace of mind by pioneering safety and security. As a \$2 billion provider of security solutions for homes and businesses, Allegion employs more than 7,800 people and sells products in more than 120 countries across the world. Allegion comprises 23 global brands, including strategic brands CISA®, Interflex®, LCN®, Schlage® and Von Duprin®. For more, visit www.allegion.com.

aptiQ ■ LCN ■  ■ STEELCRAFT ■ VON DUPRIN



© 2014 Allegion
003912, Rev. 02/14
www.allegion.com/us



650 Series

Keyswitches



Overview

Schlage 650 Series keyswitches utilize an innovative magnetic spring design which allows installers to configure both clockwise and counterclockwise key turn direction as well as momentary or maintained action in seconds. Single gang and narrow stiles are available with numerous options which include heavy-duty plate, weather resistant cover (single gang size only), 2 LED lights – green/red, anti-tamper switch and Schlage Everest cylinder. In addition to the standard (626) satin chrome finish, there are five additional architectural finishes to choose from.

Features and benefits

- Easy to install and maintain
- Single gang and narrow stile offer ultimate flexibility
- Multiple options

Specifications

Innovative magnetic spring technology allows installers to configure models in seconds

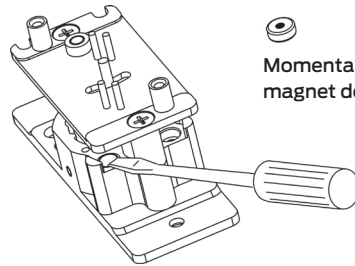
Standard keyswitch

- 5 amp@250 VAC
- Dual voltage
- SPDT contacts

ATS switch closes when cover is on 0.025A@28VDC

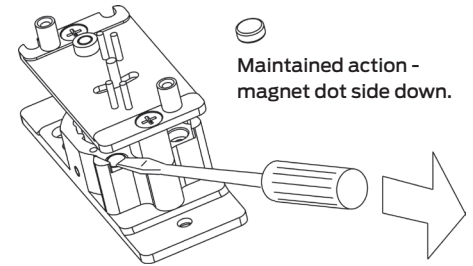
LED indicator lights operate at 12/24 VDC 0.025A@28VDC

Momentary action



Momentary action - magnet dot side up.

Maintained action



Maintained action - magnet dot side down.

Ordering information

- **653-04** - SPDT maintained single direction
- **653-05** - SPDT momentary single direction
- **653-14** - DPDT maintained single direction
- **653-15** - DPDT momentary single direction
- **653-1414** - (2) DPDT maintained bi-direction
- **653-1415** - DPDT maintained x DPDT momentary
- **653-1515** - (2) DPDT momentary bi-direction
- **653-041** - SPDT maintained x key remove one position
- **653-0404** - (2) SPDT maintained bi-direction
- **653-0405** - SPDT maintained x SPDT momentary
- **653-141** - DPDT maintained x key remove one position
- **653-0505** - (2) SPDT momentary bi-direction

Options

- **L2** - 2 LEDs green and red, dual voltage
- **NS** - Narrow stile - stainless steel plate (1 3/4" x 4 1/2")
- **ATS** - Anti-tamper switch
- **HDP** - Heavy-duty plate 1/4" thick cast zinc (standard 626 satin chrome finish with anti-tamper plugs)
- **WP** - Weather-resistant cover fits 1 1/8" cylinder only (not available with NS and L2 options)
- **CYL** - 1 1/4" Schlage Everest® mortise cylinder and 1/8" spacer ring (keyed different)
- **CYL-KA** - 1 1/4" Schlage Everest mortise cylinder and 1/8" spacer ring (keyed alike)

Finish

- **SF-626** - Satin chrome (standard)
- **SF-605** - Bright brass
- **SF-612** - Satin bronze
- **SF-613** - Oil satin bronze
- **SF-625** - Bright chrome
- **SF-2** - Black powder coat

Note: 650 Series keyswitches operate with either a 1 1/8", 1 1/4", 1 3/8", or 1 1/2" cylinder having a straight type cam.

- 1 1/8" mortise cylinder fits direct in key switch - no blocking ring required.
- 1 1/4" cylinders require a 1/8" blocking/spacer ring, Schlage part number 36-079-012 or equivalent (included with the CYL and CYL-KA options).
- 1 3/8" mortise cylinder housing for SFIC cores - requires 1/4" blocking ring Schlage part number 36-079-025 or equivalent.
- 1 1/2" mortise cylinder housing for FSIC cores - requires 3/8" blocking ring Schlage part number 36-079-037 or equivalent.

All cylinders, except 1 1/4" as CYL or CYL-KA options, must be ordered separately.

Allegion, the Allegion logo, Schlage, and the Schlage logo are trademarks of Allegion plc, its subsidiaries and/or affiliates in the United States and other countries. All other trademarks are the property of their respective owners.

About Allegion

Allegion (NYSE: ALLE) creates peace of mind by pioneering safety and security. As a \$2 billion provider of security solutions for homes and businesses, Allegion employs more than 7,800 people and sells products in more than 120 countries across the world. Allegion comprises 23 global brands, including strategic brands CISA®, Interflex®, LCN®, Schlage® and Von Duprin®. For more, visit www.allegion.com.

aptiQ ■ LCN ■ SCHLAGE ■ STEELCRAFT ■ VON DUPRIN



© 2014 Allegion
003907 Rev. 02/14
www.allegion.com/us



672 Series

TouchBar



Overview

The 672 TouchBar is a request-to-exit device which releases electromagnetic or electronic locks when the bar is depressed. Designed for easy installation, smooth operation and maximum durability, the 672 TouchBar offers unmatched features and user benefits.

The "PUSH TO EXIT" signage provides an obvious exit indication for building occupants and the simplified design allows for reversing the signage in the field. The new pivoting bar design allows 1/4" activation and the 2 1/4" low profile provides ample clearance through the door - notably less than others in the industry.

The 672 TouchBar request-to-exit device is easy to install and simple to wire. The device's rugged cast ramped end caps deflect blows and provide extra durability.

- 1/4" Movement activates immediate release
- DPDT (standard)

Features and benefits

- Heavy-duty aluminum extrusion with powder coat cast metal end caps - maximum durability
- Field reversible, field sized
- Quick install brackets / universal mounting system for aluminum, hollow metal and wood doors
- Low profile for greater clearance through door
- "PUSH TO EXIT" signage designates opening
- Glow in the Dark (GID) "PUSH TO EXIT" option

672 TouchBar electrical specifications

Input voltage	12 or 24 VDC maximum current draw .25 amps
Switch	DPDT contacts rated 4 amps @ 30 VDC
Wiring	6 conductor cable - 20 AWG (standard)

Ordering information

Door size

- 36", 42" or 48"

Finishes

- **628** - Satin anodized aluminum (standard)
- **313** - Dark satin bronze anodized aluminum

TouchPads

- **RD** - Black with red "PUSH TO EXIT"
- **GID** - Black with glow in the dark "PUSH TO EXIT"

Handing

- **RHR** - Right hand reverse
- **LHR** - Left hand reverse -field reversible

Options

- **WD** - Sexnut door kit for heavy-duty wood door and hollow metal door applications
- **AR** - 18" x 1/2" armored door cord (less wire)
- **SHK** - Aluminum door mounting shim kit includes brackets, shims and screws for narrow stile aluminum doors.*

* Note: Screw pack has self-drilling and self-tapping screws for aluminum and wood door applications and rivnuts for hollow metal door applications.

Allegion, the Allegion logo, Schlage, and the Schlage logo are trademarks of Allegion plc, its subsidiaries and/or affiliates in the United States and other countries. All other trademarks are the property of their respective owners.

About Allegion

Allegion (NYSE: ALLE) creates peace of mind by pioneering safety and security. As a \$2 billion provider of security solutions for homes and businesses, Allegion employs more than 7,800 people and sells products in more than 120 countries across the world. Allegion comprises 23 global brands, including strategic brands CISA®, Interflex®, LCN®, Schlage® and Von Duprin®. For more, visit www.allegion.com.

aptiQ ■ **LCN** ■ **SCHLAGE** ■ **STEELCRAFT** ■ **VON DUPRIN**



© 2014 Allegion
003909, Rev. 02/14
www.allegion.com/us



692 Series

SmartBar™



Overview

The 692 SmartBar is an electronic switching device with no moving parts, which serves as a non-latching request-to-exit bar at an egress door. It allows one motion egress at doors equipped with electromagnetic or electronic locks, with “no prior knowledge” required by the user. Touching the SmartBar at any point on the bar activates internal circuitry which controls power to the locking device. No moving parts results in low maintenance and long life.

The 692 SmartBar provides two directionally opposed infrared detection circuits to sense an exit request. As a person touches the bar, the light beam is broken. The patent-pending redundant system provides a high level of life safety and peace of mind to the end user.

An audible alarm is standard. This feature provides a security alarm to alert when there is a prolonged unlocked condition caused by a continued break in the light beam. This feature is desirable in applications requiring monitoring of security conditions or delayed egress.

- Dual Infrared detection circuits, patent-pending
- No moving parts – one motion egress
- Audible alarm standard, alerts prolonged unlock condition
- DPDT relay standard – single access control panel or auxiliary device

Features and benefits

- Heavy-duty aluminum extrusion with cast metal end caps - maximum durability
- Field reversible, field sized
- Quick install brackets / universal mounting system for aluminum, hollow metal and wood doors
- Low profile for greater clearance through door
- “PUSH TO EXIT” signage designates opening
- Glow in the dark “PUSH TO EXIT” option

692 SmartBar electrical specifications

Input voltage	12 or 24 VDC maximum current draw .5 amps
Switch	DPDT contacts rated 4 amps @ 30 VDC
Wiring	8 conductor cable - 20 AWG (standard)

Ordering information

Door size

- 36", 42" or 48"

Finishes

- **628** - Satin anodized aluminum (standard)
- **313** - Dark satin bronze anodized aluminum

TouchPads

- **RD** - Black with red "PUSH TO EXIT"
- **GID** - Black with glow in the dark "PUSH TO EXIT"

Handing

- **RHR** - Right hand reverse
- **LHR** - Left hand reverse - field reversible

Options

- **WD** - Sexnut door kit for heavy-duty wood door and hollow metal door applications
- **SHK** - Aluminum door mounting shim kit includes brackets, shims and screws for narrow stile aluminum doors.*

* Screw pack has self-drilling and self-tapping screws for aluminum and wood door applications and rivnuts for hollow metal door applications.

Note: 18" x 1/2" armored door cord shipped standard.

Allegion, the Allegion logo, Schlage, and the Schlage logo are trademarks of Allegion plc, its subsidiaries and/or affiliates in the United States and other countries. All other trademarks are the property of their respective owners.

About Allegion

Allegion (NYSE: ALLE) creates peace of mind by pioneering safety and security. As a \$2 billion provider of security solutions for homes and businesses, Allegion employs more than 7,800 people and sells products in more than 120 countries across the world. Allegion comprises 23 global brands, including strategic brands CISA®, Interflex®, LCN®, Schlage® and Von Duprin®. For more, visit www.allegion.com.

aptiQ ■ LCN ■  ■ STEELCRAFT ■ VON DUPRIN



© 2014 Allegion
003904, Rev. 02/14
www.allegion.com/us

VON DUPRIN®

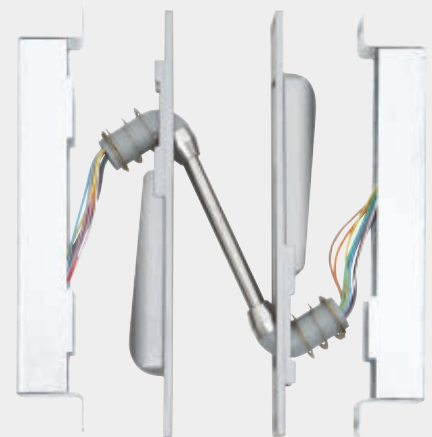
Electrical power transfer

Overview

Electric power transfer provides a means of transferring electrical power from a door frame to the edge of a swinging door. The units are completely concealed when the door is in the closed position, and are ideally suited for installations involving abuse or heavy traffic.

Two models are available:

- EPT-2 - Two, 18 gauge wires
- EPT-10 - Ten, 24 gauge wires



Features and benefits

- UL listed as Miscellaneous Door Accessory

Door applications

Up to 5" butt hinges	180 ° swing
5 1/2" butt hinges	130 ° swing
6" butt hinges	110 ° swing
3/4" offset pivots	180 ° swing

Not for use with swing clear hinges, center-hung pivots, pocket pivots or balanced doors.

Door applications shown are for 1 3/4" door thickness, for all other applications contact Technical Support to confirm compatibility

Dimensions

Housing	9" x 1 1/4" x 1 5/8" (229mm X 32mm X 38mm)
EPT-2	Two 18 gauge wires, up to 2 AMPS @ 24VDC, with a 16 AMPS maximum surge
EPT-10	Ten 24 gauge wires, up to 1 AMPS @ 24VDC, with a 16 AMPS maximum surge
PNT-1	5/32" tubing

Finishes

SP28	Sprayed aluminum
SP313	Sprayed duranodic

To order, specify

- EPT-2, EPT-10 or PNT-1
- Finish - SP28 or SP313

Allegion, the Allegion logo, Von Duprin and the Von Duprin logo are trademarks of Allegion plc, its subsidiaries and/or affiliates in the United States and other countries. All other trademarks are the property of their respective owners.

About Allegion

Allegion (NYSE: ALLE) creates peace of mind by pioneering safety and security. As a \$2 billion provider of security solutions for homes and businesses, Allegion employs more than 7,800 people and sells products in more than 120 countries across the world. Allegion comprises 23 global brands, including strategic brands CISA®, Interflex®, LCN®, Schlage® and Von Duprin®. For more, visit www.allegion.com.

aptiQ ■ LCN ■  ■ STEELCRAFT ■ VON DUPRIN



© 2014 Allegion
010106, Rev. 02/14
www.allegion.com/us

IVES®

Electrified hinges

Overview

Ives offers electrified 3 knuckle and 5 knuckle hinges that transfer power and signals from the frame to the door. Electrified hinges hide wiring from view to provide a more pleasing aesthetic and a more secure application.



Features and benefits

- Electrified hinge available in 3 and 5 knuckle
- High quality brass ferrules and plastic tubing protect the wires
- Through-wire hinges cycle tested to ensure durability
- UL Listed - UL634
- Meets ANSI/BHMA A156.1

Available options

- **Through-wire** – TW4 (4 wires) and TWB (8 wires)
- **Monitor** – MON
- **Through-wire with monitor** – TW4M and TW8M

Through-wire is rated for 50 volts AC/DC at 3.5 AMP continuous and 16 AMP pulse, maximum pulse 400 milli second.

Monitor rated 30VDC at .5 AMP.

Finishes

Brass

Ives finish	US3	US4	US10	US10B	US10A	US11	US15	US26	US26D
BHMA	605	606	612	613	614	616	619	625	626

Steel

Ives finish	USP	US3	US4	US10	US10B	US10A	US11	US15	US26	US26D
BHMA	600	632	633	639	640	641	643	646	651	652

Stainless steel

Ives finish	US32	US32D
BHMA	629	630

Allegion, the Allegion logo, Ives and the Ives logo are trademarks of Allegion plc, its subsidiaries and/or affiliates in the United States and other countries. All other trademarks are the property of their respective owners.

About Allegion

Allegion (NYSE: ALLE) creates peace of mind by pioneering safety and security. As a \$2 billion provider of security solutions for homes and businesses, Allegion employs more than 7,800 people and sells products in more than 120 countries across the world. Allegion comprises 23 global brands, including strategic brands CISA®, Interflex®, LCN®, Schlage® and Von Duprin®. For more, visit www.allegion.com.

aptiQ ■ LCN ■ SCHLAGE ■ STEELCRAFT ■ VON DUPRIN



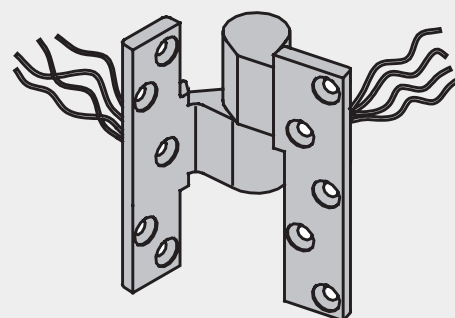
© 2014 Allegion
010116, Rev. 02/14
www.allegion.com/us

IVES®

Power transfer pivot

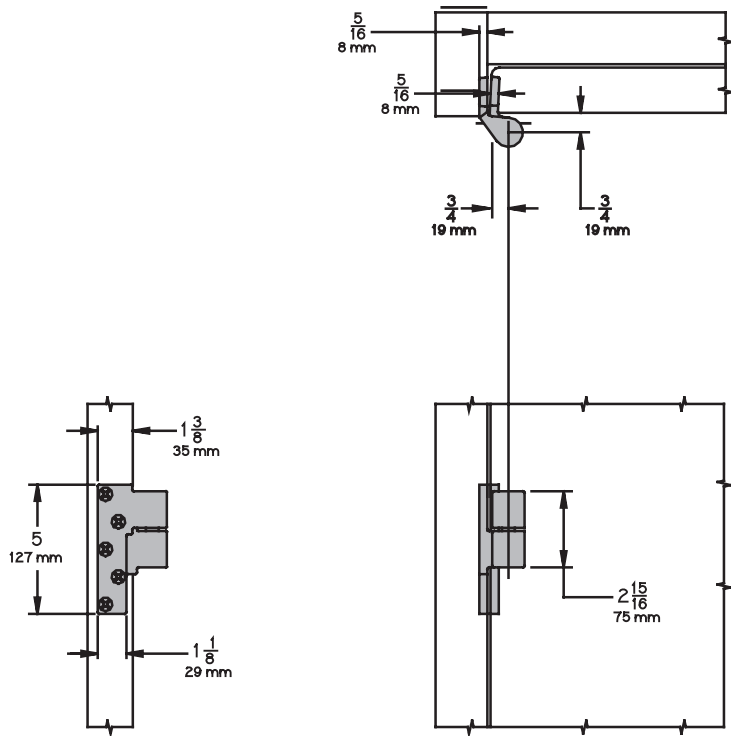
Overview

Ives offers electrified intermediate power transfer pivots to transfer power and signals from the frame to the door. Pivots are generally used on heavier exterior door applications.



Features and benefits

- Use with 7215, 7226 or 7227 3/4" offset pivots
- Four wires, 28 gauge
- Optional 8 wire available
- Rated 50 VDC or VAC @ 3.5 amps
- Continuous or 16 amps pulse, maximum pulse 400 milliseconds
- Non-load bearing
- Use with 1 3/4" thick door minimum, 1/8" bevel in 2"



Finishes

Plate finishes - brass

US number	US3	US4	US10	US10B	US26	US26D
BHMA	605	606	612	613	625	626

Painted finishes - brass

US number	SP4	SP10	SP28	SP313	SPBLK
BHMA	706	691	689	695	622

Allegion, the Allegion logo, Ives and the Ives logo are trademarks of Allegion plc, its subsidiaries and/or affiliates in the United States and other countries. All other trademarks are the property of their respective owners.

About Allegion

Allegion (NYSE: ALLE) creates peace of mind by pioneering safety and security. As a \$2 billion provider of security solutions for homes and businesses, Allegion employs more than 7,800 people and sells products in more than 120 countries across the world. Allegion comprises 23 global brands, including strategic brands CISA®, Interflex®, LCN®, Schlage® and Von Duprin®. For more, visit www.allegion.com.

aptiQ ■ LCN ■ SCHLAGE ■ STEELCRAFT ■ VON DUPRIN



© 2014 Allegion
010117, Rev. 02/14
www.allegion.com/us



Armored door cords with caps



Overview

Used when installing electric exit devices or electric locks, armored door cords provide a simple and economical solution for transferring power from frame to door.

Specifications

Acceptable wire size combinations

- Five 18 gauge
- Two 18 gauge and four 20 gauge
- Two 18 gauge and seven 22 gauge
- Seven 20 gauge
- Twelve 22 gauge

$\frac{5}{16}$ " interior diameter; $\frac{3}{8}$ " outside diameter flexible door cord

- **788-12** - 12" x $\frac{3}{8}$ " less wires (inswinging)
- **788C-12** - 12" x $\frac{3}{8}$ " with 20" 4-conductor wire, 20 gauge wire
- **788-18** - 18" x $\frac{3}{8}$ " less wires (outswinging)
- **788C-18** - 18" x $\frac{3}{8}$ " with 26" 4-conductor wire, 20 gauge wire

$\frac{3}{8}$ " interior diameter; $\frac{1}{2}$ " outside diameter flexible door cord

Acceptable wire size combinations

- **798-12** - 12" x $\frac{1}{2}$ " less wires (inswinging)
- **798C-12** - 12" x $\frac{1}{2}$ " with 20" 4-conductor wire, 20 gauge wire
- **798-18** - 18" x $\frac{1}{2}$ " less wires (outswinging)
- **798C-18** - 18" x $\frac{1}{2}$ " with 26" 4-conductor wire, 20 gauge wire

Allegion, the Allegion logo, Schlage, and the Schlage logo are trademarks of Allegion plc, its subsidiaries and/or affiliates in the United States and other countries. All other trademarks are the property of their respective owners.

About Allegion

Allegion (NYSE: ALLE) creates peace of mind by pioneering safety and security. As a \$2 billion provider of security solutions for homes and businesses, Allegion employs more than 7,800 people and sells products in more than 120 countries across the world. Allegion comprises 23 global brands, including strategic brands CISA®, Interflex®, LCN®, Schlage® and Von Duprin®. For more, visit www.allegion.com.

aptiQ ■ LCN ■  ■ STEELCRAFT ■ VON DUPRIN



© 2014 Allegion
005006, Rev. 02/14
www.allegion.com/us

SCHLAGE

800 Series

Remote and local monitoring stations



800 Series

Local and remote monitoring station

The 800 Series monitoring stations can provide monitoring for a single zone with up to 2 LED indicators.

801 Series

Local and remote monitoring station

The 801 unit includes an audible and visual indication of lock status and delay activation. Interfaces with electromagnetic locks with magnetic bond sensor (MBS) option. Unit mounts in a standard single gang electrical box.

The 801-KS fulfills a code requirement stating that a local signal assures users that a delayed egress system is functional. The unit includes an audible and visual indication of lock status and delay activation. Provides a Single Pole, Double Throw (SPDT) momentary x SPDT maintained contact arrangement keyswitch for legal release and reset of the system, which interfaces with a standard 1 1/4" mortise cylinder with standard straight cam. Interfaces with electromagnetic locks with Magnetic Bond Sensor (MBS) option. Unit mounts in a standard double gang electrical box.

Features and benefits

- 800 Series local and remote monitoring station
 - Up to 2 LED indicators

- 801 Series local and remote monitoring stations
 - 801-KS option

800 specifications

Operating power	12/24 VDC
LED Operating power	6-28 VDC
LED current draw	30 mA ea.
Audible input	10-28 VDC
Audible current draw	3-14 mA
Decibel rating	80 dB @ 2 ft
Single gang unit	
Length	2 3/4"
Width	1 1/2"
Height	4 1/2"
Finish	Stainless steel
800L1	One (1) LED Indicator - red, green, and amber
800L2	Two (2) LED Indicators - red, green, and amber
800A	Audible sounder

801 specifications

Operating power	12/24 VDC
LED operating power	6-28 VDC
LED current draw	30 mA ea.
Audible input	10-28 VDC
Audible current draw	3-14 mA
Decibel rating:	80 dB @ 2 ft
Single gang unit	
801* Local or remote monitoring system	
Length	2 3/4"
Width	1 1/2"
Height	4 1/2"
Finish	Stainless steel
Double gang unit	
801-KS* local or remote monitoring system with keyswitch (less cylinder)	
Length	4 9/16"
Width	1 15/16"
Height	4 1/2"
Finish	Stainless steel
Keyswitch contacts	5A/250 VAC

*Note: 801/801-KS requires MBS on locking device.

Allegion, the Allegion logo, Schlage, and the Schlage logo are trademarks of Allegion plc, its subsidiaries and/or affiliates in the United States and other countries. All other trademarks are the property of their respective owners.

About Allegion

Allegion (NYSE: ALLE) creates peace of mind by pioneering safety and security. As a \$2 billion provider of security solutions for homes and businesses, Allegion employs more than 7,800 people and sells products in more than 120 countries across the world. Allegion comprises 23 global brands, including strategic brands CISA®, Interflex®, LCN®, Schlage® and Von Duprin®. For more, visit www.allegion.com.

aptiQ ■ LCN ■  ■ STEELCRAFT ■ VON DUPRIN



© 2014 Allegion
005007, Rev. 02/14
www.allegion.com/us



8200 Series

Consoles



Overview

Schlage 8200 Series desk consoles provide door control and monitoring for up to eight zones. Designed to meet a wide range of security requirements, the 8200 Series can control and monitor electric strikes, electromagnetic locks, electromechanical exit devices or other electric locks. The console can also be used for surveillance of monitoring devices.

The circuit boards inside the console are shipped for four or eight zone applications. This design allows for momentary or maintained switch operation. Pushbuttons control and monitor assigned zones, and a signaling horn provides an audible alert of any conditions change that is associated with the red indicator lamp. Console control can be disabled with the security keyswitch.

Features and benefits

- Slope front design, with anodized face plate and durable housing
- Each station provides maintained or momentary Single Pole, Double Throw (SPDT) pushbutton switch
- Red and green indicator lamps
- Security keyswitch
- Signaling horn
- Alarm reset button
- 24 VDC operation

System design guide

There are a number of applications where an 8200 Series Console is used to monitor and control multiple door openings. It is ideal for use at a guard or nurse station. (An example of a riser diagram for a two door nurse's station console is shown below.)

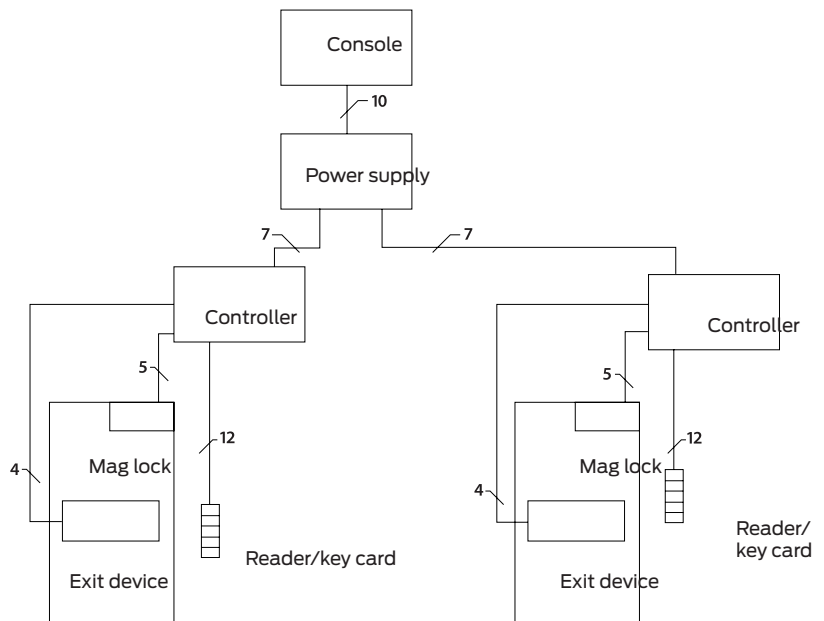
Description of system operation

Two single doors, each normally closed and secured by a magnetic lock. Magnetic lock to include Magnetic Bond Sensor (MBS) for remote monitoring of secure/not-secure condition. Legal access to be provided by keypad system. Egress to be provided by touch sensitive exit bars. Remote control and monitoring to be by a slope front desktop console. Each of two stations shall provide a momentary pushbutton switch for legal release, a red indicator for "not-secure" condition and a green indicator for "secure" condition.

Specifications

Switches (momentary or maintained)	1.0 amps 24 VDC
Lamps #85 red/green	04 amps @24 VDC
Terminal block	18/22 gauge wire
Alarm output	0.5 amps @ 24 VDC (breaker protected)
Temperature range	32° to 120°F (0° to 49°C)
Input voltage	24 VDC, +/- 15%

Riser diagram



Ordering information

Last digit indicates number of zones

4 station console
8204

8 station console
8208

Pushbutton function

- Select pushbutton function by zone.
- Select M (momentary) or A (alternate action, maintain) for each zone.

	1	2	3	4	5	6	7	8
8204	-	-	-	-	-	-	-	-
8208	-	-	-	-	-	-	-	-

Accessories

Field installable push buttons

- 8200MS** – Momentary switch assembly
- 8200 MA** – Alternate action (maintained) switch assembly

About Allegion

Allegion (NYSE: ALLE) creates peace of mind by pioneering safety and security. As a \$2 billion provider of security solutions for homes and businesses, Allegion employs more than 7,800 people and sells products in more than 120 countries across the world. Allegion comprises 23 global brands, including strategic brands CISA®, Interflex®, LCN®, Schlage® and Von Duprin®. For more, visit www.allegion.com.

aptiQ ■ LCN ■ SCHLAGE ■ STEELCRAFT ■ VON DUPRIN



ALLEGION™

© 2014 Allegion
005004, Rev. 02/14
www.allegion.com/us



Scan II™

Passive infrared
motion sensors



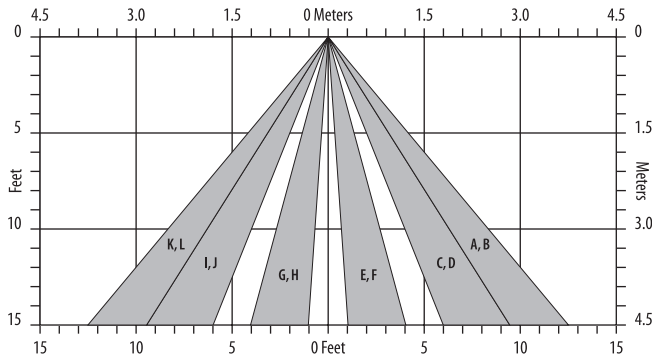
Overview

The Scan II™ is a passive infrared detector specifically designed for “request-to-exit” applications. It has an adjustable relay latch time, is internally pointable, and provides two Form “C” sets of relay contacts.

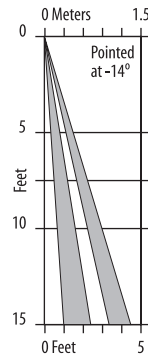
The enclosure design consists of a three piece, high impact ABS plastic enclosure with fresnel lens and is available in white or black. The coverage area of Scan II™ is up to 8 by 10 ft (2.4 m by 3 m). Coverage is dependent upon mounting height and pattern angle. Pattern pointability is +/- 14° @ vertical. Surface mounting height range is from 7 to 15 ft (2.1 m to 4.5 m). The unit also features an externally visible activation LED.

Features and benefits

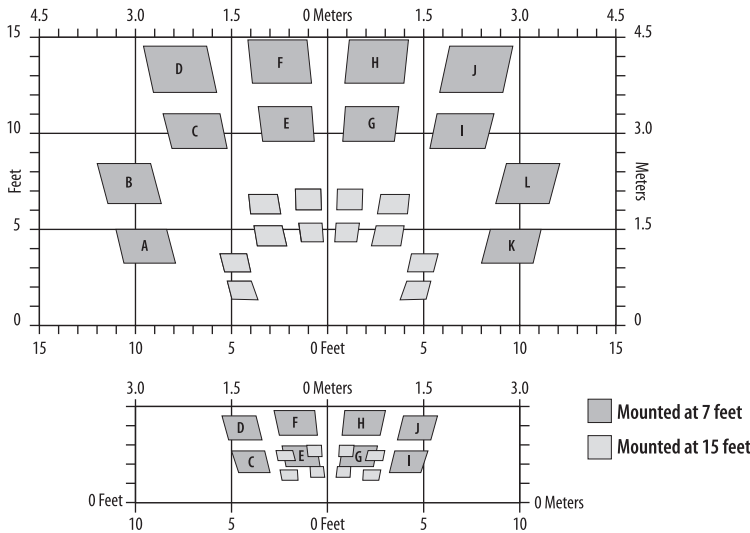
- Output – Two Form “C” relay contacts rated 1A @ 30 VDC for DC resistive loads
- Relay latch time is adjustable up to 60 seconds
- The relay mode can be programmed by the installer to reset when the timer expires or to remain activated until motion stops. The fail-safe/fail-secure mode can also be selected.
- 12/24 VDC, 26 mA @ 12 VDC or 24 VDC
- Output: Two Form “C” relay contacts rated 1A @ 30 VDC for DC resistive loads
- Operating temperature: -20° to 120°F (-29° to 49°C)
- Size (H x W x D): 1 1/2" x 6 1/4" x 1 1/2" (38 mm x 159 mm x 38 mm)
- UL Listed



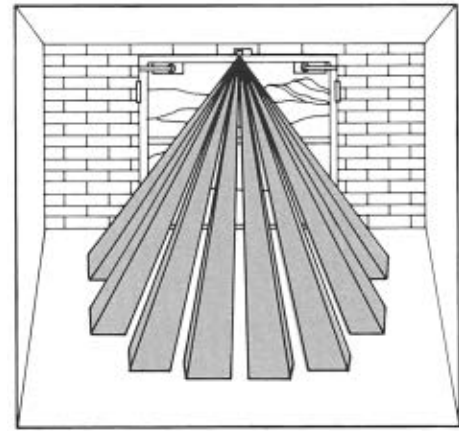
Front view



Side view



Standard pattern
Shown wall mounted, angled 14° down.



Standard pattern
Shown wall mounted, angled 14° down.

Ordering information

- Scan II – B - Black
- Scan II – W - White

Allegion, the Allegion logo, Schlage, and the Schlage logo are trademarks of Allegion plc, its subsidiaries and/or affiliates in the United States and other countries. All other trademarks are the property of their respective owners.

About Allegion

Allegion (NYSE: ALLE) creates peace of mind by pioneering safety and security. As a \$2 billion provider of security solutions for homes and businesses, Allegion employs more than 7,800 people and sells products in more than 120 countries across the world. Allegion comprises 23 global brands, including strategic brands CISA®, Interflex®, LCN®, Schlage® and Von Duprin®. For more, visit www.allegion.com.



Electronic horns



Overview

Electric horns are designed for use as an immediate local audible warning device incorporated in a security system. 1910 Selica Horns have eight combinations of volume, tone, and code that are easily user configurable. Strobe and latching combinations are also available.

Units are flush and surface mountable using a standard one or two gang electrical box. Surface and flush mounting kits are included with all horns.

Features and benefits

- All horns are off white in color and come with a skirt for a clean finish
- Designed for indoor use only
- Available in four models:
 - 1910-1 horn 12/24 VDC
 - 1910S-1 horn with strobe 24 VDC
 - L1910-1 horn with latching 24 VDC
 - L1910S-1 horn with strobe and latching 24 VDC
- Current draw:
 - Less than 14 mA @ 12 V
 - Less than 28 mA @ 24 V
 - Less than 71 mA @ 24 V, with strobe
- Operating temperature: 32°F to 120°F
- Anechoic room @30 V 102 dba
- UL reverbrant room @30 V 88 dba

Ordering information

- **1910-1** - 12/24 VDC horn
- **1910S-1** - 24 VDC horn with strobe
- **L1910-1** - 24 VDC horn with latching
- **L1910S-1** - 24 VDC horn with strobe and latching

Allegion, the Allegion logo, Schlage, and the Schlage logo are trademarks of Allegion plc, its subsidiaries and/or affiliates in the United States and other countries. All other trademarks are the property of their respective owners.

About Allegion

Allegion (NYSE: ALLE) creates peace of mind by pioneering safety and security. As a \$2 billion provider of security solutions for homes and businesses, Allegion employs more than 7,800 people and sells products in more than 120 countries across the world. Allegion comprises 23 global brands, including strategic brands CISA®, Interflex®, LCN®, Schlage® and Von Duprin®. For more, visit www.allegion.com.

aptiQ ■ **LCN** ■ **SCHLAGE** ■ **STEELCRAFT** ■ **VON DUPRIN**



© 2014 Allegion
003905, Rev. 02/14
www.allegion.com/us



Door position switches



674-OH

Overhead door, floor mount magnetic switch

Overview

Door position switches are used to detect the open or closed status of an opening and then send this status to a control panel. They come in a variety of shapes and sizes and are designed for monitoring door positions, roof hatches, gates etc.

Concealed SPDT magnetic switches

For wood doors and frames
0.3 Amps @ 30 VDC



679-05

Concealed/flush mount magnetic switches

For aluminum, wood and hollow metal doors 0.25 Amps @ 30 VDC
UL Listed



7764

For hollow metal doors and frames
0.3 Amps @ 30 VDC



679-05 HM

Surface mount magnetic switches

For aluminum, wood and hollow metal doors 0.25 Amps @ 30 VDC
UL Listed



7766

For wood doors and metal frames
0.3 Amps @ 30 VDC



679-05 WD

Ordering information

- **674-OH** - Overhead door floor mount
- **679-05** - Wood door and frame
- **679-05HM** - Hollow metal door and frame
- **679-05WD** - Wood door and metal frame
- **7764** - Concealed/flush mount
- **7766** - Surface mount

Allegion, the Allegion logo, Schlage, and the Schlage logo are trademarks of Allegion plc, its subsidiaries and/or affiliates in the United States and other countries. All other trademarks are the property of their respective owners.

About Allegion

Allegion (NYSE: ALLE) creates peace of mind by pioneering safety and security. As a \$2 billion provider of security solutions for homes and businesses, Allegion employs more than 7,800 people and sells products in more than 120 countries across the world. Allegion comprises 23 global brands, including strategic brands CISA®, Interflex®, LCN®, Schlage® and Von Duprin®. For more, visit www.allegion.com.

aptiQ ■ LCN ■  ■ STEELCRAFT ■ VON DUPRIN



© 2014 Allegion
005005, Rev. 02/14
www.allegion.com/us



PB405 and PB405S

Electrified dead bolt locks



Overview

The PB405 PowerBolt is a mortise, right angle deadbolt with a .61" bolt and a .67" throw. It is available fail-safe PB405 or fail-secure PB405S.

Note: Electromechanical locks not recommended where life safety may be compromised or where panic bar hardware is the only means of egress.

Mortise mount electric bolts furnished in satin aluminum finish.

Features and benefits

- 12/24V DC
- Magnetic door sensor
- Built in relocking option
- Fail-safe or fail-secure

Specifications

PB405 electric dead bolt lock (fail-safe)

- Door sensor
- 12V/24V DC
- Current draw: 0.9A @ 12 VDC, 0.45A @ 24 VDC; 12/24 VDC dual voltage, field selectable
- Fail-safe type (power to lock)
- Built-in relocking option
- Operation delay time: 0 sec., 3 sec., 5 sec., 9 sec.
- Bolt diameter: 0.61 in
- Bolt throw: 0.67 in
- Weight: 1.9 lbs
- Dimension (L x W x D): 7.87 in x 1.26 in x 1.57 in

PB405S electric dead bolt lock (fail-secure)

- Door sensor
- 12V/24V DC
- Current draw: 0.9A @ 12 VDC, 0.45A @ 24 VDC; 12/24 VDC dual voltage, field selectable
- Fail-secure type (power to open.), MOV surge protection.
- Operation delay time: 0 sec., 3 sec., 5 sec., 9 sec.
- Built-in relocking option
- Bolt diameter: 0.61 in
- Bolt throw: 0.67 in
- Weight: 1.9 lbs
- Dimension (L x W x D): 7.87 in x 1.26 in x 1.57 in

Ordering information

- **405** - Rectangular front, fail-safe
- **405S** - Rectangular front, fail-secure
- **Fail-secure lock** – Requires power to unlock
- **Fail-safe lock** – Requires power to lock

Allegion, the Allegion logo, Schlage, and the Schlage logo are trademarks of Allegion plc, its subsidiaries and/or affiliates in the United States and other countries. All other trademarks are the property of their respective owners.

About Allegion

Allegion (NYSE: ALLE) creates peace of mind by pioneering safety and security. As a \$2 billion provider of security solutions for homes and businesses, Allegion employs more than 7,800 people and sells products in more than 120 countries across the world. Allegion comprises 23 global brands, including strategic brands CISA®, Interflex®, LCN®, Schlage® and Von Duprin®. For more, visit www.allegion.com.

aptiQ ■ LCN ■  ■ STEELCRAFT ■ VON DUPRIN



© 2014 Allegion
005011, Rev. 02/14
www.allegion.com/us



442S

Cabinet lock



Overview

The 442S is a compact and easy to install hardwired cabinet lock. It is fail secure and driven by a dual voltage solenoid. The voltage is field selectable 12 or 24 VDC. This makes ordering easy and provides greater flexibility in the field.

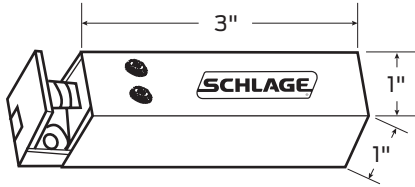
The 442S can be mounted horizontally or vertically to control access to a wide range of swinging or sliding cabinets and drawers. The 442S can be controlled by any kind of access control system that provides a dry contact output. Its small size and versatile mounting position allows you to bring increased monitoring and control to hard to reach applications such as pharmaceutical cabinets, cash drawers and display cases.

Features and benefits

- Fail-secure power failure mode
- Dual voltage 12/24 VDC, field selectable
- Open architecture design, compatible with wide range of access control providers
- Flexible mounting options
- Ideal for pharmaceutical cabinets, cash drawers and display cases

Specifications

Input voltage	12/24VDC dual voltage, field selectable
Current draw	.5 Amp @ 12DC .25 Amp @ 24VDC
Dimensions (L x W x D)	3" x 1" x 1"



Ordering information

Select model

- 442S cabinet lock

Standard features

- 12/24 VDC (field selectable)
- Fail secure
- Black Lexan finish

Allegion, the Allegion logo, Von Duprin, and the Von Duprin logo are trademarks of Allegion plc, its subsidiaries and/or affiliates in the United States and other countries. All other trademarks are the property of their respective owners.

About Allegion

Allegion (NYSE: ALLE) creates peace of mind by pioneering safety and security. As a \$2 billion provider of security solutions for homes and businesses, Allegion employs more than 7,800 people and sells products in more than 120 countries across the world. Allegion comprises 23 global brands, including strategic brands CISA®, Interflex®, LCN®, Schlage® and Von Duprin®. For more, visit www.allegion.com.

aptiQ ■ LCN ■ **SCHLAGE** ■ STEELCRAFT ■ VON DUPRIN



© 2014 Allegion
010152, Rev. 02/14
www.allegion.com/us

Appendix

This section of the Electronic Access Control catalog includes: resource guides, solution sheets, and wiring diagrams.

This page intentionally left blank.

Allegion, and the Allegion logo are trademarks of Allegion plc, its subsidiaries and/or affiliates in the United States and other countries. All other trademarks are the property of their respective owners.

About Allegion

Allegion (NYSE: ALLE) creates peace of mind by pioneering safety and security. As a \$2 billion provider of security solutions for homes and businesses, Allegion employs more than 7,800 people and sells products in more than 120 countries across the world. Allegion comprises 23 global brands, including strategic brands CISA®, Interflex®, LCN®, Schlage® and Von Duprin®. For more, visit www.allegion.com.

aptiQ ■ LCN ■ **SCHLAGE** ■ STEELCRAFT ■ VON DUPRIN



© 2014 Allegion
005138, Rev. 02/14
www.allegion.com/us



AD Series resources



Data sheet



Product selector

Literature

http://us.allegion.com/products/electronic_locks

Navigation	<ul style="list-style-type: none"> ▪ Networked > AD-400 wireless or hardwired > Downloads ▪ Standalone > AD Series standalone > Downloads
Brochures	<ul style="list-style-type: none"> ▪ Solutions brochure (005991) ▪ Selection guide (005990) ▪ Mini brochure (004100) ▪ Market application sheets <ul style="list-style-type: none"> - Higher education (006142) - K-12 (006143) - Healthcare (006141)
Data sheets	<ul style="list-style-type: none"> ▪ AD-200 (004442) ▪ AD-201 (009820) ▪ AD-250 (004436) ▪ AD-300 (004448) ▪ AD-400 (004446) ▪ AD-301 FIPS 201-1 compliant (004869) ▪ AD-401 FIPS 201-1 compliant (004870) ▪ SUS on HDD (004443) ▪ Proximity or smart keyfobs (004227) ▪ Exit trim companion sheet (004382)

Web and interactive

us.allegion.com/products/electronic_locks/networked

<p>Interactive benefits overview (Navigation: Resources tab > CO-Series product tour link)</p>	<ul style="list-style-type: none"> ▪ Learn about the flexible, scalable and adaptable features
<p>Interactive product tour (Navigation: Resources tab > CO-Series product tour link)</p>	<ul style="list-style-type: none"> ▪ View product highlights and features in the 360° tour
<p>Interactive product selector (Navigation: Resources tab > CO Series product selector)</p>	<ul style="list-style-type: none"> ▪ Configure an AD Series lock to fit your needs



Training

E-learning (Schlage.com/onlinecourses) and "How To" videos

AD Series e-learning courses

- For guest access enter your username and password. First time users click on "Don't have a login?" for registration.
- Today Meets Tomorrow - value proposition
- Explore the Details - product information
- Make the Case - return on investment

"How To" videos

- How to Video playlist at us.allegion.com/products/electronic_locks/service_support/pages/co_videos.aspx
- 27 AD-Series "How to Videos" are now available to view on the AD Series YouTube channel at youtube.com/user/schlagead.
- Specially formatted videos are available to download to your HDD at: schlage.com/support > AD-Series Locks > How To Videos



Technical documents

www.schlage.com/support

Technical Library contains

- Templates
 - Organized by cylindrical, mortise, mortise deadbolt, and 993/exit
 - Retrofit overlay template available
- User guides (found under Installation Manuals)
 - Organized by AD-400, AD-300, AD-250, AD-200, AD Series exit trim, PIM400-TD2, PIM400-485, HHD, SUS, and PIB300-2D
- Installation manuals
 - Organized by cylindrical, mortise, and exit trim
- Application notes/technical bulletins
- Firmware and software
 - AD firmware package
 - Schlage SUS software
 - Note: Check for updates on a regular basis
- Also found in technical library
 - Brochures/sales materials
 - Data sheets
 - How to videos
 - A&E specs and more



Distributor & channel partner tools

[My Allegion portal](#)

Registered users

- <http://portal.allegion.com/ebiz/default.aspx/>

Navigation

- Products > Electronic Locks

Tools not available on schlage.com

- Cross-reference tools
- Weights and dimensions
- Pricebooks
- My Allegion Newsletter
- And more



Additional resources

"How To" app for AD Series

FREE DOWNLOAD



FREE DOWNLOAD



Service and support

- http://us.allegion.com/Products/electronic_locks/service_support/Pages/default.aspx
Includes Contact Us page, 150 FAQ's and technical library

AD Series software integration

- <http://us.allegion.com/irst/alliances/adseries/Pages/default.aspx>

Allegion website

- <http://us.allegion.com>

EAC Catalog

- <http://epub.allegion.com/eac>

Allegion, the Allegion logo, Schlage, and the Schlage logo are trademarks of Allegion plc, its subsidiaries and/or affiliates in the United States and other countries. All other trademarks are the property of their respective owners.

About Allegion

Allegion (NYSE: ALLE) creates peace of mind by pioneering safety and security. As a \$2 billion provider of security solutions for homes and businesses, Allegion employs more than 7,800 people and sells products in more than 120 countries across the world. Allegion comprises 23 global brands, including strategic brands CISA®, Interflex®, LCN®, Schlage® and Von Duprin®. For more, visit www.allegion.com.

aptiQ ■ LCN ■ SCHLAGE ■ STEELCRAFT ■ VON DUPRIN



© 2014 Allegion
004085, Rev. 03/14
www.allegion.com/us



CO Series resources



Mini brochure



Product selector



Literature

us.allegion.com/products/electronic_locks/standalone

Navigation

- Standalone > CO Series Standalone > Downloads

Brochures

- Flipbook (004122)
- Mini brochure (000594)

Data sheets

- CO-100 (004186)
- CO-200 (004185)
- CO-220 (009575)
- CO-250 (004184)
- Schlage Utility Software (SUS) on Handheld Device (HHD) (004443)
- Proximity or smart keyfobs (004227)
- Exit trim companion sheet (004183)

Web and interactive

us.allegion.com/products/electronic_locks/standalone

Interactive product selector
(Navigation: Resources tab > CO Series product selector)

- Configure a CO Series lock to fit your needs

Interactive product tour
(Navigation: Resources tab > CO Series product tour link)

- View product highlights and features in the 360° product tour

Training

E-learning (Schlage.com/onlinecourses) and **"How To" videos**

CO Series e-learning courses

- For guest access enter your username and password. First time users click on "Don't have a login?" for registration.
- Get to Know the CO

"How To" videos

- CO Series "How To" videos at us.allegion.com/products/electronic_locks/service_support/pages/co_videos.aspx



Technical documents

www.schlage.com/support

Technical Library contains

- Templates
 - Organized by cylindrical, mortise, mortise deadbolt, and exit trim
 - Retrofit overlay template available
- User guides (found under Installation Manuals)
 - Organized by CO-100, CO-200, CO-250, CO Series exit trim, Handheld Device (HHD), and Schlage Utility Software (SUS)
- Installation manuals
 - Organized by cylindrical, mortise, and exit trim
- Application notes/technical bulletins
- Firmware and software
 - CO Series firmware package
 - Schlage SUS software
 - Note: Check for updates on a regular basis
- Also found in technical library
 - Brochures/sales materials
 - Data sheets
 - "How To" videos
 - And more



Distributor and channel partner tools

[My Allegion portal](#)

Registered users

- <http://portal.allegion.com/ebiz/default.aspx/>

Navigation

- Products > Electronic Locks

Tools not available on schlage.com

- Powerpoint presentations
- Image library
- Marketing documents
- Technical bulletins
- My Allegion newsletter
- And more



Additional resources

"How To" app for CO Series

FREE DOWNLOAD



FREE DOWNLOAD



Service and support

- http://us.allegion.com/Products/electronic_locks/service_support/Pages/default.aspx
Includes Contact Us page, 150 FAQ's and technical library

Allegion website

- <http://us.allegion.com>

EAC Catalog

- <http://epub.allegion.com/eac>

Allegion, the Allegion logo, Schlage, and the Schlage logo are trademarks of Allegion plc, its subsidiaries and/or affiliates in the United States and other countries. All other trademarks are the property of their respective owners.

About Allegion

Allegion (NYSE: ALLE) creates peace of mind by pioneering safety and security. As a \$2 billion provider of security solutions for homes and businesses, Allegion employs more than 7,800 people and sells products in more than 120 countries across the world. Allegion comprises 23 global brands, including strategic brands CISA®, Interflex®, LCN®, Schlage® and Von Duprin®. For more, visit www.allegion.com.

aptiQ ■ LCN ■  ■ STEELCRAFT ■ VON DUPRIN



© 2014 Allegion
004084, Rev. 03/14
www.allegion.com/us



Open architecture solution

OEM Software with AD Series
wireless and hardwired locks



Overview

The AD Series electronic locking platform is designed to be open and flexible. With its open architecture, the AD Series can be seamlessly integrated into most access control systems.

Schlage AD Series electronic locks combine all of the components typically found around the door; such as the reader, door position switch and the request-to-exit switch into one device; which simplifies installation and saves money.

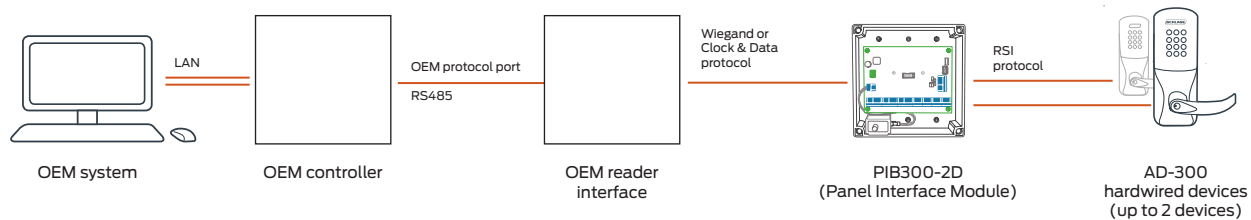
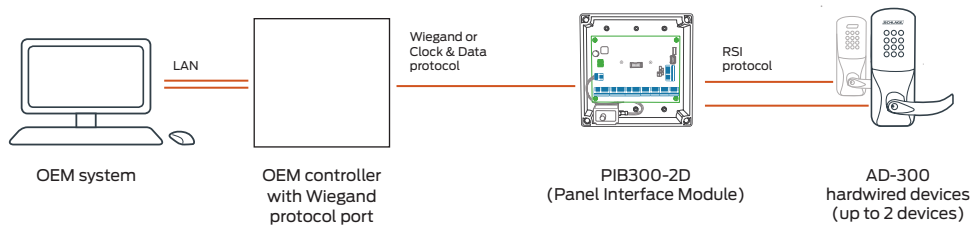
Schlage AD Series electronic locks are available in hardwired and wireless configurations. The AD-300 locks are hardwired and provide the benefits of a traditional access control solution. The AD-400 locks are wireless and provide many of the key benefits without having to run wires directly to each opening.

The AD Series can be customized with seven (7) different credential reader options including keypad, magnetic stripe, and multi-technology which reads both proximity and smart cards. All card readers are available with keypad for multi-factor authentication, support is dependent on access control software. Designed to be modular, readers can easily be upgraded in the future to meet your changing credential needs.

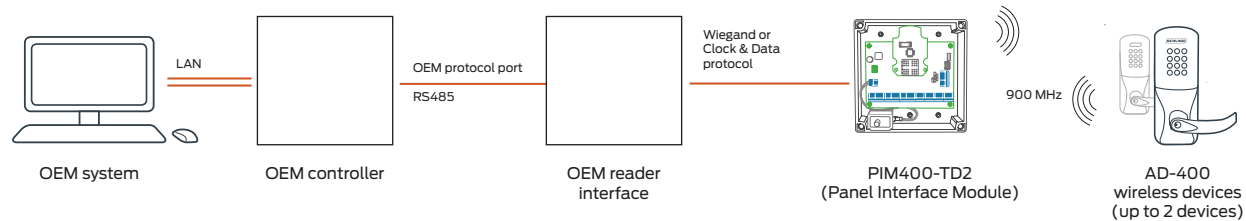
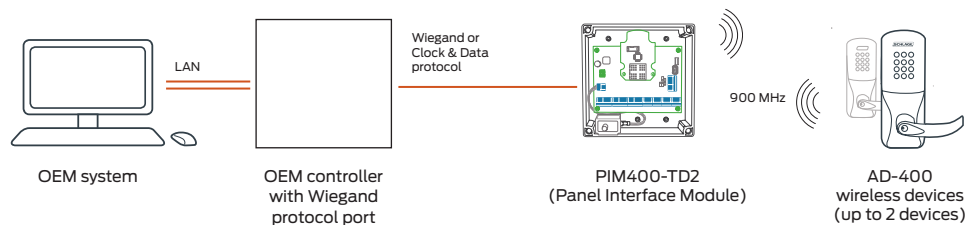
System capabilities Summary

- System capabilities:
 - As determined by OEM software provider
- AD-400 wireless applications:
 - Communicates to the controller via PIM400-TD2 (Wiegand or Clock & Data); each supports up to 2 devices
 - 900 MHz communication between AD-400 and PIM400 for secure, AES-128 bit encrypted transmission
 - Patent-pending wireless lockdown feature (10 seconds or less) preserves up to 2 year battery life
- AD-300 hardwired applications:
 - Communicates to the controller via PIB300-2D (Wiegand or Clock & Data); each supports up to 2 devices
- AD Series available with seven reader options and three chassis options shown on page 4
- ANSI/BHMA A156.25, ANSI/BHMA Grade 1, UL 294, UL 10C

AD-300 hardwired Wiegand system



AD-400 wireless Wiegand system



Note:

Complete specifications and certifications are detailed on individual data sheets which can be found on www.schlage.com/support.

For additional information contact 1-877-671-7011 or visit www.allegion.com/us

System capabilities:

	AD-400 PIM400-TD2	AD-300 PIB300-2D
Features:		
Number of wireless devices per PIM400	Up to 2	N/A
Number of locks per PIB300	N/A	Up to 2
Other Requirements		
RLBD Dry Contact Relay Board ¹	Consult your access control system provider for capability	
Reader interface/gateway	Consult your access control system provider for capability	
Readers (see supported credential formats below):		
Keypad only	Consult your access control system provider for capability	
Magnetic stripe card	Consult your access control system provider for capability	
Multi-tech - 125 kHz prox & 13.56 MHz smart card	Consult your access control system provider for capability	
PIV & PIV-I card compatible ²	Consult your access control system provider for capability	
Card + PIN	Consult your access control system provider for capability	
Status monitors ⁴		
Request to exit	Yes	Yes
Door position switch	Yes	Yes
Interior cover tamper guard	Yes	Yes
Lock/unlock status clutch position	No	No
Mechanical key override (ATK)	No	No
Request to enter	Consult system provider	
Low battery status	Consult system provider	N/A
Battery voltage level	No	N/A
Communication status	Yes	Yes
Remote lockdown/unlock (1) single device	Yes (<10 secs) ³	Yes
Remote lockdown/unlock >1 device	Yes (<10 secs) ³	Yes
Deadbolt position	No	No
Interior push button	No	No
Lock functions		
Classroom/storeroom	Yes	Yes

Please contact
1-877-671-7011
for additional details
on features and
credentials supported.

Supported card formats

Proximity cards (125 kHz):

- AWID®
- GE/CASI®
- HID®
- Schlage®
- XceedID®

Smart cards (13.56 MHz):

- aptiQ™ MIFARE Classic
- aptiQ™ MIFARE DESFire™ EV1
- PIV and PIV-I compatible¹

Smart cards (13.56 MHz) - reads card serial number only:

- HID ICLASS®
- DESFire®
- MIFARE®
- MIFARE DESFire™ EV1

¹ Requires RLBD Dry Contact Board for supervised inputs and to create dry contact outputs. If supervised inputs are required our optional plugin relay board (RLBD) is required for the PIM400-TD2 and PIB300-2D. Consult with access control provider to determine if dry contacts or RLBD is required.

² FIPS 201 Compliant option available: The AD Series can be used in applications which require approval by the U.S. Federal Government under HSPD-12 for FIPS 201 Compliance. Specific components are required, please see the AD-401 data sheet or AD-301 data sheet for complete details. Contact your system provider to confirm they are able to support your FIPS 201 credential format.

³ Wake-up on Radio over PIM400-TD2 on up to 2 doors requires configuration via SUS.

⁴ Chart represents default functionality in AD Series devices.

Available AD Series reader modules



Multi-technology

- Proximity
- Smart card

KEYPAD

FIPS 201-1 compliant option available (FMK)



Multi-technology

- Proximity
- Smart card



Magnetic stripe (insertion)

KEYPAD



Magnetic stripe (insertion)



Magnetic stripe (swipe)

KEYPAD



Magnetic stripe (swipe)



Keypad



Handheld device (HHD)

Used to initialize, configure, and test AD Series Devices

Compatibility

AD Series electronic locks from Schlage are built from the ground up to provide more options, more functionality and more compatibility than any other solution on the market today. Designed to suite with the most popular lever styles and finishes, Schlage AD Series locks can be configured to accept most major key systems.

Mortise Lock (AD-300/400-MS)



Cylindrical Lock (AD-/300/400-CY)



Exit Device Trim (AD-300/400-993)



The AD Series exit trims are exclusively compatible with exit devices made by Allegion when using the low current request to exit switch (RX-LC part # 050281 for Von Duprin 98/99 & Von Duprin 22/22F Rim/SVR devices and part number 650359 for Falcon 25 Rim devices).

Cylinder compatibility

Cylinder compatibility	Full size key-in-lever 6 pin	Full size key-in-lever 7 pin	FSIC 6 pin	SFIC 6 and 7 pin
Schlage	●		●	●
Falcon®	▲	■		▲
Sargent® (10L + 11L full size)	▲		▲	▲
Corbin Russwin®			▲ ¹	▲
Yale® (includes Medeco 31*0100 FSIC)			▲	▲
Best®				▲

● = with cylinder or less cylinder options

■ = less cylinder, only with Sparta and Rhodes levers

▲ = less cylinder only

Note: See pricebook for specific configurations.

¹ JDC07 Corbin Russwin 7 pin cylinder is available in Rhodes, Sparta and Tubular

Lever styles

Standard cylinders shown, SFIC and FSIC also available.



Sparta



Rhodes



Athens



Tubular

Finishes

Warm tone finishes



605 Bright brass



606 Satin brass



612 Satin bronze



643e Aged bronze

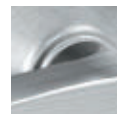
Cool tone finishes



619 Satin nickel



625 Bright chrome



626 Satin chrome



626AM Satin chrome with antimicrobial

Allegion, the Allegion logo, Schlage, the Schlage logo, Von Duprin, Falcon, and aptiQ are trademarks of Allegion plc, its subsidiaries and/or affiliates in the United States and other countries. All other trademarks are the property of their respective owners.

About Allegion

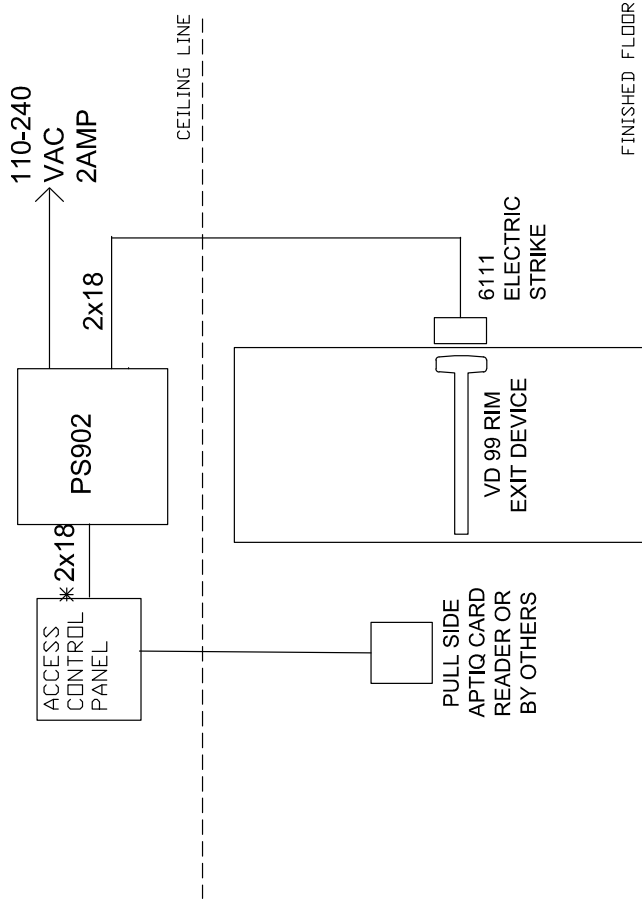
Allegion (NYSE: ALLE) creates peace of mind by pioneering safety and security. As a \$2 billion provider of security solutions for homes and businesses, Allegion employs more than 7,800 people and sells products in more than 120 countries across the world. Allegion comprises 23 global brands, including strategic brands CISA®, Interflex®, LCN®, Schlage® and Von Duprin®. For more, visit allegion.com

aptiQ ■ LCN ■ SCHLAGE ■ STEELCRAFT ■ VON DUPRIN



© 2014 Allegion
000076, Rev. 02/14
www.allegion.com/us

THIS DIAGRAM REPRESENTS A GENERIC CONFIGURATION. CUSTOM WIRING DIAGRAMS CAN BE ACQUIRED BY CONTACTING TECHNICAL SUPPORT.



NOTE:
* ADDITIONAL WIRING IS REQUIRED. SEE MANUFACTURER INSTALLATION INSTRUCTION

NOTES:
1) ALL LOW VOLTAGE WIRING TO BE STANDARD, MULTI-CONDUCTOR COLOR CODED WITHOUT SPLICES.
2) WIRING TO CONFORM TO APPLICABLE NATIONAL, STATE AND LOCAL ELECTRICAL CODES.
3) REFER TO SPECIFIC PRODUCT INSTALLATION INSTRUCTIONS FOR SPECIFIC WIRING REQUIREMENTS.
4) THIS DRAWING IS FOR GRAPHICAL REPRESENTATION OF PRODUCTS DETAILED IN THE HARDWARE SET ONLY.
5) * CONDUCTOR COUNT TO BE DETERMINED BY ACCESS CONTROL PANEL PROVIDER.

HARDWARE USED
6111 FSE 24VDC Electric Strike
VD 99 Rim Exit device
PS902 Power Supply
aptiq or Card Reader By Others with Access Control Panel

TYPE 6111 FSE STRIKE WITH CR BD

OPERATION:
PULL SIDE CARD READER TO UNLOCK ELECTRIC STRIKE TO ALLOW ENTRY.
6111 FSE STRIKE WILL LOCK ON POWER OUTAGE.
FREE EGRESS ALWAYS FROM PUSH SIDE OF 99 RIM EXIT DEVICE
IN THIS EXAMPLE ALL WIRING CONNECTIONS ARE MADE IN THE PS902 ENCLOSURE.

DATE DRAWN: 3-13-13 REVISION DATE: 3-13-13
copyright 2013

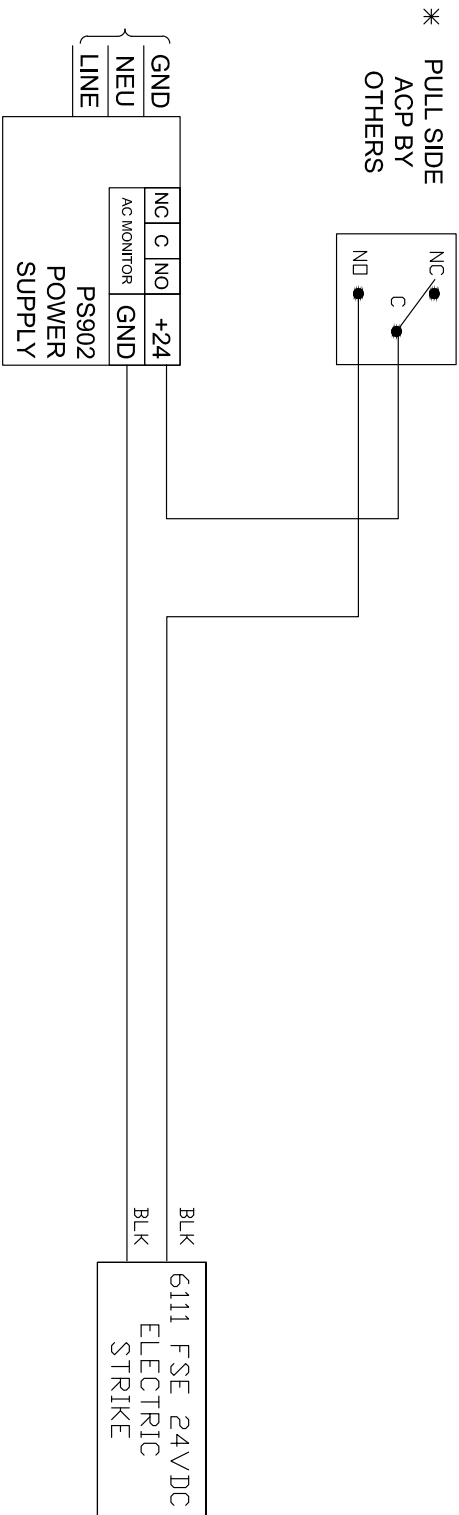
ALLEGION™

TITLE: FSE 6111 WITH PS902 AND APTIQ OR CARD READER BY OTHERS

DWG NO: 109439
DRAWN BY: B DOVE/B DYE

REV B

THIS DIAGRAM REPRESENTS A GENERIC CONFIGURATION. CUSTOM WIRING DIAGRAMS CAN BE ACQUIRED BY CONTACTING TECHNICAL SUPPORT.



NOTE:
* ADDITIONAL WIRING IS REQUIRED. SEE MANUFACTURER INSTALLATION INSTRUCTION

- NOTES:
- 1) ALL LOW VOLTAGE WIRING TO BE STANDARD, MULTI-CONDUCTOR COLOR CODED WITHOUT SPLICES.
 - 2) WIRING TO CONFORM TO APPLICABLE NATIONAL, STATE AND LOCAL ELECTRICAL CODES.
 - 3) REFER TO SPECIFIC PRODUCT INSTALLATION INSTRUCTIONS FOR SPECIFIC WIRING REQUIREMENTS.
 - 4) THIS DRAWING IS FOR GRAPHICAL REPRESENTATION OF PRODUCTS DETAILED IN THE HARDWARE SET ONLY.
 - 5) * CONDUCTOR COUNT TO BE DETERMINED BY ACCESS CONTROL PANEL PROVIDER.

HARDWARE USED:	6111 FSE 24VDC Electric Strike VD 99 Rim Exit device PS902 Power Supply APT10 or Card Reader By Others with Access Control Panel
TYPE:	6111 FSE ESTRIKE WITH APT10 OR CR BD

OPERATION:	PULL SIDE APT10 OR CARD READER BY OTHERS TO UNLOCK ELECTRIC STRIKE TO ALLOW ENTRY. 6111 FSE ESTRIKE WILL LOCK ON POWER OUTAGE. FREE EGRESS ALWAYS FROM PUSH SIDE OF 99 RIM EXIT DEVICE IN THIS EXAMPLE ALL WIRING CONNECTIONS ARE MADE IN THE PS902 ENCLOSURE.
DATE DRAWN:	3-13-13
REVISION:	3-13-13
copyright 2013	

ALLEGION™

TITLE: FSE 6111 WITH PS902 AND APT10 OR CARD READER BY OTHERS

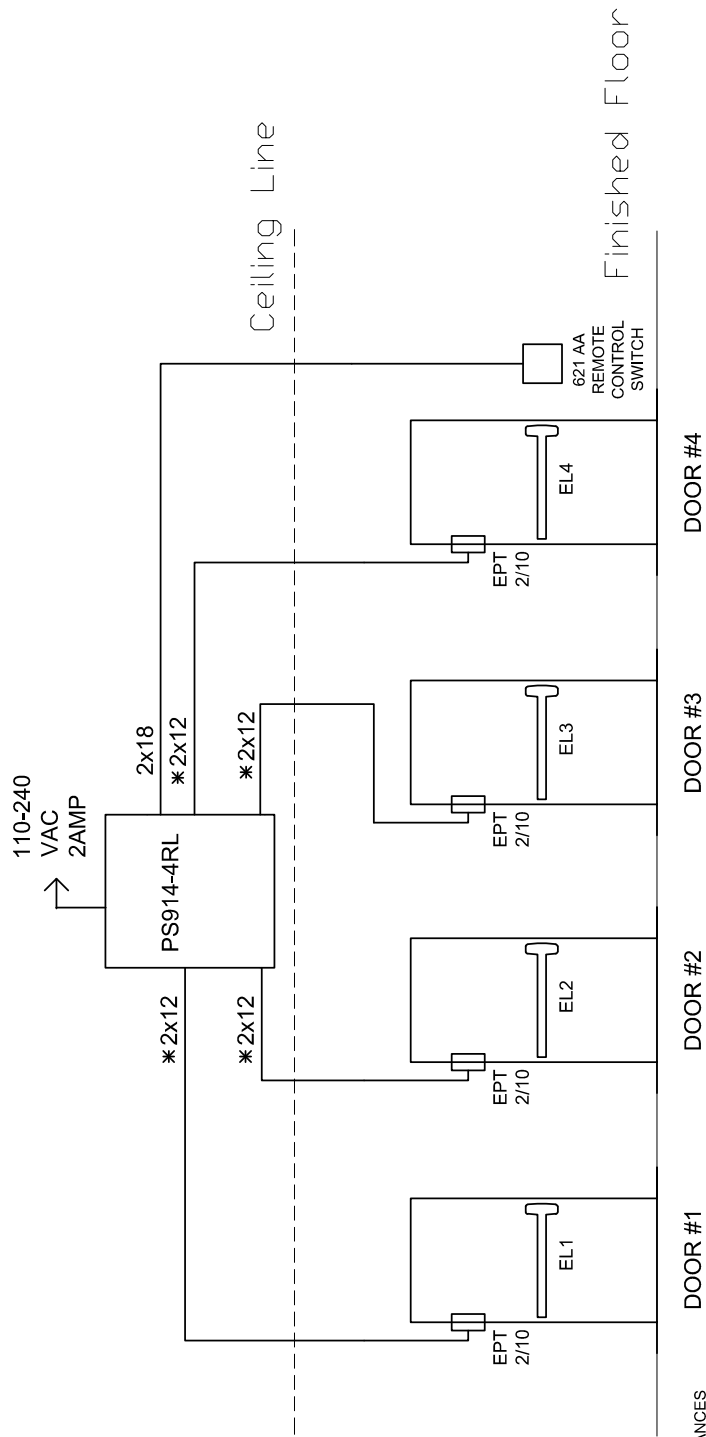
DRAWING TYPE: WIRING DIAGRAM

DWG NO.: 109439

DRAWN BY: B DOVE/ B DYE

REV: B

THIS DIAGRAM REPRESENTS A GENERIC CONFIGURATION. CUSTOM WIRING DIAGRAMS CAN BE ACQUIRED BY CONTACTING TECHNICAL SUPPORT.



NOTE:
 * USE #12 GAUGE WIRE FOR DISTANCES UP TO 200' FROM EPT TO PS914
 * USE #14 GAUGE WIRE FOR DISTANCES UP TO 100' FROM EPT TO PS914

NOTES:
 1) ALL LOW VOLTAGE WIRING TO BE STANDARD, MULTI-CONDUCTOR COLOR CODED WITHOUT SPLICES.
 2) WIRING TO CONFORM TO APPLICABLE NATIONAL, STATE AND LOCAL ELECTRICAL CODES.
 3) REFER TO SPECIFIC PRODUCT INSTALLATION INSTRUCTIONS FOR SPECIFIC WIRING REQUIREMENTS.
 4) THIS DRAWING IS FOR GRAPHICAL REPRESENTATION OF PRODUCTS DETAILED IN THE HARDWARE SET ONLY.
 5) * CONDUCTOR COUNT TO BE DETERMINED BY ACCESS CONTROL PANEL PROVIDER.

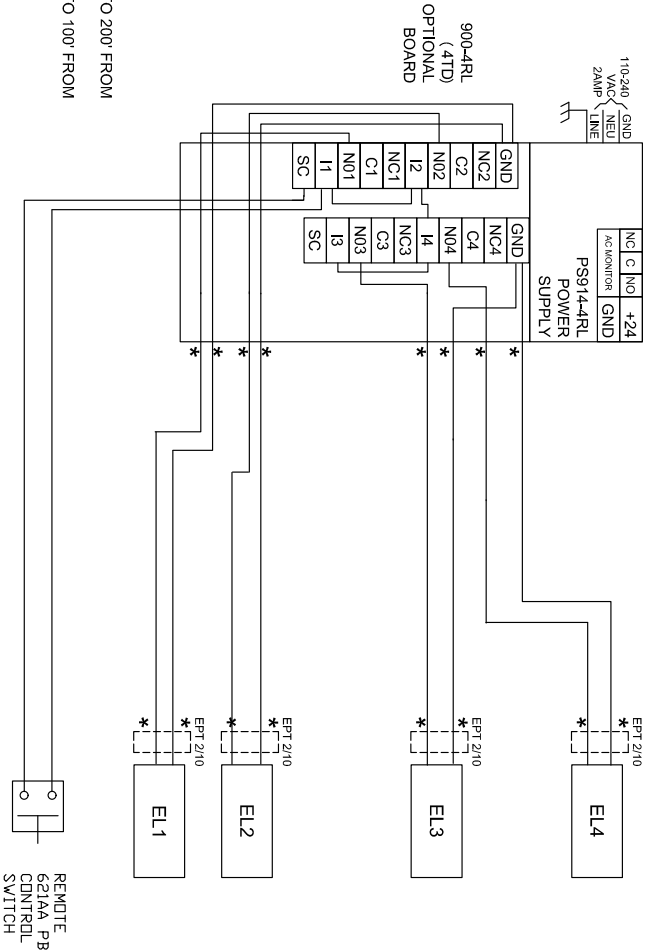
HARDWARE USED:
 4 VON DUPRIN DR FALCON EL PANIC DEVICES
 1 PS914-4RL POWER SUPPLY
 4 EPT POWER TRANSFERS
 621 AA REMOTE CONTROL PUSH BUTTON
 TYPE REMOTE 621AA PB WITH 4 IR EL DEVICES

OPERATION:
 REMOTE CONTROL 621 AA PB TO SIGNAL ALL FOUR ELECTRIC PANIC BARS TO RETRACT FOR ENTRY.
 THIS CONFIGURATION REPRESENTS A NON FIRE RATED OPENING.
 IN THIS EXAMPLE ALL WIRING CONNECTIONS ARE MADE IN PS914 ENCLOSURE.
 DATE DRAWN: 3-20-13 REVISION DATE: 3-20-13
 copyright 2013

ALLEGION™

TITLE: REMOTE 621AA PB WITH 4 IR EL PANICS
 DRAWING TYPE: RISER DIAGRAM
 DWG NO: 109440
 DRAWN/CHECKED BY: B DOVE/B DYE
 REV: B

THIS DIAGRAM REPRESENTS A GENERIC CONFIGURATION. CUSTOM WIRING DIAGRAMS CAN BE ACQUIRED BY CONTACTING TECHNICAL SUPPORT.



NOTE:
 * USE #12 GAUGE WIRE FOR DISTANCES UP TO 200' FROM EPT TO PS914
 * USE #14 GAUGE WIRE FOR DISTANCES UP TO 100' FROM EPT TO PS914
 900-4RL CARD SW2 SET SWITCH 1 AND 2 OFF
 900-4RL CARD SW1 SET AS REQUIRED FOR TIME DELAYS
 -SEE INSTRUCTION SHEET FOR DETAILS

NOTES:
 1) ALL LOW VOLTAGE WIRING TO BE STANDARD, MULTI-CONDUCTOR COLOR CODED WITHOUT SPLICES.
 2) WIRING TO CONFORM TO APPLICABLE NATIONAL, STATE AND LOCAL ELECTRICAL CODES.
 3) REFER TO SPECIFIC PRODUCT INSTALLATION INSTRUCTIONS FOR SPECIFIC WIRING REQUIREMENTS.
 4) THIS DRAWING IS FOR GRAPHICAL REPRESENTATION OF PRODUCTS DETAILED IN THE HARDWARE SET ONLY.
 5) * CONDUCTOR COUNT TO BE DETERMINED BY ACCESS CONTROL PANEL PROVIDER.

HARDWARE USED	4 VDU SUPPIN DR FALCON EL PANIC DEVICES 1 PS914-4RL POWER SUPPLY 4 EPT POWER TRANSFERS 621 AA REMOTE CONTROL SWITCH
TYPE	REMOTE 621AA PB WITH 4 IR EL DEVICES

OPERATION:	REMOTE CONTROL 621AA PB TO SIGNAL ALL FOUR ELECTRIC PANIC BARS TO RETRACT FOR ENTRY.
THIS CONFIGURATION REPRESENTS A NON FIRE RATED OPENING:	
IN THIS EXAMPLE ALL WIRING CONNECTIONS ARE MADE IN PS914 ENCLOSURE:	
DATE DRAWN:	3-20-13
REVISION DATE:	3-20-13
copy right	2013

ALLEGION™

TITLE: REMOTE 621AA PB WITH 4 IR EL PANICS

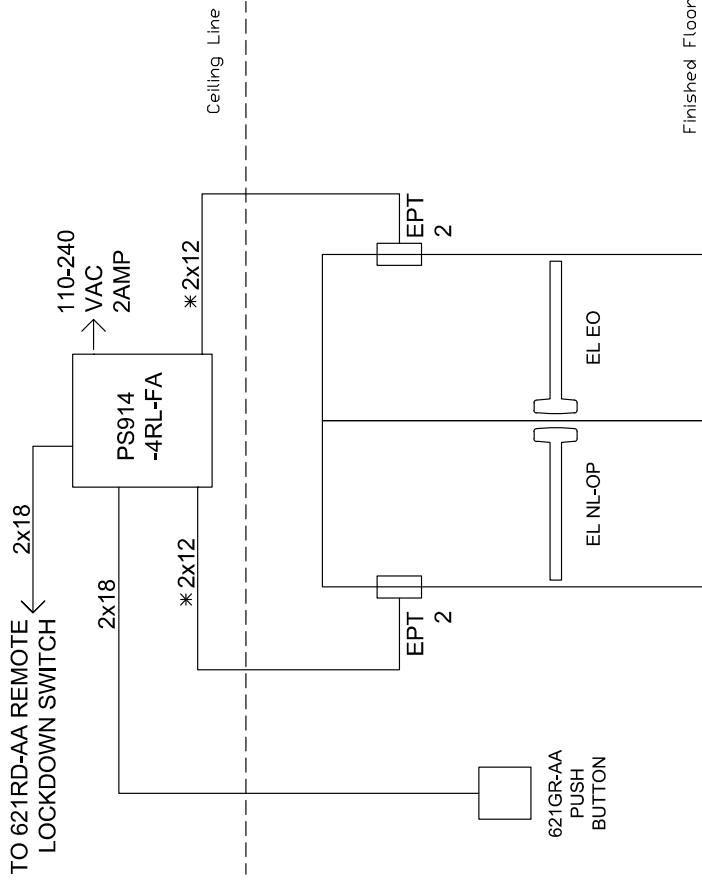
DRAWING TYPE: WIRING DIAGRAM

DWG NO: 109440

DRAWN/CHANGED BY: B DOVE/ B DYE

REV: B

THIS DIAGRAM REPRESENTS A GENERIC CONFIGURATION. CUSTOM WIRING DIAGRAMS CAN BE ACQUIRED BY CONTACTING TECHNICAL SUPPORT.



TITLE: PS914-4RL-FA EL PAIR EMERGENCY RELEASE

DRAWING TYPE: RISER DIAGRAM
 DWG NO: 109444
 DRAWN BY: BRENDA DOVE
 REV: B

OPERATION:
 EL LATCHES HELD SIGNALLED TO RETRACT BY 621GR-AA PUSH BUTTON. IN THE EVENT OF AN EMERGENCY PRESSING 621RD REMOTE PUSH BUTTON WILL CAUSE EL LATCHES TO EXTEND SECURING DOOR FROM PULL SIDE.
 THIS EXAMPLE IS FOR A NON FIRE RATED APPLICATION.
 IN THIS EXAMPLE ALL CONNECTIONS ARE MADE IN PS914 ENCLOSURE.

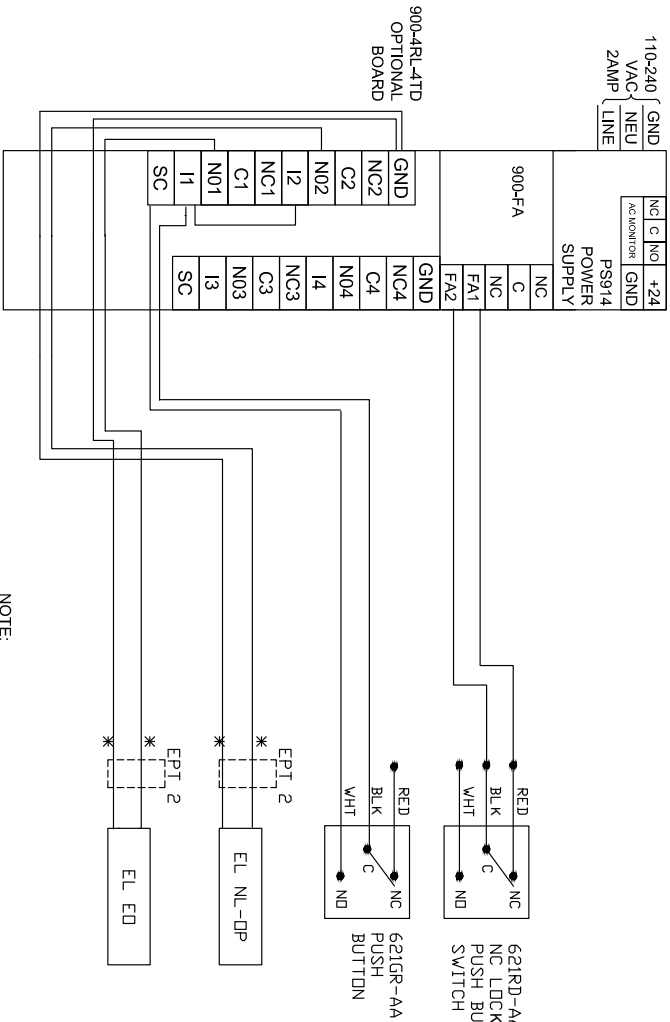
DATE DRAWN: 3-21-13
 REVISION DATE: 3-21-13
 copyright 2013

HARDWARE USED:
 2 YONDUPRIN OR FALCON EL PANIC DEVICES
 1 621GR-AA PUSH BUTTON
 1 621RD-AA PUSH BUTTON
 1 PS914-4RL-FA POWER SUPPLY

TYPE: EMERGENCY RELEASE OF IR EL PANIC DEVICES

NOTES:
 1) ALL LOW VOLTAGE WIRING TO BE STANDARD MULTI-CONDUCTOR COLOR CODED WITHOUT SPLICES.
 2) WIRING TO CONFIRM TO APPLICABLE NATIONAL, STATE AND LOCAL ELECTRICAL CODES.
 3) REFER TO SPECIFIC PRODUCT INSTALLATION INSTRUCTIONS FOR SPECIFIC WIRING REQUIREMENTS.
 4) THIS DRAWING IS FOR GRAPHICAL REPRESENTATION OF PRODUCTS DETAILED IN THE HARDWARE SET ONLY.

THIS DIAGRAM REPRESENTS A GENERIC CONFIGURATION. CUSTOM WIRING DIAGRAMS CAN BE ACQUIRED BY CONTACTING TECHNICAL SUPPORT.



NOTE:
 * USE #12 GAUGE WIRE FOR DISTANCES UP TO 200' FROM EPT TO PS914
 * USE #14 GAUGE WIRE FOR DISTANCES UP TO 100' FROM EPT TO PS914

- NOTES:
- 1) ALL LOW VOLTAGE WIRING TO BE STANDARD, MULTI-CONDUCTOR COLOR CODED WITHOUT SPLICES.
 - 2) WIRING TO CONFORM TO APPLICABLE NATIONAL, STATE AND LOCAL ELECTRICAL CODES.
 - 3) REFER TO SPECIFIC PRODUCT INSTALLATION INSTRUCTIONS FOR SPECIFIC WIRING REQUIREMENTS.
 - 4) THIS DRAWING IS FOR GRAPHICAL REPRESENTATION OF PRODUCTS DETAILLED IN THE HARDWARE SET ONLY.

HARDWARE USED:
 2 VONDUPRIN OR FALCON EL PANIC DEVICES
 1 621GR-AA PUSH BUTTON
 1 621RD-AA PUSH BUTTON
 1 PS914-4RL-FA POWER SUPPLY

TYPE
 EMERGENCY RELEASE OF IR
 EL PANIC DEVICES

OPERATION:
 EL LATCHES HELD SIGNALLED TO RETRACT BY 621GR-AA PUSH BUTTON, IN THE EVENT OF AN EMERGENCY PRESSING 621RD REMOTE PUSH BUTTON WILL CAUSE EL LATCHES TO EXTEND SECURING DOOR FROM FULL SIDE.
 THIS EXAMPLE IS FOR A NON FIRE RATED APPLICATION.
 IN THIS EXAMPLE ALL CONNECTIONS ARE MADE IN PS914 ENCLOSURE.

DATE DRAWN: 3-21-13 REVISION DATE: 3-21-13
 copyright 2013

TITLE:
 PS914-4RL-FA EL PAIR
 EMERGENCY RELEASE

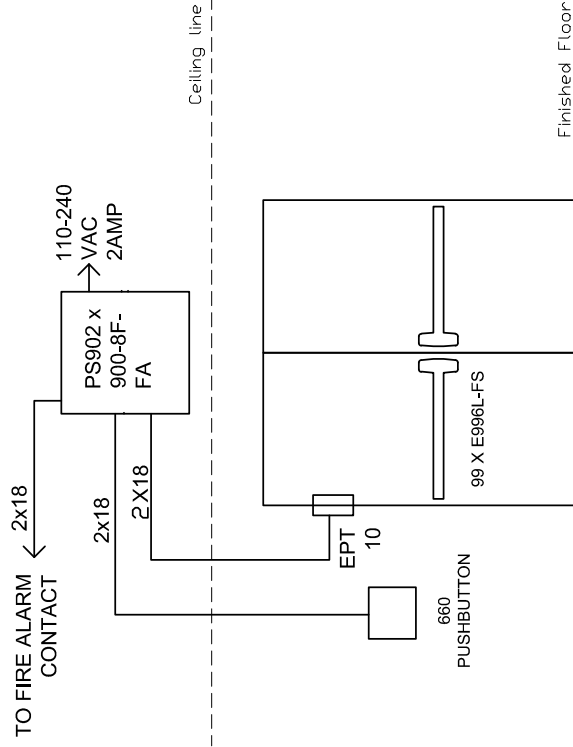


DRAWING TYPE:
 WIRING DIAGRAM

DWG NO.: 109444
 DRAWN/CHECKED BY: B DOVE

REV: B

THIS DIAGRAM REPRESENTS A GENERIC CONFIGURATION. CUSTOM WIRING DIAGRAMS CAN BE ACQUIRED BY CONTACTING TECHNICAL SUPPORT.



NOTES:
 1) ALL LOW VOLTAGE WIRING TO BE STANDARD, MULTI-CONDUCTOR COLOR CODED WITHOUT SPLICES.
 2) WIRING TO CONFORM TO APPLICABLE NATIONAL, STATE AND LOCAL ELECTRICAL CODES.
 3) REFER TO SPECIFIC PRODUCT INSTALLATION INSTRUCTIONS FOR SPECIFIC WIRING REQUIREMENTS.
 4) THIS DRAWING IS FOR GRAPHICAL REPRESENTATION OF PRODUCTS DETAILED IN THE HARDWARE SET ONLY.
 5) * CONDUCTOR COUNT TO BE DETERMINED BY ACCESS CONTROL PANEL PROVIDER.

HARDWARE USED:
 1 VD 99 x E996L FSE 24VDC
 1 PS902-8F-FA Power Supply
 1 660 Pushbutton
 Fire Alarm Contact by Others
 TYPE FS E996L WITH 660 PB AND FIRE ALARM RELEASE

OPERATION:
 660 PUSHBUTTON TO RELEASE FAIL SAFE E996L FOR AUTHORIZED ENTRY.
 FIRE ALARM CONTACT TO RELEASE THE ELECTRIC TRIM TO ALLOW ENTRY.
 IN THIS EXAMPLE ALL WIRING CONNECTIONS ARE MADE IN PS902 ENCLOSURE.
 DATE DRAWN 3-21-13 REVISION DATE 3-21-13
 copyright 2013

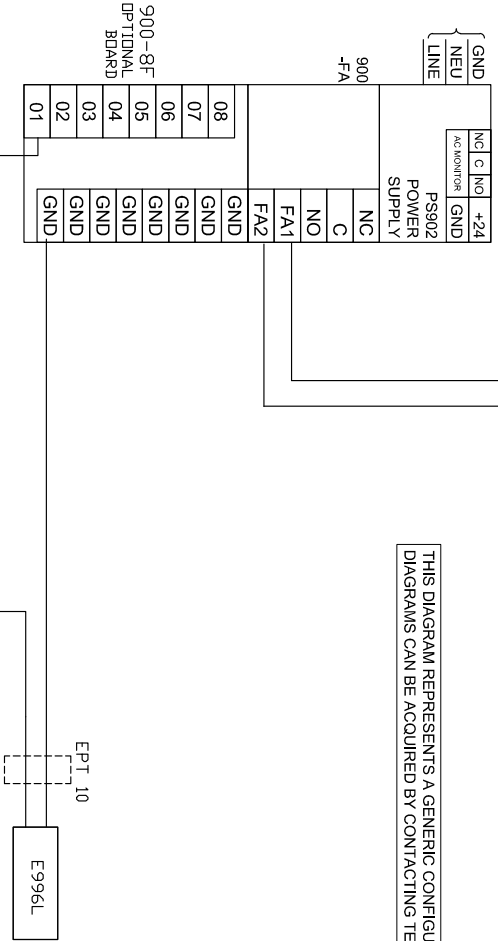
ALLEGION™

FS E996L WITH PS902-8F-FA

TITLE:

DWG NO: 109445
 DRAWN BY: B DOVE
 REV B

N.C. FIRE
ALARM
CONTACT



THIS DIAGRAM REPRESENTS A GENERIC CONFIGURATION. CUSTOM WIRING DIAGRAMS CAN BE ACQUIRED BY CONTACTING TECHNICAL SUPPORT.

NOTES:
 1) ALL LOW VOLTAGE WIRING TO BE STANDARD, MULTI-CONDUCTOR COLOR CODED WITHOUT SPLICES.
 2) WIRING TO CONFORM TO APPLICABLE NATIONAL, STATE AND LOCAL ELECTRICAL CODES.
 3) REFER TO SPECIFIC PRODUCT INSTALLATION INSTRUCTIONS FOR SPECIFIC WIRING REQUIREMENTS.
 4) THIS DRAWING IS FOR GRAPHICAL REPRESENTATION OF PRODUCTS DETAILED IN THE HARDWARE SET ONLY.
 5) * CONDUCTOR COUNT TO BE DETERMINED BY ACCESS CONTROL PANEL PROVIDER.

HARDWARE USED	
1	VD 99 x E996L FSE 24VDC
1	PS902-8F-FA Power Supply
1	660 Pushbutton
Fire Alarm Contact by Others	
TYPE	FS E996L WITH 660 PB AND FIRE ALARM RELEASE

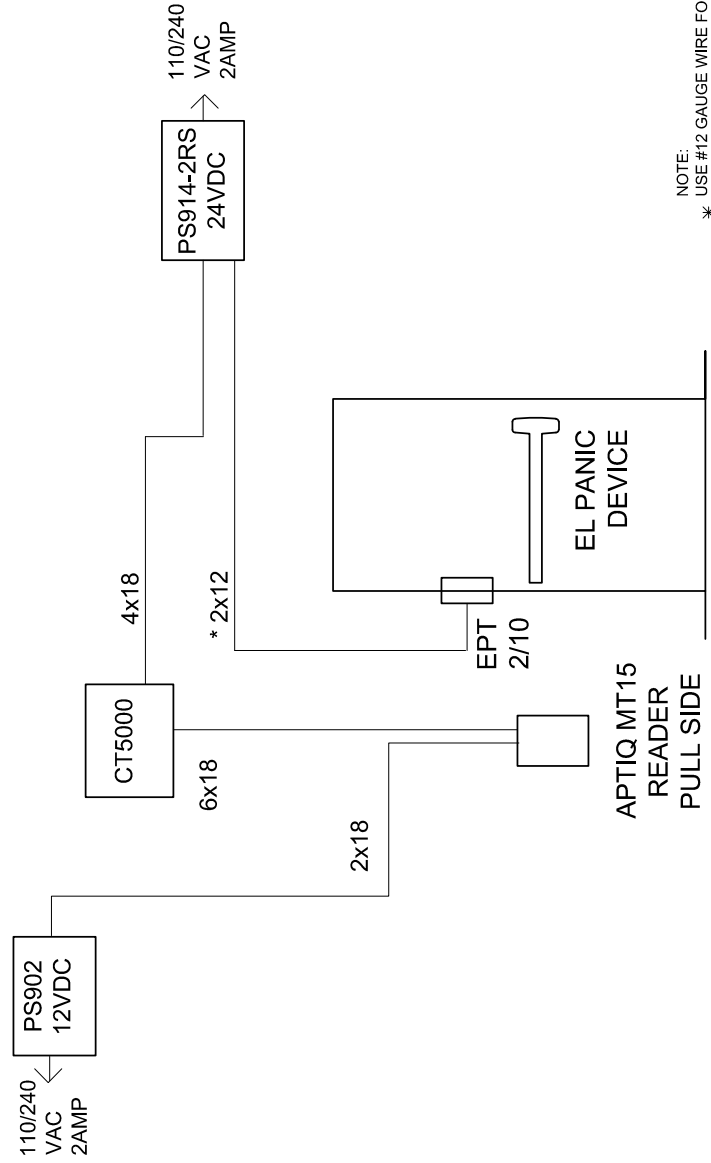
OPERATION:	
660 PUSHBUTTON TO RELEASE FAIL SAFE E996L FOR AUTHORIZED ENTRY.	
FIRE ALARM CONTACT TO RELEASE THE ELECTRIC TRIM TO ALLOW ENTRY.	
IN THIS EXAMPLE ALL WIRING CONNECTIONS ARE MADE IN PS902 ENCLOSURE.	
DATE DRAWN	REVISION DATE
3-21-13	3-21-13
copyrigh t 2013	

ALLEGION™

FS E996L WITH PS902-8F-FA

DRAWING TYPE WIRING DIAGRAM	DWG NO. 109445	DRAWN/CHANGED BY: B DOVE/
		REV B

THIS DIAGRAM REPRESENTS A GENERIC CONFIGURATION. CUSTOM WIRING DIAGRAMS CAN BE ACQUIRED BY CONTACTING TECHNICAL SUPPORT.

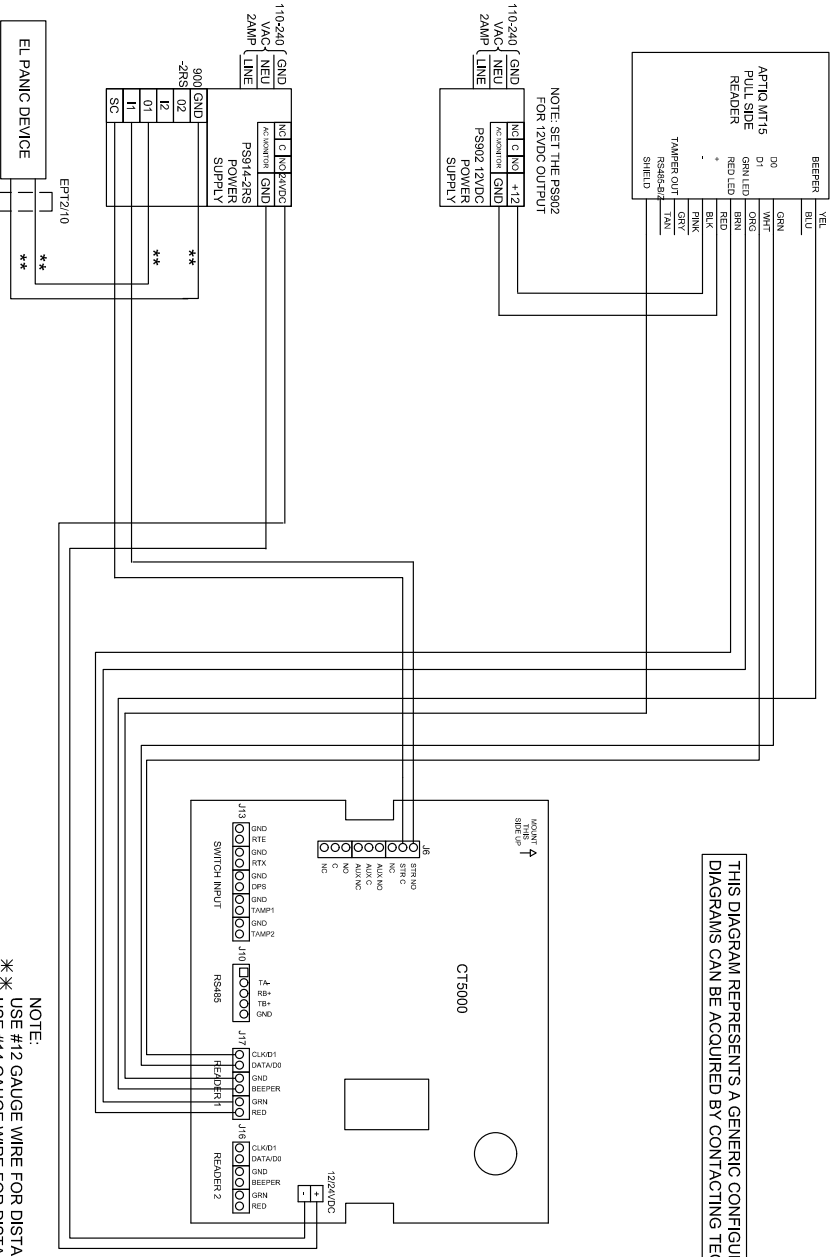


NOTE:
 * USE #12 GAUGE WIRE FOR DISTANCES UP TO 200' FROM EPT TO PS914.
 * USE #14 GAUGE WIRE FOR DISTANCES UP TO 100' FROM EPT TO PS914.

<p>NOTES: 1) ALL LOW VOLTAGE WIRING TO BE STANDARD, MULTI-CONDUCTOR COLOR CODED WITHOUT SPLICES. 2) WIRING TO CONFORM TO APPLICABLE NATIONAL, STATE AND LOCAL ELECTRICAL CODES. 3) REFER TO SPECIFIC PRODUCT INSTALLATION INSTRUCTIONS FOR SPECIFIC WIRING REQUIREMENTS. 4) THIS DRAWING IS FOR GRAPHICAL REPRESENTATION OF PRODUCTS DETAILED IN THE HARDWARE SET ONLY. 5) * CONDUCTOR COUNT TO BE DETERMINED BY ACCESS CONTROL PANEL PROVIDER.</p>	<p>HARDWARE USED: 1 CT5000 1 MT15 APTIQ READER 1 VD OR FALCON EL PANIC 1 EPT2/10 1 PS902 1 PS914-2RS</p>	<p>OPERATION: APTIQ MT15 READER TO RETRACT THE ELECTRIC LATCH ON PANIC BAR TO ALLOW ENTRY. FREE EGRESS ALWAYS PERMITTED THIS IS NOT A FIRE RATED APPLICATION</p>	<p>DATE DRAWN: 3-26-13 REVISION DATE: 3-26-13 copyright 2013</p>
<p>TITLE: CT5000 WITH EL AND PS914-2RS AND PS902</p>		<p>DRAWING TYPE: RISER DIAGRAM</p>	<p>DWG NO.: 109499 DRAWN/CHECKED BY: BRENDA DOVE REV: B</p>



THIS DIAGRAM REPRESENTS A GENERIC CONFIGURATION. CUSTOM WIRING DIAGRAMS CAN BE ACQUIRED BY CONTACTING TECHNICAL SUPPORT.



NOTE:
 ** USE #12 GAUGE WIRE FOR DISTANCES UP TO 200' FROM EPT TO PS914.
 *** USE #14 GAUGE WIRE FOR DISTANCES UP TO 100' FROM EPT TO PS914.

- NOTES:
- 1) ALL LOW VOLTAGE WIRING TO BE STANDARD, MULTI-CONDUCTOR COLOR CODED WITHOUT SPLICES.
 - 2) WIRING TO CONFORM TO APPLICABLE NATIONAL, STATE AND LOCAL ELECTRICAL CODES.
 - 3) REFER TO SPECIFIC PRODUCT INSTALLATION INSTRUCTIONS FOR SPECIFIC WIRING REQUIREMENTS.
 - 4) THIS DRAWING IS FOR GRAPHICAL REPRESENTATION OF PRODUCTS DETAILED IN THE HARDWARE SET ONLY.
 - 5) * CONDUCTOR COUNT TO BE DETERMINED BY ACCESS CONTROL PANEL PROVIDER.

HARDWARE USED	OPERATION:
1 CT5000 1 MT15 APTIQ READER 1 VD OR FALCON EL PANIC DEVICE 1 EPT2/10 1 PS902 1 PS914-2RS	APTIQ MT15 READER TO RETRACT THE ELECTRIC LATCH ON PANIC BAR TO ALLOW ENTRY. FREE EGRESS ALWAYS PERMITTED. THIS IS NOT A FIRE RATED APPLICATION
TYPE ACCESS CONTRL WITH EL PANIC	DATE DRAWN: 3-26-13 REVISION DATE: 3-26-13 copyright 2013

ALLEGION™

TITLE: CT5000 WITH EL AND PS914-2RS AND PS902

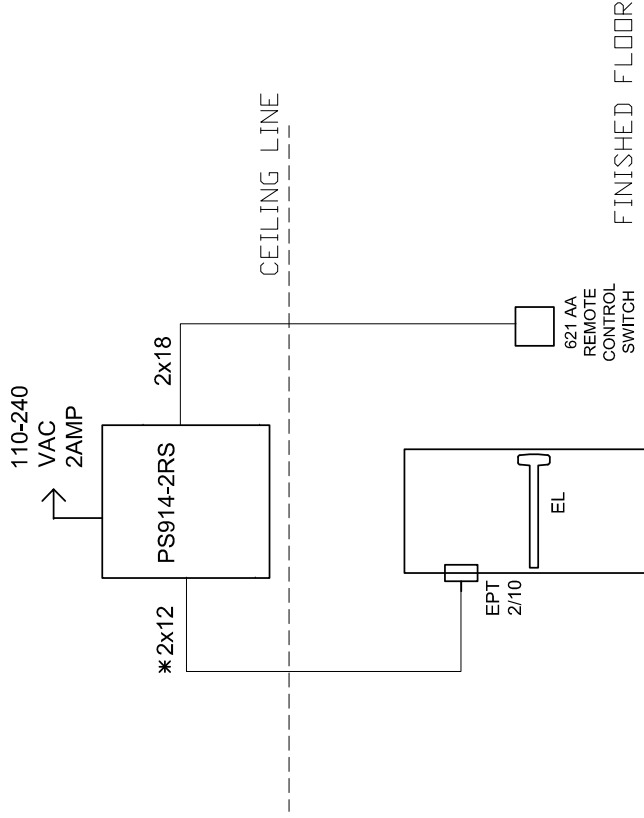
DRAWING TYPE: WIRING DIAGRAM

DWG NO.: 109499

DRAWN/ENGINEERED BY: B DOVEI

REV: B

THIS DIAGRAM REPRESENTS A GENERIC CONFIGURATION. CUSTOM WIRING DIAGRAMS CAN BE ACQUIRED BY CONTACTING TECHNICAL SUPPORT.



NOTE:
 *USE #12 GAUGE WIRE FOR DISTANCES UP TO 200' FROM EPT TO PS914
 *USE #14 GAUGE WIRE FOR DISTANCES UP TO 100' FROM EPT TO PS914

SETP PS914 TO 24VDC

NOTES:
 1) ALL LOW VOLTAGE WIRING TO BE STANDARD. MULTI-CONDUCTOR COLOR CODED WITHOUT SPLICES.
 2) WIRING TO CONFORM TO APPLICABLE NATIONAL, STATE AND LOCAL ELECTRICAL CODES.
 3) REFER TO SPECIFIC PRODUCT INSTALLATION INSTRUCTIONS FOR SPECIFIC WIRING REQUIREMENTS.
 4) THIS DRAWING IS FOR GRAPHICAL REPRESENTATION OF PRODUCTS DETAILED IN THE HARDWARE SET ONLY.
 5) * CONDUCTOR COUNT TO BE DETERMINED BY ACCESS CONTROL PANEL PROVIDER.

HARDWARE USED:

- 1 VON DUPRIN DR FALCON EL PANIC DEVICES
 - 1 PS914-2RS POWER SUPPLY
 - 1 EPT POWER TRANSFERS
 - 1 621 AA REMOTE CONTROL PUSH BUTTON
- TYPE REMOTE 621AA PB WITH SINGLE IR EL DEVICES

OPERATION:
 REMOTE CONTROL 621 AA PB TO SIGNAL SINGLE EL ELECTRIC PANIC BAR TO RETRACT FOR ENTRY.
 THIS CONFIGURATION REPRESENTS A NON FIRE RATED OPENING.

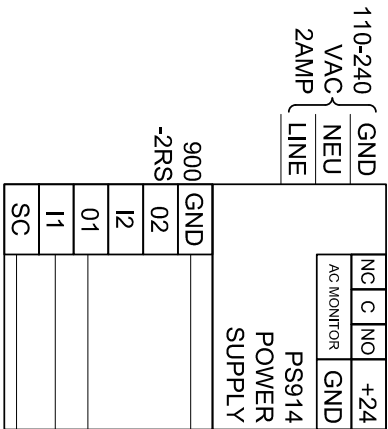
IN THIS EXAMPLE ALL WIRING CONNECTIONS ARE MADE IN PS914 ENCLOSURE.

DATE DRAWN: 5-3-13 REVISION DATE: 5-3-13
 copyright 2013

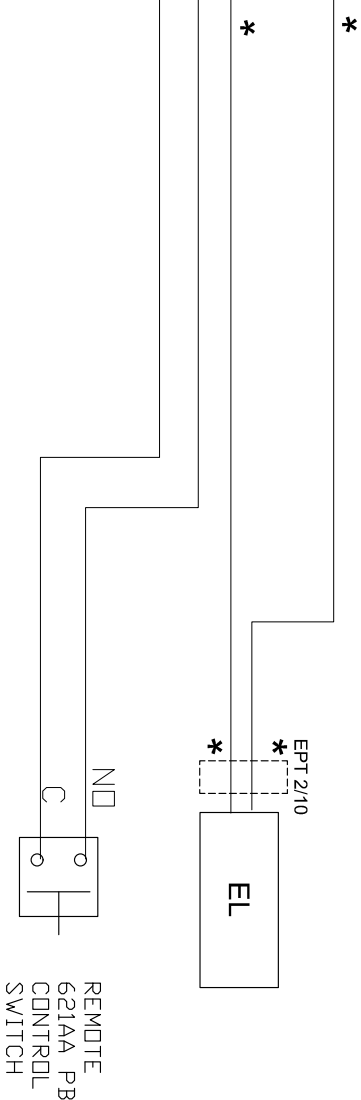


TITLE REMOTE 621AA PB WITH SINGLE IR EL PANICS
 DRAWING TYPE RISER DIAGRAM
 DWG NO: 109550
 REV B
 DRAWN/CHECKED BY: B DOVE

THIS DIAGRAM REPRESENTS A GENERIC CONFIGURATION. CUSTOM WIRING DIAGRAMS CAN BE ACQUIRED BY CONTACTING TECHNICAL SUPPORT.



NOTE:
 *USE #12 GAUGE WIRE FOR DISTANCES UP TO 200' FROM EPT TO PS914
 *USE #14 GAUGE WIRE FOR DISTANCES UP TO 100' FROM EPT TO PS914
 SET PS914 TO 24VDC



NOTES:
 1) ALL LOW VOLTAGE WIRING TO BE STANDARD, MULTI-CONDUCTOR COLOR CODED WITHOUT SPLICES.
 2) WIRING TO CONFORM TO APPLICABLE NATIONAL, STATE AND LOCAL ELECTRICAL CODES.
 3) REFER TO SPECIFIC PRODUCT INSTALLATION INSTRUCTIONS FOR SPECIFIC WIRING REQUIREMENTS.
 4) THIS DRAWING IS FOR GRAPHICAL REPRESENTATION OF PRODUCTS DETAILED IN THE HARDWARE SET ONLY.

HARDWARE USED:	
1) VON DUPRIN DR FALCON EL PANIC DEVICES	1 PS914-2RS POWER SUPPLY
1 EPT POWER TRANSFERS	1 EPT POWER TRANSFERS
621 AA REMOTE CONTROL SWITCH	
TYPE	REMOTE 621AA PB WITH SINGLE IR EL DEVICES

OPERATION: REMOTE CONTROL 621AA PB TO SIGNAL SINGLE ELECTRIC PANIC BARS TO RETRACT FOR ENTRY. THIS CONFIGURATION REPRESENTS A NON FIRE RATED OPENING. IN THIS EXAMPLE ALL WIRING CONNECTIONS ARE MADE IN PS914 ENCLOSURE.	
DATE DRAWN: 5-3-13	REVISION DATE: 5-3-13
copyright 2013	

ALLEGION™

TITLE: REMOTE 621AA PB WITH SINGLE IR EL PANICS

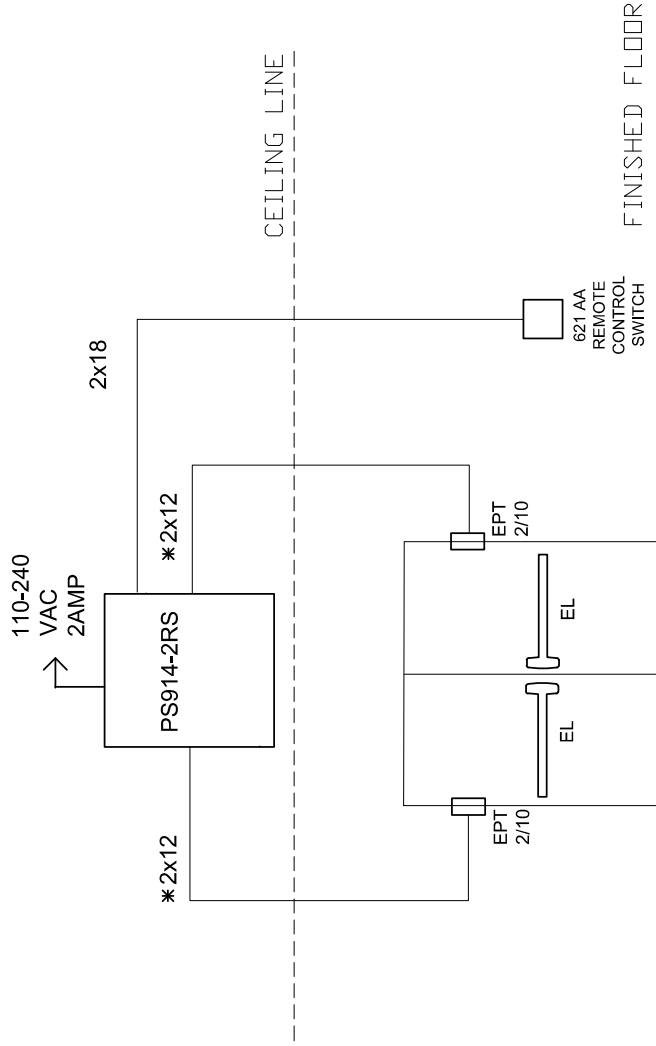
DRAWING TYPE: WIRING DIAGRAM

DWG NO.: 109550

DESIGNED BY: B DOVE

REV: B

THIS DIAGRAM REPRESENTS A GENERIC CONFIGURATION. CUSTOM WIRING DIAGRAMS CAN BE ACQUIRED BY CONTACTING TECHNICAL SUPPORT.



NOTE:
 *USE #12 GAUGE WIRE FOR DISTANCES UP TO 200' FROM EPT TO PS914
 *USE #14 GAUGE WIRE FOR DISTANCES UP TO 100' FROM EPT TO PS914
 SET PS914 TO 24VDC

NOTES:
 1) ALL LOW VOLTAGE WIRING TO BE STANDARD, MULTI-CONDUCTOR COLOR CODED WITHOUT SPLICES.
 2) WIRING TO CONFORM TO APPLICABLE NATIONAL, STATE AND LOCAL ELECTRICAL CODES.
 3) REFER TO SPECIFIC PRODUCT INSTALLATION INSTRUCTIONS FOR SPECIFIC WIRING REQUIREMENTS.
 4) THIS DRAWING IS FOR GRAPHICAL REPRESENTATION OF PRODUCTS DETAILED IN THE HARDWARE SET ONLY.

HARDWARE USED:
 2 VON DUPRIN OR FALCON EL PANIC DEVICES
 1 PS914-2RS POWER SUPPLY
 2 EPT POWER TRANSFERS
 1 621 AA REMOTE CONTROL PUSH BUTTON

TYPE REMOTE 621AA PB WITH PAIR IR EL DEVICES

OPERATION:
 REMOTE CONTROL 621 AA PB TO SIGNAL PAIR EL ELECTRIC PANIC BAR TO RETRACT FOR ENTRY.
 THIS CONFIGURATION REPRESENTS A NON FIRE RATED OPENING.

IN THIS EXAMPLE ALL WIRING CONNECTIONS ARE MADE IN PS914 ENCLOSURE.

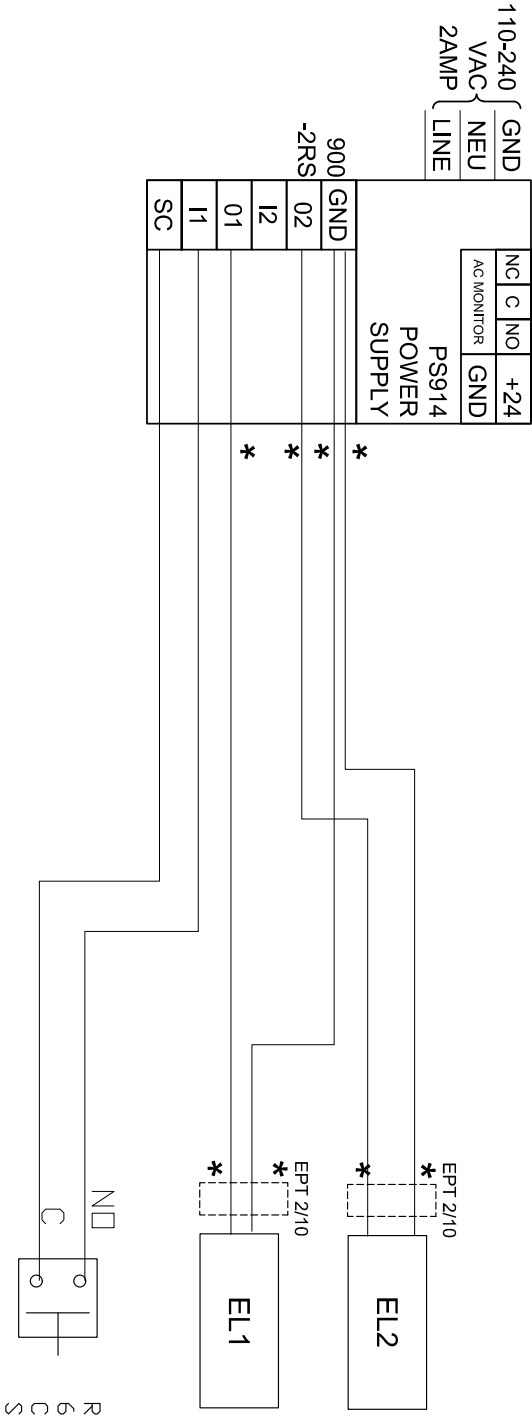
DATE DRAWN: 5-3-13 REVISION DATE: 5-3-13
 copyright 2013



TITLE: REMOTE 621AA PB WITH PAIR IR EL PANICS
 DRAWING TYPE: RISER DIAGRAM
 DWG NO.: I09551
 DRAWN/CHECKED BY: B DOVE

REV: B

THIS DIAGRAM REPRESENTS A GENERIC CONFIGURATION. CUSTOM WIRING DIAGRAMS CAN BE ACQUIRED BY CONTACTING TECHNICAL SUPPORT.



NOTE:
 *USE #12 GAUGE WIRE FOR DISTANCES UP TO 200' FROM EPT TO PS914
 *USE #14 GAUGE WIRE FOR DISTANCES UP TO 100' FROM EPT TO PS914
 SET PS914 TO 24VDC

NOTES:
 1) ALL LOW VOLTAGE WIRING TO BE STANDARD MULTI-CONDUCTOR COLOR CODED WITHOUT SPLICES.
 2) WIRING TO CONFORM TO APPLICABLE NATIONAL, STATE AND LOCAL ELECTRICAL CODES.
 3) REFER TO SPECIFIC PRODUCT INSTALLATION INSTRUCTIONS FOR SPECIFIC WIRING REQUIREMENTS.
 4) THIS DRAWING IS FOR GRAPHICAL REPRESENTATION OF PRODUCTS DETAILED IN THE HARDWARE SET ONLY.

HARDWARE USED:
 2 VON DUPREIN DR FALCON FIRE RATED EL PANIC DEVICES
 1 PS914-2RS POWER SUPPLY
 2 EPT POWER TRANSISTERS
 621 AA REMOTE CONTROL SWITCH

TYPE REMOTE 621AA PB WITH PAIR NON FIRE RATED IR EL DEVICES

OPERATION:
 REMOTE CONTROL 621AA PB TO SIGNAL PAIR ELECTRIC PANIC BARS TO RETRACT FOR ENTRY.
 THIS EXAMPLE IS A NON FIRE RATED APPLICATION.
 IN THIS EXAMPLE ALL WIRING CONNECTIONS ARE MADE IN PS914 ENCLOSURE.

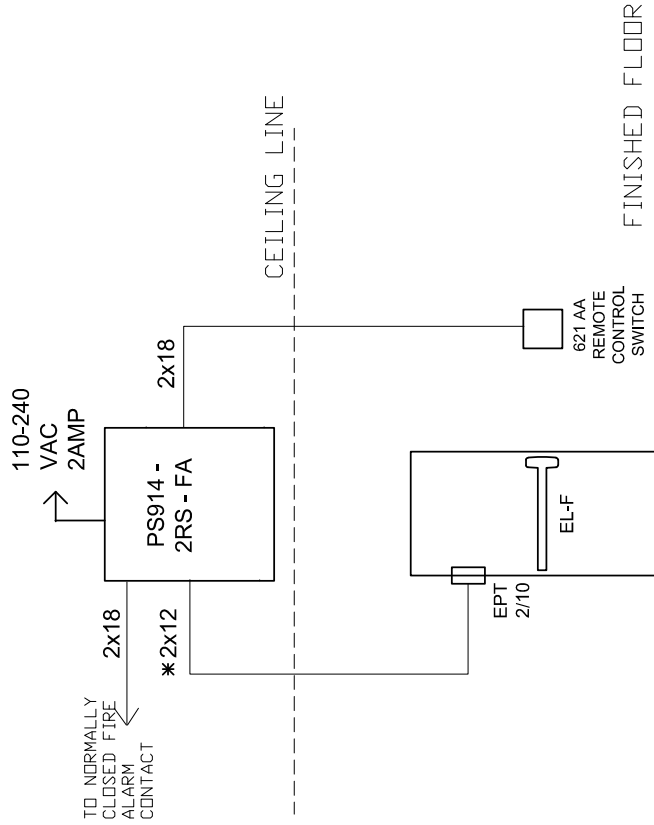
DATE DRAWN: 5-3-13 REVISION DATE: 5-3-13
 COPYRIGHT 2013

ALLEGION™

THE REMOTE 621AA PB WITH PAIR NON FIRE RATED IR EL PANICS

DRAWING TYPE: WIRING DIAGRAM
 DWG NO: 109551
 DRAWN/CHECKED BY: B DOVE
 REV: B

THIS DIAGRAM REPRESENTS A GENERIC CONFIGURATION. CUSTOM WIRING DIAGRAMS CAN BE ACQUIRED BY CONTACTING TECHNICAL SUPPORT.



NOTE:
 *USE #12 GAUGE WIRE FOR DISTANCES UP TO 200' FROM EPT TO PS914
 *USE #14 GAUGE WIRE FOR DISTANCES UP TO 100' FROM EPT TO PS914
 SETP PS914 TO 24VDC

NOTES:
 1) ALL LOW VOLTAGE WIRING TO BE STANDARD, MULTI-CONDUCTOR COLOR CODED WITHOUT SPLICES.
 2) WIRING TO CONFIRM TO APPLICABLE NATIONAL, STATE AND LOCAL ELECTRICAL CODES.
 3) REFER TO SPECIFIC PRODUCT INSTALLATION INSTRUCTIONS FOR SPECIFIC WIRING REQUIREMENTS.
 4) THIS DRAWING IS FOR GRAPHICAL REPRESENTATION OF PRODUCTS DETAILED IN THE HARDWARE SET ONLY.
 5) * CONDUCTOR COUNT TO BE DETERMINED BY ACCESS CONTROL PANEL PROVIDER.

HARDWARE USED:
 1 VON DUPRIN OR FALCON FIRE RATED EL PANIC DEVICES
 1 PS914-2RS POWER SUPPLY
 1 EPT POWER TRANSFERS
 1 621 AA REMOTE CONTROL PUSH BUTTON
 1 FIRE ALARM CONTACT
 TYPE REMOTE 621AA PB WITH SINGLE FIRE RATED IR EL DEVICES

OPERATION:
 REMOTE CONTROL 621 AA PB TO SIGNAL SINGLE EL ELECTRIC PANIC BAR TO RETRACT FOR ENTRY.
 RELEASING 621 AA PUSH BUTTON OR FIRE ALARM TO CAUSE EL LATCHES TO EXTEND.

IN THIS EXAMPLE ALL WIRING CONNECTIONS ARE MADE IN PS914 ENCLOSURE.

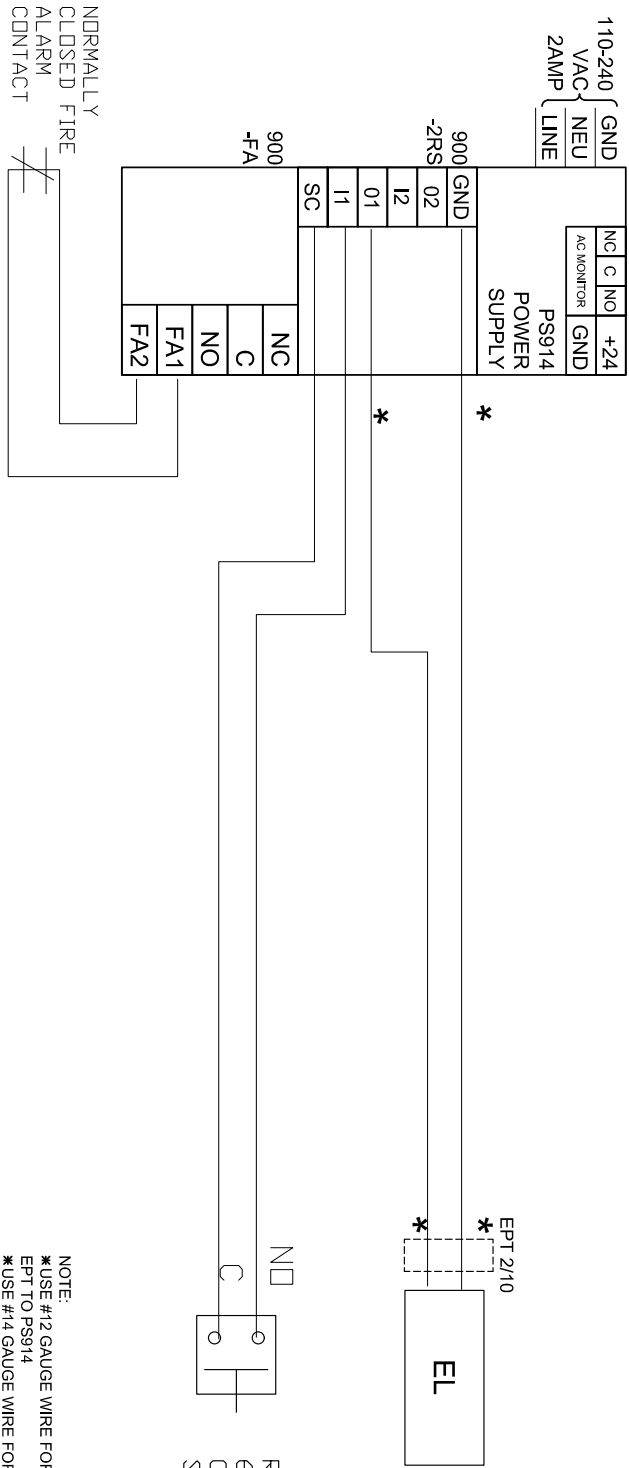
DATE DRAWN: 5-3-13 REVISION DATE: 5-3-13
 copyright 2013



TITLE: REMOTE 621AA PB WITH SINGLE FIRE RATED IR EL PANICS

DRAWING TYPE: RISER DIAGRAM
 DWG NO.: 109552
 DRAWN BY: B DOVE
 REV: B

THIS DIAGRAM REPRESENTS A GENERIC CONFIGURATION. CUSTOM WIRING DIAGRAMS CAN BE ACQUIRED BY CONTACTING TECHNICAL SUPPORT.



NOTE:
 *USE #12 GAUGE WIRE FOR DISTANCES UP TO 200' FROM EPT TO PS914
 *USE #14 GAUGE WIRE FOR DISTANCES UP TO 100' FROM EPT TO PS914
 SET PS914 TO 24VDC

NOTES:
 1) ALL LDV VOLTAGE WIRING TO BE STANDARD, MULTI-CONDUCTOR COLOR CODED WITHOUT SPLICES.
 2) WIRING TO CONFORM TO APPLICABLE NATIONAL, STATE AND LOCAL ELECTRICAL CODES.
 3) REFER TO SPECIFIC PRODUCT INSTALLATION INSTRUCTIONS FOR SPECIFIC WIRING REQUIREMENTS.
 4) THIS DRAWING IS FOR GRAPHICAL REPRESENTATION OF PRODUCTS DETAILED IN THE HARDWARE SET ONLY.

HARDWARE USED:
 1 VDR DURPIN OR FALCON FIRE RATED EL PANIC DEVICES
 1 PS914-2RS POWER SUPPLY
 1 EPT POWER TRANSFORMERS
 621 AA REMOTE CONTROL SWITCH
 1 FIRE ALARM CONTACT
 TYPE REMOTE 621AA PB WITH SINGLE FIRE RATED IR EL DEVICES

OPERATION:
 REMOTE CONTROL 621AA PB TO SIGNAL SINGLE ELECTRIC PANIC BARS TO RETRACT FOR ENTRY.
 RELEASING 621AA PUSH BUTTON OR FIRE ALARM TO CAUSE EL LATCHES TO EXTEND.
 IN THIS EXAMPLE ALL WIRING CONNECTIONS ARE MADE IN PS914 ENCLOSURE.

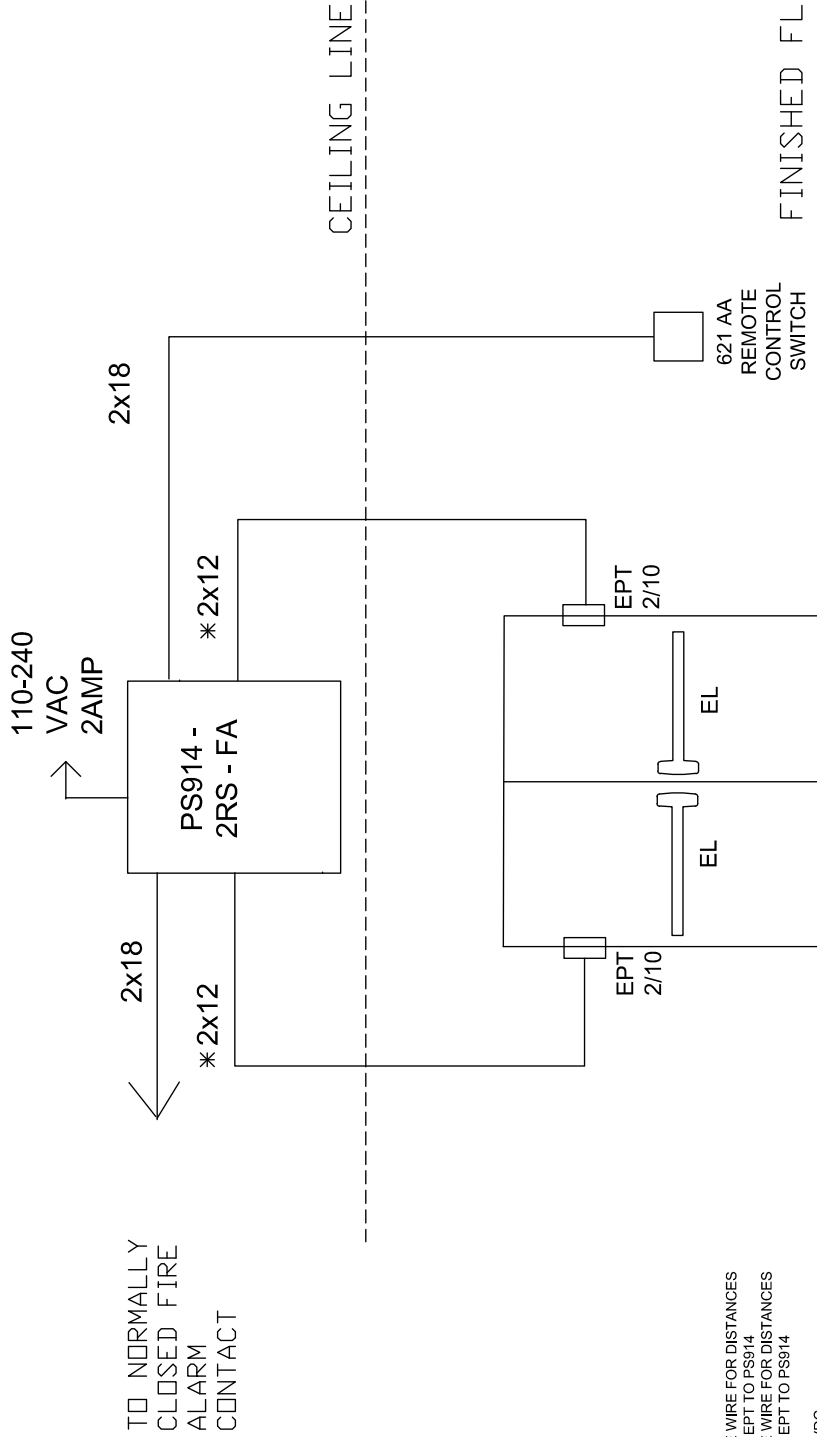
DATE DRAWN: 5-3-13
 REVISION DATE: 5-3-13
 copyright 2013



TITLE: REMOTE 621AA PB WITH SINGLE FIRE RATED IR EL PANICS

DRAWING TYPE: WIRING DIAGRAM
 DWG NO: 109552
 DRAWN/CHECKED BY: B DOVE
 REV: B

THIS DIAGRAM REPRESENTS A GENERIC CONFIGURATION. CUSTOM WIRING DIAGRAMS CAN BE ACQUIRED BY CONTACTING TECHNICAL SUPPORT.

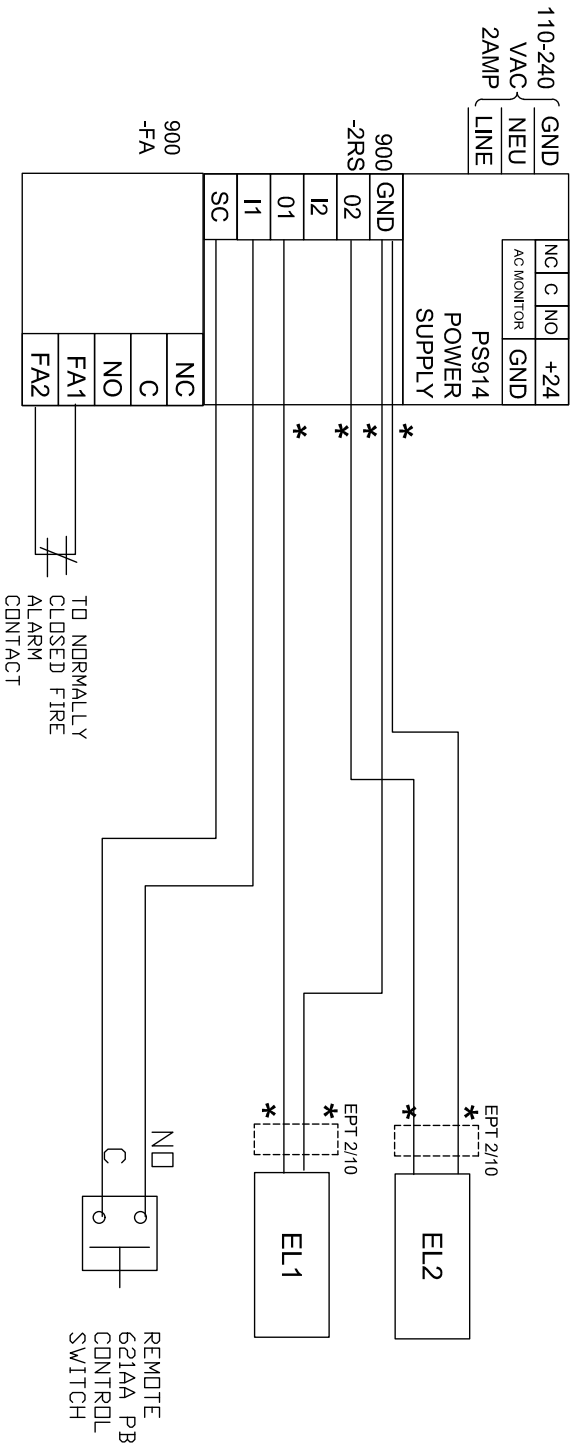


TO NORMALLY CLOSED FIRE ALARM CONTACT

NOTE:
 *USE #12 GAUGE WIRE FOR DISTANCES UP TO 200' FROM EPT TO PS914
 *USE #14 GAUGE WIRE FOR DISTANCES UP TO 100' FROM EPT TO PS914
 SET PS914 TO 24VDC

<p>NOTES: 1) ALL LDV VOLTAGE WIRING TO BE STANDARD, MULTI-CONDUCTOR CDR CODED WITHOUT SPLICES. 2) WIRING TO CONFORM TO APPLICABLE NATIONAL, STATE AND LOCAL ELECTRICAL CODES. 3) REFER TO SPECIFIC PRODUCT INSTALLATION INSTRUCTIONS FOR SPECIFIC WIRING REQUIREMENTS. 4) THIS DRAWING IS FOR GRAPHICAL REPRESENTATION OF PRODUCTS DETALLED IN THE HARDWARE SET ONLY. 5) ADDITIONAL WIRING WILL BE REQUIRED FROM ACP THAT IS NOT SHOWN HERE. CONSULT PROVIDER FOR DETAILS.</p>	<p>HARDWARE USED: 2 VON DUPRIN DR FALCON FIRE RATED EL PANIC DEVICES 1 PS914-2RS-FA POWER SUPPLY 2 EPT POWER TRANSFERS 1 621 AA REMOTE CONTROL PUSH BUTTON 1 FIRE ALARM CONTACT</p> <p>TYPE REMOTE 621AA PB WITH PAIR FIRE RATED EL DEVICES</p>	<p>OPERATION: REMOTE CONTROL 621 AA PB TO SIGNAL PAIR FIRE RATED EL ELECTRIC PANIC BAR TO RETRACT FOR ENTRY. RELEASING 621AA PUSH BUTTON OR FIRE ALARM WILL CAUSE EL LATCHES TO EXTEND. IN THIS EXAMPLE ALL WIRING CONNECTIONS ARE MADE IN PS914 ENCLOSURE.</p> <p>DATE DRAWN 5-3-13 REVISION DATE 5-3-13 copyright 2013</p>	<p>ALLEGION™</p> <p>TITLE: REMOTE 621AA PB WITH PAIR FIRE RATED EL PANICS</p> <p>DWG NO: 109553 DRAWN/CHECKED BY: B DOVE DRAWING TYPE: RISER DIAGRAM REV: B</p>
---	--	--	--

THIS DIAGRAM REPRESENTS A GENERIC CONFIGURATION. CUSTOM WIRING DIAGRAMS CAN BE ACQUIRED BY CONTACTING TECHNICAL SUPPORT.



NOTE:
 *USE #12 GAUGE WIRE FOR DISTANCES UP TO 200' FROM EPT TO PS914
 *USE #14 GAUGE WIRE FOR DISTANCES UP TO 100' FROM EPT TO PS914
 SET PS914 TO 24VDC

NOTES:
 1) ALL LVDV VOLTAGE WIRING TO BE STANDARD MULTI-CONDUCTOR CABLE CODED WITHOUT SPLICES.
 2) WIRING TO CONFORM TO APPLICABLE NATIONAL, STATE AND LOCAL ELECTRICAL CODES.
 3) REFER TO SPECIFIC PRODUCT INSTALLATION INSTRUCTIONS FOR SPECIFIC WIRING REQUIREMENTS.
 4) THIS DRAWING IS FOR GRAPHICAL REPRESENTATION OF PRODUCTS DETAILED IN THE HARDWARE SET ONLY.
 5) ADDITIONAL WIRING WILL BE REQUIRED FROM ACP THAT IS NOT SHOWN HERE. CONSULT PROVIDER FOR DETAILS.

HARDWARE USED:
 2 VEN DUPRIN DR FALCON FIRE RATED EL PANIC DEVICES
 1 PS914-RS-FA POWER SUPPLY
 2 EPT POWER TRANSISTERS
 621 AA REMOTE CONTROL SWITCH
 1 FIRE ALARM CONTACT
 TYPE REMOTE 621AA PB WITH PAIR FIRE RATED EL DEVICES

OPERATION:
 REMOTE CONTROL 621AA PB TO SIGNAL PAIR FIRE RATED ELECTRIC PANIC BARS TO RETRACT FOR ENTRY.
 RELEASING 621AA PUSH BUTTON OR FIRE ALARM TO CAUSE EL LATCHES TO EXTEND.
 IN THIS EXAMPLE ALL WIRING CONNECTIONS ARE MADE IN DATE DRAWN 5-3-13
 REVISION DATE 5-3-13
 copyright 2013

ALLEGION™

TITLE: REMOTE 621AA PB WITH PAIR FIRE RATED EL PANICS

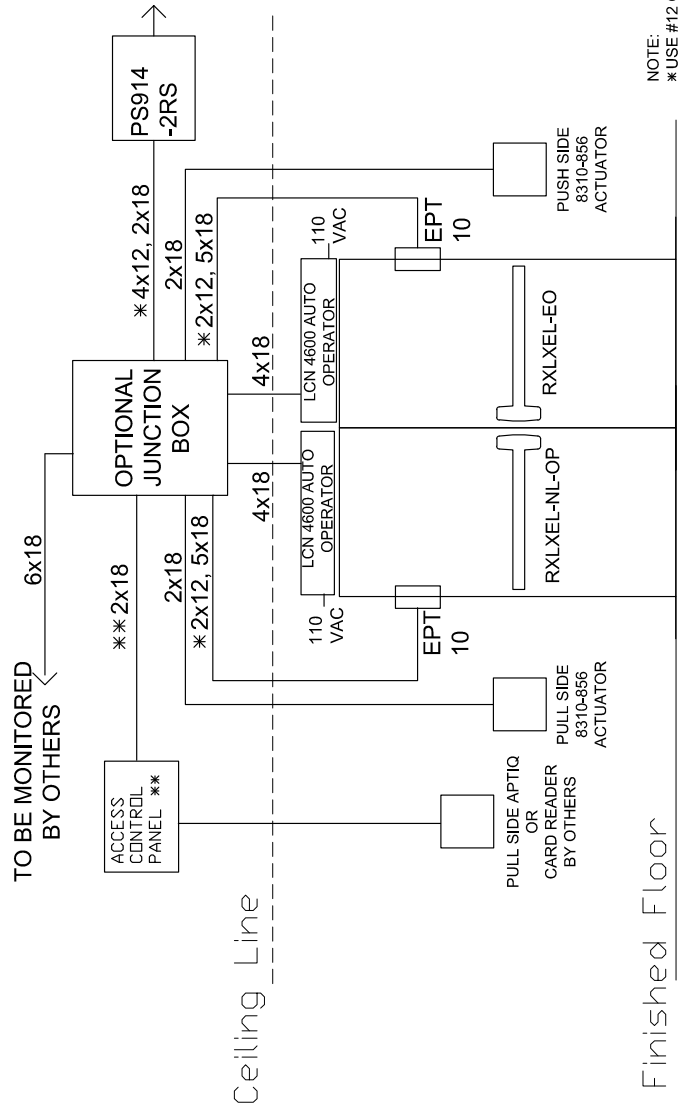
DRAWING TYPE: WIRING DIAGRAM

DWG NO: 109553

DRAWN/CHECKED BY: B DOVE

REV: B

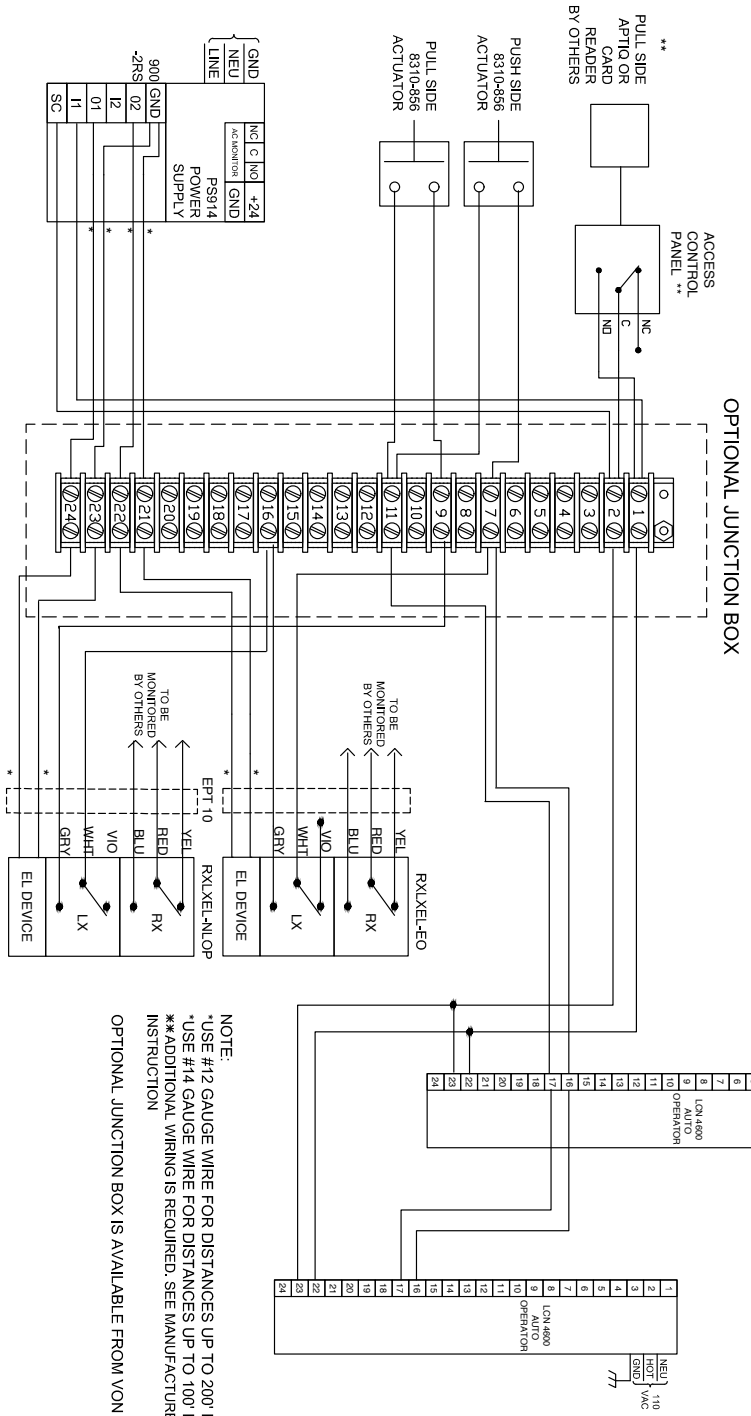
THIS DIAGRAM REPRESENTS A GENERIC CONFIGURATION. CUSTOM WIRING DIAGRAMS CAN BE ACQUIRED BY CONTACTING TECHNICAL SUPPORT.



NOTE:
 * USE #12 GAUGE WIRE FOR DISTANCES UP TO 200' FROM EPT TO PS914
 * USE #14 GAUGE WIRE FOR DISTANCES UP TO 100' FROM EPT TO PS914
 ** ADDITIONAL WIRING IS REQUIRED. SEE MANUFACTURER INSTALLATION INSTRUCTION
 OPTIONAL JUNCTION BOX IS AVAILABLE FROM VON DUPRIN AS A JB7

NOTES: 1) ALL LOW VOLTAGE WIRING TO BE STANDARD, MULTI-CONDUCTOR COLOR CODED WITHOUT SPLICES. 2) WIRING TO CONFORM TO APPLICABLE NATIONAL, STATE AND LOCAL ELECTRICAL CODES. 3) REFER TO SPECIFIC PRODUCT INSTALLATION INSTRUCTIONS FOR SPECIFIC WIRING REQUIREMENTS. 4) THIS DRAWING IS FOR GRAPHICAL REPRESENTATION OF PRODUCTS DETAILED IN THE HARDWARE SET ONLY. 5) ** CONDUCTOR COUNT TO BE DETERMINED BY ACCESS CONTROL PANEL PROVIDER.	HARDWARE USED: 1 RXLXEL EO PANIC 1 RXLXEL-NL-OP PANIC 2 EPT 10 2 8310-856 LCN ACTUATORS 2 4600 AUTO OPERATOR 1 APTIQ DR CARD READER BO WITH ACP BO	OPERATION: PUSH SIDE 8310-856 ACTUATOR TO RETRACT THE ELECTRIC PANIC BARS AND OPEN THE LCN 4600 AUTO OPERATORS. APTIQ OR CARD READER BY OTHERS TO SIGNAL EL LATCH RETRACTION AND ENABLE EXTERIOR 8310-856 ACTUATOR PULL SIDE 8310-856 ACTUATOR TO RETRACT THE ELECTRIC PANIC BARS WHEN ENABLED BY CARD READER AND ACCESS CONTROL PANEL REQUEST EXIT SWITCH RX TO BE MONITORED BY OTHERS.	ALLEGION™ RXLXEL PAIR WITH LCN 4600 AD AND PS914-2RS	DWG NO: 109463 DRAWN BY: B. DOVE/D. BOLLENGIER
	DATE DRAWN: 3-26-13 REVISION DATE: 3-26-13 copyright 2013	DRAWING TYPE: RISER DIAGRAM	REV: B	

THIS DIAGRAM REPRESENTS A GENERIC CONFIGURATION. CUSTOM WIRING DIAGRAMS CAN BE ACQUIRED BY CONTACTING TECHNICAL SUPPORT.



NOTE:
 *USE #12 GAUGE WIRE FOR DISTANCES UP TO 200' FROM EPT TO PS914
 *USE #14 GAUGE WIRE FOR DISTANCES UP TO 100' FROM EPT TO PS914
 **ADDITIONAL WIRING IS REQUIRED. SEE MANUFACTURER INSTALLATION INSTRUCTION
 OPTIONAL JUNCTION BOX IS AVAILABLE FROM VON DUPRIN AS A JB7

- NOTES:
- 1) ALL LOW VOLTAGE WIRING TO BE STANDARD, MULTI-CONDUCTOR COLOR CODED WITHOUT SPLICES.
 - 2) WIRING TO CONFORM TO APPLICABLE NATIONAL, STATE AND LOCAL ELECTRICAL CODES.
 - 3) REFER TO SPECIFIC PRODUCT INSTALLATION INSTRUCTIONS FOR SPECIFIC WIRING REQUIREMENTS.
 - 4) THIS DRAWING IS FOR GRAPHICAL REPRESENTATION OF PRODUCTS DETAILED IN THE HARDWARE SET ONLY.
 - 5) ** CONDUCTOR COUNT TO BE DETERMINED BY ACCESS CONTROL PANEL PROVIDER.

HARDWARE USED:

- 1 RXLXEL EO PANIC
- 1 RXLXEL-NL-OP PANIC
- 2 EPT 10
- 2 8310-856 LCN ACTUATORS
- 2 4600 AUTO OPERATOR
- 1 APTIO OR CARD READER BO WITH ACP BO WHEN ENABLED BY CARD READER AND ACCESS CONTROL PANEL

OPERATION:
 PUSH SIDE 8310-856 ACTUATOR TO RETRACT THE ELECTRIC PANIC BARS AND OPEN THE LCN 4600 AUTO OPERATOR.
 APTIO OR CARD READER BY OTHERS TO SIGNAL EL LATCH RETRACTION AND ENABLE EXTERIOR 8310-856 ACTUATOR
 PULL SIDE 8310-856 ACTUATOR TO RETRACT THE ELECTRIC PANIC BARS REQUEST EXT SWITCH RX TO BE MONITORED BY OTHERS.

ALLEGION™

TITLE: **PXEL PAIR WITH LCN 4600 AO AND PS914-2RS**

DRAWING TYPE: **WIRING DIAGRAM**

DWG NO: **109463**

DRAWN/CHECKED BY: **B DOVED BOLLINGER**

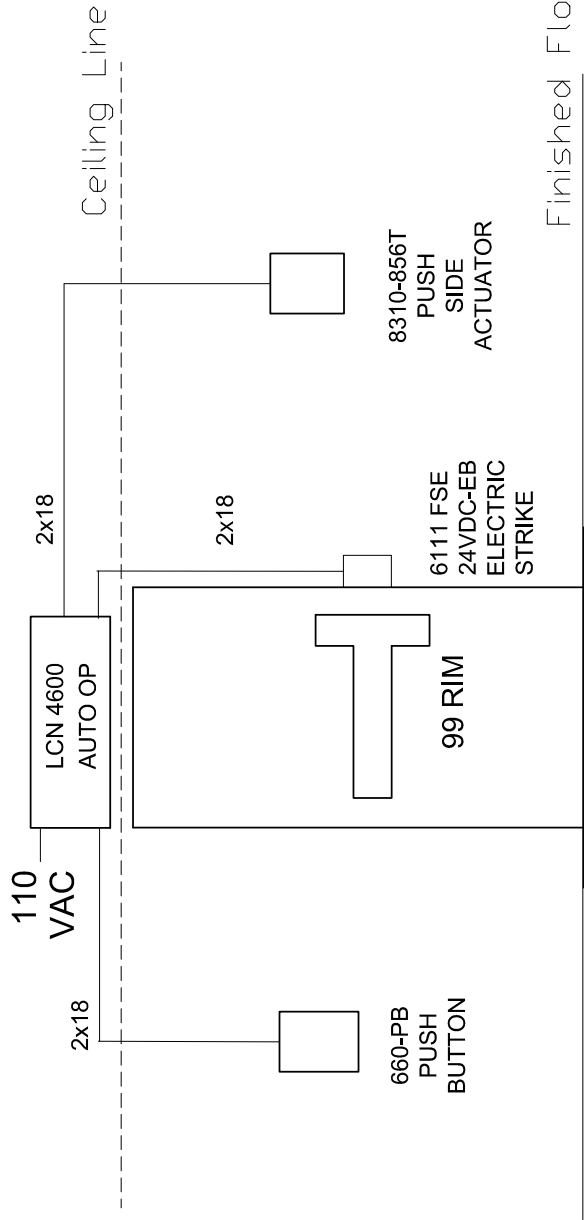
REV: **B**

DATE DRAWN: **3-26-13**

REVISION DATE: **3-26-13**

copyright 2013

THIS DIAGRAM REPRESENTS A GENERIC CONFIGURATION. CUSTOM WIRING DIAGRAMS CAN BE ACQUIRED BY CONTACTING TECHNICAL SUPPORT.



NOTES:
 1) ALL LOW VOLTAGE WIRING TO BE STANDARD, MULTI-CONDUCTOR COLOR CODED WITHOUT SPLICES.
 2) WIRING TO CONFORM TO APPLICABLE NATIONAL, STATE AND LOCAL ELECTRICAL CODES.
 3) REFER TO SPECIFIC PRODUCT INSTALLATION INSTRUCTIONS FOR SPECIFIC WIRING REQUIREMENTS.
 4) THIS DRAWING IS FOR GRAPHICAL REPRESENTATION OF PRODUCTS DETAILED IN THE HARDWARE SET ONLY.
 5) * CONDUCTOR COUNT TO BE DETERMINED BY ACCESS CONTROL PANEL PROVIDER.

HARDWARE USED:
 1 4600 LCN AUTO OPERATOR
 1 99 EXIT DEVICE
 1 6111 FSE X EB ESTRIKE
 1 660PB BUTTON
 1 8310-856T ACTUATOR

TYPE AUTO OPERATOR AND ACTUATORS

OPERATION:
 8310-856 ACTUATOR FROM PUSH SIDE TO UNLOCK THE ELECTRIC STRIKE AND OPEN THE DOOR.
 660PB REMOTE PUSH BUTTON TO UNLOCK THE 6111 FSE ELECTRIC STRIKE AND OPEN THE DOOR.

DATE DRAWN 3-27-13 REVISION DATE: 3-27-13
 copyright 2013

ALLEGION™

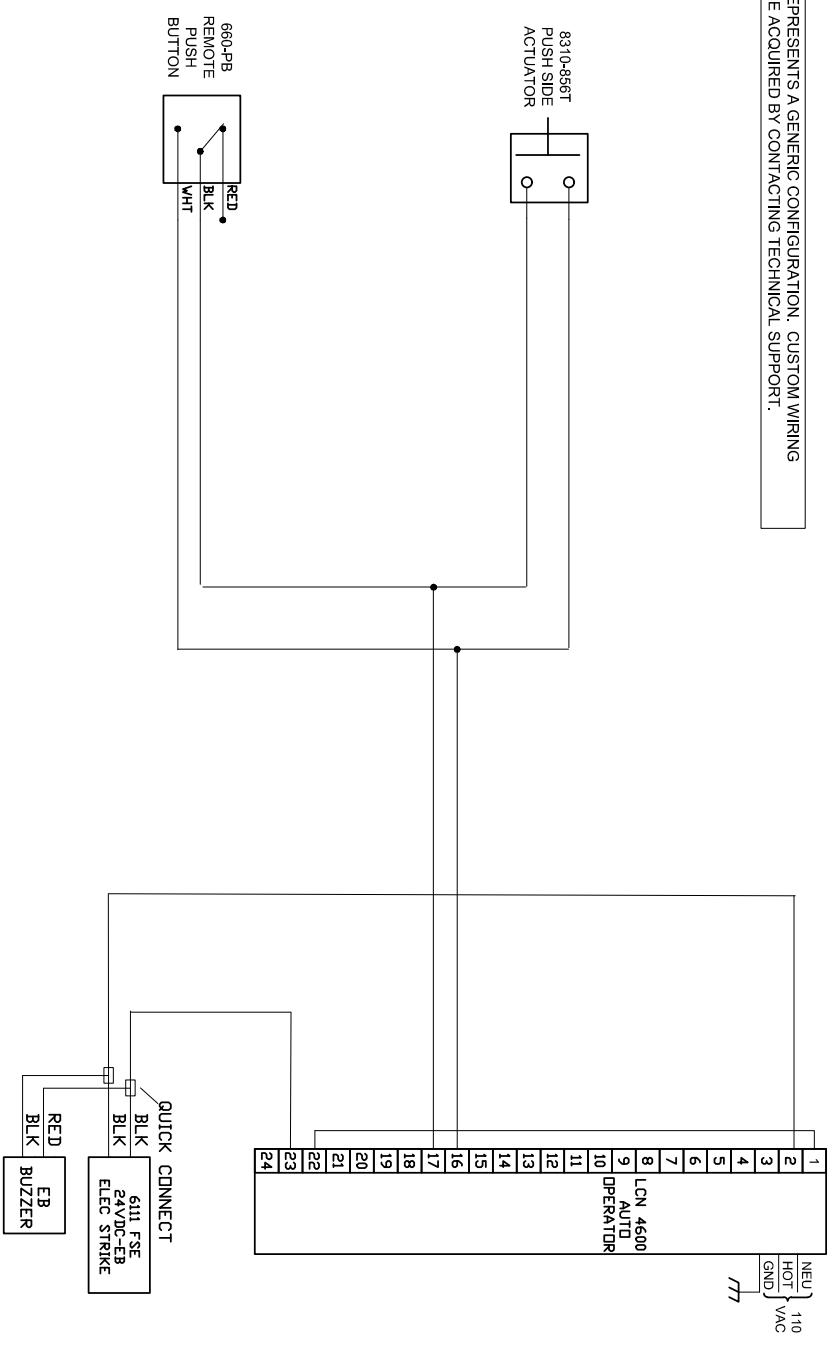
TITLE: LCN 4600 WITH 8310-856 ACT AND 660PB

DRAWING TYPE: RISER DIAGRAM

DWG NO: 109464
 DRAWING CHECKED BY: B DOVE/ID BOLLENGIER

REV **B**

THIS DIAGRAM REPRESENTS A GENERIC CONFIGURATION. CUSTOM WIRING DIAGRAMS CAN BE ACQUIRED BY CONTACTING TECHNICAL SUPPORT.



NOTES:
 1) ALL LOW VOLTAGE WIRING TO BE STANDARD, MULTI-CONDUCTOR COLOR CODED WITHOUT SPLICES.
 2) WIRING TO CONFORM TO APPLICABLE NATIONAL, STATE AND LOCAL ELECTRICAL CODES.
 3) REFER TO SPECIFIC PRODUCT INSTALLATION INSTRUCTIONS FOR SPECIFIC WIRING REQUIREMENTS.
 4) THIS DRAWING IS FOR GRAPHICAL REPRESENTATION OF PRODUCT'S DETAILED IN THE HARDWARE SET ONLY.
 5) * CONDUCTOR COUNT TO BE DETERMINED BY ACCESS CONTROL PANEL PROVIDER.

HARDWARE USED

1	4600 LCN AUTO OPERATOR
1	99 EXT. DEVICE
1	6111 FSE X EB ESTRIKE
1	660PB BUTTTON
1	8310-856T ACTUATOR

TYPE
 AUTO OPERATOR AND ACTUATORS

OPERATION:
 8310-856 ACTUATOR FROM PUSH SIDE TO UNLOCK THE ELECTRIC STRIKE AND OPEN THE DOOR.
 660PB REMOTE PUSH BUTTTON TO UNLOCK THE 6111 FSE ELECTRIC STRIKE AND OPEN THE DOOR.

DATE DRAWN	3-27-13	REVISION	DATE	3-27-13
copyright 2013				

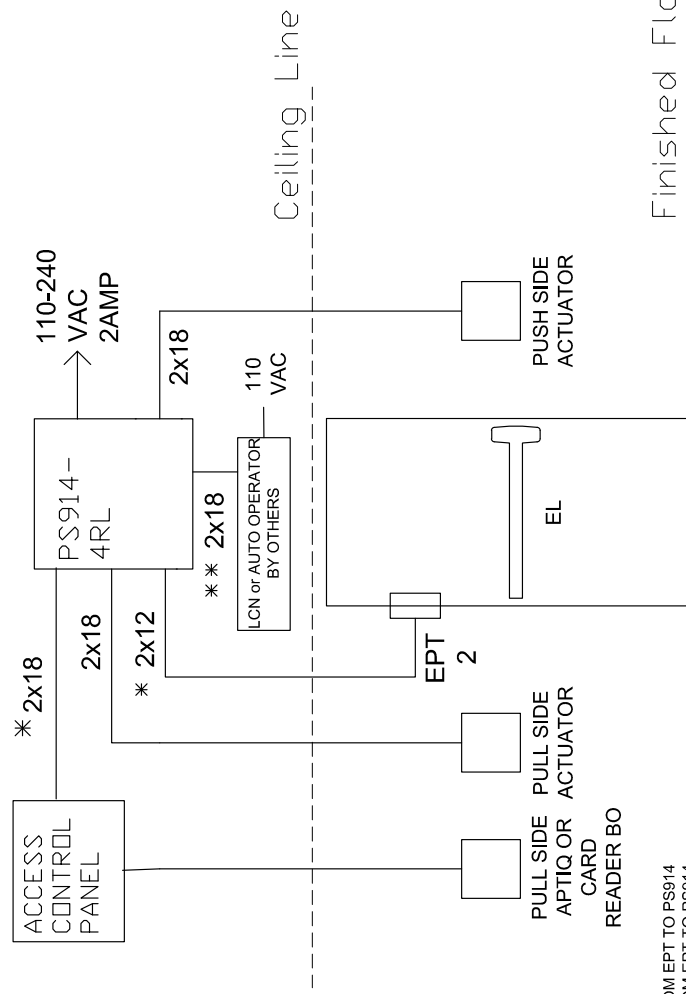
ALLEGION™

TITLE
 LCN 4600 WITH 8310-856 ACT AND 660PB

DWG NO. 109464
 DRAWN BY B DOVE/D BOLLENGIER

REV B

THIS DIAGRAM REPRESENTS A GENERIC CONFIGURATION. CUSTOM WIRING DIAGRAMS CAN BE ACQUIRED BY CONTACTING TECHNICAL SUPPORT.



NOTE:
 1) ALL LOW VOLTAGE WIRING TO BE STANDARD, MULTI-CONDUCTOR COLOR CODED WITHOUT SPLICES.
 2) WIRING TO CONFIRM TO APPLICABLE NATIONAL, STATE AND LOCAL ELECTRICAL CODES.
 3) REFER TO SPECIFIC PRODUCT INSTALLATION INSTRUCTIONS FOR SPECIFIC WIRING REQUIREMENTS.
 4) THIS DRAWING IS FOR GRAPHICAL REPRESENTATION OF PRODUCTS DETAILED IN THE HARDWARE SET ONLY.
 5) * CONDUCTOR COUNT TO BE DETERMINED BY ACCESS CONTROL PANEL PROVIDER.

OPERATION:
 PUSH SIDE ACTUATOR TO RETRACT THE ELECTRIC PANIC BAR AND OPEN THE DOOR.
 PULL SIDE ACTUATOR TO RETRACT THE ELECTRIC PANIC BAR AND ENABLE THE PULL SIDE ACTUATOR TO OPEN THE DOOR.
 IN THIS EXAMPLE ALL WIRING CONNECTIONS ARE MADE IN THE PS914 ENCLOSURE.

DATE DRAWN: 3-20-13
 REVISION DATE: 3-20-13
 copyright 2013

OPERATION:
 PUSH SIDE ACTUATOR TO RETRACT THE ELECTRIC PANIC BAR AND OPEN THE DOOR.
 PULL SIDE ACTUATOR TO RETRACT THE ELECTRIC PANIC BAR AND ENABLE THE PULL SIDE ACTUATOR TO OPEN THE DOOR.
 IN THIS EXAMPLE ALL WIRING CONNECTIONS ARE MADE IN THE PS914 ENCLOSURE.

DATE DRAWN: 3-20-13
 REVISION DATE: 3-20-13
 copyright 2013

OPERATION:
 PUSH SIDE ACTUATOR TO RETRACT THE ELECTRIC PANIC BAR AND OPEN THE DOOR.
 PULL SIDE ACTUATOR TO RETRACT THE ELECTRIC PANIC BAR AND ENABLE THE PULL SIDE ACTUATOR TO OPEN THE DOOR.
 IN THIS EXAMPLE ALL WIRING CONNECTIONS ARE MADE IN THE PS914 ENCLOSURE.

DATE DRAWN: 3-20-13
 REVISION DATE: 3-20-13
 copyright 2013

ALLEGION™

PS914-4RL AS AO WITH EL PANIC

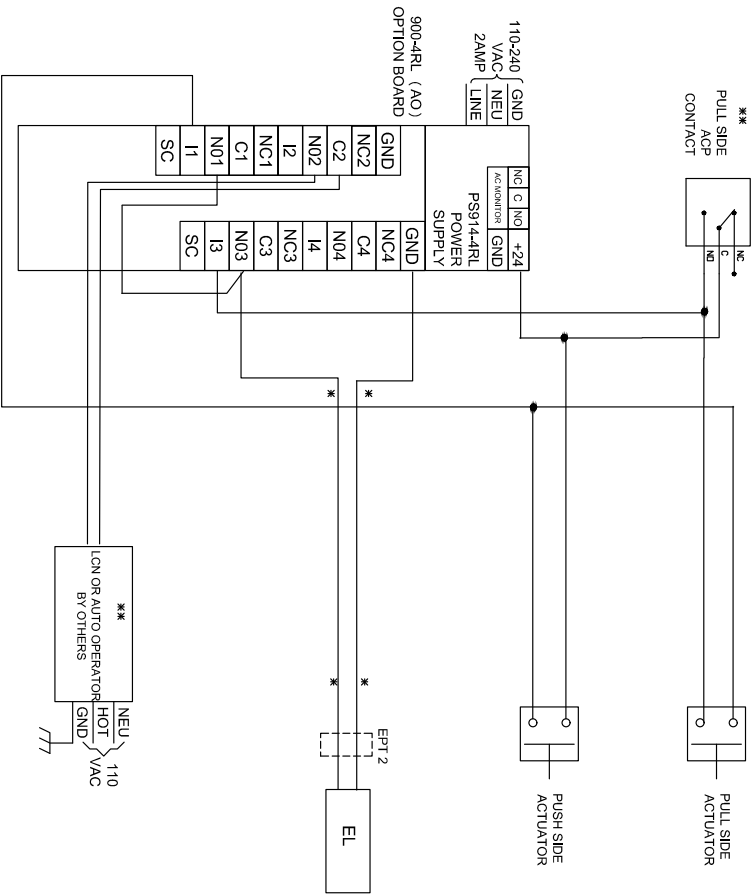
TITLE:

DWG NO: 109441
 DRAWN BY: BRENDA DOVE

REV B

This diagram represents a generic configuration. Custom Wiring Diagrams can be acquired by contacting Technical Support.

THIS DIAGRAM REPRESENTS A GENERIC CONFIGURATION. CUSTOM WIRING DIAGRAMS CAN BE ACQUIRED BY CONTACTING TECHNICAL SUPPORT.



SET 900-4RL CARD.
 SW2 PACK-SW1 OFF AND SW2 ON.
 SW3 PACK-SW1 ON, SW2 OFF, SW3 AND SW4 OFF AND OTHER SWITCHES AS REQUIRED FOR INSTALLATION. SEE 900-4RL INSTALLATION INSTRUCTIONS FOR DETAILS.
 PROGRAM C2 AND NO2 FOR DRY CONTACT.
 SET ALL OTHER SWITCHES AS REQUIRED FOR INSTALLATION

NOTE:
 * USE #12 GAUGE WIRE FOR DISTANCES UP TO 200' FROM EPT TO PS914
 * USE #14 GAUGE WIRE FOR DISTANCES UP TO 100' FROM EPT TO PS914
 ** ADDITIONAL WIRING IS REQUIRED. SEE MANUFACTURER INSTALLATION INSTRUCTION

- NOTES:
- 1) ALL LOW VOLTAGE WIRING TO BE STANDARD, MULTI-CONDUCTOR COLOR CODED WITHOUT SPLICES;
 - 2) WIRING TO CONFORM TO APPLICABLE NATIONAL, STATE AND LOCAL ELECTRICAL CODES;
 - 3) REFER TO SPECIFIC PRODUCT INSTALLATION INSTRUCTIONS FOR SPECIFIC WIRING REQUIREMENTS;
 - 4) THIS DRAWING IS FOR GRAPHICAL REPRESENTATION OF PRODUCTS DETAIL IN THE HARDWARE SET ONLY;
 - 5) * CONDUCTOR COUNT TO BE DETERMINED BY ACCESS CONTROL PANEL PROVIDER

HARDWARE USED:	
1 VENDOR/PRN DR FALCON EL PANIC DEVICE	
1 APTIO DR CARD READER BY OTHERS WITH ACP	
2 ACTUATORS	
1 PS914-4RL POWER SUPPLY	
1 EPT POWER TRANSFER	
1 LCN DR AUTO OPERATOR BY OTHERS	
TYPE	IR EL PANIC WITH AD

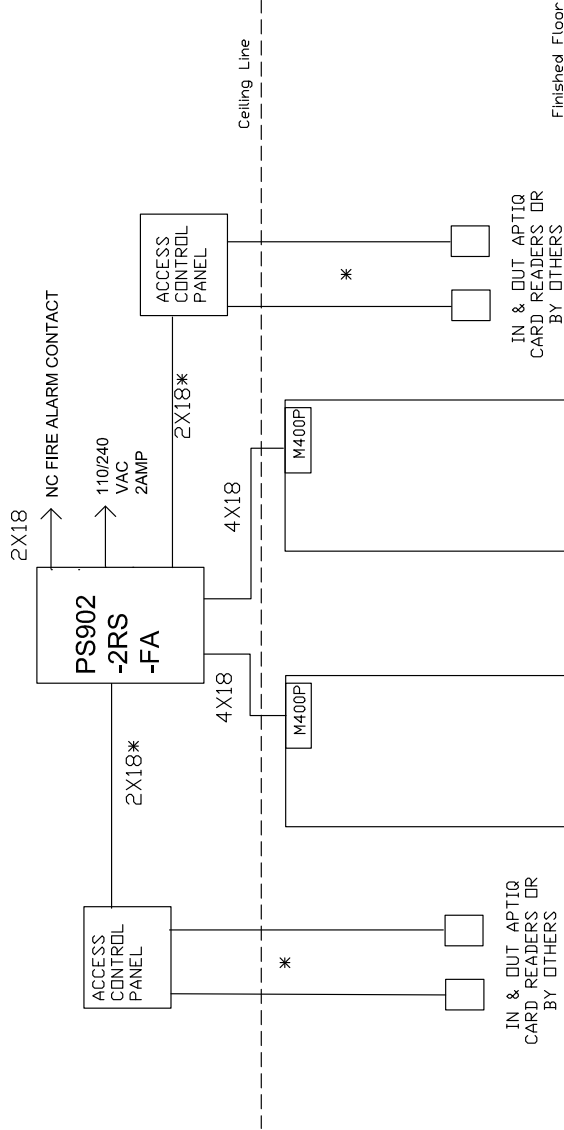
OPERATION:	PUSH SIDE ACTUATOR TO RETRACT THE ELECTRIC PANIC BAR AND OPEN THE DOOR. PULL SIDE APTIO OR CARD READER TO RETRACT THE ELECTRIC PANIC BAR AND ENABLE THE PULL SIDE ACTUATOR TO OPEN THE DOOR. THIS CONFIGURATION REPRESENTS A NON-FIRE RATED OPENING. IN THIS EXAMPLE ALL WIRING CONNECTIONS ARE MADE IN THE PS914 ENCLOSURE.
DATE DRAWN	3-20-13
REVISION DATE	3-20-13
copyright 2013	

ALLEGION™

PS914-4RL AS AO WITH EL PANIC

DRAWING TYPE	DWG NO.	REV
WIRING DIAGRAM	109441	B
DRAWN/ENGINEERED BY:		
B DVOYE / B DYE		

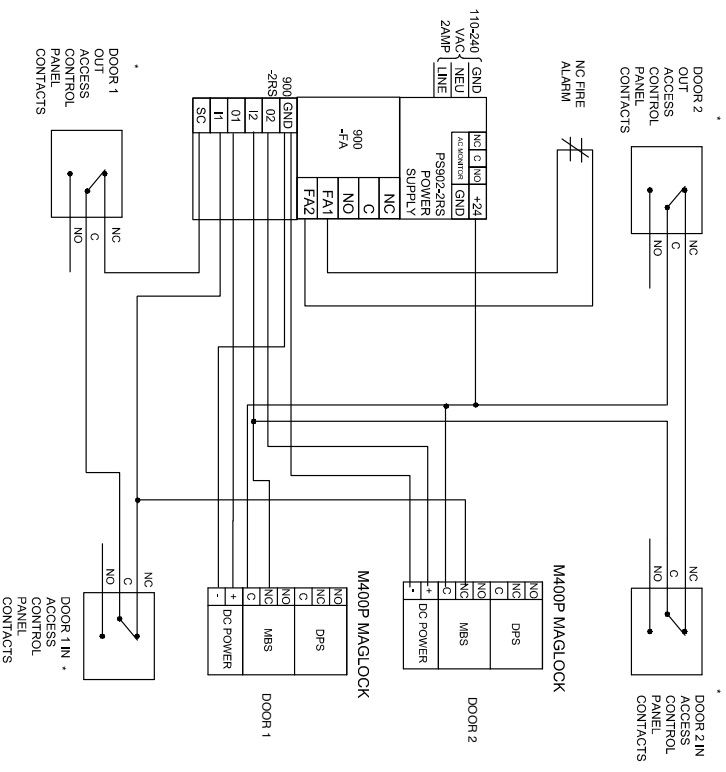
THIS DIAGRAM REPRESENTS A GENERIC CONFIGURATION. CUSTOM WIRING DIAGRAMS CAN BE ACQUIRED BY CONTACTING TECHNICAL SUPPORT.



VERIFY OPERATION
ACCEPTABLE TO LOCAL AHJ.

<p>NOTES: 1) ALL LOW VOLTAGE WIRING TO BE STANDARD, MULTI-CONDUCTOR COLOR CODED WITHOUT SPLICES. 2) WIRING TO CONFORM TO APPLICABLE NATIONAL, STATE AND LOCAL ELECTRICAL CODES. 3) REFER TO SPECIFIC PRODUCT INSTALLATION INSTRUCTIONS FOR SPECIFIC WIRING REQUIREMENTS. 4) THIS DRAWING IS FOR GRAPHICAL REPRESENTATION OF PRODUCTS DETAILED IN THE HARDWARE SET ONLY. 5) * CONDUCTOR COUNT TO BE DETERMINED BY ACCESS CONTROL PANEL PROVIDER.</p>	<p>Hardware Used: 2 M400P MAGNETIC LOCKS PS902-2RS-FA POWER SUPPLY 4 APTIQ CARD READERS OR BY OTHERS AND ACP FIRE ALARM CONTACT BY OTHERS Type SECURITY INTERLOCK 2 DOOR</p>	<p>OPERATION: SECURITY INTERLOCK - BOTH DOORS NORMALLY LOCKED. PRESENTING A VALID CREDENTIAL TO THE CARD READERS WILL RELEASE DOOR IF OTHER DOOR IS CLOSED AND LOCKED. OPPOSITE DOOR REMAINS LOCKED AS LONG AS OTHER DOOR REMAINS UNLOCKED. IN THIS EXAMPLE ALL WIRING CONNECTIONS ARE MADE IN PS902 ENCLOSURE. FIRE ALARM TO RELEASE BOTH M400 MAG LOCKS. Date Drawn: 3-13-13 Revision Date: 3-13-13 copyright 2013</p>	<p>ALLEGION™</p> <p>TITLE: 2 Door PS902-2RS-FA x 2 M400 Plus Maglocks x 4 Card Readers</p> <p>DWG NO: 109438 DRAWN/CHANGED BY: B DOVE/B DYE REV: B</p>
---	--	--	--

THIS DIAGRAM REPRESENTS A GENERIC CONFIGURATION. CUSTOM WIRING DIAGRAMS CAN BE ACQUIRED BY CONTACTING TECHNICAL SUPPORT.



VERIFY OPERATION ACCEPTABLE TO LOCAL AHJ.



TITLE: 2 Door PS902-2RS-FA x 2 M400 Plus Maglocks x 4 Card Readers

DRAWING TYPE: WIRING DIAGRAM	DWG NO: 109438	REV: B
DESIGNED BY: B DOVE/B DYE	CHECKED BY:	

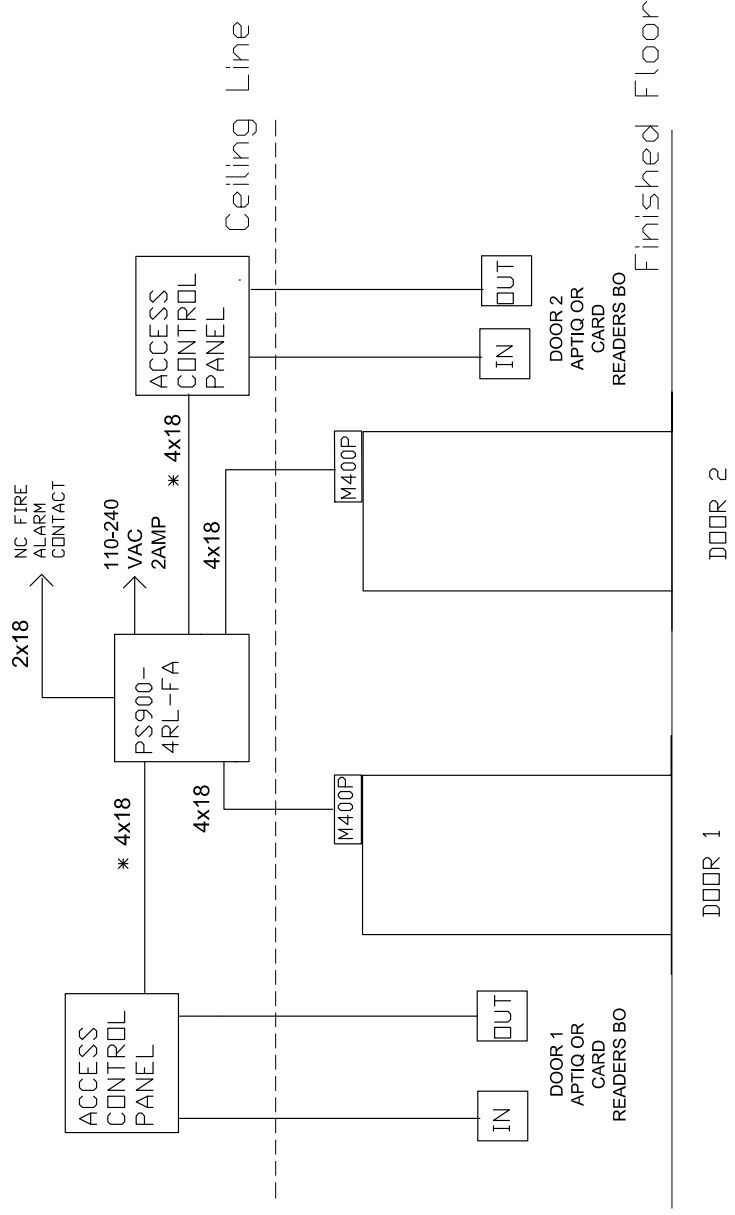
- NOTES:
- 1) ALL LOW VOLTAGE WIRING TO BE STANDARD MULTI-CONDUCTOR COLOR CODED WITHOUT SPLICES.
 - 2) WIRING TO CONFORM TO APPLICABLE NATIONAL, STATE AND LOCAL ELECTRICAL CODES.
 - 3) REFER TO SPECIFIC PRODUCT INSTALLATION INSTRUCTIONS FOR SPECIFIC WIRING REQUIREMENTS.
 - 4) THIS DRAWING IS FOR GRAPHICAL REPRESENTATION OF PRODUCTS DETAILED IN THE HARDWARE SET ONLY.
 - 5) * CONDUCTOR COUNT TO BE DETERMINED BY ACCESS CONTROL PANEL PROVIDER.

Hardware Used:
 2 M400P MAGNETIC LOCKS
 PS902-2RS-FA POWER SUPPLY
 4 APTIO CARD READERS OR BY OTHERS WITH ACP
 FIRE ALARM CONTACT BY OTHERS
 SECURITY INTERLOCK
 2 DOOR

OPERATION:
 SECURITY INTERLOCK - BOTH DOORS NORMALLY LOCKED. PRESENTING A VALID CREDENTIAL TO THE CARD READERS WILL RELEASE DOOR IF OTHER DOOR IS CLOSED AND LOCKED.
 OPPOSITE DOOR REMAINS LOCKED AS LONG AS OTHER DOOR REMAINS UNLOCKED.
 IN THIS EXAMPLE ALL WIRING CONNECTIONS ARE MADE IN PS902 ENCLOSURE.
 FIRE ALARM TO RELEASE BOTH M400 MAG LOCKS.

Date Drawn: 3-13-13
 Revision Date: 3-13-13
 Copyright 2013

THIS DIAGRAM REPRESENTS A GENERIC CONFIGURATION. CUSTOM WIRING DIAGRAMS CAN BE ACQUIRED BY CONTACTING TECHNICAL SUPPORT.



NOTES:
 SET SW2 SWITCHES 1 ON AND 2 OFF TO CONFIG 900-4RL AS SI.
 SET SW1 SWITCHES AS REQUIRED FOR PARTICULAR INSTALLATION.
 * ADDITIONAL CONDUCTORS MAY BE REQUIRED. CONSULT MANUFACTURERS INSTALLATION INSTRUCTIONS FOR FURTHER DETAILS.
 CONFIRM HARDWARE AND OPERATION ACCEPTABLE TO LOCAL AHJ.

NOTES:
 1) ALL LOW VOLTAGE WIRING TO BE STANDARD, MULTI-CONDUCTOR COLOR CODED WITHOUT SPLICES.
 2) WIRING TO CONFORM TO APPLICABLE NATIONAL, STATE AND LOCAL ELECTRICAL CODES.
 3) REFER TO SPECIFIC PRODUCT INSTALLATION INSTRUCTIONS FOR SPECIFIC WIRING REQUIREMENTS.
 4) THIS DRAWING IS FOR GRAPHICAL REPRESENTATION OF PRODUCTS DETAILED IN THE HARDWARE SET ONLY.
 5) * CONDUCTOR COUNT TO BE DETERMINED BY ACCESS CONTROL PANEL PROVIDER.

HARDWARE USED:
 2 M400P MAG LOCKS
 4 APTIQ OR CARD READER BY OTHERS WITH ACP
 1 PS900-4RL-FA
 FIRE ALARM CONTACT BY OTHERS
 TYPE 2 DOOR SECURITY INTERLOCK WITH ACCESS CONTROL

OPERATION:
 BOTH DOORS NORMALLY LOCKED. CARD READER TO OPEN DOOR ONLY IF OTHER DOOR IS CLOSED AND LOCKED.
 NOTE: OPPOSITE DOOR WILL REMAIN LOCKED AS LONG AS OTHER DOOR IS UNLOCKED.
 FIRE ALARM TO RELEASE BOTH M400P MAG LOCKS.
 IN THIS EXAMPLE ALL WIRING CONNECTIONS ARE MADE IN THE PS900 ENCLOSURE.
 DATE DRAWN: 3-21-13 REVISION DATE: 3-21-13
 copyright 2013

ALLEGION™

TITLE: PS900-4RL-FA SECURITY INTERLOCK WITH M400P MAG LOCKS

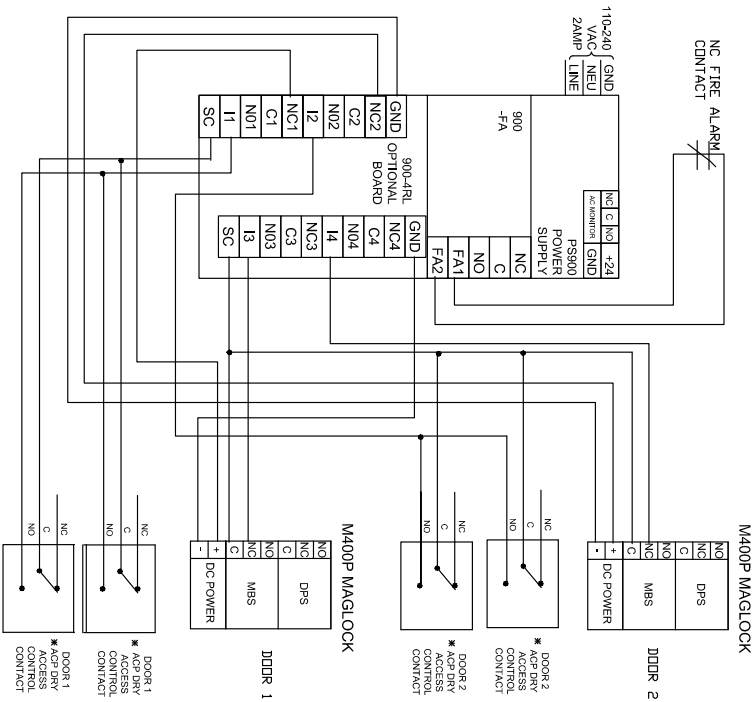
DRAWING TYPE: RISER DIAGRAM

DWG NO.: 109442

REV: B

DRAWN BY: B DOVE/B DYE

THIS DIAGRAM REPRESENTS A GENERIC CONFIGURATION. CUSTOM WIRING DIAGRAMS CAN BE ACQUIRED BY CONTACTING TECHNICAL SUPPORT.



NOTES:
 SET SW2 SWITCHES 1 ON AND 2 OFF TO CONFIG 900-4RL AS SI.
 SET SW1 SWITCHES AS REQUIRED FOR PARTICULAR INSTALLATION.

* ADDITIONAL CONDUCTORS MAY BE REQUIRED. CONSULT MANUFACTURERS INSTALLATION INSTRUCTIONS FOR FURTHER DETAILS.
 ** CONFIRM HARDWARE AND OPERATION ACCEPTABLE TO LOCAL AHJ.

NOTES:
 1) ALL LOW VOLTAGE WIRING TO BE STANDARD, MULTI-CONDUCTOR CABLE CODED WITHOUT SPLICES.
 2) WIRING TO CONFORM TO APPLICABLE NATIONAL, STATE AND LOCAL ELECTRICAL CODES.
 3) REFER TO SPECIFIC PRODUCT INSTALLATION INSTRUCTIONS FOR SPECIFIC WIRING REQUIREMENTS OF PRODUCTS DETAILED IN THE HARDWARE SET ONLY.
 5) * CONDUCTOR COUNT TO BE DETERMINED BY ACCESS CONTROL PANEL PROVIDER.

HARDWARE USED:
 2 M400P MAG LOCKS
 4 APTIO DR CARD READER BY OTHERS WITH ACP
 1 PS900-4RL-FA
 FIRE ALARM CONTACT BY OTHERS
 TYPE 2 DOOR SECURITY INTERLOCK WITH ACCESS CONTROL

OPERATION:
 BOTH DOORS NORMALLY LOCKED. CARD READER TO OPEN DOOR ONLY IF OTHER DOOR IS CLOSED AND LOCKED.
 NOTE: OPPOSITE DOOR WILL REMAIN LOCKED AS LONG AS OTHER DOOR IS UNLOCKED.
 FIRE ALARM TO RELEASE BOTH M400 MAG LOCKS.
 IN THIS EXAMPLE ALL WIRING CONNECTIONS ARE MADE IN THE PS900 ENCLOSURE.
 DATE DRAWN: 3-21-13
 REVISION DATE: 3-21-13
 copyright 2013



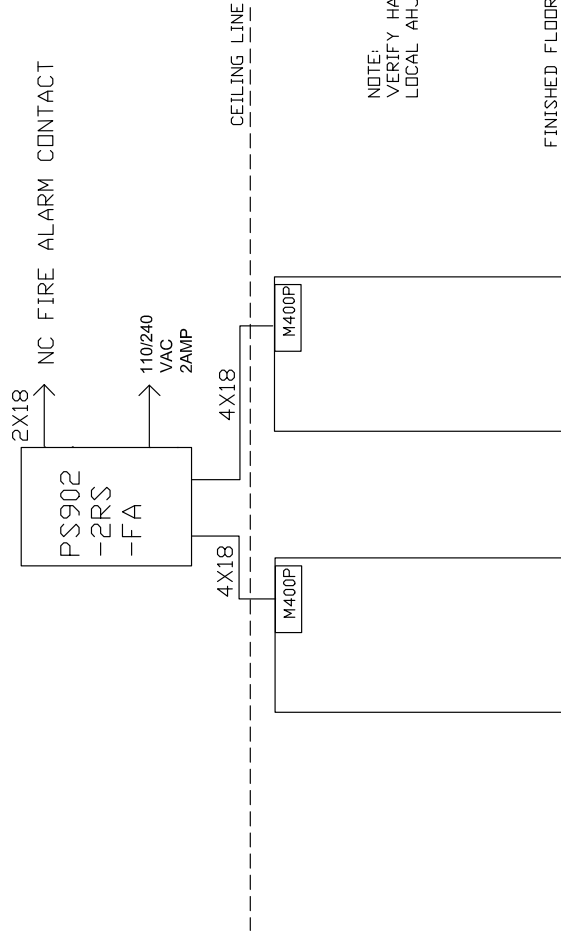
TITLE:
PS900-4RL-FA SECURITY INTERLOCK WITH M400P MAG LOCKS

DRAWING TYPE:
 RISER DIAGRAM

DWG NO.: 109442
 DRAWN/ENGINEERED BY: B DOVEIB DYE

REV: B

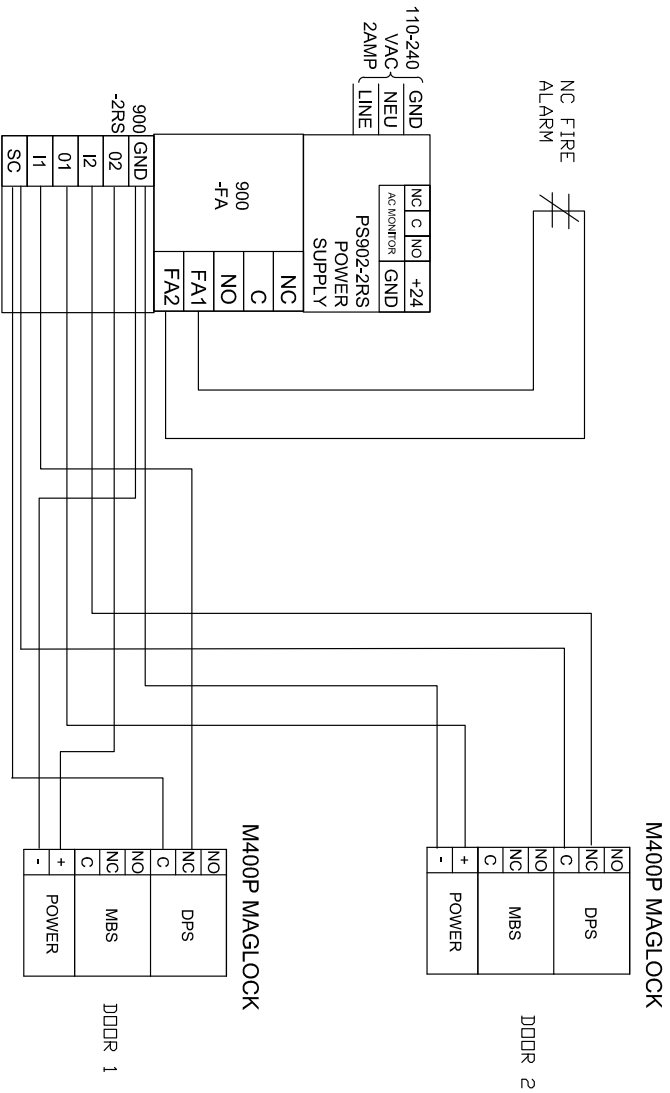
THIS DIAGRAM REPRESENTS A GENERIC CONFIGURATION. CUSTOM WIRING DIAGRAMS CAN BE ACQUIRED BY CONTACTING TECHNICAL SUPPORT.



NOTE: VERIFY HARDWARE AND OPERATION ACCEPTABLE TO LOCAL AHJ.

<p>ALLEGION™</p> <p>TITLE: PS902-2RS-FA x 2 M400+ MAG LOCKS X 4 CARD READERS</p>	<p>OPERATION: SAFETY INTERLOCK - WHEN ONE DOOR OPENS OTHER DOOR LOCKS. WHEN BOTH DOORS CLOSED BOTH ARE UNLOCKED IN THIS EXAMPLE ALL WIRING CONNECTIONS ARE MADE IN PS902 ENCLOSURE. FIRE ALARM TO RELEASE BOTH M400P MAG LOCKS</p>	<p>HARDWARE USED: 2 M400P MAGNETIC LOCKS 1 PS902-2RS-FA POWER SUPPLY FIRE ALARM CONTACT SUPPLIED BY OTHERS</p>	<p>NOTES: 1) ALL LOW VOLTAGE WIRING TO BE STANDARD, MULTI-CONDUCTOR COLOR CODED WITHOUT SPLICES. 2) WIRING TO CONFORM TO APPLICABLE NATIONAL, STATE AND LOCAL ELECTRICAL CODES. 3) REFER TO SPECIFIC PRODUCT INSTALLATION INSTRUCTIONS FOR SPECIFIC WIRING REQUIREMENTS. 4) THIS DRAWING IS FOR GRAPHICAL REPRESENTATION OF PRODUCTS DETAILED IN THE HARDWARE SET ONLY. 5) * CONDUCTOR COUNT TO BE DETERMINED BY ACCESS CONTROL PANEL PROVIDER.</p>
<p>DWG NO: 109437 DRAWN/CHECKED BY: B DOVE/B DYE</p>	<p>DATE DRAWN: 3-14-13 REVISION DATE: 3-14-13</p>	<p>DATE DRAWN: 3-14-13 REVISION DATE: 3-14-13</p>	<p>DATE DRAWN: 3-14-13 REVISION DATE: 3-14-13</p>
<p>REV B</p>	<p>REV B</p>	<p>REV B</p>	<p>REV B</p>

THIS DIAGRAM REPRESENTS A GENERIC CONFIGURATION. CUSTOM WIRING DIAGRAMS CAN BE ACQUIRED BY CONTACTING TECHNICAL SUPPORT.



NOTE:
VERIFY HARDWARE AND OPERATION ACCEPTABLE TO LOCAL AHJ.

NOTES:

- 1) ALL LOW VOLTAGE WIRING TO BE STANDARD, MULTI-CONDUCTOR COLOR CODED WITHOUT SPLICES.
- 2) WIRING TO CONFORM TO APPLICABLE NATIONAL, STATE AND LOCAL ELECTRICAL CODES.
- 3) REFER TO SPECIFIC PRODUCT INSTALLATION INSTRUCTIONS FOR SPECIFIC WIRING REQUIREMENTS.
- 4) THIS DRAWING IS FOR GRAPHICAL REPRESENTATION OF PRODUCTS DETAILED IN THE HARDWARE SET ONLY.
- 5) * CONDUCTOR COUNT TO BE DETERMINED BY ACCESS CONTROL PANEL PROVIDER.

HARDWARE USED:

- 2 M400P MAGNETIC LOCKS
- 1 PS902-2RS-FA POWER SUPPLY
- FIRE ALARM CONTACT SUPPLIED BY OTHERS

TYPE

- 2 DOOR SAFETY INTERLOCK

OPERATION:

SAFETY INTERLOCK - WHEN ONE DOOR OPENS OTHER DOOR LOCKS. WHEN BOTH DOORS CLOSED BOTH ARE UNLOCKED IN THIS EXAMPLE ALL WIRING CONNECTIONS ARE MADE IN PS902 ENCLOSURE.

FIRE ALARM TO RELEASE BOTH M400P MAG LOCKS

DATE DRAWN: 3-14-13

copyright 2013

REVISION DATE: 3-14-13



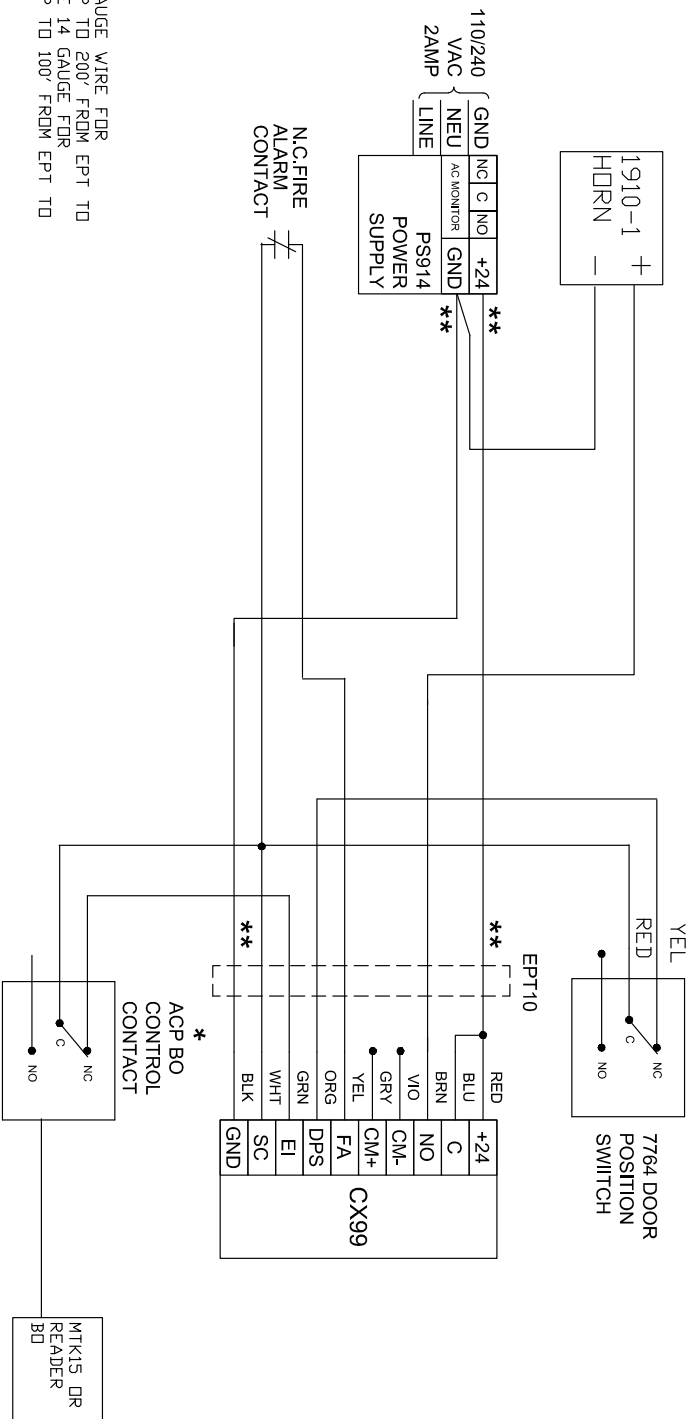
TITLE: PS902-2RS-FA x 2 M400+ MAG LOCKS x 4 CARD READERS

DRAWING TYPE: WIRING DIAGRAM

DWG NO.: 109437
DRAWING ENGINEER: B DOVE/B DYE

REV: B

THIS DIAGRAM REPRESENTS A GENERIC CONFIGURATION. CUSTOM WIRING DIAGRAMS CAN BE ACQUIRED BY CONTACTING TECHNICAL SUPPORT.



** USE 12 GAUGE WIRE FOR DISTANCES UP TO 200' FROM EPT TO PS914 OR USE 14 GAUGE FOR DISTANCES UP TO 100' FROM EPT TO PS914

- NOTES:
- 1) ALL LOW VOLTAGE WIRING TO BE STANDARD, MULTI-CONDUCTOR COLOR CODED WITHOUT SPLICES.
 - 2) WIRING TO CONFORM TO APPLICABLE NATIONAL, STATE AND LOCAL ELECTRICAL CODES.
 - 3) REFER TO SPECIFIC PRODUCT INSTALLATION INSTRUCTIONS FOR SPECIFIC WIRING REQUIREMENTS.
 - 4) THIS DRAWING IS FOR GRAPHICAL REPRESENTATION OF PRODUCTS DETAILED IN THE HARDWARE SET ONLY.
 - 5) * CONDUCTOR COUNT TO BE DETERMINED BY ACCESS CONTROL PANEL PROVIDER.

- HARDWARE USED:
- 1 CX 98/99-L RIM DEVICE
 - 1 EPT10
 - 1 7764 DPS
 - 1 1910-1 HORN
 - 1 PS914
 - 1 MTK15 READER BY ACP BO
 - 1 FIRE ALARM CONTACT

TYPE DELAYED EGRESS SINGLE DDDR

OPERATION:

CLIENT TO PROVIDE DELAY EGRESS. WHEN CX IS IN ALARM AUDIBLE WILL SOUND IN CX DEVICE AND EXTERNAL 1910-1 HORN. FIRE ALARM TO RELEASE DOOR FOR IMMEDIATE EGRESS. MTK15 READER TO RELEASE CX THROUGH ACP CONTROL CONTACT FOR AUTHORIZED PASSAGE. MTK15 OR KEYSWITCH IN CX DEVICE TO RESET CX FROM ALARM. IN THIS EXAMPLE ALL WIRING CONNECTIONS ARE MADE IN PS914 ENCLOSURE.

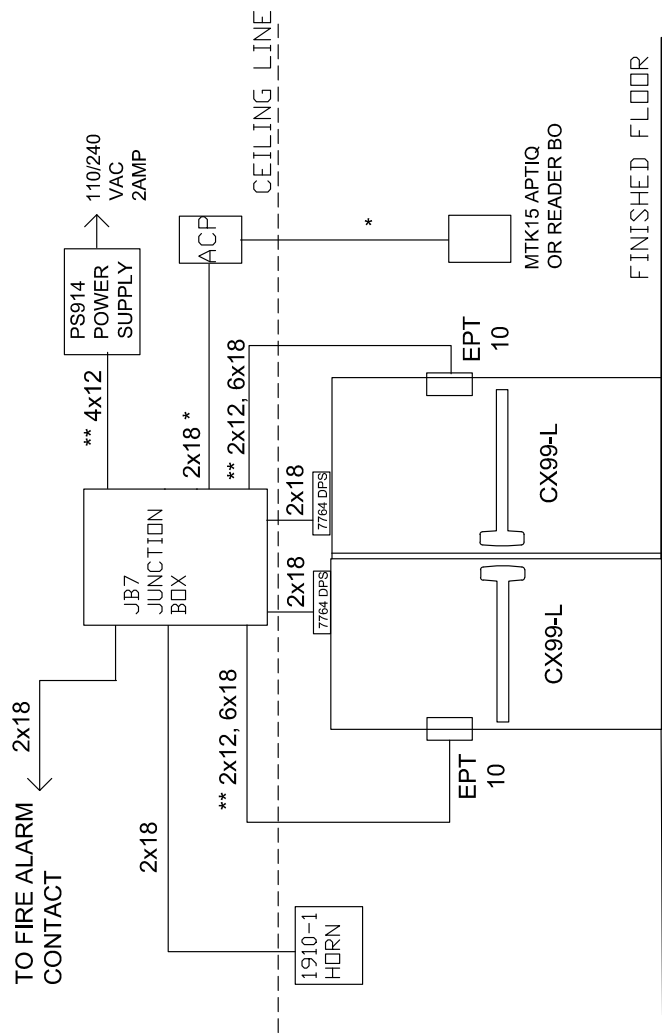
DATE DRAWN	4-22-13	REVISION DATE	4-22-13
copyright 2013			



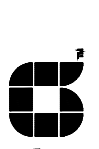
TITLE: CX SINGLE DDDR CX WITH PS914

DRAWING TYPE	DWG NO.	REV
WIRING DIAGRAM	109519	B
DRAWN/ENGINEERED BY: B DOVE/		

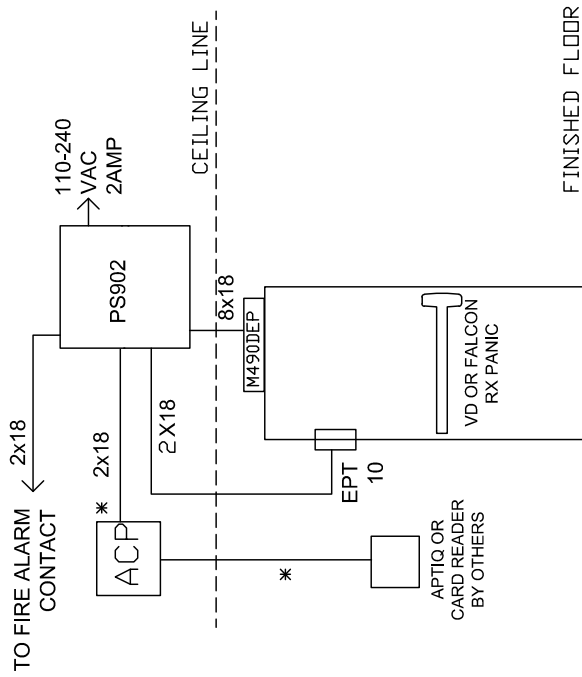
THIS DIAGRAM REPRESENTS A GENERIC CONFIGURATION. CUSTOM WIRING DIAGRAMS CAN BE ACQUIRED BY CONTACTING TECHNICAL SUPPORT.




** USE 12 GAUGE WIRE FOR DISTANCES UP TO 200' FROM EPT TO PS914 OR USE 14 GAUGE FOR DISTANCES UP TO 100' FROM EPT TO PS914

	TITLE: CX DOUBLE DOOR CX WITH PS914 DRAWING TYPE: RISER DIAGRAM DWG NO: 109520 DRAWN/CHECKED BY: B DOVE	
OPERATION: CHEXITS TO PROVIDE DELAY EGRESS. WHEN CX IS IN ALARM AUDIBLE WILL SOUND IN CX DEVICE AND EXTERNAL 1910-1 HORN. FIRE ALARM TO RELEASE DOORS FOR IMMEDIATE EGRESS. STAGGER REARM TIMES ON CX DEVICES BY SETTING SWITCHES ON CX PCB DIFFERENTLY. MTK15 READER TO RELEASE BOTH CX THROUGH ACP CONTROL CONTACT FOR AUTHORIZED PASSAGE. WIRTS ON REVISION IN CX DEVICE TO RESET CX FROM ALARM. IN THIS EXAMPLE ALL WIRING CONNECTIONS ARE MADE IN JB7 JUNCTION BOX.	DATE DRAWN: 4-22-13 REVISION DATE: 4-22-13 copyright 2013	
HARDWARE USED: 2 CX99-L RIM DEVICE 2 EPT10 2 7764 DFS 1 JB7 JUNCTION BOX 1 1910-1 HORN 1 PS914 1 MTK15 READER BY ACP BO 1 FIRE ALARM CONTACT	TYPE: DELAYED EGRESS DOUBLE DOOR	
NOTES: 1) ALL LOW VOLTAGE WIRING TO BE STANDARD, MULTI-CONDUCTOR COLOR CODED WITHOUT SPLICES. 2) WIRING TO CONFIRM TO APPLICABLE NATIONAL, STATE AND LOCAL ELECTRICAL CODES. 3) REFER TO SPECIFIC PRODUCT INSTALLATION INSTRUCTIONS FOR SPECIFIC WIRING REQUIREMENTS. 4) THIS DRAWING IS FOR GRAPHICAL REPRESENTATION OF PRODUCTS DETAILED IN THE HARDWARE SET ONLY. 5) * CONDUCTOR COUNT TO BE DETERMINED BY ACCESS CONTROL PANEL PROVIDER.		

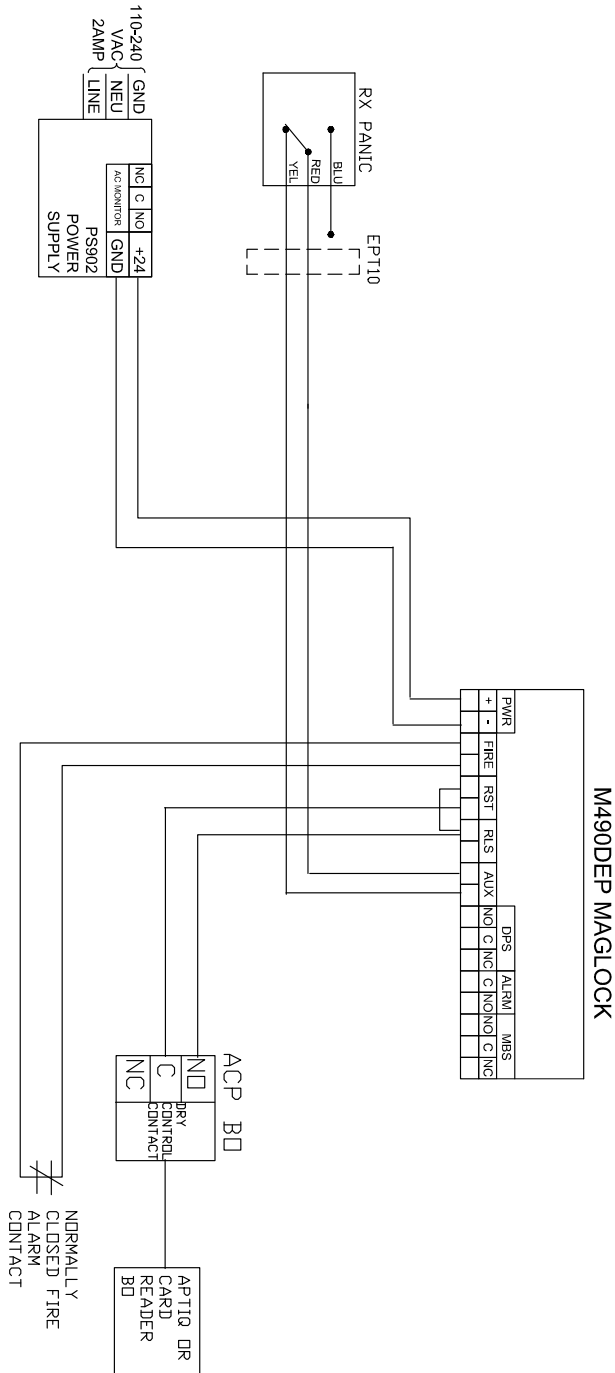
THIS DIAGRAM REPRESENTS A GENERIC CONFIGURATION. CUSTOM WIRING DIAGRAMS CAN BE ACQUIRED BY CONTACTING TECHNICAL SUPPORT.



NOTE:
* ADDITIONAL WIRING IS REQUIRED. SEE MANUFACTURER INSTALLATION INSTRUCTION

	<p>TITLE: M490DEP WITH RX PANIC, ACCESS CONTROL AND PS902</p> <p>DWG NO: 109498</p> <p>REV: B</p>	
<p>OPERATION: M490DEP MAG LOCK TO PROVIDE DELAYED EGRESS. PUSHING ON PANIC INITIATES 15 SECOND RELEASE COUNTDOWN. FIRE ALARM TO RELEASE DOORS IMMEDIATELY. INTERIOR APTIQ OR CARD READER BY OTHERS TO RELEASE DOORS FOR UNAUTHORIZED EGRESS OR WILL RESET M490DEP FROM ALARM. IN THIS EXAMPLE ALL WIRING CONNECTIONS ARE MADE IN PS902 ENCLOSURE.</p>	<p>DATE DRAWN: 4-4-2013</p> <p>REVISION DATE: 4-4-2013</p>	<p>DRAWING TYPE: RISER DIAGRAM</p> <p>DRAWN BY: B DOVE</p>
<p>HARDWARE USED: 1 VD OR FALCON RX PANIC DEVICE 1 EPT10 POWER TRANSFERS 1 M490DEP MAG LOCK 1 PS902 POWER SUPPLY 1 APTIQ OR CARD READER BY OTHERS WITH ACP FIRE ALARM CONTACT BY OTHERS</p>	<p>TYPE: DELAYED EGRESS SINGLE</p> <p>copyright 2013</p>	
<p>NOTES: 1) ALL LOW VOLTAGE WIRING TO BE STANDARD, MULTI-CONDUCTOR COLOR CODED WITHOUT SPLICES. 2) WIRING TO CONFORM TO APPLICABLE NATIONAL, STATE AND LOCAL ELECTRICAL CODES. 3) REFER TO SPECIFIC PRODUCT INSTALLATION INSTRUCTIONS FOR SPECIFIC WIRING REQUIREMENTS. 4) THIS DRAWING IS FOR GRAPHICAL REPRESENTATION OF PRODUCTS DETAILED IN THE HARDWARE SET ONLY. 5) * CONDUCTOR COUNT TO BE DETERMINED BY ACCESS CONTROL PANEL PROVIDER.</p>		

THIS DIAGRAM REPRESENTS A GENERIC CONFIGURATION. CUSTOM WIRING DIAGRAMS CAN BE ACQUIRED BY CONTACTING TECHNICAL SUPPORT.



NOTES:
 1) ALL LOW VOLTAGE WIRING TO BE STANDARD, MULTI-CONDUCTOR CABLE CODED WITHOUT SPLICES.
 2) WIRING TO CONFORM TO APPLICABLE NATIONAL, STATE AND LOCAL ELECTRICAL CODES.
 3) REFER TO SPECIFIC PRODUCT INSTALLATION INSTRUCTIONS FOR SPECIFIC WIRING REQUIREMENTS.
 4) THIS DRAWING IS FOR GRAPHICAL REPRESENTATION OF PRODUCTS DETAILED IN THE HARDWARE SET ONLY.
 5) * CONDUCTOR COUNT TO BE DETERMINED BY ACCESS CONTROL PANEL PROVIDER.

HARDWARE USED:
 1 VDI DR FALCON RX PANIC DEVICE
 1 EPT10 POWER TRANSFORMERS
 1 M490DEP MAG LOCK
 1 PS902 POWER SUPPLY
 1 APT10 DR CARD READER BY OTHERS WITH ACP
 FIRE ALARM CONTACT BY OTHERS

TYPE
 DELAYED
 EGRESS SINGLE

OPERATION:
 M490DEP MAG LOCK TO PROVIDE DELAYED EGRESS. PUSHING ON PANIC INITIATES 15 SECOND RELEASE COUNTDOWN.
 FIRE ALARM TO RELEASE DOORS IMMEDIATELY.
 INTERIOR APT10 OR CARD READER BY OTHERS TO RELEASE DOORS FOR UNAUTHORIZED EGRESS OR WILL RESET M490DEP FROM ALARM.
 IN THIS EXAMPLE ALL WIRING CONNECTIONS ARE MADE IN PS902 ENCLOSURE.

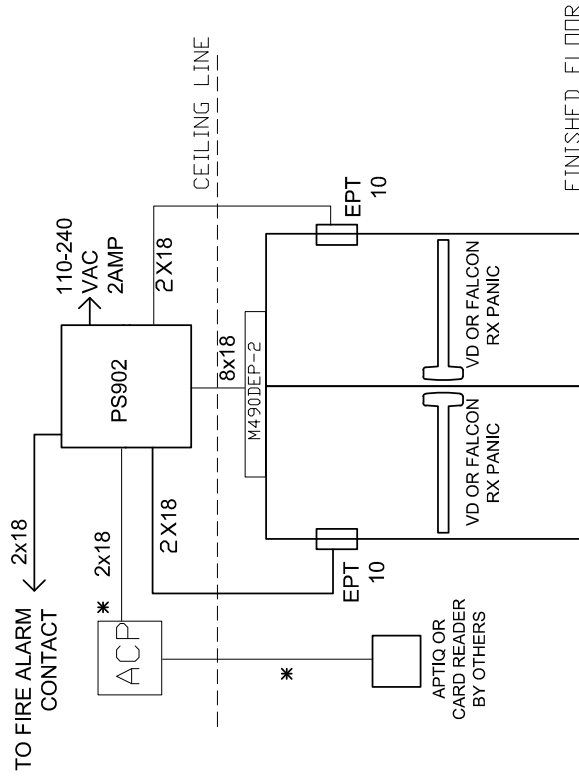
DATE DRAWN 4-4-2013
 REVISION DATE 4-4-2013
 copyright 2013



TITLE
 M490DEP WITH RX PANIC,
 ACCESS CONTROL AND PS902

DRAWING TYPE
 WIRING DIAGRAM
 DWG NO. 109498
 DRAWN/CHANGED BY: B DOVE/
 REV B

THIS DIAGRAM REPRESENTS A GENERIC CONFIGURATION. CUSTOM WIRING DIAGRAMS CAN BE ACQUIRED BY CONTACTING TECHNICAL SUPPORT.



NOTE:
 * ADDITIONAL WIRING IS REQUIRED. SEE MANUFACTURER INSTALLATION INSTRUCTION

NOTES:
 1) ALL LDM VOLTAGE WIRING TO BE STANDARD, MULTI-CONDUCTOR COLOR CODED WITHOUT SPLICES.
 2) WIRING TO CONFORM TO APPLICABLE NATIONAL, STATE AND LOCAL ELECTRICAL CODES.
 3) REFER TO SPECIFIC PRODUCT INSTALLATION INSTRUCTIONS FOR SPECIFIC WIRING REQUIREMENTS.
 4) THIS DRAWING IS FOR GRAPHICAL REPRESENTATION OF PRODUCTS DETAILED IN THE HARDWARE SET ONLY.
 5) * CONDUCTOR COUNT TO BE DETERMINED BY ACCESS CONTROL PANEL PROVIDER.

HARDWARE USED:
 2 VD OR FALCON RX PANIC DEVICES
 2 EPT10 POWER TRANSFERS
 1 M490DEP-2 MAG LOCK
 1 PS902 POWER SUPPLY
 1 APTIQ OR CARD READER BY OTHERS WITH ACP
 FIRE ALARM CONTACT BY OTHERS
 TYPE DELAYED EGRESS PAIR

OPERATION:
 M490DEP-2 MAG LOCK TO PROVIDE DELAYED EGRESS. PUSHING ON EITHER PANIC INITIATES 15 SECOND RELEASE COUNTDOWN.
 FIRE ALARM TO RELEASE DOORS IMMEDIATELY.
 ANTERIOR APTIQ OR CARD READER BY OTHERS TO RELEASE DOORS FOR AUTHORIZED EGRESS OR WILL RESET M490DEP-2 FROM ALARM.
 IN THIS EXAMPLE ALL WIRING CONNECTIONS ARE MADE IN PS902 ENCLOSURE.
 DATE DRAWN 4-3-2013 REVISION DATE: 4-3-2013
 copyright 2013

ALLEGIION™

TITLE: M490DEP-2 WITH PAIR RX PANICS, ACCESS CONTROL AND PS902

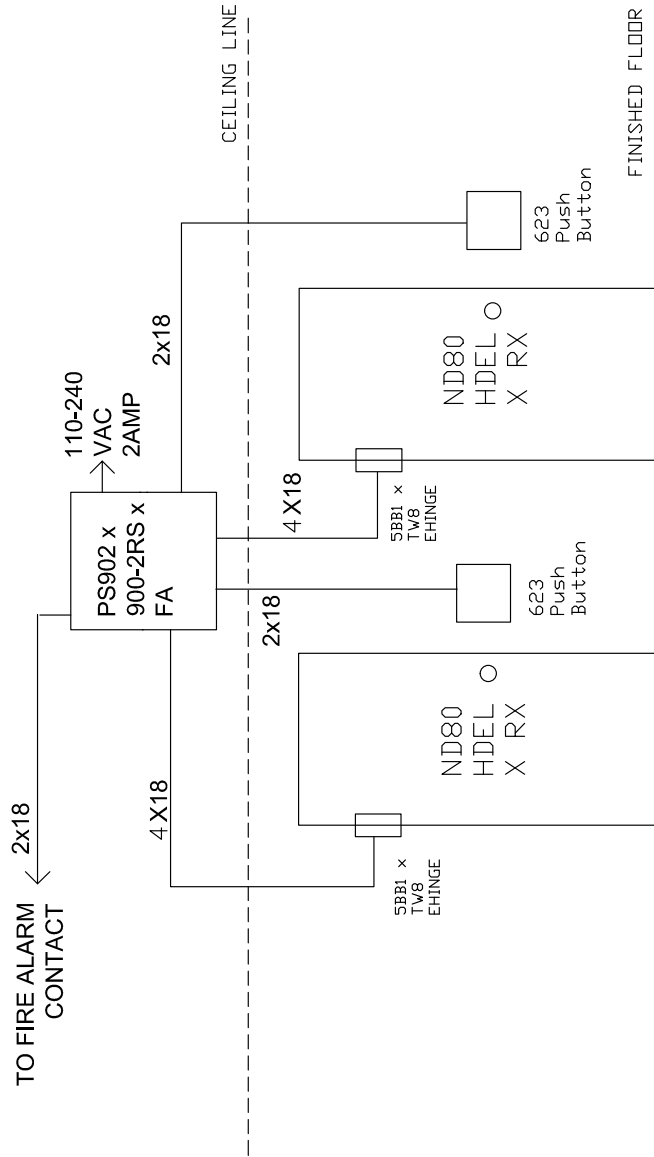
DRAWING TYPE: RISER DIAGRAM

DWG NO: 109500

REV B

DRAWN BY: B DDVE

THIS DIAGRAM REPRESENTS A GENERIC CONFIGURATION. CUSTOM WIRING DIAGRAMS CAN BE ACQUIRED BY CONTACTING TECHNICAL SUPPORT.



- NOTES:
- 1) ALL LOW VOLTAGE WIRING TO BE STANDARD, MULTI-CONDUCTOR COLOR CODED WITHOUT SPLICES.
 - 2) WIRING TO CONFORM TO APPLICABLE NATIONAL, STATE AND LOCAL ELECTRICAL CODES.
 - 3) REFER TO SPECIFIC PRODUCT INSTALLATION INSTRUCTIONS FOR SPECIFIC WIRING REQUIREMENTS.
 - 4) THIS DRAWING IS FOR GRAPHICAL REPRESENTATION OF PRODUCTS DETAILED IN THE HARDWARE SET ONLY.
 - 5) * CONDUCTOR COUNT TO BE DETERMINED BY ACCESS CONTROL PANEL PROVIDER.

HARDWARE USED:

- 1 PS902-2RS-FA
- 2 623 PUSHBUTTONS
- 2 5BB1 TW8 EHINGES
- 2 ND80 HDEL X RX LOCKSETS
- 1 FIRE ALARM CONTACT BY BUILDING SYSTEM

TYPE
SHARED RESTROOM

OPERATION:
COMMON RESTROOM SHARED BY 2 ROOMS.
DOORS NORMALLY UNLOCKED.
UPON ENTERING RESTROOM ONE OF THE MOMENTARY 623 PUSHBUTTONS WILL BE PRESSED TO LOCK BOTH DOORS.
LEAVING RESTROOM WITH EITHER LEVER IS USED TO EXIT. RX SWITCH IN LEVER WILL ELECTRICALLY UNLOCK BOTH DOORS.
FIRE ALARM ACTIVATION TO CAUSE NO EL LOCKS TO UNLOCK.
IN THIS EXAMPLE ALL WIRING CONNECTIONS ARE MADE IN THE PS902 POWER SUPPLY.

DATE DRAWN: 4-25-13 REVISION DATE: 4-25-13

copyright 2013

ALLEGIION™

TITLE: ND80 HDEL X RX LOCKSETS ON SHARED RESTROOM

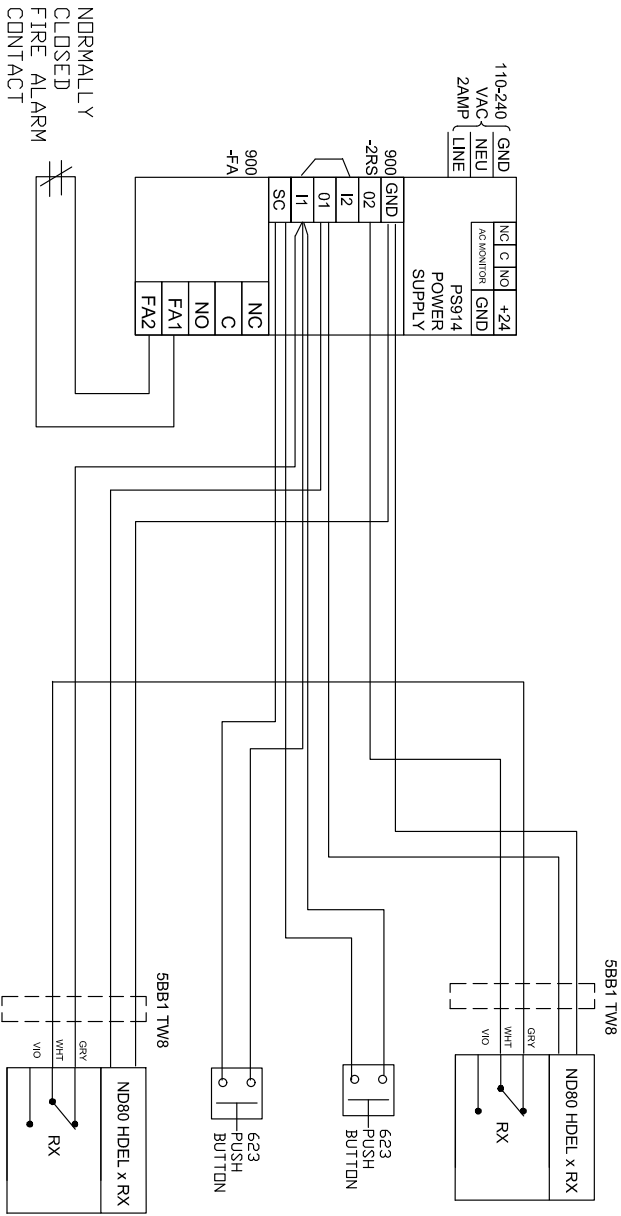
DRAWING TYPE: RISER DIAGRAM

DWG NO: 109529

DRAWN/CHECKED BY: B DOVE

REV: **B**

THIS DIAGRAM REPRESENTS A GENERIC CONFIGURATION. CUSTOM WIRING DIAGRAMS CAN BE ACQUIRED BY CONTACTING TECHNICAL SUPPORT.



NOTES:
 1) ALL LOW VOLTAGE WIRING TO BE STANDARD, MULTI-CONDUCTOR COLOR CODED WITHOUT SPLICES.
 2) WIRING TO CONFORM TO APPLICABLE NATIONAL, STATE AND LOCAL ELECTRICAL CODES.
 3) REFER TO SPECIFIC PRODUCT INSTALLATION INSTRUCTIONS FOR SPECIFIC WIRING REQUIREMENTS OF PRODUCTS DETAILED IN THE HARDWARE SET ONLY.
 4) THIS DRAWING IS FOR GRAPHICAL REPRESENTATION OF PRODUCTS DETAILED IN THE HARDWARE SET ONLY.
 5) * CONDUCTOR COUNT TO BE DETERMINED BY ACCESS CONTROL PANEL PROVIDER.

HARDWARE USED	OPERATION
1 PS902-GRS-FA	COMMON RESTROOM SHARED BY 2 ROOMS. DDOES NORMALLY UNLOCKED.
2 623 PUSHBUTTONS	UPON ENTERING RESTROOM ONE OF THE MONUMENTARY 623 PUSHBUTTONS WILL BE PRESSED TO LOCK BOTH DDOES.
2 SBB1 TW8 HINGES	LEAVING THE RESTROOM - WHEN EITHER LEVER IS USED TO EXIT. RX SWITCH IN LEVER WILL ELECTRICALLY UNLOCK BOTH DDOES.
2 ND80 HDL X RX LOCKSETS	FIRE ALARM ACTIVATION WILL CAUSE BOTH ND EL LOCKS TO UNLOCK.
1 FIRE ALARM CONTACT BY BUILDING SYSTEM	IN THIS EXAMPLE ALL WIRING CONNECTIONS ARE MADE IN THE PS902 POWER SUPPLY.

DATE DRAWN	REVISION DATE
4-25-13	4-25-13

copyright 2013

ALLEGION™

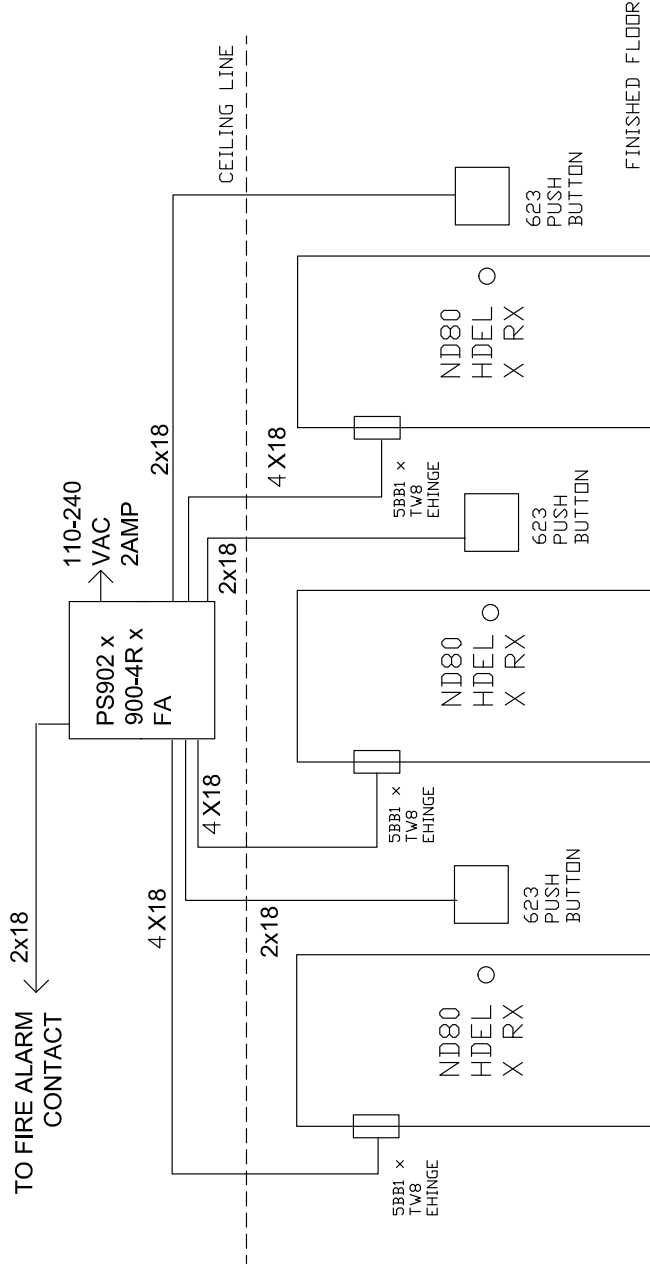
TITLE: ND80 HDL X RX LOCKSETS
 DN SHARED RESTROOM

DRAWING TYPE: WIRING DIAGRAM

DWG NO: 109529
 DRAWN/CHECKED BY: B DOVE/

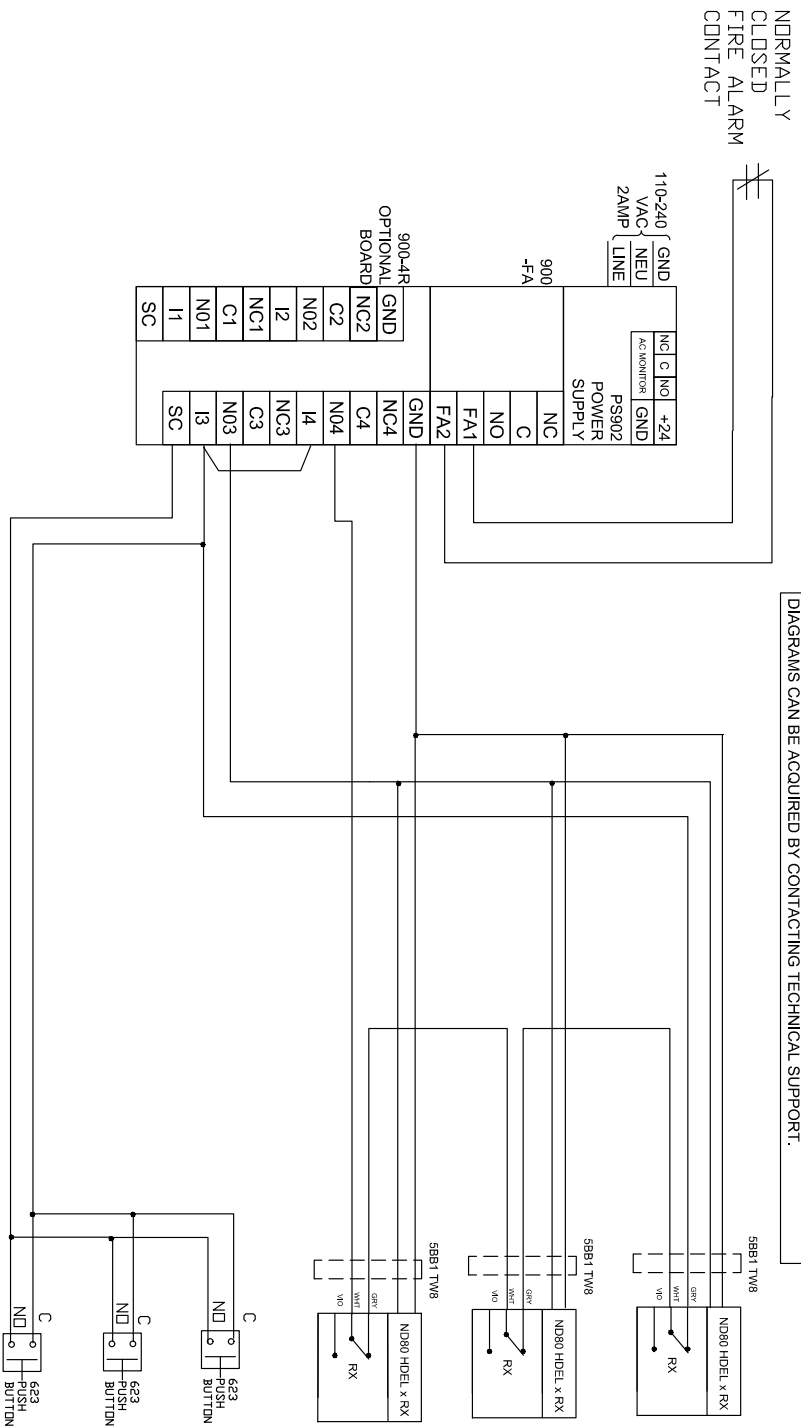
REV: B

THIS DIAGRAM REPRESENTS A GENERIC CONFIGURATION. CUSTOM WIRING DIAGRAMS CAN BE ACQUIRED BY CONTACTING TECHNICAL SUPPORT.



<p>ALLEGION™</p>	<p>TITLE: 3 ND80 HDEL X RX LOCKSETS ON SHARED RESTROOM RISER DIAGRAM</p>	
<p>OPERATION: COMMON RESTROOM SHARED BY 3 ROOMS. DOORS NORMALLY UNLOCKED. UPON ENTERING RESTROOM ONE OF THE INDICATORY 623 PUSHBUTTONS WILL BE PRESSED TO LOCK ALL DOORS. LEAVING THE RESTROOM - WHEN ANY LEVER IS USED TO EXIT. RX SWITCH IN LEVER WILL ELECTRICALLY UNLOCK ALL DOORS. FIRE ALARM ACTIVATION TO CAUSE ALL ND EL LOCKS TO UNLOCK. IN THIS EXAMPLE ALL WIRING CONNECTIONS ARE MADE IN THE PS902 POWER SUPPLY.</p>	<p>DATE DRAWN: 4-30-13 REVISION DATE: 4-30-13</p>	<p>DRWG NO.: 109537 DRAWN/CHECKED BY: B DOLVE</p>
<p>NOTES: 1) ALL LOW VOLTAGE WIRING TO BE STANDARD, MULTI-CONDUCTOR COLOR CODED WITHOUT SPLICES. 2) WIRING TO CONFORM TO APPLICABLE NATIONAL, STATE AND LOCAL ELECTRICAL CODES. 3) REFER TO SPECIFIC PRODUCT INSTALLATION INSTRUCTIONS FOR SPECIFIC WIRING REQUIREMENTS. 4) THIS DRAWING IS FOR GRAPHICAL REPRESENTATION OF PRODUCTS DETAILED IN THE HARDWARE SET ONLY. 5) * CONDUCTOR COUNT TO BE DETERMINED BY ACCESS CONTROL PANEL PROVIDER.</p>	<p>HARDWARE USED: 1 PS902-4R-FA 3 623 PUSHBUTTONS 3 5BB1 TW8 EHINGES 3 ND80 HDEL X RX LOCKSETS 1 FIRE ALARM CONTACT BY BUILDING SYSTEM</p>	<p>TYPE: SHARED RESTROOM - 3 DOORS</p>
<p>FINISHED FLOOR</p>		


THIS DIAGRAM REPRESENTS A GENERIC CONFIGURATION. CUSTOM WIRING DIAGRAMS CAN BE ACQUIRED BY CONTACTING TECHNICAL SUPPORT.



NOTES:
 1) ALL LOW VOLTAGE WIRING TO BE STANDARD, MULTI-CONDUCTOR COLOR CODED WITHOUT SPLICES.
 2) WIRING TO CONFORM TO APPLICABLE NATIONAL, STATE AND LOCAL ELECTRICAL CODES.
 3) REFER TO SPECIFIC PRODUCT INSTALLATION INSTRUCTIONS FOR SPECIFIC WIRING REQUIREMENTS OF PRODUCTS DETAILED IN THE HARDWARE SET ONLY.
 5) * CONDUCTOR COUNT TO BE DETERMINED BY ACCESS CONTROL PANEL PROVIDER.

HARDWARE USED:	
1	PS902-4R--FA
3	623 PUSHBUTTONS
3	5881 TW8 HINGERS
3	ND80 HDEL X RX LOCKSETS
1	FIRE ALARM CONTACT BY BUILDING SYSTEM
TYPE	SHARED RESTROOM -
	3 DOORS

OPERATION:	
COMMON RESTROOM SHARED BY 3 ROOMS. DOORS NORMALLY UNLOCKED. UPON ENTERING RESTROOM ONE OF THE NOMENCLATURE 623 PUSHBUTTONS WILL BE PRESSED TO LOCK ALL DOORS. LEAVING THE RESTROOM - WHEN ANY LEVER IS USED TO EXIT. RX SWITCH IN LEVER WILL ELECTRICALY UNLOCK ALL DOORS. FIRE ALARM ACTIVATION TO CAUSE ALL ND EL LOCKS TO UNLOCK. IN THIS EXAMPLE ALL WIRING CONNECTIONS ARE MADE IN THE PS902 POWER SUPPLY.	
DATE DRAWN:	4-30-13
REVISION DATE:	4-30-13
copyright 2013	



ALLEGION™

TITLE: 3 ND80 HDEL X RX LOCKSETS ON SHARED RESTROOM

DRAWING TYPE: WIRING DIAGRAM

DWG NO: 109537

DRAWN/CHECKED BY: B DOVEI

REV: B

About Allegion

Allegion (NYSE: ALLE) creates peace of mind by pioneering safety and security. As a \$2 billion provider of security solutions for homes and businesses, Allegion employs more than 7,800 people and sells products in more than 120 countries across the world. Allegion comprises 23 global brands, including strategic brands CISA®, Interflex®, LCN®, Schlage® and Von Duprin®.

For more, visit www.allegion.com

aptiQ ■ LCN ■ **SCHLAGE** ■ STEELCRAFT ■ VON DUPRIN