

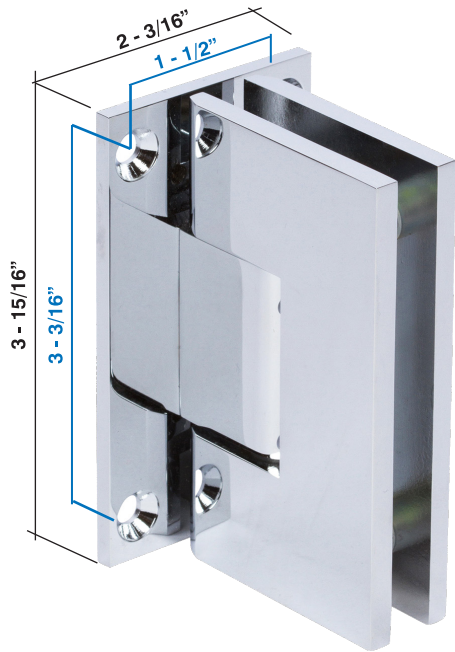


***Shower Door Hardware***



Shower Door Hinges	1~7
Sliding Glass Door System	8
Shower Door Pull Handles	9
Shower Door Towel Bars	10
Shower Door Knobs & Finger Pulls	11
Shower Door Mini Hinges & Glass Clamps	12
Shower Door Polycarbonates	13

## Heavy Duty Shower Hinges Full Backplate



Finishes

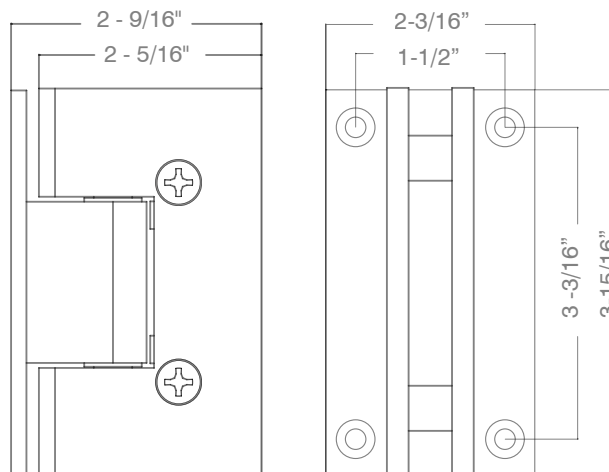
### Specifications:

- Solid Brass Drop Forged Construction
- Glass Thickness: 3/8" (10mm) to 1/2" (12mm) Tempered Glass
- Stainless Steel Hardened Coil Springs and Pin
- 90 Degree Opening angles
- Self centering within 15 degrees from closing position
- Industry standard fits typical glass cutout templates both mouse ears and square corner
- Supplied with both Phillips and Allen Key screw heads
- Accessories - gaskets, Stainless steel mounting screws, Allen wrench, template cut out dimensions.

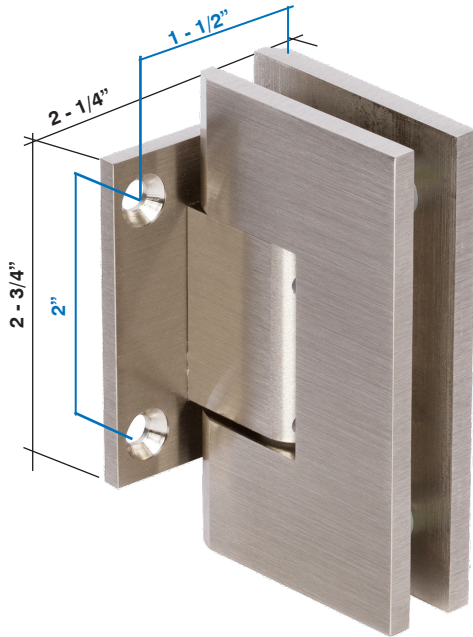
Product	0 Degree	Finish
HSHDL037LCP		Polished Chrome
HSHDL037LBSN		Brushed Nickel
HSHDL037LUS10B		Oil Rubbed Bronze

Tempered Glass 3/8"	Tempered Glass 1/2"
2 Hinges 36" 100 lbs	2 Hinges 32" 100 lbs
3 Hinges 36" 140 lbs	3 Hinges 36" 140 lbs
Opening 90°	Opening 90°
Two Screw Heads	Two Screw Heads
Accessories	

## Heavy Duty Square Corner Wall to Glass Shower Hinge Full Backplate



## Heavy Duty Shower Hinges Short Backplate



Finishes

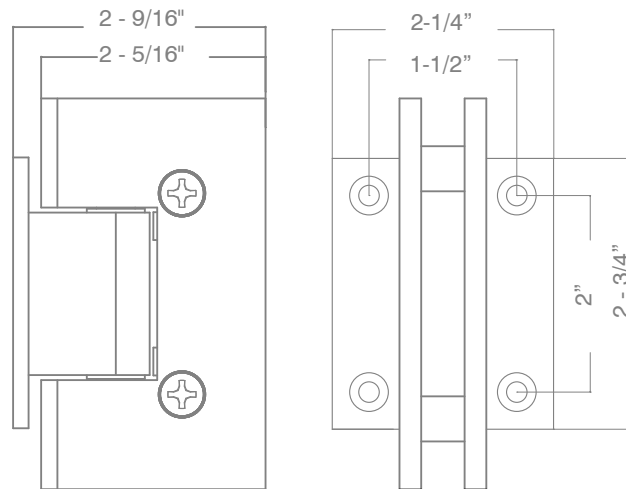
### Specifications:

- Solid Brass Drop Forged Construction
- Glass Thickness: 3/8" (10mm) to 1/2" (12mm) Tempered Glass
- Stainless Steel Hardened Coil Springs and Pin
- 90 Degree Opening angles
- Self centering within 15 degrees from closing position
- Industry standard fits typical glass cutout templates both mouse ears and square corner
- Supplied with both Phillips and Allen Key screw heads
- Accessories - gaskets, Stainless steel mounting screws, Allen wrench, template cut out dimensions.

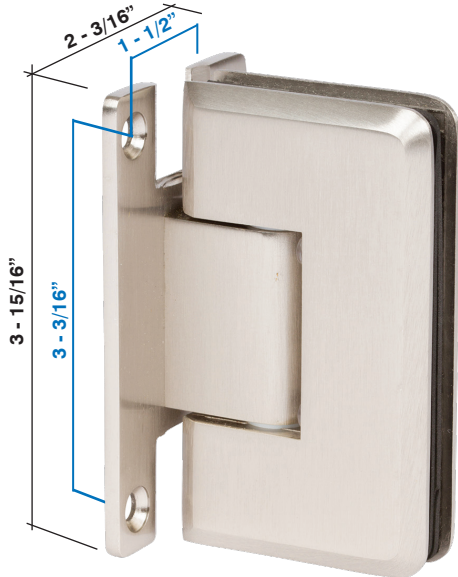
Product	0 Degree	Finish
HSHDS037SCP		Polished Chrome
HSHDS037SBSN		Brushed Nickel
HSHDS037SUS10B		Oil Rubbed Bronze

Tempered Glass 3/8"	Tempered Glass 1/2"
2 Hinges 36" 100 lbs	2 Hinges 32" 100 lbs
3 Hinges 36" 140 lbs	3 Hinges 36" 140 lbs
Opening 90°	Opening 90°
Two Screw Heads	Two Screw Heads
Accessories	

## Heavy Duty Square Corner Wall to Glass Shower Hinge Short Backplate



## Heavy Duty Shower Hinges H Type Full Backplate



Finishes

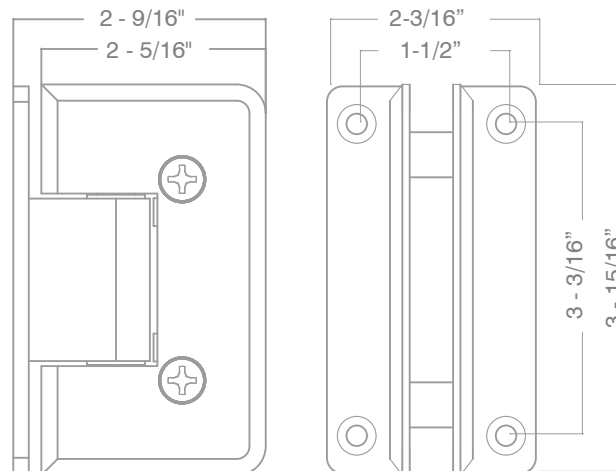
### Specifications:

- Solid Brass Drop Forged Construction
- Glass Thickness: 3/8" (10mm) to 1/2" (12mm) Tempered Glass
- Stainless Steel Hardened Coil Springs and Pin
- 90 Degree Opening angles
- Self centering within 15 degrees from closing position
- Industry standard fits typical glass cutout templates both mouse ears and square corner
- Supplied with both Phillips and Allen Key screw heads
- Accessories - gaskets, Stainless steel mounting screws, Allen wrench, template cut out dimensions.

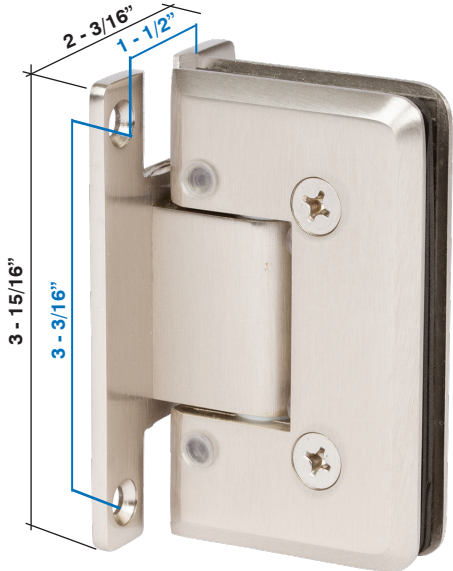
Product	0 Degree	Finish
HSBV037LCCP		Polished Chrome
HSBV037LBBSN		Brushed Nickel
HSHDB037LUS10B		Oil Rubbed Bronze

Tempered Glass 3/8"	Tempered Glass 1/2"
2 Hinges 36" 100 lbs	2 Hinges 32" 100 lbs
3 Hinges 36" 140 lbs	3 Hinges 36" 140 lbs
Opening 90°	Opening 90°
Two Screw Heads	Two Screw Heads
Accessories	

## Heavy Duty Beveled Corner Wall to Glass Shower Hinge H Type Full Backplate



## Adjustable Heavy Duty Shower Hinges H Type Full Backplate



Finishes

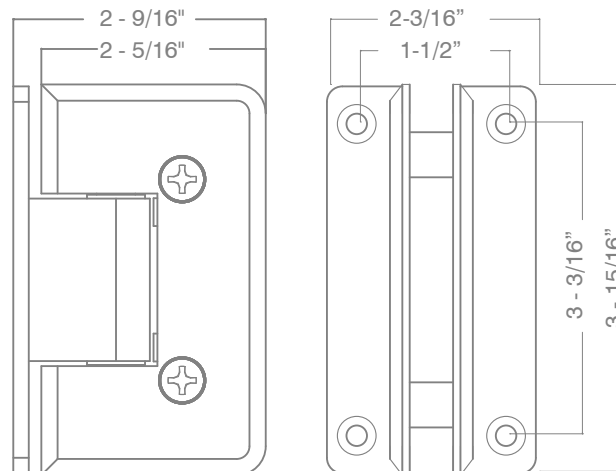
### Specifications:

- Solid Brass Drop Forged Construction
- Glass Thickness: 3/8" (10mm) to 1/2" (12mm) Tempered Glass
- Stainless Steel Hardened Coil Springs and Pin
- 90 Degree Opening angles
- Self centering within 15 degrees from closing position
- Industry standard fits typical glass cutout templates both mouse ears and square corner
- Supplied with both Phillips and Allen Key screw heads
- Accessories - gaskets, Stainless steel mounting screws, Allen wrench, template cut out dimensions.

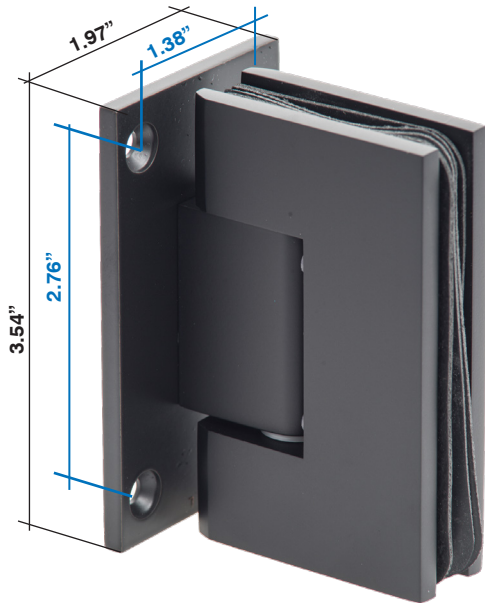
Product	0 Degree	Finish
HSHDBA237LCP		Polished Chrome
HSHDBA237LBSN		Brushed Nickel
HSHDBA237LUS10B		Oil Rubbed Bronze

Tempered Glass 3/8"	Tempered Glass 1/2"
2 Hinges 36" 100 lbs	2 Hinges 32" 100 lbs
3 Hinges 36" 140 lbs	3 Hinges 36" 140 lbs
Opening 90°	Opening 90°
Two Screw Heads	Two Screw Heads
Accessories	

## Adjustable Heavy Duty Beveled Corner Wall to Glass Shower Hinge H Type Full Backplate

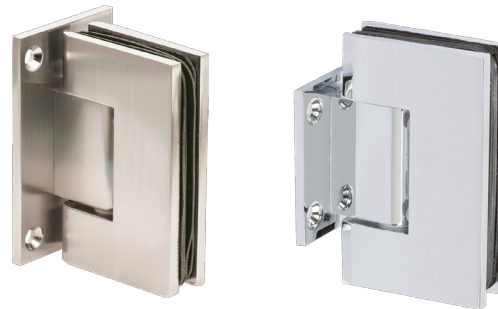


## Classic Shower Hinges Square Corner



### Specifications:

- Solid Brass Drop Forged Construction
- Glass Thickness: 3/8" (10mm) to 1/2" (12mm) Tempered Glass
- Stainless Steel Hardened Coil Springs and Pin
- 90 Degree Opening angles
- Self centering within 15 degrees from closing position
- Industry standard fits typical glass cutout templates
- Supplied with Phillips screw heads
- Accessories - gaskets, Stainless steel mounting screws, Allen wrench, template cut out dimensions.

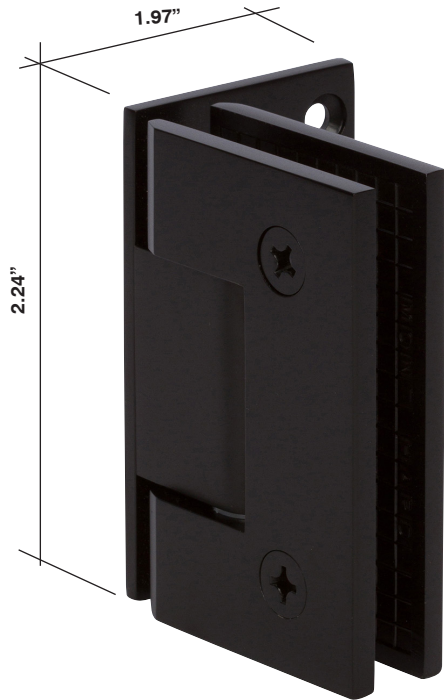


### Classic Square Corner Wall to Glass Shower Hinge

<p>Tempered Glass 3/8"</p>	<p>Tempered Glass 1/2"</p>
<p>2 Hinges 28" 80 lbs</p>	<p>2 Hinges 26" 80 lbs</p>
<p>3 Hinges 32" 120 lbs</p>	<p>3 Hinges 30" 120 lbs</p>
<p>Opening 90°</p>	<p>Opening 90°</p>
<p>Accessories</p>	

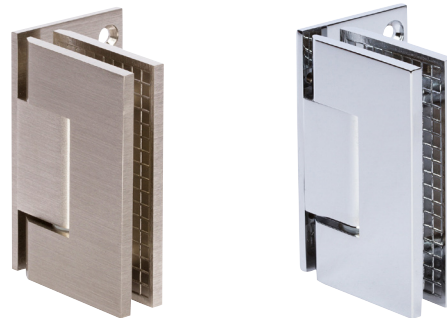
Full Backplate	0 Degree	Finish
M037-PC		Polished Chrome
M037-BN		Brushed Nickel
M037-US10B		Oil Rubbed Bronze
Full Backplate	5 Degree	Finish
M037-PC-5C		Polished Chrome
M037-BN-5C		Brushed Nickel
M037-US10B-5C		Oil Rubbed Bronze
Short Backplate	0 Degree	Finish
SHS037S-CP-0C		Polished Chrome
SHS037S-BN-0C		Brushed Nickel
SHS037S-US10B-0C		Oil Rubbed Bronze
Short Backplate	5 Degree	Finish
SHS037S-CP		Polished Chrome
SHS037S-BN		Brushed Nickel
SHS037S-US10B		Oil Rubbed Bronze

## Classic Shower Hinges Offset Full Backplate



### Specifications:

- Solid Brass Drop Forged Construction
- Glass Thickness: 3/8" (10mm) to 1/2" (12mm) Tempered Glass
- Stainless Steel Hardened Coil Springs and Pin
- 90 Degree Opening angles
- Self centering within 15 degrees from closing position
- Industry standard fits typical glass cutout templates
- Supplied with Phillips screw heads
- Accessories - gaskets, Stainless steel mounting screws, Allen wrench, template cut out dimensions.



## Classic Square Corner Wall to Glass Shower Hinge Offset Full Backplate

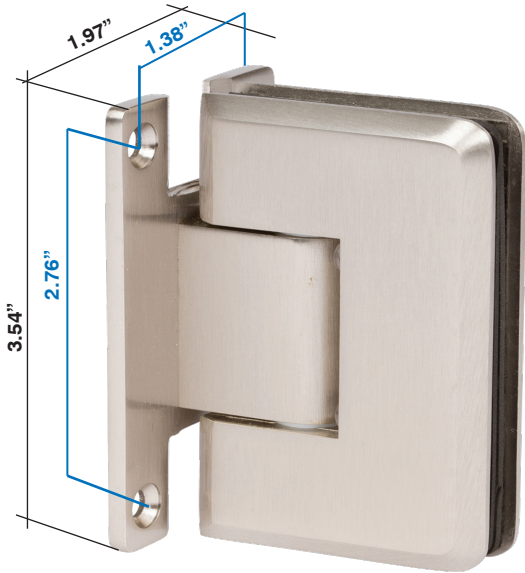
<p>Tempered Glass 3/8"</p>	<p>Tempered Glass 1/2"</p>
<p>2 Hinges 28" 80 lbs</p>	<p>2 Hinges 26" 80 lbs</p>
<p>3 Hinges 32" 120 lbs</p>	<p>3 Hinges 30" 120 lbs</p>
<p>Opening 90°</p>	<p>Opening 90°</p>
<p>Accessories</p>	

Product	0 Degree	Finish
M039-PC		Polished Chrome
M039-BSN		Brushed Nickel
M039-US10B		Oil Rubbed Bronze

Product	5 Degree	Finish
M039-PC-5C		Polished Chrome
M039-BSN-5C		Brushed Nickel
M039-US10B-5C		Oil Rubbed Bronze



## Silhouette Shower Hinges H Type Backplate



### Specifications:

- Solid Brass Drop Forged Construction
- Glass Thickness: 3/8" (10mm) to 1/2" (12mm) Tempered Glass
- Stainless Steel Hardened Coil Springs and Pin
- 90 Degree Opening angles
- Self centering within 15 degrees from closing position
- Industry standard fits typical glass cutout templates
- Supplied with Allen Key screw heads
- Accessories - gaskets, Stainless steel mounting screws, Allen wrench, template cut out dimensions.

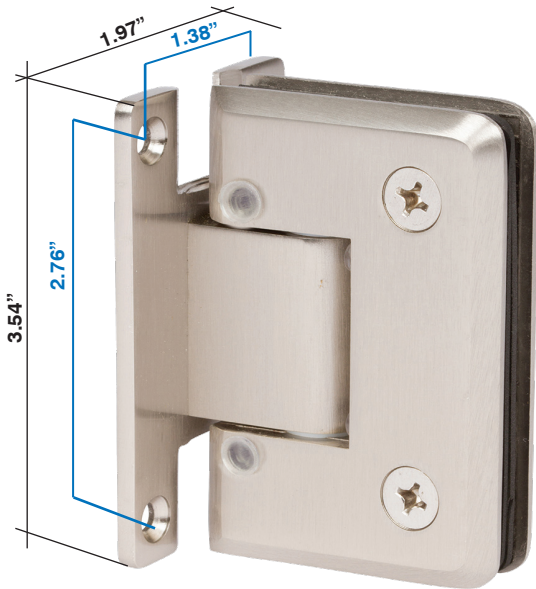


### Beveled Corner Wall to Glass Shower Hinge H Type Backplate

<p>Tempered Glass 3/8"</p>	<p>Tempered Glass 1/2"</p>
<p>2 Hinges 28" 80 lbs</p>	<p>2 Hinges 26" 80 lbs</p>
<p>3 Hinges 32" 120 lbs</p>	<p>3 Hinges 30" 120 lbs</p>
<p>Opening 90°</p>	<p>Opening 90°</p>
<p>Accessories</p>	

Product	0 Degree	Finish
SHB037L-CP		Polished Chrome
SHB037L-BN		Brushed Nickel

## Silhouette Shower Hinges H Type Backplate



### Specifications:

- Solid Brass Drop Forged Construction
- Glass Thickness: 3/8" (10mm) to 1/2" (12mm) Tempered Glass
- Stainless Steel Hardened Coil Springs and Pin
- 90 Degree Opening angles
- Self centering within 15 degrees from closing position
- Industry standard fits typical glass cutout templates
- Supplied with Allen Key screw heads
- Accessories - gaskets, Stainless steel mounting screws, Allen wrench, template cut out dimensions.



## Beveled Corner Wall to Glass Shower Hinge H Type Backplate

<p>Tempered Glass 3/8"</p>	<p>Tempered Glass 1/2"</p>
<p>2 Hinges 28" 80 lbs</p>	<p>2 Hinges 26" 80 lbs</p>
<p>3 Hinges 32" 120 lbs</p>	<p>3 Hinges 30" 120 lbs</p>
<p>Opening 90°</p>	<p>Opening 90°</p>
<p>Accessories</p>	

Product	0 Degree	Finish
SHB237L-CP		Polished Chrome
SHB237L-BN		Brushed Nickel



### Specifications:

- Brass or Stainless Steel Tubing
- Tube Diameter: 3/4"
- Glass Thickness Range: 1/4" to 1/2"
- Cutout: 1/2" holes CTC 8" or 6"
- Finishes: Chrome, Brushed Nickel, Bronze

### Rockwell Contemporary Square Back to Back Pulls Size: 8" CTC

Product	Finish
SDHQ8-PS	Polished Chrome
SDHQ8-BSL	Brushed Nickel
SDHQ8-ORB	Oil Rubbed Bronze



### Rockwell Crescent Back to Back Pulls Size: 8" CTC

Product	Finish
SDH-CR8-PS	Polished Chrome
SDH-CR8-BS	Brushed Nickel
SDH-CR8-ORB	Oil Rubbed Bronze

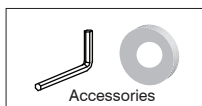


### Rockwell Classic Back to Back Pulls Size: 6" or 8"

Product	Finish
SDH3/4-6-PS	Polished Chrome
SDH3/4-6-BS	Brushed Nickel
SDH3/4-6-US10B	Oil Rubbed Bronze
SDH3/4-8-PS	Polished Chrome
SDH3/4-8-BS	Brushed Nickel
SDH3/4-8-US10B	Oil Rubbed Bronze

### Decorative Metal Washers

Product	Finish
MWPS-SS	Polished Chrome
MWBS-SS	Brushed Nickel
MWUS10B-SS	Oil Rubbed Bronze





## Rockwell Classic Towel Bars Size: 18" to 28"

Product	Finish
SDP3/4-18-PS	Polished Chrome
SDP3/4-18-BS	Brushed Nickel
SDP3/4-18-ORB	Oil Rubbed Bronze
SDP3/4-20-PS	Polished Chrome
SDP3/4-20-BS	Brushed Nickel
SDP3/4-20-ORB	Oil Rubbed Bronze
SDP3/4-22-PS	Polished Chrome
SDP3/4-22-BS	Brushed Nickel
SDP3/4-22-ORB	Oil Rubbed Bronze
SDP3/4-24-PS	Polished Chrome
SDP3/4-24-BS	Brushed Nickel
SDP3/4-24-ORB	Oil Rubbed Bronze
SDP3/4-26-PS	Polished Chrome
SDP3/4-26-BS	Brushed Nickel
SDP3/4-26-ORB	Oil Rubbed Bronze
SDP3/4-27-PS	Polished Chrome
SDP3/4-27-BS	Brushed Nickel
SDP3/4-27-ORB	Oil Rubbed Bronze
SDP3/4-28-PS	Polished Chrome
SDP3/4-28-BS	Brushed Nickel
SDP3/4-28-ORB	Oil Rubbed Bronze

## Specifications:

- Brass or Stainless Steel Tubing
- Tube Diameter: 3/4"
- Glass Thickness Range: 1/4" to 1/2"
- Cutout: 1/2" holes
- Finishes: Chrome, Brushed Nickel, Bronze

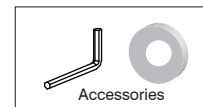
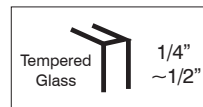
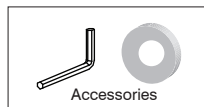
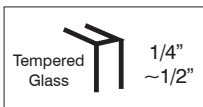
## Metal Washers

Product	Finish
MWPS-SS	Polished Chrome
MWBS-SS	Brushed Nickel
MWUS10B-SS	Oil Rubbed Bronze



## Rockwell Classic Towel Bar COMBO Size: 18" and 24"

Product	Finish
SDTB3/4-6x18-PS	Polished Chrome
SDTB3/4-6x18-BS	Brushed Nickel
SDTB3/4-6x18-ORB	Oil Rubbed Bronze
SDTB3/4-6x24-PS	Polished Chrome
SDTB3/4-6x24-BS	Brushed Nickel
SDTB3/4-6x24-ORB	Oil Rubbed Bronze
SDTB3/4-8x18-PS	Polished Chrome
SDTB3/4-8x18-BS	Brushed Nickel
SDTB3/4-8x18-ORB	Oil Rubbed Bronze
SDTB3/4-8x24-PS	Polished Chrome
SDTB3/4-8x24-BS	Brushed Nickel
SDTB3/4-8x24-ORB	Oil Rubbed Bronze



## Finger Pull Knob

1-1/4" Diameter  
For Bypass Sliding Doors  
Hole Diameter: 1/2"



Product	Finish
RS-7470	Polished Chrome
RS-7479	Brushed Nickel
RS-747R	Oil Rubbed Bronze

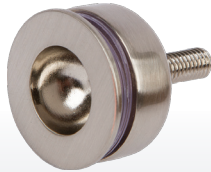
## Specifications:

- Glass Thickness Range: 1/4" to 1/2"

*The Shower Door Knob is made of Solid Brass and is ideal for standard frameless swinging or sliding doors.*

## Finger Pull Knob for Towel Bar

1.05" Diameter  
For Bypass Sliding Doors  
Hole Diameter:  
7/8" or 11/16"



Product	Finish
RS-7590	Polished Chrome
RS-7599	Brushed Nickel
RS-759R	Oil Rubbed Bronze

## Finger Pull for Towel Bar

1-1/4" Diameter  
For Bypass Sliding Doors  
Hole Diameter: 1/2"



Product	Finish
RS-7490	Polished Chrome
RS-7499	Brushed Nickel
RS-749R	Oil Rubbed Bronze

## Single Side Knob

3/4" Diameter  
For Bypass Sliding Doors  
Hole Diameter: 1/2"



Knob	Finish
SDK03x1-CP	Polished Chrome
SDK03x1-BN	Brushed Nickel
SDK03x1-US10B	Oil Rubbed Bronze

## Double Side Knob with Cushion

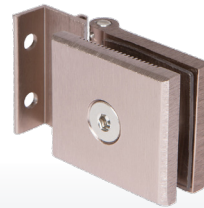
3/4" Diameter on Side with Cushion for Bypass Sliding Doors  
Hole Diameter: 1/2"



Knob	Finish
SKDS03x2-CP	Polished Chrome
SKDS03x2-BN	Brushed Nickel

## Mini Shower Hinge

Used for Wall to Glass installations.  
For Glass that is 1/4" thick  
Cutout: 1"



### Product

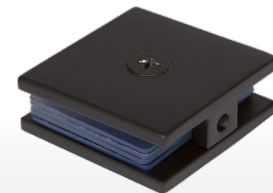
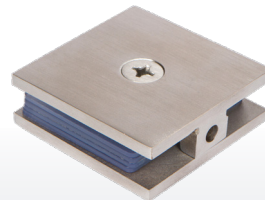
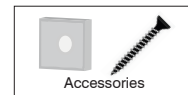
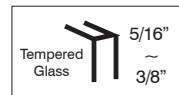
ALMHCPS  
ALMHBN1  
ALMHUS10B

### Finish

Polished Chrome  
Brushed Nickel  
Oil Rubbed Bronze

## Square Wall Mount Glass Clamp

Used for Wall to Glass installations.  
For Glass that is 5/16" to 3/8" thick  
Size: 2" x 2"



### Product

SDGCSPS  
SDGCSBS  
SDGCSUS10B

### Finish

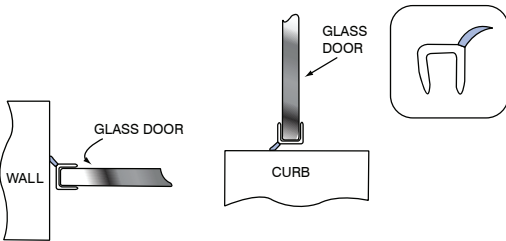
Polished Chrome  
Brushed Nickel  
Oil Rubbed Bronze



### Specifications:

- Clear Polycarbonates, Vinyl Seals and Edge Wipes
- Available in 1/4" (6mm) and 3/8" (10mm) Glass Sizes

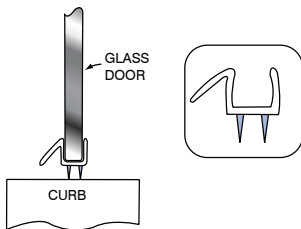
### Dual Seal and Wipe



This Seal and Wipe has two uses: Installed on the door bottom the soft acts as a wipe; If installed on the overlapping bi-fold door the soft lip acts as a seal.

Product Code	Length	Glass Size
EW06DD-98	98"	1/4" (6mm)
EW10DD-98	98"	3/8" (10mm)

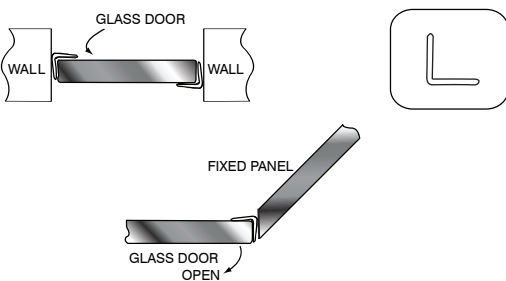
### Clear Bottom Wipe with Drip Rail



The Clear Bottom Wipe with Drip Rail is installed on the bottom of door. Soft wipes on the bottom provide a tight seal 45°

Product Code	Length	Glass Size
EW06WS-98	98"	1/4" Extended Wing
EW10WS-98	98"	3/8" Extended Wing

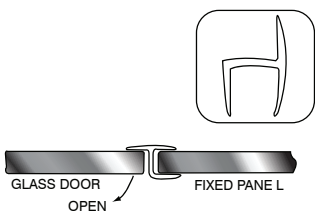
### "L" Jamb Seal



This is for use on both hinge and strike side seal for frameless shower applications. Also used on neo-angle glass shower panel as strike jamb.

Product Code	Length	Glass Size
EWSJL98	98"	1/2" (12mm)

### "H" Jamb Seal



The "H" jamb is for use on 180° inline glass applications. Installed onto the fixed glass panel with the lip positioned on the strike side, or onto the door with the lip positioned on the hinge side.

Product Code	Length	Glass Size
EW10HJ-98	98"	3/8" (10mm)



**ROCKWELL SECURITY INC.**

[www.rockwellsecurityinc.com](http://www.rockwellsecurityinc.com)

Tel: (510) 270 5633 Fax: (309) 276 2680

