

Identifying The Product You Have

RIXSON[®]
ASSA ABLOY

ASSA ABLOY, the global leader
in door opening solutions



[Click here](#) to go to End User Sales & Service Centers

Contents

Floor Closers p 3

Product Identification p 5

27/28 Series Floor Closer ID p 7

30/40 Series Floor Closer ID p 8

Uni Chek Closer ID p 9

Thinslab ID p 10

Duo Chek Closer ID p 11

Spindle Heights of Floor Closers p 12

Overhead Concealed Closers p 13

Checkmate Overhead Stops and Holders p 14

SCIII p 15

SCIV p 15

Heritage p 15

SCV p 16

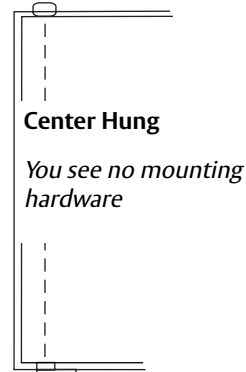
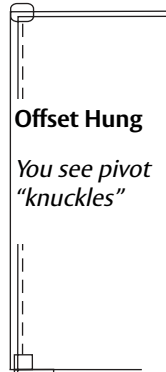
SCVI p 17

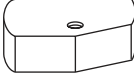
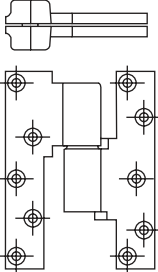
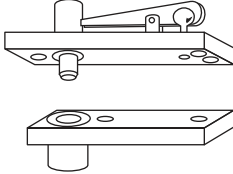
Pivots & Pivot Sets p 18

[Click here](#) to go to End User Sales & Service Centers

Floor Closers

1. Is the door offset or center hung?
When door is in closed position...



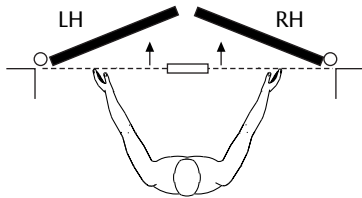
Offset Floor Closers	Center Hung Floor Closers
<ul style="list-style-type: none"> • Spindle & pivot centerline located "off" the face of the door (3/4" or 1-1/2") • Visible cover cap on arm  <ul style="list-style-type: none"> • Arm attached to door when door is de-mounted • Door may have intermediate pivot(s) in addition to top pivot 	<ul style="list-style-type: none"> • Spindle centerline located in center of door thickness • Arm is not visible when installed – there may be visible adjusting screws on face of door at bottom arm location • Arm attached to closer when door is de-mounted • Top pivot only (walking beam type) – completely hidden when door is closed 

2. What is the spindle configuration? Refer to [page 5](#).
3. Is it single or double acting?
- Double acting – door swings into the room AND out of the room
 - Single acting – door swings either into the room or out of the room but, not both
4. How many adjusting valves are there? 1? 2? 3? 4? 5?
5. Do you recognize the body and markings on the more popular models?
Refer to [pages 7-11](#).

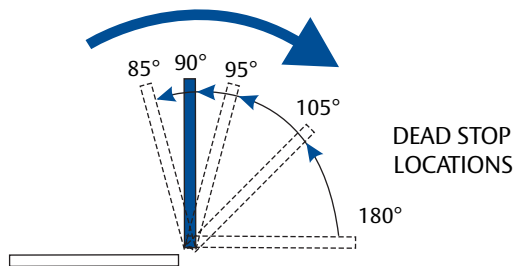
[Click here](#) to go to End User Sales & Service Centers

Floor Closers

6. Spindle height? Refer to [page 12](#). (The door must be removed from the closer to make this determination.)
7. Hand of door?



8. Degree of swing? Most common are 90° or 105°.

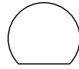


9. Does it hold open?
 - Automatic – always goes into hold open
 - Selective – valve to turn hold open off and on
10. Can you identify arm? Refer to [page 5](#).

[Click here](#) to go to End User Sales & Service Centers

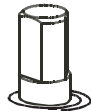
Product Identification

Older Model
Offset Floor Closers
Model 20 & 25

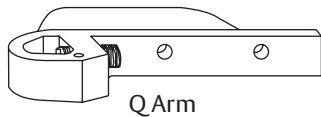
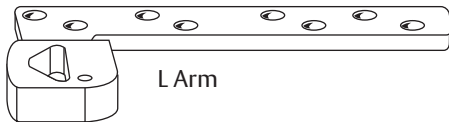
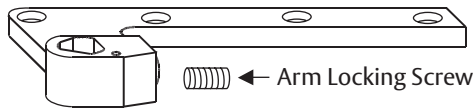


Closer body arm & arm cap must be replaced

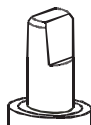
Offset Floor Closers
Model #'s 20, 25, 27, 51



Triangular spindle shape



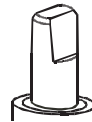
Model #'s 65, 66, 67, 68



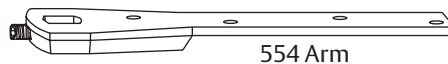
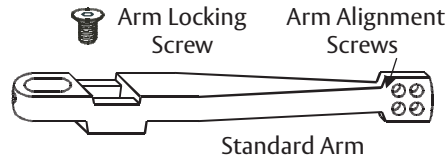
Tapered spindle shape



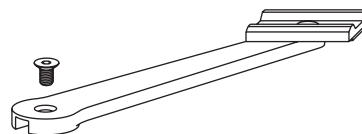
Center Hung Floor Closers
Model #'s 8, 9, 10, 12, 15
21, 26, 28, 30, 40, 50



Tapered spindle shape



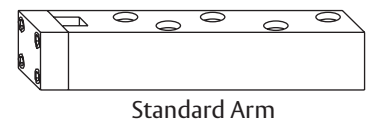
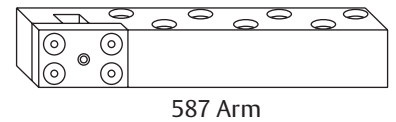
Models 327 and 53



Heavy Duty Floor Closers
Model #'s H28 & H40



Square spindle shape

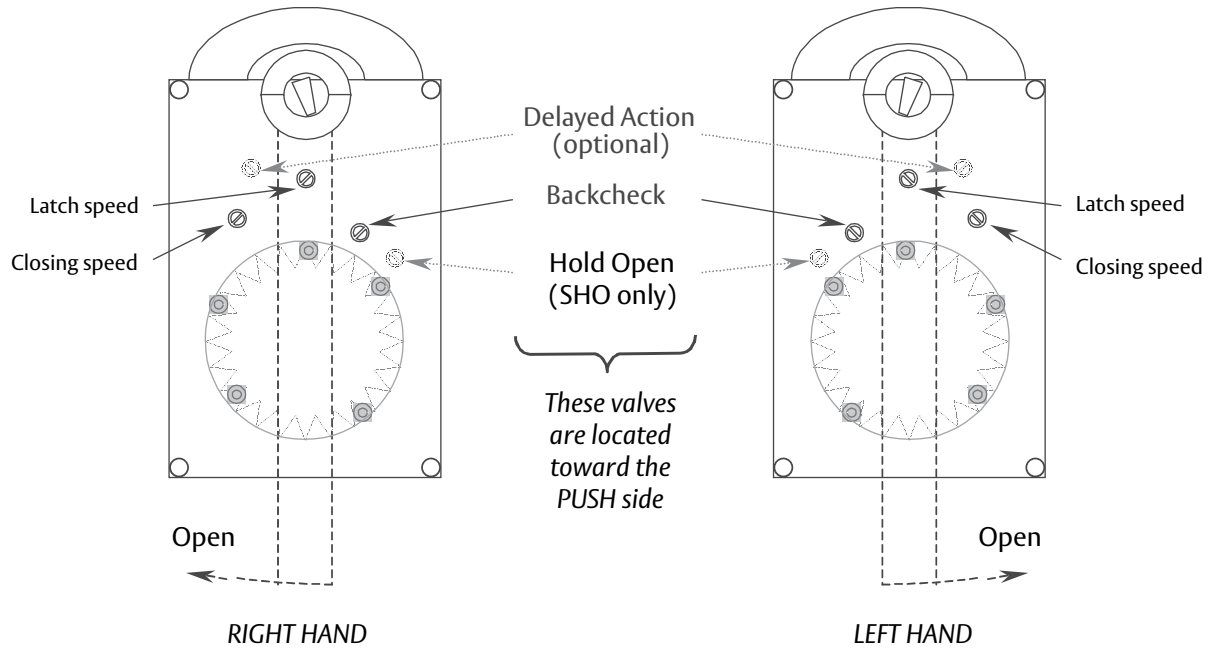


HD28 (vintage 1960's)
No longer available

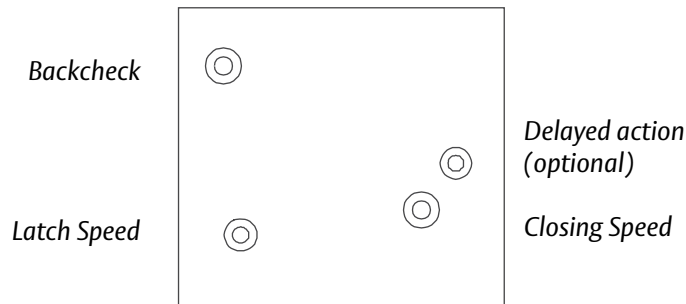
[Click here](#) to go to End User Sales & Service Centers

Product Identification

VALVE LOCATION DIAGRAMS MODELS 27 AND 28 (3, 4, or 5 valves)



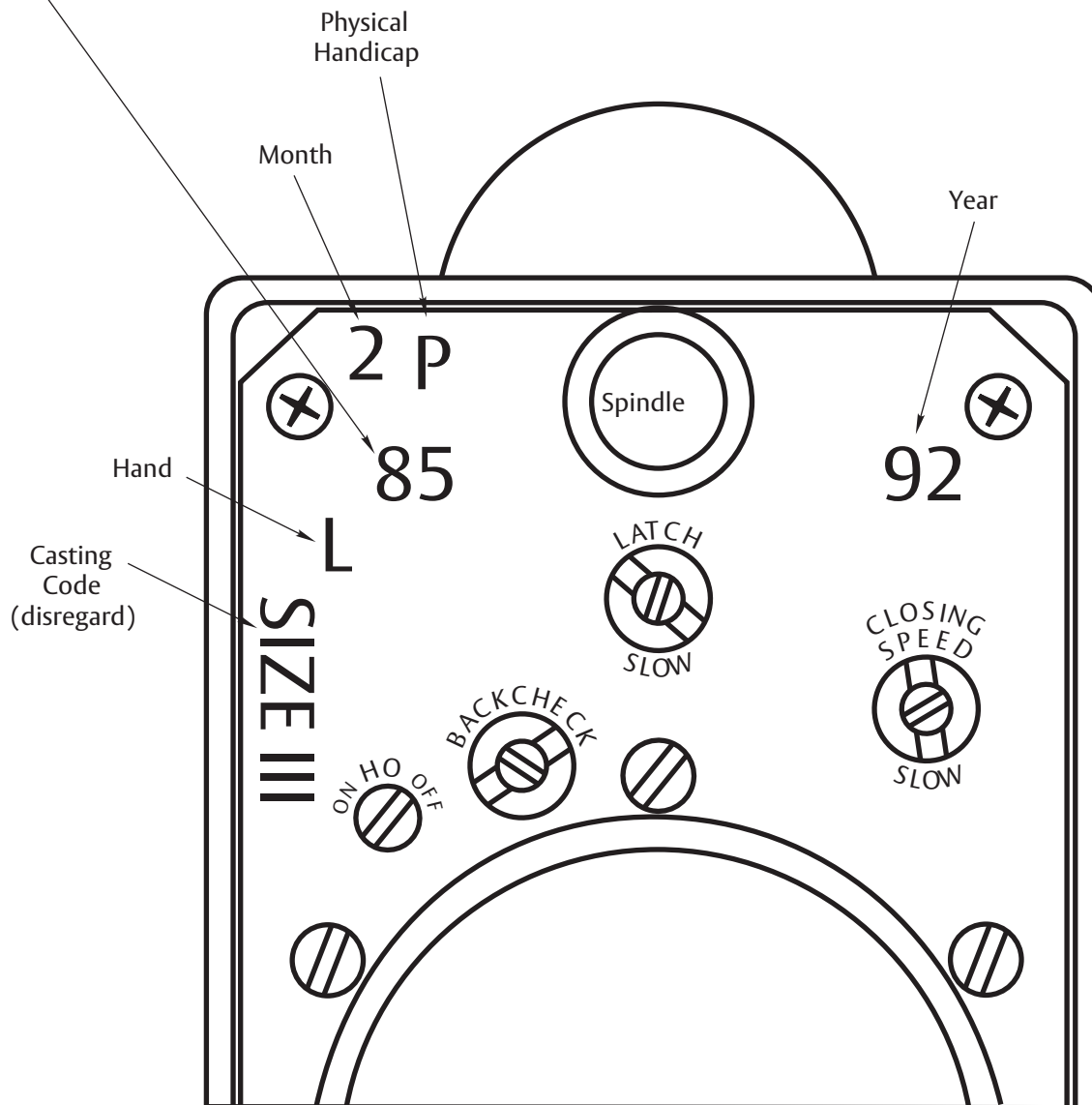
50/51 Closer Adjustments



[Click here](#) to go to End User Sales & Service Centers

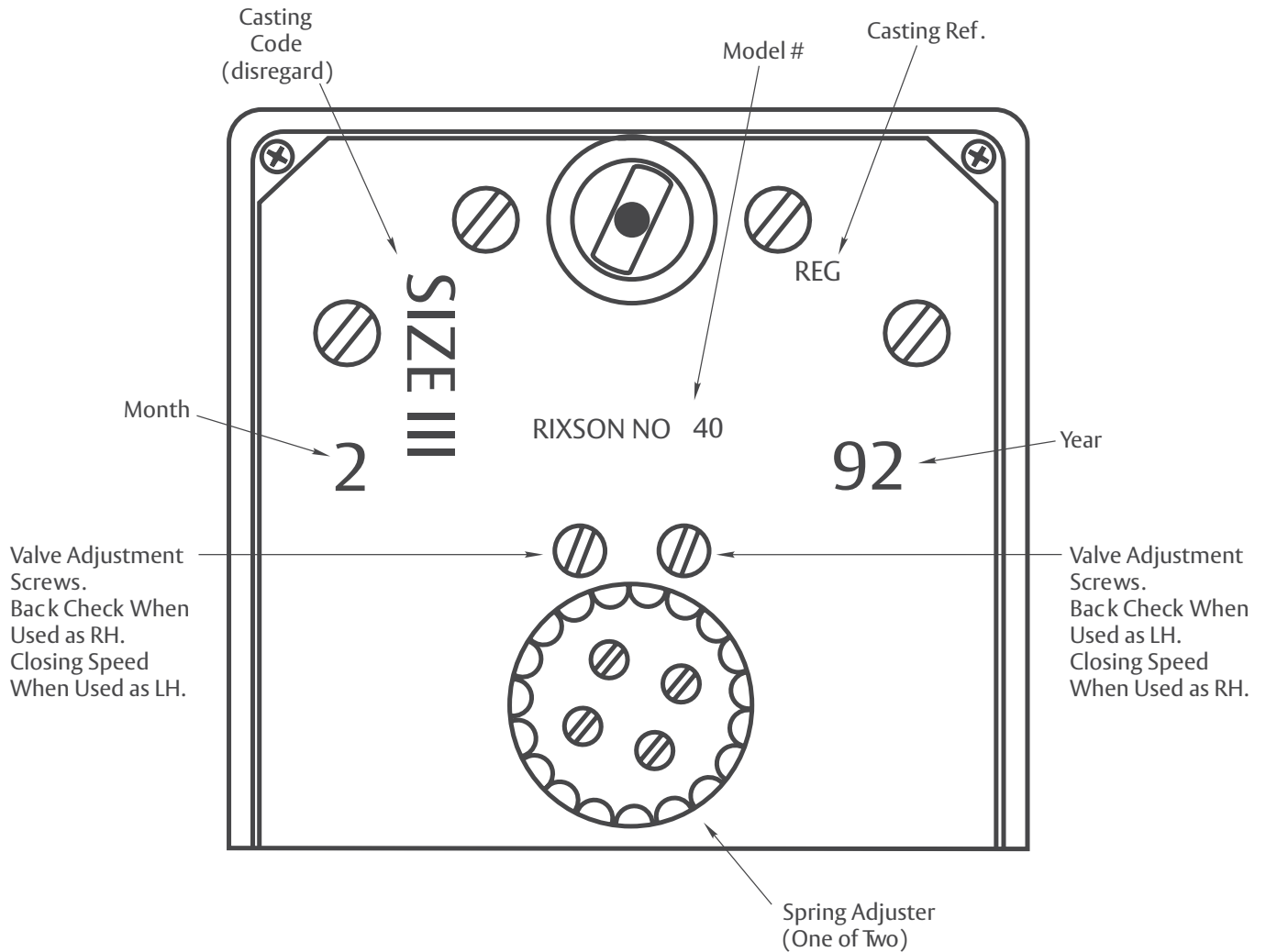
27/28 Series Floor Closer ID

67 = 2795N	72 = 2790N	76 = 27105A	81 = 2885N	85 = 2890A	89 = 28105S
68 = 2795A	73 = 27105N	77 = 2785S	82 = 2890N	86 = 28105A	90 = 2895N
69 = 2795S	74 = 2785A	78 = 2790S	83 = 28105N	87 = 2885S	91 = 2895A
71 = 2785N	75 = 2790A	79 = 27105S	84 = 2885A	87 = 2890S	92 = 2895S



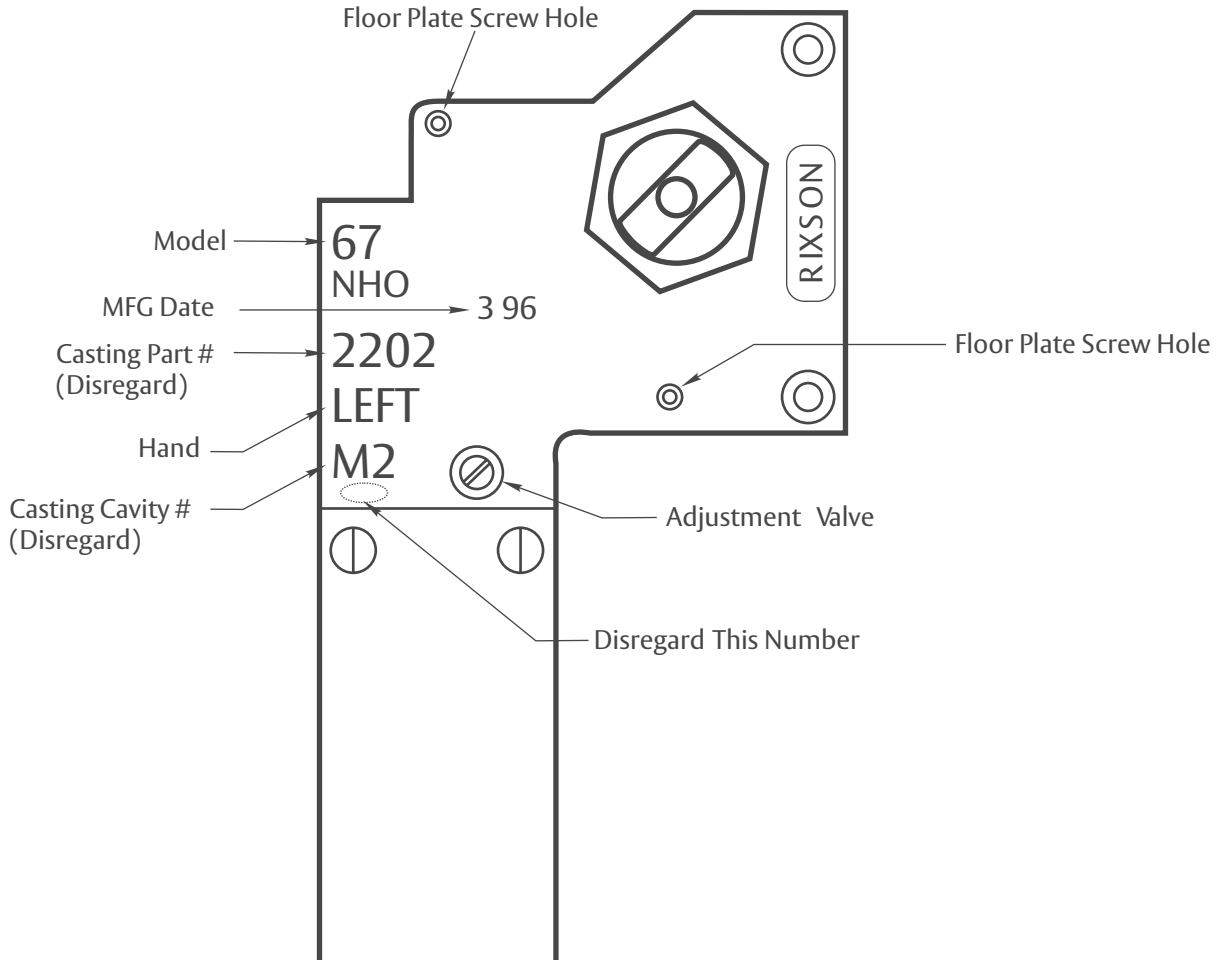
[Click here](#) to go to End User Sales & Service Centers

30/40 Series Floor Closer ID



[Click here](#) to go to End User Sales & Service Centers

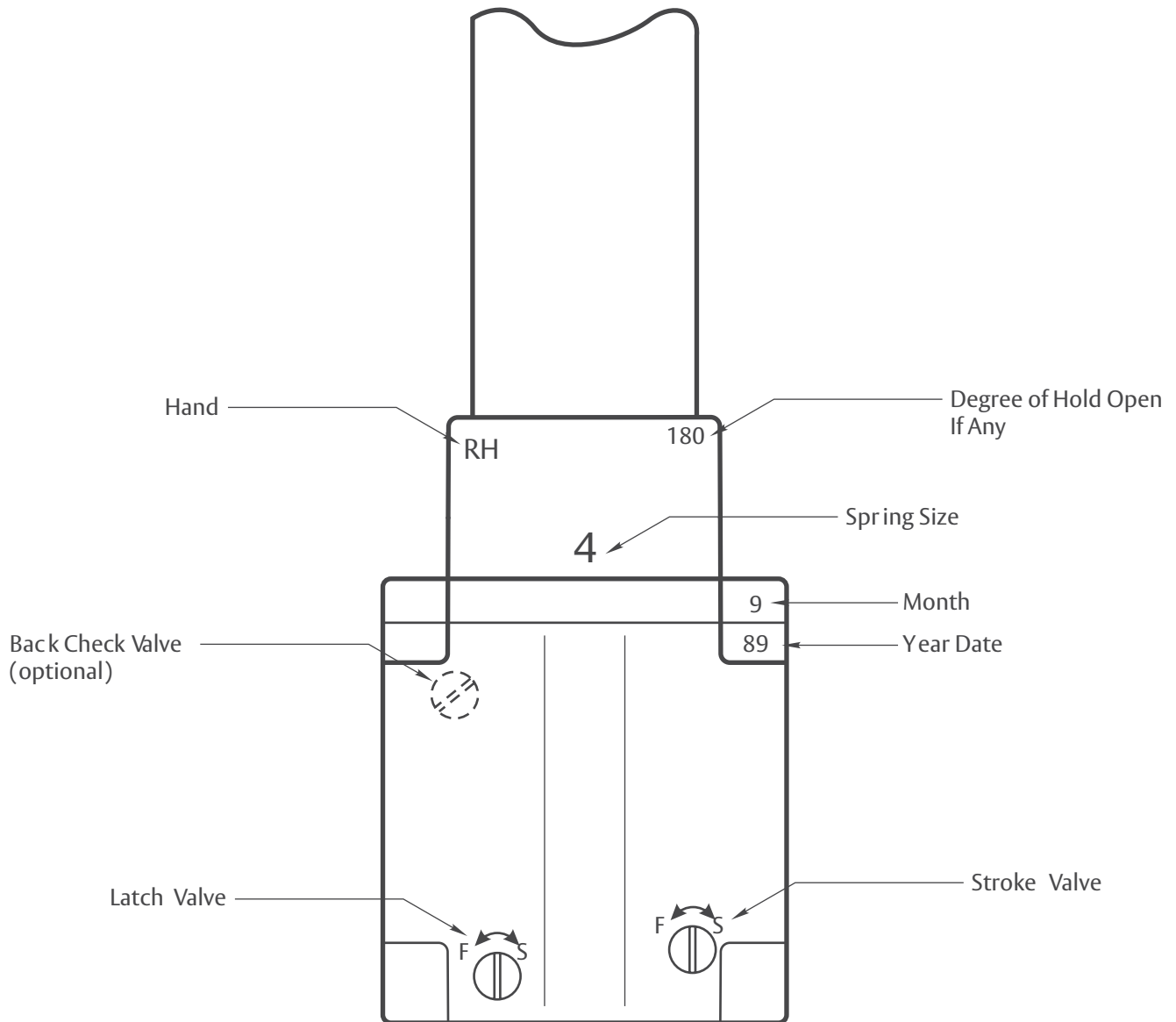
Uni Chek Closer ID



Models 65, 66, 67, and 68

[Click here](#) to go to End User Sales & Service Centers

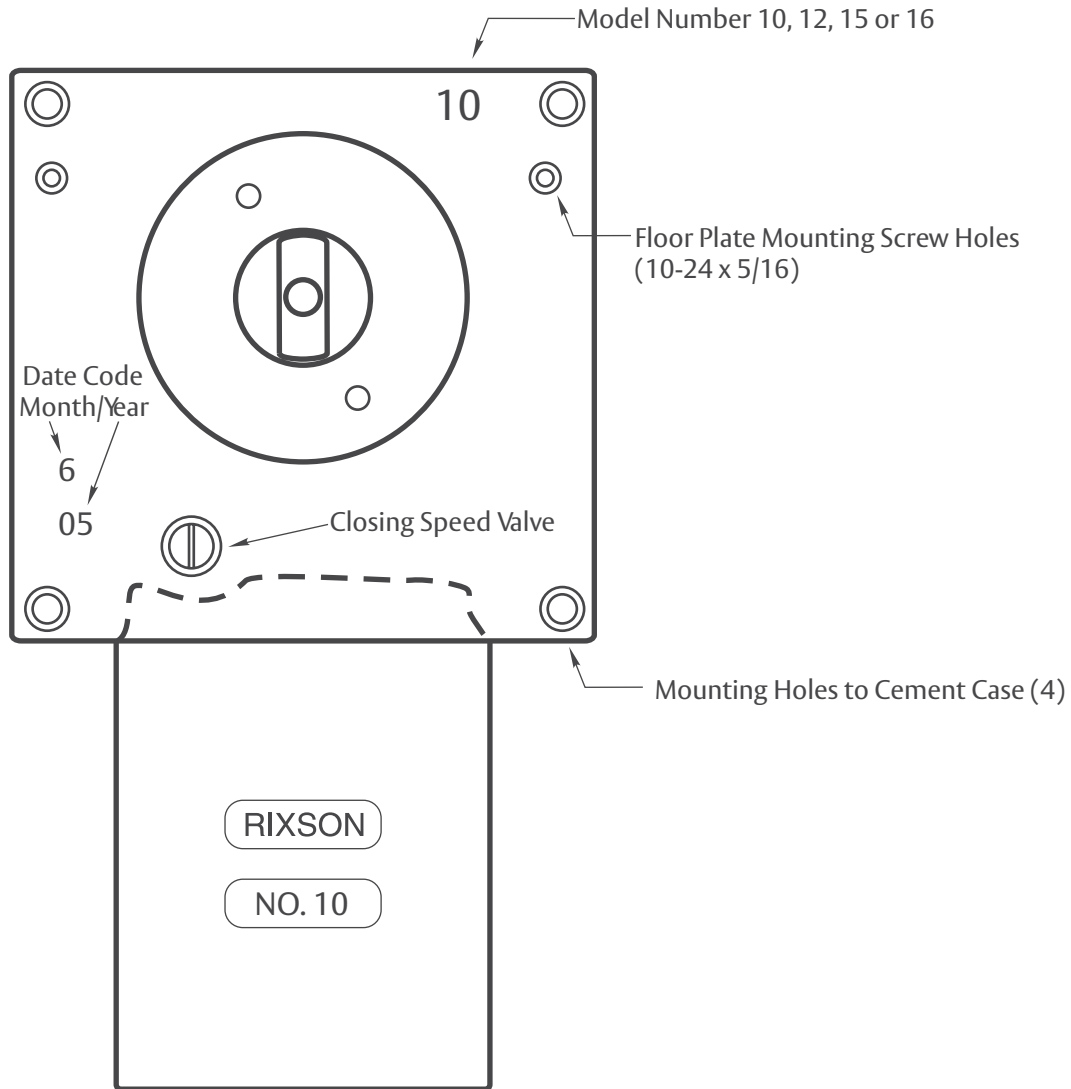
Thinslab ID



Models 50, 51, and 53

[Click here](#) to go to End User Sales & Service Centers

Duo Chek Closer ID

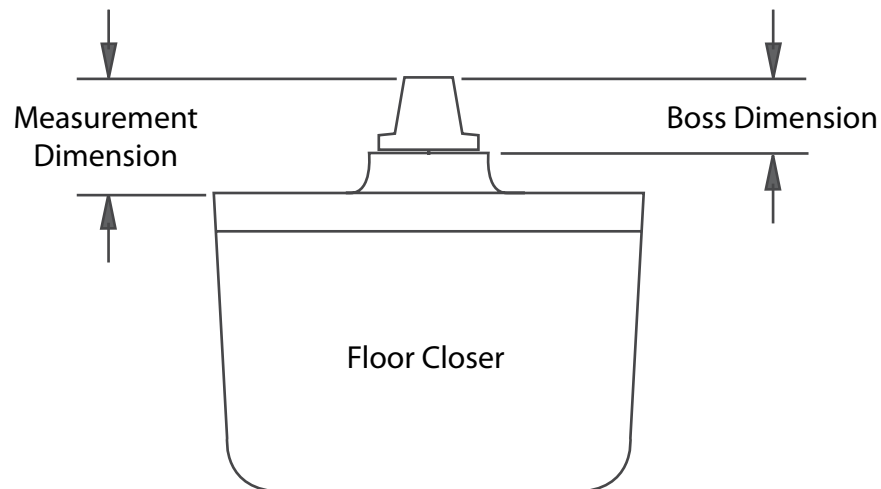


[Click here](#) to go to End User Sales & Service Centers

Spindle Heights of Floor Closers

Model	Measurement to Top of Spindle	
	Boss	Closer
UNI	1"	1-3/8"
DUO	1-1/8"	1-1/4"
20	1-1/8"	1-3/4"
21	7/8"	1-3/8"
25	1-1/4"	1-3/4"
L25	1-3/4"	2-1/4"
Q25	2"	2-1/4"
26	3/4"	1-3/8"
H26	2-1/8"	2-9/16"
27	1-1/8"	1-3/4"
127	3/4"	1-3/8"
327	1/4"	7/16"

Model	Measurement to Top of Spindle	
	Boss	Closer
HD27	1-3/16"	1-11/16"
L27	1-5/8"	2-1/4"
Q27	1-7/8"	2-1/2"
28	3/4"	1-3/8"
H28	2-1/8"	2-5/8"
30	1"	1-5/8"
40	7/8"	1-1/2"
H40	2-1/4"	2-3/4"
50	1-3/8"	1-5/8"
51	1-3/4"	2"
53	3/8"	11/16"



[Click here](#) to go to End User Sales & Service Centers

Overhead Concealed Closers

1. How old is the building?
If prior to 1980, the product is no longer available.
Go to the catalog and look for a new product...nothing is a retrofit.
2. If closer was manufactured after 1980...what is the size of the closer?
Approximately 13" long = 608
Approximately 17-1/2" long = 700/800 Series
3. 608 and 700/800 parts ([click here](#))

[Click here](#) to go to End User Sales & Service Centers

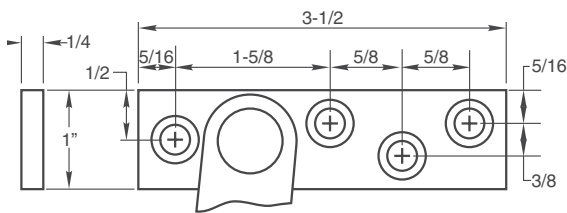
Checkmate Overhead Stops and Holders

1. Are sliders and end caps polymer or metal? If metal, it's not a Rixson product. If polymer, proceed.
2. Is the unit a track type?

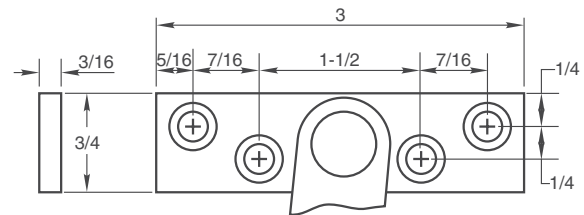


If no, skip to Step 7. If yes, continue.

3. Shoe on Frame:



Models #1, #6, or #9



Models #2, #5, #55, or #10

**If label shows model 3 or 33, replace with 5 or 55.*

4. Is the track surface applied to the door? Model #9, #55, or #10
Is the track concealed in the top of the door? Model #1, #2, or #5
5. What is the length of the track?
6. Is your unit a hold open, stop, or friction stay? (Friction stay does not make a noise when coming out of hold open—very rare product)
Now that you know which series and track length, [click here](#) for the template index. Go to the "B" template to determine specific model.
7. If your product is not a track type choose from one of the following styles.
Then go to the template as per Step 6 above.

Model 4



Model 7



Model 8



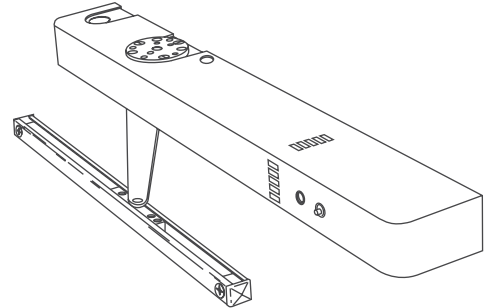
[Click here](#) to go to End User Sales & Service Centers

SCIII

Rixson was the first architectural hardware company that supplied closer/holder combinations.

The first model was the SCIII. This product was sold from 1974-1990. It is easy to recognize because there is no closing mechanism—only a spring. In addition, when you take the cover off, you will see something similar to a bicycle chain.

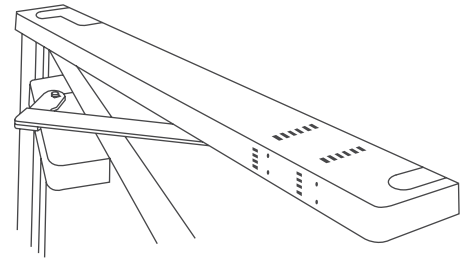
This product has no available parts and no product similar in function. [Click here](#) to find a current product to suit your needs.



SCIV

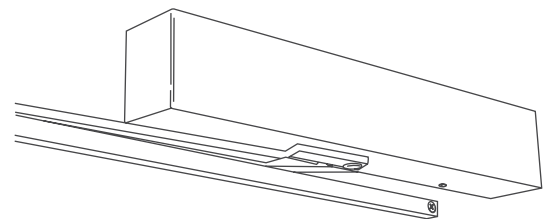
The second model that came out in 1978 and was sold until 1990 was the SCIV. This model did have a closer and the frame portion was relatively small.

This product has no available parts and no product similar in function. [Click here](#) to find a current product to suit your needs.



Heritage

The Heritage Smok Chek was a one piece unit similar to today's SCVI. They have similar features but no parts or templating is interchangeable. This product was sold from 1990 to 1994. [Click here](#) to go to current product data.

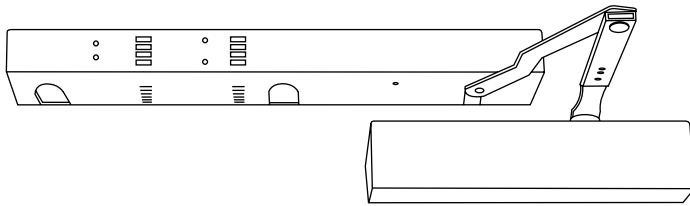


[Click here](#) to go to End User Sales & Service Centers

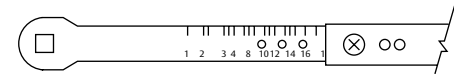
SCV

The SCV product has been around since the mid seventies. The holder (frame portion) is exactly the same today as it was then. This current closer is the only valid model. The other models will need to have the arm, cover, and closer body replaced. Templating will obviously be different. The current closer and the last model pictured on the bottom of this page are very similar. The difference is the broach on the arm. If the broach is on a diamond, then the closer is current vintage. If it is on the square, you will need to replace the closer, cover, and arm.

Detected models and parts are no longer available.

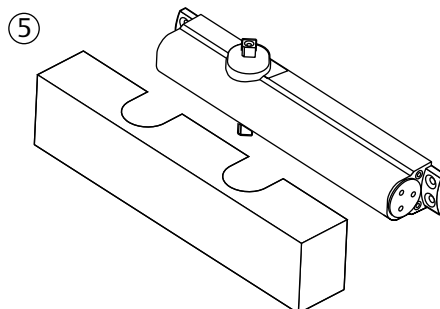
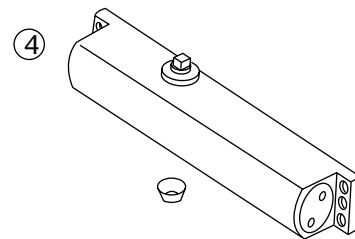
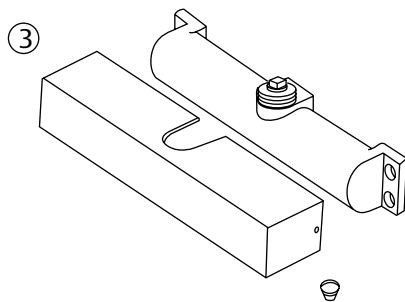
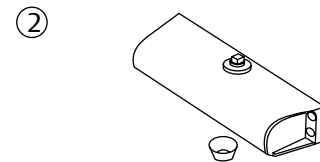
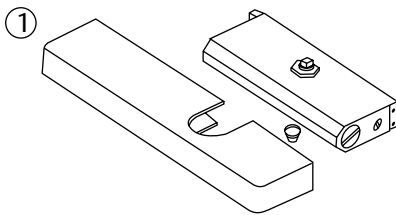


Current



Old

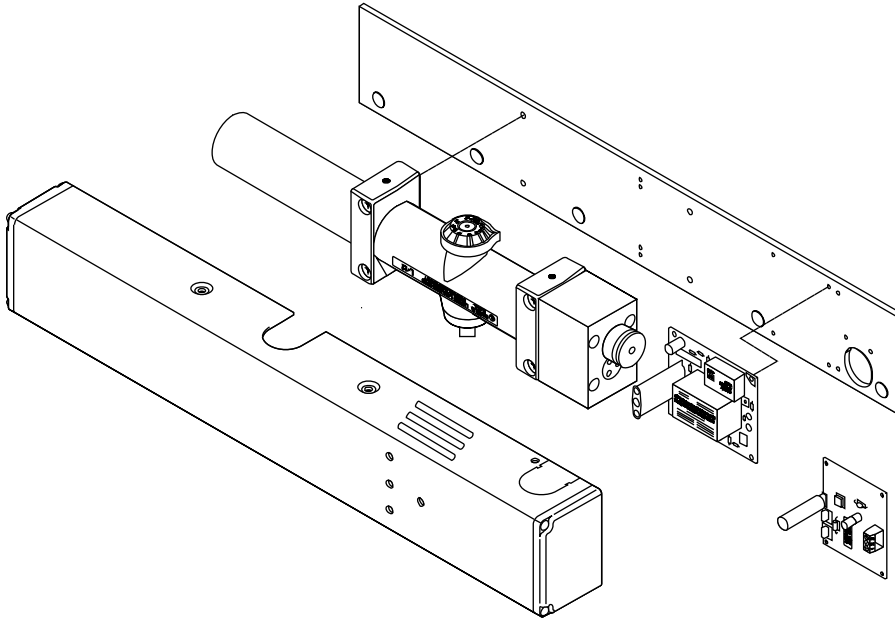
The closers have gone through many generations. They are:



[Click here](#) to go to End User Sales & Service Centers

SCVI

The SCVI is a one piece electrohydraulic unit.



Both the SCV and the SCVI have parts available. [Click here](#) for more information.

[Click here](#) to go to End User Sales & Service Centers

Pivots & Pivot Sets

These products have had few changes over the years. [Click here](#) to go to the product catalog which will assist in identifying your product. There will be a link to get more detailed dimensions.

[Click here](#) to go to End User Sales & Service Centers

Notes



For a complete listing of products and applications please visit our website:
www.rixson.com

Rixson Specialty Door Controls
3000 Highway 74 East
Monroe, NC 28112 USA
Tel: 800.457.5670 • Fax: 800.221.0489
www.rixson.com

ASSA ABLOY Door Security Solutions - Canada
Address: 160 Four Valley Drive, Vaughan, Ontario L4K4T9 Canada
Tel: 800.461.3007 • Fax: 905.738.2478
www.assaabloy.ca

ASSA ABLOY NA International
www.aanai.com

Rixson®, Rixson and Design®, Duo-Chek®, Uni-Check®, Checkmate® and Smok-Chek® are registered trademarks of Yale Security Inc., an ASSA ABLOY Group company. RollerMate™ is a trademark of Yale Security Inc., an ASSA ABLOY Group company. Other products' brand names may be trademarks or registered trademarks of their respective owners and are mentioned for reference purposes only. These materials are protected under U.S. copyright laws. All contents current at time of publication. Yale Security Inc. reserves the right to change availability of any item in this catalog, its design, construction, and/or its materials. Copyright © 2010, Yale Security Inc., an ASSA ABLOY Group company. All rights reserved. Reproduction in whole or in part without the express written permission of the Yale Security Inc., an ASSA ABLOY Group company. is prohibited.

ASSA ABLOY is the global leader in door opening solutions, dedicated to satisfying end-user needs for security, safety and convenience.

44134-7/10NE