

# Terms and Conditions

## **Pricing**

We strive to keep our prices as low as possible, however, unexpected price increases from other sources may occur. Due to this, our prices are subject to change without notice. Typographical errors are subject to correction. Items will be invoiced at prices current at the time of shipment. Quotes are valid for 30 days from the time of written quotation unless otherwise noted. Minimum order \$25.00.

## **Terms**

1% - 10 days, net 30 days. All sales subject to credit approval. Open accounts will be established after supplying three active credit references and a bank reference. Information supplied should include complete names, addresses and telephone numbers.

## **Statements**

Pay from invoice, statements will be sent at request only.

## **Delivery**

All merchandise is shipped F.O.B. Redlands, CA. Goods in transit are at risk of purchaser. **Distributor shipments of \$500.00 or more** within the 48 contiguous United States, to one destination, will be prepaid (exception: Bulk lineal product, as noted in the index/price list). Alaska, Hawaii and destinations outside the Continental U.S. will be prepaid to a domestic consolidation point on orders of \$500.00 or more. Those shipments less than \$500.00 will be freight collect or freight charges will be added to invoice. Routing for prepaid freight shipments will be selected by Slide-Co. Customers specifying special routing may be responsible for additional freight charges.

**Dealer drop-ship orders** of \$125.00 or more will be prepaid within the 48 contiguous United States, to one destination. (See exceptions noted above.)

**Back Room** (Make-To-Fit) screening products, not shown in this catalog, require drop-ship orders of \$350.00 or more for prepaid terms. The limitations noted above also prevail. Regular Window and Door products may be combined with Back Room products to attain the \$350.00 total.

## **Return Policy**

Items must be returned within one-year from date of purchase. No returns will be accepted without pre-authorization from Prime-Line. Contact Customer Service at (800) 475-4332 for a return authorization number. Freight and re-stocking charge (20%) may be applied. Obsolete or discontinued items may be destroyed in-field.

## **Part illustrations**

All drawings are representative of the latest manufactured part available. Due to engineering upgrades taking place throughout the year, the actual replacement part may or may not look identical to the representative illustration.

## **Bulk/Special Order**

Most products are available for bulk sale. Special discounting is available on large quantity orders. Please call (800) 475-4332 for pricing information and availability.

## **Call For Availability**

“Call for Availability” designation on parts shows that the part is of limited manufacture or is obsolete and may not be available. Please call (800) 475-4332 for information on these parts.

## **GD Restrictions**

Garage door components have some restrictions on shipment within the state of California. Call (800) 475-4332 for details.

## **Damaged or Lost Shipments**

For damaged or lost shipments, notify the carrier responsible for delivery. Call Customer Service at (800) 475-4332 to advise our office of the problem and we will assist you in the claims process. Keep all damaged goods, containers and packaging until you are advised to dispose of them. Motor Freight claims must be made with the carrier (ICC regulations require the recipient to file all claims).

## **Warranty Statement**

Goods are warranted against defects in manufacturing; in no case is Slide-Co responsible for use-caused damage or damage incurred during installation. This warranty is void if the goods have been subjected to misapplication, modification or abuse.

Copyright ©2016 Slide-Co. All rights reserved. All text and graphics in this catalog are the property of Slide-Co and may not be reproduced without written authorization.

<b>Product Category</b>	<b>Page Location</b>
<hr/>	
<b>Sliding Screen Door</b>	
Rollers, Guides and Accessories.....	11-1 thru 11-23
Handles and Latches.....	12-1 thru 12-12
<hr/>	
<b>Sliding Patio Door</b>	
Rollers and Accessories.....	13-1 thru 13-38
Handles, Latches and Accessories.....	14-1 thru 14-24
Locks, Keepers and Accessories.....	15-1 thru 15-19
<hr/>	
<b>Bi-passing, Bi-folding and Pocket Door</b>	
Bi-passing Rollers, Guides and Accessories.....	16-1 thru 16-33
Bi-folding Guides, Pivots and Accessories.....	16-33 thru 16-57
Pocket Door Rollers, Guides and Accessories.....	16-58 thru 16-63
Bi-passing Track Kits.....	16-63
Bi-folding Track Kits.....	16-64
Pocket Door Track Kits.....	16-64
<hr/>	
<b>Sliding Window (Horizontal and Vertical)</b>	
Handles and Latches.....	17A-1 thru 17A-16
Rollers and Guides.....	17B-1 thru 17B-24
<hr/>	
<b>Casement, Jalousie and Awning Window</b>	
Operators, Locks and Accessories.....	17C-1 thru 17C-37
<hr/>	
<b>Truth Window Hardware (New Package Program)</b>	
Awning Window Operators.....	TH-1
Casement Window Operators.....	TH-2 thru TH-3
Crank Handle and Cover Plates.....	TH-4
Locks, Keepers and Track.....	TH-5 thru TH-8
Hinges.....	TH-9
<hr/>	
<b>Window Screen</b>	
Clips, Latches, Hangers and Accessories.....	18-1 thru 18-12
<hr/>	
<b>Storm Window and Door Panel</b>	
Clips, Thumbscrews and Weatherstrip.....	18A-1 thru 18A-3
<hr/>	
<b>Screening Accessories (New Package Program)</b>	
Screen Frame Kits.....	PL-2
Plastic Corners.....	PL-3
Rolling Tools.....	PL-4
Re-Screening Kits.....	PL-5
Vinyl Retainer Spline.....	PL-6
Clips, Latches, Hangers, etc.....	PL-7 thru PL-17
<hr/>	
<b>Tub and Shower Door</b>	
Rollers, Catches, Guides and Accessories.....	19-1 thru 19-19
<hr/>	
<b>R.V. and Mobile Home</b>	
Window and Vent Operators.....	22A-1 thru 22A-6
Latches, Locks and Door Holders.....	22A-7 thru 22A-14

# Table of Contents

## **Drawer and Cabinet**

Drawer Track Kits .....	22B-1 thru 22B-2
Drawer Guides and Rollers .....	22B-2 thru 22B-12
Latches, Hinges and Accessories .....	22B-12 thru 22B-14

---

## **Home Security (Auxiliary Locks)**

Window .....	15A-1 thru 15A-6
Patio Door .....	15A-7 thru 15A-11
Entry Door .....	15A-12 thru 15A-17
Utility (i.e. Mail Box and Cam Locks) .....	15A-18 thru 15A-23

---

## **Defender Security (New Package Program)**

Strike Plates .....	DS-2 thru DS-5
Latch and Lock Re-inforcing Plates .....	DS-6 thru DS-11
Latch Shields .....	DS-11 thru DS-13
Window Locks .....	DS-14 thru DS-17
Sliding Patio Door Locks .....	DS-18 thru DS-21
Entry Door Locks .....	DS-22 thru DS-27
Child Security .....	DS-28 thru DS-30
Utility Locks (Mail Box and Cam Locks) .....	DS-31 thru DS-33

---

## **Builders Hardware**

Shelf Pegs .....	24-1 thru 24-4
Door Stops, Holders and Bumpers .....	24-4 thru 24-5
Mirror Clips and Hangers .....	24-7 thru 24-8
Flag Pole Holders .....	24-9 thru 24-10
Bed Frame Clamps .....	24-11
Bullet and Roller Catches .....	24-11
House Numbers and Letters .....	24-12
Shelf Brackets and Shelving Accessories .....	24-12 thru 24-13
Shelving Accessories and Corner Shields .....	24-14 thru 24-15

---

## **Commercial Door**

Locks, Stops and Accessories .....	J-1 thru J-10
Adjustable, Hydraulic Closers .....	J-11 thru J-12
Kick Plates, Push and Pull Plates .....	J-12 thru J-13
Hinges .....	J-14

---

## **Sectional Overhead Garage Door**

Springs, Pulleys, Hinges and Accessories .....	GD-1 thru GD-17
--	-----------------

---

## **Storm and Screen Door**

Latches, Closers and Accessories .....	K-1 thru K-15
--	---------------

---

## **Handyman Springs**

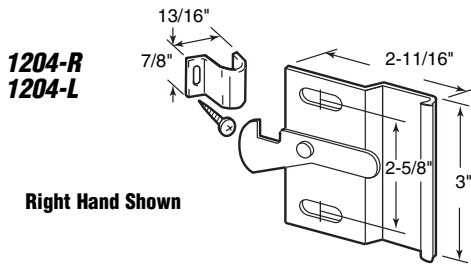
Extension .....	SP-2
Compression .....	SP-2
Planograms .....	SP-3

---

## **Restroom Partition**

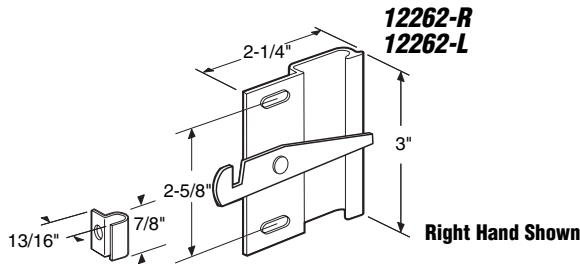
Brackets, Keepers, Hinges and Accessories .....	PH-1 thru PH-9
---	----------------

---



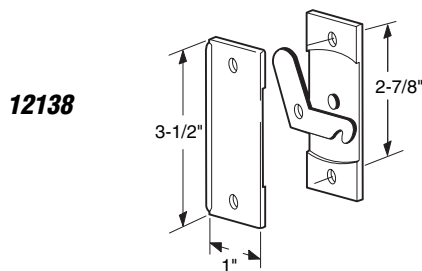
**1204-R**  
**1204-L**

Right Hand Shown

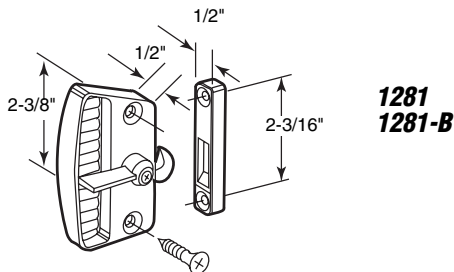


**12262-R**  
**12262-L**

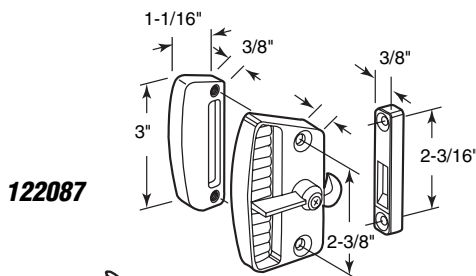
Right Hand Shown



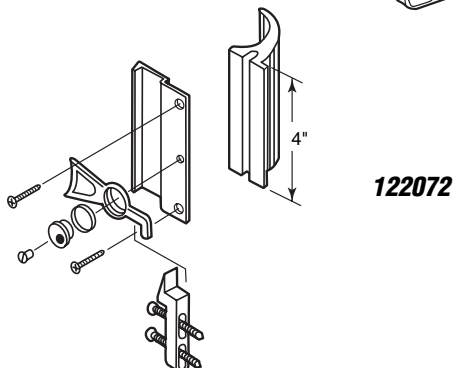
**12138**



**1281**  
**1281-B**



**122087**



**122072**

**1204-R** (Right hand)  
**1204-L** (Left hand)

**Latch and Pull** (Anodized aluminum)

**Contents:** 1 inside pull; 1 strike; installation screws.

**Description:** Surface-mount; used by many manufacturers.

You may wish to stock these related parts: **122073**.

**12262-R** (Right hand)  
**12262-L** (Left hand)

*Call for  
Availability*

**Latch and Pull** (Anodized aluminum)

**Contents:** 1 inside pull; 1 strike; installation screws.

**Description:** Surface-mount; used by many manufacturers.

You may wish to stock these related parts: **122073**.

**12138** (Black)

**Latch and Pull** (Plastic)

**Contents:** 1 inside and outside pull; 1 steel lever latch; installation screws.

**Description:** Non-handed; surface mount; fits on *Keller* doors.

You may wish to stock these related parts: **11475**, **111492**.

**1281** (Chrome)  
**1281-B** (Black)

**Deluxe Latch and Pull** (Diecast)

**Contents:** 1 inside pull; 1 strike; installation screws.

**Description:** Non-handed; surface mount; used by many manufacturers.

You may wish to stock these related parts: **122071**, **122090**.

**122087** (Chrome)

**Deluxe Latch and Pull** (Diecast)

**Contents:** 1 inside pull; 1 outside pull; 1 strike; installation screws.

**Description:** Non-handed; surface mount; used by many manufacturers.

**122072**

**Latch and Pull**

*Call for  
Availability*

**Contents:** 1 aluminum inside and outside pull; 1 diecast lock assembly; 1 strike; installation screws.

**Description:** Non-handed Universal application; surface mount.

You may wish to stock these related parts: **122073**, **1207-M**, **1207**, **121969**.



# Sliding Screen Door

**12324** (Black)

## Latch and Pull with Security Lock (Plastic)

**Contents:** 1 plastic inside and outside pull; 1 white lock and latch assembly with installation screws.

**Description:** Non-handed; complete with security lock; mortise installation; fits on *Anjac* doors.

You may wish to stock these related parts: **12321, 121751, 122078, 1109, 1109-B.**

**12550** (Use on doors 1/2" thick)

**12963** (Use on doors 1" thick)

## Latch and Pull with Security Lock (Black)

**Contents:** 1 inside and outside pull; 1 lock and latch assembly with installation screws.

**Description:** Non-handed; complete with security lock; mortise installation; plastic assembly; fits on *Columbia* doors.

You may wish to stock these related parts: **12321, 12713, 121480, 121685, 11434, 11657, 11658, 111218.**

**121327** (New style 12550)

## Latch and Pull with Security Lock (Black)

**Contents:** 1 inside and outside pull; 1 lock and latch assembly with installation screws.

**Description:** Non-handed; complete with security lock; mortise installation; plastic assembly; fits on *Columbia* doors.

You may wish to stock these related parts: **12321, 12713, 121480, 121685, 11434, 11657, 11658, 111218.**

**121402** (Hat section style doors)

## Latch and Pull with Security Lock (Black)

**Contents:** 1 inside and outside pull; 1 lock and latch assembly with installation screws.

**Description:** Non-handed; complete with security lock; mortise installation; plastic assembly; fits on *Columbia* doors.

You may wish to stock these related parts: **12321, 12713, 121480, 121685, 11434, 11657, 11658, 111218.**

**12609** (Black)

## Latch and Pull (Plastic)

**Contents:** 1 inside and outside pull; 1 lock and latch assembly with installation screws.

**Description:** Non-handed; complete with security lock; mortise installation; fits on doors by several door manufacturers including *Northrup Arch* and *Fran Meyer* doors.

You may wish to stock these related parts: **121090, 11314, 11749, 11960.**

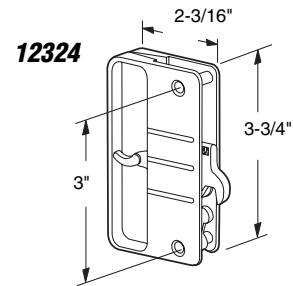
**122076**

## Latch and Pull (Anodized aluminum)

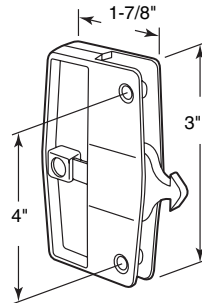
**Contents:** 1 inside and outside pull; 1 diecast internal latch assembly; 1 thumb turn; 1 diecast strike; 1 set of fasteners.

**Description:** Designed to fit 1-3/4" channel frame; mortise installation; non-handed; contains 12673 internal latch.

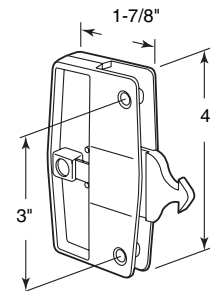
You may wish to stock these related parts: **1207-M, 1273, 12673.**



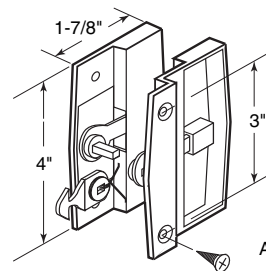
**12324**



**12550  
12963**

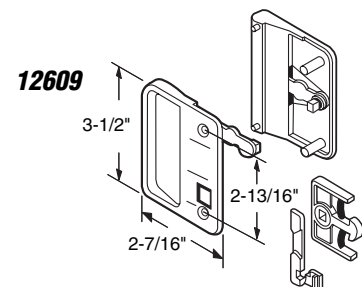


**121327**

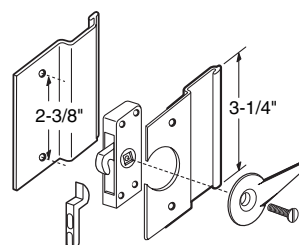


**121402**

ACTUATOR



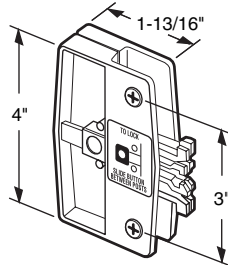
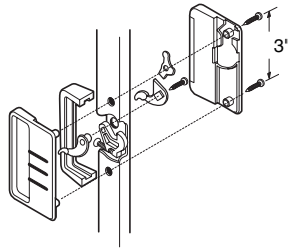
**12609**



**122076**

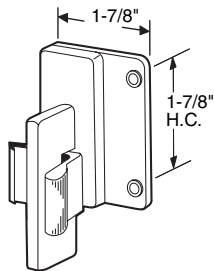
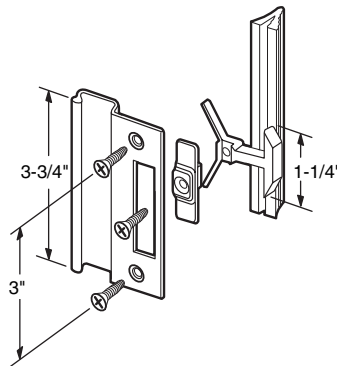
Call for  
Availability

**122078**



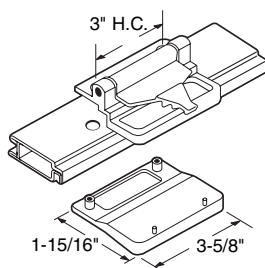
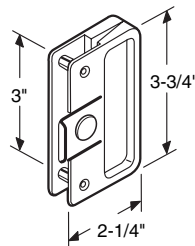
**121685**

**1297**



**122080**

**12952**



**122075**

**122078** (Black)

## Latch and Pull (Plastic)

**Contents:** 1 inside and outside pull; 1 **white** plastic lock and latch assembly; 1 spacer for **hat-section door applications**; installation screws.

**Description:** Non-handed; complete with **security** lock; mortise installation; fits on **Anjac** extruded frame doors.

You may wish to stock these related parts: **12324, 12321, 1109, 1109-B**

**121685** (Black - For 1/2" thick doors)

## Latch and Pull (Plastic)

**Contents:** 1 inside and outside pull; 1 lock and latch assembly with screws.

**Description:** Non-handed; complete with **security** lock; mortise installation; fits on **Columbia/Sternco** doors.

You may wish to stock these related parts: **121686** (Strike).

**1297** (Clear anodized)

## Latch and Pull

**Contents:** 1 **extruded aluminum** inside pull and outside pull; 1 two-piece **white plastic** latch assembly; installation screws.

**Description:** Non-handed; mortise installation; fits on **Trimview** screen doors.

You may wish to stock these related parts: **12124, 1207-M, 1109-B, 1112.**

**122080** (Black)

## Latch and Pull (Plastic)

**Contents:** 1 inside and outside pull with spring latch; 1 set of fasteners.

**Description:** Surface mount; automatic latching; fits on **H&D Industries** and many other manufacturers.

**12952** (Black)

## Latch and Pull (Plastic)

**Contents:** 1 inside and outside pull; installation screws.

**Description:** Non-handed; automatic latching feature; fits on **Rolleze** screen doors.

You may wish to stock these related parts: **142229, 142230.**

**122075** (Black)

## Latch and Pull

**Contents:** 1 **plastic** inside pull housing and **aluminum** flip latch combination; 1 **plastic** outside pull; installation screws.

**Description:** Non-handed; surface mount; no strike required; spring activated; fits on **Ador HiLite** screen doors.

You may wish to stock these related parts: **11641, 11640.**

# Sliding Screen Door

**1217**

## Latch and Pull (Clamp style)

**Contents:** 1 anodized inside pull; 1 extruded outside pull; installation screws.

**Description:** Non-handed; surface mount; spring activated latch; fits on *Fullview Doors*.

You may wish to stock these related parts: **1148, 1148-B, 1145-B.**

**121799** (Black)

## Latch and Pull

**Contents:** 1 plastic inside and outside pull; 1 steel latch assembly; 1 diecast strike; installation screws.

**Description:** Non-handed; mortise installation; fits on *Academy, Better-Bilt* and other door manufacturers.

You may wish to stock these related parts: **12209, 12305, 1207-M.**

**121740** (Black)

## Latch and Pull

**Contents:** 1 plastic inside and outside pull; 1 steel latch assembly; 1 plastic activator; 1 pop rivet; installation screws.

**Description:** Non-handed; mortise installation; used by several door manufacturers.

You may wish to stock these related parts: **121090, 11314, 11749.**

**121803** (Black)

## Latch and Pull

**Contents:** 1 plastic inside pull, and latch activator; 1 plastic outside pull; 1 steel latch; installation screws.

**Description:** Non-handed; mortise installation; sliding activator; fits on *Jim Walters* sliding roll-formed screen door.

You may wish to stock these related parts: **1109, 1109-B, 111893, 111136.**

**121087** (Black)

## Latch and Pull

**Contents:** 1 plastic inside pull and latch activator; 1 plastic outside pull; 1 steel latch assembly; 1 pop rivet; installation screws.

**Description:** Non-handed; mortise installation; sliding activator; fits on *Jim Walters* sliding roll-formed screen door.

You may wish to stock these related parts: **1109, 1109-B, 111893, 111136.**

**121732** (Black)

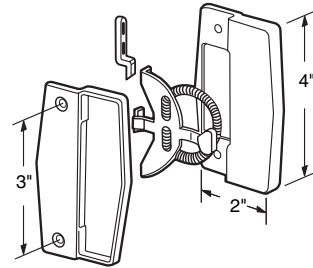
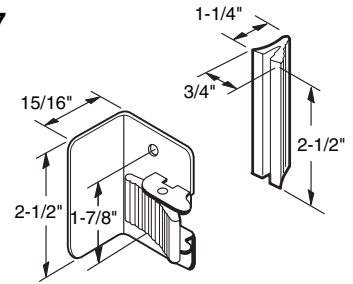
## Latch and Pull

**Contents:** 1 plastic inside and outside pull; 1 steel latch; 1 plastic latch activator; 1 pop rivet; installation screws.

**Description:** Non-handed; used on roll-formed aluminum or steel screen doors; used by several patio door manufacturers.

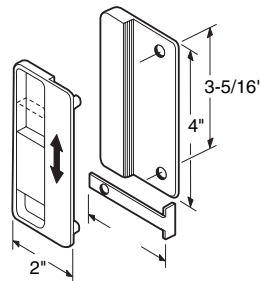
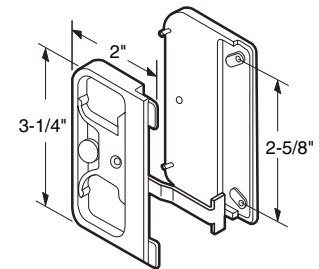
You may wish to stock these related parts: **121090; 11314; 11749.**

**1217**



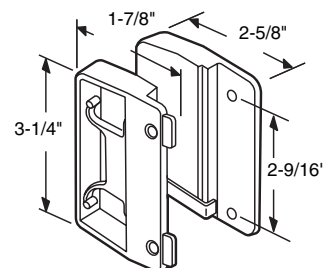
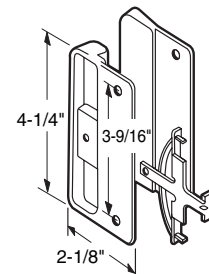
**121799**

**121740**



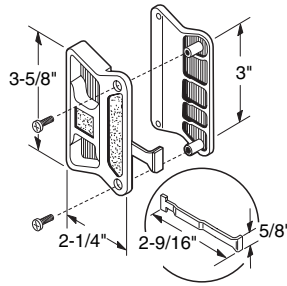
**121803**

**121087**



**121732**

**121880**



**121880** (Black)

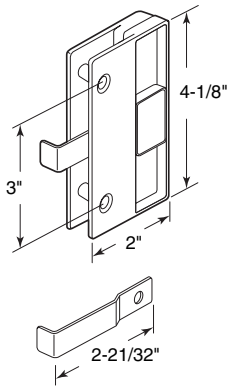
## Latch and Pull

**Contents:** 1 plastic inside and outside pull; 1 steel latch; 1 plastic activator; installation screws.

**Description:** Non-handed; mortise installation; fits on *Superior Aluminum* doors.

You may wish to stock these related parts: **12321, 1109, 1109-B.**

**122083**



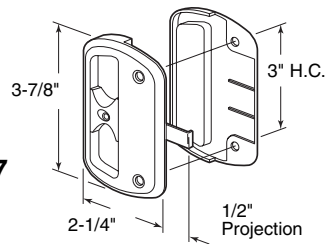
**122083** (Black)

## Latch and Pull

**Contents:** 1 plastic inside and outside pull; 1 steel latch assembly; 1 plastic activator; installation screws.

**Description:** Non-handed; mortise installation; new style fits on *Columbiamatic* doors.

**121997**



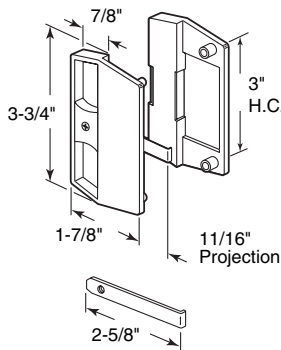
**121997** (Black)

## Latch and Pull

**Contents:** 1 plastic latch assembly with steel hook; installation screws.

**Description:** Non-handed; mortise installation; used on 1/2\"/>

**122086**



**122086** (Black)

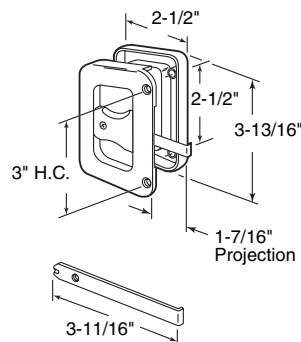
## Latch and Pull

**Contents:** 1 plastic inside and outside pull; 1 steel latch assembly; 1 plastic activator.

**Description:** Non-handed; mortise installation; snap together design; fits on *Academy* Doors.

You may wish to stock these related parts: **1109, 1109-B, 111893, 111136.**

**122088**



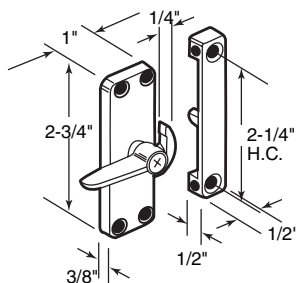
**122088** (Black)

## Latch and Pull

**Contents:** 1 plastic inside and outside pull; 1 plastic latch activator, 1 steel latch, installation screws.

**Description:** Non-handed, mortise style latch, fits on *Hat Section* doors.

**1233-L**  
**1233-R**  
**122070**



Right Hand Shown

**1233-L** (Chrome - left hand)

**1233-R** (Chrome - right hand)

**122070** (Black - right hand)

## Latch (Diecast)

**Contents:** 1 latch and strike; installation screws.

**Description:** Surface mount latch; side or face mount strike; can be used on single or double sliding doors; extremely versatile.

# Sliding Screen Door

**122082** (Black)

## Latch

**Contents:** 1 plastic latch assembly with steel hook; installation screws.

**Description:** Non-handed; mortise installation; fits on *Peachtree-Citation II*.

**122084** (Black)

## Latch and Pull

**Contents:** 1 plastic inside and outside pull; 1 plastic activator; 1 steel hook; installation screws.

**Description:** Flush latch assembly; fits on *Columbia* extruded and roll form doors.

**122085** (Black)

## Latch and Pull

**Contents:** 1 plastic inside and outside pull; 1 plastic activator; 1 steel hook and installation screws.

**Description:** Flush latch assembly; fits on *Columbia* 1" thick and hat section doors.

**122089** (Black)

## Latch and Pull

**Contents:** 1 plastic inside and outside pull; 1 latch assembly; 1 strike and installation screws.

**Description:** Flush latch assembly fits on *Peachtree* doors.

**12305**

## Latch

**Contents:** 1 steel cadmium plated latch; 1 black plastic finger tab; 1 diecast strike; installation screws.

**Description:** Non-handed; mortise installation; spring activated latch.

You may wish to stock these related parts: **12209**, **12263**, **1207-M**, **121799**, **111825**, **11118**, **11556**.

**1270** (Aluminum latch)

**1270-B** (Black latch)

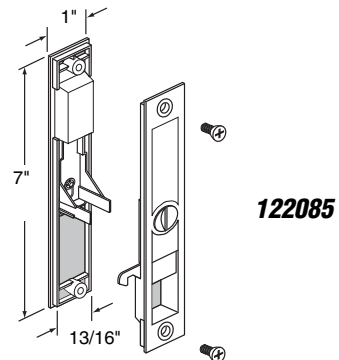
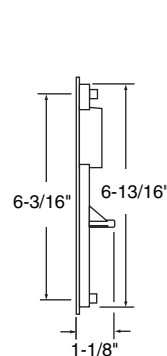
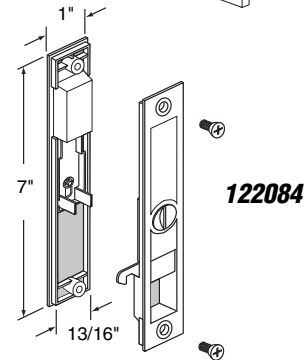
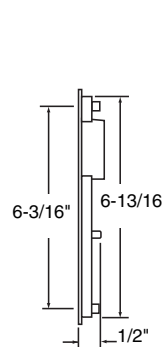
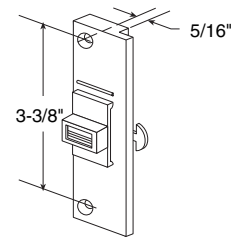
## Latch

**Contents:** 1 inside latch.

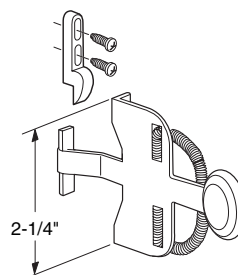
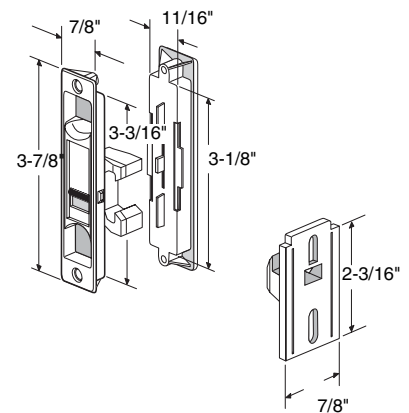
**Description:** Non-handed; spring activated aluminum flip latch; black plastic housing; no strike required; vertically adjustable; fits on *AdorHiLite* screen doors.

You may wish to stock these related parts: **1168**, **1169**.

**122082**

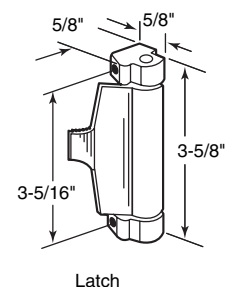


**122089**



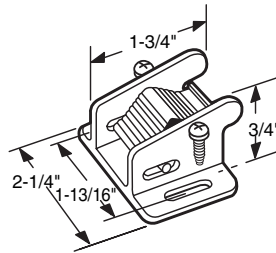
**12305**

**1270**



Latch

**12148**



**12148**

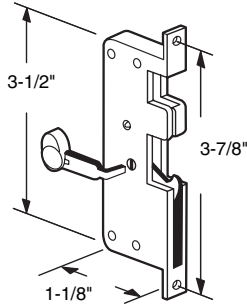
**Latch**

**Contents:** 1 diecast inside latch; installation screws.

**Description:** Non-handed; spring activated; no strike required; fits on *Premier* screen doors.

You may wish to stock these related parts: **1109, 1109-B, 1141, 122073.**

*Call for  
Availability*



**12137**

**12137**

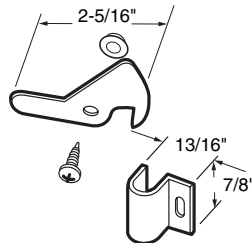
**Latch**

**Contents:** 1 plastic latch housing with steel hook; 1 latch lever; 1 strike; installation screws.

**Description:** Non-handed; mortise installation; used by several patio door manufacturers.

You may wish to stock these related parts: **12209, 12263, 122089.**

**12204**



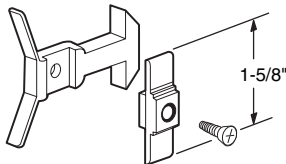
**12204**

**Latch**

**Contents:** 1 aluminum lever latch and strike; plastic bushing; installation screws.

**Description:** Non-handed; surface mount; used by several patio door manufacturers.

You may wish to stock these related parts: **121969, 121088.**



**12124**

**12124** (White)

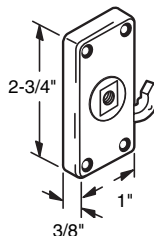
**Latch** (Plastic)

**Contents:** 1 latch and slide button; installation screws.

**Description:** Replacement latch for **1297** sliding screen door handle assembly.

You may wish to stock these related parts: **1297, 1207-M.**

**12673**



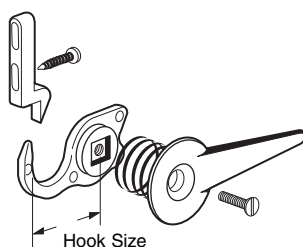
**12673** (Natural zinc)

**Latch**

**Contents:** 1 diecast latch housing with hook.

**Description:** Internal mount latch; repair part for **122076.**

You may wish to stock these related parts: **1218, 1273.**



**1293 - 3/4"**  
**12303 - 5/8"**

**1293** (Medium hook - 3/4")

**12303** (Short hook - 5/8")

**Latch Kit**

**Contents:** 1 latch lever; 1 spring; 1 hook; 1 strike; installation screws.

**Description:** Diecast assembly; non-handed; mortise installation; used by several patio door manufacturers.

You may wish to stock these related parts: **1218.**

# Sliding Screen Door

**12304** (Long hook - 15/16")

## Latch Kit

**Contents:** 1 latch lever; 1 spring; 1 long hook; 1 strike; installation screws.

**Description:** Diecast assembly; non-handed; mortise installation; used by several patio door manufacturers.

You may wish to stock these related parts: **1218**.

**1273** (No stop pin)

**1273-S** (With stop pin)

## Latch Lever

**Contents:** 1 diecast latch lever; installation screw.

**Description:** Used to operate many styles of screen door latches.

You may wish to stock these related parts: **1218**, **1293**, **12303**, **12304**, **122076**.

**122074** (Long hook - 15/16")

## Replacement Hook for Latch Assembly

**Contents:** 1 hook.

**Description:** Diecast hook

You may wish to stock these related parts: **1218**, **1273**, **12154**, **1293**, **12304**.

**12162** (Medium hook 3/4")

**12163** (Short hook - 5/8")

## Replacement Hook for Latch Assembly

**Contents:** 1 hook.

**Description:** Diecast hook

You may wish to stock these related parts: **1273**, **12154**, **12304**.

**122071** (Chrome)

**122090** (Black)

## Pull

**Contents:** 1 diecast outside pull; installation screws.

**Description:** Used by many manufacturers; use with 1281 or can be used as individual outside pull.

You may wish to stock these related parts: **1281**.

**1234**

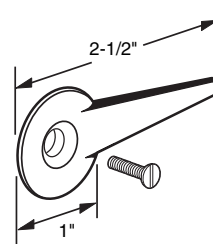
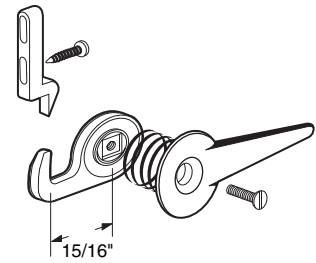
**Pull** (Anodized aluminum)

**Contents:** 1 inside and outside pull; installation screws.

**Description:** Non-handed; surface mount; no latch required; ideal for secondary pull; used by many manufacturers.

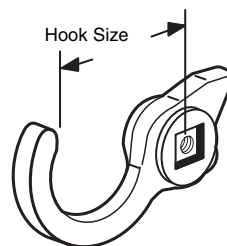
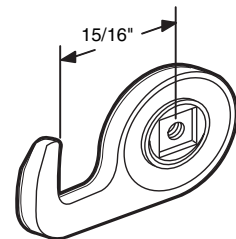
You may wish to stock these related parts: **1218**, **122072**, **122073**.

**12304**



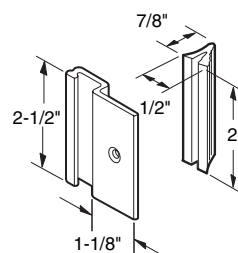
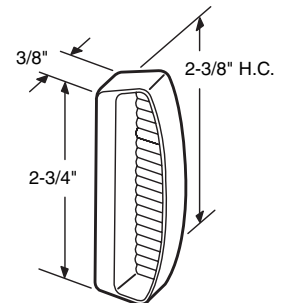
**1273**  
**1273-S**

**122074**



**12162 - 3/4"**  
**12163 - 5/8"**

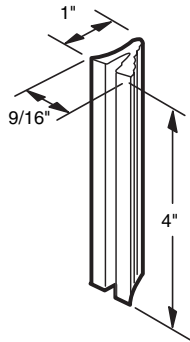
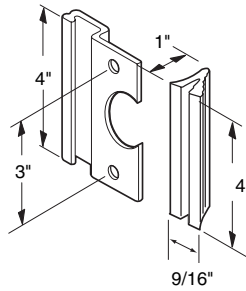
**122071**  
**122090**



**1234**

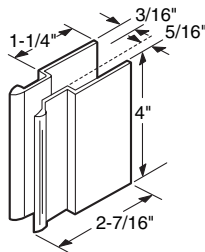
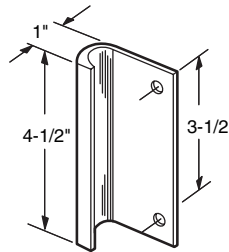


**1218**



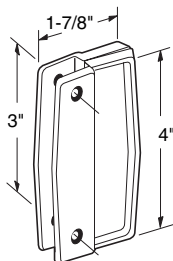
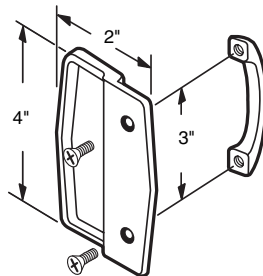
**122073**

**12113**



**121969  
121088**

**12263**



**A-111**

**1218**

**Pull** (Anodized aluminum)

**Contents:** 1 inside and outside pull; installation screws.

**Description:** Non-handed; surface mount; designed to be used with latch assemblies 1293, 12303 and 12304.

You may wish to stock these related parts: **1273, 122073.**

**122073**

**Pull** (Anodized aluminum)

**Contents:** 1 outside pull; installation screws.

**Description:** Surface mount; used by many manufacturers.

You may wish to stock these related parts: **1204-R, 1204-L, 12262-R, 12262-L, 12148.**

**12113**

**Pull** (Anodized aluminum)

**Contents:** 1 pull; installation screws.

**Description:** Heavy duty unit to be used as inside or outside pull; surface mount; ideal secondary pull for children.

**121969** (Not drilled)

**121088** (3" hole centers)

**Pull Set**

**Contents:** 1 inside and outside pull; installation screws.

**Description:** 1 pull—3/16" deep; 1 pull—5/16" deep; used on doors 1/2" thick or more.

**12263**

**Pull**

**Contents:** 1 black plastic inside pull; chrome plated diecast outside pull; installation screws.

**Description:** Non-handed; surface mount.

You may wish to stock these related parts: **12305, 12137.**

**12209** (Black)

**Pull Set** (Plastic)

**Contents:** 1 inside pull; 1 outside pull; installation screws.

**Description:** Non-handed; surface mount; economy pulls; plastic assembly.



# Sliding Screen Door

**122077**

**Pull Set** (Clear anodized)

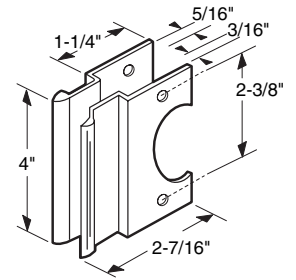
**Contents:** 1 inside & 1 outside handle; installation screws.

**Description:** Anodized extruded aluminum pull set; for doors 1/2" thick or more.

You may wish to stock these related parts: **1293, 12303, 12304.**

Call for  
Availability

**122077**

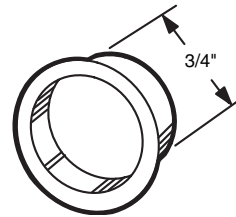


**123120** (Nickel-plated)

**Sliding Screen Door Finger Pull**

**Contents:** 4 pulls.

**Description:** Plated, stamped steel construction.



**123120**

**12321**

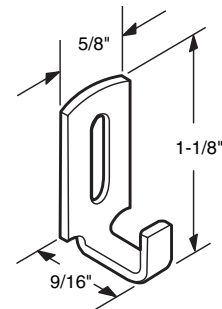
**Latch Strike**

**Contents:** 1 steel strike; installation screws.

**Description:** Used by many door manufacturers.

You may wish to stock these related parts: **121236.**

**12321**



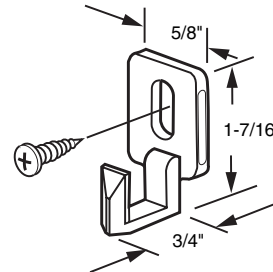
**121751** (Heavy duty)

**Latch Strike**

**Contents:** 1 strike; installation screws.

**Description:** Diecast strike; used by many screen door manufacturers.

You may wish to stock these related parts: **12324, 12550.**



**121751**

**12713**

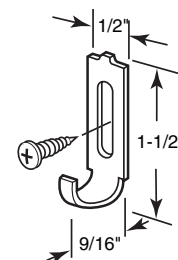
**Latch Strike**

**Contents:** 1 strike; installation screws.

**Description:** Stamped steel strike; fits on *Columbia* doors.

You may wish to stock these related parts: **12550, 11434, 11657, 11658, 111218.**

**12713**



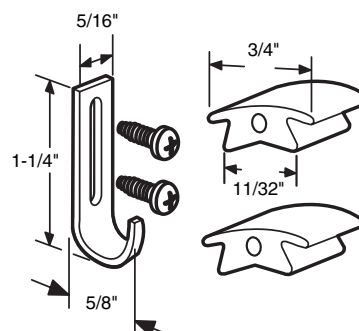
**121506**

**Latch Strike**

**Contents:** 1 steel strike, 2 black vinyl top guides, installation screws.

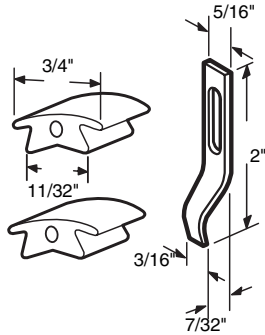
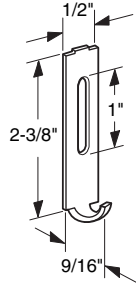
**Description:** Narrow bodied screen door keeper; stamped steel, zinc plated; fits on *Columbia*.

You may wish to stock these related parts: **12713, 121480.**



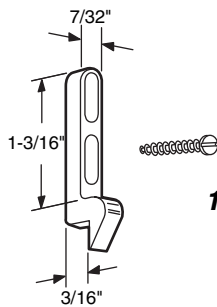
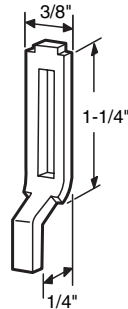
**121506**

**122079**

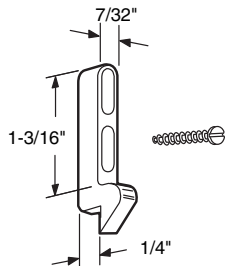


**121480**

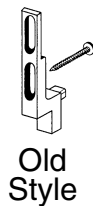
**121090**



**1207-N**

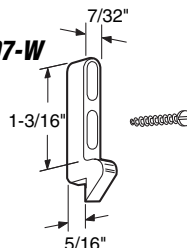


**1207-M**



Old Style

**1207-W**



**122079** (Heavy duty)

## Latch Strike

**Contents:** 1 strike; installation screws.

**Description:** Stamped steel, zinc plated strike; extended adjustment.

**121480**

## Latch Strike

**Contents:** 1 steel strike; 2 black vinyl top guides; installation screws.

**Description:** Repair part for 121327, new style *Columbia* sliding screen door latch and pull.

You may wish to stock these related parts: **121327**.

**121090**

## Latch Strike

**Contents:** 1 steel strike; installation screws.

**Description:** Adjustable; used by many patio door manufacturers.

You may wish to stock this related part: **121740, 121732, 12609**.

**1207-N** (Narrow)

## Latch Strike

**Contents:** 1 diecast strike; installation screws.

**Description:** Adjustable; used by many patio door manufacturers.

**1207-M** (Medium)

## Latch Strike

**Contents:** 1 diecast strike; installation screws.

**Description:** Adjustable; used by many patio door manufacturers.

**1207-W** (Wide)

## Latch Strike

**Contents:** 1 diecast strike; installation screws.

**Description:** Adjustable; used by many patio door manufacturers.

# Sliding Screen Door

**121996** (Heavy duty)

## Latch Strike

**Contents:** 2 diecast strikes; installation screws.

**Description:** Extra large hook-end strike; used by many patio door manufacturers.

You may wish to stock these related parts: **122072**, **121732**, **121087**.

**122016** (Aluminum)

**122016-B** (Bronze)

**121091** (Latch only)

## Latch and Strike

**Contents:** 1 plastic latch; 1 aluminum strike; installation screws.

**Description:** Non-handed; mortise installation; replaces old aluminum latch; used by *International* doors.

You may wish to stock these related parts: **11123**.

**122081** (White)

**Latch Strike** (Plastic)

Call for  
Availability

**Contents:** 1 latch strike; installation screws.

**Description:** Adjustable; used by many patio door manufacturers.

**121686** (White)

**Latch Strike** (Plastic)

**Contents:** 1 latch strike; installation screws.

**Description:** Adjustable; **adhesive backing** for proper placement prior to drilling jamb for screws; repair part for 121685.

You may wish to stock these related parts: **121685**.

**121236**

## Door Latch Kit

**Contents:** 1 diecast latch; 1 diecast strike; 1 attachment screw and spring; 1 washer; 1 binder post nut; installation screws.

**Description:** Non-handed; surface mount kit includes: additional washer and binder post nut, to be used if original threaded nut in door stile has become worn; package insert illustrates how to drill out old nut and re-attach new replacement handle.

You may wish to stock these related parts: **141866**.

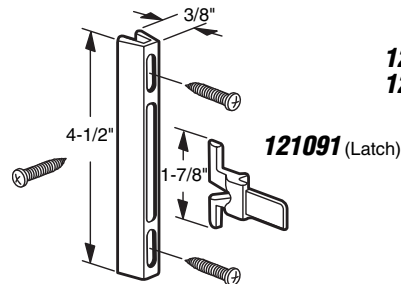
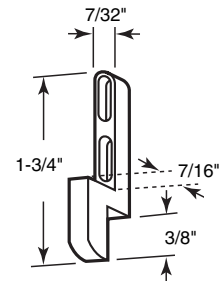
**12801** (Black)

**Screen Shield** (Plastic)

**Contents:** 1 inside and outside panel.

**Description:** Protects area around screen door handle; easy, snap together installation; **no tools required**; works well with most sliding screen door handle assemblies.

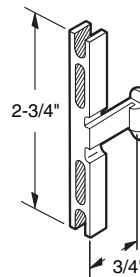
**121996**



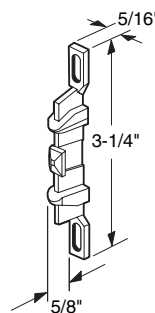
**122016**  
**122016-B**

**121091** (Latch)

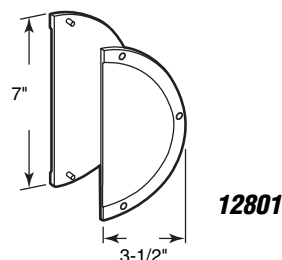
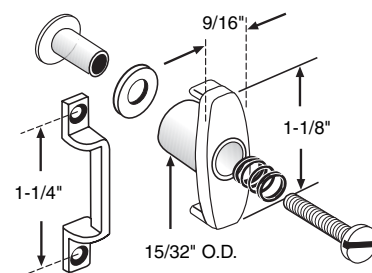
**122081**



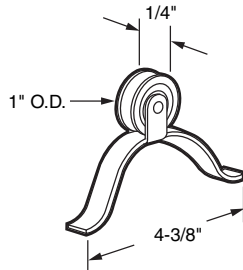
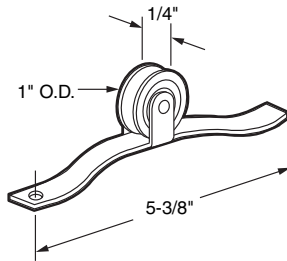
**121686**



**121236**

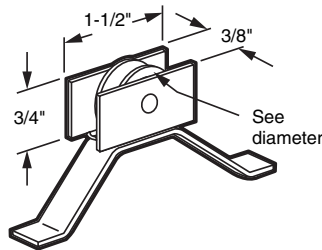


**112095**  
**1143**

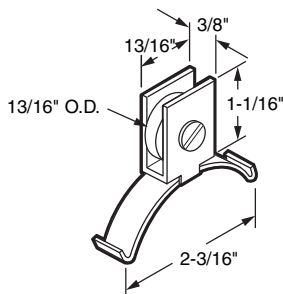


**1144**  
**1144-B**

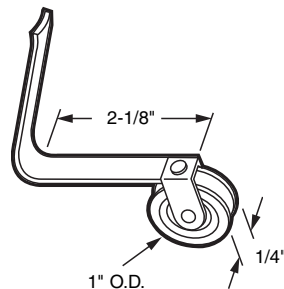
**11475**  
**112194**



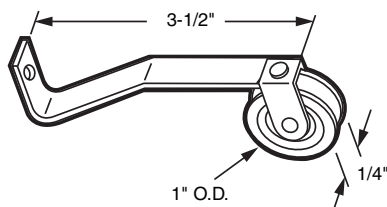
**111970**



**1140**  
**1140-B**



**112094**  
**1192**



**112095** (Nylon)

**1143** (Steel ball bearing)

## Spring Tension Roller

**Contents:** 2 roller assemblies; installation screws.

**Description:** Wheel with center groove; heat treated, high tension steel spring.

**1144** (Nylon)

**1144-B** (Steel ball bearing)

## Spring Tension Roller

**Contents:** 2 roller assemblies.

**Description:** Wheel with center groove; heat treated, high tension steel spring.

**11475** (Nylon - 7/8")

**112194** (Steel ball bearing - 1")

## Spring Tension Roller

**Contents:** 2 roller assemblies.

**Description:** Wheel with center groove; aluminum housing; heat-treated, high tension steel spring; can be fits as a top or bottom roller; fits on *Keller* doors.

You may wish to stock these related parts: **12138**.

**111970**

## Spring Tension Roller

**Contents:** 2 roller assemblies.

**Description:** 13/16" flat nylon wheel, nylon housing; high tension steel spring; aluminum axle; can be fits as a top or bottom roller on *Croft* doors.

**1140** (Nylon)

**1140-B** (Steel ball bearing)

## Spring Tension Roller

**Contents:** 2 roller assemblies.

**Description:** Wheel with center groove; heat treated, high tension steel spring.

You may wish to stock these related parts: **1141**.

**112094** (Nylon)

**1192** (Steel ball bearing)

## Spring Tension Roller

**Contents:** 2 roller assemblies; installation screws.

**Description:** Wheel with center groove; heat treated, high tension steel spring.

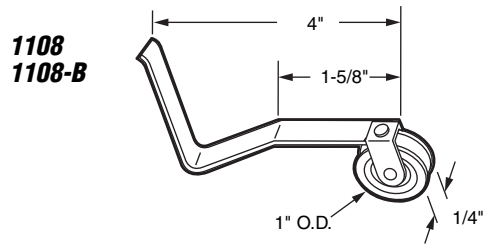
# Sliding Screen Door

**1108** (Nylon)  
**1108-B** (Steel ball bearing)

## Spring Tension Roller

**Contents:** 2 roller assemblies.

**Description:** Wheel with center groove; heat treated, high tension steel spring.

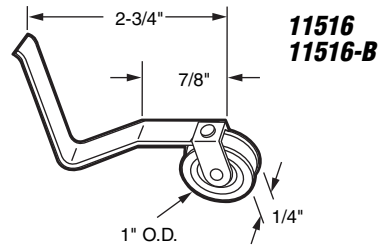


**11516** (Nylon)  
**11516-B** (Steel ball bearing)

## Spring Tension Roller

**Contents:** 2 roller assemblies.

**Description:** Wheel with center groove; heat treated, high tension steel spring.

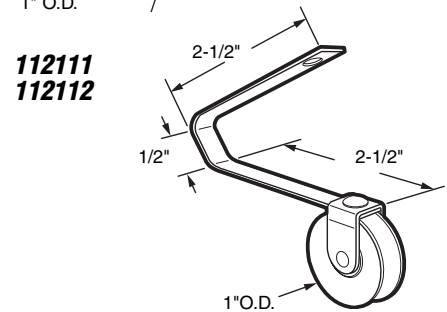


**112111** (Nylon)  
**112112** (Steel ball bearing)

## Spring Tension Roller

**Contents:** 2 roller assemblies.

**Description:** Wheel with center groove; heat treated, high tension steel spring.



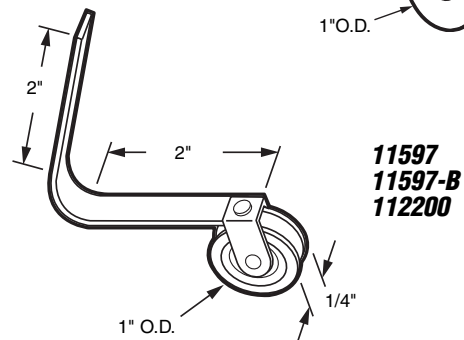
**11597** (Nylon)  
**11597-B** (Steel ball bearing)  
**112200** (Nylon ball bearing)

## Spring Tension Roller

**Contents:** 2 roller assemblies.

**Description:** Wheel with center groove; heat treated, high tension steel spring; used by several patio door manufacturers.

You may wish to stock these related parts: **11649**.



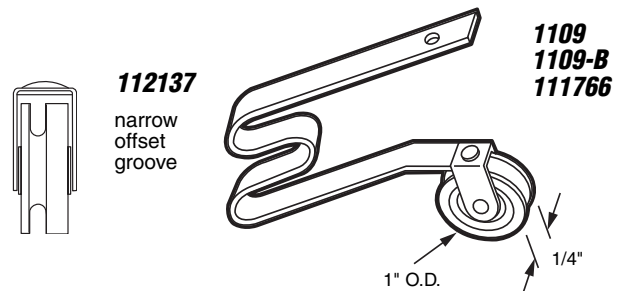
**1109** (Nylon)  
**1109-B** (Steel ball bearing)  
**112137** (Nylon - offset groove; 1 left & 1 right)  
**111766** (Nylon ball bearing)

## Spring Tension Roller

**Contents:** 2 roller assemblies.

**Description:** Adjustable, wheel with center groove; heat treated, high tension steel spring; used by several patio door manufacturers.

You may wish to stock these related parts: **12324, 12321, 11649**.

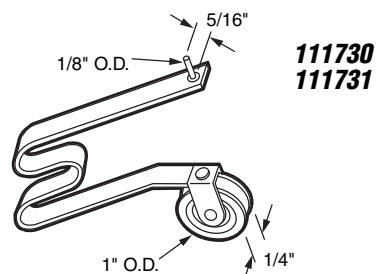


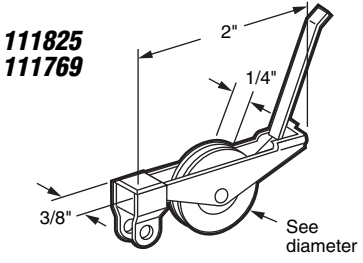
**111730** (Nylon)  
**111731** (Steel ball bearing)

## Spring Tension Roller

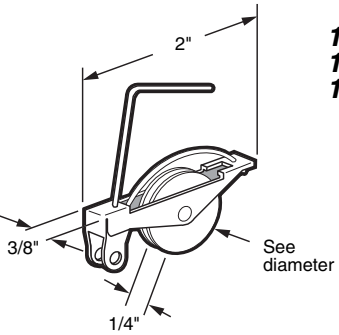
**Contents:** 2 roller assemblies.

**Description:** Adjustable, wheel with center groove; heat treated, high tension steel spring; 1/8" locator pin holds roller in fixed position; used by several patio door manufacturers.

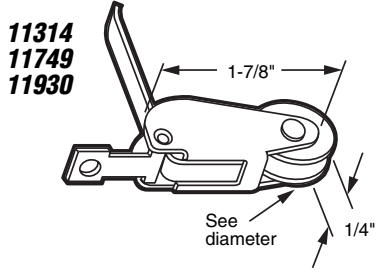




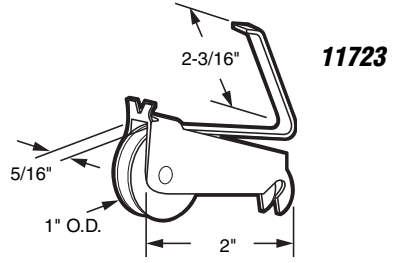
**111825**  
**111769**



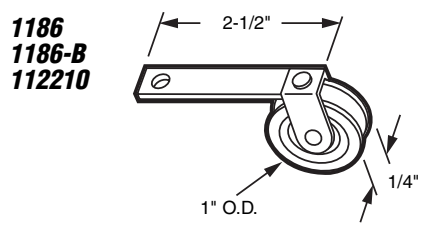
**11118**  
**11101**  
**11101-B**



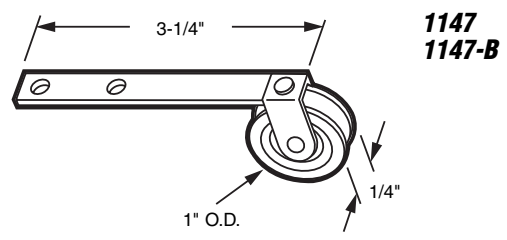
**11314**  
**11749**  
**11930**



**11723**



**1186**  
**1186-B**  
**112210**



**1147**  
**1147-B**

**111825** (1" nylon)  
**111769** (1-1/4" nylon)

**Spring Tension Roller**

**Contents:** 2 roller assemblies.

**Description:** Wheel with center groove; **steel housing**; heat treated, high tension **steel spring**; used as top and bottom roller.

**11118** (1-1/4" nylon)  
**11101** (1" nylon)  
**11101-B** (1" steel ball bearing)

**Spring Tension Roller**

**Contents:** 2 roller assemblies.

**Description:** Wheel with center groove; **steel housing**; heat-treated, high tension **steel spring**; used as a top and bottom roller.

You may wish to stock these related parts: **12209, 12305, 12137, 121799, 111825, 11556, 111769.**

**11314** (1" nylon)  
**11749** (1" steel ball bearing)  
**11930** (1-1/4" nylon)

**Spring Tension Roller**

**Contents:** 2 roller assemblies; self-tapping installation screws.

**Description:** Wheel with center groove; **steel housing**; heat-treated, high tension **steel spring**; used as a top and bottom roller.

**11723**

**Spring Tension Roller**

**Contents:** 2 roller assemblies.

**Description:** **Nylon wheel** with center groove, **steel housing**, high tension **steel spring**.

*Call for Availability*

**1186** (Nylon)  
**1186-B** (Steel ball bearing)  
**112210** (Nylon ball bearing)

**Spring Tension Roller**

**Contents:** 2 roller assemblies; installation screws.

**Description:** Wheel with center groove; heat treated, high tension **steel spring**.

**1147** (Nylon)  
**1147-B** (Steel ball bearing)

**Spring Tension Roller**

**Contents:** 2 roller assemblies; installation screws.

**Description:** Wheel with center groove; heat treated, high tension **steel spring**.

You may wish to stock these related parts: **1234, 1146-B.**

# Sliding Screen Door

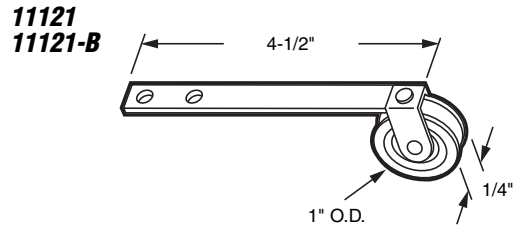
**11121** (Nylon)  
**11121-B** (Steel ball bearing)

## Spring Tension Roller

**Contents:** 2 roller assemblies; installation screws.

**Description:** Wheel with center groove; heat treated, high tension steel spring.

You may wish to stock these related parts: **1234, 1146-B.**



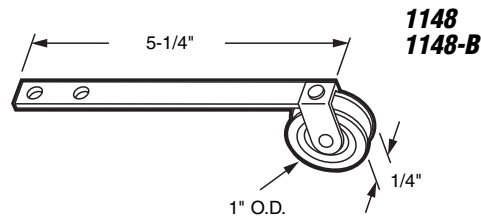
**1148** (Nylon)  
**1148-B** (Steel ball bearing)

## Spring Tension Roller

**Contents:** 2 roller assemblies; installation screws.

**Description:** Wheel with center groove; heat treated, high tension steel spring.

You may wish to stock these related parts: **1217, 1145-B.**



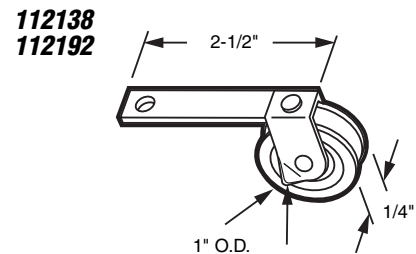
**112138** (Nylon)  
**112192** (Steel ball bearing)

## Spring Tension Roller

**Contents:** 2 roller assemblies; installation screws.

**Description:** Wheel with center groove; heat treated, high tension steel spring; with **angle stops**; used by many door manufacturers.

You may wish to stock these related parts: **1217, 1145-B.**



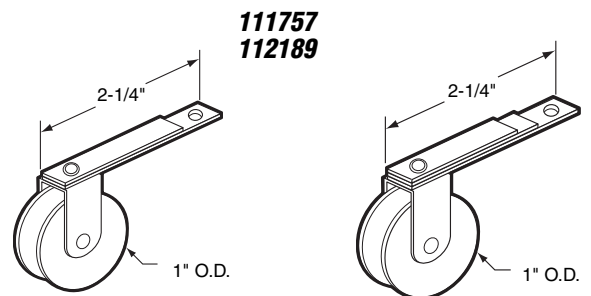
**111757** (Double spring)  
**112189** (Triple spring)

*Call for Availability*

## Spring Tension Roller

**Contents:** 2 roller assemblies; installation screws.

**Description:** Nylon wheel with center groove; heat treated, high tension steel spring; uses two or three springs to increase tension; fits on doors by *Academy Mfg. Co.*



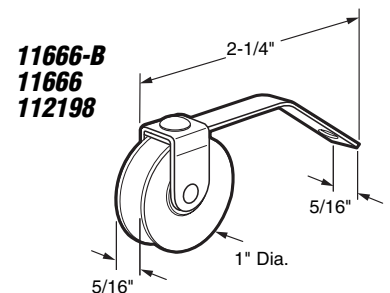
**11666** (Nylon)  
**11666-B** (Steel ball bearing)  
**112198** (Nylon ball bearing)

## Spring Tension Roller

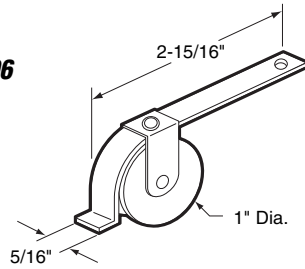
**Contents:** 2 roller assemblies; installation screws.

**Description:** Wheel with center groove; heat treated, flat, high tension steel spring; bent spring design; fits on doors by *Academy Mfg. Co.*

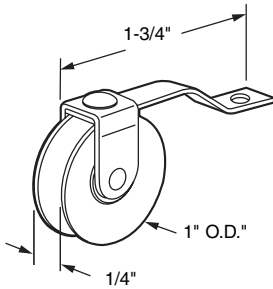
You may wish to stock these related parts: **1217, 1145-B.**



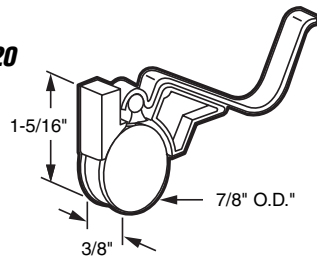
**112196**



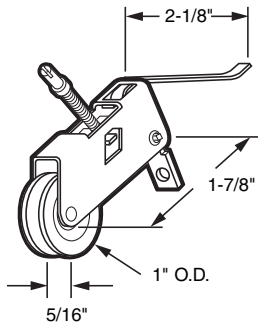
**11960**  
**11960-B**  
**112199**



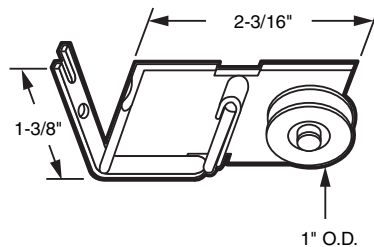
**11120**



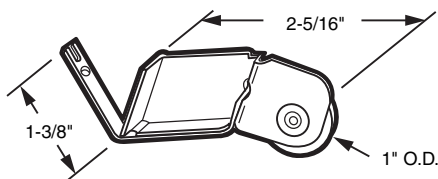
**11122**



**112209**  
**112201**



**11123**  
**112060**



**112196**

## Spring Tension Roller

**Contents:** 2 roller assemblies.

**Description:** Nylon wheel with center groove; heat treated, high tension steel spring; fits on doors by *Academy Mfg. Co.*

You may wish to stock these related parts: **121740**, **12609**.

**11960** (Nylon)

**11960-B** (Steel ball bearing)

**112199** (Nylon ball bearing)

## Spring Tension Roller

**Contents:** 2 roller assemblies; installation screws.

**Description:** Wheel with center groove; heat treated, high tension steel spring; fits on doors by *Metal Industries.*

You may wish to stock these related parts: **121740**, **12609**

**11120**

## Spring Tension Roller

**Contents:** 2 roller assemblies.

**Description:** Nylon wheel and housing with open groove; heat treated, high tension steel spring.

You may wish to stock these related parts: **11130**.

**11122**

## Spring Tension Roller

**Contents:** 2 roller assemblies.

**Description:** Adjustable, nylon wheel with center groove; steel housing; heat treated, high tension steel spring.

**112209** (Nylon)

**112201** (Steel ball bearing)

## Spring Tension Roller

**Contents:** 2 roller assemblies; installation screws.

**Description:** Extruded aluminum housing, with steel spring; adjustable wheel with center groove. Fits on *International* series No. 900, 925, 950 doors.

You may wish to stock these related parts: **122016**, **11123**.

**11123** (Nylon)

**112060** (Steel ball bearing)

## Spring Tension Roller

**Contents:** 2 roller assemblies; installation screws.

**Description:** Stamped aluminum housing, with steel spring; adjustable wheel with center groove. Fits on *International* series no. 900, 925, 950 doors.

You may wish to stock these related parts: **122016**, **112209**

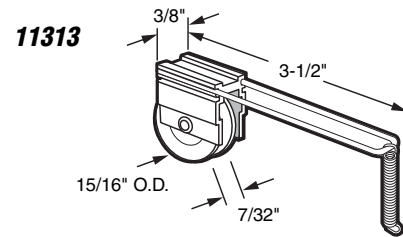


**11313**

## Spring Tension Roller

**Contents:** 2 roller assemblies.

**Description:** Nylon wheel with center groove; zinc diecast housing, heat treated steel wire loop; with extension spring.



**1175**

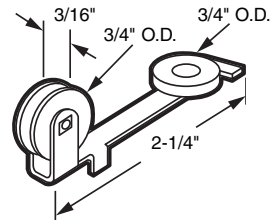
## Spring Tension Roller

**Contents:** 2 roller assemblies.

**Description:** Nylon wheel with center groove; nylon guide roller; heat treated, high tension steel flat spring; fits as a top roller on *Arcadia* extruded aluminum doors.

You may wish to stock these related parts: **1176**.

**1175**



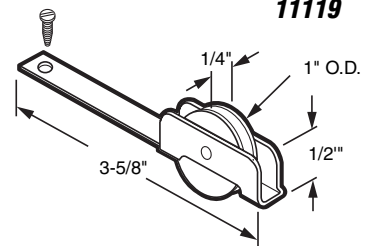
**11119**

## Spring Tension Roller

**Contents:** 2 roller assemblies; installation screws.

**Description:** Nylon wheel with center groove; heat treated, high tension steel spring; one piece spring and housing.

**11119**



**111437** (Nylon)

**112206** (Steel ball bearing)

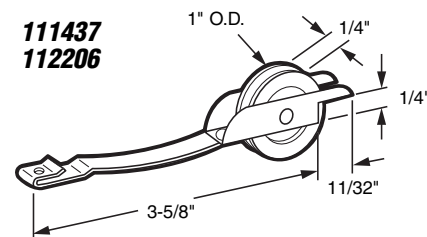
## Spring Tension Roller

**Contents:** 2 roller assemblies.

**Description:** Center grooved wheel with steel housing; high tension steel spring; fits on *Columbia Uni-fit* doors.

You may wish to stock these related parts: **12550, 12713, 121327**.

**111437**  
**112206**



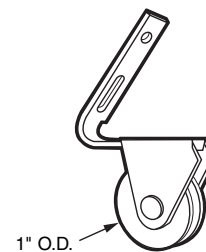
**111085**

## Spring Tension Roller

**Contents:** 2 roller assemblies; installation screws.

**Description:** Nylon wheel with center groove with steel housing; heat treated, high tension steel spring; fits on doors by *Arcadia*.

**111085**



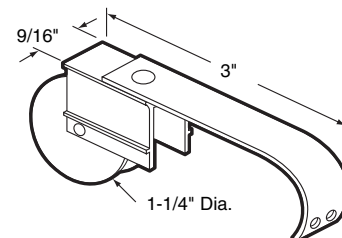
**112144**

## Roller Assembly

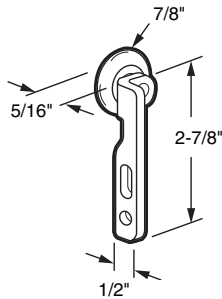
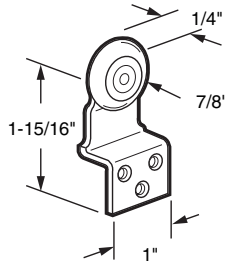
**Contents:** 2 roller assemblies.

**Description:** Nylon wheel with aluminum housing; heat treated, high tension steel spring; fits on "old style" *Peachtree* doors.

**112144**

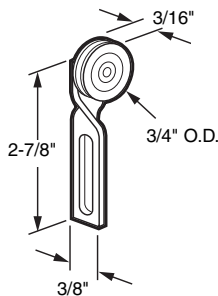
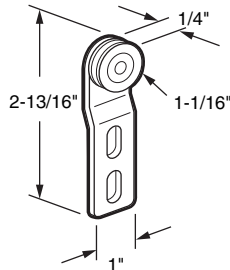


**11201**



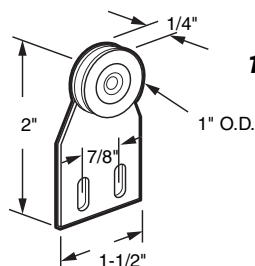
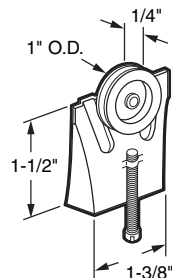
**11203**

**1141**



**1146-B**

**1114  
1114-B**



**1145-B**

**11201**

## Roller Assembly

**Contents:** 2 roller assemblies; installation screws.

**Description:** Top hung; steel bracket with oval edge nylon wheel; fits on *Arcadia* & *Saurenman* old style steel and aluminum doors.

**11203**

## Roller Assembly

**Contents:** 1 left and 1 right hand assembly; installation screws.

**Description:** Top hung; steel bracket with oval edge nylon ball bearing wheel; used on old style wood sliding screen doors.

You may wish to stock these related parts: **11604**, **16704**.

**1141**

## Roller Assembly

**Contents:** 2 roller assemblies; installation screws.

**Description:** Top hung; steel bracket with center groove steel ball bearing wheel; fits on *Premier* doors.

You may wish to stock these related parts: **122073**, **12148**, **1140-B**.

**1146-B**

## Roller Assembly

**Contents:** 2 roller assemblies; installation screws.

**Description:** Top hung; steel bracket with center groove steel ball bearing wheel; fits on *Hollyview* doors.

You may wish to stock these related parts: **1234**, **11121-B**.

**1114** (Nylon)

**1114-B** (Steel ball bearing)

## Roller Assembly

**Contents:** 2 roller assemblies.

**Description:** Top hung; adjustable; steel bracket with center groove wheel; fits on *Ador* doors.

**1145-B**

## Roller Assembly

**Contents:** 2 roller assemblies; installation screws.

**Description:** Top hung; aluminum bracket, steel ball bearing wheel with center groove; fits on *Fullview* doors.

You may wish to stock this related part: **1148-B**.

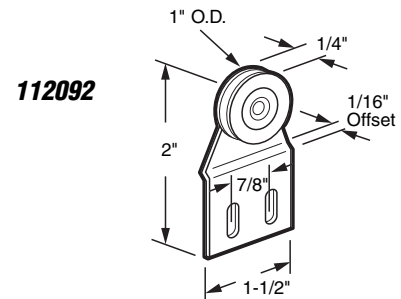
Call for  
Availability

**112092**

## Roller Assembly

**Contents:** 2 roller assemblies; installation screws.

**Description:** Top hung; **1/16" offset aluminum bracket, steel ball bearing wheel** with center groove.

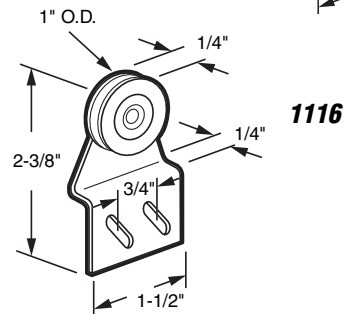


**1116**

## Roller Assembly

**Contents:** 2 roller assemblies; installation screws.

**Description:** Top hung; **1/4" offset steel bracket, steel ball bearing wheel** with wide center groove ; fits on **Ador "Z"** doors.

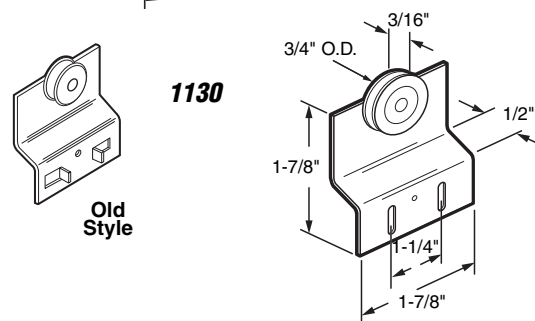


**1130** (Steel ball bearing)

## Roller Assembly

**Contents:** 2 roller assemblies; installation screws.

**Description:** Top hung; **aluminum bracket**, wheel with center groove; new style without tabs on bracket will replace old style; fits on **Cupples** doors.



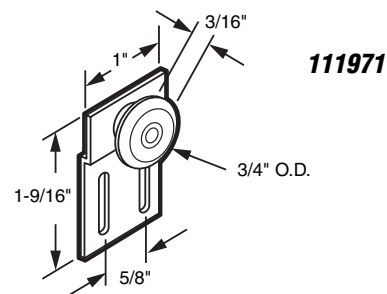
**111971**

## Roller Assembly

**Contents:** 2 roller assemblies; installation screws.

**Description:** **Aluminum bracket, oval edge nylon wheel** 3/16" wide; top mount; fits on **Croft** old style doors.

You may wish to stock these related parts: **112134**.

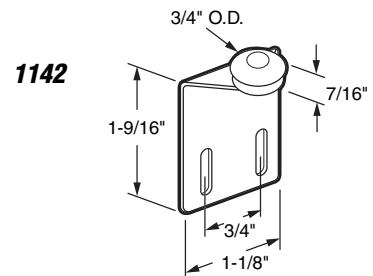


**1142**

## Roller Assembly

**Contents:** 2 roller assemblies; installation screws.

**Description:** Top hung; **steel bracket** with cone-shaped **nylon wheel**; fits on **HiLite** old style doors.



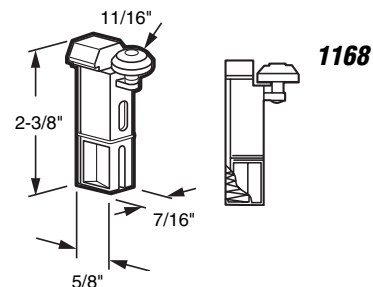
**1168**

## Roller Assembly

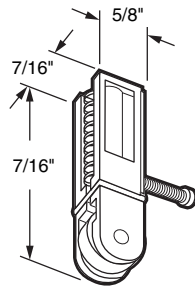
**Contents:** 2 roller assemblies; installation screws.

**Description:** Top hung; **nylon housing** with **oval edge nylon ball bearing wheel**; built-in guide; fits on **HiLite** doors.

You may wish to stock these related parts: **1270, 1169**.



**1169**



**1169**

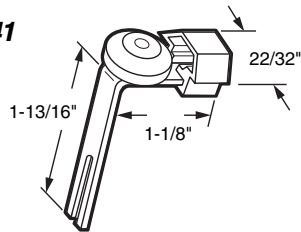
## Roller Assembly

**Contents:** 2 roller assemblies; installation screws.

**Description:** Bottom mount; nylon bracket with flat edge, nylon wheel; fits on *HiLite* doors.

You may wish to stock these related parts: **1270, 1168.**

**11641**



**11641**

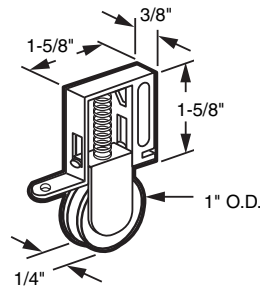
## Roller Assembly

**Contents:** 2 roller assemblies; installation screws.

**Description:** Top hung; steel bracket with oval edge nylon ball bearing wheel; with nylon guide; fits on *Ador/HiLite* doors.

You may wish to stock these related parts: **11640.**

**111919  
11433**



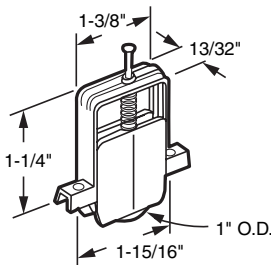
**111919** (Nylon)

**11433** (Steel ball bearing)

## Roller Assembly

**Contents:** 2 roller assemblies; installation screws.

**Description:** Nylon housing and yoke; wheel with center groove; spring activated; fits as top and bottom roller on *Academy Uni-fit* doors.



**112140**

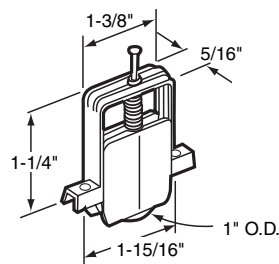
**112140** (Nylon ball bearing)

## Roller Assembly

**Contents:** 2 roller assemblies; installation screws.

**Description:** Nylon ball bearing wheel and housing with adjustable nylon yoke.

**111684  
112423**



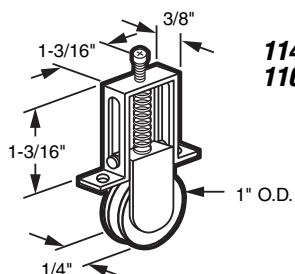
**111684** (Nylon)

**112423** (Steel ball bearing)

## Roller Assembly (Thin version)

**Contents:** 2 roller assemblies; installation screws.

**Description:** Wheel with center groove; has thinner nylon housing than 112140; fits on doors by *Columbia*.



**11434  
11658**

**11434** (Nylon)

**11658** (Steel ball bearing)

## Roller Assembly

**Contents:** 2 roller assemblies; installation screws.

**Description:** Aluminum frame with nylon inner housing; adjustable; center grooved wheel; fits as top and bottom roller on *Columbia* doors.

You may wish to stock these related parts: **12550, 12321, 12713, 11657, 111218.**

**11657** (Nylon)

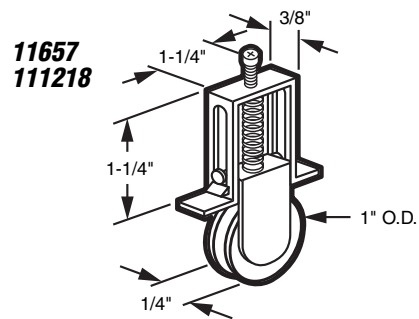
**111218** (Steel ball bearing)

## Roller Assembly

**Contents:** 2 roller assemblies.

**Description:** Nylon main frame assembly; adjustable; nylon inner housing with center grooved wheel; fits as top and bottom roller on *Columbia* doors.

You may wish to stock these related parts: **12550, 12713, 11434, 11658.**

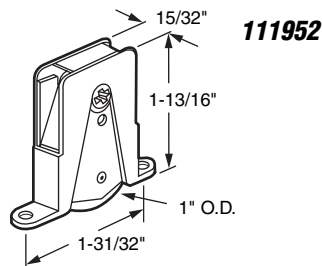


**111952**

## Roller Assembly

**Contents:** 2 roller assemblies; installation screws.

**Description:** Nylon outer housing, aluminum inner housing with center grooved nylon wheel with adjustment cam.



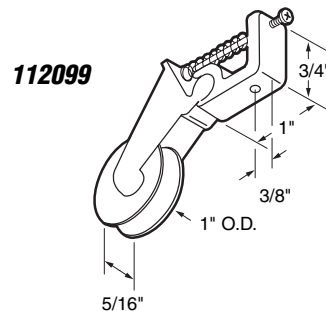
**112099**

## Roller Assembly

**Contents:** 1 roller assembly.

**Description:** Extruded aluminum housing with adjustment screw; nylon yoke; nylon wheel with center groove.

You may wish to stock this related part: **122081.**



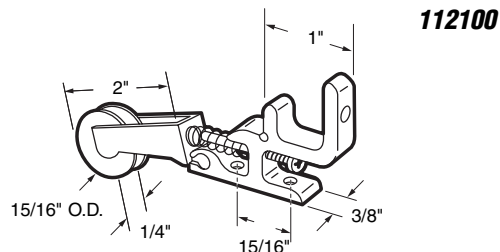
**112100**

## Roller Assembly

**Contents:** 2 roller assemblies.

**Description:** Extruded aluminum bracket with nylon wheel and housing, center groove wheel, spring activated.

*Call for Availability*

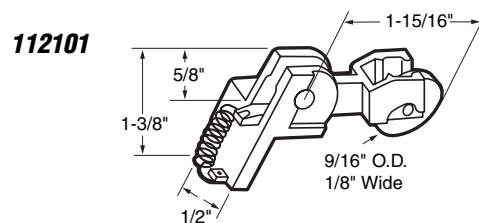


**112101**

## Roller Assembly

**Contents:** 2 roller assemblies; 1 left and 1 right.

**Description:** Nylon housing with nylon wheel; spring activated.

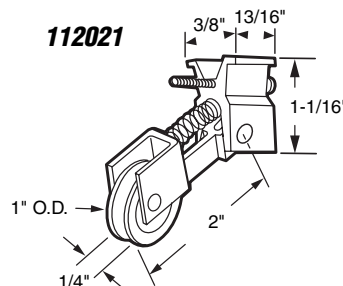


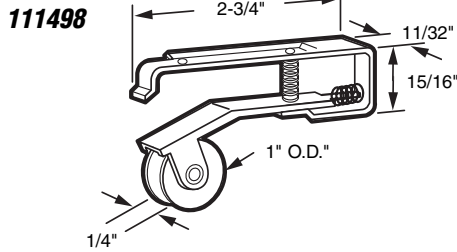
**112021**

## Roller Assembly

**Contents:** 2 roller assemblies.

**Description:** Extruded aluminum housing, nylon wheel with narrow center groove; with adjusting screw; fits on doors by *Miller Door.*





**111498**

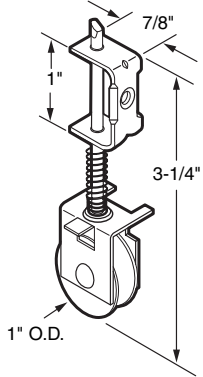
**111498**

## Roller Assembly

**Contents:** 2 roller assemblies; installation screws.

**Description:** Aluminum housing with stainless steel spring; 1" nylon wheel with center groove; built-in screw adjustment feature; used by many door manufacturers.

You may wish to stock these related parts: **111770**.



**111591**

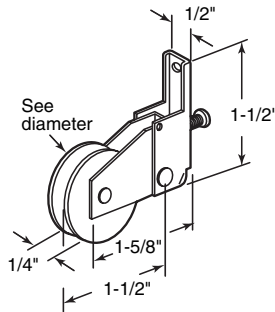
**111591**

## Roller Assembly

**Contents:** 2 roller assemblies.

**Description:** Steel housing with nylon wheel; spring activated; fits on doors by *Crossly*.

**112022**  
**112193**



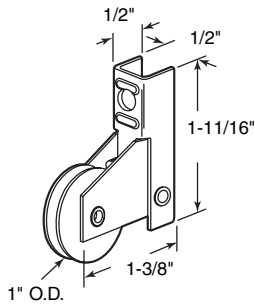
**112022** (1" nylon ball bearing)

**112193** (7/8" steel ball bearing)

## Roller Assembly

**Contents:** 2 roller assemblies.

**Description:** Adjustable, steel housing; ball bearing wheel with center groove; spring activated; fits on doors by *Pacesetter*.



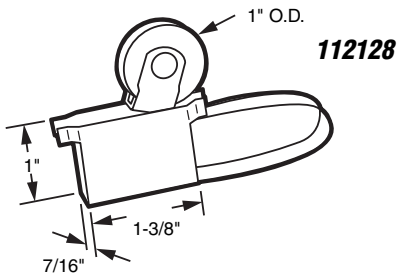
**112127**

**112127**

## Roller Assembly

**Contents:** 2 roller assemblies.

**Description:** Steel housing with nylon wheel; spring activated; fits on doors by *Peachtree*.



**112128**

**112128**

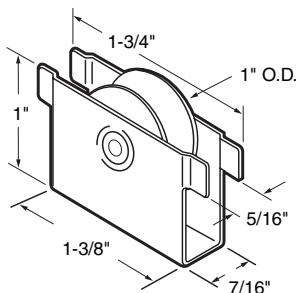
## Roller Assembly

**Contents:** 2 roller assemblies.

**Description:** Steel roller housing, nylon ball bearing wheel with center groove; heat treated, high tension steel spring; fits as a top roller on *Better-Bilt* doors.

You may wish to stock these related parts: **112096**, **11668**.

**112096**  
**11668**



**112096** (Nylon)

**11668** (Steel ball bearing)

## Roller Assembly

**Contents:** 2 roller assemblies.

**Description:** Steel housing; wheel with center groove; bottom roller on *Empire and Better-Bilt* adjustable sliding screen doors.

You may wish to stock these related parts: **121799**, **112128**.

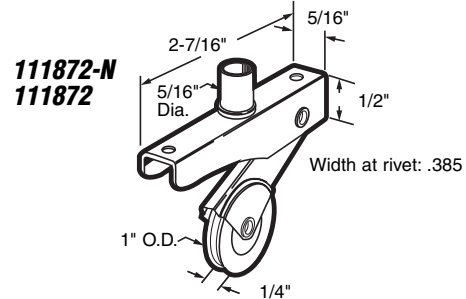
# Sliding Screen Door

**111872-N** (Nylon)  
**111872** (Steel)

## Roller Assembly

**Contents:** 2 roller assemblies.

**Description:** Spring loaded, **steel housing** with top adjusting screw; fits on doors by **Bay-Mills** and other door manufacturers.



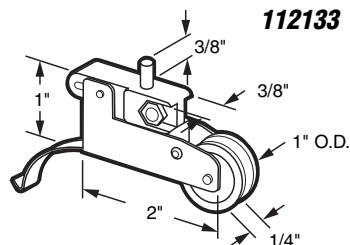
**112133**

## Roller Assembly

**Contents:** 2 roller assemblies.

**Description:** Galvanized steel housing, nylon roller, nylon swivel mounting bracket, high tension steel spring fits on doors by **Ador/HiLite**.

Call for Availability



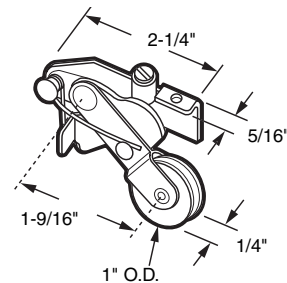
**111879** (Nylon)  
**112195** (Steel ball bearing)

## Roller Assembly

**Contents:** 1 roller assembly; installation screws.

**Description:** Adjustable, aluminum housing; wheel with center groove; spring activated; adjustment screw and aluminum sleeve.

**111879**  
**112195**



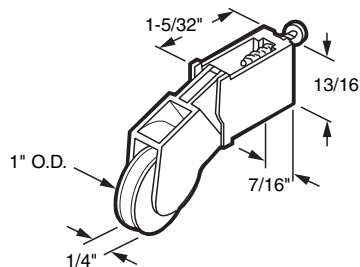
**111370** (Nylon ball bearing)  
**112197** (Steel ball bearing)

## Roller Assembly

**Contents:** 2 roller assemblies; installation screws.

**Description:** Adjustable, nylon housing; wheel with center groove; fits on doors by **Peachtree**.

You may wish to stock these related parts: **112142**.



**111370**  
**112197**

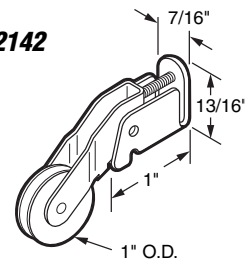
**112142**

## Roller Assembly

**Contents:** 2 roller assemblies; installation screws.

**Description:** Adjustable steel housing; steel ball bearing wheel fits on doors by **Peachtree**.

**112142**



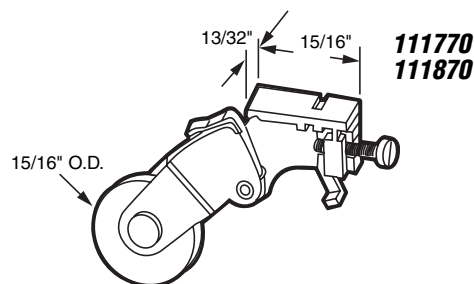
**111770** (Nylon)  
**111870** (Steel ball bearing)

## Roller Assembly

**Contents:** 2 roller assemblies.

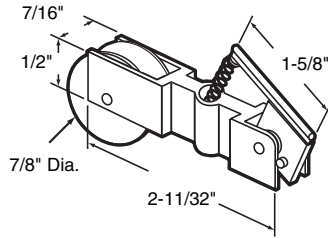
**Description:** Nylon housing; center grooved wheel; with adjustable aluminum yoke; fits on doors by **Metal Industries**.

You may wish to stock these related parts: **111498**.

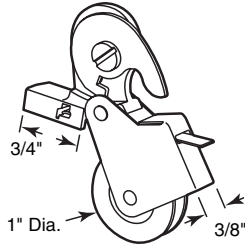


**111770**  
**111870**

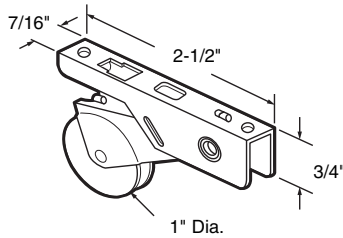
**112204**



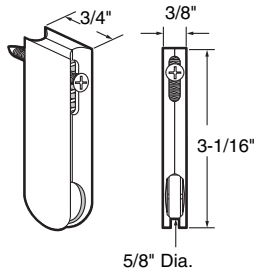
**112190**



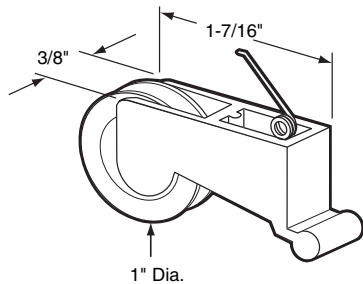
**112191**



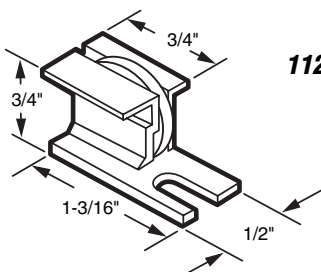
**112040**



**112203**



**112102**



**112204**

## Roller Assembly

**Contents:** 2 roller assemblies.

**Description:** Nylon housing; with center grooved nylon wheel; fits on *Ozark and Chrysler* windows.

**112190**

## Roller Assembly

**Contents:** 2 roller assemblies; 1 left and 1 right.

**Description:** Steel ball bearing wheel; adjustable diecast mounting bracket with stamped steel housing.

**112191** (Stainless steel ball bearing)

## Roller Assembly

**Contents:** 2 roller assemblies.

**Description:** Stainless steel housing; with stainless steel center grooved wheel; spring activated; adjusting screw; fits on doors by *Metal Industries*.

**112040**

## Roller Assembly

**Contents:** 2 roller assemblies; installation screws.

**Description:** Nylon housing and flat nylon wheel; with steel spring; fits on *Weathershield* doors.

**112203** (Nylon)

## Roller Assembly

**Contents:** 2 roller assemblies.

**Description:** Nylon housing with center grooved wheel; spring activated.

**112102**

## Roller Assembly

**Contents:** 2 roller assemblies; 1 left and 1 right.

**Description:** Nylon housing with 1/8" thick, 3/4" diameter flat nylon wheel; fits on *Howard* doors.

Call for Availability



## 1106-N

### Roller Assembly

**Contents:** 2 roller assemblies; installation screws.

**Description:** Adjustable; nylon housing with center groove, steel ball bearing wheel; bottom mount.

## 112097

### Roller Assembly

**Contents:** 2 roller assemblies; installation screws.

**Description:** Extruded aluminum housing with top support plate; nylon wheel with narrow center groove; fits on *Daryl PM* doors.

## 112098

### Roller Assembly

**Contents:** 2 roller assemblies; installation screws.

**Description:** Extruded aluminum housing, nylon wheel with narrow center groove; designed for *Daryl PM* doors.

## 112104

### Roller Assembly

**Contents:** 2 roller assemblies; installation screws.

**Description:** Extruded aluminum housing with nylon wheel; narrow center groove with one side of the wheel a larger diameter than the other.

## 111136

### Roller Assembly

**Contents:** 2 roller and corner assemblies.

**Description:** Stamped aluminum corner; center grooved nylon wheel; adjusting screw; fits on doors by *Jim Walters*.

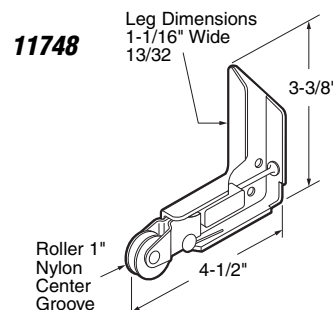
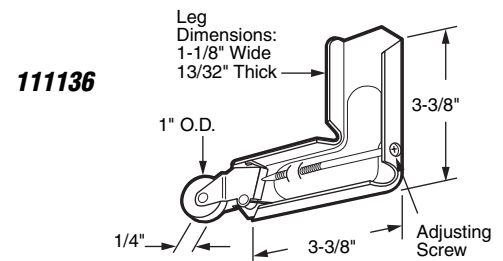
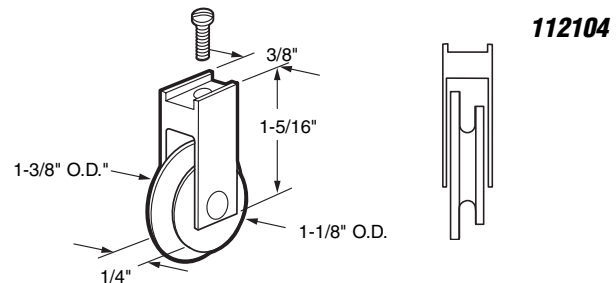
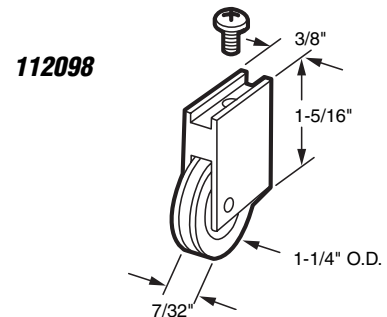
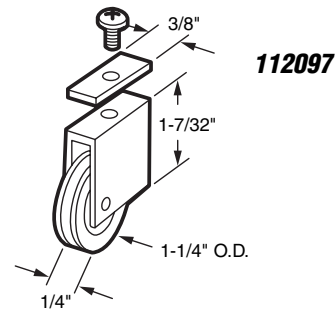
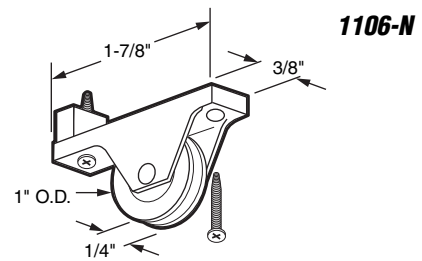
You may wish to stock these related parts: 121803, 121087.

## 11748

### Roller Assembly

**Contents:** 2 roller and corner assemblies.

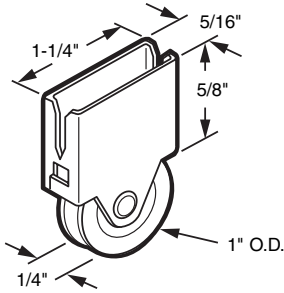
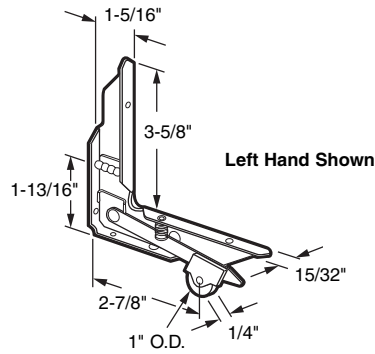
**Description:** Stamped galvanized steel corner housing with center-grooved nylon wheel; spring activated; adjusting screw; fits on doors by *Metal Industries*.



Call for  
Availability

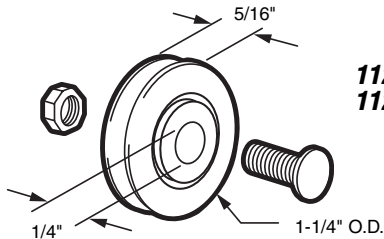
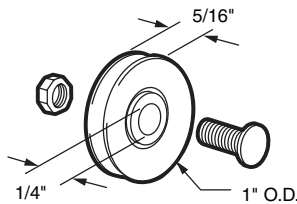
Call for  
Availability

**111840-L**  
**111840-R**  
**111840**

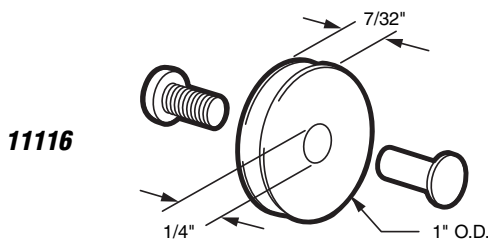


**111452**  
**111486**

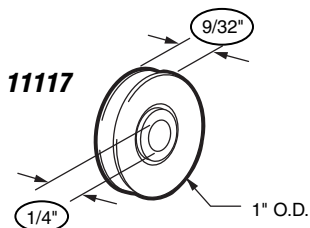
**111894**



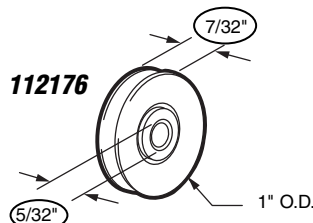
**112211**  
**112212**



**11116**



**112176**



**111840-L** (Left hand)  
**111840-R** (Right hand)  
**111840** (Combination pack of 111840-L and 111840-R)

## Roller Assembly

**Contents:** 1 roller assembly.

**Description:** Stamped steel corner housing with nylon wheel.

**Note:** 111840 contains 1 pair (left & right).

You may wish to stock these related parts: **12713**, **121327**, **111452**.

Call for  
Availability

**111452** (Nylon)  
**111486** (Steel ball bearing)

## Roller Assembly

**Contents:** 2 roller assemblies.

**Description:** Stamped steel housing; grooved wheel; a replacement roller insert for 111840-L and 111840-R corner assemblies.

You may wish to stock these related parts: **12550**, **12713**, **121327**.

**111894**

## Roller Assembly

**Contents:** 2 rollers; with fasteners.

**Description:** Steel ball bearing roller; with 1/4" hole; center grooved; used by many door manufacturers.

**112211** (Steel ball bearing)  
**112212** (Nylon ball bearing)

## Roller Assembly

**Contents:** 2 rollers; with fasteners.

**Description:** Ball bearing roller with 1/4" hole; center grooved; used by many door manufacturers.

**11116**

## Roller Assembly

**Contents:** 2 rollers; with fasteners.

**Description:** Nylon wheel with narrow center groove; fits on *Air Control* doors.

**11117** (Nylon)  
**112176** (Steel ball bearing)

## Roller

**Contents:** 2 rollers.

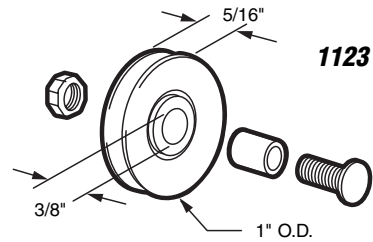
**Description:** Center grooved nylon or steel ball bearing roller; used by many door manufacturers.

**1123**

## Roller Assembly

**Contents:** 2 roller assemblies; with fasteners.

**Description:** Nylon wheel with; nylon bushing; bottom mount.

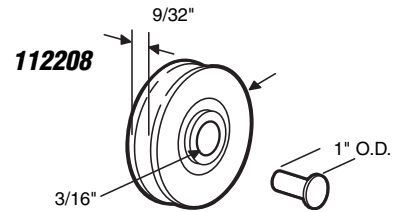


**112208**

## Roller Assembly

**Contents:** 2 rollers.

**Description:** Nylon ball bearing wheel with center groove; repair part for 111370 roller.

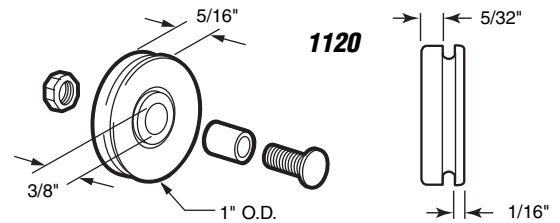


**1120**

## Roller Assembly

**Contents:** 2 roller assemblies; with fasteners.

**Description:** Nylon wheel with narrow offset groove; nylon bushing; bottom mount.



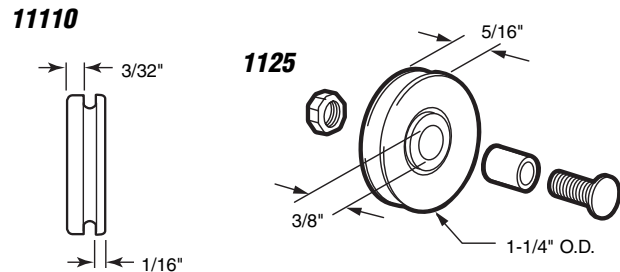
**1125** (Center groove)

**11110** (Narrow offset groove)

## Roller Assembly

**Contents:** 2 roller assemblies; with fasteners.

**Description:** Nylon wheel with; nylon bushing; bottom mount.



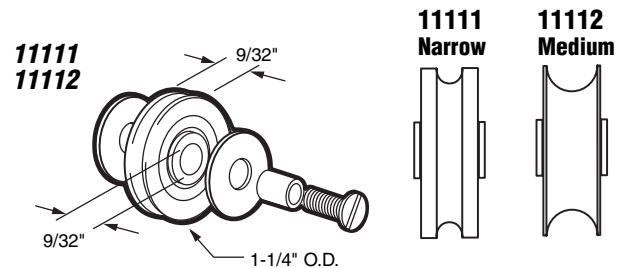
**11111** (Narrow center groove)

**11112** (Medium center groove)

## Roller Assembly

**Contents:** 2 roller assemblies; with fasteners.

**Description:** Nylon wheel; with threaded steel bushing; bottom mount.

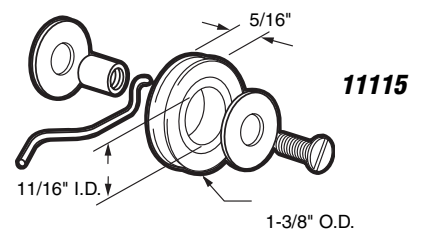


**11115**

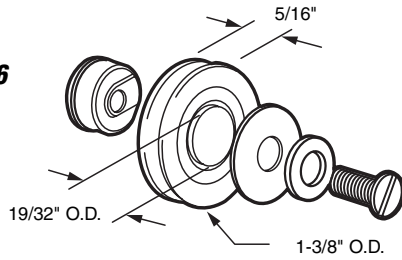
## Roller Assembly

**Contents:** 2 roller assemblies; with fasteners, nylon spacers and 2 wire tension springs.

**Description:** Adjustable, nylon wheel with wide center groove; spring loaded.



**1176**



**1176**

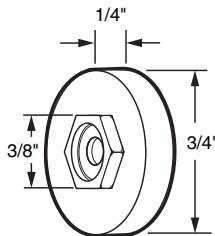
## Roller Assembly

**Contents:** 2 roller and hub assemblies; with fasteners.

**Description:** Adjustable, nylon wheel with aluminum internally threaded hub; wide center groove; bottom mount; fits on *Arcadia* doors.

You may wish to stock these related parts: **1175**.

**111492**



**111492**

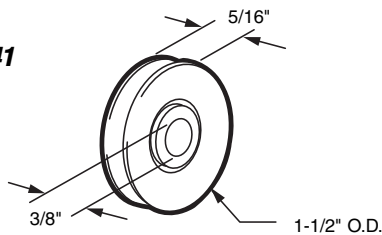
## Roller Assembly

**Contents:** 2 rollers; with fasteners.

**Description:** Threaded hex hub; 3/4 inch flat nylon ball bearing wheel; fits *Croft* and *Keller* doors.

You may wish to stock these related parts: **12138**, **112135**, **112136**.

**112141**



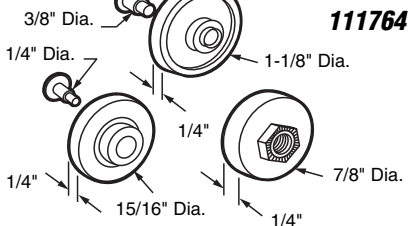
**112141**

## Roller

**Contents:** 2 rollers.

**Description:** Nylon wheel; with center groove; bottom mount.

Call for Availability



**111764**

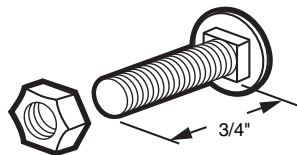
**111764**

## Roller Assortment

**Contents:** 3 pair of rollers.

**Description:** 2 each 7/8 inch flat edge nylon ball bearing wheels with threaded inner race and machine screws; 2 each 15/16 inch flat edge nylon wheels with aluminum rivet; 2 each 1-1/8 inch flat edge nylon wheels with aluminum rivet.

**1189**

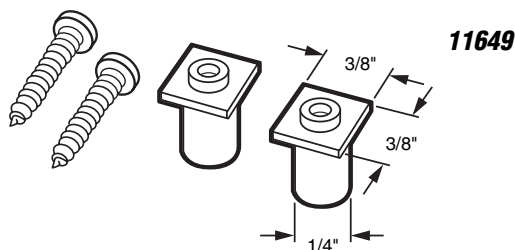


**1189**

## Bolt Assembly

**Contents:** 4 - 1/4 inch-20 x 3/4 inch flat head carriage bolts; with hex nuts.

**Description:** Used with most bottom mount rollers having a 1/4 inch inside diameter.



**11649**

**11649**

## Roller Adjustment Kit

**Contents:** 2 nylon sleeves; with fasteners.

**Description:** Adjustment screws and sleeves fit on *Anjac* style spring tension rollers; 7/16 inch length under head.

You may wish to stock these related parts: **1109**, **1109-B**, **111893**, **111893-B**.

# Sliding Screen Door

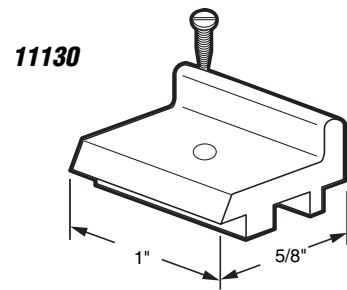
## 11130

### Top Guide

**Contents:** 2 guides; with fasteners.

**Description:** Plastic guide; with attaching screw; fits on *Mayfair* doors.

You may wish to stock these related parts: **11120**.



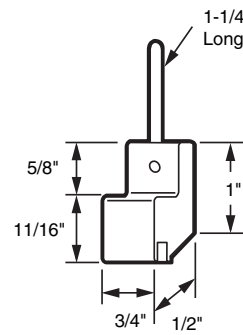
## 112122

### Top Guide

**Contents:** 2 guides.

**Description:** Nylon top guides; fits on *Pan Am* doors.

Call for Availability



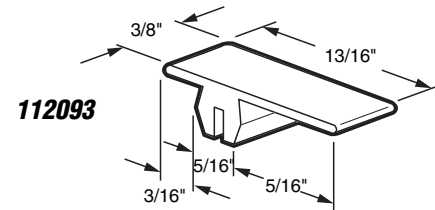
## 112093

### Top Guide

**Contents:** 4 guides.

**Description:** Nylon guide; acts as guide and anti-rattle device; used by many door manufacturers.

Call for Availability

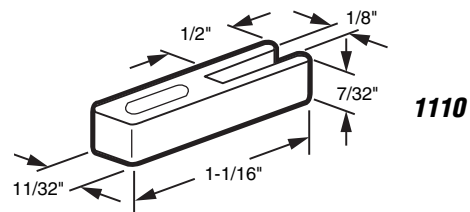


## 1110

### Top Guide

**Contents:** 2 guides; with fasteners.

**Description:** Nylon guide; adjustable; used by many door manufacturers.

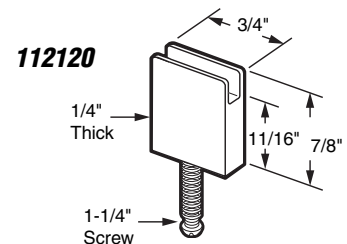


## 112120

### Top Guide

**Contents:** 2 guides; with springs and adjustment screws.

**Description:** Nylon top guides; fits on *Tucker* doors.



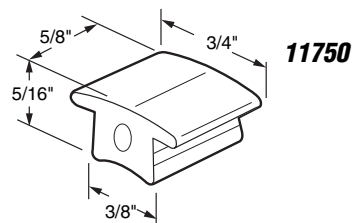
## 11750

### Top Guide

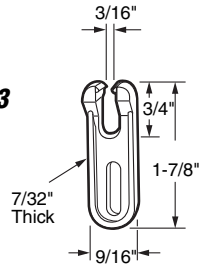
**Contents:** 2 guides.

**Description:** Nylon guide; fits on *Columbia* screen doors as a top guide and anti-rattle device.

You may wish to stock these related parts: **12550, 122079, 122080, 121327, 121402.**



**112113**

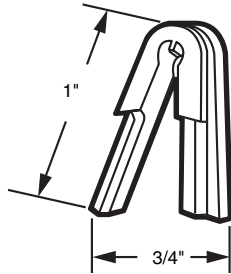


**112113**

**Top Guide**

**Contents:** 2 guides.

**Description:** Nylon guide; fits on *Crossly* doors.



**112116**

**112116**

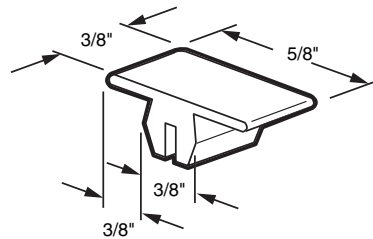
**Top Guide**

**Contents:** 4 guides.

**Description:** Nylon guide; fits on *Miller* doors.

You may wish to stock these related parts: **112021**.

**1112**



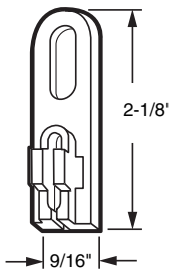
**1112**

**Top Guide**

**Contents:** 2 guides.

**Description:** Plastic guide; acts as guide and anti-rattle device; used by many door manufacturers.

**112124**



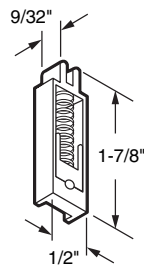
**112124**

**Top Guide**

**Contents:** 2 guides.

**Description:** Nylon guide; fits on *Crossly* doors.

**112115**

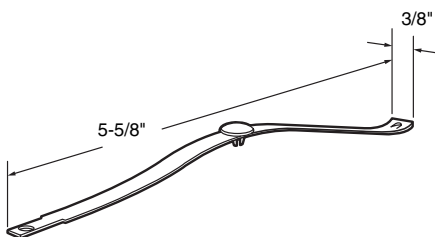


**112115**

**Top Guide**

**Contents:** 2 guides.

**Description:** Nylon guide with adjustment spring; fits on *Daryl PRI* doors.



**112205**

**112205**

**Top Tension Spring**

**Contents:** 2 springs.

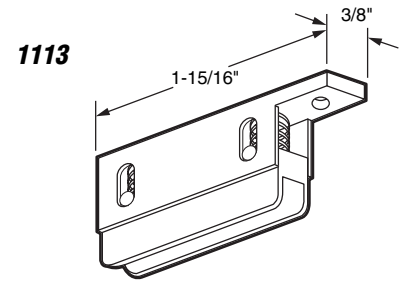
**Description:** Top mounted heat treated, high tension steel spring with nylon glide button.

**1113**

## Bottom Guide

**Contents:** 2 guides; installation screws.

**Description:** Nylon spring loaded assembly; bottom mount; fits on *Ador* doors.

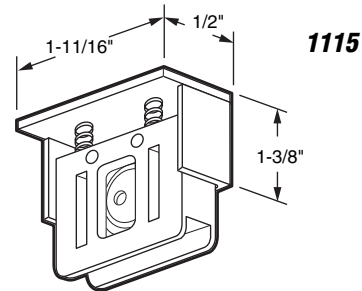


**1115**

## Bottom Guide

**Contents:** 2 guides and installation screws.

**Description:** Bottom mount; aluminum housing with nylon spring loaded guide; fits on *Ador "Z"* doors.



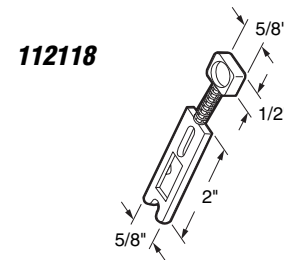
**112118**

## Guide

**Contents:** 2 guides.

**Description:** Nylon guide fits on *Tucker* doors.

*Call for  
Availability*

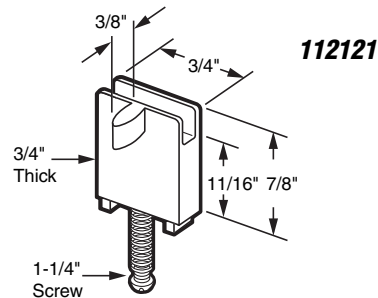


**112121**

## Bottom Guide

**Contents:** 2 guides.

**Description:** Nylon bottom guide with adjustment spring and screw; fits on *Tucker* doors.

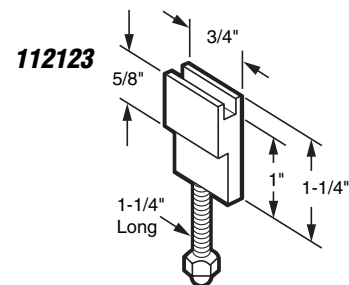


**112123**

## Bottom Guide

**Contents:** 2 guides.

**Description:** Nylon bottom guide with spring and cap nut.

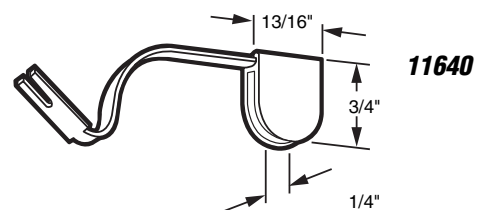


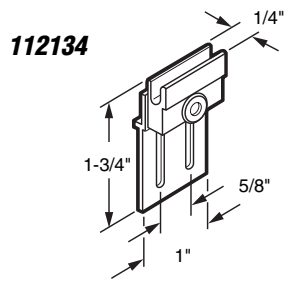
**11640**

## Spring Tension Guide

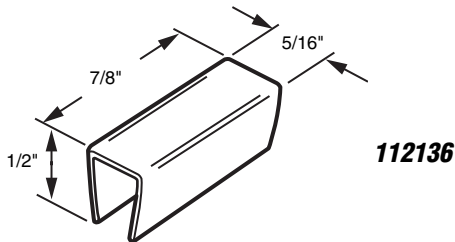
**Contents:** 2 guide assemblies.

**Description:** Bottom mount; heat treated, high tension steel spring; nylon guide; fits on *Ador/Hilite* doors.

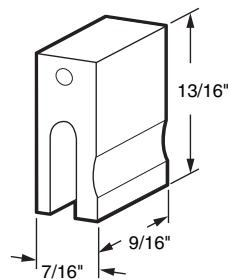




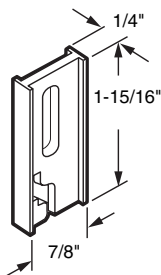
**112134**



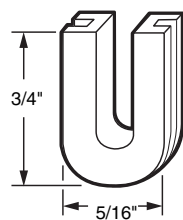
**112136**



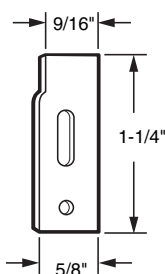
**112135**



**112114**



**112117**



**112119**

## 112134

### Bottom Guide

**Contents:** 2 guides; 2 sets installation screws.

**Description:** Aluminum bracket with nylon guide; bottom mount; fits on *Croft* old style doors.

## 112136

### Bottom Guide

**Contents:** 4 guides.

**Description:** Black plastic bottom guide; prevents excessive wear on door frame; fits on doors by *Keller Industries*.

You may wish to stock these related parts: **111492**.

## 112135

### Bottom Guide

**Contents:** 2 guides; installation screws.

**Description:** Rigid vinyl guide; bottom mount; fits on *Croft* series 701 and 702 doors.

You may wish to stock these related parts: **111492**.

## 112114

### Bottom Guide

**Contents:** 2 guides.

**Description:** Nylon bottom guide; fits on *Crossly* doors.

## 112117

### Bottom Guide

**Contents:** 4 guides.

**Description:** Nylon guide; fits on *Daryl* doors.

## 112119

### Bottom Guide

**Contents:** 2 guides.

**Description:** Nylon guide; fits on *Tucker* doors.



# Sliding Screen Door

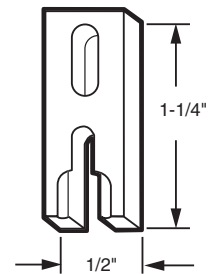
**112125**

## Guide

**Contents:** 2 guides.

**Description:** Nylon guides used to prevent wear on door frame.

**112125**



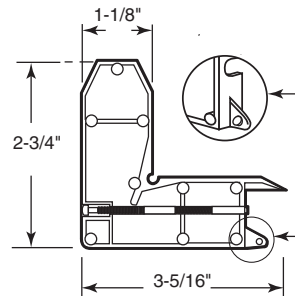
**11556**

## Corner Insert

**Contents:** 2 corners.

**Description:** Diecast plain finish with adjustment screw; for 45° miter cut door design; used by many door manufacturers.

You may wish to stock these related parts: **111825, 11118, 11101-B, 111769.**



**11556**

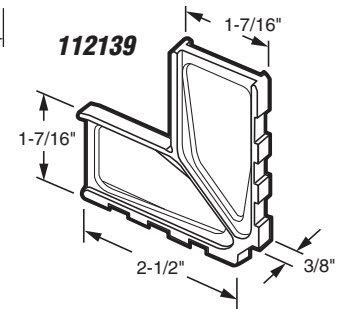
**112139**

## Corner Insert

**Contents:** 2 corners.

**Description:** Diecast plain finish; for 45° miter cut door design; used by many door manufacturers.

*Call for Availability*



**112139**

**B-613** (Clear - 84")

**B-614** (Clear - 96")

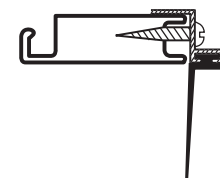
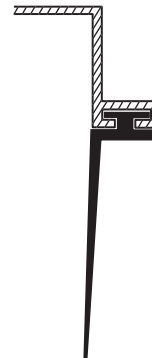
**B-615** (Black - 84")

**B-616** (Black - 96")

## Uni-Fit Bug Seal

**Contents:** 5 each per master box.

**Description:** Clear or black anodized aluminum molding; 1-1/4" wide vinyl flap is segmented into 1/4" strips you can tear to desired size; pre-punched for screws; easy to install to both roll-formed or extruded door frames.



**B-613**  
**B-614**  
**B-615**  
**B-616**

**112143-7** (7 ft. long - Black vinyl)

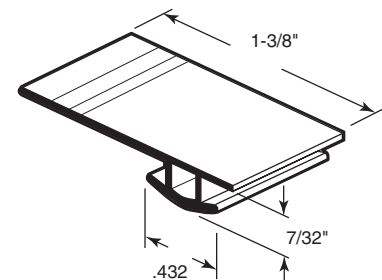
**112143-8** (8 ft. long - Black vinyl)

## Bug Seal

**Contents:** 1 strip of vinyl.

**Description:** Vinyl flap has tear strips to adjust width from 7/8" to 1-3/8"; flexible; seals against insects.

**112143-7**  
**112143-8**

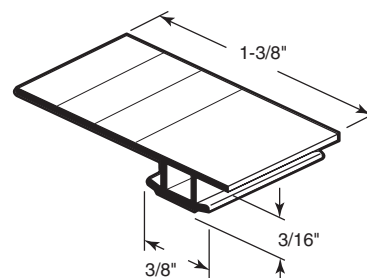


**112424** (7 ft. long - Black vinyl)

## Bug Seal

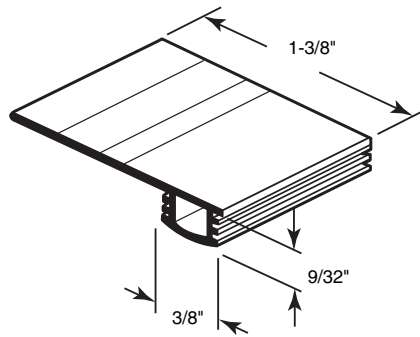
**Contents:** 1 strip of vinyl.

**Description:** Vinyl flap has tear strips to adjust width from 7/8" to 1-3/8"; flexible; seals against insects.



**112424**

**11639**

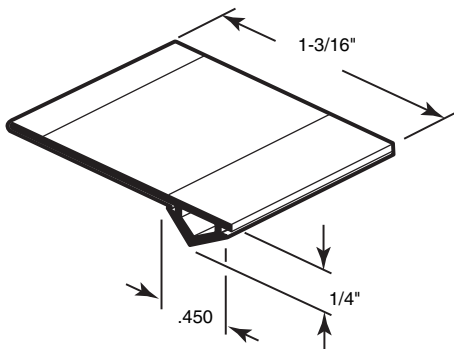


**11639** (7 ft. long - Black vinyl)

### Bug Seal

**Contents:** 1 strip of vinyl.

**Description:** Vinyl flap has tear strips to adjust width from 3/4" to 1-3/8". Flexible, seals against insects.



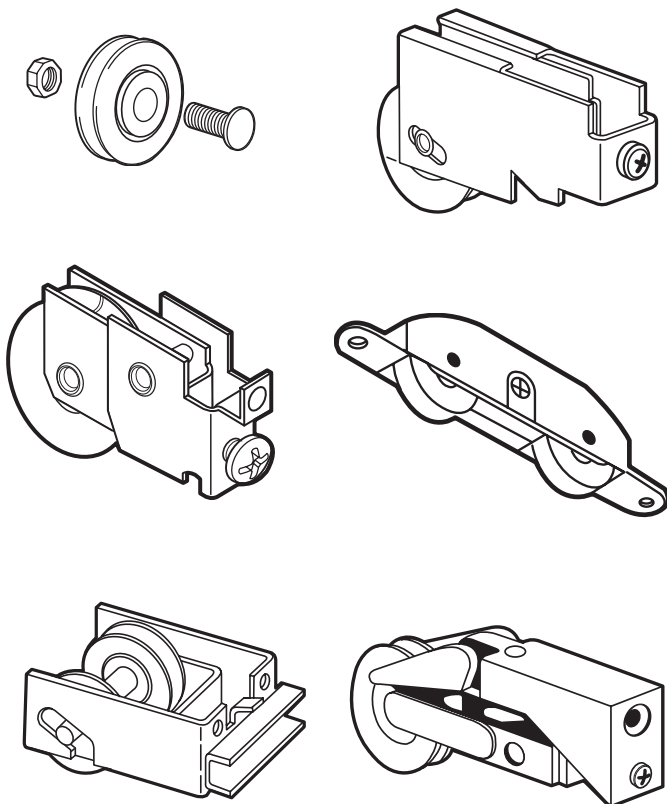
**112213**

**112213** (7 ft. long - Black vinyl)

### Bug Seal

**Contents:** 1 strip of vinyl.

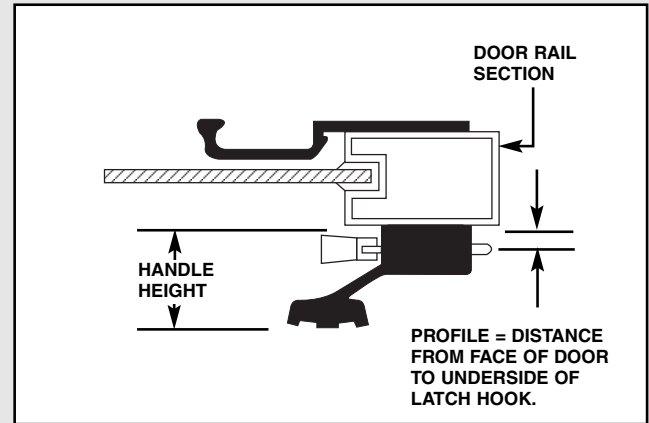
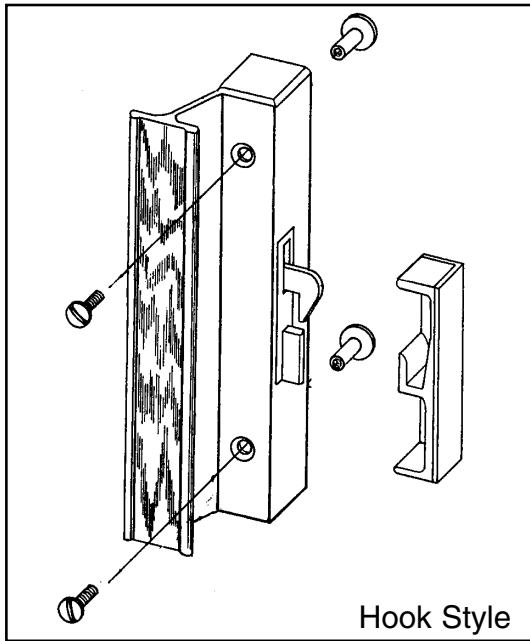
**Description:** Vinyl flap has tear strips to adjust width from 9/16" to 1-3/16"; flexible; seals against insects.



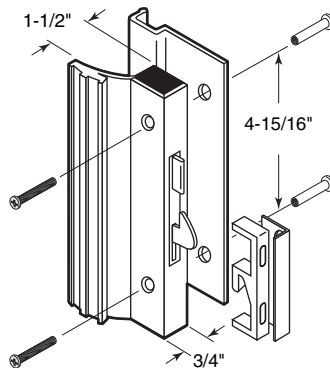
**See our huge  
selection of  
Patio Door rollers  
and  
roller assemblies.**

*The following pages offer  
a comprehensive selection of:*

**Surface Mounted - Hook Style  
HANDLE SETS**



**14206**  
**142053**  
**14206-B**  
**143494**



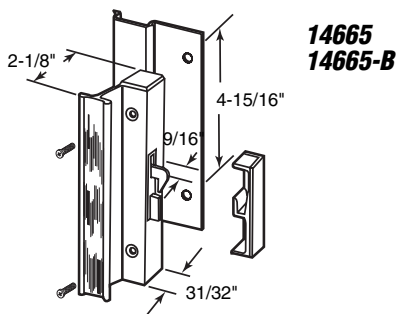
**14206** (Aluminum)  
**142053** (Black)  
**14206-B** (Bronze)  
**143494** (White)

**Handle Set** (Standard handle height)

**Contents:** 1 inside pull and latch assembly; 1 outside pull; 1 face mounting keeper; installation fasteners.

**Description:** Extruded aluminum inside and outside pulls; fixed anti-lift bar for additional security; reversible for right or left hand doors. Overall handle height is 1-1/2"; latch hook profile is 3/8".

You may also wish to stock these related parts: **141237, 141974, 15832-B, 152485, 152490.**



**14665** (Aluminum)  
**14665-B** (Black)

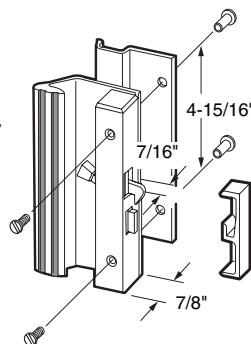
**Handle Set** (High handle height)

**Contents:** 1 inside pull and latch assembly; 1 outside pull; 1 face mounting keeper; installation fasteners.

**Description:** Same handle design as 14206 except latch hook profile is 9/16". Overall handle height is 2-1/8".

You may also wish to stock these related parts: **141974, 141974-B, 152485, 152490.**

**14664**  
**14664-B**  
**14664-W**



**14664** (Aluminum)  
**14664-B** (Black)  
**14664-W** (White)

**Handle Set** (Low handle height)

**Contents:** 1 inside pull and latch assembly; 1 outside pull; 1 face mounting keeper; installation fasteners.

**Description:** Same handle design as 14206 except latch hook profile is 7/16". Overall handle height will offer lower profile, approximately 1" high. Allows clearance for blinds & draperies.

You may also wish to stock these related parts: **141237, 1505, 141974, 141974-B.**

# Sliding Patio Door

**14950**

**14950-K** (With keyed lock)

## Handle Set (Aluminum)

**Contents:** 1 inside pull and latch assembly; 1 outside pull; installation fasteners.

**Description:** Universal design; replaces most surface latch sets; **diecast** assembly with **wood** handle; **diecast** thumb turn with **steel** hook; 2-way **diecast** keeper.

You may also wish to stock these related parts: **1505**, **152483**, **152483-B**.

**142854** (Aluminum)

**141752** (Black)

**14206-W** (White)

**142243** (Almond)

## Handle Set

**Contents:** 1 inside pull and latch assembly; 1 outside pull; 1 face mounting keeper; installation fasteners.

**Description:** **Extruded aluminum** inside; and **diecast** outside pulls; fixed **anti-lift bar** for additional security; **reversible** for right or left hand doors; **latch hook profile is 7/16"**.

You may also wish to stock these related parts: **141237**, **141974**, **15832-B**, **152485**, **152490**.

**14377** (Aluminum)

**14656** (Bronze)

## Handle Set

**Contents:** 1 inside pull and latch assembly; 1 outside pull; 1 keeper; installation fasteners.

**Description:** Designed for **Sears** sliding patio doors; **diecast** inside pull with **wood** handle; **anti-lift bar**; **steel** hook; flush **extruded aluminum** outside pull; **latch hook profile is 1/2"**.

You may also wish to stock these related parts: **1449**, **152479**, **152480**, **152485**, **152490**.

**142220** (Aluminum)

**142221** (Black)

## Handle Set

**Contents:** 1 deluxe inside pull and latch assembly; 1 outside pull; side and face mount keeper; installation fasteners.

**Description:** **Extruded aluminum** inside and outside pulls; **wood** handle; surface mount; fixed **anti-lift bar** for additional security; **reversible** for right or left hand doors; **latch hook profile is 3/8"**.

You may also wish to stock these related parts: **141237**, **1449**.

**142226** (Aluminum)

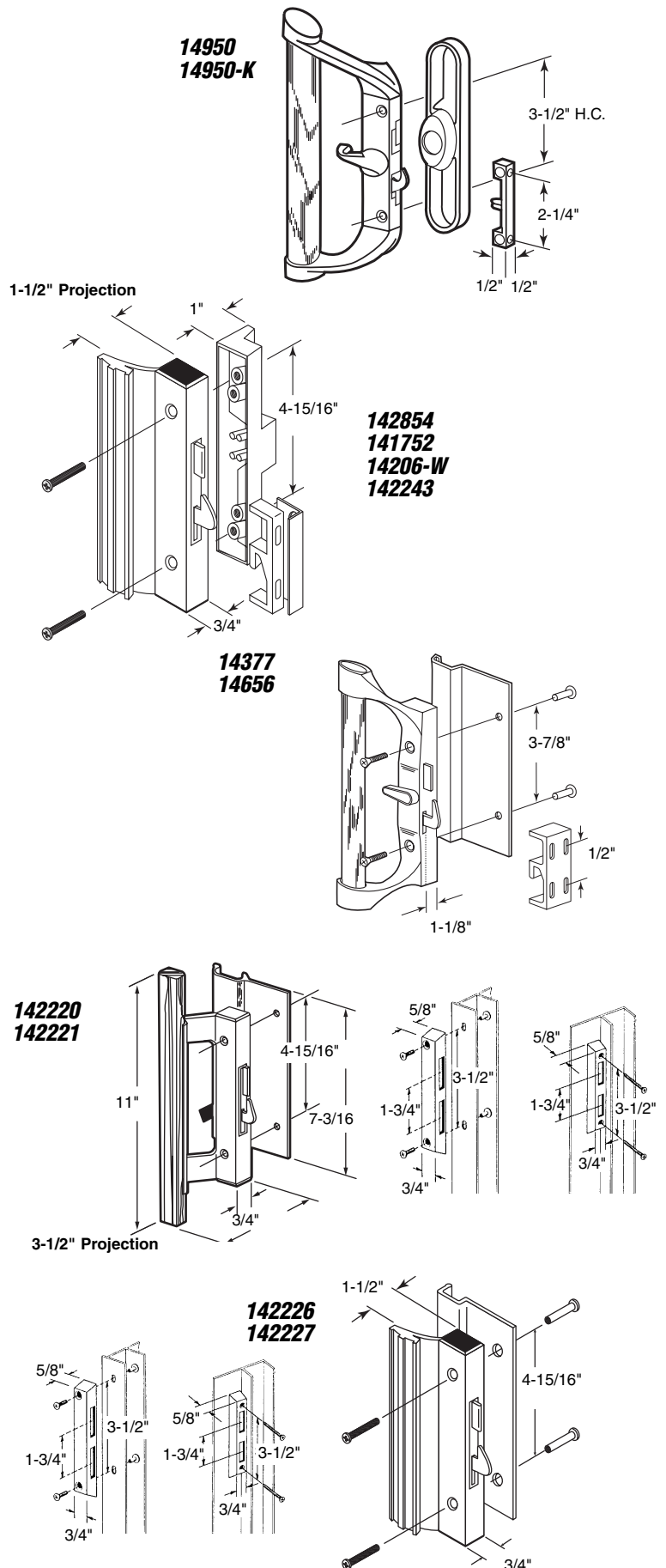
**142227** (Black)

## Handle Set

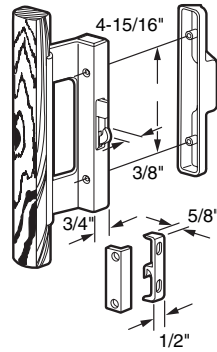
**Contents:** 1 inside pull and latch assembly; 1 outside pull; side and face mount keeper; installation fasteners.

**Description:** **Extruded aluminum** inside and outside pulls; surface mount; fixed **anti-lift bar** for additional security; **reversible** for right or left hand doors; overall **handle height is 1-1/2"**; **latch hook profile is 3/8"**.

You may also wish to stock these related parts: **141237**, **1449**.



**142238**



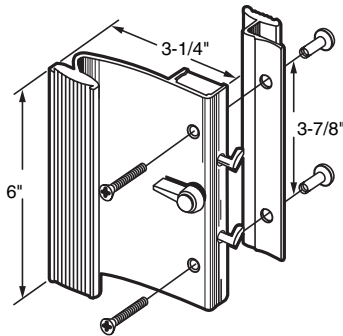
**142238** (Black)

### Handle Set

**Contents:** 1 inside pull and latch assembly; 1 outside pull; 1 keeper; installation fasteners.

**Description:** Extruded aluminum inside pull includes wood handle; keyable diecast outside pull; fixed anti-lift bar for additional security; reversible for left or right hand doors. Overall handle height is 3-1/2"; latch hook profile is 3/8".

You may also wish to stock these related parts: 1505.



**14183**  
**14183-B**

**14183** (Aluminum)

**14183-B** (Black)

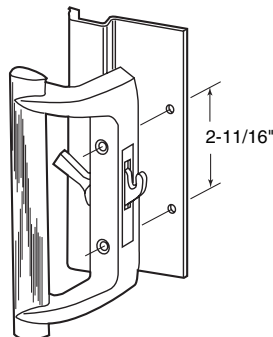
### Handle Set

**Contents:** 1 inside pull and latch assembly; 1 outside pull; installation fasteners.

**Description:** Designed for Ador/HiLite doors; extruded aluminum inside and outside pulls; handle latches into door jamb (no strike necessary).

You may also wish to stock these related parts: 14584-A, 14584-B, 15585-A, 15585-B, 15114, 152497.

**14387**  
**14387-B**



**14387** (Aluminum)

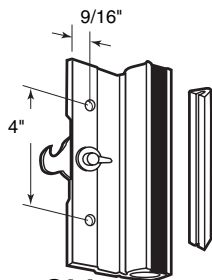
**14387-B** (Black)

### Handle Set

**Contents:** 1 inside pull and latch assembly; 1 outside pull; installation fasteners.

**Description:** Diecast inside pull with wood handle; flush extruded aluminum outside pull; surface mount; plastic latch activator and steel hook; designed for Cupples patio doors.

You may also wish to stock these related parts: 14200-B, 13169, 152473, 15191.



**Old Style**

**14205-L**  
**14205-R**

Right hand shown

**14205-L** (Left hand)

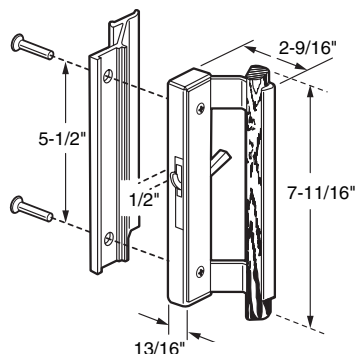
**14205-R** (Right hand)

### Handle Set (Aluminum)

**Contents:** 1 inside pull and latch assembly; 1 outside pull; installation fasteners.

**Description:** Extruded aluminum inside and outside pulls; diecast thumbturn and steel hook; designed for Premier doors.

**141968**



**141968** (Aluminum)

### Handle Set

**Contents:** 1 inside pull and latch assembly; 1 outside pull; installation fasteners.

**Description:** Extruded aluminum handle with wood insert; plastic base with reversible latch for left or right hand.

You may also wish to stock these related parts: 15191, 141974.

# Sliding Patio Door

**14200-A** (Aluminum)

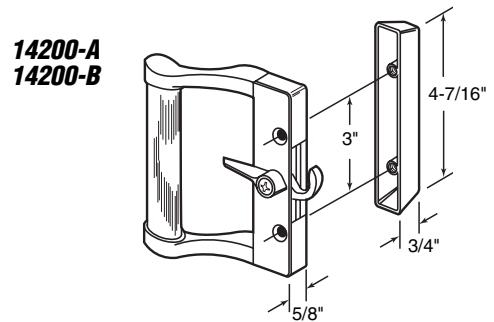
**14200-B** (Black)

## Handle Set

**Contents:** 1 inside pull and latch assembly; 1 outside pull; installation fasteners.

**Description:** Universal design **diecast** inside pull with **wood** handle; side or face-mount keeper; **diecast** outside pull; surface mount.

You may also wish to stock these related parts: **15400-19, 1511, 152486, 151865.**



**142231**

**142236** (Keyed)

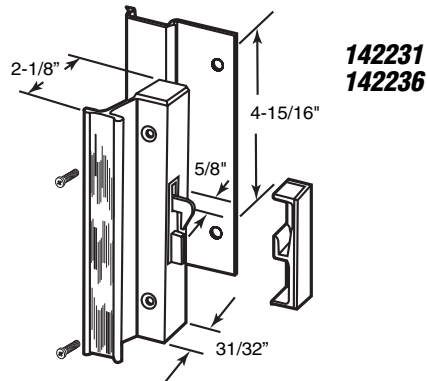
Call for Availability

## Handle Set (Black)

**Contents:** 1 inside latch and pull; 1 outside pull; 1 face mounting keeper; 1 set of installation fasteners.

**Description:** **Extruded aluminum** handle; **steel** hook and reversible **anti-lift pin** for left or right hand installation; fits on **Arcadia** doors.

You may also wish to stock these related parts: **15565-B.**



**14300** (Black)

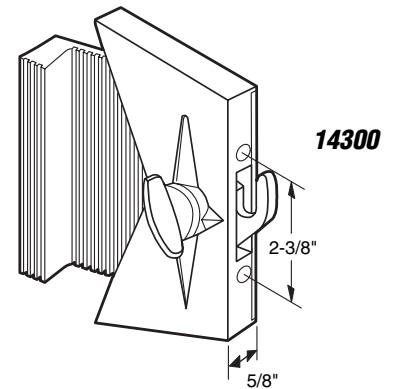
Call for Availability

## Handle Set

**Contents:** 1 inside pull and latch assembly.

**Description:** Designed for **Horizon** doors; replaces old style plastic handle; also known as **Star Lock**; heavy **diecast** lock.

You may also wish to stock these related parts: **1387, 1322, 1551.**

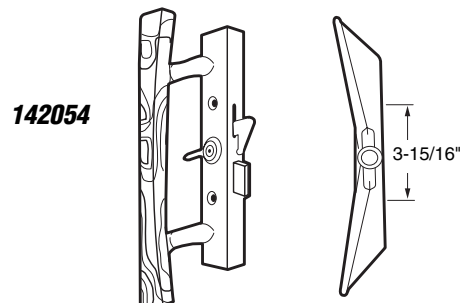


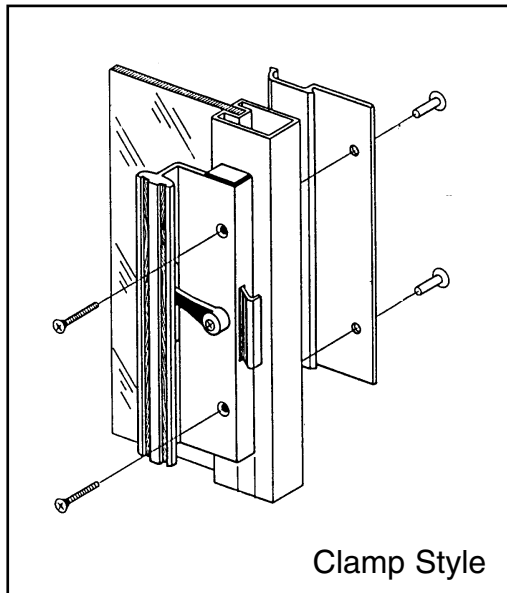
**142054**

## Handle Set

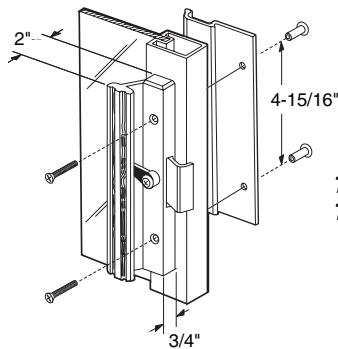
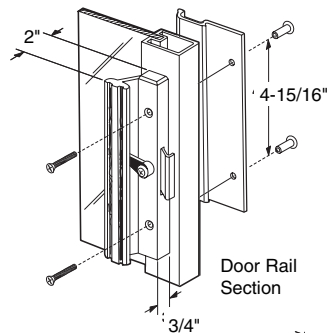
**Contents:** 1 inside pull and latch assembly; 1 outside pull; installation fasteners.

**Description:** **Diecast** inside pull with **wood** insert, **diecast** outside pull and **anti-lift bar** for added security, for right or left handed application.

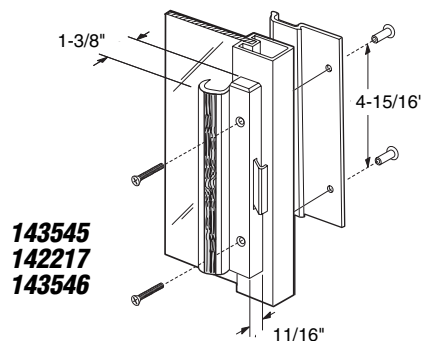




**141706**  
**141311**

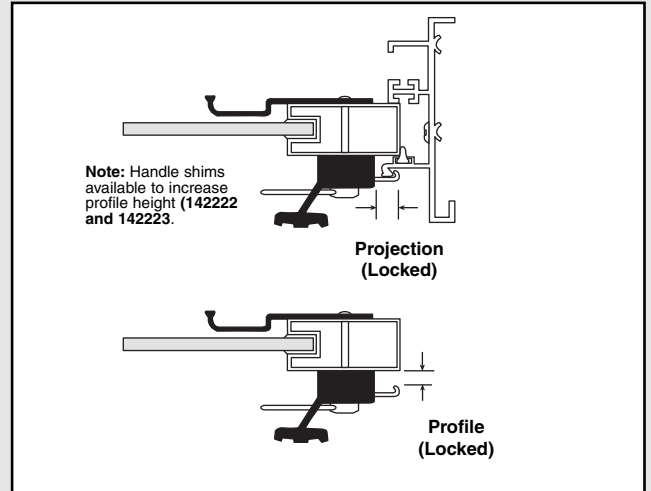


**142229**  
**142230**



**143545**  
**142217**  
**143546**

*The following pages offer  
a comprehensive selection of:*  
**Surface Mounted - Clamp Style  
HANDLE SETS**



**141706** (Aluminum)

**141311** (Black)

**Handle Set**

**Contents:** 1 inside pull and latch assembly; 1 outside pull; installation fasteners.

**Description:** Extruded aluminum inside and flush outside pull; surface mounted; clamp-latch with metal activator; latch hook profile is 1/4"; projection is 1/2"; used by many patio door manufacturers.

**142229** (Aluminum)

**142230** (Black)

**Handle Set**

**Contents:** 1 inside pull and latch assembly; 1 outside pull; installation fasteners.

**Description:** Extruded aluminum inside pull; clamp-latch with metal activator; extruded aluminum outside pull; designed for Lupton, Rolleze and many patio door manufacturers. Latch hook profile is 3/16" and the projection is 11/16".

You may also wish to stock these related parts: **1449**.

**143545** (Aluminum)

**142217** (Black)

**143546** (White)

**Handle Set**

**Contents:** 1 inside pull and latch assembly; 1 outside pull; installation fasteners.

**Description:** Designed for Northrop Architectural doors; extruded aluminum inside pull with metal activator and clamp-latch; flush extruded aluminum outside pull. Latch hook profile is 3/16" and the projection is 7/16".



# Sliding Patio Door

- 141842** (Black)
- 141845** (White)
- 142242** (Almond)

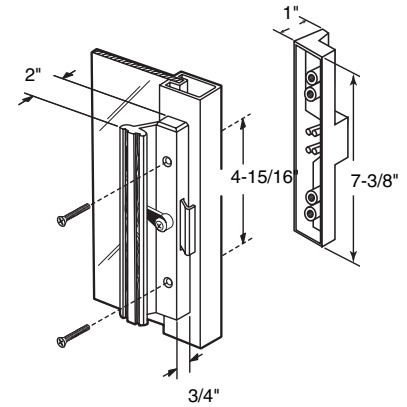
## Handle Set

**Contents:** 1 inside pull and latch assembly; 1 outside pull; installation fasteners.

**Description:** Extruded aluminum inside pull; clamp-latch with metal activator; diecast outside pull has knock-out for converting to keyed cylinder lock; latch hook profile is 1/4"; projection is 1/2"; used by many patio door manufacturers.

You may also wish to stock these related parts: **142240, 142241.**

- 141842**
- 141845**
- 142242**

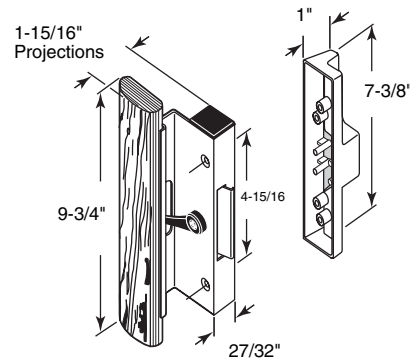


- 141753** (Black)
- 142266** (White)

## Handle Set

**Contents:** 1 inside pull and latch assembly; 1 outside pull; installation fasteners.

**Description:** Extruded aluminum inside pull with wood handle; diecast outside pull has knock-out for converting to keyed cylinder lock. Latch hook profile is 1/4"; projection is 7/16".



- 141753**
- 142266**

- 14538** (Aluminum)
- 14538-B** (Black)
- 143528** (White)

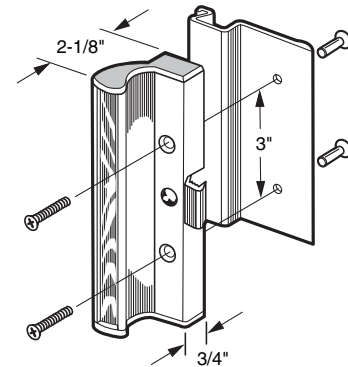
## Handle Set

**Contents:** 1 inside pull and latch assembly; 1 outside pull; installation fasteners.

**Description:** Extruded aluminum inside pull; clamp-latch with plastic activator; flush extruded aluminum outside pull; designed to fit *International* doors. Latch hook profile is 1/4" and the projection is 9/16".

You may also wish to stock this related parts: **142234, 14503, 15566-A, 15566-B, 13177, 13177-S, 131729.**

- 14538**
- 14538-B**
- 143528**



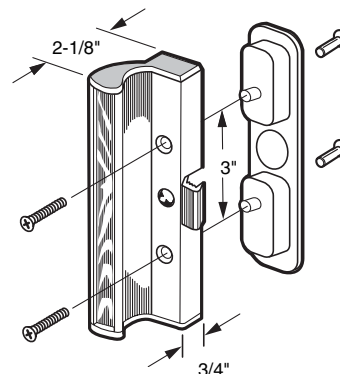
- 141315** (Black)
- 141316** (White)

## Handle Set

**Contents:** 1 inside pull and latch assembly; 1 outside pull; installation fasteners.

**Description:** Extruded aluminum inside pull; clamp-latch with plastic activator; flush diecast outside pull; designed to fit *International* doors; latch hook profile is 1/4" and the projection is 9/16".

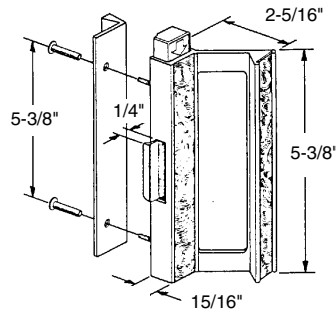
You may also wish to stock this related parts: **142234, 14503, 15566-A, 15566-B, 13177, 13177-S, 131729.**



- 141315**
- 141316**



**14810**



**14810** (Black)

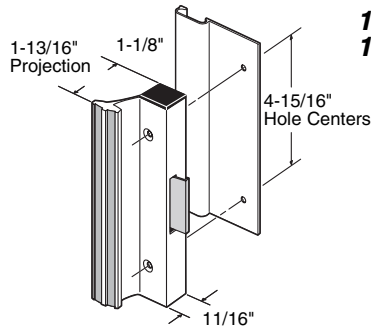
## Handle Set

**Contents:** 1 inside pull and latch assembly; 1 outside pull; installation fasteners.

**Description:** Anodized extruded aluminum clamp-type latch; extruded aluminum outside pull; fits on doors by *Rusco/Hilite*.

You may also wish to stock these related parts: **13811**.

Call for Availability



**14399**  
**14399-B**

**14399** (Aluminum)

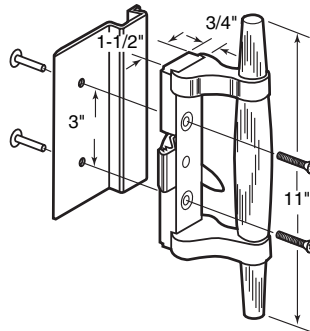
**14399-B** (Bronze)

## Handle Set

**Contents:** 1 inside pull & latch assembly with wood grain strip; 1 flush outside pull and installation fasteners.

**Description:** Extruded aluminum inside handle; with clamp style latch and metal activator; extruded aluminum outside pull; latch hook profile is 3/16"; projection is 7/16".

**14347**  
**142228**



**14347** (Aluminum)

**142228** (Black)

## Handle Set

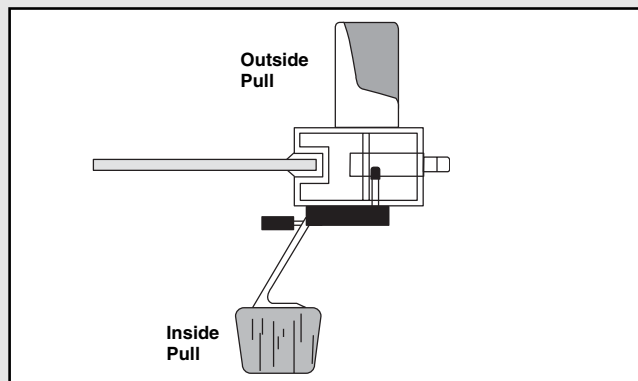
**Contents:** 1 inside pull and latch assembly; 1 outside pull; installation fasteners.

**Description:** Extruded aluminum inside pull with wood handle; complete with plastic thumbturn and aluminum clamp-latch assembly; flush extruded aluminum outside pull; designed for *International* doors (deluxe series handle); latch hook profile is 1/4" and the projection is 9/16".

You may also wish to stock these related parts: **142234**, **14503**, **15566-A**, **15566-B**, **13177**, **13177-S**, **131729**.

The following pages offer a comprehensive selection of:

## Mortise Style HANDLE SETS



**14346** (Aluminum)

**142379** (Black)

**14751** (Bronze)

**143533** (White)

### Handle Set

**Contents:** 1 inside and 1 outside pull; installation fasteners.

**Description:** Deluxe handle set for mortise locks; **extruded aluminum** inside pull with **heavy-duty wood** handle; **diecast** aluminum outside pull; designed to be used with any of the following mortise latches.

You may also wish to stock this related parts: **151291, 15410-F, 141725, 1521.**

**14421** (Non-keyed)

**14422** (Keyed)

### Handle Set (Aluminum)

**Contents:** 1 inside pull; 1 latch plate; 1 outside pull; installation fasteners.

**Description:** Inside pull with **wood** handle and **diecast** brackets; **extruded aluminum** latch with **diecast** thumb turn and **steel** lock activator; **extruded aluminum** outside pull; designed for **Daryl** doors, but will function with a variety of mortise locks.

You may also wish to stock this related parts: **1505, 15481, 14425, 151035, 15410-F.**

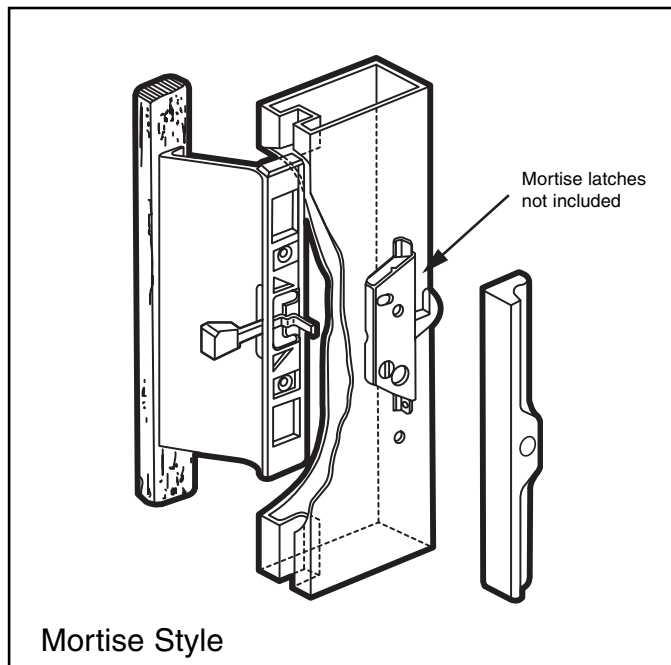
**14184** (Aluminum)

### Handle Set

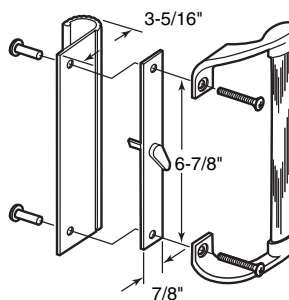
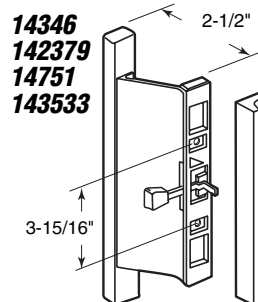
**Contents:** 1 inside pull; 1 outside pull; installation fasteners.

**Description:** **Extruded aluminum** inside pull with **diecast** thumb turn and latching assembly for mortise locks; flush **extruded aluminum** outside pull; replacement for all **Fairview** doors.

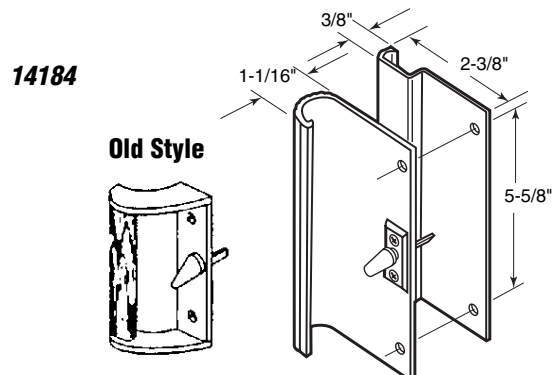
You may also wish to stock this related parts: **151291, 15187, 15400, 15410, 15311, 15389, 14426, 151035, 151034, 141729, 151527.**



Mortise Style



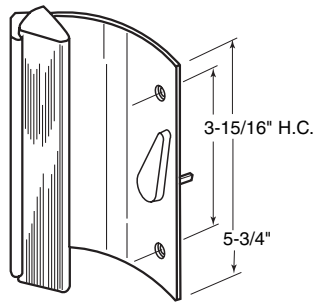
**14421**  
**14422**



**14184**

Old Style

**142218**  
**142219**



**142218** (Aluminum)  
**142219** (Bronze)

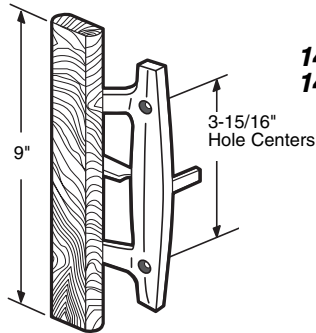
*Call for  
Availability*

## Handle

**Contents:** 1 inside pull; 1 thumb latch; installation fasteners.

**Description:** Extruded aluminum inside pull with wood handle; diecast thumb turn and latch activator.

You may also wish to stock this related parts: **151291, 14425, 15400, 15410, 15389, 14426, 151035, 151034, 141725.**



**142247**  
**143530**

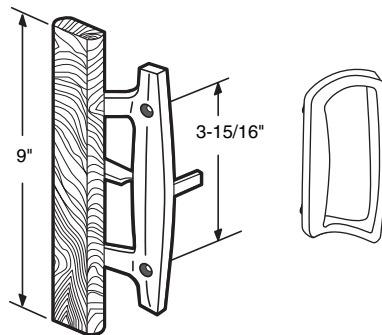
**142247** (Black)  
**143530** (White)

## Handle Set

**Contents:** 1 inside pull; 1 thumb latch; installation fasteners.

**Description:** Deluxe handle for mortise locks; diecast aluminum with wood pull; 1 diecast thumb turn. May be used with following latching units: **151291, 15400, 15410, 141725**; non handed, surface mounted.

**142250**  
**143532**

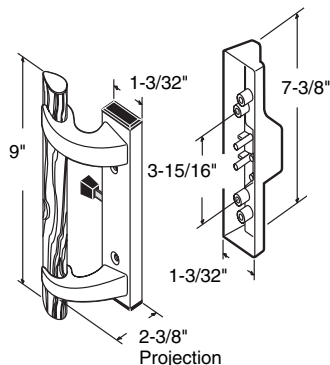


**142250** (Black)  
**143532** (White)

## Handle Set

**Contents:** 1 inside pull with thumb latch; 1 outside pull; installation fasteners.

**Description:** Diecast inside pull with wood handle; diecast thumb turn and steel latch activator; diecast outside pull.



**141824**

**141824** (White)

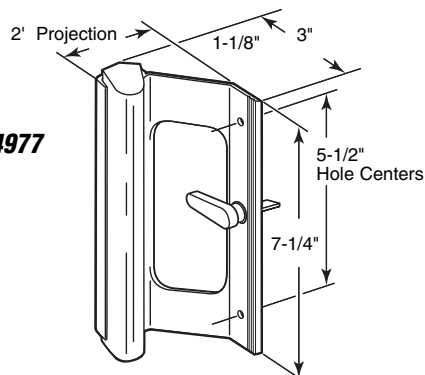
## Handle Set

**Contents:** 1 inside pull; 1 outside pull; installation fasteners.

**Description:** Extruded aluminum inside pull with wood handle; diecast outside pull. May be used with the following locking units: **15187, 15400, 15410, 15311, 15389, 14426, 141725, 151527.**

You may wish to stock these related parts: **14503.**

**14977**



**14977** (Aluminum)  
**14977-B** (Bronze)

## Handle Set

**Contents:** 1 inside pull; thumb lock and installation fasteners.

**Description:** Extruded aluminum pull with wood insert.

**141587** (Aluminum)

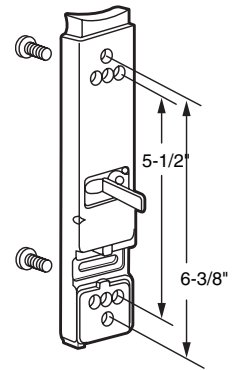
## Handle Set

**Contents:** 1 inside slide latch.

**Description:** Extruded aluminum housing with plastic slide activator; works with *Adams Rite* mortise locks.

Call for  
Availability

**141587**



**142260** (Brass plated)

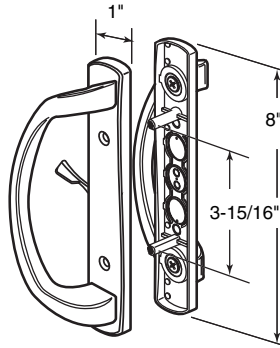
**142262** (White)

## Handle Set (Decorative)

**Contents:** 1 inside pull and thumb latch; 1 outside pull; installation fasteners.

**Description:** High profile diecast handle set for mortise locks; non-handed outside pull can be keyed using 152514 key cylinder adapter kit for the white and 152515 for the brass handle.

**142260**  
**142262**



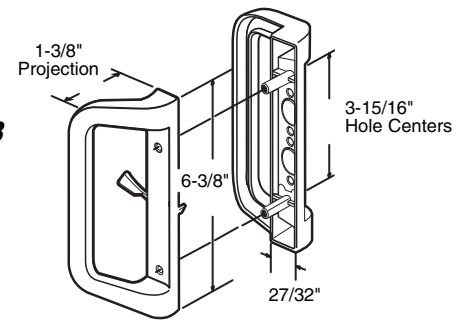
**142263** (White)

## Handle Set (Decorative)

**Contents:** 1 inside pull and thumb latch; 1 outside pull; installation fasteners.

**Description:** Low profile diecast handle set for mortise locks; non-handed.

**142263**



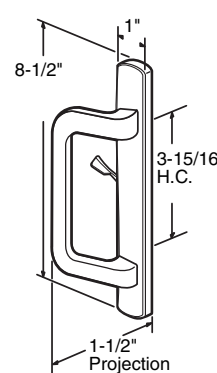
**142264** (White)

## Handle Set (Decorative)

**Contents:** 1 inside pull and thumb latch; 1 outside pull; installation fasteners.

**Description:** Low profile; long base diecast handle set for mortise locks; non-handed.

**142264**



**142265** (White)

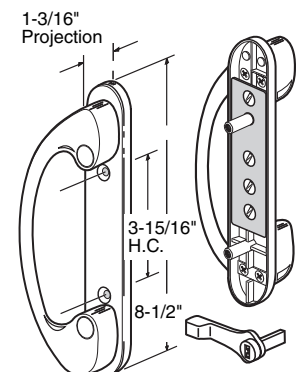
## Handle Set (Decorative)

**Contents:** 1 inside pull with thumb latch; 1 outside pull; installation screws.

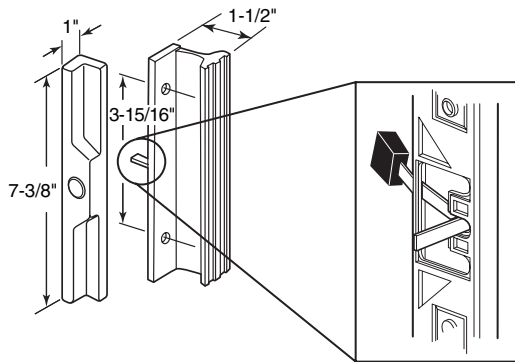
**Description:** Diecast handle set for mortise locks; new internal design allows placement of key cylinder away from handle set pull area; adapts to most mortise lock locations.

Call for  
Availability

**142265**



**141841**  
**141844**  
**142369**



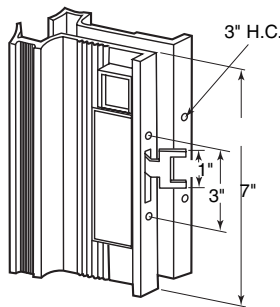
**141841** (Black)  
**141844** (White)  
**142369** (Almond)

## Handle Set

**Contents:** 1 inside pull; 1 outside pull; installation fasteners.

**Description:** Standard handle set for mortise locks. **Extruded aluminum** inside pull; **diecast** outside pull. Designed to be used with any of the following latch units: 151291, 15410-F, 141725 or 1521. Non-handed, surface mount; Removable knock-out slug for adding key cylinder.

You may wish to stock these related parts: **1505, 15778, 151881.**



**14479**  
**14480**  
**141539**  
**141152**

**14479** (Single glazed)  
**14480** (Single glazed-keyed)  
**141539** (Dual glazed-keyed)  
**141152** (Dual glazed)

Call for  
Availability

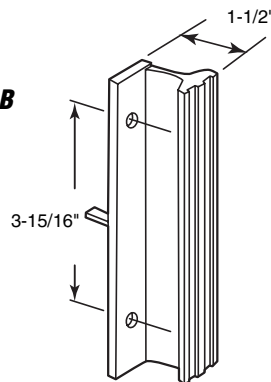
## Handle Set (Black)

**Contents:** 1 inside pull; 1 outside pull; installation fasteners.

**Description:** **Extruded aluminum** inside pull; with **plastic** latch assembly and **steel** actuator fork; **extruded aluminum** outside pull; designed for **Guaranteed** patio door.

You may also wish to stock this related parts: **141312, 15481, 151527, 151310.**

**14323**  
**14323-B**



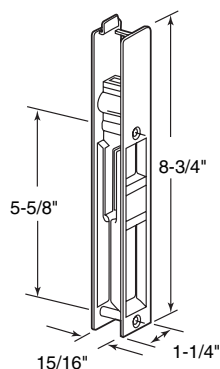
**14323** (Aluminum)  
**14323-B** (Bronze)

## Inside Pull and Actuator

**Contents:** 1 inside pull; 1 set of installation fasteners.

**Description:** **Extruded aluminum**, surface mount handle to operate mortise lock; designed to be used with a variety of latching units; **plastic** slide button for easy operating lock activator; non-handed.

Works with the following locking units: **151291, 15400.**



**14438**  
**14605**

**14438** (Non-keyed)  
**14605** (Keyed)

## Handle Set (Aluminum)

**Contents:** 1 inside pull; 1 outside pull; installation fasteners.

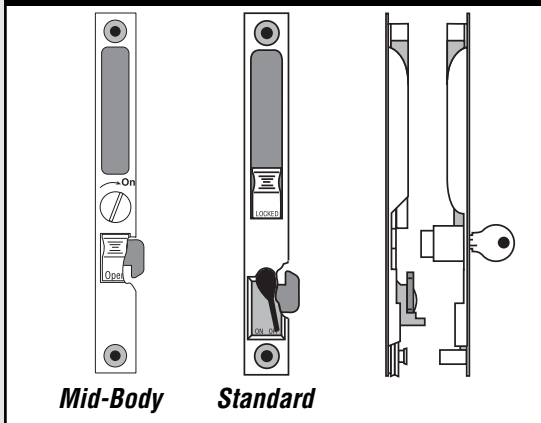
**Description:** **Diecast** flush latch and lock; used to activate mortise latches.

You may also wish to stock this related parts: **151291.**

The following pages offer a comprehensive selection of:

## Flush Mount HANDLE SETS

### Hook Locations



**141638** (Black)  
**14420** (Chrome)

**Standard Hook**

### Handle Set

**Contents:** 1 inside latch with deluxe wood pull; 1 outside pull; 1 keeper; installation fasteners; **4 hook assortment**; 1 locking cylinder with 2 keys.

**Description:** Diecast construction fits most popular flush lock cut-outs; comes complete with keyed cylinder lock; **reversible** for left or right hand; complete with 4 different hook lengths.

You may also wish to stock this related parts: **141640, 141639, 14436, 141688, 141975, 14416, 141388, 142029, 14504, 14418, 141389, 152495, 152500.**

**141640** (Black - Keyed)  
**141639** (Black - Non-keyed)  
**142370** (White - Keyed)

**Standard Hook**

### Handle Set

**Contents:** 1 inside latch; 1 outside pull; with (locking cylinder) and **4 hook assortment**; 1 keeper; installation fasteners.

**Description:** Diecast construction fits flush lock cut-outs; **reversible** latch; complete with keeper; same as 141638 without wood pull.

You may also wish to stock these related parts: **141642, 141688, 141388, 142029, 14418, 142495.**

**14903** (Keyed)  
**14902** (Non-keyed)

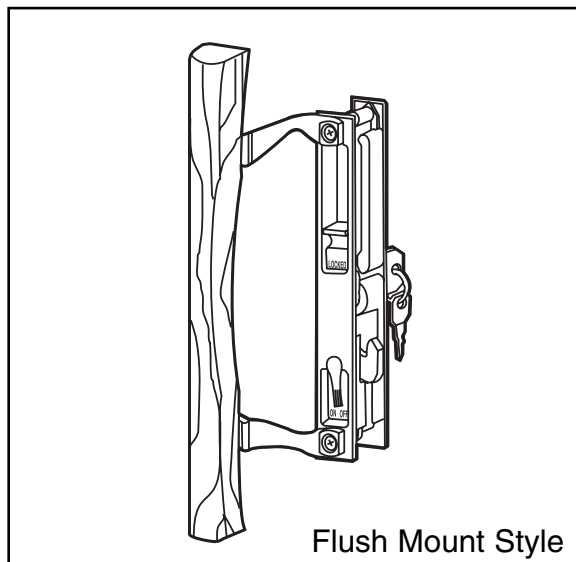
**Unique Hook**

### Handle Set (Chrome)

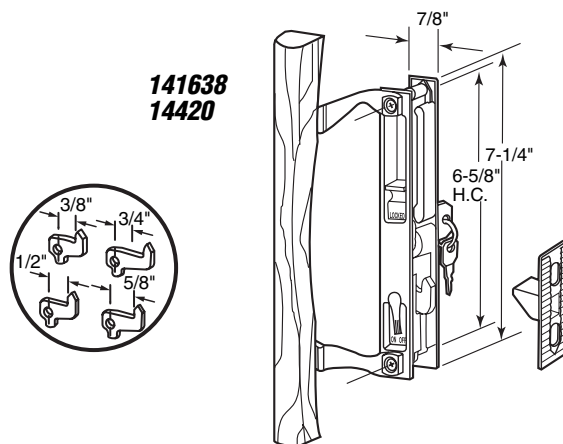
**Contents:** 1 inside latch and pull; 1 outside latch; (1 locking cylinder); 1 set installation fasteners.

**Description:** Diecast construction; has push button activator with **diecast** hook; nite latch feature; fits on **Crossly** doors.

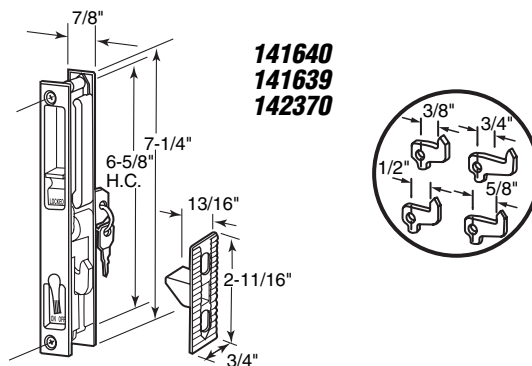
You may also wish to stock this related parts: **152491.**



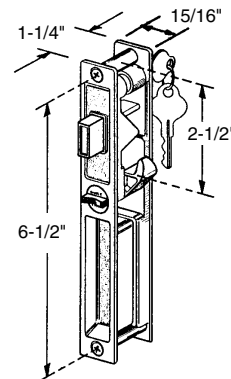
Flush Mount Style



**141638**  
**14420**

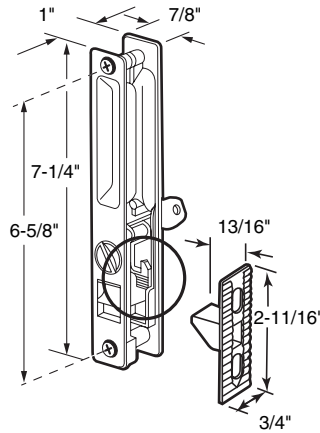
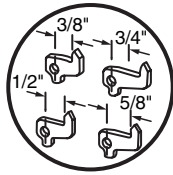


**141640**  
**141639**  
**142370**



**14903**  
**14902**

**141975**  
**14416**



**141975** (3/8" hook only)  
**14416** (4 hook assortment)

**Standard Hook**

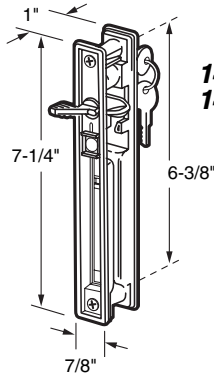
**Handle Set** (Chrome)

**Contents:** 1 inside latch and pull; 1 outside pull; 1 locking cylinder; 1 keeper; 1 set of installation fasteners.

**Description:** Diecast construction; chrome plated; steel hook; nite latch feature; universal design; interchangeable hooks are reversible.

You may also wish to stock this related parts: **141642, 141688, 141763, 141388.**

**142233**  
**142239**



**Unique Hook**

**142233** (Keyed)  
**142239** (Non-keyed)

**Call for Availability**

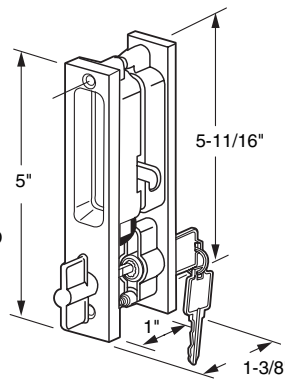
**Handle Set** (Chrome)

**Contents:** 1 inside latch and pull; 1 outside pull; 1 locking cylinder; installation fasteners.

**Description:** Diecast construction; chrome finish flush type lock; designed for *Miller Industries (Mil-Door)*.

You may also wish to stock this related parts: **152492.**

**142069-L**  
**142069-R**  
**141313**  
**141314**



RIGHT HAND SHOWN

**142069-L** (Left - bronze)  
**142069-R** (Right - bronze)  
**141313** (Right - aluminum)  
**141314** (Left - aluminum)

**Unique Hook**

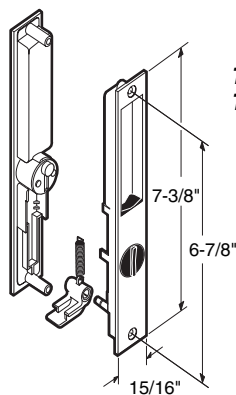
**Handle Set** (Keyed)

**Contents:** 1 inside latch and pull; 1 outside pull; 1 key lock installation screws.

**Description:** Flush type lock; 5" hole centers; used in mobile homes; designed for *Fran Meyers*.

You may also wish to stock this related parts: **1505, 1596.**

**141319**  
**141318**



**141319** (Keyed)  
**141318** (Non-keyed)

**Unique Hook**

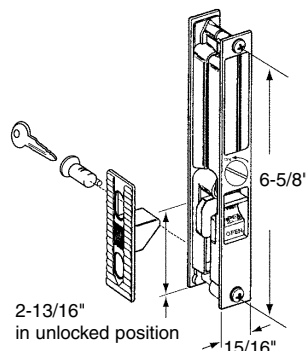
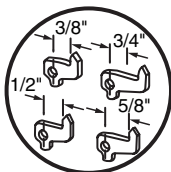
**Handle Set** (Chrome)

**Contents:** 1 inside latch and pull; 1 outside pull; 1 lock assembly; 1 set of installation fasteners; (1 locking cylinder).

**Description:** Diecast construction; chrome finish; diecast hook; nite latch feature; designed for *Daryl Pr 300*.

You may also wish to stock this related parts: **14419.**

**142023**  
**142252**  
**143785**



**142023** (Black)  
**142252** (Chrome)  
**143785** (White)

**Mid-Body Hook**

**Handle Set** (Keyed)

**Contents:** 1 inside latch and pull; 1 outside pull; 1 keeper; 4 hook assortment with installation fasteners; 1 locking cylinder.

**Description:** 1 diecast flush inside and outside pull with key cylinder; interchangeable hooks are reversible.



# Sliding Patio Door

**142246** (Black)

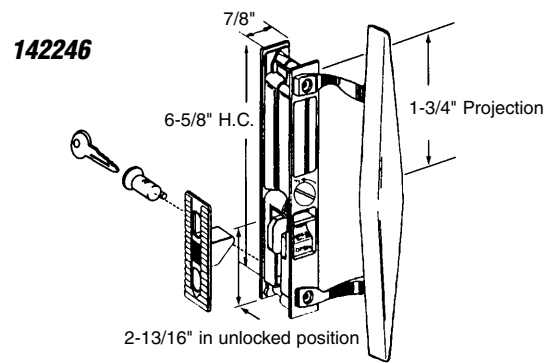
## Mid-Body Hook

**Handle Set** (Keyed)

**Contents:** 1 outside pull; 1 inside latch and pull; 1 keeper; installation fasteners; 1 locking cylinder.

**Description:** Diecast latch with wood pull handle. Has mid-body hook and key cylinder lock.

You may also wish to stock this related parts: **141763**.



**142043** (Black - no pull)

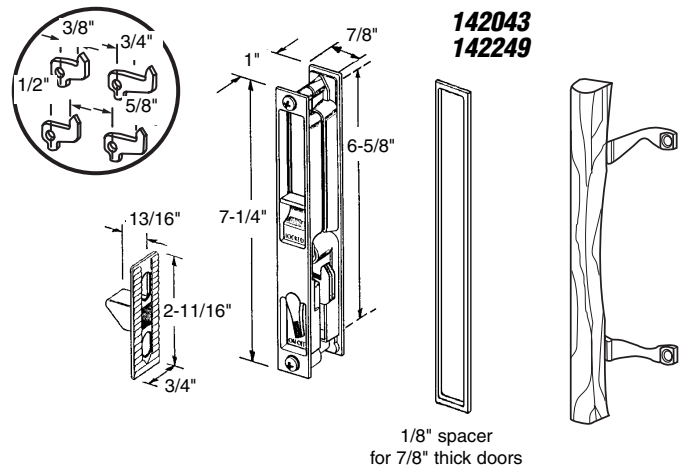
**142249** (Black with wood pull)

## Standard Hook

**Handle Set**

**Contents:** 1 inside latch and pull; 1 outside pull; (1 wood handle); 1 spacer; 1 keeper; **4 hook assortment**; installation fasteners.

**Description:** Diecast flush mount latch and keeper; 1/8 inch thick spacer designed to adapt to **Croft Metal Series 701 - 7/8 inch thick door stile**; reversible latch hook.



1/8" spacer  
for 7/8" thick doors

**14436** (Chrome - no pull)

**142214** (Chrome with wood pull)

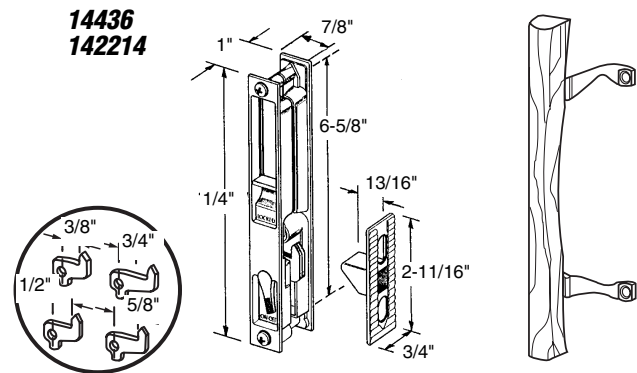
## Standard Hook

**Handle Set**

**Contents:** 1 inside latch and pull; 1 outside pull; (1 wood handle); **4 hook assortment**; 1 keeper; 1 set of installation fasteners.

**Description:** Diecast construction; fits most popular flush lock cut-outs; reversible latch hook; diecast keeper.

You may also wish to stock this related parts: **141642, 141688, 141388, 142029, 14418, 152496**.



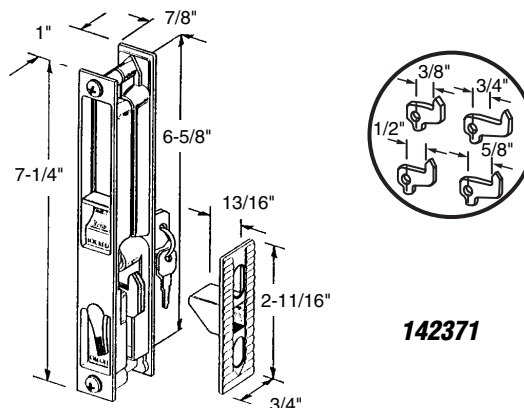
**142371** (Brass plated)

## Standard Hook

**Handle Set** (Keyed)

**Contents:** 1 inside latch and pull; 1 outside pull; **4 hook assortment**; 1 keeper; 1 locking cylinder; 1 set of installation fasteners.

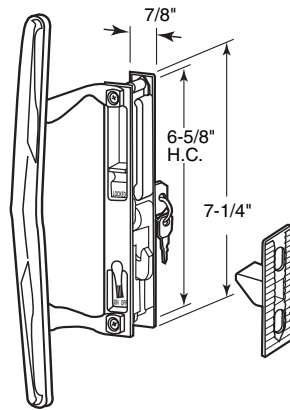
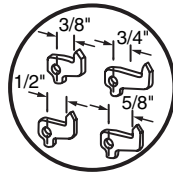
**Description:** Diecast construction; fits most popular flush lock cut-outs; reversible latch hook; diecast keeper.



**142371**



**142256**



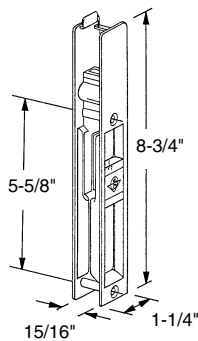
**142256** (Brass plated)  
**Handle Set** (Keyed)

**Standard Hook**

**Contents:** 1 inside latch with deluxe pull; 1 outside pull; 1 keeper; installation fasteners; **4 hook assortment**; 1 locking cylinder with 2 keys.

**Description:** Diecast construction; fits most popular flush lock cut-outs; comes complete with keyed cylinder lock; **reversible** for left or right hand; complete with 4 different hook lengths.

You may also wish to stock this related parts: **141640, 141639, 14436, 141688, 141975, 14416, 141388, 142029, 14504, 14418, 141389, 152496, 152500.**



**14439**

**14439** (Aluminum)  
**Latch and Pull**

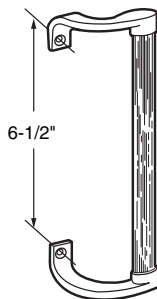
*Call for Availability*

**Contents:** 1 inside pull; 1 outside pull; installation fasteners.

**Description:** Diecast construction flush type **dummy trim** handle set; for *Adam Rite*.

You may wish to stock these related parts: **14438, 14605.**

**142372**  
**142373**



**142372** (Black)  
**142373** (Gray)

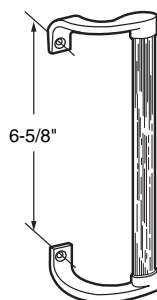
**Pull**

**Contents:** 1 handle; installation fasteners.

**Description:** Painted diecast end caps with **wood** handle.

You may also wish to stock these related parts: **C-1074.**

**14419**  
**141994**



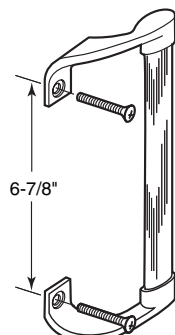
**14419** (Black)  
**141994** (Chrome)

**Pull**

**Contents:** 1 inside pull; installation fasteners.

**Description:** Painted diecast end caps with **wood** pull.

You may also wish to stock these related parts: **141638, 141640, 14436, 141975, 14416, 142233.**



**142322**  
**14424**

**142322** (Black)  
**14424** (Gray)

**Pull**

**Contents:** 1 deluxe wood pull; installation fasteners.

**Description:** **Wood** handle; painted diecast end caps; 6-7/8" hole centers designed for use on *Daryl Pr 300* doors.

You may also wish to stock this related parts: **14421, 14422, 141319.**

# Sliding Patio Door

**141642** (Chrome)

**142359** (Black)

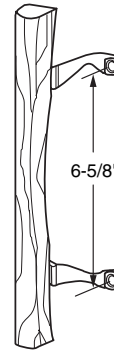
## Pull

**Contents:** 1 inside wood pull; and installation fasteners.

**Description:** Deluxe wood pull; painted or plated diecast brackets.

You may also wish to stock this related parts: **141636, 141640, 14436, 141975, 14416, 151784.**

**141642**  
**142359**



**141763** (Chrome)

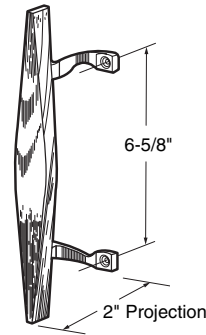
## Pull

**Contents:** 1 inside pull; installation fasteners.

**Description:** Heavy duty wood pull; plated diecast brackets; used on many flush type locks.

You may also wish to stock these related parts: **141638, 141640, 14436, 141975, 14416, 142233.**

**141763**



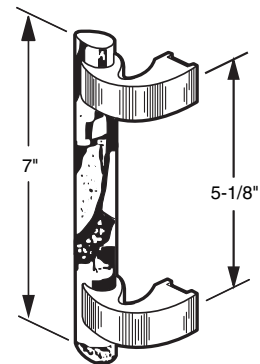
**142232** (Aluminum)

## Pull

**Contents:** 1 inside pull; installation fasteners.

**Description:** Universal design inside pull with clear lucite pull bar; diecast aluminum brackets on 5-1/8" hole centers.

**142232**



**142235** (Aluminum)

## Pull

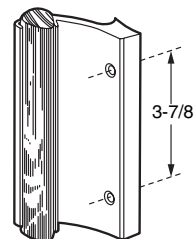
**Contents:** 1 inside pull; installation fasteners.

**Description:** Extruded aluminum pull; brushed anodized finish; wood insert; fits on Ador/HiLite doors.

You may also wish to stock these related parts: **1505.**

*Call for  
Availability*

**142235**



**14388** (Aluminum)

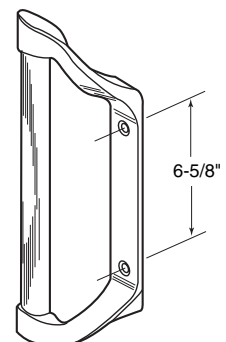
## Pull

**Contents:** 1 handle; installation fasteners.

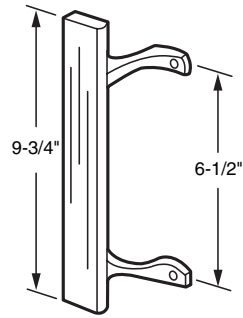
**Description:** Painted diecast inside pull with wood handle; fits on Cupples doors.

You may also wish to stock this related parts: **142215.**

**14388**



**142267**  
**142178**

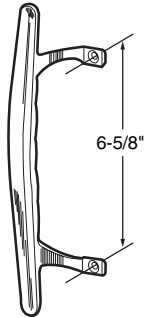


**142267** (Aluminum)  
**142178** (Black)

### Pull

**Contents:** 1 inside pull; installation fasteners.

**Description:** Hardwood pull with one piece diecast aluminum body on 6-1/2" hole centers.



**141688**  
**142374**  
**143495**

**141688** (Chrome plated)  
**142374** (Brass plated)  
**143495** (White)

### Pull

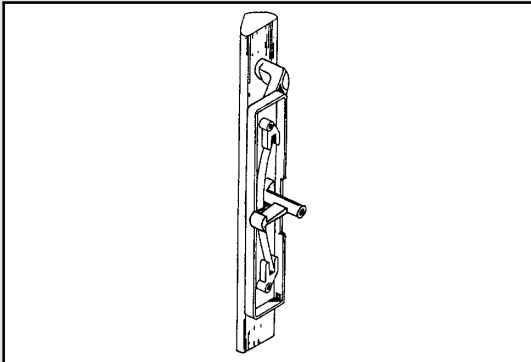
**Contents:** 1 inside pull; and installation fasteners.

**Description:** Deluxe handle; diecast aluminum construction designed to be used with flush type locks.

You may also wish to stock this related parts: **141638**, **141640**, **14436**, **141975**, **14416**.

The following pages offer a comprehensive selection of:

## Internal Lock HANDLE SETS



- 14186** (Aluminum)
- 14643** (Aluminum - keyed)
- 141843** (Black)
- 142251** (Black - keyed)
- 142575** (White)
- 143491** (White - keyed)

### Handle Set

**Contents:** 1 inside pull and latch, 1 outside pull, 1 keeper, (1 locking cylinder) installation fasteners.

**Description:** Diecast aluminum with wood pull, designed to fit many doors, reversible right or left hand applications, complete with keeper, automatic unlatching feature prevents accidental lockout, fits 1" thick door rails, fits on Viking doors.

You may also wish to stock these related parts: **151955, 152180.**

- 141866** (Black)
- 142574** (White)

### Handle Set

**Contents:** 1 inside latch and pull, 1 outside pull, 1 keeper, installation fasteners.

**Description:** Diecast inside pull with wood handle, 3-1/2" hole centers, reversible, for left or right hand openings, automatic unlatching feature prevents 'lock-out'; for 1" thick door rails.

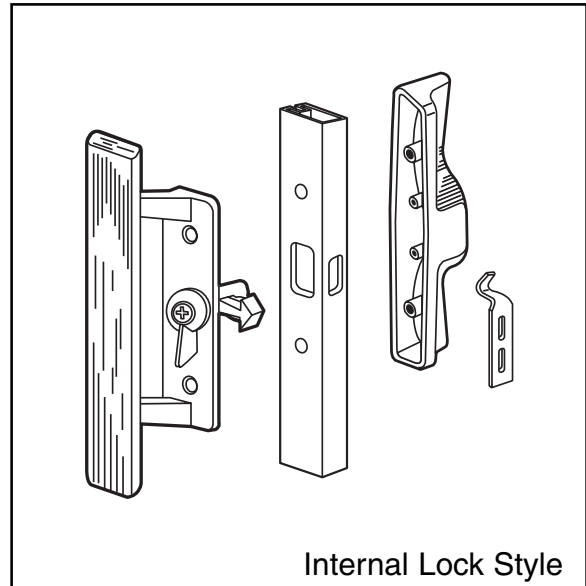
You may also wish to stock these related parts: **1505, 151955.**

- 142055** (Aluminum)

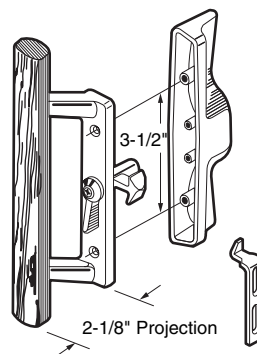
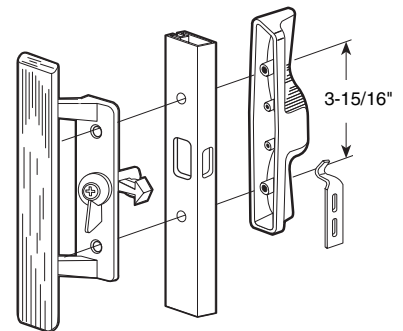
### Handle Set

**Contents:** 1 inside pull and latch; 1 outside pull; installation fasteners.

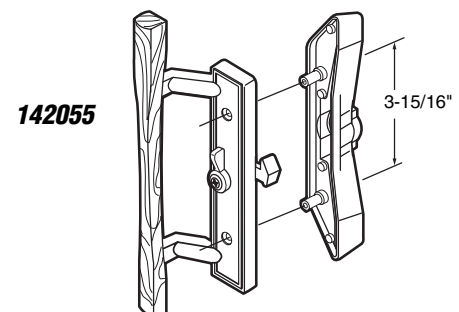
**Description:** Diecast inside pull with wood handle; diecast outside pull. Universal handle set for 3-15/16" hole center replacement.

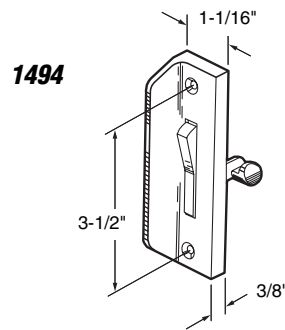


- 14186**
- 14643**
- 141843**
- 142251**
- 142575**
- 143491**



- 141866**
- 142574**





**1494**

**1494** (Aluminum)

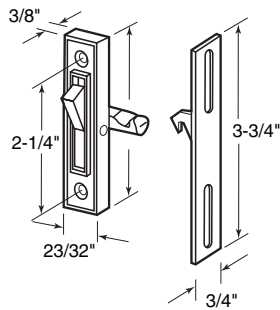
### Latch and Pull

**Contents:** 1 latch / pull; 1 set of installation fasteners.

**Description:** Designed for *Trimview* doors; **diecast aluminum** housing.

You may wish to stock these related parts: **15192, 1596, 15193, 15194, 15195.**

Call for  
Availability



**1471**

**1471** (Black)

### Latch

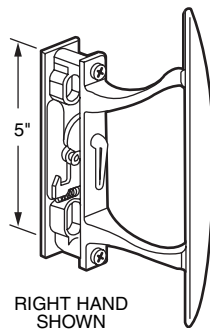
**Contents:** 1 latch; 1 keeper; 1 set of installation fasteners.

**Description:** For sliding doors where key control from outside will not be required; **plastic** escutcheon with **zinc diecast** bolt.

You may wish to stock these related parts: **15192, 1596, 15193, 15194, 15195.**

Call for  
Availability

**142224-L**  
**142224-R**



RIGHT HAND  
SHOWN

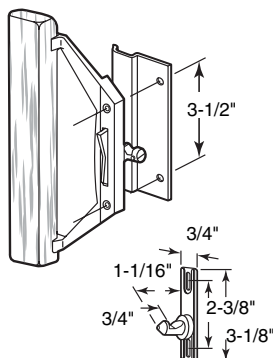
**142224-L** (Left)

**142224-R** (Right)

### Handle Set (Aluminum)

**Contents:** 1 inside pull and latch; 1 outside pull; 1 set installation fasteners.

**Description:** Designed for *Tucker* doors; **diecast** inside pull with handle; **diecast** flush mount outside pull.



**1495**

**1495** (Aluminum)

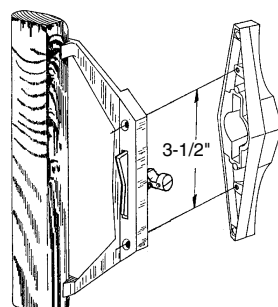
### Handle Set

**Contents:** 1 inside pull and latch; 1 outside pull; 1 keeper; installation fasteners.

**Description:** **Diecast** inside pull with **wood** handle; **extruded aluminum** outside pull, designed for *Trimview* and other manufacturers.

You may also wish to stock these related parts: **13143, 151921, 15193, 15194, 15195.**

**141235**



**141235** (Aluminum)

### Handle Set

**Contents:** 1 inside pull and latch, 1 outside pull, installation fasteners.

**Description:** **Diecast** inside pull with **wood** handle, **diecast** outside pull, designed for *Burval, Trimview* and other manufacturers.

You may also wish to stock these related parts: **13143, 151921, 15193, 15194, 15195.**

The following pages offer  
a comprehensive selection of:

## Outside KEYED LOCKING UNIT HANDLES AND PULLS

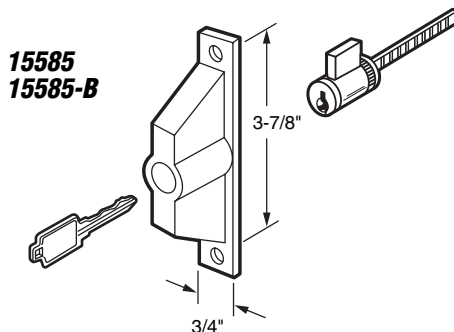
**15585** (Aluminum)  
**15585-B** (Black)

### Pull and Keyed Locking Unit

**Contents:** 1 diecast outside pull, 1 locking cylinder with 2 keys, installation fasteners.

**Description:** Designed for *Ador / Hilite* doors, and used with handle sets **14183** and **14183-B**; allows key locking access from the outside; 5 pin cylinder with tailpiece, is notched with multiple break-off lengths, to fit a variety of door thicknesses.

You may also wish to stock these related parts: **131897**, **131913**, **152497**.



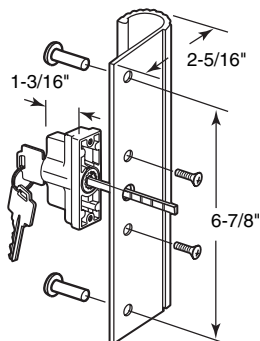
**142375** (Aluminum)

### Pull and Keyed Locking Unit

**Contents:** 1 extruded aluminum outside pull, 1 locking cylinder with 2 keys, installation fasteners.

**Description:** Universal design, outside pull with diecast key cylinder block.

You may also wish to stock these related parts: **14419**, **1505**, **15481**, **14426**, **14425**.



**141237** (Black)  
**141823** (White)  
**142244** (Almond)

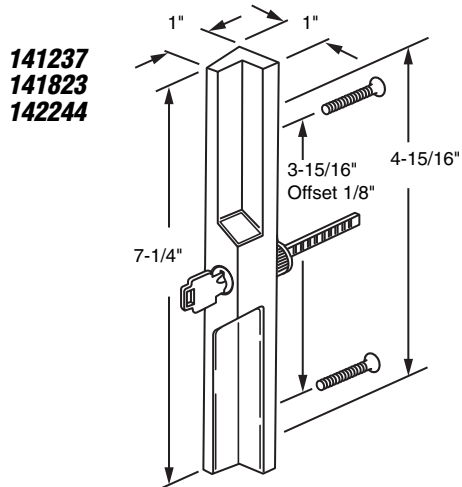
### Pull and Keyed Locking Unit

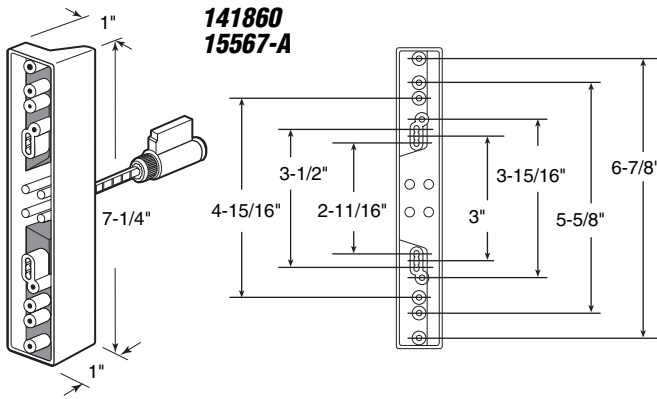
**Contents:** 1 painted diecast pull, 1 locking cylinder with 2 keys, installation fasteners.

**Description:** This multi-functional locking unit will accommodate 2 popular hole center patterns. The 4-15/16" spacing works on most surface mounted handle sets. The 3-15/16" is offset 1/8" from center and spacing was designed to work with *Adams Rite*, *W&F* and similar type mortise latches. It is non-handed and tail piece is notched for various break-off lengths.

Can be used with the following handles: **14206**, **142053**, **141706**, **141311**, **14186**, **142217**, **142218**, **142220**, **142221**, **14643**, **142226**, **142227**, **142229**, **142231**.

You may also wish to stock these related parts: **1449**, **14572-B**, **14906**, **1505**.





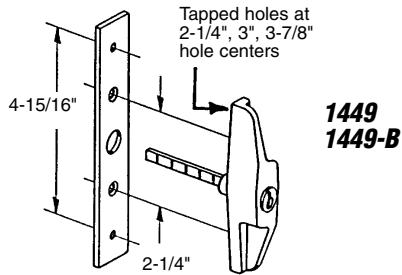
**141860**  
**15567-A**

**141860** (Black)  
**15567-A** (Gray)

### Pull and Keyed Locking Unit (Diecast)

**Contents:** 1 outside pull, 1 locking cylinder, installation fasteners.

**Description:** This unique product is the most versatile locking unit available. It will accommodate 7 different hole spacing patterns (see illustration). The 3-15/16" hole spacing is designed for use with mortise lock installations using *Adams Rite* and *W&F* mortise locks. These holes are offset 1/8" from that of the locking cylinder hole. The spacings allow application to a variety of handle sets.



**1449**  
**1449-B**

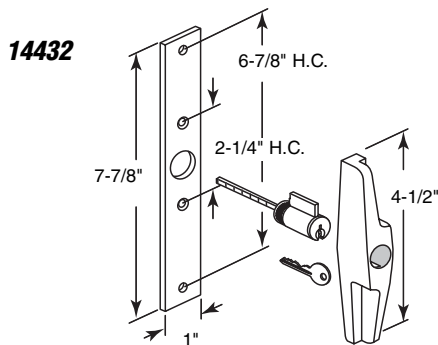
**1449** (Aluminum)  
**1449-B** (Black)

### Pull and Keyed Locking Unit

**Contents:** 1 zinc diecast outside pull, 1 aluminum cover plate, 1 locking cylinder with 2 keys, installation fasteners.

**Description:** Non-handed, universal design, outside pull, cover plate predrilled at 4-15/16" and 2-1/4" hole centers. Can also be used on handles with 3" and 3-7/8" hole centers.

You may wish to stock these related parts: **14206**, **142053**, **141706**, **141311**, **14377**, **14656**, **14200-A**, **14323**, **142220**, **142221**, **142226**, **142227**, **142239**.



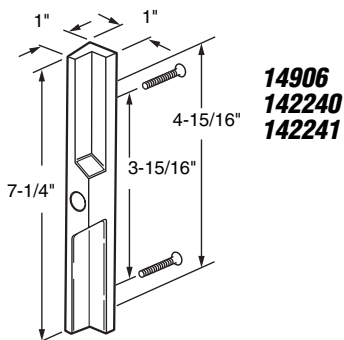
**14432**

**14432** (Aluminum)

### Pull and Keyed Locking Unit

**Contents:** 1 zinc diecast outside pull, 1 aluminum cover plate, 1 locking cylinder with two keys, installation fasteners.

**Description:** Non-handed locking unit, cover plate predrilled at 2-1/4" and 6-7/8" hole centers. Fits *Daryl* and other glass doors.



**14906**  
**142240**  
**142241**

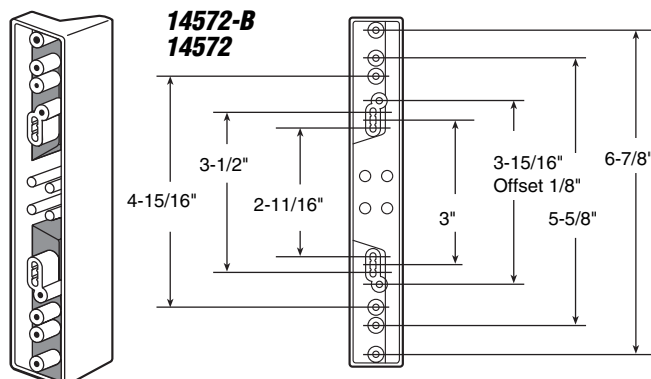
**14906** (Black)  
**142240** (White)  
**142241** (Almond)

### Outside Pull (Diecast)

**Contents:** 1 pull, 2 installation fasteners.

**Description:** Improves grip for opening door from outside. Designed to be used with handle sets using 3-15/16" and 4-15/16" hole spacing.

You may wish to stock these related parts: **14346**, **141237**, **141841**, **1505**.



**14572-B**  
**14572**

**14572-B** (Black)  
**14572** (Gray)

### Outside Pull (Diecast)

**Contents:** 1 pull.

**Description:** This versatile outside pull will work with most handle sets (except for flush mount style), it offers 7 different hole center patterns from 2-5/8" to 6-7/8".

You may wish to stock these related parts: **14906**, **1505**.

# Sliding Patio Door

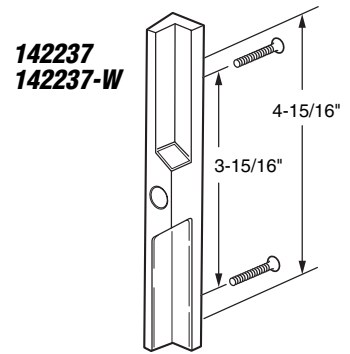
**142237** (Black)  
**142237-W** (White)

## Outside Pull (Plastic)

**Contents:** 1 pull, installation fasteners.

**Description:** Improves grip for opening door from outside. Designed to be used with handle sets using 3-15/16" and 4-15/16" hole spacings.

You may wish to stock these related parts: **14346, 141237, 141841, 14751, 1505.**



**142237**  
**142237-W**

**14584** (Aluminum)  
**14584-B** (Black)

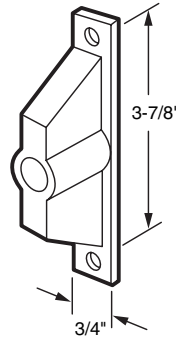
## Outside Pull

**Contents:** 1 diecast outside pull, installation fasteners.

**Description:** Designed for key locking *Ador/HiLite* doors, heavy-duty unit, non-handed.

**Can be used with the following handles:** **14183, 14183-B.**

You may also wish to stock this related part: **1505.**



**14584**  
**14584-B**

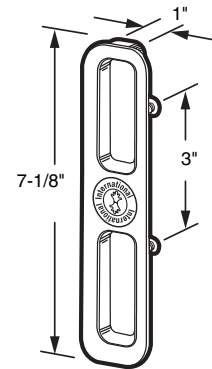
**142234** (Black)  
**143529** (White)

## Outside Pull

**Contents:** 1 outside pull, installation fasteners.

**Description:** **Diecast**, flush mount, knock out plug to accept key cylinder no. E-2000, fits on doors by *International*.

You may wish to stock these related parts: **14347, 14538, 14538-B, 1505.**



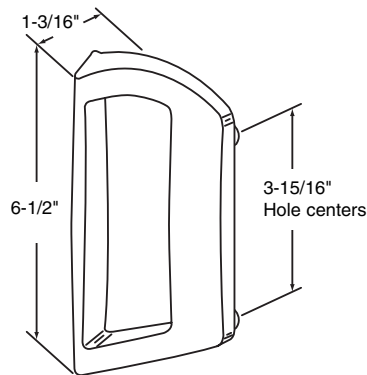
**142234**  
**143529**

**142245** (Black)  
**143531** (White)

## Outside Pull

**Contents:** 1 outside pull.

**Description:** **Diecast aluminum**, outside pull, works on doors with 3-15/16" hole centers, drilled for # 8-32 machine screws.



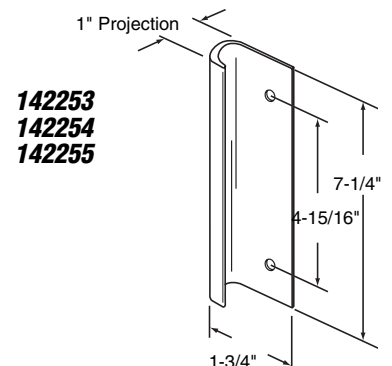
**142245**  
**143531**

**142253** (Aluminum)  
**142254** (Black)  
**142255** (White)

## Outside Pull

**Contents:** 1 outside pull, installation fasteners.

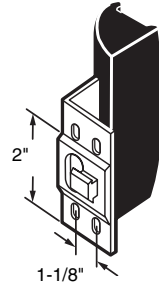
**Description:** Universal **extruded aluminum** outside pull for outside sliders.



**142253**  
**142254**  
**142255**



**142257**



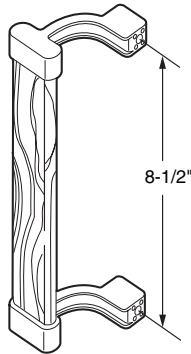
**142257**

## Outside Pull

**Contents:** 1 pull.

**Description:** Diecast base with black plastic finger pull. Fits on doors by *Capitol Door*.

**142258**



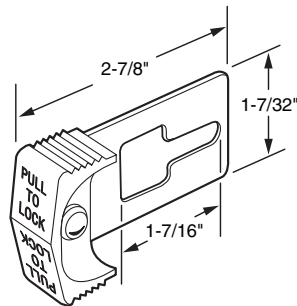
**142258** (Black)

## Outside Pull

**Contents:** 1 outside pull.

**Description:** Diecast aluminum, with wood insert. Fits on doors by *Capitol Door*.

**142259**



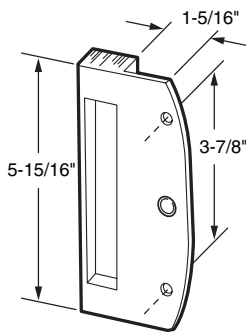
**142259**

## Locking Bar

**Contents:** 1 lock bar.

**Description:** Stamped steel bar with plastic finger pull. Fits on doors by *Capitol Door*.

**142376**



**142376** (Aluminum)

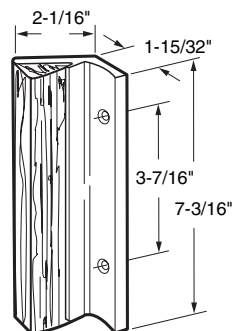
## Pull

**Contents:** 1 pull.

**Description:** Diecast low profile, brushed aluminum finish, knock out plug for thumbturn when used as inside pull, 3-7/8" hole spacing.

Call for Availability

**142377**



**142377** (Black)

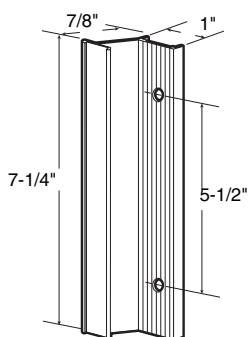
## Inside Pull

**Contents:** 1 pull.

**Description:** Extruded aluminum handle with wood insert, fits many applications.

Call for Availability

**142278**



**142378** (Aluminum)

## Pull

**Contents:** 1 pull.

**Description:** Extruded aluminum handle, anodized finish.

# Sliding Patio Door

**142215** (Aluminum)

**142216** (Black)

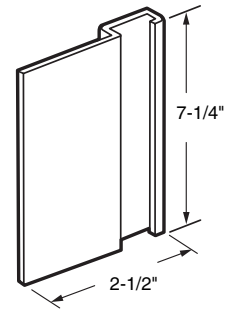
## Outside Flush Pull

**Contents:** 1 pull; installation fasteners.

**Description:** Extruded aluminum pull; no holes; drill holes to meet any requirements.

You may wish to stock these related parts: **15832-C**, **15832-B**, **152484-C**, **152484-A**, **152484-B**.

**142215**  
**142216**



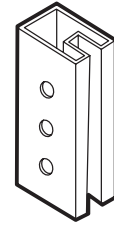
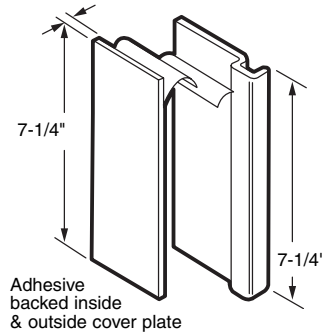
**142222** (Aluminum)

**142223** (Black)

## Cover Plate and Pull

**Contents:** 1 inside cover plate; 1 outside pull.

**Description:** Extruded aluminum pull and plate; adhesive backed; covers up old holes in door frame to accommodate new handle; apply cover plates and redrill for new hole spacing; also used to increase thickness of frame allowing old latch fasteners to tighten.



**142222**  
**142223**

To cover up holes in door frame that do not match new handle.

**151641** (Shell pattern)

**151649** (Boat pattern)

**151650** (Flag pattern)

## Safety Strips

**Contents:** 2 each 11" strips per package.

**Description:** Colorful; distinctively patterned self-adhering strips; stick to glass door without adhesive; can easily be removed for cleaning the glass, and then replaced; provides a warning that the door is closed to prevent painful and dangerous collisions with the glass panel.

**151641**



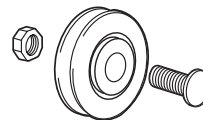
**151649**



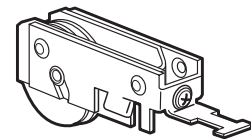
**151650**



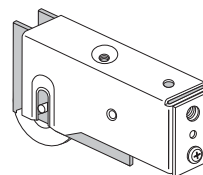
**See our huge selection of rollers and roller assemblies.**



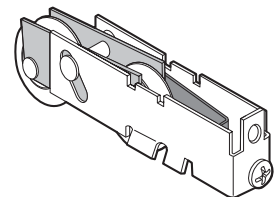
**1326**



**13177**

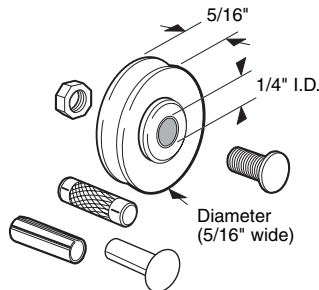
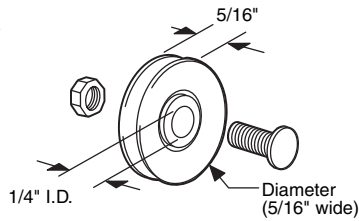


**13135**



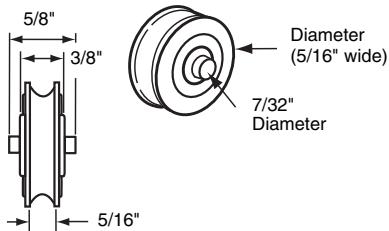
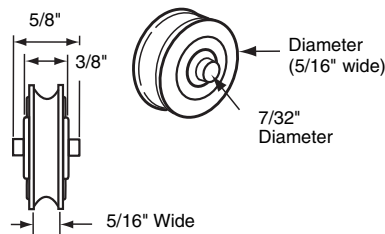
**13392**

**1328**  
**131895**  
**1326**



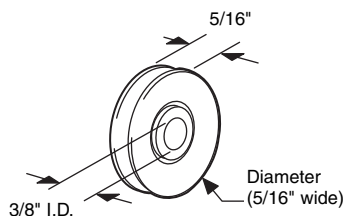
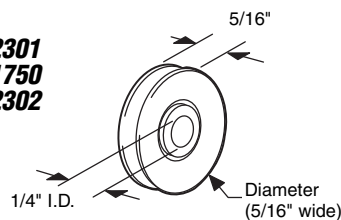
**132334**  
**132335**  
**132336**

**132308** **133492**  
**131972** **133493**  
**131905** **132333**



**132181**  
**132182**  
**132183**

**132301**  
**131750**  
**132302**



**13714**  
**13848**  
**13671**  
**13670**

**1328** (1")  
**131895** (1-1/8")  
**1326** (1-1/4")

## Roller (Steel)

**Contents:** 2 rollers; installation bolts.

**Description:** Steel ball bearing roller; steel inner race with 1/4" hole; center grooved; universal design.

**132334** (1-1/8")  
**132335** (1-1/4")  
**132336** (1-1/2")

## Roller (Steel)

**Contents:** 2 rollers; 2 axle pins; 2 roll pins; 2 carriage bolts with nuts.

**Description:** Steel ball bearing roller; steel inner race with 1/4" hole; center grooved; universal design.

**132308** (1-1/8" Steel)    **133492** (1-1/8" Stainless steel)  
**131972** (1-1/4" Steel)    **133493** (1-1/4" Stainless steel)  
**131905** (1-1/2" Steel)    **132333** (1-1/2" Stainless steel)

## Roller

**Contents:** 2 rollers.

**Description:** Ball bearing roller; built-in axle; center grooved; universal design.

**132181** (1-1/8")  
**132182** (1-1/4")  
**132183** (1-1/2")

## Roller (Nylon)

**Contents:** 2 rollers.

**Description:** Nylon ball bearing roller; Built in axle; center grooved; universal design.

**132301** (1-1/8")  
**131750** (1-1/4")  
**132302** (1-1/2")

## Roller (Stainless steel)

**Contents:** 2 rollers.

**Description:** Stainless steel ball bearing rollers; used in severe weather environments where corrosion is a problem.

**13714** (1-1/4" Steel)  
**13848** (1-1/2" Steel)  
**13671** (1-1/4" Nylon)  
**13670** (1-1/2" Nylon)

## Roller or Pulley Roller

**Contents:** 2 roller assemblies.

**Description:** Ball bearing roller with 3/8" inside diameter axle hole; used for pulleys and patio doors where a 3/8" axle bolt is required.

# Sliding Patio Door

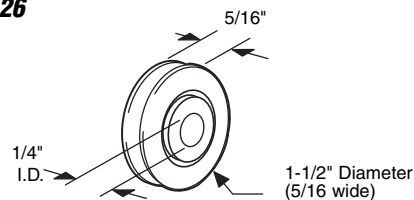
## 13126

### Roller (Steel)

**Contents:** 2 rollers.

**Description:** Steel ball bearing roller; steel inner race with 1/4" hole; center grooved; universal design.

## 13126

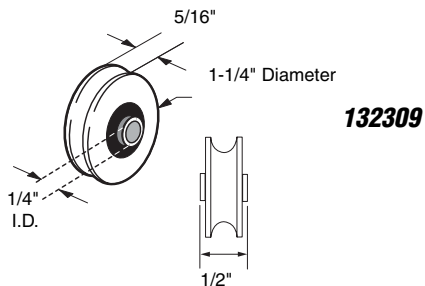


## 132309

### Roller (Steel)

**Contents:** 2 rollers.

**Description:** Steel ball bearing roller with 1/2" wide hub. Replacement unit for Part No. 13280.



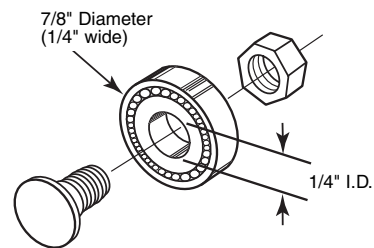
## 132321

### Roller (Flat steel)

**Contents:** 2 rollers; installation bolts.

**Description:** Flat steel ball bearing roller; with 1/4" hole; universal design.

## 132321

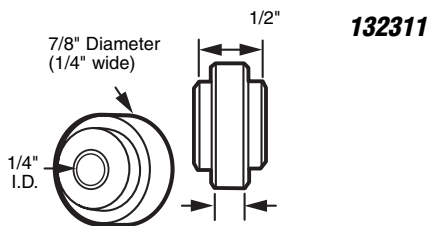


## 132311

### Roller (Steel)

**Contents:** 2 rollers.

**Description:** Flat steel ball bearing roller with wide hub and 1/4" hole.



## 13562

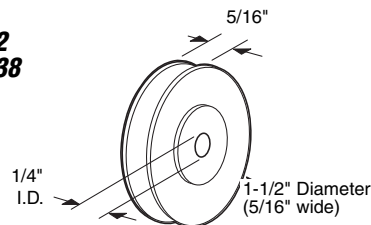
**132338** (With axles; roll pins; bolts and nuts)

### Roller (Nylon)

**Contents:** 2 rollers.

**Description:** Nylon ball bearing roller; steel inner race with 1/4" hole; center grooved; universal design.

## 13562 132338



## 132269

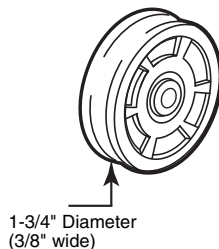
**132339** (With axles; roll pins; bolts and nuts)

### Roller (Nylon)

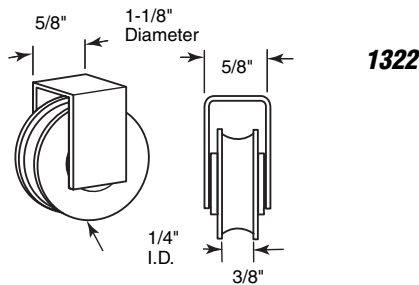
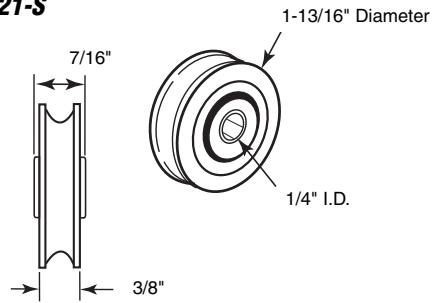
**Contents:** 2 rollers.

**Description:** Nylon ball bearing roller; steel inner race with 1/4" hole; center grooved; universal design.

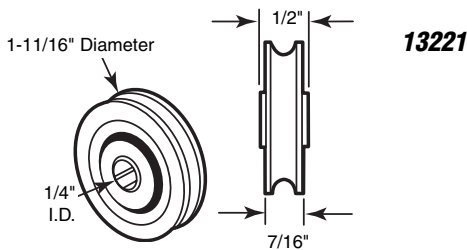
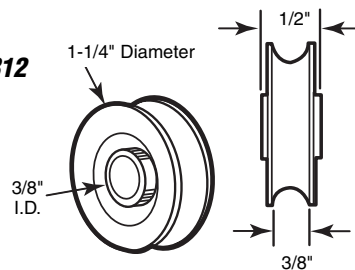
## 132269 132339



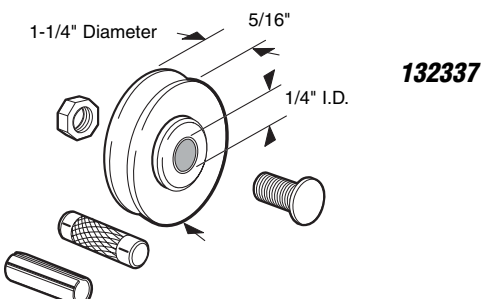
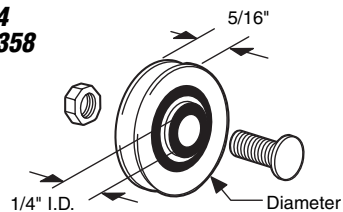
## 13221-S



## 132312



## 1324 132358



## 13221-S

### Roller (Steel)

**Contents:** 2 rollers.

**Description:** Steel ball bearing roller; steel inner race; 7/16" wide with 1/4" hole; center grooved.

## 1322

### Roller (Steel)

**Contents:** 2 rollers with nylon housings.

**Description:** Steel ball bearing roller; fits on *Horizon* and other patio door manufacturers.

## 132312

### Roller (Nylon)

**Contents:** 2 rollers.

**Description:** Nylon roller; center grooved; universal design.

## 13221

### Roller (Nylon)

**Contents:** 2 rollers.

**Description:** Nylon ball bearing roller with steel inner race; center grooved wheel; universal design.

## 132358 (1-1/8")

## 1324 (1-1/4")

### Roller (Nylon)

**Contents:** 2 rollers; installation bolts.

**Description:** Nylon ball bearing roller; steel inner race with 1/4" hole; center grooved; universal design.

## 132337

### Roller (Nylon)

**Contents:** 2 rollers; 2 axle pins; 2 roll pins; installation bolts.

**Description:** Nylon ball bearing roller; steel inner race with 1/4" hole; center grooved; universal design.

## 13294

### Roller (Nylon)

**Contents:** 2 rollers; 2 axle assemblies w/locking screws.

**Description:** Nylon ball bearing roller; steel inner race with 1/4" off-center hole for vertical adjustment; universal design.

## 132297

### Roller Assembly (Flat nylon)

**Contents:** 2 roller assemblies.

**Description:** Flat nylon ball bearing roller only; for replacement onto existing diecast top bracket; fits on *Harrow*.

Call for Availability

## 132295 (Steel)

## 132296 (Nylon)

### Roller

**Contents:** 2 rollers.

**Description:** Ball bearing roller; steel inner race with 3/16" hole; universal design.

## 13662

### Axle Pin Assortment

**Contents:** 2-.625" long pins; 2-.710" long pins; 2-.810" long pins.

**Description:** Axle pins are zinc plated; knurled surface for tight fit; 3 most popular sizes.

## 132354

### Door Roller Axle Repair Kit

**Contents:** 2 stepped axles; 2 roll pins; 2 standard 1/4" rivets; 2-1/4"-20 carriage bolts; 2-1/4"-20 hex nuts; 2- binder posts and screws.

**Description:** Axle repair kit for patio doors.

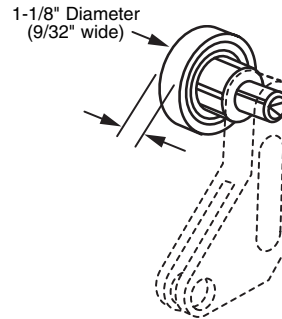
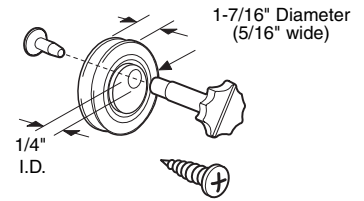
## 13173-S

### Roller Assembly

**Contents:** 1 roller assembly.

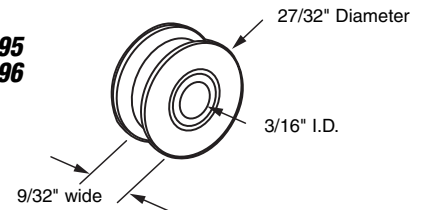
**Description:** Steel ball bearing roller; adjustable steel housing assembly; fits on *Sun Valley*, *Fullview*, *Glasco* and other patio door manufacturers.

## 13294

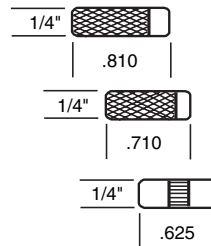


## 132297

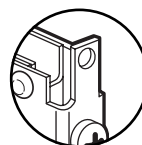
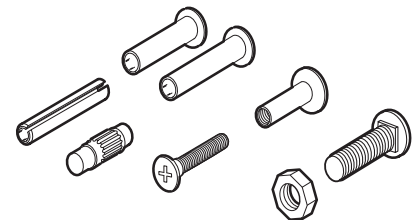
## 132295 132296



## 13662

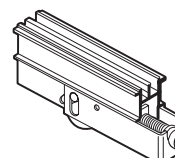


## 132354

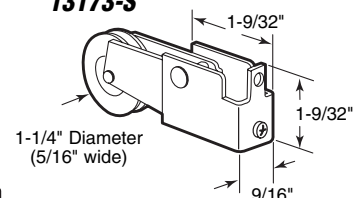


E-Tab Section

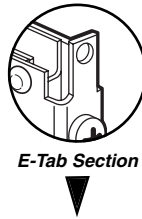
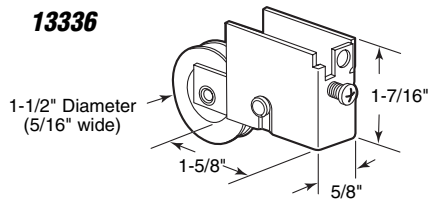
### Old Style



## 13173-S



**13336**



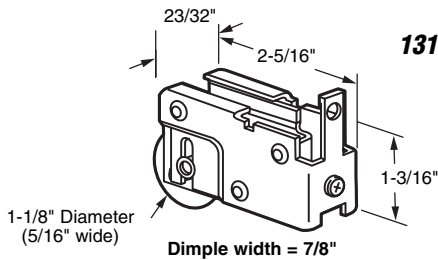
**13336**

## Roller Assembly

**Contents:** 1 roller assembly.

**Description:** Nylon ball bearing roller; adjustable steel housing assembly; fits on *Marshall* and other patio door manufacturers.

**131847**



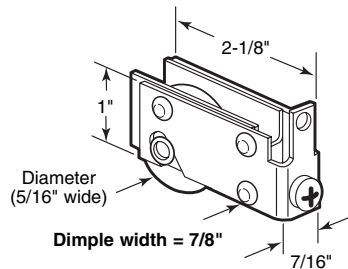
**131847**

## Roller Assembly

**Contents:** 1 roller assembly.

**Description:** Steel ball bearing roller; adjustable steel housing assembly; used by several patio door manufacturers.

**131818**  
**131295**



**131818** (1-1/8" steel)

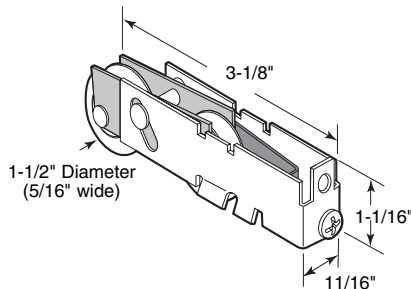
**131295** (1-1/4" steel)

## Roller Assembly

**Contents:** 1 roller assembly.

**Description:** Steel ball bearing roller; adjustable steel housing assembly; fits on *Viking* and other patio door manufacturers.

**132279**  
**13392**



**132279** (Nylon)

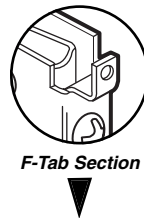
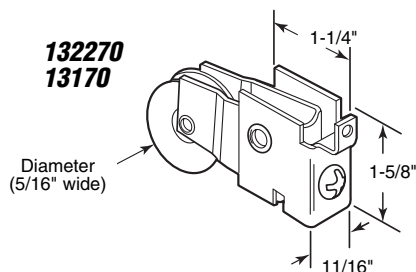
**13392** (Steel)

## Tandem Roller Assembly

**Contents:** 1 roller assembly.

**Description:** Tandem ball bearing rollers; adjustable steel housing assembly; fits on *Fleetwood* and other patio manufacturers.

**132270**  
**13170**



**132270** (1-1/4")

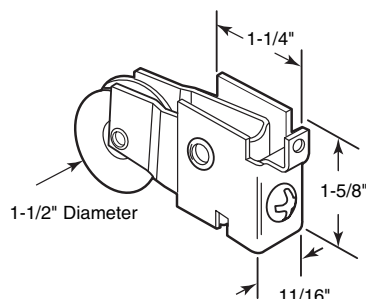
**13170** (1-1/2")

## Roller Assembly

**Contents:** 1 roller.

**Description:** Nylon ball bearing roller; adjustable steel housing assembly; fits on *Starlite*, *Doormaster* and other patio door manufacturers.

**13170-S**



**13170-S**

## Roller Assembly

**Contents:** 1 roller assembly.

**Description:** Steel ball bearing roller; adjustable steel housing assembly; fits on *Starlite*, *Doormaster* and other patio door manufacturers. This roller is riveted on.

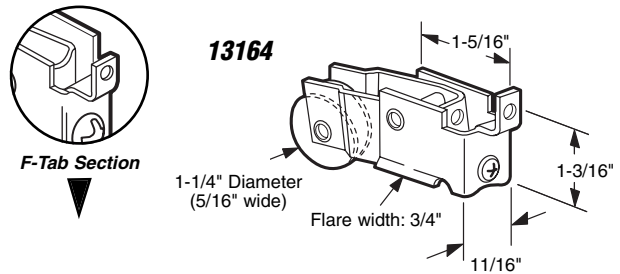
# Sliding Patio Door

**13164**

## Roller Assembly

**Contents:** 1 roller assembly.

**Description:** Steel ball bearing roller; adjustable steel housing assembly; fits on *Christian Porter* and other patio door manufacturers.

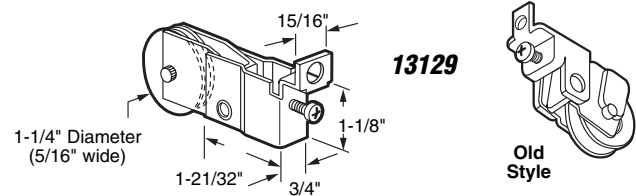


**13129**

## Roller Assembly

**Contents:** 1 roller assembly.

**Description:** Nylon ball bearing roller; adjustable steel housing assembly; fits on *Ador/HiLite* and other patio door manufacturers; replaces old-style diecast assembly.



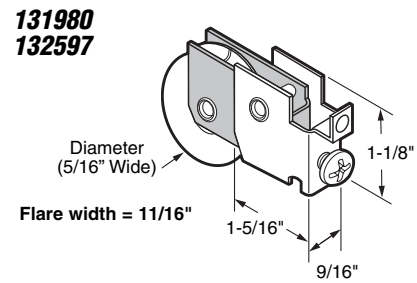
**131980** (1-1/4")

**132597** (1-1/2")

## Roller Assembly

**Contents:** 1 roller assembly.

**Description:** Steel ball bearing roller; adjustable steel housing assembly; used by several patio door manufacturers.



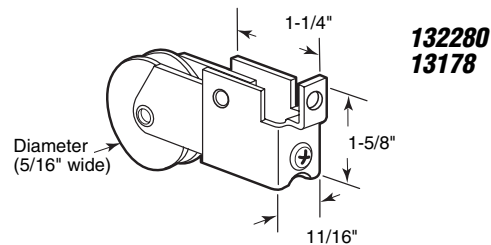
**132280** (1-1/4")

**13178** (1-1/2")

## Roller Assembly

**Contents:** 1 roller assembly.

**Description:** Steel ball bearing roller; adjustable steel housing assembly; used by several patio door manufacturers.

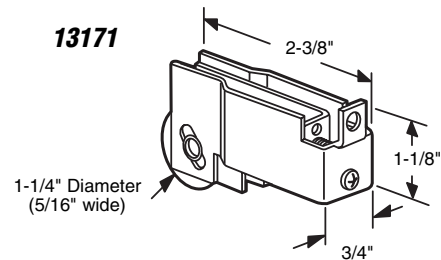


**13171**

## Roller Assembly

**Contents:** 1 roller assembly.

**Description:** Steel ball bearing roller; adjustable steel housing assembly; fits on *Christian Porter*, *Fullview* and other patio door manufacturers.

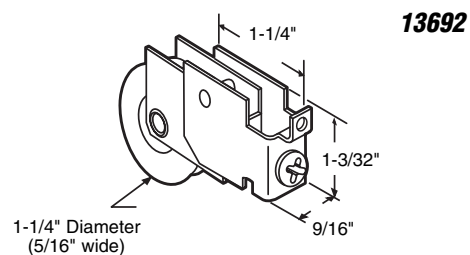


**13692**

## Roller Assembly

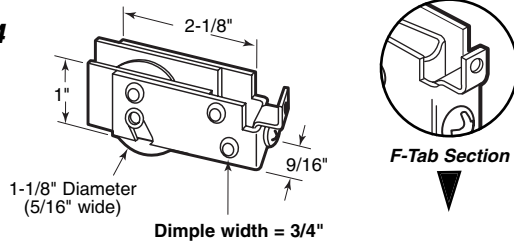
**Contents:** 1 roller assembly.

**Description:** Steel ball bearing roller; adjustable steel housing assembly. Inner and outer housing is held together with a flush pin (not a rivet); has smooth sides, no flares. Used by *Superlite Mfg.*





**13394**

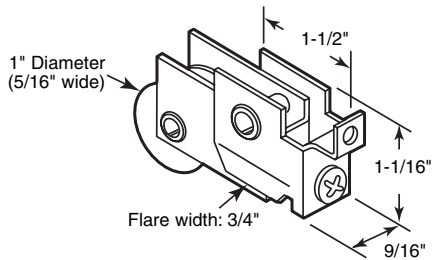


**13394**

## Roller Assembly

**Contents:** 1 roller assembly.

**Description:** Steel ball bearing roller; adjustable steel housing assembly; used by several patio door manufacturers.



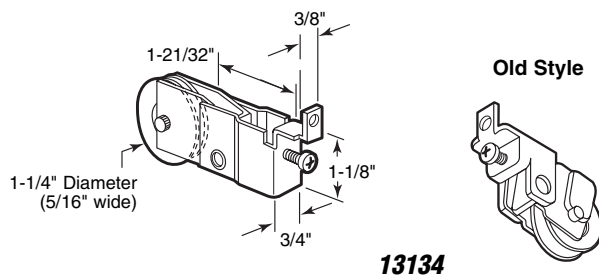
**131294**

**131294**

## Roller Assembly

**Contents:** 1 roller assembly.

**Description:** Steel ball bearing roller; adjustable steel housing assembly; used by several patio door manufacturers.



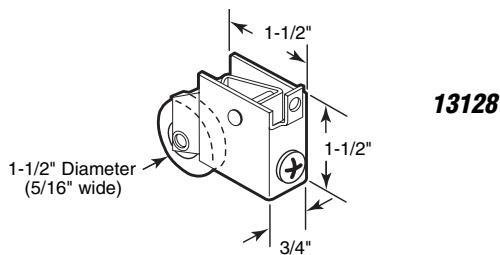
**13134**

**13134**

## Roller Assembly

**Contents:** 1 roller assembly.

**Description:** Nylon ball bearing roller; adjustable steel housing assembly; replaces old-style diecast assembly; fits on *Ador/HiLite* and other patio door manufacturers.



**13128**

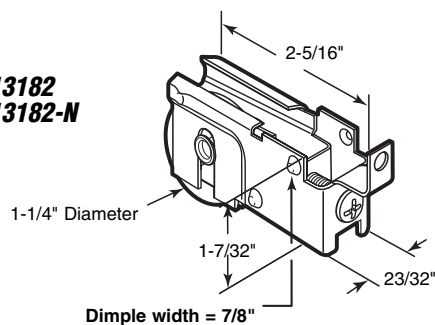
**13128**

## Roller Assembly

**Contents:** 1 roller assembly.

**Description:** Steel ball bearing roller; adjustable steel housing assembly; fits on *Hollyview*, *Fullview* and other patio door manufacturers.

**13182**  
**13182-N**



**13182** (Steel)

**13182-N** (Nylon)

## Roller Assembly

**Contents:** 1 roller assembly.

**Description:** Ball bearing roller; adjustable steel housing assembly; fits on *Northrop* and other patio door manufacturers.

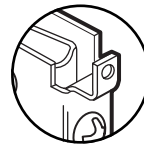
# Sliding Patio Door

**131489**

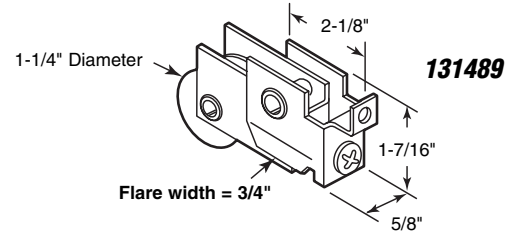
## Roller Assembly

**Contents:** 1 roller assembly.

**Description:** Nylon ball bearing roller; adjustable steel housing assembly; fits on *King Mirror Door Co.*



F-Tab Section



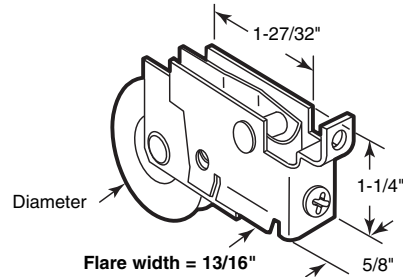
**13169** (1-1/4" Steel)

**133487** (1-1/2" Nylon)

## Roller Assembly

**Contents:** 1 roller assembly.

**Description:** Steel ball bearing roller; adjustable steel housing assembly; used by several patio door manufacturers; will replace old style *Cupples* door roller.



**13169**  
**133487**

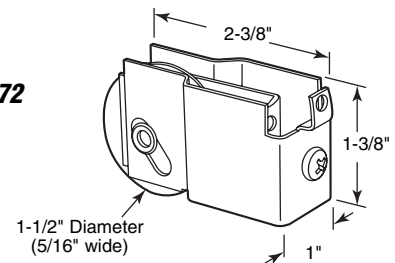
**13172**

## Roller Assembly

**Contents:** 1 roller assembly.

**Description:** Steel ball bearing roller; adjustable steel housing assembly; fits on *Schooner* and other patio door manufacturers.

**13172**

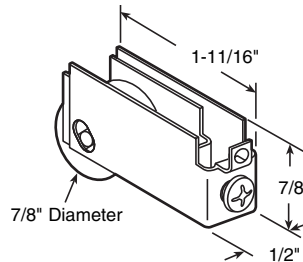


**132601**

## Roller Assembly

**Contents:** 1 roller assembly.

**Description:** Steel ball bearing roller; adjustable steel housing assembly; fits on *Guaranteed Products* and *The Jordon Company*.



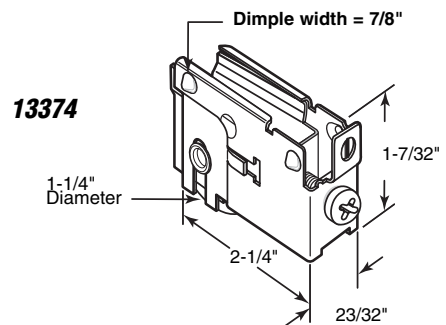
**132601**

**13374**

## Roller Assembly

**Contents:** 1 roller assembly.

**Description:** Steel ball bearing roller; adjustable steel housing; fits on *Northrop* series 600 door.



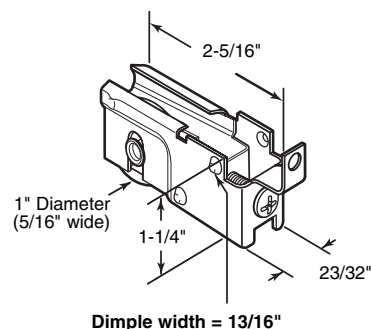
**13374**

**131534**

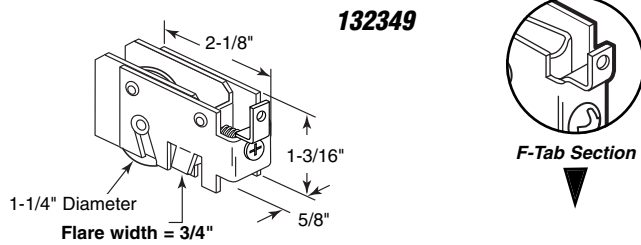
## Roller Assembly

**Contents:** 1 roller assembly.

**Description:** Steel ball bearing; adjustable steel housing assembly. Used by *Guaranteed Products*.



**131534**

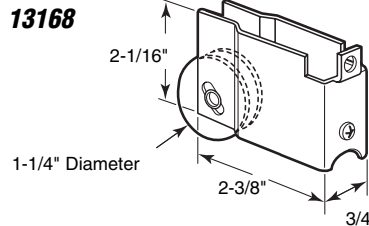


**132349**

## Roller Assembly

**Contents:** 1 roller assembly.

**Description:** Ball bearing roller assembly; adjustable steel housing; fits on *Rylock*.

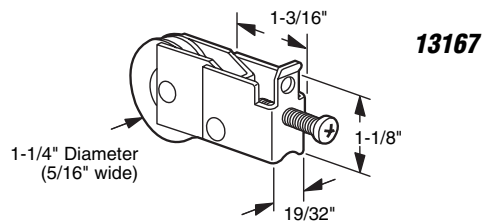


**13168**

## Roller Assembly

**Contents:** 1 roller assembly.

**Description:** Steel ball bearing roller; adjustable steel housing assembly; fits on *Mid-Continent* and other patio door manufacturers.

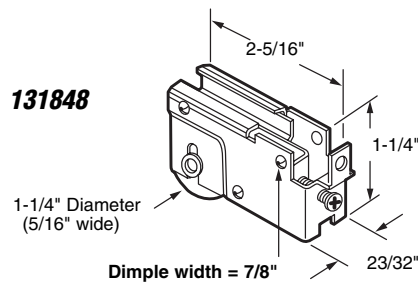


**13167**

## Roller Assembly

**Contents:** 1 roller.

**Description:** Nylon ball bearing roller; adjustable steel housing assembly; used by several patio door manufacturers.

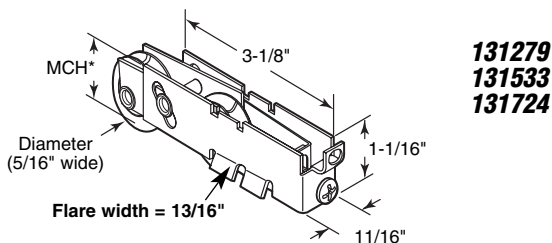


**131848**

## Roller Assembly

**Contents:** 1 roller assembly.

**Description:** Nylon ball bearing roller; adjustable steel housing assembly; fits on *Lupton* and other patio door manufacturers.



**131279** 1-1/4" Steel (1-7/16" Min. Collapsed Height)

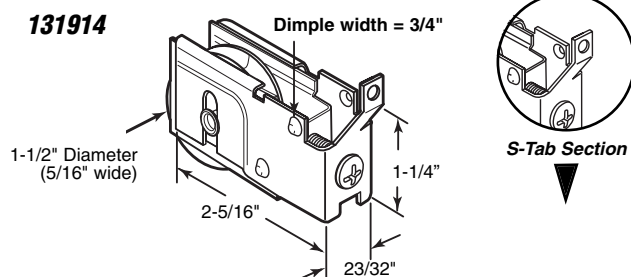
**131533** 1" Steel (1-1/8" Min. Collapsed Height)

**131724** 1-1/8" Steel (1-5/16" Min. Collapsed Height)

## Tandem Roller Assembly

**Contents:** 1 roller assembly.

**Description:** Tandem steel ball bearing rollers; adjustable steel housing assembly; fits on *Guaranteed Products* and other patio door manufacturers.



**131914**

## Roller Assembly

**Contents:** 1 roller assembly.

**Description:** Nylon ball bearing roller; adjustable steel housing assembly.

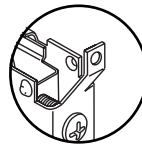
# Sliding Patio Door

**132355**

## Roller Assembly

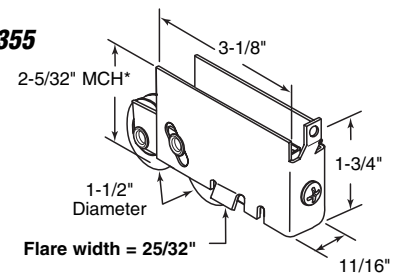
**Contents:** 1 roller assembly.

**Description:** Tandem steel ball bearing roller assembly; adjustable steel housing; fits on *Fleetwood* on the high-rise series.



S-Tab Section

**132355**

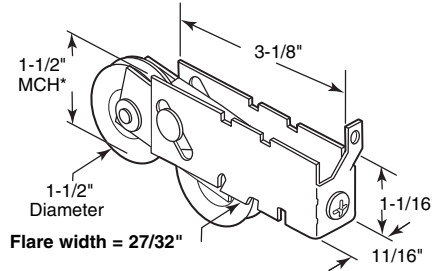


**131953**

## Roller Assembly

**Contents:** 1 roller assembly.

**Description:** Tandem nylon ball bearing rollers; adjustable steel housing assembly.



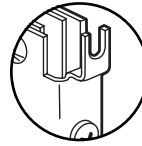
**131953**

**131846**

## Roller Assembly

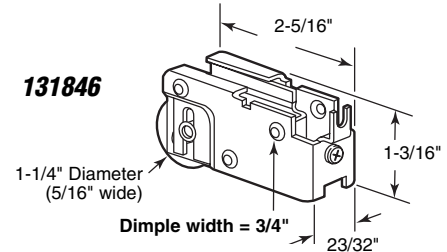
**Contents:** 1 roller assembly.

**Description:** Steel ball bearing roller; adjustable steel housing; fits on *Pacific* and other patio door manufacturers.



C-Tab Section

**131846**

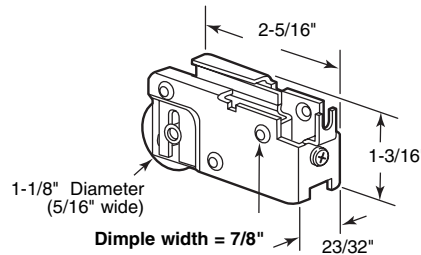


**13563**

## Roller Assembly

**Contents:** 1 roller assembly.

**Description:** Steel ball bearing roller; adjustable steel housing assembly; fits on *Solar Ind.* and other patio door manufacturers.



**13563**

**131305** (1-1/2" Steel)

**132108** (1-1/2" Nylon)

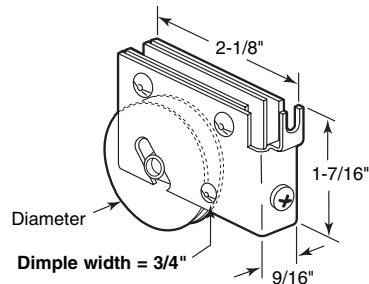
**131303** (1-1/4" Steel)

**131433** (1-1/4" Nylon)

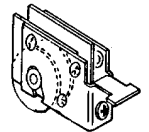
## Roller Assembly

**Contents:** 1 roller assembly.

**Description:** Ball bearing roller; adjustable steel housing assembly; fits on *Window Master* and other patio door manufacturers.



**131305**  
**132108**  
**131303**  
**131433**



Old Style

**132595** (Nylon)

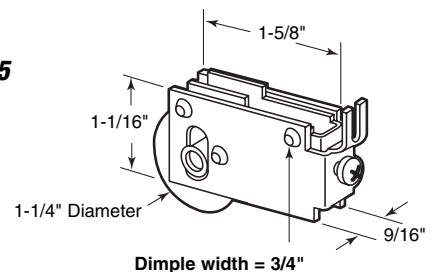
**13811** (Steel)

## Roller Assembly

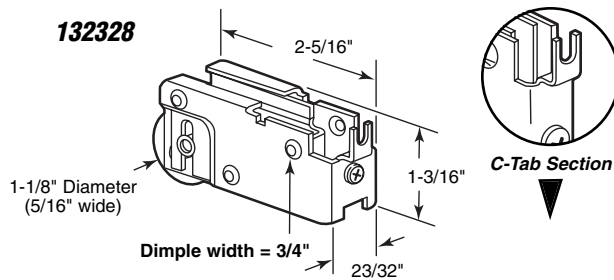
**Contents:** 1 roller assembly.

**Description:** Ball bearing roller assembly; adjustable steel housing; fits on *Ador/HiLite* on the high-rise series.

**132595**  
**13811**



**132328**



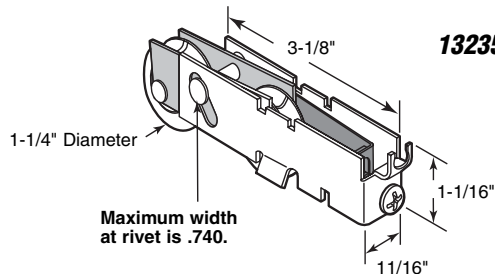
**132328**

## Roller Assembly

**Contents:** 1 roller assembly.

**Description:** Steel ball bearing roller; adjustable steel housing assembly; over all thickness  $3/4$ " fits on *Merzon Aluminum Products*.

**132357**



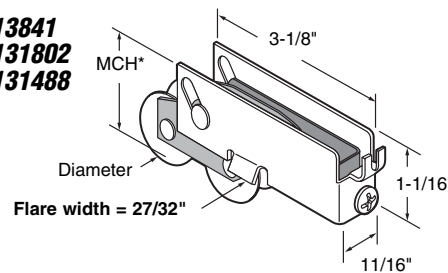
**132357**

## Tandem Roller Assembly

**Contents:** 1 roller assembly.

**Description:** Tandem steel ball bearing roller; adjustable steel housing assembly; maximum width at rivet is  $.740$ .

**13841**  
**131802**  
**131488**



**13841** 1-1/8" Steel (1-5/16" Min. Collapsed Height)

**131802** 1-1/4" Steel (1-7/16" Min. Collapsed Height)

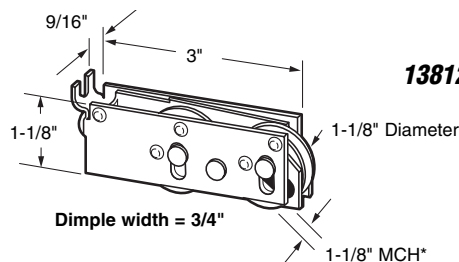
**131488** 1-1/4" Nylon (1-7/16" Min. Collapsed Height)

## Tandem Roller Assembly

**Contents:** 1 roller assembly.

**Description:** Tandem ball bearing rollers; adjustable steel housing assembly; fits on *Pacific* and other patio door manufacturers.

**13812**



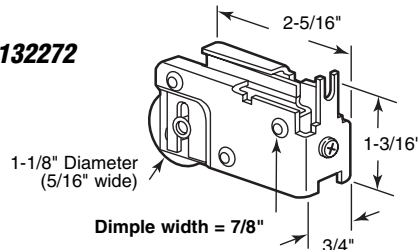
**13812**

## Tandem Roller Assembly

**Contents:** 1 roller assembly.

**Description:** Tandem steel ball bearing rollers; adjustable steel housing assembly.

**132272**



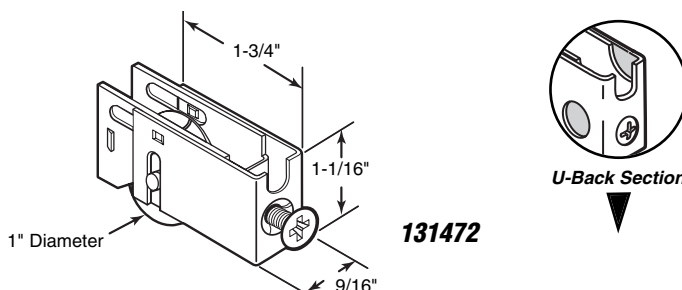
**132272**

## Roller Assembly

**Contents:** 1 roller assembly.

**Description:** Steel ball bearing roller; adjustable steel housing assembly; fits on *Northrop*.

**131472**



**131472**

## Roller Assembly

**Contents:** 1 roller assembly.

**Description:** Steel ball bearing roller; adjustable steel housing assembly;

# Sliding Patio Door

**131454**

## Roller Assembly

**Contents:** 1 roller assembly.

**Description:** 1" x 1/4" flat steel ball bearing roller assembly; adjustable steel housing.

**132324**

## Roller Assembly

**Contents:** 1 roller assembly.

**Description:** Nylon ball bearing roller; adjustable steel housing; fits on "Patio Enclosures".

**131455**

## Roller Assembly

**Contents:** 1 roller assembly.

**Description:** Steel ball bearing roller; adjustable steel housing assembly; fits on several patio door manufacturers.

**132320**

## Roller Assembly

**Contents:** 1 roller assembly.

**Description:** Steel ball bearing roller; adjustable steel housing assembly; fits on *Better-Bilt* and other manufacturers.

**131471** (1-1/4" Steel)    **132173** (1-1/2" Steel)  
**132172** (1-1/4" Nylon)    **132174** (1-1/2" Nylon)

## Roller Assembly

**Contents:** 1 roller assembly.

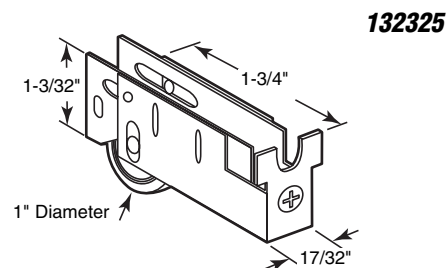
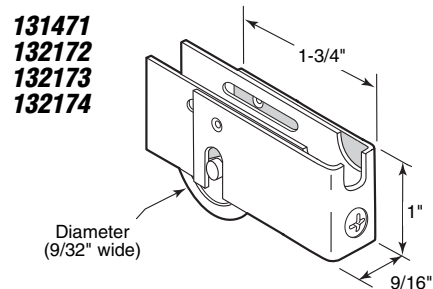
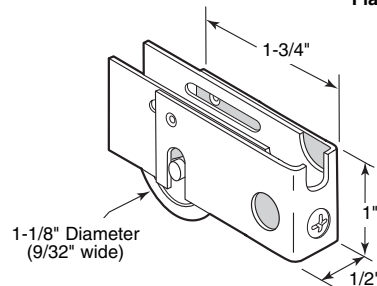
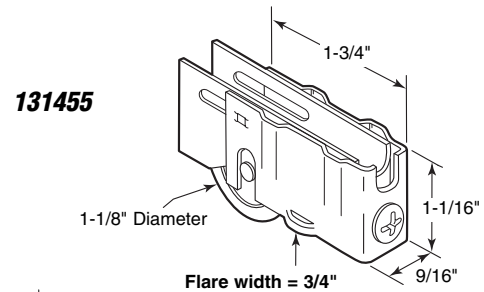
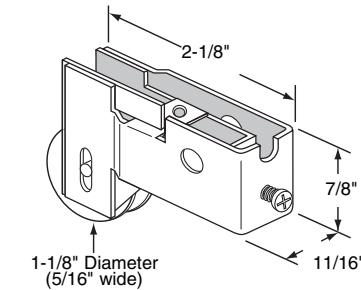
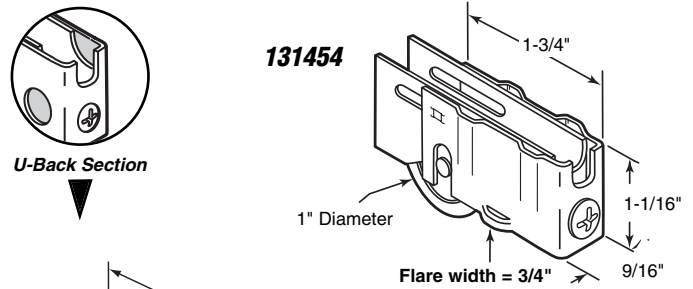
**Description:** Ball bearing roller; adjustable steel housing assembly; fits on *Better-Bilt* and other patio door manufacturers.

**132325**

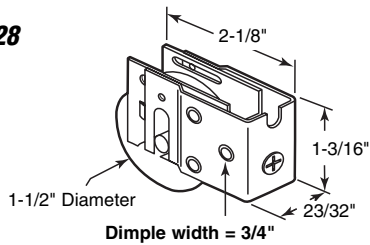
## Roller Assembly

**Contents:** 1 roller assembly.

**Description:** 1" flat steel ball bearing roller; adjustable steel housing assembly; fits on *Capitol Door*.



**132028**

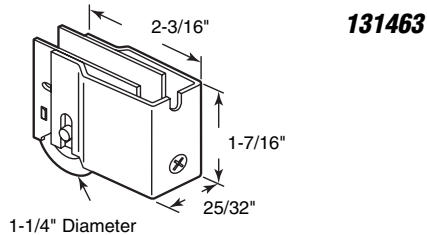


**132028**

## Roller Assembly

**Contents:** 1 roller assembly.

**Description:** Steel ball bearing roller; adjustable steel housing assembly; fits on *Laurell Aluminum* and other patio door manufacturers.



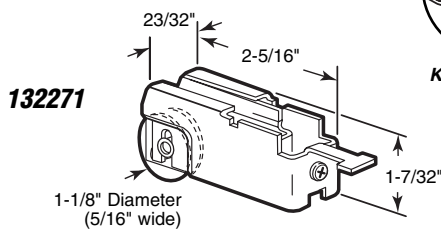
**131463**

## Roller Assembly

**Contents:** 1 roller assembly.

**Description:** Steel ball bearing roller; adjustable steel housing assembly; fits on *Crown Manufacturing* and *Penco*.

1-1/4" Diameter



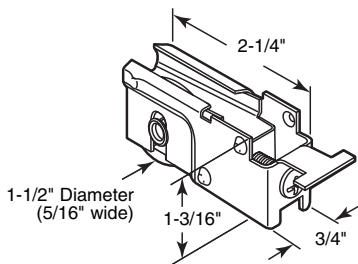
**132271**

## Roller Assembly

**Contents:** 1 roller assembly.

**Description:** Steel ball bearing roller; adjustable steel housing assembly; fits on *T.M Cobb* and other patio door manufacturers.

1-1/8" Diameter  
(5/16" wide)



Dimple width = 13/16"

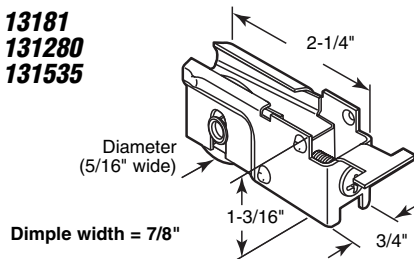
**131896** (Steel)  
**13337** (Nylon)

## Roller Assembly

**Contents:** 1 roller assembly.

**Description:** Ball bearing roller; adjustable steel housing assembly; fits on *Marshall* and other patio door manufacturers.

**13181**  
**131280**  
**131535**

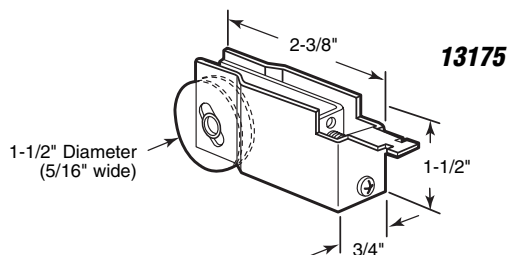


**13181** (1-1/8" Steel)  
**131280** (1-1/4" Nylon)  
**131535** (1" Steel)

## Roller Assembly

**Contents:** 1 roller assembly.

**Description:** Ball bearing roller; adjustable steel housing assembly; used by several patio door manufacturers.



**13175**

## Roller Assembly

**Contents:** 1 roller assembly.

**Description:** Nylon ball bearing roller; adjustable steel housing assembly; fits on *Doormaster* and other patio door manufacturers.



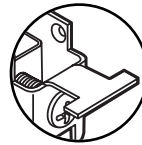
# Sliding Patio Door

**13177-S** (Steel)  
**13177** (Nylon)

## Roller Assembly

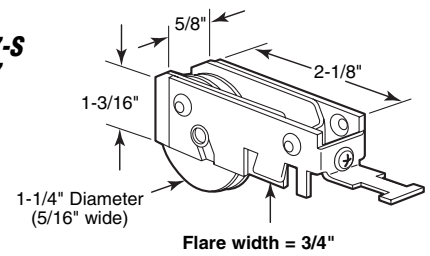
**Contents:** 1 roller assembly.

**Description:** Ball bearing roller; adjustable steel housing; fits on *International* and other patio door manufacturers.



**K-Tab Section**

**13177-S**  
**13177**

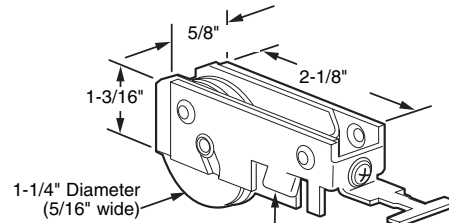


**132327** (Nylon)  
**131729** (Stainless steel)

## Roller Assembly

**Contents:** 1 roller assembly.

**Description:** Ball bearing roller; adjustable aluminum housing assembly to resist corrosion; fits on *International* and other patio door manufacturers.



**Flare width = 3/4"**

**132327**  
**131729**

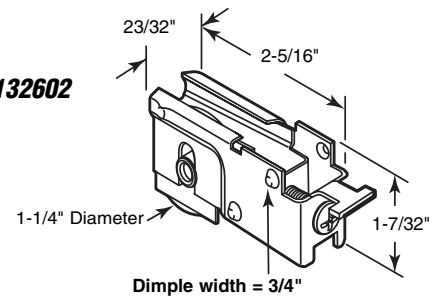
**132602**

## Roller Assembly

**Contents:** 1 roller assembly.

**Description:** Steel ball bearing roller; adjustable steel housing; used by several patio door manufacturers.

**132602**



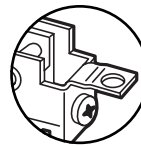
**Dimple width = 3/4"**

**13176**

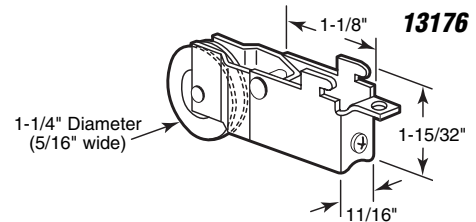
## Roller Assembly

**Contents:** 1 roller assembly.

**Description:** Nylon ball bearing roller; adjustable steel housing assembly; used by several patio door manufacturers.



**B-Tab Section**



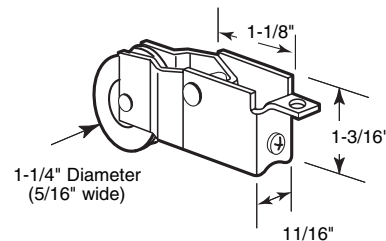
**13176**

**13174**

## Roller Assembly

**Contents:** 1 roller assembly.

**Description:** Nylon ball bearing roller; adjustable steel housing assembly; fits on *Rebco-West*.



**13174**

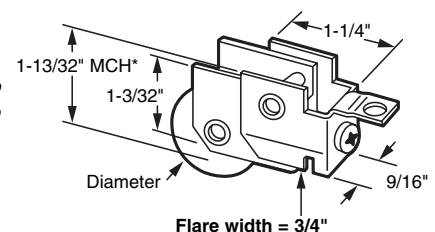
**131292** (1-1/8" Steel)  
**131293** (1-1/2" Steel)

## Roller Assembly

**Contents:** 1 roller assembly.

**Description:** Steel ball bearing roller; adjustable steel housing.

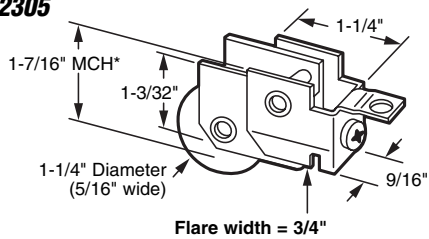
**131292**  
**131293**



**Flare width = 3/4"**



**132304**  
**132305**

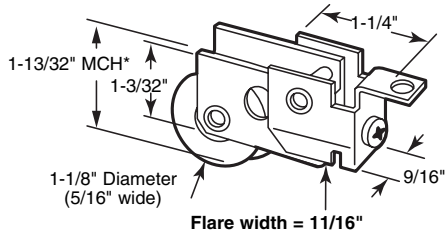


**132304** (Steel)  
**132305** (Nylon)

## Roller Assembly

**Contents:** 1 roller assembly.

**Description:** Ball bearing roller; adjustable steel housing assembly.



**13393**

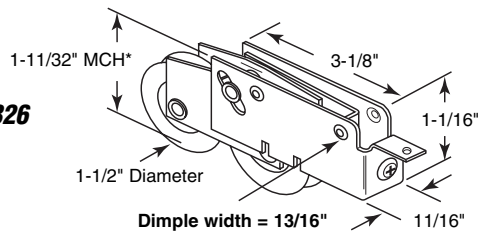
**13393**

## Roller Assembly

**Contents:** 1 roller assembly.

**Description:** Steel ball bearing roller; adjustable steel housing assembly; used by many mirror and wardrobe manufacturers.

**132326**

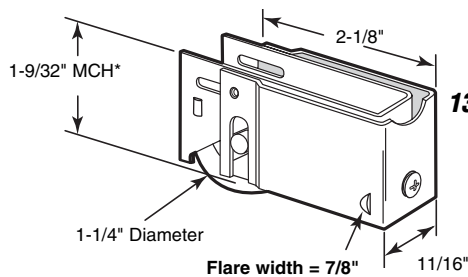


**132326**

## Tandem Roller Assembly

**Contents:** 1 roller assembly.

**Description:** Tandem steel ball bearing rollers; adjustable steel housing assembly; fits on *Louisiana-Pacific Corp.* and other patio door manufacturers.



**132348**

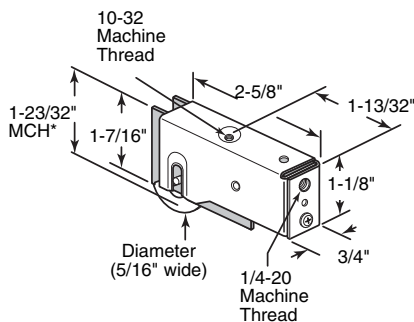
**132348**

## Roller Assembly

**Contents:** 1 roller assembly.

**Description:** Steel ball bearing roller; adjustable steel housing assembly.

**13135**  
**13135-1.25**  
**131282**  
**131283**



**13135** 1-1/2" Steel (1-19/32" Min. Collapsed Height)

**13135-1.25** 1-1/4" Steel (1-1/2" Min. Collapsed Height)

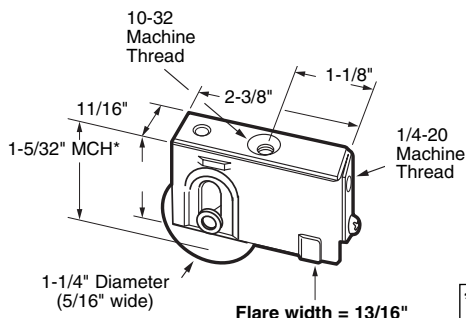
**131282** 1-1/2" Nylon (1-19/32" Min. Collapsed Height)

**131283** 1-1/4" Nylon (1-5/8" Min. Collapsed Height)

## Roller Assembly

**Contents:** 1 roller assembly.

**Description:** Ball bearing roller; adjustable steel housing assembly; used by many patio door manufacturers.



**132276**

**132276**

## Roller Assembly

**Contents:** 1 roller assembly.

**Description:** Steel ball bearing roller; adjustable steel housing assembly; fits on several manufacturers.

**\*Minimum Collapsed Height**

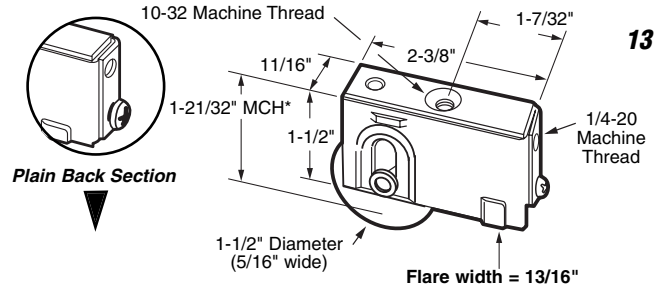
# Sliding Patio Door

**131246**

## Roller Assembly

**Contents:** 1 roller assembly.

**Description:** Steel ball bearing roller; adjustable steel housing assembly; used by several manufacturers.



**131246**

**13728** 1-1/2" Steel (1-23/32" Min. Collapsed Height)

**131277** 1-1/4" Steel (1-21/32" Min. Collapsed Height)

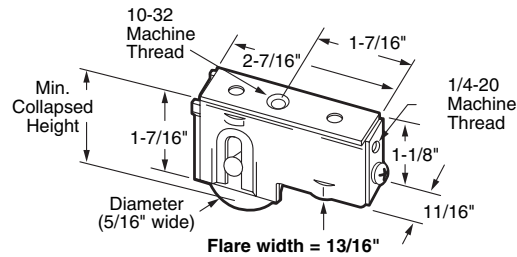
**132319** 1-1/8" Steel (1-19/32" Min. Collapsed Height)

**131278** 1-1/4" Nylon (1-23/32" Min. Collapsed Height)

## Roller Assembly

**Contents:** 1 roller assembly.

**Description:** Ball bearing roller; adjustable steel housing assembly; fits on *Fleetwood* and other patio door manufacturers.



**13728**  
**131277**  
**132319**  
**131278**

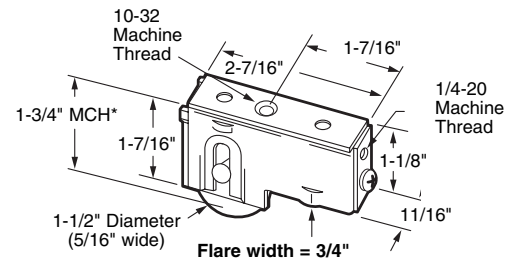
**132275**

## Roller Assembly

**Contents:** 1 roller assembly.

**Description:** Steel ball bearing roller; adjustable steel housing assembly; fits on *Fleetwood*, *Blomberg* and other manufacturers.

**132275**



**131479** 1-1/2" Steel (1-11/16" Min. Collapsed Height)

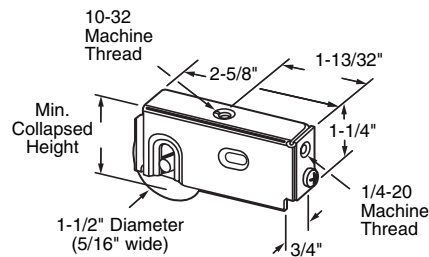
**132282** 1-1/2" Nylon (1-21/32" Min. Collapsed Height)

**133818** 1-1/4" Steel (1-9/16" Min. Collapsed Height)

## Roller Assembly

**Contents:** 1 roller assembly.

**Description:** Ball bearing roller; adjustable steel housing assembly; fits on *Daryl*, *Patio Magic* and other patio door manufacturers.



**131479**  
**132282**  
**133818**

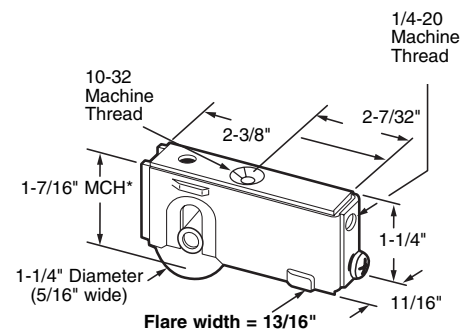
**131911**

## Roller Assembly

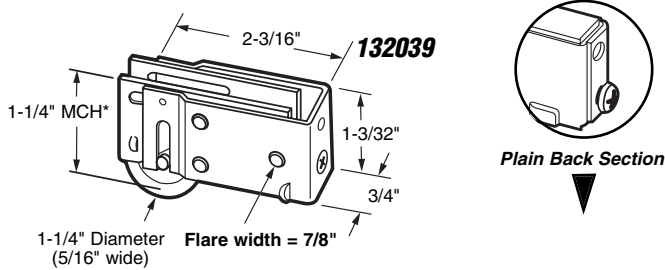
**Contents:** 1 roller assembly.

**Description:** Steel ball bearing roller; adjustable steel housing assembly; fits on *Blomberg* and other patio door manufacturers.

**131911**



\*Minimum Collapsed Height



## 132039

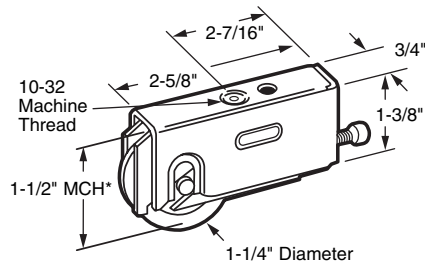
### Roller Assembly

**Contents:** 1 roller assembly.

**Description:** Steel ball bearing roller; adjustable steel housing assembly; used by several patio door manufacturers.

You may also wish to stock these related parts: **131479**.

**131476**  
**132315**

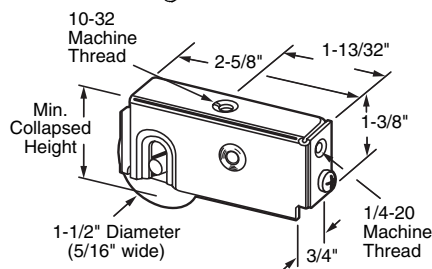


**131476** (Steel)  
**132315** (Nylon)

### Roller Assembly

**Contents:** 1 roller assembly.

**Description:** Ball bearing roller; adjustable steel housing. Used by many patio door manufacturers.



**131477**  
**131478**  
**132345**

**131477** Steel (1-12" Min. Collapsed Height)

**131478** Nylon (1-11/16" Min. Collapsed Height)

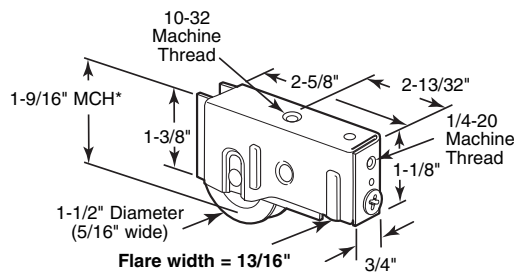
**132345** Stainless steel roller and housing (1-11/16" Min. Collapsed Height)

### Roller Assembly

**Contents:** 1 roller assembly.

**Description:** Ball bearing roller; adjustable steel housing assembly; fits on *Air Control*, *Howmet*, *Krestmark*, and many other patio door manufacturers. Stainless steel used in severe weather conditions.

**132353**

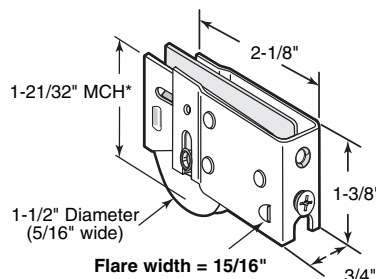


**132353**

### Roller Assembly

**Contents:** 1 roller assembly.

**Description:** Steel ball bearing roller; adjustable steel housing assembly; fits on *Keller* and other patio door manufacturers.



**131464**

**131464**

### Roller Assembly

**Contents:** 1 roller assembly.

**Description:** Steel ball bearing roller; adjustable steel housing; fits on *Harcar*, *Bee Cee* and other patio door manufacturers.

\*Minimum Collapsed Height

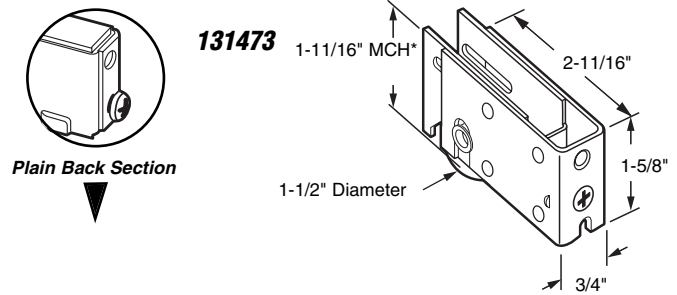
# Sliding Patio Door

**131473**

## Roller Assembly

**Contents:** 1 roller assembly.

**Description:** Steel ball bearing roller; adjustable steel housing assembly; fits on *Keller Windows* and other patio door manufacturers.

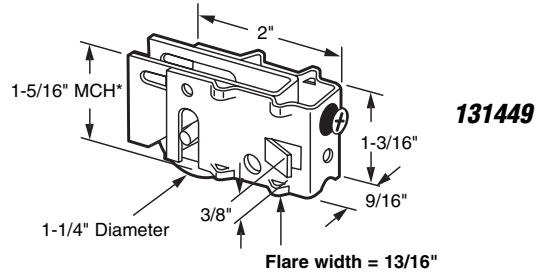


**131449**

## Roller Assembly

**Contents:** 1 roller assembly.

**Description:** Steel ball bearing roller; adjustable steel housing assembly; fits on *Nu-Air*, *Bennings*, *Scotty* and many other patio door manufacturers.

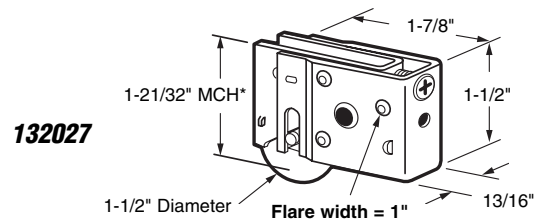


**132027**

## Roller Assembly

**Contents:** 1 roller assembly.

**Description:** Steel ball bearing roller; adjustable steel housing; fits on *Pan Am* and other patio door manufacturers.

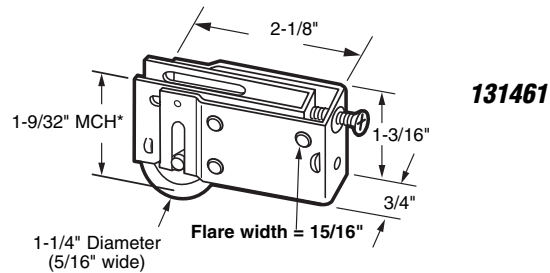


**131461**

## Roller Assembly

**Contents:** 1 roller assembly.

**Description:** Steel ball bearing roller; adjustable steel housing assembly; fits on *Harcar*, *Bee Cee* and other patio door manufacturers.

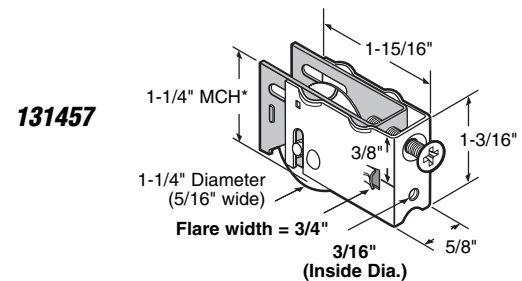


**131457**

## Roller Assembly

**Contents:** 1 roller assembly.

**Description:** Steel ball bearing roller; adjustable steel housing assembly.

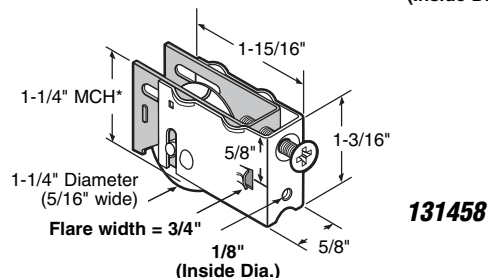


**131458**

## Roller Assembly

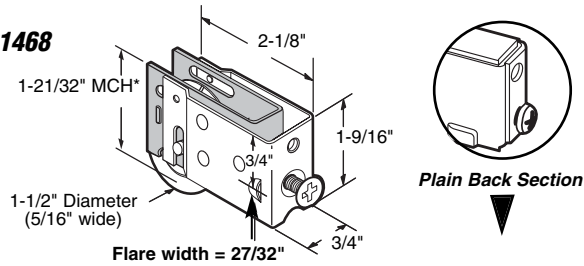
**Contents:** 1 roller assembly.

**Description:** Steel bearing roller; adjustable steel housing assembly.



**\*Minimum Collapsed Height**

## 131468

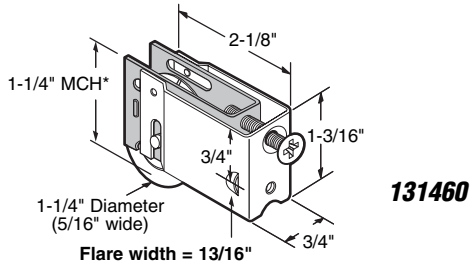


## 131468

### Roller Assembly

**Contents:** 1 roller assembly.

**Description:** Steel ball bearing roller; adjustable steel housing assembly.



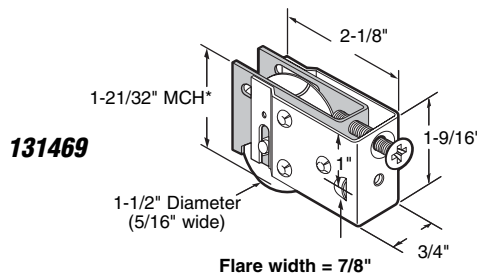
## 131460

## 131460

### Roller Assembly

**Contents:** 1 roller assembly.

**Description:** Steel ball bearing roller; adjustable steel housing assembly.



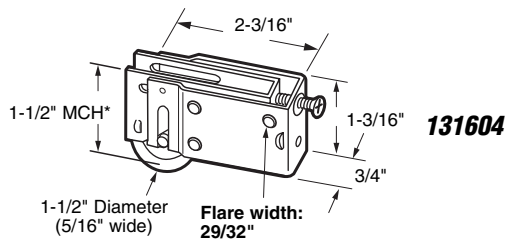
## 131469

## 131469

### Roller Assembly

**Contents:** 1 roller assembly.

**Description:** Steel ball bearing roller; adjustable steel housing assembly.



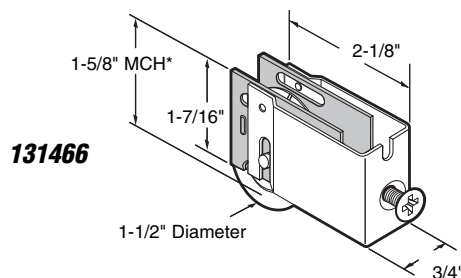
## 131604

## 131604

### Roller Assembly

**Contents:** 1 roller assembly.

**Description:** Steel ball bearing roller; adjustable steel housing assembly.



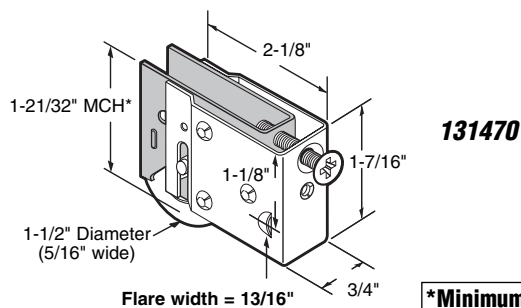
## 131466

## 131466

### Roller Assembly

**Contents:** 1 roller assembly.

**Description:** Steel ball bearing roller; adjustable steel housing assembly.



## 131470

## 131470

### Roller Assembly

**Contents:** 1 roller assembly.

**Description:** Steel ball bearing roller; adjustable steel housing assembly.

**\*Minimum Collapsed Height**

# Sliding Patio Door

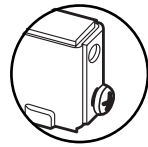
**131474**

## Roller Assembly

**Contents:** 1 roller assembly.

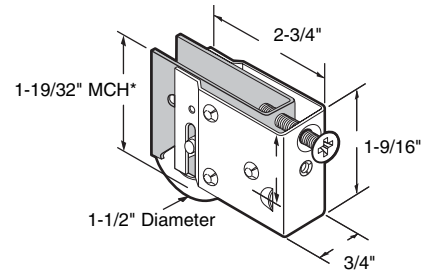
**Description:** Steel ball bearing roller; adjustable steel housing assembly; fits on *Crown Windows* and other patio door manufacturers; use **131462** as replacement.

*Call for Availability*



Plain Back Section

**131474**

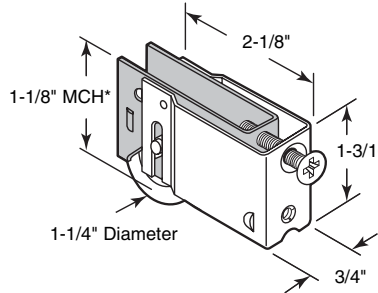


**131459**

## Roller Assembly

**Contents:** 1 roller assembly.

**Description:** Steel ball bearing roller; adjustable steel housing; fits on *Nu-Air* and other patio door manufacturers.



**131459**

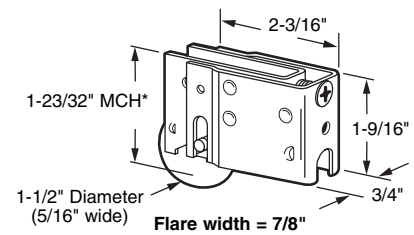
**131462**

## Roller Assembly

**Contents:** 1 roller assembly.

**Description:** Steel ball bearing roller; adjustable steel housing assembly; fits on *Harcar* and other patio door manufacturers.

**131462**

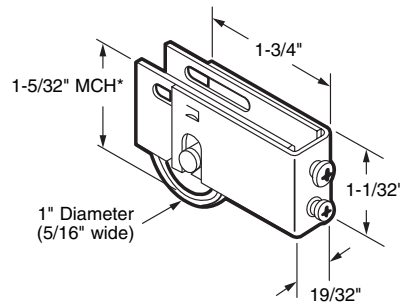


**132041**

## Roller Assembly

**Contents:** 1 roller assembly.

**Description:** 1" flat steel ball bearing roller; adjustable steel housing assembly; fits on *Capitol Door*.



**132041**

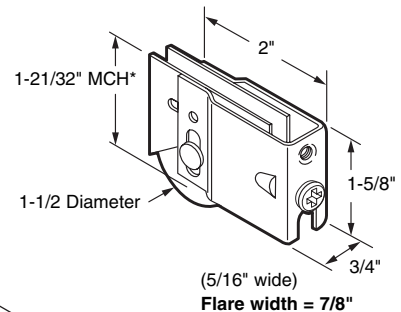
**131467**

## Roller Assembly

**Contents:** 1 roller assembly.

**Description:** Steel ball bearing roller; adjustable steel housing assembly; fits on several patio door manufacturers.

**131467**

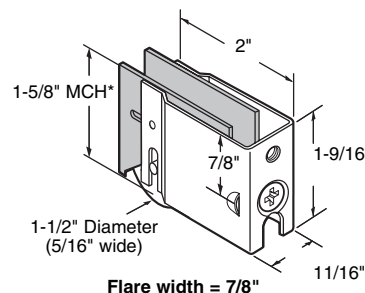


**131242**

## Roller Assembly

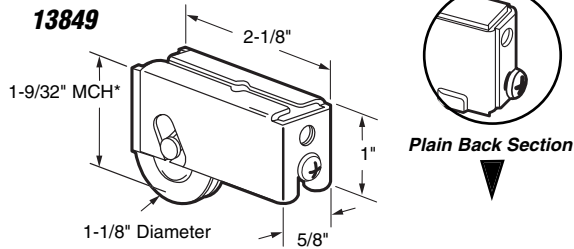
**Contents:** 1 roller assembly.

**Description:** Steel ball bearing roller; adjustable steel housing assembly.



**131242**

**\*Minimum Collapsed Height**

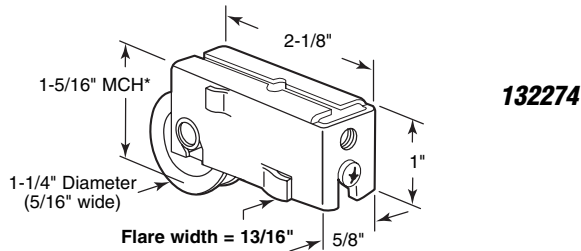


## 13849

### Roller Assembly

**Contents:** 1 roller assembly.

**Description:** Steel ball bearing roller; adjustable steel housing assembly; fits on *Capitol Mfg.*



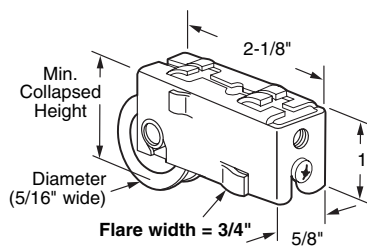
## 132274

### Roller Assembly

**Contents:** 1 roller assembly.

**Description:** Nylon ball bearing roller; adjustable steel housing assembly; fits on *Regal* and other patio door manufacturers.

**131951**  
**131985**  
**13290**



**131951** 1-1/4" Nylon (1-5/16" Min. Collapsed Height)

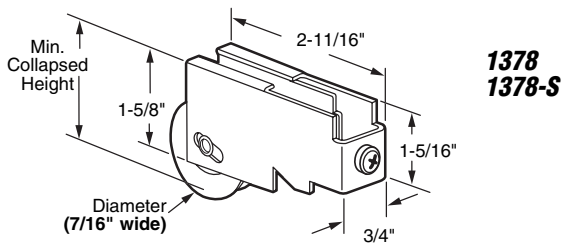
**131985** 1-1/4" Steel (1-5/16" Min. Collapsed Height)

**13290** 1-1/8" Steel (1-5/32" Min. Collapsed Height)

### Roller Assembly

**Contents:** 1 roller assembly.

**Description:** Ball bearing roller; adjustable steel housing assembly; fits on *Smith Carry* and other patio door manufacturers.



**1378** 1-11/16" Nylon (2" Min. Collapsed Height)

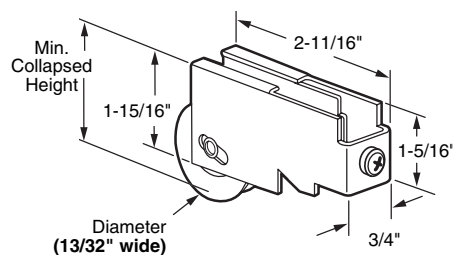
**1378-S** 1-13/16" Steel (2-1/16" Min. Collapsed Height)

### Roller Assembly

**Contents:** 1 roller assembly.

**Description:** Ball bearing roller; steel housing assembly; fits on *Arcadia* and other patio door manufacturers.

**132316**  
**132604**



**132316** 1-11/16" Nylon (2-1/4" Min. Collapsed Height)

**132604** 1-13/16" Steel (2-5/16" Min. Collapsed Height)

### Roller Assembly

**Contents:** 1 roller assembly.

**Description:** Ball bearing roller; adjustable steel housing assembly; fits on *Arcadia* and other patio door manufacturers.

**\*Minimum Collapsed Height**



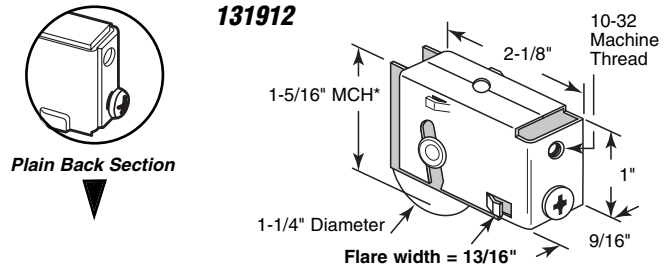
# Sliding Patio Door

**131912**

## Roller Assembly

**Contents:** 1 roller assembly.

**Description:** Steel ball bearing roller; adjustable steel housing assembly; fits on *Acorn Door* and other patio door manufacturers.

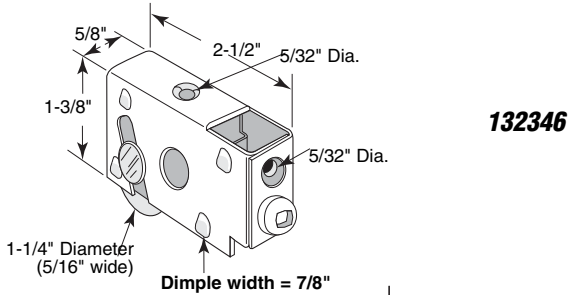


**132346**

## Roller Assembly

**Contents:** 1 roller assembly.

**Description:** Steel ball bearing roller; adjustable steel housing assembly.

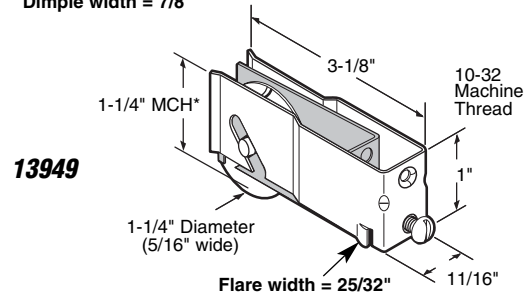


**13949**

## Roller Assembly

**Contents:** 1 roller assembly.

**Description:** Steel ball bearing roller; adjustable steel housing assembly; fits on *Daryl* and other patio door manufacturers.



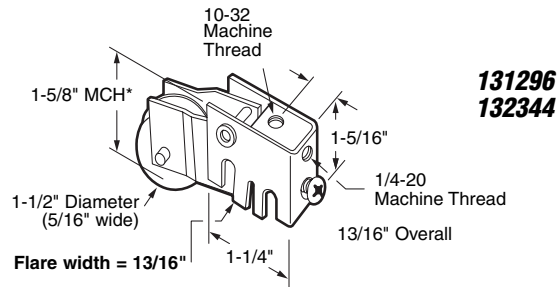
**131296** (Steel)

**132344** (Nylon)

## Roller Assembly

**Contents:** 1 roller assembly.

**Description:** Ball bearing roller; adjustable steel housing assembly; fits on *Overseas* and other patio door manufacturers.

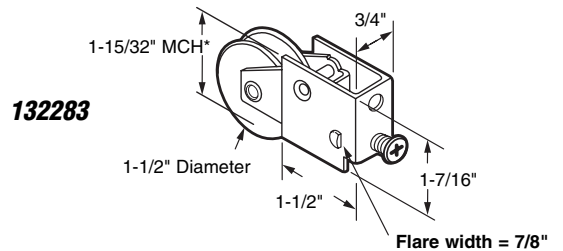


**132283**

## Roller Assembly

**Contents:** 1 roller assembly.

**Description:** Steel ball bearing roller; adjustable steel housing assembly; fits on several patio door manufacturers.

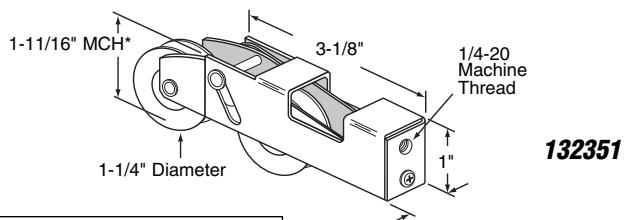


**132351**

## Tandem Roller Assembly

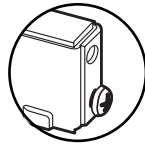
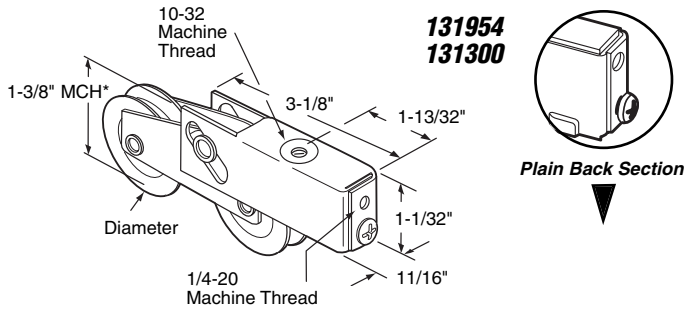
**Contents:** 1 roller assembly.

**Description:** Tandem steel ball bearing roller; adjustable steel housing assembly; fits on *Keller* and other patio door manufacturers.



\*Minimum Collapsed Height





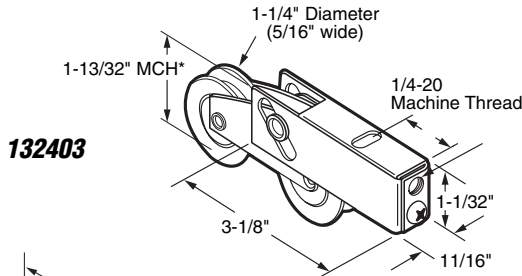
Plain Back Section

**131954** (1-1/4" Nylon)  
**131300** (1-1/2" Steel)

### Tandem Roller Assembly

**Contents:** 1 roller assembly.

**Description:** Tandem ball bearing rollers; adjustable steel housing assembly.

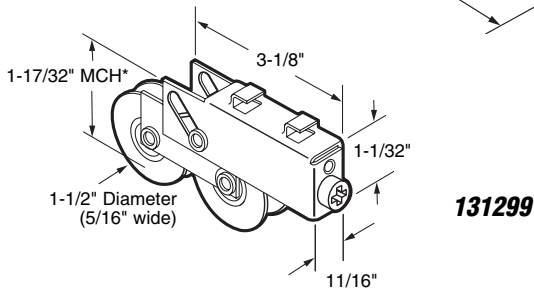


**132403**

### Tandem Roller Assembly

**Contents:** 1 roller assembly.

**Description:** Tandem steel ball bearing rollers; adjustable steel housing.

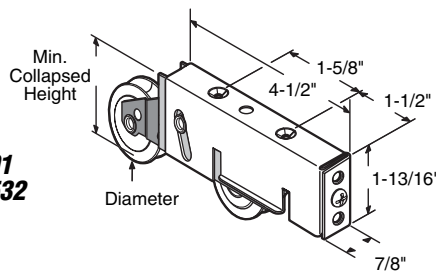


**131299**

### Tandem Roller Assembly

**Contents:** 1 roller assembly.

**Description:** Tandem steel ball bearing rollers; adjustable steel housing assembly fits on *Smith Carry Corp.*



**13391**  
**131532**

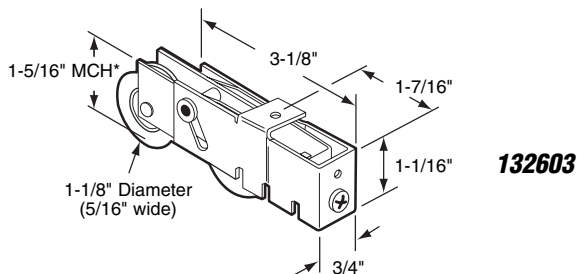
**13391** 1-1/2" Steel B.B. (2-5/16" Min. Collapsed Height)

**131532** 1-13/16" Steel B.B. (2-1/8" Min. Collapsed Height)

### Tandem Roller Assembly

**Contents:** 1 roller assembly.

**Description:** Tandem steel ball bearing rollers; adjustable steel housing assembly; fits on *Armour Vue, Disco, Atlas* and many other patio door manufacturers.

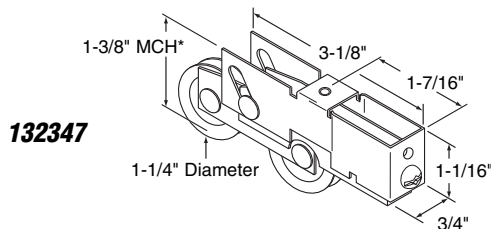


**132603**

### Tandem Roller Assembly

**Contents:** 1 roller assembly.

**Description:** Tandem steel ball bearing rollers; adjustable steel housing assembly.



**132347**

### Tandem Roller Assembly

**Contents:** 1 roller assembly.

**Description:** Tandem steel ball bearing roller; adjustable steel housing assembly.

**\*Minimum Collapsed Height**

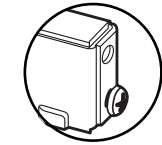
# Sliding Patio Door

**13964**

## Tandem Roller Assembly

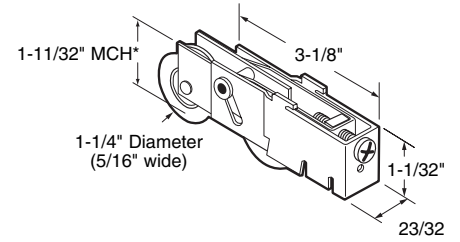
**Contents:** 1 roller assembly.

**Description:** Tandem steel ball bearing rollers; adjustable steel housing assembly; use by *Bee Cee* and other patio door manufacturers.



Plain Back Section

**13964**

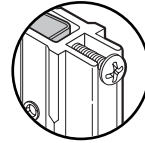


**13435**

## Roller Assembly

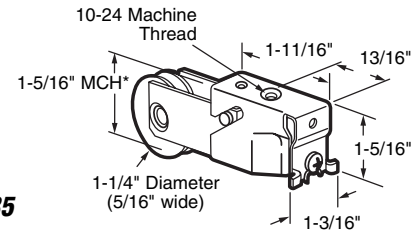
**Contents:** 1 roller assembly.

**Description:** Steel ball bearing roller; adjustable steel housing assembly; fits on *Smith & Kelly* and other patio door manufacturers.



Unique Housing Section

**13435**

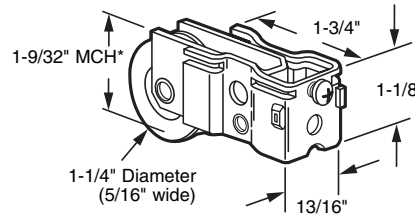


**13406**

## Roller Assembly

**Contents:** 1 roller assembly.

**Description:** Steel ball bearing roller; adjustable steel housing assembly; fits on *Acorn*, *Wells Aluminum*, and other patio door manufacturers. Replaces old style diecast assembly.



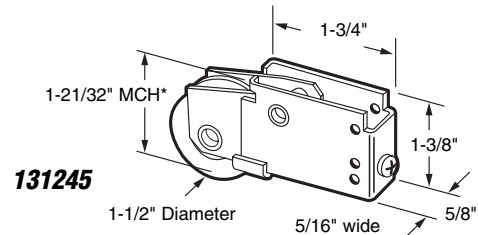
**13406**

**131245**

## Roller Assembly

**Contents:** 1 roller assembly.

**Description:** Nylon ball bearing roller; adjustable steel housing assembly; fits on *Marshall Aluminum* and other patio door manufacturers.



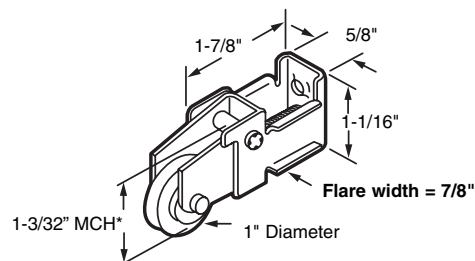
**131245**

**13293**

## Roller Assembly

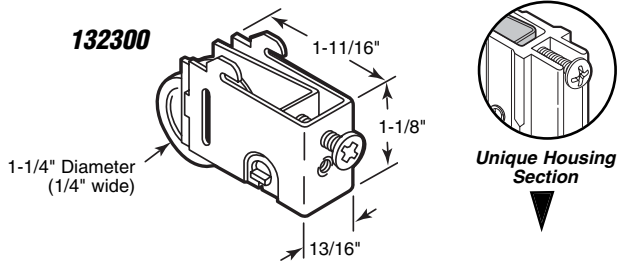
**Contents:** 1 roller assembly.

**Description:** Steel ball bearing roller; adjustable steel housing assembly; fits on *Fullview*.



**13293**

\*Minimum Collapsed Height

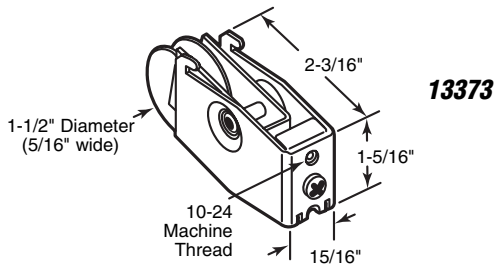


## 132300

### Roller Assembly

**Contents:** 1 roller assembly.

**Description:** Steel ball bearing roller; adjustable steel housing assembly; fits on *Noranda Building Products, Three Rivers Aluminum* and *Bee Cee*.

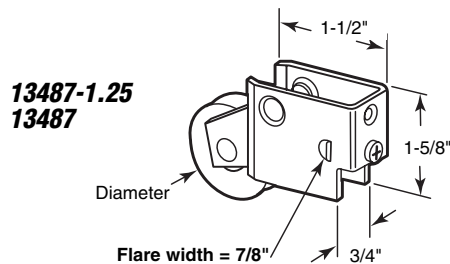


## 13373

### Roller Assembly

**Contents:** 1 roller assembly.

**Description:** Nylon ball bearing roller; adjustable steel housing assembly; fits on *Northrop* and other patio door manufacturers.



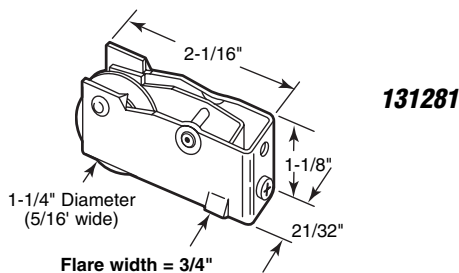
## 13487-1.25 (1-1/4")

## 13487 (1-1/2")

### Roller Assembly

**Contents:** 1 roller assembly.

**Description:** Steel ball bearing roller; adjustable zinc plated steel housing assembly; fits on *Keller* and other patio door manufacturers.

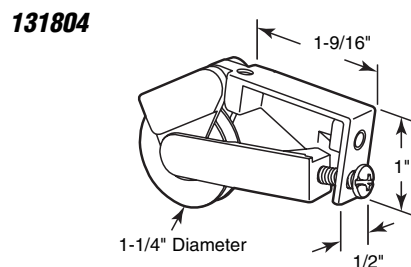


## 131281

### Roller Assembly

**Contents:** 1 roller assembly.

**Description:** Steel ball bearing roller; adjustable steel housing assembly; fits on *Crossly* and other patio door manufacturers.

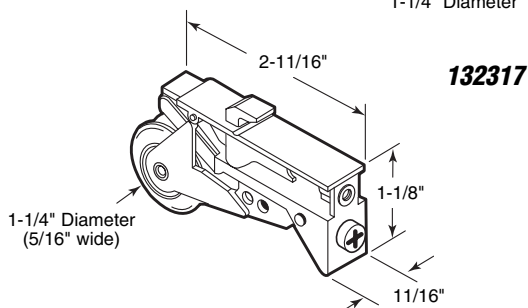


## 131804

### Roller Assembly

**Contents:** 1 roller assembly.

**Description:** Steel ball bearing roller; adjustable diecast housing assembly; used by many patio door manufacturers.



## 132317

### Roller Assembly

**Contents:** 1 roller assembly.

**Description:** Steel ball bearing roller; adjustable diecast housing assembly; fits on several patio door manufacturers.

# Sliding Patio Door

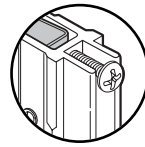
**13127-2** (Steel)

**131451** (Nylon)

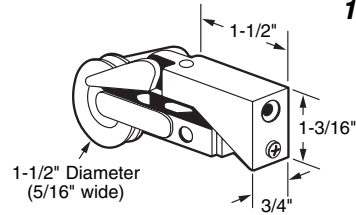
## Roller Assembly

**Contents:** 1 roller assembly.

**Description:** Ball bearing roller; adjustable diecast housing assembly; fits on *Fleetwood*, *Fullview* and many other patio door manufacturers.



Unique Housing Section



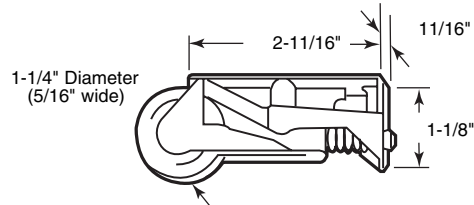
**13127-2**  
**131451**

**132318**

## Roller Assembly

**Contents:** 1 roller assembly.

**Description:** Steel ball bearing roller; adjustable diecast housing assembly; used by many patio door manufacturers.



**132318**

**13143** (1-1/4" Nylon)

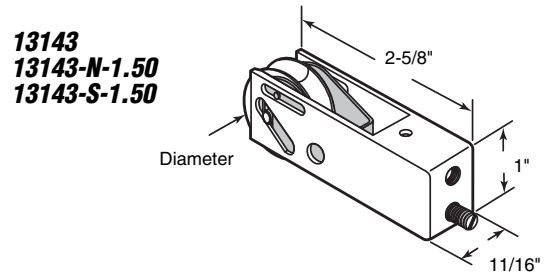
**13143-N-1.50** (1-1/2" Nylon)

**13143-S-1.50** (1-1/2" Steel)

## Roller Assembly

**Contents:** 1 roller assembly.

**Description:** Ball bearing roller; adjustable diecast housing assembly; fits on *Trimview* and many other manufacturers.



**13143**  
**13143-N-1.50**  
**13143-S-1.50**

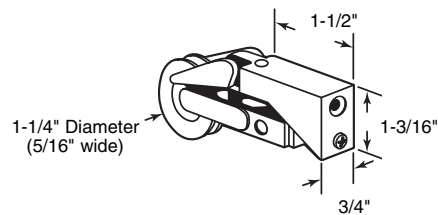
**13127** (Steel)

**132289** (Nylon)

## Roller Assembly

**Contents:** 1 roller assembly.

**Description:** Ball bearing roller; adjustable diecast housing assembly; fits on *Fleetwood*, *Fullview* and many other patio door manufacturers.



**13127**  
**132289**

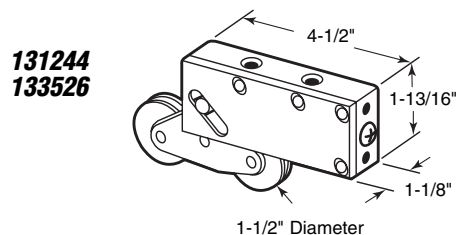
**131244** (Steel)

**133526** (Stainless steel)

## Tandem Roller Assembly

**Contents:** 1 roller assembly.

**Description:** Tandem ball bearing rollers; adjustable diecast housing assembly; fits on *Kawneer*.



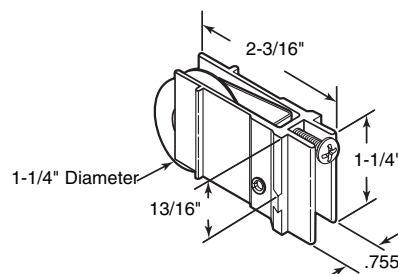
**131244**  
**133526**

**132026**

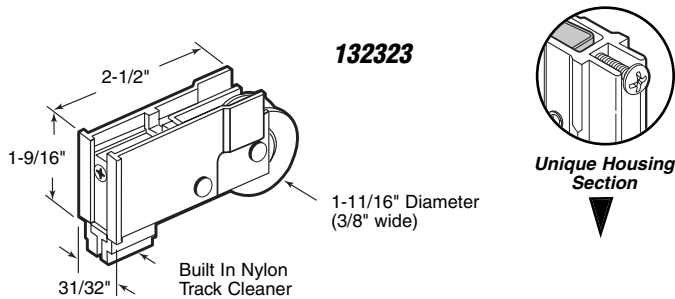
## Roller Assembly

**Contents:** 1 roller assembly.

**Description:** Steel ball bearing roller; adjustable extruded aluminum housing assembly.



**132026**

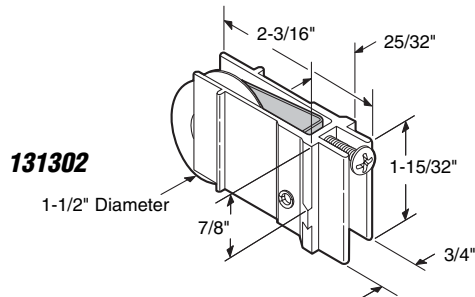


## 132323

### Roller Assembly

Contents: 1 roller assembly.

Description: Nylon ball bearing roller; extruded aluminum housing assembly; nylon track cleaner; fits on *Alcan Door*.

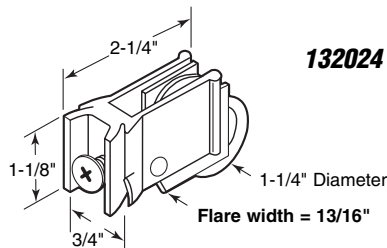


## 131302

### Roller Assembly

Contents: 1 roller assembly.

Description: Steel ball bearing roller; adjustable extruded aluminum housing assembly; fits on *Pan American, AAA Aluminum*, and other patio door manufacturers.

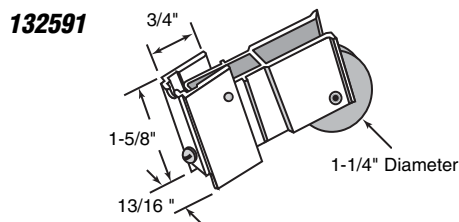


## 132024

### Roller Assembly

Contents: 1 roller assembly.

Description: Steel ball bearing roller; adjustable extruded aluminum housing assembly; fits on *Miller Industries* and other patio door manufacturers.

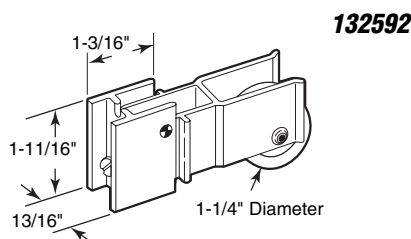


## 132591

### Roller Assembly

Contents: 1 roller assembly.

Description: Steel ball bearing roller; adjustable extruded aluminum housing assembly; fits on *Peachtree* and other patio door manufacturers.

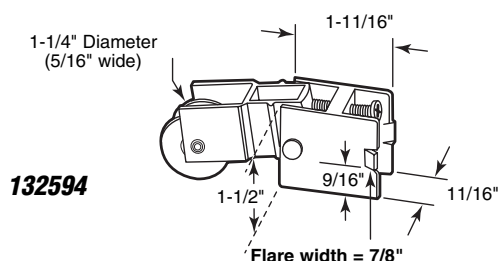


## 132592

### Roller Assembly

Contents: 1 roller assembly.

Description: Steel ball bearing roller; adjustable extruded aluminum housing assembly; fits on *Yoho, Payne, Peachtree*, and other patio door manufacturers.



## 132594

### Roller Assembly

Contents: 1 roller assembly.

Description: Steel ball bearing roller; adjustable extruded aluminum housing assembly; fits on *Yoho* and other patio door manufacturers.

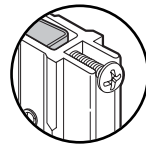
# Sliding Patio Door

**132600**

## Roller Assembly

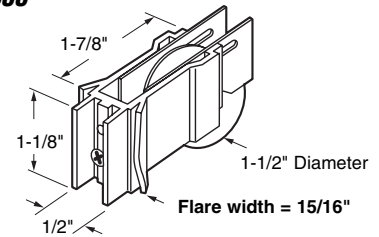
**Contents:** 1 roller assembly.

**Description:** Steel ball bearing roller; adjustable extruded aluminum housing assembly; used by several patio door manufacturers.



Unique Housing Section

**132600**

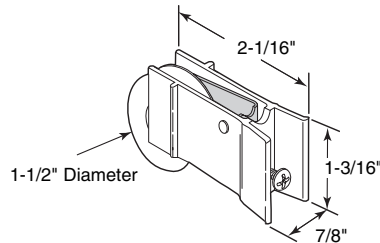


**132356**

## Roller Assembly

**Contents:** 1 roller assembly.

**Description:** Nylon ball bearing roller; adjustable extruded aluminum housing assembly.



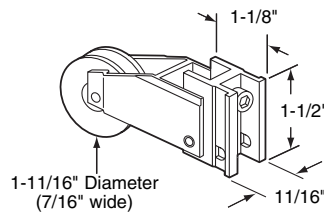
**132356**

**132281**

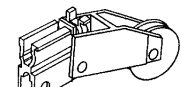
## Roller Assembly

**Contents:** 1 roller assembly.

**Description:** Nylon ball bearing roller; adjustable extruded aluminum housing assembly; fits on *Daryl, Plaza Door* and other patio door manufacturers.



**132281**



Old Style

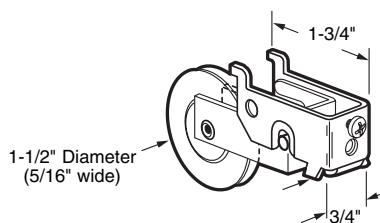
**131897** (Nylon)

**131913** (Steel)

## Roller Assembly

**Contents:** 1 roller assembly.

**Description:** Ball bearing roller; adjustable steel housing; fits on *Ador Hilite* series 1200 patio doors.



**131897**  
**131913**

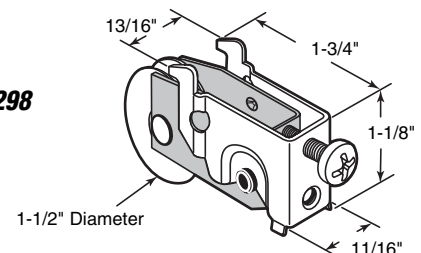
**131298**

## Roller Assembly

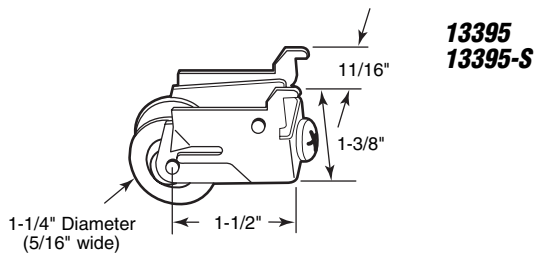
**Contents:** 1 roller assembly.

**Description:** Steel ball bearing roller; adjustable steel housing assembly.

**131298**



**DISCONTINUED**

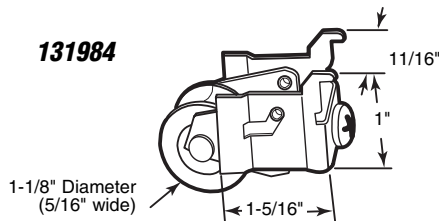


**13395** (Nylon)  
**13395-S** (Steel)

## Roller Assembly

**Contents:** 1 roller assembly.

**Description:** Ball bearing roller; adjustable steel housing assembly; fits on *Premier* and other patio door manufacturers.

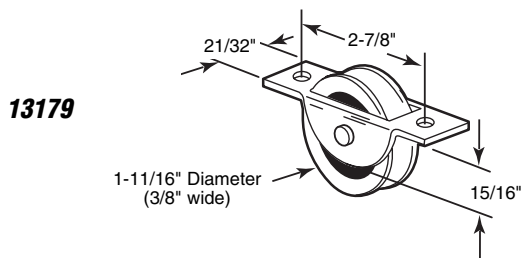


**131984**

## Roller Assembly

**Contents:** 1 roller assembly.

**Description:** Steel ball bearing roller; adjustable steel housing assembly.

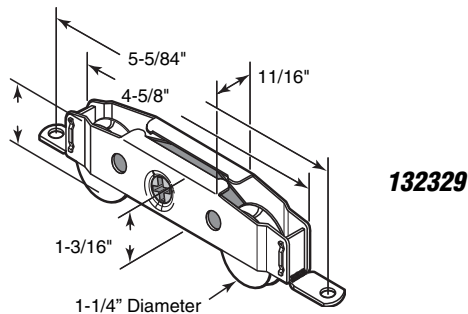


**13179**

## Roller Assembly

**Contents:** 1 roller assembly.

**Description:** Nylon ball bearing roller; aluminum housing; fits on *Western Patio* doors and other patio door manufacturers.

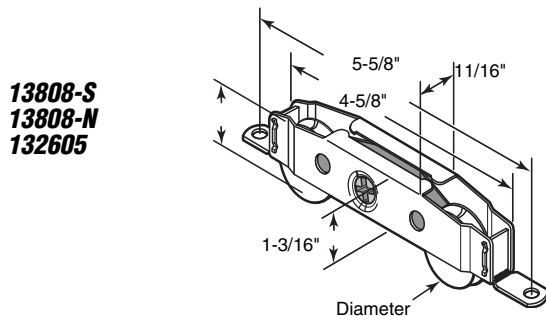


**132329**

## Tandem Roller Assembly (Stainless Steel)

**Contents:** 1 roller assembly.

**Description:** Tandem stainless steel ball bearing rollers; adjustable stainless steel housing assembly; used in severe weather environments.



**13808-S** (1-1/4" Steel)

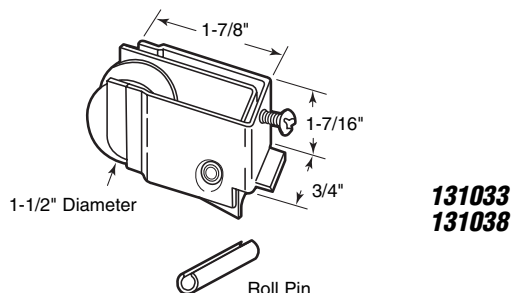
**13808-N** (1-1/4" Nylon)

**132605** (1-1/2" Nylon)

## Tandem Roller Assembly

**Contents:** 1 roller assembly.

**Description:** Tandem ball bearing rollers; adjustable steel housing assembly.



**131033** (Nylon)

**131038** (Steel)

## Roller Assembly

**Contents:** 1 roller assembly.

**Description:** Ball bearing roller; adjustable steel housing assembly; fits on *Lumidor*, *C.E. Stanley* and other patio door manufacturers.



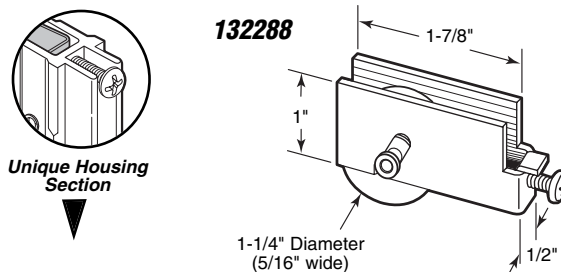
# Sliding Patio Door

**132288**

## Roller Assembly

**Contents:** 1 roller assembly.

**Description:** Steel ball bearing roller; adjustable steel housing assembly; fits on *Alwindor* and *Empire Pacific*.



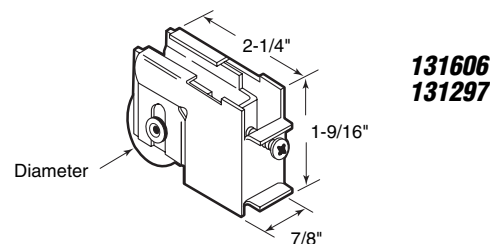
**131606** (1-1/4" Steel)

**131297** (1-1/8" Steel)

## Roller Assembly

**Contents:** 1 roller assembly.

**Description:** Ball bearing roller; adjustable steel housing assembly; fits on *Peachtree Door*.



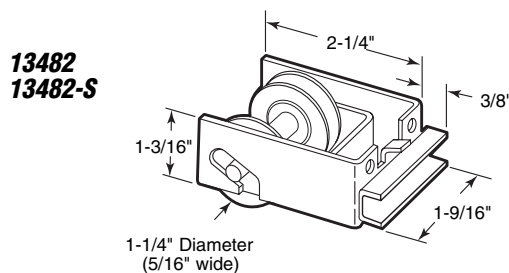
**13482** (Nylon)

**13482-S** (Steel)

## Roller Assembly

**Contents:** 1 roller assembly.

**Description:** Dual ball bearing rollers; adjustable steel housing; fits on *Guaranteed Products* and other patio door manufacturers.

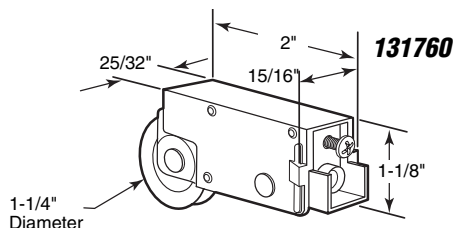


**131760**

## Roller Assembly

**Contents:** 1 roller assembly.

**Description:** Steel ball bearing roller; adjustable diecast housing assembly; fits on "old style" *Acorn* doors.

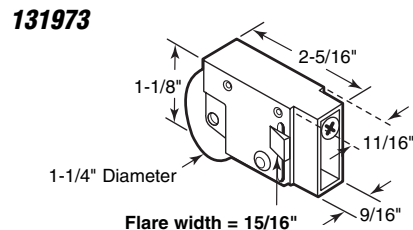


**131973**

## Roller Assembly

**Contents:** 1 roller assembly.

**Description:** Steel ball bearing roller; adjustable diecast housing assembly; fits on *Crossly* and other patio door manufacturers.



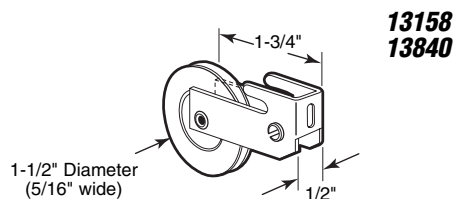
**13158** (Nylon)

**13840** (Steel)

## Roller Assembly

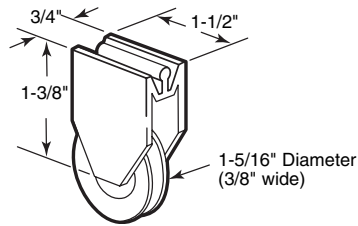
**Contents:** 1 roller assembly.

**Description:** Ball bearing roller in steel bracket; fits on *Adhor/Hilite* and other patio door manufactures. Use with 131897 or 131913 to replace inner roller assembly.





**13180**



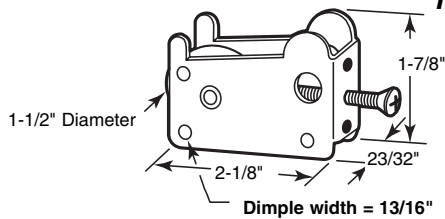
**13180**

## Roller Assembly

**Contents:** 1 roller assembly.

**Description:** Nylon roller with bushing axle; non-adjustable nylon housing assembly; fits on *Likit* and other patio door manufacturers.

**131892**



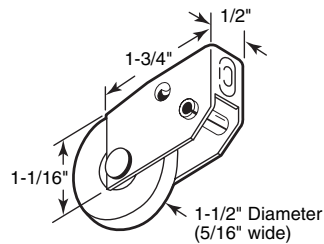
**131892**

## Roller Assembly

**Contents:** 1 roller assembly.

**Description:** Steel ball bearing roller; galvanized steel housing.

**132278**



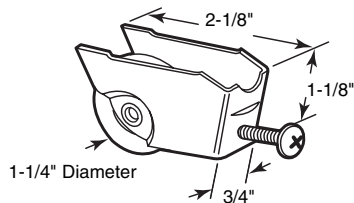
**132278**

## Roller Assembly

**Contents:** 1 roller assembly.

**Description:** Steel ball bearing roller; steel bracket housing; fits on *H&D Industries* and several other patio door manufacturers; use **13840** as replacement.

**131525**



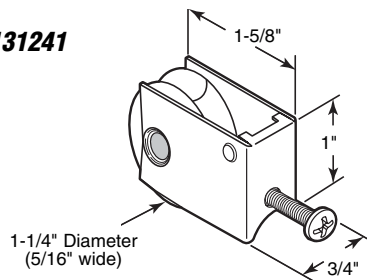
**131525**

## Roller Assembly

**Contents:** 1 roller assembly.

**Description:** Steel ball bearing roller; steel housing.

**131241**



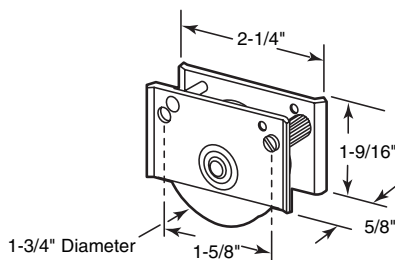
**131241**

## Roller Assembly

**Contents:** 1 roller assembly.

**Description:** Steel ball bearing roller; stamped steel housing; Use with 13435 to replace inner roller assembly.

**132294**



**132294**

## Roller Assembly

**Contents:** 1 roller assembly.

**Description:** Steel ball bearing roller; steel housing (side plate on each side of bearing); steel gear with adjustment screws.

# Sliding Patio Door

**132585**

## Roller Assembly

**Contents:** 1 roller assembly.

**Description:** Nylon ball bearing roller; adjustable diecast housing assembly; fits on *Nudor* and other patio door manufacturers.

**132331** (Left hand)

**132332** (Right hand)

## Roller Assembly

**Contents:** 1 roller assembly.

**Description:** Nylon ball bearing roller; adjustable zinc diecast housing assembly.

**13464**

## Door Roller Assembly

**Contents:** 1 roller assembly.

**Description:** Nylon ball bearing roller; adjustable diecast housing assembly; fits on *Art Door* and other patio door manufacturers.

**131986**

## Roller Assembly

**Contents:** 1 roller assembly.

**Description:** Nylon ball bearing roller; adjustable steel inner housing; fits on *Capitol Door* products.

**132298**

## Tandem Roller Assembly

**Contents:** 1 roller assembly.

**Description:** Nylon rollers with aluminum housing.

**132285**

## Roller Assembly

**Contents:** 1 roller assembly.

**Description:** Flat nylon roller with brass bushing; adjustable diecast housing assembly.

**132284**

## Roller Assembly

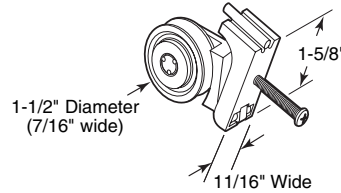
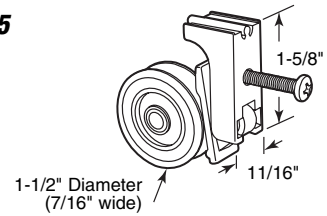
**Contents:** 1 roller assembly.

**Description:** Flat steel ball bearing roller; adjustable diecast housing assembly.

Call for  
Availability

Call for  
Availability

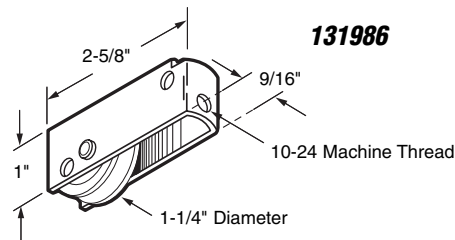
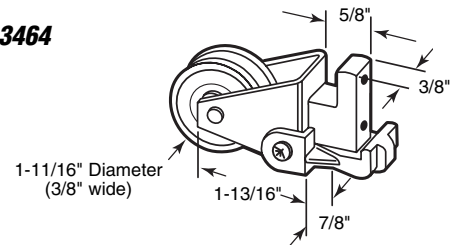
**132585**



**132331**  
**132332**

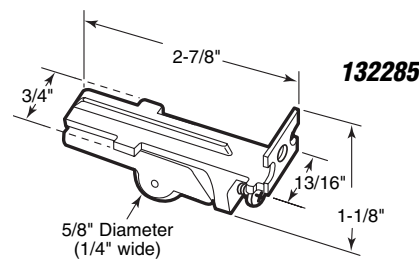
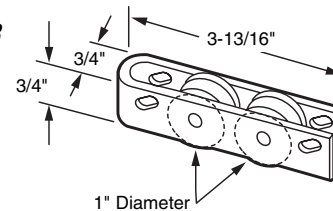
Right Hand Shown

**13464**



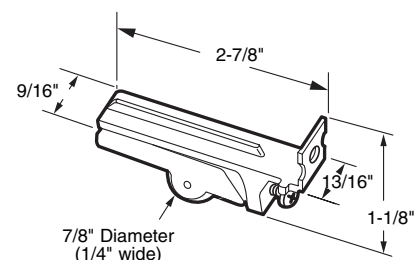
**131986**

**132298**

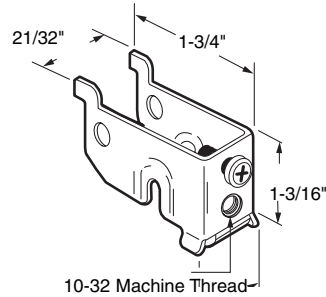


**132285**

**132284**



**13157**



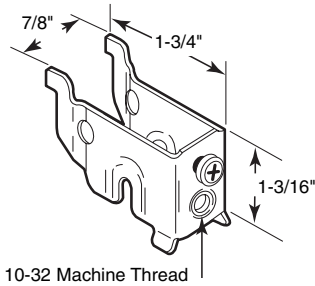
10-32 Machine Thread

**13157**

## Roller Housing

**Contents:** 1 roller housing assembly.

**Description:** Steel housing; fits on *Ador HiLite* to hold 13158 and 13840 roller assemblies.



10-32 Machine Thread

**13227**

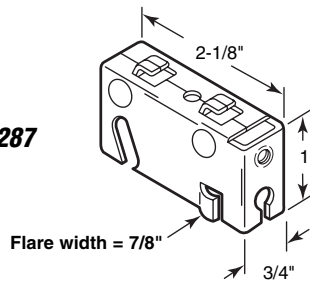
**13227**

## Roller Housing

**Contents:** 1 roller housing assembly.

**Description:** Steel housing; fits on *H&D Industries* and *Ador HiLite* to hold 132278 roller assembly.

**132287**



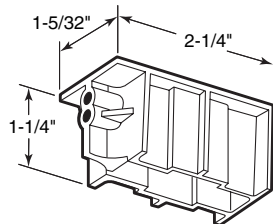
Flare width = 7/8"

**132287**

## Roller Housing

**Contents:** 1 roller housing assembly.

**Description:** Steel housing; fits on *Empire Pacific* and *Alwindor*.



**1387**

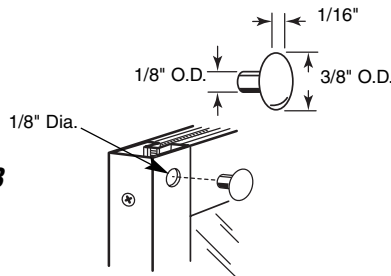
**1387**

## Roller Housing

**Contents:** 2 brackets.

**Description:** Nylon housing used to hold 1322 roller assembly; fits on *Horizon* and other manufacturers.

**132303**

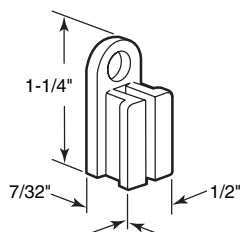


**132303**

## Guides

**Contents:** 12 guides.

**Description:** Nylon guides are used to prevent door rattle along the top rail.



**13295**

**13295**

## Guide

**Contents:** 4 guides.

**Description:** Nylon guides for top of doors; fits on *Fullview* and other manufacturers.

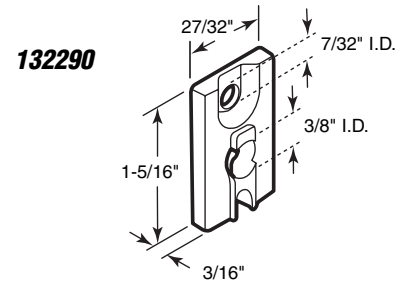
# Sliding Patio Door

## 132290

### Guides

**Contents:** 2 guides.

**Description:** Nylon guide; fits on *Daryl Industries*.

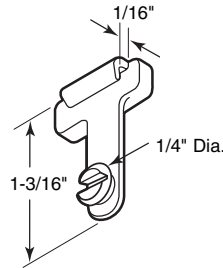


## 13630

### Guides

**Contents:** 2 guides.

**Description:** Snap-in nylon guides for top of *International* series 900 patio doors.



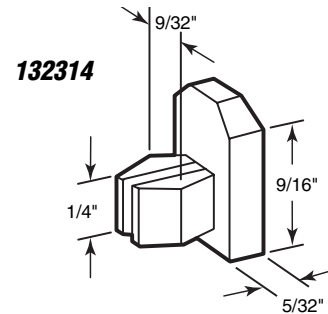
## 13630

## 132314

### Top Guides

**Contents:** 4 top guides.

**Description:** Nylon guide; snaps into top rail to facilitate smooth operation.

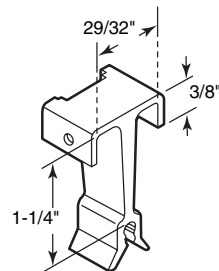


## 132299

### Top Guides

**Contents:** 2 guides.

**Description:** Nylon guide mounts on top of door and prevents rattle during operation; fits on *International*.



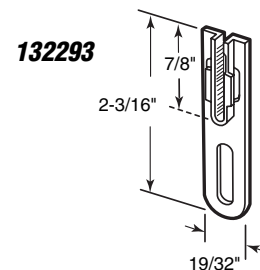
## 132299

## 132293

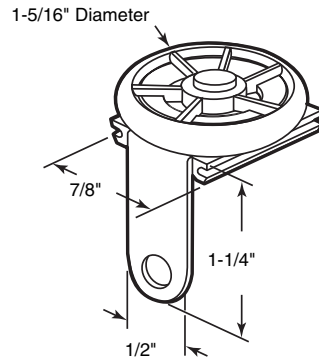
### Top Guides

**Contents:** 2 guides.

**Description:** Nylon guide; used by several patio door manufacturers.



**132342**



**132342**

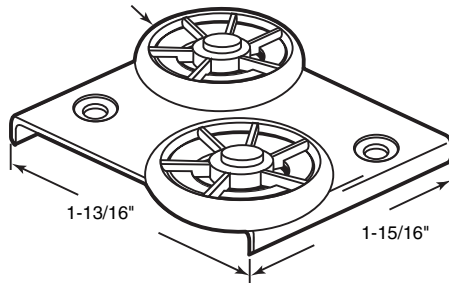
**Guide**

**Contents:** 1 guide.

**Description:** Horizontal roller guide keeps door centered in top grooves for smooth operation, fits on *Peachtree* on *Citation 3* doors.

1-5/16\" Diameter

**132343**



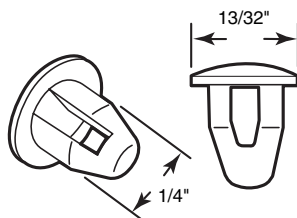
**132343**

**Guide**

**Contents:** 1 guide.

**Description:** Double horizontal roller guide for smooth operation, fits on *Peachtree* on *Carvel* doors.

**13846**



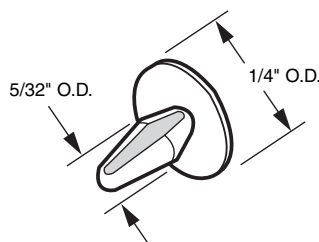
**13846**

**Guide**

**Contents:** 4 guides.

**Description:** Nylon guides; snaps into top rail to facilitate smooth operation.

Call for  
Availability



**132310**

**132310**

**Guide and Anti-Rattle Button**

**Contents:** 4 guides.

**Description:** Nylon guide; used in top rail of door to create a quieter and smooth sliding patio door.

# Sliding Patio Door

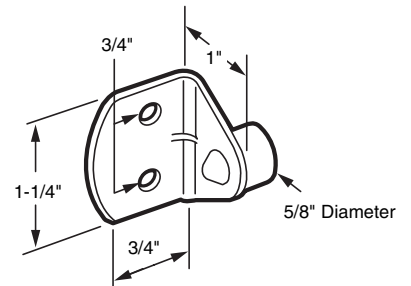
**132307**

## Bumper

**Contents:** 2 bumpers, installation fasteners.

**Description:** Rubber bumper mounted on steel "L" bracket; universal design.

**132307**



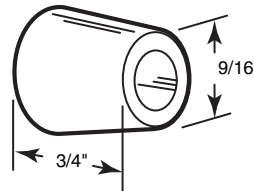
**132313**

## Bumper

**Contents:** 2 bumpers, installation fasteners.

**Description:** Rubber bumper; reduces damage and noise; used by many manufacturers.

**132313**



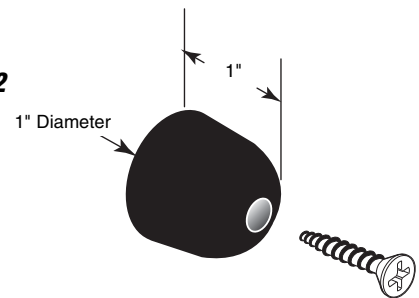
**132352**

## Bumper

**Contents:** 2 bumpers, installation fasteners.

**Description:** Rubber bumper; attaches to jamb to cushion door.

**132352**



**13212** (Black)

**132340** (White)

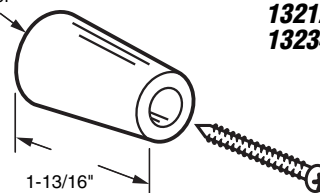
## Bumper

**Contents:** 1 bumper, installation fastener.

**Description:** Injected rubber bumper; attaches to jamb to protect door.

1" Diameter

**13212**  
**132340**



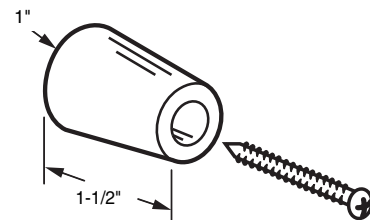
**132306**

## Bumper

**Contents:** 2 bumpers, installation fasteners.

**Description:** Long injected rubber bumper; attaches to jamb to protect door.

**132306**



**13212-B** (Black)

**132341** (White)

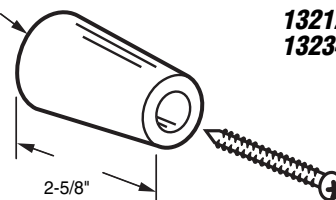
## Bumper

**Contents:** 1 bumper, installation fastener.

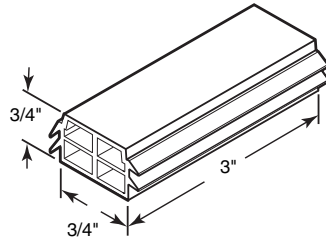
**Description:** Injected rubber bumper; attaches to jamb to protect door.

1" Diameter

**13212-B**  
**132341**



**131447**

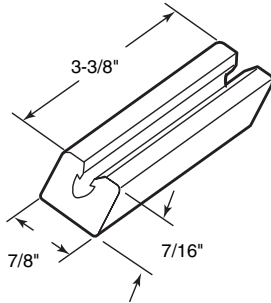


**131447**

**Bumper**

**Contents:** 1 bumpers.

**Description:** Long **extruded rubber bumper**; mounts into top frame rails to stop door; used by many manufacturers.



**131446**

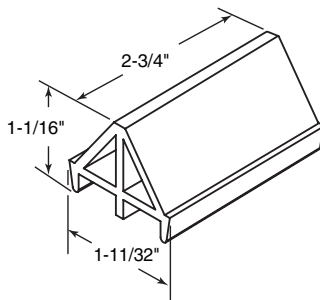
**131446**

**Bumper**

**Contents:** 1 bumper.

**Description:** Long **extruded rubber bumper**; mounts on sliding door track to help stop panel when being opened too hard.

**132596**

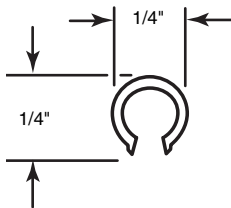


**132596**

**Bumper**

**Contents:** 2 bumpers.

**Description:** **Extruded rubber bumper**; mounts into top and bottom frame rails to stop door; used by many manufacturers.



**13372-25**

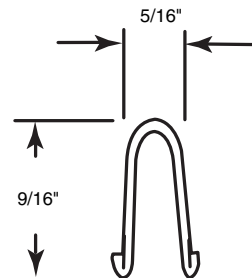
**13372-24**

**Repair Track** (Black)

**Contents:** 24' coil.

**Description:** Vinyl track cap; used to repair worn or damaged tracks; helps quiet doors as they slide.

**13691**  
**132586**



**13691** (8 ft. Stainless steel)

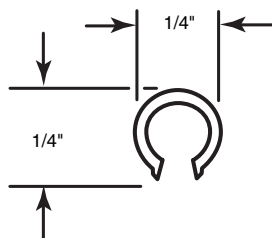
**132586** (10 ft. Stainless steel)

**Repair Track**

**Contents:** 1 track.

**Description:** Heavy duty track can be used by itself or as a repair track; can be used on wood or metal tracks.

**Note:** 5 piece minimum order.



**13847**  
**13689**  
**13690**

**13847** (6 ft. Stainless steel)

**13689** (8 ft. Stainless steel)

**13690** (10 ft. Stainless steel)

**Repair Track**

**Contents:** 1 track cap.

**Description:** Track cap is used as a repair part for damaged or badly worn tracks; easy to install.

**Note:** 10 piece minimum order.

## Threshold Replacement Kits

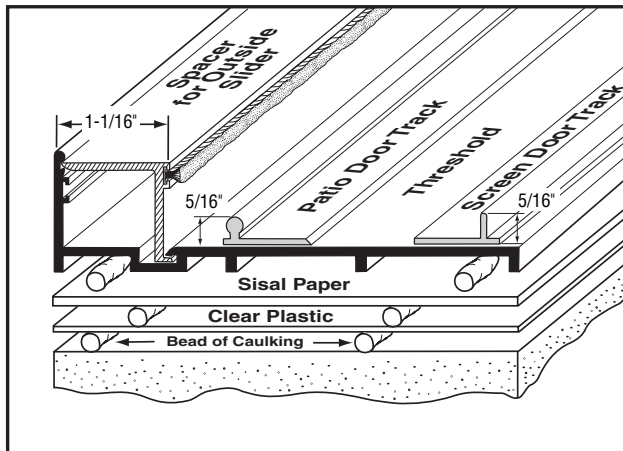
A revolutionary new product that replaces oxidized or corroded patio door thresholds. Easy to install. Eliminates the need of replacing the entire door frame. Adapts to inside or outside slides.

**Contents of complete kit:** 5 pieces of extruded anodized aluminum, sisal paper, clear plastic sheeting, caulking, fasteners, razor blade and detailed instructions. Also available as a 5 piece extruded aluminum set only.

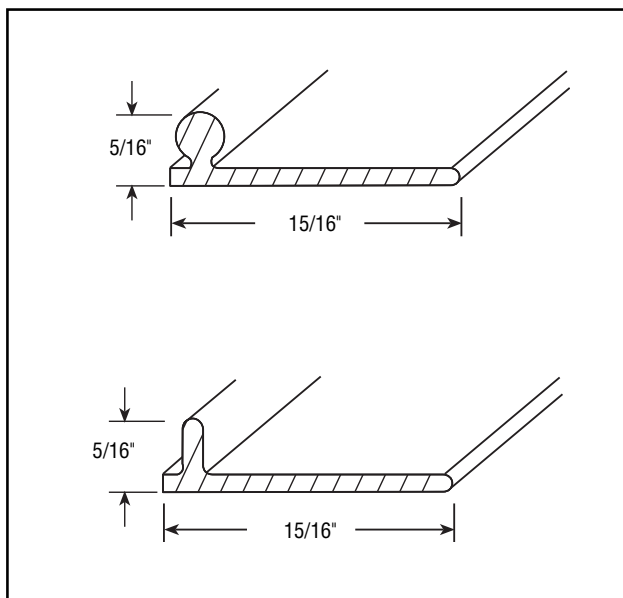
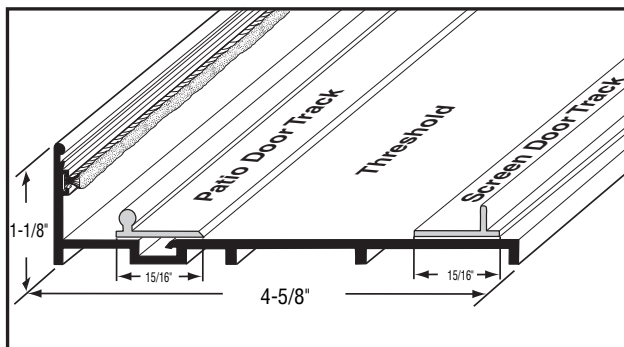
Type	Length	Anodized Aluminum	Anodized Bronze
Complete Kit	6'	D-1574	D-1644
	8'	D-1575	D-1645
	10'	D-1576	D-1646
	12'	D-1718	D-1719
5 Piece Extrusion Set Only	6'	D-1647	D-1648
	8'	D-1649	D-1650
	10'	D-1651	D-1652

**Note:** One set per carton.

### Outside Slider Installation



### Inside Slider Installation



#### GLASS TRACK (ONLY)

Length	Anodized Aluminum	Anodized Bronze
6'	D-1654	D-1669
8'	D-1659	D-1674
10'	D-1664	D-1679
12'	D-1743	D-1745

**Minimum order: 10 pcs. per box**

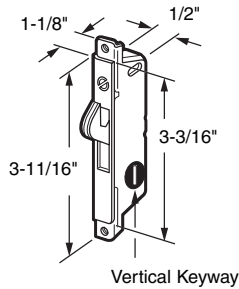
#### SCREEN TRACK (ONLY)

6'	D-1655	D-1670
8'	D-1660	D-1675
10'	D-1665	D-1680
12'	D-1744	D-1746

**Minimum order: 10 pcs. per box**



**151291**



Vertical Keyway

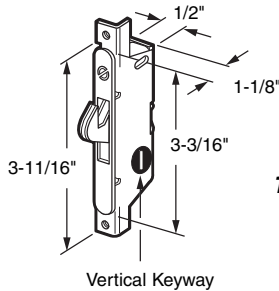
**151291**

## Mortise Lock

**Contents:** 1 lock; installation fasteners.

**Description:** Mortise installation; **steel housing and hook; square end face plate**; keyway is in **vertical position** with hook fully extended; hook projection is adjustable; fits on **Adams Rite**.

You may wish to stock these related parts: **14346, 14421, 142218, 14605**.



Vertical Keyway

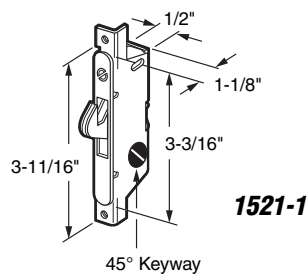
**152469**

**152469**

## Mortise Lock

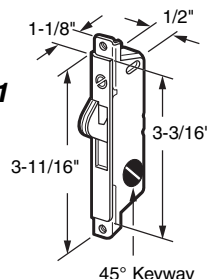
**Contents:** 1 lock; installation fasteners.

**Description:** Mortise installation; **steel housing and hook; round end face plate**; keyway is in **vertical position** with hook fully extended; hook projection is adjustable; fits on **Adams Rite**.



45° Keyway

**1521-1**



45° Keyway

**1521**

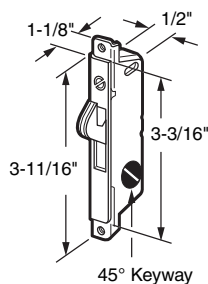
**1521**

**1521-1**

## Mortise Lock

**Contents:** 1 lock; installation fasteners.

**Description:** Mortise installation; **steel housing and hook; round or square end face plate**; keyway is in **the 45° position** with hook fully extended; hook projection is adjustable; fits on **Adams Rite**.



45° Keyway

**152504**

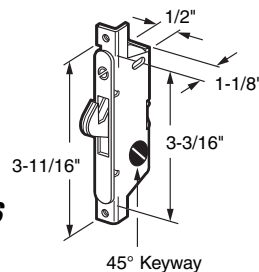
**152504** (45° keyway)

## Mortise Lock (Automatic)

**Contents:** 1 lock; installation fasteners.

**Description:** **Steel housing and hook**; hook is spring loaded; with adjustable projection; does not hold back in unlocked position; **automatically latches** door; **square end face plate**; keyway is in **the 45° position** with hook fully extended; fits on **Adams Rite**.

**152505**  
**1521-1-SS**



45° Keyway

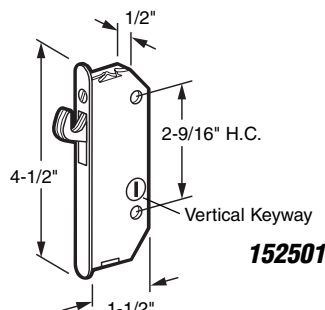
**152505** (Steel)

**1521-1-SS** (Stainless steel)

## Mortise Lock (Automatic)

**Contents:** 1 lock; installation fasteners.

**Description:** Mortise installation; **steel housing and hook**; hook is spring loaded; with adjustable hook projection; **automatically latches** door; **round end face plate**; keyway is in **the 45° position** with hook fully extended; fits on **Adams Rite**.



**152501**

**152501** (Vertical keyway)

## Mortise lock

**Contents:** 1 lock.

**Description:** **Stainless steel** mortise latch; adjustable bolt throw; will withstand approx. 1000 pound force horizontally and vertically to resist pry bar attack or to lift door off track.

You may wish to stock these related parts: **141841, 151035**.

## 152471

### Mortise Lock

**Contents:** 1 lock; installation fasteners.

**Description:** Mortise installation; **steel housing and hook; square end face plate**; keyway is in **vertical position** with hook fully extended; hook projection is adjustable; fits on **W&F**.

You may wish to stock these related parts: **14421, 14184, 142218, 152502**.

## 15410

### Mortise Lock

**Contents:** 1 lock; installation fasteners.

**Description:** Mortise installation; **steel housing and hook; round end face plate**; keyway is in **vertical position** with hook fully extended; hook projection is adjustable; fits on **W&F**.

You may wish to stock these related parts: **14421, 14184, 142218, 152502**.

## 15410-F

### Mortise Lock

**Contents:** 1 lock; installation fasteners.

**Description:** Mortise installation; **steel housing and hook; round end face plate**; keyway is in the **45° position** with hook fully extended; hook projection is adjustable; fits on **W&F**.

You may wish to stock these related parts: **14346, 14421, 142218, 141841, 152502**.

## 141725

### Mortise Lock and Keeper

**Contents:** 1 lock and keeper assembly with complete set of fasteners.

**Description:** Excellent for either **wood** or **aluminum** door application; integration of keeper and lock for positive **anti-lift** protection; **plated steel hook** is mounted in an **anti-friction pivot**, encased in **aluminum housing**; fits on **Penngo** and other manufacturers. Overall depth is 1-3/16".

You may also wish to stock these related parts: **141237, 142250, 141726**.

## 152510

### Mortise Lock and Keeper (Large housing)

**Contents:** 1 lock and keeper assembly with complete set of fasteners.

**Description:** Excellent for either **wood** or **aluminum** door application; integration of keeper and lock for positive **anti-lift** protection; **plated steel hook** is mounted in an **anti-friction pivot**, encased in **aluminum housing**; fits on **Traco** and other manufacturers. Overall depth is 1-9/16".

You may also wish to stock these related parts: **141237, 142250**.

## 152511

### Mortise Lock

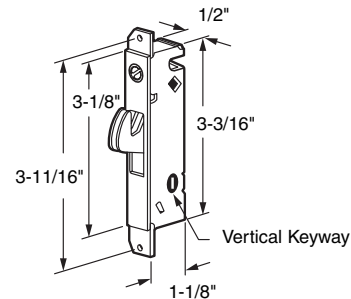
**Contents:** 1 lock; installation fasteners.

**Description:** **Diecast** construction; mortise lock for **wood** doors; used exclusively in **canada**.

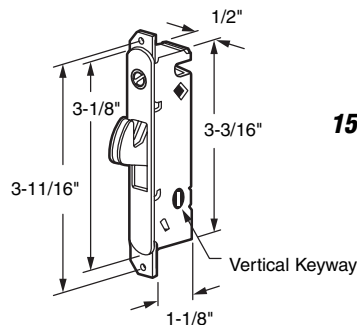
You may wish to stock these related parts: **151035**.

Call for  
Availability

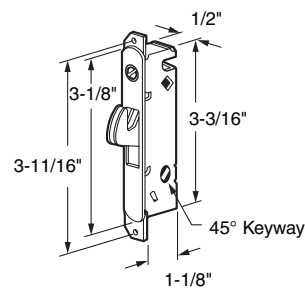
152471



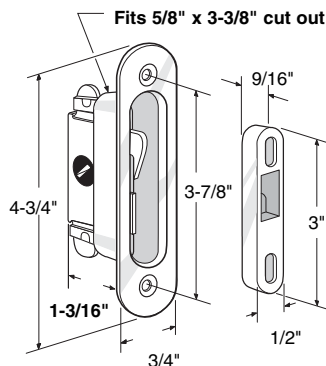
15410



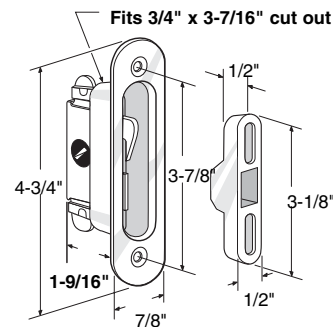
15410-F



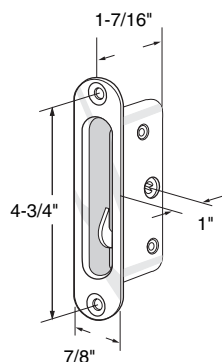
141725



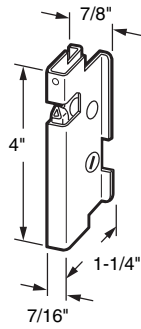
152510



152511



**14426**



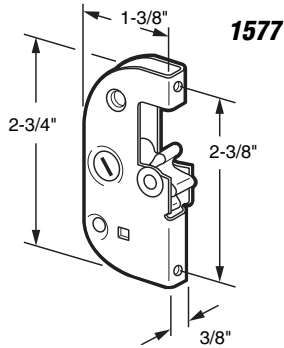
**14426**

## Mortise Lock

**Contents:** 1 lock; installation fasteners.

**Description:** Mortise installation; **steel housing**; fits on *Daryl Industries*.

You may wish to stock these related parts: **14421, 14422, 15669.**



**1577**

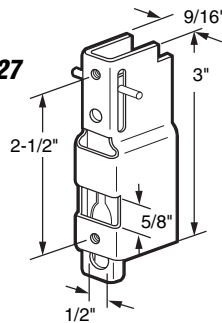
**1577**

## Mortise Lock

**Contents:** 1 lock; installation fasteners.

**Description:** Cog type lock assembly for old style *Arcadia* doors. Diecast cog and **steel housing**.

**151527**



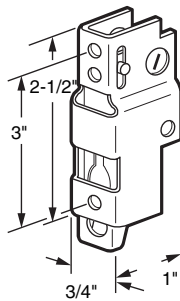
**151527**

## Mortise Lock

**Contents:** 1 lock; installation fasteners.

**Description:** Mortise installation; **steel lock and housing**; fits on *Guaranteed Products*.

You may wish to stock these related parts: **14479, 14480, 15481, 151310.**



**15389**

**15389**

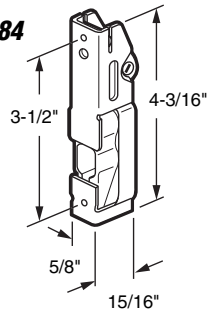
## Mortise Lock

**Contents:** 1 lock; installation fasteners.

**Description:** Mortise installation; **steel lock and housing**; fits on *Northrop*.

You may wish to stock these related parts: **151310.**

**15384**



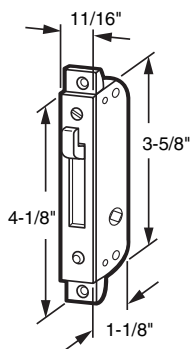
**15384**

## Mortise Lock

**Contents:** 1 lock; installation fasteners.

**Description:** **Steel lock and housing** with **stainless steel spring**; mortise installation; fits on *Northrop*.

You may wish to stock these related parts: **151310.**



**15500**

**15500**

## Mortise Lock

**Contents:** 1 lock; installation fasteners.

**Description:** Diecast lock housing; **steel hook and safety release button**; fits on *Parlyn 900* series

Call for Availability

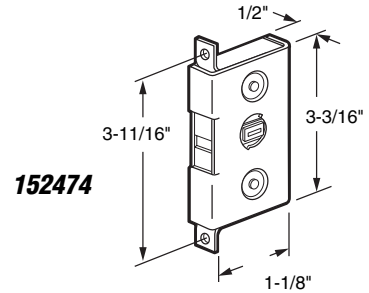
**152474**

## Mortise Lock

**Contents:** 1 lock; installation fasteners.

**Description:** Mortise installation; **steel housing; square end face plate;** mounting flanges have no. 6-32 threaded holes; fits on **W & F.**

Call for  
Availability



**152474**

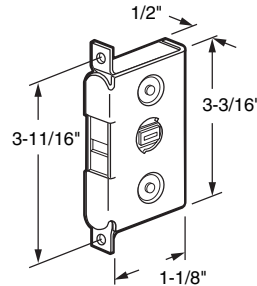
**15311-1**

## Mortise Lock

**Contents:** 1 lock; installation fasteners.

**Description:** Mortise installation; **steel housing; round end face plate;** mounting flanges have no. 6-32 threaded holes; fits on **W&F.**

Call for  
Availability



**15311-1**

**15187** (45° keyway)

## Mortise Lock

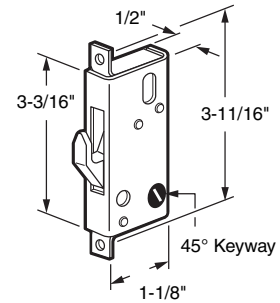
**Contents:** 1 lock; installation fasteners.

**Description:** Mortise installation; **steel housing and hook; square end face plate;** fits on **Arcadia & Saurenman.**

You may wish to stock these related parts: **14421.**

Call for  
Availability

**15187**



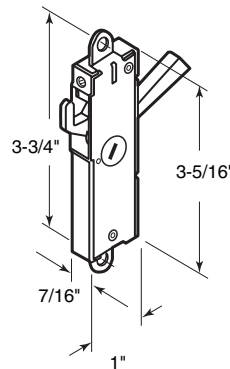
**15510**

**15510**

## Internal Lock

**Contents:** 1 lock; installation fasteners.

**Description:** Internal lock for surface mounted patio door handle set. **Steel housing and hook; black plastic** latch lever; with adjustable hook projection; fits on **Nothrop Architectural** and other manufacturers.



**15191**

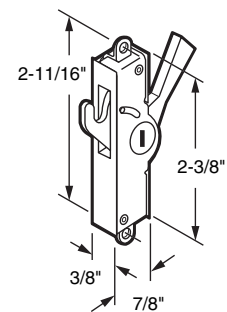
## Internal Lock

**Contents:** 1 lock; installation fasteners.

**Description:** Internal lock for surface mounted patio door handle, with **steel housing and hook; black plastic** latch lever; fits on **Adams Rite.**

You may wish to stock these related parts: **14387, 14387-B, 141968.**

**15191**



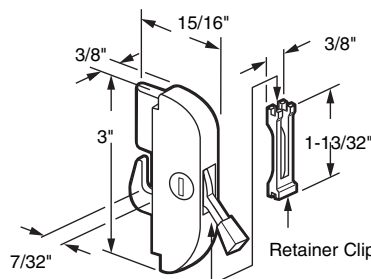
**151888**

## Internal Lock

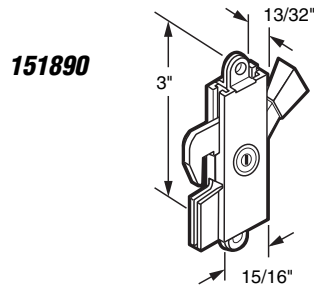
**Contents:** 1 lock; 1 retainer clip.

**Description:** **Diecast lock housing** with **steel hook and latch lever; plastic** retainer clip.

You may wish to stock these related parts: **14206, 142053, 142220, 142221, 142226, 142227.**



**151888**

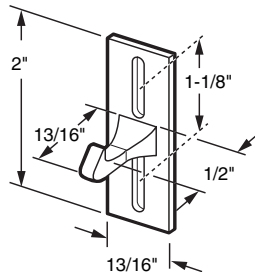


**151890**  
**Internal Lock**

**Contents:** 1 lock.

**Description:** Stamped aluminum housing with steel hook and latch lever; black plastic latch lever tip.

You may wish to stock these related parts: **15191, 15560, 151888.**



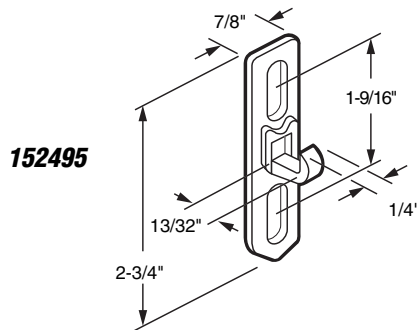
**152492** (Chrome)

**Keeper**

**Contents:** 1 keeper; installation fasteners.

**Description:** Diecast, face mount keeper; vertical slots allow for adjustment; fits on *Miller Industries*.

You may wish to stock these related parts: **14421.**



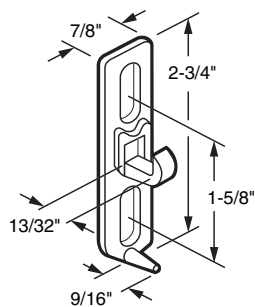
**152495** (Chrome)

**Keeper**

**Contents:** 1 keeper; installation fasteners.

**Description:** Diecast, face mount keeper; vertical slots allow for adjustment; fits on *Daryl Industries*.

You may wish to stock these related parts: **142372, 14903, E-2083.**



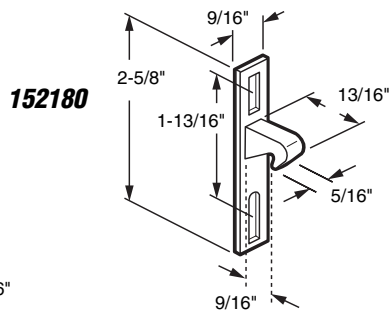
**152491** (Chrome)

**Keeper**

**Contents:** 1 keeper; installation fasteners.

**Description:** Diecast, face mount keeper; vertical slots allow for adjustment; fits on *Crossly*.

You may wish to stock these related parts: **142372, 14903, E-2083.**



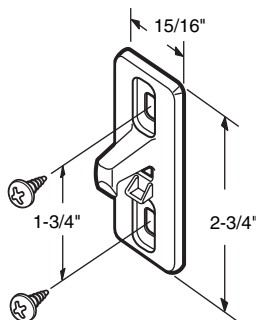
**152180**

**Keeper**

**Contents:** 1 keeper; installation fasteners.

**Description:** Zinc plated diecast keeper; face mount; vertical slots allow for adjustment.

You may wish to stock these related parts: **14186, 151955.**



**141531**

**Keeper**

**Contents:** 1 keeper; installation fasteners.

**Description:** Zinc plated diecast keeper with vertical slots for adjustment, fits *Daryl* and other doors.

You may wish to stock these related parts: **1495, 15189, 15190.**

# Sliding Patio Door

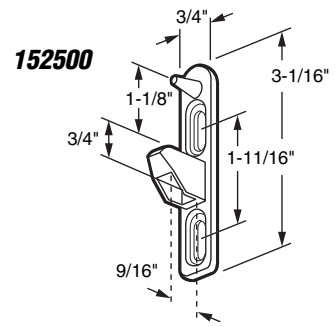
**152500** (Chrome)

## Keeper

**Contents:** 1 keeper; installation fasteners.

**Description:** Diecast keeper, face mount; anti-lift pin; vertical slots allow for adjustment.

You may wish to stock these related parts: **141638, 141640, 14436, 141975.**



**142029** (3/4" wide - chrome)

**14504** (1/2" wide - chrome)

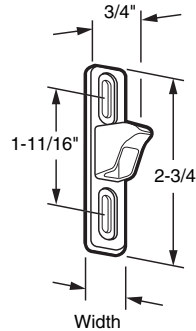
**142029-B** (3/4" wide - black)

## Keeper

**Contents:** 1 keeper; installation fasteners.

**Description:** Diecast keeper; screw slots allow for vertical adjustment; universal application.

You may wish to stock these related parts: **141638, 141640, 14436, 141975, 14416.**



**142029  
14504  
142029-B**

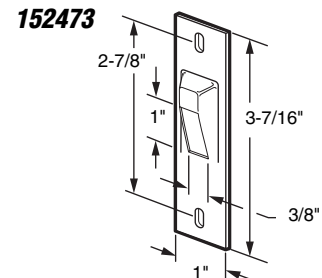
**152473**

## Keeper

**Contents:** 1 keeper; installation fasteners.

**Description:** Surface mount; for hook style latch; 1/4" projection; plated steel; fits on *W&F*.

*Call for  
Availability*



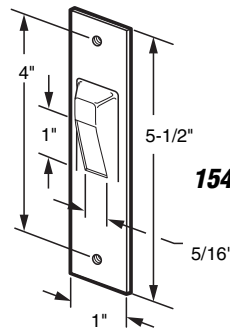
**15400-26**

## Keeper

**Contents:** 1 keeper; installation fasteners.

**Description:** Surface mount; for hook style latch; 1/4" projection; plated steel; fits on *W&F*.

You may wish to stock these related parts: **15410, 15410-F.**



**15400-26**

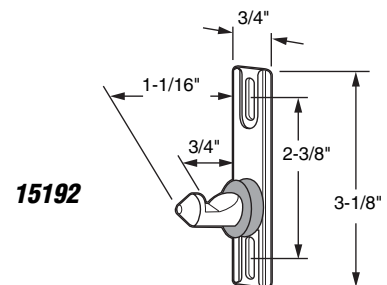
**15192**

## Keeper

**Contents:** 1 keeper; installation fasteners.

**Description:** Diecast keeper and rubber bumper; repair part for sliding patio door handle **141235**.

You may wish to stock these related parts: **1495, 15189, 15190.**



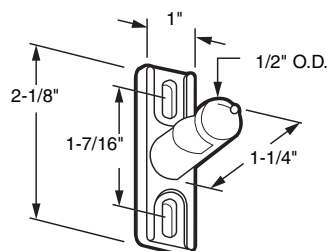
**15192**

**152499** (Chrome)

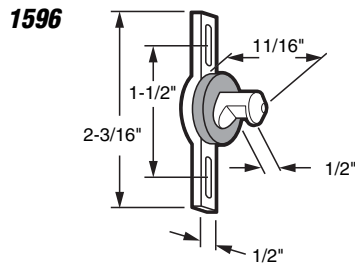
## Keeper

**Contents:** 1 keeper; installation fasteners.

**Description:** Diecast, face mount keeper; vertical slots allow for adjustment; fits on *Capitol & Parlyn*.



**152499**



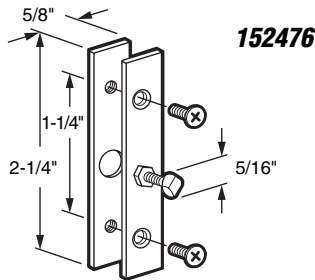
**1596**  
**Keeper (Narrow)**

**Contents:** 1 keeper; installation fasteners.

**Description:** Diecast keeper with round rubber bumper; fits on *Trimview* doors.

You may wish to stock these related parts: **15192**.

Call for  
Availability



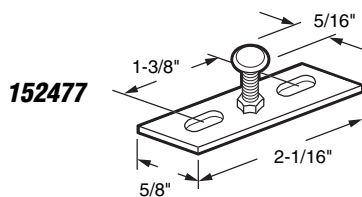
**152476**  
**Keeper**

**Contents:** 1 keeper; 1 backup plate; installation fasteners.

**Description:** Surface mount; for jaw style latch; plated steel; fits on *W&F*.

You may also wish to stock these related parts: **151291, 15410-F**.

Call for  
Availability



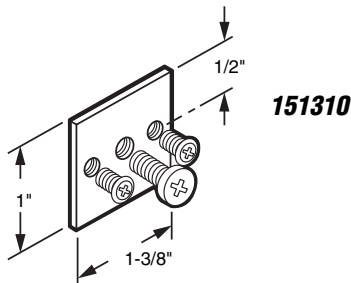
**152477**  
**Keeper**

**Contents:** 1 keeper; installation fasteners.

**Description:** Surface mount; for jaw style latch; adjustable; plated steel; fits on *W&F*.

You may wish to stock these related parts: **151310**.

Call for  
Availability



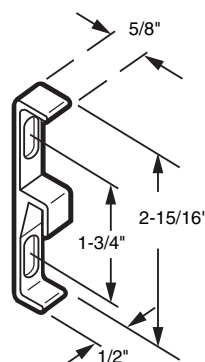
**151310**  
**Keeper**

**Contents:** 1 keeper; 1 set of installation fasteners.

**Description:** Adjustable keeper assembly; fits on *Guaranteed Products*.

You may wish to stock these related parts: **14479, 151527**.

**152498**  
**141974-W**



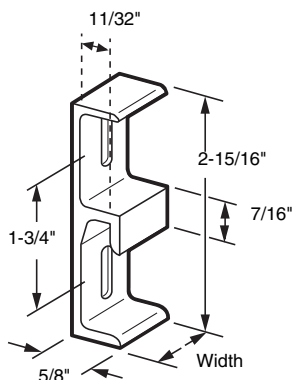
**152498** (Aluminum finish)  
**141974-W** (White)

**Keeper**

**Contents:** 1 keeper; installation fasteners.

**Description:** Zinc diecast keeper; face mount; vertical slots allow for adjustment.

You may wish to stock these related parts: **14206; 142053, 141974**.



**152506** (Wide - 3/4")  
**152517** (Wide - 11/32")  
**Keeper**

**Contents:** 1 keeper; installation fasteners.

**Description:** Extruded aluminum keeper; face mount design; vertical slots allow for adjustment.

You may wish to stock these related parts: **152479, 152480, 141974, 152498**.

# Sliding Patio Door

**14564** (Aluminum)

**14564-B** (Bronze)

## Keeper

**Contents:** 1 keeper; 1 angle bracket; installation fasteners.

**Description:** Extruded aluminum face mount keeper with 1/2" x 1/2" angle bracket; used as special anti-burglar plate.

**141974** (Aluminum)

**141974-B** (Black)

## Keeper

**Contents:** 1 keeper; 1 angle bracket; installation fasteners.

**Description:** Zinc diecast face mount keeper with 1/2" x 1/2" angle bracket; used as special anti-burglar plate.

You may wish to stock these related parts: **14206**, **142053**, **14665**, **14664**, **152498**.

**152481** (Aluminum)

**152481-B** (Black)

## Keeper

**Contents:** 1 keeper; installation fasteners.

**Description:** Extruded aluminum face mount keeper; screw slots allow for vertical adjustment.

You may wish to stock these related parts: **14206**, **142053**.

**152479** (Aluminum)

**152479-B** (Black)

## Keeper

**Contents:** 1 keeper; installation fasteners.

**Description:** Extruded aluminum keeper; face mount; designed for use on 4-1/2" jambs.

You may wish to stock these related parts: **142053**, **14656**.

**152480** (Aluminum)

**152480-B\*** (Black)

## Keeper

**Contents:** 1 keeper; installation fasteners.

**Description:** Extruded aluminum keeper; designed for use on 5-1/2" wide jambs, fits on *Sears* sliding doors.

\* Call for availability on this item.

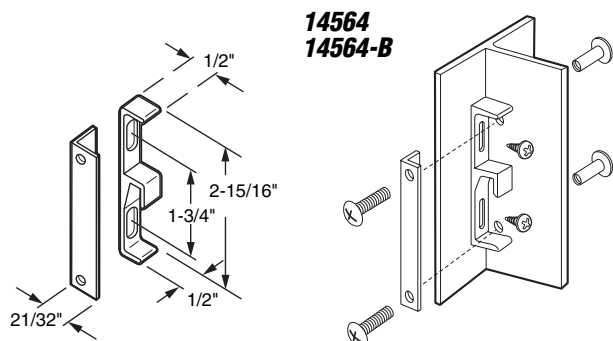
You may wish to stock these related parts: **142053**, **14656**.

**14967** (Aluminum)

## Keeper

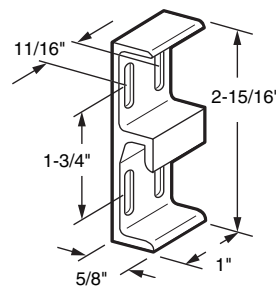
**Contents:** 1 keeper; installation fasteners.

**Description:** Extruded aluminum keeper; designed for use on *Unit Span* doors.



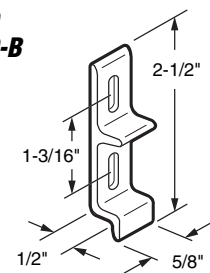
**14564**  
**14564-B**

**141974**  
**141974-B**

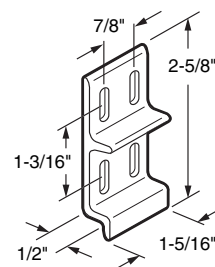


**152481**  
**152481-B**

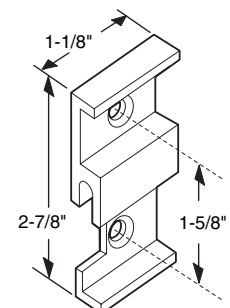
**152479**  
**152479-B**



**152480**  
**152480-B\***

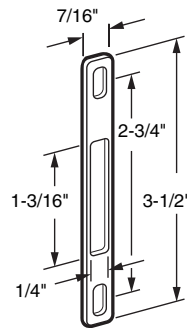


**14967**

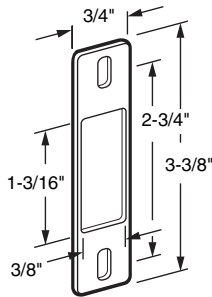




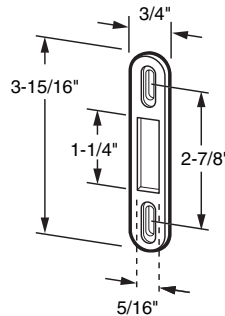
**15400-18**



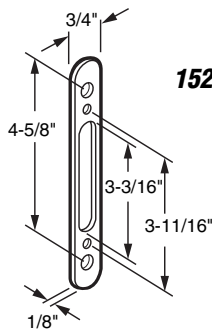
**15400-19**



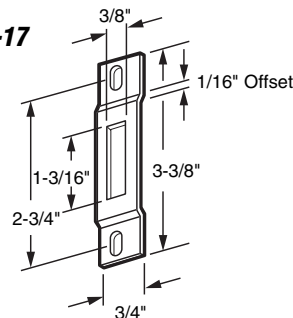
**151865**



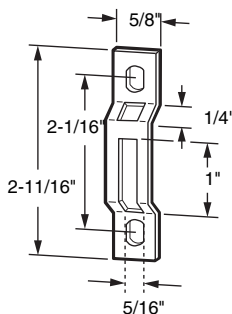
**152502**



**15400-17**



**152493**



## 15400-18

### Keeper (Narrow)

**Contents:** 1 keeper; installation fasteners.

**Description:** Surface mount; for hook style latch; **zinc plated steel**. Can be used as a reinforcing plate for slotted end stiles.

You may wish to stock these related parts: **151291, 15410-F**.

## 15400-19

### Keeper (Wide)

**Contents:** 1 keeper; installation fasteners.

**Description:** Surface mount; for hook style latch; **stainless steel**; can be used as a reinforcing plate for slotted end stiles.

You may wish to stock these related parts: **151291, 15410-F**.

## 151865

### Keeper

**Contents:** 1 keeper; installation fasteners.

**Description:** **Zinc plated steel**; acts to reinforce the latch hole on the door jamb; fits on **Adams Rite**.

You may wish to stock these related parts: **14200-A, 151291, 152469, 15410, 15410-F**.

## 152502

### Trim Plate

**Contents:** 1 trim plate; 1 fastener set.

**Description:** **Zinc plated steel** trim plate for adapting **152469** and **15410** mortise locks to wood door stiles.

You may wish to stock these related parts: **151291, 152469, 15187, 15410; 15410-F**.

## 15400-17

### Keeper

**Contents:** 1 keeper; installation fasteners.

**Description:** Surface mount; for hook style latch; **stainless steel**; fits on **W&F** and other manufacturers.

You may wish to stock these related parts: **15410, 15410-F**.

## 152493

### Keeper

**Contents:** 1 keeper; installation fasteners.

**Description:** **Stamped steel** keeper; narrow style design.

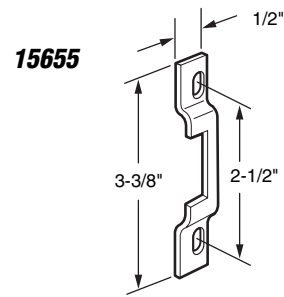
You may wish to stock these related parts: **14950; 14200-A; 14387; 151291; 152469; 15410, 15410-F**.

## 15655

### Keeper

**Contents:** 1 keeper; installation fasteners.

**Description:** 1 stamped aluminum strike; fits on *Premier* series 210 doors.



**15655**

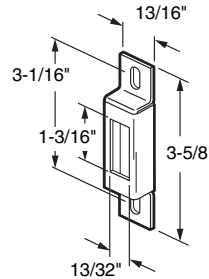
## 15400-20

### Keeper

**Contents:** 1 keeper; installation fasteners.

**Description:** Surface mount; for hook style latch; zinc plated steel. Used by *W&F*.

Call for  
Availability



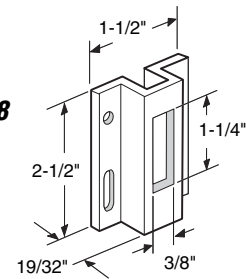
**15400-20**

## 152508 (White)

### Keeper

**Contents:** 1 keeper; installation fasteners.

**Description:** Extruded aluminum; surface mount; for hook style latch; fits on *Viking*.



**152508**

## 152482 (Aluminum)

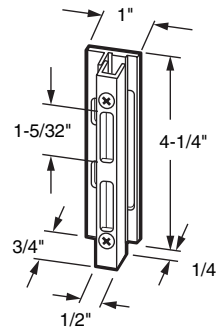
### 152482-B (Black)

### Keeper

**Contents:** 1 adjustable latch strike; installation fasteners.

**Description:** Extruded aluminum strike has projection adjustment; fits on *Pacific* and other manufacturers.

You may wish to stock these related parts: **14206, 14950, 14377, 142231.**



**152482  
152482-B**

## 152485 (Black)

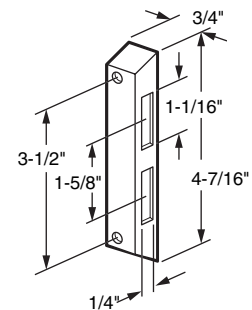
### 152518 (White)

### Keeper

**Contents:** 1 keeper; installation fasteners.

**Description:** Side mount; plastic keeper with metal insert; special fastener package to attach keeper to jamb.

You may wish to stock these related parts: **14206, 142220, 142226, E-2078.**



**152485  
152518**

## 152490 (Black)

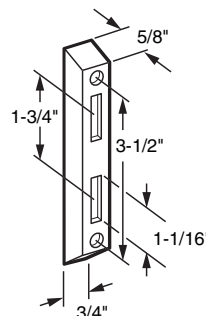
### 153497 (White)

### Keeper

**Contents:** 1 keeper; installation fasteners.

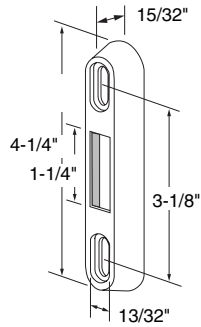
**Description:** Face mount; plastic keeper with metal insert.

You may wish to stock these related parts: **14206, 142053, 142220, 142226, E-2061.**



**152490  
153497**

**152509**

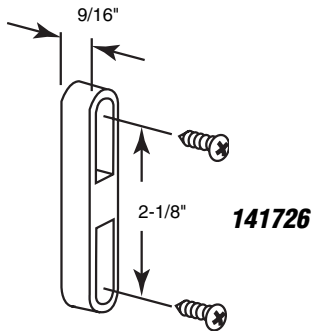


**152509**

**Keeper**

**Contents:** 1 keeper; installation fasteners.

**Description:** Diecast keeper; fits on *W&F*.



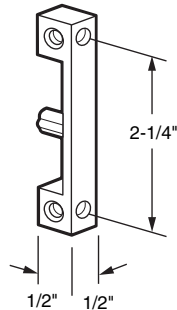
**141726**

**Keeper**

**Contents:** 1 keeper; installation fasteners.

**Description:** Zinc plated diecast adjustable keeper for mortise lock 141725.

**152483**  
**152483-B**



**152483** (Aluminum)

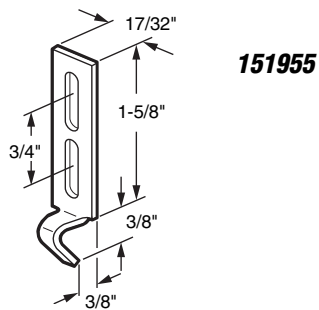
**152483-B** (Black)

**Keeper**

**Contents:** 1 keeper; installation fasteners.

**Description:** Heavy-duty diecast keeper; can be used for face or side mount.

You may wish to stock these related parts: **1233-R, 14950.**



**151955**

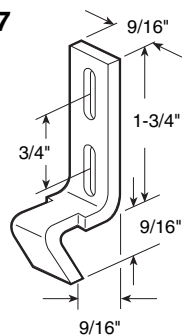
**Keeper**

**Contents:** 2 keepers; installation fasteners.

**Description:** Stamped steel keeper; screw slots allow for vertical adjustment.

You may wish to stock these related parts: **14186, 141866.**

**152507**



**152507**

**Keeper**

**Contents:** 2 keepers; installation fasteners.

**Description:** Stamped steel keeper; screw slots allow for vertical adjustment.

You may wish to stock these related parts: **151955.**

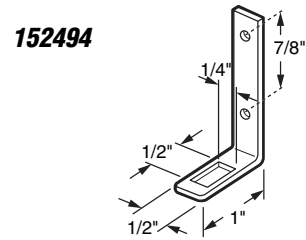
# Sliding Patio Door

**152494**

## Keeper

**Contents:** 1 keeper; installation fasteners.

**Description:** Stamped steel keeper; fits on *Daryl* and *Crossly*.



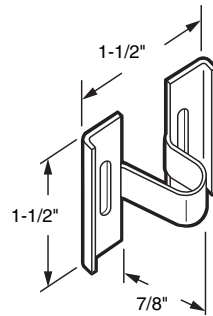
**15669**

## Keeper

**Contents:** 1 keeper; installation fasteners.

**Description:** Stamped steel keeper; designed to work with mortise lock *E-2027*; fits on *Daryl Doors*.

You may wish to stock these related parts: **14421**, **14422**, **14426**.



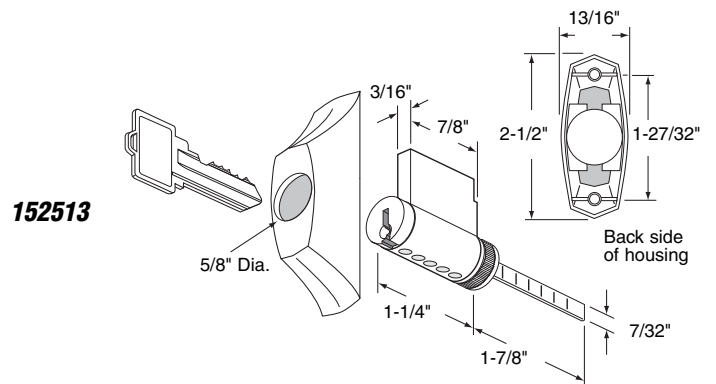
**15669**

**152513** (White)

## Keyed Locking Unit

**Contents:** 1 lock housing; 1 cylinder lock with 2 keys; installation fasteners.

**Description:** Diecast housing; used to convert **142263** to keyed locking handle.



**152513**

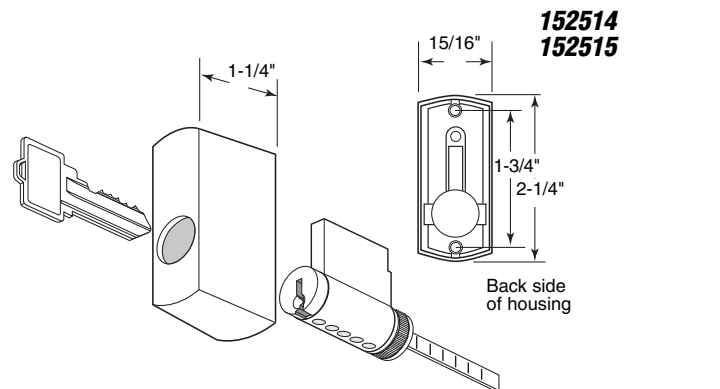
**152514** (White)

**152515** (Brass)

## Keyed Locking Unit

**Contents:** 1 lock housing; 1 cylinder lock with 2 keys; installation fasteners.

**Description:** Diecast housing; used to convert **142260**, **142262** & **142264** to keyed locking handle.



**152514**  
**152515**

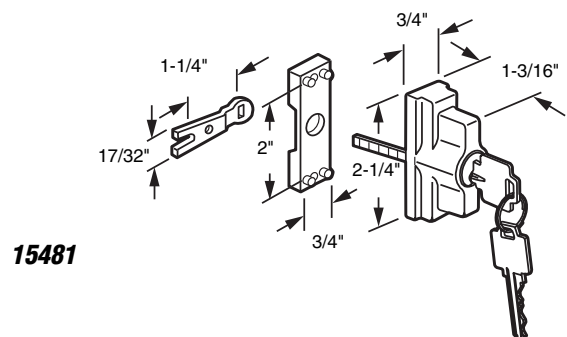
**15481**

## Keyed Locking Unit

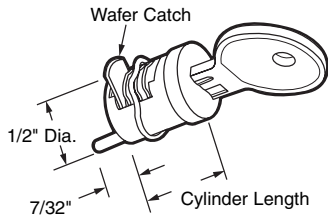
**Contents:** 1 lock housing; 1 lock activator yoke; 1 lock base; 1 cylinder lock with 2 keys; installation fasteners.

**Description:** Zinc diecast lock housing with activator yoke; plastic base; fits on *Guaranteed Products* to key lock **14479** handle set.

You may wish to stock these related parts: **14479**, **1505**, **15652**, **151310**.



**15481**



**141388** (cylinder length - 13/16")  
**14418** (cylinder length - 7/8")  
**141389** (cylinder length - 1-1/4")

**141388** (1" thick door)\*  
**14418** (1-1/8" thick door)  
**141389** (1-1/2" thick door)

## Cylinder Lock

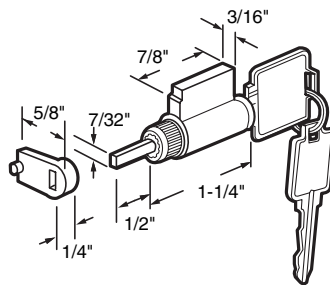
**Contents:** 1 lock with 2 keys.

**Description:** Wafer type; diecast housing; used to keylock most flush mount handle sets.

\*This lock is also available **keyed alike**, in bulk, with a maximum 25 units per KA number available.

You may wish to stock these related parts: **141638, 141640, 14436, 141975, 14416.**

**15968**

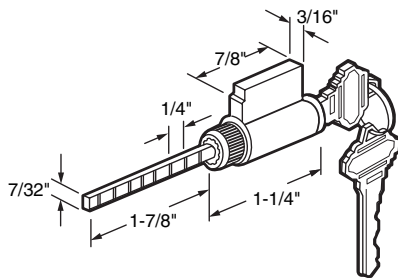


**15968** (with adapter)

## Cylinder Lock

**Contents:** 1 lock with 2 keys; 1 lock activator.

**Description:** 5 pin tumbler lock; solid brass housing; keyway is compatible with **Weiser, Kwikset** and **Weslock**; special diecast cam adapter; used by various manufacturers.



**1505-SG-KD**  
**1505-SG-KA**

**1505-SG-KD**

**1505-SG-KA** (Keyed alike)

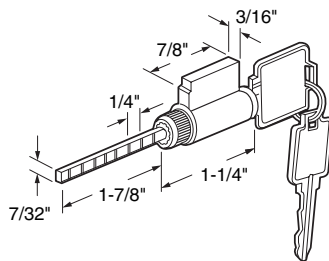
## Cylinder Lock

**Contents:** 1 lock with 2 keys.

**Description:** 5 pin tumbler lock; hardened break-away tailpiece; **Schlage** keyway; used to keylock most surface mount handle sets.

You may also wish to stock these related parts: **1505, 15190, 15481.**

**1505**  
**1505-KA**



**1505**

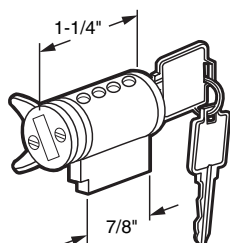
**1505-KA** (Keyed alike)

## Cylinder Lock

**Contents:** 1 lock with 2 keys.

**Description:** 5 pin tumbler lock with 2 keys; hardened break-away tailpiece; keyway is compatible to **Weiser, Kwikset** & **Weslock**; used to keylock most surface mount handle sets.

You may also wish to stock these related parts: **14572-B, 15502, 15501, 15565-A.**



**15189**

**15189**

## Cylinder Lock

**Contents:** 1 lock with 2 keys.

**Description:** 5-pin tumbler style lock with diecast latch activator; used to keylock **141235** handle; keyway is compatible to **Weiser, Kwikset** & **Weslock**.

You may wish to stock these related parts: **1505, 15190, 1505-SG-KD.**

Call for  
Availability

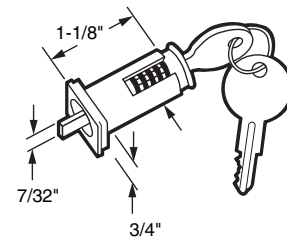
**15644**

## Cylinder Lock

**Contents:** 1 lock; 1 plastic housing; 2 keys.

**Description:** Wafer type; flat activator link 1/2" long; fits on *Wright Products*.

**15644**

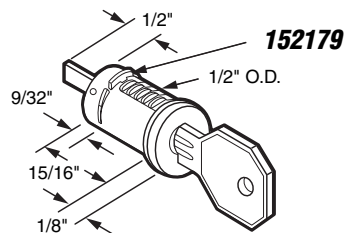


**152179**

## Cylinder Lock

**Contents:** 1 lock; 2 keys.

**Description:** Key locking unit with flat tab; diecast construction; wafer type; fits on *Wright Products*.



**14904**

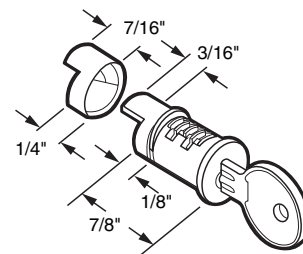
## Cylinder Lock

**Contents:** 1 lock; 2 keys.

**Description:** Key lock used on **14903** handle; includes plastic activator tip.

You may wish to stock these related parts: **14903**, **14902**.

**14904**



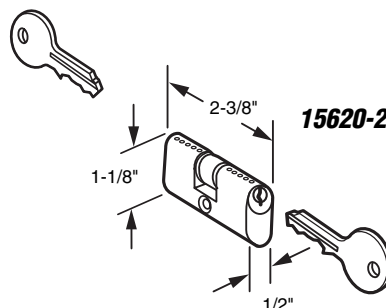
**15620-2** (Brushed chrome)

*Call for Availability*

## Cylinder Lock

**Contents:** 1 lock; 2 keys and installation fasteners.

**Description:** Solid brass double cylinder key lock, 5 pin tumbler used on multi-thickness security doors.



**15620-2**

**15565-A** (Aluminum)

**15565-B** (Black)

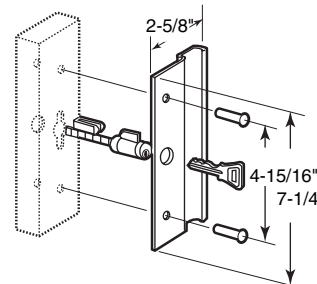
## Keyed Locking Pull

**Contents:** 1 outside pull; 1 locking cylinder; 1 cylinder clip.

**Description:** Extruded aluminum flush outside pull with keyed locking unit; locking unit tailpiece with break-off points; used by many manufacturers for **4-15/16" hole center** installations.

You may wish to stock these related parts: **1505**, **15502**.

**15565-A**  
**15565-B**



**15566-A** (Aluminum)

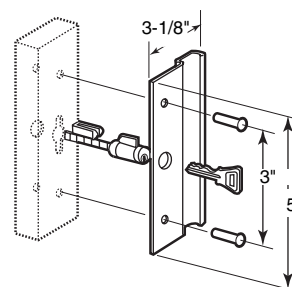
**15566-B** (Black)

## Keyed Locking Pull

**Contents:** 1 outside pull; 1 locking cylinder; 1 cylinder clip.

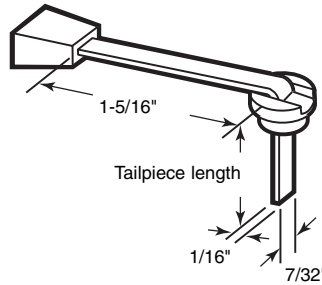
**Description:** Extruded aluminum flush outside pull with keyed locking unit; locking unit tailpiece with break-off points; used by many manufacturers for **3" hole center** installations.

You may wish to stock these related parts: **14347**, **142228**, **14538-B**, **1505**.



**15566-A**  
**15566-B**

**15778**  
**152512**  
**151881**



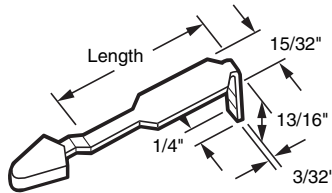
**15778** (3/4" long tailpiece)  
**152512** (1" long tailpiece)  
**151881** (1-1/4" long tailpiece)

## Latch Lever

**Contents:** 1 latch lever with plastic bushing.

**Description:** Steel latch lever with plastic thumb button.

You may wish to stock these related parts: **14346, 141841, 1505, 151291, E-2009, 15410, 15410-F.**



**15806**  
**15593**

**15806** (1-5/8")  
**15593** (2")

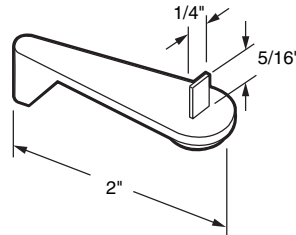
## Latch Lever

**Contents:** 1 latch lever.

**Description:** Stamped steel lever with black plastic tip; fits on *Adams Rite*.

You may wish to stock these related parts: **151291, E-2009.**

**15460**



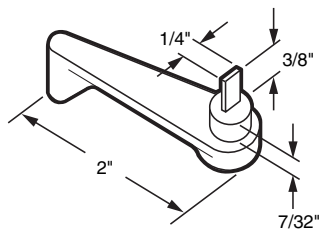
**15460** (Black)

## Latch Lever

**Contents:** 1 latch lever.

**Description:** Plastic with steel pin; fits on *Marshall* and others.

Call for  
Availability



**15199**

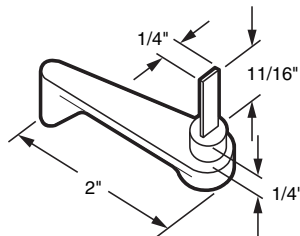
**15199** (Gray)

## Latch Lever

**Contents:** 1 latch lever.

**Description:** Plastic with steel pin; fits on *Arcadia* and other manufacturers.

**152489**

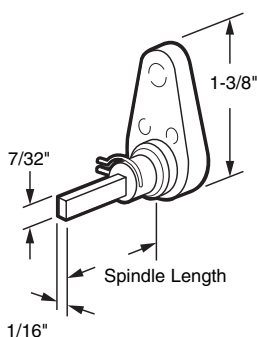


**152489** (Gray)

## Latch Lever

**Contents:** 1 latch lever.

**Description:** Plastic with steel pin; used by several manufacturers.



**151034**  
**151309**

**151034** (1" long spindle)  
**151309** (1-1/2" long spindle)

## Latch Lever (Gray)

**Contents:** 1 lever, washer, spring washer and pin.

**Description:** Diecast latch lever with steel pin; fits on *Fleetwood* and other manufacturers.

You may wish to stock these related parts: **14421, 14422, 14184.**

Call for  
Availability

**15188**

## Latch Lever

**Contents:** 1 latch lever.

**Description:** Diecast with steel pin; fits on *Arcadia*.

**14425**

## Latch Lever and Escutcheon Plate

**Contents:** 1 thumbturn and plate.

**Description:** Aluminum plate; diecast thumbturn with steel pin; used by many manufacturers

You may wish to stock these related parts: **14421, 151291, E-2009, 15400, 15410, 15410-F, 151309.**

**151035**

## Latch Lever and Escutcheon Plate

**Contents:** 1 latch lever; 1 plate, installation fasteners.

**Description:** Diecast lever with steel pin and aluminum plate; repair part for sliding patio door handles; fits on *Hollyview* and other manufacturers, popular part for **14184**.

You may wish to stock these related parts: **14421, 14422, 151291, 152469, 15400, 15410, 151034, 151309.**

**152516** (White)

## Thumbturn and Escutcheon Plate

**Contents:** 1 thumbturn & plate; installation fasteners.

**Description:** Diecast thumbturn and plate, tail piece is 1-1/16" long and turned 45° from thumbturn.

You may wish to stock these related parts: **15410-F, 141725, 152510.**

**14503**

## Latch Lever

**Contents:** 1 latch lever and rivet.

**Description:** Plastic lever; fits on *International* handle sets **14347, 14538, 142228, 14538-B.**

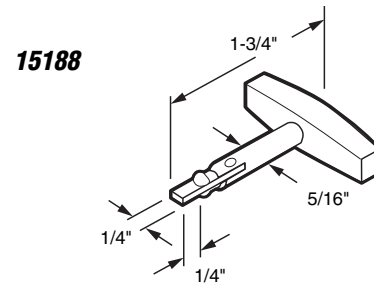
**152486**

## Latch Lever

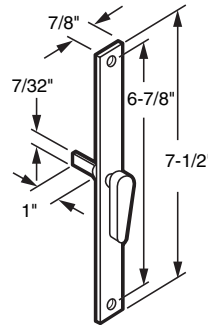
**Contents:** 1 latch lever, 1 machine screw.

**Description:** Diecast lever; repair part for *Fullview* handle set **14200-A.**

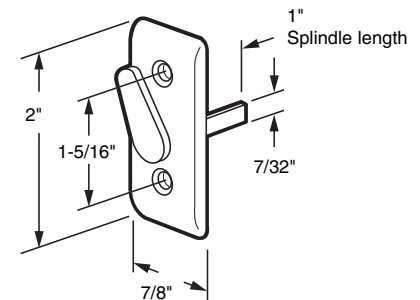
You may wish to stock these related parts: **1233-R, 14200-A.**



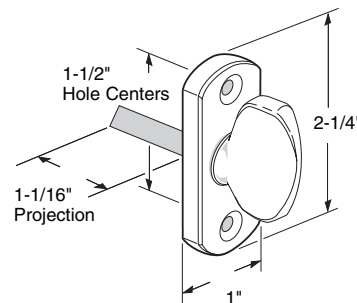
**15188**



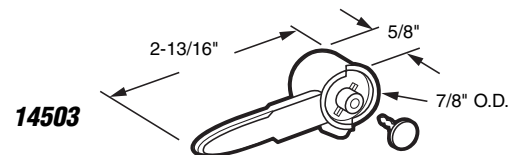
**14425**



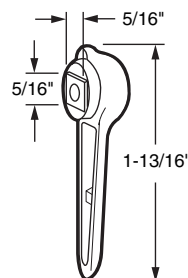
**151035**



**152516**

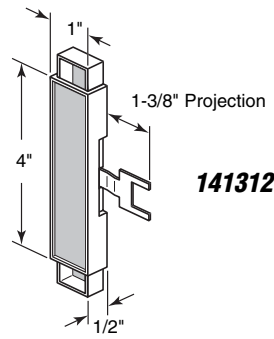


**14503**

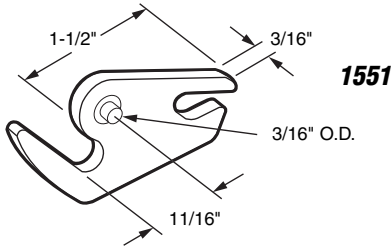


**152486**

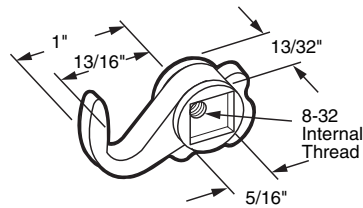




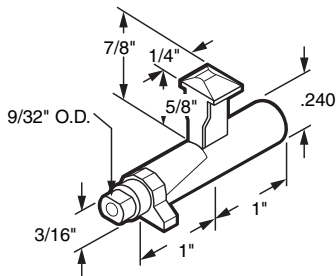
**141312**



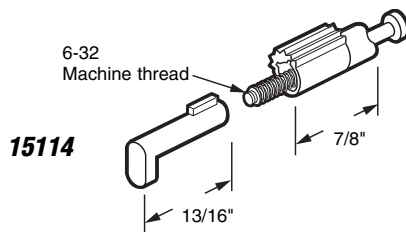
**1551**



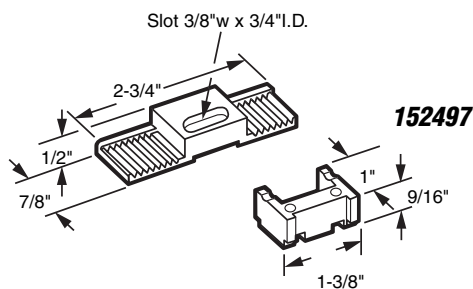
**1511**



**152503**



**15114**



**152497**

**141312** (Black)

## Slide Latch Assembly

**Contents:** 1 latch assembly; installation fasteners.

**Description:** Plastic housing with stamped steel activator fork; replacement latch for **14479** handle set, fits on *Guaranteed Products*.

You may wish to stock these related parts: **14479**, **13482**, **151527**, **151310**.

## 1551 Latch Hook

**Contents:** 1 latch hook.

**Description:** Diecast hook; repair part for *Horizon* door handle set **14300**.

Call for  
Availability

## 1511 Latch Hook

**Contents:** 1 hook; 1 spring; installation fasteners.

**Description:** Diecast hook; repair part for old style *Fullview* surface mounted handle sets, **14200-A** & **14200-B**.

## 152503 Latch Hook

**Contents:** 1 hook.

**Description:** Diecast hook for 1-1/4" thick doors; as used on **14186** & **141866** handle sets.

## 15114 Latch Pins

**Contents:** 2 spring loaded latching assemblies.

**Description:** Plastic sleeves with steel inserts; locking pins fits on *Ador/HiLite* on **14183** & **14183-B** handle sets.

You may wish to stock these related parts: **14584-A**, **15585-A**, **14183**, **14183-B**, **E-2092**.

## 152497 Latch Repair Kit

**Contents:** 1 center gear slide; 2 end caps.

**Description:** Plastic component parts for *Adore/HiLite* locking mechanism on handle sets **14183** & **14183-B**.

You may wish to stock these related parts: **14183**, **14183-B**, **15114**.

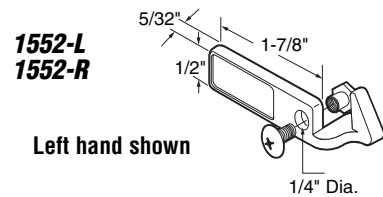
# Sliding Patio Door

**1552-L** (Left hand)  
**1552-R** (Right hand)

## Latch Hook

**Contents:** 1 hook; 1 special binder post; 1 Phillips head machine screw.

**Description:** Diecast hook; repair part for *Trimview* patio door lock; specify left hand or right hand, viewing from inside.



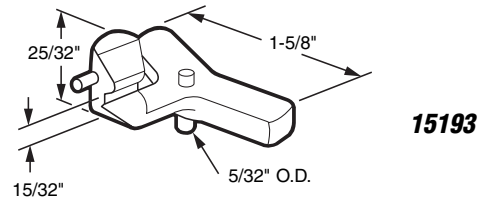
**15193**

## Latch Lever

**Contents:** 1 latch lever.

**Description:** Diecast latch; fits on *Trimview* handle set **1495**.

You may also wish to stock these related parts: **1495, 15194, 15195**.



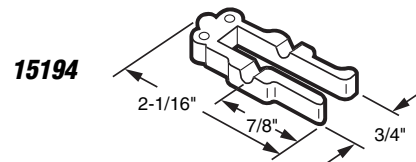
**15194**

## Latch Yoke

**Contents:** 1 yoke.

**Description:** Diecast yoke; fits on *Trimview* handle set **1495**.

You may wish to stock these related parts: **1495, 15193, 15195**.



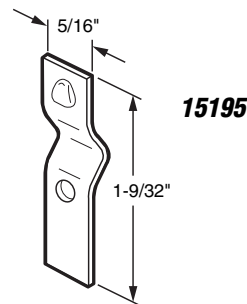
**15195**

## Latch Spring

**Contents:** 1 spring.

**Description:** Steel latch spring; fits on *Trimview*, repair part for **1495** handle set.

You may wish to stock these related parts: **1495, 15193, 15194**.



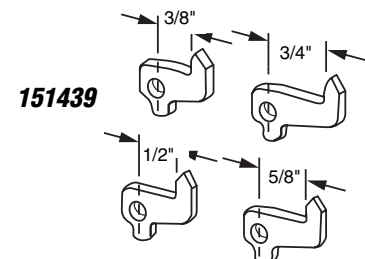
**151439**

## Hook Set

**Contents:** 4 Hooks.

**Description:** Stamped steel hooks for flush style lock assemblies; 4 projections; universal design.

You may also wish to stock these related parts: **141638, 141642, 14436, 141975**.



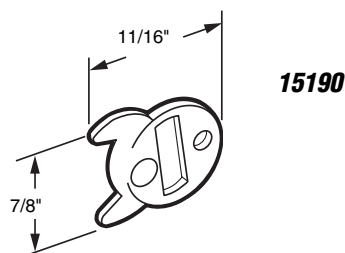
**15190**

## Lock Adapter

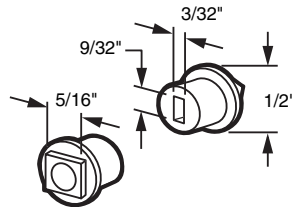
**Contents:** 1 adapter.

**Description:** Diecast adapter; used as lock activator on **15189** locking cylinder.

You may wish to stock these related parts: **15189, 1495, 15194, 15193**.



**15501**



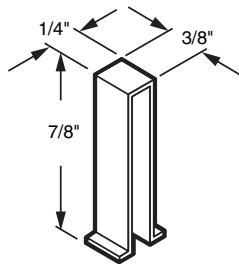
**15501**

## Locking Cylinder Adapter

**Contents:** 1 adapter.

**Description:** Diecast adapter; provides connection between cylinder lock and latch assembly used with **14200-A** handle set.

You may wish to stock these related parts: **1449, 14538-B, 1505.**



**15502**

**15502**

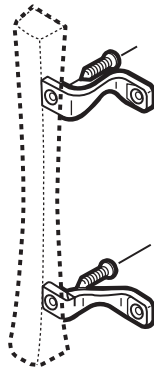
## Lock Clip

**Contents:** 1 clip.

**Description:** Lock retainer clip; **spring steel**; holds cylinder in place on many doors.

You may wish to stock these related parts: **1505, 15565, 15566-B.**

**151784**



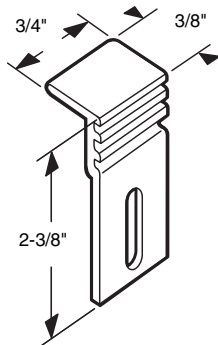
**151784**

## Handle Brackets

**Contents:** 1 left hand and 1 right hand bracket; 1 fastener set.

**Description:** Diecast chrome plated bracket set for attaching wood handles.

You may wish to stock these related parts: **141638, 141642.**



**14966**  
**14966-B**

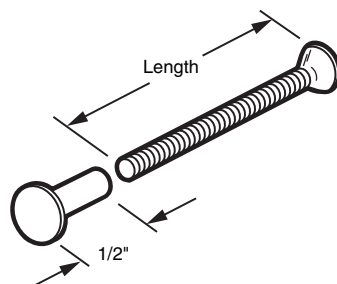
**14966** (Aluminum)

**14966-B** (Bronze)

## Panel Clip

**Contents:** 4 Clips and installation screws.

**Description:** Used to secure stationary panel on **Ador/HiLite** series 1200 patio door.



**15832-E** (1" Aluminum)

**15832-A** (1-1/4" Aluminum)

**15832-B** (1-1/2" Aluminum)

**15832-C** (2" Aluminum)

**15832-D** (2-1/4" Aluminum)

**152484-E** (1" Black)

**152484-A** (1-1/4" Black)

**152484-B** (1-1/2" Black)

**152484-C** (2" Black)

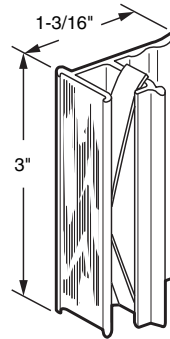
**152484-D** (2-1/4" Black)

## Binder Posts and Fasteners

**Contents:** (2) 1/2" binder posts; 2 Phillips flat head machine screws.

**Description:** Used for attaching handle sets to sliding patio doors and sliding screen doors; check part numbers for screw length.

**172382**  
**172383**



**172382\*** (Aluminum finish)  
**172383** (Bronze finish)

## Pull and Latch

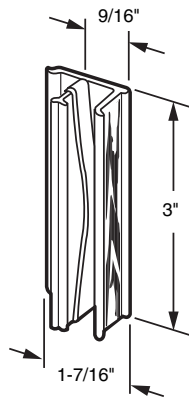
**Contents:** 1 pull with spring.

**Description:** Extruded aluminum latch and pull with wood grain feature strip; self-latching spring-loaded action; fits on *Keller Industries*.

\* Call for availability on this item.

You may also wish to stock these related parts: **17813**.

**17587**  
**17587-B**



**17587** (Aluminum)  
**17587-B** (Black)

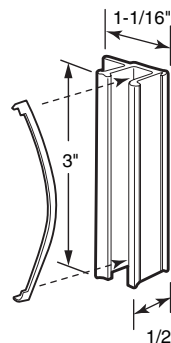
## Pull and Latch

**Contents:** 1 extruded aluminum pull with spring.

**Description:** Adjustable, self-latching handle; position can be raised or lowered for convenience; fits on *International* on "Roller King-Queen" windows.

You may also wish to stock these related parts: **172001**, **17239**.

**171652**



**171652** (Black finish)

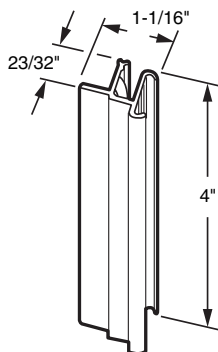
## Pull and Latch

**Contents:** 1 extruded aluminum pull with spring.

**Description:** Adjustable, self-latching handle; position can be raised or lowered for convenience; fits on *Guaranteed Products*.

You may also wish to stock these related parts: **17754**, **171648**, **171540**, **171538**, **171572**.

**17473**



**17473** (Black)

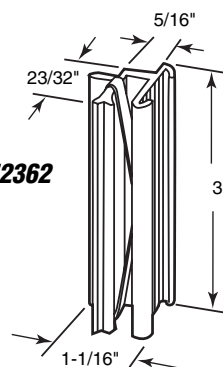
## Pull and Latch

**Contents:** 1 plastic extruded pull with spring.

**Description:** Adjustable, self-latching handle; position can be raised or lowered for convenience; fits on *Rusco-HiLite*.

You may also wish to stock these related parts: **172362**, **17474**, **17474-S**.

**172362**



**172362** (Black)

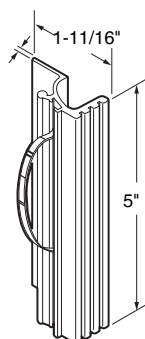
## Pull and Latch

**Contents:** 1 plastic extruded pull with spring.

**Description:** Adjustable, self-latching handle; position can be raised or lowered for convenience; fits on *Rusco-HiLite*.

You may also wish to stock these related parts: **17473**, **17474**, **17474-S**.

**17401**



**17401** (Aluminum finish)

## Pull and Latch

**Contents:** 1 extruded aluminum pull with spring.

**Description:** Adjustable, self-latching handle with wood grain feature strip; can be raised or lowered for convenience; fits on *Lupton*.

You may also wish to stock these related parts: **17813**.

# Sliding Window Latches

**171991** (Black)

## Pull and Latch

**Contents:** 1 latch with spring.

**Description:** Plastic handle; spring-loaded automatic latching feature; fits on *Bee Cee*.

You may also wish to stock these related parts: **172527**, **172535**, **172544**.

**172443-B** (Black finish)

**172443-W** (White finish)

## Pull and Lock

**Contents:** 1 pull; 1 lock assembly with spring.

**Description:** Adjustable; self latching handle; diecast assembly utilizing a secondary night lock for additional security; fits on *Superior*.

You may also wish to stock these related parts: **17239**, **172569**.

**172361** (Aluminum finish)

**17237** (Black finish)

## Pull and Latch

**Contents:** 1 extruded aluminum pull with spring latch assembly.

**Description:** Adjustable, self-latching handle; position can be raised or lowered for convenience; fits on *Hi-Lite* convertible windows.

**Note:** Repair part for this item is: **17506**.

You may wish to stock these related parts: **17144**, **172546**, **17474-S**.

**172384** (Aluminum finish)

**172385** (Bronze finish)

## Pull and Latch

**Contents:** 1 latch assembly; 1 set of installation screws.

**Description:** Aluminum extruded handle; wood grain feature strip; black plastic mounting bracket; fits on *Tomrays Tyco 66* single glazed windows.

You may wish to stock these related parts: **17610**.

**172386** (Aluminum finish)

## Pull and Latch

**Contents:** 1 latch assembly; 1 set of installation screws.

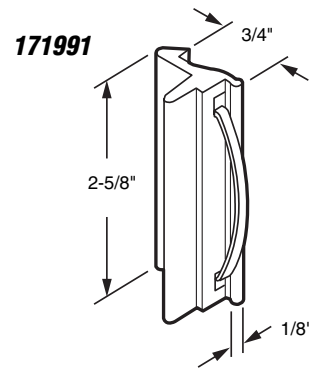
**Description:** Aluminum extruded handle; wood grain feature strip; black plastic mounting bracket; fits on *Tomrays Tyco 77* dual-glazed windows.

**17553** (Black)

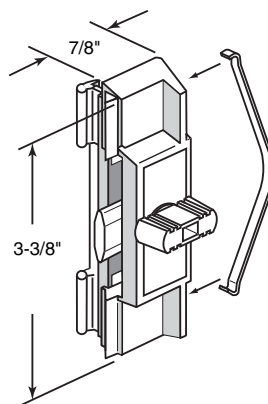
## Pull and Latch

**Contents:** 1 plastic pull assembly with spring; 1 set of installation screws.

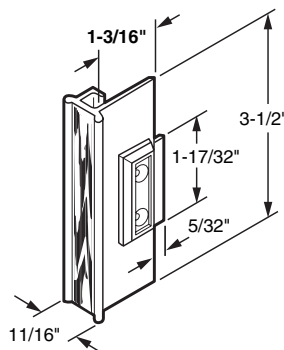
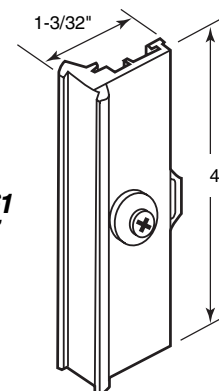
**Description:** Automatic latching feature; surface mount; used by several window manufacturers.



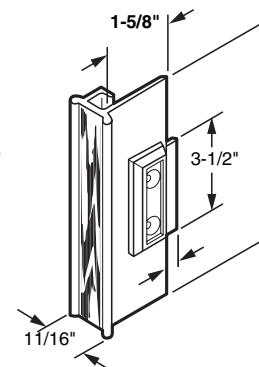
**172443-B**  
**172443-W**



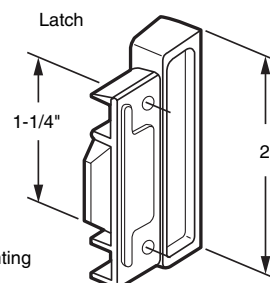
**172361**  
**17237**



**172384**  
**172385**

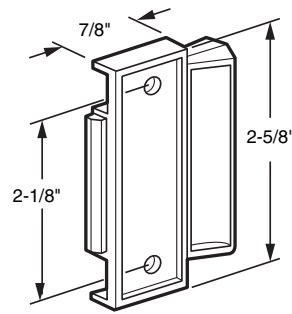


**172386**



**17553**

**17505**

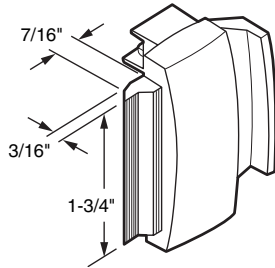


**17505** (White)

## Pull and Latch

**Contents:** 1 plastic pull with 2 springs, 1 set of installation screws.

**Description:** Automatic latching feature; surface mount; used by several window manufacturers.



**172366**  
**172367**

**172366** (Gray finish)

**172367** (Bronze finish)

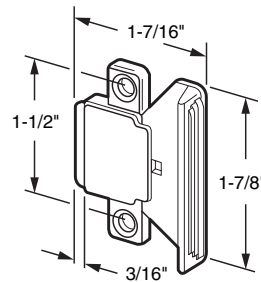
## Pull and Latch

**Contents:** 1 latch assembly.

**Description:** Diecast, spring-loaded latch designed for *Crossly* windows; self-latching feature.

You may wish to stock these related parts: **172529**.

**17238**

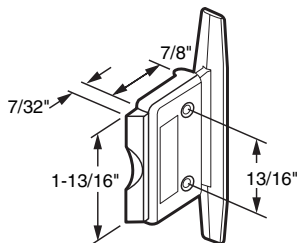


**17238** (Brite zinc)

## Pull and Latch

**Contents:** 1 diecast latch assembly with spring; 1 set of installation screws.

**Description:** Automatic latching feature; surface mount; for left or right hand windows; used by several window manufacturers.



**17371**

**17371** (Black)

## Pull and Latch

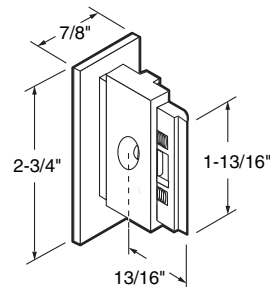
**Contents:** 1 latch assembly; 1 set of installation screws.

**Description:** Plastic; spring-loaded latch; fits on *Rolleze* windows.

**Note:** Part no. **171754** replaces this part.

You may wish to stock these related parts: **171391**.

**171754**



**171754** (Black)

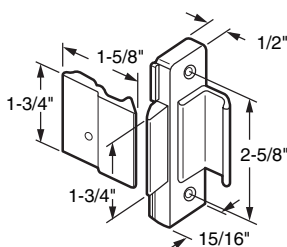
## Pull and Latch

**Contents:** 1 pull assembly; 1 set of installation screws.

**Description:** Plastic construction; spring-loaded latch; fits on *Rolleze* windows.

**Note:** This latch replaces **17371**.

You may wish to stock these related parts: **171391**, **171722**.



**172364**  
**173500**

**172364** (Aluminum finish)

**173500** (Bronze finish)

## Pull and Latch

**Contents:** 1 latch assembly; 1 strike; 1 set of installation screws.

**Description:** Combination of diecast and extruded aluminum parts to form self-latching, spring-loaded latch for *International* windows.

You may wish to stock these related parts: **17239**, **172110**, **172568**, **172569**.

Call for  
Availability

# Sliding Window Latches

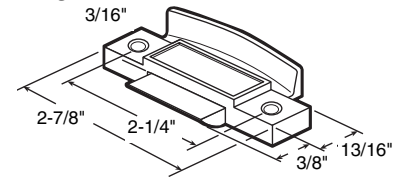
**172420** (Black finish)

## Pull and Latch

**Contents:** 1 latch assembly; 1 set of installation screws.

**Description:** Heavy-duty **diecast** construction; **spring-loaded latch** for smooth non-binding operation. This handle will fit a variety of retro-fit window applications.

**172420**



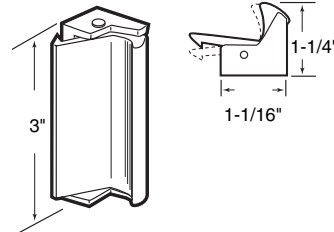
**17899** (Black)

## Pull and Latch

**Contents:** 1 pull assembly; 1 set of installation screws.

**Description:** **Plastic pull and latch**; **spring loaded**; self latching; fits on *Premiere Series 510 Imperial* windows.

You may wish to stock these related parts: **17901**.



**17899**

**17719** (Black)

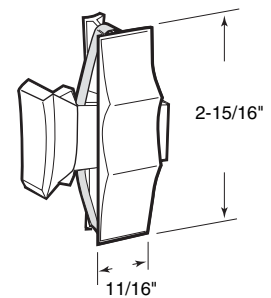
## Pull and Latch

**Contents:** 1 latch assembly; 1 set of installation screws.

**Description:** **Vinyl** construction; spring activated latch handle; fits on *Marshall Windows*.

Call for Availability

**17719**



**17735** (Aluminum finish)

## Pull and Latch

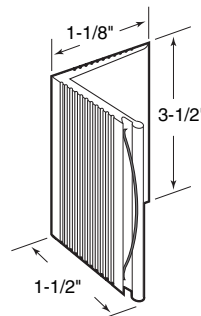
**Contents:** 1 latch with spring.

**Description:** **Extruded aluminum** pull; self latching; **spring loaded**; fits on *Premiere integral muntin* windows.

You may wish to stock these related parts: **17325**, **17813**, **17721**.

Call for Availability

**17735**



**17736** (Aluminum finish)

## Pull and Latch

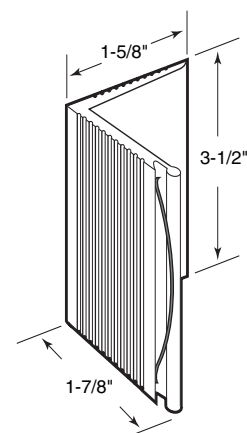
**Contents:** 1 latch with spring.

**Description:** **Extruded aluminum** pull; self latching; **spring loaded**; fits on *Premiere dual glazed* windows.

You may wish to stock these related parts: **17739**.

Call for Availability

**17736**



**172407** (Aluminum finish)

## Pull and Latch

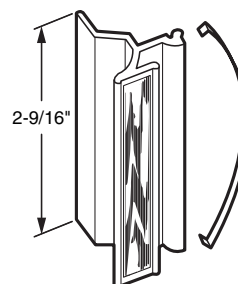
**Contents:** 1 latch with spring.

**Description:** **Extruded aluminum** pull with wood grain feature strip; self-latching; adjustable; fits on *Daryl Industries*.

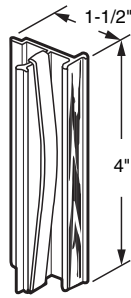
You may wish to stock these related parts: **17429**.

Call for Availability

**172407**



**17588**  
**17588-B**



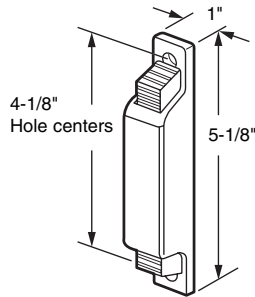
**17588** (Aluminum finish)  
**17588-B** (Bronze finish)

## Pull and Latch

**Contents:** 1 pull and spring.

**Description:** Extruded aluminum pull; self latching; adjustable; fits on *International "Imperial"* windows.

You may wish to stock these related parts: **171863**, **171648**.



**172365**

**172365** (Gray)

## Pull and Latch

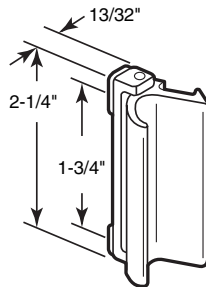
**Contents:** 1 pull assembly; 1 set of installation screws.

**Description:** Plastic construction; spring loaded latch; fits on *Cupples* windows.

You may wish to stock these related parts: **172488**.

Call for  
Availability

**172409**

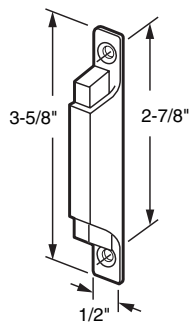


**172409** (Aluminum finish)

## Pull and Latch

**Contents:** 1 latch assembly.

**Description:** Diecast housing with spring-loaded, extruded aluminum latch; fits on *Keller Industries*.



**17322**

**17322** (White)

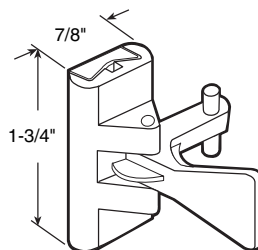
## Pull and Latch

**Contents:** 1 plastic pull with steel latch assembly; 1 set of installation screws.

**Description:** Automatic latching feature; surface mount; fits on *Air Control (Keller)*.

You may wish to stock these related parts: **17139**.

**172417**



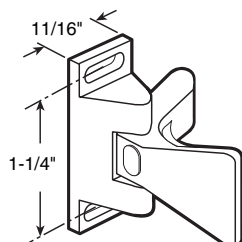
**172417** (Beige)

## Latch

**Contents:** 1 latch and keeper; 2 installation screws.

**Description:** Plastic latch assembly for aluminum framed windows.

Call for  
Availability



**172416**

**172416** (Beige)

## Latch

**Contents:** 1 latch; 2 installation screws.

**Description:** Plastic latch assembly for aluminum framed windows.

Call for  
Availability



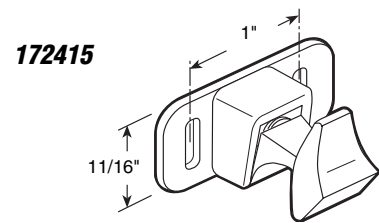
# Sliding Window Latches

**172415** (White)

## Latch

**Contents:** 1 latch; 2 installation screws.

**Description:** Plastic latch assembly; spring-loaded; for horizontal sliding windows.

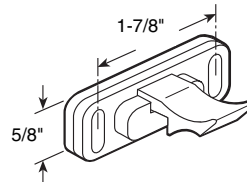


**172419** (White)

## Latch

**Contents:** 1 latch; 2 installation screws.

**Description:** Plastic latch assembly; spring loaded; for sliding windows.



**172419**

**17368-L** (Left)

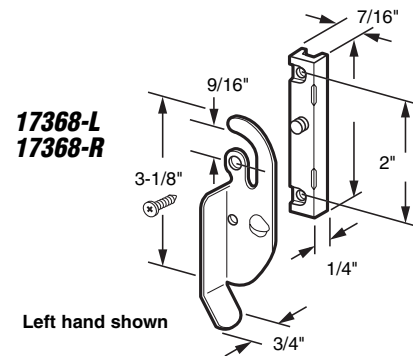
**17368-R** (Right)

## Latch (Black finish)

**Contents:** 1 window latch; 1 lock guide; 1 - #10x5/8" Phillips pan head sheet metal screw.

**Description:** Stamped steel latch with plastic guide bracket; for sliding windows manufactured by *Likit*.

You may wish to stock these related parts: **172551, 17680.**



**17368-L  
17368-R**

Left hand shown

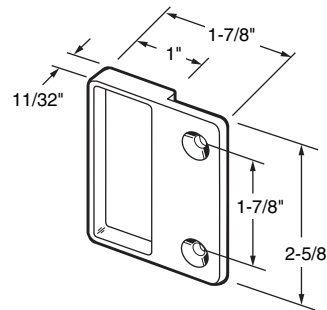
**172387** (Black)

## Pull

**Contents:** 1 pull; 1 set of installation screws.

**Description:** Plastic construction; universal application; can be used as a secondary pull or a child's pull.

You may wish to stock these related parts: **171700, 171700-B.**



**172387**

**17228-L** (1 per card)

**172908-L** (2 per card)

**17228-R** (1 per card)

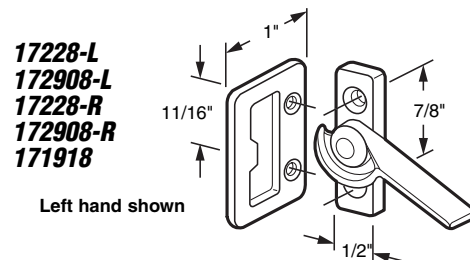
**172908-R** (2 per card)

**171918** (1 left and 1 right)

## Latch (Bright Zinc)

**Contents:** Latch & keeper with installation screws.

**Description:** Diecast latch and keeper used on both residential and RV sliding windows.



**17228-L  
172908-L  
17228-R  
172908-R  
171918**

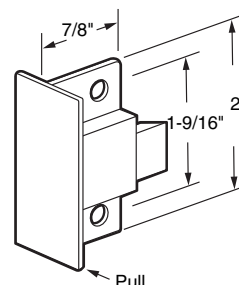
Left hand shown

**171759** (Black finish)

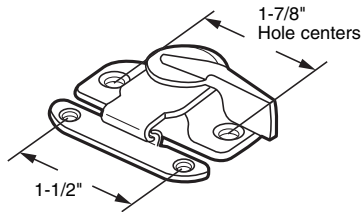
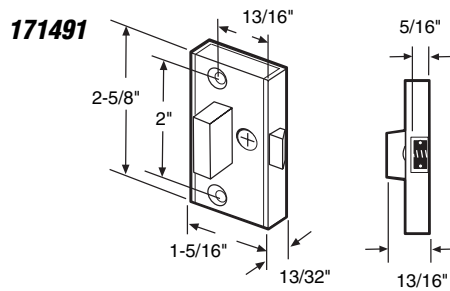
## Pull and Latch

**Contents:** 1 latch assembly; 1 set of installation screws.

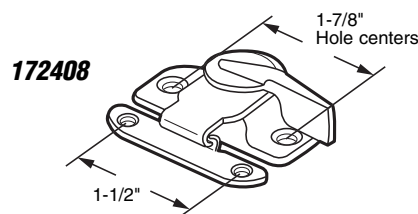
**Description:** Diecast spring loaded latch; fits on *Window Master Series 216* windows.



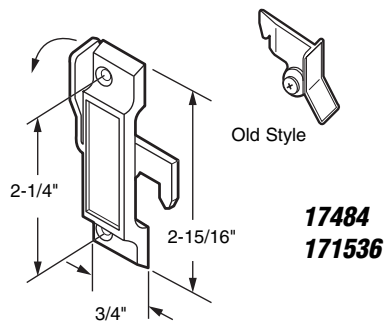
**171759**



**17574**  
**17573**  
**172397**  
**172427**

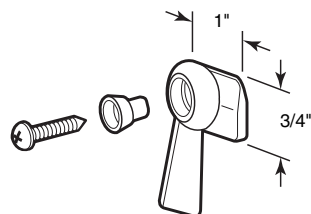


**172408**



**17484**  
**171536**

**171916-L**  
**171916-R**  
**171981**  
**172410-L**  
**172410-R**  
**172587-L**  
**172587-R**



Left hand shown

**171491** (Black oxide finish)

## Lock

**Contents:** 1 lock; 1 set of installation screws.

**Description:** Heavy-duty **steel** design; originally fits on *Guaranteed Products*. **Spring-loaded latch** projects 1/4" from edge of housing.

**17574** (Chrome finish)

**17573** (Brass finish)

**172397** (Antique brass finish)

**172427** (White finish)

## Sash Lock

**Contents:** 1 sash lock; 1 keeper; 1 set of installation screws.

**Description:** Cam-action sash lock; universal design; **stamped steel** construction.

You may wish to stock these related parts: **171119**, **172588**.

**172408** (Polished brass)

## Sash Lock

**Contents:** 1 sash lock; 1 keeper; 1 set of installation screws.

**Description:** **Heavy duty brass** construction; cam-style latch action; used on single or double hung windows.

You may wish to stock these related parts: **171119**, **172588**.

**17484** (Black finish)

**171536** (White finish)

## Sash Lock

**Contents:** 1 lock; 2 installation screws.

**Description:** **Diecast construction**. This lock does not use a keeper, the latch engages the fixed rail to lock window; fits on *Guaranteed Products* and others.

You may wish to stock these related parts: **17755**, **17483**.

**171916-L** (Left hand - **diecast** chrome finish)

**171916-R** (Right hand - **diecast** chrome finish)

**171981** (1 right 1 left - **diecast** chrome finish)

**172410-L** (Left hand - **black plastic**)

**172410-R** (Right hand - **black plastic**)

**172587-L** (Left hand - **diecast** black finish)

**172587-R** (Right hand **diecast** black finish)

## Sash Lock

**Contents:** 2 locks; 2 bushings; 2 installation screws.

**Description:** Sash lock for both horizontal and vertical sliding windows; for camper shell and RV type windows.

# Sliding Window Latches

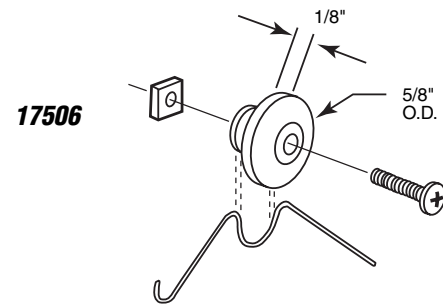
**17506**

## Spring Latch Assembly

**Contents:** 1 nylon latch release button; 1 wire spring; 1 - #6-32 x 1/2" Phillips pan head machine screw with nut.

**Description:** Repair part for 172361.

You may wish to stock these related parts: 17144.

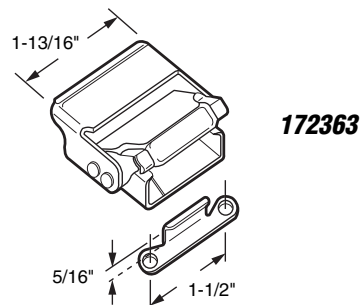


**172363** (Bronze finish)

## Lock

**Contents:** 1 lock; 1 keeper; 1 set of installation screws.

**Description:** Steel housing and strike; bronze powder coat paint; spring-loaded retraction during latching for snug fit; fits on Hehr and others.

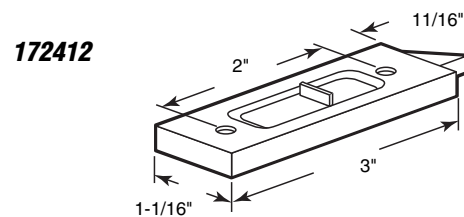


**172412** (White)

## Tilt Latch

**Contents:** 1 left hand latch; 1 right hand latch; 1 set of installation screws.

**Description:** Spring-loaded vinyl tilt latch; used on, single or double-hung, aluminum or vinyl windows; for use on sash panels designed to tilt in and down from the top.

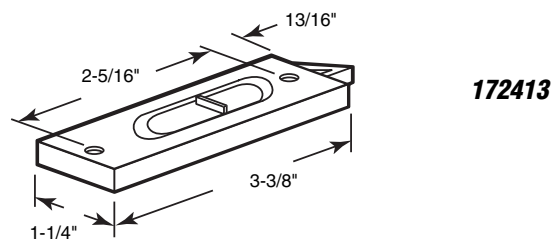


**172413** (White)

## Tilt Latch

**Contents:** 1 left hand latch; 1 right hand latch 1 set of installation screws.

**Description:** Spring-loaded vinyl tilt latch; used on, single or double-hung, aluminum or vinyl windows; for use on sash panels designed to tilt in and down from the top.

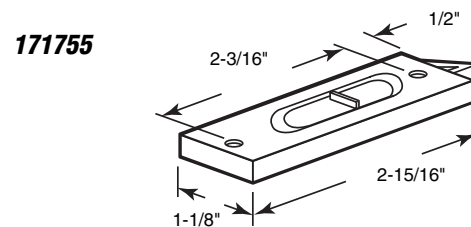


**171755** (White)

## Tilt Latch

**Contents:** 1 left hand latch; 1 right hand latch; 1 set of installation screws.

**Description:** Spring-loaded vinyl tilt latch; used on, single or double-hung, aluminum or vinyl windows; for use on sash panels designed to tilt in and down from the top.

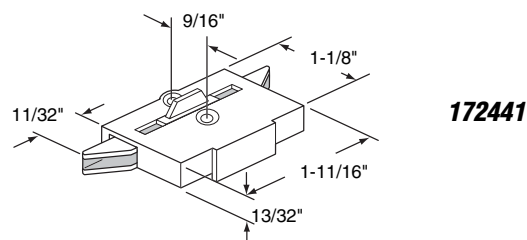


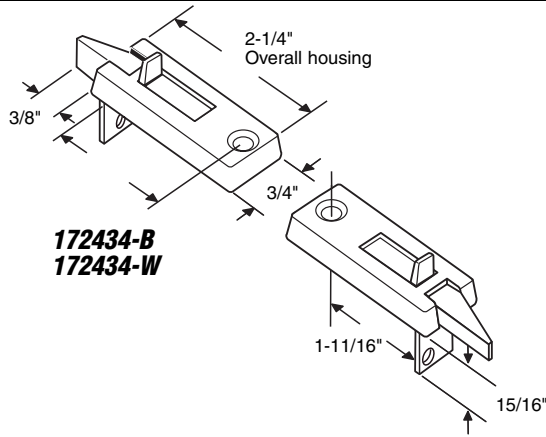
**172441** (Black)

## Tilt Latch

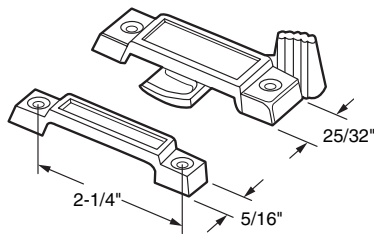
**Contents:** 1 latch with screws.

**Description:** Spring loaded vinyl tilt latch; may be used as left hand or right hand; used on, single or double hung, aluminum or vinyl windows; fits on Acorn Windows.



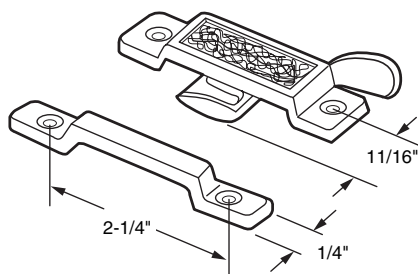
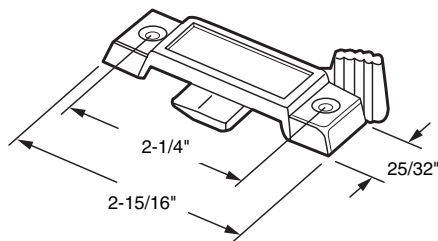


**172434-B**  
**172434-W**



**17755-CR**  
**17755**  
**17755-W**  
**17756**  
**172442**

**171949**  
**171949-W**  
**171976**  
**173232**  
**172411**  
**172411-W**



**172577**

**172434-B** (Black)  
**172434-W** (White)

## Tilt Latch

**Contents:** 1 left hand; 1 right hand; 1 set of installation screws.

**Description:** Spring loaded vinyl tilt latch; used on, single or double hung, aluminum windows; unique wrap-around design attaches to top rail and stile; fits on tilt-out windows by *Better Built*.

You may wish to stock these related parts: **171864**, **171982**.

**17755-CR** (Chrome finish)  
**17755** (Black finish)  
**17755-W** (White finish)  
**17756** (Black finish - keyed)  
**172442** (Brass finish)

## Sash Lock

**Contents:** 1 lock; 1 keeper; 1 set of installation screws.

**Description:** Diecast construction; fits aluminum, vinyl or wood double-hung windows; cam-action lock holds window securely closed; universal design.

You may wish to stock these related parts: **172380**, **171568-W**, **171568**.

**171949** (3/8" latch projection, black finish)  
**171949-W** (3/8" latch projection, white finish)  
**171976** (3/8" latch projection, bronze finish)  
**173232** (3/8" latch projection, gray finish)  
**172411** (1/2" latch projection, black finish)  
**172411-W** (1/2" latch projection, white finish)

## Sash Lock

**Contents:** 1 lock; 2 installation screws.

**Description:** Diecast construction. This lock does not use a separate keeper, the latch engages the fixed rail to lock the window; used on vertical and horizontal sliding windows.

You may wish to stock these related parts: **171568-W**, **172436**.

**172577** (White bronze)

## Sash Lock

**Contents:** 1 lock; 1 keeper; 1 set of installation screws.

**Description:** Cast white bronze; heavy duty cam action lock holds window securely locked; stainless steel screws; designed for long term durability.

# Sliding Window Latches

- 171118** (Brass finish - 1 per card)
- 172909** (Brass finish - 2 per card)
- 172398** (Antique brass finish - 2 per card)
- 172428** (White finish - 2 per card)

## Sash Lock

**Contents:** Lock with keeper and installation screws.

**Description:** Cam-type sash lock found on most wood double-hung windows; **stamped steel** construction.

You may wish to stock these related parts: **171119, 172395, 172396, 171568-W.**

- 171117** (Brass finish)
- 17701** (Antique brass finish)
- 172430** (White finish)

## Sash Lock

**Contents:** 1 lock; 1 keeper; 1 set of installation screws.

**Description:** Cam-type sash lock; spring action cam; used on many double-hung windows; **zinc diecast** construction.

You may wish to stock these related parts: **172395, 172588, 171568-W.**

- 172414** (Polished brass)

## Sash Lock

**Contents:** 1 lock; 1 keeper; 1 set of installation screws.

**Description:** **Heavy duty solid brass**; cam-type latch action; used on single or double hung windows.

You may wish to stock these related parts: **172395, 171568-W.**

- 172848** (Bronze finish)
- 172849** (White finish)

## Sash Lock

**Contents:** 1 lock; 1 strike; 1 set of installation screws.

**Description:** **Heavy-duty diecast** construction; cam style lock used on many double-hung wood windows.

You may wish to stock these related parts: **172588.**

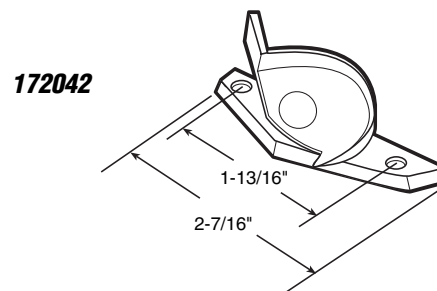
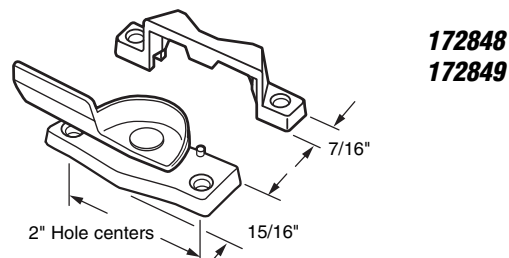
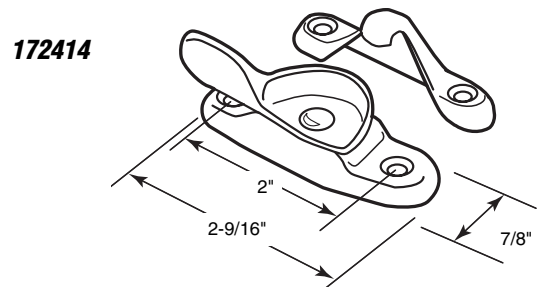
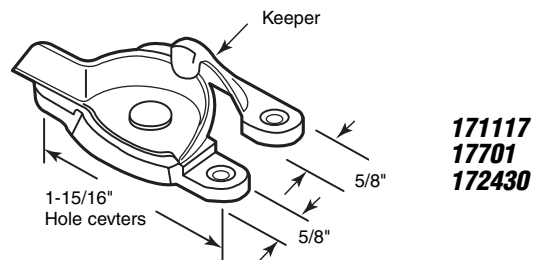
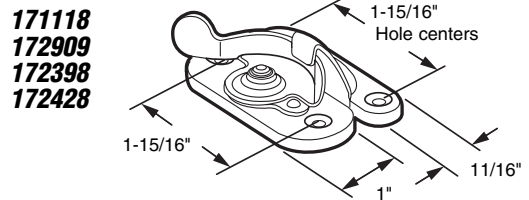
- 172042** (Black finish)

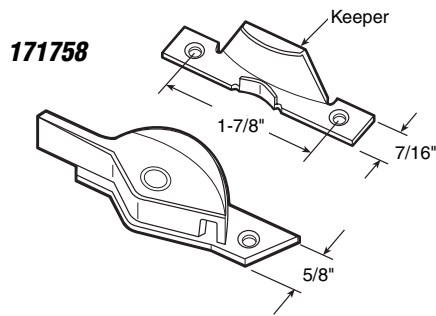
## Sash Lock

**Contents:** 1 lock; 1 set of installation screws.

**Description:** **Diecast** sweep lock fits on **Croft** windows. This lock does not use a separate keeper, the latch engages the fixed rail to lock window.

You may wish to stock these related parts: **17271, 171829.**





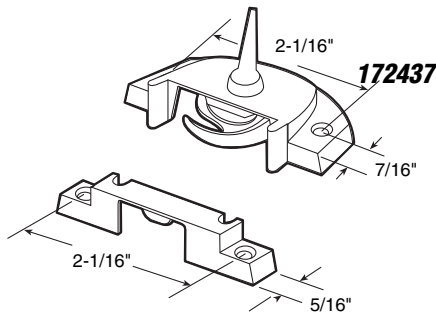
**171758** (Brass finish)

## Sash Lock

**Contents:** 1 lock; 1 keeper; 1 set of installation screws.

**Description:** Heavy-duty diecast lock with stamped steel keeper; cam-type lock; used on many double hung wood windows.

You may wish to stock these related parts: **172395**, **172588**.



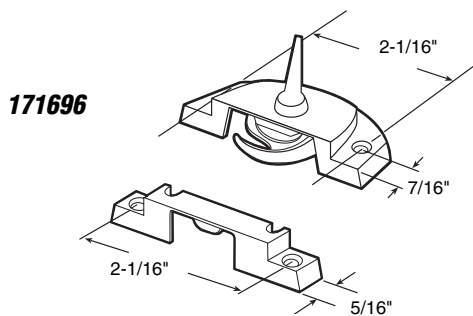
**172437** (Brass finish)

## Sash Lock

**Contents:** 1 lock; 1 keeper; 1 set of installation screws.

**Description:** Diecast construction; cam-type action pulls meeting rails tightly together; alignment lugs prevent shifting of rails during locking.

You may wish to stock this related part: **172395**.



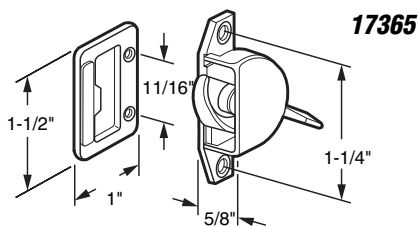
**171696** (White finish)

## Sash Lock

**Contents:** 1 lock; 1 keeper; 1 set of installation screws

**Description:** Diecast construction; baked enamel finish; cam-type action; used on aluminum and vinyl windows.

You may wish to stock these related parts: **171568-W**.

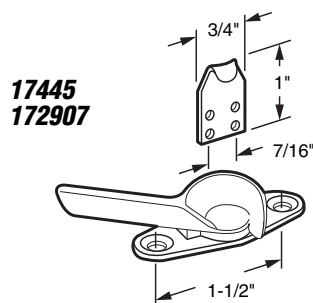


**17365** (Brite zinc)

## Sash Lock

**Contents:** 1 lock, 1 keeper, 1 set of installation screws.

**Description:** Cam-type sash lock, heavy-duty diecast housing; concealed latch; smooth operating action; used by many window manufacturers.



**17445** (Brite zinc - 1 per card)

**172907** (Brite zinc - 2 per card)

## Sash Lock

**Contents:** lock; keeper; installation screws.

**Description:** Cam-type sash lock, diecast housing, steel keeper; fits on Daryl windows and others.

You may wish to stock these related parts: **172110**.

# Sliding Window Latches

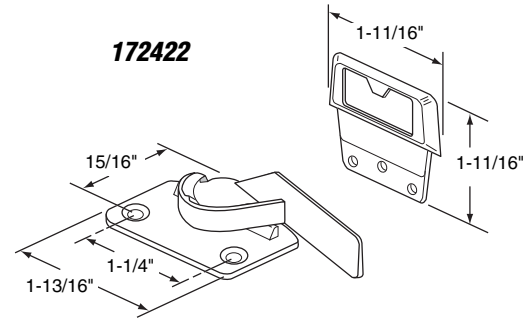
**172422** (Brite zinc)

## Sash Lock

**Contents:** 1 lock; 1 keeper; 1 set of installation screws.

**Description:** Diecast construction; fits on *Season All* on sliding windows

You may wish to stock these related parts: **17271**, **171829**.



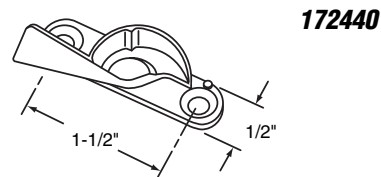
**172440** (Brite zinc)

## Sash Lock

**Contents:** 2 locks; 2 sets of installation screws.

**Description:** Diecast construction; fits on single hung windows by *Keller*.

You may wish to stock these related parts: **17271**, **171829**.



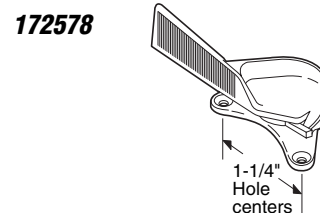
**172578** (Nickel plated)

## Sash Lock

**Contents:** 2 locks; 2 sets of installation screws.

**Description:** Heavy duty diecast construction; nickel plated; used on double hung wood windows.

You may wish to stock these related parts: **171568**.



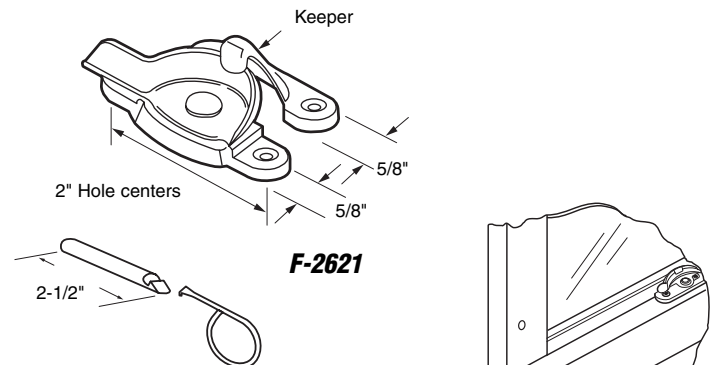
**F-2621** (Brass finish)

## Sash Lock with Security Pins

**Contents:** 1 lock; 1 keeper; 2 pins; 1 removal key and 1 set of installation screws.

**Description:** Diecast lock and keeper; used on wood sash windows. Steel pins are installed thru front sash into rear sash to offer **tamper-proof security**; easily removed with special key.

You may wish to stock these related parts: **172395**, **171119**.



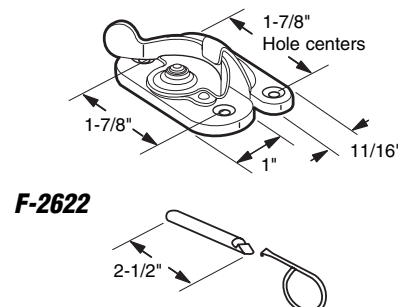
**F-2622** (Brass finish)

## Sash Lock with Security Pins

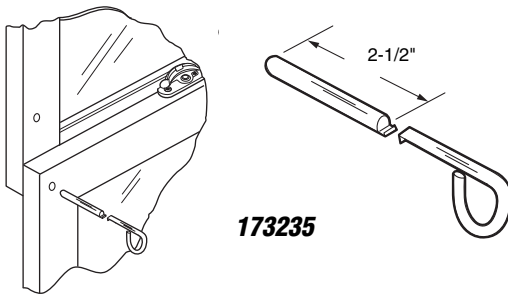
**Contents:** 1 lock; 1 keeper; 2 pins; 1 removal key and 1 set of installation screws.

**Description:** Stamped steel lock and keeper; used on wood sash windows. Steel pins are installed thru front sash into rear sash to offer **tamper-proof security**; easily removed with special key.

You may wish to stock these related parts: **172395**, **171119**.







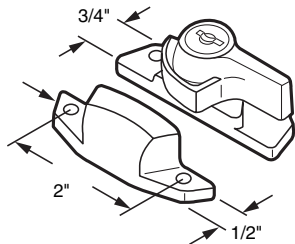
**173235**

**173235** (Brass finish)

## Security Pins

**Contents:** 8 pins; 4 removal keys.

**Description:** Steel pins are installed thru front sash into rear sash to offer **tamper-proof security**; easily removed with special key. Use 2 pins per window.



**17695-BB**  
**17695-W**

**17695-BB** (Brass finish)

**17695-W** (White finish)

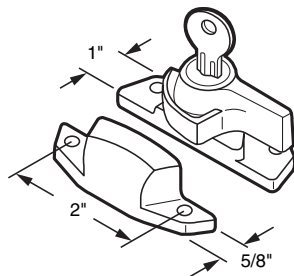
## Keyed Sash Lock

**Contents:** 1 lock; 1 keeper; 2 keys; 1 set of installation screws.

**Description:** Diecast construction; unlock only with key; child-proof; used on aluminum, vinyl or wood double hung windows.

You may wish to stock these related parts: **172395**, **172367**.

**172391**



**172391** (Chrome finish)

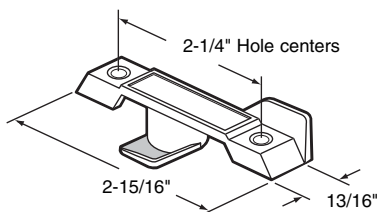
## Keyed Sash Lock

**Contents:** 1 lock; 1 keeper; 2 keys; 1 set of installation screws.

**Description:** Diecast construction; unlock only with key; child proof; used on single or double hung wood windows.

You may wish to stock these related parts: **172380**.

*Call for  
Availability*



**171917**

**171917** (Black finish)

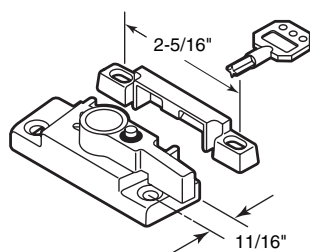
## Sash Lock

**Contents:** 1 lock; 2 installation screws.

**Description:** Diecast construction with **deep offset latch**; fits on **Krestmark** single-hung aluminum windows and others.

You may wish to stock these related parts: **171568**.

**172432**



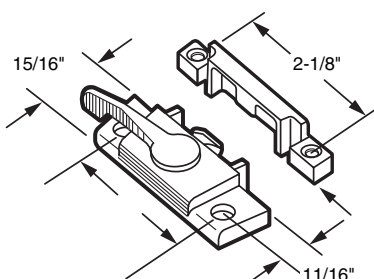
**172432** (White finish)

## Keyed Lock Sash

**Contents:** 1 lock; 1 keeper; 2 keys; 1 set of installation screws.

**Description:** Diecast construction; cam type latch action; with alignment lugs; **unlocks only with key**.

You may wish to stock these related parts: **171568**.



**171915**

**171915** (White finish)

## Sash Lock

**Contents:** 1 lock; 1 keeper; 1 set of installation screws.

**Description:** Diecast with **alignment lugs**, cam-type action; used on **vinyl** framed windows.

You may wish to stock these related parts: **171568-W**.



# Sliding Window Latches

**172435** (White finish)

**172436** (Brass finish)

## Sash Lock

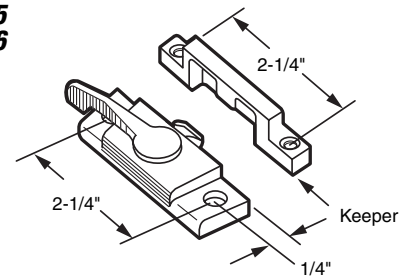
**Contents:** 1 lock; 1 keeper; 1 set of installation screws.

**Description:** Diecast construction; cam-type action; used on vinyl windows.

You may wish to stock these related parts: **171568-W**, **172395**.

**172435**

**172436**



**172433-L** (Left hand)

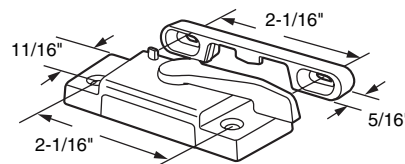
**172433-R** (Right hand)

## Sash Lock (White finish)

**Contents:** 1 lock; 1 keeper; 1 set of installation screws.

**Description:** Diecast construction; fits on *Better Bilf* on Series 350 vinyl windows.

You may wish to stock these related parts: **171864**.



**172433-L**  
**172433-R**

Left hand shown

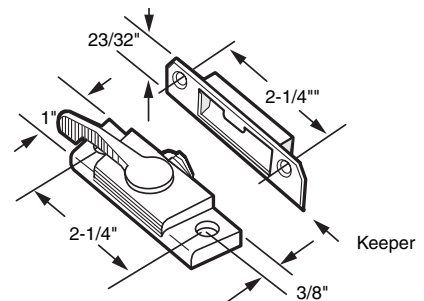
**172579** (Black finish)

## Sash Lock

**Contents:** 1 latch; 1 keeper; 1 set of installation screws.

**Description:** Heavy duty diecast latch assembly and keeper; cam action lock holds window securely closed. Flush mount strike requires a 1-1/2" x 3/8" x 1/4" deep recess.

**172579**



**172380** (Chrome finish)

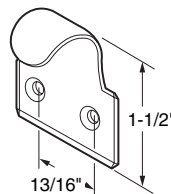
**172381** (Brass finish)

## Sash Lift

**Contents:** 2 lifts; 2 sets of installation screws

**Description:** Stamped steel construction; designed to aid in opening double-hung wood windows.

You may wish to stock these related parts: **171119**, **171826**.



**172380**  
**172381**

**172368** (Brass finish)

**172392** (Antique brass finish)

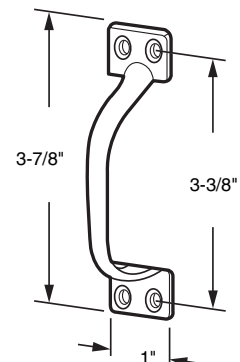
## Sash Lift

**Contents:** 2 sash lifts with installation screws.

**Description:** Zinc diecast construction; used on double-hung windows as a lift handle.

You may wish to stock these related parts: **171119**, **172588**.

**172368**  
**172392**



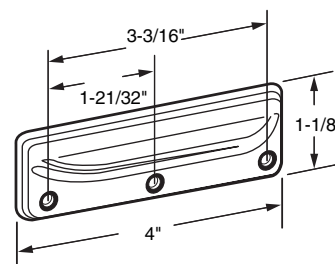
**172395** (Brass finish)

**172396** (Antique brass finish)

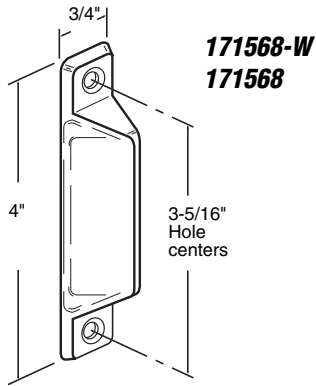
## Deluxe Sash Lift

**Contents:** 2 sash lifts with installation screws.

**Description:** Wrought steel sash lift; decorator style; used on double-hung windows.

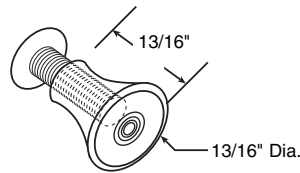


**172395**  
**172396**



**171568-W** (White finish)  
**171568** (Black finish)

**172426**



**171568-W** (White finish)  
**171568** (Black finish)

## Deluxe Sash Lift

**Contents:** 1 sash lift with installation screws.

**Description:** Diecast sash lift; **deluxe style**; used on double hung windows.

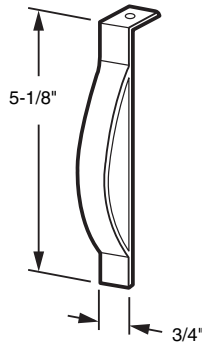
You may wish to stock these related parts: **172588**.

## 172426

### Acrylic Knob

**Contents:** 2 knobs; 2 nylon screws.

**Description:** Clear acrylic knobs; used on sliding pass-thru windows and sliding medicine cabinet panels.



**171119**  
**172910**

**171119** (1 per card)  
**172910** (2 per card)

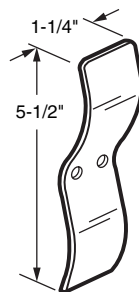
### Sash Spring

**Contents:** Spring with nail.

**Description:** Spring steel construction; allows repair of broken sash cords without removing sash; corner mounted; installs in seconds.

You may wish to stock these related parts: **171765**, **171541**, **171542**, **171543**, **171544**.

**171826**



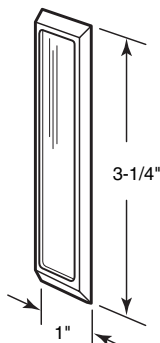
## 171826

### Sash Spring

**Contents:** 2 springs.

**Description:** Spring steel construction; **chrome plated**; side mounted; no nails required; removal of sash not required for installation.

You may wish to stock these related parts: **171765**, **171541**, **171542**, **171543**, **171544**.



**172388**  
**172389**  
**172390**

**172388** (Clear)  
**172389** (Black)  
**172390** (Gold)

### Pass-Thru Finger Pull

**Contents:** 2 pulls.

**Description:** Adhesive-backed plastic handle; easy installation; universal application.

# Sliding Window Latches

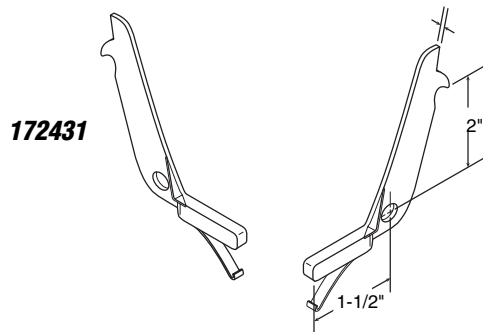
**172431** (Black)

## Latch and Pull

**Contents:** 1 left hand latch; 1 right hand latch; 2 binder posts.

**Description:** Plastic latches with steel springs; fits on *Phillips Industries* on single hung sash windows.

You may wish to stock these related parts **172543**, **171394**, **172562**.



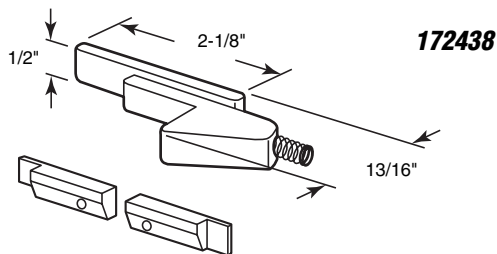
**172438** (Black)

## Latch and Pull

**Contents:** 2 latches with springs.

**Description:** Plastic latches are non-handed; fits on *Tyco* on Series 75 single hung sash windows.

You may wish to stock these related parts **17610**, **171967**.



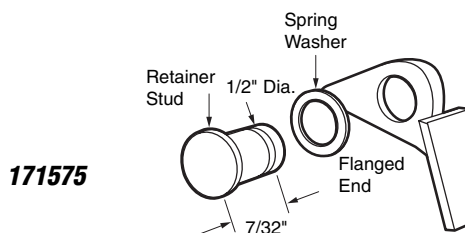
**171575** (Black)

## Latch

**Contents:** 1 latch; 1 retainer stud; 1 spring washer.

**Description:** Adjustable plastic latch; can be raised or lowered on aluminum stile; fits on *Rolleze* on Series 710 sliding windows.

You may wish to stock these related parts **171391**, **171722**.

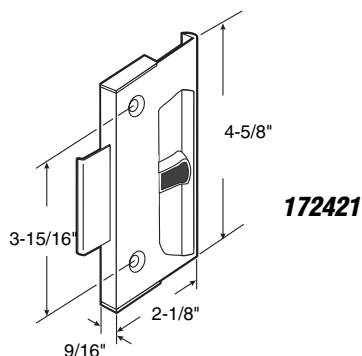


**172421** (Black finish)

## Pull and Latch

**Contents:** 1 pull assembly with installation screws.

**Description:** Powder coated aluminum pull; vinyl base and latch activator. Clamp style latch device is used on many commercial windows.

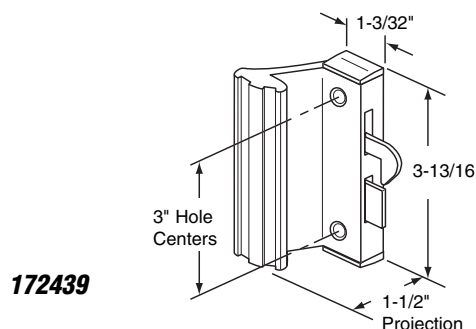


**172439** (Black finish)

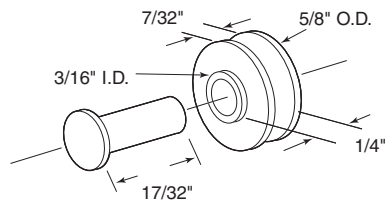
## Pull and Latch

**Contents:** 1 pull assembly; 1 set of installation screws.

**Description:** Extruded aluminum latch with vinyl base; surface mounted hook style latch with anti-lift bar for additional security; used by several commercial window manufacturers.



**17139**



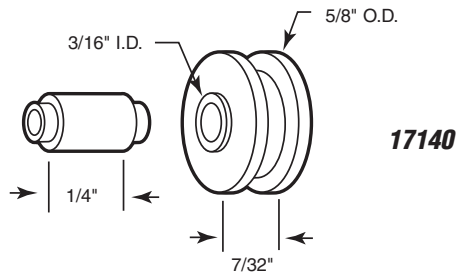
**17139**

**Roller**

**Contents:** 2 rollers; 2 axle pins.

**Description:** 7/32" x 5/8" center grooved nylon roller; aluminum rivet type axle pins; fits on *Air Control*.

You may wish to stock these related parts: **17322, 172382.**



**17140**

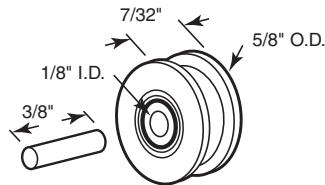
**Roller**

**Contents:** 2 rollers; 2 axle pins.

**Description:** 7/32" x 5/8" center-grooved nylon roller; aluminum axle pins; repair part for **17367**; fits on *Trimview*.

You may wish to stock these related parts: **17366.**

**17366**



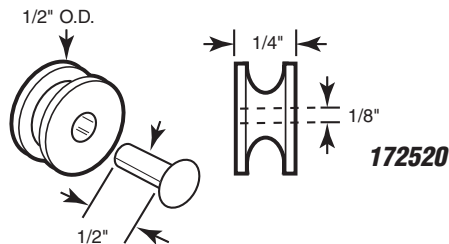
**17366**

**Roller**

**Contents:** 2 rollers; 2 axle pins.

**Description:** 7/32" x 5/8" center-grooved nylon ball bearing roller; aluminum axle pins; repair part for **17367**; fits on *Trimview*.

You may wish to stock these related parts: **17140.**



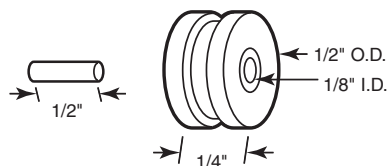
**172520**

**Roller**

**Contents:** 4 rollers; 4 axle pins.

**Description:** 1/4" x 1/2" nylon roller; deep center groove; accepts a 1/8" rivet style axle; used by several sliding window manufacturers.

**172521**

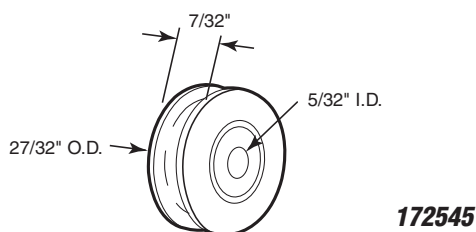


**172521**

**Roller**

**Contents:** 4 rollers; 4 axle pins.

**Description:** 1/4" x 1/2" nylon roller with center groove; aluminum axle pins; used by several sliding window manufacturers.



**172545**

**Roller**

**Contents:** 2 rollers.

**Description:** 7/32" x 27/32" diameter steel ball bearing roller with center groove; used on sliding aluminum windows.

You may wish to stock these related parts: **17396.**

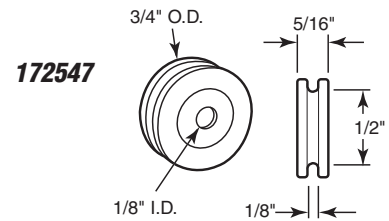
# Sliding Window Rollers & Guides

**172547**

## Roller

**Contents:** 2 rollers.

**Description:** 5/16" x 3/4" nylon roller; 1/8" narrow groove; fits on *Ralley* windows.



**17325** (Steel)

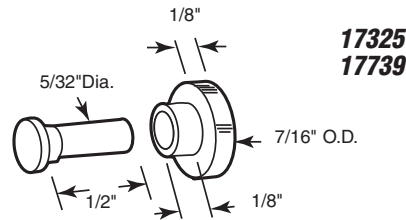
**17739** (Stainless steel)

## Roller

**Contents:** 4 rollers; 4 axle pins.

**Description:** 1/8" x 7/16" flat steel roller; nylon axle pins; fits on *Premiere*.

You may wish to stock these related parts: **17813**, **17721**, **172563**.



**17155** (2 per card)

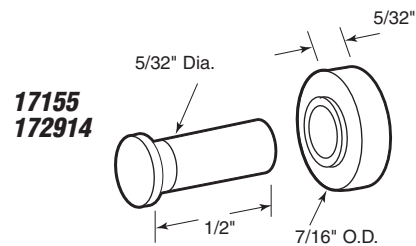
**172914** (4 per card)

## Roller

**Contents:** Rollers; axle pins.

**Description:** 5/32" x 7/16" flat nylon roller; nylon axle pins; fits on *HiLite*.

You may wish to stock these related parts: **172361**, **172362**, **17473**.

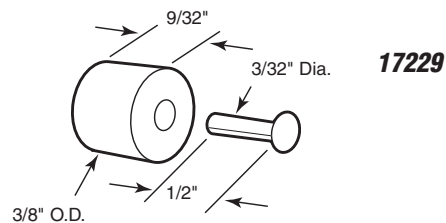


**17229**

## Roller

**Contents:** 4 rollers; 4 axle pins.

**Description:** 9/32" x 3/8" flat nylon roller; aluminum rivet style axle pins; repair part for **17230**.



**17552** (2 per card)

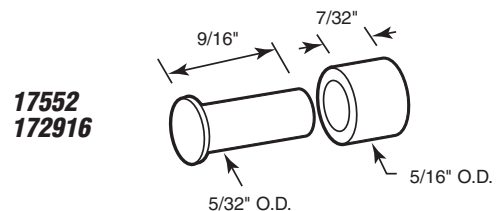
**172916** (4 per card)

## Roller

**Contents:** Rollers; axle pins.

**Description:** 5/16" x 7/32" flat nylon roller; nylon axle pins; fits on *Radco*.

You may wish to stock these related parts: **17607**, **17594**, **172567**, **172539**, **17555**.



**17813** (2 per card)

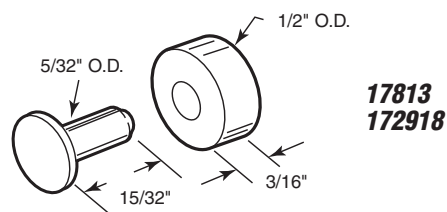
**172918** (4 per card)

## Roller

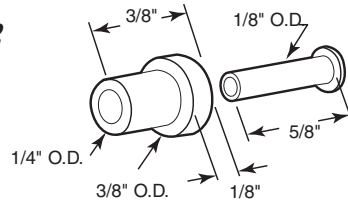
**Contents:** Rollers; axle pins.

**Description:** 3/16" x 1/2" flat steel roller; nylon axle pins; fits on *Western*, *Premiere* and *Keller* windows.

You may wish to stock these related parts: **172382**, **172383**, **17721**.



**17642**



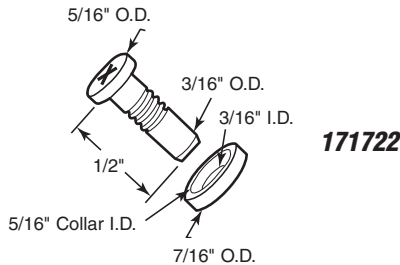
**17642**

**Roller**

**Contents:** 2 rollers; 2 axles.

**Description:** 1/8" x 3/8" steel roller; rivet style steel axles; fits on *Fullview* windows.

You may wish to stock these related parts: **171754, 17386, 17141, 17142, 17233.**



**171722**

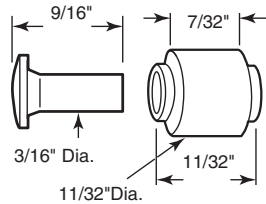
**Roller and Axle Screw**

**Contents:** 2 axle screws; 2 roller bushings.

**Description:** Steel axle screw with nylon roller; fits on *Rolleze* windows.

You may wish to stock these related parts: **171754, 171575, 171391.**

**171958**

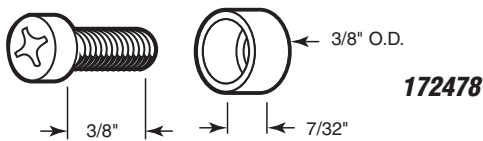


**171958**

**Roller**

**Contents:** 2 rollers; 2 axles.

**Description:** Solid brass rollers with nylon axles; fits on *Viking Series M70* windows.



**172478**

**Roller**

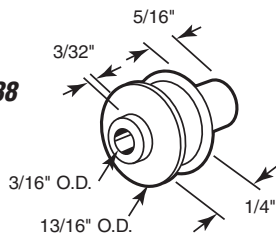
**Contents:** 4 rollers; 4 no. 8-32 x 3/8" Phillips pan head machine screws.

**Description:** Nylon roller assembly; fits on *C & P Window*.

You may wish to stock these related parts: **17343, 172472.**

*Call for Availability*

**172488**



**172488**

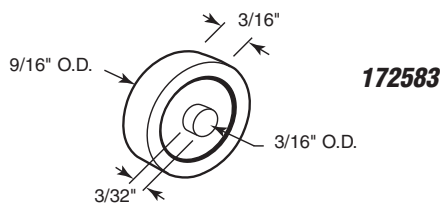
**Roller**

**Contents:** 4 rollers.

**Description:** 1/4" x 13/16" nylon roller; extended hub; fits on *Cupples* windows.

You may wish to stock these related parts: **172365.**

*Call for Availability*



**172583**

**Roller**

**Contents:** 2 rollers.

**Description:** 3/16" x 9/16" steel ball bearing roller; replacement roller for **172544**; fits on *Thermo Glide, Bee Cee* and others.

You may wish to stock these related parts: **172527, 172535.**

# Sliding Window Rollers & Guides

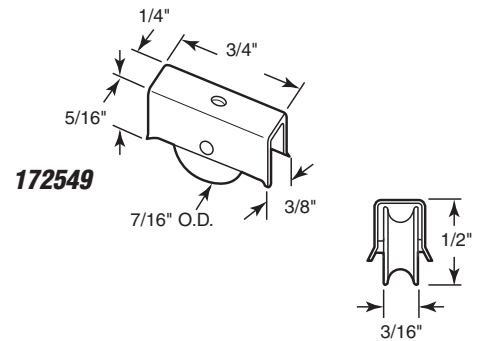
**172549**

## Roller Assembly

**Contents:** 2 roller assemblies.

**Description:** Stamped steel housing with 7/16" diameter center groove nylon roller; used on sliding storm windows and showcase windows.

You may wish to stock these related parts: **17758, 17753, 172163, 17757, 17578.**



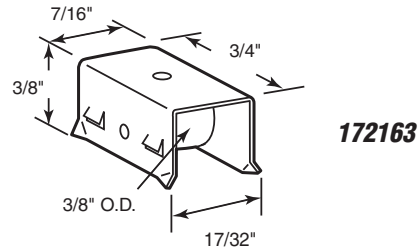
**172163**

## Roller Assembly

**Contents:** 2 roller assemblies.

**Description:** Stamped steel housing with 3/8" diameter convex nylon roller; used on sliding storm windows and showcase windows.

You may wish to stock these related parts: **17578, 17753, 172549, 17757, 17578.**



**17757** (Nylon roller)

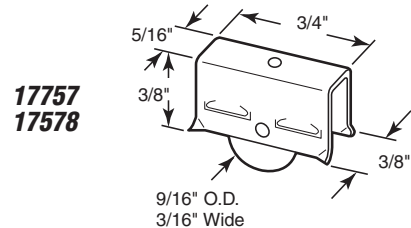
**17578** (Steel roller)

## Roller Assembly

**Contents:** 2 roller assemblies.

**Description:** Stamped steel housing with 9/16" diameter center groove roller; used on sliding storm windows and showcase windows.

You may wish to stock these related parts: **17758, 172109, 17753, 172549, 172163.**



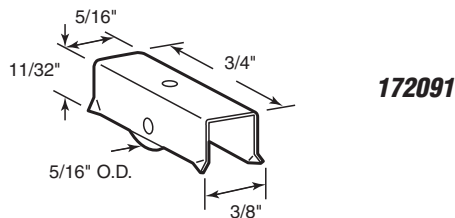
**172091**

## Roller Assembly

**Contents:** 2 roller assemblies.

**Description:** Stamped steel housing with 5/16" diameter flat edge nylon roller; used on sliding storm windows and showcase windows.

You may wish to stock these related parts: **17758, 17753, 172549, 17757, 17578.**



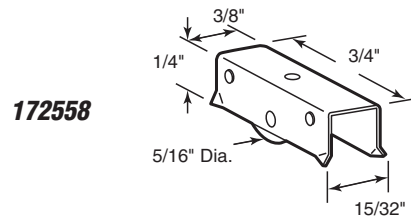
**172558**

## Roller Assembly

**Contents:** 2 roller assemblies.

**Description:** Stamped steel housing; flat edge nylon roller; used on sliding windows and showcase doors.

You may wish to stock these related parts: **17758, 17753, 172549, 172163, 17578.**



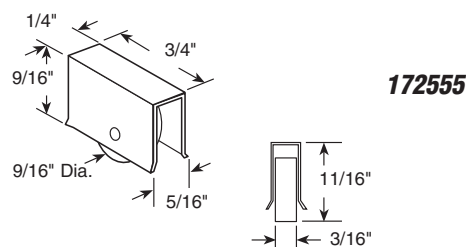
**172555**

## Roller Assembly

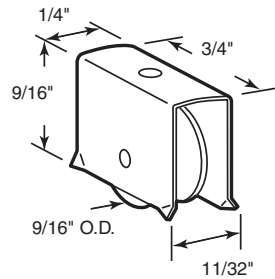
**Contents:** 2 roller assemblies.

**Description:** Stamped steel housing with 9/16" diameter flat edge nylon roller; used on sliding storm windows and showcase windows.

You may wish to stock these related parts: **17758, 17753, 172163, 17757, 17578.**



**17758**  
**17753**



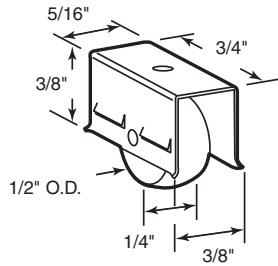
**17758** (Steel roller)  
**17753** (Nylon roller)

## Roller Assembly

**Contents:** 2 roller assemblies.

**Description:** Stamped steel housing with 9/16" diameter concave roller; used on sliding windows and showcase windows.

You may wish to stock these related parts: **172388**, **172389**, **172390**.



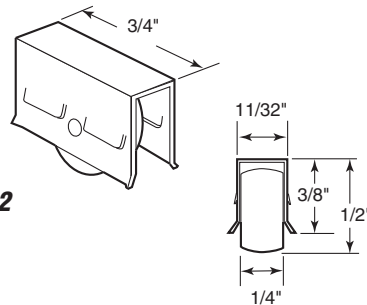
**172109**

**172109**

## Roller Assembly

**Contents:** 2 roller assemblies.

**Description:** Stamped steel housing; 1/4" x 1/2" convex nylon roller.



**172522**

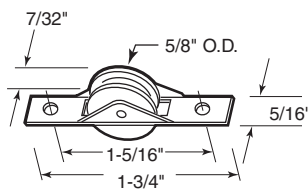
**172522**

## Roller Assembly

**Contents:** 2 roller assemblies.

**Description:** Extruded aluminum housing; flat edge steel roller.

*Call for  
Availability*



**17613**

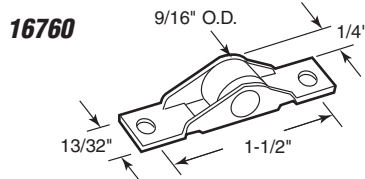
**17613**

## Roller Assembly

**Contents:** 2 roller assemblies.

**Description:** Stamped steel housing; concave nylon roller; fits on *Fullview* windows.

You may wish to stock these related parts: **171754**.



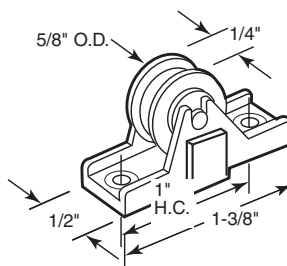
**16760**

**16760**

## Roller Assembly

**Contents:** 2 roller assemblies.

**Description:** Steel housing with 9/16" diameter flat edge nylon roller; used on sliding storm and showcase windows.



**172531**

**172531**

## Roller Assembly

**Contents:** 2 roller assemblies.

**Description:** Nylon housing; center-grooved steel ball bearing roller; fits on several window manufacturers.



# Sliding Window Rollers & Guides

**172532** (Steel - 5/8" diameter x 3/16" thick)

**172566** (Nylon - 3/4" diameter x 1/4" thick)

## Roller Assembly

**Contents:** 2 roller assemblies.

**Description:** Nylon housing; flat edge roller; used by several window manufacturers.

## 172001

### Roller Assembly

**Contents:** 2 roller assemblies.

**Description:** Aluminum bracket with 1/8" x 1/2" flat edge nylon roller; fits on *International "King-Queen"* series, also fits on *Academy* and *A-1 Aluminum*.

You may wish to stock these related parts: **172364**, **17587**, **17587-B**.

## 172394

### Roller Assembly

**Contents:** 2 roller assemblies.

**Description:** Aluminum bracket with 1/8" x 1/2" flat edge nylon roller; fits on *Century-Elco* windows.

You may wish to stock these related parts: **172553**, **171490**.

## 171863

 (Nylon roller)

### Roller Assembly

**Contents:** 2 rollers assemblies.

**Description:** Aluminum bracket with 1/8" x 5/8" flat edge roller; fits on *International* windows.

You may wish to stock these related parts: **172364**, **17587**, **17587-B**.

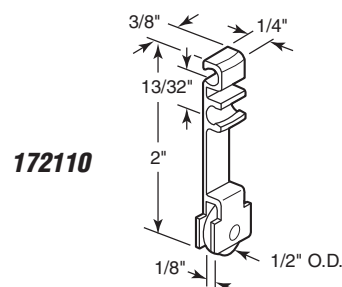
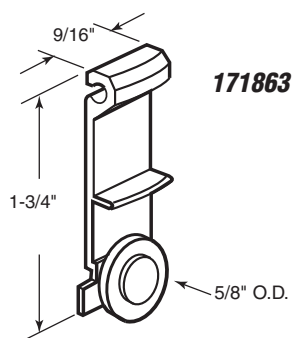
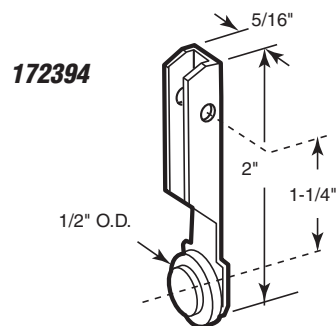
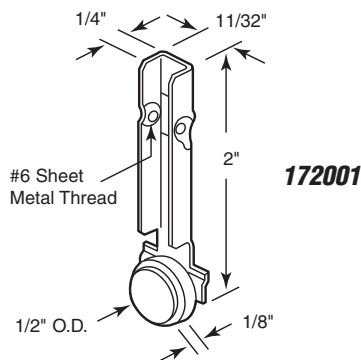
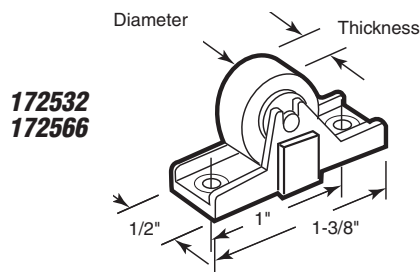
## 172110

### Roller Assembly

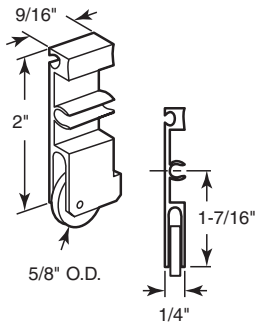
**Contents:** 2 roller assemblies.

**Description:** Extruded aluminum bracket; 1/8" x 1/2" flat edge steel roller; fits on *International* windows.

You may wish to stock these related parts: **172364**, **17587**, **17587-B**.



**17231**



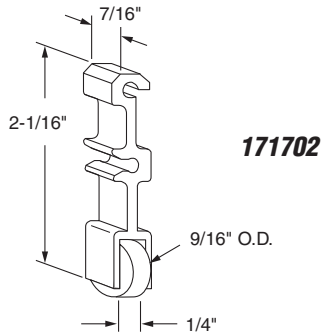
**17231** (Steel ball bearing)

## Roller Assembly

**Contents:** 2 roller assemblies.

**Description:** Extruded aluminum bracket with 1/8" x 1/2" steel ball bearing roller; fits on *International* windows and others.

**171702**

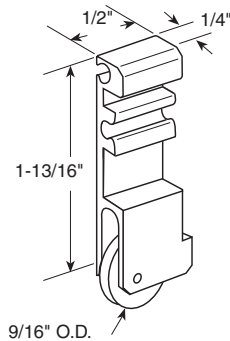


## Roller Assembly

**Contents:** 2 roller assemblies.

**Description:** Extruded aluminum bracket; 1/4" x 9/16" diameter heavy duty steel roller; fits on *International* insulated glass windows.

**171648**



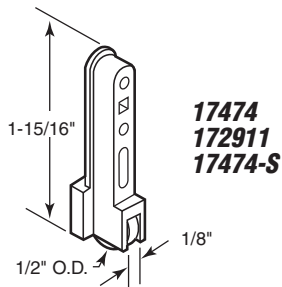
## Roller Assembly

**Contents:** 2 roller assemblies.

**Description:** Extruded aluminum bracket; 1/8" x 9/16" solid brass roller; fits on *Guaranteed Products* and others.

You may wish to stock these related parts: **17484**, **171491**, **171652**.

**171648**



**17474** (Nylon roller - 2 per card)

**172911** (Nylon roller - 4 per card)

**17474-S** (Steel roller - 2 per card)

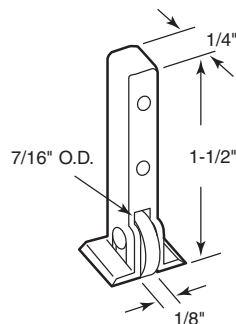
## Roller Assembly

**Contents:** Roller assemblies.

**Description:** Nylon housing; 1/8" x 1/2" flat roller; top rollers adjust "up" to provide anti-lift protection; bottom rollers adjust "up and down" for alignment; fits on *Hilite 200 Series* windows.

You may wish to stock these related parts: **172361**, **172362**, **172384**.

**17483**  
**172912**



**17483** (2 per card)

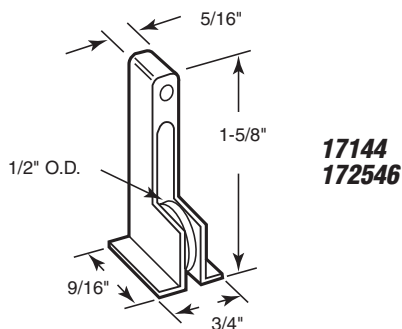
**172912** (4 per card)

## Roller Assembly

**Contents:** Roller assemblies.

**Description:** Nylon housing; 1/8" x 7/16" flat edge nylon roller; fits on *Guaranteed Products*.

You may wish to stock these related parts: **17484**, **171491**, **171652**.



**17144** (Nylon roller)

**172546** (Steel roller)

## Roller Assembly

**Contents:** 2 rollers assemblies.

**Description:** Nylon housing, with 1/8" x 1/2" flat edge roller; fits on *HiLite* convertible windows.

You may wish to stock these related parts: **172361**, **17506**, **172384**.

# Sliding Window Rollers & Guides

**17754**

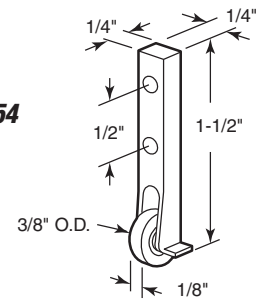
## Roller Assembly

**Contents:** 2 roller assemblies.

**Description:** Nylon housing; 1/8" x 3/8" nylon roller; fits on *Guaranteed* windows.

You may wish to stock these related parts: **17484, 171491, 171652.**

**17754**



**171733** (1/16" guide leg)

**17698** (1/8" guide leg)

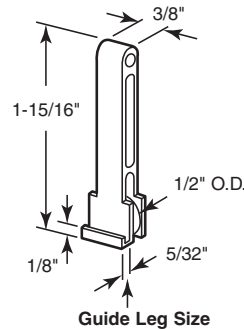
## Roller Assembly

**Contents:** 2 roller assemblies.

**Description:** Gray nylon housing; 1/8" x 1/2" nylon roller; fits on *A-1 Aluminum, Horizon, Sun Air, International, Patio Concepts* and others.

You may wish to stock these related parts: **17484, 172364, 17587.**

**171733  
17698**



**17721**

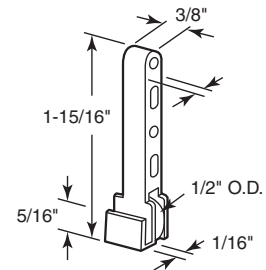
## Roller Assembly

**Contents:** 2 roller assemblies.

**Description:** Black nylon housing; nylon roller; 1/16" guide leg; fits on *Premiere* and others.

You may wish to stock these related parts: **17698, 172584.**

**17721**



**172472**

## Roller Assembly

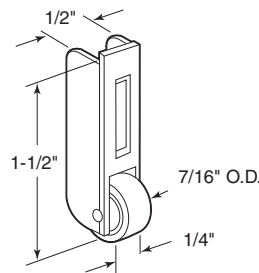
**Contents:** 4 roller assemblies.

**Description:** Nylon adjustable housing; 1/4" x 7/16" nylon roller; fits on *C & P Window*.

You may wish to stock these related parts: **17343, 172478.**

Call for  
Availability

**172472**



**17239** (Nylon roller)

**172569** (Brass roller)

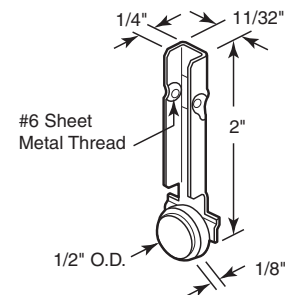
## Roller Assembly

**Contents:** 2 roller assemblies.

**Description:** Stamped aluminum housing; 1/8" x 1/2" roller; fits on *International* windows.

You may wish to stock these related parts: **172364, 17587, 17587-B, 172001, 171863, 172110.**

**17239  
172569**



**17230**

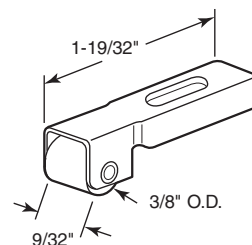
## Roller Assembly

**Contents:** 2 roller assemblies.

**Description:** Adjustable bracket with 9/32" x 3/8" flat edge nylon roller; used by several window manufacturers.

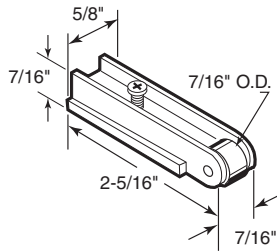
You may wish to stock these related parts: **17229.**

**17230**



Call for  
Availability

**172541**  
**172542**

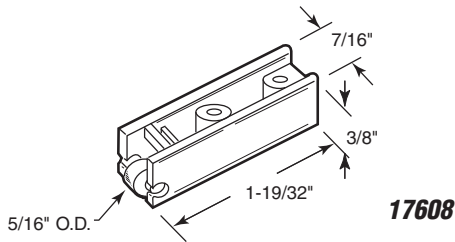


**172541** (Aluminum finish)  
**172542** (Bronze finish)

## Roller Assembly

**Contents:** 2 roller assemblies.

**Description:** Extruded aluminum housing; 7/16" diameter nylon roller; fits on *Bell* windows.



**17608**

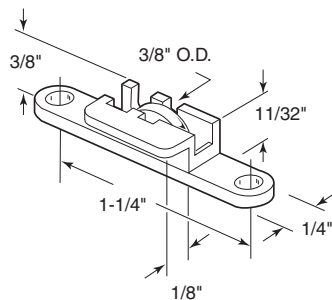
**17608**

## Roller Assembly

**Contents:** 2 roller assemblies.

**Description:** Nylon housing with flat edge nylon roller; fits on *Air Flow* patio windows.

**17610**  
**172917**



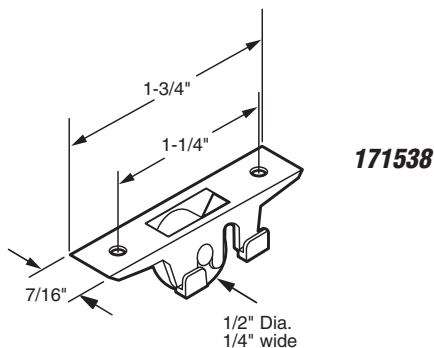
**17610** (Steel roller - 2 per card)  
**172917** (Steel roller - 4 per card)

## Roller Assembly

**Contents:** Roller assemblies

**Description:** Nylon housing with flat edge steel roller; fits on *Tomrays Tyco 66* windows.

You may wish to stock these related parts: **172384, 172385.**



**171538**

**171538** (Nylon roller)

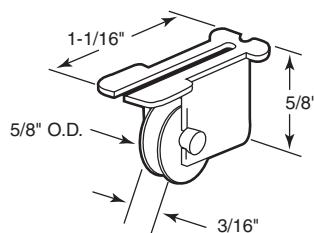
## Roller Assembly

**Contents:** 2 roller assemblies

**Description:** White nylon housing; solid brass axles; fits on *Guaranteed Products* and others.

You may wish to stock these related parts: **17484, 171491, 171652.**

**17142**



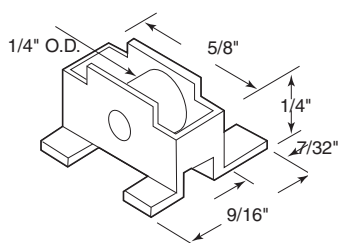
**17142**

## Roller Assembly

**Contents:** 2 roller assemblies.

**Description:** Nylon housing; 3/16" x 5/8" steel roller; fits on *Fullview*.

You may wish to stock these related parts: **171754.**



**172567**  
**17555**

**172567** (Nylon roller)  
**17555** (Brass roller)

## Roller Assembly

**Contents:** 2 roller assemblies.

**Description:** Offset guide leg; flat edge roller; nylon housing; fits on *Radco* and *Glass Emporium*.

You may wish to stock these related parts: **17607, 17594, 17752, 172539.**

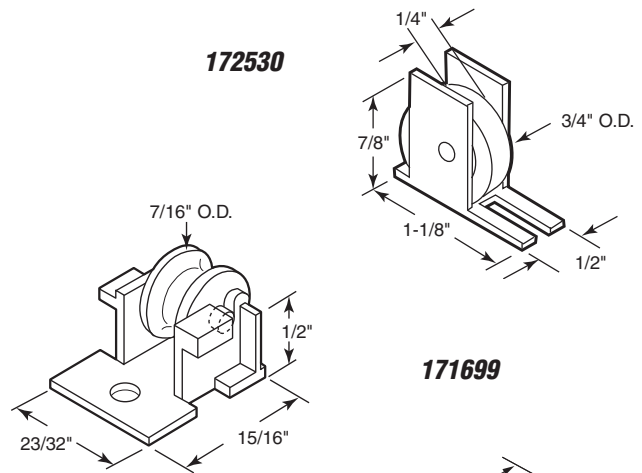
# Sliding Window Rollers & Guides

**172530**

## Roller Assembly

**Contents:** 2 roller assemblies.

**Description:** Nylon housing; flat edge nylon ball bearing roller.

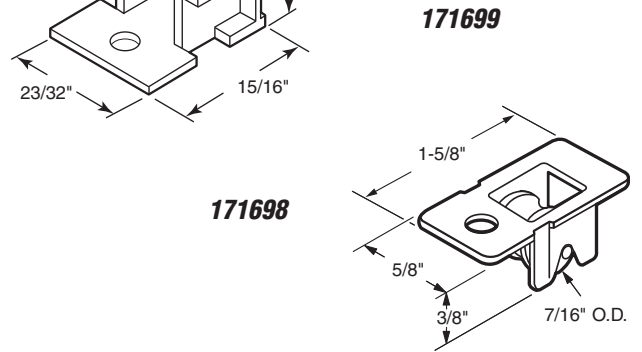


**171699**

## Roller Assembly

**Contents:** 2 roller assemblies.

**Description:** Nylon housing with 7/16" diameter steel, center-grooved roller; fits on *Krestmark*.

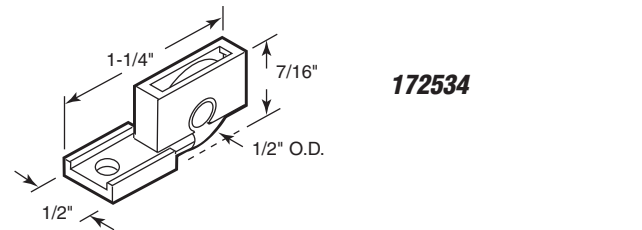


**171698**

## Roller Assembly

**Contents:** 2 roller assemblies.

**Description:** White nylon housing; nylon concave roller; fits on *H-R Windows* and others.



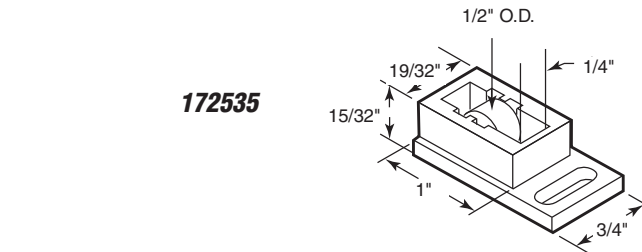
**172534**

## Roller Assembly

**Contents:** 2 roller assemblies.

**Description:** Nylon housing; flat edge nylon roller; fits on *Acorn* old style windows.

You may wish to stock these related parts: **172441**, **172537**.



**172535**

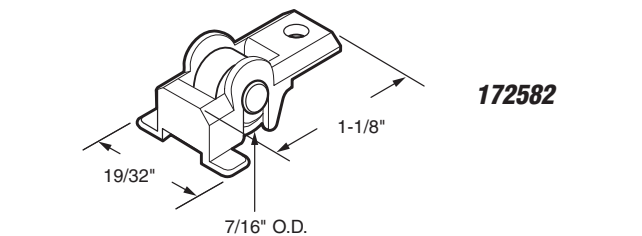
## Roller Assembly

**Contents:** 2 roller assemblies.

**Description:** Nylon housing; flat edge nylon roller; fits on *Bee Cee* and other windows.

You may wish to stock these related parts: **172441**, **172537**.

Call for  
Availability

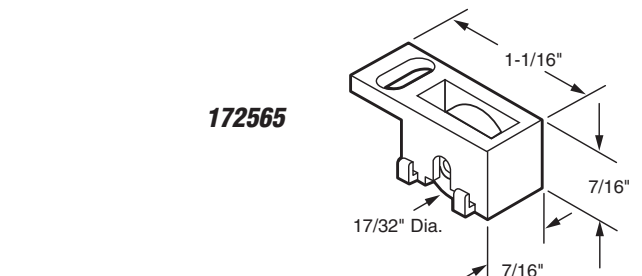


**172582**

## Roller Assembly

**Contents:** 2 roller assemblies.

**Description:** Nylon housing; flat edge steel roller; fits on *Pennco* and others.



**172565**

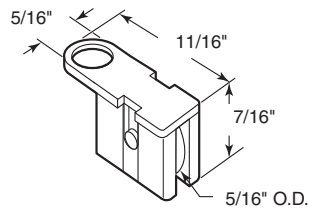
## Roller Assembly

**Contents:** 2 roller assemblies.

**Description:** Black nylon housing; 17/32" diameter solid brass flat edge roller; brass axle; fits on *Rollyson Series 400* windows.



**171982**



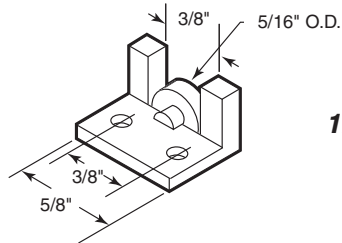
**171982**

## Roller Assembly

**Contents:** 2 roller assemblies.

**Description:** Nylon housing; 5/16" diameter solid brass flat edge roller; fits on *Better-Bilt*.

You may wish to stock these related parts: **17574, 171755, 172434-B, 172434-W, 171864.**



**17633**

**17633**

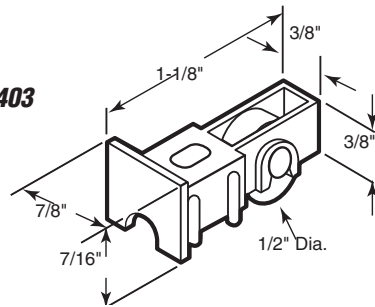
## Roller Assembly

**Contents:** 2 roller assemblies.

**Description:** Nylon guide bracket; 5/16" diameter flat edge brass roller; fits on *Eico/Century* windows.

You may wish to stock these related parts: **172553, 171490, 172394.**

**171403**



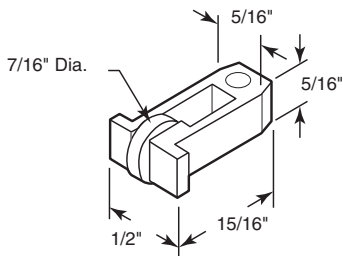
**171403**

## Roller Assembly

**Contents:** 2 roller assemblies.

**Description:** Black nylon housing; 3/16" x 1/2" steel roller; fits on *Sun-Air* and others.

You may wish to stock these related parts: **17698.**



**17823**

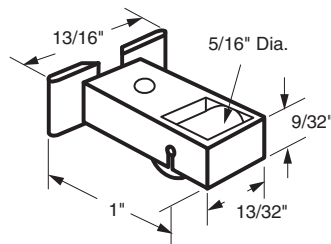
**17823**

## Roller Assembly

**Contents:** 2 roller assemblies.

**Description:** Nylon housing and guide; 7/16" diameter flat edge steel roller.

**172556**

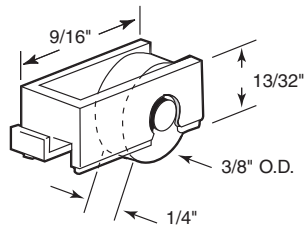


**172556**

## Roller Assembly

**Contents:** 2 roller assemblies.

**Description:** Nylon housing with 5/16" diameter flat edge steel roller.



**17386**

**17386**

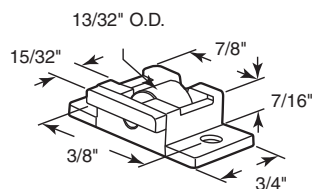
## Roller Assembly

**Contents:** 2 roller assemblies.

**Description:** Nylon housing with 1/4" x 3/8" flat edge steel roller; fits on *Fullview* windows.

You may wish to stock these related parts: **171754, 17141, 17142, 17478, 17233, 17613, 17642.**

**173449**



**173449**

## Roller Assembly

**Contents:** 2 roller assemblies.

**Description:** Black Nylon housing with 13/32" diameter solid brass roller; fits on *Amsco* windows.

# Sliding Window Rollers & Guides

**17232** (2 per card)  
**172913** (4 per card)

## Roller Assembly

**Contents:** Roller assemblies.

**Description:** Nylon housing with 1/8" x 1/2" flat edge nylon roller; fits on *L.J. Windows* and others.

**17901**

## Roller Assembly

**Contents:** 2 roller assemblies.

**Description:** Nylon housing; 5/8" diameter, flat edge nylon ball bearing roller; fits on *Premier Series 510* windows.

**17429**

## Roller Assembly

**Contents:** 2 roller assemblies.

**Description:** Nylon housing; 1/16" x 3/8" flat edge steel roller; fits on *Daryl*.

You may wish to stock these related parts: **17445**.

**172524**

## Roller Assembly

**Contents:** 2 roller assemblies.

**Description:** Nylon housing with flat edge nylon roller.

**172540**

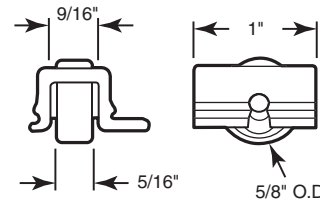
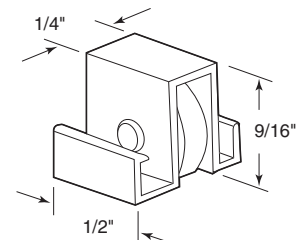
## Roller Assembly

**Contents:** 2 roller assemblies.

**Description:** Nylon housing; center groove nylon roller; fits on *Window Master*.

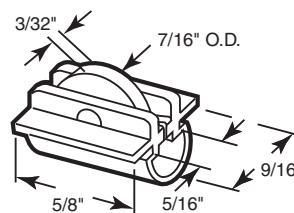
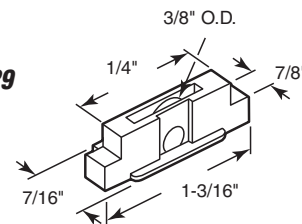
**NOTE:** Old style diecast housing is no longer available.

**17232**  
**172913**



**17901**

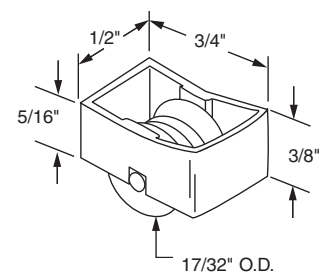
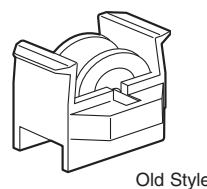
**17429**



**172524**

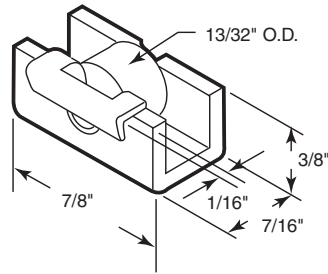
Call for  
Availability

Call for  
Availability



**172540**

**171391**



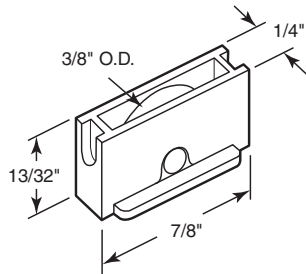
**171391**

## Roller Assembly

**Contents:** 2 roller assemblies

**Description:** Nylon housing; 1/16" guide leg; flat edge nylon roller; fits on *Rolleze* windows.

You may wish to stock these related parts: **171754**, **171575**, **171722**.



**171864**  
**171490**

**171864** (Nylon roller)

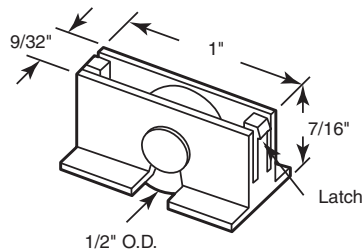
**171490** (Brass roller)

## Roller Assembly

**Contents:** 2 roller assemblies.

**Description:** Nylon housing; 3/8" diameter flat edge roller; fits on *Elco*, *Better-Bilt Aluminum* and others.

**171921**

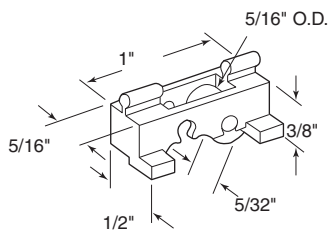


**171921**

## Roller Assembly

**Contents:** 2 roller assemblies.

**Description:** Nylon housing with 1/2" diameter steel roller; fits on *Superlite Series 8000* windows.



**17402**

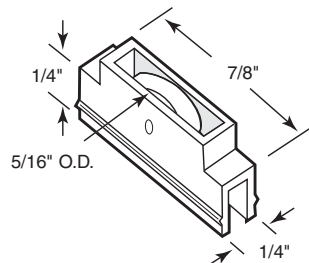
**17402**

## Roller and Guide Assembly

**Contents:** 2 roller assemblies.

**Description:** Adjustable nylon housing; 5/32" x 5/16" flat edge steel roller; 2 position height adjustment; fits on *Olson* and others.

**17141**



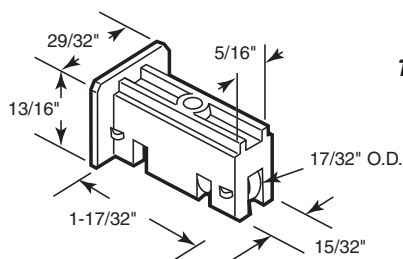
**17141**

## Roller Assembly

**Contents:** 2 roller assemblies.

**Description:** Nylon housing with 3/32" x 5/16" flat edge steel roller; fits on *Fullview* windows.

You may wish to stock these related parts: **171754**.



**172527**

**172527**

## Roller Assembly

**Contents:** 2 roller assemblies.

**Description:** Nylon housing with flat edge steel ball bearing roller; fits on *Bee Cee* windows and others.

You may wish to stock these related parts: **171991**, **172535**, **172544**.

Call for  
Availability



# Sliding Window Rollers & Guides

**172528**

## Roller Assembly

**Contents:** 2 roller assemblies.

**Description:** Nylon housing; 5/8" diameter steel ball bearing roller; center grooved; snap-in design.

**172529**

## Roller Assembly

**Contents:** 2 roller assemblies.

**Description:** Nylon housing; flat edge nylon ball bearing roller; designed for *Crossly* windows.

You may wish to stock these related parts: **172366, 172367.**

**171080**

## Roller Assembly

**Contents:** 2 roller assemblies.

**Description:** Nylon housing; 5/16" x 5/16" flat edge steel roller; fits on *Keller Window*.

You may wish to stock these related parts: **172382, 172383, 172440, 17813, 172556.**

**172537**

## Roller Assembly

**Contents:** 2 roller assemblies.

**Description:** Nylon housing; flat edge steel roller; fits on *Acorn "Series 2100"* thru *"Series 2300"* old style windows and others.

You may wish to stock these related parts: **172441, 172525, 172534.**

**172538**

## Roller Assembly

**Contents:** 2 roller assemblies.

**Description:** Nylon housing; flat edge steel roller; fits on *Acorn "Series 2100"* thru *"Series 2300"* new style windows and others.

You may wish to stock these related parts: **172441, 172525, 172534, 172537.**

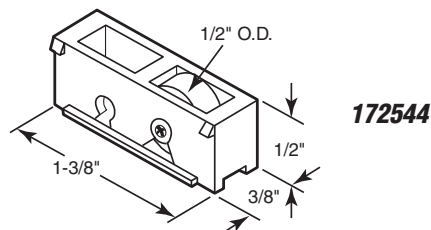
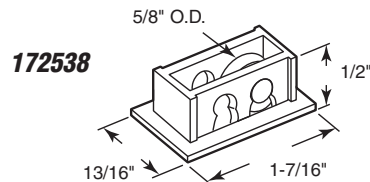
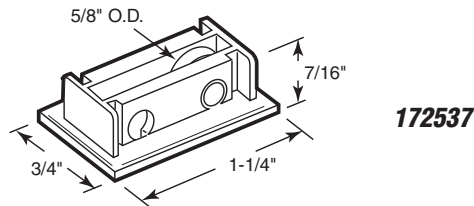
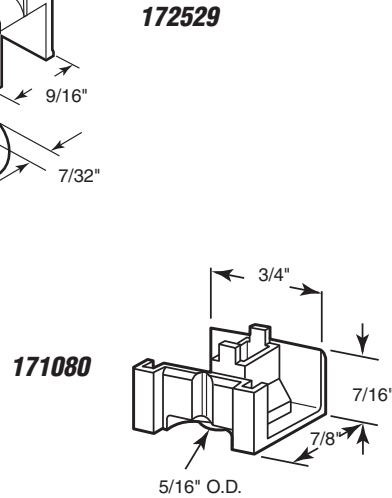
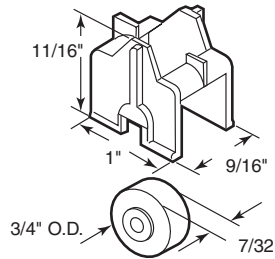
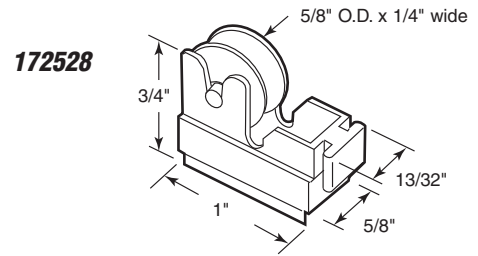
**172544**

## Roller Assembly

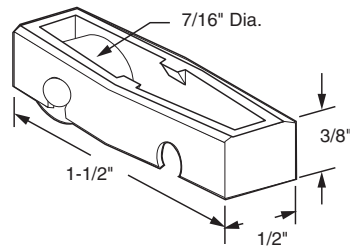
**Contents:** 2 roller assemblies.

**Description:** Adjustable nylon housing; steel ball bearing roller; fits on *Thermo Glide, Bee Cee* and others.

You may wish to stock these related parts: **171991, 172527, 172535, 172583.**



**172557**



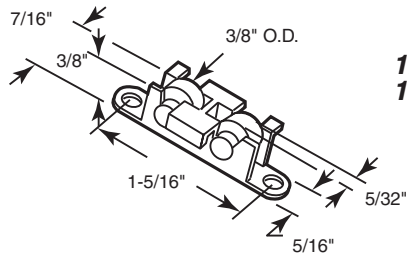
**172557**

## Roller Assembly

**Contents:** 2 roller assemblies.

**Description:** Nylon housing; solid brass rollers; fits on *Capitol Windows 600 Series*.

You may wish to stock these related parts: **172366, 172367**.



**171920**  
**172548**

**171920** (Nylon roller)

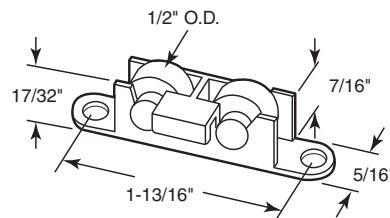
**172548** (Brass roller)

## Roller Assembly

**Contents:** 2 roller assemblies.

**Description:** Nylon housing; flat edge tandem rollers; fits on *House of Aluminum* and others.

**171957**

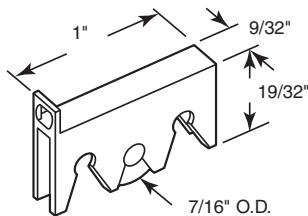


**171957**

## Roller Assembly

**Contents:** 2 roller assemblies.

**Description:** Nylon housing; flat edge tandem nylon rollers.



**172550**

**172550**

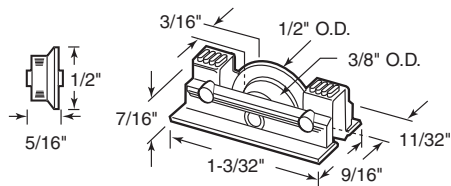
## Roller Assembly

**Contents:** 2 roller assemblies.

**Description:** Nylon housing; 7/16 inch diameter steel roller; 3-height adjustment; fits on *Alenco*.

You may wish to stock these related parts: **171976, 171121, 171122, 171922, 172581**.

**172523**



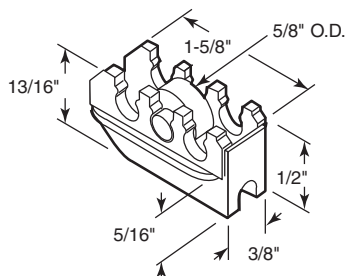
**172523**

## Roller Assembly

**Contents:** 2 roller assemblies.

**Description:** Nylon housing; flanged edge nylon roller; used on sliding windows.

Call for  
Availability



**172525**

**172525**

## Roller Assembly

**Contents:** 2 roller assemblies.

**Description:** Plastic housing with flat edge steel roller; fits on *Acorn 2200 Series* windows.

You may wish to stock these related parts: **172441, 172534, 172537, 172538**.

# Sliding Window Rollers & Guides

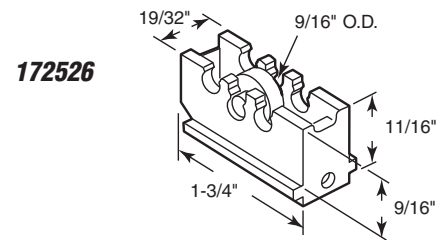
**172526**

## Roller Assembly

**Contents:** 2 roller assemblies.

**Description:** Nylon housing with flat edge steel roller; fits on *Capitol "Series 180"* windows.

You may wish to stock these related parts: **172557**.

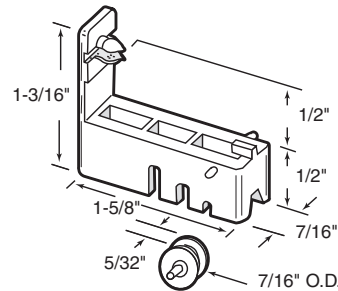


**17364**

## Roller Assembly

**Contents:** 1 roller assembly.

**Description:** Nylon housing with 5/32" x 7/16" center groove steel roller; 3-position height adjustment; fits on *Glasco* windows.



**17413**

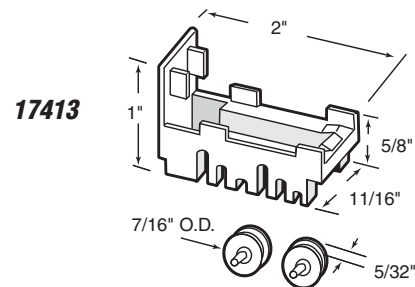
## Roller Assembly

**Contents:** 1 roller assembly.

**Description:** Nylon housing; tandem roller design; 5/32" x 7/16" center groove steel rollers; 3 position height adjustment; fits on *Pacific* windows.

You may wish to stock these related parts: **17717**, **17696**.

Call for  
Availability



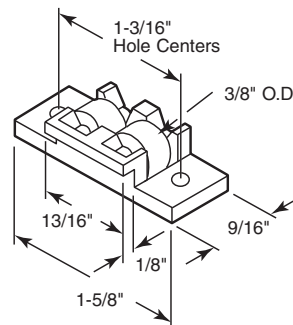
**171967**

## Roller Assembly

**Contents:** 2 roller assemblies.

**Description:** Nylon housing; dual steel rollers; fits on *Tomrays Tyco 77* dual glazed windows.

You may wish to stock these related parts: **172387**.

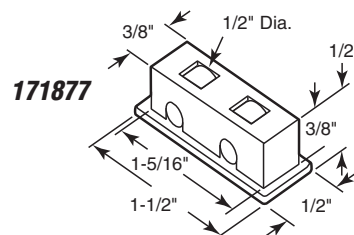


**171877**

## Roller Assembly

**Contents:** 2 roller assemblies.

**Description:** Nylon housing; flat edge brass rollers; used by several window manufacturers.

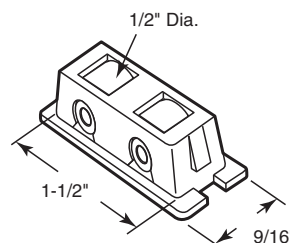


**171876**

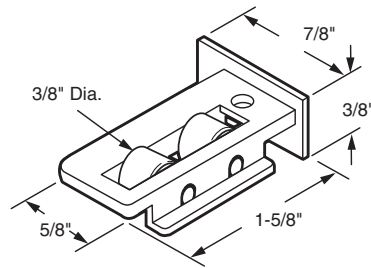
## Roller Assembly

**Contents:** 2 roller assemblies.

**Description:** Nylon housing; flat edge nylon rollers; used by several window manufacturers.



**172563**



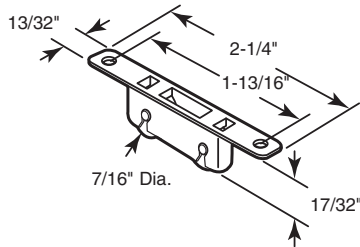
**172563**

## Roller Assembly (Left and right)

**Contents:** 2 roller assemblies.

**Description:** White nylon housing with twin nylon rollers; brass axles; fits on *Premiere* windows.

You may wish to stock these related parts: **17325**, **17813**, **17721**, **17739**, **171490**.



**171853**

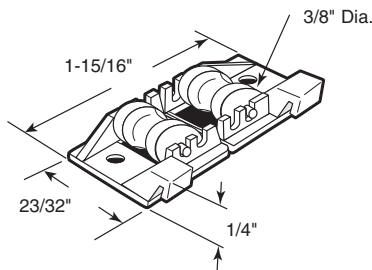
**171853**

## Roller Assembly

**Contents:** 2 roller assemblies.

**Description:** Nylon housing; 7/16" diameter solid brass rollers; fits by several window manufacturers.

**172561**

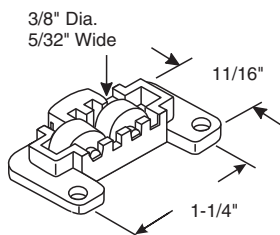


**172561**

## Roller Assembly

**Contents:** 2 roller assemblies.

**Description:** White nylon housing; brass rollers; fits on *Merzon* windows.



**172562**

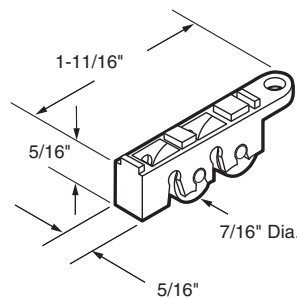
**172562**

## Roller Assembly

**Contents:** 2 roller assemblies.

**Description:** Black nylon housing; brass rollers; steel axles.

**172145**

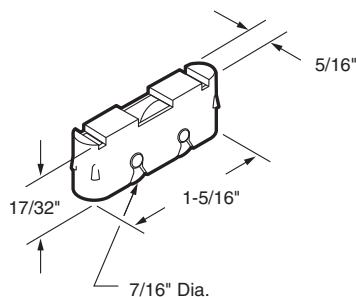


**172145**

## Roller Assembly

**Contents:** 2 roller assemblies.

**Description:** Adjustable nylon housing; solid brass rollers.



**172146**

**172146**

## Roller Assembly

**Contents:** 2 roller assemblies.

**Description:** High quality nylon housing; tandem nylon rollers.

# Sliding Window Rollers & Guides

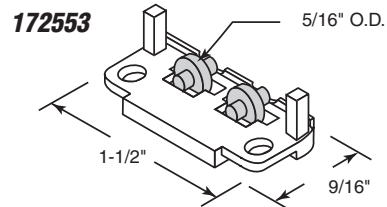
**172553**

## Roller Assembly

**Contents:** 2 roller assemblies.

**Description:** Nylon housing; flat edge brass rollers; fits on *Elco/Century* windows.

You may wish to stock these related parts: **17633**, **171490**, **172394**.

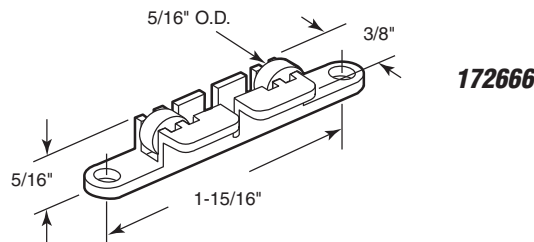


**172666**

## Roller Assembly

**Contents:** 2 roller assemblies.

**Description:** White nylon housing; flat edge tandem steel rollers; fits on *A.B.C.* windows; dual wheel upgrade to the **17610**, improves glide and window performance.

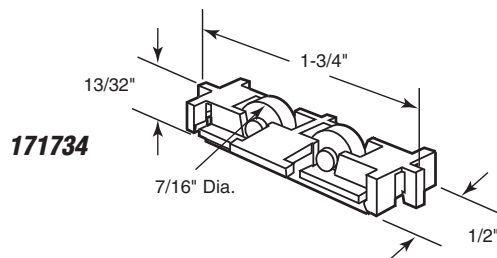


**171734**

## Roller Assembly

**Contents:** 2 roller assemblies.

**Description:** White nylon housing; nylon rollers; fits on *Milgard* and others.



**17396** (Nylon ball bearing)

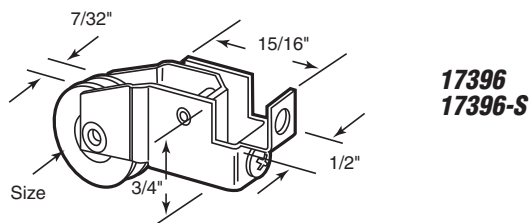
**17396-S** (Steel ball bearing)

## Roller Assembly

**Contents:** 2 roller assemblies.

**Description:** Used as a bottom roller on heavy sliding glass windows; adjustable steel housing with center grooved roller.

You may wish to stock these related parts: **172545**.



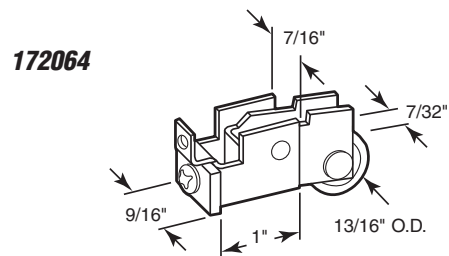
**172064**

## Roller Assembly

**Contents:** 1 roller assembly.

**Description:** Steel adjustable housing; 13/16" diameter flat edge nylon ball bearing roller; fits on *Likit* windows.

You may wish to stock these related parts: **13368-L**, **13368-R**, **17676**, **17677**, **17678**, **17679**, **17680**.

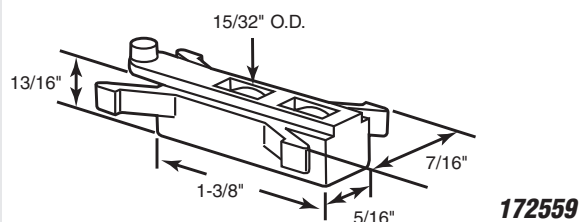


**172559**

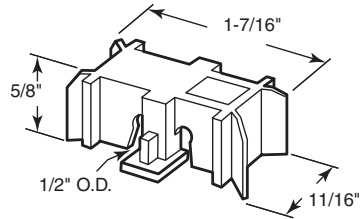
## Roller Assembly

**Contents:** 2 roller assemblies.

**Description:** Nylon housing; 15/32" diameter twin, flat edge, solid brass rollers; stainless steel axles.



**172581**



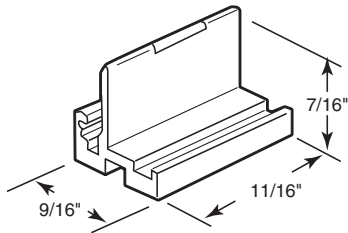
**172581**

## Roller Assembly

**Contents:** 2 roller assemblies.

**Description:** Adjustable white nylon housing; 1/2" diameter flat edge steel roller; fits on *Alenco*.

You may wish to stock these related parts: **171956, 172550, 171121, 171122, 171922.**



**17478**

**17478**

## Top Guide

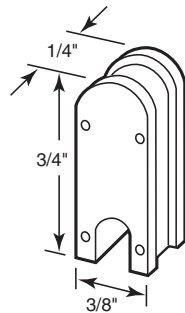
**Contents:** 2 guides.

**Description:** Nylon top guide for *Fullview* windows.

You may wish to stock these related parts: **171754, 17386, 17141, 17142, 17233, 17613, 17642.**

Call for Availability

**17233**



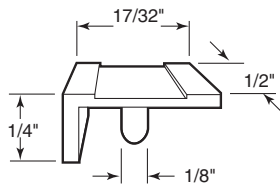
**17233**

## Top Guide

**Contents:** 2 guides.

**Description:** Nylon top guide and anti-rattler; fits on *Fullview* windows.

You may wish to stock these related parts: **171754, 17386, 17141, 17142, 17613, 17642.**



**172580**

**172580**

## Top Guide

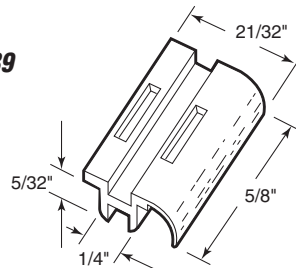
**Contents:** 4 guides.

**Description:** Nylon top guide and anti-rattler; fits on *Hallmark* windows; popular on recreation vehicles.

You may wish to stock these related parts: **17228-L, 17228-R, 172410-L, 172410-R.**

Call for Availability

**172539**



**172539**

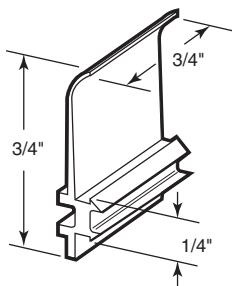
## Top Guide

**Contents:** 4 guides.

**Description:** Nylon top guide fits on *Radco* old style windows; snap-in design.

You may wish to stock these related parts: **17607, 17594, 172567, 17552, 17555.**

Call for Availability



**17717  
172919**

**17717** (2 per card)

**172919** (4 per card)

## Top Guide

**Contents:** Guides.

**Description:** Nylon top guide; fits on *Pacific* old style windows.

You may wish to stock these related parts: **17413, 17696.**

# Sliding Window Rollers & Guides

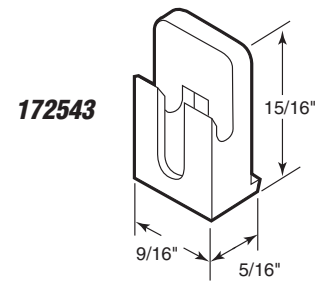
**172543**

## Top Guide

**Contents:** 4 guides.

**Description:** Black nylon top guide and anti-rattler; popular on mobile homes; fits on *Phillips* windows.

You may wish to stock these related parts: **171394**.



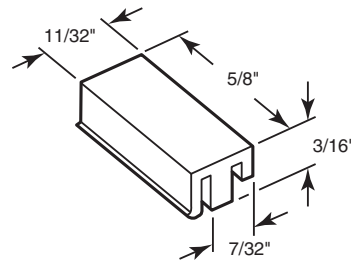
**172560**

## Top Guide

**Contents:** 4 guides.

**Description:** Nylon top guide for sliding aluminum windows; snap-in design; fits on *Alenco*.

You may wish to stock these related parts: **171956, 172550, 171121, 171922**.



**17607** (2 per card)

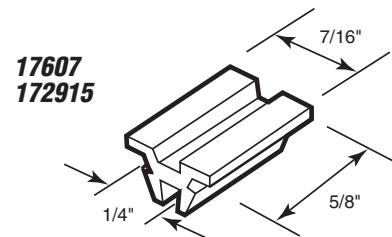
**172915** (4 per card)

## Top Guide

**Contents:** Guides.

**Description:** Plastic top guide; snap-in design; fits on *Radco* windows.

You may wish to stock these related parts: **17594, 172567, 17552, 172539, 17555**.



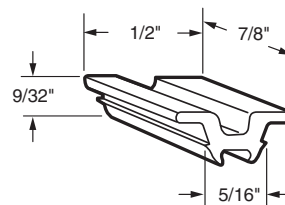
**17696**

## Top Guide

**Contents:** 2 guides.

**Description:** Gray nylon top guide; snap-in design; fits on *Pacific Window* and others.

You may wish to stock these related parts: **17413, 17717**.



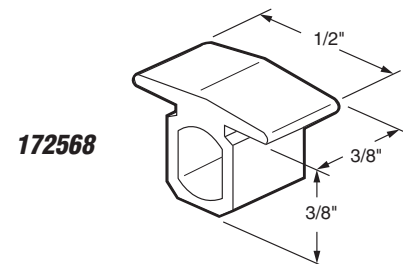
**172568**

## Top Guide

**Contents:** 4 guides.

**Description:** Nylon top guide; fits on *International* sliding aluminum windows.

You may wish to stock these related parts: **17587, 172001, 172393, 172110**.



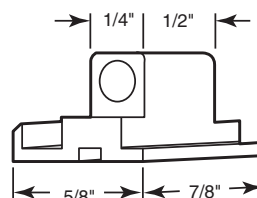
**171217**

## Bottom Guide

**Contents:** 2 guides.

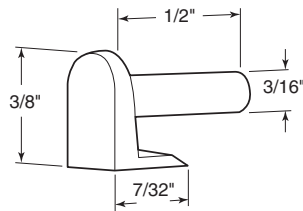
**Description:** Nylon bottom guide; fits on *Mayfair* windows.

You may wish to stock these related parts: **17338, 172552**.



Call for  
Availability

**17710**

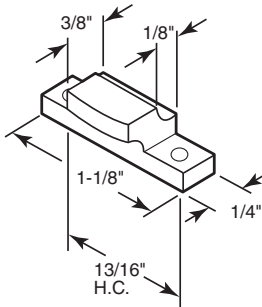


**17710**

## Bottom Guide

**Contents:** 4 guides.

**Description:** Nylon bottom guide; snap-in design; corner mounted; acts as a glide on sliding aluminum windows.



**171394**

**171394**

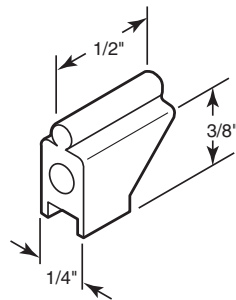
## Bottom Glide

**Contents:** 4 glides.

**Description:** Black nylon bottom glide; also serves as a guide; popular on mobile homes; fits on *Phillips* windows.

You may wish to stock these related parts: **172431**, **172543**, **172562**.

**17679**



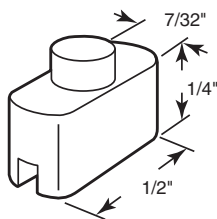
**17679**

## Bottom Glide

**Contents:** 2 glides.

**Description:** Nylon glide; installs on bottom of window to act as a roller; fits on *Likit* windows.

You may wish to stock these related parts: **17368-L**, **17368-R**, **172551**.



**171956**

**171956**

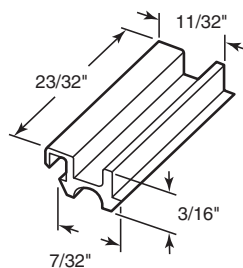
## Bottom Glide

**Contents:** 4 glides.

**Description:** Nylon glide snaps into hole in bottom vent rail; fits on *Alenco*.

You may wish to stock these related parts: **172550**, **171121**, **171122**.

**171121**



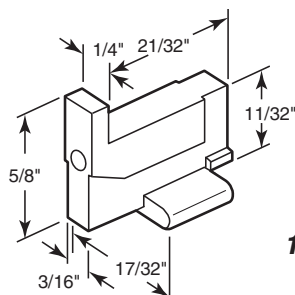
**171121**

## Bottom Glide

**Contents:** 4 glides.

**Description:** Nylon glide acts as a roller on sliding aluminum windows; fits on *Alenco*.

You may wish to stock these related parts: **171122**, **171922**.



**172552**

**172552**

## Bottom Glide

**Contents:** 2 glides.

**Description:** Nylon corner and bottom glide act as a roller on sliding aluminum windows; fits on *Mayfair* windows.

You may wish to stock these related parts: **17338**, **171217**.



# Sliding Window Rollers & Guides

**17678**

## Guide

**Contents:** 2 guides.

**Description:** Nylon guide; installs on lock side of window; fits on *Likit* windows.

You may wish to stock these related parts: **172551**.

**171120**

## Guide

**Contents:** 6 guides.

**Description:** Nylon guide; snap-in design; used on both top and bottom of window.

**17594**

## Guide

**Contents:** 2 guides.

**Description:** Plastic snap-in style guide; fits on *Radco* windows.

You may wish to stock these related parts: **17555**.

**17680**

## Guide

**Contents:** 2 guides.

**Description:** Nylon guide; snap-in design; fits on *Likit* windows.

You may wish to stock these related parts: **17368-L**, **17368-R**.

**171540**

## Guide

**Contents:** 4 guides.

**Description:** White nylon guide; fits on *Guaranteed Products* and other window manufacturers.

You may wish to stock these related parts: **17484**, **171491**, **171642**.

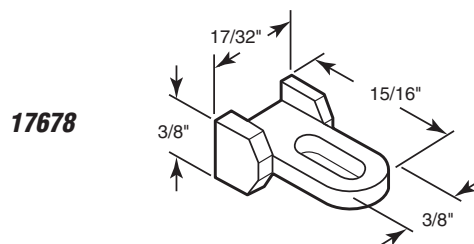
**17677**

## Guide and Bumper

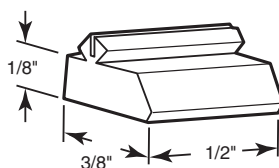
**Contents:** 2 guides.

**Description:** Nylon guide; installs on lock side of window; fits on *Likit* windows.

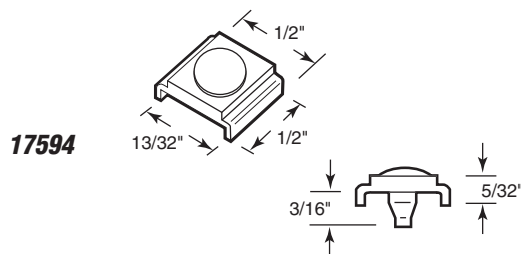
You may wish to stock these related parts: **17368-L**, **17368-R**, **172551**.



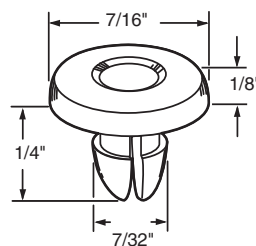
**17678**



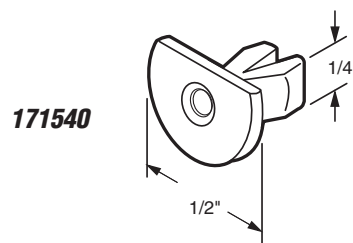
**171120**



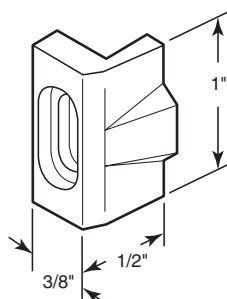
**17594**



**17680**

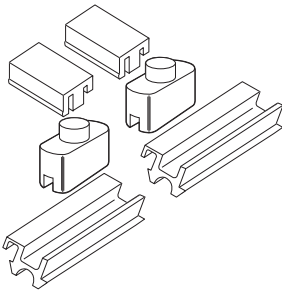
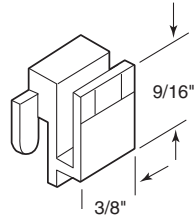


**171540**



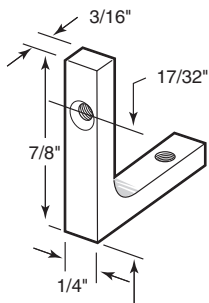
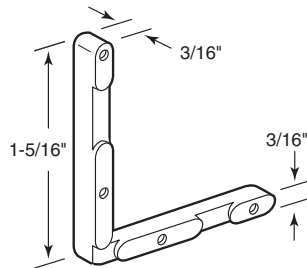
**17677**

**17676**  
**G-3078A**  
**G-3078B**  
**G-3078C**  
**G-3078D**



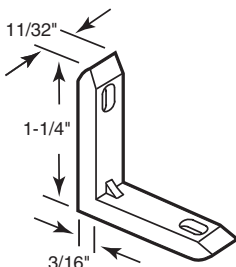
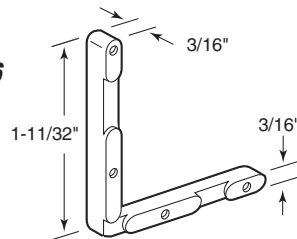
**171922**

**172487**  
**17361**



**172470**  
**172470-100**

**172536**



**17338**

**17676** (1 set per card)  
**G-3078A** (100 per box - top left)  
**G-3078B** (100 per box - top right)  
**G-3078C** (100 per box - bottom left)  
**G-3078D** (100 per box - bottom right)

## Corner Guide Set

**Contents:** 4 guides.

**Description:** Nylon guides mount on each corner and act as a glide and guide; fits on *Likit* windows.

You may wish to stock these related parts: **17368-L**, **17368-R**, **172551**.

**171922**

## "Alenco" Repair Kit

**Contents:** 2 each - top guides, bottom glides (old style) and bottom glides (new style)

**Description:** Nylon guide and glides; snap-in application; used to repair *Alenco Series 200* sliding windows, either new or old style.

**172487** (8 per card)  
**17361** (100 per box)

## Corner Insert

**Contents:** Diecast corners.

**Description:** Inserts into window frame extrusion to hold frame together; fits on *Bel-Air*.

**172470** (4 per card)  
**172470-100** (100 per box)

## Corner Insert

**Contents:** Extruded aluminum corners; no. 5-40 x 5/16" Phillips flat head machine screws.

**Description:** Inserts into window extrusion to hold frame together; fits on *Rylock* windows.

**172536**

## Corner Insert

**Contents:** 8 corners.

**Description:** Diecast corner; attaches to window frame by indenting frame with punch; designed to fit "*C*" Sash frame.

**17338**

## Corner Insert

**Contents:** 4 diecast corners.

**Description:** Inserts into window extrusion to hold frame together; fits on *Mayfair* windows.

# Sliding Window Rollers & Guides

**17339**

## Corner Insert

**Contents:** 4 corners.

**Description:** Zinc diecast corner inserts; fits on *Rylock* and others.

**17367**

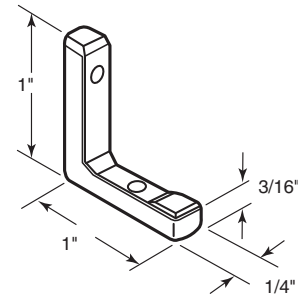
## Corner Insert & Roller

**Contents:** 2 corners.

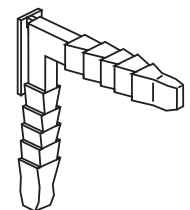
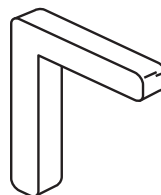
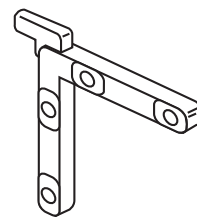
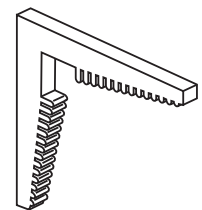
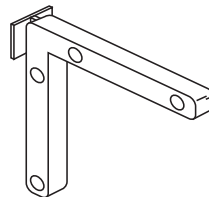
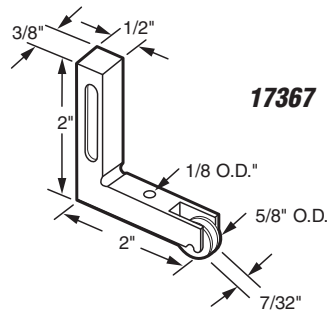
**Description:** Diecast corner inserts with 7/32" x 5/8" nylon rollers; fits on *Trimview*.

*Call for  
Availability*

**17339**



**17367**

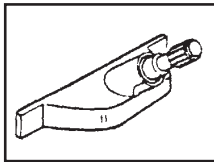


**Contact our . . . .**

Customer Service Department  
for a much larger selection  
of corner keys and tilt keys!

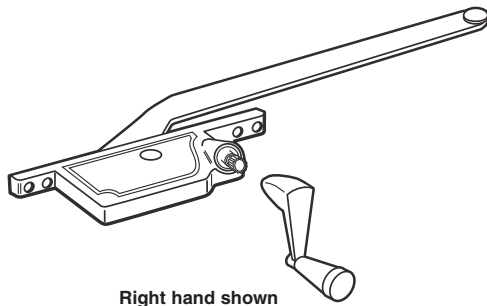
Square Type	Teardrop Type	Arm Length	Painted Finish	Hand*
17390-RA-6	1762-RA-6	6"	Aluminum	Right
17390-LA-6	1762-LA-6	6"	Aluminum	Left
17390-RB-6	1762-RB-6	6"	Bronze	Right
17390-LB-6	1762-LB-6	6"	Bronze	Left
—	1762-RW-6	6"	White	Right
—	1762-LW-6	6"	White	Left
17390-RA-7	1762-RA-7	7"	Aluminum	Right
17390-LA-7	1762-LA-7	7"	Aluminum	Left
17390-RB-7	1762-RB-7	7"	Bronze	Right
17390-LB-7	1762-LB-7	7"	Bronze	Left
—	1762-RW-7	7"	White	Right
—	1762-LW-7	7"	White	Left
17390-RA-8	1762-RA-8	8"	Aluminum	Right
17390-LA-8	1762-LA-8	8"	Aluminum	Left
17390-RB-8	1762-RB-8	8"	Bronze	Right
17390-LB-8	1762-LB-8	8"	Bronze	Left
17390-RW-8	1762-RW-8	8"	White	Right
17390-LW-8	1762-LW-8	8"	White	Left
17390-RA	1762-RA	9"	Aluminum	Right
17390-LA	1762-LA	9"	Aluminum	Left
17390-RB	1762-RB	9"	Bronze	Right
17390-LB	1762-LB	9"	Bronze	Left
17390-RW	1762-RW	9"	White	Right
17390-LW	1762-LW	9"	White	Left
172573-R	—	9"	Brass Plated	Right
172573-L	—	9"	Brass Plated	Left

\* Hand determined by window hinge location from outside home looking in.



### Spindle (For crank)

Square Type = 3/8" Diameter  
Teardrop Type = 5/16" Diameter



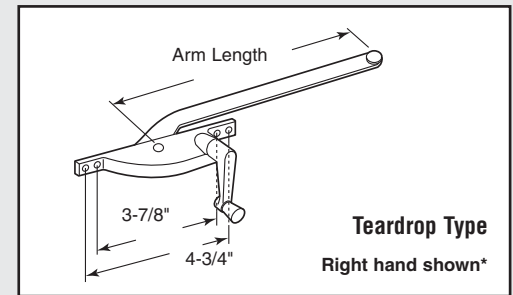
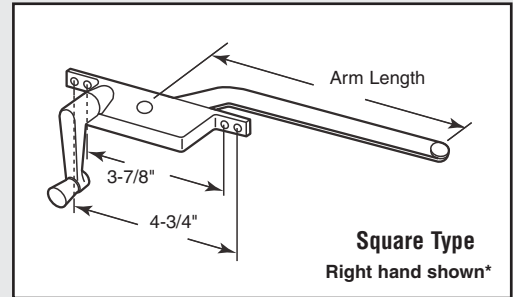
Right hand shown

### Casement Operators (Diecast - face mount)

**Contents:** 1 operator; 1 crank handle and 1 set of installation screws.

**Description:** Worm gear mechanism driven; steel arm; square type has 3/8" diameter spindle and teardrop type has 5/16" diameter spindle; used on steel framed windows.

You may also wish to stock these related parts: 17407, 17240 thru 17240-2-B, 17243, 17243-2, 17240-W thru 17243-2-W.



### Casement Operators (Diecast - face mount)

**Contents:** 1 operator; 1 crank handle and 1 set of installation screws.

Part No.	Painted Finish	Hand*
172056-R	Aluminum	Right
172056-L	Aluminum	Left
172057-R	Bronze	Right
172057-L	Bronze	Left

Call for Availability

\* Hand determined by window hinge location from outside home looking in.

**Description:** Worm gear mechanism driven; steel arm; this style was used extensively in the Florida market.

# Window Hardware

## Casement Operators (Diecast - surface mount)

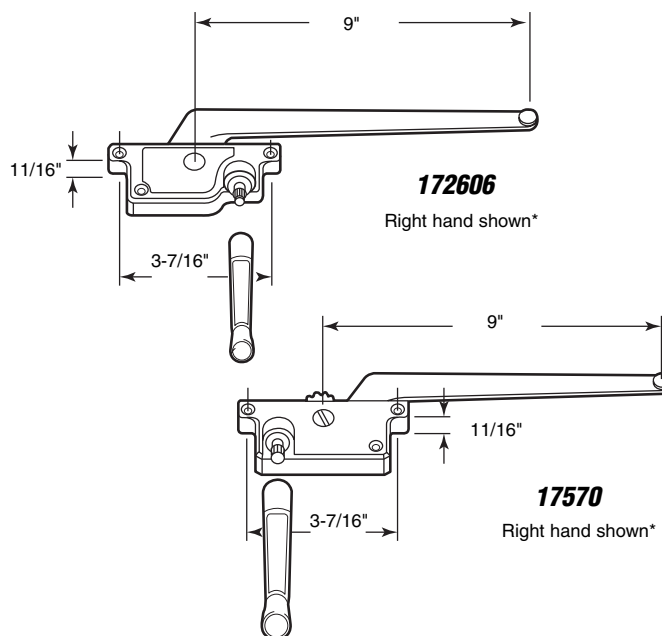
**Contents:** 1 operator; 1 crank handle and 1 set of installation screws.

Painted Part No.	Finish	Spindle Hand*	Dia.
172606-RA	Aluminum	Right	3/8"
172606-LA	Aluminum	Left	3/8"
172606-RB	Bronze	Right	3/8"
172606-LB	Bronze	Left	3/8"
17570-R (Deluxe)	Bronze	Right	3/8"
17570-L (Deluxe)	Bronze	Left	3/8"

\* Hand determined by window hinge location from outside home looking in.

**Description:** Worm gear mechanism driven; steel arm; used on wood window frames by many manufacturers.

You may also wish to stock these related parts: 17240 thru 17240-2-B, 17571.



## Casement Operators (Diecast - surface mount)

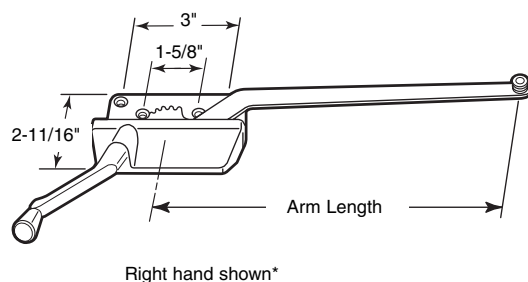
**Contents:** 1 operator; 1 crank handle and 1 set of installation screws.

Part No.	Arm Length	Painted Finish	Hand*	Spindle Dia.
171067-R	9-1/2"	Bronze	Right	11/32"
171067-L	9-1/2"	Bronze	Left	11/32"
171067-R-13.5	13-1/2"	Bronze	Right	11/32"
171067-L-13.5	13-1/2"	Bronze	Left	11/32"

\* Hand determined by window hinge location from outside home looking in.

**Description:** Worm gear mechanism driven; steel arm; used on wood and vinyl framed windows.

You may also wish to stock these related parts: 17240 thru 17240-2-B, 171720, 17819-RB, 17819-LB.



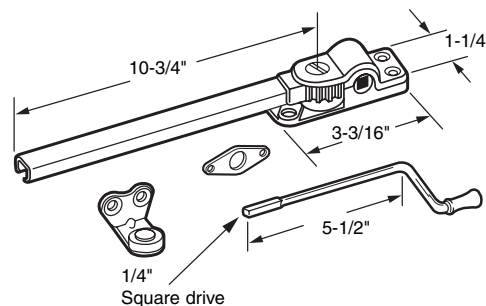
## Casement Operators (Diecast - surface mount)

**Contents:** 1 operator; 1 crank handle and all mounting hardware

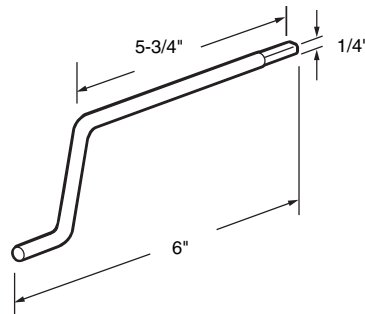
Part No.	Arm Finish	Package
17975	Uni-chrome	Skin card
H-3680	Uni-chrome	Display box
H-3687	Brass plated	Skin card
H-3688	Brass plated	Display box

**Description:** Reversible; non-handed; requires 1-3/8" space between screen and sash; heavy cast worm gear with steel arm; full 90° motion in both directions; fits on Parlyn and others on wood framed windows.

You may also wish to stock these related parts: 17976.



**17976**



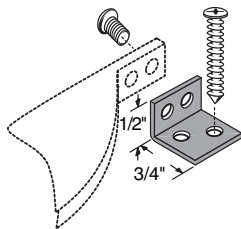
**17976**

## Casement Operator Handle (Diecast)

**Contents:** 1 handle.

**Description:** Brass plated; 1/4" square shank; fits on *Wesco* and other type operators.

You may wish to stock these related parts: **17975, 171543, H-3687, H-3688.**



**172660**  
**172660-B**

**172660** (Aluminum)

**172660-B** (Bronze)

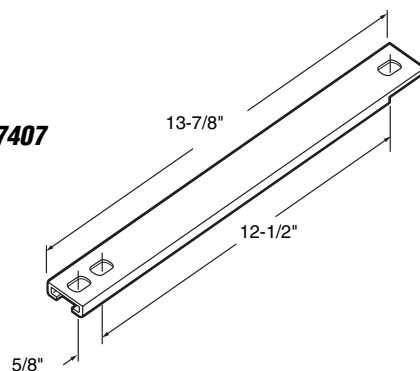
## Casement Operator Mounting Brackets

**Contents:** 2 brackets; 1 set of installation screws.

**Description:** Used to convert face mounted operator to surface mounted operator for wood windows; **stamped steel construction**; 2 holes are threaded to provide machine screw assembly to operator.

You may wish to stock these related parts: **1762-RA-6 thru 1762-LW, 17390-RA-6 thru 17390-LW.**

**17407**



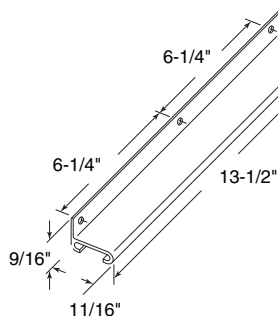
**17407**

## Casement Track (For steel casements)

**Contents:** 1 track with mounting screws.

**Description:** Aluminum track attaches to steel window; channel accepts guide rivet on end of operator arm to accommodate opening and closing of window.

You may wish to stock these related parts: **1762-RA-6 thru 1762-LW, 17390-RA-6 thru 17390-LW.**



**17571**

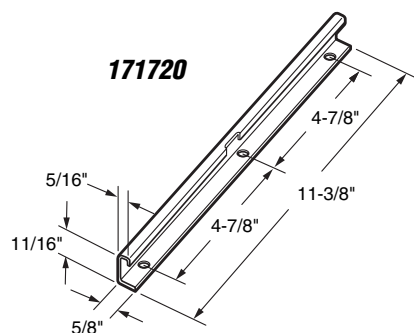
**17571**

## Casement Track (For wood casements)

**Contents:** 1 track with mounting screws.

**Description:** Extruded aluminum track attaches to wood window; channel accepts guide roller on end of operator arm to accommodate opening and closing of window.

You may wish to stock these related parts: **172606-RA thru 172606-LB, 17570-R, 17570-L.**



**171720**

**171720**

## Casement Track (For wood or vinyl casements)

**Contents:** 1 track with mounting screws.

**Description:** Stamped steel track attaches to wood or vinyl windows; channel accepts guide roller on end of operator arm to accommodate opening and closing of window.

You may wish to stock these related parts: **171067-R thru 171067-L-13.5.**

**17819-RB** (Right hand)

**17819-LB** (Left hand)

## Casement Lock (Bronze finish)

**Contents:** 1 locking unit; 1 keeper; 1 set of installation screws.

**Description:** Diecast housing with steel locking mechanism and keeper; use by many manufacturers of wood and vinyl framed windows.

You may wish to stock these related parts: **171067-R** thru **171067-L-13.5**, **17820**.

**17241** (Aluminum)

## Casement Operator Crank Handle

**Contents:** 1 handle.

**Description:** Zinc diecast handle; 5/16" bore; fits on *Parlyn*.

**172615** (Aluminum)

## Awning Operator Crank Handle (3/8" Hex)

**Contents:** 1 handle with set screw.

**Description:** Zinc diecast handle; used with 172616 operator and 172633 hex drive bar.

You may wish to stock these related parts: **172614**, **172616**, **172633**.

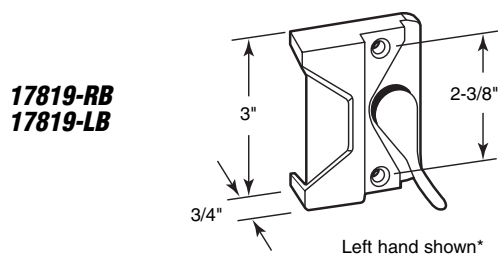
## Casement Operator Crank Handle

**Contents:** 1 handle.

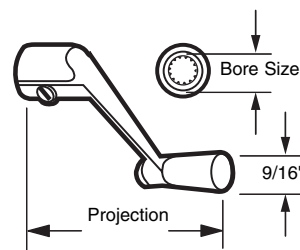
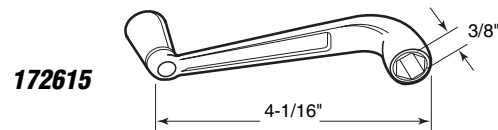
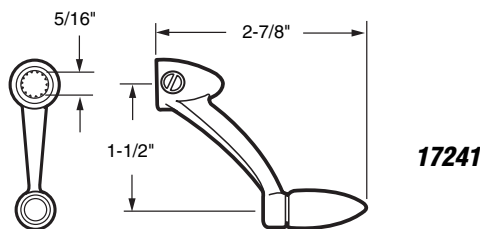
Part No.	Painted Finish	Bore Size	Projection
17240	Aluminum	5/16"	2-11/16"
17240-B	Bronze	5/16"	2-11/16"
17240-W	White	5/16"	2-11/16"
171925	Bronze	11/32"	3"
17240-2	Aluminum	3/8"	2-11/16"
17240-2-B	Bronze	3/8"	2-11/16"
17240-2-W	White	3/8"	2-11/16"
171786*	Aluminum	3/8"	3-1/2"

\*Fits awning operators only.

**Description:** Diecast handle; universal design; this crank style handle offers excellent torque for easiest opening and closing of window.

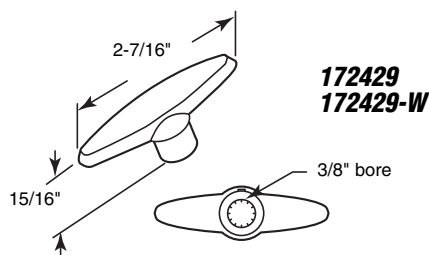
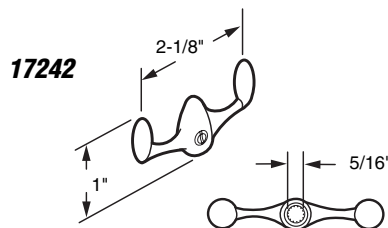
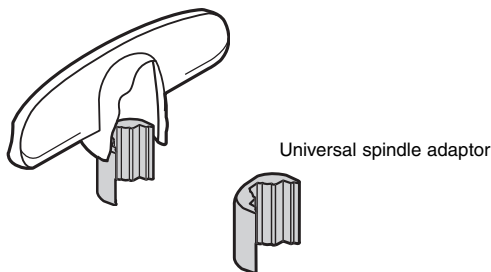


\* Handing determined by window hinge location from *outside* home looking *in*, when unit is in the locked position.



Painted Finish	Bore Size	Part No. 1 per Card	Part No. 2 per Card	Fits on
Aluminum	5/16"	17243	172921	Many Mfrs.
Aluminum	3/8"	17243-2	172922	Many Mfrs.
Bronze	5/16"	17243-B	172923	Many Mfrs.
Bronze	3/8"	17243-2-B	172924	Many Mfrs.
White	5/16"	17243-W	172925	Many Mfrs.
White	3/8"	17243-2-W	172926	Many Mfrs.
Light Brass	5/16"	172013	—	Many Mfrs.
Coppertone	11/32"	172003	172927	Truth
Bronze	11/32"	172004	—	Truth
Star Brown	11/32"	172005	172928	Truth
White	11/32"	172006	172929	Truth
Chestnut Bronze	11/32"	172007	—	Truth
Light Brass	11/32"	172008	—	Truth
Beige	11/32"	172175	—	Truth
Gold	11/32"	172162	—	Truth
Star Brown	5/16"	172188	—	Many Mfrs.
Star Brown	3/8"	172009	—	Anderson
Light Brass	3/8"	172010	—	Anderson
Driftwood	9/32"	172011	—	Peachtree
Copper	3/8"	172012	—	Pella
White	3/8"	172851	—	Pella
Bronze	7/16"	172160	—	Marvin

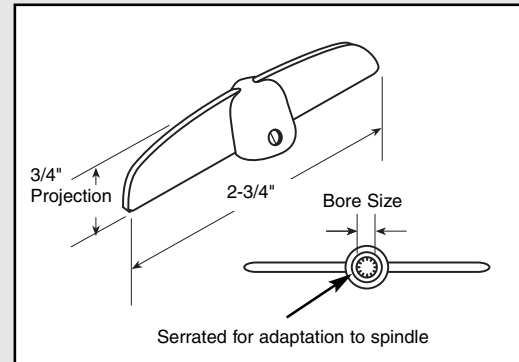
\* This 3/8" bore has a special deep inset serration.



## Casement Operator Tee Handle

Contents: Handles.

**Description:** Diecast handle; supplied with set screw; replaces most crank style handles and does not interfere with blinds, shades and shutters, etc; colors vary to various manufacturers' specifications.



- 173234-A (Aluminum)
- 173234-B (Satin bronze)
- 173234-C (Champagne)
- 173234-D (Driftwood)
- 173234-F (Dark brown)
- 173234-W (White)

## Casement Operator *Universal* Tee Handles

Contents: 2 handles; 2 universal spindle adapters.

**Description:** Diecast handles; 2 diecast adapters for different popular bore sizes; adapter fits over spindle on operator; tee-handle then fits over adapter and is locked on to spindle with set screw.

17242 (Aluminum)

## Jalousie Operator Tee Handle

Contents: 1 handle.

**Description:** Diecast handle; fits 5/16" spindle as fits on *Parlyn*.

172429 (Gray)  
172429-W (White)

## Awning Operator Tee Handle

Contents: 1 handles.

**Description:** Diecast handle; universal design with 3/8" bore size.



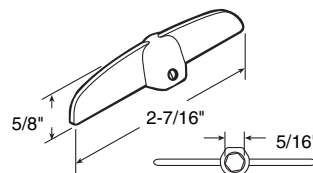
## 172617

### Awning Operator Tee Handle

**Contents:** 1 handle.

**Description:** Diecast handle; uniquely designed for 5/16" hex drive operators.

## 172617



**171858-R** (Aluminum - right hand)

**171858-L** (Aluminum - left hand)

**171924-R** (Bronze - right hand)

**171924-L** (Bronze - left hand)

**171926-R** (White - right hand)

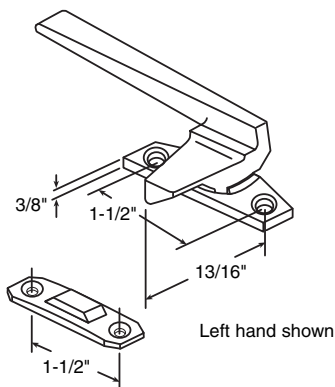
**171926-L** (White - left hand)

### Casement Locking Handle (Offset base)

**Contents:** 1 locking handle; 1 keeper; 1 set of installation screws.

**Description:** Diecast locking handle and keeper with 1-1/2" hole centers; similar to *Truth* hardware; uses #10 flat head machine screws commonly used on metal framed windows.

You may wish to stock these related parts: **172621-A**, **172621-B**.



**172669-AR** (Aluminum - right hand)

**172669-AL** (Aluminum - left hand)

**172669-BR** (Bronze - right hand)

**172669-BL** (Bronze - left hand)

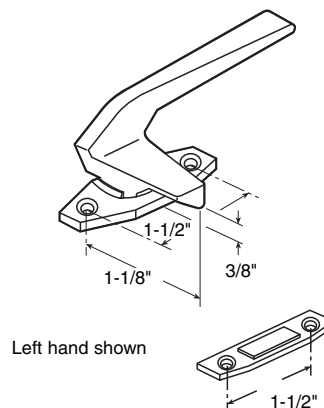
**172669-WR** (White - right hand)

**172669-WL** (White - left hand)

### Casement Locking Handle (In-line base)

**Contents:** 1 locking handle; 1 keeper; 1 set of installation screws.

**Description:** Diecast locking handle and keeper with 1-9/16" hole centers; uses #8 sheet metal screws for application to wood framed windows.



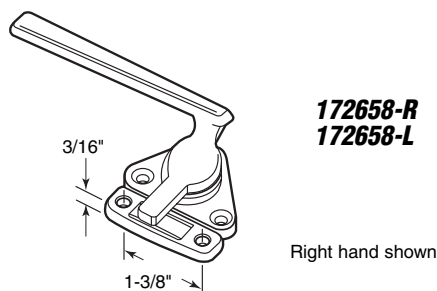
**172658-R** (Right hand)

**172658-L** (Left hand)

### Casement Locking Handle

**Contents:** 1 handle; 1 strike; 1 set of installation screws.

**Description:** Zinc diecast locking handle; aluminum finish.



**172619-R** (Right hand)

**172619-L** (Left hand)

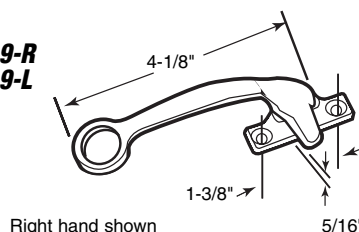
### Casement Locking Handle

**Contents:** 1 handle.

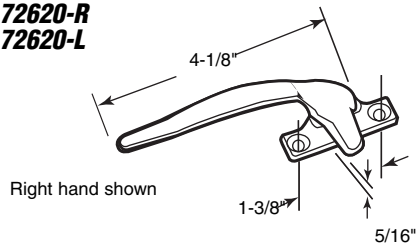
**Description:** Heavy bronze casting; 1-3/8" hole centers for steel windows; hole in lock handle allows it to be used, in elevated location, for pole operation.

You may wish to stock these related parts: **172652**.

## 172619-R 172619-L



**172620-R**  
**172620-L**



Right hand shown

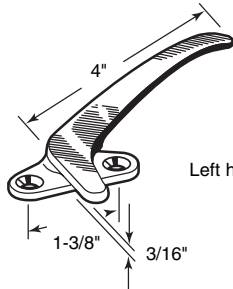
**172620-R** (Right hand)  
**172620-L** (Left hand)

**Casement Locking Handle**

**Contents:** 1 handle.

**Description:** Heavy bronze casting; polished finish; 1-3/8" hole centers for steel windows; used by many commercial window manufacturers.

You may wish to stock these related parts: **172652**.



Left hand shown

**172639-R**  
**172639-L**

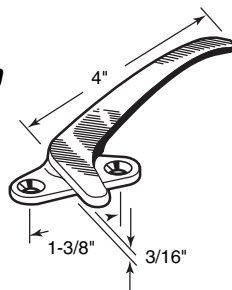
**172639-R** (Right hand)  
**172639-L** (Left hand)

**Casement Window Handle**

**Contents:** 1 handle; 1 set of installation screws.

**Description:** Polished red bronze (85% copper); 1-3/8" hole centers; used on many casement windows.

**172640**



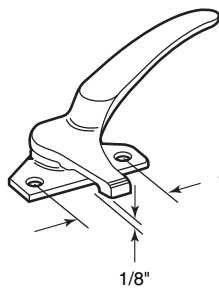
**172640**

**Hopper Window Locking Handle**

**Contents:** 1 handle; 1 set of installation screws.

**Description:** Heavy bronze casting; dark bronze finish; 1-3/8" hole centers; used as top handle on project-out windows.

You may wish to stock these related parts: **172641**.



**172642-R**  
**172642-L**

Left hand shown

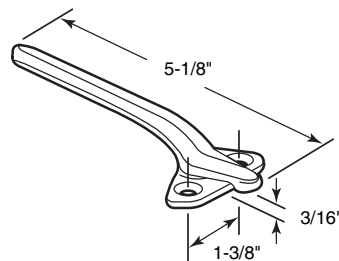
**172642-R** (Right hand)  
**172642-L** (Left hand)

**Casement Locking Handle**

**Contents:** 1 handle; 1 set of installation screws.

**Description:** Heavy bronze casting; dark bronze finish; used on steel projecting and casement windows; 1-1/4" hole centers.

**172641**



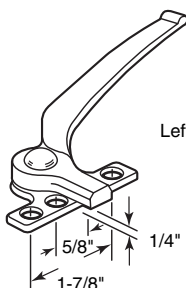
**172641**

**Hopper Window Locking Handle**

**Contents:** 1 handle; 1 set of installation screws.

**Description:** Heavy bronze casting; dark bronze epoxy finish; used as bottom handle on hopper windows.

You may wish to stock these related parts: **172640**.



**172643-R**  
**172643-L**

Left hand shown

**172643-R** (Right hand)  
**172643-L** (Left hand)

**Casement or Projecting Window Locking Handle**

**Contents:** 1 handle; 1 set of installation screws.

**Description:** Heavy bronze casting; dark bronze finish; 4 hole mounting bracket; used as a top handle on dual hopper windows.

You may wish to stock these related parts: **172644**.

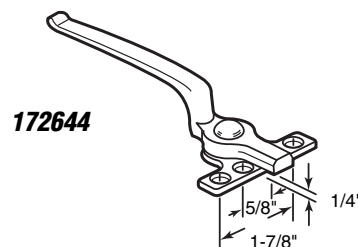
## 172644

### Casement or Projecting Window Locking Handle

**Contents:** 1 handle; 1 set of installation screws.

**Description:** Heavy bronze casting; dark bronze finish; 4 hole mounting bracket; used as a bottom handle on dual hopper windows.

You may wish to stock these related parts: 172643-R, 172643-L.



## 172645-R (Right hand)

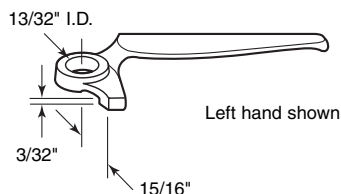
## 172645-L (Left hand)

### Casement or Projecting Window Locking Handle

**Contents:** 1 handle.

**Description:** Heavy bronze casting; dark bronze finish; locking handle fits on old style *Fenestra* windows.

You may wish to stock these related parts: 172651.



172645-R  
172645-L

## 172646-R (Right hand)

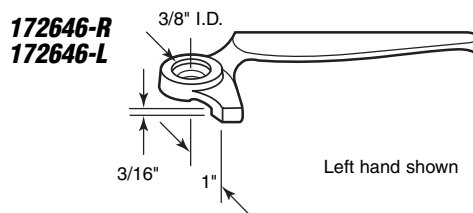
## 172646-L (Left hand)

### Casement or Projecting Window Locking Handle

**Contents:** 1 handle.

**Description:** Heavy bronze casting; dark bronze finish; locking handle fits on *Fenestra* windows.

You may wish to stock these related parts: 172651.



172646-R  
172646-L

## 172647-R (Red bronze - right hand)\*

## 172647-L (Red bronze - left hand)\*

## 172661-R (Zinc - right hand)

## 172661-L (Zinc - left hand)

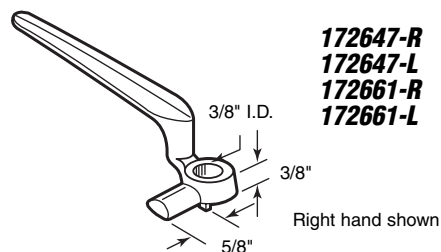
### Casement or Projecting Window Locking Handle

**Contents:** 1 handle.

**Description:** Zinc & red bronze castings; locking handle used on old style casement windows; fits on *Fenestra* and others.

\*Call for availability on these items.

You may wish to stock these related parts: 172651.



172647-R  
172647-L  
172661-R  
172661-L

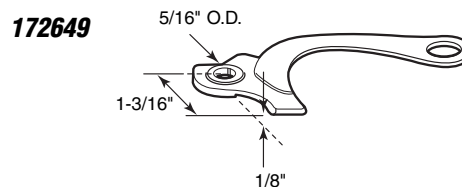
## 172649

### Casement or Projecting Window Locking Handle

**Contents:** 1 handle.

**Description:** Red bronze casting (81% copper); locking handle used on old style steel windows.

You may wish to stock these related parts: 172651.



172649

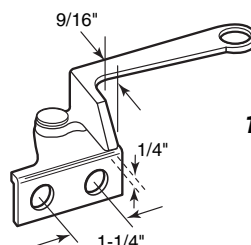
## 172648

### Casement or Projecting Window Locking Handle

**Contents:** 1 handle.

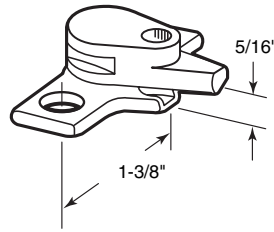
**Description:** Polished red bronze casting (81% copper); fits in upper position on *Lupton* dual projecting windows.

You may wish to stock these related parts: 172654.



172648

**172634**



**172634**

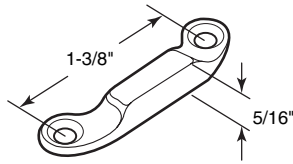
**Casement Security Lock**

**Contents:** 1 lock; 1 set of installation screws.

**Description:** Heavy bronze casting; used to prevent accidental opening; often referred to as an air conditioner lock; 1-3/8" hole centers; fits most steel windows.

You may wish to stock these related parts: 172637, 172652, 172690.

**172652**



**172652**

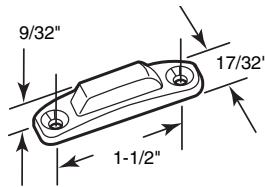
**Casement Locking Handle Strikeplate**

**Contents:** 1 strike; 1 set of installation screws.

**Description:** Heavy bronze casting; strike used with many different types of locking handles.

You may wish to stock these related parts: 172619-R thru 172620-L.

**172621-A**  
**172621-B**



**172621-A** (Aluminum)

**172621-B** (Bronze)

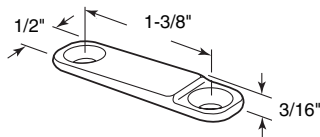
**Casement Locking Strikeplate**

**Contents:** 1 strike housing; 1 strike insert; 1 set of installation screws.

**Description:** Nylon strike insert provides long lasting, trouble free wear; diecast base in painted finishes.

You may wish to stock these related parts: 171858-R, 171858-L, 171924-R, 171924-L.

**172656**



**172656**

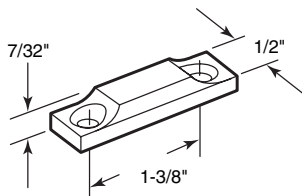
**Casement Locking Handle Strikeplate**

**Contents:** 2 strikes.

**Description:** Extruded aluminum strike has angled surface plate; 1-3/8" hole centers; 3/16" maximum height.

You may wish to stock these related parts: 172652, 172653.

**172653**



**172653**

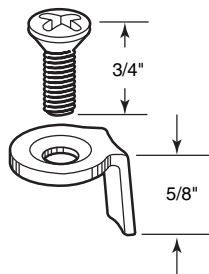
**Casement Locking Handle Strikeplate**

**Contents:** 1 strike; 1 set of installation screws.

**Description:** Heavy bronze casting; used with many different types of locking handles.

You may wish to stock these related parts: 172619-R thru 172620-L.

**172651**



**172651**

**Single Hole Locking Clevis & Screw**

**Contents:** 1 clevis; 1 screw with washer.

**Description:** Assembly used to attach one hole locking handles; dark bronze finish.

You may wish to stock these related parts: 172645-R thru 172647-L, 172649.

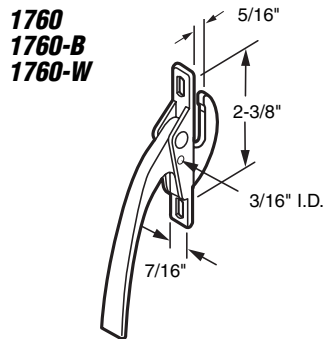
**1760** (Aluminum)  
**1760-B** (Bronze)  
**1760-W** (White)

## Casement Locking Handle

**Contents:** 1 handle; 1 set of installation screws.

**Description:** Painted diecast window lock for aluminum or steel windows; accepts a 1/8" security pin, 172852.

You may wish to stock these related parts: 17408, 172852.



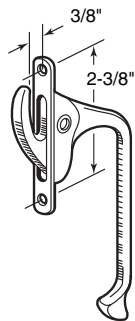
## 172608

### Casement Locking Handle

**Contents:** 1 handle.

**Description:** Dark bronze casting; non-handed; 2-3/8" hole centers.

You may wish to stock these related parts: 17408.



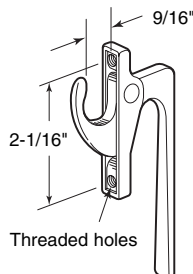
172608

## 172609

### Casement Locking Handle

**Contents:** 1 handle.

**Description:** White bronze casting; dark bronze finish; internally threaded #12-24 mounting holes; fits on *Fenestra* windows.



172609

**1760-A-RA** (Aluminum)

**1760-A-RB** (Bronze)

**1760-A-RW** (White)

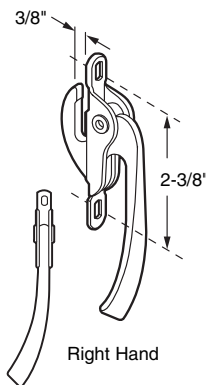
**172678-R** (Red - for emergency exits)

### Casement Locking Handle (Right hand)

**Contents:** 1 handle; 1 set of installation screws.

**Description:** Right hand; painted diecast locking handle used on double windows with narrow center rail.

You may wish to stock these related parts: 1760-A-LB, 17408.



1760-A-RA  
 1760-A-RB  
 1760-A-RW  
 172678-R

**1760-A-LA** (Aluminum)

**1760-A-LB** (Bronze)

**1760-A-LW** (White)

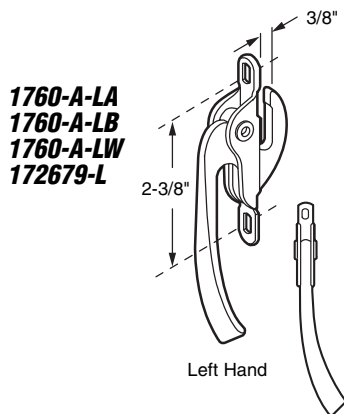
**172679-L** (Red - for emergency exits)

### Casement Locking Handle (Left hand)

**Contents:** 1 handle; 1 set of installation screws.

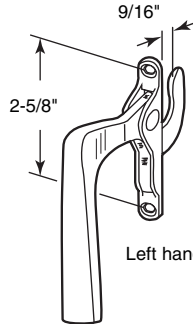
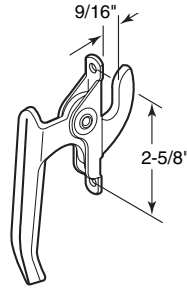
**Description:** Left hand; painted diecast locking handle used on double windows with narrow center rail.

You may wish to stock these related parts: 1760-A-RB, 17408.



**172607-R**  
**172607-L**

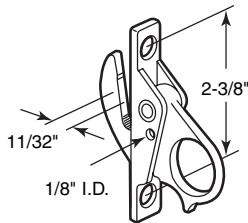
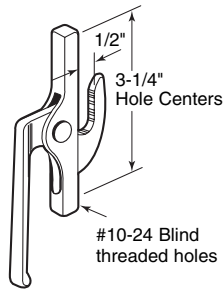
Right hand shown



**172610-R**  
**172610-L**

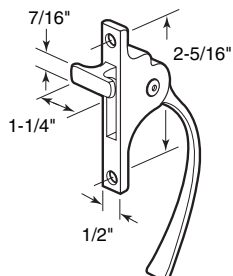
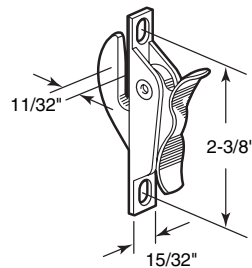
Left hand shown

**172638**



**172613**

**172632**



**172611**

**172607-R** (Right hand)  
**172607-L** (Left hand)

**Casement Locking Handle**

**Contents:** 1 handle.

**Description:** Stamped steel construction; aluminum finish; fits on *Fenestra* windows.

You may wish to stock these related parts: **172610-R**, **172610-L**.

**172610-R** (Right hand)  
**172610-L** (Left hand)

**Casement Locking Handle**

**Contents:** 1 handle.

**Description:** White bronze casting; polished finish; 2-5/8" hole centers; fits on *Fenestra* and *Ceco* windows.

**172638**

**Casement Locking Handle**

**Contents:** 1 handle; 1 set of mounting screws.

**Description:** Heavy bronze casting; 3-1/4" hole centers; no. 10-24 blind mounting holes; fits on *Thorn* on steel windows.

You may wish to stock these related parts: **17408**, **172609**.

**172613** (Aluminum)

**Casement Locking Handle**

**Contents:** 1 handle; 1 set of installation screws.

**Description:** Ring type locking handle; zinc diecast painted finish; 2-3/8" hole centers.

You may wish to stock these related parts: **17408**, **172852**.

**172632** (Bronze)

**Casement Cam Lock**

**Contents:** 1 lock; 1 set of installation screws.

**Description:** Painted zinc diecast; thumb operated; for aluminum, steel or wood windows.

You may wish to stock these related parts: **17408**.

**172611** (Bronze)

**Casement Dual Locking Handle**

**Contents:** 1 handle.

**Description:** Painted diecast locking handle; dual latch engages 2 windows at once; fits on *Lupton* windows.

You may wish to stock these related parts: **172612**.

**172626** (Bronze)

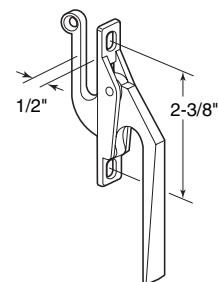
## Casement Window Bottom Latch (Dual Locking)

**Contents:** 1 handle; 1 set of installation screws.

**Description:** Painted zinc diecast bottom latch used on dual locking windows; connects to **172625** top latch with a tie bar.

You may wish to stock these related parts: **17408**.

**172626**



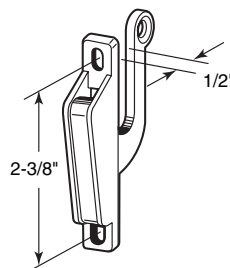
**172625** (Bronze)

## Casement Window Top Latch (Dual Locking)

**Contents:** 1 handle; 1 set of installation screws.

**Description:** Painted zinc diecast top latch used on dual locking windows; connects to **172626** bottom latch with a tie bar.

You may wish to stock these related parts: **17408**.



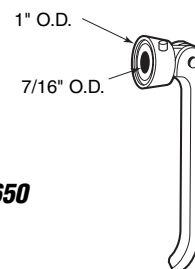
**172625**

**172650** (Bronze)

## Casement Locking Handle

**Contents:** 1 handle.

**Description:** Painted zinc diecast locking handle fits on very old *Fenestra* windows; handle is spring loaded and pulls out.



**172650**

**172622-R** (Right hand)

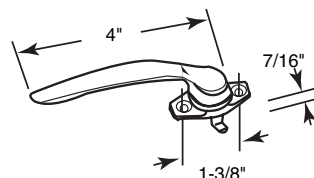
**172622-L** (Left hand)

## Casement Project-In Locking Handle (7/16")

**Contents:** 1 handle; 1 set of installation screws.

**Description:** 7/16" hook projection; heavy bronze casting; 1-3/8" hole centers; used on steel windows.

You may wish to stock these related parts: **172623-R**, **172623-L**, **172635-R** thru **172636-L**, **172652**, **172653**.



**172622-R**  
**172622-L**

Right hand shown

**172623-R** (Right hand)

**172623-L** (Left hand)

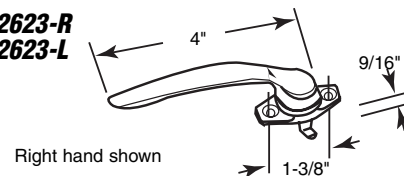
## Casement Project-In Locking Handle (9/16")

**Contents:** 1 handle; 1 set of installation screws.

**Description:** 9/16" hook projection; heavy bronze casting; 1-3/8" hole centers; used on steel windows.

You may wish to stock these related parts: **172622-R**, **172622-L**, **172635-R** thru **172636-L**, **172652**, **172653**.

**172623-R**  
**172623-L**



Right hand shown

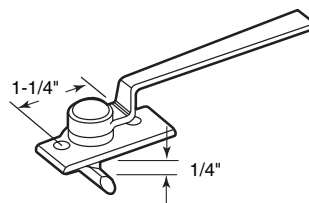
**172654**

## Casement or Projecting Window Locking Handle

**Contents:** 1 handle.

**Description:** Red bronze casting (81% copper); bottom locking handle fits on old style projecting windows manufactured by *Lupton*.

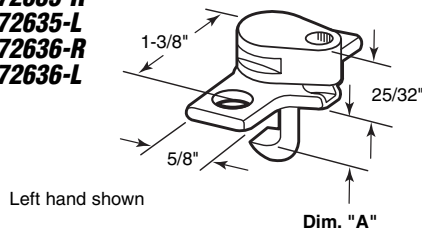
You may wish to stock these related parts: **172648**.



**172654**

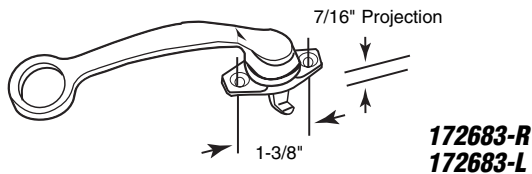


**172635-R**  
**172635-L**  
**172636-R**  
**172636-L**



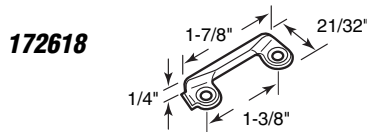
Left hand shown

Dim. "A"

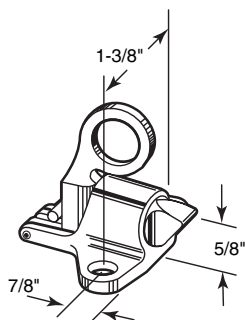
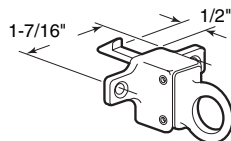


Right hand shown

**172683-R**  
**172683-L**

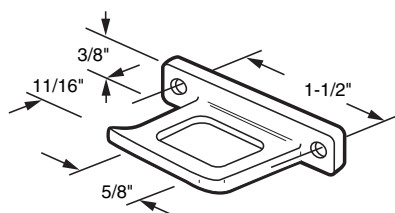


**172618**



**172624**

**172684**



## Casement Project-In Security Lock

**Contents:** 1 lock; 1 set of installation screws.

Part No.	Dim. "A"	Hand
172635-R	7/16"	Right
172635-L	7/16"	Left
172636-R	9/16"	Right
172636-L	9/16"	Left

**Description:** Heavy bronze casting; used to prevent accidental opening; often referred to as an air conditioner lock; 1-3/8" hole centers; fits most steel windows.

You may wish to stock these related parts: **172652**, **172653**, **172690**.

**172683-R** (Right hand)

**172683-L** (Left hand)

## Casement Project-In Locking Handle

**Contents:** 1 handle; 1 set of installation screws.

**Description:** Cast white bronze locking handle; 7/16" hook projection; 1-3/8" hole centers; used on steel windows.

**172618** (Bronze)

## Project-In Transom Latch

**Contents:** 1 latch; 1 keeper; 1 set of installation screws.

**Description:** Steel pole ring and latch hook; cast bronze housing; used on project-in windows; used by many manufacturers.

*\* Call for availability on this item.*

You may wish to stock these related parts: **172853-8** thru **172853-12**.

**172624**

## Projecting Window Spring Catch

**Contents:** 1 catch; 1 set of installation screws.

**Description:** Spring catch with ring is used on project-in or project-out windows; brushed white bronze finish; heavy bronze casting.

You may wish to stock these related parts: **172853-8** thru **172853-12**.

**172684**

## Keeper

**Contents:** 1 keeper.

**Description:** White bronze casting; used with **172624** spring catch.



**172631** (Bronze)

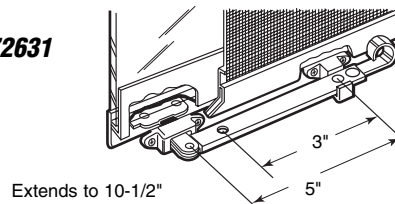
## Project-Out Push-Bar Operator

**Contents:** 1 operator; 1 thru frame guide; 1 arm holder; 1 set of installation screws.

**Description:** Painted steel operator used to open old style projecting windows; **extends to 10-1/2"**; used by many window manufacturers.

*Call for Availability*

**172631**



**172682** (Bronze)

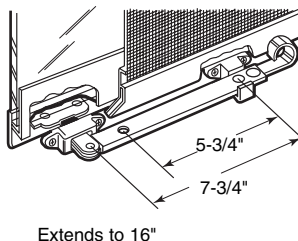
## Project-Out Push-Bar Operator

**Contents:** 1 operator; 1 thru frame guide; 1 arm holder; 1 set of installation screws.

**Description:** Painted steel operator used to open old style projecting windows; **extends to 16"**; used by many window manufacturers.

*Call for Availability*

**172682**



**171857** (Brass)

**171857-AB** (Antique brass)

**171857-C** (Chrome)

**171857-W** (White)

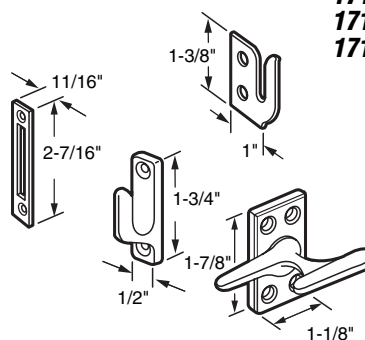
## Casement Lock

**Contents:** 1 lock; 3 keepers; 1 set of installation screws.

**Description:** Painted or plated zinc diecast locking handle has 3 different keepers for special mounting applications; used on old style wood casement windows.

You may wish to stock these related parts: **17975, 17976.**

**171857**  
**171857-AB**  
**171857-C**  
**171857-W**



**17408** (Aluminum)

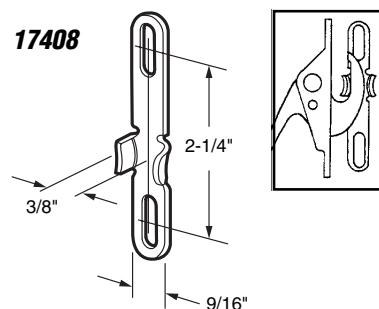
## Universal Casement Lock Keeper

**Contents:** 1 keeper; 1 set of installation screws.

**Description:** Stamped aluminum keeper works on many types of casement windows.

You may wish to stock these related parts: **1760, 1760-B.**

**17408**



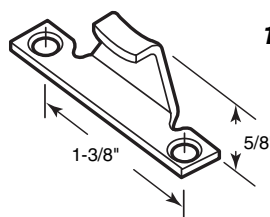
**17820** (Gold irridite finish)

## Casement Lock Keeper

**Contents:** 1 keeper; 1 set of installation screws.

**Description:** Keeper for **17819-RB** and **17819-LB** casement locks; stamped steel construction.

**17820**



**172674**

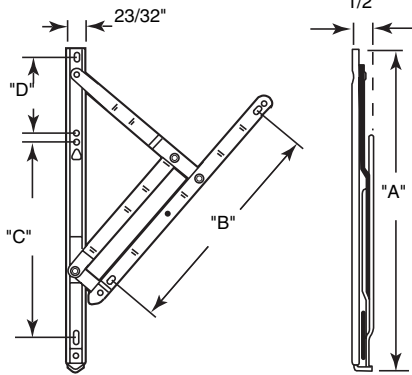


**172674**

**Casement Lock Keeper**

**Contents:** 1 keeper; 1 set of installation screws.

**Description:** **Stainless steel keeper;** may be used on a variety of casement locks; reverse for left or right hand locks.



**172853-8**  
**172853-10**  
**172853-12**

**Casement And Projecting Window Hinge (4-Bar)**

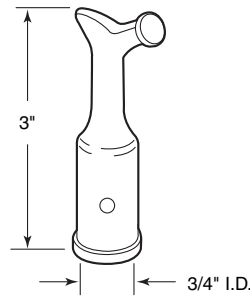
**Contents:** 2 hinges; 1 set of installation screws.

Part No.	Dim. A	Dim. B	Dim. C	Dim. D
172853-8	8"	4-3/4"	5-5/32"	1-5/8"
172853-10	10"	5-3/4"	6-1/32"	2-3/4"
172853-12	12"	6-3/4"	6-15/16"	3-7/8"

**Description:** **Stainless steel,** non-handed 4 bar hinge with stop and adjustable friction pad; used by many window manufacturers; standard duty.

You may also wish to stock these related parts: **171858-L, 171858-R, 171924-L, 171924-R.**

**172655**



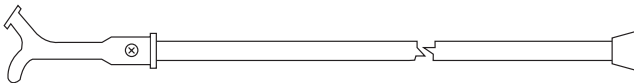
**172655**

**Transom Latch Hook**

**Contents:** 1 hook.

**Description:** **White bronze casting;** fits a 3/4" diameter pole; for ring pull handles and latches on upper story windows.

You may wish to stock these related parts: **172619-R, 172619-L, 172624.**



**172855**  
**172681**

**172855**

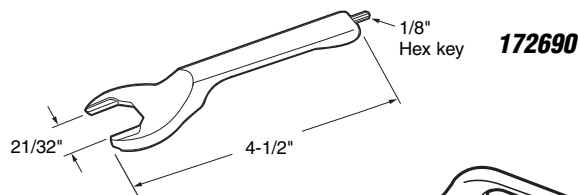
**172681** (With storage hanger)

**Transom Pole & Hook**

**Contents:** 1 - 6' pole; 1 hook; 1 rubber tip; 1 screw.

**Description:** **Cast white bronze hook;** 3/4" diameter aluminum pole; ideal for reaching and actuating ring latches on upper story windows.

You may wish to stock these related parts: **172619-R, 172619-L, 172624.**



**172690**

**172637** (5/32" hex wrench)

**172690** (1/8" hex wrench)\*

**Security Lock Wrench**

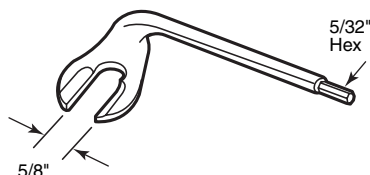
**Contents:** 1 wrench.

**Description:** **Heavy bronze casting;** used to lock and unlock "project-in" security lock; also has hex tool to secure set screw; polished finish.

\*Call for availability on this item.

You may wish to stock these related parts: **172634 thru 172636-L.**

**172637**



## Universal Louver Operator

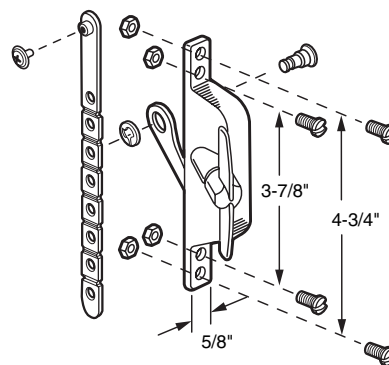
**Contents:** 1 operator with link; 1 set of installation fasteners.

**Bulk:** 25 per display box.

Finish	Carded Part No.	Bulk Part No.
Aluminum	17370	CCEP-3546
Bronze	17370-B	CCEP-3547
White	17370-W	CCEP-3818

**Description:** Replaces most operators currently in use; **diecast** construction; reversible; non-handed; universal break-off link has 1/2" hole spacings up to 5-5/16"; has a 5/16" spindle and **diecast** "T" handle.

You may wish to stock these related parts: **17360, 171398, 17674, 17942.**



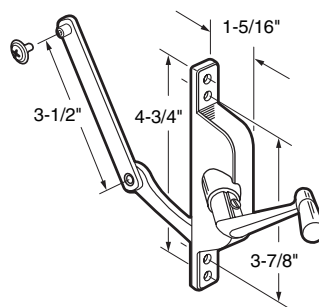
## 1761 (Carded) CCEP-3548 (Bulk)

### Jalousie Operator (Aluminum)

**Contents:** 1 operator with link; 1 set of installation fasteners.

**Bulk:** 25 per display box.

**Description:** **Diecast** operator with crank handle at the center position; 3-1/2" link.



**1761  
CCEP-3548**

## 1761-L (Left hand - carded)

## 1761-R (Right hand - carded)

## CCEP-3549 (Left hand - bulk)

## CCEP-3550 (Right hand - bulk)

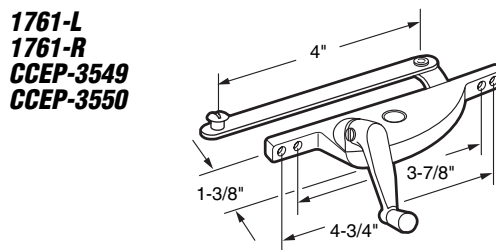
### Jalousie Operator (Aluminum)

**Contents:** 1 operator with link; 1 set of installation fasteners.

**Bulk:** 25 per display box.

**Description:** **Diecast** operator with crank handle at the offset position; 4" link.

You may wish to stock these related parts: **17674, 17942.**



**1761-L  
1761-R  
CCEP-3549  
CCEP-3550**

Left hand shown

## Jalousie Operator

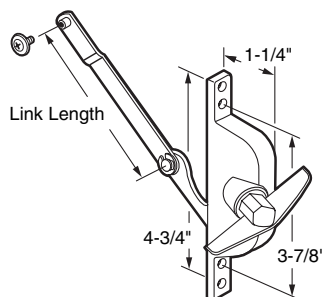
**Contents:** 1 operator with link; 1 set of installation fasteners.

**Bulk:** 25 per display box.

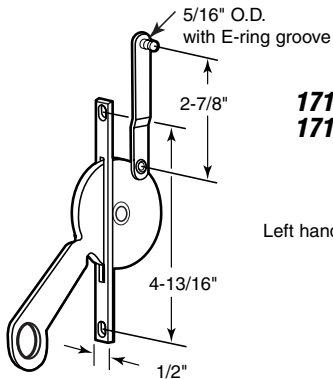
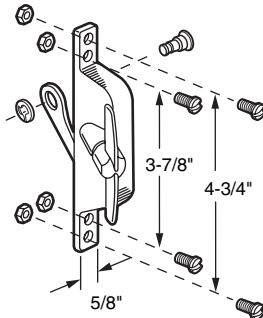
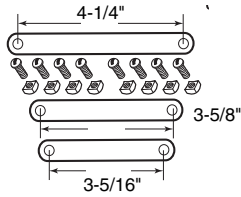
Finish	4-1/4" Link	3-5/8" Link
Aluminum	17430	172850
Bronze	17430-B	172850-B
White	17430-W	172850-W
Aluminum (Bulk)	CCEP-3551	—

**Description:** **Diecast** operator fits on **Daryl** windows; **offset** link; center position "T" handle.

You may wish to stock these related parts: **17674, 17942.**



**171398**  
**171398-B**  
**171398-W**  
**CCEP-3557**

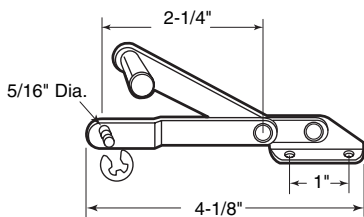
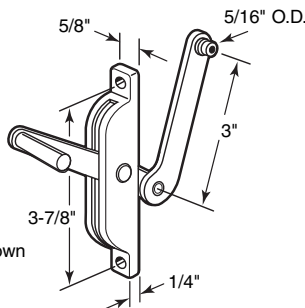


**171923-L**  
**171923-R**

Left hand shown

**17720-LA**  
**17720-RA**  
**17720-LB**  
**17720-RB**

Left hand shown

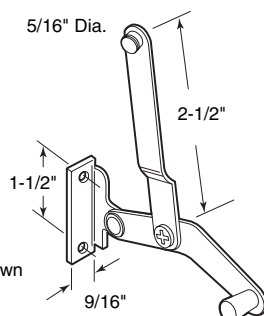


**17634-L**  
**17634-R**

Right hand shown

**172628-L**  
**172628-R**

Right hand shown



**171398** (Aluminum - carded)  
**CCEP-3557** (Aluminum - bulk)  
**171398-B** (Bronze - carded)  
**171398-W** (White - carded)

**Jalousie Operator**

**Contents:** 1 operator; 3 links; 1 set of installation fasteners.

**Bulk:** 25 per display box.

**Description:** Diecast operator with **3 link assortment**; center position "T" handle; designed to replace most jalousie operators.

**171923-L** (Left hand)

**171923-R** (Right hand)

**Jalousie Operator**

**Contents:** 1 operator with link; 1 set of installation fasteners.

**Description:** Stamped aluminum operator; slim-line design; with 2-7/8" offset link arm.

You may wish to stock these related parts: **17674, 17942.**

**17720-LA** (Aluminum - left hand)

**17720-RA** (Aluminum - right hand)

**17720-LB** (Bronze - left hand)

**17720-RB** (Bronze - right hand)

**Louver or Jalousie Operator**

**Contents:** 1 operator; 1 set of installation fasteners.

**Description:** Plastic housing with **3" aluminum** link arm; fits on *Visualite* and *Premiere*.

**17634-L** (Left hand)

**17634-R** (Right hand)

**Louver or Jalousie Operator**

**Contents:** 1 operator; 1 set of installation fasteners.

**Description:** Aluminum construction; grooved stud attaches to moving arm; complete with steel "E" ring; fits on *International* windows.

You may wish to stock these related parts: **172627.**

**172628-L** (Left hand)

**172628-R** (Right hand)

**Louver or Jalousie Operator**

**Contents:** 1 operator; 1 set of installation fasteners.

**Description:** Aluminum construction; attaches to moving arm of window to open glass vents.

## 17360

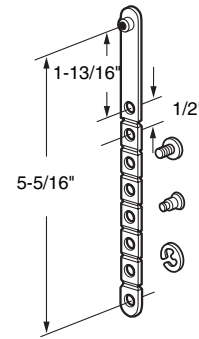
### Universal "Break-Off" Link

**Contents:** 1 link with attaching hardware.

**Description:** Break-off link is designed to be used with most jalousie operators to provide many selections for linkage hole patterns; **cadmium plated steel**; adjustment holes at 1/2" spacing.

You may wish to stock these related parts: **17370, 17370-B.**

**17360**

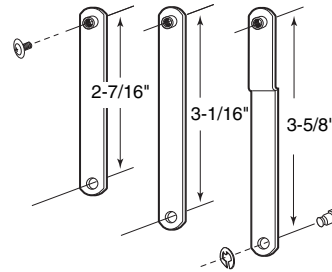


## 172689

### Universal Jalousie Link Assortment

**Contents:** (1) 2-7/16" link; (1) 3-1/16" link; (1) 3-5/8" link; 1 link stud screw; 1 grooved pin with "E" clip.

**Description:** Stamped steel links with threaded pivot studs; steel grooved pin with "E" clip for jalousie window linkage.



**172689**

## 172627

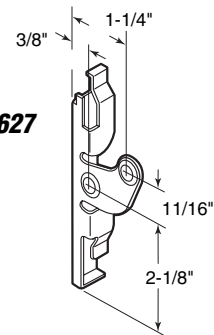
### Louver or Jalousie Glass Clip

**Contents:** 1 left hand clip; 1 right hand clip.

**Description:** Stamped aluminum construction; fits 4" glass; fits on *International* windows.

You may wish to stock these related parts: **17634-L, 17634-R.**

**172627**



## 172629

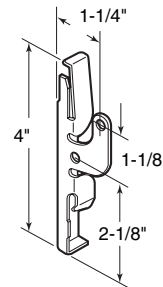
### Louver or Jalousie Glass Clip

**Contents:** 1 left hand clip; 1 right hand clip.

**Description:** Stamped aluminum construction; fits 4" glass.

You may wish to stock these related parts: **172628-R, 172628-L.**

**172629**



## 172630

### Louver or Jalousie Clip

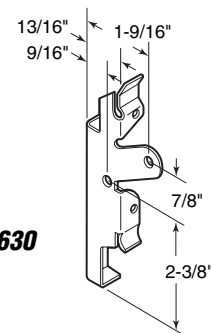
*Call for Availability*

**Contents:** 1 left hand clip; 1 right hand clip.

**Description:** Stamped aluminum construction; fits 3/4" thick wood slats.

You may wish to stock these related parts: **172628-R, 172628-L.**

**172630**



## 171944 (For 4" glass)

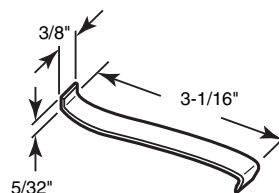
### Jalousie Window Security Clip

**Contents:** 20 clips.

**Description:** Plated spring steel clips; slip under louver glass clip to secure glass in position; deters easy removal of glass panels; no tools required.

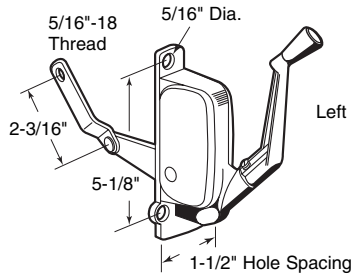
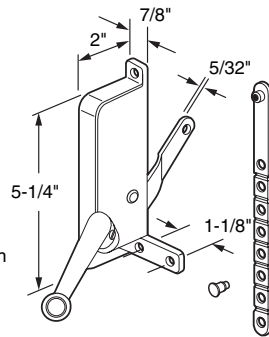
**Note:** See **17942** in security section for 4-1/2" glass clip.

**171944**



**17330-L**  
**17330-R**

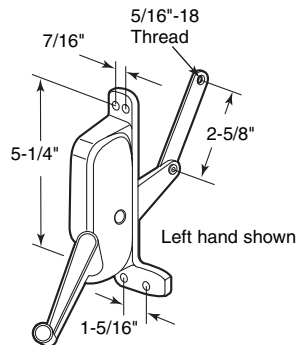
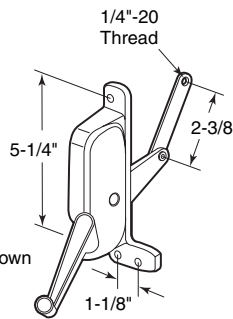
Left hand shown



**171776-L**  
**171776-R**

**171130**  
**171135**

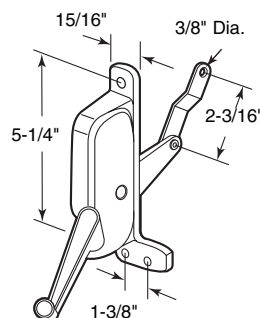
Left hand shown



**171779-L**  
**171779-R**

**171781-L**  
**171781-R**

Left hand shown



**17330-L** (Left hand)  
**17330-R** (Right hand)

## Universal Awning Operator (Aluminum)

**Contents:** 1 operator; 1 universal link; 1 set of installation screws.

**Description:** Diecast awning window operator with multi-hole link is designed to replace many popular styles; with crank handle.

**171776-L** (Left hand)  
**171776-R** (Right hand)

## "Miami" Awning Operator (Aluminum)

**Contents:** 1 operator with link and link screw.

**Description:** Diecast awning window operator for *Miami* windows; case hardened gears; baked-on enamel finish; with crank handle.

**171130** (Left hand)  
**171135** (Right hand)

## "Air Control-Keller" Awning Operator (Aluminum)

**Contents:** 1 operator with link and link screw.

**Description:** Diecast awning window operator for *Air Control-Keller* windows; case hardened gears; baked-on enamel finish; with crank handle.

**171779-L** (Left hand)  
**171779-R** (Right hand)

## "Pan-American" Awning Operator (Aluminum)

**Contents:** 1 operator with link and link screw.

**Description:** Diecast awning window operator for *Pan-American* windows; case hardened gears; baked-on enamel finish; with crank handle.

**171781-L** (Left hand)  
**171781-R** (Right hand)

## "Stanley-C & E" Awning Operator (Aluminum)

**Contents:** 1 operator with link.

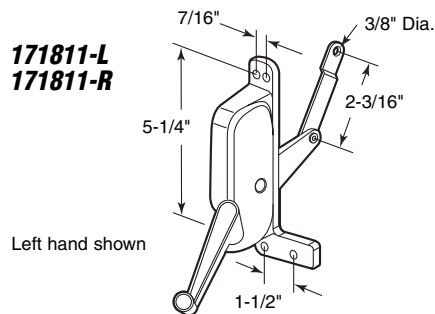
**Description:** Diecast awning window operator for *Stanley-C & E* windows; case hardened gears; baked-on enamel finish; with crank handle.

**171811-L** (Left hand)  
**171811-R** (Right hand)

## "Stanley" Awning Operator (Aluminum)

**Contents:** 1 operator with link.

**Description:** Diecast awning window operator for *Stanley* windows; case hardened gears; baked-on enamel finish; with crank handle.

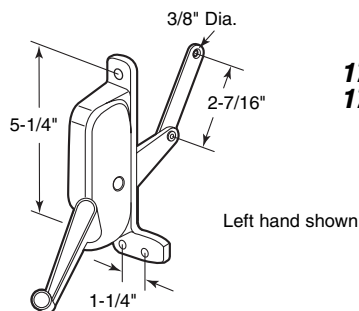


**171810-L** (Left hand)  
**171810-R** (Right hand)

## "A.B.C." Awning Operator (Aluminum)

**Contents:** 1 operator with link.

**Description:** Diecast awning window operator for *A.B.C.* windows; case hardened gears; baked-on enamel finish; with crank handle.

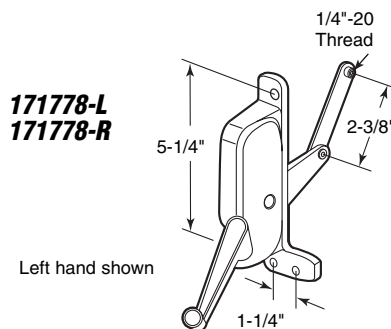


**171778-L** (Left hand)  
**171778-R** (Right hand)

## "Tucker" Awning Operator (Aluminum)

**Contents:** 1 operator with link.

**Description:** Diecast awning window operator for *Tucker* windows; case hardened gears; baked-on enamel finish; with crank handle.

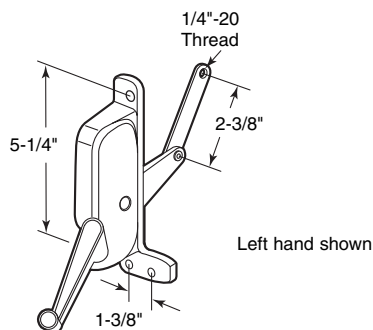


**171780-L** (Left hand)  
**171780-R** (Right hand)

## "Look-Rusco" Awning Operator (Aluminum)

**Contents:** 1 operator with link and link screw.

**Description:** Diecast awning window operator for *Look-Rusco* windows; case hardened gears; baked-on enamel finish; with crank handle.

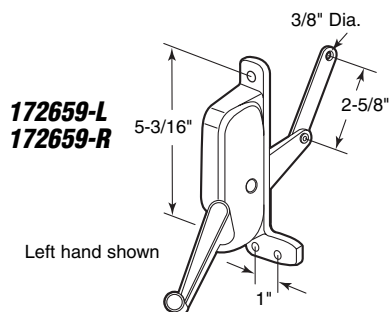


**172659-L** (Left hand)  
**172659-R** (Right hand)

## "Nu-Aire" Awning Operator (Aluminum)

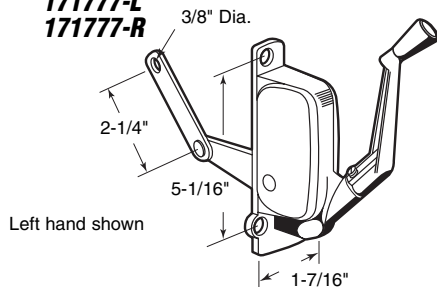
**Contents:** 1 operator with link.

**Description:** Diecast awning window operator for *Nu-Aire* windows; case hardened gears; baked-on enamel finish; with crank handle.





**171777-L**  
**171777-R**



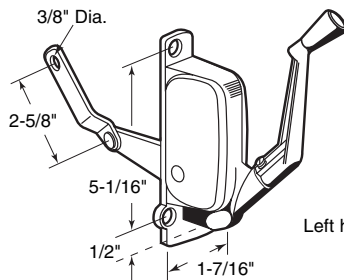
Left hand shown

**171777-L** (Left hand)  
**171777-R** (Right hand)

**"Crown" Awning Operator** (Aluminum)

**Contents:** 1 operator with link.

**Description:** Diecast awning window operator for *Crown* windows; case hardened gears; baked-on enamel finish; with crank handle.



Left hand shown

**171782-L**  
**171782-R**

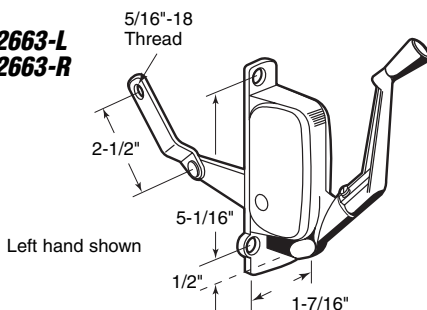
**171782-L** (Left hand)  
**171782-R** (Right hand)

**"Anderson" Awning Operator** (Aluminum)

**Contents:** 1 operator with link.

**Description:** Diecast awning window operator for *Anderson* windows; case hardened gears; baked-on enamel finish; with crank handle.

**172663-L**  
**172663-R**



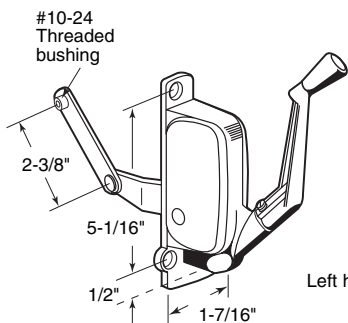
Left hand shown

**172663-L** (Left hand)  
**172663-R** (Right hand)

**"Harcar" Awning Operator** (Aluminum)

**Contents:** 1 operator with link and link screw.

**Description:** Diecast awning window operator for *Harcar* windows; case hardened gears; baked-on enamel finish; with crank handle.



Left hand shown

**172664-L**  
**172664-R**

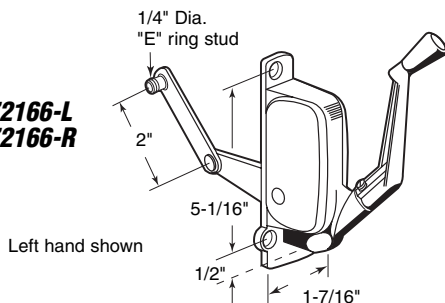
**172664-L** (Left hand)  
**172664-R** (Right hand)

**"Old Tucker" Awning Operator** (Aluminum)

**Contents:** 1 operator with link.

**Description:** Diecast awning window operator for *Old Tucker* windows; case hardened gears; baked-on enamel finish; with crank handle.

**172166-L**  
**172166-R**



Left hand shown

**172166-L** (Left hand)  
**172166-R** (Right hand)

**"A.B.C." Awning Operator** (Aluminum)

**Contents:** 1 operator with link.

**Description:** Diecast awning window operator for *A.B.C.* windows; case hardened gears; baked-on enamel finish; with crank handle.

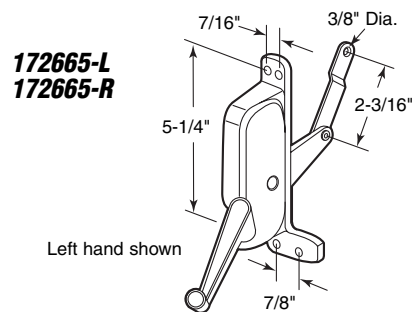


**172665-L** (Left hand)  
**172665-R** (Right hand)

## "Ware" Awning Operator (Aluminum)

**Contents:** 1 operator with link and link screw.

**Description:** Diecast awning window operator for *Ware* windows; case hardened gears; baked-on enamel finish; with crank handle.

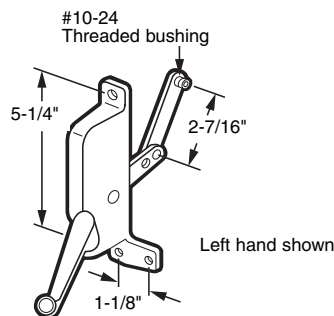


**172670-L** (Left hand)  
**172670-R** (Right hand)

## "T.M." Awning Operator (Aluminum)

**Contents:** 1 operator with link and link screw.

**Description:** Diecast awning window operator for *T.M.* windows; case hardened gears; baked-on enamel finish; with crank handle.

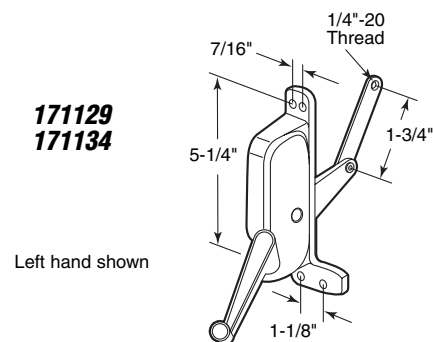


**171129** (Left hand)  
**171134** (Right hand)

## "Air Control" Awning Operator (Aluminum)

**Contents:** 1 operator with link and link screw.

**Description:** Diecast awning window operator for *Air Control* windows; case hardened gears; baked-on enamel finish; with crank handle.



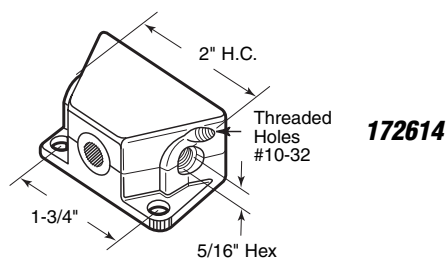
**172614**

## "Stanley" Awning Operator

**Contents:** 1 operator.

**Description:** Zinc diecast operator used at the center position on awning windows; 5/16" hex drive; fits on *Stanley*; threaded holes are #10-32.

You may wish to stock these related parts: **172615**, **172616**, **172633**.



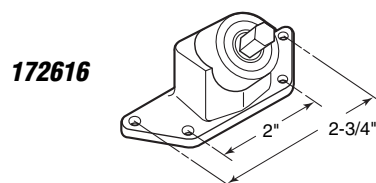
**172616**

## Awning Operator Angle Adaptor

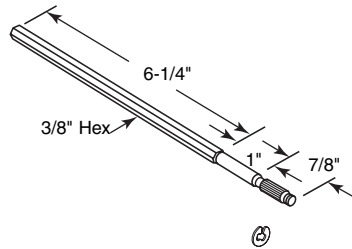
**Contents:** 1 operator.

**Description:** Zinc diecast housing; used with **172614** operator to adapt angle of crank handle; 3/8" hex drive at rear of housing, accepts **172633** drive rod.

You may wish to stock these related parts: **172615**, **172616**, **172633**.



**172633**



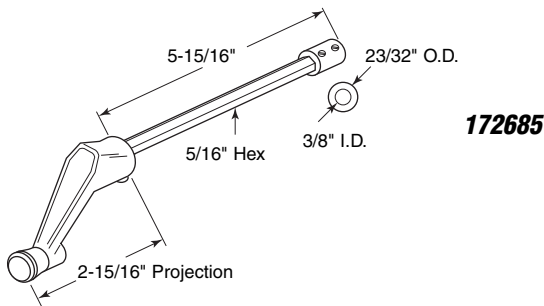
**172633**

## Awning Operator Hex Drive Bar

**Contents:** 1 drive bar; 1 "E" ring.

**Description:** Machine steel; 8-1/8" long; 3/8" hex; used with 172614 and 172616 operators.

You may wish to stock these related parts: 172614, 172615, 172616.



**172685**

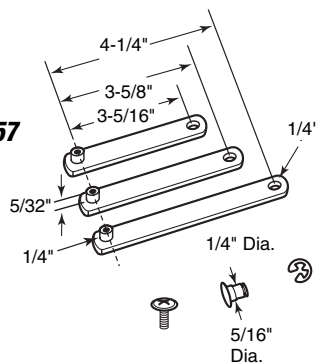
## Awning Crank & Extension

**Contents:** 1 crank; 1 extension; 1 socket.

**Description:** Zinc diecast crank and socket; extruded aluminum extension; allows for extended operation of most awning operators with a 3/8" spindle.

*Call for Availability*

**172657**

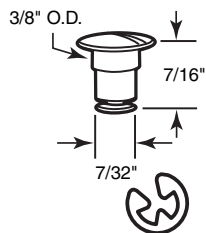


**172657**

## Universal Awning Operator Link Assortment

**Contents:** (1) 3" link; (1) 3-5/8" link; (1) 4-1/4" link; 1 link stud screw; 1 grooved pin with "E" clip.

**Description:** Stamped steel links with threaded pivot studs; steel grooved pin with "E" clip; for awning window linkage.



**172030**

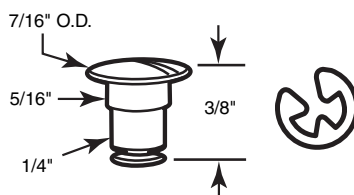
**172030**

## Jalousie & Awning Link Grooved Pin & "E" Clip

**Contents:** 4 grooved pins; 4 "E" clips.

**Description:** Aluminum grooved pin with "E" clip is used to connect link end of operator to jalousie or awning window.

**171775**



**171775**

## Jalousie & Awning Link Grooved Pin & "E" Clip

**Contents:** 4 grooved pins; 4 "E" clips.

**Description:** Aluminum grooved pin with "E" clip is used to connect link end of operator to jalousie or awning window.



**172105**  
**172106**

**172105** (3/16")

**172106** (1/4")

## Jalousie & Awning Link "E" Clip

**Contents:** 4 "E" clips.

**Description:** Steel "E" clips as used on 172030 & 171775.

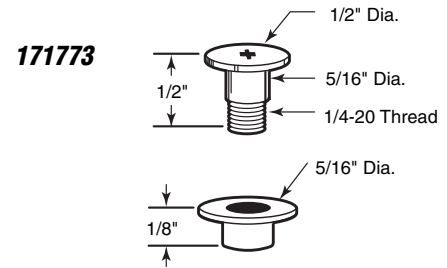
## 171773

### Awning Link Repair Bolt & Bushing

**Contents:** 4 bolts; 4 bushings.

**Description:** Zinc-plated steel bolt and nylon bushing; used to repair connection of link end of operator to awning window.

You may wish to stock these related parts: **172030, 171775, 171774, 171780-L, 171780-R.**



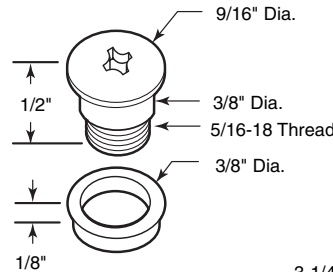
## 171774

### Awning Link Repair Bolt & Bushing

**Contents:** 4 bolts; 4 bushings.

**Description:** Diecast bolt and nylon bushing; used to repair connection of link end of operator to awning window.

You may wish to stock these related parts: **172030, 171775, 171773.**



## 171774

**171765** (4-1/2 Pound)

**171541** (6 Pound)

**171542** (8 Pound)

**171543** (10 Pound)

**171544** (12 Pound)

**171545** (14 Pound)\*

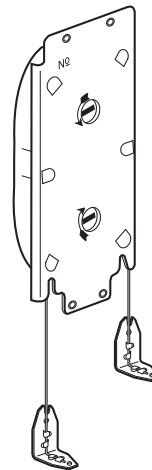
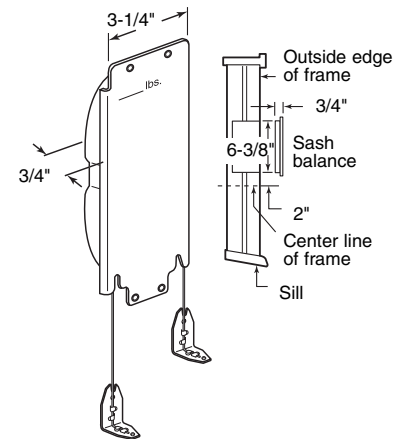
**171546** (16 Pound)\*

### Wood Window Sash Balance

**Contents:** 1 sash balance with attaching hardware.

**Description:** All steel construction; coil spring retraction; aircraft cable lifters; fits *Duplex, Superior, Preset* and *Fabco*.

\*Call for availability on this item.



**172050** (#1)

**172051** (#2)

**172052** (#4)

**172671** (#5)

Call for Availability

### Double Hung Adjustable Sash Balance

**Contents:** 1 adjustable sash balance with attaching hardware.

**Description:** All steel construction; coil spring retraction; aircraft cable lifters.

**172672-4.5** (4-1/2 Pound)

**172672-6** (6 Pound)

**172672-8** (8 Pound)

**172672-10** (10 Pound)

**172672-12** (12 Pound)

**172672-14** (14 Pound)

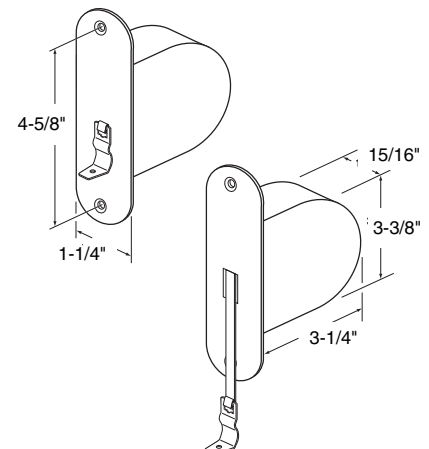
**172672-16** (16 Pound)

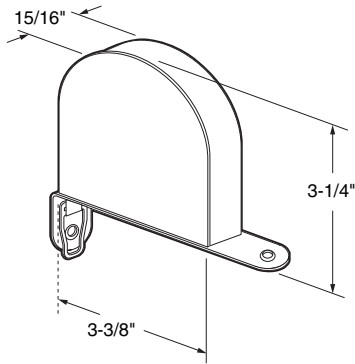
Call for Availability

### Side Mount Sash Balance

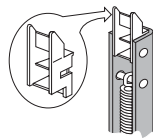
**Contents:** 2 sash balances with attaching hardware.

**Description:** All steel construction; coil spring retraction; steel tape lifters.

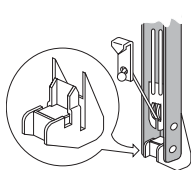




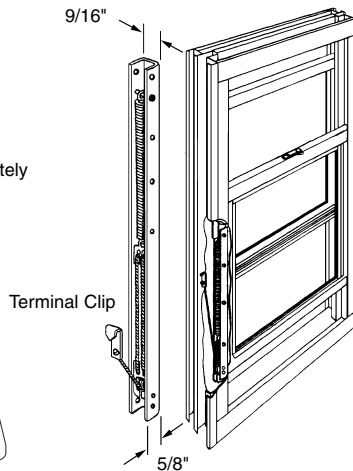
## Used On Single Or Double Hung Sash



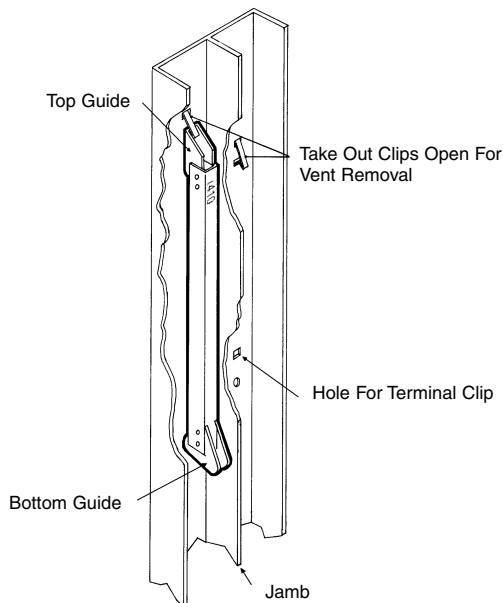
Top guide sold separately



Bottom guide sold separately



## Balance Shown Installed In Jamb With Vent Removed



- 172673-4.5** (4-1/2 Pound)
- 172673-6** (6 Pound)
- 172673-8** (8 Pound)
- 172673-10** (10 Pound)
- 172673-12** (12 Pound)
- 172673-14** (14 Pound)
- 172673-16** (16 Pound)

Call for  
Availability

## Overhead Mount Sash Balance

**Contents:** 2 sash balances with attaching hardware.

**Description:** All steel construction; coil spring retraction; steel tape lifters.

## 5/8" Channel Balances (Block & tackle style)

**Selection Chart** (All balances sold individually in bulk)

Balance* Number	Alternative Number	Balance Height	Vent Weight
FA-1210	12A	13"	3 - 6
FA-1220	12B	13"	6 - 9
FA-1230	12C	13"	9 - 11
FA-1240	12D	13"	11 - 12
FA-1310	13A	14"	3 - 6
FA-1320	13B	14"	6 - 9
FA-1330	13C	14"	9 - 11
FA-1340	13D	14"	11 - 12
FA-1410	14A	15"	4 - 6
FA-1420	14B	15"	6 - 10
FA-1430	14C	15"	10 - 12
FA-1440	14D	15"	12 - 13
FA-1510	15A	16"	4 - 6
FA-1520	15B	16"	6 - 10
FA-1530	15C	16"	10 - 12
FA-1540	15D	16"	12 - 13
FA-1610	16A	17"	5 - 8
FA-1620	16B	17"	8 - 12
FA-1630	16C	17"	12 - 14
FA-1640	16D	17"	14 - 19
FA-1710	17A	18"	5 - 8
FA-1720	17B	18"	8 - 12
FA-1730	17C	18"	12 - 14
FA-1740	17D	18"	14 - 17
FA-1810	18A	19"	5 - 8
FA-1820	18B	19"	8 - 12
FA-1830	18C	19"	12 - 14
FA-1840	18D	19"	14 - 17
FA-1910	19A	20"	5 - 8
FA-1920	19B	20"	8 - 12
FA-1930	19C	20"	12 - 14
FA-1940	19D	20"	14 - 17
FA-2010	20A	21"	5 - 8
FA-2020	20B	21"	8 - 12
FA-2030	20C	21"	12 - 15
FA-2040	20D	21"	15 - 23
FA-2110	21A	22"	5 - 8
FA-2120	21B	22"	8 - 12
FA-2130	21C	22"	12 - 15
FA-2140	21D	22"	15 - 23

Continued on the following page

\*Top and bottom guides are not included.  
Please see the following accessory page to determine what guides may be required.

# Window Hardware

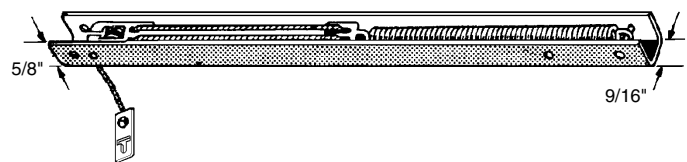
Balance* Number	Alternative Number	Balance Height	Vent Weight
FA-2210	22A	23"	5 - 8
FA-2220	22B	23"	8 - 12
FA-2230	22C	23"	12 - 19
FA-2240	22D	23"	19 - 23
FA-2310	23A	24"	5 - 9
FA-2320	23B	24"	9 - 15
FA-2330	23C	24"	15 - 18
FA-2340	23D	24"	18 - 23
FA-2410	24A	25"	5 - 9
FA-2420	24B	25"	9 - 15
FA-2430	24C	25"	15 - 19
FA-2440	24D	25"	19 - 24
FA-2510	25A	26"	5 - 9
FA-2520	25B	26"	9 - 15
FA-2530	25C	26"	15 - 19
FA-2540	25D	26"	19 - 25
FA-2610	26A	27"	5 - 9
FA-2620	26B	27"	9 - 13
FA-2630	26C	27"	13 - 19
FA-2640	26D	27"	19 - 26
FA-2710	27A	28"	5 - 9
FA-2720	27B	28"	9 - 13
FA-2730	27C	28"	13 - 19
FA-2740	27D	28"	19 - 26
FA-2810	28A	29"	7 - 12
FA-2820	28B	29"	12 - 16
FA-2830	28C	29"	16 - 23
FA-2840	28D	29"	23 - 28
FA-2910	29A	30"	7 - 12
FA-2920	29B	30"	12 - 16
FA-2930	29C	30"	16 - 23
FA-2940	29D	30"	23 - 28
FA-3010	30A	31"	7 - 12
FA-3020	30B	31"	12 - 16
FA-3030	30C	31"	16 - 23
FA-3040	30D	31"	23 - 28
FA-3110	31A	32"	7 - 12
FA-3120	31B	32"	12 - 16
FA-3130	31C	32"	16 - 23
FA-3140	31D	32"	23 - 28

Balance* Number	Alternative Number	Balance Height	Vent Weight
FA-3210	32A	33"	8 - 13
FA-3220	32B	33"	13 - 18
FA-3230	32C	33"	18 - 23
FA-3240	32D	33"	23 - 28
FA-3310	33A	34"	8 - 13
FA-3320	33B	34"	13 - 18
FA-3330	33C	34"	18 - 23
FA-3340	33D	34"	23 - 28
FA-3410	34A	35"	8 - 13
FA-3420	34B	35"	13 - 18
FA-3430	34C	35"	18 - 23
FA-3440	34D	35"	23 - 30
FA-3510	35A	36"	8 - 13
FA-3520	35B	36"	13 - 18
FA-3530	35C	36"	18 - 23
FA-3540	35D	36"	23 - 30
FA-3610	36A	37"	8 - 13
FA-3620	36B	37"	13 - 18
FA-3630	36C	37"	18 - 23
FA-3640	36D	37"	23 - 30
FA-3710	37A	38"	8 - 13
FA-3720	37B	38"	13 - 18
FA-3730	37C	38"	18 - 23
FA-3740	37D	38"	23 - 30
FA-3810	38A	39"	9 - 14
FA-3820	38B	39"	14 - 19
FA-3830	38C	39"	19 - 24
FA-3840	38D	39"	24 - 30
FA-3910	39A	40"	9 - 14
FA-3920	39B	40"	14 - 19
FA-3930	39C	40"	19 - 24
FA-3940	39D	40"	24 - 30
FA-4010	40A	41"	9 - 14
FA-4020	40B	41"	14 - 19
FA-4030	40C	41"	19 - 23
FA-4040	40D	41"	23 - 30
FA-4110	41A	42"	9 - 14
FA-4120	41B	42"	14 - 19
FA-4130	41C	42"	19 - 24
FA-4140	41D	42"	24 - 30
FA-4210	42A	43"	9 - 14
FA-4220	42B	43"	14 - 19
FA-4230	42C	43"	19 - 24
FA-4240	42D	43"	24 - 30

**\*Top and bottom guides are not included.**  
Please see the following accessory page to determine what guides may be required.

## Channel Window Balances (Overhead)

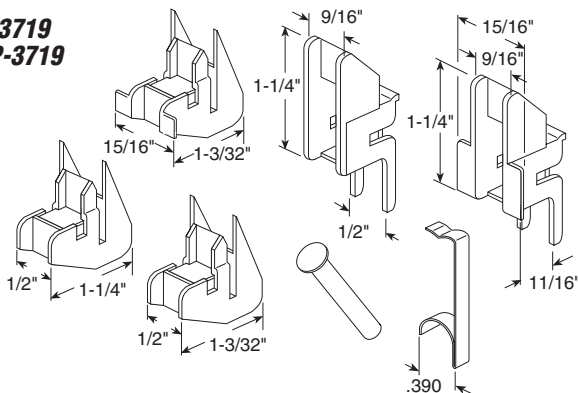
Balance Number	Balance Length	Vent Weight
FC-111	12-3/4"	4 - 7
FC-112	12-3/4"	7 - 11
FC-121	15-1/4"	4 - 8
FC-122	15-1/4"	8 - 12
FC-151	19-1/4"	5 - 9
FC-152	19-1/4"	9 - 13
FC-153	19-1/4"	13 - 16
FC-162	23-1/4"	9 - 14
FC-163	23-1/4"	14 - 20
FC-183	27-1/4"	17 - 22



## Ordering Tips:

- Check the back side of channel for stamped numbers (i.e.; 1410, 28A, 3620, etc.).
  - The first two digits indicate the actual glass height
  - The balance is **1" longer** than the part number indicates (i.e.; **#1410 is 15" long**).
  - The second two digits or letter designation (A, B, C, D) denote the weight series of the balance (i.e.; #1410 or 14A is for light weight sash, 1420 or 14B is medium, 1430 or 14C is medium to heavy and 1440 or 14D is heavy. Please see the enclosed Selection Chart for actual weight variations.
- The balance number, by itself, does not include top or bottom guides.
  - Determine the correct guides required from pages 17-28 & 17-29. You may use the existing guides from the defective balance, however, this will require drilling out the attaching rivets.
  - New guides may be ordered by the set (1 top and 1 bottom per bag, includes 2 rivets & 1 take-out clip) or in bulk (50 pack of each item, includes 50 rivets). You may also buy a universal kit (**EP-3719**) which includes an assortment (2 top guides, 3 bottom guides, 2 rivets and 1 take-out clip).
  - We will attach the top and bottom guides of your choice, to the balance, on minimum orders of 10 or more (See pages 17-28 & 17-29 for **installed part numbers**).
- A rivet set tool (**EP-3740**) is available to expedite installation of guides to balance.

### H-3719 EP-3719



## Installation Hints:

(Vents must be removed in order to replace the balance assemblies).

**To remove vent:** Close vent to expose take-out clips. Open both clips for vent removal. Raise vent until top guide engages take-out clip. Continue to raise vent, 2 to 3 inches more. Move vent right or left as far as possible. Removal is then accomplished by swinging the opposite side of vent inward.

**To replace balance assembly:** Push down on balance until top guide is clear of take-out clip. Hold firmly and slowly lift up and away from jamb. Remove terminal clip and install new balance assembly using the reverse installation procedure. Be sure that top guide is secured under take-out clip. It is recommended that both balance assemblies be replaced in order to allow for efficient operation.

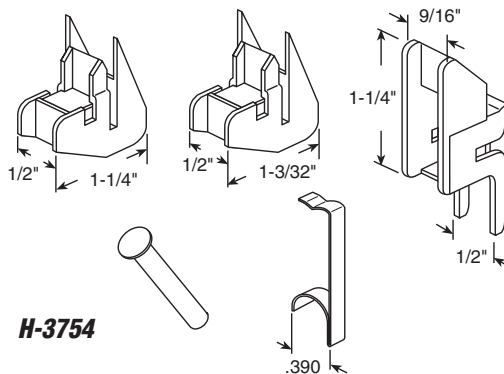
**To replace vent:** Position right or left side of vent into jamb, 2 to 3 inches above take-out clip and swing opposite side into alignment with frame. Then lower vent to engage balances and on down to clear take-out clips. This will automatically center the vent. Snap take-out clips into jamb to facilitate normal operation.

### H-3719 (Carded) EP-3719 (Bagged)

#### Repair Kit (For 5/8" channel balance)

**Contents:** 2 top guides; 3 bottom guides; 2 rivets; 1 take-out clip.

**Description:** An assortment of the most frequently used nylon top and bottom guides; including aluminum rivets for assembly and take-out clip for window sash removal.



### H-3754

### H-3754 (Carded)

#### Repair Kit (For 5/8" channel balance)

**Contents:** 2 top guides; 2 bottom guides (1-3/32"); 2 bottom guides (1-1/4"); 4 rivets; 2 take-out clips.

**Description:** A mini-assortment of glass filled nylon top and bottom guides; will repair (2) 5/8" channel balances; a very popular assortment.

## Repair Kit (For 5/8" channel balance)

### H-3929 (Carded)

**Contents:** 2 top guides; 2 bottom guides; 4 rivets; 2 take-out clips.

### FS-290B (Bagged)

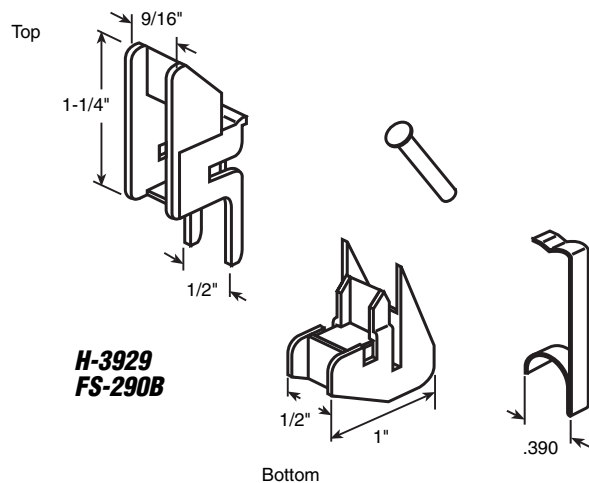
**Contents:** 1 top guide; 1 bottom guide; 2 rivets; 1 take-out clip.

**Description:** Commonly used **glass filled nylon** guides, but not necessarily universally applied to all 5/8" channel balances.

**Bulk:** FS-100PB (Top only - 50/bag)  
FS-150PB (Bottom only - 50/bag)

**Individually installed:** FS-100\*\* (Top)  
FS-150\*\* (Bottom)

\*\* = Installed to balance of your choice (no minimum order).



## Repair Kit (For 5/8" channel balance)

### H-3706 (Carded)

**Contents:** 2 top guides; 2 bottom guides; 4 rivets; 2 take-out clips.

### FS-291B (Bagged)

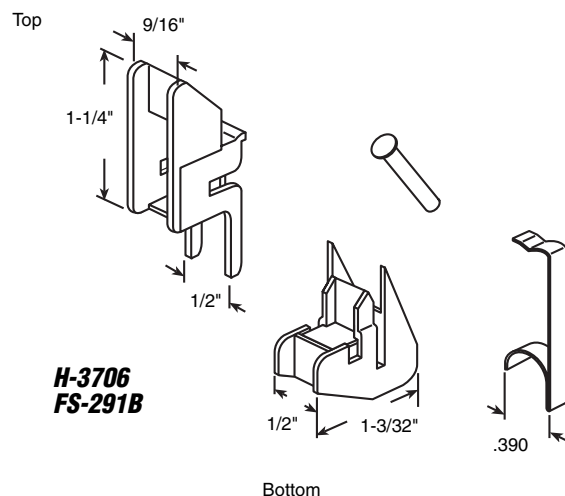
**Contents:** 1 top guide; 1 bottom guide; 2 rivets; 1 take-out clip.

**Description:** Commonly used **glass filled nylon** guides, but not necessarily universally applied to all 5/8" channel balances.

**Bulk:** FS-100PB (Top only - 50/bag)  
FS-151PB (Bottom only - 50/bag)

**Individually installed:** FS-100\*\* (Top)  
FS-151\*\* (Bottom)

\*\* = Installed to balance of your choice (no minimum order).



## Repair Kit (For 5/8" channel balance)

### H-3930 (Carded)

**Contents:** 2 top guides; 2 bottom guides; 4 rivets; 2 take-out clips.

### FS-292B (Bagged)

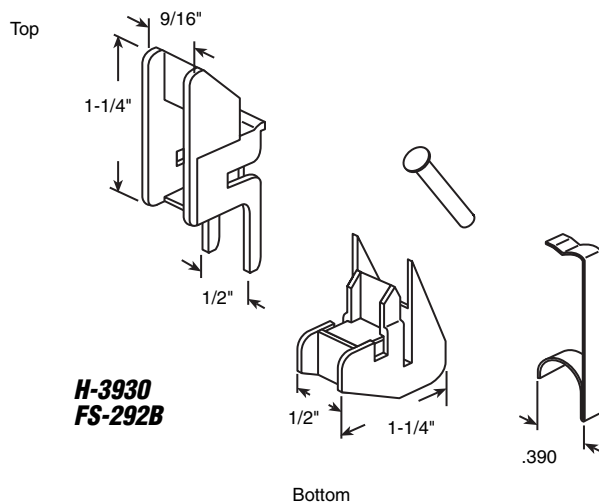
**Contents:** 1 top guide; 1 bottom guide; 2 rivets; 1 take-out clip.

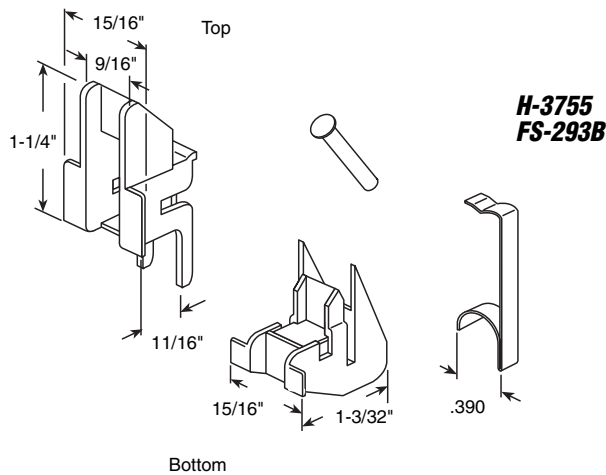
**Description:** Commonly used **glass filled nylon** guides, but not necessarily universally applied to all 5/8" channel balances.

**Bulk:** FS-100PB (Top only - 50/bag)  
FS-152PB (Bottom only - 50/bag)

**Individually installed:** FS-100\*\* (Top)  
FS-152\*\* (Bottom)

\*\* = Installed to balance of your choice (no minimum order).





## Repair Kit (For 5/8" channel balance)

**H-3755** (Carded)

**Contents:** 2 top guide; 2 bottom guides; 4 rivets; 2 take-out clips.

**FS-293B** (Bagged)

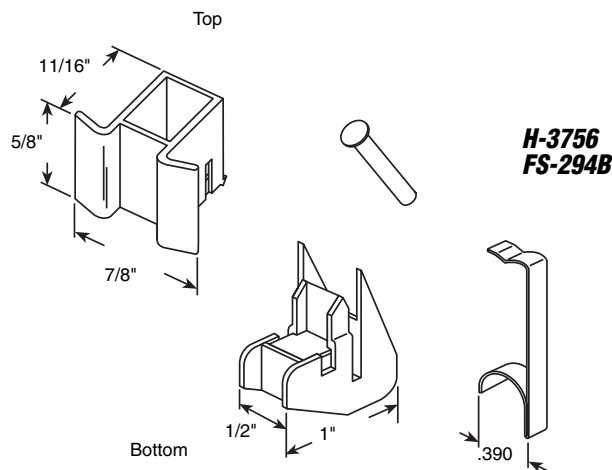
**Contents:** 1 top guide; 1 bottom guide; 2 rivets; 1 take-out clip.

**Description:** Commonly used **glass filled nylon** guides; used by many manufacturers on their 5/8" channel balances.

**Bulk:** FS-101PB (Top only - 50/bag)  
FS-153PB (Bottom only - 50/bag)

**Individually installed:** FS-101\*\* (Top)  
FS-153\*\* (Bottom)

\*\* = Installed to balance of your choice (no minimum order).



## Repair Kit (For 5/8" channel balance)

**H-3756** (Carded)

**Contents:** 2 top guides; 2 bottom guides; 4 rivets; 2 take-out clips.

**FS-294B** (Bagged)

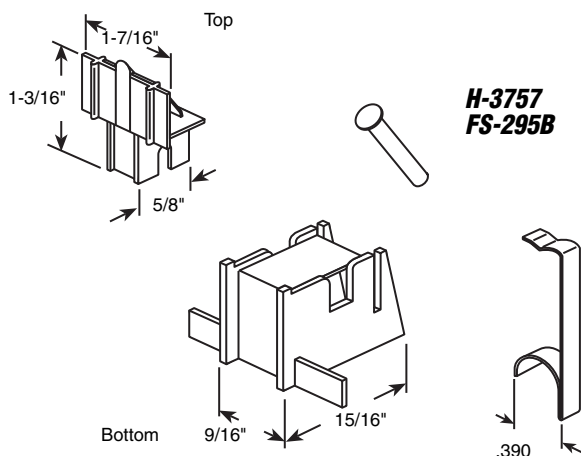
**Contents:** 1 top guide; 1 bottom guide; 2 rivets; 1 take-out clip.

**Description:** Commonly used **glass filled nylon** guides; used by many manufacturers on their 5/8" channel balances.

**Bulk:** FS-102PB (Top only - 50/bag)  
FS-150PB (Bottom only - 50/bag)

**Individually installed:** FS-102\*\* (Top)  
FS-150\*\* (Bottom)

\*\* = Installed to balance of your choice (no minimum order).



## Repair Kit (For 5/8" channel balance)

**H-3757** (Carded)

**Contents:** 2 top guides; 2 bottom guides; 4 rivets; 2 take-out clips.

**FS-295B** (Bagged)

**Contents:** 1 top guide; 1 bottom guide; 2 rivets; 1 take-out clip.

**Description:** Commonly used **glass filled nylon** guides; used by many manufacturers on their 5/8" channel balances.

**Bulk:** FS-103PB (Top only - 50/bag)  
FS-154PB (Bottom only - 50/bag)

**Individually installed:** FS-103\*\* (Top)  
FS-154\*\* (Bottom)

\*\* = Installed to balance of your choice (no minimum order).



**H-3837** (2/card)  
**EP-3837** (25/bag)

## Sash Cam

**Contents:** Sash cams.

**Description:** Nylon cams attach to top edge of vent and provides for proper operating clearance.

**H-3838** (2/card)  
**EP-3838** (25/bag)

## Sash Cam

**Contents:** Sash cams.

**Description:** Nylon cams attach to top edge of vent and provides for proper operating clearance.

**H-3898** (2/card)  
**EP-3898** (25/bag)

## Sash Cam

**Contents:** Sash cams.

**Description:** Nylon cams attach to top edge of vent and provides for proper operating clearance.

**H-3917** (2/card)  
**EP-3917** (25/bag)

## Sash Cam

**Contents:** Sash cams.

**Description:** Nylon cams attach to top edge of vent and provides for proper operating clearance.

**H-3918** (2/card)  
**EP-3918** (25/bag)

## Sash Cam

**Contents:** Sash cams.

**Description:** Nylon cams attach to top edge of vent and provides for proper operating clearance.

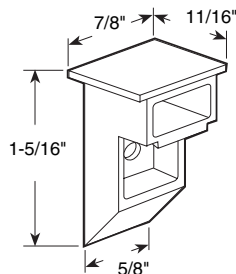
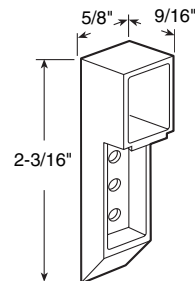
**H-3904** (2/card)  
**EP-3904** (25/bag)

## Lift Hook

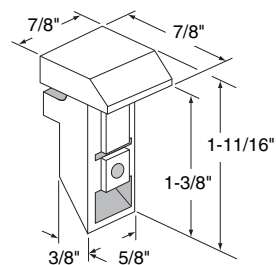
**Contents:** Lift hooks.

**Description:** Black nylon hooks; fits on *International* on single hung, overhead window balances; attaches balance cord to sash.

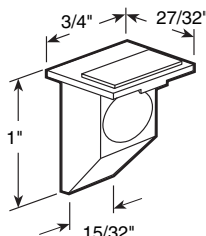
**H-3837**  
**EP-3837**



**H-3838**  
**EP-3838**

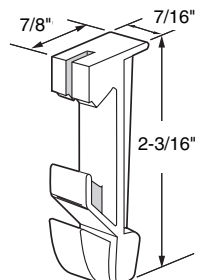
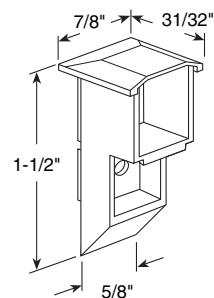


**H-3898**  
**EP-3898**



**H-3917**  
**EP-3917**

**H-3918**  
**EP-3918**



**H-3904**  
**EP-3904**

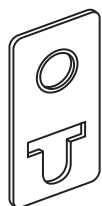


**FS-250B** (100/bag)

### Terminal Clips

**Contents:** 100 terminal clips.

**Description:** Used by many manufacturers to attach balance cord to window frame.



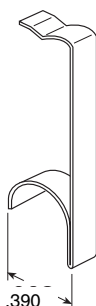
**FS-253B**

**FS-253B** (100/bag)

### Terminal Clip (For overhead 5/8" channel balance)

**Contents:** 100 terminal clips.

**Description:** Stamped steel clip attaches to end of cord and is then secured to top of window sash; used on overhead channel balances.



**FS-260B**

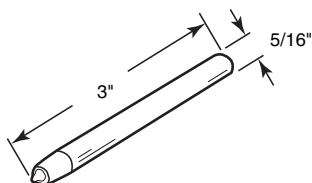
**FS-260B** (100/bag)

### Take-Out Clip

**Contents:** 100 take-out clips.

**Description:** Spring steel clips used on block and tackle type sash balances.

You may wish to stock these related parts: **H-3720 thru H-3729.**



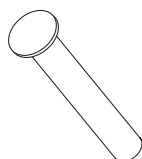
**EP-3740**

**EP-3740**

### Rivet Installation Tool

**Contents:** 1 tool per bag.

**Description:** Steel tool with hardened steel rivet setting tip; used to set rivets when installing guides to channel balances.



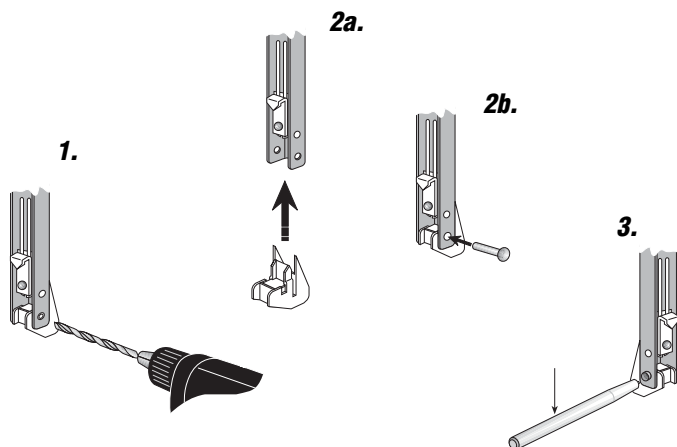
**FS-261B**

**FS-261B**

### Rivets

**Contents:** 1000 rivets per bag.

**Description:** Aluminum, hollow-tip rivets are used to install guides to channel balances.



### Channel Balance Accessories Easy Replacement Guide

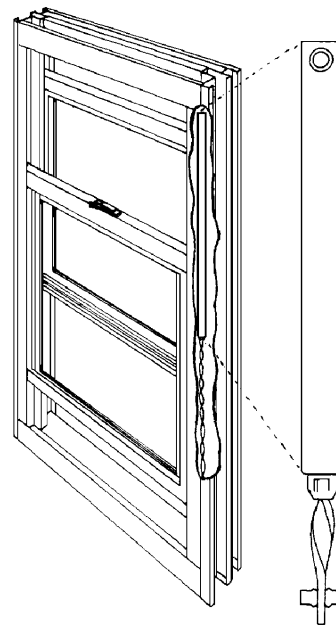
1. Drill out existing rivet using 3/32" bit (drill thru crimped side of rivet).
2. Slide new self locating guide (top or bottom) on to appropriate end of balance. Align holes and insert rivet thru the drilled out hole in balance.
3. Place balance on solid surface with rivet head down. Locate pointed end of rivet installation tool in open end of rivet. Tap end of tool firmly with hammer to crimp rivet.

## Spiral Window Balances

### HOW TO ORDER:

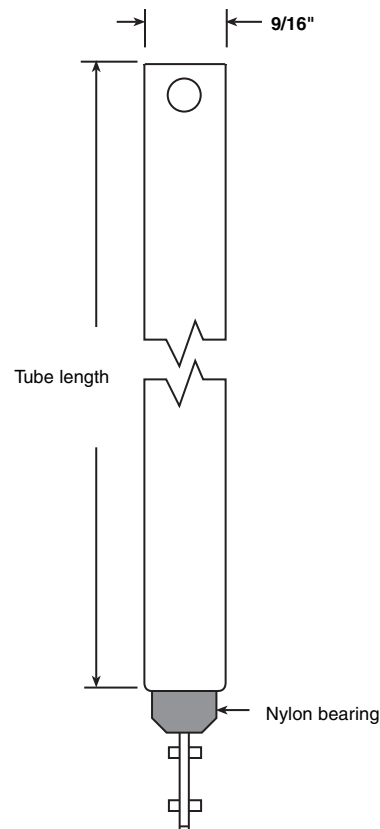
1. Determine series designation.
2. Measure tube length.
3. Specify nylon bearing color to indicate spring weight: (white-standard, red-medium, blue or black-heavy).
4. **These balances are all metal tube.**
5. All balances are sold individually in bulk.

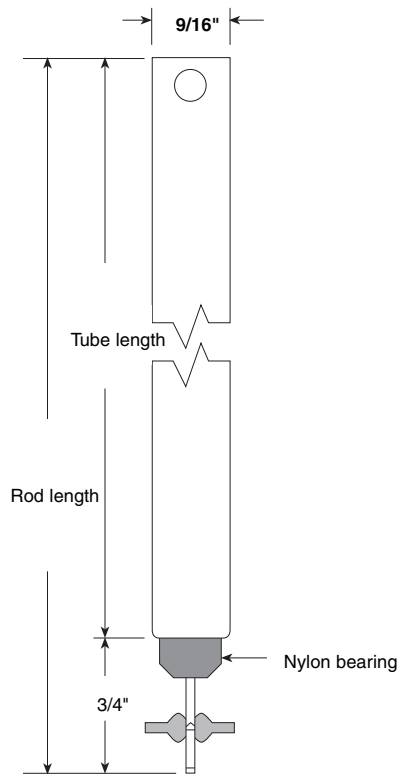
- Great new category of replacement items.
- Customer demand is growing steadily.
- Special order or stock your region's specific needs.



### Spiral Window Balance (9/16" Dia.) Series FH (Tilt)

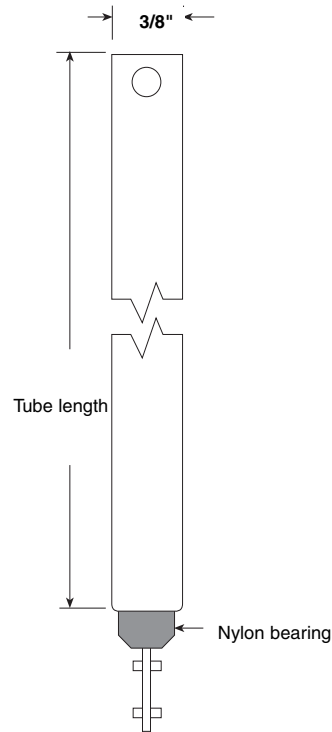
Tube Length	Bearing Color		
	White	Red	Blue
15"	FH-1510	FH-1520	FH-1530
16"	FH-1610	FH-1620	FH-1630
17"	FH-1710	FH-1720	FH-1730
18"	FH-1810	FH-1820	FH-1830
19"	FH-1910	FH-1920	FH-1930
20"	FH-2010	FH-2020	FH-2030
21"	FH-2110	FH-2120	FH-2130
22"	—	FH-2220	FH-2230
23"	—	FH-2320	FH-2330
24"	—	FH-2420	FH-2430
25"	—	FH-2520	FH-2530
26"	—	FH-2620	FH-2630
27"	—	FH-2720	FH-2730
28"	—	FH-2820	FH-2830
29"	—	FH-2920	FH-2930
30"	—	FH-3020	FH-3030
31"	—	FH-3120	FH-3130
32"	—	FH-3220	FH-3230
33"	—	FH-3320	—
34"	—	FH-3420	—
35"	—	FH-3520	—
36"	—	FH-3620	—
37"	—	FH-3720	—
38"	—	FH-3820	—
39"	—	FH-3920	—





## Spiral Window Balance (9/16" Dia.) Series FJ (Non-tilt)

Tube Length	Bearing Color	
	Red	Blue
15"	FJ-1520	FJ-1530
16"	FJ-1620	FJ-1630
17"	FJ-1720	FJ-1730
18"	FJ-1820	FJ-1830
19"	FJ-1920	FJ-1930
20"	FJ-2020	FJ-2030
21"	FJ-2120	FJ-2130
22"	FJ-2220	FJ-2230
23"	FJ-2320	FJ-2330
24"	FJ-2420	FJ-2430
25"	FJ-2520	FJ-2530
26"	FJ-2620	FJ-2630
27"	FJ-2720	FJ-2730
28"	FJ-2820	FJ-2830
29"	FJ-2920	FJ-2930
30"	FJ-3020	FJ-3030
31"	FJ-3120	FJ-3130
32"	FJ-3220	FJ-3230
33"	FJ-3320	—
34"	FJ-3420	—
35"	FJ-3520	—
36"	FJ-3620	—
37"	FJ-3720	—
38"	FJ-3820	—
39"	FJ-3920	—



## Spiral Window Balance (3/8" Dia.) Series FL (Tilt)

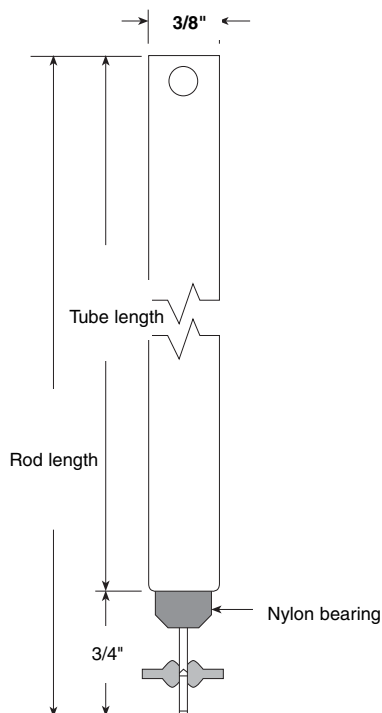
Tube Length	Bearing Color Red
18"	FL-1820
19"	FL-1920
20"	FL-2020
21"	FL-2120
22"	FL-2220
23"	FL-2320
24"	FL-2420
25"	FL-2520
26"	FL-2620
27"	FL-2720
28"	FL-2820
29"	FL-2920
30"	FL-3020

# Window Hardware

## Spiral Window Balance (3/8" Dia.) Series FM (Non-tilt)

**Tube Length**      **Bearing Color**  
**Red**

18"	FM-1820
19"	FM-1920
20"	FM-2020
21"	FM-2120
22"	FM-2220
23"	FM-2320
24"	FM-2420
25"	FM-2520
26"	FM-2620
27"	FM-2720
28"	FM-2820
29"	FM-2920
30"	FM-3020

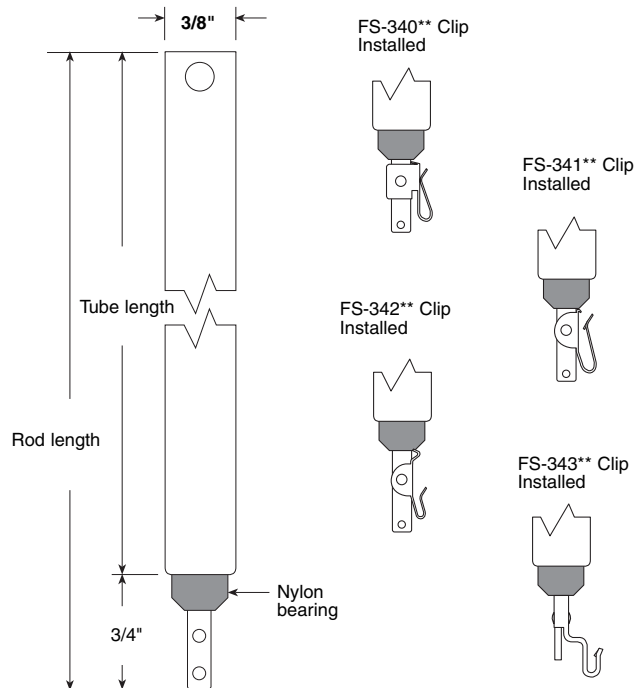


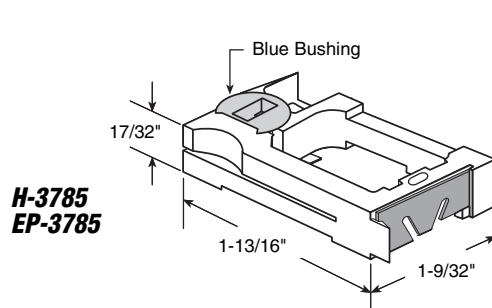
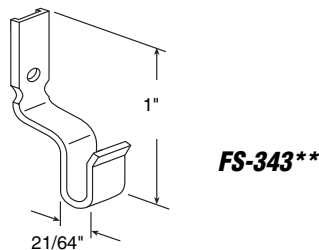
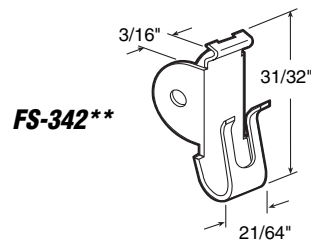
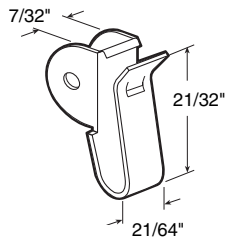
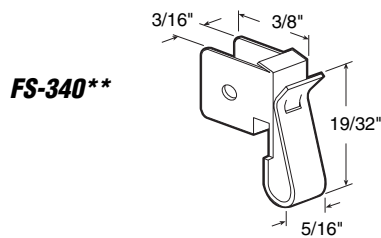
## Spiral Window Balance (3/8" Dia.) Series FR (Non-tilt - with clip installed)

**Bearing Color - Red**

Tube Length	Clip FS-340**	Clip FS-341**	Clip FS-342**	Clip FS-343**
-------------	---------------	---------------	---------------	---------------

18"	FR-1820-340	FR-1820-341	FR-1820-342	FR-1820-343
19"	FR-1920-340	FR-1920-341	FR-1920-342	FR-1920-343
20"	FR-2020-340	FR-2020-341	FR-2020-342	FR-2020-343
21"	FR-2120-340	FR-2120-341	FR-2120-342	FR-2120-343
22"	FR-2220-340	FR-2220-341	FR-2220-342	FR-2220-343
23"	FR-2320-340	FR-2320-341	FR-2320-342	FR-2320-343
24"	FR-2420-340	FR-2420-341	FR-2420-342	FR-2420-343
25"	FR-2520-340	FR-2520-341	FR-2520-342	FR-2520-343
26"	FR-2620-340	FR-2620-341	FR-2620-342	FR-2620-343
27"	FR-2720-340	FR-2720-341	FR-2720-342	FR-2720-343
28"	FR-2820-340	FR-2820-341	FR-2820-342	FR-2820-343
29"	FR-2920-340	FR-2920-341	FR-2920-342	FR-2920-343
30"	FR-3020-340	FR-3020-341	FR-3020-342	FR-3020-343





## FS-340\*\*

**Clip** (For 3/8" spiral balance)

**Contents:** Individually installed to Series FR spiral balance of your choice.

**Description:** Stamped steel clips are required to attach spiral balance to window sash.

\*\* = Installed to balance of your choice (no minimum order).

## FS-341\*\*

**Clip** (For 3/8" spiral balance)

**Contents:** Individually installed to Series FR spiral balance of your choice.

**Description:** Stamped steel clips are required to attach spiral balance to window sash.

\*\* = Installed to balance of your choice (no minimum order).

## FS-342\*\*

**Clip** (For 3/8" spiral balance)

**Contents:** Individually installed to Series FR spiral balance of your choice.

**Description:** Stamped steel clips are required to attach spiral balance to window sash.

\*\* = Installed to balance of your choice (no minimum order).

## FS-343\*\*

**Clip** (For 3/8" spiral balance)

**Contents:** Individually installed to Series FR spiral balance of your choice.

**Description:** Stamped steel clips are required to attach spiral balance to window sash.

\*\* = Installed to balance of your choice (no minimum order).

**H-3785** (2/card)

**EP-3785** (4/bag)

## Pivot Lock Shoe

**Contents:** Lock shoes.

**Description:** Nylon shoes with blue bushing; fits on Caldwell 5/8" spiral balances on tilt style systems.

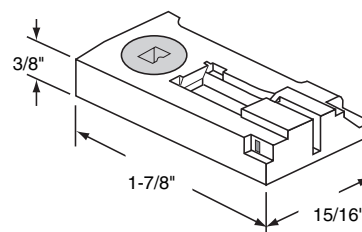
**H-3786** (2/card)  
**EP-3786** (4/bag)

## Pivot Lock Shoe

**Contents:** Lock shoes.

**Description:** Nylon shoes; used on  $\frac{3}{8}$ " spiral balances on tilt style systems.

**H-3786**  
**EP-3786**

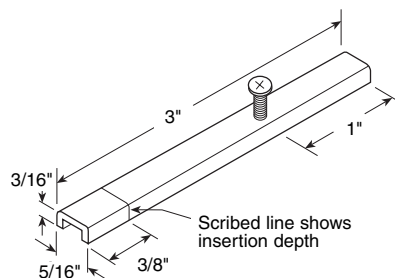


**H-3758** (2/card)  
**EP-3758** (25/bag)

## Pivot Bar

**Contents:** Pivot bars with screws.

**Description:** Stamped steel pivot bar used with  $\frac{5}{8}$ " spiral balances on tilt style systems.



**H-3758**  
**EP-3758**

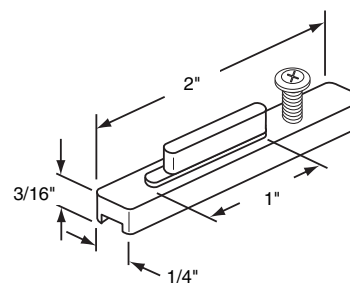
**H-3897** (2/card)  
**EP-3897** (25/bag)

## Pivot Bar

**Contents:** Pivot bars.

**Description:** Zinc diecast pivot bar used with  $\frac{3}{8}$ " spiral balances on tilt style systems.

**H-3897**  
**EP-3897**

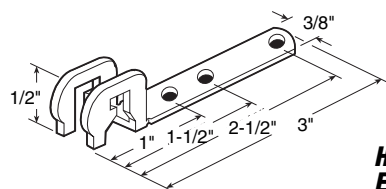


**H-3759** (2/card)  
**EP-3759** (25/bag)

## Balance Foot

**Contents:** Balance feet.

**Description:** Stamped steel foot as used to attach  $\frac{5}{8}$ " spiral balances to bottom of non-tilt sash.



**H-3759**  
**EP-3759**

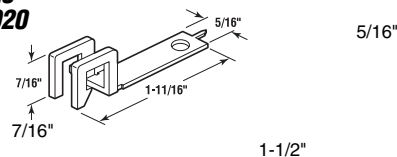
**H-3920** (2/card)  
**EP-3920** (25/bag)

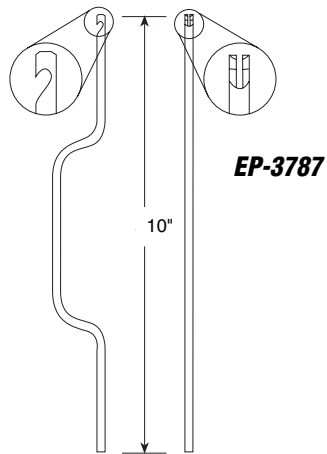
## Balance Foot

**Contents:** Balance feet.

**Description:** Stamped steel foot as used to attach  $\frac{3}{8}$ " spiral balances to bottom of non-tilt sash.

**H-3920**  
**EP-3920**





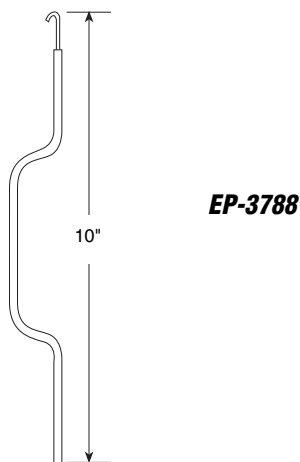
**EP-3787**

**EP-3787**

**Tension Tool** (For tilt balance)

**Contents:** 1 tool per bag.

**Description:** Plated steel tool used to crank necessary balance spring tension when installing new balance on **tilt type systems**.



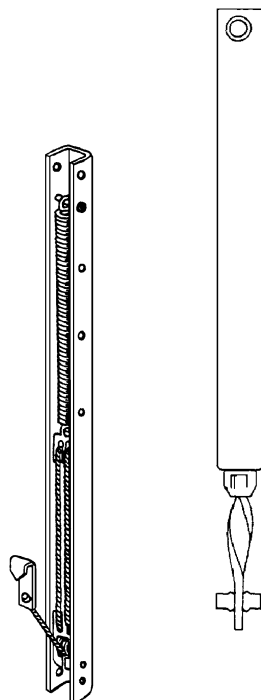
**EP-3788**

**EP-3788**

**Tension Tool** (For non-tilt balance)

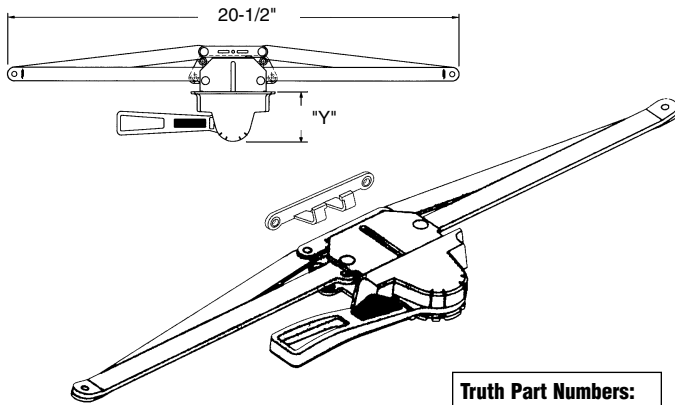
**Contents:** 1 tool per bag.

**Description:** Plated steel tool used to crank necessary balance spring tension when installing new balance on **non-tilt type systems**.



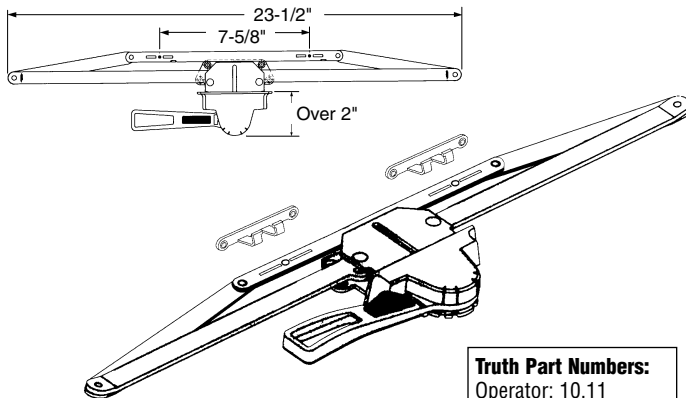
**Channel and Spiral balances are available in many different configurations. We stock a large array of the most popular balances, however, you may come up with a special requirement. Don't hesitate to contact us for those special needs.**





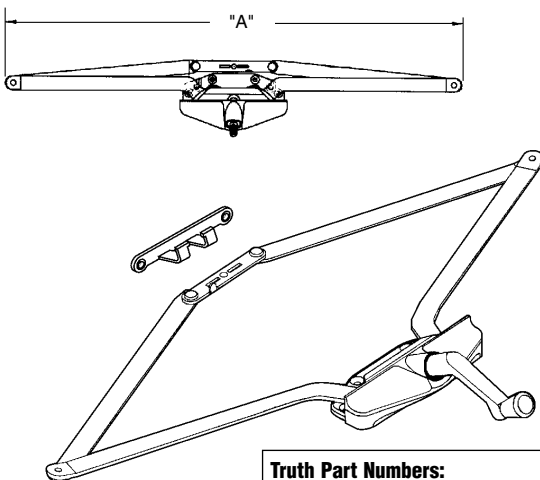
**Truth Part Numbers:**  
Operator: 10.10  
Hook: 20008

**Regular handing:** When viewed from the inside, a regular handle will be pointed to the left when window is in the closed position.



**Truth Part Numbers:**  
Operator: 10.11  
Hook: 20008

**Regular handing:** When viewed from the inside, a regular handle will be pointed to the left when window is in the closed position.



**Truth Part Numbers:**  
Operator: 11.10 (21-1/2"); 11.12 (16-1/8")  
Handle: 10579  
Hook: 20008

## Single Pull Lever Operator

**Contents:** 1 operator; 1 hook and 1 set of installation screws.

Dimension "Y"	Finish	Part No.
Under 2"	Bronze	TH-23070
Over 2"	Bronze	TH-23069
Under 2"	Gold	TH-23072
Over 2"	Gold	TH-23071

**Description:** High pressure diecast zinc case and lever handle has baked enamel finish; steel base plate, sash hook and lever arms; steel components are protected with the **corrosive resistant E-Gard™** coating process; used on awning windows by many manufacturers; holds window open in any of five positions; features a simple release clip for quick sash detachment.

- Use with EP-23065, EP-23066, EP-23067 or EP-23068 awning window hinges.

## TH-23097 (Bronze)

### Dual Pull Lever Operator

**Contents:** 1 operator; 2 hooks; 1 set of installation screws.

**Description:** High pressure diecast zinc case and lever handle has baked enamel finish; steel base plate, sash hook and lever arms; steel components are protected with the **corrosive resistant E-Gard™** coating process; used on awning windows by many manufacturers; holds window open in any of five positions; features a simple release clip for quick sash detachment; this model is particularly effective, and offers improved stability, on wide sash windows when in the open position.

- Use with EP-23065, EP-23066, EP-23067 or EP-23068 awning window hinges.

## Roto Gear Operator

**Contents:** 1 operator; 1 hook and 1 set of installation screws.

Dimension "A"	Finish	Part No.
16-1/8"	Bronze	TH-23011
16-1/8"	Coppertone	TH-23012
16-1/8"	White	TH-23013
21-1/2"	Bronze	TH-23008
21-1/2"	Coppertone	TH-23009
21-1/2"	Gold	TH-23073
21-1/2"	White	TH-23010

**Description:** High pressure diecast zinc case and crank handle has baked enamel finish; hardened steel worm drive and gear arms; a simple detach feature disengages the operator from the sash for quick window removal.

# Truth Hardware (Casement & Awning Window)

**TH-23076** (Left hand)  
**TH-23077** (Right hand)

## "Entrygard" Dual Arm Operator (Mechanism only)

**Contents:** 1 operator; 1 stud bracket; 1 set of installation screws.

**Description:** High pressure **diecast zinc** operator base; **steel** arms and stud bracket; **hardened steel** worm drive and gears; all raw metal parts are protected with the **corrosive resistant E-Gard™** coating process; patented dual arm action pushes the sash open while pulling the hinge side of sash to the open position; offers almost effortless operation.

- Use **EP-22397** for replacement track.

**TH-23078** (Left hand)  
**TH-23079** (Right hand)

## "Entrygard" Dyad Operator (Mechanism only)

**Contents:** 1 operator; 1 stud bracket; 1 set of installation screws.

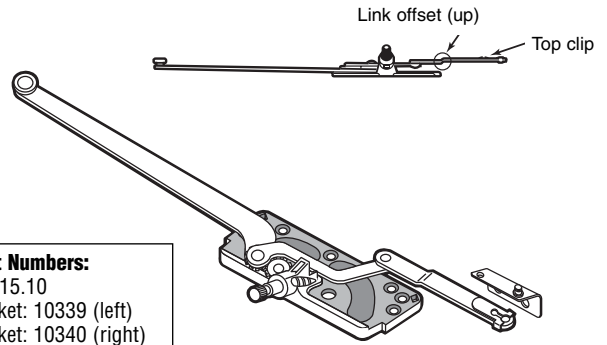
**Description:** High pressure **diecast zinc** operator base; **steel** arms and stud bracket; **hardened steel** worm drive and gears; all raw metal parts are protected with the **corrosive resistant E-Gard™** coating process; designed for narrow style windows (minimum of 11" between the stops); offers excellent low torque operation.

## Single Arm Operator (Surface mount)

**Contents:** 1 operator; 1 handle and 1 set of installation screws.

Arm	Handing	Finish	Part No.
9-1/2"	Left	Bronze	TH-23020
		Coppertone	TH-23021
		White	TH-23022
		Gold	TH-23061
9-1/2"	Right	Bronze	TH-23023
		Coppertone	TH-23024
		White	TH-23025
		Gold	TH-23062
13-1/2"	Left	Bronze	TH-23026
		Coppertone	TH-23027
		White	TH-23028
		Gold	TH-23063
13-1/2"	Right	Bronze	TH-23029
		Coppertone	TH-23030
		White	TH-23031
		Gold	TH-23064

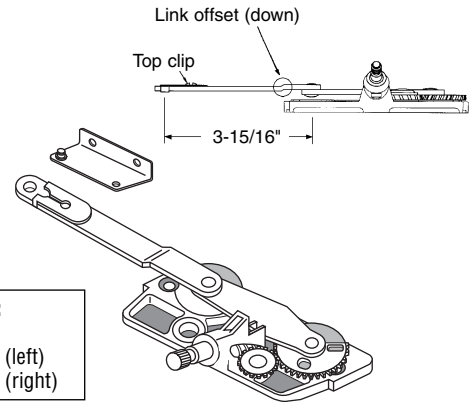
**Description:** High pressure **diecast zinc** case, handle and knob in baked enamel finishes; **hardened steel** arm, drive worm and gear are protected with corrosion resistant finish; **nylon** roller assures smooth operation; operator provides a full 90° window opening and disconnects easily from the sash.



**Truth Part Numbers:**  
 Operator: 15.10  
 Stud Bracket: 10339 (left)  
 Stud Bracket: 10340 (right)

### Specify right or left hand

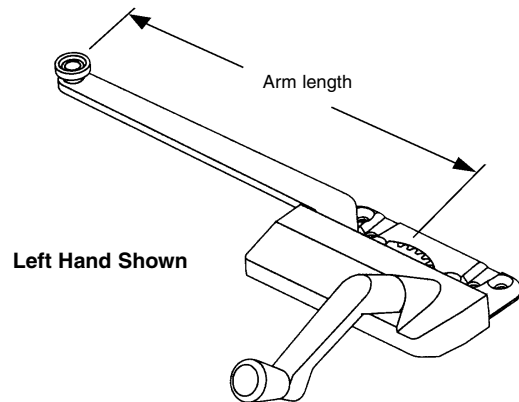
(Determined by the side hinge is on, when viewed from the **outside**).



**Truth Part Numbers:**  
 Operator: 15.11  
 Stud Bracket: 10415 (left)  
 Stud Bracket: 10416 (right)

### Specify right or left hand

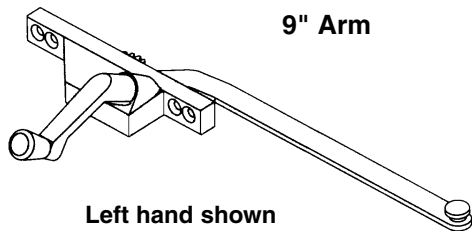
(Determined by the side hinge is on, when viewed from the **outside**).



**Truth Part Numbers:**  
 Operator: 15.31 (9-1/2"); 15.32 (13-1/2")  
 Handle: 10579

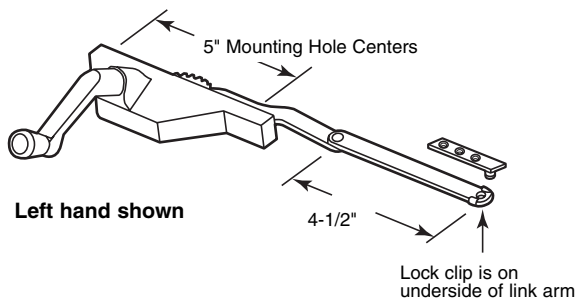
### Specify right or left hand

(Determined by the side hinge is on, when viewed from the **outside**).



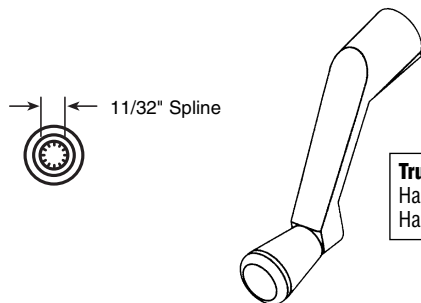
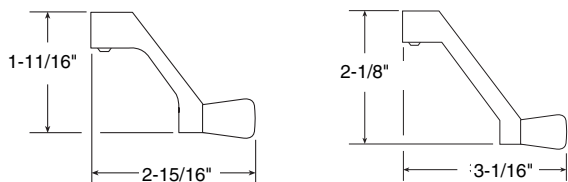
**Truth Part Numbers:**  
Operator: 23.10  
Handle: 10579

**Specify right or left hand**  
(Determined by the side hinge is on, when viewed from the *inside*).



**Truth Part Numbers:**  
Operator: 23.46  
Stud Bracket: 10558  
Handle: 10579

**Specify right or left hand**  
(Determined by the side hinge is on, when viewed from the *inside*).



**Truth Part Numbers:**  
Handle: 10579 (3-1/16")  
Handle: 10024 (2-15/16")

## Single Arm Operator (Face mount)

**Contents:** 1 operator; 1 handle and 1 set of installation screws.

Finish	Handing	Part No.
Bronze	Left	TH-23014
Coppertone	Left	TH-23015
White	Left	TH-23016
Bronze	Right	TH-23017
Coppertone	Right	TH-23018
White	Right	TH-23019

**Description:** High pressure **diecast zinc** case, crank handle and knob in baked enamel finishes; **hardened steel** worm gear and gear arm are protected with corrosive resistant finish; **stainless steel** arm roller and rivet; operator provides arm movement for 90° window opening.

## Dyad Operator (Face mount)

**Contents:** 1 operator; 1 handle and 1 set of installation screws.

Finish	Handing	Part No.
Bronze	Left	TH-23089
White	Left	TH-23091
Bronze	Right	TH-23090
White	Right	TH-23092

**Description:** High pressure **diecast zinc** case, crank handle and knob in baked enamel finishes; **hardened steel** arms, worm and gear are protected with corrosive resistant finish; excellent for casement or single vent awning windows; detachable clip linkage allows for easy removal from sash; used extensively on vinyl windows; **machine screws thread thru window frame and into back of operator case.**

## Operator Crank Handle

**Contents:** 1 handle.

Handle Size	Finish	Part No.
3-1/16"	Bronze	TH-21996
	Coppertone	TH-21998
	White	TH-22007
	Gold	TH-21999
2-15/16"	Bright Brass	TH-21896

**Description:** Diecast zinc and solid brass handle and knob; diecast handles are in baked enamel finishes; fits 11/32" Truth spindles only.

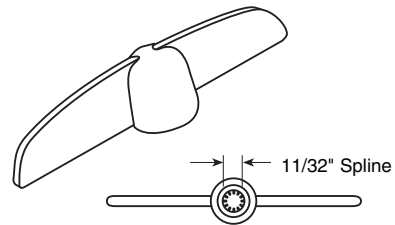
## Truth Hardware (Handles & Covers)

- TH-22134 (Bronze)
- TH-22135 (Coppertone)
- TH-22136 (Gold)
- TH-22137 (Bright brass)
- TH-22142 (White)

### Tee-Crank Handles

**Contents:** 1 handle.

**Description:** Diecast zinc handle and knob in **baked enamel and plated finishes**; ideal for low profile applications with mini-blinds and vertical blinds; **new snap-on design** does not require a set screw; fits **11/32" Truth spindles only**.



**Truth Part Numbers:**  
Handle: 11573

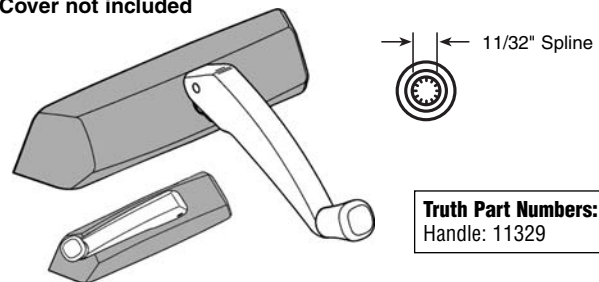
- TH-22243 (Bronze)
- TH-22245 (Coppertone)
- TH-22247 (Bright brass)
- TH-22253 (White)

### Folding Handle

**Contents:** 1 handle.

**Description:** Diecast zinc handle and knob in **baked enamel and plated finishes**; this unique handle offers an **exceptionally low profile** when folded, yet the crank handle styling requires far less torque, to operate window, than traditional low-profile handles.

Cover not included



**Truth Part Numbers:**  
Handle: 11329

Folded position

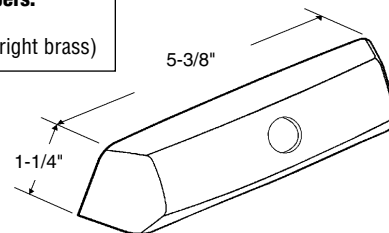
- TH-22232 (Bronze)
- TH-22233 (Coppertone)
- TH-22235 (Bright brass)
- TH-22240 (White)

### "Entrygard" Operator Cover (Metal)

**Contents:** 1 cover.

**Description:** Diecast zinc cover is **baked enamel or plated finishes**; contemporary styling; designed to snap-on to the worm housing of **Truth "Entrygard" operators**.

**Truth Part Numbers:**  
Cover: 11328  
Cover: 10536 (Bright brass)

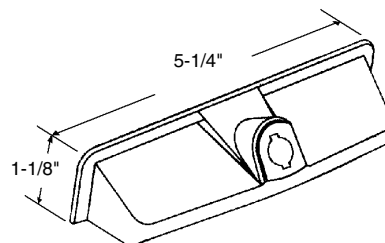


- TH-21928 (Bronze)
- TH-21931 (Coppertone)
- TH-21932 (Gold)
- TH-21986 (Bright brass)
- TH-21937 (White)

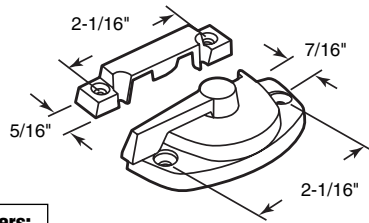
### "Entrygard" Operator Cover (Plastic)

**Contents:** 1 cover.

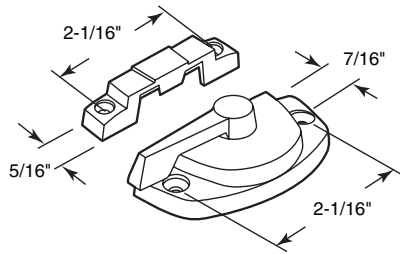
**Description:** **High impact plastic** snap-on cover offers traditional styling and easy replacement.



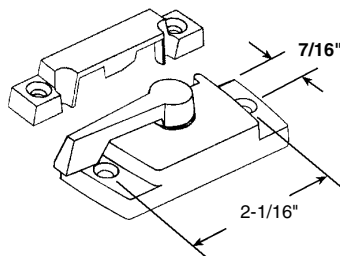
**Truth Part Numbers:**  
Cover: 10341



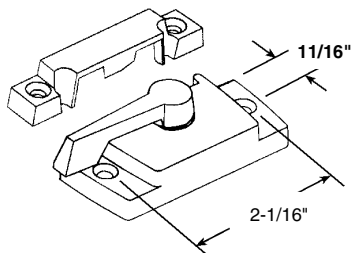
**Truth Part Numbers:**  
Lock: 17.19  
Keeper: 45131



**Truth Part Numbers:**  
Lock: 17.23  
Keeper: 40367



**Truth Part Numbers:**  
Lock: 17.32  
Keeper: 40967



**Truth Part Numbers:**  
Lock: 17.35  
Keeper: 40967

**TH-23080** (Bronze)  
**TH-23081** (White)

## "Entrygard II" Cam Lock (With lugs)

**Contents:** 1 lock; 1 keeper; 1 set of installation screws.

**Description:** High pressure, corrosive resistant diecast zinc; baked enamel finish; alignment lugs serve to prevent shifting of rails during locking, also enhances window seal.

**TH-23082** (Bronze)  
**TH-23083** (White)

## "Entrygard II" Cam Lock (Without lugs)

**Contents:** 1 lock; 1 keeper; 1 set of installation screws.

**Description:** High pressure, corrosive resistant diecast zinc; baked enamel finish; concealed locking mechanism reduces air infiltration by pulling meeting rails tightly together.

**TH-23084** (Bronze)  
**TH-23085** (White)

## "Trimline" Cam Lock (With lugs)

**Contents:** 1 lock; 1 keeper; 1 set of installation screws.

**Description:** High pressure, corrosive resistant diecast zinc; baked enamel finish; concealed locking mechanism pulls rails together helping to reduce air infiltration; alignment lugs prevent side shift of the sash; **slim-line design for narrow rail application;** lower profile allows maximum sash opening.

**TH-23086** (Bronze)  
**TH-23087** (White)

## "Trimline" Cam Lock (With lugs)

**Contents:** 1 lock; 1 keeper; 1 set of installation screws.

**Description:** High pressure, corrosive resistant diecast zinc; baked enamel finish; concealed locking mechanism pulls rails together helping to reduce air infiltration; alignment lugs prevent side shift of the sash; **slim-line design for narrow rail application;** lower profile allows maximum sash opening.

# Truth Hardware (Sash & Casement Locks)

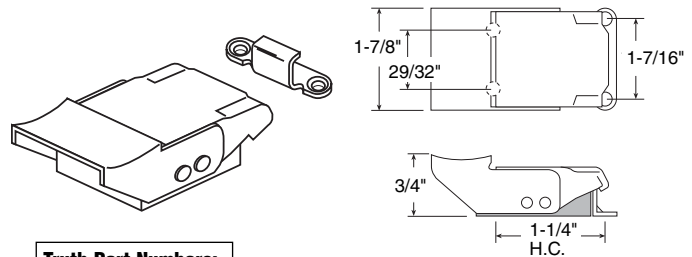
**TH-23074** (Bronze)

**TH-23075** (Gold)

## Toggle Lock

**Contents:** 1 lock; 1 keeper; 1 set of installation screws.

**Description:** Baked enamel steel lock and keeper; cam toggle mechanism pulls meeting rails together; spring latch, in open position, retracts mechanism.



**Truth Part Numbers:**

Lock: 17.13  
Keeper: 20057

**TH-23053** (Bronze)

**TH-23054** (Coppertone)

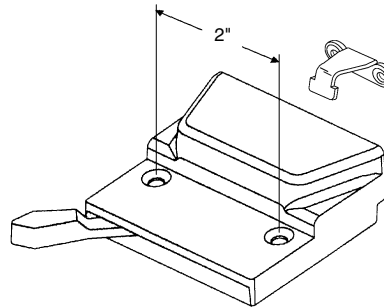
**TH-23055** (Bright brass)

**TH-23056** (White)

## Low Profile Sash Lock (Non-handed)

**Contents:** 1 lock; 1 keeper; 1 set of installation screws.

**Description:** Painted and plated high pressure diecast zinc case and handle; painted steel backplate, keeper and locking cam; low profile design requires only a 5/8" stop thickness.



**Truth Part Numbers:**

Lock: 16.18  
Keeper: 31344

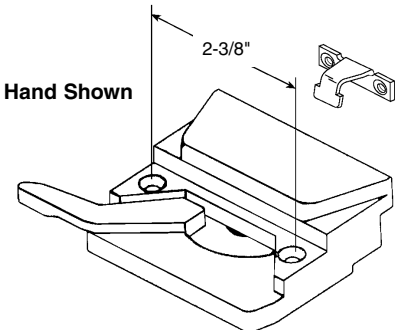
## "Entrygard" Sash Lock

**Contents:** 1 lock; 1 keeper; 1 set of installation screws.

Finish	Handing	Part No.
Bronze	Left	TH-23044
Coppertone		TH-23045
Bright Brass		TH-23046
White		TH-23047
Bronze	Right	TH-23048
Coppertone		TH-23049
Bright Brass		TH-23050
White		TH-23051

**Description:** Painted and plated high pressure diecast zinc case and handle; painted steel backplate, keeper and locking cam; heavy duty for large casement windows; securely holds sash against weather stripping to help prevent water and air leakage.

Right Hand Shown



**Truth Part Numbers:**

Lock: 16.27  
Keeper: 30827

**Specify right or left hand**

(Determined by the side hinge is on, when viewed from the *outside*).

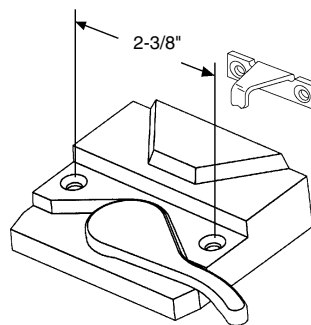
## Sash Lock

**Contents:** 1 lock; 1 keeper; 1 set of installation screws.

Finish	Handing	Part No.
Bronze	Left	TH-23095
White		TH-23098
Bronze	Right	TH-23096
White		TH-23099

**Description:** Baked enamel high pressure diecast zinc case and handle; painted steel latch and keeper; designed for easy removal of screen panel; excellent cam-acting sealing characteristics.

Left Hand Shown

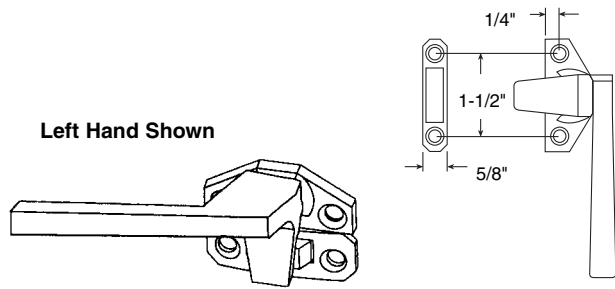


**Truth Part Numbers:**

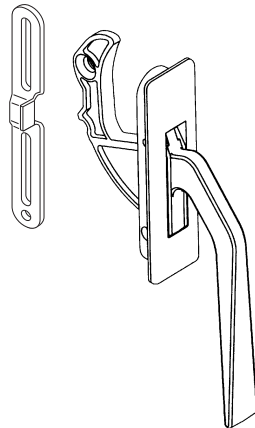
Lock: 16.16  
Keeper: 20034

**Specify right or left hand**

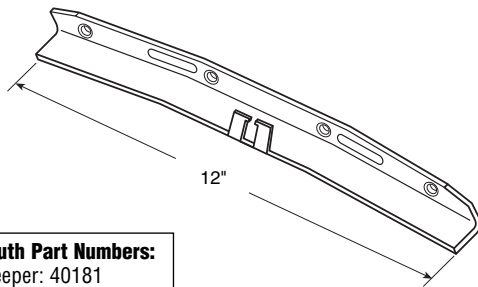
(Determined by the side hinge is on, when viewed from the *outside*).



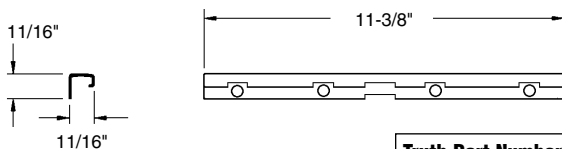
**Truth Part Numbers:**  
 Handle: 25.29  
 Strike housing: 20236  
 Strike inserts: 20231 & 20233



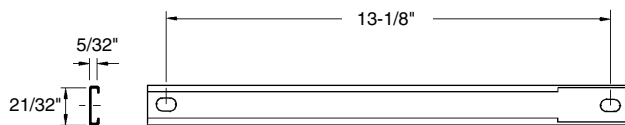
**Truth Part Numbers:**  
 Handle: 24.25  
 Keeper: 21088



**Truth Part Numbers:**  
 Keeper: 40181



**Truth Part Numbers:**  
 Track: 30473



**Truth Part Numbers:**  
 Track: 30175

## "Trimline" Cam Handle Lock

**Contents:** 1 lock; 1 strike housing; 2 strike inserts; 1 set of installation screws.

Finish	Handing	Part No.
Bronze	Left	TH-23057
White	Left	TH-23059
Bronze	Right	TH-23058
White	Right	TH-23060

**Description:** Baked enamel high pressure diecast zinc handle, base and strike housing; black polyester strike inserts (.218 and .344 high) accommodates various mounting applications; a 90° rotation of the handle locks or unlocks the sash.

**TH-23093** (Bronze)  
**TH-23094** (White)

## Locking Handle

**Contents:** 1 handle; 1 keeper; 1 set of installation screws.

**Description:** Baked enamel high pressure diecast zinc locking handle assembly; painted steel keeper; face mounted style with threaded holes for rear mounting; new design enhances grip to frame and improves sealing against dust and air infiltration.

**EP-22593** (Bagged)

## Torsion Bar Keeper

**Contents:** 1 bar.

**Description:** Painted steel torsion bar serves as additional stability to wide awning sash in open position; also assists in improving the seal at the corners on closing; use with lever and roto gear operators.

**EP-22397** (Bagged)

## Casement Operator Track

**Contents:** 1 track; 1 set of installation screws.

**Description:** Painted steel track; used with "Entrygard" dual arm operators (TH-23076 and TH-23077) as well as all surface mounted operators.

**EP-22825** (Bagged)

## Casement Operator Track

**Contents:** 1 track; 1 set of installation screws.

**Description:** Stainless steel track; use with single arm, face mounting, operators.

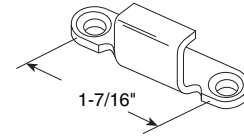
# Truth Hardware (Keepers)

**EP-22322** (Bagged)

## Toggle Lock Keeper

**Contents:** 1 keeper.

**Description:** Painted steel keeper; "E-gard" neutral color finish has excellent corrosive resistant properties; use with toggle locks (TH-23074 and TH-23075).



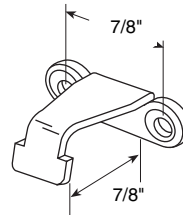
**Truth Part Numbers:**  
Keeper: 20057

**EP-22499** (Bagged)

## Low Profile Lock Keeper

**Contents:** 1 keeper.

**Description:** Painted steel keeper; "E-gard" neutral color finish has excellent corrosive resistant properties; use with low profile sash locks (TH-23053 thru TH-23056).



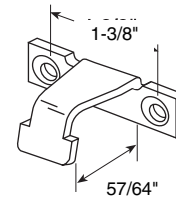
**Truth Part Numbers:**  
Keeper: 31344

**EP-22453** (Bagged)

## Sash Lock Keeper

**Contents:** 1 keeper.

**Description:** Painted steel keeper; "E-gard" neutral color finish has excellent corrosive resistant properties; use with sash locks (TH-23044 thru TH-23051).



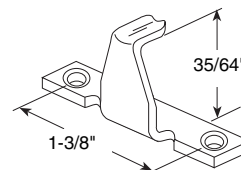
**Truth Part Numbers:**  
Keeper: 30827

**EP-22319** (Bagged)

## Sash Lock Keeper

**Contents:** 1 keeper.

**Description:** Painted steel keeper; "E-gard" neutral color finish has excellent corrosive resistant properties; use with sash locks (TH-23095 thru TH-23099).



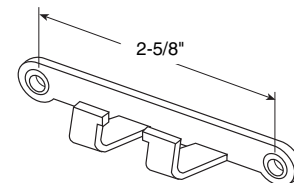
**Truth Part Numbers:**  
Keeper: 20034

**EP-22317** (Bagged)

## Sash Hook

**Contents:** 1 hook.

**Description:** Painted steel keeper; "E-gard" neutral color finish has excellent corrosive resistant properties; use with lever and roto gear operators on awning windows.



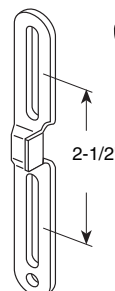
**Truth Part Numbers:**  
Keeper: 20008

**EP-22826** (Bagged)

## Locking Handle Keeper

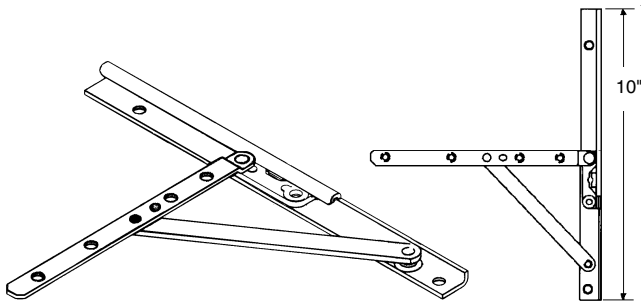
**Contents:** 1 hook.

**Description:** Stainless steel keeper; use with casement locking handle (TH-23093 & TH-23094).



**Truth Part Numbers:**  
Keeper: 21088





**Truth Part Numbers:**  
Hinge: 14.75

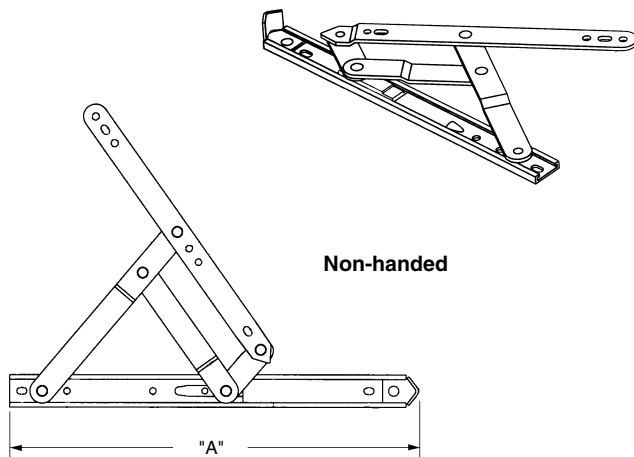
## EP-23088 (Bagged)

### Concealed Casement Hinge

**Contents:** 1 pair of hinges (1 left and 1 right).

**Description:** Stainless steel track with special "Corrosion Gard" plated steel sash and support arms; delrin shoe glide provides self-cleaning action in the track for extended life; special stop feature on support arm prevents window from opening past 90°; flat bottom track reduces rocking.

Used with TH-23076, TH-23077 and all surface or face mount operators.



Non-handed

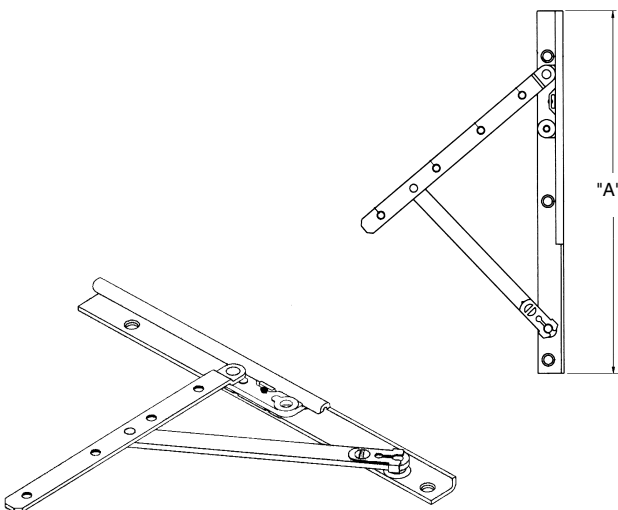
## 4-Bar Hinges (Non-handed)

**Contents:** 1 hinge.

Dimension "A"	Truth No.	Bagged Part No.
8"	34.17	EP-21080
10"	34.18	EP-21083
12"	34.19	EP-21090
14"	34.20	EP-21094
16"	34.21	EP-21099
18"	—	—
20"	34.23	EP-21105

\*Item has been discontinued, use 16" as replacement.

**Description:** Zinc plated steel hinges with yellow dichromate dip for protection against corrosion; standard duty with stop for awning and projected windows; sliding brass shoe guide; generally used with "Dyad" (two link design) operators.



## Awning Window Hinges

**Contents:** 1 pair of hinges (1 left and 1 right).

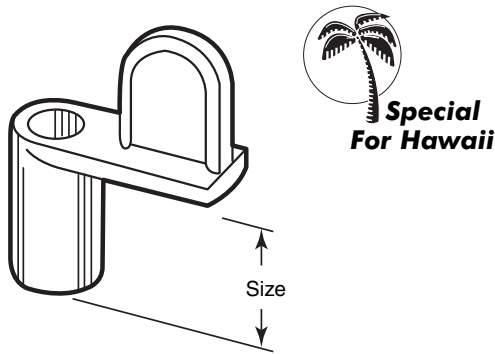
Dimension "A"	Truth No.	Bagged Part No.
14"	13.14	EP-23065
18"	13.15	EP-23066
22"	13.16	EP-23067
26"	13.17	EP-23068

**Description:** Steel track with heavy gauge steel support arms are plated with "Corrosion Gard" for protection; acetal shoe guide with stainless steel insert; these hinges balance a sash as it opens, for smooth effortless operation; detachable support arms allow quick installation of the sash into the frame.

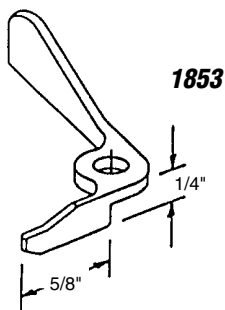
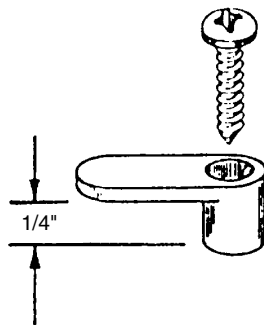
Used with awning window operators.

Size	4/Pkg			12/Pkg		
	Finish (Part Number)			Finish (Part Number)		
	Mill	Bronze	White	Mill	Bronze	White
Flush *	18107-F	181380	181669	182930-F	182950	182959
1/16" *	18107-1	181381	181735	182930-1	182951	182960
1/8" *	18107-2	181382	181747	182930-2	182952	182961
3/16" *	18107-3	181383	182886	182930-3	182953	182962
1/4" *	18107-4	181384	182887	182930-4	182954	182963
5/16" **	18107-5	181385	181605	182930-5	182955	182964
3/8" **	18107-6	181386	181603	182930-6	182956	182965
7/16" **	18107-7	181387	181589	182930-7	182957	182966
1-3/16" **	181983	182885	181801	182968	182958	182967

\*No. 8 Phillips pan head sheet metal screws.  
 \*\*No. 10-24 Phillips pan head machine screws.

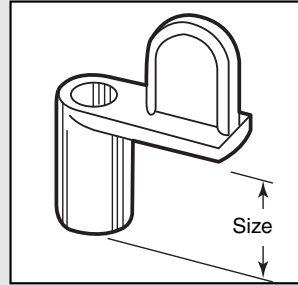


182868



## Diecast Clips

Contents: Clips with installation screws.



Description: Painted and plated clips used to attach screen to window opening.

NOTE: Also available in bulk (1000/ctn.)  
 Almond & Adobe available in bulk only.

## Diecast Clips (Special)

Contents: 12 clips with #8 x 1" Phillips pan head sheet metal screws.

Size	Finish (Part Number)		
	Mill	Bronze	White
5/16"	182897-5	182898-5	182900-5
3/8"	182897-6	182898-6	182900-6
7/16"	182897-7	182898-7	182900-7

Description: Painted and plated clips; supplied with 1" long sheet metal screws for Hawaii installations.

182868 (1/4")

## Diecast Clips

Contents: 12 clips with #8 x 3/4" Phillips pan head sheet metal screws.

Description: Flat top style clips used to attach screen to window opening.

1853

## Diecast Clips

Contents: 4 clips with #4 x 3/8" Phillips pan head sheet metal screws.

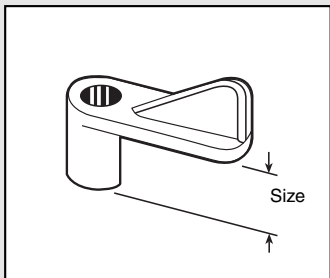
Description: Lever style clip used to attach screen to window opening.

Call for Availability

# Window Screen Hardware

## Plastic Clips

**Contents:** Clips with installation screws.



**Description:** Clips in various colors used to attach screen to window opening.

\*No. 8 Phillips pan head **sheet metal screws**.

\*\*No. 10-24 Phillips pan head **machine screws**.

- 182899-5** (5/16")
- 182899-6** (3/8")
- 182899-7** (7/16")

## Plastic Clips (Gray)

**Contents:** 12 clips with #8 x 1" Phillips pan head sheet metal screws.

**Description:** Clips are supplied with **1" long screws** for **Hawaii** installations.

- 181873** (White)
- 182896** (Black)

## Flush Clips (Plastic)

**Contents:** 12 clips with #6 x 5/8" Phillips pan head sheet metal screws.

**Description:** **Double wing** flush clips used to attach screens and storm windows to window opening.

## Flush Clips (Plastic)

**Contents:** Clips with #8 x 3/4" Phillips pan head sheet metal screws.

Color	Quantity (Part Number)	
	4/Pkg	12/Pkg
White	18149	182931
Brown	182871	182937
Black	182908	182969
Gray	—	183233

**Description:** Clips are supplied with screws, used to attach screens and storm windows to window opening.

Size	4/Pkg	12/Pkg			
		Finish (Part Number)			
		Gray	Black	White	Bronze
1/16" *	1867	182932-1	182873-1	182875-1	183518-1
1/8" *	18957	182932-2	182873-2	182875-2	183518-2
3/16" *	18934	182932-3	182873-3	182875-3	183518-3
5/16" **	18978	182932-5	182873-5	182875-5	183518-5
3/8" **	18935	182932-6	182873-6	182875-6	183518-6
7/16" **	18716	182932-7	182873-7	182875-7	183518-7

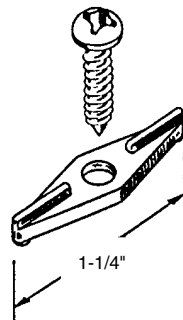
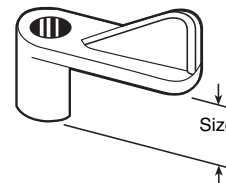
\*No. 8 Phillips pan head sheet metal screws.

\*\*No. 10-24 Phillips pan head machine screws.

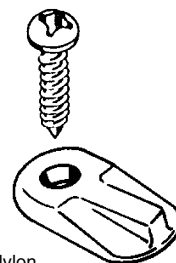


**Special  
For Hawaii**

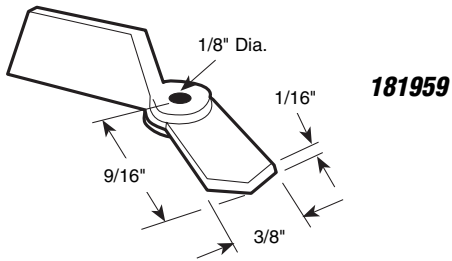
- 182899-5**
- 182899-6**
- 182899-7**



- 181873**
- 182896**



Nylon

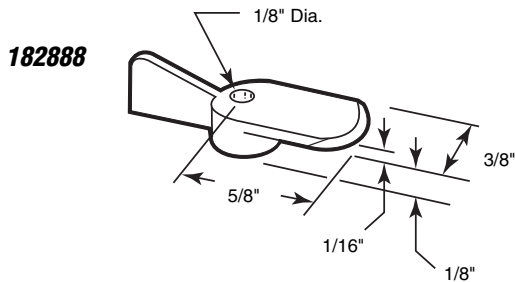


## 181959

### Turn Buttons (White plastic)

**Contents:** 12 turn buttons with #4 x 3/4" Phillips pan head sheet metal screws.

**Description:** Turn buttons used to attach screens and storm windows to window opening.

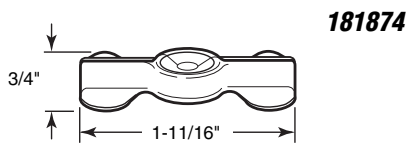


## 182888

### Swivel Clips (White nylon)

**Contents:** 12 clips with #8 x 3/4" Phillips pan head sheet metal screws.

**Description:** Swivel clips used to attach screens and storm windows to window opening.

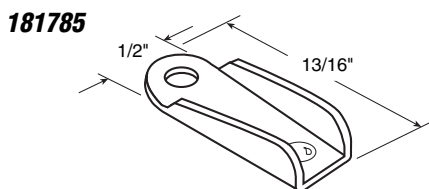


## 181874

### Flush Clips

**Contents:** 6 clips with #8 x 1/2 flat head sheet metal screws.

**Description:** Nickel plated steel, double wing clips used to attach screens and storm windows to window opening; also applied to narrow rails to hold adjacent screens in place.

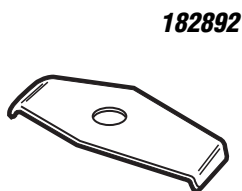


## 181785

### Wing Clips

**Contents:** 12 clips with #8 x 3/4" Phillips pan head sheet metal screws.

**Description:** Stamped aluminum clips used to attach screens and storm windows to window opening.



## 182892

### Metal Clips

**Contents:** 12 clips with #8 x 3/4" Phillips pan head sheet metal screws.

**Description:** Stamped aluminum, double wing clips commonly applied to narrow rails on interior of double casement windows to hold adjacent screens in place.



## 182893

### Metal Clips

**Contents:** 12 clips with #8 x 3/4" Phillips pan head sheet metal screws,

**Description:** Stamped aluminum clips used with 182892 on casement window applications and other similar flush mount applications.

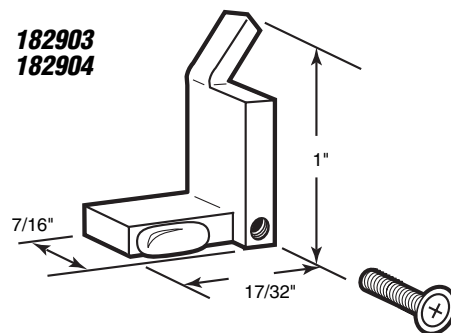
# Window Screen Hardware

**182903** (Black)  
**182904** (White)

## Nylon Clips

**Contents:** 4 clips with #6 x 5/8" round washer head machine screws.

**Description:** Clips used to attach screens to *Acorn* windows.

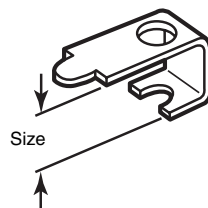


## Casement Clips (Aluminum)

**Contents:** Clips with #10-24 Phillips pan head machine screws.

Size	Quantity (Part Number)	
	4/Pkg	12/Pkg
5/16"	18307	182933
3/8"	181010	182934
7/16"	18926	182935
7/8"	---	182856
1-3/16"	---	182857

**Description:** Casement clips used to secure window screens and storm windows to window or storm door openings.

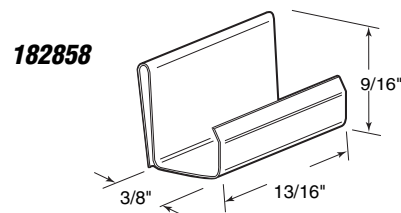


## 182858

### Retainer Clips (Spring steel)

**Contents:** 6 clips.

**Description:** Retainer clips hold 3/8" screen frame into aluminum window channel; **bright finish**.

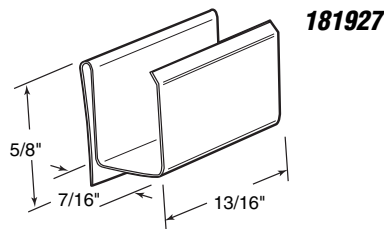


## 181927

### Retainer Clips (Spring steel)

**Contents:** 6 clips.

**Description:** Retainer clips hold 7/16" screen frame to aluminum window channel; **bright finish**.

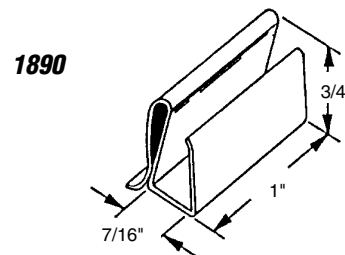


## 1890

### Retainer Clips (Vinyl)

**Contents:** 4 clips.

**Description:** Black vinyl clips are used to hold 3/8" and 7/16" screen frame into aluminum window channel.

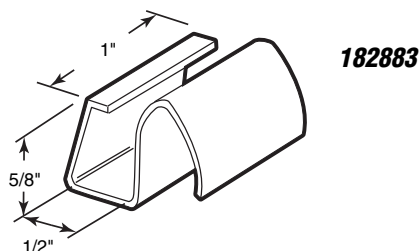


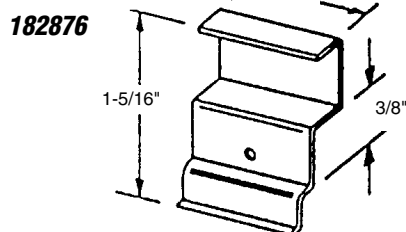
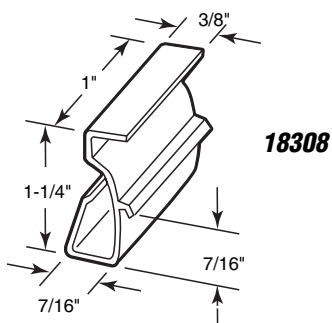
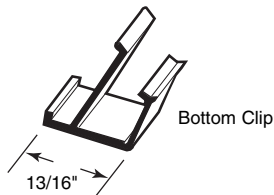
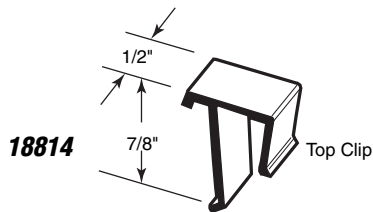
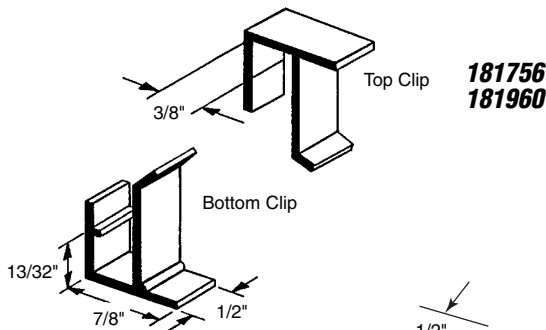
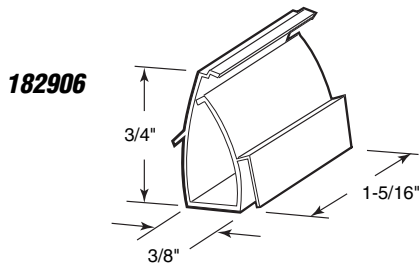
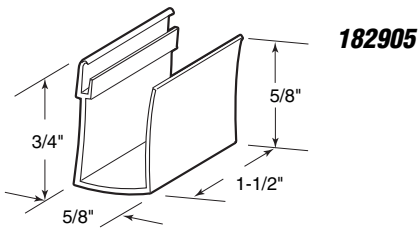
## 182883

### Retainer Clips (Vinyl)

**Contents:** 6 clips

**Description:** Black vinyl clips are used to hold 3/8" screen frame into aluminum window channel; fits on *Tom Ray* windows.





## 182905

### Retainer Clips (Vinyl)

**Contents:** 6 clips.

**Description:** Black vinyl clips are used to hold screen frame into aluminum window channel; fits on "Old Style" *Better Built* windows.

## 182906

### Retainer Clips (Vinyl)

**Contents:** 6 clips.

**Description:** Black vinyl clips are used to hold screen frame into aluminum window channel; fits on "New Style" *Better Built* windows.

## 181756 (2 sets/card)

## 181960 (4 sets/card)

### Retainer Clips (Vinyl)

**Contents:** 1 set = 1 top clip and 1 bottom clip.

**Description:** Black vinyl clips hold screen frame into sliding window frame channel; fits on *H&D Industries* for 7/16" frame. Very popular in the Northwest.

## 18814

### Retainer Clips (Vinyl)

**Contents:** 2 top and 2 bottom clips.

**Description:** Black vinyl clips hold screen frame into sliding window frame channel; for 3/8" frame.

## 18308

### Lift and Retainer Clips (Vinyl)

**Contents:** 4 clips

**Description:** Black vinyl clips used to hold 3/8" screen frame into aluminum window channel; lift tab assists in screen removal.

## 182876

### Lift and Retainer Clips (Aluminum)

**Contents:** 6 clips with installation screws.

**Description:** Stamped aluminum clip used as a lift handle and screen frame retainer on sliding aluminum windows.

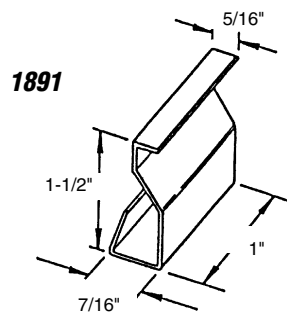
# Window Screen Hardware

**1891**

**Lift Tabs** (Plastic)

**Contents:** 4 tabs.

**Description:** Black vinyl lift tabs used to aid in removal of 7/16" window screen from window frame.

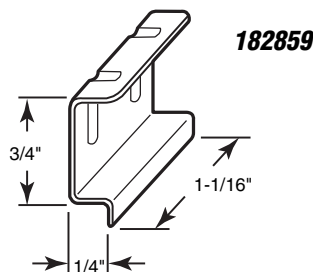


**182859**

**Lift Tabs** (Metal)

**Contents:** 6 tabs.

**Description:** Stamped aluminum lift tab is installed in spline channel to aid in removal of window screen from window frame.



**182860** (White)

**182869** (Black)

**182970** (Gray)

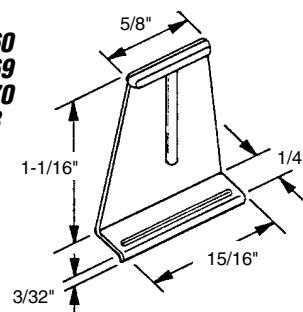
**18708** (Gray - 2/card)

**Lift Tabs** (Plastic)

**Contents:** 6 tabs, (except #18708).

**Description:** Plastic lift tab is installed in spline channel to aid in removal of window screen from window frame.

**182860**  
**182869**  
**182970**  
**18708**

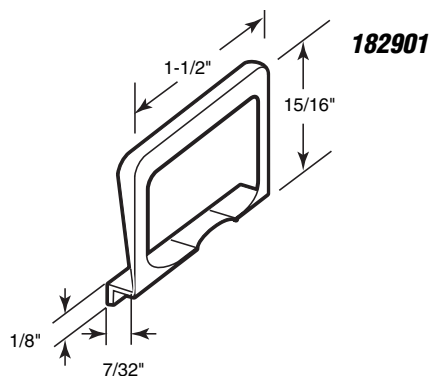


**182901**

**Lift Tabs** (Plastic)

**Contents:** 6 tabs.

**Description:** Deluxe black plastic lift tab is installed in spline channel to aid in removal of window screen from window frame.



**182902** (Gray)

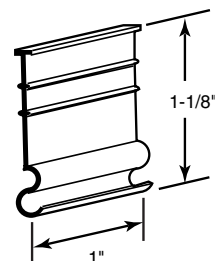
**182902-B** (Black)

**Lift Tabs** (Vinyl)

**Contents:** 6 tabs.

**Description:** Vinyl lift tab may be installed in most sizes of spline channel to aid in removal of window screen from window frame.

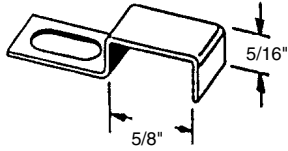
**182902**  
**182902-B**



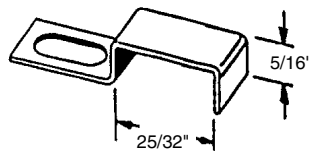
## Stretcher Clips

**Contents:** Clips; #10 x 3/8" Phillips pan head sheet metal screws.

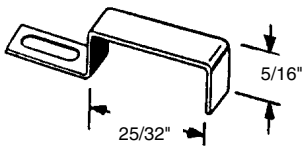
**182031**



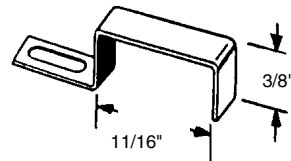
**181124**



**182032**



**182033**

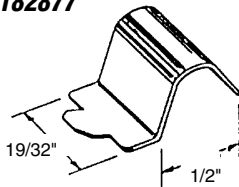


Frame Application	Quantity	Part Number
	4/Pkg	12/Pkg
3/8" x 5/8" flanged frame	182031	182938
5/16" x 3/4" frame	181124	182939
3/8" x 3/4" frame	182032	182940
7/16" x 11/16" frame	182033	182941
For "Miami" Windows	---	182877*
1/4" x 3/4" frame	182878	182942
For flanged frame	182161	182943
For "Keller" windows - old style	182034	182944
For "Keller" windows - new style	182035	182945
"Z" clips with 1/8" offset	---	182879
1/4" x 11/16" frame	181788	182946
3/8" x 13/16" flanged frame	181125	182947
For recessed frame	181126	182948
3/8" x 5/8" frame	181789	182949

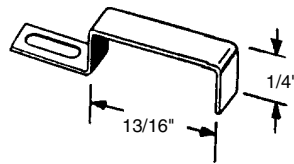
**Description:** Stamped aluminum clips for attaching window screens to awning and other types of windows.

\* Installation screws are not required for this item.

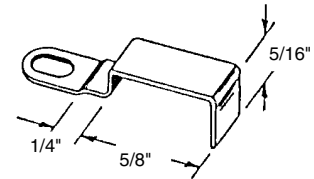
**182877**



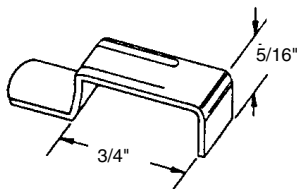
**182878**



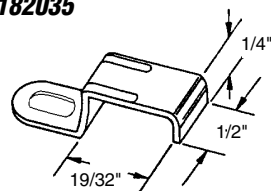
**182161**



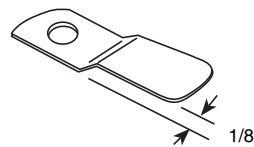
**182034**



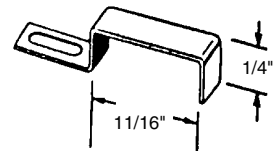
**182035**



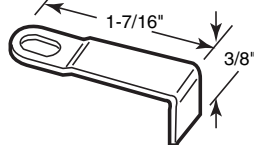
**182879**



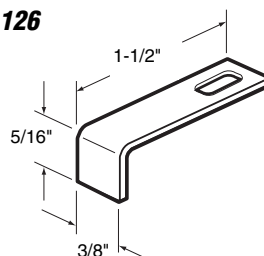
**181788**



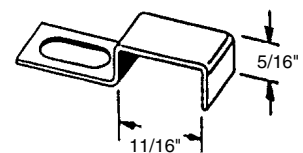
**181125**



**181126**



**181789**



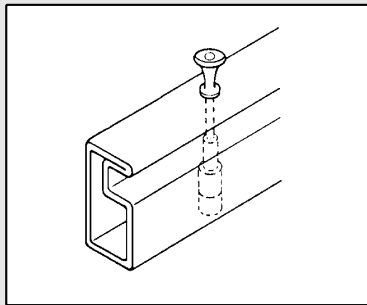


## Plunger Latches

**Contents:** 4 latch assemblies.

Part #	Plunger	Cap	Screen Frame
182864	Nylon	Nylon	1/4" or 5/16" x 3/4"
1857-N	Nylon	Nylon	3/8" or 7/16" x 3/4"
1857	Diecast	Nylon	3/8" or 7/16" x 3/4"
182865	Diecast	Nylon	7/16" x 1"
1856	Aluminum	Aluminum	5/8"
183061	Aluminum	Aluminum	7/16 x 3/4"
183062	Aluminum	Aluminum	7/16" x 1"

**Description:** Spring loaded plunger latches hold aluminum frame screens into window frames.



**Note:** For new installations, see **part no. 18617** on **page 18-12**. This **step drill** may be used for drilling screen frame for all plunger latches except **part no. 182864**.

- 182862** (For 5/8" frame) - 3/32"
- 182863** (For 3/4" frame) - 1/8"
- 18312** (For 1" frame) - 1/8"

## Lock Pins

**Contents:** 4 pins.

**Description:** Plated steel pin used to secure window screens to sliding aluminum windows.

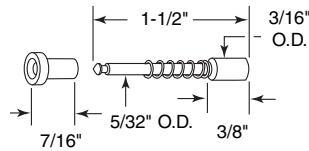
- 1865** (1-1/2" long)
- 1865-1** (1-13/32" long)

## Slide Locks

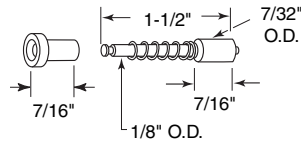
**Contents:** 4 locks.

**Description:** Stamped aluminum locks used to attach window screens to aluminum window channels.

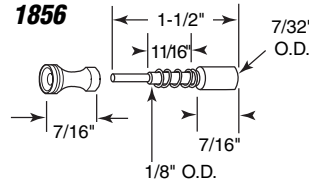
### 182864



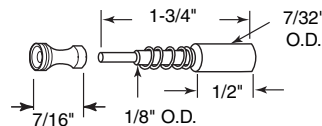
### 1857



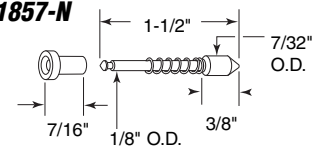
### 1856



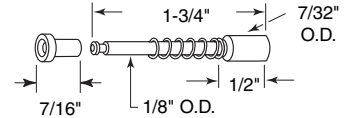
### 183062



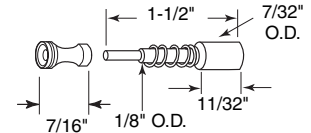
### 1857-N



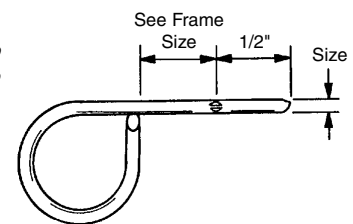
### 182865



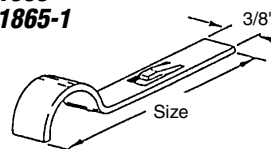
### 183061

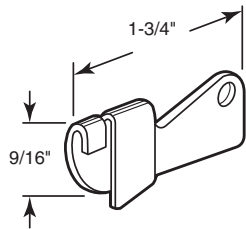
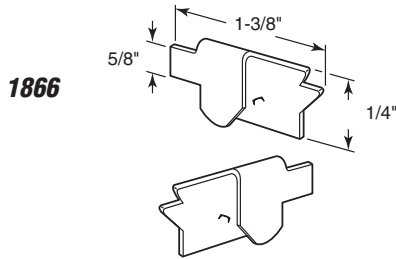


**182862**  
**182863**  
**18312**

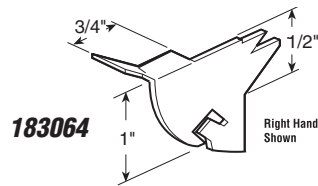


**1865**  
**1865-1**

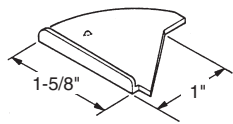




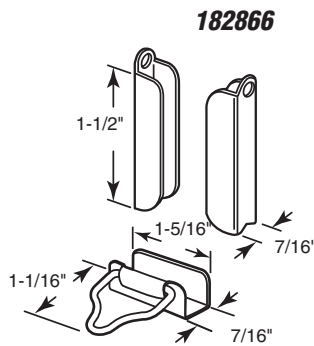
**1863**



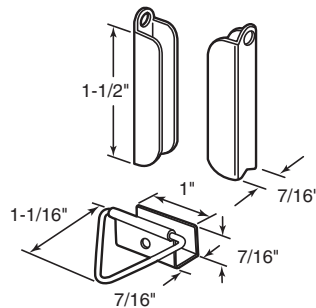
**183064**



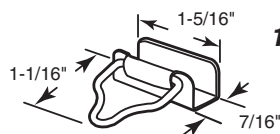
**183065**



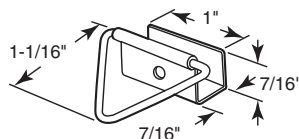
**182866**



**182936  
1819  
CCEP-5529**



**182867**



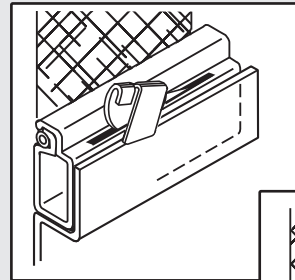
**181582  
CCEP-5552**

**1866** (Snap-on)  
**1863** (Rivet-on)

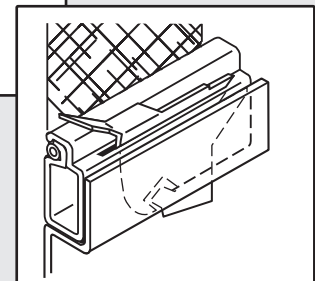
## Knife Latches (Pivot style)

**Contents:** 2 left hand & 2 right hand latches.

**Description:** Stamped aluminum latches used to secure window screens to sliding aluminum window frames; latch clasps to window frame.



**Clasp Latching**



**Slot Latching**

**183064  
183065**

## Knife Latches (Swivel style)

**Contents:** 3 left hand and 3 right hand latches.

**Description:** Stamped aluminum latches used to secure window screens to sliding aluminum window frames; latch swivels into slot in frame.

## Hangers and Latches

**Contents:** 1 set = 2 top hangers; 1 bottom latch; 1 ball head screw.

Color	Quantity (Part Number)	
	2 Sets	1 Set
Mill finish	182936*	1819
Painted gray	182866	---

**Description:** Stamped aluminum hardware used to install 7/16" thick window screens to wood framed windows.

\*Bulk: CCEP-5529 (2 sets/bag) 50 bags/box.

**181582** (Mill finish)\*  
**182867** (Painted gray)

## Bottom Latches

**Contents:** 4 latches; 4 ball head screws.

**Description:** Stamped aluminum latches slip-on to bottom of 7/16" thick frame; used to hold bottom of window screen to wood window sill.

\*Bulk: CCEP-5552 (4/bag) 100 bags/box.

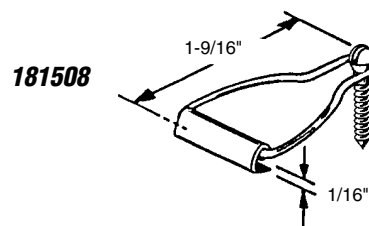
# Window Screen Hardware

**181508**

## Spline Latch

**Contents:** 6 latches; 6 ball head screws.

**Description:** Stamped aluminum latch is installed into spline channel of window screen; used to hold bottom of screen to wood-framed window sill.

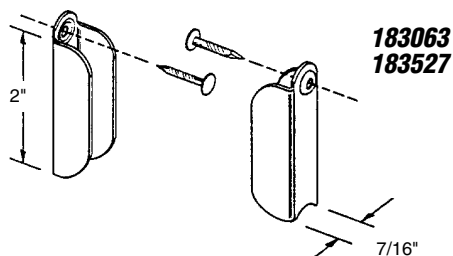


**183063** (Aluminum)  
**183527** (White)

## Top Hangers

**Contents:** 6 hangers; 6 nails.

**Description:** Stamped mill finish and white painted aluminum hangers nail into top corners of wood window frame; used to hold 7/16" thick screen frame to window frame and allow for easy removal.

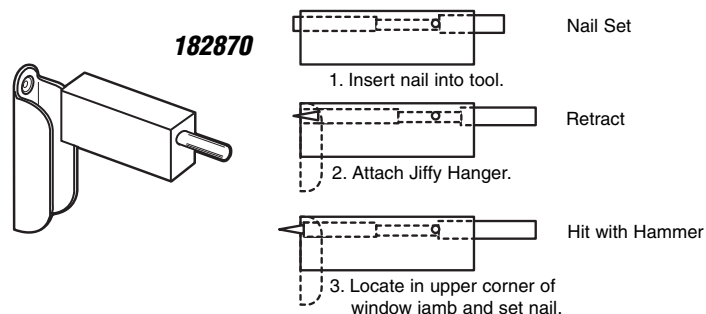


**182870**

## Nail Set Tool

**Contents:** 1 tool.

**Description:** Plated steel tool used to install nails into wood framed windows while using Part no. 182936, 1819, 182866, 183063 hangers.

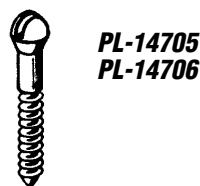


**PL-14705** (100/tub)  
**PL-14706** (1000/tub)

## Ball Head Screws

**Contents:** Bulk screws in plastic tub.

**Description:** Plated steel screws are used with bottom latches Part no. 181582, 182867 & 181508 to hold window screen to wood window sill; no. 8 x 1" ball head screw.

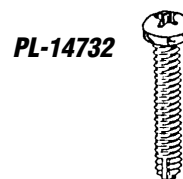


**PL-14732**

## Self-Tapping Screws

**Contents:** 100 bulk screws in plastic tub.

**Description:** 10-24 x 3/4" Phillips pan head self-tapping machine screw; used to attach screen clips onto steel window frames.

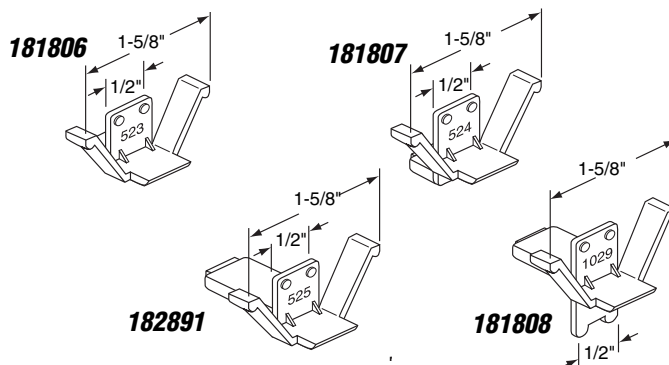


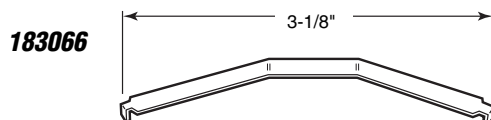
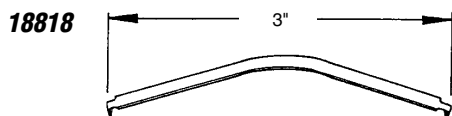
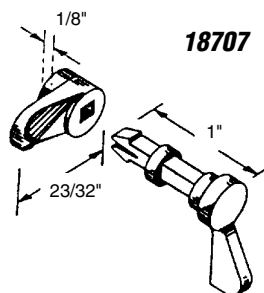
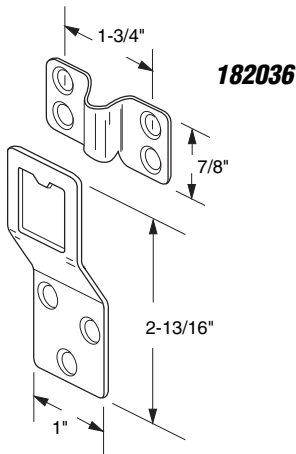
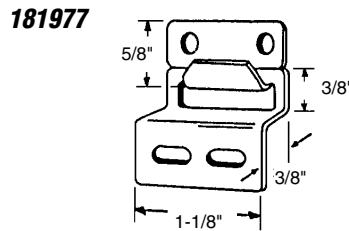
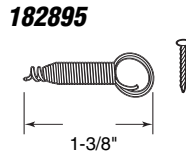
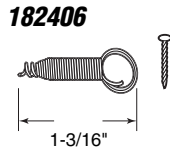
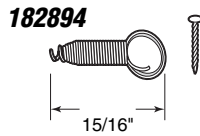
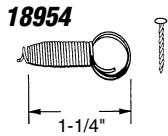
**181806** (523)  
**181807** (524)  
**182891** (525)  
**181808** (1029)

## Retainer Clips

**Contents:** 4 clips.

**Description:** Clear plastic clips; used exclusively in Western Canada to hold window screens to sliding window frames; use number molded into plastic part for exact replacement.





**18954** (Plated steel)  
**182894** (Stainless steel)  
**182406** (Stainless steel)  
**182895** (Stainless steel)

## Spring Latches

**Contents:** 6 springs; 6 nails.

**Description:** Spring steel latches are used to hold bottom of window screen to wood framed window sill. Aluminum nail is driven part-way into sill and spring loop is pulled over nail.

## 181977

### Top Hangers

**Contents:** 4 hooks; 4 keepers; 4 sets of installation screws.

**Description:** Stamped aluminum hardware; used on wood framed windows; top mounted; hooks mount to window frame and keepers mount to screen frame.

## 182036

### Top Hangers

**Contents:** 2 hooks; 2 keepers; 2 sets of installation screws.

**Description:** Plated steel hardware; used on wood framed windows; top mounted; hooks mount to window frame and keepers mount to screen frame.

## 18707

### Retainer Clip Assemblies

**Contents:** 4 clips; 4 lock pins.

**Description:** Plastic assembly fits on Arcadia 770 and 780 Series windows; holds screen frame to window frame.

**18818** (Round top - 4 per card)

**183066** (Flat top - 6 per card)

## Tension Springs

**Contents:** Springs.

**Description:** Heat-treated steel tension springs hold window screens into sliding aluminum window screen channels. Requires two (2) 3/16" holes drilled 3-3/16" apart.

# Window Screen Hardware

**181036** (1/4" wide)  
**182884** (3/16" wide)

## Tension Springs

**Contents:** 4 springs.

**Description:** Heat-treated steel tension springs hold window screens into sliding aluminum window screen channels. Slips into corner of 3/8" or 7/16" frame. No tools required.

**182889**  
**182890** (Heavy Duty)

## Tension Springs

**Contents:** 12 springs.

**Description:** Plated steel spring wire; designed to hold window screens into sliding aluminum window screen channels.

**182861**

## Hook & Eye

**Contents:** 2 hooks; 2 eyes.

**Description:** Plated steel hook and eye; used as a bottom latch on traditional wood frame window screens.

**18310**

## Clips

**Contents:** 4 clips.

**Description:** Stamped aluminum clips used for mounting window screens and storm panels to window frames.

**18617**

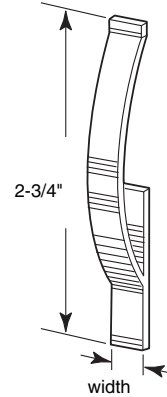
## Step Drill

**Contents:** 1 drill.

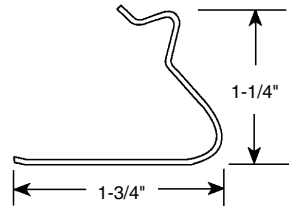
**Description:** Specially designed step drill is used to install a variety of plunger latches (see page 18-8).

You may also wish to stock these related parts: **182864**, **182865**, **1856**, **183060**.

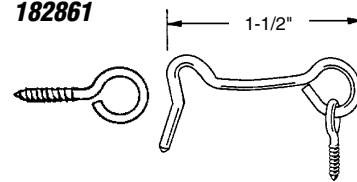
**181036**  
**182884**



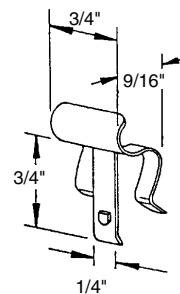
**182889**  
**182890**



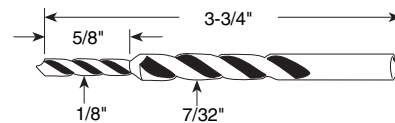
**182861**



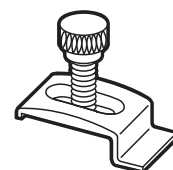
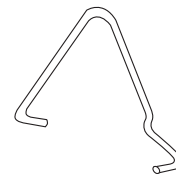
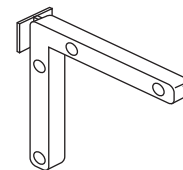
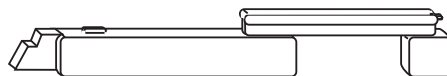
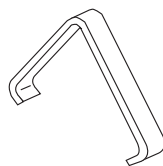
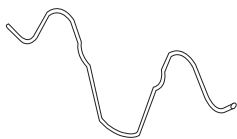
**18310**



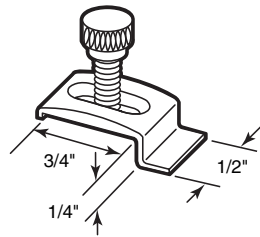
**18617**



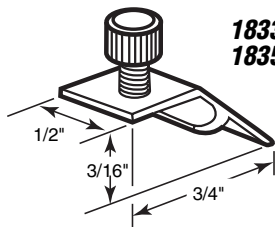
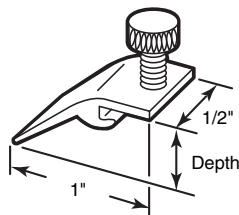
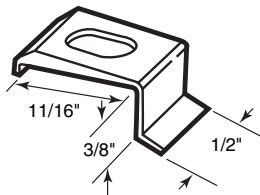
## Also Available:



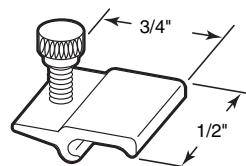
Call customer service for our complete  
**"Make-to-Fit"** Screen Components and Accessories Catalog (ZZ-75).



**181054**  
**181055**



**183326**  
**183521**



**181989**  
**183013**  
**181990**  
**183014**

- 181041** (Aluminum—4 per card)\*
- 183009** (Aluminum—8 per card)
- 181050** (White finish—4 per card)\*
- 183010** (White finish—8 per card)
- 183335** (Brown finish—8 per card)
- 183336** (Black finish—8 per card)

\* - No screws

## Panel Clips

**Contents:** Clips and no. 8-32 x 9/16" thumbscrews.

**Description:** Aluminum clips; aluminum knurled head thumbscrews; used to secure storm window panels to storm doors.

- 181054** (Aluminum)
- 181055** (White finish)

## Panel Clips

**Contents:** 4 clips.

**Description:** Aluminum clips; aluminum knurled head thumbscrews; used to secure storm window panels to storm doors.

## Panel Clips

Depth	Finish	Quantity Part Number	
		4 Per Card	8 Per Card
5/16"	Aluminum	181043	183011
5/16"	White	181052	183012
7/16"	Aluminum	181058	183016
7/16"	White	181059	183017

**Contents:** Clips and no. 8-32 x 5/16" thumbscrews.

**Description:** Aluminum clips; knurled head thumbscrews; self-locking; used to secure storm panels to storm doors.

**Note:** Aluminum finish clips supplied with aluminum thumbscrews; white clips supplied with white nylon thumbscrews.

You may wish to stock these related parts: **181062: 183325.**

- 183326** (Aluminum)
- 183521** (White finish)

## Panel Clips

**Contents:** 8 clips; 8 no. 8-32 x 5/16" thumbscrews.

**Description:** Aluminum clips; knurled head aluminum thumbscrews; self-locking; used to secure storm panels to storm doors.

- 181989** (Aluminum—4 per card)
- 183013** (Aluminum—8 per card)
- 181990** (White finish—4 per card)
- 183014** (White finish—8 per card)

## Panel Clips

**Contents:** Clips and no. 8-32 x 5/16" thumbscrews.

**Description:** Aluminum clips; knurled head thumbscrews; self-locking; used to secure storm panels to storm doors.

**Note:** Aluminum finish clips supplied with aluminum thumbscrews; white finish clips supplied with white nylon thumbscrews.

# Storm Window And Door Hardware

**183331** (Aluminum)  
**183520** (White finish)

## Panel Clips

**Contents:** 8 clips; 8 no. 8-32 x 5/16" thumbscrews.

**Description:** Aluminum clips; aluminum knurled head thumbscrews; self-locking; used to secure storm panels to storm doors.

**181995** (Aluminum - 4 per card)  
**183015** (Aluminum - 8 per card)  
**183522** (White finish - 8 per card)

## Panel Clips

**Contents:** Clips with no. 8-32 x 5/16" thumbscrews.

**Description:** Aluminum clips; aluminum knurled head thumbscrews; self-locking; used to secure storm panels to storm doors.

**183332** (Aluminum)  
**183519** (White finish)

## Panel Clips

**Contents:** 8 clips; 8 no. 8-32 x 5/16" thumbscrews.

**Description:** Aluminum clips; aluminum knurled head thumbscrews; self-locking; used to secure storm panels to storm doors.

**181822** (White nylon)  
**183334** (Clear acrylic)

## Flush Panel Clips

**Contents:** 8 clips; 8 no. 8 x 3/4" Phillips pan head sheet metal screws.

**Description:** Flush panel clips; used to secure storm panels to storm doors.

**181045** (Aluminum - 9/16" length)  
**183325** (White finish aluminum - 9/16" length)  
**181062** (Aluminum - 5/16" length)  
**183329** (White nylon - 5/16" length)

## Thumbscrews

**Contents:** 8 thumbscrews.

**Description:** No. 8-32 thread knurled head thumbscrews; used with clips to secure storm panels or screen panels to storm doors.

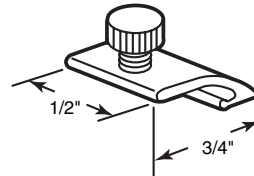
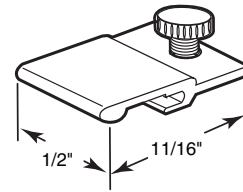
**171859** (3/8" depth)  
**173324** (5/8" depth)

## Snap Fasteners

**Contents:** 4 clips; 4 no. 8 x 3/4" Phillips pan head sheet metal screws.

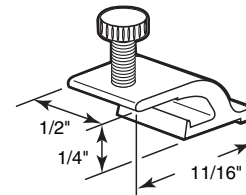
**Description:** Tempered steel; spring action latch; secures storm panels or screen panels to storm doors.

**183331**  
**183520**

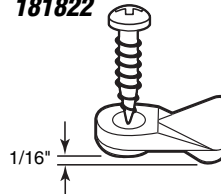


**181995**  
**183015**  
**183522**

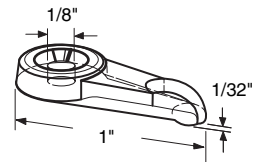
**183332**  
**183519**



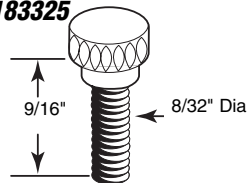
**181822**



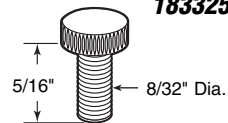
**183334**



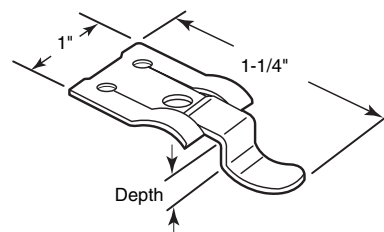
**181045**  
**183325**



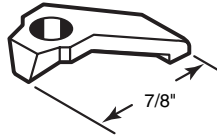
**181045**  
**183325**



**171859**  
**173324**



**183327**



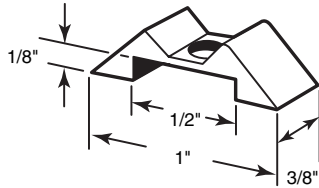
**183327** (3/8" depth)

## Panel Clips

**Contents:** 8 clips.

**Description:** Aluminum clips; used to secure storm panels and window screens to storm doors.

**183328**



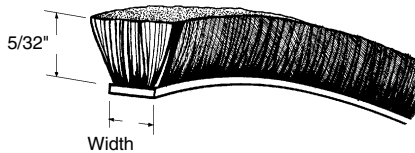
**183328**

## Panel Clips (Aluminum)

**Contents:** 8 clips.

**Description:** Aluminum clips secure storm window panels and window screen to storm door.

**T-8658**  
**T-8659**



**T-8658** (3/16" width)

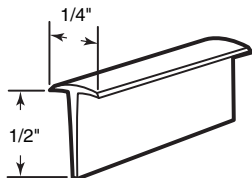
**T-8659** (1/4" width)

## Weatherstrip (Gray)

**Contents:** 1 - 18' coil.

**Description:** Water and dust resistant wool pile; used on both storm doors and storm windows.

**T-8680**



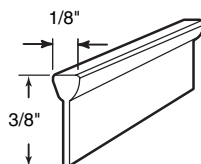
**T-8680**

## Storm Door Sweep

**Contents:** 1 - 37" sweep.

**Description:** Gray vinyl; used as bottom seal on storm doors; helps prevent air infiltration.

**T-8681**



**T-8681**

## Storm Door Sweep

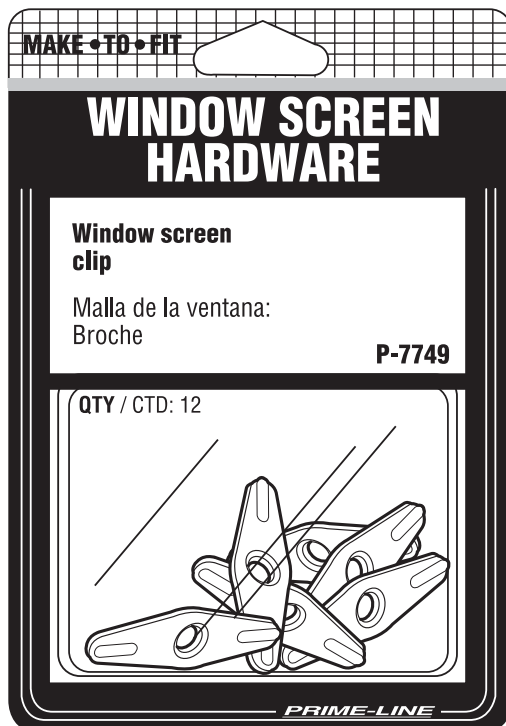
**Contents:** 1- 37" sweep.

**Description:** Gray vinyl; used as bottom seal on storm doors; helps prevent air infiltration.



# Make • To • Fit

from **PRIME-LINE**®

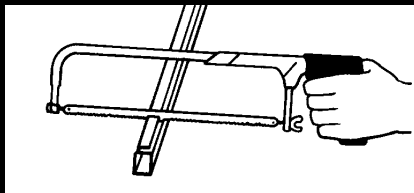


- A unique, stand alone, **Window Screen Hardware & Accessory Line**.
- **Distinctively packaged.**
- Most products in this category are **available in bulk quantities**. Contact our customer service for details.

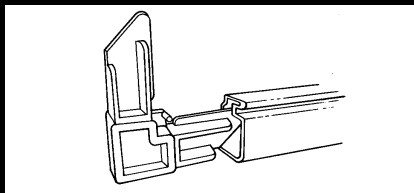
**MAKE TO FIT**  
**SQUARE CUT**  
**SCREEN FRAME KIT**

**AND STORM WINDOW KIT**

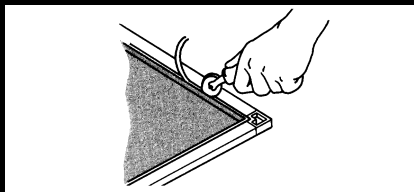
**Make a Storm Window With This Frame Kit and Flexible Poly Film**



Square Cut Screen Frame To Proper Length with Hacksaw.



Assemble Frame with "Quickie" Corner



Insert Screening or Flexible Poly Film and Retainer Spline.

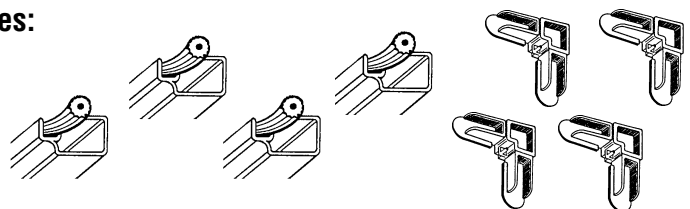
- Easy To Follow Instructions.
- Accepts Aluminum, Fiberglass Mesh Screen or Flexible Poly Film.
- Includes Frame, Spline and Corners.

**Aluminum Screen Frame Kits**

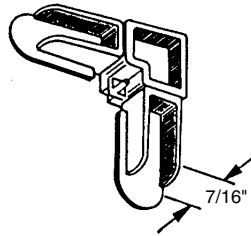
**Standard Pack:** 10 kits per carton; sold in full quantities.

<b>KIT Part Number</b>	<b>Size</b>	<b>Finish</b>	<b>Length</b>
PL-8036	1/4" X 3/4"	Mill	3'
PL-8037	-	-	4'
PL-8038	-	-	5'
PL-8039	1/4" X 3/4"	Bronze	3'
PL-8040	-	-	4'
PL-8041	-	-	5'
PL-8042	1/4" X 3/4"	White	3'
PL-8043	-	-	4'
PL-8044	-	-	5'
PL-7803	5/16" X 3/4"	Mill	3'
PL-7804	-	-	4'
PL-7805	-	-	5'
PL-7856	5/16" X 3/4"	Gray	3'
PL-7857	-	-	4'
PL-7858	-	-	5'
PL-7806	5/16" X 3/4"	Bronze	3'
PL-7807	-	-	4'
PL-7808	-	-	5'
PL-7812	5/16" X 3/4"	White	3'
PL-7813	-	-	4'
PL-7814	-	-	5'
PL-7815	3/8" X 3/4"	Mill	3'
PL-7816	-	-	4'
PL-7817	-	-	5'
PL-7818	3/8" X 3/4"	Bronze	3'
PL-7819	-	-	4'
PL-7820	-	-	5'
PL-7821	3/8" X 3/4"	White	3'
PL-7822	-	-	4'
PL-7823	-	-	5'
PL-7800	7/16" X 3/4"	Mill	3'
PL-7801	-	-	4'
PL-7802	-	-	5'
PL-7839	7/16" X 3/4"	Gray	3'
PL-7840	-	-	4'
PL-7841	-	-	5'
PL-7809	7/16" X 3/4"	Bronze	3'
PL-7810	-	-	4'
PL-7811	-	-	5'
PL-7836	7/16" X 3/4"	White	3'
PL-7837	-	-	4'
PL-7838	-	-	5'

**Kit Includes:**



**PL-7724**  
**PL-7725**  
**PL-7726**

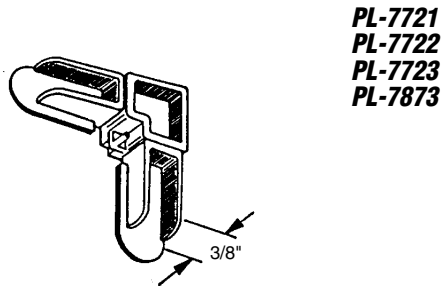


**PL-7724** (Gray)  
**PL-7725** (Bronze)  
**PL-7726** (White)

**7/16" x 3/4" Screen Frame Corners** (Plastic)

**Contents:** 4 corners.

**Description:** Plastic corners used with appropriate screen frame to form a finished window screen. These corners allow frame to be square cut for easy construction by homeowner.



**PL-7721**  
**PL-7722**  
**PL-7723**  
**PL-7873**

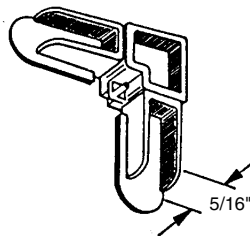
**PL-7721** (Gray)  
**PL-7722** (Bronze)  
**PL-7723** (White)  
**PL-7873** (Almond)

**3/8" x 3/4" Screen Frame Corners** (Plastic)

**Contents:** 4 corners.

**Description:** Plastic corners used with appropriate screen frame to form a finished window screen. These corners allow frame to be square cut for easy construction by homeowner.

**PL-7727**  
**PL-7728**  
**PL-7729**  
**PL-7871**

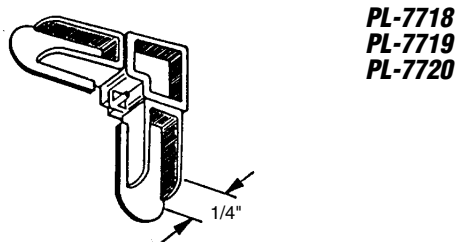


**PL-7727** (Gray)  
**PL-7728** (Bronze)  
**PL-7729** (White)  
**PL-7871** (Almond)

**5/16" x 3/4" Screen Frame Corners** (Plastic)

**Contents:** 4 corners.

**Description:** Plastic corners used with appropriate screen frame to form a finished window screen. These corners allow frame to be square cut for easy construction by homeowner.



**PL-7718**  
**PL-7719**  
**PL-7720**

**PL-7718** (Gray)  
**PL-7719** (Bronze)  
**PL-7720** (White)

**1/4" x 3/4" Screen Frame Corners** (Plastic)

**Contents:** 4 corners.

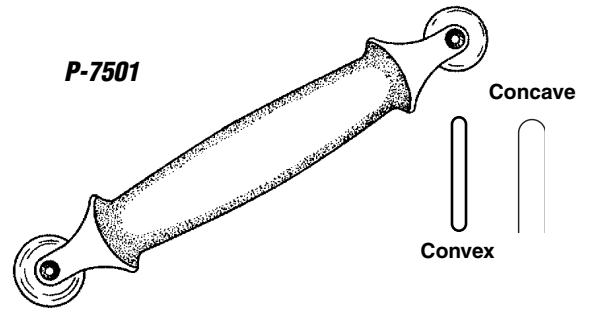
**Description:** Plastic corners used with appropriate screen frame to form a finished window screen. These corners allow frame to be square cut for easy construction by homeowner.

## P-7501

### Rolling Tool

**Contents:** 1 tool.

**Description:** Combination tool with **plastic** handle; **steel** convex and concave rollers; used to **install aluminum screen wire** and vinyl spline into window screen frame.



## P-7503 (Carded)

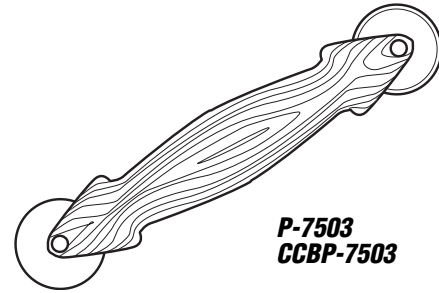
**GCBP-7503** (Bulk - 40 per box)

### Rolling Tool

**Contents:** 1 tool.

**Description:** Combination tool with **plastic** handle; **nylon** convex and concave rollers; used to **install fiberglass screen fabric** and vinyl spline into window screen frame.

**NOTE:** Also available as part no. 18681.



## P-7505 (Carded)

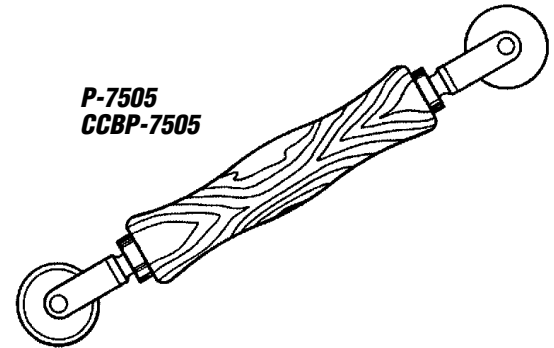
**GCBP-7505** (Bulk - 50 per box)

### Rolling Tool

**Contents:** 1 tool.

**Description:** Combination tool with **wood** handle; **steel** convex and concave rollers; used to install most screening materials and vinyl spline into window screen frame.

**NOTE:** Also available as part no. 181051.



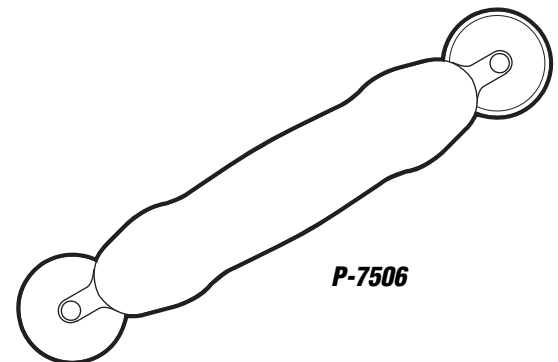
## P-7506

### Rolling Tool

**Contents:** 1 tool.

**Description:** Combination tool with **diecast zinc** handle; **steel** convex and concave rollers; used to install most screening materials and vinyl spline into window screen frame.

**NOTE:** Also available as part no. 183RL.



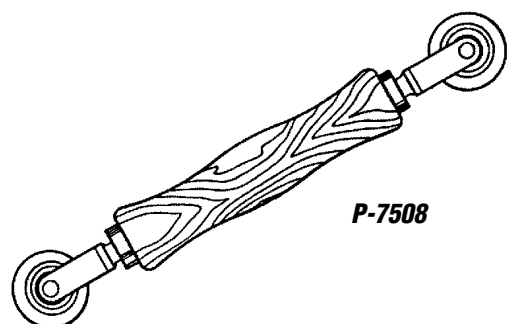
## P-7508

### Rolling Tool

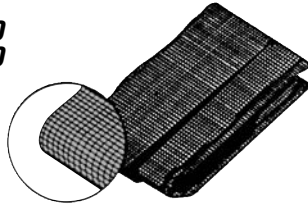
**Contents:** 1 tool.

**Description:** Combination tool with **wood** handle; **steel ball bearing** convex and concave rollers; used to install most screening materials and vinyl spline into window screen frame.

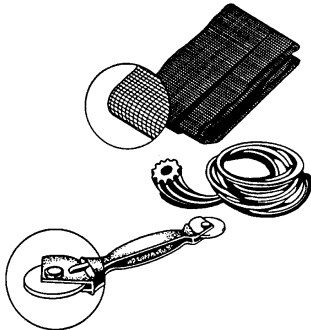
Many styles of professional rolling tools are available. Call our customer service specialists or order our "Expert's Back Room" catalog.



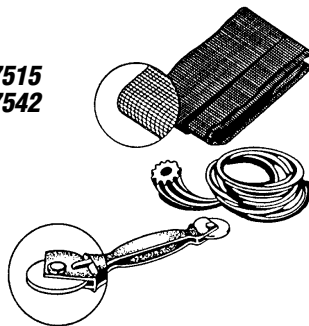
**P-7510**  
**P-7540**



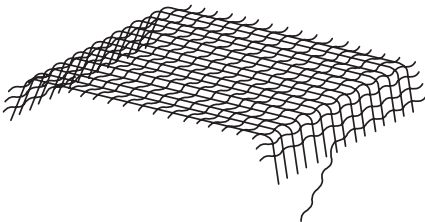
**P-7511**  
**P-7541**



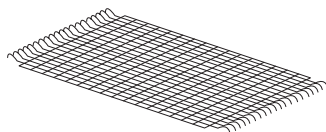
**P-7515**  
**P-7542**



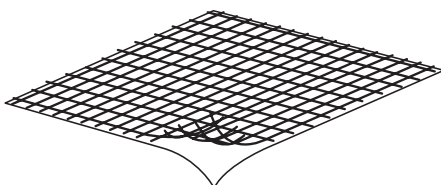
**P-7548**  
**P-7549**



**P-8093**



**P-8095**  
**P-8096**



**P-7510** (36" x 84")  
**P-7540** (48" X 84")

**Fiberglass Screen**

**Contents:** 1 piece of screen fabric.

**Description:** Charcoal fiberglass used for re-screening projects; may be sufficient quantity to re-screen (2) windows or (1) door.

**P-7511** (36" x 84")  
**P-7541** (48" X 84")

**Fiberglass Screen Kit (Western U.S.)**

**Contents:** 1 piece of screen fabric; 30' of .180 black vinyl spline; rolling tool.

**Description:** Charcoal fiberglass and vinyl spline used for re-screening projects; plastic handled combination rolling tool with nylon convex and concave rollers, maybe sufficient quantity to re-screen (2) windows or (1) door.

**P-7515** (36" x 84")  
**P-7542** (48" X 84")

**Fiberglass Screen Kit (Eastern U.S.)**

**Contents:** 1 piece of screen fabric; 30' of .155 black vinyl spline; rolling tool.

**Description:** Charcoal fiberglass and vinyl spline used for re-screening projects; plastic handled combination rolling tool with nylon convex and concave rollers, maybe sufficient quantity to re-screen (2) windows or (1) door.

**P-7548** (Aluminum finish - bagged)  
**P-7549** (Charcoal finish - carded)  
**P-8098** (Aluminum finish - carded)

**Screen Repair Patches (3" x 3")**

**Contents:** 5 aluminum screen patches.

**Description:** Repair patches cover holes in existing aluminum screened windows or doors; **no tools required.**

**P-8093** (Aluminum finish)

**Screen Repair Patches (1-1/2" x 1-3/4")**

**Contents:** 7 aluminum screen patches.

**Description:** Repair patches cover holes in existing aluminum screened windows or doors; **no tools required.**

**P-8095** (Gray)  
**P-8096** (Charcoal)

**Screen Repair Patches (3" x 3")**

**Contents:** 5 fiberglass screen patches.

**Description:** Adhesive backed fiberglass patches used to repair holes and tears in window screens or screen doors; **no tools required.**

## Screen Retainer Spline

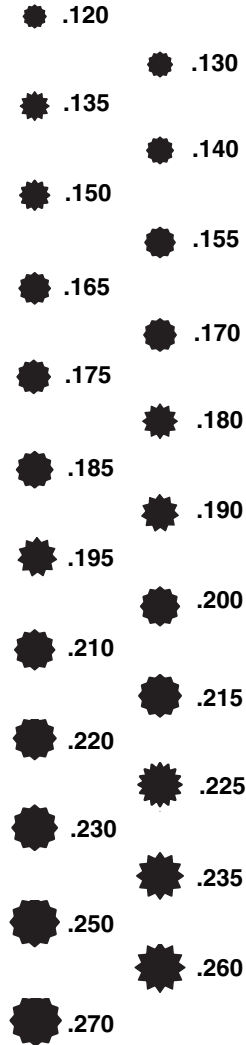
Contents: 25 feet per display bag.

Part Number Black	Part Number Gray	Decimal Size	Fractional Size
P-7516	P-7630	.120	1/8"
P-7517	P-7631	.130	-
P-7518	P-7632	.135	-
P-7519	P-7633	.140	9/64"
P-7533	P-7634	.150	-
P-7520	P-7635	.155	-
P-7521	P-7636	.165	11/64"
P-7522	P-7637	.170	-
P-7523	P-7638	.175	-
P-7524	P-7639	.180	-
P-7940	P-7941	.185	3/16"
P-7525	P-7640	.190	-
P-7950	P-7951	.195	-
P-7526	P-7641	.200	13/64"
P-7527	P-7642	.210	7/32"
P-7960	P-7961	.215	-
P-7528	P-7643	.220	-
P-7970	P-7971	.225	-
P-7529	P-7644	.230	15/64"
P-7980	P-7981	.235	-
P-7530	P-7645	.250	1/4"
P-7531	P-7646	.260	-
P-7532	P-7647	.270	17/64"

**Description:** Top quality vinyl; round; hollow core and serrated; used to hold screen material to window and screen door frames. Also available in 100 ft, 250 ft, 500 ft, and 15 lbs. bulk reels.



### Actual Sizes



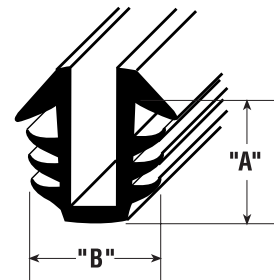
## Glazing Channel

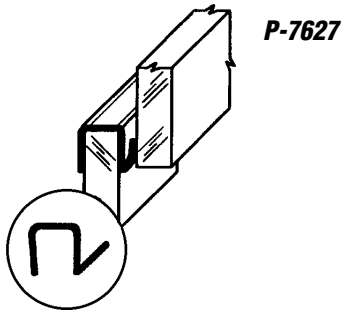
Contents: 20 feet per bag.

	Channel Size		Glass Thickness	Part Number
	"A"	"B"		
	1/4"	1/4"	Single	P-7616
	17/64"	1/4"	Single	P-7617
	1/4"	1/4"	Double	P-7618
	17/64"	1/4"	Double	P-7619

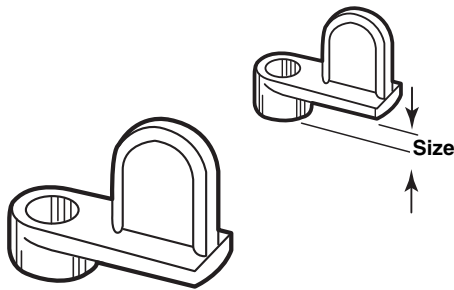
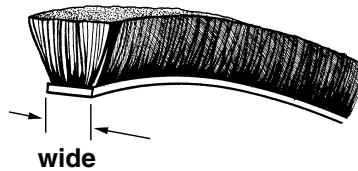
**Description:** Black vinyl glazing channel; universal size to fit many window frame glass channels. Determine glass channel dimensions and thickness of glass to select proper glazing channel. Also available in many other sizes as well as lengths of 100 ft, 200 ft and bulk reels.

P-7616  
P-7617  
P-7618  
P-7619

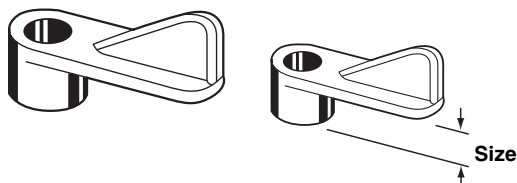
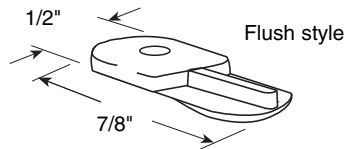




**T-8658**  
**T-8659**



**NOTE:** Also available in bulk (1000/ctn.)  
*Almond & Adobe* available in bulk only.



**P-7627**

**Louver Strip**

**Contents:** 20 feet per bag.

**Description:** Clear vinyl strip; slips over 3/16" louver glass to reduce air and dust infiltration.

**T-8658** (3/16" wide)

**T-8659** (1/4" wide)

**Pile Weatherstrip**

**Contents:** 18 feet per bag.

**Description:** Brush weatherstrip with stiff backer; used by many window manufacturers to seal out air and dust. **Also available in bulk lengths.**

**Screen Clips (Diecast)**

**Contents:** 12 clips with installation screws.

**Finish (Part Number)**

Size	Mill	Black	White	Bronze
Flush *	PL-7730	PL-7877	PL-7878	PL-7879
1/16" *	PL-7731	PL-7880	PL-7881	PL-7882
1/8" *	PL-7732	PL-7883	PL-7884	PL-7885
3/16" *	PL-7733	PL-7886	PL-7887	PL-7888
1/4" *	PL-7734	PL-7889	PL-7890	PL-7891
5/16" **	PL-7735	PL-7842	PL-7893	PL-7894
3/8" **	PL-7736	PL-7843	PL-7896	PL-7897
7/16" **	PL-7737	PL-7844	PL-7899	PL-7900
1-3/16" **	PL-7901	PL-7902	PL-7903	PL-7904

\* No. 8 Phillips Pan Head Sheet Metal Screws.

\*\* No. 10-24 Phillips Pan Head Machine Screws.

**Description:** Painted and plated clips used to attach screen to window opening.

**Screen Clips (Plastic)**

**Contents:** 12 clips with installation screws.

**Finish (Part Number)**

Size	Gray	Black	White	Bronze
Flush *	PL-7905	PL-7906	PL-7738	PL-7907
1/16" *	PL-7739	PL-7908	PL-7909	PL-7910
3/16" *	PL-7740	PL-7911	PL-7912	PL-7913
1/4" *	PL-7914	PL-7788	PL-7790	PL-7915
5/16" **	PL-7741	PL-7770	PL-7773	PL-7916
3/8" **	PL-7742	PL-7771	PL-7774	PL-7917
7/16" **	PL-7743	PL-7772	PL-7775	PL-7918

\* No. 8 Phillips Pan Head Sheet Metal Screws.

\*\* No. 10-24 Phillips Pan Head Machine Screws.

**Description:** Plastic screen clips in various colors used to attach screen to window opening.

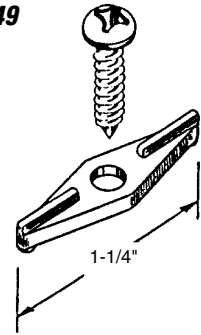
## PL-7749 (White)

### Flush Clips (Plastic)

**Contents:** 12 clips with no. 6 x 5/8" Phillips pan head sheet metal screws.

**Description:** Double wing flush clips used to attach screens and storm windows to window opening.

PL-7749



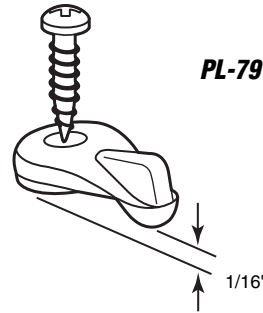
## PL-7919 (White)

### Flush Clips (Nylon)

**Contents:** 8 clips with no. 8 x 3/4" Phillips pan head sheet metal screws.

**Description:** Used to attach screens and storm windows to window opening.

PL-7919



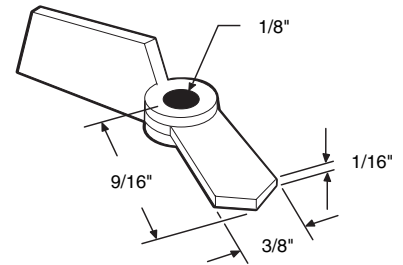
## PL-7920 (White)

### Turn Buttons (Nylon)

**Contents:** 12 turn buttons with no. 4 x 3/4" Phillips pan head sheet metal screws.

**Description:** Turn buttons used to attach screens and storm windows to window opening.

PL-7920



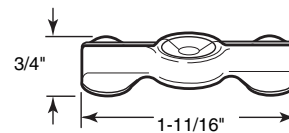
## PL-7967

### Flush Clips

**Contents:** 6 clips with no. 8 x 1/2" Phillips pan head sheet metal screws.

**Description:** Stamped aluminum, double wing clips used to attach screens and storm windows to window opening; also applied to narrow rails to hold adjacent screens in place.

PL-7967



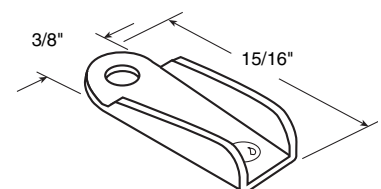
## PL-8009

### Wing Clips

**Contents:** 12 clips with no. 8 x 3/4" Phillips pan head sheet metal screws.

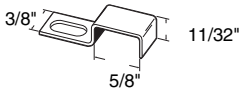
**Description:** Stamped aluminum clips used to attach screens and storm windows to window opening.

PL-8009

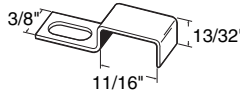




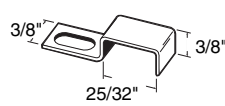
**PL-7970**



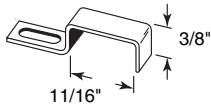
**PL-7971**



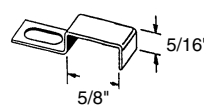
**PL-7972**



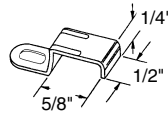
**PL-8028**



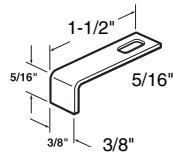
**PL-8029**



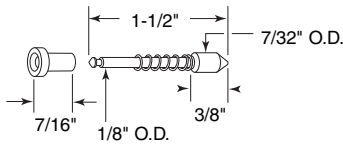
**PL-8030**



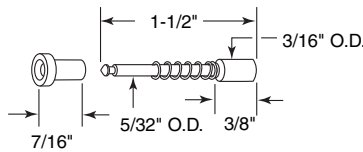
**PL-8031**



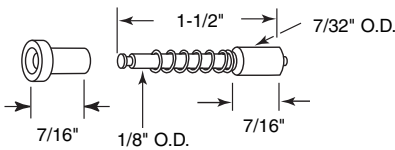
**PL-7777**



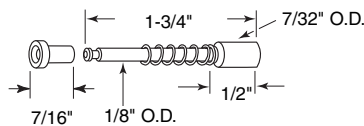
**PL-7924**



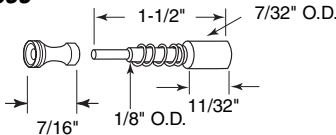
**PL-7925**



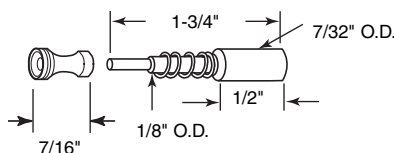
**PL-7926**



**PL-7985**



**PL-7986**



**Stretcher Clips**

**Contents:** 12 clips; 12 - #10 x 3/8" Phillips pan head sheet metal screws.

**Part #**

**Frame Application**

PL-7970	3/8" x 5/8" flanged frame
PL-7971	5/16" x 3/4" frame
PL-7972	3/8" x 3/4" frame
PL-8028	7/16" x 11/16" frame
PL-8029	For flanged frame
PL-8030	For "Keller" windows - new style
PL-8031	recessed frame

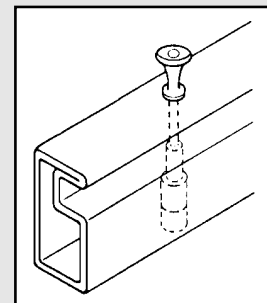
**Description:** Stamped aluminum clips for attaching window screens to awning and other types of windows.

**Plunger Latches**

**Contents:** 6 latch assemblies.

Part #	Plunger	Cap	Screen Frame
PL-7777	Nylon	Nylon	3/8" or 7/16" x 3/4"
PL-7924	Nylon	Nylon	1/4" or 5/16" x 3/4"
PL-7925	Diecast	Nylon	3/8" or 7/16" x 3/4"
PL-7926	Diecast	Nylon	7/16" x 1"
PL-7985	Aluminum	Aluminum	3/8" or 7/16" x 3/4"
PL-7986	Aluminum	Aluminum	7/16" x 1"

**Description:** Spring loaded plunger latches hold aluminum frame screens into window frames.



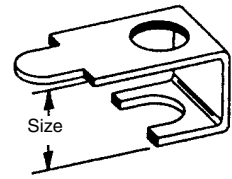
- PL-7744** (5/16")
- PL-7745** (3/8")
- PL-7746** (7/16")
- PL-7747** (7/8")
- PL-7748** (1-3/16")

## Casement Clips (Aluminum)

**Contents:** 12 clips with no. 10-24 phillips pan head machine screws.

**Description:** Stamped aluminum casement clips used to secure window screens and storm windows to window or storm door openings.

- PL-7744**
- PL-7745**
- PL-7746**
- PL-7747**
- PL-7748**

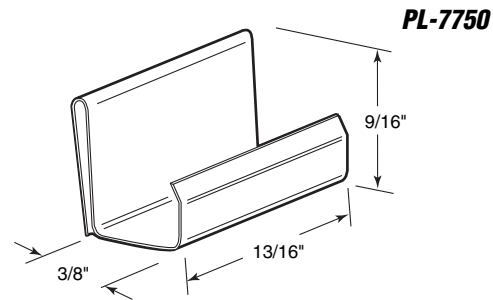


## PL-7750

### Retainer Clips (Spring steel)

**Contents:** 6 clips.

**Description:** Retainer clips hold 3/8" screen frame to aluminum window channel; **bright finish.**



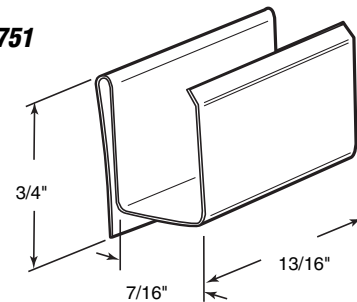
## PL-7751

### Retainer Clips (Spring steel)

**Contents:** 6 clips.

**Description:** Retainer clips hold 7/16" screen frame to aluminum window channel; **bright finish.**

**PL-7751**



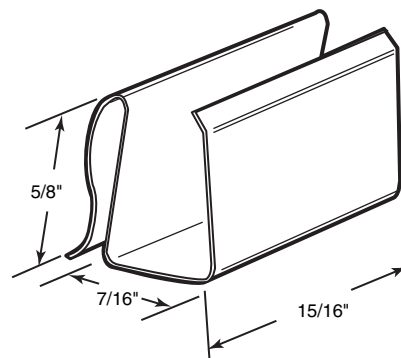
## PL-7752

### Retainer Clips (Vinyl)

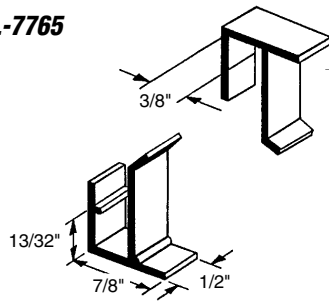
**Contents:** 6 clips.

**Description:** Black vinyl clips are used to hold 3/8" and 7/16" screen frame into aluminum window channel.

**PL-7752**



**PL-7765**



**PL-7765** (4 sets / card)

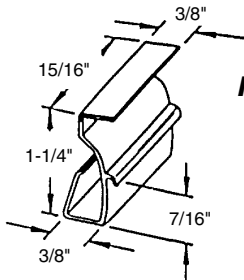
**Retainer Clips** (Vinyl)

**Contents:** Sets of top and bottom clips.

**Description:** **Black vinyl** clips hold screen frame into sliding window frame channel; used by **H&D Industries** for **7/16"** frame.

**Note:** very popular in the Northwest.

**PL-7753**



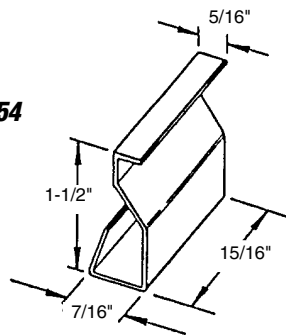
**PL-7753**

**Lift & Retainer Clips** (Vinyl)

**Contents:** 6 clips.

**Description:** **Black vinyl** clips used to hold **3/8"** screen frame into aluminum window channel; lift tab assists in screen removal.

**PL-7754**



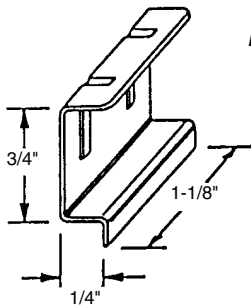
**PL-7754**

**Lift Tabs** (Vinyl)

**Contents:** 6 clips.

**Description:** **Black vinyl** lift tab used to aid in removal of **7/16"** window screen from window frame.

**PL-7755**



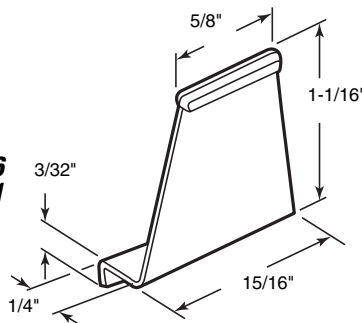
**PL-7755**

**Lift Tabs** (Metal)

**Contents:** 6 clips.

**Description:** **Stamped aluminum** lift tab is installed in spline channel to aid in removal of window screen from window frame.

**PL-7756  
PL-7921**



**PL-7756** (White)

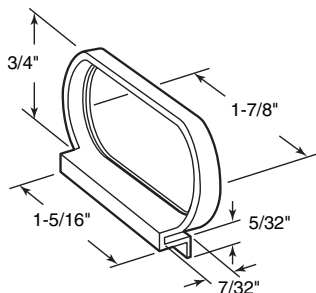
**PL-7921** (Black)

**Lift Tabs** (Plastic)

**Contents:** 6 clips.

**Description:** **Plastic** lift tab is installed in spline channel to aid in removal of window screen from window frame.

**PL-8035**



**PL-8035** (Black)

**Lift Tabs** (Plastic)

**Contents:** 6 clips.

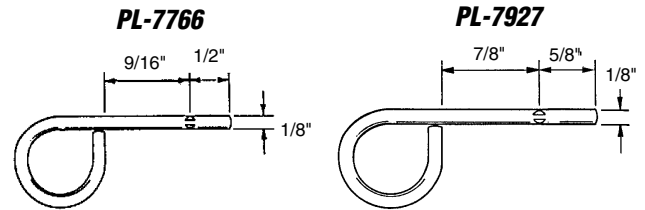
**Description:** **Plastic** lift tab may be installed in most sizes of spline channel to aid in removal of window screen from window frame.

**PL-7766** (For 3/4" frame)  
**PL-7927** (For 1" frame)

## Lock Pins

**Contents:** 6 pins.

**Description:** Plated steel pin used to secure window screens to sliding aluminum windows.

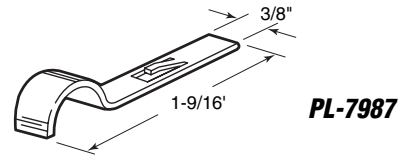


**PL-7987** (For 3/4" frame)

## Slide Locks

**Contents:** 6 locks.

**Description:** Stamped aluminum locks used to attach window screens to aluminum window channel.



**PL-7760** (Mill finish)  
**PL-7846** (Bronze finish)  
**PL-7847** (White finish)  
**PL-7849** (Gray finish)

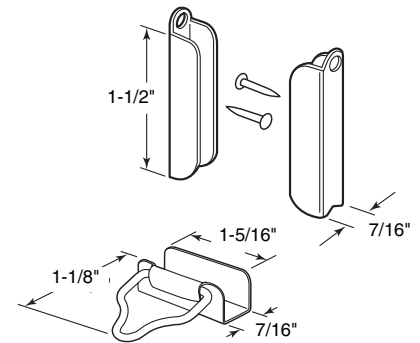
## Hanger and Latches

**Contents:** 4 top hangers; 2 bottom latches; 2 ball head screws.

**Description:** Stamped aluminum hardware used to install 7/16" thick window screens to wood framed windows.

See Nail Set Tool P-7921 on page PL-17.

**PL-7760**  
**PL-7846**  
**PL-7847**  
**PL-7849**



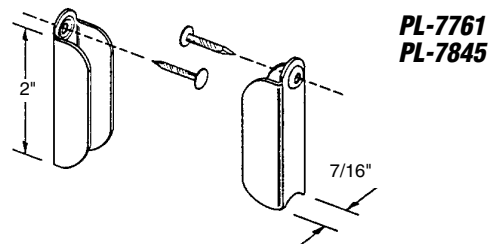
**PL-7761** (Mill finish)  
**PL-7845** (White finish)

## Top Hangers

**Contents:** 6 hangers; 6 nails.

**Description:** Stamped aluminum hangers nail into top corners of wood window frame; used to hold 7/16" thick frame to window frame.

See Nail Set Tool P-7921 on page PL-17.

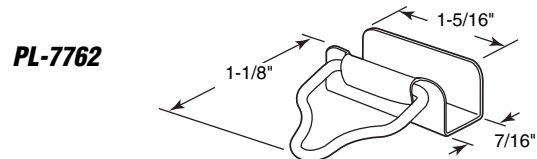


**PL-7762** (Mill finish)

## Bottom Latches

**Contents:** 4 latches; 4 ball head screws.

**Description:** Stamped aluminum latches slip-on to bottom of 7/16" thick frame; used to hold bottom of window screen to wood window sill.

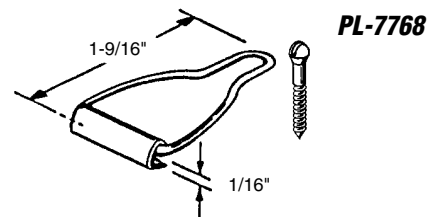


**PL-7768** (Mill finish)

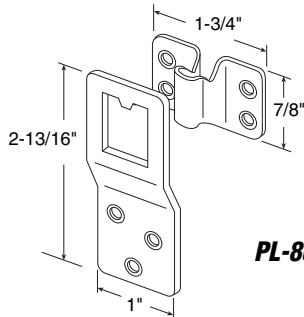
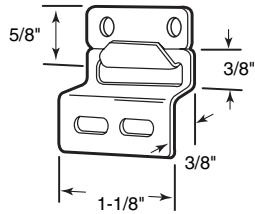
## Bottom Latches

**Contents:** 4 latches; 4 ball head screws.

**Description:** Stamped aluminum latch is installed into spline channel of window screen; used to hold bottom of screen to wood framed window sill.



**PL-8006**



**PL-8007**

**PL-8006**

**Top Hangers**

**Contents:** 4 hooks; 4 keepers; 4 sets of installation screws.

**Description:** Stamped aluminum hardware; used on wood framed windows; top mounted; hooks mount to window frame and keepers mount to screen frame.

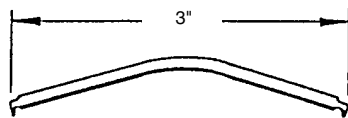
**PL-8007**

**Top Hangers**

**Contents:** 2 hooks; 2 keepers; 2 sets of installation screws.

**Description:** Plated steel hardware; used on wood framed windows; top mounted; hooks mount to window frame and keepers mount to screen frame.

**PL-7758**

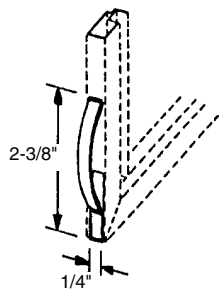


**PL-7758**

**Tension Springs**

**Contents:** 6 springs.

**Description:** Heat treated steel springs hold window screen into sliding aluminum window channels. Requires (2) 3/16 inch holes drilled 3-3/16 inch apart.



**PL-7776**

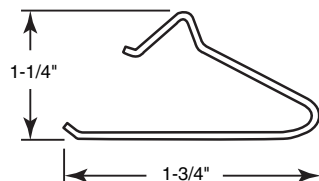
**PL-7776**

**Tension Springs**

**Contents:** 6 springs.

**Description:** Heat treated steel tension springs hold window screens into sliding aluminum window screen channels. Slips into corner of 5/16 inch, 3/8 inch and 7/16 inch frame. No tools required.

**PL-7759**

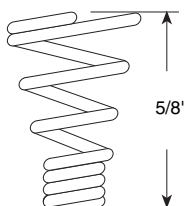


**PL-7759**

**Tension Springs**

**Contents:** 12 springs.

**Description:** Plated steel spring wire; designed to hold window screens into sliding aluminum window screen channels.



**PL-7922**

**PL-7922**

**Tension Springs**

**Contents:** 6 springs.

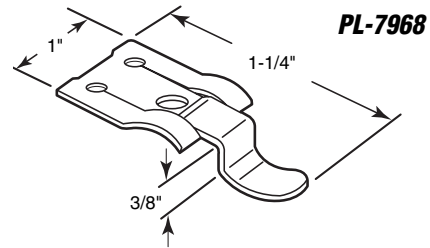
**Description:** Heat treated steel tension springs hold window screens into sliding aluminum window screen channel. Spring threads into a 1/8 inch hole.

**PL-7968**

**Storm Panel Clips**

**Contents:** 4 clips.

**Description:** Heat treated steel designed for holding storm windows or window screen panels in place; snap open or closed.

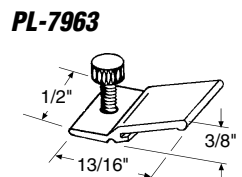
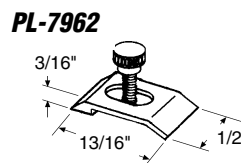
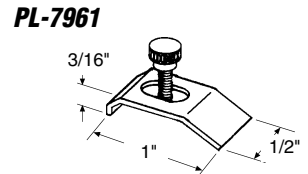
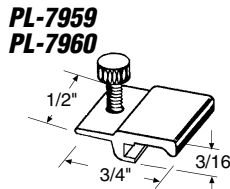
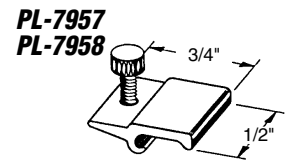
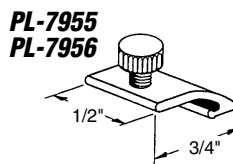
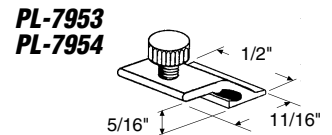
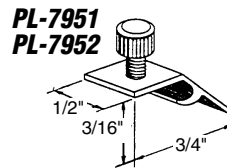
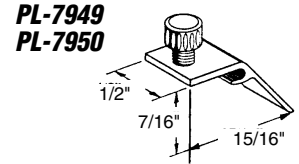
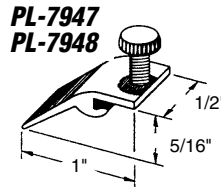
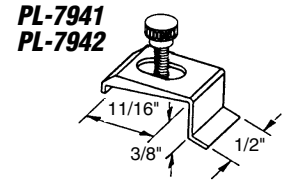
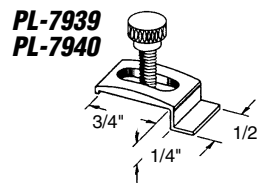
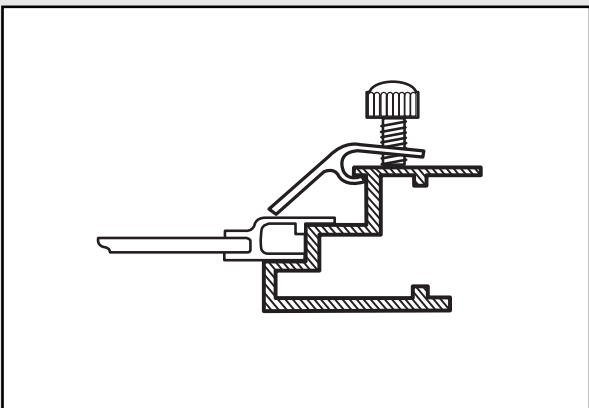


**Storm Panel Clips (Extruded Aluminum)**

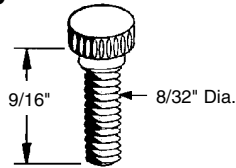
**Contents:** 8 clips with installation screws.

<b>Mill</b>	<b>White</b>
PL-7939	PL-7940
PL-7941	PL-7942
PL-7947	PL-7948
PL-7949	PL-7950
PL-7951	PL-7952
PL-7953	PL-7954
PL-7955	PL-7956
PL-7957	PL-7958
PL-7959	PL-7960
PL-7961	-
PL-7962	-
PL-7963	-

**Description:** Extruded aluminum clips attach storm windows or screen panels to storm door frame with thumbscrew.



**PL-7945**  
**PL-7946**



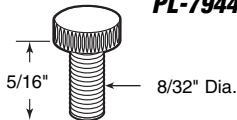
**PL-7945** (Mill finish)  
**PL-7946** (White finish)

**Storm Panel Thumbscrews**

**Contents:** (8) no. 8-32 x 9/16" thumbscrews.

**Description:** Aluminum thumbscrews used with storm door panel clips.

**PL-7943**  
**PL-7944**



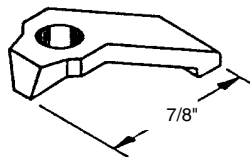
**PL-7943** (Mill finish)  
**PL-7944** (Nylon)

**Storm Panel Thumbscrews**

**Contents:** (8) no. 8-32 x 5/16" thumbscrews.

**Description:** Thumbscrews used with storm panel clips.

**PL-7965**



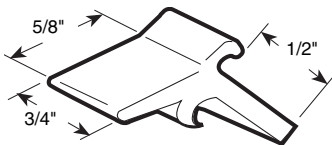
**PL-7965**

**Storm Panel Clips**

**Contents:** 8 clips.

**Description:** Aluminum turn button; used to attach storm window panels to storm doors.

**PL-7964**



**PL-7964** (Nylon)

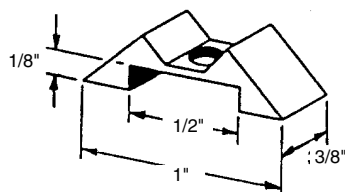
**Storm Panel Clips**

**Contents:** 8 clips.

**Description:** Self locking storm window panel clips.

*Call for  
Availability*

**PL-7966**



**PL-7966**

**Storm Panel Turn Buttons**

**Contents:** 8 turn buttons.

**Description:** Aluminum turn button; used to attach storm window panels to storm doors.

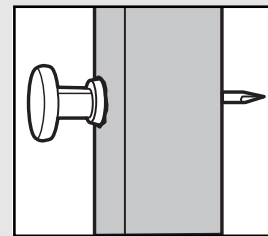
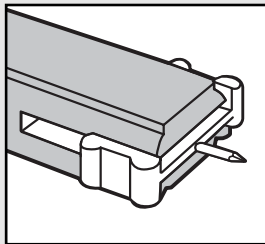
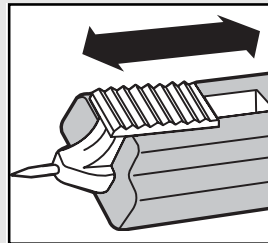
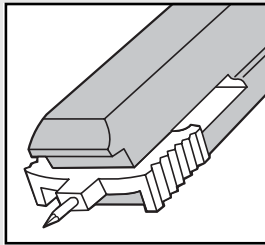
## Window Grid Retainers

Contents: 6 retainers.

Part #	Fits Grille Bar Width
PL-7976	3/8"
PL-7977	5/8"
PL-7981	7/8"
PL-7978	5/8"
PL-7979	1/2"
PL-7982	1"
PL-7980	7/8"
PL-7983	
PL-7988	
PL-7989	

**Description:** Clear plastic grid retainer with 1/4" steel pin projection; used to secure decorative window grid in place, some retainers include retainer sleeves.

All grid retainers are available in bulk quantities.



### PL-7984

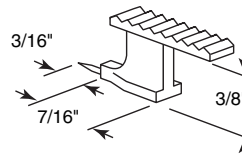
#### Window Grid Retainer

Contents: 6 retainers.

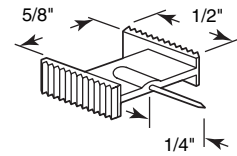
**Description:** Clear plastic grid retainer with plastic pin; used to secure decorative window grids in place.

Call for  
Availability

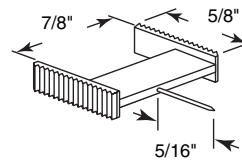
### PL-7976



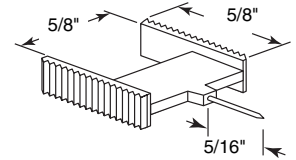
### PL-7977



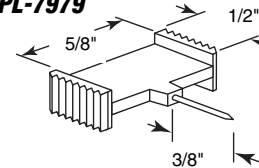
### PL-7981



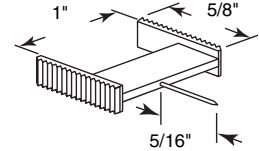
### PL-7978



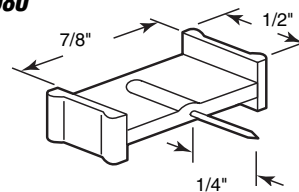
### PL-7979



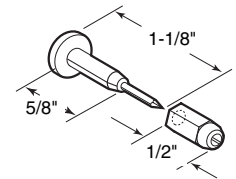
### PL-7982



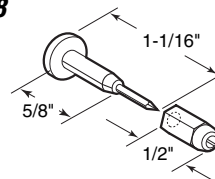
### PL-7980



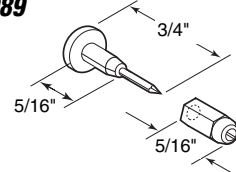
### PL-7983



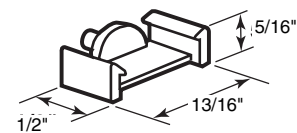
### PL-7988



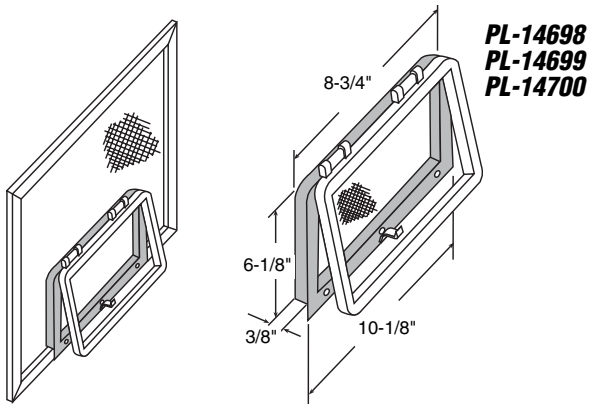
### PL-7989



### PL-7984





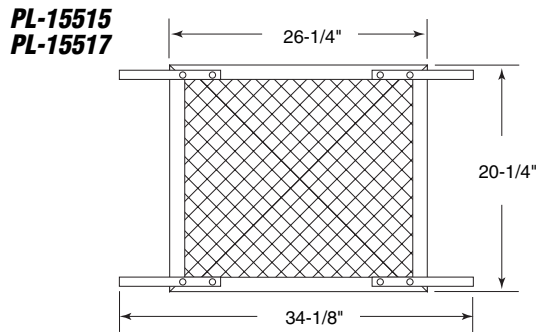


**PL-14698** (Gray)  
**PL-14699** (Bronze)  
**PL-14700** (White)

**Plastic Wickets**

**Contents:** 1 wicket; 60" coil of spline; 1 set of installation screws.

**Description:** Allows access to awning or casement window operators thru an inside window screen; install to existing window screen with minimum width of 12".

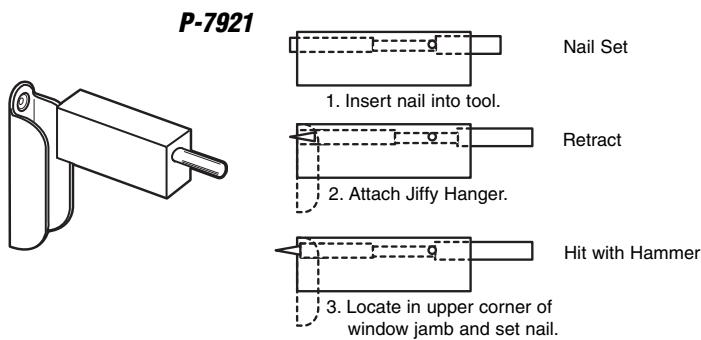


**PL-15515** (Gray)  
**PL-15517** (White)

**Plastic Screen/Storm Door Grilles**

**Contents:** 1 grille; 1 set of installation screws.

**Description:** Molded plastic grille fits most swinging door applications; helps prevent screen or glass damage; easy to install.



**P-7921**

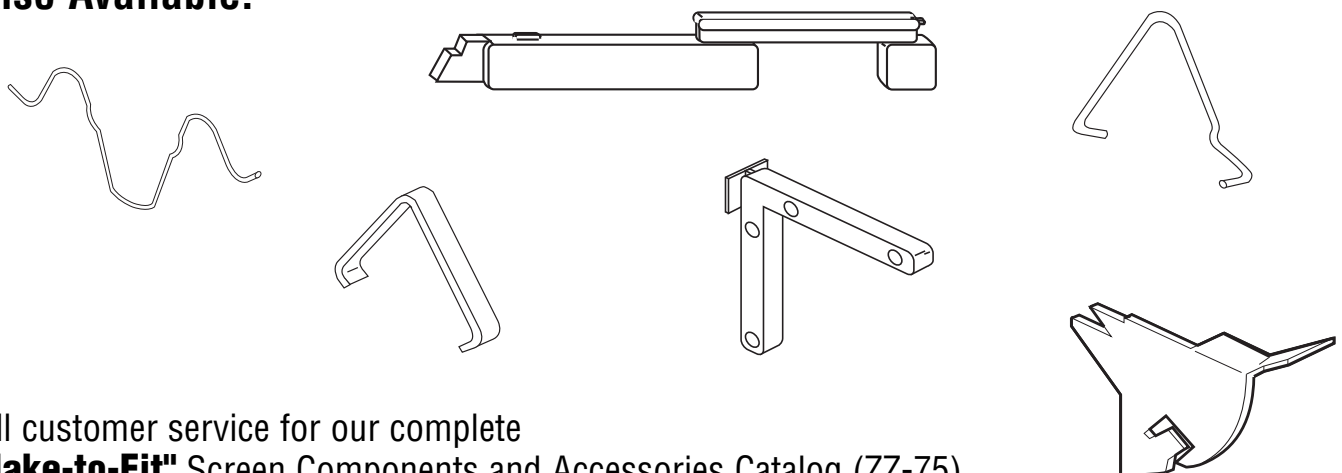
**Nail Set**

**Contents:** 1 nail set.

**Description:** Cadmium plated steel; makes installation of top hangers for 7/16" window screen a real snap. Driver retracts to hold nail; nail set housing slips into channel of top hanger; locate hanger to upper corner of wood window frame, then tap driver with hammer to secure hanger.

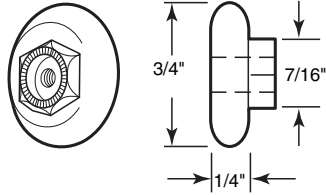
**Note:** For installing PL-7760, PL-7761, PL-7845, PL-7846, PL-7847 & PL-7849.

**Also Available:**



Call customer service for our complete  
**"Make-to-Fit"** Screen Components and Accessories Catalog (ZZ-75).

**1901-A**  
**192065**

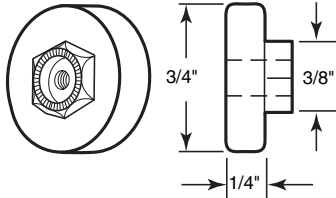


**1901-A** (2 per card)  
**192065** (4 per card)

**Roller** (Oval edge)

**Contents:** Rollers with no. 8-32 x 3/8" Phillips binder head machine screws.

**Description:** Nylon ball bearing roller with threaded hex hub.



**1901-B**  
**192066**

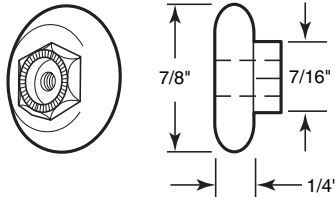
**1901-B** (2 per card)  
**192066** (4 per card)

**Roller** (Flat edge)

**Contents:** Rollers with no. 8-32 x 3/8" Phillips binder head machine screws.

**Description:** Nylon ball bearing roller with threaded hex hub.

**1901**  
**192067**

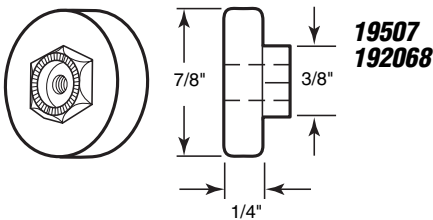


**1901** (2 per card)  
**192067** (4 per card)

**Roller** (Oval edge)

**Contents:** Rollers with no. 8-32 x 3/8" Phillips binder head machine screws.

**Description:** Nylon ball bearing roller with threaded hex hub.



**19507**  
**192068**

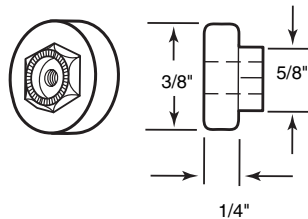
**19507** (2 per card)  
**192068** (4 per card)

**Roller** (Flat edge)

**Contents:** Rollers with no. 8-32 x 3/8" Phillips binder head machine screws.

**Description:** Nylon ball bearing roller with threaded hex hub.

**191239**

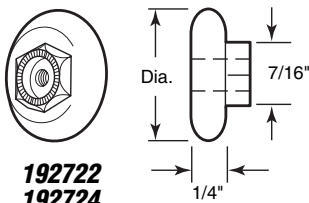


**191239**

**Roller** (Flat edge)

**Contents:** 2 rollers; 2 no. 8-32 x 3/8" Phillips binder head machine screws.

**Description:** Nylon ball bearing roller with threaded hex hub.



**192722**  
**192724**

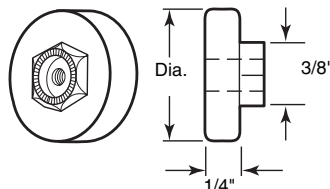
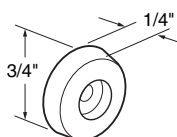
**192723**  
**192725**

**192722** (3/4" oval edge)  
**192723** (3/4" flat)  
**192724** (7/8" oval edge)  
**192725** (7/8" flat)

**Roller & Bumper**

**Contents:** 2 rollers; 1 bumper; installation screws.

**Description:** Solid brass inner race with stainless steel ball bearings; threaded hex hub; clear vinyl bumper.



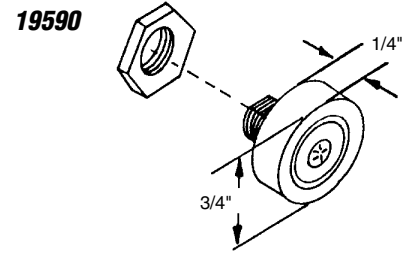
## 19590

### Roller (Flat edge)

**Contents:** 2 rollers; 2 hex nuts.

**Description:** Nylon ball bearing roller; 5/16" threaded stud; used on sliding shower doors.

You may also wish to stock these related parts: **19306**.



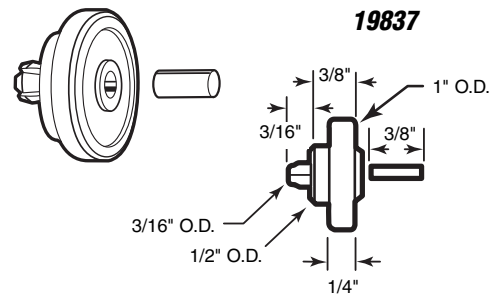
## 19837 (Nylon)

### Roller (Flat edge)

**Contents:** 2 rollers; 2 drive pins.

**Description:** Drive-in pin secures expandable axle to pre-drilled hole in door.

You may also wish to stock these related parts: **191682**.

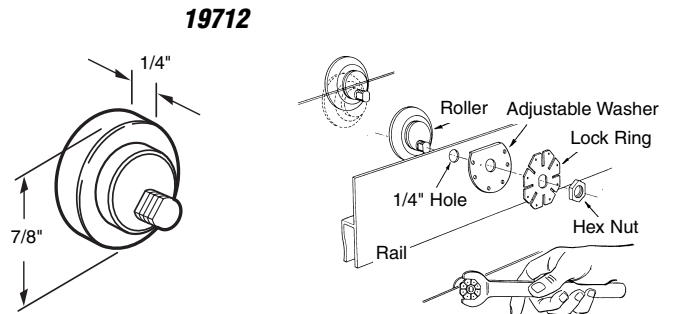


## 19712

### Roller (Flat edge)

**Contents:** 2 rollers; 2 washers; 2 lock rings; 2 ea. 1/4"-32 hex nuts.

**Description:** Nylon roller; 8 position, top hung adjustable assembly (adjustments may be made after panel is installed); fits on *American Shower Door*.



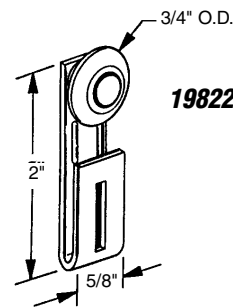
## 19822

### Roller Assembly

**Contents:** 2 roller assemblies; 2 no. 10-32 x 3/4" Phillips pan head machine screws; 2 no. 10-32 square nuts.

**Description:** Nylon ball bearing oval edge roller; aluminum bracket; top hung; adjustable (adjustment can be made without removing panel); fits on *International* doors.

You may also wish to stock these related parts: **191682**.



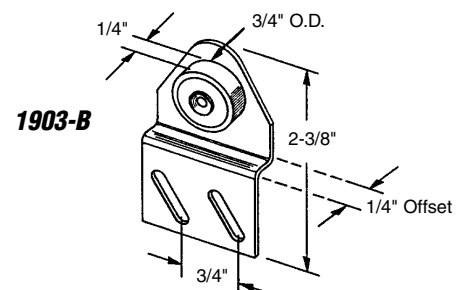
## 1903-B

### Roller Assembly

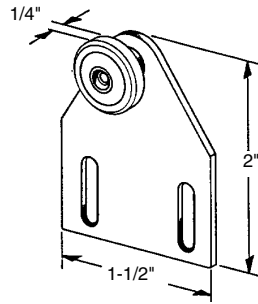
**Contents:** 2 roller assemblies; 2 sets of installation screws.

**Description:** Flat edge nylon ball bearing roller; top hung; adjustable offset bracket.

You may also wish to stock these related parts: **1901-B, 19145**.



**1903-A**  
**193029**  
**1903**



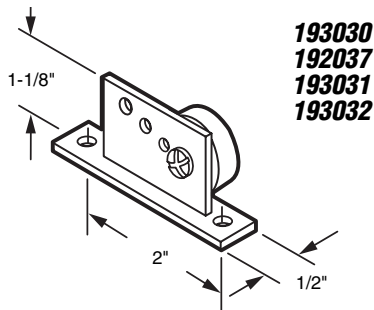
**1903-A** (3/4" flat edge ball bearing roller)  
**193029** (3/4" oval edge ball bearing roller)  
**1903** (7/8" flat edge roller)

## Roller Assembly

**Contents:** 2 roller assemblies; 2 sets of installation screws.

**Description:** Nylon roller; stamped aluminum bracket; top hung; adjustable.

You may also wish to stock these related parts: **19145, 1901-B.**



**193030**  
**192037**  
**193031**  
**193032**

**193030** (3/4" oval edge roller)  
**192037** (3/4" flat edge roller)  
**193031** (7/8" oval edge roller)  
**193032** (7/8" flat edge roller)

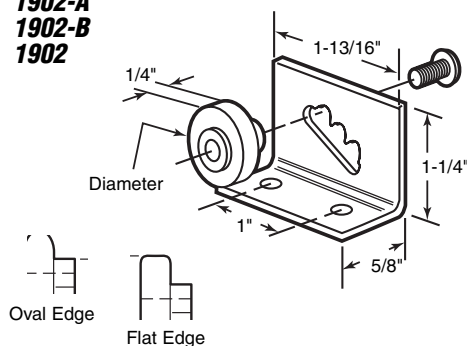
## Door Roller Bracket

**Contents:** 2 roller assemblies; 2 sets of installation screws.

**Description:** Nylon ball bearing roller; aluminum bracket; top hung; adjustable; used by several shower door and tub enclosure manufacturers.

You may also wish to stock these related parts: **1901-A, 1901-B, 1901, 19507.**

**1902-A**  
**1902-B**  
**1902**



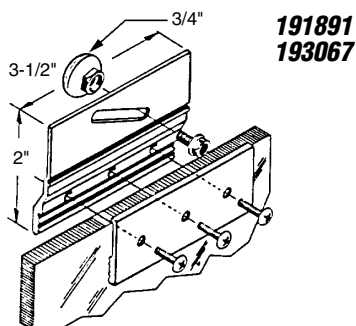
**1902-A** (3/4" oval edge roller)  
**1902-B** (3/4" flat edge roller)  
**1902** (7/8" oval edge roller)

## Roller Assembly

**Contents:** 2 roller assemblies; 2 sets of installation screws.

**Description:** Stamped steel bracket; nylon ball bearing roller; top hung; adjustable.

You may also wish to stock these related parts: **1901-A, 1901-B, 1901.**



**191891**  
**193067**

**191891** (Chrome finish)  
**193067** (Brite brass finish)

## Roller Assembly

**Contents:** 2 roller assemblies; 2 sets of installation screws.

**Description:** Extruded aluminum bracket with glazing vinyl; 3/4" diameter oval edge nylon ball bearing roller; accepts up to 1/4" thick panels; used on frameless shower doors.

You may also wish to stock these related parts: **1901-A, 193057, 191215.**

## 191231

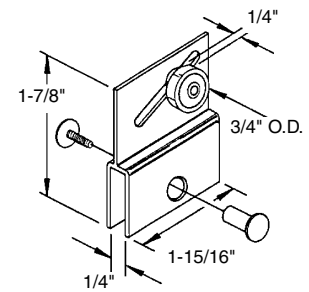
### Roller Assembly

**Contents:** 2 roller assemblies; 2 sets of installation screws.

**Description:** Extruded aluminum bracket; 3/4" diameter, flat edge, nylon ball bearing roller; thru-glass 1/4" binder post; used on frameless shower doors.

You may also wish to stock these related parts: **1901-B**.

## 191231



## 191687

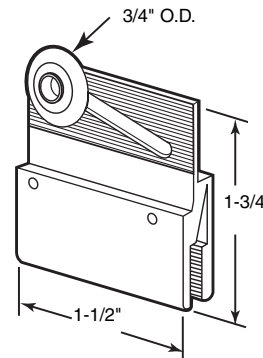
### Roller Assembly

**Contents:** 2 rollers assemblies.

**Description:** Extruded aluminum brackets 3/4" diameter, oval edge, nylon ball bearing roller; used on frameless shower doors.

You may also wish to stock these related part: **1901-A**.

## 191687



## 193085

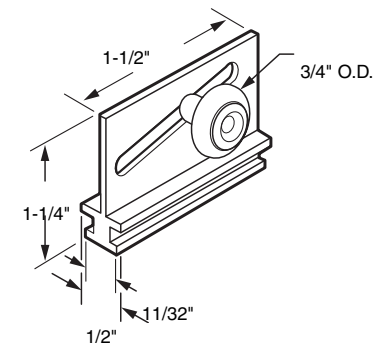
### Roller Assembly

**Contents:** 1 roller assembly.

**Description:** Extruded aluminum bracket; 3/4" diameter, oval edge, nylon ball bearing roller; top hung; adjustable; fits on *Workright Products*.

You may also wish to stock these related parts: **1901-A**, **193086**.

## 193085



## 191768

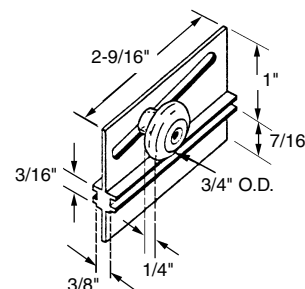
### Roller Assembly

**Contents:** 2 rollers assemblies.

**Description:** Extruded aluminum bracket; oval edge nylon ball bearing roller; top hung; adjustable; fits on *Premier*.

You may also wish to stock these related parts: **1901-A**.

## 191768



## 19306

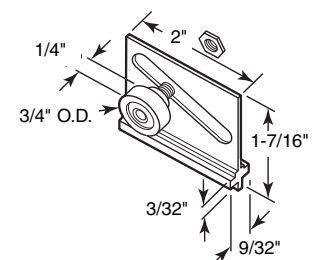
### Roller Assembly

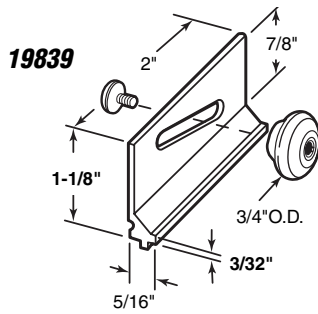
**Contents:** 2 roller assemblies.

**Description:** Extruded aluminum bracket; flat edge nylon ball bearing roller; top hung; adjustable; fits on *Ador/Hilite*.

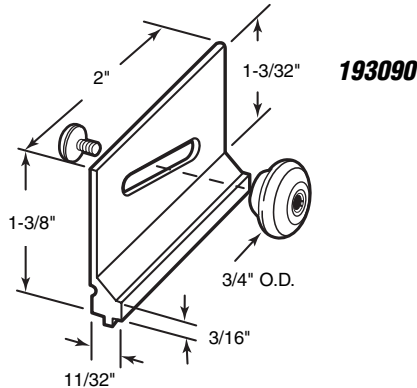
You may wish to stock these related parts: **1901-B**.

## 19306

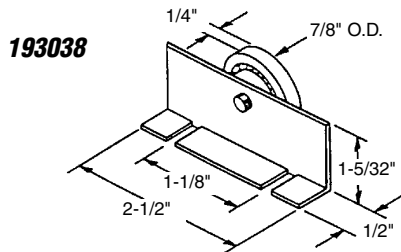




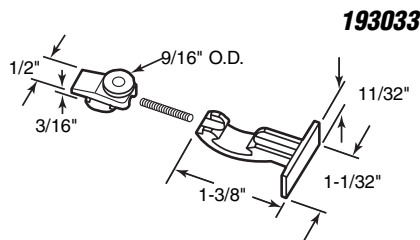
**19839**



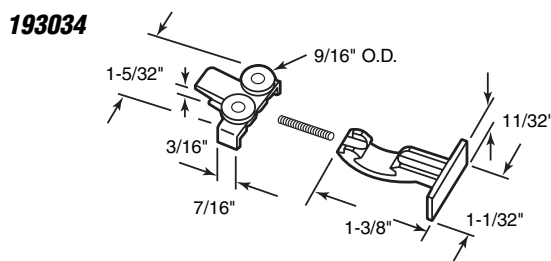
**193090**



**193038**



**193033**



**193034**

Call for  
Availability

## 19839

### Roller Assembly

**Contents:** 2 roller assemblies.

**Description:** Extruded aluminum bracket; oval edge nylon ball bearing roller; top hung; adjustable; fits on *Bath Co Shower Door*.

You may also wish to stock these related parts: **1901-A, 193049, 193052, 193090.**

## 193090

### Roller Assembly

**Contents:** 2 roller assemblies.

**Description:** Extruded aluminum bracket; oval edge nylon ball bearing roller; top hung; adjustable; fits on *Bath Co Shower Door*.

You may also wish to stock these related parts: **1901-A, 193049, 193052, 193090.**

## 193038

### Roller And Bracket

**Contents:** 2 roller and bracket assemblies; 1 set of installation screws.

**Description:** Stamped aluminum bracket; 7/8" flat edge nylon ball bearing roller; top mounting; 1-1/8" hole centers.

## 193033

### Guide Roller Assembly

**Contents:** 2 roller assemblies.

**Description:** Nylon guide bracket; spring loaded; used top and bottom on leading-edge of sliding *sectional doors*.

You may wish to stock these related parts: **193034, 193035, 191767, 193036.**

## 193034

### Guide Roller Assembly

**Contents:** 2 roller assemblies.

**Description:** Nylon guide bracket; spring loaded; used top and bottom on mid-panels of sliding *sectional doors*.

You may wish to stock these related parts: **193035, 191767, 193036.**

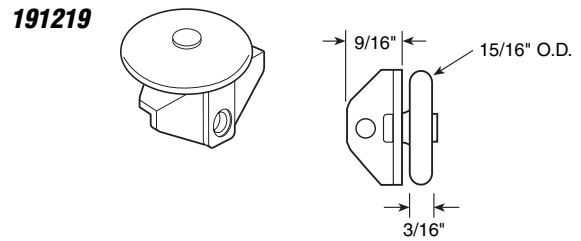
## 191219

### Guide Roller Assembly

**Contents:** 2 roller assemblies.

**Description:** Nylon assembly serves as both door roller and guide; fits on *Tubmaster* folding doors.

You may wish to stock these related parts: **191220**.



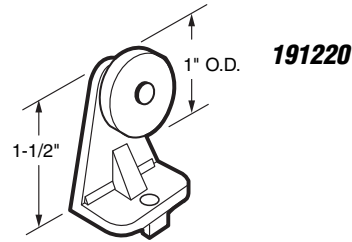
## 191220

### Guide Roller Assembly

**Contents:** 2 roller assemblies.

**Description:** Nylon assembly serves as a top hung door roller; fits on *Tubmaster* bi-passing doors.

You may wish to stock these related parts: **191219**



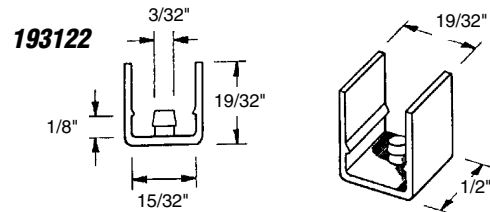
## 193122

### Bottom Guide

**Contents:** 2 guides.

**Description:** Nylon guide for sliding tub enclosure doors; fits directly onto door frame bottom; normal installation is 2 per door; snap-in design.

*Call for Availability*

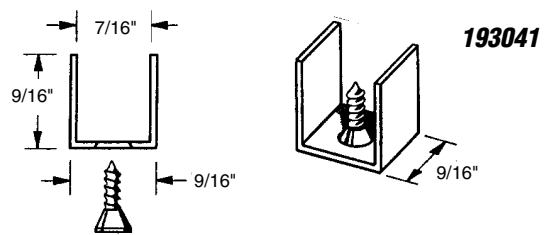


## 193041

### Bottom Guide

**Contents:** 2 guides; 2 installation screws.

**Description:** Nylon guide for sliding tub enclosure doors; fits directly onto door frame bottom; normal installation is 2 per door.



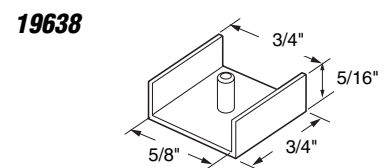
## 19638

### Bottom Guide

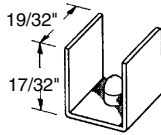
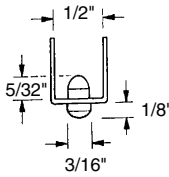
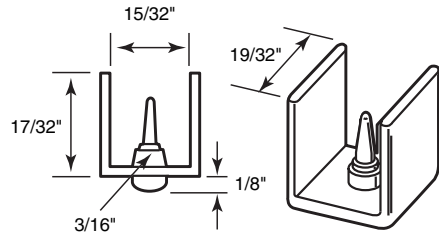
**Contents:** 2 guides.

**Description:** Nylon guide for sliding tub enclosure doors; fits 1/2" thick frame.

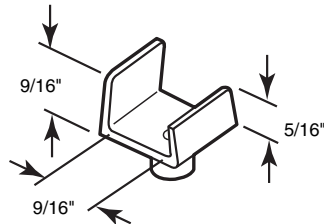
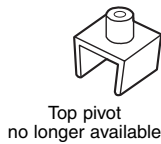
You may also wish to stock these related parts: **191849**.



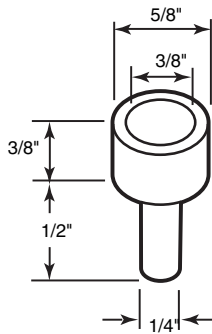
## 193040



## 193039

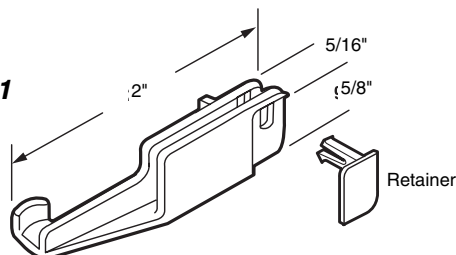


## 19659



## 19706

## 193051



## 193040

### Bottom Guide

**Contents:** 2 guides.

**Description:** Nylon guide for sliding tub enclosure doors; fits directly onto door frame bottom; normal installation is 2 per door; snap-in design.

## 193039

### Bottom Guide

**Contents:** 2 guides.

**Description:** Nylon guide for sliding tub enclosure doors; fits directly onto door frame bottom; normal installation is 2 per door; snap-in design.

## 19659

### Bottom Pivot

**Contents:** 1 bottom pivot.

**Description:** Nylon pivot, used on swinging shower doors; fits 9/16" thick frame.

You may wish to stock these related parts: **1932, 19145.**

## 19706

### Pivot

**Contents:** 2 pivots.

**Description:** Nylon top and bottom pivot for swinging shower doors; fits a 1/4" hole.

You may wish to stock these related parts: **19660.**

Call for  
Availability

## 193051

### Bottom Guide

**Contents:** 2 guides; 2 retainers.

**Description:** Nylon bottom guide and retainer for shower doors; fits on *Kinhead* and *Sterling*.



# Shower Door Hardware

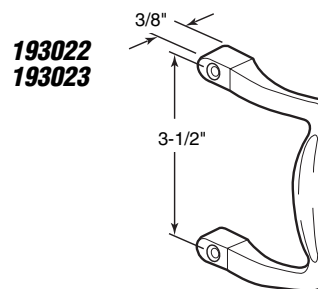
**193022** (Chrome finish)

**193023** (Brass finish)

## Pull Handle (Inside)

**Contents:** 1 handle; 1 set of installation screws.

**Description:** Plated diecast handles for sliding or swinging, shower and tub enclosure doors.



**193022**  
**193023**

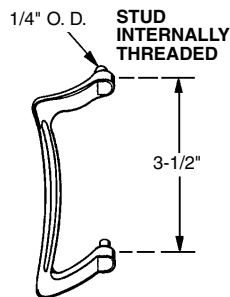
**193024** (Chrome finish)

**193025** (Brass finish)

## Pull Handle (Outside)

**Contents:** 1 handle; 1 set of installation screws.

**Description:** Plated diecast handles for sliding or swinging, shower and tub enclosure doors.



**193024**  
**193025**

**19145** (Chrome finish)

**19145-20** (Brass finish)

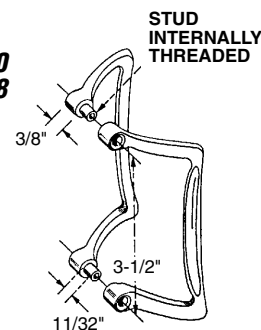
**19145-88** (Antique brass finish)

## Handle Set

**Contents:** 1 handle set with installation screws.

**Description:** Plated diecast handle set for hinged shower doors and sliding tub enclosure doors.

**19145**  
**19145-20**  
**19145-88**



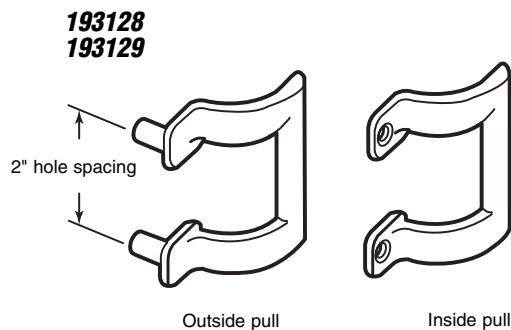
**193128** (Chrome plated)

**193129** (Brass plated)

## Handle Set

**Contents:** 1 handle set with installation screws.

**Description:** Plated diecast handles; outside handle with threaded studs and inside handle with holes; supplied with stainless steel machine screws.



**193128**  
**193129**

Outside pull

Inside pull

**193036**

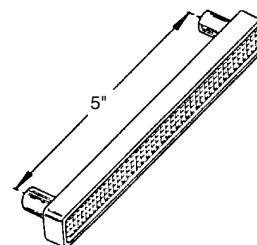
## Pull Handle

**Contents:** 1 handle.

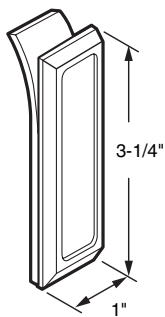
**Description:** White vinyl handle is used on both sliding and swinging shower doors; 5" hole centers.

You may also wish to stock these related parts: **193033**, **193034**, **193035**, **191767**.

**193036**



**191928**



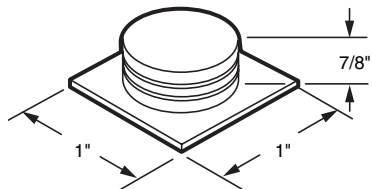
**191928**

**Pull**

**Contents:** 2 door pulls.

**Description:** Clear acrylic; self adhesive; commonly used on sliding medicine cabinet or mirrored doors.

You may also wish to stock these related parts: **193126**.



**193126**

**193126**

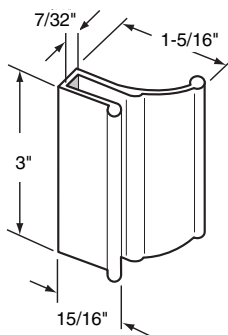
**Pull**

**Contents:** 1 pull.

**Description:** Clear acrylic pull; self adhesive; used on cabinet, shower and tub enclosure sliding doors.

You may also wish to stock these related parts: **191928**.

**193084**

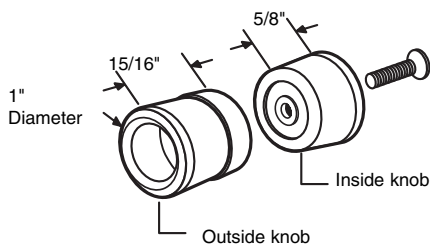


**193084** (Chrome finish)

**Pull Handle**

**Contents:** 1 handle.

**Description:** Extruded aluminum; accepts a 3/16" glass panel; use with a clear silicone sealant; used by several tub enclosure manufacturers.



**191215**

**191215** (Chrome finish)

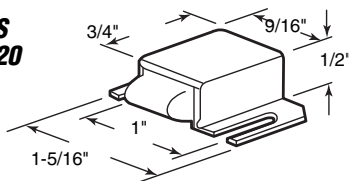
**Finger Pull**

**Contents:** 1 inside pull; 1 outside pull; 1 spacer ring; 1 installation screw.

**Description:** Diecast knobs with vinyl grips; requires a 3/8" hole in glass.

You may wish to stock these related parts: **193057, 191216**.

**1932**  
**1932-S**  
**1932-20**



**1932** (Nylon tip - stainless steel housing)

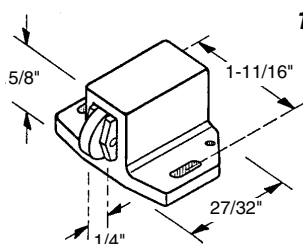
**1932-S** (Stainless steel tip - stainless steel housing)

**1932-20** (Nylon tip - brass finish housing)

**Shower Door Catch**

**Contents:** 1 latch assembly; 2 no. 8x3/8" Phillips binder head sheet metal screws.

**Description:** Spring loaded latch; adjustable; for hinged shower doors.



**193042**

**193042**

**Catch**

**Contents:** 1 catch; 1 set of installation screws.

**Description:** All nylon catch has spring loaded strike roller; heavy duty construction; universal application.

You may also wish to stock these related parts: **19859, 193036**.

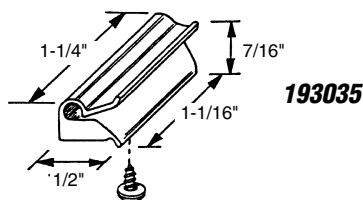
## 193035

### Friction Catch

**Contents:** 1 catch; 1 installation screw.

**Description:** White nylon catch; friction operated.

You may also wish to stock these related parts: **193033**, **193034**, **191767**, **193036**.



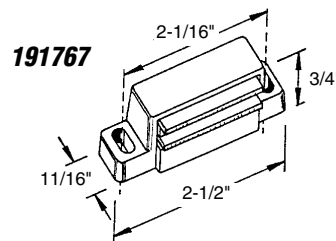
## 191767

### Magnetic Catch

**Contents:** 1 catch; 1 set of installation screws.

**Description:** White plastic housing; dual magnetic inserts; holds swinging shower doors closed; heavy duty construction.

You may also wish to stock these related parts: **193036**.



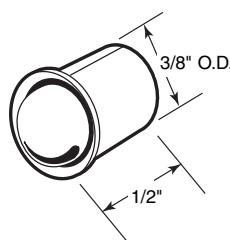
## 193043

### Bullet Catch

**Contents:** 2 catches.

**Description:** Nickel plated steel; spring loaded bullet style catch.

You may also wish to stock these related parts: **19200**, **19145**.



## 191450

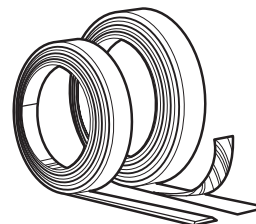
### Magnetic Retainer Strip

**Contents:** 1 set (6' strip).

**Description:** Opposite-attracting, self-adhesive magnetic strips install along edge of shower door to hold it closed; eliminates the need for a catch; will not corrode; can be cut to desired size.

You may also wish to stock these related parts: **193036**.

**191450**



**19200** (36" per card)

**19200-100** (100' per roll)

### Sweep

**Contents:** Sweep.

**Description:** 1-1/2" flat gray vinyl; for use on hinged shower doors.

You may also wish to stock these related parts: **19379**, **19145**.



**19200**  
**19200-100**

**19859** (36" per card)

**19859-100** (100' per roll)

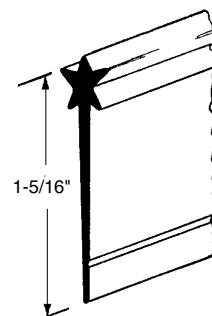
### Sweep

**Contents:** Sweep.

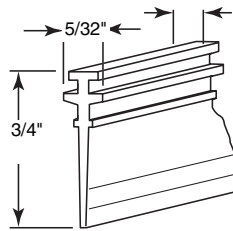
**Description:** "Star tip" gray vinyl; for use on hinged shower doors.

You may also wish to stock these related parts: **1932**, **19145**.

**19859**  
**19859-100**



**19672**



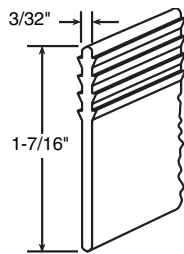
**19672**

## Sweep

**Contents:** 1 - 36" sweep.

**Description:** Gray vinyl sweep, for use on hinged shower doors.

You may wish to stock these related parts: **19660**.



**19685**

**19685**

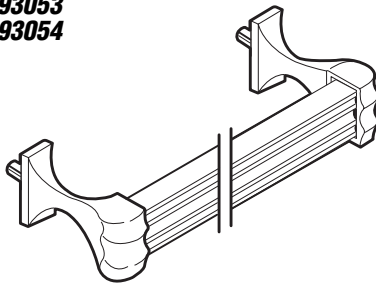
## Sweep

**Contents:** 1 - 36" sweep.

**Description:** Heavy gauge gray vinyl sweep, for use on hinged shower doors.

You may wish to stock these related parts: **193081**.

**193053**  
**193054**



**193053** (Chrome finish)

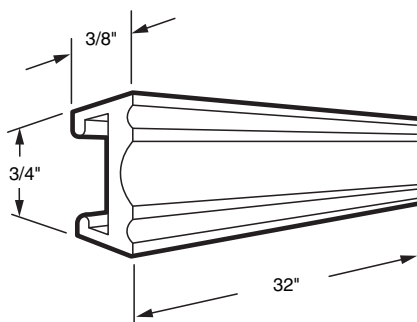
**193054** (Brass finish)

## Towel Bar Assembly

**Contents:** 1 - 32" towel bar; 1 set of brackets; 1 set of installation screws.

**Description:** 3/8" x 3/4" extruded aluminum bar; diecast bracket; universal design; used on both shower and tub enclosure doors.

You may wish to stock these related parts: **1932**, **193028**.



**19667-40**  
**19667-20**  
**19667-41**  
**19667-3**

**19667-40** (Chrome finish)

**19667-20** (Brass finish)

**19667-41** (Satin anodized)

**19667-3** (Satin brass finish)

## Towel Bar

**Contents:** 1 - 32" towel bar.

**Description:** 3/8" x 3/4" extruded aluminum bar; traditional design.

You may wish to stock these related parts: **19508**, **19508-20**, **19799**, **19799-20**.

# Shower Door Hardware

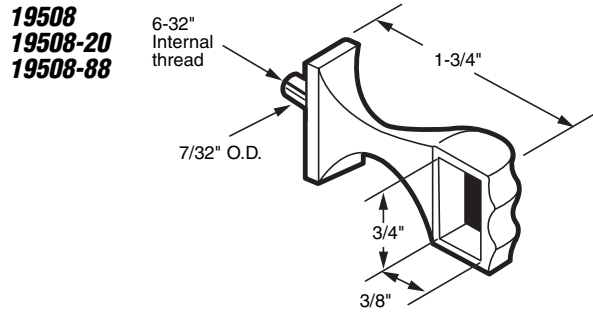
- 19508** (Chrome finish)
- 19508-20** (Brass finish)
- 19508-88** (Antique brass finish)

## Towel Bar Bracket

**Contents:** 2 brackets; 2 installation screws.

**Description:** Plated diecast bracket with stud; accepts a 3/8" x 3/4" towel bar; used on both shower and tub enclosure doors.

You may wish to stock these related parts: **19667-40, 19667-20, 19667-41, 19667-3.**



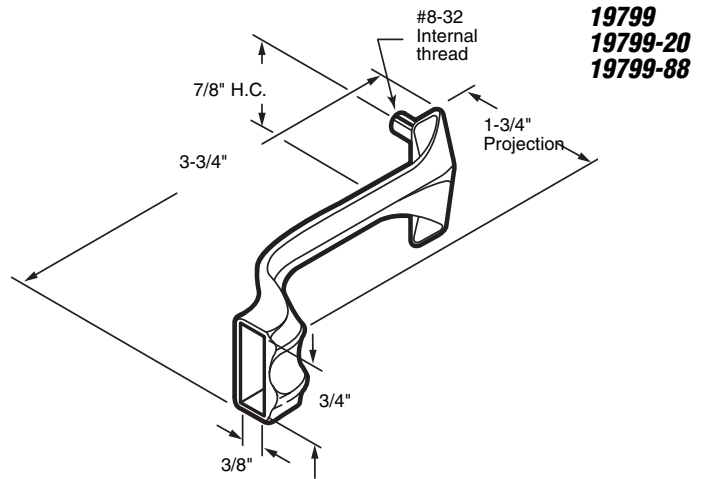
- 19799** (Chrome finish)
- 19799-20** (Brass finish)
- 19799-88** (Bronze finish)

## Towel Bar Bracket

**Contents:** 2 brackets with installation screws.

**Description:** Plated diecast construction; bracket accepts a 3/8" x 3/4" towel bar; offset bracket allows door to open back against adjoining wall.

You may wish to stock these related parts: **19667-40, 19667-20, 19667-41, 19667-3.**



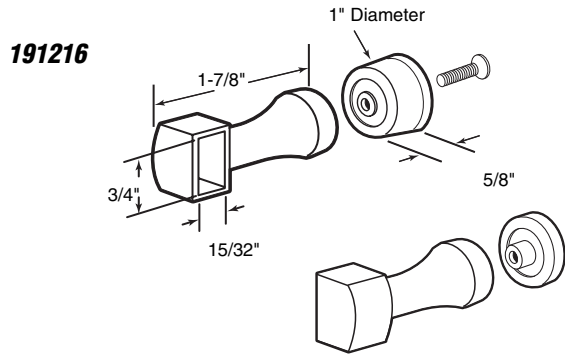
- 191216** (Chrome finish)

## Towel Bar Bracket and Finger Pull

**Contents:** 2 towel bar brackets; 1 finger pull; 2 spacer rings; 1 screw shield; 1 set of installation screws.

**Description:** Plated diecast construction; brackets require 3/8" holes for installation and accepts a 7/16" x 11/16" towel bar.

You may wish to stock these related parts: **191215.**

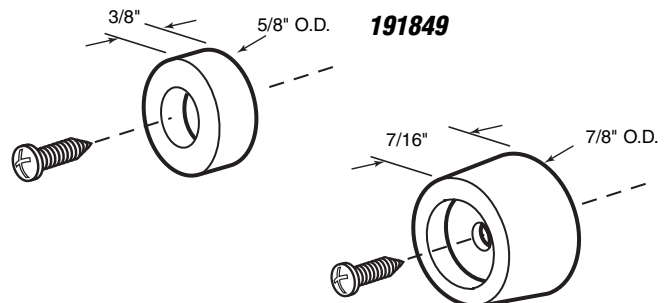


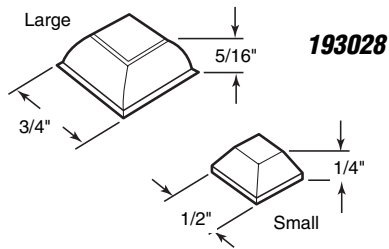
- 191849**

## Bumper Assortment

**Contents:** 4 bumpers (2 large, 2 small); 4 installation screws.

**Description:** White rubber, anti-slam protective bumpers for sliding shower doors.



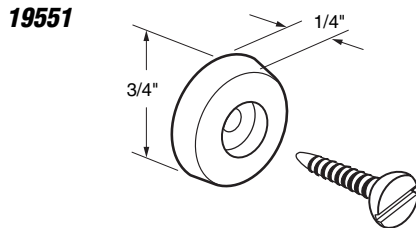


## 193028

### Bumper Assortment

**Contents:** 4 bumpers (2 large, 2 small).

**Description:** Anti-slam protective stops; off-white; resilient polyurethane; pressure sensitive adhesive backing; no screws necessary.



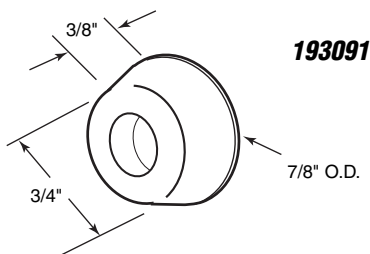
## 19551

### Bumper

**Contents:** 4 bumpers; 4 installation screws.

**Description:** Clear vinyl bumpers; for shower and tub enclosure doors; used by several shower door manufacturers.

You may wish to stock these related parts: **1932**.

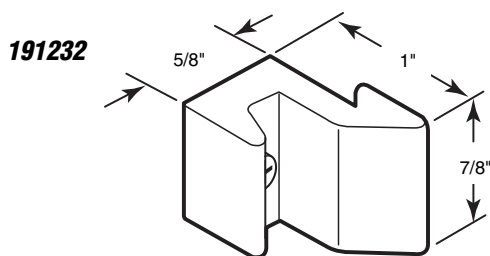


## 193091

### Door Bumper

**Contents:** 4 bumpers; 4 installation screws.

**Description:** Clear polyurethane bumper; for shower and tub enclosure doors; used by several shower door manufacturers.

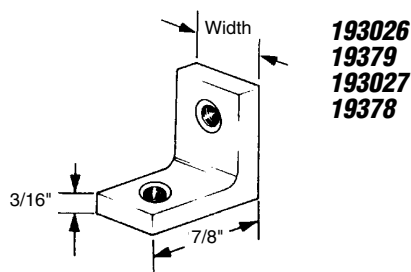


## 191232

### Bumper Guide

**Contents:** 2 guides; 2 installation fasteners.

**Description:** Black neoprene bumper-guide; jamb mount; for shower and tub enclosure doors; fits on *Agalite* shower doors.



**193026** (5/16" wide)

**19379** (5/16" wide - 100 poly-bagged)

**193027** (7/16" wide)

**19378** (7/16" wide - 100 poly-bagged)

### Corner Bracket

**Contents:** Corners; no. 8-32 x 3/8" Phillips flat head machine screws.

**Description:** Extruded aluminum corner; pre-drilled and tapped; no. 8-32 thread; used to attach frames together on sliding and hinged shower doors.

# Shower Door Hardware

**191681** (1 per card)

**192972** (2 per card)

## Bottom Guide

**Contents:** Nylon guides.

**Description:** Nylon bottom guide for sliding tub enclosure doors; fits **7/16" thick door rails**; used by several shower door manufacturers.

You may also wish to stock these related parts: **191680**.

**191680** (1 per card)

**192971** (2 per card)

## Bottom Guide

**Contents:** Nylon guides.

**Description:** Nylon bottom guide for sliding tub enclosure doors; fits **7/16" thick door rails**; used by several shower door manufacturers.

You may also wish to stock these related parts: **191681**.

**191682**

## Bottom Guide

**Contents:** 1 guide.

**Description:** Nylon bottom guide for sliding tub enclosure doors; fits **1/2" thick door rails**; fits on *International*.

You may also wish to stock these related parts: **19822**.

**193050**

## Bottom Guide

**Contents:** 2 guides.

**Description:** Clear nylon sill guide for **frameless shower doors**; designed for **3/16" thick glass**; use on either flat or sloped sills.

You may wish to stock these related parts: **191680**, **191681**, **193049**.

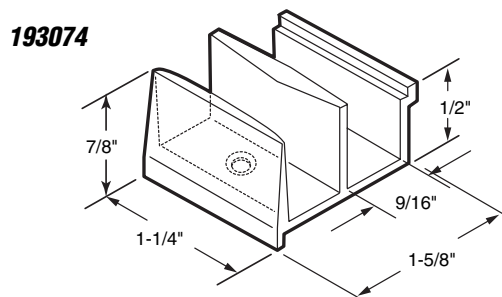
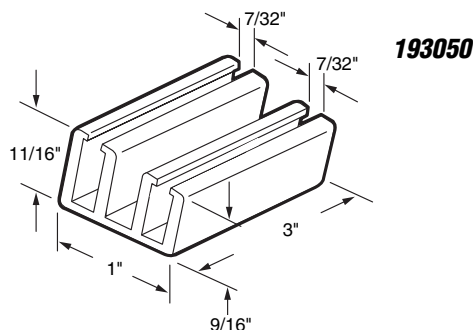
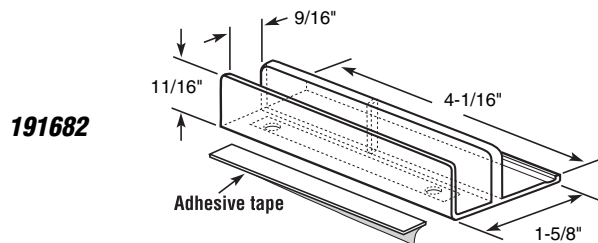
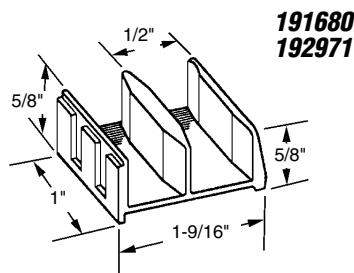
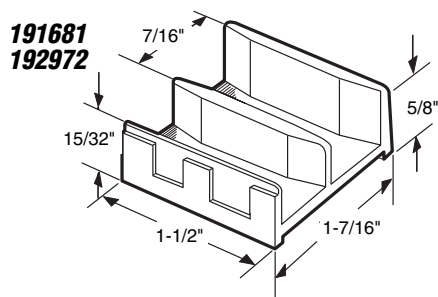
**193074**

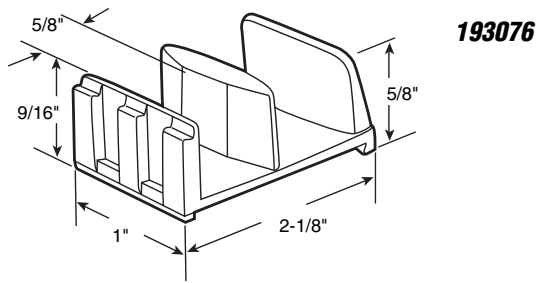
## Bottom Guide

**Contents:** 1 guide.

**Description:** Clear acrylic bottom guide for sliding tub enclosure doors; fits on *Sterling*.

You may wish to stock these related parts: **193075**.





**193076**

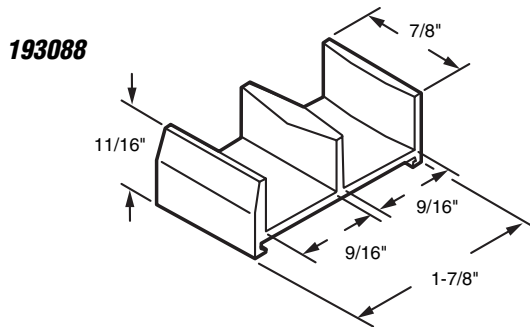
## 193076

### Bottom Guide

**Contents:** 2 guides.

**Description:** Nylon bottom guide for sliding tub enclosure doors; fits 1/2" thick door rails; used by several shower door manufacturers.

You may wish to stock these related parts: **191680**.



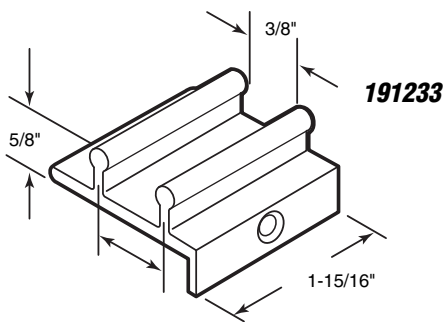
**193088**

## 193088

### Bottom Guide

**Contents:** 2 guides.

**Description:** Nylon guide for sliding tub enclosure doors; fits on *Miller Door*.



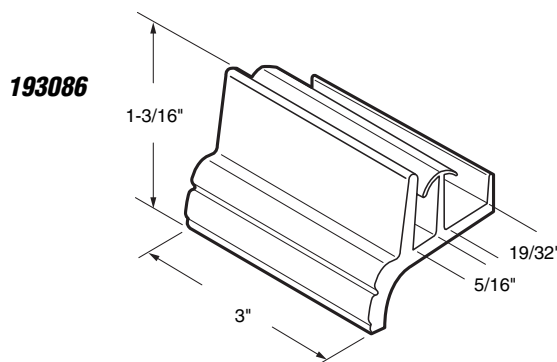
**191233**

## 191233

### Bottom Guide

**Contents:** 1 guide with installation screw.

**Description:** Black rigid nylon guide; secures to frame for proper by-pass door alignment.



**193086**

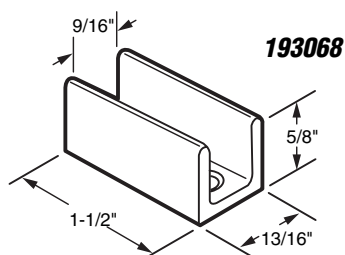
## 193086

### Bottom Guide

**Contents:** 1 guide.

**Description:** Gray vinyl guide for sliding tub enclosure doors; flexible center divider allows smooth, rattle-free door movement, fits on *Workright Products*.

You may wish to stock these related parts: **193085**.



**193068**

## 193068

### Bottom Guide

**Contents:** 2 guides.

**Description:** Clear acrylic; bottom guide for frameless shower doors, fits on *Academy Mfg.*

You may wish to stock these related parts: **191961; 193056. 193069, 193070, 193071.**



## 193069

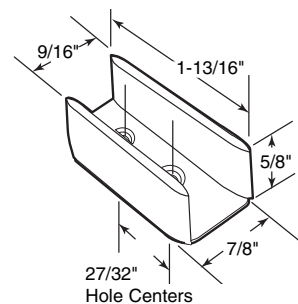
### Bottom Guide

**Contents:** 2 guides.

**Description:** Clear acrylic; bottom guide for frameless shower doors, fits on *Academy Mfg.*

You may wish to stock these related parts: 191961, 193056, 193068, 193071.

## 193069



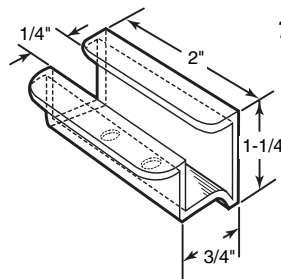
## 193070

### Bottom Guide

**Contents:** 2 guides.

**Description:** Clear acrylic guide for frameless shower doors; fits on *Academy Mfg.*

You may wish to stock these related parts: 191961, 193056, 193068, 193069, 193071.



## 193070

## 193049

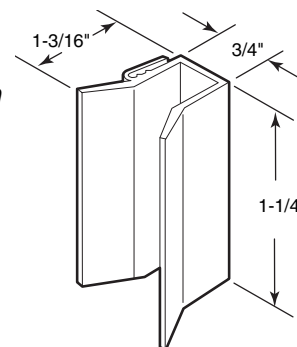
### Jamb Guide

**Contents:** 2 guides.

**Description:** Nylon; jamb mounted sliding door guide, fits on *Bath Co Shower Doors.*

You may wish to stock these related parts: 193052.

## 193049



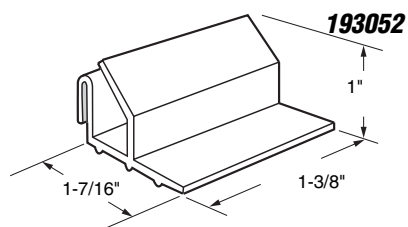
## 193052

### Jamb Guide

**Contents:** 2 guides.

**Description:** Nylon, jamb-mounted, sliding door guide; fits on *Bath Co. Shower Door.*

You may wish to stock these related parts: 193049.



## 191961

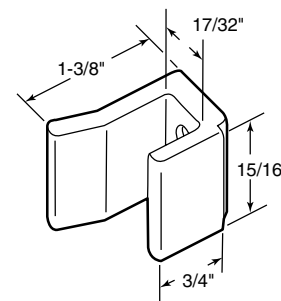
### Jamb Guide

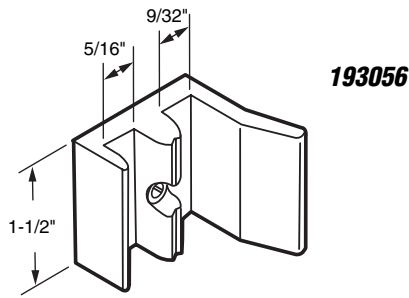
**Contents:** 2 guides.

**Description:** Natural nylon; jamb-mounted sliding door guide; fits on *Academy Mfg.*

You may wish to stock these related parts: 193051, 193069.

## 191961





**193056**

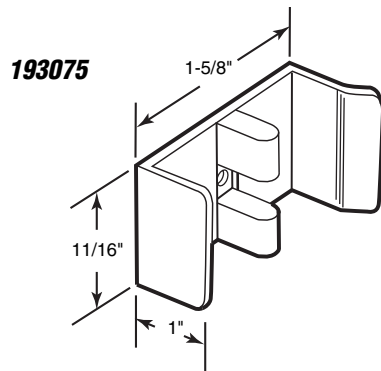
## 193056

### Jamb Guide

**Contents:** 2 guides.

**Description:** Clear acrylic door guides; jamb-mounted; fits on *Academy Mfg.*

You may wish to stock these related parts: **191961**, **193069**.



**193075**

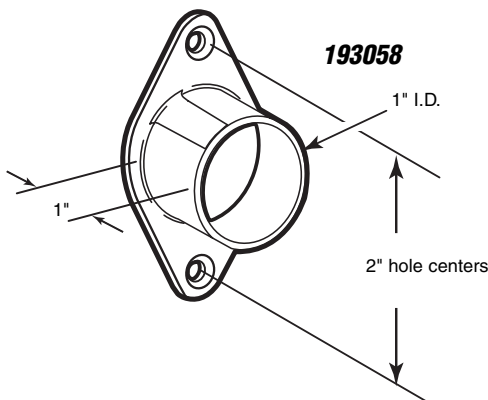
## 193075

### Jamb Guide

**Contents:** 1 guide.

**Description:** White nylon; jamb-mounted; fits on *Sterling Door*.

You may wish to stock these related parts: **193074**.



**193058**

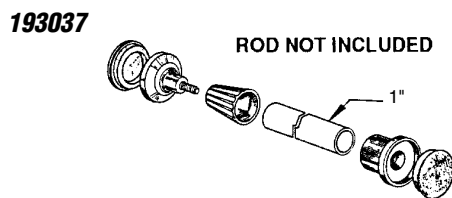
## 193058 (Chrome finish)

### Curtain Rod Brackets

**Contents:** 2 brackets.

**Description:** Diecast bracket; will accept a 1" shower rod.

You may wish to stock these related parts: **193037**, **193044**, **193045**.



**193037**

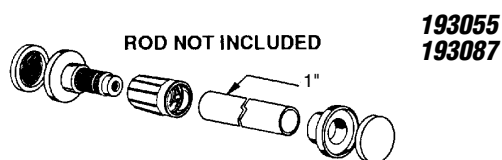
ROD NOT INCLUDED

## 193037 (Chrome finish)

### Curtain Rod End Brackets

**Contents:** 1 adjustable bracket; 1 fixed bracket; 2 rubber end caps.

**Description:** Diecast brackets; accept a 1" curtain rod; no tools necessary; simply twist to apply pressure between walls.



**193055**  
**193087**

## 193055 (Chrome finish)

## 193087 (Brass finish)

### Curtain Rod End Brackets

**Contents:** 1 adjustable bracket; 1 fixed bracket; 2 rubber end caps.

**Description:** Electro-plated plastic shower rod brackets; accept a 1" curtain rod; no tools necessary; simply twist to apply pressure between walls.

# Shower Door Hardware

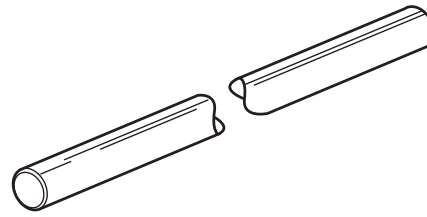
- 193044** (5' aluminum)
- 193123** (6' aluminum)
- 193045** (5' stainless steel)
- 193124** (6' stainless steel)
- 193125** (5' brass finished aluminum)

## Shower Curtain Rod

**Contents:** 1 curtain rod.

**Description:** 1" metal rod; use with **193037**, **193055** or **193087** adjustable brackets, or **193058** fixed bracket.

Minimum order: 5



- 193044**
- 193123**
- 193045**
- 193124**
- 193125**

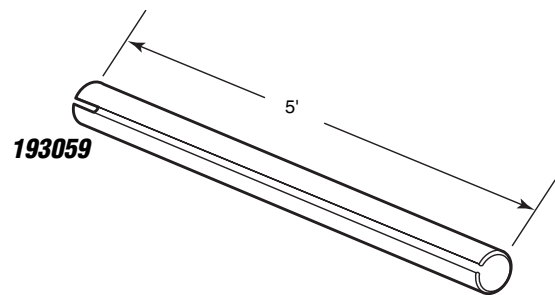
## 193059

### Rod Cover

**Contents:** 1 rod cover.

**Description:** White plastic; designed to slip over 1" shower rod; protects metal rods against corrosion; adds to contemporary styling.

Minimum order: 12



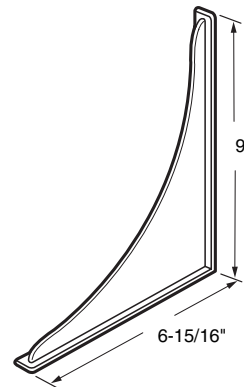
- 193046** (Porcelain white)
- 193077** (Ivory)

### Splash Guard (Straight)

**Contents:** 2 guards in poly bag.

**Description:** Plastic guard; non-handed flat design; self-adhesive.

You may wish to stock these related parts: **193037**, **193055**, **193058**.



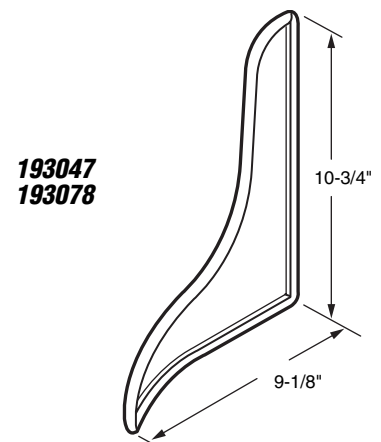
- 193047** (Porcelain white)
- 193078** (Ivory)

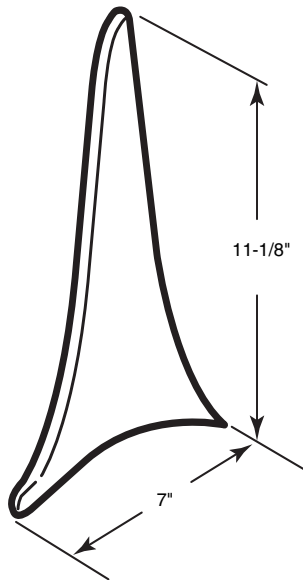
### Splash Guard (Curved)

**Contents:** 1 pair in poly bag.

**Description:** Plastic guard; curved edge design; 1 left hand and 1 right hand per pair. A mildew resistant adhesive tub caulk or mastic is recommended for installation.

You may wish to stock these related parts: **193037**, **193055**, **193058**.





**193048**  
**193079**

**193048** (Porcelain white)  
**193079** (Ivory)

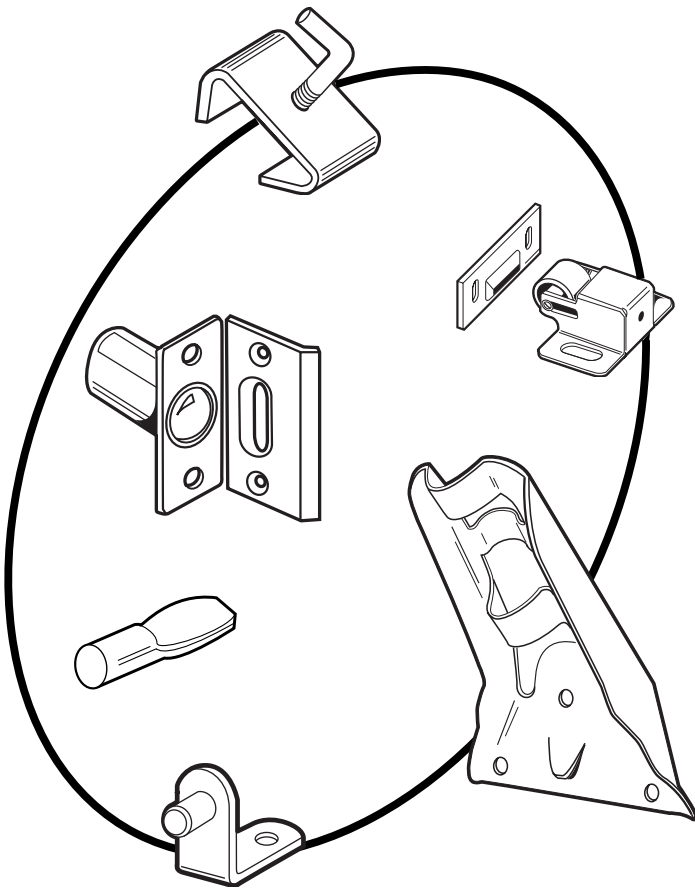
## Splash Guard (Molded style)

**Contents:** 1 pair in poly bag.

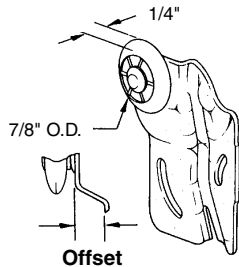
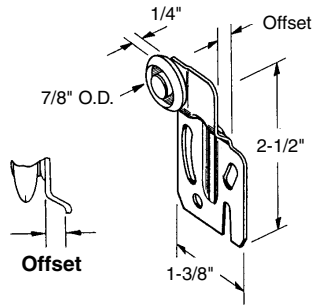
**Description:** Plastic guard; deluxe molded design; 1 left hand and 1 right hand per pair. A mildew resistant adhesive tub caulk or mastic is recommended for installation.

You may wish to stock these related parts: **193037, 193055, 193058.**

***Hard-to-find miscellaneous hardware items are available in our Builder's Hardware section.***

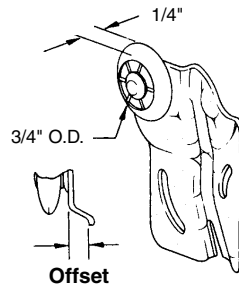


**16216-F**  
**16216-B**  
**163220-F**  
**163220-B**

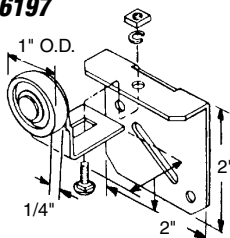


**16257-F**  
**16257-B**  
**163222-F**  
**163222-B**

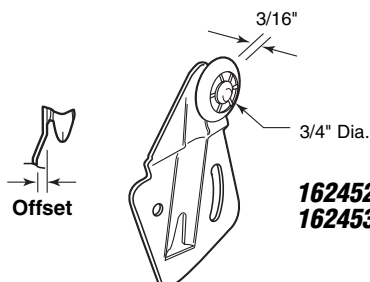
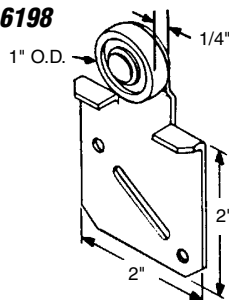
**16224-F**  
**16224-B**



**16197**



**16198**



**162452**  
**162453**

**16216-F** (Front - 1/4" offset)

**16216-B** (Back - 1/2" offset)

**163220-F** (Front - ball bearing wheel - 1/4" offset)

**163220-B** (Back - ball bearing wheel - 1/2" offset)

## Roller

**Contents:** 2 roller assemblies; 6 no. 8 x 3/4" Phillips pan head sheet metal screws.

**Description:** Single wheel; top hung; side mounting; offset adjustable **steel** bracket; **round edge nylon** wheel; fits 3/4" to 1-3/8" thick doors; fits on **Acme**.

**Note:** 163220-F & 163220-B have **nickel plated steel** brackets & are supplied with **free door bumper** (161889).

**16257-F** (Front - 1/4" offset)

**16257-B** (Back - 1/2" offset)

**163222-F** (Front - ball bearing wheel - 1/4" offset)

**163222-B** (Back - ball bearing wheel - 1/2" offset)

## Roller

**Contents:** 2 roller assemblies; 4 no. 8 x 3/4" Phillips pan head sheet metal screws.

**Description:** Single wheel; top hung; side mounting; offset adjustable **steel** bracket; **round edge nylon** wheel; fits 3/4" to 1-3/8" thick doors; fits on **Cox**.

**Note:** 163222-F & 163222-B have **nickel plated steel** brackets & are supplied with **free door bumper** (161899).

**16224-F** (Front - 1/4" offset)

**16224-B** (Back - 1/2" offset)

## Roller

**Contents:** 2 roller assemblies; 4 no. 8 x 3/4" Phillips pan head sheet metal screws.

**Description:** Single wheel; top hung; side mounting; offset adjustable **steel** bracket; 3/4" diameter, **round edge nylon** wheel; fits 3/4" to 1-3/8" thick bi-passing doors up to 50 lbs. each; fits on **Cox**.

**16198** (Front)

**16197** (Back)

## Roller

**Contents:** 2 roller assemblies; 6 no. 8 x 3/4" Phillips pan head sheet metal screws.

**Description:** Single wheel; top hung; side mounting; offset adjustable **steel** bracket; **flat edge nylon** wheel; fits 1/2" to 1-3/8" thick bi-passing doors; 50 lbs. capacity.

You may also wish to stock these related parts: **16136**.

**162452** (Front - 1/16" offset)

**162453** (Back - 3/8" offset)

## Roller

**Contents:** 2 roller assemblies; 4 no. 8 x 3/4" Phillips pan head sheet metal screws.

**Description:** Single wheel; top hung; side mounting; offset adjustable **steel** bracket; 3/4" diameter, **round edge nylon** wheel; fits 3/4" to 1-3/8" thick bi-passing doors up to 50 lbs. each.

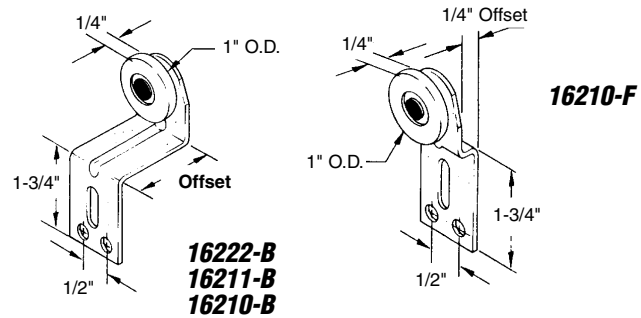
- 16210-F** (Front - 1/4" offset)
- 16222-B** (Back - 3/4" offset)
- 16211-B** (Back - 1-1/8" offset)
- 16210-B** (Back - 1-3/8" offset)

## Roller

**Contents:** 2 roller assemblies; 6 no. 8 x 3/4" Phillips pan head sheet metal screws.

**Description:** Single wheel; top hung; side mounting; offset adjustable **steel** bracket; **round edge nylon** wheel; fits 3/4" to 1-3/8" thick doors; fits on **Cox**.

You may also wish to stock these related parts: **16136**.



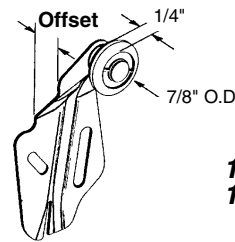
- 163466-F** (Front - 3/16" offset)
- 163466-B** (Back - 1/2" offset)

## Roller

**Contents:** 2 roller assemblies; 4 no. 8 x 3/4" Phillips pan head sheet metal screws.

**Description:** Top hung; 7/8" diameter **nylon** wheel; adjustable **steel** bracket; for bi-passing doors; fits on **Alliance**.

You may also wish to stock these related parts: **16136**.



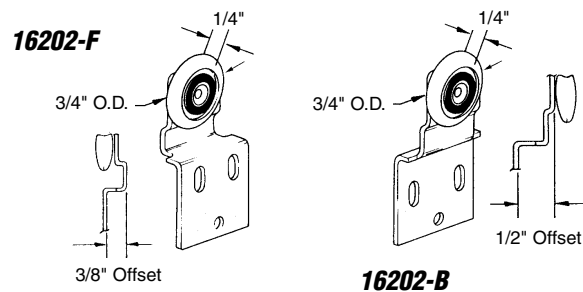
- 16202-F** (Front - 3/8" offset)
- 16202-B** (Back - 1/2" offset)

## Roller

**Contents:** 2 roller assemblies; 6 no. 4 x 3/4" Phillips pan head sheet metal screws.

**Description:** Single wheel; top hung; side mounting; offset adjustable **steel** bracket; **round edge nylon ball bearing** wheel; fits 3/4" to 1-3/8" thick doors.

You may also wish to stock these related parts: **16136**.



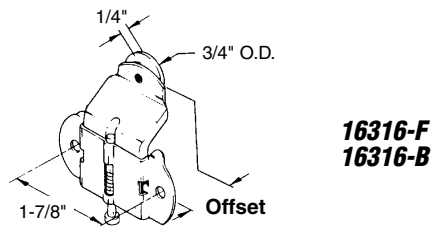
- 16316-F** (Front - 3/8" offset)
- 16316-B** (Back - 3/4" offset)

## Roller

**Contents:** 2 roller assemblies; 4 no. 8 x 3/4" Phillips pan head sheet metal screws.

**Description:** Single wheel; top hung; side mounting; offset adjustable **steel** bracket; **round edge nylon** wheel; fits 3/4" to 1-3/8" thick doors; fits on **Harvey**.

You may also wish to stock these related parts: **16136**.



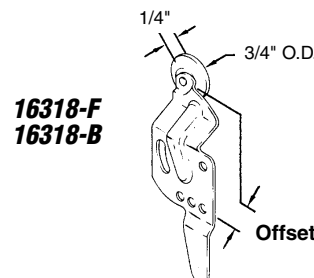
- 16318-F** (Front - 1/4" offset)
- 16318-B** (Back - 1/2" offset)

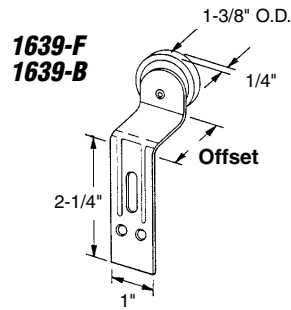
## Roller

**Contents:** 2 roller assemblies; 4 no. 8 x 3/4" Phillips pan head sheet metal screws.

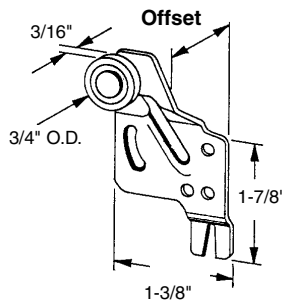
**Description:** Single wheel; top hung; side mounting; offset adjustable **steel** bracket; **round edge nylon** wheel; fits 3/4" to 1-3/8" thick doors; fits on **Harvey**.

You may also wish to stock these related parts: **16136**.

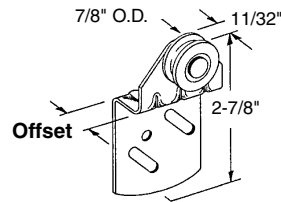




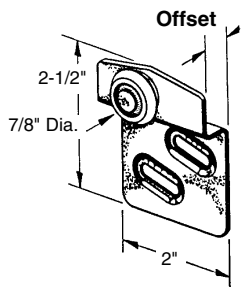
**1639-F**  
**1639-B**



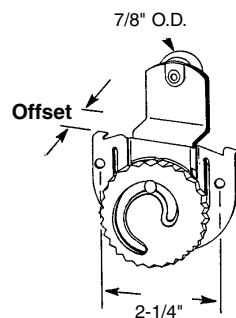
**16277**  
**16279**  
**16278**



**161998**  
**161999**



**161987**  
**161988**



**161371**  
**161372**

**1639-F** (Front - 5/16" offset)  
**1639-B** (Back - 5/8" offset)

## Roller

**Contents:** 2 roller assemblies; 6 no. 8 x 3/4" Phillips flat head sheet metal screws.

**Description:** Single wheel; top hung; side mounting; offset adjustable **steel** bracket; **flat edge nylon** wheel; fits 3/4" to 1-3/8" thick doors; 50 lbs. capacity.

You may also wish to stock these related parts: **16217**, **16136**, **16451**.

**16277** (1/4" offset)  
**16279** (1/2" offset)  
**16278** (3/4" offset)

## Roller

**Contents:** 2 roller assemblies; 4 no. 8 x 3/4" Phillips pan head sheet metal screws.

**Description:** Single **flat edge nylon** wheel; top hung; side mounting; offset adjustable **steel** bracket; fits 3/4" to 1-3/8" thick doors; fits on **Atlas**.

You may also wish to stock these related parts: **16136**.

**161998** (Front - 5/16" offset)  
**161999** (Back - 9/16" offset)

## Roller

**Contents:** 2 roller assemblies; 6 no. 8 x 3/4" Phillips pan head sheet metal screws.

**Description:** Top hung; center groove 7/8" diameter **nylon** wheel; adjustable **steel** bracket; used on **old style Kenna Frame**.

You may also wish to stock these related parts: **16136**.

**161987** (Front - 1/4" offset)  
**161988** (Back - 1/2" offset)

## Roller

**Contents:** 2 roller assemblies; 4 no. 8 x 3/4" Phillips pan head sheet metal screws.

**Description:** Single **round edge nylon** wheel; side mounting adjustable **steel** bracket; for 3/4" to 1-3/8" thick doors up to 90 lbs. each; fits on **Atlas**.

You may wish to stock these related parts: **16217**, **163134**.

**161371** (Front - 1/8" offset)  
**161372** (Back - 3/8" offset)

## Roller

**Contents:** 2 roller assemblies with installation screws.

**Description:** Single wheel; top hung; 7/8" diameter **nylon** wheel; **stamped steel** bracket with **nylon** adjusting wheel; for 3/4" to 1-3/8" thick doors; fits on **Stanley**.

You may also wish to stock these related parts: **16136**.

## 163114

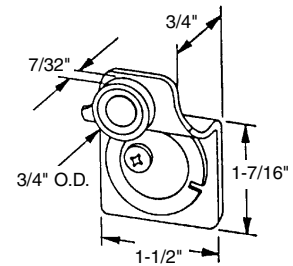
### Roller

**Contents:** 2 roller assemblies with installation screws.

**Description:** Single wheel; top hung; 3/4" diameter **nylon**; adjustable **stamped steel** bracket; for 3/4" to 1-3/8" thick doors; fits on **Atlas**.

You may also wish to stock these related parts: **16136, 163115**.

**163114**



**161082** (Front - 1/8" offset)

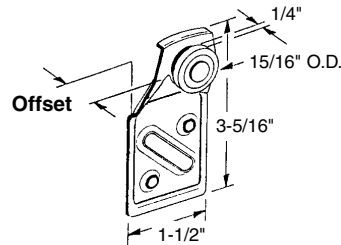
**161104** (Back - 7/16" offset)

### Roller

**Contents:** 2 roller assemblies; 6 no. 8 x 3/4" Phillips pan head sheet metal screws.

**Description:** Top hung; 15/16" diameter **flat edge nylon** wheel; adjustable **steel** bracket; fits on **Kenna Frame**.

You may also wish to stock these related parts: **16136**.



**161082**  
**161104**

**161099** (Front - 1/8" offset)

**161112** (Back - 1/2" offset)

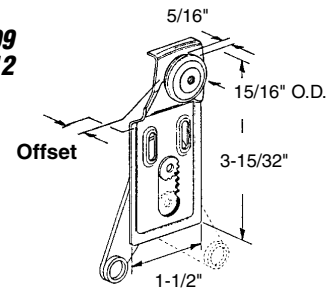
### Roller

**Contents:** 2 roller assemblies; 6 no. 8 x 3/4" Phillips pan head sheet metal screws.

**Description:** Top hung; side mount; 15/16" diameter **nylon ball bearing** wheel; **steel** bracket; with **nylon** adjustment arm; fits on **Kenna Frame**.

You may also wish to stock these related parts: **16136**.

**161099**  
**161112**



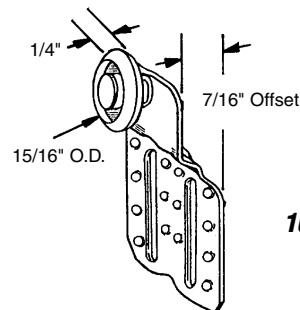
## 161935

### Roller

**Contents:** 2 roller assemblies; 4 no. 8 x 3/4" Phillips pan head sheet metal screws.

**Description:** Single wheel; top hung; 7/16" offset, adjustable **steel** bracket; **oval edge nylon** wheel; fits 3/4" to 1-3/8" thick doors; originally fits on **Superior Door**.

You may also wish to stock these related parts: **16217**.



**161935**

**161150** (Front - 1/16" offset)

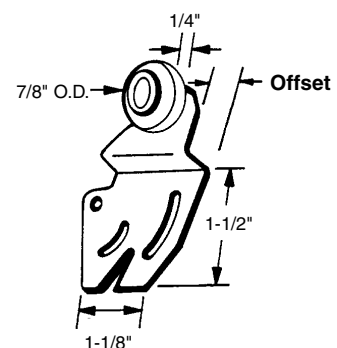
**161151** (Back - 3/8" offset)

### Roller

**Contents:** 2 rollers assemblies; 4 installation screws.

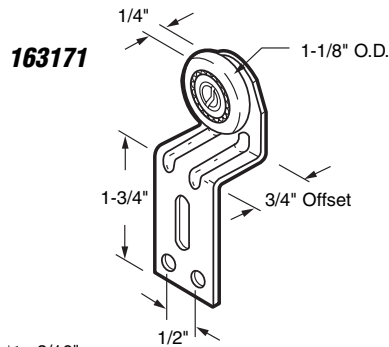
**Description:** Single wheel; top hung; side mounting; 1/16" offset adjustable **steel** bracket; **flat edge nylon** wheel; fits 3/4" or 1-3/8" thick doors; fits on **Johnson Hardware**.

You may also wish to stock these related parts: **161149, 161148**.

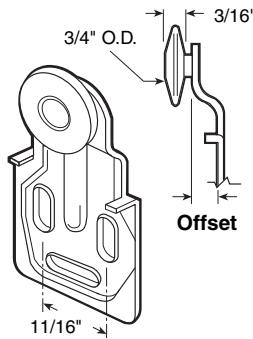


**161150**  
**161151**

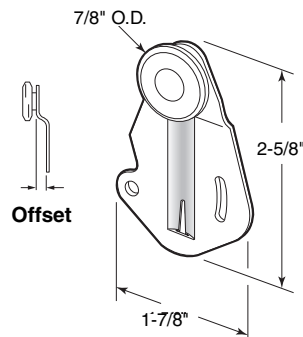




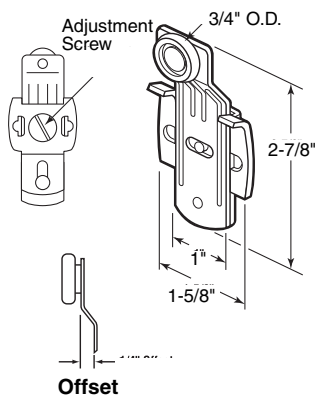
**163171**



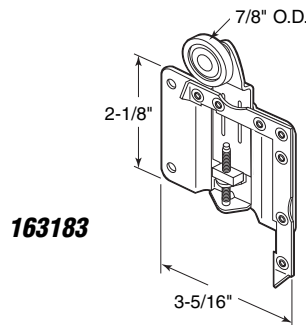
**163176-F**  
**163176-B**



**162454**  
**162455**



**163185-F**  
**163185-B**



**163183**

## 163171

### Roller

**Contents:** 2 rollers assemblies; 6 no. 8 x 3/4" Phillips pan head sheet metal screws.

**Description:** Top hung; 1-1/8" diameter **flat edge nylon** wheel; adjustable **steel** bracket.

You may also wish to stock these related parts: **16136, 161104.**

**163176-F** (Front - 3/8" offset)

**163176-B** (Back - 1/2" offset)

### Roller

**Contents:** 2 roller assemblies; 6 no. 8 x 3/4" Phillips pan head sheet metal screws.

**Description:** Top hung; 3/4" x 3/32" diameter **thin nylon** wheel; adjustable **steel** bracket.

**162454** (Front - 1/16" offset)

**162455** (Back - 3/8" offset)

### Roller

**Contents:** 2 roller assemblies; 4 no. 8 x 3/4" Phillips pan head sheet metal screws.

**Description:** Top hung; 7/8" diameter **oval edge nylon** wheel; for "V" track; adjustable **steel** bracket; fits on **Johnson Hardware**.

**163185-F** (Front - 1/4" offset)

**163185-B** (Back - 1/2" offset)

### Roller

**Contents:** 2 roller assemblies

**Description:** Top hung; 3/4" diameter **oval edge nylon** wheel; **steel** bracket with vertical height adjustment screw; used on **Sterling** track systems.

You may wish to stock these related parts: **16136.**

## 163183

### Roller

**Contents:** 2 roller assemblies

**Description:** Top hung; 7/8" diameter **flat edge nylon** wheel; **steel** bracket; also acts as **corner bracket** for steel frame bi-passing doors; used on **Johnson Panel Jacket** door systems.

You may wish to stock these related parts: **163184 & 161148.**

## 163184

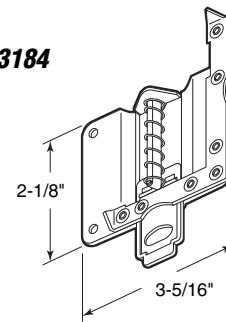
### Guide

**Contents:** 2 guide assemblies.

**Description:** Bottom mount; adjustable **steel** bracket with **nylon** guide; also acts as corner bracket for steel frame bi-passing doors; used on **Johnson Panel Jacket** doors.

You may wish to stock these related parts: **163183 & 161148**.

## 163184



## 16449

### Roller

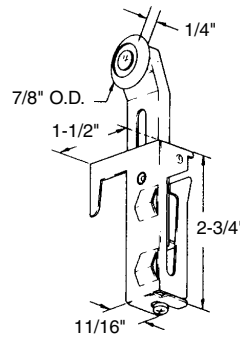
**Contents:** 2 roller assemblies, 1 left and 1 right.

**Description:** Single wheel; top mounting; adjustable **steel** bracket; also acts as corner bracket for steel frame bi-passing doors; 7/8" diameter **round edge nylon** wheel; fits on **Acme**.

You may wish to stock these related parts: **16450**.

## 16449

Left Hand Shown



## 16450

### Guide

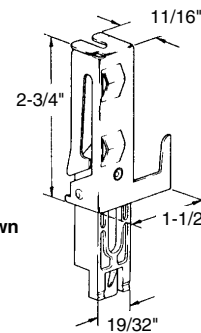
**Contents:** 2 guide assemblies, 1 left and 1 right.

**Description:** Bottom mount; adjustable **steel** bracket with **nylon** guide; also acts as corner bracket for steel frame bi-passing doors; fits on **Acme**.

You may wish to stock these related parts: **16449**.

## 16450

Right Hand Shown



## 16452

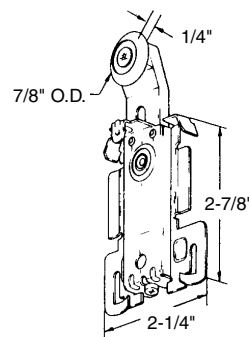
### Roller

**Contents:** 2 roller assemblies.

**Description:** Single wheel; top mounting; adjustable **steel** bracket; also acts as corner bracket for steel frame bi-passing door; 7/8" diameter **round edge nylon** wheel; fits on **Acme**.

You may wish to stock these related parts: **16453**.

## 16452



## 16453

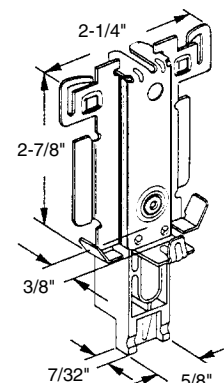
### Guide

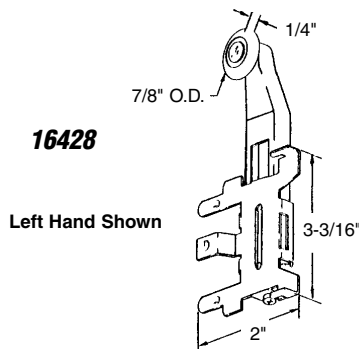
**Contents:** 2 guide assemblies.

**Description:** Bottom mount; adjustable **steel** bracket with **nylon** guide; also acts as corner bracket for steel frame bi-passing doors; fits **Acme**.

You may wish to stock these related parts: **16452**.

## 16453





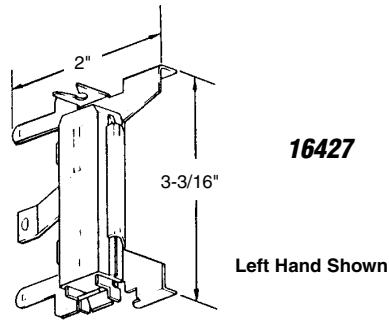
## 16428

### Roller

**Contents:** 2 roller assemblies, 1 left and 1 right.

**Description:** Single wheel; side mounting; adjustable snap-in steel bracket; 7/8" diameter **round edge nylon** wheel; designed for steel frame bi-passing doors; fits on **Cox**.

You may wish to stock these related parts: **16427, 16498, 161929.**



## 16427

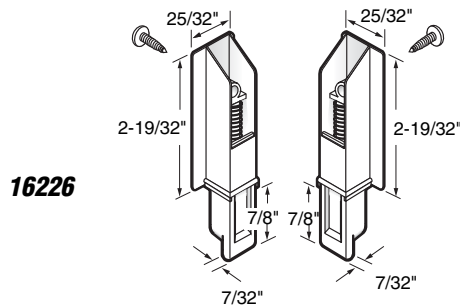
### Guide

**Contents:** 2 guide assemblies, 1 left and 1 right.

**Description:** Bottom mount; snap-in steel bracket with nylon guide; for steel frame bi-passing doors; fits on **Cox**.

You may also wish to stock these related parts: **16428.**

**Note:** 161929 replacement guide only.

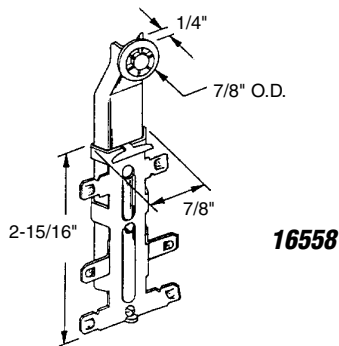


## 16226

### Guide

**Contents:** 1 set bottom guide assemblies; 1 left and 1 right; 2 no. 10 x 1/2" Phillips pan head sheet metal screws.

**Description:** Nylon, spring loaded bracket and guide; side mount.



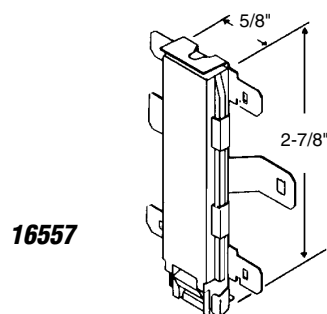
## 16558

### Roller

**Contents:** 2 roller assemblies.

**Description:** Single wheel; top mounting; adjustable steel bracket; 7/8" diameter **round edge nylon** wheel; designed for steel frame bi-passing doors; fits on **Cox**.

You may also wish to stock these related parts: **16557.**



## 16557

### Guide

**Contents:** 2 guide assemblies

**Description:** Bottom mounts; snap-in steel bracket with nylon guide; designed for steel frame bi-passing doors; fits on **Cox**.

You may also wish to stock these related parts: **16558, 16498, 16217.**

**Note:** 16499 replacement guide only.

## 163467

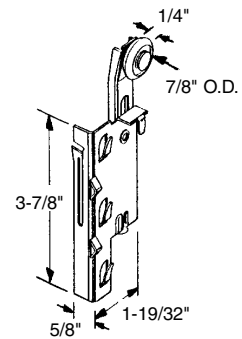
### Roller

**Contents:** 1 left hand and 1 right hand roller assemblies.

**Description:** Single wheel; side mount; adjustable snap-in steel bracket; 7/8" diameter round edge nylon wheel; designed for steel frame doors; used on *Acme series "4000"*.

You may also wish to stock these related parts: **161899, 163468.**

**163467**



## 163468

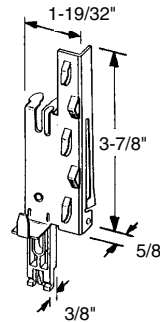
### Guide

**Contents:** 1 left hand and 1 right hand guide assemblies.

**Description:** Bottom mount; snap-in steel bracket with nylon guide; for steel frame bi-passing doors; used on *Acme series "4000"*.

You may also wish to stock these related parts: **161899, 163467.**

**163468**



## 163490 (3/4" diameter)

## 16704 (7/8" diameter)

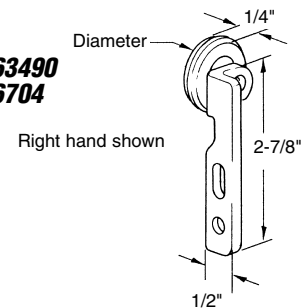
### Roller

**Contents:** 1 left hand and 1 right hand roller assemblies; 4 no. 6 x 3/4" Phillips pan head sheet metal screws.

**Description:** Single wheel; top hung; side mounting; offset adjustable steel bracket; round edge nylon ball bearing wheel; fits 3/4" to 1-1/4" thick doors.

You may wish to stock these related parts: **16104, 161930.**

**163490  
16704**



## 16498

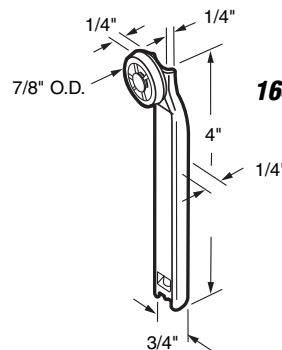
### Roller

**Contents:** 2 roller assemblies.

**Description:** Single wheel; top hung; side mounting; steel bracket; 7/8" diameter round edge nylon wheel.

You may wish to stock these related parts: **16558, 16557, 16499.**

**16498**



## 16132-L (Left)

## 16132-R (Right)

## 161936 (1 left & 1 right)

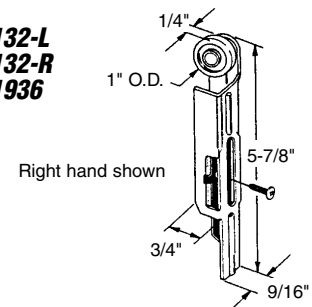
### Roller

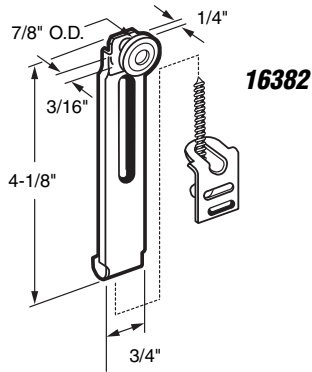
**Contents:** 1 roller assembly; 1 no. 12 x 1/2" Phillips pan head sheet metal screws.

**Description:** Single wheel; top hung; adjustable steel bracket mounts inside of door frame; 1" diameter flat edge nylon wheel; fits on *Like*.

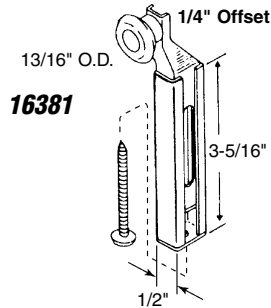
You may wish to stock these related parts: **16131, 16226.**

**16132-L  
16132-R  
161936**

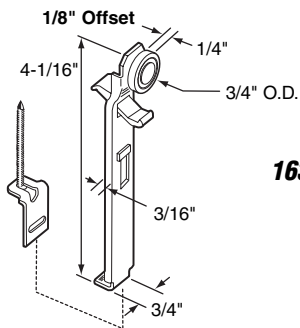




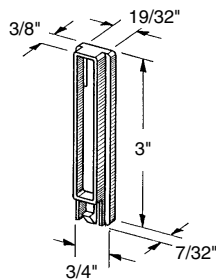
**16382**



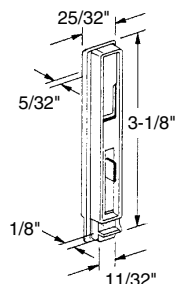
**16381**



**16311**



**16383**



**163113**

## 16382

### Roller

**Contents:** 2 roller assemblies; 2 no. 8 x 1-3/4" Phillips pan head sheet metal screws.

**Description:** Single wheel; top hung; adjustable **steel** bracket; 7/8" diameter **round edge nylon** wheel; 3/16" wide, edge rail.

You may wish to stock these related parts: **16217, 16451, 163111.**

## 16381

### Roller

**Contents:** 2 roller assemblies; 2 no 8 x 3/4" Phillips pan head sheet metal screws.

**Description:** Single wheel; top hung; offset adjustable **steel** bracket; 13/16" diameter **nylon round edge** wheel; used on **Steward** wardrobe doors.

Call for Availability

## 163111

### Roller

**Contents:** 1 roller; 1 adjustment bracket with screw.

**Description:** Single wheel; top hung; **steel** bracket with **nylon** anti-jump guide; 3/16" wide, rail edge; 3/4" diameter **flat edge nylon** wheel; fits on **Roberts**.

You may also wish to stock these related parts: **16382, 16383, 163113.**

Call for Availability

## 16383

### Guide

**Contents:** 2 guides.

**Description:** Bottom mount; **nylon** guide for steel frame bi-passing doors; used on **Roberts** wardrobe doors.

You may also wish to stock these related parts: **16382, 163111.**

## 163113

### Guide

**Contents:** 2 guides.

**Description:** **Nylon** bottom guide for sliding wardrobe doors; snaps into steel frame of door.

You may also wish to stock these related parts: **16382, 163111.**

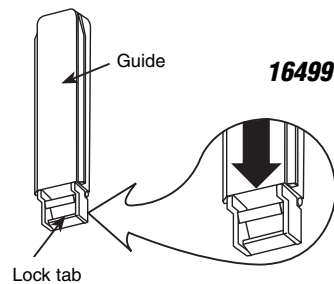
## 16499

### Guide

**Contents:** 2 guides.

**Description:** White plastic guide; replacement guides for part no. 16557.

You may also wish to stock these related parts: 16558.



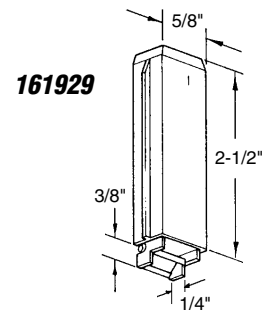
## 161929

### Guide

**Contents:** 2 guides.

**Description:** Bottom mount; nylon guide for steel bi-passing doors; repair part for no. 16427.

You may also wish to stock these related parts: 16428, 16427.



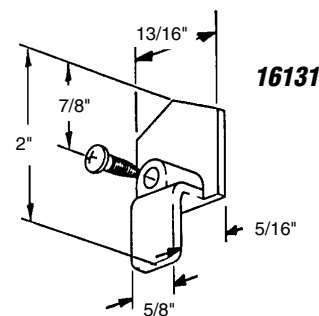
## 16131

### Guide

**Contents:** 1 guide; 1 no. 10 x 1/2" Phillips pan head sheet metal screw.

**Description:** Nylon; side mount; replaces old metal guides.

You may also wish to stock these related parts: 16132-L, 16132-R.

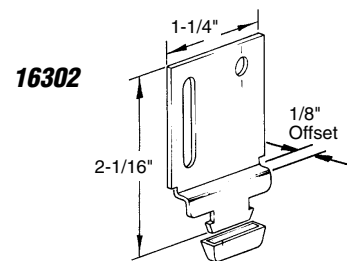


## 16302

### Guide

**Contents:** 2 guides; 4 no. 8 x 5/8" Phillips pan head sheet metal screws.

**Description:** Bottom mount; adjustable steel bracket with nylon tip; fits 3/4" to 1-3/8" thick bi-passing doors; fits on Cox.



**163115\*** (1/4" offset)

**163116** (1/2" offset)

**163117** (3/4" offset)

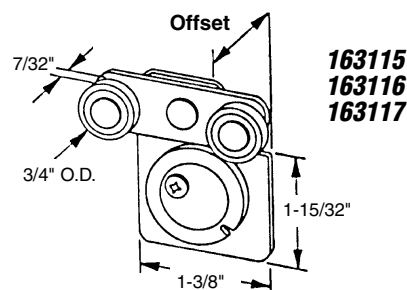
### Roller

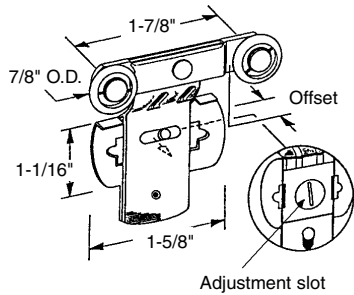
**Contents:** 2 roller assemblies with installation screws.

**Description:** Tandem wheels; top hung; 3/4" diameter nylon wheels; adjustable offset steel bracket; for 3/4" to 1-3/8" thick doors; fits on Atlas.

*\*Call for availability on this item.*

You may also wish to stock these related parts: 16136.





**162164**  
**162165**

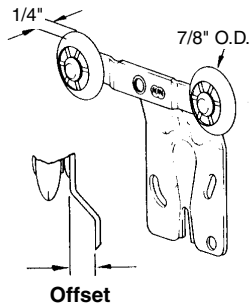
**162164** (Front - 3/16" offset)  
**162165** (Back - 11/16" offset)

## Roller

**Contents:** 2 roller assemblies; 4 no. 8 x 3/4" Phillips pan head sheet metal screws.

**Description:** 7/8" diameter, **round edge nylon** tandem wheels; side mount; adjustable **steel** bracket; for bi-passing doors; used on **Sterling** track systems.

You may wish to stock these related parts: **16136, 16451**.



**16218-F**  
**16218-B**  
**163221-F**  
**163221-B**

**16218-F** (Front - 1/4" offset)  
**16218-B** (Back - 1/2" offset)  
**163221-F** (Front - **ball bearing wheel** - 1/4" offset)  
**163221-B** (Back - **ball bearing wheel** - 1/2" offset)

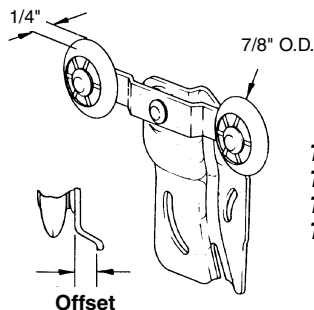
## Roller

**Contents:** 2 roller assemblies; 6 no. 8 x 3/4" Phillips pan head sheet metal screws.

**Description:** Tandem wheels; top hung; side mounting; offset adjustable **steel** bracket; 7/8" diameter **round edge nylon** wheels; fits 3/4" to 1-3/8" thick door; fits on **Acme**.

You may wish to stock these related parts: **16451, 16217**.

**Note:** **163221-F & 163221-B** have **nickel plated steel** brackets & are supplied with **free door bumper** (161899).



**16258-F**  
**16258-B**  
**163223-F**  
**163223-B**

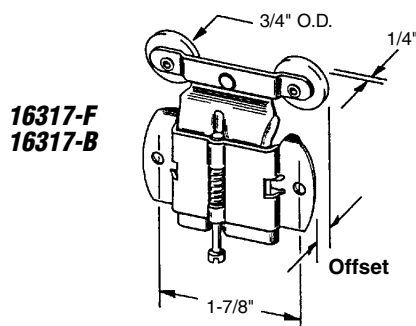
**16258-F** (Front - 1/4" offset)  
**16258-B** (Back - 1/2" offset)  
**163223-F** (Front - **ball bearing wheel** - 1/4" offset)  
**163223-B** (Back - **ball bearing wheel** - 1/2" offset)

## Roller

**Contents:** 2 roller assemblies; 4 no. 8 x 3/4" Phillips pan head sheet metal screws.

**Description:** Tandem wheels; top hung; side mounting; offset adjustable **steel** bracket; 7/8" diameter **round edge nylon** wheels fits 3/4" thick doors; fits on **Cox**.

**Note:** **163223-F & 163223-B** have **nickel plated steel** brackets & are supplied with **free door bumper** (161899).



**16317-F**  
**16317-B**

**16317-F** (Front - 3/8" offset)  
**16317-B** (Back - 3/4" offset)

## Roller

**Contents:** 2 roller assemblies; 4 no. 8 x 3/4" Phillips pan head sheet metal screws.

**Description:** Tandem wheels; top hung; side mounting; offset adjustable **steel** bracket; 3/4" diameter **round edge nylon** wheels; fits 3/4" to 1-3/8" thick doors; 75 lb capacity; fits on **Harvey**.

You may wish to stock these related parts: **16217, 16136**.

## 163134 (1/2" offset)

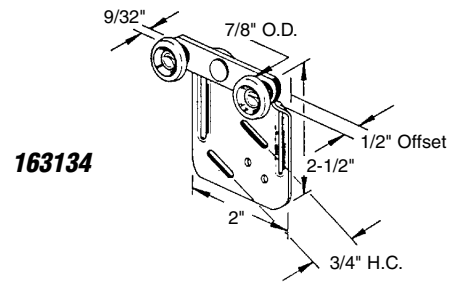
Call for  
Availability

### Roller

**Contents:** 2 roller assemblies; 6 no. 8 x 3/4" Phillips pan head sheet metal screws.

**Description:** Tandem wheels; side mounting adjustable **steel** bracket; 7/8" diameter **round edge nylon** wheels; for 3/4" to 1-3/8" thick doors up to 90 lbs. each; fits on **Atlas**.

You may wish to stock these related parts: **16217**.



## 163199-F (Front - 3/16" offset - tandem wheels)

## 163199-B (Back - 7/16" offset - tandem wheels)

## 163513-F (Front - 3/16" offset)

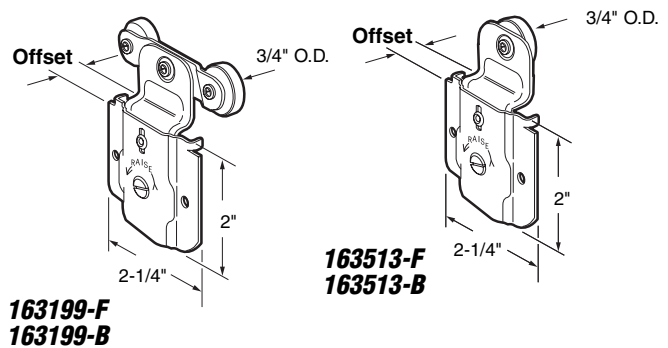
## 163513-B (Back - 7/16" offset)

### Roller

**Contents:** 2 roller assemblies; 4 no. 8 x 3/4" Phillips pan head screws.

**Description:** Top hung; side mounting; offset adjustable **steel** bracket; 3/4" diameter **flat edge nylon** wheels; used on **Grant series 6000** doors.

You may wish to stock these related parts: **16136**.



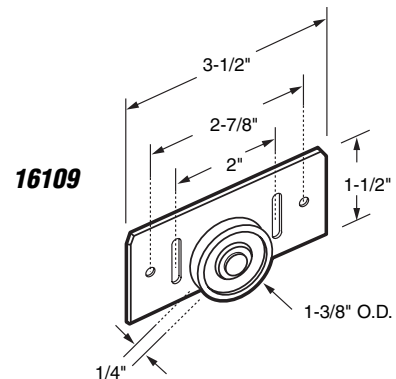
## 16109

### Roller

**Contents:** 2 roller assemblies; 4 no. 8 x 3/4" Phillips pan head sheet metal screws.

**Description:** Bottom mount; installs on back side of door panel; **steel** bracket; 1-3/8" diameter **flat edged nylon** wheel.

You may wish to stock these related parts: **16245**.



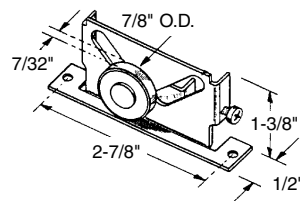
## 163106

Call for  
Availability

### Roller

**Contents:** 2 roller assemblies; (1 left and 1 right); 1 set of installation screws.

**Description:** Sliding mirror door **steel** bracket with 7/8" diameter **steel ball bearing** wheel; adjustable; fits on **Daryl Door**.



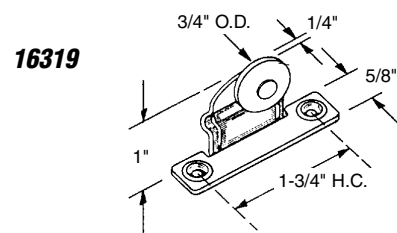
## 16319

### Roller

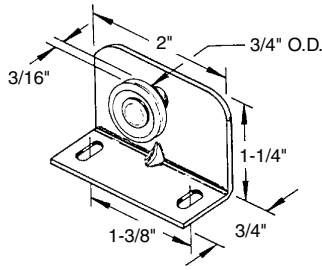
**Contents:** 2 roller assemblies; 4 no. 8 x 1-1/4" Phillips pan head sheet metal screws.

**Description:** Single wheel; top hung; **offset steel** bracket; 3/4" diameter **round edge nylon** wheel; fits 3/4" to 1-3/8" thick doors; fits on **Harvey**.

You may wish to stock these related parts: **16104**, **161930**.







**16281**

**16281**

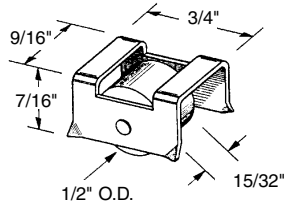
**Roller**

**Contents:** 2 roller assemblies; 4 no. 8 x 1-1/4" Phillips pan head sheet metal screws.

**Description:** Single flat edge nylon wheel; top center mounting; wheel fits 3/4" to 1-3/8" thick doors; works as a fixed roller with no. N-6629; fits on Atlas.

You may wish to stock these related parts: **16280**.

**16759**



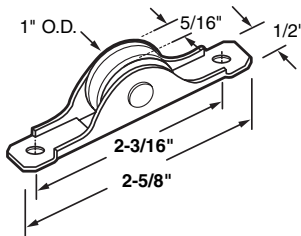
**16759**

**Roller**

**Contents:** 2 roller assemblies.

**Description:** 1/2" diameter stainless steel roller; brass housing; fits 9/16" groove in door rail; held in place by flared points.

**16103**



**16102**

**16102** (2-7/16" hole centers)

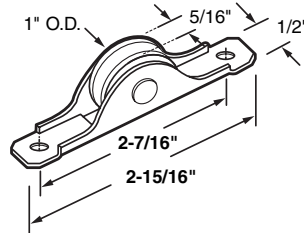
**16103** (2-3/16" hole centers)

**Roller**

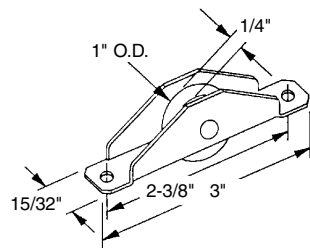
**Contents:** 2 roller assemblies; 4 no. 8 x 3/4" Phillips pan head sheet metal screws.

**Description:** Bottom mount; mortise installation; steel housing; 1" diameter center groove nylon wheel; fits on Glide Master.

You may wish to stock these related parts: **16102, 16105, 16106, 16108**.



**16105**



**16105**

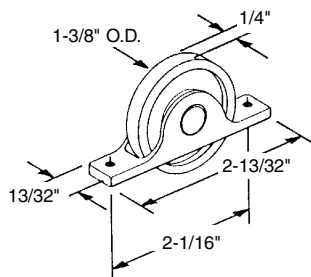
**Roller**

**Contents:** 2 roller assemblies; 4 no. 8 x 3/4" Phillips pan head sheet metal screws.

**Description:** Bottom mount; mortise installation; steel housing; 1" diameter round edged nylon wheel; fits on Glide Master.

You may wish to stock these related parts: **16102, 16103, 16106, 16108**.

Call for Availability



**16108**

**16108**

**Roller**

**Contents:** 2 roller assemblies; 2 no. 8 x 3/4" Phillips pan head sheet metal screws.

**Description:** Bottom mount; mortise installation; steel housing; 1-3/8" diameter flat edged nylon wheel.

You may wish to stock these related parts: **16102, 16103, 16105, 16106**.

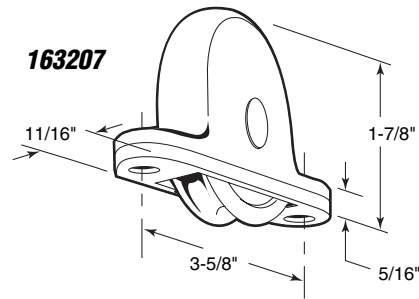
Call for Availability

## 163207

### Roller

**Contents:** 1 roller assembly.

**Description:** Bottom mount; mortise installation; heavy die cast housing; 1-3/4" diameter x 3/8" wide **grooved nylon** wheel; used on **Grant No. 18** door systems.



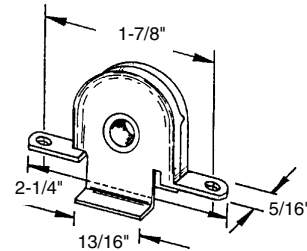
**16765** (Steel ball bearing - flat edge wheel)

**16766** (Nylon - grooved edge wheel)

### Roller

**Contents:** 2 roller assemblies.

**Description:** **Stamped steel** housing; fits a 1-1/4" x 5/16" mortise slot in door rail.



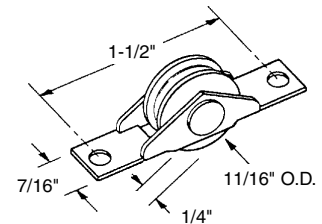
**16765**  
**16766**

## 16769

### Roller

**Contents:** 2 roller assemblies.

**Description:** 11/16" diameter **steel wheel** with **axle bearing**; center grooved; fits a 7/16" x 1-7/8" mortise slot in door rail.



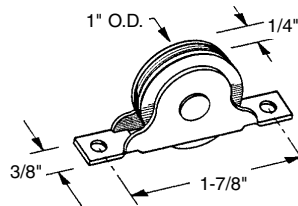
**16769**

## 16770

### Roller

**Contents:** 2 roller assemblies.

**Description:** **Steel ball bearing** grooved wheel; fits a 1-1/4" x 5/16" mortise slot in door rail.



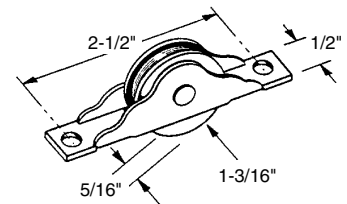
**16770**

## 16771

### Roller

**Contents:** 2 roller assemblies.

**Description:** 1-3/16" diameter **steel ball bearing** wheel; center grooved; fits a 2-15/16" x 7/16" mortise slot in door rail.



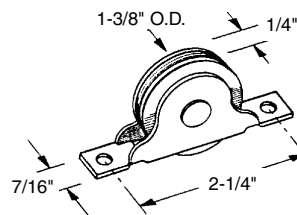
**16771**

## 16772

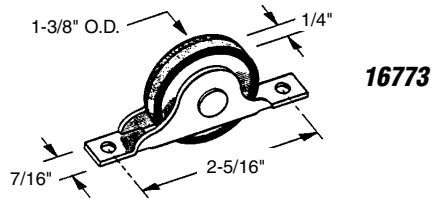
### Roller

**Contents:** 2 roller assemblies.

**Description:** 1-3/8" diameter **steel ball bearing**; center grooved wheel; fits a 2-3/4" x 7/16" mortise slot in door rail.



**16772**

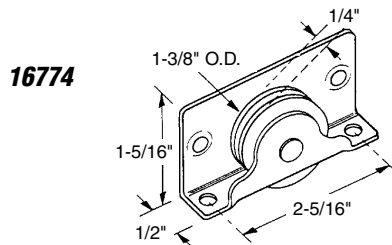


**16773**

**Roller**

**Contents:** 2 roller assemblies.

**Description:** 1-3/8" diameter **flat neoprene tire ball bearing** wheel; fits a 2-3/4" x 7/16" mortise slot in door rail.

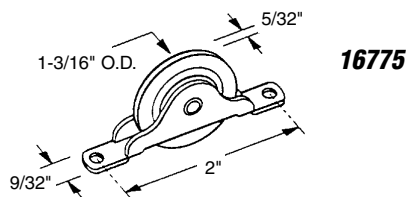


**16774**

**Roller**

**Contents:** 2 roller assemblies.

**Description:** 1-3/8" diameter **steel ball bearing** wheel; center groove; side mounted bracket for external mounting.

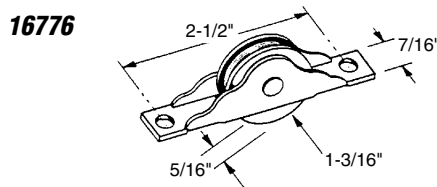


**16775**

**Roller**

**Contents:** 2 roller assemblies.

**Description:** 1-3/16" diameter **round edge nylon** wheel; for thin doors; fits a 9/32" x 2-1/4" mortise slot in door rail.

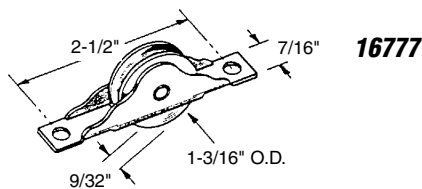


**16776**

**Roller**

**Contents:** 2 roller assemblies.

**Description:** 1-3/16" diameter **center grooved nylon** wheel; for door thickness up to 1-1/8"; fits a 7/16" x 2-15/16" mortise slot in door rail.

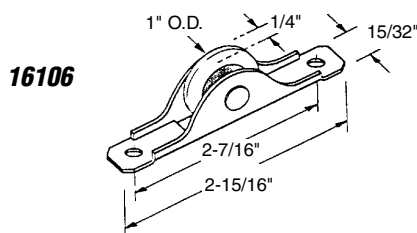


**16777**

**Roller**

**Contents:** 2 roller assemblies.

**Description:** 1-3/16" diameter **bronze center groove** wheel; self-lubricating bearing; **solid brass** housing; used by many boat manufacturers; fits a 7/16" x 2-15/16" mortise slot in door frame.



**16106**

**Roller**

**Contents:** 2 roller assemblies.

**Description:** Bottom mount; mortise installation; **steel** housing; 1" diameter **round edged nylon** wheel; fits on *Glide Master*.

You may also wish to stock these related parts: **16102, 16103, 16105, 16108.**

*Call for Availability*

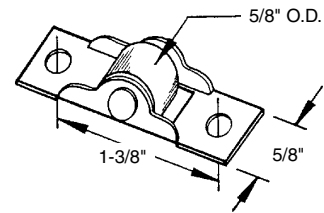
## 16761

### Roller

**Contents:** 2 roller assemblies.

**Description:** 5/8" diameter **nylon** wheel; **steel** housing; fits 5/8" groove in door rail; mortise installation.

**16761**

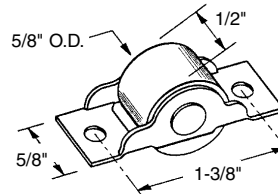


## 16762

### Roller

**Contents:** 2 roller assemblies.

**Description:** 5/8" diameter **steel** wheel; **steel** housing; fits 5/8" groove in door rail; mortise installation.



**16762**

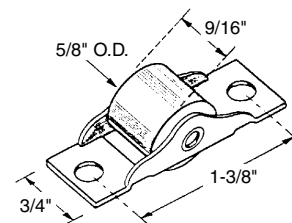
## 16763

### Roller

**Contents:** 2 roller assemblies.

**Description:** 5/8" diameter **steel** wheel; **steel** housing; fits 3/4" groove in door rail; mortise installation.

**16763**



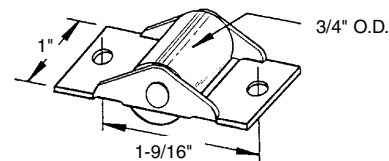
*Call for  
Availability*

## 16764

### Roller

**Contents:** 2 roller assemblies.

**Description:** 3/4" diameter **steel** wheel; **steel** housing; fits 1" groove in door rail; mortise installation.



**16764**

## 16767 (Steel)

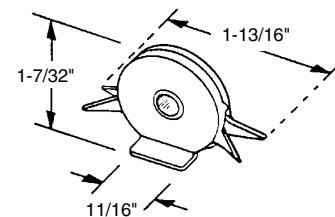
## 16768 (Nylon)

### Sliding Door Roller

**Contents:** 2 roller assemblies.

**Description:** **Ball bearing flat** wheel; drive-in **steel** housing; fits a 1-1/4" x 5/16" mortise slot in door rail.

**16767  
16768**

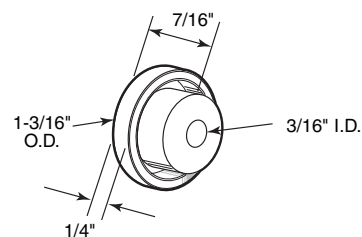


## 16245

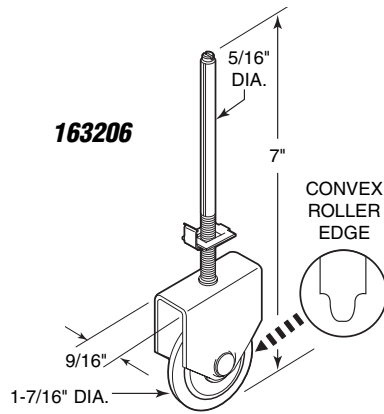
### Roller

**Contents:** 2 rollers.

**Description:** **Nylon** wheel mounts directly onto door panel; 1-3/16" diameter.



**16245**

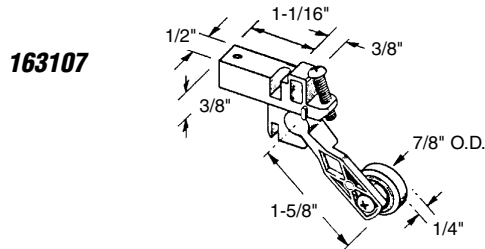


## 163206

### Roller

**Contents:** 1 roller assembly.

**Description:** Plated steel rod with stamped steel roller housing; 1-3/8" diameter convex nylon wheel.



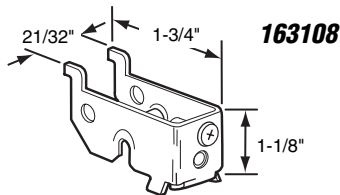
## 163107

### Roller

**Contents:** 1 roller assembly.

**Description:** 7/8" nylon ball bearing wheel; adjustable diecast roller housing; fits on *Miller Door*.

Call for  
Availability



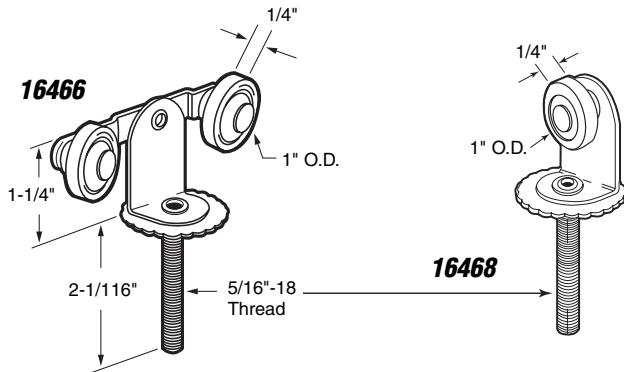
## 163108

### Roller Bracket

**Contents:** 1 roller bracket.

**Description:** Stamped steel housing to accept no. 163105 wardrobe door roller; snap together design between bracket and wheel assembly; fits on *Ador/HiLite*.

You may wish to stock these related parts: 163105, 163119.



## 16466

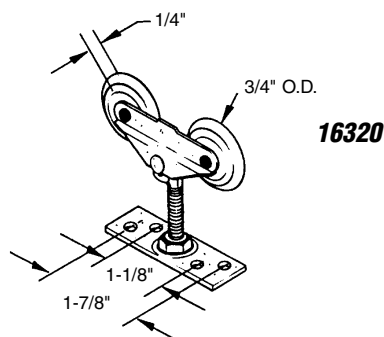
16466 (Tandem rollers)

### Roller

**Contents:** 1 roller assembly.

**Description:** Top-center mounting; adjustable steel bracket; flat edge nylon wheel; fits 3/4" to 1-3/8" thick doors; fits on *Like*.

You may wish to stock these related parts: 16104, 161930, 16752, 161093.



## 16320

### Roller

**Contents:** 1 roller assembly; 4 no. 8 x 1-1/4" Phillips pan head sheet metal screws.

**Description:** Tandem wheels; top hung; offset adjustable bracket; round edge nylon wheel; fits 3/4" to 1-3/8" thick doors; fits on *Harvey*.

You may wish to stock these related parts: 16104, 161930.

## 16326

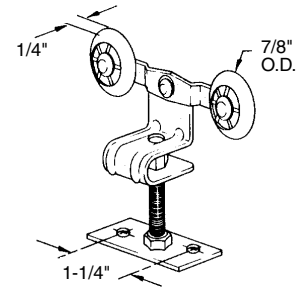
### Roller

**Contents:** 2 roller assemblies; 4 no. 8 x 1-1/4" Phillips pan head sheet metal screws.

**Description:** Tandem wheels; top mounting; adjustable **steel** bracket; **round edge nylon** wheel; fits 1-3/8" thick doors; fits on **Cox**.

You may wish to stock these related parts: **161230, 161093.**

**16326**



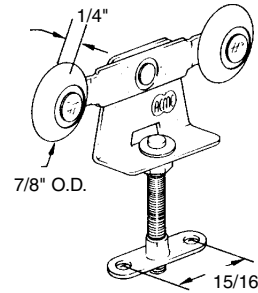
## 16469

### Roller

**Contents:** 1 roller assembly; 2 no. 8 x 1-1/4" Phillips pan head sheet metal screws.

**Description:** Tandem wheels; top mounting; adjustable **steel** bracket; **round edge nylon** wheel; fits 1-3/8" thick doors; fits on **Acme**.

You may wish to stock these related parts: **16217.**



**16469**

## 16465

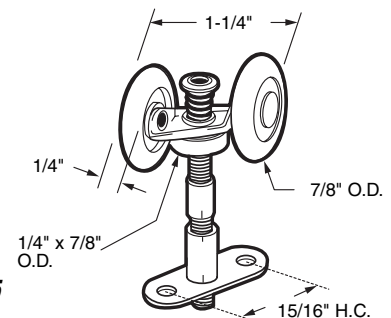
### Roller

**Contents:** 1 roller assembly; 2 no. 8 x 1-1/4" Phillips pan head sheet metal screws.

**Description:** Tandem wheel hanger, with **round edge nylon** wheels; top mounting; adjustable **steel** bracket with **flat edge horizontal guide wheel**; fits 1" to 1-3/8" thick doors; used on **Acme "series 2600"** bi-fold & accordion doors.

You may wish to stock these related parts: **163093, 16369, 16260, 16261, 16259.**

**16465**



**163167** (3/4" diameter)  
**161137** (1" diameter)

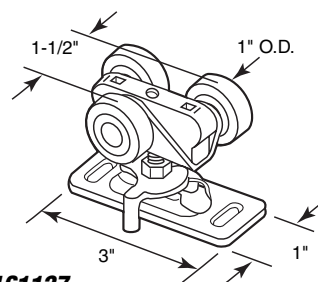
### Roller

**Contents:** 1 roller assembly; 2 no. 8 x 3/4" Phillips pan head sheet metal screws.

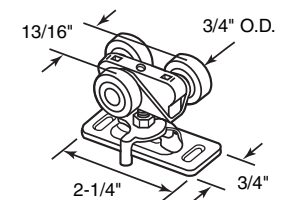
**Description:** Three (3) **flat edge nylon** wheels; **steel** top mount adjustable bracket used on pocket doors, sliding doors and bi-folding doors.

You may wish to stock these related parts: **161149, 161148, 161092.**

**161137**



**163167**



## 163175

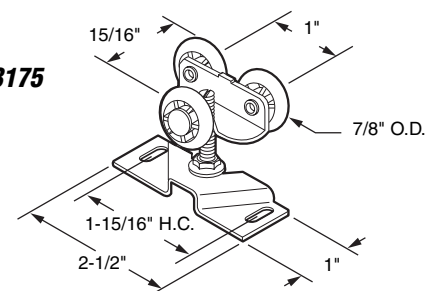
### Roller

**Contents:** 1 roller assembly; 2 no. 8 x 1-1/4" Phillips pan head sheet metal screws.

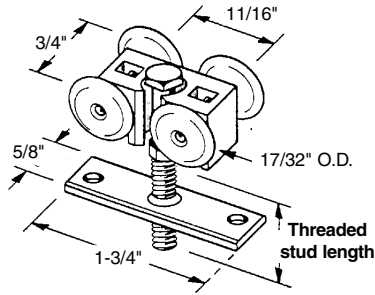
**Description:** Three (3) wheel hanger; top mounting; adjustable **steel** bracket; **round edge nylon** wheels; used on both bi-passing and pocket doors.

**Note:** See 163208 for 4 wheel version.

**163175**



**16560**  
**16559**



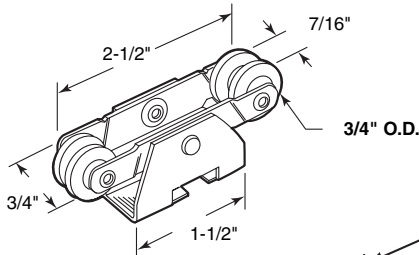
**16560** (5/8" stud length)  
**16559** (1-1/4" stud length)

## Roller

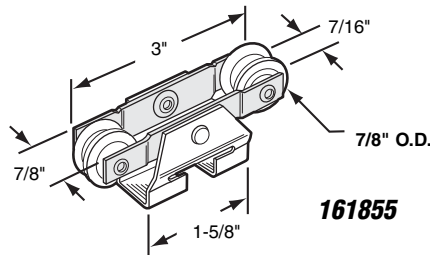
**Contents:** 1 roller assembly; 2 no. 8 x 1-1/2" Phillips pan head sheet metal screws.

**Description:** Folding shutter door hanger; (4) round edge nylon wheels on nylon carrier; top hung; designed for lightweight doors or counter top style window shutters; steel mounting plate.

You may wish to stock these related parts: **161900**, **161901**, **161902**.



**163509**



**161855**

**161855** (7/8" diameter - nylon wheels)  
**163509** (3/4" diameter - nylon ball bearing wheels)

## Roller

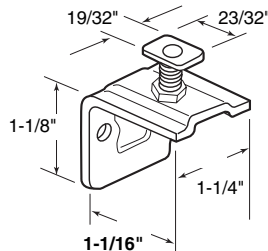
**Contents:** 1 roller assembly.

**Description:** Stamped steel bracket; 4 wheel carrier uses nylon wheels; for heavy duty bi-passing or pocket doors up to 100 lbs. each; substitute for Acme "1000" and "1700" series track systems.

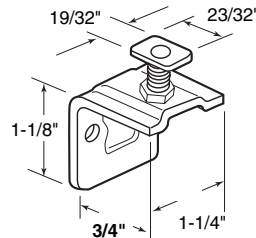
**Note:** These hangers will not work with existing hanger bracket. Must choose from one of the 6 listed below.

You may wish to stock these related parts: **163132**, **163178**, **163179**.

**163179**



**163178**



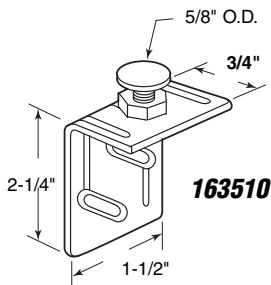
**163178** (Front - for 3/4", 1-1/8" and 1-3/4" thick doors)  
**163179** (Back - for 1-1/8", 1-3/8" and 1-3/4" thick doors))

## Side Mount Roller Bracket

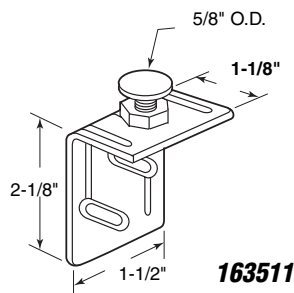
**Contents:** 1 roller bracket.

**Description:** Plated steel bracket; side mount bracket for (4) wheel carrier no. **161855**; used on wardrobe and pocket doors.

You may wish to stock these related parts: **161855**, **163132**.



**163510**



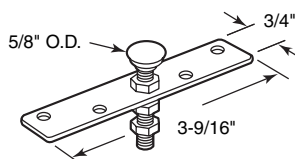
**163511**

**163510** (For 1-1/8" and 1-3/4" thick doors)  
**163511** (For 1-1/8", 1-3/8" and 1-3/4" thick doors)

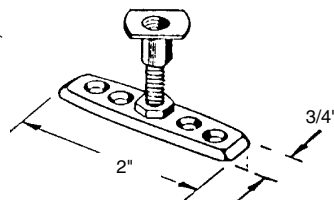
## Roller Bracket

**Contents:** 1 roller bracket.

**Description:** Plated steel bracket; side mount bracket for 4 wheel carrier no. **163509**; used on wardrobe and pocket doors.



**163512**



**163132**

**163132**  
**163512**

## Top Mount Roller Bracket

**Contents:** 1 threaded bracket; 1 tee nut; 4 no. 8 x 1-1/4" screws.

**Description:** Top mounting steel bracket; adjustable; use **161855** with **163132** and **163509** with **163512**.

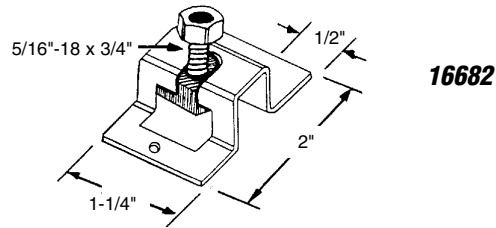
**16682**

## Top Mount Roller Bracket

**Contents:** 1 bracket assembly.

**Description:** Steel bracket with threaded stud and nut; used with **16209-A** and **16223** roller assemblies.

You may wish to stock these related parts: **16209-A**, **16223**.



**161910** (Brass finish)

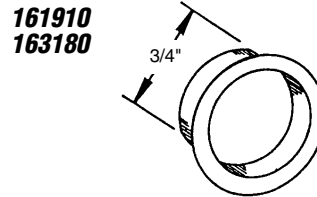
**163180** (Nickel-plated finish)

## Finger Pull

**Contents:** 4 pulls.

**Description:** Plated steel pull; fits a **3/4\"**

You may wish to stock these related parts: **161096**, **161095**, **162457**.



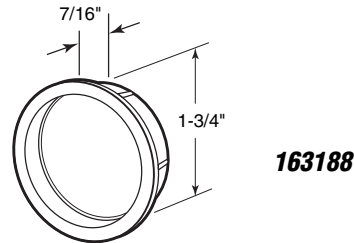
**163188**

## Pull Handle

**Contents:** 2 pulls.

**Description:** Ivory colored plastic pull; fits a **1-3/4\"**

You may wish to stock these related parts: **16216-F**, **16216-B**, **16451**, **163138**.



**163138** (Brass finish)

**163139** (Antique brass finish)

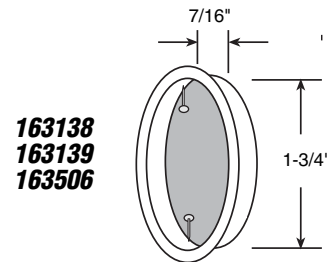
**163506** (Chrome finish)

## Pull Handle

**Contents:** 2 pull handles; 4 nails.

**Description:** Plated steel pull; fits a **1-3/4\"**

You may wish to stock these related parts: **161096**, **161095**, **163136**, **163137**.



**161096** (Brass finish - 1 per card)

**162986** (Brass finish - 2 per card)

**163136** (Antique brass finish - 2 per card)

**162062** (Chrome finish - 2 per card)

**CCEP-6698** (Brass finish - 2 per bag)\*

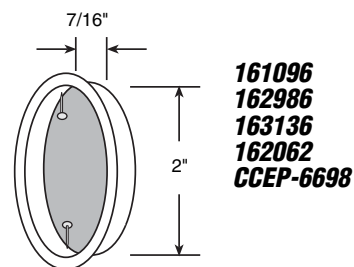
## Pull Handle

**Contents:** Pull handle with nails.

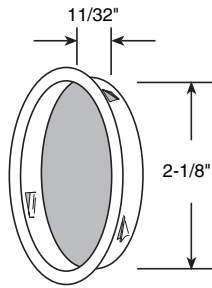
**Description:** Plated steel pull; fits a **2\"**

\*50 bags per cut-case box.

You may wish to stock these related parts: **161095**.







**161095**  
**162987**  
**163137**  
**162063**  
**CCEP-6699**

**161095** (Brass finish - 1 per card)  
**162987** (Brass finish - 2 per card)  
**163137** (Antique brass finish - 2 per card)  
**162063** (Chrome finish - 2 per card)  
**CCEP-6699** (Brass finish - 2 per bag)\*

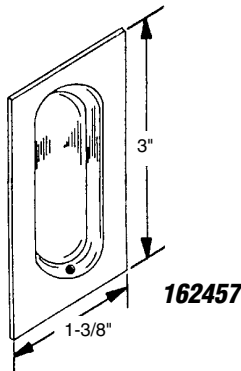
## Pull Handle

**Contents:** Pull handle with nails.

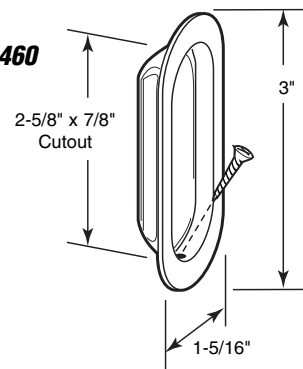
**Description:** Plated steel pull; fits a 2-1/8" diameter hole; held in place by 2 nails; used by many wardrobe door manufacturers.

\*50 bags per cut-case box.

You may wish to stock these related parts: **161096**.



**162457**



**162457** (Rectangular face)  
**162460** (Oval face)

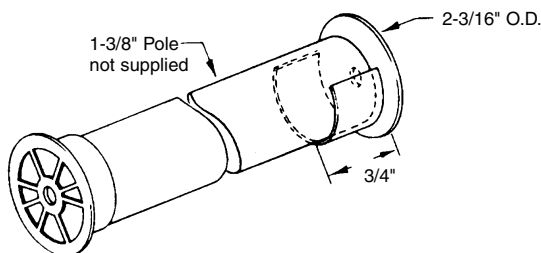
## Pull Handle

**Contents:** 2 pulls; 4 nails or screws.

**Description:** Brass plated steel sliding door pull for pocket doors; fits a 7/8" x 2-5/8" mortise.

You may wish to stock these related parts: **161496**.

**16815**  
**16815-EB**  
**CCEP-6568**



**16815** (1 set - carded)  
**16815-EB** (Bagged)\*\*  
**CCEP-6568** (Bagged)\*

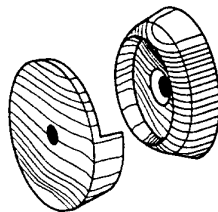
## Pole Sockets

**Contents:** 1 set of pole sockets; 2 no. 8 x 3/4" Phillips flat head sheet metal screws.

**Description:** Plastic pole sockets accept a 1-3/8" standard wood pole; universal design.

\*50 bags per cut-case box.  
 \*\*100 per bag.

**161898**  
**CCEP-6794**



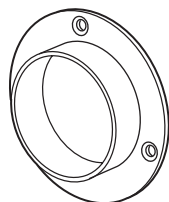
**161898**  
**CCEP-6794** (Bagged)\*

## Pole Sockets

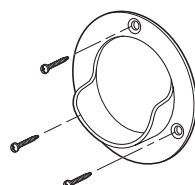
**Contents:** 1 set of sockets; with fasteners.

**Description:** Wood socket for standard 1-3/8" diameter pole.

\*50 bags per cut-case box.



**163205**



**163205** (Brass finish)

## Pole Sockets

**Contents:** 1 set of sockets with fasteners.

**Description:** Plated stamped steel socket for standard 1-3/8" diameter pole.

You may wish to stock these related parts: **161898**, **16815-EB**, **163201**.

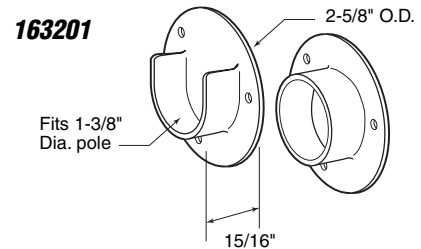
**163201** (White)

## Pole Sockets

**Contents:** 1 set of sockets; with fasteners.

**Description:** Diecast socket for standard 1-3/8" diameter pole.

You may wish to stock these related parts: **161898, 16815.**



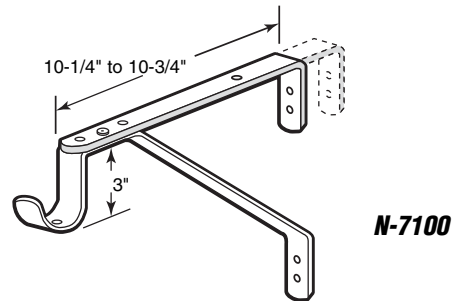
**N-7100** (Light gray)

## Shelf & Rod Support Bracket

**Contents:** 1 bracket; 2 no. 8 x 5/8" screws; 2 no. 10 x 1-1/2" Phillips pan head sheet metal screws.

**Description:** Heavy duty (12 ga.) painted steel bracket; 1/2" adjustment for use with or without shelf cleats; 3" hook allows easy accessibility of coat hangers to rod; will support shelves 11" to 14" deep and rods up to 1-3/8" diameter.

You may wish to stock these related parts: **N-7099, N-7101.**



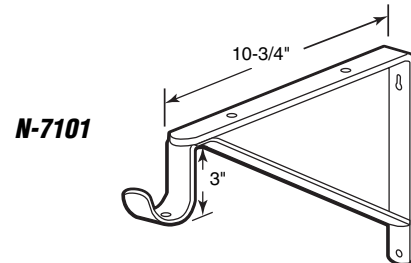
**N-7101** (Light gray)

## Shelf & Rod Support Bracket

**Contents:** 1 bracket; 2 no. 8 x 5/8" screws; 2 no. 10 x 1-1/2" Phillips pan head sheet metal screws.

**Description:** Heavy duty (12 ga.), non-adjusting, painted steel bracket; 3" hook allows easy accessibility of coat hangers to rod; will support shelves 11" to 14" deep and rods up to 1-3/8" diameter.

You may wish to stock these related parts: **N-7099, N-7100.**



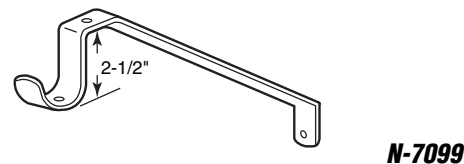
**N-7099** (Light gray)

## Shelf & Rod Support Bracket

**Contents:** 1 bracket; 2 no. 8 x 5/8" screws; 2 no. 10 x 1-1/2" Phillips pan head sheet metal screws.

**Description:** Painted (16 ga.) steel bracket; used to support shelves 11" to 14" deep and rods up to 1-3/8" diameter.

You may wish to stock these related parts: **N-7100, N-7101.**



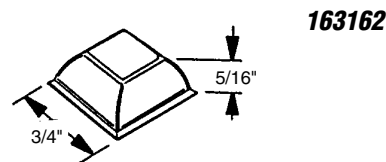
**163162**

## Adhesive Bumpers

**Contents:** 4 bumpers.

**Description:** Anti-slam protective stops; resilient polyurethane; pressure sensitive adhesive; no screws necessary.

You may wish to stock these related parts: **161096, 161095.**



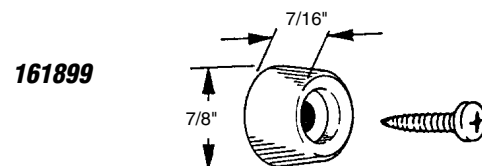
**161899**

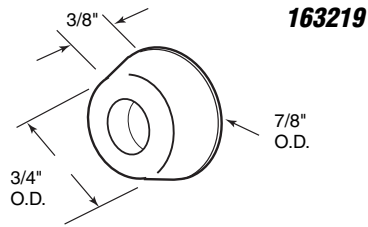
## Jamb Bumper

**Contents:** 4 bumpers; 4 no. 8 x 3/4" Phillips pan head sheet metal screws.

**Description:** Rubber bumper mounts onto jamb to prevent wardrobe doors from slamming.

You may wish to stock these related parts: **161096, 161095.**





**163219**

## 163219

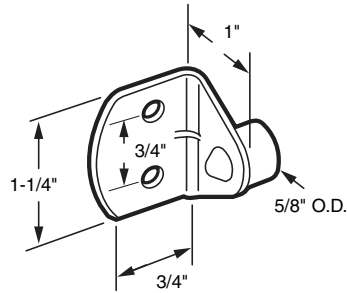
### Jamb Bumper

**Contents:** 4 bumpers.

**Description:** Clear polyurethane; self adhesive backed.

You may wish to stock these related parts: **161096, 161095.**

**162462**



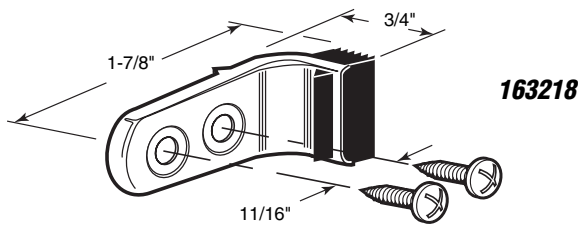
## 162462

### Door Bumper

**Contents:** 1 stop; 3 no. 8 x 3/4" Phillips pan head sheet metal screws.

**Description:** Nylon housing with rubber bumper; designed for mounting on the back of the front bi-passing door to limit the travel of the rear door.

You may wish to stock these related parts: **161096, 161095.**



**163218**

## 163218

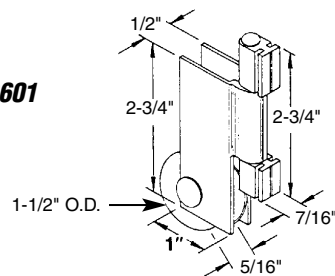
### Door Stop

**Contents:** 1 stop; 2 no. 8 x 3/4" Phillips pan head sheet metal screws.

**Description:** Zinc plated steel housing with rubber bumper; designed for mounting on the back of the front bi-passing door to limit the travel of the rear door.

You may wish to stock these related parts: **161096, 161095.**

**13601**



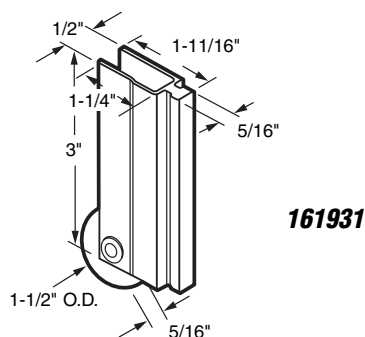
## 13601

### Roller

**Contents:** 1 roller assembly.

**Description:** 1-1/2" diameter nylon ball bearing wheel; 3 piece pivoting aluminum housing assembly; fits on *Monarch Door Company* for "800" series aluminum frame doors.

*Call for  
Availability*



**161931**

## 161931

### Roller

**Contents:** 1 roller assembly.

**Description:** 1-1/2" diameter nylon ball bearing wheel; with adjustable aluminum housing bracket; bracket has "T" shaped extruded boss; fits on *Contractors Mirror Door Company*.

You may wish to stock these related parts: **163174.**

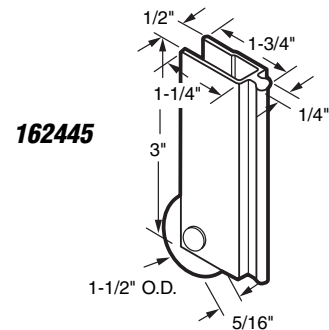
## 162445

### Roller

**Contents:** 1 roller assembly.

**Description:** 1-1/2" diameter **nylon ball bearing** wheel; with adjustable **aluminum** housing bracket; bracket has round extruded boss; fits on **Monarch Door Company for "500" series** aluminum frame doors.

You may wish to stock these related parts: **13650**.



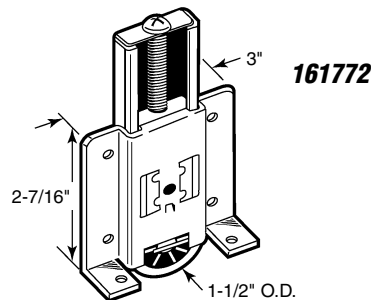
## 161772

### Mirror Door Roller

**Contents:** 1 roller assembly; 1 set of installation screws.

**Description:** Adjustable **steel** housing with 1-1/2" diameter concave, **non-ball bearing plastic** wheel; used on **Cox Series 21 and 22 Door Systems**.

You may also wish to stock these related parts: **163156**.



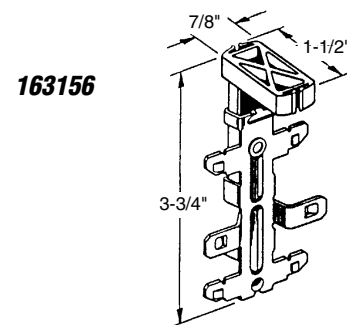
## 163156

### Mirror Door Top Guide

**Contents:** 2 guide assemblies.

**Description:** **Steel** snap-in design housing with **plastic** guide head; used on **Cox Series 21 Steel Door Systems**.

You may also wish to stock these related parts: **161772**.



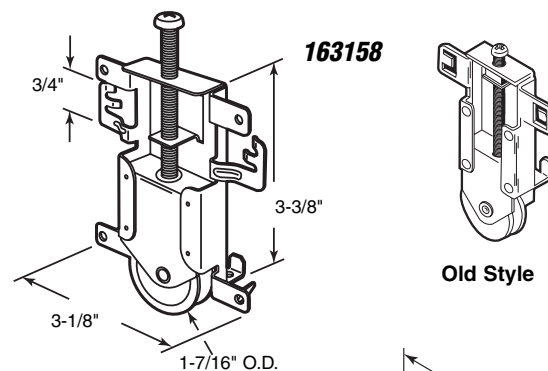
## 163158

### Mirror Door Roller

**Contents:** 1 roller assembly

**Description:** Adjustable **steel** housing with 1-7/16" diameter **concave nylon ball bearing** wheel; used on steel framed doors, snap-in design.

You may also wish to stock these related parts: **163159**.

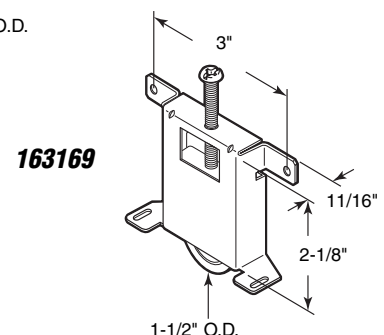


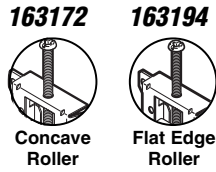
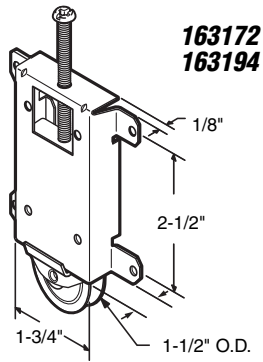
## 163169

### Mirror Door Roller

**Contents:** 1 roller assembly.

**Description:** Adjustable **steel** housing; 1-1/2" diameter **concave nylon ball bearing** wheel; most commonly used on wood framed sliding mirror doors.





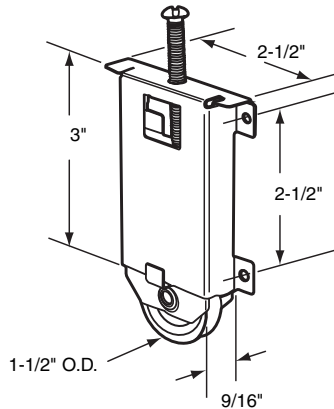
**163172** (Concave roller)  
**163194** (Narrow style - flat edge roller)

## Mirror Door Roller

**Contents:** 1 roller assembly.

**Description:** Adjustable **steel** housing; 1-1/2" diameter **nylon** wheel; fits on **Contractors Mirror Door**.

**16661**



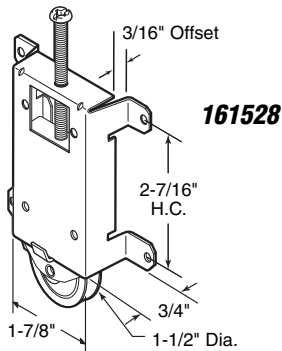
**16661**

## Mirror Door Roller

**Contents:** 1 roller assembly.

**Description:** 1-1/2" diameter **concave nylon ball bearing** wheel; **steel** housing with adjustment screw; fits on **Monarch Mirror Doors "L" series** steel frame door.

You may wish to stock these related parts: **163104, 16302**.



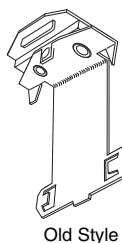
**161528**

**161528**

## Mirror Door Roller

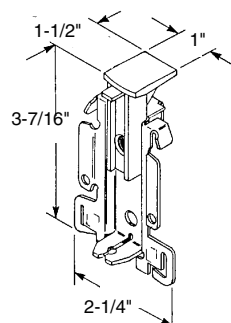
**Contents:** 1 roller assembly.

**Description:** 1-1/2" diameter **nylon** wheel; **steel** housing with adjustment screw; used by several mirror door manufacturers.



Old Style

**163159**



**163159**

## Mirror Door Top Guide

**Contents:** 2 guides.

**Description:** **Steel** snap-in design housing with **plastic** guide head; used on steel framed doors.

You may wish to stock these related parts: **163158**.

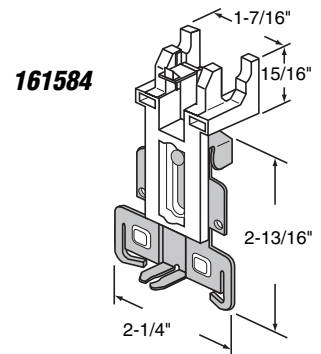
## 161584

### Mirror Door Top Guide

**Contents:** 2 guides.

**Description:** Steel snap-in design housing with plastic guide head; used on *Acme* doors.

You may wish to stock these related parts: **163197-B**.



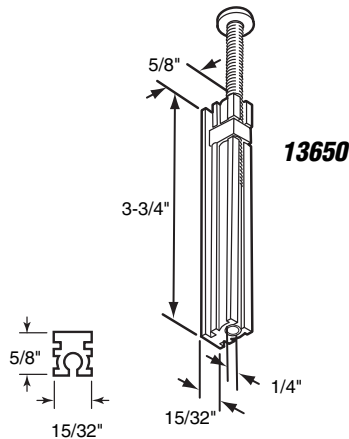
## 13650

### Mirror Door Roller Mounting Bracket

**Contents:** 1 bracket with adjustment screw.

**Description:** Extruded aluminum adjustment bracket used with **162445**; fits on *Monarch Mirror for series 500* aluminum framed doors.

You may wish to stock these related parts: **163104**, **161931**, **13602**.



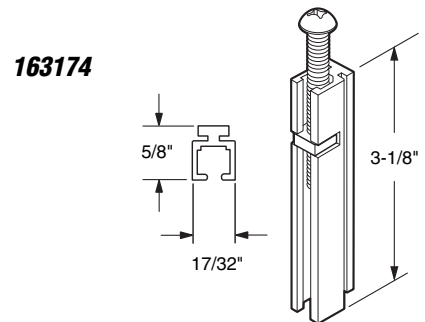
## 163174

### Mirror Door Roller Mounting Bracket

**Contents:** 1 bracket with adjustment screw.

**Description:** Extruded aluminum adjustment bracket used with **161931**; fits on *Contractors Mirror Door* on aluminum framed doors.

You may wish to stock these related parts: **163104**, **161931**, **13602**.



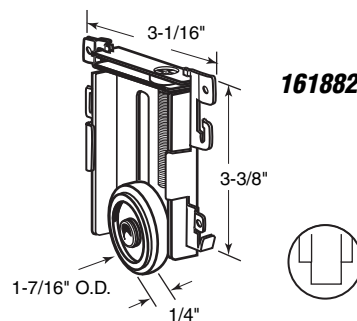
## 161882

### Mirror Door Bottom Roller

**Contents:** 1 roller assembly.

**Description:** 1-7/16" diameter, flat nylon non-ball bearing wheel with adjustable steel housing, snap-in bracket for steel framed doors.

You may wish to stock these related parts: **163147**, **163191**.



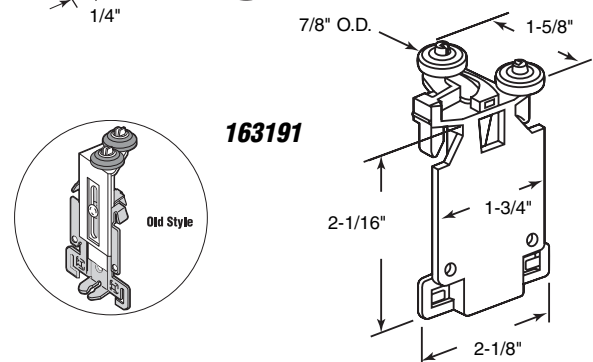
## 163191

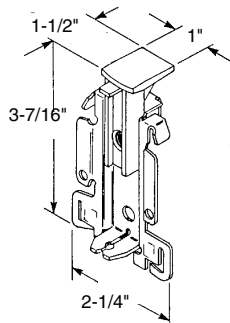
### Mirror Door Top Guide

**Contents:** 2 top guide assemblies.

**Description:** Twin rubber guide wheels; mounted horizontally on a stamped steel, snap-in housing; for steel framed doors.

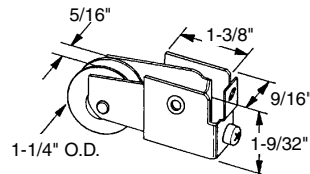
You may wish to stock these related parts: **161882**.



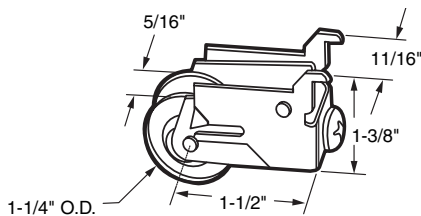


**163147**

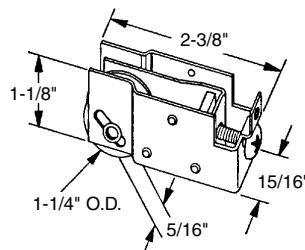
**13173**



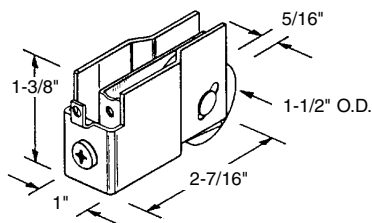
**163094**



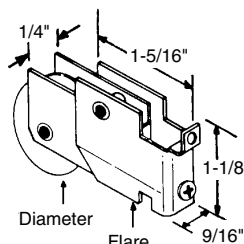
**163095**



**131683**  
**163096**



**162399**  
**161932**



## 163147

### Mirror Door Top Guide

**Contents:** 2 top guide assemblies.

**Description:** Nylon top guide; stamped steel, snap-in housing; for steel framed doors.

You may wish to stock these related parts: **161882**.

## 13173

### Mirror Door Roller Assembly

**Contents:** 1 roller assembly.

**Description:** 1-1/4" diameter nylon ball bearing wheel; adjustable steel housing assembly; fits on *Glassco* and other manufacturers.

You may wish to stock these related parts: **161783**.

## 163094

### Mirror Door Roller Assembly

**Contents:** 1 roller assembly.

**Description:** 1-1/4" diameter nylon ball bearing wheel; adjustable steel housing assembly; fits on *El Cajon*, *Premiere* and several other mirror door manufacturers.

You may wish to stock these related parts: **161783**.

## 163095

### Mirror Door Roller Assembly

**Contents:** 1 roller assembly.

**Description:** 1-1/4" diameter nylon ball bearing wheel; adjustable steel housing assembly.

**131683** (Nylon ball bearing)

**163096** (Steel ball bearing)

### Mirror Door Roller Assembly

**Contents:** 1 roller assembly.

**Description:** 1-1/2" diameter ball bearing wheel; adjustable steel housing assembly; fits on *Joe Keith Company*.

**162399** (1-1/8" diameter - steel ball bearing)

**161932** (1-1/4" diameter - nylon ball bearing)

### Mirror Door Roller Assembly

**Contents:** 1 roller assembly.

**Description:** Ball bearing wheel; adjustable steel housing assembly; overall width at flare is 11/16"; fits on *Crest Mirror Door*, *Manufacturers Mirror Door* and others.

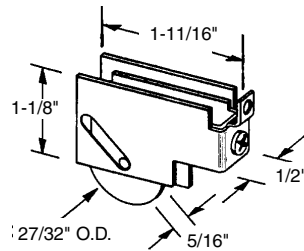
**Note:** Old part no. **163097** is the same as **162399**.

## 163098

### Mirror Door Roller Assembly

**Contents:** 1 roller assembly.

**Description:** 27/32" diameter **steel ball bearing** wheel; adjustable **steel** housing assembly; fits on *Manufacturers Mirror Door* and *House of Aluminum*.



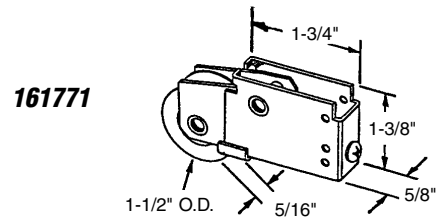
**163098**

## 161771

### Mirror Door Roller Assembly

**Contents:** 1 roller assembly.

**Description:** 1-1/2" diameter **nylon ball bearing** wheel; adjustable **steel** housing assembly; fits on *Marshall Door*.



**161771**

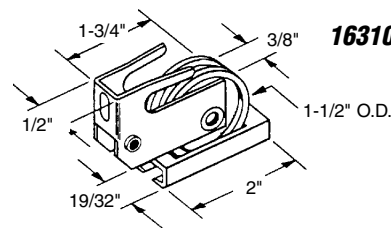
## 163105

### Mirror Door Roller Assembly

Call for Availability

**Contents:** 1 roller assembly

**Description:** 1-1/2" diameter **nylon** wheel; **special steel** and **plastic** housing assembly; fits on *Ador/HiLite Mirror Wardrobe Doors*.



**163105**

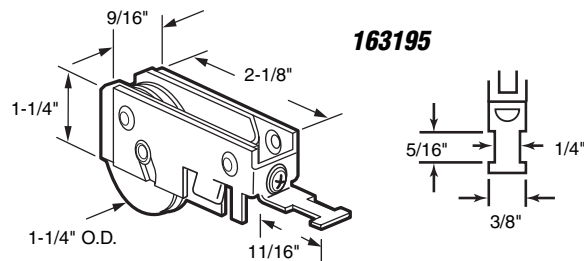
You may also wish to stock these related parts: **163108**, **163119**.

## 163195

### Mirror Door Roller Assembly

**Contents:** 1 roller assembly.

**Description:** 1-1/4" diameter **nylon ball bearing** wheel; adjustable **steel** housing assembly; fits on *Bay King* and other door manufacturers.



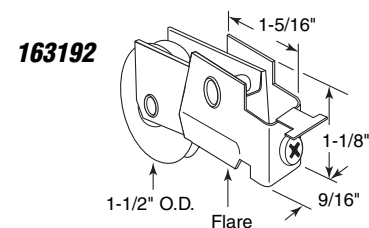
**163195**

## 163192

### Mirror Door Roller Assembly

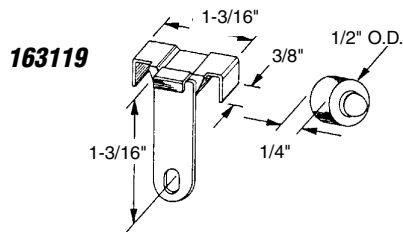
**Contents:** 1 roller assembly.

**Description:** 1-1/2" diameter **nylon ball bearing** wheel; adjustable **steel** housing assembly; overall width at flare is 25/32"

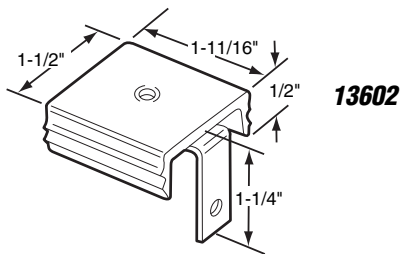


**163192**

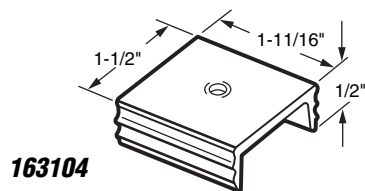




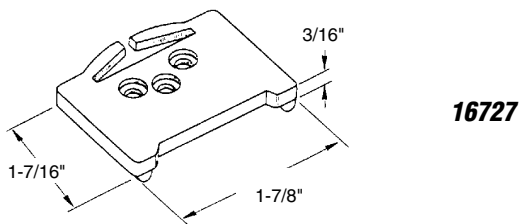
**163119**



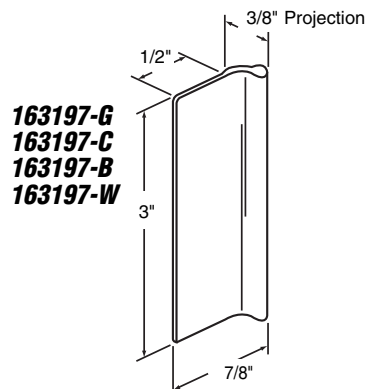
**13602**



**163104**



**16727**



**163197-G**  
**163197-C**  
**163197-B**  
**163197-W**

## 163119

### Mirror Door Guide and Bumper

**Contents:** 2 guides; 2 bumpers.

**Description:** Nylon top guide designed for sliding mirror doors; rubber bumper fits onto vertical door rail; fits on *Ador/HiLite*.

You may also wish to stock these related parts: **163105**, **163108**.

## 13602

### Mirror Door Guide & Bracket

**Contents:** 2 top guides; (2) no. 10 x 1/2" Phillips pan head sheet metal screws.

**Description:** Flexible plastic top guide with steel mounting bracket used on *Monarch Sliding Mirror Doors*; replaces old style "K" Design.

You may wish to stock these related parts: **163104**, **162445**, **16661**.

## 163104

### Mirror Door Guide

Call for  
Availability

**Contents:** 2 guides; (2) no. 10 x 3/8" Phillips pan head sheet metal screws.

**Description:** Flexible vinyl guide used to replace top guide on *Monarch* mirror door guide **13602**.

You may also wish to stock these related parts: **161931**, **162445**, **16661**.

## 16727

### Mirror Door Top Guides

**Contents:** 2 guides.

**Description:** Nylon top guides used on sliding mirror doors; used on *Contractors Wardrobe* doors.

You may also wish to stock these related parts: **163104**, **16661**.

**163197-G** (Polished gold)

**163197-C** (Chrome)

**163197-B** (Bronze)

**163197-W** (White)

### Mirror Door Pull

**Contents:** 1 pull.

**Description:** Plated or painted diecast pull; supplied with pressure sensitive adhesive backing.

# Bi-pass Door Hardware

- 163198-G** (Polished gold)
- 163198-C** (Chrome)
- 163198-B** (Bronze)
- 163198-W** (White)

## Mirror Door Pull

**Contents:** 1 pull.

**Description:** Plated or painted diecast pull; supplied with pressure sensitive adhesive backing.

## 161783

### Mirror Door Pull

**Contents:** 2 pulls.

**Description:** Beveled mirrored glass pull; pressure sensitive adhesive backing.

## 162038

### Guide

**Contents:** 2 guides; (6) no. 8 x 5/8" Phillips pan head sheet metal screws.

**Description:** Nylon construction; one piece design; bottom mount; for 1-3/8" thick doors, universal design.

You may wish to stock these related parts: **16217**, **16136**, **16104**.

- 16217** (1 per card)
- 162977** (2 per card)
- CCEP-6560** (2 per bag)\*

### Guide

**Contents:** Guide assembly; no. 8 x 3/4" Phillips pan head sheet metal screws.

**Description:** Steel base with nylon tips; adjustable bottom bracket; fits 3/4" to 1-3/8" thick bi-passing doors; fits on **Acme** and others.

\*30 bags per cut case box.

You may wish to stock these related parts: **16216-F**, **16216-B**, **16218-F**, **16218-B**.

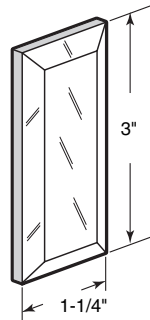
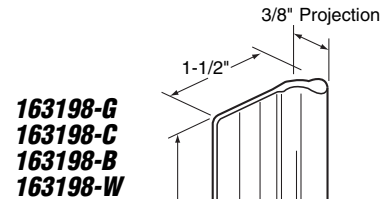
## 161148

### Guide

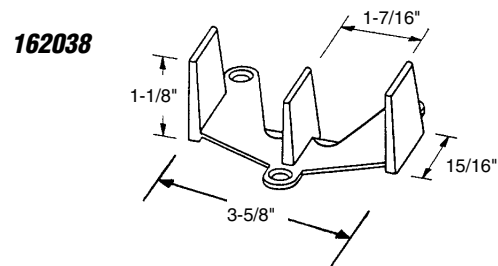
**Contents:** 1 guide assembly; 1 set of fasteners.

**Description:** Steel base with nylon guide tips; adjustable for either 3/4" or 1-3/8" thick doors; designed for use with **161149** carpet riser; fits on **Johnson Hardware**.

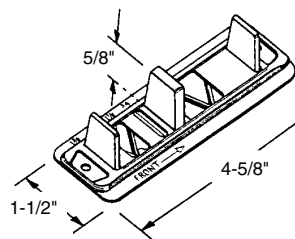
You may wish to stock these related parts: **161150**, **161151**.



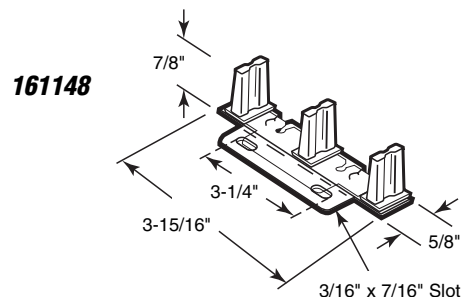
**161783**



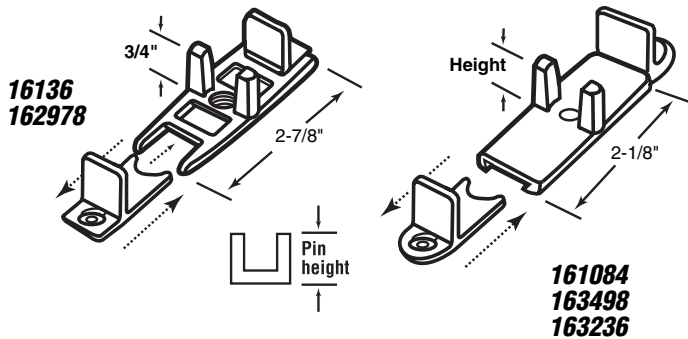
**162038**



**16217**  
**162977**  
**CCEP-6560**



**161148**



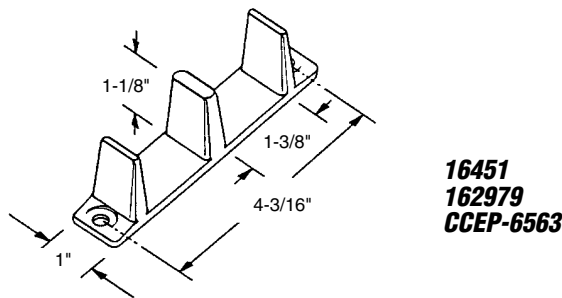
- 16136** (3/4" high guide pins - 1 per card)
- 162978** (3/4" high guide pins - 2 per card)
- 161084** (1" high guide pins - 1 per card)
- 163498** (1" high guide pins - 2 per card)
- 163236** (1-1/4" high guide pins - 2 per card)

### Guide

**Contents:** Guide assembly with no. 8 x 3/4" Phillips pan head sheet metal screws.

**Description:** Nylon guide pins; adjustable, nylon bottom mount bracket; fits 3/4" to 1-3/8" thick bi-passing doors; used by many manufacturers.

You may wish to stock these related parts: **161371, 161372, 161998 thru 161112.**



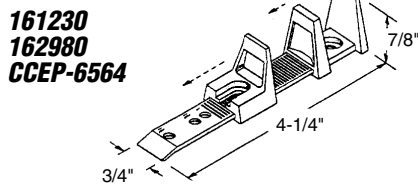
- 16451** (1 per card)
- 162979** (2 per card)
- CCEP-6563** (2 per bag)\*

### Guide

**Contents:** Guide with no. 8 x 3/4" Phillips pan head sheet metal screws.

**Description:** Nylon; bottom mount; for 1-3/8" thick bi-passing doors; universal design.

**\*30 bags per cut case box.**



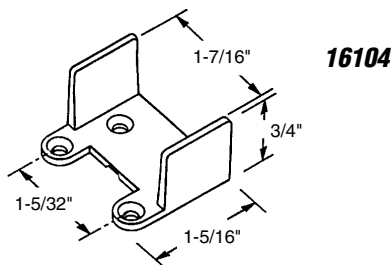
- 161230** (1 per card)
- 162980** (2 per card)
- CCEP-6564** (2 per bag)\*

### Guide

**Contents:** Guide assembly with no. 8 x 3/4" Phillips pan head sheet metal screws.

**Description:** Floor mount; nylon adjustable guide for 3/4" to 1-3/8" thick bi-passing doors; universal design.

**\*40 bags per cut case box.**

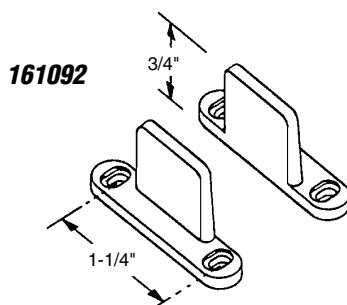


### 16104

### Guide

**Contents:** 1 guide; (4) no. 8 x 3/4" Phillips pan head sheet metal screws.

**Description:** Single door; bottom mount; nylon retainer; used by many manufacturers.



### 161092

### Guide

**Contents:** 1 set of nylon guides; (4) no. 8 x 3/4" Phillips pan head sheet metal screws.

**Description:** Floor mount nylon bottom guides; use one pair for any thickness single door, or can be installed in series for multiple doors.

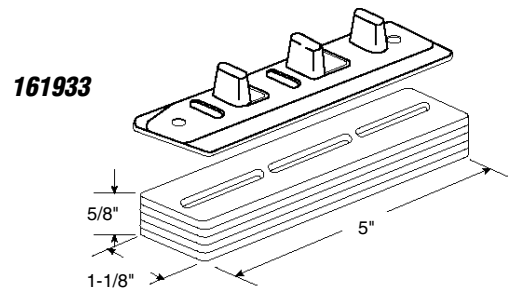
## 161933

### Guide and Carpet Risers

**Contents:** 1 guide; 5 riser plates; 2 installation screws and 2 plastic anchors.

**Description:** Nylon bottom guide tips with steel bracket adjusts for 3/4" to 1-3/8" thick doors; 1/8" thick plastic shim plates to raise guide up to 5/8" above carpet.

You may wish to stock these related parts: **16216-F, 16216-B, 16218-F, 16218-B.**



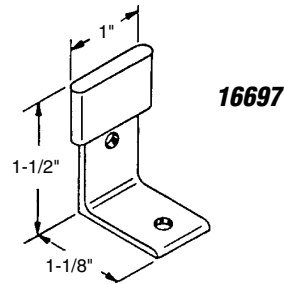
## 16697

### Bottom Guide Brackets

**Contents:** 2 brackets; (2) no. 8 x 1/2" Phillips pan head sheet metal screws.

**Description:** Aluminum bracket with nylon tip; used as a floor guide on sliding wardrobe doors; fits on *Like*.

You may wish to stock these related parts: **16468, 16466, 16752.**



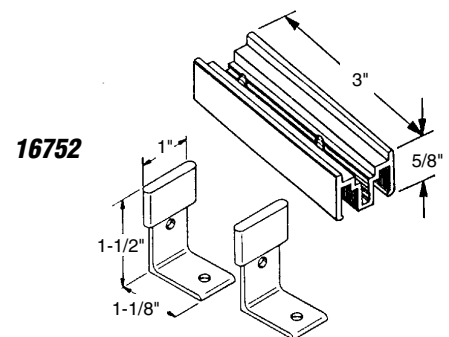
## 16752

### Guides and Carpet Riser

**Contents:** 1 riser block; 2 guides; 1 set of installation screws.

**Description:** Aluminum riser block and aluminum brackets with nylon tips used to guide *Like* bi-passing doors.

You may wish to stock these related parts: **16697.**



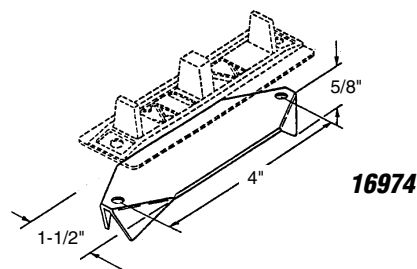
## 16974

### Carpet Riser

**Contents:** 1 riser; (2) no. 8 x 1-1/4" Phillips pan head sheet metal screws.

**Description:** Plated steel riser used for mounting door guide over carpeted floors; 5/8" high rise.

You may wish to stock these related parts: **16217, 16451.**



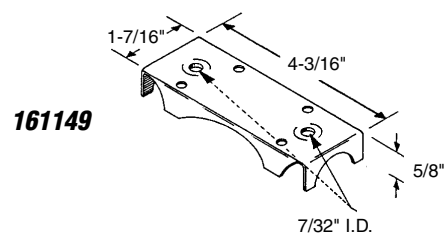
## 161149

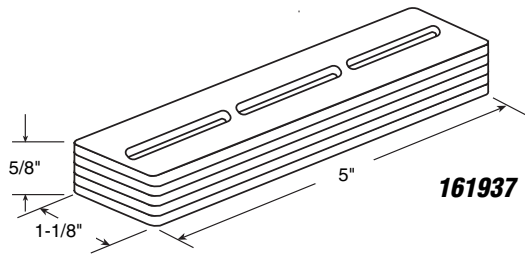
### Carpet Riser

**Contents:** 1 riser; 1 set of fasteners.

**Description:** Steel riser used for mounting door guide over carpeted floors; allows 5/8" lift; designed specifically for use with N-6796 door guide; fits on *Johnson Hardware*.

You may wish to stock these related parts: **161148, 161150, 161151.**





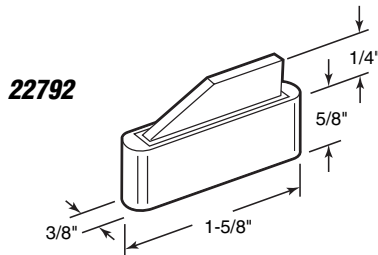
**161937** (White)

## Carpet Riser

**Contents:** 5 risers; 1 set of fasteners.

**Description:** Nylon risers used for mounting guide over carpeted floors; allows lift from 1/8" thick to 5/8".

You may wish to stock these related parts: **16217, 16136, 16451, 161230, 161084.**



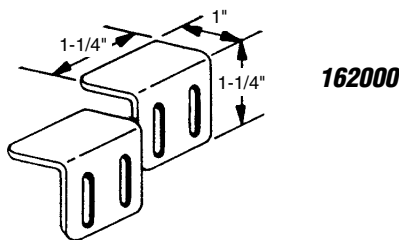
**22792**

## Top Guide

**Contents:** 2 guides.

**Description:** Spring loaded nylon top guide adjusts for variations in opening height; requires a 1/8" groove in top track; fits a 1-5/8" x 3/8" x 5/8" mortise slot in door rail.

You may wish to stock these related parts: **16759 thru 16777.**



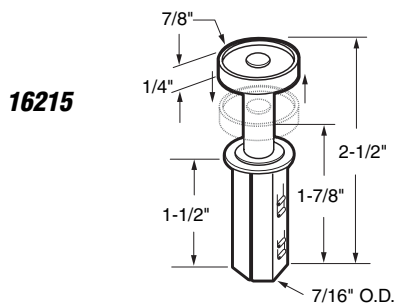
**162000**

## "Jump-Proof" Guard™

**Contents:** 4 guards with installation screws

**Description:** Plated steel Jump-Proof Guard™ brackets; use 2 per door; prevents doors from jumping the track; mounts next to roller at top of door; limits upward door movement.

You may wish to stock these related parts: **161899; 161910.**



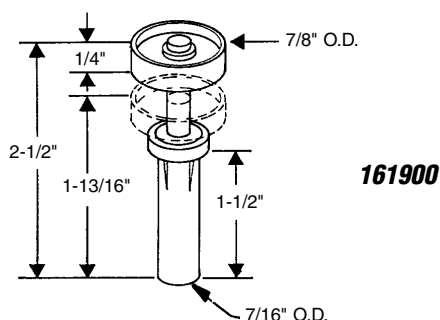
**16215**

## Guide Wheel

**Contents:** 2 guide wheels.

**Description:** Spring loaded; 7/8" diameter nylon wheel; top mount; self-adjusting in track for smooth guiding of lead door; fits 1" to 1-3/8" thick bi-fold doors up to 30 lbs. each; steel base; fits on *Acme* and *Cox*.

You may wish to stock these related parts: **16299, 16297, 16369, 16260.**



**161900**

## Guide Wheel

**Contents:** 2 guide wheels.

**Description:** Spring loaded; 7/8" diameter nylon wheel; top mount; self-adjusting in track for smooth guiding of lead door; fits 1" to 1-3/8" thick bi-fold doors up to 30 lbs. each; nylon base; fits on *Cox*.

You may wish to stock these related parts: **161901, 161902, 162058.**

## 161515

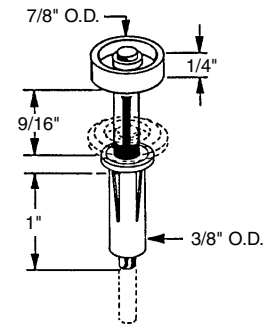
### Guide Wheel

**Contents:** 2 guide wheels.

**Description:** Spring loaded **top guide** has 7/8" diameter **nylon** wheel; 3/8" diameter **nylon** base; fits on **Kenna Frame** and others.

You may wish to stock these related parts: **161111, 161107.**

**161515**



## 162015

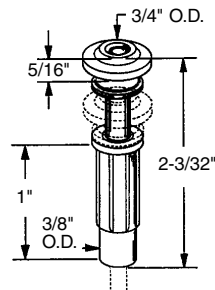
### Guide Wheel

**Contents:** 2 guide wheels.

**Description:** Spring loaded **top guide** has 3/4" diameter **nylon** wheel; 3/8" diameter **nylon** base; used by many wardrobe door manufacturers.

You may wish to stock these related parts: **16554, 161111, 161107, 163469.**

**162015**



## 161978

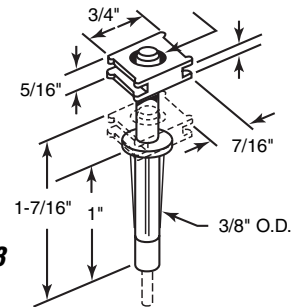
### Guide

**Contents:** 2 guides.

**Description:** Spring loaded **top guide** has square **nylon** guide tip and 7/16" inside slot; 3/8" diameter **nylon** base; fits on **Alliance** and others.

You may wish to stock these related parts: **161111, 161107, 163469, 163471.**

**161978**



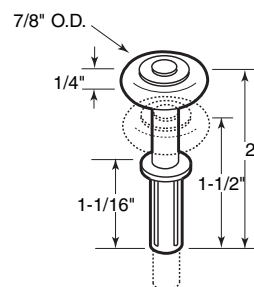
## 161109

### Guide Wheel

**Contents:** 1 guide wheel.

**Description:** 7/8" diameter **nylon** wheel on spring-loaded **steel** shaft; **top mount**; **plastic** housing tapers to 3/8" diameter; use hammer to tap into drilled hole.

**161109**



**16467** (1 per card)

**162981** (2 per card)

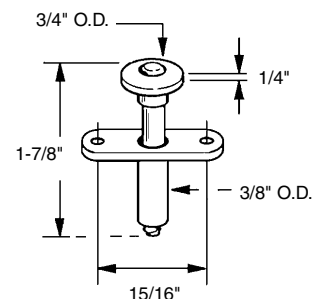
### Guide Wheel

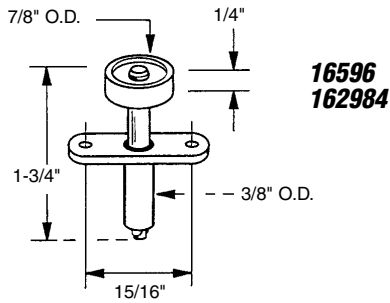
**Contents:** Guide wheel with 1-1/4" nails.

**Description:** Spring loaded; 3/4" diameter **nylon** wheel; **top mount**; self-adjusting; **steel** base; fits 1" to 1-3/8" thick bi-fold doors up to 30 lbs. each.

You may wish to stock these related parts: **16471, 16470.**

**16467**  
**162981**





**16596** (1 per card)  
**162984** (2 per card)

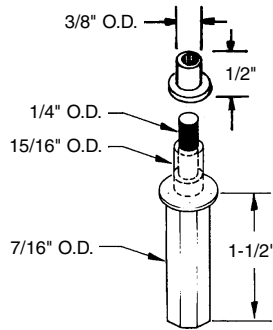
**Guide Wheel**

**Contents:** Guide wheel with 1-1/4" nails.

**Description:** Spring loaded; 7/8" diameter nylon wheel; top mount; self-adjusting; steel base; fits 1" to 1-3/8" thick bi-fold doors up to 30 lbs. each.

You may wish to stock these related parts: **16471, 16470.**

**16260**  
**162974**



**16260** (1 per card)  
**162974** (2 per card)

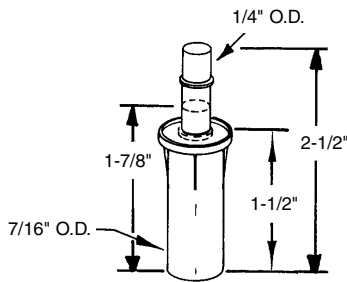
**Pivot**

**Contents:** Pivot with optional guide cap.

**Description:** Top mount; spring loaded pin; fits 1" to 1-3/8" thick bi-fold doors up to 50 lbs. each; steel base; 3/8" diameter nylon guide cap; fits on Acme and Cox.

You may wish to stock these related parts: **16465, 16472, 16297, 16369, 16261.**

**161901**



**161901**

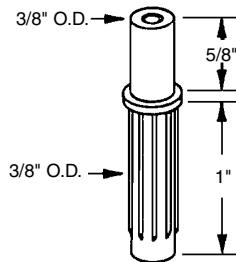
**Pivot**

**Contents:** 2 pivots.

**Description:** Top mount; spring loaded pin; fits 1" to 1-3/8" thick bi-folding doors up to 30 lbs. each; nylon base; fits on Cox.

You may wish to stock these related parts: **162099, 161902, 162058.**

**161678**  
**162985**



**161678** (2 per card)  
**162985** (4 per card)

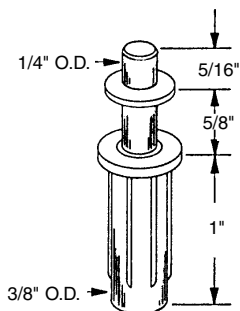
**Pivot and Guide**

**Contents:** Pivot guides.

**Description:** Solid nylon guide and pivot; 3/8" diameter base; top mount; used by many wardrobe door manufacturers.

You may wish to stock these related parts: **161509, 161510, 161934, 163472, 161979.**

**161111**  
**162988**



**161111** (1 per card)  
**162988** (2 per card)

**Pivot**

**Contents:** Pivot.

**Description:** Spring loaded pivot has 1/4" diameter pin; 3/8" diameter nylon base; top mount; used by many wardrobe door manufacturers.

You may wish to stock these related parts: **163469, 163470.**

**161144** (1 per card)  
**162989** (2 per card)

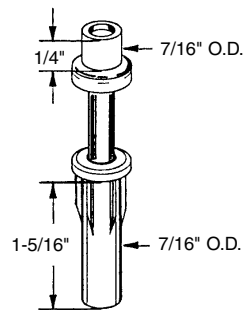
## Pivot and Guide

**Contents:** Pivot guide.

**Description:** Spring loaded pivot guide; 7/16" diameter nylon cap with 7/16" diameter nylon base; top mount; fits on *Johnson* and others.

You may wish to stock these related parts: **161145; 161146.**

**161144**  
**162989**



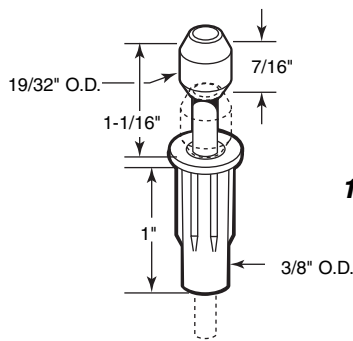
**162014**

## Pivot

**Contents:** 2 pivots.

**Description:** Spring loaded pivot has 19/32" diameter nylon cap; 3/8" diameter nylon base; top mount; used by many wardrobe door manufacturers.

You may wish to stock these related parts: **161111, 161515, 161107.**



**162014**

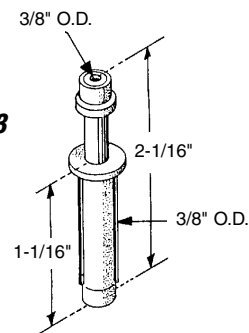
**163143**

## Pivot

**Contents:** 2 pivots; 2 caps.

**Description:** Spring loaded guide with a 3/8" diameter nylon base; top mount; includes a 3/8" diameter nylon cap.

**163143**



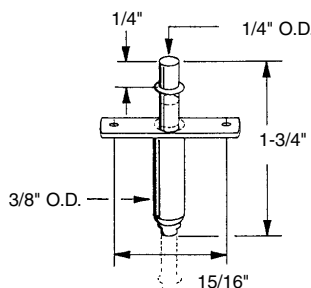
**16471** (1 per card)  
**162982** (2 per card)

## Pivot

**Contents:** Pivot assembly with 1-1/4" nails.

**Description:** Top mount steel pivot with concealed spring loaded pin for easy hanging and operating of doors.

You may wish to stock these related parts: **16467, 16470.**



**16471**  
**162982**

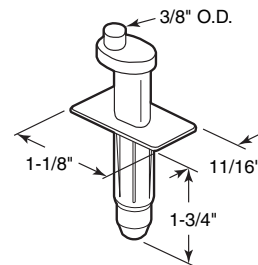
**163203**

## Pivot

**Contents:** 2 pivots.

**Description:** Top mount nylon pivot; spring loaded pin for easy hanging and operating of doors.

**163203**



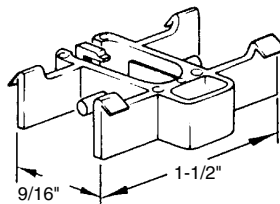
**163100**

## Guide

**Contents:** 4 top guides.

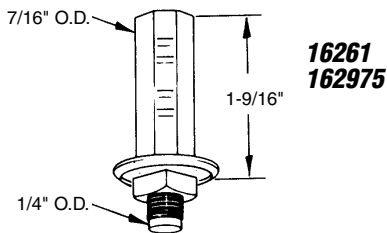
**Description:** Top mount; nylon guide for bi-fold doors; fits *Cox series 23.*

You may also wish to stock these related parts: **163101, 161234.**



**163100**





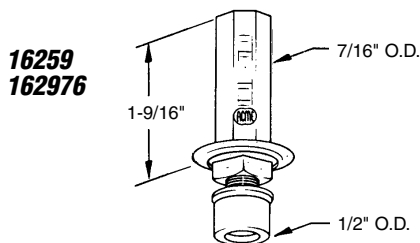
**16261** (1 per card)  
**162975** (2 per card)

## Pivot

**Contents:** Pivot.

**Description:** **Bottom mount; steel** pivot with hex head bolt for quick vertical adjustment; fits 1" to 1-3/8" thick bi-fold doors up to 50 lbs. each; fits on **Acme** and **Cox**.

You may wish to stock these related parts: **16465, 16472, 16297, 16369, 16260.**



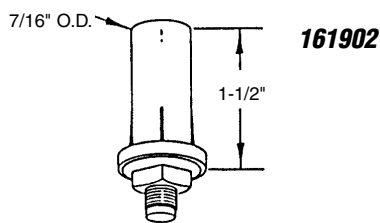
**16259** (1 per card)  
**162976** (2 per card)

## Guide Wheel

**Contents:** Guide wheel.

**Description:** Adjustable; **bottom mount; steel base** guide with hex head bolt for adjustment; **nylon** wheel cap; for 1" to 1-3/8" thick folding doors up to 50 lbs each; fits on **Acme, Cox** and **Johnson**.

You may wish to stock these related parts: **16465, 16260, 16261, 163160.**



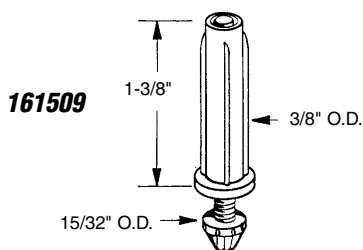
**161902**

## Pivot

**Contents:** 2 pivots.

**Description:** **Bottom mount; nylon** base pivot uses hex head bolt for quick vertical adjustment; holds positive adjustment; fits 1" to 1-3/8" thick bi-fold doors up to 30 lbs. each.

You may wish to stock these related parts: **161900, 161901, 162058.**



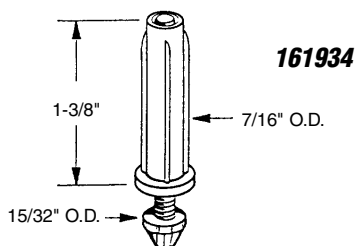
**161509**

## Pivot

**Contents:** 2 pivots.

**Description:** Adjustable **steel** pivot; 3/8" diameter **nylon** base; **bottom mount;** grooved tip fits no. **161510** pivot bracket; used by many wardrobe door manufacturers.

You may wish to stock these related parts: **161678, 161510, 161979, 163472.**



**161934**

## Pivot

**Contents:** 2 pivots.

**Description:** Adjustable **steel** pivot; 7/16" diameter **nylon** base; **bottom mount;** grooved tip fits no. **163472** heavy duty pivot bracket; used by many wardrobe door manufacturers.

You may wish to stock these related parts: **161678.**

# Bi-fold Door Hardware

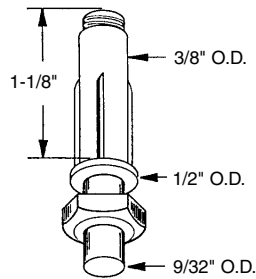
**161107** (1 per card)  
**162990** (2 per card)

## Pivot

**Contents:** Pivot.

**Description:** Adjustable pivot has 3/8" diameter nylon base; **bottom mount**; used by many wardrobe door manufacturers.

You may wish to stock these related parts: **16369, 161111, 162167.**



**161107**  
**162990**

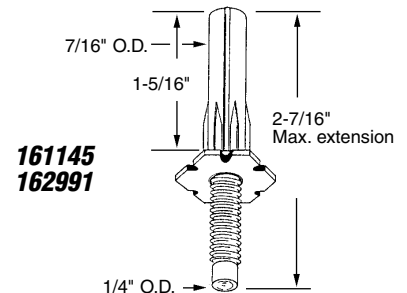
**161145** (1 per card)  
**162991** (2 per card)

## Pivot

**Contents:** Pivot.

**Description:** Adjustable pivot has 7/16" diameter nylon base; 1/4" diameter steel tip; **bottom mount**; fits *Johnson* and others.

You may wish to stock these related parts: **162058, 161144, 16915, 162017, 161146.**



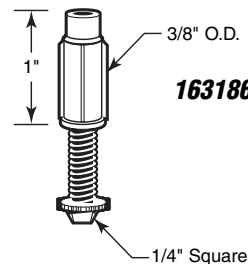
**161145**  
**162991**

**163186**

## Pivot

**Contents:** 2 pivots.

**Description:** Adjustable pivot has 3/8" diameter nylon base; **bottom mount**; used by many wardrobe door manufacturers.



**163186**

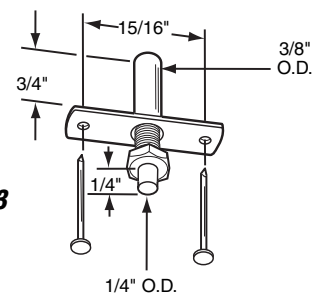
**16470** (1 per card)  
**162983** (2 per card)

## Pivot

**Contents:** Pivot with 1-1/2" nails.

**Description:** **Bottom mount**; steel pivot with hex head bolt for quick vertical adjustment; fits 1" to 1-3/8" thick bi-fold doors up to 30 lbs. each.

You may wish to stock these related parts: **16467, 16471.**



**16470**  
**162983**

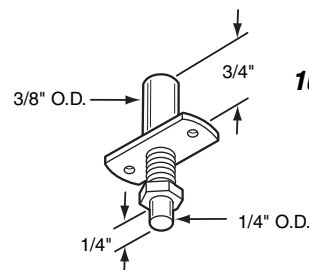
**163110**

## Pivot

**Contents:** 1 pivot; (2) 1-1/2" drive nails.

**Description:** Adjustable steel pivot for light duty shutter doors; **bottom mount**.

You may wish to stock these related parts: **163109.**



**163110**

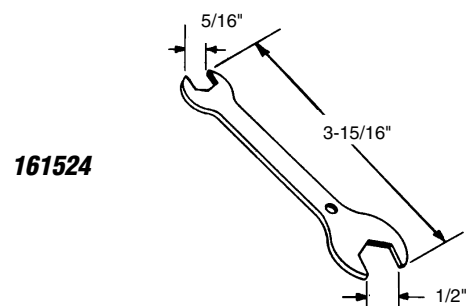
**161524**

## Pivot Wrench

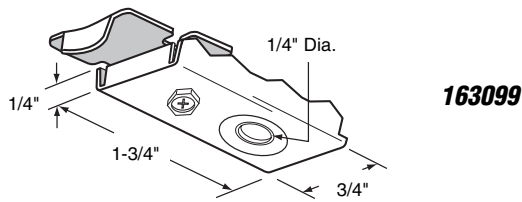
**Contents:** 1 wrench.

**Description:** Stamped steel wrench to adjust bottom pivot nuts.

You may wish to stock these related parts: **16297, 16369, 16261.**



**161524**



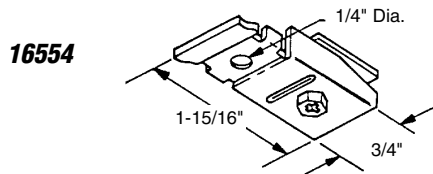
## 163099

### Pivot Bracket

**Contents:** 1 bracket.

**Description:** Steel pivot bracket, for bi-folding doors; mounts into top track and accepts a 1/4" diameter spring loaded pin; for 7/8" wide tracks; fits on *Cox*.

You may wish to stock these related parts: **161900, 161902, 162058.**



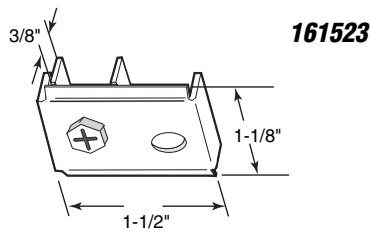
## 16554

### Pivot Bracket

**Contents:** 1 bracket.

**Description:** Steel pivot bracket for bi-folding doors; mounts into top track; adjustable, used on *Acme "2900" series*.

You may wish to stock these related parts: **16472, 16465, 16215, 16260, 161497.**



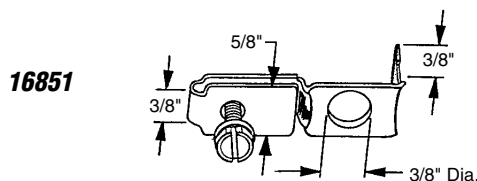
## 161523

### Pivot Bracket

**Contents:** 1 bracket.

**Description:** Pivot bracket mounts into top track; stamped steel construction; used on *Acme "2600" series*.

You may wish to stock these related parts: **16465, 16260, 16261.**



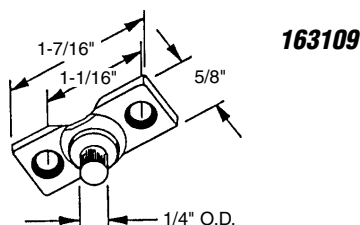
## 16851

### Pivot Bracket

**Contents:** 1 bracket.

**Description:** Adjustable pivot bracket mounts into top or bottom track; stamped steel; fits on *Slimfold* and others.

You may wish to stock these related parts: **16854, 16852.**



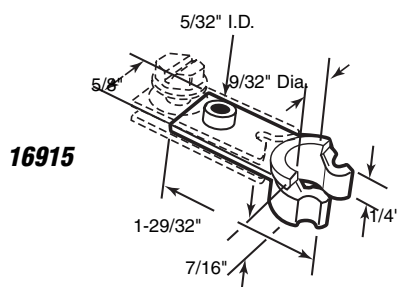
## 163109

### Pivot Bracket

**Contents:** 1 bracket; (2) no. 8 x 3/4" screws.

**Description:** Steel pivot bracket used on light duty shutter doors; top mounted.

You may wish to stock these related parts: **163110.**



## 16915

### Pivot Insert

**Contents:** 2 inserts.

**Description:** Nylon insert; installs into top track to accept top pivot; replaces *Johnson "old style"* hardware.

You may wish to stock these related parts: **161143, 161144, 161145.**

**163473**

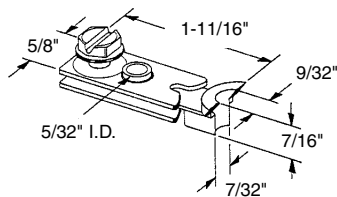
## Pivot Bracket

**Contents:** 1 bracket.

**Description:** Nylon base; steel bracket; installs into top track to accept top pivot; replaces *Johnson "old style"* hardware.

You may wish to stock these related parts: **161144, 161909, 16910.**

Call for  
Availability



**163473**

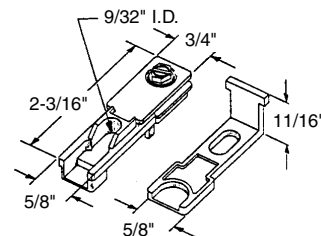
**16916**

## Pivot Bracket

**Contents:** 1 bracket.

**Description:** Plastic base; steel track clip; installs into top track to accept top pivot pin; replaces *Johnson "new style"* hardware.

You may wish to stock these related parts: **161139, 161141, 161142.**



**16916**

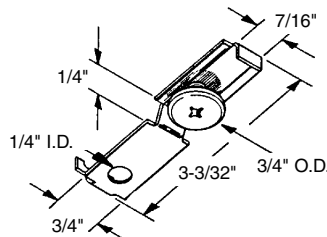
**163469**

## Pivot Bracket

**Contents:** 1 bracket.

**Description:** Stamped steel bracket installs into top track; accepts top pivot pin; used on *Alliance duo-fold series "500"*.

You may wish to stock these related parts: **161111, 161107, 162167.**



**163469**

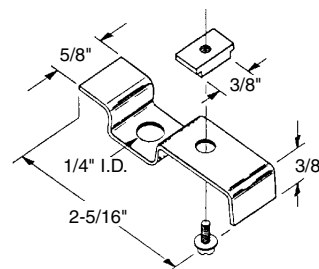
**163470**

## Pivot Bracket

**Contents:** 1 bracket.

**Description:** Stamped steel bracket installs into top track; accepts top pivot pin; used on *Alliance series "400"* bi-folding doors.

You may wish to stock these related parts: **161111, 162015, 161107.**



**163470**

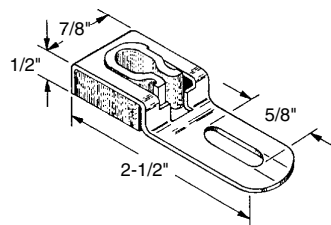
**163148**

## Pivot Bracket

**Contents:** 1 bracket.

**Description:** Nylon pivot block mounted in a steel bracket; for a 1/4" diameter pin; mounts into top track.

You may wish to stock these related parts: **163144, 163145, 163146.**



**163148**

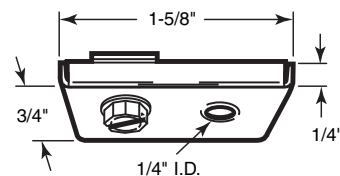
**161102**

## Pivot Bracket

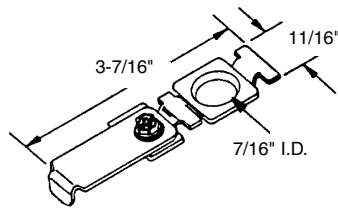
**Contents:** 1 bracket.

**Description:** Steel pivot bracket for bi-folding door top track; adjustable; fits on *Kennafame Door Systems*.

You may wish to stock these related parts: **161103, 161110, 163150.**



**161102**



**161146**

## 161146

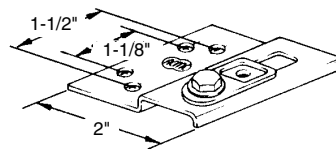
### Pivot Bracket

**Contents:** 1 bracket.

**Description:** Stamped steel bracket installs into top track; accepts top pivot pin; for wood folding panel doors; used on *Johnson Hardware series "1800" and "1825"* door systems.

You may wish to stock these related parts: **161144, 161909, 161147.**

**16297**



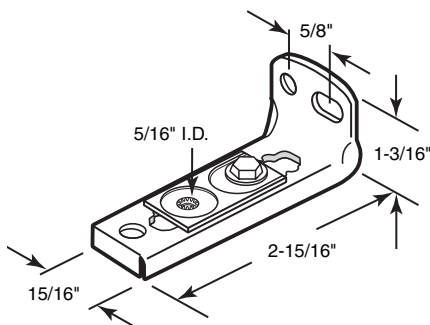
## 16297

### Pivot Bracket

**Contents:** 1 bracket; (4) no. 8 x 3/4" Phillips pan head sheet metal screws.

**Description:** Adjustable, stamped steel floor mount bracket; self lubricating nylon bushing; for 1" to 1-3/8" thick folding doors up to 50 lbs. each; fits on *Acme*.

You may wish to stock these related parts: **16472, 16299, 16260, 16261.**



**16369**

## 16369

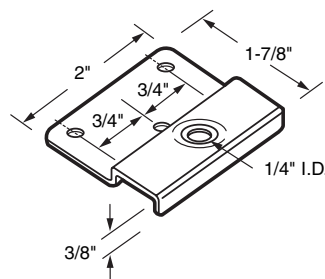
### Pivot Bracket

**Contents:** 1 bracket; (2) no. 8 x 3/4" Phillips flat head sheet metal screws; (1) no. 8 x 1-1/4" Phillips flat head sheet metal screw.

**Description:** Adjustable, stamped steel bracket; floor/jamb mounting; self lubricating nylon bushing; for 1" to 1-3/8" thick folding doors up to 50 lbs. each; fits on *Acme*.

You may wish to stock these related parts: **16472, 16299, 16260, 16261.**

**163103**



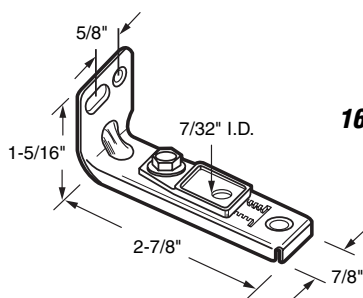
## 163103

### Pivot Bracket

**Contents:** 1 bracket; (3) no. 8 x 3/4" Phillips pan head sheet metal screws.

**Description:** Floor mounting bracket; stamped steel; for 1" to 1-3/8" thick bi-folding door up to 50 lbs. each.

You may wish to stock these related parts: **161900, 161901, 161902, 163102.**



**162058**

## 162058

### Pivot Bracket

**Contents:** 1 bracket; (4) no. 8 x 3/4" Phillips flat head sheet metal screws.

**Description:** Adjustable stamped steel bracket; floor/jamb mounting with nylon bushing; adjusts door horizontally; for 1" to 1-3/8" thick folding doors up to 50 lbs. each; fits on *Cox*.

You may wish to stock these related parts: **163101 thru 163102.**

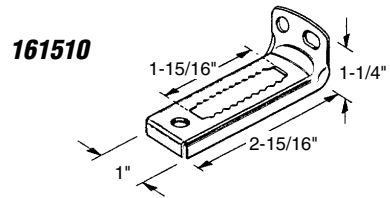
## 161510

### Pivot Bracket

**Contents:** 1 bracket; (3) no. 8 x 3/4" Phillips flat head sheet metal screws.

**Description:** Adjustable floor/jamb mounting bracket, stamped steel; designed for lightweight (up to 30 lbs) hollow core and louver type door panels.

You may wish to stock these related parts: **161509, 161979, 161934**



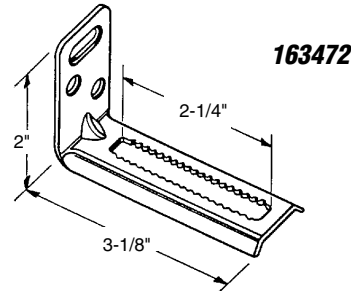
## 163472

### Pivot Bracket

**Contents:** 1 bracket; (3) no. 8 x 3/4" Phillips flat head sheet metal screws.

**Description:** Adjustable; floor/jamb mounting bracket; stamped steel; extra heavy duty design for optional mounting on jamb above floor; used by many wardrobe door manufacturers.

You may wish to stock these related parts: **161509, 161934**.



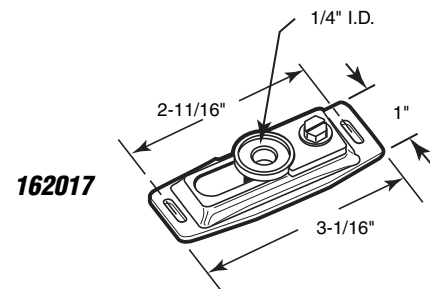
## 162017

### Pivot Bracket

**Contents:** 1 bracket; (2) no. 8 x 1-1/4" Phillips pan head sheet metal screws.

**Description:** Floor mounted steel bracket with nylon bushing insert accepts a 1/4" diameter pivot pin; fits on *Johnson Hardware*.

You may wish to stock these related parts: **161144, 161145, 16916, 161143, 161147**.



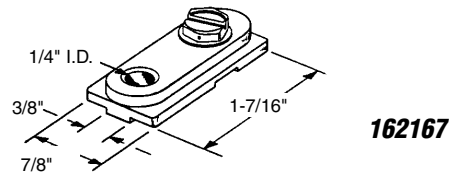
## 162167

### Top Pivot Bracket

**Contents:** 1 insert.

**Description:** Nylon insert installs onto floor bracket of bi-folding door; allows for horizontal adjustment; fits on *Alliance duo-fold series "500"*.

You may wish to stock these related parts: **161111, 161978, 161107, 163469**.



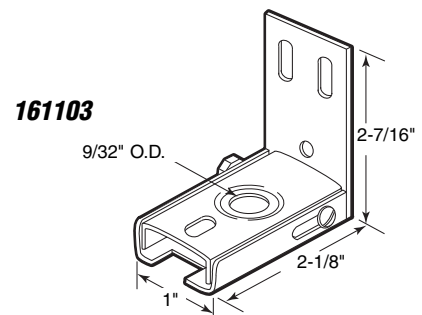
## 161103

### Pivot Bracket

**Contents:** 1 bracket; installation screws.

**Description:** Stamped steel, adjustable, floor/jamb mounting bracket; fits on *Kennafame Door Systems*.

You may wish to stock these related parts: **161111, 161515, 161107, 161102**.



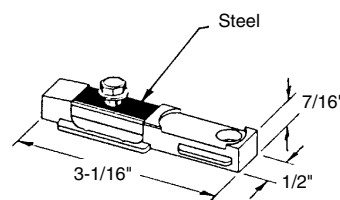
## 163154

### Pivot Bracket

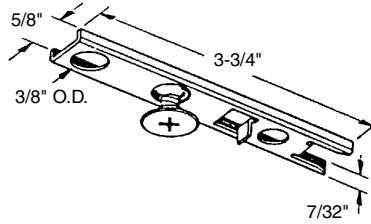
**Contents:** 1 bracket.

**Description:** Nylon body with steel retainer plate and screw for bi-folding door top track; fits on *Acme*.

You may wish to stock these related parts: **163155, 163224**.



**161979**



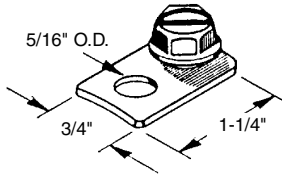
**161979**

## Pivot Bracket

**Contents:** 1 bracket with screw.

**Description:** Steel bracket for bi-folding door top track; fits 5/8" wide track; fits on *Acme*.

You may wish to stock these related parts: **161678, 161509, 161510.**



**16939**

**16939**

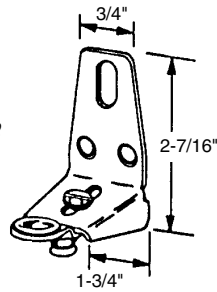
## Pivot Bracket

**Contents:** 1 pivot bracket with screw.

**Description:** Steel pivot bracket for bi-folding door top track; fits on *Monarch Door*.

You may wish to stock these related parts: **16888, 163226-25, 16869, 16871.**

**161143**



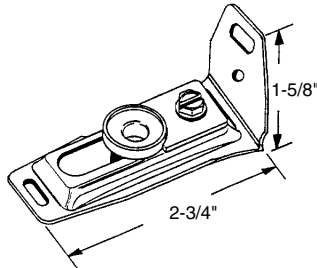
**161143**

## Heavy Duty Pivot Bracket

**Contents:** 1 pivot bracket; 3 installation screws.

**Description:** Heavy duty steel bracket; jamb mounted; 4-way adjustable pivot point, (in and out), (left and right); accepts a 9/32" diameter pivot; fits on *Johnson Hardware*.

You may wish to stock these related parts: **16916, 161139, 161141, 161142.**



**161147**

**161147**

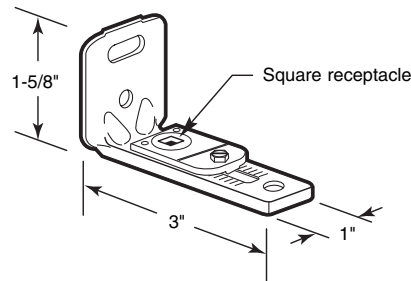
## Pivot Bracket

**Contents:** 1 bracket; 3 installation screws.

**Description:** Adjustable floor/jamb mount bracket with nylon bushing; used on *Johnson Hardware series 1800*.

You may wish to stock these related parts: **161144, 161909, 161146.**

**163187**



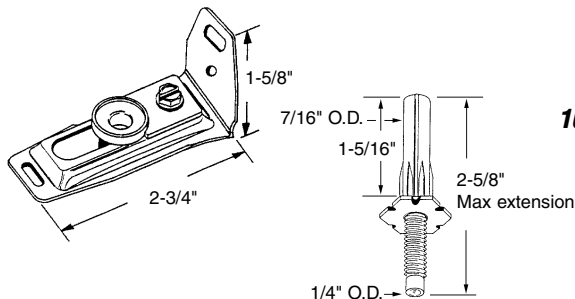
**163187**

## Pivot Bracket

**Contents:** 1 bracket; 3 installation screws; 1 wrench (**161524**).

**Description:** Adjustable floor/jamb mount steel bracket with nylon bushing.

You may wish to stock these related parts: **163186.**



**161909**

**161909**

## Pivot Bracket & Pin Kit

**Contents:** 1 bracket; 1 pin; 3 installation screws.

**Description:** Stamped steel, floor/jamb mount bracket with nylon bushing; bottom pivot with steel pin; nylon base; fits on *Johnson Hardware*.

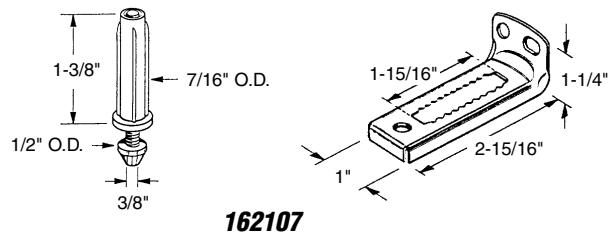
You may wish to stock these related parts: **161144, 161146.**

## 162107

### Pivot Bracket & Pin Kit

**Contents:** 1 bracket; 1 pin; 3 installation screws.

**Description:** Stamped steel, floor/jamb mount bracket; bottom pivot with steel pin; nylon base; used by many manufacturers.



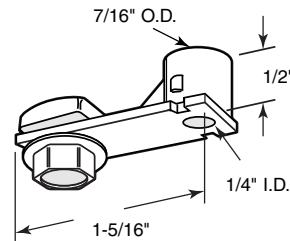
**162107**

## 163193

### Pivot Bracket

**Contents:** 1 bracket; 5/16"-18 x 1/2" hex washer head machine screw with nut.

**Description:** Nylon base; bi-fold door pivot bracket; nylon body; fits on *Peachtree Door Company*.



**163193**

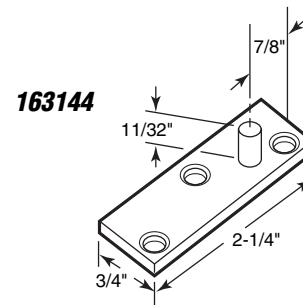
## 163144

### Top Pivot

**Contents:** 1 pivot with installation screws.

**Description:** Cadmium plated steel top pivot; 11/32" high x 1/4" diameter pivot rod, off-center by 1/16"; used by many wardrobe manufacturers.

You may wish to stock these related parts: **163145**, **163146**.



**163144**

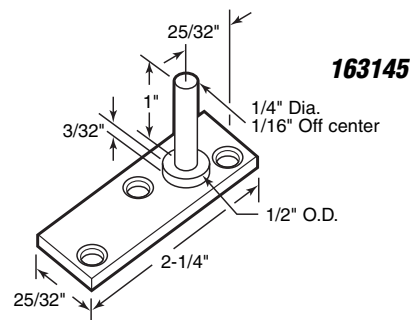
## 163145

### Top Pivot

**Contents:** 1 pivot with installation screws.

**Description:** Cadmium plated steel top pivot; 1" high x 1/4" diameter pivot rod, off-center by 1/16"; used by many wardrobe manufacturers.

You may wish to stock these related parts: **163144**, **163146**, **163148**.



**163145**

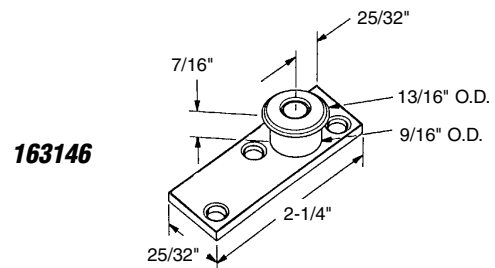
## 163146

### Top Roller Guide

**Contents:** 1 pivot with installation screws.

**Description:** Cadmium plated steel base; nylon roller is 7/16" high x 13/16" diameter, and is off-center by 1/16"; used by many wardrobe manufacturers.

You may wish to stock these related parts: **163144**, **163145**.



**163146**

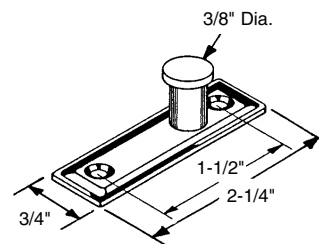
## 161139

### Top Pivot

**Contents:** 1 pivot with installation screws.

**Description:** Steel pivot and bracket; fits on *Johnson Hardware*.

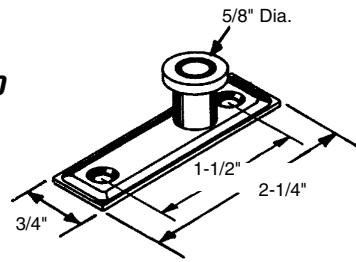
You may wish to stock these related parts: **161141**, **161142**.



**161139**



**161140**



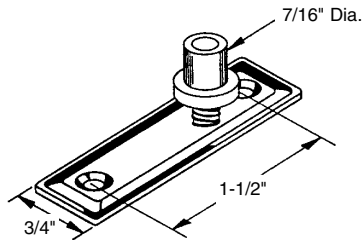
**161140**

## Top Guide

**Contents:** 1 guide with installation screws.

**Description:** Steel bracket with spring loaded nylon guide; fits on *Johnson Hardware*; old style top guide used until approx. 1986; replaced by 161141.

You may wish to stock these related parts: 16916, 161139.



**161141**

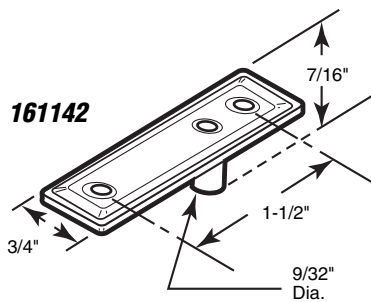
**161141**

## Top Guide

**Contents:** 1 guide assembly with installation screws.

**Description:** Steel bracket; spring loaded nylon guide; fits on *Johnson Hardware*.

You may wish to stock these related parts: 16916, 161139, 161142.



**161142**

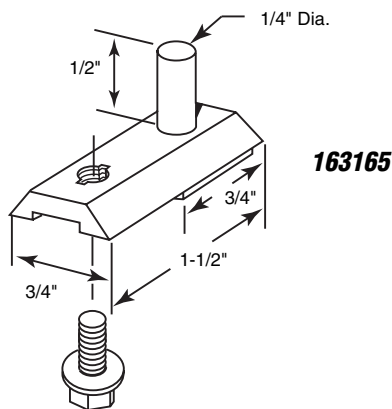
**161142**

## Bottom Pivot

**Contents:** 1 pivot with installation screws.

**Description:** Steel bracket and pivot; fits on *Johnson Hardware*.

You may wish to stock these related parts: 161139, 161141, 161143, 161137.



**163165**

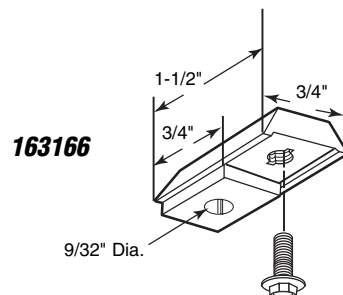
**163165**

## Bottom Pivot Bracket

**Contents:** 1 pivot with machine screw and washer.

**Description:** Nylon pivot; fits on *National Bi-Fold*.

You may wish to stock these related parts: 16936, 16937.



**163166**

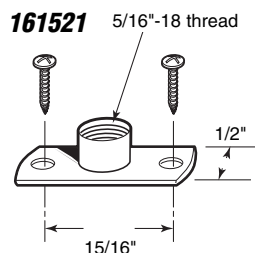
**163166**

## Top Pivot Bracket

**Contents:** 1 bracket with machine screw and washer.

**Description:** Bi-fold door pivot bracket; nylon body; fits on *National Bi-fold*.

You may wish to stock these related parts: 16936, 16937.



**161521**

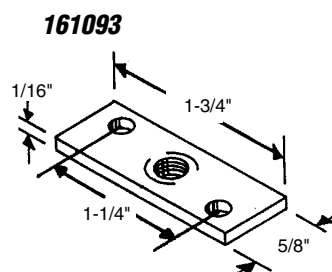
**161093** (4 plates per card)

**161521** (2 plates per card)

## Pivot Pin Mounting Plate

**Contents:** Plates with screws.

**Description:** Stamped steel, threaded reinforcement plate for bi-fold pins; universal design.



**161093**

## 16299

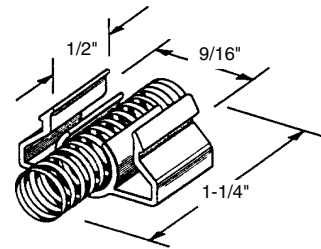
### Two-Door Snugger

**Contents:** 1 snugger.

**Description:** Steel spring with nylon retainer sleeve; top mounting; self-adjusting; for holding doors in closed position; fits *Acme series "2400" and "2900"*.

You may wish to stock these related parts: **16369, 16215, 16260, 16261.**

**16299**



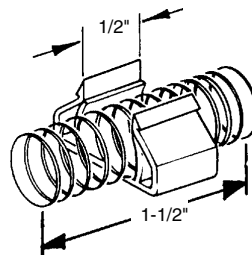
## 163101

### Two-Door Snugger

**Contents:** 2 snuggers.

**Description:** Steel spring with nylon retainer sleeve; top mounting; self-adjusting; for holding doors in closed position; fits *Cox series 23*.

You may wish to stock these related parts: **161900, 161901, 162058.**



**163101**

## 161110

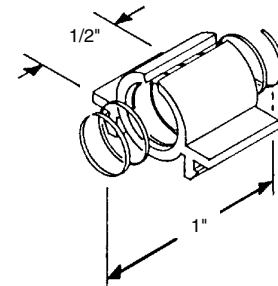
### Two-Door Snugger

**Contents:** 1 snugger.

**Description:** Steel spring with nylon retainer sleeve; top mounting; self-adjusting; for holding doors in closed position; fits *Kennaframe door systems*.

You may wish to stock these related parts: **161111, 161515, 161107.**

**161110**



## 163149

### Two-Door Snugger

**Contents:** 2 snuggers.

**Description:** Steel spring with nylon retainer sleeve; top mounting; self-adjusting; for holding doors in closed position; fits *Acme series "2800" door systems*.

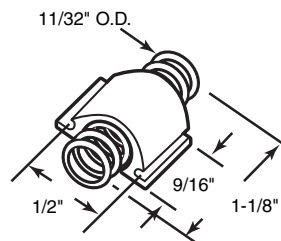
## 162169

### Two-Door Snugger

**Contents:** 2 snuggers.

**Description:** Steel spring with nylon retainer sleeve; top mounting; self-adjusting; for holding doors in closed position; fits *Alliance door systems*.

You may wish to stock these related parts: **161111, 161107, 163469**



**163149**

## 163204

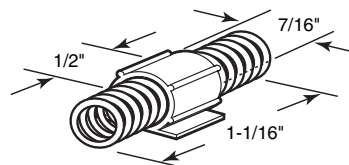
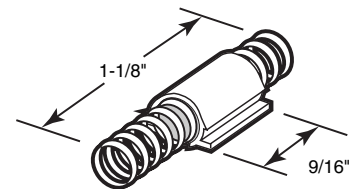
### Two-Door Snugger

**Contents:** 2 snuggers.

**Description:** Steel spring with nylon retainer sleeve; top mounting; self-adjusting; for holding doors in closed position; fits *Acme series "2800" door systems*.

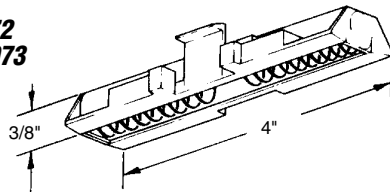
You may wish to stock these related parts: **161678, 161509, 161510, 161979.**

**162169**



**163204**

**16472**  
**162973**



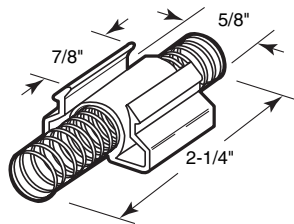
**16472** (1 per card)  
**162973** (2 per card)

## Slide Guide

**Contents:** Guide assembly.

**Description:** Top mount; two-way spring snigger; **steel** springs with **nylon** retainer; fits 1" to 1-3/8" thick bi-fold doors when opening or closing; fits on **Acme**.

You may wish to stock these related parts: **16369, 16260, 16261.**



**163093**

## 163093

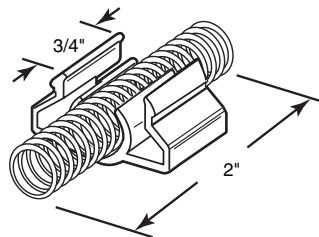
### Four-Door Snigger

**Contents:** 2 sniggers.

**Description:** **Steel** spring with **nylon** retainer sleeve; top mounting; self-adjusting; for holding doors in closed position; fits "**Acme**" series 2400 and 2900, 1" bi-fold track.

You may wish to stock these related parts: **16369, 16299, 16260, 16261, 161678, 161509.**

**161234**



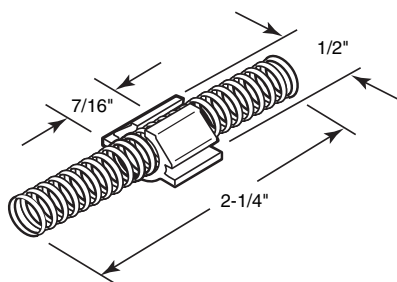
## 161234

### Four Door Snigger

**Contents:** 1 snigger.

**Description:** **Steel** spring with **nylon** retainer sleeve; top mounting; self-adjusting; snap into top track between pairs of doors to hold them together in the closed position; fits **Cox series 23.**

You may wish to stock these related parts: **161900, 162058.**



**163121**

## 163121

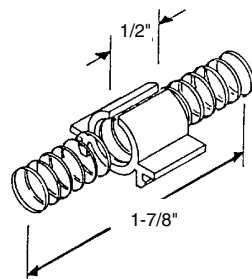
### Four-Door Snigger

**Contents:** 2 sniggers.

**Description:** **Steel** spring with **nylon** retainer sleeve; top mounting; fits 3/4" wide track; installs between pairs of doors for holding doors in the closed position.

You may wish to stock these related parts: **161497.**

**162170**



## 162170

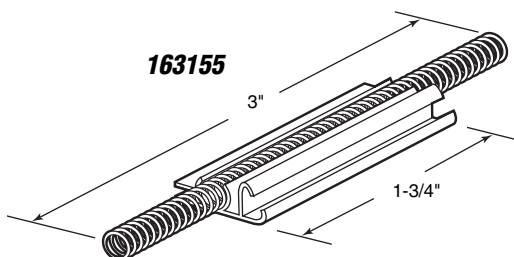
### Four-Door Snigger

**Contents:** 2 sniggers.

**Description:** **Steel** spring with **nylon** retainer sleeve; snap into top track of a four-door bi-fold for quiet cushioned closing; fits **Kennafame Door Systems.**

You may wish to stock these related parts: **161111, 161102.**

**163155**



## 163155

### Four-Door Snigger

**Contents:** 2 sniggers.

**Description:** **Steel** spring with **nylon** retainer sleeve; snap in design; used on **Contractor series 4000** and **Acme Bi-Fold door systems.**

You may wish to stock these related parts: **163154; 163224; 16260; 16261.**

Call for  
Availability

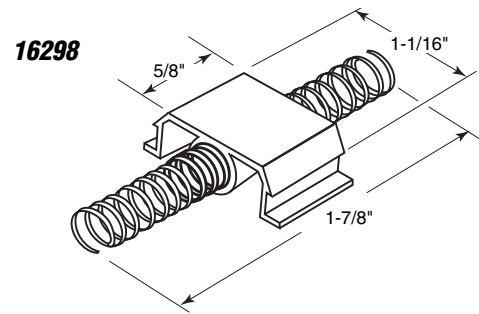
## 16298

### Four-Door Snugger

**Contents:** 1 snugger.

**Description:** Steel spring with nylon retainer sleeve; top mounting; self-adjusting; snaps into track between pairs of doors for holding doors in closed position; fits *Acme 2600 "fold aside" series*.

You may wish to stock these related parts: **161523, 16465, 16260, 16261.**



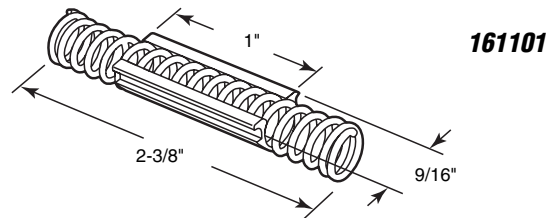
## 161101

### Four-Door Snugger

**Contents:** 1 snugger.

**Description:** Steel spring with nylon retainer sleeve; top mounting; self-adjusting; snaps into track between pairs of doors for holding doors in closed position; fits *Alliance* door systems.

You may wish to stock these related parts: **161111, 161107, 163469**



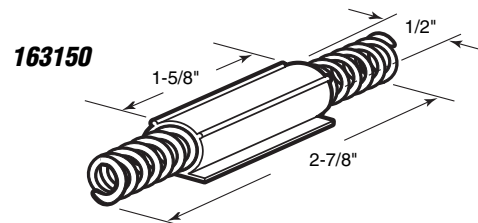
## 163150

### Four-Door Snugger

**Contents:** 2 snuggers.

**Description:** Steel spring with nylon retainer sleeve; top mounting; self-adjusting; snaps into track between pairs of doors for holding doors in closed position; fits *Acme series 2800* door systems.

You may wish to stock these related parts: **161678, 161509, 161510, 161979.**



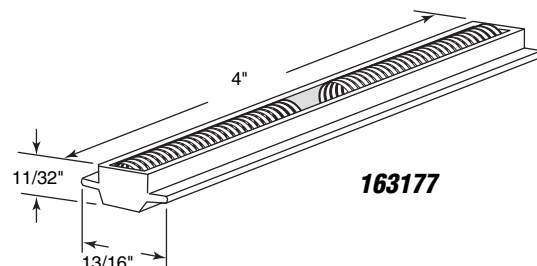
## 163177

### Bottom Slide Guide

**Contents:** 1 guide assembly.

**Description:** Two-way spring snugger; steel springs in nylon retainer; fits 1" to 1-3/8" thick bi-fold doors when opening or closing; fits on *Stanley*.

You may wish to stock these related parts: **16472.**



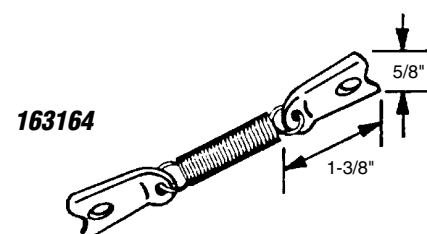
## 163164

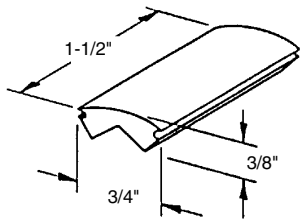
### Bi-fold Door Spring

**Contents:** 1 door spring assembly; 1 set installation screws.

**Description:** Plated steel brackets and spring; holds bi-folding doors securely closed; fits on *Johnson Hardware*.

You may wish to stock these related parts: **161143, 163163.**





**163157**

## 163157

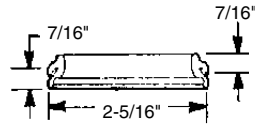
### Bi-fold Door Snugger

**Contents:** 2 snuggers.

**Description:** Rubber bumpers used on the top and bottom tracks; snap-in design; used to hold doors securely closed; manufactured by *Monarch Doors*.

You may wish to stock these related parts: **16874, 163474, 163475, 16869, 16871.**

**16862**



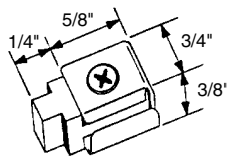
## 16862

### Top Track Bumper

**Contents:** 1 bumper.

**Description:** Rubber bumper fits onto top track of bi-folding doors; fits on *Slimfold* and others.

You may wish to stock these related parts: **16854, 16853, 16852, 16851.**



**163163**

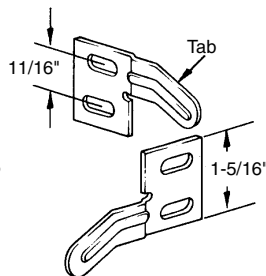
## 163163

### Bumper

**Contents:** 1 stop.

**Description:** Rubber stop in a steel retainer; mounts into track channel; prevents over travel of doors; fits a 5/8" track; fits on *Johnson Hardware series 1700*.

You may wish to stock these related parts: **161139 thru 161142, 161143.**



**161083**

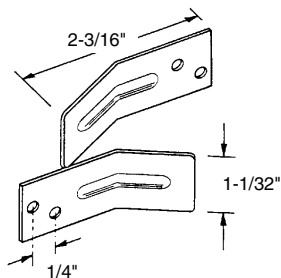
## 161083

### Surface Aligner

**Contents:** 1 set of aligners; 4 no. 8 x 3/4" Phillips pan head sheet metal screws.

**Description:** Zinc plated steel aligner; mounts to back of lead doors to keep them tightly closed; universal, for 4 door systems.

You may wish to stock these related parts: **16215, 16259.**



**163102**

## 163102

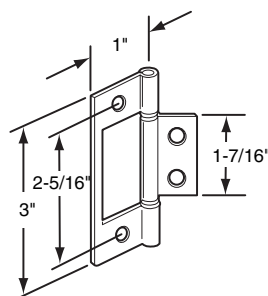
### Surface Aligner

**Contents:** 1 set of aligners; 4 no. 8 x 3/4" Phillips pan head sheet metal screws.

**Description:** Zinc plated steel aligner; mounts to back of lead doors to keep them tightly closed; universal, for 4 door systems.

You may wish to stock these related parts: **161234, 161901.**

**161497**



## 161497

### Non-Mortise Hinge

**Contents:** 2 hinges; 8 flat head sheet metal screws.

**Description:** Brass plated steel hinge has cut out to allow for non-mortise installation; used by many wardrobe door manufacturers.

You may wish to stock these related parts: **16215, 16261, 161678, 161509, 161111, 161107.**

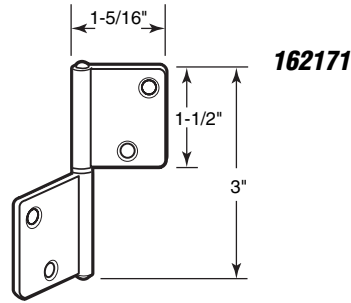
## 162171

### Hinge

**Contents:** 2 hinges; 8 flat head sheet metal screws.

**Description:** Brass plated steel hinge; non-mortise installation; used by many wardrobe door manufacturers.

You may wish to stock these related parts: **161497, 161522, 161903, 161690.**



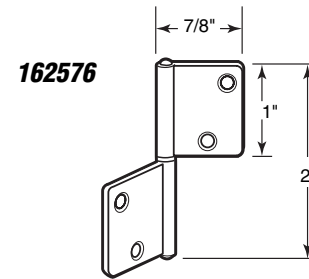
## 162576

### Shutter Hinge

**Contents:** 2 hinges; 8 flat head sheet metal screws.

**Description:** Brass plated steel hinge; used on bi-folding shutter doors; non-mortise installation.

You may wish to stock these related parts: **161497; 161899.**



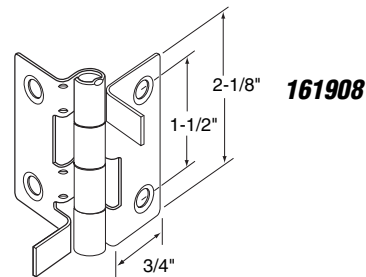
## 161908

### Non-Mortise Hinge

**Contents:** 2 hinges; 8 flat head sheet metal screws.

**Description:** Brass plated steel hinge; used on bi-folding doors; designed by *Johnson Hardware*.

You may wish to stock these related parts: **161144, 161145, 161147, 161146.**



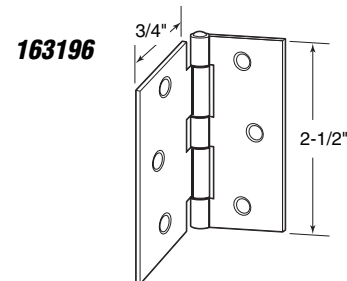
## 163196

### Light Duty Hinge

**Contents:** 2 hinges; 12 flat head sheet metal screws.

**Description:** Zinc plated steel hinge; tight pin; lightweight; narrow leaf, ideal for older wood bi-fold doors.

You may wish to stock these related parts: **161899, 161522, 16697.**



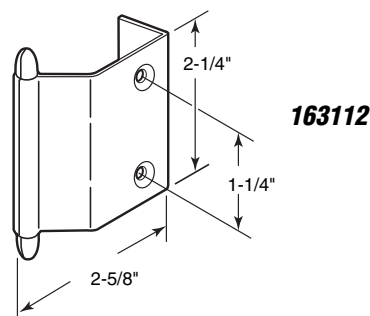
## 163112

### Handle Assembly

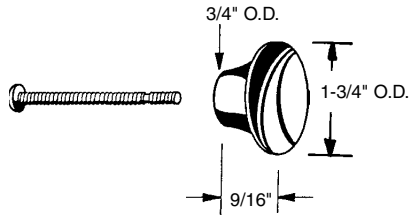
**Contents:** 1 handle assembly; installation fasteners.

**Description:** Chrome plated steel handle used on *Slimfold* bi-folding mirror doors.

You may wish to stock these related parts: **16854, 16855.**



**161903**



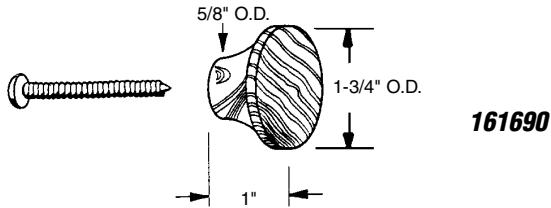
**161903**

**Knob**

**Contents:** 2 knobs; 2 installation screws.

**Description:** Brass plated stamped steel knob used on wood bi-fold door panels.

You may wish to stock these related parts: **161497, 161899.**



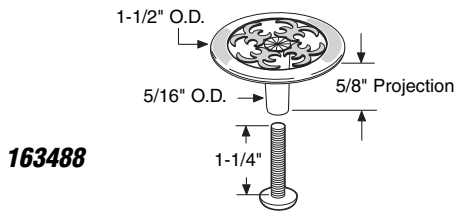
**161690**

**Knob**

**Contents:** 2 knobs; 2 installation screws.

**Description:** Hardwood knob used on wood bi-fold door panels.

You may wish to stock these related parts: **161497, 161899.**



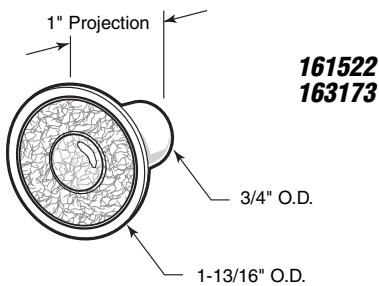
**163488**

**Knob**

**Contents:** 2 knobs; 2 installation screws.

**Description:** Antique brass plated diecast decorative knob for wood bi-fold door panels.

You may wish to stock these related parts: **161497, 161899.**



**161522** (Ivory)

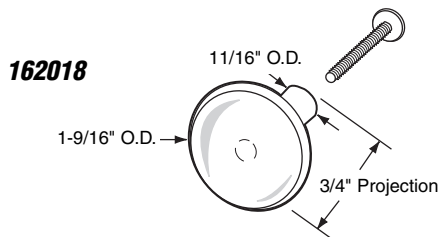
**163173** (Brown)

**Knob**

**Contents:** 2 knobs; 2 installation screws.

**Description:** Brown plastic knob used on hollow core or solid wood bi-fold door panels.

You may wish to stock these related parts: **161497, 161899.**



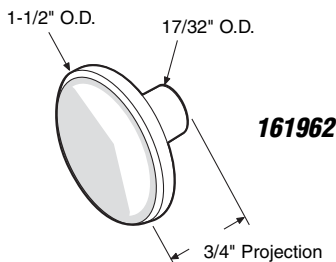
**162018**

**Knob**

**Contents:** 2 knobs; 2 installation screws.

**Description:** Brass plated diecast knob used on hollow core or solid wood bi-fold door panels.

You may wish to stock these related parts: **161497, 161899.**



**161962**

**Knob**

**Contents:** 2 knobs; 2 installation screws

**Description:** White painted diecast knob used on hollow core or solid wood bi-fold door panels.

You may wish to stock these related parts: **161497, 161899.**



# Bi-fold Door Hardware

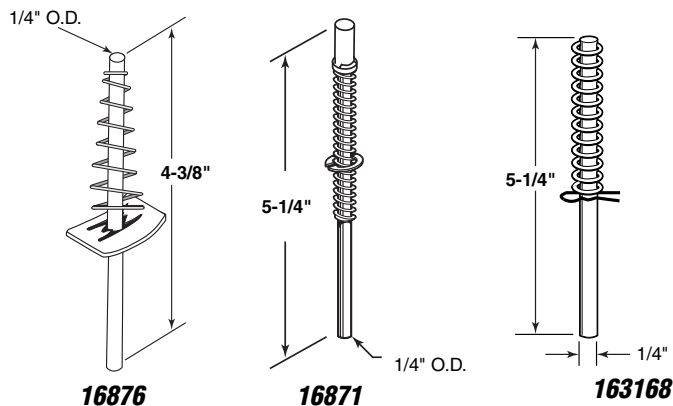
## Pivot & Guide Pins

**Contents:** 1 pin assembly.

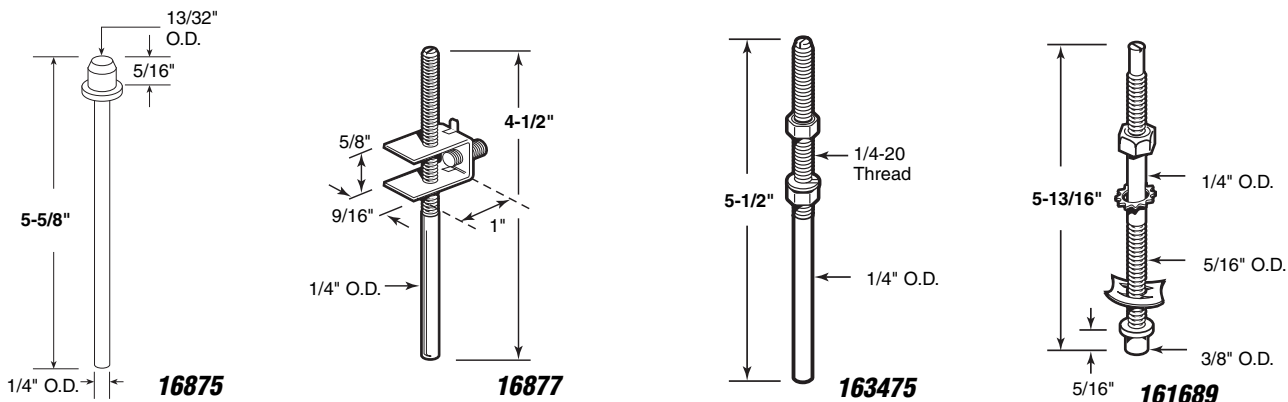
**Description:** Steel guide pins & top and bottom pivot pins; all caps shown are white nylon.

### 1/4" Diameter Pins

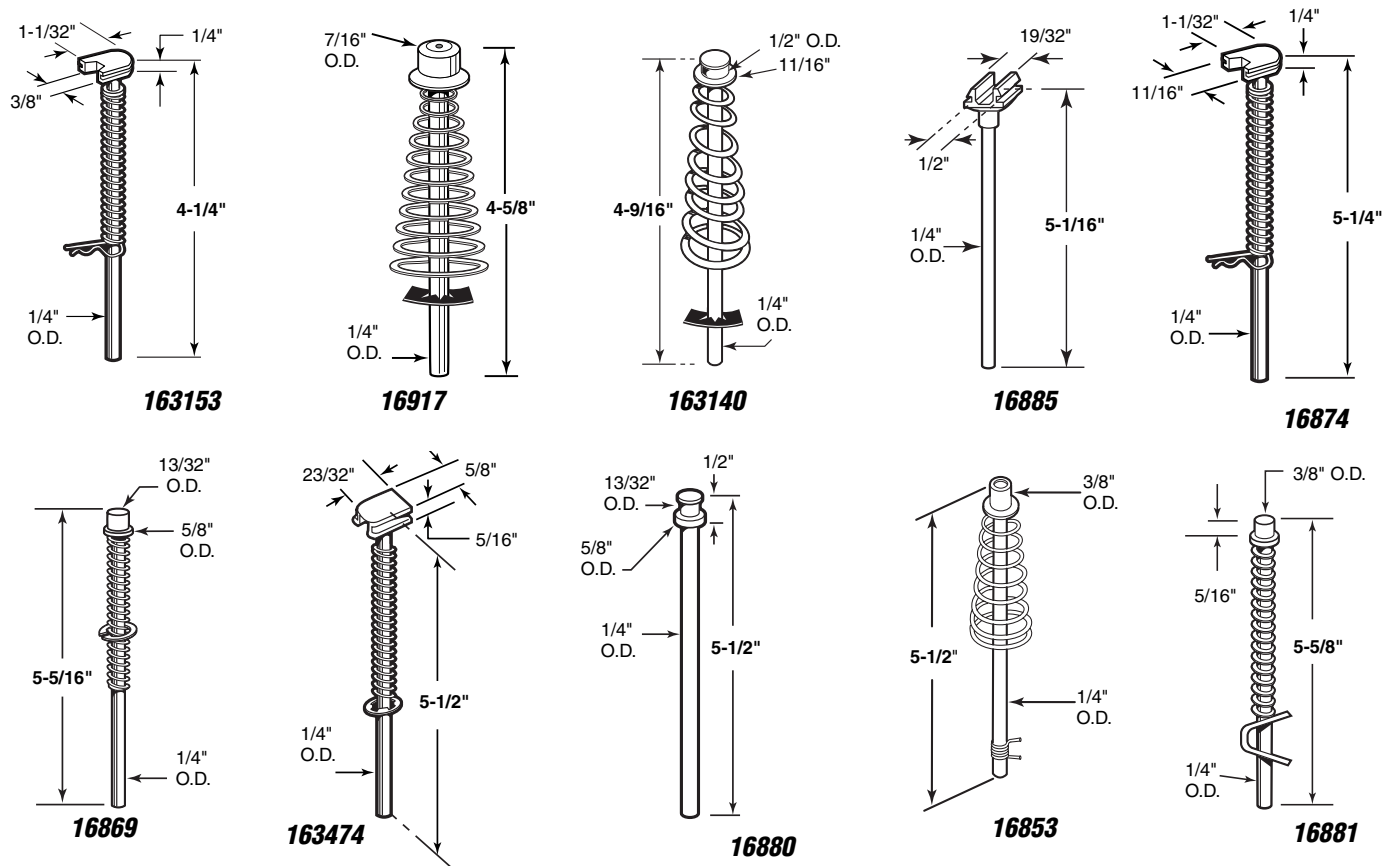
#### Top Pivots



#### Bottom Pivots

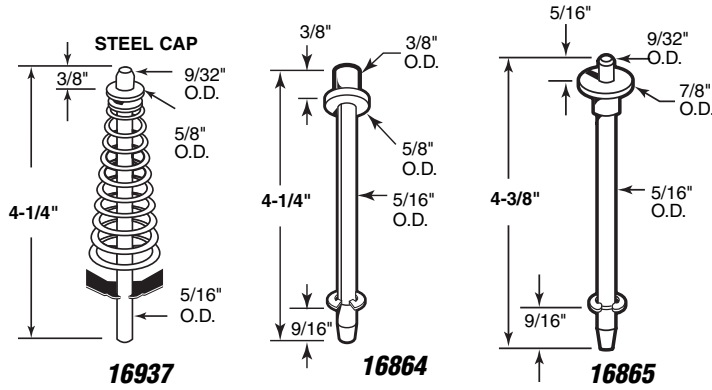


#### Guide Pins





## Top Pivots

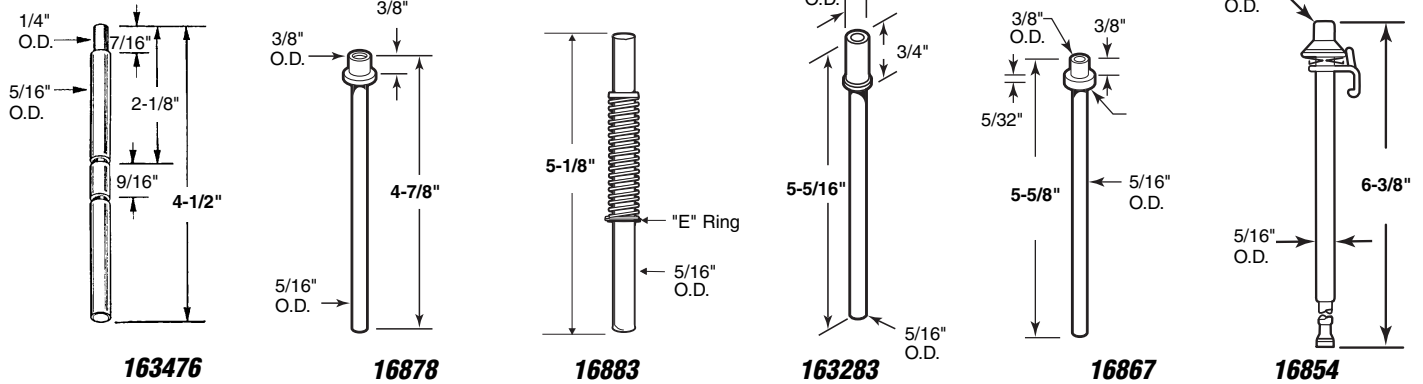


## Pivot & Guide Pins

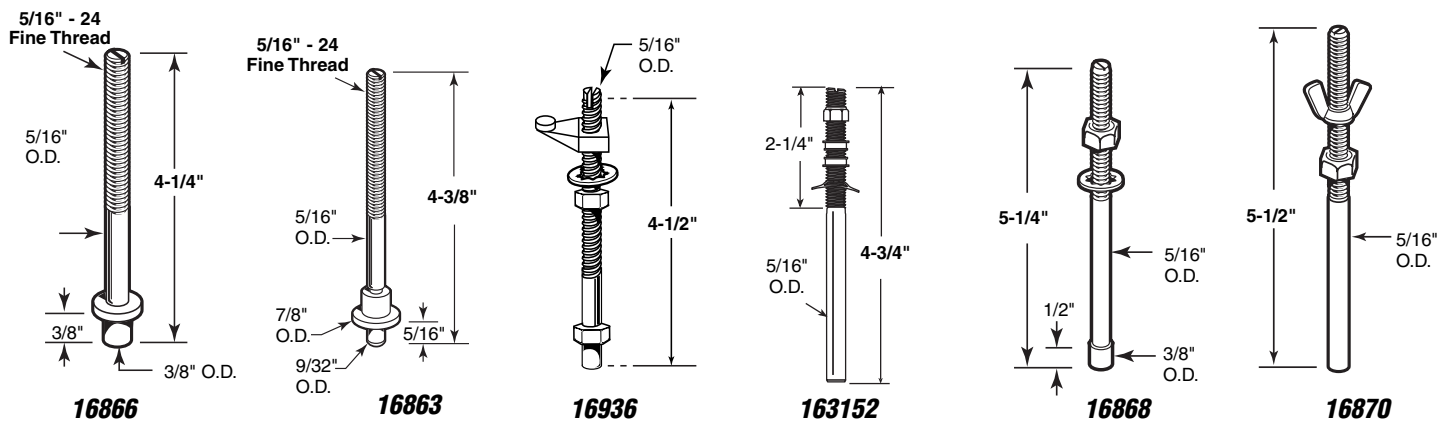
**Contents:** 1 pin assembly.

**Description:** Steel guide pins & top and bottom pivot pins; unless noted, most caps shown are nylon.

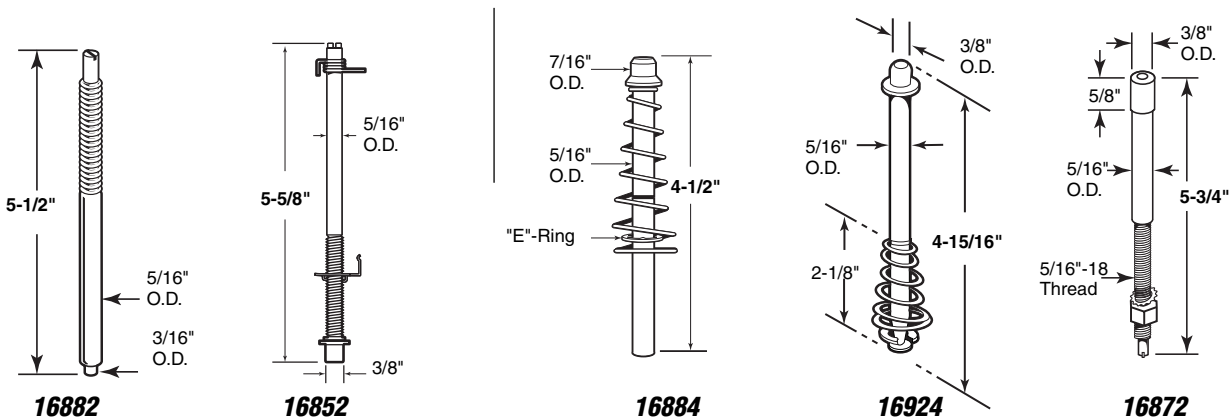
## 5/16" Diameter Pins



## Bottom Pivots



## Guide Pins



# Bi-fold Door Hardware

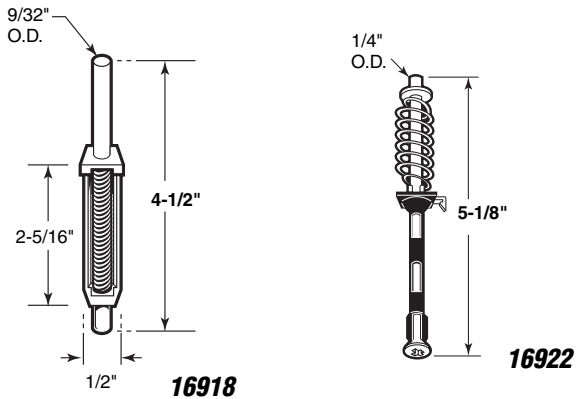
## Pivot & Guide Pins

**Contents:** 1 pin assembly.

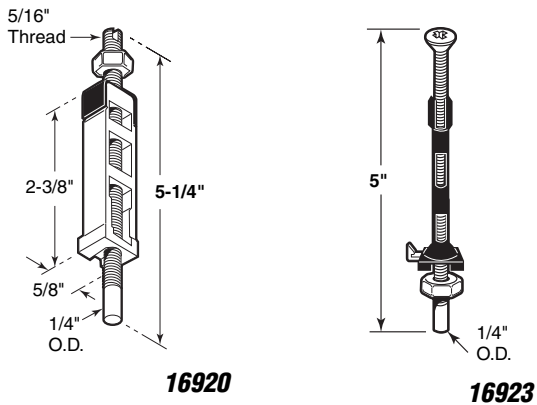
**Description:** Steel guide pins & top and bottom pivot pins; all caps shown are white nylon.

### 9/32" Diameter Pins

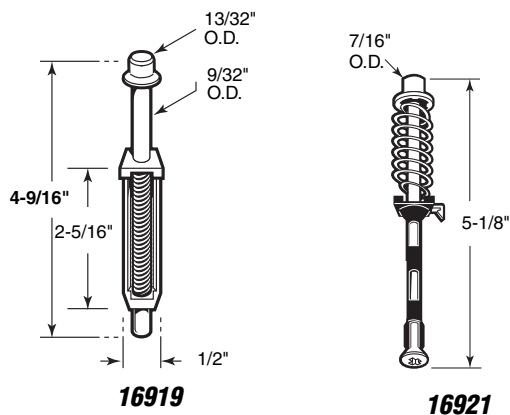
#### Top Pivots



#### Bottom Pivots



#### Guide Pins



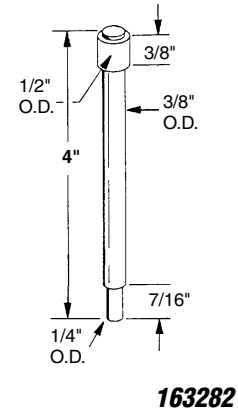
## Pivot & Guide Pins

**Contents:** 1 pin assembly.

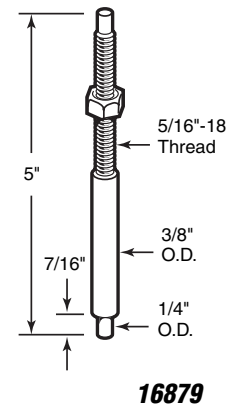
**Description:** Steel guide pins & top and bottom pivot pins; all caps shown are white nylon.

### 3/8" Diameter Pins

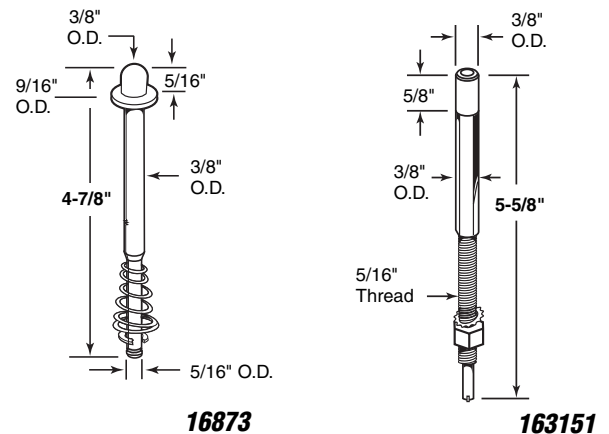
#### Top Pivots



#### Bottom Pivots



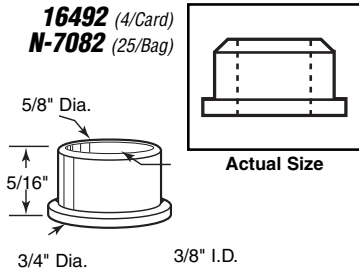
#### Guide Pins



## Pivot & Guide Pin Caps

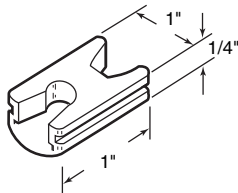
**Contents:** Pin caps.

**Description:** Replacement nylon caps.

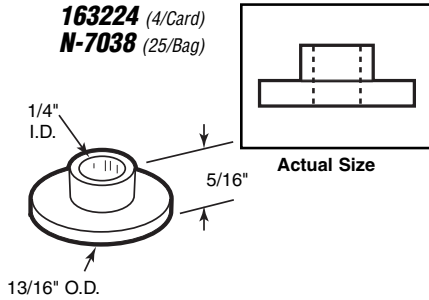


\*Used on pins: 16874, 163153

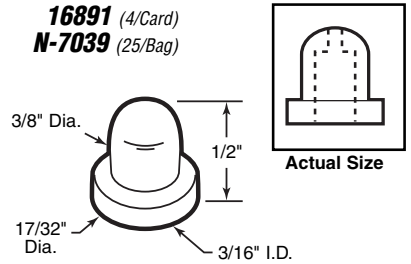
**16888** (2/Card)  
**N-6866** (25/Bag)



\*Used on pins: 16874, 163153

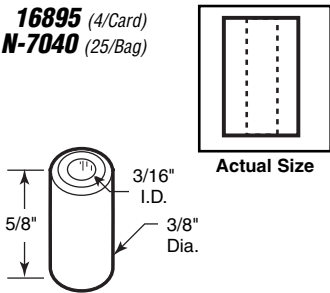


\*Used on pins: 16260

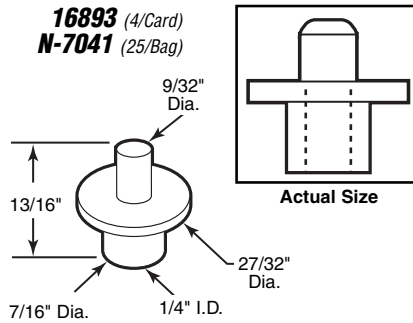


\*Used on pins: 16924

**16895** (4/Card)  
**N-7040** (25/Bag)

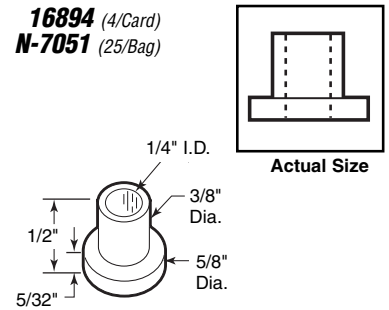


\*Used on pins: 16872



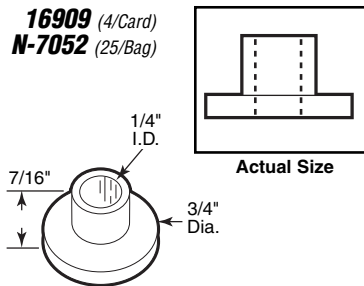
\*Used on pins: 16865, 16863

**16894** (4/Card)  
**N-7051** (25/Bag)



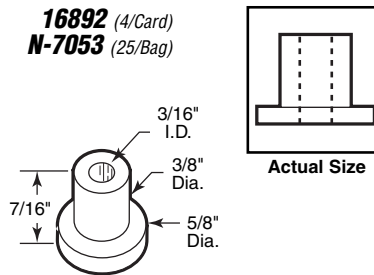
\*Used on pins: 16867

**16909** (4/Card)  
**N-7052** (25/Bag)



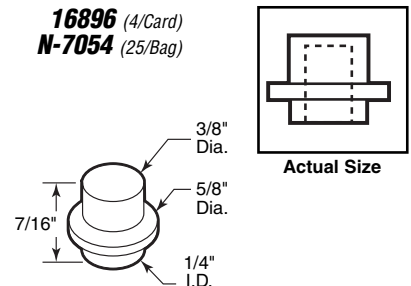
\*Used on pins: 16864, 16866

**16892** (4/Card)  
**N-7053** (25/Bag)



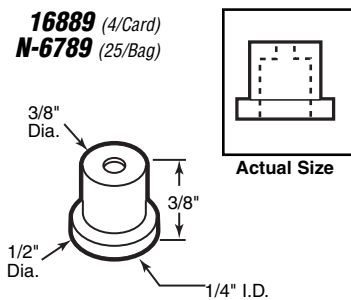
\*Used on pins: 16854

**16896** (4/Card)  
**N-7054** (25/Bag)



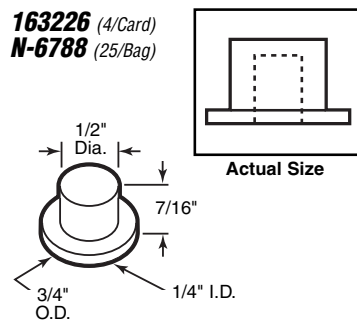
\*Used on pins: 16869

**16889** (4/Card)  
**N-6789** (25/Bag)

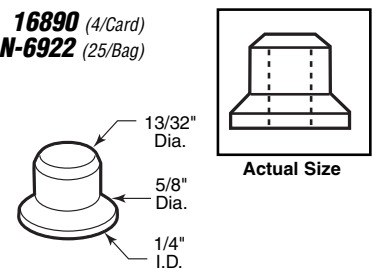


\*Used on pins: 16881, 161689

**163226** (4/Card)  
**N-6788** (25/Bag)



**16890** (4/Card)  
**N-6922** (25/Bag)



\*Used on pins: 16875, 16884, 16917

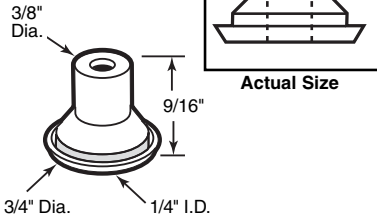
# Bi-fold Door Hardware

## Pivot & Guide Pin Caps

**Contents:** Pin caps.

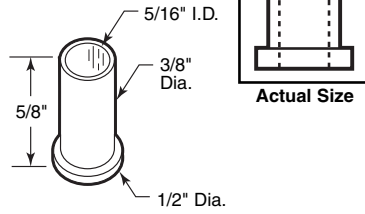
**Description:** Replacement nylon caps.

**16861** (4/Card)  
**N-6787** (25/Bag)



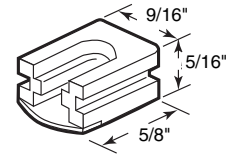
\*Used on pins: 16854

**163227** (4/Card)  
**N-7055** (25/Bag)



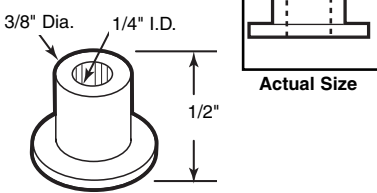
\*Used on pins: 163283

**16887** (4/Card)  
**N-7056** (25/Bag)



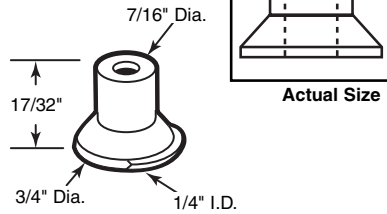
\*Used on pins: N-6741

**16860** (4/Card)  
**N-6916** (25/Bag)



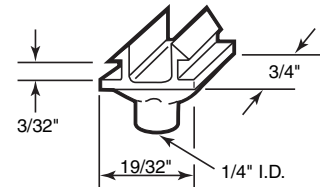
\*Used on pins: 16260, 16853

**16897** (4/Card)  
**N-6918** (25/Bag)



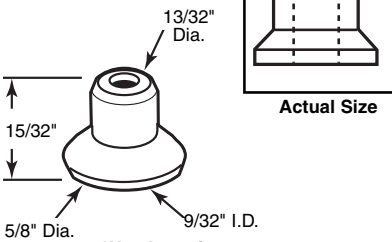
\*Used on pins: 16921

**16886** (2/Card)  
**N-7057** (10/Bag)



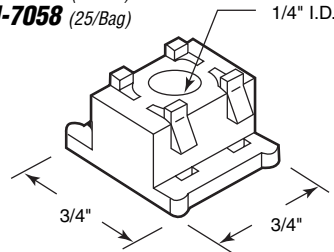
\*Used on pins: 16885

**163228** (4/Card)  
**N-6928** (25/Bag)



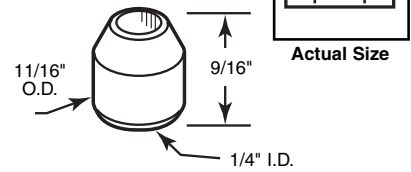
\*Used on pins: 16919

**163471** (4/Card)  
**N-7058** (25/Bag)



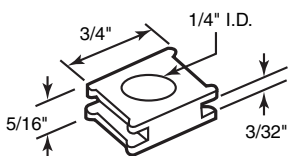
\*New style replacement cap for pin: 161978

**163230** (4/Card)  
**N-6862** (25/Bag)



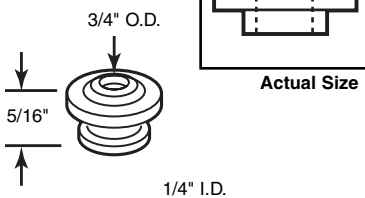
\*Used on pins: 162014

**16898** (4/Card)  
**N-6864** (25/Bag)



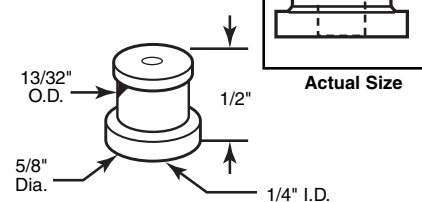
\*Used on pins: 161978

**16914** (4/Card)  
**N-6863** (25/Bag)



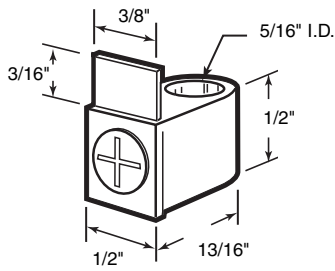
\*Used on pins: 162015

**163231** (4/Card)  
**N-7063** (25/Bag)

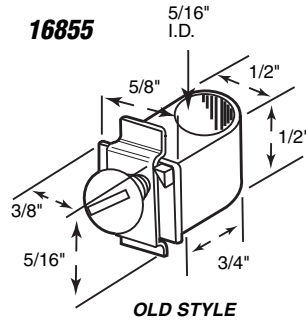


\*Used on pins: 163140

**163170 NEW STYLE**



**16855**



**16855** (Old style)  
**163170** (New style)

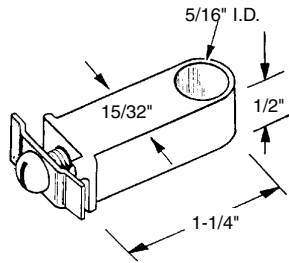
**Pivot Rod Clamp**

**Contents:** 1 clamp.

**Description:** Pivot rod clamp used to adjust height; nylon housing; fits on *Slimfold* and others.

You may wish to stock these related parts: **16854, 16853, 16851.**

**163477**



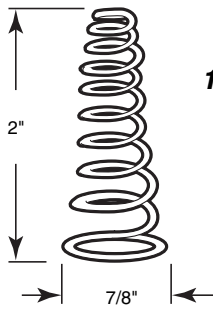
**163477**

**Pivot Rod Clamp**

**Contents:** 1 clamp.

**Description:** Nylon housing; rod clamp used to adjust height; 1-1/4" long housing.

You may wish to stock these related parts: **16855.**



**163480**

**163480**

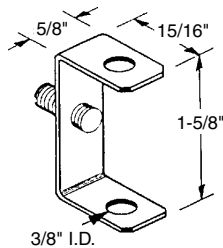
**Pivot Rod Tension Springs**

**Contents:** 2 springs.

**Description:** High tension; heat treated steel spring used to supply tension on top pivot guide rods and bottom guide rods; fits 3/8" rod.

You may wish to stock these related parts: **161497.**

**163478**



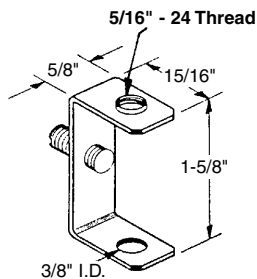
**163478**

**Pivot Rod Adjustment Bracket**

**Contents:** 1 bracket.

**Description:** Stamped steel bracket; has set screw in center; used to adjust height of pivot rod; used with pivot rod numbers **16864** or **16865.**

You may wish to stock these related parts: **163479.**



**163479**

**163479**

**Pivot Rod Adjustment Bracket**

**Contents:** 1 bracket.

**Description:** Stamped steel bracket; has 5/16"-24 threads on one end; set screw in center; used to adjust height of pivot rod; used with pivot rod number **16866.**

You may wish to stock these related parts: **163478.**

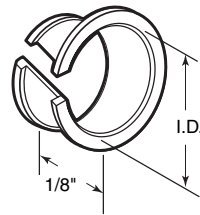
# Pocket Door Hardware

**163209** (1/4" inside diameter)  
**163482** (5/16" inside diameter)

## Nyliner

**Contents:** 50 nyliners per bag.

**Description:** Nylon bushing for Bi-Fold Guide and Pivot Pins; Snaps into steel door frame; prevents pin from direct contact with sharp punched hole in door.



**163209**  
**163482**

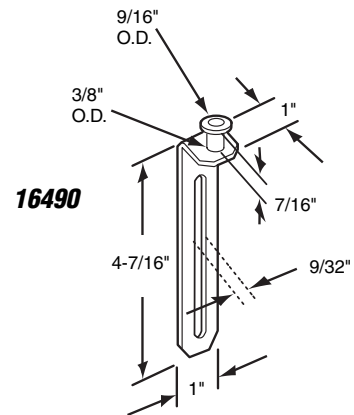
## 16490

### Top Guide

**Contents:** 1 guide; (2) 1/4"-20 x 1/2" round head slotted machine screws.

**Description:** Top guide for bi-fold doors; stamped steel with nylon cap; fits on *Roberts*.

You may wish to stock these related parts: **16383, 16491.**



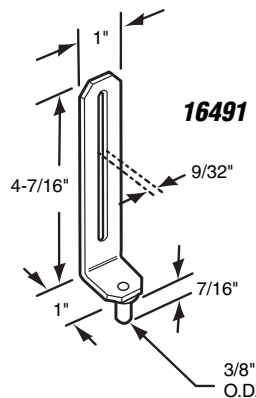
## 16491

### Bottom Guide

**Contents:** 1 guide; (2) 1/4"-20 x 1/2" round head slotted machine screws.

**Description:** Bottom guide for bi-fold doors; stamped steel with nylon cap; fits on *Roberts*.

You may wish to stock these related parts: **16383, 16490.**



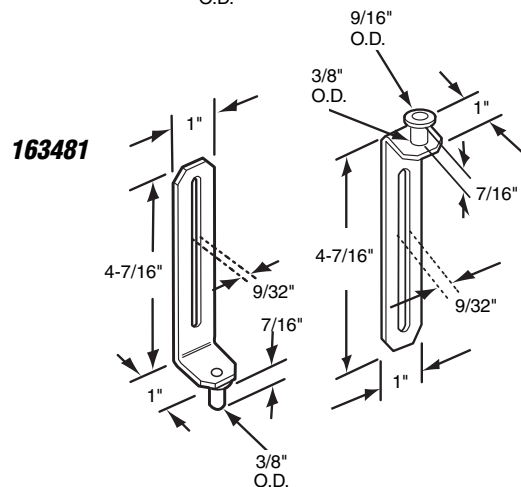
## 163481

### Top & Bottom Guide Set (16490 & 16491)

**Contents:** 1 top guide; 1 bottom guide; installation fasteners.

**Description:** Top and bottom guides for bi-fold doors; stamped steel with nylon cap; fits on *Roberts*.

You may wish to stock these related parts: **16383.**



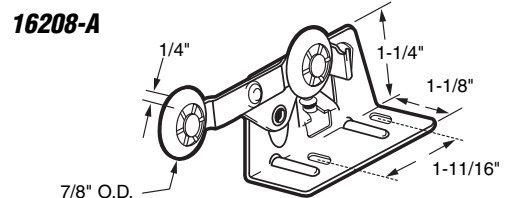
## 16208-A

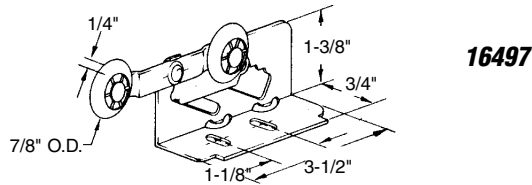
### Roller

**Contents:** 2 roller assemblies; 4 no. 8 x 1-1/4" Phillips pan head sheet metal screws.

**Description:** Tandem wheels; top mount steel hanger for pocket doors; 7/8" round edge nylon wheel; for 1-3/8" thick doors up to 75 lbs. each; fits on *Cox*.

You may wish to stock these related parts: **16104, 161930, 161092.**





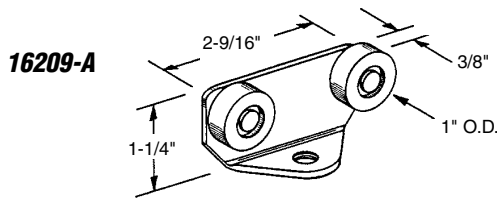
**16497**

**Roller**

**Contents:** 2 roller assemblies; 4 no. 8 x 1-1/4" Phillips pan head sheet metal screws.

**Description:** Tandem wheels; top mounting; adjustable **steel** bracket; 7/8" diameter **round edge nylon** wheel; fits 3/4" to 1-3/4" thick doors; fits on **Acme**.

You may wish to stock these related parts: **161930; 161092.**



**16209-A**

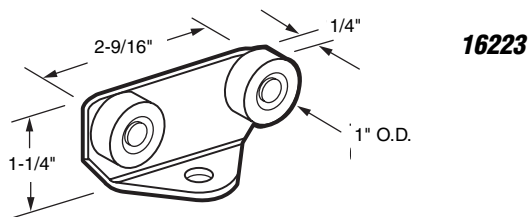
**Roller**

**Contents:** 2 roller assemblies.

**Description:** Tandem wheels; top mount **steel** bracket; 1" diameter x 3/8" thick, **flat edge nylon** wheel; fits 1" to 1-3/8" thick pocket doors up to 75 lbs. each.

You may wish to stock these related parts: **161230, 16104, 161930.**

*Call for Availability*



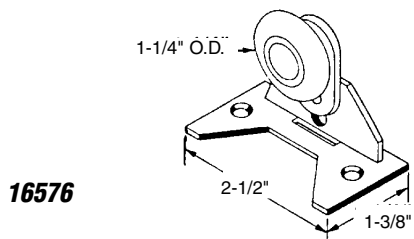
**16223**

**Roller**

**Contents:** 2 roller assemblies.

**Description:** Tandem wheels; top mount **steel** hanger for pocket doors; 1" diameter x 1/4" thick, **round edge nylon** wheel; for 1-3/8" thick doors up to 75 lbs. each.

You may wish to stock these related parts: **16104, 161930, 161092.**



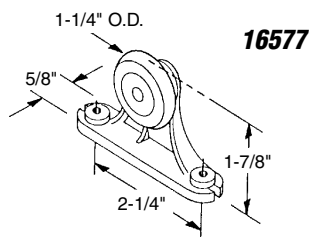
**16576**

**Top Roller Assembly**

**Contents:** 1 roller assembly; 2 no. 8 x 1/2" flat head sheet metal screws.

**Description:** 1-1/4" diameter **nylon ball bearing** wheel; adjustable **steel** bracket mounts on top of pocket doors; fits on **E-Z Guide**.

You may wish to stock these related parts: **16577.**



**16577**

**Top Assembly**

**Contents:** 1 roller assembly; 2 no. 8 x 1/2" Phillips pan head sheet metal screws.

**Description:** 1-1/4" diameter **nylon ball bearing** wheel; **diecast** housing; used as a "fixed" back roller on pocket doors; fits on **E-Z Glide**.

You may wish to stock these related parts: **16576.**

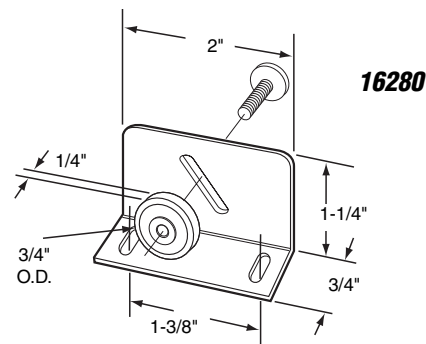
## 16280

### Roller

**Contents:** 2 roller assemblies; 2 no. 8 x 1-1/4" Phillips pan head sheet metal screws.

**Description:** 3/4" diameter flat edge nylon ball bearing wheel; stamped steel bracket; top-center mounting; fits 3/4" to 1-3/8" thick doors; adjustable wheel location on bracket; fits on *Atlas*.

You may wish to stock these related parts: **16104, 16539, 16281, 16225.**



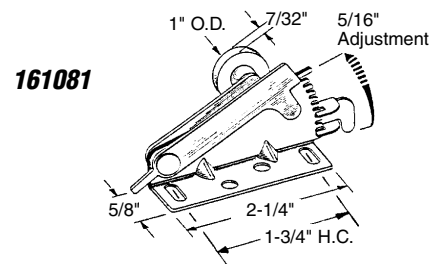
## 161081

### Roller Assembly

**Contents:** 1 roller assembly; 4 no. 8 x 3/4" Phillips pan head sheet metal screws.

**Description:** 1" diameter nylon wheel; steel bracket; adjustable up to 5/16" height; for pocket doors 1" to 1-3/4" thick; up to 75 lbs. each; fits on *Kennaframe*.

You may wish to stock these related parts: **161899, 16225.**



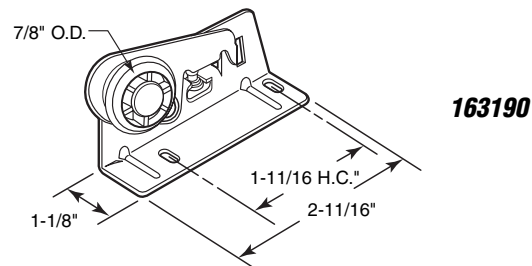
## 163190

### Roller Assembly

**Contents:** 2 roller assemblies; 4 no. 8 x 1-1/4" Phillips pan head sheet metal screws.

**Description:** 7/8" diameter nylon wheel; steel bracket; for pocket doors up to 50 lbs; fits on *Cox*.

You may wish to stock these related parts: **16225, 161138.**



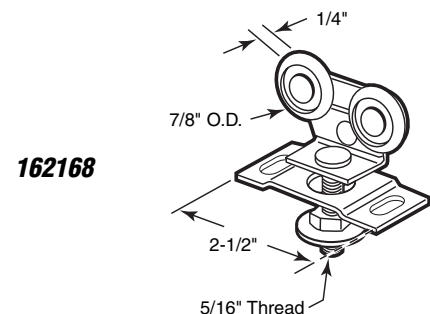
## 162168

### Roller Assembly

**Contents:** 1 roller assembly; adjustment nut; mounting plate.

**Description:** 7/8" diameter tandem nylon wheels; steel brackets; for pocket doors from 1" to 1-3/4" thick up to 75 lbs. each; fits on *Atlas*.

You may wish to stock these related parts: **161092, 163210.**



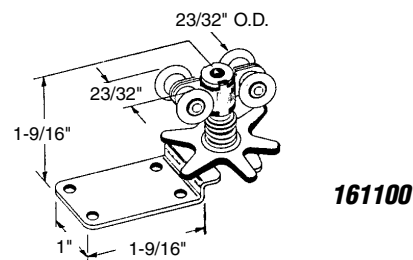
## 161100

### Roller Assembly

**Contents:** 1 roller assembly; 4 no. 8 x 3/4" Phillips pan head sheet metal screws.

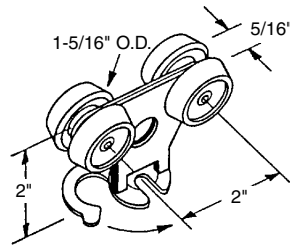
**Description:** 4 nylon wheels; spring-loaded, steel bracket; adjustable up to 3/8" height; for pocket doors 1" to 1-3/4" thick; up to 100 lbs. each; fits on *Kennaframe*.

You may wish to stock these related parts: **161899, 161138, 163210.**





**16618**



**16618**

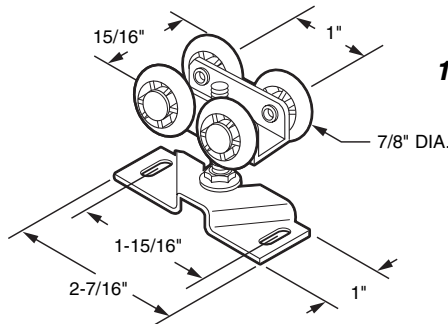
**Roller**

**Contents:** 1 roller assembly; 1 no. 8 x 2" wood screw.

**Description:** 4 wheel carrier; 1-5/16" diameter **nylon** wheels; **steel** bracket with quick release feature; for bi-pass and pocket doors; fits on **E-Z Glide**.

You may wish to stock these related parts: **16577**.

**163208**



**163208**

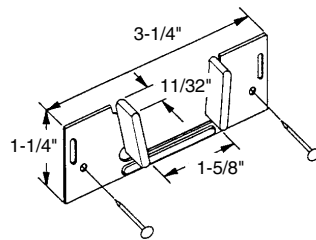
**Roller**

**Contents:** 1 roller assembly; 2 no. 8 x 1-1/4" sheet metal screws.

**Description:** 4 wheel carrier; 7/8" diameter **nylon** wheels; **steel** bracket used on both bi-pass and pocket doors.

**Note:** See 163175 for 3-wheel version.

**161930**



**161930**

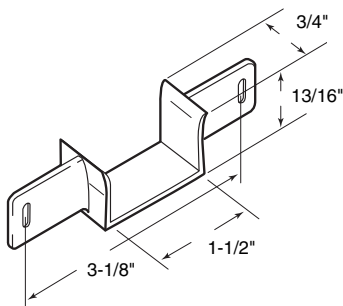
**Guide**

**Contents:** 1 guide; 4-3/4" x 15 ga. flat head drive nails.

**Description:** **Bottom guide** for pocket doors; **jamb mounted steel** bracket with **nylon** tips; for 1-3/8" thick doors; universal design.

You may wish to stock these related parts: **16319**, **16469**.

**16225**



**16225**

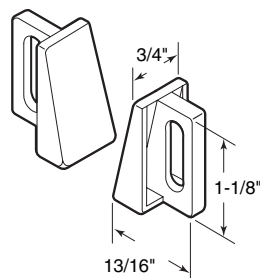
**Guide**

**Contents:** 1 guide; 2-3/4" x 15 ga. flat head drive nails.

**Description:** **Nylon bottom guide** for pocket doors; **jamb mounted**; for 1-3/8" thick doors.

You may wish to stock these related parts: **16319**, **16469**.

**161138**



**161138**

**Guide**

**Contents:** 2 guides; installation screws.

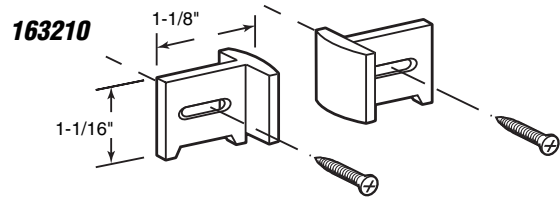
**Description:** 2 piece **nylon bottom guide**; **jamb mounted**; slotted mounting holes for horizontal adjustment of pocket door; for use with any door thickness.

## 163210

### Side Adjusting Guide

**Contents:** 2 guides; 2 installation screws.

**Description:** 2 piece nylon bottom guide; jamb mounted; slotted mounting holes for horizontal adjustment of pocket door; for use with any door thickness.



**161494** (Polished brass)

**163505** (Antique brass)

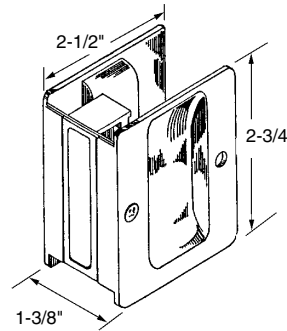
**163507** (Chrome plated)

### Passage Pull

**Contents:** 1 passage pull; 1 set of installation screws.

**Description:** Solid brass pull for passageway (pocket) doors; reversible.

You may wish to stock these related parts: **161495, 163142.**



**161494**

**163505**

**163507**

**161495** (Polished brass)

**163142** (Antique brass)

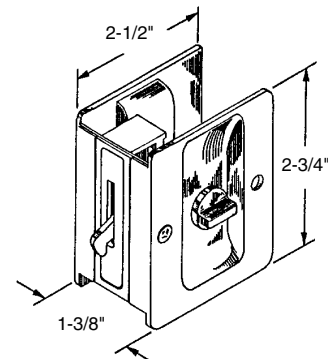
**161887** (Chrome plated)

### Privacy Lock

**Contents:** 1 lock and pull; 1 set of installation screws.

**Description:** Solid brass sliding door lock and pull for passageway (pocket) doors; reversible.

You may wish to stock these related parts: **N-6770.**



**161495**

**163142**

**161887**

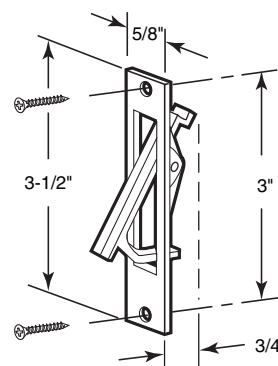
## 161496

### Flush Pull

**Contents:** 1 pull; 2 no. 8 x 3/4" Phillips flat head sheet metal screws.

**Description:** Brass plated diecast pull; fits a 5/8" x 3-1/2" mortise, 3/4" deep; pull retracts from flush position.

You may wish to stock these related parts: **16104.**



**161496**

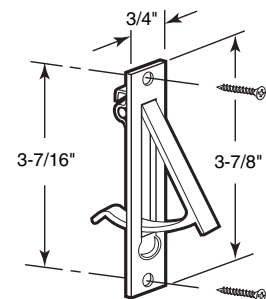
## 163200

### Pull

**Contents:** 1 pull; 1 set of installation screws.

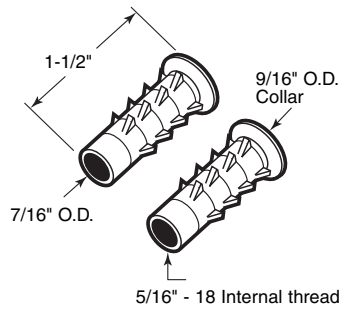
**Description:** Polished solid brass pull; fits a 3/4" x 3-7/8" mortise, 1-11/16" deep; spring loaded pull retracts flush to door edge.

You may wish to stock these related parts: **161496, 161494, 161495.**



**163200**

**161520**



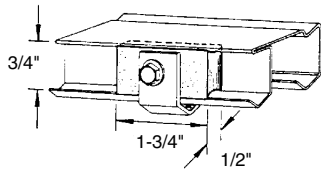
**161520**

**Thread Insert**

**Contents:** 4 inserts.

**Description:** Black nylon; 5/16" - 18 threaded insert for use on wood bi-fold doors; for replacement of lost or stripped inserts used on many top hung doors.

You may wish to stock these related parts: **16468, 16466**



**163135**

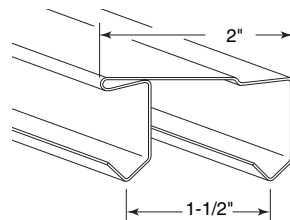
**163135**

**Roller Center Stop**

**Contents:** 1 stop with mounting bracket with set screw.

**Description:** Plated steel bracket with rubber stop; mounts into track channel at center position; prevents over-travel of doors; fits on *Acme "Bi-Parting" and "4 door" systems.*

You may wish to stock these related parts: **16217, 16136.**



**163502**

**163502** (Galvanized steel)

**163501** (Aluminum extrusion)

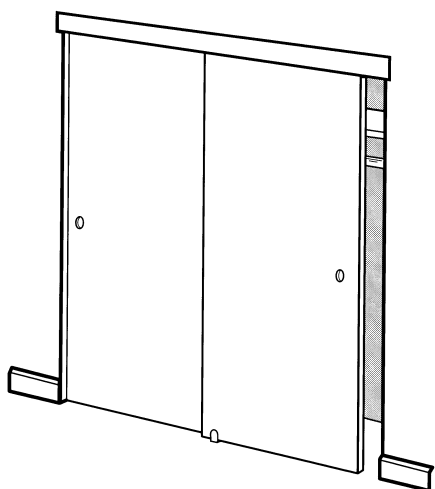
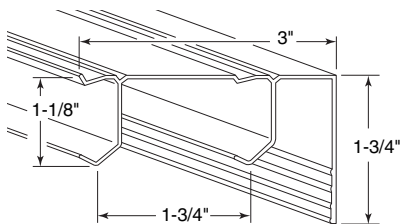
**Bi-Pass Door Track**

**Contents:** 1 piece, 96" long.

**Description:** Replacement track; used by various manufacturers.

**Note:** Part no. 163502 minimum order - 4 pieces.  
Part no. 163501 minimum order - 2 pieces.

**163501**



**161791**  
**161792**  
**161793**  
**161850**  
**163499**

**161791** (48" opening) 2 panel system

**161792** (60" opening) 2 panel system

**161793** (72" opening) 2 panel system

**161850** (96" opening) 2 panel system

**163499** (96" opening) 3 panel system

**Bi-Pass Door Track and Hardware Kit**

**Contents:** 1 steel track; 2 (4\*) hangers (front); 2 (4\*) hangers (back); 2 (4\*) finger pulls; 1 (2\*) bottom guide(s); 1 set of fasteners.

(\*) Quantity supplied for 3 panel systems only.

**Description:** Galvanized steel track; plated steel hangers; adjustable bottom guide (steel base with nylon tips); brass plated steel finger pulls. Track length is pre-cut to slightly less than opening size to minimize the need to cut the track; use with wood door panels 3/4" to 1-3/8" thick; for use on doors weighing up to 60 lbs. each; minimum order: 6 each.

## Pocket Door Hardware

**161794** (36" opening) 2 panel system

**161795** (48" opening) 4 panel system

**161796** (60" opening) 4 panel system

**161797** (72" opening) 4 panel system

### Bi-Fold Door Track and Hardware Kit

**Contents:** 1 steel track; 1 (2\*) top pivot brackets; 1 (2\*) top pivots; 1 (2\*) roller guides; 3 (6\*) non-mortise hinges; 1 (2\*) bottom pivots; 1 (2\*) bottom pivot brackets; 1 (2\*) spring snigger(s); (2\*) door aligners; 1 (2\*) door knobs; 1 set of fasteners.

(\* ) Quantity supplied for 4 panel systems only.

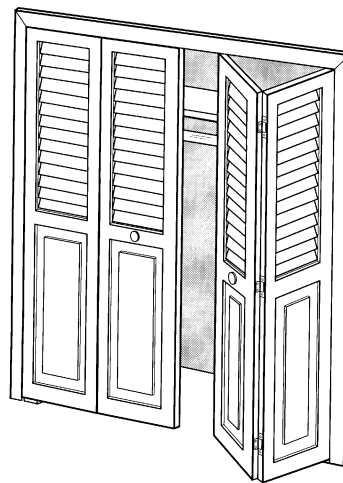
**Description:** Painted steel track; steel top pivot brackets are pre-installed to track; steel bottom pivot brackets; brass plated steel hinges; roller guides and pivots have a 7/16" diameter nylon base with steel pins; steel spring snigger with plastic retainer sleeve; zinc plated steel aligners; unfinished wood knobs. Track length is pre-cut to slightly less than opening size to minimize the need to cut the track; use with wood door panels 1" to 1-3/8" thick; for use on doors weighing up to 30 lbs. each; minimum order: 6 each.

**161794**

**161795**

**161796**

**161797**



**161798** (36" maximum door size)

### Pocket Door Track and Hardware Kit

**Contents:** Track: (1) 71" galvanized steel double "J" track

**Headers:** (1) 3/4" x 2" x 72" (wood)  
(2) 3/4" x 2" x 37" (wood)

**Uprights:** (4) 3/4" x 1-3/4" x 84" wood with steel support channel.

**Hanger Brackets:** (2) steel floor brackets  
(1) steel front header bracket  
(1) steel rear header bracket

**Horizontal Support:** 3/4" x 2" x 40" wood support

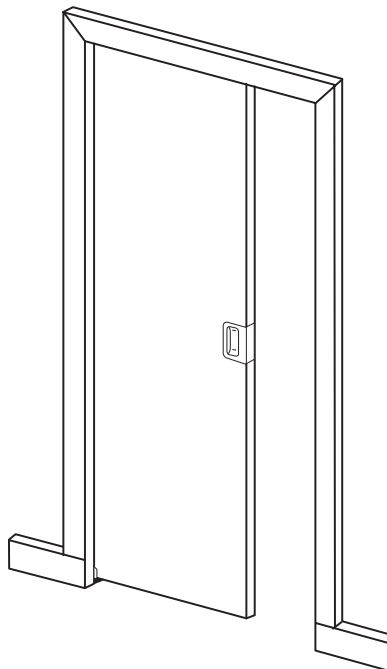
**Hardware:** (2) 4-wheel top roller assemblies  
(steel bracket with nylon wheel)  
(1) steel bottom guide with nylon tips  
(1) rubber door bumper  
(1) steel adjusting wrench  
(1) set of fasteners  
(1) set of drywall screws.

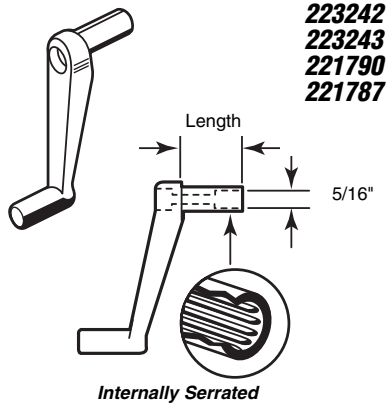
**Description:** This pocket door track kit with concealed hardware was designed for easy installation, yet offers professional quality throughout. Super heavy-duty 4-wheel roller assemblies are exceptionally quiet, durable and respond to the lightest touch; easily adjusted with the wrench supplied. These rollers, when used in conjunction with the double-J track, develop a superior stability not found in most other kits; may be used on wood doors (1-3/8" to 1-3/4") thick, up to 150 lbs; minimum order: 6 each.

The header board is pre-marked with cut-off indicators, for 24", 30", 32" and 36" door size applications.

Fasteners include all necessary hardware fasteners as well as screws for drywall installation.

**161798**





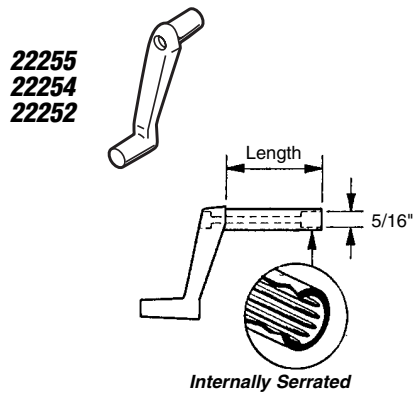
**223242** (13/16" stem length)  
**223243** (1-3/4" stem length)  
**221790** (2-1/8" stem length)  
**221787** (3-1/8" stem length)

**223242** (13/16" stem length)  
**223243** (1-3/4" stem length)  
**221790** (2-1/8" stem length)  
**221787** (3-1/8" stem length)

**Handle**

**Contents:** 2 handles; 2 installation screws.

**Description:** Brown plastic crank; internally serrated to fit 5/16" spindle; used on crank-out windows.



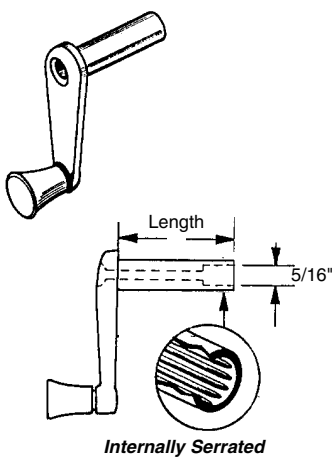
**22255** (1/4" stem length)  
**22254** (3/4" stem length)  
**22252** (1-3/4" stem length)

**22255** (1/4" stem length)  
**22254** (3/4" stem length)  
**22252** (1-3/4" stem length)

**Handle**

**Contents:** 1 handle; 1 installation screw.

**Description:** Diecast crank; internally serrated to fit 5/16" spindle; used on crank-out windows.



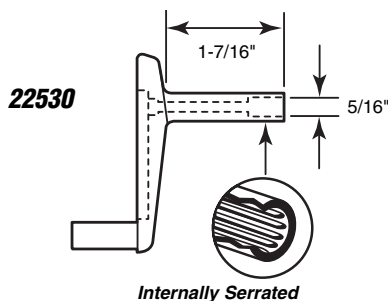
**223264** (1/2" stem length)  
**22251** (1" stem length)  
**22253** (1-1/4" stem length)

**223264** (1/2" stem length)  
**22251** (1" stem length)  
**22253** (1-1/4" stem length)

**Handle**

**Contents:** 1 handle with installation screw.

**Description:** Diecast crank and swivel knob; internally serrated to fit 5/16" spindle; used on crank-out windows.



**22530**

**22530**

**Handle**

**Contents:** 1 handle; 1 installation screw.

**Description:** Beige plastic crank; internally serrated to fit 5/16" spindle; fits on crank-out windows or top vents by **Hehr**.

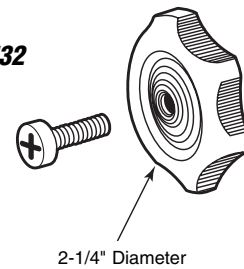
## 22532

### Handle

**Contents:** 1 handle; 1 no. 8-32 x 5/8" Phillips pan head machine screw.

**Description:** Heavy-duty plastic knob; 1/4" shank; internally serrated to fit 5/16" spindle; used on top vents or sun roofs.

**22532**



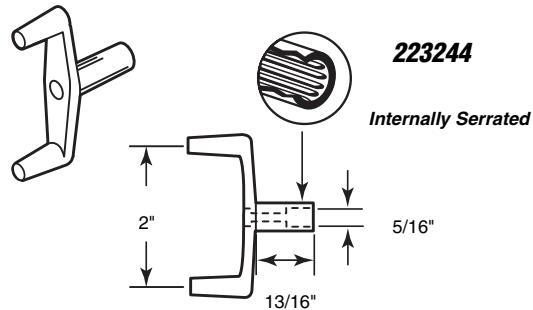
## 223244

### Handle

**Contents:** 2 handles; 2 no. 8-32 x 1" slotted Fillister head machine screws.

**Description:** Dual-grip, white nylon crank handle; internally serrated to fit 5/16" spindle; used on crank-out windows and roof vents.

**223244**



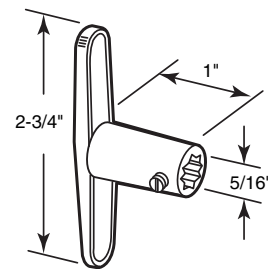
## 22528

### Handle

**Contents:** 1 handle with set screw.

**Description:** Diecast crank handle; heavy-duty construction; internally serrated to fit 5/16" spindle; used on crank-out windows or roof vents.

**22528**



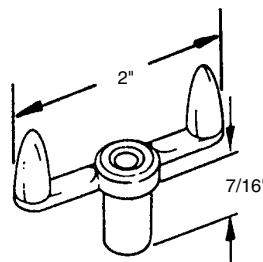
## 22256

### Handle

**Contents:** 1 handle; 1 no. 8-32 x 5/8" Phillips pan head machine screw.

**Description:** Dual-grip, diecast crank handle; internally serrated to fit 5/16" spindle; used on crank-out windows.

**22256**



**22250-A** (7/8" long)

**22250-B** (1-1/8" long)

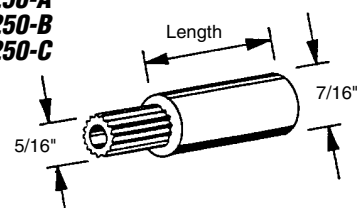
**22250-C** (2" long)

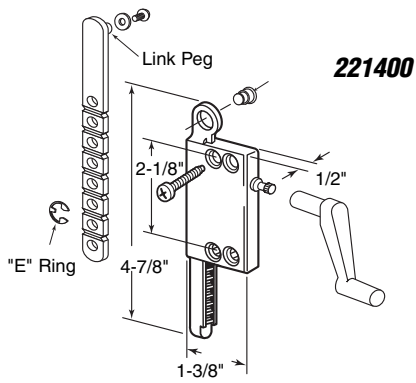
### Handle Extension

**Contents:** 1 extension with screw.

**Description:** Diecast extender; serrated both internally and externally for 5/16" spindle applications; for use with crank-out window and roof vent handles.

**22250-A**  
**22250-B**  
**22250-C**



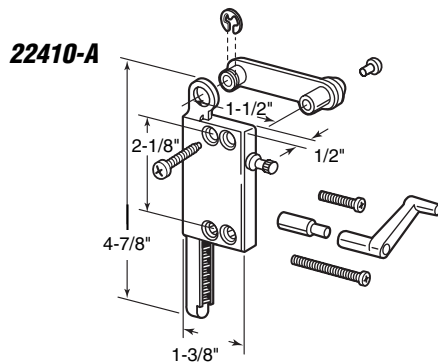


**221400**

**Awning or Louvre Window Operator**

**Contents:** 1 operator; 1 extension arm; 1 crank handle; 1 set of installation hardware.

**Description:** Diecast rack operator; adjustable break-off link extension arm for universal application; 5/16" spindle size; used on either left or right handed windows; **side mount**.

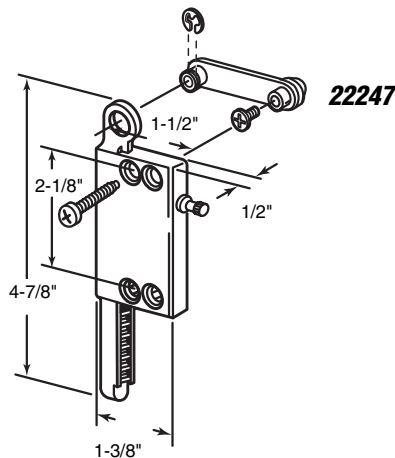


**22410-A**

**Louvre Window Operator**

**Contents:** 1 operator; 1 crank handle; 1 link assembly; 1 crank handle extension; 1 set of installation hardware.

**Description:** Diecast rack operator, gear link and shaft extension; 5/16" spindle size; used on either left or right handed windows; **side mount**.

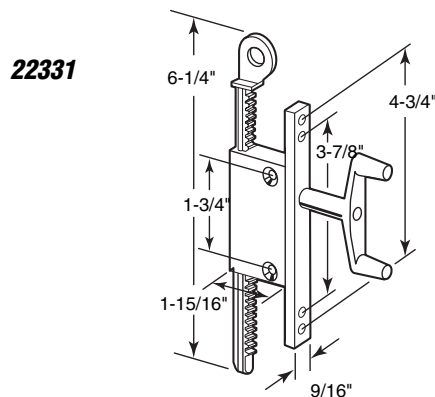


**22247**

**Louvre Window Operator**

**Contents:** 1 operator; 1 link assembly; 1 set of installation hardware.

**Description:** Diecast rack operator and attachment link; 5/16" spindle size; can be used on either left or right handed windows; **side mount**.



**22331**

**Louvre Window Operator**

**Contents:** 1 operator; 1 crank handle; 1 set of installation screws.

**Description:** Diecast rack operator; 5/16" spindle size; **plastic** dual-grip crank handle; **face mounted**; non-handed.

*Call for Availability*

**22534-L** (Left hand)  
**22534-R** (Right hand)

## Slant Sill Operator

**Contents:** 1 operator; 1 set of installation screws.

**Description:** Diecast operator; used on either awning or louvre windows; side mount for slanted sill.

**Note:** Hand determined from outside of window looking in.

**22335-L** (Left hand)  
**22335-R** (Right hand)

## Slant Sill "Mini" Operator

**Contents:** 1 operator; 1 set of installation screws.

**Description:** Diecast operator; used on either awning or louvre windows; "mini size"; side mount for slanted sill.

**Note:** Hand determined from outside of window looking in.

**22333-L** (Left hand)  
**22333-R** (Right hand)

## Torque Operator

**Contents:** 1 operator; 1 set of installation screws.

**Description:** Diecast operator; used on either awning or louvre windows; side mount.

**Note:** Hand determined from outside of window looking in.

**223246** (Left hand)  
**223247** (Right hand)

## Torque Operator

**Contents:** 1 operator; 1 set of installation screws.

**Description:** Diecast operator; used on either awning or louvre windows; side mount.

**Note:** Hand determined from outside of window looking in.

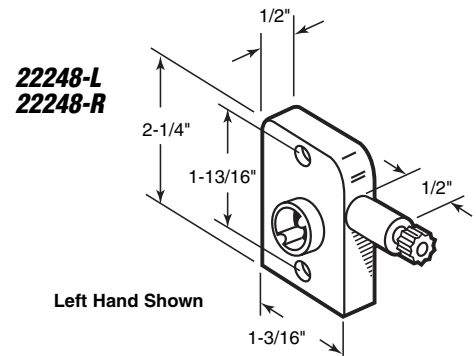
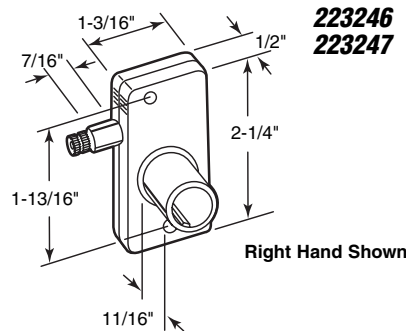
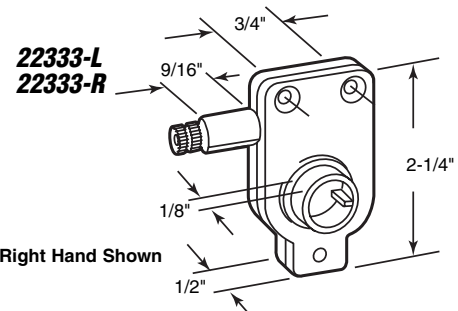
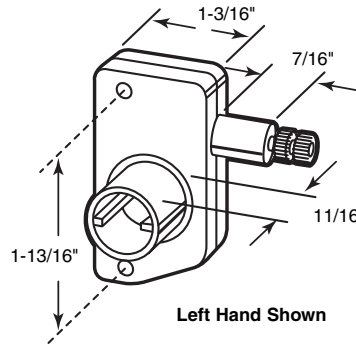
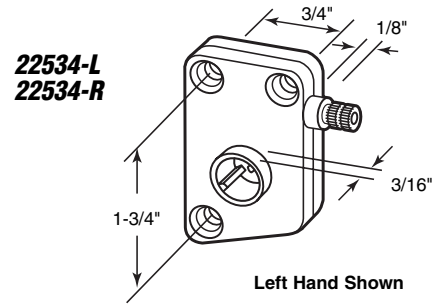
**22248-L** (Left hand)  
**22248-R** (Right hand)

## Torque Operator

**Contents:** 1 operator; 1 set of installation screws.

**Description:** Diecast operator; used on either awning or louvre windows; side mount; used by *Sun Valley* and others.

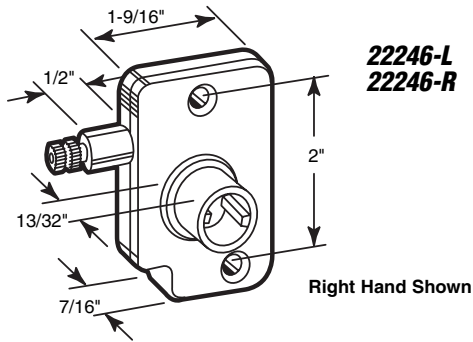
**Note:** Hand determined from outside of window looking in.



Call for Availability

Call for Availability





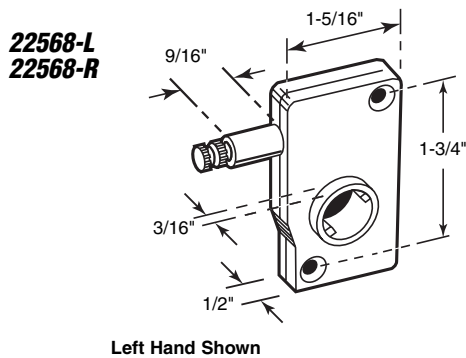
**22246-L** (Left hand)  
**22246-R** (Right hand)

**Torque Operator**

**Contents:** 1 operator; 1 set of installation screws.

**Description:** Diecast operator; used on either awning or louvre windows; side mount.

**Note:** Hand determined from outside of window looking in.



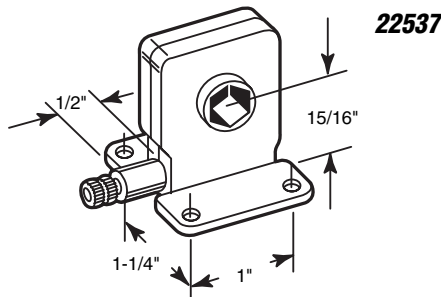
**22568-L** (Left hand)  
**22568-R** (Right hand)

**Torque Operator**

**Contents:** 1 operator; 1 set of installation screws.

**Description:** Diecast operator; used on either awning or louvre windows; side mount.

**Note:** Hand determined from outside of window looking in.

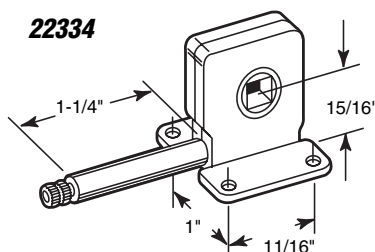


**22537**

**Torque Operator**

**Contents:** 1 operator; 1 set of installation screws.

**Description:** Diecast operator; 3/8" hex socket; center mount; used on either awning or louvre style windows.



**22334**

**Torque Operator**

**Contents:** 1 operator; 1 set of installation screws.

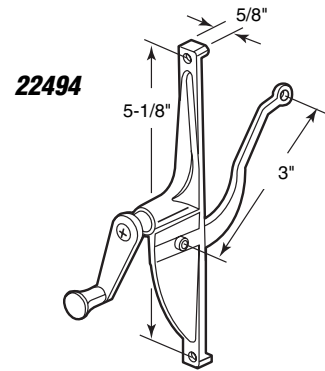
**Description:** Diecast operator; 5/16" square socket; center mount; used on either awning or louvre windows.

## 22494

### Awning Window or Roof Vent Operator

**Contents:** 1 operator; 1 crank handle; 1 set of installation screws.

**Description:** Diecast operator and crank handle; steel arm; zinc-plated; non-handed; used on 6" standard vent windows.



22494

**22711-4** (4" arm length)

**22711-5** (5" arm length)

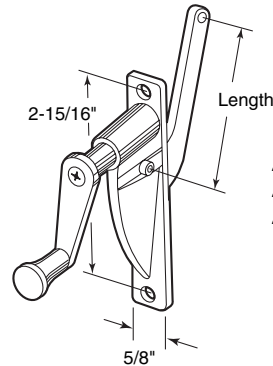
**22711-7** (7-5/8" arm length)

### Awning Window or Roof Vent Operator

**Contents:** 1 operator; 1 crank handle; 1 set of installation screws.

**Description:** Diecast operator and crank handle; zinc-plated; check specific arm length required.

**Note:** 22711-4 requires no. 22533 operator button.



22711-4  
22711-5  
22711-7

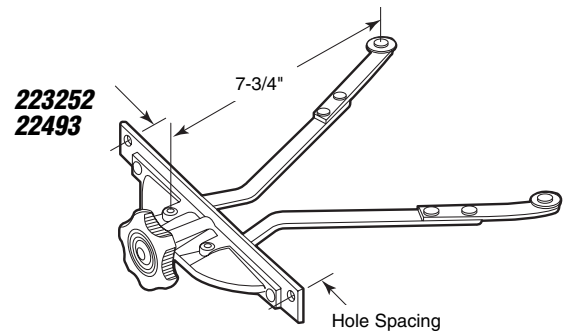
**223252** (5-7/8" hole spacing)

**22493** (4-13/16" hole spacing)

### Sun Roof Vent Operator

**Contents:** 1 operator with extension arms; 1 crank knob; 1 set of installation screws.

**Description:** Diecast operator; steel arms; zinc plated; plastic crank handle; operator housing is available with two different hole spacings.



223252  
22493

**22415** (Left & right - 1 pr./card)

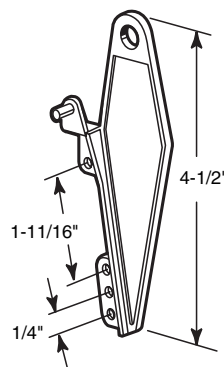
**22415-L** (Left hand - 1/card)

**22415-R** (Right hand - 1/card)

### Pivot Brackets

**Contents:** Brackets.

**Description:** Diecast pivot brackets link the operator moving arm to the louvre window clip arm; adjustable; used on Phillips windows.



22415  
22415-L  
22415-R

Right Hand Shown

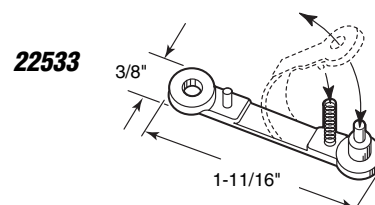
## 22533

### Roof Vent Operator Button

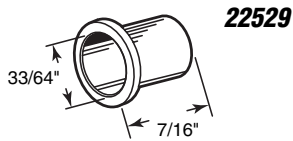
**Contents:** 1 button; 1 spring.

**Description:** Plastic roof vent attachment button; snaps onto end of operator arm and attaching unit; used by Hehr and others.

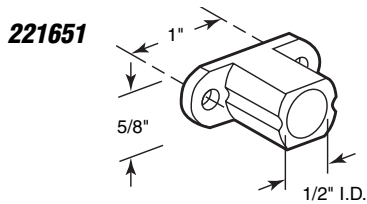
**Note:** Use with no. 22711-4 operator.



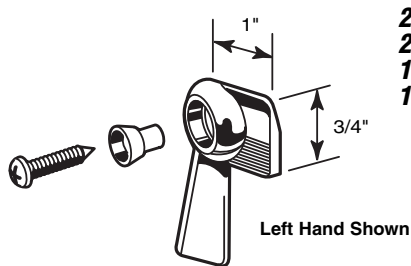
22533



**22529**

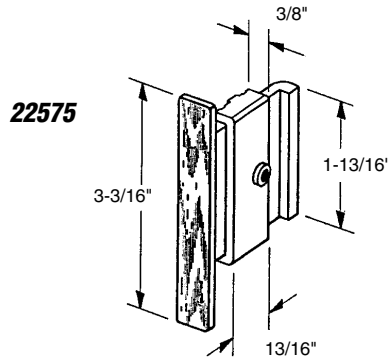


**221651**

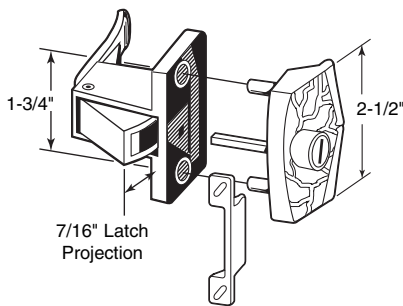


**22535-L**  
**22535-R**  
**172587-L**  
**172587-R**

Left Hand Shown



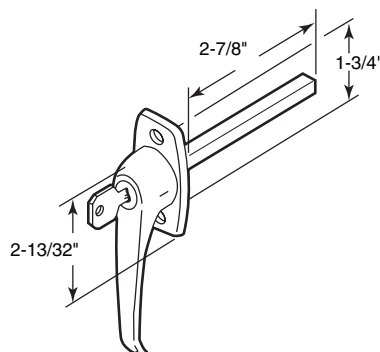
**22575**



**222767**

7/16" Latch  
Projection

**223461**



**22529**

**Torque Bar Bushing**

**Contents:** 2 bushings.

**Description:** Nylon bushing; accepts a 1/2" drive rod; used in conjunction with a variety of torque operators.

**221651**

**Torque Bar Bushing**

**Contents:** 1 bushing; 1 set of installation screws.

**Description:** Nylon bushing; accepts a 1/2" drive rod; used in conjunction with a variety of torque operators.

**22535-L** (Left hand - chrome finish - 1 per card)

**22535-R** (Right hand - chrome finish - 1 per card)

**172587-L** (Left hand - black finish - 2 per card)

**172587-R** (Right hand - black finish - 2 per card)

**Sliding Window Sash Lock**

**Contents:** 1(2) lock; 1(2) bushing; 1(2) installation screw.

**Description:** Diecast lock; nylon bushing; no keeper required; lock engages fixed rail of window to hold vent shut.

**22575**

**Sliding Window Latch and Pull**

**Contents:** 1 latch assembly.

**Description:** White nylon with wood grain feature strip; spring loaded; self-latching; used on *Phillips* RV windows.

**222767** (Antique brass finish)

**Privacy Latch**

**Contents:** 1 inside latch and pull; 1 outside pull; 1 pushbutton spindle; 1 strike, 1 set of installation screws.

**Description:** Diecast assembly; plastic pushbutton; interior lock button for privacy; use screwdriver in exterior pushbutton to override; fits 1/2" to 1" thick interior RV doors.

**223461** (Chrome finish)

**Locking Handle** (Non-handed)

**Contents:** 1 locking handle; 2 keys; 1 set of installation screws.

**Description:** Diecast construction; 1-3/4" hole centers; 5/16" square spindle; hardened steel shaft; 90° rotation.

You may wish to stock these related parts: **22329**, **22328**, **22531**.

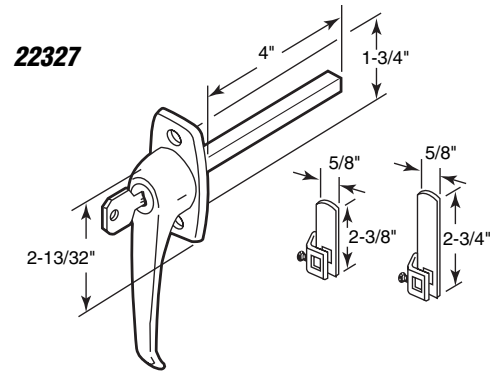
**22327** (Non-handed)

## Locking Handle (Chrome finish)

**Contents:** 1 locking handle; 2 keys; 2 cam locks; 1 set of installation screws.

**Description:** Diecast construction; **1-3/4" hole centers**; 5/16" square spindle; hardened **steel** shaft; used as a compartment lock and handle.

You may wish to stock these related parts: **22531**.



**223253** (Chrome finish - 2-7/8" spindle length)

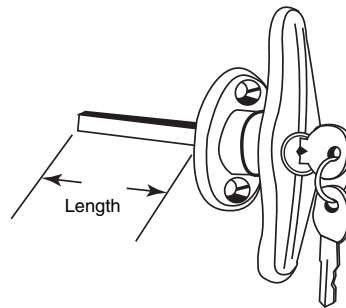
**223463** (Black finish - 2" spindle length)

## Locking Handle

**Contents:** 1 locking handle; 2 keys; 1 set of installation screws.

**Description:** Diecast construction; 5/16" square spindle; hardened **steel** shaft; **1-1/2" hole centers**; used as a compartment lock and handle.

You may wish to stock these related parts: **22329**, **22328**, **22531**.



**223253**  
**223463**

**22329** (2-3/8" latch length)

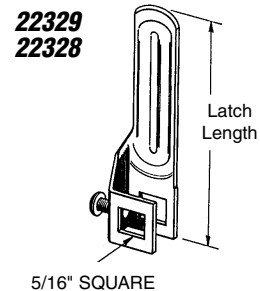
**22328** (2-3/4" latch length)

## Cam Lock

**Contents:** 1 cam lock with set screws.

**Description:** Zinc plated steel; accepts a 5/16" square spindle.

You may wish to stock these related parts: **223461**, **223253**.



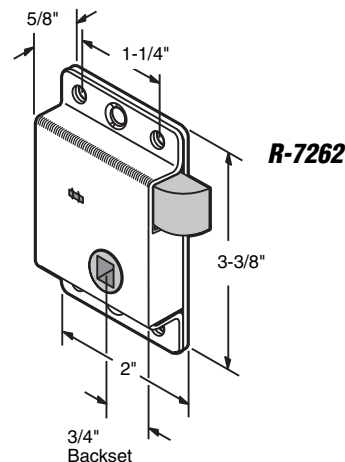
**R-7262**

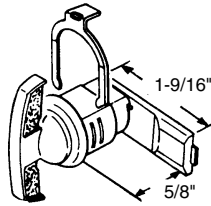
## Latch Assembly

**Contents:** 1 latch.

**Description:** Stamped steel housing; diecast latch parts; surface mount; zinc plated; surface mounted interior latching mechanism for cabinet or compartment doors.

You may wish to stock these related parts: **223461**, **223253**, **22329**, **22328**.





**223260**

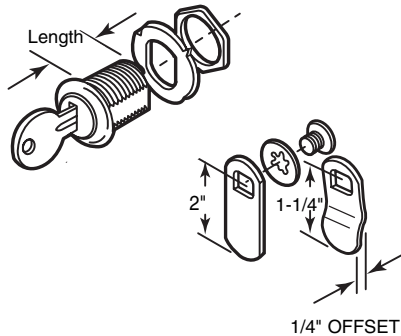
**223260**

**Compartment Latch**

**Contents:** 1 latch assembly; 1 holding clip.

**Description:** Diecast thumbturn and latch assembly; spring steel clip; zinc plated; requires a 3/4" hole for installation.

**22946  
22947  
22409**



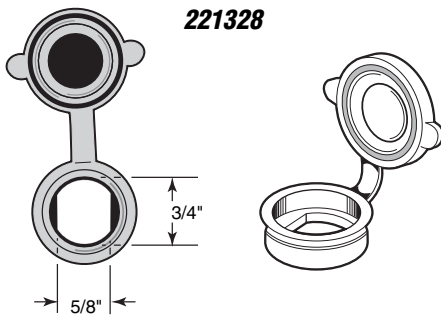
- 22946** (5/8" cylinder length)
- 22947** (7/8" cylinder length)
- 22409** (1-1/8" cylinder length)

**Cylinder Lock - Keyed**

**Contents:** 1 lock cylinder; 2 keys; 1 flush cam; 1 offset cam; 1 set of installation hardware.

**Description:** Zinc plated steel and diecast components; cylinder requires a 3/4" hole for installation; frequently used to secure RV compartments and tool cabinets.

You may wish to stock these related parts: **221328**.



**221328**

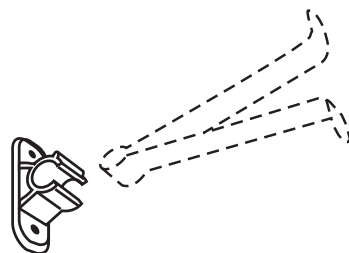
**221328**

**Cylinder Lock Dust Cover**

**Contents:** 2 lock covers.

**Description:** Black flexible rubber; prevents dust and dirt particles from entering key cylinder locks; extends lock life and reduces replacement costs; accommodates 3/4" diameter face plates.

**223276**



**223276**

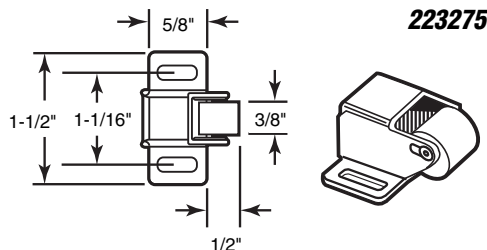
**Screen Door Holder Catch**

*Call for Availability*

**Contents:** 1 door catch; 1 set of installation screws.

**Description:** Nylon catch; used with latching rod shown; holds door in the "open" position.

**Note:** Holder Rod not included.



**223275**

**223275**

**Screen Door Roller Catch**

**Contents:** 1 screen door catch with 2 mounting screws.

**Description:** Zinc plated steel roller housing; spring loaded, gray vinyl roller; mounts to handle side of aluminum screen door, holds door in "closed" position.

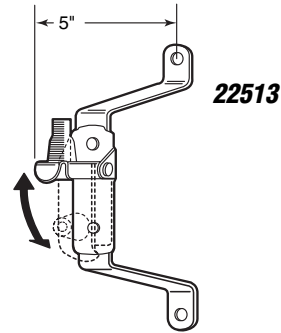
**22513** (5" projection)

## Door Holder

*Call for Availability*

**Contents:** 1 holder assembly with **rubber** bumper.

**Description:** **Cadmium plated steel**; spring loaded catch arm; holds door open when engaged into strike (in the up position); catch arm serves as a door bumper (in the down position).



**22512** (2" projection)

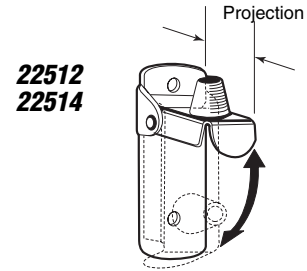
**22514** (6" projection)

## Door Holder

*Call for Availability*

**Contents:** 1 holder assembly with **rubber** bumper.

**Description:** **Cadmium plated steel**; spring loaded catch arm; holds door open when engaged into strike (in the up position); catch arm serves as a door bumper (in the down position).



**22515**

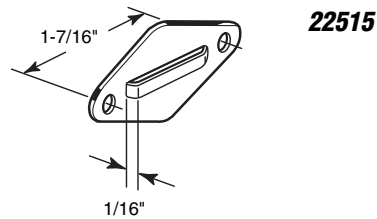
## Door Holder Catch

*Call for Availability*

**Contents:** 1 catch plate.

**Description:** **Cadmium plated steel**; mounts on door to accept door holder and holds door in the "open" position.

You may wish to stock these related parts: **22513**, **22512**, **22514**.

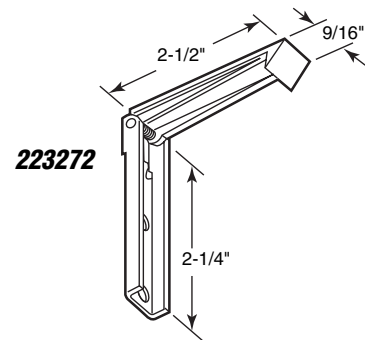


**223272**

## Compartment Door Catch

**Contents:** 1 door catch with mounting screws.

**Description:** **Zinc plated steel** holds door in "open" position; used on cabinet and lift-up compartment doors.



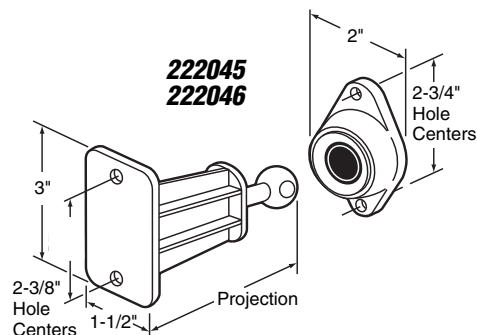
**222045** (3" arm projection)

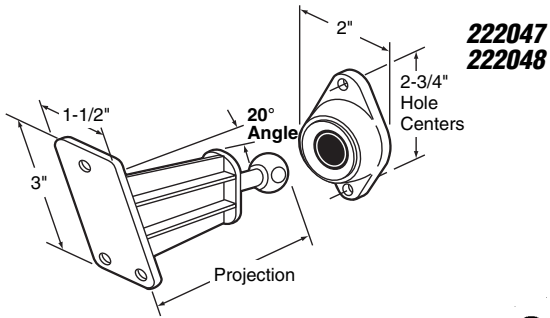
**222046** (4-3/4" arm projection)

## Door Holder Rod and Retainer (Colonial white)

**Contents:** 1 rod; 1 retainer with **rubber** insert.

**Description:** **Heavy-duty plastic** construction; **straight arm rod**; retainer accepts holder rod to secure door in the "open" position.



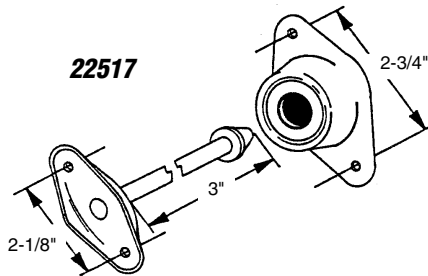


**222047** (3" arm projection)  
**222048** (4-3/4" arm projection)

**Door Holder Rod and Retainer** (Colonial white)

**Contents:** 1 rod; 1 retainer with rubber insert.

**Description:** Heavy-duty plastic construction; angled arm rod; retainer accepts holder rod to secure door in the "open" position.

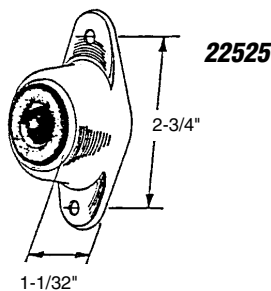


**22517**  
**Door Holder Rod and Retainer**

**Contents:** 1 rod; 1 retainer with rubber insert.

**Description:** Cadmium plated steel rod and retainer housing; rubber retainer secures door in the "open" position.

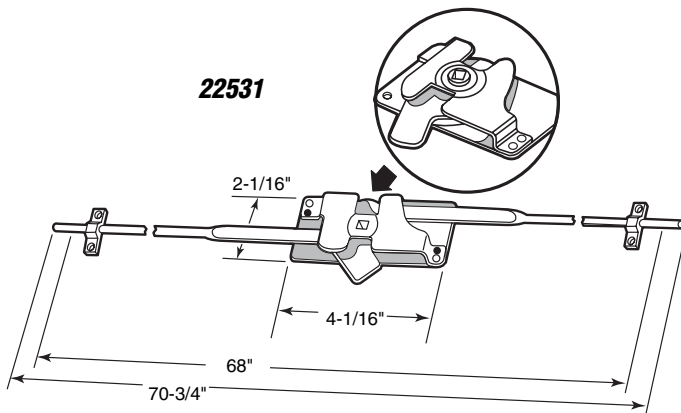
You may wish to stock these related parts: **22525**.



**22525**  
**Door Holder Rod Retainer**

**Contents:** 1 retainer.

**Description:** Cadmium plated steel housing; rubber insert.

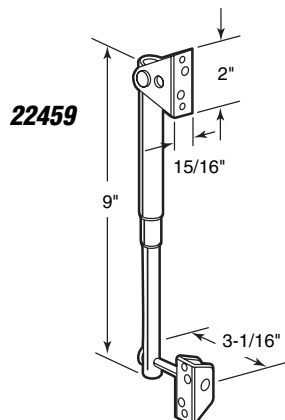


**22531**  
**Camper Door 3-Point Lock**

**Contents:** 1 lock assembly with extension rods; 2 guide brackets; 1 set of installation screws.

**Description:** 3 point deadlock assembly; zinc plated steel construction; lock arms extend to 70-3/4".

You may wish to stock these related parts: **223461, 223253**.



**22459**  
**Camper Door Spring Prop**

**Contents:** 1 prop with brackets; 1 set of installation screws.

**Description:** Plated steel spring cartridge and brackets; adjustable; heavy duty construction; 34 lbs. lift capacity.

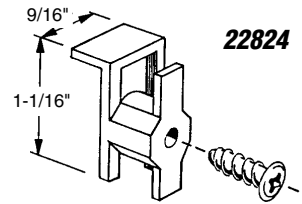
## 22824

### Sliding Door Guides

**Contents:** 2 guides; 2 no. 10 x 1/2" Phillips pan head sheet metal screws.

**Description:** White plastic sliding door guides for use on Arrow storage buildings manufactured prior to 1977.

You may wish to stock these related parts: **22825, 22826.**



## 22825

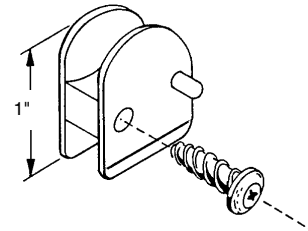
### Sliding Door Guides

**Contents:** 4 guides; 4 no. 10 x 1/2" Phillips pan head sheet metal screws.

**Description:** Brown plastic sliding door guides for use on Arrow storage buildings manufactured after 1976.

You may wish to stock these related parts: **22824, 22826.**

## 22825



## 22826

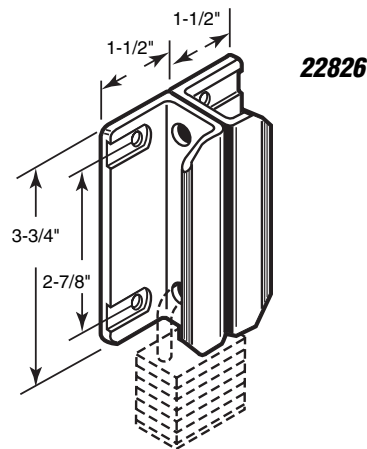
### Sliding Door Handle

**Contents:** 2 handles; 4 no. 10-24 x 1/2" carriage bolts; 4 no. 10-24 hex nuts; 4 lock washers.

**Description:** Heavy duty black nylon handles; tamper-proof screws; used to secure pairs of sliding doors on storage buildings.

**Note:** Lock not included.

You may wish to stock these related parts: **22824, 22825.**



## 22511 (Single door set) 22511-D (Double door set)

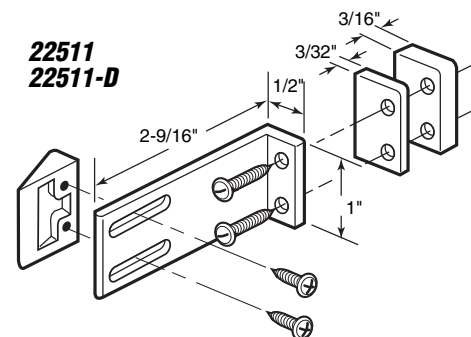
*Call for  
Availability*

### Refrigerator Door Latch

**Contents:** 1 set contains- 1 mounting bracket; 1 stop wedge; 4 spacers; 1 set of installation screws.

**Description:** Durable off-white plastic components; adjustable; positive latching action eliminates the need for other latching devices.

## 22511 22511-D

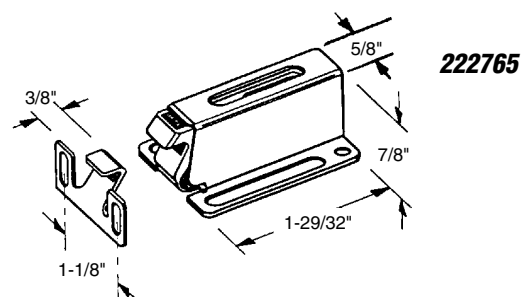


## 222765 (Brown finish)

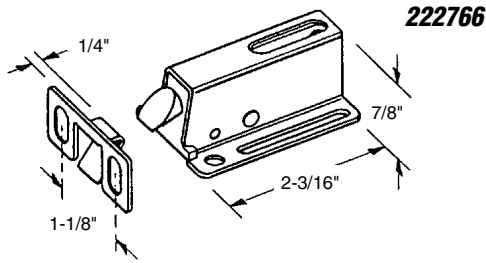
### Cabinet Door Catch

**Contents:** 1 catch; 1 keeper; 1 set of installation screws.

**Description:** Steel housing and keeper; nylon catch; positive latching action; frequently used on mobile home cabinets; latch retracts by pulling outside knob.





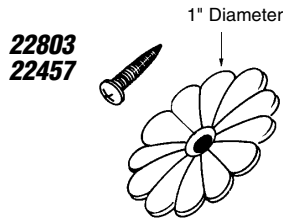


**222766** (Brown finish)

**Cabinet Door Catch**

**Contents:** 1 catch; 1 keeper; 1 set of installation screws.

**Description:** **Steel** housing and keeper; **nylon** catch; positive latching action; frequently used on mobile home cabinets; latch retracts by pulling outside knob.



**22803** (Carded)

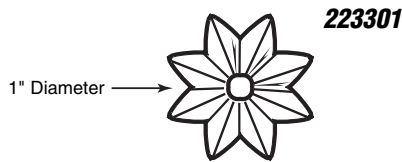
**22457** (Bulk)

**Ceiling and Wall Board Rosettes** (White)

**Contents:** **Carded**- 5 rosettes; 5 no. 6 x 1-1/4" Phillips oval head sheet metal screws.

**Bulk**- 100 rosettes only.

**Description:** **Nylon**; petal design; used to secure ceiling panels or wall board in mobile homes.

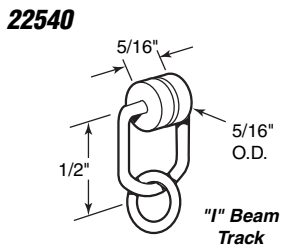


**223301** (Clear)

**Mirror Rosettes**

**Contents:** 6 rosettes; 6 no. 6 x 1-1/4" Phillips oval head sheet metal screws.

**Description:** **Acrylic**; star design; used to secure mirror to wall in mobile homes.

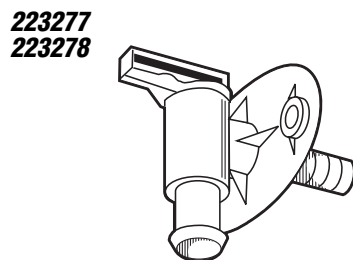


**22540**

**Drapery Carrier**

**Contents:** 10 carriers.

**Description:** RV drapery carriers **designed for "I" beam track**; **nylon** rollers, **steel** hangers; attaches curtain securely to track.



**223277** (1/2" tube fitting)

**223278** (3/8" tube fitting)

**Drain Valve**

**Contents:** 1 drain valve.

**Description:** Durable **white plastic** construction; used to drain built-in water tank.

**R-7198** (White)

**R-7199** (Brown)

## Skirting Vents

**Contents:** 50 vents per carton.

**Description:** Durable plastic construction; designed for installation on mobile home skirting; facilitates ventilation.

## R-7171

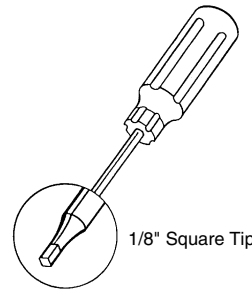
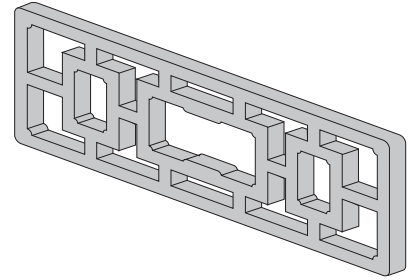
### Square Tip Screwdriver

**Contents:** 1 screwdriver.

**Description:** Zinc plated steel shank; nylon handle, for use on RV accessories which utilize 1/8" square recess fasteners.

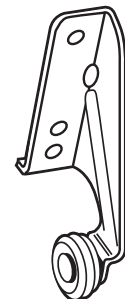
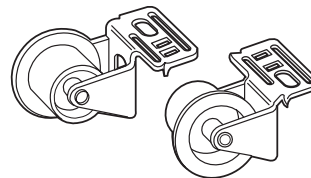
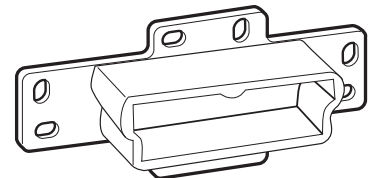
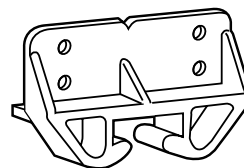
*Drawer and cabinet hardware located in the following section, is used in both RV/mobile home and residential applications.*

**R-7198**  
**R-7199**



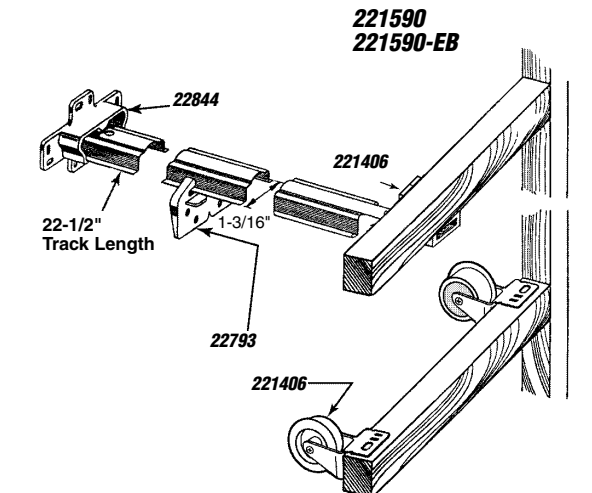
**R-7171**

1/8" Square Tip



The following pages offer  
a comprehensive selection of:

## Drawer and Cabinet HARDWARE



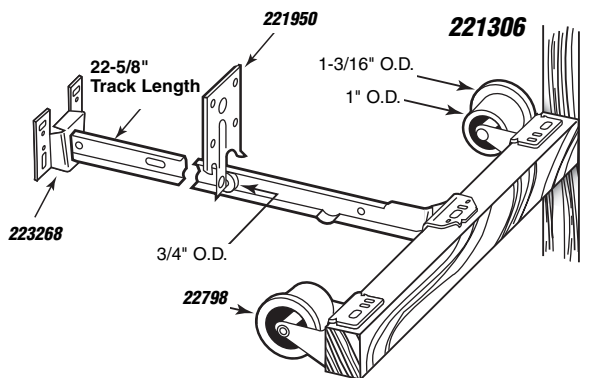
**221590**  
**221590-EB** (30 per display box)

### Rolled Edge Drawer Track Kit

**Contents:** 1 track; 1 front plate; 1 back plate; 1 drawer guide; 2 front rollers; 1 set of installation fasteners.

**Description:** Rolled edge **galvanized steel** track; **polyethylene** guides; **nylon** front rollers; components designed for superior strength and smooth operation; may be used for top or bottom mount installations.

**Note:** 22-1/2" long track may be cut down to fit shorter drawer applications.



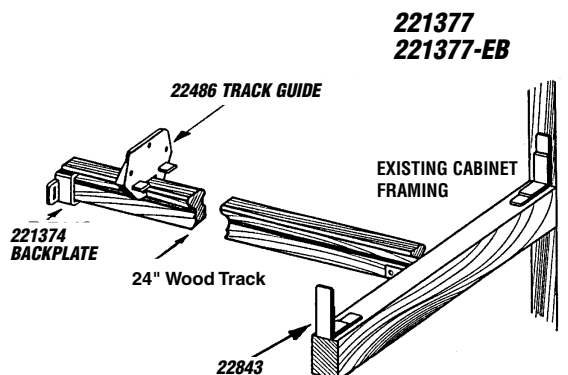
**221306**

### Monorail Drawer Track Kit

**Contents:** 1 track; 1 roller guide; 1 rear mount bracket; 1 left hand roller; 1 right hand roller; 1 set of installation fasteners.

**Description:** **Galvanized steel** track and rear support bracket; **nylon** rollers; 75 lb. test rated; requires 1-1/4" clearance for installation; may be top or bottom mounted.

**Note:** 22-5/8" long track may be cut down to fit shorter drawer applications.



**221377**  
**221377-EB** (30 per display box)

### Wood Drawer Track Kit

**Contents:** 1 wood track; 1 drawer guide; 1 back plate; 2 "L" angles; 2 side saddles; 1 set of installation fasteners.

**Description:** **Wood** track; **polyethylene** guides and side saddles; **steel** angle brackets support front end of track; designed to replace most wood track systems; may be used for top or bottom mount installations; restores smooth operation to track mounted drawers.

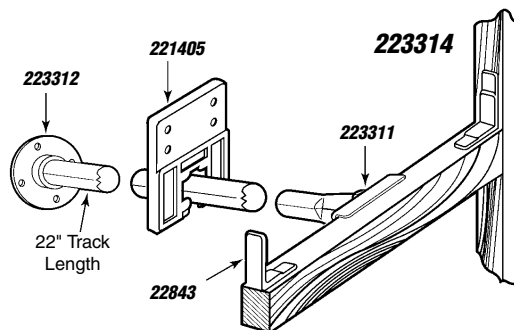
**Note:** 24" long track may be cut down to fit shorter drawer applications.

## 223314

### Tubular Drawer Track Kit

**Contents:** 1 track; 1 front plate; 1 back plate; 1 drawer guide; 2 side saddles; 1 set of installation hardware.

**Description:** White powder coated cylindrical track; white polyethylene guide and side saddles; plastic support brackets; stop notch prevents drawer from being accidentally pulled out.



**223296** (16" Length)

**223297** (18" Length)

**223298** (20" Length)

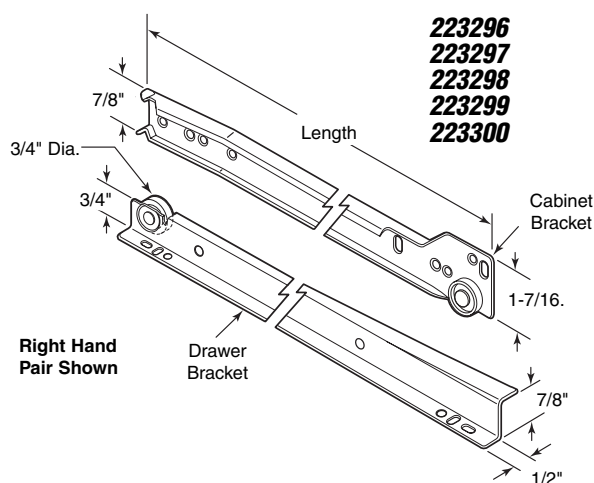
**223299** (22" Length)

**223300** (24" Length)

### Drawer Slide Kit

**Contents:** 1 left hand pair; 1 right hand pair; 1 set of installation hardware.

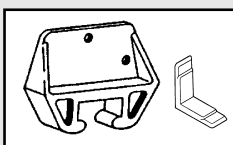
**Description:** Powder coated steel tracks with nylon rollers; positive stop in closed position; double stop in extended position locks drawer open; self-closing 2-1/2" from end; rollers are captive on one side to reduce side play; drawer lifts out for easy removal.



**22486** (Carded)

**CCSC-7156** (100 bulk)

**CCBP-7156** (50 bulk)



### Drawer Track Guide Kit

**Contents:** Carded- 1 guide; 2 side saddles; 1 set of installation fasteners.

**Bulk-** Guides only in display box.

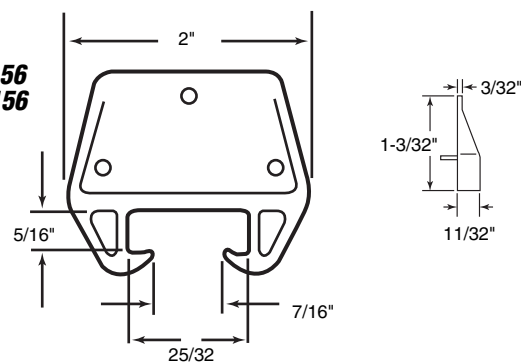
**Description:** Red polyethylene guide and white polyethylene side saddles; restores smooth operation of track mounted drawers.

**Note:** Fits a 9/32" x 3/4" track.

**22486**

**CCSC-7156**

**CCBP-7156**



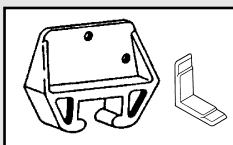
**222019**

### Drawer Track Guide Kit

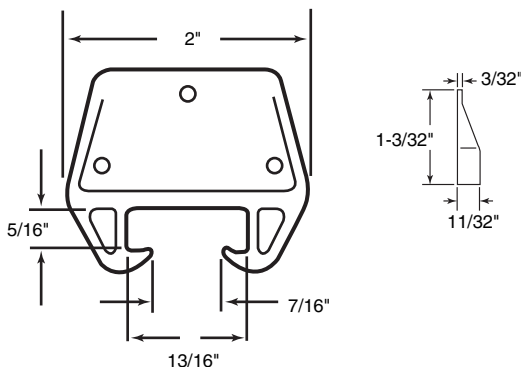
**Contents:** Carded- 1 guide; 2 side saddles; 1 set of installation fasteners.

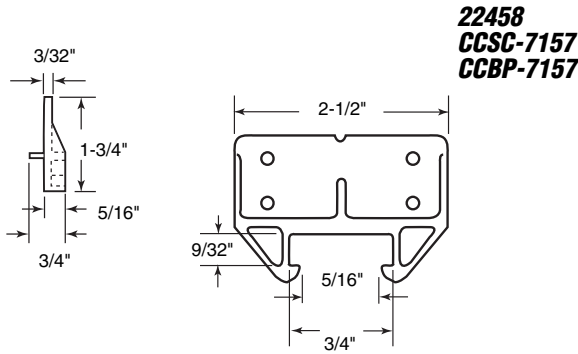
**Description:** White polyethylene guide with no back alignment tabs; white polyethylene side saddles; restores smooth operation of track mounted drawers.

**Note:** Fits a 9/32" x 3/4" track.

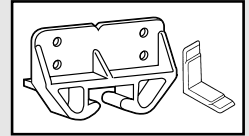


**222019**





**22458** (Carded)  
**CCSC-7157** (100 bulk)  
**CCBP-7157** (50 bulk)



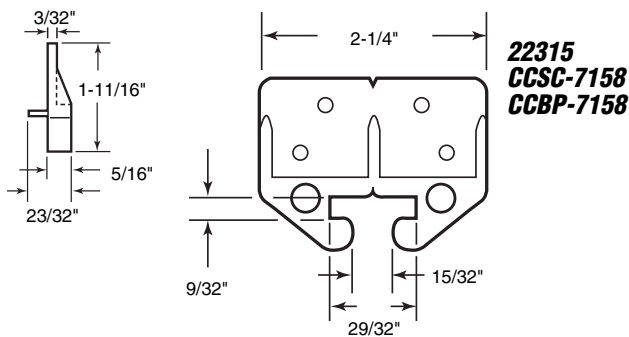
### Drawer Track Guide Kit

**Contents:** Carded- 1 guide; 2 side saddles; 1 set of installation fasteners.

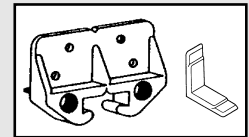
**Bulk-** Guides only in display box.

**Description:** Blue polyethylene guide and white polyethylene side saddles; restores smooth operation of track mounted drawers.

**Note:** Fits a 1/4" x 3/4" track.



**22315** (Carded)  
**CCSC-7158** (100 bulk)  
**CCBP-7158** (50 bulk)



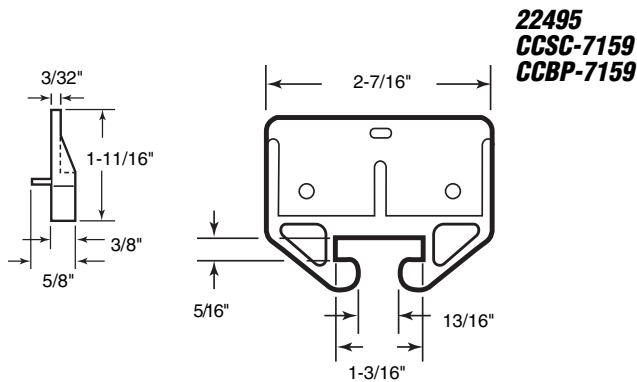
### Drawer Track Guide Kit

**Contents:** Carded- 1 guide; 2 side saddles; 1 set of installation fasteners.

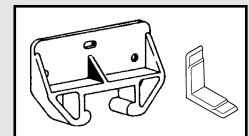
**Bulk-** Guides only in display box.

**Description:** Brown polyethylene guide and white polyethylene side saddles; restores smooth operation of track mounted drawers.

**Note:** Fits a 1/4" x 7/8" track.



**22495** (Carded)  
**CCSC-7159** (100 bulk)  
**CCBP-7159** (50 bulk)



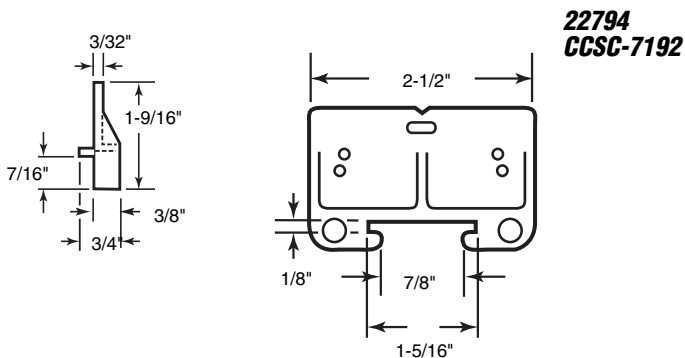
### Drawer Track Guide Kit

**Contents:** Carded- 1 guide; 2 side saddles; 1 set of installation fasteners.

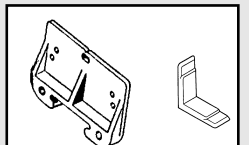
**Bulk-** Guides only in display box.

**Description:** Green polyethylene guide and white polyethylene side saddles; restores smooth operation of track mounted drawers.

**Note:** Fits a 9/32" x 1-1/8" track.



**22794** (Carded)  
**CCSC-7192** (100 bulk)



### Drawer Track Guide Kit

**Contents:** Carded - 1 guide; 2 side saddles; 1 set of installation fasteners.

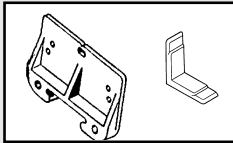
**Bulk -** Guides only in display box.

**Description:** White polyethylene guide and white polyethylene side saddles; restores smooth operation of track mounted drawers.

**Note:** Fits a 3/32" x 1-1/4" track.

# Drawer and Cabinet Hardware

**22793** (Carded)  
**CCSC-7168** (100 bulk)  
**CCBP-7168** (50 bulk)



## Drawer Track Guide Kit

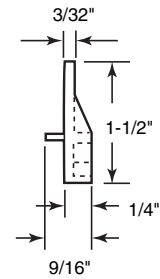
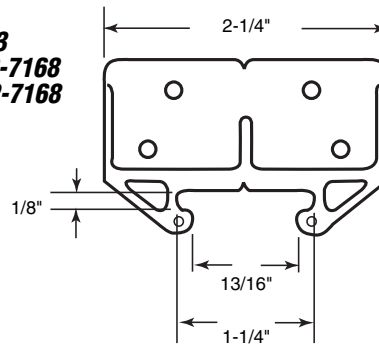
**Contents:** Carded - 1 guide; 2 side saddles; 1 set of installation fasteners.

**Bulk** - Guides only in display box.

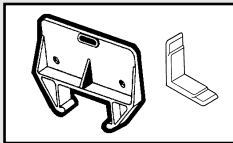
**Description:** White polyethylene guide and white polyethylene side saddles; restores smooth operation of track mounted drawers.

**Note:** Fits a 3/32" x 1-3/16" track.

**22793**  
**CCSC-7168**  
**CCBP-7168**



**221904** (Carded)  
**CCSC-7161** (100 bulk)  
**CCBP-7161** (50 bulk)



## Drawer Track Guide Kit

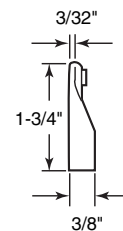
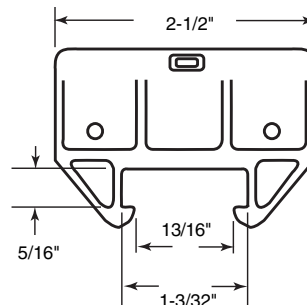
**Contents:** Carded - 1 guide; 2 side saddles; 1 set of installation fasteners.

**Bulk** - Guides only in display box.

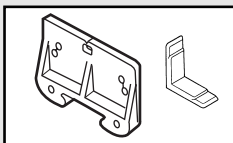
**Description:** Orange polyethylene guide and white polyethylene side saddles; restores smooth operation of track mounted drawers.

**Note:** Fits a 9/32" x 1-1/8" track.

**221904**  
**CCSC-7161**  
**CCBP-7161**



**22625** (Carded)  
**CCSC-7162** (100 bulk)  
**CCBP-7162** (50 bulk)



## Drawer Track Guide Kit

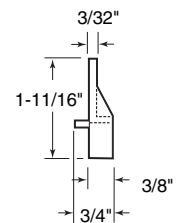
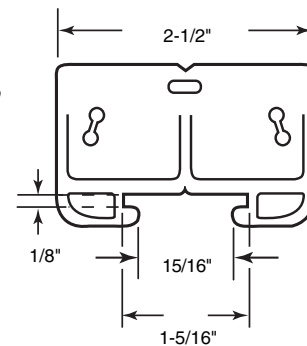
**Contents:** Carded - 1 guide; 2 side saddles; 1 set of installation fasteners.

**Bulk** - Guides only in display box.

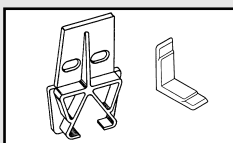
**Description:** White polyethylene guide and white polyethylene side saddles; restores smooth operation of track mounted drawers.

**Note:** Fits a 3/32" x 1-9/32" track.

**22625**  
**CCSC-7162**  
**CCBP-7162**



**221889** (Carded)  
**CCSC-7170** (100 bulk)



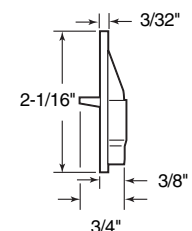
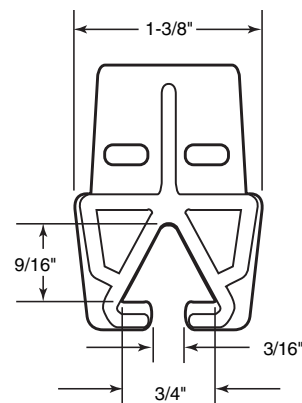
## Drawer Track Guide Kit

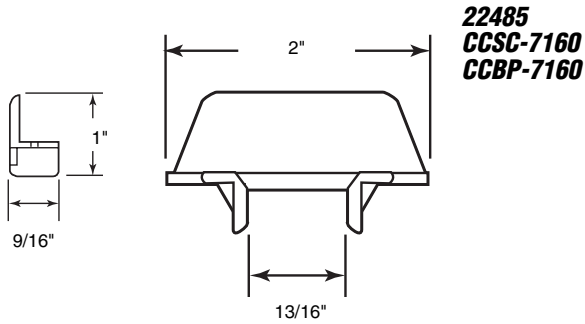
**Contents:** Carded - 1 guide; 2 side saddles; 1 set of installation fasteners.

**Bulk** - Guides only in display box.

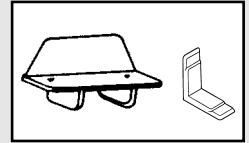
**Description:** White polyethylene guide and white polyethylene side saddles; restores smooth operation of track mounted drawers; frequently used on RV's and mobile homes.

**221889**  
**CCSC-7170**





**22485** (Carded)  
**CCSC-7160** (100 bulk)  
**CCBP-7160** (50 bulk)



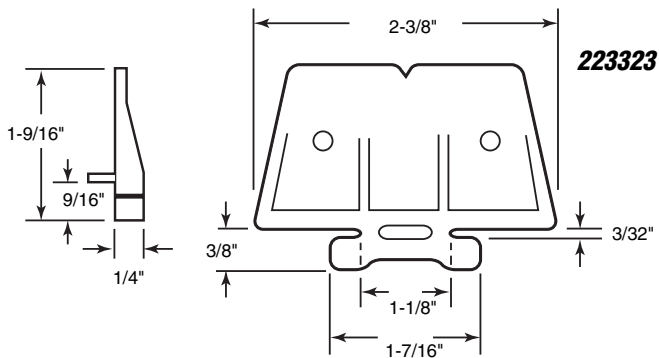
## Drawer Track Guide Kit

**Contents:** Carded - 1 guide; 2 side saddles; 1 set of installation fasteners.

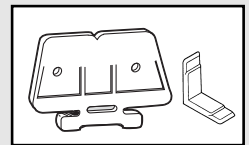
**Bulk** - Guides only in display box.

**Description:** White polyethylene guide and white polyethylene side saddles; restores smooth operation of track mounted drawers.

**Note:** Fits a 13/16" wide track.



**223323**

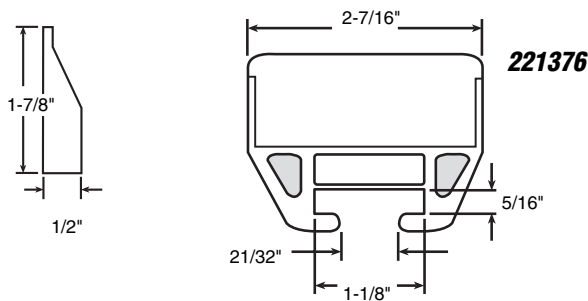


## Drawer Track Guide Kit

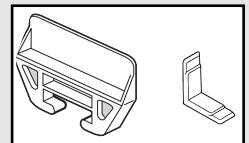
**Contents:** 1 guide; 2 side saddles; 1 set of installation fasteners.

**Description:** White polyethylene guide and white polyethylene side saddles; restores smooth operation of track mounted drawers.

**Note:** Fits a 1-1/2" track opening.



**221376**

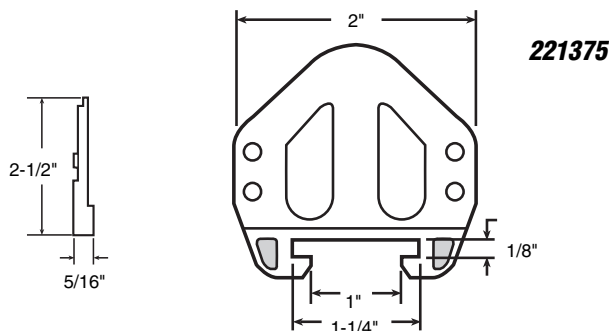


## Drawer Track Guide Kit

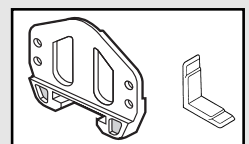
**Contents:** 1 guide; 2 side saddles; 1 set of installation fasteners.

**Description:** White polyethylene guide and white polyethylene side saddles; restores smooth operation of track mounted drawers.

**Note:** Fits a 9/32" x 1-3/32" wide track.



**221375**



## Drawer Track Guide Kit

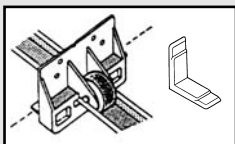
**Contents:** 1 guide; 2 side saddles; 1 set of installation fasteners.

**Description:** White polyethylene guide and white polyethylene side saddles; restores smooth operation of track mounted drawers.

**Note:** Fits a 3/32" x 1-7/32" wide track.

**221519**

## Drawer Track Guide Kit

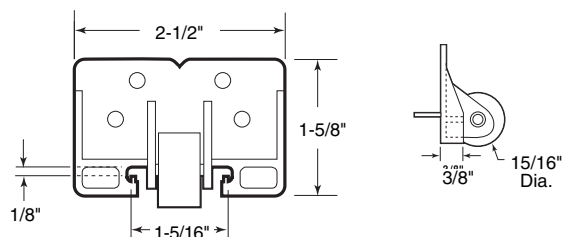


**Contents:** 1 roller assembly; 2 side saddles; 1 set of installation fasteners.

**Description:** White polyethylene guide with nylon roller; designed for use with rolled edge steel tracks.

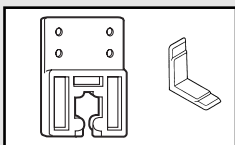
**Note:** Fits a 3/32" x 1-9/32" track.

**221519**



**221405**

## Drawer Track Guide Kit



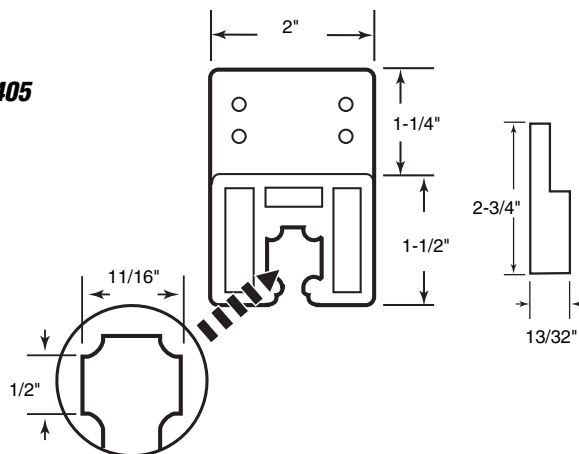
**Contents:** 1 guide; 2 side saddles; 1 set of installation fasteners.

**Description:** White polyethylene guide with polyethylene side saddles; restores smooth operation of track mounted drawers.

**Note:** Fits a 5/8" diameter track.

You may wish to stock these related parts: **223311**, **223312**, **223314**.

**221405**



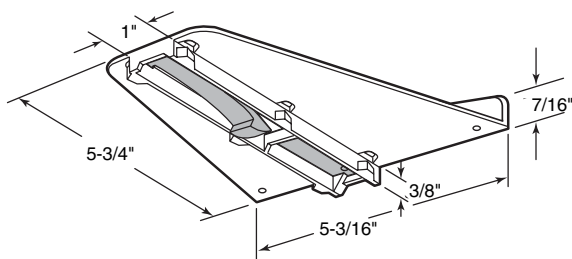
**223319**

## Drawer Track Guide

**Contents:** 1 guide.

**Description:** White polyethylene; large bearing area for heavily loaded drawers; 6 point contact reduces lateral movement of drawer.

**223319**



**223270** (Carded)

**CCSC-7195** (100 bulk)

**CCBP-7195** (50 bulk)

## Drawer Track Back Plate

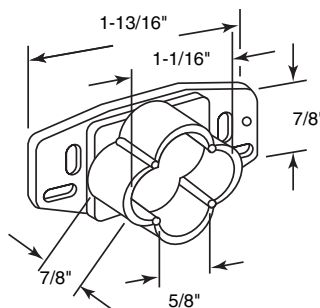
**Contents:** Carded - 1 backplate; 1 set of installation screws.  
Bulk - Backplates only in display box.

**Description:** Polyethylene backplate can be mounted either horizontally or vertically; new style; used with Amerock tri-roller drawer slide track.

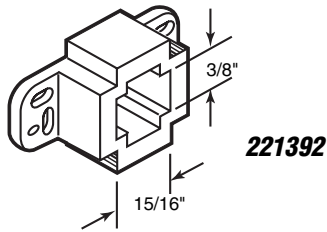
**223270**

**CCSC-7195**

**CCBP-7195**

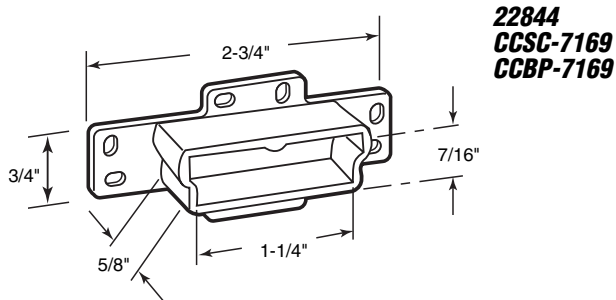
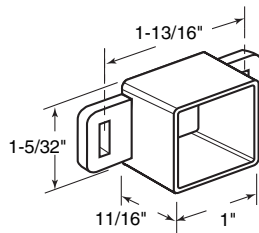






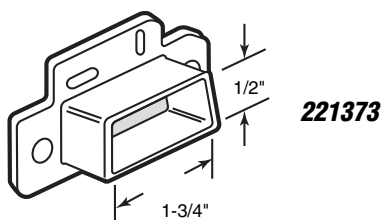
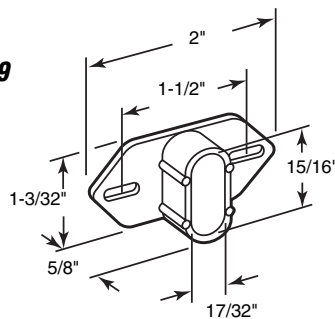
**221392**

**221374**  
**CCSC-7163**  
**CCBP-7163**



**22844**  
**CCSC-7169**  
**CCBP-7169**

**221379**



**221373**

## 221392

### Drawer Track Back Plate

**Contents:** 1 backplate with installation screws.

**Description:** Polyethylene backplate can be mounted either horizontally or vertically; **old style**; used with **Amerock tri-roller drawer slide track**.

## 221374 (Carded)

**CCSC-7163** (100 bulk)

**CCBP-7163** (50 bulk)

### Drawer Track Back Plate

**Contents:** **Carded** - 1 backplate; 1 set of installation screws.

**Bulk** - Backplates only in display box.

**Description:** Polyethylene; 1" square cavity allows self-alignment of center mounted drawer tracks.

## 22844 (Carded)

**CCSC-7169** (100 bulk)

**CCBP-7169** (50 bulk)

### Drawer Track Back Plate

**Contents:** **Carded**-1 backplate; 1 set of installation screws.

**Bulk**- Backplates only in display box.

**Description:** White polyethylene backplates can be inverted for self-adjusting application; for use on rolled edge and other center mounted tracks.

You may wish to stock these related parts: **221590, 221406, 22793.**

## 221379

### Drawer Track Back Plate

**Contents:** 1 backplate; 1 set of installation screws.

**Description:** White polyethylene; for use on standard "C" shaped and other center mounted tracks.

You may wish to stock these related parts: **223268, 221950, 223285.**

## 221373

### Drawer Track Back Plate

**Contents:** 1 backplate; 1 set of installation screws.

**Description:** White polyethylene; for use on center mounted drawer tracks.

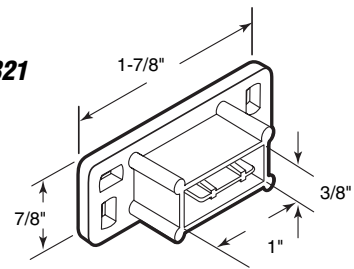
## 223321

### Drawer Track Back Plate

**Contents:** 1 backplate; 1 set of installation screws.

**Description:** White polyethylene; for use on center mounted drawer tracks.

**223321**



## 223285

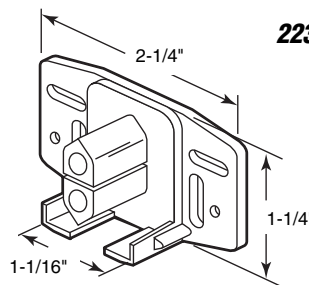
### Drawer Track Back Plate

**Contents:** 1 backplate; 1 set of installation screws.

**Description:** White polyethylene; used on "C" style center mounted tracks.

You may wish to stock these related parts: **223268, 221950, 221379.**

**223285**



## 223268

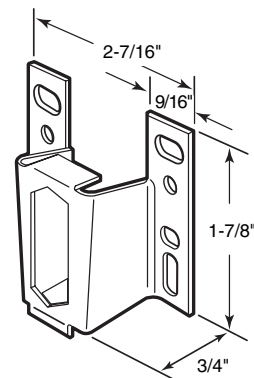
### Drawer Track Back Plate

**Contents:** 1 backplate; 1 set of installation screws.

**Description:** Galvanized steel; used on monorail "C" style drawer tracks.

You may wish to stock these related parts: **221950, 221379, 22798.**

**223268**



## 223312

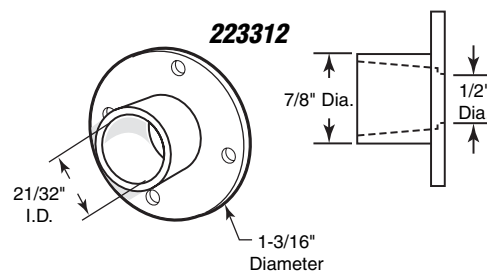
### Drawer Track Back Plate

**Contents:** 1 backplate; 1 set of installation screws.

**Description:** Polyethylene; used with 5/8" cylindrical style center mounted drawer tracks.

You may wish to stock these related parts: **223311, 221405, 223314.**

**223312**



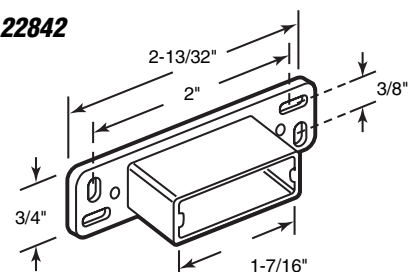
## 22842

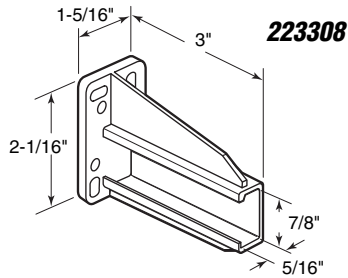
### Drawer Track Back Plate

**Contents:** 1 backplate; 1 set of installation screws.

**Description:** White polyethylene; reversible left or right; fits several side mounted drawer tracks.

**22842**





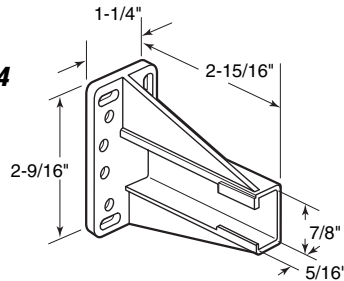
## 223308

### Drawer Track Back Plate

**Contents:** 1 left hand bracket; 1 right hand bracket; 2 sets of installation screws.

**Description:** White nylon; used on **side mounted** drawer track systems.

## 221694



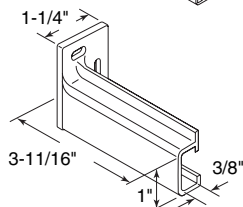
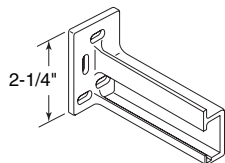
## 221694

### Drawer Track Back Plate

**Contents:** 1 left hand bracket; 1 right hand bracket; 2 sets of installation screws.

**Description:** White nylon; 2-3/4" socket depth allows 2" of front to back adjustment of the rail; used on **side mounted** drawer track systems.

**Note:** Right side has a larger lip.



## 223322

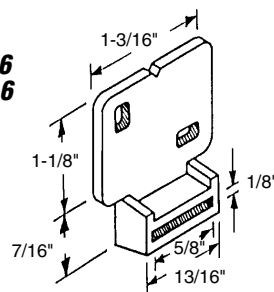
## 223322

### Drawer Track Back Plate

**Contents:** 1 left hand bracket; 1 right hand bracket; 2 sets of installation screws.

**Description:** White nylon; socket depth allows for front to back adjustment of the rail; used on **side mounted** drawer track systems. **Note:** Old style (2-3/16" depth) replaced by deeper 3-11/16" by manufacturer.

## 221406 CCSC-7216 CCBP-7216



## 221406 (1 per card)

**CCSC-7216** (100 bulk)

**CCBP-7216** (50 bulk)

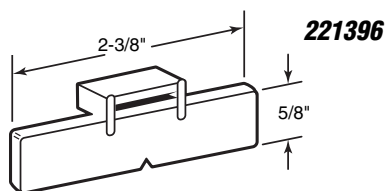
### Drawer Track Front Plate

**Contents:** Carded- Front plate(s) with installation screws.

**Bulk-** Front plates only in display box.

**Description:** White nylon; supports front-end of drawer track; used on **rolled edge metal tracks** as shown in 221590.

You may wish to stock these related parts: 22793, 22844.



## 221396

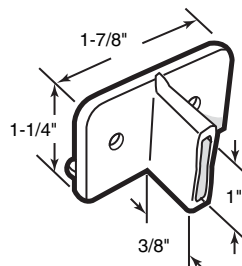
## 221396

### Drawer Track Front Plate

**Contents:** 1 front plates; 1 sets of installation screws.

**Description:** White nylon; supports front end of drawer track; designed for use on tracks with flat front tab.

## 223311



## 223311

### Drawer Track Front Plate

**Contents:** 1 front plate; 1 set of installation screws.

**Description:** White nylon; supports front end of drawer track.

You may wish to stock these related parts: 223312, 221405, 223314.

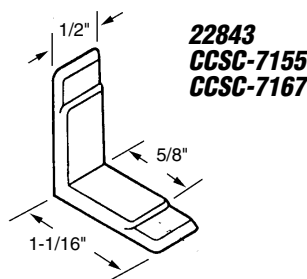
# Drawer and Cabinet Hardware

**22843** (Carded)  
**CCSC-7155** (Bulk)  
**CCSC-7167** (Poly-bagged)

## Drawer Guide Side Saddles

**Contents:** **Carded:** 10 side saddles; 20 fasteners  
**Bulk:** 500 side saddles only in display box.  
**Poly-bagged:** 100 bags of 10 side saddles per bag in a display box.

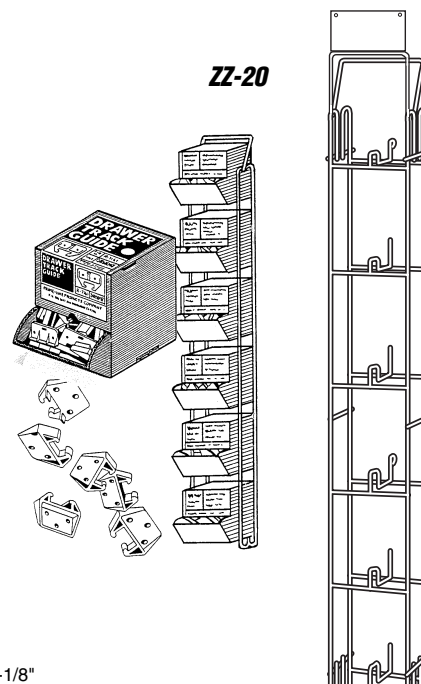
**Description:** **White polyethylene** side saddles help to center drawer and restore smooth operation of track mounted drawers.



## ZZ-20 Display Rack (Only)

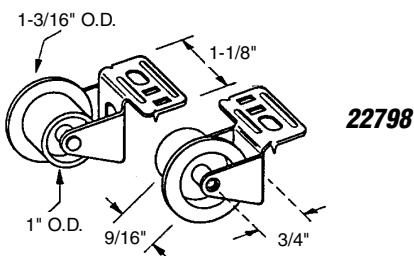
*Call for  
 Availability*

**Contents:** 1 rack.  
**Description:** **Plated steel** wire rack; used to display bulk guides in self-dispensing boxes; rack will accommodate (6) different products. Rack may be mounted to peg board or steel uprights; (pallet rack merchandising).



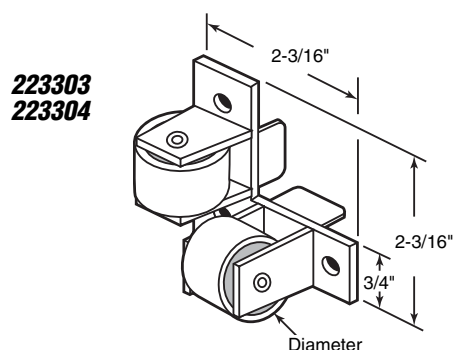
## 22798 Drawer Guide Roller Assembly

**Contents:** 1 left hand roller; 1 right hand roller; 1 set of installation fasteners.  
**Description:** **Adjustable steel** mounting bracket with **nylon** roller; provides alignment and superior glide action for track mounted drawers.



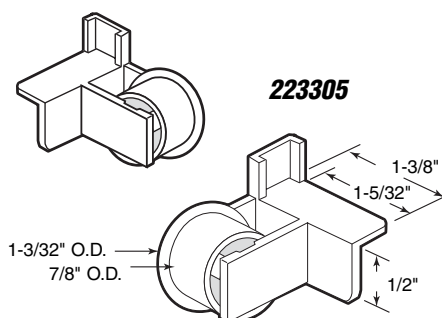
## 223303 (15/16" diameter rollers) 223304 (5/8" diameter rollers) Drawer Guide Roller Assembly

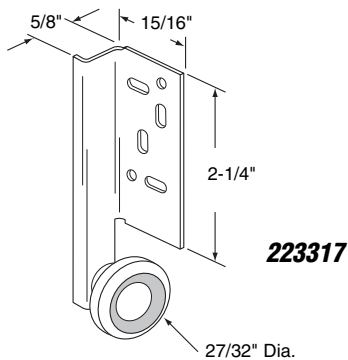
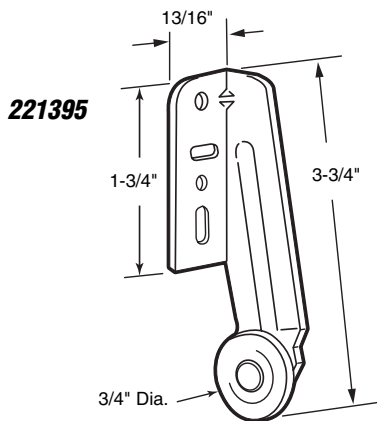
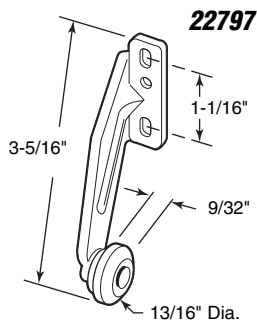
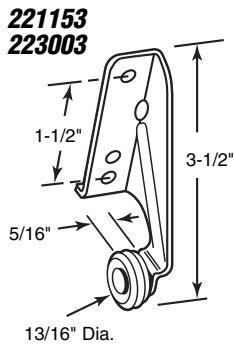
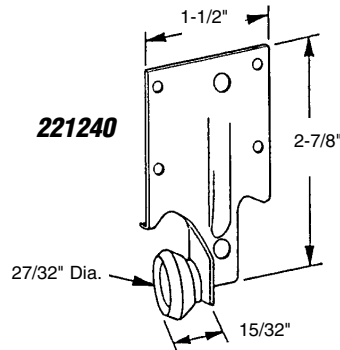
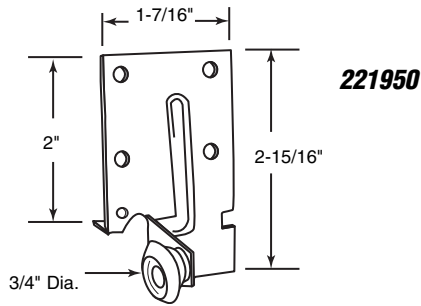
**Contents:** 2 roller assemblies; 2 sets of installation screws.  
**Description:** **White nylon** bracket and roller; side roller helps prevent drag; bottom roller allows drawer to slide easily.



## 223305 Drawer Guide Roller Assembly

**Contents:** 1 left hand bracket; 1 right hand bracket; 1 set of installation fasteners.  
**Description:** **White nylon** bracket and roller; helps to align and restore smooth operation of track mounted drawers.





## 221950

### Drawer Track Roller

**Contents:** 1 roller assembly; 1 set of installation screws.

**Description:** Steel bracket; convex nylon roller; mounts on rear of drawer; used on "old style" *Grace* drawer slide system.

## 221240

### Drawer Track Roller

**Contents:** 1 roller assembly; 1 set of installation screws.

**Description:** Steel bracket; convex nylon roller; mounts on rear of drawer; used as center roller for monorail drawer slide systems.

**221153** (1 Roller - left hand)  
**223003** (2 Rollers - left hand)  
**22797** (1 Roller - right hand)

### Drawer Track Roller

**Contents:** Roller assembly; installation screws.

**Description:** Steel bracket; convex nylon roller; mounts on rear of drawer; used as center roller for monorail drawer slide systems.

**Note:** Hand determined as viewed from rear of drawer.

## 221395

### Drawer Track Roller

**Contents:** 1 roller assembly; 1 set of installation screws.

**Description:** Steel bracket; convex nylon roller; mounts on rear of drawer; used as center roller for monorail drawer slide systems.

## 223317

### Drawer Track Roller

**Contents:** 1 roller assembly; 1 set of installation screws.

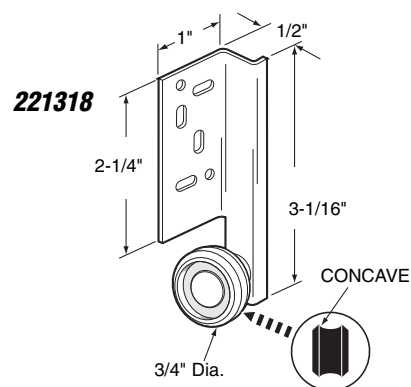
**Description:** Steel bracket; nylon roller; mounts on rear of drawer; used as center roller for monorail drawer slide systems.

## 221318

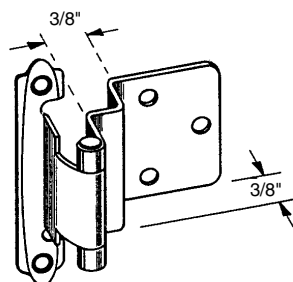
### Drawer Track Roller

**Contents:** 1 roller assembly; 1 set of installation screws.

**Description:** Steel bracket; **concave nylon** roller; mounts on rear of drawer; used as center roller for monorail drawer slide systems.



**221318**



**CCEP-7203  
CCEP-7134  
CCEP-7204  
CCEP-7205**

**CCEP-7203** (Brass finish)

**CCEP-7134** (Antique brass finish)

**CCEP-7204** (Chrome finish)

**CCEP-7205** (White finish)

### Cabinet Door Hinge (Self-closing)

**Contents:** 1 pair of hinges; 2 felt pads; 2 sets of installation screws.

**Description:** Semi-concealed **steel** hinge; spring loaded; used on **3/8 inch** inset cabinet doors.

**Standard pack:** 15 pairs (polybagged) in display box.

**CCEP-7200** (Brass finish)

**CCEP-7135** (Antique brass finish)

**CCEP-7201** (Chrome finish)

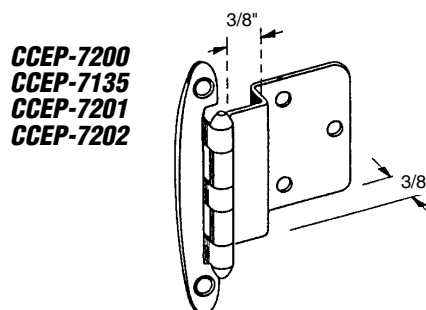
**CCEP-7202** (White finish)

### Cabinet Door Hinge (Non-self closing)

**Contents:** 1 pair of hinges; 2 felt pads; 2 sets of installation screws.

**Description:** Semi-concealed **steel** hinge; used on **3/8 inch** inset cabinet doors.

**Standard pack:** 20 pairs (polybagged) in display box.



**CCEP-7200  
CCEP-7135  
CCEP-7201  
CCEP-7202**

**CCEP-7206** (Brass finish)

**CCEP-7136** (Antique brass finish)

**CCEP-7207** (Chrome finish)

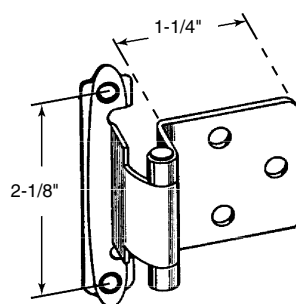
**CCEP-7208** (White finish)

### Cabinet Door Hinge (Self closing)

**Contents:** 1 pair of hinges; 2 felt pads; 2 sets of installation screws.

**Description:** Semi-concealed **steel** hinge; spring loaded; used on **overlay** cabinet doors.

**Standard pack:** 15 pairs (polybagged) in display box.



**CCEP-7206  
CCEP-7136  
CCEP-7207  
CCEP-7208**

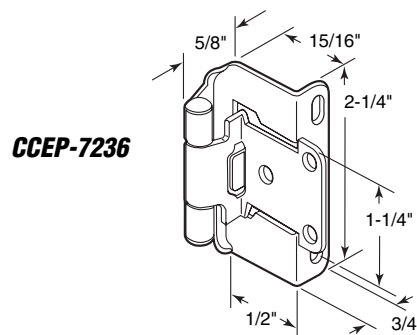
**CCEP-7236** (Antique brass finish)

### Cabinet Door Hinge (Self-closing)

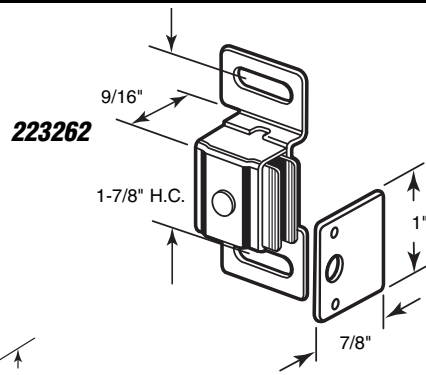
**Contents:** 1 pair of hinges; 2 felt pads; 2 sets of installation screws.

**Description:** Semi-concealed **steel** hinge; spring loaded; wrap around design; **vertically adjustable**; used on **overlay** doors.

**Standard pack:** 20 pairs (polybagged) in display box.



**CCEP-7236**



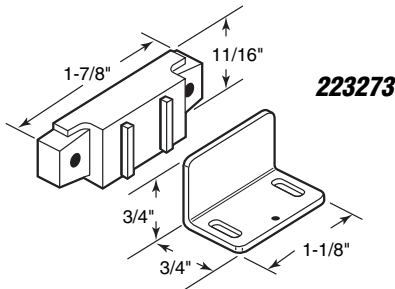
**223262**

## 223262

### Magnetic Catch

**Contents:** 2 catches; 2 strike plates; 2 sets of installation screws.

**Description:** Zinc plated adjustable steel housing; steel strike plate; large magnet for extra holding power.



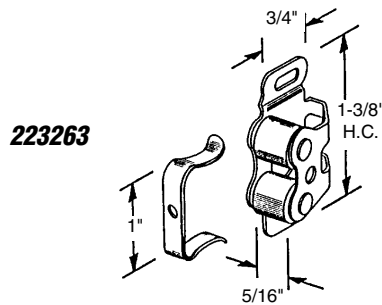
**223273**

## 223273

### Magnetic Catch

**Contents:** 2 catches; 2 strike plates; 2 sets of installation screws.

**Description:** Heavy duty brown plastic housing; dual steel inserts; adjustable steel strike plate; frequently used in RV and mobile home cabinets.



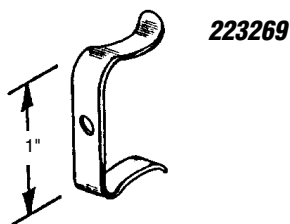
**223263**

## 223263

### Dual Roller Catch

**Contents:** 3 catches; 3 clips; 3 sets of installation screws.

**Description:** Dual nylon rollers; plated steel housing and spring steel clip; used on cabinet, closet and compartment doors.



**223269**

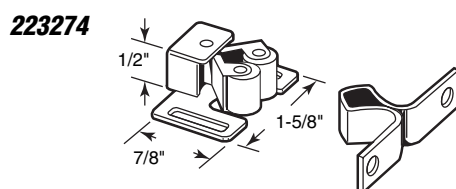
## 223269

### Dual Roller Clip

**Contents:** 6 clips; 6 installation screws.

**Description:** Chrome plated spring steel clip.

**Note:** Replacement clip for Part No. 223263.



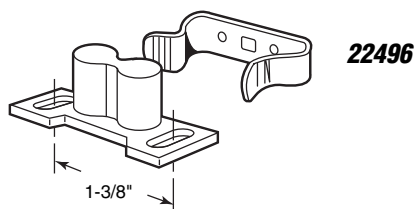
**223274**

## 223274 (Bronze finish)

### Dual Roller Catch

**Contents:** 2 catches; 2 keepers; 2 sets of installation screws.

**Description:** Dual nylon rollers; adjustable steel housing; steel keeper; heavy duty spring loaded latching.



**22496**

## 22496

### Friction Catch

**Contents:** 1 catch; 1 clip; 1 set of installation screws.

**Description:** Double barrel white nylon catch; brass finish spring steel clip; adjustable; used on cabinet and compartment doors.

*Call for Availability*

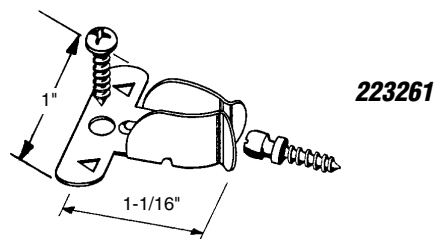
# Drawer and Cabinet Hardware

**223261**

## Friction Catch

**Contents:** 3 catches; 3 ball head screws; 3 installation screws.

**Description:** Chrome plated spring steel catch; used on cabinet and compartment doors.



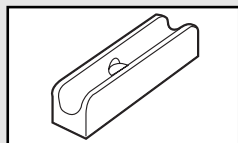
**22791** (1/4" wide x 1" long)

**22795** (3/8" wide x 1-3/8" long)

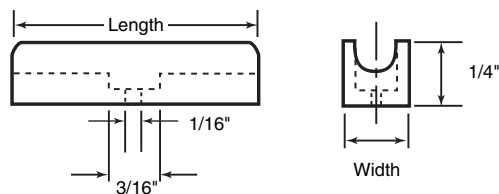
## Door Glides

**Contents:** 2 glides.

**Description:** Nylon glides install on bottom of sliding cabinet doors; used in conjunction with plastic or wood track.



**22791**  
**22795**



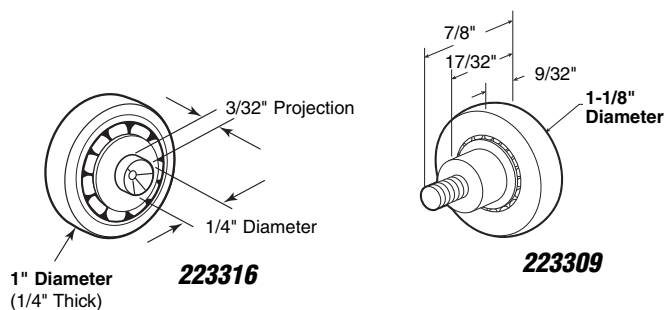
**223309** (1/4" - 20 threaded steel axle)

**223316** (Rivet style axle)

## Drawer Slide Roller

**Contents:** 2 rollers.

**Description:** White nylon roller; steel ball bearing roller; replacement roller for metal drawer slide systems; frequently used on file cabinet drawer tracks.

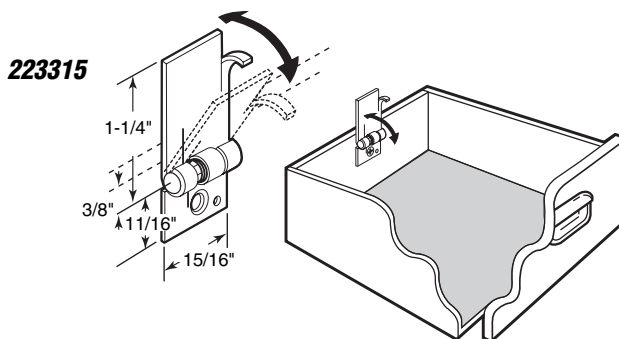


**223315**

## Drawer Stop

**Contents:** 1 stop with installation screw and nail.

**Description:** Zinc plated steel hinge; spring loaded; prevents drawer from accidentally falling out of cabinet upon opening.



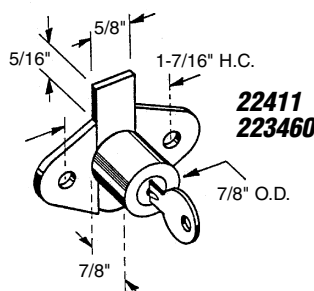
**22411** (Brass finish)

**223460** (Dull nickel finish)

## Drawer & Cabinet Lock

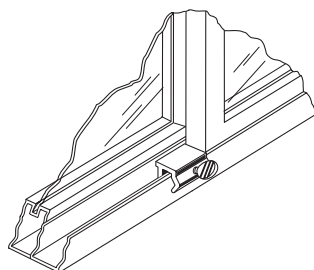
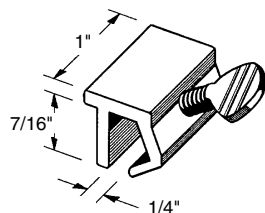
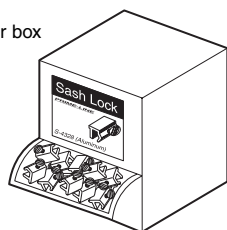
**Contents:** 1 lock assembly; 2 keys; 1 set of installation screws.

**Description:** Diecast housing; keyed locking unit; requires a 7/8" hole for installation.

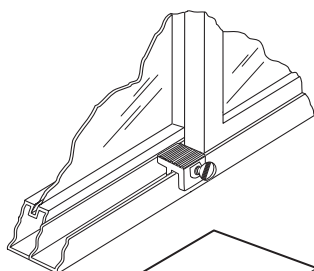
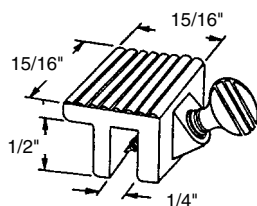
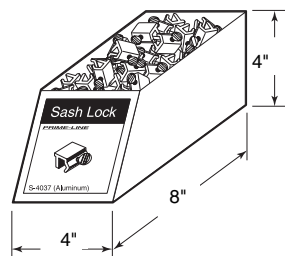




Dispenser box



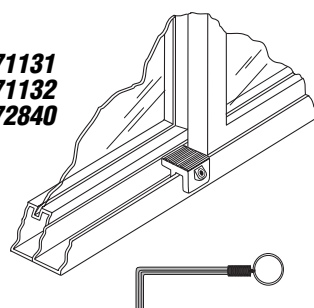
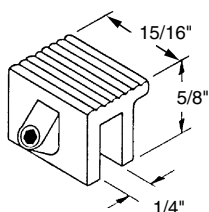
Cut-case merchandiser



Dispenser box



**171131**  
**171132**  
**172840**



### Sash Locks

Finish (Part Number)			Qty.	Qty.
Mill	Black	White	Carded	Dispenser Box
171700	171700-B	171700-W	2	—
172830	173348	173347	4	—
S-4328	S-4329	S-4367	—	200/bulk
S-4495	S-4496	S-4497	2/bag	75 bags

**Description:** Extruded aluminum housing; steel thumbscrew; securely locks window in closed or ventilating position; easy to install.

**S-4037** (Aluminum finish)

**S-4075** (Black finish)

**S-4198** (White finish)

### Sash Locks

**Contents:** 100 locks bulk in a cut-case box.

**Description:** Extruded aluminum housing; steel thumbscrew; securely locks window in closed or ventilating position; easy to install.

### Sash Locks

Finish (Part Number)			Qty.	Qty.
Mill	Black	White	Carded	Dispenser Box
17271	17271-B	17271-W	2	—
S-4334	S-4335	S-4470	—	200/bulk
S-4492	S-4493	S-4494	2/bag	75 bags

**Description:** Heavy duty zinc diecast housing with steel thumbscrew; securely locks window in closed or ventilating position; easy to install.

**171131** (Aluminum finish)

**171132** (Black finish)

**172840** (White finish)

### Sash Locks (Tamper-proof)

**Contents:** 2 locks.

**Description:** Heavy duty zinc diecast housing with tamperproof Allen head security screw and wrench; securely locks window in closed or ventilating position; prevents accidental opening by children; easy to install.

**172797** (Aluminum finish)

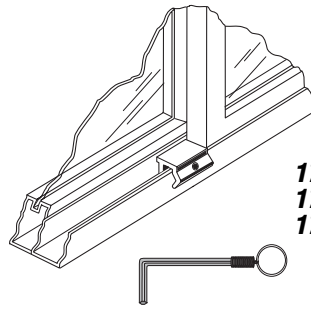
**172798** (Black finish)

**173465** (White finish)

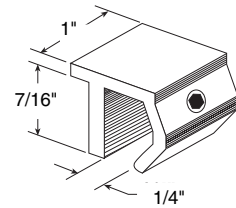
## Sash Lock

**Contents:** 2 locks.

**Description:** Extruded aluminum housing with tamperproof Allen head security screw and wrench; securely locks window in closed or ventilating position; prevents accidental opening by children; easy to install.



**172797**  
**172798**  
**173465**



**173265** (Aluminum finish)

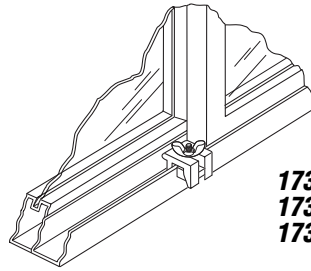
**173266** (Black finish)

**173267** (White finish)

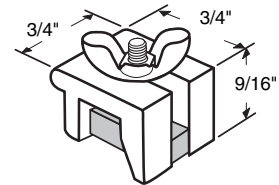
## No-mar Lock

**Contents:** 2 locks.

**Description:** Extruded aluminum with no-mar vinyl insert to protect track flange from scratching; fits wide and narrow type tracks; securely locks window in closed or ventilating position; easy to install.



**173265**  
**173266**  
**173267**



**17600-A** (Aluminum finish)

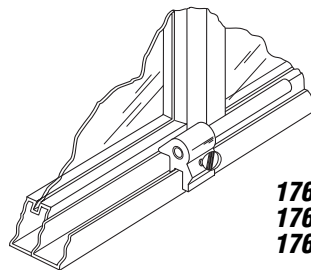
**17600-B** (Black finish)

**17600-W** (White finish)

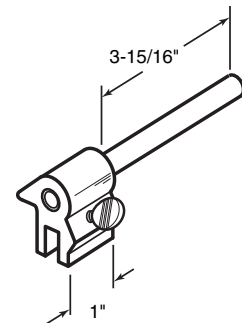
## Thumbscrew Bar Lock

**Contents:** 1 lock.

**Description:** Extruded aluminum; with reversible anti-lift out bar; securely locks window in closed or ventilating position; easy to install.



**17600-A**  
**17600-B**  
**17600-W**



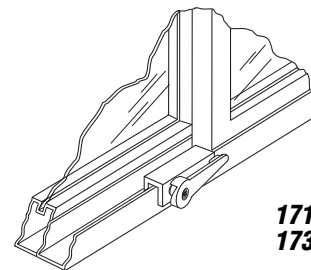
**171809** (Aluminum finish)

**173304** (White finish)

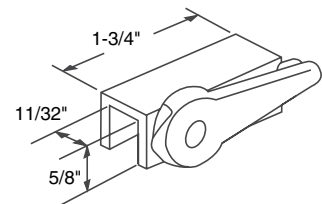
## Cam Action Lock

**Contents:** 2 locks.

**Description:** Extruded aluminum housing with cam action lock; securely locks window in closed or ventilating position; **no tools needed** to install; excellent added security when staying in a hotel or motel.



**171809**  
**173304**



**17219** (Aluminum finish)

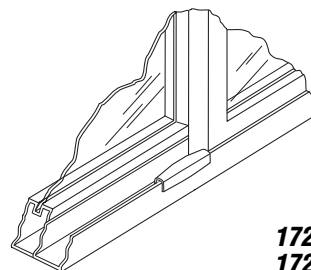
**17219-B** (Black finish)

**17219-W** (White finish)

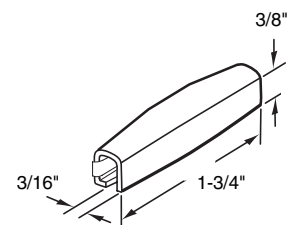
## Snap-on Vent Lock

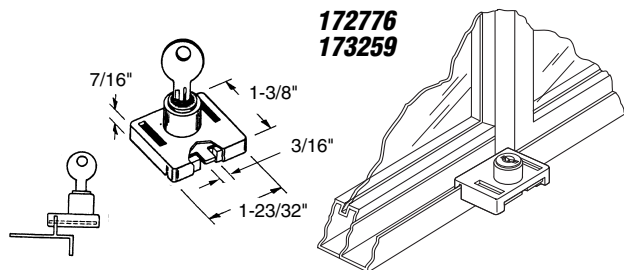
**Contents:** 2 locks.

**Description:** Plated and painted steel lock housing; unique "snap-on" device; **no tools required**; excellent for ventilated locking.



**17219**  
**17219-B**  
**17219-W**





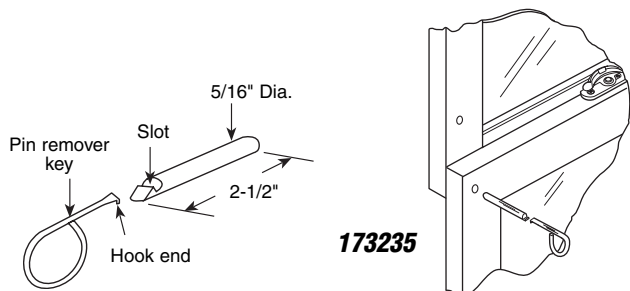
**172776** (Aluminum finish)  
**173259** (White finish)

**172776** (Aluminum finish)  
**173259** (White finish)

**Keyed Lock**

**Contents:** 1 lock & 2 keys.

**Description:** Painted diecast housing; securely locks window in closed or ventilating position; easy to install.



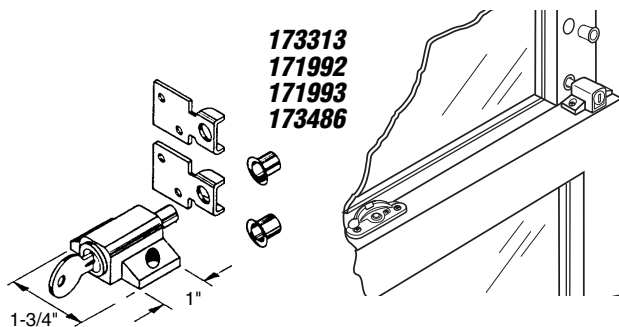
**173235**

**173235** (Brass finish)

**Wood Sash Pins**

**Contents:** 8 pins & 4 keys.

**Description:** Plated steel pins lock window in closed or ventilating position; pin removal key is needed to unlock; recommended for wood sash; easy to install.



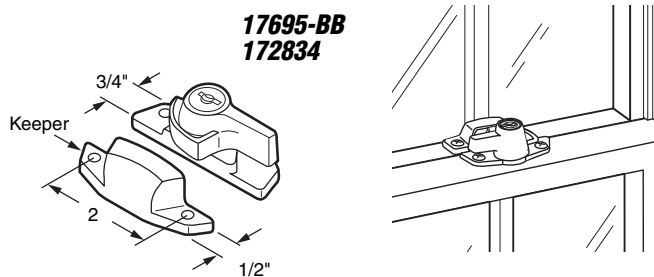
**173313** (Brass finish)  
**171992** (Aluminum finish)  
**171993** (Black finish)  
**173486** (White finish)

**173313** (Brass finish)  
**171992** (Aluminum finish)  
**171993** (Black finish)  
**173486** (White finish)

**Keyed Sash Lock**

**Contents:** 1 lock with 2 strikes; 2 ferrules; 2 keys & installation screws.

**Description:** Painted or plated housing; hardened steel bolt provides push button locking in closed or ventilating position; unlocks only with key; heavy duty diecast construction; recommended for wood sash; easy to install.



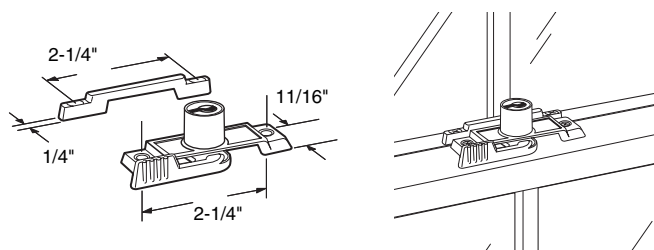
**17695-BB** (Brass finish)  
**172834** (White finish)

**17695-BB** (Brass finish)  
**172834** (White finish)

**Keyed Sash Lock**

**Contents:** 1 latch assembly; 1 keeper; 2 keys & installation screws.

**Description:** Plated or painted diecast sash lock and keeper; for aluminum, vinyl or wood double hung windows; unlocks only with key.



**173339** (Brass finish)  
**172835** (White finish)

**173339** (Brass finish)  
**172835** (White finish)

**Slim-line Keyed Sash Lock**

**Contents:** 1 lock and keeper; 2 keys & installation screws.

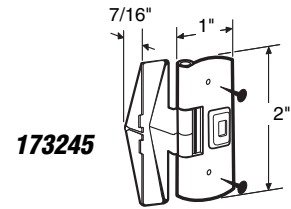
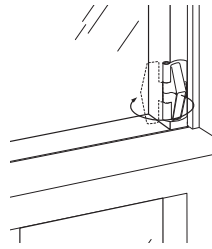
**Description:** Plated or painted diecast sash lock and keeper; readily adapts to narrow styles; key locks for additional security.

**173245** (Brass finish)

## Wood Window Flip Lock

**Contents:** 2 locks & installation fasteners.

**Description:** Flip lock mounts on vertical track; stops window in vent position; wedge flips out of the way to allow opening; **plated steel** lock assembly.

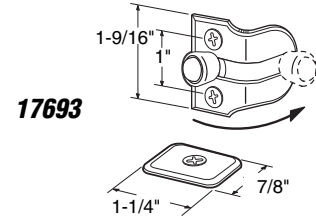
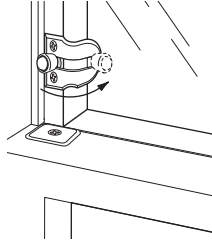


**17693** (Brass finish)

## Wood Window Vent Lock

**Contents:** 2 lock assemblies; 2 strikeplates & installation screws.

**Description:** **Brass plated steel** sash locks mount onto the edge of the upper window; sliding stud stops opening at a desired location; allows ventilation but prevents entry; easy to install.



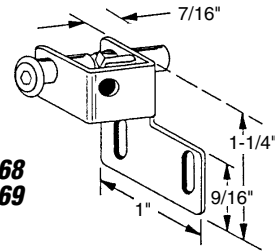
**172768** (Aluminum finish)

**172769** (Black finish)

## "Push-Bolt" Lock

**Contents:** 1 lock; 2 installation screws.

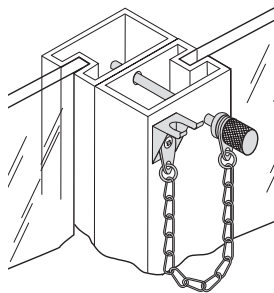
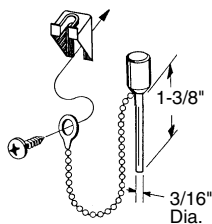
**Description:** Install on bottom or side rail or horizontal or vertical sliding aluminum windows; **stamped steel** housing with **hardened steel bolt**; easy to install.



**Some items in this section are also available in our new Defender Security Line. This new, distinctively packaged, line is ideally suited for "stand-alone" merchandising**

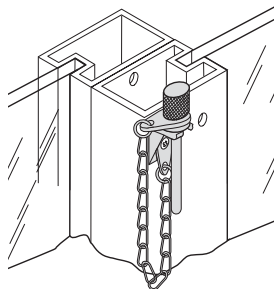
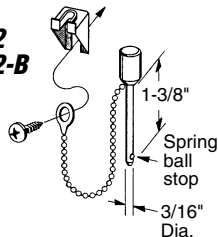


**17589**  
**17589-B**



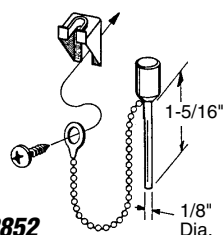
**Locked**

**17612**  
**17612-B**



**Unlocked**

**172852**



**17589** (Aluminum finish)

**17589-B** (Black finish)

**Security Lock Pin**

**Contents:** 1 pin with chain; 1 holder; 1 installation screw.

**Description:** Case hardened steel pin installs thru moving panel and fixed rail; helps prevent prying or lifting of window; easy to install; fits most windows.

**17612** (Aluminum finish)

**17612-B** (Black finish)

**Slip-Proof Lock Pin**

**Contents:** 1 pin with chain; 1 holder; 1 installation screw.

**Description:** Case hardened steel pin; spring loaded detent ball on end, helps prevent pin from being jarred out of place.

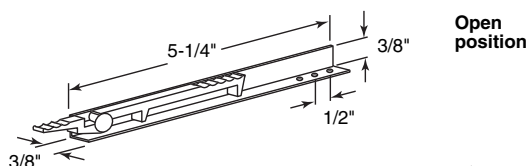
**172852** (Aluminum finish)

**Security Lock Pin**

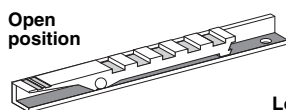
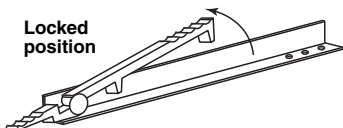
**Contents:** 1 pin with chain; 1 holder; 1 installation screw.

**Description:** Case hardened steel pin features a 1/8" pin shaft; will fit casement locking handles and narrow rail windows.

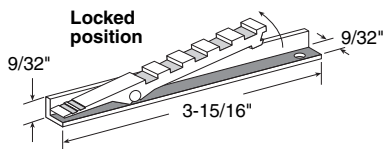
You may wish to stock these related parts: **15301, 171829.**



**17196**



**172826**



**17196**

**"Win-Dor" Pop-Up Lock**

**Contents:** 1 lock; 1 set of installation screws.

**Description:** Stamped aluminum lock and housing mounts into top or bottom track channel; requires only 3/8" clearance; provides hidden security.

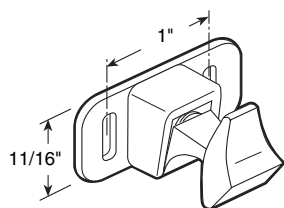
You may wish to stock these related parts: **172770.**

**172826**

**"Mini" Pop-Up Lock**

**Contents:** 1 lock; 1 set of installation screws.

**Description:** Extruded aluminum lock and housing mounts into top or bottom channel to provide security.



**172415**

**172415** (White)

**Latch**

**Contents:** 1 latch; 2 installation screws.

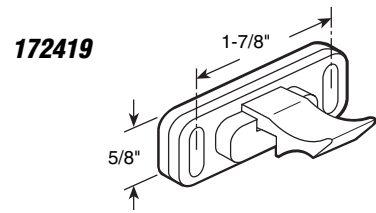
**Description:** Plastic latch assembly; spring loaded; for horizontal sliding windows.

**172419** (White)

## Latch

**Contents:** 1 latch; 2 installation screws.

**Description:** Nylon latch assembly; spring loaded; for horizontal sliding windows.

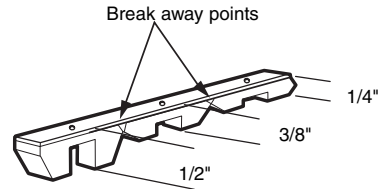


**17694**

## Anti-Liftout Blocks (Diecast)

**Contents:** 2 break-off bars per package with screws.

**Description:** Prevents liftout of sliding panels when in either the locked or ventilating position; unique stepdown design to provide thickness desired; locate correct size blocks to underside of header and use drill-point screws to install.



**17694**

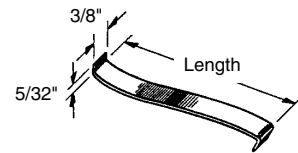
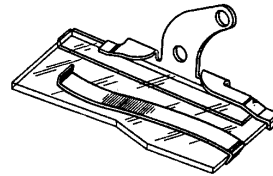
**17674** (4" glass - 3-1/16" long)

**17942** (4-1/2" glass - 3-7/16" long)

## Louver Window Security Clip

**Contents:** 20 clips.

**Description:** High tension spring steel clips help prevent removal of glass; no tools required; simply slip under glass as shown; 2 sizes available; fits *International* louvre strip hardware.



**17674**  
**17942**

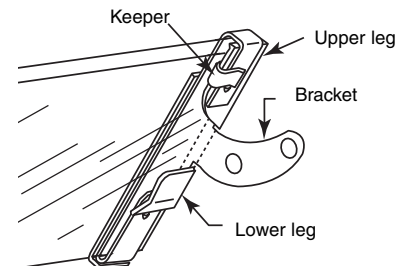
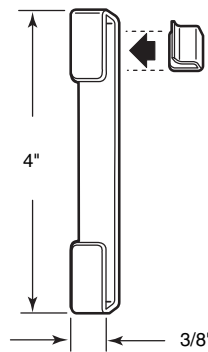
**17931** (4" glass)

## Jalousie Window Security Clip

**Contents:** 6 clips; 6 keepers.

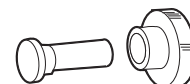
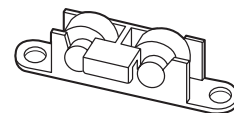
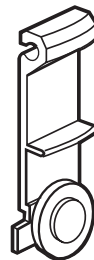
**Description:** Durable stainless steel two-piece clips prevent removal of glass louvers from outside, and discourage forced entry; easy installation; ideal for coastal areas.

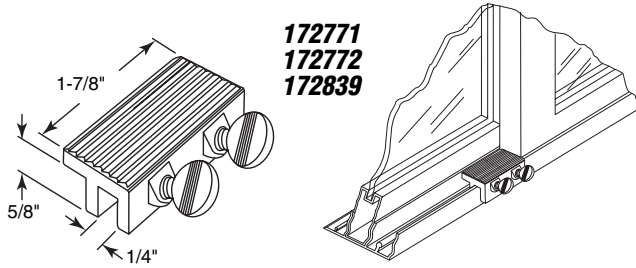
**NEW:** Stainless Steel Clip.



**17931**

**See Our Selection  
of Sliding Window Rollers**





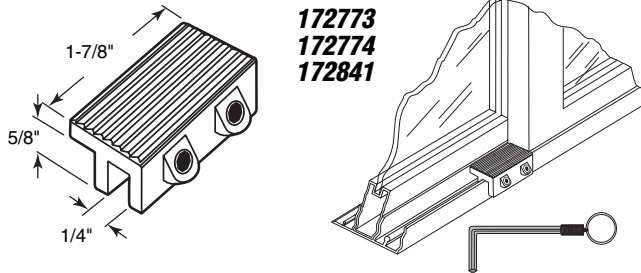
**172771** (Aluminum finish)  
**172772** (Black finish)  
**172839** (White finish)

**172771** (Aluminum finish)  
**172772** (Black finish)  
**172839** (White finish)

**Double Thumbscrew Lock**

**Contents:** 1 lock.

**Description:** Heavy duty zinc diecast housing with two steel thumbscrews; additional gripping power securely locks door in closed or ventilating position; easy to install.



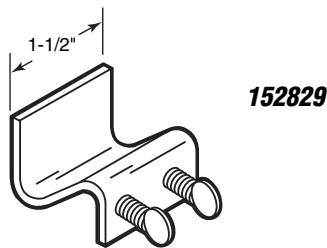
**172773** (Aluminum finish)  
**172774** (Black finish)  
**172841** (White finish)

**172773** (Aluminum finish)  
**172774** (Black finish)  
**172841** (White finish)

**Tamperproof Lock**

**Contents:** 1 lock & 1 Allen wrench.

**Description:** Heavy duty zinc diecast housing with two tamperproof Allen head security screws; additional gripping power securely locks door in closed or ventilating position; prevents accidental opening by children; easy to install.



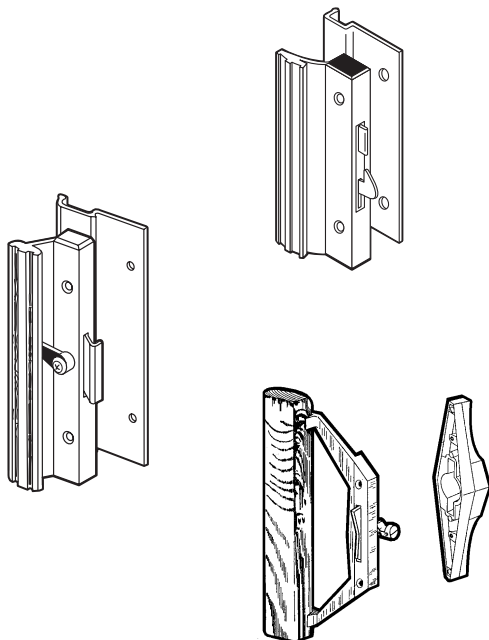
**152829**

**152829** (Zinc plated)

**Security Lock**

**Contents:** 1 lock.

**Description:** Zinc plated stamped steel lock with 2 steel thumbscrews; secures door in locked position.



**See Our  
 Patio Door Handle  
 section for the most  
 complete selection of  
 product to be found anywhere**

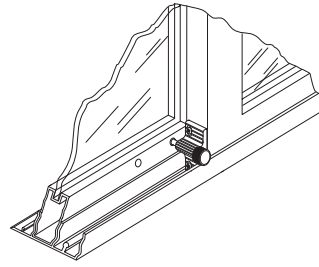


- 1599** (Aluminum finish - carded)
- 1599-B** (Black finish - carded)
- 1599-W** (White finish - carded)
- CCEP-4002** (Aluminum finish - bulk)
- CCEP-4003** (Black finish - bulk)
- CCEP-4354** (White finish - bulk)

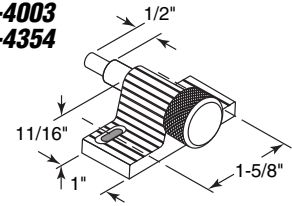
## Twist-In Lock

**Contents:** *Carded:* 1 lock and installation screws.  
*Bulk:* 50 locks in a display box.

**Description:** Zinc plated or painted Zamac cast housing with twist-in action, **aluminum bolt**; securely locks door in closed or ventilating position; prevents prying or lifting of door.



- 1599**
- 1599-B**
- 1599-W**
- CCEP-4002**
- CCEP-4003**
- CCEP-4354**

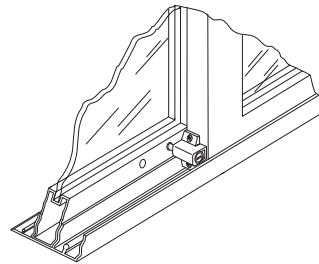


- 153483** (Aluminum finish)
- 153484** (Black finish)
- 153485** (White finish)

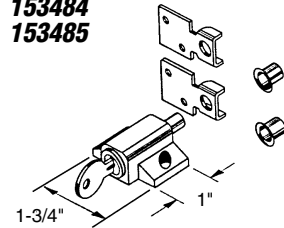
## Push-In Keyed Lock

**Contents:** 1 lock with 2 strikes; 2 ferrules; 2 keys & installation screws.

**Description:** Painted or plated diecast housing with hardened steel bolt for push button locking; unlocks only with key; prevents prying or lifting of door; heavy duty construction.



- 153483**
- 153484**
- 153485**

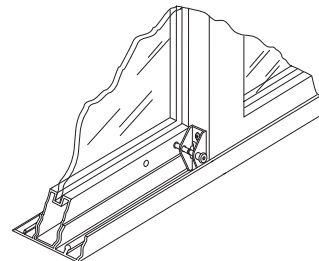


- 15269** (Aluminum finish)
- 15269-B** (Black finish)
- 15269-W** (White finish)

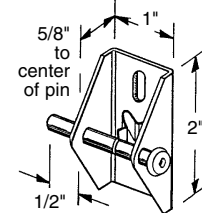
## Push/Pull Lock

**Contents:** 1 lock & 2 installation screws.

**Description:** Painted or plated heavy gauge steel housing with hardened steel pin; securely locks door in closed or ventilating position; two position push/pull action prevents accidental lockout; also prevents prying or lifting of door.



- 15269**
- 15269-B**
- 15269-W**

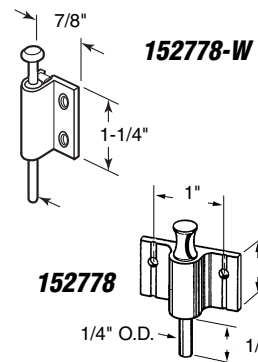
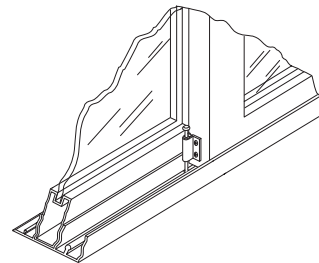


- 152778** (Aluminum finish)
- 152778-W** (White finish)

## Push/Pull Lock

**Contents:** 1 lock & 2 installation screws.

**Description:** Painted diecast housing with steel bolt; securely locks door in closed or ventilating position.

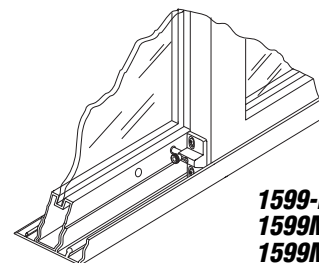


- 1599-ML** (Aluminum finish)
- 1599ML-B** (Bronze finish)
- 1599ML-W** (White finish)

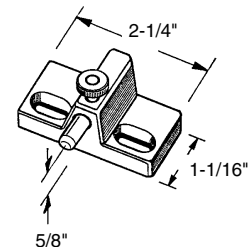
## Slide Bolt Lock

**Contents:** 1 lock & 2 installation screws.

**Description:** Painted or plated diecast housing with case hardened steel bolt; securely locks door in closed or ventilating position; prevents prying or lifting of door.

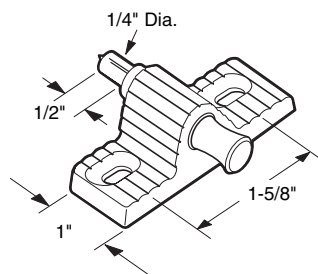


- 1599-ML**
- 1599ML-B**
- 1599ML-W**





**15100**  
**15100-B**

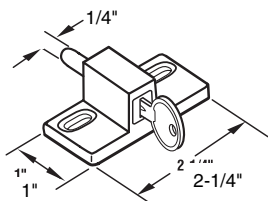


**15100** (Aluminum finish)  
**15100-B** (Black finish)

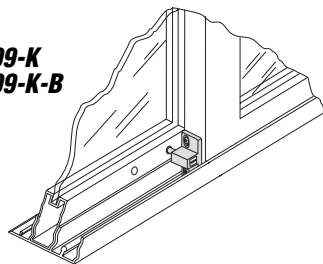
**Push-Pull Lock**

**Contents:** 1 lock; 2 installation screws.

**Description:** Painted or plated zinc diecast housing with steel bolt; locks door in closed or ventilating position; helps prevent prying or lifting of door.



**1599-K**  
**1599-K-B**

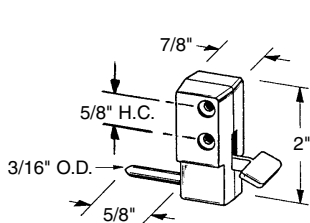


**1599-K** (Aluminum finish)  
**1599-K-B** (Black finish)

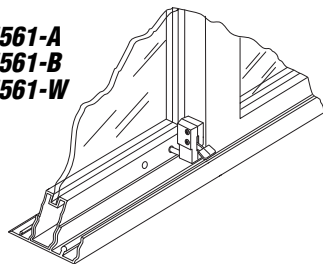
**Push-In Keyed Lock**

**Contents:** 1 lock & 2 installation screws.

**Description:** Painted or plated diecast housing with steel bolt for push button locking; unlocks only with key; prevents prying or lifting of door.



**15561-A**  
**15561-B**  
**15561-W**

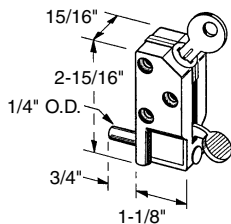


**15561-A** (Aluminum finish)  
**15561-B** (Black finish)  
**15561-W** (White finish)

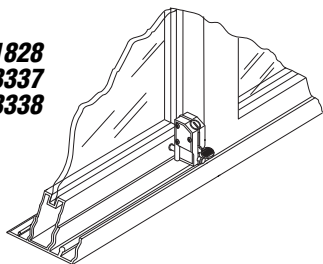
**Step-On Lock**

**Contents:** 1 lock & 2 installation screws.

**Description:** Painted diecast housing with hardened steel bolt; securely locks door in closed or ventilating position; convenient foot operation; easy to install.



**151828**  
**153337**  
**153338**

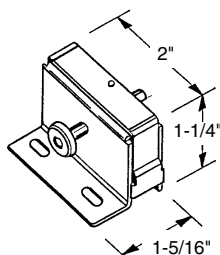


**151828** (Aluminum finish)  
**153337** (Black finish)  
**153338** (White finish)

**Step-On Keyed Lock**

**Contents:** 1 lock with 2 keys & 1 set of installation screws.

**Description:** Painted diecast housing with hardened steel bolt; securely locks door in closed or ventilating position; convenient foot operation of bolt; locks and unlocks with key.



**15414**  
**15414-B**

**15414** (Aluminum finish)  
**15414-B** (Black finish)

**Push-Bolt Lock**

**Contents:** 1 lock; 2 installation screws.

**Description:** Painted or plated push bolt; push-in bolt to lock; step on top to unlock; heavy gauge stamped steel; fits most patio door configurations.

# Patio Door

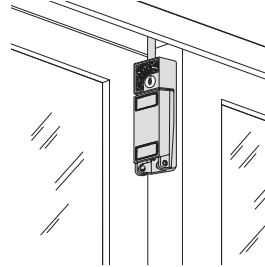
**U-9997** (Aluminum finish - new Defender card)

**U-9919** (White finish - new Defender card)

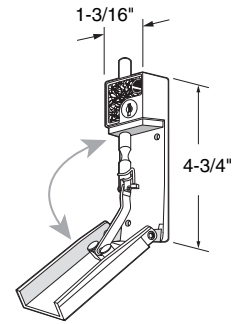
## Keyed Bolt Lock

**Contents:** 1 locking assembly & installation screws.

**Description:** Painted diecast assembly; throw bolt may be manually locked or key locked; prevents forced entry; may be locked in ventilating position.



**U-9997**  
**U-9919**



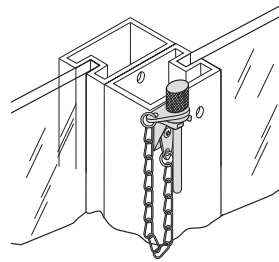
**15611** (Chrome finish)

**15611-B** (Antique nickel finish)

## Window Pin Lock

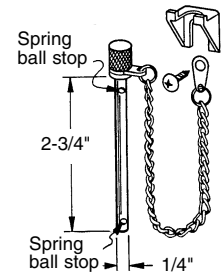
**Contents:** 1 pin with chain; 1 holder; installation screws.

**Description:** Plated, case hardened steel pin stores in holder when unlocked; securely locks window in closed or ventilating position; prevents prying or lifting of door; **spring loaded steel ball** prevents pin from being jarred loose from the door.



**Unlocked**

**15611**  
**15611-B**



**15301** (Zinc plated - carded)

**15301-B** (Black finish - carded)

**CCEP-4011** (Zinc plated - bulk)

**CCEP-4148** (Black finish - bulk)

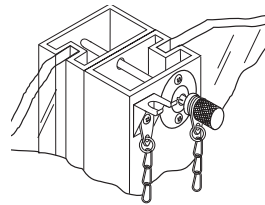
## Pin Lock with Retaining Ring

**Contents:** 1 pin with chain; retaining cap; holder and installation screws.

**Carded:** 1 per card.

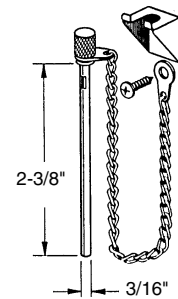
**Bulk:** 100 per cut case carton (1 per bag).

**Description:** Plated, case hardened steel pin locks in retaining ring when engaged; stores in holder when unlocked; securely locks door in closed or ventilating position; prevents prying or lifting of door.



**Locked**

**15301**  
**15301-B**  
**CCEP-4011**  
**CCEP-4148**

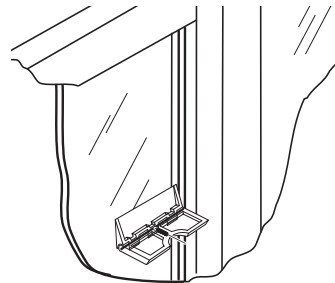


**152784** (Clear)

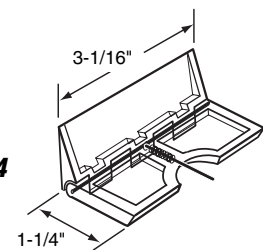
## Glass Surface Lock

**Contents:** 2 locks.

**Description:** Clear lucite; two piece hinged assembly with spring loaded plunger lock; **clear adhesive backing**; securely locks door in closed or ventilating position; no tools needed to install; inconspicuous when installed.



**152784**



**152842** (13/16" width)

**U-9846** (1-1/8" width - new Defender card)

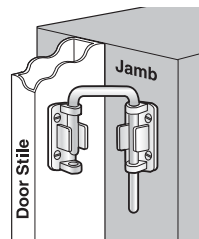
**152844** (1-7/16" width)

**U-9847** (2-1/8" width - new Defender card)

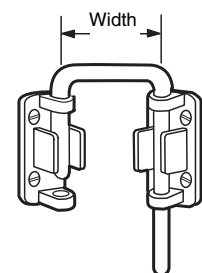
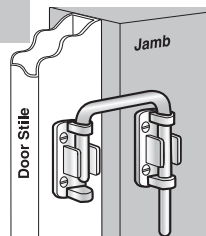
## Loop Lock

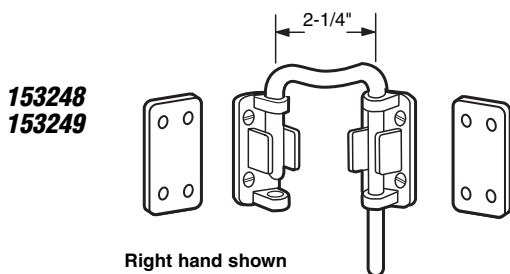
**Contents:** Loop lock rod with bracket attached; keeper and installation screws.

**Description:** Nickel plated, hardened steel locking rod with diecast bracket and keeper; secures door to jamb; four sizes allow flexibility of installation.



**152842**  
**U-9846**  
**152844**  
**U-9847**



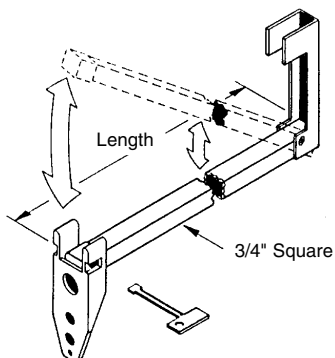


**153248** (Left hand)  
**153249** (Right hand)

**Curved Loop Lock**

**Contents:** 1 loop lock rod with slide bracket attached; 1 keeper; 2—1/8" thick shims; 1 set of installation screws.

**Description:** Nickel plated, hardened steel lock rod with diecast bracket and keeper; secures door to jamb; unique curved rod design offers flexibility on various installations.



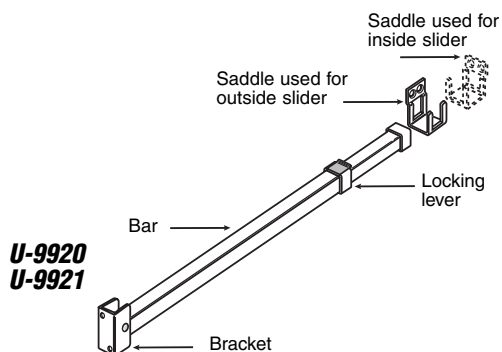
**Security Bar Lock** (Poly bag and header)

**Finish (Part Number)**

Bar Length	Clear		
	Anodized	Bronze	White
3 foot	S-4337	S-4338	S-4339
4 foot	S-4013	S-4154	S-4220
5 foot	S-4221	S-4222	S-4223
6 foot	S-4224	S-4225	S-4226

**Contents:** 1 bar assembly; 1 locking saddle; 1 key; installation screws.

**Description:** Clear anodized and painted extruded aluminum bar with stamped steel hinged retainer for open position; plastic retainer with key for locked position.

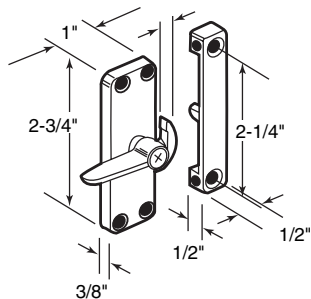


**U-9920** (Aluminum finish - new Defender card)  
**U-9921** (White finish - new Defender card)

**Security Bar Lock**

**Contents:** 1 bar assembly; 1 locking saddle & installation screws.

**Description:** Clear anodized and painted aluminum bar; telescopic adjustability accommodates 28" to 48" wide inside and outside sliding patio doors; no cutting required; easy to install.



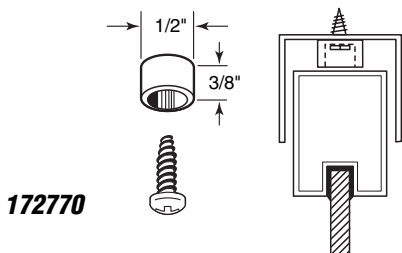
**152787**  
**152788**

**152787** (Aluminum finish)  
**152788** (Black finish)

**Security Latch**

**Contents:** 1 latch; 1 keeper; 1 set of installation screws.

**Description:** Heavy zinc diecasting; face or side mount strike; mounts onto patio door rail to act as a secondary security lock.



**172770**

**172770**

**"Anti-Lift" Patio Door Bumpers**

**Contents:** 9 vinyl bumpers; 9 installation screws.

**Description:** Helps prevent lifting of sliding glass door from frame; reduces the gap at the top of the frame so door cannot be removed when closed.

# Entry Door

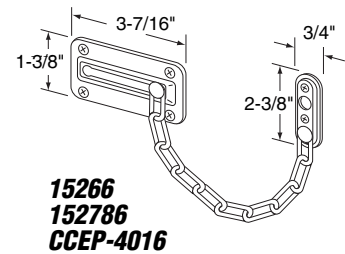
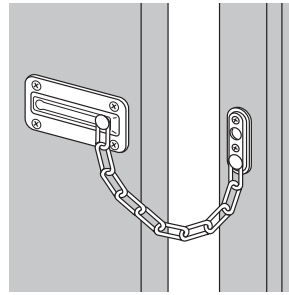
- 15266** (Brass finish)
- 152786** (Chrome finish)
- CCEP-4016** (Brass finish - bulk 75 pieces - cut case carton)

## Chain Door Guard

**Contents:** 1 chain lock with keeper & installation screws.

**Description:** **Plated steel** keeper, slide lock and chain; secures door while allowing viewing and ventilation; easy to install.

You may wish to stock these related parts: **17219-B**.



**15266**  
**152786**  
**CCEP-4016**

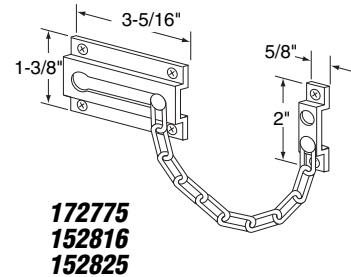
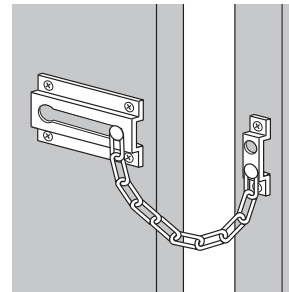
- 172775** (Polished brass)
- 152816** (Antique brass)
- 152825** (Chrome plated)

## Chain Door Guard

**Contents:** 1 chain lock with keeper & installation screws.

**Description:** **Solid brass** keeper and slide lock with **plated steel** chain; secures door while allowing viewing and ventilation; easy to install.

You may wish to stock these related parts: **15683**.



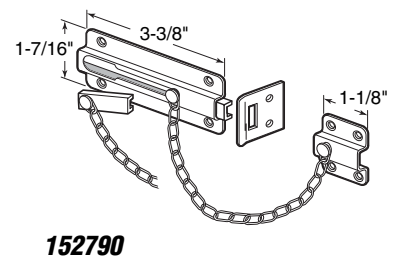
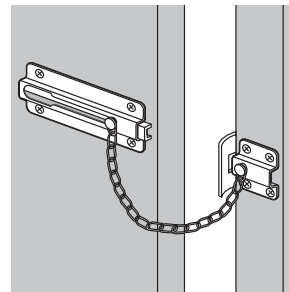
**172775**  
**152816**  
**152825**

- 152790** (Polished brass)

## Chain Lock Deadbolt (Heavy duty)

**Contents:** 1 chain lock with keeper; 1 set of installation screws.

**Description:** **Heavy duty** slide lock and keeper are made of **solid extruded brass**; **plated steel** chain; provides tamper-proof security; easy to install; slide bolt secures door in locked position.



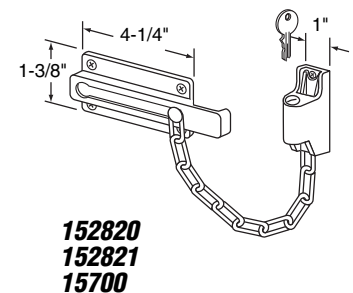
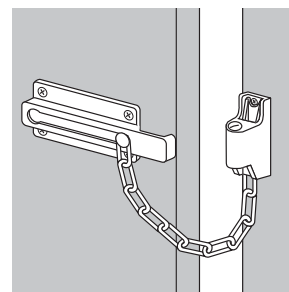
**152790**

- 152820** (Brass finish)
- 152821** (Antique brass finish)
- 15700** (Chrome finish)

## Chain Door Guard (Keyed)

**Contents:** 1 chain lock; 2 keys; 1 set of installation screws.

**Description:** **Plated steel** chain and **diecast** lock and keeper secure door while allowing viewing and ventilation; can be unlocked with key from outside or inside; bolt slides into keyed mechanism to lock or stores on slide bolt.



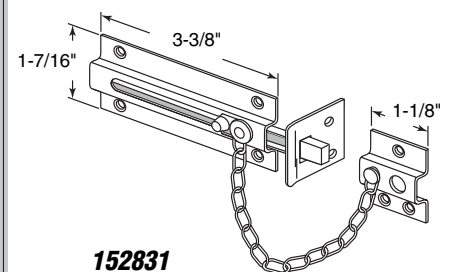
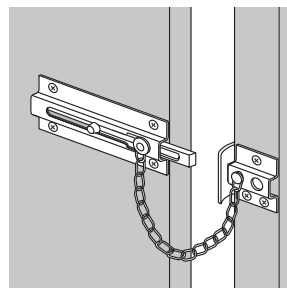
**152820**  
**152821**  
**15700**

- 152831** (Brass finish)

## Chain Door Guard (With bolt)

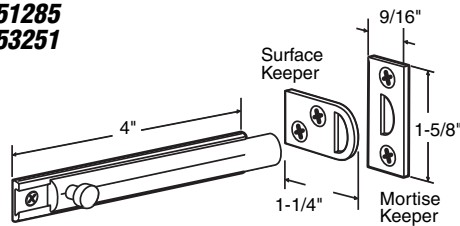
**Contents:** 1 chain lock with keeper; 1 set of installation screws.

**Description:** **Plated steel** keeper, slide lock and chain with **diecast** throw bolt; use of chain secures door while allowing viewing and ventilation; sliding bolt secures closed door and allows unlocking from inside only.



**152831**

**151285**  
**153251**

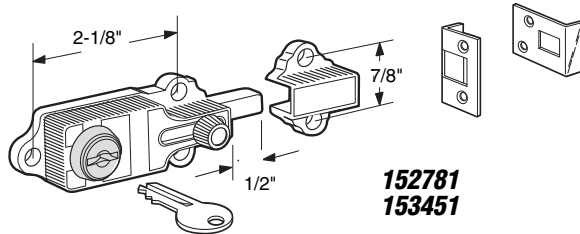


**151285** (4" length - polished brass)  
**153251** (6" length - polished brass)

**Surface Bolt**

**Contents:** 1 slide bolt; 2 keepers & installation screws.

**Description:** Solid brass slide bolt surface mounts to face of door; two keepers allow for surface or mortise frame installation.

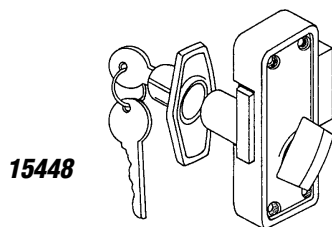


**152781** (Brass finish)  
**153451** (Chrome finish)

**Keyed Deadbolt Lock**

**Contents:** 1 lock; 3 keepers & installation screws.

**Description:** Plated diecast lock is key locked from inside; 3 keepers offer flexible mounting for both inswing and outswing doors.

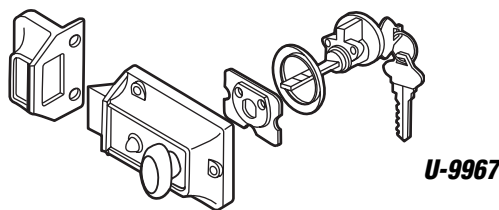


**15448** (Chrome finish)

**Keyed Surface Lock**

**Contents:** 1 lock assembly; 2 keys.

**Description:** Plated diecast surface mounted deadbolt lock with key cylinder; fits 7/8" to 1-3/8" thick door; thumbturn activates deadbolt from inside.

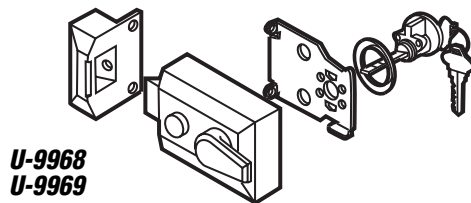


**U-9967** (Brass finish - new Defender card)

**Night Latch & Locking Cylinder**

**Contents:** 1 night latch with locking cylinder and trim ring; 2 keys; 1 mounting plate; 1 keeper and installation screws.

**Description:** Brass painted diecast locking unit and keeper; hold open feature; spring latch for automatic locking; five pin tumbler cylinder; 1-1/4" bore.

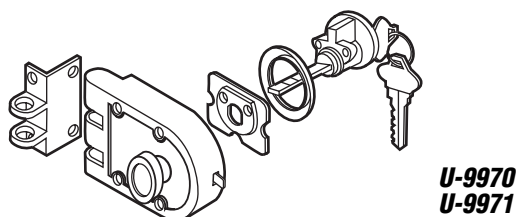


**U-9968** (Polished brass finish - new Defender card)  
**U-9969** (White finish - new Defender card)

**Night Latch & Locking Cylinder**

**Contents:** 1 night latch with locking cylinder and trim ring; 2 keys; 1 mounting plate; 1 keeper and installation screws.

**Description:** Plated and painted diecast locking unit and keeper; contemporary design; hold open feature; spring latch for automatic locking; five pin tumbler cylinder; 1-1/4" bore.



**U-9970** (Brass finish - new Defender card)  
**U-9971** (White finish - new Defender card)

**Jimmy-Resistant Deadlock** (Single cylinder)

**Contents:** 1 locking unit with locking cylinder and trim ring; 1 mounting plate; 1 keeper & installation screws.

**Description:** Painted diecast locking unit and keeper; locks door to jamb to prevent forced entry; 5-pin tumbler cylinder; requires a 1-1/4" hole; includes tamper-proof shutter guard, which insures lock integrity from outside manipulation.

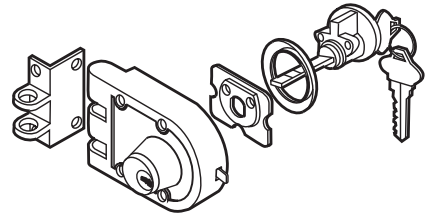
- U-9972** (Brass finish - new Defender card)
- U-9973** (White finish - new Defender card)
- U-9974** (Polished brass & black finish - new Defender card)

## Jimmy-Resistant Deadlock (Double cylinder)

**Contents:** 1 locking unit with locking cylinder and trim ring; 1 mounting plate; 1 keeper & installation screws.

**Description:** Painted and plated diecast locking unit and strike; locks door to jamb to prevent forced entry; double cylinder unit is ideal for doors with glass panes or when located next to a glass side light; 5-pin tumbler cylinder requires a 1-1/4" hole; includes tamper-proof shutter guard, which insures lock integrity from outside manipulation.

**U-9972**  
**U-9973**  
**U-9974**

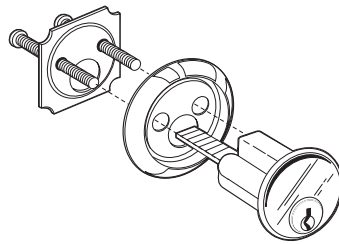


**153523** (Brass finish)

## Rim Cylinder Lock (Kwikset keyway)

**Contents:** 1 key cylinder with trim ring and 2 keys; 1 mounting plate and 2 screws.

**Description:** Heavy duty zinc diecast housing with brass face and 5 pin tumbler lock.



**153523**

**15586** (Aluminum finish - keyed)

**152777** (Aluminum finish)

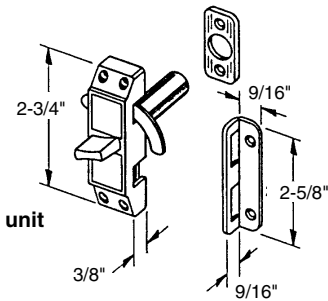
## Deadbolt Loop Lock

**Contents:** 1 lock assembly; 1 strikeplate; 1 set of installation screws.

**Description:** Plated, hardened steel bolt, loops through keeper to prevent lift-out or jimmying of doors; housing is heavy zinc diecasting; thumbturn activates locking from outside.

**15586**  
**152777**

Keyed locking unit



**151284-B** (Brass finish)

**152782** (Antique brass finish)

**151284** (Chrome finish)

**152783** (Brushed chrome finish)

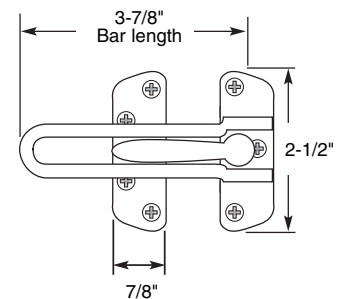
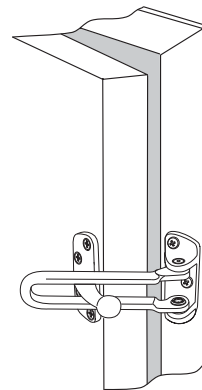
**153306** (White finish)

**153307** (Satin brass finish)

## Swing Bar Lock

**Contents:** 1 swing loop keeper; 1 bar lock & installation screws.

**Description:** Plated or painted heavy zinc diecasting; secures door while allowing 2" of viewing or ventilation; easy to install.

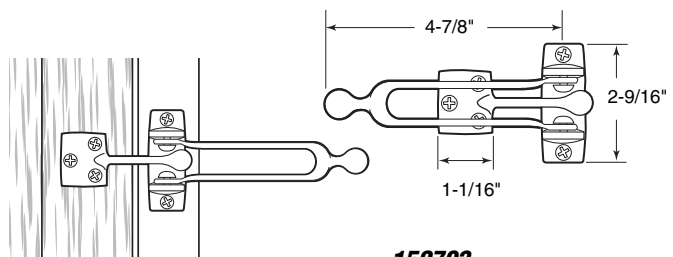


**152793** (Polished brass finish)

## Swing Bar Lock

**Contents:** 1 swing loop keeper; 1 bar lock; 1 set of installation screws.

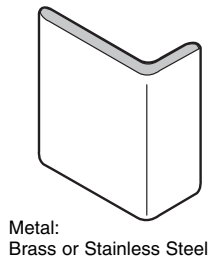
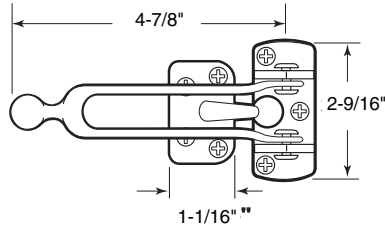
**Description:** Cast brass bar lock and swing loop keeper; ball on bar lock interlocks to keeper allowing door to be opened slightly for viewing, and helps to deter forced entry; ball on swing loop keeper serves as a convenient handle.



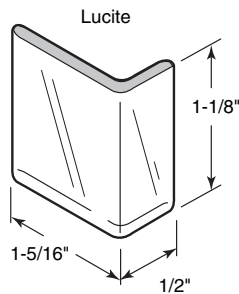
**152793**



**152794**  
**152795**  
**152833**  
**153284**



Metal:  
 Brass or Stainless Steel



**S-4212**  
**S-4213**  
**S-4214**  
**S-4215**  
**S-4511**  
**S-4512**

**152794** (Polished brass)  
**152795** (Satin bronze finish)  
**152833** (Brushed chrome finish)  
**153284** (Satin brass finish)

**Swing Bar Lock with Edge Guard**

**Contents:** 1 swing loop keeper; 1 bar lock; 1 edge guard; 1 set of installation screws.

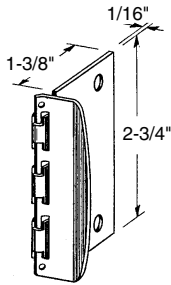
**Description:** Cast brass bar lock and swing loop keeper; polished or plated; ball on bar lock interlocks to keeper which allows door to be opened slightly for viewing; helps to deter forced entry; edge guard aids in reducing marring of door and frame.

**S-4212** (Clear lucite - 10 per bag)  
**S-4213** (Polished brass - 5 per bag)  
**S-4214** (Antique brass - 5 per bag)  
**S-4215** (Brushed stainless - 5 per bag)  
**S-4511** (Satin brass - 5 per bag)  
**S-4512** (Chrome finish - 5 per bag)

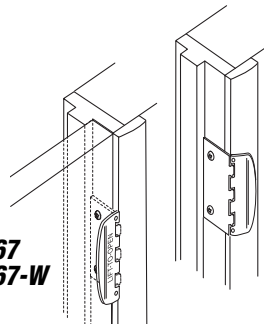
**Edge Guard**

**Contents:** Edge guards.

**Description:** Edge guard is adhesive backed for self-sticking application; eliminates marring of wood when lock is swung back and forth.



**15267**  
**15267-W**

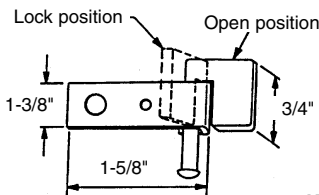


**15267** (Brass finish)  
**15267-W** (White finish)

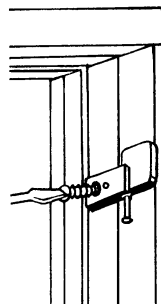
**Flip Door Lock**

**Contents:** 1 lock & installation screws.

**Description:** Plated or painted steel privacy lock; flip action to lock or unlock; no mortising required; easy to install.



**15675**

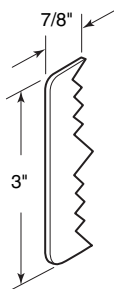


**15675** (Yellow zinc finish)

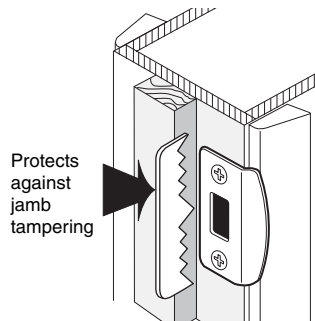
**Mini Flip-It Lock**

**Contents:** 1 lock; 1 set of installation fasteners.

**Description:** Plated steel installation plate and flip lock can be used on bedroom and bathroom doors as a secondary security or privacy lock; installs in seconds; easy to operate.



**15802**



**15802** (Brass finish)

**Anti-Jimmy Plate**

**Contents:** 2 anti-jimmy plates.

**Description:** Plated steel plate protects against unwanted entry by use of credit cards or screwdrivers.

# Entry Door

**15268** (Polished brass)

**152791** (Polished brass - **U.L. Listed**)

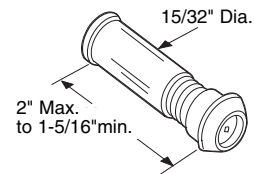
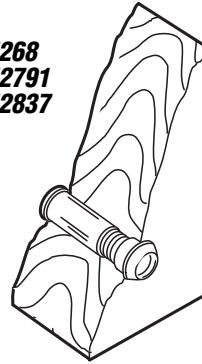
**152837** (Satin chrome finish - **U.L. Listed**)

## Door Viewer (160°)

**Contents:** 1 viewer.

**Description:** Solid brass housing; glass or plastic lenses; fits 1-3/8" to 2" thick wood or metal doors; easy to install; glass lens viewers are **U.L. Listed**; requires 1/2" hole for installation.

**15268**  
**152791**  
**152837**



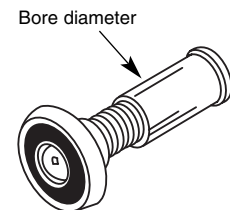
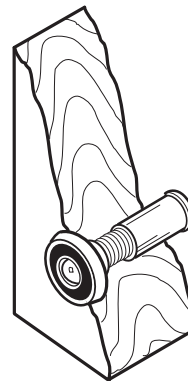
## Door Viewers

Part No.	Bore Diameter	Finish	View
152803	1/2"	Chrome	180°
152828	1/2"	Brass	190°
15683	9/16"	Brass	180°
CCEP-4020*	9/16"	Brass	180°
153340	9/16"	Satin Chrome	190°
152796	9/16"	Chrome	190°
152838	9/16"	Satin Chrome	190° U.L. Listed
152792	9/16"	Brass	200° U.L. Listed
15684	9/16"	Brass	200°

**Contents:** 1 viewer.

**Description:** Solid brass housing; glass or plastic lenses; fits 1-3/8" to 2-1/8" thick wood or metal doors; easy to install; glass lens viewers are **U.L. Listed**.

\*CCEP-4020: Bulk - 100 pieces per cut case carton.



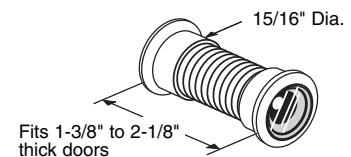
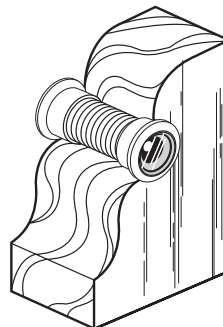
**151317** (Polished brass)

## Door Viewer (160°)

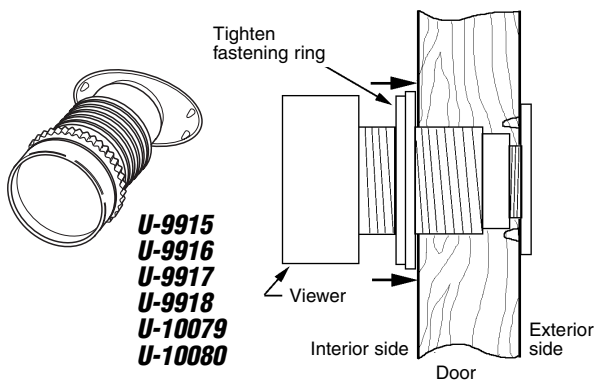
**Contents:** 1 viewer.

**Description:** Solid brass end caps with diecast threaded housing; glass lens; fits 1-3/8" to 2-1/8" thick wood or metal doors; easy to install; requires 1" hole for installation.

**151317**







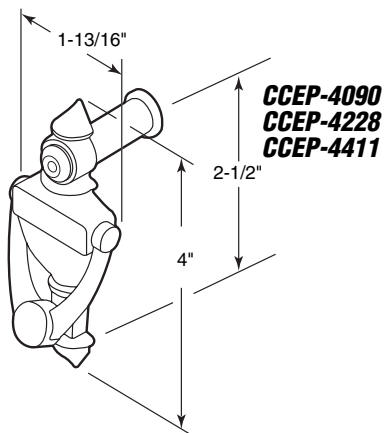
- U-9915** (Gold finish)
- U-9916** (Bronze finish)
- U-9917** (White finish)
- U-9918** (Gray finish)
- U-10079** (Vacuum plated - Brass)
- U-10080** (Vacuum plated - Chrome)

**Door Viewer**

**Contents:** 1 viewer.

**Description:** High impact plastic housing requires 1-3/4" hole; "clear image" prism construction allows arms length viewing with nearly 2" of giant screen viewing; fits 1-3/8" to 2" thick wood or metal doors; prism image is a reversed and mirrored image.

**Note:** New Defender packaging.



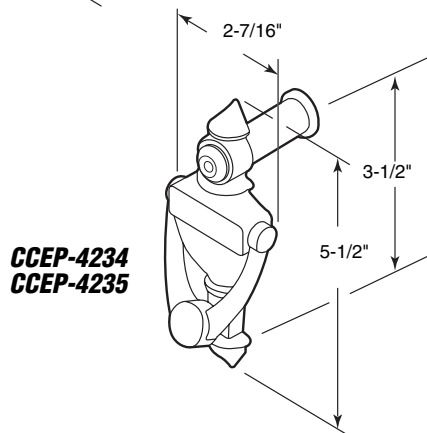
- CCEP-4090** (Brass finish)
- CCEP-4228** (Antique brass finish)
- CCEP-4411** (Chrome finish)

**Door Knocker and Viewer** (Poly bagged)

**Contents:** 1 knocker; 1 viewer; 1 set of installation screws.

**Description:** Diecast knocker and solid brass 160° viewer; fits doors 1-3/8" to 1-3/4" thick; requires 1/2" installation hole.

**Standard Pack:** 10 per cut case box.



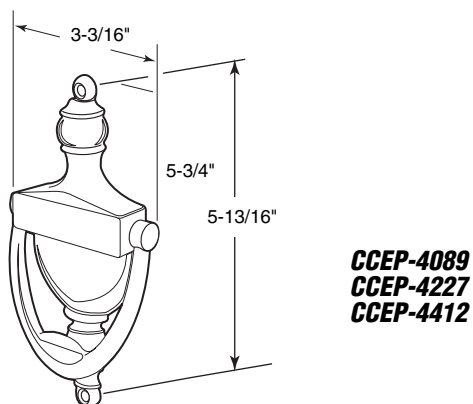
- CCEP-4234** (Brass finish)
- CCEP-4235** (Antique brass finish)

**Door Knocker and Viewer** (Poly bagged)

**Contents:** 1 knocker; 1 viewer; 1 set of installation screws.

**Description:** Deluxe brass door knocker and 180° viewer; fits doors 1-3/8" to 1-3/4" thick; requires 9/16" installation hole.

**Standard Pack:** 6 per cut case box.



- CCEP-4089** (Brass finish)
- CCEP-4227** (Antique brass finish)
- CCEP-4412** (Chrome finish)

**Door Knocker** (Poly bagged)

**Contents:** 1 knocker.

**Description:** Plated diecast knocker; large traditional design.

**Standard Pack:** 6 per cut case box.

**CCEP-4290** (2-1/2" length)

**CCEP-4208** (3-1/2" length)

**CCEP-4209** (4-1/2" length)

## Safety Hasp (Poly bagged)

**Contents:** 1 hasp; 1 set of installation screws.

**Description:** Zinc plated steel safety hasp is used for a variety of applications, including securing pairs of doors and tool boxes; screws are concealed when hasp is in the locked position.

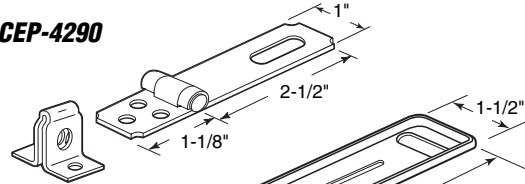
### Standard Pack:

CCEP-4290 - 20 per cut case box

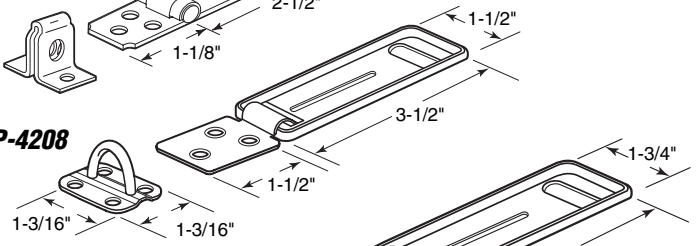
CCEP-4208 - 10 per cut case box

CCEP-4209 - 10 per cut case box

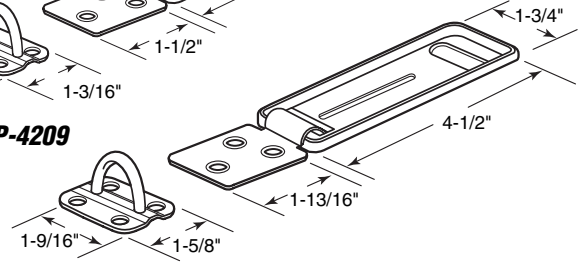
**CCEP-4290**



**CCEP-4208**



**CCEP-4209**



**U-9951** (Chrome plated - 4" length - new Defender card)

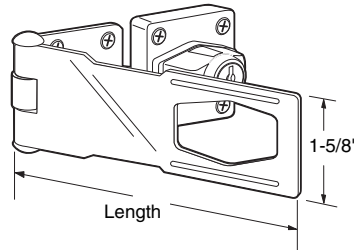
**152814** (Chrome plated - 2-1/2" length)

## Keyed Hasp

**Contents:** 1 hasp; 1 locking mechanism; 1 set of installation screws.

**Description:** Plated steel hasp hinges over zinc diecast locking mechanism; twist keyed knob to lock and use key to unlock; hasp covers screws when in locked position.

**U-9951  
152814**



**EP-4269** (Plastic tag)

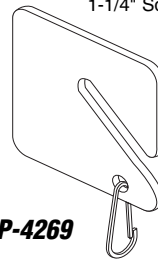
**EP-4270** (Paper tag with metal rim)

## Key Tags

**Contents:** 20 key tags in a poly bag.

**Description:** White plastic or paper key tags; used to identify specific corresponding locations.

1-1/4" Square



**EP-4269**

1-1/4" Dia.



**EP-4270**

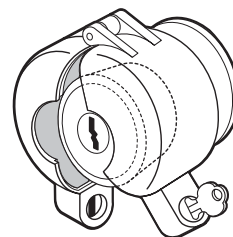
**S-4180**

## Lockout Device

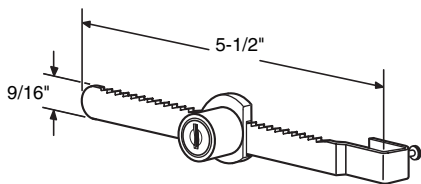
**Contents:** 1 lock per carton

**Description:** Diecast, gray painted lock; prevents door knob from being turned; deters tampering; key locked for maximum security.

**S-4180**



15718



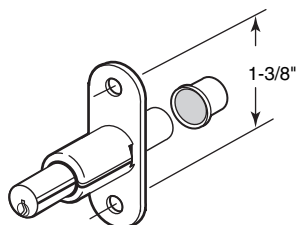
15718 (Chrome finish)

**Showcase Window Key Lock**

**Contents:** 1 lock; 2 keys; 1 adjustable bar.

**Description:** Chrome plated steel showcase and pass-thru window lock; fits up to 5/16" thick glass; adjustable lock allows for various closing alignments; easy to install.

172815

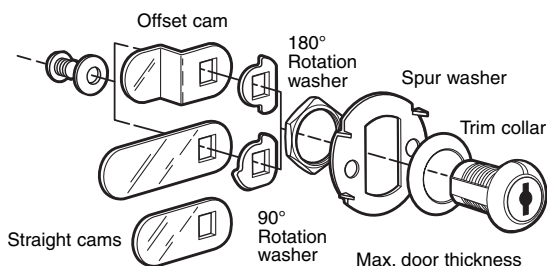


172815 (Chrome finish)

**Showcase Plunger Lock**

**Contents:** 1 lock; 1 ferrule; 2 keys.

**Description:** Plated diecast installation plate and steel plunger bolt; lock installs easily on sliding glass doors with track assemblies; it can be installed at top or bottom of door frame; spring activated design permits locking by pushing the plunger without using a key; bore size is 9/16" diameter.



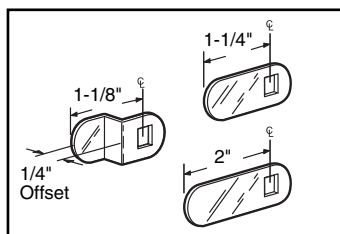
**Drawer and Cabinet Lock**

Part No.	Finish	Door Thickness	Application
223341	Brass	1/2"	Drawer & Cabinet Lock
223342	Chrome	1/2"	"
223343	Brass	3/4"	"
223344	Chrome	3/4"	"
223345	Chrome	1"	"
223346	Brass	1"	"

**Contents:** 1 lock; 2 cams; 1 trim collar; 1 spur washer; 2 rotation washers; 1 lock nut; 2 keys.

**Description:** Plated diecast housing and steel cams can be mounted to metal or wood door/drawer from 1/2" to 1" thick; **keyed locking** for maximum security.

**Cam Dimensions**



CCEP-4271 (Flush)

CCEP-4272 (Extended)

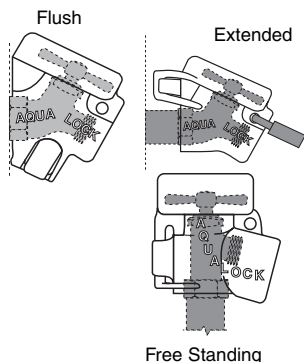
CCEP-4273 (Free standing)

**Faucet Lock Box**

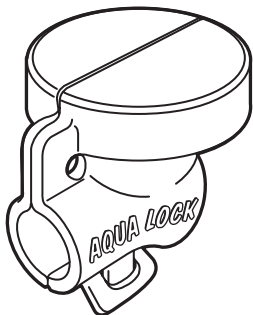
**Contents:** 1 lock box in a poly bag.

**Description:** Cast aluminum lock box, prevents faucet from being turned on accidentally; eliminates water waste and deters vandalism; requires use of a padlock.

**Standard Pack:** 3 per cut case box.



CCEP-4271  
CCEP-4272  
CCEP-4273



# Mail Box Locks

**S-4048** (1/4" bolt)

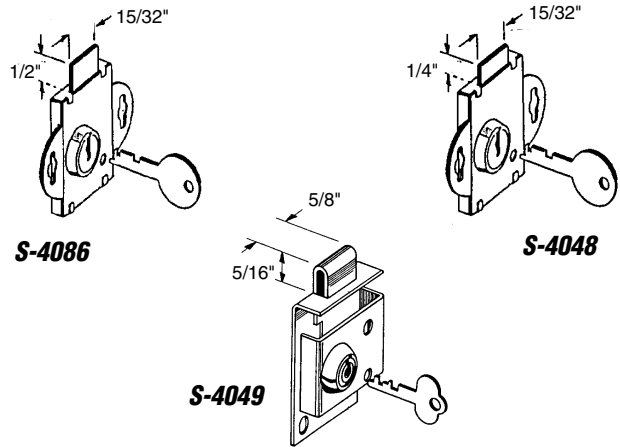
**S-4049** (5/16" bolt)

**S-4086** (1/2" bolt)

## Deadbolt Locks

**Contents:** 1 lock with screws.

**Description:** Brass plated steel locks; key cylinder is offset from center; standard deadbolt application.



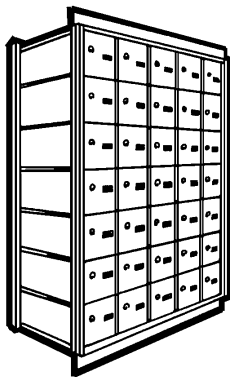
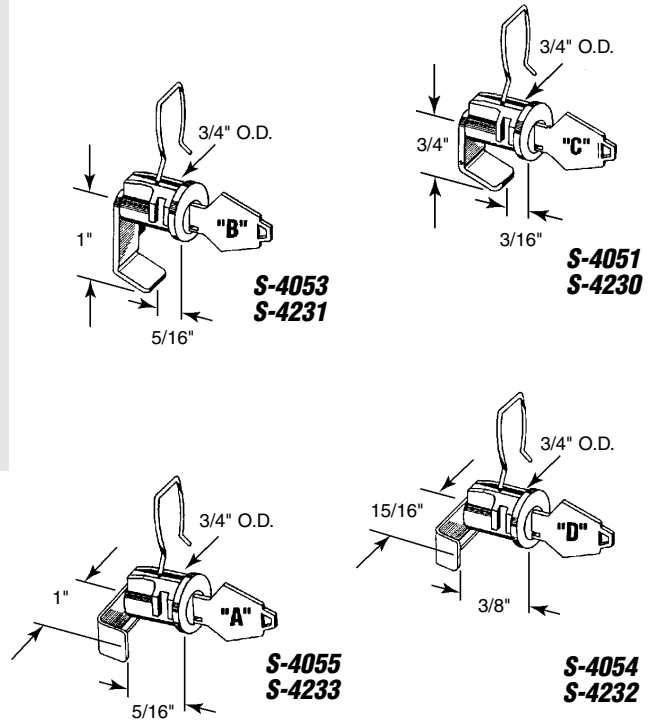
## 5-Pin Tumbler Locks (XL style)

**Lock Face Finish**  
**Part Number**

Brass	Zinc	Replaces
S-4230	S-4051	<i>Dura Steel</i> (Jan. 1967-Oct. 1975)
S-4231	S-4053	<i>Dura Steel</i> (Nov. 1975)
S-4054	S-4232	<i>Jensen</i> (Horizontal style Jan. 1967-present or vertical style Nov. 1975-present)
S-4055	S-4233	<i>Permabilt</i> (Jan. 1967-present), and <i>Jensen</i> (Vertical style Jan. 1967-Oct. 1975)

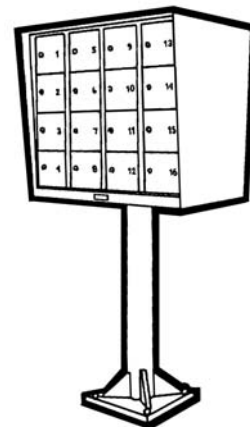
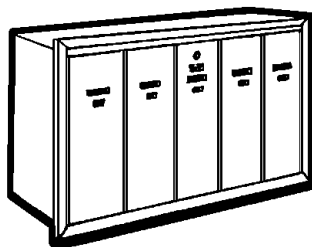
**Contents:** 1 lock assembly with 2 keys.

**Description:** Plated diecast housing and tumbler with brass pins; plated steel cam; spring wire locking clip; used by many West Coast mail box manufacturers.



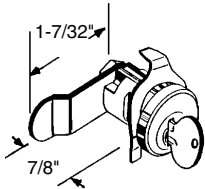
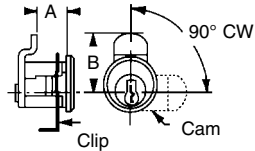
**Commercial Multi-Units**

**Apartment-Type Units**

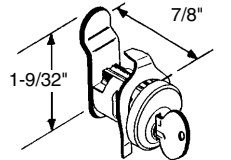


**Pedestal-Type Units**

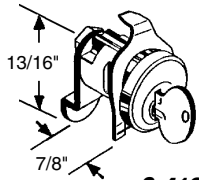
Cam measurements "A" & "B" are of primary importance in mail box lock selection



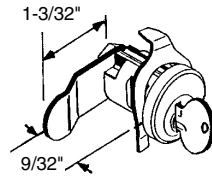
**S-4125**



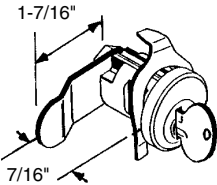
**S-4126**



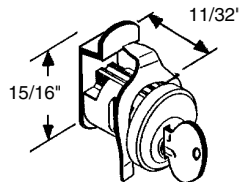
**S-4127**



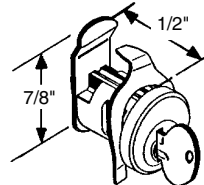
**S-4128**



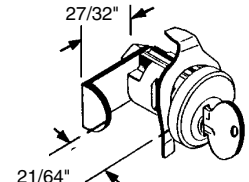
**S-4129**



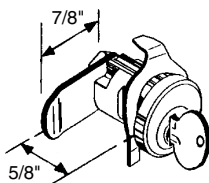
**S-4130**  
**S-4499**



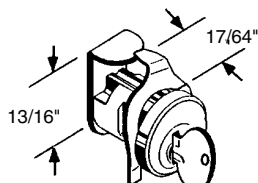
**S-4131**



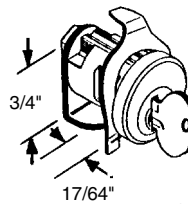
**S-4132**



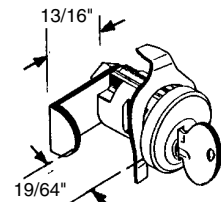
**S-4133**



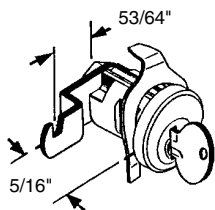
**S-4134**



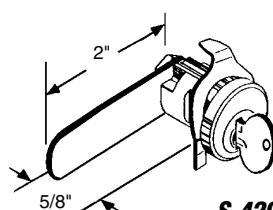
**S-4136**



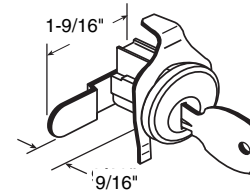
**S-4137**



**S-4138**



**S-4297**



**S-4299**

## 5-Pin Tumbler Locks (Nickel plated)

Part No.	Replaces	Direction of Turn To Open*	Locked Position
S-4125	Bommer	90° CCW	Left
S-4126	Bommer	90° CCW	Up
S-4127	Bommer	90° CCW	Down
S-4128	Auth Electric	90° CCW	Left
S-4129	American Device	90° CCW	Left
S-4130	Florence	90° CW	Up
S-4131	S.H. Couch	90° CW	Up
S-4132	Nutone	90° CCW	Left
S-4133	Cutler	90° CCW	Left
S-4134	Miami-Carey	90° CCW	Up
S-4136	Dura-Steel	90° CW	Down
S-4137	Jensen General	90° CCW	Left
S-4138	Bommer Hook	90° CCW	Left
S-4297	Bommer	90° CCW	Left
S-4299	Cutler Federal	90° CCW	Left
S-4499	Florence	90° CCW	Up

\* CCW-Counter Clockwise CW-Clockwise

**Contents:** 1 lock assembly with 2 keys.

**Description:** Diecast cylinder with plated face; brass pins; plated steel cams; spring steel locking clip; replaces original equipment manufacturer's product.

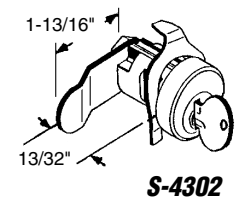
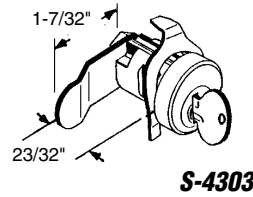
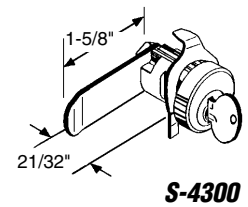
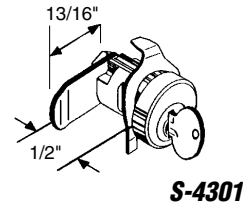
# Mail Box Locks

- S-4300** (Cutler-Federal)
- S-4301** (Florence)
- S-4302** (Auth Electric)
- S-4303** (Bommer)

## 5-Pin Tumbler Locks (With dust covers)

**Contents:** 1 lock assembly with 2 keys.

**Description:** Diecast nickel plated face and cover; brass pins; zinc plated steel cam; spring steel locking clip; replaces original equipment manufacturer's product; dust cover protects internal pins and springs from dust and moisture in exposed exterior conditions.



- S-4139** (3 cam assortment)
- S-4140** (5 cam assortment)
- S-4396** (3 cam assortment)

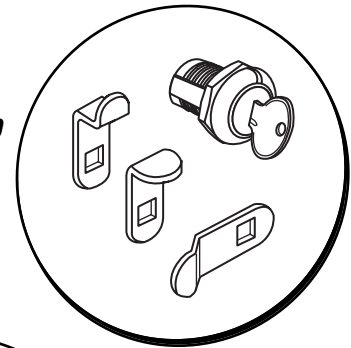
## 5-Pin Tumbler Locks

Part No.	Replaces	Dimensions		Locked Position
		A	B	
S-4139	Auth	9/32"	1-3/32"	Left
	Bommer	7/8"	1-9/32"	Up
	United	13/16"	1-1/16"	Left
S-4140	American	7/16"	1-7/16"	Left
	Florence	11/32"	15/16"	Up
	Miami-Carey	5/16"	13/16"	Up
	Bommer	7/8"	1-7/32"	Down
	Auth	9/32"	1-3/32"	Left
S-4396	Dura-Steel	5/32"	7/8"	Right
	Bommer	7/8"	1-7/32"	Left
	American	7/16"	1-7/16"	Left

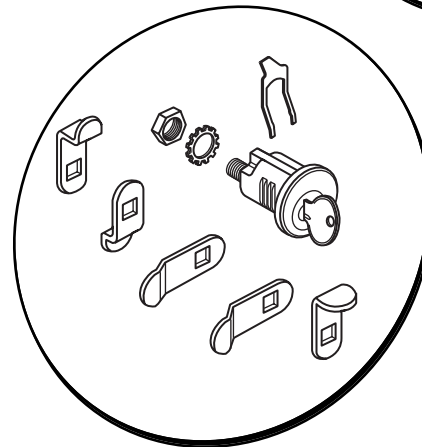
**Contents:** Multi-cam assortments; 1 each with 2 keys.

**Description:** Diecast cylinder with nickel plated face; brass pins; spring steel locking clip; replaces many manufacturers original equipment product; these multi-cam assortments can eliminate stocking of individual locks; all cylinders rotate 90° counter clockwise to open.

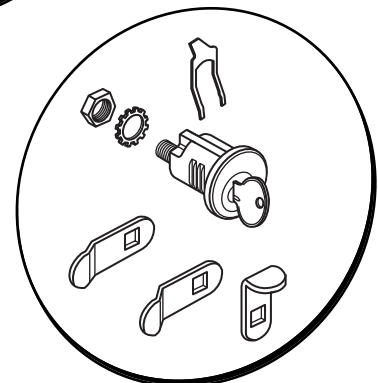
**S-4139**



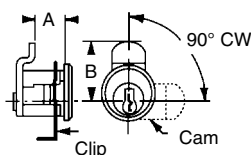
**S-4140**

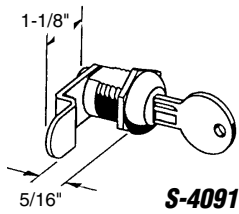


**S-4396**

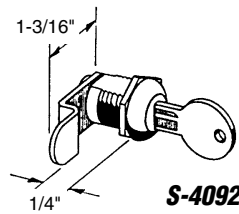


Cam measurements "A" & "B" are of primary importance in mail box lock selection

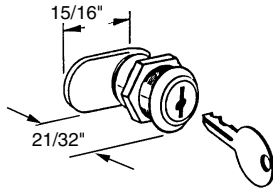




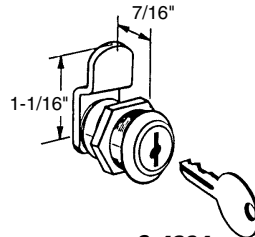
**S-4091**



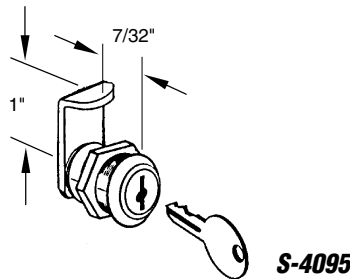
**S-4092**



**S-4093**

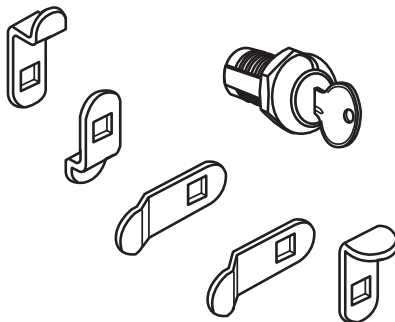


**S-4094**



**S-4095**

**S-4333**



**S-4091** (American Device)

**S-4092** (Auth)

**S-4093** (Bommer)

**S-4094** (Florence)

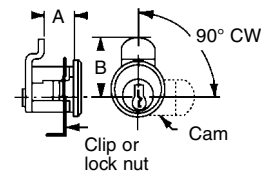
**S-4095** (Miami-Carey)

## Wafer Locks

**Contents:** 1 lock assembly; 2 keys.

**Description:** Diecast cylinder with nickel plated face; zinc plated steel cam and lock nut; replace original equipment manufacturer's product; **may be adjusted for CW or CCW rotation.**

Cam measurements "A" & "B" are of primary importance in mail box lock selection



**S-4333** (5 cam assortment)

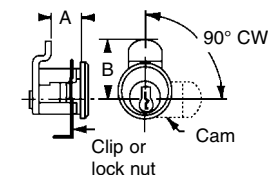
## Wafer Lock

Replaces	Dimensions		Locked Position
	A	B	
Auth	9/32"	1-3/32"	Left
Bommer	7/8"	1-9/32"	Up
American	7/16"	1-7/16"	Left
Florence	11/32"	15/16"	Up
Miami-Carey	17/64"	13/16"	Up

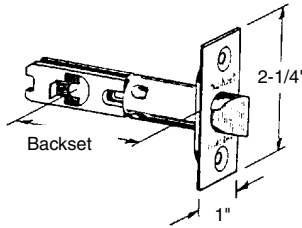
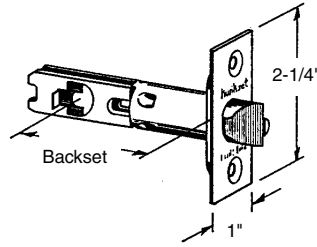
**Contents:** 1 lock assembly; 5 cams; 2 keys.

**Description:** Diecast cylinder with nickel plated face; plated steel wafers; plated steel cams and lock nut; replaces original equipment manufacturer's product; **may be adjusted for CW or CCW rotation.**

Cam measurements "A" & "B" are of primary importance in mail box lock selection

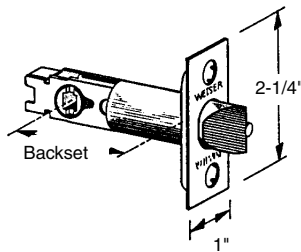
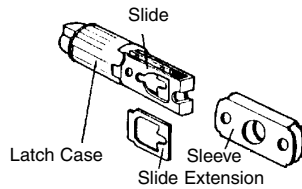


**E-2200  
E-2205  
E-2210**



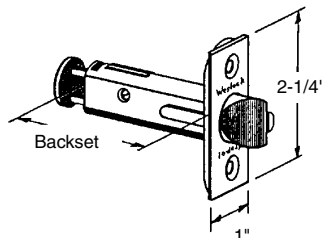
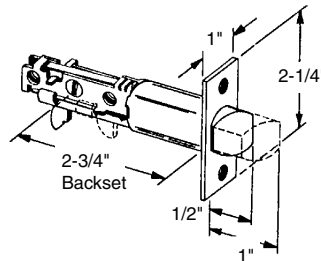
**E-2286  
E-2287  
E-2288**

**E-2289**



**E-2201  
E-2206  
E-2211**

**E-2269**



**E-2204  
E-2209  
E-2213**

**E-2200** (2-3/8" Backset)  
**E-2205** (2-3/4" Backset)  
**E-2210** (5" Backset)

**"Kwikset" Deadlatch**

**Contents:** 1 latch; 2 installation screws.

**Description:** Brass finish; square corner faceplate; 7/8" bore.

*Call for Availability*

**E-2286** (2-3/8" Backset)  
**E-2287** (2-3/4" Backset)  
**E-2288** (5" Backset)

**"Kwikset" Standard Springlatch**

**Contents:** 1 latch; 2 installation screws.

**Description:** Brass finish; square corner faceplate; used on residential passage and privacy locksets.

*Call for Availability*

**E-2289**

**"Kwikset" Adjustable Deadlatch**

**Contents:** 1 deadlatch; 1 faceplate; 2 installation screws.

**Description:** Brass finish; adjustable deadlatch can be used for 2-3/8" or 2-3/4" backset; also usable in drive-in application.

**E-2201** (2-3/8" Backset)  
**E-2206** (2-3/4" Backset)  
**E-2211** (5" Backset)\*

**"Weiser" Deadlatch**

**Contents:** 1 latch; 2 installation screws.

**Description:** Brass finish; square corner faceplate; 7/8" bore.

*\*Call for availability on this item.*

**E-2269**

**"Weiser" Combination Latch & Deadbolt**

**Contents:** 1 latchbolt; 1 set of installation screws.

**Description:** Brass finish; square corner faceplate; an additional turn of the key extends the throw 1/2" further to provide additional security.

**E-2204** (2-3/8" Backset)  
**E-2209** (2-3/4" Backset)  
**E-2213** (5" Backset)

**"Weiser" Deadlatch**

**Contents:** 1 latch; 2 installation screws.

**Description:** Brass finish; square corner faceplate; 7/8" bore.



**E-2290**

**"Weslock" Standard Springlatch**

*Call for Availability*

**Contents:** 1 latch; 2 installation screws.

**Description:** Brass finish; square corner faceplate; used on residential passage and privacy locksets.

**E-2202** (2-3/8" Backset)

**E-2207** (2-3/4" Backset)

**E-2212** (5" Backset)

**"Schlage" Deadlatch (New style)**

**Contents:** 1 latch; 2 installation screws.

**Description:** Brass finish; square corner faceplate; 7/8" bore.

**E-2203**

**"Schlage" Deadlatch (Old Style)**

*Call for Availability*

**Contents:** 1 latch; 2 installation screws.

**Description:** Brass finish; square corner faceplate; 7/8" bore.

**E-2237** (2-3/8" Backset)

**E-2238** (2-3/4" Backset)

**E-2239** (5" Backset)

**"Dexter" Deadlatch**

*Call for Availability*

**Contents:** 1 latch; 2 installation screws.

**Description:** Brass finish; square corner faceplate; 7/8" bore.

**E-2281**

**Passage Door Springlatch**

**Contents:** 1 latch; 2 installation screws.

**Description:** Brass finish; square corner faceplate; accepts a 5/16" square spindle; used on old style passage door locksets.

**E-2243** (2-3/8" Backset)

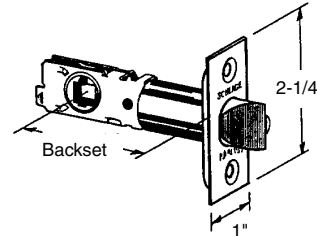
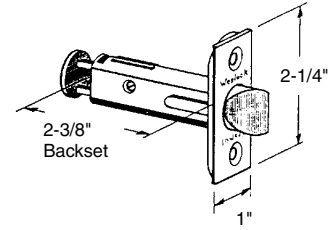
**E-2244** (2-3/4" Backset)

**"Kwikset" Deadlatch (Drive-in)**

**Contents:** 1 deadlatch.

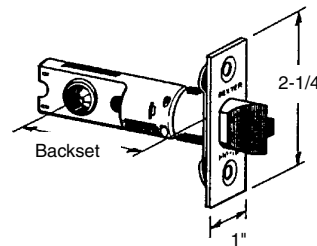
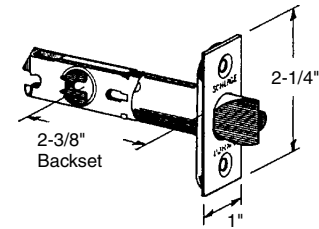
**Description:** Brass finish; drive-in style; 1" bore.

**E-2290**



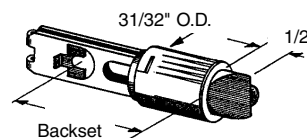
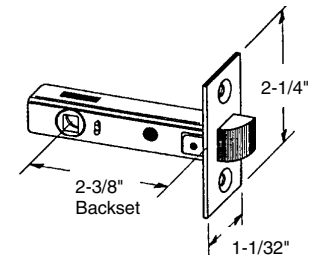
**E-2202  
E-2207  
E-2212**

**E-2203**



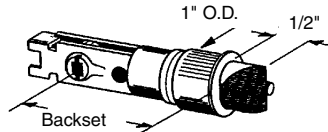
**E-2237  
E-2238  
E-2239**

**E-2281**



**E-2243  
E-2244**

**E-2246**  
**E-2247**

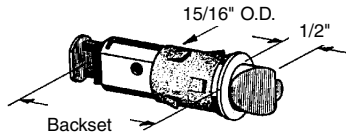


**E-2246** (2-3/8" Backset)  
**E-2247** (2-3/4" Backset)

**"Weiser" Deadlatch** (Drive-in)

**Contents:** 1 deadlatch.

**Description:** Brass finish; drive-in style; 1" bore.



**E-2252**  
**E-2253**

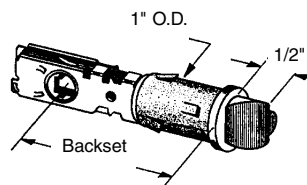
**E-2252** (2-3/8" Backset)  
**E-2253** (2-3/4" Backset)

**"Weslock" Deadlatch** (Drive-in)

**Contents:** 1 deadlatch.

**Description:** Brass finish; drive-in style; 1" bore.

**E-2249**  
**E-2250**

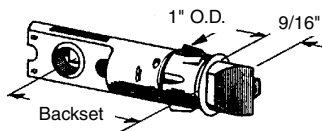


**E-2249** (2-3/8" Backset)  
**E-2250** (2-3/4" Backset)

**"Schlage" Deadlatch** (Drive-in)

**Contents:** 1 deadlatch.

**Description:** Chrome finish; drive-in style; 1" bore; fits on Schlage new style lock sets.



**E-2255**  
**E-2256**

**E-2255** (2-3/8" Backset)  
**E-2256** (2-3/4" Backset)

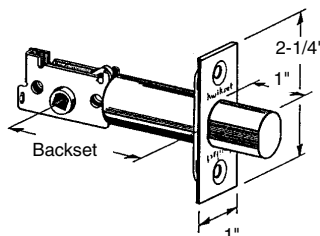
**"Dexter" Deadlatch** (Drive-in)

**Contents:** 1 deadlatch.

**Description:** Brass finish; drive-in style; 1" bore.

*Call for Availability*

**E-2214**  
**E-2220**  
**E-2226**

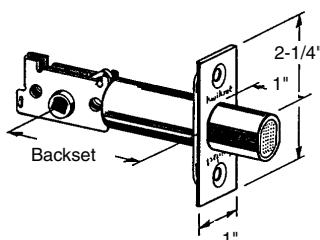


**E-2214** (2-3/8" Backset)  
**E-2220** (2-3/4" Backset)  
**E-2226** (5" Backset)

**"Kwikset" Standard 660 Series Deadbolt**

**Contents:** 1 deadbolt; 2 installation screws.

**Description:** Brass finish; square corner faceplate; 1" bolt throw; 7/8" bore.



**E-2215**  
**E-2221**  
**E-2227**

**E-2215** (2-3/8" Backset)  
**E-2221** (2-3/4" Backset)  
**E-2227** (5" Backset)

**"Kwikset" Deluxe 880 Series Deadbolt**

**Contents:** 1 deadbolt; 2 installation screws.

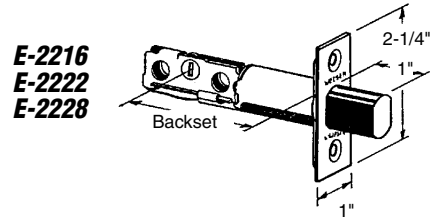
**Description:** Brass finish; square corner faceplate; 1" bolt throw; 7/8" bore.

- E-2216** (2-3/8" Backset)
- E-2222** (2-3/4" Backset)
- E-2228** (5" Backset)

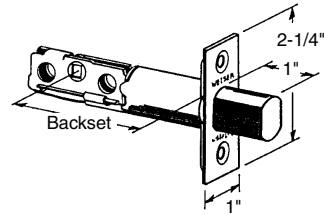
**"Weiser" Single Cylinder Deadbolt**

**Contents:** 1 deadbolt; 2 installation screws.

**Description:** Brass finish; square corner faceplate; 1" bolt throw; 7/8" bore; used with single key cylinder locksets.



- E-2217**
- E-2223**
- E-2229**



- E-2217** (2-3/8" Backset)
- E-2223** (2-3/4" Backset)
- E-2229** (5" Backset)

**"Weiser" Double Cylinder Deadbolt**

**Contents:** 1 deadbolt; 2 installation screws.

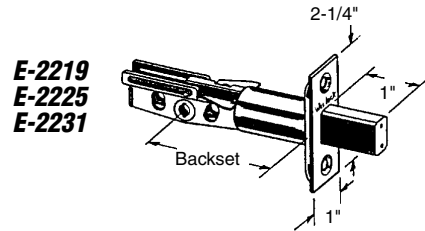
**Description:** Brass finish; square corner faceplate; 1" bolt throw; 7/8" bore; used with double key cylinder locksets.

- E-2219** (2-3/8" Backset)
- E-2225** (2-3/4" Backset)
- E-2231** (5" Backset)

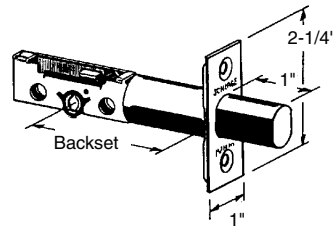
**"Weslock" Deadbolt**

**Contents:** 1 deadbolt; 2 installation screws.

**Description:** Brass finish; square corner faceplate; 1" bolt throw; 7/8" bore.



- E-2218**
- E-2224**
- E-2230**



- E-2218** (2-3/8" Backset)
- E-2224** (2-3/4" Backset)
- E-2230** (5" Backset)

**"Schlage" Deadbolt**

**Contents:** 1 deadbolt; 2 installation screws.

**Description:** Brass finish; square corner faceplate; 1" bolt throw; 7/8" bore.

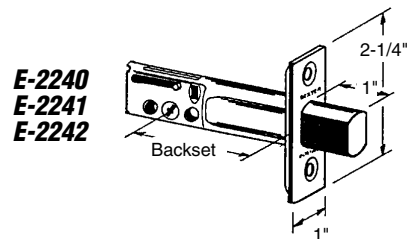
*Call for Availability*

- E-2240** (2-3/8" Backset)
- E-2241** (2-3/4" Backset)
- E-2242** (5" Backset)

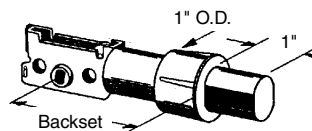
**"Dexter" Deadbolt**

**Contents:** 1 deadbolt; 2 installation screws.

**Description:** Brass finish; square corner faceplate; 1" bolt throw; 7/8" bore.



- E-2258**
- E-2259**



- E-2258** (2-3/8" Backset)
- E-2259** (2-3/4" Backset)

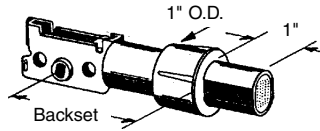
**"Kwikset" Standard 660 Series Deadbolt**

**Contents:** 1 deadbolt.

**Description:** Brass finish; drive-in style; 1" bore.

*Call for Availability*

**E-2261**  
**E-2262**

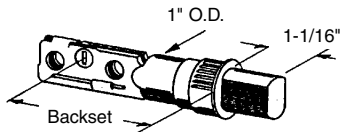


**E-2261** (2-3/8" Backset)  
**E-2262** (2-3/4" Backset)

**"Kwikset" Deluxe 880 Series Deadbolt**

**Contents:** 1 deadbolt.

**Description:** Brass finish; drive-in style; 1" bore.



**E-2264**  
**E-2265**

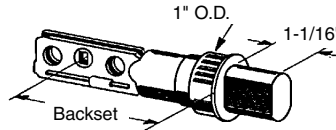
**E-2264** (2-3/8" Backset)  
**E-2265** (2-3/4" Backset)

**"Weiser" Single Cylinder Deadbolt**

**Contents:** 1 deadbolt.

**Description:** Brass finish; drive-in style; 1" bore; used on single key cylinder locksets.

**E-2267**  
**E-2268**



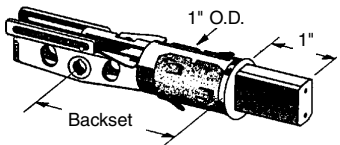
**E-2273**  
**E-2274**

**E-2267** (2-3/8" Backset)  
**E-2268** (2-3/4" Backset)

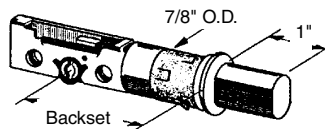
**"Weiser" Double Cylinder Deadbolt**

**Contents:** 1 deadbolt.

**Description:** Brass finish; drive-in style; 1" bore; used on double key cylinder locksets.



**E-2270**  
**E-2271**



**E-2273** (2-3/8" Backset)  
**E-2274** (2-3/4" Backset)

**"Weslock" Deadbolt**

**Contents:** 1 deadbolt.

**Description:** Brass finish; drive-in style; 1" bore.

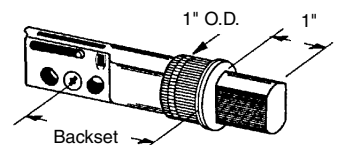
*Call for Availability*

**E-2270** (2-3/8" Backset)  
**E-2271** (2-3/4" Backset)

**"Schlage" Deadbolt**

**Contents:** 1 deadbolt.

**Description:** Chrome finish; drive-in style; 1" bore.



**E-2276**  
**E-2277**

**E-2276** (2-3/8" Backset)  
**E-2277** (2-3/4" Backset)

**"Dexter" Deadbolt**

**Contents:** 1 deadbolt.

**Description:** Brass finish; drive-in style; 1" bore.

*Call for Availability*

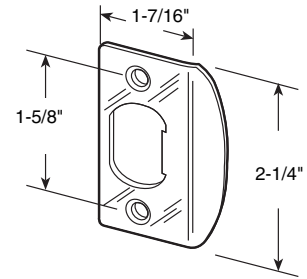
- E-2232** (Brass finish)
- E-2233** (Antique brass finish)
- E-2234** (Chrome finish)

## Standard Latch Strike

**Contents:** 2 strikes with 4 - #8 x 1" Phillips flat head screws.

**Description:** **Plated steel** strike with **adjustable latching tab**; replaces most residential interior and exterior strikes.

**E-2232**  
**E-2233**  
**E-2234**

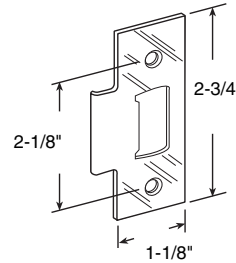


- E-2284** (Brass plated steel)
- E-2299** (Stainless steel)
- E-2300** (Bronze 10B finish)
- E-2305** (Polished solid brass)

## Standard "T" Strike (Meets ANSI A156.2)

**Contents:** 1 strike with 2 - #8 x 1" Phillips flat head combination screws.

**Description:** Strikes available in various metals and plated finishes; used on wood or metal jambs with most grade 2 locksets.



**E-2284**  
**E-2299**  
**E-2300**  
**E-2305**

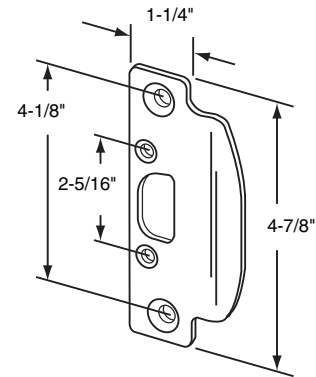
- E-2236** (Brass finish)
- E-2291** (Antique brass finish)
- E-2298** (Chrome finish)

## Security Latch Strike (Poly bagged)

**Contents:** 1 strike with 2 - #8 x 1" Phillips flat head screws and 2 - #8 x 3" Phillips drywall screws.

**Description:** **Plated steel** strike; fits A.N.S.I cut-out for commercial and residential applications, **improves security** with 3" long screws attaching to wall stud.

**E-2236**  
**E-2291**  
**E-2298**

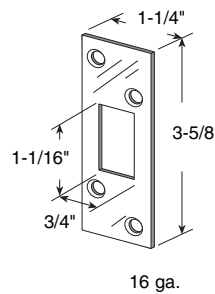


- E-2235** (Brass finish)
- E-2285** (Antique brass finish)
- E-2292** (Chrome finish)

## Security Deadbolt Strikes

**Contents:** 1 strike with 2 - #8 x 1" Phillips flat head screws and 2 - #8 x 3" Phillips drywall screws.

**Description:** **Plated steel** strike replaces most deadbolt strikes for **increased security**, a result of securing 3" screws to wall stud.



**E-2235**  
**E-2285**  
**E-2292**

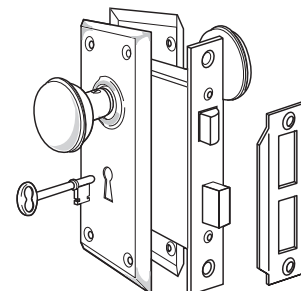
- E-2293** (Brass finish)

## Mortise Lock Set (Keyed)

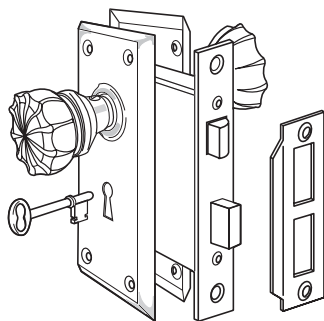
**Contents:** 1 mortise caselock assembly; 2 knobs; 2 trim plates; strike plate and installation screws.

**Description:** **Polished brass** finish; **case hardened steel case**; lock bolt is key activated both inside and outside; latch bolt is reversible for right or left hand installations.

**E-2293**



**E-2311**



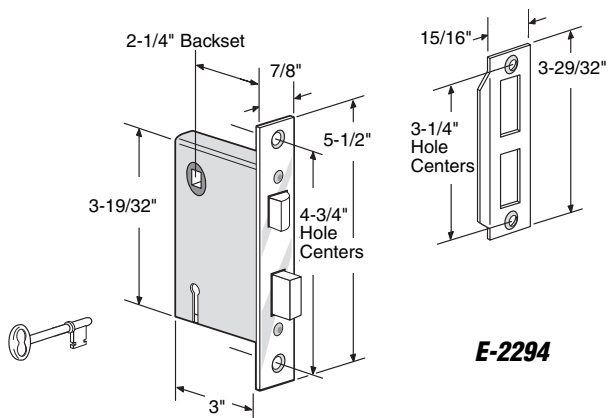
**E-2311** (Brass finish - glass handles)

**Mortise Lock Set** (Keyed)

**Contents:** 1 mortise caselock assembly; 2 knobs; 2 trim plates strike plate and installation screws.

**Description:** Glass knobs with brass plated steel trim plates; case hardened steel case; lock bolt is key activated both inside and outside; latch bolt is reversible for right or left hand installations.

You may wish to stock these related parts: **E-2279, E-2281, E-2294, E-2295.**



**E-2294**

**E-2294**

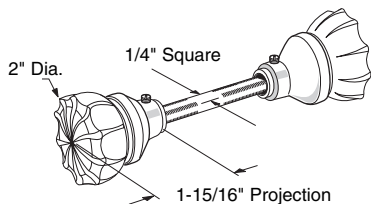
**Mortise Lock Assembly** (Keyed)

**Contents:** 1 mortise caselock assembly; strike plate and installation screws.

**Description:** Mortise caselock with brass plated steel faceplate; case hardened steel case; spindle hole accommodates 1/4" to 5/16" square shaft; latch bolt is reversible for right or left hand installations.

You may wish to stock these related parts: **E-2293, E-2295, E-2311.**

**E-2279**



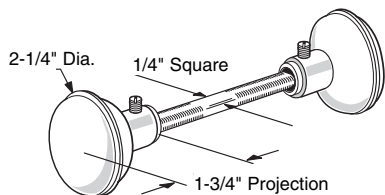
**E-2279** (Glass - brass plated base)

**Knobs**

**Contents:** 2 knobs and 1 spindle.

**Description:** Glass knobs with diecast base as used on various exterior and interior locksets.

You may wish to stock these related parts: **E-2294, E-2295 E-2311.**



**E-2280**

**E-2280** (Brass finish)

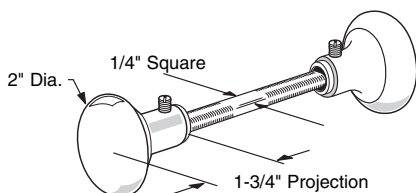
**Knobs**

**Contents:** 2 knobs and 1 spindle.

**Description:** Plated steel knobs as used on various exterior and interior locksets.

You may wish to stock these related parts: **E-2293, E-2294 E-2295.**

**E-2297  
E-2319**



**E-2297** (Polished brass)

**E-2319** (White painted steel)

**Knobs**

**Contents:** 2 knobs and 1 spindle.

**Description:** Brass and steel knobs as used on various exterior and interior locksets.

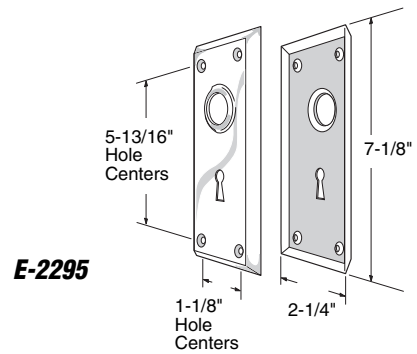
**E-2295** (Brass finish)

**Door Escutcheon Plates**

**Contents:** 2 escutcheon plates & installation screws.

**Description:** Brass plated steel plates; repair parts for E-2293 & E-2311.

You may wish to stock these related parts: **E-2293, E-2294 and E-2311.**



**E-2282** (2-1/4" - brass finish)

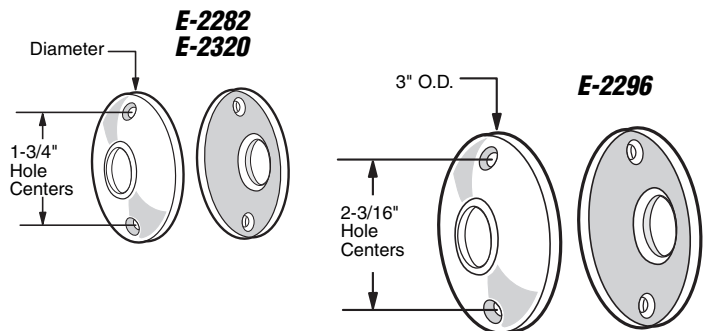
**E-2320** (2-1/4" - white finish)

**E-2296** (3" - Solid brass)

**Door Knob Rosettes**

**Contents:** 2 rosettes & installation screws.

**Description:** Plated steel rosettes; screw mounted on door; for old style passage locks.



**E-2283** (Brass finish)

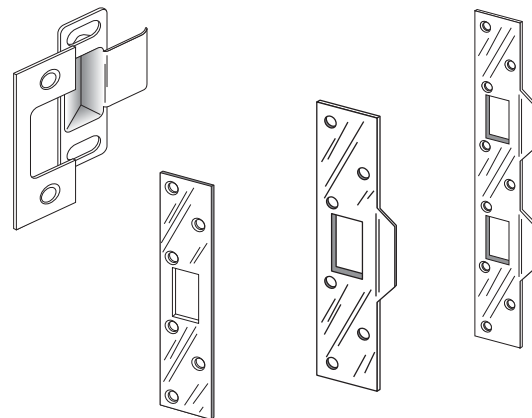
**Decorative Pull Handle**

**Contents:** 1 handle with thru-bolt.

**Description:** Plated diecast pull handle has 2-1/8" diameter lip to fit most rosettes; bottom has hole for thru-bolt.



**SEE OUR  
Defender Security  
section for a complete  
line of strike plates**



## Deadlatch & Deadbolt Accessories

- E-2232** (Brass plated finish - 2 per card)
- E-2233** (Antique brass plated finish - 2 per card)
- E-2234** (Chrome plated finish - 2 per card)
- E-2301** (Stainless steel finish - 2 per card)
- E-2307** (Brass plated finish - 1 per card)
- E-2308** (Antique brass plated finish - 1 per card)
- E-2309** (Chrome plated finish - 1 per card)

### Standard Latch Strike

**Contents:** Strike(s) with 2 (or 4) #8 x 1" Phillips flat head screws.

**Description:** Steel strike with **adjustable tab**; replaces most residential interior and exterior strikes.

You may wish to stock these related parts: **E-2235, U-9422, U-9424** and **U-9486**.

*Standard Pack: 10/box*

- E-2284** (Brass plated steel)
- E-2299** (Stainless steel finish)
- E-2300** (Bronze 10B finish)
- E-2305** (Polished brass)

### Standard "T" Strike (Meets ANSI A156.2)

**Contents:** 1 strike with (2) #8 x 1" Phillips flat head combination screws.

**Description:** Used on wood or metal jambs with most grade 2 locksets.

You may wish to stock these related parts: **E-2232, E-2235, U-9422** and **U-9486**.

*Standard Pack: 10/box*

- U-9486** (Brass plated finish)
- U-9487** (Antique brass plated finish)
- U-9488** (Chrome plated finish)

### Adjustable Strike

**Contents:** 2 piece strike with (2) #8 x 3/8" Phillips flat head machine screws and (2) #8 x 1" Phillips flat head screws.

**Description:** Adjustability provides snug fit of door to jamb, stops rattle, assures engagement of deadlatch function; may be used on residential or commercial frames. Used on **Roberts** redi-frame and **Timely** metal frames.

You may wish to stock these related parts: **E-2232, E-2235, U-9422** and **U-9483**.

*Standard Pack: 10/box*

- U-9483** (Stainless steel)
- U-9484** (Solid polished brass)
- U-9485** (Solid bronze)

### Standard A.S.A. Commercial Strike

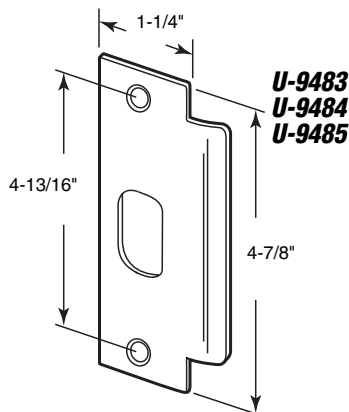
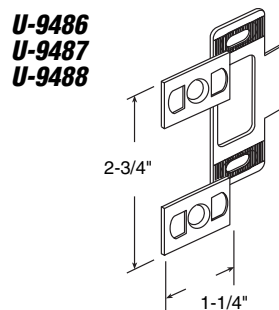
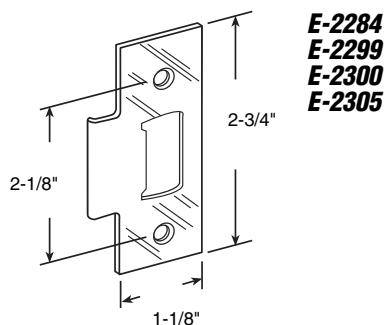
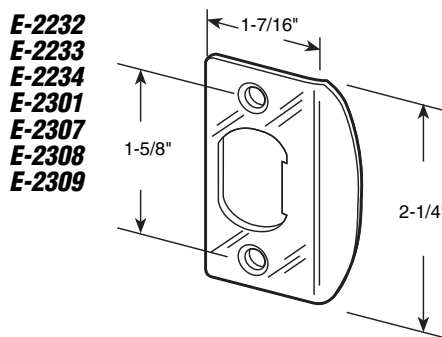
(Meets ANSI A156.2)

**Contents:** 1 strike with (2) #12-24 x 1" Phillips flat head combination screws.

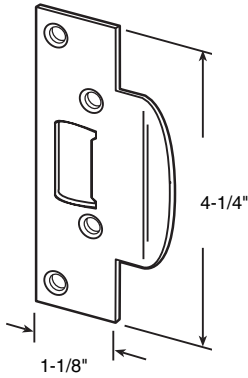
**Description:** Used on wood or metal jambs with most grade 1 locksets.

You may wish to stock these related parts: **E-2232, E-2235, U-9422** and **U-9486**.

*Standard Pack: 10/box*







**U-9422**  
**U-9424**  
**U-9474**

- U-9422** (Brass plated finish)
- U-9424** (Antique brass plated finish)
- U-9474** (Chrome plated finish)

## Security Latch Strike

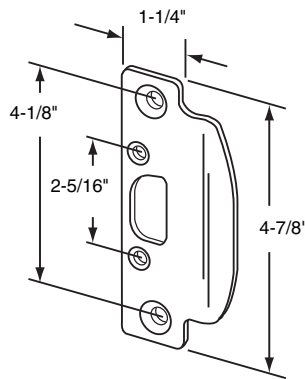
**Contents:** 1 strike with (2) #8 Phillips flat head screws and (2) #8 x 3" Phillips drywall screws.

**Description:** Replaces standard strikes and provides improved security with 3" screws attaching to wall stud.

You may wish to stock these related parts: **E-2232, E-2284, U-9486 and U-9483.**

*Standard Pack: 10/box*

**E-2236**  
**E-2291**  
**E-2298**



- E-2236** (Brass plated finish)
- E-2291** (Antique brass plated finish)
- E-2298** (Chrome plated finish)

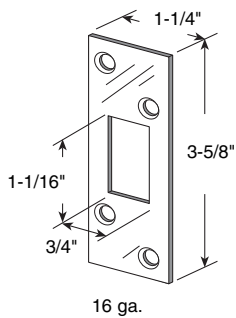
## Security Latch Strike (Poly-bagged)

**Contents:** 1 strike with (2) #8 x 1" Phillips flat head screws and (2) #8 x 3" Phillips drywall screws.

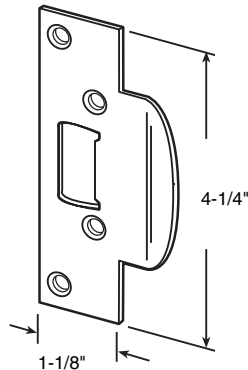
**Description:** Fits A.N.S.I. cut-out for commercial and residential applications, improves security with 3" long screws attaching to wall stud.

You may wish to stock these related parts: **E-2232, E-2284, U-9486 and U-9483.**

*Standard Pack: 10/bag*



**U-9532**  
**U-9533**  
**U-9534**  
**U-9989**  
**U-9990**



- U-9532** (Brass plated finish)
- U-9533** (Antique brass plated finish)
- U-9534** (Nickel plated finish)
- U-9989** (Brass plated finish - small card)
- U-9990** (Antique brass plated finish - small card)

## Security Strike Kit (For deadbolt & latch combinations)

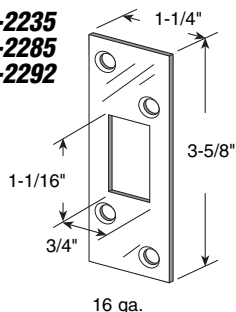
**Contents:** 2 strikes with (4) #8 x 1" Phillips flat head screws and (4) #8 x 3" Phillips drywall screws.

**Description:** Allows hole center flexibility in securing combination deadbolt and entry lock installation, improves security with 3" long screws attaching to wall stud.

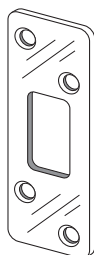
You may wish to stock these related parts: **E-2232, E-2284, U-9486 and U-9483.**

*Standard Pack: 10/box*

**E-2235**  
**E-2285**  
**E-2292**



**E-2302**  
**E-2303**  
**E-2304**



- E-2235** (Brass plated finish - square corner)
- E-2285** (Antique brass plated finish - square corner)
- E-2292** (Chrome plated finish - square corner)
- E-2302** (Brass plated finish - 1/4" radius corner)
- E-2303** (Antique brass plated finish - 1/4" radius corner)
- E-2304** (Chrome plated finish - 1/4" radius corner)

## Security Deadbolt Strikes

**Contents:** 1 strike with (2) #8 x 1" and (2) #8 x 3" Phillips drywall screws.

**Description:** Plated steel strike replaces most deadbolt strikes for increased security, a result of securing 3" screws to wall stud.

You may wish to stock these related parts: **U-9425 and U-9475.**

*Standard Pack: 10/box*

## Deadlatch & Deadbolt Accessories

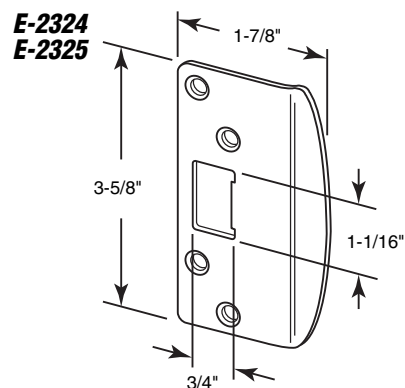
**E-2324** (Brass plated finish)  
**E-2325** (Chrome plated finish)

### Continuous Lip Strike

**Contents:** 1 strike with (2) #8 x 1" Phillips flat head screws and (2) #8 x 3" Phillips drywall screws.

**Description:** Combination deadlatch and deadbolt strike replaces standard strikes and provides improved security with 3" long screws attaching to wall stud.

You may wish to stock these related parts: **E-2235, U-9426.**



Standard Pack: 10/box

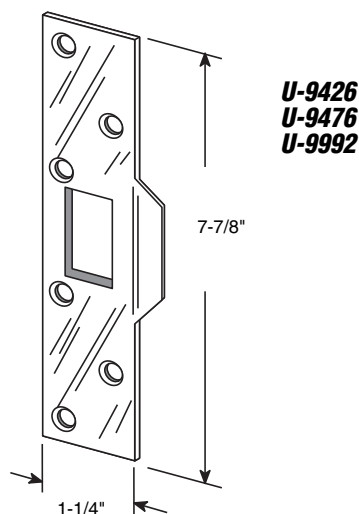
**U-9426** (Brass plated finish)  
**U-9476** (Chrome plated finish)  
**U-9992** (Antique brass plated finish)

### Maximum Security Latch Strike

**Contents:** 1 strike with (2) #8 x 1" Phillips flat head screws and (4) #8 x 3" Phillips drywall screws.

**Description:** Strengthens or repairs wood jambs, improves security with 3" long screws attaching to wall stud.

You may wish to stock these related parts: **E-2232, E-2284, U-9486, U-9483.**



Standard Pack: 10/box

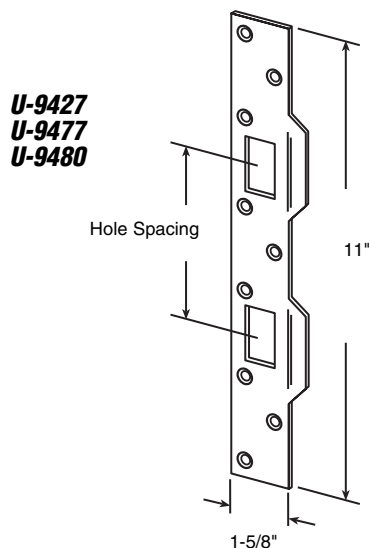
**U-9427** (Brass plated finish - 3-5/8" to 4" hole spacing)  
**U-9477** (Chrome plated finish - 3-5/8" to 4" hole spacing)  
**U-9480** (Brass plated finish - 5-1/2" to 6" hole spacing)

### Maximum Security Combination Strike

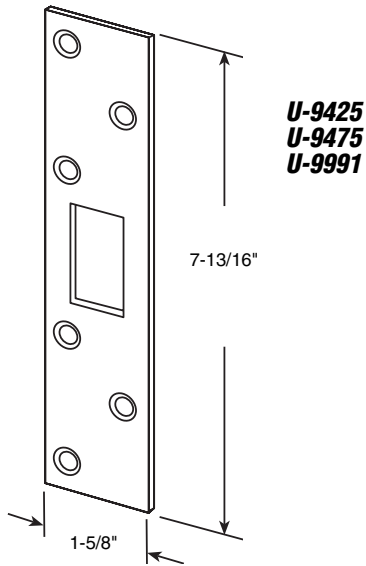
**Contents:** 1 strike with (3) #8 x 1" Phillips flat head screws and (6) #8 x 3" Phillips drywall screws.

**Description:** Replaces standard latch and deadbolt strikes with one piece security, repairs or strengthens with 3" long screws that attach to wall stud.

You may wish to stock these related parts: **U-9425, U-9426.**



Standard Pack: 10/box



- U-9425** (Brass plated finish)
- U-9475** (Chrome plated finish)
- U-9991** (Antique brass plated finish)

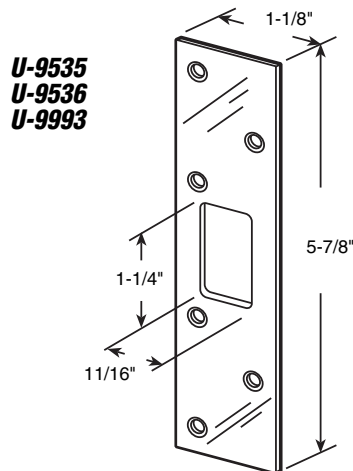
## Maximum Security Deadbolt Strike

**Contents:** 1 strike with (2) #8 x 1" Phillips flat head screws and (4) #8 x 3" Phillips drywall screws.

**Description:** Strengthens or repairs wood jambs, improves security with 3" long screws attaching to wall stud.

You may wish to stock these related parts: **E-2235** and **U-9426**.

*Standard Pack: 10/box*



- U-9535** (Brass plated finish)
- U-9536** (Nickel plated finish)
- U-9993** (Antique brass plated finish)

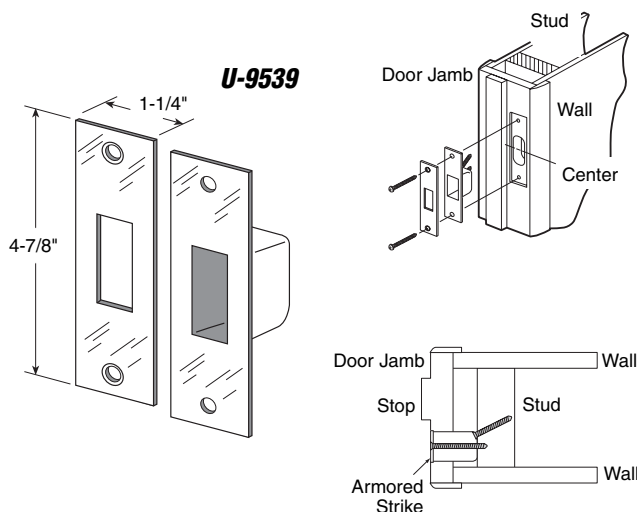
## Maximum Security Deadbolt Strike

**Contents:** 1 strike with (2) #8 x 1" Phillips flat head screws and (4) #8 x 3" Phillips drywall screws.

**Description:** Strengthens or repairs wood jambs, improves security with 3" long screws attaching to wall stud.

You may wish to stock these related parts: **E-2235** and **U-9425**.

*Standard Pack: 10/box*



- U-9539** (Brass plated finish)

## Armored Security Strike

**Contents:** 1 box strike; 1 face plate and installation screws.

**Description:** Zinc and brass plated steel strike and face plate; some mortising required; screws at base of box strike secure to 2" x 4" framing for added security.

You may wish to stock these related parts: **E-2232**, **E 2284**, **U-9486** and **U-9483**.

*Standard Pack: 10/box*

# Lock & Door Reinforcers

Part No.	Finish	Backset	Door Thickness	Reinforcer Width
U-9547	Brass	2-3/8"	1-3/8"	3-7/8"
U-9548	Brass	2-3/8"	1-3/4"	3-7/8"
U-9549	Brass	2-3/4"	1-3/8"	4-5/16"
U-9550	Brass	2-3/4"	1-3/4"	4-5/16"
U-9568	Antique Brass	2-3/8"	1-3/8"	3-7/8"
U-9569	Antique Brass	2-3/8"	1-3/4"	3-7/8"
U-9570	Antique Brass	2-3/4"	1-3/8"	4-5/16"
U-9571	Antique Brass	2-3/4"	1-3/4"	4-5/16"
U-9585	Stainless Steel	2-3/8"	1-3/8"	3-7/8"
U-9586	Stainless Steel	2-3/8"	1-3/4"	3-7/8"
U-9587	Stainless Steel	2-3/4"	1-3/8"	4-5/16"
U-9588	Stainless Steel	2-3/4"	1-3/4"	4-5/16"

## Lock & Door Reinforcer

**Contents:** Solid brass or stainless steel door channel, (2) #10 x 1" combo screws, (2) #10-32 hex nuts, (4) #8 x 5/8" Phillips truss head screws.

**Description:** Reinforces and repairs doors; assists in preventing forced entry; use on wood or metal doors with mortise or drive-in latches; accommodates key-in-knob locksets or deadbolts; easy to install.

You may wish to stock these related parts: **U-9426, U-9555, U-9556, U-9558, U-9564 and U-9565.**

Standard Pack: 4/box

- Used to secure door when installing locksets.
- Improve integrity of jamb with a security strike.
- Repairs split or damaged doors.
- Solid brass or stainless steel.

Part No.	Finish	Backset	Door Thickness	Reinforcer Width
U-9540	Brass	2-3/8"	1-3/8"	3-7/8"
U-9541	Brass	2-3/8"	1-3/4"	3-7/8"
U-9542	Brass	2-3/4"	1-3/4"	4-5/16"
U-9551	Stainless Steel	2-3/8"	1-3/4"	3-7/8"
U-9552	Stainless Steel	2-3/4"	1-3/4"	4-5/16"

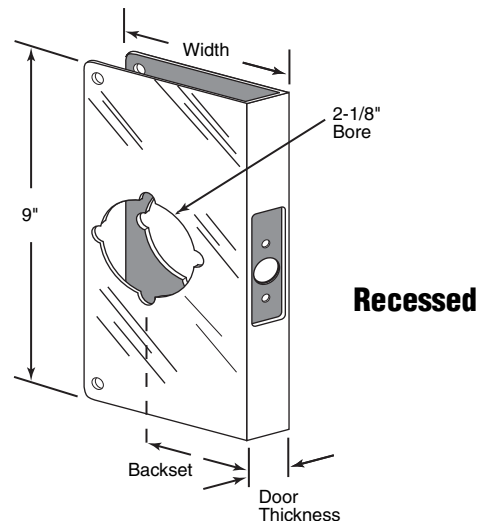
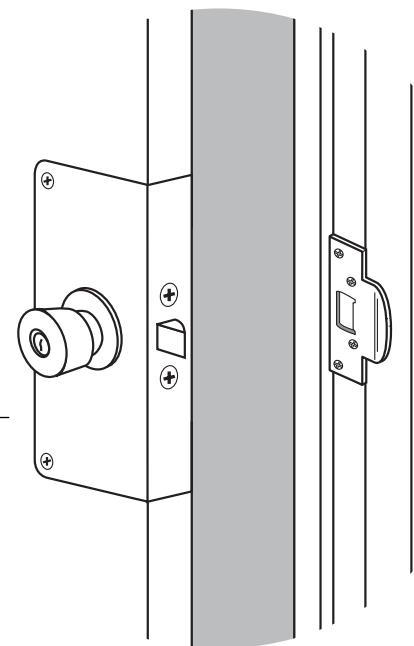
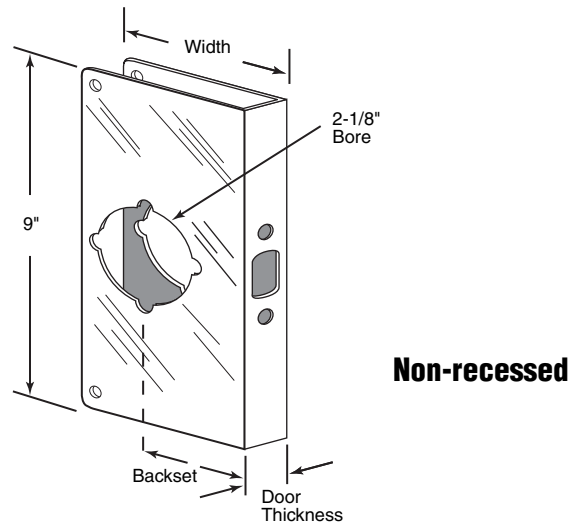
## Lock & Door Reinforcer

**Contents:** Solid brass or stainless steel door channel, (2) #10 x 1" combo screws, (2) #10-32 hex nuts, (4) #8 x 5/8" Phillips truss head screws.

**Description:** Reinforces and repairs doors; assists in preventing forced entry; use on wood or metal doors with mortise or drive-in latches; accommodates key-in-knob locksets or deadbolts; easy to install.

You may wish to stock these related parts: **U-9426, U-9543, U-9544, U-9545, U-9553 and U-9554.**

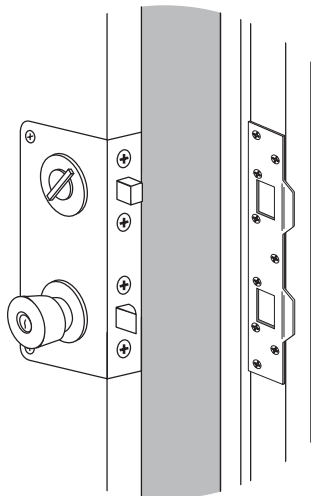
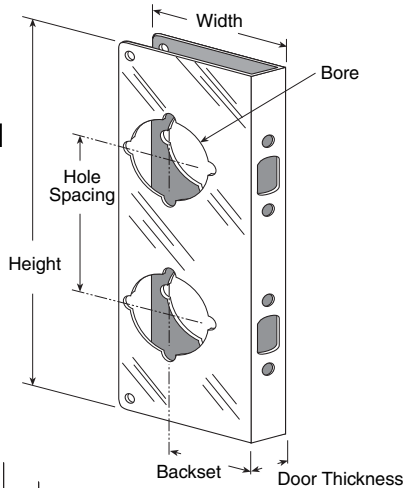
Standard Pack: 4/box



# Lock & Door Reinforcers

Part No.	Finish	Bore	Backset	Hole Spacing	Door Thickness	Reinforcer Width	Reinforcer Height
<b>U-9537</b>	Brass	2-1/8"	2-3/8"	5-1/2"	<b>1-3/4"</b>	3-7/8"	10-7/8"
<b>U-9559</b>	Brass	2-1/8"	2-3/8"	3-5/8"	<b>1-3/8"</b>	3-7/8"	9"
<b>U-9560</b>	Brass	2-1/8"	2-3/8"	3-5/8"	<b>1-3/4"</b>	3-7/8"	9"
<b>U-9561</b>	Brass	2-1/8"	<b>2-3/4"</b>	3-5/8"	<b>1-3/4"</b>	4-5/16"	9"
<b>U-9577</b>	Antique Brass	2-1/8"	2-3/8"	3-5/8"	<b>1-3/4"</b>	3-7/8"	9"
<b>U-9594</b>	Stainless Steel	2-1/8"	2-3/8"	3-5/8"	<b>1-3/4"</b>	3-7/8"	9"
<b>U-9595</b>	Stainless Steel	2-1/8"	<b>2-3/4"</b>	3-5/8"	<b>1-3/4"</b>	4-5/16"	9"
<b>U-9977</b>	Brass	1-1/2" & 2-1/8"	<b>2-3/4"</b>	6"	<b>1-3/4"</b>	4-5/16"	10-7/8"

## Non-recessed



## Combination Lock & Door Reinforcer

**Contents:** Solid brass or stainless steel door channel, (4) #10 x 1" combo screws, (4) #10-32 hex nuts, (4) #8 x 5/8" Phillips truss head screws.

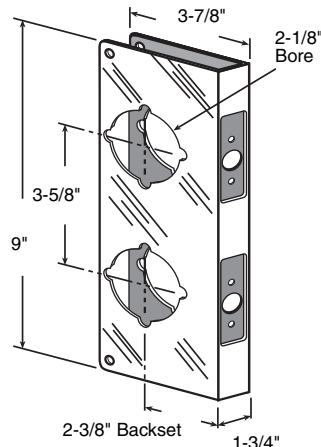
**Description:** Reinforces and repairs doors; assists in preventing forced entry; use on wood or metal doors with mortise or drive-in latches; accommodates key-in-knob locksets and deadbolts or combination locksets; easy to install.

You may wish to stock these related parts: **U-9427, U-9480, U-9547, U-9548, U-9555 and U-9556.**

*Standard Pack: 4/box*

- Used to secure door when installing combination lockset and deadbolt.
- Improve integrity of jamb with security strike(s).
- Repairs split or damaged doors.
- Solid brass or stainless steel.

## Recessed



## U-9546 (Brass)

## Combination Lock & Door Reinforcer

**Contents:** Solid brass door channel, (4) #10 x 1" combo screws, (4) #10-32 hex nuts, (4) #8 x 5/8" Phillips truss head screws.

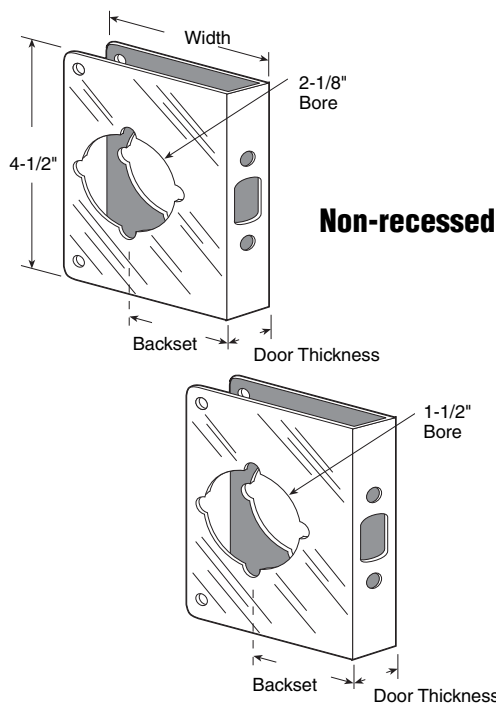
**Description:** Reinforces and repairs doors; assists in preventing forced entry; use on wood or metal doors with mortise or drive-in latches; accommodates key-in-knob locksets and deadbolts or combination locksets; easy to install.

You may wish to stock these related parts: **U-9427, U-9540, U-9541, U-9551 and U-9553.**

*Standard Pack: 4/box*

# Lock & Door Reinforcers

Part No.	Finish	Bore	Backset	Door Thickness	Reinforcer Width
<b>U-9555</b>	Brass	2-1/8"	2-3/8"	<b>1-3/8"</b>	3-7/8"
<b>U-9556</b>	Brass	2-1/8"	2-3/8"	<b>1-3/4"</b>	3-7/8"
<b>U-9558</b>	Brass	2-1/8"	<b>2-3/4"</b>	<b>1-3/4"</b>	4-5/16"
<b>U-9564</b>	Brass	<b>1-1/2"</b>	2-3/8"	<b>1-3/8"</b>	3-7/8"
<b>U-9565</b>	Brass	<b>1-1/2"</b>	2-3/8"	<b>1-3/4"</b>	3-7/8"
<b>U-9978</b>	Brass	<b>1-1/2"</b>	<b>2-3/4"</b>	<b>1-3/4"</b>	4-5/16"
<b>U-9572</b>	Antique Brass	2-1/8"	2-3/8"	<b>1-3/8"</b>	3-7/8"
<b>U-9573</b>	Antique Brass	2-1/8"	2-3/8"	<b>1-3/4"</b>	3-7/8"
<b>U-9575</b>	Antique Brass	2-1/8"	<b>2-3/4"</b>	<b>1-3/4"</b>	4-5/16"
<b>U-9581</b>	Antique Brass	<b>1-1/2"</b>	2-3/8"	<b>1-3/8"</b>	3-7/8"
<b>U-9582</b>	Antique Brass	<b>1-1/2"</b>	2-3/8"	<b>1-3/4"</b>	3-7/8"
<b>U-9589</b>	Stainless Steel	2-1/8"	2-3/8"	<b>1-3/8"</b>	3-7/8"
<b>U-9590</b>	Stainless Steel	2-1/8"	2-3/8"	<b>1-3/4"</b>	3-7/8"
<b>U-9591</b>	Stainless Steel	2-1/8"	<b>2-3/4"</b>	<b>1-3/8"</b>	4-5/16"
<b>U-9592</b>	Stainless Steel	2-1/8"	<b>2-3/4"</b>	<b>1-3/4"</b>	4-5/16"
<b>U-9598</b>	Stainless Steel	<b>1-1/2"</b>	2-3/8"	<b>1-3/8"</b>	3-7/8"
<b>U-9599</b>	Stainless Steel	<b>1-1/2"</b>	2-3/8"	<b>1-3/4"</b>	3-7/8"



## Lock & Door Reinforcer

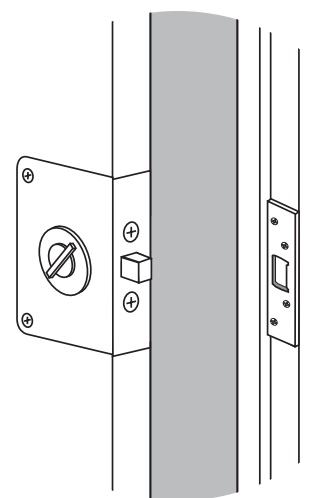
**Contents:** Solid brass or stainless steel door channel, (2) #10 x 1" combo screws, (2) #10-32 hex nuts, (4) #8 x 5/8" Phillips truss head screws.

**Description:** Reinforces and repairs doors; assists in preventing forced entry; use on wood or metal doors with mortise or drive-in latches; accommodates key-in knob locksets or deadbolts; easy to install.

You may wish to stock these related parts: **E-2235, E-2285 and E-2292.**

Standard Pack: 4/box

- Used to secure door when installing deadbolts.
- Improve integrity of jamb with a security strike.
- Repairs split or damaged doors.
- Solid brass or stainless steel.



Part No.	Finish	Backset	Door Thickness	Reinforcer Width
<b>U-9543</b>	Brass	2-3/8"	<b>1-3/8"</b>	3-7/8"
<b>U-9544</b>	Brass	2-3/8"	<b>1-3/4"</b>	3-7/8"
<b>U-9545</b>	Brass	<b>2-3/4"</b>	<b>1-3/4"</b>	4-5/16"
<b>U-9553</b>	Stainless Steel	2-3/8"	<b>1-3/4"</b>	3-7/8"
<b>U-9554</b>	Stainless Steel	<b>2-3/4"</b>	<b>1-3/4"</b>	4-5/16"

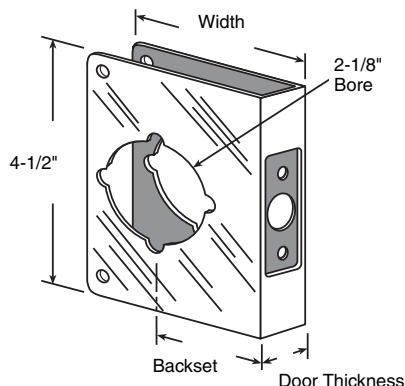
## Lock & Door Reinforcer

**Contents:** Solid brass or stainless steel door channel, (2) #10 x 1" combo screws, (2) #10-32 hex nuts, (4) #8 x 5/8" Phillips truss head screws.

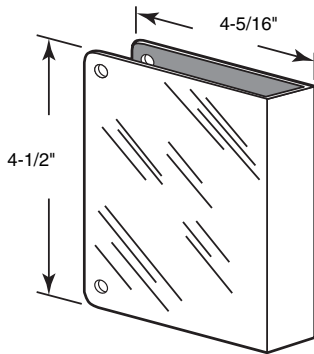
**Description:** Reinforces and repairs doors; assists in preventing forced entry; use on wood or metal doors with mortise or drive-in latches; accommodates key-in knob locksets or deadbolts; easy to install.

You may wish to stock these related parts: **E-2235 and E-2292.**

## Recessed



Standard Pack: 4/box



**U-9490**  
**U-9492**

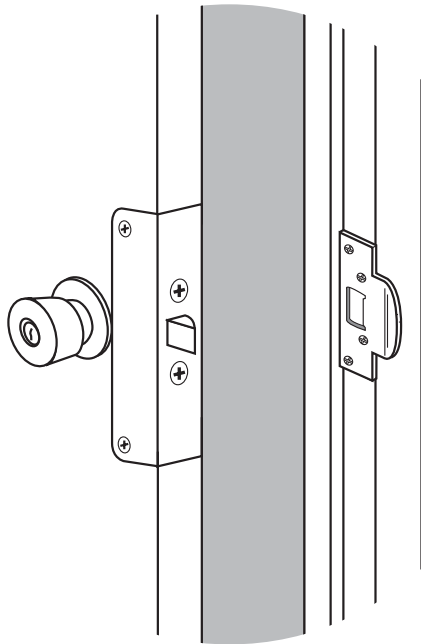
Part No.	Finish	Door Thickness
<b>U-9490</b>	Brass	<b>1-3/4"</b>
<b>U-9492</b>	Stainless Steel	<b>1-3/4"</b>

### Blank Reinforcer

**Contents:** Solid brass or stainless steel door channel; (4) #8 x 5/8" Phillips truss head screws.

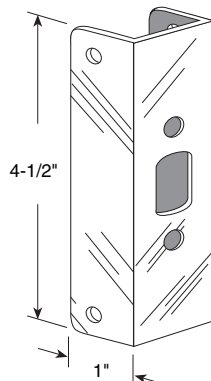
**Description:** Covers unsightly holes and damage; can be drilled to accommodate specialty locks.

*Standard Pack: 4/box*



- Used to secure door when installing locksets or deadbolts.
- Improve integrity of jamb with a security strike.
- Repairs split or damaged doors.
- Solid brass or stainless steel.

**U-9566**  
**U-9567**  
**U-9583**  
**U-9584**  
**U-9975**  
**U-9976**



Part No.	Finish	Door Thickness
<b>U-9566</b>	Brass	<b>1-3/8"</b>
<b>U-9567</b>	Brass	<b>1-3/4"</b>
<b>U-9583</b>	Antique Brass	<b>1-3/8"</b>
<b>U-9584</b>	Antique Brass	<b>1-3/4"</b>
<b>U-9975</b>	Stainless Steel	<b>1-3/8"</b>
<b>U-9976</b>	Stainless Steel	<b>1-3/4"</b>

### Door Edge Reinforcer

**Contents:** Solid brass or stainless steel door channel, (2) #10 x 1" combo screws, (2) #10-32 hex nuts, (4) #8 x 5/8" Phillips truss head screws.

**Description:** Reinforces and repairs door edge; assists in preventing forced entry; use on wood or metal doors with mortise or drive-in latches; accommodates lockset or deadbolt with any backset; easy to install.

*Standard Pack: 4/box*



# Latch Shields

**U-9481** (Aluminum anodized)

**U-9482** (Gold anodized)

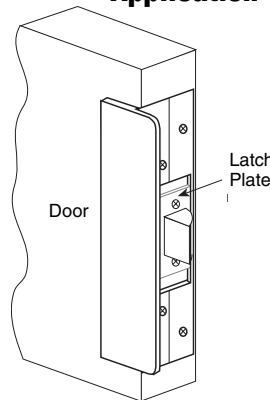
## Door Protector (Extruded aluminum)

**Contents:** Anodized extruded aluminum protector; (4) #6 x 1" Phillip flat head screws

**Description:** Secures against forced entry; **used on inswing or outswing doors**; requires some mortising, as noted in illustration; mounts to door for outswing application or to door frame for inswing application.

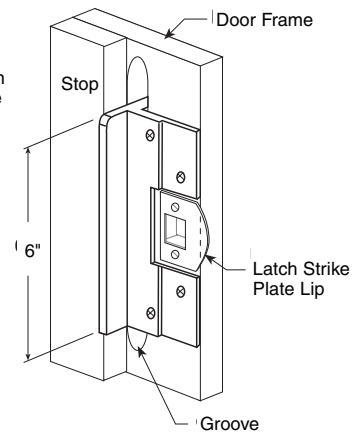
You may wish to stock these related parts: **E-2232, E-2234, U-9486 and U-9488.**

### Outswing Application



**U-9481**  
**U-9482**

### Inswing Application



*Standard Pack: 6/box*

**U-9511** (Painted gray - 6")

**U-9512** (Brass plated - 6")

**U-9513** (Painted gray - 12")

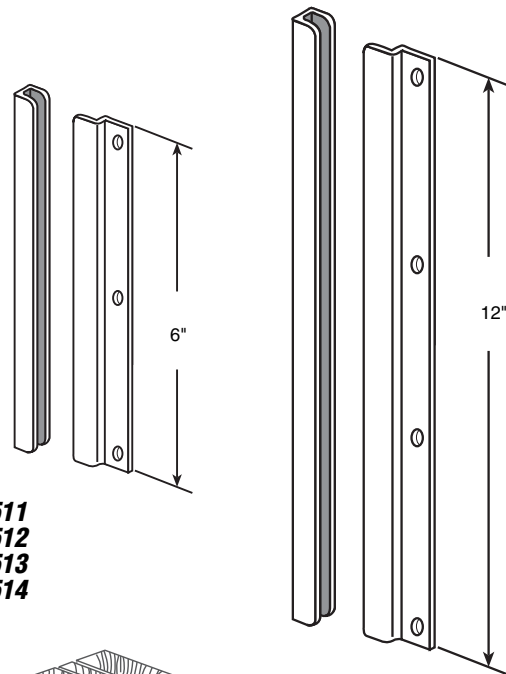
**U-9514** (Brass plated - 12")

## Latch Shield (Steel)

**Contents:** Plated or painted steel 2 piece shield (1 door channel and 1 interlocking jamb bar); 3 (4) #10 x 1-1/4" tamper-resistant screws; 2 (4) #8 x 1" Phillips flat head screws and 2 #10 x 3/4" Phillips pan head screws.

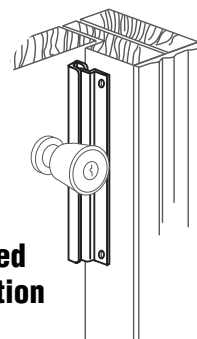
**Description:** **Use on inswing doors**; interlocking brackets protect against forced entry; may be applied to wood or metal doors; special fasteners include one-way screws; **requires no mortising.**

You may wish to stock these related parts: **U-9422, U-9425, U-9426, U-9486 and U-9532.**

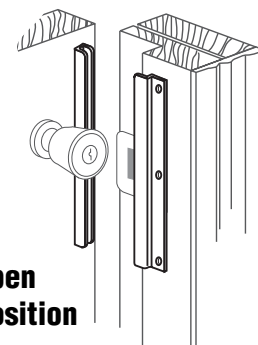


**U-9511**  
**U-9512**  
**U-9513**  
**U-9514**

### Closed Position

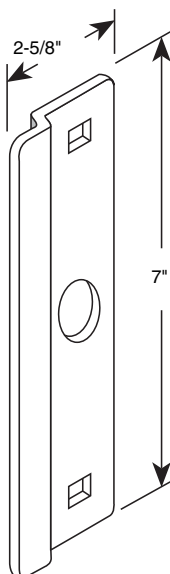
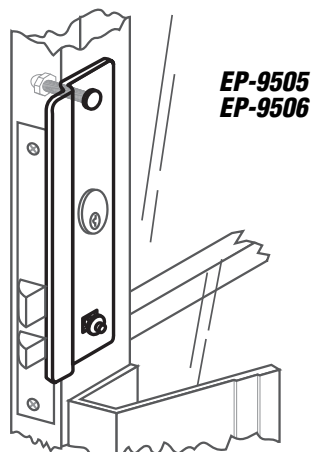


### Open Position



*Standard Pack: 10/box*





**EP-9505** (Painted gray - 7")

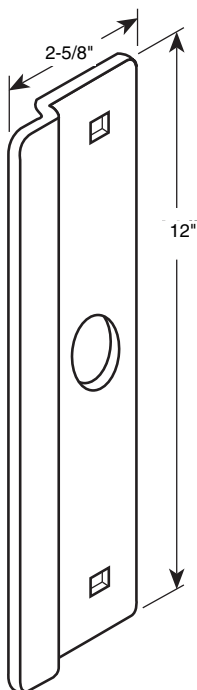
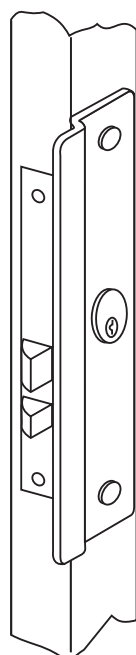
**EP-9506** (Painted bronze - 7")

**Latch Shield** (Poly-bagged)

**Contents:** Painted steel shield; (1) 5/16" x 2" carriage bolt; cap nut and washer and 1 blind rivet.

**Description:** For commercial aluminum entrance doors; used with mortise lock installations where handle or push bar prevent shield from spanning lock.

*Standard Pack: 6/bag*



**EP-9507** (Painted gray - 12")

**EP-9508** (Painted bronze - 12")

**Latch Shield** (Poly-bagged)

**Contents:** Painted steel shield; (2) 5/16" x 2" carriage bolts; washers and cap nuts.

**Description:** For commercial aluminum entrance doors; used with mortise lock installations to span lock and allow thru-bolt fastening.

*Standard Pack: 6/bag*

## Latch Shields

- U-9500** (Painted gray - 7")
- U-9501** (Painted bronze - 7")
- U-9502** (Brass plated - 7")
- U-9503** (Painted gray - 11")
- U-9504** (Painted bronze - 11")

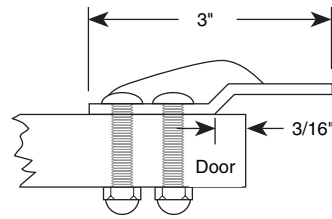
### Latch Shield (Steel)

**Contents:** Painted or plated shield; (2) or (4) 5/16" x 2" carriage bolts; washers and cap nuts.

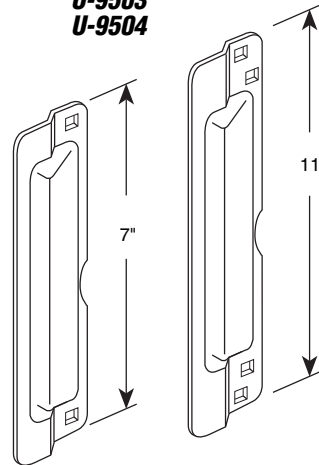
**Description:** Secures against forced entry; **used on outswing doors**; for residential, commercial and industrial use.

You may wish to stock these related parts: **E-2232, E-2235, U-9422, U-9425 and U-9426.**

*Standard Pack: 6/box*



- U-9500**
- U-9501**
- U-9502**
- U-9503**
- U-9504**



- U-9509** (Painted gray - 6")
- U-9510** (Brass plated - 6")

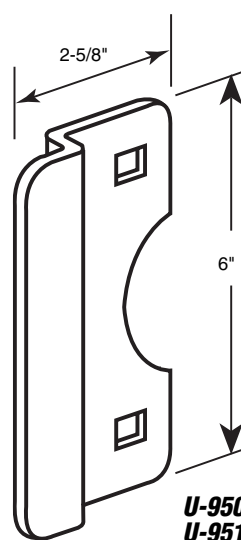
### Latch Shield (Steel)

**Contents:** Painted or plated shield; (2) 5/16" x 2" carriage bolts; washers and cap nuts.

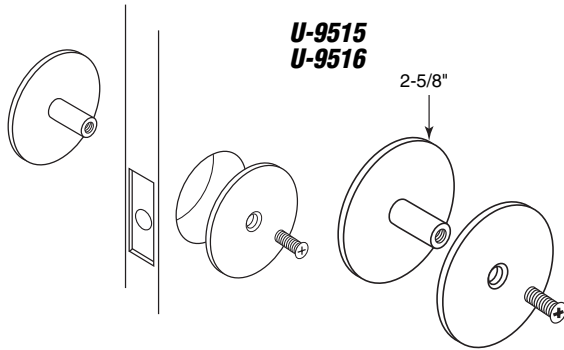
**Description:** **Used on outswing doors**; designed for use with locksets with 2-3/8" backsets.

You may wish to stock these related parts: **E-2232, E-2235, U-9422, U-9425 and U-9426.**

*Standard Pack: 6/box*

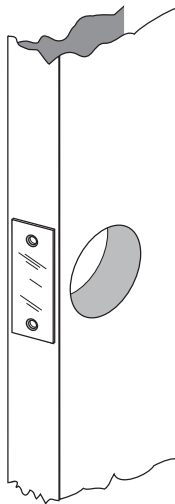


- U-9509**
- U-9510**



**U-9515**  
**U-9516**

2-5/8"



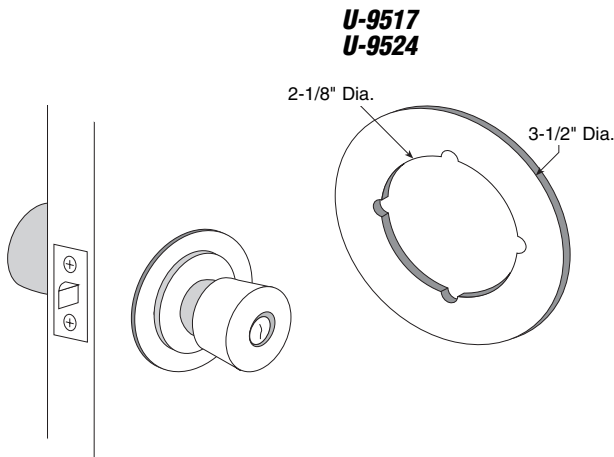
**EP-9520**  
**EP-9521**

2-1/4"

1"

2-1/4"

1-1/8"



**U-9517**  
**U-9524**

2-1/8" Dia.

3-1/2" Dia.

**U-9515** (Painted gray)

**U-9516** (Brass plated)

### Hole Cover (Steel)

**Contents:** Painted or plated cover (2 pieces); (1) #10 x 1" and (1) #10 x 1-1/2" machine screw.

**Description:** Covers 1/2" to 2-1/8" holes; helps maintain entry security; fits doors to 1-3/4" thick.

You may wish to stock these related parts: **EP-9520**, **EP 9521**, **U-9517** and **U-9521**.

Standard Pack: 6/box

**EP-9520** (1" wide)

**EP-9521** (1-1/8" wide)

### Door Edge Filler Plate (Poly-bagged)

**Contents:** Painted gray steel filler plate with (2) #8-32 x 1/2" flat head machine screws.

**Description:** Fills latch face cut-outs for either residential or commercial applications.

Standard Pack: 6/bag

**U-9517** (Nickel plated)

**U-9524** (Satin brass plated)

### Cover Plate (Steel)

**Contents:** 2 plated covers.

**Description:** Use with 2-1/8" bore locks; covers marred doors; allows conversion of 2-3/8" to 2-3/4" backset (or 2-3/4" to 2-3/8").

You may wish to stock these related parts: **EP-9520**, **EP 9521**, **U-9515** and **U-9516**.

Standard Pack: 6/box

# Window Security

**U-9800** (Aluminum finish)

**U-9801** (Black finish)

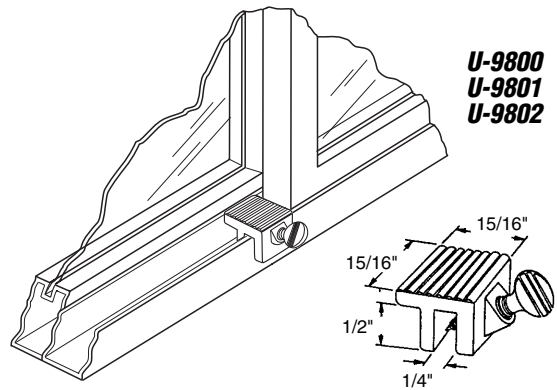
**U-9802** (White finish)

## Thumbscrew Lock

**Contents:** 2 locks.

**Description:** Heavy-duty zinc diecast housing with steel thumbscrew; securely locks window in closed or ventilating position; easy to install.

*Standard Pack: 6/box*



**U-9810** (Aluminum finish)

**U-9811** (Black finish)

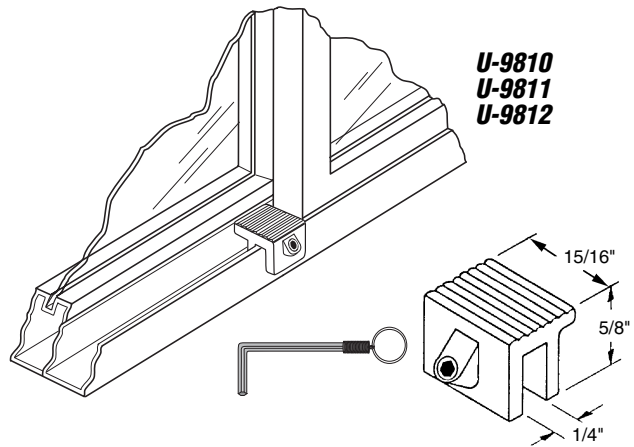
**U-9812** (White finish)

## Tamper-resistant Lock

**Contents:** 2 locks & 1 wrench.

**Description:** Heavy-duty zinc diecast housing with tamper-resistant hex security screw and wrench; securely locks window in closed or ventilating position; prevents accidental opening by children;

*Standard Pack: 6/box*



**U-9820** (Aluminum finish)

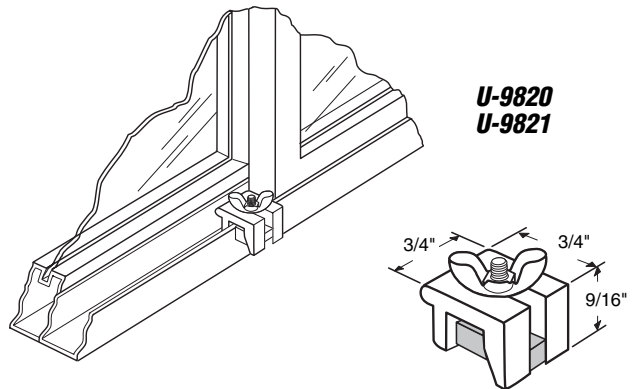
**U-9821** (White finish)

## No-mar Lock

**Contents:** 2 locks.

**Description:** Extruded aluminum with no-mar vinyl insert to protect track; fits wide and narrow type tracks; securely locks window in closed or ventilating position; easy to install.

*Standard Pack: 6/box*



**U-9980** (Aluminum finish - 2/card)

**U-9982** (White finish - 2/card)

**CCEP-4348\*** (Aluminum finish - 4/bag)

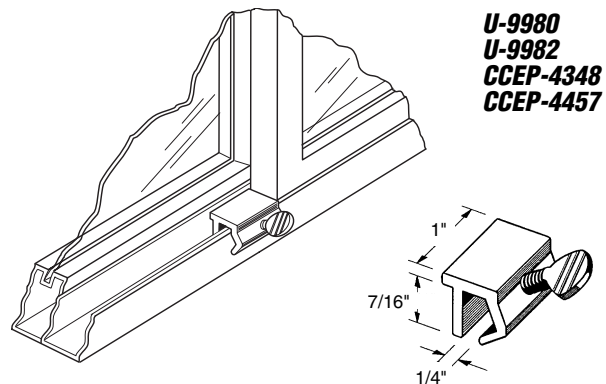
**CCEP-4457\*** (White finish - 4/bag)

## Economy Lock

**Contents:** 2 or 4 locks per package.

**Description:** Extruded aluminum housing; steel screw; securely locks window in closed or ventilating position; easy to install.

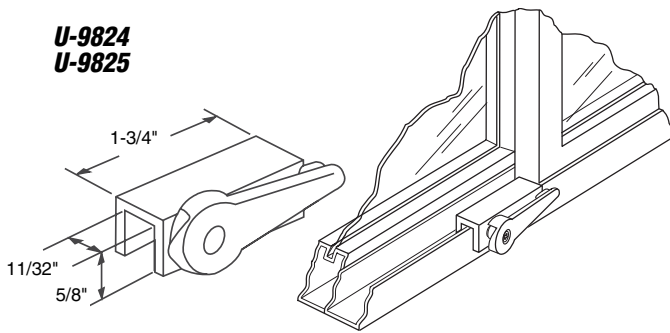
*Standard Pack: 6/box*



\*Special "Value" pack item; merchandised in cut-case box with product and application illustrations; ideal for counter top or gondola base.

*\*Standard Pack: 100/box*

**U-9824**  
**U-9825**



**U-9824** (Aluminum finish)  
**U-9825** (White finish)

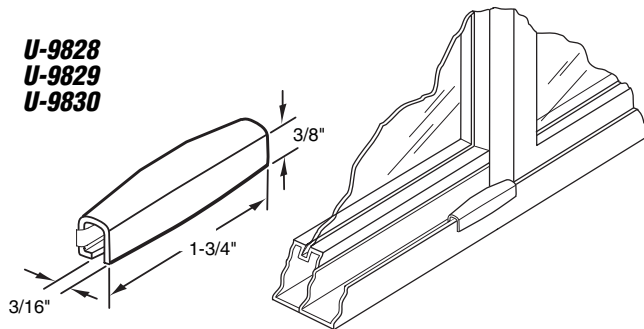
## Cam Action Lock

**Contents:** 1 lock.

**Description:** Extruded aluminum housing with cam action; securely locks window in closed or ventilating position; **no tools needed** to install; excellent added security when staying in a hotel or motel.

*Standard Pack: 6/box*

**U-9828**  
**U-9829**  
**U-9830**



**U-9828** (Aluminum finish)  
**U-9829** (Black finish)  
**U-9830** (White finish)

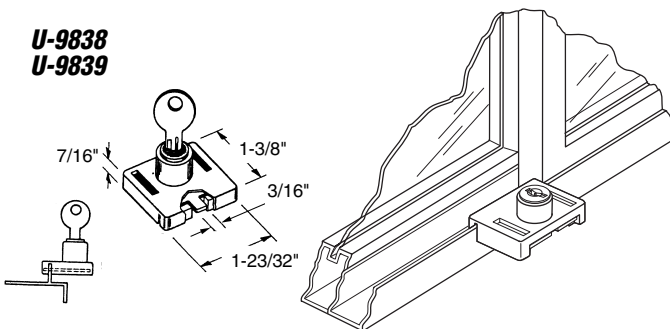
## Snap-on Vent Lock

**Contents:** 2 locks.

**Description:** Plated and painted steel lock housing; unique "snap-on" device; **no tools required**; excellent for ventilated locking.

*Standard Pack: 6/box*

**U-9838**  
**U-9839**



**U-9838** (Aluminum finish)  
**U-9839** (White finish)

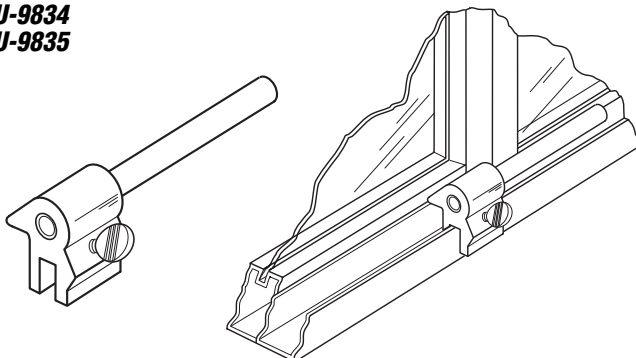
## Keyed Lock

**Contents:** 1 lock & 2 keys.

**Description:** Painted diecast housing; securely locks window in closed or ventilating position; easy to install.

*Standard Pack: 6/box*

**U-9833**  
**U-9834**  
**U-9835**



**U-9833** (Aluminum finish)  
**U-9834** (Black finish)  
**U-9835** (White finish)

## Thumbscrew Bar Lock

**Contents:** 1 lock.

**Description:** Extruded aluminum; reversible with anti-lift out bar; securely locks window in closed or ventilating position; easy to install.

*Standard Pack: 6/box*

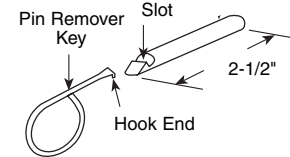
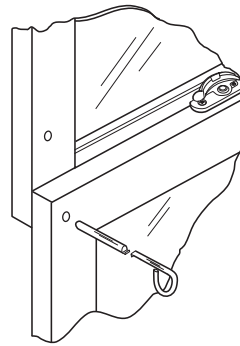
**U-9845** (Brass finish)

## Wood Sash Pins

**Contents:** 8 pins & 4 keys.

**Description:** Steel pins lock window in closed or ventilating position; pin removal key is needed to unlock; recommended for wood sash; easy to install.

*Standard Pack: 6/box*



**U-9845**

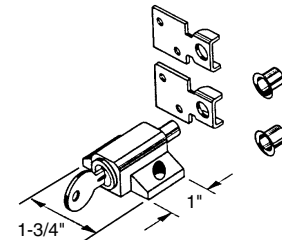
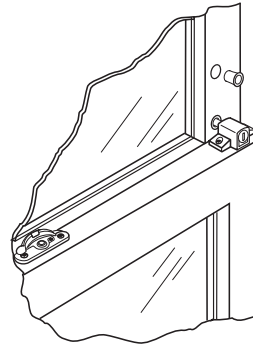
**U-9863** (Brass finish)

## Keyed Sash Lock

**Contents:** 1 lock with 2 strikes; 2 ferrules; 2 keys & installation screws.

**Description:** Hardened steel bolt provides push button locking in closed or ventilating position; unlocks only with key; heavy-duty diecast construction; recommended for wood sash; easy to install.

*Standard Pack: 6/box*



**U-9863**

**U-9924** (Brass finish)

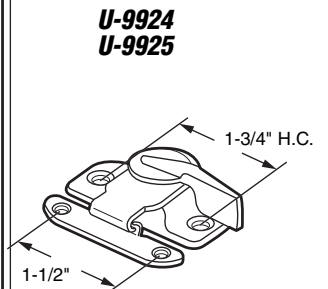
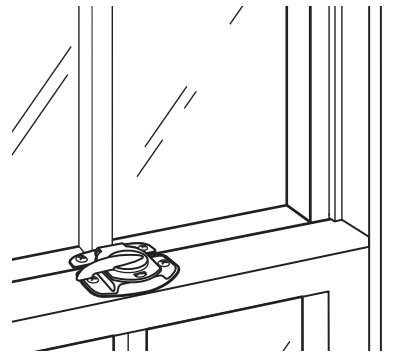
**U-9925** (White finish)

## Sash Window Lock

**Contents:** 1 lock; 1 keeper & installation screws.

**Description:** Cam action sash lock; universal design; stamped steel construction.

*Standard Pack: 6/box*



**U-9924  
U-9925**

**U-9927** (Brass finish)

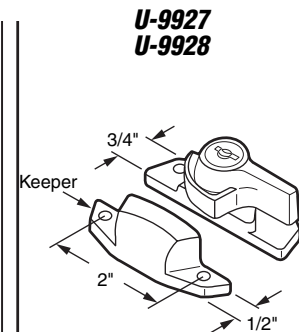
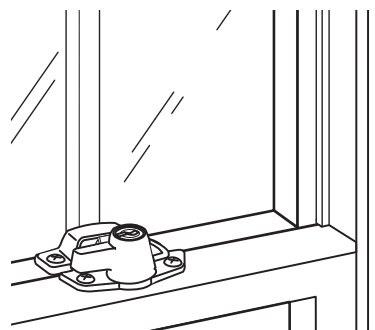
**U-9928** (White finish)

## Keyed Sash Lock

**Contents:** 1 latch assembly; 1 keeper; 2 key & installation screws.

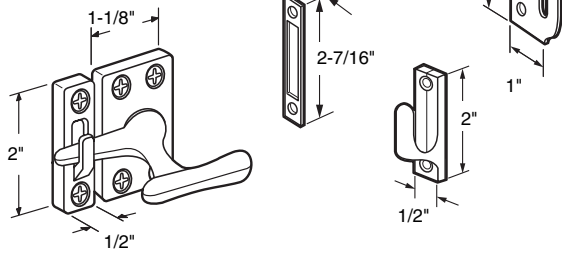
**Description:** For aluminum, vinyl or wood double hung windows; unlocks only with key; child-proof; heavy zinc diecast construction.

*Standard Pack: 6/box*



**U-9927  
U-9928**

**U-9935**  
**U-9936**



**U-9935** (Brass finish)  
**U-9936** (White finish)

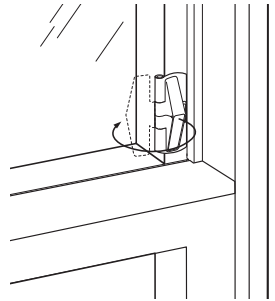
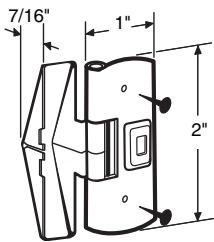
## Casement Window Sash Lock

**Contents:** 1 latch; 3 keeper assortment & installation screws.

**Description:** Diecast locking handle has 3 different keepers for special mounting applications; used on old style wood casement windows.

*Standard Pack: 6/box*

**U-9938**



**U-9938** (Brass finish)

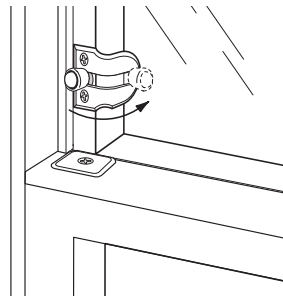
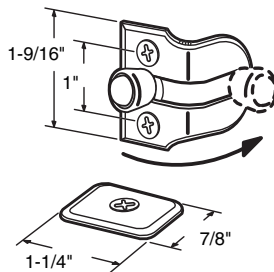
## Wood Window Flip Lock

**Contents:** 2 locks & installation screws.

**Description:** Flip lock mounts on vertical track; stops window in vent position; wedge flips out of the way to allow opening; **plated steel**.

*Standard Pack: 6/box*

**U-9939**



**U-9939** (Brass finish)

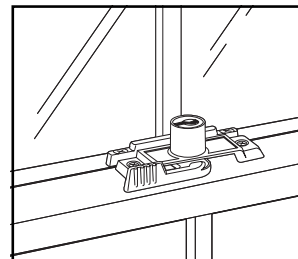
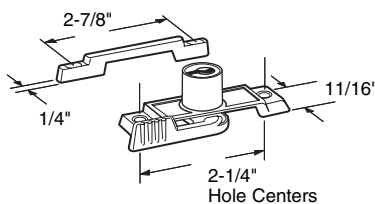
## Wood Window Vent Lock

**Contents:** 2 lock assemblies; 2 strikeplates & installation screws.

**Description:** Brass plated steel sash locks mount onto the edge of the upper window; sliding stud stops opening at a desired location; allows ventilation but prevents entry; easy to install.

*Standard Pack: 6/box*

**U-9932**  
**U-9933**



**U-9932** (Brass finish)  
**U-9933** (White finish)

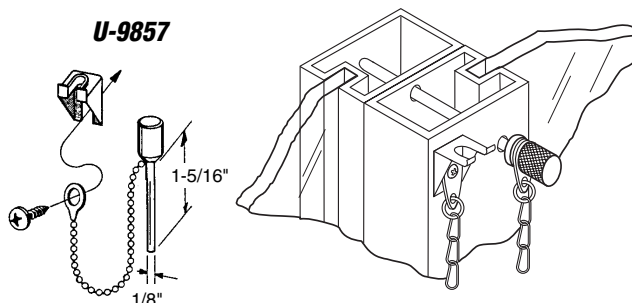
## Slim-line Keyed Sash Lock

**Contents:** 1 lock and keeper; 2 keys and installation screws.

**Description:** Plated or painted diecast sash lock and keeper; readily adapts to narrow styles; key locks for additional security.

*Standard Pack: 6/box*

**U-9857**



**U-9857** (Chrome finish)

## Window Pin Lock

**Contents:** 1 pin with chain; holder & installation screws.

**Description:** Plated, case-hardened steel pin stores in holder when unlocked; securely locks window in closed or ventilating position; prevents sliding and lifting of window.

*Standard Pack: 6/box*



# Patio Door Security

**U-9805** (Aluminum finish)

**U-9806** (Black finish)

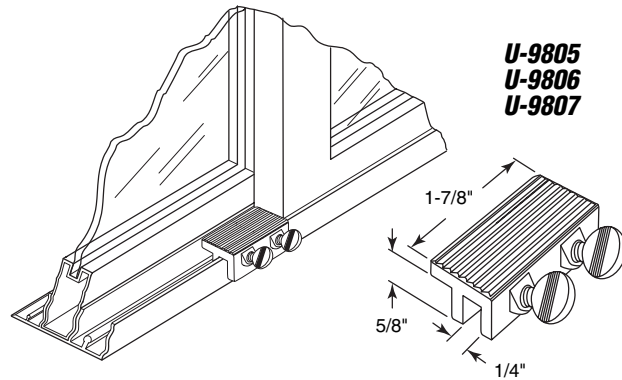
**U-9807** (White finish)

## Double Thumbscrew Lock

**Contents:** 1 lock.

**Description:** heavy-duty cast aluminum with double thumbscrew; additional gripping power securely locks window in closed or ventilating position; easy to install.

*Standard Pack: 6/box*



**U-9815** (Aluminum finish)

**U-9816** (Black finish)

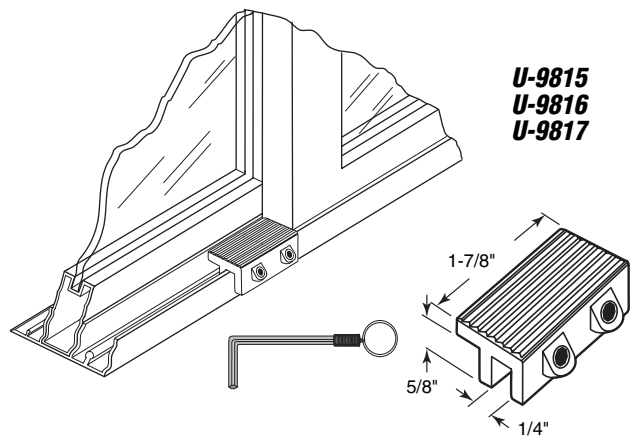
**U-9817** (White finish)

## Tamper-resistant Lock

**Contents:** 1 lock & 1 wrench.

**Description:** Heavy-duty cast aluminum with tamper-resistant double hex security screw and wrench; additional gripping power securely locks window in closed or ventilating position; prevents accidental opening by children; easy to install.

*Standard Pack: 6/box*



**U-9848** (Zinc finish)

**U-9849** (Black finish)

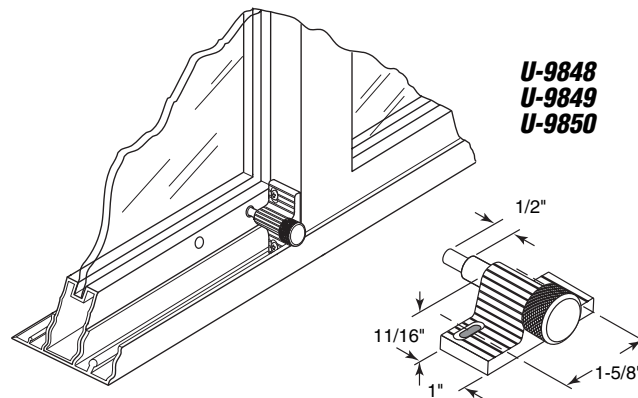
**U-9850** (White finish)

## Twist-in Lock

**Contents:** 1 lock & 2 installation screws.

**Description:** Zinc plated and painted Zamac cast housing with twist-in action; aluminum bolt securely locks door in closed or ventilating position; prevents sliding and lifting of door.

*Standard Pack: 6/box*



**U-9861** (Aluminum finish)

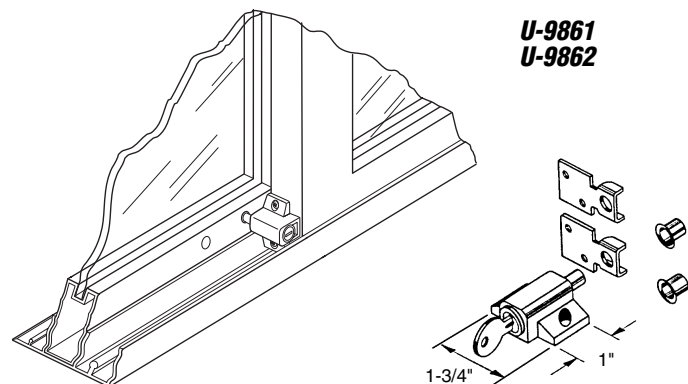
**U-9862** (White finish)

## Push-in Keyed Lock

**Contents:** 1 lock with 2 strikes, 2 ferrules; 2 keys & installation screws.

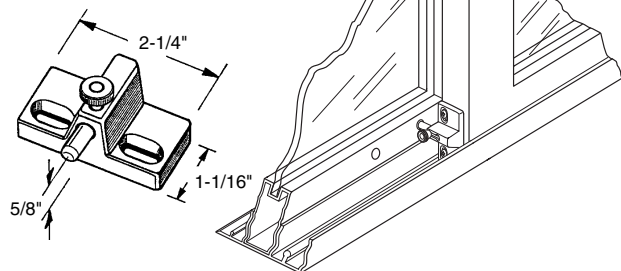
**Description:** Painted diecast case with hardened steel bolt for push button locking; unlocks only with key; prevents prying or lifting of door; heavy-duty construction.

*Standard Pack: 6/box*





**U-9866**  
**U-9867**



**U-9866** (Aluminum finish)  
**U-9867** (White finish)

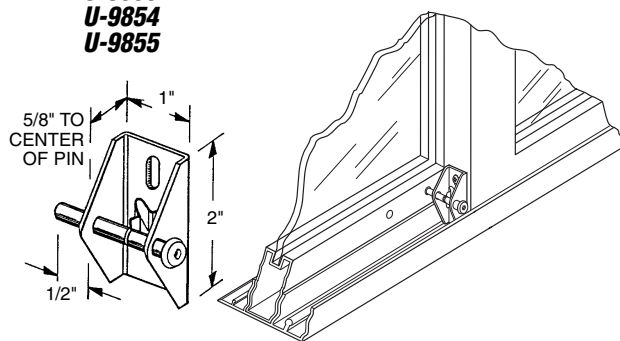
## Slide Bolt Lock

**Contents:** 1 lock & 2 installation screws.

**Description:** Diecast painted housing with case-hardened steel bolt securely locks door in closed or ventilating position; prevents sliding or lifting of door.

*Standard Pack: 6/box*

**U-9853**  
**U-9854**  
**U-9855**



**U-9853** (Aluminum finish)  
**U-9854** (Black finish)  
**U-9855** (White finish)

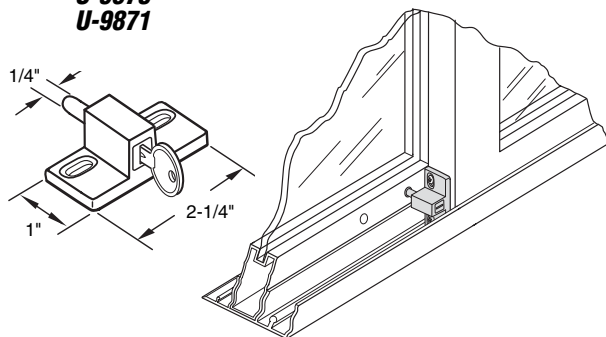
## Push/Pull Lock

**Contents:** 1 lock & 2 installation screws.

**Description:** Painted heavy gauge steel housing with hardened steel pin; securely locks door in closed or ventilating position; two position push/pull action prevents accidental lockout; also prevents sliding or lifting of door.

*Standard Pack: 6/box*

**U-9870**  
**U-9871**



**U-9870** (Aluminum finish)  
**U-9871** (Black finish)

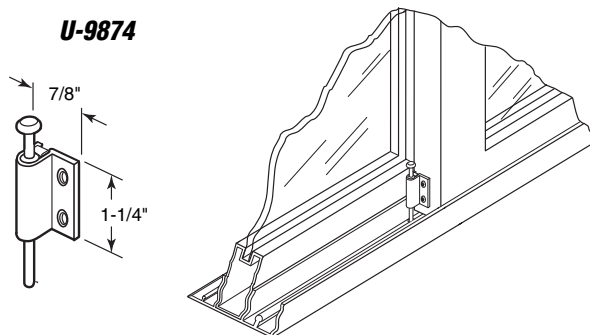
## Push-in Keyed Lock

**Contents:** 1 lock & 2 installation screws.

**Description:** Painted diecast housing with steel bolt for push button locking; unlocks only with key; prevents prying or lifting of door.

*Standard Pack: 6/box*

**U-9874**



**U-9874** (White finish)

## Push/Pull Lock

**Contents:** 1 lock & 2 installation screws per card.

**Description:** Painted diecast housing with steel bolt; securely locks door in closed or ventilating position.

*Standard Pack: 6/box*

# Patio Door Security

**U-9877** (Aluminum finish)

**U-9878** (Black finish)

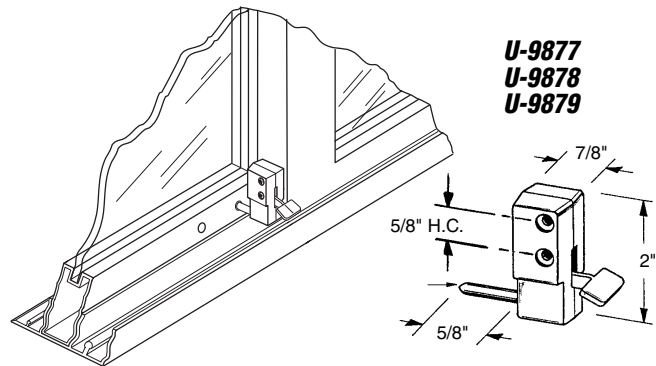
**U-9879** (White finish)

## Step-on Lock

**Contents:** 1 lock & installation screws.

**Description:** Painted **diecast housing** with **hardened steel bolt**; securely locks door in closed or ventilating position; convenient foot operation; easy to install.

*Standard Pack: 6/box*



**U-9882** (Aluminum finish)

**U-9883** (Black finish)

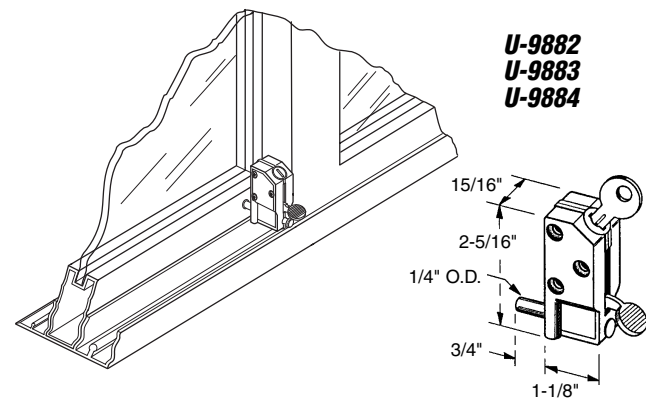
**U-9884** (White finish)

## Step-on Keyed Lock

**Contents:** 1 lock with 2 keys & installation screws.

**Description:** Painted **diecast housing** with **hardened steel bolt**; securely locks door in closed or ventilating position; convenient foot operation of bolt; locks and unlocks with key.

*Standard Pack: 6/box*



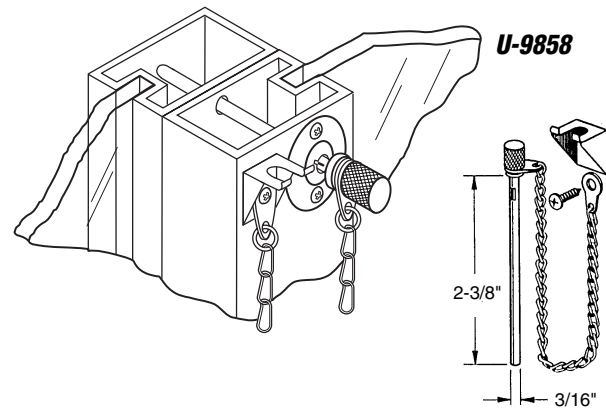
**U-9858** (Chrome finish)

## Door Pin with Retaining Ring

**Contents:** 1 pin with chain; retaining cap; holder & installation screws.

**Description:** **Plated case-hardened steel pin** locks in retaining ring when engaged, stores in holder when unlocked; securely locks door in closed or ventilating position; prevents sliding and lifting of door.

*Standard Pack: 6/box*



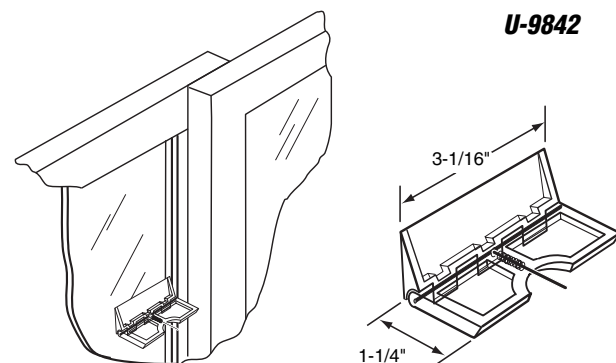
**U-9842** (Clear finish)

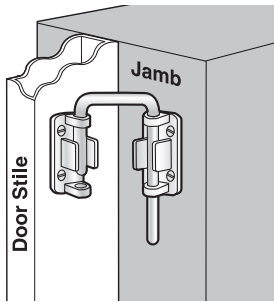
## Glass Surface Lock

**Contents:** 2 locks.

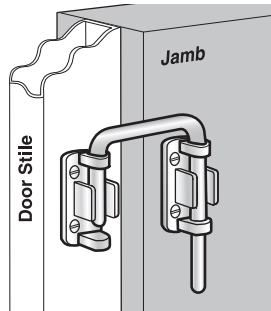
**Description:** **Clear lucite**; two-piece hinged assembly with spring loaded plunger lock; **clear adhesive backing**; securely locks door in closed or ventilating position; no tools needed to install; inconspicuous when installed.

*Standard Pack: 6/box*





**U-9846**



**U-9847**

**U-9846** (Nickel finish - 1-1/8")

**U-9847** (Nickel finish - 2-1/8")

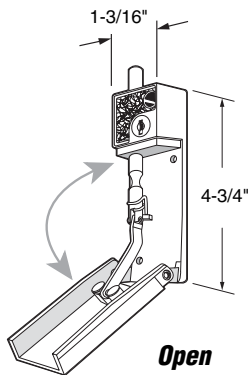
## Loop Lock

**Contents:** Loop lock rod with bracket attached; keeper bracket and installation screws.

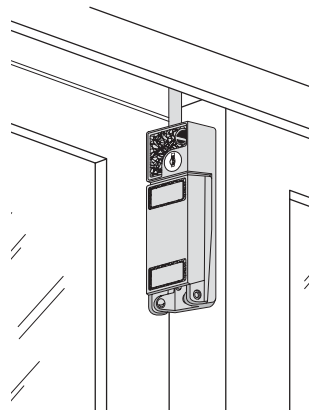
**Description:** Chrome plated hardened steel locking rod with diecast bracket and keeper; secures door to jamb; two sizes allow flexibility of installation.

*Standard Pack: 6/box*

**U-9997**  
**U-9919**



**Open**



**Locked**

**U-9997** (Aluminum finish)

**U-9919** (White finish)

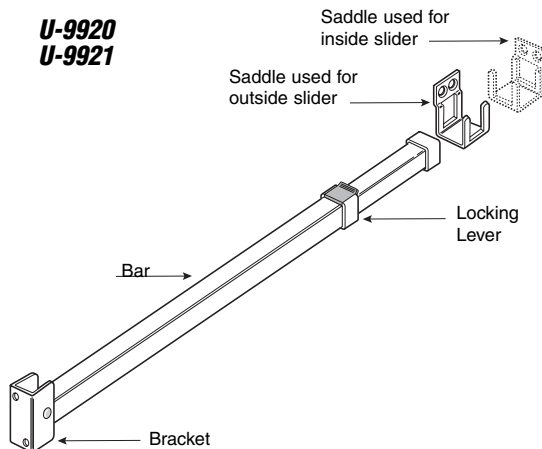
## Keyed Bolt Lock

**Contents:** 1 locking assembly and installation screws.

**Description:** Painted diecast assembly; throw bolt may be manually locked or key locked; prevents forced entry; may be locked in ventilating position.

*Standard Pack: 6/box*

**U-9920**  
**U-9921**



**U-9920** (Aluminum finish)

**U-9921** (White finish)

## Security Bar Lock

**Contents:** 1 bar; locking saddle & installation screws.

**Description:** Clear anodized and painted telescopic aluminum bar accommodates 28" to 48" wide inside and outside sliding patio doors; no cutting required; easy to install.

*Standard Pack: 6/box*

# Entry Door Security

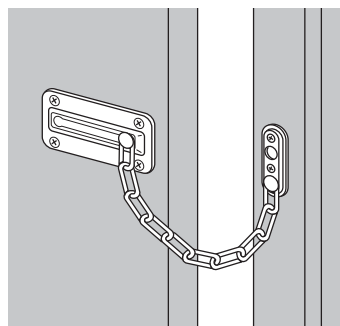
**U-9905** (Brass finish)  
**U-9908** (Chrome finish)

## Chain Door Guard

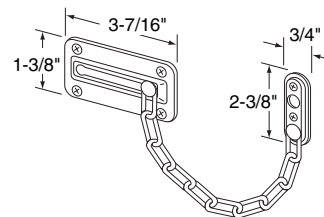
**Contents:** 1 chain lock with keeper & installation screws.

**Description:** Plated steel keepers and steel chain secures door while allowing viewing and ventilation; easy to install.

*Standard Pack: 6/box*



**U-9905**  
**U-9908**



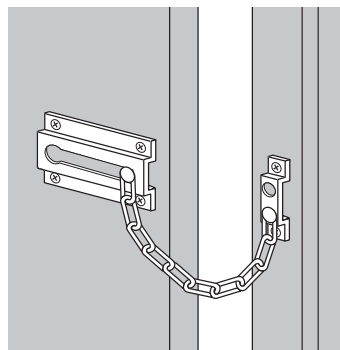
**U-9907** (Brass)  
**U-9909** (Dull chrome)

## Chain Door Guard

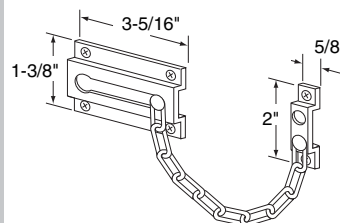
**Contents:** 1 chain lock with keeper & installation screws.

**Description:** Solid brass keepers with steel chain secures door while allowing viewing and ventilation; easy to install.

*Standard Pack: 6/box*



**U-9907**  
**U-9909**



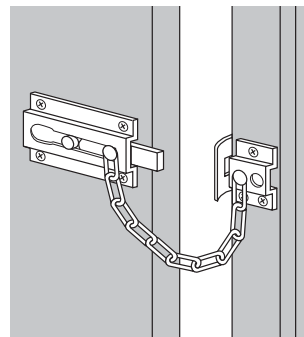
**U-9910** (Brass finish - steel with bolt)  
**U-9911** (Brass finish - solid brass with bolt)

## Chain Door Guard (with bolt)

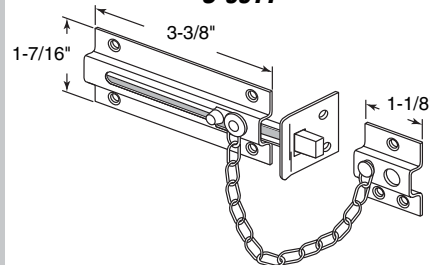
**Contents:** 1 chain lock with bolt & installation screws.

**Description:** Use of chain secures door while allowing viewing and ventilation; sliding bolt secures closed door and allows unlocking from inside only.

*Standard Pack: 6/box*



**U-9910**  
**U-9911**



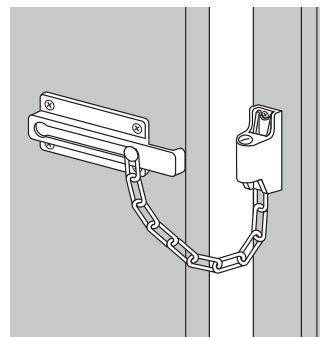
**U-9912** (Brass finish)

## Chain Door Guard (keyed)

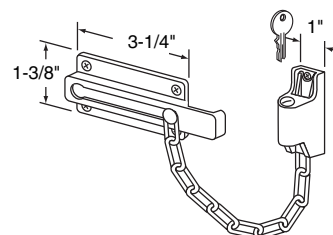
**Contents:** 1 chain lock; 2 keys & installation screws.

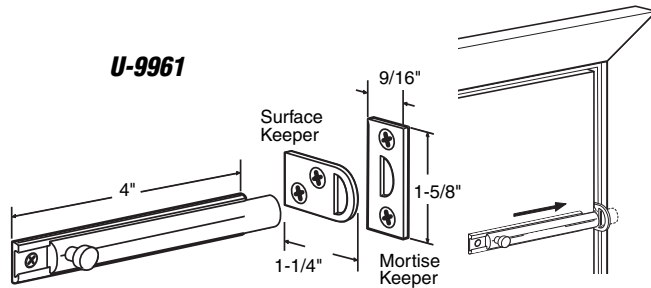
**Description:** Plated steel chain and diecast keepers secures door while allowing viewing and ventilation; can be unlocked with key from outside or inside; bolt slides into keyed mechanism to lock.

*Standard Pack: 6/box*



**U-9912**





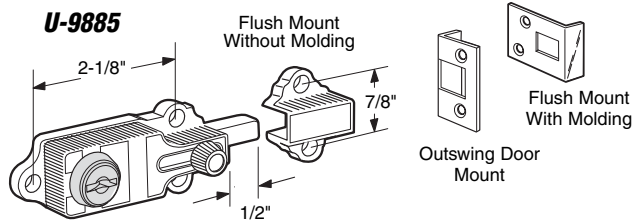
**U-9961** (Solid brass)

## 4" Surface Bolt

**Contents:** 1 slide bolt; 2 keepers and installation screws.

**Description:** Slide bolt surface mounts to face of door; two keepers allow for surface or mortise frame installation.

*Standard Pack: 6/box*



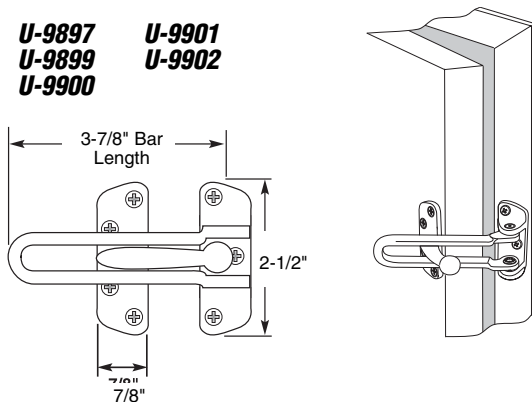
**U-9885** (Brass finish)

## Keyed Deadbolt Lock

**Contents:** 1 lock; 3 keepers and installation screws.

**Description:** Plated diecast lock is key locked from inside; 3 keepers offer flexible mounting for both inswing and outswing doors.

*Standard Pack: 6/box*



**U-9897** (Brass finish)

**U-9899** (Antique brass finish)

**U-9900** (Chrome finish)

**U-9901** (Brushed chrome finish)

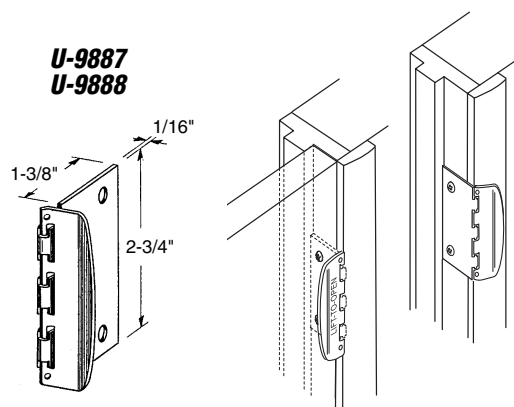
**U-9902** (White finish)

## Door Guard

**Contents:** 1 swing loop keeper; 1 bar lock & installation screws.

**Description:** Plated or painted heavy metal casting secures door while allowing 2" of viewing or ventilation; easy to install.

*Standard Pack: 6/box*



**U-9887** (Brass finish)

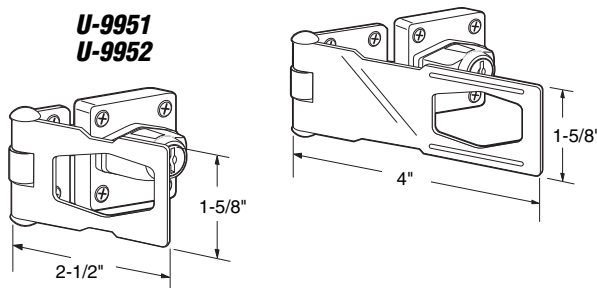
**U-9888** (White finish)

## Flip Door Lock

**Contents:** 1 lock & installation screws.

**Description:** Plated or painted steel privacy lock; flip action to lock or unlock; no mortising required; easy to install.

*Standard Pack: 6/box*



**U-9951** (4")

**U-9952** (2-1/2")

## Keyed Hasp

**Contents:** 1 hasp; 1 locking mechanism and installation screws.

**Description:** Chrome plated steel hasp hinges over diecast locking mechanism; twist keyed knob to lock and use key to unlock; hasp covers screws when in locked position.

*Standard Pack: 6/box*

# Entry Door Security

Part #	Finish	View	Bore Diameter
<b>U-9875</b>	Chrome	180°	1/2"
<b>U-9876</b>	Chrome	190°	9/16"
<b>U-9881</b>	Satin Chrome	190° <b>U.L. Listed</b>	9/16"
<b>U-9891</b>	Brass	200° <b>U.L. Listed</b>	9/16"
<b>U-9892</b>	Brass	190°	1/2"
<b>U-9893</b>	Brass	180°	9/16"

## Door Viewer

**Contents:** 1 viewer.

**Description:** Solid brass housing; glass and plastic lenses; fits 1-3/8" to 2-1/8" thick wood or metal doors; easy to install; glass lens viewers are **U.L. Listed**.

*Standard Pack: 6/box*

**U-9880** (Satin chrome finish - **U.L. Listed**)

**U-9895** (Brass)

**U-9983** (Brass - **U.L. Listed**)

## Door Viewer (160°)

**Contents:** 1 viewer.

**Description:** Solid brass housing; glass and plastic lenses; fits 1-3/8" to 2-1/8" thick wood or metal doors; easy to install; glass lens viewers are **U.L. Listed**.

*Standard Pack: 6/box*

**U-9896** (Brass)

## Door Viewer (160°)

**Contents:** 1 viewer.

**Description:** Solid brass end caps with diecast threaded housing; glass lens; fits 1-1/2" to 2-1/8" thick wood or metal doors; easy to install.

*Standard Pack: 6/box*

**U-9915** (Gold finish)

**U-9916** (Bronze finish)

**U-9917** (White finish)

**U-9918** (Gray finish)

**U-10079** (Vacumm plated - brass)

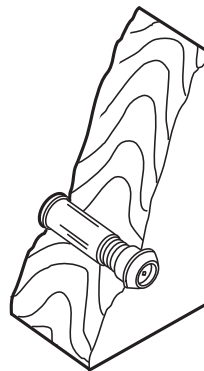
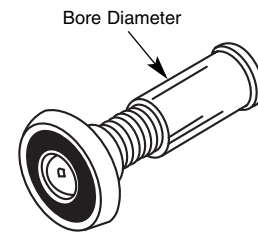
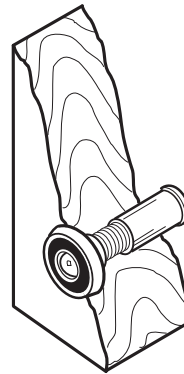
**U-10080** (Vacumm plated - chrome)

## Door Viewer

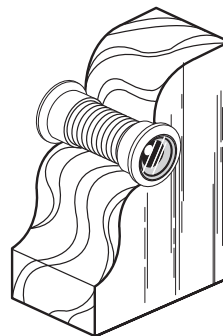
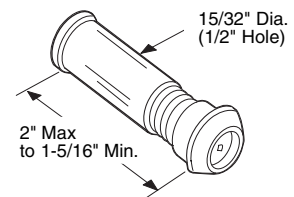
**Contents:** 1 viewer.

**Description:** High-impact plastic housing requires 1-3/4" hole; "clear image" prism construction allows arms length viewing with nearly 2" of giant screen viewing; fits 1-3/8" to 2" thick wood or metal doors; prism image is a reversed and mirrored image.

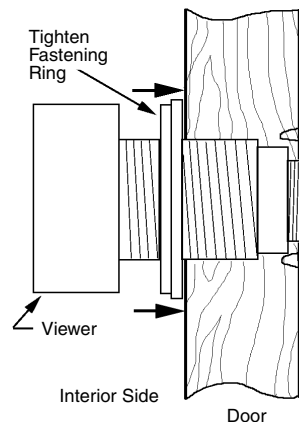
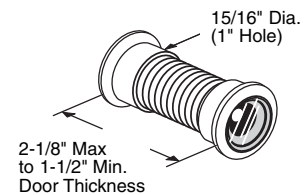
*Standard Pack: 4/box*



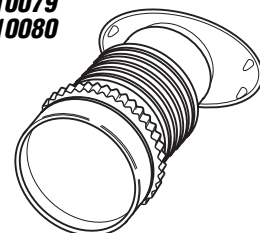
**U-9880**  
**U-9895**  
**U-9983**



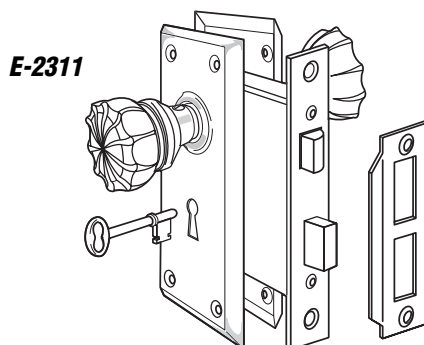
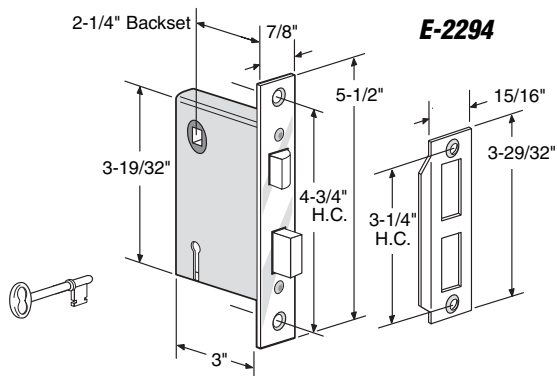
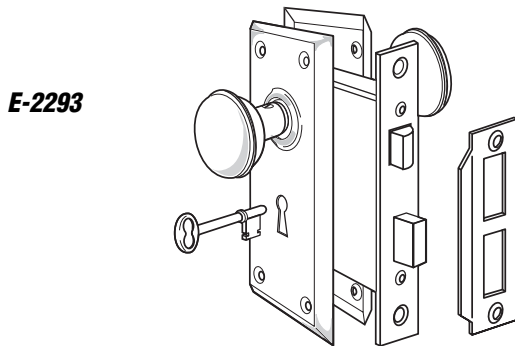
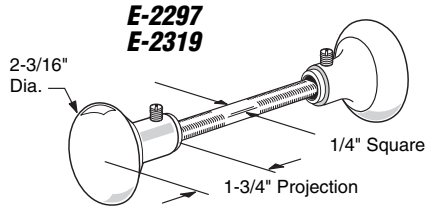
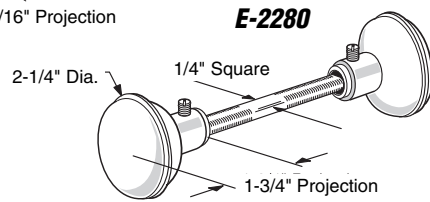
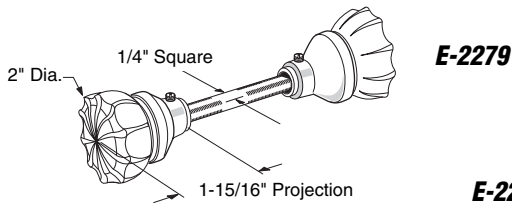
**U-9896**



**U-9915**  
**U-9916**  
**U-9917**  
**U-9918**  
**U-10079**  
**U-10080**







**E-2279** (Glass-brass plated base - **standard pack:** 6 per box)

**E-2280** (Brass plated - steel - **standard pack:** 6 per box)

**E-2297** (Brass - **standard pack:** 5 per box)

**E-2319** (White painted - steel - **standard pack:** 5 per box)

## Knobs

**Contents:** 2 knobs and 1 spindle.

**Description:** Glass, brass, brass plated and painted steel knobs as used on various exterior and interior locksets

You may wish to stock these related parts: **E-2282, E-2293, E-2294, E-2295 and E-2311.**

**E-2293** (Brass finish)

## Mortise Lock Set (Keyed)

**Contents:** 1 mortise caselock assembly; 2 knobs; 2 trim plates; strike plate and installation screws.

**Description:** Polished brass finish; case-hardened steel case; lock bolt is key activated both inside and outside.

You may wish to stock these related parts: **E-2280, E-2294, E-2295 and E-2311.**

*Standard Pack: 5/box*

**E-2294**

## Mortise Lock Assembly (Keyed)

**Contents:** 1 mortise caselock assembly; strike plate and installation screws.

**Description:** Mortise caselock with brass plated faceplate; case-hardened steel case; spindle hole accommodates 1/4" to 5/16" square shaft.

You may wish to stock these related parts: **E-2293, E-2295 and E-2311.**

*Standard Pack: 6/box*

**E-2311** (Brass finish - glass handles)

## Mortise Lock Set (Keyed)

**Contents:** 1 mortise caselock assembly; 2 knobs; 2 trim plates; strike plate and installation screws.

**Description:** Glass knobs with brass plated steel trim plates; case-hardened steel case; lock bolt is key activated both inside and outside.

You may wish to stock these related parts: **E-2279, E-2281, E-2294, E-2295.**

*Standard Pack: 6/box*

# Entry Door Security

**E-2282** (2-1/4"- brass finish)

**E-2320** (2-1/4"- white finish)

**E-2296** (3"- Solid brass)

## Door Knob Rosettes

**Contents:** 2 rosettes & installation screws.

**Description:** Plated and painted steel rosettes; screw mounted on door; for old style passage locks.

You may wish to stock these related parts: **E-2279**, **E-2280** and **E-2281**.

*Standard Pack: 6/box*

**E-2295** (Brass finish)

## Door Escutcheon Plates

**Contents:** 1 inside and 1 outside escutcheon plate & installation screws.

**Description:** Brass plated steel plates; repair parts for E-2293.

You may wish to stock these related parts: **E-2293**, **E-2294** and **E-2311**.

*Standard Pack: 6/box*

**E-2317** (Glass knob with brass rosette)

**E-2318** (White painted - steel)

**E-2321** (Brass)

## Passage Door Latch Set

**Contents:** 1 passage door latch; 1 spindle; 2 knobs; 2 rosettes and installation screws.

**Description:** Diecast latch; glass, brass and painted steel knobs; plated and painted rosettes; spindle hole accommodates 1/4" to 5/16" square shaft; use as decorative passage latch for 2-3/8" backset applications.

You may wish to stock these related parts: **E-2293**, **E-2294** and **E-2311**.

*Standard Pack: 6/box*

**E-2281** (Brass finish)

## Passage Door Latch

**Contents:** 1 latch & installation screws.

**Description:** Diecast latch with brass plated face for old style passage doors; accepts 1/4" to 5/16" square shaft.

You may wish to stock these related parts: **E-2279**, **E-2280**, **E-2282**, **E-2296** and **E-2297**.

*Standard Pack: 6/box*

**U-9965** (Kwikset keyway)

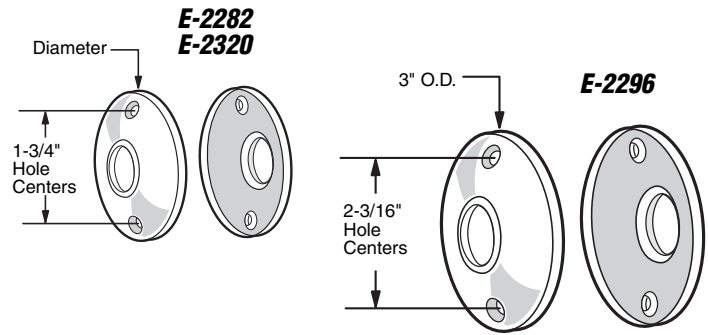
**U-9966** (Schlage keyway)

## Rim Cylinder Lock (Brass finish)

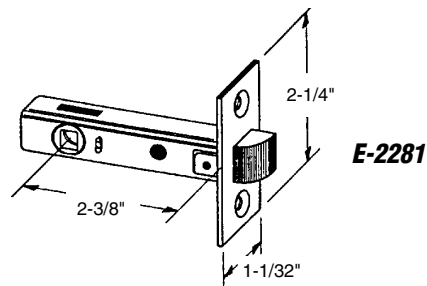
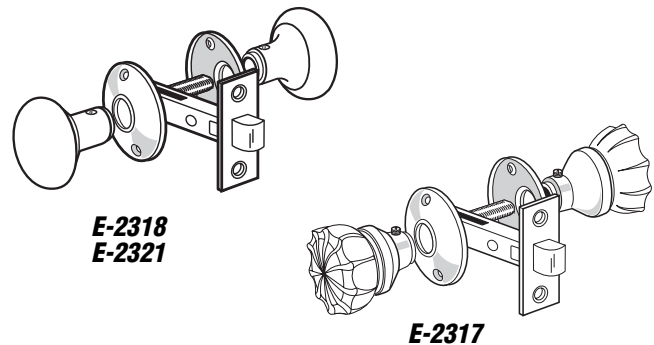
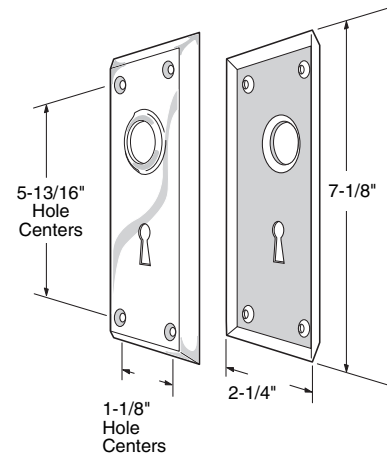
**Contents:** 1 key cylinder with trim ring and 2 keys; 1 mounting plate and 2 screws.

**Description:** Heavy-duty zinc diecast housing with brass face and 5 pin tumbler lock.

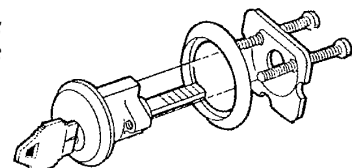
*Standard Pack: 6/box*



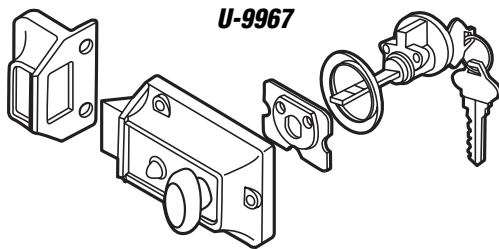
**E-2295**



**U-9965**  
**U-9966**







**U-9967**

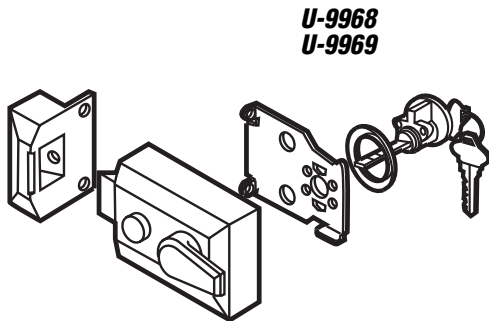
**U-9967** (Brass painted finish)

## Night Latch & Locking Cylinder

**Contents:** 1 night latch with locking cylinder and trim ring; 2 keys; 1 mounting plate; 1 keeper and installation screws.

**Description:** Brass painted diecast locking unit and keeper; hold open feature; spring latch for automatic locking; five pin tumbler cylinder; 1-1/4" bore.

*Standard Pack: 5/box*



**U-9968**  
**U-9969**

**U-9968** (Polished brass finish)

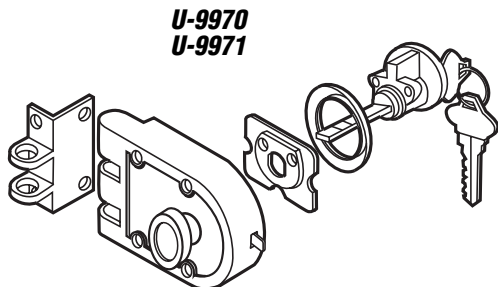
**U-9969** (White finish)

## Night Latch & Locking Cylinder

**Contents:** 1 night latch with locking cylinder and trim ring; 2 keys; 1 mounting plate; 1 keeper and installation screws.

**Description:** Plated and painted diecast locking unit and keeper; contemporary design; hold open feature; spring latch for automatic locking; five pin tumbler cylinder; 1-1/4" bore.

*Standard Pack: 5/box*



**U-9970**  
**U-9971**

**U-9970** (Brass painted finish)

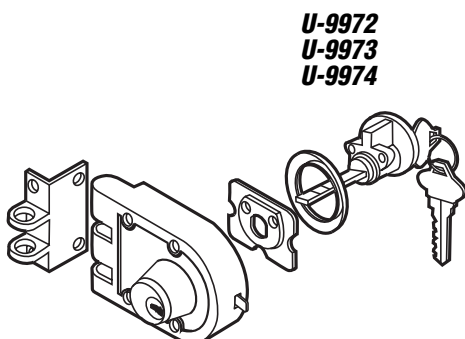
**U-9971** (White painted finish)

## Jimmy-resistant Deadlock (Single cylinder)

**Contents:** 1 locking unit with locking cylinder and trim ring; 1 mounting plate; 1 keeper & installation screws.

**Description:** Painted diecast locking unit and strike; locks door to jamb to prevent forced entry; 5-pin tumbler cylinder; requires a 1-1/4" hole; includes tamper-resistant shutter guard.

*Standard Pack: 5/box*



**U-9972**  
**U-9973**  
**U-9974**

**U-9972** (Brass painted finish)

**U-9973** (White painted finish)

**U-9974** (Polished brass & black finish)

## Jimmy-resistant Deadlock (Double cylinder)

**Contents:** 1 locking unit with locking cylinder and trim ring; 1 mounting plate; 1 keeper & installation screws.

**Description:** Painted and plated diecast locking unit and strike; locks door to jamb to prevent forced entry; double cylinder unit is ideal for doors with glass panes or when located next to a glass side lite; 5-pin tumbler cylinder; requires a 1-1/4" hole; includes tamper-resistant shutter guard.

*Standard Pack: 5/box*

# Child Safety

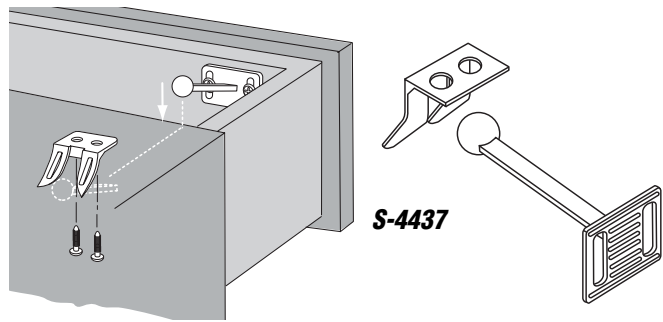
**S-4437** (White)

## Ball Cabinet Catches

**Contents:** 2 ball catches; 2 keepers and installation screws.

**Description:** Plastic catch for use on cabinets and drawers to deter small children's access.

*Standard Pack: 6/box*



**S-4438** (White - 3 pack)

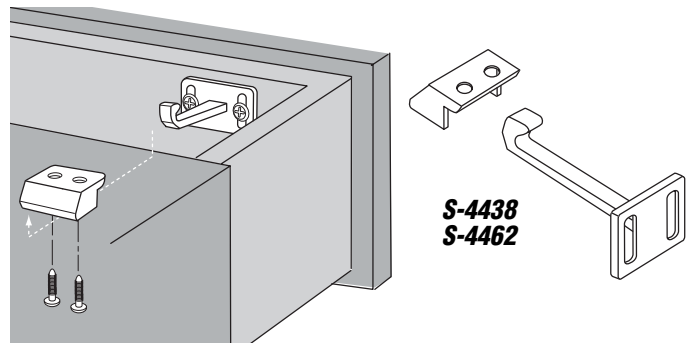
**S-4462** (White - 6 piece "Value" pack)

## Cabinet Catches

**Contents:** hook catches; keepers and installation screws.

**Description:** Plastic catch for use on cabinets and drawers to deter small children's access.

*Standard Pack: 6/box*



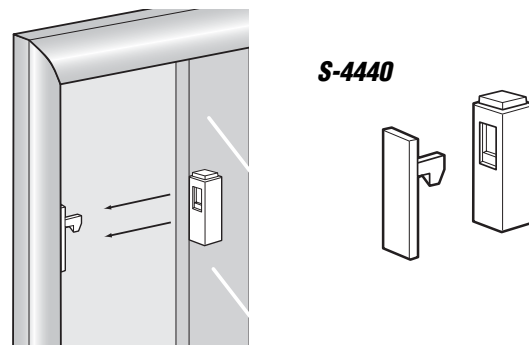
**S-4440** (Ivory)

## Cabinet Locks

**Contents:** 2 locks; 2 keepers.

**Description:** No tools required; plastic lock and keeper have self-adhesive backers; use on sliding cabinet doors.

*Standard Pack: 6/box*



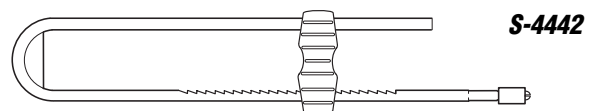
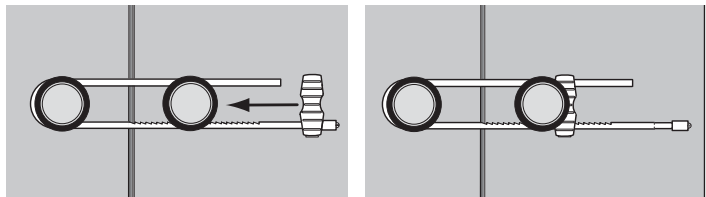
**S-4442** (White)

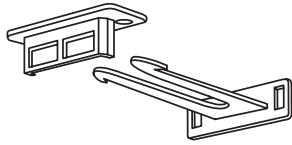
## Cabinet Slide Lock

**Contents:** 2 loop locks and 2 locking mechanisms.

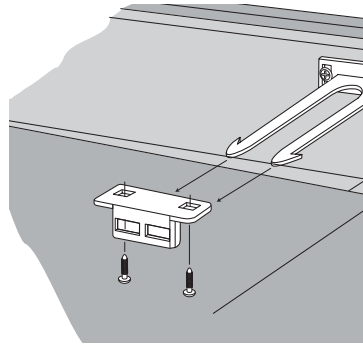
**Description:** No tools required; plastic lock attaches over knobs or thru pulls on a pair of cabinet doors; ratcheting action holds doors closed; easy removal.

*Standard Pack: 6/box*





**S-4439**



## **S-4439** (White)

### **Drawer Catches**

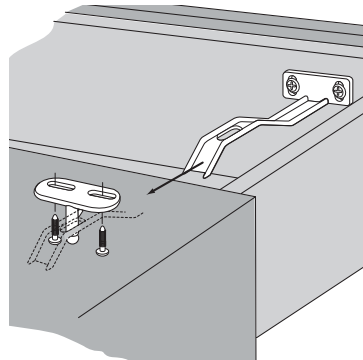
**Contents:** 3 double hook catches; 3 keepers and installation screws.

**Description:** **Plastic catch** allows drawer or cabinet door to open about 1-1/2"; hooks must be compressed to open.

*Standard Pack: 6/box*



**S-4444**



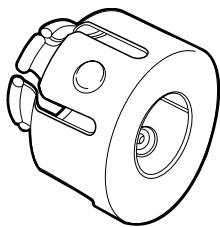
## **S-4444** (White)

### **Drawer Catch**

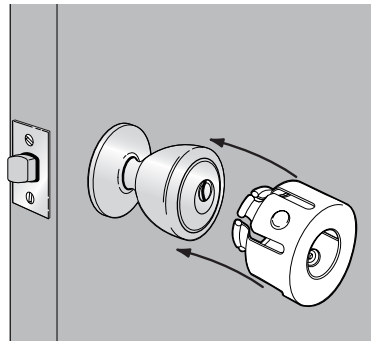
**Contents:** 3 safety latches; 3 keepers and installation screws.

**Description:** **Plastic catch** offers double protection to toddlers; when engaged, this catch limits accessibility and also protects tiny fingers from being pinched if unit is closed accidentally.

*Standard Pack: 6/box*



**S-4441**



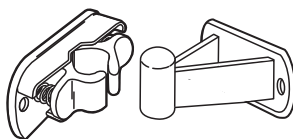
## **S-4441** (White)

### **Door Knob Covers**

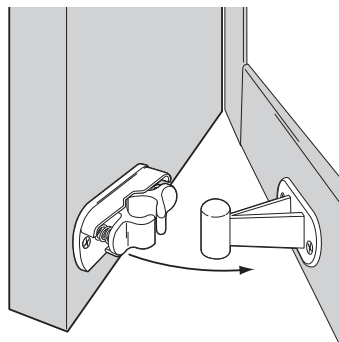
**Contents:** 2 knob covers.

**Description:** **Plastic covers** may be applied over most door knobs to keep toddlers from gaining entry to off-limit areas.

*Standard Pack: 6/box*



**S-4448**



## **S-4448** (Ivory)

### **Super Grip Door Holder**

**Contents:** 1 clasp; 1 door stop and installation screws.

**Description:** **Plastic door clasp and stop** holds door firmly to wall and eliminates unwanted door movement.

*Standard Pack: 6/box*

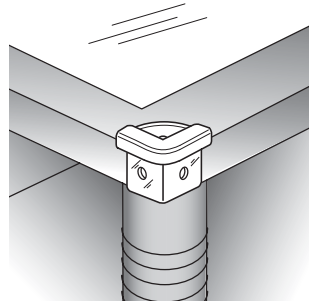
**S-4445** (Clear)

## Corner Cushions

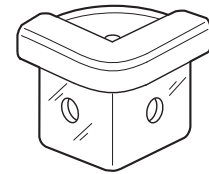
**Contents:** 4 corner cushions.

**Description:** Plastic cushions, when applied to sharp corners on furniture, can assist in deterring serious injury to small children; NO TOOLS REQUIRED; self adhesive pads facilitate easy installation.

*Standard Pack: 6/box*



**S-4445**



**S-4443** (White)

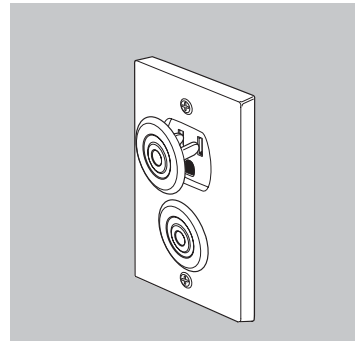
**S-4460** (Clear)

## Shock Guards

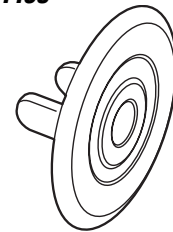
**Contents:** 12 guards.

**Description:** No tools required; plastic guards protect tiny fingers or prying objects from causing electrical shock.

*Standard Pack: 6/box*



**S-4443**  
**S-4460**



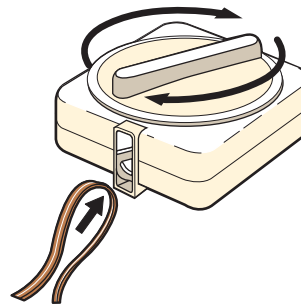
**S-4446** (Ivory)

## Electrical Cord Shortener

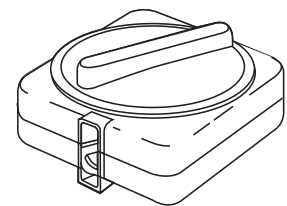
**Contents:** 1 cord shortener.

**Description:** Plastic mechanism aids in reducing the chance of tripping over cords by reeling-in excess length.

*Standard Pack: 6/box*



**S-4446**



**S-4447** (Ivory)

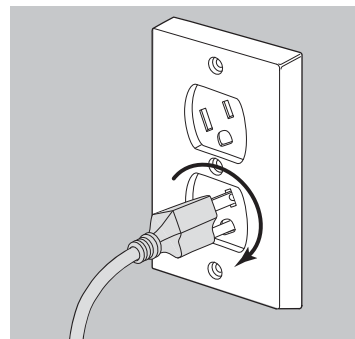
**S-4461** (White)

## Swivel Outlet Cover

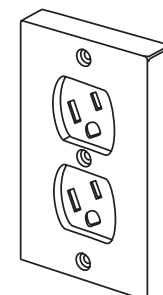
**Contents:** 1 cover.

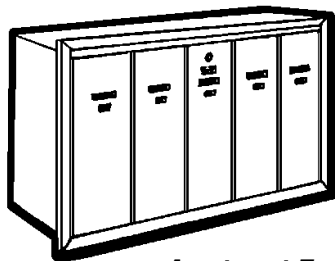
**Description:** Plastic cover assembly protects tiny fingers or prying objects from causing electrical shock; replaces existing outlet cover and spring loaded plug covers do the rest.

*Standard Pack: 6/box*

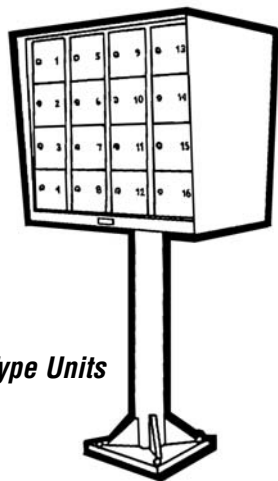


**S-4447**  
**S-4461**

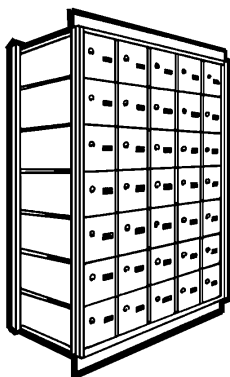




*Apartment-Type Units*



*Cluster-Type Units*



*Commercial Multi-Units*

Part Number	Replacement For This Manufacturer	Finish	Direction of Turn To Open*	Locked Cam Position
<b>S-4048**</b>	1/4" Bolt	Brass	—	—
<b>S-4055</b>	Permabilt	Brass	<b>90° CCW</b>	<b>Left</b>
<b>S-4086**</b>	1/2" Bolt	Brass	—	—
<b>S-4125</b>	Bommer	Nickel	<b>90° CCW</b>	<b>Left</b>
<b>S-4126</b>	Bommer	Nickel	<b>90° CCW</b>	<b>Up</b>
<b>S-4127</b>	Bommer	Nickel	<b>90° CCW</b>	<b>Down</b>
<b>S-4128</b>	Auth Electric	Nickel	<b>90° CCW</b>	<b>Left</b>
<b>S-4129</b>	American Device	Nickel	<b>90° CCW</b>	<b>Left</b>
<b>S-4130</b>	Florence	Nickel	<b>90° CW</b>	<b>Up</b>
<b>S-4131</b>	S.H. Couch	Nickel	<b>90° CW</b>	<b>Up</b>
<b>S-4132</b>	Nutone	Nickel	<b>90° CCW</b>	<b>Left</b>
<b>S-4133</b>	Cutler	Nickel	<b>90° CCW</b>	<b>Left</b>
<b>S-4134</b>	Miami Carey	Nickel	<b>90° CCW</b>	<b>Up</b>
<b>S-4136</b>	Dura-Steel	Nickel	<b>90° CW</b>	<b>Down</b>
<b>S-4137</b>	Jensen General	Nickel	<b>90° CCW</b>	<b>Left</b>
<b>S-4138</b>	Bommer Hook	Nickel	<b>90° CCW</b>	<b>Left</b>
<b>S-4297</b>	Bommer	Nickel	<b>90° CCW</b>	<b>Left</b>
<b>S-4299</b>	Cutler Federal	Nickel	<b>90° CCW</b>	<b>Left</b>
<b>S-4499</b>	Florence	Nickel	<b>90° CCW</b>	<b>Up</b>

\* CCW-Counter Clockwise CW-Clockwise

**Mail Box Lock**

**Contents:** 1- 5 pin cylinder; 1 clip; 1 cam and 2 keys.

**Description:** Diecast cylinder with plated face; replaces original equipment manufacturers product.

\*\* Plated stamped steel mechanism with throw-bolt and screws.

*Standard Pack: 6/box*

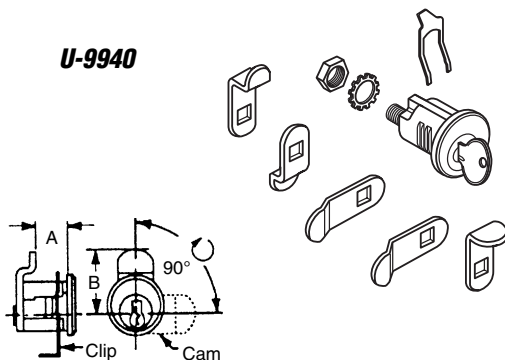
**U-9940** (Brass finish)

**Mail Box Lock**

**Contents:** 1- 5 pin cylinder; 1 clip; 5 cams and 2 keys.

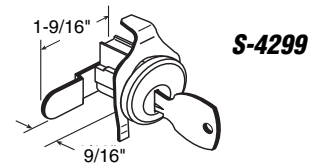
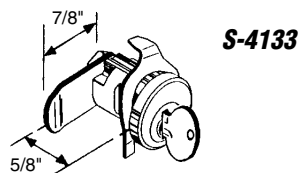
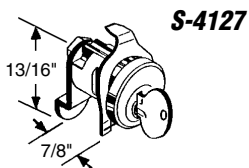
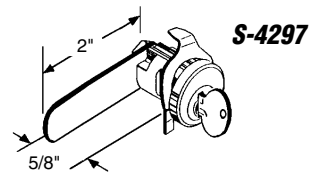
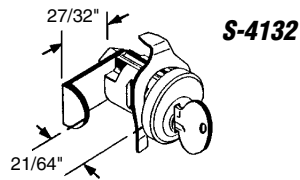
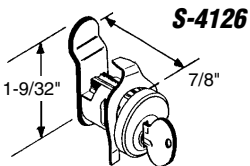
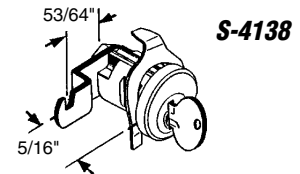
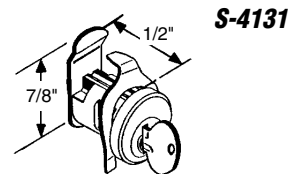
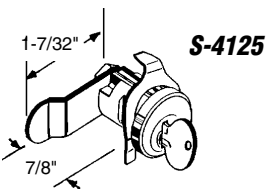
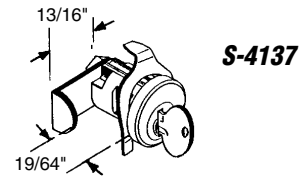
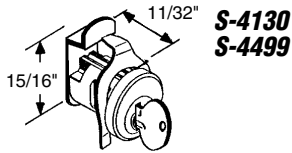
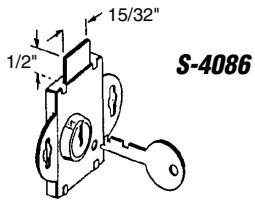
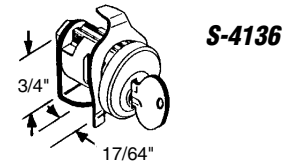
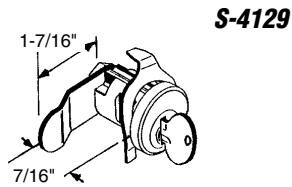
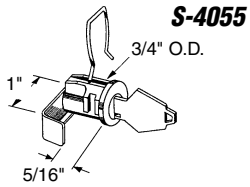
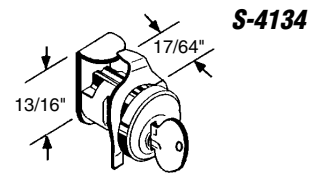
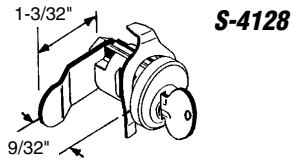
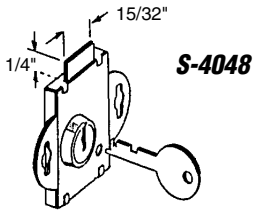
**Description:** Multi-purpose lock.

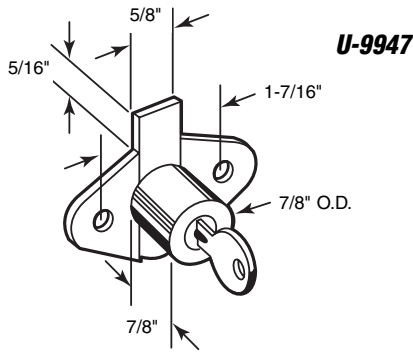
**U-9940**



Replaces	Dimensions		Turn To Open	Locked Position
	A	B		
American Device	7/16"	1-7/16"	90° CCW	Left
Florence	11/32"	15/16"	90° CCW	Up
Miami-Carey	5/16"	13/16"	90° CCW	Up
Bommer	7/8"	1-7/32"	90° CCW	Down
Auth	9/32"	1-3/32"	90° CCW	Left

*Standard Pack: 6/box*





**U-9947**

**U-9947** (Brass finish)

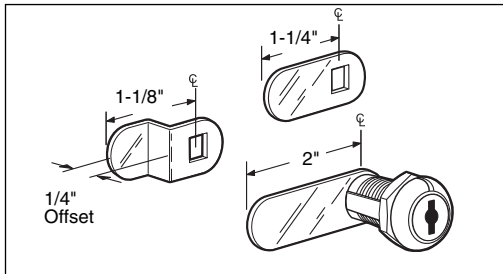
**Drawer & Cabinet Lock**

**Contents:** 1 lock; 2 keys and installation screws.

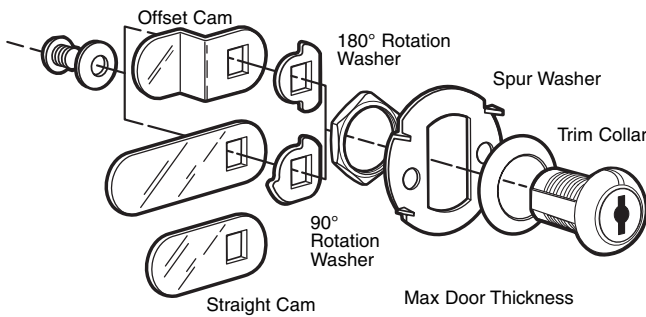
**Description:** Brass-plated diecast housing; keyed locking unit; fits a 7/8" hole; 5/16" bolt throw.

*Standard Pack: 6/box*

**Cam Dimensions:**



- U-9941**
- U-9942**
- U-9943**
- U-9944**
- U-9945**
- U-9946**



**U-9941** (Chrome finish - max door thickness 5/16")

**U-9942** (Brass finish - max door thickness 5/16")

**U-9943** (Chrome finish - max door thickness 9/16")

**U-9944** (Brass finish - max door thickness 9/16")

**U-9945** (Chrome finish - max door thickness 13/16")

**U-9946** (Brass finish - max door thickness 13/16")

**Drawer & Cabinet Lock**

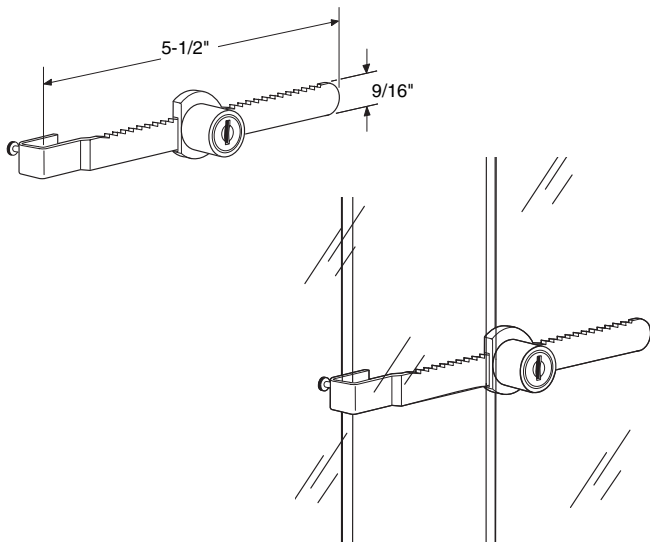
**Contents:** 1 lock; 2 cams; 1 trim collar; 1 spur washer; 2 rotation washers; 1 lock nut and 2 keys.

**Description:** Plated diecast housing and steel cams can be mounted to metal or wood door/drawer from 1/4" to 3/4" thick; keyed locking for maximum security.

*Standard Pack: 6/box*

**Keyed Alike (in bulk):** Change "U" in part no. to CCEP and add KA, i.e. CCEP-9941KA; **standard pack is 20** per box.

**U-9949**



**U-9949** (Chrome finish)

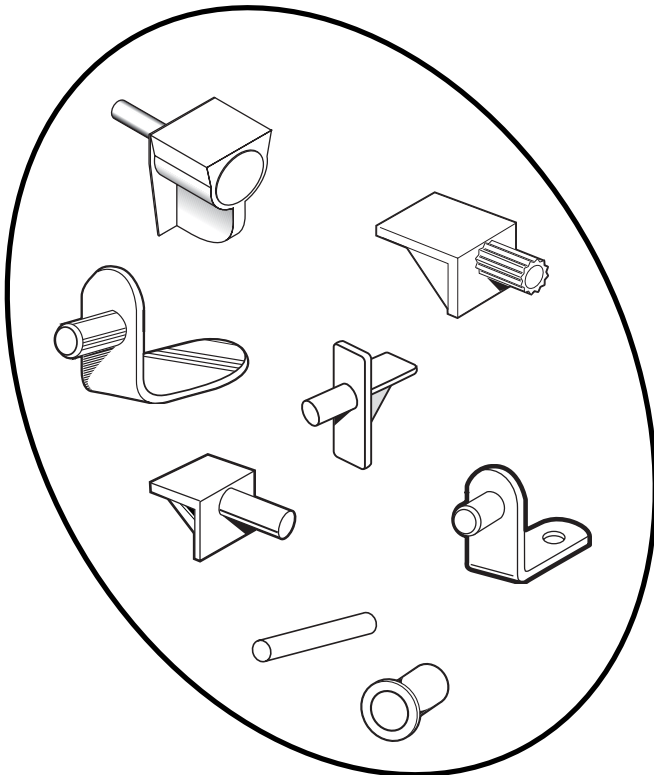
**Showcase Window Key Lock**

**Contents:** 1 lock; 2 keys; 1 adjustable bar.

**Description:** Chrome-plated steel showcase and pass-thru window lock; fits up to 5/16" thick glass; adjustable lock allows for various closing alignments; easy to install.

*Standard Pack: 6/box*

*The following pages include a comprehensive selection of shelf peg styles, colors, finishes and peg diameters.*



**Actual Peg Diameter**

- 3 mm (1/8" approx)
- 4 mm (5/32" approx)
- 5 mm (3/16" approx)
- 1/4"
- 7 mm (9/32" approx)

**Shelf Support Pegs (Metal)**

Contents: 8 pegs.

Peg Diameter	Finish (Part Number)		
	Brass	Nickel	Black
4 mm	243380	243381	---
5 mm	243388	242158	243389
1/4"	241940*	243363*	243396
7 mm	243393	243395	243394

**Description:** Spoon style support pegs frequently used in stereo and storage cabinets with glass shelving.

\*Econo-pack availability: Call for pack quantities.

**241942** (Brass finish)\*  
**241965** (Nickel finish)\*

**Shelf Support Pegs (Metal)**

Contents: 8 pegs.

**Description:** 5mm diameter peg; screw slot allows shelf to be fastened to peg; frequently used for heavily loaded shelves.

\*Econo-pack availability: Call for pack quantities.

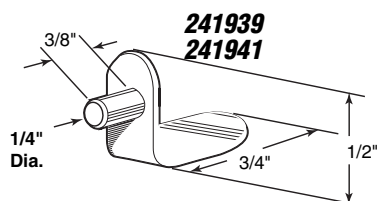
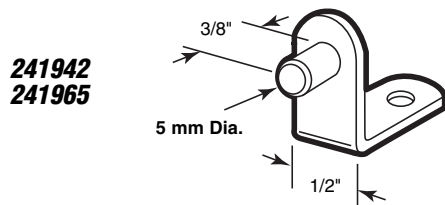
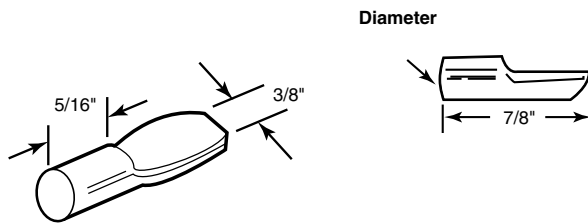
**241939** (Brass finish)\*  
**241941** (Nickel finish)\*

**Shelf Support Peg (Metal)**

Contents: 8 pegs.

**Description:** 1/4" diameter peg; used in stereo and storage cabinets.

\*Econo-pack availability: Call for pack quantities.



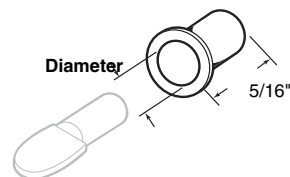


## Peg Grommet (Steel)

Contents: 12 pegs.

Peg Diameter	Finish (Part Number)		
	Brass	Black	Nickel
5 mm	243400	243401	243402
1/4"	243397	243398	243399
7 mm	243403	243404	243405

**Description:** Plated steel grommets provide extra strength to shelf support pegs.



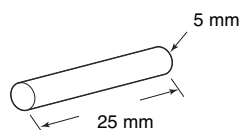
**243391** (Brass finish)

**243392** (Nickel finish)

## Shelf Support Peg (Steel)

Contents: 12 pegs.

**Description:** Steel support peg; may be used with peg grommets.



**243391**  
**243392**

**243378** (Nickel finish)\*

**243379** (Brass finish)\*

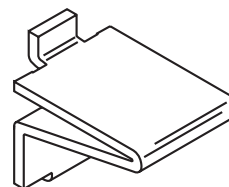
## Shelf Bracket (Steel)

Contents: 12 brackets.

**Description:** Metal brackets fits *Knape & Vogt* and other shelf support systems; designed for use with pilaster style standards.

\*Econo-pack availability: Call for pack quantities.

**243378**  
**243379**

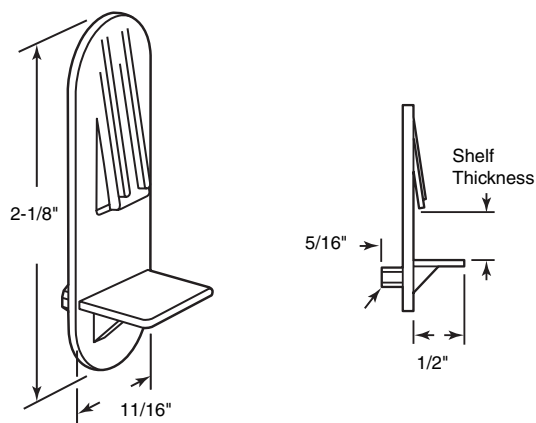


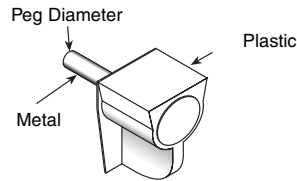
## Shelf Support Peg (Plastic)

Contents: 6 pegs.

Peg Diameter	Shelf Thickness	Color	Part No.
5 mm	1/2"	Black	243413
5 mm	1/2"	Clear	243414
5 mm	5/8"	Brown	243417
5 mm	5/8"	Clear	243418
5 mm	3/4"	Brown	243421
5 mm	3/4"	Clear	243422
1/4"	1/2"	Brown	243415
1/4"	1/2"	Clear	243416
1/4"	5/8"	Brown	243419
1/4"	5/8"	Clear	243420
1/4"	3/4"	Brown	243355
1/4"	3/4"	Clear	243423

**Description:** Self-locking shelf supports hold wood shelving securely in place.





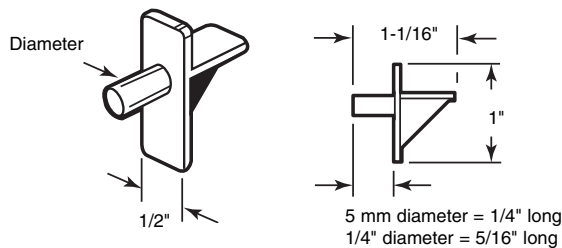
**Shelf Support Peg** (Plastic with steel peg)

Contents: 8 pegs.

Peg Diameter	Color (Part Number)		
	Clear	Brown	White
3 mm	242159	243382	243383
5 mm	243377*	243373	241943*

**Description:** Plastic shelf support with steel peg provides added strength.

\*Econo-pack availability: Call for pack quantities.



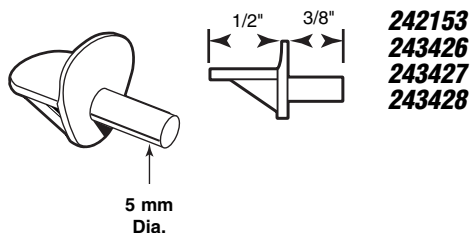
**Shelf Support Pegs** (Plastic)

Contents: 12 pegs.

Peg Diameter	Color (Part Number)				
	Brown	Clear	White	Almond	Beige
5 mm	243406	243409	243408	243407	---
1/4"	241945*	241946*	242400*	241966*	242157

**Description:** Plastic construction; used to mount shelving in cabinets and storage compartments.

\*Econo-pack availability: Call for pack quantities.

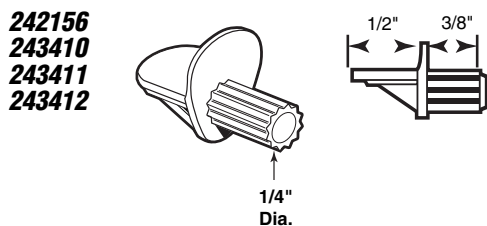


- 242153** (Clear)
- 243426** (Brown)
- 243427** (White)
- 243428** (Almond)

**"Mini" Shelf Support Peg** (Plastic)

Contents: 12 pegs.

**Description:** "Mini" style shelf support pegs frequently used in stereo and display cabinets.



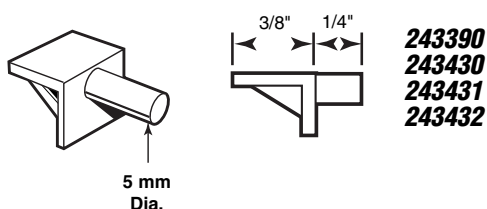
- 242156** (Clear)\*
- 243410** (Brown)
- 243411** (Almond)
- 243412** (White)

**"Mini" Shelf Support Peg** (Plastic)

Contents: 12 pegs.

**Description:** "Mini" style shelf support pegs frequently used in stereo and display cabinets.

\*Econo-pack availability: Call for pack quantities.



- 243390** (White)
- 243430** (Brown)
- 243431** (Clear)
- 243432** (Almond)

**"Mini" Shelf Support Peg** (Plastic)

Contents: 12 pegs.

**Description:** "Mini" style shelf support pegs frequently used in stereo and display cabinets.

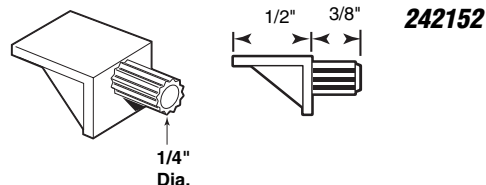
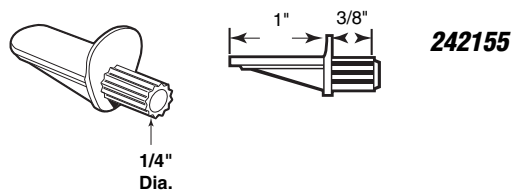
**242155**  
**242152\***

## Shelf Support Pegs (Plastic)

**Contents:** 12 pegs.

**Description:** Clear plastic pegs; used to support cabinet shelves.

\*Econo-pack availability: Call for pack quantities.



## Shelf Peg Hole Plugs

**Contents:** 48 plugs.

### Color (Part Number)

Hole Size	White	Beige	Brown
5 mm	243452	243453	243454
1/4"	243455	243456	243457

**Description:** Plastic plugs; used to plug 5 mm and 1/4" shelf peg holes in cabinetry, where a finished look is desirable; colors blend with a variety of finishes.



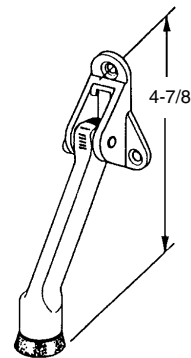
**243366** (Brass finish)  
**243365** (Bronze finish)  
**243364** (Chrome finish)

## Door Holder

**Contents:** 1 holder; 1 set of installation screws.

**Description:** Zinc diecast holder with rubber tip; spring loaded to hold in "up" position; good for commercial applications.

**243366**  
**243365**  
**243364**

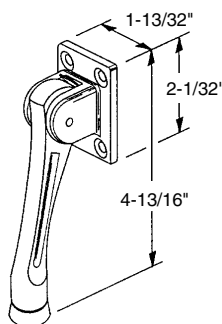


**243525** (Brass finish)  
**243524** (Bronze finish)  
**243367** (Chrome finish)

## Door Holder

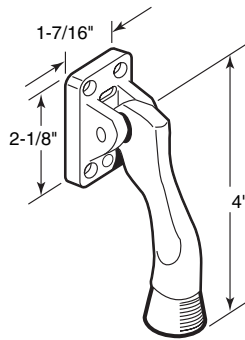
**Contents:** 1 holder; 1 set of installation screws.

**Description:** Heavy duty diecast stop with rubber tip; 4 hole mounting; spring loaded; for commercial and residential applications.



**243525**  
**243524**  
**243367**

**242401**  
**242402**



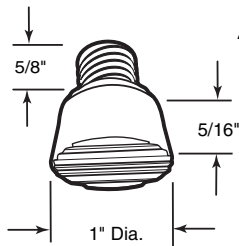
**242401** (Aluminum finish)  
**242402** (Bronze finish)

**Door Holder**

**Contents:** 1 holder; 1 set of installation screws.

**Description:** Heavy **cast iron**; **spring loaded** holder with 4 hole mounting; **rubber tip**; for commercial use.

**243368**

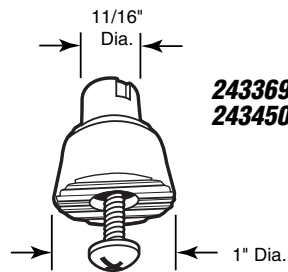


**243368** (Black twist-in)  
**243369** (Black with screw)  
**243450** (White with screw)

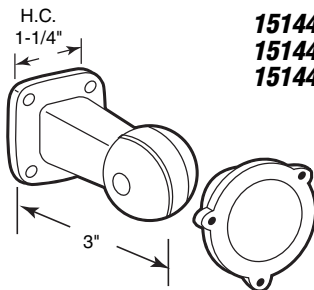
**Door Holder Tip**

**Contents:** 2 rubber tips.

**Description:** Replaces worn out tips on drop down door holders.



**151441**  
**151442**  
**151440**



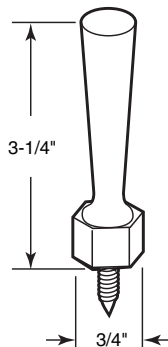
**151441** (Ivory)  
**151442** (Brown)  
**151440** (White)

**Magnetic Door Holder**

**Contents:** 1 holder; 1 retainer; 1 set of installation screws.

**Description:** **Plastic** housing with **magnetic insert**; may be wall or floor mounted; spring loaded retainer mounts to door.

**243361**  
**243362**  
**243371**



**243361** (Ivory)  
**243362** (Brown)  
**243371** (White)

**Door Stop**

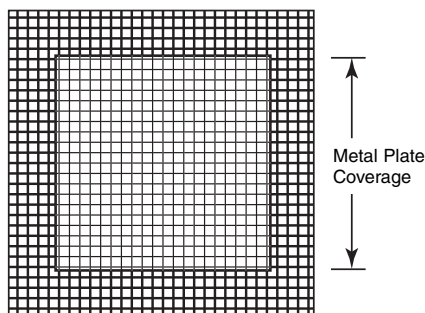
**Contents:** 3 door stops.

**Description:** Flexible **vinyl** stop with **steel screw insert**; prevents door handle from hitting wall. This unique one-piece construction is commonly used where children or infants play; proven to be much safer than standard spring actuated stops with plastic tips.

## "Patch-It" Drywall Repair

Part no.	Coverage	Contents
U-9313	2" x 2"	1 pc.
U-9282	4" x 4"	1 pc.
U-9283	6" x 6"	1 pc.
U-9284	8" x 8"	1 pc.

**Description:** Metal plate filler; rust proof; self-adhesive; fiberglass mesh surface improves plaster adhesion; used to repair holes in drywall.

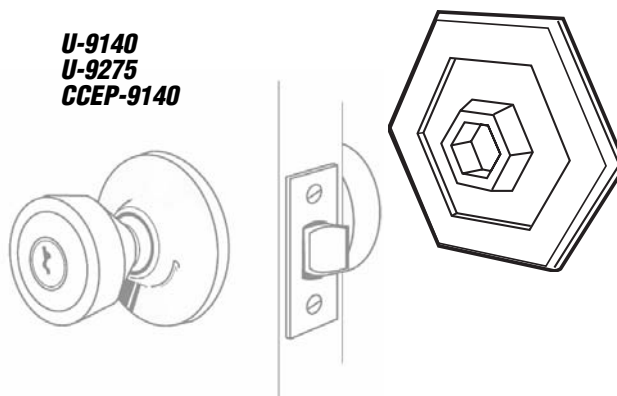


**U-9140** (Ivory)  
**U-9275** (White)  
**CCEP-9140** (Ivory - bulk: 40 per box)

### Wall Protector (5" hexagon)

**Contents:** 1 shield

**Description:** Flexible vinyl; self-adhesive; paintable; protects interior walls from impact damage by shielding contact point of wall and door knob; repairs damaged walls.



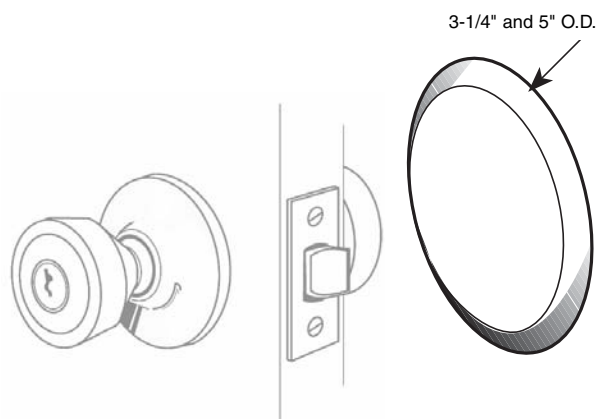
### Wall Protector

**Contents:** 1 shield.

Diameter	Textured Surface		Smooth Surface	
	Ivory	White	Ivory	White
3-1/4"	U-9185*	U-9243	U-9267	U-9270
5"	U-9186*	U-9244	U-9268	U-9271

**Description:** Rigid vinyl; self adhesive; protects interior walls from impact damage by shielding contact point of wall and door knob; repairs damaged walls.

\*Bulk: CCEP-9185 - 100 per box.  
 CCEP-9186 - 50 per box.

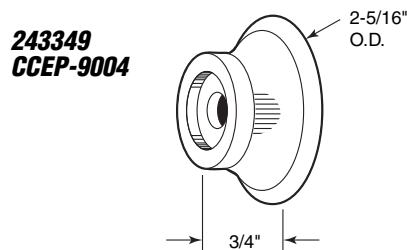


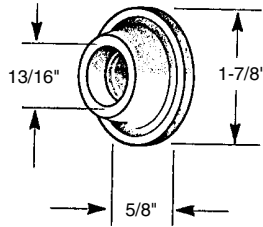
**243349** (Clear - carded)  
**CCEP-9004** (Clear - bulk - 40 per box)

### Door Bumper

**Contents:** 2 door stops; 2 no. 6 x 1-1/4" Phillips pan head sheet metal screws; 2 no. 6 x 1" plastic anchors.

**Description:** Clear soft vinyl; protects against marred walls; absorbs impact of door knob at contact point with wall; easily detached from wall by removing screw. Clear plastic construction is unassuming and allows paint colors or wall paper design to show through.





**243351**  
**243352**

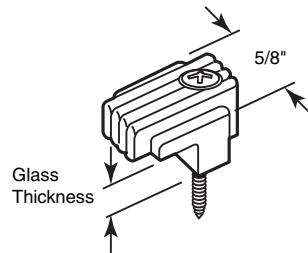
**243351** (White)  
**243352** (Gray)

**Door Bumper**

**Contents:** 2 bumpers.

**Description:** Solid rubber; concave center; self-adhesive; absorbs impact of door knob at contact point with wall.

**221501**  
**223018**  
**221502**  
**223019**  
**CCEP-9003**  
**CCSC-9003**

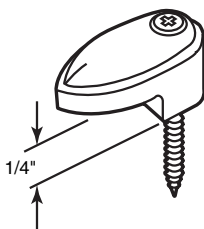


**221501** (1/8" glass - 4 per card)  
**223018** (1/8" glass - 6 per card)  
**221502** (1/4" glass - 4 per card)  
**223019** (1/4" glass - 6 per card)  
**CCEP-9003** (1/4" glass - bulk - 6 per bag - 100 bags/box)  
**CCSC-9003** (1/4" glass - bulk - 6 per bag - 50 bags/box)

**Mirror Clip**

**Contents:** 6 clips; 6 no. 6 x 1-1/4" Phillips flat head sheet metal screws; 6 no. 6 x 1" plastic anchors.

**Description:** Clear plastic clips fit 1/8" or 1/4" thick mirror glass; conventional design.



**243359**

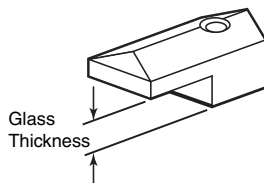
**243359** (1/4" glass)

**Mirror Clip**

**Contents:** 6 clips; 6 no. 6 x 1-1/4" Phillips flat head sheet metal screws; 6 no. 6 x 1" plastic anchors.

**Description:** Clear plastic clips fit 1/4" thick mirror glass; decorator design.

**243372**  
**243374**



**243372** (1/8" glass)  
**243374** (1/4" glass)

**Mirror Clip**

**Contents:** 6 clips; 6 no. 6 x 1-1/4" Phillips flat head sheet metal screws; 6 no. 6 x 1" plastic anchors.

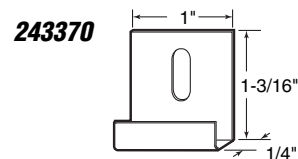
**Description:** Clear plastic clips fit 1/8" or 1/4" thick mirror glass; contemporary design.

**243370** (1/4" glass)

**Mirror Hanger**

**Contents:** 6 hangers; 6 installation screws.

**Description:** Stainless steel hangers; designed to hold mirror securely to wall; use at top and bottom of mirror; slot allows 1/2" of adjustment for ease of installation.

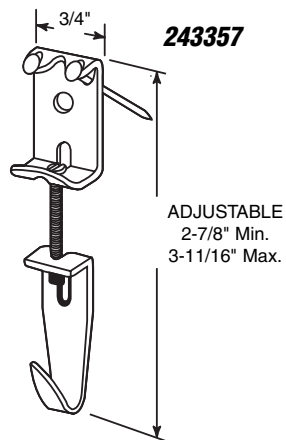


**243357**

**Picture and Mirror Hanger Assembly**

**Contents:** 2 hangers; 4 nails.

**Description:** Heavy duty steel hanger assembly consists of 1 fixed bracket and 1 adjustable bracket; allows 1" of vertical adjustment.

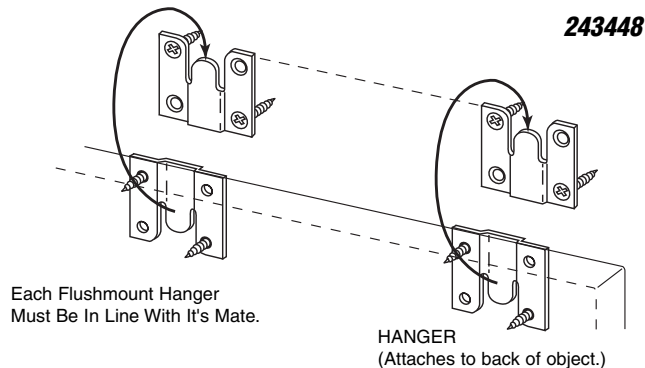


**243448**

**Picture and Mirror Hanger Assembly**

**Contents:** 2 sets; 2 sets of installation screws.

**Description:** Steel hangers designed for flush mount applications; each pair consists of one wall bracket and one frame bracket.



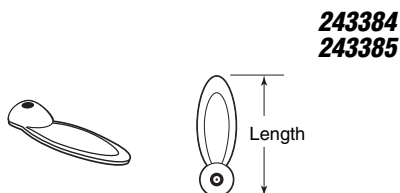
**243384** (3/4" length)

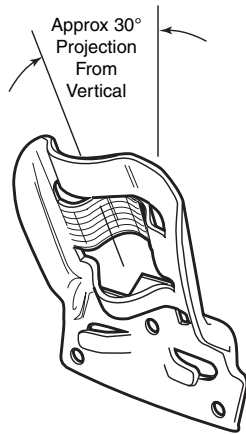
**243385** (1" length)

**Picture Retainer Clips**

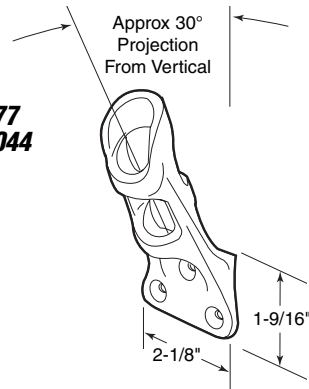
**Contents:** 8 clips with nails.

**Description:** Metal clips installed on back of picture frame; secures matting, art and backing in position.





**U-9377**  
**U-10044**



**Banner and Flag Pole Holders (Steel)**

*Call for Availability*

**Contents:** 1 holder; 1 set of installation screws.

**Finish (Part Number)**

<b>Pole Diameter</b>	<b>Clear Zinc Plated</b>	<b>Brass Plated</b>	<b>White Painted</b>
3/4"	U-9378	U-10042	U-9379
1"	U-10020	U-10043	U-10021

**Description:** Sturdy painted or plated steel construction; weather resistant; 30° projection from vertical.

**U-9377** (Mill finish)

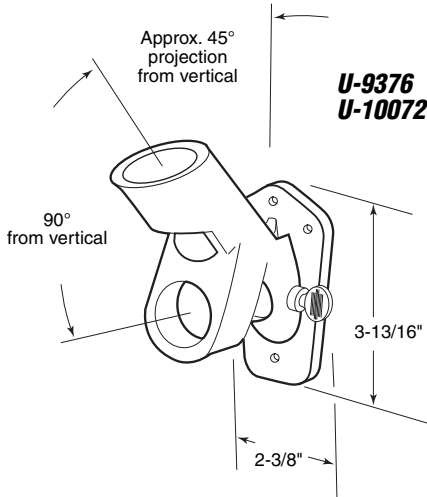
**U-10044** (White painted)

*Call for Availability*

**Flag Pole Holder (Cast aluminum)**

**Contents:** 1 holder; 1 set of installation fasteners.

**Description:** Rustproof; holds poles up to 3/4" diameter; 30° projection from vertical.



**U-9376**  
**U-10072**

**U-9376** (Off-white)

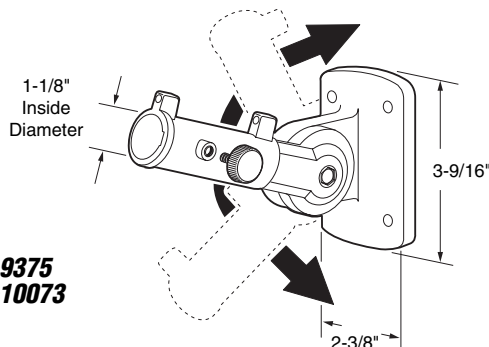
**U-10072** (Brown)

*Call for Availability*

**Banner and Flag Pole Holder (Heavy duty plastic)**

**Contents:** 1 holder with set screws; 1 set of installation fasteners.

**Description:** 45° and 90° projections from vertical; holds poles up to 1-1/8" diameter; thumbscrews secure pole to holder; sturdy support base.



**U-9375**  
**U-10073**

**U-9375** (Off-white)

**U-10073** (Brown)

**Banner and Flag Pole Holder (Deluxe plastic)**

**Contents:** 1 holder with set screws; 1 set of installation fasteners.

**Description:** Fully adjustable angle settings; holds pole up to 1-1/8" diameter and windsock rods up to 1/4" diameter; knurled head thumbscrew secures pole to holder.



**U-9380** (1" pole)

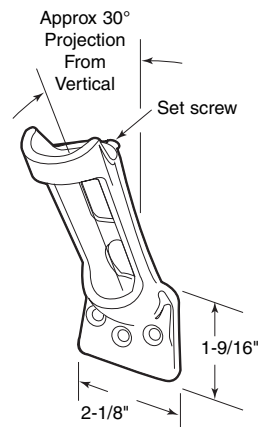
**U-10074** (3/4" pole)

## Flag Pole Holder (Polished brass)

**Contents:** 1 holder; 1 set of installation fasteners.

**Description:** Solid brass; holds 3/4" or 1" diameter poles; supports up to 95 lbs per unit. Very attractive, upscale holder.

**U-9380**  
**U-10074**

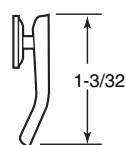
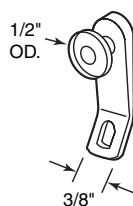


**223050**

## Drapery Track Carrier

**Contents:** 12 carriers.

**Description:** Nylon drapery carrier fits most standard "C" style tracks.



**223050**

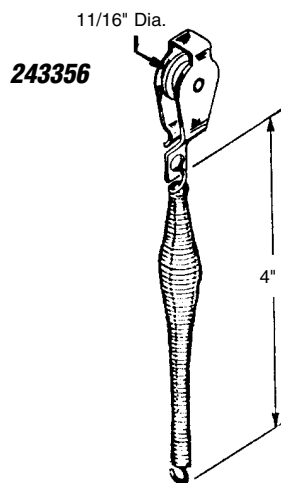
**243356** (Plated steel housing)

**243535** (White plastic housing)

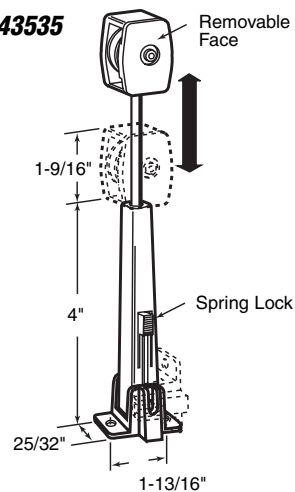
## Drapery Cord Tension Spring & Pulley

**Contents:** 2 pulley assemblies; 2 no. 8 x 1-1/2" Phillips pan head sheet metal screws.

**Description:** Spring loaded assembly; nylon roller; provides proper cord tension.



**243535**



**U-9015** (Ivory Head)

**U-9191** (White Head)

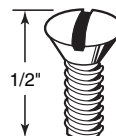
**U-9316** (Nickel Plated)

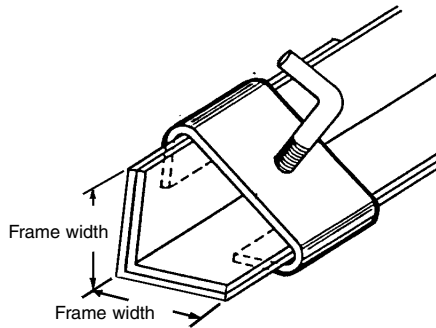
## Cover Plate Screw (No. 6-32 x 1/2")

**Contents:** 100 screws per poly bag.

**Description:** Metal machine screw designed for plug and switch cover plate attachment. Painted screw head surfaces to match cover plates.

**U-9015**  
**U-9191**  
**U-9316**





**241947**  
**U-9013**  
**241948**  
**U-9014**

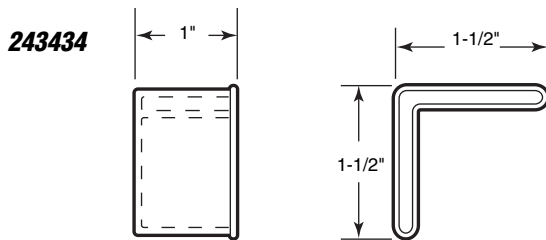
**241947** (1" frame width - carded)  
**U-9013** (1" frame width - bulk)  
**241948** (1-1/4" frame width - carded)  
**U-9014** (1-1/4" frame width - bulk)

**Bed Frame Rail Clamps**

**Contents:** Carded- 2 per package  
 Bulk- 50 pcs. in self-dispensing box.

**Description:** Heavy gauge **steel** bracket; **zinc plated**; used to secure bed frame meeting rails.

You may also wish to stock these related parts: **243434**.



**243434**

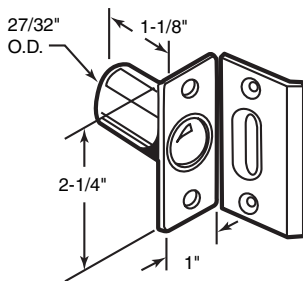
**243434**

**Bed Rail End Cap** (Brown)

**Contents:** 4 end caps.

**Description:** **Plastic** end caps install on end of bed frame rail.

You may also wish to stock these related parts: **241947**; **241948**.



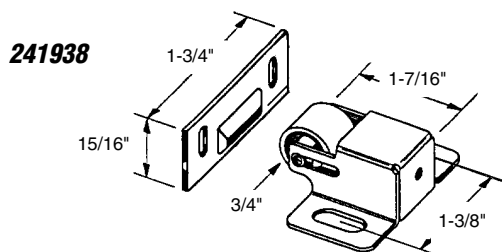
**241862**

**241862** (Brass finish)

**Bullet Catch**

**Contents:** 1 catch; 1 strike; 1 set of installation screws.

**Description:** Heavy duty **plated diecast** bullet catch with **plated steel** strike; designed for use on interior closet and utility doors.



**241938**

**241938** (Brass finish)

**Roller Catch**

**Contents:** 1 catch; 1 strike; 1 set of installation screws.

**Description:** **Plated steel** housing and strike; spring loaded **nylon roller**; designed for use on interior closet and cabinet doors.

## House Numbers (4-1/4")

**Contents:** 10 numbers with nails (Bulk Pack).

Number	Finish (Part Number)	
	Black	Brass
0	S-4110	S-4280
1	S-4111	S-4281
2	S-4112	S-4282
3	S-4113	S-4283
4	S-4114	S-4284
5	S-4115	S-4285
6	S-4116	S-4286
7	S-4117	S-4287
8	S-4118	S-4288
9	S-4119	S-4289

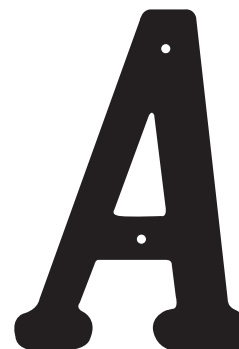
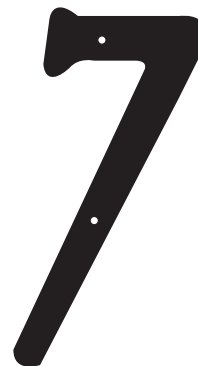
**Description:** Painted and plated diecast construction; corrosion resistant; 4-1/4" tall for easy visibility. Each number is individually poly-bagged.

## House Letters (4-1/4")

**Contents:** 10 letters with nails (Bulk Pack).

Letter	Finish (Part Number)	
	Black	Brass
A	S-4106	S-4292
B	S-4107	S-4293
C	S-4108	S-4294
D	S-4109	S-4295
E	S-4291	S-4296
F	S-4248	S-4252

**Description:** Painted and plated diecast construction; corrosion resistant; 4-1/4" tall for easy visibility. Each letter is individually poly-bagged.

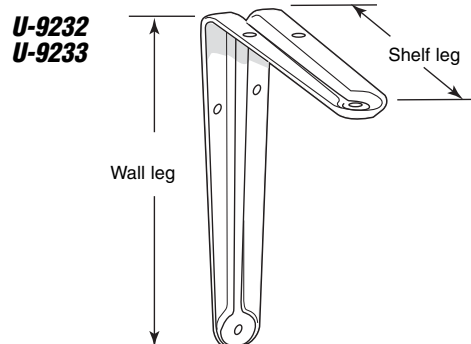


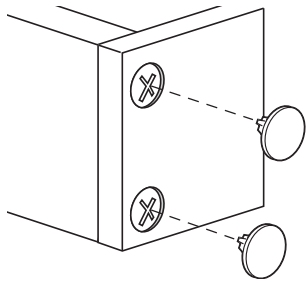
**U-9232** (6" shelf leg x 8" wall leg)  
**U-9233** (10" shelf leg x 12" wall leg)

## Shelf Bracket

**Contents:** 10 brackets (Bulk).

**Description:** Painted gray steel shelf bracket can be used as a support or brace for various 6" and 10" shelving applications.





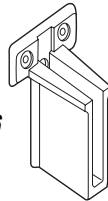
**U-10036**  
**U-10037**  
**U-10038**

**U-10036** (White)  
**U-10037** (Beige)  
**U-10038** (Brown)

**Screw Caps**

**Contents:** 24 caps.

**Description:** Plastic caps press into drywall screw heads to offer a finished appearance to many homeowner projects.



**N-7016**

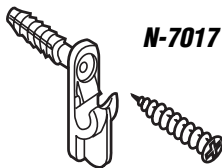
**N-7016**

**Wire Shelf End Bracket**

**Contents:** 2 brackets.

**Description:** Plastic brackets used to attach wire shelving to side walls.

You may wish to stock these related parts: **N-7017, N-7018, N-7019, N-7020.**



**N-7017**

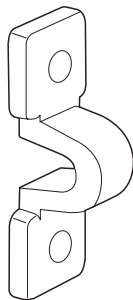
**N-7017**

**Wire Shelf Wall Clip**

**Contents:** 4 clips with screws.

**Description:** Plastic clip with built in anchor; used to secure back edge of wire rack to wall; use one clip every 12" inches.

You may wish to stock these related parts: **N-7016, N-7018, N-7019, N-7020.**



**N-7018**

**N-7018**

**Wire Shelf Loop Clip**

**Contents:** 4 clips with screws.

**Description:** Plastic clip used to clamp rear cross wire of shelf into wall stud for additional support.

You may wish to stock these related parts: **N-7016, N-7017, N-7019, N-7020.**



**N-7019**

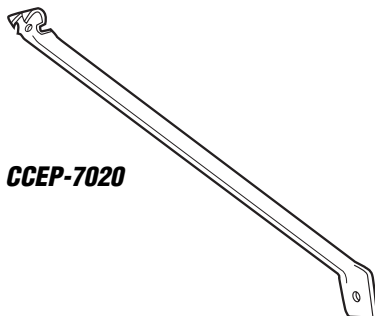
**N-7019**

**Wire Shelf End Cap**

**Contents:** 12 caps.

**Description:** Plastic end caps fit 5/16" wire; used to cap ends of cross wires on wire shelving; protects against sharp edges.

You may wish to stock these related parts: **N-7016, N-7017, N-7018, N-7020.**



**CCEP-7020**

**CCEP-7020**

**Wire Shelf Support Bracket** (Bulk)

**Contents:** (10) 12" brackets.

**Description:** Powder coated steel bracket; supports wire shelving.

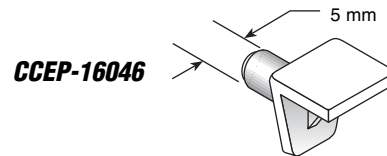
You may wish to stock these related parts: **N-7016, N-7017, N-7018, N-7019.**

## CCEP-16046 (White)

### Shelf Peg (5 mm)

**Contents:** 12 pegs/bag (50 bags/display box).

**Description:** Plastic shelf pegs with 5 mm (3/16") diameter peg; fits many K.D. style cabinets.

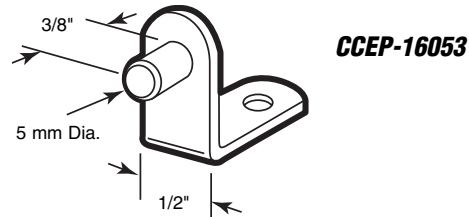


## CCEP-16053 (Nickel plated)

### Shelf Peg (5 mm)

**Contents:** 4 pegs/bag (50 bags/display box).

**Description:** Plated steel pegs with 5 mm (3/16") diameter peg; fits many K.D. style cabinets.



## CCEP-16051 (White)

### Hole Cap (5 mm)

**Contents:** 48/bag (50 bags/display box).

**Description:** Plastic hole caps neatly plug unused peg holes in many K.D. style cabinets; use in 5 mm (3/16") peg holes.

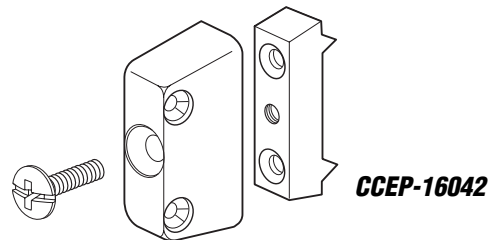


## CCEP-16042 (White)

### Corner Connectors

**Contents:** 4 connectors and (16) #6 x 1" Phillips flat head sheet metal screws (25 bags/display box).

**Description:** 2 piece plastic corner connectors simplify assembly of K.D. cabinet walls with strong overlap construction.

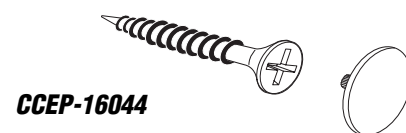


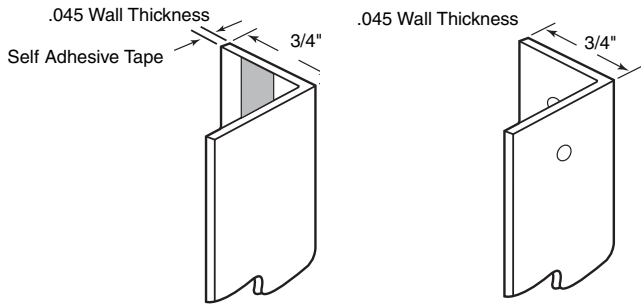
## CCEP-16044

### Screw and Cap

**Contents:** (12) #7 x 1-1/2" Phillips head fine drywall screws and 12 caps per bag (50 bags/display box).

**Description:** White plastic caps press into Phillips style screw heads to offer finished look; fits many K.D. style cabinet applications.





**Corner Shields (3/4" x 3/4")**

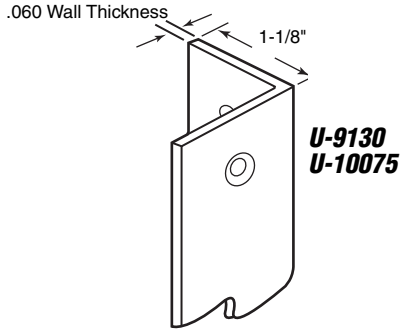
**Contents:** 1 piece; 1 set of drive nails or self adhesive backed.

**Color (Part Number)**

Length	Clear		White	
	w/holes	w/tape	w/holes	w/tape
48"	U-9129	U-10081	U-10084	U-10066
96"	U-10082	U-10083	U-10085	U-10086

**Description:** Extruded vinyl shield; used for protecting or repairing wall corners from chipped paint, torn wallpaper or fingerprints.

**Note:** Minimum order - 12 pieces.



**U-9130** (48" long - with holes)

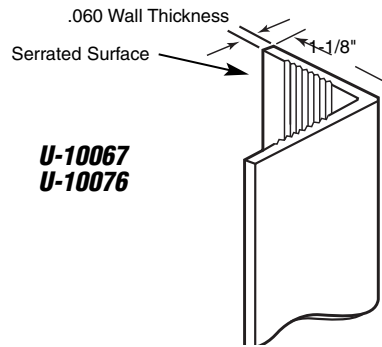
**U-10075** (96" long - with holes)

**Corner Shields (1-1/8" x 1-1/8")**

**Contents:** 1 length; 1 set of #6 x 1" Phillips oval head sheet metal screws.

**Description:** Clear vinyl shield; pre-drilled with countersunk holes; used for protecting or repairing wall corners from chipped paint, torn wallpaper or fingerprints.

**Note:** Minimum order - 12 pieces.



**U-10067** (48" long - no holes)

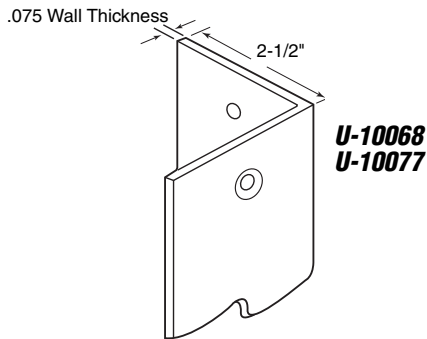
**U-10076** (96" long - no holes)

**Corner Shields (1-1/8" x 1-1/8")**

**Contents:** 1 length.

**Description:** White vinyl shield; embossed serration on interior surface; apply latex silicon sealant to serrated surface and press on to corner; used for protecting or repairing wall corners from chipped paint, torn wallpaper or fingerprints.

**Note:** Minimum order - 12 pieces.



**U-10068** (48" long - with holes)

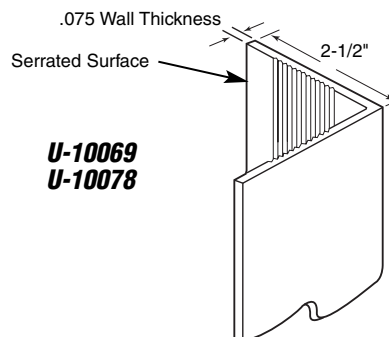
**U-10077** (96" long - with holes)

**Corner Shields (2-1/2" x 2-1/2")**

**Contents:** 1 length; 1 set of #6 x 1" Phillips oval head sheet metal screws.

**Description:** Clear vinyl shield; pre-drilled with countersunk holes; used for protecting or repairing wall corners from chipped paint, torn wallpaper or fingerprints.

**Note:** Minimum order - 6 pieces.



**U-10069** (48" long - no holes)

**U-10078** (96" long - no holes)

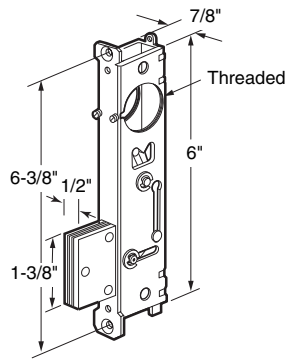
**Corner Shields (2-1/2" x 2-1/2")**

**Contents:** 1 length.

**Description:** White vinyl shield; embossed serration on interior surface; apply latex silicon sealant to serrated surface and press on to corner; used for protecting or repairing wall corners from chipped paint, torn wallpaper or fingerprints.

**Note:** Minimum order - 6 pieces.

**J-4500  
J-4501  
J-4502**



**J-4500** (27/32" backset)  
**J-4501** (1" backset)  
**J-4502** (1-1/8" backset)

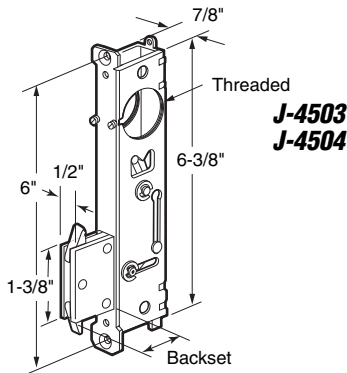
*Call for  
Availability*

**Deadbolt Lock**

**Contents:** 1 deadbolt lock; 1 set of installation screws.

**Description:** **Steel housing;** single-point deadbolt lock for pivoting doors; **laminated steel bolt.**

**Part no. J-4567** Faceplate (Aluminum finish)  
**J-4568** Faceplate (Brass finish)



**J-4503  
J-4504**

**J-4503** (31/32" backset)  
**J-4504** (1-1/8" backset)

*Call for  
Availability*

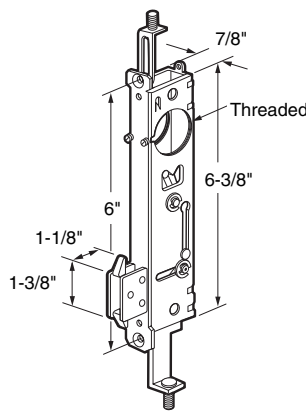
**Deadbolt Lock**

**Contents:** 1 deadbolt lock; 1 set of installation screws.

**Description:** **Steel housing;** single-point deadbolt lock for pivoting or sliding doors; has anti-jimmy bolt with two secondary expanding bolts. Used to replace **W&F series 6000**, or comparable locks.

**Part No. J-4567** Faceplate (Aluminum finish)  
**J-4568** Faceplate (Brass finish)

**J-4507  
J-4509**



**J-4507** (31/32" backset)  
**J-4509** (1-1/8" backset)

*Call for  
Availability*

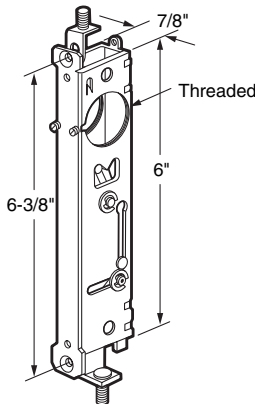
**Deadbolt Lock**

**Contents:** 1 deadbolt lock; 1 set of installation screws.

**Description:** **Steel housing;** three-point deadbolt lock for pivoting or sliding doors; locks at jamb, header and threshold; anti-jimmy type bolt has **hardened steel plates** and expanding secondary bolts. Used to replace **W&F series 6000**, or comparable locks.

**Part no: J-4567** Faceplate (Aluminum finish)  
**J-4568** Faceplate (Brass finish)

**J-4505**



**J-4505**

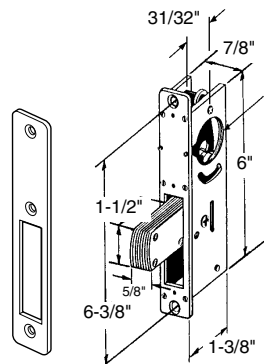
*Call for  
Availability*

**Deadbolt Lock**

**Contents:** 1 deadbolt lock; 1 set of installation screws.

**Description:** **Steel housing;** two-point deadbolt lock for pivoting or sliding doors; locks at header and threshold.

**J-4524  
J-4525**



**J-4524** (Aluminum)  
**J-4525** (Bronze)

**Deadbolt Lock** (31/32" backset)

**Contents:** 1 deadbolt lock **with face plate;** 1 set of installation screws.

**Description:** **Steel housing;** **laminated steel bolt,** activated by a pivot mechanism, provides maximum security for any single door; **aluminum** faceplate.

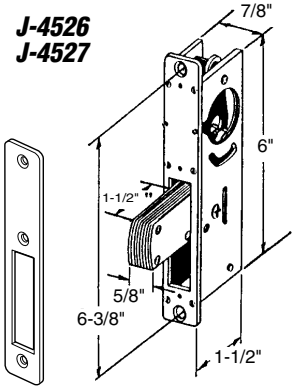
**J-4526** (Aluminum)  
**J-4527** (Bronze)

## Deadbolt Lock (1-1/8" backset)

**Contents:** 1 deadbolt lock **with faceplate**; 1 set of installation screws.

**Description:** **Steel housing; laminated steel bolt**, activated by a pivot mechanism, provides maximum security for any single door; **anodized aluminum** faceplate.

You may also wish to stock these related parts: **J-4512 thru J-4515**.



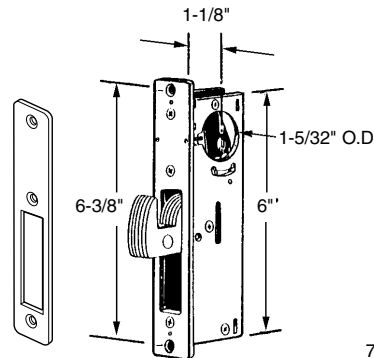
**J-4558** (Aluminum)  
**J-4559** (Bronze)

## Mortise Deadlock (1-1/8" backset)

**Contents:** 1 mortise deadlock **with faceplate**; 1 set of installation screws.

**Description:** **Steel construction** swing hook lock for commercial use; for sliding store front doors; **anodized aluminum** faceplate.

You may wish to stock these related parts: **J-4560, J-4561, J-4562, J-4563**.



**J-4558**  
**J-4559**

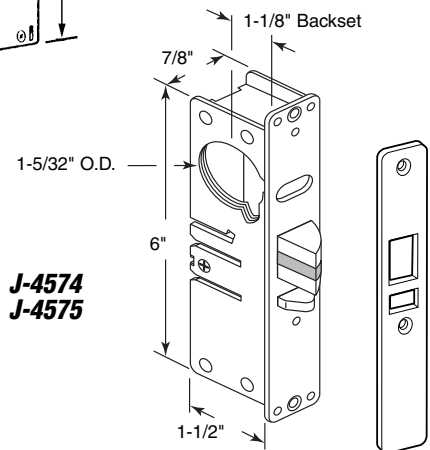
**J-4574** (Aluminum)  
**J-4575** (Bronze)

## Exit Door Deadlatch (1-1/8" backset)

**Contents:** 1 deadlatch lock **with faceplate**; 1 set of installation screws.

**Description:** Deadlatch allows exit only feature; commonly used after hours, for traffic control; **anodized aluminum** faceplate.

You may wish to stock these related parts: **J-4512 thru J-4515**.



**J-4574**  
**J-4575**

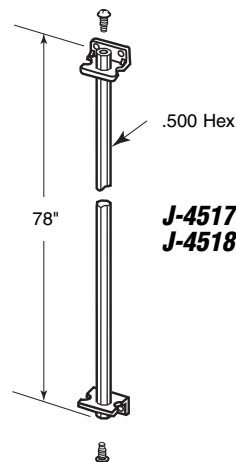
**J-4517** (48" long)  
**J-4518** (78" long)

## Bolt Assembly

**Contents:** 1 hex bolt; 2 hex guides; 1 set of installation screws.

**Description:** Hex bolt assembly for use in "Two Point" or "Three Point" lock installation; **extruded aluminum** bolt with **nylon** guides. Select appropriate length bolt assembly by determining door length.

You may wish to stock these related parts: **J-4505, J-4507, J-4509, J-4519**.



**J-4517**  
**J-4518**

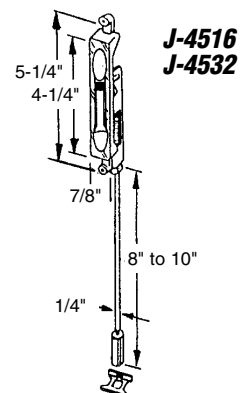
**J-4516** (Aluminum)  
**J-4532** (Bronze)

## Extension Bolt (Flush mount)

**Contents:** 1 extension bolt with installation screws.

**Description:** **Diecast** extension bolt housing with adjustable (8"-10") bolt rod; for locking aluminum and steel doors; can be mounted to latch top or bottom of door.

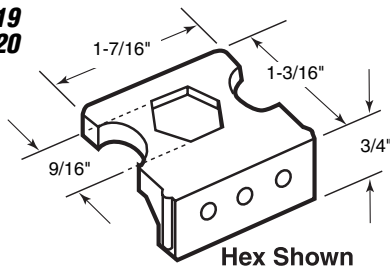
You may wish to stock these related parts: **J-4564, J-4565**.



**J-4516**  
**J-4532**



**J-4519  
J-4520**



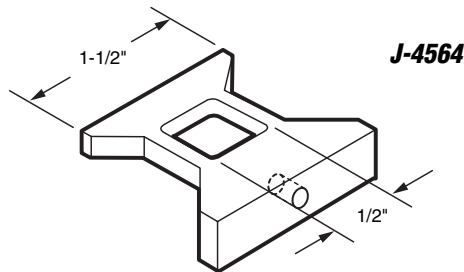
**J-4519** (For hex bolts)  
**J-4520** (For 1/2" square bolts)

**Bolt Guides**

**Contents:** 2 guides; 2 sets of installation screws.

**Description:** Nylon guides secure bolt assembly to header and threshold; normal application is 2 per door.

You may wish to stock these related parts: **J-4516, J-4517, J-4518, J-4532.**



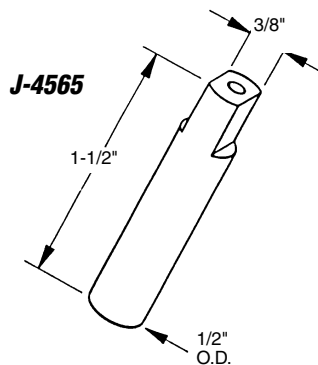
**J-4564**

**J-4564**

**Flush Bolt Guide**

**Contents:** 1 nylon guide; installation screws.

**Description:** Guides bolt assembly when in operation; normal application is 2 per door. Use with **J-4516** and **J-4532** extension bolts.



**J-4565**

**J-4565**

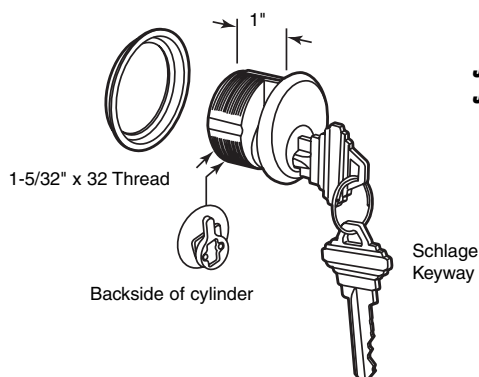
**Extension Bolt Rod Tips**

**Contents:** 2 tips.

**Description:** Nylon tips thread onto extension bolts of **J-4516** and **J-4532.**

You may wish to stock these related parts: **J-4516, J-4519, J-4532.**

*Call for Availability*



**J-4512  
J-4513**

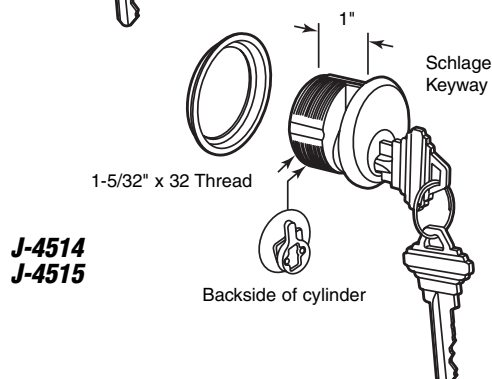
**J-4512** (Aluminum)  
**J-4513** (Bronze)

**Mortise Key Cylinder**

**Contents:** 1 cylinder with trim ring, 1 key.

**Description:** Heavy duty, pressure cast zamac construction; 1" length; standard 1-5/32" x 32 thread; **Schlage** keyway.

You may wish to stock these related parts: **J-4510, J-4511, J-4530; J-4531, J-4535, J4536.**



**J-4514  
J-4515**

**J-4514** (Aluminum)  
**J-4515** (Bronze)

**Mortise Key Cylinders** (Keyed alike)

**Contents:** 2 cylinders with trim rings; 2 keys.

**Description:** Heavy duty; pressure cast zamac construction; 1" length; standard 1-5/32" x 32 thread; **Schlage** keyway.

You may wish to stock these related parts: **J-4510, J-4511, J-4530; J-4531, J-4535, J4536.**

**J-4530** (Aluminum)  
**J-4531** (Bronze)

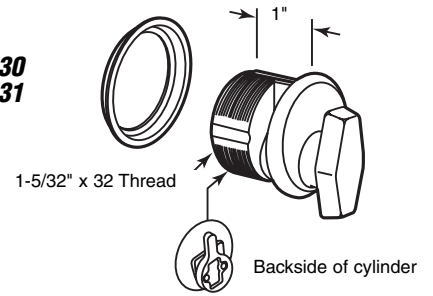
## Mortise Thumbturn Cylinder

**Contents:** 1 thumbturn with 1/4" thick trim ring.

**Description:** Heavy duty; **pressure cast zamac** construction; interchanges with standard 1-5/32" cylinder lock.

You may also wish to stock these related parts: **J-4512, J-4513, J-4535, J-4536.**

**J-4530**  
**J-4531**



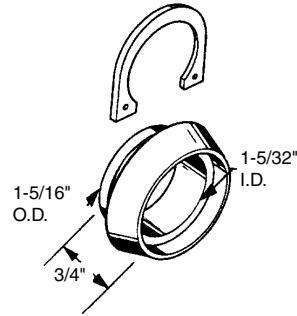
**J-4535** (Aluminum)  
**J-4536** (Bronze)

## Cylinder Guard

**Contents:** 1 cylinder guard; 1 **aluminum** washer; 1 **spring steel** security C-clip.

**Description:** Secures any 1-5/32" diameter cylinder from "Twist-Off" or "Pry-Off" break-in attempts; diecast cylinder guard protects cylinder face from prying tool; also spins freely when attacked by any gripping device.

You may also wish to stock these related parts: **J-4512 thru J-4515.**



**J-4535**  
**J-4536**

**J-4560** (Aluminum)  
**J-4561** (Bronze)

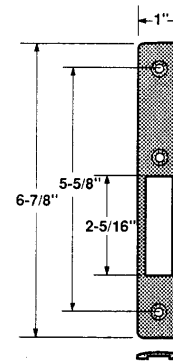
## Radiused Faceplates

**Contents:** 1 faceplate; 1 set of installation screws.

**Description:** **Clear anodized or bronze finished aluminum** faceplates; radiused; for use with J-4558 and J-4559 mortise locks.

You may wish to stock these related parts: **J-4558, J-4559.**

**J-4560**  
**J-4561**



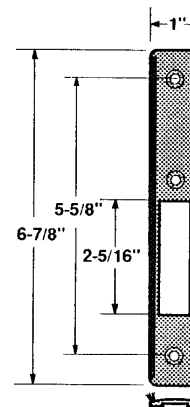
**J-4562** (Aluminum)  
**J-4563** (Bronze)

## Radiused Faceplates With Mohair

**Contents:** 1 faceplate; 1 set of installation screws.

**Description:** **Clear anodized or bronze finished aluminum** faceplates; **Mohair pile weatherstrip**; radiused; for use with J-4558 and J-4559 mortise locks.

You may wish to stock these related parts: **J-4558, J-4559.**



**J-4562**  
**J-4563**

**J-4567** (Aluminum)  
**J-4568** (Bronze)

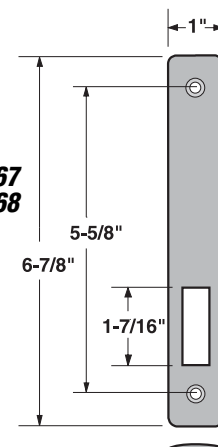
## Radiused Faceplates

**Contents:** 1 faceplate; 1 set of installation screws.

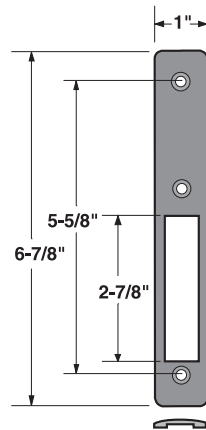
**Description:** **Clear anodized or bronze finished aluminum** faceplates; radiused; for use with no. J-4500, J-4501, J-4502, J-4503, J-4504, J-4507, J-4509 mortise locks.

You may also wish to stock these related parts: **J-4512, J-4513, J-4514, J-4515.**

**J-4567**  
**J-4568**



**J-4576  
J-4577**



**J-4576** (Aluminum)  
**J-4577** (Bronze)

**Radiused Faceplates**

**Contents:** 1 faceplate: 1 set of installation screws.

**Description:** Clear anodized or bronze finished aluminum faceplates; radiused; for use with J-4524, J-4525, J-4526, J-4527 mortise locks.

You may wish to stock these related parts: **J-4512, J-4513, J-4514, J-4515.**

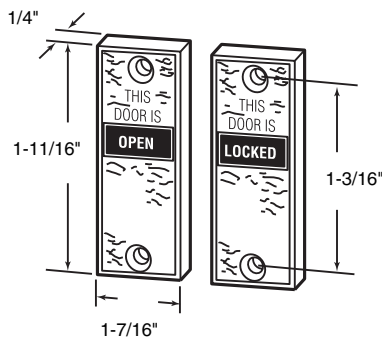
**J-4510** (Aluminum)  
**J-4511** (Bronze)

**Lock Indicator**

**Contents:** 1 faceplate; 1 "Open/Locked" sticker; nylon slide; installation parts & screws.

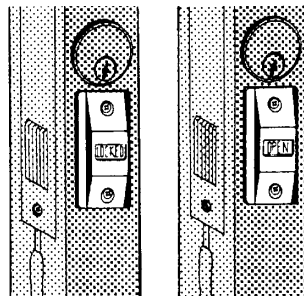
**Description:** Diecast lock indicator gives instant visual assurance that deadbolt lock is either "open" or "locked"; easily mounted to installed lock; meets requirements of Uniform Building Code.

You may also wish to stock these related part: **J-4503, J-4504, J-4507, J-4509, J-4512 thru J-4515, J-4528, J-4529, J-4534.**



**J-4510  
J-4511**

**J-4528  
J-4529**



**J-4528** (Aluminum)  
**J-4529** (Bronze)

**Lock Indicator**

**Contents:** 1 lock indicator assembly; 2 assembly pins; 2 no. 8 machine screws.

**Description:** Diecast open/locked indicator; for use on store front locks; meets requirements of Uniform Building Code.

You may also wish to stock these related parts: **J-4524 thru J-4527.**

**J-4534**



Actual Sign Reads:  
"THIS DOOR TO REMAIN OPEN DURING BUSINESS HOURS"

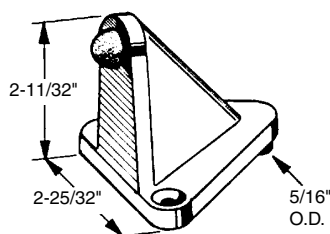
**J-4534**

**Door Sign**

**Contents:** 1 sign.

**Description:** Usually required at front exit of store; **black lettering on silver background**; reflective gloss finish; **1-1/2" wide x 30" long**; **pressure sensitive adhesive backing** permanently adheres to aluminum surfaces.

**J-4522**



**J-4522** (Aluminum)

**Floor Stop**

**Contents:** 1 stop with installation screws.

**Description:** Diecast stop is floor mounted; heavy duty **rubber bumper insert**; **burnished aluminum finish.**

You may wish to stock these related parts: **J-4544, J-4545, J-4547.**

**J-4592** (Brushed aluminum)

**J-4593** (Bronze finish)

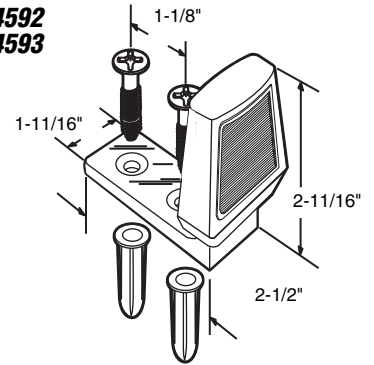
## Floor Stop

**Contents:** 1 stop; 1 set of installation fasteners.

**Description:** **Wrought steel** with soft resilient **rubber** bumper, used on under cut doors up to 1-1/2".

You may also wish to stock these related parts: **J-4544** and **J-4545**.

**J-4592**  
**J-4593**



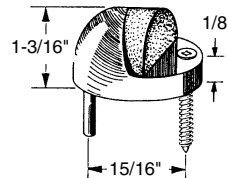
**J-4544** (Brushed chrome)

**J-4554** (Polished brass)

## Floor Stop (Dome type)

**Contents:** 1 stop; 1 set of installation fasteners.

**Description:** **Cast brass** door stop with **rubber** bumper; mounts to floor. Meets ANSI standards.



**J-4544**  
**J-4554**

**J-4545** (Brushed chrome)

**J-4555** (Polished brass)

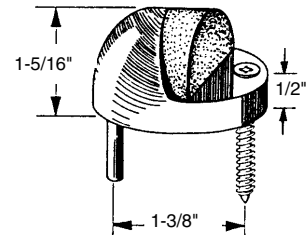
## Floor Stop (Dome type)

**Contents:** 1 stop; 1 set of installation fasteners.

**Description:** **Cast brass** door stop with **rubber** bumper; for residential or commercial use; mounts to floor. Meets ANSI standards.

You may also wish to stock these related parts: **J-4553**, **J-4554**.

**J-4545**  
**J-4555**



**J-4573** (Brushed chrome)

**J-4615** (Polished brass)

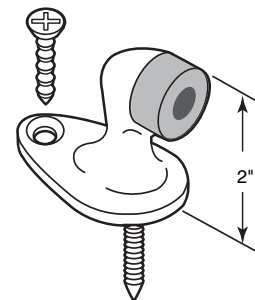
## Floor Stop

**Contents:** 1 stop; 1 set of installation fasteners.

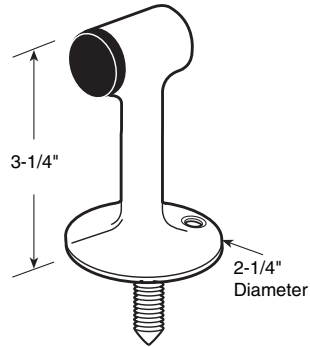
**Description:** **Solid brass** door stop with **rubber** bumper. 1 installation screw is concealed under base of bumper. Meets ANSI standards.

You may also wish to stock this related part: **J-4572**.

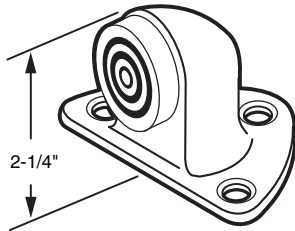
**J-4573**  
**J-4615**



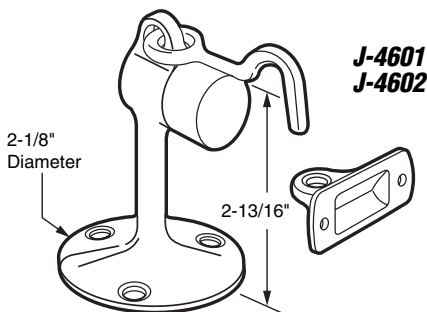
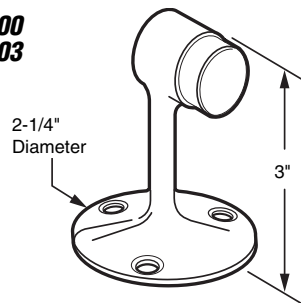
**J-4547**  
**J-4614**



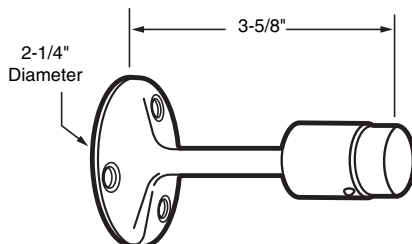
**J-4652**  
**J-4653**  
**J-4654**



**J-4600**  
**J-4603**



**J-4596**  
**J-4597**



**J-4547** (Brushed chrome)

**J-4614** (Polished brass)

**Floor Stop**

**Contents:** 1 stop; 1 set of installation fasteners.

**Description:** Cast brass door stop with rubber bumper; mounts to floor. Meets ANSI standards.

**J-4652** (Brushed chrome)

**J-4653** (Polished brass)

**J-4654** (Bronze finish)

**Floor Stop**

**Contents:** 1 stop; 1 set of installation fasteners.

**Description:** Cast brass door stop with rubber bumper; mounted to floor.

You may wish to stock these related parts: **J-4592; J-4593.**

**J-4600** (Polished brass)

**J-4603** (Brushed chrome)

**Floor Stop**

**Contents:** 1 stop; 1 set of installation fasteners.

**Description:** Solid brass stop with rubber bumper; uses 3 screws and 1 lag bolt for mounting.

You may wish to stock these related parts: **J-4598 and J-4599.**

**J-4601** (Polished brass)

**J-4602** (Brushed chrome)

**Floor Stop with Holder**

**Contents:** 1 hook mounted door stop; 1 holder; 1 anchor bolt with installation fasteners.

**Description:** Solid brass floor mount stop with rubber bumper; has built in hook to hold door in open position.

**J-4596** (Polished brass)

**J-4597** (Brushed chrome)

**Wall Stop**

**Contents:** 1 stop; 1 lag bolt; 1 set of installation fasteners.

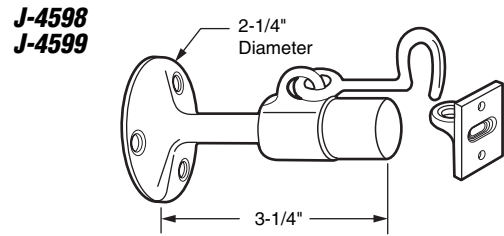
**Description:** Cast brass wall mounted stop with rubber bumper to cushion door.

**J-4598** (Brass finish)  
**J-4599** (Dull chrome)

## Wall Stop with Holder

**Contents:** 1 hook mounted stop; 1 holder; 1 machine bolt with anchor; 1 set of installation fasteners.

**Description:** **Solid brass** stop with **rubber** bumper has built in hook to hold door in open position.

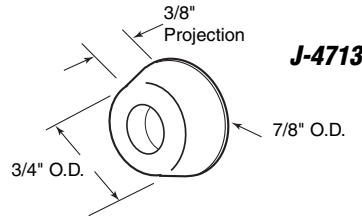


**J-4713** (Clear polyurethane)

## Wall Stop

**Contents:** 4 stops.

**Description:** 1\" clear polyurethane stop, **self adhesive**, no tools required.



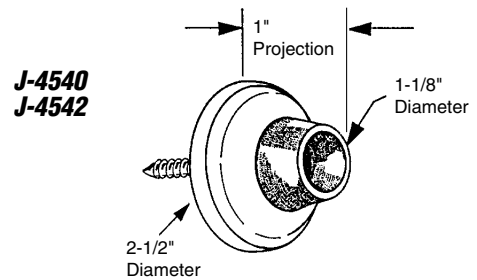
**J-4540** (Brushed stainless)  
**J-4542** (Polished brass)

## Wall Stop

**Contents:** 1 Stop assembly; 1 anchor and installation screw.

**Description:** **Steel** retainer plate with **stamped stainless steel or brass cover** allows for concealed fastening; screw installs through retainer plate into wall anchor; **concave rubber** bumper.

You may wish to stock these related parts: **J-4544 thru J-4555**.



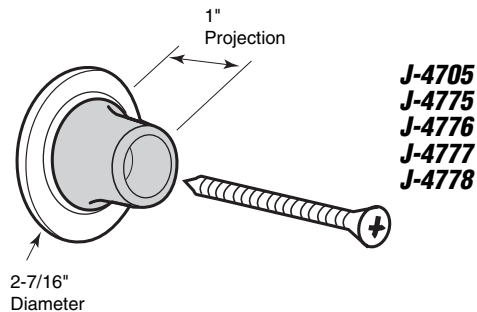
**J-4705** (Brite brass)  
**J-4775** (Dull brass)  
**J-4776** (Dull bronze)  
**J-4777** (Brite chrome)  
**J-4778** (Satin chrome)

## Wall Stop

**Contents:** 1 stop assembly; 1 anchor and installation screw.

**Description:** **Plated cast zinc base** allows for concealed fastening; screw mounts thru base plate; **concave rubber** bumper.

You may wish to stock these related parts: **J-4544 thru J-4555**.



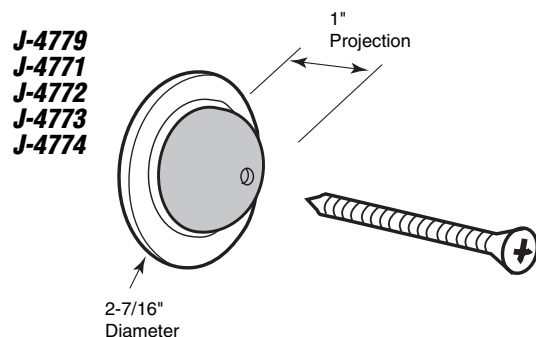
**J-4779** (Brite brass)  
**J-4771** (Dull brass)  
**J-4772** (Dull bronze)  
**J-4773** (Brite chrome)  
**J-4774** (Satin chrome)

## Wall Stop

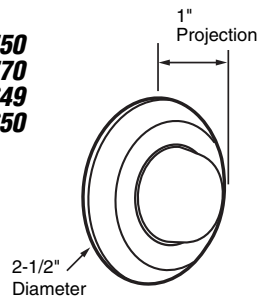
**Contents:** 1 stop assembly; 1 anchor and installation screw.

**Description:** **Plated cast zinc base** allows for concealed fastening; screw installs through retainer plate into wall anchor; **convex rubber** bumper.

You may wish to stock these related parts: **J-4544 thru J-4555**.



**J-4550**  
**J-4770**  
**J-4649**  
**J-4650**

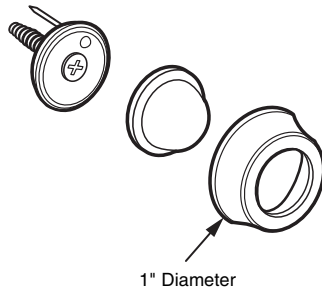


**J-4550** (Polished brass)  
**J-4770** (Dull brass)  
**J-4649** (Brushed stainless)  
**J-4650** (Brite chrome)

**Wall Stop**

**Contents:** 1 stop assembly; 1 anchor and installation screws.

**Description:** Steel retainer plate with **stamped brass or stainless steel cover** allows for concealed fastening; screw installs through steel retainer plate into wall anchor; **convex rubber bumper**.



**J-4570**  
**J-4647**  
**J-4648**  
**J-4724**

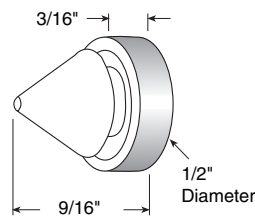
**J-4570** (Polished brass)  
**J-4647** (Brushed chrome)  
**J-4648** (Bronze)  
**J-4724** (Polished chrome)

**Wall Stop**

**Contents:** 1 stop assembly; installation fasteners.

**Description:** Solid cast brass or bronze, **threaded collar and base**; convex rubber bumper; miniature size. Projection from wall to rubber tip is 9/16".

**J-4566**

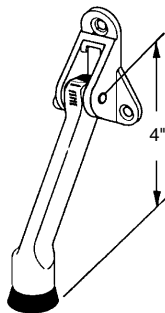


**J-4566** (White)

**Stop Mount Silencer**

**Contents:** 100 silencers.

**Description:** Rubber bumpers or silencers; used on hollow metal jambs to deter noise when closing and to improve firm latching.



**J-4523**  
**J-4533**  
**J-4543**

**J-4523** (Chrome finish)  
**J-4533** (Bronze finish)  
**J-4543** (Brass finish)

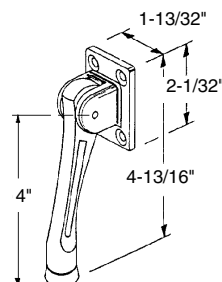
**Holder**

**Contents:** 1 holder; 1 set of installation screws.

**Description:** Zinc diecast holder with **rubber tip**; spring loaded to hold in "Up" position; good for commercial or residential application.

You may also wish to stock these related parts: **J-4551, J-4552, J-4556, J-4557.**

**J-4537**  
**J-4538**  
**J-4539**



**J-4537** (Chrome)  
**J-4538** (Bronze finish)  
**J-4539** (Brass finish)

**Holder**

**Contents:** 1 holder; 1 set of installation screws.

**Description:** Heavy duty diecast stop with **rubber tip**; 4 hole mounting; for commercial and residential application.

You may also wish to stock these related parts: **J-4523, J-4533, J-4543, J-4557.**

# Commercial Door

**J-4551** (Aluminum finish)

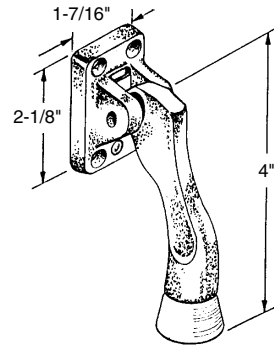
**J-4552** (Bronze finish)

## Holder

**Contents:** 1 holder; 1 set of installation screws.

**Description:** Heavy **cast iron, spring loaded** holder with 4-hole mounting; **rubber tip**; for commercial use.

You may also wish to stock these related parts: **J-4523, J-4533, J-4543.**



**J-4551**  
**J-4552**

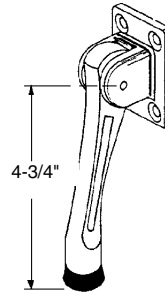
**J-4571** (Brushed chrome)

**J-4572** (Polished brass)

## Holder

**Contents:** 1 holder; 1 set of installation screws.

**Description:** Heavy **cast brass** holder; 4 hole mounting; **rubber tip**. Meets ANSI standards for commercial use.



**J-4571**  
**J-4572**

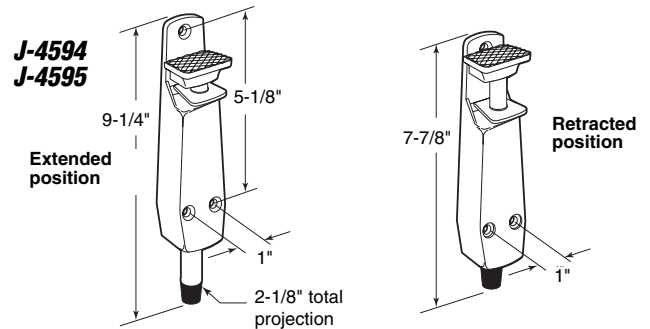
**J-4594** (Brass finish)

**J-4595** (Aluminum)

## Door Holder (Plunger style)

**Contents:** 1 holder; 1 set of installation screws.

**Description:** **Plated or painted diecast**, spring loaded, door holder; large rubber foot treadle for easy step-on application; toe operated release mechanism



**J-4594**  
**J-4595**

**J-4556** (Black twist-In)

**J-4557** (Black with screw)

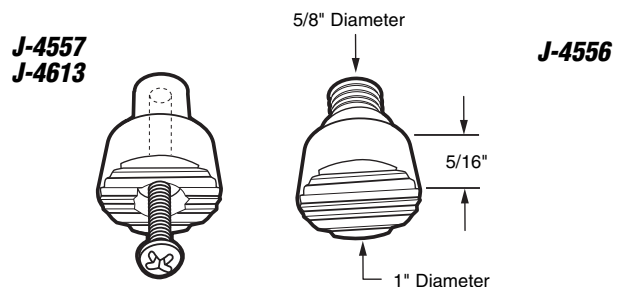
**J-4613** (White with screw)

## Holder Tip

**Contents:** 2 rubber tips.

**Description:** Replaces worn out tips on drop down door holders.

You may wish to stock these related parts: **J-4523, J-4533, J-4537, J-4538, J-4539, J-4543, J-4551, J-4552.**



**J-4557**  
**J-4613**

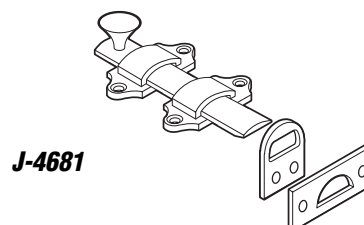
**J-4556**

**J-4681** (Dull Chrome)

## 4" Dutch Door Surface Bolt

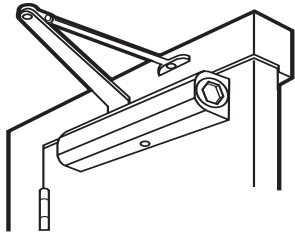
**Contents:** 1 slide bolt assembly; 2 keepers; installation screws.

**Description:** **Plated cast brass**; **cast strike** for application without a shelf and a **stamped** flat mortise strike.

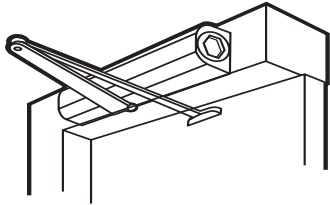


**J-4681**

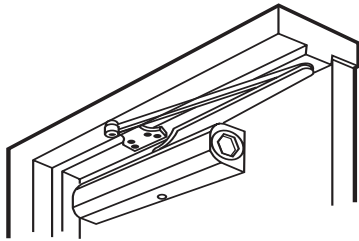




**Standard**



**Top Jamb**



**Parallel Arm**

**Hydraulic Door Closers** (Dual valve)

**Contents:** 1 closer; and all necessary hardware and fasteners.

**Painted Finish-Part Number**

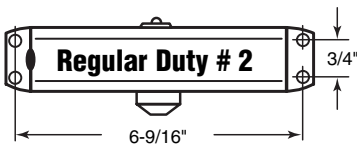
<i>Aluminum</i>	<i>Bronze</i>	<i>Duty Rating</i>
<b>J-4609</b>	<b>J-4610</b>	# 2 Regular
<b>J-4611</b>	<b>J-4612</b>	# 3 Medium
<b>J-4706</b>	<b>J-4707</b>	# 4 Heavy

**Description:** Cast aluminum body in painted finishes.

**Features:**

- U.L. Listed
- Dual valves control closing and latching speeds
- Rack and pinion operation
- Non-handed
- Hydraulic fluid for any climate operation & constant lubrication
- Mounts to most glass & aluminum doors without special adapters
- Heavy duty threaded adjustable arm with lock nut.

**Body Mounting Specifications**



**Standard or Top Jamb Installation**

Fits Door Size:

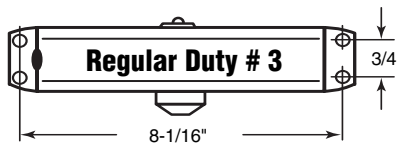
- Interior:** Out Swing 36"  
In Swing 36"
- Exterior:** Out Swing 32"  
In Swing 28"

**Parallel Arm Installation**

Fits Door Size:

- Interior:** Out Swing 32"  
In Swing 32"
- Exterior:** Out Swing 28"  
In Swing 24"

**Door Weight** 55 -100 lbs.



**Standard or Top Jamb Installation**

Fits Door Size:

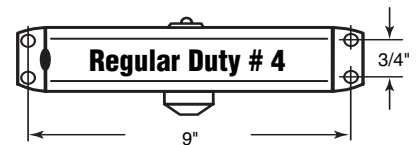
- Interior:** Out Swing 42"  
In Swing 42"
- Exterior:** Out Swing 36"  
In Swing 32"

**Parallel Arm Installation**

Fits Door Size:

- Interior:** Out Swing 36"  
In Swing 36"
- Exterior:** Out Swing 32"  
In Swing 28"

**Door Weight** 80-140 lbs.



**Standard or Top Jamb Installation**

Fits Door Size:

- Interior:** Out Swing 48"  
In Swing 48"
- Exterior:** Out Swing 42"  
In Swing 36"

**Parallel Arm Installation**

Fits Door Size:

- Interior:** Out Swing 42"  
In Swing 42"
- Exterior:** Out Swing 36"  
In Swing 32"


**Door Weight** 115 - 180 lbs.

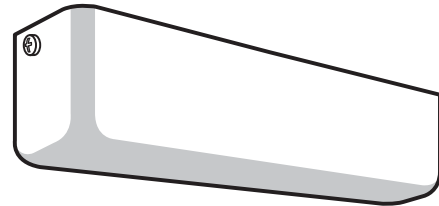
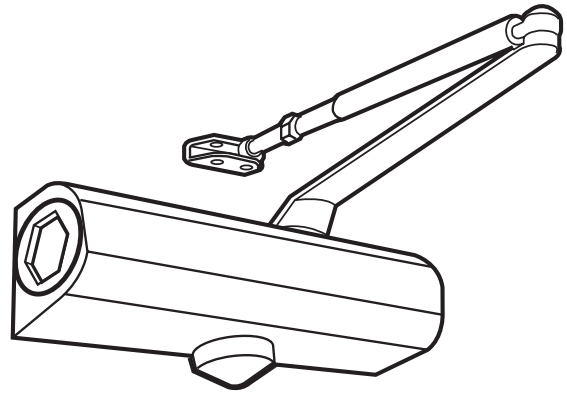
## J-4728 (Aluminum finish)

### Adjustable Hydraulic Door Closer

**Contents:** 1 closer; all necessary hardware and fasteners.

**Description:** Heavy duty cast aluminum body:

- Non-handed for standard, top-jamb or parallel arm installation.
- Non-sized, adjustable from #2 thru #6 and factory preset to # 3.
- Standard adjustable back-check function.
- Adjustable closing and latching speed by two separate regulating valves.
- Standard full plastic cover.
- ANSI 156.4 grade 1: U.L. listed for fire door assemblies.
-  Barrier Free (low opening resistance) for handicap (American Disabilities Act) compliance.



Description	Size	
A. Length of Closer Body	11-3/4"	
B. Horizontal Mounting Holes	11-1/8"	
C. Vertical Mounting Holes	3/4"	
D. Height of Closer Body	2"	
C. Projection from Door	2-7/8"	

### Pull Plates

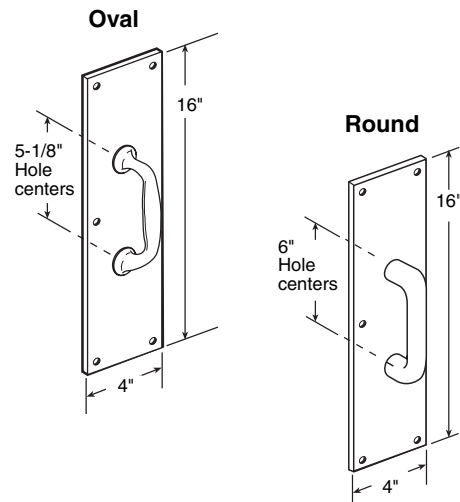
**Contents:** 1 pull plate assembly and installation screws.

Finish	Oval Handle	Round Handle
Satin aluminum	J-4579	J-4640
Polished brass	J-4578	J-4641
Stainless steel	-	J-4643
Bronze painted aluminum	-	J-4668

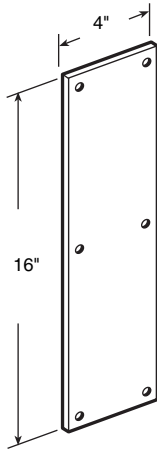
**Description:** Non-ferrous base metal; removable PVC protective coating on most plates; brass pulls have protective finish; bronze painted plates are powder coated; meets A.N.S.I. A156.6 specifications.

You may wish to stock these related parts: J-4657, J-4658, J-4659, J-4660.

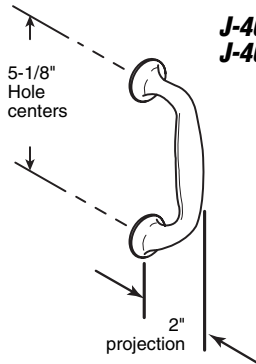
J-4579  
J-4578  
J-4640  
J-4641  
J-4643  
J-4668



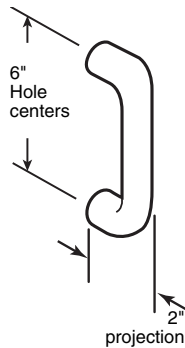
**J-4580**  
**J-4581**  
**J-4626**  
**J-4686**  
**J-4630**



**J-4657**  
**J-4658**



**J-4659**  
**J-4660**  
**J-4780**  
**J-4781**



**J-4580** (Polished brass)  
**J-4581** (Satin aluminum)  
**J-4626** (Stainless steel)  
**J-4686** (Bronze painted aluminum)  
**J-4630** (Brite-brass finish on aluminum)

**Push Plate**

**Contents:** 1 push plate and installation screws.

**Description:** Non-ferrous base metals; removable PVC protective coating on most plates; bronze painted plates are powder coated; meets A.N.S.I. A156.6 specifications.

You may wish to stock these related parts: **J-4659, J-4660.**

**J-4657** (Satin aluminum)  
**J-4658** (Polished brass)

**Pull Handle (Oval)**

**Contents:** 1 handle and fasteners.

**Description:** Cast non-ferrous base metals; brass pull has protective finish.

You may wish to stock these related parts: **J-4578, J-4579, J-4640, J-4641.**

**J-4659** (Satin aluminum)  
**J-4660** (Polished brass)  
**J-4780** (Stainless steel)  
**J-4781** (Bronze painted aluminum)

**Pull Handle (3/4" round)**

**Contents:** 1 handle and fasteners.

**Description:** Non-ferrous base metals; brass pull has protective finish.

You may wish to stock these related parts: **J-4580, J-4581.**

**Kick Plates**

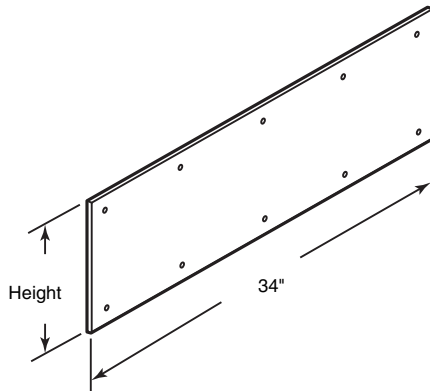
**Height - Part Numbers**

<i>Finish</i>	<b>6"</b>	<b>8"</b>	<b>10"</b>
<b>Satin aluminum</b>	J-4702	J-4616	J-4620
<b>Polished brass</b>	J-4704	J-4617	J-4621
<b>Stainless steel</b>	J-4708	J-4619	J-4623
<b>Bronze painted aluminum</b>	-	J-4631	J-4638
<b>Brite-brass finish on aluminum</b>	J-4703	J-4618	J-4622

**Contents:** 1 - 34" kickplate and installation screws.

**Description:** Non-ferrous base metals; removable PVC protective coating on most plates; bronze painted plates are powder coated; 34" width gives full door coverage on 36" wide doors allowing clearance for door stop.

**Note:** Custom sizes available on all finishes, except the painted bronze.



## Full Mortise Hinges

### PLAIN BEARING (2 per pkg.)

#### Finish - Part Numbers

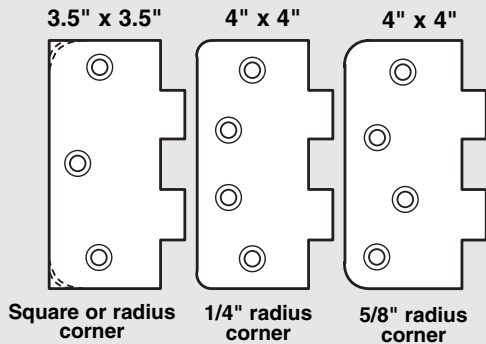
Size	Corners	Dull Brass	Prime Coat	Dull Chrome
3.5" x 3.5"	Square	U-10028	-	-
3.5" x 3.5"	1/4" radius	U-10029	-	-
3.5" x 3.5"	5/8" radius	U-10022	-	-
4" x 4"	1/4" radius	U-10023	-	-
4" x 4"	5/8" radius	U-10030	-	-
4.5" x 4.5"	Square	U-10031*	U-9165*	U-9164*

**Contents:** 2 hinges with fasteners.

**Description:** Plated and painted steel hinges; 5 knuckle; square or radiused corners; 4.5" x 4.5" hinges are supplied with non-removable pins to qualify for commercial applications.

\*Note: 4.5" x 4.5" plain bearing hinges are 3 per pkg with fasteners.

#### Hole Specifications



### BALL BEARING

#### Finish - Part Numbers

Size	Corners	Dull Brass	Prime Coat	Dull Chrome
4.5" x 4.5"	square	U-10032	U-9167	U-9166

**Contents:** 3 hinges with fasteners.

**Description:** Plated and painted steel hinges; 5 knuckle; available in square corner only; 4.5" x 4.5" hinges are supplied with non-removable pins, to qualify for commercial applications.

### SPRING HINGE

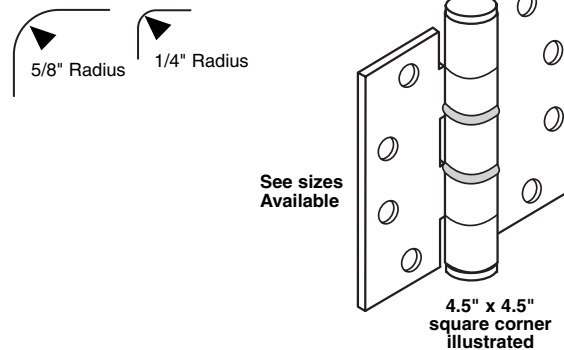
#### Finish - Part Numbers

Size	Corners	Dull Brass	Prime Coat	Dull Chrome
3.5" x 3.5"	1/4" radius	U-9225	-	U-10024
4" X 4"	1/4" radius	U-9339	-	U-10025
4" X 4"	5/8" radius	U-10026	-	-
4" X 4"	Square	-	U-9251	-
4.5" X 4.5"	Square	U-9315	U-9169	U-9168

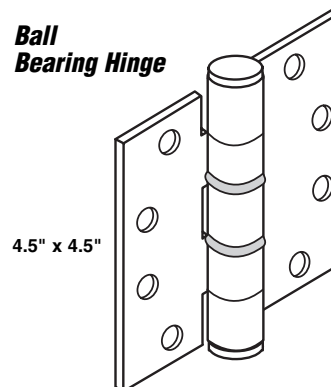
**Contents:** 1 hinge with fasteners.

**Description:** Plated and painted steel spring hinges; 3 knuckle; spring tension is fully adjustable.

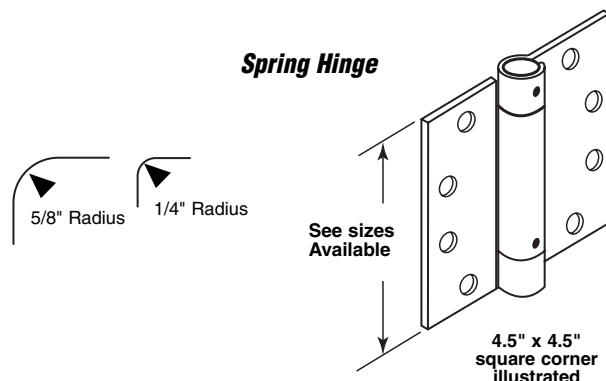
### Plain Bearing Hinge



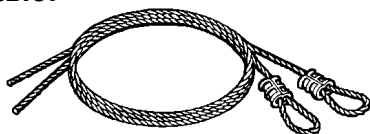
### Ball Bearing Hinge



### Spring Hinge



**GD-52100**  
**GD-52101**



**GD-52100** (1/8" cable)  
**GD-52101** (3/32" cable)

**Extension Cables**

**Contents:** 2 - 12' cables with loop ends.

**Description:** Galvanized carbon steel aircraft cables used on extension spring doors. 1/8" replaces most wood doors, 3/32" replaces most fiberglass and aluminum doors.

**GD-52161**



**GD-52161**

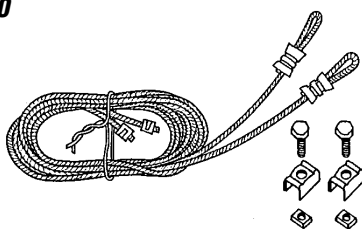
**Extension Cables** (Heavy duty)

**Contents:** 2 - 14' cables with loop ends.

**Description:** 5/32" galvanized carbon steel aircraft cables used on extension spring garage doors; replaces heavy duty wood, fiberglass and aluminum door applications.

You may also wish to stock these related parts: **GD-52100**, **GD-52101**.

**GD-52102**  
**GD-52240**



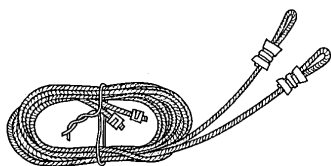
**GD-52102** (2 pack)  
**GD-52240** (4 pack)

**Safety Cables**

**Contents:** 8' 6" cables with cable clamp set.

**Description:** 1/8" galvanized carbon steel aircraft cables; installs through extension springs to prevent injury in case of breakage. Required on California installations. 4 cable set used on dual spring doors.

**GD-52183**



**GD-52183**

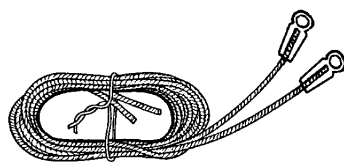
**Torsion Spring Cables**

**Contents:** 2 - 8' 8" cables with loop ends and stops.

**Description:** 1/8" galvanized carbon steel aircraft cable; for use on torsion spring doors, 7 feet high.

You may also wish to stock these related parts: **GD-52115**, **GD-52116**.

**GD-52262**



**GD-52262**

**Extension Spring Cables**

**Contents:** 2 - 13' 6" cables.

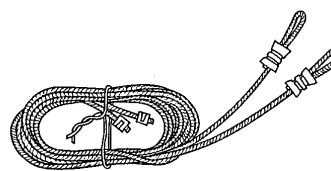
**Description:** 1/8" galvanized carbon steel aircraft cable. Special end clip designed for *Phoenix* doors.

## GD-52263

### Torsion Spring Cables

**Contents:** 2 - 8' 8" cables.

**Description:** 3/32" galvanized carbon steel aircraft cables; used on both single and double garages, fits glass doors.



**GD-52263**

**GD-12149** (1/16")

**GD-12150** (3/32")

**GD-12151** (1/8")

**GD-12152** (5/32")

**GD-12153** (3/16")

**GD-12154** (1/4")

**GD-12256** (5/16")

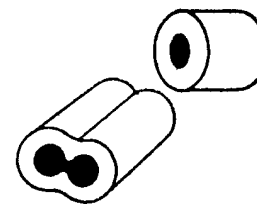
**GD-12257** (3/8")

### Cable Ferrules and Stops

**Contents:** 2 ferrules; 2 stops.

**Description:** Extruded aluminum ferrules are used to clamp cable loops into fixed position; stops finish off end of cable or as a stopping point at any location on cable. Select from eight stock cable sizes.

You may wish to stock these related parts: **GD-52100**, **GD-52101**, **GD-52161**.



**Ferrules and Stops**

**GD-12170** (1/16")

**GD-12172** (3/32")

**GD-12174** (1/8")

**GD-12176** (5/32")

**GD-12178** (3/16")

**GD-12180** (1/4")

**GD-12258** (5/16")

**GD-12259** (3/8")

### Cable Ferrules (Bulk)

**Contents:** 100 bulk: GD-12170, GD-12172 and GD-12174  
50 bulk: GD-12176  
30 bulk: GD-12178  
20 bulk: GD-12180  
20 bulk: GD-12258  
20 bulk: GD-12259

**Description:** Extruded aluminum ferrules are used to clamp cable loops into fixed position; select from eight stock cable sizes.

You may wish to stock these related parts: **GD-52100**, **GD-52101**, **GD-52161**.



**Ferrules Only**



**Stops Only**

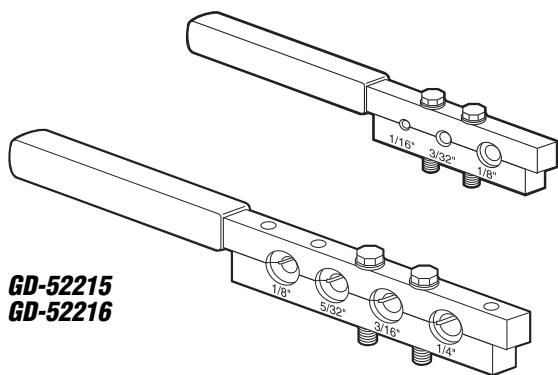
- GD-12171** (1/16")
- GD-12173** (3/32")
- GD-12175** (1/8")
- GD-12177** (5/32")
- GD-12179** (3/16")
- GD-12181** (1/4")

**Cable Stops (Bulk)**

**Contents:** 100 bulk: GD-12171, GD-12173 and GD-12175  
 50 bulk: GD-12177  
 30 bulk: GD-12179  
 20 bulk: GD-12181

**Description:** Extruded aluminum stops are used to finish off end of cable or as a stopping point at any location on cable. Select from six stock cable sizes.

You may wish to stock these related parts: **GD-52100, GD-52101.**



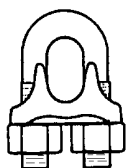
**GD-52215  
GD-52216**

- GD-52215** (1/16" - 1/8")
- GD-52216** (1/8" - 1/4")

**Swage-it Tool**

**Contents:** 1 tool.

**Description:** Heavy duty 2 piece steel swage-it tool for crimping cable ferrules to cable; not designed for crimping stops.



**Cable Clamps**

- GD-12251** (1/16")
- GD-12260** (3/32")
- GD-12155** (1/8")
- GD-12261** (5/32")
- GD-12156** (3/16")
- GD-12157** (1/4")
- GD-12252** (5/16")
- GD-12253** (3/8")
- GD-12254** (1/2")

**Cable Clamps**

**Contents:** 2 cable clamp assemblies.

**Description:** Steel bolts and nuts; cast aluminum base; used to clamp cable loops into fixed positions; normal loop assembly uses 3 clamps.

You may wish to stock these related parts: **GD-12149 thru GD-12154, GD-12256, GD-12257.**

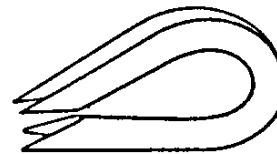
- GD-12246** (1/16")
- GD-12158** (1/8")
- GD-12247** (5/32")
- GD-12159** (3/16")
- GD-12160** (1/4")
- GD-12248** (5/16")
- GD-12249** (3/8")

## Cable Thimbles

**Contents:** 2 cable thimbles.

**Description:** Carbon steel, zinc plated thimble forms non-collapsible loop in cable; protects cable strands from wear damage.

You may wish to stock these related parts: **GD-12151**, **GD-12153**, **GD-12154**.



**Cable Thimbles**

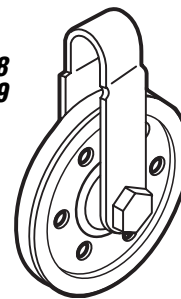
- GD-52108** (4" Diameter)
- GD-52109** (3" Diameter)

## Pulley With Strap and Axle Bolt

**Contents:** 1 pulley; 1 strap; 1 axle bolt with nut.

**Description:** Heavy duty galvanized steel pulley with galvanized steel strap; case hardened steel race with steel ball bearings; factory lubricated; can be used at stationary or spring pulley positions.

**GD-52108**  
**GD-52109**



- GD-52189** (2 pack)

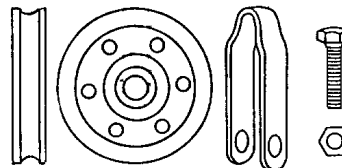
## Pulley With Strap and Axle Bolt (3" Diameter)

**Contents:** 2 pulleys; 2 straps; 2 axle bolts with nuts.

**Description:** Heavy duty galvanized steel pulley with galvanized steel strap; case hardened steel race with steel ball bearings; factory lubricated; can be used at stationary or spring pulley positions.

You may wish to stock this related part: **GD-52109**.

**GD-52189**



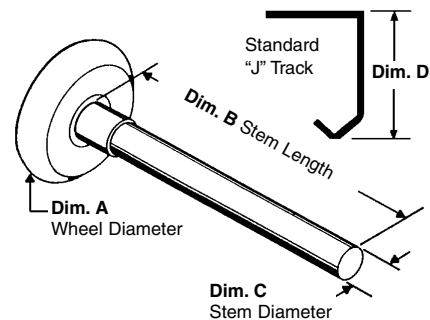
## Rollers

**Contents:** See Chart Below.

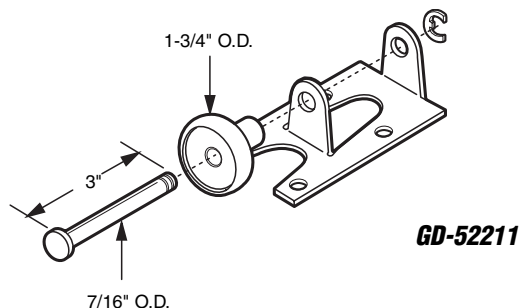
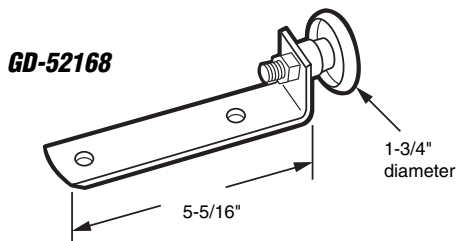
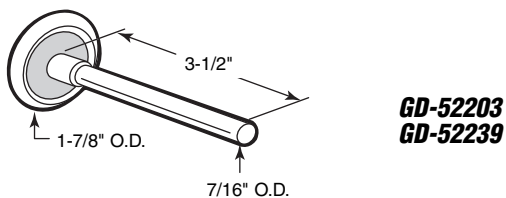
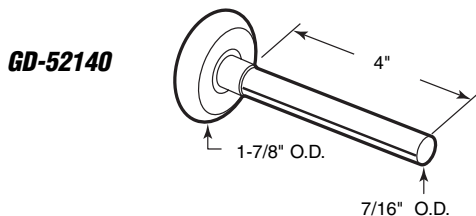
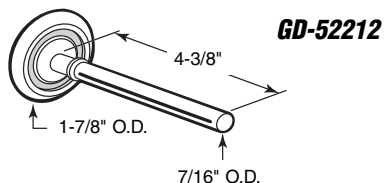
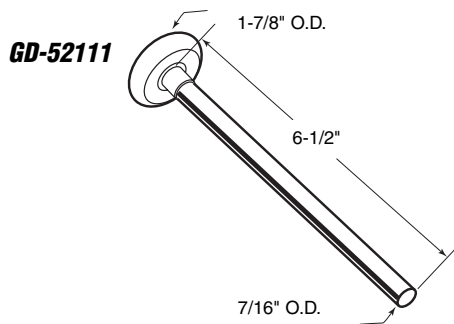
**Description:** Steel ball bearing rollers with steel inner race; factory lubricated; a selection to replace most garage door rollers.

Part No.	Dim. A	Dim. B	Dim. C	Dim. D	Pkg. Qty.	Desc.
<b>GD-52110</b>	1-7/8"	4"	7/16"	2"	2	Standard
<b>GD-52112</b>	1-5/16"	2-7/8"	5/16"	1-3/8"	2	Frantz 1"
<b>GD-52113</b>	1-7/8"	4-1/4"	5/16"	2"	2	Frantz 1/4"
<b>GD-52114</b>	1-7/8"	4-1/2"	3/8"	2"	2	Frantz 3/8"
<b>GD-52190</b>	1-7/8"	4"	7/16"	2"	4	Standard

You may wish to stock these related parts: **GD-12140**, **GD-12203**.







**GD-52111** (Steel ball bearing)

**Heavy Duty Roller** (Long stem)

**Contents:** 1 roller assembly.

**Description:** Heavy duty **steel roller** with **steel inner race**; **10 ball bearings**; factory lubricated; used on side by side hinge placements for added strength.

You may wish to stock these related parts: **GD-52140**, **GD-52203**.

**GD-52212** (Steel ball bearing)

**Heavy Duty Roller** (Short stem)

**Contents:** 2 roller assemblies.

**Description:** Heavy duty **steel roller** with **steel inner race**; **10 ball bearings**; same as **GD-52111** but, with shorter stem.

**GD-52140** (Nylon ball bearing)

**Standard Roller** (For 2" track)

**Contents:** 2 roller assemblies.

**Description:** **Steel ball bearing** with **steel inner race** and **nylon tire** for smooth operation; **steel shaft**; factory lubricated; excellent performance in all weather conditions.

You may wish to stock these related parts: **GD-52140**, **GD-52203**.

**GD-52203** (2 pack)

**GD-52239** (4 pack)

**Standard Roller** (Plastic)

**Contents:** Roller assemblies.

**Description:** **High impact plastic rollers** have outstanding performance characteristics in all weather environments; quiet, trouble free operation.

You may wish to stock these related parts: **GD-52110**, **GD-52140**.

**GD-52168**

**Roller and Bracket**

**Contents:** 1 roller and bracket.

**Description:** **Plastic roller** and **steel bracket**; designed for **Taylor** one-piece garage doors; requires 4 rollers per door.

*Call for Availability*

**GD-52211**

**Roller and Bracket**

**Contents:** 1 roller and bracket.

**Description:** **Plastic roller** and **steel bracket** designed for **Stanley** one-piece steel garage doors; use 4 rollers per door.

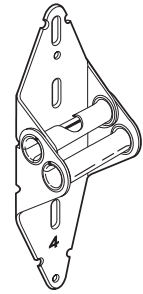
- GD-52104 (# 1 position & center)
- GD-52105 (# 2 position)
- GD-52106 (# 3 position)
- GD-52107 (# 4 position)

**14 gauge  
1 per card**

### Standard Hinge (3" overall width)

**Contents:** 1 hinge; 4 ea. 1/4"- 20 x 1-7/8" pancake head carriage bolts with nuts.

**Description:** Heavy duty 14 gauge galvanized steel hinge; roller tube accepts a standard 7/16" diameter stem roller; used by most garage door manufacturers.



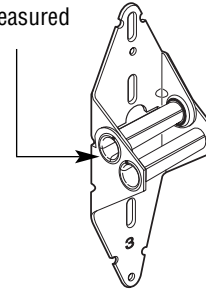
- GD-52185 (# 1 position & center)
- GD-52186 (# 2 position)
- GD-52187 (# 3 position)
- GD-52188 (# 4 position)

**14 gauge  
2 per card**

### Standard Hinge (3" overall width)

**Contents:** 2 hinges without fasteners.

**Description:** Heavy duty 14 gauge galvanized steel hinge; roller tube accepts a standard 7/16" diameter stem roller; used by most garage door manufacturers.



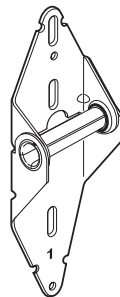
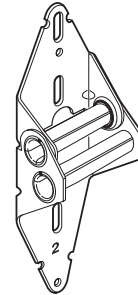
- GD-52242 (# 1 position & center)
- GD-52243 (# 2 position)
- GD-52244 (# 3 position)
- GD-52245 (# 4 position)

**18 gauge  
1 per card**

### Narrow Hinge (2-1/4" overall width)

**Contents:** 1 hinge; 4 each 1/4-20x1-7/8" pancake head carriage bolts.

**Description:** Medium duty 18 gauge galvanized steel hinge; used by many garage door manufactures; roller tube accepts a standard 7/16" diameter stem roller.



### GD-52167

#### Quick Turn Fixture

**Contents:** 1 fixture.

**Description:** Heavy duty galvanized steel; for use on low headroom garage door conditions, where automatic openers are installed.

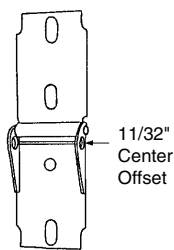
You may also wish to stock these related parts: GD-52110, GD-52111.

**GD-52167**

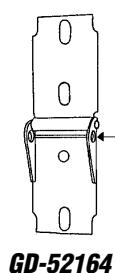


*Call for  
Availability*

**GD-52163**



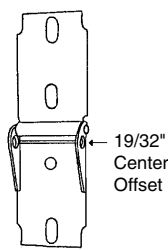
1 1/32"  
Center  
Offset



**GD-52164**

15/32"  
Center  
Offset

**GD-52165**



19/32"  
Center  
Offset

**GD-52163** (#1 position)  
**GD-52164** (#2 position)  
**GD-52165** (#3 position)

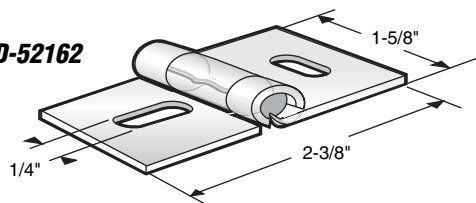
**Hinge** (For fiberglass doors)

**Contents:** 2 hinges; 8 ea. 1/4"-20 x 3/4" installation bolts.

**Description:** Heavy duty **galvanized steel**; accepts a **5/16" diameter stem roller**; fits on *Frantz* on 1200 (wood), 2400 and 2600 series doors.

You may wish to stock these related parts: **GD-52112**, **GD-52113**, **GD-52162**, **GD-52164**, **GD-52165**.

**GD-52162**



**GD-52162**

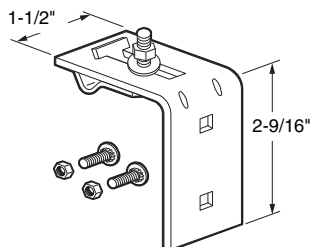
*Call for  
Availability*

**Center Hinge** (For fiberglass doors)

**Contents:** 2 hinges; 4 ea. 1/4"-20 x 3/4" installation bolts.

**Description:** Heavy duty **galvanized steel**; old style application; fits on *Frantz* on 1200, 2400 and 2600 series doors.

You may wish to stock these related parts: **GD-52163**, **GD-52164**, **GD-52165**.



**GD-52218**

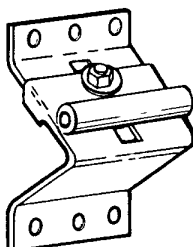
**GD-52218**

**Top Fixture Bracket**

**Contents:** 1 bracket; 2 ea. 1/4"-20 x 1/2" ribbed neck bolts and nuts.

**Description:** **Steel bracket**; adjustable; fits *Frantz* fiberglass doors.

**GD-52117**



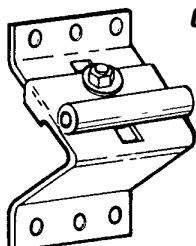
**GD-52117**

**Top Roller Fixture**

**Contents:** 1 fixture; 4 ea. 1/4" -20 x 1-7/8" pancake head carriage bolts with nuts.

**Description:** Heavy duty **galvanized steel** fixture with adjustable roller plate; accepts a standard **7/16" diameter stem roller**; used on most wood doors.

**GD-52196**



**GD-52196** (2 pack)

**Top Roller Fixtures**

**Contents:** 2 fixtures without fasteners.

**Description:** Heavy duty **galvanized steel** fixture with adjustable roller plate; accepts a standard **7/16" diameter stem roller**; used on most wood doors.

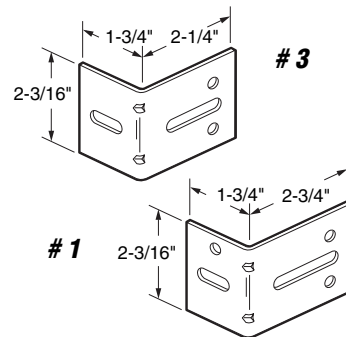
## GD-52220

### Track Brackets

**Contents:** 1 #1 & 1 #3 track bracket; 2 ea. 1/4" -20 x 1/2" ribbed neck bolts with nuts.

**Description:** Steel brackets; used to fasten track to wall.

**GD-52220**



**GD-52115** (Right Hand)

**GD-52116** (Left Hand)

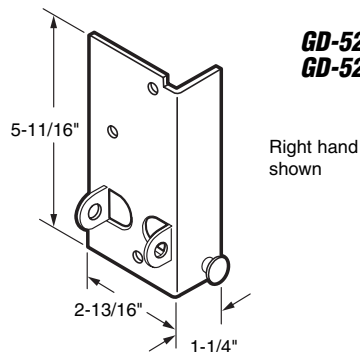
### Bottom Lifting Brackets

**Contents:** 1 bracket; 3 ea. 1/4"-20 x 1-7/8" pancake head carriage bolts with nuts.

**Description:** Heavy duty 13 gauge galvanized steel construction steel cable pin used on most wood doors; accepts a standard 7/16" stem diameter roller. Handling viewed from inside garage.

You may wish to stock these related parts: **GD-52100**, **GD-52101**, **GD-52115** and **GD-52116**.

**GD-52115**  
**GD-52116**



Right hand shown

**GD-52197** (2 pack)

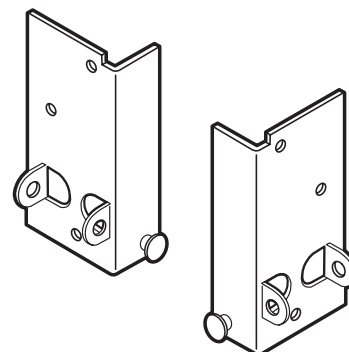
### Bottom Lifting Brackets

**Contents:** 2 brackets (1 left hand and 1 right hand); without fasteners.

**Description:** Heavy duty 13 gauge galvanized steel construction steel cable pin; used on most wood doors; accepts a standard 7/16" diameter stem roller.

You may wish to stock these related parts: **GD-52100**, **GD-52101**, **GD-52115** and **GD-52116**.

**GD-52197**



**GD-52122** (Chrome - 1 pack)

**GD-52200** (Chrome - keyed alike - 2 pack)

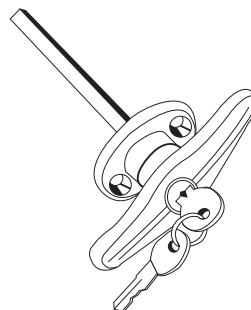
**GD-52213** (Brass - 1 pack)

### "T" Locking Handle

**Contents:** Locking handles with keys.

**Description:** Zinc diecast construction; keyed lock; 5/16" square shaft, 3" long; replaces most garage door, camper and R.V. locking handles.

**GD-52122**  
**GD-52200**  
**GD-52213**



1-1/2" Hole Centers

**GD-52144** (Chrome)

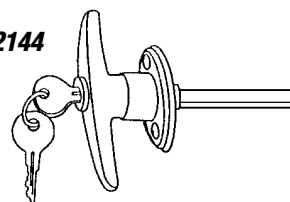
### "T" Locking Handle

**Contents:** 1 locking handle; 2 keys.

**Description:** Zinc diecast construction; keyed lock; 5/16" square shaft, 2" long; replaces many garage door, camper and R.V. locking handles.

You may also wish to stock these related parts: **GD-52121**, **GD-52123**.

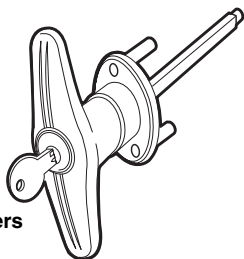
**GD-52144**



1-1/2" Hole Centers

**GD-52169**

1-1/2" Hole Centers



**GD-52169** (Chrome)

**"T" Locking Handle**

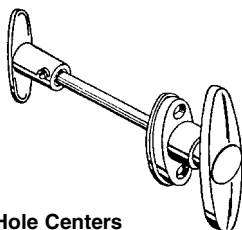
**Contents:** 1 locking handle; 2 keys.

**Description:** Zinc diecast construction; keyed lock; 5/16" square shaft, 3-5/8" long; replaces many garage door, camper and R.V. locking handles. Screws attach to lock from the inside of door.

**GD-52121**

**GD-12121**

1-1/2" Hole Centers



**"T" Handle**

**Contents:** 1 outside handle; 1 inside handle with set screws.

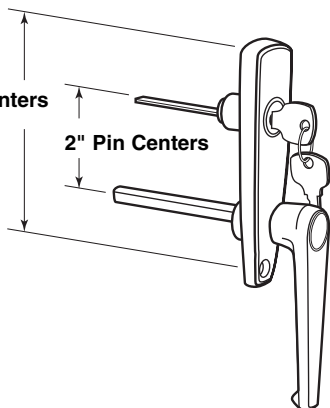
**Description:** Diecast outside handle has 5/16" square, 3" long shaft; inside handle is diecast zinc with set screw; used when locking cylinder is mounted separately.

You may wish to stock this related part: **GD-52119, GD-152139, GD-52199.**

4-1/4" Hole Centers

2" Pin Centers

**GD-52147**



**GD-52147** (Chrome)

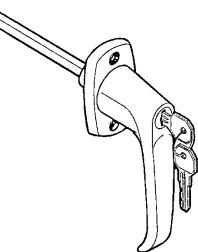
**"L" Handle and Locking Unit**

**Contents:** 1 handle and housing; 1 cylinder lock with 2 keys; 1 set of installation fasteners.

**Description:** Plated diecast handle and housing with 5/16" square shaft, 3-1/8" long; keyed lock with break-off spindle; works with **GD-12138** slide lock.

You may wish to stock this related part: **GD-52138.**

**GD-52123**  
**GD-52201**  
**GD-52214**



1-3/4" Hole Centers

**GD-52123** (Chrome - 1 pack)

**GD-52201** (Chrome - keyed alike - 2 pack)

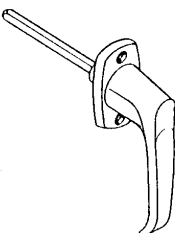
**GD-52214** (Brass - 1 pack)

**"L" Locking Handle**

**Contents:** Locking handles with keys.

**Description:** Zinc diecast construction; keyed lock; 5/16" square shaft, 2-7/8" long; replaces most garage door, camper and R.V. locking handles.

**GD-52148**



1-3/4" Hole Centers

**GD-52148** (Chrome)

**"L" Handle**

**Contents:** 1 handle.

**Description:** Diecast "L" handle with 5/16" square shaft, 3" long; non-keyed handle for use with various inside latching devices.

You may wish to stock these related parts: **GD-52119, GD-52199.**

*Call for Availability*

## GD-52138

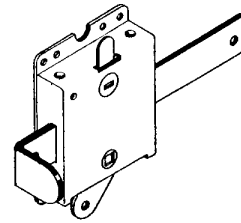
### Side Lock

**Contents:** 1 lock assembly.

**Description:** Heavy duty **galvanized steel**, **spring loaded**, **lock** with latch bolt release lever. Used with **GD-52147** outside lock and latch assembly.

You may wish to stock these related parts: **GD-52121**, **GD-52139**, **GD-52147**.

GD-52138

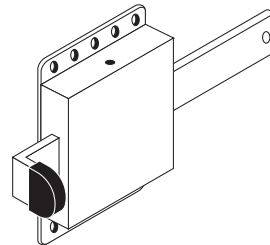


## GD-52118

### Inside Deadlock

**Contents:** 1 lock assembly; 4 ea. 1/4"-20 x 1-7/8" pancake head carriage bolts with nuts.

**Description:** 7/8" wide x 1/8" thick **steel slide bolt** with heavy duty **galvanized steel housing**; works only from the inside for extra protection as a **night or vacation security lock**; engages slot in vertical track; fits most garage doors.



GD-52118

## GD-52137

### Slide Latch (Side Mount)

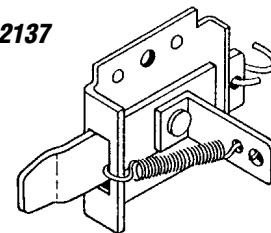
**Contents:** 1 latch.

**Description:** Heavy duty **galvanized steel** construction; spring loaded for positive latching; fits on **Frantz** and other manufacturers.

You may wish to stock these related parts: **GD-52162** thru **GD-52165**.

Call for  
Availability

GD-52137



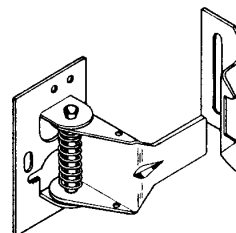
## GD-52124

### Snap Lock (Side Mount)

**Contents:** 1 latch; 1 latch strike; 3 ea. 1/4"-20 x 1-7/8" pancake head carriage bolts.

**Description:** Heavy duty **galvanized steel** construction; spring loaded for positive latching; will fit on most 2" track configurations; used by many manufacturers.

You may wish to stock these related parts: **GD-52120**, **GD-52122**.



GD-52124

## GD-52219

### Strike Plate

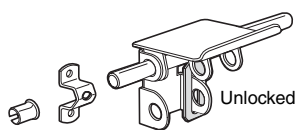
**Contents:** 2 strikes; installation bolts.

**Description:** **Zinc plated steel** construction; used with many different style snap locks.

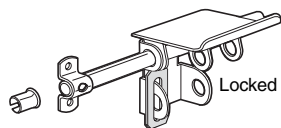
You may wish to stock these related parts: **GD-52120**, **GD-52122**.

GD-52219

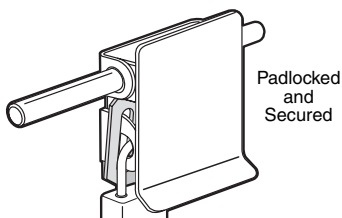




Unlocked



Locked



Padlocked and Secured

Padlock not included

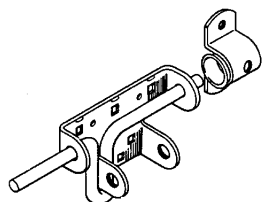
**GD-52241**

## GD-52241

### Garage & Shed Lock (Tamper-proof)

**Contents:** 1 latch; 2 bolt keepers; installation bolts.

**Description:** Heavy gauge zinc plated steel lock; has tamperproof cover plate; can be used with surface mount or mortise bolt keepers; use with a padlock.



**GD-52145**

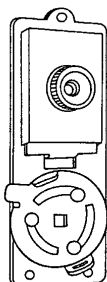
## GD-52145

### Slide Bolt Latch

**Contents:** 1 latch; 2 bolt keepers; 1 set of installation screws.

**Description:** Heavy gauge, zinc plated steel slide bolt latch with both surface mount or mortise bolt keepers. Use with a padlock.

**GD-52166**



## GD-52166

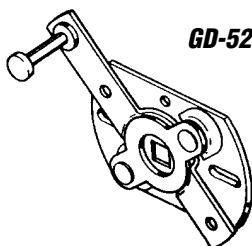
### Night Latch

**Contents:** 1 lock assembly.

**Description:** Heavy duty galvanized steel; works with 5/16" square shaft exterior locking handle GD-52121 and GD-52139 rim cylinder; used on both *Frantz* fiberglass and wood doors.

You may also wish to stock these related parts: GD-52122, GD-52123, GD-52162, GD-52163, GD-52164, GD-52165.

Call for Availability



**GD-52120**

## GD-52120

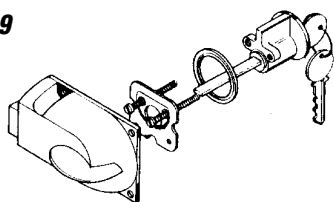
### Swivel Latch (Center Mount)

**Contents:** 1 swivel latch; 4 ea. no. 8 x 1-1/4" Phillips pan head sheet metal screws.

**Description:** Heavy duty galvanized steel construction; accepts a 5/16" square shaft locking handle; fits on *Frantz* and others as a lever mechanism to disengage side latches.

You may wish to stock these related parts: GD-52122, GD-52123.

**GD-52119**



## GD-52119 (Aluminum)

### Center Mount Deadbolt Lock

**Contents:** 1 inside latch bolt assembly; 1 outside cylinder lock with 2 keys; 1 set of fasteners.

**Description:** Painted diecast inside lock with heavy duty steel spring bolt; key cylinder has aluminum face and 5 pin tumbler lock with cylinder ring, will replace most locking mechanisms of this type; used by many manufacturers.

You may wish to stock these related parts: GD-52139, GD-52199.

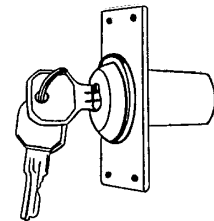
## GD-52142

### Electric Key Switch

**Contents:** 1 key cylinder with **plastic** housing and face plate assembly; 2 keys.

**Description:** Allows operation of garage door opener without a transmitter; mount to the exterior door jamb and hard wire to opener.

GD-52142



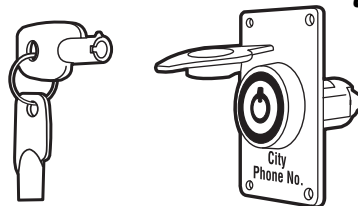
## GD-52264 (Chrome)

### Electric Key Switch (High Security)

**Contents:** 1 cylinder lock and housing assembly with 2 keys; 4 spiral nails.

**Description:** Diecast housing and waterproof cover; 7 pin cylinder lock has **chrome plated brass housing**; pick resistant, high security; momentary contact, uses 3 amp 250vac.

GD-52264



## GD-52143 (Brushed chrome)

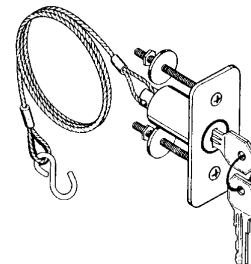
### Emergency Release Kit

**Contents:** 1 key cylinder and housing assembly with 2 keys; 1 - 36" release cable; 1 set of fasteners.

**Description:** Diecast housing; designed to release automatic garage door opener in event of power failure; for garages without side access doors.

You may wish to stock this related part: **GD-52142**.

GD-52143



## GD-52139

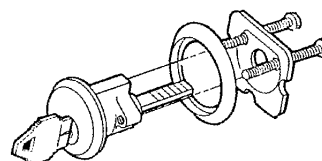
### Rim Cylinder Lock

**Contents:** 1 cylinder lock with trim ring and 2 keys; 1 mounting plate and 2 screws.

**Description:** Heavy duty **zinc diecast housing** with **brass face** and **5 pin tumbler lock**. Used to key lock a variety of interior latching mechanisms.

You may wish to stock these related parts: **GD-52119**, **GD-52138**.

GD-52139



## GD-52199

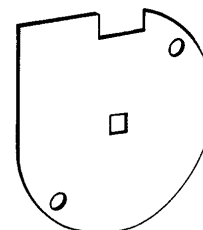
### Lock Bar Disc

**Contents:** 1 disc.

**Description:** **Galvanized steel disc** is used to drive the door lock bars. Accepts a **5/16" square** shaft handle (**GD-52121**); acts as a keeper for **GD-52119** center mount deadbolt lock.

You may wish to stock these related parts: **GD-52119**, **GD-52121**, **GD-52139**.

GD-52199



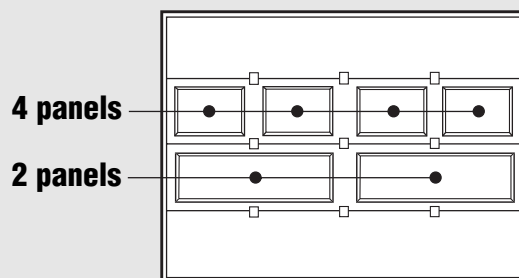
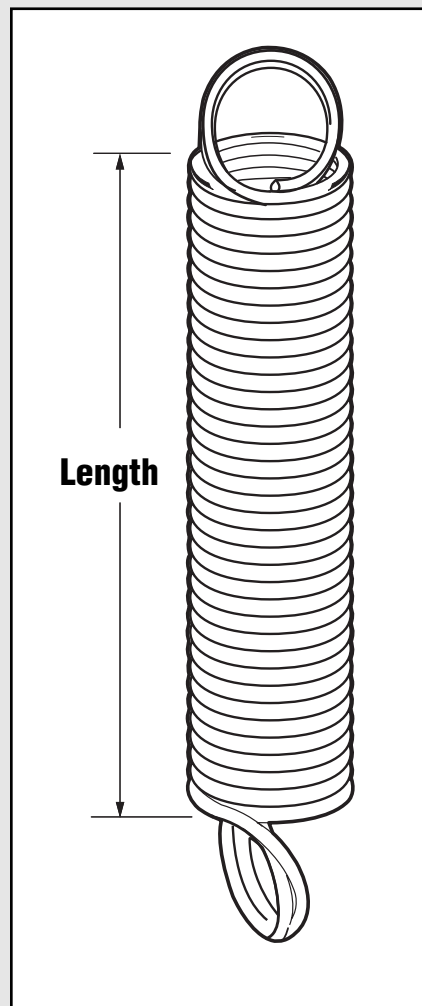


Product Number	Spring Size	Color Code	Door Size	Number of Springs on Door	Springs on each Side
<b>GD-12279</b>	<b>50 lbs.</b>	<b>Orange</b>	• Use on Single car fiberglass doors	2	1
<i>(With Safety Cable)</i>					
(25" Long)					
<b>GD-12202</b>	<b>70 lbs.</b>	<b>Yellow</b>	• Use on single car fiberglass doors	2	1
<i>(With Safety Cable)</i>					
(25" Long)					
<b>GD-12191</b>	<b>110 lbs.</b>	<b>Blue</b>	• Wood Door, 8' Wide x up to 6'6" High; 2 Panels; 4 sections • Fiberglass Door, 16' Wide x up to 7' High; 4 Sections	2	1
<i>(With Safety Cable)</i>					
(25" Long)					
<b>GD-12277</b>	<b>110 lbs.</b>	<b>Blue</b>	• Use on <b>Taylor</b> doors; for 2 car metal doors	2	1
<i>(With Safety Cable)</i>					
(29" Long)					
<b>GD-12192</b>	<b>120 lbs.</b>	<b>Green</b>	• Wood Door, 8' Wide x up to 7' High; 2 Panels; 4 Sections • Fiberglass Door, 16' Wide x 7' High; 4 Sections	2	1
<i>(With Safety Cable)</i>					
(25" Long)					
<b>GD-12193</b>	<b>130 lbs.</b>	<b>Black</b>	• Wood Door, 8' Wide x up to 7' High; 4 Panels; 4 Sections	2	1
<i>(With Safety Cable)</i>					
(25" Long)					
<b>GD-12194</b>	<b>140 lbs.</b>	<b>Red</b>	• Wood Door, 9' Wide x up to 7' High; 2 Panels; 4 Sections • Wood Door, 16' Wide x 7' High; 2 Panels; 4 Sections	2 4	1 2
<i>(With Safety Cable)</i>					
(25" Long)					
<b>GD-12195</b>	<b>150 lbs.</b>	<b>Silver</b>	• Wood Door, 9' Wide x 7' High; 4 Panels; 4 Sections • Wood Door, 16' Wide x 7' High; 4 Panels; 4 Sections	2 4	1 2
<i>(With Safety Cable)</i>					
(25" Long)					
<b>GD-12207</b>	<b>150 lbs.</b>	<b>Silver</b>	• 9' Wide x 7' High; 4 Panels; 4 Sections • 16' Wide x 7' High; 4 Panels; 4 Sections	2 4	1 2
<i>(With Safety Cable)</i>					
(22' Long - Special for <b>Frantz</b> doors)					
<b>GD-12205</b>	<b>160 lbs.</b>	<b>Brown</b>	• Wood Door, 9' Wide x 7' High; 4 Panels; 4 Sections • Wood Door, 16' Wide x 7' High; 4 Panels; 4 Sections	2 4	1 2
<i>(With Safety Cable)</i>					
(25" Long)					
<b>GD-12267</b>	<b>170 lbs.</b>	<b>Yellow</b>	• Wood Door, 10' Wide x 7' High; 4 Panels; 4 Sections • Wood Door, 16' Wide x 7' High; 8 Panel; 4 Sections	2 4	1 2
<i>(With Safety Cable)</i>					
(25" Long)					
<b>GD-12278</b>	<b>285 lbs.</b>	-	• Use on 2 car wood doors	2	1
<i>(With Safety Cable)</i>					
(28" Long)					

## Extension Springs (with Safety Cable) for Sectional Overhead Type Doors

**Contents:** 1 spring per package; **minimum order quantity 6** springs each. **Rated at 10,000 cycles.**

**Description:** Heavy duty; extension springs. It is always advisable to replace all door springs, even though only one may have broken; safety cables protect against personal injury and property damage from broken springs.



**4 section door**

# Garage Door

**GD-52198** (2 plates for 3" pulley)

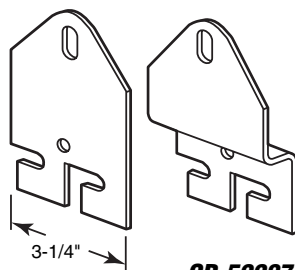
**GD-52287** (2 pairs for 4" pulley)

## Dual Spring Hook Plates

**Contents:** Hook plates.

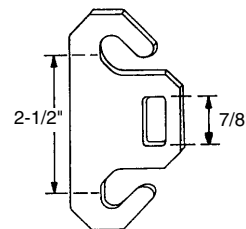
**Description:** Galvanized steel plates used to attach 2 springs to the moving pulley strap. For heavy duty door applications.

You may wish to stock this related part: **GD-12108, GD-12109.**



**GD-52287**

**GD-52198**



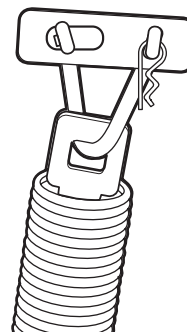
**GD-12146** - 110/120 lbs. (#728)

**GD-12255** - 135/145 lbs. (#528)

## "One Piece" Door Spring

**Contents:** 1 spring.

**Description:** Very popular West Coast spring has stamped steel end plugs attached to safety containment rods; supplied with 2 "W" hook assemblies for either one or two spring replacement. These springs are approved and certified by the State of California Department of Housing and Community Development and comply with the California Building Standards Code (CBSC) Title 24, Part 2, Section 312.7.



**GD-12146  
GD-12255**

**GD-12269** (16" long)

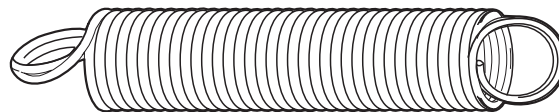
**GD-12270** (16" long - includes safety cable)

## "One Piece" Taylor Door Spring

**Contents:** 1 spring.

**Description:** Double loop spring; 1-1/4" I.D.; 10 coils = 1-7/8"; for single car garage doors. Uses a black color code.

**GD-12269  
GD-12270**

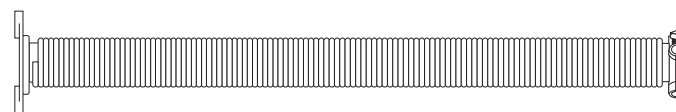


## Torsion Springs

**Contents:** 1 spring with winding cone and anchor cone attached.

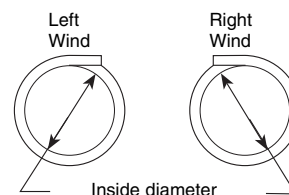
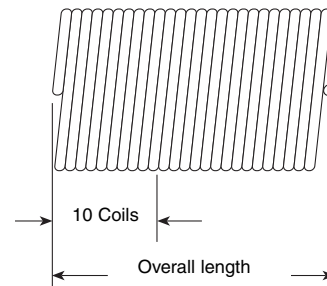
Part Number	Color Code	Wire Size	Inside Diameter	Overall Length	Wind
<b>GD-12224</b>	Silver	.207	1-3/4"	18"	Right
<b>GD-12225</b>	Silver	.207	1-3/4"	18"	Left
<b>GD-12226</b>	Blue	.218	1-3/4"	20"	Right
<b>GD-12227</b>	Blue	.218	1-3/4"	20"	Left
<b>GD-12228</b>	Red	.243	1-3/4"	32"	Right
<b>GD-12229</b>	Red	.243	1-3/4"	32"	Left
<b>GD-12230</b>	White	.250	1-3/4"	32"	Right
<b>GD-12231</b>	White	.250	1-3/4"	32"	Left
<b>GD-12232</b>	Yellow	.243	2"	32"	Right
<b>GD-12233</b>	Yellow	.243	2"	32"	Left
<b>GD-12234</b>	Green	.250	2"	32"	Right
<b>GD-12235</b>	Green	.250	2"	32"	Left

**Description:** Most doors, in recent years, have been supplied with torsion springs; located directly above the door and mounted to the header. Replacement will require the use of 2 - winding rods (**GD-12238**) and a clear understanding of wire size and handing. The chart at right will help to determine these two factors.

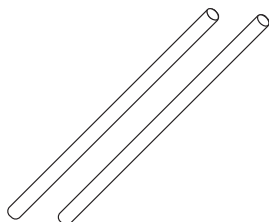
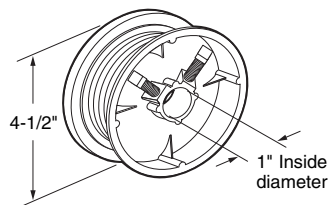


Measure 10 coils and refer to chart for wire size.

Wire Chart	Wire Size
	2-1/16" = .207
	2-3/16" = .218
	2-7/16" = .243
	2-1/2" = .250

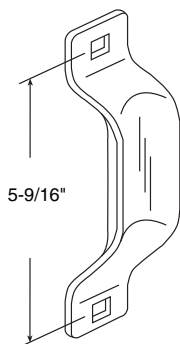
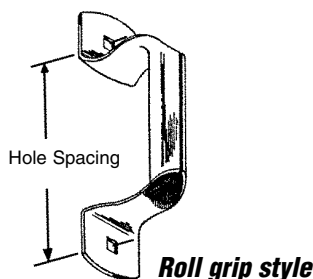


**GD-12222**  
**GD-12223**



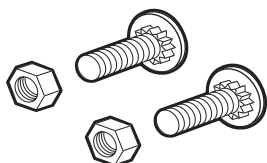
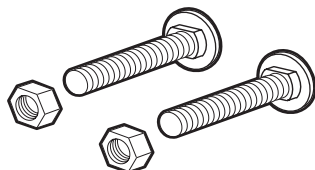
**GD-52238**

**GD-52129**  
**GD-52130**



**GD-52288**  
**GD-52217**

**GD-52103**



**GD-52265**

**GD-12222** (Left hand)  
**GD-12223** (Right hand)

**Torsion Spring Cable Drum**

**Contents:** 1 cable drum, with set screws.

**Description:** Diecast cable drum used on torsion spring doors; spools lifting cable as door operates. Accepts cables up to 1/8" in diameter; maximum weight load, per drum, is 265 lbs. Color coded **Red** (right hand); **Black** (left hand).

**GD-52238**

**Winding Rods**

**Contents:** 2 winding rods.

**Description:** 1/2" diameter x 16" long, hard drawn wire rods; used to wind and unwind tension on torsion springs; **these are the only tools recommended for this purpose.**

**GD-52129** (5" open grip)

**GD-52130** (6" roll grip)

**Bottom Lift Handle**

**Contents:** 2 handles; 4 ea. 1/4" -20 x 1-7/8" pancake head carriage bolts with nuts.

**Description:** Galvanized steel construction; lift handle can be used in vertical or horizontal position; replaces most handles currently in use.

**GD-52288** (Zinc plated)

**GD-52217** (Brass plated)

**Bottom Lift Handle**

**Contents:** 1 handle; 2 ea. 1/4"-20 x 1-7/8" pancake head carriage bolts with nuts.

**Description:** Steel construction; handle can be used in vertical or horizontal position; replaces most handles currently in use.

You may wish to stock this related part: **GD-12129, GD-12130.**

**GD-52103**

**Carriage Bolts With Nuts**

**Contents:** 12 ea. 1/4"-20 x 1-7/8" pancake head carriage bolts; with nuts.

**Description:** Zinc plated bolts; used to attach most hardware to garage doors; flat head allows for smooth exterior finish.

**GD-52265**

**Ribbed Neck Bolts With Nuts**

**Contents:** 12 ea. 1/4" - 20 x 1/2" pancake head, ribbed neck bolts with nuts.

**Description:** Slotted, zinc plated bolts and hex nuts; used on fiberglass garage doors.

# Garage Door

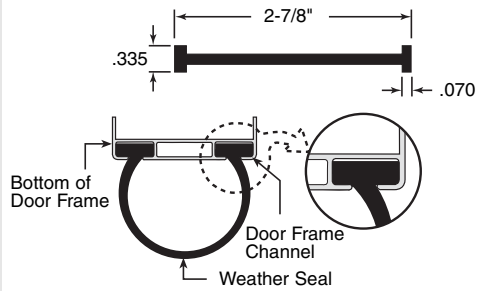
**GD-12127** (9' long)  
**GD-12128** (16' long)

*Call for  
Availability*

## Weatherstrip (Fiberglass and Aluminum Door)

**Contents:** 1 vinyl strip.

**Description:** Gray vinyl material has excellent performance characteristics in all weather conditions. Fits on fiberglass and metal doors by *Frantz*, *Clopay* and many other manufacturers.



**GD-12127**  
**GD-12128**

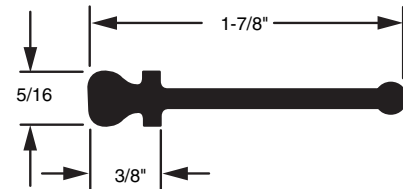
**GD-12273** (10' long)  
**GD-12274** (16' long)

## Weatherstrip (Metal Door)

**Contents:** 1 vinyl strip.

**Description:** Fits 1 piece & metal sectional doors, weatherstrip is constructed of a gray vinyl material. Will not freeze under sub-zero temperatures.

**GD-12273**  
**GD-12274**

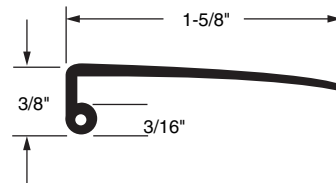


**GD-12275** (10' long)  
**GD-12276** (16' long)

## Weatherstrip (Metal Door)

**Contents:** 1 vinyl strip.

**Description:** Fits 1 piece & metal sectional doors, weatherstrip is constructed of a gray vinyl material. Will not freeze under sub-zero temperatures.



**GD-12275**  
**GD-12276**

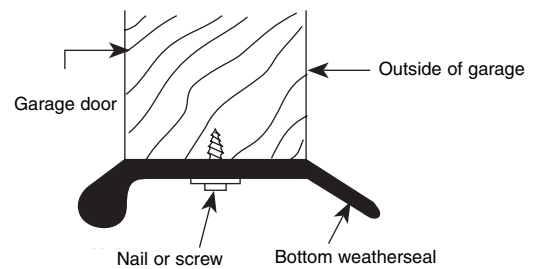
**GD-12125** (9' long)  
**GD-12126** (16' long)

## Weatherstrip (Wood Door)

**Contents:** 1 vinyl strip with nails.

**Description:** Black vinyl material has excellent consistency even in the coldest weather; will fit a standard 1-3/8" thick garage door; used by many wood door manufacturers.

**GD-12125**  
**GD-12126**



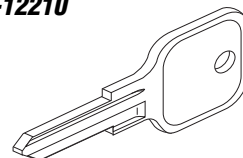
**GD-12210**

## Key Blanks

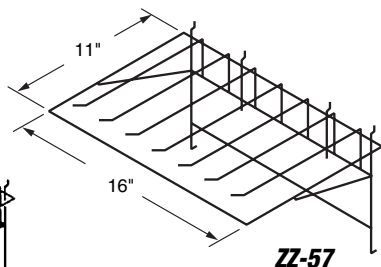
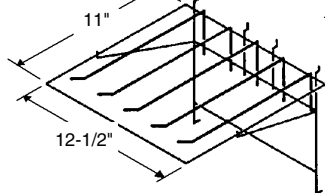
**Contents:** 25 blanks per bag.

**Description:** Standard key blanks for re-keying "T" and "L" locking handles; for **GD-12122** and **GD-12123**.

**GD-12210**



**GD-12136**

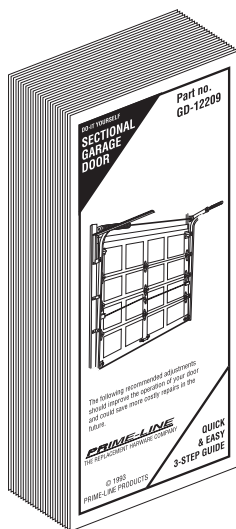


**GD-12136** (5 prong)  
**ZZ-57** (7 prong)

**Spring Rack**

**Contents:** 1 wire rack.

**Description:** Plated steel wire rack holds up to 5 or 7 different sizes of springs; attaches to existing pegboard.



**GD-12209**

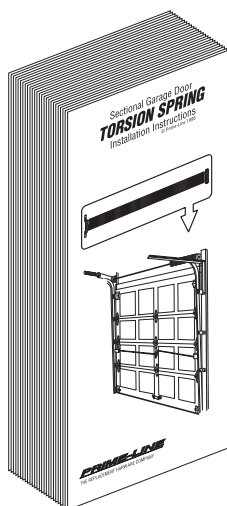
**GD-12209**  
**ZZ-34** (With wire rack)

**Maintenance Brochures**

**Contents:** 50 brochures.

**Description:** Complete how-to instructions on adjusting spring tension, leveling door, and general problem solving.

**GD-12280**



**GD-12280**  
**ZZ-58** (With wire rack)

**Torsion Spring Brochures**

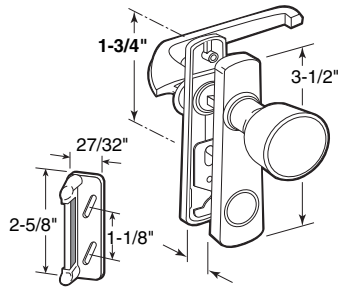
**Contents:** 50 Brochures.

**Description:** Detailed instructions on how to remove and replace torsion springs. **NOTE:** It is advisable to use a professional installer for this project.

**Can't find what your looking for ?**

Call our customer service department at the number below. We may be able to source it for you!

**K-5000**  
**K-5001**  
**K-5002**  
**K-5121**  
**K-5170**



5/8" to 1-1/4" thick doors

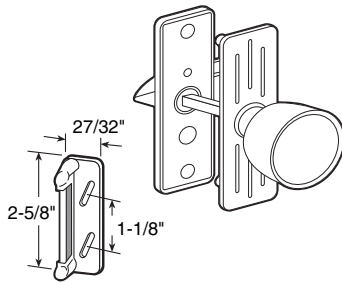
**K-5000** (Aluminum)  
**K-5001** (Black)  
**K-5002** (Gold)  
**K-5121** (White)  
**K-5170** (Chocolate brown)

## Tulip Knob Latch

**Contents:** 1 outside knob; 1 inside latch; 1 strike; 1 set of installation screws.

**Description:** Designed for outswinging wood or metal, screen or storm doors; **5/8" to 1-1/4" thick**, complete with night lock; **(1-3/4" hole spacing)**.

You may also wish to stock these related parts: **K-5003, K-5004, K-5027, K-5028.**



**K-5077**

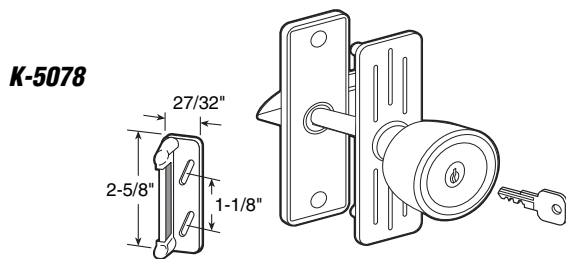
**K-5077** (Aluminum)

## Tulip Knob Latch

**Contents:** 1 outside knob; 1 inside handle; 1 strike; 1 set of installation screws.

**Description:** For most outswinging doors **1" to 1-1/4" thick**; interior locking mechanism; **(3" hole spacing)**.

You may also wish to stock these related parts: **K-5058, K-5067, K-5074, K-5078.**



**K-5078**

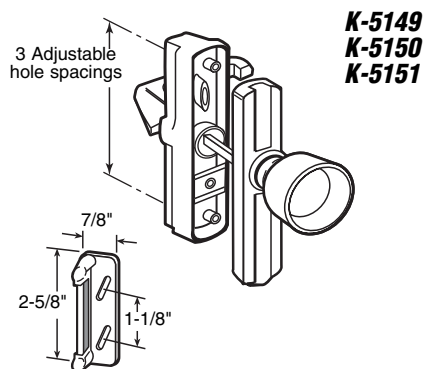
**K-5078** (Aluminum)

## Tulip Knob Lock

**Contents:** 1 outside locking knob; 1 inside handle; 1 strike; 2 keys; 1 set of installation screws.

**Description:** For most outswinging doors **1" to 1-1/4" thick**; key-in knob is used for re-entry only; **(3" hole spacing)**.

You may also wish to stock these related parts: **K-5058, K-5067, K-5073, K-5074, K-5076.**



**K-5149**  
**K-5150**  
**K-5151**

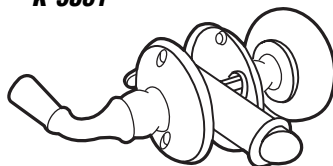
**K-5149** (Aluminum)  
**K-5150** (Black)  
**K-5151** (White)

## Universal Knob Latch (Adjustable hole centers)

**Contents:** 1 outside knob; 1 inside handle; 1 strike; 2 shims; 2 screw inserts; 1 set of installation screws.

**Description:** For outswinging doors **5/8" to 1-1/4" thick**; interior locking; movable screw inserts to accommodate **(1-1/2", 1-3/4" and 3" hole spacing)**.

**K-5081**



**K-5081** (Polished brass)

## Mortise Door Lock

**Contents:** 1 outside knob; 1 inside handle; 1 mortise latch; 2 backplates; includes all installation parts.

**Description:** **Solid brass (knob, handle & backplates)**; for wood and metal doors **7/8" to 1-3/8" thick**; interior locking mechanism; round outside knob and lever action inside handle; primarily used on wood doors; requires a **1-3/4" backset**.

You may also wish to stock these related parts: **K-5026, K-5027, K-5028, K-5067, K-5073, K-5074, K-5076.**

# Storm and Screen Door

- K-5006** (Aluminum)
- K-5007** (Black)
- K-5008** (Gold)
- K-5145** (White)

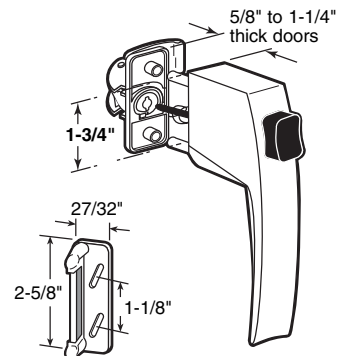
## Push Button Latch

**Contents:** 1 outside handle; 1 inside latch; 1 strike; 1 set of installation screws.

**Description:** Designed for outswinging wood or metal, screen or storm doors; **5/8" to 1-1/4" thick**, complete with night lock; (**1-3/4" hole spacing**).

You may also wish to stock these related parts: **K-5003, K-5004, K-5027, K-5028.**

- K-5006**
- K-5007**
- K-5008**
- K-5145**



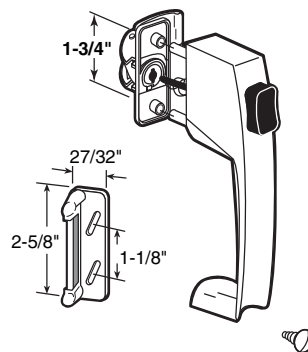
- K-5070** (Aluminum)
- K-5071** (Black)
- K-5116** (White)
- K-5171** (Chocolate brown)

## Push Button Latch

**Contents:** 1 outside handle; 1 inside latch; 1 strike; 1 set of installation screws.

**Description:** Designed for outswinging wood or metal, screen or storm doors; **1" to 1-1/4" thick**; complete with night lock; contemporary design with tie-down screw at bottom of handle; (**1-3/4" hole spacing**); for **key locking**, use **K-5024**.

You may wish to stock these related parts: **K-5027, K-5028.**



- K-5070**
- K-5071**
- K-5116**
- K-5171**

- K-5107** (Aluminum)
- K-5082** (Black)

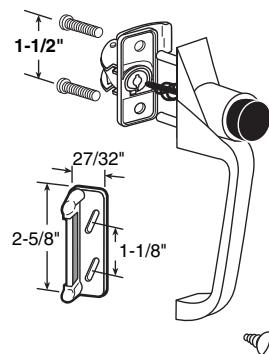
## Push Button Latch

**Contents:** 1 outside handle; 1 inside latch; 1 strike; 1 set of installation screws.

**Description:** For outswinging screen and storm doors **1" to 1-1/4" thick**; interior locking and no-lockout feature; (**1-1/2" hole spacing**).

You may wish to stock these related parts: **K-5026, K-5028, K-5073, K-5076, K-5082.**

- K-5107**
- K-5082**



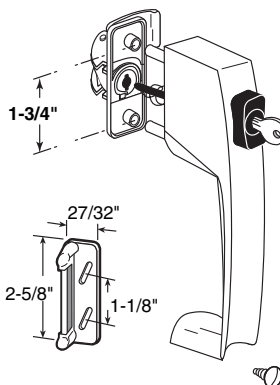
- K-5089** (Aluminum)
- K-5090** (Black)
- K-5140** (White)

## Push Button Lock

**Contents:** 1 outside handle; 1 inside latch; 1 keyed locking unit; 1 strike; 1 set of installation screws.

**Description:** Designed for outswinging wood or metal, screen or storm doors, **1" to 1-1/4" thick**; contemporary design with tie-down screw at bottom of handle; (**1-3/4" hole spacing**).

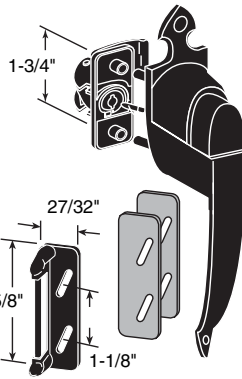
You may wish to stock these related parts: **K-5027, K-5028.**



- K-5089**
- K-5090**
- K-5140**



**K-5079**



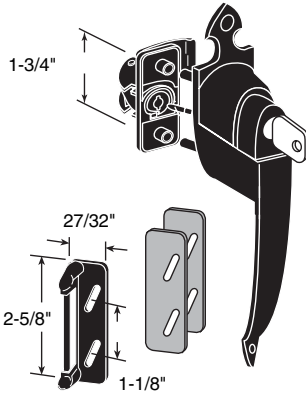
**K-5079** (Black)

## Colonial Push Button Latch

**Contents:** 1 outside handle; 1 inside latch; 1 strike; 1 set of installation screws.

**Description:** For outswinging screen and storm doors **1" to 1-1/4" thick; black hammered finish;** interior locking and no-lockout feature; **(1-3/4" hole spacing).**

You may wish to stock these related parts: **K-5026, K-5028, K-5073, K-5076, K-5099.**



**K-5080**

**K-5080** (Black)

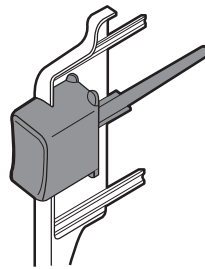
## Colonial Push Button Lock

**Contents:** 1 outside handle; 1 inside latch; 1 keyed locking unit; 1 strike; 1 set of installation screws.

**Description:** For outswinging screen and storm doors **1" to 1-1/4" thick; black hammered finish;** interior locking and no-lockout feature; keyed locking push button for outside key control; **(1-3/4" hole spacing).**

You may wish to stock these related parts: **K-5026, K-5028.**

**K-5012**



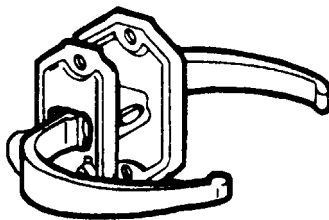
**K-5012**

## Replacement Push Button

**Contents:** 1 push button spindle.

**Description:** **Black plastic** push button; replacement for most *Ideal Security* pushbutton type latches.

You may wish to stock these related parts: **K-5006, K-5007, K-5070, K-5071.**



**K-5125**

**K-5125** (Aluminum)

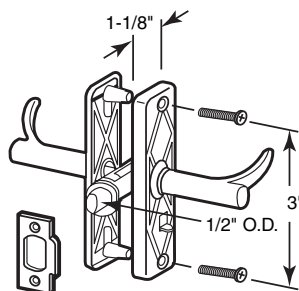
## Push/Pull Latch

**Contents:** 1 inside/outside pull handle; 2 cover plates; 1 set of installation screws.

**Description:** Popular for wood or metal doors; **installs in 1" dia. single hole;** no mortising; for outswinging doors **1" to 1-3/8" thick;** pull to open from outside, push to open from inside; **backset 11/16" from surface of stop on jamb.**

You may also wish to stock these related parts: **K-5009, K-5010, K-5011, K-5074, K-5076.**

**K-5052**  
**K-5101**



**K-5052** (Aluminum)

**K-5101** (Black)

## Door Latch

**Contents:** 1 outside handle; 1 inside handle; 1 mortise bolt; 1 strikeplate; 1 set of installation screws.

**Description:** Designed to fit most combination screen and storm doors; **reversible;** internal lock for extra security; accepts **7/8" to 1-1/4" door thickness; 3/4" backset; uses 3" hole spacing.**

You may also wish to stock these related parts: **K-5053, E-2151**(keyed locking cylinder).



# Storm and Screen Door

**K-5053** (Aluminum)

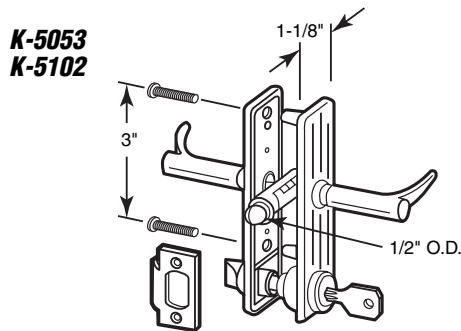
**K-5102** (Black)

## Door Lock

**Contents:** 1 outside handle; 1 inside handle; 1 mortise bolt; 1 strikeplate; 1 locking cylinder; 1 set of installation screws.

**Description:** Designed to fit most combination screen and storm doors; exterior key cylinder (**E-2151**); **reversible**; accepts **7/8"** to **1-1/4"** door thickness; **3/4"** backset; uses **3"** hole spacing.

You may also wish to stock these related parts: **K-5052**, **E-2151**.



**K-5057** (Black)

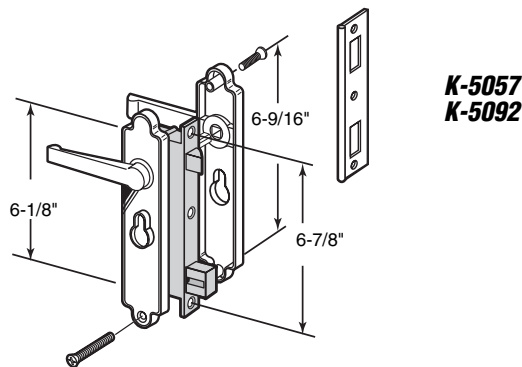
**K-5092** (Black with locking cylinder)

## Security Door Mortise Lock

**Contents:** 1 inside handle; 1 outside handle; 1 spindle; 1 mortise lock assembly; 1 strikeplate; (1 locking cylinder); 1 set of installation screws.

**Description:** Heavy duty **diecast**, **low profile**, lever handled mortise lock; **brass plated steel** strike; as supplied on wire mesh type security doors; uses **K-5061** double key cylinder; used on **Academy** doors.

You may also wish to stock related parts: **K-5062**, **K-5073**.



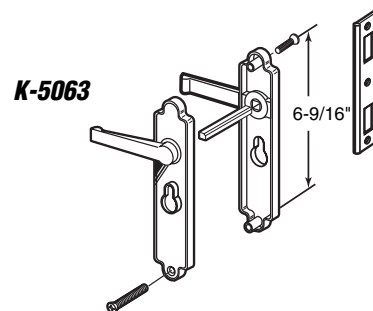
**K-5063** (Black)

## Mortise Lock Levers Only

**Contents:** 1 inside handle; 1 outside handle; 1 spindle; assembly screws.

**Description:** **Diecast** inside and outside handle assemblies for use on **K-5057** & **K-5092**.

You may also wish to stock these related parts: **K-5057**, **K-5061**, **K-5062**, **K-5064**.



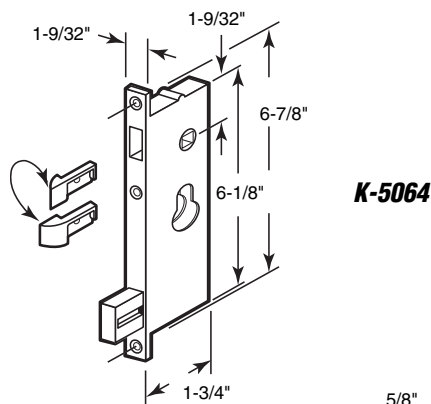
**K-5064**

## Mortise Lock Insert

**Contents:** 1 mortise lock insert.

**Description:** Heavy duty **diecast** mortise lock insert; non-handed; **reverse latchbolt** for left or right-hand application; used with **K-5057** & **K-5092**.

You may also wish to stock these related parts: **K-5057**, **K-5061**, **K-5062**, **K-5063**.



**K-5056** (Black)

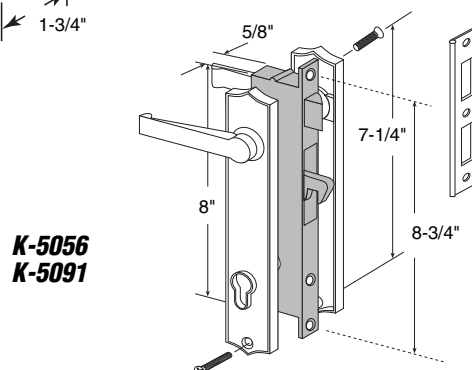
**K-5091** (Black with locking cylinder)

## Security Door Mortise Lock

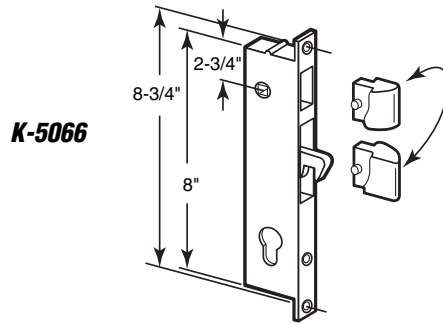
**Contents:** 1 inside handle; 1 outside handle; 1 spindle; 1 mortise lock assembly; 1 strikeplate; (1 locking cylinder); 1 set of installation screws.

**Description:** Heavy duty **diecast**, **low profile**, lever handled mortise lock; **brass plated steel** strike; as supplied on wire mesh type security doors; uses **K-5061** double key cylinder; used on **Columbia** doors.

You may wish to stock these related parts: **K-5059**, **K-5061**, **K-5073**.



Call for  
Availability



**K-5066**

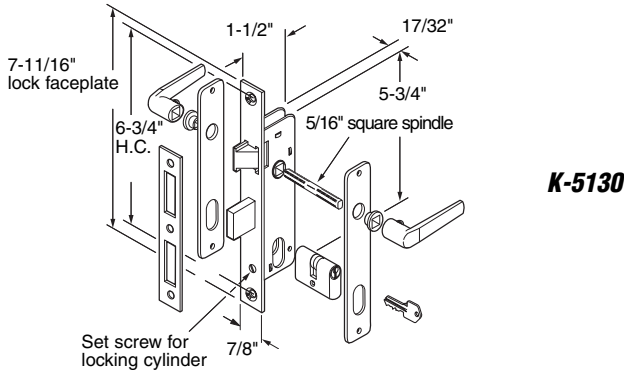
## K-5066

### Mortise Lock Insert

**Contents:** 1 mortise lock insert.

**Description:** Heavy duty **diecast** mortise lock insert; non-handed; **reverse latchbolt** for left or right hand application; used with **K-5056 & K-5091**.

You may wish to stock these related parts: **K-5059, K-5061, K-5062, K-5065**.



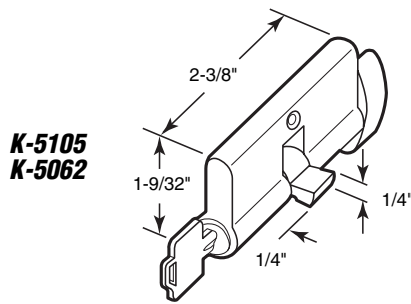
**K-5130**

## K-5130 (Brass finish)

### Storm Door Mortise Lock

**Contents:** 1 mortise lock; 1 strike; 2 trim plates; 2 lever handles; 1 locking cylinder with 2 keys; 1 set of installation fasteners.

**Description:** Stamped **steel** mortise case; **solid brass** trim plates; **brass plated, diecast**, low profile handles; **solid brass** double keyed, 5 pin tumbler cylinder lock; for **1" to 1-1/2"** thick storm doors; used by several manufacturers.



**K-5105  
K-5062**

## K-5105 (*Schlage* keyway)

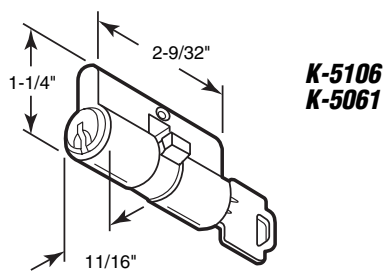
## K-5062 (*Kwikset* keyway)

### Locking Cylinder With Thumbturn

**Contents:** 1 cylinder with key.

**Description:** **Solid brass 5 pin tumbler**; used with security screen door mortise locking devices; adjusts to most door thicknesses.

You may also wish to stock these related parts: **K-5056, K-5057, K-5061, K-5062, K-5063, K-5064, K-5065**.



**K-5106  
K-5061**

## K-5106 (*Schlage* keyway)

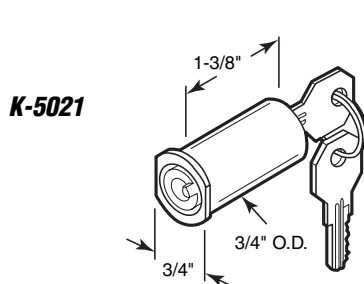
## K-5061 (*Kwikset-Weiser* keyway)

### Locking Cylinder (Double keyed)

**Contents:** 1 cylinder; 2 keys

**Description:** **Double keyed, solid brass, 5 pin tumbler**; used with security screen door mortise locking devices; adjusts to most door thicknesses; for interior and exterior key locking.

You may also wish to stock these related parts: **K-5056, K-5057, K-5061, K-5062, K-5063, K-5064, K-5065**.



**K-5021**

## K-5021

### Locking Unit

**Contents:** 1 locking cylinder with 2 keys.

**Description:** Key cylinder unit converts most **1-3/4"** hole spacing knob latches to key operating units; one size fits doors **5/8" to 1-1/4"** thick.

You may also wish to stock these related parts: **K-5000, K-5001, K-5022, K-5152**.

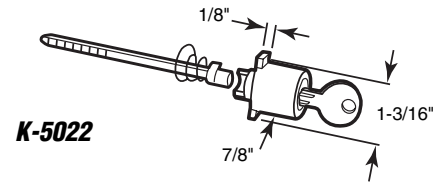
## K-5022

### Locking Unit

**Contents:** 1 push button locking cylinder; 1 latch activator shaft.

**Description:** Push button locking cylinder is used to convert *Ideal Security* SK-980 (12-80) push button latches to key operating units.

You may also wish to stock these related parts: **K-5021**.



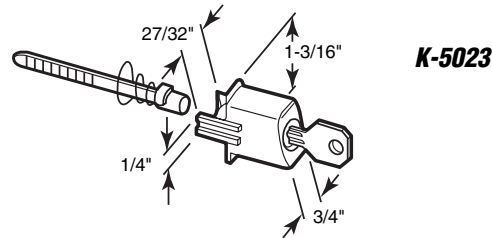
## K-5023

### Locking Unit

**Contents:** 1 push button locking cylinder; 1 latch activator.

**Description:** Push button locking unit replaces regular push button and converts latch to key lock; used on *Ideal "Old Style"* latches.

You may wish to stock these related parts: **K-5020, K-5024**.



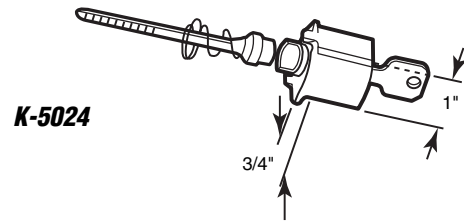
## K-5024

### Locking Unit

**Contents:** 1 push button locking cylinder; 1 latch activator shaft.

**Description:** Push button locking unit replaces regular push button and converts latch to key lock; fits **K-5070, K-5071, K-5116 & K-5171** handles; also used on *Ideal "New Style" & Wright Products* latches.

You may also wish to stock these related parts: **K-5006, K-5007, K-5008, K-5020**.



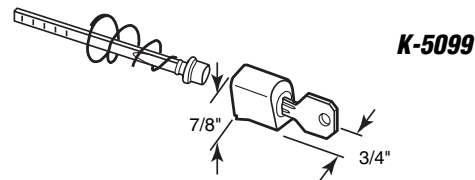
## K-5099 (Black)

### Locking Unit

**Contents:** 1 push button locking cylinder; 1 latch activator shaft.

**Description:** Push button locking unit replaces regular push button and converts latch to key lock; use on *"Colonial"* handle sets **K-5079 & K-5080**.

You may also wish to stock these related parts: **K-5003, K-5004, K-5079**.

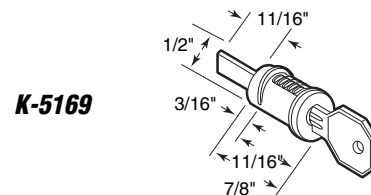


## K-5169 (1-1/8" thick door)

### Locking Unit

**Contents:** 1 lock with 2 keys.

**Description:** Wafer type; diecast housing; used to keylock handle sets **K-5052, K-5053, K-5101 and K-5102**.

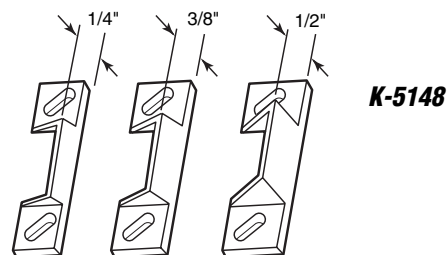


## K-5148

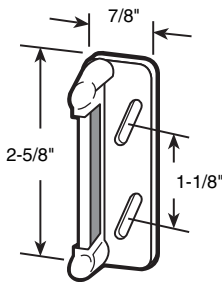
### Strike Plates

**Contents:** 3 strike assortment; installation screws.

**Description:** Zinc diecast strike plates with slotted holes for universal use with a variety of retractable inside latches



**K-5003**  
**K-5004**  
**K-5005**  
**K-5117**



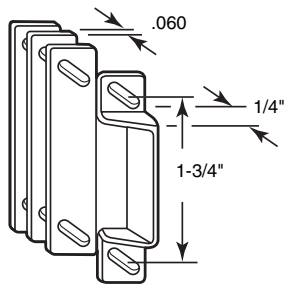
**K-5003** (Aluminum)  
**K-5004** (Black)  
**K-5005** (Gold)  
**K-5117** (White)

**Strike Plate**

**Contents:** 1 strike; 2 shim plates; 1 set of installation screws.

**Description:** Resilient strike is used on latches with a **rigid interior latch**; adjustable to fit most installations.

You may wish to stock these related parts: **K-5003, K-5004.**



**K-5009**  
**K-5010**  
**K-5011**

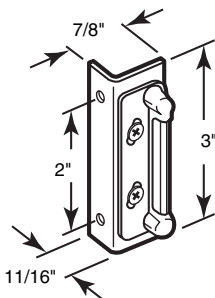
**K-5009** (Aluminum)  
**K-5010** (Black)  
**K-5011** (Gold)

**Strike Plate**

**Contents:** 1 strike; 2 shim plates; 1 set of installation screws.

**Description:** **Diecast strikeplate** is used on latches with a **spring loaded retractable inside latch**; adjustable to fit most installations.

**K-5013**  
**K-5014**  
**K-5015**



**K-5013** (Aluminum)  
**K-5014** (Black)  
**K-5015** (Gold)

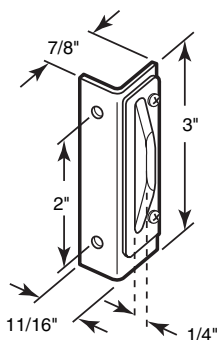
**Strike Plate (Double door)**

**Contents:** 1 strikeplate; 1 set of installation screws.

**Description:** For **double screen door** installations when used with a rigid interior latch; mounts onto fixed panel.

You may also wish to stock these related parts: **K-5000, K-5006, K-5019.**

*Call for Availability*



**K-5016**

**K-5016** (Aluminum)

**Strike Plate (Double door)**

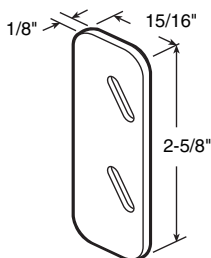
**Contents:** 1 strikeplate; 1 set of installation screws.

**Description:** For **double screen door** installations when used with a retractable inside latch; mounts onto fixed panel.

You may wish to stock these related parts: **K-5000, K-5006, K-5019.**

*Call for Availability*

**K-5100**



**K-5100**

**Shim Plates (Plastic)**

**Contents:** 4-1/8" thick shims.

**Description:** **Plastic shim** for use with spring loaded strike plate, allows strike to be raised from door stop to make firm contact with latch.

You may wish to stock these related parts: **K-5000, K-5001, K-5003 thru K-5006, K-5007, K-5112, K-5070, K-5071.**

# Storm and Screen Door

**K-5025** (Aluminum)

**K-5098** (Black)

## Inside Latching Handle

**Contents:** 1 inside latch assembly.

**Description:** Inside latching unit has rigid latch face; used to replace many (knob latch) interior latches, with **1-3/4" hole centers**.

You may also wish to stock these related parts: **K-5003, K-5004, K-5005.**

**K-5096** (Aluminum)

**K-5097** (Black)

## Outside Handle

**Contents:** 1 outside latch assembly.

**Description:** Spring loaded outside knob latch used to repair most knob-type latches; **1-3/4" hole spacing**.

You may also wish to stock these related parts: **K-5025, K-5027, K-5098.**

**K-5133** (Black - 1-1/2" hole centers)

**K-5134** (Aluminum - 1-1/2" hole centers)

**K-5135** (Aluminum - 1-3/4" hole centers)

**K-5136** (Black - 1-3/4" hole centers)

## Inside Latching Handle

**Contents:** 1 inside latch assembly.

**Description:** Inside latch; used to repair most push button type latches using resilient strikes.

You may also wish to stock these related parts: **K-5006, K-5007, K-5082, K-5107.**

**K-5050** (Brass plated)

## Pull Handle

**Contents:** 1 handle; 1 set of installation screws.

**Description:** **Wrought steel construction**; a traditional pull handle used on most wood screen doors.

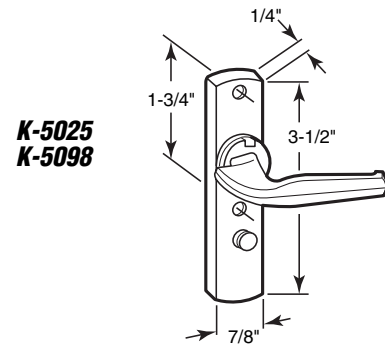
You may also wish to stock these related parts: **K-5043, K-5044.**

**K-5037**

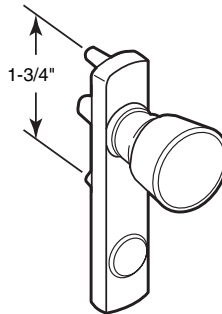
## Brace with Turn Buckle

**Contents:** 1 turn buckle; 2 rods; 1 set of installation screws.

**Description:** Brace system used on wood screen and storm doors to protect against warping; **1/4" diameter steel rods**; diecast turn buckle; **42" total length**.

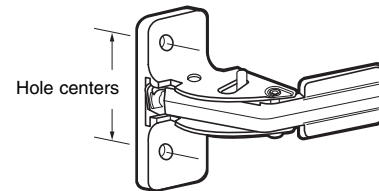


**K-5025**  
**K-5098**



**K-5096**  
**K-5097**

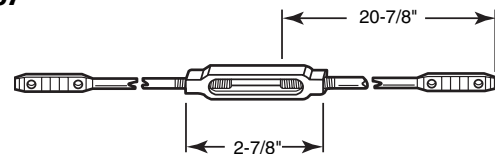
**K-5133**  
**K-5134**  
**K-5135**  
**K-5136**

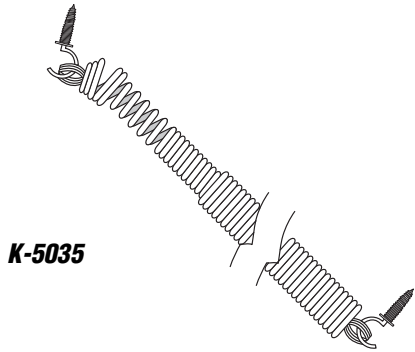


**K-5050**



**K-5037**





**K-5035**

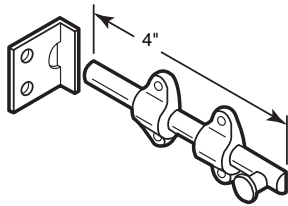
**K-5035**

**Adjustable Door Spring**

**Contents:** 1 spring assembly; 2 hooks.

**Description:** Zinc plated steel spring offers, **positive tension adjustment** for most storm and screen doors; turn adjusting spring in or out of main spring to change tension for light or heavy doors.

**Note:** For bulk, non-adjustable, springs see page K-15.



**K-5019**

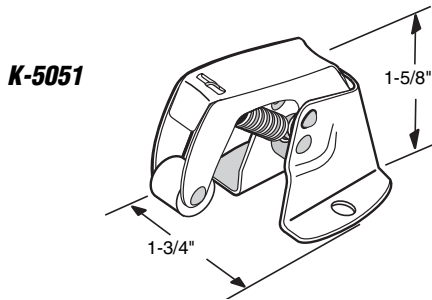
**K-5019** (Chrome)

**Slide Bolt**

**Contents:** 1 bolt with strikeplate; 1 set of installation screws.

**Description:** Slide bolt used on double screen door installations; locks the fixed panel into place.

You may also wish to stock these related parts: **K-5013, K-5014, K-5015, K-5016.**



**K-5051**

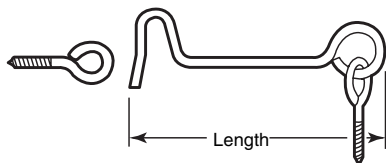
**K-5051**

**Door Catch**

**Contents:** 1 catch; 1 set of installation screws.

**Description:** Zinc plated steel; designed to fit all types of doors; **no-mar roller**; will work on most door and casing thicknesses; holds door in closed position.

You may also wish to stock these related parts: **K-5043, K-5044.**



**K-5036**  
**K-5144**

**K-5036** (2-1/2")

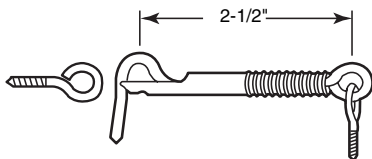
**K-5144** (2")

**Hook and Eye**

**Contents:** 2 hooks; 2 eyes.

**Description:** Zinc plated steel hook used to secure wood screen door to jamb.

**K-5054**



**K-5054**

**Hook and Eye**

**Contents:** 2 hooks; 2 eyes.

**Description:** Zinc plated steel hook with **safety catch**; for wood screen doors; reduces chance of inadvertent hook removal.

## K-5045

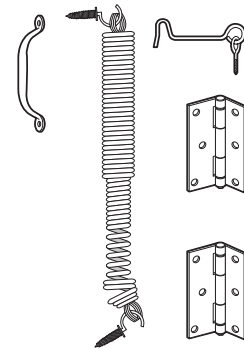
### Wood Screen Door Kit

**Contents:** 1 handle; 1 hook; 2 butt hinges; 1 adjustable spring; 2 shims and the installation fasteners.

**Description:** The handle, hook and hinges are **brass plated steel**; the spring is **gold iridite spring steel**; use for left or right hand installations; hinges are reversible for surface or edge mounting and the adjustable spring allows for tension adjustment for light or heavy doors.

You may wish to stock these related parts: **K-5026, K-5035, K-5038, K-5039.**

**K-5045**

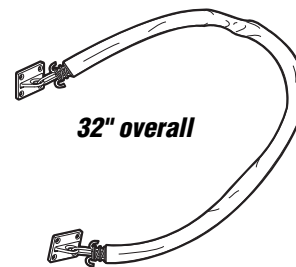


## K-5159

### Protector Chain (Commercial)

**Contents:** 1 chain assembly; 1 vinyl cover; 1 adjustment link; 1 set of installation screws.

**Description:** **Satin chrome** chain with heavy duty **diecast zinc** mounting plates; has 2 compression springs and vinyl protective cover; designed for heavy doors; **adjustable from 20" to 30-1/2"**.



**32" overall**

**K-5159**

## K-5026 (Aluminum)

## K-5141 (Black)

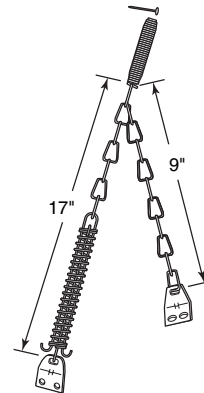
### Protector Chain

**Contents:** 1 chain assembly with attaching hardware.

**Description:** Protects wood or metal outswinging doors from wind damage; heavy gauge **spring wire** and **steel chain** installs to door and jamb.

You may wish to stock these related parts: **K-5038, K-5039.**

**K-5026  
K-5141**

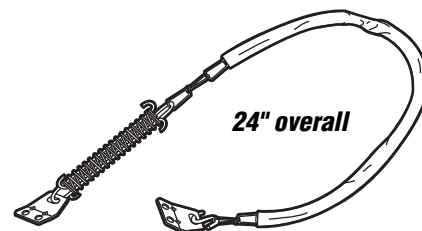


## K-5137

### Deluxe Protector Chain

**Contents:** 1 chain assembly with vinyl cover; attaching hardware.

**Description:** Protects wood or metal outswinging doors from wind damage; vinyl cover protects doors against scratching; heavy gauge **wire spring** and **steel chain**; installs to door and jamb.



**24" overall**

**K-5137**

## K-5038 (Aluminum)

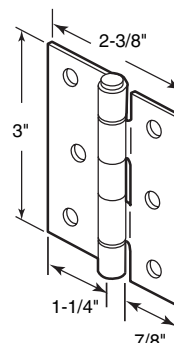
## K-5039 (Black)

### Replacement Hinge (Steel)

**Contents:** 2 hinges; 1 set of installation screws.

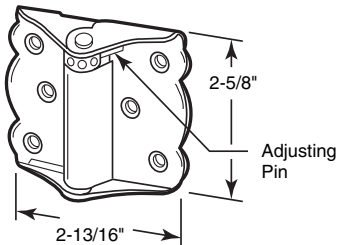
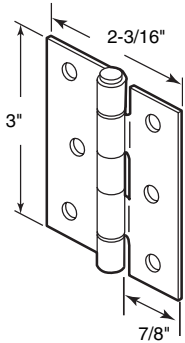
**Description:** **Painted steel hinge**; use for full or half mortise installations.

You may wish to stock these related parts: **K-5000, K-5006.**



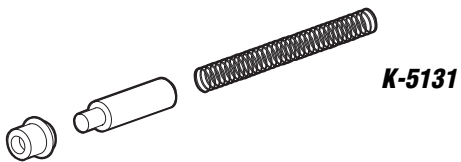
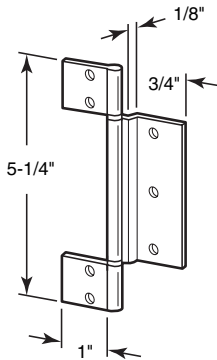
**K-5038  
K-5039**

**K-5142**

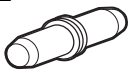


**K-5043  
K-5044**

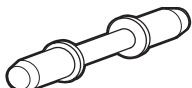
**K-5093**



**K-5132**



Assembled



Un-assembled

**K-5142**

**Replacement Hinge** (Aluminum)

**Contents:** 2 hinges; 1 set of installation screws.

**Description:** Aluminum hinges with brass oilite bearings; for wood or metal screen or storm doors.

**K-5043** (Black)

**K-5044** (Brass)

*Call for  
Availability*

**Self-Closing Hinge**

**Contents:** 2 hinges; 1 set of installation screws.

**Description:** Painted or plated stamped steel hinge is spring loaded for automatic closing; adjustable spring tension; for most wood screen doors.

You may wish to stock these related parts: **K-5049, K-5050.**

**K-5093**

**Replacement Hinge**

**Contents:** 1 hinge; 1 set of #8 x 1/2" pan head installation screws.

**Description:** Extruded aluminum; 3-piece assembly; 1/8" offset center leaf; used by many screen door manufacturers.

You may wish to stock these related parts: **K-5000, K-5067.**

**K-5131** (White)

**Hinge Pins and Bushings**

**Contents:** 6 pins; 6 bushings; 3 springs.

**Description:** Nylon pins and bushings; used in storm door hinges by several manufacturers.

You may wish to stock these related parts: **K-5000, K-5067.**

**K-5132** (Black)

**Hinge Pins**

**Contents:** 6 pins.

**Description:** Nylon hinge pins and bushings; used in hinges on *Croft* storm doors.

You may wish to stock these related parts: **K-5000, K-5067.**



- K-5027** (Aluminum)
- K-5028** (Black)
- K-5029** (Gold)
- K-5118** (White)
- K-5172** (Chocolate brown)

## Pneumatic Closer

**Contents:** 1 closer with mounting brackets and attaching hardware.

**Description:** Specifically designed for **medium weight doors**; **internally lubricated**, **adjustable** closing power and **"fast latch"** feature insures door is latched securely.

You may wish to stock these related parts: **K-5000, K-5006.**

- K-5103** (Aluminum)
- K-5104** (Black)
- K-5158** (White)

## Pneumatic Closer

**Contents:** 1 closer with mounting brackets and attaching hardware.

**Description:** Specifically designed for **light weight West Coast** screen doors; **internally lubricated**, **adjustable** closing power insures door is latched securely.

You may wish to stock these related parts: **K-5000, K-5006, K-5027.**

- K-5067** (Aluminum)
- K-5073** (Black)
- K-5119** (White)
- K-5173** (Chocolate brown)

## Pneumatic Closer

**Contents:** 1 closer with mounting brackets and attaching hardware.

**Description:** **Standard duty** screen or storm door closer; **adjustable** closing speed; used on **medium weight** doors.

You may wish to stock these related parts: **K-5000 thru K-5008, K-5031, K-5033, K-5034.**

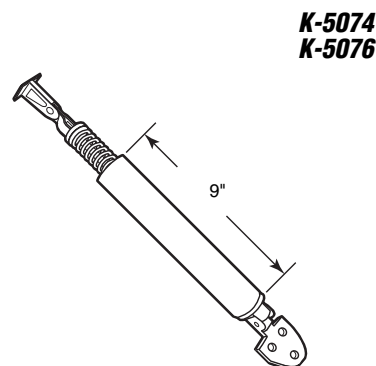
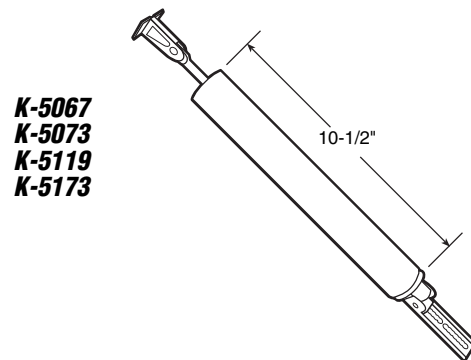
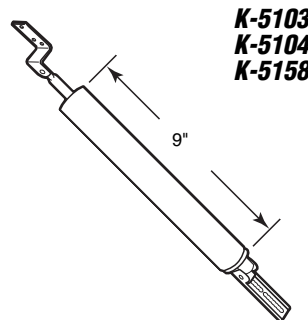
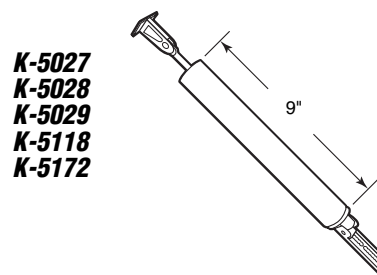
- K-5074** (Aluminum)
- K-5076** (Black)

## Pneumatic Closer (With shock-spring)

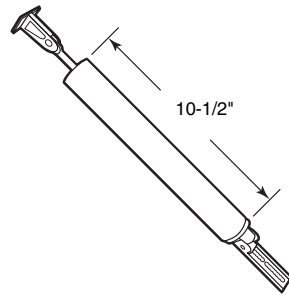
**Contents:** 1 closer with mounting brackets and attaching hardware.

**Description:** **Heavy duty** storm door closer; **adjustable** closing speed; used on **medium to heavy weight** doors.

You may wish to stock these related parts: **K-5000, K-5008, K-5026, K-5038, K-5039, K-5081.**



**K-5058**  
**K-5059**



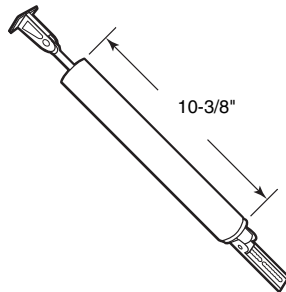
**K-5058** (Aluminum)  
**K-5059** (Black)

## Hydraulic Closer

**Contents:** 1 closer with mounting brackets and attaching hardware.

**Description:** Hydraulic door closer for medium to heavy weight doors; fully adjustable by twisting barrel; hold open in any position.

You may wish to stock these related parts: **K-5000** thru **K-5011**, **K-5027**, **K-5028**, **K-5038**, **K-5039**, **K-5074**, **K-5076**.



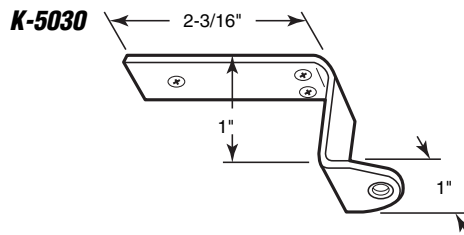
**K-5108**  
**K-5109**  
**K-5120**  
**K-5174**

**K-5108** (Aluminum)  
**K-5109** (Black)  
**K-5120** (White)  
**K-5174** (Chocolate brown)

## Pneumatic Closer (1-1/2" Barrel)

**Contents:** 1 closer with mounting brackets and attaching hardware.

**Description:** Heavy duty closer as used on heavy storm doors; adjustable closing speed; some doors require two closers.



**K-5030**

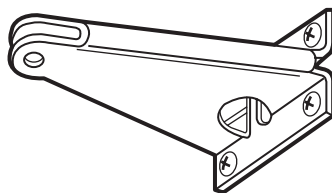
## K-5030

### Jamb Bracket (Top mount)

**Contents:** 1 bracket; 3 installation screws.

**Description:** Top mounting jamb bracket used with pneumatic door closers; stamped steel; ideal for narrow stop installations.

You may also wish to stock these related parts: **K-5031**, **K-5032**, **K-5033**, **K-5103**, **K-5104**, **K-5158**.



**K-5031**

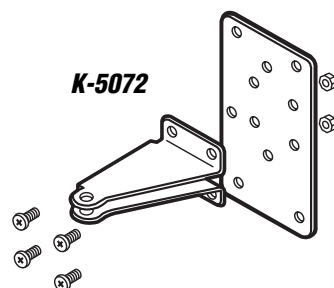
## K-5031

### Jamb Bracket (Side mount)

**Contents:** 1 bracket; 1 set of installation screws.

**Description:** Side mounting jamb bracket used with pneumatic door closers; stamped steel.

You may also wish to stock these related parts: **K-5030**, **K-5032**, **K-5033**, **K-5067**, **K-5073**, **K-5119**.



**K-5072**

## K-5072

### Jamb Bracket with Plate

**Contents:** 1 jamb bracket; 1 cover plate; 1 set of installation screws.

**Description:** Cadmium plated steel bracket and plate; plate bolts to bracket; used when installing over damaged jamb.

You may also wish to stock these related parts: **K-5000**, **K-5008**, **K-5070**, **K-5071**, **K-5082**.

## K-5032

### Door Bracket

**Contents:** 1 bracket; 1 set of installation screws.

**Description:** Bracket used to mount tube type closers to door surfaces; **stamped steel**.

You may also wish to stock these related parts: **K-5030, K-5032, K-5033.**

## K-5033

### Door Bracket

**Contents:** 1 bracket; 1 set of installation screws.

**Description:** Bracket used to mount tube type storm door closers to door surfaces; **stamped steel**; used on *Ideal Security "17-90 and 17-91"* series closers.

You may also wish to stock these related parts: **K-5030, K-5031, K-5032.**

## K-5034

### Closer Repair Kit

**Contents:** Jamb bracket pin; hold open clip; speed adjusting spring and screw.

**Description:** Replaces most of the parts that break or get lost on **pneumatic** screen and storm door closers.

You may also wish to stock these related parts: **K-5027, K-5028, K-5029.**

**K-5110** (Knob latch kit - Aluminum)

**K-5111** (Knob latch kit - Black)

**K-5112** (Push button kit - Aluminum)

**K-5113** (Push button kit - Black)

### Hardware Kits (Boxed)

**Contents:** 1 latch; 1 closer; complete with all brackets, parts and fasteners.

**Description:** **Knob or push button latch**, 1-3/4" hole spacing, for outswinging screen doors, 5/8" to 1-1/4" thick; closer (**K-5103**-aluminum or **K-5104**-black) for **lightweight West Coast screen doors**, is internally lubricated.

**K-5094** (Aluminum)

**K-5095** (Black)

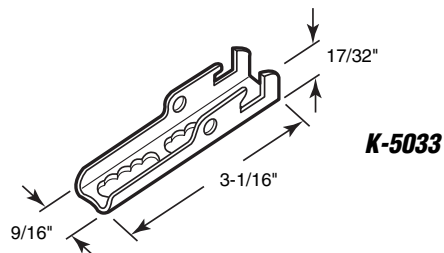
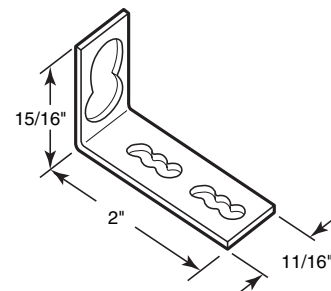
### Hardware Kits (Boxed)

**Contents:** 1 pushbutton latch; 1 door closer; complete with all brackets, parts and fasteners.

**Description:** Pushbutton latch, 1-3/4" hole spacing, for outswinging screen doors, 5/8" to 1-1/4" thick; **adjustable** closer (**K-5027**-aluminum or **K-5028**-black) with **"fast latch"** feature for **medium weight doors**; internally lubricated.

You may also wish to stock these related parts: **K-5000, K-5003.**

**K-5032**



**K-5034**



1. Pin for jamb bracket



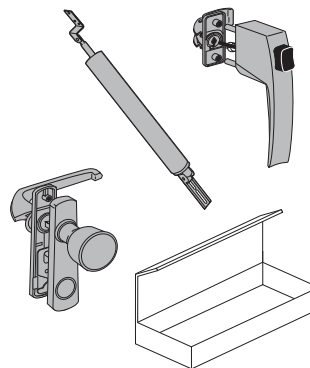
2. Hold open clip



3. Speed adjusting spring

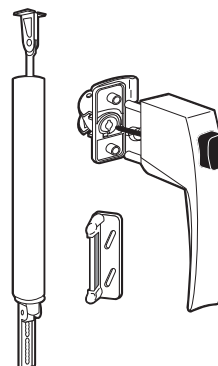


4. Speed adjusting screw

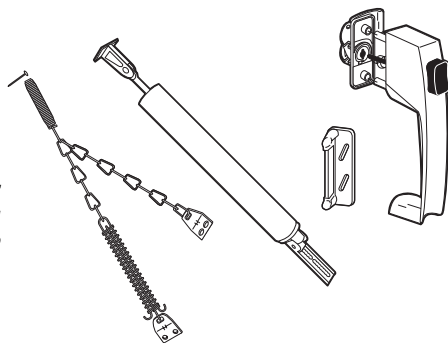


**K-5110**  
**K-5111**  
**K-5112**  
**K-5113**

**K-5094**  
**K-5095**



**K-5075**  
**K-5084**  
**K-5143**



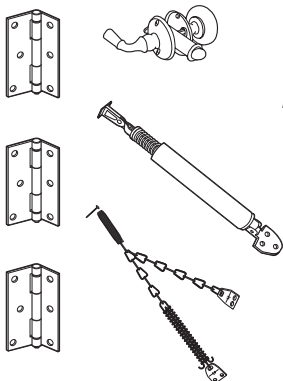
**K-5075** (Black)  
**K-5084** (Aluminum)  
**K-5143** (White)

### Hardware Kits (Carded)

**Contents:** 1 push button latch; 1 door closer; 1 chain; complete with all brackets, parts and fasteners.

**Description:** Push button latch, 1-3/4" hole spacing, with tie-down outside handle; door closer (**K-5073**-black or **K-5067**-aluminum) for **medium weight doors**; chain stop; for use on wood or metal doors **1" to 1-1/4" thick**.

You may also wish to stock these related parts: **K-5000, K-5008, K-5027, K-5028, K-5073, K-5074, K-5076.**



**K-5083**

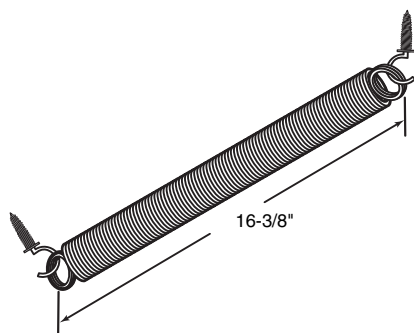
### K-5083

#### Deluxe Wood Door Kit (Carded)

**Contents:** 1 mortise door lock; 3, 3-1/2" hinges; 1 door closer; 1 storm door chain; complete with all brackets, parts and fasteners.

**Description:** **Solid brass** door lock (**K-5081**); **brass plated steel** hinges; **aluminum finish** closer (**K-5074**); **zinc plated** storm door chain (**K-5026**); for use on wood screen and storm doors **1" to 1-1/4" thick**.

You may also wish to stock these related parts: **K-5000, K-5008, K-5027, K-5028, K-5067, K-5073.**



### Wood Screen Door Springs (Bulk)

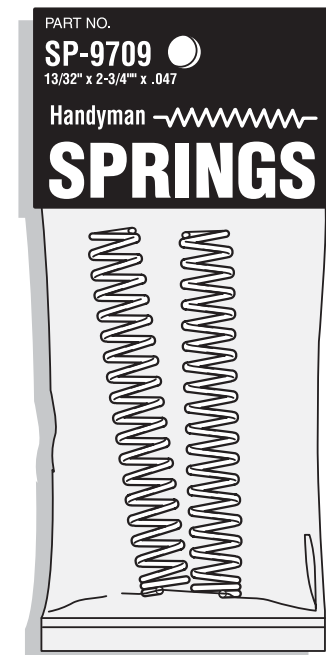
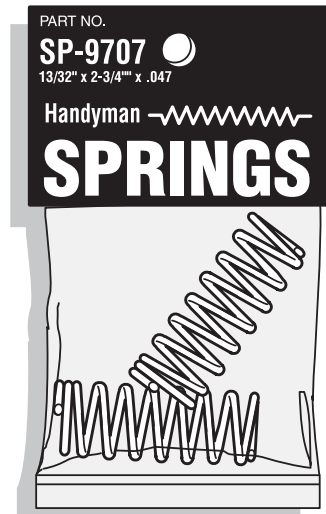
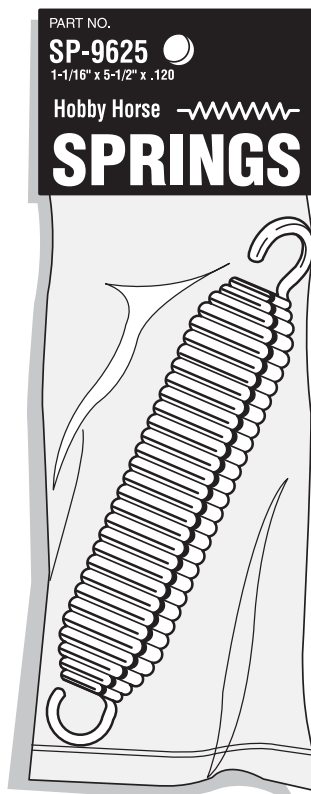
Part No.	Outside Diameter	Wire	Finish	Qty. Per Box
K-5129	23/64"	.059	Black	10
SP-9640	5/16"	.050	Nickel	10
SP-9641	23/64"	.059	Nickel	10
SP-9642	13/32"	.060	Nickel	10
SP-9643	15/32"	.065	Nickel	10
SP-9644	1/2"	.075	Nickel	10

**Contents:** 10 springs with 20 hooks.

**Description:** **Painted and plated steel** springs; traditionally used on wood screen doors or gates.

# Handyman

# SPRINGS

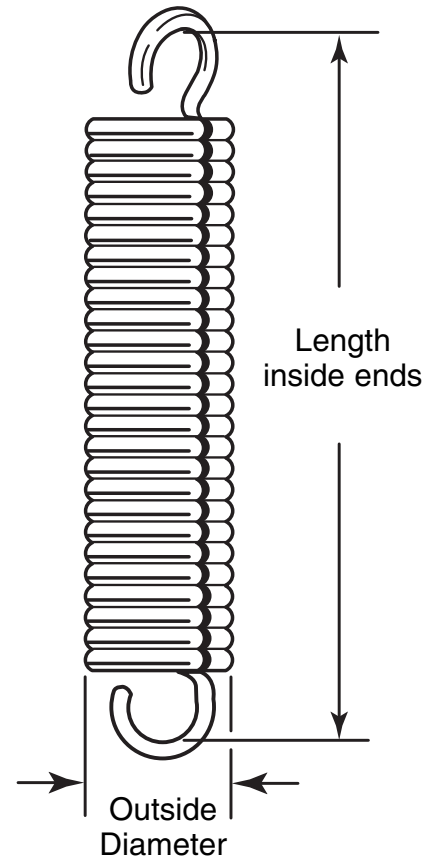


- **All springs are bagged and headered.**
- The header was specially designed for durability and distinctive presentation.
- **The bag is 4 mil and protects springs from dust and dirt.**

# Handyman Springs

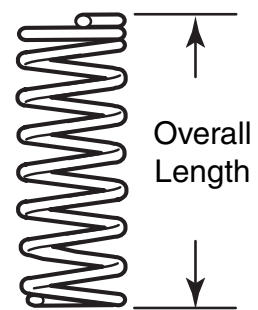
## Extension Springs

Part No.	Outside Diameter	Length	Wire	Qty. Per Bag	Max. Safe Load (lbs.)	Max. Deflection (in.)
SP 9600	1/4"	1-1/2"	.035	2	8.46	1.11
SP 9601	5/16"	1-1/2"	.020	2	1.39	7.62
SP 9602	7/16"	1-1/2"	.047	2	11.50	1.71
SP 9603	1/4"	1-7/8"	.035	2	8.46	1.47
SP 9604	11/32"	1-7/8"	.025	2	2.40	7.26
SP 9605	7/16"	1-7/8"	.047	2	11.50	2.40
SP 9606	5/32"	2-1/2"	.020	2	2.69	2.92
SP 9607	1/4"	2-1/2"	.016	2	.90	15.50
SP 9608	7/16"	2-1/2"	.047	2	11.50	3.51
SP 9609	7/16"	2"	.062	2	18.00	.76
SP 9610	5/8"	2-1/2"	.072	2	19.10	.92
SP 9611	9/16"	3"	.054	2	9.55	3.64
SP 9612	7/16"	2-3/4"	.034	2	3.57	6.08
SP 9613	1/2"	1-5/8"	.080	2	31.30	.36
SP 9614	3/4"	2"	.105	2	46.20	.51
SP 9615	3/4"	2-1/4"	.105	2	46.20	.64
SP 9616	3/4"	2-7/16"	.105	2	46.20	.74
SP 9617	3/4"	2-5/8"	.105	2	46.20	.82
SP 9618	5/8"	3-1/4"	.072	2	19.10	2.01
SP 9619	3/4"	2-7/8"	.105	2	46.20	.95
SP 9620	3/4"	3-1/8"	.105	2	46.20	1.08
SP 9621	15/32"	4-1/2"	.041	2	5.28	8.33
SP 9622	5/8"	6-1/2"	.054	2	8.64	11.90
SP 9623	13/16"	3-1/8"	Trampoline	2	61.70	.77
SP 9624	13/16"	4"		2	61.70	.73
SP 9625	1-1/16"	5-1/2"	Hobby Horse	1	48.20	3.62
SP 9626	15/16"	8"	Gate Spring	1	—	—
SP 9627	7/8"	6"	.091	1	32.50	5.60
SP 9628	1-1/6"	7"	.105	1	33.40	7.19
SP 9629	1-1/4"	6-1/2"	.162	1	93.70	3.00
SP 9630	1"	7"	.135	1	69.90	2.93
SP 9631	3/4"	6-1/2"	.091	1	31.30	4.20
SP 9632	1/2"	8-1/2"	.047	1	7.47	13.30
SP 9633	7/16"	8-1/2"	.047	1	8.47	9.30
SP 9634	9/16"	8-1/2"	.054	1	9.55	12.40
SP 9635	5/8"	8-1/2"	.080	1	25.60	5.20
SP 9636	1"	8-1/2"	.120	1	51.00	5.38
SP 9637	1"	12"	.105	1	35.40	11.70
SP 9638	7/16"	10-1/4"	.041	1	5.60	17.50
SP 9639	9/16"	16-1/2"	.054	1	9.50	25.20
SP 9645	1-1/8"	16"	.105	1	31.20	22.00

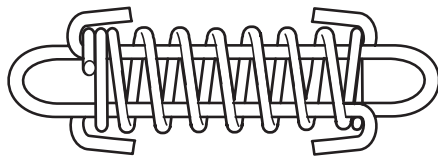
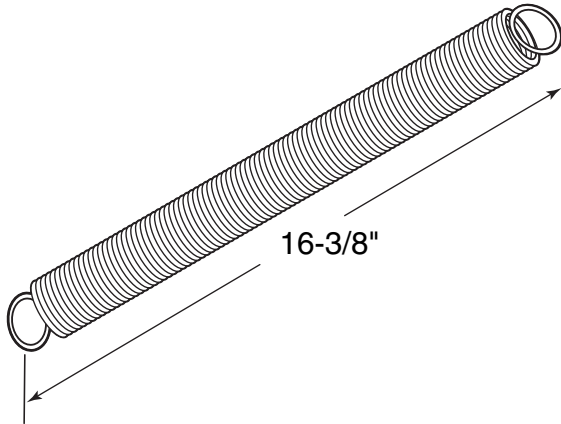


## Compression Springs

Part No.	Outside Diameter	Length	Wire	Qty. Per Bag	Max. Safe Load (lbs.)	Solid Height
SP 9700	1/4"	1/2"	.035	6	11.40	.262
SP 9701	1/4"	1"	.035	6	11.40	.524
SP 9702	3/8"	3/4"	.032	6	4.47	.230
SP 9703	3/8"	1-1/8"	.041	4	9.00	.461
SP 9704	7/32"	1-3/4"	.020	4	2.60	.375
SP 9705	7/16"	2-1/8"	.031	4	3.85	.402
SP 9706	1/2"	1-1/2"	.041	2	6.84	.400
SP 9707	9/16"	1-3/8"	.072	2	28.20	.738
SP 9708	11/16"	1-1/4"	.091	2	44.70	.755
SP 9709	13/32"	2-3/4"	.047	2	12.40	1.128
SP 9710	1/2"	2-3/4"	.072	2	31.30	1.560
SP 9711	23/32"	3-1/2"	.041	2	4.82	.461
SP 9712	9/16"	3"	.054	2	12.90	.954
SP 9713	7/8"	4"	.080	2	24.80	1.280



**Description:** Nickel plated spring steel; used for a variety of household applications.



## Wood Screen Door Springs (Bulk)

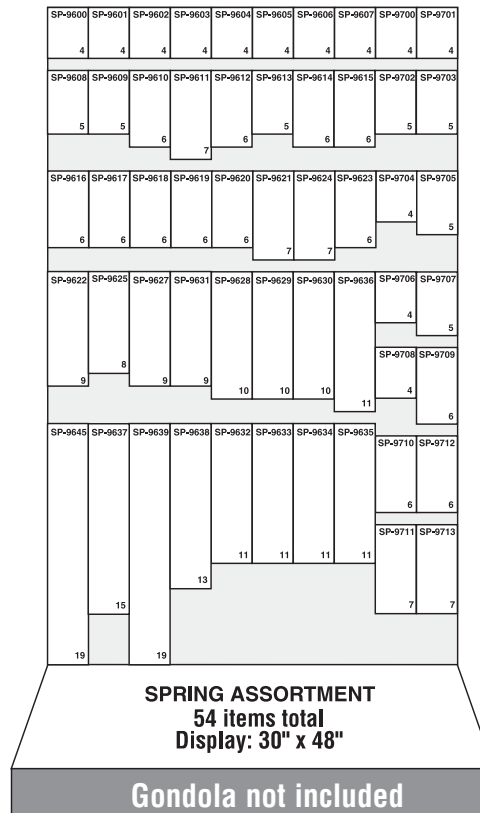
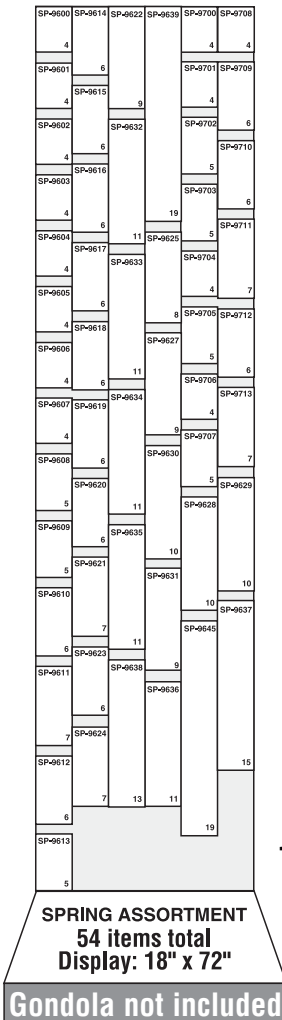
Part No.	Finish	Outside Diameter	Wire	Qty. Per Box	Max. Safe Load (lbs.)
SP 9640	Zinc	5/16"	.050	10	13.80
SP 9641	Zinc	23/64"	.059	10	15.70
SP 9642	Zinc	13/32"	.060	10	19.60
SP 9643	Zinc	15/32"	.065	10	23.10
SP 9644	Zinc	1/2"	.075	10	26.40
SP 9650	Black	5/16"	.050	10	13.80
SP 9651	Black	23/64"	.059	10	15.70
SP 9652	Black	13/32"	.060	10	19.60
SP 9653	Black	15/32"	.065	10	23.10

## Porch Spring

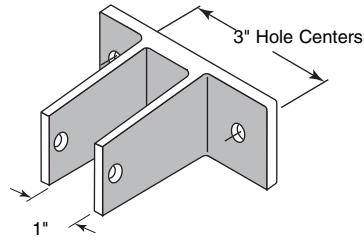
Part No.	Outside Diameter	Wire	Qty. Per Bag	Max. Safe Load (lbs.)
SP 9649	1-9/16"	.227	1	352

## Planogramming Suggestions

- Both planograms depict the best 54 sku assortment
- Part no. and overall length of bag is noted for each item



**PH-17015**  
**PH-17016**



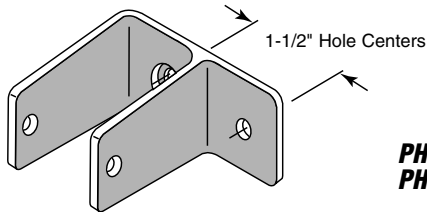
**PH-17015** (For 1" panels)  
**PH-17016** (For 1-1/4" panels)

## Two-Ear Wall Bracket

**Contents:** 1 bracket.

**Description:** Chrome plated, diecast bracket for attaching partition panel to wall.

You may wish to stock these related parts: **PH-17009, PH-17039, PH-17061, PH-17064.**



**PH-17017**  
**PH-17018**

**PH-17017** (For 1" panels)  
**PH-17018** (For 1-1/4" panels)

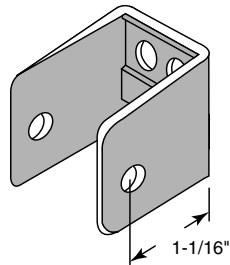
## One-Ear Wall Bracket

**Contents:** 1 bracket.

**Description:** Chrome plated, diecast bracket for attaching partition panel to wall.

You may wish to stock these related parts: **PH-17008, PH-17038, PH-17061, PH-17063.**

**PH-17019**  
**PH-17020**



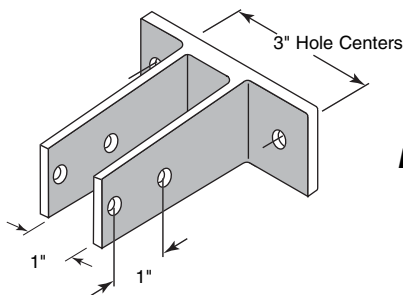
**PH-17019** (For 1" panels)  
**PH-17020** (For 1-1/4" panels)

## "U" Bracket

**Contents:** 1 bracket.

**Description:** Chrome plated, diecast bracket for attaching partition panel to wall.

You may wish to stock these related parts: **PH-17015, PH-17040, PH-17059, PH-17061.**



**PH-17021**

**PH-17021** (For 1" panels)

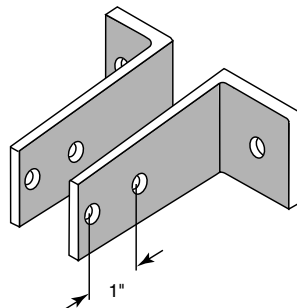
## Urinal Screen Wall Bracket

**Contents:** 1 bracket.

**Description:** Chrome plated, diecast bracket for attaching urinal screen partition panels to wall.

You may wish to stock these related parts: **PH-17015, PH-17040, PH-17059, PH-17061.**

**PH-17022**



**PH-17022** (All size panels)

## Urinal Screen Wall Bracket

**Contents:** 1 bracket.

**Description:** Chrome plated, diecast bracket for attaching urinal screen partition panels to wall.

You may wish to stock these related parts: **PH-17015, PH-17040, PH-17059, PH-17061.**



# Restroom Partition Hardware

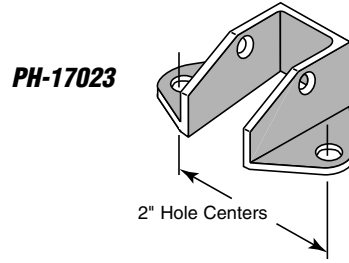
**PH-17023** (For 1" panels)

## Headrail Bracket

**Contents:** 1 headrail bracket.

**Description:** Chrome plated, diecast bracket for attaching headrail support to wall.

You may wish to stock these related parts: **PH-17016, PH-17029, PH-17057, PH-17061.**



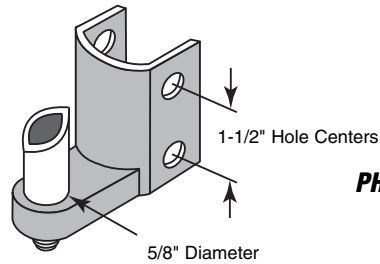
**PH-17024**

## Bottom Hinge Bracket

**Contents:** 1 hinge bracket.

**Description:** Chrome plated, diecast bottom hinge bracket for bottom of door; use with steel panels; fits 1-1/4" pilaster.

You may wish to stock these related parts: **PH-17013, PH-17044, PH-17057, PH-17061.**



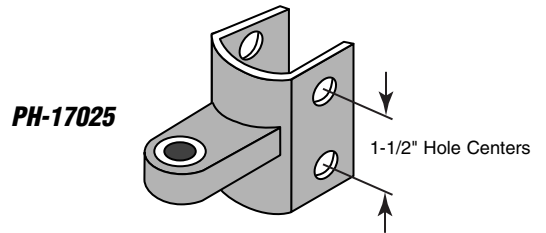
**PH-17025**

## Top Hinge Bracket

**Contents:** 1 hinge bracket.

**Description:** Chrome plated, diecast top hinge bracket for top of door; use with steel panels; fits 1-1/4" pilaster.

You may wish to stock these related parts: **PH-17014, PH-17037, PH-17055, PH-17061.**



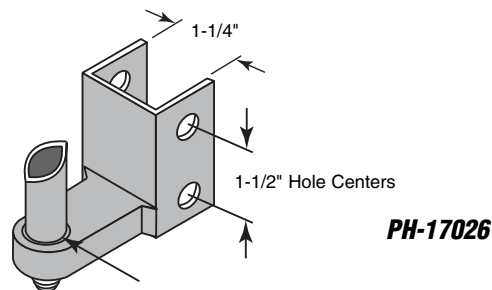
**PH-17026**

## Bottom Hinge Bracket

**Contents:** 1 hinge bracket.

**Description:** Chrome plated, diecast bottom hinge bracket for bottom of door; use with plastic laminate or marble panels; fits 1-1/4" pilaster.

You may wish to stock these related parts: **PH-17017, PH-17031, PH-17055, PH-17061.**



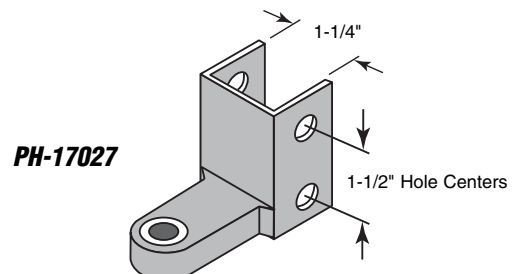
**PH-17027**

## Top Hinge Bracket

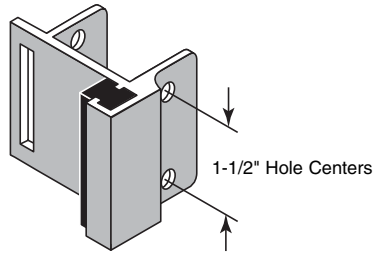
**Contents:** 1 hinge bracket.

**Description:** Chrome plated, diecast top hinge bracket for top of door; use with plastic laminate or marble panels; fits 1-1/4" pilaster.

You may wish to stock these related parts: **PH-17015, PH-17040, PH-17059, PH-17061.**



**PH-17008**



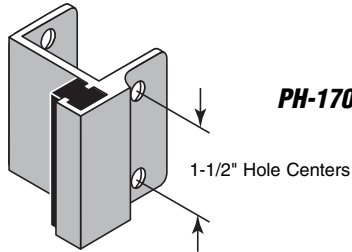
**PH-17008** (For 1-1/4" pilaster)

## Strike/Keeper

**Contents:** 1 strike/keeper.

**Description:** Chrome plated, diecast keeper; surface slide latch for supporting and latching of **inswing** doors; use with plastic laminate or marble panels.

You may wish to stock these related parts: **PH-17010, PH-17039, PH-17061, PH-17064.**



**PH-17009**

**PH-17009** (For 1-1/4" pilaster)

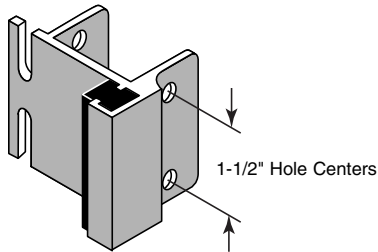
## Strike/Keeper

**Contents:** 1 strike/keeper.

**Description:** Chrome plated, diecast keeper; surface slide latch for supporting and latching of **outswing** doors; use with plastic laminate or marble panels.

You may wish to stock these related parts: **PH-17016, PH-17042, PH-17057, PH-17061.**

**PH-17028**



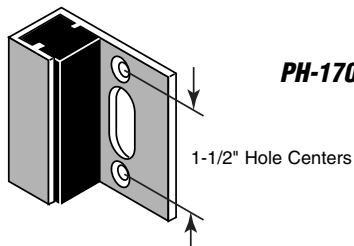
**PH-17028** (For 1-1/4" pilaster)

## Strike/Keeper

**Contents:** 1 strike/keeper.

**Description:** Chrome plated, diecast keeper; use with plastic laminate or marble panels; for throw latch on **outswing** door.

You may wish to stock these related parts: **PH-17016, PH-17042, PH-17057, PH-17061.**



**PH-17029**

**PH-17029**

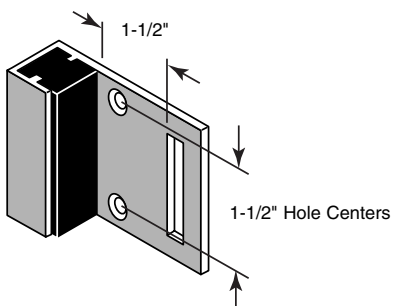
## Flat Strike

**Contents:** 1 flat strike.

**Description:** Chrome plated, diecast keeper; use with plastic laminate or marble panels; fits any size pilaster; for concealed latch on **inswing** door.

You may wish to stock these related parts: **PH-17014, PH-17037, PH-17055, PH-17061.**

**PH-17030**



**PH-17030**

## Flat Strike

**Contents:** 1 flat strike.

**Description:** Chrome plated, diecast keeper; use with plastic laminate or marble panels; fits any size pilaster; for slide latch on **inswing** door.

You may wish to stock these related parts: **PH-17017, PH-17031, PH-17055, PH-17061.**

# Restroom Partition Hardware

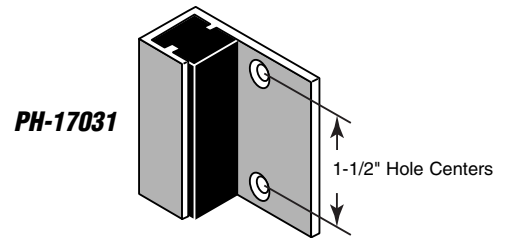
## PH-17031

### Flat Strike

**Contents:** 1 flat strike.

**Description:** Chrome plated, diecast strike; use with plastic laminate or marble panels; fits any size pilaster; for slide latch on outswing door.

You may wish to stock these related parts: PH-17015, PH-17040, PH-17059, PH-17061.



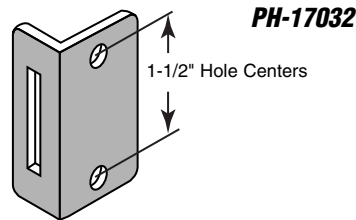
## PH-17032

### Keeper

**Contents:** 1 keeper.

**Description:** Chrome plated, diecast keeper for slide latch; fits any size pilaster.

You may wish to stock these related parts: PH-17014, PH-17037, PH-17055, PH-17061.



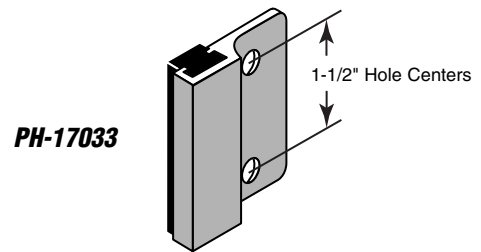
## PH-17033

### Strike

**Contents:** 1 strike.

**Description:** Chrome plated, diecast strike for slide latch or throw latch; fits any size pilaster.

You may wish to stock these related parts: PH-17009, PH-17036, PH-17048, PH-17061.



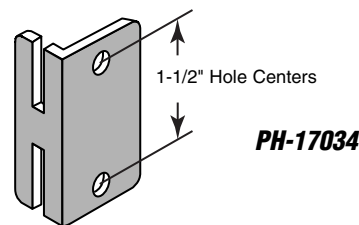
## PH-17034

### Keeper

**Contents:** 1 keeper.

**Description:** Chrome plated, diecast keeper for throw latch; fits any size pilaster.

You may wish to stock these related parts: PH-17044, PH-17046, PH-17061, PH-17063.



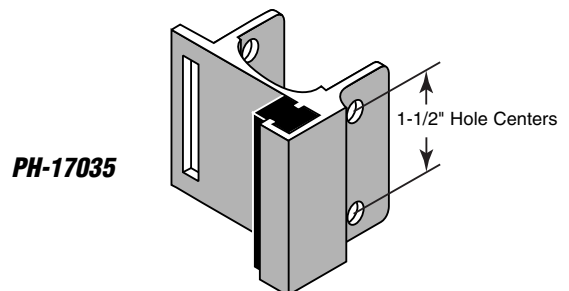
## PH-17035 (For 1-1/4" pilaster)

### Strike/Keeper

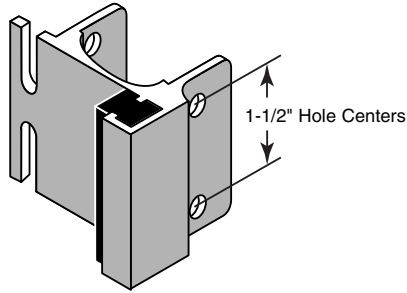
**Contents:** 1 strike/keeper.

**Description:** Chrome plated, diecast keeper; use with steel panels; for slide latch on inswing door.

You may wish to stock these related parts: PH-17039, PH-17040, PH-17048, PH-17061.



**PH-17036**



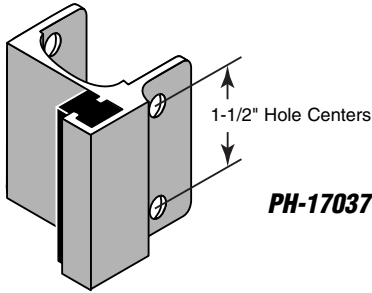
**PH-17036** (For 1-1/4" pilaster)

## Strike/Keeper

**Contents:** 1 strike/keeper.

**Description:** Chrome plated, diecast strike/keeper; use with steel panels; for throw latch on **inswing** door.

You may wish to stock these related parts: **PH-17044, PH-17048, PH-17061, PH-17064.**



**PH-17037** (For 1-1/4" pilaster)

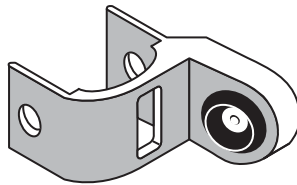
## Strike/Keeper

**Contents:** 1 strike/keeper.

**Description:** Chrome plated, diecast strike/keeper; use with steel panels; for throw latch on **outswing** door.

You may wish to stock these related parts: **PH-17039, PH-17040, PH-17046, PH-17061.**

**PH-17038**



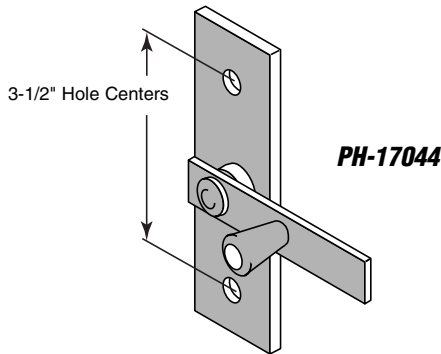
**PH-17038** (For 1-1/4" pilaster)

## Strike/Keeper

**Contents:** 1 strike/keeper.

**Description:** Chrome plated, diecast strike/keeper; use with steel panels; for round bar concealed latch.

You may wish to stock these related parts: **PH-17041, PH-17042, PH-17043, PH-17061.**



**PH-17044**

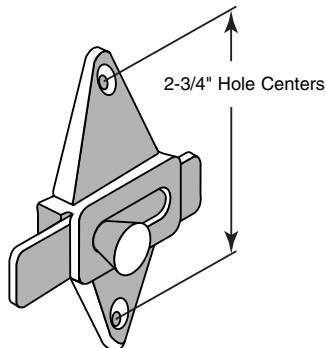
## Throw Latch

**Contents:** 1 slide latch.

**Description:** Chrome plated, brass throw latch; use with any door thickness.

You may wish to stock these related parts: **PH-17028, PH-17034, PH-17036, PH-17061.**

**PH-17039**



**PH-17039**

## Slide Latch

**Contents:** 1 slide latch.

**Description:** Chrome plated, diecast slide latch; use with any door thickness.

You may wish to stock these related parts: **PH-17030, PH-17032, PH-17035, PH-17061.**

# Restroom Partition Hardware

## PH-17040

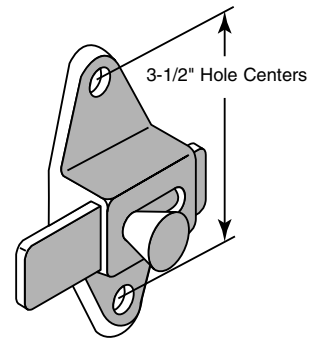
### Slide Latch

**Contents:** 1 slide latch.

**Description:** Chrome plated, diecast slide latch; use with any thickness door.

You may wish to stock these related parts: PH-17030, PH-17032, PH-17035, PH-17061.

PH-17040



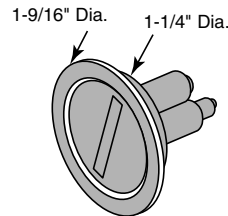
## PH-17041

### Emergency Entry Knob

**Contents:** 1 emergency entry knob.

**Description:** Chrome plated, diecast entry knob; use with PH-17045 concealed door lock.

You may wish to stock these related parts: PH-17042, PH-17045.



PH-17041

## PH-17042

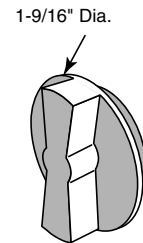
### Interior Locking Knob

**Contents:** 1 interior locking knob.

**Description:** Chrome plated, diecast locking knob; use with PH-17045 concealed door lock.

You may wish to stock these related parts: PH-17042, PH-17045.

PH-17042



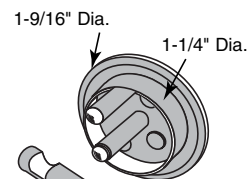
## PH-17043

### Concealed Lock

**Contents:** 1 concealed lock.

**Description:** Chrome plated, diecast concealed lock with straight bar; use with 1" thick laminate doors.

You may wish to stock these related parts: PH-17029, PH-17038, PH-17046, PH-17061.



PH-17043

## PH-17062

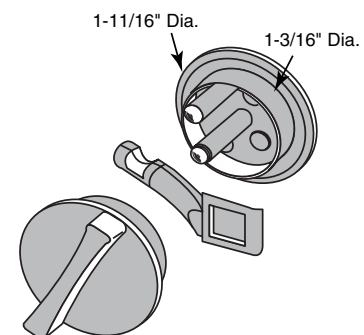
### Concealed Lock

**Contents:** 1 concealed lock.

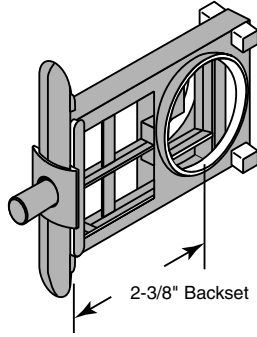
**Description:** Chrome plated, diecast concealed lock with flat bar; use with 1" thick steel doors.

You may wish to stock these related parts: PH-17039, PH-17040, PH-17043, PH-17044.

PH-17062



**PH-17045**



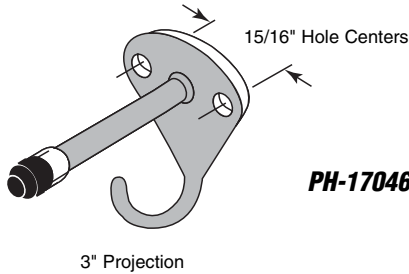
## PH-17045

### Concealed Door Lock

**Contents:** 1 concealed door lock.

**Description:** Zamak diecasting; for use on 1" thick doors; may be used with PH-17041 and PH-17042.

You may wish to stock these related parts: PH-17041, PH-17042.



**PH-17046**

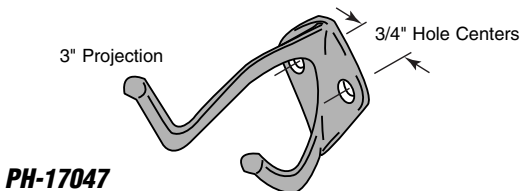
## PH-17046

### Bumper Hook

**Contents:** 1 bumper hook.

**Description:** Chrome plated, diecast bumper hook; rubber tipped; for general purpose use.

You may wish to stock these related parts: PH-17039, PH-17040, PH-17044, PH-17061.



**PH-17047**

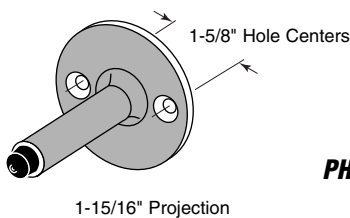
## PH-17047

### Coat Hook

**Contents:** 1 coat hook.

**Description:** Chrome plated, diecast coat hook; two prongs; for general purpose use.

You may wish to stock these related parts: PH-17039, PH-17040, PH-17044, PH-17061.



**PH-17048**

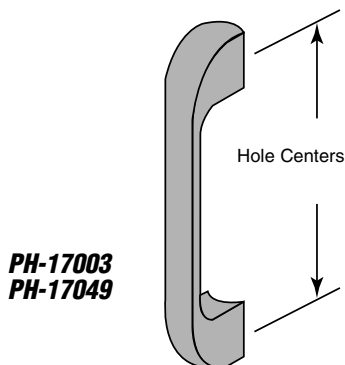
## PH-17048

### Door Stop

**Contents:** 1 door stop.

**Description:** Chrome plated, diecast door stop; rubber tipped; for general purpose use.

You may wish to stock these related parts: PH-17039, PH-17040, PH-17044, PH-17061.



**PH-17003**  
**PH-17049**

**PH-17003** (3-1/2" hole centers)

**PH-17049** (3-1/2" and 4" hole centers)

## Door Pull

**Contents:** 1 door pull.

**Description:** Chrome plated, diecast door pull; 4-#10-24 tapped holes; for general purpose use.

You may wish to stock these related parts: PH-17039, PH-17040, PH-17044, PH-17061.

# Restroom Partition Hardware

**PH-17050** (1/2" Chrome plated brass)

**PH-17051** (5/8" Chrome plated steel)

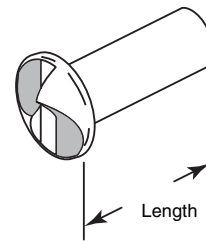
**PH-17052** (5/8" Chrome plated brass)

## "One-Way" Barrel Nut

**Contents:** 10 barrel nuts.

**Description:** Chrome plated, brass and steel barrel nuts; #10-24 threads; use with shoulder bolts for various part assemblies.

**PH-17050  
PH-17051  
PH-17052**



**PH-17053** (1/2" Chrome plated brass)

**PH-17054** (15/16" Chrome plated brass)

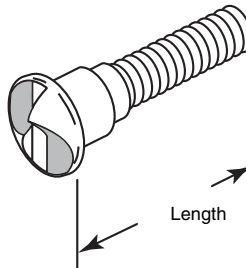
**PH-17055** (1-3/16" Chrome plated steel)

## "One-Way" Shoulder Screw

**Contents:** 10 shoulder screws.

**Description:** Chrome plated, brass and steel shoulder screws; #10-24 threads; use with barrel nuts for various part assemblies.

**PH-17053  
PH-17054  
PH-17055**



**PH-17056** (3/4" Chrome plated steel)

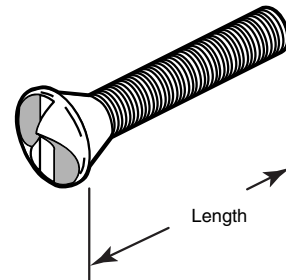
**PH-17057** (1-3/8" Chrome plated steel)

## "One-Way" Machine Screw

**Contents:** 10 machine screws.

**Description:** Chrome plated, steel machine screws; #8-32 threads; use on general purpose applications.

**PH-17056  
PH-17057**



**PH-17058** (No. 8 x 3/4")

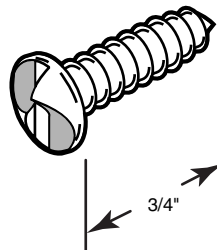
**PH-17059** (No. 10 x 3/4")

## "One-Way" Sheet Metal Screw

**Contents:** 10 sheet metal screws.

**Description:** Chrome plated, steel metal screws; for use on various part assemblies as well as general purpose applications.

**PH-17058  
PH-17059**



**PH-17061**

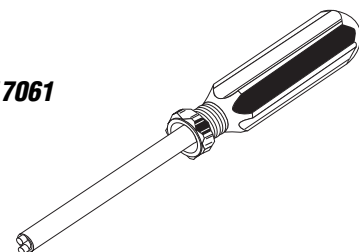
## "One-Way" Screw Removal Tool

**Contents:** 1 tool.

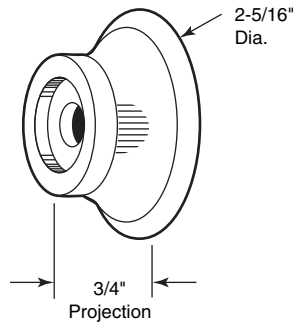
**Description:** Specially designed to remove "one-way" fasteners, either #8 or #10 sizes.

You may wish to stock these related parts: **PH-17050, PH-17051, PH-17052, PH-17053, PH-17054, PH-17055, PH-17056, PH-17057, PH-17058, PH-17059, PH-17060, PH-17061.**

**PH-17061**



**PH-17108**



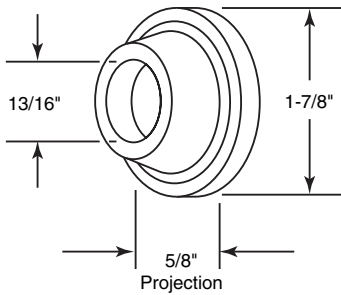
**PH-17108** (Clear)

## Door Bumper

**Contents:** 2 door stops; 2 no. 6 x 1-1/4" Phillips pan head sheet metal screws; 2 no. 6 x 1" plastic anchors.

**Description:** Clear soft vinyl; protects against marred walls; absorbs impact of door knob at contact point with wall; easily detached from wall by removing screw. Clear plastic construction is unassuming and allows paint colors or wall paper design to show through.

You may wish to stock these related parts: **PH-17039, PH-17040, PH-17044, PH-17061.**



**PH-17063**  
**PH-17064**

**PH-17063** (White)

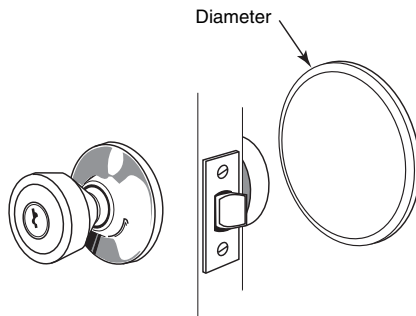
**PH-17064** (Gray)

## Door Bumper

**Contents:** 2 bumpers.

**Description:** Solid rubber; concave center; self-adhering; absorbs impact of door knob at contact point with wall.

You may wish to stock these related parts: **PH-17039, PH-17040, PH-17044, PH-17061.**



**PH-17109**  
**PH-17110**

**PH-17109** (3-1/4" Diameter)

**PH-17110** (5" Diameter)

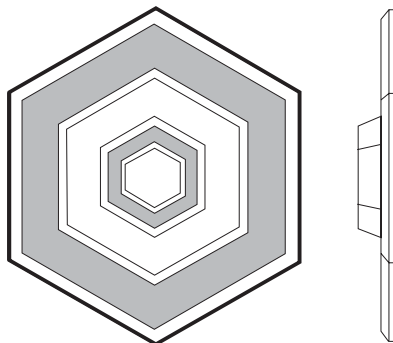
## Wall Protector (Ivory)

**Contents:** 1 protector.

**Description:** Rigid vinyl; self adhesive; protects interior walls from impact damage by shielding contact point of wall and door knob; repairs damaged walls.

You may wish to stock these related parts: **PH-17039, PH-17040, PH-17044, PH-17061.**

**PH-17107**



**PH-17107** (White)

## Wall Protector (5" hexagon)

**Contents:** 1 shield

**Description:** Flexible vinyl; self-adhesive; paintable; protects interior walls from impact damage by shielding contact point of wall and door knob; repairs damaged walls.

You may wish to stock these related parts: **PH-17039, PH-17040, PH-17044, PH-17061.**



**MASTER INDEX**

<b>Part#</b>	<b>Page#</b>	<b>Part#</b>	<b>Page#</b>	<b>Part#</b>	<b>Page#</b>	<b>Part#</b>	<b>Page#</b>	<b>Part#</b>	<b>Page#</b>
1106-N	11-14	11649	11-17	112119	11-21	1293	12-7	122090	12-8
1108	11-2	11657	11-10	112120	11-18	1297	12-3	123120	12-10
1108-B	11-2	11658	11-9	112121	11-20	12113	12-9	1322	13-3
1109	11-2	11666	11-4	112122	11-18	12124	12-7	1324	13-3
1109-B	11-2	11666-B	11-4	112123	11-20	12137	12-7	1326	13-1
1110	11-18	11668	11-11	112124	11-19	12138	12-1	1328	13-1
1112	11-19	11723	11-3	112125	11-22	12148	12-7	1378	13-21
1113	11-20	11748	11-14	112127	11-11	12162	12-8	1378-S	13-21
1114	11-7	11749	11-3	112128	11-11	12163	12-8	1387	13-33
1114-B	11-7	11750	11-18	112133	11-12	12204	12-7	13126	13-2
1115	11-20	11930	11-3	112134	11-21	12209	12-9	13127	13-26
1116	11-8	11960	11-5	112135	11-21	12262-L	12-1	13127-2	13-26
1120	11-16	11960-B	11-5	112136	11-21	12262-R	12-1	13128	13-7
1123	11-16	111085	11-6	112137	11-2	12263	12-9	13129	13-6
1125	11-16	111136	11-14	112138	11-4	12303	12-7	13134	13-7
1130	11-8	111218	11-10	112139	11-22	12304	12-8	13135	13-15
1140	11-1	111370	11-12	112140	11-9	12305	12-6	13135-1.25	13-15
1140-B	11-1	111437	11-6	112141	11-17	12321	12-10	13143	13-26
1141	11-7	111452	11-15	112142	11-12	12324	12-2	13143-N-1.50	13-26
1142	11-8	111486	11-15	112143-7	11-22	12550	12-2	13143-S-1.50	13-26
1143	11-1	111492	11-17	112143-8	11-22	12609	12-2	13157	13-33
1144	11-1	111498	11-11	112144	11-6	12673	12-7	13158	13-30
1144-B	11-1	111591	11-11	112176	11-15	12713	12-10	13164	13-6
1145-B	11-7	111684	11-9	112189	11-4	12801	12-12	13167	13-9
1146-B	11-7	111730	11-2	112190	11-13	12952	12-3	13168	13-9
1147	11-3	111731	11-2	112191	11-13	12963	12-2	13169	13-8
1147-B	11-3	111757	11-4	112192	11-4	121087	12-4	13170	13-5
1148	11-4	111764	11-17	112193	11-11	121088	12-9	13170-S	13-5
1148-B	11-4	111766	11-2	112194	11-1	121090	12-11	13171	13-6
1168	11-8	111769	11-3	112195	11-12	121091	12-12	13172	13-8
1169	11-9	111770	11-12	112196	11-5	121236	12-12	13173	16-27
1175	11-6	111825	11-3	112197	11-12	121327	12-2	13173-S	13-4
1176	11-17	111840	11-15	112198	11-4	121402	12-2	13174	13-14
1186	11-3	111840-L	11-15	112199	11-5	121480	12-11	13175	13-13
1186-B	11-3	111840-R	11-15	112200	11-2	121506	12-10	13176	13-14
1189	11-17	111870	11-12	112201	11-5	121685	12-3	13177	13-14
1192	11-1	111872	11-12	112203	11-13	121686	12-12	13177-S	13-14
11101	11-3	111872-N	11-12	112204	11-13	121732	12-4	13178	13-6
11101-B	11-3	111879	11-12	112205	11-19	121740	12-4	13179	13-29
11110	11-16	111894	11-15	112206	11-6	121751	12-10	13180	13-31
11111	11-16	111919	11-9	112208	11-16	121799	12-4	13181	13-13
11112	11-16	111952	11-10	112209	11-5	121803	12-4	13182	13-7
11115	11-16	111970	11-1	112210	11-3	121880	12-5	13182-N	13-7
11116	11-15	111971	11-8	112211	11-15	121969	12-9	13212	13-36
11117	11-15	112021	11-10	112212	11-15	121996	12-12	13212-B	13-36
11118	11-3	112022	11-11	112213	11-23	121997	12-5	13221	13-3
11119	11-6	112040	11-13	112423	11-9	122016	12-12	13221-S	13-3
11120	11-5	112060	11-5	112424	11-22	122016-B	12-12	13290	13-21
11121	11-4	112092	11-8	B-613	11-22	122070	12-5	13293	13-24
11121-B	11-4	112093	11-18	B-614	11-22	122071	12-8	13294	13-4
11122	11-5	112094	11-1	B-615	11-22	122072	12-1	13295	13-33
11123	11-5	112095	11-1	B-616	11-22	122073	12-9	13336	13-5
11130	11-18	112096	11-11	1204-L	12-1	122074	12-8	13337	13-13
11201	11-7	112097	11-14	1204-R	12-1	122075	12-3	13372-24	13-37
11203	11-7	112098	11-14	1207-M	12-11	122076	12-2	13373	13-25
11313	11-6	112099	11-10	1207-N	12-11	122077	12-10	13374	13-8
11314	11-3	112100	11-10	1207-W	12-11	122078	12-3	13391	13-23
11433	11-9	112101	11-10	1217	12-4	122079	12-11	13392	13-5
11434	11-9	112102	11-13	1218	12-9	122080	12-3	13393	13-15
11475	11-1	112104	11-14	1233-L	12-5	122081	12-12	13394	13-7
11516	11-2	112111	11-2	1233-R	12-5	122082	12-6	13395	13-29
11516-B	11-2	112112	11-2	1234	12-8	122083	12-5	13395-S	13-29
11556	11-22	112113	11-19	1270	12-6	122084	12-6	13406	13-24
11597	11-2	112114	11-21	1270-B	12-6	122085	12-6	13435	13-24
11597-B	11-2	112115	11-19	1273	12-8	122086	12-5	13464	13-32
11639	11-23	112116	11-19	1273-S	12-8	122087	12-1	13482	13-30
11640	11-20	112117	11-21	1281	12-1	122088	12-5	13482-S	13-30
11641	11-9	112118	11-20	1281-B	12-1	122089	12-6	13487	13-25

# MASTER INDEX

<i>Part#</i>	<i>Page#</i>	<i>Part#</i>	<i>Page#</i>	<i>Part#</i>	<i>Page#</i>	<i>Part#</i>	<i>Page#</i>	<i>Part#</i>	<i>Page#</i>
13487-1.25	13-25	131464	13-17	132272	13-11	132346	13-22	14436	14-14
13562	13-2	131466	13-19	132274	13-21	132347	13-23	14438	14-11
13563	13-10	131467	13-20	132275	13-16	132348	13-15	14439	14-15
13601	16-23	131468	13-19	132276	13-15	132349	13-9	14479	14-11
13602	16-29	131469	13-19	132277	13-33	132351	13-22	14480	14-11
13630	13-34	131470	13-19	132278	13-31	132352	13-36	14503	15-16
13650	16-26	131471	13-12	132279	13-5	132353	13-16	14504	15-6
13662	13-4	131472	13-11	132280	13-6	132354	13-4	14538	14-6
13670	13-1	131473	13-18	132281	13-28	132355	13-10	14538-B	14-6
13671	13-1	131474	13-20	132282	13-17	132356	13-28	14564	15-8
13689	13-37	131476	13-17	132283	13-22	132357	13-11	14564-B	15-8
13690	13-37	131477	13-17	132284	13-32	132358	13-3	14572	14-21
13691	13-37	131478	13-17	132285	13-32	132403	13-23	14572-B	14-21
13692	13-6	131479	13-16	132287	13-33	132526	13-26	14584	14-22
13714	13-1	131488	13-11	132288	13-30	132585	13-32	14584-B	14-22
13728	13-16	131489	13-8	132289	13-26	132586	13-37	14605	14-11
13808-N	13-29	131525	13-31	132290	13-34	132591	13-27	14643	14-18
13808-S	13-29	131532	13-23	132293	13-34	132592	13-27	14656	14-2
13811	13-10	131533	13-9	132294	13-31	132594	13-27	14664	14-1
13812	13-11	131534	13-8	132295	13-4	132595	13-10	14664-B	14-1
13840	13-30	131535	13-13	132296	13-4	132596	13-37	14664-W	14-1
13841	13-11	131604	13-19	132297	13-4	132597	13-6	14665	14-1
13846	13-35	131606	13-30	132298	13-32	132600	13-28	14665-B	14-1
13847	13-37	131683	16-27	132299	13-34	132601	13-8	14751	14-8
13848	13-1	131724	13-9	132300	13-25	132602	13-14	14810	14-7
13849	13-21	131729	13-13	132301	13-1	132603	13-23	14902	14-12
13949	13-22	131750	13-1	132302	13-1	132604	13-21	14903	14-12
13964	13-24	131760	13-30	132303	13-33	132605	13-29	14904	15-14
131033	13-29	131802	13-11	132304	13-15	133487	13-8	14906	14-21
131038	13-29	131804	13-25	132305	13-15	133492	13-1	14950	14-2
131241	13-31	131818	13-5	132306	13-36	133493	13-1	14950-K	14-2
131242	13-20	131846	13-10	132307	13-36	1449	14-21	14966	15-19
131244	13-26	131847	13-5	132308	13-1	1449-B	14-21	14966-B	15-19
131245	13-24	131848	13-9	132309	13-2	1471	14-19	14967	15-8
131246	13-16	131892	13-31	132310	13-35	1494	14-19	14977	14-9
131277	13-16	131895	13-1	132311	13-2	1495	14-19	14977-B	14-9
131278	13-16	131896	13-13	132312	13-3	14183	14-3	141152	14-11
131279	13-9	131897	13-28	132313	13-36	14183-B	14-3	141235	14-19
131280	13-13	131905	13-1	132314	13-34	14184	14-8	141237	14-20
131281	13-25	131911	13-16	132315	13-17	14186	14-18	141311	14-5
131282	13-15	131912	13-22	132316	13-21	14200-A	14-4	141312	15-17
131283	13-15	131913	13-28	132317	13-25	14200-B	14-4	141313	14-13
131292	13-14	131914	13-9	132318	13-26	14205-L	14-3	141314	14-13
131293	13-14	131951	13-21	132319	13-16	14205-R	14-3	141315	14-6
131294	13-7	131953	13-10	132320	13-12	14206	14-1	141316	14-6
131295	13-5	131954	13-23	132321	13-2	14206-B	14-1	141318	14-13
131296	13-22	131972	13-1	132323	13-27	14206-W	14-2	141319	14-13
131297	13-30	131973	13-30	132324	13-12	14300	14-4	141388	15-13
131298	13-28	131980	13-6	132325	13-12	14323	14-11	141389	15-13
131299	13-23	131984	13-29	132326	13-15	14323-B	14-11	141531	15-5
131300	13-23	131985	13-21	132327	13-13	14346	14-8	141539	14-11
131302	13-27	131986	13-32	132328	13-11	14347	14-7	141587	14-10
131303	13-10	132024	13-27	132329	13-29	14377	14-2	141638	14-12
131305	13-10	132026	13-26	132331	13-32	14387	14-3	141639	14-12
131433	13-10	132027	13-18	132332	13-32	14387-B	14-3	141640	14-12
131446	13-37	132028	13-13	132333	13-1	14388	14-16	141642	14-16
131447	13-37	132039	13-17	132334	13-1	14399	14-7	141688	14-17
131449	13-18	132041	13-20	132335	13-1	14399-B	14-7	141706	14-5
131451	13-26	132108	13-10	132336	13-1	14416	14-13	141725	15-2
131454	13-12	132172	13-12	132337	13-3	14418	15-13	141726	15-11
131455	13-12	132173	13-12	132338	13-2	14419	14-15	141752	14-2
131457	13-18	132174	13-12	132339	13-2	14420	14-12	141753	14-6
131458	13-18	132181	13-1	132340	13-36	14421	14-8	141763	14-16
131459	13-20	132182	13-1	132341	13-36	14422	14-8	141823	14-20
131460	13-19	132183	13-1	132342	13-35	14424	14-15	141824	14-9
131461	13-18	132269	13-2	132343	13-35	14425	15-16	141841	14-11
131462	13-20	132270	13-5	132344	13-22	14426	15-3	141842	14-6
131463	13-13	132271	13-14	132345	13-17	14432	14-21	141843	14-18

# MASTER INDEX

Part#	Page#	Part#	Page#	Part#	Page#	Part#	Page#	Part#	Page#
141844	14-11	142263	14-10	15267-W	15A-15	151440	24-5	152777	15A-14
141845	14-6	142264	14-10	15268	15A-16	151441	24-5	152778	15A-8
141860	14-21	142265	14-10	15269	15A-8	151442	24-5	152778-W	15A-8
141866	14-18	142266	14-6	15269-B	15A-8	151527	15-3	152781	15A-13
141968	14-3	142267	14-17	15269-W	15A-8	151641	14-24	152782	15A-14
141974	15-8	142322	14-15	15301	15A-10	151649	14-24	152783	15A-14
141974-B	15-8	142359	14-16	15301-B	15A-10	151650	14-24	152784	15A-10
141974-W	15-7	142369	14-11	15311-1	15-4	151784	15-19	152786	15A-12
141975	14-13	142370	14-13	15384	15-3	151828	15A-9	152787	15A-11
141994	14-15	142371	14-14	15389	15-3	151865	15-9	152788	15A-11
142023	14-13	142372	14-15	15400-17	15-9	151881	15-15	152790	15A-12
142029	15-6	142373	14-15	15400-18	15-9	151888	15-4	152791	15A-16
142029-B	15-6	142374	14-17	15400-19	15-9	151890	15-5	152792	15A-16
142043	14-14	142375	14-20	15400-20	15-10	151955	15-11	152793	15A-14
142053	14-1	142376	14-23	15400-26	15-6	152179	15-14	152794	15A-15
142054	14-4	142377	14-23	15410	15-2	152180	15-5	152795	15A-15
142055	14-18	142378	14-23	15410-F	15-2	152469	15-1	152796	15A-16
142069-L	14-13	142379	14-8	15414	15A-9	152471	15-2	152803	15A-16
142069-R	14-13	142574	14-18	15414-B	15A-9	152473	15-6	152814	15A-18
142178	14-17	142575	14-18	15448	15A-13	152474	15-4	152816	15A-12
142214	14-14	142854	14-2	15460	15-15	152476	15-7	152820	15A-12
142215	14-24	143491	14-18	15481	15-12	152477	15-7	152821	15A-12
142216	14-24	143494	14-1	15500	15-3	152479	15-8	152825	15A-12
142217	14-5	143495	14-17	15501	15-19	152479-B	15-8	152828	15A-16
142218	14-9	143528	14-6	15502	15-19	152480	15-8	152829	15A-7
142219	14-9	143529	14-22	15510	15-4	152480-B	15-8	152831	15A-12
142220	14-2	143530	14-9	15561-A	15A-9	152481	15-8	152833	15A-15
142221	14-2	143531	14-22	15561-B	15A-9	152481-B	15-8	152837	15A-16
142222	14-24	143532	14-9	15561-W	15A-9	152482	15-10	152838	15A-16
142223	14-24	143533	14-8	15565-A	15-14	152482-B	15-10	152842	15A-10
142224-L	14-19	143545	14-5	15565-B	15-14	152483	15-11	152844	15A-10
142224-R	14-19	143546	14-5	15566-A	15-14	152483-B	15-11	153248	15A-11
142226	14-2	1505	15-13	15566-B	15-14	152484-A	15-19	153249	15A-11
142227	14-2	1505-KA	15-13	15567-A	14-21	152484-B	15-19	153251	15A-13
142228	14-7	1505-SG-KA	15-13	15585	14-20	152484-C	15-19	153284	15A-15
142229	14-5	1505-SG-KD	15-13	15585-B	14-20	152484-D	15-19	153306	15A-14
142230	14-5	1511	15-17	15586	15A-14	152484-E	15-19	153307	15A-14
142231	14-4	1521	15-1	15593	15-15	152485	15-10	153337	15A-9
142232	14-16	1521-1	15-1	15611	15A-10	152486	15-16	153338	15A-9
142233	14-13	1521-1-SS	15-1	15611-B	15A-10	152489	15-15	153340	15A-16
142234	14-22	1551	15-17	15620-2	15-14	152490	15-10	153451	15A-13
142235	14-16	1552-L	15-18	15644	15-14	152491	15-5	153483	15A-8
142236	14-4	1552-R	15-18	15655	15-10	152492	15-5	153484	15A-8
142237	14-22	1577	15-3	15669	15-12	152493	15-9	153485	15A-8
142237-W	14-22	1596	15-7	15675	15A-15	152494	15-12	153497	15-10
142238	14-3	1599	15A-8	15683	15A-16	152495	15-5	153523	15A-14
142239	14-13	1599-B	15A-8	15684	15A-16	152497	15-17	1639-B	16-3
142240	14-21	1599-K	15A-9	15700	15A-12	152498	15-7	1639-F	16-3
142241	14-21	1599-K-B	15A-9	15718	15A-19	152499	15-6	16102	16-13
142242	14-6	1599-ML	15A-8	15778	15-15	152500	15-6	16103	16-13
142243	14-2	1599ML-B	15A-8	15802	15A-15	152501	15-1	16104	16-31
142244	14-20	1599ML-W	15A-8	15806	15-15	152502	15-9	16105	16-13
142245	14-22	1599-W	15A-8	15832-A	15-19	152503	15-17	16106	16-15
142246	14-14	15100	15A-9	15832-B	15-19	152504	15-1	16108	16-13
142247	14-9	15100-B	15A-9	15832-C	15-19	152505	15-1	16109	16-12
142249	14-14	15114	15-17	15832-D	15-19	152506	15-7	16131	16-10
142250	14-9	15187	15-4	15832-E	15-19	152507	15-11	16132-L	16-8
142251	14-18	15188	15-16	15968	15-13	152508	15-10	16132-R	16-8
142252	14-13	15189	15-13	151034	15-15	152509	15-11	16136	16-31
142253	14-22	15190	15-18	151035	15-16	152510	15-2	16197	16-1
142254	14-22	15191	15-4	151284	15A-14	152511	15-2	16198	16-1
142255	14-22	15192	15-6	151284-B	15A-14	152512	15-15	16202-B	16-2
142256	14-15	15193	15-18	151285	15A-13	152513	15-12	16202-F	16-2
142257	14-23	15194	15-18	151291	15-1	152514	15-12	16208-A	16-58
142258	14-23	15195	15-18	151309	15-15	152515	15-12	16209-A	16-59
142259	14-23	15199	15-15	151310	15-7	152516	15-16	16210-B	16-2
142260	14-10	15266	15A-12	151317	15A-16	152517	15-7	16210-F	16-2
142262	14-10	15267	15A-15	151439	15-18	152518	15-10	16211-B	16-2

# MASTER INDEX

<i>Part#</i>	<i>Page#</i>	<i>Part#</i>	<i>Page#</i>	<i>Part#</i>	<i>Page#</i>	<i>Part#</i>	<i>Page#</i>	<i>Part#</i>	<i>Page#</i>
16215	16-33	16576	16-59	16894	16-55	161522	16-51	162453	16-1
16216-B	16-1	16577	16-59	16895	16-55	161523	16-39	162454	16-5
16216-F	16-1	16596	16-35	16896	16-55	161524	16-38	162455	16-5
16217	16-30	16618	16-61	16897	16-56	161528	16-25	162457	16-21
16218-B	16-11	16661	16-25	16898	16-56	161584	16-26	162460	16-21
16218-F	16-11	16682	16-20	16909	16-55	161678	16-35	162462	16-23
16222-B	16-2	16697	16-32	16914	16-56	161689	16-52	162576	16-50
16223	16-59	16704	16-8	16915	16-39	161690	16-51	162973	16-47
16224-B	16-1	16727	16-29	16916	16-40	161771	16-28	162974	16-35
16224-F	16-1	16752	16-32	16917	16-52	161772	16-24	162975	16-37
16225	16-61	16759	16-13	16918	16-54	161783	16-30	162976	16-37
16226	16-7	16760	17B-5	16919	16-54	161791	16-63	162977	16-30
16245	16-16	16761	16-16	16920	16-54	161792	16-63	162978	16-31
16257-B	16-1	16762	16-16	16921	16-54	161793	16-63	162979	16-31
16257-F	16-1	16763	16-16	16922	16-54	161794	16-64	162980	16-31
16258-B	16-11	16764	16-16	16923	16-54	161795	16-64	162981	16-34
16258-F	16-11	16765	16-14	16924	16-53	161796	16-64	162982	16-36
16259	16-37	16766	16-14	16936	16-53	161797	16-64	162983	16-38
16260	16-35	16767	16-16	16937	16-53	161798	16-64	162984	16-35
16261	16-37	16768	16-16	16939	16-43	161850	16-63	162985	16-35
16277	16-3	16769	16-14	16974	16-32	161855	16-19	162986	16-20
16278	16-3	16770	16-14	161081	16-60	161882	16-26	162987	16-21
16279	16-3	16771	16-14	161082	16-4	161887	16-62	162988	16-35
16280	16-60	16772	16-14	161083	16-49	161898	16-21	162989	16-36
16281	16-13	16773	16-15	161084	16-31	161899	16-22	162990	16-38
16297	16-41	16774	16-15	161092	16-31	161900	16-33	162991	16-38
16298	16-48	16775	16-15	161093	16-45	161901	16-35	163093	16-47
16299	16-46	16776	16-15	161095	16-21	161902	16-37	163094	16-27
16302	16-10	16777	16-15	161096	16-20	161903	16-51	163095	16-27
16316-B	16-2	16815	16-21	161099	16-4	161908	16-50	163096	16-27
16316-F	16-2	16851	16-39	161100	16-60	161909	16-43	163098	16-28
16317-B	16-11	16852	16-53	161101	16-48	161910	16-20	163099	16-39
16317-F	16-11	16853	16-52	161102	16-40	161929	16-10	163100	16-36
16318-B	16-2	16854	16-53	161103	16-42	161930	16-61	163101	16-46
16318-F	16-2	16855	16-57	161104	16-4	161931	16-23	163102	16-49
16319	16-12	16860	16-56	161107	16-38	161932	16-27	163103	16-41
16320	16-17	16861	16-56	161109	16-34	161933	16-32	163104	16-29
16326	16-18	16862	16-49	161110	16-46	161934	16-37	163105	16-28
16369	16-41	16863	16-53	161111	16-35	161935	16-4	163106	16-12
16381	16-9	16864	16-53	161112	16-4	161936	16-8	163107	16-17
16382	16-9	16865	16-53	161137	16-18	161937	16-33	163108	16-17
16383	16-9	16866	16-53	161138	16-61	161962	16-51	163109	16-39
16427	16-7	16867	16-53	161139	16-44	161978	16-34	163110	16-38
16428	16-7	16868	16-53	161140	16-45	161979	16-43	163111	16-9
16449	16-6	16869	16-52	161141	16-45	161987	16-3	163112	16-50
16450	16-6	16870	16-53	161142	16-45	161988	16-3	163113	16-9
16451	16-31	16871	16-52	161143	16-43	161998	16-3	163114	16-4
16452	16-6	16872	16-53	161144	16-36	161999	16-3	163115	16-10
16453	16-6	16873	16-54	161145	16-38	162000	16-33	163116	16-10
16465	16-18	16874	16-52	161146	16-41	162014	16-36	163117	16-10
16466	16-17	16876	16-52	161147	16-43	162015	16-34	163119	16-29
16467	16-34	16877	16-52	161148	16-30	162017	16-42	163121	16-47
16468	16-17	16878	16-53	161149	16-32	162018	16-51	163132	16-19
16469	16-18	16879	16-54	161150	16-4	162038	16-30	163134	16-12
16470	16-38	16880	16-52	161151	16-4	162058	16-41	163135	16-63
16471	16-36	16881	16-52	161230	16-31	162062	16-20	163136	16-20
16472	16-47	16882	16-53	161234	16-47	162063	16-21	163137	16-21
16490	16-58	16883	16-53	161371	16-3	162107	16-44	163138	16-20
16491	16-58	16884	16-53	161372	16-3	162164	16-11	163139	16-20
16492	16-55	16885	16-52	161494	16-62	162165	16-11	163140	16-52
16497	16-59	16886	16-56	161495	16-62	162167	16-42	163142	16-62
16498	16-8	16887	16-56	161496	16-62	162168	16-60	163143	16-36
16499	16-10	16888	16-55	161497	16-49	162169	16-46	163144	16-44
16554	16-39	16889	16-55	161509	16-37	162170	16-47	163145	16-44
16557	16-7	16890	16-55	161510	16-42	162171	16-50	163146	16-44
16558	16-7	16891	16-55	161515	16-34	162399	16-27	163147	16-27
16559	16-19	16892	16-55	161520	16-63	162445	16-24	163148	16-40
16560	16-19	16893	16-55	161521	16-45	162452	16-1	163149	16-46

# MASTER INDEX

Part#	Page#	Part#	Page#	Part#	Page#	Part#	Page#	Part#	Page#
163150	16-48	163221-B	16-11	1762-LW	17C-1	17370-B	17C-16	17613	17B-5
163151	16-54	163221-F	16-11	1762-LW-6	17C-1	17370-W	17C-16	17633	17B-11
163152	16-53	163222-B	16-1	1762-LW-7	17C-1	17371	17A-3	17634-L	17C-17
163153	16-52	163222-F	16-1	1762-LW-8	17C-1	17386	17B-11	17634-R	17C-17
163154	16-42	163223-B	16-11	1762-RA	17C-1	17390-LA	17C-1	17642	17B-3
163155	16-47	163223-F	16-11	1762-RA-6	17C-1	17390-LA-6	17C-1	17674	15A-6
163156	16-24	163224	16-55	1762-RA-7	17C-1	17390-LA-7	17C-1	17676	17B-23
163157	16-49	163226	16-55	1762-RA-8	17C-1	17390-LA-8	17C-1	17677	17B-22
163158	16-24	163227	16-56	1762-RB	17C-1	17390-LB	17C-1	17678	17B-22
163159	16-25	163228	16-56	1762-RB-6	17C-1	17390-LB-6	17C-1	17679	17B-21
163162	16-22	163230	16-56	1762-RB-7	17C-1	17390-LB-7	17C-1	17680	17B-22
163163	16-49	163231	16-56	1762-RB-8	17C-1	17390-LB-8	17C-1	17693	15A-4
163164	16-48	163236	16-31	1762-RW	17C-1	17390-LW	17C-1	17694	15A-6
163165	16-45	163282	16-54	1762-RW-6	17C-1	17390-LW-8	17C-1	17695-BB	15A-3
163166	16-45	163283	16-53	1762-RW-7	17C-1	17390-RA	17C-1	17695-BB	17A-13
163167	16-18	163466-B	16-2	1762-RW-8	17C-1	17390-RA-6	17C-1	17695-W	17A-13
163168	16-52	163466-F	16-2	17139	17B-1	17390-RA-7	17C-1	17696	17B-20
163169	16-24	163467	16-8	17140	17B-1	17390-RA-8	17C-1	17698	17B-8
163170	16-57	163468	16-8	17141	17B-13	17390-RB	17C-1	17701	17A-10
163171	16-5	163469	16-40	17142	17B-9	17390-RB-6	17C-1	17710	17B-21
163172	16-25	163470	16-40	17144	17B-7	17390-RB-7	17C-1	17717	17B-19
163173	16-51	163471	16-56	17155	17B-2	17390-RB-8	17C-1	17719	17A-4
163174	16-26	163472	16-42	17196	15A-5	17390-RW	17C-1	17720-LA	17C-17
163175	16-18	163473	16-40	17219	15A-2	17390-RW-8	17C-1	17720-LB	17C-17
163176-B	16-5	163474	16-52	17219-B	15A-2	17396	17B-18	17720-RA	17C-17
163176-F	16-5	163475	16-52	17219-W	15A-2	17396-S	17B-18	17720-RB	17C-17
163177	16-48	163476	16-53	17228-L	17A-6	17401	17A-1	17721	17B-8
163178	16-19	163477	16-57	17228-R	17A-6	17402	17B-13	17735	17A-4
163179	16-19	163478	16-57	17229	17B-2	17407	17C-3	17736	17A-4
163180	16-20	163479	16-57	17230	17B-8	17408	17C-14	17739	17B-2
163183	16-5	163480	16-57	17231	17B-7	17413	17B-16	17753	17B-5
163184	16-6	163481	16-58	17232	17B-12	17429	17B-12	17754	17B-8
163185-B	16-5	163482	16-58	17233	17B-19	17430	17C-16	17755	17A-9
163185-F	16-5	163488	16-51	17237	17A-2	17430-B	17C-16	17755-CR	17A-9
163186	16-38	163490	16-8	17238	17A-3	17430-W	17C-16	17755-W	17A-9
163187	16-43	163498	16-31	17239	17B-8	17445	17A-11	17756	17A-9
163188	16-20	163499	16-63	17240	17C-4	17473	17A-1	17757	17B-4
163190	16-60	163501	16-63	17240-B	17C-4	17474	17B-7	17758	17B-5
163191	16-26	163502	16-63	17240-W	17C-4	17474-S	17B-7	17813	17B-2
163192	16-28	163505	16-62	17240-2	17C-4	17478	17B-19	17819-LB	17C-4
163193	16-44	163506	16-20	17240-2-B	17C-4	17483	17B-7	17819-RB	17C-4
163194	16-25	163507	16-62	17240-2-W	17C-4	17484	17A-7	17820	17C-14
163195	16-28	163509	16-19	17241	17C-4	17505	17A-3	17823	17B-11
163196	16-50	163510	16-19	17242	17C-5	17506	17A-8	17899	17A-4
163197-B	16-29	163511	16-19	17243	17C-5	17552	17B-2	17901	17B-12
163197-C	16-29	163512	16-19	17243-B	17C-5	17553	17A-2	17931	15A-6
163197-G	16-29	163513-F	16-12	17243-W	17C-5	17555	17B-9	17942	15A-6
163197-W	16-29	163513-B	16-12	17243-2	17C-5	17570-L	17C-2	17975	17C-2
163198-B	16-30	1760	17C-10	17243-2-B	17C-5	17570-R	17C-2	17976	17C-3
163198-C	16-30	1760-A-LA	17C-10	17243-2-W	17C-5	17571	17C-3	171067-L	17C-2
163198-G	16-30	1760-A-LB	17C-10	17271	15A-1	17573	17A-7	171067-L-13.5	17C-2
163198-W	16-30	1760-A-LW	17C-10	17271-B	15A-1	17574	17A-7	171067-R	17C-2
163199-B	16-12	1760-A-RA	17C-10	17271-W	15A-1	17578	17B-4	171067-R-13.5	17C-2
163199-F	16-12	1760-A-RB	17C-10	17322	17A-5	17587	17A-1	171080	17B-14
163200	16-62	1760-A-RW	17C-10	17325	17B-2	17587-B	17A-1	171117	17A-10
163201	16-22	1760-B	17C-10	17330-L	17C-19	17588	17A-5	171118	17A-10
163203	16-36	1760-W	17C-10	17330-R	17C-19	17588-B	17A-5	171119	17A-15
163204	16-46	1761	17C-16	17338	17B-23	17589	15A-5	171120	17B-22
163205	16-21	1761-L	17C-16	17339	17B-24	17589-B	15A-5	171121	17B-21
163206	16-17	1761-R	17C-16	17360	17C-18	17594	17B-22	171129	17C-22
163207	16-14	1762-LA	17C-1	17361	17B-23	17600-A	15A-2	171130	17C-19
163208	16-61	1762-LA-6	17C-1	17364	17B-16	17600-B	15A-2	171131	15A-1
163209	16-58	1762-LA-7	17C-1	17365	17A-11	17600-W	15A-2	171132	15A-1
163210	16-62	1762-LA-8	17C-1	17366	17B-1	17607	17B-20	171134	17C-22
163218	16-23	1762-LB	17C-1	17367	17B-24	17608	17B-9	171135	17C-19
163219	16-23	1762-LB-6	17C-1	17368-L	17A-6	17610	17B-9	171217	17B-20
163220-B	16-1	1762-LB-7	17C-1	17368-R	17A-6	17612	15A-5	171391	17B-13
163220-F	16-1	1762-LB-8	17C-1	17370	17C-16	17612-B	15A-5	171394	17B-21

# MASTER INDEX

<i>Part#</i>	<i>Page#</i>	<i>Part#</i>	<i>Page#</i>	<i>Part#</i>	<i>Page#</i>	<i>Part#</i>	<i>Page#</i>	<i>Part#</i>	<i>Page#</i>
171398	17C-17	171863	17B-6	172361	17A-2	172478	17B-3	172610-L	17C-11
171398-B	17C-17	171864	17B-13	172362	17A-1	172487	17B-23	172610-R	17C-11
171398-W	17C-17	171876	17B-16	172363	17A-8	172488	17B-3	172611	17C-11
171403	17B-11	171877	17B-16	172364	17A-3	172520	17B-1	172613	17C-11
171490	17B-13	171915	17A-13	172365	17A-5	172521	17B-1	172614	17C-22
171491	17A-7	171916-L	17A-7	172366	17A-3	172522	17B-5	172615	17C-4
171536	17A-7	171916-R	17A-7	172367	17A-3	172523	17B-15	172616	17C-22
171538	17B-9	171917	17A-13	172368	17A-14	172524	17B-12	172617	17C-6
171540	17B-22	171918	17A-6	172380	17A-14	172525	17B-15	172618	17C-13
171541	17C-24	171920	17B-15	172381	17A-14	172526	17B-16	172619-L	17C-6
171542	17C-24	171921	17B-13	172382	17A-1	172527	17B-13	172619-R	17C-6
171543	17C-24	171922	17B-23	172383	17A-1	172528	17B-14	172620-L	17C-7
171544	17C-24	171923-L	17C-17	172384	17A-2	172529	17B-14	172620-R	17C-7
171545	17C-24	171923-R	17C-17	172385	17A-2	172530	17B-10	172621-A	17C-9
171546	17C-24	171924-L	17C-6	172386	17A-2	172531	17B-5	172621-B	17C-9
171568	17A-15	171924-R	17C-6	172387	17A-6	172532	17B-6	172622-L	17C-12
171568-W	17A-15	171925	17C-4	172388	17A-15	172534	17B-10	172622-R	17C-12
171575	17A-16	171926-L	17C-6	172389	17A-15	172535	17B-10	172623-L	17C-12
171648	17B-7	171926-R	17C-6	172390	17A-15	172536	17B-23	172623-R	17C-12
171652	17A-1	171944	17C-18	172391	17A-13	172537	17B-14	172624	17C-13
171696	17A-11	171949	17A-9	172392	17A-14	172538	17B-14	172625	17C-12
171698	17B-10	171949-W	17A-9	172394	17B-6	172539	17B-19	172626	17C-12
171699	17B-10	171956	17B-21	172395	17A-14	172540	17B-12	172627	17C-18
171700	15A-1	171957	17B-15	172396	17A-14	172541	17B-9	172628-L	17C-17
171700-B	15A-1	171958	17B-3	172397	17A-7	172542	17B-9	172628-R	17C-17
171700-W	15A-1	171967	17B-16	172398	17A-10	172543	17B-20	172629	17C-18
171702	17B-7	171976	17A-9	172407	17A-4	172544	17B-14	172630	17C-18
171720	17C-3	171981	17A-7	172408	17A-7	172545	17B-1	172631	17C-14
171722	17B-3	171982	17B-11	172409	17A-5	172546	17B-7	172632	17C-11
171733	17B-8	171991	17A-2	172410-L	17A-7	172547	17B-2	172633	17C-23
171734	17B-18	171992	15A-3	172410-R	17A-7	172548	17B-15	172634	17C-9
171754	17A-3	171993	15A-3	172411	17A-9	172549	17B-4	172635-L	17C-13
171755	17A-8	172001	17B-6	172411-W	17A-9	172550	17B-15	172635-R	17C-13
171758	17A-11	172003	17C-5	172412	17A-8	172552	17B-21	172636-L	17C-13
171759	17A-6	172004	17C-5	172413	17A-8	172553	17B-18	172636-R	17C-13
171765	17C-24	172005	17C-5	172414	17A-10	172555	17B-4	172637	17C-15
171773	17C-24	172006	17C-5	172415	15A-5, 17A-6	172556	17B-11	172638	17C-11
171774	17C-24	172007	17C-5	172416	17A-5	172557	17B-15	172639-L	17C-7
171775	17C-23	172008	17C-5	172417	17A-5	172558	17B-4	172639-R	17C-7
171776-L	17C-19	172009	17C-5	172419	15A-6, 17A-6	172559	17B-18	172640	17C-7
171776-R	17C-19	172010	17C-5	172420	17A-4	172560	17B-20	172641	17C-7
171777-L	17C-21	172011	17C-5	172421	17A-16	172561	17B-17	172642-L	17C-7
171777-R	17C-21	172012	17C-5	172422	17A-12	172562	17B-17	172642-R	17C-7
171778-L	17C-20	172013	17C-5	172426	17A-15	172563	17B-17	172643-L	17C-7
171778-R	17C-20	172030	17C-23	172427	17A-7	172565	17B-10	172643-R	17C-7
171779-L	17C-19	172042	17A-10	172428	17A-10	172566	17B-6	172644	17C-8
171779-R	17C-19	172050	17C-24	172429	17C-5	172567	17B-9	172645-L	17C-8
171780-L	17C-20	172051	17C-24	172429-W	17C-5	172568	17B-20	172645-R	17C-8
171780-R	17C-20	172052	17C-24	172430	17A-10	172569	17B-8	172646-L	17C-8
171781-L	17C-19	172056-L	17C-1	172431	17A-16	172573-L	17C-1	172646-R	17C-8
171781-R	17C-19	172056-R	17C-1	172432	17A-13	172573-R	17C-1	172647-L	17C-8
171782-L	17C-21	172057-L	17C-1	172433-L	17A-14	172577	17A-9	172647-R	17C-8
171782-R	17C-21	172057-R	17C-1	172433-R	17A-14	172578	17A-12	172648	17C-8
171786	17C-4	172064	17B-18	172434-B	17A-9	172579	17A-14	172649	17C-8
171809	15A-2	172091	17B-4	172434-W	17A-9	172580	17B-19	172650	17C-12
171810-L	17C-20	172105	17C-23	172435	17A-14	172581	17B-19	172651	17C-9
171810-R	17C-20	172106	17C-23	172436	17A-14	172582	17B-10	172652	17C-9
171811-L	17C-20	172109	17B-5	172437	17A-11	172583	17B-3	172653	17C-9
171811-R	17C-20	172110	17B-6	172438	17A-16	172587-L	17A-7	172654	17C-12
171826	17A-15	172145	17B-17	172439	17A-16	172587-R	17A-7	172655	17C-15
171853	17B-17	172146	17B-17	172440	17A-12	172606-LA	17C-2	172656	17C-9
171857	17C-14	172160	17C-5	172441	17A-8	172606-LB	17C-2	172657	17C-23
171857-AB	17C-14	172162	17C-5	172442	17A-9	172606-RA	17C-2	172658-L	17C-6
171857-C	17C-14	172163	17B-4	172443-B	17A-2	172606-RB	17C-2	172658-R	17C-6
171857-W	17C-14	172166-L	17C-21	172443-W	17A-2	172607-L	17C-11	172659-L	17C-20
171858-L	17C-6	172166-R	17C-21	172470	17B-23	172607-R	17C-11	172659-R	17C-20
171858-R	17C-6	172175	17C-5	172470-100	17B-23	172608	17C-10	172660	17C-3
171859	18A-2	172188	17C-5	172472	17B-8	172609	17C-10	172660-B	17C-3

# MASTER INDEX

Part#	Page#	Part#	Page#	Part#	Page#	Part#	Page#	Part#	Page#
172661-L	17C-8	172852	15A-5	18107-6	18-1	181990	18A-1	182901	18-6
172661-R	17C-8	172853-8	17C-15	18107-7	18-1	181995	18A-2	182902	18-6
172663-L	17C-21	172853-10	17C-15	18107-F	18-1	182031	18-7	182902-B	18-6
172663-R	17C-21	172853-12	17C-15	18149	18-2	182032	18-7	182903	18-4
172664-L	17C-21	172855	17C-15	18307	18-4	182033	18-7	182904	18-4
172664-R	17C-21	172907	17A-11	18308	18-5	182034	18-7	182905	18-5
172665-L	17C-22	172908-L	17A-6	18310	18-12	182035	18-7	182906	18-5
172665-R	17C-22	172908-R	17A-6	18312	18-8	182036	18-11	182908	18-2
172666	17B-18	172909	17A-10	18617	18-12	182161	18-7	182930-1	18-1
172669-AL	17C-6	172910	17A-15	18707	18-11	182406	18-11	182930-2	18-1
172669-AR	17C-6	172911	17B-7	18708	18-6	182856	18-4	182930-3	18-1
172669-BL	17C-6	172912	17B-7	18716	18-2	182857	18-4	182930-4	18-1
172669-BR	17C-6	172913	17B-12	18814	18-5	182858	18-4	182930-5	18-1
172669-WL	17C-6	172914	17B-2	18818	18-11	182859	18-6	182930-6	18-1
172669-WR	17C-6	172915	17B-20	18926	18-4	182860	18-6	182930-7	18-1
172670-L	17C-22	172916	17B-2	18934	18-2	182861	18-12	182930-F	18-1
172670-R	17C-22	172917	17B-9	18935	18-2	182862	18-8	182931	18-2
172671	17C-24	172918	17B-2	18954	18-11	182863	18-8	182932-1	18-2
172672-4.5	17C-24	172919	17B-19	18957	18-2	182864	18-8	182932-2	18-2
172672-6	17C-24	172921	17C-5	18978	18-2	182865	18-8	182932-3	18-2
172672-8	17C-24	172922	17C-5	181010	18-4	182866	18-9	182932-5	18-2
172672-10	17C-24	172923	17C-5	181036	18-12	182867	18-9	182932-6	18-2
172672-12	17C-24	172924	17C-5	181041	18A-1	182868	18-1	182932-7	18-2
172672-14	17C-24	172925	17C-5	181043	18A-1	182869	18-6	182933	18-4
172672-16	17C-24	172926	17C-5	181045	18A-2	182870	18-10	182934	18-4
172673-4.5	17C-25	172927	17C-5	181050	18A-1	182871	18-2	182935	18-4
172673-6	17C-25	172928	17C-5	181052	18A-1	182873-1	18-2	182936	18-9
172673-8	17C-25	172929	17C-5	181054	18A-1	182873-2	18-2	182937	18-2
172673-10	17C-25	173232	17A-9	181055	18A-1	182873-3	18-2	182938	18-7
172673-12	17C-25	173234-A	17C-5	181058	18A-1	182873-5	18-2	182939	18-7
172673-14	17C-25	173234-B	17C-5	181059	18A-1	182873-6	18-2	182940	18-7
172673-16	17C-25	173234-C	17C-5	181062	18A-2	182873-7	18-2	182941	18-7
172674	17C-15	173234-D	17C-5	181124	18-7	182875-1	18-2	182942	18-7
172678-R	17C-10	173234-F	17C-5	181125	18-7	182875-2	18-2	182943	18-7
172679-L	17C-10	173234-W	17C-5	181126	18-7	182875-3	18-2	182944	18-7
172681	17C-15	173235	15A-3, 17A-13	181380	18-1	182875-5	18-2	182945	18-7
172682	17C-14	173245	15A-4	181381	18-1	182875-6	18-2	182946	18-7
172683-L	17C-13	173259	15A-3	181382	18-1	182875-7	18-2	182947	18-7
172683-R	17C-13	173265	15A-2	181383	18-1	182876	18-5	182948	18-7
172768	15A-4	173266	15A-2	181384	18-1	182877	18-7	182949	18-7
172769	15A-4	173267	15A-2	181385	18-1	182878	18-7	182950	18-1
172770	15A-11	173304	15A-2	181386	18-1	182879	18-7	182951	18-1
172771	15A-7	173313	15A-3	181387	18-1	182883	18-4	182952	18-1
172772	15A-7	173324	18A-2	181508	18-10	182884	18-12	182953	18-1
172773	15A-7	173339	15A-3	181582	18-9	182885	18-1	182954	18-1
172774	15A-7	173347	15A-1	181589	18-1	182886	18-1	182955	18-1
172775	15A-12	173348	15A-1	181603	18-1	182887	18-1	182956	18-1
172776	15A-3	173449	17B-11	181605	18-1	182888	18-3	182957	18-1
172797	15A-2	173465	15A-2	181669	18-1	182889	18-12	182958	18-1
172798	15A-2	173486	15A-3	181735	18-1	182890	18-12	182959	18-1
172684	17C-13	173500	17A-3	181747	18-1	182891	18-10	182960	18-1
172685	17C-23	1819	18-9	181756	18-5	182892	18-3	182961	18-1
172689	17C-18	1853	18-1	181785	18-3	182893	18-3	182962	18-1
172690	17C-15	1856	18-8	181788	18-7	182894	18-11	182963	18-1
172815	15A-19	1857	18-8	181789	18-7	182895	18-11	182964	18-1
172826	15A-5	1857-N	18-8	181801	18-1	182896	18-2	182965	18-1
172830	15A-1	1863	18-9	181806	18-10	182897-5	18-1	182966	18-1
172834	15A-3	1865	18-8	181807	18-10	182897-6	18-1	182967	18-1
172835	15A-3	1865-1	18-8	181808	18-10	182897-7	18-1	182968	18-1
172839	15A-7	1866	18-9	181822	18A-2	182898-5	18-1	182969	18-2
172840	15A-1	1867	18-2	181873	18-2	182898-6	18-1	182970	18-6
172841	15A-7	1890	18-4	181874	18-3	182898-7	18-1	183009	18A-1
172848	17-10	1891	18-6	181927	18-4	182899-5	18-2	183010	18A-1
172849	17-10	18107-1	18-1	181959	18-3	182899-6	18-2	183011	18A-1
172850	17C-16	18107-2	18-1	181960	18-5	182899-7	18-2	183012	18A-1
172850-B	17C-16	18107-3	18-1	181977	18-11	182900-5	18-1	183013	18A-1
172850-W	17C-16	18107-4	18-1	181983	18-1	182900-6	18-1	183014	18A-1
172851	17C-5	18107-5	18-1	181989	18A-1	182900-7	18-1	183015	18A-2

# MASTER INDEX

Part#	Page#	Part#	Page#	Part#	Page#	Part#	Page#	Part#	Page#
183016	18A-1	19822	19-2	193055	19-17	22496	22B-13	221790	22A-1
183017	18A-1	19837	19-2	193056	19-17	22511	22A-12	221889	22B-4
183061	18-8	19839	19-5	193058	19-17	22511-D	22A-12	221904	22B-4
183062	18-8	19859	19-10	193059	19-18	22512	22A-10	221950	22B-11
183063	18-10	19859-100	19-10	193067	19-3	22513	22A-10	222019	22B-2
183064	18-9	191215	19-9	193068	19-15	22514	22A-10	222045	22A-10
183065	18-9	191216	19-12	193069	19-16	22515	22A-10	222046	22A-10
183066	18-11	191219	19-6	193070	19-16	22517	22A-11	222047	22A-11
183233	18-2	191220	19-6	193074	19-14	22525	22A-11	222048	22A-11
183325	18A-2	191231	19-4	193075	19-17	22528	22A-2	222765	22A-12
183326	18A-1	191232	19-13	193076	19-15	22529	22A-7	222766	22A-13
183327	18A-3	191233	19-15	193077	19-18	22530	22A-1	222767	22A-7
183328	18A-3	191239	19-1	193078	19-18	22531	22A-11	223242	22A-1
183329	18A-2	191450	19-10	193079	19-19	22532	22A-2	223243	22A-1
183331	18A-2	191680	19-14	193084	19-9	22533	22A-6	223244	22A-2
183332	18A-2	191681	19-14	193085	19-4	22534-L	22A-4	223246	22A-4
183334	18A-2	191682	19-14	193086	19-15	22534-R	22A-4	223247	22A-4
183335	18A-1	191687	19-4	193087	19-17	22535-L	22A-7	223252	22A-6
183336	18A-1	191767	19-10	193088	19-15	22535-R	22A-7	223253	22A-8
183518-1	18-2	191768	19-4	193090	19-5	22537	22A-5	223260	22A-9
183518-2	18-2	191849	19-12	193091	19-13	22540	22A-13	223261	22B-14
183518-3	18-2	191891	19-3	193122	19-6	22568-L	22A-5	223262	22B-13
183518-5	18-2	191928	19-9	193123	19-18	22568-R	22A-5	223263	22B-13
183518-6	18-2	191961	19-16	193124	19-18	22575	22A-7	223264	22A-1
183518-7	18-2	192037	19-3	193125	19-18	22625	22B-4	223268	22B-8
183519	18A-2	192065	19-1	193126	19-9	22711-4	22A-6	223269	22B-13
183520	18A-2	192066	19-1	193128	19-8	22711-5	22A-6	223270	22B-6
183521	18A-1	192067	19-1	193129	19-8	22711-7	22A-6	223272	22A-10
183522	18A-2	192068	19-1	172587-L	22A-7	22791	22B-14	223273	22B-13
183527	18-10	192722	19-1	172587-R	22A-7	22792	16-33	223274	22B-13
1901	19-1	192723	19-1	22246-L	22A-5	22793	22B-4	223275	22A-9
1901-A	19-1	192724	19-1	22246-R	22A-5	22794	22B-3	223276	22A-9
1901-B	19-1	192725	19-1	22247	22A-3	22795	22B-14	223277	22A-13
1902	19-3	192971	19-14	22248-L	22A-4	22797	22B-11	223278	22A-13
1902-A	19-3	192972	19-14	22248-R	22A-4	22798	22B-10	223285	22B-8
1902-B	19-3	193022	19-8	22250-A	22A-2	22803	22A-13	223296	22B-2
1903	19-3	193023	19-8	22250-B	22A-2	22824	22A-12	223297	22B-2
1903-A	19-3	193024	19-8	22250-C	22A-2	22825	22A-12	223298	22B-2
1903-B	19-2	193025	19-8	22251	22A-1	22826	22A-12	223299	22B-2
1932	19-9	193026	19-13	22252	22A-1	22842	22B-8	223300	22B-2
1932-S	19-9	193027	19-13	22253	22A-1	22843	22B-10	223301	22A-13
1932-20	19-9	193028	19-13	22254	22A-1	22844	22B-7	223303	22B-10
19145	19-8	193029	19-3	22255	22A-1	22946	22A-9	223304	22B-10
19145-20	19-8	193030	19-3	22256	22A-2	22947	22A-9	223305	22B-10
19145-88	19-8	193031	19-3	22315	22B-3	221153	22B-11	223308	22B-9
19200	19-10	193032	19-3	22327	22A-8	221240	22B-11	223309	22B-14
19200-100	19-10	193033	19-5	22328	22A-8	221306	22B-1	223311	22B-9
19306	19-4	193034	19-5	22329	22A-8	221318	22B-12	223312	22B-8
19378	19-13	193035	19-10	22331	22A-3	221328	22A-9	223314	22B-2
19379	19-13	193036	19-8	22333-L	22A-4	221373	22B-7	223315	22B-14
19507	19-1	193037	19-17	22333-R	22A-4	221374	22B-7	223316	22B-14
19508	19-12	193038	19-5	22334	22A-5	221375	22B-5	223317	22B-11
19508-20	19-12	193039	19-7	22335-L	22A-4	221376	22B-5	223319	22B-6
19508-88	19-12	193040	19-7	22335-R	22A-4	221377	22B-1	223321	22B-8
19551	19-13	193041	19-6	22409	22A-9	221377-EB	22B-1	223322	22B-9
19590	19-2	193042	19-9	22410-A	22A-3	221379	22B-7	223323	22B-5
19638	19-6	193043	19-10	22411	22B-14	221392	22B-7	223341	15A-19
19667-20	19-11	193044	19-18	22415	22A-6	221395	22B-11	223342	15A-19
19667-3	19-11	193045	19-18	22415-L	22A-6	221396	22B-9	223343	15A-19
19667-40	19-11	193046	19-18	22415-R	22A-6	221400	22A-3	223344	15A-19
19667-41	19-11	193047	19-18	22457	22A-13	221405	22B-6	223345	15A-19
19672	19-11	193048	19-19	22458	22B-3	221406	22B-9	223346	15A-19
19685	19-11	193049	19-16	22459	22A-11	221519	22B-6	223460	22B-14
19706	19-7	193050	19-14	22485	22B-5	221590	22B-1	223461	22A-7
19712	19-2	193051	19-7	22486	22B-2	221590-EB	22B-1	223463	22A-8
19799	19-12	193052	19-16	22493	22A-6	221651	22A-7		
19799-20	19-12	193053	19-11	22494	22A-6	221694	22B-9	221501	24-7
19799-88	19-12	193054	19-11	22495	22B-3	221787	22A-1	221502	24-7



# MASTER INDEX

Part#	Page#	Part#	Page#	Part#	Page#	Part#	Page#	Part#	Page#
223018	24-7	243400	24-2	CCEP-4020	15A-16	CCSC-7169	22B-7	E-2320	DS-26
223019	24-7	243401	24-2	CCEP-4089	15A-17	CCSC-7170	22B-4	E-2321	DS-26
223050	24-10	243402	24-2	CCEP-4090	15A-17	CCSC-7192	22B-3	E-2324	DS-4
241862	24-11	243403	24-2	CCEP-4148	15A-10	CCSC-7195	22B-6	E-2325	DS-4
241938	24-11	243404	24-2	CCEP-4208	15A-18	CCSC-7216	22B-9	EP-3719	17C-27
241939	24-1	243405	24-2	CCEP-4209	15A-18	CCSC-9003	24-7	EP-3740	17C-31
241940	24-1	243406	24-3	CCEP-4227	15A-17	D-1574	13-38	EP-3758	17C-36
241941	24-1	243407	24-3	CCEP-4228	15A-17	D-1575	13-38	EP-3759	17C-36
241942	24-1	243408	24-3	CCEP-4234	15A-17	D-1576	13-38	EP-3785	17C-35
241943	24-3	243409	24-3	CCEP-4235	15A-17	D-1644	13-38	EP-3786	17C-36
241945	24-3	243410	24-3	CCEP-4271	15A-19	D-1645	13-38	EP-3787	17C-37
241946	24-3	243411	24-3	CCEP-4272	15A-19	D-1646	13-38	EP-3788	17C-37
241947	24-11	243412	24-3	CCEP-4273	15A-19	D-1647	13-38	EP-3837	17C-30
241948	24-11	243413	24-2	CCEP-4290	15A-18	D-1648	13-38	EP-3838	17C-30
241965	24-1	243414	24-2	CCEP-4354	15A-8	D-1649	13-38	EP-3897	17C-36
241966	24-3	243415	24-2	CCEP-4411	15A-17	D-1650	13-38	EP-3898	17C-30
242152	24-4	243416	24-2	CCEP-4412	15A-17	D-1651	13-38	EP-3904	17C-30
242153	24-3	243417	24-2	CCEP-4457	DS-14	D-1652	13-38	EP-3917	17C-30
242155	24-4	243418	24-2	CCEP-5529	18-9	D-1654	13-38	EP-3918	17C-30
242156	24-3	243419	24-2	CCEP-5552	18-9	D-1655	13-38	EP-3920	17C-36
242157	24-3	243420	24-2	CCEP-6560	16-30	D-1659	13-38	EP-4269	15A-18
242158	24-1	243421	24-2	CCEP-6563	16-31	D-1660	13-38	EP-4270	15A-18
242159	24-3	243422	24-2	CCEP-6564	16-31	D-1664	13-38	EP-9505	DS-11
242400	24-3	243423	24-2	CCEP-6568	16-21	D-1665	13-38	EP-9506	DS-11
242401	24-5	243426	24-3	CCEP-6698	16-20	D-1669	13-38	EP-9507	DS-11
242402	24-5	243427	24-3	CCEP-6699	16-21	D-1670	13-38	EP-9508	DS-11
243349	24-6	243428	24-3	CCEP-6794	16-21	D-1674	13-38	EP-9520	DS-13
243351	24-7	243430	24-3	CCEP-7020	24-13	D-1675	13-38	EP-9521	DS-13
243352	24-7	243431	24-3	CCEP-7134	22B-12	D-1679	13-38	EP-21080	TH-9
243355	24-2	243432	24-3	CCEP-7135	22B-12	D-1680	13-38	EP-21083	TH-9
243356	24-10	243434	24-11	CCEP-7136	22B-12	D-1718	13-38	EP-21090	TH-9
243357	24-8	243448	24-8	CCEP-7200	22B-12	D-1719	13-38	EP-21094	TH-9
243359	24-7	243450	24-5	CCEP-7201	22B-12	D-1743	13-38	EP-21099	TH-9
243361	24-5	243452	24-4	CCEP-7202	22B-12	D-1744	13-38	EP-21101	TH-9
243362	24-5	243453	24-4	CCEP-7203	22B-12	D-1745	13-38	EP-21105	TH-9
243363	24-1	243454	24-4	CCEP-7204	22B-12	D-1746	13-38	EP-22317	TH-8
243364	24-4	243455	24-4	CCEP-7205	22B-12	E-2232	DS-2	EP-22319	TH-8
243365	24-4	243456	24-4	CCEP-7206	22B-12	E-2233	DS-2	EP-22322	TH-8
243366	24-4	243457	24-4	CCEP-7207	22B-12	E-2234	DS-2	EP-22397	TH-7
243367	24-4	243524	24-4	CCEP-7208	22B-12	E-2235	DS-3	EP-22453	TH-8
243368	24-5	243525	24-4	CCEP-7236	22B-12	E-2236	DS-3	EP-22499	TH-8
243369	24-5	243535	24-10	CCEP-9003	24-7	E-2279	DS-25	EP-22593	TH-7
243370	24-8	CCBP-7503	PL-4	CCEP-9004	24-6	E-2280	DS-25	EP-22825	TH-7
243371	24-5	CCBP-7505	PL-4	CCEP-9140	24-6	E-2281	DS-26	EP-22826	TH-8
243372	24-7	CCBP-7156	22B-2	CCEP-9185	24-6	E-2282	DS-26	EP-23065	TH-9
243373	24-3	CCBP-7157	22B-3	CCEP-9186	24-6	E-2284	DS-2	EP-23066	TH-9
243374	24-7	CCBP-7158	22B-3	CCEP-9941KA	DS-33	E-2291	DS-3	EP-23067	TH-9
243377	24-3	CCBP-7159	22B-3	CCEP-9942KA	DS-33	E-2292	DS-3	EP-23068	TH-9
243378	24-2	CCBP-7160	22B-5	CCEP-9943KA	DS-33	E-2293	DS-25	EP-23088	TH-9
243379	24-2	CCBP-7161	22B-4	CCEP-9944KA	DS-33	E-2294	DS-25	F-2621	17-12
243380	24-1	CCBP-7162	22B-4	CCEP-9945KA	DS-33	E-2295	DS-26	F-2622	17-12
243381	24-1	CCBP-7163	22B-7	CCEP-9946KA	DS-33	E-2296	DS-26	FA-1210	17C-25
243382	24-3	CCBP-7168	22B-4	CCEP-16042	24-14	E-2297	DS-25	FA-1220	17C-25
243383	24-3	CCBP-7169	22B-7	CCEP-16044	24-14	E-2298	DS-3	FA-1230	17C-25
243384	24-8	CCBP-7195	22B-6	CCEP-16046	24-14	E-2299	DS-2	FA-1240	17C-25
243385	24-8	CCBP-7216	22B-9	CCEP-16051	24-14	E-2300	DS-2	FA-1310	17C-25
243388	24-1	CCEP-3546	17C-16	CCEP-16053	24-14	E-2301	DS-2	FA-1320	17C-25
243389	24-1	CCEP-3547	17C-16	CCSC-7155	22B-10	E-2302	DS-3	FA-1330	17C-25
243390	24-3	CCEP-3548	17C-16	CCSC-7156	22B-2	E-2303	DS-3	FA-1340	17C-25
243391	24-2	CCEP-3549	17C-16	CCSC-7157	22B-3	E-2304	DS-3	FA-1410	17C-25
243392	24-2	CCEP-3550	17C-16	CCSC-7158	22B-3	E-2305	DS-2	FA-1420	17C-25
243393	24-1	CCEP-3551	17C-16	CCSC-7159	22B-3	E-2307	DS-2	FA-1430	17C-25
243394	24-1	CCEP-3557	17C-17	CCSC-7160	22B-5	E-2308	DS-2	FA-1440	17C-25
243395	24-1	CCEP-3818	17C-16	CCSC-7161	22B-4	E-2309	DS-2	FA-1510	17C-25
243396	24-1	CCEP-4002	15A-8	CCSC-7162	22B-4	E-2311	DS-25	FA-1520	17C-25
243397	24-2	CCEP-4003	15A-8	CCSC-7163	22B-7	E-2317	DS-26	FA-1530	17C-25
243398	24-2	CCEP-4011	15A-10	CCSC-7167	22B-10	E-2318	DS-26	FA-1540	17C-25
243399	24-2	CCEP-4016	15A-12	CCSC-7168	22B-4	E-2319	DS-25	FA-1610	17C-25

# MASTER INDEX

Part#	Page#	Part#	Page#	Part#	Page#	Part#	Page#	Part#	Page#
FA-1620	17C-25	FA-3320	17C-26	FH-2120	17C-32	FJ-3420	17C-33	FR-2720-340	17C-34
FA-1630	17C-25	FA-3330	17C-26	FH-2130	17C-32	FJ-3520	17C-33	FR-2720-341	17C-34
FA-1640	17C-25	FA-3340	17C-26	FH-2220	17C-32	FJ-3620	17C-33	FR-2720-342	17C-34
FA-1710	17C-25	FA-3410	17C-26	FH-2230	17C-32	FJ-3720	17C-33	FR-2720-343	17C-34
FA-1720	17C-25	FA-3420	17C-26	FH-2320	17C-32	FJ-3820	17C-33	FR-2820-340	17C-34
FA-1730	17C-25	FA-3430	17C-26	FH-2330	17C-32	FJ-3920	17C-33	FR-2820-341	17C-34
FA-1740	17C-25	FA-3440	17C-26	FH-2420	17C-32	FL-1820	17C-33	FR-2820-342	17C-34
FA-1810	17C-25	FA-3510	17C-26	FH-2430	17C-32	FL-1920	17C-33	FR-2820-343	17C-34
FA-1820	17C-25	FA-3520	17C-26	FH-2520	17C-32	FL-2020	17C-33	FR-2920-340	17C-34
FA-1830	17C-25	FA-3530	17C-26	FH-2530	17C-32	FL-2120	17C-33	FR-2920-341	17C-34
FA-1840	17C-25	FA-3540	17C-26	FH-2620	17C-32	FL-2220	17C-33	FR-2920-342	17C-34
FA-1910	17C-25	FA-3610	17C-26	FH-2630	17C-32	FL-2320	17C-33	FR-2920-343	17C-34
FA-1920	17C-25	FA-3620	17C-26	FH-2720	17C-32	FL-2420	17C-33	FR-3020-340	17C-34
FA-1930	17C-25	FA-3630	17C-26	FH-2730	17C-32	FL-2520	17C-33	FR-3020-341	17C-34
FA-1940	17C-25	FA-3640	17C-26	FH-2820	17C-32	FL-2620	17C-33	FR-3020-342	17C-34
FA-2010	17C-25	FA-3710	17C-26	FH-2830	17C-32	FL-2720	17C-33	FR-3020-343	17C-34
FA-2020	17C-25	FA-3720	17C-26	FH-2920	17C-32	FL-2820	17C-33	FS-100**	17C-28
FA-2030	17C-25	FA-3730	17C-26	FH-2930	17C-32	FL-2920	17C-33	FS-101**	17C-29
FA-2040	17C-25	FA-3740	17C-26	FH-3020	17C-32	FL-3020	17C-33	FS-102**	17C-29
FA-2110	17C-25	FA-3810	17C-26	FH-3030	17C-32	FM-1820	17C-34	FS-103**	17C-29
FA-2120	17C-25	FA-3820	17C-26	FH-3120	17C-32	FM-1920	17C-34	FS-150**	17C-28
FA-2130	17C-25	FA-3830	17C-26	FH-3130	17C-32	FM-2020	17C-34	FS-151**	17C-28
FA-2140	17C-25	FA-3840	17C-26	FH-3220	17C-32	FM-2120	17C-34	FS-152**	17C-29
FA-2210	17C-26	FA-3910	17C-26	FH-3230	17C-32	FM-2220	17C-34	FS-153**	17C-29
FA-2220	17C-26	FA-3920	17C-26	FH-3320	17C-32	FM-2320	17C-34	FS-154**	17C-29
FA-2230	17C-26	FA-3930	17C-26	FH-3420	17C-32	FM-2420	17C-34	FS-100PB	17C-28
FA-2240	17C-26	FA-3940	17C-26	FH-3520	17C-32	FM-2520	17C-34	FS-101PB	17C-29
FA-2310	17C-26	FA-4010	17C-26	FH-3620	17C-32	FM-2620	17C-34	FS-102PB	17C-29
FA-2320	17C-26	FA-4020	17C-26	FH-3720	17C-32	FM-2720	17C-34	FS-103PB	17C-29
FA-2330	17C-26	FA-4030	17C-26	FH-3820	17C-32	FM-2820	17C-34	FS-150PB	17C-28
FA-2340	17C-26	FA-4040	17C-26	FH-3920	17C-32	FM-2920	17C-34	FS-151PB	17C-28
FA-2410	17C-26	FA-4110	17C-26	FJ-1520	17C-33	FM-3020	17C-34	FS-152PB	17C-28
FA-2420	17C-26	FA-4120	17C-26	FJ-1530	17C-33	FR-1820-340	17C-34	FS-153PB	17C-29
FA-2430	17C-26	FA-4130	17C-26	FJ-1620	17C-33	FR-1820-341	17C-34	FS-154PB	17C-28
FA-2440	17C-26	FA-4140	17C-26	FJ-1630	17C-33	FR-1820-342	17C-34	FS-250B	17C-31
FA-2510	17C-26	FA-4210	17C-26	FJ-1720	17C-33	FR-1820-343	17C-34	FS-253B	17C-31
FA-2520	17C-26	FA-4220	17C-26	FJ-1730	17C-33	FR-1920-340	17C-34	FS-260B	17C-31
FA-2530	17C-26	FA-4230	17C-26	FJ-1820	17C-33	FR-1920-341	17C-34	FS-261B	17C-31
FA-2540	17C-26	FA-4240	17C-26	FJ-1830	17C-33	FR-1920-342	17C-34	FS-290B	17C-28
FA-2610	17C-26	FC-111	17C-26	FJ-1920	17C-33	FR-1920-343	17C-34	FS-291B	17C-28
FA-2620	17C-26	FC-112	17C-26	FJ-1930	17C-33	FR-2020-340	17C-34	FS-292B	17C-28
FA-2630	17C-26	FC-121	17C-26	FJ-2020	17C-33	FR-2020-341	17C-34	FS-293B	17C-29
FA-2640	17C-26	FC-122	17C-26	FJ-2030	17C-33	FR-2020-342	17C-34	FS-294B	17C-29
FA-2710	17C-26	FC-151	17C-26	FJ-2120	17C-33	FR-2020-343	17C-34	FS-295B	17C-29
FA-2720	17C-26	FC-152	17C-26	FJ-2130	17C-33	FR-2120-340	17C-34	FS-340**	17C-35
FA-2730	17C-26	FC-153	17C-26	FJ-2220	17C-33	FR-2120-341	17C-34	FS-341**	17C-35
FA-2740	17C-26	FC-162	17C-26	FJ-2230	17C-33	FR-2120-342	17C-34	FS-342**	17C-35
FA-2810	17C-26	FC-163	17C-26	FJ-2320	17C-33	FR-2120-343	17C-34	FS-343**	17C-35
FA-2820	17C-26	FC-183	17C-26	FJ-2330	17C-33	FR-2220-340	17C-34	G-3078A	17B-23
FA-2830	17C-26	FH-1510	17C-32	FJ-2420	17C-33	FR-2220-341	17C-34	G-3078B	17B-23
FA-2840	17C-26	FH-1520	17C-32	FJ-2430	17C-33	FR-2220-342	17C-34	G-3078C	17B-23
FA-2910	17C-26	FH-1530	17C-32	FJ-2520	17C-33	FR-2220-343	17C-34	G-3078D	17B-23
FA-2920	17C-26	FH-1610	17C-32	FJ-2530	17C-33	FR-2320-340	17C-34	GD-12125	GD-16
FA-2930	17C-26	FH-1620	17C-32	FJ-2620	17C-33	FR-2320-341	17C-34	GD-12126	GD-16
FA-2940	17C-26	FH-1630	17C-32	FJ-2630	17C-33	FR-2320-342	17C-34	GD-12127	GD-16
FA-3010	17C-26	FH-1710	17C-32	FJ-2720	17C-33	FR-2320-343	17C-34	GD-12128	GD-16
FA-3020	17C-26	FH-1720	17C-32	FJ-2730	17C-33	FR-2420-340	17C-34	GD-12136	GD-17
FA-3030	17C-26	FH-1730	17C-32	FJ-2820	17C-33	FR-2420-341	17C-34	GD-12146	GD-14
FA-3040	17C-26	FH-1810	17C-32	FJ-2830	17C-33	FR-2420-342	17C-34	GD-12149	GD-2
FA-3110	17C-26	FH-1820	17C-32	FJ-2920	17C-33	FR-2420-343	17C-34	GD-12150	GD-2
FA-3120	17C-26	FH-1830	17C-32	FJ-2930	17C-33	FR-2520-340	17C-34	GD-12151	GD-2
FA-3130	17C-26	FH-1910	17C-32	FJ-3020	17C-33	FR-2520-341	17C-34	GD-12152	GD-2
FA-3140	17C-26	FH-1920	17C-32	FJ-3030	17C-33	FR-2520-342	17C-34	GD-12153	GD-2
FA-3210	17C-26	FH-1930	17C-32	FJ-3120	17C-33	FR-2520-343	17C-34	GD-12154	GD-2
FA-3220	17C-26	FH-2010	17C-32	FJ-3130	17C-33	FR-2620-340	17C-34	GD-12155	GD-3
FA-3230	17C-26	FH-2020	17C-32	FJ-3220	17C-33	FR-2620-341	17C-34	GD-12156	GD-3
FA-3240	17C-26	FH-2030	17C-32	FJ-3230	17C-33	FR-2620-342	17C-34	GD-12157	GD-3
FA-3310	17C-26	FH-2110	17C-32	FJ-3320	17C-33	FR-2620-343	17C-34	GD-12158	GD-4

**MASTER INDEX**

<b>Part#</b>	<b>Page#</b>	<b>Part#</b>	<b>Page#</b>	<b>Part#</b>	<b>Page#</b>	<b>Part#</b>	<b>Page#</b>	<b>Part#</b>	<b>Page#</b>
GD-12159	GD-4	GD-52107	GD-6	GD-52243	GD-6	J-4539	J-9	J-4640	J-12
GD-12160	GD-4	GD-52108	GD-4	GD-52244	GD-6	J-4540	J-8	J-4641	J-12
GD-12170	GD-2	GD-52109	GD-4	GD-52245	GD-6	J-4542	J-8	J-4643	J-12
GD-12171	GD-3	GD-52110	GD-4	GD-52262	GD-1	J-4543	J-9	J-4647	J-9
GD-12172	GD-2	GD-52111	GD-5	GD-52263	GD-2	J-4544	J-6	J-4648	J-9
GD-12173	GD-3	GD-52112	GD-4	GD-52264	GD-12	J-4545	J-6	J-4649	J-9
GD-12174	GD-2	GD-52113	GD-4	GD-52265	GD-15	J-4547	J-7	J-4650	J-9
GD-12175	GD-3	GD-52114	GD-4	GD-52287	GD-14	J-4550	J-9	J-4652	J-7
GD-12176	GD-2	GD-52115	GD-8	GD-52288	GD-15	J-4551	J-10	J-4653	J-7
GD-12177	GD-3	GD-52116	GD-8	H-3680	17C-2	J-4552	J-10	J-4654	J-7
GD-12178	GD-2	GD-52117	GD-7	H-3687	17C-2	J-4554	J-6	J-4657	J-13
GD-12179	GD-3	GD-52118	GD-10	H-3688	17C-2	J-4555	J-6	J-4658	J-13
GD-12180	GD-2	GD-52119	GD-11	H-3706	17C-28	J-4556	J-10	J-4659	J-13
GD-12181	GD-3	GD-52120	GD-11	H-3719	17C-27	J-4557	J-10	J-4660	J-13
GD-12191	GD-13	GD-52121	GD-9	H-3754	17C-27	J-4558	J-2	J-4668	J-12
GD-12192	GD-13	GD-52122	GD-8	H-3755	17C-29	J-4559	J-2	J-4681	J-11
GD-12193	GD-13	GD-52123	GD-9	H-3756	17C-29	J-4560	J-4	J-4686	J-13
GD-12194	GD-13	GD-52124	GD-10	H-3757	17C-29	J-4561	J-4	J-4700	J-6
GD-12195	GD-13	GD-52129	GD-15	H-3758	17C-36	J-4562	J-4	J-4701	J-6
GD-12202	GD-13	GD-52130	GD-15	H-3759	17C-36	J-4563	J-4	J-4702	J-13
GD-12205	GD-13	GD-52137	GD-10	H-3785	17C-35	J-4564	J-3	J-4703	J-13
GD-12207	GD-13	GD-52138	GD-10	H-3786	17C-36	J-4565	J-3	J-4704	J-13
GD-12209	GD-17	GD-52139	GD-12	H-3837	17C-30	J-4566	J-9	J-4705	J-8
GD-12210	GD-16	GD-52140	GD-5	H-3838	17C-30	J-4567	J-4	J-4706	J-11
GD-12222	GD-15	GD-52142	GD-12	H-3897	17C-36	J-4568	J-4	J-4707	J-11
GD-12223	GD-15	GD-52143	GD-12	H-3898	17C-30	J-4570	J-9	J-4708	J-13
GD-12224	GD-14	GD-52144	GD-8	H-3904	17C-30	J-4571	J-10	J-4713	J-8
GD-12225	GD-14	GD-52145	GD-11	H-3917	17C-30	J-4572	J-10	J-4724	J-9
GD-12226	GD-14	GD-52147	GD-9	H-3918	17C-30	J-4573	J-6	J-4728	J-12
GD-12227	GD-14	GD-52148	GD-9	H-3920	17C-36	J-4574	J-2	J-4770	J-9
GD-12228	GD-14	GD-52161	GD-1	H-3929	17C-28	J-4575	J-2	J-4771	J-8
GD-12229	GD-14	GD-52162	GD-7	H-3930	17C-28	J-4576	J-5	J-4772	J-8
GD-12230	GD-14	GD-52163	GD-7	J-4500	J-1	J-4577	J-5	J-4773	J-8
GD-12231	GD-14	GD-52164	GD-7	J-4501	J-1	J-4578	J-12	J-4774	J-8
GD-12232	GD-14	GD-52165	GD-7	J-4502	J-1	J-4579	J-12	J-4775	J-8
GD-12233	GD-14	GD-52166	GD-11	J-4503	J-1	J-4580	J-13	J-4776	J-8
GD-12234	GD-14	GD-52167	GD-6	J-4504	J-1	J-4581	J-13	J-4777	J-8
GD-12235	GD-14	GD-52168	GD-5	J-4505	J-1	J-4592	J-6	J-4778	J-8
GD-12246	GD-4	GD-52169	GD-9	J-4507	J-1	J-4593	J-6	J-4779	J-8
GD-12247	GD-4	GD-52183	GD-1	J-4509	J-1	J-4594	J-10	J-4780	J-13
GD-12248	GD-4	GD-52185	GD-6	J-4510	J-5	J-4595	J-10	J-4781	J-13
GD-12249	GD-4	GD-52186	GD-6	J-4511	J-5	J-4596	J-7	K-5000	K-1
GD-12251	GD-3	GD-52187	GD-6	J-4512	J-3	J-4597	J-7	K-5001	K-1
GD-12252	GD-3	GD-52188	GD-6	J-4513	J-3	J-4598	J-8	K-5002	K-1
GD-12253	GD-3	GD-52189	GD-4	J-4514	J-3	J-4599	J-8	K-5003	K-7
GD-12254	GD-3	GD-52190	GD-4	J-4515	J-3	J-4600	J-7	K-5004	K-7
GD-12255	GD-14	GD-52196	GD-7	J-4516	J-2	J-4601	J-7	K-5005	K-7
GD-12256	GD-2	GD-52197	GD-8	J-4517	J-2	J-4602	J-7	K-5006	K-2
GD-12257	GD-2	GD-52198	GD-14	J-4518	J-2	J-4603	J-7	K-5007	K-2
GD-12258	GD-2	GD-52199	GD-12	J-4519	J-3	J-4609	J-11	K-5008	K-2
GD-12259	GD-2	GD-52200	GD-8	J-4520	J-3	J-4610	J-11	K-5009	K-7
GD-12267	GD-13	GD-52201	GD-9	J-4522	J-5	J-4611	J-11	K-5010	K-7
GD-12270	GD-14	GD-52203	GD-5	J-4523	J-9	J-4612	J-11	K-5011	K-7
GD-12273	GD-16	GD-52211	GD-5	J-4524	J-1	J-4613	J-10	K-5012	K-3
GD-12274	GD-16	GD-52212	GD-5	J-4525	J-1	J-4614	J-7	K-5013	K-7
GD-12275	GD-16	GD-52213	GD-8	J-4526	J-2	J-4615	J-6	K-5014	K-7
GD-12276	GD-16	GD-52214	GD-9	J-4527	J-2	J-4616	J-13	K-5015	K-7
GD-12277	GD-13	GD-52215	GD-3	J-4528	J-5	J-4617	J-13	K-5016	K-7
GD-12278	GD-13	GD-52216	GD-3	J-4529	J-5	J-4618	J-13	K-5019	K-9
GD-12279	GD-13	GD-52217	GD-15	J-4530	J-4	J-4619	J-13	K-5021	K-5
GD-12280	GD-17	GD-52218	GD-7	J-4531	J-4	J-4620	J-13	K-5022	K-6
GD-52100	GD-1	GD-52219	GD-10	J-4532	J-2	J-4621	J-13	K-5023	K-6
GD-52101	GD-1	GD-52220	GD-8	J-4533	J-9	J-4622	J-13	K-5024	K-6
GD-52102	GD-1	GD-52238	GD-15	J-4534	J-5	J-4623	J-13	K-5025	K-8
GD-52103	GD-15	GD-52239	GD-5	J-4535	J-4	J-4626	J-13	K-5026	K-10
GD-52104	GD-6	GD-52240	GD-1	J-4536	J-4	J-4630	J-13	K-5027	K-12
GD-52105	GD-6	GD-52241	GD-11	J-4537	J-9	J-4631	J-13	K-5028	K-12
GD-52106	GD-6	GD-52242	GD-6	J-4538	J-9	J-4638	J-13	K-5029	K-12

# MASTER INDEX

Part#	Page#	Part#	Page#	Part#	Page#	Part#	Page#	Part#	Page#
K-5030	K-13	K-5116	K-2	P-7505	PL-4	PH-17008	PH-3	PL-7731	PL-7
K-5031	K-13	K-5117	K-7	P-7506	PL-4	PH-17009	PH-3	PL-7732	PL-7
K-5032	K-14	K-5118	K-12	P-7508	PL-4	PH-17015	PH-1	PL-7733	PL-7
K-5033	K-14	K-5119	K-12	P-7510	PL-5	PH-17016	PH-1	PL-7734	PL-7
K-5034	K-14	K-5120	K-13	P-7511	PL-5	PH-17017	PH-1	PL-7735	PL-7
K-5035	K-9	K-5121	K-1	P-7515	PL-5	PH-17018	PH-1	PL-7736	PL-7
K-5036	K-9	K-5125	K-3	P-7516	PL-6	PH-17019	PH-1	PL-7737	PL-7
K-5037	K-8	K-5129	K-15	P-7517	PL-6	PH-17020	PH-1	PL-7738	PL-7
K-5038	K-10	K-5130	K-5	P-7518	PL-6	PH-17021	PH-1	PL-7739	PL-7
K-5039	K-10	K-5131	K-11	P-7519	PL-6	PH-17022	PH-1	PL-7740	PL-7
K-5043	K-11	K-5132	K-11	P-7520	PL-6	PH-17023	PH-2	PL-7741	PL-7
K-5044	K-11	K-5133	K-8	P-7521	PL-6	PH-17024	PH-2	PL-7742	PL-7
K-5045	K-10	K-5134	K-8	P-7522	PL-6	PH-17025	PH-2	PL-7743	PL-7
K-5050	K-8	K-5135	K-8	P-7523	PL-6	PH-17026	PH-2	PL-7744	PL-10
K-5051	K-9	K-5136	K-8	P-7524	PL-6	PH-17027	PH-2	PL-7745	PL-10
K-5052	K-3	K-5137	K-10	P-7525	PL-6	PH-17028	PH-3	PL-7746	PL-10
K-5053	K-4	K-5140	K-2	P-7526	PL-6	PH-17029	PH-3	PL-7747	PL-10
K-5054	K-9	K-5141	K-10	P-7527	PL-6	PH-17030	PH-3	PL-7748	PL-10
K-5056	K-4	K-5142	K-11	P-7528	PL-6	PH-17031	PH-4	PL-7749	PL-8
K-5057	K-4	K-5143	K-15	P-7529	PL-6	PH-17032	PH-4	PL-7750	PL-10
K-5058	K-13	K-5144	K-9	P-7530	PL-6	PH-17033	PH-4	PL-7751	PL-10
K-5059	K-13	K-5145	K-2	P-7531	PL-6	PH-17034	PH-4	PL-7752	PL-10
K-5061	K-5	K-5148	K-6	P-7532	PL-6	PH-17035	PH-4	PL-7753	PL-11
K-5062	K-5	K-5149	K-1	P-7533	PL-6	PH-17036	PH-5	PL-7754	PL-11
K-5063	K-4	K-5150	K-1	P-7540	PL-5	PH-17037	PH-5	PL-7755	PL-11
K-5064	K-4	K-5151	K-1	P-7541	PL-5	PH-17038	PH-5	PL-7756	PL-11
K-5066	K-5	K-5158	K-12	P-7542	PL-5	PH-17039	PH-5	PL-7758	PL-13
K-5067	K-12	K-5159	K-10	P-7548	PL-5	PH-17040	PH-6	PL-7759	PL-13
K-5070	K-2	K-5169	K-6	P-7549	PL-5	PH-17041	PH-6	PL-7760	PL-12
K-5071	K-2	K-5170	K-1	P-7616	PL-6	PH-17042	PH-6	PL-7761	PL-12
K-5072	K-13	K-5171	K-2	P-7617	PL-6	PH-17043	PH-6	PL-7762	PL-12
K-5073	K-12	K-5172	K-12	P-7618	PL-6	PH-17044	PH-5	PL-7765	PL-11
K-5074	K-12	K-5173	K-12	P-7619	PL-6	PH-17045	PH-7	PL-7766	PL-12
K-5075	K-15	K-5174	K-13	P-7627	PL-7	PH-17046	PH-7	PL-7768	PL-12
K-5076	K-12	N-6787	16-56	P-7630	PL-6	PH-17047	PH-7	PL-7770	PL-7
K-5077	K-1	N-6788	16-55	P-7631	PL-6	PH-17048	PH-7	PL-7771	PL-7
K-5078	K-1	N-6789	16-55	P-7632	PL-6	PH-17049	PH-7	PL-7772	PL-7
K-5079	K-3	N-6862	16-56	P-7633	PL-6	PH-17050	PH-8	PL-7773	PL-7
K-5080	K-3	N-6863	16-56	P-7634	PL-6	PH-17051	PH-8	PL-7774	PL-7
K-5081	K-1	N-6864	16-56	P-7635	PL-6	PH-17052	PH-8	PL-7775	PL-7
K-5082	K-2	N-6866	16-55	P-7636	PL-6	PH-17053	PH-8	PL-7776	PL-13
K-5083	K-15	N-6916	16-56	P-7637	PL-6	PH-17054	PH-8	PL-7777	PL-9
K-5084	K-15	N-6918	16-56	P-7638	PL-6	PH-17055	PH-8	PL-7788	PL-7
K-5089	K-2	N-6922	16-55	P-7639	PL-6	PH-17056	PH-8	PL-7790	PL-7
K-5090	K-2	N-6928	16-56	P-7640	PL-6	PH-17057	PH-8	PL-7800	PL-2
K-5091	K-4	N-7016	24-13	P-7641	PL-6	PH-17058	PH-8	PL-7801	PL-2
K-5092	K-4	N-7017	24-13	P-7642	PL-6	PH-17059	PH-8	PL-7802	PL-2
K-5093	K-11	N-7018	24-13	P-7643	PL-6	PH-17061	PH-8	PL-7803	PL-2
K-5094	K-14	N-7019	24-13	P-7644	PL-6	PH-17062	PH-6	PL-7804	PL-2
K-5095	K-14	N-7038	16-55	P-7645	PL-6	PH-17063	PH-9	PL-7805	PL-2
K-5096	K-8	N-7039	16-55	P-7646	PL-6	PH-17064	PH-9	PL-7806	PL-2
K-5097	K-8	N-7040	16-55	P-7647	PL-6	PH-17107	PH-9	PL-7807	PL-2
K-5098	K-8	N-7041	16-55	P-7921	PL-17	PH-17108	PH-9	PL-7808	PL-2
K-5099	K-6	N-7051	16-55	P-7940	PL-6	PH-17109	PH-9	PL-7809	PL-2
K-5100	K-7	N-7052	16-55	P-7941	PL-6	PH-17110	PH-9	PL-7810	PL-2
K-5101	K-3	N-7053	16-55	P-7950	PL-6	PL-7718	PL-3	PL-7811	PL-2
K-5102	K-4	N-7054	16-55	P-7951	PL-6	PL-7719	PL-3	PL-7812	PL-2
K-5103	K-12	N-7055	16-56	P-7960	PL-6	PL-7720	PL-3	PL-7813	PL-2
K-5104	K-12	N-7056	16-56	P-7961	PL-6	PL-7721	PL-3	PL-7814	PL-2
K-5105	K-5	N-7057	16-56	P-7970	PL-6	PL-7722	PL-3	PL-7815	PL-2
K-5106	K-5	N-7058	16-56	P-7971	PL-6	PL-7723	PL-3	PL-7816	PL-2
K-5107	K-2	N-7063	16-56	P-7980	PL-6	PL-7724	PL-3	PL-7817	PL-2
K-5108	K-13	N-7082	16-55	P-7981	PL-6	PL-7725	PL-3	PL-7818	PL-2
K-5109	K-13	N-7099	16-22	P-8093	PL-5	PL-7726	PL-3	PL-7819	PL-2
K-5110	K-14	N-7100	16-22	P-8095	PL-5	PL-7727	PL-3	PL-7820	PL-2
K-5111	K-14	N-7101	16-22	P-8096	PL-5	PL-7728	PL-3	PL-7821	PL-2
K-5112	K-14	P-7501	PL-4	P-8098	PL-5	PL-7729	PL-3	PL-7822	PL-2
K-5113	K-14	P-7503	PL-4	PH-17003	PH-7	PL-7730	PL-7	PL-7823	PL-2

# MASTER INDEX

Part#	Page#	Part#	Page#	Part#	Page#	Part#	Page#	Part#	Page#
PL-7836	PL-2	PL-7942	PL-14	PL-15517	PL-17	S-4252	24-12	SP 9610	SP-2
PL-7837	PL-2	PL-7943	PL-15	R-7171	22A-14	S-4280	24-12	SP 9611	SP-2
PL-7838	PL-2	PL-7944	PL-15	R-7198	22A-14	S-4281	24-12	SP 9612	SP-2
PL-7839	PL-2	PL-7945	PL-15	R-7199	22A-14	S-4282	24-12	SP 9613	SP-2
PL-7840	PL-2	PL-7946	PL-15	R-7262	22A-8	S-4283	24-12	SP 9614	SP-2
PL-7841	PL-2	PL-7947	PL-14	S-4013	15A-11	S-4284	24-12	SP 9615	SP-2
PL-7842	PL-7	PL-7948	PL-14	S-4106	24-12	S-4285	24-12	SP 9616	SP-2
PL-7843	PL-7	PL-7949	PL-14	S-4107	24-12	S-4286	24-12	SP 9617	SP-2
PL-7844	PL-7	PL-7950	PL-14	S-4108	24-12	S-4287	24-12	SP 9618	SP-2
PL-7845	PL-12	PL-7951	PL-14	S-4109	24-12	S-4288	24-12	SP 9619	SP-2
PL-7846	PL-12	PL-7952	PL-14	S-4110	24-12	S-4289	24-12	SP 9620	SP-2
PL-7847	PL-12	PL-7953	PL-14	S-4111	24-12	S-4291	24-12	SP 9621	SP-2
PL-7849	PL-12	PL-7954	PL-14	S-4112	24-12	S-4292	24-12	SP 9622	SP-2
PL-7856	PL-2	PL-7955	PL-14	S-4113	24-12	S-4293	24-12	SP 9623	SP-2
PL-7857	PL-2	PL-7956	PL-14	S-4114	24-12	S-4294	24-12	SP 9624	SP-2
PL-7858	PL-2	PL-7957	PL-14	S-4115	24-12	S-4295	24-12	SP 9625	SP-2
PL-7871	PL-3	PL-7958	PL-14	S-4116	24-12	S-4296	24-12	SP 9626	SP-2
PL-7873	PL-3	PL-7959	PL-14	S-4117	24-12	S-4297	DS-31, 15A-21	SP 9627	SP-2
PL-7877	PL-7	PL-7960	PL-14	S-4118	24-12	S-4299	DS-31, 15A-21	SP 9628	SP-2
PL-7878	PL-7	PL-7961	PL-14	S-4119	24-12	S-4300	15A-22	SP 9629	SP-2
PL-7879	PL-7	PL-7962	PL-14	S-4037	15A-1	S-4301	15A-22	SP 9630	SP-2
PL-7880	PL-7	PL-7963	PL-14	S-4048	DS-31, 15A-20	S-4302	15A-22	SP 9631	SP-2
PL-7881	PL-7	PL-7964	PL-15	S-4049	15A-20	S-4303	15A-22	SP 9632	SP-2
PL-7882	PL-7	PL-7965	PL-15	S-4051	15A-20	S-4328	15A-1	SP 9633	SP-2
PL-7883	PL-7	PL-7966	PL-15	S-4053	15A-20	S-4329	15A-1	SP 9634	SP-2
PL-7884	PL-7	PL-7967	PL-8	S-4054	DS-31, 15A-20	S-4333	15A-23	SP 9635	SP-2
PL-7885	PL-7	PL-7968	PL-14	S-4055	15A-20	S-4334	15A-1	SP 9636	SP-2
PL-7886	PL-7	PL-7970	PL-9	S-4075	15A-1	S-4335	15A-1	SP 9637	SP-2
PL-7887	PL-7	PL-7971	PL-9	S-4086	DS-31, 15A-20	S-4337	15A-11	SP 9638	SP-2
PL-7888	PL-7	PL-7972	PL-9	S-4091	15A-23	S-4338	15A-11	SP 9639	SP-2
PL-7889	PL-7	PL-7976	PL-16	S-4092	15A-23	S-4339	15A-11	SP 9640	K-15, SP-3
PL-7890	PL-7	PL-7977	PL-16	S-4093	15A-23	S-4367	15A-1	SP 9641	K-15, SP-3
PL-7891	PL-7	PL-7978	PL-16	S-4094	15A-23	S-4396	15A-22	SP 9642	K-15, SP-3
PL-7893	PL-7	PL-7979	PL-16	S-4095	15A-23	S-4437	DS-28	SP 9643	K-15, SP-3
PL-7894	PL-7	PL-7980	PL-16	S-4125	DS-31, 15A-21	S-4438	DS-28	SP 9644	K-15, SP-3
PL-7896	PL-7	PL-7981	PL-16	S-4126	DS-31, 15A-21	S-4439	DS-29	SP 9645	SP-2
PL-7897	PL-7	PL-7982	PL-16	S-4127	DS-31, 15A-21	S-4440	DS-28	SP 9700	SP-2
PL-7899	PL-7	PL-7983	PL-16	S-4128	DS-31, 15A-21	S-4441	DS-29	SP 9701	SP-2
PL-7900	PL-7	PL-7984	PL-16	S-4129	DS-31, 15A-21	S-4442	DS-28	SP 9702	SP-2
PL-7901	PL-7	PL-7985	PL-9	S-4130	DS-31, 15A-21	S-4443	DS-30	SP 9703	SP-2
PL-7902	PL-7	PL-7986	PL-9	S-4131	DS-31, 15A-21	S-4444	DS-29	SP 9704	SP-2
PL-7903	PL-7	PL-7987	PL-12	S-4132	DS-31, 15A-21	S-4445	DS-30	SP 9705	SP-2
PL-7904	PL-7	PL-7988	PL-16	S-4133	DS-31, 15A-21	S-4446	DS-30	SP 9706	SP-2
PL-7905	PL-7	PL-7989	PL-16	S-4134	DS-31, 15A-21	S-4447	DS-30	SP 9707	SP-2
PL-7906	PL-7	PL-8006	PL-13	S-4136	DS-31, 15A-21	S-4448	DS-29	SP 9708	SP-2
PL-7907	PL-7	PL-8007	PL-13	S-4137	DS-31, 15A-21	S-4460	DS-30	SP 9709	SP-2
PL-7908	PL-7	PL-8009	PL-8	S-4138	DS-31, 15A-21	S-4461	DS-30	SP 9710	SP-2
PL-7909	PL-7	PL-8028	PL-9	S-4139	15A-22	S-4462	DS-28	SP 9711	SP-2
PL-7910	PL-7	PL-8029	PL-9	S-4140	15A-22	S-4470	15A-1	SP 9712	SP-2
PL-7911	PL-7	PL-8030	PL-9	S-4154	15A-11	S-4492	15A-1	SP 9713	SP-2
PL-7912	PL-7	PL-8031	PL-9	S-4180	15A-18	S-4493	15A-1	T-8658	18A-3
PL-7913	PL-7	PL-8035	PL-11	S-4198	15A-1	S-4494	15A-1	T-8659	18A-3
PL-7914	PL-7	PL-8036	PL-2	S-4212	15A-15	S-4495	15A-1	T-8680	18A-3
PL-7915	PL-7	PL-8037	PL-2	S-4213	15A-15	S-4496	15A-1	T-8681	18A-3
PL-7916	PL-7	PL-8038	PL-2	S-4214	15A-15	S-4497	15A-1	TH-21896	TH-3
PL-7917	PL-7	PL-8039	PL-2	S-4215	15A-15	S-4499	DS-31, 15A-21	TH-21928	TH-4
PL-7918	PL-7	PL-8040	PL-2	S-4220	15A-11	S-4511	15A-15	TH-21931	TH-4
PL-7919	PL-8	PL-8041	PL-2	S-4221	15A-11	S-4512	15A-15	TH-21932	TH-4
PL-7920	PL-8	PL-8042	PL-2	S-4222	15A-11	SP 9600	SP-2	TH-21937	TH-4
PL-7921	PL-11	PL-8043	PL-2	S-4223	15A-11	SP 9601	SP-2	TH-21986	TH-4
PL-7922	PL-13	PL-8044	PL-2	S-4224	15A-11	SP 9602	SP-2	TH-21996	TH-3
PL-7924	PL-9	PL-14698	PL-17	S-4225	15A-11	SP 9603	SP-2	TH-21998	TH-3
PL-7925	PL-9	PL-14699	PL-17	S-4226	15A-11	SP 9604	SP-2	TH-21999	TH-3
PL-7926	PL-9	PL-14700	PL-17	S-4230	15A-20	SP 9605	SP-2	TH-22007	TH-3
PL-7927	PL-12	PL-14705	18-10	S-4231	15A-20	SP 9606	SP-2	TH-22134	TH-4
PL-7939	PL-14	PL-14706	18-10	S-4232	15A-20	SP 9607	SP-2	TH-22135	TH-4
PL-7940	PL-14	PL-14732	18-10	S-4233	15A-20	SP 9608	SP-2	TH-22136	TH-4
PL-7941	PL-14	PL-15515	PL-17	S-4248	24-12	SP 9609	SP-2	TH-22137	TH-4

# MASTER INDEX

Part#	Page#	Part#	Page#	Part#	Page#	Part#	Page#	Part#	Page#
TH-22142	TH-4	TH-23084	TH-5	U-9504	DS-12	U-9801	DS-14	U-9908	DS-22
TH-22232	TH-4	TH-23085	TH-5	U-9509	DS-12	U-9802	DS-14	U-9909	DS-22
TH-22233	TH-4	TH-23086	TH-5	U-9510	DS-12	U-9805	DS-18	U-9910	DS-22
TH-22235	TH-4	TH-23087	TH-5	U-9511	DS-10	U-9806	DS-18	U-9911	DS-22
TH-22240	TH-4	TH-23089	TH-3	U-9512	DS-10	U-9807	DS-18	U-9912	DS-22
TH-22243	TH-4	TH-23090	TH-3	U-9513	DS-10	U-9810	DS-14	U-9915	DS-24, 15A-17
TH-22245	TH-4	TH-23091	TH-3	U-9514	DS-10	U-9811	DS-14	U-9916	DS-24, 15A-17
TH-22247	TH-4	TH-23092	TH-3	U-9515	DS-13	U-9812	DS-14	U-9917	DS-24, 15A-17
TH-22253	TH-4	TH-23093	TH-7	U-9516	DS-13	U-9815	DS-18	U-9918	DS-24, 15A-17
TH-23008	TH-1	TH-23094	TH-7	U-9517	DS-13	U-9816	DS-18	U-9919	DS-21, 15A-10
TH-23009	TH-1	TH-23095	TH-6	U-9524	DS-13	U-9817	DS-18	U-9920	DS-21, 15A-11
TH-23010	TH-1	TH-23096	TH-6	U-9532	DS-3	U-9820	DS-14	U-9921	DS-21, 15A-11
TH-23011	TH-1	TH-23097	TH-1	U-9533	DS-3	U-9821	DS-14	U-9924	DS-16
TH-23012	TH-1	TH-23098	TH-6	U-9534	DS-3	U-9824	DS-15	U-9925	DS-16
TH-23013	TH-1	TH-23099	TH-6	U-9535	DS-5	U-9825	DS-15	U-9927	DS-16
TH-23014	TH-3	U-9013	24-11	U-9536	DS-5	U-9828	DS-15	U-9928	DS-16
TH-23015	TH-3	U-9014	24-11	U-9537	DS-7	U-9829	DS-15	U-9932	DS-17
TH-23016	TH-3	U-9015	24-10	U-9539	DS-5	U-9830	DS-15	U-9933	DS-17
TH-23017	TH-3	U-9129	24-15	U-9540	DS-6	U-9833	DS-15	U-9935	DS-17
TH-23018	TH-3	U-9130	24-15	U-9541	DS-6	U-9834	DS-15	U-9936	DS-17
TH-23019	TH-3	U-9140	24-6	U-9542	DS-6	U-9835	DS-15	U-9938	DS-17
TH-23020	TH-2	U-9185	24-6	U-9543	DS-8	U-9838	DS-15	U-9939	DS-17
TH-23021	TH-2	U-9186	24-6	U-9544	DS-8	U-9839	DS-15	U-9940	DS-31
TH-23022	TH-2	U-9191	24-10	U-9545	DS-8	U-9842	DS-20	U-9941	DS-33
TH-23023	TH-2	U-9313	24-6	U-9546	DS-7	U-9845	DS-16	U-9942	DS-33
TH-23024	TH-2	U-9232	24-12	U-9547	DS-6	U-9846	DS-21, 15A-10	U-9943	DS-33
TH-23025	TH-2	U-9233	24-12	U-9548	DS-6	U-9847	DS-21, 15A-10	U-9944	DS-33
TH-23026	TH-2	U-9243	24-6	U-9549	DS-6	U-9848	DS-18	U-9945	DS-33
TH-23027	TH-2	U-9244	24-6	U-9550	DS-6	U-9849	DS-18	U-9946	DS-33
TH-23028	TH-2	U-9267	24-6	U-9551	DS-6	U-9850	DS-18	U-9947	DS-33
TH-23029	TH-2	U-9268	24-6	U-9552	DS-6	U-9853	DS-19	U-9949	DS-33
TH-23030	TH-2	U-9270	24-6	U-9553	DS-8	U-9854	DS-19	U-9951	DS-23, 15A-18
TH-23031	TH-2	U-9271	24-6	U-9554	DS-8	U-9855	DS-19	U-9952	DS-23
TH-23044	TH-6	U-9275	24-6	U-9555	DS-8	U-9857	DS-17	U-9961	DS-23
TH-23045	TH-6	U-9282	24-6	U-9556	DS-8	U-9858	DS-20	U-9965	DS-26
TH-23046	TH-6	U-9283	24-6	U-9558	DS-8	U-9861	DS-18	U-9966	DS-26
TH-23047	TH-6	U-9284	24-6	U-9559	DS-7	U-9862	DS-18	U-9967	DS-27, 15A-13
TH-23048	TH-6	U-9316	24-10	U-9560	DS-7	U-9863	DS-16	U-9968	DS-27, 15A-13
TH-23049	TH-6	U-9375	24-9	U-9561	DS-7	U-9866	DS-19	U-9969	DS-27, 15A-13
TH-23050	TH-6	U-9376	24-9	U-9564	DS-8	U-9867	DS-19	U-9970	DS-27, 15A-13
TH-23051	TH-6	U-9377	24-9	U-9565	DS-8	U-9870	DS-19	U-9971	DS-27, 15A-13
TH-23053	TH-6	U-9378	24-9	U-9566	DS-9	U-9871	DS-19	U-9972	DS-27, 15A-14
TH-23054	TH-6	U-9379	24-9	U-9567	DS-9	U-9874	DS-19	U-9973	DS-27, 15A-14
TH-23055	TH-6	U-9380	24-10	U-9568	DS-6	U-9875	DS-24	U-9974	DS-27, 15A-14
TH-23056	TH-6	U-9422	DS-3	U-9569	DS-6	U-9876	DS-24	U-9975	DS-9
TH-23057	TH-7	U-9424	DS-3	U-9570	DS-6	U-9877	DS-20	U-9976	DS-9
TH-23058	TH-7	U-9425	DS-5	U-9571	DS-6	U-9878	DS-20	U-9977	DS-7
TH-23059	TH-7	U-9426	DS-4	U-9572	DS-8	U-9879	DS-20	U-9978	DS-8
TH-23060	TH-7	U-9427	DS-4	U-9573	DS-8	U-9880	DS-24	U-9980	DS-14
TH-23061	TH-2	U-9474	DS-3	U-9575	DS-8	U-9881	DS-24	U-9982	DS-14
TH-23062	TH-2	U-9475	DS-5	U-9577	DS-7	U-9882	DS-20	U-9983	DS-24
TH-23063	TH-2	U-9476	DS-4	U-9581	DS-8	U-9883	DS-20	U-9989	DS-3
TH-23064	TH-2	U-9477	DS-4	U-9582	DS-8	U-9884	DS-20	U-9990	DS-3
TH-23069	TH-1	U-9480	DS-4	U-9583	DS-9	U-9885	DS-23	U-9991	DS-5
TH-23070	TH-1	U-9481	DS-10	U-9584	DS-9	U-9887	DS-23	U-9992	DS-4
TH-23071	TH-1	U-9482	DS-10	U-9585	DS-6	U-9888	DS-23	U-9993	DS-5
TH-23072	TH-1	U-9483	DS-2	U-9586	DS-6	U-9891	DS-24	U-9997	DS-21, 15A-10
TH-23073	TH-1	U-9484	DS-2	U-9587	DS-6	U-9892	DS-24	U-10020	24-9
TH-23074	TH-6	U-9485	DS-2	U-9588	DS-6	U-9893	DS-24	U-10021	24-9
TH-23075	TH-6	U-9486	DS-2	U-9589	DS-8	U-9895	DS-24	U-10036	24-13
TH-23076	TH-2	U-9487	DS-2	U-9590	DS-8	U-9896	DS-24	U-10037	24-13
TH-23077	TH-2	U-9488	DS-2	U-9591	DS-8	U-9897	DS-23	U-10038	24-13
TH-23078	TH-2	U-9490	DS-9	U-9592	DS-8	U-9899	DS-23	U-10042	24-9
TH-23079	TH-2	U-9492	DS-9	U-9594	DS-7	U-9900	DS-23	U-10043	24-9
TH-23080	TH-5	U-9500	DS-12	U-9595	DS-7	U-9901	DS-23	U-10044	24-9
TH-23081	TH-5	U-9501	DS-12	U-9598	DS-8	U-9902	DS-23	U-10066	24-15
TH-23082	TH-5	U-9502	DS-12	U-9599	DS-8	U-9905	DS-22	U-10067	24-15
TH-23083	TH-5	U-9503	DS-12	U-9800	DS-14	U-9907	DS-22	U-10068	24-15

<i>Part#</i>	<i>Page#</i>	<i>Part#</i>	<i>Page#</i>	<i>Part#</i>	<i>Page#</i>	<i>Part#</i>	<i>Page#</i>	<i>Part#</i>	<i>Page#</i>
U-10069	.....24-15								
U-10072	.....24-9								
U-10073	.....24-9								
U-10074	.....24-10								
U-10075	.....24-15								
U-10076	.....24-15								
U-10077	.....24-15								
U-10078	.....24-15								
U-10079	...DS-24, 15A-17								
U-10080	...DS-24, 15A-17								
U-10081	.....24-15								
U-10082	.....24-15								
U-10083	.....24-15								
U-10084	.....24-15								
U-10085	.....24-15								
U-10086	.....24-15								
ZZ-20	.....22B-10								
ZZ-34	.....GD-17								
ZZ-57	.....GD-17								
ZZ-58	.....GD-17								