

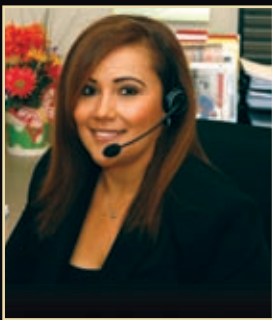
- Friendly, knowledgeable customer service
- Industry leading fill rates
- Large assortment, competitively priced
- Special order - No problem!
- Industry best tech support
- Our goal is **100%** customer satisfaction



2013-2014
Maintenance & Repair
Products



CONNECT WITH PRIME-LINE



Address | 26950 San Bernardino Ave., Redlands, CA 92374
Phone | (800) 899-7799 (7:30 A.M. to 5 P.M. PST weekdays)
Fax | (909) 473-1156

Web | primeline.net



Facebook | facebook.com/pages/Prime-Line-Products



Twitter | twitter.com/PrimeLineHowTo



Google+ | plus.google.com/107160728091856449287/posts



Youtube | youtube.com/user/primelinehowto



Scan here to search online!! primeline.net



The Prime-Line Advantage:

- Prime-Line is a leading supplier of window and door replacement hardware for over 35 years
- Our breadth and depth of products and solutions includes over 18,000 items, covering:
 - » Core assortment
 - » Hard-to-find
 - » Replacement hardware
- We deliver 98% industry leading fill rates!
- Experienced, knowledgeable and bi-lingual customer service staff ready to serve you:
 - » Share their product knowledge and are happy to take special orders
 - » You can see technical support on-demand at our YouTube channel  :
 - » [youtube.com/user/primelinehowto](https://www.youtube.com/user/primelinehowto)
- We serve industry leaders in retail, MRO, OEM, and other distribution
- Prime-Line is proud to be an employee owned (ESOP) company

WHO WE ARE...

Prime-Line Products has been supplying repair and replacement parts for windows and doors since 1978. Over 35 years of business acumen has led Prime-Line to the top of its trade. The worldwide need for residential maintenance has motivated our company to develop over 18,000 unique items for our customers. We service the professional trades with repair solutions throughout North America and abroad.

We also provide products to the Do-It-Yourself industry through home centers, hardware stores and lumber yards, with a wide variety of specialized repair parts that fit various individual and regional demands. We currently supply many manufacturers with OEM components that are in wide demand.



WHAT WE OFFER...

- » Automated parts counting
- » E-business capability
- » In-house creative services available
- » Shipping nationwide or international
- » In-house printing capability
- » Engineering capability with 3-D rendering
- » 3-D printer model making capability
- » QC department and cycle testing
- » PVC and aluminum extrusion capability
- » Multiple roll-forming capabilities
- » Metal fabrication shop
- » Custom steel door and aluminum door fabrication
- » Product packaging capabilities

HOW WE CAN HELP...

- » Order fulfillment services include pick, pack and ship
- » Order assembly and palletization
- » EDI, ASN generation
- » Prepacking & promotional packing
- » Product storage & warehousing
- » Inventory and labeling
- » Cross-dock capabilities



Prime-Line is ready to fulfill any large capacity order, we can take your order from inception to completion in stride.

With customer service available from 7:30 A.M. to 5 P.M. PST every weekday, you'll get the answers you want, when you want them.

For further information,
please contact us directly:

26950 San Bernardino Ave.,
Redlands, CA 92374

800.899.7799
primeline.net

OUR VALUE PROPOSITION...

- » Extensive product assortment
- » Competitive wholesale pricing
- » Largest selection of current and hard-to-find hardware
- » In stock, ready to ship inventory
- » Nationwide coverage
- » Outstanding customer service
- » Personalized account management
- » State of the art ordering systems



- » Is there anything else you need? Prime-Line offers THOUSANDS of unique replacement parts online...

Scan here to search online!! primeline.net



15 Window



31 Patio



39 Screen Door



45 Closet



Page

6 | SECTION 10
Security Hardware

15 | SECTION 15
Window Hardware

27 | SECTION 20
Screening Hardware

31 | SECTION 25
Patio Door Hardware

Page

39 | SECTION 30
Screen Door Hardware

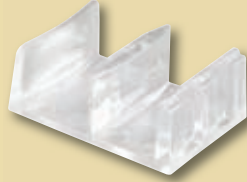
43 | SECTION 35
Storm Door Hardware

45 | SECTION 40
Closet Door Hardware



57 Cabinet

61 Bath & Shower



65 Commercial



CONTENTS

Page

57 | SECTION 45
Cabinet Hardware

61 | SECTION 50
Tub & Shower Hardware

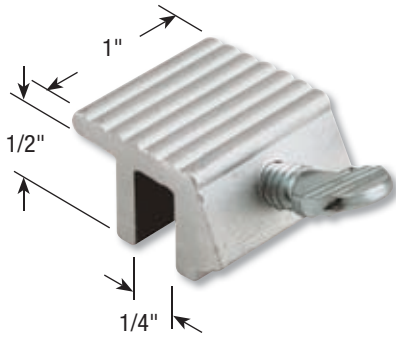
65 | SECTION 55
Commercial Hardware

Page

77 | SECTION 60
Garage Door Hardware

79 | SECTION 90
Sundry Items

81 | INDEX
Part No. to Page No.

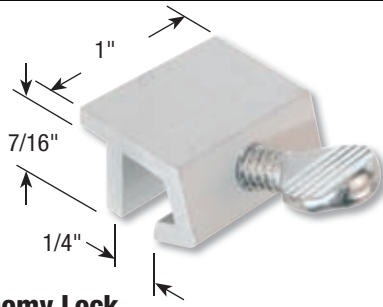


Thumbscrew Lock

- Extruded aluminum housing with single thumb screw
- Easy to install

10 6777 (U-9800)

Inner pack: 4 Master pack: 10



Economy Lock

- Extruded aluminum housing with steel screw
- Easy to install

10 6709 (U-9980 aluminum finish)

Inner pack: 4 Master pack: 10

10 6098 (U-9980 aluminum finish)

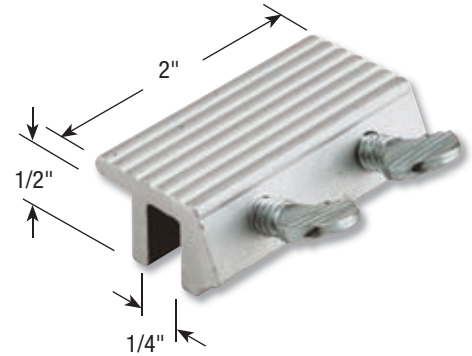
Inner pack: 50 Master pack: 1

10 6729 (U-9981 black finish)

Inner pack: 4 Master pack: 10

10 6729-50 (U-9981 black finish)

Inner pack: 50 Master pack: 1

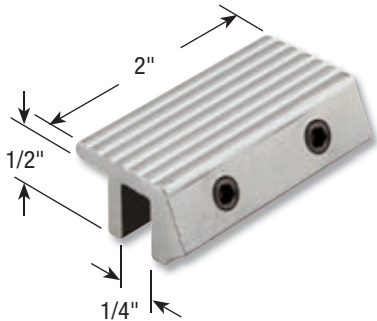


Economy Lock

- Extruded aluminum housing with steel screws
- Easy to install

10 6707 (U-9805)

Inner pack: 2 Master pack: 10

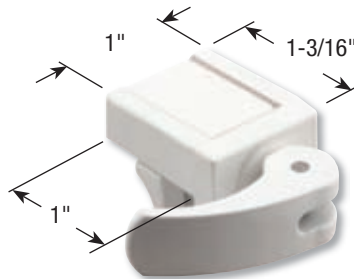


Tamper-resistant Lock

- Heavy-duty extruded zinc housing
- Tamper-resistant double hex security screw
- Easy to install

10 6706 (U-9815 aluminum finish)

Inner pack: 2 Master pack: 10

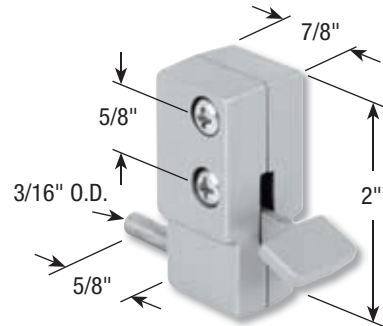


Vinyl Window Lock

- Fits 1/16" to 1/2" frame rails
- White finish
- Ergonomic locking handle
- Locks in 3 positions
- "Vise like" grip holds securely

10 6126 (U-9809 white finish)

Inner pack: 2 Master pack: 10

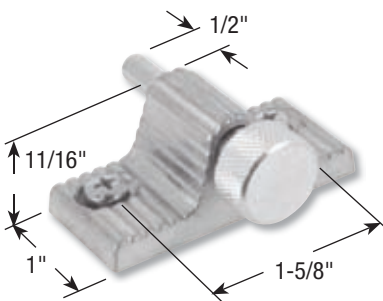


Step-on Lock

- Gray painted diecast housing with hardened steel bolt
- Convenient foot operation
- Easy to install

10 6031 (U-9877)

Inner pack: 1 Master pack: 10

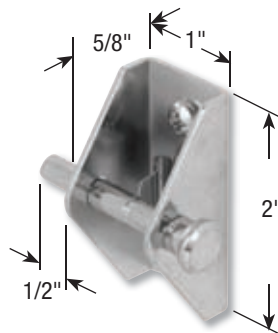


Twist-in Lock

- Zinc plated Zamac cast housing
- Prevents sliding and lifting of door

10 6773 (U-9848)

Inner pack: 1 Master pack: 10

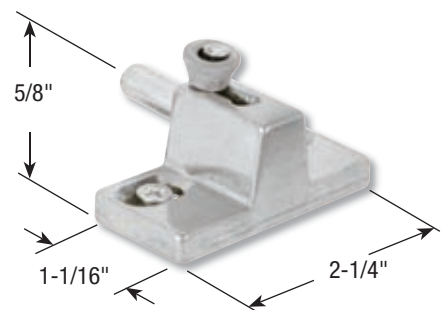


Push/Pull Lock

- Heavy gauge steel housing with hardened steel pin
- Two position push/pull action prevents accidental lockout
- Prevents sliding and lifting of door

10 6775 (U-9853)

Inner pack: 1 Master pack: 10

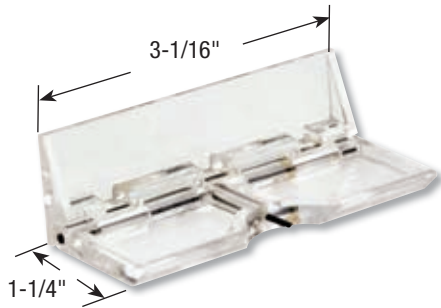


Slide Bolt Lock

- Diecast painted housing with steel bolt
- Prevents sliding and lifting of door

10 6779 (U-9866)

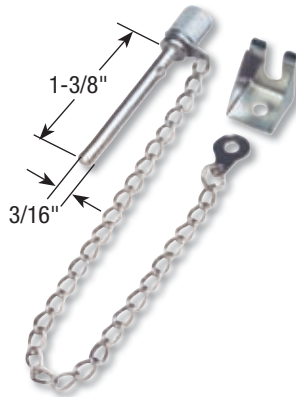
Inner pack: 1 Master pack: 10



Glass Surface Lock

- Clear lucite
- Two-piece hinged assembly with spring loaded plunger lock
- Clear adhesive backing
- No tools needed to install

10 6436 (U-9842)
 Inner pack: 1 Master pack: 10



Window Lock Pin

- Case hardened steel pin
- Installs thru moving panel and fixed rail
- Helps prevent prying or lifting of window

10 6791 (S-4065)
 Inner pack: 2 Master pack: 10



Window Lock Pin

- Plated steel pin
- Installs thru moving panel and fixed rail
- Helps prevent prying or lifting of window

10 6724-5 (U-9857)
 Inner pack: 5 Master pack: 10

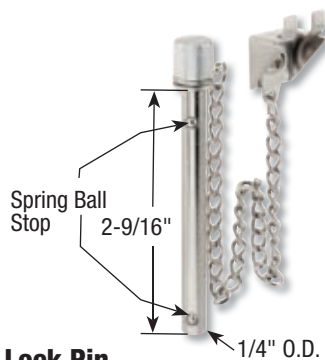


Door Lock Pin

- Plated steel pin locks in retaining ring when engaged, stores in holder when unlocked
- Installs thru moving panel and fixed rail
- Helps prevent prying or lifting of window

10 6744-5 (U-9858)
 Inner pack: 5 Master pack: 10

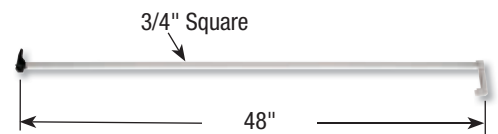
10 6744-25 (U-9858)
 Inner pack: 25 Master pack: 5



Door Lock Pin

- Plated steel pin stores in holder when unlocked
- Installs thru moving panel and fixed rail
- Helps prevent prying or lifting of window
- Spring loaded steel balls prevents pin from being jarred loose from the door

10 6799 (U-11070)
 Inner pack: 2 Master pack: 10



Security Bar Lock (48")

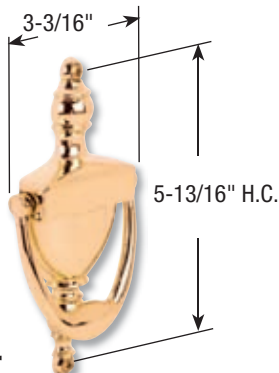
- Clear anodized and painted extruded aluminum bar with stamped steel hinged retainer for open position
- Plastic retainer with key for locked position.

10 6740 (S-4013 aluminum finish)
 Inner pack: 1 Master pack: 10

10 6416 (S-4154 bronze finish)
 Inner pack: 1 Master pack: 10

10 6337 (S-4220 white finish)
 Inner pack: 1 Master pack: 10

10 6740-H (S-4013*3 hardware kit)
 Inner pack: 2 Master pack: 10

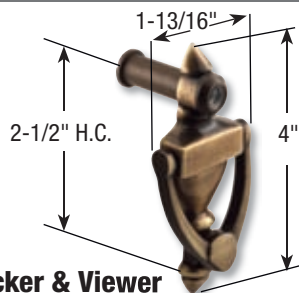


Door Knocker

- Plated diecast knocker
- Large traditional design

10 6785 (S-4089 brass finish)
 Inner pack: 1 Master pack: 10

10 6332 (S-4227 antique brass)
 Inner pack: 1 Master pack: 10



Door Knocker & Viewer

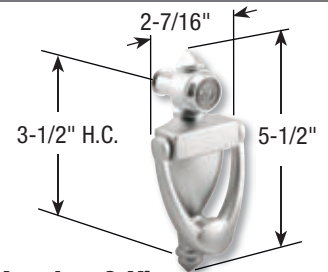
- Diecast knocker and 160° viewer
- Fits doors 1-3/8" to 1-3/4" thick

10 6757 (S-4090 brass finish)
 Inner pack: 1 Master pack: 10

10 6338 (S-4228 antique brass finish)
 Inner pack: 1 Master pack: 10

10 6142 (S-4517 chrome finish)
 Inner pack: 1 Master pack: 10

10 6971 (S-4605 satin nickel finish)
 Inner pack: 1 Master pack: 10



Deluxe Door Knocker & Viewer

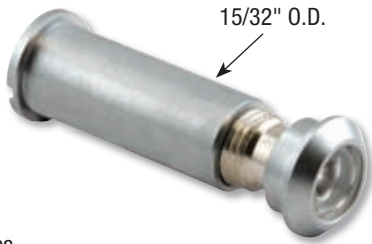
- Diecast knocker and 180° viewer
- Fits doors 1-3/8" to 1-3/4" thick

10 6306 (S-4234 brass finish)
 Inner pack: 1 Master pack: 10

10 6301 (S-4235 antique brass finish)
 Inner pack: 1 Master pack: 10

10 6128 (S-4578 satin chrome finish)
 Inner pack: 1 Master pack: 10

10 7032 (U-10327 satin nickel finish)
 Inner pack: 1 Master pack: 10



Door Viewer (160°)

- Solid brass housing
- Glass and plastic lenses
- Fits 1-3/8" to 2" thick wood or metal doors
- Glass lens viewers are U.L. Listed

10 6428 (U-9983 brass; U.L. Listed)
Inner pack: 1 Master pack: 10

10 6745-5 (U-9895 brass)
Inner pack: 5 Master pack: 10

10 6091 (U-9880 satin chrome finish; U.L. Listed)
Inner pack: 1 Master pack: 10

10 6149-5 (S-4516 satin chrome finish)
Inner pack: 5 Master pack: 10

Door Viewer

- Solid brass housing
- Glass and plastic lenses
- Fits 1-3/8" to 2-1/8" thick wood or metal doors
- Glass lens viewers are U.L. Listed

10 6737-5 (U-9893 brass; 180°)
Inner pack: 5 Master pack: 10

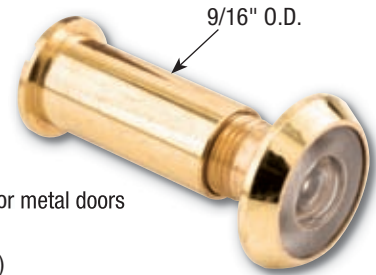
10 6425 (U-9891 brass; 200° U.L. Listed)
Inner pack: 1 Master pack: 10

10 6481 (U-9876 chrome finish; 180°)
Inner pack: 2 Master pack: 10

10 6099 (U-9881 satin chrome finish; 200°; U.L. Listed)
Inner pack: 1 Master pack: 10

10 7043 (U-10312 satin nickel finish; 180°)
Inner pack: 2 Master pack: 10

10 7040 (U-10313 classic bronze finish; 180°; U.L. Listed)
Inner pack: 1 Master pack: 10



Swing Bar Lock

- Plated or painted heavy metal casting
- Secures door while allowing 2" of viewing or ventilation
- Easy to install

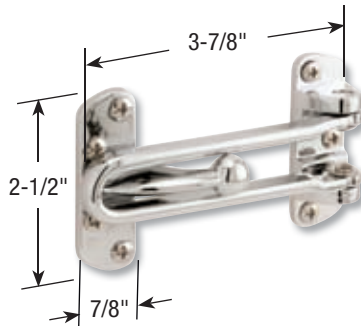
10 6715 (U-9897 brass plated)
Inner pack: 1 Master pack: 10

10 6715-25 (U-9897 brass plated)
Inner pack: 25 Master pack: 5

10 6437 (U-9899 antique brass plated)
Inner pack: 1 Master pack: 10

10 6437-25 (U-9899 antique brass plated)
Inner pack: 25 Master pack: 5

10 6433 (U-9901 satin chrome plated)
Inner pack: 1 Master pack: 10



10 6434 (U-9900 chrome plated)
Inner pack: 1 Master pack: 10

10 6434-25 (U-9900 chrome plated)
Inner pack: 25 Master pack: 5

10 7078 (U-10308 satin nickel plated)
Inner pack: 1 Master pack: 10

10 7078-25 (U-10308 satin nickel plated)
Inner pack: 25 Master pack: 5

Door Edge Guard

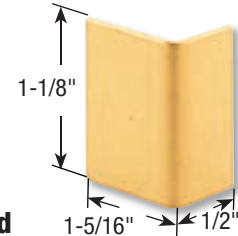
- Edge guard is adhesive backed for self-sticking application
- Eliminates marring of wood when lock is swung back and forth.

10 6340 (S-4213 polished brass finish)
Inner pack: 5 Master pack: 10

10 6346 (S-4214 antique brass finish)
Inner pack: 5 Master pack: 10

10 6949 (S-4216 satin nickel finish)
Inner pack: 5 Master pack: 10

10 6341 (S-4215 satin chrome finish)
Inner pack: 5 Master pack: 10

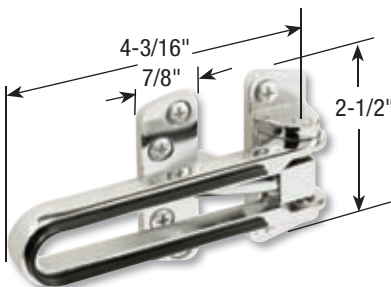


Swing Bar Lock with Rubber Bumper

- Plated heavy metal casting
- Secures door while allowing 2" of viewing or ventilation
- Includes rubber bumper door guard that prevents damage to door

10 6263 (S-4742 brass plated finish)
Inner pack: 1 Master pack: 10

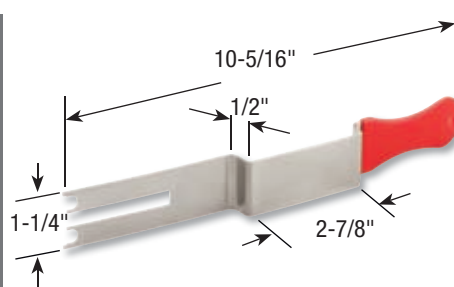
10 6260 (S-4743 chrome plated finish)
Inner pack: 1 Master pack: 10



Emergency Access Tool

- Gain emergency entry to most "swing bar" security door locks
- Flexible steel forks spring out bar to release lockout
- Works with door cracked open only
- Stainless steel

10 6051 (S-4395)
Inner pack: 1 Master pack: 10



Swing Bar Lock with Edge Guard

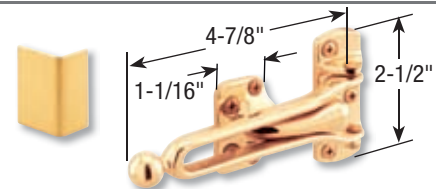
- Cast brass bar lock and swing loop keeper
- Secures door while allowing 2" of viewing or ventilation
- Edge guard aids in reducing marring of door and frame

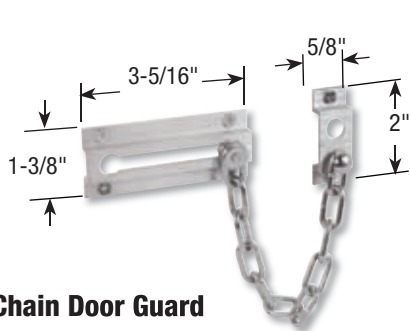
10 6480 (U-10830 polished brass finish)
Inner pack: 1 Master pack: 10

10 6010 (S-4353 satin chrome finish)
Inner pack: 1 Master pack: 10

10 7094 (U-10361 satin nickel finish)
Inner pack: 1 Master pack: 10

10 6486 (S-4184 bronze finish)
Inner pack: 1 Master pack: 10





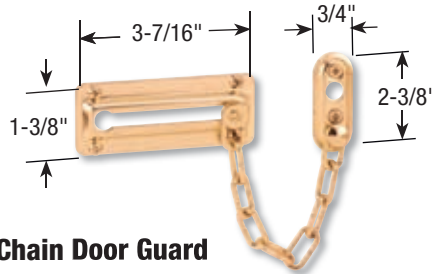
Chain Door Guard

- Solid brass keepers with steel chain
- Secures door while allowing 2" of viewing or ventilation
- Easy to install

10 6763 (U-9907 solid brass)
Inner pack: 1 Master pack: 10

10 6358 (S-4298 chrome plated finish)
Inner pack: 1 Master pack: 10

10 7076 (U-10304 satin nickel finish)
Inner pack: 1 Master pack: 10



Chain Door Guard

- Plated steel keeper and steel chain
- Secures door while allowing 2" of viewing or ventilation
- Easy to install

10 6749 (U-9905 brass plated finish)
Inner pack: 2 Master pack: 10

10 6749-25 (U-9905 brass plated finish)
Inner pack: 25 Master pack: 5

10 6413 (U-9908 chrome plated finish)
Inner pack: 2 Master pack: 10

10 7089 (U-10386 satin nickel finish)
Inner pack: 2 Master pack: 10

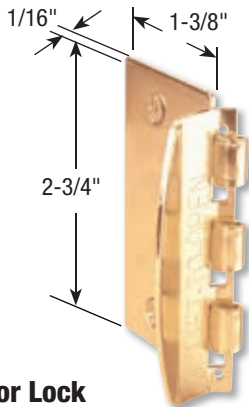


Loop Lock

- Hardened steel locking rod with diecast bracket and keeper
- Secures door to jamb
- Two sizes allow flexibility of installation

10 6025 (U-9847 chrome plated; 2-1/8")
Inner pack: 1 Master pack: 10

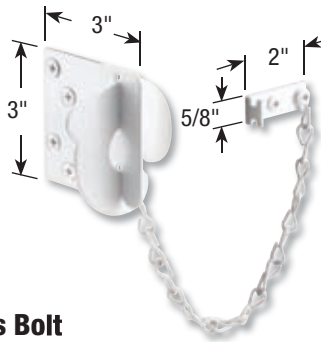
10 6022 (U-9846 chrome plated; 1-1/8")
Inner pack: 1 Master pack: 10



Flip Door Lock

- Brass plated steel privacy lock
- Flip action to lock or unlock
- No mortising required
- Easy to install

10 6741 (U-9887)
Inner pack: 2 Master pack: 10

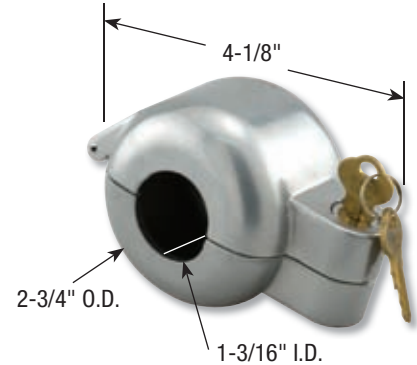


Texas Bolt

- Maximum security locking device for inswing doors
- 11 gauge powder coated steel
- Meets Texas building code requirements

55 5650 (U-9493 White)
Inner pack: 1 Master pack: 10

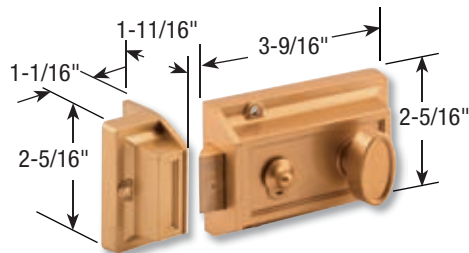
55 5656 (U-9494 Gold)
Inner pack: 1 Master pack: 10



Lockout Device

- Diecast, gray painted lock
- Prevents door knob from being turned
- Deters tampering
- Key locked for maximum security

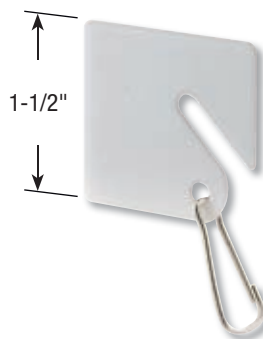
10 6487 (S-4180)
Inner pack: 1 Master pack: 10



Night Latch & Locking Cylinder

- Brass painted diecast locking unit and keeper
- Hold open feature
- Spring latch for automatic locking
- Five pin tumbler cylinder
- Uses Kwikset keyway

10 6477 (U-9967)
Inner pack: 1 Master pack: 10



Key Tag

- White plastic key tag
- Used to identify specific corresponding locations

10 6395 (S-4269)
Inner pack: 100 Master pack: 10



Key Tag

- Paper key tag
- Used to identify specific corresponding locations

10 6604-20 (S-4431)
Inner pack: 20 Master pack: 10

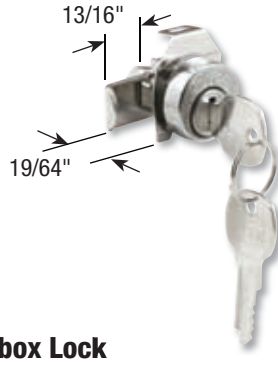


Mailbox Lock

- Diecast cylinder with plated face
- Nickel finish
- Replacement for Bommer
- 5-pin tumbler
- National, ILCO 51064A (NA14) keyway
- 90° CCW rotation

10 6033 (S-4322)

Inner pack: 1 Master pack: 10

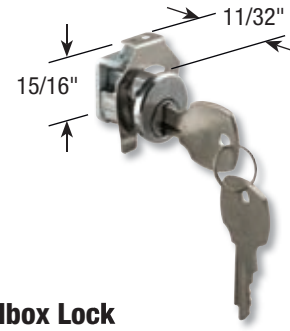


Mailbox Lock

- Diecast cylinder with plated face
- Nickel finish
- Replacement for
- 5-pin tumbler
- National, ILCO 51064A (NA14) keyway
- 90° CCW rotation

10 6034 (S-4321)

Inner pack: 1 Master pack: 10

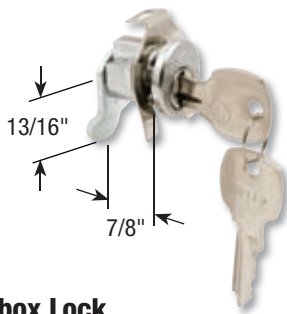


Mailbox Lock

- Diecast cylinder with plated face
- Nickel finish
- Replacement for Florence
- 5-pin tumbler
- National, ILCO 51064A (NA14) keyway
- 90° CW rotation

10 6041 (S-4315)

Inner pack: 1 Master pack: 10

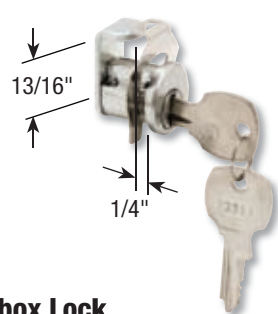


Mailbox Lock

- Diecast cylinder with plated face
- Nickel finish
- Replacement for Bommer
- 5-pin tumbler
- National, ILCO 51064A (NA14) keyway
- 90° CCW rotation

10 6043 (S-4312)

Inner pack: 1 Master pack: 10



Mailbox Lock

- Diecast cylinder with plated face
- Nickel finish
- Replacement for Miami
- 5-pin tumbler
- National, ILCO 51064A (NA14) keyway
- 90° CCW rotation

10 6045 (S-4319)

Inner pack: 1 Master pack: 10

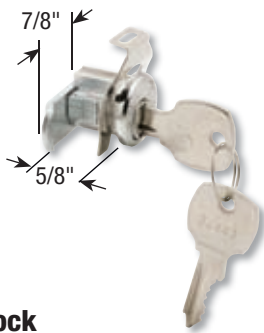


Mailbox Lock

- Diecast cylinder with plated face
- Nickel finish
- Replacement for Bommer
- 5-pin tumbler
- National, ILCO 51064A (NA14) keyway
- 90° CCW rotation

10 6047 (S-4310)

Inner pack: 1 Master pack: 10

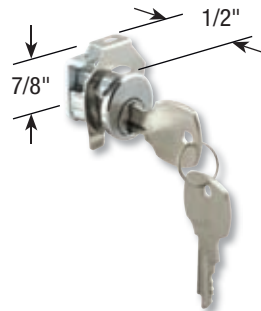


Mailbox Lock

- Diecast cylinder with plated face
- Nickel finish
- Replacement for Cutler
- 5-pin tumbler
- National, ILCO 51064A (NA14) keyway
- 90° CCW rotation

10 6048 (S-4318)

Inner pack: 1 Master pack: 10

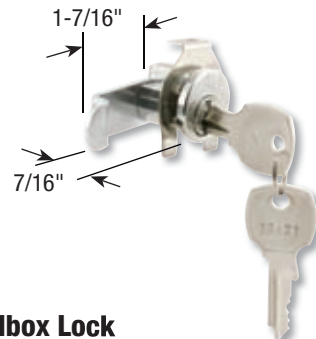


Mailbox Lock

- Diecast cylinder with plated face
- Nickel finish
- Replacement for S.H. Couch
- 5-pin tumbler
- National, ILCO 51064A (NA14) keyway
- 90° CW rotation

10 6049 (S-4316)

Inner pack: 1 Master pack: 10

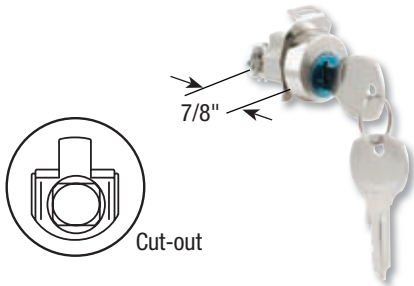


Mailbox Lock

- Diecast cylinder with plated face
- Nickel finish
- Replacement for American Device
- 5-pin tumbler
- National, ILCO 51064A (NA14) keyway
- 90° CCW rotation

10 6124 (S-4571)

Inner pack: 1 Master pack: 10

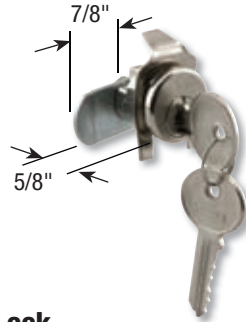


Mailbox Lock (Cylinder only)

- Diecast cylinder with plated face
- Nickel finish
- Replacement for Auth-Florence
- 5-pin tumbler

10 6247 (S-4710 90° CW rotation)
Inner pack: 1 Master pack: 10

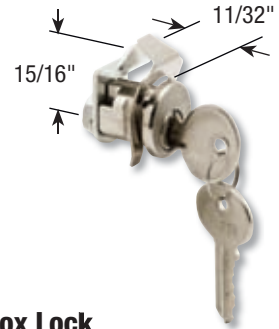
10 6244 (S-4711 90° CCW rotation)
Inner pack: 1 Master pack: 10



Mailbox Lock

- Diecast cylinder with plated face
- Nickel finish
- Replacement for Cutler
- 5-pin tumbler
- Hudson keyway, ILCO 1003M
- 90° CCW rotation

10 6400 (S-4133)
Inner pack: 1 Master pack: 10



Mailbox Lock

- Diecast cylinder with plated face
- Nickel finish
- Replacement for Florence
- 5-pin tumbler
- Hudson keyway, ILCO 1003M
- 90° CW rotation

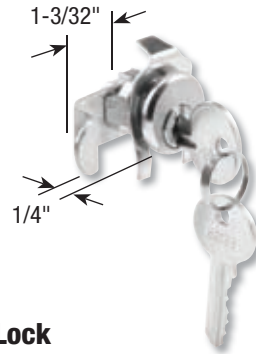
10 6407 (S-4130)
Inner pack: 1 Master pack: 10



Mailbox Lock

- Diecast cylinder with plated face
- Nickel finish
- Replacement for Bommer
- 5-pin tumbler
- Hudson keyway, ILCO 1003M
- 90° CCW rotation

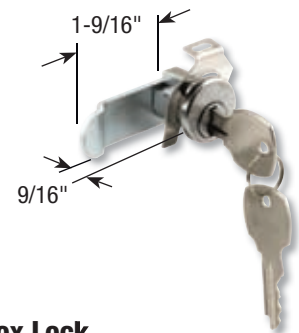
10 6431 (S-4125)
Inner pack: 1 Master pack: 10



Mailbox Lock

- Diecast cylinder with plated face
- Nickel finish
- Replacement for Auth Electric
- 5-pin tumbler
- Hudson keyway, ILCO 1003M
- 90° CCW rotation

10 6438 (S-4128)
Inner pack: 1 Master pack: 10



Mailbox Lock

- Diecast cylinder with plated face
- Nickel finish
- Replacement for Cutler Federal
- 5-pin tumbler
- National, ILCO 51064A (NA14) keyway
- 90° CCW rotation

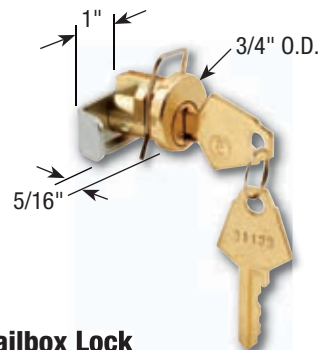
10 6967 (S-4640)
Inner pack: 1 Master pack: 10



Mailbox Lock

- Diecast cylinder with plated face
- Nickel finish
- Replacement for Dura-Steel
- 5-pin tumbler
- XL keyway
- 90° CW rotation

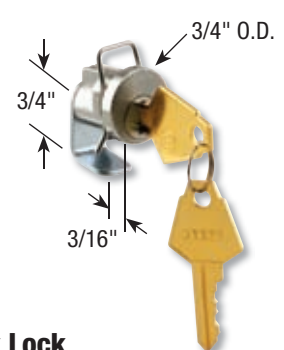
10 6710 (S-4053 "B")
Inner pack: 1 Master pack: 25



Mailbox Lock

- Diecast cylinder with plated face
- Brass finish
- Replacement for Permabit
- 5-pin tumbler
- XL keyway
- 90° CCW rotation

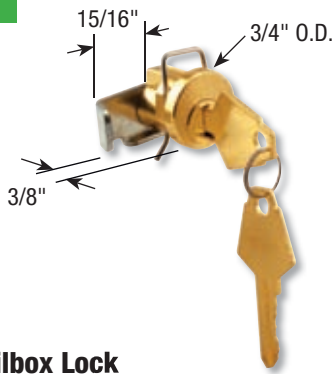
10 6711 (S-4055 "A")
Inner pack: 1 Master pack: 25



Mailbox Lock

- Diecast cylinder with plated face
- Zinc finish
- Replacement for Dura-Steel
- 5-pin tumbler
- XL keyway
- 90° CW rotation

10 6714 (S-4051 "C")
Inner pack: 1 Master pack: 25

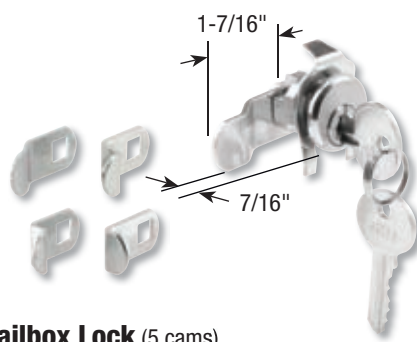


Mailbox Lock

- Diecast cylinder with plated face
- Brass finish
- Replacement for Jenson General
- 5-pin tumbler
- XL keyway
- 90° CCW rotation

10 6716 (S-4054 "D")

Inner pack: 1 Master pack: 25

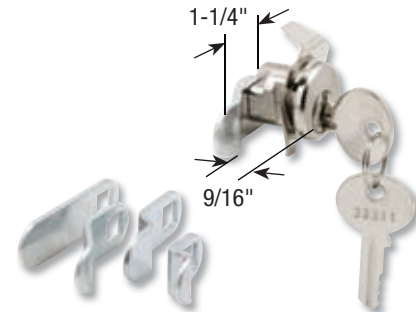


Mailbox Lock (5 cams)

- Diecast cylinder with plated face
- Nickel finish
- Replacement for American Device, Florence, Miami-Carey, Bommer & Auty
- 5-pin tumbler
- Hudson keyway, ILCO 1003M
- 90° CCW rotation

10 6467 (S-4140)

Inner pack: 1 Master pack: 25

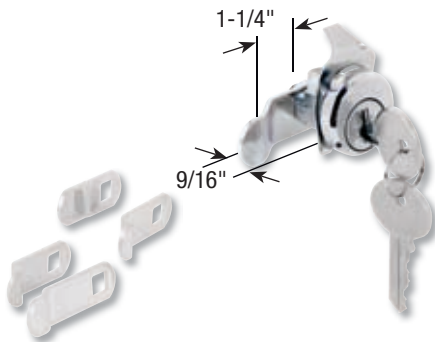


Mailbox Lock (5 cams)

- Diecast cylinder with plated face
- Nickel finish
- 5-pin tumbler
- National, ILCO 51064A (NA14) keyway
- 90° CCW rotation

10 6569 (S-4946)

Inner pack: 1 Master pack: 10

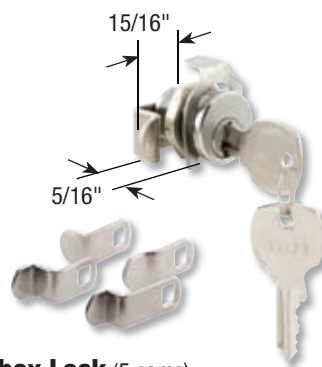


Mailbox Lock (5 cams)

- Diecast cylinder with plated face & dust cover
- Nickel finish
- 5-pin tumbler
- Hudson keyway, ILCO 1003M
- 90° CCW rotation

10 6100 (S-4533)

Inner pack: 1 Master pack: 10

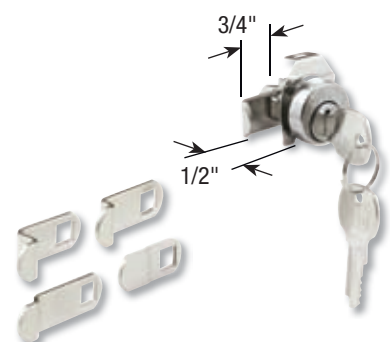


Mailbox Lock (5 cams)

- Diecast cylinder with plated face
- Nickel finish
- 5-pin tumbler
- National, ILCO 51064A (NA14) keyway
- 90° CCW rotation

10 6120 (S-4573)

Inner pack: 1 Master pack: 10

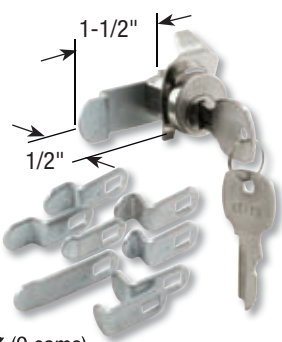


Mailbox Lock (5 cams)

- Diecast cylinder with plated face & dust cover
- Nickel finish
- 5-pin tumbler
- National, ILCO 51064A (NA14) keyway
- 90° CW rotation

10 6139 (S-4526)

Inner pack: 1 Master pack: 10



Mailbox Lock (9 cams)

- Diecast cylinder with plated face
- Nickel finish
- 5-pin tumbler
- 90° CCW rotation

10 6104 (S-4531 National keyway)

Inner pack: 1 Master pack: 10

10 6107 (S-4530 XL keyway)

Inner pack: 1 Master pack: 25

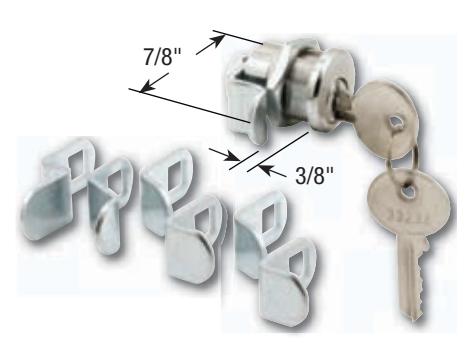


Mailbox Lock (9 cams)

- Diecast cylinder with plated face
- Chrome plated finish
- 5-pin tumbler
- Hudson keyway, ILCO 1003M
- 90° CCW rotation

10 6103 (S-4532)

Inner pack: 1 Master pack: 10

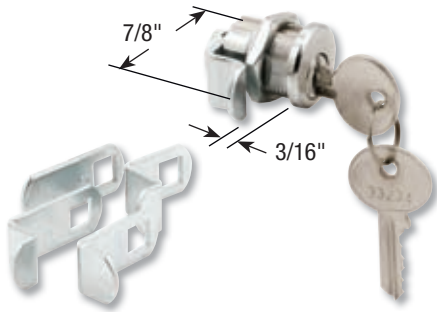


Mailbox Lock (5 cams)

- Diecast cylinder with plated face
- Nickel finish
- 5-pin tumbler
- Hudson keyway, ILCO 1003M
- 90° CCW rotation

10 6566 (S-4944)

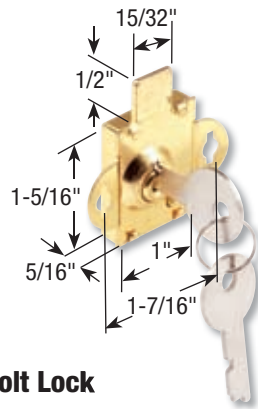
Inner pack: 1 Master pack: 10



Mailbox Lock (5 cams)

- Diecast cylinder with plated face
- Nickel finish
- 5-pin tumbler
- Hudson keyway, ILCO 1003M
- 90° CCW rotation

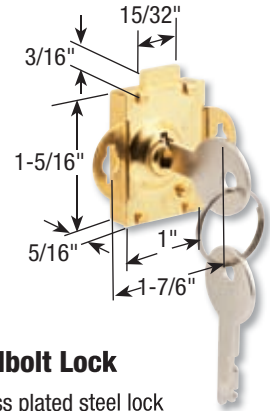
10 6561 (S-4945)
Inner pack: 1 Master pack: 10



Deadbolt Lock

- Brass plated steel lock
- 1/2" bolt
- Key cylinder is offset from center
- Standard deadbolt application

10 6789 (S-4086)
Inner pack: 1 Master pack: 25



Deadbolt Lock

- Brass plated steel lock
- 1/4" bolt
- Key cylinder is offset from center
- Standard deadbolt application

10 6768 (S-4048)
Inner pack: 1 Master pack: 10

House Letters

- Black finish
- 4"

10 6479 (S-4106 number A)
Inner pack: 2 Master pack: 10

10 6472 (S-4107 number B)
Inner pack: 2 Master pack: 10

10 6478 (S-4108 number C)
Inner pack: 2 Master pack: 10

10 6475 (S-4109 number D)
Inner pack: 2 Master pack: 10

10 6354 (S-4291 number E)
Inner pack: 2 Master pack: 10

10 6368 (S-4248 number F)
Inner pack: 2 Master pack: 10



House Letters

- Brass finish
- 4"

10 6353 (S-4292 number A)
Inner pack: 2 Master pack: 10

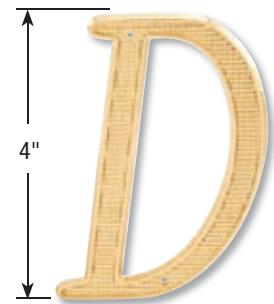
10 6350 (S-4293 number B)
Inner pack: 2 Master pack: 10

10 6356 (S-4294 number C)
Inner pack: 2 Master pack: 10

10 6351 (S-4295 number D)
Inner pack: 2 Master pack: 10

10 6359 (S-4296 number E)
Inner pack: 2 Master pack: 10

10 6313 (S-4252 number F)
Inner pack: 2 Master pack: 10



House Numbers

- Brass finish
- 4"

10 6384-5 (S-4281 number 1)
Inner pack: 5 Master pack: 10

10 6383-5 (S-4282 number 2)
Inner pack: 5 Master pack: 10

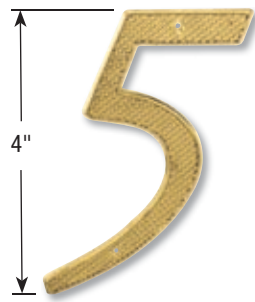
10 6380-5 (S-4283 number 3)
Inner pack: 5 Master pack: 10

10 6386-5 (S-4284 number 4)
Inner pack: 5 Master pack: 10

10 6381-5 (S-4285 number 5)
Inner pack: 5 Master pack: 10

10 6389-5 (S-4286 number 6)
Inner pack: 5 Master pack: 10

10 6382-5 (S-4287 number 7)
Inner pack: 5 Master pack: 10



10 6388-5 (S-4288 number 8)
Inner pack: 5 Master pack: 10

10 6385-5 (S-4289 number 9)
Inner pack: 5 Master pack: 10

10 6387-5 (S-4280 number 0)
Inner pack: 5 Master pack: 10

House Numbers

- Black finish
- 4"

10 6444-5 (S-4111 number 1)
Inner pack: 5 Master pack: 10

10 6443-5 (S-4112 number 2)
Inner pack: 5 Master pack: 10

10 6440-5 (S-4113 number 3)
Inner pack: 5 Master pack: 10

10 6446-5 (S-4114 number 4)
Inner pack: 2 Master pack: 10

10 6441-5 (S-4115 number 5)
Inner pack: 5 Master pack: 10

10 6449-5 (S-4116 number 6)
Inner pack: 2 Master pack: 10

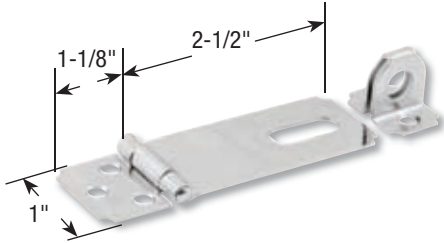
10 6442-5 (S-4117 number 7)
Inner pack: 2 Master pack: 10



10 6448-5 (S-4118 number 8)
Inner pack: 5 Master pack: 10

10 6445-5 (S-4116 number 9)
Inner pack: 5 Master pack: 10

10 6447-5 (S-4110 number 0)
Inner pack: 2 Master pack: 10

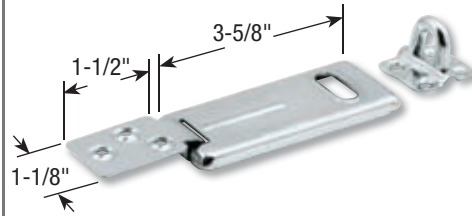


Safety Hasp

- Zinc plated steel safety hasp
- Screws are concealed when hasp is in the locked position

10 6357 (S-4290)

Inner pack: 2 Master pack: 10



Safety Hasp

- Zinc plated steel safety hasp
- Screws are concealed when hasp is in the locked position

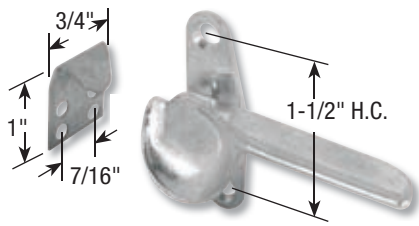
10 6378 (S-4208)

Inner pack: 1 Master pack: 10



REINFORCERS (See section 55)

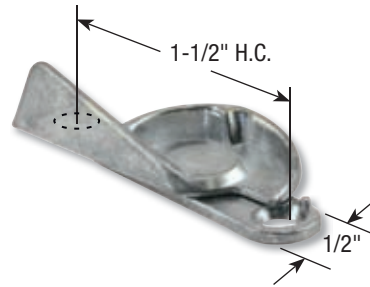
Over half of all burglaries are initiated by forced entry. A majority of these are accomplished by kicking in a door. Lock & door reinforcers help prevent door kick in attacks. Lock & door reinforcers are available to fit most door thickness and backset configurations. There are also several designs and finishes available to complement your existing door hardware.



Sash Lock

- Diecast sash lock with stamped steel keeper
- Brite zinc finish
- Fits Daryl® windows

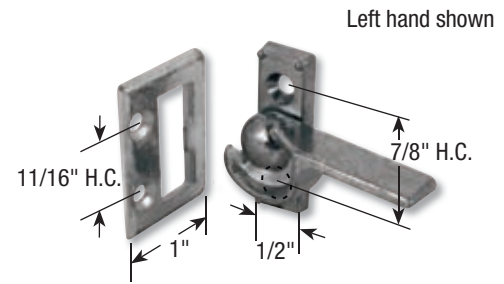
15 3175 (F-2509)
Inner pack: 2 Master pack: 10



Sash Lock

- Diecast sash lock
- Brite zinc finish
- Fits on single hung windows by Keller®

15 3966 (F-2644)
Inner pack: 2 Master pack: 10



Sash Lock

- Diecast sash lock and keeper
- Brite zinc finish
- Used on both residential and RV sliding windows

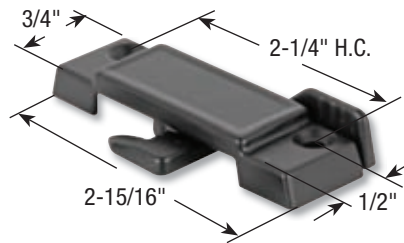
15 3147 (F-2510 left hand)
Inner pack: 2 Master pack: 10
15 3144 (F-2511 right hand)
Inner pack: 2 Master pack: 10



Sash Lock

- Chrome sash lock
- Used on both horizontal and vertical sliding windows for camper shell and RV type windows

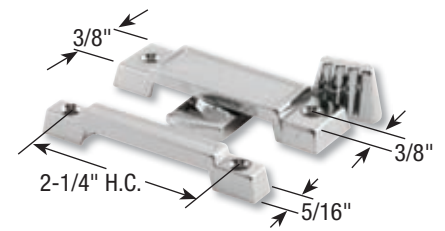
15 3127-5 (F-2570 left hand)
Inner pack: 5 Master pack: 10
15 3124-5 (F-2571 right hand)
Inner pack: 5 Master pack: 10



Sash Lock

- Diecast sash lock;
- Latch tongue engages fixed rail of opposing sash
- Includes channel locking bar
- Fits Guaranteed Products® windows

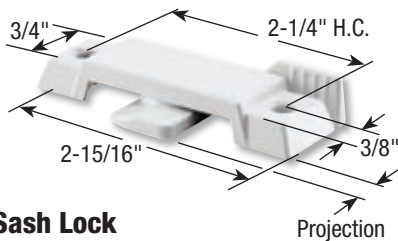
15 3143 (F-2512)
Inner pack: 1 Master pack: 10



Sash Lock

- Diecast sash lock and keeper
- Cam action latch draws sashes tight for a good seal when locked

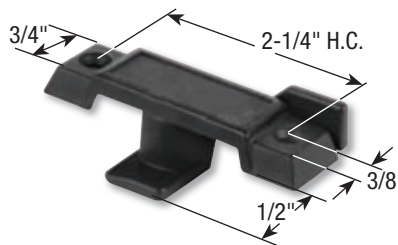
15 3104 (F-2531 chrome)
Inner pack: 2 Master pack: 10
15 3103 (F-2532 black)
Inner pack: 2 Master pack: 10
15 3100 (F-2533 white)
Inner pack: 2 Master pack: 10



Sash Lock

- Diecast sash lock
- Latch tongue engages fixed rail of opposing sash

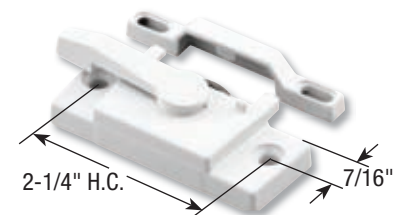
15 3185 (F-2589 black - 3/8" projection)
Inner pack: 2 Master pack: 10
15 3157 (F-2590 white - 3/8" projection)
Inner pack: 2 Master pack: 10
15 3153 (F-2592 white - 1/2" projection)
Inner pack: 2 Master pack: 10



Sash Lock

- Black diecast sash lock
- Latch tongue engages fixed rail of opposing sash

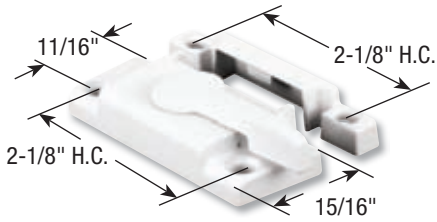
15 3224 (F-2771)
Inner pack: 1 Master pack: 10



Sash Lock

- White diecast sash lock and keeper
- Cam action latch draws the sashes tight for a good seal when locked
- Latch body has alignment lugs

15 3266 (F-2744)
Inner pack: 2 Master pack: 10

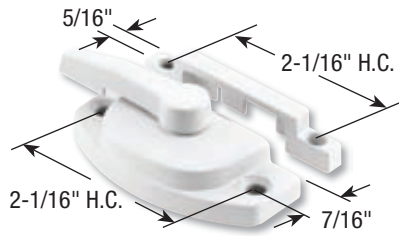


Sash Lock

- White diecast sash lock and keeper
- Cam action latch draws the sashes tight for a good seal when locked
- Latch body has alignment lugs

15 3116 (F-2554)

Inner pack: 1 Master pack: 10

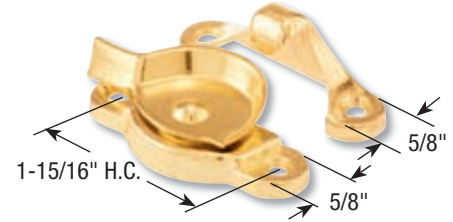


Sash Lock

- White diecast sash lock and keeper
- Cam action latch draws the sashes tight for a good seal when locked

15 3188 (F-2588)

Inner pack: 1 Master pack: 10

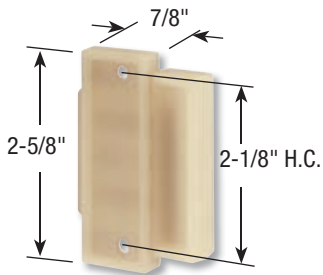


Sash Lock

- Brass plated diecast sash lock and keeper
- Used on single and double hung wood windows

15 3126-1 (F-2574)

Inner pack: 1 Master pack: 10

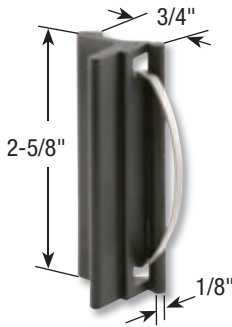


Latch & Pull

- White plastic sash lock
- Spring loaded
- Latches into fixed rail of opposing sash

15 3171 (F-2505)

Inner pack: 2 Master pack: 10

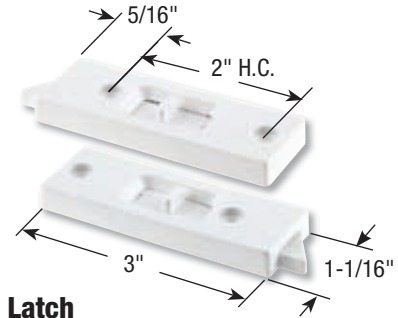


Latch & Pull

- Black plastic latch
- Fits Bee Cee® windows

15 3168 (F-2548)

Inner pack: 1 Master pack: 10

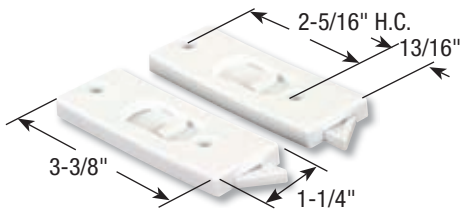


Tilt Latch

- White
- 1 left hand and 1 right hand latch
- Spring-loaded, vinyl tilt latch
- Used on single or double-hung, aluminum or vinyl windows

15 3158 (F-2598)

Inner pack: 1 Master pack: 10

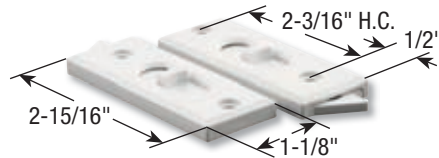


Tilt Latch

- White
- 1 left hand and 1 right hand latch
- Spring-loaded, vinyl tilt latch
- Used on single or double-hung, aluminum or vinyl windows

15 3155 (F-2599)

Inner pack: 1 Master pack: 10

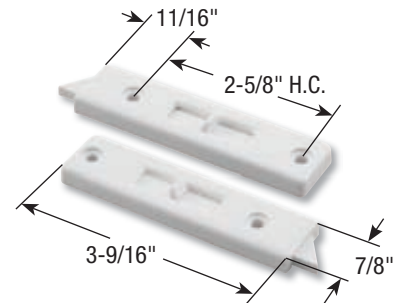


Tilt Latch

- White
- 1 left hand and 1 right hand latch
- Spring-loaded, vinyl tilt latch
- Used on single or double-hung, aluminum or vinyl windows

15 3932 (F-2627)

Inner pack: 1 Master pack: 10

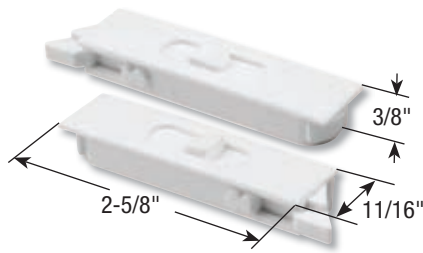


Tilt Latch

- White
- 1 left hand and 1 right hand latch
- Spring-loaded, vinyl tilt latch
- Used on single or double-hung, aluminum or vinyl windows

15 3924 (F-2671)

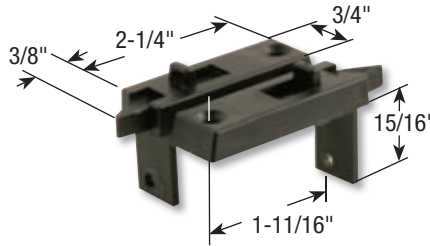
Inner pack: 2 Master pack: 10



Tilt Latch

- White
- 1 left hand and 1 right hand latch
- Spring loaded plastic tilt latch
- Designed for mortised installation

15 3265 (F-2749)
Inner pack: 1 Master pack: 10

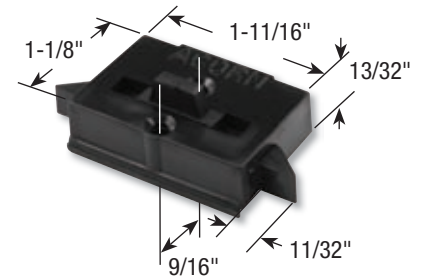


Tilt Latch

- 1 left hand and 1 right hand latch
- Spring loaded plastic tilt latch
- Fits Better Built® windows

15 3938 (F-2628 black)
Inner pack: 2 Master pack: 10

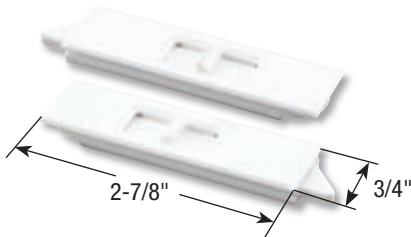
15 3963 (F-2642 white)
Inner pack: 2 Master pack: 10



Tilt Latch

- Black
- Spring-loaded, vinyl tilt latch
- Non-handed
- Fits Acorn® windows

15 3961 (F-2645)
Inner pack: 2 Master pack: 10



Tilt Latch

- White
- 1 left hand and 1 right hand latch
- Spring loaded plastic tilt latch
- Designed for mortised installation

15 3206 (F-2734)
Inner pack: 1 Master pack: 10

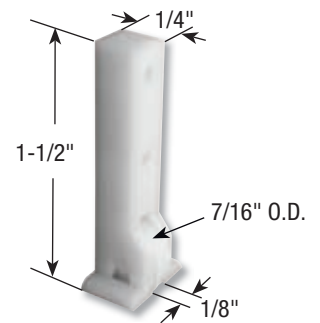


Finger Pull

- Adhesive-backed plastic handle
- Easy installation
- Universal application

15 3165 (F-2549 clear)
Inner pack: 6 Master pack: 10

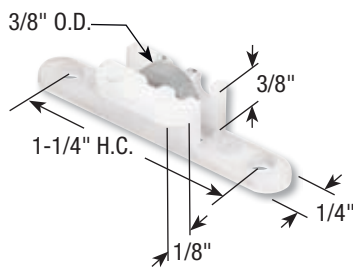
15 3117-6 (F-2550 black)
Inner pack: 6 Master pack: 10



Roller Assembly

- Nylon housing
- Flat edge nylon roller
- Fits on Guaranteed Products®

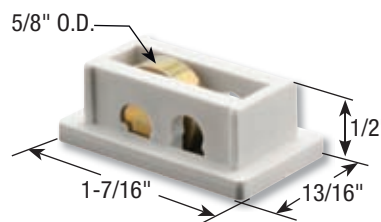
15 0776 (G-3004)
Inner pack: 4 Master pack: 10



Roller Assembly

- Nylon housing
- Flat edge steel roller
- Fits on Tomrays Tyco 66® windows, and others

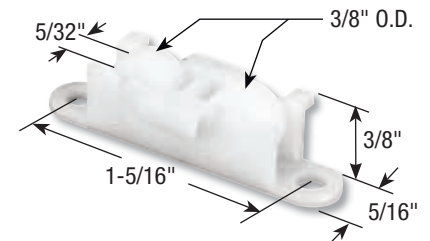
15 0708 (G-3038)
Inner pack: 4 Master pack: 10



Roller Assembly

- Nylon housing
- Flat edge steel roller
- Fits on Acorn® "Series 2100" thru "Series 2300" new style windows and others
- 2 position height adjustment

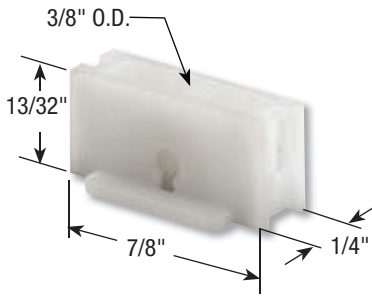
15 0715 (G-3059)
Inner pack: 2 Master pack: 10



Roller Assembly

- Nylon housing
- Flat edge tandem rollers
- Fits on House of Aluminum® and others

15 0799 (G-3066)
Inner pack: 2 Master pack: 10

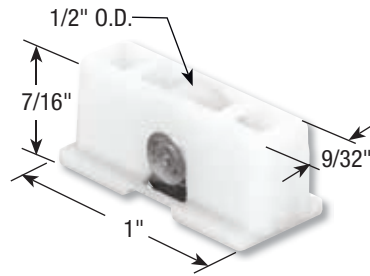


Roller Assembly

- Nylon housing
- Flat edge nylon roller
- Fits on Elco[®], Better-Bilt Aluminum[®] and others

15 0789 (G-3086)

Inner pack: 4 Master pack: 10

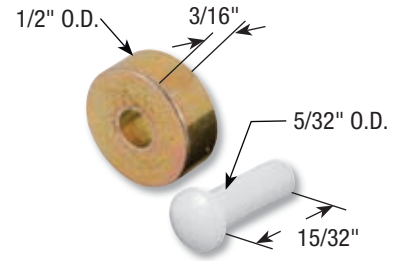


Roller Assembly

- Nylon housing
- Steel roller
- Fits on Superlite[®] Series 8000 windows

15 0785 (G-3089)

Inner pack: 2 Master pack: 10

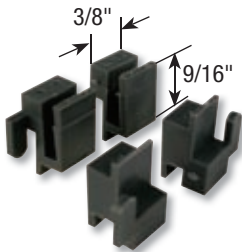


Roller

- Flat steel roller
- Nylon axle pins
- Fits on Western[®], Premiere[®] and Keller[®] windows

15 0797 (G-3060)

Inner pack: 4 Master pack: 10



Corner Guide Set

- Black nylon guides mount on each corner and act as a glide and guide
- Fits on Likit[®] windows

15 0728 (G-3078)

Inner pack: 4 Master pack: 10

Casement Operator (Teardrop)

- Worm gear mechanism driven
- Steel arm
- 5/16" diameter spindle
- Used on steel framed windows

15 0173 (H-3502 left hand - aluminum)

Inner pack: 1 Master pack: 5

15 0171 (H-3505 left hand - bronze)

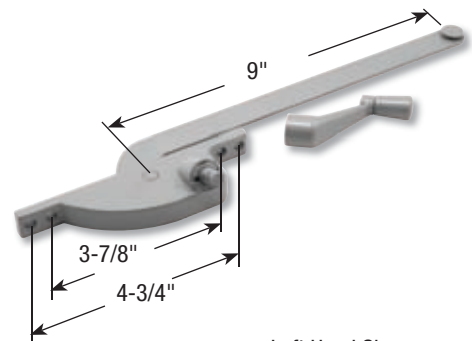
Inner pack: 1 Master pack: 5

15 0178 (H-3508 right hand - aluminum)

Inner pack: 1 Master pack: 5

15 0144 (H-3511 right hand - bronze)

Inner pack: 1 Master pack: 5



Left Hand Shown

Casement Operator (Square)

- Worm gear mechanism driven
- Steel arm
- 3/8" diameter spindle
- Used on steel framed windows

15 0146 (H-3514 left hand - aluminum)

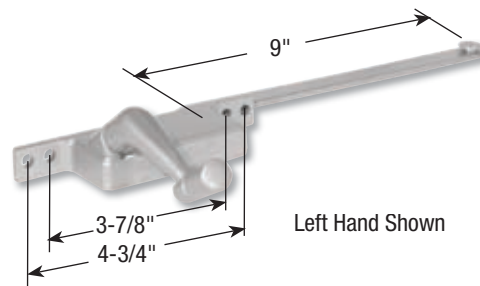
Inner pack: 1 Master pack: 5

15 0142 (H-3517 left hand - bronze)

Inner pack: 1 Master pack: 5

15 0137 (H-3520 right hand - aluminum)

Inner pack: 1 Master pack: 5



Left Hand Shown

Casement Operator

- Worm gear mechanism driven
- Steel arm
- 11/32" diameter spindle
- Used on wood and vinyl framed windows

15 0130 (H-3523 right hand - bronze)

Inner pack: 1 Master pack: 5

15 0247 (H-3710 left hand - white)

Inner pack: 1 Master pack: 5

15 0137 (H-3520 right hand - aluminum)

Inner pack: 1 Master pack: 5

15 0130 (H-3523 right hand - bronze)

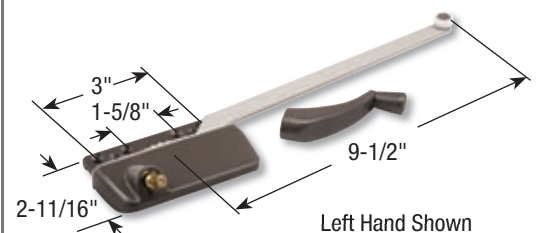
Inner pack: 1 Master pack: 5

15 0247 (H-3710 left hand - white)

Inner pack: 1 Master pack: 5

15 0244 (H-3711 right hand - white)

Inner pack: 1 Master pack: 5



Left Hand Shown

Casement Operator

- Worm gear mechanism driven
- Steel arm
- 11/32" diameter spindle
- Used on wood and vinyl framed windows

15 0198 (H-3568 left hand)

Inner pack: 1 Master pack: 5

15 0195 (H-3569 right hand)

Inner pack: 1 Master pack: 5

Crank Handle

- Diecast handle
- Universal design
- Offers excellent torque for easiest opening and closing of window

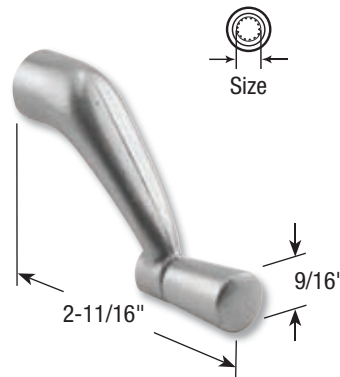
15 0104 (H-3531 5/16" aluminum)
Inner pack: 2 Master pack: 10

15 0103 (H-3532 5/16" bronze)
Inner pack: 2 Master pack: 10

15 0100 (H-3533 3/8" aluminum)
Inner pack: 2 Master pack: 10

15 0106 (H-3534 3/8" bronze)
Inner pack: 2 Master pack: 10

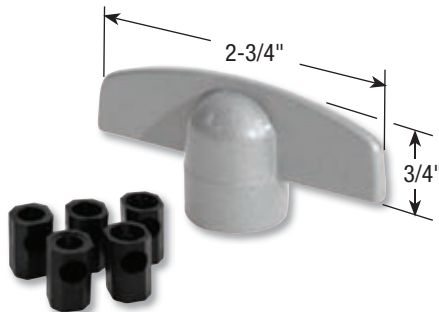
15 0240 (H-3713 3/8" white)
Inner pack: 2 Master pack: 10



Crank Handle

- Bronze diecast handle
- Universal design
- Offers excellent torque for easiest opening and closing of window

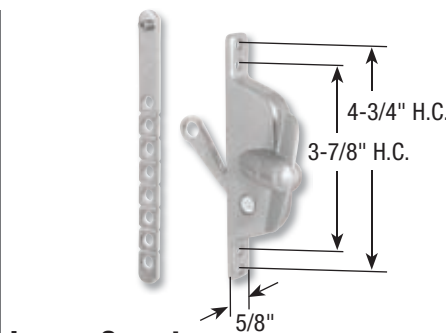
15 0989 (H-3686)
Inner pack: 2 Master pack: 10



Universal Tee Handle

- Diecast handle
- 10 plastic adapters for different popular bore sizes
- Adapter fits over spindle on operator, tee-handle then fits over adapter and is locked on to spindle with set screw

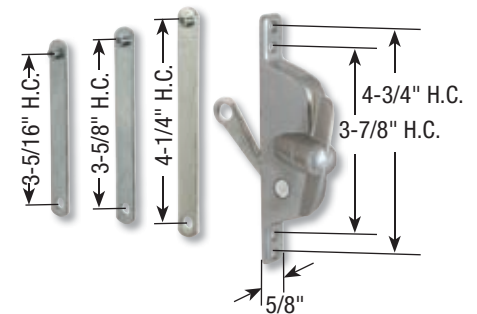
15 0881 (H-3885)
Inner pack: 2 Master pack: 10



Louver Operator

- Diecast construction
- Reversible
- Non-handed
- Universal break-off link has 1/2" hole spacings up to 5-5/16"
- 5/16" spindle and diecast "T" handle

15 0169 (H-3546)
Inner pack: 1 Master pack: 5



Jalousie Operator

- Diecast operator
- 3 link assortment
- Center position "T" handle

15 0112 (H-3557)
Inner pack: 1 Master pack: 5



Don't see your part here?

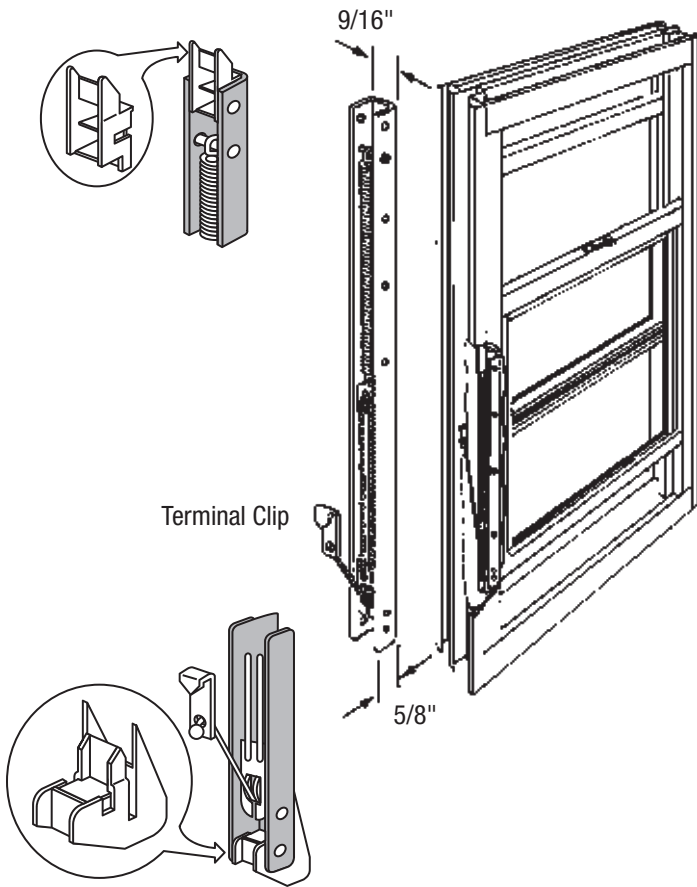
» Visit our website or call...

primeline.net

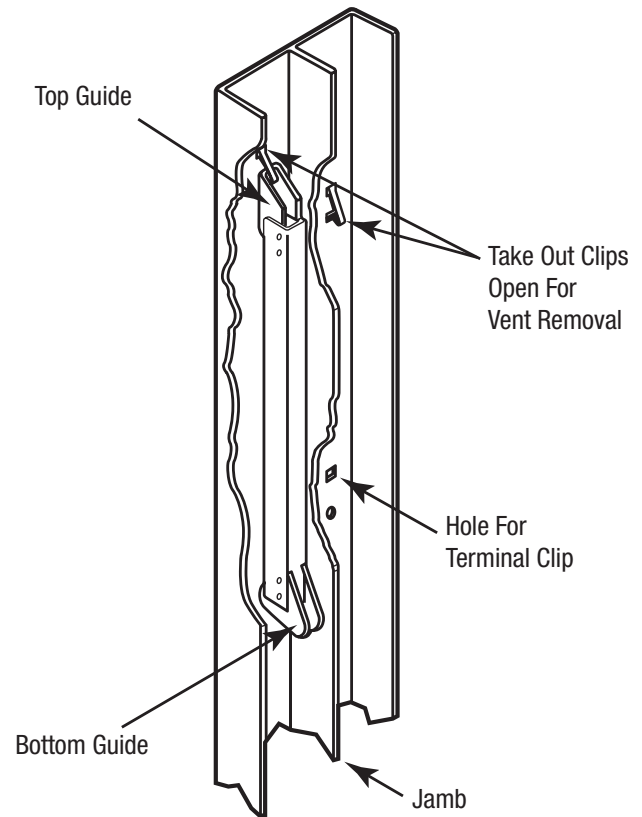
1.800.899.7799

CHANNEL WINDOW BALANCES

Used On Single Or Double Hung Sash



Balance Shown Installed In Jamb With Vent Removed



Ordering Tips:

1. Check the back side of channel for stamped numbers (i.e.; 1410, 28A, 3620, etc.).
 - a.) The first two digits indicate the actual glass height.
 - b.) The balance is 1" **LONGER** than the part number indicates (i.e.; **#1410 is 15" long**).
 - c.) The second two digits or letter designation (A, B, C, D) denote the weight series of the balance (i.e.; #1410 or 14A is for light weight sash, 1420 or 14B is medium, 1430 or 14C is medium to heavy and 1440 or 14D is heavy. Please see the enclosed **Selection Chart** for actual weight variations.
2. The balance number, by itself, does not include top or bottom guides.
 - a.) Determine the correct guides required from the accessory page. You may use the existing guides from the defective balance, however, this will require drilling out the attaching rivets.
 - b.) New guides may be ordered (installed) special order.

Installation Hints: Vents must be removed in order to replace the balance assemblies.

TO REMOVE VENT: Close vent to expose take-out clips. Open both clips for vent removal. Raise vent until top guide engages take-out clip. Continue to raise vent, 2 to 3 inches more. Move vent right or left as far as possible. Removal is then accomplished by swinging the opposite side of vent inward.

TO REPLACE BALANCE ASSEMBLY: Push down on balance until top guide is clear of take-out clip. Hold firmly and slowly lift up and away from jamb. Remove terminal clip and install new balance assembly using the reverse installation procedure. Be sure that top guide is secured under take-out clip. It is recommended that both balance assemblies be replaced in order to allow for efficient operation.

TO REPLACE VENT: Position right or left side of vent into jamb, 2 to 3 inches above take-out clip and swing opposite side into alignment with frame. Then lower vent to engage balances and on down to clear take-out clips. This will automatically center the vent. Snap take-out clips into jamb to facilitate normal operation.

SELECTION CHART (All balances sold individually in bulk)

Balance* Number	Alternate Number	Balance Height	Vent Weight	Balance* Number	Alternate Number	Balance Height	Vent Weight
FA-1210	12A	13"	3-6	FA-2510	25A	26"	5 - 9
FA-1220	12B	13"	6 - 9	FA-2520	25B	26"	9 - 15
FA-1230	12C	13"	9 - 11	FA-2530	25C	26"	15 - 19
FA-1240	12D	13"	11 - 12	FA-2540	25D	26"	19 - 25
FA-1310	13A	14"	3 - 6	FA-2610	26A	27"	5 - 9
FA-1320	13B	14"	6 - 9	FA-2620	26B	27"	9 - 13
FA-1330	13C	14"	9 - 11	FA-2630	26C	27"	13 - 19
FA-1340	13D	14"	11 - 12	FA-2640	26D	27"	19 - 26
FA-1410	14A	15"	4 - 6	FA-2710	27A	28"	5 - 9
FA-1420	14B	15"	6 - 10	FA-2720	27B	28"	9 - 13
FA-1430	14C	15"	10 - 12	FA-2730	27C	28"	13 - 19
FA-1440	14D	15"	12 - 13	FA-2740	27D	28"	19 - 26
FA-1510	15A	16"	4 - 6	FA-2810	28A	29"	7 - 12
FA-1520	15B	16"	6 - 10	FA-2820	28B	29"	12 - 16
FA-1530	15C	16"	10 - 12	FA-2830	28C	29"	16 - 23
FA-1540	15D	16"	12 - 13	FA-2840	28D	29"	23 - 28
FA-1610	16A	17"	5 - 8	FA-2910	29A	30"	7 - 12
FA-1620	16B	17"	8 - 12	FA-2920	29B	30"	12 - 16
FA-1630	16C	17"	12 - 14	FA-2930	29C	30"	16 - 23
FA-1640	16D	17"	14 - 19	FA-2940	29D	30"	23 - 28
FA-1710	17A	18"	5 - 8	FA-3010	30A	31"	7 - 12
FA-1720	17B	18"	8 - 12	FA-3020	30B	31"	12 - 16
FA-1730	17C	18"	12 - 14	FA-3030	30C	31"	16 - 23
FA-1740	17D	18"	14 - 17	FA-3040	30D	31"	23 - 28
FA-1810	18A	19"	5 - 8	FA-3110	31A	32"	7 - 12
FA-1820	18B	19"	8 - 12	FA-3120	31B	32"	12 - 16
FA-1830	18C	19"	12 - 14	FA-3130	31C	32"	16 - 23
FA-1840	18D	19"	14 - 17	FA-3140	31D	32"	23 - 28
FA-1910	19A	20"	5 - 8	FA-3210	32A	33"	8 - 13
FA-1920	19B	20"	8 - 12	FA-3220	32B	33"	13 - 18
FA-1930	19C	20"	12 - 14	FA-3230	32C	33"	18 - 23
FA-1940	19D	20"	14 - 17	FA-3240	32D	33"	23 - 28
FA-2010	20A	21"	5 - 8	FA-3310	33A	34"	8 - 13
FA-2020	20B	21"	8 - 12	FA-3320	33B	34"	13 - 18
FA-2030	20C	21"	12 - 15	FA-3330	33C	34"	18 - 23
FA-2040	20D	21"	15 - 23	FA-3340	33D	34"	23 - 28
FA-2110	21A	22"	5 - 8	FA-3410	34A	35"	8 - 13
FA-2120	21B	22"	8 - 12	FA-3420	34B	35"	13 - 18
FA-2130	21C	22"	12 - 15	FA-3430	34C	35"	18 - 23
FA-2140	21D	22"	15 - 23	FA-3440	34D	35"	23 - 30
FA-2210	22A	23"	5 - 8	FA-3510	35A	36"	8 - 13
FA-2220	22B	23"	8 - 12	FA-3520	35B	36"	13 - 18
FA-2230	22C	23"	12 - 19	FA-3530	35C	36"	18 - 23
FA-2240	22D	23"	19 - 23	FA-3540	35D	36"	23 - 30
FA-2310	23A	24"	5 - 9	FA-3610	36A	37"	8 - 13
FA-2320	23B	24"	9 - 15	FA-3620	36B	37"	13 - 18
FA-2330	23C	24"	15 - 18	FA-3630	36C	37"	18 - 23
FA-2340	23D	24"	18 - 23	FA-3640	36D	37"	23 - 30
FA-2410	24A	25"	5 - 9	FA-3710	37A	38"	8 - 13
FA-2420	24B	25"	9 - 15	FA-3720	37B	38"	13 - 18
FA-2430	24C	25"	15 - 19	FA-3730	37C	38"	18 - 23
FA-2440	24D	25"	19 - 24	FA-3740	37D	38"	23 - 30

*Top and bottom guides are not included.

SELECTION CHART (Continued)

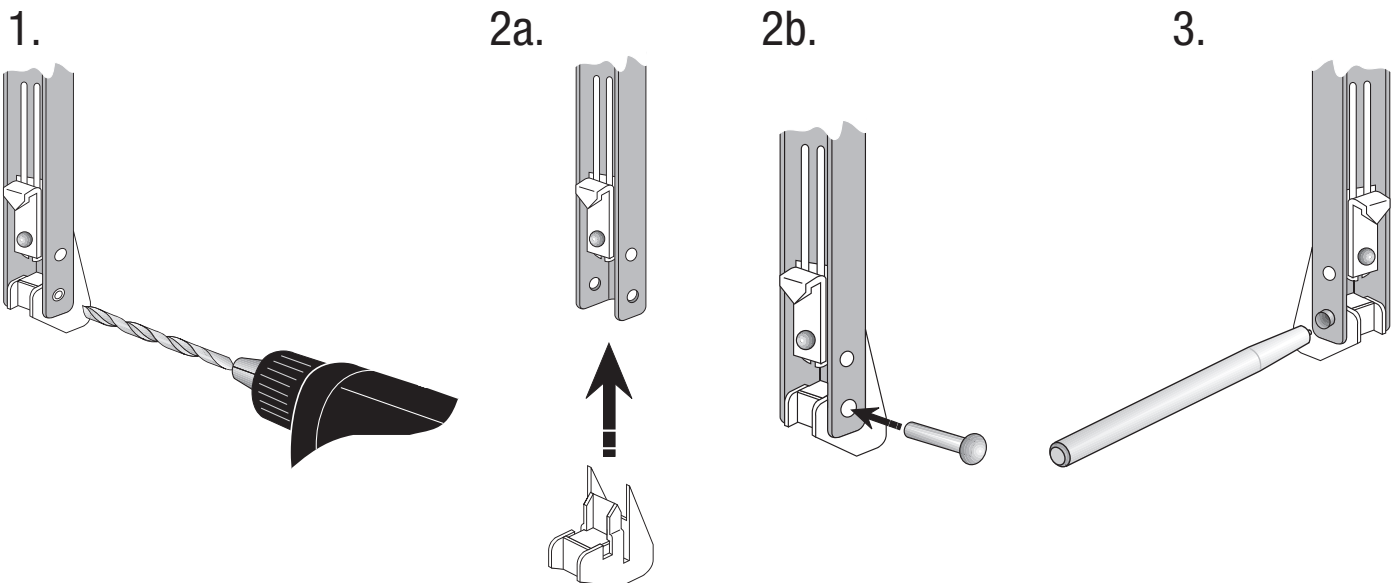
Balance* Number	Alternate Number	Balance Height	Vent Weight	Balance* Number	Alternate Number	Balance Height	Vent Weight
FA-3810	38A	39"	9 - 14	FA-4110	41A	42"	9 - 14
FA-3820	38B	39"	14 - 19	FA-4120	41B	42"	14 - 19
FA-3830	38C	39"	19 - 24	FA-4130	41C	42"	19 - 24
FA-3840	38D	39"	24 - 30	FA-4140	41D	42"	24 - 30
FA-3910	39A	40"	9 - 14	FA-4210	42A	43"	9 - 14
FA-3920	39B	40"	14 - 19	FA-4220	42B	43"	14 - 19
FA-3930	39C	40"	19 - 24	FA-4230	42C	43"	19 - 24
FA-3940	39D	40"	24 - 30	FA-4240	42D	43"	24 - 30
FA-4010	40A	41"	9 - 14				
FA-4020	40B	41"	14 - 19				
FA-4030	40C	41"	19 - 23				
FA-4040	40D	41"	23 - 30				

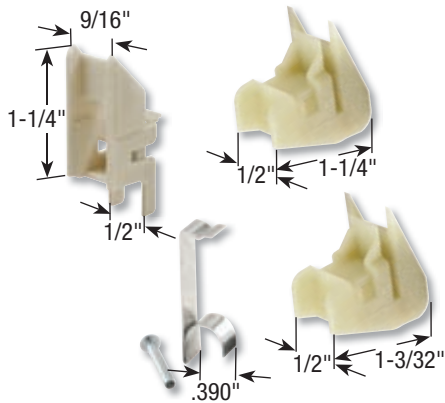
*Top and bottom guides are not included.

CHANNEL BALANCE ACCESSORIES

Easy Guide Replacement

1. Drill out existing rivet using 3/32" bit (drill thru crimped side of rivet).
2. Slide new self locating guide (top or bottom) on to appropriate end of balance. Align holes and insert rivet thru the drilled out hole in balance.
3. Place balance on solid surface with rivet head down. Locate pointed end of rivet installation tool in open end of rivet. Tap end of tool firmly with hammer to crimp rivet.

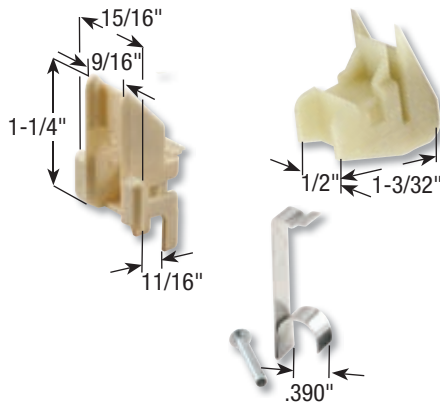




12 Piece Channel Balance Repair Kit

- Nylon top & bottom guides
- Steel rivet and take-out clip
- Enough to do 2 balances

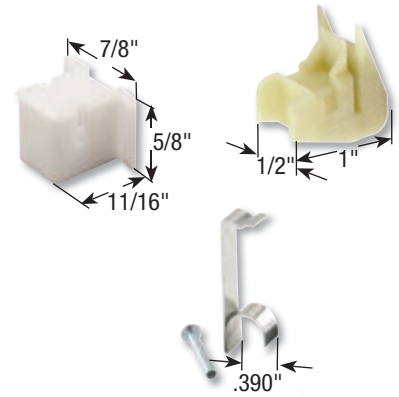
15 0216 (H-3754)
Inner pack: 1 Master pack: 10



10 Piece Channel Balance Repair Kit

- Nylon top & bottom guides
- Steel rivet and take-out clip
- Enough to do 2 balances

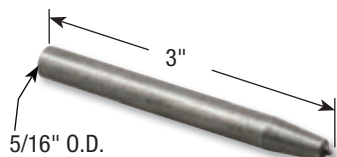
15 0211 (H-3755)
Inner pack: 1 Master pack: 10



10 Piece Channel Balance Repair Kit

- Nylon top & bottom guides
- Steel rivet and take-out clip
- Enough to do 2 balances

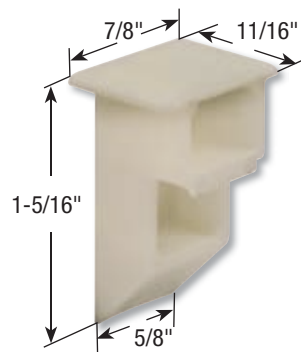
15 0219 (H-3756)
Inner pack: 1 Master pack: 10



Rivet Set Tool

- Used to fasten semi-tubular rivet
- Secures rivet which joins top and bottom guides to sash balance channel

15 0267 (H-3740)
Inner pack: 1 Master pack: 5



Sash Cam


- Plastic
- Attaches to top edge of vent and provide for proper operating clearance

15 0808 (H-3838)
Inner pack: 2 Master pack: 10



 Facebook



 YouTube



Twitter

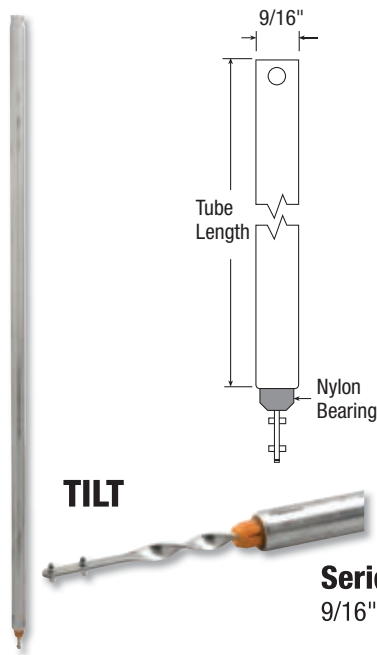
CONNECT
With Prime-Line
primeline.net



Google+

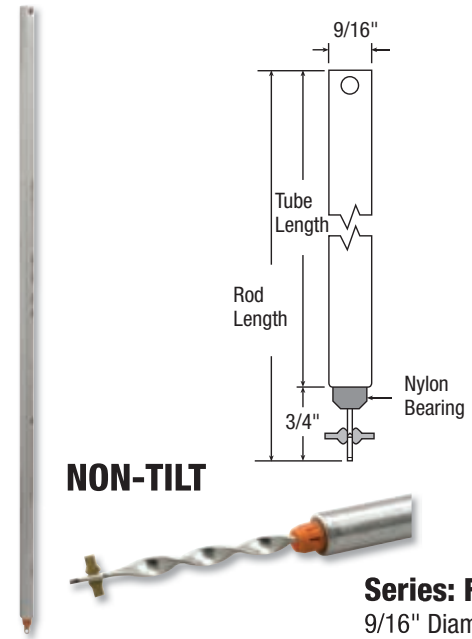


SPIRAL WINDOW BALANCES



TILT

Series: FH
9/16" Diameter



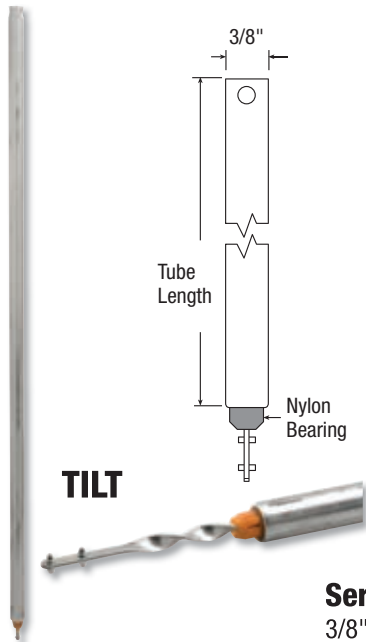
NON-TILT

Series: FJ
9/16" Diameter

Tube Length	Bearing Color		
	White	Red	Blue
15	FH-1510	FH-1520	FH-1530
16	FH-1610	FH-1620	FH-1630
17	FH-1710	FH-1720	FH-1730
18	FH-1810	FH-1820	FH-1830
19	FH-1910	FH-1920	FH-1930
20	FH-2010	FH-2020	FH-2030
21	FH-2110	FH-2120	FH-2130
22	—	FH-2220	FH-2230
23	—	FH-2320	FH-2330
24	—	FH-2420	FH-2430
25	—	FH-2520	FH-2530
26	—	FH-2620	FH-2630
27	—	FH-2720	FH-2730
28	—	FH-2820	FH-2830
29	—	FH-2920	FH-2930
30	—	FH-3020	FH-3030
31	—	FH-3120	FH-3130
32	—	FH-3220	FH-3230
33	—	FH-3320	—
34	—	FH-3420	—
35	—	FH-3520	—
36	—	FH-3620	—
37	—	FH-3720	—
38	—	FH-3820	—
39	—	FH-3920	—

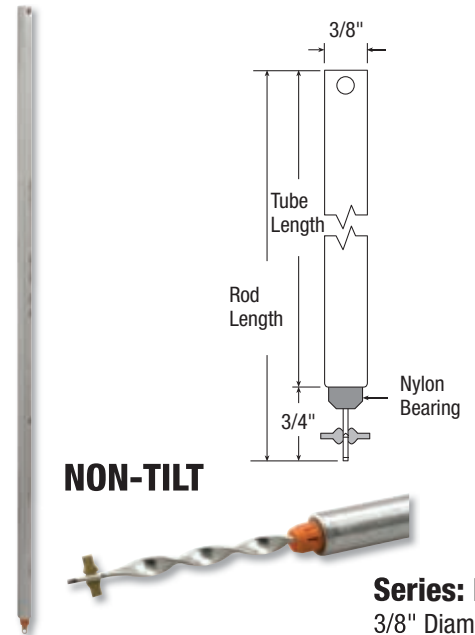
Tube Length	Bearing Color	
	Red	Blue
15	FJ-1520	FJ-1530
16	FJ-1620	FJ-1630
17	FJ-1720	FJ-1730
18	FJ-1820	FJ-1830
19	FJ-1920	FJ-1930
20	FJ-2020	FJ-2030
21	FJ-2120	FJ-2130
22	FJ-2220	FJ-2230
23	FJ-2320	FJ-2330
24	FJ-2420	FJ-2430
25	FJ-2520	FJ-2530
26	FJ-2620	FJ-2630
27	FJ-2720	FJ-2730
28	FJ-2820	FJ-2830
29	FJ-2920	FJ-2930
30	FJ-3020	FJ-3030
31	FJ-3120	FJ-3130
32	FJ-3220	FJ-3230
33	FJ-3320	—
34	FJ-3420	—
35	FJ-3520	—
36	FJ-3620	—
37	FJ-3720	—
38	FJ-3820	—
39	FJ-3920	—

SPIRAL WINDOW BALANCES



TILT

Series: FL
3/8" Diameter

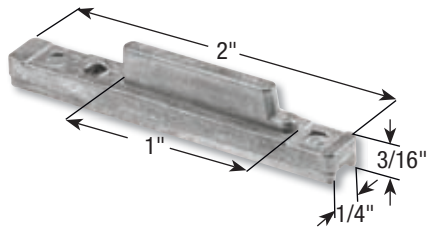


NON-TILT

Series: FM
3/8" Diameter

Tube Length	Bearing Color Red
18	FL-1820
19	FL-1920
20	FL-2020
21	FL-2120
22	FL-2220
23	FL-2320
24	FL-2420
25	FL-2520
26	FL-2620
27	FL-2720
28	FL-2820
29	FL-2920
30	FL-3020

Tube Length	Bearing Color Red
18	FM-1820
19	FM-1920
20	FM-2020
21	FM-2120
22	FM-2220
23	FM-2320
24	FM-2420
25	FM-2520
26	FM-2620
27	FM-2720
28	FM-2820
29	FM-2920
30	FM-3020

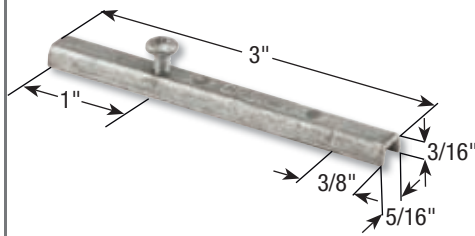


Pivot Bar

- Zinc diecast
- Used with 3/8" spiral balances on tilt style systems

15 0852 (H-3897)

Inner pack: 2 Master pack: 5

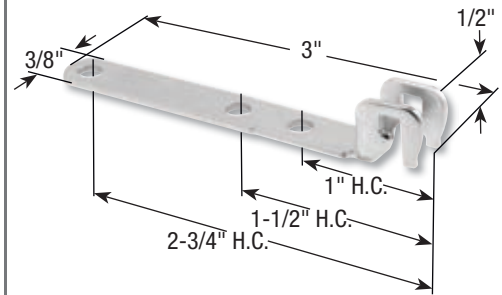


Pivot Bar

- Stamped steel
- Used with 5/8" spiral balances on tilt style systems

15 0218 (H-3758)

Inner pack: 2 Master pack: 5

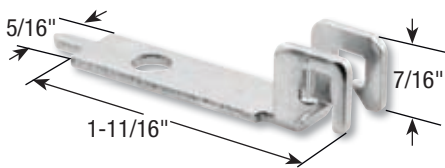


Balance Foot

- Steel construction
- For use with 5/8" spiral balances
- Attaches balance to the bottom of sash

15 0215 (H-3759)

Inner pack: 2 Master pack: 5

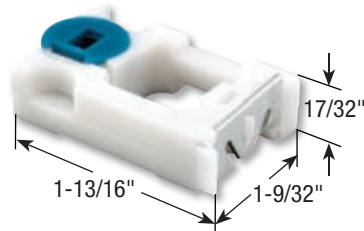


Balance Foot

- Steel construction
- For use with 3/8" spiral balances
- Attaches balance to the bottom of sash

15 0537 (H-3920)

Inner pack: 2 Master pack: 5

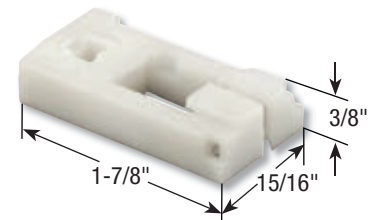


Pivot Lock Shoe

- Tilt window design
- For 3/8" diameter spiral balances
- Glass filled nylon

15 0281 (H-3785)

Inner pack: 2 Master pack: 5

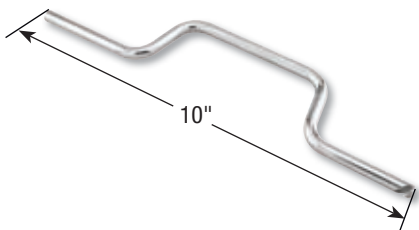


Pivot Lock Shoe

- Tilt window design
- For 5/8" diameter spiral balances
- Glass filled nylon

15 0289 (H-3786)

Inner pack: 2 Master pack: 5

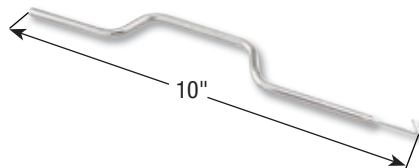


Tension Tool

- For tilt balances
- Plated steel tool used to crank necessary balance spring tension

15 0282 (H-3787)

Inner pack: 1 Master pack: 5



Tension Tool

- For non-tilt balances
- Plated steel tool used to crank necessary balance spring tension

15 0288 (H-3788)

Inner pack: 1 Master pack: 5



SPECIAL ORDER

» If you don't see your part here, call...

1.800.899.7799

Items available on primeline.net



Screen Frame Kit (5/6" x 3/4")

- Square-cut screen or storm window kit
- Kit includes screen frame, spline and square cut corners

20 2870 (PL-7803 - 36" mill)
Inner pack: 1 Master pack: 10

20 2876 (PL-7804 - 48" mill)
Inner pack: 1 Master pack: 10

20 2871 (PL-7805 - 60" mill)
Inner pack: 1 Master pack: 10

20 2879 (PL-7806 - 36" bronze)
Inner pack: 1 Master pack: 10

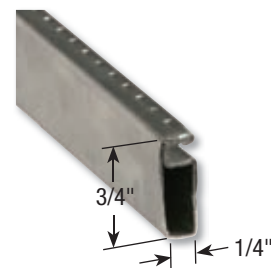
20 2872 (PL-7807 - 48" bronze)
Inner pack: 1 Master pack: 10

20 2878 (PL-7808 - 60" bronze)
Inner pack: 1 Master pack: 10

20 2843 (PL-7812 - 36" white)
Inner pack: 1 Master pack: 10

20 2840 (PL-7813 - 48" white)
Inner pack: 1 Master pack: 10

20 2846 (PL-7814 - 60" white)
Inner pack: 1 Master pack: 10



Aluminum Screen Frame

- 3/4" x 1/4" x 72"
- .020 Gauge
- Use .135 spline for aluminum mesh
- Use .150 spline for fiberglass mesh

20 6785 (PL-14089 mill)
Box of 20

20 6757 (PL-14090 bronze)
Box of 20

20 6754 (PL-14091 white)
Box of 20



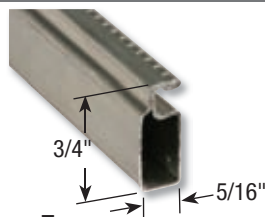
Corner

- 3/4" x 1/4"
- Plastic
- Square cut

20 2248 (PL-7718 gray)
Inner pack: 50 Master pack: 10

20 2245 (PL-7719 bronze)
Inner pack: 50 Master pack: 10

20 2237 (PL-7720 white)
Inner pack: 50 Master pack: 10



Aluminum Screen Frame

- 3/4" x 5/16" x 72"
- .020 Gauge
- Use .165 spline for aluminum mesh
- Use .185 spline for fiberglass mesh

20 6724 (PL-14071 mill)
Box of 20

20 6720 (PL-14073 bronze)
Box of 20

20 6726 (PL-14074 white)
Box of 20

20 6721 (PL-14075 almond)
Box of 20



Corner

- 3/4" x 5/16"
- Plastic
- Square cut

20 2232 (PL-7727 gray)
Inner pack: 50 Master pack: 10

20 2238 (PL-7728 bronze)
Inner pack: 50 Master pack: 10

20 2235 (PL-7729 white)
Inner pack: 50 Master pack: 10

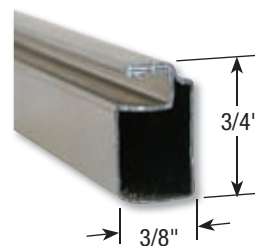
20 2824 (PL-7871 almond)
Inner pack: 50 Master pack: 10



Corner

- 3/4" x 5/16"
- Aluminum
- Miter cut

20 1154 (L-5591)
Inner pack: 50 Master pack: 10



Aluminum Screen Frame

- 3/4" x 3/8" x 72"
- .020 Gauge
- Use .165 spline for aluminum mesh
- Use .185 spline for fiberglass mesh

20 2899 (PL-14053 mill)
Box of 20

20 2892 (PL-14055 bronze)
Box of 20

20 2898 (PL-14056 white)
Box of 20



Corner

- 3/4" x 3/8"
- Plastic
- Square cut

20 2234 (PL-7721 gray)
Inner pack: 50 Master pack: 10

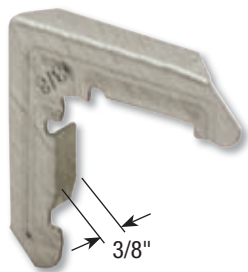
20 2233 (PL-7722 bronze)
Inner pack: 50 Master pack: 10

20 2230 (PL-7723 white)
Inner pack: 50 Master pack: 10

SCREENING HARDWARE

Section 20

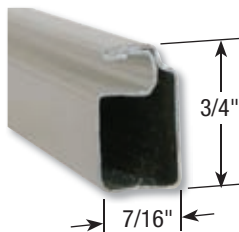
Items available on primeline.net



Corner

- 3/4" x 3/8"
- Aluminum
- Miter cut

20 1945 (L-5619)
Inner pack: 50 Master pack: 10



Aluminum Screen Frame

- 3/4" x 7/16" x 72"
- .020 Gauge
- Use .165 spline for aluminum mesh
- Use .185 spline for fiberglass mesh

20 6701 (PL-14035 mill)
Box of 20

20 6702 (PL-14037 bronze)
Box of 20

20 6708 (PL-14038 white)
Box of 20



Corner

- 3/4" x 7/16"
- Plastic
- Square cut

20 2236 (PL-7724 gray)
Inner pack: 50 Master pack: 10

20 2231 (PL-7725 bronze)
Inner pack: 50 Master pack: 10

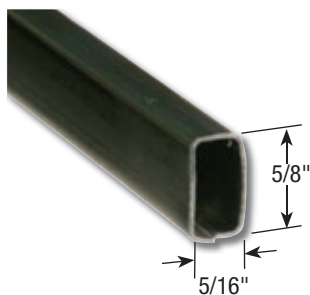
20 2239 (PL-7726 white)
Inner pack: 50 Master pack: 10



Corner

- 3/4" x 7/16"
- Aluminum
- Miter cut

20 1153 (L-5592)
Inner pack: 50 Master pack: 10



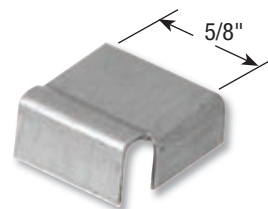
Aluminum Spread Bar

- 5/8" x 5/16" x 72"
- .025 Gauge

20 6408 (PL-14138 mill)
Box of 20

20 6467 (PL-14140 bronze)
Box of 20

20 6464 (PL-14141 white)
Box of 20



Spread Bar Clip

- Stamped aluminum
- Used to attached center support bar to screen frame
- For use on screens wider than 36" or longer than 48"

20 2256 (PL-7794)
Inner pack: 50 Master pack: 10

Spline

- Black vinyl
- 15 lbs.
- Serrated
- For aluminum & fiberglass screening

20 8777 (P-7553 - .120 - 2670 ft.)
Inner pack: 1 Master pack: 2

20 8770 (P-7565 - .140 - 1920 ft.)
Inner pack: 1 Master pack: 2

20 8771 (P-7569 - .155 - 1710 ft.)
Inner pack: 1 Master pack: 2

20 8779 (P-7573 - .165 - 1500 ft.)
Inner pack: 1 Master pack: 2



20 8778 (P-7581 - .175 - 1320 ft.)
Inner pack: 1 Master pack: 2

20 8747 (P-8010 - .185 - 1140 ft.)
Inner pack: 1 Master pack: 2

20 8744 (P-7589 - .190 - 1095 ft.)
Inner pack: 1 Master pack: 2

20 2150 (P-7593 - .200 - 990 ft.)
Inner pack: 1 Master pack: 2

20 2159 (P-7596 - .210 - 915 ft.)
Inner pack: 1 Master pack: 2

20 2155 (P-7599 - .220 - 855 ft.)
Inner pack: 1 Master pack: 2

Spline

- Black vinyl
- 500 ft.
- Serrated
- For aluminum & fiberglass screening

20 2197 (P-7560 - .135)
Inner pack: 1 Master pack: 4

20 2187 (P-7580 - .175)
Inner pack: 1 Master pack: 4

20 2569 (P-7946 - .185)
Inner pack: 1 Master pack: 4



Items available on primeline.net

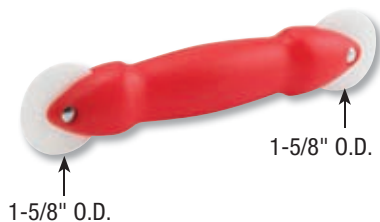


Flat Spline

- Black vinyl
- 1000 ft.

20 2869 (P-7846)

Inner pack: 1 Master pack: 2



Standard Duty Rolling Tool

- Combination tool with plastic handle
- Nylon convex and concave rollers
- Used to install fiberglass screen fabric and vinyl spline into window screen frame

20 2170 (P-7503)

Inner pack: 1 Master pack: 10



Standard Duty Rolling Tool

- Combination tool with wood handle
- Steel convex and concave rollers
- Used to install most screening materials and vinyl spline into window screen frame

20 2171 (P-7505)

Inner pack: 1 Master pack: 10



Heavy Duty Rolling Tool

- Combination tool with wood handle
- Steel ball bearing convex and concave rollers
- Used to install most screening materials and vinyl spline into window screen frame

20 2178 (P-7508)

Inner pack: 1 Master pack: 10



Professional Grade Rolling Tool

- Combination tool with wood handle
- Nylon convex and concave ball bearing rollers
- Used to install most screening materials and vinyl spline into window screen frame

20 2146 (P-7514)

Inner pack: 1 Master pack: 5

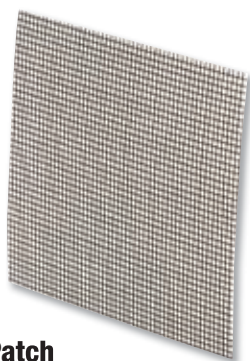


Notching Jig

- Allows frame to be securely held while being notched
- Notched frame allows application of slide locks, tension springs and knife latches
- Notching tool included

20 2549 (P-7916)

Inner pack: 1 Master pack: 1



Screen Patch

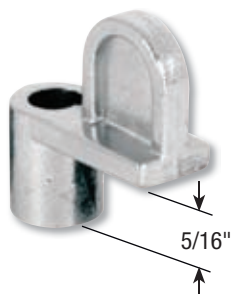
- Self adhesive
- 3" x 3"
- For fiberglass screen repair

20 8751 (P-8095 gray)

Inner pack: 10 Master pack: 10

20 8759 (P-8096 charcoal)

Inner pack: 10 Master pack: 10



Clip

- Clear zinc diecast
- Used to attach screens and storm windows to window opening

20 1170 (L-5503)

Inner pack: 25 Master pack: 10

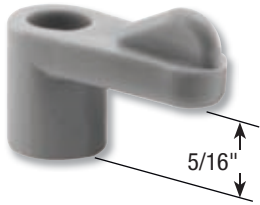


Clip

- White plastic
- Used to attach screens and storm windows to window opening

20 1179 (L-5506)

Inner pack: 50 Master pack: 10

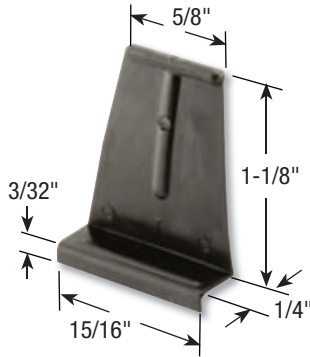


Clip

- Gray plastic
- Used to attach screens and storm windows to window opening

20 1175 (L-5509)

Inner pack: 50 Master pack: 10



Lift Tab

- Plastic
- Installed in spline channel to aid in removal of window screen from window frame

20 1131 (L-5525 white)

Inner pack: 50 Master pack: 10

20 1199 (L-5566 black)

Inner pack: 50 Master pack: 10



Tension Spring

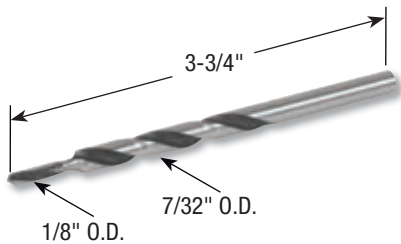
- Heat-treated steel
- Holds window screens into sliding aluminum window screen channels

20 1122 (L-5577 - 1/4")

Inner pack: 50 Master pack: 10

20 1971 (L-5605 - 3/16")

Inner pack: 50 Master pack: 10

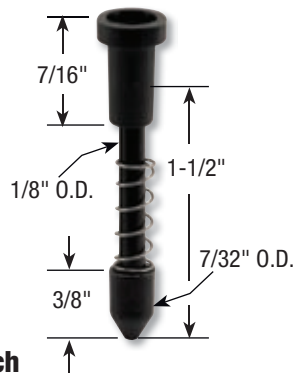


Step Drill

- Used to install a variety of plunger latches

20 1938 (L-5628)

Inner pack: 1 Master pack: 10

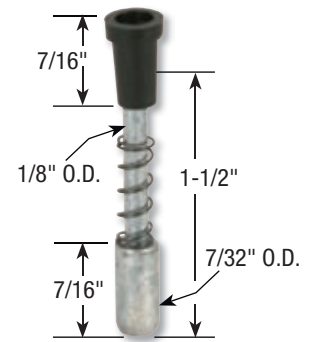


Plunger Latch

- Spring loaded
- Black nylon
- Holds aluminum frame screens into window frames

20 1167-25 (L-5540)

Inner pack: 25 Master pack: 10

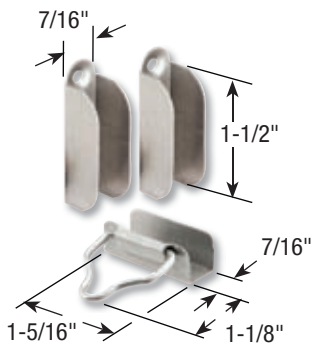


Plunger Latch

- Spring loaded
- Diecast
- Holds aluminum frame screens into window frames

20 1164-25 (L-5541)

Inner pack: 25 Master pack: 10

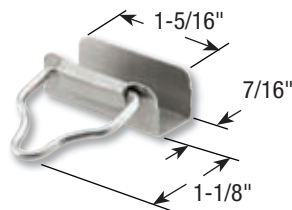


Hanger & Latch

- Stamped aluminum
- Used to install 7/16" thick window screens to wood framed windows

20 1135-10 (L-5529)

Inner pack: 10 Master pack: 10

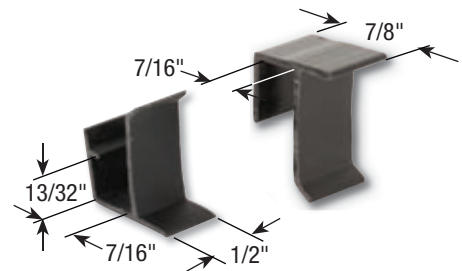


Bottom Latch

- Stamped aluminum
- Slips onto bottom of 7/16" thick frame
- Used to hold bottom of window screen to wood window sill

20 1113-20 (L-5552)

Inner pack: 20 Master pack: 10

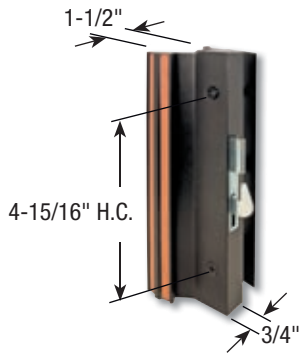


Retainer Clip

- Black vinyl
- Holds screen frame into sliding window frame channel
- Fits both 3/8" and 7/16" frames

20 1190-50 (L-5563)

Inner pack: 50 Master pack: 10

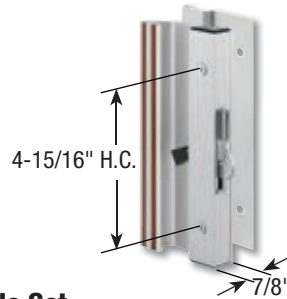


Handle Set

- Extruded aluminum inside latch and outside pull
- Reversible
- Overall handle height is 1-1/2"
- Latch hook profile is 3/8"

25 4777 (C-1000 aluminum)
Inner pack: 1 Master pack: 5

25 4774 (C-1001 black)
Inner pack: 1 Master pack: 5

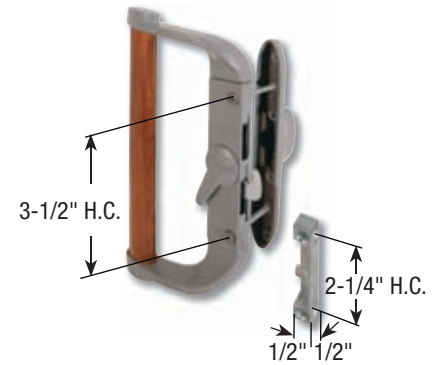


Handle Set

- Low profile extruded aluminum inside latch and outside pull
- Overall handle height is 1"
- Latch hook profile is 7/16"
- Ideal for doors with vertical or horizontal blinds

25 4776 (C-1004 aluminum)
Inner pack: 1 Master pack: 5

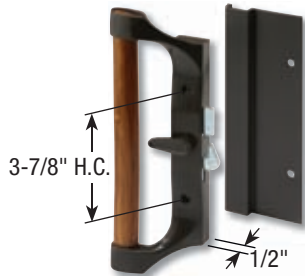
25 4772 (C-1007 black)
Inner pack: 1 Master pack: 5



Handle Set

- Diecast inside latch with wood pull
- Diecast outside pull
- Keyed

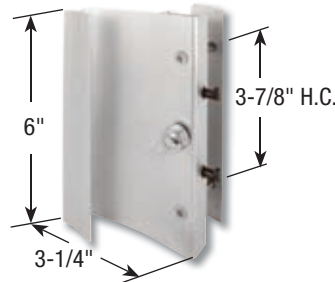
25 4749 (C-1016)
Inner pack: 1 Master pack: 5



Handle Set

- Diecast inside latch with wood pull
- Extruded aluminum outside pull
- Bronze finish
- Reversible internal hook latch for left or right handing
- Fits Sears® doors

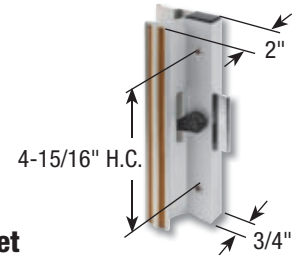
25 4734 (C-1021)
Inner pack: 1 Master pack: 5



Handle Set

- Extruded aluminum inside latch and outside pull
- Spring loaded hook pins twist to lock into door jamb
- No keeper required
- Fits Ador Hilite® doors

25 4746 (C-1014)
Inner pack: 1 Master pack: 5

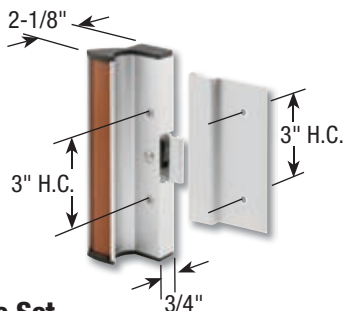


Handle Set

- Extruded aluminum inside latch and outside pull
- Stamped steel clamp flips down to engage door jamb
- No keeper required
- Clamp profile is 1/4"
- Clamp projection is 1/2" when clamp is in the locked position

25 4771 (C-1005 aluminum)
Inner pack: 1 Master pack: 5

25 4779 (C-1006 black)
Inner pack: 1 Master pack: 5

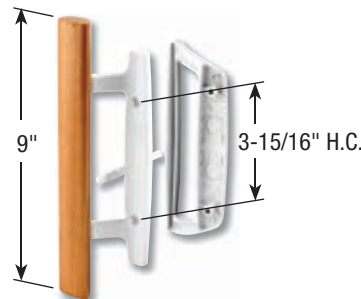


Handle Set

- Extruded aluminum inside latch and outside pull
- Extruded aluminum saw-tooth style clamp
- Locks door automatically when clamp is in the locked position and the door is being closed
- Fits 900 series International® doors

25 4711 (C-1055 aluminum)
Inner pack: 1 Master pack: 5

25 4720 (C-1073 black)
Inner pack: 1 Master pack: 5

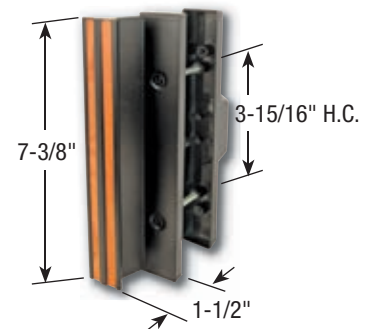


Handle Set

- Diecast inside latch with wood pull
- Diecast outside pull
- Diecast and stamped steel thumb turn
- Non-handed

25 4404 (C-1131 black)
Inner pack: 1 Master pack: 5

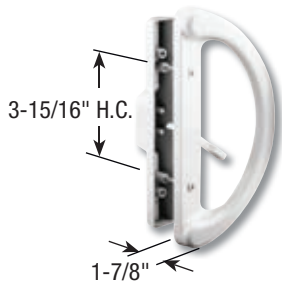
25 4376 (C-1204 white)
Inner pack: 1 Master pack: 5



Handle Set

- Extruded aluminum inside latch
- Diecast outside pull
- Stamped steel thumb turn
- Non-handed

25 4718 (C-1058)
Inner pack: 1 Master pack: 5



Handle Set

- Heavy duty white diecast inside latch assembly
- White diecast outside pull handle
- Thumb turn
- Non-handed

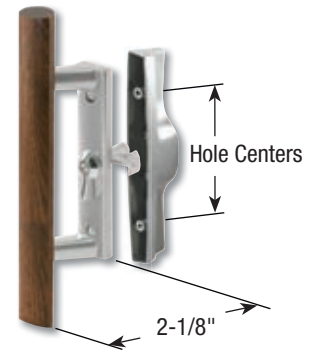
25 4331 (C-1225)
Inner pack: 1 Master pack: 5

Handle Set

- Diecast handle and latch assembly with wood pull
- Thumb turn and hold open spring are reversible for left or right handing
- Stamped steel keeper
- Night latch feature

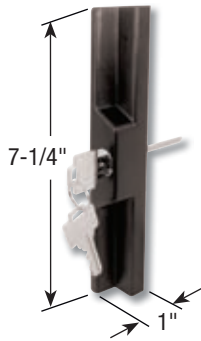
25 4748 (C-1018 aluminum 3-15/16" H.C.)
Inner pack: 1 Master pack: 5

25 4472 (C-1107 black 3-15/16" H.C.)
Inner pack: 1 Master pack: 5



25 4751 (C-1095 black 3-1/2" H.C.)
Inner pack: 1 Master pack: 5

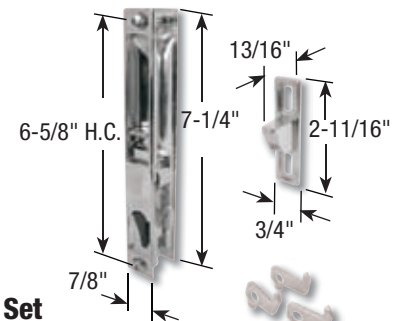
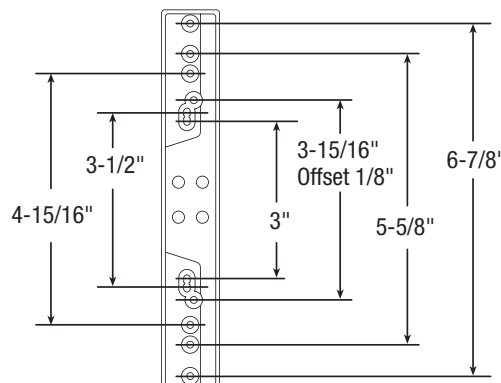
25 4456 (C-1194 white 3-1/2" H.C.)
Inner pack: 1 Master pack: 5



Outside Pull

- Black diecast outside pull with a multi-mounting hole pattern
- 6 different hole patterns
- Keyed

25 4405 (C-1139)
Inner pack: 1 Master pack: 5

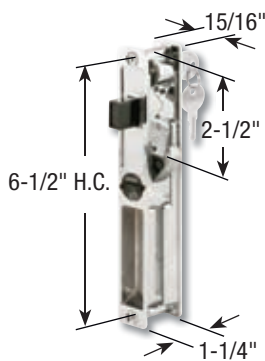


Handle Set

- Diecast flush latch assembly
- Four different sized hooks, which are reversible for left or right handing
- Diecast keeper
- Night latch feature

25 4760 (C-1043 black)
Inner pack: 1 Master pack: 5

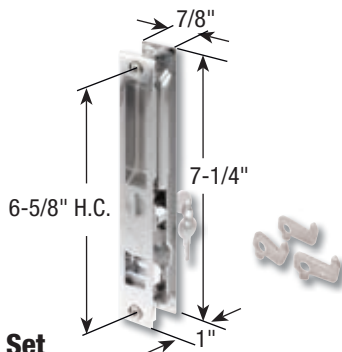
25 4761 (C-1045 chrome)
Inner pack: 1 Master pack: 5



Handle Set

- Chrome diecast flush latch assembly
- Thick diecast latch hook
- Night latch feature
- Fits Crossly® doors

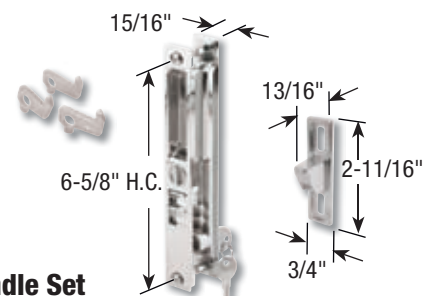
25 4726 (C-1074)
Inner pack: 1 Master pack: 5



Handle Set

- Chrome diecast flush latch assembly
- Keyed
- Four different sized hooks, which are reversible for left or right handing
- Diecast keeper
- Night latch feature

25 4729 (C-1076)
Inner pack: 1 Master pack: 5

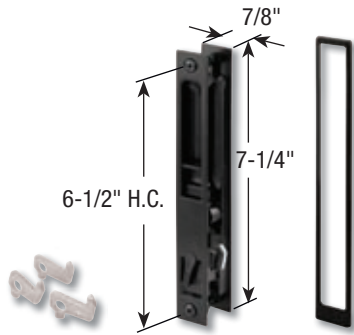


Handle Set

- Diecast flush latch assembly with diecast pull handle
- Keyed
- Four different sized hooks, which are reversible for left or right handing
- Night latch feature

25 4430 (C-1123 black)
Inner pack: 1 Master pack: 5

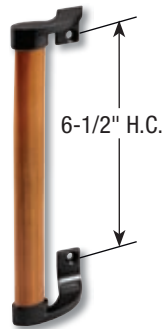
25 4406 (C-1134 chrome)
Inner pack: 1 Master pack: 5



Handle Set

- Diecast flush latch assembly with plastic spacer
- Four different sized hooks, which are reversible for left or right handing
- Fits Croft® Alum. 301 series

25 4474 (C-1101)
 Inner pack: 1 Master pack: 5

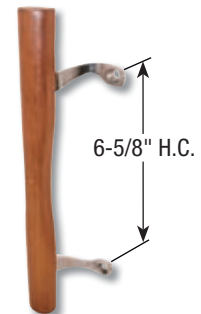


Pull

- Hardwood pull handle with stained finish
- Diecast end cap style mounting brackets used with 25 4726 Crossly® flush handle sets

25 4798 (C-1068 black)
 Inner pack: 1 Master pack: 5

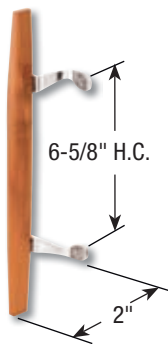
25 4447 (C-1110 gray)
 Inner pack: 1 Master pack: 5



Pull

- Hardwood pull handle with stained finish
- Chrome diecast mounting brackets
- Used on flush handle sets with 6-5/8" hole centers

25 4706 (C-1034)
 Inner pack: 1 Master pack: 10



Pull

- Hardwood pull handle with stained finish
- Chrome diecast mounting brackets

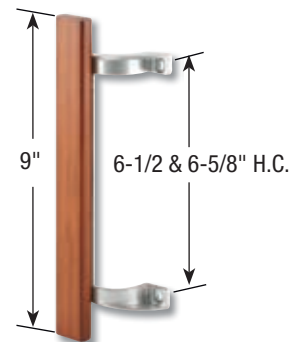
25 4795 (C-1069)
 Inner pack: 1 Master pack: 5



Pull

- Chrome diecast pull handle
- Used on flush handle sets with 6-5/8" hole centers

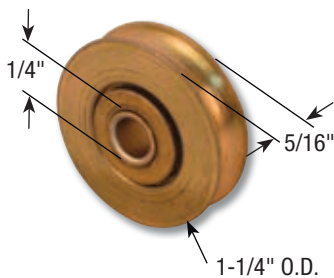
25 4792 (C-1067)
 Inner pack: 1 Master pack: 5



Pull

- Hardwood pull handle with stained finish
- One piece chrome diecast base
- Mounting holes are slotted, to fit both 6-1/2" and 6-5/8" hole centers

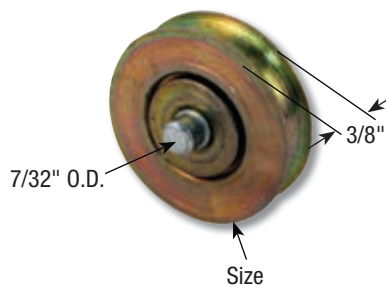
25 4485 (C-1189)
 Inner pack: 1 Master pack: 5



Roller

- 1-1/4" O.D. center groove steel ball bearing roller
- 1/4" diameter hole
- Includes 1/4"-20 x 3/4" carriage bolt

25 4173 (D-1502)
 Inner pack: 2 Master pack: 10

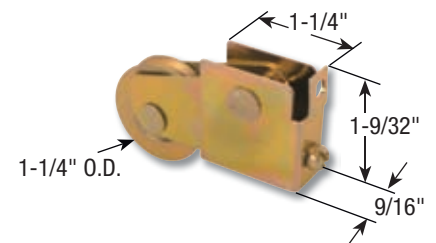


Roller

- Center groove steel ball bearing roller
- Includes built-in axle

25 4291 (D-1765 1-1/4" O.D.)
 Inner pack: 2 Master pack: 10

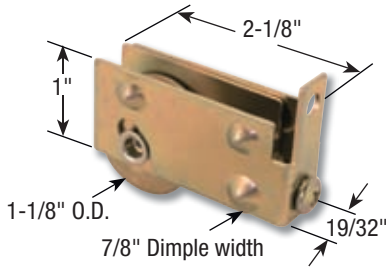
25 4299 (D-1766 1-1/2" O.D.)
 Inner pack: 2 Master pack: 10



Roller

- 1-1/4" O.D. center groove steel ball bearing roller assembly
- Adjustable steel housing
- Fits on Sun Valley®, Fullview®, Glasco® and other patio door manufacturers

25 4175 (D-1509)
 Inner pack: 1 Master pack: 10

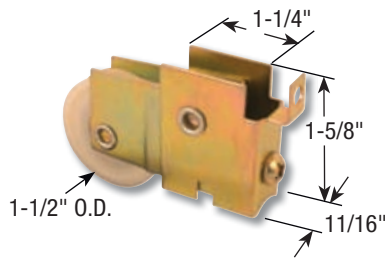


Roller Assembly

- 1-1/8" O.D. center groove steel ball bearing roller assembly
- Adjustable steel housing
- Fits on Viking® and other patio door manufacturers

25 4167 (D-1540)

Inner pack: 1 Master pack: 10

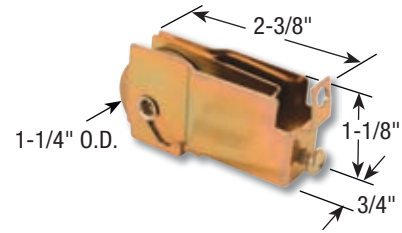


Roller Assembly

- 1-1/2" O.D. center groove nylon ball bearing roller assembly
- Adjustable steel housing
- Fits on Starlite®, Doormaster® and other patio door manufacturers

25 4144 (D-1511)

Inner pack: 1 Master pack: 10

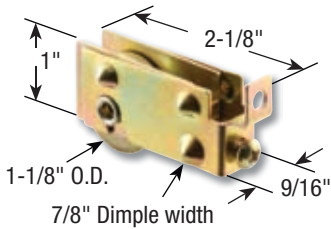


Roller Assembly

- 1-1/4" O.D. center groove steel ball bearing roller assembly
- Adjustable steel housing
- Fits on Christian Porter®, Fullview® and other patio door manufacturers

25 4141 (D-1515)

Inner pack: 1 Master pack: 10

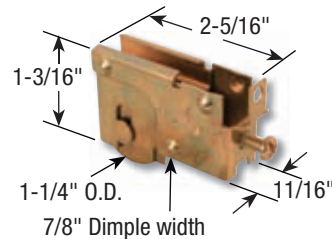


Roller Assembly

- 1-1/8" O.D. center groove steel ball bearing roller assembly
- Adjustable steel housing

25 4955 (D-1699)

Inner pack: 1 Master pack: 10

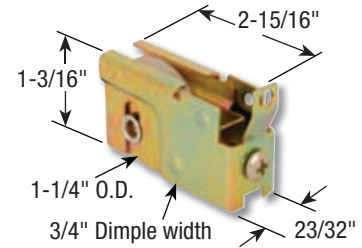


Roller Assembly

- 1-1/4" O.D. center groove steel ball bearing roller assembly
- Adjustable steel housing
- Fits on Northrop® and other patio door manufacturers

25 4186 (D-1584)

Inner pack: 1 Master pack: 10

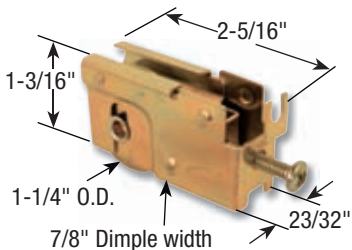


Roller Assembly

- 1-1/2" O.D. center groove nylon ball bearing roller assembly
- Adjustable steel housing

25 4202 (D-1737)

Inner pack: 1 Master pack: 10

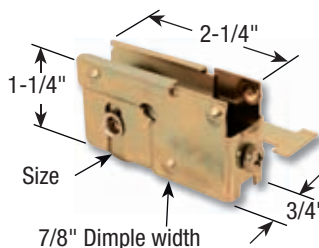


Roller Assembly

- 1-1/4" O.D. center groove steel ball bearing roller assembly
- Adjustable steel housing
- Fits on Solar Ind.® and other patio door manufacturers

25 4139 (D-1526)

Inner pack: 1 Master pack: 10



Roller Assembly

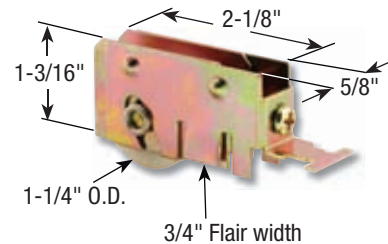
- Center groove steel ball bearing roller assembly
- Adjustable steel housing

25 4130 (D-1523 1-1/8")

Inner pack: 1 Master pack: 10

25 4131 (D-1525 1-1/2")

Inner pack: 1 Master pack: 10



Roller Assembly

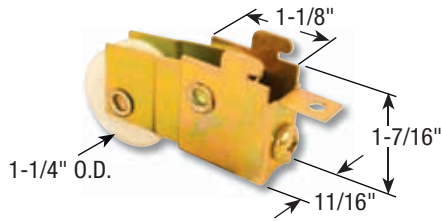
- 1-1/4" O.D. center groove ball bearing roller assembly
- Adjustable steel housing
- Fits on International® doors

25 4237 (D-1720 nylon)

Inner pack: 1 Master pack: 10

25 4148 (D-1518 steel)

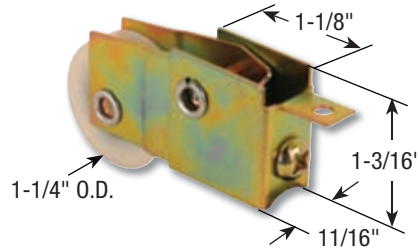
Inner pack: 1 Master pack: 10



Roller Assembly

- 1-1/4" center groove nylon ball bearing roller assembly
- Adjustable steel housing

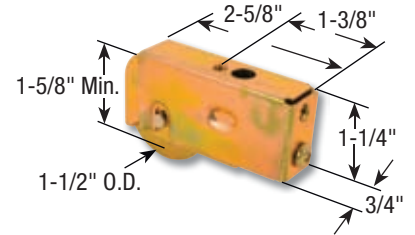
25 4143 (D-1512)
Inner pack: 1 Master pack: 10



Roller Assembly

- 1-1/4" O.D. center groove nylon ball bearing roller assembly
- Adjustable steel housing
- Fits on Rebco-West® doors

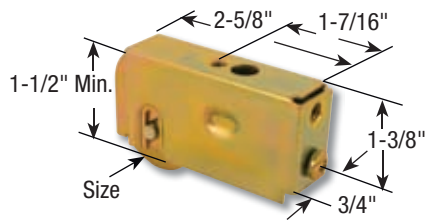
25 4140 (D-1513)
Inner pack: 1 Master pack: 10



Roller Assembly

- 1-1/2" center groove steel ball bearing roller assembly
- Adjustable steel housing
- Fits on Daryl®, Patio Magic® and other patio door manufacturers

25 4156 (D-1594)
Inner pack: 1 Master pack: 10

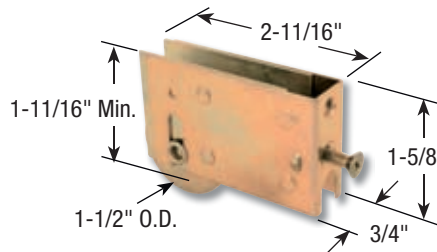


Roller Assembly

- Center groove steel ball bearing roller assembly
- Adjustable steel housing
- Fits on Air Control®, Howmet®, Krestmark® and others

25 4230 (D-1723 steel 1-1/4" O.D.)
Inner pack: 1 Master pack: 10

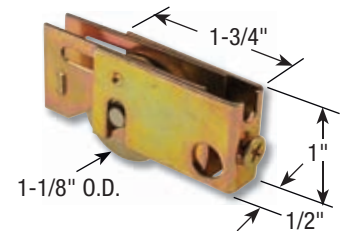
25 4190 (D-1563 nylon 1-1/2" O.D.)
Inner pack: 1 Master pack: 10



Roller Assembly

- 1-1/2" O.D. center groove steel ball bearing roller assembly
- Adjustable steel housing
- Fits on Keller® and other patio door manufacturers

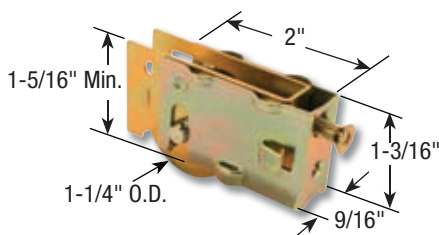
25 4215 (D-1759)
Inner pack: 1 Master pack: 10



Roller Assembly

- 1-1/8" O.D. center groove steel ball bearing roller assembly
- Adjustable steel housing
- Fits on Better-Bilt® and other manufacturers

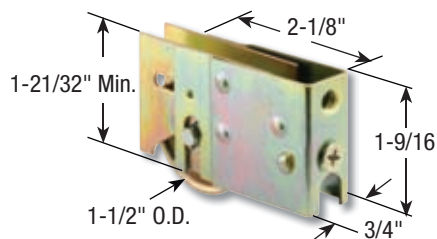
25 4218 (D-1758)
Inner pack: 1 Master pack: 10



Roller Assembly

- 1-1/4" O.D. center groove steel ball bearing roller assembly
- Adjustable steel housing
- Fits on Nu-Air®, Bennings® and Scotty® patio doors

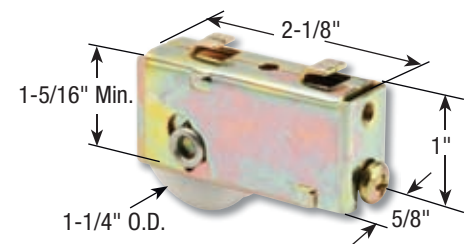
25 4988 (D-1688)
Inner pack: 1 Master pack: 10



Roller Assembly

- 1-1/2" O.D. center groove steel ball bearing roller assembly
- Adjustable steel housing

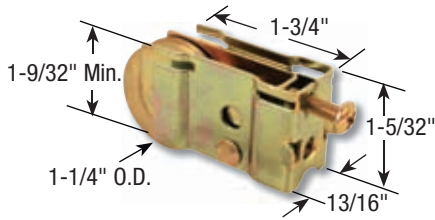
25 4833 (D-1822)
Inner pack: 1 Master pack: 10



Roller Assembly

- 1-1/4" O.D. center groove nylon ball bearing roller assembly
- Adjustable steel housing
- Fits on Smith Carry® and other patio door manufacturers

25 4101 (D-1535)
Inner pack: 1 Master pack: 10

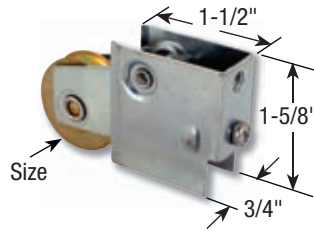


Roller Assembly

- 1-1/4" O.D. center groove steel ball bearing roller assembly
- Adjustable steel housing
- Fits on Acorn® and Wells Aluminum

25 4115 (D-1559)

Inner pack: 1 Master pack: 10



Roller Assembly

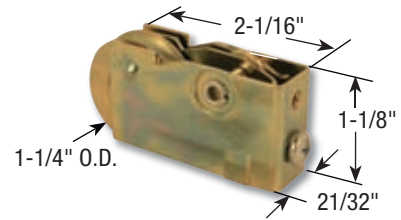
- Center groove steel ball bearing roller assembly
- Adjustable steel housing
- Fits on Keller® doors and other patio door manufacturers

25 4194 (D-1561 1-1/4" O.D.)

Inner pack: 1 Master pack: 10

25 4193 (D-1562 1-1/2" O.D.)

Inner pack: 1 Master pack: 10

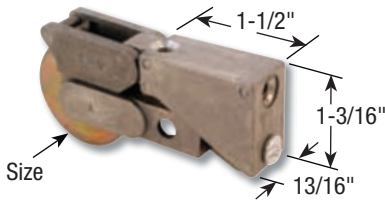


Roller Assembly

- 1-1/4" O.D. center groove steel ball bearing roller assembly
- Adjustable steel housing
- Fits on Crossly® doors and other patio door manufacturers

25 4974 (D-1601)

Inner pack: 1 Master pack: 10



Roller Assembly

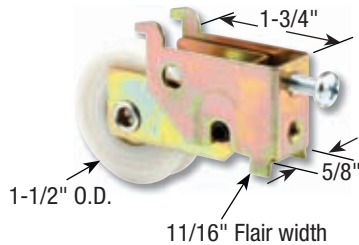
- Center groove steel ball bearing roller assembly
- Adjustable diecast housing
- Fits on Fleetwood® and Fullview® patio doors

25 4100 (D-1533 1-1/2" O.D.)

Inner pack: 1 Master pack: 10

25 4103 (D-1532 1-1/4" O.D.)

Inner pack: 1 Master pack: 10

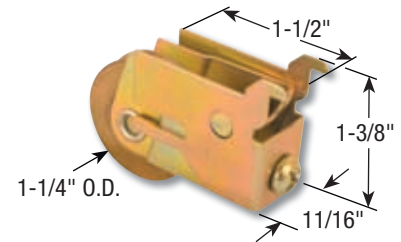


Roller Assembly

- 1-1/2" center groove nylon ball bearing roller
- Adjustable steel housing
- Fits on Ador Hilite® patio doors

25 4980 (D-1683)

Inner pack: 1 Master pack: 10

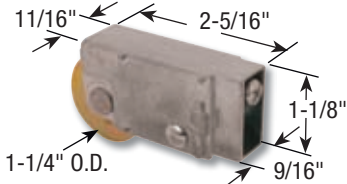


Roller Assembly

- 1-1/4" O.D. center groove steel ball bearing roller assembly
- Adjustable steel housing
- Fits on Premier® patio doors

25 4213 (D-1752)

Inner pack: 1 Master pack: 10

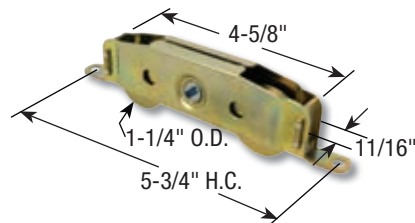


Roller Assembly

- 1-1/4" O.D. center groove steel ball bearing roller assembly
- Adjustable diecast housing
- Fits on Crossly® doors and other patio door manufacturers

25 4970 (D-1603)

Inner pack: 1 Master pack: 10

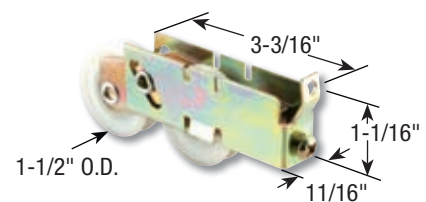


Tandem Roller Assembly

- 1-1/4" O.D. center groove steel ball bearing tandem roller assembly
- Side adjustable steel housing
- Used on vinyl and wood patio doors

25 4972 (D-1607)

Inner pack: 1 Master pack: 10

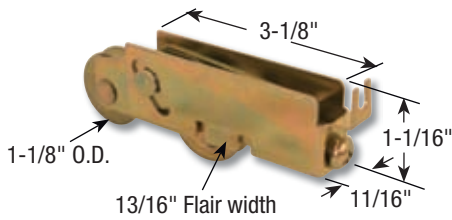


Tandem Roller Assembly

- 1-1/2" O.D. center groove nylon ball bearing tandem roller assembly
- Adjustable steel housing
- Used on vinyl doors

25 4208 (D-1738)

Inner pack: 1 Master pack: 10



Tandem Roller Assembly

- 1-1/8" O.D. center groove steel ball bearing tandem roller assembly
- Adjustable steel housing
- Fits on Pacific® and other patio door manufacturers

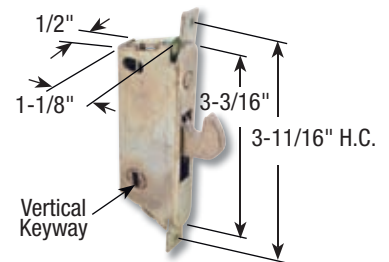
25 4114 (D-1551)
Inner pack: 1 Master pack: 10



Repair Track

- Used as a repair part for damaged or badly worn tracks
- 96"
- Stainless steel
- Easy to install

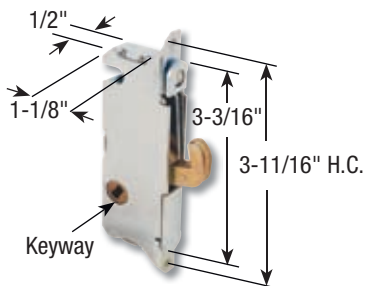
25 4125 (D-1579)
Inner pack: 5 Master pack: 1



Mortise Lock

- Steel
- Vertical keyway
- Mortise installation
- Round end face plate
- Hook projection is adjustable

25 3775 (E-2009)
Inner pack: 1 Master pack: 10

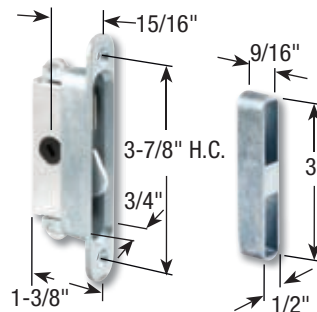


Mortise Lock

- Steel
- Mortise installation
- Round end face plate
- Hook projection is adjustable

25 3740 (E-2013 vertical keyway)
Inner pack: 1 Master pack: 10

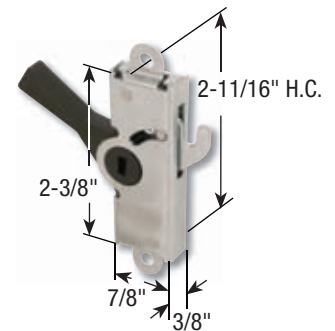
25 3746 (E-2014 45° keyway)
Inner pack: 1 Master pack: 10



Mortise Lock & Keeper

- Wood or aluminum door application
- Integration of keeper and lock for positive anti-lift protection
- Plated steel hook is mounted in an aluminum housing
- Fits on Pennco® and other manufacturers

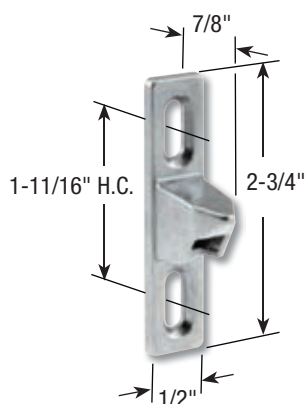
25 3725 (E-2079)
Inner pack: 1 Master pack: 10



Internal Lock

- Internal lock for surface mounted patio door handle
- Steel housing and hook
- Black plastic latch lever

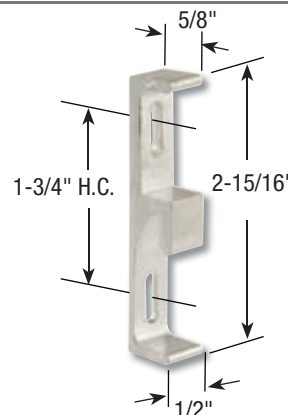
25 3735 (E-2029)
Inner pack: 1 Master pack: 10



Keeper

- Chrome diecast keeper
- Screw slots allow for vertical adjustment
- Universal application

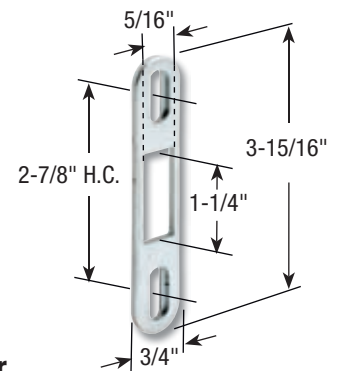
25 3783 (E-2082)
Inner pack: 2 Master pack: 10



Keeper

- Zinc diecast keeper
- Face mount
- Vertical slots allow for adjustment

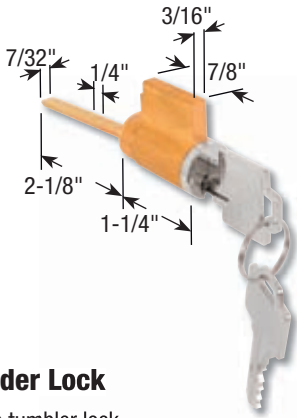
25 3756 (E-2094)
Inner pack: 2 Master pack: 10



Keeper

- Surface mount
- For hook style latch
- Zinc plated steel
- Can be used as a reinforcing plate for slotted end stiles

25 3752 (E-2097)
Inner pack: 1 Master pack: 10



Cylinder Lock

- 5 pin tumbler lock
- Hardened break-away tailpiece
- Keyway is compatible to Weiser®, Kwikset® & Weslock®
- Solid brass cylinder

25 3777 (E-2000)

Inner pack: 1 Master pack: 10

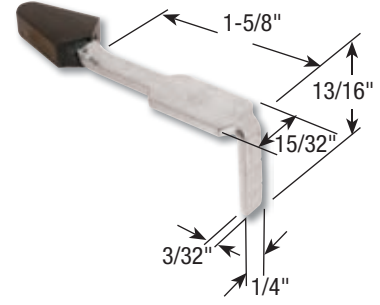


Cylinder Lock

- Diecast housing
- Wafer Type
- For use on 1" Thick Doors
- Uses Chicago Lock key blank CG16 or CG27

25 3771 (E-2005)

Inner pack: 2 Master pack: 10



Latch Lever

- Stamped steel lever
- Black plastic tip

25 3799 (E-2066)

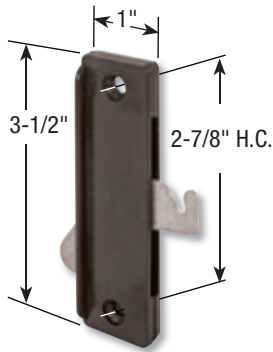
Inner pack: 2 Master pack: 10



PATIO DOOR

Hardware

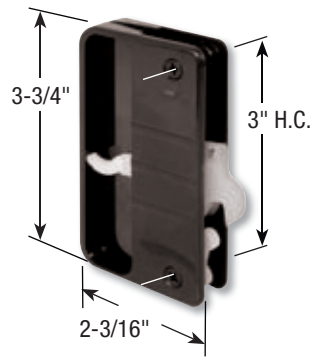
Sliding patio doors are one of the most neglected entry points for most homes. Prime-Line has developed over 1600 repair and maintenance items to ensure these doors function safely and securely. We carry over 350 different patio door handles, and over 550 roller assemblies. We manufacture the largest selection of patio door roller assemblies in the world using top quality, precision ground, sealed bearing assemblies.



Latch & Pull

- Black plastic pull
- Steel lever latch
- Non-handed
- Surface mount
- Fits on Keller® doors

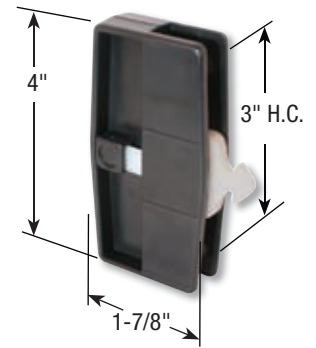
30 0433 (A-122)
Inner pack: 1 Master pack: 10



Latch & Pull

- Black plastic pull
- Non-handed
- Complete with security lock
- Fits on Anjac® doors

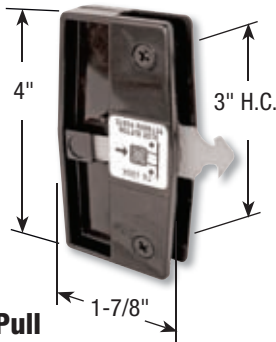
30 0478 (A-108)
Inner pack: 1 Master pack: 10



Latch & Pull

- Black plastic pull
- Non-handed
- Complete with security lock
- Mortise installation
- Fits on Columbia® doors

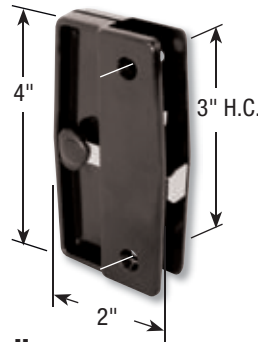
30 0475 (A-109)
Inner pack: 1 Master pack: 10



Latch & Pull

- Black plastic pulls
- Non-handed
- Complete with security lock
- Mortise installation
- For 1/2" thick doors
- Fits on Columbia® doors

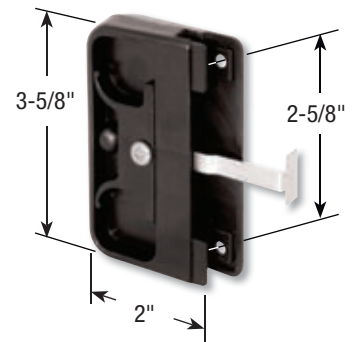
30 0491 (A-165)
Inner pack: 1 Master pack: 10



Latch & Pull

- Black plastic pull
- Steel latch
- Non-handed
- Mortise installation
- Fits on Academy®, & Better-Bilt®

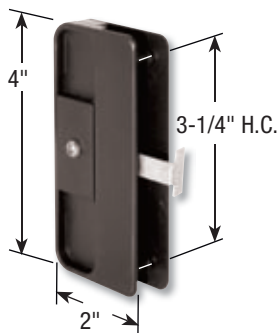
30 0405 (A-139)
Inner pack: 1 Master pack: 10



Latch & Pull

- Black plastic pull
- Steel latch
- Non-handed
- Mortise installation

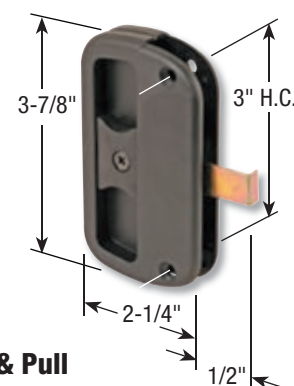
30 0463 (A-142)
Inner pack: 1 Master pack: 10



Latch & Pull

- Black plastic pull
- Steel latch
- Non-handed
- Mortise installation
- Fits on Jim Walters®

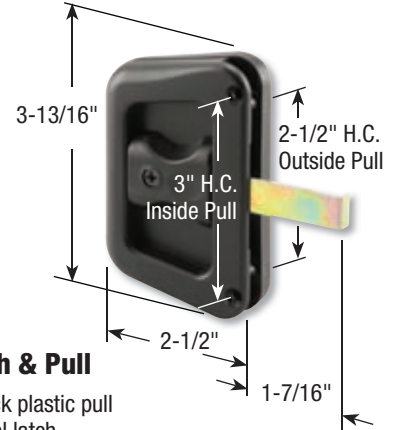
30 0417 (A-150)
Inner pack: 1 Master pack: 10



Latch & Pull

- Black plastic pull
- Steel latch
- Non-handed
- Mortise installation
- Used on 1/2" extruded and roll-formed doors

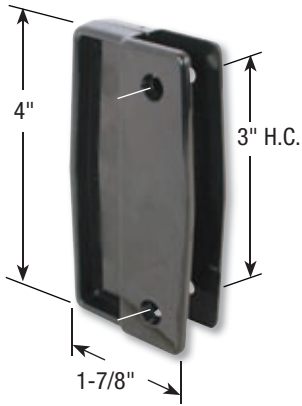
30 0489 (A-186)
Inner pack: 1 Master pack: 10



Latch & Pull

- Black plastic pull
- Steel latch
- Non-handed
- Mortise installation
- Fits on hat section doors

30 0482 (A-187)
Inner pack: 1 Master pack: 10



Pull

- Black plastic pull
- Non-handed
- Surface mount

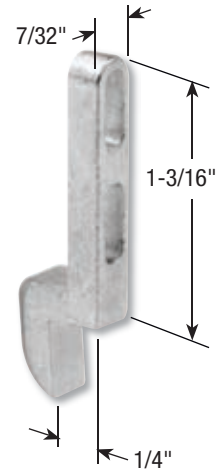
30 0444 (A-111)
Inner pack: 1 Master pack: 10



Latch Strike

- Stamped steel
- Used by Columbia® doors

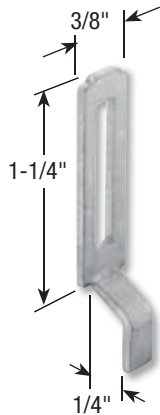
30 0490 (A-163)
Inner pack: 5 Master pack: 10



Latch Strike

- Diecast
- Adjustable

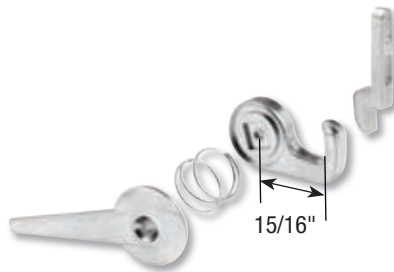
30 0432 (A-127)
Inner pack: 5 Master pack: 10



Latch Strike

- Stamped steel
- Adjustable

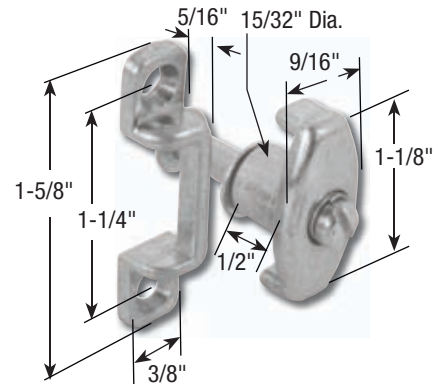
30 0468 (A-148)
Inner pack: 5 Master pack: 10



Latch Kit

- Diecast lever and hook latch
- Mortise installation

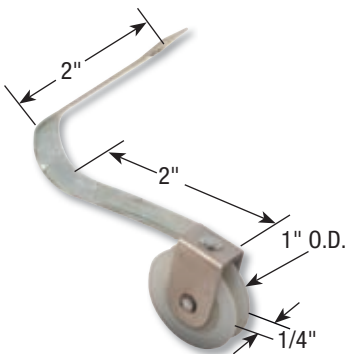
30 0402 (A-137)
Inner pack: 2 Master pack: 10



Latch Kit

- Zinc plated diecast latch and strike
- Non-handed
- Surface mount

30 0496 (A-164)
Inner pack: 1 Master pack: 10

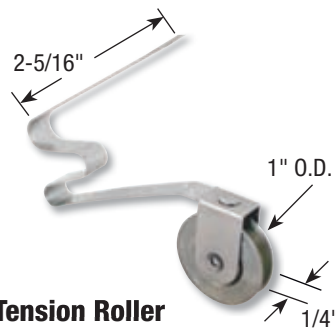


Spring Tension Roller

- Center groove wheel
- Heat treated, high tension steel spring

30 0127 (B-570 nylon)
Inner pack: 2 Master pack: 10

30 0124 (B-571 steel ball bearing)
Inner pack: 2 Master pack: 10



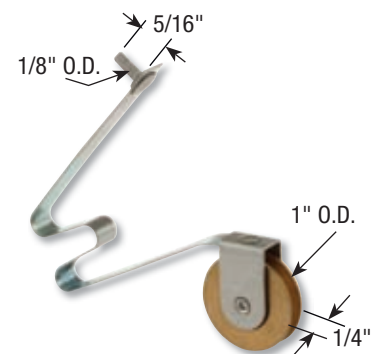
Spring Tension Roller

- Adjustable
- Center groove wheel
- Heat treated, high tension steel spring

30 0143 (B-512 nylon)
Inner pack: 2 Master pack: 10

30 0140 (B-513 steel ball bearing)
Inner pack: 2 Master pack: 10

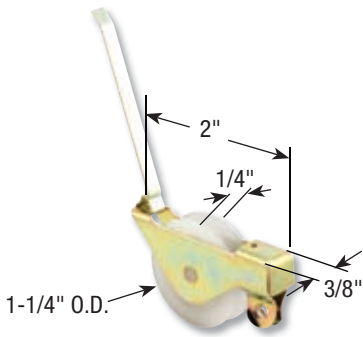
30 0967 (B-640 nylon ball bearing)
Inner pack: 2 Master pack: 10



Spring Tension Roller

- Adjustable
- Center groove steel ball bearing wheel
- Heat treated, high tension steel spring
- 1/8" locator pin holds roller in fixed position

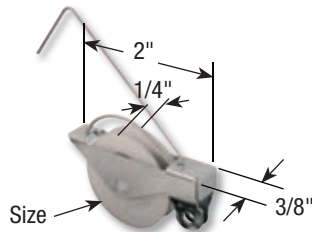
30 0966 (B-644)
Inner pack: 2 Master pack: 10



Spring Tension Roller

- Center groove nylon wheel
- Steel housing
- Heat treated, high tension steel flat spring
- Used as top and bottom roller

30 0909 (B-636)
Inner pack: 2 Master pack: 10



Spring Tension Roller

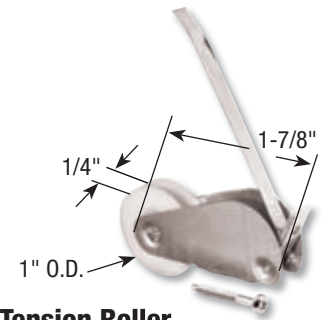
- Center groove wheel
- Used as a top and bottom roller

30 0164 (B-541 nylon 1")
Inner pack: 2 Master pack: 10

30 0947 (B-610 steel ball bearing 1")
Inner pack: 2 Master pack: 10

30 0141 (B-515 nylon 1-1/4")
Inner pack: 2 Master pack: 10

30 0279 (B-736 nylon 1-1/4" stainless steel housing & spring)
Inner pack: 2 Master pack: 10

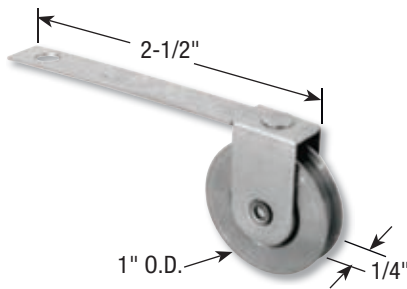


Spring Tension Roller

- Center groove wheel
- Steel housing
- Heat-treated, high tension steel spring
- Used as a top and bottom roller

30 0148 (B-518 nylon)
Inner pack: 2 Master pack: 10

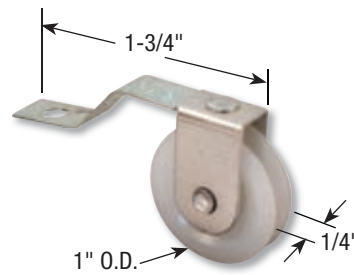
30 0978 (B-608 steel ball bearing)
Inner pack: 2 Master pack: 10



Spring Tension Roller

- Center groove steel ball bearing wheel
- Heat treated, high tension steel spring

30 0133 (B-522)
Inner pack: 2 Master pack: 10

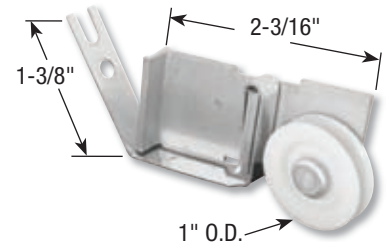


Spring Tension Roller

- Center groove wheel
- Heat treated, high tension steel spring

30 0908 (B-638 nylon)
Inner pack: 2 Master pack: 10

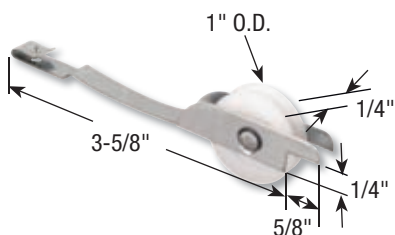
30 0905 (B-639 steel ball bearing)
Inner pack: 2 Master pack: 10



Spring Tension Roller

- Extruded aluminum housing, with steel spring
- Center groove nylon wheel
- Fits on International® series No. 900, 925, 950 doors

30 0142 (B-517)
Inner pack: 2 Master pack: 10

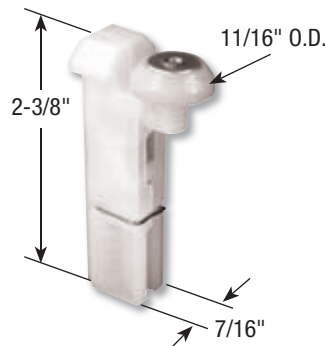


Spring Tension Roller

- Center groove wheel
- Steel housing
- High tension steel spring
- Fits on Columbia Uni-fit® doors

30 0965 (B-649 nylon)
Inner pack: 2 Master pack: 10

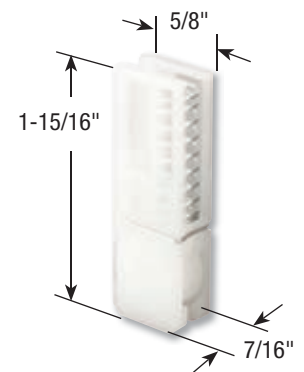
30 0276 (B-704 steel ball bearing)
Inner pack: 2 Master pack: 10



Roller Assembly

- Top hung
- Nylon housing with oval edge nylon ball bearing wheel
- Built-in guide
- Fits on HiLite® doors

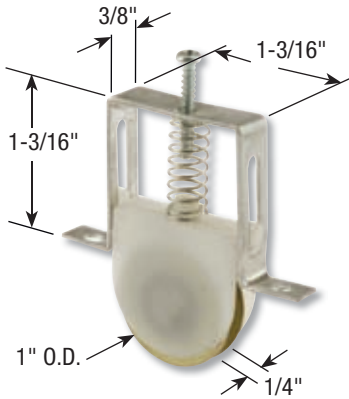
30 0160 (B-543)
Inner pack: 2 Master pack: 10



Roller Assembly

- Bottom mount
- Nylon bracket with flat edge, nylon wheel
- Fits on HiLite® doors

30 0166 (B-544)
Inner pack: 2 Master pack: 10

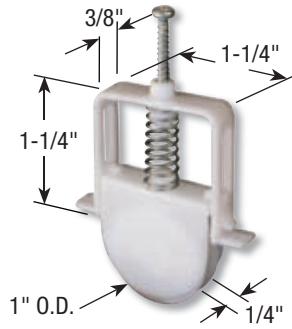


Roller Assembly

- Aluminum frame with nylon inner housing
- Center grooved steel ball bearing wheel

30 0942 (B-617)

Inner pack: 2 Master pack: 10



Roller Assembly

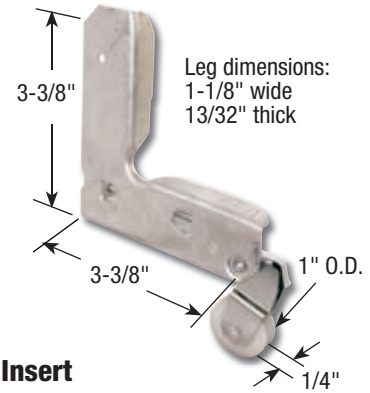
- Nylon main frame assembly
- Nylon inner housing with center groove wheel

30 0121 (B-575 nylon)

Inner pack: 2 Master pack: 10

30 0904 (B-631 steel ball bearing)

Inner pack: 2 Master pack: 10

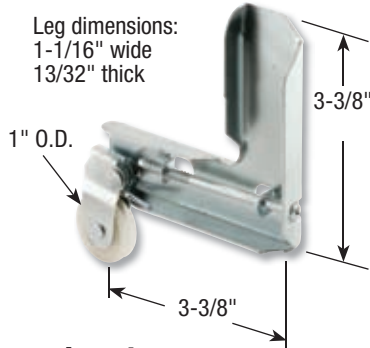


Corner Insert

- Stamped aluminum corner
- Center groove nylon wheel
- Adjusting screw
- Fits on doors by Jim Walters®

30 0976 (B-604)

Inner pack: 2 Master pack: 10

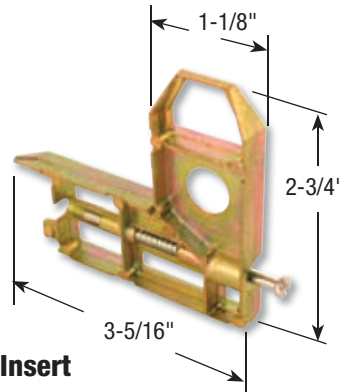


Corner Insert

- Stamped steel corner housing
- Center groove nylon wheel
- Spring activated
- Adjusting screw
- Fits on doors by Metal Industries®

30 0972 (B-607)

Inner pack: 2 Master pack: 10

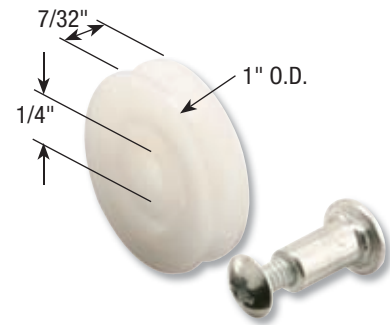


Corner Insert

- Diecast corner
- Adjusting screw
- For 45° miter cut door design
- Fits 30 0141 style rollers

30 0195 (B-569)

Inner pack: 2 Master pack: 10

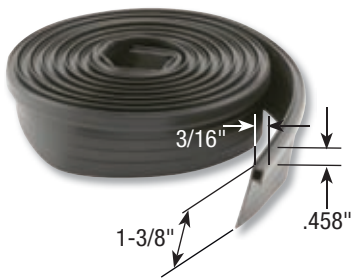


Roller

- Narrow center groove nylon wheel
- 8-32 x 3/8" machine screw with binder post nut
- Fits on Air Control® doors

30 0114 (B-551)

Inner pack: 2 Master pack: 10



Bug Seal

- Black vinyl flap
- Tear strips to adjust width from 7/8" to 1-3/8"
- Flexible
- Seals against insects

30 0997 (B-660)

Inner pack: 1 Master pack: 10



Become a Distributor

» Visit our website or call...

primeline.net

1.800.899.7799



Pneumatic Door Closer

- For outswinging wood or metal doors
- Full 90° opening
- Adjustable closing speed
- For light to medium weight doors

35 1732 (K-5027 aluminum finish)
Inner pack: 1 Master pack: 5

35 1738 (K-5028 black finish)
Inner pack: 1 Master pack: 5



Pneumatic Door Closer

- For outswinging wood or metal doors
- Full 90° opening
- Adjustable closing speed
- For medium weight doors

35 1792 (K-5067 aluminum finish)
Inner pack: 1 Master pack: 10

35 1720 (K-5073 black finish)
Inner pack: 1 Master pack: 5



Pneumatic Door Closer

- For outswinging wood or metal doors
- Full 90° opening
- Adjustable closing speed
- For heavy weight doors

35 1478 (K-5108 aluminum finish)
Inner pack: 1 Master pack: 10

35 1475 (K-5109 black finish)
Inner pack: 1 Master pack: 10

35 1437 (K-5120 white finish)
Inner pack: 1 Master pack: 10

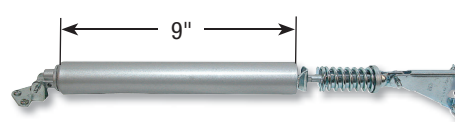


Hydraulic Door Closer

- Hydraulic mechanism provides smooth, constant action
- For outswinging wood or metal doors
- Full 90° opening
- Adjustable closing speed
- For light to medium weight doors

35 1718 (K-5058 aluminum finish)
Inner pack: 1 Master pack: 5

35 1715 (K-5059 black finish)
Inner pack: 1 Master pack: 5

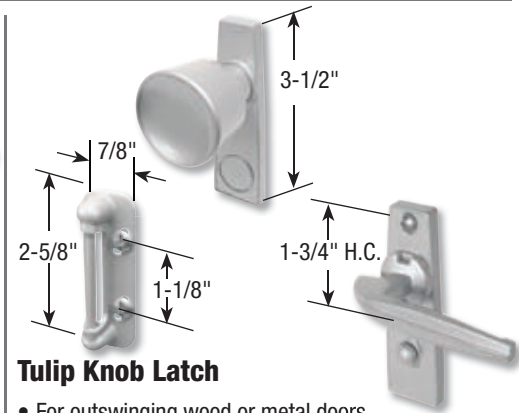


Shock Spring Door Closer

- For outswinging wood or metal doors
- Full 90° opening
- Adjustable closing speed
- External spring to prevent wind damage
- For light to medium weight doors

35 1726 (K-5074 aluminum finish)
Inner pack: 1 Master pack: 5

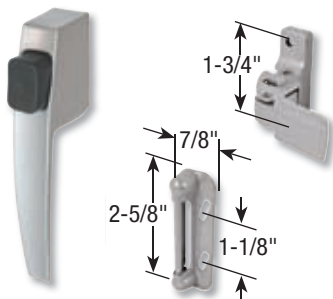
35 1729 (K-5076 black finish)
Inner pack: 1 Master pack: 5



Tulip Knob Latch

- For outswinging wood or metal doors
- Fits 5/8" to 1-1/4" thick doors
- 1-3/4" installation hole spacing
- 7/8" backset from door stop
- Inside locks for security

35 1777 (K-5000 aluminum finish)
Inner pack: 1 Master pack: 5

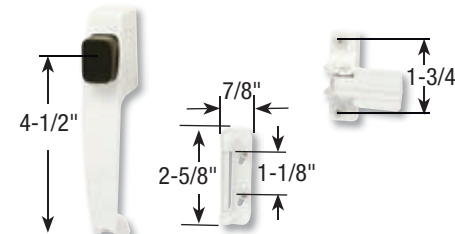


Push Button Latch

- For outswinging wood or metal doors
- Fits 5/8" to 1-1/4" thick doors
- 1-3/4" installation hole spacing
- 9/16" backset from door stop
- Inside locks for security

35 1779 (K-5006 aluminum finish)
Inner pack: 1 Master pack: 5

35 1772 (K-5007 black finish)
Inner pack: 1 Master pack: 5



Push Button Latch

- For outswinging wood or metal doors
- Fits 5/8" to 1-1/4" thick doors
- 9/16" backset from door stop
- Tie-down screw at bottom of handle
- Inside locks for security

35 1727 (K-5070 aluminum finish)
Inner pack: 1 Master pack: 5

35 1724 (K-5071 black finish)
Inner pack: 1 Master pack: 5

35 1449 (K-5116 White finish)
Inner pack: 1 Master pack: 5



Colonial Push Button Latch

- For outswinging wood or metal doors
- Fits 5/8" to 1-1/4" thick doors
- 1-3/4" installation hole spacing
- 9/16" backset from door stop

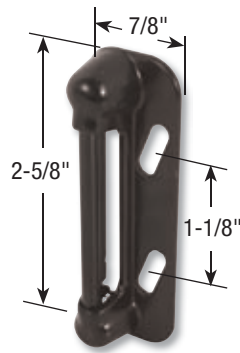
35 1725 (K-5079 black finish)
Inner pack: 1 Master pack: 5



Push Button Latch

- For outswinging wood or metal doors
- Fits 5/8" to 1-1/4" thick doors
- 9/16" backset from door stop
- Tie-down screw at bottom of handle
- Inside locks for security

35 1783 (K-5082 black finish)
Inner pack: 1 Master pack: 10



Latch Strike

- Fits all resilient strike latches
- Includes two 1/16" plastic shims for installation height adjustment
- Durable, painted finish
- Angled mounting slots for lateral adjustment

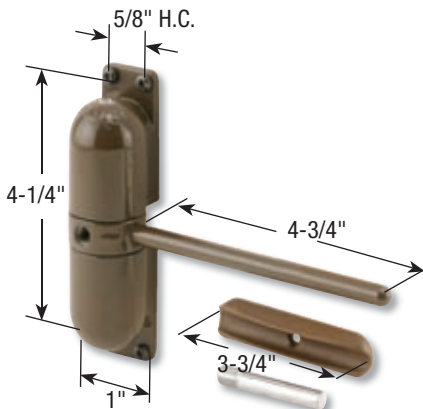
35 1776 (K-5004 black finish)
Inner pack: 2 Master pack: 10



Chain Door Stop

- Helps prevent wind damage to doors
- All mounting brackets and hardware included
- Hold-up spring helps prevent damage to door surfaces

35 1739 (K-5026 zinc)
Inner pack: 1 Master pack: 10



Surface Mounted Door Closers

- U.L. Listed and meets Canadian Nat'l Standard
- Included in 1/2 hour fire door test to BS476 Part 22 - 1987
- Suitable for use with doors up to 150 lbs. (68kg)
- Suitable for right or left-handed doors
- Maintenance-free
- Die-cast zinc alloy body incorporates two torsion springs
- Adjustable pressure exerts a variable closing force on doors.
- For interior use only

35 4400 (KC11US white finish)
Inner pack: 1 Master pack: 20

35 4800 (KC18US brown finish)
Inner pack: 1 Master pack: 20



SCREEN & STORM DOOR Hardware

Prime-Line's Screen and Storm Door Hardware line is made using the highest quality materials and finest protective finishes. Our products have been in use by manufacturers and consumers for over 30 years, providing you with quality you can count on. The wide selection satisfies any regional requirements for replacement hardware or new manufacturing demands.



Sliding Door Track & Hardware Kit

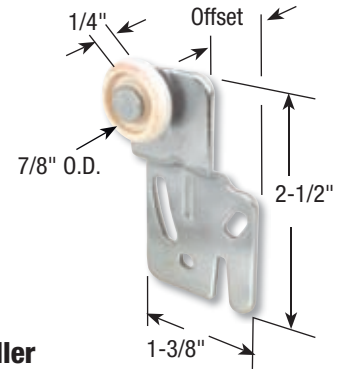
- Galvanized steel track
- Plated steel hangers
- Adjustable bottom guide (steel base with nylon tips)
- Brass plated steel pulls
- Use with wood door panels 3/4" to 1-3/8" thick
- For use on doors weighing up to 60 lbs. each

161791 (N-6883 - 48")
Inner pack: 1 Master pack: 6

161792 (N-6884 - 60")
Inner pack: 1 Master pack: 6

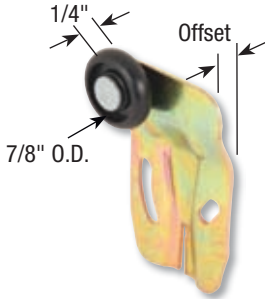
161793 (N-6885 - 72")
Inner pack: 1 Master pack: 6

161850 (N-6886 - 96")
Inner pack: 1 Master pack: 6



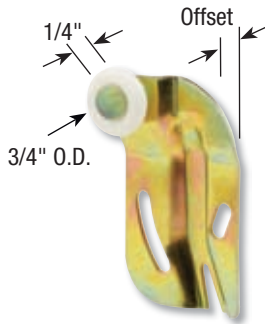
Roller

- Top hung, side mounting
 - Offset adjustable steel bracket
 - Round edge nylon wheel
 - Fits 3/4" to 1-3/8" thick doors
- 40 9177** (N-6500 front - 1/4" offset)
Inner pack: 2 Master pack: 10
- 40 9174** (N-6501 back - 1/2" offset)
Inner pack: 2 Master pack: 10



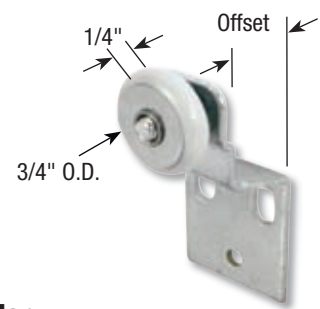
Roller

- Top hung, side mounting
 - Offset adjustable steel bracket
 - Round edge nylon wheel
 - Fits 3/4" to 1-3/8" thick doors
- 40 9176** (N-6504 front - 1/4" offset)
Inner pack: 2 Master pack: 10
- 40 9171** (N-6505 back - 1/2" offset)
Inner pack: 2 Master pack: 10



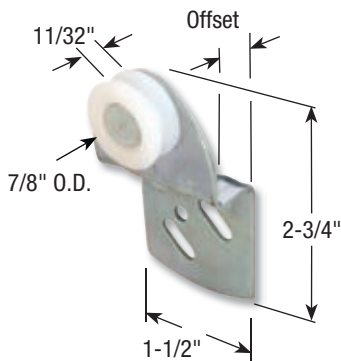
Roller

- Top hung, side mounting
 - Offset adjustable steel bracket
 - Round edge nylon wheel
 - Fits 3/4" to 1-3/8" thick doors
- 40 9178** (N-6508 front - 1/4" offset)
Inner pack: 2 Master pack: 10
- 40 9175** (N-6509 back - 1/2" offset)
Inner pack: 2 Master pack: 10



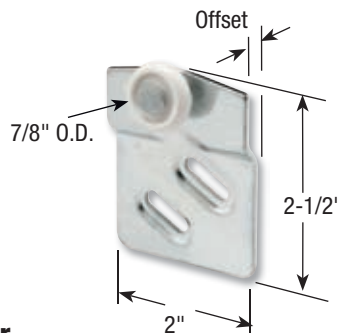
Roller

- Top hung, side mounting
 - Offset adjustable steel bracket
 - Round edge nylon ball bearing wheel
 - Fits 3/4" to 1-3/8" thick doors
- 40 9149** (N-6516 front - 3/8" offset)
Inner pack: 2 Master pack: 10
- 40 9142** (N-6517 back - 1/2" offset)
Inner pack: 2 Master pack: 10



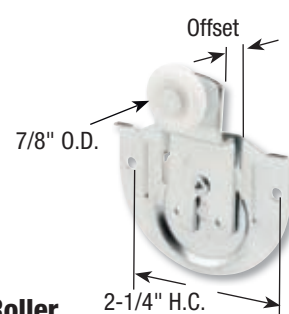
Roller

- Top hung
 - Offset adjustable steel bracket
 - Center groove nylon wheel
 - Used on old style Kenna Frame®
- 40 9242** (N-6717 front - 5/16" offset)
Inner pack: 2 Master pack: 10
- 40 9248** (N-6718 back - 9/16" offset)
Inner pack: 2 Master pack: 10



Roller

- Side mounting
 - Offset adjustable steel bracket
 - Round edge nylon wheel
 - For 3/4" to 1-3/8" thick doors
- 40 9992** (N-6667 front - 1/4" offset)
Inner pack: 2 Master pack: 10
- 40 9998** (N-6668 back - 1/2" offset)
Inner pack: 2 Master pack: 10



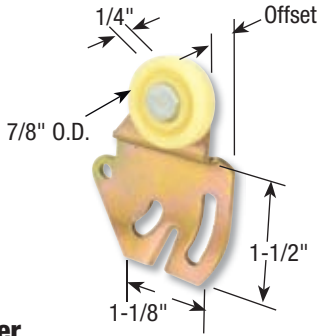
Roller

- Top hung
 - Offset adjustable stamped steel bracket with nylon adjusting wheel
 - Round edge nylon wheel
 - For 3/4" to 1-3/8" thick doors
- 40 9968** (N-6648 front - 1/8" offset)
Inner pack: 2 Master pack: 10
- 40 9965** (N-6649 back - 3/8" offset)
Inner pack: 2 Master pack: 10

CLOSET DOOR

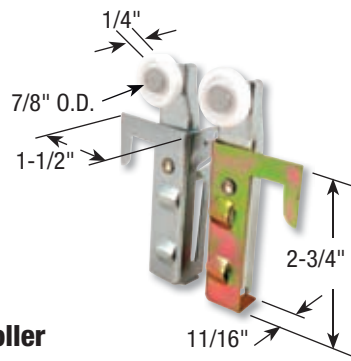
Section 40

Items available on primeline.net



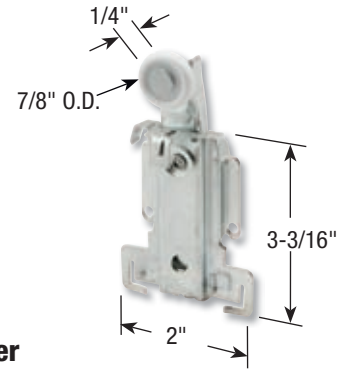
Roller

- Top hung, side mounting
 - Offset adjustable steel bracket
 - Flat edge nylon wheel
 - Fits 3/4" or 1-3/8" thick doors
- 40 9867** (N-6840 front - 1/16" offset)
Inner pack: 2 Master pack: 10
- 40 9864** (N-6841 back -3/8" offset)
Inner pack: 2 Master pack: 10



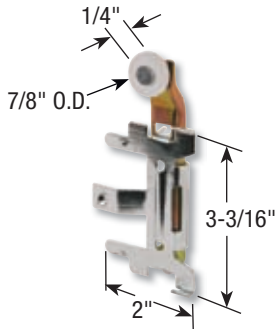
Roller

- Top mounting
 - Adjustable steel bracket
 - Left & right handed bracket
 - Also acts as corner bracket for steel frame bi-passing doors
 - Round edge nylon wheel
- 40 9168** (N-6548)
Inner pack: 1 Master pack: 10



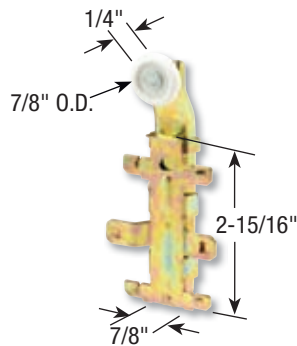
Roller

- Top mounting
 - Adjustable steel bracket
 - Also acts as corner bracket for steel frame bi-passing doors
 - Round edge nylon wheel
 - Fits on Acme®
- 40 9117** (N-6550)
Inner pack: 2 Master pack: 10



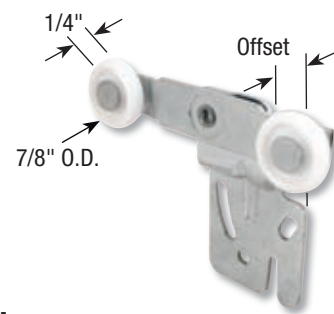
Roller

- Side mounting
 - Adjustable snap-in steel bracket
 - Round edge nylon wheel
 - Designed for steel frame bi-passing doors
 - Fits on Cox®
- 40 9113** (N-6552)
Inner pack: 1 Master pack: 10



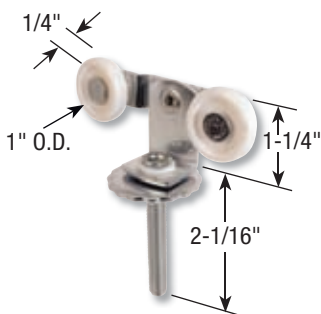
Roller

- Top mounting
 - Adjustable steel bracket
 - Round edge nylon wheel
 - Designed for steel frame bi-passing doors
 - Fits on Cox®
- 40 9973** (N-6602)
Inner pack: 2 Master pack: 10



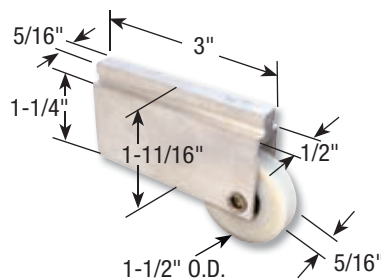
Roller

- Top hung, side mounting
 - Offset adjustable steel bracket
 - Round edge tandem nylon wheels
 - Fits 3/4" to 1-3/8" thick door
- 40 9173** (N-6502 front - 1/4" offset)
Inner pack: 2 Master pack: 10
- 40 9170** (N-6503 back - 1/2" offset)
Inner pack: 2 Master pack: 10



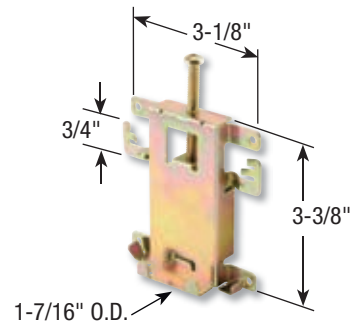
Roller

- Top-center mounting
 - Adjustable steel bracket
 - Flat edge tandem nylon wheel
 - Fits 3/4" to 1-3/8" thick doors
 - Fits on Like®
- 40 9135** (N-6529)
Inner pack: 2 Master pack: 10



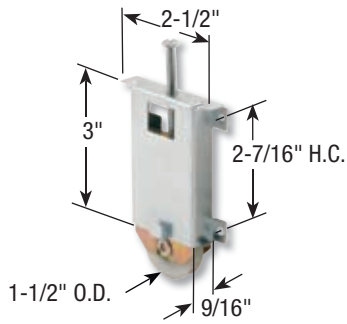
Roller

- Adjustable aluminum housing bracket
 - Bracket has "T" shaped extruded boss
 - Nylon ball bearing wheel
 - Fits on Contractors Mirror Door Company®
- 40 9158** (N-6598)
Inner pack: 2 Master pack: 10



Mirror Door Roller

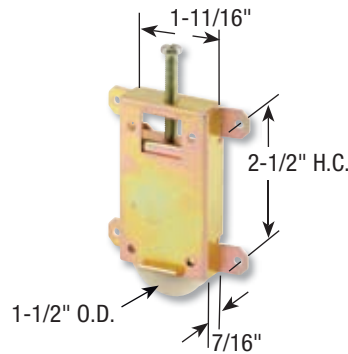
- Snap-in design
 - Adjustable steel housing
 - Concave nylon ball bearing wheel
 - Used on steel framed doors
- 40 9837** (N-6820)
Inner pack: 2 Master pack: 10



Mirror Door Roller

- Steel housing with adjustment screw
- Concave nylon ball bearing wheel
- Fits on Monarch Mirror Doors® "L" series steel frame door

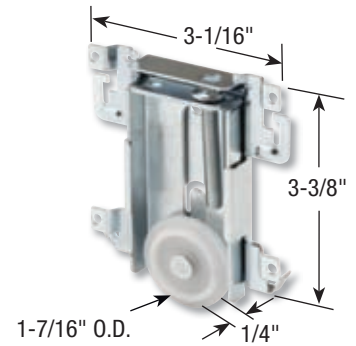
40 9907 (N-6630)
Inner pack: 2 Master pack: 10



Mirror Door Roller

- Adjustable steel housing
- Center grooved nylon wheel
- Fits on Contractors Mirror Door®

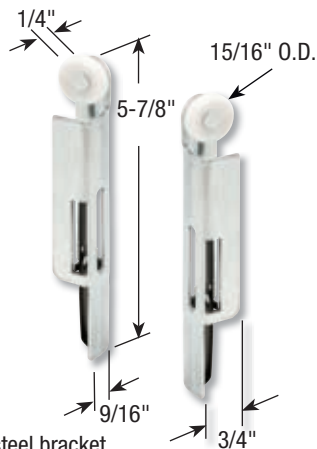
40 9827 (N-6870)
Inner pack: 2 Master pack: 10



Mirror Door Bottom Roller

- Adjustable steel housing
- Snap-in bracket for steel framed doors
- Flat edge nylon wheel

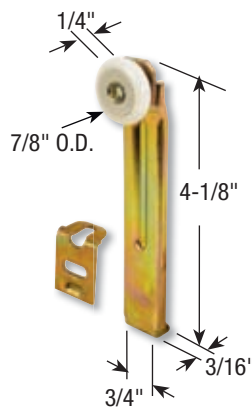
40 9257 (N-6790)
Inner pack: 2 Master pack: 10



Roller

- Top hung
- Adjustable steel bracket
- Mounts inside of door frame
- Flat edge nylon wheel
- Fits on Like®

40 9865 (N-6849)
Inner pack: 1 Master pack: 10



Roller

- Top hung
- Adjustable steel bracket
- Round edge nylon wheel

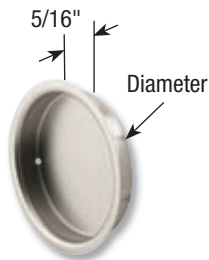
40 9972 (N-6607)
Inner pack: 2 Master pack: 10



Pull

- Beveled mirrored glass pull
- Pressure sensitive adhesive backing

40 9563 (N-6942)
Inner pack: 2 Master pack: 10



Pull

- Plated steel
- Held in place by 2 nails

40 9958 (N-6698 brass finish - 2")
Inner pack: 5 Master pack: 10

40 2379 (N-7206 satin nickel finish - 2")
Inner pack: 5 Master pack: 10

40 9955 (N-6699 brass plated finish - 2-1/8")
Inner pack: 5 Master pack: 10

40 2375 (N-7209 satin nickel finish - 2-1/8")
Inner pack: 5 Master pack: 10

40 9895 (N-6869 chrome finish - 2-1/8")
Inner pack: 5 Master pack: 10



Pull

- Plated steel
- Fits a 3/4" diameter hole
- Universal design

40 9869 (N-6846 brass finish)
Inner pack: 5 Master pack: 10

40 2377 (N-7200 satin nickel finish)
Inner pack: 5 Master pack: 10



Closet Rod Cover

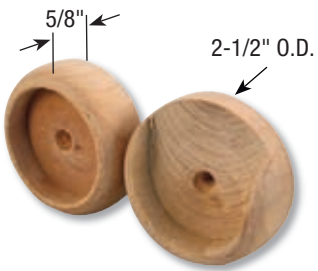
- White plastic
- Fits 1-3/8" rod
- 72"

40 2490 (N-7163)
Inner pack: 12 Master pack: 1

CLOSET DOOR

Section 40

Items available on primeline.net



Pole Socket Set

- Wood
- Accept a 1-3/8" standard pole
- Universal design

40 9256 (N-6794)

Inner pack: 2 Master pack: 10

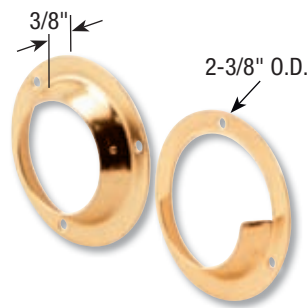


Pole Socket Set

- Plastic
- Accept a 1-3/8" standard pole
- Universal design

40 9198 (N-6568)

Inner pack: 10 Master pack: 10

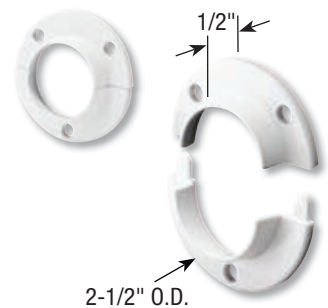


Pole Socket Set

- Plated stamped steel
- Accept a 1-3/8" standard pole

40 9582-2 (N-6987)

Inner pack: 2 Master pack: 10

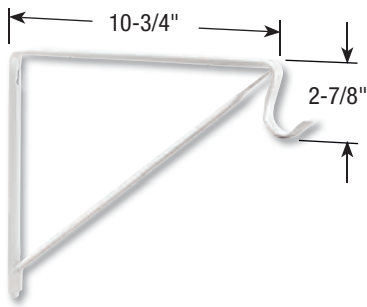


4 Piece Pole Socket Set

- White painted diecast zinc
- Unique 2 piece design
- Accept a 1-3/8" standard pole

40 2717 (N-7050)

Inner pack: 1 Master pack: 10

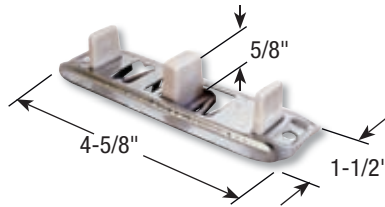


Shelf Support Bracket

- White Finish
- 12" Projection
- Accepts up to 1-3/8" diameter pole

40 2768 (N-7048)

Inner pack: 1 Master pack: 10

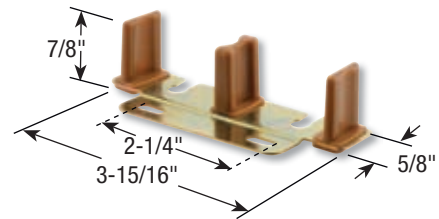


Guide

- Steel base with nylon tips
- Adjustable bottom bracket
- Fits 3/4" to 1-3/8" thick bi-passing doors
- Fits on Acme® and others

40 9197 (N-6560)

Inner pack: 4 Master pack: 10

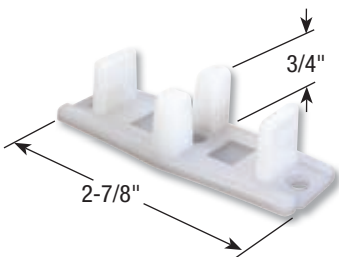


Guide

- Steel base with nylon guide tips
- Adjustable for either 3/4" or 1-3/8" thick doors
- Fits on Johnson Hardware®

40 9259 (N-6796)

Inner pack: 1 Master pack: 10

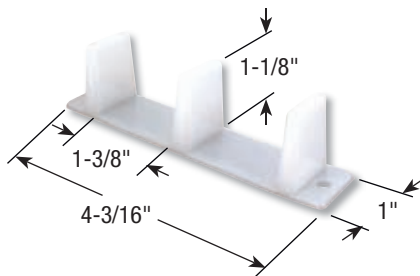


Guide

- Nylon guide pins
- Adjustable, nylon bottom mount bracket
- Fits 3/4" to 1-3/8" thick bi-passing doors

40 9193 (N-6562)

Inner pack: 4 Master pack: 10



Guide

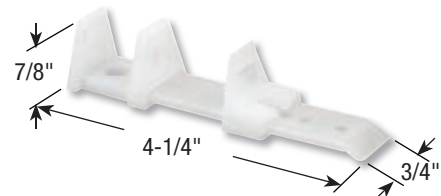
- Nylon
- For 1-3/8" thick bi-passing doors

40 9190 (N-6563)

Inner pack: 4 Master pack: 10

40 9190-25 (N-6563)

Inner pack: 25 Master pack: 10

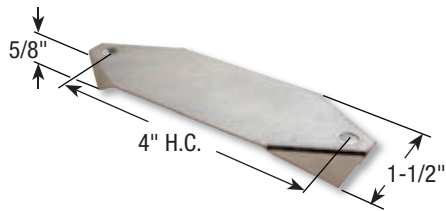


Guide

- Nylon adjustable guide
- For 3/4" to 1-3/8" thick bi-passing doors

40 9196 (N-6564)

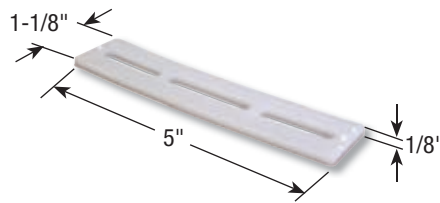
Inner pack: 4 Master pack: 10



Guide Riser

- Plated steel
- Used for mounting door guide over carpeted floors
- 5/8" high rise

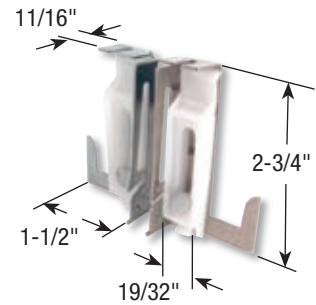
40 9194 (N-6561)
Inner pack: 2 Master pack: 10



Guide Riser

- White nylon
- Used for mounting guide over carpeted floors
- Allows lift from 1/8" thick to 5/8"

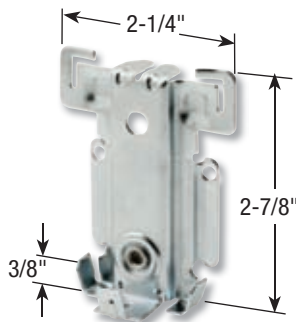
40 9577 (N-6900)
Inner pack: 10 Master pack: 10



Guide

- Bottom mount
- Adjustable steel bracket with nylon guide
- Also acts as corner bracket for steel frame bi-passing doors
- Fits on Acme®

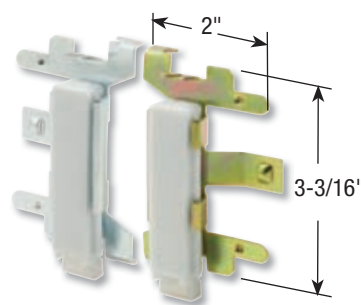
40 9165 (N-6549)
Inner pack: 1 Master pack: 10



Guide

- Bottom mount
- Adjustable steel bracket with nylon guide
- Also acts as corner bracket for steel frame bi-passing doors
- Fits Acme®

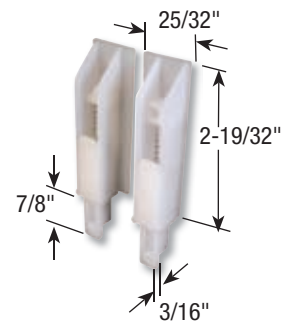
40 9114 (N-6551)
Inner pack: 2 Master pack: 10



Guide

- Bottom mount
- Snap-in steel bracket with nylon guide
- Left & right hand assemblies
- For steel frame bi-passing doors
- Fits on Cox®

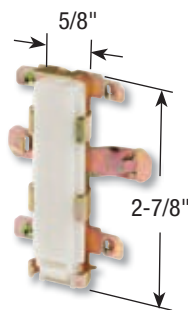
40 9110 (N-6553)
Inner pack: 1 Master pack: 10



Guide

- Nylon
- Spring loaded bracket and guide
- Side mount
- Left & right hand assemblies

40 9115 (N-6559)
Inner pack: 1 Master pack: 10



Guide

- Bottom mount
- Snap-in steel bracket with nylon guide
- Designed for steel frame bi-passing doors
- Fits on Cox®

40 9970 (N-6603)
Inner pack: 2 Master pack: 10



Guide

- Bottom mount
- Nylon guide for steel bi-passing doors
- Repair part for no. 40 9110

40 9111 (N-6555)
Inner pack: 2 Master pack: 10



Guide

- White plastic
- Replacement guides for part no. 40 9970

40 9221 (N-6775)
Inner pack: 2 Master pack: 10



Bi-fold Door Track & Hardware Kit

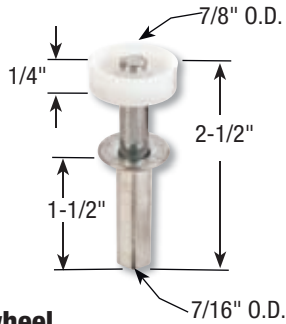
- Painted steel track
- Steel top pivot brackets are pre-installed to track
- Steel bottom pivot brackets
- Brass plated steel hinges
- Roller guides and pivots have a 7/16" diameter nylon base with steel pins
- Steel spring snigger with plastic retainer sleeve
- Zinc plated steel aligners
- Unfinished wood knobs
- Use with wood door panels 1" to 1-3/8" thick; for use on doors weighing up to 30 lbs. each

161794 (N-6958 - 36")
Inner pack: 1 Master pack: 6

161795 (N-6959 - 48")
Inner pack: 1 Master pack: 6

161796 (N-6960 - 60")
Inner pack: 1 Master pack: 6

161797 (N-6961 - 72")
Inner pack: 1 Master pack: 6



Guide wheel

- Spring loaded steel base
- Nylon wheel
- Top mount
- Self-adjusting
- Fits 1" to 1-3/8" thick bi-fold doors up to 30 lbs. each

40 9166 (N-6544)
Inner pack: 2 Master pack: 10



Guide wheel

- Spring loaded nylon base
- Nylon wheel
- Top mount
- Self-adjusting
- Fits 1" to 1-3/8" thick bi-fold doors up to 30 lbs. each

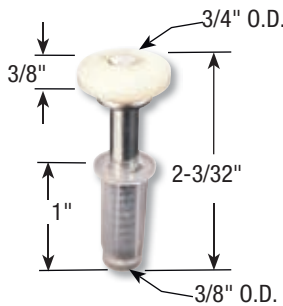
40 9183 (N-6582)
Inner pack: 2 Master pack: 10



Guide wheel

- Spring loaded nylon base
- Nylon wheel
- Top mount
- Self-adjusting
- Fits on Kenna Frame® and others

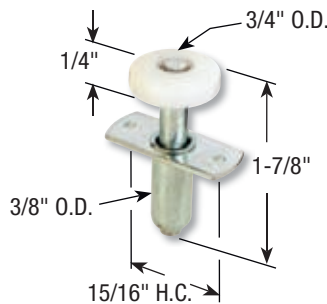
40 9270 (N-6703)
Inner pack: 2 Master pack: 10



Guide wheel

- Spring loaded nylon base
- Nylon wheel
- Top mount
- Self-adjusting

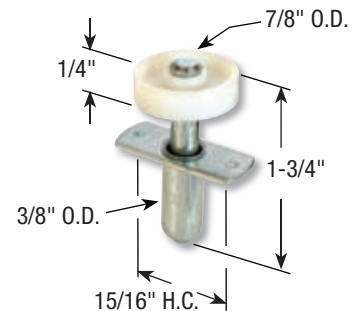
40 9276 (N-6704)
Inner pack: 2 Master pack: 10



Guide wheel

- Spring loaded steel base
- Nylon wheel
- Top mount
- Self-adjusting
- Fits 1" to 1-3/8" thick bi-fold doors up to 30 lbs. each

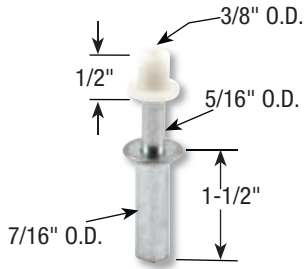
40 9944 (N-6611)
Inner pack: 2 Master pack: 10



Guide wheel

- Spring loaded steel base
- Nylon wheel
- Top mount
- Self-adjusting
- Fits 1" to 1-3/8" thick bi-fold doors up to 30 lbs. each

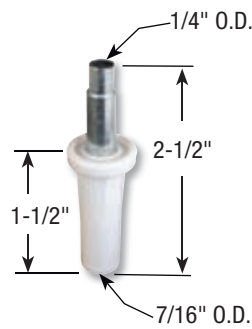
40 9946 (N-6614)
Inner pack: 2 Master pack: 10



Pivot

- Spring loaded steel base
- Nylon guide cap
- Top mount
- Fits 1" to 1-3/8" thick bi-fold doors up to 50 lbs. each

40 9161 (N-6545)
Inner pack: 2 Master pack: 10



Pivot

- Spring loaded nylon base
- Nylon guide cap
- Top mount
- Fits 1" to 1-3/8" thick bi-fold doors up to 30 lbs. each

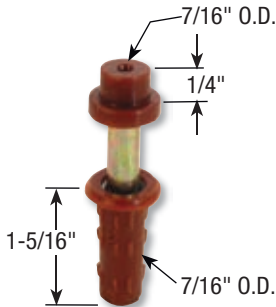
40 9180 (N-6583)
Inner pack: 2 Master pack: 10



Pivot

- Spring loaded nylon base
- Nylon wheel
- Top mount
- Self-adjusting

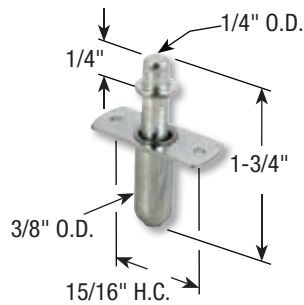
40 9277 (N-6700)
Inner pack: 2 Master pack: 10



Pivot

- Spring loaded nylon base
- Nylon cap
- Top mount
- Fits on Johnson® and others

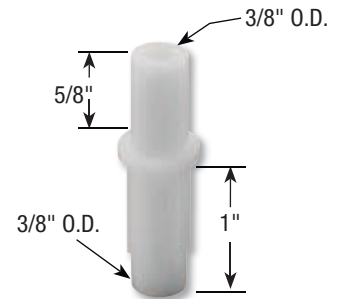
40 9274 (N-6701)
Inner pack: 2 Master pack: 10



Pivot

- Spring loaded steel pivot
- Top mount

40 9943 (N-6612)
Inner pack: 2 Master pack: 10



Pivot

- Nylon
- Top mount

40 9923 (N-6672)
Inner pack: 4 Master pack: 10



Pivot

- Steel pivot with hex head bolt
- Bottom mount
- Vertical adjustment
- Fits 1" to 1-3/8" thick bi-fold doors up to 50 lbs. each

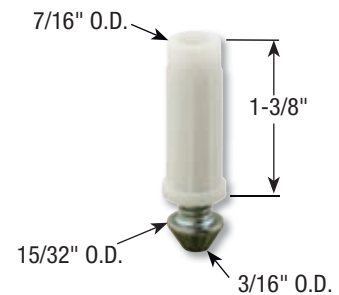
40 9169 (N-6546)
Inner pack: 2 Master pack: 10



Pivot

- Steel pivot with nylon base
- Bottom mount
- Vertical adjustment
- Grooved tip fits no. 40 9926 pivot bracket

40 9920-4 (N-6673)
Inner pack: 4 Master pack: 10



Pivot

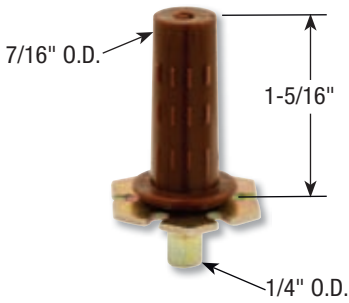
- Steel pivot with nylon base
- Bottom mount
- Vertical adjustment
- Grooved tip fits no. 40 9952 pivot bracket

40 9959 (N-6696)
Inner pack: 2 Master pack: 10

CLOSET DOOR

Section 40

Items available on primeline.net

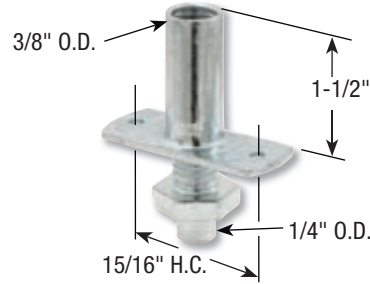


Pivot

- Steel pivot with nylon base
- Bottom mount
- Vertical adjustment
- Fits Johnson® and others

40 9272 (N-6707)

Inner pack: 2 Master pack: 10

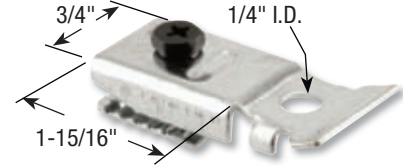


Pivot

- Steel pivot with hex head bolt
- Bottom mount
- Vertical adjustment
- Fits 1" to 1-3/8" thick bi-fold doors up to 30 lbs. each

40 9940 (N-6613)

Inner pack: 2 Master pack: 10

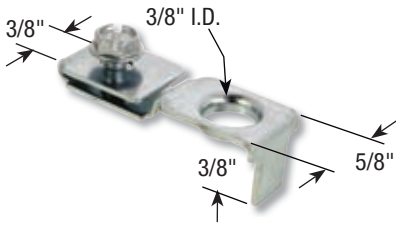


Pivot Bracket

- Steel
- Mounts into top track
- Adjustable
- Used on Acme® "2900" series

40 9979 (N-6606)

Inner pack: 2 Master pack: 10

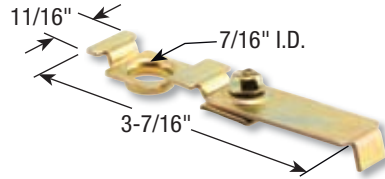


Pivot Bracket

- Stamped steel
- Mounts into top or bottom track
- Adjustable
- Fits on Slimfold® and others

40 9967 (N-6640)

Inner pack: 4 Master pack: 10

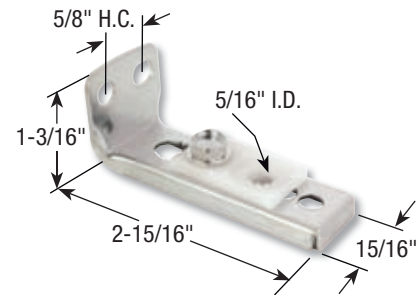


Pivot Bracket

- Stamped steel
- Mounts into top track
- For wood folding panel doors
- Used on Johnson Hardware® series "1800" and "1825" door systems

40 9866-4 (N-6844)

Inner pack: 4 Master pack: 10

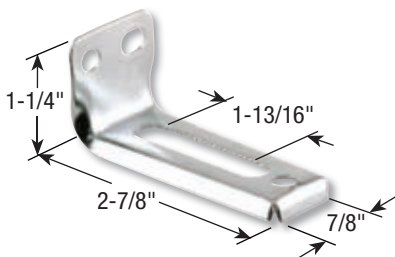


Pivot Bracket

- Stamped steel
- Adjustable
- Floor/jamb mounting
- For 1" to 1-3/8" thick folding doors up to 50 lbs

40 9160 (N-6543)

Inner pack: 2 Master pack: 10

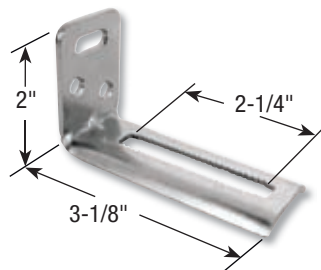


Pivot Bracket

- Stamped steel
- Adjustable
- Floor/jamb mounting
- For 1" to 1-3/8" thick folding doors up to 30 lbs

40 9926 (N-6674)

Inner pack: 2 Master pack: 10

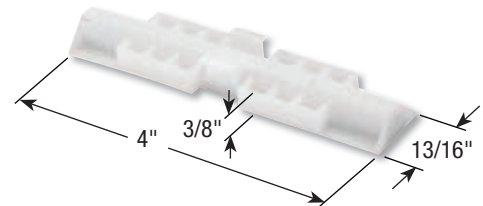


Pivot Bracket

- Stamped steel
- Adjustable
- Floor/jamb mounting
- Heavy duty

40 9952 (N-6697)

Inner pack: 2 Master pack: 10

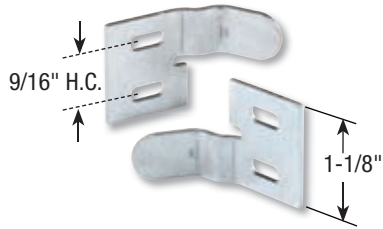


Slide Guide

- Steel springs with nylon retainer
- Top mount
- Two-way spring snigger
- Fits 1" to 1-3/8" thick bi-fold doors when opening or closing

40 9105 (N-6539)

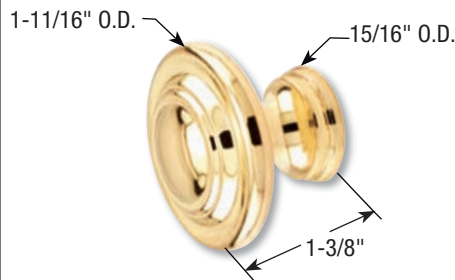
Inner pack: 2 Master pack: 10



Surface Aligner

- Zinc plated steel
- Mounts to back of lead doors to keep them tightly closed
- For 4 door systems

40 9108 (N-6538)
Inner pack: 4 Master pack: 10



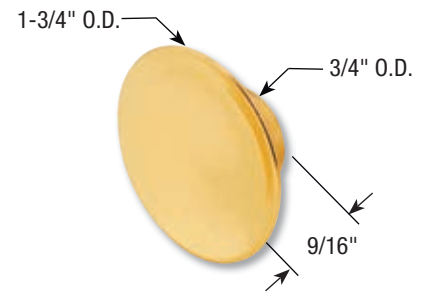
Knob

- Wide base prevents hollow door crush
- Large diameter allows for easy gripping

40 2095 (N-7369 brass plated)
Inner pack: 2 Master pack: 10

40 2027 (N-7370 antique brass)
Inner pack: 2 Master pack: 10

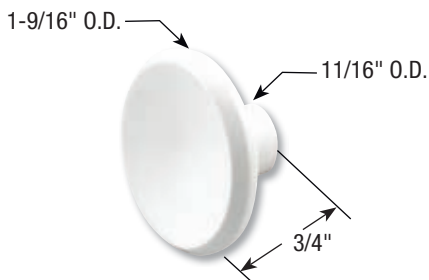
40 2023 (N-7372 satin nickel)
Inner pack: 2 Master pack: 10



Knob

- Brass plated stamped steel
- Used on wood bi-fold door panels

40 9211-5 (N-6755)
Inner pack: 5 Master pack: 10

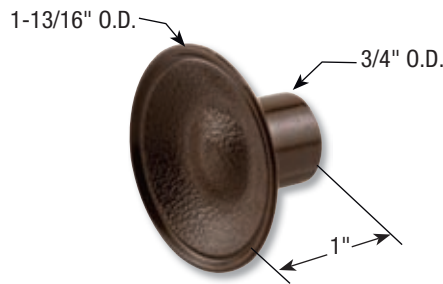


Knob

- Plated diecast
- Used on hollow core or solid wood bi-fold door panels

40 9507 (N-6930 brass plated)
Inner pack: 5 Master pack: 10

40 9599 (N-6966 white painted)
Inner pack: 5 Master pack: 10

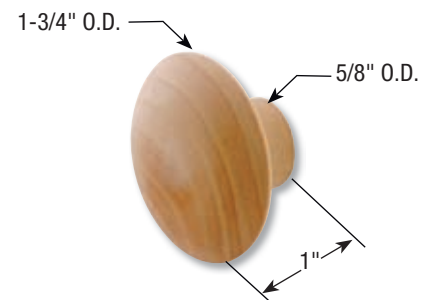


Knob

- Plastic
- Used on hollow core or solid wood bi-fold door panels

40 9216-5 (N-6754 ivory)
Inner pack: 5 Master pack: 10

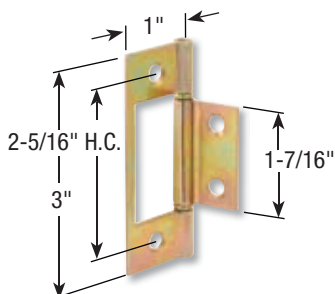
40 9824 (N-6871 brown)
Inner pack: 5 Master pack: 10



Knob

- Unfinished hardwood
- Used on wood bi-fold door panels

40 9219-5 (N-6756)
Inner pack: 5 Master pack: 10

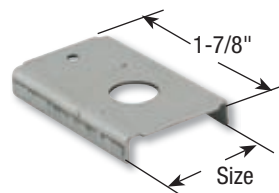


Hinge

- Plated steel
- Cut out to allow for non-mortise installation

40 9919 (N-6656 brass)
Inner pack: 2 Master pack: 10

40 2330 (N-7273 satin nickel)
Inner pack: 2 Master pack: 10

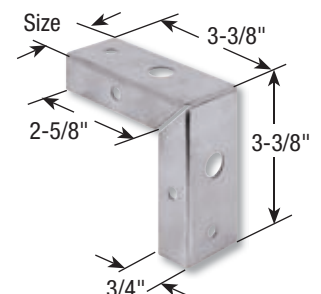


Repair Bracket

- Diecast
- For splitting bi-fold doors
- Top mount

40 2454 (N-7191 1-1/8")
Inner pack: 4 Master pack: 10

40 2453 (N-7192 1-3/8")
Inner pack: 4 Master pack: 10



Repair Bracket

- Zinc plated
- For splitting bi-fold doors
- Corner mount

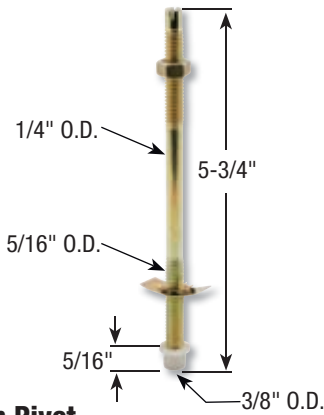
40 2450 (N-7193 1-1/8")
Inner pack: 2 Master pack: 10

40 2451 (N-7195 1-3/8")
Inner pack: 2 Master pack: 10

CLOSET DOOR

Section 40

Items available on primeline.net

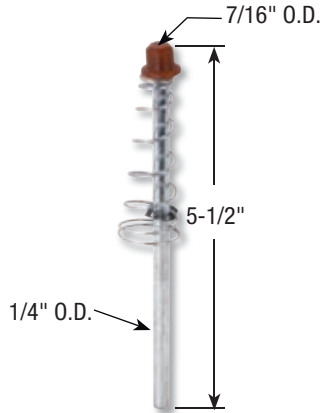


Bottom Pivot

- Steel
- Nylon cap

40 9207 (N-6730)

Inner pack: 2 Master pack: 10

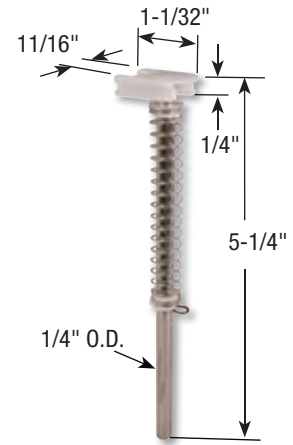


Guide Pin

- Steel
- Nylon cap

40 9832 (N-6827)

Inner pack: 2 Master pack: 10

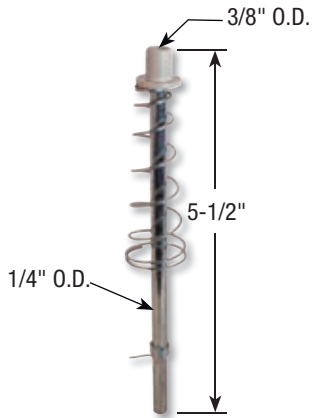


Guide Pin

- Steel
- Nylon cap

40 9200 (N-6733)

Inner pack: 2 Master pack: 10

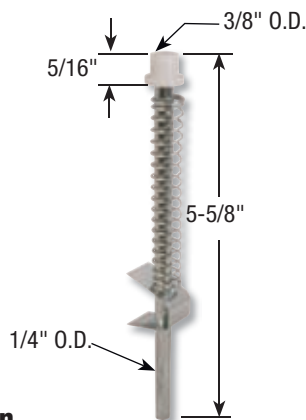


Guide Pin

- Steel
- Nylon cap

40 9908 (N-6638)

Inner pack: 2 Master pack: 10

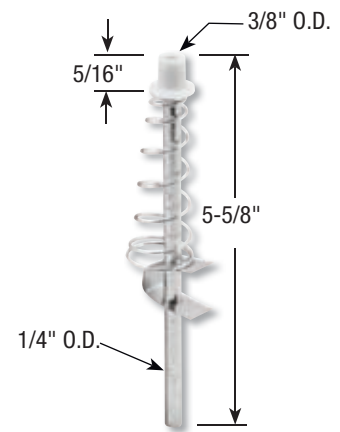


Guide Pin

- Steel
- Nylon cap

40 9235 (N-6729)

Inner pack: 2 Master pack: 10

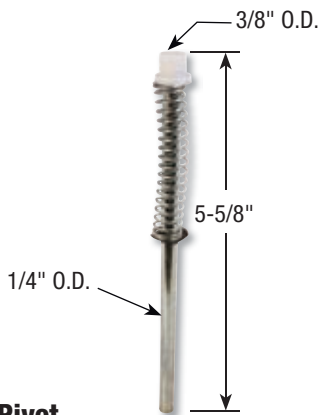


Top Pivot

- Steel
- Nylon cap

40 9537 (N-6920)

Inner pack: 2 Master pack: 10

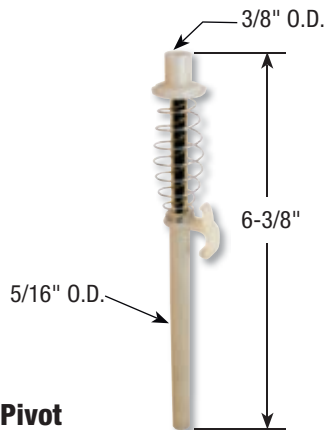


Top Pivot

- Steel
- Nylon cap

40 9534 (N-6921)

Inner pack: 2 Master pack: 10

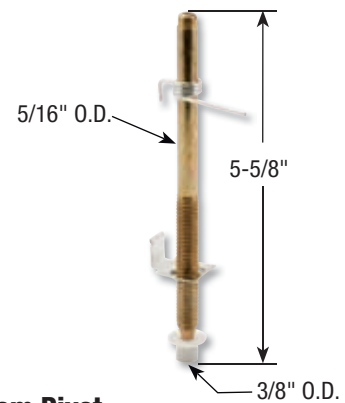


Top Pivot

- Steel
- Nylon cap

40 9902 (N-6637)

Inner pack: 2 Master pack: 10



Bottom Pivot

- Steel
- Nylon cap

40 9905 (N-6639)

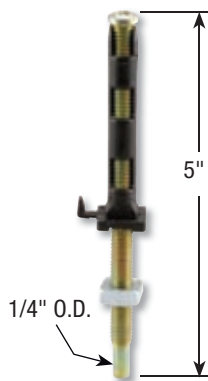
Inner pack: 2 Master pack: 10



Top Pivot

- Steel
- Nylon cap

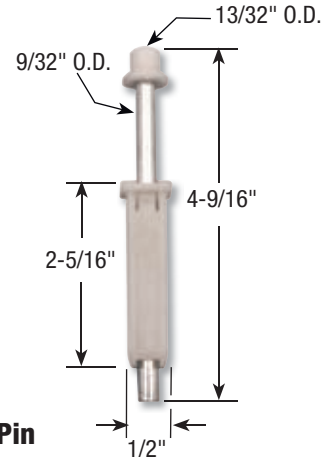
40 9228 (N-6778)
 Inner pack: 2 Master pack: 10



Bottom Pivot

- Steel
- Nylon cap

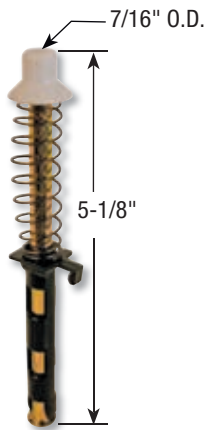
40 9222 (N-6777)
 Inner pack: 2 Master pack: 10



Guide Pin

- Steel
- Nylon cap

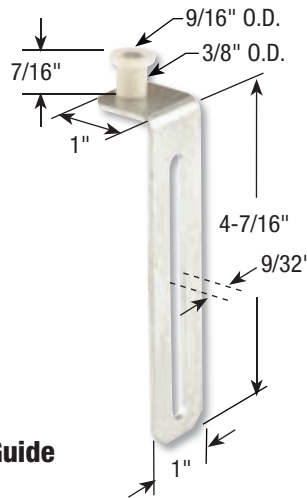
40 9225 (N-6779)
 Inner pack: 2 Master pack: 10



Guide Pin

- Steel
- Nylon cap

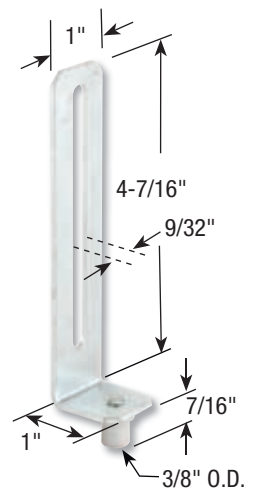
40 9229 (N-6776)
 Inner pack: 2 Master pack: 10



Top Guide

- Steel
- Nylon cap

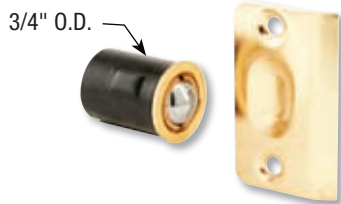
40 9941 (N-6615)
 Inner pack: 2 Master pack: 10



Bottom Guide

- Steel
- Nylon cap

40 9949 (N-6616)
 Inner pack: 2 Master pack: 10



Drive-in Ball Catch

- Heavy duty plated diecast
- Plated steel strike
- Designed for use on interior closet and utility doors

40 2004 (N-7331 brass)
 Inner pack: 1 Master pack: 10

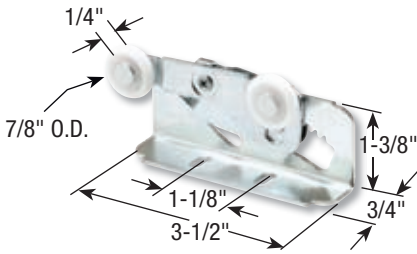
40 2006 (N-7334 satin nickel)
 Inner pack: 1 Master pack: 10



Precision screen doors are a great way to keep the bugs out and let the fresh air in!

Precision security doors offer the first line of defense to protect your home and family against burglary!

Precision doors are available in a wide variety of steel, aluminum, vinyl and wood models.

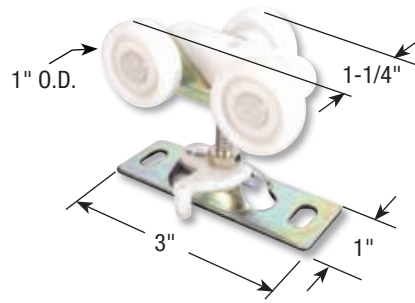


Pocket Door Roller

- Tandem round edge nylon wheels
- Top mounting
- Adjustable steel bracket
- Fits 3/4" to 1-3/4" thick doors

40 9104 (N-6531)

Inner pack: 2 Master pack: 10

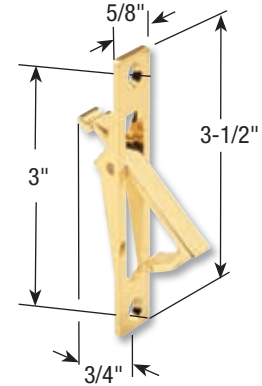


Pocket Door Roller

- Three flat edge nylon wheels
- Steel top mount adjustable bracket

40 9868 (N-6848)

Inner pack: 2 Master pack: 10

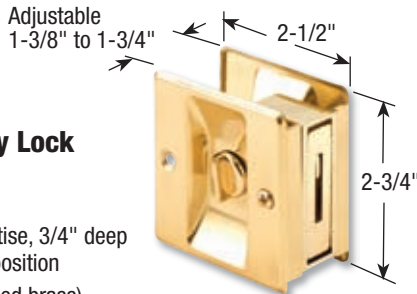


Pocket Door Pull

- Brass plated diecast
- Fits a 5/8" x 3-1/2" mortise, 3/4" deep
- Pull retracts from flush position

40 9298 (N-6768)

Inner pack: 2 Master pack: 10



Pocket Door Privacy Lock with Pull

- Solid brass
- Fits a 5/8" x 3-1/2" mortise, 3/4" deep
- Pull retracts from flush position

40 9224 (N-6771 polished brass)

Inner pack: 1 Master pack: 1

40 9220 (N-6773 antique brass)

Inner pack: 1 Master pack: 10

40 9226 (N-6774 satin chrome)

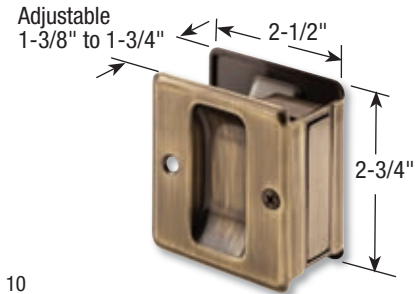
Inner pack: 1 Master pack: 10

40 2494 (N-7161 chrome)

Inner pack: 1 Master pack: 10

40 2305 (N-7239 satin nickel)

Inner pack: 1 Master pack: 10



Pocket Door Pull

- Solid brass
- Reversible

40 9227 (N-6770 brass)

Inner pack: 1 Master pack: 10

40 2787 (N-7080 antique brass)

Inner pack: 1 Master pack: 10

40 2725 (N-7079 satin chrome)

Inner pack: 1 Master pack: 10

40 2781 (N-7085 chrome)

Inner pack: 1 Master pack: 10

40 2708 (N-7238 satin nickel)

Inner pack: 1 Master pack: 10



Don't see your part here?

» Visit our website or call...

primeline.net

1.800.899.7799

Items available on primeline.net



Drawer Track Kit (Rolled Edge)

- Rolled edge galvanized steel track
- Polyethylene guides
- Nylon front rollers
- May be used for top or bottom mount installations

45 2431 (R-7125)
Inner pack: 1 Master pack: 10



Drawer Track Kit (Monorail)

- Galvanized steel track and rear support bracket
- Nylon rollers
- 75 lb. test rated
- May be used for top or bottom mount installations

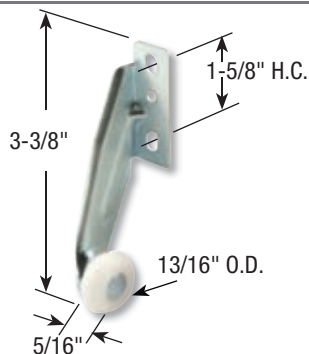
45 2402 (R-7137)
Inner pack: 1 Master pack: 10



Drawer Track Kit (Wood)

- Wood track
- Polyethylene guides and side saddles
- Steel angle brackets support front end of track
- May be used for top or bottom mount installations

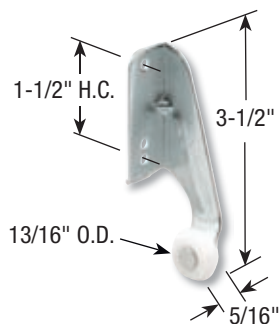
45 2466 (R-7144)
Inner pack: 1 Master pack: 10



Drawer Track Roller (Right Hand)

- Steel bracket
- Convex nylon roller
- Mounts on rear of drawer
- Used as center roller for monorail drawer slide systems

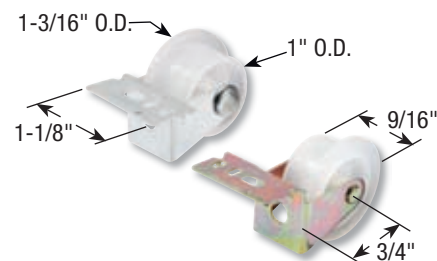
45 2468-5 (R-7148)
Inner pack: 5 Master pack: 10



Drawer Track Roller (Left Hand)

- Steel bracket
- Convex nylon roller
- Mounts on rear of drawer
- Used as center roller for monorail drawer slide systems

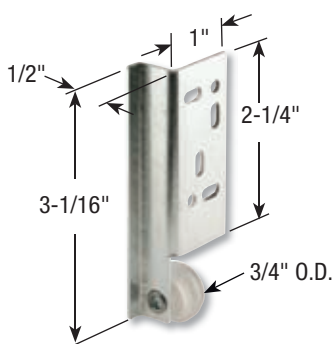
45 2464-5 (R-7141)
Inner pack: 5 Master pack: 10



Drawer Track Roller Set

- Adjustable steel mounting bracket
- Nylon roller
- Provides alignment and superior glide action for track mounted drawers

45 2462 (R-7147)
Inner pack: 2 Master pack: 10



Drawer Track Roller

- Steel bracket
- Concave nylon roller
- Mounts on rear of drawer
- Used as center roller for monorail drawer slide systems

45 2312 (R-7257)
Inner pack: 2 Master pack: 10

Drawer Slide Set

- White powder coated steel track
- Nylon rollers
- Positive stop in closed position; double stop in extended position locks drawer open
- Self-closing 2-1/2" from end

45 2347 (R-7210-16")
Inner pack: 1 Master pack: 5

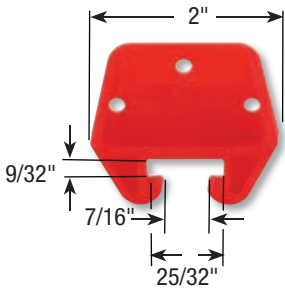
45 2344 (R-7211-18")
Inner pack: 1 Master pack: 5



45 2343 (R-7212 - 20")
Inner pack: 1 Master pack: 5

45 2340 (R-7213 - 22")
Inner pack: 1 Master pack: 5

45 2346 (R-7214 - 24")
Inner pack: 1 Master pack: 5

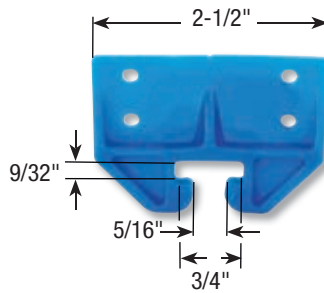


Drawer Guide

- Red polyethylene guide
- Restores smooth operation of track mounted drawers
- Fits a 9/32" x 3/4" track

45 2783-10 (R-7082)

Inner pack: 10 Master pack: 10

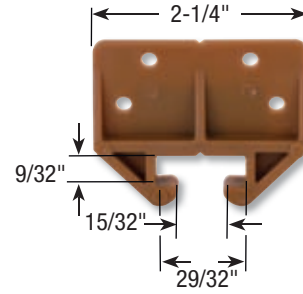


Drawer Guide

- Blue polyethylene guide
- Restores smooth operation of track mounted drawers
- Fits a 1/4" x 3/4" track

45 2780-10 (R-7083)

Inner pack: 10 Master pack: 10

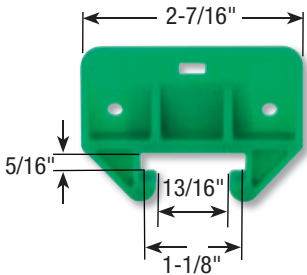


Drawer Guide

- Brown polyethylene guide
- Restores smooth operation of track mounted drawers
- Fits a 1/4" x 7/8" track

45 2786-10 (R-7084)

Inner pack: 10 Master pack: 10

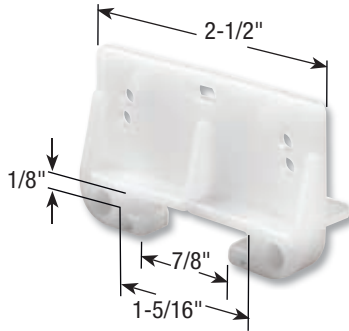


Drawer Guide

- Green polyethylene guide
- Restores smooth operation of track mounted drawers
- Fits a 9/32" x 1-1/8" track

45 2781-10 (R-7085)

Inner pack: 10 Master pack: 10

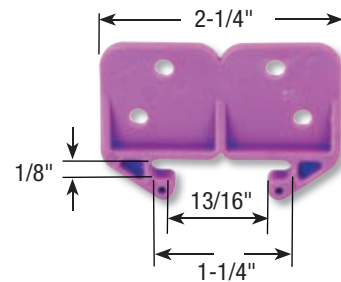


Drawer Guide

- White polyethylene guide
- Restores smooth operation of track mounted drawers
- Fits a 3/32" x 1-1/4" track

45 2438-10 (R-7128)

Inner pack: 10 Master pack: 10

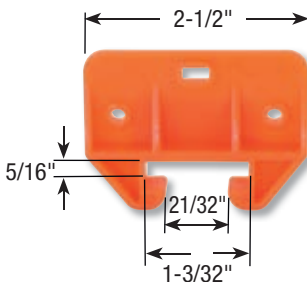


Drawer Guide

- Purple polyethylene guide
- Restores smooth operation of track mounted drawers
- Fits a 3/32" x 1-3/16" track

45 2407-10 (R-7130)

Inner pack: 10 Master pack: 10

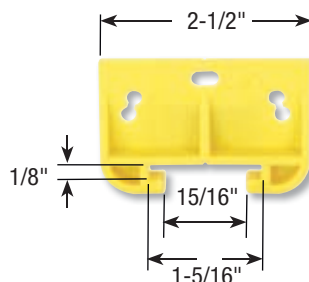


Drawer Guide

- Orange polyethylene guide
- Restores smooth operation of track mounted drawers
- Fits a 9/32" x 1-1/8" track

45 2413-10 (R-7152)

Inner pack: 10 Master pack: 10

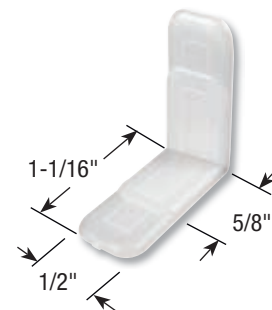


Drawer Guide

- Yellow polyethylene guide
- Restores smooth operation of track mounted drawers
- Fits a 3/32" x 1-9/32" track

45 2416-10 (R-7154)

Inner pack: 10 Master pack: 10

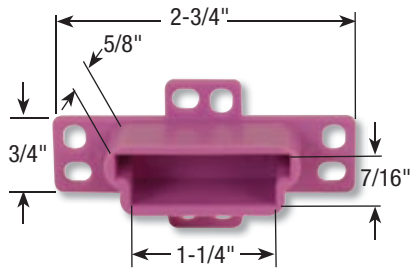


Drawer Guide Side Saddle

- White polyethylene side saddles
- Helps to center drawer and restore smooth operation of track mounted drawers

45 2410 (R-7153)

Inner pack: 50 Master pack: 10

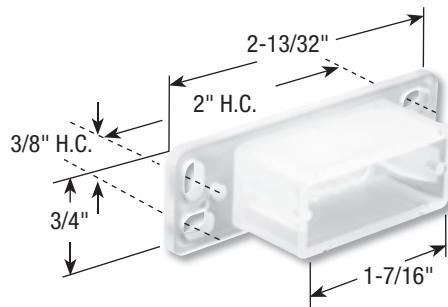


Drawer Back Plate

- Purple polyethylene
- Can be inverted for self-adjusting application
- For use on rolled edge and other center mounted tracks

45 2400-10 (R-7133)

Inner pack: 10 Master pack: 10

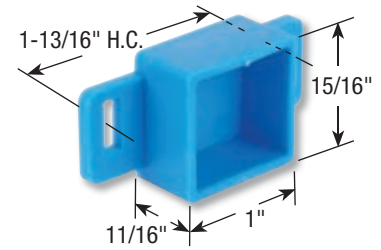


Drawer Back Plate

- White polyethylene
- Reversible left or right
- Fits several side mounted drawer tracks

45 2461-10 (R-7145)

Inner pack: 10 Master pack: 10

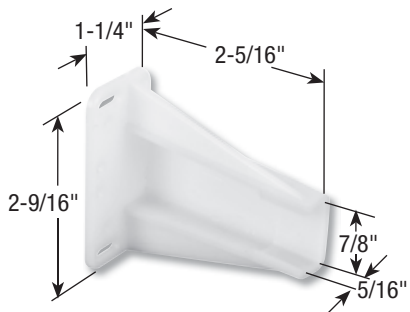


Drawer Back Plate

- Blue polyethylene
- 1" square cavity allows self-alignment of center mounted drawer tracks

45 2460 (R-7143)

Inner pack: 10 Master pack: 10

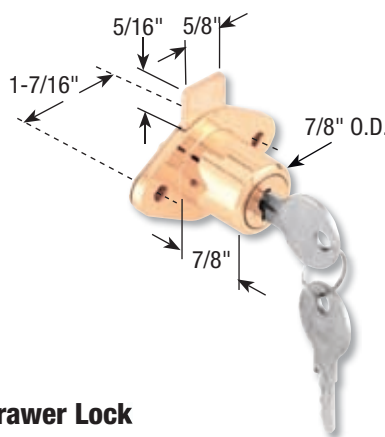


Drawer Track Bracket Set

- White nylon
- 2-3/4" socket depth allows 2" of front to back adjustment of the rail
- Used on side mounted drawer track systems
- Right side has a larger lip

45 2367 (R-7240)

Inner pack: 1 Master pack: 10

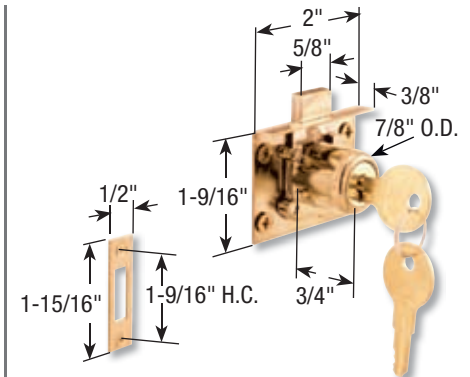


Drawer Lock

- Brass plated diecast housing
- Keyed locking unit

45 2729 (R-7076)

Inner pack: 1 Master pack: 10

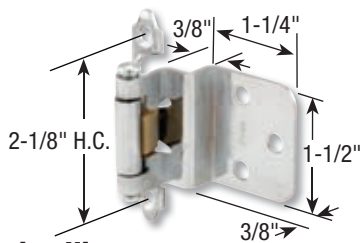


Spring Latch

- Brass plated
- Beveled bolt allows for slam to lock function
- Uses ILCO 1041-T keyway

45 7991 (U-10665)

Inner pack: 1 Master pack: 10



Self-Closing Hinge

- Semi-concealed steel hinge
- Spring loaded
- Used on 3/8" inset cabinet doors

45 2370-25 (R-7203 brass finish)

Inner pack: 1 Master pack: 25

45 2406-25 (R-7134 antique brass finish)

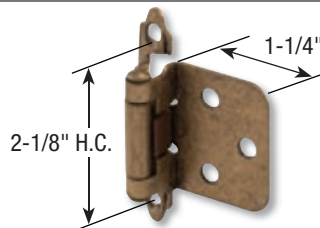
Inner pack: 1 Master pack: 25

45 2376-25 (R-7204 chrome finish)

Inner pack: 1 Master pack: 25

45 2371-25 (R-7205 white finish)

Inner pack: 1 Master pack: 25



Self-Closing Hinge

- Semi-concealed steel hinge
- Spring loaded
- Used on overlay cabinet doors

45 2379-25 (R-7206 brass finish)

Inner pack: 1 Master pack: 25

45 2409-25 (R-7136 antique brass finish)

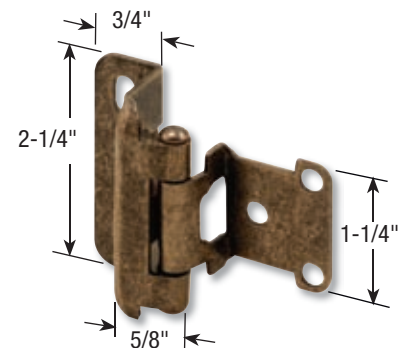
Inner pack: 1 Master pack: 25

45 2372-25 (R-7207 chrome finish)

Inner pack: 1 Master pack: 25

45 2378-25 (R-7208 white finish)

Inner pack: 1 Master pack: 25

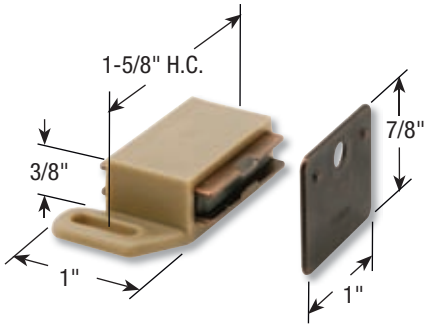


Self-Closing Hinge

- Antique brass finish
- Semi-concealed steel hinge
- Spring loaded
- Wrap around design
- Vertically adjustable

45 2309 (R-7236)

Inner pack: 1 Master pack: 10

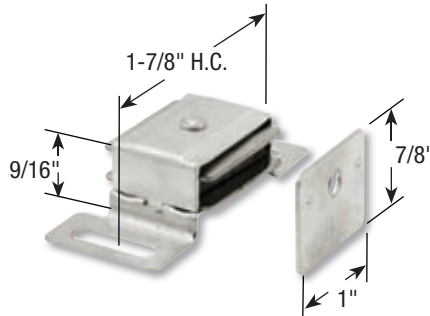


Magnetic Latch

- Tan plastic housing
- Steel strike plate

45 2067 (R-7340)

Inner pack: 5 Master pack: 10

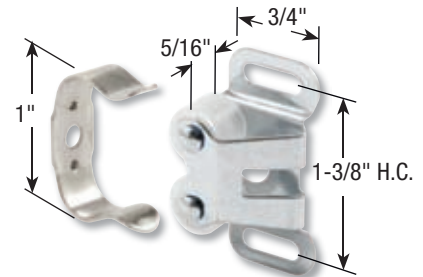


Magnetic Latch

- Zinc plated adjustable steel housing
- Steel strike plate
- Large magnet for extra holding power

45 2787 (R-7080)

Inner pack: 5 Master pack: 10

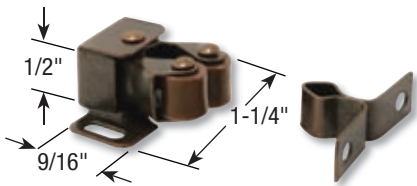


Catch

- Dual nylon rollers
- Plated steel housing and spring steel clip
- Used on cabinet, closet and compartment doors

45 2784 (R-7081)

Inner pack: 5 Master pack: 10



Catch

- Dual nylon rollers
- Adjustable steel housing
- Steel keeper
- Heavy duty spring loaded latching

45 2426 (R-7174)

Inner pack: 5 Master pack: 10



Hardwood Breadboard

- For use under the counter
- Finger pull ends

90 7844 (Z-10811 - 16" x 20")

Inner pack: 1 Master pack: 6

90 7955 (Z-10850 - 18" x 22")

Inner pack: 1 Master pack: 6



Hardwood Cutting Board

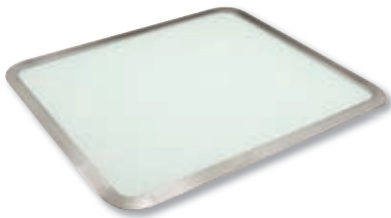
- Maintains your countertops safe from damage
- Includes feet for stable use

90 4370 (Z-11203 - 12" x 16")

Inner pack: 1 Master pack: 5

90 4376 (Z-11204 - 16" x 20")

Inner pack: 1 Master pack: 5



Glass Counter Saver

- Built-in design with stainless steel rim
- White tempered glass construction
- Prevents scratching of your countertops

90 7595 (Z-10969 - 12" x 15")

Inner pack: 1 Master pack: 5

90 7527 (Z-10970 - 16" x 20")

Inner pack: 1 Master pack: 5



Glass Counter Saver

- Easy portability
- White tempered glass construction
- Prevents scratching of your countertops
- Includes feet for stable use

90 7524 (Z-10971 - 12" x 15")

Inner pack: 1 Master pack: 5

90 7523 (Z-10972 - 16" x 20")

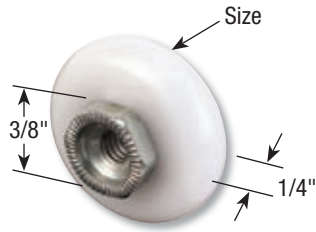
Inner pack: 1 Master pack: 5



SPECIAL ORDER

» If you don't see your part here, call...

1.800.899.7799



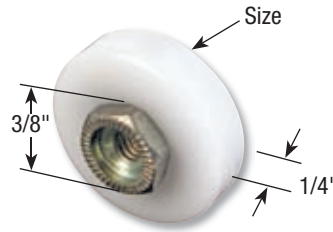
Roller

- Oval edge
- Nylon ball bearing roller with threaded hex hub

50 9777 (M-6000 3/4" O.D.)
Inner pack: 2 Master pack: 10

50 9777-25 (M-6000 3/4" O.D.)
Inner pack: 25 Master pack: 1

50 9773 (M-6002 7/8" O.D.)
Inner pack: 2 Master pack: 10

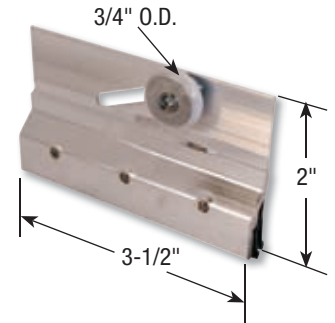


Roller

- Flat edge
- Nylon ball bearing roller with threaded hex hub

50 9774 (M-6001 3/4" O.D.)
Inner pack: 2 Master pack: 10

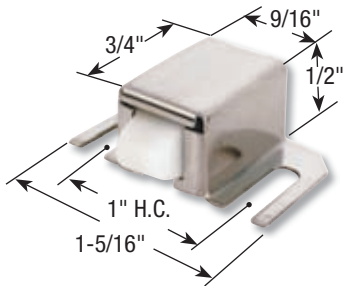
50 9770 (M-6003 7/8" O.D.)
Inner pack: 2 Master pack: 10



Roller Assembly

- Extruded aluminum bracket with glazing vinyl
- 3/4" diameter oval edge nylon ball bearing roller
- Accepts up to 1/4" thick panels
- Used on frameless shower doors

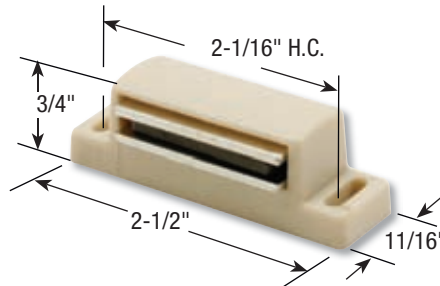
50 9710 (M-6053)
Inner pack: 2 Master pack: 10



Catch

- Stainless steel housing with nylon tip
- Spring loaded latch
- Adjustable
- For hinged shower doors

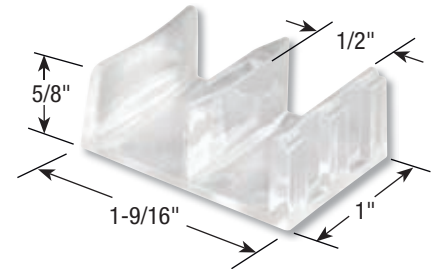
50 9746 (M-6014)
Inner pack: 5 Master pack: 10



Catch

- Plastic housing
- Dual magnetic inserts
- Holds swinging shower doors closed
- Heavy duty construction

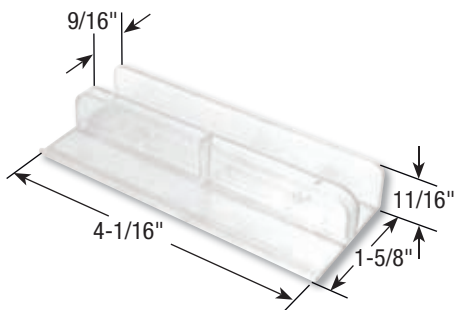
50 9717 (M-6050)
Inner pack: 2 Master pack: 10



Bottom Guide

- Clear nylon bottom guide for sliding tub enclosure doors
- Fits 7/16" thick door rails
- Self-adhesive tape included

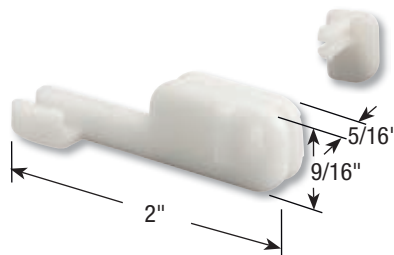
50 9718-2 (M-6058)
Inner pack: 2 Master pack: 10



Bottom Guide

- Clear nylon bottom guide for sliding tub enclosure doors
- Fits 1/2" thick door rails
- Fits on International®
- Self-adhesive tape included

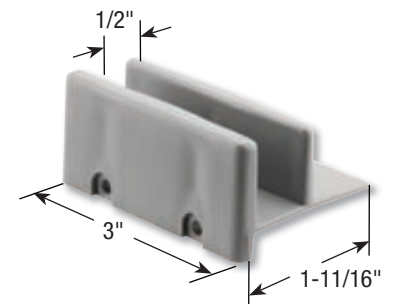
50 9792 (M-6067)
Inner pack: 2 Master pack: 10



Bottom Guide

- Nylon bottom guide and retainer for shower doors
- Fits on Kinkead® and Sterling®

50 9757 (M-6090)
Inner pack: 2 Master pack: 10



Bottom Guide

- Gray plastic bottom guide
- Edge mounts onto base frame with screws
- Fits 7/16" thick panels

50 9453 (M-6192)
Inner pack: 2 Master pack: 10



Bottom Sweep (36")

- "Star-tip" vinyl
- For use on hinged shower doors

50 9730-2 (M-6023 gray)
Inner pack: 2 Master pack: 10

50 9332 (M-6227 clear)
Inner pack: 2 Master pack: 10



Bottom Sweep (36")

- 1-1/2" flat vinyl
- For use on hinged shower doors

50 9733-2 (M-6022 gray)
Inner pack: 2 Master pack: 10

50 9339 (M-6226 clear)
Inner pack: 2 Master pack: 10



Bottom Sweep (36")

- "T-shaped" vinyl
- For use on hinged shower doors

50 9767 (M-6040 gray)
Inner pack: 2 Master pack: 10

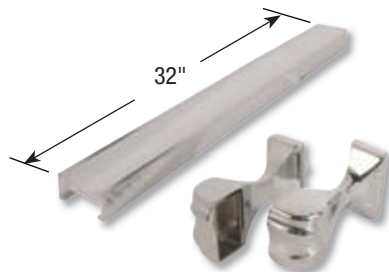
50 9338 (M-6228 clear)
Inner pack: 2 Master pack: 10



Bottom Seal (36")

- Clear vinyl
- For frameless shower doors
- Fits 3/8" thick glass
- Slip-on fit, no adhesive necessary

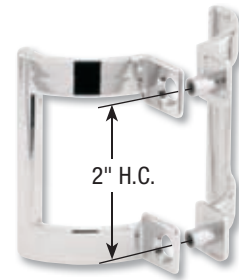
50 9318 (M-6258)
Inner pack: 1 Master pack: 4



Towel Bar Assembly

- 32" x 3/8" x 3/4" extruded aluminum bar
- Diecast bracket
- Universal design
- Used on both shower and tub enclosure doors

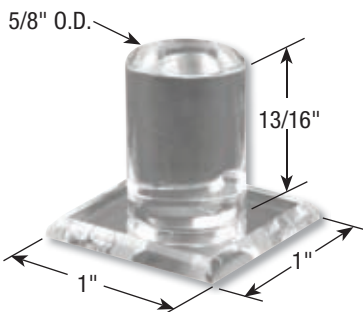
50 9750 (M-6093)
Inner pack: 1 Master pack: 10



Handle Set

- Chrome plated diecast handles
- Outside handle with threaded studs and inside handle with holes

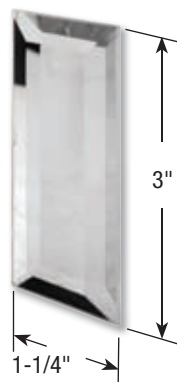
50 9418 (M-6158)
Inner pack: 1 Master pack: 10



Pull

- Clear acrylic
- Self adhesive
- Used on cabinet, shower and tub enclosure sliding doors

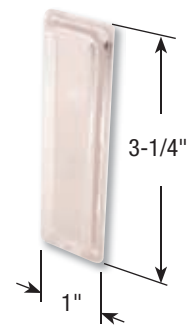
50 9417 (M-6150)
Inner pack: 2 Master pack: 10



Pull

- Beveled mirrored glass pull
- Pressure sensitive adhesive backing

40 9563 (N-6942)
Inner pack: 2 Master pack: 10

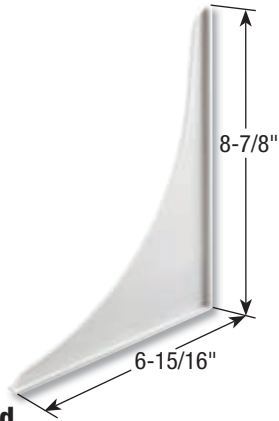


Pull

- Adhesive-backed plastic handle
- Easy installation
- Universal application

15 3165 (F-2549 clear)
Inner pack: 6 Master pack: 10

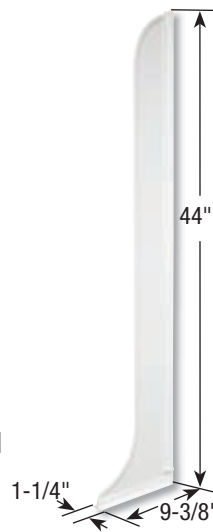
15 3117-6 (F-2550 black)
Inner pack: 6 Master pack: 10



Splash Guard

- White plastic
- Non-handed flat design
- Self-adhesive

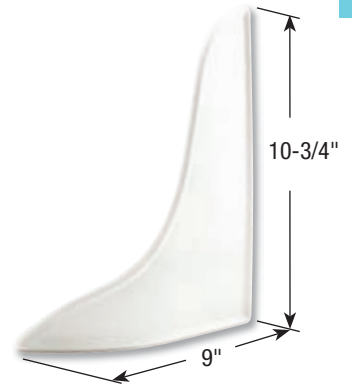
50 9781 (M-6085)
Inner pack: 2 Master pack: 10



Splash Guard

- White plastic
- Self-adhesive

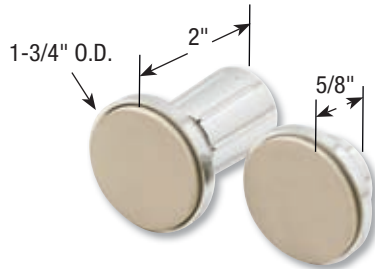
50 9306 (M-6234)
Inner pack: 1 pr Master pack: 6



Curved Splash Guard

- White plastic
- 1 left hand and 1 right hand
- Self-adhesive

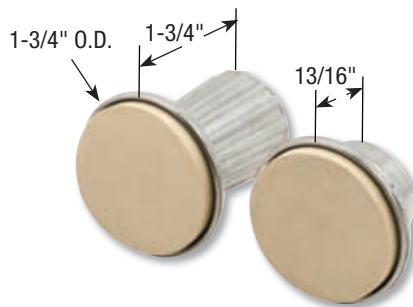
50 9789 (M-6086)
Inner pack: 1 pr Master pack: 10 pr



Curtain Rod End Brackets

- Chrome plated plastic brackets
- Accept a 1" curtain rod
- No tools necessary; simply twist to apply pressure between walls

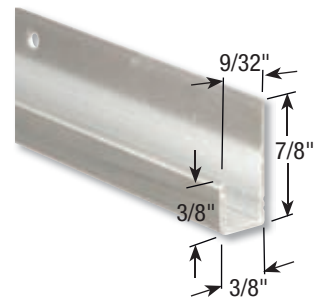
50 9799-5 (M-6066)
Inner pack: 5 Master pack: 10



Curtain Rod End Brackets

- Chrome plated diecast brackets
- Accept a 1" curtain rod
- No tools necessary; simply twist to apply pressure between walls

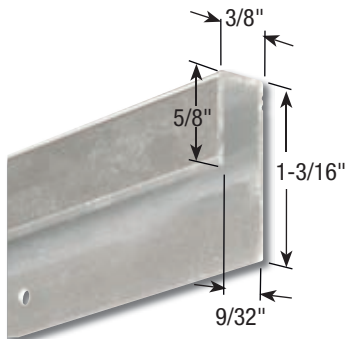
50 9713 (M-6052)
Inner pack: 2 Master pack: 10



Mirror "J" Channel

- Bottom mount
- 72"
- Used to securely mount wall mirrors
- Can be cut down to fit any size mirror under 72" wide

55 7082 (U-10387)
Inner pack: 10 Master pack: 10



Mirror "J" Channel

- Top mount
- 72"
- Used to securely mount wall mirrors
- Can be cut down to fit any size mirror under 72" wide

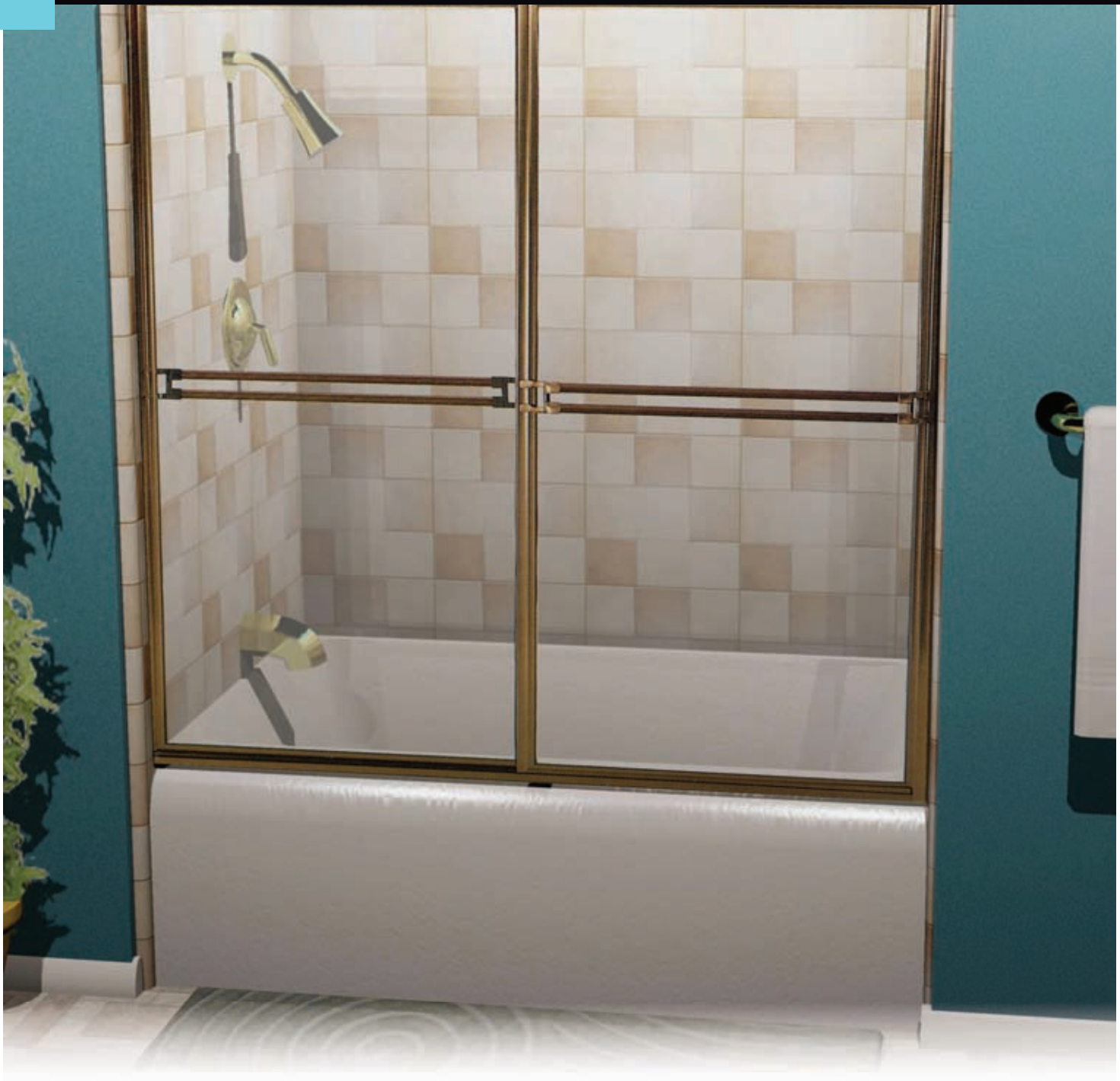
55 7088 (U-10388)
Inner pack: 10 Master pack: 10



Precision screen doors are a great way to keep the bugs out and let the fresh air in!

Precision security doors offer the first line of defense to protect your home and family against burglary!

Precision doors are available in a wide variety of steel, aluminum, vinyl and wood models.



TUB & SHOWER Hardware

Your tub & shower is one of the most used items in your home. When it's time to repair your tub or shower door, Prime-Line's large selection of rollers, seals and guides can help with your repair project. We have over 270 different items to fix most door systems.

Economy Door Stop

- Flexible
- Plated steel spring
- Rubber tip
- Steel screw insert

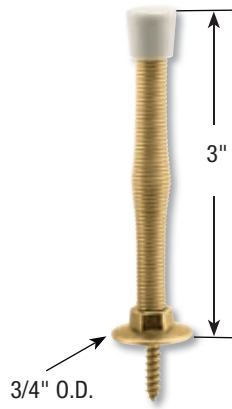
55 5777 (U-9000 brass plated)
Inner pack: 10 Master pack: 10

55 5712 (U-9057 brass plated)
Inner pack: 50 Master pack: 1

55 5748 (U-9018 antique brass)
Inner pack: 10 Master pack: 10

55 5745 (U-10112 satin nickel)
Inner pack: 10 Master pack: 10

55 7443 (U-9019 chrome)
Inner pack: 10 Master pack: 10



Heavy Duty Door Stop

- Flexible
- Plated steel spring
- Rubber tip
- Separate base and screw

55 5702 (U-9037 brass plated)
Inner pack: 5 Master pack: 10

55 5784 (U-9081 brass plated)
Inner pack: 50 Master pack: 1

55 5708 (U-9038 antique brass)
Inner pack: 5 Master pack: 10

55 5705 (U-9039 chrome)
Inner pack: 5 Master pack: 10

55 7441 (U-10115 satin nickel)
Inner pack: 5 Master pack: 10

55 7449 (U-10116 bronze)
Inner pack: 5 Master pack: 10



Commercial Door Stop

- Flexible
- Plated steel spring
- Rubber tip
- Separate base and screw

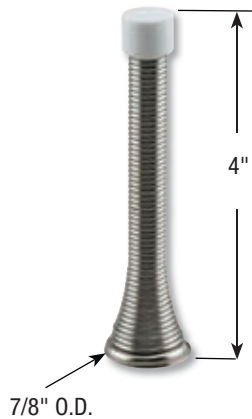
55 5418 (U-9158 brass plated)
Inner pack: 5 Master pack: 10

55 5418-50 (U-9158 brass plated)
Inner pack: 50 Master pack: 1

55 5415 (U-9159 antique brass)
Inner pack: 5 Master pack: 10

55 5497 (U-9160 chrome plated)
Inner pack: 5 Master pack: 10

55 7432 (U-10127 satin nickel)
Inner pack: 5 Master pack: 10



Economy Door Stop

- Rigid
- Plated diecast base
- Rubber tip
- Steel screw insert

55 5737 (U-9020 brass plated)
Inner pack: 10 Master pack: 10

55 5790 (U-9063 brass plated)
Inner pack: 50 Master pack: 1

55 5734 (U-9021 antique brass)
Inner pack: 10 Master pack: 10

55 5733 (U-9022 chrome plated)
Inner pack: 10 Master pack: 10

55 7448 (U-10118 satin nickel)
Inner pack: 10 Master pack: 10



Heavy Duty Door Stop

- Rigid
- Plated diecast base
- Rubber tip
- Steel screw insert

55 5763 (U-9042 brass plated)
Inner pack: 5 Master pack: 10

55 5760 (U-9043 antique brass)
Inner pack: 5 Master pack: 10

55 5766 (U-9044 chrome plated)
Inner pack: 5 Master pack: 10

55 7670 (U-10403 satin nickel)
Inner pack: 5 Master pack: 10

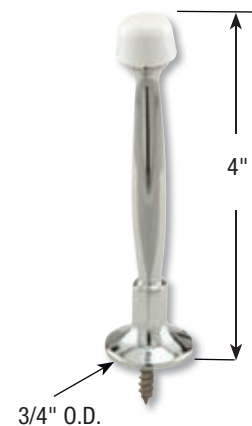


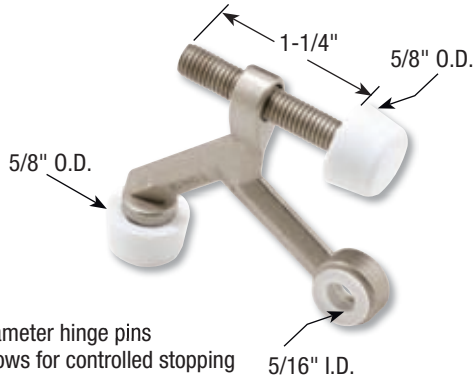
Commercial Door Stop

- Rigid
- Plated diecast base
- Rubber tip
- Steel screw insert

55 5406 (U-9134 brass plated)
Inner pack: 5 Master pack: 10

55 5409 (U-9136 chrome)
Inner pack: 5 Master pack: 10





Door Stop (30°)

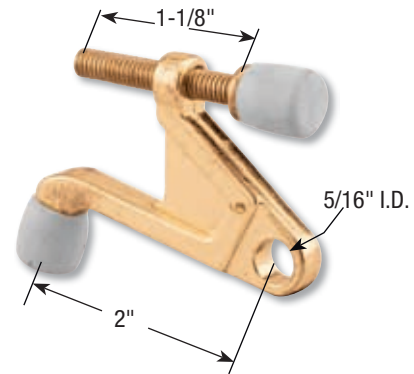
- Plated diecast base
- Rubber tip
- Accepts all 5/16" diameter hinge pins
- Adjustable screw allows for controlled stopping

55 5761 (U-9045 brass plated)
Inner pack: 10 Master pack: 10

55 5750 (U-9093 brass plated)
Inner pack: 50 Master pack: 1

55 5752 (U-9097 chrome)
Inner pack: 10 Master pack: 10

55 7658 (U-10498 satin nickel)
Inner pack: 5 Master pack: 10

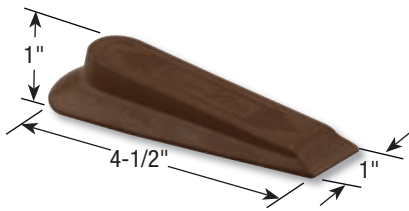


Door Stop (90°)

- Plated diecast base
- Rubber tip
- Accepts all 5/16" diameter hinge pins
- Adjustable screw allows for controlled stopping

55 5739 (U-9026 brass plated)
Inner pack: 5 Master pack: 10

55 5738 (U-9028 chrome)
Inner pack: 5 Master pack: 10



Door Stop

- Brown rubber
- Saw tooth base

55 5347 (U-9210)
Inner pack: 5 Master pack: 10

Magnetic Door Holder

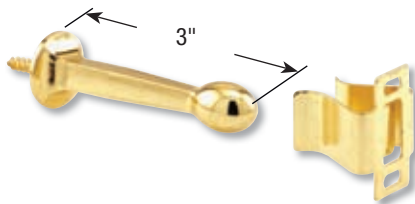
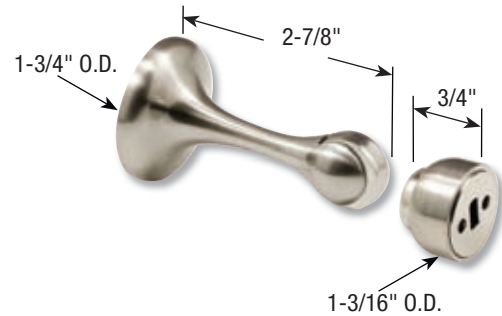
- Plated diecast steel
- Can be mounted vertically on the floor, or horizontally on the wall
- Receiver with spring-loaded steel button

55 6572 (J-4907 polished brass)
Inner pack: 1 Master pack: 10

55 6575 (J-4909 polished chrome)
Inner pack: 1 Master pack: 10

55 6547 (J-4910 satin nickel)
Inner pack: 1 Master pack: 10

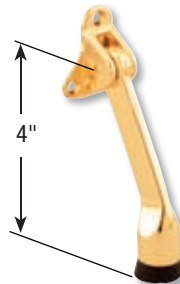
55 6540 (J-4913 bronze)
Inner pack: 1 Master pack: 10



Door Holder

- Rigid
- Brass plated

55 7111 (U-10555)
Inner pack: 1 Master pack: 10



Door Holder

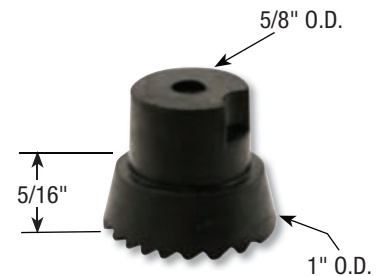
- Zinc diecast
- Rubber tip
- Spring loaded to hold in "up" position
- Use 55 6112 replacement tips

55 6160 (J-4543 brass plated)
Inner pack: 1 Master pack: 10

55 6130 (J-4523 chrome)
Inner pack: 1 Master pack: 10

55 6100 (J-4533 bronze plated)
Inner pack: 1 Master pack: 10

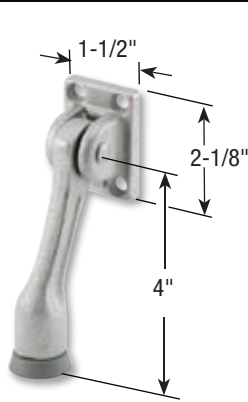
55 6868 (J-4848 satin nickel)
Inner pack: 1 Master pack: 10



Holder Tip

- With screw
- Black rubber
- Replaces worn out tips on drop down door holders

55 6112 (J-4557)
Inner pack: 10 Master pack: 10

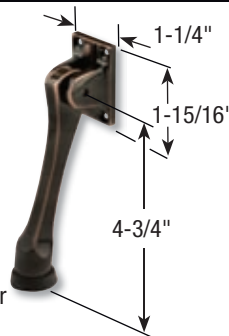


Door Holder

- Heavy cast iron
- Spring loaded
- Rubber tip
- Use 55 6114-1 replacement tip

55 6114 (J-4551 aluminum)
Inner pack: 1 Master pack: 10

55 6113 (J-4552 bronze)
Inner pack: 1 Master pack: 10



Door Holder

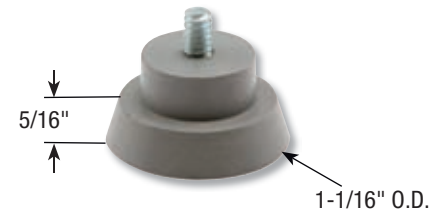
- Heavy cast brass holder
- Rubber tip
- Meets ANSI standards for commercial use
- Use 55 6124-1 replacement tip

55 6123 (J-4572 polished brass)
Inner pack: 1 Master pack: 10

55 6124 (J-4571 brushed chrome)
Inner pack: 1 Master pack: 10

55 6865 (J-4849 satin nickel)
Inner pack: 1 Master pack: 10

55 6855 (J-4899 bronze)
Inner pack: 1 Master pack: 10

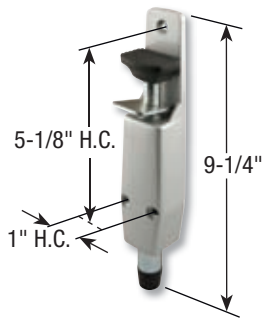


Holder Tip

- Screw in design
- Rubber
- Replaces worn out tips on drop down door holders

55 6114-1 (J-4551*1 gray)
Inner pack: 5 Master pack: 10

55 6124-1 (J-4571*1 black)
Inner pack: 5 Master pack: 10



Door Holder

- Diecast
- Spring loaded
- Large rubber foot treadle for easy step-on application
- Toe operated release mechanism
- Use 55 6976 replacement tip

55 6156 (J-4594 brass)
Inner pack: 1 Master pack: 10

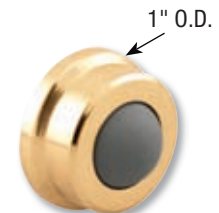
55 6151 (J-4595 aluminum)
Inner pack: 1 Master pack: 10



Holder Tip

- Screw in design
- Black rubber
- Replaces worn out tips on step-on door holders

55 6976 (J-4604)
Inner pack: 10 Master pack: 10



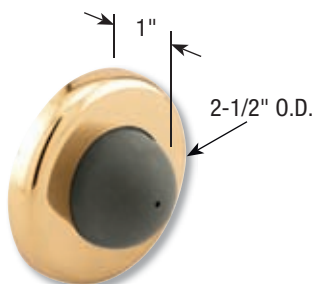
Wall Stop

- Solid cast brass
- Threaded collar and base
- Convex rubber bumper
- 9/16" projection

55 6127-2 (J-4570 polished brass)
Inner pack: 2 Master pack: 10

55 6962-2 (J-4647 satin chrome)
Inner pack: 2 Master pack: 10

55 6866-2 (J-4844 satin nickel)
Inner pack: 2 Master pack: 10

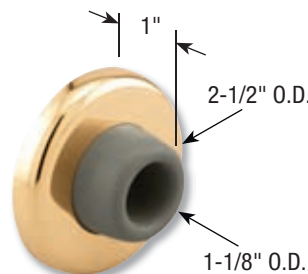


Wall Stop

- Convex rubber bumper
- Steel retainer plate
- Screw installs through steel retainer plate into wall anchor

55 6117 (J-4550 polished brass)
Inner pack: 1 Master pack: 10

55 6965 (J-4649 satin chrome)
Inner pack: 1 Master pack: 10



Wall Stop

- Concave rubber bumper
- Steel retainer plate
- Screw installs through steel retainer plate into wall anchor

55 6163 (J-4542 polished brass)
Inner pack: 1 Master pack: 10

55 6167 (J-4540 stainless steel)
Inner pack: 1 Master pack: 10

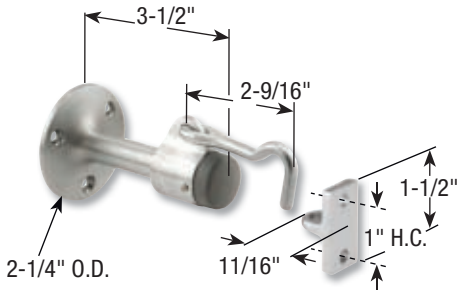
55 6860 (J-4843 satin nickel)
Inner pack: 1 Master pack: 10



Door Stop

- Brass plated diecast
- Rubber bumper
- Mounts to floor

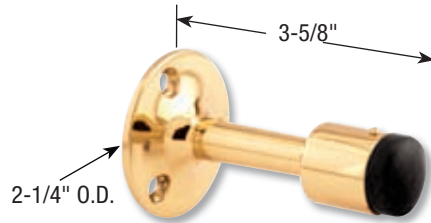
55 5730 (U-9023)
Inner pack: 5 Master pack: 10



Wall Stop

- Solid brass
- Satin chrome finish
- Rubber bumper
- Built in hook to hold door in open position

55 6155 (J-4599)
Inner pack: 1 Master pack: 5



Wall Stop

- Cast brass
- Rubber bumper to cushion door

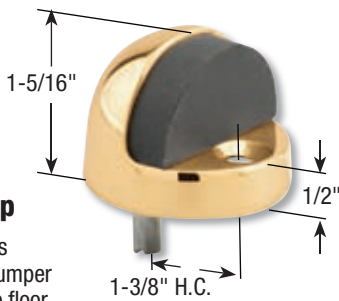
55 6159 (J-4596 polished brass)
Inner pack: 1 Master pack: 5
55 6152 (J-4597 satin chrome)
Inner pack: 1 Master pack: 5



Door Stop

- Solid brass
- Rubber bumper
- 1 installation screw is concealed under base of bumper
- Meets ANSI standards

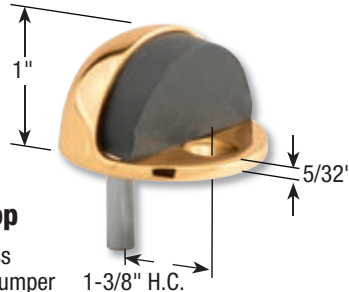
55 6941 (J-4615 polished brass)
Inner pack: 1 Master pack: 5
55 6120 (J-4573 satin chrome)
Inner pack: 1 Master pack: 5



Door Stop

- Cast brass
- Rubber bumper
- Mounts to floor
- Meets ANSI standards

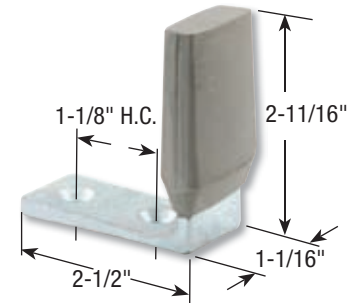
55 6111 (J-4555 polished brass)
Inner pack: 1 Master pack: 10
55 6161 (J-4545 satin chrome)
Inner pack: 1 Master pack: 10
55 6869 (J-4846 satin nickel)
Inner pack: 1 Master pack: 10
55 6254 (J-4791 classic bronze)
Inner pack: 1 Master pack: 10



Door Stop

- Cast brass
- Rubber bumper
- Mounts to floor
- Meets ANSI standards

55 6116 (J-4554 polished brass)
Inner pack: 1 Master pack: 10
55 6166 (J-4544 satin chrome)
Inner pack: 1 Master pack: 10
55 6861 (J-4845 satin nickel)
Inner pack: 1 Master pack: 10
55 6257 (J-4790 classic bronze)
Inner pack: 1 Master pack: 10



Door Stop

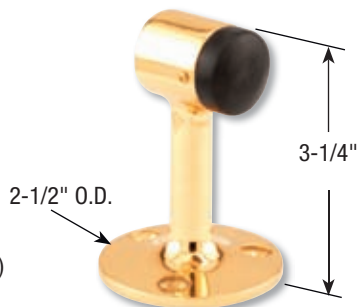
- Wrought steel
- Rubber bumper
- Used on under cut doors up to 1-1/2"

55 6153 (J-4592 aluminum)
Inner pack: 1 Master pack: 10
55 6150 (J-4593 bronze)
Inner pack: 1 Master pack: 10

Door Stop

- Cast brass
- Rubber bumper
- Mounts to floor
- Meets ANSI standard

55 6946 (J-4614 polished brass)
Inner pack: 1 Master pack: 5
55 6162 (J-4547 satin chrome)
Inner pack: 1 Master pack: 5
55 6862 (J-4847 polished brass)
Inner pack: 1 Master pack: 5
55 6977 (J-4600 satin chrome)
Inner pack: 1 Master pack: 5
55 6970 (J-4603 satin nickel)
Inner pack: 1 Master pack: 5

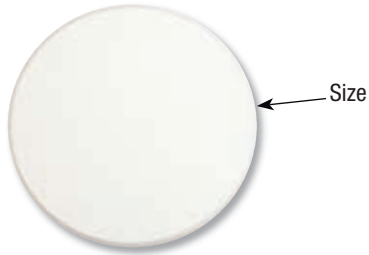


Door Stop

- Solid brass
- Rubber bumper
- Mounts to floor
- Built in hook to hold door in open position

55 6974 (J-4601 polished brass)
Inner pack: 1 Master pack: 5
55 6973 (J-4602 satin chrome)
Inner pack: 1 Master pack: 5





Wall Protector

- Rigid vinyl
- Self adhesive
- Paintable
- Protects interior walls from impact damage by shielding contact point of wall and door knob
- Repairs damaged walls

55 5481 (U-9185 - 3-1/4" ivory textured)
Inner pack: 5 Master pack: 10

55 5360 (U-9243 - 3-1/4" white textured)
Inner pack: 5 Master pack: 10

55 5392 (U-9267 - 3-1/4" ivory smooth)
Inner pack: 5 Master pack: 10

55 5327 (U-9270 - 3-1/4" white smooth)
Inner pack: 5 Master pack: 10

55 5489 (U-9186 - 5" ivory textured)
Inner pack: 5 Master pack: 10

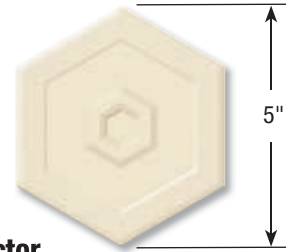
55 5366 (U-9244 - 5" white textured)
Inner pack: 5 Master pack: 10

55 5398 (U-9268 - 5" ivory smooth)
Inner pack: 5 Master pack: 10

55 5324 (U-9271 - 5" white smooth)
Inner pack: 5 Master pack: 10

55 5396 (U-9264 - 7" ivory textured)
Inner pack: 5 Master pack: 10

55 5391 (U-9265 - 7" white textured)
Inner pack: 5 Master pack: 10

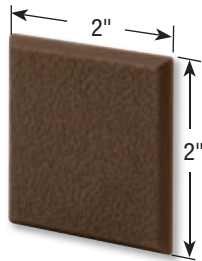


Wall Protector

- Rigid vinyl
- Self adhesive
- Paintable
- Protects interior walls from impact damage by shielding contact point of wall and door knob
- Repairs damaged walls

55 5467 (U-9140 ivory)
Inner pack: 5 Master pack: 10

55 5321 (U-9275 white)
Inner pack: 5 Master pack: 10



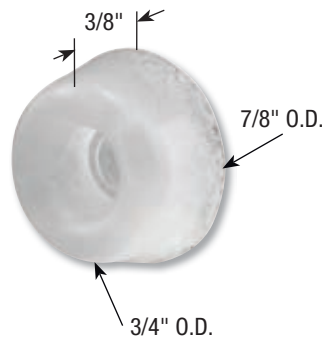
Wall Protector

- Rigid vinyl
- Self adhesive
- Paintable
- Protects interior walls from impact damage by shielding contact point of wall and door knob
- Repairs damaged walls

55 7899 (U-10866 white)
Inner pack: 5 Master pack: 10

55 7892 (U-10867 ivory)
Inner pack: 5 Master pack: 10

55 7898 (U-10868 brown)
Inner pack: 5 Master pack: 10



Door Stop

- Clear polyurethane
- Self adhesive
- No tools required

55 6240 (J-4713)
Inner pack: 10 Master pack: 10



Door Stop

- Clear soft vinyl
- Protects against marred walls
- Includes screws and anchor
- Easily detached from wall by removing screw

55 5776 (U-9004)
Inner pack: 2 Master pack: 10



Door Stop

- Solid rubber
- Concave center
- Self-adhesive

55 5735 (U-9029 off white)
Inner pack: 2 Master pack: 10

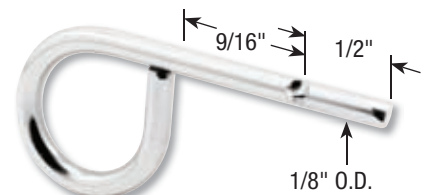
55 5703 (U-9032 gray)
Inner pack: 2 Master pack: 10



Stop Mount Silencer

- Gray rubber
- Used on hollow metal jambs to deter noisy latching
- 9/16" Projection
- Installation tool included

55 6199 (J-4566)
Inner pack: 100 Master pack: 5



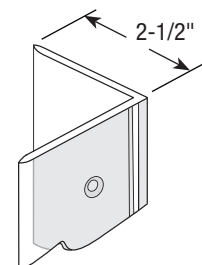
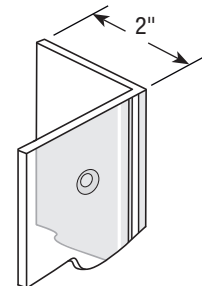
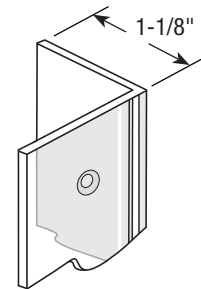
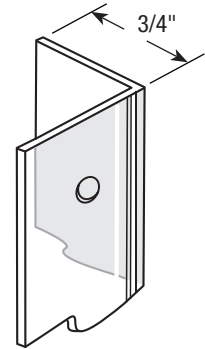
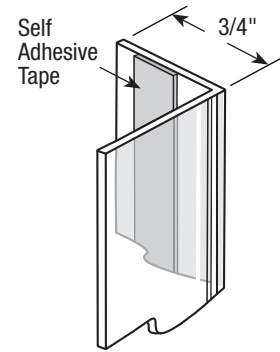
COMMERCIAL HARDWARE

Section 55

Items available on primeline.net

Corner Guards - Used for protecting or repairing wall corners from chipped paint, torn wallpaper or fingerprints

Part No.	Color	Leg Size	Length	Application
55 7799 (U-10066) Inner pack: 5	White vinyl Master pack: 10	3/4" x 3/4"	48"	Tape
55 7066 (U-10344) Inner pack: 5	Almond vinyl Master pack: 10	3/4" x 3/4"	48"	Tape
<hr/>				
55 5435 (U-9129) Inner pack: 5	Clear vinyl Master pack: 10	3/4" x 3/4"	48"	Nails
<hr/>				
55 5407 (U-9130) Inner pack: 5	Clear vinyl Master pack: 10	1-1/8" x 1-1/8"	48"	Screws
55 7792 (U-10067) Inner pack: 5	White vinyl Master pack: 10	1-1/8" x 1-1/8"	48"	Screws
55 7061 (U-10345) Inner pack: 5	Almond vinyl Master pack: 10	1-1/8" x 1-1/8"	48"	Screws
<hr/>				
55 7812 (U-10857) Inner pack: 1	Stainless Steel Master pack: 6	2" x 2"	48"	Screws
<hr/>				
55 7798 (U-10068) Inner pack: 6	Clear vinyl Master pack: 10	2-1/2" x 2-1/2"	48"	Screws
55 7795 (U-10069) Inner pack: 6	White vinyl Master pack: 10	2-1/2" x 2-1/2"	48"	Blank
55 7069 (U-10346) Inner pack: 6	Almond vinyl Master pack: 10	2-1/2" x 2-1/2"	48"	Blank



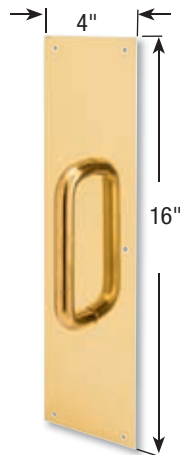
Pull Plate

- 6" HC round handle
- Non-ferrous base metal
- Removable PVC protective coating on most plates
- Brass pulls have protective finish
- Meets A.N.S.I. A156.6 specifications

55 6967 (J-4640 satin aluminum)
Inner pack: 1 Master pack: 5

55 6964 (J-4641 polished brass)
Inner pack: 1 Master pack: 5

55 6960 (J-4643 stainless steel)
Inner pack: 1 Master pack: 5



Pull Plate

- 5-1/8" HC decorator oval handle
- Non-ferrous base metal
- Removable PVC protective coating on most plates
- Brass pulls have protective finish
- Meets A.N.S.I. A156.6 specifications

55 6128 (J-4578 polished brass)
Inner pack: 1 Master pack: 5

55 6125 (J-4579 satin aluminum)
Inner pack: 1 Master pack: 5



Push Plate

- Non-ferrous base metals
- Removable PVC protective coating on most plates
- Meets A.N.S.I. A156.6 specifications

55 6248 (J-4718 - 3-1/2"x 15" satin aluminum)
Inner pack: 1 Master pack: 10

55 6245 (J-4719 - 3-1/2"x 15" polished brass)
Inner pack: 1 Master pack: 10

55 6237 (J-4720 - 3-1/2"x 15" stainless steel)
Inner pack: 1 Master pack: 10

55 6184 (J-4581 - 4"x 16" satin aluminum)
Inner pack: 1 Master pack: 10

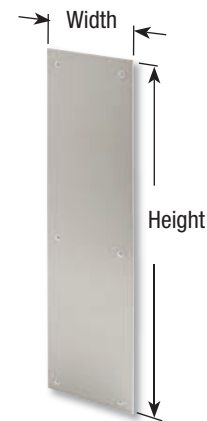
55 6907 (J-4630 - 4"x 16" brass finish)
Inner pack: 1 Master pack: 10

55 6187 (J-4580 - 4"x 16" polished brass)
Inner pack: 1 Master pack: 10

55 6867 (J-4840 - 4"x 16" satin nickel)
Inner pack: 1 Master pack: 10

55 6939 (J-4626 - 4"x 16" stainless steel)
Inner pack: 1 Master pack: 10

55 6530 (J-4923 - 4"x 16" clear acrylic)
Inner pack: 1 Master pack: 10



*Special order sizes available except for clear acrylic & bronze painted

Kickplate

- Non-ferrous base metals
- Pre-drilled with screws
- Removable PVC protective coating on most plates

55 6273 (J-4702 - 6"x 34" satin aluminum)
Inner pack: 1 Master pack: 10

55 6270 (J-4703 - 6"x 34" brass finish)
Inner pack: 1 Master pack: 10

55 6276 (J-4704 - 6"x 34" polished brass)
Inner pack: 1 Master pack: 10

55 6802 (J-4837 - 6"x 34" satin nickel)
Inner pack: 1 Master pack: 10

55 6278 (J-4708 - 6"x 34" stainless steel)
Inner pack: 1 Master pack: 10

55 6531 (J-4925 - 6"x 34" clear acrylic)
Inner pack: 1 Master pack: 10

55 6210 (J-4753 - 6"x 36" satin aluminum)
Inner pack: 1 Master pack: 10

55 6949 (J-4616 - 8"x 34" satin aluminum)
Inner pack: 1 Master pack: 10

55 6948 (J-4618 - 8"x 34" brass finish)
Inner pack: 1 Master pack: 10

55 6942 (J-4617 - 8"x 34" polished brass)
Inner pack: 1 Master pack: 10

55 6808 (J-4838 - 8"x 34" satin nickel)
Inner pack: 1 Master pack: 10

55 6945 (J-4619 - 8"x 34" stainless steel)
Inner pack: 1 Master pack: 10

55 6539 (J-4926 - 8"x 34" clear acrylic)
Inner pack: 1 Master pack: 10

55 6954 (J-4691 - 8"x 34" bronze painted)
Inner pack: 1 Master pack: 10

55 6216 (J-4754 - 8"x 36" satin aluminum)
Inner pack: 1 Master pack: 10

55 6297 (J-4760 - 8"x 36" polished brass)
Inner pack: 1 Master pack: 10



55 6937 (J-4620 - 10"x 34" satin aluminum)
Inner pack: 1 Master pack: 10

55 6933 (J-4622 - 10"x 34" brass finish)
Inner pack: 1 Master pack: 10

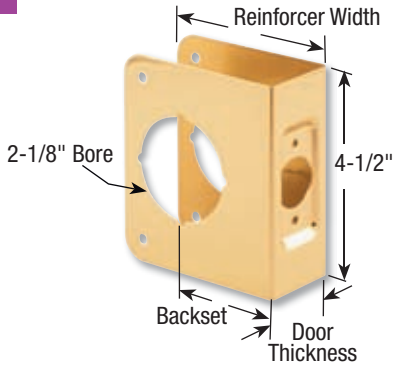
55 6934 (J-4621 - 10"x 34" polished brass)
Inner pack: 1 Master pack: 10

55 6805 (J-4839 - 10"x 34" satin nickel)
Inner pack: 1 Master pack: 10

55 6930 (J-4623 - 10"x 34" stainless steel)
Inner pack: 1 Master pack: 10

55 6507 (J-4930 - 10"x 34" clear acrylic)
Inner pack: 1 Master pack: 10

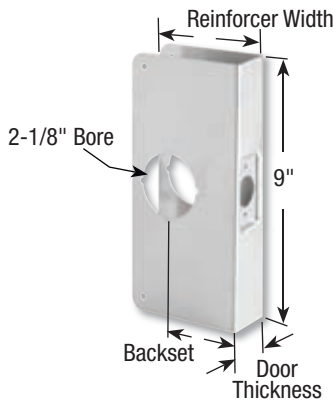
55 6950 (J-4693 - 10"x 34" bronze painted)
Inner pack: 1 Master pack: 10



Recessed Lock & Door Reinforcer

- Reinforces and repairs doors
- Assists in preventing forced entry
- Use on wood or metal doors with mortise or drive-in latches
- Accommodates key-in knob locksets or deadbolts

		Finish	Backset	Door Thickness	Reinforcer Width
55 5160 (U-9543)	Inner pack: 1 Master pack: 5	Brass	2-3/8"	1-3/8"	3-7/8"
55 5166 (U-9544)	Inner pack: 1 Master pack: 5	Brass	2-3/8"	1-3/4"	3-7/8"
55 5161 (U-9545)	Inner pack: 1 Master pack: 5	Brass	2-3/4"	1-3/4"	4-5/16"
55 5110 (U-9553)	Inner pack: 1 Master pack: 5	Stainless Steel	2-3/8"	1-3/4"	3-7/8"
55 5116 (U-9554)	Inner pack: 1 Master pack: 5	Stainless Steel	2-3/4"	1-3/4"	4-5/16"
55 7813 (U-10852)	Inner pack: 1 Master pack: 5	Stainless Steel	2-3/8"	1-3/8"	3-7/8"



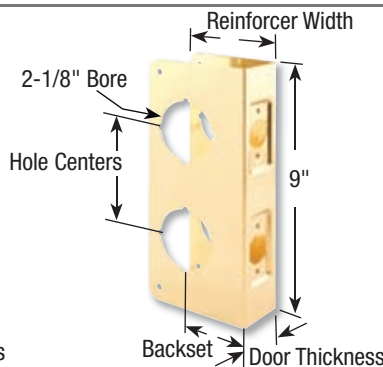
Recessed Lock & Door Reinforcer

- Reinforces and repairs doors
- Assists in preventing forced entry
- Use on wood or metal doors with mortise or drive-in latches
- Accommodates key-in knob locksets or deadbolts

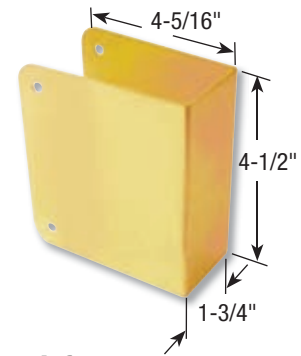
		Finish	Backset	Door Thickness	Reinforcer Width
55 5167 (U-9540)	Inner pack: 1 Master pack: 5	Brass	2-3/8"	1-3/8"	3-7/8"
55 5164 (U-9541)	Inner pack: 1 Master pack: 5	Brass	2-3/8"	1-3/4"	3-7/8"
55 5163 (U-9542)	Inner pack: 1 Master pack: 5	Brass	2-3/4"	1-3/4"	4-5/16"
55 5114 (U-9551)	Inner pack: 1 Master pack: 5	Stainless Steel	2-3/8"	1-3/4"	3-7/8"
55 5113 (U-9552)	Inner pack: 1 Master pack: 5	Stainless Steel	2-3/4"	1-3/4"	4-5/16"
55 7858 (U-10898)	Inner pack: 1 Master pack: 5	Stainless Steel	2-3/8"	1-3/8"	3-7/8"

Recessed Lock & Door Reinforcer

- Reinforces and repairs doors
- Assists in preventing forced entry
- Use on wood or metal doors with mortise or drive-in latches
- Accommodates key-in knob locksets or deadbolts



		Finish	Backset	Door Thickness	Hole Centers	Reinforcer Width
55 5169 (U-9546)	Inner pack: 1 Master pack: 5	Polished Brass	2-3/8"	1-3/4"	3-5/8"	3-7/8"
55 7868 (U-10848)	Inner pack: 1 Master pack: 5	Stainless Steel	2-3/4"	1-3/4"	3-5/8"	4-5/16"
55 4799 (U-11066)	Inner pack: 1 Master pack: 5	Brass	2-3/8"	1-3/4"	5-1/2"	3-7/8"

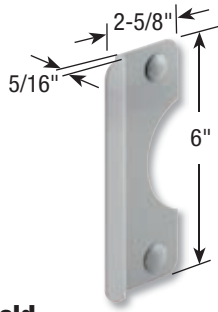


Blank Reinforcer

- Covers unsightly holes and damage
 - Can be drilled to accommodate specialty locks
- | | |
|---|------------------------------|
| 55 5657 (U-9490 - brass) | Inner pack: 1 Master pack: 5 |
| 55 5653 (U-9492 - stainless steel) | Inner pack: 1 Master pack: 5 |

Flat front style available upon request

Items available on primeline.net

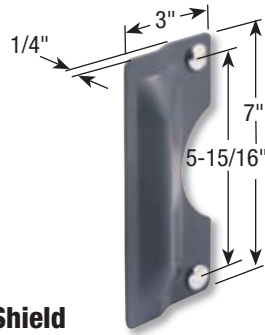


Latch Shield

- Steel
- Secures against forced entry
- Used on outswing doors
- For residential, commercial and industrial use

55 5175 (U-9509 painted gray)
Inner pack: 1 Master pack: 10

55 5147 (U-9510 brass plated)
Inner pack: 1 Master pack: 10

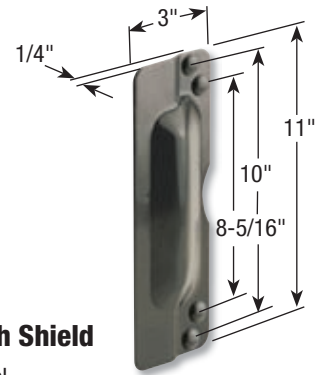


Latch Shield

- Steel
- Secures against forced entry
- Used on outswing doors
- For residential, commercial and industrial use

55 5177 (U-9500 painted gray)
Inner pack: 1 Master pack: 10

55 5173 (U-9502 brass plated)
Inner pack: 1 Master pack: 10

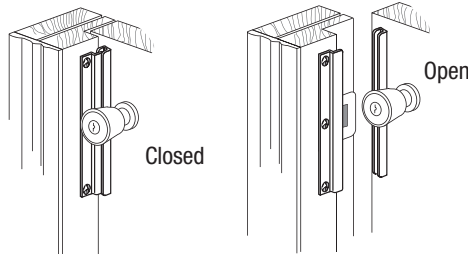


Latch Shield

- Steel
- Secures against forced entry
- Used on outswing doors
- For residential, commercial and industrial use

55 6181 (U-9503 painted gray)
Inner pack: 1 Master pack: 10

55 6189 (U-9504 painted bronze)
Inner pack: 1 Master pack: 10

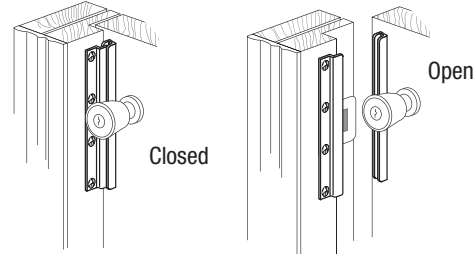
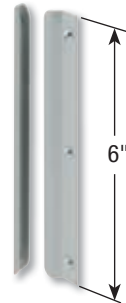


Latch Shield

- Steel
- Use on inswing doors
- Interlocking brackets protect against forced entry
- May be applied to wood or metal doors
- Requires no mortising

55 5144 (U-9511 painted gray)
Inner pack: 1 Master pack: 10

55 5143 (U-9512 brass plated)
Inner pack: 1 Master pack: 10

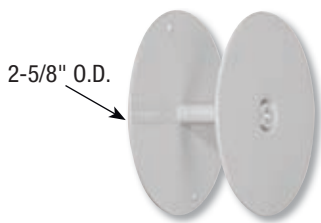
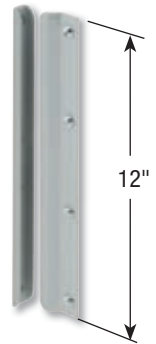


Latch Shield

- Steel
- Use on inswing doors
- Interlocking brackets protect against forced entry
- May be applied to wood or metal doors
- Requires no mortising

55 5140 (U-9513 painted gray)
Inner pack: 1 Master pack: 10

55 5146 (U-9514 brass plated)
Inner pack: 1 Master pack: 10

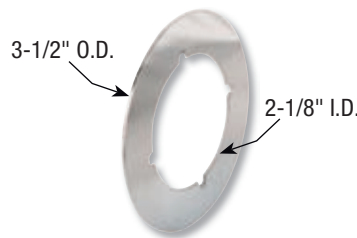


Hole Cover

- Steel
- Covers 1/2" to 2-1/8" holes
- Helps maintain entry security
- Fits doors to 1-3/4" thick

55 5141 (U-9515 painted gray)
Inner pack: 2 Master pack: 10

55 5149 (U-9516 brass plated)
Inner pack: 2 Master pack: 10

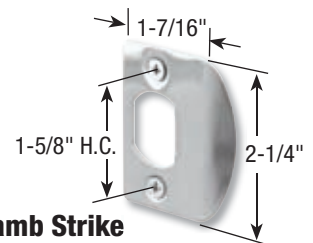


Lock Back Plate

- Use with 2-1/8" bore locks
- Covers marred doors
- Allows conversion of 2-3/8" to 2-3/4" backset (or 2-3/4" to 2-3/8")

55 5142 (U-9517 chrome)
Inner pack: 2 Master pack: 10

55 5136 (U-9524 brass plated)
Inner pack: 2 Master pack: 10



Standard Jamb Strike

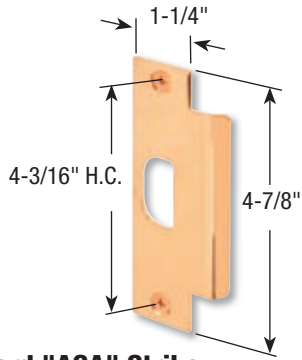
- Plated steel
- Adjustable latching tab
- Replaces most residential interior and exterior strikes

25 3303-5 (E-2232 brass plated)
Inner pack: 5 Master pack: 10

25 3300 (E-2233 antique brass)
Inner pack: 2 Master pack: 10

25 3306 (E-2234 chrome)
Inner pack: 2 Master pack: 10

25 3074 (E-2301 stainless steel)
Inner pack: 2 Master pack: 10

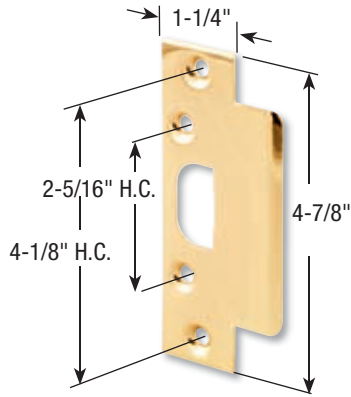


Standard "ASA" Strike

- Used on wood or metal jambs with most grade 1 or 2 locksets
- Fits ANSI cut-out (meets ANSI A156.2)

55 5680 (U-9483 stainless steel)
Inner pack: 2 Master pack: 10

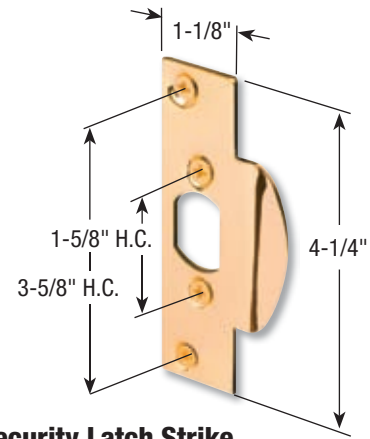
55 5686 (U-9484 polished brass)
Inner pack: 2 Master pack: 10



Security Latch Strike

- Fits A.N.S.I. cut-out for commercial and residential applications

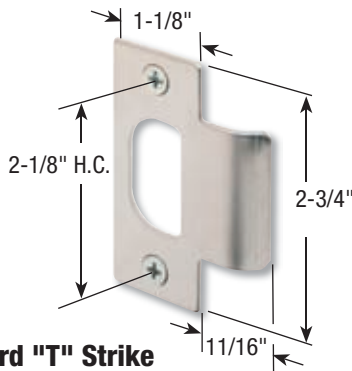
25 3309 (E-2236 brass plated)
Inner pack: 1 Master pack: 10



Security Latch Strike

- Brass plated
- Replaces most standard strikes

55 5633 (U-9422)
Inner pack: 2 Master pack: 10

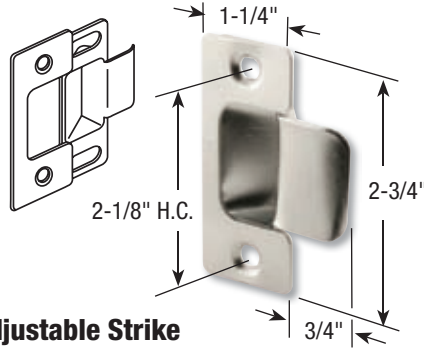


Standard "T" Strike

- Solid brass strike
- Used on wood or metal jambs with most grade 2 locksets

25 3355 (E-2299 stainless steel)
Inner pack: 2 Master pack: 10

25 3071 (E-2305 polished brass)
Inner pack: 2 Master pack: 10

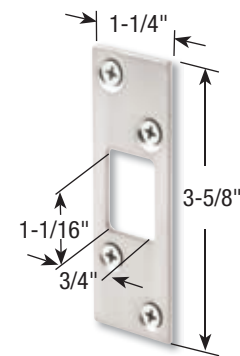


Adjustable Strike

- Provides snug fit of door to jamb
- Stops rattle, assures engagement of deadlatch function
- May be used on residential or commercial frames

55 7325 (U-10276 brass plated)
Inner pack: 2 Master pack: 10

55 7328 (U-10278 chrome plated)
Inner pack: 2 Master pack: 10

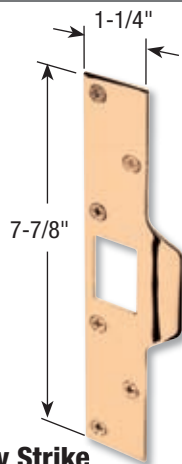


Security Deadbolt Strike

- Plated steel
- Replaces most deadbolt strikes

25 3301 (E-2235 brass plated)
Inner pack: 2 Master pack: 10

25 3694 (E-2461 satin nickel)
Inner pack: 2 Master pack: 10



Maximum Security Strike

- Brass plated
- Strengthens or repairs wood jambs

55 5639 (U-9426)
Inner pack: 1 Master pack: 10

Maximum Security Combination Strike

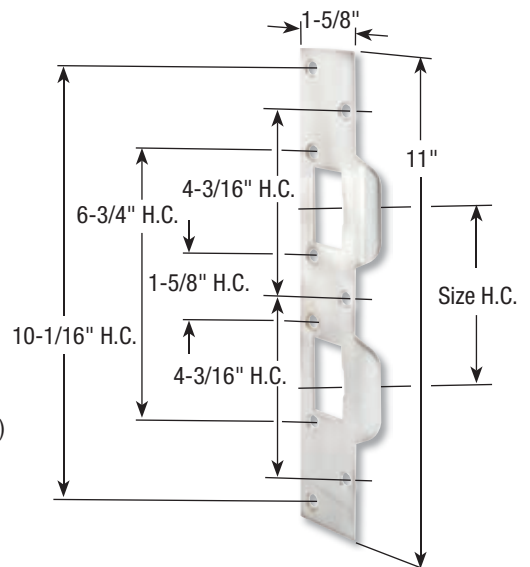
- Replaces standard latch and deadbolt strikes with one piece security

55 5632 (U-9427 brass plated - 3-5/8" to 4")
Inner pack: 1 Master pack: 10

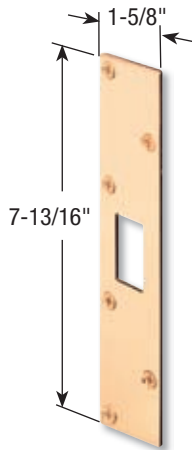
55 5622 (U-9477 chrome plated - 3-5/8" to 4")
Inner pack: 1 Master pack: 10

55 5687 (U-9480 brass plated - 5-1/2" to 6")
Inner pack: 1 Master pack: 10

55 7081 (U-10385 satin nickel - 5-1/2" to 6")
Inner pack: 1 Master pack: 10



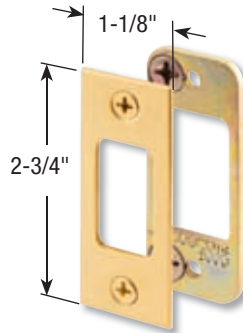
Items available on primeline.net



Maximum Security Deadbolt Strike

- Brass plated
- Strengthens or repairs wood jamb

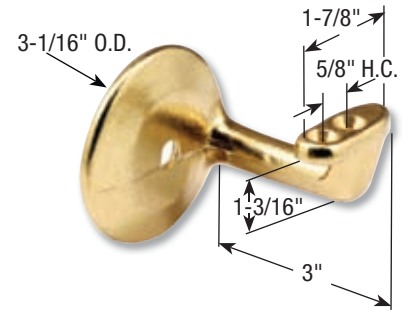
55 5631 (U-9425)
Inner pack: 1 Master pack: 10



Security Deadbolt Strike

- 1/8" thick heavy gauge steel base
- Finished cover matches common exterior trim
- Used by Schlage®

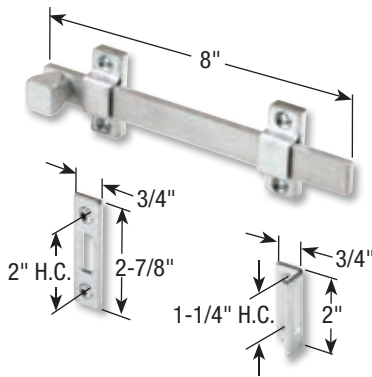
25 3625 (E-2479 brass plated)
Inner pack: 2 Master pack: 10
25 3680 (E-2483 satin nickel)
Inner pack: 2 Master pack: 10



Heavy Duty Handrail Bracket

- Brass painted diecast bracket
- Projects 3" from wall

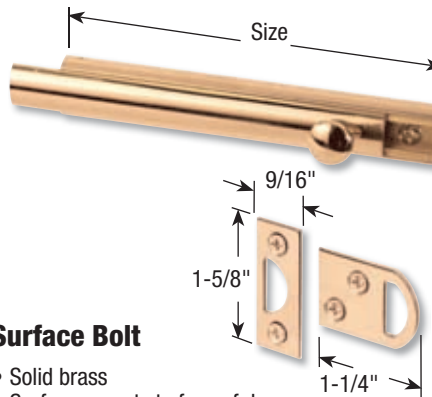
55 7364 (U-10241)
Inner pack: 1 Master pack: 10



Surface Bolt

- Brushed chrome finish
- Heavy duty steel
- Mounts to face of door
- 1-1/8" throw

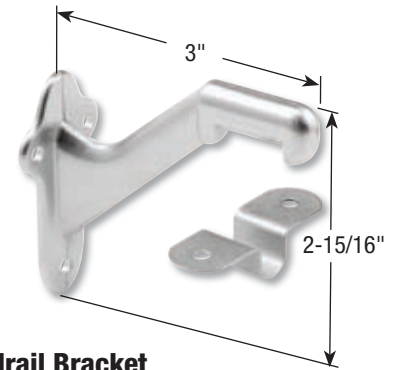
55 6546 (J-4914)
Inner pack: 1 Master pack: 10



Surface Bolt

- Solid brass
- Surface mounts to face of door
- Two keepers allow for surface or mortise frame installation

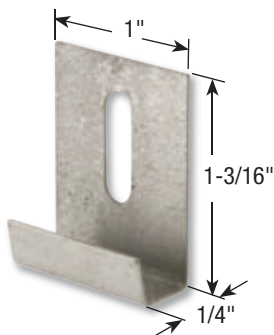
55 5371 (U-9961 - 4")
Inner pack: 1 Master pack: 10
55 5464 (U-9141 - 6")
Inner pack: 1 Master pack: 10



Handrail Bracket

- Plated diecast bracket
- Adjustable end clip for tilting hand rails
- Projects 3" from wall

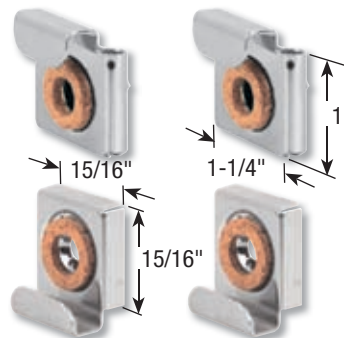
55 5769 (U-9046 brass plated)
Inner pack: 2 Master pack: 10
55 7403 (U-10132 satin chrome)
Inner pack: 2 Master pack: 10



Mirror Clip

- Stainless steel
- Adjustable
- Includes screws
- Designed to hold mirror securely to wall
- Use at top and bottom of mirror

55 5316 (U-9254)
Inner pack: 25 Master pack: 10



1/4" Mirror Clip (4 piece set)

- Chrome plated steel
- Adjustable mirror mounting set
- Cork mirror pads
- Spring loaded

55 7369 (U-10246)
Inner pack: 1 Master pack: 10



Mirror Clip

- Clear plastic
- Includes screws and anchors

55 5773 (U-9002 1/8")
Inner pack: 50 Master pack: 10
55 5770 (U-9003 1/4")
Inner pack: 50 Master pack: 10

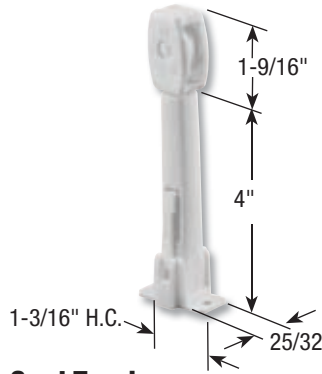


Drapery Track Carrier

- Nylon
- Fits most standard "C" style tracks

55 5749 (U-9016)

Inner pack: 100 Master pack: 10



Drapery Cord Tension Spring & Pulley

- Spring loaded
- Nylon roller
- Provides proper cord tension

55 5313 (U-9252)

Inner pack: 5 Master pack: 10

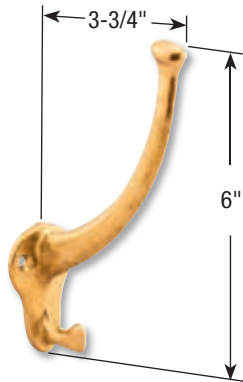


#4 Traverse Cord

- White
- 100 yards
- 1/8" O.D.

55 5310 (U-9253)

Inner pack: 1 Master pack: 6

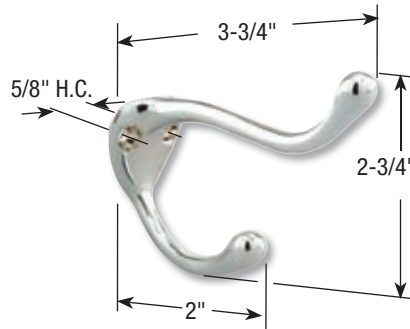


Coat & Hat Hook

- Satin brass plated
- Cast aluminum
- 3-3/4" projection

55 5420 (U-9173)

Inner pack: 1 Master pack: 10



Coat & Hat Hook

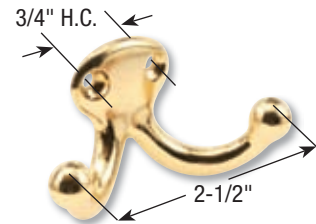
- Solid brass

55 5421 (U-9175 solid brass)

Inner pack: 1 Master pack: 10

55 5429 (U-9176 chrome)

Inner pack: 1 Master pack: 10



Coat & Hat Hook

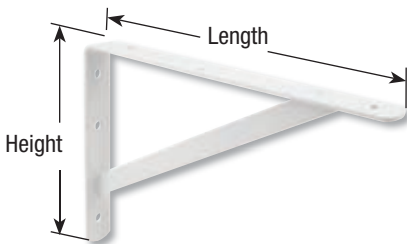
- Plated diecast aluminum
- Dual hook

55 7113 (U-10552 brass plated)

Inner pack: 2 Master pack: 10

55 7110 (U-10553 nickel plated)

Inner pack: 2 Master pack: 10



Heavy Duty Shelf Support

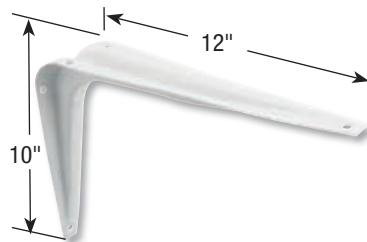
- Steel
- White

55 4353 (Z-11292 - 12" L x 8" H)

Inner pack: 1 Master pack: 10

55 4356 (Z-11294 - 16" L x 10" H)

Inner pack: 1 Master pack: 10

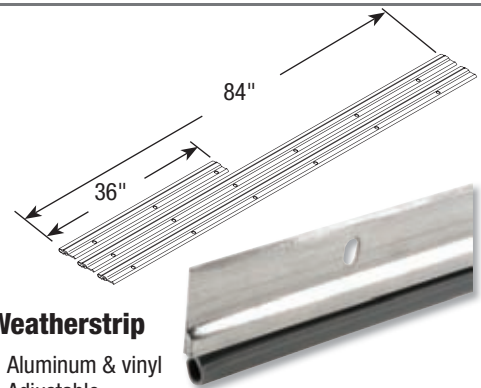


Utility Shelf Support

- Steel

55 5300 (U-9233)

Inner pack: 2 Master pack: 10



Weatherstrip

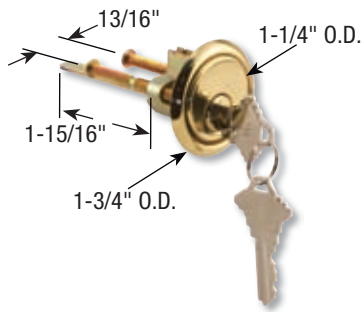
- Aluminum & vinyl
- Adjustable
- For wood frame doors
- Vinyl seals over uneven surfaces
- Set includes 1-36" pc & 2-84" pcs, 2 sets per pack

55 6981 (J-4685 mill)

Inner pack: 2 Master pack: 10

55 6283 (J-4782 bronze)

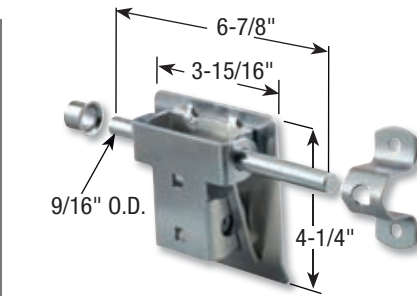
Inner pack: 2 Master pack: 10



Rim Cylinder Lock

- Heavy duty zinc diecast housing with brass face
- 5 pin tumbler lock
- Used to key lock a variety of interior latching mechanisms

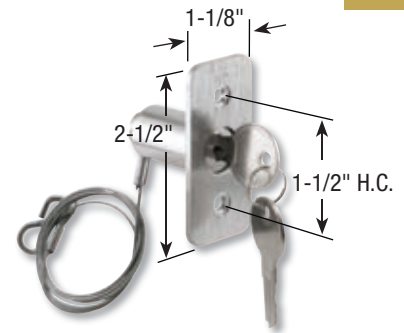
60 3405 (GD-52139)
Inner pack: 1 Master pack: 5



Garage & Shed Lock

- Heavy gauge zinc plated steel
- Tamper proof cover plate
- Can be used with surface mount or mortise bolt keepers
- Use with a padlock

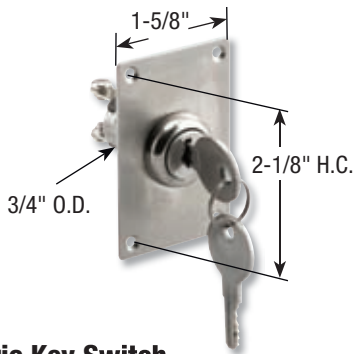
60 3364 (GD-52241)
Inner pack: 1 Master pack: 5



Emergency Release Kit

- Brushed chrome diecast housing
- Designed to release automatic garage door opener in event of power failure
- For garages without side access doors

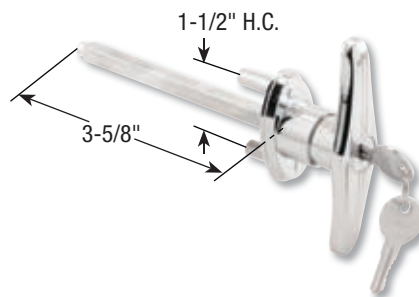
60 3460 (GD-52143)
Inner pack: 1 Master pack: 5



Electric Key Switch

- Plastic housing
- Allows operation of garage door opener without a transmitter
- Mount to the exterior door jamb and hardwire to opener

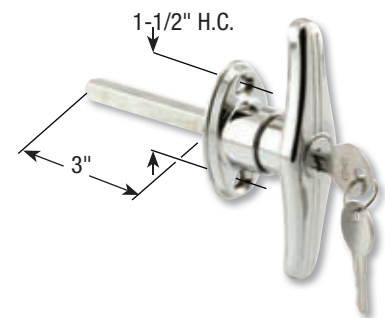
60 3463 (GD-52142)
Inner pack: 1 Master pack: 10



"T" Locking Handle

- Chrome plated zinc diecast construction
- Keyed
- 5/16" square shaft, 4" long

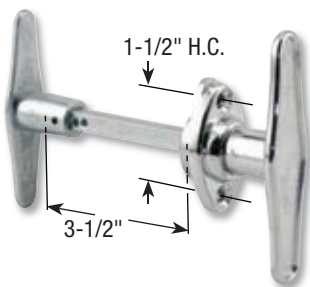
60 3495 (GD-52169)
Inner pack: 1 Master pack: 10



"T" Locking Handle

- Chrome plated zinc diecast construction
- Keyed
- 5/16" square shaft, 3" long

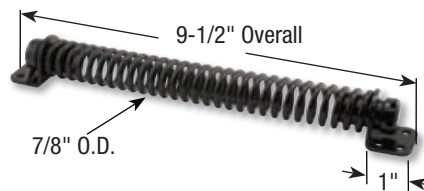
60 3433 (GD-52122)
Inner pack: 1 Master pack: 5



"T" Handle

- Chrome plated diecast outside handle
- 5/16" square, 3" long shaft
- Used when locking cylinder is mounted separately

60 3434 (GD-52121)
Inner pack: 1 Master pack: 5



8" Gate Spring

- Black finish
- Adjustable spring tension

90 7131 (Z-10525)
Inner pack: 1 Master pack: 10



SPECIAL ORDER

» If you don't see your part here, call...

1.800.899.7799



GARAGE DOOR

Hardware

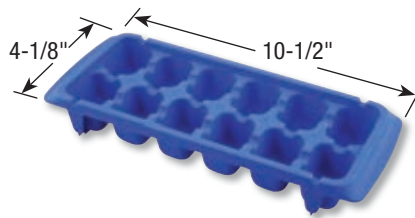
Keeping the hardware on your garage door in good condition ensures a long lasting and trouble free operation. We supply a complete line of garage door replacement parts & accessories that most often need replacing. Over 230 items are available to keep your door operating smoothly.



Window Squeegee

- 15-1/4"
- Plastic handle

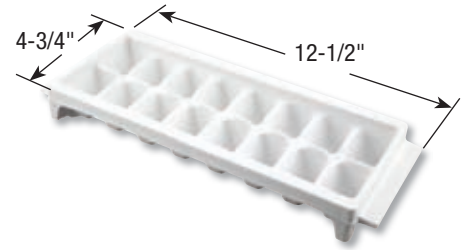
90 7884 (Z-10881)
Inner pack: 1 Master pack: 24



Ice Cube Tray

- Economy
- Blue plastic
- Stackable

90 7140 (Z-10513)
Inner pack: 5 Master pack: 24



Ice Cube Tray

- Deluxe
- White plastic
- Stackable
- Crack resistant

90 7890 (Z-10863)
Inner pack: 2 Master pack: 56



Spray Bottle

- 32 oz.
- Professional grade
- Solvent resistant
- Graduated

90 7289 (Bottle with sprayer)
Inner pack: 2 Master pack: 5

90 7289-1 (Trigger sprayer only)
Inner pack: 10 Master pack: 10



Cleaning Bar

- Abrasive pumice
- 3/4" x 1-1/4" x 6"

90 7245 (Z-10719)
Inner pack: 2 Master pack: 10

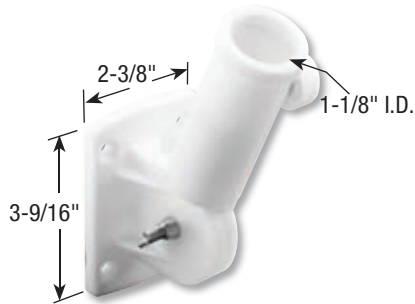


1 oz. Appliance Touch-Up

- Touch-up glaze
- Brush applicator

90 7144 (Z-10511 white)
Inner pack: 1 Master pack: 12

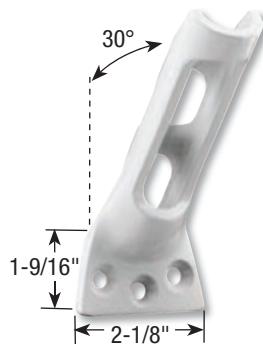
90 7979 (Z-10606 almond)
Inner pack: 1 Master pack: 12



Flag Pole Holder

- White
- Multi-position adjustability
- Holds flag or banner pole up to 1-1/8"
- Weather-resistant, durable plastic construction

90 5021 (U-9375)
Inner pack: 1 Master pack: 6



Flag Pole Holder

- White painted finish
- Sturdy, lightweight cast aluminum construction
- Holds 1" flag or banner pole

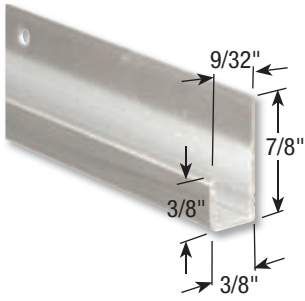
90 7318 (U-10258)
Inner pack: 1 Master pack: 6



SPECIAL ORDER

» If you don't see your part here, call...

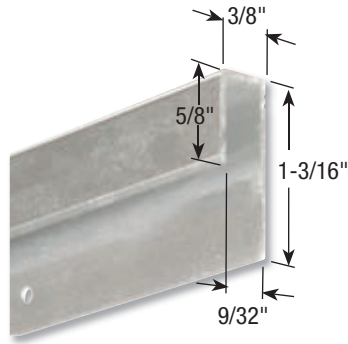
1.800.899.7799



Mirror "J" Channel

- Bottom mount
- 72"
- Used to securely mount wall mirrors
- Can be cut down to fit any size mirror under 72" wide

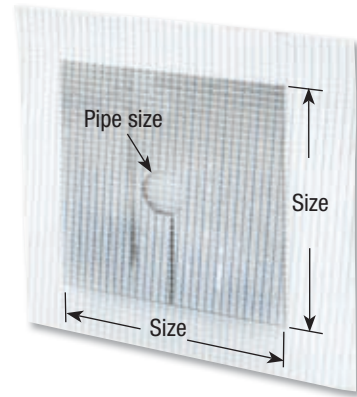
55 7082 (U-10387)
Inner pack: 10 Master pack: 10



Mirror "J" Channel

- Top mount
- 72"
- Used to securely mount wall mirrors
- Can be cut down to fit any size mirror under 72" wide

55 7088 (U-10388)
Inner pack: 10 Master pack: 10

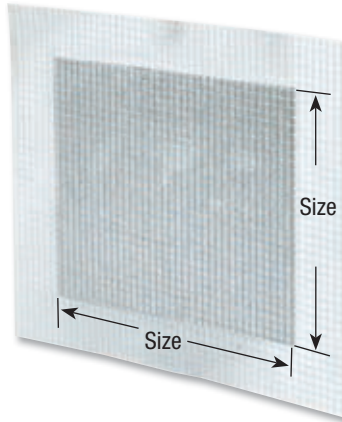


Wall Repair Patch

- Fiberglass mesh over metal
- Self-adhesive
- Extra thin and strong
- Use on plaster and wall board interior walls
- Easy to finish with wall board compound or like material

55 5383 (U-9282 - 4"x 4")
Inner pack: 5 Master pack: 10

55 5380 (U-9283 - 6"x 6")
Inner pack: 5 Master pack: 10



55 5386 (U-9284 - 8"x 8")
Inner pack: 3 Master pack: 5

55 5389 (U-9286 - 12"x 12")
Inner pack: 1 Master pack: 5

Pipe Patch

- Fiberglass mesh over metal
- Self-adhesive
- Extra thin and strong
- Use on plaster and wall board interior walls
- Easy to finish with wall board compound or like material

55 5357 (U-9282 - 4"x 4", 3/4" pipe)
Inner pack: 2 Master pack: 5

55 5354 (U-9283 - 6"x 6", 2" pipe)
Inner pack: 2 Master pack: 5

Coming soon...





TOILET PARTITION Hardware

Originally established in 1975, we have been supplying hardware for installing and maintaining toilet partitions, in public restrooms, for over 30 years.

With over 1,000 items, our ever expanding inventory makes it possible to offer repair parts for all makes of toilet partitions.



Sentry
SUPPLY LLC

40 	10 6368..... 13	10 6716..... 12	15 0244..... 18	20 1164-25..... 30
161791..... 45	10 6378..... 14	10 6724-5..... 7	15 0247..... 18	20 1167-25..... 30
161792..... 45	10 6380-5..... 13	10 6729..... 6	15 0267..... 23	20 1170..... 29
161793..... 45	10 6381-5..... 13	10 6729-50..... 6	15 0281..... 26	20 1175..... 30
161794..... 50	10 6382-5..... 13	10 6737-5..... 8	15 0282..... 26	20 1179..... 29
161795..... 50	10 6383-5..... 13	10 6740..... 7	15 0288..... 26	20 1190-50..... 30
161796..... 50	10 6384-5..... 13	10 6740-H..... 7	15 0289..... 26	20 1199..... 30
161797..... 50	10 6385-5..... 13	10 6741..... 9	15 0537..... 26	20 1938..... 30
161850..... 45	10 6386-5..... 13	10 6744-25..... 7	15 0708..... 17	20 1945..... 28
	10 6387-5..... 13	10 6744-5..... 7	15 0715..... 17	20 1971..... 30
10 	10 6388-5..... 13	10 6745-5..... 8	15 0728..... 18	20 2146..... 29
10 6010..... 8	10 6389-5..... 13	10 6749..... 9	15 0776..... 17	20 2150..... 28
10 6022..... 9	10 6395..... 9	10 6749-25..... 9	15 0785..... 18	20 2155..... 28
10 6025..... 9	10 6400..... 11	10 6757..... 7	15 0789..... 18	20 2159..... 28
10 6031..... 6	10 6407..... 11	10 6763..... 9	15 0797..... 18	20 2170..... 29
10 6033..... 10	10 6413..... 9	10 6768..... 13	15 0799..... 17	20 2171..... 29
10 6034..... 10	10 6416..... 7	10 6773..... 6	15 0808..... 23	20 2178..... 29
10 6041..... 10	10 6425..... 8	10 6775..... 6	15 0852..... 26	20 2187..... 28
10 6043..... 10	10 6428..... 8	10 6777..... 6	15 0881..... 19	20 2197..... 28
10 6045..... 10	10 6431..... 11	10 6779..... 6	15 0989..... 19	20 2230..... 27
10 6047..... 10	10 6433..... 8	10 6785..... 7	15 3100..... 15	20 2231..... 28
10 6048..... 10	10 6434..... 8	10 6789..... 13	15 3103..... 15	20 2232..... 27
10 6049..... 10	10 6434-25..... 8	10 6791..... 7	15 3104..... 15	20 2233..... 27
10 6051..... 8	10 6436..... 7	10 6799..... 7	15 3116..... 16	20 2234..... 27
10 6091..... 8	10 6437..... 8	10 6949..... 8	15 3117-6..... 17, 62	20 2235..... 27
10 6098..... 6	10 6437-25..... 8	10 6967..... 11	15 3124-5..... 15	20 2236..... 28
10 6099..... 8	10 6438..... 11	10 6971..... 7	15 3126-1..... 16	20 2237..... 27
10 6100..... 12	10 6440-5..... 13	10 7032..... 7	15 3127-5..... 15	20 2238..... 27
10 6103..... 12	10 6441-5..... 13	10 7040..... 8	15 3143..... 15	20 2239..... 28
10 6104..... 12	10 6442-5..... 13	10 7043..... 8	15 3144..... 15	20 2245..... 27
10 6107..... 12	10 6443-5..... 13	10 7076..... 9	15 3147..... 15	20 2248..... 27
10 6120..... 12	10 6444-5..... 13	10 7078..... 8	15 3153..... 15	20 2256..... 28
10 6124..... 10	10 6445-5..... 13	10 7078-25..... 8	15 3155..... 16	20 2549..... 29
10 6126..... 6	10 6446-5..... 13	10 7089..... 9	15 3157..... 15	20 2569..... 28
10 6128..... 7	10 6447-5..... 13	10 7094..... 8	15 3158..... 16	20 2824..... 27
10 6139..... 12	10 6448-5..... 13		15 3165..... 17, 62	20 2840..... 27
10 6142..... 7	10 6449-5..... 13	15 	15 3168..... 16	20 2843..... 27
10 6149-5..... 8	10 6467..... 12	15 0100..... 19	15 3171..... 16	20 2846..... 27
10 6244..... 11	10 6472..... 13	15 0103..... 19	15 3175..... 15	20 2869..... 29
10 6247..... 11	10 6475..... 13	15 0104..... 19	15 3185..... 15	20 2870..... 27
10 6260..... 8	10 6477..... 9	15 0106..... 19	15 3188..... 16	20 2871..... 27
10 6263..... 8	10 6478..... 13	15 0112..... 19	15 3206..... 17	20 2872..... 27
10 6301..... 7	10 6479..... 13	15 0130..... 18	15 3224..... 15	20 2876..... 27
10 6306..... 7	10 6480..... 8	15 0137..... 18	15 3265..... 17	20 2878..... 27
10 6313..... 13	10 6481..... 8	15 0142..... 18	15 3266..... 15	20 2879..... 27
10 6332..... 7	10 6486..... 8	15 0144..... 18	15 3924..... 16	20 2892..... 27
10 6337..... 7	10 6487..... 9	15 0146..... 18	15 3932..... 16	20 2898..... 27
10 6338..... 7	10 6561..... 13	15 0169..... 19	15 3938..... 17	20 2899..... 27
10 6340..... 8	10 6566..... 12	15 0171..... 18	15 3961..... 17	20 6408..... 28
10 6341..... 8	10 6569..... 12	15 0173..... 18	15 3963..... 17	20 6464..... 28
10 6346..... 8	10 6604-20..... 9	15 0178..... 18	15 3966..... 15	20 6467..... 28
10 6350..... 13	10 6706..... 6	15 0195..... 18		20 6701..... 28
10 6351..... 13	10 6707..... 6	15 0198..... 18	20 	20 6702..... 28
10 6353..... 13	10 6709..... 6	15 0211..... 23	20 1113-20..... 30	20 6708..... 28
10 6354..... 13	10 6710..... 11	15 0215..... 26	20 1122..... 30	20 6720..... 27
10 6356..... 13	10 6711..... 11	15 0216..... 23	20 1131..... 30	20 6721..... 27
10 6357..... 14	10 6714..... 11	15 0218..... 26	20 1135-10..... 30	20 6724..... 27
10 6358..... 9	10 6715..... 8	15 0219..... 23	20 1153..... 28	20 6726..... 27
10 6359..... 13	10 6715-25..... 8	15 0240..... 19	20 1154..... 27	20 6754..... 27




INDEX

Part Number To Page Number

Items available on primeline.net

20 6757.....	27	25 4213.....	36	30 0160.....	41	40 [red]		40 9200.....	54
20 6785.....	27	25 4215.....	35	30 0164.....	41	40 2004.....	55	40 9207.....	54
20 8744.....	28	25 4218.....	35	30 0166.....	41	40 2006.....	55	40 9211-5.....	53
20 8747.....	28	25 4230.....	35	30 0195.....	42	40 2023.....	53	40 9216-5.....	53
20 8751.....	29	25 4237.....	34	30 0276.....	41	40 2027.....	53	40 9219-5.....	53
20 8759.....	29	25 4291.....	33	30 0279.....	41	40 2095.....	53	40 9220.....	56
20 8770.....	28	25 4299.....	33	30 0402.....	40	40 2305.....	56	40 9221.....	49
20 8771.....	28	25 4331.....	32	30 0405.....	39	40 2330.....	53	40 9222.....	55
20 8777.....	28	25 4376.....	31	30 0417.....	39	40 2375.....	47	40 9224.....	56
20 8778.....	28	25 4404.....	31	30 0432.....	40	40 2377.....	47	40 9225.....	55
20 8779.....	28	25 4405.....	32	30 0433.....	39	40 2379.....	47	40 9226.....	56
		25 4406.....	32	30 0444.....	40	40 2450.....	53	40 9227.....	56
25 [green]		25 4430.....	32	30 0463.....	39	40 2451.....	53	40 9228.....	55
25 3071.....	74	25 4447.....	33	30 0468.....	40	40 2453.....	53	40 9229.....	55
25 3074.....	73	25 4456.....	32	30 0475.....	39	40 2454.....	53	40 9235.....	54
25 3300.....	73	25 4472.....	32	30 0478.....	39	40 2490.....	47	40 9242.....	45
25 3301.....	74	25 4474.....	33	30 0482.....	39	40 2494.....	56	40 9248.....	45
25 3303-5.....	73	25 4485.....	33	30 0489.....	39	40 2708.....	56	40 9256.....	48
25 3306.....	73	25 4706.....	33	30 0490.....	40	40 2717.....	48	40 9257.....	47
25 3309.....	74	25 4711.....	31	30 0491.....	39	40 2725.....	56	40 9259.....	48
25 3355.....	74	25 4718.....	31	30 0496.....	40	40 2768.....	48	40 9270.....	50
25 3625.....	75	25 4720.....	31	30 0904.....	42	40 2781.....	56	40 9272.....	52
25 3680.....	75	25 4726.....	32	30 0905.....	41	40 2787.....	56	40 9274.....	51
25 3694.....	74	25 4729.....	32	30 0908.....	41	40 9104.....	56	40 9276.....	50
25 3725.....	37	25 4734.....	31	30 0909.....	41	40 9105.....	52	40 9277.....	51
25 3735.....	37	25 4746.....	31	30 0942.....	42	40 9108.....	53	40 9298.....	56
25 3740.....	37	25 4748.....	32	30 0947.....	41	40 9110.....	49	40 9507.....	53
25 3746.....	37	25 4749.....	31	30 0965.....	41	40 9111.....	49	40 9534.....	54
25 3752.....	37	25 4751.....	32	30 0966.....	40	40 9113.....	46	40 9537.....	54
25 3756.....	37	25 4760.....	32	30 0967.....	40	40 9114.....	49	40 9563.....	47, 62
25 3771.....	38	25 4761.....	32	30 0972.....	42	40 9115.....	49	40 9577.....	49
25 3775.....	37	25 4771.....	31	30 0976.....	42	40 9117.....	46	40 9582-2.....	48
25 3777.....	38	25 4772.....	31	30 0978.....	41	40 9135.....	46	40 9599.....	53
25 3783.....	37	25 4774.....	31	30 0997.....	42	40 9142.....	45	40 9824.....	53
25 3799.....	38	25 4776.....	31			40 9149.....	45	40 9827.....	47
25 4100.....	36	25 4777.....	31	35 [blue]		40 9158.....	46	40 9832.....	54
25 4101.....	35	25 4779.....	31	35 1437.....	43	40 9160.....	52	40 9837.....	46
25 4103.....	36	25 4792.....	33	35 1449.....	43	40 9161.....	51	40 9864.....	46
25 4114.....	37	25 4795.....	33	35 1475.....	43	40 9165.....	49	40 9865.....	47
25 4115.....	36	25 4798.....	33	35 1478.....	43	40 9166.....	50	40 9866-4.....	52
25 4125.....	37	25 4833.....	35	35 1715.....	43	40 9168.....	46	40 9867.....	46
25 4130.....	34	25 4955.....	34	35 1718.....	43	40 9169.....	51	40 9868.....	56
25 4131.....	34	25 4970.....	36	35 1720.....	43	40 9170.....	46	40 9869.....	47
25 4139.....	34	25 4972.....	36	35 1724.....	43	40 9171.....	45	40 9895.....	47
25 4140.....	35	25 4974.....	36	35 1725.....	43	40 9173.....	46	40 9902.....	54
25 4141.....	34	25 4980.....	36	35 1726.....	43	40 9174.....	45	40 9905.....	54
25 4143.....	35	25 4988.....	35	35 1727.....	43	40 9175.....	45	40 9907.....	47
25 4144.....	34			35 1729.....	43	40 9176.....	45	40 9908.....	54
25 4148.....	34	30 [red]		35 1732.....	43	40 9177.....	45	40 9919.....	53
25 4156.....	35	30 0114.....	42	35 1738.....	43	40 9178.....	45	40 9920-4.....	51
25 4167.....	34	30 0121.....	42	35 1739.....	44	40 9180.....	51	40 9923.....	51
25 4173.....	33	30 0124.....	40	35 1772.....	43	40 9183.....	50	40 9926.....	52
25 4175.....	33	30 0127.....	40	35 1776.....	44	40 9190.....	48	40 9940.....	52
25 4186.....	34	30 0133.....	41	35 1777.....	43	40 9190-25.....	48	40 9941.....	55
25 4190.....	35	30 0140.....	40	35 1779.....	43	40 9193.....	48	40 9943.....	51
25 4193.....	36	30 0141.....	41	35 1783.....	44	40 9194.....	49	40 9944.....	50
25 4194.....	36	30 0142.....	41	35 1792.....	43	40 9196.....	48	40 9946.....	50
25 4202.....	34	30 0143.....	40	35 4400.....	44	40 9197.....	48	40 9949.....	55
25 4208.....	36	30 0148.....	41	35 4800.....	44	40 9198.....	48	40 9952.....	52

Items available on primeline.net

40 9955.....	47	50 9338.....	62	55 5347.....	66	55 5761.....	66	55 6530.....	71
40 9958.....	47	50 9339.....	62	55 5354.....	80	55 5763.....	65	55 6531.....	71
40 9959.....	51	50 9417.....	62	55 5357.....	80	55 5766.....	65	55 6539.....	71
40 9965.....	45	50 9418.....	62	55 5360.....	69	55 5769.....	75	55 6540.....	66
40 9967.....	52	50 9453.....	61	55 5366.....	69	55 5770.....	75	55 6546.....	75
40 9968.....	45	50 9710.....	61	55 5371.....	75	55 5773.....	75	55 6547.....	66
40 9970.....	49	50 9713.....	63	55 5380.....	80	55 5776.....	69	55 6572.....	66
40 9972.....	47	50 9717.....	61	55 5383.....	80	55 5777.....	65	55 6575.....	66
40 9973.....	46	50 9718-2.....	61	55 5386.....	80	55 5784.....	65	55 6802.....	71
40 9979.....	52	50 9730-2.....	62	55 5389.....	80	55 5790.....	65	55 6805.....	71
40 9992.....	45	50 9733-2.....	62	55 5391.....	69	55 6100.....	66	55 6808.....	71
40 9998.....	45	50 9746.....	61	55 5392.....	69	55 6111.....	68	55 6855.....	67
		50 9750.....	62	55 5396.....	69	55 6112.....	66	55 6860.....	67
45 		50 9757.....	61	55 5398.....	69	55 6113.....	67	55 6861.....	68
45 2067.....	60	50 9767.....	62	55 5406.....	65	55 6114.....	67	55 6862.....	68
45 2309.....	59	50 9770.....	61	55 5407.....	70	55 6114-1.....	67	55 6865.....	67
45 2312.....	57	50 9773.....	61	55 5409.....	65	55 6116.....	68	55 6866-2.....	67
45 2340.....	57	50 9774.....	61	55 5415.....	65	55 6117.....	67	55 6867.....	71
45 2343.....	57	50 9777.....	61	55 5418.....	65	55 6120.....	68	55 6868.....	66
45 2344.....	57	50 9777-25.....	61	55 5418-50.....	65	55 6123.....	67	55 6869.....	68
45 2346.....	57	50 9781.....	63	55 5420.....	76	55 6124.....	67	55 6907.....	71
45 2347.....	57	50 9789.....	63	55 5421.....	76	55 6124-1.....	67	55 6930.....	71
45 2367.....	59	50 9792.....	61	55 5429.....	76	55 6125.....	71	55 6933.....	71
45 2370-25.....	59	50 9799-5.....	63	55 5435.....	70	55 6127-2.....	67	55 6934.....	71
45 2371-25.....	59			55 5464.....	75	55 6128.....	71	55 6937.....	71
45 2372-25.....	59	55 		55 5467.....	69	55 6130.....	66	55 6939.....	71
45 2376-25.....	59	55 4353.....	76	55 5481.....	69	55 6150.....	68	55 6941.....	68
45 2378-25.....	59	55 4356.....	76	55 5489.....	69	55 6151.....	67	55 6942.....	71
45 2379-25.....	59	55 4799.....	72	55 5497.....	65	55 6152.....	68	55 6945.....	71
45 2400-10.....	59	55 5110.....	72	55 5622.....	74	55 6153.....	68	55 6946.....	68
45 2402.....	57	55 5113.....	72	55 5631.....	75	55 6155.....	68	55 6948.....	71
45 2406-25.....	59	55 5114.....	72	55 5632.....	74	55 6156.....	67	55 6949.....	71
45 2407-10.....	58	55 5116.....	72	55 5633.....	74	55 6159.....	68	55 6950.....	71
45 2409-25.....	59	55 5136.....	73	55 5639.....	74	55 6160.....	66	55 6954.....	71
45 2410.....	58	55 5140.....	73	55 5650.....	9	55 6161.....	68	55 6960.....	71
45 2413-10.....	58	55 5141.....	73	55 5653.....	72	55 6162.....	68	55 6962-2.....	67
45 2416-10.....	58	55 5142.....	73	55 5656.....	9	55 6163.....	67	55 6964.....	71
45 2426.....	60	55 5143.....	73	55 5657.....	72	55 6166.....	68	55 6965.....	67
45 2431.....	57	55 5144.....	73	55 5680.....	74	55 6167.....	67	55 6967.....	71
45 2438-10.....	58	55 5146.....	73	55 5686.....	74	55 6181.....	73	55 6970.....	68
45 2460.....	59	55 5147.....	73	55 5687.....	74	55 6184.....	71	55 6973.....	68
45 2461-10.....	59	55 5149.....	73	55 5702.....	65	55 6187.....	71	55 6974.....	68
45 2462.....	57	55 5160.....	72	55 5703.....	69	55 6189.....	73	55 6976.....	67
45 2464-5.....	57	55 5161.....	72	55 5705.....	65	55 6199.....	69	55 6977.....	68
45 2466.....	57	55 5163.....	72	55 5708.....	65	55 6210.....	71	55 6981.....	76
45 2468-5.....	57	55 5164.....	72	55 5712.....	65	55 6216.....	71	55 7061.....	70
45 2729.....	59	55 5166.....	72	55 5730.....	67	55 6237.....	71	55 7066.....	70
45 2780-10.....	58	55 5167.....	72	55 5733.....	65	55 6240.....	69	55 7069.....	70
45 2781-10.....	58	55 5169.....	72	55 5734.....	65	55 6245.....	71	55 7081.....	74
45 2783-10.....	58	55 5173.....	73	55 5735.....	69	55 6248.....	71	55 7082.....	63, 80
45 2784.....	60	55 5175.....	73	55 5737.....	65	55 6254.....	68	55 7088.....	63, 80
45 2786-10.....	58	55 5177.....	73	55 5738.....	66	55 6257.....	68	55 7110.....	76
45 2787.....	60	55 5300.....	76	55 5739.....	66	55 6270.....	71	55 7111.....	66
45 7991.....	59	55 5310.....	76	55 5745.....	65	55 6273.....	71	55 7113.....	76
		55 5313.....	76	55 5748.....	65	55 6276.....	71	55 7325.....	74
50 		55 5316.....	75	55 5749.....	76	55 6278.....	71	55 7328.....	74
50 9306.....	63	55 5321.....	69	55 5750.....	66	55 6283.....	76	55 7364.....	75
50 9318.....	62	55 5324.....	69	55 5752.....	66	55 6297.....	71	55 7369.....	75
50 9332.....	62	55 5327.....	69	55 5760.....	65	55 6507.....	71	55 7403.....	75

INDEX

Part Number To Page Number

Items available on primeline.net

55 7432.....	65	FA-1420	21	FA-2910	21	FH-1610	24	FJ-2120	24
55 7441.....	65	FA-1430	21	FA-2920	21	FH-1620	24	FJ-2130	24
55 7443.....	65	FA-1440	21	FA-2930	21	FH-1630	24	FJ-2220	24
55 7448.....	65	FA-1510	21	FA-2940	21	FH-1710	24	FJ-2230	24
55 7449.....	65	FA-1520	21	FA-3010	21	FH-1720	24	FJ-2320	24
55 7658.....	66	FA-1530	21	FA-3020	21	FH-1730	24	FJ-2330	24
55 7670.....	65	FA-1540	21	FA-3030	21	FH-1810	24	FJ-2420	24
55 7792.....	70	FA-1610	21	FA-3040	21	FH-1820	24	FJ-2430	24
55 7795.....	70	FA-1620	21	FA-3110	21	FH-1830	24	FJ-2520	24
55 7798.....	70	FA-1630	21	FA-3120	21	FH-1910	24	FJ-2530	24
55 7799.....	70	FA-1640	21	FA-3130	21	FH-1920	24	FJ-2620	24
55 7812.....	70	FA-1710	21	FA-3140	21	FH-1930	24	FJ-2630	24
55 7813.....	72	FA-1720	21	FA-3210	21	FH-2010	24	FJ-2720	24
55 7858.....	72	FA-1730	21	FA-3220	21	FH-2020	24	FJ-2730	24
55 7868.....	72	FA-1740	21	FA-3230	21	FH-2030	24	FJ-2820	24
55 7892.....	69	FA-1810	21	FA-3240	21	FH-2110	24	FJ-2830	24
55 7898.....	69	FA-1820	21	FA-3310	21	FH-2120	24	FJ-2920	24
55 7899.....	69	FA-1830	21	FA-3320	21	FH-2130	24	FJ-2930	24
		FA-1840	21	FA-3330	21	FH-2220	24	FJ-3020	24
60		FA-1910	21	FA-3340	21	FH-2230	24	FJ-3030	24
60 3364.....	77	FA-1920	21	FA-3410	21	FH-2320	24	FJ-3120	24
60 3405.....	77	FA-1930	21	FA-3420	21	FH-2330	24	FJ-3130	24
60 3433.....	77	FA-1940	21	FA-3430	21	FH-2420	24	FJ-3220	24
60 3434.....	77	FA-2010	21	FA-3440	21	FH-2430	24	FJ-3230	24
60 3460.....	77	FA-2020	21	FA-3510	21	FH-2520	24	FJ-3320	24
60 3463.....	77	FA-2030	21	FA-3520	21	FH-2530	24	FJ-3420	24
60 3495.....	77	FA-2040	21	FA-3530	21	FH-2620	24	FJ-3520	24
		FA-2110	21	FA-3540	21	FH-2630	24	FJ-3620	24
90		FA-2120	21	FA-3610	21	FH-2720	24	FJ-3720	24
90 4370.....	60	FA-2130	21	FA-3620	21	FH-2730	24	FJ-3820	24
90 4376.....	60	FA-2140	21	FA-3630	21	FH-2820	24	FJ-3920	24
90 5021.....	79	FA-2210	21	FA-3640	21	FH-2830	24	FL-1820	25
90 7131.....	77	FA-2220	21	FA-3710	21	FH-2920	24	FL-1920	25
90 7140.....	79	FA-2230	21	FA-3720	21	FH-2930	24	FL-2020	25
90 7144.....	79	FA-2240	21	FA-3730	21	FH-3020	24	FL-2120	25
90 7245.....	79	FA-2310	21	FA-3740	21	FH-3030	24	FL-2220	25
90 7289.....	79	FA-2320	21	FA-3810	21	FH-3120	24	FL-2320	25
90 7289-1	79	FA-2330	21	FA-3820	21	FH-3130	24	FL-2420	25
90 7318.....	79	FA-2340	21	FA-3830	22	FH-3220	24	FL-2520	25
90 7523.....	60	FA-2410	21	FA-3840	22	FH-3230	24	FL-2620	25
90 7524.....	60	FA-2420	21	FA-3910	22	FH-3320	24	FL-2720	25
90 7527.....	60	FA-2430	21	FA-3920	22	FH-3420	24	FL-2820	25
90 7595.....	60	FA-2440	21	FA-3930	22	FH-3520	24	FL-2920	25
90 7844.....	60	FA-2510	21	FA-3940	22	FH-3620	24	FL-3020	25
90 7884.....	79	FA-2520	21	FA-4010	22	FH-3720	24	FM-1820	25
90 7890.....	79	FA-2530	21	FA-4020	22	FH-3820	24	FM-1920	25
90 7955.....	60	FA-2540	21	FA-4030	22	FH-3920	24	FM-2020	25
90 7979.....	79	FA-2610	21	FA-4040	22	FJ-1520	24	FM-2120	25
		FA-2620	21	FA-4110	22	FJ-1530	24	FM-2220	25
F		FA-2630	21	FA-4120	22	FJ-1620	24	FM-2320	25
FA-1210	21	FA-2640	21	FA-4130	22	FJ-1630	24	FM-2420	25
FA-1220	21	FA-2710	21	FA-4140	22	FJ-1720	24	FM-2520	25
FA-1230	21	FA-2720	21	FA-4210	22	FJ-1730	24	FM-2620	25
FA-1240	21	FA-2730	21	FA-4220	22	FJ-1820	24	FM-2720	25
FA-1310	21	FA-2740	21	FA-4230	22	FJ-1830	24	FM-2820	25
FA-1320	21	FA-2810	21	FA-4240	22	FJ-1920	24	FM-2920	25
FA-1330	21	FA-2820	21	FH-1510	24	FJ-1930	24	FM-3020	25
FA-1340	21	FA-2830	21	FH-1520	24	FJ-2020	24		
FA-1410	21	FA-2840	21	FH-1530	24	FJ-2030	24		

WE'RE
HERE
TO
HELP



Window
Hardware



Patio Door
Hardware

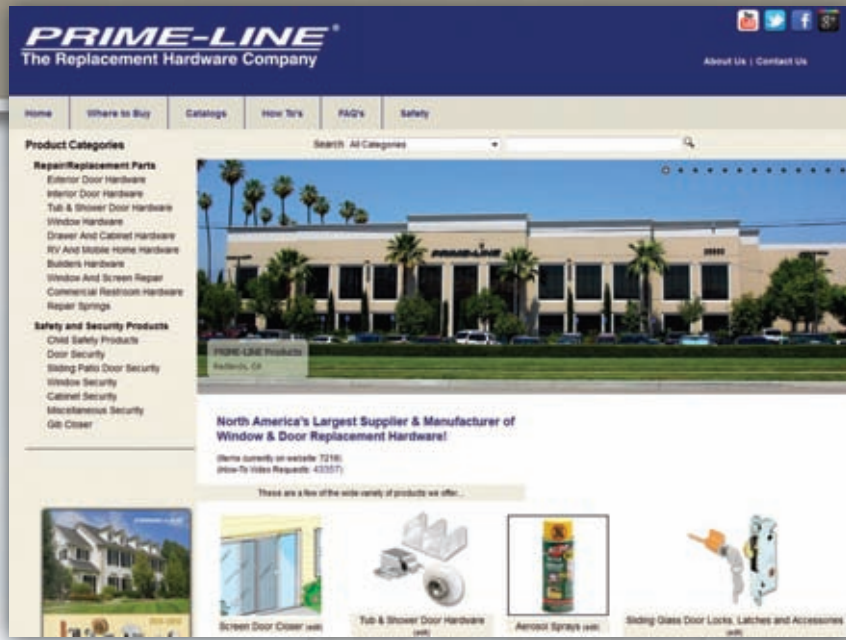


Restroom
Partition
Hardware

primeline.net

800-899-7799
Building a better place

primeline.net



CONNECT With Prime-Line



26950 San Bernardino Ave., Redlands, CA 92374
(800) 899-7799 • FAX - (909) 473-1156