

Active Infrared Door Sensor with Built-in Touchless Switch

PRO WAVE
Air=Slide



All-in-One **Touch Free** **Reliable** **Healthy**
Easy Installation **No Damage from Gurneys** **Quality**
Infrared Technology **Germ Free** **Fewer Components**

For use in Knowing Act Slide Door applications, the Air-Slide provides safety and convenience in one unit. The Air-Slide Active Infrared Door Sensor from OPTEX includes a built-in Touchless Switch. When the door is closed, the sensor operates as a virtual door switch, activating the door only when someone approaches the door and presents a hand near the sticker. This eliminates unwanted activations due to cross traffic. When activated, the Air-Slide provides safety throughout the threshold area keeping the door open until all people have moved away. Provide a high level of safety while eliminating cross-contamination points in your customer's facility with Air-Slide from OPTEX.

Touch Free

Eliminate one of the only cross contamination points on a low energy or knowing act door by installing the Optex Air-Slide Combination Sensor and Door Switch.

Fewer Components

Why install safety sensors and Knowing Act devices when you can provide the function of both in a single device? Reduce labor costs and eliminate another part that can be damaged.

Safety

Safety is assured by the two rows of presence detection closest to the door, which never shut off. The sensor detects a person or object and holds the door open as long as they are in the threshold area, even if they stop or pause.

All Conditions

Snow mode and sensitivity adjustments make this sensor suitable for every application and even extreme weather conditions.

Easy Adjustment

By using easily set switches and shutters, the sensor can be quickly adjusted for many different applications. No external set-up device is needed.



When a person waves their hand in front of the sticker, the door opens.



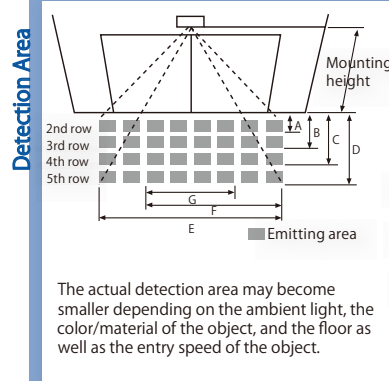
As the door opens, the Air-Slide provides a full detection area for safety.

Air-Slide Combination Sensor and Door Switch

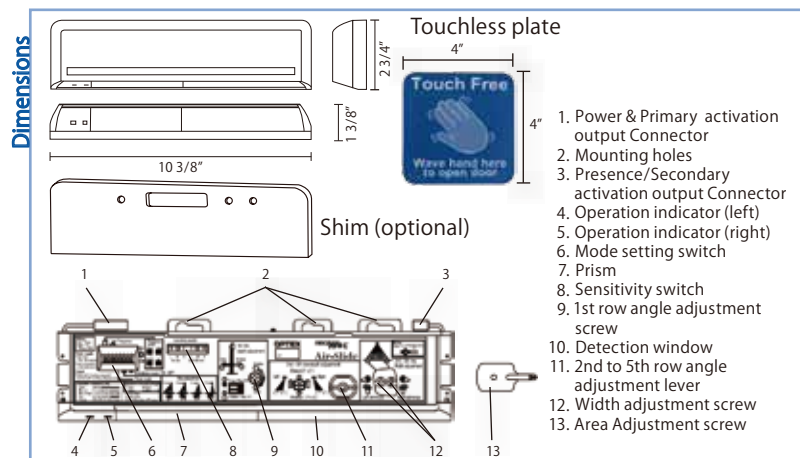
Specifications

Model	Air-Slide
Description	Combination Sensor and Door Switch
Cover color	Black
Mounting height	6'7" to 9'10"
Detection method	Active Infrared Reflection
Depth angle adjustment	1st row: -10° to $+10^{\circ}$; 2nd-5th rows: $+1^{\circ}$ to $+13^{\circ}$
Width angle adjustment	1st row: selected prism; 2nd-5th rows: $\pm 7^{\circ}$
Power supply	12 to 24V AC ($\pm 10\%$); 12 to 30V DC ($\pm 10\%$)
Power consumption	<1.5W (<3VA at AC)
Operation indicator (left)	Green: Standby; Blinking Red: 1st row detection; Blinking Orange: 1st and 2nd row or 1st and 3rd row detection; Red: 2nd row detection; Orange: 3rd to 5th row detection
Operation indicator (right)	None: Standby Yellow: 1st row adjustment mode
Output	Relay A (N.O.) 50V 0.1A Max. (Resistance load)
Output hold time	Approx. 0.5 sec.
Response time	<0.3 sec.
Operating temperature	-4 to 131° F
IP rate	IP44
Weight	320g (11.2 oz.)
Accessories	1 Power & Primary activation output cable (8'2") 1 Presence/Secondary activation cable (8'2") 1 Operation manual 2 Mounting screws; 1 Mounting template 1 Area adjustment tool 1 Middle prism; 1 Right prism; 1 Left prism 1 Touchless plate

Specifications may change without notice



Mnt. ht.	6'7"	7'3"	8'2"	8'10"	9'10"
A	8"	9"	10"	11"	12"
B	1'5"	1'6"	1'9"	1'10"	2'
C	2'7"	2'10"	3'2"	3'5"	3'10"
D	3'12"	4'4"	4'11"	5'4"	5'12"
E	7'4"	8'	9'1"	9'10"	10'12"
F	5'3"	5'9"	6'7"	7'1"	7'11"
G	3'4"	3'8"	4'2"	4'6"	4'12"



OPTEX CO.,LTD.

5-8-12 ogoto Otsu, 520-0101 Japan
 TEL : +81-77-579-8700 FAX : +81-77-579-7030
 WEBSITE : www.optex.co.jp/as/eng/



OPTEX

Sensing Innovation

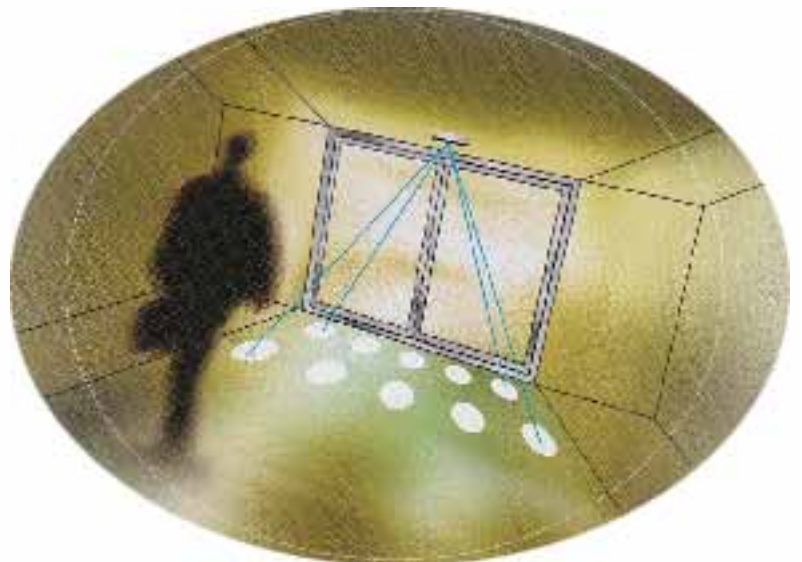
Passive Infrared Door Sensor

OP-08C



Compact Flexible **Reliable** **Fail secure**
Passive Infrared **fail safe** activation **DESIGN**
QUALITY **Large detection area**

The Optex OP-08C passive infrared door sensor is a reliable and cost effective sensor for every type automatic door application. The compact housing makes it also suitable for recessed mounting.



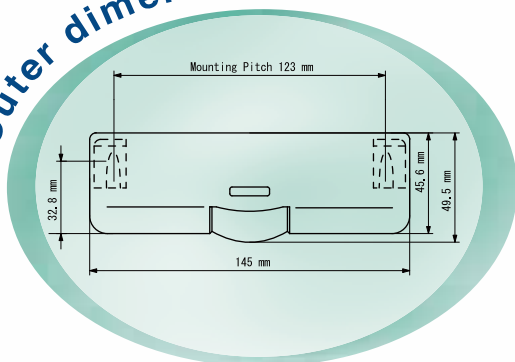
Flexible installation

The Optex OP-08C is very easy to install. Its compact size is ideal for mounting on the header, transom or ceiling, up to 4m (13 feet) high.

Large detection area

The detection pattern of the OP-08C consists of 10 individual zones, providing high sensitivity even in large areas. Rotating the spherical lens easily changes the detection area from standard to large size. By using area masking seals, the detection pattern's size and shape can be further customized to best fit the application.

Outer dimensions



Passive Infrared Door Sensor

Specifications

Model	OP-08C
Mounting Height	max. 4.0m (13'1")
Detection Area Adjustments	See chart
Detection Technique	Passive Infrared
Power Supply	12 - 24VAC/DC
Current Draw	50mA max.
Power/Operating Indicator	LED ON: Standby LED OFF: Detection
Output Contact	Form C Relay 50V, 0.3A (Resistance Load)
Relay Hold Time	Approx. 1.5s
Operating Temperature	-20°C - +55°C (-4°F - +131°F)
Outer Dimensions	123 x 50 x 32mm (w x h x d)
Weight	90g (3.2oz.)
Accessories	2m Connection Cable 2 Mounting Screws Mounting Template Area Masking Seal
Available Colors	Black (OP-08CBL), Silver (OP-08CS) and White (OP-08CW)

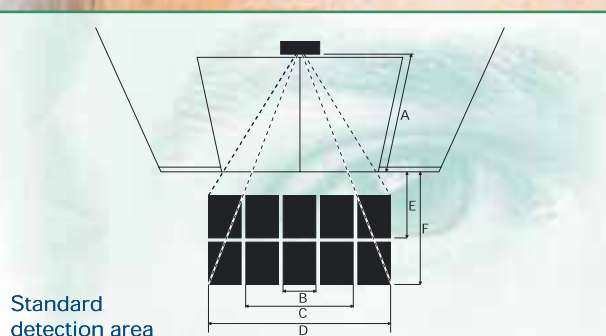
Design

With a compact, sleek design, the OP-08 is ideal for virtually all light commercial applications. It can be recessed, surface mounted or ceiling mounted and comes in a choice of black, silver or white housing.

All condition

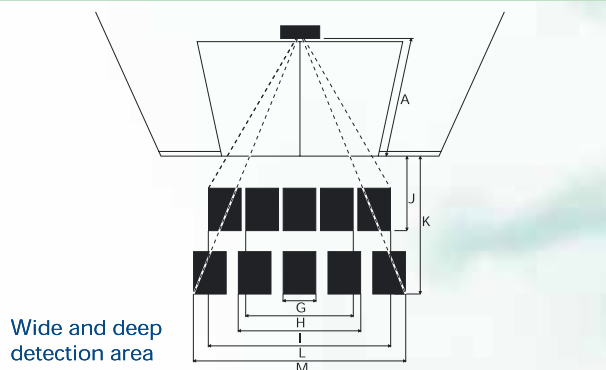
The OP-08's advanced circuitry minimizes false activations, making it ideal for environments with sunlight, wind, rain, snow or radio frequency noise.

Detection area chart



Standard detection area

Mounting Height A	2.50	3.00	4.00
Area Width B	0.30	0.40	0.50
Area Width C	1.80	2.10	2.90
Area Width D	3.60	4.30	5.70
Area Depth E	0.80	1.00	1.30
Area Depth F	2.30	2.80	3.70



Wide and deep detection area

Mounting Height A	2.50	3.00	4.00
Area Width G	0.50	0.60	0.80
Area Width H	1.50	1.80	2.50
Area Width I	2.50	2.90	3.90
Area Depth J	1.40	1.60	2.20
Area Depth K	3.30	3.90	5.20
Area Width L	3.00	3.70	4.90
Area Width M	5.00	6.00	8.10

OPTEX CO.,LTD.

5-8-12 ogoto Otsu, 520-0101 Japan
 TEL : +81-77-579-8700 FAX : +81-77-579-7030
 WEBSITE : www.optex.co.jp/as/eng/

Microwave Door Sensor

OM-105C/106C



Quality Convenience Reliable Immunity
Technology flexible motion detection
Large pattern DESIGN EASY ADJUSTMENT

The Optex OM-105C and OM-106C microwave sensors are especially designed to increase the comfort on opening all types of automatic doors. The Optex microwaves provide fast detection for all automatic door installations and particularly for applications with high-speed entries. Due to the industrial design and easy installation these sensors will fit on every header or ceiling in any application you can imagine.

Detection area

The Optex microwave range offers a narrow or wide detection area that makes it suitable for all types of installations. The narrow setting is easy to set by just clicking the narrow lens on to the radar module. By turning it up and down the microwave can be adjusted quick and simple for many different applications. No external set-up device is needed.

Swing door activation

When installed above the pivot the Optex OM-106C will ignore the door movement of a swing door. Therefore it is ideal to install as swing door activation sensor.

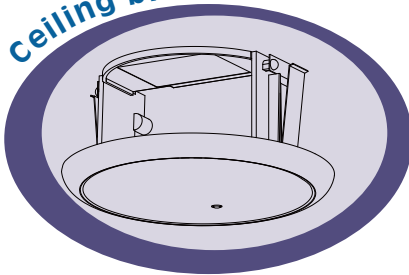
Auto-Caution mode

The Auto-Caution mode guarantees more reliability to prevent the door from closing, even if a person is wavering in the detection area. The sensor will immediately change from uni directional to multi directional for safety purposes. This function is only available on the OM-106C.

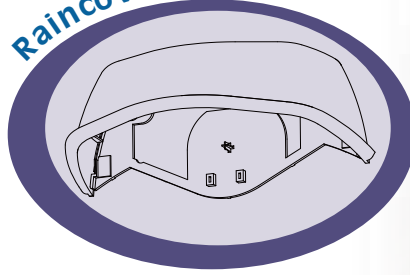
Uni directional setting

The OM-106C is equipped with a dipswitch for uni directional or bi directional mode. By selecting the uni directional mode the sensor will only detect traffic approaching the door, allowing the door to close more quickly for departing traffic. Fast closing of doors offers a large benefit for the end user, because the doors will stay open for a limited time and therefore they will contribute to saving energy.

Ceiling bracket



Raincover

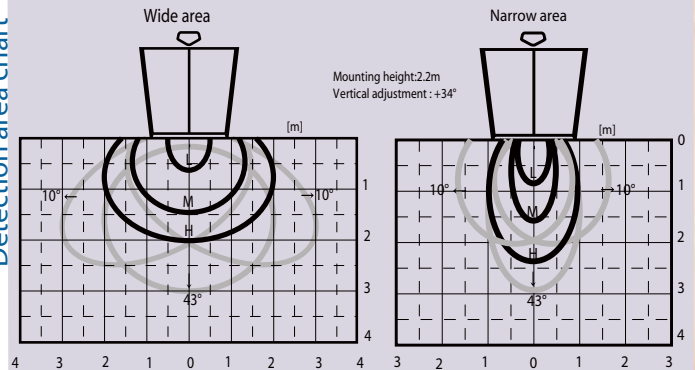


Microwave Door Sensor

Specifications

Model	OM-105C / OM-106C
Cover color	Silver / black
Mounting height	2.0 m - 3.5 m
Detection method	Microwave doppler effect
Power frequency	24.125GHz
Power density	<20dBm
Detection area	See detection area
Vertical adjustment	+10° to +70° (header mount) +20° to +80° (ceiling mount)
Horizontal adjustment	30° to left or right
Power supply	12 to 24V AC (±10%) 12 to 30VDC (±10%)
Power consumption	<1.5W (<2V A at AC)
Minimum speed	5cm/sec.
Operating indicator	Green / Standby Red / Detection Green blinking / Set-up
Output	Form C relay 50V 0.3 Max. (resistance load)
Output hold time	0.5 sec. / 2.0 sec.
Response time	<0.3 sec.
Operating humidity	<80%
Operating temperature	-20°C to +55°C
IP rate	IP54
Outer dimensions	131 x 61 x 55 mm (w x h x d)
Weight	140 g
Accessories	1 Cable 3m 1 Operation manual 2 Mounting screws 1 Mounting template 1 Narrow lens
Optional accessories	Ceiling bracket / Raincover

Detection area chart



Sensitivity potentiometer	Wide area		Narrow area	
	Width	Depth	Width	Depth
High	4.0m	2.0m	2.0m	2.3m
Mid	2.6m	1.5m	1.0m	1.6m
Low	2.0m	0.6m	0.6m	0.8m

The actual detection area may differ according to the size/material/entry speed of the object and the installation environment.

OPTEX CO.,LTD.

5-8-12 ogoto Otsu, 520-0101 Japan
TEL : +81-77-579-8700 FAX : +81-77-579-7030
WEBSITE : www.optex.co.jp/as/eng/

Door Category

- Sliding
- Swing
- Industrial
- Security

Sensor Type

- Activation
- Safety
- Access Control

Activation Sensor
“Simple area adjustment”



MICROWAVE SENSOR

OM-104C

Microwave activation sensor for automatic doors. The OM-104C are especially designed to increase comfort on opening all types of automatic doors. Due to the compact design and easy installation, these sensors fit on every header in any application.

OM-104C

Highly protective housing

Dust or insects blocking constructure , and static-free antenna design reduce malfunction and breakdown of sensor.

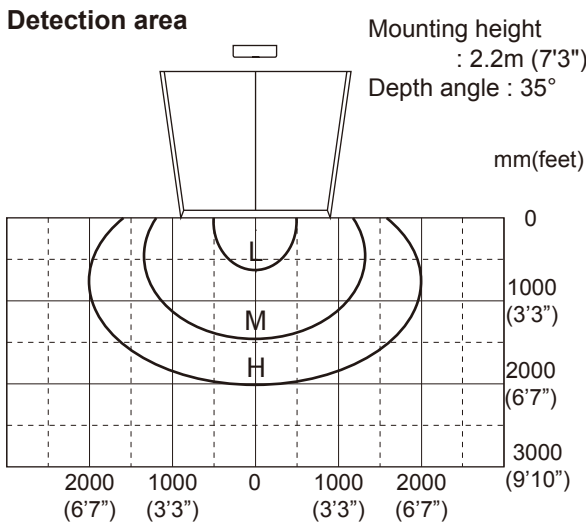
Easy Detection Area Adjustment

With OPTEX unique tool, simple and convenient adjustment and the detection area close to the door can be set.

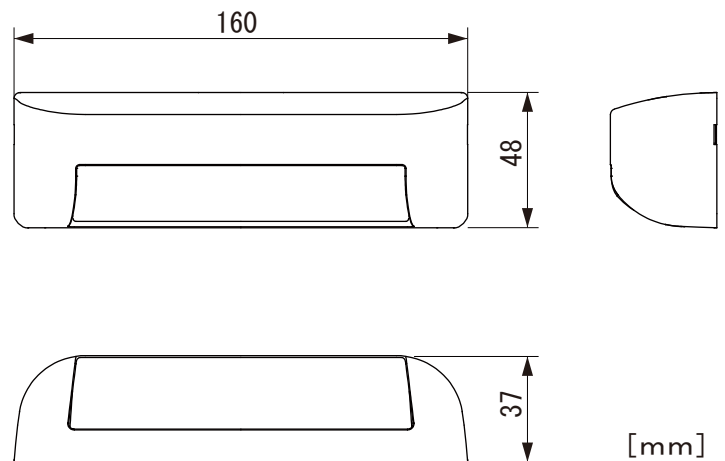
Stylish design

The smallest design in the industry & smart design enable the sensor to suit with any installation sites.

Detection area



Dimensions



Specifications

Model	: OM-104
Cover color	: Silver / Black
Mounting height	: 2.0 (6'7") to 3.5m (11'5")
Detection method	: Microwave doppler effect
Power frequency	: 24.125GHz
Power density	: <20dBm
Detection area	: See Detection area
Minimum speed	: 5cm(1 15/16")/sec.
Vertical adjustment (without stopper)	: +35° to +55° (5° per click) : +25° to +55° (5° per click)
Power supply	: 12 to 24VAC(±10%) 12 to 30VDC(±10%)
Power consumption	: < 0.7W(<1.3VA at AC)
Current draw	: < 45mA (at 12VDC)

Operation indicator	: Red / Stand-by None / Detection Red blinking / Set-up
Output	: Form A relay 50V 0.1A Max.(Resistance load)
Output hold time	: 0.5sec.
Response time	: <0.3 sec.
Operating humidity	: <80%
Operating temperature	: -20°C to +55°C(-4°F to 131°F)
IP rate	: IP54
Weight	: 120g (4.2oz)
Accessories	: 1 Cable 2.5m (8'2") 1 Operation manual 2 Mounting screws

OPTEX CO.,LTD.

5-8-12 ogoto Otsu, 520-0101 Japan
TEL : +81(0)77-579-8700 FAX : +81 (0)77-579-7030
WEBSITE : www.optex.co.jp

Wireless/Touch-free Door Switch



Wireless
Easy Installation
Infrared Technology

Touch Free
Reliable
Healthy
Quality
No Damage from Gurneys
Germ Free
Flexible RF Range

The Optex Air-Wave Touch-Free Door Switch provides reliable activation of Low Energy and Knowing-Act Doors without the need for direct contact by the user. Eliminate one of the main cross-contamination points near automatic doors, the push switch. At the same time, reduce installation cost and time by going wireless. Proprietary RF frequency and 2-year battery life make the Air-Wave the first choice for professional door distributors.

Touch Free

Eliminate one of the only cross contamination points on a low energy or knowing act door by installing the Optex Air-Wave Touchless Switch.

All Conditions

The Optex Air-Wave system can be used both indoors and outdoors.

Long Battery Life

Thanks to our advanced Infrared Technology, we are able to provide a 2 year battery life (250 activations per day average).

The Air-Wave Kit includes 2 Air-Wave TX, 1 Air-Wave RX, and 2 Hand stickers.

Foot stickers are also available as an option.



Air-Wave Door Switch

Durability

Mounting the sensor at ceiling height eliminates the chance of damage due to accidental impact of gurneys, carts or intentional vandalism.

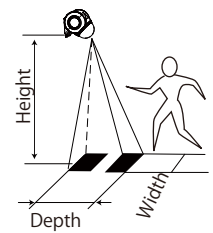
Wireless

Reliable wireless technology reduces the cost and hassle of installing hardwired switches.

The Air-Wave TX detection area pattern is as illustrated when installed on the wall.

Area Pattern =Recommended mounting height

Height	Area - Width x Depth
7' (2.1m)	8" (0.20m) x 12" (0.30m)
8' (2.4m)	9" (0.23m) x 14" (0.35m)
9' (2.7m)	10" (0.26m) x 16" (0.39m)
10' (3m)	11" (0.29m) x 17" (0.44m)



Detection Area Pattern

Specifications

Model	Air-Wave TX
Description	Indoor/Outdoor Sensor Transmitter
Detection method	Passive Infrared
Detection Area	10ft (3m) max.
Status Indicator	Red LED
Power Source	9V Alkaline Battery
Battery Life	Approx. 2 years [250 times per day at 70° F(20° C)]
Frequency	418MHz
Operating temperature	15° F ~ 120° F (-10° C ~ +50° C)
Installation Location	Outdoor/Indoor
Weight	6.3 oz (160g)
Accessories	Mounting Screw x 2; Touchless sticker for hand; Plastic Anchor x 2; Plastic Shim x 2

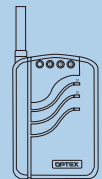
Specifications may change without notice

Wireless Transmission Range



Sensor unit
Air-Wave TX

1000 ft (Open field, line of sight)
150 ft (Stucco/Plaster construction)
100 ft (Concrete construction)

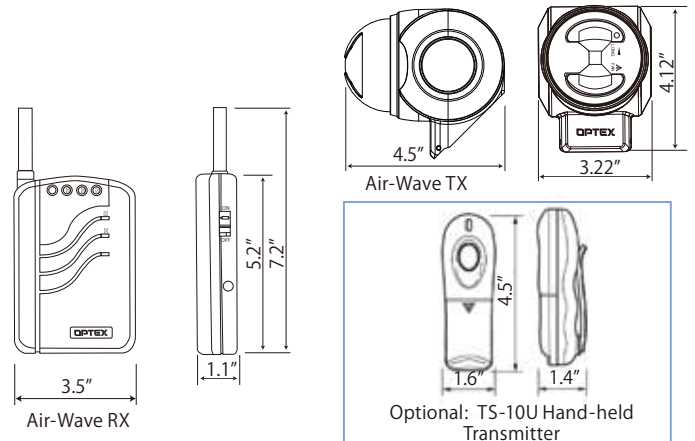


Wireless Receiver
Air-Wave RX

Model	Air-Wave RX
Description	Wireless Receiver with Relay Output
Power Source	12~24V AC/DC Standby: 30mA Operating: 80mA
Relay Output	Form "C" MAX 1A/50VAC - 24VDC
Output Timer	Selectable: 1/5/30/60sec
Status Indicator	Power Indicator: Green; Zone Indicator: Red x 3
Frequency	418 MHz
Operating Temperature	15° F ~ 104° F (-10° C ~ +40° C)
Installation Location	Indoor
Weight	4.2 oz (120g)
Accessories	Mounting Screw x 1

Specifications may change without notice

Dimensions

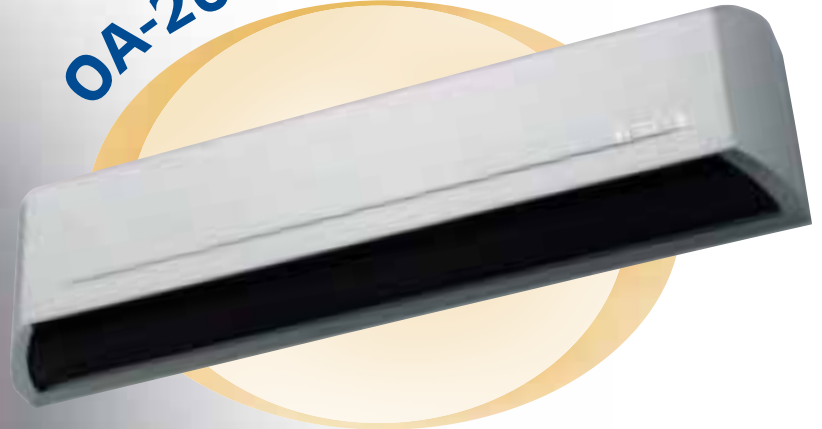


OPTEX CO.,LTD.

5-8-12 ogoto Otsu, 520-0101 Japan
TEL : +81-77-579-8700 FAX : +81-77-579-7030
WEBSITE : www.optex.co.jp/as/eng/

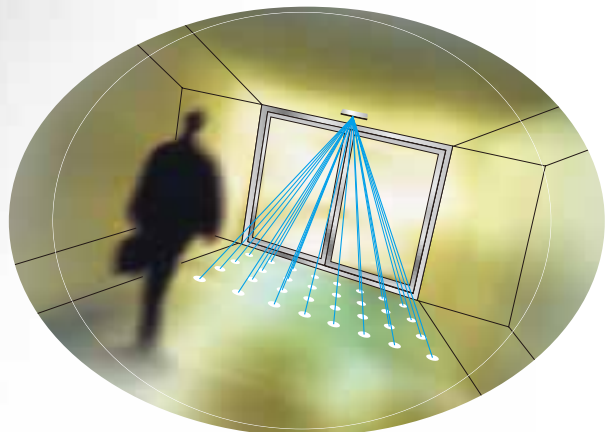
Active Infrared Door Sensor

OA-203C



Safety Reliable Infinity presence **Sensitivity**
Environmental immunity Easy installation QUALITY detection DESIGN

The Optex OA-203C is the optimal choice for both safety and activation on all types of automatic doors. It combines easily adjustable settings with a slim design, providing maximum safety in a wide array of applications.



Easy installation

The Optex OA-203C is simple to install. All the settings are mechanically adjustable with dials, switches and levers.

Safety

Safety is assured by the two rows of presence detection closest to the door. The sensor detects a person or object and holds the door open as long as they are near the threshold area, even if they stop or pause.

Design

A very compact and slim design, available in three colours: Black, silver and white.

All conditions

Snow mode and variable sensitivity adjustments make this sensor suitable for every application and even weather conditions.

OA-203CS



OA-203CBL



Active infrared Door Sensor

Specifications	Model	OA-203C
Mounting height	max. 3.0 m (9'10")	
Detection area adjustments	Eliminate rows B, C, or D (dipswitch setting)	
	Depth 4° in or out, 1° per setting	
	Width 7° left or right, 3,5° per setting	
	Shutters eliminate left and right sides	
Detection technique	Active infrared reflection	
Power supply	12 - 30V AC/DC	
Power consumption	160mA max. (at 12V AC)	
Power/Operating indicator	Green: Standby Red: Presence detection Orange: Motion detection	
Output contact	Form C relay 50V, 0.3A (resistance load)	
Relay hold time	Approx. 0.5s	
Response time	<0.3s	
Operating temperature	-20° C - +55° C	
Outer dimensions	221 x 63 x 29.9 mm (w x h x d)	
Weight	200 g	
Accessories	3 m Connection cable with plug 2 mounting screws 1 mounting template 1 area adjustment tool	
Available colours	Black (OA-203CBL), silver (OA-203CS) and white (OA-203CW)	

Detection area chart

	2.20	2.50	2.70	3.00
Mounting height A	2.20	2.50	2.70	3.00
Area depth B	0.31	0.35	0.38	0.41
Area depth C	0.75	0.85	0.92	1.02
Area depth D	1.30	1.48	1.59	1.77
Area width E	2.30	2.60	2.80	3.10
Distance to mounting surface F	0.18	0.20	0.22	0.25

The actual detection area may differ according to the size/material/entry speed of the object and the installation environment.

OPTEX CO.,LTD.

5-8-12 ogoto Otsu, 520-0101 Japan
 TEL : +81-77-579-8700 FAX : +81-77-579-7030
 WEBSITE : www.optex.co.jp/as/eng/

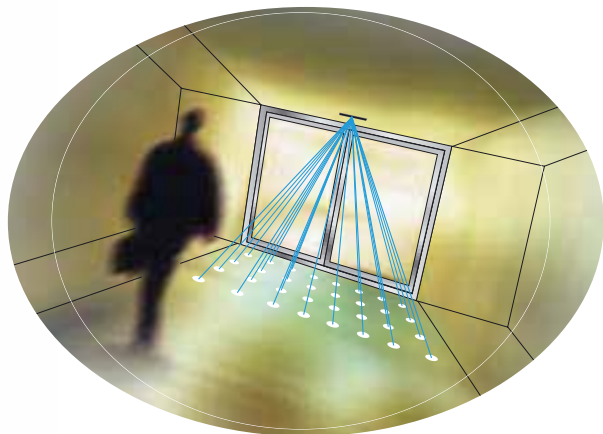
Active Infrared Door Sensor

Mirage



Safety Reliable Combination Sensor Easy installation Sensitivity
Environmental immunity Flexible DESIGN
Infinity presence detection QUALITY BUILT IN

The Optex Mirage is the optimal choice as an active infrared recessed mounted sensor. The sensor is designed to be installed in the header of the door operator or as a built in ceiling mount sensor. The Optex Mirage offers you both safety and activation on all types of automatic doors. It combines easy adjustable settings, providing maximum safety in a wide array of applications.



Easy installation

The Optex Mirage is simple to install. All the settings are mechanically adjustable with dipswitch and levers. The smart design makes that the engineer can easily reach the sensor in case adjustment of a setting is necessary.

Safety

Safety is assured by the two rows of presence detection closest to the door. The sensor detects a person or object and holds the door open as long as they are near the threshold area, even if they stop or pause. Of course the Optex Mirage can also be used as presence detection sensor only, for example as a rear edge safety sensor.

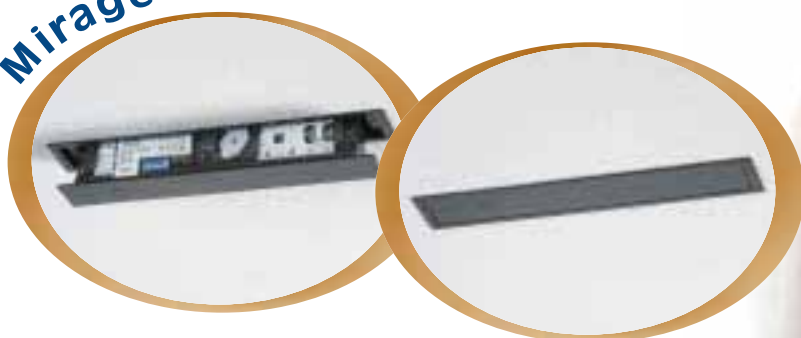
Design

The Optex Mirage is designed for installation in the header of the door operator or as a ceiling mount sensor. Due to its recessed mounted design and the 2 rows of presence detection, this sensor is an elegant and safe solution for installation in the ceiling of curved doors.

All conditions

Snow mode and variable sensitivity adjustments make this sensor suitable for every application and even extreme weather conditions.

Mirage

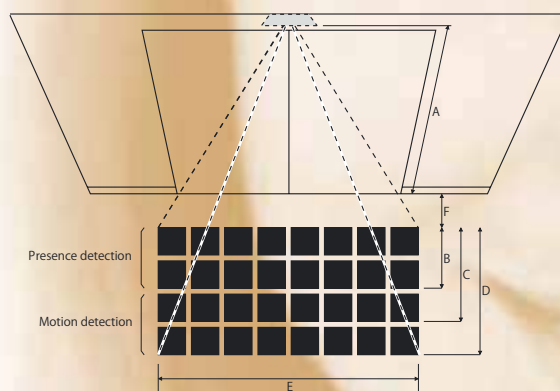


Active Infrared DoorSensor

Specifications

Model	Mirage
Mounting height	max. 3.0 m (9' 10")
Detection area	See detection area chart
Detection method	Active infrared reflection method
Detection angle adjustment	$\pm 4^\circ$ adjustable by steps of 1 degree (deep/shallow)
Power supply	12 - 30V AC/DC
Current draw	200mA max. (at 12V DC)
Operating indicator	Green: Standby Red: 1st Row detection active Orange: Other rows detection active
Output contact	Form C relay 50V, 0.3A max.
Relay hold time	0.5s
Operating temperature	-20°C - +55°C (-4°F - +131°F)
Outer dimensions	244 x 52.5 x 43 mm (w x h x d)
Weight	260 g (9.2oz)
Accessories	3 m Connection cable, area adjustment tool

Detection area chart



Mounting height A	2.20	2.50	2.70	3.00
Area depth B (presence detection)	0.47	0.53	0.57	0.64
Area depth C (presence and motion detection)	0.94	1.07	1.15	1.28
Area depth D (presence and motion detection)	1.65	1.88	2.03	2.25
Area width E	2.28	2.59	2.80	3.11
Distance to mounting surface F	0.23	0.26	0.28	0.31

The actual detection area may differ according to the size/material/entry speed of the object and the installation environment.

OPTEX CO.,LTD.

5-8-12 Ogoto Otsu, 520-0101 Japan
 TEL : +81-77-579-8700 FAX : +81-77-579-7030
 WEBSITE : www.optex.co.jp/as/eng/

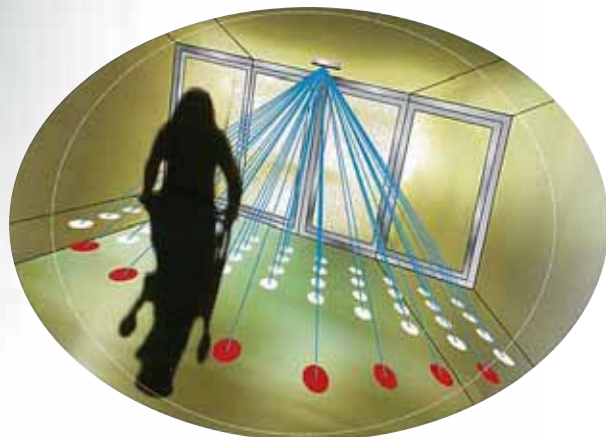
ActiveInfrared Door Sensor

i sensor



Safety Reliable MOTION **Flexible**
Convenience immunity Large pattern DESIGN
Easy adjustment TECHNOLOGY Presence detection

With its large motion and presence detection pattern, the i sensor features a safety zone in the threshold and sidelights that is always on. The size and shape of the detection pattern can be easily adjusted to match almost any application.



Large detection area

The extra-wide pattern covers the door opening plus sidelights, providing fast detection for traffic approaching from any angle. The sensor's enhanced pattern depth enables it to detect people and objects farther away and allows the door to open conveniently for them.

Safety

Safety is assured by the two rows of presence detection closest to the door, which never shut off. The sensor detects a person or object and holds the door open as long as they are in the threshold area, even if they stop or pause.

Flexible

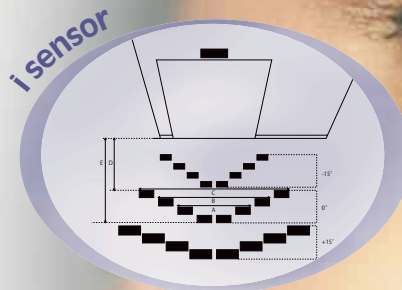
The i sensor is perfectly suited for almost any type of door or configuration. It can be set for unidirectional detection, which saves energy by allowing the door to close more quickly for departing traffic.

Easy adjustment

By using easily-set switches and shutters, the sensor can be quickly adjusted for many different applications. No external set-up device is needed.

All conditions

Snow mode, rain mode and sensitivity adjustments make this sensor suitable for every application and even extreme weather conditions.



Active Infrared DoorSensor

Specifications

Model
Mounting Height
Detection Area Adjustments

Detection Technique

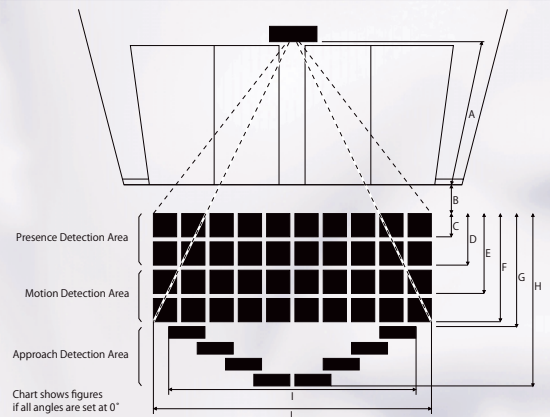
Power Supply
Current Draw
Power/Operating Indicator

Output Contact

Relay Hold Time
Response Time
Operating Temperature
Dimensions
Weight
Accessories

i-one
max. 9'10" (3.0m)
Approach Depth Angle $\pm 15^\circ$
Motion Presence Area $\pm 5^\circ$
Approach Width: All spots can be eliminated by dipswitch
Motion Presence Area width can be adjusted by shutter
Active Infrared Reflection (Presence Detection Type)
12 - 24V AC, 12 - 30V DC
180mA max. (AC 12V)
Green: Standby
Blinking Red: 1st Row Detection Active
Red: 2nd Row Detection Active
Orange: Motion Detection Active
Blinking Orange: Approach Detection Active
Form C Relay 50V, 0.3A (Resistance Load).
0.5 to 2s
< 0.3s
-4°F - +131°F (-20°C - +55°)
304 x 70 x 66mm (w x h x d)
14oz. (400g)
3m Connection Cable, 2 Mounting Screws, Mounting Template, Area adjustment tool

Detection area chart



Mounting Height A	7'3" (2.20m)	8'2" (2.50m)	9'10" (3.00m)
Distance to mounting surface B	3'9" (0.10m)	4'5" (0.11m)	5'3" (0.14m)
Area Depth C presence detection	10" (0.25m)	11" (0.28m)	1'1" (0.34m)
Area Depth D presence detection	2' (0.60m)	2'3" (0.68m)	2'8" (0.82m)
Area Depth E motion detection	3'3" (1.00m)	3'9" (1.13m)	4'6" (1.36m)
Area Depth F motion detection	4'9" (1.45m)	5'5" (1.65m)	6'6" (1.98m)
Area Depth G motion detection	4'11" (1.50m)	5'7" (1.71m)	6'9" (2.05m)
Area Depth H approach detection	8'6" (2.60m)	9'9" (2.96m)	11'8" (3.55m)
Area Width I approach detection	14'9" (4.50m)	16'9" (5.11m)	20'2" (6.14m)
Area Width J	16'1" (4.90m)	18'3" (5.57m)	21'11" (6.68m)

OPTEX CO.,LTD.

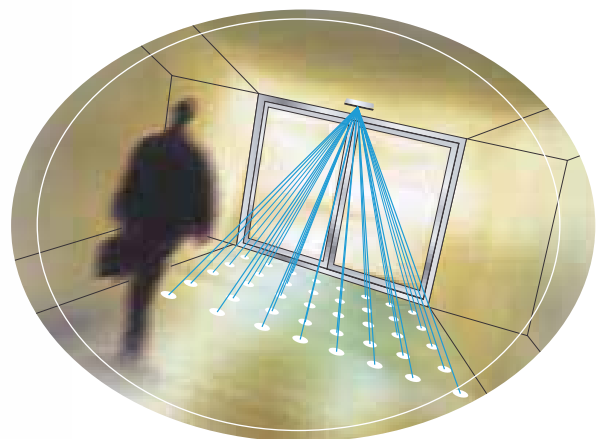
5-8-12 ogoto Otsu, 520-0101 Japan
TEL : +81-77-579-8700 FAX : +81-77-579-7030
WEBSITE : www.optex.co.jp/as/eng/

Ceiling-mount Door Sensor



Safety Reliable Large pattern Quality Flexible
Ceiling mount sensor CONCEALED
Easy adjustment ACTIVATION Presence detection

The Optex OA-70C active infrared door sensor is specially designed for discreet ceiling installation. It performs well as activation and safety for any type of automatic door, and its large pattern can easily be adjusted to different door configurations.



Safety

The first two active infrared rows near the door provide presence detection, which holds the door open as long as a person or object is in the pattern, even if they stop or pause. The presence detection timer can be set to infinity. Its large detection area can be set very precisely and easy by dipswitches and levers to line up with doors and other sensor patterns, providing maximum safety.

Ceiling-mount installation

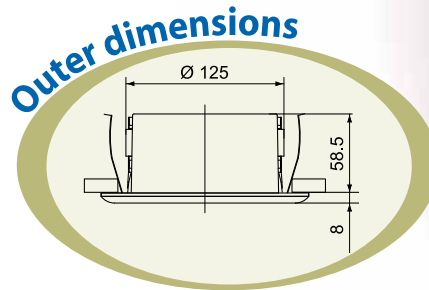
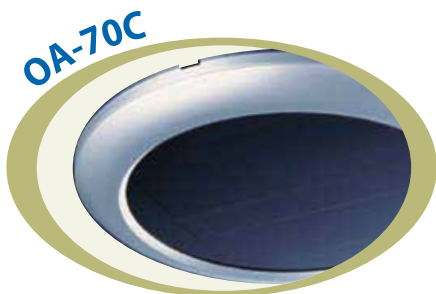
The Optex OA-70C is perfect for installation in areas where attractive appearance is important. The sensor can be mounted up to 4m high, making it vandalism resistant.

Slim design

Discreet ceiling-mount design easily blends with any décor. Equipped with silver recess mount cover.

All conditions

The sensor's advanced signal processing circuit allows it to operate reliably in many different applications and even harsh weather conditions. The large detection area can be adjusted to customize the pattern for either activation or safety applications on any type of automatic door.



Ceiling mount Door Sensor

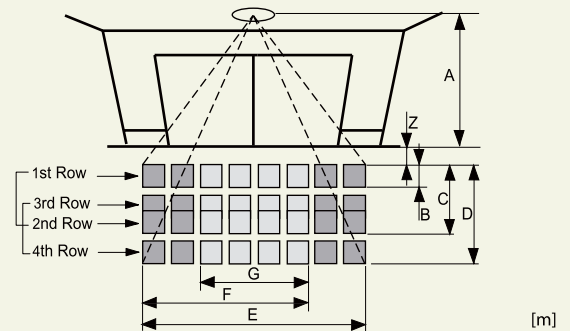
Specifications

Model	OA-70C
Mounting height	2.0 m - 4.0 m
Detection area adjustments	Depth -6° to 8° Width -10° to +10°
Detection method	Active infrared Reflection
Power supply	12 - 24V AC 12 - 30V DC
Power consumption	<4VA, <200mA (at 12V DC)
LED Operating indicator	Green: Stand-by Red: 1st Row Detection Orange: 2nd-4th Row Detection
Output contact	"Form C" relay 50V, 0.3A max. (resistance load)
Relay hold time	Approx. 0.5s
Response time	<0.3s
Operating temperature	-20°C - +55°C
Outer dimensions	ø 155 mm, 66.5 mm (h)
Weight	340g
Accessories	3 m Connection cable Mounting template
Optional accessory	Ivory surface mount cover

The recommended mounting position is 300mm away from the door.

* When the mounting height is 4.0m, set the mounting position more than 300mm away from the door.

Detection area chart



Mounting height A	2.20	2.50	3.00	4.00
Area Depth B	0.39	0.44	0.53	0.71
Area Depth C	0.77	0.86	1.03	1.38
Area Depth D	0.96	1.09	1.31	1.75
Area Width E	2.20	2.52	3.03	4.04
Area Width F	1.78	2.03	2.44	3.25
Area Width G	1.32	1.50	1.80	2.40
Distance to the door Z	0.16	0.10	0.06	-0.02*

The actual detection area may differ according to the size/material/entry speed of the object and the installation environment.

OPTEX CO.,LTD.

5-8-12 ogoto Otsu, 520-0101 Japan
 TEL : +81-77-579-8700 FAX : +81-77-579-7030
 WEBSITE : www.optex.co.jp/as/eng/

Door Category

- Sliding
- Swing
- Industrial
- Security

Sensor Type

- Activation
- Safety
- Access Control

Activation & Safety Sensor "Compact design"



ACTIVE INFRARED SENSOR

OA-203C-2

Activation and safety infrared sensor for automatic doors.
The slim and compact design fits to any entrance.
2 lines of infrared enable the safety around the door and
the deep detection area.

OA-203C-2

Adaptable to all environments

The detection areas can be freely adjusted in the left, right and longitudinal directions. The unit makes possible reliable detection and activation right up to the door, for various kinds of door.

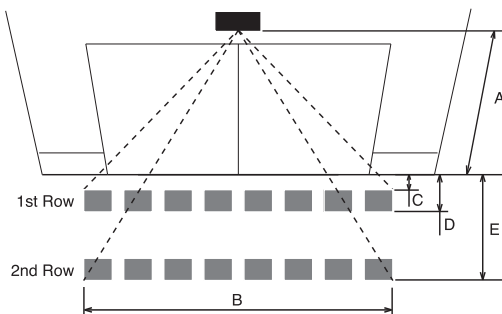
Safety

Safety area is featured by the 1st row of presence detection area closest to the door. The sensor detects a person or object and holds the door open as long as they are near the threshold area.

Easy installation

The OPTEX OA-203C-2 is simple to install. All the settings are mechanically adjustable with dipswitches and levers.

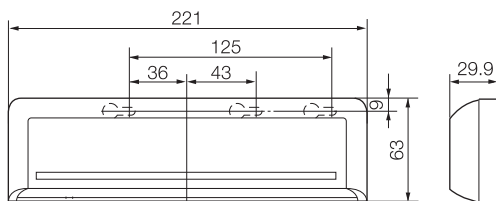
Detection area chart



mm
feet, inch

A	2.0 6' 6 3/4"	2.20 7' 2 5/8"	2.50 8' 2 7/16"	2.70 8' 10 5/16"	3.00 9' 10 1/8"
B	2.10 6' 10 11/16"	2.30 7' 6 9/16"	2.60 8' 6 3/8"	2.80 9' 2 1/4"	3.10 10' 2 1/16"
C	0.16 6' 5/16"	0.18 7' 1/16"	0.20 7' 7/8"	0.22 8' 11/16"	0.25 9' 13/16"
D	0.30 11 13/16"	0.34 1' 1 3/8"	0.38 1' 2 15/16"	0.41 1' 4 1/8"	0.46 1' 6 1/8"
E	1.34 4' 4 3/4"	1.48 4' 10 1/4"	1.68 5' 6 1/8"	1.81 5' 11 1/4"	2.02 6' 7 1/8"

Dimensions



unit : mm

Specifications

Model	OA-203C-2
Cover Color	Silver / Black
Mounting Height	3.0m (9'10") Max.
Detection Method	Active Infrared Reflection Method
Detection Angle	±4°adjustable by 1°every one click
Adjustments	(Deep / Shallow)
Detection Width	±7°adjustable by 3.5°every one click
Adjustments	(Right / Left)
Power Supply	12 to 30V AC/DC
Current Draw	160mA Max. (at 12V AC)
Operation Indicator	Green : Stand-by Red : 1st Row Detection Active Orange : 2nd Row Detection Active
Output	"Form C" relay 50V 0.3A Max. (resistance load)
Relay Hold Time	Approx. 0.5 sec.
Response Time	< 0.3 sec.
Operating Temperature	-20°C to +55°C (-4°F to +131°F)
Weight	200g(7.1oz)
Accessories	1 cable 3m (9'10"), 2 Mounting Screws 1 Operation Manual, 1 Mounting Template 1 Area Adjustment Tool



OPTEX CO.,LTD.

(ISO 9001 Certified by LRQA)

5-8-12 ogoto Otsu, 520-0101 Japan
TEL : +81 (0)77-579-8700 FAX : +81 (0)77-579-7030
WEBSITE : www.optex.co.jp

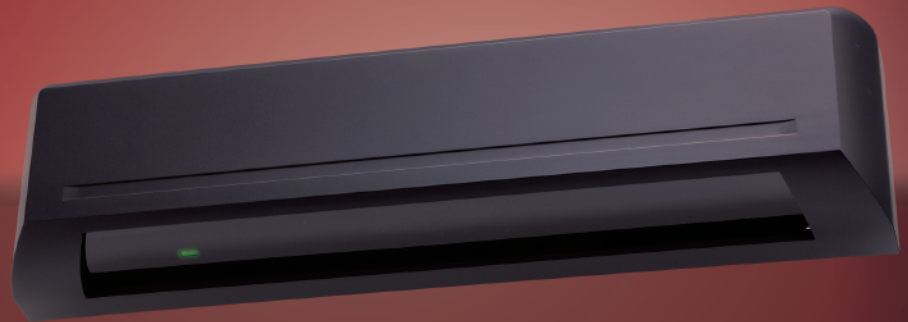
Door Category

- Slidigng
- Swing
- industrial
- Security

Sensor Type

- Activation
- Safety
- Access Control

Activation & Safety Sensor “Flexibility”



ACTIVE INFRARED SENSOR

OA-205V-2

Activation and safety infrared sensor for automatic doors.
2 lines of infrared enable the safety around the door and
the deep detection area.

High safety performance with the presence detection
function and wide range of angle change.

OA-205V-2

Flexibility

The OPTEX OA-205V-2 is recommended for almost any types of door applications such as supermarkets, shops, and airports.

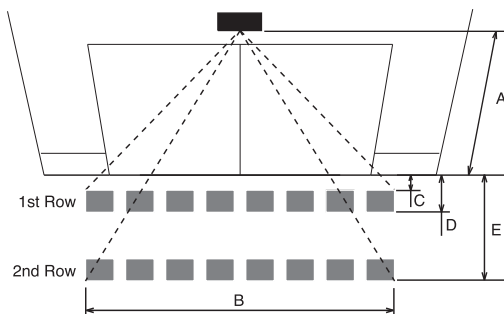
Safety

Safety area is featured by the 1st row of presence detection area closest to the door. The sensor detects a person or object and holds the door open as long as they are near the threshold area.

Easy installation

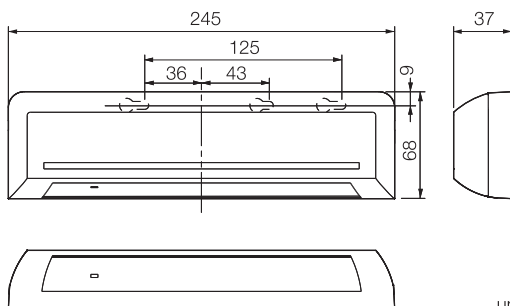
The OPTEX OA-205V-2 is simple to install. All the settings are mechanically adjustable with dipswitches and levers.

Detection area chart



	(mm feet, inch)				
A	2.0 6' 6 3/4"	2.20 7' 2 5/8"	2.50 8' 2 7/16"	2.70 8' 10 5/16"	3.00 9' 10 1/8"
B	2.10 6' 10 11/16"	2.30 7' 6 9/16"	2.60 8' 6 3/8"	2.80 9' 2 1/4"	3.10 10' 2 1/16"
C	0.16 6' 5/16"	0.18 7' 1/16"	0.20 7' 7/8"	0.22 8 11/16"	0.25 9 13/16"
D	0.27 10 1/2"	0.29 11 1/2"	0.33 1' 1 1/16"	0.36 1' 2 1/8"	0.40 1' 3 3/4"
E	1.34 4' 4 3/4"	1.47 4' 10 1/16"	1.68 5' 5 15/16"	1.81 5'11 1/4"	2.01 6' 7 1/16"

Dimensions



unit : mm

Specifications

Model	OA-205V-2
Cover Color	Silver / Black
Mounting Height	2.0m (6'6") to 3.0m (9'10")
Detection Method	Active Infrared Reflection Method
Detection Angle	Base Angle / 0° to 10°
Adjustments	Adjustment Screw Angle / ±4° adjustable by 1° every one click (Deep / Shallow)
Detection Width	Adjustment Screw Angle / ±7° adjustable by 3.5° every one click (Right / Left)
Power Supply	12 to 110V AC/DC
Current Draw	160mA Max. (at 12V AC)
Power Consumption	4.0VA Max. (at 100V AC)
Operation Indicator	Green : Stand-by Red : 1st Row Detection Active Orange : 2nd Row Detection Active
Output	"Form A" relay 50V 0.1A Max. (resistance load)
Relay Hold Time	Approx. 0.5 sec.
Response Time	< 0.3 sec.
Operating Temperature	-20°C to +55°C (-4°F to +131°F)
Weight	230g (8.2oz)
Accessories	1 cable 3m (9'10"), 2 Mounting Screws 1 Operation Manual, 1 Mounting Template 1 Area Adjustment Tool, 1 Protection sheet



OPTEX CO.,LTD.

(ISO 9001 Certified by LRQA)

5-8-12 ogoto Otsu, 520-0101 Japan
 TEL : +81 (0)77-579-8700 FAX : +81 (0)77-579-7030
 WEBSITE : www.optex.co.jp

Miniature photo electric Safety Beam

OS-12C



Safety

Reliable Active Recessed mounting infrared

Sensitivity

Plug and play

failsafe

flexible

UNIVERSAL

Easy installation

QUALITY

The Optex OS-12C active infrared safety beam system is compatible with any type of automatic door. Its amplifier and sensor heads are designed for fast, simple installation while maintaining the highest standards of safety and reliability.



Easy-to-install amplifier

The Optex OS-12C amplifier has screwless wiring terminals, which speeds installation. Pressing the "Teach-In" button automatically sets the proper sensitivity and self-corrects crossed cables. One amplifier operates one or two pairs of sensor heads.

Reliable sensor heads

The Optex SH-10MC sensor heads are recognized by door professionals worldwide for their reliability and resistance to sunlight and other interference. Quick-disconnect plugs make installation and service fast and easy. Cables are available in 2 lengths, 7m (23 feet) or 10m (33 feet).



Safety

For maximum safety, the amplifier is fail-safe, which ensures that the doors remain open in case components are damaged in any way. Two LED indicators will blink at the initial setup to alert the installer if the OS-12C is improperly aligned or if sensitivity is insufficient.

Multifunctional design

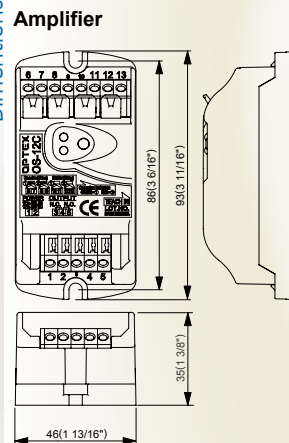
The compact design and standard 15mm beam heads make the OS-12C compatible with any type of automatic door and easy to service or maintain. Optional mounting accessories allow surface or recessed installation. A special edition including a reflector set is optional available. This safety beam is optimal for use with any sliding door, including train doors and automatic gates.

Miniature photo electric Safety Beam

Specifications

Model	OS-12C/OS-12CR
Detection area adjustments	0-10 m (0"-33") (OS-12CR: 0-2 m (0"-6'7"))
Detection method	Point to point near infrared light beam
Power supply	12 - 24V AC/DC
Current draw	135mA max.
Power/Operating indicator	LED on (green/red): Standby LED off (green/red): Detection LED blink (green/red): Insufficient sensitivity
Output contact	Form C relay 50V, 0.3A (resistance load)
Response time	Approx. 0.1s (from the moment of beam cut-off)
Relay Hold time	Approx. 0.5s
Operating temperature	-20°C - +55°C (-4°F - +131°F)
Light resistance	> 100,000 Lux
Outer dimensions	Amplifier: 46 x 93 x 32 mm (w x h x d) Sensorheads ø 15 mm
Weight	Amplifier 65 g (2.5oz)
Note	Sensor heads (SH-10MC) are necessary for operation and should be ordered separately. Either one or two cables can be used with each amplifier.

Dimensions



Sensorheads

One push installation type
Mounting hole 12 mm

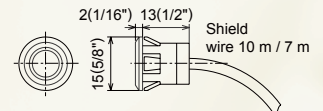
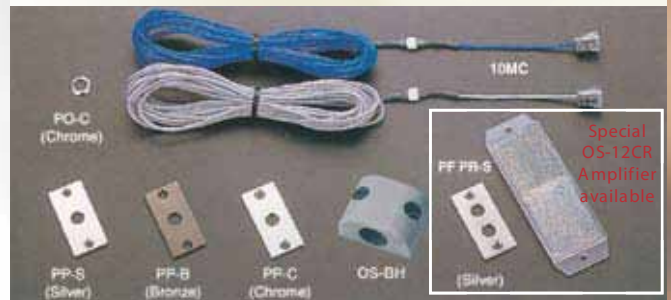
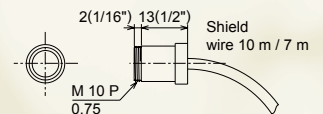


Plate installation type
Mounting hole 12 - 13 mm



OPTEX CO.,LTD.

5-8-12 ogoto Otsu, 520-0101 Japan
TEL : +81-77-579-8700 FAX : +81-77-579-7030
WEBSITE : www.optex.co.jp/as/eng/

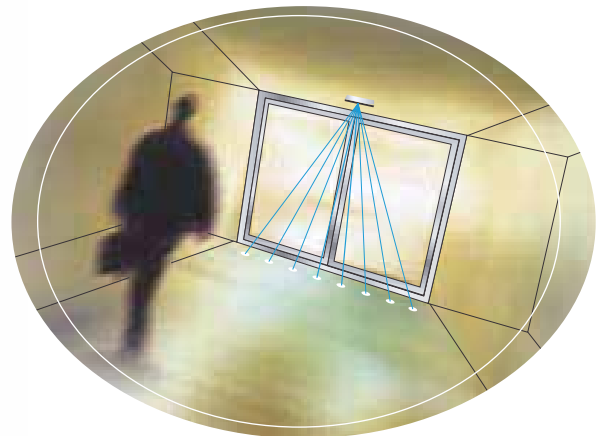
Active infrared Door Sensor

OA-presence



Safety Reliable Infinity presence Sensitivity
Environmental immunity detection DESIGN
Easy installation Quality

The Optex OA-Presence is especially developed as a safety sensor. This sensor can serve as an extra safety sensor to protect the threshold against early closing of the door. Besides, there is also the possibility to position the sensor to create extra safety against pinch off near the door leaf during the opening cycle.



Easy installation

The Optex OA-Presence is simple to install. All the settings are mechanically adjustable with dipswitch and levers.

Security

The Optex OA-Presence can serve as an extra threshold safety to prevent early closing of the door. Besides, there is also the possibility to position the sensor to create extra safety against pinch off near the door leaf during the opening movement. In both case the sensor detects persons or objects as long as they are in the threshold area, even if they stop or pause. As threshold safety, the sensor will order the door to open until the person or object has left the area. In case of safety behind the door leaf, the sensor will send a contact to the device, where after the automatic door can be sent, for instance, into a slow mode function.

Design

A very compact and slim design, available in three colours: black, silver and white.

All conditions

Snow mode and variable sensitivity adjustments make this sensor suitable for every application and even at extreme weather conditions.

OA-Presence (S)



OA-Presence (BL)

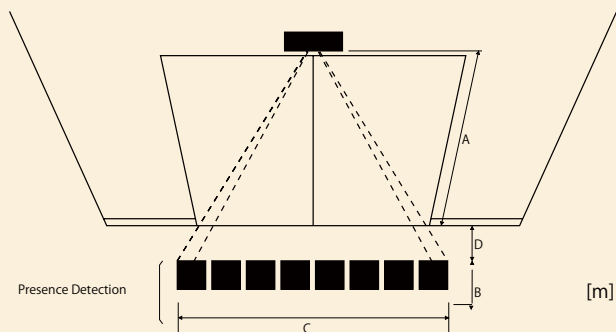


Active Infrared Door Sensor

Specifications

Model	OA-Presence
Mounting Height	max. 3.0 m. (9'10")
Detection Area Adjustments	Depth 4° , in or out Width 7° , left or right
Detection Technique	Active infrared (near infrared reflection)
Power Supply	12 - 24V AC/DC
Current Draw	160mA max.
Power/Operating Indicator	Green LED ON: standby Red LED ON: presence detection
Output Contact	Form C relay 50V, 0.3A (resistance load)
Relay Hold Time	Approx. 0.5 Sec
Operating Temperature	-20° C - +55° C (4° F - +131° F)
Outer Dimensions	221 x 63 x 29.9 mm (w x h x d)
Weight	200 g
Accessories	3 m Connection cable with plug 2 Mounting screws Mounting template Area adjustment tool
Available	Silver (OA-Presence (S)) and black (OA-Presence (BL))

Detection area



Mounting Height A	2.20	2.50	2.70	3.00
Area Depth B (presence detection)	0.16	0.18	0.19	0.21
Area Width C	2.30	2.60	2.80	3.10
Distance to mounting surface D	0.18	0.20	0.22	0.25

OPTEX CO.,LTD.

5-8-12 ogoto Otsu, 520-0101 Japan
 TEL : +81-77-579-8700 FAX : +81-77-579-7030
 WEBSITE : www.optex.co.jp/as/eng/