

**OA-6000**

## Door Category

- Sliding
- Swing
- Industrial
- Security

## Sensor Type

- Activation
- Safety
- Access Control

# Activation & Safety Sensor "For industrial doors"



ACTIVE INFRARED SENSOR

**OA-6000**

Activation and safety infrared sensor for roll-up door applications.

Unique design enable you to install at lower position when you have pain to climb up to header all the way.

# OA-6000

## Long range detection area

The OPTEX OA-6000 provides a long range detection area even from high mounting position.

## Stable operation

The OPTEX OA-6000 will not activate shutters by too much wide detection area.

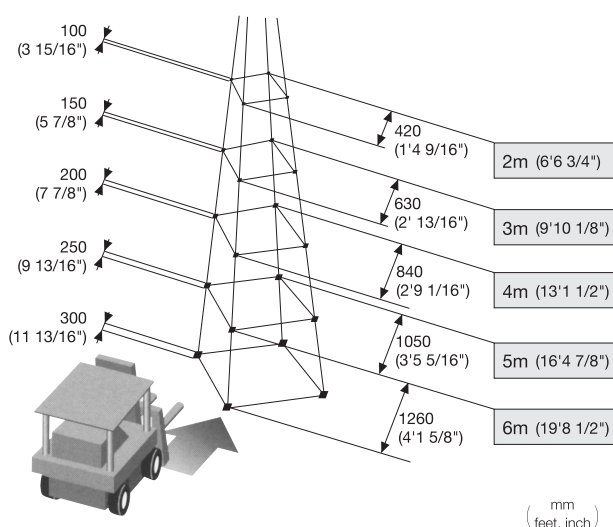
## High mounting position with sufficient sensitivity

Stable detection performance at high mounted position.

## Flexibility

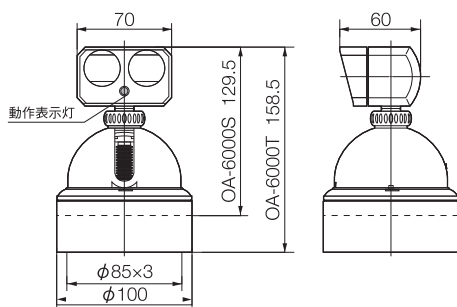
Detection area can be adjusted 160° vertically and 360° horizontally.

### Detection area chart

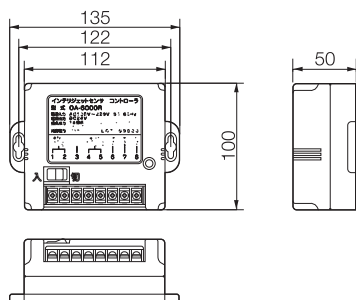


### Dimensions

OA-6000S  
OA-6000T



OA-6000R



unit : mm

### Specifications

Model	OA-6000S	OA-6000T
<b>Detection Range</b>	2 ~ 6m	
<b>Detection Method</b>	Active Infrared Reflection Method	
<b>Detection Range (vertical)</b>	-80° ~ +80° (Deep / Shallow)	
<b>Detection Range (right &amp; left)</b>	360°	
<b>Power Supply</b>	24V DC	
<b>Power Consumption</b>	< 65mA (24V DC)	< 105mA (24V DC)
<b>Operation Indicator</b>	LED ON : Stand-by LED OFF : Detection LED Blink : Infinite Detection	
<b>Output</b>	NPN Max. 40mA/ DC24V	"Form A" relay AC100V 1A DC30V 0.1A Max.
<b>Relay Hold Time</b>	Approx. 0.5sec.	
<b>Operating Temperature</b>	-20°C to +55°C	
<b>Weight</b>	200g	290g
<b>Accessories</b>	Mounting Screw × 1set, Operation Manual × 1 Mounting Template × 1	

<b>Model</b>	OA-6000R	
<b>Power Supply</b>	100V to 220V AC	
<b>Power Consumption</b>	< 25VA (100V AC)	< 32VA (200V AC)
<b>Operation Indicator</b>	LED ON : Power ON LED OFF : Power OFF	
<b>Output</b>	"Form A" relay AC100V 1A DC30V 0.1A Max.	
<b>Relay Hold Time</b>	Approx. 0.5sec.	
<b>Operating Temperature</b>	-20°C to +55°C	
<b>Weight</b>	240g	
<b>Accessories</b>	Mounting Screw × 1set, Operation Manual × 1 Mounting Template × 1	



We use recycled paper.  
(100% used paper content)



## OPTEX CO.,LTD.

(ISO 9001 Certified by LRQA)

5-8-12 ogoto Otsu, 520-0101 Japan  
TEL : +81 (0)77-579-8700 FAX : +81 (0)77-579-7030  
WEBSITE : www.optex.co.jp



# OA-4500

Active infrared industrial door sensor



QUALITÉ SUPERIEURE  
ENTWICKELUNG

LANG

MEDIO AMBIENTE

CARE OF THE LOWEST  
FAILURE RATE IN THE MARKET

The Optex OA-4500 is the new active infrared industrial door sensor standard for use on doors up to a mounting height of 4,5 meter. It was developed as a combination sensor for safety and activation; the active infrared presence detection protects against early closing of the door while the activation area activates the door when entering the detection area.

This sensor meets market requirements in a variety of industrial door applications.

# OA-4500

# Active infrared door sensor

## COMBINATION

The Optex OA-4500 is based on active infrared technique, combining activation and safety into one sensor. By using the unique Optex presence detection technique the OA-4500 provides maximum safety around the threshold of an industrial door and offers, at the same time, a large motion detection area for door activation.

## SAFETY

The active infrared presence detection of the OA-4500 can be set very accurately and can be moved 6° towards or away from the door. The sensor detects a person or object and holds the door open as long as they are in or near the threshold area, even if they stop or pause.

## MOTION DETECTION

The large detection area provides fast detection for any traffic, including trucks, approaching from any angle. The sensors enhanced pattern depth enables it to detect people and objects farther away and allows the door to open conveniently for them. The presence and motion detection areas can be adjusted independently.

## EASY ADJUSTMENT

Installation time can be reduced to a minimum by using easily set switches and trimmers, therefore the sensor can be quickly adjusted for many different applications. To adjust the presence detection area the use of an Optex Infrared finder is recommended.

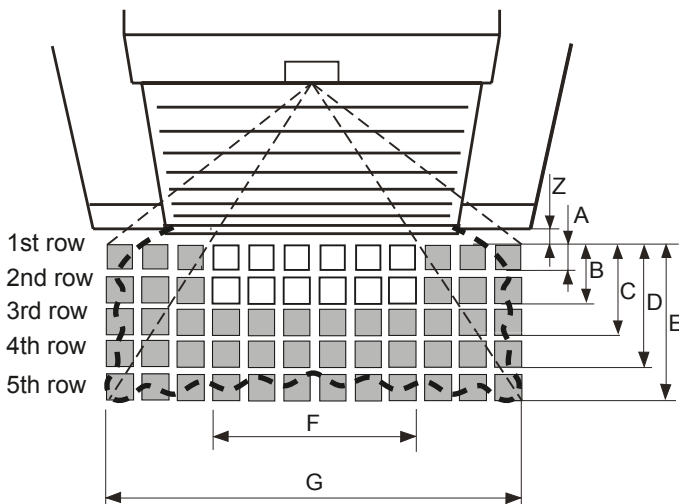
## QUALITY

Optex automatic door sensors guarantee premium performance and include a 3-year full replacement warranty.

## SPECIFICATIONS

Model	OA-4500
Colour	Black / silver
Mounting height	2.5 m (8'2") to 4.5 m (14'9")
Detection area	See detection area
Detection method	Active infrared reflection method (all presence detection)
Depth adjustment	4th and 5th rows: +26° to +44° 1st to 3rd rows -6° to +6°
Power supply	12 to 24V AC/DC
Power consumption	<100mA (at DC24V)
Operation indicator	Green: stand-by Red: 1st row detection Orange: 2nd to 5th rows detection
Output	1st & 2nd rows N.C./N.O. selectable 50V0.3A max. (resistance load) 3rd to 5th rows N.C./N.O. selectable 50V0.3A max. (resistance load)
Relay hold time	Approx. 0.5 sec.
Operating temperature	-20°C - +55°C (-4°F - +131°F)
Weight	320 g
Accessories	Operation manual, mounting screws, mounting template, area adjustment tool, cable 4 m

## DETECTION AREA

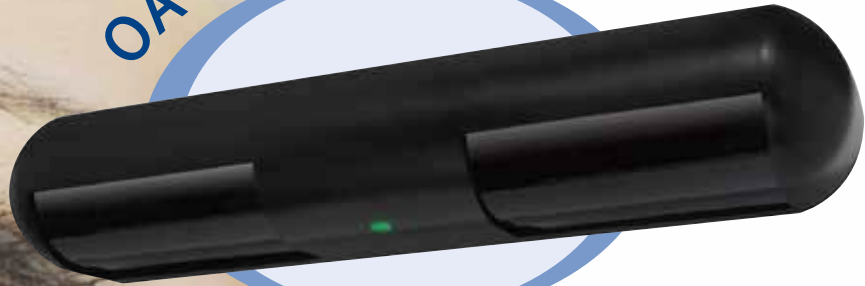


Mounting height	3,000(9'10")	3,500(11'6")	4,000(13'2")	4,500(14'9")
Area depth A	200(8")	230(9")	260(10")	290(11")
Area depth B	580(1'11")	670(2'22")	760(2'6")	850(2'9")
Area depth C	1,100(3'7")	1,300(4'3")	1,480(4'11")	1,660(5'5")
Area depth D	1,850(6'1")	2,160(7'1")	2,460(8'1")	2,760(9'1")
Area depth E	2,600(8'6")	3,030(9'11")	3,460(11'4")	3,890(12'9")
Areawidth F	1,810(5'11")	2,110(6'11")	2,400(7'11")	2,700(8'10")
Area width G	3,790(12'5")	4,420(14'6")	5,050(16'7")	5,680(18'8")
Area depth Z	300(12")	350(1'2")	400(1'4")	450(1'6")



# Active infrared Door Sensor

OA-6500S(E)



Reliable  
Easy installation  
Quality  
Infinity  
Safety  
Advanced  
Side screen safety  
Active infrared presence detection  
Flexible  
Certified  
Monitored  
Sensitivity  
Threshold safety

The Optex OA-6500 is the new active infrared door sensor standard for use on industrial doors up to a mounting height of 6,5 meter. The OA-6500 is developed as a combination sensor for safety and activation, the active infrared presence detection protects against early closing of the door while the activation area activates the door when entering the detection area. The Optex OA-6500 meets market requirements in a variety of industrial door applications.

## Combination

The OPTEX OA-6500 is based on active infrared technique, combining activation and safety into one sensor. By using the unique OPTEX presence detection technique the OA-6500 series provides maximum safety around the threshold of an industrial door and offers, at the same time, an extra large motion detection area for door activation with its maximum installation height up to 6.5m.

## Suitable for industrial applications

The OPTEX OA-6500 has a lot of functions optimized for industrial doors.

- The 1st row equipped with door cancel function reduces the malfunction caused by the door movement.
- The activation & safety outputs can be selected from N.C. and N.O. simply by selecting the dipswitches.
- The automatic infinite presence detection increase safely and avoid unwanted door opening due to sudden change in floor condition.

## Motion detection

The large detection area provides fast detection for any traffic, including trucks, approaching from any angle. The sensor's enhanced pattern depth enables it to detect objects farther away and allows the door to open conveniently. The presence and motion detection area's can be adjusted independently.

## Easy adjustment

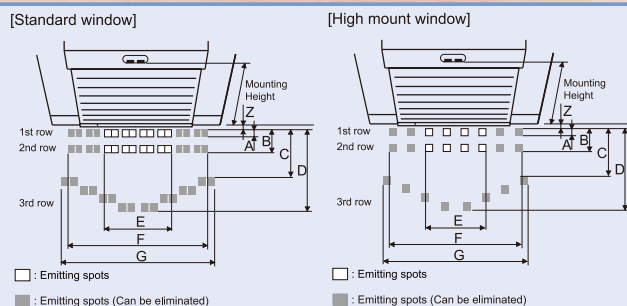
Installation time can be reduced to a minimum by using easily set switches and trimmers, therefore the sensor can be quickly adjusted for many different applications. To adjust the presence detection area the use of an OPTEX Infrared finder is recommended.

# Active infrared Door Sensor

### Specifications

Model	OA-6500
Colour	Black
Mounting height	2.5 m(8'2") to 6.5 m(21'4")
Detection area	See detection area
Detection method	Active infrared reflection method (all presence detection)
Depth adjustment	3rd row: +30° to +50° 1st and 2nd rows -15° to +5°
Power supply	12 to 24V AC/DC
Power consumption	<2.5W (<3.5VA at AC)
Operation indicator	Green / stand-by Red / 1st row detection Orange / 2nd and 3rd rows detection
Activation Output	When 3rd row detects N.C./N.O. selectable 50V0.3A max. (resistance load)
Safety Output	When 1st and 2nd row detects N.C./N.O. selectable 50V0.3A max. (resistance load)
Relay hold time	Approx. 0.5 sec.
Operating temperature	-20° C to +55° C
Weight	600g
Accessories	1 Operation manual 2 Mounting screws 1 Mounting template 1 High mount window 1 Cable 4 m 1 Protection sticker

### Detection area chart



Mounting height	Standard window			High mount window	
	2.50 (8'2")	3.50 (11'6")	4.50 (14'9")	5.50 (18'1")	6.50 (21'4")
Area depth A	0.15 (6")	0.21 (8")	0.28 (11")	0.34 (1'1")	0.40 (1'4")
Area depth B	0.56 (1'10")	0.79 (2'7")	1.01 (3'4")	1.24 (4'1")	1.47 (4'10")
Area depth C	0.68 (2'3")	0.96 (3'2")	1.24 (4'1")	1.51 (4'11")	1.79 (5'11")
Area depth D	1.34 (4'5")	1.87 (6'2")	2.41 (7'11")	2.94 (9'8")	3.48 (11'5")
Area width E	1.53 (5'1")	2.15 (7'1")	2.76 (9'11")	2.79 (9'2")	3.30 (10'10")
Area width F	3.64 (11'11")	5.10 (16'9")	6.56 (21'7")	7.23 (23'9")	8.55 (28'1")
Area width G	3.84 (12'7")	5.38 (17'8")	6.91 (22'8")	7.62 (25')	9.01 (29'7")
Area depth Z	0.15 (6")	0.22 (9")	0.28 (11")	0.34 (1'1")	0.41 (1'4")

# OPTEX CO.,LTD.

5-8-12 ogoto Otsu, 520-0101 Japan  
 TEL : +81-77-579-8700 FAX : +81-77-579-7030  
 WEBSITE : www.optex.co.jp/as/eng/