

CABINET HARDWARE



Solid Brass



CABINET HARDWARE

The following pages feature Omnia's line of finely crafted solid brass hardware along with our selections of ornate cabinet hardware, Vintage finishes collection and fine Italian glass and crystal cabinet hardware.



*W*elcome to Omnia's line of cabinet hardware. Each piece in this collection has been painstakingly crafted by artisans who understand that a beautiful design must be as comfortable to the hand as it is pleasing to the eye, if it is to carry the Omnia name.

Over the years, we have found that only solid brass imparts the depth of finish and lasting beauty for which Omnia hardware is known. You'll find all Omnia cabinet hardware to be constructed of solid brass and offered in a range of finishes. And, continuing in this tradition of using only the finest materials, we're pleased to offer a collection of fine Italian glass and crystal knobs.

A number of items on the following pages have been designed to complement our existing door knob and lever designs affording you the opportunity to coordinate the hardware throughout your home or office for a more cohesive look.

Whether you're partial to classically styled traditional designs, ornate, romantic pieces, or crisply tailored contemporary styles, we think you'll find the perfect accent for all your interior drawers and cabinet doors in this latest offering from Omnia.

Finish Options

| <i>Finish Code</i> | <i>Description</i> |
|---|------------------------------|
| US3 | Polished & Lacquered Brass |
| US26 | Polished Chrome |
| US26D | Satin Chrome |
| SB | Shaded Bronze, Lacquered |
|  US10B | Oil Rubbed Bronze, Lacquered |
| US14 | Polished Nickel, Lacquered |
| US15 | Satin Nickel, Lacquered |
| US15A | Pewter, Lacquered |
| US26/3 | Chrome & Brass |
| US26D/3 | Satin Chrome & Brass |
| US15/3 | Satin Nickel & Brass |
| 684/3 | Black Chrome & Brass |
| VI | Vintage Iron, Lacquered |
| VC | Vintage Copper, Unlacquered |
| VB | Vintage Brass, Unlacquered |

CABINET HARDWARE



Solid Brass

9102 - US3 • US26

1" (25 mm) dia. 1" proj.
 1³/₁₆" (30 mm) dia. 1¹/₈" proj.
 1⁹/₁₆" (40 mm) dia. 1⁷/₁₆" proj.

Also available
 in **US10B***, **US14** &
US15.

9158 - US3 • US26

1" (25 mm) dia. 1" proj.
 1³/₁₆" (30 mm) dia. 1⁵/₃₂" proj.
 1⁹/₁₆" (40 mm) dia. 1⁹/₃₂" proj.

Also available in **US10B***, **US14** & **US15**.

9100 - US3 • US26

1" (25 mm) dia. 7/8" proj.
 1⁷/₃₂" (31 mm) dia. 1¹/₈" proj.
 1⁹/₁₆" (40 mm) dia. 1³/₈" proj.

Also available
 in **US10B***, **US14**,
US15 & **US26D**.



Solid Brass

9430 - US3 • US26 • SB

1" (25 mm) dia. 1" proj.
 1¹/₄" (32 mm) dia. 1¹/₄" proj.
 1⁵/₈" (41 mm) dia. 1⁷/₁₆" proj.

Also available
 in **US10B***, **US14** &
US15.

9405 - US3 • US26 • SB

1¹/₄" (32 mm) dia. 1¹/₈" proj.
 1¹/₂" (38 mm) dia. 1¹/₂" proj.

CABINET HARDWARE



Solid Brass

9146 - US3 • US26

1³/₁₆" (30 mm) dia. 7/8" proj.
1⁹/₁₆" (40 mm) dia. 1¹/₁₆" proj.

9136 - US3 • US26

1" (25 mm) dia. 1¹/₁₆" proj.
1³/₁₆" (30 mm) dia. 2⁵/₃₂" proj.
1⁹/₁₆" (40 mm) dia. 1¹/₁₆" proj.

9160 - US3 • US26

1" (25 mm) dia. 2⁵/₃₂" proj.
1¹/₄" (32 mm) dia. 2⁹/₃₂" proj.
1⁹/₁₆" (40 mm) dia. 1¹/₃₂" proj.



Solid Brass

9141 - US3 • US26 • SB

1³/₁₆" (30 mm) dia. 1" proj.
1⁹/₁₆" (40 mm) dia. 1³/₁₆" proj.

Also available
in **US10B***, **US14** &
US15.

9163 - US3 • US26

1³/₁₆" (30 mm) dia. 5/8" proj.
1³/₈" (35 mm) dia. 1" proj.
1⁹/₁₆" (40 mm) dia. 1³/₁₆" proj.

Also available
in **US10B***, **US14** &
US15.



CABINET HARDWARE



Solid Brass

9120 - US3 • SB

1" (25 mm) dia. $1\frac{3}{16}$ " proj.
 $1\frac{3}{16}$ " (30 mm) dia. $1\frac{5}{16}$ " proj.
 $1\frac{3}{8}$ " (35 mm) dia. $1\frac{3}{16}$ " proj.

9408 - US3 • US26 • SB

3" (76 mm) cc. $1\frac{1}{32}$ " proj.
 Also available
 in **US26D**.

9130 - US3 • SB

1" (25 mm) dia. $\frac{7}{8}$ " proj.
 $1\frac{3}{16}$ " (30 mm) dia. $1\frac{1}{16}$ " proj.
 $1\frac{3}{8}$ " (35 mm) dia. $1\frac{3}{16}$ " proj.

Also available in **US14**.



Solid Brass

9441 - US3 • US26 • SB

$3\frac{1}{2}$ " (89 mm) cc. $1\frac{3}{8}$ " proj.

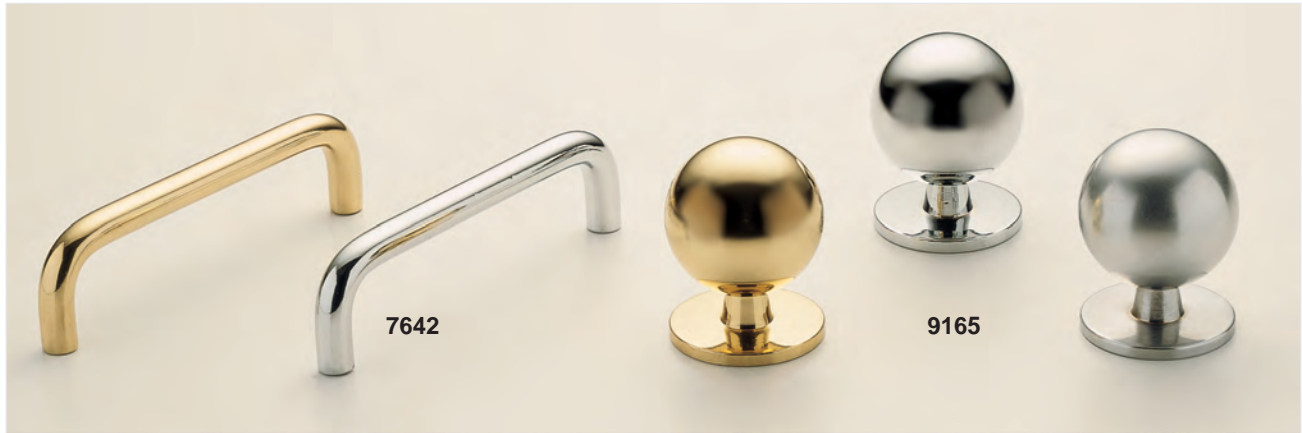
Also available
 in **US10B***, **US14** &
US15.

9431 - US3 • US26 • SB

3" (76 mm) cc. $1\frac{7}{16}$ " proj.

Also available
 in **US10B***, **US14** &
US15.

CABINET HARDWARE



Solid Brass

7642 - US3 • US26

| | |
|---|--|
| 3" (76 mm) cc. | 1 ¹ / ₁₆ " proj. |
| 3 ¹ / ₂ " (89 mm) cc. | 1 ¹ / ₁₆ " proj. |
| 3 ³ / ₄ " (96 mm) cc. | 1 ¹ / ₁₆ " proj. |
| 4" (102 mm) cc. | 1 ¹ / ₁₆ " proj. |

Also available
in **US26D**.

9165 - US3 • US26 • US26D

| | |
|---|---|
| 1" (25 mm) dia. | 1 ⁵ / ₁₆ " proj. |
| 1 ³ / ₁₆ " (30 mm) dia. | 1 ⁹ / ₁₆ " proj. |
| 1 ³ / ₈ " (35 mm) dia. | 1 ¹³ / ₁₆ " proj. |



Solid Brass

9151 - US3 • US26

| | |
|---|--|
| 1" (25 mm) dia. | 2 ⁹ / ₃₂ " proj. |
| 1 ³ / ₁₆ " (30 mm) dia. | 1 ¹ / ₁₆ " proj. |

9105 - US3 • US26

| | |
|---|--|
| 1 ³ / ₁₆ " (30 mm) dia. | 1 ⁹ / ₃₂ " proj. |
| 1 ³ / ₈ " (35 mm) dia. | 1 ¹ / ₂ " proj. |

Also available
in **US10B***, **US14**,
US15 & **US26D**.

9153 - US3 • US26 • US26D

| | |
|-------------------|--|
| 3/4" (18 mm) dia. | 1 ⁵ / ₁₆ " proj. |
| 1" (25 mm) dia. | 1 ¹ / ₄ " proj. |

Also available in **US15**.



CABINET HARDWARE



Solid Brass

9107 - US3 • US26 • US26D

1" (25 mm) dia. 1⁵/₁₆" proj.
1³/₁₆" (30 mm) dia. 1⁹/₁₆" proj.

9147 - US3 • US26 • US26D

1" (25 mm) dia. 1" proj.
1³/₁₆" (30 mm) dia. 1³/₁₆" proj.



Solid Brass with decorative faux screwheads

9451 - US3 • US26 • US26D

2¹/₂" (64 mm) cc. 1" proj.
3³/₄" (96 mm) cc. 1⁵/₁₆" proj.

Also available in **US14**.

CABINET HARDWARE



9145

9168

Solid Brass

9145 - US3 • US15

1" (25 mm) dia. 7/8" proj.
 1 3/16" (30 mm) dia. 1" proj.
 1 9/16" (40 mm) dia. 1 3/16" proj.

Also available in
US10B*

9168 - US3 • US15

1" (25 mm) dia. 1" proj.
 1 3/16" (30 mm) dia. 1 1/8" proj.
 1 3/8" (35 mm) dia. 1 3/8" proj.

Also available in
US10B*



9454

Solid Brass with decorative faux screwheads

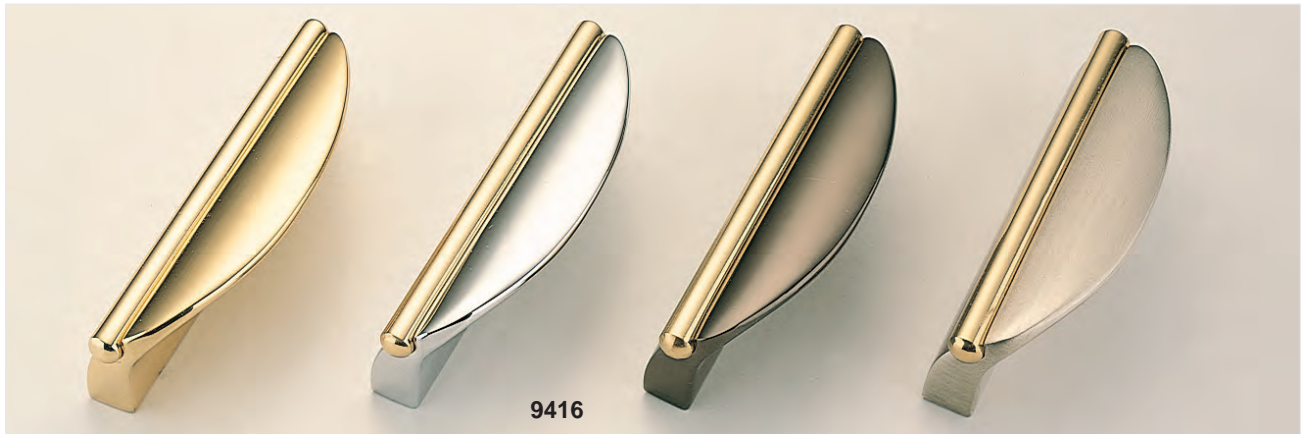
9454 - US3 • US14 • US15 • VI • VC • VB

2 1/2" (64 mm) cc. 3 5/8" (92 mm) width 1 9/16" (40 mm) height 1 5/16" (24 mm) proj.

Also available in
US10B*



CABINET HARDWARE



Solid Brass

9416 - US3 • US26/3 • 684/3 • US15/3

2" (51 mm) cc. 3⁷/₁₆" (78 mm) Overall Base 1" proj.



Solid Brass

9522 - US3 • US26 • US26D

4" (102 mm) cc. 1" proj.

7¹/₂" (191 mm) cc. 1" proj.

Also available
in **US15**.

CABINET HARDWARE



9400

Solid Brass

9400 - US3 • US26 • US26D

2½" (64 mm) cc.

1" proj.

3¾" (96 mm) cc.

1" proj.

Also available
in **US10B*** & **US15**.



9419

Solid Brass

9419 - US3 • US26 • US26D

2½" (64 mm) cc.

13/16" proj.

3¾" (96 mm) cc.

1" proj.

NEW

BOX 330 • CEDAR GROVE, NJ 07009

OMNIA
INDUSTRIES, INC.
www.OmniaIndustries.com

973-239-7272 • FAX: 973-239-5960

OMNIA[®]

CABINET HARDWARE



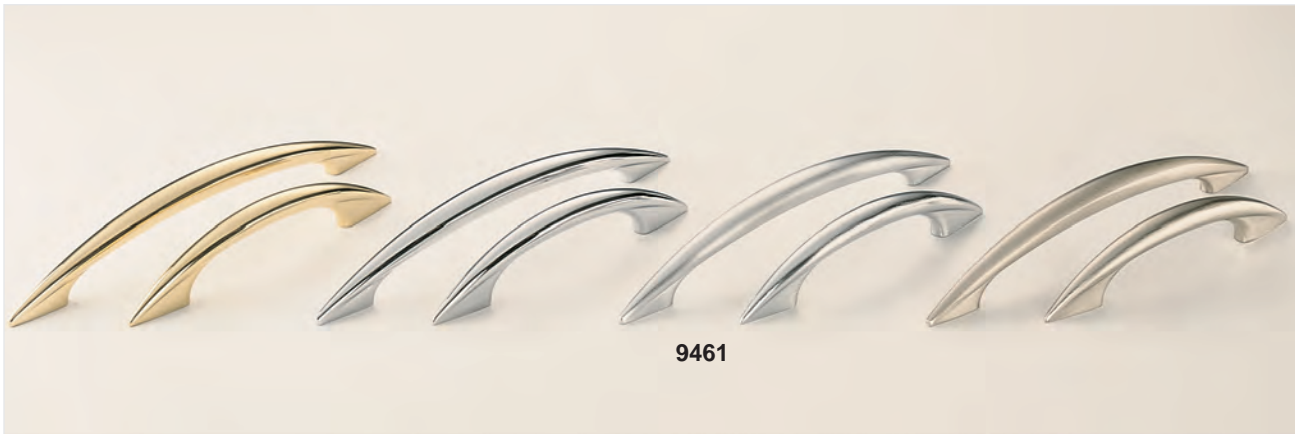
Solid Brass

9461/48 - US3 • US26 • US26D • US15

1⁷/₈" (48 mm) length 1³/₁₆" proj.

9523 - US3 • US26 • US26D • US15

1³/₁₆" (30 mm) length 1⁵/₁₆" proj.



Solid Brass

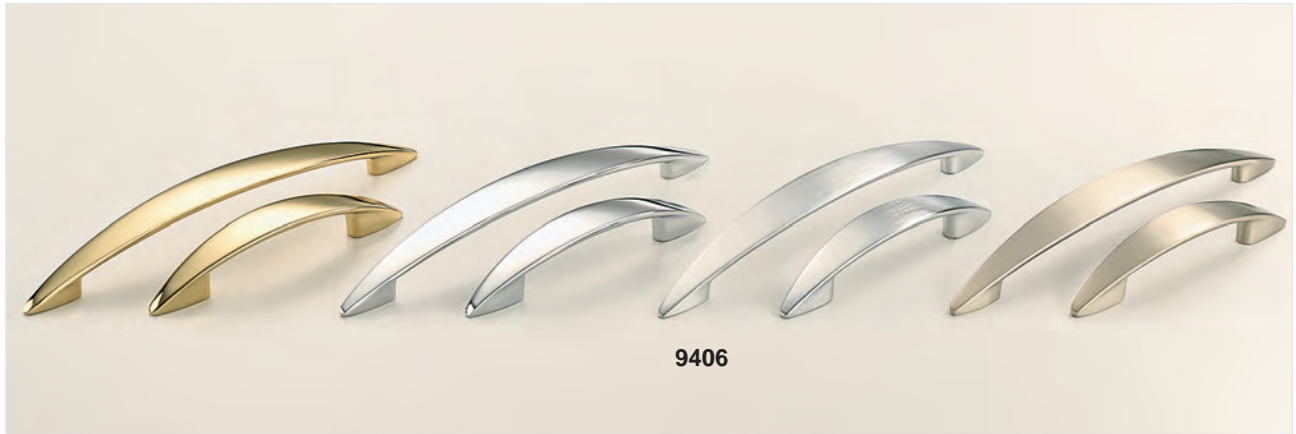
9461 - US3 • US26 • US26D • US15

4" (100 mm) cc. 1³/₁₆" proj.

6¹/₂" (165 mm) cc. 1¹/₄" proj.

Also available
in **US10B***

CABINET HARDWARE

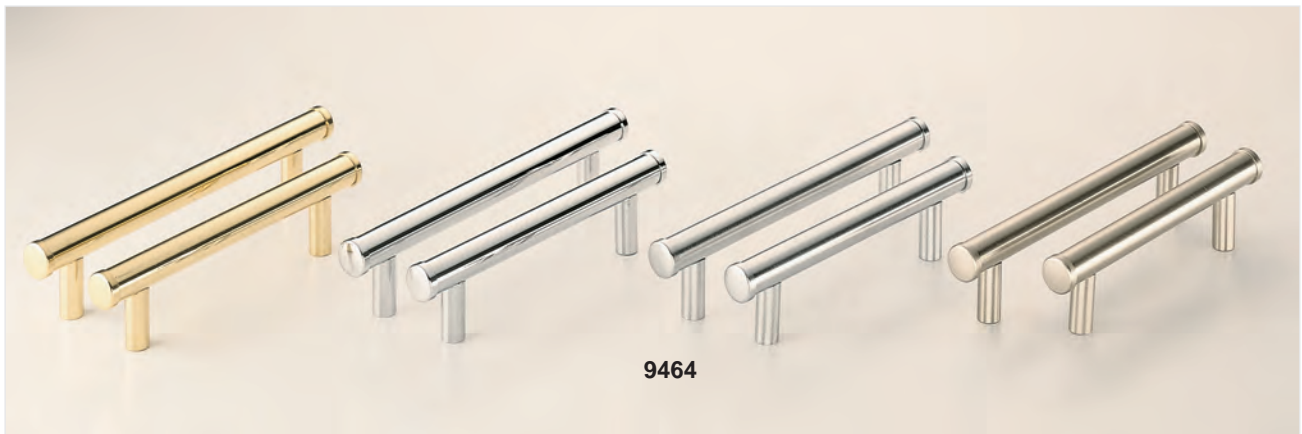


Solid Brass

9406 - US3 • US26 • US26D • US15

3½" (89 mm) cc. 15/16" proj.

6½" (165 mm) cc. 1" proj.



Solid Brass

9464 - US3 • US26 • US26D • US15

4" (100 mm) cc. 1½" proj.

5" (125 mm) cc. 1½" proj.

Also available in **US14**.

CABINET HARDWARE



Solid Brass

9430 - VI • VC • VB

| | |
|--|--|
| 1" (25 mm) dia. | 1" proj. |
| 1 ¹ / ₄ " (32 mm) dia. | 1 ¹ / ₄ " proj. |
| 1 ⁵ / ₈ " (41 mm) dia. | 1 ⁷ / ₁₆ " proj. |

9100 - VI • VC • VB

| | |
|---|---------------------------------------|
| 1" (25 mm) dia. | 7/8" proj. |
| 1 ⁷ / ₃₂ " (31 mm) dia. | 1 ¹ / ₈ " proj. |
| 1 ⁹ / ₁₆ " (40 mm) dia. | 1 ³ / ₈ " proj. |

Vintage Cabinet Hardware



Solid Brass

9145 - VI • VC • VB

| | |
|---|--|
| 1" (25 mm) dia. | 7/8" proj. |
| 1 ³ / ₁₆ " (30 mm) dia. | 1" proj. |
| 1 ⁹ / ₁₆ " (40 mm) dia. | 1 ³ / ₁₆ " proj. |

9168 - VI • VC • VB

| | |
|---|---------------------------------------|
| 1" (25 mm) dia. | 1" proj. |
| 1 ³ / ₁₆ " (30 mm) dia. | 1 ¹ / ₈ " proj. |
| 1 ³ / ₈ " (35 mm) dia. | 1 ³ / ₈ " proj. |

CABINET HARDWARE



Solid Brass

9141 - VI • VC • VB

1³/₁₆" (30 mm) dia. 1" proj.
1⁹/₁₆" (40 mm) dia. 1³/₁₆" proj.

9102 - VI • VC • VB

1" (25 mm) dia. 1" proj.
1³/₁₆" (30 mm) dia. 1¹/₈" proj.
1⁹/₁₆" (40 mm) dia. 1⁷/₁₆" proj.

9163 - VI • VC • VB

1³/₁₆" (30 mm) dia. 5/8" proj.
1³/₈" (35 mm) dia. 1" proj.
1⁹/₁₆" (40 mm) dia. 1¹/₈" proj.

Vintage Cabinet Hardware



Solid Brass

9441 - VI • VC • VB

3¹/₂" (89 mm) cc. 1³/₈" proj.

9431 - VI • VC • VB

3" (76 mm) cc. 1⁷/₁₆" proj.

CABINET HARDWARE



Solid Brass

7434 - US3 • SB • US15A

| | |
|---------------------|---------------|
| 1 1/8" (28 mm) dia. | 1" proj. |
| 1 3/8" (35 mm) dia. | 1 3/16" proj. |
| 1 5/8" (42 mm) dia. | 1 1/4" proj. |

7436 - US3 • SB • US15A

| | |
|----------------------|---------------|
| 1" (25 mm) dia. | 1 3/16" proj. |
| 1 3/16" (30 mm) dia. | 1" proj. |
| 1 9/16" (40 mm) dia. | 1 3/16" proj. |

Also available in **US14**.

Ornate Cabinet Hardware



Solid Brass

7430 - US3 • SB • US15A

| | |
|----------------------|--------------|
| 1 3/16" (30 mm) dia. | 1 1/8" proj. |
| 1 1/2" (38 mm) dia. | 1 1/8" proj. |
| 1 7/8" (47 mm) dia. | 1 1/8" proj. |

7417 - US3 • SB • US15A

| | |
|---------------------|---------------|
| 1 1/8" (28 mm) dia. | 1" proj. |
| 1 3/8" (35 mm) dia. | 1 1/8" proj. |
| 1 5/8" (42 mm) dia. | 1 3/16" proj. |

CABINET HARDWARE



Solid Brass

7420 - US3 • SB • US15A

| | |
|-----------------------|---------------|
| 1 1/8" (28 mm) dia. | 1 3/16" proj. |
| 1 5/16" (33 mm) dia. | 1" proj. |
| 1 13/16" (46 mm) dia. | 1 3/16" proj. |

7435 - US3 • SB • US15A

| | |
|----------------------|---------------|
| 1" (25 mm) dia. | 1 3/16" proj. |
| 1 3/16" (30 mm) dia. | 1" proj. |
| 1 9/16" (40 mm) dia. | 1 3/16" proj. |

Ornate Cabinet Hardware



Solid Brass

7105 - US3 • SB • US15A

| | |
|----------------------|---------------|
| 1 3/16" (30 mm) dia. | 1" proj. |
| 1 9/16" (40 mm) dia. | 1 3/16" proj. |

7432 - US3 • SB • US15A

| | |
|--------------------|---------------|
| 3"* (76 mm) cc. | 1 3/8" proj. |
| 3 1/2" (89 mm) cc. | 1 9/16" proj. |

*Also available in US14.

CABINET HARDWARE



*Crafted in Transparent (T) or Satin (S) glass, and colored clear or colored frosted glass.
Available colors are Rose (RS), Azure (AZ) or Jade (JA).*

4341 - Bases in US3 or US26

1³/₁₆" (30 mm) dia.

1³/₁₆" proj.

1⁹/₁₆" (40 mm) dia.

1³/₁₆" proj.

Glass Cabinet Hardware



*Crafted in Transparent (T) or Satin (S) glass, and colored clear or colored frosted glass.
Available colors are Rose (RS), Azure (AZ) or Jade (JA).*

4405 - Bases in US3 or US26

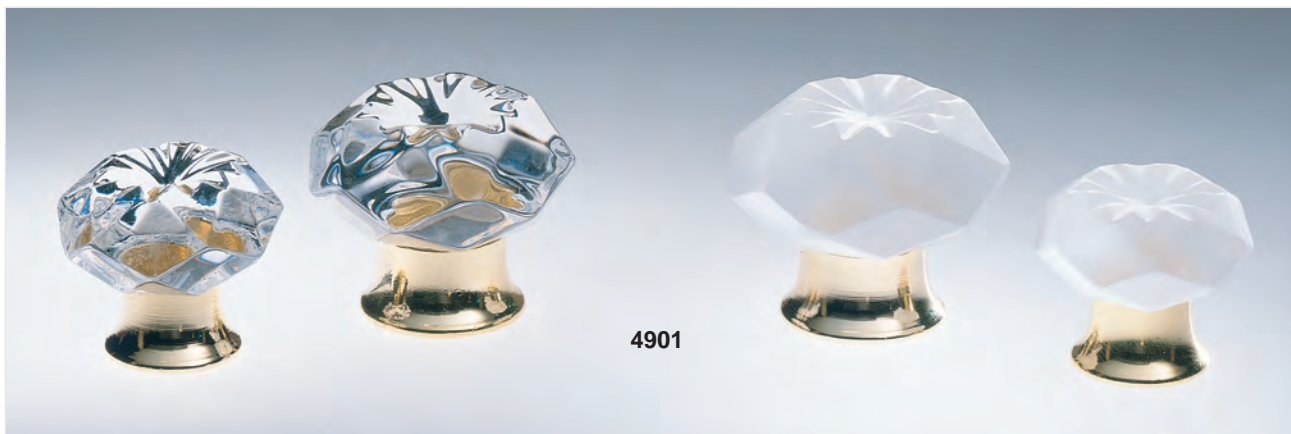
1" (25 mm) dia.

1³/₈" proj.

1³/₁₆" (30 mm) dia.

1⁹/₁₆" proj.

CABINET HARDWARE



Crafted in Transparent (T) or Satin (S) crystal.

4901 - Bases in US3 or US26

| | |
|---|--|
| 1 ³ / ₁₆ " (30 mm) dia. | 1" proj. |
| 1 ⁹ / ₁₆ " (40 mm) dia. | 1 ³ / ₁₆ " proj. |

Crystal & Glass Cabinet Hardware



Crafted in Transparent (T) glass.

4909 - Bases in US3 or US26

| | |
|---|--|
| 1 ³ / ₁₆ " (30 mm) dia. | 1 ³ / ₁₆ " proj. |
| 1 ³ / ₈ " (35 mm) dia. | 1" proj. |
| 1 ³ / ₄ " (45 mm) dia. | 1 ³ / ₁₆ " proj. |



© Omnia Industries, Inc., 2013

BOX 330 • CEDAR GROVE, NJ 07009



973-239-7272 • FAX: 973-239-5960
www.OmniaIndustries.com

CH0213