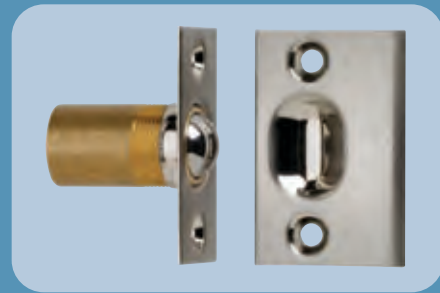
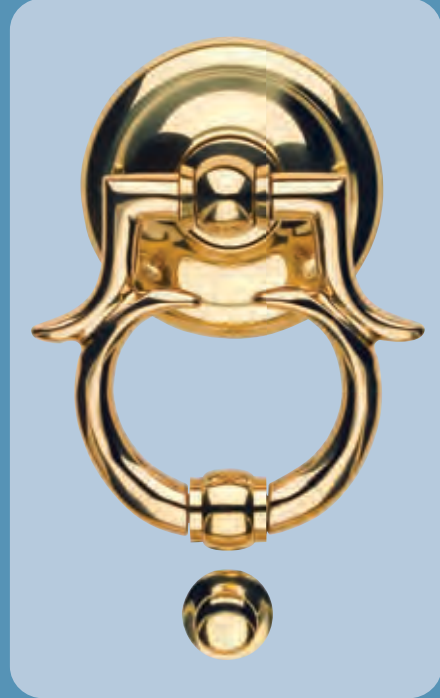


# OMNIA



ARCHITECTURAL HARDWARE

Details...those distinctive touches which clarify and reinforce fine architecture and design. Omnia's dedication to detail is revealed in our latest selection of solid brass and stainless steel architectural hardware.

Each solid brass design is hand polished and highly buffed. A hard, transparent lacquer is then baked onto each piece. This special process retains the tradition of old world excellence, while employing the best available modern technology.

As functional as they are sophisticated in design, our stainless steel offerings are practical and require minimal care. They are made from the highest grade materials and are resistant to corrosion and tarnish.

The development and manufacture of all these pieces focuses on our straightforward goals: aesthetics, function and sensible pricing.

We think we've succeeded with each and every piece. From a simple flush pull to an ornate cremone bolt set, Omnia's architectural hardware is truly..."The elegant alternative."

<b>Finish Codes</b>	<b>Description</b>
<b>US3</b>	Polished Brass, Lacquered
<b>US14</b>	Polished Nickel Plated, Lacquered
<b>US15</b>	Satin Nickel Plated, Lacquered
<b>US26</b>	Polished Chrome Plated
<b>US26D</b>	Satin Chrome Plated
<b>US32D</b>	Satin Stainless Steel
<b>MAX•BRASS</b>	Max•Brass® PVD Plated
<b>SB</b>	Shaded Bronze, Lacquered

# DOOR KNOCKERS

76

US3



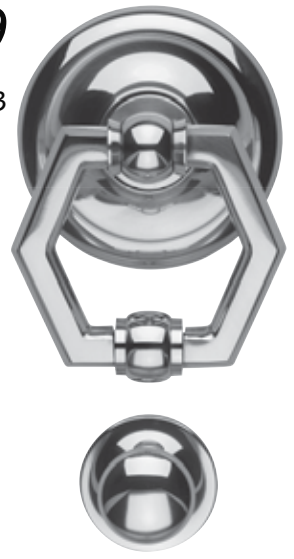
78

US3



79

US3



**76/60** 2<sup>3</sup>/<sub>4</sub>" cc. 5<sup>3</sup>/<sub>8</sub>" oa. 2<sup>1</sup>/<sub>4</sub>" proj.  
**76/80** 3<sup>5</sup>/<sub>8</sub>" cc. 6<sup>1</sup>/<sub>2</sub>" oa. 2<sup>1</sup>/<sub>4</sub>" proj.  
**76/100** 4<sup>5</sup>/<sub>8</sub>" cc. 7<sup>3</sup>/<sub>16</sub>" oa. 2<sup>1</sup>/<sub>4</sub>" proj.

**78/70** 3<sup>11</sup>/<sub>16</sub>" cc. 6" oa. 1<sup>3</sup>/<sub>4</sub>" proj.  
**78/90** 4<sup>5</sup>/<sub>8</sub>" cc. 7<sup>1</sup>/<sub>2</sub>" oa. 2<sup>5</sup>/<sub>8</sub>" proj.  
**78/115** 5<sup>3</sup>/<sub>4</sub>" cc. 9<sup>1</sup>/<sub>4</sub>" oa. 2<sup>3</sup>/<sub>4</sub>" proj.

**79/60** 2<sup>5</sup>/<sub>8</sub>" cc. 5" oa. 1<sup>3</sup>/<sub>4</sub>" proj.  
**79/80** 3<sup>3</sup>/<sub>16</sub>" cc. 5<sup>5</sup>/<sub>8</sub>" oa. 2<sup>5</sup>/<sub>8</sub>" proj.

600

US3  
MAX•BRASS



698

US3  
MAX•BRASS



700

US3



**600/100** 3<sup>3</sup>/<sub>8</sub>" cc. 5" oa. 1<sup>5</sup>/<sub>8</sub>" proj.  
**600/125** 4" cc. 6" oa. 2" proj.

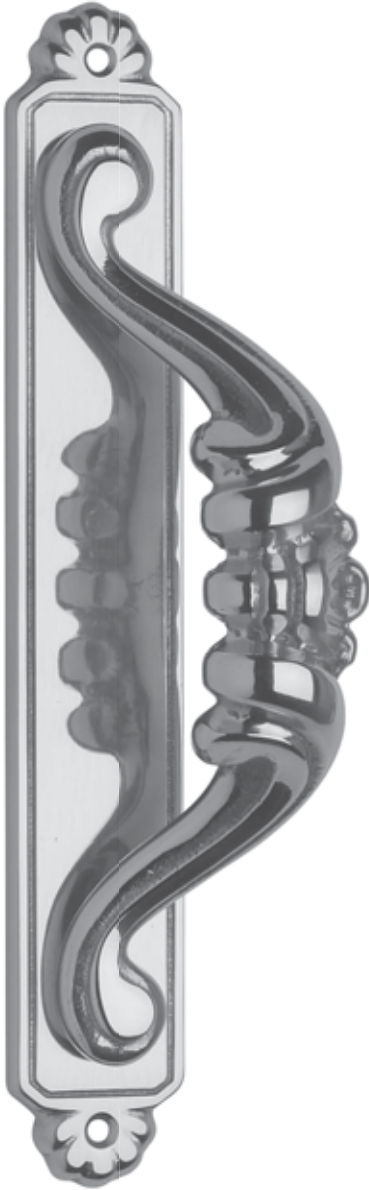
**698/100** 3<sup>3</sup>/<sub>8</sub>" cc. 5" oa. 1<sup>1</sup>/<sub>2</sub>" proj.  
**698/125** 4" cc. 6" oa. 1<sup>7</sup>/<sub>8</sub>" proj.

**700** 3<sup>5</sup>/<sub>8</sub>" cc. 6<sup>1</sup>/<sub>2</sub>" oa. 2<sup>5</sup>/<sub>8</sub>" proj.

# DOOR PULLS

515

US3



518

US3  
US26



523

US3  
US15  
VB  
VC  
VI

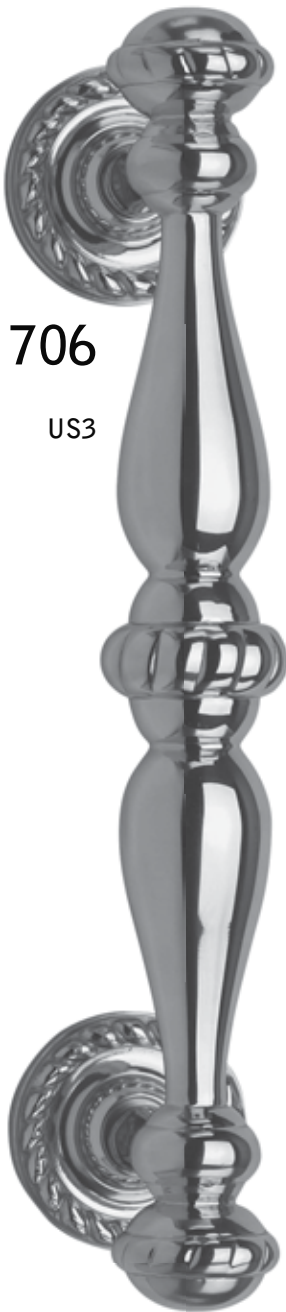


7<sup>3</sup>/<sub>4</sub>" cc. 8<sup>1</sup>/<sub>2</sub>" oa. 2<sup>1</sup>/<sub>4</sub>" proj.

5" cc. 5<sup>7</sup>/<sub>8</sub>" oa. 1<sup>7</sup>/<sub>8</sub>" proj.

7<sup>1</sup>/<sub>4</sub>" cc. 8<sup>1</sup>/<sub>4</sub>" oa. 2" proj.

# DOOR PULLS



706

US3

8<sup>1</sup>/<sub>4</sub>" cc. 11" oa.  
3<sup>3</sup>/<sub>8</sub>" proj.



2051

US3  
VB  
VC  
VI

8<sup>5</sup>/<sub>8</sub>" cc. 10<sup>3</sup>/<sub>8</sub>" oa.  
2<sup>1</sup>/<sub>4</sub>" proj.



2052

US3

7<sup>1</sup>/<sub>8</sub>" cc. 8<sup>7</sup>/<sub>8</sub>" oa.  
2<sup>1</sup>/<sub>8</sub>" proj.

# CREMONE BOLTS

432CR

US3



Set includes a knob with 5" x 1 1/2" x 1/2" cremone mechanism, a bottom rod of 40" and a top rod of 72", plus a set of three guides and two strikes. Specify either mortise, universal or endpiece strike.

752CR

US3



Furnished with lever and 5" x 1 1/4" x 1/2" cremone mechanism, a bottom rod of 40" and a top rod of 72", plus a set of three guides and two strikes. Specify either mortise, universal or endpiece strike.

123

US3



Mortise Strike

242

US3



Guide or Endpiece Strike

124

US3



Universal Strike

# CREMONE BOLT - SLIDE BOLT

2057CR

US3

Furnished with knob and  $7\frac{3}{16}'' \times 1\frac{1}{2}'' \times \frac{5}{8}''$  cremone mechanism, a bottom rod of 40'' and a top rod of 72'', plus a set of four guides (two large and two small), and two strikes (one endpiece strike and one mortise strike).



Endpiece Strike



Large Guide



Small Guide



123 Mortise Strike



4100  
Slide Bolt

US3

SB



4100/B  $14\frac{1}{4}''$  oa. 1" throw  $1\frac{3}{4}''$  w

4100/D  $10\frac{5}{8}''$  oa. 1" throw  $1\frac{3}{4}''$  w



# FLANGES - HINGES - LATCHES

318A

US3  
US26



Plain Edge

Available in 1" dia., 1<sup>1</sup>/<sub>4</sub>" dia. or 1<sup>1</sup>/<sub>2</sub>" dia.

320A

US3



Beaded Edge

Available in 1" dia., 1<sup>1</sup>/<sub>4</sub>" dia. or 1<sup>1</sup>/<sub>2</sub>" dia.

463

US3



7<sup>1</sup>/<sub>2</sub>" x 4"

Specify RH or LH

463P

US3

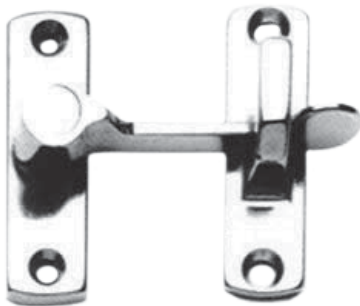


7<sup>1</sup>/<sub>2</sub>" x 4"

Specify RH or LH

156

US3  
US26

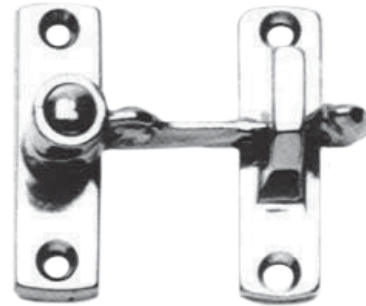


2" high, 2<sup>3</sup>/<sub>8</sub>" lever

Not handed

156S

US3  
US26



2" high, 2<sup>3</sup>/<sub>8</sub>" lever (spring loaded)

Not handed



# DECORATIVE HOOKS

208

US3  
US26



2 1/2" x 2 7/16" base  
5 3/16" x 2 5/8" proj.

210

US3  
US26



3" x 3" proj.

212

US3  
US26



1 5/8" x 1 5/16" proj.

213

US3  
US26



1 1/2" x 3/4" proj.

215

US3  
US26



3 1/2" x 1 3/4" base  
4 5/16" proj.

1525

US3  
US26



4 3/4" oa.  
2 1/2" proj.

1535

US3  
SB



6" oa.  
3" proj.

# CUP & FLUSH PULLS

**652**

US3  
US10B  
US15  
US26  
US26D



4<sup>3</sup>/<sub>8</sub>" l x 1<sup>9</sup>/<sub>16</sub>" w x 1/2" d

**653**

US3  
US15  
US26



4" l x 1<sup>3</sup>/<sub>4</sub>" w x 1/2" d

**654**

US3  
US14  
US15  
US26  
SB



4" l x 1<sup>3</sup>/<sub>4</sub>" w x 1/2" d

**4297**

US3  
SB



5<sup>3</sup>/<sub>8</sub>" l x 1<sup>9</sup>/<sub>16</sub>" w x 1/2" d

**7500**

US32D



2<sup>9</sup>/<sub>16</sub>" dia., 5/8" deep

**7501**

US32D



2" dia., 5/8" deep

**7502**

US32D



1<sup>3</sup>/<sub>8</sub>" dia., 1/2" deep

**7503**

US32D



2<sup>3</sup>/<sub>8</sub>" dia., 3/8" deep

**7504**

US32D



2<sup>3</sup>/<sub>8</sub>" square, 3/8" deep

**7505**

US32D



4<sup>3</sup>/<sub>4</sub>" l x 1<sup>9</sup>/<sub>16</sub>" w x 1/2" d

**7506**

US32D



4" l x 2" w x 1/2" d

**7507**

US32D



3<sup>9</sup>/<sub>16</sub>" dia., 13/16" deep

**9580**

US3  
US4  
US14  
US15  
SB



**9580/50**  
2" dia., 3/8" deep

**9587**

US3  
US4  
US14  
US15  
SB



**9587/50**  
2" l x 1<sup>1</sup>/<sub>2</sub>" w x 3/8" d  
**9587/60**  
2<sup>3</sup>/<sub>8</sub>" l x 1<sup>7</sup>/<sub>8</sub>" w x 3/8" d

**9588**

US3  
US4  
US14  
US15  
SB



**9588/50**  
2" l x 1<sup>1</sup>/<sub>2</sub>" w x 3/8" d  
**9588/60**  
2<sup>3</sup>/<sub>8</sub>" l x 1<sup>7</sup>/<sub>8</sub>" w x 3/8" d

**9595**


US3  
US4  
US14  
US15  
SB



**9595/50**  
2" dia., 1/2" deep  
**9595/60**  
2<sup>3</sup>/<sub>8</sub>" dia., 9/16" deep


# DOOR STOPS

**1147**




US3 • US10B • US15  
US26 • US26D • SB  
3" proj.

**1148**



US3 • US10B • US15  
US26 • US26D • SB  
3 3/4" proj.

**2001**  
Plunger Door Holder




US3  
US26

Operates by stepping on plunger, which is fitted with white rubber tip. Holds door firmly in any position. Releases by stepping on trigger plate.

7 1/16" oa.  
2" throw  
1 1/8" maximum width


**7000**



US3 • US10B  
US14 • US15  
US26 • US26D  
US32D • SB

1 1/16" dia., 1 11/16" h


**7001**



US3 • US10B  
US14 • US15  
US26 • US26D  
US32D • SB

7/8" dia., 1 3/16" h


**7602**



US32D

1" dia., 1 11/16" h


**7610**



US32D

1" dia., 1 3/8" h


**7620**



US32D

1" square, 1 3/8" h

**7605**



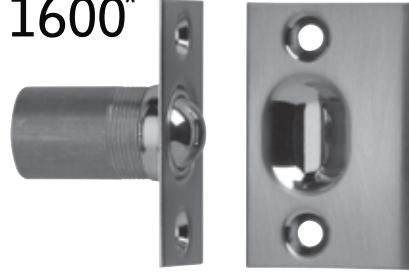
US32D

1" dia., 3 3/4" proj.

# BALL CATCH

\*Ball projection is adjustable

**1600\***



US3 • US10B • US14  
US15 • US26  
US26D • SB

Faceplate: 2 1/8" l x 1" w • Strike Plate: 2 1/8" l x 1 3/8" w  
Barrel: 3/4" dia., 1 1/4" l

# POCKET DOOR HARDWARE

7653  
Door Edge Pull

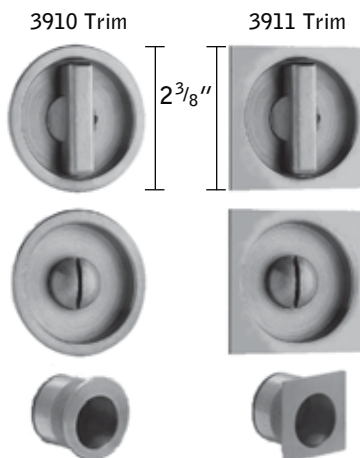
US15



3<sup>7</sup>/<sub>8</sub>" l x 1<sup>3</sup>/<sub>16</sub>" w

3910 & 3911  
Door Locks

US32D



2<sup>3</sup>/<sub>8</sub>"



Lockbody: 3<sup>15</sup>/<sub>16</sub>" l x 2<sup>3</sup>/<sub>4</sub>" d  
Faceplate: 6<sup>5</sup>/<sub>16</sub>" l x 5<sup>5</sup>/<sub>8</sub>" w  
Backset: 2"

# HOUSE NUMBERS

Item numbers 8300 thru 8309

US26



4" h

Item numbers 8500 thru 8509

US3



4<sup>5</sup>/<sub>8</sub>" h

# SWITCHPLATES

## 8004

US3  
US15  
US26  
SB

**8004/S**  
Single

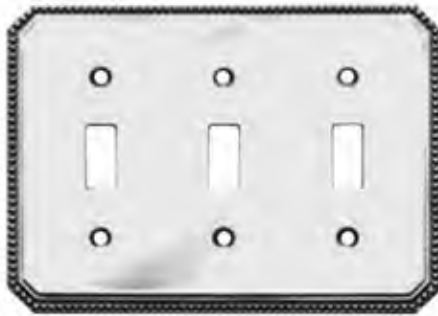


**8004/D**  
Double



**8004/C**  
Combination  
also available  
(not shown)

**8004/T**  
Triple



**8004/R**  
Duplex Receptacle



## 8005

US3  
US15  
US26  
SB

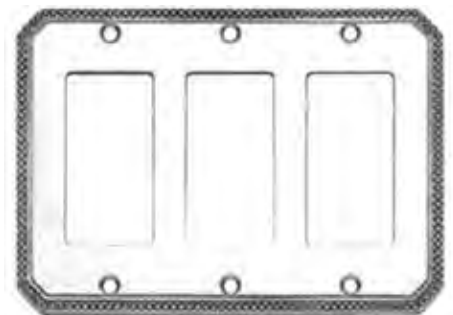
**8005/S**  
Single



**8005/D**  
Double



**8005/T**  
Triple



# SWITCHPLATES

## 8014

US3  
US15  
US26  
US26D  
SB

**8014/S**  
Single



**8014/R**  
Duplex Receptacle



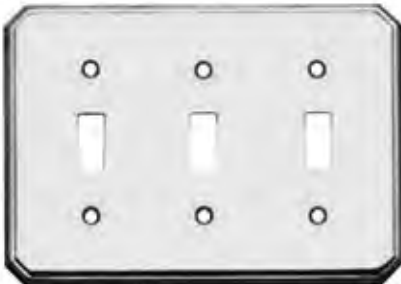
**8014/C**  
Combination



**8014/D**  
Double



**8014/T**  
Triple



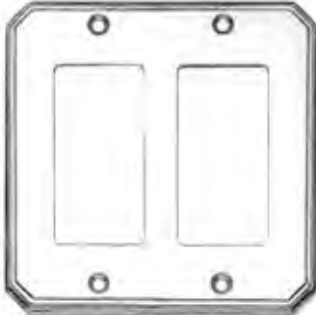
## 8024

US3  
US15  
US26  
US26D  
SB

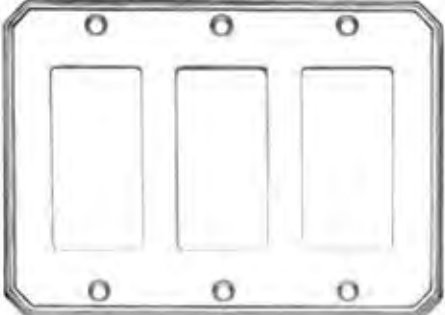
**8024/S**  
Single



**8024/D**  
Double



**8024/T**  
Triple

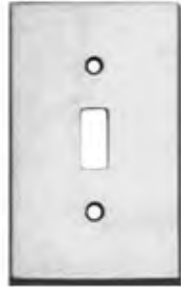


# SWITCHPLATES

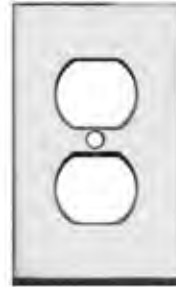
## 8012

US3  
US15  
US26  
US26D

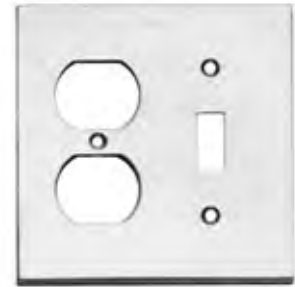
**8012/S**  
Single



**8012/R**  
Duplex Receptacle



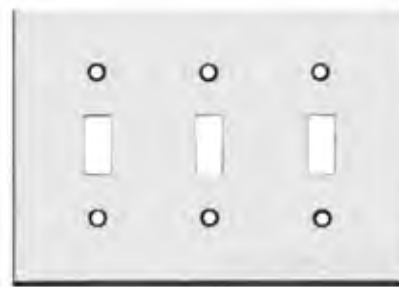
**8012/C**  
Combination



**8012/D**  
Double



**8012/T**  
Triple



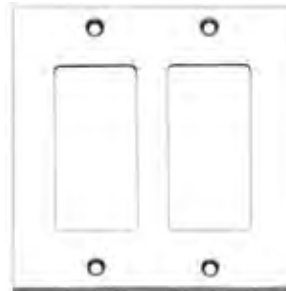
## 8023

US3  
US15  
US26  
US26D

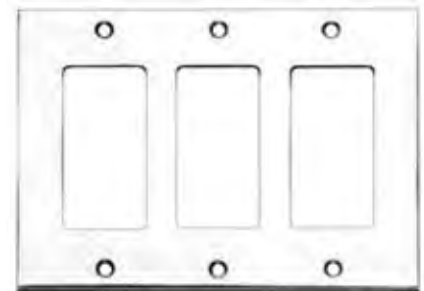
**8023/S**  
Single



**8023/D**  
Double



**8023/T**  
Triple







BOX 330 • CEDAR GROVE, NJ 07009



P: 973.239.7272

F: 973.239.5960

[www.OmniaIndustries.com](http://www.OmniaIndustries.com)

