

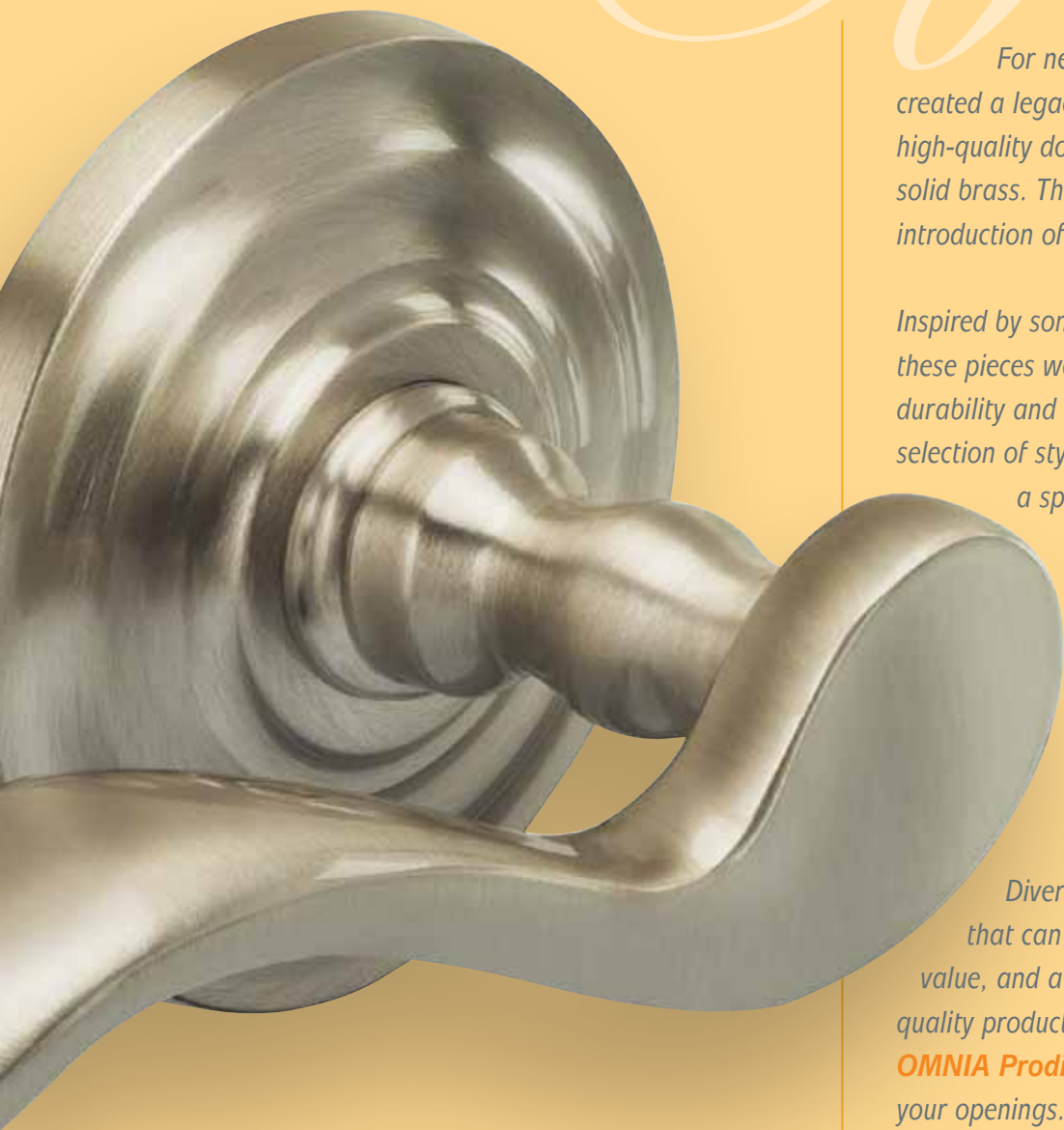


*Prodigy*  
FORGING ELEGANCE  
OMNIA

SINCE  
1964

# Prodigy

*prod·i·gy \pră-də-jē\ n.1: an impressive or wonderful example of a particular quality*



For nearly fifty years, **OMNIA** has created a legacy of manufacturing elegant, high-quality door hardware FORGED from solid brass. This standard continues with the introduction of the **OMNIA Prodigy** collection.

Inspired by some of our most popular designs, these pieces were engineered with beauty, durability and affordability in mind. The selection of styles ranges from the sleek to a sparkling glass knob. A striking assortment of concealed screw roses, that will cover a pre-drilled 2 1/8" hole, beautifully complement any of the knobs or levers. A variety of gorgeous finishes allows for further customization.

Diversity in the possible combinations that can be created, incomparable value, and a reassurance that this is quality product from a trusted brand, make **OMNIA Prodigy** an ideal choice for all of your openings.



**FINISH INDEX**  
STANDARD STOCK

OIL-RUBBED BRONZE,  
LACQUERED

**US10B**



SATIN NICKEL PLATED,  
LACQUERED

**US15**



SATIN CHROME  
PLATED

**US26D\***

\* Only available for No.912 lever with modern or rectangular rose.



*In order to accommodate a variety of design aesthetics, all seven Prodigy designs are available in the spectrum of finishes shown here (unless otherwise noted).*



POLISHED BRASS,  
LACQUERED

**US3**

POLISHED BRASS,  
UNLACQUERED

**US3A\***

\* Only available for No.955 knob with traditional rose.



POLISHED NICKEL  
PLATED, LACQUERED

**US14**



POLISHED CHROME  
PLATED

**US26**

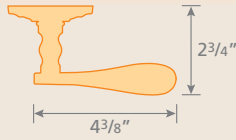


TUSCAN BRONZE,  
LACQUERED

**TB**



No. **895**

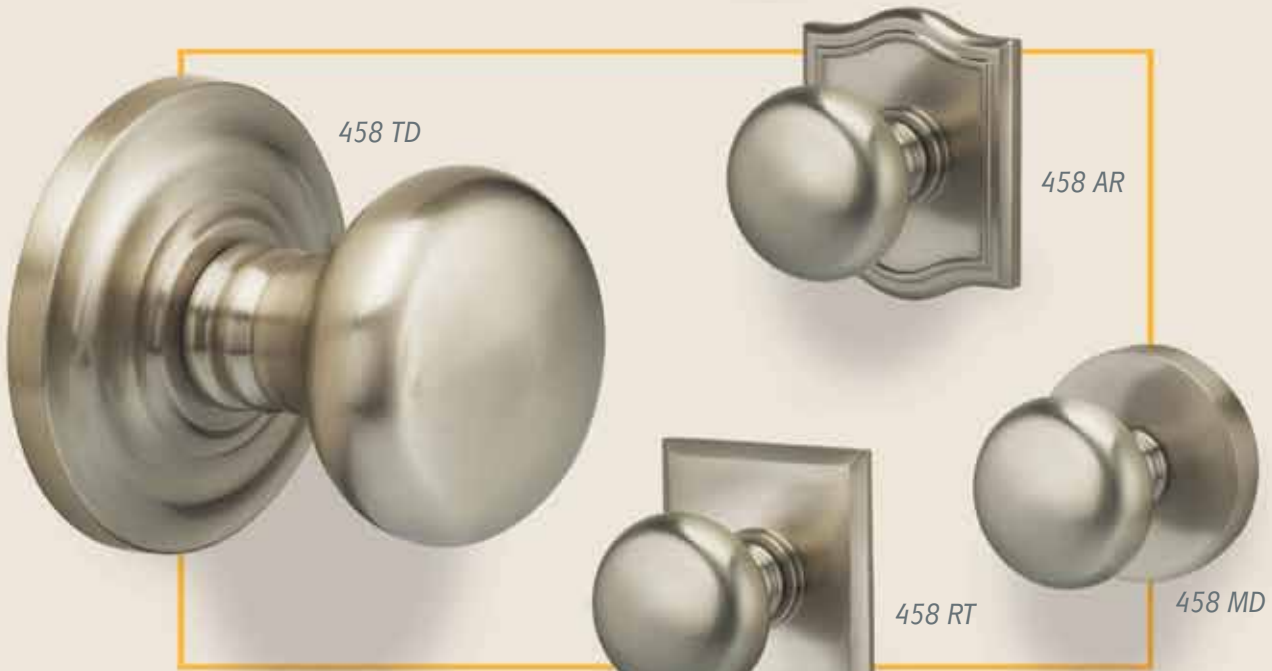


895 TD

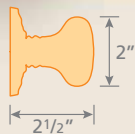
895 AR

895 MD

895 RT



No. **458**



458 TD

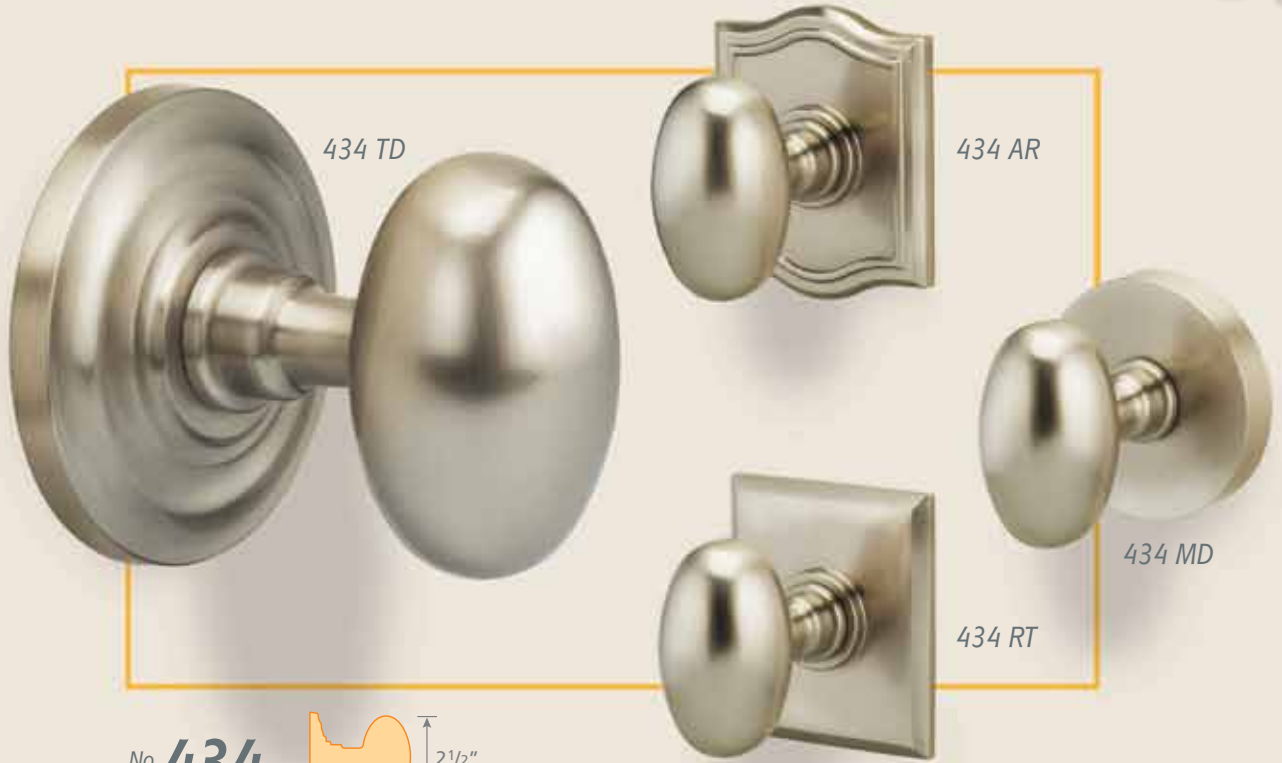
458 AR

458 RT

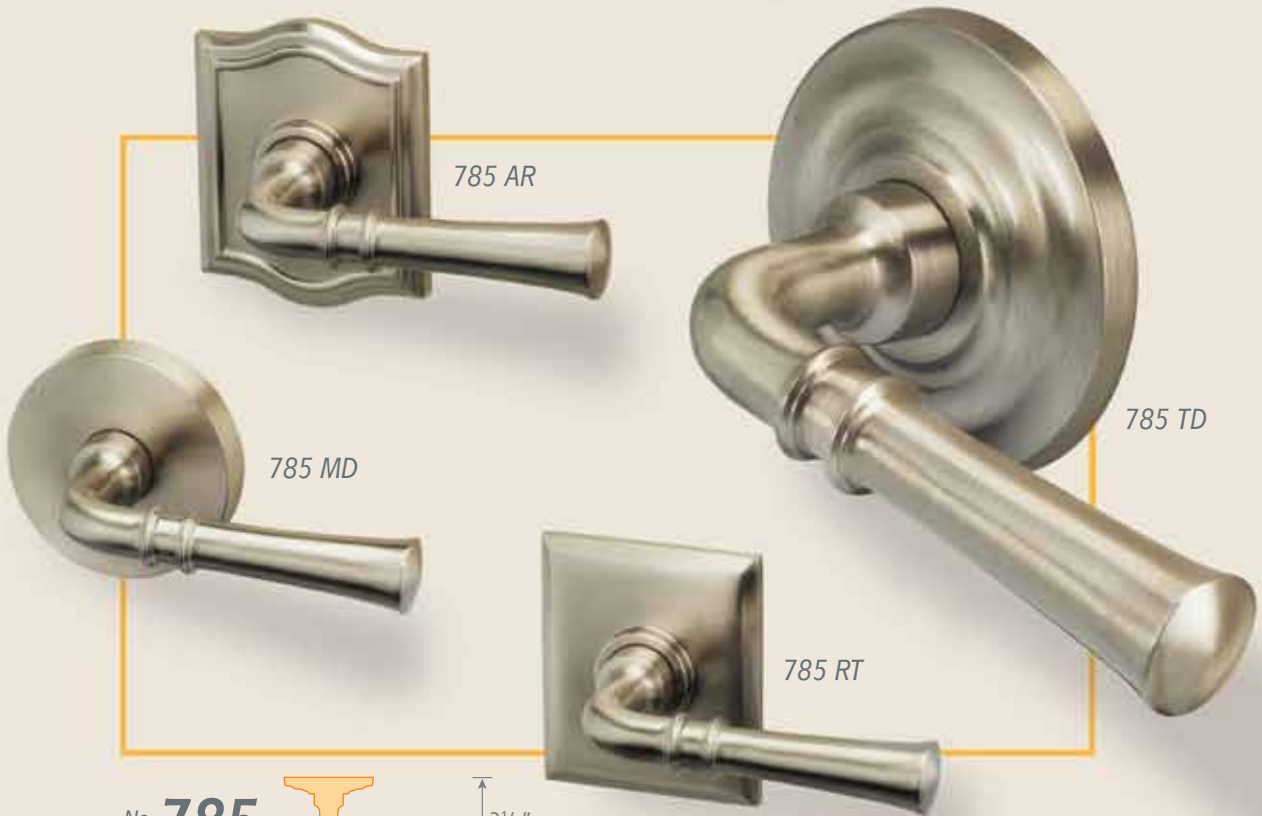
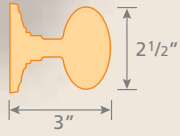
458 MD

*TD* = Traditional Rose  
*MD* = Modern Rose  
*AR* = Arched Rose  
*RT* = Rectangular Rose

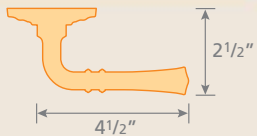
All roses are concealed screw mounted.



No. **434**

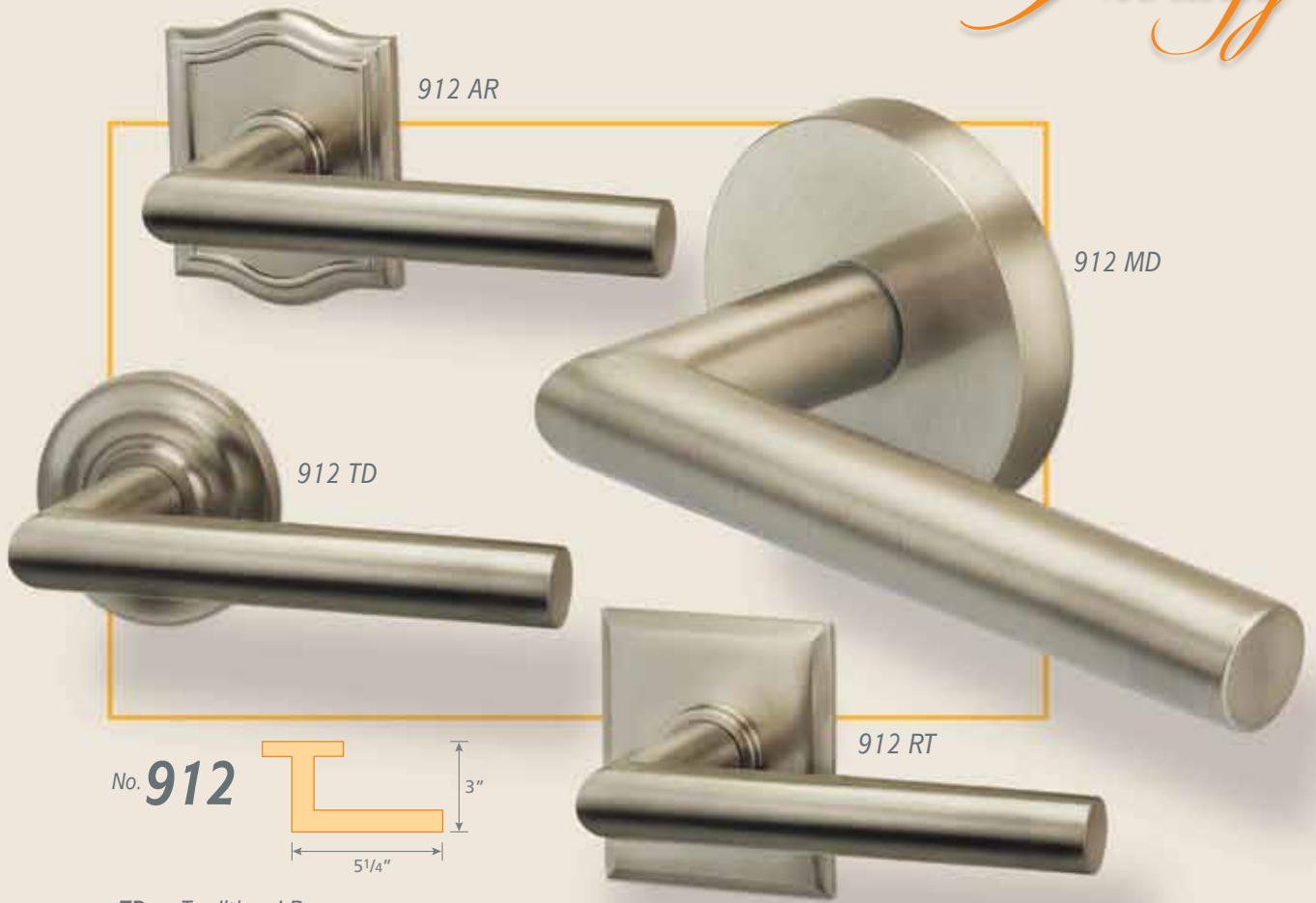


No. **785**

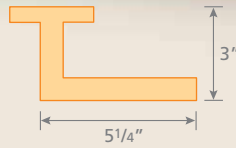








No. **912**



- TD = Traditional Rose
- MD = Modern Rose
- AR = Arched Rose
- RT = Rectangular Rose

All roses are concealed screw mounted.

*Timeless appeal...  
impeccable quality...  
Prodigy... forging elegance.*

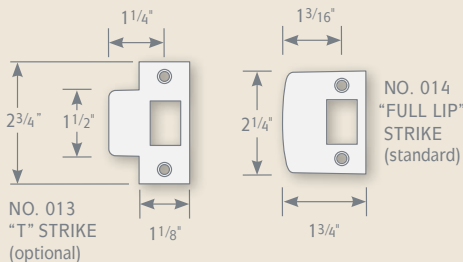
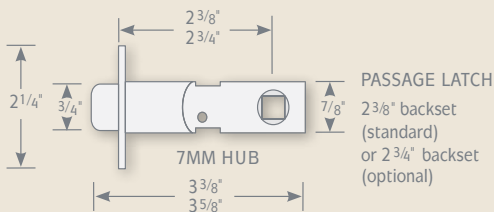
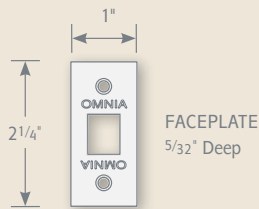
## LATCHSETS

### Latchset Component List

- A. Door Knob/Lever (2)
- B. Set Screws (2)
- C. Nylon Threaded Washers (2)
- D. Finished Rose
- E. Adaptor E
- F. Spindle (Teardrop groove positioned towards set screw)
- G. Tubular Latch
- H. Tubular Latch Faceplate
- I. Tubular Latch Strike Plate
- J. Adaptor J
- K. Thru-bolts (2)
- L. Finished Rose
- M. Privacy Locking Pin
- N. Washer Installation Tool
- O. Emergency Release Key



All roses are concealed screw mounted.



Drawings not to scale

## PRODUCT DATA

### Knob and Lever Latchset

- 2 3/8" (standard) and 2 3/4" backsets available.
- Supplied for both 1 3/8" and 1 3/4" door thickness as standard. The minimum door thickness is 1 1/4"; the maximum door thickness is 2 1/2" (please specify).
- All lever latchsets meet ADA accessibility requirements.

Each set consists of solid brass knobs or levers, thru-bolted rose mechanisms, finished rose covers, latch, strike, faceplate, spindle, all necessary mounting screws, installation template and instructions.

### About Our Tubular Latch

- 55° rotation to retract latch. (28° rotation latch available. Refer to Prodigy Latchsets Price List.)
- Tough, non-rusting materials used throughout. Face covers and strikes are solid brass. No.014 "Full Lip" strike supplied as standard or No.013 "T" strike as an option. Specify when ordering.
- For almost five decades, OMNIA's latches have been opening and closing hundreds of thousands of doors all around the world.

### Functions

- **Passage:** Latch operates by knob or lever from either side of door.
- **Privacy:** Push pin provided for privacy inside room. Emergency release hole for outside room. Emergency release key also provided.
- **Single Dummy:** Trim on one side of door only. Available for surface mounting. Knob or lever with rose.
- **Pair Dummy:** Two single dummies.

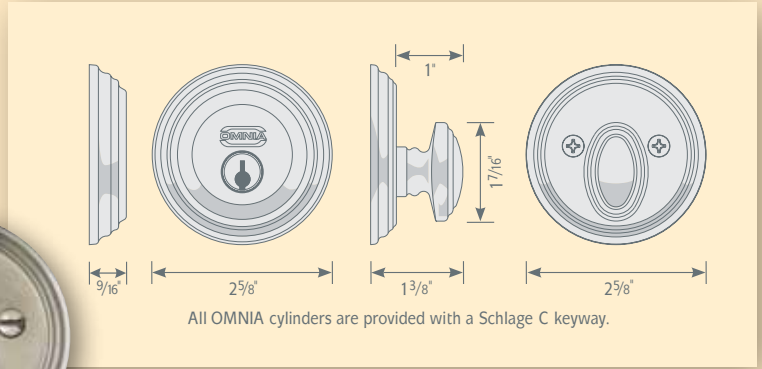


## AUXILIARY DEADBOLT KITS

The auxiliary deadbolt is intended for use with a door that needs to be locked with a key. This locking function can be used where security is required and features a rim cylinder with a tailpiece on the exterior and a turnpiece on the interior side of the door.

### TRADDB

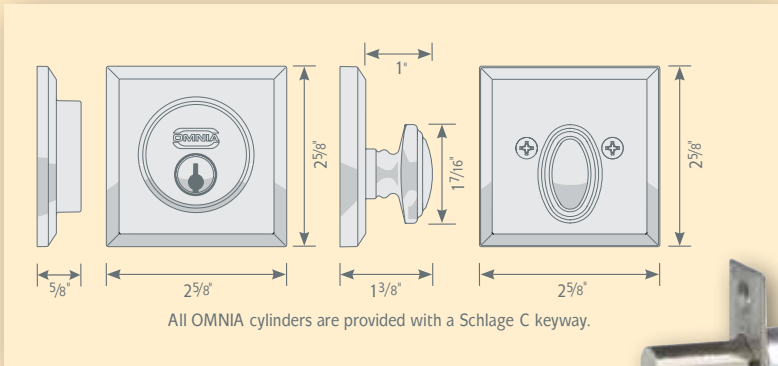
US3, US10B, US14,  
US15, US26, TB  
2 5/8" Diameter  
9/16" Exterior Projection  
1 3/8" Interior Turnpiece Projection



Minimum door thickness = 1 3/8"  
Maximum door thickness = 3"

### RECTDB

US3, US10B, US14, US15,  
US26, US26D, TB  
2 5/8" H x 2 5/8" W  
5/8" Exterior Projection  
1 3/8" Interior Turnpiece Projection

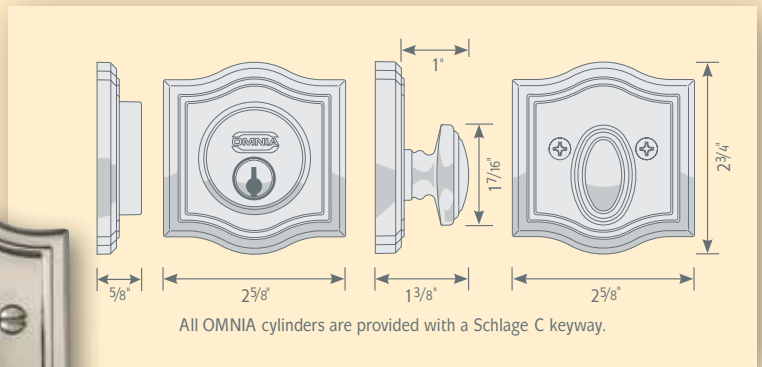


Minimum door thickness = 1 3/8"  
Maximum door thickness = 3"



### ARCHDB

US3, US10B, US14,  
US15, US26, TB  
2 3/4" H x 2 5/8" W  
5/8" Exterior Projection  
1 3/8" Interior Turnpiece Projection



Minimum door thickness = 1 3/8"  
Maximum door thickness = 3"

## HINGES



No. 985BB/4

### Hinge Catalog

Please refer to our complete Hinge Catalog for optional hinge sizes and finishes.



No. 985/35

### Finial Options



## ROSES

### Thru-Bolted Roses

#### For Pre-Drilled 2 1/8" Hole

Rose designs include traditional, modern, arched or rectangular.

These roses are intended for use with 2 1/8" pre-drilled doors.

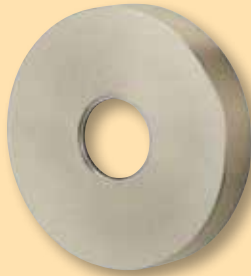
All designs available in the finishes as shown on page 3.

#### Traditional (TD)



No. 673  
2 5/8" dia.

#### Modern (MD)



No. 679  
2 5/8" dia.

#### Arched (AR)



No. 674  
2 5/8" w x 3 1/4" h

#### Rectangular (RT)



No. 675  
2 5/8" w x 3" h

All roses are concealed screw mounted.







*Since 1964, the name OMNIA has been synonymous with architectural hardware that is uniquely and stylishly designed, yet exceptionally functional. We are proud of the attention given to every element, from quality to innovation, from service to marketing. A blending of traditions of excellence, coupled with a strong commitment to modern technologies, makes OMNIA the sound choice for any residential or commercial application.*

*Prodigy*  
FORGING ELEGANCE  
OMNIA

OMNIA  
INDUSTRIES, INC.

Box 330, Cedar Grove, New Jersey 07009

[www.OmniaIndustries.com](http://www.OmniaIndustries.com)

ph: 973.239.7272 / fax: 973.239.5960



© Copyright 2013, Omnia Industries, Inc.

No. OP0813