

FALCON[®]

Trims and Strikes

Service Manual - Discontinued

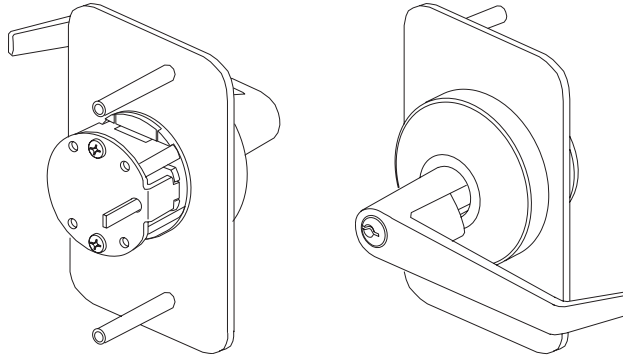
Exit Device

A decorative graphic element consisting of a thin, light gray curved line that starts near the bottom left and arcs upwards towards the right, ending near the top right. Below this line is a solid dark gray area that also curves from the bottom left towards the right, creating a layered, abstract background effect.

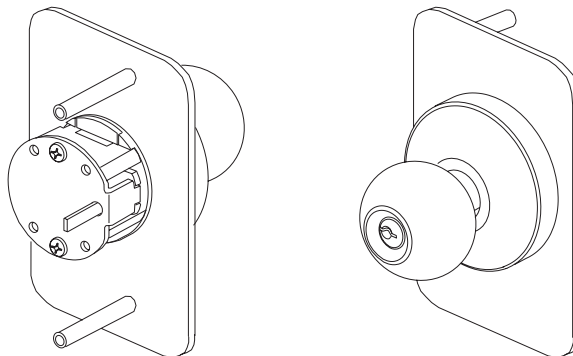
Trim Illustrations

These illustrations are for identification purposes only for the following trim.

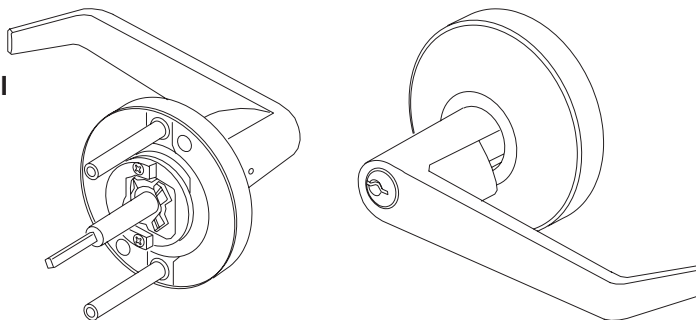
2400 KIL
For 19 Series Devices



2410 KIK
For 19 Series Devices



2030 KIL
For 18/XX Rim/18 Vertical
Series Devices



Please note that parts are not available for Monarch trim.

Table of Contents

Sections

Page	
Table of Contents	2
Trim	3-30

19 Series	Page
K, K-NL, K-(LS/LK) and K-DT Knob Control.....	3
T, T-NL, T-(LS/LK) and T-DT Thumbpiece Control Trim...	4
DT and P Control Trim	5
L, L-NL, L-(LS/LK) & L-DT Lever Control Trim & Parts .	6-7
Trident and Centron Trim	8
Cover Plates	9

XX/18 Series

Page	
T, DT and P Standard Trim	10
T, DT and P Apollo Trim.....	11
T DT, P and Vanguard Trim.....	12
T, DT, P and Zephyr Trim.....	13
K, K-(LS/LK) and K-DT Knob Trim.....	14
L, L-(LS/LK) and L-DT Lever Trim.....	15
L, L-(LS/LK) and L-DT Lever Trim Parts.....	16
K, K-NL, K-(LS/LK) and K-DT Concealed Knob Trim...	17

XX/18 Series

Page	
T, T-NL, T-(LS/LK) and T-DT Concealed Delta Thumbpiece Trim	18
C, DT and P Concealed Delta Trim	19
SL, SL-NL, SLP-NL, SL-(LS/LK), SLP and SLP-(LS/LK) Concealed Delta Trim.....	20
L, L-NL, L-(LS/LK) & L-DT Concealed Lever Trim ..	21-22
SL, SL-NL and SL-(LS/LK) Control Trim (Surface Vertical) .	30

17 Series

Page	
K, K-NL, K-(LS/LK) and K-DT Control Trim	23
T, T-NL, T-(LS/LK) and T-DT Delta Thumbpiece Trim ..	24
L, L-NL, L-(LS/LK) and L-DT Lever Control Trim	25
DT and P Control Trim.....	27
DT and P Standard Trim.....	12
DT and P Zephyr Trim.....	15
T, T-NL and T-(LS/LK) Control Thumbpiece Trim ...	28
C, DT and P Delta Trim	29
SL, SL-NL, SL-(LS/LK) Delta Trim (Surface Vertical) ..	30
K, K-NL, K-(LS/LK) and K-DT Concealed Knob Trim..	17
T, T-NL, T-(LS/LK) and T-DT Concealed Delta Thumbpiece Trim	18
C, DT and P Concealed Delta Trim	19
SL, SL-(LS/LK), SLP and SLP-(LS/LK), SL-NL, SLP-NL Concealed Delta Trim.....	20
L, L-NL, L-(LS/LK) & L-DT Concealed Lever Trim....	26

Glossary of Terms

K, KE.....	Knob Trim
L, LE.....	Lever Trim
P.....	Cylinder Operator with Pull Trim
T.....	Thumbpiece
SL.....	Thumbturn Trim
C.....	Cylinder Operator
KIK.....	Key-in-Knob Trim
KIL.....	Key-in-Lever Trim
(LS/LK).....	Less Locking
DT.....	Dummy Trim
Series R.....	Rim Device
Services V.....	Surface Vertical Rod Device
Series M.....	Mortise Device
Series C.....	Concealed Vertical Rod Device
Series TPL.....	Mortise X Surface Vertical Rod Device
CR.....	Cylinder Removable Mullion
NL.....	Night Latch

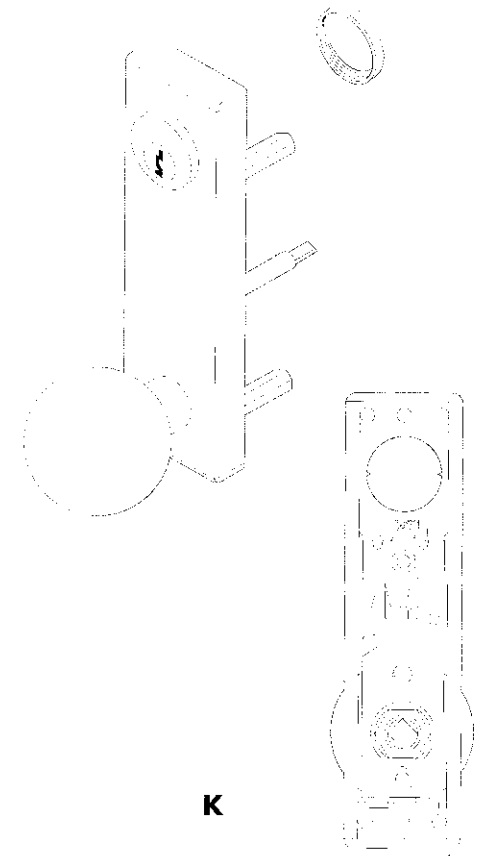
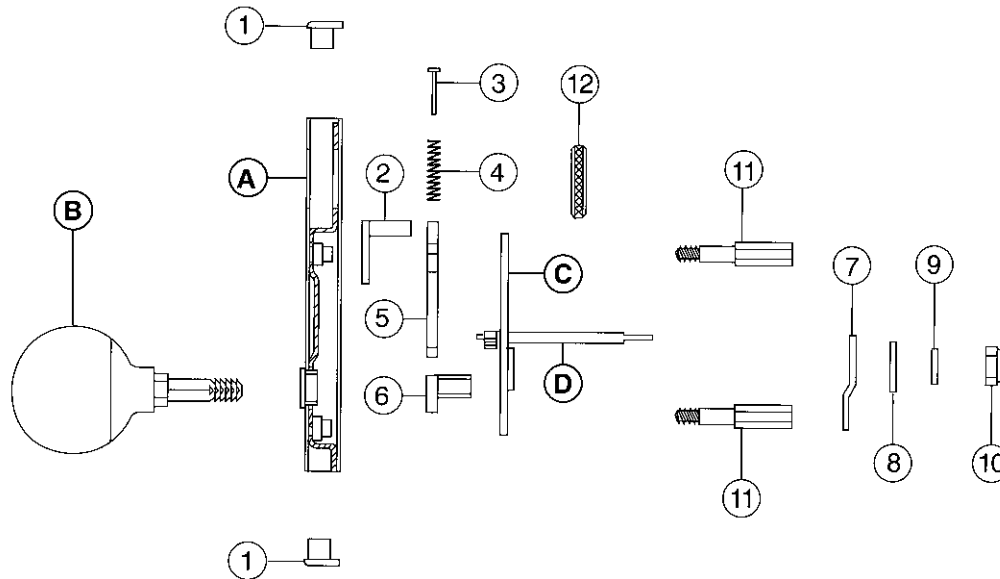
Control Trim

19 Series

K (1907), K-(LS/LK) (1927),
K-NL (1907NL) and K-DT (1937)

Item	Quantity				Part No.	Description	Finish
	K	K-(LS/LK)	K-NL	K-DT			
A	1		1		900231	Control Housing Sub Assembly	◆
		1		1	900232	Control Housing Sub Assembly	◆
B	1	1	1	1	900529	Hana Knob Sub Assembly	◆
C	1	1	1	1	900236	Retaining Plate Sub Assembly	
D	1	1	1		942670	Actuator Shaft Sub Assembly	
1	2	2	2	2	4583	Plastic End Caps	
2	1		1		4268	Locking Plate	
3	1	1	1		709239	3/32" x 3/4" Solid Rivet	
4	1	1	1		4605	Actuator Spring	
5	1	1	1		4265	Actuator Plate	
6	1	1		1	4274	Knob Hub	
7				1	4302	Rigid Lever Plate	
8				1	709149	Flat Washer	
9				1	709202	Flat Washer	
10	1	1	1	1	709157	3/8" - 16 ESNA Lock Nut	
11	2	2	2	2	4270	Hex Stud	
12	1		1		3894	Cylinder Nut	
Part not Shown			1		6166	NL Spring	

1. Items marked ◆ specify by finish: MAL, M13, SS/26D.



Control Trim

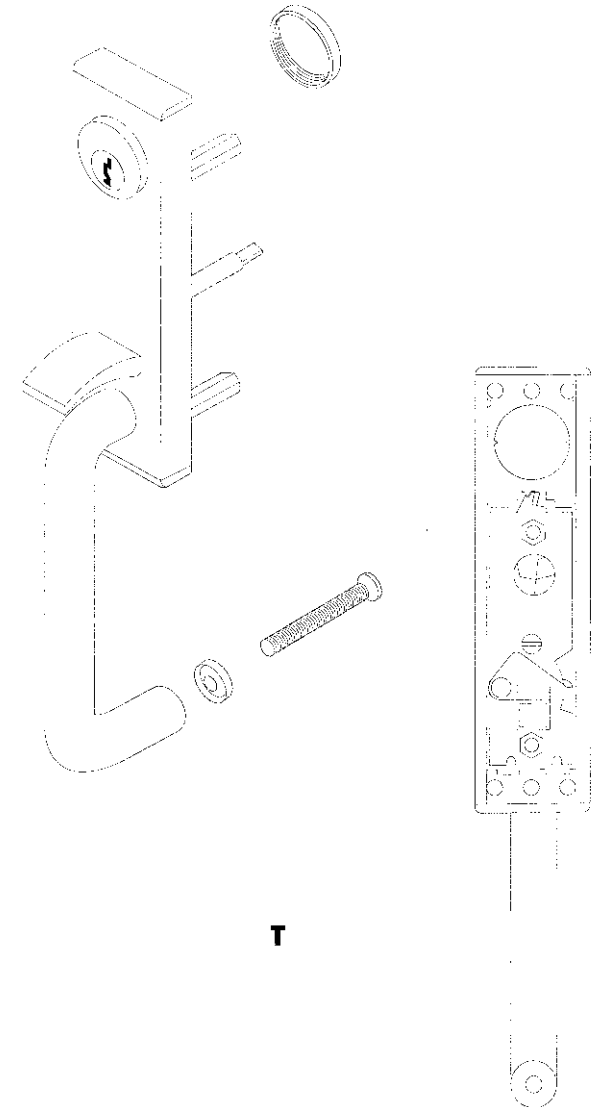
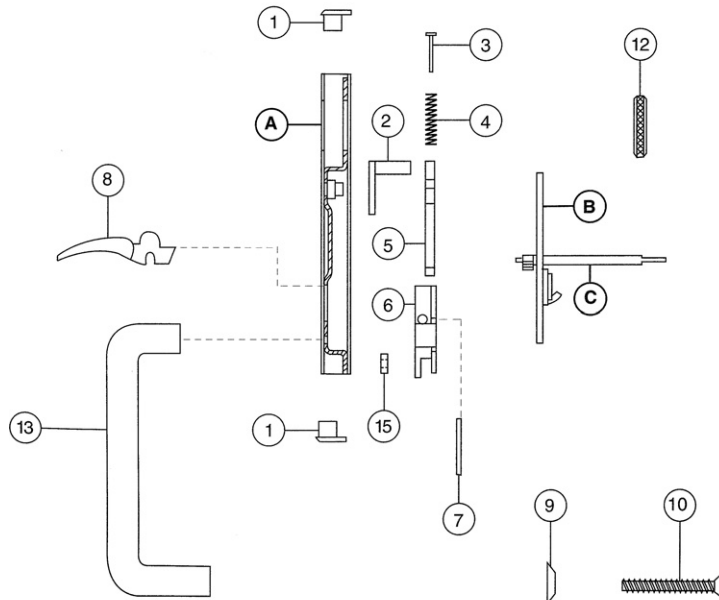
19 Series

T (1906), T-(LS/LK) (1926)
and T-NL (1906-NL)

Item	Quantity			Part No.	Description	Finish	Remarks
	T	T-NL	T-(LS/LK)				
A	1	1		900367	Control Housing Sub Assembly	◆	
			1	900368	Control Housing Sub Assembly	◆	
B	1	1	1	900235	Retaining Plate Sub Assembly		
C	1	1	1	942670	Actuator Sub Assembly		
1	2	2	2	4583	Plastic End Caps		
2	1	1		4268	Locking Plate		
3	1	1	1	709239	3/32" x 3/4" Solid Rivet		
4	1	1	1	4605	Actuator Spring		
5	1	1	1	4265	Actuator Plate		
6	1	1	1	4603	Thumbpiece Bracket		
7	1	1	1	709104	1/8" x 1 1-1/4" Pin Type "C"		
8	1	1	1	4602	Thumbpiece	◆	
9	1	1	1		1/4" CSK Finish Washer	◆	See Note #2
10	1	1	1		1/4" - 20 x 2-1/4" FPHMS	◆	See Note #2
11	1	1	1	4270	Hex Stud		
12	1	1		3894	Cylinder Nut		
13	1	1	1	4256	Pull Grip	◆	
14	1	1	1	4201	Hex Stud		
15	1	1	1	4861	Spacer		
Part not Shown		1		6166	NL Spring		

1. Items marked ◆ specify by finish: MAL, M13, SS/26D.

2. Items without part number specify by description and finish.



Control Trim

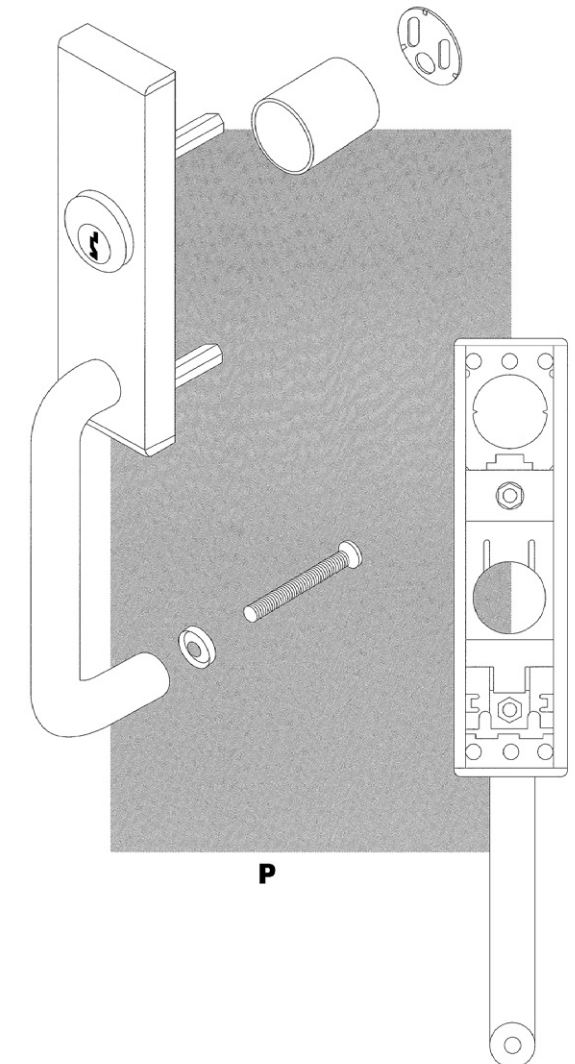
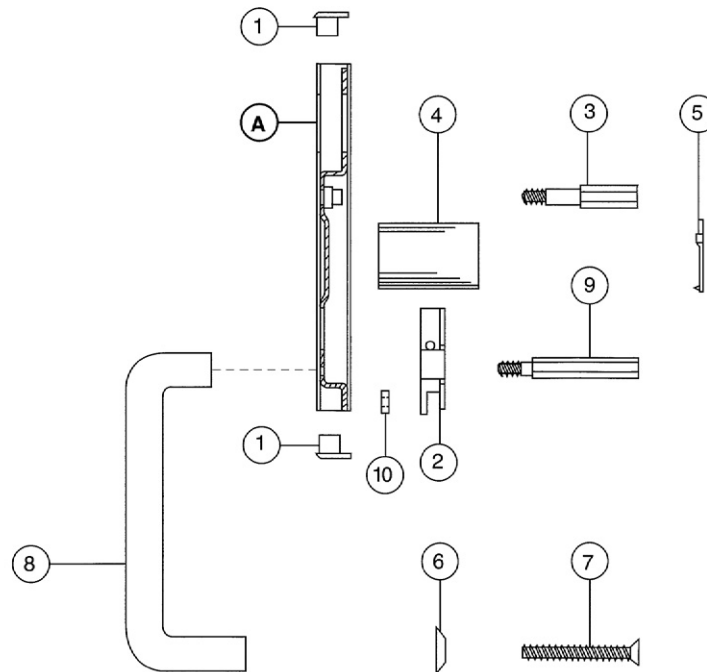
19 Series

DT (1908) and P (1909)

Item	Quantity		Part No.	Description	Finish	Remarks
	DT	P				
A		1	900369	Control Housing Sub Assembly	◆	
	1		900370	Control Housing Sub Assembly	◆	
1	2	2	4583	Plastic End Caps		
2	1	1	4603	Thumbpiece Bracket		
3	1	1	4270	Hex Stud		
4		1	4120	Cylinder Spacer Collar		
5		1	4121	Cylinder Anchor Plate		
6	1	1		1/4" CSK Finish Washer	◆	See Note #2
7	1	1		1/4" - 20 x 2-1/4" FPHMS	◆	See Note #2
8	1	1	4256	Pull Grip	◆	
9	1	1	4201	Hex Stud		
10	1	1	4861	Spacer		

1. Items marked ◆ specify by finish: MAL, M13, SS/26D.

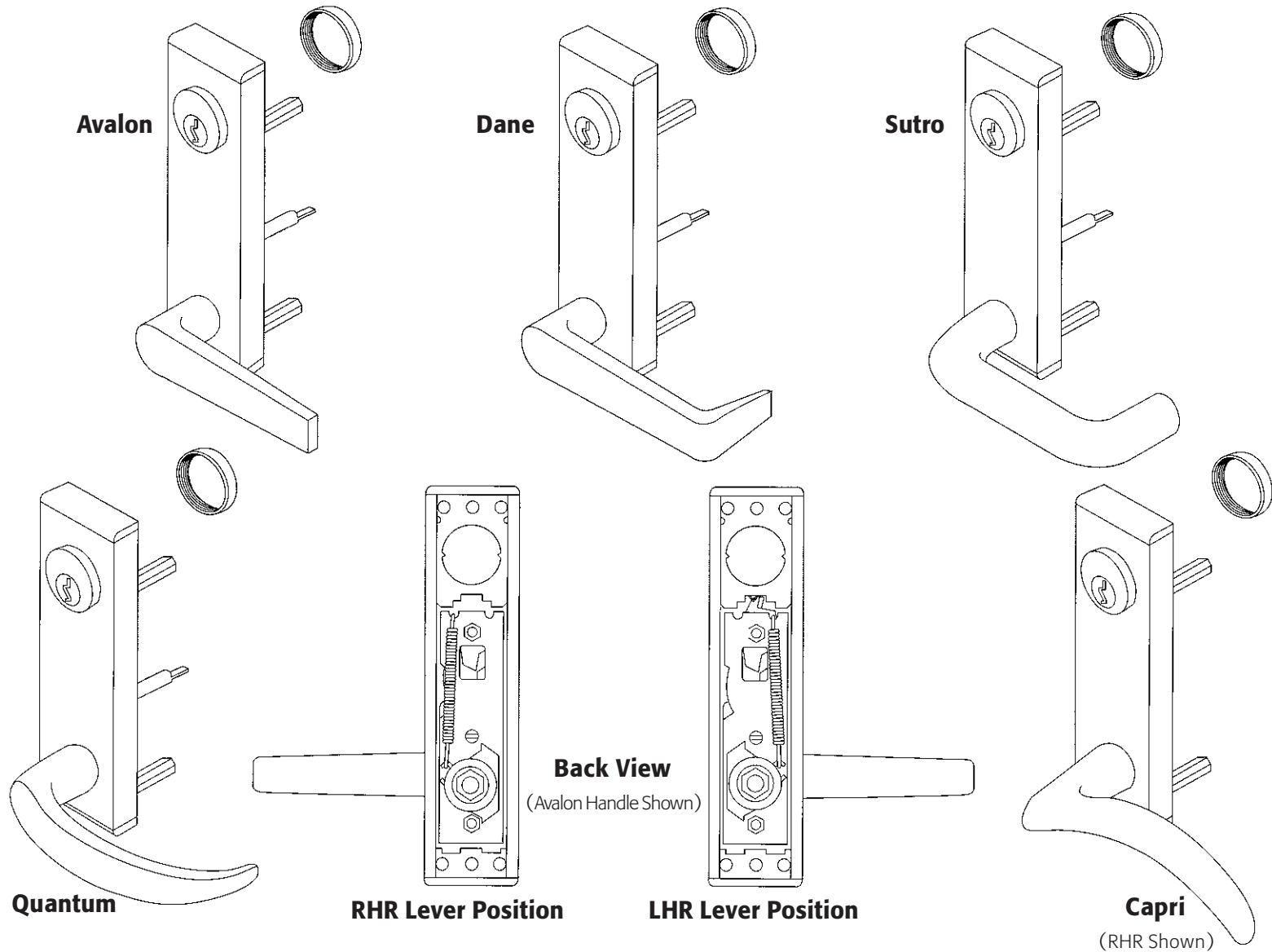
2. Items without part number specify by description and finish.



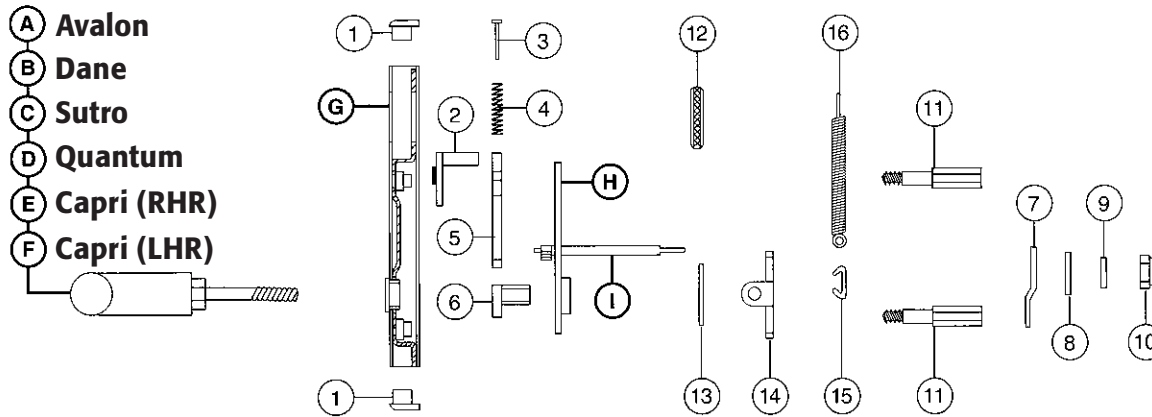
Lever Control Trim

19 Series

L, L-(LS/LK), L-NL and L-DT



L Control 19 Series Parts List



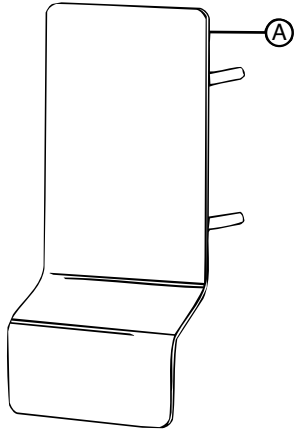
Model Information Chart						
Trim	Avalon	Dane	Sutro	Quantum	Capri (RHR)	Capri (LHR)
L	1911	1910	1912	1919	1923	1924
L-(LS/LK)	1921	1920	1922	1929	1933	1934
L-DT	1931	1930	1932	1939	1943	1944
L-NL	1911NL	1910NL	1912NL	1919NL	1943NL	1944NL

Item	Avalon				Dane				Sutro				Quantum				Capri (RHR)				Capri (LHR)				Part No.	Description	Finish	Remarks
	L	L-NL	L-(LS/LK)	L-DT	L	L-NL	L-(LS/LK)	L-DT	L	L-NL	L-(LS/LK)	L-DT	L	L-NL	L-(LS/LK)	L-DT	L	L-NL	L-(LS/LK)	L-DT	L	L-NL	L-(LS/LK)	L-DT				
A	1	1	1	1																					900173	Avalon Lever Sub Assembly	◆	
B					1	1	1	1																	900020	Dane Lever Sub Assembly	◆	
C									1	1	1	1													900175	Sutro Lever Sub Assembly	◆	
D													1	1	1	1									900443	Quantum Lever Sub Assembly	◆	
E																	1	1	1	1					900446	Capri (RHR) Lever Sub Assembly	◆	
F																					1	1	1	1	900445	Capri (LHR) Lever Sub Assembly	◆	
G	1	1			1	1			1	1			1	1			1	1			1	1	1	1	900231	Control Housing Sub Assembly	◆	
H	1	1	1	1	1	1	1	1	1	1	1	1	1	1	1	1	1	1	1	1	1	1	1	1	900232	Control Housing Sub Assembly	◆	
H	1	1	1	1	1	1	1	1	1	1	1	1	1	1	1	1	1	1	1	1	1	1	1	1	900236	Retaining Plate Sub Assembly		
I	1	1	1		1	1	1		1	1	1		1	1	1		1	1	1		1	1	1		942670	Actuator Sub Assembly		
1	2	2	2	2	2	2	2	2	2	2	2	2	2	2	2	2	2	2	2	2	2	2	2	2	4583	Plastic End Caps		
2	1	1			1	1			1	1			1	1			1	1			1	1		1	4268	Locking Plate		
3	1	1	1		1	1	1		1	1	1		1	1	1		1	1	1		1	1	1		709239	3/32" x 3/4" Solid Rivet		
4	1	1	1		1	1	1		1	1	1		1	1	1		1	1	1		1	1	1		4605	Actuator Spring		
5	1	1	1		1	1	1		1	1	1		1	1	1		1	1	1		1	1	1		4265	Actuator Plate		
6	1	1	1	1	1	1	1	1	1	1	1	1	1	1	1	1	1	1	1	1	1	1	1	1	4274	Knob Hub		
7				1				1				1				1				1				1	4302	Rigid Lever Plate		
8	1	1	1	1	1	1	1	1	1	1	1	1	1	1	1	1	1	1	1	1	1	1	1	1	709149	Flat Washer		
9	1	1	1	1	1	1	1	1	1	1	1	1	1	1	1	1	1	1	1	1	1	1	1	1	709202	Flat Washer		
10	1	1	1	1	1	1	1	1	1	1	1	1	1	1	1	1	1	1	1	1	1	1	1	1	709157	3/8" - 16" ESNA Lock Nut		
11	2	2	2	2	2	2	2	2	2	2	2	2	2	2	2	2	2	2	2	2	2	2	2	2	4270	Hex Stud		
12	1	1			1	1			1	1			1	1			1	1			1	1			3894	Cylinder Nut		
13	1	1	1		1	1	1		1	1	1		1	1	1		1	1	1		1	1	1		4218	Nylon Lever Washer		
14	1	1	1		1	1	1		1	1	1		1	1	1		1	1	1		1	1	1		4275	Spring Stop Plate		
15	1	1	1		1	1	1		1	1	1		1	1	1		1	1	1		1	1	1		4326	Lever Spring Clip		
16	1	1	1		1	1	1		1	1	1		1	1	1		1	1	1		1	1	1		4841	Lever Return Spring		
Part not Shown	1					1				1				1				1							6166	NL Spring		

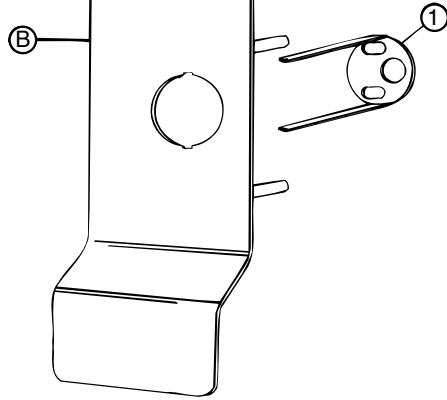
1. Items marked ◆ specify by finish: MAL, M13, SS/26D.

Trident and Centron Trim 19 Series

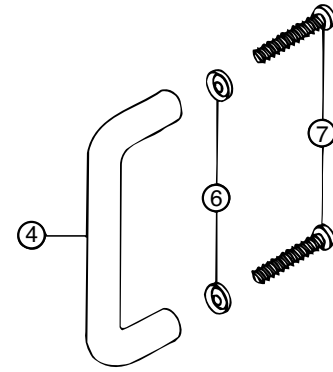
Trident Trim



DT 1953

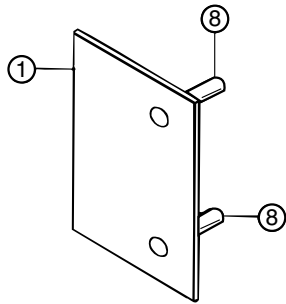


P 1955

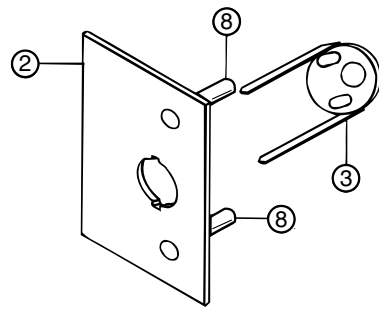


1904
(Pull Only)

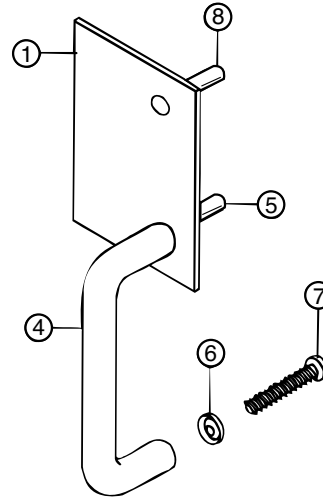
Centron Trim



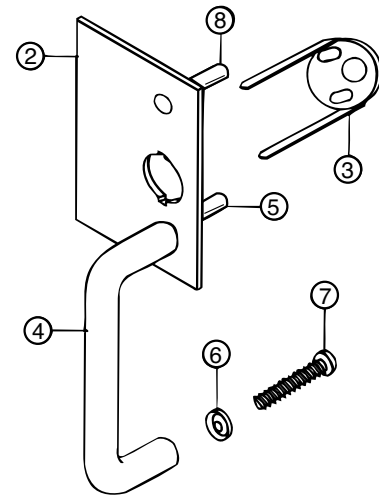
BE 2301



C 2302



DT 2303



P 2305

Trident and Centron Trim, and Cover Plates

19 Series

Trident Trim Parts

Item	Quantity				Part No.	Description	Finish	Remarks
	1953 (RHR)	1953 (LHR)	1955 (RHR)	1955 (LHR)				
A	1				4877	Pull Plate (RHR)	◆	
		1			4875	Pull Plate (LHR)	◆	
B			1		4876	Pull Plate (RHR)	◆	
				1	4874	Pull Plate (LHR)	◆	
1			1	1	4873	Cylinder Anchor		

1. Items marked ◆ specify by finish: MAL, M13.

Centron Trim Parts

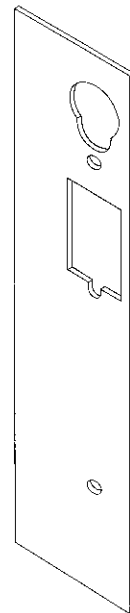
Item	Part No.	Description	Finish	Remarks
1	4118	NL (P) 5" Plate	◆	
2	4119	NL (P) 5" Plate w/Cylinder Hole	◆	
3	4873	Cylinder Anchor		
4	4072	Pull Grip	◆	
5	4270	Hex Stud		
6		1/4" CSK Finish Washer	◆	See Note #3
7		1/4" - 20 x 2-1/4" FPHMS	◆	See Note #3
8	4122	1/4" - 20 Sex Bolt	◆	See Note #2

1. Items marked ◆ specify by finish: MAL, M13, SS/26D.
 2. Supplied with device in screw pack.
 3. Items without part numbers specify by description and finish.

19 Series

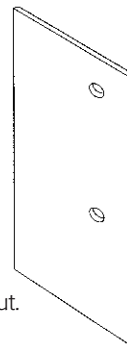
Cover Plates

Specify by finish: MAL, M13, SS/26D.



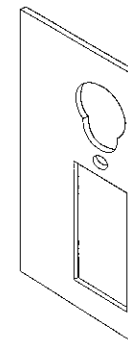
4167

Used with T control and DT control. Covers 161 and 86 cutout.



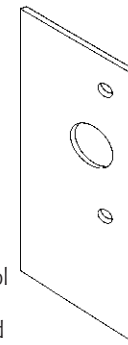
4168

Used with BA device to cover 86 cutout for mortise lock.



4170

Used with K control, DT/K control, L control or DT/L control. Covers 161 and 86 cutout.



4174

Inside cover plate for type 86 cutout.

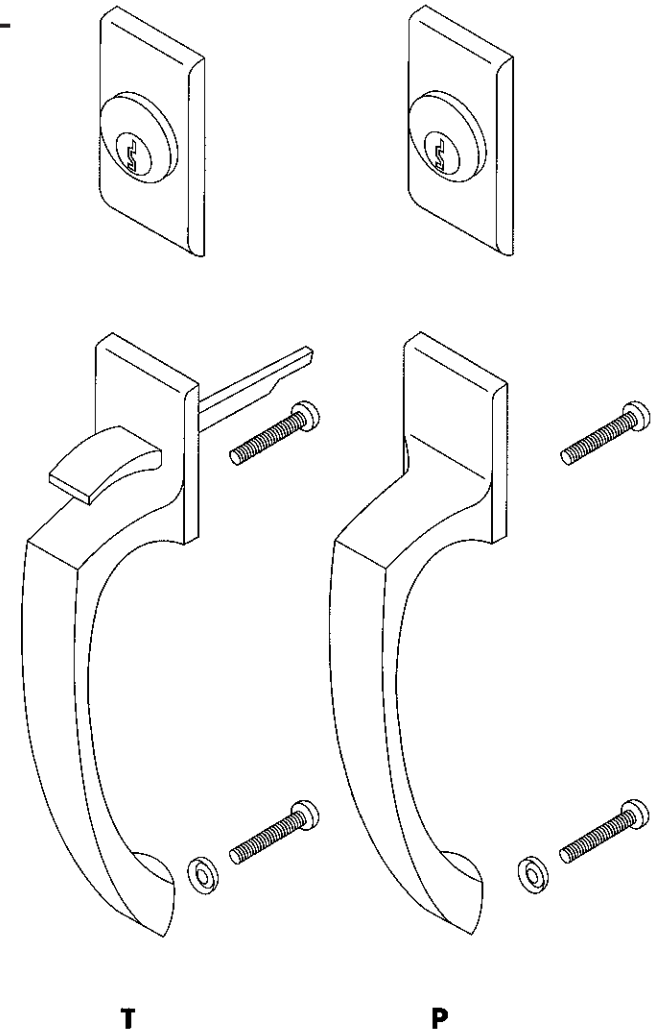
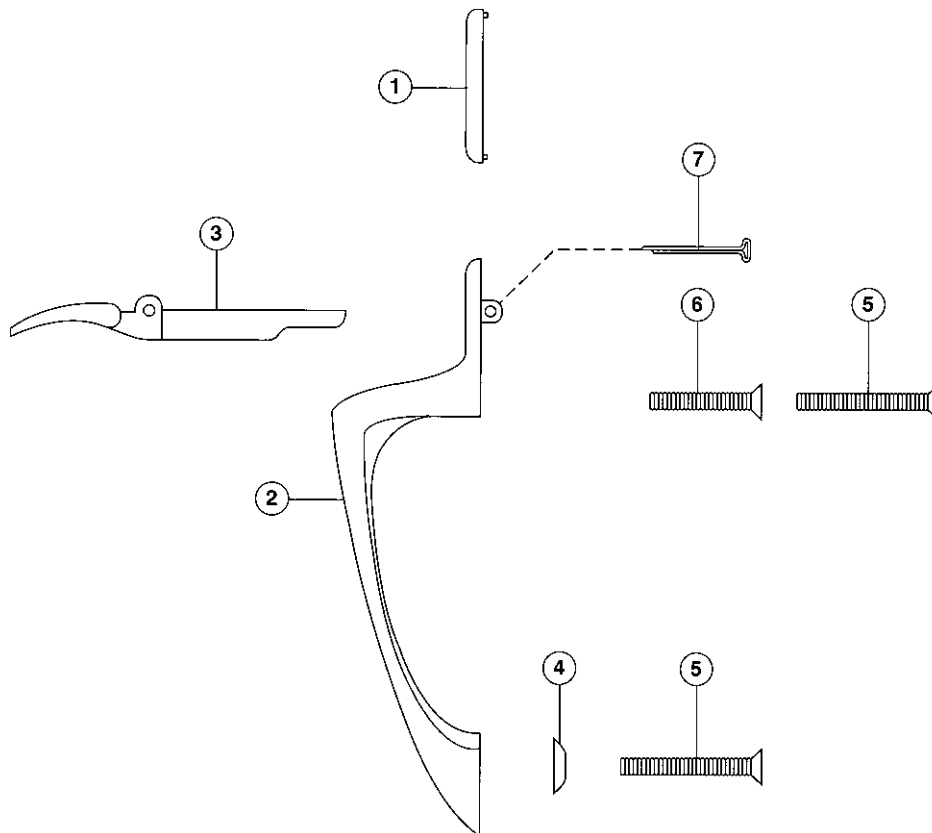
Standard Trim 17, 18 and XX Series

Standard Trim – 17 Series
DT (1303) and P (1304)
Standard Trim – 18/XX Series
T (1302), DT (1300) and P (1301)

Item	Quantity					Part No.	Description	Finish	Remarks
	1302 T	1300 DT	1301 P	1303 DT	1304 P				
1	1		1		1	3577	Cylinder Rose	◆	
2	1					3580	Standard Pull	◆	
		1	1	1	1	3579	Standard Pull	◆	
3	1					3507	Thumbpiece	◆	
4	1	1	1	1	1		1/4" CSK Finish Washer	◆	See Note #2
5	1	1	1	2	2		1/4" - 20 x 2-1/4" FPHMS	◆	See Note #2
6	1	1	1			709002	1/4" - 20 x 2" FPHMS		
7	1					709129	1/8" x 1" Cotter Key		

1. Items marked ◆ specify by finish: US-3, US-4, US-10, US-10B, US-26, and US-26D.

2. Items without part numbers specify by description and finish.

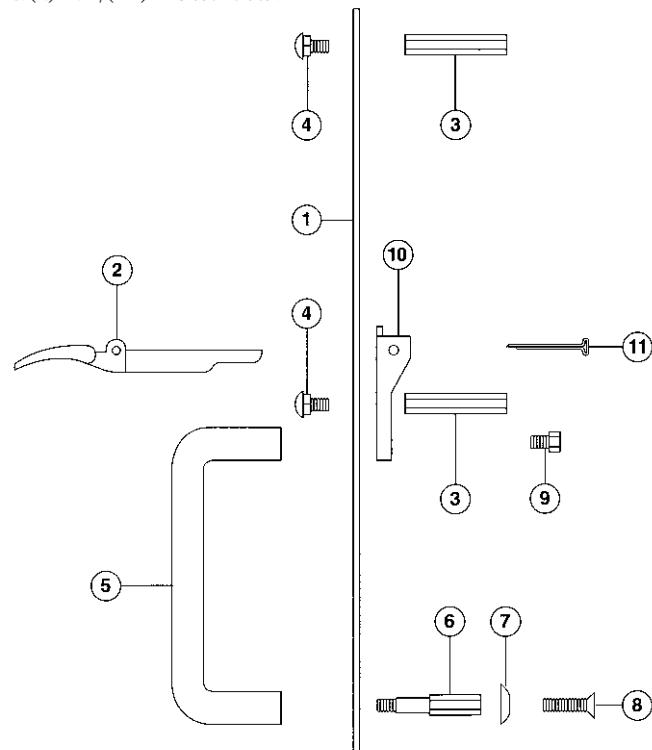


Apollo Trim XX and 18 Series

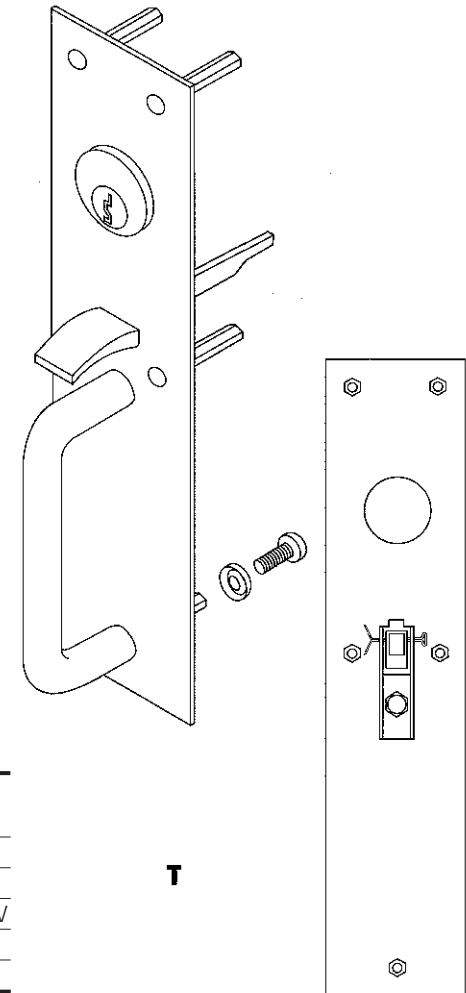
T^(R) (1446R), T^(MV) (1446MV),
T-(LS/LK) (1446LK), DT (1444)
and P (1445)

Item	Quantity					Part No.	Description	Finish	Remarks
	T ^(R)	T ^(MV)	T-(LS/LK)	DT	P				
1	1		1			4041	T Apollo Plate	◆	For Rim Device
		1				4042	T Apollo Plate	◆	For All Devices
				1		4043	T Apollo Plate	◆	For Vert/Mort Device
					1	4038	DT Apollo Plate	◆	
					1	4040	P Apollo Plate	◆	
2	1	1	1			3507	Thumbpiece	◆	
3	4	4	4	4	4	4027	Hex Extension		
4	4	4	4	4	4		# 10 - 24 x 1/2" Carriage Bolt	◆	See Note #2
5	1	1	1	1	1	4072	Apollo Pull	◆	
6	1	1	1	1	1	4270	Hex Stud		
7	1	1	1	1	1		1/4" CSK Finish Washer	◆	See Note #2
8	1	1	1	1	1		1/4" - 20 x 3/4" FPHMS	◆	See Note #2
9	1	1	1	1	1	709065	1/4" - 20 x 1/4" Hex Head MS		
10	1	1	1			4004	Thumbpiece Bracket		
11	1	1	1			709129	1/8" x 1" Cotter Key		

- Items marked ◆ specify by finish: US-3, US-4, S-10, US-10B, US-26, US-32 and US-32D.
- Items without part numbers specify by description and finish.
- (R)=Rim, (MV)=Mortise Vertical.



Model Information Chart		
Trim	Model No.	Application
T ^(R) Apollo	1446R	XX/18-R
T ^(MV) Apollo	1446MV	XX/18-M, XX/18-V
T-(LS/LK)	1446LK	XX/18-R, XX/18-M, XX/18-V
DT Apollo	1445	All Devices
P Apollo	1444	XX/18-R, XX/18-M



Vanguard Trim XX and 18 Series

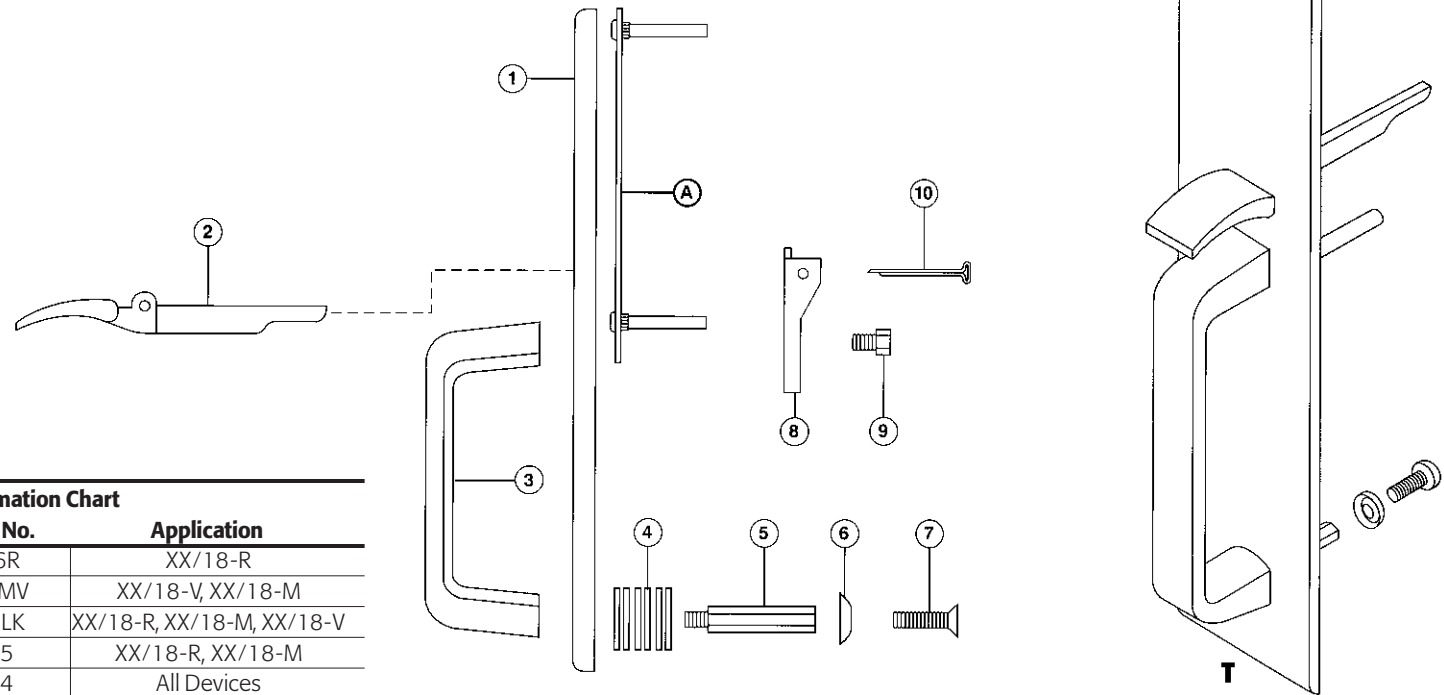
T^(R) (1346R), T^(MV) (1346MV),
T-(LS/LK) (1346LK), DT (1344)
and P (1345)

Item	Quantity					Part No.	Description	Finish	Remarks
	T ^(R)	T ^(MV)	P	T-(LS/LK)	DT				
A	1	1	1	1	1	V111	Vanguard Trim Back Plate Assembly		
				1		3820	T Vanguard Cover Plate (all Devices)	◆	
1	1					3822	T Vanguard Cover Plate (R)	◆	
		1				3825	T Vanguard Cover Plate (MV)	◆	
			1			3824	P Vanguard Cover Plate	◆	
				1		3823	DT Vanguard Cover Plate	◆	
2	1	1		1		3507	Thumbpiece	◆	
3	1	1	1	1	1	3638	Vanguard Pull	◆	
4	6	6	6	6	6	709064	Flat Washer		
5	1	1	1	1	1	4026	Hex Stud		
6	1	1	1	1	1		1/4" CSK Finish Washer	◆	See Note #2
7	1	1	1	1	1		1/4" - 20 x 3/4" FPHMS	◆	See Note #2
8	1	1		1		4004	Thumbpiece Bracket		
9	1	1	1	1	1	709065	1/4" - 20 x 1/4" Hex Head MS		
10	1	1		1		709129	1/8" x 1" Cotter Key		

1. Items marked ◆ specify by finish: US-3, US-4, US-10, US-10B, US-26, US-26D, US-32 and US-32D.

2. Items without part numbers specify by description and finish.

3. (R)=Rim, (MV)=Mortise Vertical.



Model Information Chart

Trim	Model No.	Application
T ^(R) Vanguard	1346R	XX/18-R
T ^(MV) Vanguard	1346MV	XX/18-V, XX/18-M
T-(LS/LK) Vanguard	1346LK	XX/18-R, XX/18-M, XX/18-V
P Vanguard	1345	XX/18-R, XX/18-M
DT Vanguard	1344	All Devices

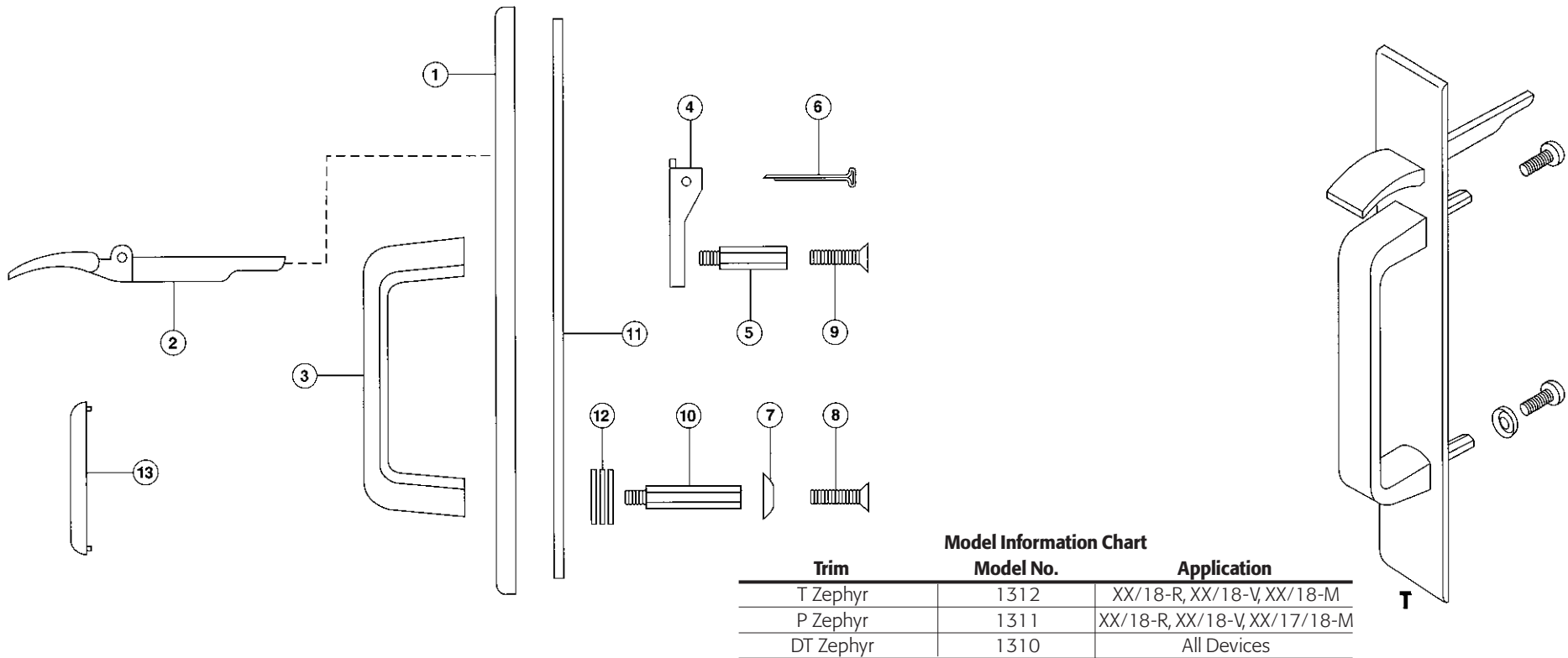
Zephyr Trim

XX, 18 and 17 Series

T (1312), DT (1310) and P (1311)

Item	Quantity			Part No.	Description	Finish	Remarks
	T	P	DT				
1	1			4436	Trim Cover Plate (T)	◆	
		1	1	4437	Trim Cover Plate (P/DT)	◆	
2	1			3507	Thumbpiece	◆	
3	1	1	1	3638	Pull Grip		
4	1			4004	Thumbpiece Bracket		
5	1	1	1	4177	Hex Stud		
6	1			709129	1/8" x 1" Cotter Key		
7	1	1	1		1/4" CSK Finish Washer	◆	See Note #2
8	1	1	1		1/4" - 20 x 3/4" FPHMS	◆	See Note #2
9	1	1	1	709032	1/4" - 20 x 1-1/4" FPHMS		
10	1	1	1	4026	Hex Stud		
11	1	1	1	3578	Trim Back Plate		
12	3	3	3	709064	Flat Washer		
13	1	1		3577	Cylinder Rose	◆	

1. Items marked ◆ specify by finish: US-3, US-4, S-10, US-10B, US-26, US-26D, US-32 and US-32D.
2. Items without part numbers specify by description and finish.



Model Information Chart

Trim	Model No.	Application
T Zephyr	1312	XX/18-R, XX/18-V, XX/18-M
P Zephyr	1311	XX/18-R, XX/18-V, XX/17/18-M
DT Zephyr	1310	All Devices

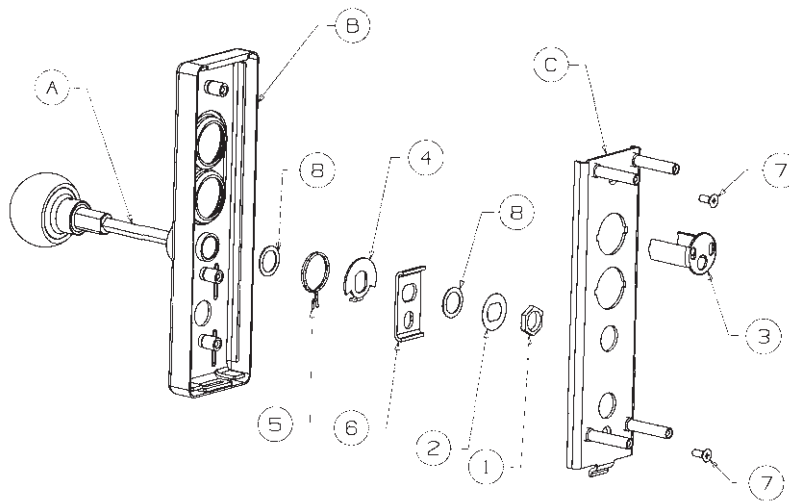
Knob Trim

XX and 18 Series

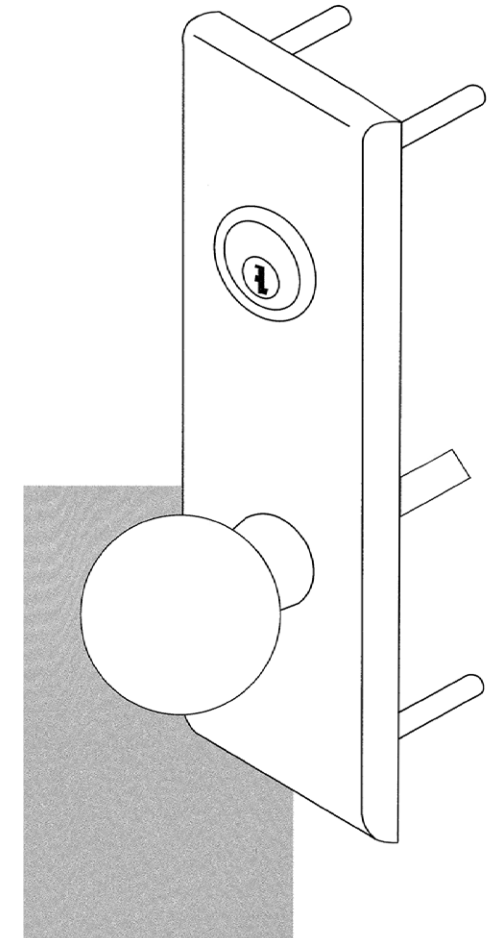
K, K (LS/LK) and K-DT

Item	K ^(R)	K (LS/LK) ^(R)	Quantity			K- DT ^(MV)	Part No.	Description	Finish
			K ^(MV)	K (LS/LK) ^(MV)	K- DT ^(R)				
A			1			1	900527	K Knob Assembly (DT)	◆
A	1	1		1	1		901362	K Knob Assembly	◆
B	1						901336	Trim Escutcheon Sub Assembly	◆
B		1	1				901337	Trim Escutcheon Sub Assembly	◆
B				1			901338	Trim Escutcheon Sub Assembly	◆
B					1	1	900339	Trim Escutcheon Sub Assembly	◆
C	1	1	1	1	1	1	901375	Backplate Assembly	
1	1	1	1	1	1	1	4280	Lever Nut	
2	1	1	1	1	1	1	4497	Lever Lock Washer	
3	1			1			4873	Cylinder Anchor	
4	1	1		1	1		6116	Spring Plate	
5	1	1		1	1		6118	K Return Spring	
6			1			1	6428	Rigid Lever Plate	
7	2	2	2	2	2	2	709562	# 10-24 x 3/8" UFPHMS	
8	2	2	2	2	2	2	709564	Nylon Washer	

- Items marked ◆ specify by finish: US-3, US-4, US-10, US-10B, US-26, US-26D, US-32 and US-32D.
- Items without part numbers specify by description and finish.
- (R)=Rim, (MV)=Mortise Vertical.



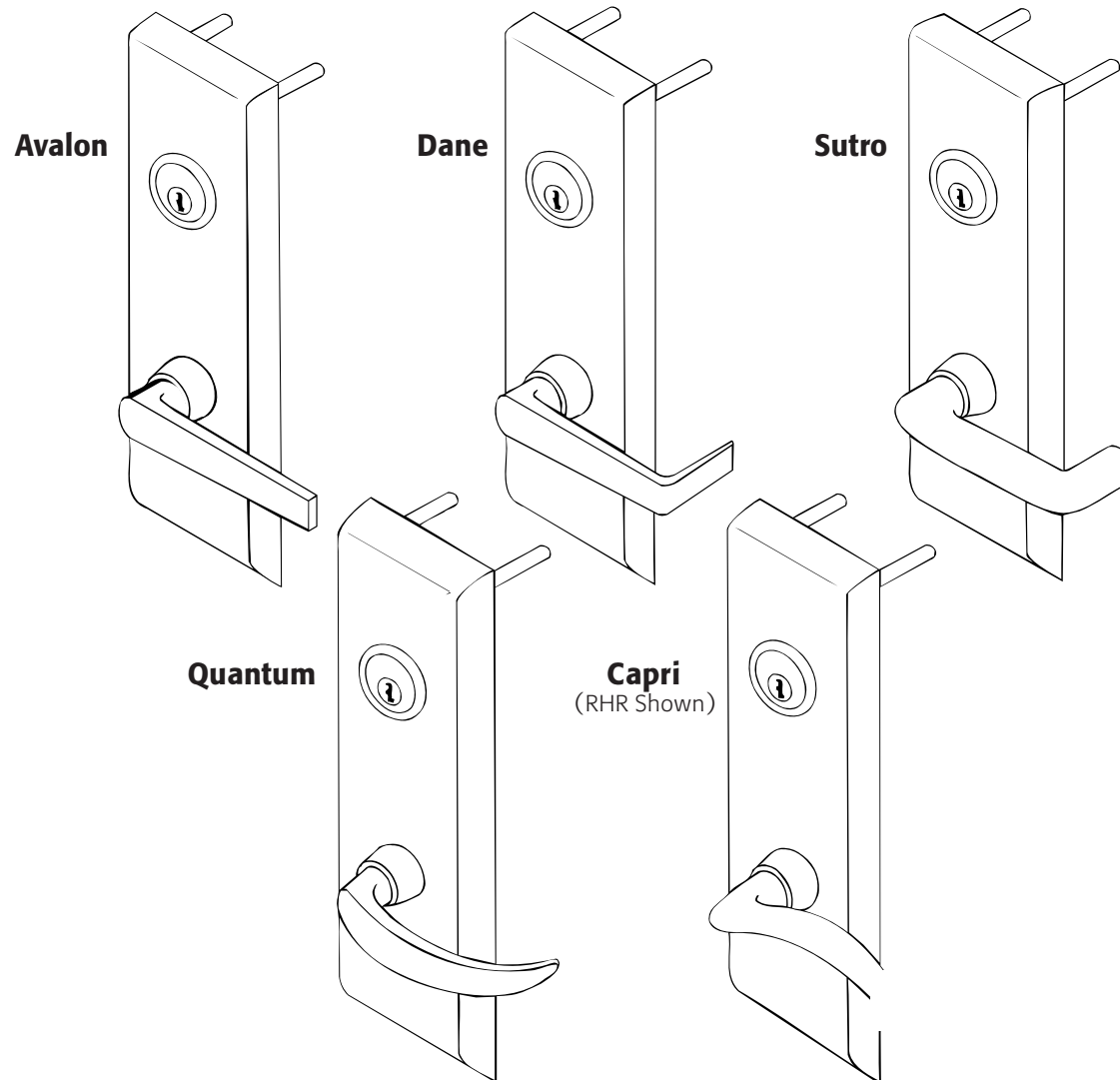
Trim Model No.			Application
K	K(LS/LK)	K-DT	
1811R	1812R	1810R	18-R/XX-R
1811MV	1812MV	1810MV	18-V/XX-V 18-M/XX-M 18-TPL/XX-TPL



Lever Trim

XX and 18 Series

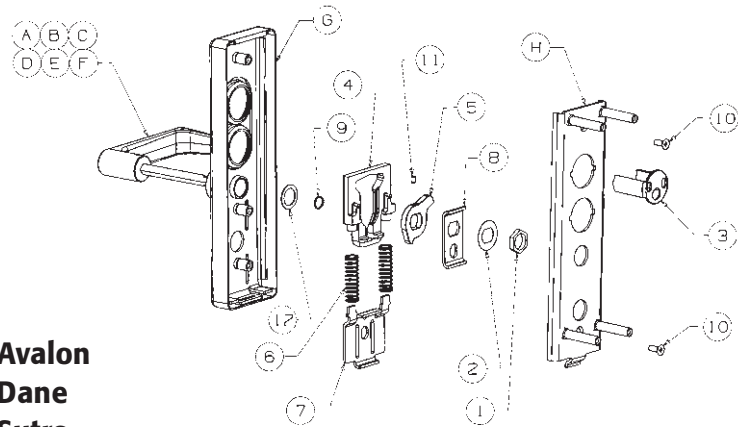
L, L-(LS/LK) and L-DT



Lever Trim Parts List

XX and 18 Series

L, L (LS/LK) and L-DT



Avalon
Dane
Sutro
Quantum
Capri (RHR)
Capri (LHR)

Model Information Chart

Avalon L	Dane L	Sutro L	Quantum L	Capri L (RHR)	Capri L (LHR)	Application
1851R	1821R	1830R	1841R	1891R	1896R	18/XX-R
1851MV	1821MV	1830MV	1841MV	1891MV	1896MV	18/XX-R-M/V/TPL
Avalon L-DT	Dane L-DT	Sutro L-DT	Quantum L-DT	Capri L-DT (RHR)	Capri L-DT (LHR)	Application
1850R	1820R	1831R	1840R	1890R	1895R	18/XX-R
1850MV	1820MV	1831MV	1840MV	1890MV	1895MV	18/XX-R-M/V/TPL
Avalon L (LS/LK)	Dane L (LS/LK)	Sutro L (LS/LK)	Quantum L (LS/LK)	Capri L (RHR) (LS/LK)	Capri L (LHR) (LS/LK)	Application
1852R	1822R	1832R	1842R	1892R	1897R	18/XX-R
1852MV	1822MV	1832MV	1842MV	1892MV	1897MV	18/XX-R-M/V/TPL

Item	Quantity																		Part No.	Description	Finish	Remarks
	Avalon			Dane			Quantum			Sutro			Capri (RHR)		Capri (LHR)							
	L	L-(LS/LK)	L-DT	L	L-(LS/LK)	L-DT	L	L-(LS/LK)	L-DT	L	L-(LS/LK)	L-DT	L	L-(LS/LK)	L-DT	L	L-(LS/LK)	L-DT				
A				1	1														901346	Dane Lever Sub Assembly	◆	
						1													901345	Dane Lever Sub Assembly(DT)	◆	
B										1	1								901352	Sutro Lever Sub Assembly	◆	
												1							901351	Sutro Lever Sub Assembly(DT)	◆	
C	1	1																	901349	Avalon Lever Sub Assembly	◆	
			1																901348	Avalon Lever Sub Assembly(DT)	◆	
D										1	1								901355	Quantum Lever Sub Assembly	◆	
												1							901354	Quantum Lever Sub Assembly (DT)	◆	
E													1	1					901358	Capri (RHR) Lever Sub Assembly	◆	
															1				901357	Capri (RHR) Lever Sub Assembly (DT)	◆	
F																1	1		901361	Capri (LHR) Lever Sub Assembly	◆	
																	1		901360	Capri (LHR) Lever Sub Assembly (DT)	◆	
G	1			1			1			1			1			1			901336	Trim Escutcheon Sub Assembly	◆	18/XX-R Only
	1	1	1	1	1	1	1	1	1	1	1	1	1	1	1	1	1	1	901337	Trim Escutcheon Sub Assembly	◆	18/XX-R Only
	1	1	1	1	1	1	1	1	1	1	1	1	1	1	1	1	1	1	901338	Trim Escutcheon Sub Assembly	◆	18/XX-M/V/TPL Only
	1	1	1	1	1	1	1	1	1	1	1	1	1	1	1	1	1	1	901339	Trim Escutcheon Sub Assembly (LS/LK, DT)	◆	18/XX-M/V/TPL Only
H	1	1	1	1	1	1	1	1	1	1	1	1	1	1	1	1	1	1	901375	Backplate Assembly		
1			1							1									4280	Lever Nut		
2			1							1									4497	Lever Lock Washer		
3	1			1			1			1			1			1			4873	Cylinder Anchor		
4	1	1		1	1		1	1		1	1		1	1		1	1		6221	Slider		
5	1	1		1	1		1	1		1	1		1	1		1	1		6222	Cam		
6	2	2		2	2		2	2		2	2		2	2		2	2		6223	Spring		
7	1	1		1	1		1	1		1	1		1	1		1	1		6225	V/M trim Stop		18/XX-M/V/TPL Only
8			1			1			1			1			1			1	6248	Rigid Lever Plate		
9	1	1		1	1		1	1		1	1		1	1		1	1		709560	5100-62 Waldes Truarc Ring		
10	2	2	2	2	2	2	2	2	2	2	2	2	2	2	2	2	2	2	709562	# 10-24x3/8" UFPHMS		
11	1	1		1	1		1	1		1	1		1	1		1	1		709563	# 8-32x3/8 Set Screw		
12	1	1	1	1	1	1	1	1	1	1	1	1	1	1	1	1	1	1	709564	Nylon Washer		

1. Items marked ◆ specify by finish: US-3, US-4, US-10, US-10B, US-26, US-26D, US-32 and US-32D.

2. Items without part numbers specify by description and finish.

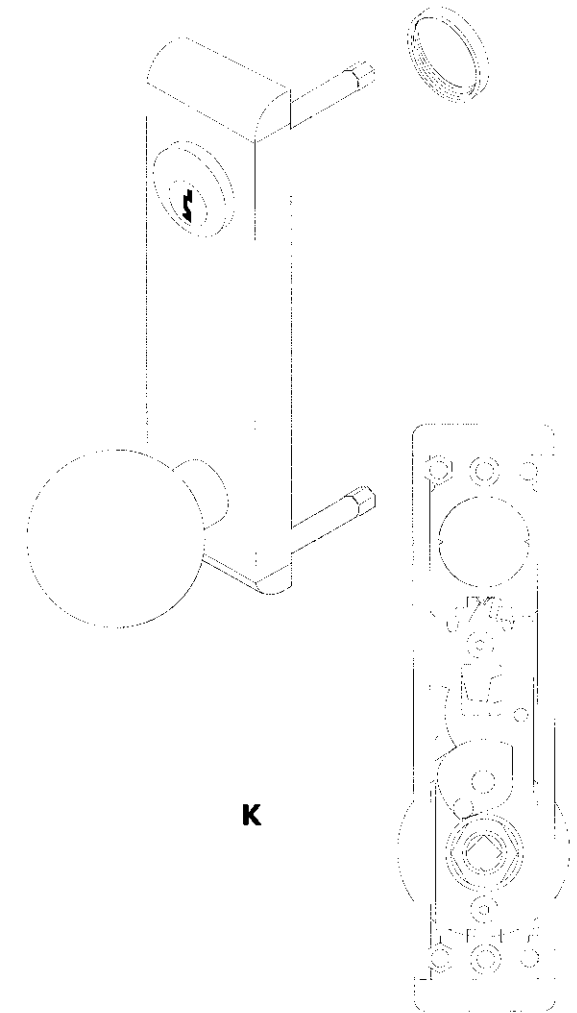
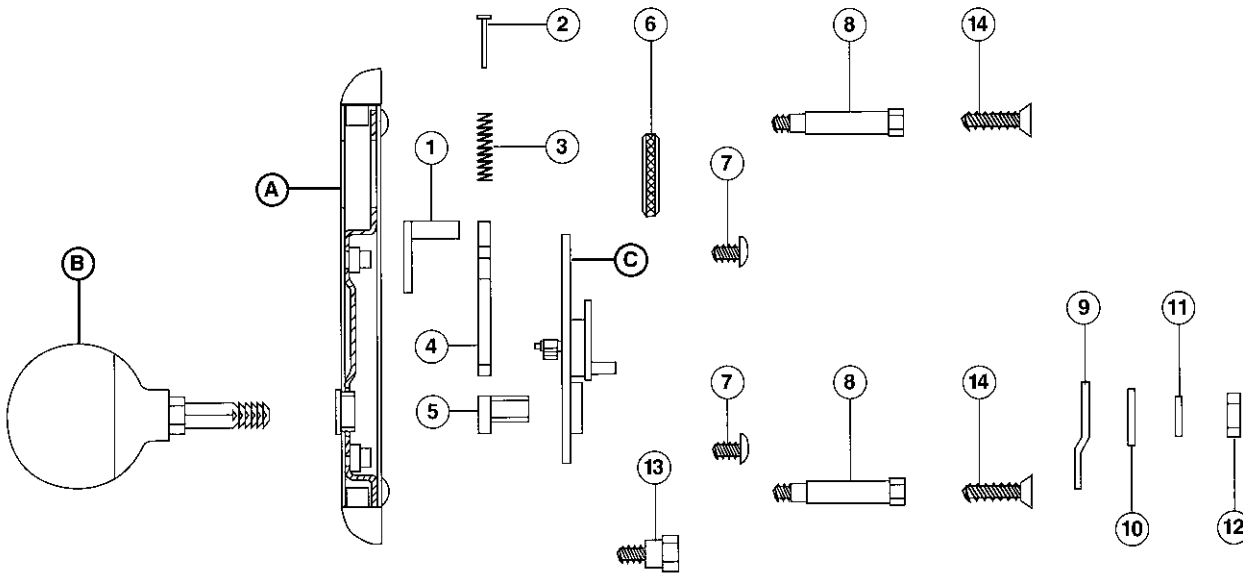
3. (R)=Rim, (MV)=Mortise Vertical.

Knob Trim- Concealed XX, 18 and 17 Series

(Concealed Only)
K (1764), K-(LS/LK) (1774),
K-NL (1764NL) and K-DT (1784)

Item	Quantity				Part No.	Description	Finish	Remarks
	K	K-NL	K-(LS/LK)	K-DT				
A	1	1			900229	Housing Sub Assembly	◆	
			1	1	900234	Housing Sub Assembly	◆	
B	1	1	1	1	900263	Hana Knob Sub Assembly	◆	
C	1	1	1		900060	Retainer Plate Sub Assembly	◆	
1	1	1			4268	Locking Plate		
2	1	1	1		709239	3/32" x 3/4" Solid Rivet		
3	1	1	1		4605	Actuator Spring		
4	1	1	1		4265	Actuator Plate		
5	1	1	1		4274	Knob Hub		
6	1	1			3894	Cylinder Nut		
7	2	2	2	1	709229	1/4" - 20 x 5/16" Button Head Cap Screw		
8	2	2	2	2	4349	Hex Stud		
9				1	4302	Rigid Lever Plate		
10				1	709149	Flat Washer		
11				1	709202	Flat Washer		
12	1	1	1	1	709148	3/8" - 16 Hex Jam Nut		
13				1	4354	Stop Post		
14	2	2	2	2	709118	1/4" - 20 x 3/4" FPHMS		See Note #2
Part not Shown		1			6166	NL Spring		

1. Items marked ◆ specify by finish: US-3, US-4, US-10, US-10B, US-26, US-26D, US-32 and US-32D.
2. Omit item for 17 Series device trim.



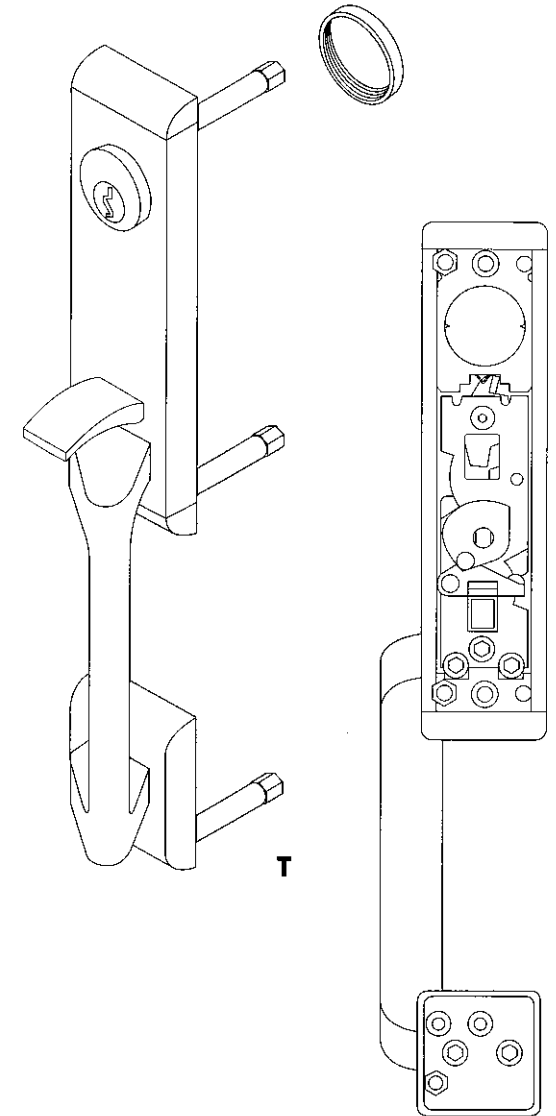
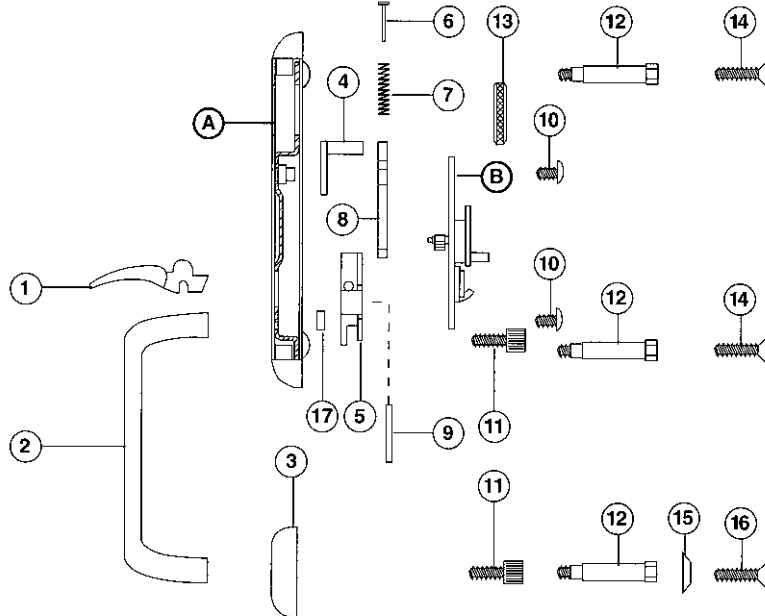
Delta Trim- Concealed XX, 18 and 17 Series (Concealed Only) T (1741), T-(LS/LK) (1742), T-NL (1741NL) and T-DT (1743)

Item	T	Quantity			Part No.	Description	Finish	Remarks
		T-NL	T-(LS/LK)	T-DT				
A	1	1			900400	Housing Sub Assembly (T)	◆	
			1		900401	Housing Sub Assembly (T-(LS/LK))	◆	
				1	900402	Housing Sub Assembly (T-DT)	◆	
B	1	1	1		900022	Retainer Plate Sub Assembly		
1	1	1	1		4602	Thumbpiece	◆	
2	1	1	1	1	4377	Pull Grip	◆	
3	1	1	1	1	4313	Pull Pad	◆	
4	1	1			4268	Locking Plate		
5	1	1	1		4603	Thumbpiece Bracket		
6	1	1	1		709239	3/32" x 3/4" Solid Rivet		
7	1	1	1		4605	Actuator Spring		
8	1	1	1		4265	Actuator Plate		
9	1	1	1		709104	1/8" x 1-1/4" Pin Type "C"		
10	2	2	2		709229	1/4" - 20 x 5/16" Button Head Cap Screw		
11	4	4	4	4	709078	1/4" - 20 x 1/2" Hex Cap Screw		
12	3	3	3	3	4349	Hex Stud		
13	1	1			3894	Cylinder Nut		
14	2	2	2	2	709118	1/4" - 20 x 3/4" FPHMS		See Note #2
15	1	1	1	1		1/4" CSK Finish Washer	◆	See Note #3
16	1	1	1	1		1/4" - 20 x 3/4" FPHMS	◆	See Note #3
17	1	1	1		709254	1/4" Square Nut		
Part not Shown		1			6166	NL Spring		

1. Items marked ◆ specify by finish: US-3, US-4, US-10, US-10B, US-26, US-26D, US-32 and US-32D.

2. Omit item for 17 Series device trim.

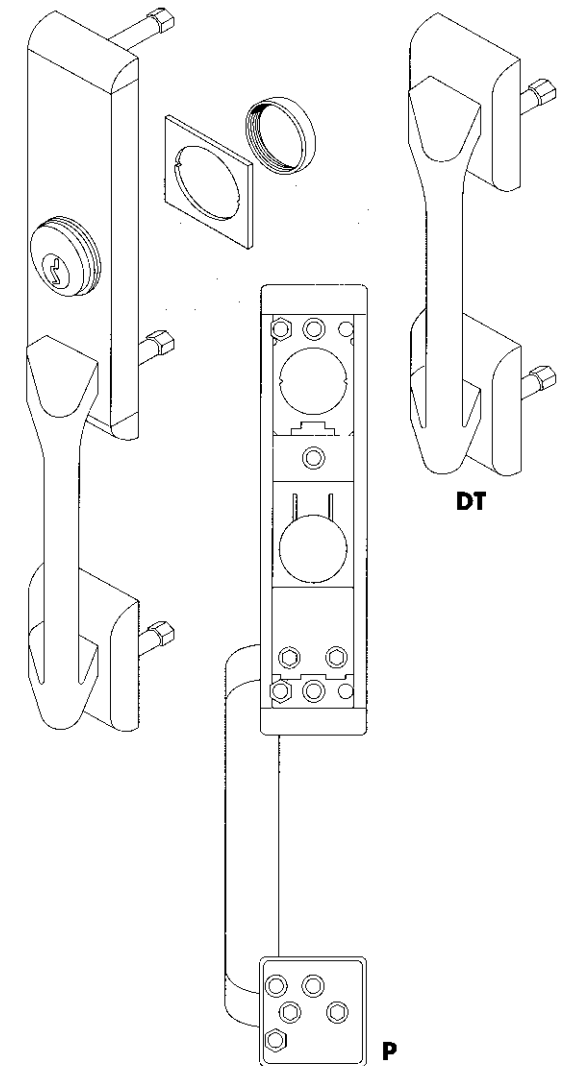
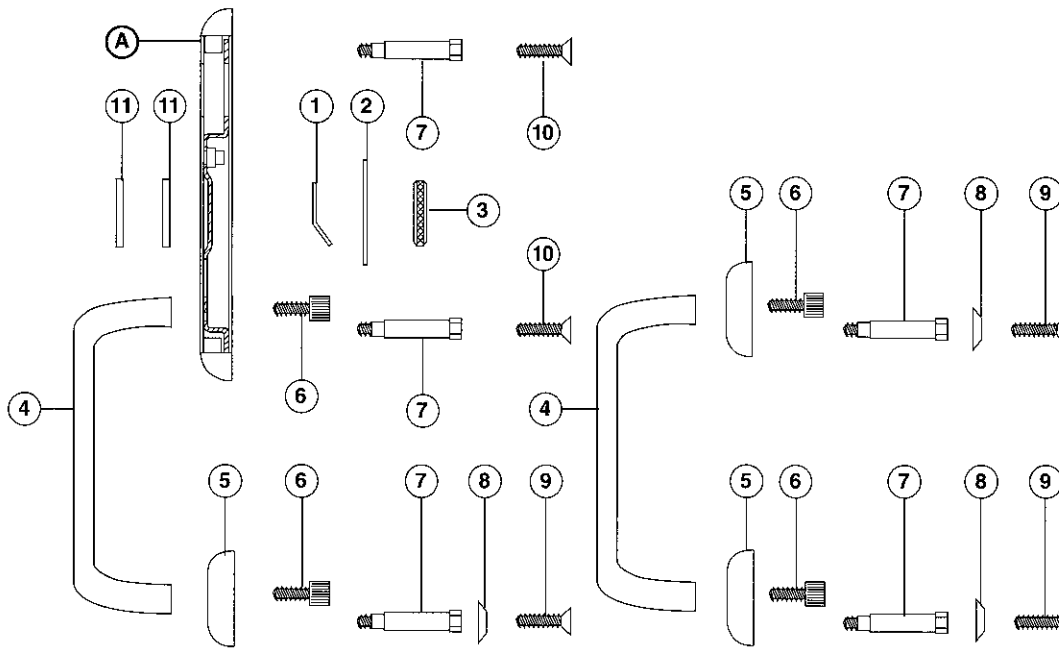
3. Items without part numbers specify by description and finish.



Delta Trim- Concealed XX, 18 and 17 Series (Concealed Only) C (1713), DT (1760) and P (1740)

Item	Quantity			Part No.	Description	Finish	Remarks
	C	DT	P				
A	1			900452	Housing Sub Assembly	◆	
			1	900453	Housing Sub Assembly	◆	
1	1		1	4831	Special Cam (Mortise Cylinder)		
2	1		1	4131	Cylinder Retaining Plate		
3	1		1	3894	Cylinder Nut		
4		1	1	4377	Pull Grip	◆	
5		2	1	4313	Pull Pad	◆	
6		4	4	709078	1/4" - 20 x 1/2" Hex Cap Screws		
7	2	2	3	4349	Hex Stud		
8		2	1		1/4" CSK Finish Washer	◆	See Note #2
9		2	1		1/4" - 20 x 3/4" FPHMS	◆	See Note #2
10	2		2	709188	1/4" - 20 x 3/4" FPHMS		See Note #3
11	2		2	3917	Cylinder Spacer	◆	

- Items marked ◆ specify by finish: US-3, US-4, US-10, US-10B, US-26, US-26D, US-32 and US-32D.
- Items without part numbers specify by description and finish.
- Omit item for 17 Series device trim.



Delta Trim- Concealed

XX, 18 and 17 Series (Concealed Only)

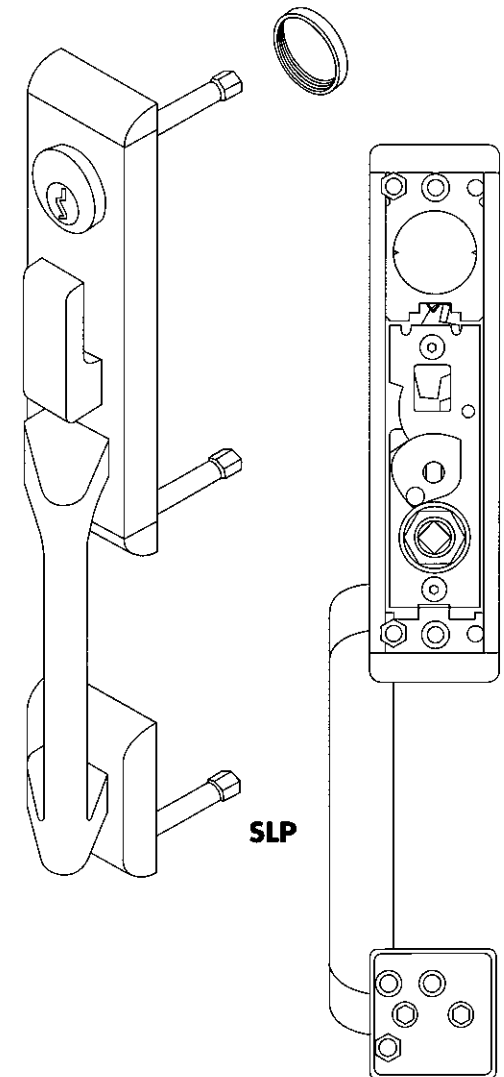
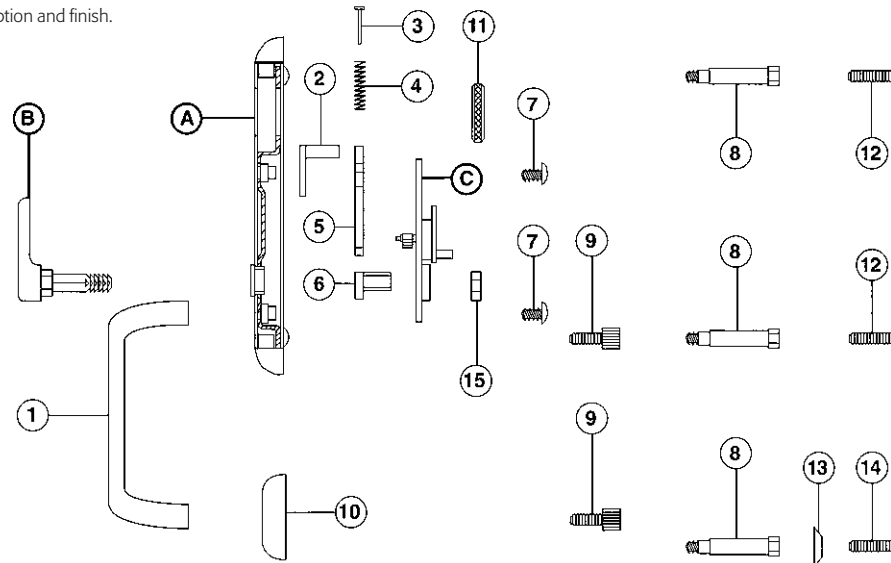
SL (1738), SL-(LS/LK) (1718), SLP (1728),
SL-NL (1738NL), SLP-NL (1728NL) and SLP-(LS/LK) (1708)

Item	Quantity						Part No.	Description	Finish	Remarks
	SL	SL-NL	SL (LS/LK)	SLP	SLP-NL	SLP (LS/LK)				
A	1	1					900229	Housing Sub Assembly	◆	
			1				900234	Housing Sub Assembly	◆	
				1	1		900404	Housing Sub Assembly	◆	
						1	900405	Housing Sub Assembly	◆	
B	1	1	1	1	1	1	900289	SL Sub Assembly	◆	
C	1	1	1	1	1	1	900060	Retainer Plate Sub Assembly		
1				1	1	1	4377	Pull Grip	◆	
2	1	1		1	1		4268	Locking Plate		
3	1	1	1	1	1	1	709239	3/32" x 3/4" Solid Rivet		
4	1	1	1	1	1	1	4605	Actuator Plate		
5	1	1	1	1	1	1	4265	Actuator Plate		
6	1	1	1	1	1	1	4274	Knob Hub		
7	2	2	2	2	2	2	709229	1/4" - 20 x 5/16" Button Head Cap Screw		
8	2	2	2	3	3	3	4349	Hex Stud		
9				4	4	4	709078	1/4" - 20 x 1/2" Hex Cap Screw		
10				1	1	1	4313	Pull Pad	◆	
11	1	1		1	1		3894	Cylinder Nut		
12	2	2	2	2	2	2	709118	1/4" - 20 x 3/4" FPHMS		See Note #2
13				1	1	1		1/4" CSK Finish Washer	◆	See Note #3
14				1	1	1		1/4" - 20 x 3/4" FPHMS	◆	See Note #3
15	1	1	1	1	1	1	709148	3/8" - 16 Hex Jam Nut		
Part not Shown		1			1		6116	NL Spring		

1. Items marked ◆ specify by finish: US-3, US-4, US-10, US-10B, US-26, US-26D, US-32 and US-32D.

2. Omit item for 17 Series device trim.

3. Items without part numbers specify by description and finish.

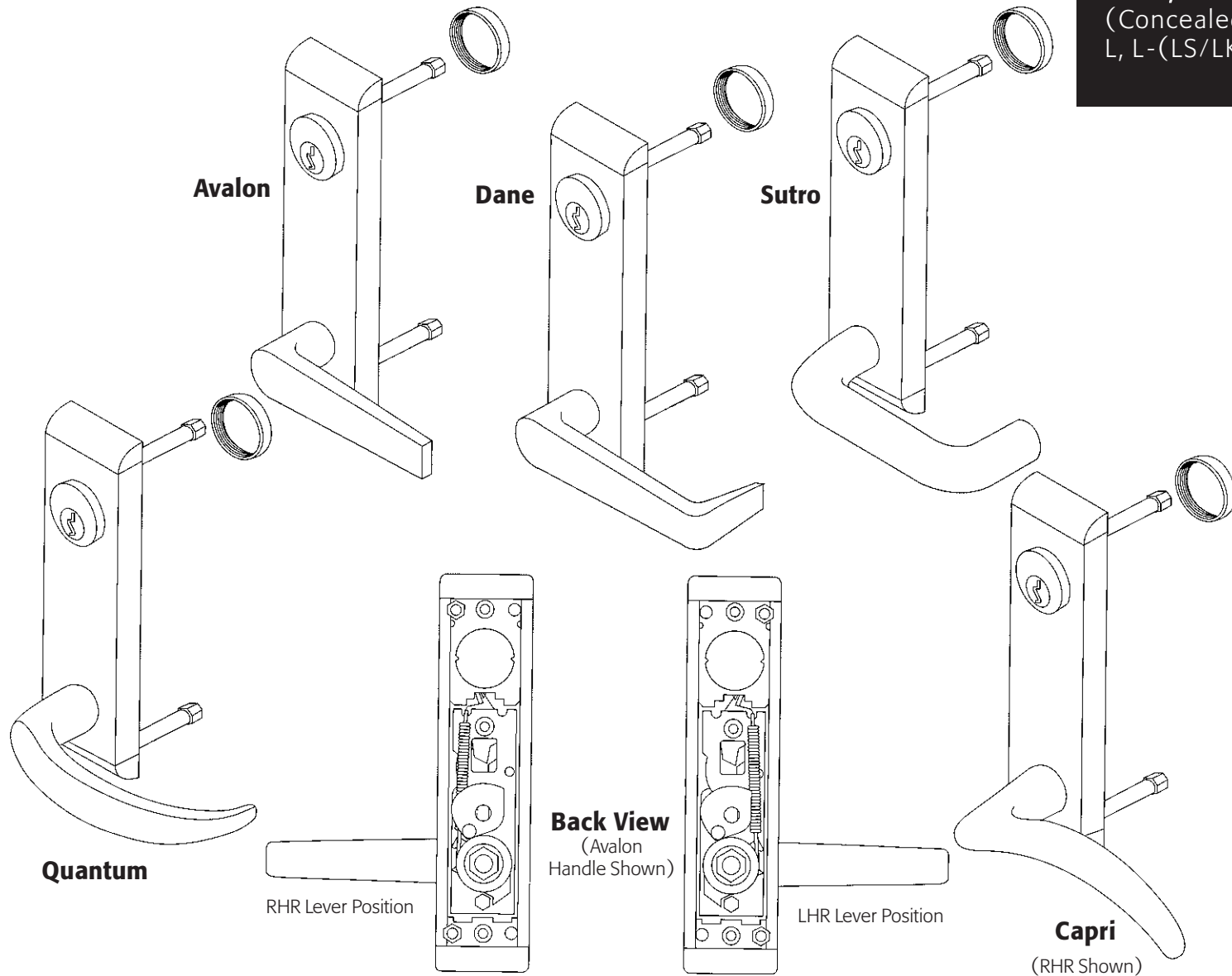


Lever Trim- Concealed

XX, 18 and 17 Series

(Concealed Only)

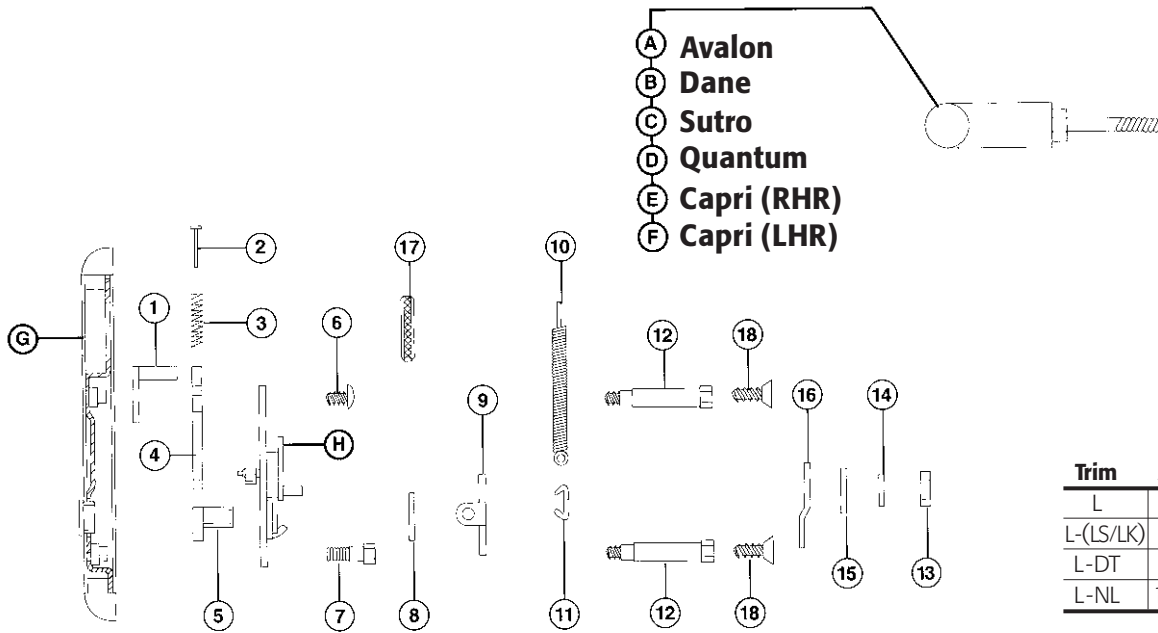
L, L-(LS/LK), L-NL and L-DT



Lever Trim- Concealed

XX, 18 and 17 Series

L & L-NL, L-(LS/LK) and L-DT



Model Information Chart

Trim	Avalon	Dane	Sutro	Quantum	Capri (RHR)	Capri (LHR)
L	1765	1766	1767	1768	1861	1862
L-(LS/LK)	1775	1776	1777	1778	1871	1872
L-DT	1785	1786	1787	1788	1881	1882
L-NL	1765NL	1766NL	1767NL	1768NL	1861NL	1862NL

Item	Quantity																				Part No.	Description	Finish	Remarks				
	Avalon				Dane				Sutro				Quantum				Capri (RHR)								Capri (LHR)			
	L	L-NL	L-(LS/LK)	L-DT	L	L-NL	L-(LS/LK)	L-DT	L	L-NL	L-(LS/LK)	L-DT	L	L-NL	L-(LS/LK)	L-DT	L	L-NL	L-(LS/LK)	L-DT	L	L-NL	L-(LS/LK)	L-DT				
A	1	1	1																						900267	Avalon Lever Sub Assembly	◆	
B																									900270	Dane Lever Sub Assembly	◆	
C					1	1	1	1	1	1	1	1													900273	Sutro Lever Sub Assembly	◆	
D													1	1	1	1									900443	Quantum Lever Sub Assembly	◆	
E																	1	1	1	1					900446	Capri (RHR) Lever Sub Assembly	◆	
F																					1	1	1	1	900445	Capri (LHR) Lever Sub Assembly	◆	
G	1	1			1	1			1	1			1	1			1	1			1	1	1	1	900229	Housing sub Assembly	◆	
H	1	1	1		1	1	1	1	1	1	1	1	1	1	1	1	1	1	1	1	1	1	1	1	900234	Housing Sub Assembly	◆	
				1				1				1				1				1				1	900060	Retainer Plate Sub Assembly		
																									900236	Retainer Plate Sub Assembly		
1	1	1			1	1			1	1			1	1			1	1			1	1			4268	Locking Plate		
2	1	1	1		1	1	1		1	1	1		1	1	1		1	1	1		1	1	1		709239	3/32" x 3/4" Solid Rivet		
3	1	1	1		1	1	1		1	1	1		1	1	1		1	1	1		1	1	1		4605	Actuator Spring		
4	1	1	1		1	1	1		1	1	1		1	1	1		1	1	1		1	1	1		4265	Actuator Plate		
5	1	1	1		1	1	1	1	1	1	1	1	1	1	1	1	1	1	1	1	1	1	1	1	4274	Knob Hub		
6	1	1	1	1	1	1	1	1	1	1	1	1	1	1	1	1	1	1	1	1	1	1	1	1	709229	1/4" - 20 x 5/16" Button Head Cap Screw		
7	1	1	1	1	1	1	1	1	1	1	1	1	1	1	1	1	1	1	1	1	1	1	1	1	4354	Stop Post		
8	1	1	1		1	1	1		1	1	1		1	1	1		1	1	1		1	1	1		4218	Nylon Lever Washer		
9	1	1	1		1	1	1		1	1	1		1	1	1		1	1	1		1	1	1		4408	Spring Stop Plate		
10	1	1	1		1	1	1		1	1	1		1	1	1		1	1	1		1	1	1		4841	Lever Return Spring		
11	1	1	1		1	1	1		1	1	1		1	1	1		1	1	1		1	1	1		4326	Lever Spring Clip		
12	2	2	2	2	2	2	2	2	2	2	2	2	2	2	2	2	2	2	2	2	2	2	2	2	4349	Hex Stud		
13	1	1	1	1	1	1	1	1	1	1	1	1	1	1	1	1	1	1	1	1	1	1	1	1	709148	3/8" - 16 Hex Jam Nut		
14	1	1	1	1	1	1	1	1	1	1	1	1	1	1	1	1	1	1	1	1	1	1	1	1	709202	Flat Washer		
15	1	1	1	1	1	1	1	1	1	1	1	1	1	1	1	1	1	1	1	1	1	1	1	1	709149	Flat Washer		
16				1				1				1				1				1				1	4302	Rigid Lever Plate		
17	1	1			1	1			1	1			1	1			1	1			1	1			3894	Cylinder Nut		
18	2	2	2	2	2	2	2	2	2	2	2	2	2	2	2	2	2	2	2	2	2	2	2	2	709118	1/4" x 20 x 3/4" FPHMS		See Note #2
Part not Shown				1				1				1				1				1				1	6116	NL Spring		

1. Items marked ◆ specify by finish: US-3, US-4, US-10, US-10B, US-26, US-26D, US-32 and US-32D.

2. Omit item for 17 Series device trim.

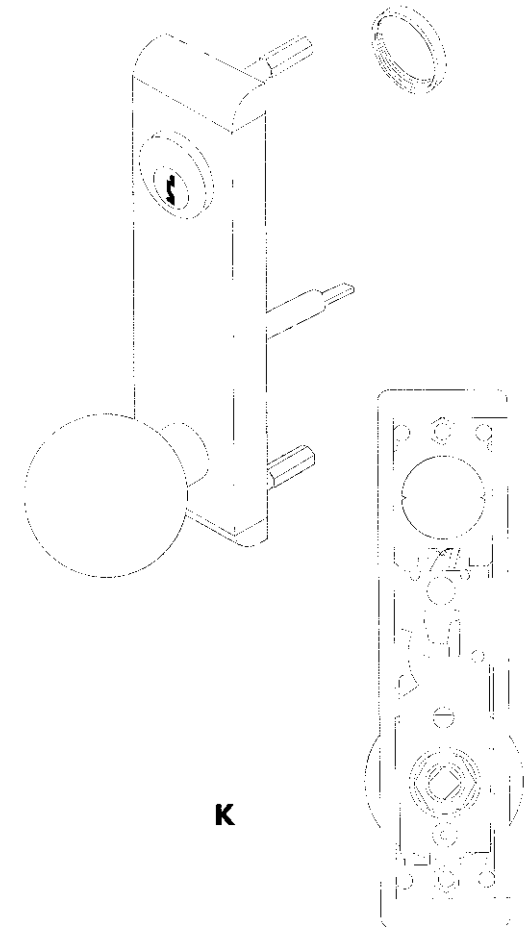
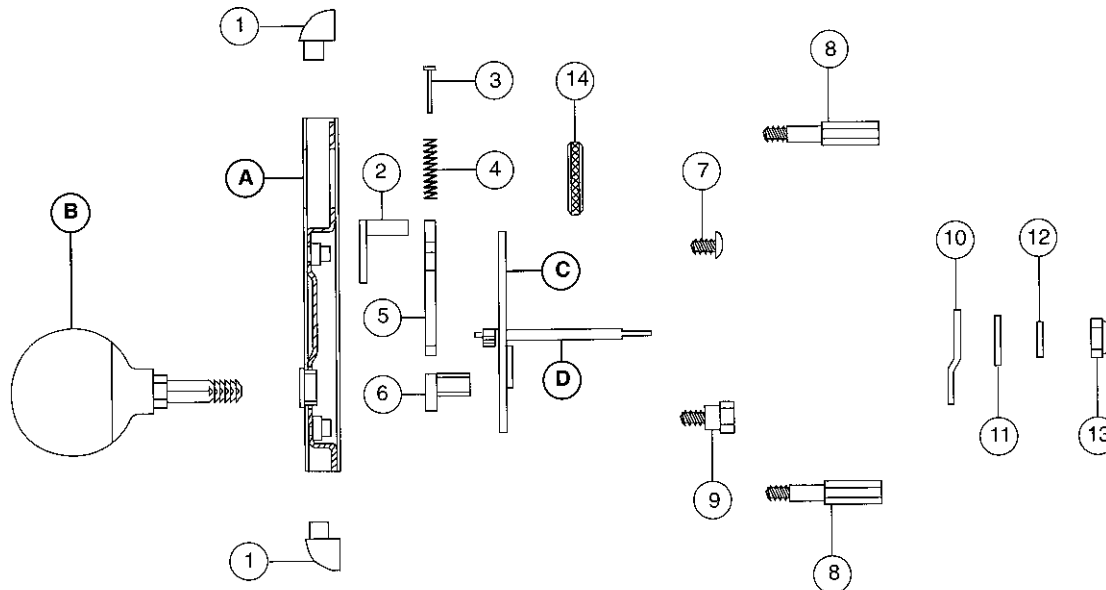
Control Trim

17 Series

K, K-(LS/LK), K-NL and K-DT

Item	Quantity K				Part No.	Description	Finish
	K	K-NL	(LS/LK)	K-DT			
A	1	1			900406	Housing Sub Assembly	◆
			1	1	900407	Housing Sub Assembly	◆
B	1	1	1	1	900263	Hana Knob Sub Assembly	◆
C	1	1	1	1	900236	Retainer Plate Sub Assembly	
D	1	1	1		943250	Actuator Shaft Sub Assembly	
1	2	2	2	2	4582	Forged End Caps	◆
2	1	1			4268	Locking Plate	
3	1	1	1		709239	3/32" x 3/4" Solid Rivet	
4	1	1	1		4605	Actuator Spring	
5	1	1	1		4265	Actuator Plate	
6	1	1	1	1	4274	Knob Hub	
7	2	2	2	1	709229	1/4" - 20 x 5/16" Button Head Cap Screw	
8	2	2	2	2	4270	Hex Stud	
9				1	4354	Stop Post	
10				1	4302	Rigid Lever Plate	
11				1	709149	Flat Washer	
12				1	709202	Flat Washer	
13	1	1	1	1	709157	3/8" - 16 ESNA Lock Nut	
14	1	1			3894	Cylinder Nut	
Part not Shown		1			6116	NL Spring	

1. Items marked ◆ specify by finish: US-3, US-4, US-10, US-10B, US-26, US-26D, US-32 and US-32D.



Trim Model No.				Application
K	K-NL	K-(LS/LK)	K-DT	
1604	1604NL	1614	1624	17-R, 17-V

MONARCH
Exit Devices & Door Hardware

Questions? Call: 800-826-5792 / FAX: 800-924-3551
Monarch Hardware 805 N. Buckman Shepherdsville KY 40165 / Visit us on the Internet at www.monarchhardware.com

IR Security & Safety

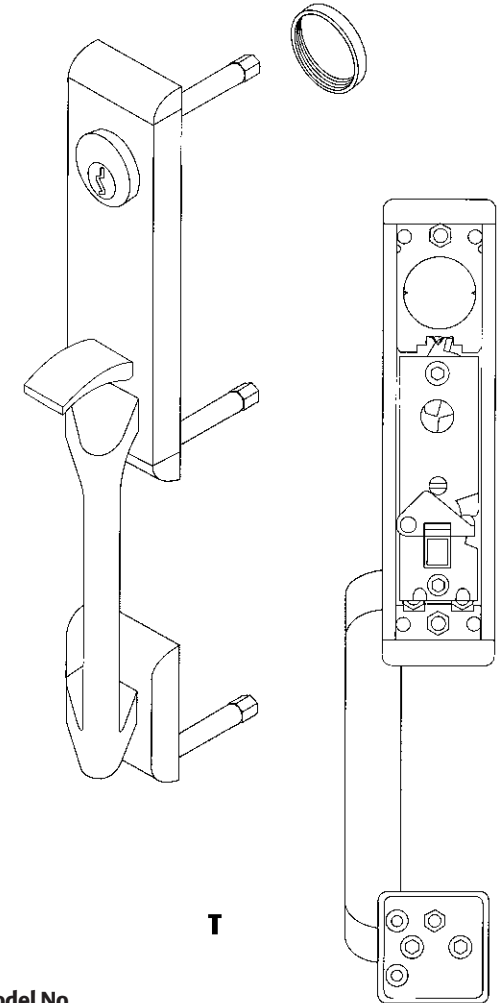
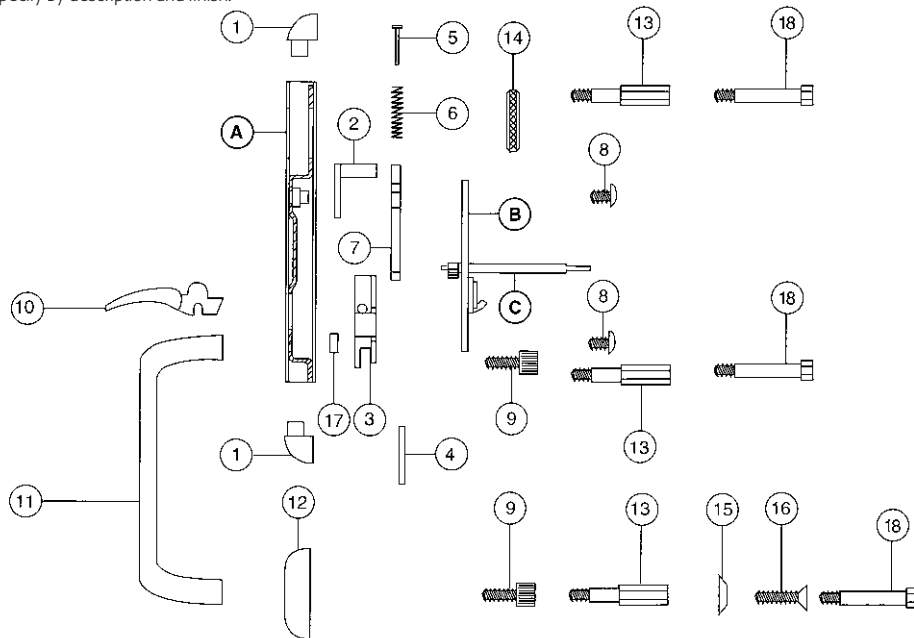
Delta Trim

17 Series

T, T-NL, T-(LS/LK) and T-DT

Item	Quantity					Part No.	Description	Finish	Remarks
	T	T-NL	T-(LS/LK)	T-DT(R/V)	T-DT(M)				
A	1	1				900413	Housing Sub Assembly	◆	
			1			900414	Housing Sub Assembly	◆	
				1	1	900415	Housing Sub Assembly	◆	
B	1	1	1			900235	Retainer Plate Sub Assembly		
C	1	1	1			943250	Actuator Shaft Sub Assembly		
1	2	2	2	2	2	4582	Forged End Caps	◆	
2	1	1				4268	Locking Plate		
3	1	1	1			4603	Thumbpiece Bracket		
4	1	1	1			709104	1/8" x 1-1/4" Pin Type "C"		
5	1	1	1			709239	3/32" x 3/4" Solid Rivet		
6	1	1	1			4605	Actuator Spring		
7	1	1	1			4265	Actuator Plate		
8	2	2	2			709229	1/4" - 20 x 5/16" Button Head Cap Screw		
9	4	4	4	4	4	709078	1/4" - 20 x 1/2" Hex Cap Screw		
10	1	1	1			4602	Thumbpiece	◆	
11	1	1	1	1	1	4377	Pull Grip	◆	
12	1	1	1	1	1	4313	Pull Pad	◆	
13	3	3	3	3		4270	Hex Stud		
14	1	1				3894	Cylinder Nut		
15	1	1	1	1	1		1/4" CSK Finish Washer	◆	See Note #2
16	1	1	1	1	1		1/4" - 20 x 3/4" FPHMS	◆	See Note #2
17	1	1	1			709254	1/4" Square Nut		
18					3	4349	Hex Stnd, used on 17-M		
Part not Shown		1				6116	NL Spring		

- Items marked ◆ specify by finish: US-3, US-4, US-10, US-10B, US-26, US-26D, US-32 and US-32D.
- Items without part numbers specify by description and finish.



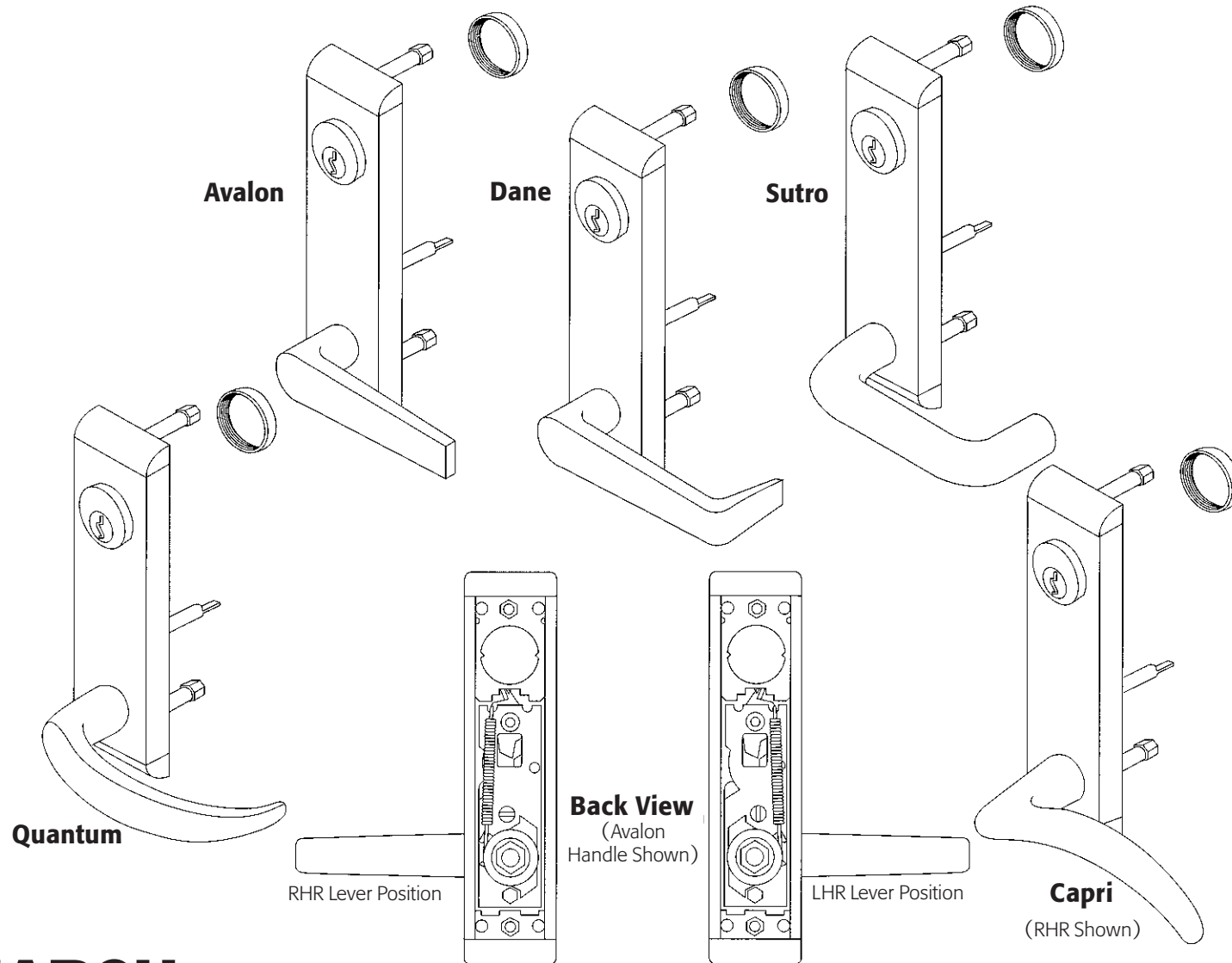
Trim Model No.

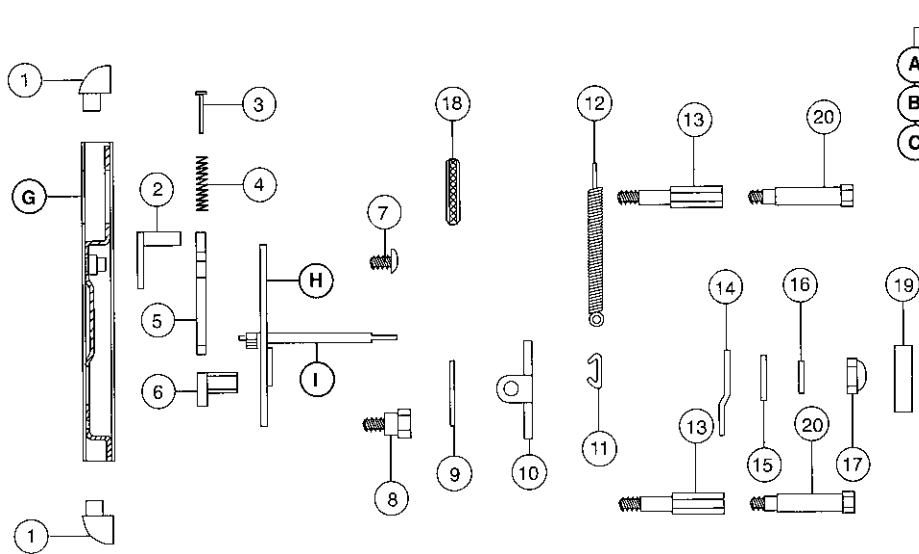
T	T-NL	T-(LS/LK)	T-DT	Application
1602	1602NL	1612	1622RV	17-R, 17-V
-	-	-	1622M	17-M

Lever Control Trim

17 Series

L, L-(LS/LK), L-NL and L-DT





Lever Trim- Concealed

17 Series

L & L-NL, L-(LS/LK) and L-DT

Model Information Chart

Trim	Avalon	Dane	Sutro	Quantum	Capri (RHR)	Capri (LHR)	Application
L	1605	1606	1607	1508	1502	1503	17-R, 17-V
L	1635	1636	1637	1538	1532	1533	17-M
L-(LS/LK)	1615	1616	1617	1518	1512	1513	17-R, 17-V
L-(LS/LK)	1645	1646	1647	1548	1542	1543	17-M
L-DT	1625	1626	1627	1528	1522	1523	17-R, 17-V
L-DT	1655	1656	1657	1558	1552	1553	17-M
L-NL	1605NL	1606NL	1607NL	1508NL	1502NL	1503NL	17-R, 17-V
L-NL	1635NL	1636NL	1637NL	1538NL	1532NL	1533NL	17-M

Item	Quantity																Part No.	Description	Finish	Remarks												
	Avalon				Dane				Sutro				Quantum								Capri (RHR)				Capri (LHR)							
	L	L-NL	L-(LS/LK)	L-DT	L	L-NL	L-(LS/LK)	L-DT	L	L-NL	L-(LS/LK)	L-DT	L	L-NL	L-(LS/LK)	L-DT	L	L-NL	L-(LS/LK)	L-DT	L	L-NL	L-(LS/LK)	L-DT	L	L-NL	L-(LS/LK)	L-DT				
A	1	1	1	1																									900267	Avalon Lever Sub Assembly	◆	
B					1	1	1	1																					900270	Dane Lever Sub Assembly	◆	
C									1	1	1	1																	900273	Sutro Lever Sub Assembly	◆	
D													1	1	1	1													900443	Quantum Lever Sub Assembly	◆	
E																	1	1	1	1									900446	Capri (RHR) Lever Sub Assembly	◆	
F																					1	1	1	1					900445	Capri (LHR) Lever Sub Assembly	◆	
G	1	1			1	1			1	1			1	1			1	1			1	1			1	1			900406	Housing Sub Assembly	◆	
			1	1			1	1			1	1			1	1			1	1			1	1			1	1	900407	Housing Sub Assembly	◆	
H	1	1	1	1	1	1	1	1	1	1	1	1	1	1	1	1	1	1	1	1	1	1	1	1	1	1	1	1	900236	Retainer Plate Sub Assembly		
I	1	1	1	1	1	1	1	1	1	1	1	1	1	1	1	1	1	1	1	1	1	1	1	1	1	1	1	1	943250	Actuator Shaft Sub Assembly		
1	2	2	2	2	2	2	2	2	2	2	2	2	2	2	2	2	2	2	2	2	2	2	2	2	2	2	2	2	4582	Forged End Caps	◆	
2	1	1			1	1			1	1			1	1			1	1			1	1			1	1			4268	Locking Plate		See Note #4
3	1	1	1		1	1	1		1	1	1		1	1	1		1	1	1		1	1	1		1	1	1		709239	3/32" x 3/4" Solid Rivet		
4	1	1	1		1	1	1		1	1	1		1	1	1		1	1	1		1	1	1		1	1	1		4605	Actuator Spring		
5	1	1	1		1	1	1		1	1	1		1	1	1		1	1	1		1	1	1		1	1	1		4265	Actuator Plate		
6	1	1	1		1	1	1		1	1	1		1	1	1		1	1	1		1	1	1		1	1	1		4274	Knob Hub		
7	1	1	1	1	1	1	1	1	1	1	1	1	1	1	1	1	1	1	1	1	1	1	1	1	1	1	1	1	709229	1/4" - 20 x 5/16" Button Head Cap Screw		
8	1	1	1	1	1	1	1	1	1	1	1	1	1	1	1	1	1	1	1	1	1	1	1	1	1	1	1	1	4354	Stop Post		
9	1	1	1		1	1	1		1	1	1		1	1	1		1	1	1		1	1	1		1	1	1		4218	Nylon Lever Washer		
10	1	1	1		1	1	1		1	1	1		1	1	1		1	1	1		1	1	1		1	1	1		4275	Spring Stop Plate		
11	1	1	1		1	1	1		1	1	1		1	1	1		1	1	1		1	1	1		1	1	1		4326	Lever Spring Clip		
12	1	1	1	1	1	1	1	1	1	1	1	1	1	1	1	1	1	1	1	1	1	1	1	1	1	1	1	1	4841	Lever Return Spring		
13	2	2	2	2	2	2	2	2	2	2	2	2	2	2	2	2	2	2	2	2	2	2	2	2	2	2	2	2	4270	Hex Stud		See Note #5
14				1				1				1				1				1				1				1	4302	Rigid Lever Plate		
15	1	1	1	1	1	1	1	1	1	1	1	1	1	1	1	1	1	1	1	1	1	1	1	1	1	1	1	1	709149	Flat Washer		
16	1	1	1	1	1	1	1	1	1	1	1	1	1	1	1	1	1	1	1	1	1	1	1	1	1	1	1	1	709202	Flat Washer		
17	1	1	1	1	1	1	1	1	1	1	1	1	1	1	1	1	1	1	1	1	1	1	1	1	1	1	1	1	709157	3/8" - 16 ESNA Lock Nut		See Note #2
18	1	1			1	1			1	1			1	1			1	1			1	1			1	1			3894	Cylinder Nut		
19	1	1	1	1	1	1	1	1	1	1	1	1	1	1	1	1	1	1	1	1	1	1	1	1	1	1	1	1	4415	Retainer		See Note #3
20	2	2	2	2	2	2	2	2	2	2	2	2	2	2	2	2	2	2	2	2	2	2	2	2	2	2	2	2	4349	Hex Stud		See Note #3
Part not Shown																													6116	NL Spring		

1. Items marked ◆ specify by finish: US-3, US-4, US-10, US-10B, US-26, US-26D, US-32 and US-32D.

2. Used on rim and vertical trim only.

3. Used on mortise trim only.

4. Item is modified for mortise device application.

5. For mortise device use item 20.

Control Trim

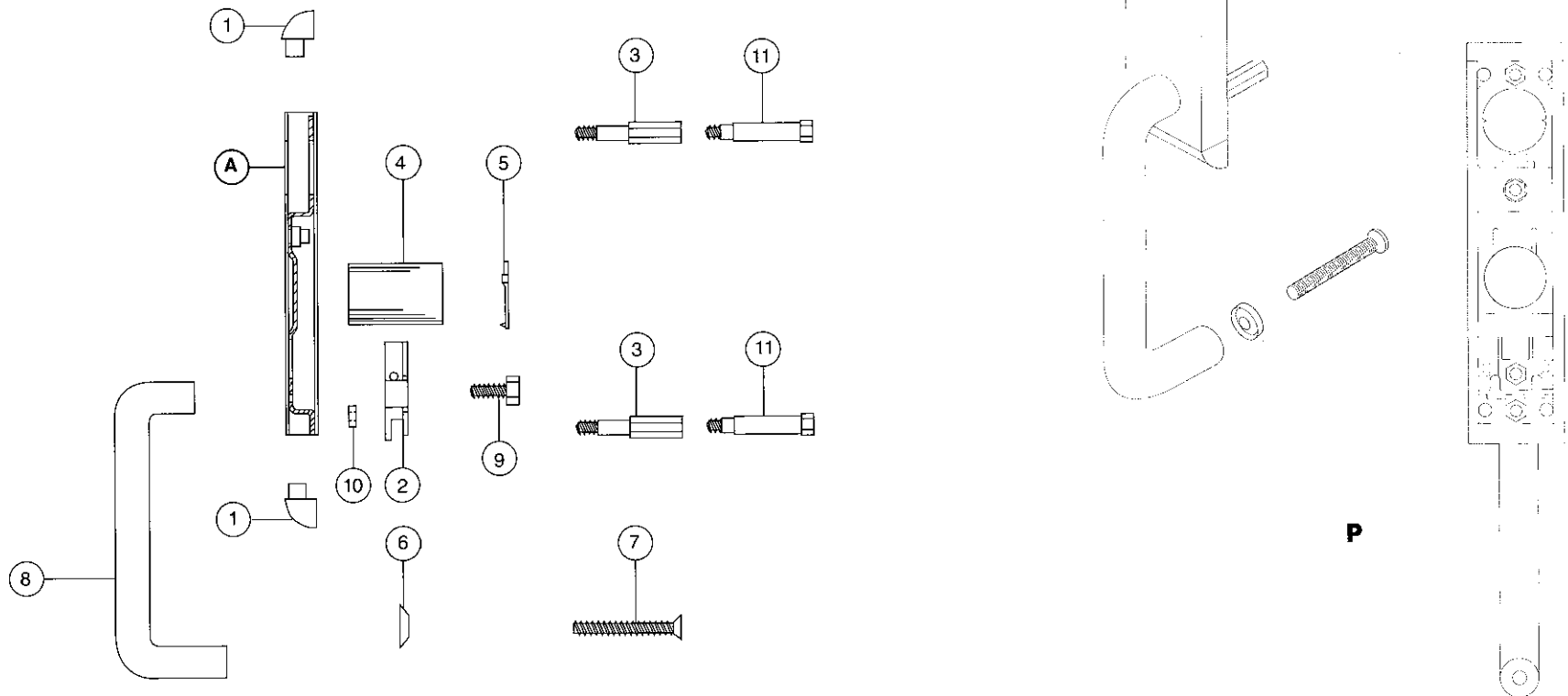
17 Series

DT Rim & Vertical (1797RV),
DT Mortise (1798M) and P (1799RV)

Item	Quantity			Part No.	Description	Finish	Remarks
	DT(RV)	P	DT(M)				
A		1		900411	Housing Sub Assembly (P)	◆	
	1		1	900412	Housing Sub Assembly (DT)	◆	
1	2	2	2	4582	Forged End Caps	◆	
2	1	1	1	4603	Thumbpiece Bracket		
3	2	2		4270	Hex Stud		
4		1		4120	Cylinder Spacer Collar		
5		1		4121	Cylinder Anchor Plate		
6	1	1	1		1/4" CSK Finish Washer	◆	See Note #2
7	1	1	1		1/4" - 20 x 2-1/4" FPHMS	◆	See Note #2
8	1	1	1	4256	Apollo Pull Grip	◆	
9	1	1	1	709224	1/4" - 20 x 1" Hex Head MS		
10	1	1	1	4861	Spacer		
11			2	4349	Hex Stud		

1. Items marked ◆ specify by finish: US-3, US-4, US-10, US-10B, US-26, US-26D, US-32 and US-32D.

2. Items without part numbers specify by description and finish.



Control Trim

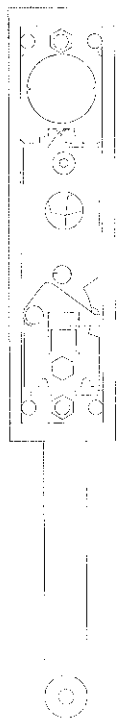
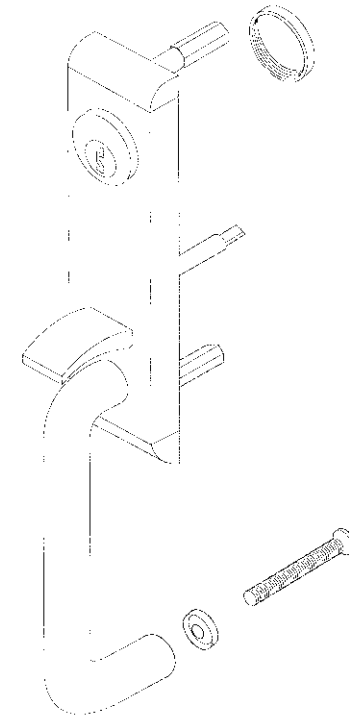
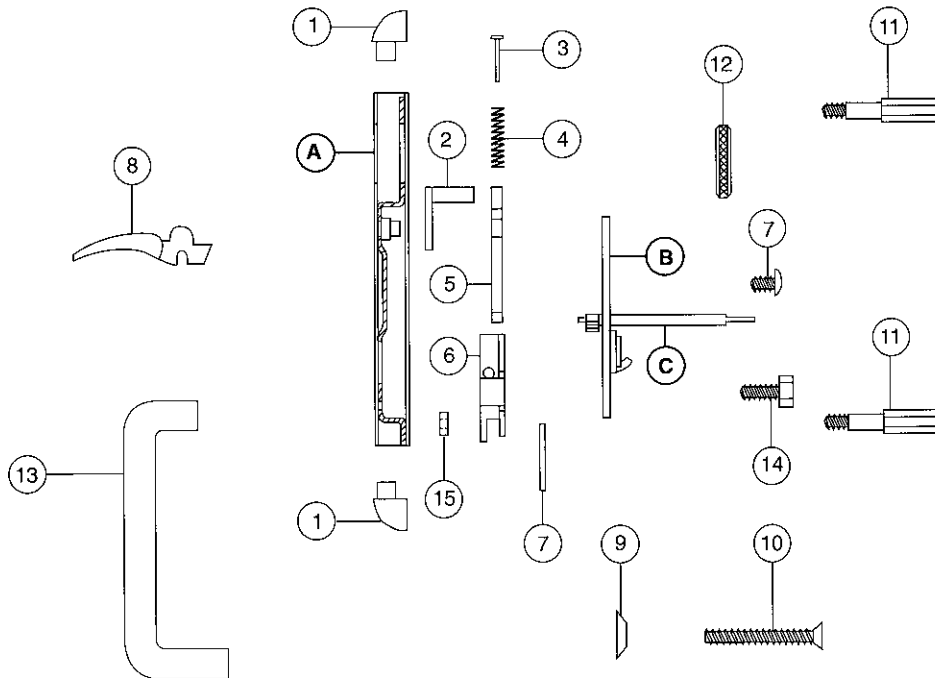
17 Series

T, T-NL and T-(LS/LK)

Item	Quantity			Part No.	Description	Finish	Remarks
	T	T-NL	T-(LS/LK)				
A	1	1		900408	Housing Sub Assembly	◆	
			1	900409	Housing Sub Assembly	◆	
B	1	1	1	900235	Retainer Plate Sub Assembly		
C	1	1	1	943250	Actuator Sub Assembly		
1	2	2	2	4582	Forged End Caps	◆	
2	1	1		4268	Locking Plate		
3	1	1	1	709239	3/32" x 3/4" Solid Rivet		
4	1	1	1	4605	Actuator Spring		
5	1	1	1	4265	Actuator Plate		
6	1	1	1	4603	Thumbpiece Bracket		
7	1	1	1	709104	1/8" x 1-1/4" Pin type "C"		
8	1	1	1	4602	Thumbpiece	◆	
9	1	1	1		1/4" CSK Finish Washer	◆	See Note #2
10	1	1	1		1/4" - 20 x 2-1/4" FPHMS	◆	See Note #2
11	2	2	2	4270	Hex Stud		
12	1	1		3894	Cylinder Nut		
13	1	1	1	4256	Pull Grip	◆	
14	1	1	1	709224	1/4" - 20 x 1" Hex Head MS		
15	1	1	1	4861	Spacer		
Part not Shown		1		6116	NL Spring		

1. Items marked ◆ specify by finish: US-3, US-4, UUS-10, US-10B, US-26, US-26D, US-32 and US-32D.

2. Omit item for 17 Series device trim.



Model Information Chart

Trim Model No.			
T	T-NL	T-(LS/LK)	Application
1796	1796NL	1793	17-R, 17-V

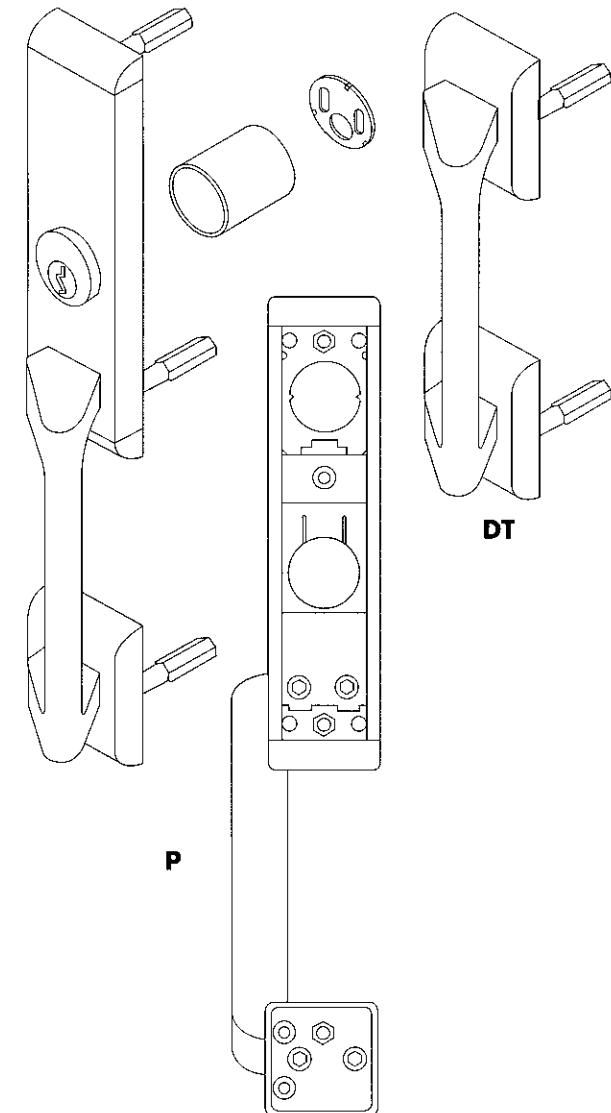
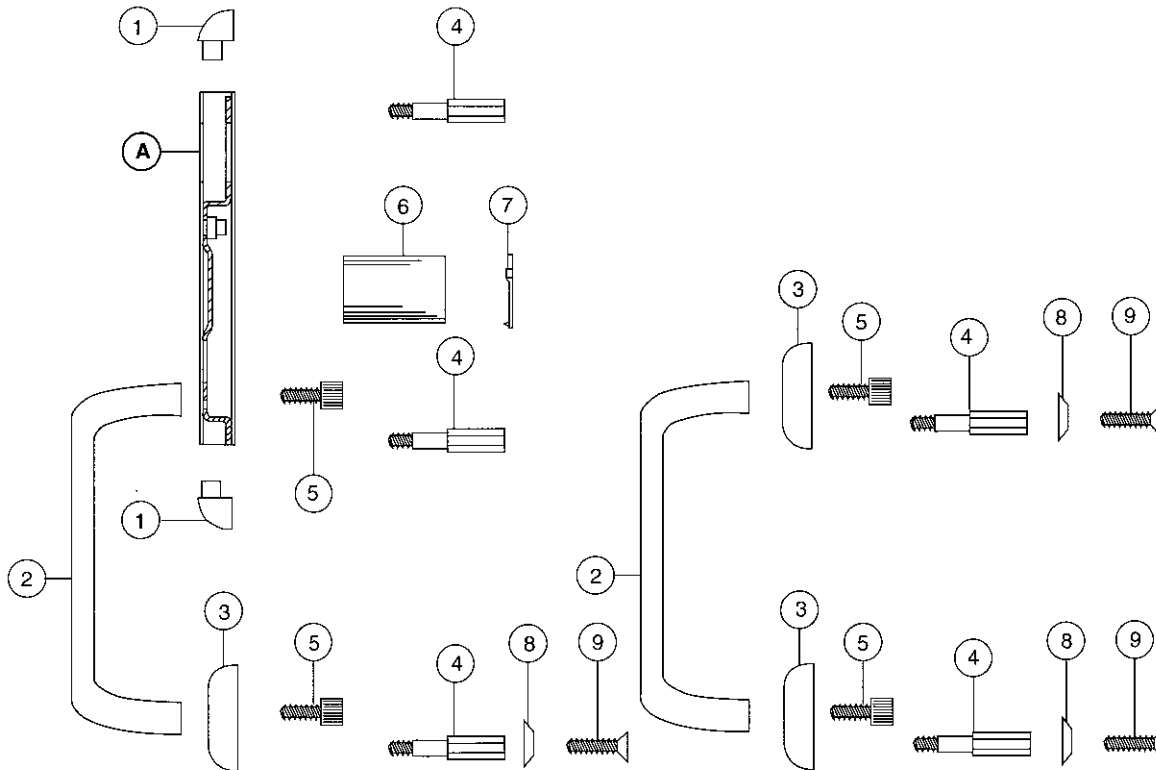
Delta Trim

17 Series

C (1603), DT (1600) and P (1601)

Item	Quantity			Part No.	Description	Finish	Remarks
	C	DT	P				
A	1			900416	Housing Sub Assembly	◆	
			1	900417	Housing Sub Assembly	◆	
1	2		2	4582	Forged End Caps	◆	
2		1	1	4377	Pull Grip	◆	
3		2	1	4313	Pull Pad	◆	
4	2	2	3	4270	Hex Stud		
5		2	4	709078	1/4" - 20 x 1/2" Hex Cap Screw		
6	1		1	4120	Cylinder Spacer Collar		
7	1		1	4121	Cylinder Anchor Plate		
8		2	1		1/4" CSK Finish Washer	◆	See Note #2
9		2	1		1/4" - 20 x 3/4" FPHMS	◆	See Note #2

1. Items marked ◆ specify by finish: US-3, US-4, US-10, US-10B, US-26, US-26D, US-32 and US-32D.
 2. Items without part numbers specify by description and finish.



MONARCH
Exit Devices & Door Hardware

Questions? Call: 800-826-5792 / FAX: 800-924-3551
 Monarch Hardware 805 N. Buckman Shepherdsville KY 40165 / Visit us on the Internet at www.monarchhardware.com

IR Security & Safety

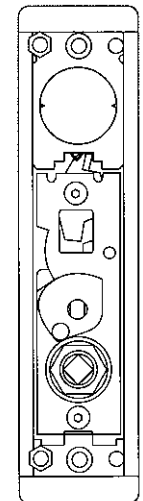
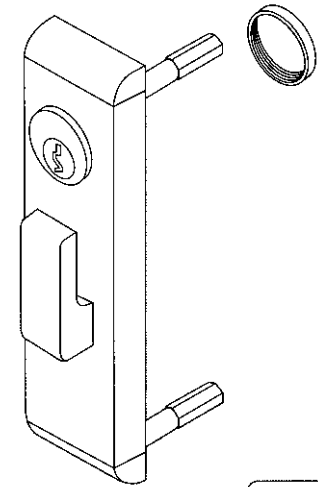
Delta SL- Surface Vertical Only

XX, 18 and 17 Series

SL (1618), SL-(LS/LK) (1658)
and SL-NL (1619)

Item	Quantity			Part No.	Description	Finish	Remarks
	SL	SL-NL	SL-(LS/LK)				
A	1	1		900229	Housing Sub Assembly	◆	
			1	900234	Housing Sub Assembly	◆	
B	1	1	1	900289	SL Sub Assembly	◆	
C	1	1	1	900060	Retainer Plate Sub Assembly		
1	1	1		4268	Locking Plate		
2	1	1	1	709239	3/32" x 3/4" Solid Rivet		
3	1	1	1	4605	Actuator Spring		
4	1	1	1	4265	Actuator Plate		
5	1	1	1	4274	Knob Hub		
6	2	2	2	709229	1/4" - 20 x 5/16" Button HD Cap Screw		
7	2	2	2	4270	Hex Stud		
8	1	1		3894	Cylinder Nut		
9	1	1	1	4342	Lift Block	◆	See Note #2
10	1	1	1	709157	3/8" - 16 ESNA Lock Nut		
Part not Shown		1		6116	NL Spring		

- Items marked ◆ specify by finish: US-3, US-4, US-10, US-10B, US-26, US-26D, US-32 and US-32D.
- Item is attached to surface vertical rod.



SL

