






LOCKNETICS

Electromagnetic Locks

Pentagon 100 Series Electromagnetic Lock Specification Chart

					
	101+ SERIES DELAYED EGRESS PLUS with Internal Sensor	103 SERIES DEFENDER Dynamic Load Resistant with Shock Absorbers	105 SERIES SENSORLOCK Egress System with PIR	107 SERIES DELAYED EGRESS with External Sensor	109 SERIES POWERLOCK PLUS with Integrated Access Control
HOLDING FORCE (LBS.)	1500	1500	1500	1650	1650
INPUT (STD. UNIT)	12/24 VAC/DC	12/24 VAC/DC	12/24 VAC/DC	12/24 VAC/DC	12/24 VAC/DC
CURRENT DRAW (AMPS - STD. UNIT)	.8A @ 12V .5A @ 24V	.8A @ 12V .5A @ 24V	.8A @ 12V .5A @ 24V	.8A @ 12V .5A @ 24V	.8A @ 12V .5A @ 24V
CURRENT DRAW (AMPS - PWM OPTION)	.35A @ 12V (1200 LB. H.F.)	N/A	.35A @ 12V (1200 LB. H.F.)	.35A @ 12V (1200 LB. H.F.)	.35A @ 12V (1200 LB. H.F.)
LOCK BODY DIMENSIONS (SGL.)	11-1/2"L 3-1/32"H 3-3/16"D	11-1/2"L 3-1/32"H 3-3/16"D	13-1/8"L 3-1/32"H 3-3/16"D	11-1/2"L 2-3/4"H 2-1/2"D	11-1/2"L 2-3/4"H 2-1/2"D
"ROCKING" MAGNET	YES	YES	YES	NO	NO
DOUBLE UNIT (COMMON HOUSING)	101+DB	N/A	N/A	107DB	109DB
AUTOMATIC VOLTAGE SELECTOR	YES	YES	YES	YES	YES
LOW VOLTAGE SENSOR	YES	YES	YES	YES	YES
ONBOARD LOGIC FOR ACCESS CONTROL	YES	YES	YES	YES	YES
ONBOARD TRANSACTION MEMORY	YES	YES	YES	YES	YES

Options

MBS—MAGNETIC BOND SENSOR	■	■	■	■	■
DSM—DOOR STATUS MONITOR	■	■	■	■	■
ATS—ANTI-TAMPER SWITCH	■	■	■	■	■
PWM—POWERMISER	■	■	■	■	■
SEC—SECURITY ALARM	■	■	■	■	■
TR80—TOUCHENTRY READER-NARROW	■	■	■	■	■
TR81—TOUCHENTRY READER-SGL GANG	■	■	■	■	■
KP70—KEYPADS (REQUIRE 100CAB CABLE)	■	■	■	■	■
ATR—AUDIT TRAIL	■	■	■	■	■
FES—FORCED ENTRY		■			

Approvals

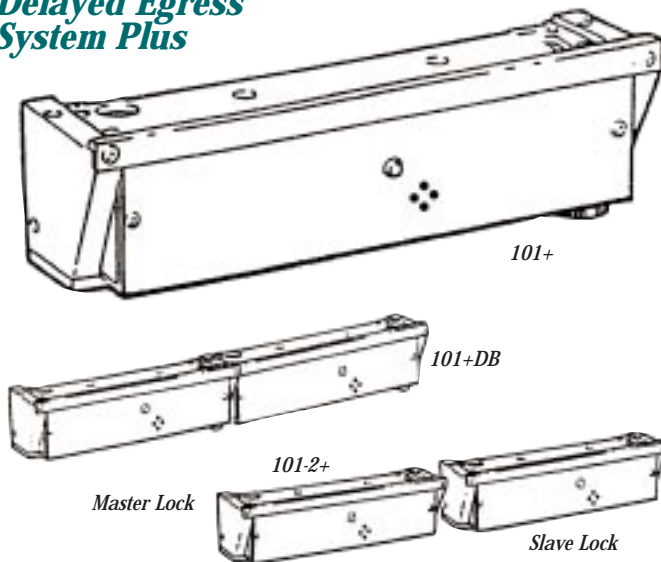
UL - AUX. LOCK (FIRE DR & FR)	R12092	R12092	R12092	R12092	R12092
UL - SPEC LOCK. ARR.	SA8954			SA8954	
MEA	100-95-E	100-95-E	100-95-E	99-95-E	99-95-E

Finishes

The Pentagon series is available in: 625—Bright Chrome, 605—Bright Brass, 613—Dark Satin Bronze, 628—Satin Aluminum (Standard Finish) and 685—Satin Black

Please contact the local authority having jurisdiction (AHJ) whenever delayed egress systems are installed.

101+ Series Delayed Egress System Plus



The 101+ Series Delayed Egress System is a self-contained unit designed to meet NFPA Life Safety Code 101 - Special Locking Arrangements. Features patented "rocking magnet" to trigger 15 or 30 second alarmed delay.

Features

- TouchEntry reader onboard the lock housing to provide Reset and Legal Release.
- Includes two reprogrammable TouchEntry Keys standard with each lock.
- Up to seven keys can be programmed at one time without a separate programmer.
- The onboard microprocessor provides an integrated locking and access control system, which accepts TouchEntry readers or Keypads.
- UL Listed

Specifications

- Overall Lock Size: Single - 11-1/2"L x 3-1/32"H x 3-3/16"D
Double - 23"L x 3-1/32"H x 3-3/16"D
- Input Voltage: 12 or 24 VAC/VDC with Automatic Voltage selector
- Current Draw: 0.8 A @ 12V 0.5 A @ 24V
PWM option 0.4 Amp @ 12VDC ONLY 1200 lbs
- Holding Force: 1500 lbs

Models

- 101+ Single Lock
- 101+DB Double Lock - Single Housing - 0.8A (12 VOLT ONLY)
- 101-2+ Double Lock - Separate Housings - 0.8A (12 VOLT ONLY)

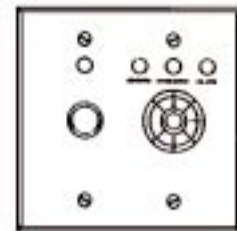
Please contact the local authority having jurisdiction (AHJ) whenever delayed egress systems are installed.

Options

- | | |
|------------------------------|---------------------------|
| ■ Anti-Tamper Switch | Single/Double
ATS/ATS2 |
| ■ Door Status Monitor | DSM/DSM2 |
| ■ Magnetic Bond Sensor | MBS/MBS2 |
| ■ Herculite Door Bracket | HDB1/HDB2 |
| ■ Powermiser (12 VOLTS ONLY) | PWM/Standard |
| ■ Security Alarm | SEC/N/A |
| ■ BOCA Code feature | BOCA/N/A |

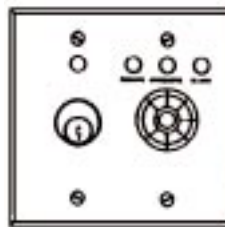


801

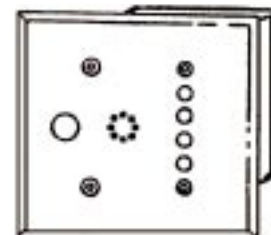


801TE

801KS



804



Accessories

- 593PI-12—Plug-in Transformer
- 801—Local or Remote Monitoring Station (requires MBS option)
- 801KS—Local or Remote Monitoring Station with Keyswitch (w/o cyl) for Legal Release/Reset feature (requires MBS option) SPDT momentary X SPDT maintained contact arrangement
- 801TE—Local or Remote Monitoring Station with TouchEntry Reader for Legal Release/Reset feature (requires MBS option)
- 804—4 Zone Remote Monitoring Station (requires MBS option)
- REX100—Request to Exit Module - to signal external equipment

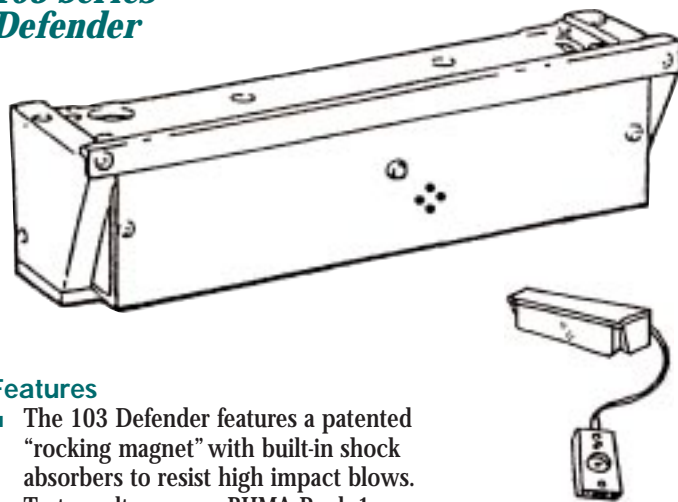
Access Control Options

- ATR—Audit Trail Record
- MX500—Memory Expansion for 500 Users: includes ATR option. Requires Computer Programming with CIP

Pentagon Series Option Descriptions

- | | |
|-----|--|
| PWM | Powermiser—provides low current draw .4 amps @ 12 volts |
| FES | Forced Entry Switch—detects forced entry attempt and latches the alarm output contacts, before the lock is violated. |
| ATS | Anti-tamper Switch—triggers alarm if cover is removed from lock. |
| DSM | Door Status Monitor—indicates when door is opened or closed. |
| MBS | Magnetic Bond Sensor—indicates when lock is secured or unsecured |

**103 Series
 Defender**



Features

- The 103 Defender features a patented “rocking magnet” with built-in shock absorbers to resist high impact blows.
- Test results surpass BHMA Rank 1 dynamic load tests by 3 times!
- The onboard microprocessor provides an integrated locking and access control system, which accepts TouchEntry readers or Keypad.
- UL Listed

Specifications

- Overall Lock Size: 11-1/2”L x 3-1/32”H x 3-3/16”D
- Input Voltage: 12 or 24 VAC/VDC with Automatic Voltage selector
- Current Draw: 0.8 A @ 12V 0.5 A @ 24V
- Holding Force: 1500 lbs

Model

- 103 Single Lock
- 103LM Single Lock - Less Microprocessor

Options

- Anti-Tamper Switch—ATS
- Door Status Monitor—DSM
- Magnetic Bond Sensor—MBS
- Forced Entry Switch—FES
- Herculite Door Bracket—HDB1
- Security Alarm—SEC (not available with 103LM)

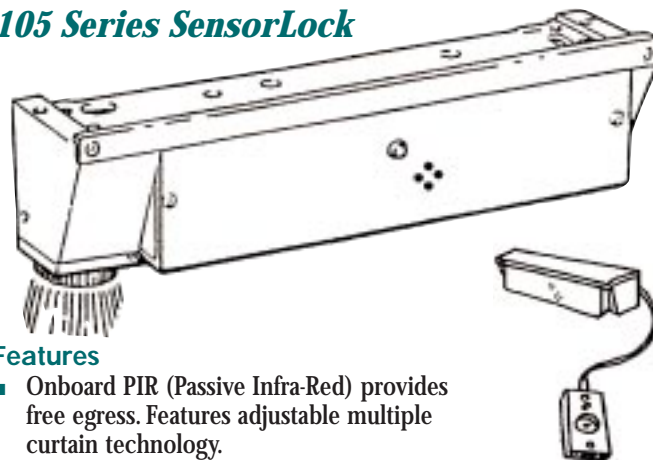
Accessories

- 593PI-12—Plug-in Transformer
- REX100—Request to Exit Module - to signal external equipment

Access Control Options

- ATR—Audit Trail Record (not available with 103LM)
- MX500—Memory Expansion for 500 Users: includes ATR option. Requires computer programming with CIP (not available with 103LM).

105 Series SensorLock



Features

- Onboard PIR (Passive Infra-Red) provides free egress. Features adjustable multiple curtain technology.
- Patented “rocking magnet” provides alternate egress method.
- Onboard lighted Exit button provides redundant backup release method.
- Early Warning Security Alarm is standard on 105 Model. Audible sounds when attempt is made to force door open from outside.
- The onboard microprocessor provides an integrated locking and access control system, which accepts TouchEntry readers or Keypads.
- UL Listed

Specifications

- Overall Lock Size: 13-1/8”L x 3-1/32”H x 3-3/16”D
- Input Voltage: 12 or 24 VAC/VDC with Automatic Voltage selector
- Current Draw: 0.8 A @ 12V 0.5 A @ 24V
 PWM option 0.4 Amp @ 12VDC ONLY 1200 lbs
- Holding Force: 1500 lbs

Model

- 105 Single Lock

Options

- Anti-Tamper Switch—ATS
- Door Status Monitor—DSM
- Magnetic Bond Sensor—MBS
- Powermiser (12 VOLT ONLY)—PWM
- Herculite Door Bracket—HDB1
- Security Alarm—SEC

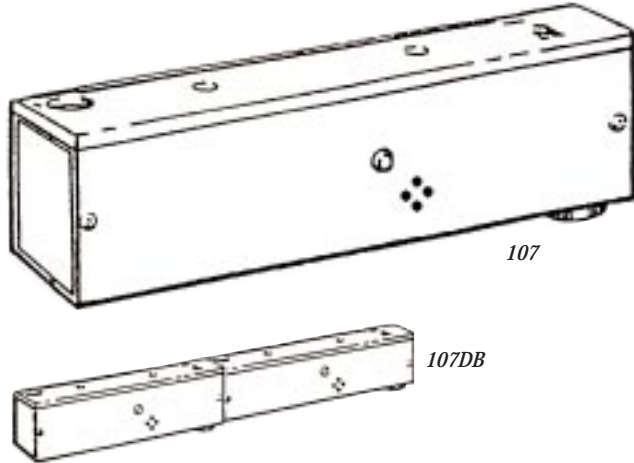
Accessories

- 593PI-12—Plug-in Transformer

Access Control Options

- ATR—Audit Trail Record
- MX500—Memory Expansion for 500 Users: includes ATR option. Requires computer programming with CIP.

107 Series
Delayed Egress System



Features

- The 107 Series Delayed Egress System is designed to meet NFPA Life Safety Code 101 - Special Locking Arrangements. It contains onboard delayed egress circuitry, which when combined with an external sensor such as a Touchbar, triggers a 15 or 30 second delay and an audible alarm.
- TouchEntry reader onboard the lock housing to provide Reset and Legal Release.
- Includes two reprogrammable TouchEntry Keys standard with each lock.
- The onboard microprocessor provides an integrated locking and access control system, which accepts TouchEntry readers or Keypads.

Specifications

- Overall Lock Size: Single - 11-1/2"L x 2-3/4"H x 2-1/2"D
Double - 23"L x 2-3/4"H x 2-1/2"D
- Input Voltage: 12 or 24 VAC/VDC with Automatic Voltage selector
- Current Draw: 0.8 A @ 12V 0.5 A @ 24V
PWM option 0.4 Amp @ 12VDC ONLY 1200 lbs
- Holding Force: 1650 lbs

Models

- 107—Single Lock
- 107DB—Double Lock - Single Housing - 0.8A (12 VOLT ONLY)
- 107-2—Double Lock - Separate Housings - 0.8A (12 VOLT ONLY)
- 107TJ—Single Lock - Top Jamb mounting (requires 801 monitor and MBS option)

Please contact the local authority having jurisdiction (AHJ) whenever delayed egress systems are installed.

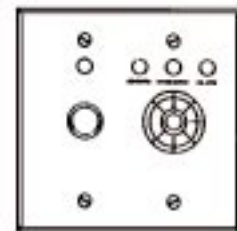
Options

- | | |
|---|---|
| <ul style="list-style-type: none"> ■ Anti-Tamper Switch ■ Door Status Monitor ■ Magnetic Bond Sensor ■ Herculite Door Bracket ■ Powermiser (12 VOLT ONLY) ■ Security Alarm ■ BOCA Code feature | <ul style="list-style-type: none"> Single/Double ATS/ ATS2 DSM/DSM2 MBS/MBS2 HDB1/HDB2 PWM/Standard SEC/ N/A BOCA/N/A |
|---|---|

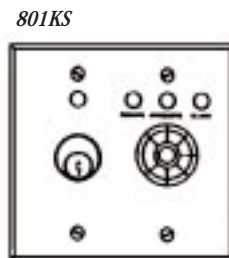
Accessories



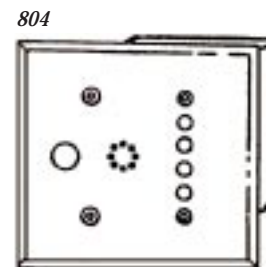
801



801TE



801KS



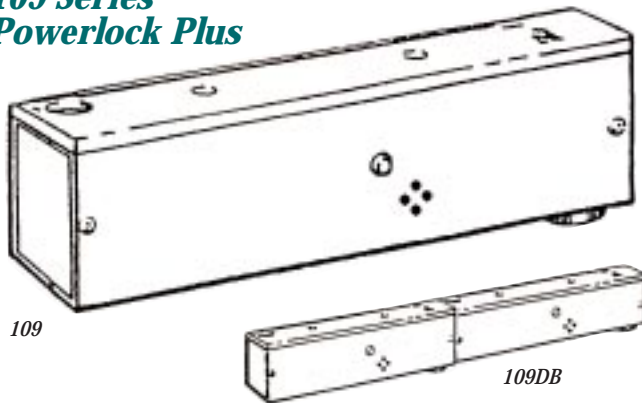
804

- 593PI-12—Plug-in Transformer
- 671AR—Touchbar with armored door cord, for 36" door.
- 690-36—SmartBar with armored door cord, for 36" door.
- 801—Local or Remote Monitoring Station (requires MBS option)
- 801KS—Local or Remote Monitoring Station with Keypad (w/o cyl) for Legal Release/Reset feature (requires MBS option) SPDT momentary X SPDT maintained contact arrangement
- 801TE—Local or Remote Monitoring Station with TouchEntry Reader for Legal Release/Reset feature (requires MBS option)
- 804—4 Zone Remote Monitoring Station (requires MBS option)
- REX100—Request to Exit Module - to signal external equipment

Access Control Options

- ATR—Audit Trail Record
- MX500—Memory Expansion for 500 Users: includes ATR option. Requires computer programming with CIP

109 Series Powerlock Plus



Features

- The 109 Powerlock Plus features onboard microprocessor, audible alarm, and LED, providing the ability to monitor lock functions locally and remotely.
- The onboard microprocessor provides an integrated locking and access control system, which accepts TouchEntry readers or Keypads.
- UL listed

Specifications

- Overall Lock Size: Single - 11-1/2" L x 2-3/4" H x 2-1/2" D
Double - 23" L x 2-3/4" H x 2-1/2" D
- Input Voltage: 12 or 24 VAC/VDC with Automatic Voltage selector
- Current Draw: 0.8 A @ 12V 0.5A @ 24V
PWM option 0.4 Amp @ 12VDC ONLY 1200 lbs
- Holding Force: 1650 lbs

Models

- 109 Single Lock
- 109TJ Single - Top Jamb mount
- 109DB Double Lock - Single Housing - 0.8A (12 VOLT ONLY)

Options

- | | |
|-----------------------------|---------------|
| ■ Anti-Tamper Switch | Single/Double |
| ■ Door Status Monitor | ATS/ ATS2 |
| ■ Magnetic Bond Sensor | DSM/DSM2 |
| ■ Herculite Door Bracket | MBS/MBS2 |
| ■ Powermiser (12 VOLT ONLY) | HDB1/HDB2 |
| ■ Security Alarm | PWM/Standard |
| | SEC/ N/A |

Accessories

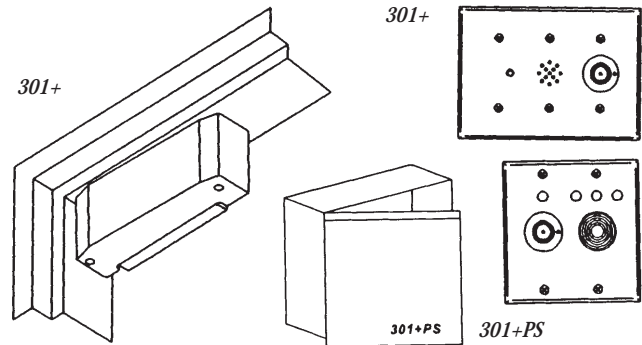
- 593PI-12—Plug-in Transformer
- REX100—Request to Exit Module - to signal external equipment

Access Control Options

- ATR—Audit Trail Record
- MX500—Memory Expansion for 500 Users: includes ATR option. Requires computer programming with CIP

Please contact the local authority having jurisdiction (AHJ) whenever delayed egress systems are installed.

301+ Series Delayed Egress System



Features

- The 301+ Series Delayed Egress System is designed to meet NFPA Life Safety Code 101- Special Locking Arrangements
- Features patent pending "swinging magnet" which triggers 15 or 30 second delay and audible signal.
- Features TouchEntry reader onboard the control panel to provide Reset and Legal Release. Includes two reprogrammable TouchEntry Keys standard with each system. Up to seven keys can be programmed at one time without a separate programmer.
- The microprocessor also provides an integrated locking and access control system, which accepts TouchEntry readers or Keypads.

Specifications

- Lock Size: 7-1/4" L x 1-3/4" W x 2-1/8" H
Controller Size 6-3/8" W x 4-1/2" H x 2-1/2" D
- Input Voltage: 12 or 24 VAC/VDC
- System Current Draw: 0.53 Amp @ 12 Volts, 0.65 Amp @ 24 Volts
- Holding Force: 500 lbs @ 12 Volts, 650 lbs @ 24 Volts

Models

- 301+ Single Locking system
- 301+PS System with Power Supply (includes MBS & 801TE)

Options

- Door Status Monitor—DSM
- Magnetic Bond Sensor—MBS
- Security Alarm—SEC
- BOCA Code feature—BOCA

Accessories

- 593PI-12—Plug-in Transformer
- 804—4 Zone Remote Monitoring Station (requires MBS option)
- REX100—Request to Exit Module: to signal external equipment

Finishes

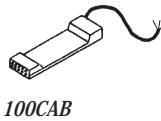
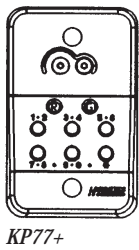
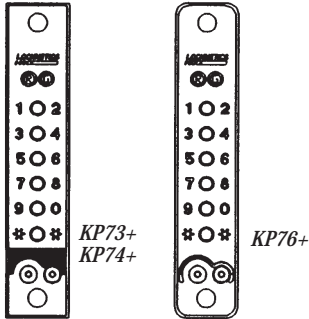
- SPC—Silver Powder Coat (standard)
- BTPC—Black Textured Powder Coat

Access Control Options

- ATR—Audit Trail Record
- MX500—Memory Expansion for 500 Users: includes ATR option. Requires computer programming with CIP.

Accessories

The First Integrated Electromagnetic Lock Access Control System



Features

- SelectEntry keypads allow choice of keypad only, or a combination of keypad and TouchEntry access control. TouchEntry reader only may also be used. (order TEK's separately)
- Communication ports for programming and audit functions.
- Basic programming features for simple access control capabilities.
- Enhanced computer programming with portable PC for access control capabilities.

Access Devices

- Keypads: Keypads REQUIRE 100CAB cable for Pentagon & 301+ Series
- 100CAB—Adapter cable accepts one or two keypads, 16 foot
- KP73+—Satin Chrome on Cast Bronze (626); Black Buttons (1-3/8" x 6-3/4")
- KP74+—Stainless Steel (630); Stainless Steel Buttons (1-3/8" x 6-3/4")
- KP76+—Black Lexan with Stainless Steel Buttons (1-3/8" x 7")
- KP77+—Black Lexan Keypad; Stainless Steel Buttons (2-3/4" x 4-1/2")

TouchEntry Readers, Keys and Programmers

- TR80—TouchEntry reader - Narrow style for frame mounting
- TR81—TouchEntry reader - for single gang box application
- TEK1—TouchEntry Data Key w/adhesive backing
- TEK2—TouchEntry Data Key w/keyfob
- TEP1—Entry Level TouchEntry Programmer
- TEP2—Keypad Style TouchEntry Programmer

Accessories

- TEP3—Computer Programmer / Auditor (Hewlett Packard HP200LX palm-top, H-P Connectivity Pack, Interface module and pre-installed software)
- CIP—Computer Interface Pack - for use with portable PC IBM 286 or above running DOS 3.1 or above, (includes software, cable and interface module)
- APA*—Adapter Plate (Alum) for gang box
- APS*—Adapter Plate (Stainless) for gang box
- AUXCAB1—1 ft Auxiliary Cable
- AUXCAB16—16 ft Auxiliary Cable
- SSP*—Stainless Steel Spy Shield

**accessories not available for KP77+ keypads*

Finishes

- 313—Dark Satin Bronze
- 335—Satin Black
- 666—Bright Brass*
- 672—Bright Chrome*
- 613—Dark Satin Bronze (For KP73+ only)
- 685—Satin Black
- 612—Satin Bronze
- 605—Bright Brass
- 625—Bright Chrome

**Black anodized frame with plated cover on (101+, 101+DB, 101-2+, 103, 105)*

Keypad Configurations

See page 99 for diagrams

- Single Keypad System Double Keypad System
- Keypads Mounted Back to Back
- Double Keypad System One Keypad at Remote Location

HOLDING FORCE (LBS.)

INPUT (STD.)

CURRENT DRAW (AMPS)

LOCK BODY DIMENSIONS (SGL.)

DOUBLE UNIT

MTG. TYPE

WIRING

Options

- MBS Magnetic Bond Sensor
- DSM Door Status Monitor
- ATD Adj. Relock Delay
- RC Rectifier
- TJ Top Jamb Mounting
- HDB Herc. Dr. Brkt.
- ATS Anti-tamper Switch
- CLH Custom Length Housing

LIGHTS

GUARD PLATE

Approvals

UL - AUX LOCK (FIRE DR & FR)

NYC - MEA BS&A

CAL. STATE FIRE MARSHAL

ULC

OTHER

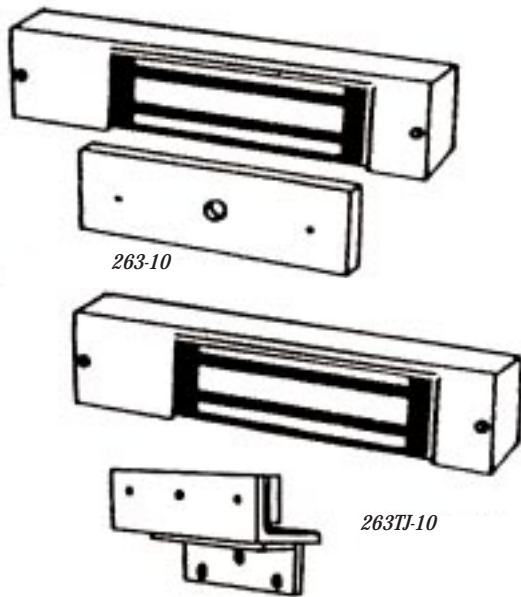
LOCKNETICS

Electromagnetic Locks

Electromagnetic Lock Specification Chart

263 SERIES NARROW LINE PLUS™	268 SERIES NARROW LINE	280 SERIES MORTISE SHEAR LOCK	290 SERIES SURFACE SHEAR LOCK	320 SERIES MINI LINE™	320M SERIES MORTISE SLIDING	320P SERIES CENTER PULL MINI LINE™	390 SERIES POWER LOCK	2000 SERIES SUPERMAG	GF3000 SERIES SHEAR LOCK	GF3000SM SERIES SURFACE SHEAR LOCK	380 POWER- MISER SERIES	310 ENTRY LEVEL
800	1200	2700	3000	650/500	650/500	650/500	1650	2000	3000	3000	1200	1200
12/24 VDC SELECTABLE	12/24 VDC SELECTABLE	12/24 VDC SELECTABLE	12/24 VAC/DC SELECTABLE	12/24 VDC SELECTABLE	12/24 VDC SELECTABLE	12/24 VDC SELECTABLE	12/24 VDC SELECTABLE	12/24 VDC SELECTABLE	12/24 VDC SELECTABLE	12/24 VAC/DC	12 VDC	12/24 VDC SELECTABLE
.68 @ 12V .35 @ 24V	.68 @ 12V .35 @ 24V	.90 @ 12V .45 @ 24V	.90 @ 12V .45 @ 24V	0.225 @ 12V (500 LBS) 0.45 @ 24V (650 LBS)	0.225 @ 12V (500 LBS) 0.45 @ 24V (650 LBS)	0.225 @ 12V (500 LBS) 0.45 @ 24V (650 LBS)	0.67 @ 12V 0.35 @ 24V	1.0 @ 12V 0.5 @ 24V	0.90 @ 12V 0.45 @ 24V	0.90 @ 12V 0.45 @ 24V	0.16 @ 12V	0.6 @ 12V 0.3 @ 24V
9"L 2"H 2-3/16"D	14"L 2"H 2-3/16 D	8-9/16"L 1-1/2"H 1-3/16 D	7-1/2"L 1-1/2"H 1-5/8"D	7"L 1-7/8"H 1-3/8"D	7"L 1-1/2"H 1-1/4"D	7"L 1-1/2"H 1-1/4"D	10-1/2"L 2-1/2"H 1-1/2"D	10-1/2"L 2-1/2"H 1-1/2"D	8-3/16"L 1-1/2"H 1-1/2"D	9-7/8"L 2"H 1-7/8"D	10-1/2"L 2-1/2"H 1-1/2"D	10"L 2-9/16"H 1-1/2D
N/A	268-20	N/A	N/A	322	N/A	N/A	392	2020	N/A	N/A	382	N/A
SURFACE	SURFACE	MORTISE (SHEAR)	SURFACE (SHEAR)	SURFACE	MORTISE	MORTISE (PULL)	SURFACE	SURFACE	MORTISE (SHEAR)	SURFACE	SURFACE	SURFACE
LEADS	LEADS	LEADS	LEADS	LEADS	LEADS	LEADS	TERMINALS	TERMINALS	LEADS	LEADS	TERMINALS	LEADS
■ ■ ■ ■ ■ ■	■ ■ ■ ■ ■ ■ ■ ■ ■ ■	■ ARS - STD STD	■ ARS - STD STD	■ ■ ■ ■ ■ ■	■ ■ ■ ■ ■ ■	■ ■ ■ ■ ■ ■ ■ ■ ■ ■	■ ■ ■ ■ ■ ■ ■ ■ ■ ■	■ ■ ■ ■ ■ ■ ■ ■ ■ ■	■ ■ STD	■ ■ STD	■ ■ ■ ■ ■ ■ ■ ■ ■ ■	■
R12092	R12092	R12092	R12092	R12092	R12092	R12092	R12092	R12092	R12092	R12092	R12092	R12092
13-95-E	13-95-E 664-73-SM	14-95-E 231-90-SM	14-95-E	14-95-E	14-95-E	14-95-E	98-95-E 231-90-SM	14-95-E	222-96-E	222-96-E	98-95-E 231-90-SM	11-95-E
	3774- 0544:100 ELEC. LOCK	3774- 0544:100 ELEC. LOCK					3774- 0544:100 ELEC. LOCK		3774- 0544:100 ELEC. LOCK	3774- 0544:100 ELEC. LOCK	3774- 0544:100 ELEC. LOCK	
	CMS153	CMS153					CMS153				CMS153	
	CSA J.I. OG5ALAE						ANSI A156.23				ANSI A156.23	

263 Series
NarrowLine Lock



Recommended for medium security applications

Specifications

- Overall Lock Size: 9"L x 2"H x 2-3/16"D
- Current Draw: 0.68 Amp @ 12VDC, 0.35 Amp @ 24VDC
- Holding Force: 800 lbs
- Dual Voltage: Field Selectable 12 or 24 VDC
- UL listed

Models

- 263-10—Surface Mount
- 263TJ—Top Jamb Mount
Supplied with armature bracket for top jamb mounting on inswinging doors.

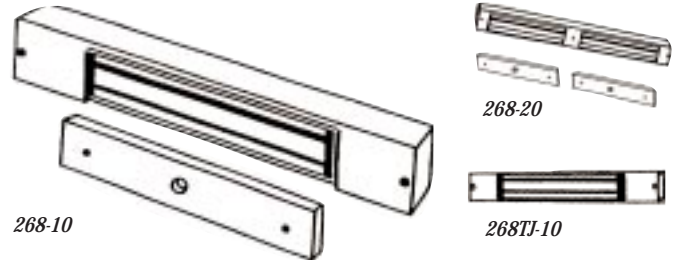
Options

- Adjustable Time Delay—ATD
- Anti-Tamper Switch—ATS
- Door Status Monitor—DSM
- Light (green)—L1
- Lights (red and green)—L2
- Magnetic Bond Sensor—MBS
- Rectifier (for use with AC)—RCP

Electromagnetic Lock Option Descriptions

ATD Adjustable Time Delay—provides delayed relocking from 0-30 seconds
RCP Rectifier—used to provide the use of AC power to operate 12V and 24V locks.
ATS Anti-tamper Switch—triggers alarm if cover is removed from lock.
DSM Door Status Monitor—indicates when door is opened or closed.
MBS Magnetic Bond Sensor—indicates when lock is secured or unsecured.
HDB Herculite Door Bracket Kit—to convert a standard magnetic lock for application on a glass door.
TJ Top Jamb Mounting Kit—to convert for inswinging doors.
SMTD Single Module Time Delay—provides 0-30 sec. adjustable time delay for relocking and an audible horn—specify voltage

268 Series
NarrowLine Plus™ Lock



Specifications

- Overall Length: 14"L x 2"H x 2-3/16"D single; 25" double
- Current Draw: 0.68 Amp @ 12 VDC, 0.35 Amp @ 24 VDC
- Holding Force: 1200 lbs
- Dual Voltage field selectable 12/24 VDC
- UL listed

Outswinging Door Models

- 268-10 Single
- 268-15 Single with Split Armature
- 268-20 Double

Inswinging Door Models

- 268TJ-10 Single Top Jamb Unit
- 268TJ-20 Double Top Jamb Unit

Full Length Custom Housings

(outswinging doors only) (Specify size and hand when ordering)

- 268-30—C.L.H. horizontal single to 4ft. (handed)
- 268-40—C.L.H. horizontal double to 8 ft.
- 268-50—C.L.H. vertical single to 8 ft.
- 268-60—C.L.H. vertical double to 8 ft.

For longer lengths, contact Mayflower.

Options

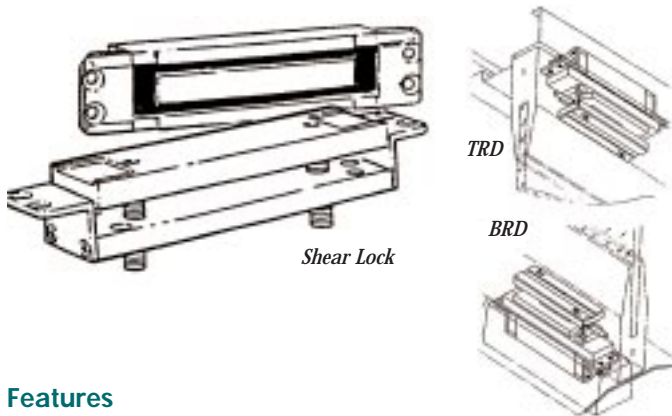
- | | |
|--|---------------------------|
| ■ Adjustable Time Delay | Single/Double
ATD/ATD2 |
| ■ Anti-Tamper Switch (5.0 Amp @ 125VAC) | ATS/ATS |
| ■ Door Status Switch (0.2 Amp @ 30VDC) | DSM/DSM2 |
| ■ *Light (green) | L1/L1 |
| ■ *Lights (red and green) | L2/L2 |
| ■ *Magnetic Bond Sensor | MBS/MBS2 |
| ■ Rectifier (for use with AC) | RCP/RCP2* |
| ■ Signal Module Time Delay (Specify Voltage) | SMTDMOD/
SMTDMOD |

*not available on 268-15

Accessories

- HDB268—1 U-Bracket (not available with 268TJ models)
- GP—1 Guard Plate—Single
- GPD—2 Guard Plate—Double

280 Series Mortise Mount Shear Lock



Features

- Dual voltage, field selectable
- Adjustable time delay on relock, 0 - 30 seconds
- Door position switch, to prevent premature relock
- Universal hardware for installation into flush or recessed (1/8" to 2-1/2") depth door edge.

Specifications

- Overall Lock Size: 8-9/16"L x 1-1/2"W x 1-1/4"H
- Current Draw: 0.90 Amp @ 12VDC, 0.45 Amp @ 24VDC
- Holding Force: 2700 lbs

Models

- 280—Standard Unit Adjustable from top edge of door.
- 280BRD—Bottom Rail Door Mounting assembly to mortise armature into bottom rail of door. Magnet is installed in floor/threshold. Provides solution when no top rail available. (Not for wood doors)
- 280TRD—Top Rail Door Mounting assembly which provides armature adjustment from the latch edge of the door. Recommended with zero clearance condition between top of door and ceiling. (Not for wood doors)
- 280WF—Wood Frame Unit (12VDC ONLY). Adjustable from top edge of the frame. Includes: Wood Frame Tabs (WFT) Low Temperature Module (LTM)

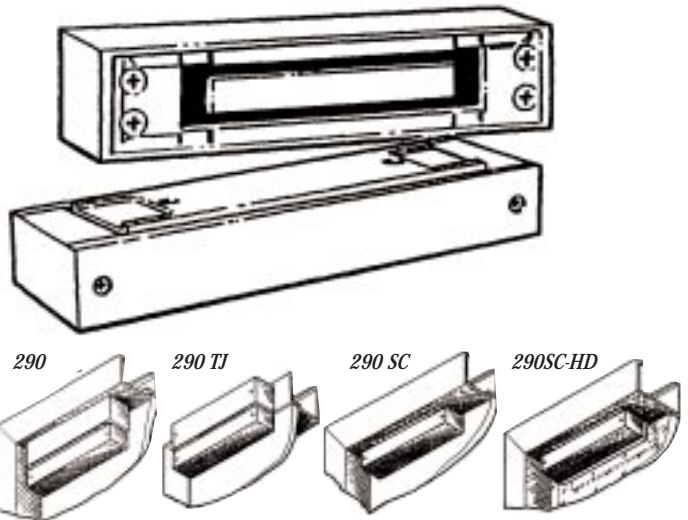
Options

- MBS—Magnetic Bond Sensor
- RCP—Rectifier (for use with AC)

Accessories

- 280-71—Modification Assembly (Extender tabs to install 280 shear lock in template cutout for 271-FMU or IRU applications). Not applicable for TRD or BRD.
- 280-700—Replacement Kit for Von Duprin 700 Series. (Extender tabs to install 280 Shear Lock in template cutout for Von Duprin 700 Series). Not applicable for TRD or BRD.
- WFT—Wood Frame Tabs for wood frame application. (Two extender tabs for magnet).

290 Series Surface Mount Shear Lock



Features

- 12 or 24 VDC, field selectable
- Adjustable Time Delay on relock, 0 - 30 seconds
- Door Position Switch, to prevent premature relock.
- Available in architectural finishes
- UL Listed

Specifications

- Overall Lock Size: Magnet 7-1/2"L x 1-5/8"W x 1-1/2"H
- Armature 7-1/2"L x 1-1/2"W x 1"H
- Current Draw: 0.90 Amp @ 12VDC; 0.45 Amp at 24VDC
- Holding Force: 3000 lbs

Models

- 290—Standard Unit (outswinging doors)
- 290TJ—Top Jamb Unit (inswinging doors) Magnet mounts on inside top jamb.
- 290 SC—Semi-Concealed. Magnet mortises into frame. Armature surface mounts to door
- 290 SC-HD—Semi-concealed with Herculite Door Bracket. Includes U Bracket for 1/2" or 3/4" thick full glass doors.
- 290SC-HD-WF—Semi-concealed, Herculite Door, Wood Frame. Magnet mortises into frame. Armature surface mounts to door. Includes U Bracket for 1/2" or 3/4" thick full glass doors.

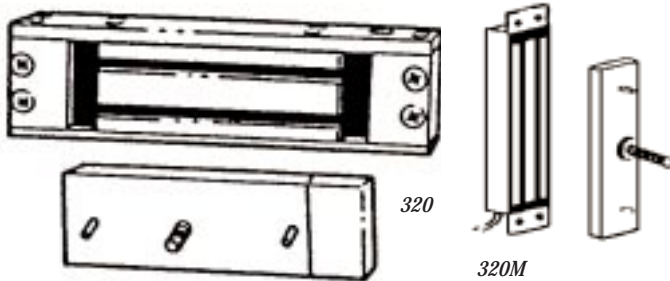
Options

- Magnetic Bond Sensor—MBS
- Rectifier (for use with AC)—RCP

Accessories

- P290040—Shim Kit
- HDB290—Herculite Door Bracket Kit for 1/2" or 3/4" thick glass doors.

320 Series MiniLine



Specifications

- Single: 7" L x 1-3/8" W x 1-7/8" H
- Double: 14" L x 1-3/8" W x 1-7/8" H
- Mortise: 7" L x 1-1/2" W x 1-1/4" H
- Current Draw: 0.225 Amp @ 12VDC; 0.45 Amp at 24VDC
- Holding Force: 500 lbs @ 12VDC, 650 lbs @ 24VDC
- UL listed

Models

- 320—Single Unit (outswinging doors)
- 322—Double Unit (outswinging doors)
- 320TJ—Single Top Jamb Unit (inswinging doors)
- 322TJ—Double Top Jamb Unit (inswinging doors)

Full Length Custom Housings

- (outswinging doors only)
- 323CLH—Single Horizontal
 - 324CLH—Double Horizontal
 - 325CLH—Single Vertical
 - 326CLH—Double Vertical
- (Specify size and hand when ordering custom housings)

Specialty Magnetic Locks

- 320SC—Semiconcealed Top Jamb (inswinging doors)
- 320M*—Mortise Mount (sliding doors). Includes mounting tabs and armature mounting block)
- 320P*—Center Pull/Mortise Magnet Lock Brushed Aluminum Standard. Special Finish for 320P: Dark Satin Bronze

**NOTE: Due to the higher ambient operating temperature of mortised wood frame applications, it is required that the 12V/0.22 Amp configuration be used.*

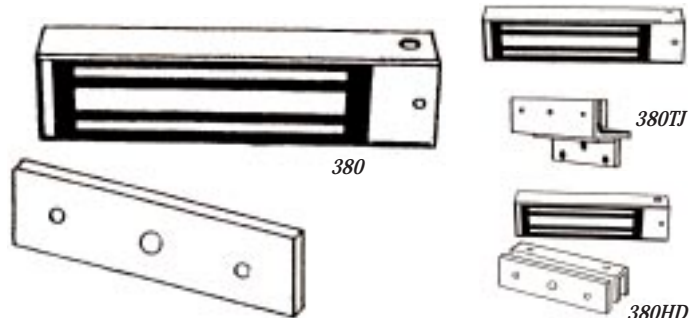
Options

- | | |
|-------------------------------|---------------------------|
| ■ Adjustable Time Delay | Single/Double
ATD/ATD2 |
| ■ Door Status Monitor | DSM/DSM2 |
| ■ Magnetic Bond Sensor | MBS/MBS2 |
| ■ Rectifier (for use with AC) | RCP/RCP2 |

Accessories

- DB30—Double Bracket Kit - kit accepts two single magnets
- HDB320—Herculite Door Bracket Kit
- HDB322—Herculite Door Bracket Kit - for double
- TJ30—Top Jamb Bracket Kit - single
- TJ32—Top Jamb Bracket Kit - double

380 Series Powermiser



Specifications

- Overall Lock Size: 10-1/2" Single; 20-5/8" Double
- Current Draw: 0.16 Amp @ 12VDC ONLY
Not available in 24VDC
- Holding Force: 1200 lbs
- UL listed

Models for Outswinging Doors

- 380—Single Unit
- 381—Single with Split Armature
- 382—Double Unit

Models for Inswinging Doors

- 380TJ—Single Top Jamb Unit
- 381TJ—Single Top Jamb with Split Armature
- 382TJ—Double Top Jamb Unit

Models for Herculite Doors

- 380HD—Single Unit with Herculite Door Bracket
Includes: U Bracket for 1/2" or 3/4 inch thick glass doors.
- 382HD—Double Unit with Herculite Door Bracket
Includes: U Bracket for 1/2" or 3/4 inch thick glass doors.

Options

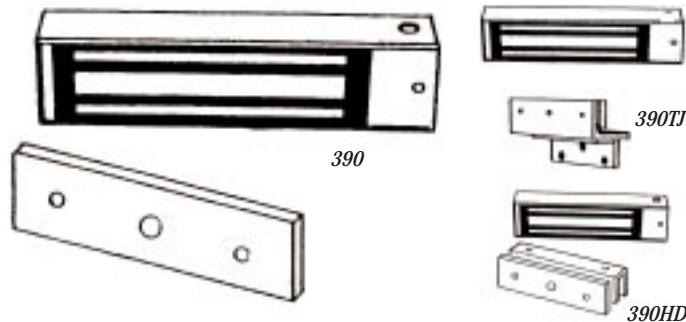
- | | |
|---|--------------------------|
| ■ Anti-Tamper Switch | Single/Double
ATS/ATS |
| ■ Adjustable Time Delay | ATD/ATD2 |
| ■ Door Status Monitor* | DSM/DSM2 |
| ■ Magnetic Bond Sensor* | MBS/MBS2 |
| ■ Magnetic Bond Sensor with LED* | L1-MBS/L1-MBS2 |
| ■ Rectifier | RCP/RCP2 |
| ■ Signal Module Time Delay (75 dB. @ 3 ft.) | SMTD/SMTD |

**options not available on 381 or 381TJ*

Accessories

- | | |
|--------------------------|----------------------------|
| ■ Herculite Door Bracket | Single/Double
HDB1/HDB2 |
| ■ Top Jamb Mounting Kit | TJ1/TJ2 |

390 Series PowerLock



Specifications

- Overall Lock Size: 10-1/2" Single; 20-5/8" Double
- Current Draw: 0.67 Amp @ 12VDC; 0.35 Amp @ 24 VDC
- Holding Force: 1650 lbs.
- Dual voltage, field selectable.
- UL listed

Models for Outswinging Doors

- 390—Single Unit
- 391—Single with Split Armature
- 392—Double Unit

Models for Inswinging Doors

- 390TJ—Single Top Jamb Unit
- 391TJ—Single Top Jamb with Split Armature
- 392TJ—Double Top Jamb Unit

Models for Herculite Doors

- 390HD—Single Unit with Herculite Door Bracket
Includes: U Bracket for 1/2" or 3/4 inch thick glass doors.
- 392HD—Double Unit with Herculite Door Bracket
Includes: U Brackets for 1/2" or 3/4 inch thick glass doors.

Options

- | | |
|---|--------------------------|
| ■ Anti-Tamper Switch | Single/Double
ATS/ATS |
| ■ Adjustable Time Delay | ATD/ATD2 |
| ■ Door Status Monitor* | DSM/DSM2 |
| ■ Magnetic Bond Sensor* | MBS/MBS2 |
| ■ Magnetic Bond Sensor with LED* | L1-MBS/L1-MBS2 |
| ■ Rectifier | RCP/RCP2 |
| ■ Signal Module Time Delay (75 dB. @ 3 ft.) | SMTD/SMTD |

*options not available on 391 or 391TJ

Accessories

- | | |
|--------------------------|----------------------------|
| ■ Herculite Door Bracket | Single/Double
HDB1/HDB2 |
| ■ Top Jamb Mounting Kit | TJ1/TJ2 |

380, 390 Series Architectural Housings



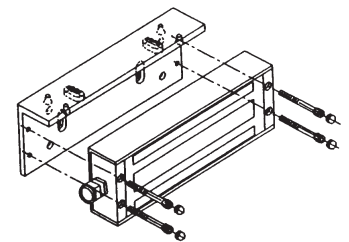
- Now available in three configurations:
CLH—Custom Length Housing - factory trimmed to size (specify size and hand when ordering)
VLH—Variable Length Housing - field trimmed to size
VLH KIT—Housing less mag. lock(s) - field trimmed to size
- UL listed

Lock or Kit Model

- 383CLH / 393CLH—Horizontal Single 2'6" to 4'0". Precut at factory.
- 383VLH / 393VLH—Horizontal Single 2'6" to 4'0". Cut in field.
- VLH-3—Kit-Housing less magnetic lock. Cut in field.
- 384CLH / 394CLH—Horizontal Double 5'2" to 8'0". Precut at factory.
- 384VLH / 394VLH—Horizontal Double 5'2" to 8'0". Cut in field.
- VLH-4—Kit-Housing less magnetic lock. Cut in field.
- 385CLH / 395CLH—Vertical Single 6'8" to 8'0". Precut at factory.
- 385VLH / 395VLH—Vertical Single 6'8" to 8'0". Cut in field.
- VLH-5—Kit-Housing less magnetic lock. Cut in field.
- 386CLH / 396CLH—Vertical Double 6'8" to 8'0". Precut at factory.
- 386VLH / 396VLH—Vertical Double 6'8" to 8'0". Cut in field.
- VLH-6—Kit-Housing less magnetic lock. Cut in field.

Note: Housings furnished standard in anodized aluminum. Consult Mayflower for price on other finishes and other lengths.

390G Gatelock

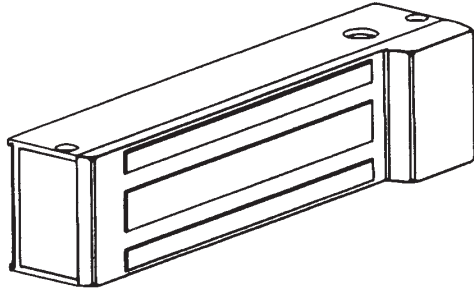


- Special Corrosion Resistant Finish
- Universal Mounting Bracket - Swinging or Sliding Gate
- 1/2" EMT Compression Fitting
- Built In Voltage Spike Suppression
- Field Selectable 12 or 24 VDC
- Overall Lock Size: 9"L x 2-1/2"H x 1-1/2"D
- Current Draw: 0.67 Amp @ 12VDC; 0.35 Amp @ 24VDC
- Holding Force: 1500 lbs
- UL listed

Options

- Magnetic Bond Sensor—MBS

2000 Series SuperMag



Specifications

- Overall Lock Size: 10-1/2" Single; 20-5/8" Double
- Current Draw: 1.0 Amp @ 12VDC; 0.5 Amp @ 24 VDC
PWM option 0.35 Amp @ 12VDC ONLY
- Holding Force: 2000 lbs (1500 lbs with Powermiser option)
- Dual voltage, field selectable.
- UL listed

Models for Outswinging Doors

- 2010—Single Unit
- 2011—Single with Split Armature
- 2020—Double Unit

Models for Inswinging Doors

- 2010TJ—Single Top Jamb Unit
- 2011TJ*—Single Top Jamb with Split Armature
- 2020TJ—Double Top Jamb Unit

**Note: Universal housing design provides ability to add Top Jamb Kit to standard 2010 or 2020 Model. See TJ21 and TJ22 below.*

Options

- | | |
|----------------------------------|--------------------------|
| ■ Anti-Tamper Switch | Single/Double
ATS/ATS |
| ■ Adjustable Time Delay | ATD/ATD2 |
| ■ Door Status Monitor* | DSM/DSM2 |
| ■ Magnetic Bond Sensor* | MBS/MBS2 |
| ■ Magnetic Bond Sensor with LED* | L1-MBS/L1-MBS2 |
| ■ Powermiser (12 VOLTS ONLY) | PWM/PWM2 |
| ■ Rectifier (for use with AC) | RCP/RCP2 |

**options not available on 2011 or 2011TJ*

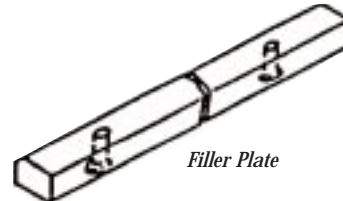
Accessories

- | | |
|--------------------------|----------------------------|
| ■ Herculite Door Bracket | Single/Double
HDB1/HDB2 |
| ■ Top Jamb Mounting Kit | TJ21/ TJ22 |

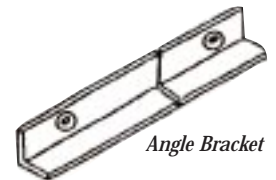
2000 Series SuperMag

Filler Plates and Angle Brackets

(Black Anodized to match magnet housing)



Filler Plate



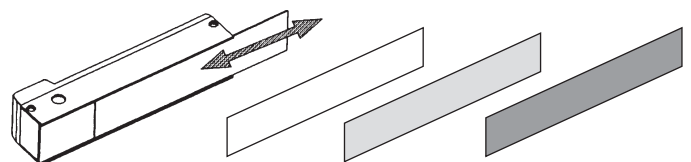
Angle Bracket

	FILLER PLATES	ANGLE BRACKETS
Lock Model 2010	4070B—1-1/4" x 1/8"	4570B—1" x 1"
Finish: 335	4170B—1-1/4" x 1/4"	4670B—1-1/2" x 1"
	4270B—1-1/4" x 3/8"	4770B—1-1/8" x 1-1/8"
	4370B—1-1/4" x 1/2"	4870B—1-1/2" x 2"
	4470B—1-1/4" x 5/8"	4970B—1-1/2" x 2-1/2"
Lock Model 2020	4080B—1-1/4" x 1/8"	4580B—1" x 1"
Finish: 335	4180B—1-1/4" x 1/4"	4680B—1-1/2" x 1"
	4280B—1-1/4" x 3/8"	4780B—1-1/8" x 1-1/8"
	4380B—1-1/4" x 1/2"	4880B—1-1/2" x 2"
	4480B—1-1/4" x 5/8"	4980B—1-1/2" x 2-1/2"

Finishes

Housing finished in Satin Black Anodized Finish - 335.
Architectural finish plate furnished standard in Satin Aluminum, Clear Anodized. Optional finishes shown below.

FINISH DESCRIPTION	BHMA No.	Govt. No
Satin Aluminum, Clear Anodized	628	US28
Satin Black, Anodized	335	—
Satin Chrome	626	US26D
Satin Brass	606	US4
Satin Stainless Steel	630	US32D
Satin Bronze	612	US10
Bright Chrome	625	US26
Bright Brass	605	US3
Dark Satin Bronze	613	US10B



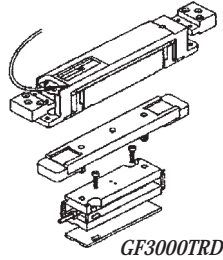
LOCKNETICS

Electromagnetic Locks

**GF3000
 Gravity
 Force
 Mortise
 Mount
 Shear Lock**



GF3000



GF3000TRD

The Gravity Force GF3000 Series Lockset provides a totally new concept in electromagnetic locking systems. The lock and armature are mortised into the frame and door, providing a totally concealed locking mechanism. When power is applied to the magnet, it drops to meet the armature through a combination of gravity force and magnetism. Holding force exceeds 3000 lbs. The new Gravity Force Locking System is truly unique, combining the security of a shear lock with the reliability and versatility of gravity force technology.

Features

- Microprocessor Controlled
- Built-in Auto Relocking Switch (ARS)
- Jumps 1/4" Gap - No Inrush Current
- Automatic Voltage Selection 12VDC or 24VDC (filtered)
- Cool Temperature Regulator
- Adjustable Time Delay, 0-30 Seconds from Face of Magnet
- One model for metal or wood frames, horizontal or vertical application.

Specifications

Lock Housing: 9-7/8"L x 2"W x 1-7/8"H
 Armature Housing: 9-7/8"L x 2"W x 1-1/4"D
 Current Draw: 0.90 Amp @ 12VDC or 0.45 Amp @ 24VDC
 Holding Force: 3000 lbs.

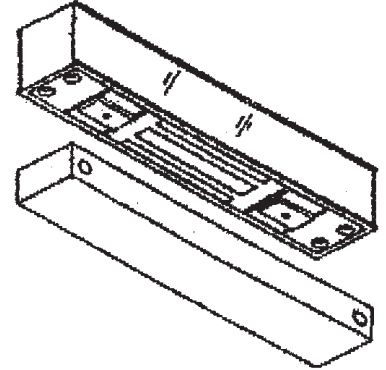
Models

GF3000	Standard Unit Adjustable from top edge of door.
GF3000TRD	Top Rail Door Mounting assembly which provides armature adjustment from the latch edge of the door. Recommended with zero clearance condition between top of door and ceiling.
GF3000BRD	Bottom Rail Door Mounting assembly to mortise armature into bottom rail of door. Magnet is installed in floor/threshold. Provides solution when no top rail is available.

Options

DSM—Door Status Monitor (built in)
 MBS—Magnetic Bond Sensor
 RC1—Rectifier (for AC operation)

**GF3000SM
 Gravity Force
 Surface Mount
 Shear Lock**



Features

- Microprocessor Controlled
- Built-in Auto Relocking Switch (ARS)
- Jumps 1/4" Gap - No Inrush Current
- Automatic Voltage Selection 12VDC or 24VDC (filtered)
- Cool Temperature Regulator
- Adjustable Time Delay, 0-30 Seconds from Face of Magnet

Specifications

Lock Housing: 9-7/8"L x 2"W x 1-7/8"H
 Armature Housing: 9-7/8"L x 2"W x 1-1/4"D
 Current Draw: 0.90 Amp @ 12VDC or 0.45 Amp @ 24VDC
 Holding Force: 3000 lbs.

Models

GF3000SM	Standard Unit (outswinging doors) Adjustable from top edge of armature.
GF3000TJ	Top Jamb Unit (inswinging doors) Magnet mounts on inside top jamb. Adjustable from top edge of armature.

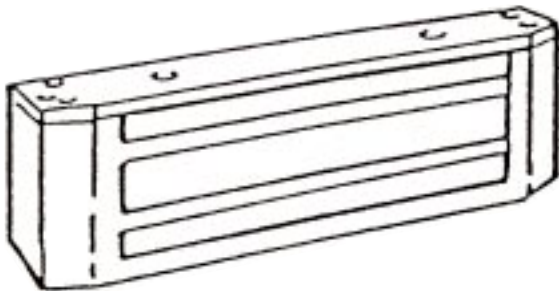
Options

DSM—Door Status Switch
 MBS—Magnetic Bond Sensor
 RC1—Rectifier with Filter (for use with AC)

Finishes

- 628—US28—Satin Aluminum, Clear Anodized—Standard
- 335—Satin Black Anodized—Standard
- 626—US26D—Satin Chrome
- 606—US4—Satin Brass
- 630—US32D—Satin Stainless Steel
- 612—US10—Satin Bronze
- 625—US26—Bright Chrome
- 605—US3—Bright Brass
- 613—US10B—Dark Satin Bronze

**310 Series
EntryLevel™ Electromagnetic Door Lock**



The 310 Series Entry Level™ Electromagnetic Lock provides a high security, high performance locking device with 1200 lbs. of holding force. It's designed for easy installation with an adjustable mounting bracket, 12/24VDC dual voltage and a modular top jamb kit for inswinging doors.

Features

- Dual Voltage 12VDC or 24VDC
- Easy installation—adjustable mounting bracket.
- Universal top jamb mounting—use standard magnet.
- UL listed, Made in USA

Specifications

- Lock Body Dimensions: 10" L x 2-9/16"H x 1-1/2"W
- Current Draw: 0.6 Amp @ 12VDC; 0.3 Amp @ 24 VDC
- Holding Force: 1200 lbs
- Input—12/24V DC selectable
- Surface Mount
- Wiring—Leads

Finishes

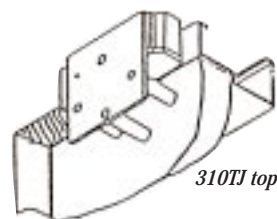
- BTPC—Black Textured Powder Coat
- SPC—Silver Powder Coat—Standard

Options

- DSM—Door Status Monitor Kit

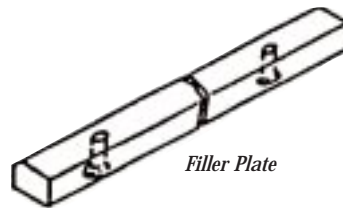
Accessories

- 310TJ—Top Jamb Kit for Inswinging Doors
- RCP—Rectifier for AC

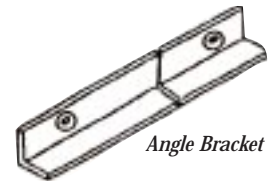


310TJ top jamb surface mount

**Filler Plates and Angle Brackets for
Electromagnetic Locks**



Filler Plate



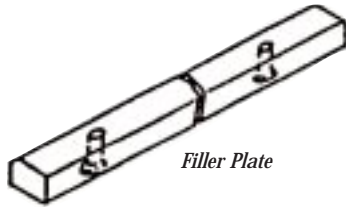
Angle Bracket

	FILLER PLATES	ANGLE BRACKETS
Lock Models: 101+, 103, 107, 109	4071—1-1/4" x 1/8"	4571—1" x 1"
	4171—1-1/4" x 1/4"	4671—1-1/2" x 1"
	4271—1-1/4" x 3/8"	4771—1-1/2" x 1-1/2"
	4371—1-1/4" x 1/2"	4871—1-1/2" x 2"
	4471—1-1/4" x 5/8"	4971—1-1/2" x 2-1/2"
Lock Model 105	4072—1-1/4" x 1/8"	4572—1" x 1"
	4172—1-1/4" x 1/4"	4672—1-1/2" x 1"
	4272—1-1/4" x 3/8"	4772—1-1/2" x 1-1/2"
	4372—1-1/4" x 1/2"	4872—1-1/2" x 2"
	4472—1-1/4" x 5/8"	4972—1-1/2" x 2-1/2"
Lock Model 320	4092—1-1/4" x 1/8"	4592—1" x 1"
	4192—1-1/4" x 1/4"	4692—1-1/2" x 1"
	4292—1-1/4" x 3/8"	4792—1-1/2" x 1-1/2"
	4392—1-1/4" x 1/2"	4892—1-1/2" x 2"
	4492—1-1/4" x 5/8"	4992—1-1/2" x 2-1/2"
Lock Model 322	4094—1-1/4" x 1/8"	4594—1" x 1"
	4194—1-1/4" x 1/4"	4694—1-1/2" x 1"
	4294—1-1/4" x 3/8"	4794—1-1/2" x 1-1/2"
	4394—1-1/4" x 1/2"	4894—1-1/2" x 2"
	4494—1-1/4" x 5/8"	4994—1-1/2" x 2-1/2"
Lock Models: 380/390, 391	4070—1-1/4" x 1/8"	4570—1" x 1"
	4170—1-1/4" x 1/4"	4670—1-1/2" x 1"
	4270—1-1/4" x 3/8"	4770—1-1/2" x 1-1/2"
	4370—1-1/4" x 1/2"	4870—1-1/2" x 2"
	4470—1-1/4" x 5/8"	4970—1-1/2" x 2-1/2"
Lock Model 392	4080—1-1/4" x 1/8"	4580—1" x 1"
	4180—1-1/4" x 1/4"	4680—1-1/2" x 1"
	4280—1-1/4" x 3/8"	4780—1-1/2" x 1-1/2"
	4380—1-1/4" x 1/2"	4880—1-1/2" x 2"
	4480—1-1/4" x 5/8"	4980—1-1/2" x 2-1/2"
Lock Models: 393-396	4090—1-1/4" x 1/8"	4590—1" x 1"
	4190—1-1/4" x 1/4"	4690—1-1/2" x 1"
	4290—1-1/4" x 3/8"	4790—1-1/2" x 1-1/2"
	4390—1-1/4" x 1/2"	4890—1-1/2" x 2"
	4490—1-1/4" x 5/8"	4990—1-1/2" x 2-1/2"

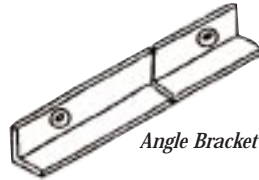
LOCKNETICS

Filler Plates, Angle Brackets and Special Finishes

Filler Plates and Angle Brackets for Electromagnetic Locks



Filler Plate



Angle Bracket

	FILLER PLATES	ANGLE BRACKETS
Lock Model 263	901-3—1-1/4" x 1/8" 902-3—1-1/4" x 1/4" 903-3—1-1/4" x 3/8" 904-3—1-1/4" x 1/2" 905-3—1-1/4" x 5/8" 906-3—1-1/4" x 3/4" 904N-3—3/4" x 1/2" 905N-3—3/4" x 5/8" 906N-3—3/4" x 3/4"	910-3—1-1/2" x 1" 911-3—1-1/2" x 2-1/2" 912-3—1-1/2" x 2" 913-3—1-1/2" x 1-1/2" 914-3—1" x 1"
Lock Models: 268-10, 268-15	901-10—1-1/4" x 1/8" 902-10—1-1/4" x 1/4" 903-10—1-1/4" x 3/8" 904-10—1-1/4" x 1/2" 905-10—1-1/4" x 5/8" 906-10—1-1/4" x 3/4" 904N-10—3/4" x 1/2" 905N-10—3/4" x 5/8" 906N-10—3/4" x 3/4"	910-10—1-1/2" x 1" 911-10—1-1/2" x 2-1/2" 912-10—1-1/2" x 2" 913-10—1-1/2" x 1-1/2" 914-10—1" x 1"
Lock Model 268-20	901-20—1-1/4" x 1/8" 902-20—1-1/4" x 1/4" 903-20—1-1/4" x 3/8" 904-20—1-1/4" x 1/2" 905-20—1-1/4" x 5/8" 906-20—1-1/4" x 3/4" 904N-20—3/4" x 1/2" 905N-20—3/4" x 5/8" 906N-20—3/4" x 3/4"	910-20—1-1/2" x 1" 911-20—1-1/2" x 2-1/2" 912-20—1-1/2" x 2" 913-20—1-1/2" x 1-1/2" 914-20—1" x 1"
Lock Models: 268-30—268-60	901—1-1/4" x 1/8" 902—1-1/4" x 1/4" 903—1-1/4" x 3/8" 904—1-1/4" x 1/2" 905—1-1/4" x 5/8" 906—1-1/4" x 3/4"	910—1-1/2" x 1" 911—1-1/2" x 2-1/2" 912—1-1/2" x 2" 913—1-1/2" x 1-1/2" 914—1" x 1"

Overall Lengths

MODELS	LENGTH
101+, 103, 107, 109	11-1/2" Long
105	13-1/8" Long
320	7" Long
322	14" Long
380/390 & 391	10-1/2" Long
392	20-5/8" Long
393 thru 396	As Required
263-10	9" Long
268-10 and 268-15	14" Long
268-20	25" Long
268-30 thru 268-60	As Required
323CLH thru 326CLH	As Required

Finishes

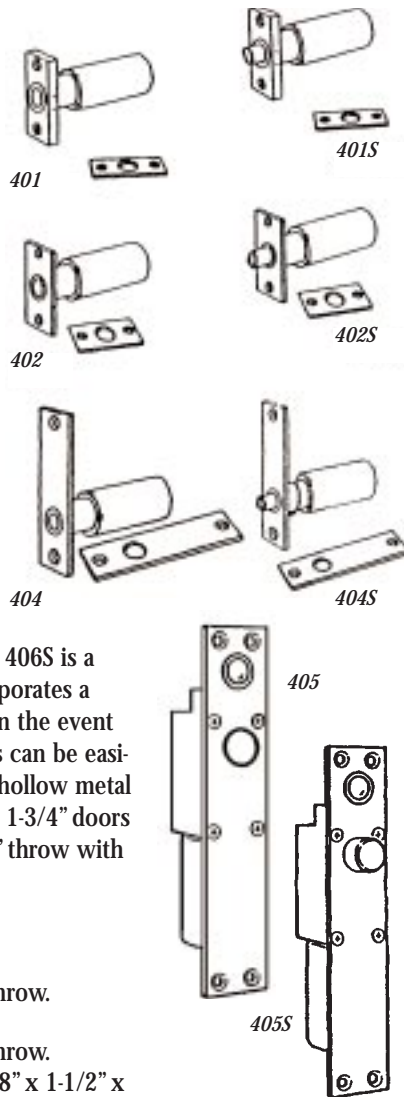
Single Unit, Double Unit, Brackets TJ & HDB Filler Plates & Angle Brackets Up to 14", 15" to 36"

FINISH DESCRIPTION	BHMA No.	Govt. No
Satin Aluminum, Clear Anodized (STD)	628	US28
Bright Brass, Anodized	666	US3
Bright Chrome, Plated	672	US26
Dark Satin Bronze, Anodized	313	—
Satin Black, Anodized	335	—
Dark Bronze, Process Applied, Powder Coat	SP313	—
Satin Black, Process Applied, Powder Coat	SP335	US19
Iridite Primer	—	—

400 Series Powerbolts

Mortise mount electric bolts in satin aluminum finish. Fail-safe or fail-secure models with a variety of faceplates and strikes to satisfy a wide range of door and frame conditions.

Utilizes a silent, continuous duty solenoid that provides a 1/2" throw with a 1/2" diameter bolt. The 405 Series mortise mounted electric deadbolts are available in either fail-safe or fail-secure models. The 406S is a fail-secure only and incorporates a manual override feature in the event of a power loss. The locks can be easily installed into standard hollow metal or aluminum frames with 1-3/4" doors or greater. Provides a 3/4" throw with a 3/4" diameter bolt.



Specifications

- Bolt Size 401-404: 1/2" diameter x 1/2" throw.
- Bolt Size 405/406S: 3/4" diameter x 3/4" throw.
- 405/405S overall size: 8" x 1-1/2" x 1-5/8", 90 degree locking.
- 406S overall size: 10" x 1-1/2" x 1-5/8".
- Current Draw: 0.9 Amp @ 12 VDC; 0.45 Amp @ 24VDC 12/24 VDC dual voltage, field selectable.

Models

- 401—Adjustable Front—FAIL SAFE
- 401S—Adjustable Front—FAIL SECURE
- 402—Fixed Front—FAIL SAFE
- 402S—Fixed Front—FAIL SECURE
- 403—ANSI Front—FAIL SAFE
- 403S—ANSI Front—FAIL SECURE
- 404—Rectangular Front—FAIL SAFE
- 404S—Rectangular Front—FAIL SECURE
- 405—Rectangular Front—FAIL SAFE
- 405S—Rectangular Front—FAIL SECURE
- 406S—Rectangular Front—FAIL SECURE

Note: 406S Only— Fail-secure operation with manual override key/thumbturn, not included.

Options

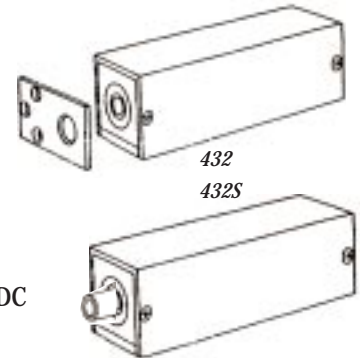
- Auto Relock Switch (ball type mechanical)—ARSB**
 - Auto Relock Switch (magnetic type)—ARSM**
 - Bolt Position Switch—BPS*
 - Door Status Switch (ball type mechanical)—DSB**
 - Door Status Switch (magnetic type)—DSM**
 - Rectifier with filter (for AC voltage operation)—RC1
- Ball type mechanical options cannot be ordered with magnetic type options. *BPS not available on 401, 401S. **ARSB, ARSM, DSB, DSM options not available on 401, 401S, 402, 402S models.*

Accessories

- HDB405—U Bracket for 1/2" or 3/4" glass door (for 405, 405S only)
- MT—Mounting Tabs (for 405, 405S only)

NOTE: Electromechanical locks not recommended where life safety may be compromised, or where panic bar hardware is the only means of egress.

430 Series Powerbolts—Surface Mount



Specifications

- Overall dimensions: 6-3/4" x 2" x 2"
- Current draw: 0.9 Amp @ 12VDC; 0.45 Amp @ 24VDC (field selectable)

Models

- 431—Lock less strike—FAIL SAFE
 - 432—With flat strike—FAIL SAFE
 - 433—With angle strike—FAIL SAFE
 - 434—With surface mount block—FAIL SAFE
 - 435—With wide block strike—FAIL SAFE
- *Order "S" suffix for fail secure operation, (i.e. 431S)*

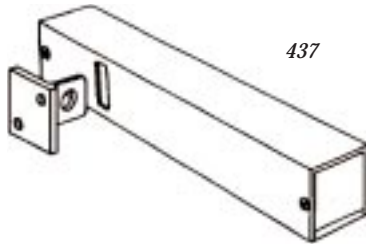
Options

- Auto Relock Switch (magnetic type)—ARSM*
 - Bolt Position Switch—BPS
 - Door Status Switch (magnetic type)—DSM*
 - Emergency Release (FAIL SECURE ONLY)—ER
 - Rectifier with Filter (external module)—RC1
- *options not available on 431, 431S, 432, 432S, 433, 433S*

LOCKNETICS

Electromechanical Locks

437, 439 Series Electric Bolts



Specifications

- Overall length: 8-1/2" single, 17-1/2" double.
- Current draw: 0.9 Amp @ 12VDC; 0.45 Amp @ 24VDC (field selectable)
- Relock Strike Switch Included Standard

Models

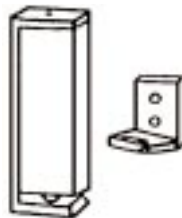
- 437—Single with loop strike: LHR or RHR door—FAIL SAFE
 - 439—Double with loop strikes—FAIL SAFE
- *Order "S" suffix for fail secure operation, (i.e. 439S)*

Options/Accessories

- | | |
|---|-----------------|
| ■ Anti-Tamper Switch | Single/Double |
| ■ Bolt Position Switch | ATS/ ATS |
| ■ Door Strike Switch, SPDT | BPS/BPS2 |
| ■ Emergency Release (fail secure only) | DSS/DSS2 |
| ■ U Bracket for 1/2" or 3/4" Glass Door | ER/ERD |
| ■ Thru bolts for Strike | HDB437/HDB437-2 |
| ■ Rectifier with Filter (external module) | STB/STB2 |
| | RC1/RC1-2 |

442S Series Cabinet Locks

Model 442S—Lock with Strike—FAIL SECURE



Specifications

- Overall dimensions: 3" x 1" x 1"
- Current draw: 0.50 Amp @ 12VDC, 0.25 Amp @ 24VDC
- Voltage is field selectable.

Options

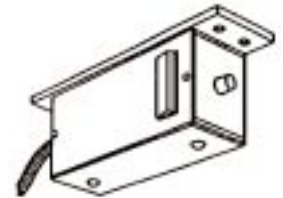
- RCP—Rectifier (external module)

Finishes for Electromechanical Locks

Mortise, Surface, HDB Brackets, Filler Plates & Angle Brackets Up to 14", 15" to 36"

FINISH DESCRIPTION	BHMA No.	Govt. No
Satin Aluminum, Clear Anodized (STD)	628	US28
Bright Brass, Anodized	666	US3
Bright Chrome, Plated	672	US26
Dark Satin Bronze, Anodized	313	—
Satin Black, Anodized	335	—
Dark Bronze, Process Applied, Powder Coat	SP313	—
Satin Black, Process Applied, Powder Coat	SP335	US19
Iridite Primer	—	—

490 Series Latch Release



Specifications

- Overall dimensions: 7-5/8" x 2" x 2-1/2".
- Current draw: 0.10 Amp @ 24VDC/AC U.L. recognized.

Models

- 490/24—For use w/Von Duprin Surface Series 8827 Vertical Rod Exit Devices. 24VAC/DC
- 490 x TP—For use w/ Von Duprin Concealed Vertical Rod Exit Device Series 3347, 5547, 8847, 98/9947 (specify door hand)

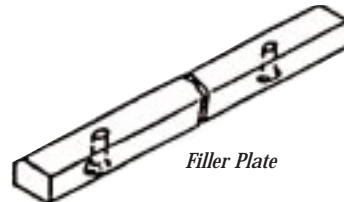
Accessories

- 490-4—Filler Plate 1/2"
- 490-5—Filler Plate 5/8"

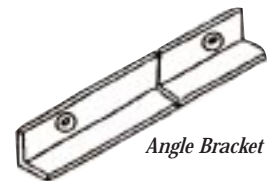
NOTE: The 490 is for pairs of doors only

Filler Plates & Angle Brackets for Electromechanical Locks

	FILLER PLATES	ANGLE BRACKETS
Lock Model 437	4060R—1-1/4" x 1/8"	4560R—1" x 1"



Filler Plate



Angle Bracket

	4160R—1-1/4" x 1/4"	4660R—1-1/2" x 1"
	4260R—1-1/4" x 3/8"	4760R—1-1/8" x 1-1/8"
	4360R—1-1/4" x 1/2"	4860R—1-1/2" x 2"
	4460R—1-1/4" x 1/8"	4960R—1-1/2" x 2-1/2"
Lock Model 439	4065R—1-1/4" x 1/8"	4565R—1" x 1"
	4165R—1-1/4" x 1/4"	4665R—1-1/2" x 1"
	4265R—1-1/4" x 3/8"	4765R—1-1/8" x 1-1/8"
	4365R—1-1/4" x 1/2"	4865R—1-1/2" x 2"
	4465R—1-1/4" x 5/8"	4965R—1-1/2" x 2-1/2"