

# LCN ILLUSTRATED PARTS LIST "Introduction"

## How to Use the LCN Parts List

The *LCN Illustrated Parts List* is designed to help technical service or maintenance personnel correctly identify parts that may be required to return an LCN closer to service.

## Parts List Organization

The *LCN Illustrated Parts List* identifies replacement parts that are available through many LCN distributors. The sections, in order, are the 4000 Series, the 1000 Series, the Fire/Life Safety Series, the High Security Series, & the Power Operator Series. Closers are listed in numerical order within each section. Major components such as cylinder assemblies, covers, arm assemblies, & track assemblies are listed within each individual closer series. Many times, a complete component assembly has individual replacement parts available.

## Casting (Forging) Numbers

Many LCN parts or components have casting or forging numbers stamped or raised on the surface. An example would be the '71' or '320G' on an LCN cylinder assembly. These numbers really do not identify a particular part or component. You should follow the 'How to Order' page in the latest edition of the LCN Catalog or call LCN Customer Service for assistance.

## Additional Information

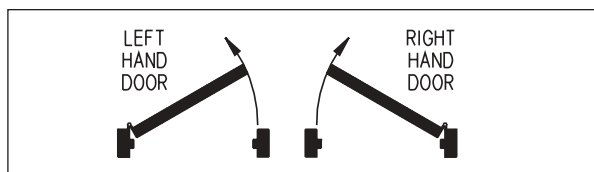
In addition to the closer series, suffix number, and short description, many parts and components require more information. Items that require more information have letters listed to the right of the description. The letter(s) are defined as follows.

**F – Finish.** Indicate the powder coat or plated finish desired. Not all parts and components are available with a plated finish. Refer to either the latest edition of the LCN Catalog

or the current LCN Price List for a standard powder coat finish chart and available plated finish designations. A bright metallic (MTLPC) finish is also available. Bright metallic is a powder coat alternative to US26D. RAL custom finishes are also available.

**S – Size.** Refers to the spring power of the closer. The larger the number, the more power the closer may have to close a door. Several closer series have an adjustable 'size 1' available. In many cases, a 'size 1' closer will meet low opening force requirements. Some 'size 1' closers are not adjustable. Please refer to the latest edition of the LCN Catalog for clarification on individual closer spring power.

**H – Hand.** Please specify either RH (Right Hand) or LH (Left Hand). The hand of a door can be determined several ways. The latest edition of the LCN Catalog has an easy to use diagram that may be utilized as a reference.



**V – Voltage.** Some parts and components require voltage. Please specify either 24v or 120v.

## Part and Component Pricing

Prices for parts and components listed with the *LCN Illustrated Parts List* can be found in the current LCN Price List. The Price List contains basic ordering & product information.

# LCN ILLUSTRATED PARTS LIST "Introduction"

## How to Order

1. Identify the closer series; 4110, 4040, 1460, 1520, 2030, 3130, 4310ME, etc.
2. Refer to the page(s) illustrating the service parts available for the specific closer and select the part required by using the closer series and the suffix.
3. Check to the right of the part description. If additional information is required, please provide it.
4. Order the parts required using the closer series, suffix number, finish, size, hand, and/or voltage.

## Part or Component Identification

If the part you require is not shown in the *LCN Illustrated Parts List*, it may be obsolete. Contact your distributor, your local Security & Safety Consultants office or LCN Customer Service.

## Ordering Examples

Here are a few examples of what an item may look like as it is ordered. Please refer to the 'How to Order' page at the end of each individual closer series within the LCN Catalog.

2310ME-3351 x On/Off Switch x 24v  
4040SE-3038 x Track x AL x 120v  
4020T-72MC x Metal Cover x RH x AL  
4313ME-3971 x Cylinder x LH x AL x 24v  
3130-3054 Hold Open Clip  
4040-62PA x Parallel Arm Shoe x DKBRZ  
4010-18 Plate x AL  
1520-3077SCNS Arm x BRASS  
2030-169 Bumper Assembly  
4640-3462 Controller Assembly  
7910-956 Actuator  
SEM7850-825 Door Armature Only

## Trademarks

List of trademarks that may appear in the *LCN Illustrated Parts List*. This list includes but is not limited to the following:

Cush-n-Stop®	Equalizer®
Pacer®	Quest®
Sentronic®	Shield and Device®
Smoothee®	Thriftee®
Super Stock®	Super Smoothee®

## Additional Assistance

If any additional assistance is needed, call LCN at (800) 526-2400. Our Customer Service or Technical Support Team will do their very best to offer door control solutions on any of the products listed within the *LCN Illustrated Parts List*.

## Please note....

Every effort has been made to insure the accuracy of the *LCN Illustrated Parts List*. If an error does exist, please contact LCN Customer Service. Errors and omissions will be incorporated into the next edition of the *LCN Illustrated Parts List*. Illustrations are designed to show general shape and size of a part and the relationship that part has to other parts. Actual size and shape of parts or components may differ or vary from the actual part or component that is shipped. LCN offers this information as a reference only. All information is subject to change without notice from LCN. If any additional information is needed, please call LCN Customer Service or Technical Support at (800) 526-2400. You may also visit LCN on the web at [www.lcnclosers.com](http://www.lcnclosers.com).

# LCN ILLUSTRATED PARTS LIST "Table of Contents"

GENERAL SECTION	PAGE
Introduction.....	1-2
Table of Contents.....	3

4000 SERIES SURFACE MOUNTED CLOSERS	
4010 .....	1
4010T .....	5
4020 .....	9
4020T .....	13
4030 .....	17
4040 .....	19
4040T .....	27
4110 .....	31
4110T .....	37
4130 .....	41
4000T .....	45

1000 SERIES SURFACE MOUNTED CLOSERS	
1070 .....	1
1370 .....	5
1460 .....	9
1460T .....	17
1520 .....	21
1520T .....	27

CONCEALED CLOSERS	PAGE
330 .....	1
2010 .....	3
2030 .....	5
3030 .....	7
3130 .....	9
5010 .....	11
5030 .....	13
6030 .....	17

FIRE/LIFE SAFETY CLOSER/HOLDERS	PAGE
7800SEM .....	1
3130SE .....	3
4040SE .....	5
2310ME .....	9
4310ME .....	11
4410ME .....	13
4310HSA .....	15
4410HSA .....	17
SEH.....	19

HIGH SECURITY CLOSERS	
2210 .....	1
2210DPS.....	3
4210 .....	5
4210T .....	7
4510 .....	9
4510T .....	11

POWER OPERATORS	
2610 Pneumatic .....	1
4630 Electric .....	3
4640 Electric .....	5
4810 Pneumatic .....	7
4820 Pneumatic .....	9
4840 Pneumatic .....	11
7900 Control Boxes & Accessories.....	15-28

Please specify finish **(F)**, size **(S)**, hand **(H)**, & voltage **(V)** where indicated. See the latest edition of the LCN Catalog for part descriptions and specifications on many of the items shown above. List prices for items shown above can be located in the current LCN Price List.

# LCN ILLUSTRATED PARTS LIST

Please specify finish **(F)**, size **(S)**, hand **(H)**, & voltage **(V)** where indicated. See the latest edition of the LCN Catalog for part descriptions and specifications on many of the items shown above. List prices for items shown above can be located in the current LCN Price List.

# LCN 1070 SERIES

## Discontinued

### Cylinder Assemblies

1071(4-5)-3071	Cylinder Assembly	F, S
	<i>Includes screw pack (WMS standard – please specify other)</i>	
	<i>Size '1' cylinder is adjustable from size 1-3</i>	

### Individual Cylinder Parts

Individual cylinder parts for 1071-3071

1070-159	Arm Screw	F
----------	-----------	---

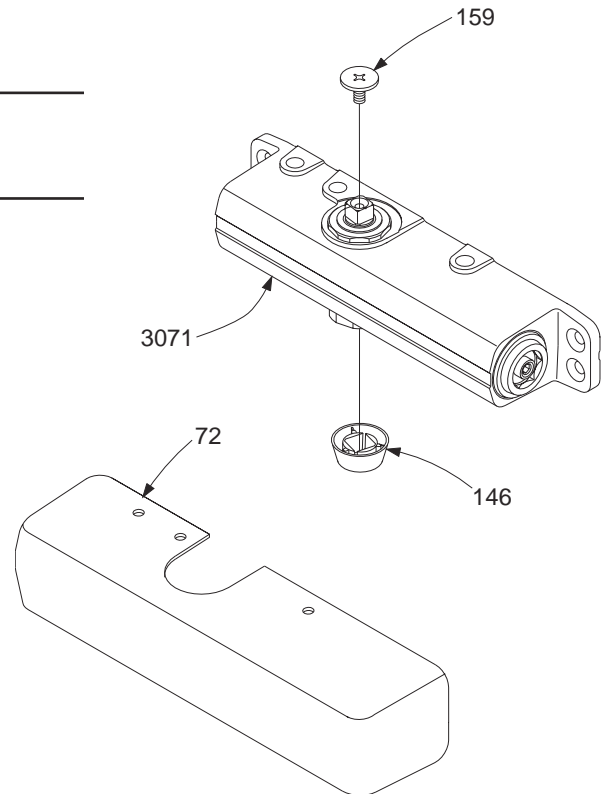
### Covers

1070-72	Standard Cover	F
---------	----------------	---

### Individual Cover Parts

Individual cover parts for 1070-72

1070-146	Shaft Cover	F
----------	-------------	---



Please specify finish (**F**), size (**S**), hand (**H**), & voltage (**V**) where indicated. See the latest edition of the LCN Catalog for part descriptions and specifications on many of the items shown above. List prices for items shown above can be located in the current LCN Price List.

# LCN1070 SERIES

Discontinued

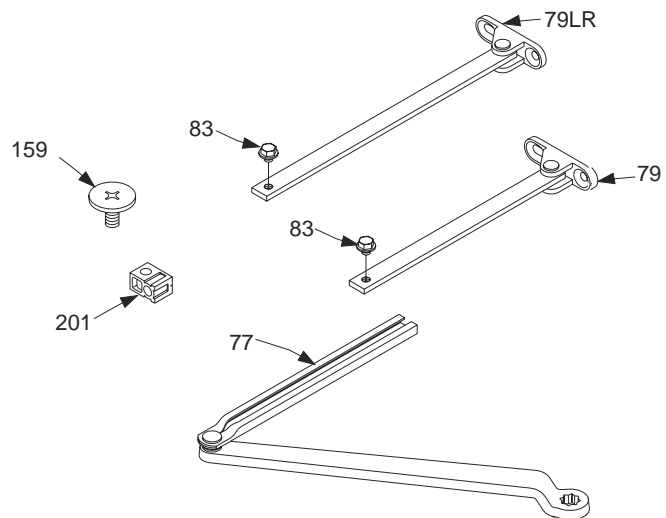
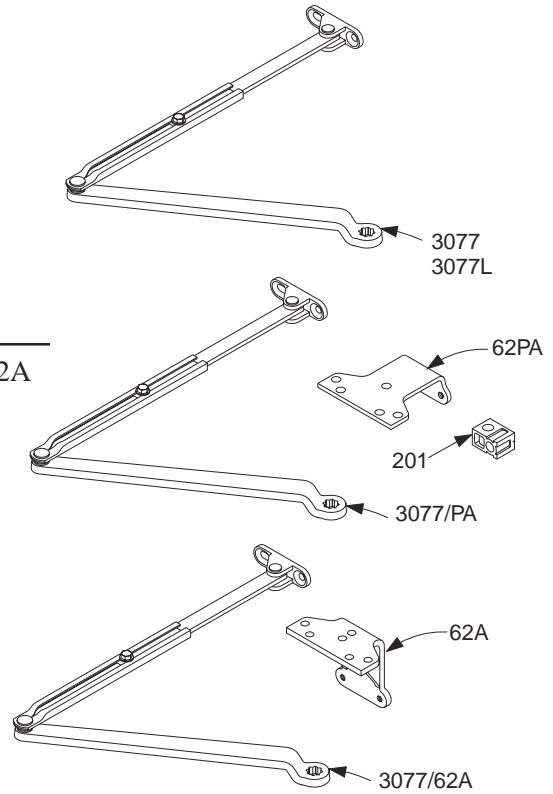
## Complete Arm Assemblies

1070-3077	Regular Arm	F
	<i>Includes 1070-77, -79, -83, &amp; -159</i>	
1070-3077L	Long Arm	F
	<i>Includes 1070-77, -79LR, -83, &amp; -159</i>	
1070-3077/PA	Regular Arm w/PA	F
	<i>Includes 1070-62PA, -77, -79, -83, 159, &amp; -201</i>	
1070-3077/62A	Regular Arm w/62A	F
	<i>Includes 1070-62A, -77, -79, -83, &amp; -159</i>	

## Individual Arm Parts

Individual arm parts for 1070-3077, -3077L, -3077/PA, & -3077/62A

1070-62A	Auxiliary Parallel Arm Shoe	F
1070-62PA	Parallel Arm Shoe	F
	<i>Includes 1070-201</i>	
1070-77	Main Arm & Forearm	F
	<i>Includes 1070-159</i>	
1070-79	Rod & Shoe	F
	<i>Includes 1070-83 / Length is 8 3/8" (213mm)</i>	
1070-79LR	Long Rod & Shoe	F
	<i>Includes 1070-83 / Length is 12 3/8" (314mm)</i>	
1070-83	Arm Screw	F
1070-159	Arm Screw	F
1070-201	Fifth Screw Spacer	



Please specify finish (F), size (S), hand (H), & voltage (V) where indicated. See the latest edition of the LCN Catalog for part descriptions and specifications on many of the items shown above. List prices for items shown above can be located in the current LCN Price List.



LCN CLOSERS  
121 W. RAILROAD AVE.  
P.O. BOX 100  
PRINCETON, IL, USA 61356-0100

PHONE 800-526-2400  
FAX 800-248-1460  
www.lcnclosers.com  
©2004 Ingersoll-Rand Company

# LCN 1070 SERIES

Discontinued

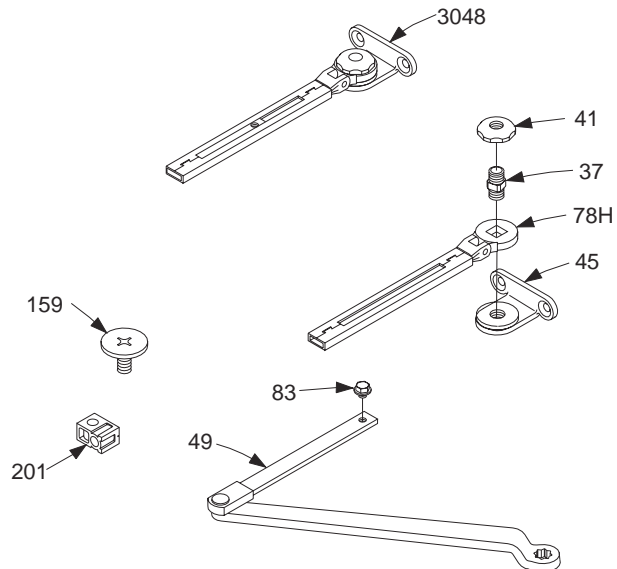
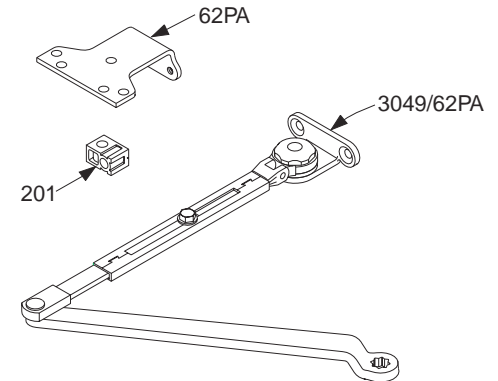
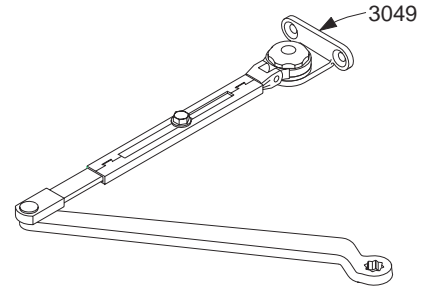
## Complete Arm Assemblies

1070-3049	Hold-Open Arm	F
	<i>Includes 1070-37, -41, -45, -49, -78H, -83, &amp; -159</i>	
1070-3049/PA	Hold-Open Arm w/PA	F
	<i>Includes 1070-37, -41, -45, -49, -62PA, -78H, -83, 159, &amp; -201</i>	

## Individual Arm Parts

Individual arm parts for 1070-3049 & -3049/PA

1070-37	Hold-Open Stud	F
1070-41	Hold-Open Nut	F
1070-45	HO Shoe	F
1070-49	HO Main Arm & Rod	F
	<i>Includes 1070-83 &amp; -159</i>	
1070-62PA	Parallel Arm Shoe	F
	<i>Includes 1070-201</i>	
1070-78H	H Head & Tube	F
1070-83	Arm Screw	F
1070-159	Arm Screw	F
1070-201	Fifth Screw Spacer	F
1070-3048	HO Head & Tube Assembly	F
	<i>Includes 1070-37, -41, -45, &amp; -78H</i>	
	<i>Length is 6 3/4" (171mm)</i>	



Please specify finish (F), size (S), hand (H), & voltage (V) where indicated. See the latest edition of the LCN Catalog for part descriptions and specifications on many of the items shown above. List prices for items shown above can be located in the current LCN Price List.

# LCN1070 SERIES

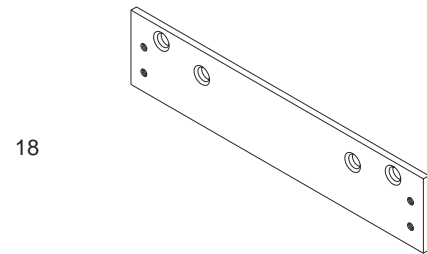
Discontinued

## Mounting Plates

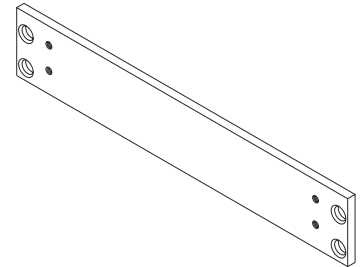
1070-18	Mounting Plate	F
1070-18C	Mounting Plate	F
	<i>Used to install a 1070 Series Closer to an obsolete 1040 or 1050 Series Closer hole pattern</i>	
1070-18PA	Mounting Plate	F

## Installation Accessories

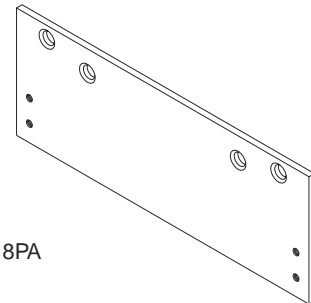
1070-61	Blade Stop Spacer	F
1070-65	Soffit Shoe	F
1070-418	PA Shoe Adapter	F



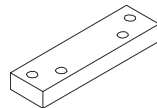
18



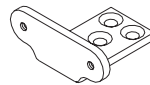
18C



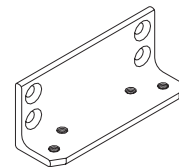
18PA



61



65



418

Please specify finish **(F)**, size **(S)**, hand **(H)**, & voltage **(V)** where indicated. See the latest edition of the LCN Catalog for part descriptions and specifications on many of the items shown above. List prices for items shown above can be located in the current LCN Price List.

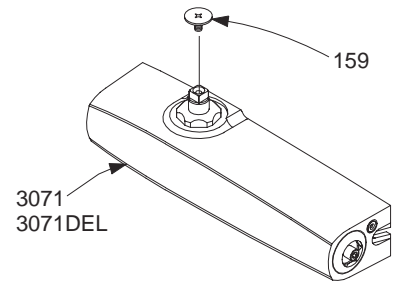


# LCN1370 SERIES

Discontinued

## Cylinder Assemblies

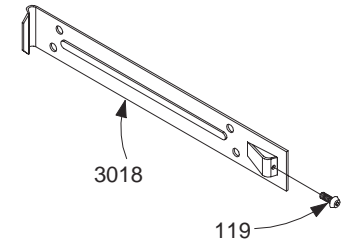
1371-3071	Cylinder Assembly	F
	<i>Includes screw pack (SRT standard – please specify other)</i>	
	<i>Size '1' cylinder is adjustable from size 1-5 (Parallel Arm 1-4)</i>	
1371-3071DEL	Delay Cylinder Assembly	F
	<i>Includes screw pack (SRT standard – please specify other)</i>	
	<i>Size '1' cylinder is adjustable from size 1-5 (Parallel Arm 1-4)</i>	



## Individual Cylinder Parts

Individual cylinder parts for 1371-3071

1370-159	Arm Screw	F
1370-119	Cylinder Mounting Screw	
1370-3018	Mounting Bracket	
	<i>Includes 1370-119</i>	



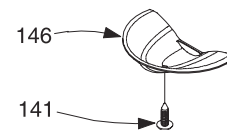
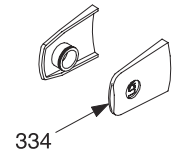
## Cover Caps

1370-72	End Caps & Shaft Cover Set	F
	<i>Includes 1370-141 (1), -146 (1), &amp; -334 (2)</i>	

## Individual Cover Parts

Individual cover parts for 1370-72

1370-141	Shaft Plug	F
1370-146	Shaft Cover	F
1370-334	End Cap	F



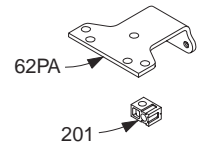
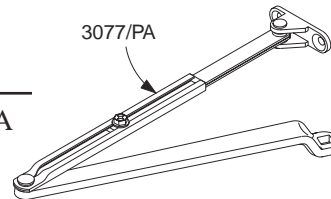
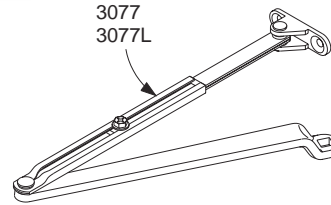
Please specify finish (**F**), size (**S**), hand (**H**), & voltage (**V**) where indicated. See the latest edition of the LCN Catalog for part descriptions and specifications on many of the items shown above. List prices for items shown above can be located in the current LCN Price List.

# LCN1370 SERIES

Discontinued

## Complete Arm Assemblies

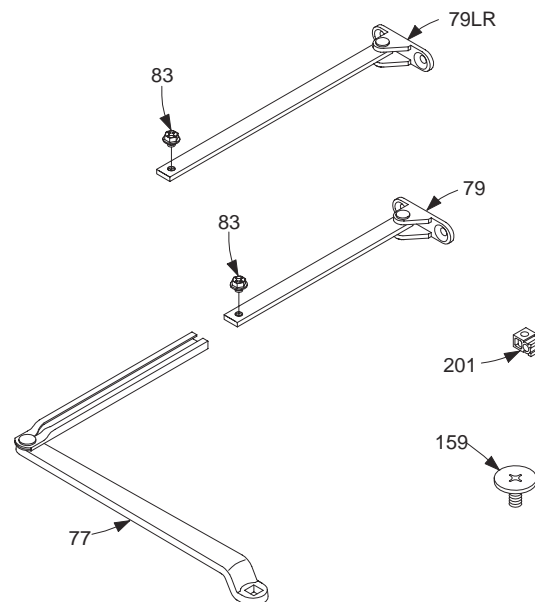
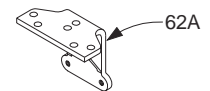
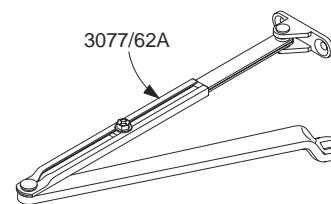
1370-3077	Regular Arm	F
	<i>Includes 1370-77, -79, -83, &amp; -159</i>	
1370-3077L	Long Arm	F
	<i>Includes 1370-77, -79LR, -83, &amp; -159</i>	
1370-3077/PA	Regular Arm w/PA	F
	<i>Includes 1370-62PA, -77, -79, -83, 159, &amp; -201</i>	
1370-3077/62A	Regular Arm w/62A	F
	<i>Includes 1370-62A, -77, -79, -83, &amp; -159</i>	



## Individual Arm Parts

Individual arm parts for 1370-3077, -3077L, -3077/PA, & -3077/62A

1370-62A	Auxiliary Parallel Arm Shoe	F
1370-62PA	Parallel Arm Shoe	F
	<i>Includes 1370-201</i>	
1370-77	Main Arm & Forearm	F
	<i>Includes 1370-159</i>	
1370-79	Rod & Shoe	F
	<i>Includes 1370-83 / Length is 8 3/8" (213mm)</i>	
1370-79LR	Long Rod & Shoe	F
	<i>Includes 1370-83 / Length is 12 3/8" (314mm)</i>	
1370-83	Arm Screw	F
1370-159	Arm Screw	F
1370-201	Fifth Screw Spacer	



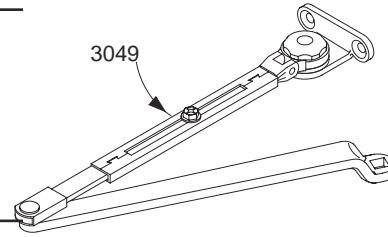
Please specify finish (F), size (S), hand (H), & voltage (V) where indicated. See the latest edition of the LCN Catalog for part descriptions and specifications on many of the items shown above. List prices for items shown above can be located in the current LCN Price List.

# LCN1370 SERIES

Discontinued

## Complete Arm Assemblies

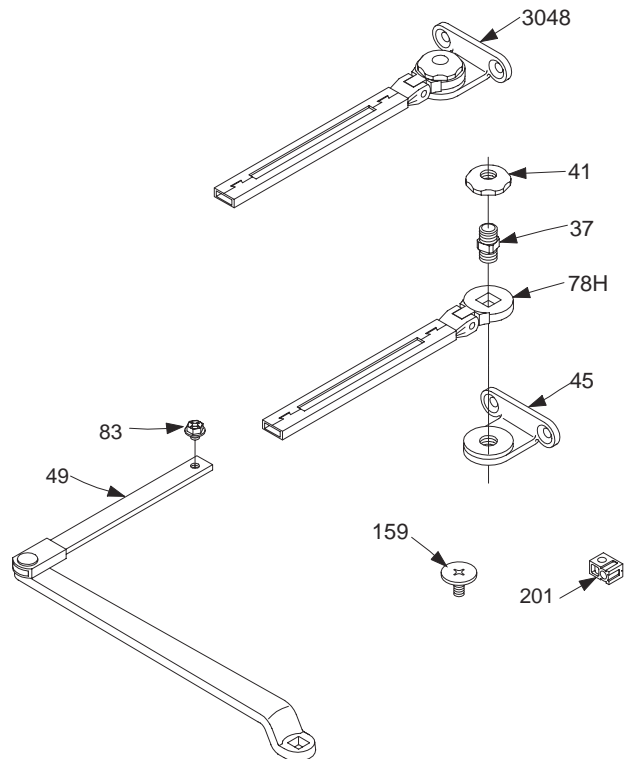
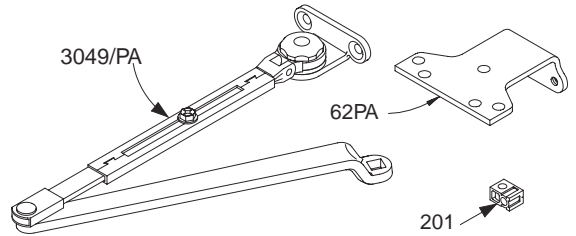
1370-3049	Hold-Open Arm	F
	<i>Includes 1370-49, -83, -159, &amp; -3048</i>	
1370-3049/PA	Hold-Open Arm w/PA	F
	<i>Includes 1370-49, -62PA, -83, -159, &amp; -3048</i>	



## Individual Arm Parts

Individual arm parts for 1370-3049, -3049/PA, & -3049/62A

1370-37	Hold-Open Stud	F
1370-41	Hold-Open Nut	F
1370-45	HO Shoe	F
1370-49	HO Main Arm & Rod	F
	<i>Includes 1370-83 &amp; -159</i>	
1370-62A	Auxiliary Parallel Arm Shoe	F
1370-62PA	Parallel Arm Shoe	F
	<i>Includes 1370-201</i>	
1370-78H	H Head & Tube	F
1370-83	Arm Screw	F
1370-159	Arm Screw	F
1370-201	Fifth Screw Spacer	
1370-3048	HO Head & Tube Assy	F
	<i>Includes 1370-37, -41, -45, &amp; -78H</i>	
	<i>Length is 6 3/4" (171mm)</i>	



Please specify finish (F), size (S), hand (H), & voltage (V) where indicated. See the latest edition of the LCN Catalog for part descriptions and specifications on many of the items shown above. List prices for items shown above can be located in the current LCN Price List.



LCN CLOSERS  
121 W. RAILROAD AVE.  
P.O. BOX 100  
PRINCETON, IL, USA 61356-0100

PHONE 800-526-2400  
FAX 800-248-1460  
www.lcnclosers.com  
©2004 Ingersoll-Rand Company

# LCN1370 SERIES

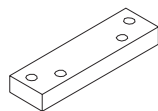
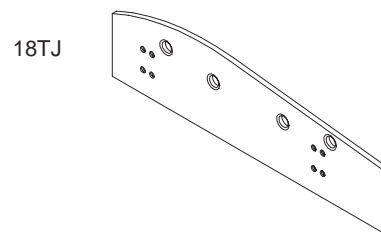
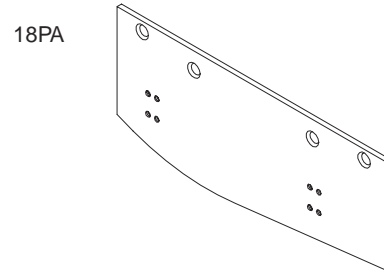
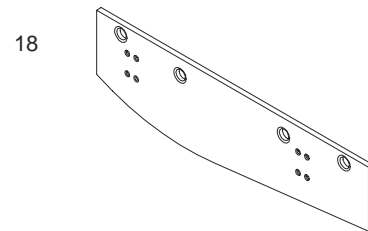
Discontinued

## Mounting Plates

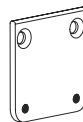
1370-18	Mounting Plate	F
1370-18PA	Mounting Plate	F
1370-18TJ	Mounting Plate	F

## Installation Accessories

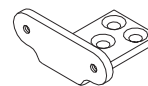
1370-61	Blade Stop Spacer	F
1370-63	Drop Shoe Bracket	F
1370-65	Soffit Shoe	F
1370-418	PA Shoe Adapter	F



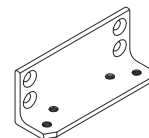
61



63



65



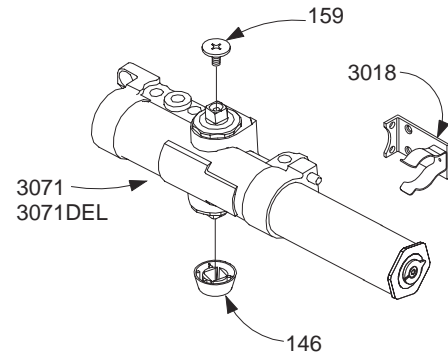
418

Please specify finish (**F**), size (**S**), hand (**H**), & voltage (**V**) where indicated. See the latest edition of the LCN Catalog for part descriptions and specifications on many of the items shown above. List prices for items shown above can be located in the current LCN Price List.

# LCN1460 SERIES

## Cylinder Assemblies

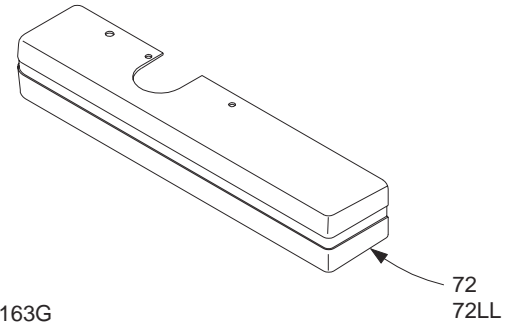
1461-3071	Cylinder Assembly	F
	<i>Includes screw pack (SRT standard – please specify other)</i>	
	<i>Size '1' cylinder is adjustable from size 1-6</i>	
1461-3071DEL	Cylinder Assembly w/Delay	F
	<i>Includes screw pack (SRT standard – please specify other)</i>	
	<i>Size '1' cylinder is adjustable from size 1-6</i>	



## Individual Cylinder Parts

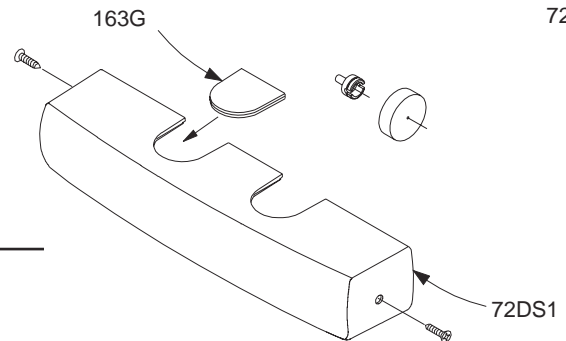
Individual cylinder parts for 1461-3071, & -3071DEL

1460-146	Shaft Cover	F
1460-159	Arm Screw	F
1460-3018	Mounting Bracket	



## Covers

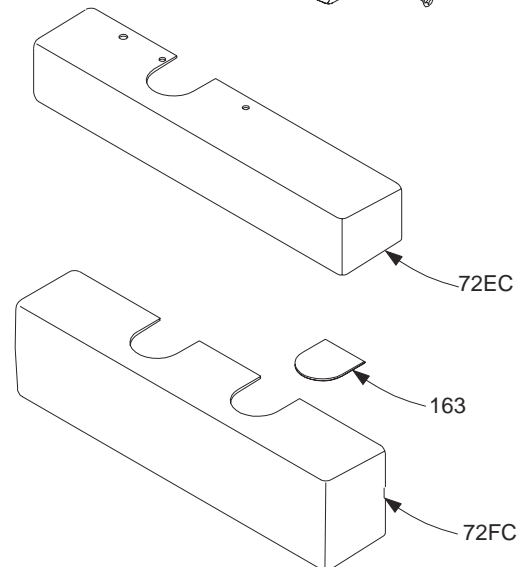
1460-72	Slim Line Cover	F
1460-72DS1	Designer Series Metal Cover	F
	<i>Includes 1460-163G</i>	
1460-72EC	Smooth Slim Line Cover	F
1460-72FC	Full Cover	F
	<i>Includes 1460-163</i>	
1460-72LL	Lead Lined Cover	F
	<i>Includes 1460-163</i>	



## Individual Cover Parts

Individual cover parts for 1460-72DS1 & 1460-72FC

1460-163	Arm Insert	F
1460-163G	Arm Insert (DS1)	F



Please specify finish (F), size (S), hand (H), & voltage (V) where indicated. See the latest edition of the LCN Catalog for part descriptions and specifications on many of the items shown above. List prices for items shown above can be located in the current LCN Price List.

# LCN1460 SERIES

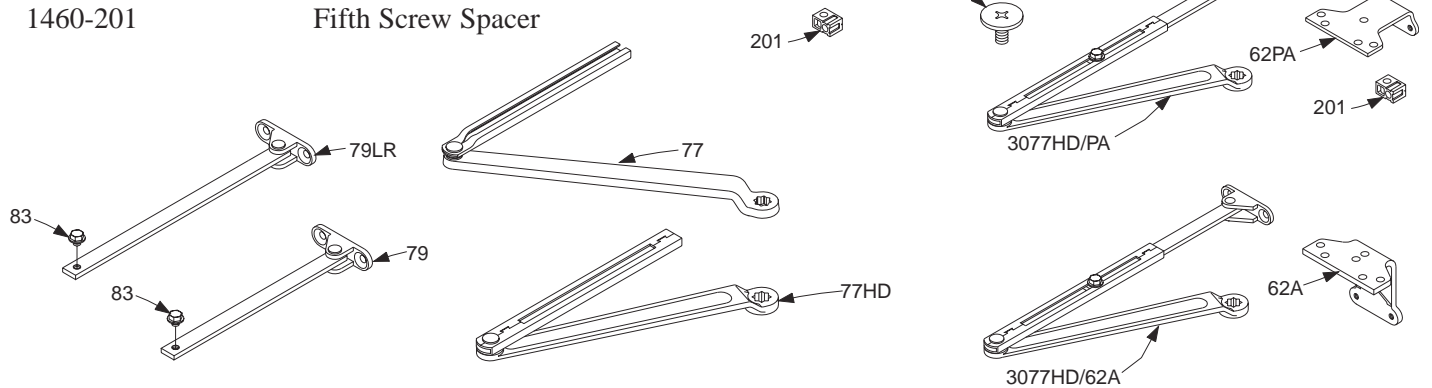
## Complete Arm Assemblies

1460-3077	Regular Arm	F
	<i>Includes 1460-77, -79, -83, &amp; -159</i>	
1460-3077/PA	Regular Arm w/PA	F
	<i>Includes 1460-62PA, -77, -79, -83, -159, &amp; -201</i>	
1460-3077/62A	Regular Arm w/62A Shoe	F
	<i>Includes 1460-62A, -77, -79, -83, &amp; -159</i>	
1460-3077L	Long Arm	F
	<i>Includes 1460-77, -79LR, -83, &amp; -159</i>	
1460-3077HD	Heavy-Duty Regular Arm	F
	<i>Includes 1460-77HD, -79, -83, &amp; -159</i>	
1460-3077HD/PA	Heavy-Duty Regular Arm w/PA	F
	<i>Includes 1460-62PA, -77HD, -79, -83, -159, &amp; -201</i>	
1460-3077HD/62A	Heavy-Duty Reg Arm w/62A	F
	<i>Includes 1460-62A, -77HD, -79, -83, &amp; -159</i>	
1460-3077HD/LG	Heavy-Duty Long Arm	F
	<i>Includes 1460-77HD, -79LR, -83, &amp; -159</i>	

## Individual Arm Parts

Individual arm parts for 1460-3077, -3077/PA, -3077/62A, -3077L, -3077HD, -3077HD/PA, -3077/62A, & -3077HD/LG

1460-62A	Auxiliary Parallel Arm Shoe	F
1460-62PA	Parallel Arm Shoe	F
	<i>Includes 1460-201</i>	
1460-77	Main Arm & Forearm	F
	<i>Includes 1460-159</i>	
1460-77HD	Heavy Duty Main Arm & Fore	F
	<i>Includes 1460-159</i>	
1460-79	Rod & Shoe	F
	<i>Includes 1460-83 / Length is 8 3/8" (213mm)</i>	
1460-79LR	Long Rod & Shoe	F
	<i>Includes 1460-83 / Length is 12 3/8" (314mm)</i>	
1460-83	Arm Screw	F
1460-159	Arm Screw	F
1460-201	Fifth Screw Spacer	



Please specify finish (F), size (S), hand (H), & voltage (V) where indicated. See the latest edition of the LCN Catalog for part descriptions and specifications on many of the items shown above. List prices for items shown above can be located in the current LCN Price List.

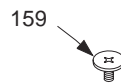
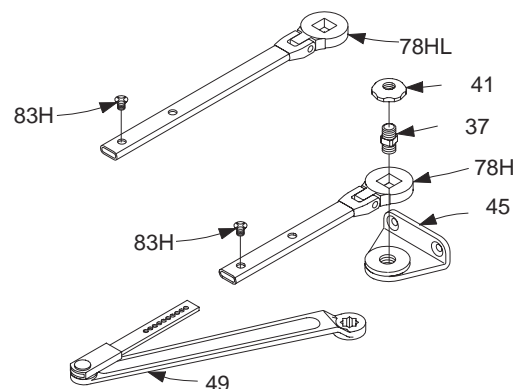
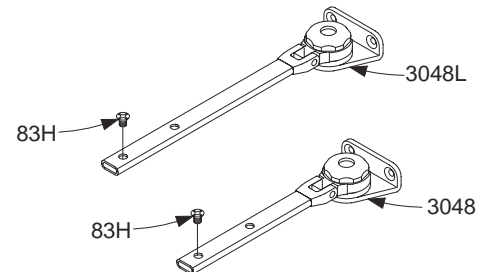
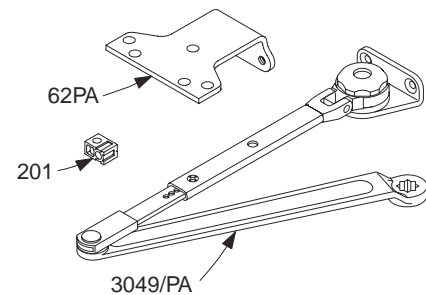
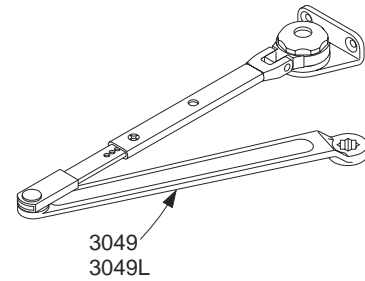
# LCN1460 SERIES

## Complete Arm Assemblies

1460-3049	Hold-Open Arm	F
	<i>Includes 1460-49, -83H, -159, &amp; -3048</i>	
1460-3049/PA	Hold-Open Arm w/PA	F
	<i>Includes 1460-49, -62PA, -83H, -159, -201, &amp; -3048</i>	
1460-3049L	Hold-Open Long Arm	F
	<i>Includes 1460-49, -83H, -159, &amp; -3048L</i>	

## Individual Arm Parts

Individual arm parts for 1460-3049, -3049/PA, & -3049L		
1460-37	Hold-Open Stud	F
1460-41	Hold-Open Nut	F
1460-45	Hold-Open Shoe	F
1460-49	HO Main Arm & Rod	F
	<i>Includes 1460-159</i>	
1460-62PA	Parallel Arm Shoe	F
	<i>Includes 1460-201</i>	
1460-78H	H Head & Tube	F
	<i>Includes 1460-83H</i>	
1460-78HL	Head & Long Tube	F
	<i>Includes 1460-83H</i>	
1460-83H	H Arm Screw	F
1460-159	Arm Screw	F
1460-201	Fifth Screw Spacer	
1460-3048	HO Head & Tube Assembly	F
	<i>Includes 1460-37, -41, -45, -78H, &amp; -83H</i> <i>Length is 5 3/4" (146mm)</i>	
1460-3048L	HO Head & Long Tube Assy	F
	<i>Includes 1460-37, -41, -45, -78HL, &amp; -83H</i> <i>Length is 8 5/8" (219mm)</i>	



Please specify finish (F), size (S), hand (H), & voltage (V) where indicated. See the latest edition of the LCN Catalog for part descriptions and specifications on many of the items shown above. List prices for items shown above can be located in the current LCN Price List.

# LCN1460 SERIES

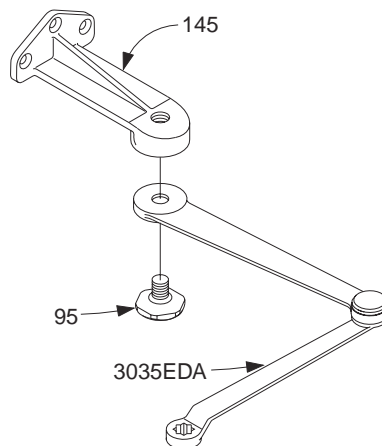
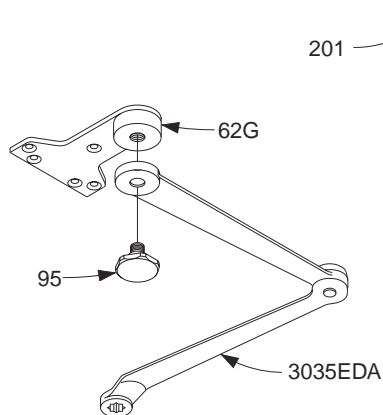
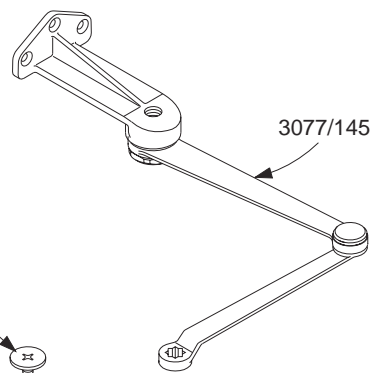
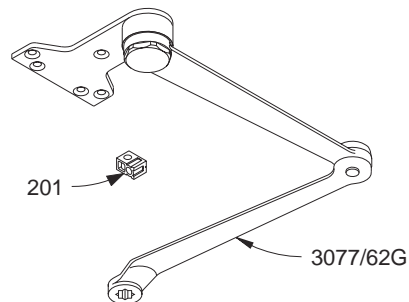
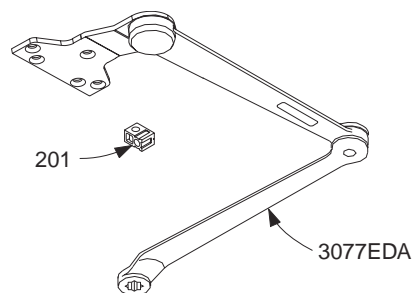
## Complete Arm Assemblies

1460-3077EDA	Extra Duty Arm	F
	<i>Includes 1460-159 &amp; -201</i>	
1460-3077EDA/62G	Extra Duty Arm w/62G	F
	<i>Includes 1460-62G, -95, -159, -201, &amp; -3035EDA</i>	
1460-3077EDA/145	Extra Duty Arm w/145	F
	<i>Includes 1460-95, -145, -159, &amp; -3035EDA</i>	

## Individual Arm Parts

Individual arm parts for 1460-3077EDA, -3077EDA/62G, -3077/145

1460-62G	Thick Hub Shoe	F
	<i>Includes 1460-201</i>	
1460-95	Arm Stud	F
1460-145	Flush Transom Shoe	F
1460-159	Arm Screw	F
1460-201	Fifth Screw Spacer	
1460-3035EDA	EDA Main Arm & Forearm	F
	<i>Includes 1460-159</i>	



Please specify finish (F), size (S), hand (H), & voltage (V) where indicated. See the latest edition of the LCN Catalog for part descriptions and specifications on many of the items shown above. List prices for items shown above can be located in the current LCN Price List.



# LCN1460 SERIES

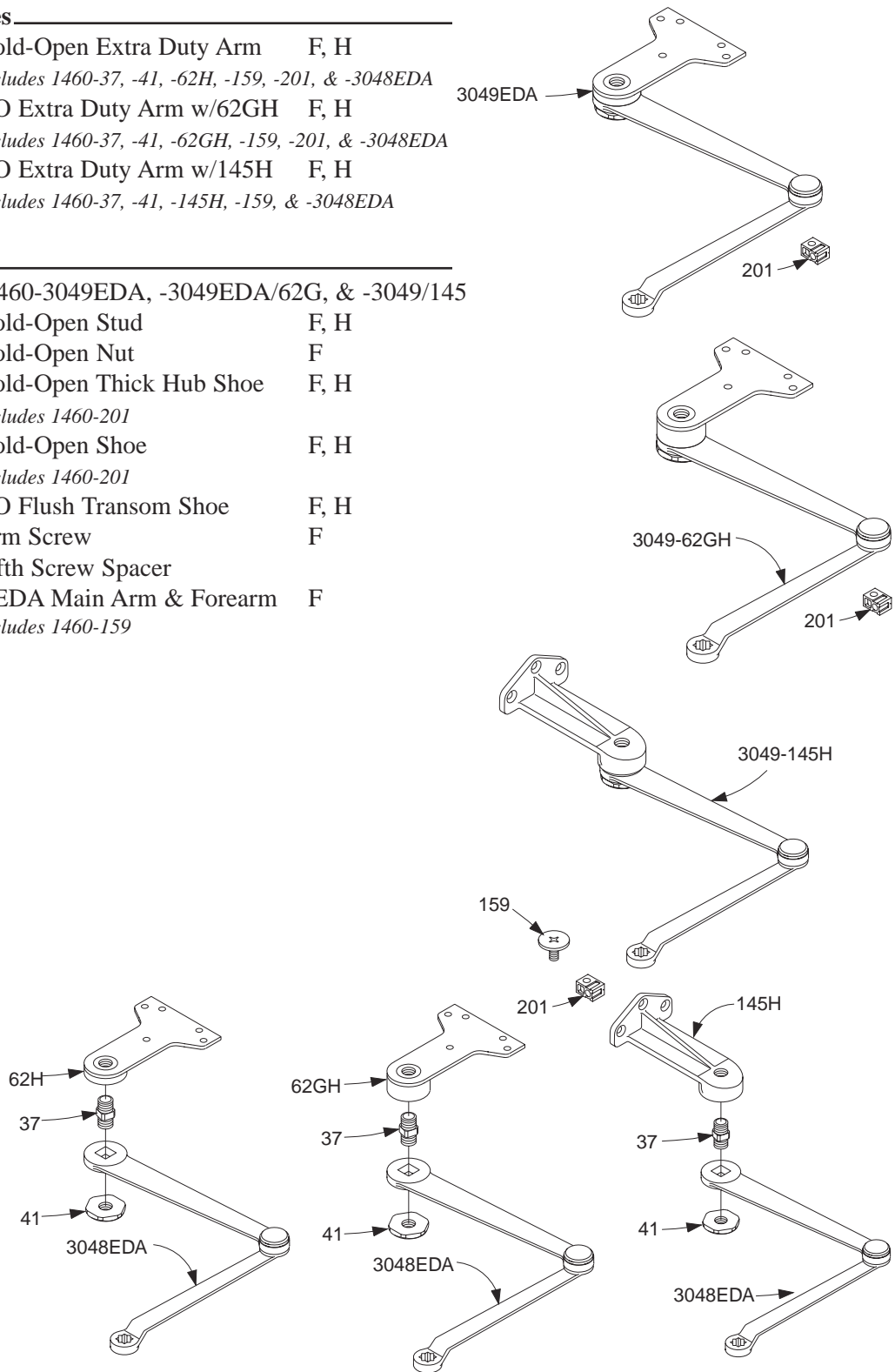
## Complete Arm Assemblies

1460-3049EDA	Hold-Open Extra Duty Arm	F, H
	<i>Includes 1460-37, -41, -62H, -159, -201, &amp; -3048EDA</i>	
1460-3049EDA/62G	HO Extra Duty Arm w/62GH	F, H
	<i>Includes 1460-37, -41, -62GH, -159, -201, &amp; -3048EDA</i>	
1460-3049EDA/145	HO Extra Duty Arm w/145H	F, H
	<i>Includes 1460-37, -41, -145H, -159, &amp; -3048EDA</i>	

## Individual Arm Parts

Individual arm parts for 1460-3049EDA, -3049EDA/62G, & -3049/145

1460-37	Hold-Open Stud	F, H
1460-41	Hold-Open Nut	F
1460-62GH	Hold-Open Thick Hub Shoe	F, H
	<i>Includes 1460-201</i>	
1460-62H	Hold-Open Shoe	F, H
	<i>Includes 1460-201</i>	
1460-145H	HO Flush Transom Shoe	F, H
1460-159	Arm Screw	F
1460-201	Fifth Screw Spacer	
1460-3048EDA	HEDA Main Arm & Forearm	F
	<i>Includes 1460-159</i>	

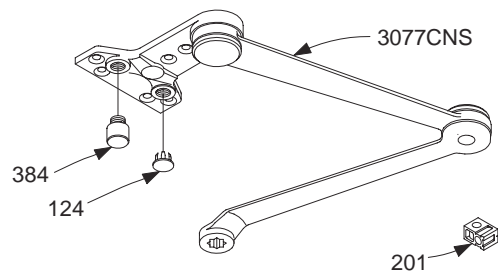


Please specify finish (F), size (S), hand (H), & voltage (V) where indicated. See the latest edition of the LCN Catalog for part descriptions and specifications on many of the items shown above. List prices for items shown above can be located in the current LCN Price List.

# LCN1460 SERIES

## Complete Arm Assemblies

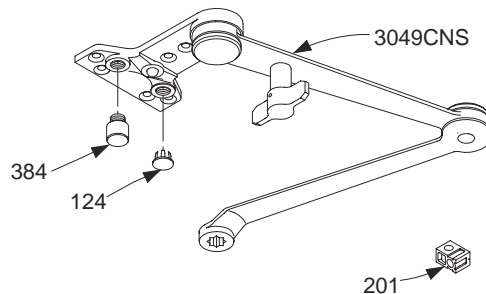
1460-3077CNS	Cush-n-Stop Arm	F
	<i>Includes 1460-124, -159, -201, &amp; -384</i>	
1460-3049CNS	Hold-Open Cush-n-Stop Arm	F
	<i>Includes 1460-124, -159, -201, &amp; -384</i>	



## Individual Arm Parts

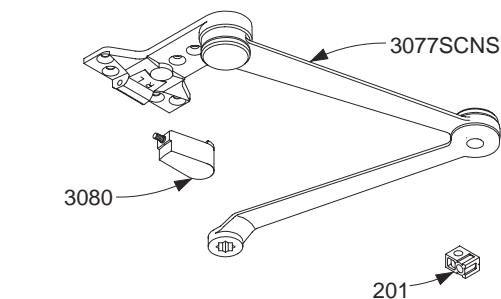
Individual arm parts for 1460-3077CNS & -3049CNS

1460-124	Plug	F
1460-159	Arm Screw	F
1460-201	Spacer	
1460-384	Stop	F



## Complete Arm Assemblies

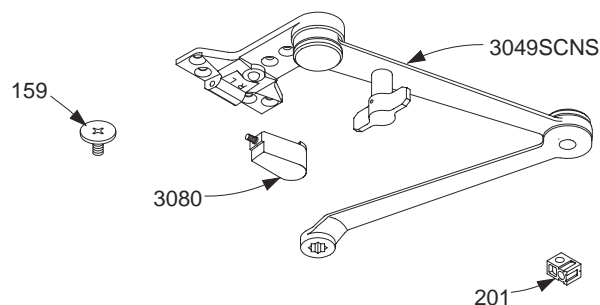
1460-3077SCNS	Spring Cush-n-Stop Arm	F
	<i>Includes 1460-159, -201, &amp; -3080</i>	
1460-3049SCNS	HO Spring Cush-n-Stop Arm	F
	<i>Includes 1460-159, -201, &amp; -3080</i>	



## Individual Arm Parts

Individual arm parts for 1460-3077SCNS, & -3049SCNS

1460-159	Arm Screw	F
1460-201	Fifth Screw Spacer	
1460-3080	Spring Cush Block	F



Please specify finish (**F**), size (**S**), hand (**H**), & voltage (**V**) where indicated. See the latest edition of the LCN Catalog for part descriptions and specifications on many of the items shown above. List prices for items shown above can be located in the current LCN Price List.

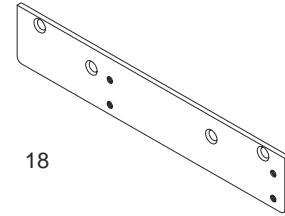
# LCN1460 SERIES

## Mounting Plates

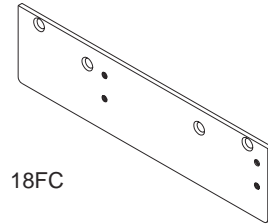
1460-18	Mounting Plate	F
1460-18DS1	Mounting Plate	F
1460-18FC	Mounting Plate	F
1460-18PA	Mounting Plate	F
1460-18PADS1	Mounting Plate	F
1460-18PAFC	Mounting Plate	F

## Installation Accessories

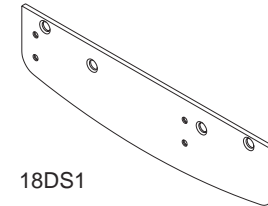
1460-30	Cush Shoe Support	F
1460-61	Blade Stop Spacer	F
1460-65	Soffit Shoe	F
1460-418	Parallel Arm Shoe Adapter	F
1460-419	Flush Panel Adapter	F



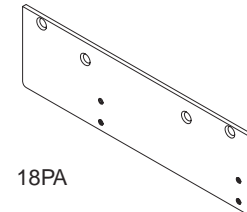
18



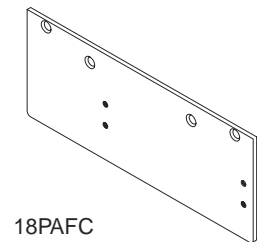
18FC



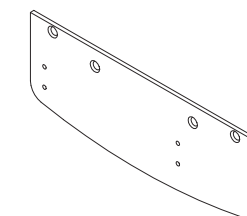
18DS1



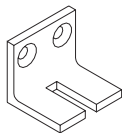
18PA



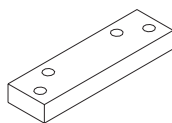
18PAFC



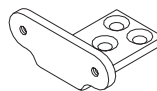
PADS1



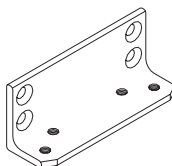
30



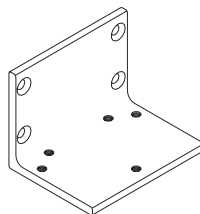
61



65



418



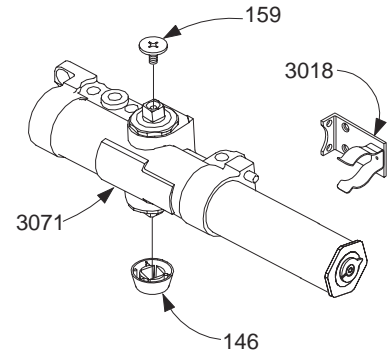
419

Please specify finish (F), size (S), hand (H), & voltage (V) where indicated. See the latest edition of the LCN Catalog for part descriptions and specifications on many of the items shown above. List prices for items shown above can be located in the current LCN Price List.

# LCN1460T SERIES

## Cylinder Assemblies

1460(1)T-3071	Cylinder Assembly	F, S
	<i>Includes screw pack (SRT is standard - please specify other)</i>	
	<i>1460T is adjustable size 2-4 / 1461T cylinder is adjustable size 1-2</i>	

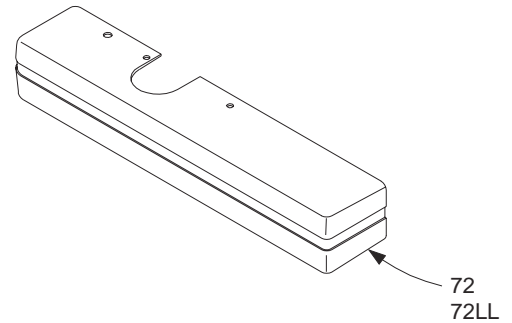


## Individual Cylinder Parts

1460T-159	Arm Screw	F
1460T-3018	Mounting Bracket	

## Covers

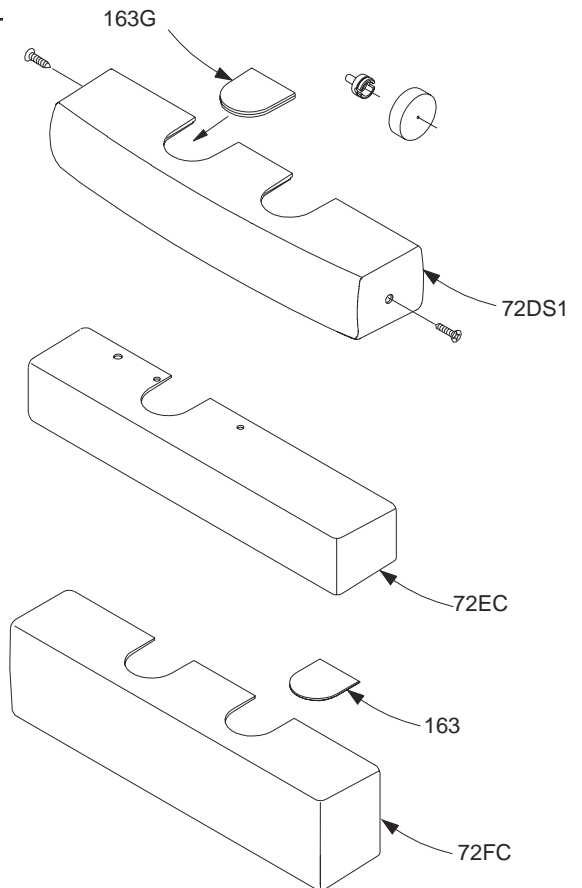
1460T-72	Slim Line Cover	F
1460T-72DS1	Designer Series Metal Cover	F
	<i>Includes 1460T-163G</i>	
1460T-72EC	Smooth Slim Line Cover	F
1460T-72LL	Lead Lined Cover	F
1460T-72FC	Full Cover	F
	<i>Includes 1460T-163</i>	



## Individual Cover Parts

Individual cover parts for 1460T-72, -72DS1, -72EC, -72FC, & -72LL

1460T-146	Shaft Cover	F
1460T-163	Arm Insert	F
1460T-163G	Arm Insert (DS1)	F



Please specify finish (**F**), size (**S**), hand (**H**), & voltage (**V**) where indicated. See the latest edition of the LCN Catalog for part descriptions and specifications on many of the items shown above. List prices for items shown above can be located in the current LCN Price List.

# LCN1460T SERIES

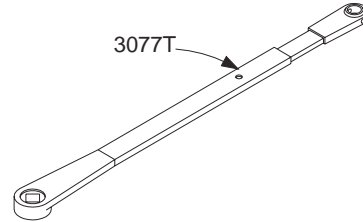
## Complete Arm Assemblies

1460T-3077T	Standard Arm	F
	<i>Includes 1460T-78, -82, -83H, -159 &amp; -425</i>	

## Individual Arm Parts

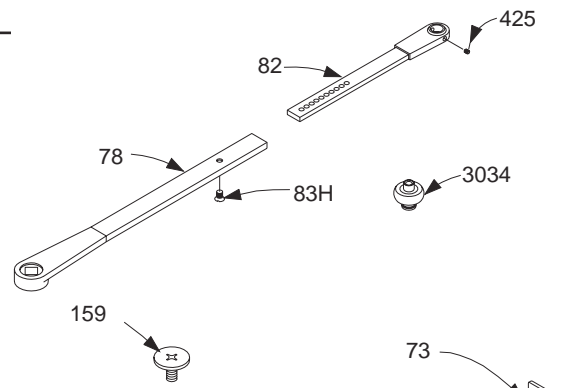
Individual arm parts for 1460T-3077T

1460T-78	Main Arm & Tube	F
	<i>Includes 1460T-159</i>	
1460T-82	Rod	F
	<i>Includes 1460T-83H, &amp; -425</i>	
1460T-83H	Arm Set Screw	F
1460T-159	Arm Screw	F
1460T-425	Roller Locking Screw	
1460T-3034	Track Roller	



## Complete Track Assemblies

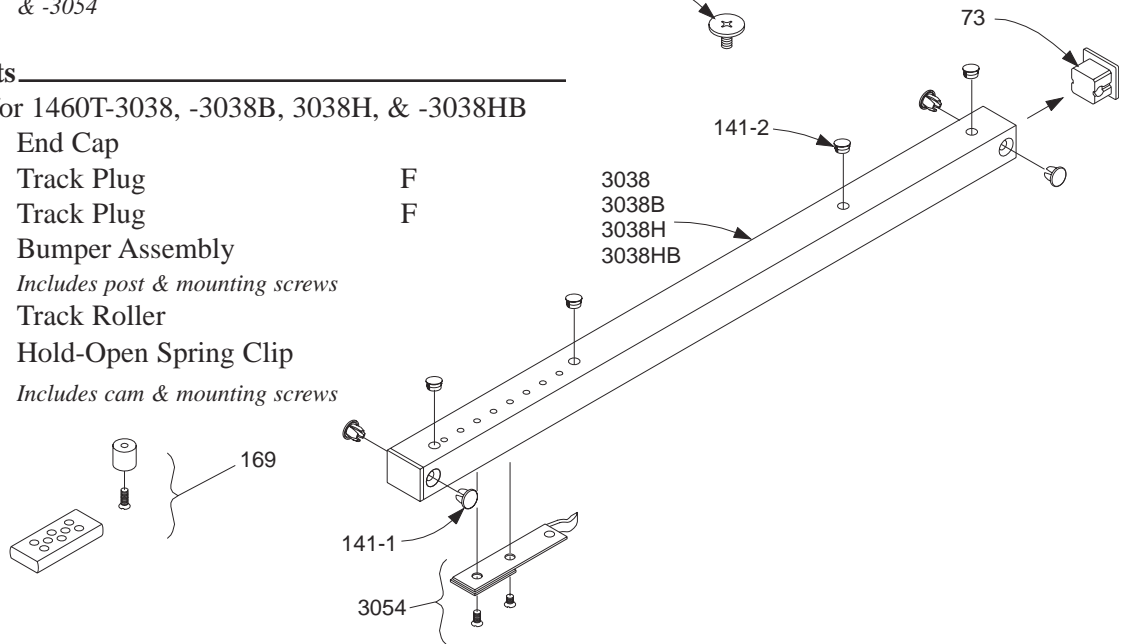
1460T-3038	Standard Track	F
	<i>Includes 1460T-73 (2), -141-2 (4), &amp; 141-1 (4)</i>	
1460T-3038B	Standard Track w/Bumper	F
	<i>Includes 1460T-73 (2), -141-2 (4), -141-1 (4), &amp; -169</i>	
1460T-3038H	Standard Track w/Hold-Open	F
	<i>Includes 1460T-73 (2), -141-2 (4), -141-1 (4), &amp; -3054</i>	
1460T-3038HB	Standard Track w/Bump & HO	F
	<i>Includes 1460T-73 (2), -141-2 (4), -141-1 (4), -169 &amp; -3054</i>	



## Individual Track Parts

Individual track parts for 1460T-3038, -3038B, 3038H, & -3038HB

1460T-73	End Cap	
1460T-141-1	Track Plug	F
1460T-141-2	Track Plug	F
1460T-169	Bumper Assembly	
	<i>Includes post &amp; mounting screws</i>	
1460T-3034	Track Roller	
1460T-3054	Hold-Open Spring Clip	
	<i>Includes cam &amp; mounting screws</i>	

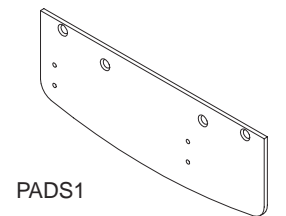
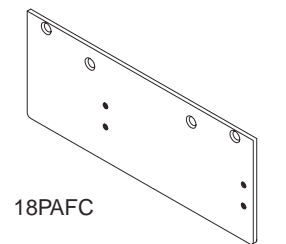
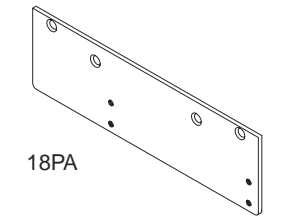
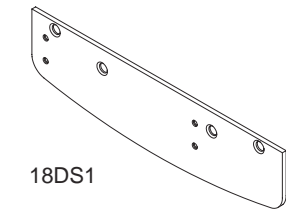
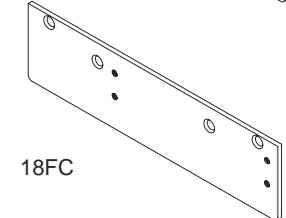
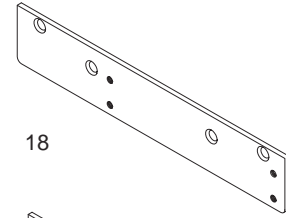


Please specify finish (F), size (S), hand (H), & voltage (V) where indicated. See the latest edition of the LCN Catalog for part descriptions and specifications on many of the items shown above. List prices for items shown above can be located in the current LCN Price List.

# LCN1460T SERIES

## Mounting Plates

1460T-18	Mounting Plate	F
1460T-18DS1	Mounting Plate	F
1460T-18FC	Mounting Plate	F
1460T-18PA	Mounting Plate	F
1460T-18PADS1	Mounting Plate	F
1460T-18PAFC	Mounting Plate	F



Please specify finish (**F**), size (**S**), hand (**H**), & voltage (**V**) where indicated. See the latest edition of the LCN Catalog for part descriptions and specifications on many of the items shown above. List prices for items shown above can be located in the current LCN Price List.

# LCN1520 SERIES

Discontinued

## Cylinder Assemblies

1521-3071	Cylinder Assembly	F
	<i>Includes screw pack (WMS standard – please specify other)</i>	
	<i>Size '1' cylinder is adjustable from size 1-4</i>	

## Individual Cylinder Parts

Individual cylinder parts for 1521-3071

1520-159	Arm Screw	F
----------	-----------	---

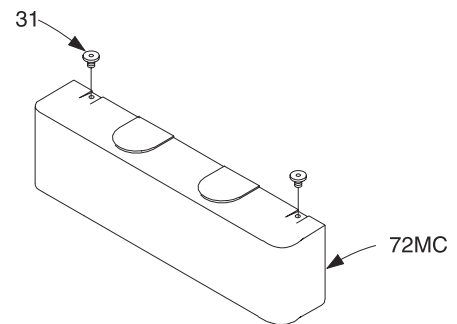
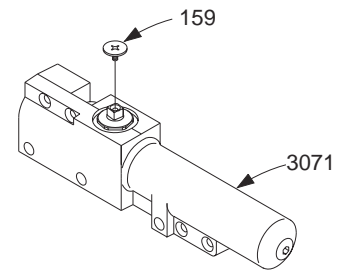
## Covers

1520-72MC	Metal Cover	F
	<i>Includes 1520-31 (2)</i>	

## Individual Cover Parts

Individual cover parts for 1520-72MC

1520-31	Cover Screw	F
---------	-------------	---



Please specify finish (**F**), size (**S**), hand (**H**), & voltage (**V**) where indicated. See the latest edition of the LCN Catalog for part descriptions and specifications on many of the items shown above. List prices for items shown above can be located in the current LCN Price List.

# LCN1520 SERIES

Discontinued

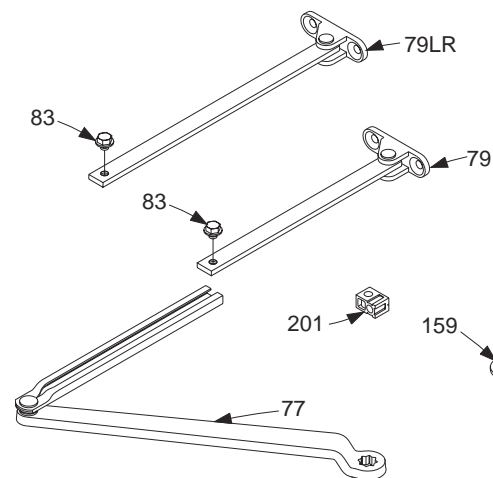
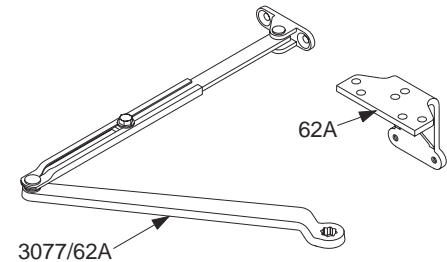
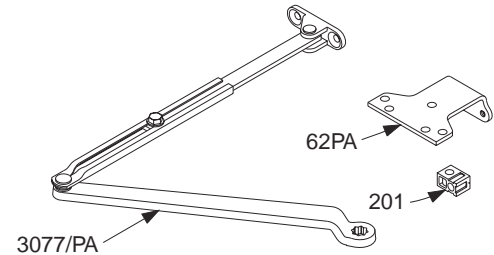
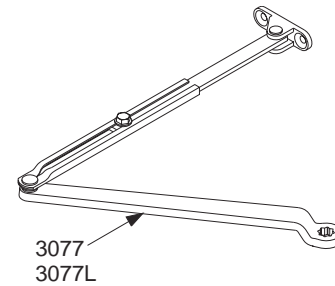
## Complete Arm Assemblies

1520-3077	Regular Arm	F
	<i>Includes 1520-77, -79, -83, &amp; -159</i>	
1520-3077/PA	Regular Arm w/62PA	F
	<i>Includes 1520-62PA, -77, -79, -83, 159, &amp; -201</i>	
1520-3077/62A	Regular Arm w/62A	F
	<i>Includes 1520-62A, -77, -79, -83, -159, &amp; -201</i>	
1520-3077L	Long Arm	F
	<i>Includes 1520-77, -79LR, -83, &amp; -159</i>	

## Individual Arm Parts

Individual arm parts for 1520-3077, -3077/PA, & -3077/62A

1520-62A	Auxiliary Parallel Arm Shoe	F
1520-62PA	Parallel Arm Shoe	F
	<i>Includes 1520-201</i>	
1520-77	Main Arm & Forearm	F
	<i>Includes 1520-159</i>	
1520-79	Rod & Shoe	F
	<i>Includes 1520-83 / Length is 8 3/8" (213mm)</i>	
1520-79LR	Long Rod & Shoe	F
	<i>Includes 1520-83 / Length is 12 3/8" (314mm)</i>	
1520-83	Arm Screw	F
1520-159	Arm Screw	F
1520-201	Fifth Screw Spacer	



Please specify finish (F), size (S), hand (H), & voltage (V) where indicated. See the latest edition of the LCN Catalog for part descriptions and specifications on many of the items shown above. List prices for items shown above can be located in the current LCN Price List.



# LCN1520 SERIES

## Discontinued

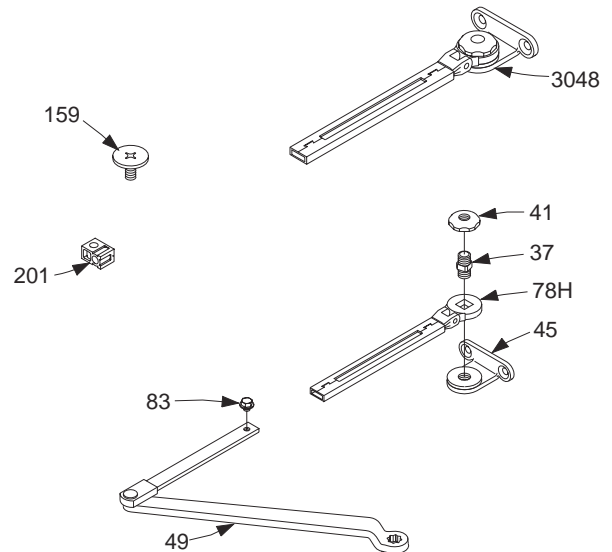
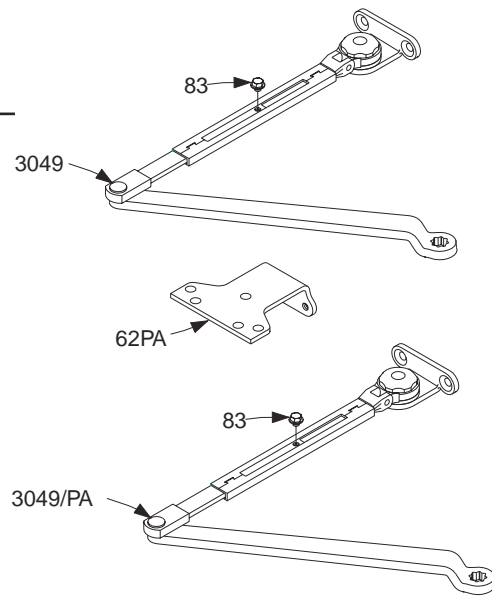
### Complete Arm Assemblies

1520-3049	Hold-Open Arm	F
	<i>Includes 1520-49, -83, -159, &amp; -3048</i>	
1520-3049/PA	Hold-Open Arm w/62PA	F
	<i>Includes 1520-49, 62PA, -83, 159, -201, &amp; -3040</i>	

### Individual Arm Parts

Individual arm parts for 1520-3049 & -3049/PA,

1520-37	Hold-Open Stud	F
1520-41	Hold-Open Nut	F
1520-45	HO Shoe	F
1520-49	HO Main Arm & Rod	F
	<i>Includes 1520-83H &amp; -159</i>	
1520-62PA	Parallel Arm Shoe	F
	<i>Includes 1520-201</i>	
1520-78H	H Head & Tube	F
	<i>Includes 1520-159</i>	
1520-83	Arm Screw	F
1520-159	Arm Screw	F
1520-201	Fifth Screw Spacer	F
1520-3048	HO Head & Tube Assy	F
	<i>Includes 1520-37, -41, -78H, &amp; -45</i>	
	<i>Length is 6 3/4" (171mm)</i>	



Please specify finish (**F**), size (**S**), hand (**H**), & voltage (**V**) where indicated. See the latest edition of the LCN Catalog for part descriptions and specifications on many of the items shown above. List prices for items shown above can be located in the current LCN Price List.

# LCN1520 SERIES

Discontinued

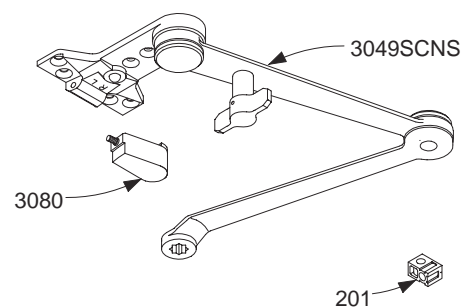
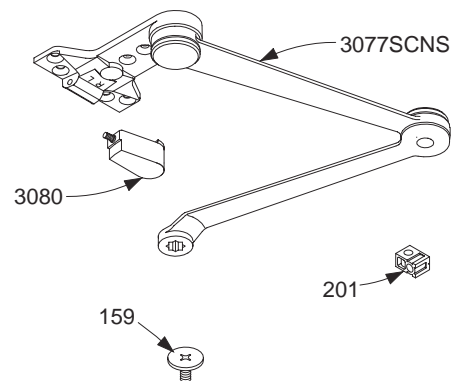
## Complete Arm Assemblies

1520-3077SCNS	Spring Cush-n-Stop Arm	F
	<i>Includes 1520 -159, -201, &amp; -3080</i>	
1520-3049SCNS	HO Spring Cush-n-Stop Arm	F
	<i>Includes 1520-159, -201, &amp; -3080</i>	

## Individual Arm Parts

Individual arm parts for 1520-3077SCNS, & -3049SCNS

1520-159	Arm Screw	F
1520-201	Fifth Screw Spacer	
1520-3080	Spring Cush Block	F



Please specify finish (**F**), size (**S**), hand (**H**), & voltage (**V**) where indicated. See the latest edition of the LCN Catalog for part descriptions and specifications on many of the items shown above. List prices for items shown above can be located in the current LCN Price List.



LCN CLOSERS  
121 W. RAILROAD AVE.  
P.O. BOX 100  
PRINCETON, IL, USA 61356-0100

PHONE 800-526-2400  
FAX 800-248-1460  
www.lcnclosers.com  
©2004 Ingersoll-Rand Company

# LCN 1520 SERIES

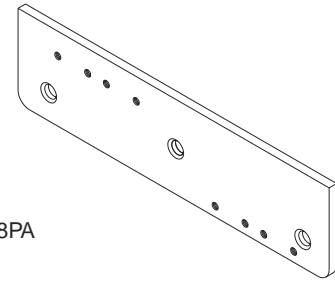
## Discontinued

### Mounting Plates

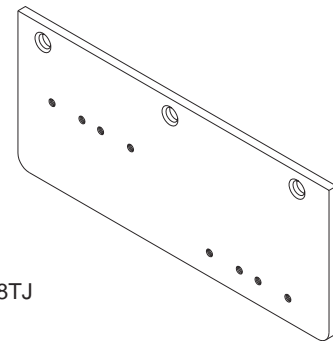
1520-18PA	Mounting Plate	F
1520-18TJ	Mounting Plate	F

### Installation Accessories

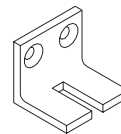
1520-30	Cush Shoe Support	F
1520-61	Blade Stop Spacer	F



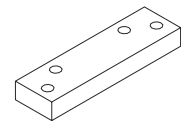
18PA



18TJ



30



61

Please specify finish (**F**), size (**S**), hand (**H**), & voltage (**V**) where indicated. See the latest edition of the LCN Catalog for part descriptions and specifications on many of the items shown above. List prices for items shown above can be located in the current LCN Price List.

# LCN 1520T SERIES

## Discontinued

### Cylinder Assemblies

1521T-3071	Cylinder Assembly	F
	<i>Includes screw pack (WMS standard – please specify other)</i>	
	<i>Size '1' cylinder is adjustable from size 1-3</i>	

### Individual Cylinder Parts

Individual cylinder parts for 1521T-3071

1520T-159	Arm Screw	F
-----------	-----------	---

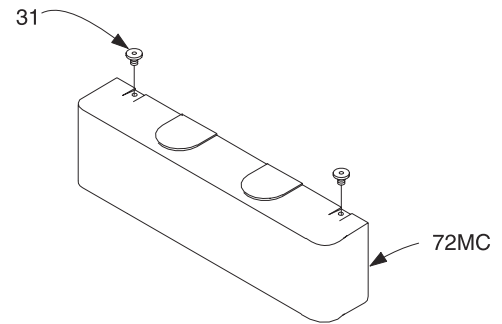
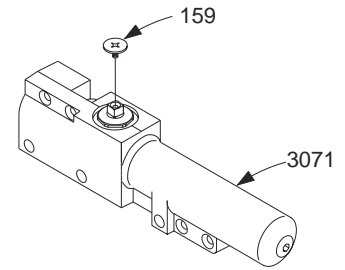
### Covers

1520T-72MC	Metal Cover	F
	<i>Includes 1520T-31</i>	

### Individual Cover Parts

Individual cover parts for 1520T-72MC

1520T-31	Cover Screw	F
----------	-------------	---



Please specify finish (**F**), size (**S**), hand (**H**), & voltage (**V**) where indicated. See the latest edition of the LCN Catalog for part descriptions and specifications on many of the items shown above. List prices for items shown above can be located in the current LCN Price List.

# LCN 1520T SERIES

Discontinued

## Complete Arm Assemblies

1520T-3077T	Standard Arm	F
	<i>Includes 1520T-159 &amp; roller</i>	
	<i>(Roller not available separate)</i>	

## Individual Arm Parts

Individual arm parts for 1520T-3077T

1520T-159	Arm screw	F
-----------	-----------	---

## Complete Track Assemblies

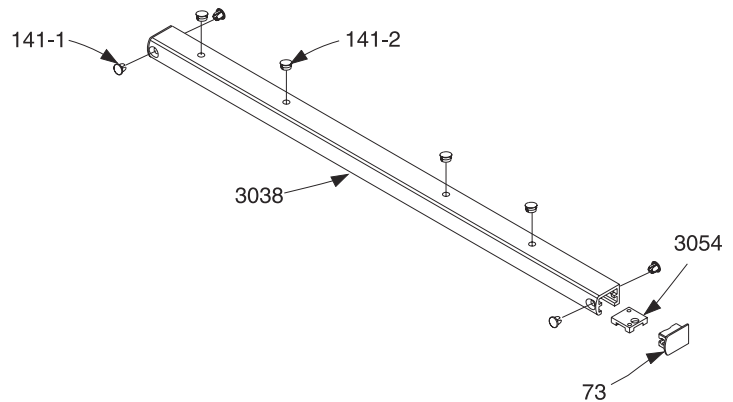
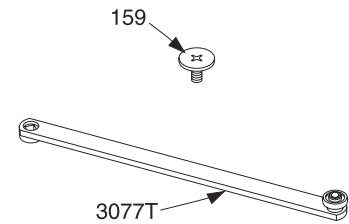
1520T-3038	Standard Track	F
	<i>Includes 1520T-73 (2), -141-1 (4), &amp; 141-2 (4)</i>	

1520T-3038H	Standard Track w/Hold-Open	F
	<i>Includes 1520T-73 (2), -141-1 (4), -141-2 (4), &amp; -3054</i>	

## Individual Track Parts

Individual track parts for 1520T-3038, & -3038H

1520T-73	End Cap	
1520T-141-1	Track Plug	F
1520T-141-2	Track Plug	F
1520T-3054	Hold-Open Clip	
	<i>Includes mounting screws</i>	



Please specify finish (F), size (S), hand (H), & voltage (V) where indicated. See the latest edition of the LCN Catalog for part descriptions and specifications on many of the items shown above. List prices for items shown above can be located in the current LCN Price List.



LCN CLOSERS  
121 W. RAILROAD AVE.  
P.O. BOX 100  
PRINCETON, IL, USA 61356-0100

PHONE 800-526-2400  
FAX 800-248-1460  
www.lcnclosers.com

©2004 Ingersoll-Rand Company