



# L&J FIRE

---

# EQUIPMENT



THE RIGHT EQUIPMENT...  
IN THE RIGHT AMOUNT OF TIME





# L&J FIRE EQUIPMENT



THIS CATALOG SUPERSEDES ALL PREVIOUS CATALOGS AND TERMS

## L&J FIRE EQUIPMENT STOCKS A LARGE INVENTORY OF:

- |                                   |                                |
|-----------------------------------|--------------------------------|
| Ansul Sentry Extinguishers        | Buckeye Extinguishers          |
| Ansul R-102 System                | Monarch Industrial Systems     |
| Pyro-Chem KKII Restaurant Systems | JL, Larsen's & CATO Cabinets   |
| Range Guard Restaurant Systems    | Buckeye Kitchen Mister System  |
| Amerex System Parts               | Badger Advantage Extinguishers |

### WE OFFER SAME DAY SHIPPING

Small parcel orders of \$500 or more to a single location are freight free within the Continental United States (excludes recharging compounds and hazardous materials).

Truck line shipments of \$5,000 or more to a single location are freight free within the Continental United States.

### PALLETS OF EXTINGUISHERS ARE FREIGHT FREE TO MOST AREAS

Freight free on most skid orders of extinguishers with next day delivery to Florida, Indiana, Ohio, Michigan, Illinois, Wisconsin, Pennsylvania, Georgia, Kentucky, West Virginia, California, Nevada, and Arizona.

For More Information, Call (800) 250-5602,  
Fax us at (352) 732-0039, or Email [sales@LandJFire.com](mailto:sales@LandJFire.com)

Let L&J Fire Equipment be your warehouse, we have the products and the service that our customers can build on, and count on.

**FLORIDA LOCATION:** 953 N.E. Osceola Avenue, Suite 101 • Ocala, Florida 34470

**MICHIGAN LOCATION:** 708 Sherman Lane • Cassopolis, Michigan 49031

**CALIFORNIA LOCATION:** 2950 Saturn Street, Unit J • Brea, California 92821

**Toll Free: (800) 250-5602 • (352) 732-0977**  
Fax: (352) 732-0039 • Website: [www.LandJFire.com](http://www.LandJFire.com)



PLEASE CALL OR VISIT OUR WEBSITE FOR YOUR CURRENT PRICING

(800) 250-5602

[www.LandJFire.com](http://www.LandJFire.com)

CATALOG 25



# TABLE OF CONTENTS

Ansul Sentry Extinguishers . . . . .	3-4
Badger Extinguishers . . . . .	4-5
Buckeye Extinguishers . . . . .	6-7
Ansul Wheeled Units . . . . .	.8
Badger Wheeled Units . . . . .	.8
Buckeye Wheeled Units . . . . .	.9
O-Rings . . . . .	.10
Valve Stems . . . . .	.11
Gauges . . . . .	.11
Redline Extinguisher Parts. . . . .	.12
Sentry Extinguisher Parts . . . . .	13-15
Sentry Dry Chemical Parts . . . . .	13-14
Sentry Cleanguard Parts. . . . .	.14
Sentry K-Guard Parts . . . . .	.15
Sentry Pressurized Water Parts . . . . .	.15
Badger Extinguisher Parts. . . . .	16-19
Badger Advantage Parts . . . . .	.16
Badger CO2 Parts. . . . .	.17
Badger Halotron Parts . . . . .	.18
Badger Water Parts. . . . .	.19
Buckeye Extinguisher Parts . . . . .	20-23
Buckeye Carbon Dioxide Parts . . . . .	.20
Buckeye Dry Chemical Parts . . . . .	20-21
Buckeye Water Mist Parts. . . . .	.21
Buckeye Water Unit Parts. . . . .	.22
Buckeye Wet Chemical Parts . . . . .	.22
Buckeye Halotron Parts . . . . .	.23
Brackets . . . . .	.23
Sentry & Redline Extinguisher Brackets. . . . .	24-25
Buckeye Extinguisher Brackets . . . . .	.26
Extinguisher Cabinets . . . . .	.27
Signs, Covers, CO2 Hoses & Tamper Seals . . . . .	.28
Tags, Collars, Batteries, Bulbs & Hood Lights . . . . .	.29
Smoke Detectors & E-Lights. . . . .	.30
Hardware Tools & Safety Equipment . . . . .	31-35
Chemicals . . . . .	36-39
EMT, Fittings & Filters . . . . .	.39
Globe Links . . . . .	.40
Fuse Links. . . . .	.41
Ansul R-102 . . . . .	42-46
Piranha . . . . .	.46
Kitchen Knight II . . . . .	47-53
Range Guard . . . . .	54-57
Amerex KP & ZD. . . . .	58-59
Buckeye Kitchen Mister . . . . .	.60
Guardian I & III . . . . .	61-63
Monarch . . . . .	64-65
Quick-Seals & Manuals . . . . .	.66
Stainless Steel Pipe Fittings. . . . .	.67
Chrome Pipe Fittings . . . . .	.68
Black Pipe Fittings . . . . .	.69
Terms & Conditions . . . . .	.70



# ANSUL® SENTRY® EXTINGUISHERS

## Foray Extinguishers



438735 429001 429102 434732 434735



436500 434747 440940 440945

## FORAY EXTINGUISHERS

Part #	Capacity	Description	Rating	PLT Qty
438735	2.5 lb	A02VB	1-A:10-B:C	198
429001	5 lb	A05	3-A:10-B:C	98
429102	5 lb	A05VB	3-A:10-B:C	98
434732	5 lb	AA05-1	3-A:40-B:C	98
434735	5 lb	AA05-1VB	3-A:40-B:C	98
436500	10 lb	AA10S	4-A:80-B:C	63
434747	20 lb	AA20-1	20-A:120-B:C	48
440940	20 lb	HF-AA20	4-A 60-B:C	48
440945	10 lb	HF-AA10S	1-A 20-B:C	63



## Purple-K Extinguishers



429008 436494 429011 440930 440935

## PURPLE-K EXTINGUISHERS

Part #	Capacity	Description	Rating	PLT Qty
429008	5 lb	PK05	60-B:C	98
436494	10 lb	PK10S	80-B:C	72
429011	20 lb	PK20	120-B:C	48
440930	20 lb	HF-PK20	60-B:C	48
440935	10 lb	HF-PK10S	20-B:C	63

## +50C Extinguishers



429014 436497 429017

## + 50C EXTINGUISHERS

Part #	Capacity	Description	Rating	PLT Qty
429014	5 lb	C05	40-B:C	98
436497	10 lb	C10	40-B:C	72
429017	20 lb	C20	80-B:C	48

## C02 Extinguishers



431553 431554 431555 431556

## C02 EXTINGUISHERS: ALUMINUM SHELL

Part #	Capacity	Description	Rating	PLT Qty
431553	5 lb	CD05A	5-B:C	35
431554	10 lb	CD10A	10-B:C	15
431555	15 lb	CD15A	10-B:C	15
431556	20 lb	CD20A	10-B:C	12



# ANSUL® SENTRY® EXTINGUISHERS

## CLEANGUARD EXTINGUISHERS

Part #	Capacity	Description	Rating
429107.....	2.5 lb .....	FE02VB .....	2-B:C
429020.....	5 lb .....	FE05 .....	5-B:C
429021.....	9 lb .....	FE09 .....	1-A:10-B:C
429022.....	13 lb .....	FE13 .....	2-A:10-B:C
432893.....	13 lb .....	FE13NM.....	1-A:10-B:C



## WATER EXTINGUISHER

Part #	Capacity	Description	Rating
430847....	2 1/2 Gal.....	W01-2 Pressurized Water.....	2-A



## K-GUARD EXTINGUISHER

Part #	Capacity	Description	Rating
434909...	6 Liter .....	K01-3, K-Guard. ....	2-A:K

# BADGER® EXTINGUISHERS

## ADVANTAGE EXTINGUISHERS

Part #	Capacity	Description	Rating	PLT Qty
21007865.....	2.5 lb .....	ABC W/ VB .....	1-A:10B:C .....	144
21007866.....	5 lb .....	ABC.....	3-A:40B:C .....	126
21007867.....	10 lb .....	ABC.....	4-A:60B:C .....	80
21007868.....	20 lb .....	ABC.....	6-A:80B:C .....	48
21008936.....	5 lb .....	ABC W/ VB .....	3-A:40B:C .....	126 (Not Shown)



## HIGH FLOW EXTINGUISHERS

Part #	Capacity	Description	Rating
21006158.....	10 lb .....	B10M-1-HF .....	1-A 20-B:C
21006160.....	20 lb .....	B20M-HF .....	4-A 60-B:C
21006159.....	10 lb .....	B10P-1-HF.....	20-B:C
21006161.....	20 lb .....	B20P-HF .....	60-B:C



# BADGER® EXTINGUISHERS



## CO2 EXTINGUISHERS

Part #	Capacity	Description	Rating
25078	5 lb	B5V-1 MR	5-B:C
21111	5 lb	B5V-1	5-B:C
21106	10 lb	B10V-1	10-B:C
21103	15 lb	B15V-1	10-B:C
21096	20 lb	B20V-1	10-B:C



## HALOTRON EXTINGUISHERS

Part #	Capacity	Description	Rating
24563	2.5 lb	2.5HB-2	2B:C
24567	5 lb	5HB-2	5-B:C
23082	11lb	11HB	1-A 10-B:C
23097	15.5 lb	15.5HB	2A-10B:C (Not Shown)



## WATER EXTINGUISHER

Part #	Capacity	Description	Rating
16888	2.5 Gal	WP-61	2-A

## WET CHEMICAL EXTINGUISHER

Part #	Capacity	Description	Rating
25064	6 L	WC-100	K

## AR-AFFF FOAM EXTINGUISHER

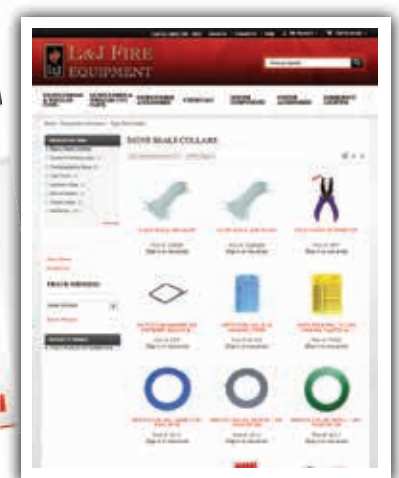
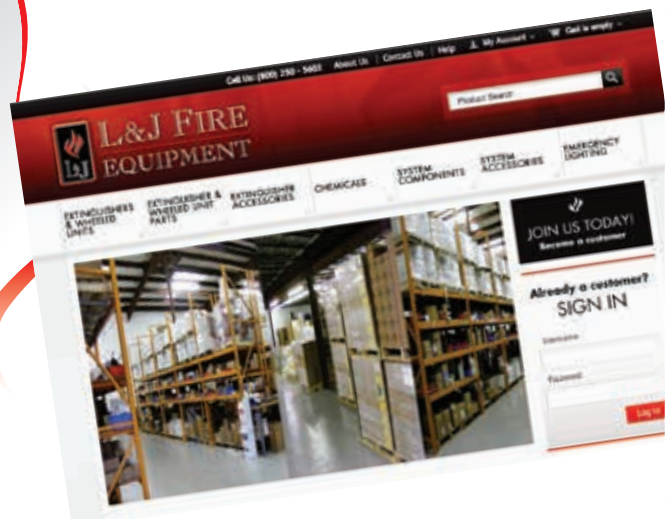
Part #	Capacity	Description	Rating
23697	2.5 Gal	F-250	1-A 30-B

(800) 250-5602

BE SURE TO VISIT OUR NEW WEBSITE, [LandJFire.com](http://LandJFire.com)

5

www.LandJFire.com



**MORE PRODUCTS... EASY ORDERING... SAVE TIME!**

# BUCKEYE® EXTINGUISHERS

## ABC EXTINGUISHERS

Part #	Capacity	Description	Rating	PLT Qty
13315	2.5 lb	ABC Alum. Valve	1-A:10-B:C	180
10914	5 lb	ABC Alum. Valve	3-A:40-B:C	140
25614	5 lb	ABC V/B Alum. Valve	3-A:40-B:C	140
11340	10 lb	ABC (Tall) Alum. Valve	4-A:80-B:C	110
12120	20 lb	ABC Alum. Valve	20-A:120-B:C	70
12905	30 lb	ABC Brass Valve	20-A:160-B:C	30
11350	10 lb	10 HF ABC	1-A:20-B:C	112
11351	10 lb	10 HDHF ABC	1-A:20-B:C	112
11150	13.2 lb	13 HF ABC	1-A:10-B:C	60 (Not Shown)
11151	13.2 lb	13 HDHF ABC	1-A:10-B:C	60 (Not Shown)
12350	20 lb	20 HF ABC	4-A:60-B:C	60
12351	20 lb	20 HDHF ABC	4-A:60-B:C	60
13350	30 lb	30 HF ABC	4-A:80-B:C	30 (Not Shown)
13351	30 lb	30 HDHF ABC	4-A:80-B:C	30 (Not Shown)

ABC Extinguishers



13315 10914 25614 11340 12120 12905



11350 11351 12350 12351

## PURPLE-K EXTINGUISHERS

Part #	Capacity	Description	Rating
13515	2.5 lb	PK Alum. Valve	10-B:C
11214	5 lb	PK Alum. Valve	20-B:C
25914	5 lb	PK Alum. Valve w/VB	20-B:C
11740	10 lb	PK Alum. Valve	80-B:C
12620	20 lb	PK Alum. Valve	120-B:C
12805	30 lb	PK Brass Valve	160-B:C
11650	10 lb	10 HF PK	20-B:C (Not Shown)
11651	10 lb	10 HDHF PK	20-B:C (Not Shown)
11250	13.2 lb	13 HF PK	20-B:C (Not Shown)
11251	13.2 lb	13 HDHF PK	20-B:C (Not Shown)
12650	20 lb	20 HF PK	60-B:C (Not Shown)
12651	20 lb	20 HDHF PK	60-B:C (Not Shown)
13650	30 lb	30 HF PK	80-B:C (Not Shown)
13651	30 lb	30 HDHF PK	80-B:C (Not Shown)

Purple-K Extinguishers



13515 11214 25914 11740 12620 12805

## DRY CHEMICAL EXTINGUISHERS

Part #	Capacity	Description	Rating
13415	2.5 lb	BC Alum. Valve	10-B:C
11014	5.5 lb	BC Alum. Valve	40-B:C
13514	5.5 lb	BC Alum. Valve w/ VB	40-B:C
11840	10 lb	BC Alum. Valve	40-B:C
12220	20 lb	BC Alum. Valve	120-B:C
11850	10 lb	10 HF STD	10-B:C (Not Shown)
11851	10 lb	10 HDHF STD	10-B:C (Not Shown)
11450	13.2 lb	13 HF STD	10-B:C (Not Shown)
11451	13.2 lb	13 HDHF STD	10-B:C (Not Shown)
12850	20 lb	20 HF STD	60-B:C (Not Shown)
12851	20 lb	20 HDHF STD	60-B:C (Not Shown)
13850	30 lb	30 HF STD	40-B:C (Not Shown)
13851	30 lb	30 HDHF STD	40-B:C (Not Shown)

Standard Dry Chemical



13415 11014 13514 11840 12220



# BUCKEYE® EXTINGUISHERS

C02  
Extinguishers



45100 45600 46100 46600

## C02 EXTINGUISHERS

Part #	Capacity	Description	Rating
45100.....	5 lb.....	CO2 Aluminum Shell ..	5-B:C
45600.....	10 lb.....	CO2 Aluminum Shell ..	10-B:C
46100.....	15 lb.....	CO2 Aluminum Shell ..	10-B:C
46600.....	20 lb.....	CO2 Aluminum Shell ..	10-B:C

Halotron



70256 70251 70259 70258 75555 70510 71100

## HALOTRON EXTINGUISHERS

Part #	Capacity	Description	Rating
70256...	2.5 lb .....	Hose w/VB .....	2-B:C
70251...	2.5 lb .....	Fixed Nozzle w/VB...	2-B:C
70259...	2.5 lb .....	Hose.....	2-B:C
70258...	2.5 lb .....	Fixed Nozzle.....	2-B:C
75555...	5 lb .....	Hose w/VB .....	5-B:C
70510...	5 lb .....	Fixed Nozzle.....	5-B:C
70551...	5 lb .....	Fixed Nozzle w/VB...	5-B:C (Not Shown)
75550...	5 lb .....	Hose.....	5-B:C (Not Shown)
71100...	11 lb .....	Hose.....	1-A:10-B:C
71550...	15.5 lb .....	Hose w/Brass Valve ..	2-A:10-B:C (Not Shown)

Water And Water Mist



50000 51000

Wet Chemical



50006

Class D



52000

## WATER EXTINGUISHERS

Part #	Capacity	Description	Rating
50000.....	2.5 Gal.....	Pressurized Water .....	2-A
51000.....	2.5 Gal.....	Water Mist .....	2-A:C

## WET CHEMICAL EXTINGUISHER

Part #	Capacity	Description	Rating
50006.....	6 Liters .....	K-Class.....	1-A:K

## CLASS D EXTINGUISHER

Part #	Capacity	Description	Rating
52000.....	30 lb.....	Sodium Chloride .....	D



**NEED IT FAST?**  
We can ship it today!

Call or visit  
our website today!

# ANSUL® SENTRY® WHEELED UNITS

## ANSUL D-MODEL WHEELED EXTINGUISHERS

Part #	Description
55355.....	Model 150-D, 150 lb, CR-LR-I-150-D (Not Shown)
53868.....	Model 150-D, 150 lb, CR-I-150-D (Not Shown)
53874.....	Model 150-D, 150 lb, CR-I-K-150-D
435050.....	Model 150-D, 150 lb, CR-I-A-150-D
53879.....	Model 350-D, 350 lb, CR-I-350-D (Not Shown)
53887.....	Model 350-D, 350 lb, CR-I-K-350-D
54133.....	Model 350-D, 350 lb, CR-LR-I-350-D (Not Shown)
435056.....	Model 350-D, 350 lb, CR-I-A-350-D



# BADGER® WHEELED UNITS

## STORED PRESSURE WHEELED EXTINGUISHERS

Part #	Capacity	Description	Rating
20127.....	50 lb	ABC	20-A:160-B:C
20180.....	50 lb	PK	160-B:C
20653.....	125 lb	ABC	40-A:240-B:C
20684.....	125 lb	PK	240-B:C
20677.....	150 lb	BC	240-B:C



## CYLINDER OPERATED WHEELED EXTINGUISHERS

Part #	Capacity	Description	Rating
19900.....	145 lb	ABC W/Nitrogen	40-A:240-B:C
19906.....	150 lb	BC W/Nitrogen	240-B:C
19915.....	125 lb	PK W/Nitrogen	240-B:C
19903.....	150 lb	ABC W/Nitrogen 36" Steel Wheels	40-A:240-B:C
19921.....	150 lb	PK W/Nitrogen 36" Steel Wheels	240-B:C



## CO2 WHEELED EXTINGUISHERS

Part #	Capacity	Description	Rating
22724.....	50 lb	CO2	20-B:C
22725.....	100 lb	CO2	20-B:C

# BUCKEYE® WHEELED UNITS

30010



30110



## STORED PRESSURE DRY CHEMICAL WHEELED UNITS

Part #	Capacity	Description	Rating
30010.....	50 lb .....	ABC Stored Pressure.....	30 A: 160 B:C w/Rubber Tires
30110.....	150 lb .....	ABC Stored Pressure.....	40 A: 240 B:C w/Rubber Tires
30030.....	50 lb .....	PK Stored Pressure.....	160 B:C w/Rubber Tires (Not Shown)
30310.....	150 lb .....	PK Stored Pressure.....	320 B:C w/Rubber Tires (Not Shown)

31110



32120



## NITROGEN CYLINDER OPERATED DRY CHEMICAL WHEELED UNITS

Part #	Capacity	Description	Rating
31110.....	150 lb .....	ABC Pressure Transfer.....	40 A: 240 B:C w/Semi-Pneumatic Tires
32120.....	350 lb .....	ABC Regulated.....	4 A: 320 B:C w/Steel Wheels

76500



71500



## HALOTRON WHEELED UNITS

Part #	Capacity	Description	Rating
76500.....	65 lb .....	Halotron Stored Pressure ...	4 A: 40 B:C w/Rubber wheels
71500.....	150 lb .....	Halotron Stored Pressure ...	10 A: 80 B:C w/Rubber wheels

35050



35100



## CARBON DIOXIDE WHEELED UNITS

Part #	Capacity	Description	Rating
35050.....	50 lb .....	CO2 .....	20 B:C
35100.....	100 lb .....	CO2 .....	20 B:C



**NEW PRODUCTS!**  
We are frequently updating our website with new products.  
Call or visit our website today!





## ANSUL

Part #	Description
OR-28	Ansul O-Ring
QR-40	Ansul O-Ring
QR-41	Ansul O-Ring
670	Ansul Gasket, Hose Coupling, 3/4 in. (150 Wheeled/Stationary)
439848	Ansul R-102 Nozzle O-Ring, Pkg. 25 (Package Price), 2014 Style
1230	ANSUL Gasket, Nozzle Tip Assembly (10/20/30 Hand Portable)
181	Ansul Cartridge Gasket
21964	Ansul O-Ring, (Checkfire, SC-N)
56909	Ansul O-Ring For R102 Tank
6323	Ansul Hose Assembly, O-Ring (20-E And G)
429170	Ansul O-Ring, Valve To Cylinder (Cd05A, Cd10A-1, Cd15A-1, Cd20A-1)
428327	Ansul Sentry O-Ring
17630	Ansul O-Ring For V/S Nozzle
31726	Ansul Industrial O-Ring

## AMEREX

Part #	Description
OR-27	Amerex O-Ring
5239	Amerex O-Ring Quad COLR 150
5240	Amerex O-Ring Collar, Pkg. 24
10513	Amerex O-Ring, Each, Pkg. 12
10733	Amerex O-Ring Nitrile .154X.050

## BADGER

Part #	Description
340035	Badger Advantage O-ring, all units (Not Shown)

## BUCKEYE

Part #	Description
OR-37	Buckeye O-Ring
900015	Buckeye Fill Cap O-Ring
900033	Buckeye O-Ring

## FLAG

Part #	Description
429537	Flag O-Ring 10, 20, 30 lb

## PEMALL

Part #	Description
OR-26	Pemall O-Ring

## K-CLASS & CO2

Part #	Description
OR-29	K-Class O-Ring (All Manufacturers)
OR-39	O-Ring, CO2 (All Manufacturers)

## PIRANHA

Part #	Description
423362	Piranha O-Collar O-Ring

## PYRO CHEM

Part #	Description
550029	Pyro Chem Monarch O-Ring, Dry Valve Body
550666	Pyro Chem Replacement O-Ring, N-Atd Cap
550714	Pyro Chem Valve Cap O-Ring O/S
550715	Pyro Chem Wet Piston O-Ring
550716	Pyro Chem Wet Valve O-Ring

## RANGE GUARD

Part #	Description
9300061	Range Guard O-Ring For Ring Nut
56610327	Range Guard O-Ring, Packing 2-1/8

## STRIKE FIRST

Part #	Description
OR-21	Strike First O-Ring

\*Images Not To Scale



# VALVE STEMS



## ANSUL

Part #	Description
24489	Stem, Valve Metal (Sy-05, 06, 10, 20)
4283	Plunger Assembly (5)
54227	Stem, Valve (Sy-0214, 0515)
429099	Valve Stem Assembly New Style

## AMEREX

Part #	Description
A6092	Amerex Valve Stem
A6093	Amerex Valve Stem

## STRIKE FIRST

Part #	Description
161428	Strike First Valve Stem For 10 & 20 lb Extinguisher

## BUCKEYE

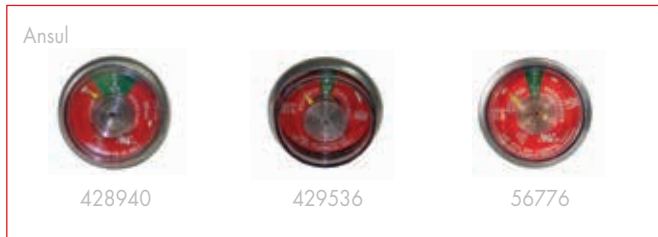
Part #	Description
900921	Buckeye Wet Chemical Valve Stem With O-Ring
900804	Buckeye Valve Stem Assembly
900321	Buckeye CO2 Valve Stem
103215	Buckeye Dry Chemical Valve Stem With O-Ring
103216	Buckeye Valve Stem With O-Ring

## BADGER

Part #	Description
23389	Valve Stem Assembly
440068	Kidde Valve Stem, Small
440020	Badger Dry Chem Valve Stem
23794	Badger Stem Assy, Valve, Pkg. 10 of 19010
23795	Badger Stem Assy, Valve, Pkg. 10 of 12426



# GAUGES



## ANSUL

Part #	Description
426264	Ansul Gauge For FE-36 2.5 lb & 5 lb Only (Not Shown)
428940	Ansul Gauge For FE-36 9 lb & 13 lb Only
429536	Ansul Gauge (K01-3, W02-1)
56776	Ansul Gauge All Dry Chemical Units

## BADGER

Part #	Description
18504	Badger Water Gauge (Not Shown)
23073	Badger 100 PSI, 2.5 & 5 lb Halotron (Not Shown)
23092	Badger 195 PSI, 11 & 15 lb Halotron (Not Shown)
340104	Badger Advantage 100 PSI, 2.5 & 4 lb (Not Shown)
294063	Badger Advantage 195 PSI, 5.5, 10, 20 lb (Not Shown)

## BUCKEYE

Part #	Description
900920	Buckeye K-class (Not Shown)
Gauge001	Buckeye Water (Not Shown)
900026	Buckeye Dry Chemical (Not Shown)

## UNIVERSAL

Part #	Description
GK100	Universal Wet Chemical Gauge (Not Shown)
GW100	Universal 100 lb Water, Foam, & Loaded Stream Gauge
G195	Universal Dry Chemical Pressure Gauge 195 PSI

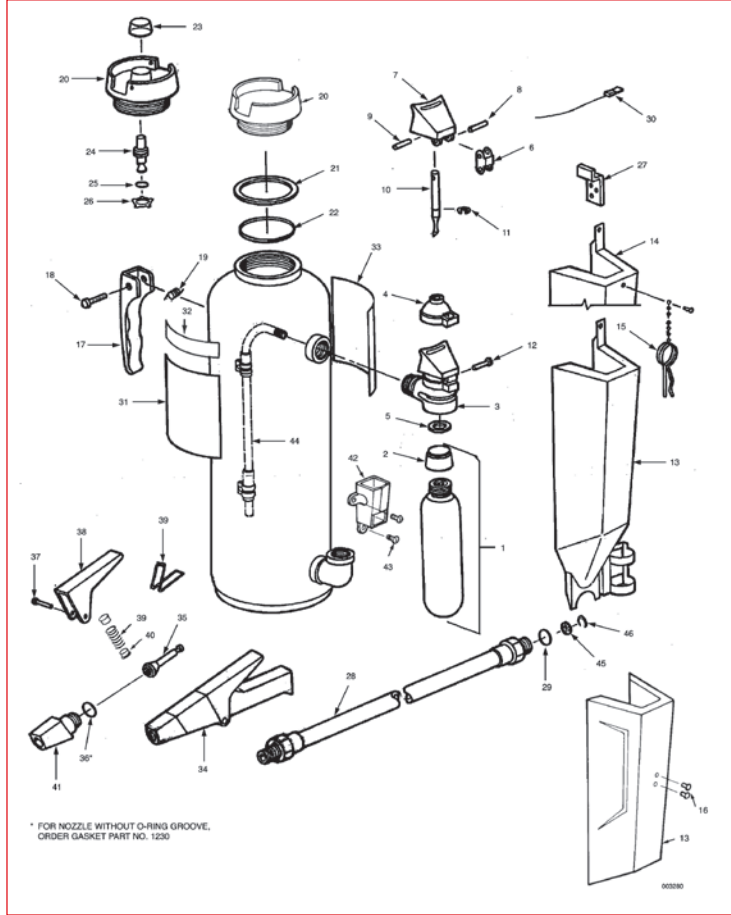


**DON'T SEE WHAT YOU ARE LOOKING FOR?**  
Visit our website or call us today!

# REDLINE® EXTINGUISHER PARTS

## REDLINE

No.	Description & Part Number	Size
1.....	Cartridge w/Cap, CO2, 10-L (E/G) 4616	10
1.....	Cartridge w/Cap, CO2, 20-L (E/G) 4614	20
1.....	Cartridge w/Cap, CO2, 30-L (E/G) 4615	30
1.....	Cartridge w/Cap, N2, LT-10-R (E/G) 13193	10
1.....	Cartridge w/Cap, N2, LT-20-R (E/G) 7032	20
1.....	Cartridge w/Cap, N2, LT-30-R (E/G) 5373	30
2.....	Cartridge Shipping Cap, LH (E/G) 77250	10, 20, 30
2.....	Cartridge Shipping Cap, RH (E/G) 77251	10, 20, 30
3.....	Cartridge Receiver, CR, LH (E/G) 17913	10, 20, 30
3.....	Cartridge Receiver, LH (E/G) 3626	10, 20, 30
3.....	Cartridge Receiver, RH (E/G) 1356	10, 20, 30
4.....	Cap, Rubber (E/G) 1057	10, 20, 30
5.....	Gasket, Cartridge Receiver (E/G) 181	10, 20, 30
6.....	Link, Cartridge Receiver (E/G) 1068	10, 20, 30
7.....	Puncture Lever (E/G) 3628	10
7.....	Puncture Lever, CR (E/G) 17915	20, 30
7.....	Puncture Lever, Std (E/G) 3628	20, 30
8.....	Spring Pin, Link to Puncture Lever (E/G) 4108	10, 20, 30
9.....	Spring Pin, Puncture Lever to Puncture Pin (E/G) 4109	10, 20, 30
10.....	Puncture Pin (E/G) 25305	10, 20, 30
11.....	Retaining Ring (E/G) 1903	10, 20, 30
12.....	Rivet, Link to Cartridge Receiver (E/G) 6286	10, 20, 30
13.....	Cartridge Guard, Composite (G Only) 418025	30
13.....	Cartridge Guard, Composite LT (G Only) 418026	30
13.....	Cartridge Guard, Composite, LT (G Only) 416524	20
13.....	Cartridge Guard, Composite, LY (G Only) 418024	10
13.....	Cartridge Guard, Composite, Std (G Only) 416346	20
13.....	Cartridge Guard, Composite, Std (G Only) 418023	10
13.....	Cartridge Guard, Metal (G Only) 426447	20
13.....	Cartridge Guard, Metal (G Only) 426455	30
13.....	Cartridge Guard, Metal, CR (E Only) 17917	20
13.....	Cartridge Guard, Metal, CR (E Only) 17938	30
13.....	Cartridge Guard, Metal, CR (E Only) 53468	10
13.....	Cartridge Guard, Metal, LT (E Only) 12997	10
13.....	Cartridge Guard, Metal, LT (E Only) 6967	20
13.....	Cartridge Guard, Metal, LT (E Only) 6971	30
13.....	Cartridge Guard, Metal, MET-LX, LITH-X (E Only) 426455	30
13.....	Cartridge Guard, Metal, Std (E Only) 3652	10
13.....	Cartridge Guard, Metal, Std (E Only) 6287	30
13.....	Cartridge Guard, Metal, Std (E Only) 6302	20
14.....	Ring Pin Cartridge Guard, Composite (G Only) 416347	20
14.....	Ring Pin Cartridge Guard, Composite (G Only) 418243	10
14.....	Ring Pin Cartridge Guard, Composite (G Only) 418244	30
14.....	Ring Pin Cartridge Guard, Metal (E Only) 6330	10
14.....	Ring Pin Cartridge Guard, Metal (E Only) 7097	20
14.....	Ring Pin Cartridge Guard, Metal (E Only) 7207	30
14.....	Ring Pin Cartridge Guard, Metal (G Only) 426450	20
14.....	Ring Pin Cartridge Guard, Metal (G Only) 426458	30
15.....	Ring Pin and Chain Assembly (E/G) 7095	10, 20, 30
16.....	Rivet, Cartridge Guard (E Only) 6579	10, 20, 30
17.....	Carrying Handle, CR (E/G) 17902	10, 20, 30
17.....	Carrying Handle, Standard (E/G) 6169	10, 20, 30
18.....	Carrying Handle Rivet (E/G) 1265	10, 20, 30
19.....	Carrying Handle Spring (E/G) 2902	10, 20, 30
20.....	Fill Cap w/Indicator, CR (E/G) 422808	10, 20, 30
20.....	Fill Cap w/Indicator, Standard (E/G) 17999	10, 20, 30
20.....	Fill Cap w/o Indicator, CR (E Only) 17903	10, 20, 30
20.....	Fill Cap w/o Indicator, Standard (E Only) 32028	10, 20, 30
21.....	Gasket, Fill Cap (E/G) 6190	10, 20, 30
22.....	Quad Ring, Fill Cap (E/G) 6273	10, 20, 30
23.....	Cap, Plastic (E/G) 17633	10, 20, 30
24.....	Stem, Indicator (E/G) 27648	10, 20, 30
25.....	Quad Ring (E/G) 17630	10, 20, 30
26.....	Retaining Ring (E/G) 1239	10, 20, 30
27.....	Hanger Hook (E/G) 3651	10, 20, 30
28.....	Hose w/Couplings, CR (E/G) 24451	30
28.....	Hose w/Couplings, CR (E/G) 24459	30
28.....	Hose w/Couplings, CR (E/G) 77739	10
28.....	Hose w/Couplings, Std (E/G) 13005	10
28.....	Hose w/Couplings, Std (E/G) 7083	30
28.....	Hose w/Couplings, Std (E/G) 7091	20
29.....	O-Ring (E/G) 6263	10
29.....	O-Ring (E/G) 6323	20
29.....	O-Ring (E/G) 6324	30
30.....	Inspection Seal, Visual (E/G) 15999	10, 20, 30
32.....	Label, Low Temperature (E Only) 25167	10, 20, 30
34.....	Nozzle Assembly, A & K Std (E/G) 30778	30
34.....	Nozzle Assembly, A & K/LTK Std (E/G) 30789	20
34.....	Nozzle Assembly, A Std /LT(E/G) 31407	10
34.....	Nozzle Assembly, CR-A (E/G) 53470	10
34.....	Nozzle Assembly, CR-A, CR-K (E/G) 30818	30
34.....	Nozzle Assembly, CR-A, CR-K, CRLTK (E/G) 30817	20
34.....	Nozzle Assembly, CR-K (E/G) 54732	10
34.....	Nozzle Assembly, HF-A, HF-K (E/G) 15156	20
34.....	Nozzle Assembly, HF-A, HF-K (E/G) 15159	30
34.....	Nozzle Assembly, K Std/LT (E/G) 30787	10
34.....	Nozzle Assembly, LITH-X (E/G) 30464	30
34.....	Nozzle Assembly, LT-A (E/G) 14382	20
34.....	Nozzle Assembly, LT-A, MET-LX (E/G) 14045	30
34.....	Nozzle Assembly, LT-K (E/G) 14047	30
34.....	Nozzle Assembly, MET-LX (E/G) 30464	30

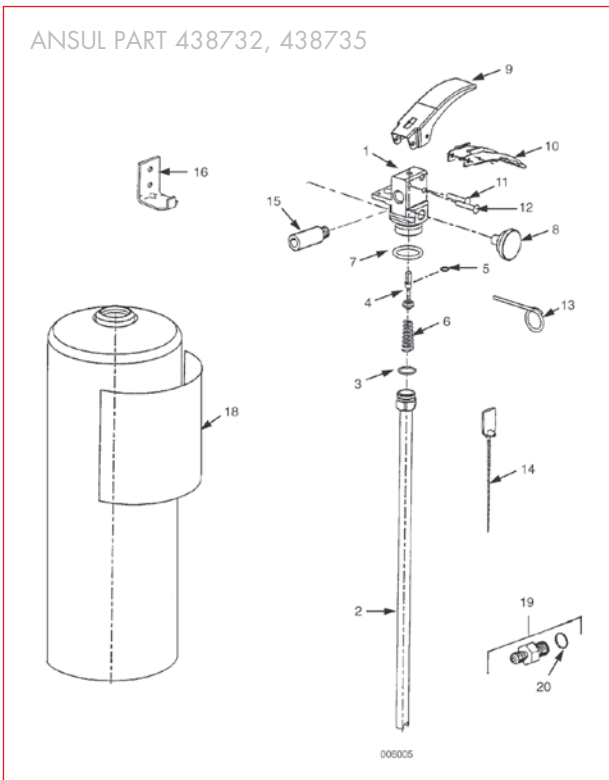


No.	Description & Part Number	Size
34.....	Nozzle Assembly, PLUS-FIFTY CR (E/G) 17905	20
34.....	Nozzle Assembly, PLUS-FIFTY CR (E/G) 17931	30
34.....	Nozzle Assembly, PLUS-FIFTY LT (E Only) 14706	30
34.....	Nozzle Assembly, PLUS-FIFTY Std 14048	10
34.....	Nozzle Assembly, PLUS-FIFTY Std, (E/G) 14551	20
35.....	Nozzle Plunger (E/G) 56117	10, 20, 30
36.....	O-Ring, Nozzle Assembly (E/G) 3469	10, 20, 30
37.....	Rivet, Nozzle Handle (E/G) 3621	10, 20, 30
38.....	Handle, Nozzle Assembly, Standard (E/G Only) 419389	10, 20, 30
38.....	Handle, Nozzle Assembly, CR (E Only) 17907 N/A	30
38.....	Handle, Nozzle Assembly, CR (G Only) 423461	10, 20, 30
38.....	Handle, Nozzle Assembly, HF (E Only) 6580	20, 30
38.....	Handle, Nozzle Assembly, HF (G Only) 426629	20, 30
38.....	Handle, Nozzle Assembly, Std (E Only) 6266	30
39.....	Spring, Nozzle Handle (E Only) 30399	10, 20, 30
39.....	Spring, Nozzle Handle (G Only) 419422	10, 20, 30
40.....	Caplug -2 (E Only) 25154	10, 20, 30
41.....	Tip, Nozzle Assembly, A & K Std (E/G) 30790	20
41.....	Tip, Nozzle Assembly, A & K Std (E/G) 30791	30
41.....	Tip, Nozzle Assembly, A Std (E/G) 31502	10
41.....	Tip, Nozzle Assembly, HF-A, HF-K (E/G) 25780	20
41.....	Tip, Nozzle Assembly, HF-A, HF-K (E/G) 25781	30
41.....	Tip, Nozzle Assembly, K Std (E/G) 30788	10
41.....	Tip, Nozzle Assembly, LT-A, LT-K (E/G) 25778	20
41.....	Tip, Nozzle Assembly, LT-A/CRLT-A, MLKYL 17932	20
41.....	Tip, Nozzle Assembly, LT-K (E/G) 17946	30
41.....	Tip, Nozzle Assembly, MET-LX, LITH-X (E/G) 25799	30
41.....	Tip, Nozzle Assembly, PLUS-FIFTY LT (E Only) 25779	30
41.....	Tip, Nozzle Assembly, PLUS-FIFTY Std (E/G) 25773	10
41.....	Tip, Nozzle Assembly, PLUS-FIFTY Std, (E/G) 17908	20
42.....	Nozzle Holder Assembly (E Only) 74206	10, 20, 30
43.....	Nozzle Platform Screw -2 (E Only) 14908	10, 20, 30
44.....	Gas Tube Assembly (E/G) 434446	10
44.....	Gas Tube Assembly (E/G) 434620	30
44.....	Gas Tube Assembly (E/G) 6317	20
45.....	Hose Seal (Pkg of 30) (G Only) 415659	10
45.....	Hose Seal (Pkg of 30) (G Only) 415660	20
45.....	Hose Seal (Pkg of 30) (G Only) 415661	30
46.....	Retaining Ring (Pkg of 50) (G Only) 415855	10
46.....	Retaining Ring (Pkg of 50) (G Only) 415856	20
46.....	Retaining Ring (Pkg of 50) (G Only) 415857	30
-.....	Gasket Kit (Quad Ring, Flat Gasket, Hose O-Ring) 415878	30
-.....	Gasket Kit (Quad, Flat Gasket, Hose O-Ring) 415877	20
-.....	Hose Inspection Kit (Seal, Retainer Clip) 426688	20
-.....	Hose Inspection Seal Kit (Seal & Retainer Clip) 426689	30
-.....	Hose Inspection Seal Kit (Seal & Retaining Ring) 426687	10



# SENTRY® EXTINGUISHER PARTS

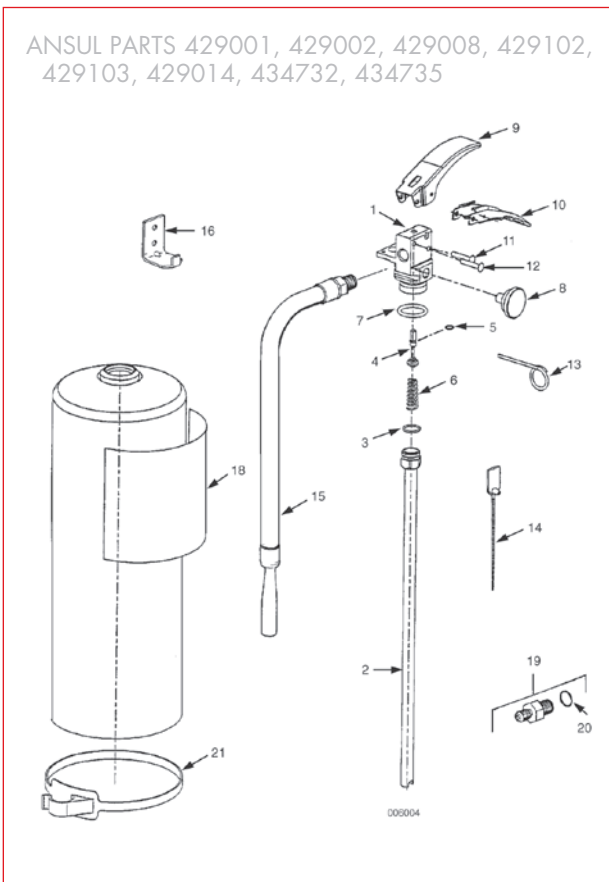
ANSUL PART 438732, 438735



## DRY CHEMICAL PARTS

Fig.#	Description	Part #
—	...Valve Assembly (Not Shown)	429083
1	...Valve Body, Machined	428062
2	...Tube, Pick-Up	428795
3	...O-Ring (Pick-up Tube)	76076
4	...Valve Stem Assembly	429099
5	...O-Ring	11873
6	...Spring	415565
7	...O-Ring	428327
8	...Gauge, Pressure	56776
9	...Lever, Operating	429096
10	...Handle, Carrying	429097
11	...Rivet, Operating Lever	428130
12	...Rivet, Carrying Handle	428130
13	...Pull Pin (Ring Pin)	16235
14	...Seal, Visual Inspection	419790
15	...Nozzle Tip Assembly, A02, A02VB	428269
16	...Hanger Hook, A02	21873
—	...Bracket Assembly (Not Shown)	24610
	A02VB C02VB	
19	...Adaptor Assembly, Recharge	429642
20	...O-Ring	57744

ANSUL PARTS 429001, 429002, 429008, 429102, 429103, 429014, 434732, 434735



## DRY CHEMICAL PARTS

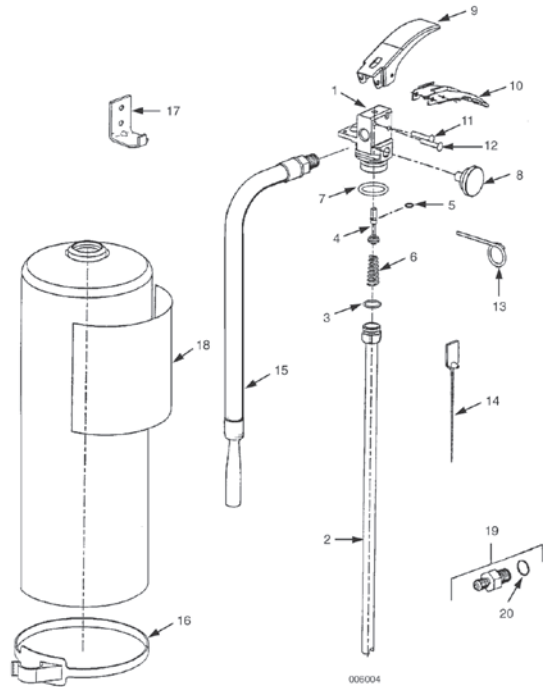
Fig.#	Description	Part #
—	...Valve Assembly (Not Shown)	429084
1	...Valve Body, Machined	428062
2	...Tube, Pick-Up	428796
3	...O-Ring (Pick-up Tube)	76076
4	...Valve Stem Assembly	429099
5	...O-Ring	11873
6	...Spring	415565
7	...O-Ring	428327
8	...Gauge, Pressure	56776
9	...Lever, Operating	429096
10	...Handle, Carrying	429097
11	...Rivet, Operating Lever	428130
12	...Rivet, Carrying Handle	428130
13	...Pull Pin (Ring Pin)	16235
14	...Seal, Visual Inspection	419790
15	...Hose & Nozzle Assembly, A05	428728
15	...Hose & Nozzle Assembly, AA05	428729
15	...Hose & Nozzle Assembly, PK05	428730
15	...Hose & Nozzle Assembly, C05	428731
16	...Hanger Hook, AA05, PK05, A05, C05	54405
—	...Bracket Assembly (Not Shown),	429146
	AA05VB, A05VB	
19	...Adaptor Assembly, Recharge	429642
20	...O-Ring	57744
21	...Hose Retainer, AA05, PK05, A05, C05	427995

# SENTRY® EXTINGUISHER PARTS

## DRY CHEMICAL PARTS

Fig.#	Description	Part #
—	Valve Assembly, 10S Models	436595
—	Valve Assembly, 10 lb Models except A10T	429085
—	Valve Assembly, A10T	429086
—	Valve Assembly, 20 lb Models	429087
1	Valve Body, Machined	428062
2	Tube, Pick-Up, 10 lb Models except A10T	428797
2	Tube, Pick-Up, A10T	428798
2	Tube, Pick-Up, 20 lb Models	428799
3	O-Ring (Pick-up Tube)	76076
4	Valve Stem Assembly	429099
5	O-Ring	11873
6	Spring	415565
7	O-Ring	428327
8	Gauge, Pressure	56776
9	Lever, Operating	429096
10	Handle, Carrying	429097
11	Rivet, Operating Lever	428130
12	Rivet, Carrying Handle	428130
13	Pull Pin (Ring Pin)	16235
14	Seal, Visual Inspection	25940
15	Hose & Nozzle Assy, AA10S	436592
15	Hose & Nozzle Assy, A10T, A10H, C10, C10S	428732
15	Hose & Nozzle Assembly, PK10, PK10S	428734
15	Hose & Nozzle Assembly, AA20	428736
15	Hose & Nozzle Assembly, PK20	428738
15	Hose & Nozzle Assembly, C20	428740
16	Hose Retainer	427995
17	Hanger Hook	428223
17	Hanger Hook (10S)	428222
17	Hanger Hook (AA20)	428224
19	Adaptor Assembly, Recharge	429642
20	O-Ring	57744

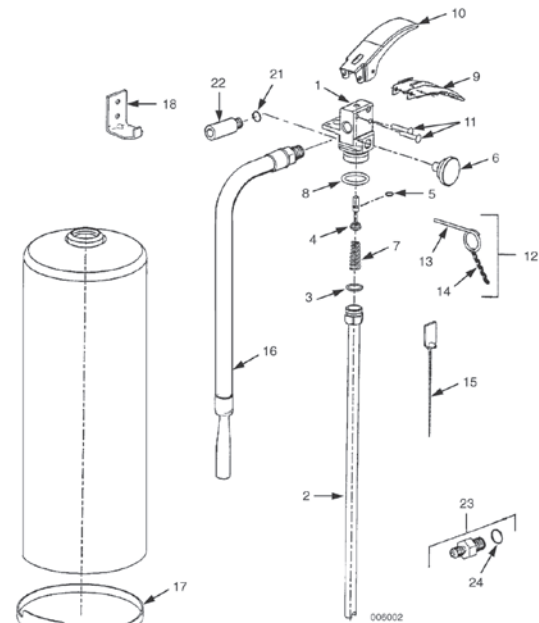
ANSUL PARTS 436500, 429009, 429015, 434747, 429011, 429017



## CLEANGUARD PARTS

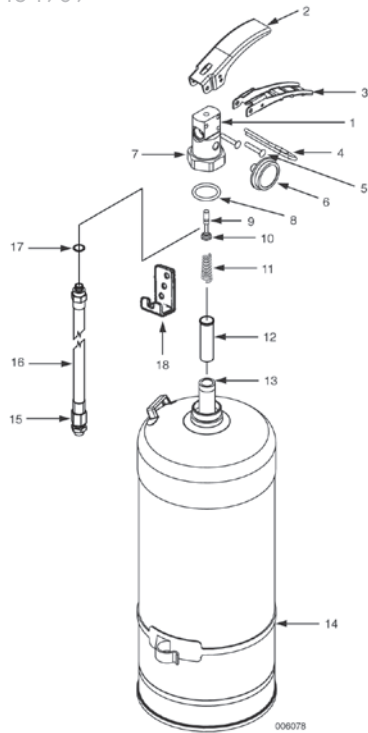
Fig.#	Description	Part #
—	Valve Assembly, FE02VB	429090
—	Valve Assembly, FE05	429091
—	Valve Assembly, FE09	429092
—	Valve Assembly, FE13	429093
1	Valve Body, Anodized	429100
2	Tube, Pick-up, FE02VB	428795
2	Tube, Pick-up, FE05	428796
2	Tube, Pick-up, FE09	428797
2	Tube, Pick-up, FE13	428799
3	O-Ring	76076
4	Valve Stem Assembly (Includes O-Ring)	429099
5	O-Ring	11873
6	Gauge, FE02VB, FE05	426264
6	Gauge, FE09, FE13	428940
7	Spring	415565
8	O-Ring	428327
9	Handle, Finished	429097
10	Push Lever, Finished	429096
11	Rivet (2)	428130
12	Ring Pin/Chain Assembly	16234
13	Ring Pin	16235
14	Chain	507
15	Seal, Visual Inspection	25940
16	Hose & Nozzle Assembly, FE05	428742
16	Hose & Nozzle Assembly, FE09, FE13	428743
17	Hose Retainer, FE05, FE09, FE13	427995
18	Hanger Bracket, FE05	54405
18	Hanger Bracket, FE09, FE13	428224
20	Vehicle Bracket (Not Shown)	24610
21	O-Ring	57744
22	Nozzle, FE02	429118
23	Adaptor Assembly, Recharge	429642
24	O-Ring	57744

ANSUL PARTS 429107, 429020, 429021, 429022



# SENTRY® EXTINGUISHER PARTS

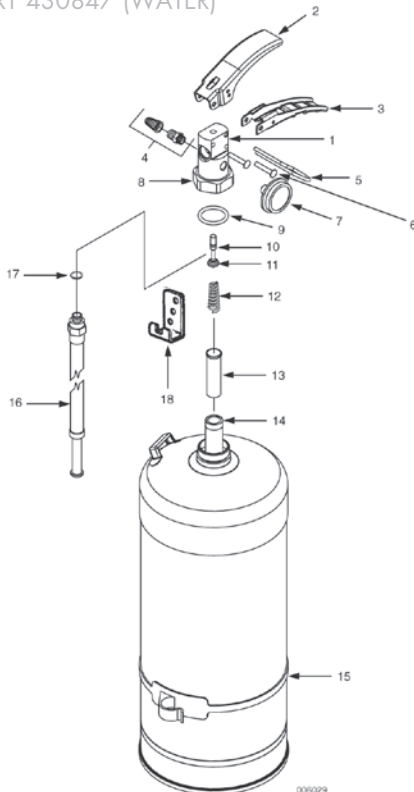
ANSUL PART 434909



## K-GUARD PARTS, K-103

Fig.#	Description	Part #
1	Valve Body	430271
2	Lever	430924
3	Handle	430273
4	Ring Pin	430115
5	Rivet	430250
6	Gauge	429536
7	Collar Nut	430274
8	Collar O-Ring	56909
9	Valve Stem O-Ring	429539
10	Valve Stem	429099
11	Spring	430004
12	Fill Tube	429541
13	Pick-Up Tube Assembly	439713
14	Belly Band	427995
15	Nozzle Tip	426074
16	Hose and Nozzle Assembly	439495
17	Hose O-Ring	429544
18	Wall Hanger	430056
—	Heavy Duty Bracket (Not Shown)	422737
—	Visual Inspection Seal (Not Shown)	25940
—	Warning Placard, English/Spanish (Not Shown)	426021
—	Warning Placard, English/Can. French (Not Shown)	426034
—	Adaptor Assembly, Recharge	430057
—	Valve Assembly	430270

ANSUL PART 430847 (WATER)



## WATER PARTS

Fig.#	Description	Part #
1	Valve Body	430821
2	Lever	430924
3	Handle	430273
4	Air Valve Assembly	429542
5	Ring Pin	430115
6	Rivet	430250
7	Gauge	429536
8	Collar Nut	430274
9	Collar O-Ring	56909
10	Valve Stem O-Ring	429159
11	Valve Stem	429099
12	Spring	430004
13	Fill Tube	429541
14	Pick-Up Tube Assembly	430793
15	Belly Band	427995
16	Hose and Nozzle Assembly	429543
17	Hose O-Ring	429544
18	Wall Hanger	430056
—	Heavy Duty Bracket (Not Shown)	30937
—	Visual Inspection Seal (Not Shown)	25940

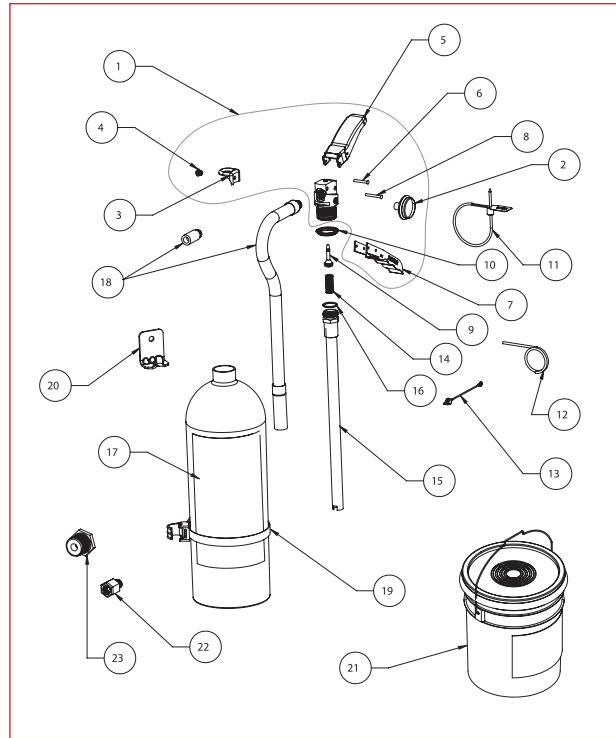




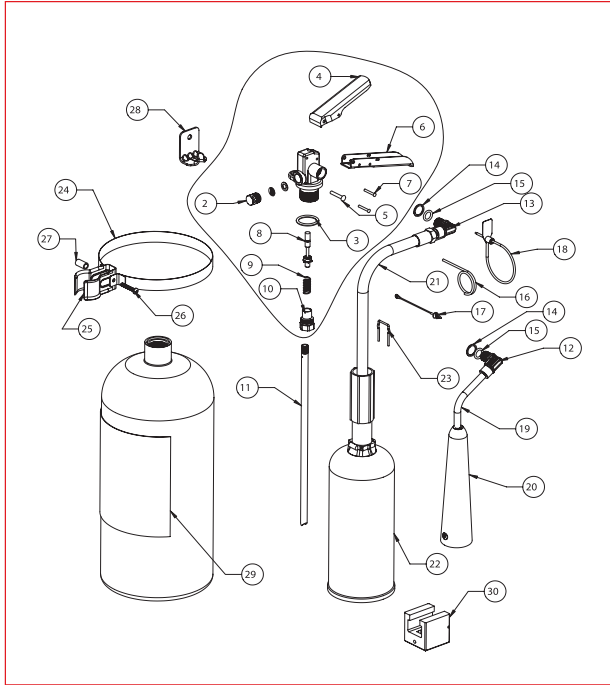
# BADGER® EXTINGUISHER PARTS

## BADGER ADVANTAGE

Fig #	Part #	Description
1.....	21008376.....	Valve assembly (2 1/2, 4 lb)
2.....	1008377.....	Valve assembly (5 1/2, 10, 20 lb)
2.....	340104.....	Pressure Gauge - 100 psi (2 1/2, 4 lb)
	294063.....	Pressure Gauge - 195 psi (5 1/2, 10, 20 lb)
3.....	08516.....	Hanger loop
4.....	19622.....	Hanger loop screw
5.....	21007875.....	Operating lever (2 1/2, 4, 5 1/2, 10, 20 lb)
6.....	320751.....	Lever rivet
7.....	21007873.....	Carrying handle (2 1/2, 4, 5 1/2 lb)
	21007874.....	Carrying handle (10, 20 lb)
8.....	320750.....	Handle rivet
9.....	440068.....	Valve stem assembly, including O-Ring (2 1/2, 4, 5 1/2, 10, 20 lb)
10....	340035.....	Neck seal (2 1/2, 4, 5 1/2, 10, 20 lb)
11....	16081.....	Visual inspection tamper seal (red field replacement)
12....	23537.....	Pull pin
13....	23535.....	Pull pin tether
14....	322063.....	Spring (2 1/2, 4, 5 1/2, 10, 20 lb)
15....	21007861.....	Siphon tube assembly (2 1/2 lb)
	21008373.....	Siphon tube assembly (4 lb)
	21007862.....	Siphon tube assembly (5 1/2 lb)
	21007863.....	Siphon tube assembly (10 lb)
	21007864.....	Siphon tube assembly (20 lb)
16....	320167.....	Siphon tube o-ring
17....	21007882.....	Front Nameplate (2 1/2 lb)
	21007883.....	Front Nameplate (5 1/2 lb)
	21007884.....	Front Nameplate (10, 20 lb)
	21008343.....	Front Nameplate (English/French 2 1/2 lb)
	21008344.....	Front Nameplate (English/French 4, 5 1/2 lb)
	21008345.....	Front Nameplate (English/French 10, 20 lb)
18....	21005805.....	Discharge nozzle (2 1/2 lb)
	440210.....	Discharge hose assembly (4 lb)
	21006335.....	Discharge hose assembly (5 1/2 lb)
	21007908.....	Discharge hose assembly (10 lb)
	21006338.....	Discharge hose assembly (20 lb)
19....	21007836.....	Hose band (4, 5 1/2 lb)
	007835.....	Hose band (10, 20 lb)
20....	01141.....	Wall Hook (2 1/2 lb)
	23704.....	Wall Hook (4, 5 1/2 and 10 lb)
	14260.....	Wall Hook (20 lb)
21....	400014.....	50 lb Pail of Badger Commercial ABC Dry Chemical
22....	21007877.....	Charging adaptor
23....	21007876.....	Hydro adaptor



# BADGER® EXTINGUISHER PARTS



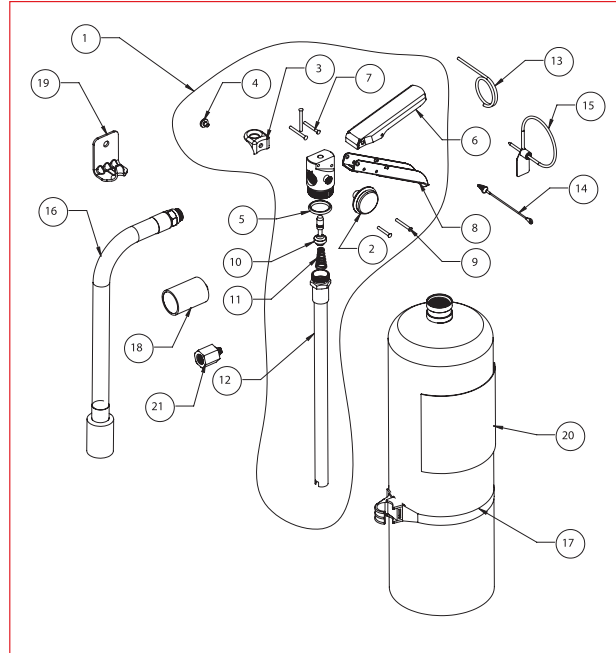
## CO2

Fig	Part #	Description
1.....	23304	Valve Assembly (For aluminum cylinders only)
2.....	24643	Safety assembly (nut, washer & disc)
3.....	16464	O-ring (valve collar)
4.....	16438	Operating lever
5.....	16633	Operating lever rivet
6.....	16437	Carrying handle
7.....	04095	Carrying handle rivet (2 required)
8.....	20981	Valve stem assembly
9.....	03523	Spring
10....	20984	Siphon tube adaptor nut
11....	21114	Siphon tube (5#)
	21110	Siphon tube (10#)
	21099	Siphon tube (15 & 20#)
12....	21119	Elbow assembly (Anti-recoil) (5#)
13....	21100	Elbow assembly (Anti-recoil) (10, 15 & 20#)
14....	21101	Discharge elbow o-ring
15....	03524	Fiber washer
16....	23537	Pull pin (Ring Pin)
17....	23535	Tether for Pull Pin (post 2001)
18....	13120	Visual inspection tamper seal (red)
19....	21116	Discharge tube (5#)
20....	08886	Horn (5#)
21....	23005	Discharge Hose (10#)
	23010	Discharge Hose (15 & 20#)
22....	01840	Horn (10#)
	01841	Horn (15 & 20#)
23....	01838	Nozzle and horn retainer spring clip (10, 15 & 20#)
24....	19329	Band (10 & 15#)
	19332	Band (20#)
25....	08921	Band horn retention clasp (10, 15 & 20#)
26....	19347	Band spacer screw
27....	06650	Band spacer
28....	01141	Wall hook hanger (5#)
	01142	Wall hook hanger (10 & 15#)
	14260	Wall hook hanger (20#)
29....	23730	Replacement operation nameplate (B5V)
	23733	Replacement operation nameplate (B10V)
	23736	Replacement operation nameplate (B15V)
	23739	Replacement operation nameplate (B20V)
30....	24681	B-9 Valve Removal/Installation Tool

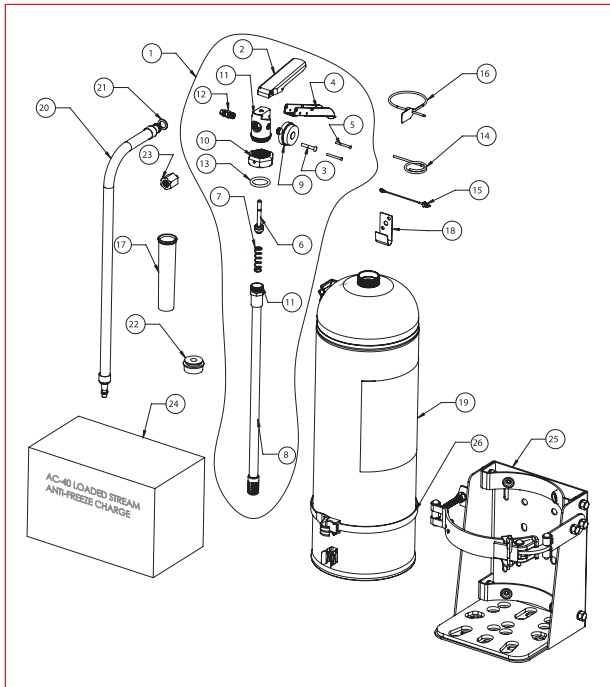
# BADGER® EXTINGUISHER PARTS

## HALOTRON

Fig	Part #	Description
1.....	23349	Valve Assembly 2.5 lb and 5 lb
	23085	Valve Assembly 11 lb
	23100	Valve Assembly 15 lb
2.....	23073	100 PSI Gauge 2.5 lb and 5 lb
	23092	195 PSI Gauge 11 lb and 15 lb
3.....	23358	Hanger Loop 2.5 lb
	08516	Hanger Loop 5 lb
	14260	Hanger 11 lb and 15 lb
4.....	19622	Hanger Loop Screw
5.....	23074	O-ring (valve collar) 2.5 lb and 5lb
	23089	O-ring (valve collar) 11 lb and 15 lb
6.....	23351	Operating lever 2.5 lb and 5 lb
	16438	Operating lever 11 lb and 15 lb
7.....	23352	Operating lever rivet 2.5 lb and 5 lb
	16633	Operating lever rivet 11 lb and 15 lb
8.....	23353	Carrying handle 2.5 lb and 5 lb
	16437	Carrying handle 11 lb and 15 lb
9.....	23354	Carrying handle rivet 2.5 lb and 5 lb
	04095	Carrying handle rivet 11 lb and 15 lb
10....	23355	Valve stem assembly 2.5 lb and 5 lb
	23086	Valve stem assembly 11 lb and 15 lb
11....	19393	Spring 2.5 lb and 5 lb
	07630	Spring 11 lb and 15 lb
12....	23400	Siphon tube 2.5# and 5 lb
	23090	Siphon tube 11 lb
	23101	Siphon tube 15 lb
13....	23537	Pull pin (ring pin)
14....	23535	Tether for Pull Pin
15....	13120	Visual inspection tamper seal (red)
16....	23093	Discharge Hose Assembly 11 lb
	23103	Discharge Hose Assembly 15.5, 25 lb
17....	21007835	Hose Band for 11 lb and 15 lb
18....	24566	Discharge nozzle 2.5 lb
19....	01155	Wall Hook Hanger 2.5 lb
	01141	Wall Hook Hanger 5 lb
	14260	Wall Hook Hanger 11 lb and 15.5 lb
	24570	Discharge nozzle 5 lb
21....	18667	Charging Adaptor 2.5 lb and 5 lb
	04795	Charging Adaptor 11 lb and 15.5 lb



# BADGER® EXTINGUISHER PARTS



## WATER

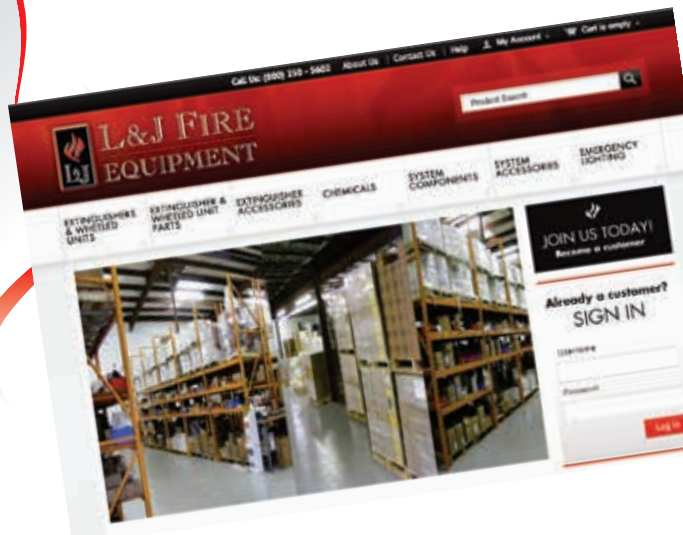
Fig	Part #	Description
1.....	22446.....	Valve Assembly
2.....	16438.....	Operating lever
3.....	16633.....	Operating lever rivet
4.....	16437.....	Carrying handle
5.....	04095.....	Carrying handle rivet (2 required)
6.....	23795.....	Valve stem
7.....	07630.....	Spring
8.....	14992.....	Siphon tube
9.....	18504.....	Pressure gauge
10....	03726.....	Hex nut union ring
12....	06826.....	Schrader air valve w/cap (pre-2001)
13....	23797.....	O-ring (valve collar) 25 pk
	21007182.....	O-ring (valve collar) low temperature -40F loaded stream
14....	23537.....	Pull pin
15....	23535.....	Tether – pull pin (post-2001 models)
16....	13120.....	Visual inspection tamper seal (red field replacement)
17....	03728.....	Overfill tube
18....	16047.....	Wall hook
19....	23742.....	Replacement front operating instruction nameplate (WP-61)
20....	08844.....	Agent discharge hose assembly
21....	00701.....	Agent hose o-ring
22....	09858.....	Cylinder hydrostatic test adapter
23....	04795.....	Pressurization charge adapter
24....	00792.....	AC-40 loaded stream anti-freeze charge
25....	18117.....	UB-20 bracket with locking ring pin
26....	21541.....	Optional hose retention band assembly

(800) 250-5602

BE SURE TO VISIT OUR NEW WEBSITE, [LandJFire.com](http://LandJFire.com)

19

www.LandJFire.com

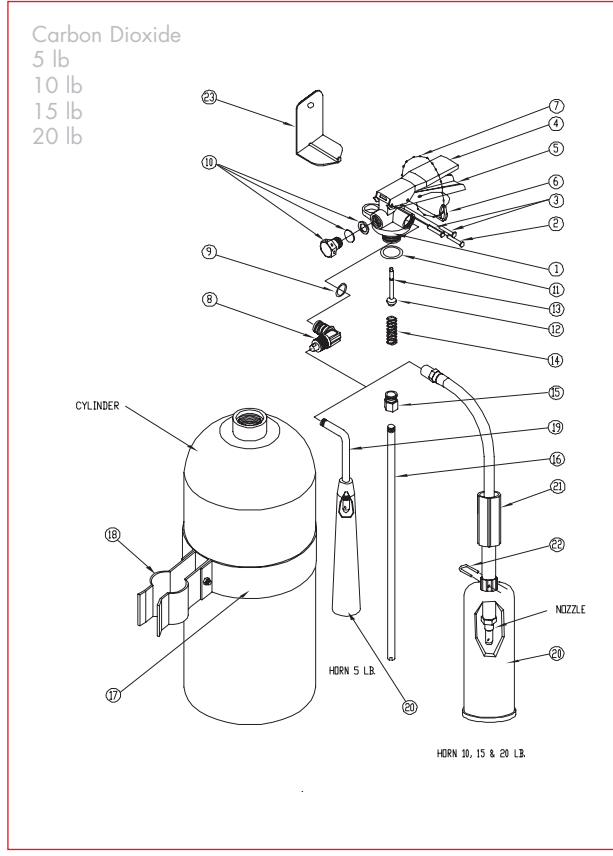


**MORE PRODUCTS... EASY ORDERING... SAVE TIME!**

# BUCKEYE® EXTINGUISHER PARTS

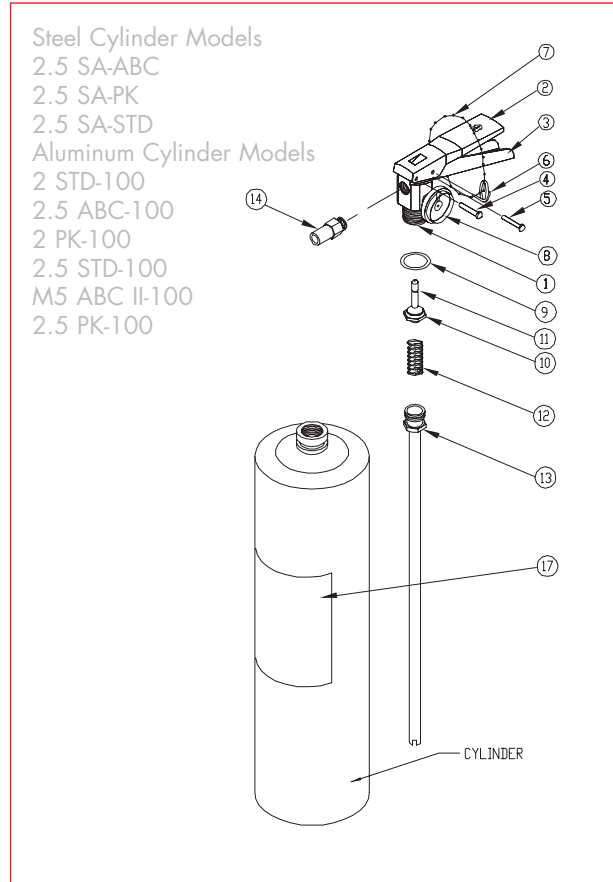
## CARBON DIOXIDE

Fig.#	Part #	Description	Model
1.....	900302	Valve Body	All
2.....	900053	Rivet for Lever	All
3.....	900052	Rivets for Handle (2 Required)	All
4.....	900322	Lever	All
5.....	900919	Handle	All
6.....	200095	Pull Pin & Cord	All
7.....	900036	Tamper Seal	All
8.....	455202	Elbow with O-Ring	10, 15, & 20 lb
	450202	Elbow with O-Ring	5 lb
9.....	900331	Elbow O-Ring	All
10.....	200081	Safety Disk, Gasket & Nut Assembly	All
11.....	900329	Neck O-Ring	All
12.....	900321	Valve Stem- No O-Ring	All
13.....	900328	Stem O-Ring	All
14.....	900319	Spring	All
15.....	450239	Siphon Tube Retainer	All
16.....	450240	Siphon Tube- 12 5/8"	5 lb
	455240	Siphon Tube- 15 1/8"	10 lb
	460240	Siphon Tube- 21 5/16"	15 & 20 lb
17.....	700324	Hose Band	10 lb
	700323	Hose Band	15 lb
	700325	Hose Band	20 lb
18.....	700100	Hose Clip (includes screw, nut, & spacer)	10, 15, & 20 lb
19.....	900310	Swivel- Discharge Tube	5 lb
20.....	900313	Horn	5 lb
	900314	Horn	10, 15, & 20 lb
21.....	453231	Hose/Nozzle Assembly	10, 15, & 20 lb
22.....	900316	Retaining Pin	10, 15, & 20 lb
23.....	700203	Wall Hook (5" to 5 1/4" Dia Cylinder)	5 lb
	700247	Wall Hook (6 1/2" - 7 1/4" Dia Cylinder)	10 & 15 lb
	700249	Wall Hook (8" Dia Cylinder)	20 lb
24.....	Varies	Mylar Label- Non-UL	Specify Model



## DRY CHEMICAL - SMALL HANDLE & LEVER

Fig.#	Part #	Description	Model
1.....	100204	Valve Assy.-No Gauge or Hookeye	Aluminum Cylinders
	100020	Valve Assy.-No Gauge or Hookeye	Steel Cylinders
	100025	Valve Assy.-No Gauge	Steel Cylinders w/Wall Hook
2.....	900209	Small Lever	Aluminum Cylinders
	900217	Small Lever	Steel Cylinders
3.....	900225	Small Handle	Aluminum Cylinders
	900218	Small Handle	Steel Cylinders
4.....	900050	Rivet for Lever	All
5.....	900049	Rivet for Handle	All
6.....	200096	Pull Pin & Cord	All
7.....	900036	Tamper Seal	All
8.....	900018	Gauge- 100 psi; Dry Chemical	All
9.....	900004	Neck O-Ring	Aluminum Cylinders
	900001	Neck O-Ring	Steel Cylinders
10.....	103215	Valve Stem w/O-Ring	All
11.....	900002	Stem O-Ring	All
12.....	900105	Spring	All
13.....	900958	Siphon Tube/Nut Assembly	2 STD & 2 PK-100
	900959	Siphon Tube/Nut Assembly	All Aluminum Cylinders
	900961	Siphon Tube/Nut Assembly	M5 ABC II-100
	900985	Siphon Tube/Nut Assembly	All 2.5 Steel Cylinders
14.....	101125	Fixed Nozzle .120	2 STD-100
	101145	Fixed Nozzle .140	2.5 ABC-100 & 2.5 STD-100
	111225	Fixed Nozzle .144	2.5 PK-100
	110125	Fixed Nozzle .12	52.5 SA-ABC
	101120	Fixed Nozzle .120	2.5 SA-PK
	101118	Fixed Nozzle .118	2.5 SA-STD
	191116	Fixed Nozzle .116	2 PK
15.....	107250	Hose/Nozzle Assembly .161	M5 ABC (Not Shown)
16.....	700340	Hose Band	M5 (Not Shown)
17.....	Varies	Label, Non-UL	Specify Model

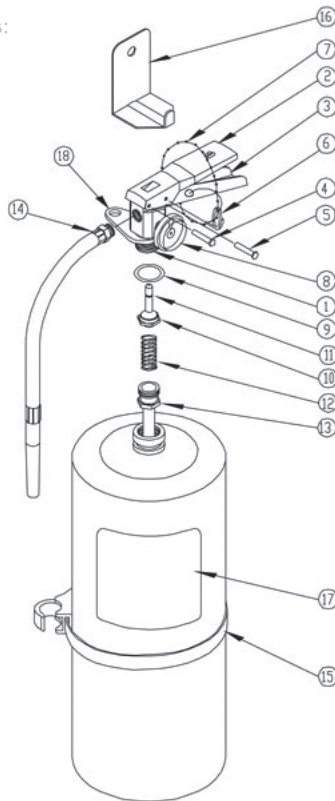




# BUCKEYE® EXTINGUISHER PARTS

## Dry Chemical Models:

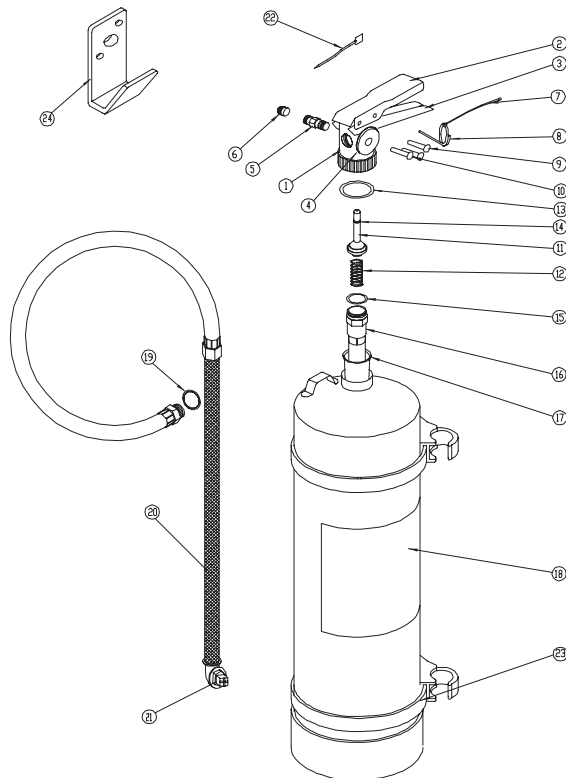
- 5HI-SA40-ABC
- 5HI-SB40-ABC
- 5HI-SA-PK
- 5.5HI-SA40-STD
- 10HI-SA80-ABC
- 10HI-SB80-ABC
- 10SHI-SA-ABC
- 10THI-SA80-ABCK
- 10THI-SB80-ABC
- 10SHI-SA-PK
- 10HI-SA-PK
- 10HI-SB-PK
- 10HI-SA-STD
- 20SHI-SA-ABC
- 20SHI-SB-ABC
- 20SHI-SA-STD
- 20SHI-SA-PK
- 20SHI-SB-PK
- 30SHI-SB-ABC
- 30SHI-SB-PK



## DRY CHEMICAL - LARGE HANDLE & LEVER

Fig.#	Part #	Description	Model
1.....	149207	Valve Assy.-No Gauge-Aluminum.....	All SA units
	149307	Valve Assy.-No Gauge-Brass.....	All SB units
	149220	Valve Assy.-No Gauge or Hookeye-Aluminum.....	5 & 5.5 lb V/B units
2.....	900210	Large Lever- Aluminum.....	All SA units
	900214	Large Lever- Stainless Steel.....	All SB units
3.....	900228	Large Handle- Aluminum.....	All SA units
	900232	Large Handle- Stainless Steel.....	All SB units
4.....	900050	Rivet for Lever- Aluminum.....	All SA units
	900053	Rivet for Lever- Stainless Steel.....	All SB units
5.....	900049	Rivet for Handle- Aluminum.....	All SA units
	900052	Rivet for Handle- Stainless Steel.....	All SB units
6.....	200096	Pull Pin & Cord.....	Units < 6 lbs
	200095	Pull Pin & Cord.....	Units > 6 lbs
7.....	900036	Tamper Seal.....	All
8.....	900026	Gauge- 195 psi.....	All
9.....	900001	Neck O-Ring.....	All
10.....	103215	Valve Stem with O-Ring.....	All
11.....	900002	Stem O-Ring.....	All
12.....	900105	Spring.....	All
13.....	900960	Siphon Tube Assembly.....	All 5 & 5.5 units
	900962	Siphon Tube Assembly.....	All 10S units
	900971	Siphon Tube Assembly.....	All 10T units
	900963	Siphon Tube Assembly.....	All 10T units
	900972	Siphon Tube Assembly.....	All 20S units
	900974	Siphon Tube Assembly.....	All 30S units
14.....	109267	Hose/Nozzle Assembly .128	5HI-SA40-ABC
	109287	Hose/Nozzle Assembly .128	5HI-SB40-ABC
	112237	Hose/Nozzle Assembly .173	5HI-SA-PK
	109276	Hose/Nozzle Assembly .144	5.5HI-SA40-STD
	113277	Hose/Nozzle Assembly .144	10 & 10T HI-SA80-ABC
	116200	Hose/Nozzle Assembly .157	10SHI-SA-ABC
	113287	Hose/Nozzle Assembly .161	10HI-SB80-ABC
	113273	Hose/Nozzle Assembly .144	10THI-SB80-ABC
	113235	Hose/Nozzle Assembly .161	10SHI-SA-STD
	118237	Hose/Nozzle Assembly .177	10HI-SA-STD
	126237	Hose/Nozzle Assembly .136	10SHI-SA-PK
	117237	Hose/Nozzle Assembly .154	10HI-SA-PK
	113332	Hose/Nozzle Assembly .154	10HI-SB-PK
	126216	Hose/Nozzle Assembly .180	20SHI-SA-ABC
	126226	Hose/Nozzle Assembly .180	20SHI-SB-ABC
	126202	Hose/Nozzle Assembly .188	20SHI-SA-PK
	126204	Hose/Nozzle Assembly .188	20SHI-SB-PK
	126203	Hose/Nozzle Assembly .157	20SHI-SA-STD
	126233	Hose/Nozzle Assembly .250	30S ABC & PK
15.....	300492	Hose Band.....	5 & 10 lb units
	300489	Hose Band.....	10S, 20S, & 30S
16.....	700202	Wall Hook.....	All 5 & 5.5 units
	700203	Wall Hook.....	All 10 units
	700204	Wall Hook.....	All 10S & 10T units
	700247	Wall Hook.....	All 20S & 30S units
17.....	Varies	Label- Non-UL.....	Specify Model
18.....	700201	Hookeye.....	All

## Water Mist



## WATER MIST

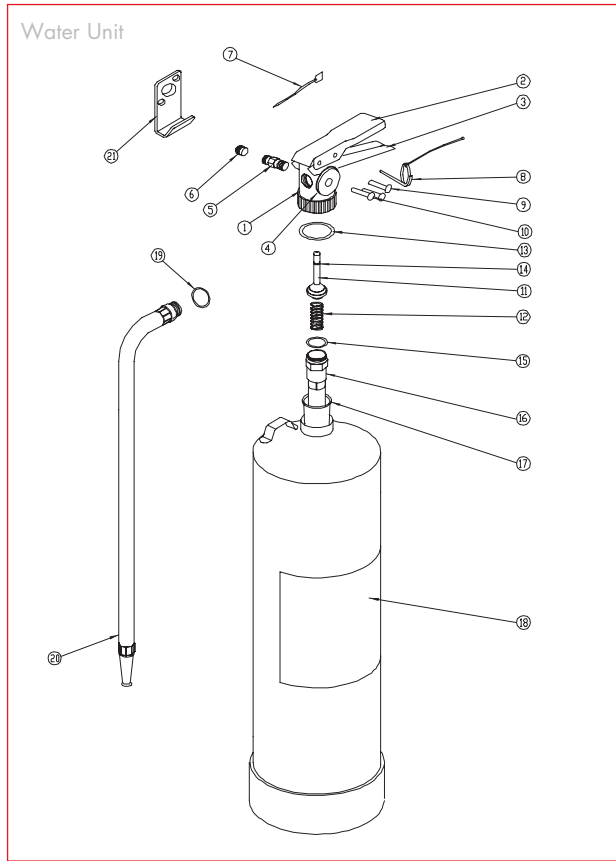
Fig.#	Part #	Description
1.....	Valve001	Valve Body Assembly
2.....	900322	Lever
3.....	900919	Handle
4.....	Gauge001	Gauge
5.....	900133	Schrader Valve w/Cap
6.....	900136	Schrader Valve Cap
7.....	900300	Pull Pin Cord
8.....	900040	Non-magnetic Stainless Steel Pull Pin
9.....	900052	Handle Rivet (2 required)
10.....	900053	Lever Rivet
11.....	900921	Valve Stem Assembly w/O-Ring
12.....	900928	Spring
13.....	900916	Valve Body O-Ring
14.....	900925	Valve Stem O-Ring
15.....	900930	Discharge Tube O-Ring
16.....	300464	Discharge Tube w/O-Ring
17.....	900912	Fill tube
18.....	Varies	Label, Non-UL
19.....	900941	Hose O-Ring
20.....	WM250DA	Discharge Assembly
21.....	NOZ002WMA	Nozzle Assembly
22.....	900036	Tamper Seal
23.....	300489	Hose Band
24.....	900937	Stainless Steel Wall Hanger



# BUCKEYE® EXTINGUISHER PARTS

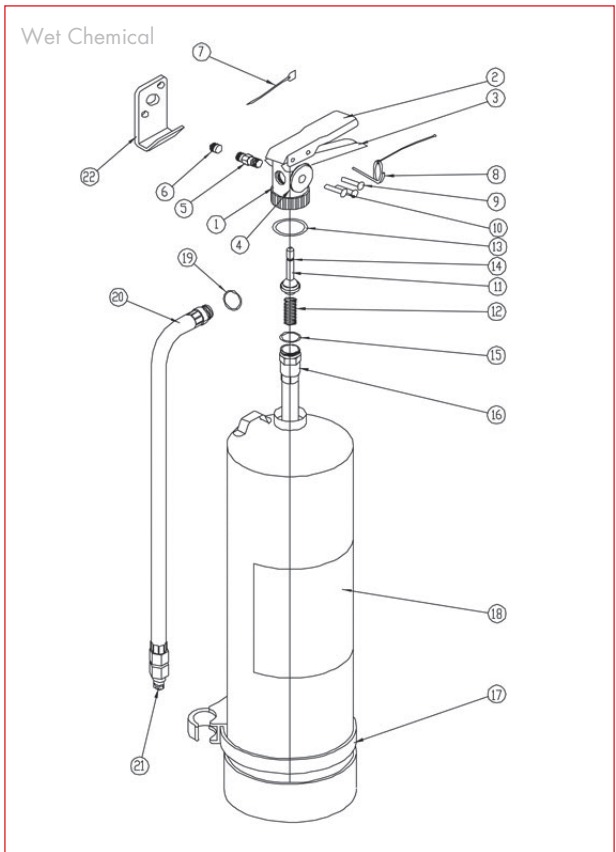
## WATER UNITS

Fig.#	Part #	Description
1.....	Valve001 .....	Valve Body Assembly
2.....	900322 .....	Lever
3.....	900919 .....	Handle
4.....	Gauge001 .....	Gauge
5.....	900133 .....	Schrader Valve w/Cap
6.....	900136 .....	Schrader Valve Cap
7.....	900036 .....	Tamper Seal
8.....	200095 .....	Pull Pin & Cord
9.....	900052 .....	Handle Rivet (2 required)
10.....	900053 .....	Lever Rivet
11.....	900921 .....	Valve Stem Assembly w/O-Ring
12.....	900928 .....	Spring
13.....	900916 .....	Valve Body O-Ring
14.....	900925 .....	Valve Stem O-Ring
15.....	900930 .....	Discharge Tube O-Ring
16.....	300464 .....	Discharge Tube w/O-Ring
17.....	900912 .....	Fill tube
18.....	Varies .....	Label, Non-UL
19.....	900941 .....	Hose O-Ring
20.....	SHA10027.....	Hose Assembly
21.....	900935 .....	Wall Hanger



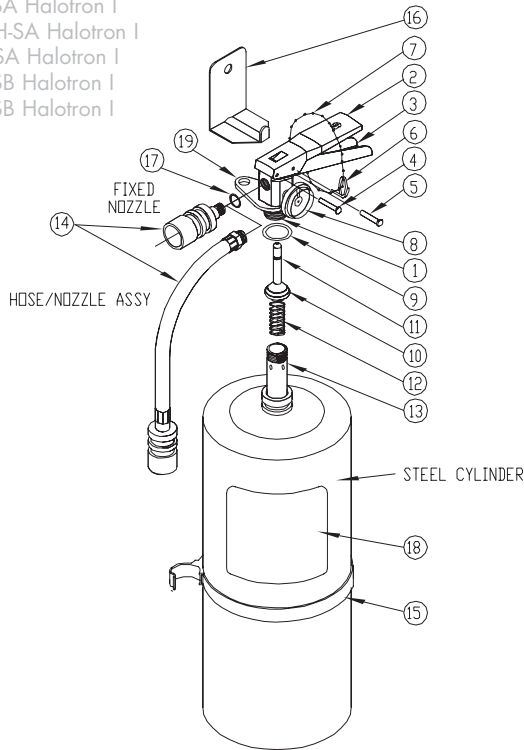
## WET CHEMICAL

Fig.#	Part #	Description
1.....	900913 .....	Valve Body Assembly
2.....	900322 .....	Lever
3.....	900919 .....	Handle
4.....	900920 .....	Gauge
5.....	900133 .....	Schrader Valve w/Cap
6.....	900136 .....	Schrader Valve Cap
7.....	900036 .....	Tamper Seal
8.....	200095 .....	Pull Pin & Cord
9.....	900052 .....	Handle Rivet (2 required)
10.....	900053 .....	Lever Rivet
11.....	900921 .....	Valve Stem Assembly w/O-Ring
12.....	900928 .....	Spring
13.....	900916 .....	Valve Body O-Ring
14.....	900925 .....	Valve Stem O-Ring
15.....	900930 .....	Discharge Tube O-Ring
16.....	300465 .....	Discharge Tube w/O-Ring
17.....	300489 .....	Hose Band
18.....	Varies .....	Label, Non-UL
19.....	900941 .....	Hose O-Ring
20.....	WC6LDA .....	Discharge Assembly w/Nozzle & O-Ring
21.....	NOZ00 .....	WCA Nozzle Assembly
22.....	900935 .....	Wall Hanger
23.....	900747 .....	Class K Sign (Not Shown)



# BUCKEYE® EXTINGUISHER PARTS

Halotron Models:  
 2.5F-SA Halotron I  
 5F-SA Halotron I  
 11-SA Halotron I  
 15-SA Halotron I  
 2.5H-SA Halotron I  
 5H-SA Halotron I  
 11-SB Halotron I  
 15-SB Halotron I



## HALOTRON

Fig.#	Part #	Description	Model
1.....	200020G.....	Valve Assy., No Gauge or Hookeye, Alum.	2.5 lb w/VB
	149220G.....	Valve Assy., No Gauge, Alum.	5, 11, 15 SA except 5 lb w/VB
	149307.....	Valve Assy., No Gauge, Brass	11 & 15 SB
	200025G.....	Valve Assy., No Gauge	2.5 lb w/Wall Hook
	149220G.....	Valve Assy., No Gauge or Hookeye, Alum.	5 lb w/VB
2.....	900217.....	Small Lever	2.5 lb
	900210.....	Large Lever, Aluminum	5, 11, & 15 SA
	900214.....	Large Lever, Stainless Steel	11 & 15 SB
3.....	900218.....	Small Handle	2.5 lb
	900228.....	Large Handle, Aluminum	5, 11, & 15 SA
	900232.....	Large Handle, Stainless Steel	11 & 15 SB
4.....	900050.....	Rivet for Aluminum Lever	All SA Units
	900053.....	Rivet for Stainless Steel Lever	All SB Units
5.....	900049.....	Rivet for Aluminum Handle	All SA Units
	900052.....	Rivet for Stainless Steel Handle	All SB Units
6.....	200096.....	Pull Pin Cord Assembly	Units 5 lb or less
	200095.....	Pull Pin Cord Assembly	Units over 5 lb
7.....	900034G.....	Tamper Seal	All
8.....	900017.....	Gauge, 100 psi	2.5, 5, & 11 lb Units
	900025.....	Gauge, 125 psi	15 lb unit
9.....	900013.....	Neck O-Ring	All Units
10.....	103216.....	Valve Stem w/O-Ring	All Units
11.....	900002.....	Stem O-Ring	All Units
12.....	900105.....	Spring	All Units
13.....	402130G.....	Siphon Tube, 3/4" x 12 5/16"	5 lb Units
	410255G.....	Siphon Tube, 3/4" x 13 9/16"	11 & 15 lb Units
	401255G.....	Siphon Tube, 3/4" x 9 3/8"	2.5 lb Units
14.....	116128G.....	Fixed Nozzle, .128	2.5 Fixed
	116197G.....	Fixed Nozzle, .197	5 Fixed
	113355G.....	Hose/Nozzle Assembly, .140	2.5 lb Hose
	113356G.....	Hose/Nozzle Assembly, .228	5 lb Hose
	113357G.....	Hose/Nozzle Assembly, .302	11 lb Hose (Alum.)
	113358G.....	Hose/Nozzle Assembly, .401	15 lb Hose (Alum.)
	113359G.....	Hose/Nozzle Assembly, .401	15 lb Hose (Brass)
15.....	300492.....	Hose Band	2.5 and 5 lb Units
	300489.....	Hose Band	11 & 15 lb Units
16.....	700202.....	Wall Hook	2.5 & 5 lb Units
	700247.....	Wall Hook	11 & 15 lb Units
17.....	899200.....	Hose/Nozzle O-Ring	All
18.....	Varies.....	Mylar Label, Non-UL	Specify Model

(800) 250-5602

## BRACKETS



## BRACKETS

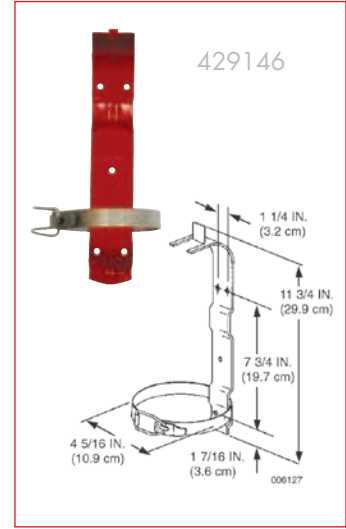
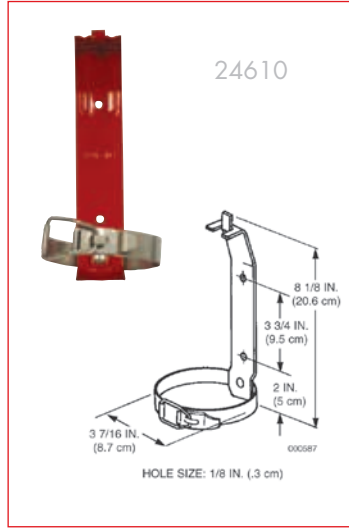
Part #	Description
A860.....	Amerex Style Heavy Duty Bungee 2.5 / 5L
A861H.....	Amerex Style Strap Bracket 5 lb (Not Shown)
A862.....	Amerex Style Heavy Duty Bungee 5 / 10 lb
A864.....	Amerex Style Heavy Duty Bungee 20 lb
SCSP56.....	Universal 5-6 lb Spring Clip
HPIN.....	Lock Pin For Universal Bracket (Not Shown)
RG.....	Rubber Grommet For Universal Bracket (Not Shown)
A807.....	Amerex Style 5 lb HD Vehicle Dry Chemical
A809.....	Amerex Style 10 lb HD Vehicle Dry Chemical
A810.....	Amerex Style 20 lb HD Vehicle, Fits all 20lb Dry Chemical Except Buckeye
A811.....	Amerex Style 20 lb HD Vehicle 8", Fits Buckeye 20 lb and all 20 lb CO2

# SENTRY® EXTINGUISHER BRACKETS

## SENTRY® DRY CHEMICAL, CO2 & CLEANGUARD®

Part # Fits Part Number  
 24610..... 429101, 429107

429146..... 429001, 429102, 429002, 429103,  
 429008, 429014, 429020, 434732

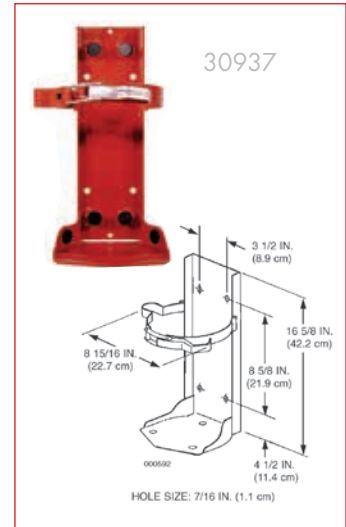
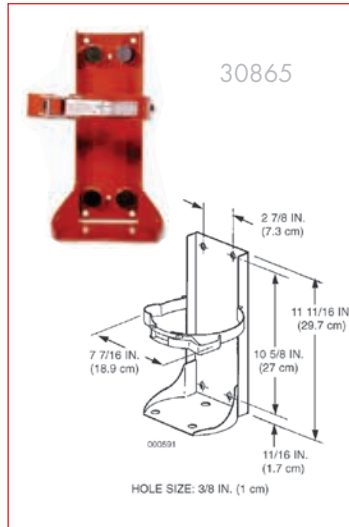


30865..... 429003, 429009, 429015

30937..... 429006, 429011, 429017, 429022,  
 434747

25419..... SPECIAL ORDER (Not Shown)  
 431569, 431553

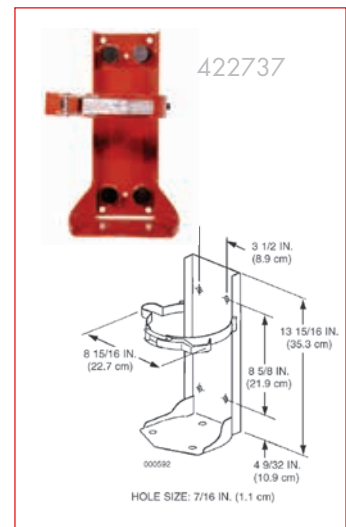
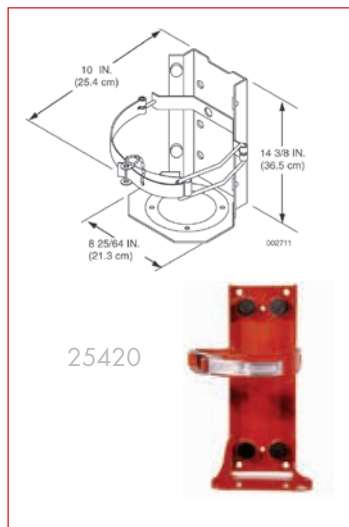
79456..... SPECIAL ORDER (Not Shown)  
 431570, 431571, 431554, 431555



25420..... 431572, 431556

422737..... 429021

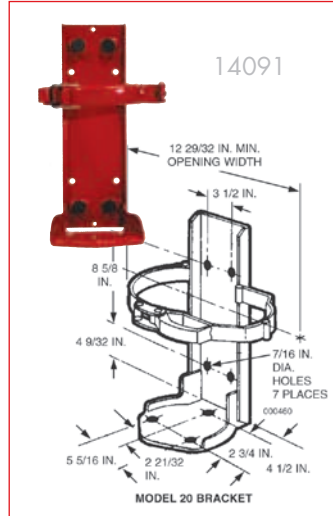
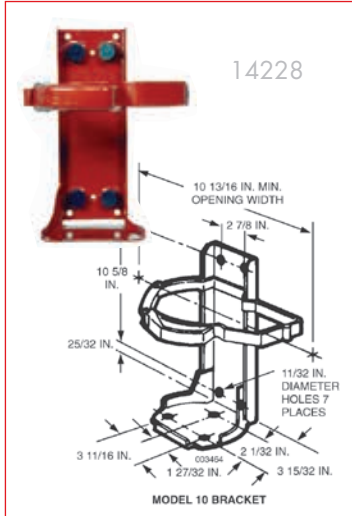
435793..... 436500 (Not Shown)



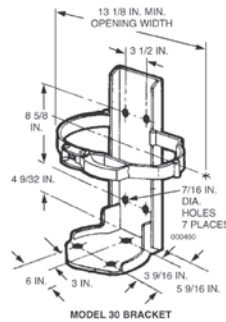
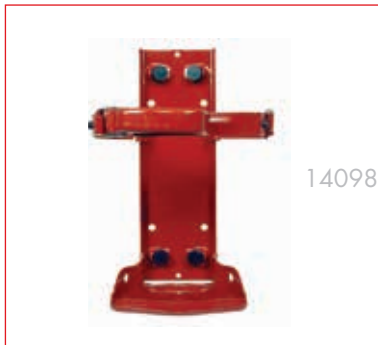
# SENTRY® EXTINGUISHER BRACKETS

## REDLINE CARTRIDGE OPERATED EXTINGUISHER BRACKETS

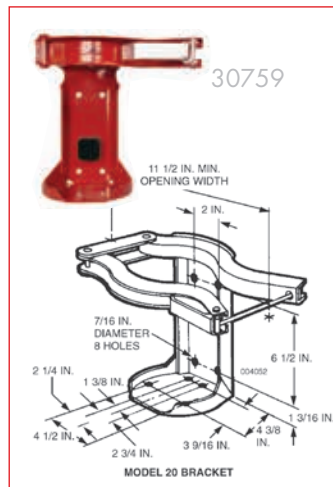
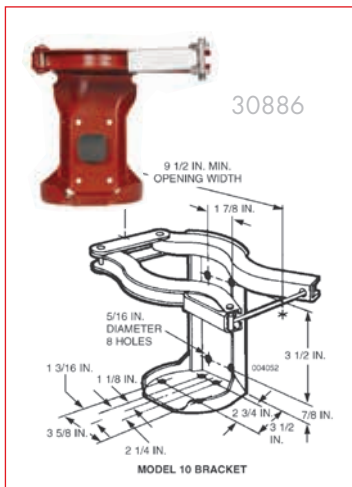
Part #	Description
14228.....	Model 10, Standard Finish
14091.....	Model 20, Standard Finish



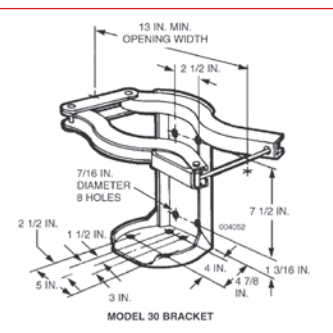
14098.....	Model 30, Standard Finish
------------	---------------------------



53337.....	Model 10, CR Finish, SPECIAL ORDER (Not Shown)
53352.....	Model 20, CR Finish, SPECIAL ORDER (Not Shown)
53548.....	Model 30, CR Finish, SPECIAL ORDER (Not Shown)



30886.....	Model 10, Standard Finish
30759.....	Model 20, Standard Finish



30889.....	Model 30, Standard Finish
53344.....	Model 10, CR Finish, SPECIAL ORDER (Not Shown)
53362.....	Model 20, CR Finish, SPECIAL ORDER (Not Shown)
53370.....	Model 30, CR Finish, SPECIAL ORDER (Not Shown)



# BUCKEYE® EXTINGUISHER BRACKETS

## EXTINGUISHER BRACKETS

- Part # Description
- 700287... 2.5 lb Dry Chemical, Halotron & MiniGuard (horizontal)
- 700270... 5 lb & 5.5 lb Dry Chemical, Halotron & MiniGuard (horizontal)
- 700260... 5 lb & 5.5 lb Dry Chemical and Halotron
- 700430... 10 lb Tall Dry Chemical
- 700224... 5 lb & 5.5 lb Dry Chemical, Halotron & MiniGuard (horizontal)
- 700226... 10 lb Tall Dry Chemical, MiniGuard (horizontal) and 5 lb CO2
- 700228... 10 lb & 15 lb CO2, 11 lb & 15 lb Halotron, 2.5 Gal. Water & Water Mist
- 700229... 20 lb & 30 lb Dry Chemical, 30 lb Class D, 18 lb, 20 lb & 25 lb MiniGuard (horizontal)
- 700230... 10 lb Short Dry Chemical

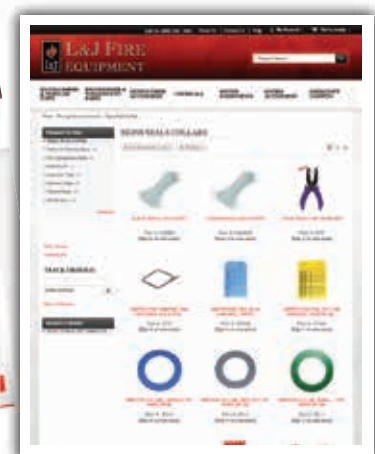
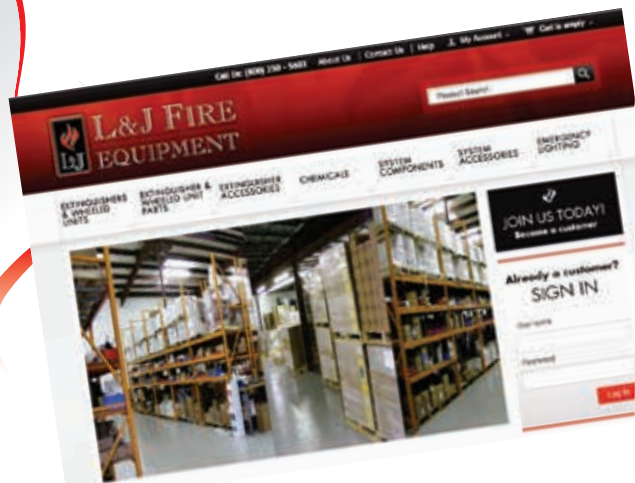


## WALL EXTINGUISHER HOOKS

- Part # Description
- 700202... 2.5 lb, 5 lb & 5.5 lb Dry Chemical and Halotron
- 700203... 10 lb Tall Dry Chemical and 5 lb CO2
- 700204... 10 lb Short Dry Chemical
- 700247... 20 lb & 30 lb Dry Chemical, 10 lb & 15 lb CO2, 11 lb & 15 lb Halotron
- 700249... 20 lb CO2
- 900935... Wet Chemical & Water
- 900937... Water Mist (Stainless Steel)



BE SURE TO VISIT OUR NEW WEBSITE, [LandJFire.com](http://LandJFire.com)



**MORE PRODUCTS... EASY ORDERING... SAVE TIME!**

# EXTINGUISHER CABINETS



## LARSEN'S CABINETS

- | Part #    | Description   |
|-----------|---|
| 2409-SM   | 5 lb/10 lb surface mount cabinet with steel white baked enamel finish |
| AL2409-R3 | 5 lb semi-recessed with brushed aluminum finish                       |
| 2409-R3   | 5 lb semi-recessed with steel white baked enamel finish (Not Shown)   |
| 2409-6R   | 10 lb semi-recessed with steel white baked enamel finish (Not Shown)  |

## STRIKE FIRST CABINETS

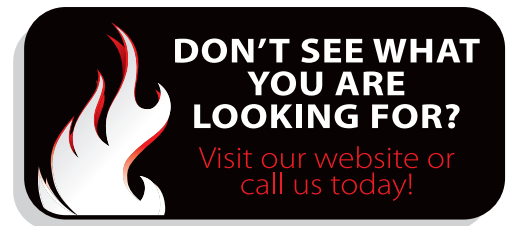
- | Part #         | Description                                |
|----------------|--|
| Centurion 10.. | Construction cabinet fits most 10 lb units |
| Centurion 20.. | Construction cabinet fits most 20 lb units |

## CATO CABINETS

- | Part #  | Description                                       |
|---------|---|
| 10551-H | 5 lb Cato Cabinet With Hammer, RRC-H              |
| 11051-H | 10 lb Cato Cabinet With Hammer, RRC-H             |
| 12051-H | 20 lb Cato Cabinet With Hammer, RRC-H (Not Shown) |
| 10575   | 5 lb Clear CATO Glass Pull Panel                  |
| 11075   | 10 lb Clear CATO Glass Pull Panel                 |
| 12075   | 20 lb Clear CATO Glass Pull Panel                 |

## TYCO CABINETS

- Surface Mounted Steel Cabinets
  - Heavy Durable 18 Gauge Steel
  - Glossy White Powder-Coated Polyester Finish For Corrosion Protection
  - Breaker Bar Not Included
- | Part # | Description  |
|--------|--|
| 439178 | FXC-05T (5" x 8" x 20.5") Fits 2.5 - 6 lb Extinguisher                 |
| 439179 | FXC-10 (6.25" x 10.5" x 24") Fits 9 - 10 lb Extinguisher               |
| 439180 | FXC-20 (9" x 14.2" x 30.25") Fits 13 - 20 lb and 2.5 Gal. Extinguisher |
| 552869 | Breaker Bar  |



## JL CABINETS

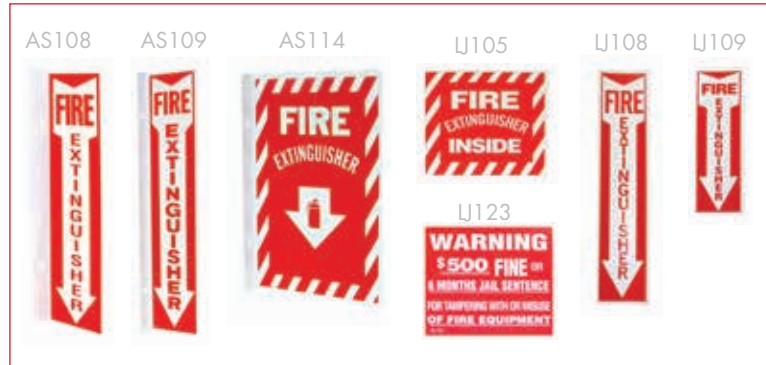
- | Part #  | Description                           |
|---------|---------------------------------------|
| 1013F10 | Ambassador Surface Mount Full Door    |
| 1015F10 | Ambassador Flat Trim Full Door        |
| 1017F10 | Ambassador 10 lb Semi Recessed        |
| 1013S21 | Ambassador Surface Mount Solid Door   |
| 1015S21 | Ambassador Flat Trim Solid Door       |
| 1017S21 | Ambassador 3" Trim Solid Door         |
| 1013V10 | Ambassador Surface Mount Vertical DUO |
| 1015V10 | Ambassador Flat Trim Vertical DUO     |
| 1017V10 | Ambassador 3" Trim Vertical DUO       |



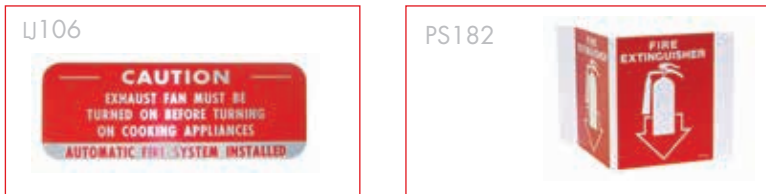
# SIGNS, COVERS, CO2 HOSES & TAMPER SEALS

## SIGNS

Part #	Description	LxH
AS108	...ALM Fire Extinguisher Arrow.....	4"x12"
AS109	...ALM Fire Extinguisher Arrow.....	4"x18"
AS114	...ALM Fire Extinguisher Arrow.....	8"x12"
LJ105	.....Vinyl Fire Extinguisher Inside.....	4"x4"
LJ108	.....Vinyl Fire Extinguisher Arrow.....	4"x12"
LJ109	.....Vinyl Fire Extinguisher Arrow.....	4"x18"
LJ123	.....Vinyl Warning \$500 Fine.....	4"x4"



LJ106	.....Caution.....	5"x2"
PS182	.....Fire Extinguisher Arrow 3D Plastic.....	5"x6"



426021..K-Class Warning Label

LJ110	.....Fire Extinguisher Arrow, Vinyl 8" X 12"
ES100	.....Sign Engraved, Fire Extinguisher, 1 7/8" x 8"



## EXTINGUISHER COVERS

Part #	Description
FEC1	.....5 lb Fire Extinguisher Cover
FEC2	.....10 lb Fire Extinguisher Cover
FEC3	.....20 lb Fire Extinguisher Cover
FEC3W	.....20 lb Fire Extinguisher Cover With Window 32"H x 16"W



WFE50	.....50lb Wheeled Unit Cover
WFE150	.....150lb Wheeled Unit Cover
WFE350	.....350lb Wheeled Unit Cover



## CO2 HOSES

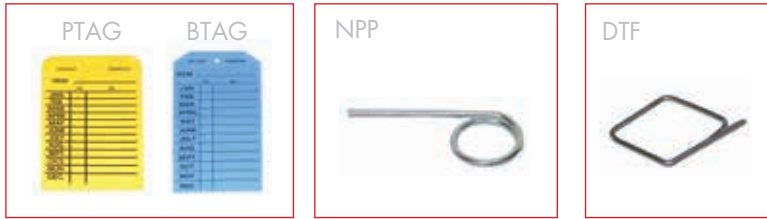
Part #	Description
32A	.....32" Hose for 10-20 lb Co2 Extinguisher (1/4" Female X 1/4" Female) (Not Shown)
32B	.....32" Hose for 10-20 lb Co2 Extinguisher (1/4" Female X 3/8" Female) (Not Shown)

## TAMPER SEALS

Part #	Description
CS500	...Clear Seals, Pkg. 500
CS5000	.Clear Seals, Pkg. 5000
DTS	.....Dated Tamper Seal, Pkg. 500
TS	.....Tamper Seals, Pkg. 500 (Available In Red, Black, Yellow, Green, Blue, White)



# TAGS, COLLARS, BATTERIES, BULBS & HOOD LIGHTS



## TAGS

Part # Description  
 PTAG ..... Plastic Inspection Tag  
 BTAG ..... Blue Hanging Inspection Tag

## PULL PINS & TAG FASTENERS

Part # Description  
 NPP..... Pull Pin

DTF ..... Diamond Tag Fastener, Pkg. 1000

## COLLARS

Part # Description  
 SC-1 ..... Service Collar, Small, 1 3/8", Pkg. 100  
 SC-2 ..... Service Collar, Medium, 1 3/4", Pkg. 100  
 SC-3 ..... Service Collar, Large, 2 1/8", Pkg. 50

## SILICONE GREASE

Part # Description  
 SLUBE..... Silicone Grease, 5oz Tube (Not Shown)

## EMERGENCY/EXIT LIGHT BATTERIES

Part # Description  
 LJ64 ..... 6 Volt, 4 Amp Battery  
 LJ67 ..... 6 Volt, 7 Amp Battery  
 LJ124 ..... 12 Volt, 4 Amp Battery  
 LJ275 ..... 12 Volt, 7.5 Amp Battery  
 LJ410 ..... 4 Volt, 10 Amp Battery  
 LJ446 ..... 4 Volt, 4.6 Amp Battery  
 LJ610 ..... 6 Volt, 10/12 Amp Battery



## BULBS & HOOD LIGHTS

Part # Description  
 HLWG..... Hood Light Wire Guard  
 HLH..... Hood Light Housing  
 HLF2 ..... Light Fixture Coated Globe  
 HLF1 ..... Light Fixture Standard Globe  
 HFSG ..... Hood Light Globe Plain  
 PCG ..... Hood Light Coated  
 B909..... 6V, 3.7W Miniature Wedge  
 BT82 ..... 6V, 6.63W Double Contact Bayonet Bulb  
 B7C7 ..... 120V, 7W Candelabra Screw  
 BT6 ..... 15W Ac Lamp (15T6)  
 BT65S ..... 120V, 20W Screw Base  
 BT65DC..... 120V, 20W Double Contact Bayonet Bulb  
 BPL7 ..... 120V, 7W Compact Fluorescent Bulb

**NEED IT FAST?**  
 We can ship it today!  
 Call or visit our website today!

# SMOKE DETECTORS & E-LIGHTS

## SMOKE DETECTORS

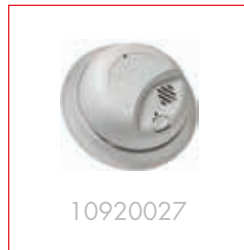
Part # Description  
 DS9V ..... 9 Volt Smoke Detector



10920125..... Carbon Monoxide Alarm  
 Battery Powered



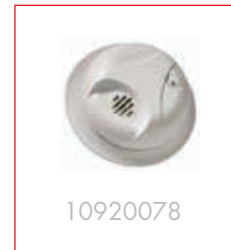
10920027..... 9 Volt Smoke Alarm



10920000..... 9 Volt Smoke Alarm



10920078..... 9 Volt Smoke Alarm with Battery



10920019..... 120V AC Smoke Alarm



10920108..... 120V AC Smoke Alarm with 9V  
 Battery Backup



## E-LIGHTS

Part # Description  
 SCES1 ..... Red Exit Sign With Battery Back Up  
 SCES1G ..... Green Exit Sign With Battery  
 Back Up (Not Shown)



LED1 ..... Exit Light, Self Powered, Red Led,  
 120/277V



LED2 ..... Exit Light With Light Bar, Self  
 Powered, Red Led, 120/277V



LED4 ..... 6V 11 W Combo Unit, Red Led,  
 White Housing, 120/277V



ELR1 ..... 11W Emergency Unit, 120/277V



CXEL ..... Red A/C Emergency Double  
 Exit Combo

CXELG..... Green A/C Emergency Double  
 Exit Combo (Not Shown)



# HARDWARE, TOOLS & SAFETY EQUIPMENT



- | Part #        | Description   |
|---------------|---|
| 19400069..... | Drywall Anchor, use with #6 and #8 screws, 100 Box  |
| 19400689..... | Plastic Wall Anchor, #10-12, use with #10 and #12 screws, 100 Box                               |
| 19480615..... | Self Drilling Screw, Hex head, Size #12, 3/4" long, Zinc plated, 100 Box                        |
| 19480704..... | Self Drilling Screw, Hex head, Size #10, 1" long, Zinc plated, 100 Box (Not Shown)              |
| 19480763..... | Self Drilling Screw, Hex head, Size #8, 1" long, Zinc plated, 100 Box (Not Shown)               |
| 19480348..... | Self Drilling Screw, Hex head, Size #12, 1" long, Zinc plated, 100 Box (Not Shown)              |
| 19480089..... | Self Drilling Screw, Hex head, Size #12, 1 1/2" long, Zinc plated, 100 Box (Not Shown)          |
| 19480070..... | Self Drilling Screw, Hex head, Size #12, 2" long, Zinc plated, 100 Box (Not Shown)              |
| 19342751..... | Sheet Metal Screw, Combination Phillips/slotted head, Size #8, 1" long, 100 Box                 |
| 19342859..... | Sheet Metal Screw, Combination Phillips/slotted head, Size #10, 1" long, 100 Box (Not Shown)    |
| 19342964..... | Sheet Metal Screw, Combination Phillips/slotted head, Size #12, 1" long, 100 Box (Not Shown)    |
| 1404.....     | Evergreen Quick Fastener, Pkg. 24   |
| 19400018..... | 3/16"x1-1/4" Hex Tapcon, 100 Box  |
| 19400026..... | 3/16"x1-3/4" Hex Tapcon, 100 Box (Not Shown)  |
| 19400034..... | 3/16"x2-1/4" Hex Tapcon, 100 Box (Not Shown)  |
| 19400042..... | 3/16"x2-3/4" Hex Tapcon, 100 Box (Not Shown)  |
| 19400115..... | 1/4"x1-1/4" Hex Tapcon, 100 Box (Not Shown)   |
| 19400123..... | 1/4"x1-3/4" Hex Tapcon, 100 Box (Not Shown)   |
| 19400131..... | 1/4"x2-1/4" Hex Tapcon, 100 Box (Not Shown)   |
| 19400182..... | 1/4"x2-3/4" Hex Tapcon, 100 Box (Not Shown)   |
| 19402223..... | Toggle Bolt w/Wings, Round head slotted, 1/8" diameter, 2" long, 50 Box                         |
| 19402231..... | Toggle Bolt w/Wings, Round head slotted, 1/8" diameter, 3" long, 50 Box (Not Shown)             |
| 19402258..... | Toggle Bolt w/Wings, Round head slotted, 3/16" diameter, 3" long, 50 Box (Not Shown)            |
| 19402290..... | Toggle Bolt w/Wings, Round head slotted, 3/16" diameter, 4" long, 50 Box (Not Shown)            |
| 19402320..... | Toggle Bolt w/Wings, Round head slotted, 1/4" diameter, 3" long, 50 Box (Not Shown)             |
| 19402339..... | Toggle Bolt w/Wings, Round head slotted, 1/4" diameter, 4" long, 50 Box (Not Shown)             |
| 19402517..... | Toggle Bolt w/Wings, Round head slotted, 1/8" diameter, 4" long, 50 Box (Not Shown)             |
| 19402592..... | Toggle Bolt w/Wings, Round head slotted, 3/16" diameter, 2" long, 50 Box (Not Shown)            |
| 19402657..... | Spring Toggle Wings, 42008 inch diameter thread, 20 TPI (threads per inch), 100 Box (Not Shown) |
| 25450973..... | Magnetic Nutsetter 1/4"   |
| 25450981..... | Magnetic Nutsetter 5/16" (Not Shown)  |
| 25451007..... | Magnetic Nutsetter 3/8" (Not Shown)   |
| 26130824..... | Concrete Screw Drill Bit, 5/32"x4 1/2"  |
| 26130832..... | Concrete Screw Drill Bit, 3/16"x4 1/2" (Not Shown)  |
| 26130101..... | Masonry Drill Bit, 1/4"x4"  |
| 26132711..... | M-35 Steel Jobber Drill Bit 3/16"   |
| 26132533..... | M-35 Steel Jobber Drill Bit 3/32" (Not Shown)   |
| 26132614..... | M-35 Steel Jobber Drill Bit 1/8" (Not Shown)  |
| 26132819..... | M-35 Steel Jobber Drill Bit 1/4" (Not Shown)  |

- | Part #        | Description  |
|---------------|--|
| 26130840..... | Concrete Screw Drill Bit Kit, Kit for fast installation of Tapcon concrete anchor screws |
| 26150017..... | Hole Saw Anchor 2L, fits 9L-19L hole Saws  |
| 26150004..... | Bi-Metal Hole Saw 1 1/8"   |
| 26150006..... | Bi-Metal Hole Saw 1 3/8" (Not Shown)   |
| 26150007..... | Bi-Metal Hole Saw 1 1/2" (Not Shown)   |



# HARDWARE, TOOLS & SAFETY EQUIPMENT

- Part # Description
- 25830011..... Reciprocating Saw Blade, 6",  
6T, Each, Pkg. 5
- 25830012..... Reciprocating Saw Blade, 9",  
6T, Each, Pkg. 5 (Not Shown)
- 25830015..... Reciprocating Saw Blade, 8",  
10T, Each, Pkg. 5 (Not Shown)
- 25830018..... Reciprocating Saw Blade, 6",  
18T, Each, Pkg. 5 (Not Shown)
- 25830019..... Reciprocating Saw Blade, 8",  
18T, Each, Pkg. 5 (Not Shown)
- 25830022..... Reciprocating Saw Blade, 6",  
24T, Each, Pkg. 5 (Not Shown)
- 25830172..... Reciprocating Saw Blade, 6"x3/4",  
14T, Each, Pkg. 5 (Not Shown)
- 25830199..... Reciprocating Saw Blade, 6"x3/4",  
24T, Each, Pkg. 5 (Not Shown)
- 26160790..... #1 Hex Shank Phillips Power  
Screwdriver 1/4"
- 26160804..... #2 Hex Shank Phillips Power  
Screwdriver 1/4" (Not Shown)
- 26160812..... #3 Hex Shank Phillips Power  
Screwdriver 1/4" (Not Shown)
- 26160901..... #2 Hex Shank Square Recess  
Screwdriver 1/4" (Not Shown)
- 25500946..... Stanley 6pc Screwdriver Set
- 25502173..... 5-IN-1 Screwdriver/Nut Drive
- HP1..... Hole Punch 1/8"
- HP2..... Industrial Hole Punch, 1/8"
- CT116..... Crimping Tool 1 1/16"
- 25323785..... Crescent Cutting Pliers 6"
- 25320026..... Crescent Cutting Pliers 8"
- 25323882..... Crescent Locking Plier 10" Straight
- 25323890..... Crescent Locking Plier 7" Straight  
(Not Shown)
- 25322290..... Channellock Straight Jaw Pliers 12"
- 25400000..... Vise Grip Adjustable Wrench 6"  
(Not Shown)
- 25400001..... Vise Grip Adjustable Wrench 8"  
(Not Shown)
- 25400002..... Vise Grip Adjustable Wrench 10"
- 25400003..... Vise Grip Adjustable Wrench 12"  
(Not Shown)
- 25440498..... Great Neck Pipe Wrench 8"
- 25440501..... Great Neck Pipe Wrench 10"  
(Not Shown)
- 25440609..... Great Neck Pipe Wrench 24"
- 25400097..... Crescent Adjustable Wrench 12"

25830011



26160790



25500946



25502173



HP1



HP2



CT116



25323785



25320026



25323882



25322290



25400002



25440498



25440609



25400097



# HARDWARE, TOOLS & SAFETY EQUIPMENT

24501086



24550184



Part # Description  
 24501086..... 16oz Fiberglass Claw Hammer  
 24501078..... 20oz Fiberglass Claw Hammer  
 (Not Shown)

24550184..... 16oz Rubber Mallet with Ash Handle  
 24550036..... 24oz Rubber Mallet with Ash Handle  
 (Not Shown)

25430212



25421531



25430212..... 9 Piece Hex Key Set,  
 Sizes: .050" 1/16", 5/64", 3/32",  
 7/64", 1/8", 9/64", 5/32", 3/16"

25421531..... Stanley 75 Piece Tool Set  
 25421532..... Stanley 170 Piece Tool Set (Not Shown)

26810469



26810272



26810469..... Deluxe Tubing Cutter

26810272..... RIDGID tubing cutter, 1/8" to 1",  
 cuts copper, brass, aluminum and  
 thin-wall conduit

36740256



26710021



26710029



36740256..... Narrow Handle Brush,  
 3/4" W x 7" L

26710021..... Wire Brush, Stainless Steel Bristles,  
 Curved Wood Handle, 2"W x 9"L  
 26710023..... Wire Brush, Brass Bristles,  
 Curved Wood Handle, 2"W x 9"L  
 (Not Shown)

26710029..... Wire Brush, Carbon Steel Bristles,  
 Shoe Wood Handle, 4"W x 16"L

25121708



25121724



25120256



25121708..... Utility Blades, 2 Notches, Pkg. 5

25121724..... Utility Blade Dispenser, Pkg. 100

25120256..... Safety Grip Utility Knife, Retractable



# HARDWARE, TOOLS & SAFETY EQUIPMENT

Part # Description  
 26810051..... Clear Cutting Oil, 1 Gallon  
 Specially formulated to give sharp  
 clean threads and extend die life.



26810043..... Clear Cutting Oil, 1 Quart  
 Specially formulated to give sharp  
 clean threads and extend die life.

20221453..... WD-40 Empty Spray Applicator, 1 Pint



20221445..... WD-40 Heavy Duty, 1 Gal.



20220201..... WD-40 Industrial Size, 16oz



20240173..... Metal Type 1 Safety 5 Gal.  
 Diesel Can, Yellow



20240040..... Metal & HDPE Type 1 Safety 1 Gal.  
 Gasoline Can



20240172..... Metal & HDPE Type 1 Safety 5 Gal.  
 Gasoline Can



20230096..... Heavy Duty Galvanized Funnel,  
 8 qt capacity



27532179..... Hornets Eyewear Clear W/ Pollybag



27531893..... Edge Eyewear Dakura Black  
 Smoke Lens



27531917..... Pyramex Safety-Carhartt Clear Lens

27531919..... Pyramex Safety-Carhartt Gray Lens

27530915..... White Hard Hat w/Ratchet

27531407..... Yellow Hard Hat w/Ratchet (Not Shown)

27531334..... Red Hard Hat w/Ratchet (Not Shown)

27531415..... Blue Hard Hat w/Ratchet (Not Shown)

27531423..... Orange Hard Hat w/Ratchet (Not Shown)



27720021..... Orange Traffic Vest

23701200..... Leather Palm Gloves, Large, Pkg. 12



23700166..... Double Leather Palm Gloves, Large



27540155..... Bucket Tool Organizer, 35 Pocket





# HARDWARE, TOOLS & SAFETY EQUIPMENT

(800) 250-5602

35

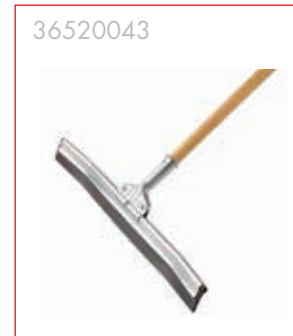
www.LandJFire.com



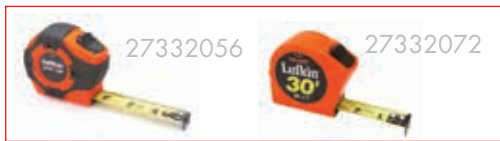
Part # Description  
 36240318.....GOJO Natural Orange Pumice Hand Cleaner W/ Pump Dispenser, 1/2 Gal.  
 36240210.....GOJO Natural Orange Pumice Hand Cleaner W/ Pump Dispenser, 1 Gal.  
 36240288.....GOJO Natural Orange Pumice Hand Cleaner 14oz (Not Shown)



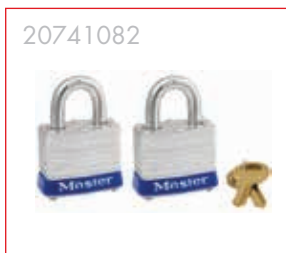
32442500.....Red Cotton Shop Towel, 12"x14", 100% Cotton, Pkg. 10  
 32440800.....Shop Towels On A Roll, Absorbs liquids, grease and oil  
 32440819.....Shop Towels In A Box, Absorbs liquids, grease and oil, 200 towels



13843007.....Wasp And Hornet Killer, 17oz  
 13620237.....All Purpose Empty Spray Bottle, 16oz (Not Shown)  
 13620245.....All Purpose Empty Spray Bottle, 32oz  
 36520043.....Heavy Duty Floor Squeegee, Aluminum Curved Head



27300001.....Black Sharpie Marker, Pkg. 2  
 16811416.....Teflon Tape 1/2"x260"  
 27332056.....Lufkin Power Tape, High Vision, 3/4"x16'  
 27332064.....Lufkin Power Tape, High Vision, 1"x25' (Not Shown)  
 27332072.....Lufkin Power Tape, High Vision, 1"x30'



468093.....2 Story Escape Ladder, 13 ft  
 20741082.....Master Lock 3T 2-Pack of 1-9/16" Wide Padlocks - Keyed Alike  
 19961842.....Ratchet Tie-down W/ Vinyl Coated S-hooks, 15ft x 1", Pkg. 4



10610176.....Extension Cord, 16 Gauge, 16/2 SJTW, 100 ft, Orange  
 11000169.....Power Off Continuity Tester, designed for testing non-energized circuits for shorts or opens (Works great on CO2 hoses)



## ANSUL DRY CHEMICAL AGENTS

Part #	Description
9335.....	Purple-K Powder, 50 lb Pail
9336.....	Plus-Fifty C Powder, 50 lb Pail
53080.....	Foray Powder, 45 lb Pail
415788.....	Foray Powder, 45 lb Pail (AA05) (Not Shown)
434906.....	Foray Dry Chemical Powder, 45 lb Pail



## ANSUL PIRANHA AGENTS & FLUSHING CONCENTRATES

Part #	Description
430182.....	PRX Liquid Agent, 1.59 Gal. (6 Liter)
423320.....	PRX Liquid Agent, 5 Gal. Pail (18.9 Liter)
79656S.....	Flushing Concentrate, 32 oz. (Single Bottle)
79656.....	Flushing Concentrate, 32 oz. (12 Bottles, Not Shown)



## ANSUL R-102 AGENTS & FLUSHING CONCENTRATES

Part #	Description
79694.....	Ansulex Low pH Wet Chemical Agent 1.5 Gal. (5.7 Liter)
79372.....	Ansulex Low pH Wet Chemical Agent 3 Gal. (11.6 Liter) (UL)
426199.....	55 Gal. Drum Ansulex
79656S.....	Flushing Concentrate, 32 oz. (Single Bottle)
79656.....	Flushing Concentrate, 32 oz. (12 Bottles, Not Shown)



## BADGER WET CHEMICALS & POWDERS

Part #	Description
23802.....	K-Class Recharge, 6 Liter
25092.....	K-Class Recharge, 6 Liter, Pkg. 2 (Not Shown)
18905.....	Badger ABC Powder, 50 lb Pail
18907.....	Badger PK Powder, 50 lb Pail



## KIDDE POWDERS

Part #	Description
806411.....	Kidde ABC Powder, 50 lb Pail
804904.....	Kidde BC Powder, 50 lb Pail



# CHEMICALS



550695



550696

## PYRO-CHEM DRY CHEMICAL AGENTS

Part #	Description
550695.....	RC-50-BC, Dry Chemical Sodium Bicarbonate Powder, 50 lb Pail
550696.....	RC-50-ABC, Dry Chemical Monoammonium Phosphate Powder, 50 lb Pail



551188



553176

## PYRO-CHEM - KITCHEN KNIGHT II RECHARGE AGENTS

Part #	Description
551188.....	RL300 3 Gal. Wet Chemical For Recharge
553176.....	RL160 Recharge For 552055 or PCL 160



87-120030-001



87-120031-001

## RANGE GUARD KARBALOY CHARGES

Part #	Description
87-120030-001 .....	9197428 - 1 1/4 Gal. Karbaloy Charge
87-120031-001 .....	9197257 - 2 1/2 Gal. Karbaloy Charge



87-120032-001



87-120033-001

87-120032-001 .....	9196991 - 4 Gal. Karbaloy Charge
87-120033-001 .....	9196783 - 6 Gal. Karbaloy Charge



9328



69284

## SPECIALTY CHEMICALS

Part #	Description
9328.....	Ansul Met-LX Powder, 50 lb Pail
69284.....	Ansul AR33D 33 Gal. Foam Recharge
422817.....	Ansul FE-36 Agent, 50 lb Tank
551822.....	Pyro Chem FE-36 Agent, 50. lb Tank (Not Shown)



422817



9334

9334.....	Ansul Lith-X Powder, 45 lb Pail
-----------	---------------------------------

## AMEREX CHEMICALS

Part # Description  
 A550 ..... ABC Powder 50 lb Pail  
 A555 ..... ABC Hi Performance 45 lb Pail (Not Shown)

A512 ..... BC Powder 50 lb Pail

A515 ..... PK Powder 50 lb Pail

A530 ..... Wet Recharge 6 Liter, K-Class, Pkg. 2

A502 ..... AFFF Recharge 8 1/2 oz.

A504 ..... FFFP Recharge (A250 & A254)  
 (Not Shown)

A16924 ..... KP Recharge 2.75

A12866 ..... KP Recharge 3.75

A17450 ..... KP Recharge 4.75

A15416 ..... KP Recharge 6.14



A550



A512



A515



A530



A502



A16924



A12866



A17450



A15416

## BUCKEYE CHEMICALS

Part # Description  
 61200.....PK Powder 50 lb Pail

61000.....ABC Powder 50 lb Pail

61400.....STD Powder 50 lb Pail

62000.....CLASS D Powder 50 lb Pail

600872.....Buckeye Recharge, K-Class (Not Shown)

BFR-5R.....Buckeye Recharge Agent for  
 5 Flow Point Cylinder

BFR-10R.....Buckeye Recharge Agent for  
 10 Flow Point Cylinder



61200



61000



61400



62000



BFR-5R



BFR-10R

# CHEMICALS

Buckeye Foams



## BUCKEYE FOAM AGENTS

Part #	Description
BFC-1.1	Platinum 1% AFFF
BFC-3.1	Platinum 3% AFFF
BFC-6.1	6% AFFF
BFC-33.1	Platinum 3% x 3% AR-AFFF
BFC-36.1	Platinum 3% x 6% AR-AFFF
BFC-3LT	3% Low Temp. AFFF
BFC-36LT	3%-6% Low Temp. AR-AFFF
BFC-CA.1	Platinum Class A
BFC-HX	2.2% High Expansion
BFC-3MS	3% Mil Spec. AFFF
BFC-VF	Virtual Foam

55800



68120



## ANSUL FOAM AGENTS

Part #	Description
55800	5 Gal. Pail - 3% AFFF Concentrate (AFC-3-A)
55809	55 Gal. Drum - 3% AFFF Concentrate (AFC-3-A) (Not Shown)
68120	5 Gal. Pail - Premium 6% AFFF Concentrate Mil Spec. (AFC-5)
68121	55 Gal. Drum - Premium 6% AFFF Concentrate Mil Spec. (AFC-5) (Not Shown)
75451	5 Gal. Pail - Class A Fire Control Concentrate
75452	55 Gal. Drum - Class A Fire Control Concentrate (Not Shown)
054391	5 Gal. Pail - Ansolite 6%, AFFF (AFC-3)
05392	55 Gal. Drum - Ansolite 6%, AFFF (AFC-3) (Not Shown)

75451



054391



# EMT, FITTINGS & FILTERS



10246318

CBOX

10210003

10221684

1404

10221862

10222397

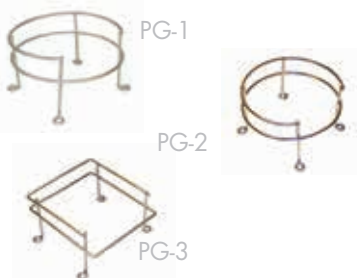
10222354

10222338

10222303

## EMT & FITTINGS

Part #	Description
10246318	Switch Box Steel 4" Octagon 1-1/2" Deep
CBOX	Heavy Duty Chrome Mounting Box
10210003	1/2" EMT Conduit, Galvanized, 10' length
1404	Evergreen Quick Fastener, Pkg. 24
10221684	1/2" EMT Strap, One hole strap-on type, Pkg. 100
10221862	1/2" EMT Strap, Two hole strap-on type, Pkg. 100
10222397	EMT Compression Coupling 1/2", Pkg. 50
10222354	EMT Compression Connector 1/2", Pkg. 50
10222338	EMT Set Screw Coupling 1/2", Pkg. 50
10222303	EMT Set Screw Connector 1/2", Pkg. 50
PG-1	Ansul Remote Pull Guard, Surface Mount
PG-2	Ansul Remote Pull Guard, Recessed Mount
PG-3	Remote Pull Guard, Surface Mount (Pyrochem, Range Guard, Buckeye, Amerex)



GREASE FILTERS



## GREASE FILTERS

Part #	Description
A1620	16" x 20" Aluminum Hood Filter
A2020	20" x 20" Aluminum Hood Filter
SS1620	16" x 20" Stainless Steel Hood Filter
SS2020	20" x 20" Stainless Steel Hood Filter



## GLOBE - A LINKS

- Part # Description  
 A165 ..... Globe 165° A Link, Each, Pkg. 25 (Not Shown)  
 A212 ..... Globe 212° A Link, Each, Pkg. 25 (Not Shown)  
 A280 ..... Globe 280° A Link, Each, Pkg. 25 (Not Shown)  
 A360 ..... Globe 360° A Link, Each, Pkg. 25  
 A450 ..... Globe 450° A Link, Each, Pkg. 25



## GLOBE - B LINKS

- Part # Description  
 B212 ..... Globe 212° B Link, Each, Pkg. 25  
 B360 ..... Globe 360° B Link, Each, Pkg. 25



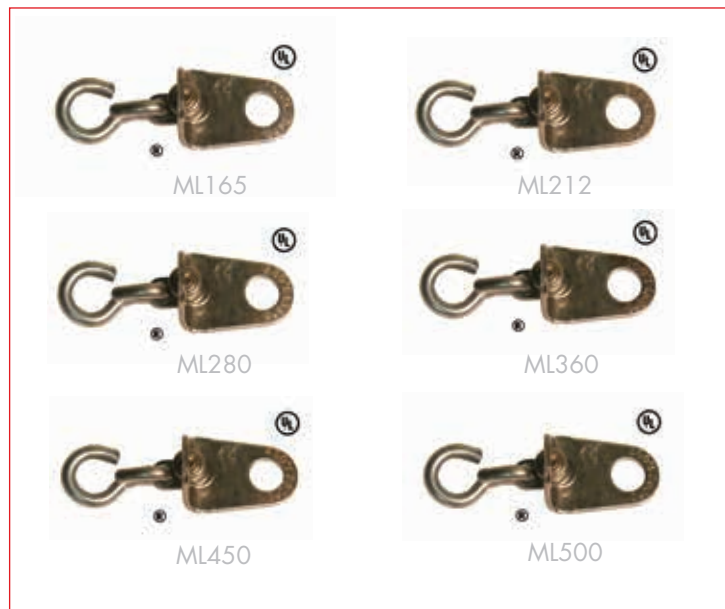
## GLOBE - K LINKS

- Part # Description  
 K165 ..... Globe 165° K Link, Each, Pkg. 25  
 K212 ..... Globe 212° K Link, Each, Pkg. 25 (Not Shown)  
 K280 ..... Globe 280° K Link, Each, Pkg. 25 (Not Shown)  
 K360 ..... Globe 360° K Link, Each, Pkg. 25  
 K450 ..... Globe 450° K Link, Each, Pkg. 25

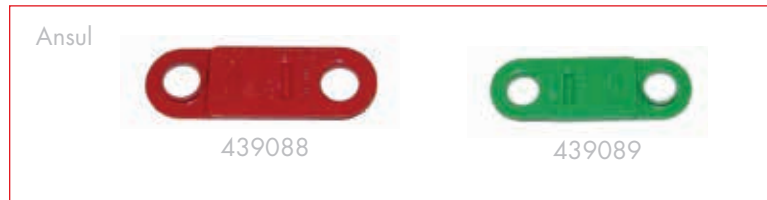


## GLOBE - ML LINKS

- Part # Description  
 ML165 ... Globe 165° ML Link, Each, Pkg. 10  
 ML212 ... Globe 212° ML Link, Each, Pkg. 10  
 ML280 ... Globe 280° ML Link, Each, Pkg. 10  
 ML360 ... Globe 360° ML Link, Each, Pkg. 10  
 ML450 ... Globe 450° ML Link, Each, Pkg. 10  
 ML500 ... Globe 500° ML Link, Each, Pkg. 10

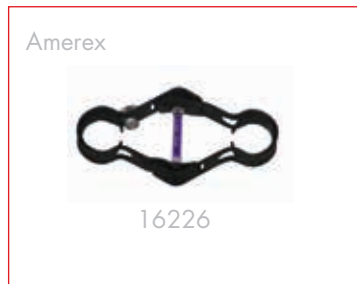
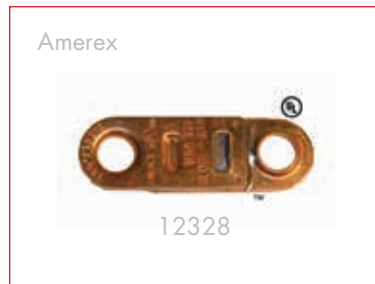


# FUSE LINKS



## ANSUL - SL LINKS

Part #	Description
439085.....	Ansul SL Link 165°, Pkg. 25 (Not Shown)
439086.....	Ansul SL Link 212°, Pkg. 25 (Not Shown)
439087.....	Ansul SL Link 280°, Pkg. 25 (Not Shown)
439088.....	Ansul SL Link 360°, Pkg. 25
439089.....	Ansul SL Link 450°, Pkg. 25

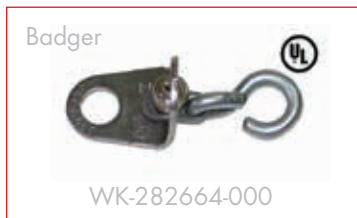
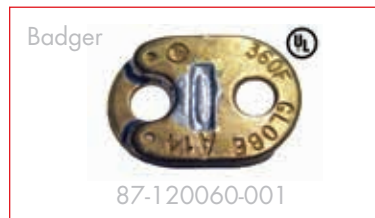


## AMEREX - K LINKS

Part #	Description
12326....	Amerex K Link 212°, Each, Pkg. 25 (Not Shown)
12328....	Amerex K Link 360°, Each, Pkg. 25
12329....	Amerex K Link 450°, Each, Pkg. 25 (Not Shown)

## AMEREX QUICK RESPONSE LINKS

Part #	Description
16226.....	Amerex Quick Response 286°, Pkg.5
16227.....	Amerex Quick Response 360°, Pkg.5 (Not Shown)
16445.....	Amerex Quick Response 450°, Pkg.5 (Not Shown)
16446.....	Amerex Quick Response 500°, Pkg.5 (Not Shown)



## BADGER - A LINKS

Part #	Description
87-120060-001 .....	Badger 360° A Link, Each, Pkg. 25

## BADGER - ML LINKS

Part #	Description
WK-282664-000.....	Badger 360° ML Link, Each, Pkg. 10



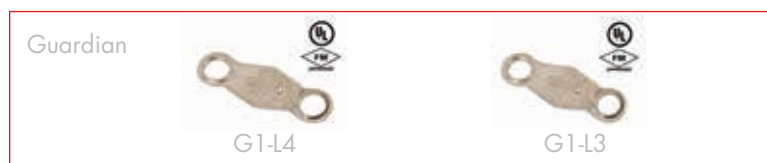
## BADGER - THERMO BULB LINKS

Part #	Description
87-120091-165 ...	Btbs Fuse Link 165°, Red, Pkg. 5
87-120091-212 ...	Btbs Fuse Link 212°, Green, Pkg. 5
87-120091-286 ...	Btbs Fuse Link 286°, Blue, Pkg. 5
87-120091-360 ...	Btbs Fuse Link 360°, Mauve, Pkg. 5
87-120091-450 ...	Btbs Fuse Link 450°, Black, Pkg. 5
87-120091-500 ...	Btbs Fuse Link 500°, Black, Pkg. 5



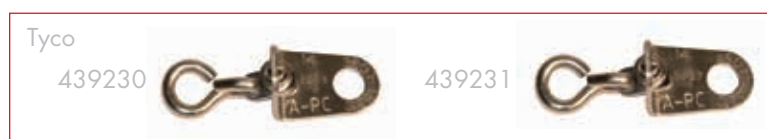
## BUCKEYE - ML LINKS

Part #	Description
FL-165-10 ....	Globe 165° ML Link, Pkg. 10
FL-212-10 ....	Globe 212° ML Link, Pkg. 10
FL-280-10 ....	Globe 280° ML Link, Pkg. 10
FL-360-10 ....	Globe 360° ML Link, Pkg. 10
FL-450-10 ....	Globe 450° ML Link, Pkg. 10
FL-500-10 ....	Globe 500° ML Link, Pkg. 10



## GUARDIAN - B LINKS

Part #	Description
G1-L4 .....	Guardian 212° B Link, Each, Pkg. 25
G1-L3 .....	Guardian 360° B Link, Each, Pkg. 25



## TYCO - HL LINKS

Part #	Description
439227.....	Tyco 165° HL Link, Pkg. 10 (Not Shown)
439228.....	Tyco 212° HL Link, Pkg. 10 (Not Shown)
439229.....	Tyco 280° HL Link, Pkg. 10 (Not Shown)
439230.....	Tyco 360° HL Link, Pkg. 10
439231.....	Tyco 450° HL Link, Pkg. 10
439232.....	Tyco 500° HL Link, Pkg. 25 (Not Shown)

## SPARE R-102 PARTS

Part #	Description
429862.....	R102 3 Gal. Tank
429864.....	R102 1.5 Gal. Tank



77695.....	Blow-Off Caps Rubber, Pkg. 50
439861.....	Ansul Metal Blow Off Caps New Style, Pkg. 10
433208.....	Blow-Off Caps Metal Old Style, Charbroiler, Pkg. 10



439848.....	O-Ring for New Style Nozzle/Blow Off Cap (Not Shown)
-------------	--

56909.....	O-Ring R-102 Tank
------------	-------------------

417911.....	R-102 Bursting Discs, Pkg. 10
-------------	-------------------------------

56972.....	Regulator Test Kit
------------	--------------------

68800.....	Vent Plug
------------	-----------

416970.....	R-102 Union (with bursting disc)
-------------	----------------------------------



## R-102 REGULATOR

Part #	Description
79318.....	Regulator, R-102, Pressure Tested (110psi)



## BRAIDED HOSES

Part #	Description
417582.....	8" Braided, Actuation Hose
31809.....	16" Braided, Actuation Hose
32335.....	20" Braided, Actuation Hose
32336.....	24" Braided, Actuation Hose
430815.....	42" Braided, Actuation Hose

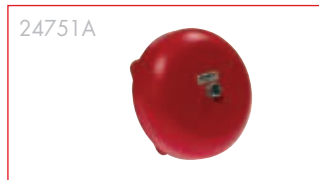
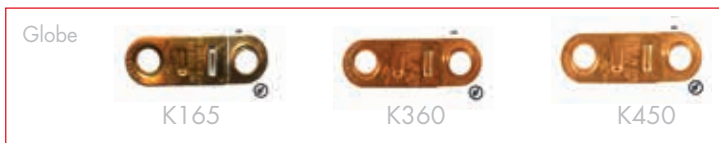
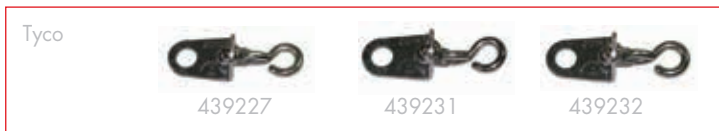
## CARTRIDGES

Part #	Description
15850.....	Cartridge, Carbon Dioxide, (Figure A) 101-10 (25/carton)
17492.....	Cartridge, Carbon Dioxide, (Figure B) 101-20 (16/carton)
15851.....	Cartridge, Carbon Dioxide, (Figure C) 101-30 (16/carton)
7032.....	Cartridge, Nitrogen, (Figure D) LT-20-R (RHT) (16/carton)
5373.....	Cartridge, Nitrogen, (Figure E) LT-30-R (RHT) (16/carton)
73022.....	Cartridge, Nitrogen, (Figure F) R-102 Double Tank

29187.....	Cartridge, Nitrogen, (Figure G) LT-A-101-30 Veh. Sys.
------------	---



# ANSUL® R-102



## DETECTORS

Part # Description  
435546..... SS Detector, Terminal (Scissor Linkage)

435547..... SS Detector, Series (Scissor Linkage)

435548..... SS Detectors, Series, Pkg. 25  
(Scissor Linkage)

435545..... SS Scissor Linkage

## ANSUL - SL LINKS

Part # Description  
439085..... Ansul SL Link 165°, Pkg. 25 (Not Shown)  
439086..... Ansul SL Link 212°, Pkg. 25 (Not Shown)  
439087..... Ansul SL Link 280°, Pkg. 25 (Not Shown)  
439088..... Ansul SL Link 360°, Pkg. 25  
439089..... Ansul SL Link 450°, Pkg. 25

## TYCO - HL LINKS

Part # Description  
439227..... Tyco 165° HL Link, Pkg. 10  
439228..... Tyco 212° HL Link, Pkg. 10 (Not Shown)  
439229..... Tyco 280° HL Link, Pkg. 10 (Not Shown)  
439230..... Tyco 360° HL Link, Pkg. 10 (Not Shown)  
439231..... Tyco 450° HL Link, Pkg. 10  
439232..... Tyco 500° HL Link, Pkg. 25

## GLOBE - K LINKS

Part # Description  
K165..... Globe 165° K Link, Each, Pkg. 25  
K212..... Globe 212° K Link, Each, Pkg. 25  
(Not Shown)  
K280..... Globe 280° K Link, Each, Pkg. 25  
(Not Shown)  
K360..... Globe 360° K Link, Each, Pkg. 25  
K450..... Globe 450° K Link, Each, Pkg. 25

## GLOBE - ML LINKS

Part # Description  
ML165 ..... Globe 165° ML Link, Each, Pkg. 10  
ML212 ..... Globe 212° ML Link, Each, Pkg. 10  
ML280 ..... Globe 280° ML Link, Each, Pkg. 10  
ML360 ..... Globe 360° ML Link, Each, Pkg. 10  
ML450 ..... Globe 450° ML Link, Each, Pkg. 10  
ML500 ..... Globe 500° ML Link, Each, Pkg. 10

Part # Description  
24916..... Test Links, Pkg. 10

## ALARM BELL

Part # Description  
24751A ..... BAC-612 Bell, 6", 120 VAC

## SPARE PARTS

Part # Description  
436063..... SS Conduit Offsets, Pkg. 6



## PULLEY ELBOWS

Part # Description  
 423250A ..... Pulley Elbow, Compression Type, Single  
 423251A ..... Pulley Elbows, Compression Type, Pkg. 50

415670A ..... Pulley Elbow, Set Screw, Single  
 415671A ..... Pulley Elbows, Set Screw, Pkg. 50



## PULLEY TEES

Part # Description  
 427929..... Pulley Tee

435982..... Agent Distribution Hose



434455..... Henny Penny Nozzle Assembly Kit



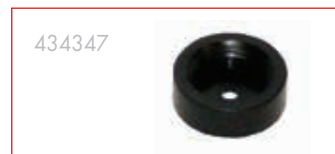
## REMOTE PULL STATIONS & ACCESSORIES

Part # Description  
 79827..... Compression Union, 1/2"  
 434347..... Flexible Conduit Inserts, Pkg. 50  
 435979..... Flexible Conduit Strain Reliefs, Pkg. 50  
 436150..... P-Clips, Pkg. 50

434618..... Remote Pull Station, Red (without wire rope)

427074..... Trim Rings, Aluminum, Pkg. 10

24915..... Break Rods, Pkg. 10  
 (use with Part Number 4835)



# ANSUL® R-102

15821



79653



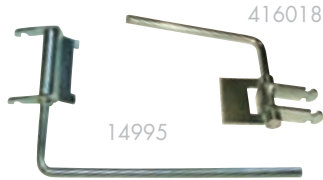
## WIRE ROPE

Part #	Description
15821.....	Wire Rope 50 ft.
79653.....	Wire Rope 500 ft.

78942



416018



14995

## CABLE LUG & LOCKING LEVERS

Part #	Description
78942.....	Cable Lug Replacement for Ansul Automan Release
416018.....	Cocking Lever, Mechanical Gas Valve
14995.....	Cocking Lever (Mechanical/Electrical Automan)
435603.....	Ansul Cocking Lever, Short (Mechanical/Electrical Automan)
438031.....	Ansul Locking Pin
441041.....	Ansul Dual Cocking Lever With Lock Pin
441042.....	Ansul Short Handle Dual Cocking Lever With Lock Pin
14985.....	Lock Bar

Electric Switch



435603



438031



Electrical Gas Valve



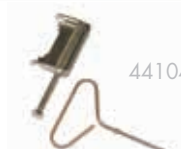
441041



14985



441042



## ELECTRIC SWITCHES

Part #	Description
423878.....	Switch, Electric, SPDT
423879.....	Switch, Electric, DPDT
423880.....	Switch, Electric, 3PDT
423881.....	Switch, Electric, 4PDT
428311.....	Alarm Initiating Switch, SPDT

## ELECTRIC GAS VALVES

Part #	Description
13707.....	EGVSO-75 Gas Valve, Electrical, 3/4" Pipe
13708.....	EGVSO-100 Gas Valve, Electrical, 1" Pipe
550360.....	EGVSO-125 Gas Valve, Electrical, 1 1/4" Pipe
13709.....	EGVSO-150 Gas Valve, Electrical, 1 1/2" Pipe
13710.....	EGVSO-200 Gas Valve, Electrical, 2" Pipe
550363.....	EGVSO-250 Gas Valve, Electrical, 2 1/2" Pipe
17643.....	EGVSO-300 Gas Valve, Electrical, 3" Pipe
426151.....	Relay, Manual Reset, (120V, 60 Hz)

Mechanical Gas Valve



426151



## GAS VALVES

Part #	Description
55598.....	Gas Valve, Mechanical, 3/4"
55601.....	Gas Valve, Mechanical, 1"
55604.....	Gas Valve, Mechanical, 1 1/4"
55607.....	Gas Valve, Mechanical, 1 1/2"
55610.....	Gas Valve, Mechanical, 2"
25937.....	Gas Valve, Mechanical, 2 1/2"
25938.....	Gas Valve, Mechanical, 3"

54256



69961

55847 (10 Pack)



15733



54256.....	Gas Valve Cover (Top)
69961.....	Gas Valve Cover (Sides)
55847.....	Thread Cutting Screws, Pkg. 10

15733..... Air Cylinder and Tubing Assembly

426890



418511



79007



426890..... Gas Valve, Conversion Kit

## HOSES

Part #	Description
418511.....	Hose and Grommet Package
79007.....	Inside Actuation Hose

(800) 250-5602

45

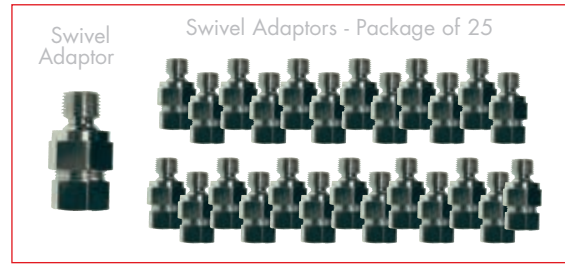
www.LandJFire.com

## R-102 NOZZLES - SINGLE

Part #	Description
418569A	Swivel Adaptor, Each
439825	1F, Each
439826	1/2N, Each
439827	1N, Each
439828	1W, Each
439829	2W, Each
439830	3N, Each
439831	230, Each
439832	245, Each
439833	260, Each
439834	290, Each
439835	2120, Each

## R-102 NOZZLE PACKAGES

Part #	Description
423572A	Swivel Adaptors, Pkg. 25
439836	1F, Pkg. 9
439837	1/2N, Pkg. 9
439838	1N, Pkg. 25
439839	1W, Pkg. 25
439840	2W, Pkg. 25
439841	3N, Pkg. 9
439842	230, Pkg. 25
439843	245, Pkg. 25
439844	260, Pkg. 9
439845	290, Pkg. 9
439846	2120, Pkg. 9



## AIMING DEVICES

Part #	Description
551265	Nozzle Aiming Device
439877	New Style Aiming Device Kit (Not Shown) (Includes 551265, 439876)
439876	Aiming Device Adaptor - New Style
431992	Old Style Aiming Device Kit (Not Shown) (Includes 551265, 431186)
431186	Aiming Device Adaptor - Old Style
423623	Replacement Battery, Nozzle Aiming Device



# PIRANHA®

## TANKS

Part #	Description
438165	Piranha - 7 Tank Assembly, Stainless Steel
438166	Piranha - 10 Tank Assembly, Stainless Steel
438167	Piranha - 13 Tank Assembly, Stainless Steel



## HEX WRENCH

Part #	Description
G-1276	Ansul Hex Wrench For Cable Lug

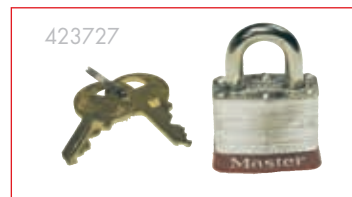
## PIRANHA NOZZLES

Part #	Description
440005	Ansul Piranha AP Nozzle
440006	Ansul Piranha Nozzle, AP, Pkg. 50 (Not Shown)
440008	Ansul Piranha DL Nozzle
440009	Ansul Piranha Nozzle, DL, Pkg. 25 (Not Shown)



## PIRANHA SPARE PARTS

Part #	Description
423727	Padlock, 2-Keys Per Lock (All Locks Keyed The Same)
423279	Regulator, PIRANHA, Pressure Tested (150 psi)
423666	Bursting Discs, PIRANHA, Pkg. 10
423556	Water Pressure Test Kit, PIRANHA
426294	Automatic Water Shutdown Device, PIRANHA



# KITCHEN KNIGHT II®

## Cylinders



## CYLINDERS

Part #	Description
553163.....	PCL-160 Agent Cylinder with Valve, 1.6 Gal.
551194.....	PCL-300 Agent Cylinder with Valve, 3.0 Gal.
551193.....	PCL-460 Agent Cylinder with Valve, 4.6 Gal.
551196.....	PCL-600 Agent Cylinder with Valve, 6.0 Gal.



## BRACKETS

Part #	Description
550053.....	MB-1 Cylinder Mounting Brkt. - Fits PCL600
550054.....	MB-15 Cylinder Mounting Brkt. - Fits PCL160, PCL300, PCL460

## ENCLOSURES

Part #	Description
551208.....	EN-MCU Enclosure with Mech. Control Unit (Not Shown)
550966.....	ENS Enclosure for Secondary Cylinders



## CONTROL HEADS

Part #	Description
551200.....	MCH-Control Head, Mechanical, with Local Actuation
551201.....	ECH-24 Control Head, Electrical, 24 VDC, with Local Actuation (Not Shown)
551202.....	ECH-120 Control Head, Electrical, 120 VAC, with Local Actuation (Not Shown)
551203.....	NMCH Control Head, Mechanical, No Local Actuation (Not Shown)
551204.....	NMCH-DPT Control Head Switch, Mechanical, No Local Actuation
551206.....	NECH-24V Control Head, Electrical, 24 VDC, No Local Actuation (Not Shown)
551207.....	NECH-120V Control Head, Electrical, 120 VAC, No Local Actuation (Not Shown)
551594.....	ECH/SM-120 ECH-120 Control Head and SM120-System Circuit Monitor (Not Shown)



## REPLACEMENT COVER PLATE

Part #	Description
550101.....	NMCH Cover Plate Replacement

## CONTROL HEAD BRACKET

Part #	Description
550746.....	Quick Release strap for MB1 & MB15 (Not Shown)
550853.....	MB-P2 Mounting Bracket, Control Head

(800) 250-5602

47

www.LandJFire.com



# KITCHEN KNIGHT II®

## SINGLE NOZZLES

Part #	Description
418569P	Swivel Adaptor, Each
1L	1L, Each
2L	2L, Each
1H	1H, Each
2H	2H, Each
2D	2D, Each



## NOZZLE PACKAGES

Part #	Description
423572P	Swivel Adaptors, Pkg. 25
551026	1L, Pkg. 10
551027	2L, Pkg. 10
551029	1H, Pkg. 10
551028	2H, Pkg. 10
551038	2D, Pkg. 10



## AIMING DEVICES

Part #	Description
431992	Aiming Device Kit (Not Shown) (Includes 551265, 550926)
551265	Nozzle Aiming Device
550926	Aiming Device Adaptor
423623	Replacement Battery, Nozzle Aiming Device



## REMOTE PULL STATIONS & ACCESSORIES

Part #	Description
79827	Compression Union, 1/2"
434347	Flexible Conduit Inserts, Pkg. 50
435979	Flexible Conduit Strain Reliefs, Pkg. 50
436150	P-Clips, Pkg. 50
551074	RPS-M Remote Pull Station, Mechanical
551166	Pull Station, Dual Action, SPST

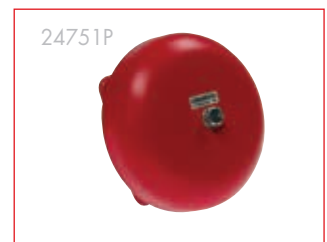


550088	RPS-MTR Trim Ring for Flush Mounting RPS-M
550527	RPS-M - Box
551709	RPS-MGR Glass Rods for RPS-M, Pkg. 20



## DETECTOR BRACKETS

Part #	Description
550131	FLK-1 Fusible Link Kit with 10" Brkt.
550035	FLK-25 Fusible Link Kits with 10" Brkt., Pkg. 25



## ALARM BELL

Part #	Description
24751P	BAC-612 Bell, 6", 120 VAC

# KITCHEN KNIGHT II®

550876



## HANGER BRACKETS

Part # Description  
550876..... FLH-25 Hanger, Fusible Links, Pkg. 25

Tyco



439227



439231



439232

## TYCO - HL LINKS

Part # Description  
439227..... Tyco 165° HL Link, Pkg. 10  
439228..... Tyco 212° HL Link, Pkg. 10 (Not Shown)  
439229..... Tyco 280° HL Link, Pkg. 10 (Not Shown)  
439230..... Tyco 360° HL Link, Pkg. 10 (Not Shown)  
439231..... Tyco 450° HL Link, Pkg. 10  
439232..... Tyco 500° HL Link, Pkg. 25

Globe



ML165



ML212



ML280



ML360



ML450



ML500

## GLOBE - ML LINKS

Part # Description  
ML165 ..... Globe 165° ML Link, Each, Pkg. 10  
ML212 ..... Globe 212° ML Link, Each, Pkg. 10  
ML280 ..... Globe 280° ML Link, Each, Pkg. 10  
ML360 ..... Globe 360° ML Link, Each, Pkg. 10  
ML450 ..... Globe 450° ML Link, Each, Pkg. 10  
ML500 ..... Globe 500° ML Link, Each, Pkg. 10

Electric Thermal  
Detector



## THERMAL DETECTORS

Part # Description  
13976..... TD-225 Electric Thermal Detector, 225°  
13975..... TD-325 Electric Thermal Detector, 325°  
13974..... TD-450 Electric Thermal Detector, 450°  
13971..... TD-600 Electric Thermal Detector, 600°

415670P



423250P



415670P..... Corner Pulley Set Screw, Single  
415671P..... Corner Pulley Set Screws, Pkg. 50

423250P..... Corner Pulley Compression, Single  
423251P..... Corner Pulleys Compression, Pkg. 50

550983



427929



550983..... Corner Pulleys - Weather Resistant, Pkg. 10  
550984..... Corner Pulleys - Weather Resistant, Pkg. 150

427929..... Pulley Tee

434525



434525..... Flexible Conduit 500 ft.

## ACTUATING CYLINDERS & CARTRIDGES

- Part # Description  
 550104.....PAC-10 Pneumatic Actuating Cylinder  
 551559.....PAC-10-PS Pneumatic Actuating Cylinder w/Pressure Switch  
 551059.....CO2-6 (16 gram) Actuation Cartridges, Pkg. 6



## GAS VALVES

- Part # Description  
 550593.....GV-75 Gas Valve, Mechanical, Direct Cable Hookup, 3/4" Pipe  
 550594.....GV-100 Gas Valve, Mechanical, Direct Cable Hookup, 1" Pipe  
 550595.....GV-125 Gas Valve, Mechanical, Direct Cable Hookup, 1 1/4" Pipe  
 550596.....GV-150 Gas Valve, Mechanical, Direct Cable Hookup, 1 1/2" Pipe  
 551049.....GV-200 Gas Valve, Mechanical, Direct Cable Hookup, 2" Pipe  
 550185.....GV-250 Gas Valve, Mechanical, Direct Cable Hookup, 2 1/2" Pipe  
 550186.....GV-300 Gas Valve, Mechanical, Direct Cable Hookup, 3" Pipe

## ELECTRIC GAS VALVES

- Part # Description  
 13707.....EGVSO-75 Gas Valve, Electrical, 3/4" Pipe  
 13708.....EGVSO-100 Gas Valve, Electrical, 1" Pipe  
 550360.....EGVSO-125 Gas Valve, Electrical, 1 1/4" Pipe  
 13709.....EGVSO-150 Gas Valve, Electrical, 1 1/2" Pipe  
 13710.....EGVSO-200 Gas Valve, Electrical, 2" Pipe  
 550363.....EGVSO-250 Gas Valve, Electrical, 2 1/2" Pipe  
 17643.....EGVSO-300 Gas Valve, Electrical, 3" Pipe

426151.....Relay, Manual Reset, (120V, 60 Hz)



## GAS VALVE BOX

- Part # Description  
 550603.....GVB Box Assembly, Gas Valve, Red



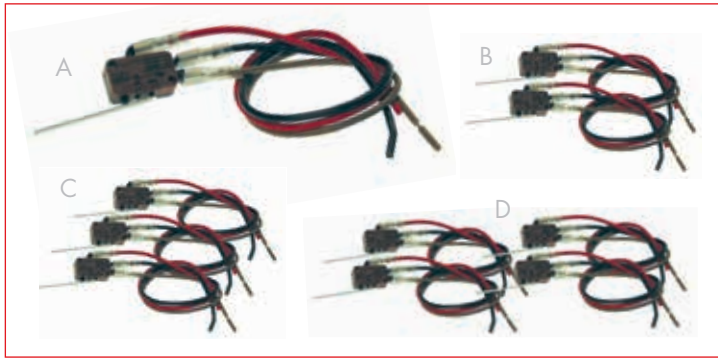
REPLACE COPPER TUBING WITH  
 UL LISTED BRAIDED HOSES

## BRAIDED HOSES

- Part # Description  
 417582.....8" Braided, Actuation Hose  
 31809.....16" Braided, Actuation Hose  
 32335.....20" Braided, Actuation Hose  
 32336.....24" Braided, Actuation Hose  
 430815.....42" Braided, Actuation Hose



# KITCHEN KNIGHT II®



## MICRO SWITCHES

Part #	Description
551154.....	MS-SPDT One-Switch Kit (Figure A)
551155.....	MS-DPDT Two-Switch Kit (Figure B)
551156.....	MS-3PDT Three-Switch Kit (Figure C)
551157.....	MS-4PDT Four-Switch Kit (Figure D)

552173.....Micro Switch Extension Kit (Not Shown)



15821



79653

## WIRE ROPE & ACCESSORIES

Part #	Description
15821.....	WR-50 Wire Rope, Stainless Steel, 1/16" Dia., 50 ft.
79653.....	WR-500 Wire Rope, Stainless Steel, 1/16" Dia., 500 ft.



550122



551550

550122.....WC-100 Crimps for 1/16" Wire Rope, Pkg. 100

551550.....WC-10SS Crimps High Temperature, Stainless Steel, Pkg. 10



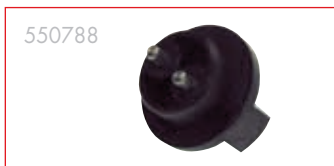
550121



24919

550121.....SH-100 SHooks, Pkg. 100

24919.....Stop Sleeves, Pkg. 10



550788



551240

## SPARE PARTS

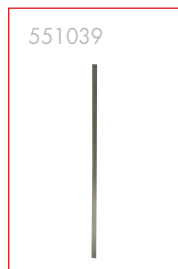
Part #	Description
550788.....	VT-1 Wet Valve Tool
551240.....	Recharge Adaptor for Kitchen Knight II



552181



551037



551039

552181.....Hydrotest Adaptor for Kitchen Knight II

551037.....Beaker, 3000 ml

551039.....Measuring Stick

(800) 250-5602

51

www.LandJFire.com

## NEW PRODUCTS!

We are frequently updating our website with new products.

Call or visit our website today!



# KITCHEN KNIGHT II®

## SPARE PARTS

Part #	Description
551024.....	PCL-300T Empty 3.0 Gal. Test Tank
550902.....	PCL-460T Empty 4.6 Gal. Test Tank
550901.....	PCL-600T Empty 6.0 Gal. Test Tank

79656S.....	Flushing Kit, 32 oz (Single Bottle)
79656.....	Flushing Kits, 32 oz (12 Bottles)

550016.....	Blow-Off Caps, Pkg. 12 (for Wendy's Res.)
551528.....	Wet Nozzle Caps, Pkg. 10

550698.....	Wet Valve Rebuilding Kit
550705.....	Wet Spring (Figure A)
550716.....	Wet Valve O-Ring (Figure B)
550715.....	Wet Piston O-Ring (Figure C)

550707.....	Wet Piston
-------------	------------

550714.....	Wet Valve Cap O-Ring
551236.....	Wet Gauge, 225 psi
550713.....	Wet Gauge, 175 psi

78112.....	O-Ring Lubricant
------------	------------------

550831.....	Wet Valve Cap with Valve Core
550829.....	Pneumatic Discharge Adaptor



# KITCHEN KNIGHT II®

551175



436063



## SPARE PARTS

Part # Description  
551175..... Complete Wet Valve Assembly

436063..... SS Conduit Offsets, Pkg. 6

551529



551530



551529..... Wet Nozzle Strainers, Pkg. 10

551530..... Wet Nozzle Cap O-Rings, Pkg. 10

550272



55531



550272..... Corner Pulley Replacement Screw

55531..... O-Ring, Actuator Assembly

550985



550985..... Pressure Regulator Assembly

551061



551061..... Pressure Regulator Rebuild Kit

(800) 250-5602

53

www.LandJFire.com



## CYLINDERS

Part #	Description
60-120001-001	.....RG-1.25G; 1 1/4 Gal. Charged
60-120002-001	.....RG-2.5G; 2 1/2 Gal. Charged
60-120003-001	.....RG-4GS; 4 Gal. Charged Short
60-120006-001	.....RG-4GM; 4 Gal. Charged Med.
60-120005-001	.....RG-6G; 6 Gal. Charged



## DISCHARGE PIPING SYSTEM TRIM

Part #	Description
60-9196984-000	.....Vent Plug (one required in each piping system)
83-844908-000	.....Discharge Adaptor Kit (required with each cylinder)



## CYLINDER BRACKETS

Part #	Description
60-9197430-000	.....1 1/4 Gal. Wall Brkt.
60-9197263-000	.....2 1/2 Gal. Wall Brkt.
60-9197415-000	.....4 Gal. Short Wall Brkt.
87-100013-000	.....6 Gal. Shelf Brkt./4 Gal. Med. Brkt.



## CONTROL HEADS & ACCESSORIES

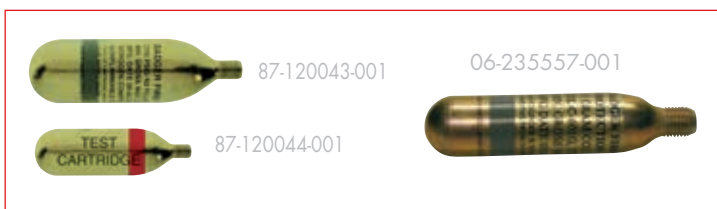
Part #	Description
60-120099-001	..... New Control Head - Universal Includes Universal Control Head & Includes (1) SVA 87-120042-001, (1) 60-120043-001 System Cartridge, (1) 87-12044-001 Test Cartridge, (1) Microswitch 87-120039-001, (1) Microswitch 87-120039-501, (1) B120058 EMT Connector Kit, (3) 1/2" EMT Fittings
60-120010-001	..... A+ Control Head Includes (1) SVA 87-120042-001, (1) Cable Tension Block Assembly 60-9197227-000, (2) C02 Cartridge 06-235557-001



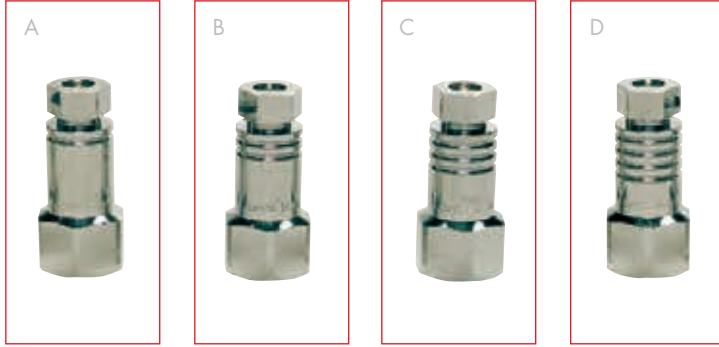
87-120042-001	..... System Valve Actuator (Requires (1) for each additional cylinder)
---------------	--



87-120043-001	..... Cartridge (Use With Univ. Control Head)
87-120044-001	..... Test Cartridge (Use With Univ. Control Head)
06-235557-001	..... Cartridge (Use With A+ Control Head)



# RANGE GUARD®



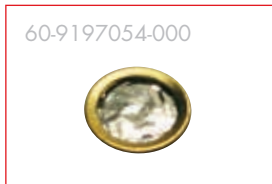
## NOZZLES, SINGLE, 3/8" NPT FEMALE

Part #	Description
87-120011-001	..... ADP Nozzle (Figure A)
87-120012-001	..... F Nozzle (Figure B)
87-120013-001	..... GRW Nozzle (Figure C)
87-120014-001	..... R Nozzle (Figure D)
87-120015-001	..... DM Nozzle (Figure E)
87-120021-001	..... Swivel Adaptor (Figure F)
87-120022-001	..... Low Proximity Fryer (LPF) Nozzle (Figure G)
87-120024-001	..... Low Proximity Range (LPR) Nozzle (Figure H)



## NOZZLES, TEN PACKS, 3/8" NPT FEMALE

Part #	Description
87-120016-001	..... ADP Nozzles (Figure A)
87-120017-001	..... F Nozzles (Figure B)
87-120018-001	..... GRW Nozzles (Figure C)
87-120019-001	..... R Nozzles (Figure D)
87-120020-001	..... DM Nozzles (Figure E)
87-120023-001	..... LPF Nozzles (Figure G)
87-120025-001	..... LPR Nozzles (Figure H)



## NOZZLE REPLACEMENT PARTS

Part #	Description
60-9197054-000	... Nozzle Seals, Pkg. 10
60-9197290-001	... Nozzle Discs, Cap-Chrome, Pkg. 10



## PULLEYS

Part #	Description
60-9197602-000	... In-Line Tee Pulley
WK-844648-900	.... Corner Pulley



## MECHANICAL COMPONENTS

Part #	Description
60-120110-001	..... Remote Manual Release - Badger New Style

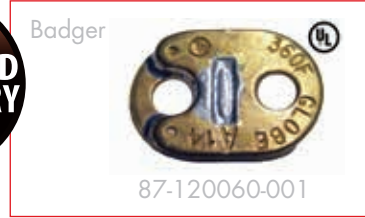
## ELECTRICAL COMPONENTS

Part #	Description
83-100034-001	..... Solenoid Kit (electric acuator), 24VDC (UCH)



## BADGER - A LINKS

Part # Description  
 87-120060-001 ..... Badger 360° A Link, Each, Pkg. 25



## BADGER - ML LINKS

Part # Description  
 WK-282664-000..... Badger 360° ML Link, Each, Pkg. 10

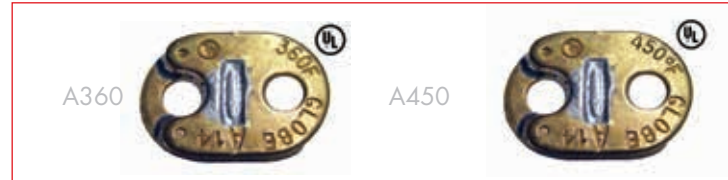
## BADGER - THERMO BULB LINKS

Part # Description  
 87-120091-165 ... Btbs Fuse Link 165°, Red, Pkg. 5  
 87-120091-212 ... Btbs Fuse Link 212°, Green, Pkg. 5  
 87-120091-286 ... Btbs Fuse Link 286°, Blue, Pkg. 5  
 87-120091-360 ... Btbs Fuse Link 360°, Mauve, Pkg. 5  
 87-120091-450 ... Btbs Fuse Link 450°, Black, Pkg. 5  
 87-120091-500 ... Btbs Fuse Link 500°, Black, Pkg. 5



## GLOBE - A LINKS

Part # Description  
 A165 ..... Globe 165° A Link, Each, Pkg. 25 (Not Shown)  
 A212 ..... Globe 212° A Link, Each, Pkg. 25 (Not Shown)  
 A280 ..... Globe 280° A Link, Each, Pkg. 25 (Not Shown)  
 A360 ..... Globe 360° A Link, Each, Pkg. 25  
 A450 ..... Globe 450° A Link, Each, Pkg. 25



## GLOBE - ML LINKS

Part # Description  
 ML165 ..... Globe 165° ML Link, Each, Pkg. 10  
 ML212 ..... Globe 212° ML Link, Each, Pkg. 10  
 ML280 ..... Globe 280° ML Link, Each, Pkg. 10  
 ML360 ..... Globe 360° ML Link, Each, Pkg. 10  
 ML450 ..... Globe 450° ML Link, Each, Pkg. 10  
 ML500 ..... Globe 500° ML Link, Each, Pkg. 10



## DETECTION, MECHANICAL, FOR ALL CONTROL HEADS

Part # Description  
 60-120064-001 ..... Standard Detector Kit with (1) Large Bracket, (2) "S" Hook, (2) Cable Crimp Sleeve  
 WK-804548-000..... Fusible Link Housing Kit



## MECHANICAL GAS SHUTOFF VALVES

Part # Description  
 60-120071-001 ..... 3/4" Mech. Gas Valve  
 60-120072-001 ..... 1" Mech. Gas Valve  
 60-120073-001 ..... 1 1/4" Mech. Gas Valve  
 60-120074-001 ..... 1 1/2" Mech. Gas Valve  
 60-120075-001 ..... 2" Mech. Gas Valve  
 60-120076-001 ..... 2 1/2" Mech. Gas Valve  
 60-120077-001 ..... 3" Mech. Gas Valve  
 60-9197285-000 ..... 3/4" S.A.E. Jam Nuts, Pkg. 25



# RANGE GUARD®

Micro Switch  
for A+  
Control Box



87-120067-001



06-118031-001



06-235557-001



60-9197220-000



60-9197108-0001



87-120045-001



60-00088001-000



## ELECTRICAL COMPONENTS

Part #	Description
60-9197227-000	..... SPDT Micro Switch (For use with A+ Control Box)
60-9197228-000	..... DPDT Micro Switch (For use with A+ Control Box)
87-120039-001	..... Micro Switch Kit for B120099 (For use with Universal Control Head)
87-120039-501	..... Micro Switch Kit for Universal Control Head (Not Shown)

## REPLACEMENT PARTS, CYLINDER VALVE

Part #	Description
87-120067-001	..... Wet/Dry Valve Rebuild Kit

06-118031-001 ..... Replacement Gauge

## REPLACEMENT PARTS, A+ CONTROL BOX

Part #	Description
06-235557-001	..... CO2 Cartridge

60-9197220-000 ..... Cable Tension Block Assembly

## INSTALLATION TOOL

Part #	Description
60-9197108-0001	..... Keeper Pin (MCB and A+ Control)

## HIGH PRESSURE HOSE

Part #	Description
87-120045-001	..... 8" High Pressure Hose (Used with universal control head and SVA)
87-120045-002	..... 24" High Pressure Hose (Not Shown)
87-120045-003	..... 60" High Pressure Hose (Not Shown)

60-00088001-000 ..... Turn Buckle Assembly

(800) 250-5602

57

www.LandJFire.com



## CYLINDER BRACKETS

- Part # Description  
 16920..... Bracket Assembly, Agent Cylinder 2.75, 3.75 & 4.75 Gal. (w/Swivel Adaptor)  
 15166..... Bracket Assembly, Agent Cylinder 6.14 Gal.



## SYSTEM COMPONENTS

- Part # Description  
 10199..... Discharge Adaptor Kit 3/4 NPT - Agent Cylinder 6.14 Gal.  
 10147..... Pneumatic Actuator - Agent Cylinder 6.14 Gal.  
 17461..... Backshelf Manifold - 3 - 1/3 Flow Point Nozzles - One (1) Flow Point Total  
 12508..... Detector (Includes Bracket, Linkage and Conduit Fittings)  
 12856..... Amerex Cylinder, Nitrogen 10 cu.in. (Not Shown)  
 12891..... Test Link, Pkg. 10



- 16501..... Tubing Clip  
 16557..... Detection Tubing 25 ft.  
 16551..... Detection Tubing 50 ft. (Not Shown)  
 16579..... Detection Tubing 100 ft. (Not Shown)  
 16552..... Detection Tubing 150 ft. (Not Shown)  
 16554..... Detection Tubing 300 ft. (Not Shown)



- 19155..... Cable Segment 12" - Link-to-link  
 17520..... Eyebolt Support  
 16901..... Swivel Adaptor for 2.75 or 3.75 Agent Cylinder



- 9492..... KP Recharge Adaptor  
 10173..... Vent Check (Required on Actuation Line)  
 16448..... Actuation Hose - (N2 - 1/4" x 32")  
 12854..... Actuation Hose - (N2 - 1/4" x 16")  
 12738..... Tool Setup/lockout ASV



- 21481..... Remote Pull Station, Surface / Recessed



# AMEREX® KP & ZD



12309



16444



12506



12507



12553



12334



12504



13729

11982

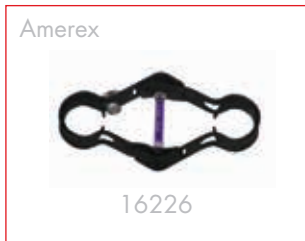
11983

11984

16416

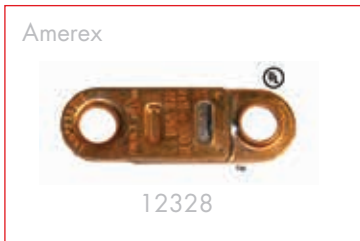
14178

16440



Amerex

16226



Amerex

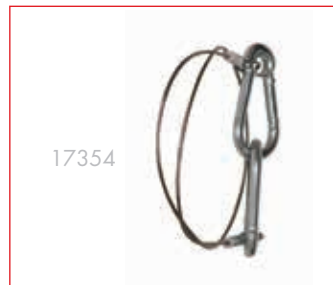
12328



K165

K360

K450



17354



13341



12791



12526



18312



12740

## SYSTEM COMPONENTS

Part # Description

12309.....Corner Pulley

16444.....Corner Pulley - CP5 Brooks Style

12506.....Pulley Tee

12507.....SS Conduit Offsets, Pkg. 6

12553.....Cable, 1/16" - 500 Foot Spool

## NOZZLES SEALS

Part # Description

12334.....Cap, Nozzle Blow-Off (Standard), Pkg. 10

12504.....Cap, Nozzle Blow-Off (High-Temperature), Pkg. 10

## NOZZLES

Part # Description

13729.....Nozzle - Fryer, Griddle - Two (2) Flow Points Each

11982.....Nozzle - Appliance, Plenum - One (1) Flow Point Each

11983.....Nozzle - Solid Fuel Charbroiler/Duct - One & One

Half (1 1/2) Flow Points Each

11984.....Nozzle - Upright Charbroiler - One Half (1/2)

Flow Point Each

16416.....Nozzle - Duct - One (1) Flow Point Each

14178.....Nozzle - ZD Appliance & Four Burner Range/48"

Griddle - Two (2) Flow Points Each

16440.....Nozzle Swivel Adaptor

## AMEREX QUICK RESPONSE LINKS

Part # Description

16226.....Amerex Quick Response 286°, Pkg.5

16227.....Amerex Quick Response 360°, Pkg.5 (Not Shown)

16445.....Amerex Quick Response 450°, Pkg.5 (Not Shown)

16446.....Amerex Quick Response 500°, Pkg.5 (Not Shown)

## AMEREX - K LINKS

Part # Description

12326.... Amerex K Link 212°, Each, Pkg. 25 (Not Shown)

12328.... Amerex K Link 360°, Each, Pkg. 25

12329.... Amerex K Link 450°, Each, Pkg. 25 (Not Shown)

## GLOBE - K LINKS

Part # Description

K165..... Globe 165° K Link, Each, Pkg. 25

K212..... Globe 212° K Link, Each, Pkg. 25 (Not Shown)

K280..... Globe 280° K Link, Each, Pkg. 25 (Not Shown)

K360..... Globe 360° K Link, Each, Pkg. 25

K450..... Globe 450° K Link, Each, Pkg. 25

## SYSTEM COMPONENTS

Part # Description

17354.....Cable Segment 24" - Link-to-link

13341.....Tool Cocking MRM

12791.....Amerex Brass Gas Valve - Mechanical - 1 inch

12526.....Manual Reset Relay (Required with every Electric Gas Valve)

18312.....Alarm Initiating Snap Action Switch  
(1 supplied with MRM & PRM)

12740.....Gas Valve Trip Assembly  
(Supplied with Amerex Mechanical Gas Valve)

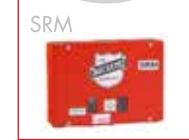


# BUCKEYE® KITCHEN MISTER



## BUCKEYE - CYLINDERS & CONTROL HEADS

- Part # Description  
 BFR-5.....5 Flow Point Cylinder With Valve  
 BFR-10.....10 Flow Point Cylinder With Valve  
 BFR-15.....15 Flow Point Cylinder With Valve  
 BFR-20.....20 Flow Point Cylinder With Valve  
 SRM .....Systems releasing module with Single Fusible Link Line  
 SRM-D .....Systems Releasing module with Two Fusible Link Lines (Not Shown)  
 BFR-CAP .. Valve Cap Assembly - Required for Remote Cylinder Actuation (Not Shown)



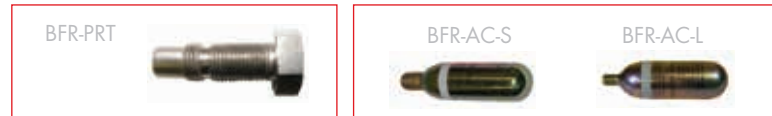
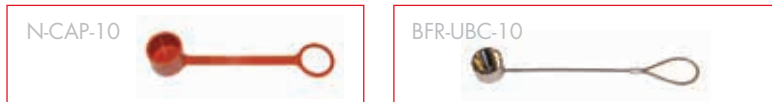
## BUCKEYE - NOZZLES

- Part # Description  
 N-1LP ..... 1 Flow Point, Low Proximity Nozzle, Each, Pkg. 10  
 N-1HP ..... 1 Flow Point, High Proximity Nozzle, Each, Pkg. 10  
 N-2LP ..... 2 Flow Point, Low Proximity Nozzle, Each, Pkg. 10  
 N-2HP ..... 2 Flow Point, High Proximity Nozzle, Each, Pkg. 10  
 N-2W ..... 2 Flow Point, Wide Angle Nozzle, Each, Pkg. 10  
 N-AP ..... Assorted Nozzle Pack, Pkg. 10, 2 Ea. Nozzle (Not Shown)  
 N-SA ..... Swivel Adaptor, Fits all nozzles (Not Shown)



## BUCKEYE - COMPONENTS

- Part # Description  
 N-CAP-10 ..... Replacement Nozzle Caps, Pkg. 10  
 BFR-UBC-10.... Stainless Steel Upright Broiler Nozzle Cap Kit, Pkg. 10  
 BFR-PRT ..... Actuation Pin Resetting Tool  
 BFR-AC-S ..... Small Nitrogen Actuation Cartridge, Pkg. 5  
 BFR-AC-L ..... Large Nitrogen Actuation Cartridge, Pkg. 2  
 BFGV-BOX ..... Replacement Gas Valve Box w/Cover  
 BFGV-075 ..... 3/4" Mechanical Gas Valve  
 BFGV-100 ..... 1" Mechanical Gas Valve  
 BFGV-125 ..... 1-1/4" Mechanical Gas Valve  
 BFGV-150 ..... 1-1/2" Mechanical Gas Valve  
 BFGV-200 ..... 2" Mechanical Gas Valve  
 BFGV-250 ..... 2-1/2" Mechanical Gas Valve  
 BFGV-300 ..... 3" Mechanical Gas Valve  
 BFR-VRK ..... Valve Rebuilding Kit (includes valve stem assy, cylinder valve o-ring, piston o-ring, VLV/SRM gasket and piston spring)  
 BFR-VRT ..... Valve Rebuilding Tool  
 PTF-10426 ..... Kitchen Mister Keeper Pin  
 BFR-FHD ..... 3/16" Flexible Hex Wrench  
 BFR-DAK ..... Buckeye Replacement Discharge Adaptor Kit  
 BFR-PG ..... 195 PSI Pressure Gauge  
 RPS-M ..... Remote Mechanical Pull Station (Not Shown)



## BUCKEYE - ML LINKS

- Part # Description  
 FL-165-10 ..... Globe 165° ML Link, Pkg. 10  
 FL-212-10 ..... Globe 212° ML Link, Pkg. 10  
 FL-280-10 ..... Globe 280° ML Link, Pkg. 10  
 FL-360-10 ..... Globe 360° ML Link, Pkg. 10  
 FL-450-10 ..... Globe 450° ML Link, Pkg. 10  
 FL-500-10 ..... Globe 500° ML Link, Pkg. 10



## GLOBE - ML LINKS

- Part # Description  
 ML165 ..... Globe 165° ML Link, Each, Pkg. 10  
 ML212 ..... Globe 212° ML Link, Each, Pkg. 10  
 ML280 ..... Globe 280° ML Link, Each, Pkg. 10  
 ML360 ..... Globe 360° ML Link, Each, Pkg. 10  
 ML450 ..... Globe 450° ML Link, Each, Pkg. 10  
 ML500 ..... Globe 500° ML Link, Each, Pkg. 10



## BUCKEYE - CORNER PULLEYS

- Part # Description  
 CPCT-1 ..... Compression Seal Type Corner Pulley  
 CPCT-25 ..... Compression Seal Type Corner Pulley, Pkg. 25  
 BFR-TP-1 ..... Tee Pulley (Not Shown)

# GUARDIAN® I & III



Guardian III Fire Suppression System



## SUPPRESSION SYSTEMS

- | Part #       | Description   |
|--------------|---|
| G300B-3P.... | Guardian III Fire Suppression System with 3 Prong Shut-off              |
| G300B-4P.... | Guardian III Fire Suppression System with 4 Prong Shut-off (Not Shown)  |
| G300B-Gas..  | Guardian III Fire Suppression System with Gas Shut-off (Not Shown)      |
| G300B-HW .   | Guardian III Fire Suppression System with Hardwire Shut-off (Not Shown) |

## GUARDIAN I CYLINDER ASSEMBLY

- | Part #     | Description  |
|------------|--|
| G1B-C..... | Wet Chemical Cylinder (ONLY), PRESSURIZED            |
| G1B-E..... | Wet Chemical Cylinder with Mounting Bracket Assembly |
| G1-M ..... | Mounting Bracket Assembly (Not Shown)                |



G1B-C



G1B-E



G303-B

## GUARDIAN III CYLINDER ASSEMBLY

- | Part #        | Description   |
|---------------|---|
| G303-B .....  | Guardian III Charged Cylinder Assembly                        |
| G301-B-A .... | System Enclosure Assembly (Not Shown)                         |
| G302 .....    | Central Processing Unit Control Board (Not Shown)             |
| G303-B .....  | Charged Cylinder Assembly (Not Shown)                         |
| G312-A.....   | Valve Assembly (including solenoid assembly) (Not Shown)      |
| G399-B .....  | Complete Housing w/Cylinder and CPU Control Board (Not Shown) |

G1-N



G304-D



G304-F



G1-C4



## GUARDIAN I NOZZLES

- | Part #      | Description  |
|-------------|--|
| G1-FH ..... | Flexible Hose 1/4" X 20" (Not Shown)                               |
| G1-N .....  | Nozzle Assembly (Sys. Requires Two)                                |
| G1-P.....   | Rigid Stainless Steel Pipe Assy (Nozzles not Included) (Not Shown) |

G399-B



G301-B-A



## GUARDIAN III NOZZLES

- | Part #        | Description   |
|---------------|---|
| G304-A.....   | Distribution Assembly (Not Shown)                           |
| G304-D .....  | Magnet "T" Sub. Assembly (with nozzle)                      |
| G304-E .....  | Magnet "L" Sub. Assembly (with nozzle and Hose) (Not Shown) |
| G304-F.....   | Nozzle Assembly (System Requires 2)                         |
| G304-27 ..... | 27" SS Hose With disconnect (Not Shown)                     |
| G304-32 ..... | 32" SS Hose With disconnect (Not Shown)                     |
| G1-C4.....    | Flare Adapter   |

G319-HW



G319-3P



## GUARDIAN III SYSTEM CONTROLS

- | Part #        | Description   |
|---------------|---|
| G399-B .....  | Guardian III - Complete Housing with Cylinder and CPU Control Board |
| G301-B-A .... | Guardian III System Enclosure Assembly                              |
| G319-HW ...   | Guardian III - Hardwired Electric Shut-Off Assembly                 |
| G319-3P.....  | Guardian III 3 Prong Electric Shut-Off Assembly                     |
| G319-4P.....  | Guardian III - 4 Prong Electric Shut-Off Assembly                   |

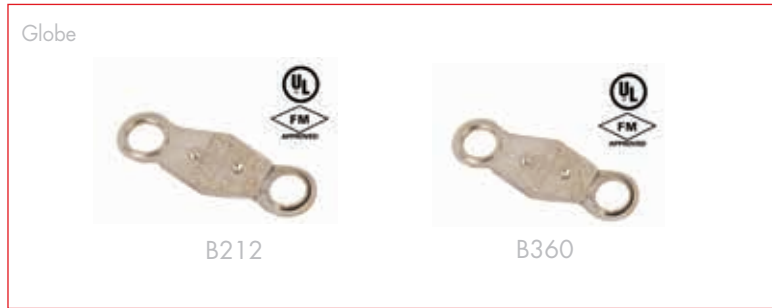
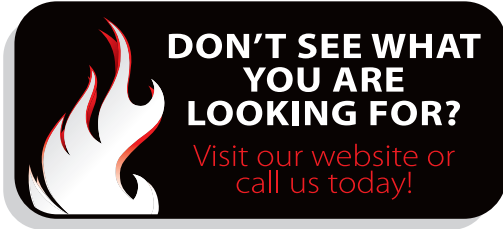
G319-4P



# GUARDIAN® I & III

## GUARDIAN - B LINKS

- | Part # | Description                         |
|--------|-------------------------------------|
| G1-L4  | Guardian 212° B Link, Each, Pkg. 25 |
| G1-L3  | Guardian 360° B Link, Each, Pkg. 25 |



## GLOBE - B LINKS

- | Part # | Description                      |
|--------|----------------------------------|
| B212   | Globe 212° B Link, Each, Pkg. 25 |
| B360   | Globe 360° B Link, Each, Pkg. 25 |

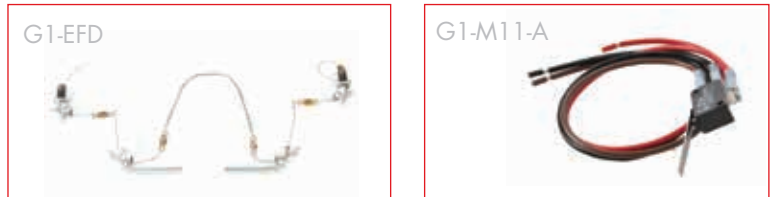
## GUARDIAN I DISTRIBUTION ASSEMBLY

- | Part # | Description  |
|--------|--|
| G1-FH  | Flexible Hose 1/4" X 20"                               |
| G1-N   | Nozzle Assembly (Sys. Requires Two) (Not Shown)        |
| G1-P   | Rigid Stainless Steel Pipe Assy (Nozzles not Included) |



## GUARDIAN III DISTRIBUTION ASSEMBLY

- | Part #    | Description  |
|-----------|--|
| G304 - A  | Distribution Assembly                                |
| G304 - D  | Magnet "T" Sub. Assembly (with nozzle) (Not Shown)   |
| G304 - E  | Magnet "L" Sub. Assembly (with nozzle and hose)      |
| G304 - F  | Nozzle Assembly (System Requires 2) (Not Shown)      |
| G304 - 27 | 27" Stainless Steel Hose with disconnect             |
| G304 - 32 | 32" Stainless Steel Hose with disconnect (Not Shown) |



## GUARDIAN I SYSTEM COMPONENTS

- | Part #   | Description   |
|----------|---|
| G1-EFD   | Guardian I System - Standard Fusible Electric Detection Assembly Complete             |
| G1-GFD   | Guardian I System - Standard Fusible Electric Detection Assembly Complete (Not Shown) |
| G1-M11-A | Guardian I System Micro Switch with Pigtail   |
| G103-A   | Guardian I System, Remote Pull  |
| G100     | Guardian I System Electric Contactor and Enclosure                                    |
| G102     | Guardian I System 120 Volt Alarm 95 db (Not Shown)                                    |





# GUARDIAN® I & III

G302



## GUARDIAN III SYSTEM COMPONENTS

Part #	Description
G302.....	Guardian III Central Processing Unit Control Board

G305-1



G305-A



G305-1 .....	Guardian III - 30" Sensor Assembly"
G305-2 .....	Guardian III - 54" Sensor Assembly" (Not Shown)

G305-A..... Guardian III Temperature Sensor Assembly

G309-A



G313



G309-A..... Guardian III - Remote Activation Switch  
(Manual pull station)

G313..... AC / DC 110 Volt Adaptor (Not Shown)  
G314-B ..... Test Cylinder (Not Shown)

G315-A



G316-A



G315-A..... Guardian III - Wireless Receiver Box  
(Acoustical Activation of Shut-Off)

G316-A..... Guardian III Gas Shut-Off Assembly

G316-1 ..... Guardian III 3/4" 24 Volt Gas Valve  
(Valve Only)

G316-2 ..... Guardian III Gas Control Box (Only)

G316-1



G316-2



## NEW PRODUCTS!

We are frequently updating our website with new products.

Call or visit our website today!

G317-A



G320-A



G317-A..... Guardian III Interface Enclosure Assembly

G320-A..... Guardian III Remote Alarm and Strobe Combo

G-BRK..... Recharge Kit Complete, agent, spring, O-ring, valve stem (Not Shown)

G322



G322..... Guardian III - Interconnect Cable



## CYLINDERS & BRACKETS

Part #	Description
550388.....	PCI-15ABC Cylinder w/Valve, ABC Agent, 12.5 lb
551654.....	PCI-17ABC Cylinder w/Valve, ABC Agent, 17 lb
550390.....	PCI-25ABC Cylinder w/Valve, ABC Agent, 25 lb
550391.....	PCI-25BC Cylinder w/Valve, BC Agent, 25 lb
551097.....	PCI-35ABC Cylinder w/Valve, ABC Agent, 35 lb
550392.....	PCI-50ABC Cylinder w/Valve, ABC Agent, 50 lb
550393.....	PCI-50BC Cylinder w/Valve, BC Agent, 50 lb
551094.....	PCI-70ABC Cylinder w/Valve, ABC Agent, 70 lb

550053.....	MB-1 Cylinder Mounting Brkt. - Fits PCI 50, 35
550054.....	MB-15 Cylinder Mounting Brkt. - Fits PCI 25, 17, 15
550665.....	MB-ATD Cylinder Mounting Brkt. - Fits PCI 70 (Not Shown)
550746.....	Quick Release strap for MB1 & MB15 (Not Shown)

550324.....	MB-U8 Floor Mounting Brkt. - 8" Diameter Cylinder
550383.....	MB-U10 Floor Mounting Brkt. - 10" Diameter Cylinder
550638.....	MB-U12 Floor Mounting Brkt. - 12" Diameter Cylinder



## NOZZLES

Part #	Description
550337.....	NTS Nozzle w/Cap, Local Application, Tankside
550342.....	N-LA-BC Nozzle w/Cap, BC Local Application, Overhead
550646.....	N-LA-ABC Nozzle w/Cap, ABC Local Application, Overhead
551098.....	N-SCR Nozzle w/Cap, Screening, Open Face Paint Booth
551099.....	N-OTF Nozzle w/Cap, Work Area Flooding, Open Face Paint Booth
551100.....	N-PLU Nozzle w/Cap, Plenum, Open Face Paint Booth
551101.....	N-DCT Nozzle w/Cap, Exhaust Duct, Open Face and Vehicle Paint Booth
551650.....	NV-WA Nozzle w/Cap, Work Area, Vehicle Paint Booth
551651.....	NV-UF Nozzle w/Cap, Under Floor Plenum Area, Vehicle Paint Booth
551652.....	NV-P1 Nozzle w/Cap, Overhead Plenum Area, Vehicle Paint Booth
551653.....	NV-DP2 Nozzle w/Cap, Exhaust Duct/End Plenum Area, Vehicle Paint Booth
551678.....	NF-ABC Nozzle w/Cap, Total Flooding
552175.....	NV-SW Nozzle w/Cap, Work Area, Vehicle Paint Booth

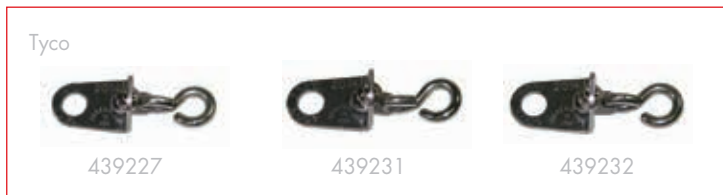


## ACTUATING CYLINDERS

Part #	Description
550104.....	PAC-10 Pneumatic Actuating Cylinder
551559.....	PAC-10-PS Pneumatic Actuating Cylinder w/Pressure Switch
550690.....	PAC-200 Pneumatic Actuating Cylinder
551561.....	PAC-200-PS Pneumatic Actuating Cylinder w/Pressure Switch

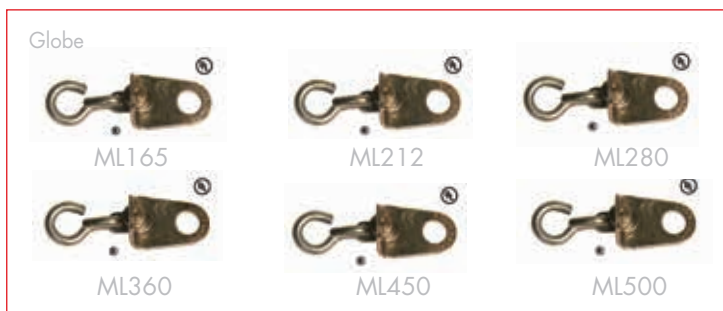
## TYCO - HL LINKS

Part #	Description
439227.....	Tyco 165° HL Link, Pkg. 10
439228.....	Tyco 212° HL Link, Pkg. 10 (Not Shown)
439229.....	Tyco 280° HL Link, Pkg. 10 (Not Shown)
439230.....	Tyco 360° HL Link, Pkg. 10 (Not Shown)
439231.....	Tyco 450° HL Link, Pkg. 10
439232.....	Tyco 500° HL Link, Pkg. 25



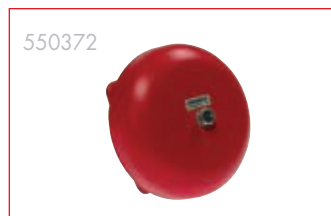
## GLOBE - ML LINKS

Part #	Description
ML165 .....	Globe 165° ML Link, Each, Pkg. 10
ML212 .....	Globe 212° ML Link, Each, Pkg. 10
ML280 .....	Globe 280° ML Link, Each, Pkg. 10
ML360 .....	Globe 360° ML Link, Each, Pkg. 10
ML450 .....	Globe 450° ML Link, Each, Pkg. 10
ML500 .....	Globe 500° ML Link, Each, Pkg. 10



## ALARM BELLS

Part #	Description
24751P...	BAC-612 Bell, 6", 120 VAC (Not Shown)
550372...	BDC-624 Bell, 6", 24 VDC
550008...	WBK-3 Back Box, Weatherproof, AC or DC Bell



# MONARCH

550877



550829



551511



## ACCESSORIES

Part # Description  
550877..... VT-2 Dry Valve Tool

550829..... PDA-D2 Pneumatic Discharge Adaptor

551511..... TD-10 Time Delay, Vehicle Paint Spray Booth

550333



550644



550812



## SPARE PARTS

Part # Description  
550333..... Nozzle Cap, Industrial

550644..... Nozzle Cap for N-LA-BC, N-LA-ABC

550812..... Dry Valve Assembly, Complete

550037 Kit



Not Sold Individually

550037..... Rebuilding Kit, Dry Valve

550261..... Retaining Washer, Dry Valve (Figure A)

550636..... Piston O-Ring, Dry Valve (Figure B)

550024..... E-Ring, Dry Valve (Figure C)

550029..... Valve Body O-Ring, Dry Valve (Figure D)

550022..... Conical Spring, Dry Valve (Figure E)

550805



550025



551675



550805..... Dry Valve Piston

550025..... Pressure Gauge, 350 psi, Dry Valve

551675..... Pressure Gauge, Valve, 450 psi (Attendant)

550130



55531



550026



550272



550130..... Recharge Kit, Dry Valve

55531..... O-Ring, Actuator Assemblies, Pkg. 10

550026..... Relief Plug, High Temperature

550272..... Replacement Screw, MCP-1 Corner Pulley

Empty Test Tanks



## EMPTY TEST TANKS

Part # Description  
551595..... PCI-15T Test Tank, Empty, 12.5 lb  
550072..... PCI-25T Test Tank, Empty, 25 lb  
550073..... PCI-50T Test Tank, Empty, 50 lb  
551596..... PCI-75T Test Tank, Empty, 75 lb



**DON'T SEE WHAT YOU ARE LOOKING FOR?**

Visit our website or call us today!

# QUICK-SEALS AND MANUALS

## QUICK-SEALS

Part #	Description
170.....	550857 "A" Pipe Quick-Seal Adaptor, 3/8", Each
173.....	550858 "A" Pipe Quick-Seal Adaptor, 3/8", Pkg. 24
171.....	550859 Pipe Quick-Seal Adaptor, 1/2", Each
174.....	550860 Pipe Quick-Seal Adaptor, 1/2", Pkg. 24
172.....	550861 EMT Quick-Seal Adaptor, 3/4", Each
175.....	550862 EMT Quick-Seal Adaptor, 3/4", Pkg. 24
213.....	550863 EMT Quick-Seal Adaptor, 1", Each
216.....	550864 EMT Quick-Seal Adaptor, 1", Pkg. 12
218.....	78195 Pipe Quick-Seal Adaptor, 1/4", Each
221.....	78186 Pipe Quick-Seal Adaptor, 1/4", Pkg. 24
899.....	"B" Pipe Quick-Seal Adaptor, 3/8", Each
900.....	"B" Pipe Quick-Seal Adaptor, 3/8", Pkg. 24

## QUICK-PATCHES

Part #	Description
285.....	For 3/4" to 7/8" Hole, Each
288.....	For 3/4" to 7/8" Hole, Pkg. 24
916.....	For 7/8" to 1" Hole, Each
919.....	For 7/8" to 1" Hole, Pkg. 24
205.....	For 1 1/8" to 1 5/16", Each
211.....	For 1 1/8" to 1 5/16", Pkg. 24
689.....	For 1 3/8" to 1 9/16", Each
690.....	For 1 3/8" to 1 9/16", Pkg. 24
694.....	For 1 5/8" to 1 7/8", Each
695.....	For 1 5/8" to 1 7/8", Pkg. 24

## COMPRESSION SEALS

Part #	Description
311.....	1/2" Tube & 1/4" Pipe, Each (Not Shown)
79149.....	1/2" Tube & 1/4" Pipe, Pkg. 24 (Not Shown)
312.....	5/8" Tube & 3/8" Pipe, Each (Not Shown)
79151.....	5/8" Tube & 3/8" Pipe, Pkg. 24 (Not Shown)
313.....	1/2" EMT Conduit, Each (Not Shown)
79153.....	1/2" EMT Conduit, Pkg. 24 (Not Shown)
315.....	3/4" Pipe, Each (Not Shown)
79147.....	3/4" Pipe, Pkg. 24 (Not Shown)

## ANSUL HOOD SEAL

Part #	Description
423253.....	Ansul hood seal adaptor assembly, use with corner pulley or run conduit directly through it (see schematic on this page)

## MANUALS

Part #	Description
550670.....	Attendant I & II Manual
553565.....	Monarch Manual (3) 551229, 550387, & 551228 all in one 3 ring binder
551274.....	Kitchen Knight II System Manual
G310A.....	Guardian Manual (PDF Only)
418087.....	Ansul R-102 Manual (UL- 300)
417743.....	Ansul IND X Manual (PDF Only)
60-9127100-000.....	Range Guard Manual (PDF Only)
20150.....	Amerex Manual
423385.....	Ansul Piranha Manual
024327.....	Ansul A-101 Vehicle Manual
BFR-TM.....	Buckeye System Technical Manual

Quick-Seal Adaptor



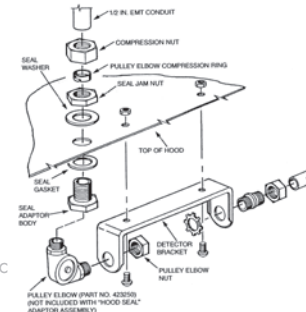
Quick-Seal Patches



423253  
Ansul Hood Seal



Ansul Hood Seal Schematic



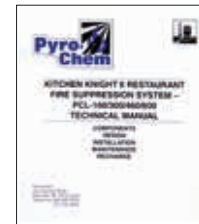
550670



553565



551274



G310A



418087



417743



60-9127100-000



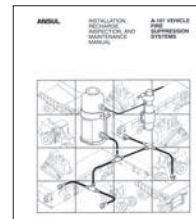
20150



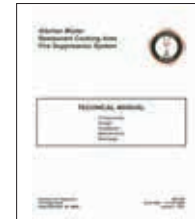
423385



024327



BFR-TM





# STAINLESS STEEL PIPE FITTINGS

Stainless Steel Pipe Nipples



## STAINLESS STEEL PIPE NIPPLES

Part #	Description
SS076	1/4" Close SS Pipe Nipple
SS075	1/4" x 1 1/2" SS Pipe Nipple
SS074	1/4" x 2" SS Pipe Nipple
SS073	1/4" x 3" SS Pipe Nipple
SS072	1/4" x 4" SS Pipe Nipple
SS071	1/4" x 5" SS Pipe Nipple
SS070	1/4" x 6" SS Pipe Nipple
SS044	3/8" Close SS Pipe Nipple
SS043	3/8" x 1 1/2" SS Pipe Nipple
SS042	3/8" x 2" SS Pipe Nipple
SS041	3/8" x 3" SS Pipe Nipple
SS040	3/8" x 4" SS Pipe Nipple

SS039	3/8" X 5" SS Pipe Nipple
SS038	3/8" X 6" SS Pipe Nipple
SS060	3/8" X 8" SS Pipe Nipple
SS059	3/8" X 10" SS Pipe Nipple
SS055	3/8" X 18" SS Pipe Nipple
SS054	3/8" X 24" SS Pipe Nipple
SS052	3/8" X 36" SS Pipe Nipple
SS051	3/8" X 48" SS Pipe Nipple

SS032	1/2" Close SS Pipe Nipple
SS031	1/2" x 1 1/2" SS Pipe Nipple
SS030	1/2" X 2" SS Pipe Nipple
SS028	1/2" X 3" SS Pipe Nipple
SS027	1/2" X 4" SS Pipe Nipple
SS026	1/2" X 5" SS Pipe Nipple
SS025	1/2" X 6" SS Pipe Nipple
SS024	1/2" X 8" SS Pipe Nipple
SS023	1/2" X 10" SS Pipe Nipple

COUPLING



UNION



TEES



90° ELBOWS



45° ELBOWS



CS



## STAINLESS STEEL COUPLINGS

Part #	Description
SS065	Stainless Steel 1/4" Coupling
SS045	Stainless Steel 3/8" Coupling
SS033	Stainless Steel 1/2" Coupling
SS020	Stainless Steel 3/4" Coupling

## STAINLESS STEEL TEES

Part #	Description
SS057	Stainless Steel 1/4" Tee
SS046	Stainless Steel 3/8" Tee
SS034	Stainless Steel 1/2" Tee
SS021	Stainless Steel 3/4" Tee

## STAINLESS STEEL SLEEVING

Part #	Description
CS	5' Stainless Steel Sleaving for 3/8" Pipe

## STAINLESS STEEL REDUCING COUPLINGS

Part #	Description
SS074	Stainless Steel 3/8" x 1/4" Reducing
SS083	Stainless Steel 1/2" x 3/8" Reducing
SS079	Stainless Steel 3/4" x 1/2" Reducing

## STAINLESS STEEL UNIONS

Part #	Description
SS059	Stainless Steel 1/4" Union
SS049	Stainless Steel 3/8" Union
SS037	Stainless Steel 1/2" Union
SS024	Stainless Steel 3/4" Union

## STAINLESS STEEL BUSHINGS

Part #	Description
SS077	Stainless Steel 3/8" x 1/4" Bushing
SS078	Stainless Steel 3/4" x 1/2" Bushing
SS090	Stainless Steel 1/2" x 3/8" Bushing
SS067	Stainless Steel 1/2" x 1/4" Bushing

## STAINLESS STEEL PIPE FITTINGS ELBOWS 90°

Part #	Description
SS061	Stainless Steel 1/4" 90° Elbow
SS048	Stainless Steel 3/8" 90° Elbow
SS036	Stainless Steel 1/2" 90° Elbow
SS063	Stainless Steel 3/4" 90° Elbow

## STAINLESS STEEL PIPE FITTINGS ELBOWS 45°

Part #	Description
SS066	Stainless Steel 1/4" 45° Elbow
SS047	Stainless Steel 3/8" 45° Elbow
SS035	Stainless Steel 1/2" 45° Elbow
SS064	Stainless Steel 3/4" 45° Elbow

## STAINLESS STEEL UNTHREADED PIPE

Part #	Description
SSP3884	3/8" x 84" Stainless Steel Pipe
SSP388410	3/8" x 84" Stainless Steel Pipe, Pkg. 10
SSP1284	1/2" x 84" Stainless Steel Pipe
SSP128410	1/2" x 84" Stainless Steel Pipe, Pkg. 10

## STAINLESS STEEL THREADED PIPE

Part #	Description
SSTP3884	3/8" x 84" Stainless Steel Threaded Pipe
SSTP388410	3/8" x 84" Stainless Steel Threaded Pipe, Pkg. 10





# CHROME PIPE FITTINGS

## CHROME PIPE NIPPLES

Part # Description

C076 ..... 1/4" Close Chrome Pipe Nipple  
 C075 ..... 1/4" x 1 1/2" Chrome Pipe Nipple  
 C074 ..... 1/4" x 2" Chrome Pipe Nipple  
 C073 ..... 1/4" x 3" Chrome Pipe Nipple  
 C072 ..... 1/4" x 4" Chrome Pipe Nipple  
 C071 ..... 1/4" x 5" Chrome Pipe Nipple  
 C070 ..... 1/4" x 6" Chrome Pipe Nipple

C044 ..... 3/8" Close Chrome Pipe Nipple  
 C043 ..... 3/8" x 1 1/2" Chrome Pipe Nipple  
 C042 ..... 3/8" x 2" Chrome Pipe Nipple  
 C041 ..... 3/8" x 3" Chrome Pipe Nipple  
 C040 ..... 3/8" x 4" Chrome Pipe Nipple  
 C039 ..... 3/8" x 5" Chrome Pipe Nipple

C038 ..... 3/8" x 6" Chrome Pipe Nipple  
 C060 ..... 3/8" x 8" Chrome Pipe Nipple  
 C059 ..... 3/8" x 10" Chrome Pipe Nipple  
 C055 ..... 3/8" x 18" Chrome Pipe Nipple  
 C054 ..... 3/8" x 24" Chrome Pipe Nipple  
 C052 ..... 3/8" x 36" Chrome Pipe Nipple  
 C051 ..... 3/8" x 48" Chrome Pipe Nipple

C032 ..... 1/2" Close Chrome Pipe Nipple  
 C031 ..... 1/2" x 1 1/2" Chrome Pipe Nipple  
 C030 ..... 1/2" x 2" Chrome Pipe Nipple  
 C028 ..... 1/2" x 3" Chrome Pipe Nipple  
 C027 ..... 1/2" x 4" Chrome Pipe Nipple  
 C026 ..... 1/2" x 5" Chrome Pipe Nipple  
 C025 ..... 1/2" x 6" Chrome Pipe Nipple  
 C024 ..... 1/2" x 8" Chrome Pipe Nipple  
 C023 ..... 1/2" x 10" Chrome Pipe Nipple

Chrome Pipe Nipples



## CHROME REDUCING COUPLINGS

Part # Description

C074 ..... Chrome 3/8" x 1/4" Reducing  
 C083 ..... Chrome 1/2" x 3/8" Reducing  
 C079 ..... Chrome 3/4" x 1/2" Reducing

## CHROME UNIONS

Part # Description

C059 ..... Chrome 1/4" Union  
 C049 ..... Chrome 3/8" Union  
 C037 ..... Chrome 1/2" Union  
 C024 ..... Chrome 3/4" Union

## CHROME BUSHINGS

Part # Description

C077 ..... Chrome 3/8" x 1/4" Bushing  
 C078 ..... Chrome 3/4" x 1/2" Bushing  
 C090 ..... Chrome 1/2" x 3/8" Bushing  
 C067 ..... Chrome 1/2" x 1/4" Bushing

## CHROME PIPE FITTINGS ELBOWS 90°

Part # Description

C061 ..... Chrome 1/4" 90° Elbow  
 C048 ..... Chrome 3/8" 90° Elbow  
 C036 ..... Chrome 1/2" 90° Elbow  
 C023 ..... Chrome 3/4" 90° Elbow

## CHROME PIPE FITTINGS ELBOWS 45°

Part # Description

C066 ..... Chrome 1/4" 45° Elbow  
 C047 ..... Chrome 3/8" 45° Elbow  
 C035 ..... Chrome 1/2" 45° Elbow  
 C064 ..... Chrome 3/4" 45° Elbow

## CHROME COUPLINGS

Part # Description

C065 ..... Chrome 1/4" Coupling  
 C045 ..... Chrome 3/8" Coupling  
 C033 ..... Chrome 1/2" Coupling  
 C020 ..... Chrome 3/4" Coupling

## CHROME TEES

Part # Description

C057 ..... Chrome 1/4" Tee  
 C046 ..... Chrome 3/8" Tee  
 C034 ..... Chrome 1/2" Tee  
 C021 ..... Chrome 3/4" Tee

REDUCING COUPLING



UNION



BUSHING



90° ELBOWS



45° ELBOWS



COUPLING



TEES



C38PLUG



CC



## CHROME PLUG

Part # Description  
 C38PLUG ..... 3/8" Plug

## CHROME CONDUIT

Part # Description  
 CC ..... 6' Chrome 1/2" Conduit

## CHROME THREADED PIPE

Part # Description  
 CTP3884 ..... 3/8" x 60" Chrome Threaded Pipe  
 CTP388410 ..... 3/8" x 60" Chrome Threaded Pipe, Pkg. 10

# BLACK PIPE FITTINGS

Black Pipe Nipples



## BLACK STEEL PIPE NIPPLES

Part # ..... Description

- B076..... 1/4" Close Black Pipe Nipple
- B075..... 1/4" x 1 1/2" Black Pipe Nipple
- B074..... 1/4" x 2" Black Pipe Nipple
- B073..... 1/4" x 3" Black Pipe Nipple
- B072..... 1/4" x 4" Black Pipe Nipple
- B071..... 1/4" x 5" Black Pipe Nipple
- B070..... 1/4" x 6" Black Pipe Nipple

- B044..... 3/8" Close Black Pipe Nipple
- B043..... 3/8" x 1 1/2" Black Pipe Nipple
- B042..... 3/8" x 2" Black Pipe Nipple
- B041..... 3/8" x 3" Black Pipe Nipple
- B040..... 3/8" x 4" Black Pipe Nipple
- B039..... 3/8" x 5" Black Pipe Nipple

- B038..... 3/8" X 6" Black Pipe Nipple
- B060..... 3/8" X 8" Black Pipe Nipple
- B059..... 3/8" X 10" Black Pipe Nipple
- B055..... 3/8" X 18" Black Pipe Nipple
- B054..... 3/8" X 24" Black Pipe Nipple
- B052..... 3/8" X 36" Black Pipe Nipple
- B051..... 3/8" X 48" Black Pipe Nipple

- B032..... 1/2" Close Black Pipe Nipple
- B031..... 1/2" x 1 1/2" Black Pipe Nipple
- B030..... 1/2" X 2" Black Pipe Nipple
- B028..... 1/2" X 3" Black Pipe Nipple
- B027..... 1/2" X 4" Black Pipe Nipple
- B026..... 1/2" X 5" Black Pipe Nipple
- B025..... 1/2" X 6" Black Pipe Nipple
- B024..... 1/2" X 8" Black Pipe Nipple
- B023..... 1/2" X 10" Black Pipe Nipple

REDUCING COUPLING



UNION



## BLACK REDUCING COUPLINGS

Part # ..... Description

- B074..... Black 3/8" x 1/4" Reducing
- B083..... Black 1/2" x 3/8" Reducing
- B079..... Black 3/4" x 1/2" Reducing

BUSHING



90° ELBOWS



45° ELBOWS



## BLACK UNIONS

Part # ..... Description

- B059..... Black 1/4" Union
- B049..... Black 3/8" Union
- B037..... Black 1/2" Union
- B024..... Black 3/4" Union

## BLACK BUSHINGS

Part # ..... Description

- B077..... Black 3/8" x 1/4" Bushing
- B078..... Black 3/4" x 1/2" Bushing
- B090..... Black 1/2" x 3/8" Bushing
- B067..... Black 1/2" x 1/4" Bushing

COUPLING



TEES



B38PLUG



## BLACK PIPE FITTINGS ELBOWS 90°

Part # ..... Description

- B061..... Black 1/4" 90° Elbow
- B048..... Black 3/8" 90° Elbow
- B036..... Black 1/2" 90° Elbow
- B023..... Black 3/4" 90° Elbow

## BLACK PIPE FITTINGS ELBOWS 45°

Part # ..... Description

- B066..... Black 1/4" 45° Elbow
- B047..... Black 3/8" 45° Elbow
- B035..... Black 1/2" 45° Elbow
- B064..... Black 3/4" 45° Elbow

## BLACK COUPLINGS

Part # ..... Description

- B065..... Black 1/4" Coupling
- B045..... Black 3/8" Coupling
- B033..... Black 1/2" Coupling
- B020..... Black 3/4" Coupling

## BLACK TEES

Part # ..... Description

- B057..... Black 1/4" Tee
- B046..... Black 3/8" Tee
- B034..... Black 1/2" Tee
- B021..... Black 3/4" Tee

## BLACK PLUG

Part # ..... Description

- B38PLUG..... 3/8" Plug

THREADED PIPE



## BLACK UNTHREADED PIPE

Part # ..... Description

- BP3884..... 3/8" x 84" Black Pipe
- BP388410..... 3/8" x 84" Black Pipe, Pkg. 10
- BP1284..... 1/2" x 84" Black Pipe
- BP128410..... 1/2" x 84" Black Pipe, Pkg. 10

## BLACK THREADED PIPE

Part # ..... Description

- BTP3884..... 3/8" x 84" Black Threaded Pipe
- BTP388410..... 3/8" x 84" Black Threaded Pipe, Pkg. 10



# L&J FIRE EQUIPMENT



## TERMS OF SALE

Our terms are net 30 days from the date of invoice on accounts approved for credit by our credit department. If an account is not approved for open charges, orders will be shipped on a C.O.D. or Credit Card basis. Accounts with past due balances will be on a cash only basis. There will be a charge of \$40 for returned checks under \$300 and the account will be placed on a cash only basis. Checks over \$300 will be charged the maximum allowed by law.

All currencies are based on the U.S. Dollar.

## CREDIT CARDS

As an added convenience, we will accept payment by MasterCard, Visa, American Express and Discover. If paying by credit card, please let us know at the time the order is placed.

## NOTES

Prices do not include installation, inspection or test. All prices are subject to change without notice.

## RETURN POLICY

Non-warranty returns are subject to a 25% restocking fee and freight charges, plus refurbishing cost if required.

## F.O.B. SHIPPING POINT

Ocala, Florida • Cassopolis, Michigan • Brea, California  
Unless otherwise specified by L&J Fire Equipment.

## FREIGHT TERMS

### WE OFFER SAME DAY SHIPPING

Small parcel orders of \$500 or more to a single location are freight free within the Continental United States (excludes recharging compounds and hazardous materials).

Truck line shipments of \$5,000 or more to a single location are freight free within the Continental United States.

### PALLETS OF EXTINGUISHERS ARE FREIGHT FREE TO MOST AREAS

Freight free on most skid orders of extinguishers with next day delivery to Florida, Indiana, Ohio, Michigan, Illinois, Wisconsin, Pennsylvania, Georgia, Kentucky, West Virginia, California, Nevada, and Arizona.

**FLORIDA LOCATION:** 953 N.E. Osceola Avenue, Suite 101 • Ocala, Florida 34470

**MICHIGAN LOCATION:** 708 Sherman Lane • Cassopolis, Michigan 49031

**CALIFORNIA LOCATION:** 2950 Saturn Street, Unit J • Brea, California 92821

**Toll Free: (800) 250-5602 • (352) 732-0977**

Fax: (352) 732-0039 • Website: [www.LandJFire.com](http://www.LandJFire.com)



PLEASE CALL OR VISIT OUR WEBSITE FOR YOUR CURRENT PRICING



# L&J FIRE EQUIPMENT

PRSR STD  
US POSTAGE  
**PAID**  
OCALA, FL  
PERMIT #100

## FLORIDA LOCATION

953 N.E. Osceola Avenue, Suite 101  
Ocala, Florida 34470  
Phone: 352-732-0977

## MICHIGAN LOCATION

708 Sherman Lane  
Cassopolis, Michigan 49031  
Phone: 800-250-5602

## CALIFORNIA LOCATION

2950 Saturn Street, Unit J  
Brea, California 92821  
Phone: 714-993-9945

[www.LandJFire.com](http://www.LandJFire.com)

**TOLL FREE: 800-250-5602**

Fax: 352-732-0039



THE RIGHT EQUIPMENT...  
IN THE RIGHT AMOUNT OF TIME