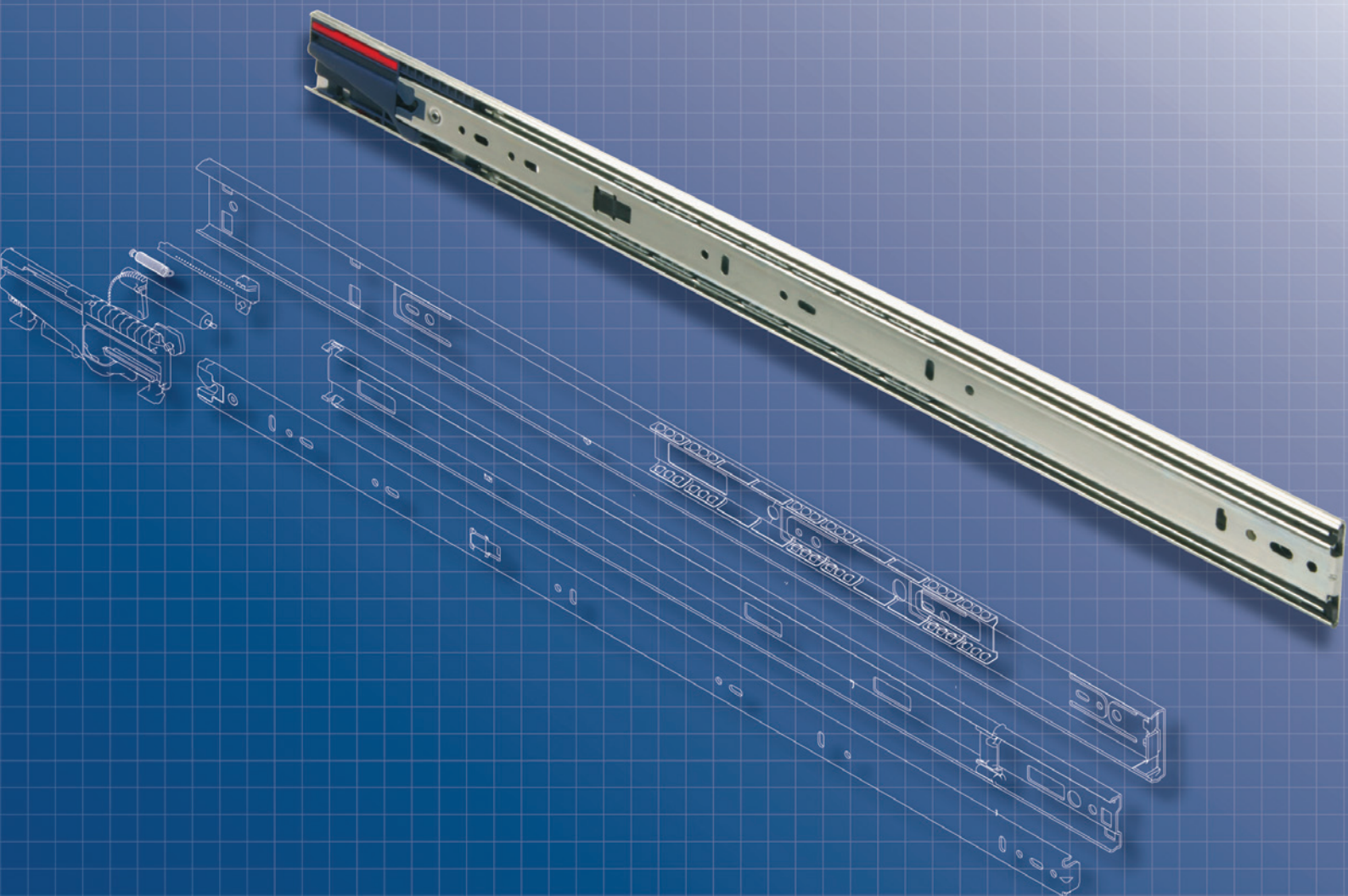


Cabinet Hardware Guide

Drawer Slides | Shelving | Fixtures | TV Accessories | Ergonomics



Cabinet Hardware Guide Contents



Table of Contents

Drawer Slide Products 2

This section contains a collection of roller bearing, ball bearing, and undermount drawer slides designed and engineered for use in a wide variety of applications, including residential cabinetry and furniture, office furniture and files, and commercial display units.

Shelving and Storage Products 63

This section provides information on an array of shelving systems, individually-specified shelves, and shelving accessories. Within this product category you can find a solution that will fulfill your storage requirements.

Fittings & Specialty Hardware 90

This section offers a diverse selection of fittings and specialty hardware items for use in cabinets and other furniture, sliding glass doors, display stands, closet storage, and many other applications.

Television Accessories 111

KV offers a range of products designed to complement contemporary television mounting and display trends, including wall brackets and flat panel TV lifts.

Ergonomic Products 114

KV Ergonomic products offer a range of adjustable keyboard systems and accessories to create comfortable, functional home or office work spaces.

Product Number Index 130

The index provides a line-item listing of every product featured in this catalog. If you know the product number or name of the product you need to find, the index provides the fastest method of locating the catalog page on which the product is featured.

Knapé & Vogt Return Policy 132

Drawer Slides

Specifying Knap & Vogt Drawer Slides	3
Drawer Slide Reference and Application Matrices.	4-6
Light-Duty Drawer Slides	7
1129 Drawer Slide	8
1175 Drawer Slide	9
1260/1265 Drawer Slides.	10
1275 Drawer Slides	11
1284 Epoxy-Coated Drawer Slides	12
1300, 1305, 1315, and 1375 Drawer Slides	13
1805 Euro-Style Drawer Slides.	14
8300 Box Drawer Slide.	15
8350/8355/8357 Drawer Slides	16
4400 Low Profile Full Extension Drawer Slide.	17
4430 Low Profile Full Extension Push-to-Open Drawer Slide	18
4450 Low Profile Full Extension Soft-Close Drawer Slides	19
Medium-Duty Drawer Slides	20
8400 Full Extension Box or File Drawer Slide	21
8405 1 in. Overtravel Box or File Drawer Slide	23
8407 Drawer Slide	24
8414 Precision Drawer Slide	25
8417/8419/8400RV Self-Closing Precision Drawer Slides	26
8430 Push-to-Open Drawer Slide	27
8450FM/8455FM Soft-Close Drawer Slides	28
MuV Undermount Drawer Slides	29
MuV Full Extension Undermount Drawer Slide	32
MuV34 Full Extension Undermount Drawer Slide	33
MuV HD Heavy-Duty Full Extension Undermount Drawer Slide	34
MuV34 HD Heavy-Duty Full Extension Undermount Drawer Slide	35
MuV Metric Full Extension Undermount Drawer Slide	36
MuV34 Metric Full Extension Undermount Drawer Slide	37
Heavy-Duty Drawer Slides	38
6505 Over-Travel Box or File Slide with Quick Disconnect Rail	39
8500/8505 File Drawer Slides	40
8520/8525 Extra Heavy-Duty File or Lateral Drawer Slide	41
8800 Heavy-Duty Full-Extension Drawer Slide	42
8805 Heavy-Duty Over-Travel Drawer Slide	43
8900 Extra Heavy-Duty Full-Extension Drawer Slide.	44
8908/8908/8910 Extra Heavy-Duty Locking Drawer Slide	45
Specialty Drawer Slides	46
6400 Stainless Steel Drawer Slide	47
8000 Undermount Pantry Slide.	48
8500T Lateral File Drawer System	49
Overhead Door & Desk Slides	50
8100 Keyboard Slide	51
8150/8157 Variable-Height Keyboard Slides.	52
8200 Pencil or Center Drawer Slide	53
8250 Variable-Height Pencil Drawer Slides.	54
8040, 8041, 8042, 8043, 8044, 8045 Hinged Door Slides	55
8050 Hinged Door Slides	56
Door Slides & Hinge Kits	57
8070/8071/8072 Pivot Door Slide.	58
8080/8081/8082 Pivot Door Slides.	59
8091/92 4x4 Pocket Door™ Slides	60
8091 4x4 Pocket Door™ Full Overlay Kit	61
Salice Hinge Kits.	62

The drawer slides section of this catalog is organized to help you find the precise type of product information you need as easily and quickly as possible. This section opens with general information about our entire product offering, followed by detailed information about each specific drawer slide model.

Design Factors

Each drawer slide model has unique performance characteristics that are determined by the intended application for which it is designed. There are many different slides available for a variety of applications; choose the slide that best fits your application.

Length. Slide length is a key factor. Typically, the longer the slide, the less load it will carry and vice versa.

Travel. Travel is the maximum extension compared to the closed length. Most slides are either 3/4 or full travel. Special extension lengths are available with modified travel. In general, the longer the travel, the less load a slide can carry and vice versa.

- A 3/4 travel slide has extension to approximately 75% of its length.
- A full travel slide has extension approximately equal to its length.
- An overtravel slide extends beyond its length.

Width. Drawer width affects the rigidity of the installation. In wide drawers, the slides will rack from side to side. Excessive racking can degrade performance and shorten slide life.

Action. The type of mechanism used to carry the load affects slide performance, motion, noise, and the “fit and feel.” KV slides use rollers, ball bearings, friction fits, or any combination in achieving movement. In general, superior action requires more rollers or ball bearings to support and distribute large loads.

Size. In addition to a slide’s load rating, the physical size of the application is a consideration. Drawers having unusual width, depth, or height especially require careful consideration to determine which slide best suits the application.

Operating Clearance. Drawer slides operate within a specified clearance (the space between the drawer and the case). The clearance must be strictly held within the specified tolerances. When the clearance is too wide or too narrow, the slide will experience additional forces and stresses that will reduce its expected performance and life.

Case Goods Construction and Materials.

Application Factors

Slides perform better when mounted in rigidly constructed furniture. Construction with soft or thin materials often results in flexing. This causes the drawer to rack from side to side, placing considerable stress on the slides. Do not use drawer slides as support members carrying structural loads.

Location of Pull.

The location of the drawer handle affects slide performance. Center pull positions are recommended because they permit a balanced pull force evenly carried by both slides. Side or edge pulls put more force directly on one slide than the other, causing the two slides to progress at different speeds. The additional force required to open and close the drawer hinders performance and shortens slide life.

Installation.

Most slide designs require installation in a single position. Carefully study the application before installing the slides in different or abnormal positions.

1. Orientation. Slides should not be installed in an orientation other than for their intended usage. For example, a slide designed for side mounting may lose 75 percent or more of its load-carrying capacity if mounted flat underneath a drawer.
2. Location. Drawer construction, pull position, and type of load are all key considerations to determine the best location to fasten the slides.
3. Balance. Most slides are designed for use in pairs. For example, suspending a load from just one side (cantilevered load) causes excessive stress and may result in premature slide failure.

Fastening. For best performance, slides require proper fastening. Use the recommended fasteners in sufficient quantity to properly secure the slide. Too few fasteners can cause the slide to pull loose and cause damage. Abnormal fastening methods should be carefully evaluated, because methods such as gluing, riveting, or welding may have unanticipated effects.

Load Factors

Alignment. Slides run in a straight motion. The more precisely the slides are aligned, the less chance they will work against each other.

Load Ratings. KV designates drawer slides in “Pound Class” categories, and uses dynamic (rather than static) loading to determine load ratings.

The “Pound Class” categories are used within the slide industry as general guidelines for drawer slide selection. These categories are not the same as actual load ratings. Load ratings vary based on slide length, application, and case goods construction.

The categories provide a reference point in selecting which slide may fit a particular application. The Pound Class designations are not intended as a substitute for actual product testing. Proper slide selection may be significantly different from the Pound Class designation, depending on the application or other use factors.

Representative testing of the selected drawer slide in the fully configured application is the only way to assure proper performance, durability, and safety.

Static Loads. A static load is a resting load without any motion. Static load capacity is significantly higher than dynamic load capacity.

Dynamic Loads. A dynamic load is a load in motion. When a dynamic load gains momentum, it induces more stress and fatigue. Slides must withstand more forces when in motion than when still.

Dynamic loads affect the life and performance of any slide. Other load factors affecting performance are:

1. An evenly or unevenly distributed load
2. A centered or off-centered load
3. The load’s center-of-gravity relative to the slide’s centerline-of-travel
4. The number of cycles
5. The speed or frequency of cycles
6. The length of the cycle stroke
7. The percent of travel
8. The stopping force and distance

Abnormal Loads/Vibration. Shipping, abusive loads, and impact loads — even those of short duration — put large stresses on the slide and can cause immediate or premature failure. Excessive or continuous vibrations can also reduce slide performance and life.

Corrosion. Excessive humidity, salts, or other chemical agents can corrode the finish and attack metal or plastic components. The effects may be immediate, or they may develop over time.

Lubrication. Knappe & Vogt lubricates slides at the factory. However, contaminants such as dirt, filings, sawdust, paints, etc. can rapidly break down the effectiveness of the factory-applied lubricant.

Temperature. Extreme high or low temperatures can cause lubricants to thin or gel. Extreme temperatures caused by equipment such as finishing ovens can deteriorate a slide’s plastic and rubber components.

Finishing. Overspray from stains, paints, varnishes, or other finishing agents may degrade the quality of a slide’s “fit and feel.” These types of chemical agents can also attack plastic, rubber, and metal slide components. It’s important to properly mask or otherwise protect installed slides before finishing furniture and cabinetry.

Proper slide specification and installation are keys to long and problem-free operation. To help you select the drawer slides best-suited to your specific applications, Knappe & Vogt offers a free consultation service. KV also offers a “no charge” testing service.

KV strongly recommends that manufacturers test representative samples of the complete application. Appropriate industry standards should be followed to assure proper performance, durability, and safety.

NOTE: Knappe & Vogt’s testing service does not include product cost nor freight cost to or from the KV test laboratory. Product is properly disposed of shortly after testing, unless otherwise requested.

Knap & Vogt strives to provide our customers with products that effectively satisfy all project requirements. The Quick Reference Matrix below provides an overview of Knap and Vogt's drawer slide portfolio, making it easy to search for the features you are looking for in a drawer slide solution. The matrix is organized by light, medium, and heavy-duty slides, as well as a section for specialty slides. On pages 6 and 7, additional matrices are organized by slide type, recommended use and lengths offered. For special order needs, please consult the Knap and Vogt price list or contact KV Customer Service.

Page Number	Mounting Style	Load Class	Slide Type			Extension			Disconnect Type				Open/Close Features						V-Notch (Special Order)	
			Roller Bearing	Ball Bearing	Undermount	3/4 Extension	Full Extension	1" Overtravel	No Disconnect	Fiction Release	Lever Release	Lift Out	Quick Disconnect (QD RAIL)	Hold In Anti-Rebound	Hold Out/Open	Lock-In	Lock Open	Self-Close		Push-to-Open
Light-Duty Slides																				
1129	8	Under	35		•		•				•									
1175	9	Under	50	•			•					•								
1260	10	Side	60	•			•					•								
1265	10	Side	60	•			•					•								•
1275	11	Side	60	•			•					•								
1284	12	Side	75	•			•					•								
1300	13	Side	75	•			•					•			•					
1305	13	Side	100	•			•					•			•					
1315	13	Side	75	•			•					•			•					•
1375	13	Side	75	•			•					•			•					
1805	14	Side	75	•			•					•			•		•			
8300	15	Side	75		•		•					•			•					
8350	16	Side	75		•		•					•			•					
8355	16	Side	75		•		•					•			•					
8357	16	Side	75		•		•					•			•					•
4400	17	Side	65		•		•					•			•					
4430	18	Side	65		•		•					•			•			•		
4450	19	Side	65		•		•					•			•				•	
Medium-Duty Slides																				
8400	21	Side	100		•		•					•			•					
8405	23	Side	100		•		•					•			•					
8407	24	Side	100		•		•					•			•					•
8414	25	Side	100		•		•					•			•					
8417	26	Side	100		•		•					•			•		•			
8419	26	Side	100		•		•					•			•		•			
8400RV	26	Side	100		•		•					•			•		•			
8430	27	Side	100		•		•					•			•		•			
8450FM	28	Side	100		•		•					•			•					•
8455FM	28	Side	100		•		•					•			•					•
MuV	32	Under	75				•					•			•					•
MuV34	33	Under	75				•					•			•					•
MuV HD	34	Under	120				•					•			•					•
MuV34 HD	35	Under	120				•					•			•					•
MuV Metric	36	Under	34kg				•					•			•					•
MuV34 Metric	37	Under	34kg				•					•			•					•
Heavy-Duty Slides																				
6505	39	Side	125		•		•					•			•					
8500	40	Side	150		•		•					•			•					
8505	40	Side	150		•		•					•			•					
8520	41	Side	175		•		•					•			•					
8525	41	Side	175		•		•					•			•					
8800	42	Side	200		•		•					•			•					
8805	43	Side	200		•		•					•			•					
8900	44	Side	150-500		•		•					•			•					
8908	45	Side	150-500		•		•					•			•		•			
8909	45	Side	150-500		•		•					•			•		•			
8910	45	Side	150-500		•		•					•			•		•			
Specialty Slides																				
6400	47	Side	75		•		•					•			•					
8000	48	Under	130		•		•					•			•					
8500T	49	Side	150		•		•					•			•					
8505T	49	Side	150		•		•					•			•					
8520T	49	Side	175		•		•					•			•					
8525T	49	Side	175		•		•					•			•					
8100	51	Side	75		•		•					•			•					
8150	52	Side	75		•		•					•			•					
8157	52	Side	75		•		•					•			•					
8200	53	Side	75		•		•					•			•					
8250	54	Side	75		•		•					•			•					



Roller Bearing Slide Suggested Product Usage Matrix

Part No.	Pg.	Recommended Usage										Available Stock Sizes																
		Kitchen Cabinets	Bathroom Vanities	Architectural Woodwork	Residential Furniture	Institutional furniture	Office Furniture	Store Fixtures	Work Benches	Fine Cabinetry	Special Order Only	12"	14"	16"	18"	20"	22"	22-5/8"	24"	26"	28"	300mm	350mm	400mm	450mm	500mm	550mm	600mm
1175	9	•	•														•	•										
1260	10	•	•	•							•	•	•	•	•	•		•	•									
1265	10	•	•	•						•	•	•	•	•	•	•		•	•									
1275	11	•	•	•							•	•	•	•	•	•												
1284	12	•	•	•	•							•	•	•	•	•						•	•	•	•	•	•	•
1300	13	•	•	•				•			•	•	•	•	•	•		•	•	•								
1305	13	•	•					•			•	•	•	•	•	•		•	•	•								
1315	13	•	•							•	•	•	•	•	•	•												
1375	13	•	•							•																		
1805	14	•	•	•	•																	•	•	•	•	•	•	•

MuV Undermount Drawer Slide Size Guide

Part No.	Pg.	Available Stock Sizes																										
		9 in.	10 in.	12 in.	14 in.	15 in.	16 in.	18 in.	20 in.	21 in.	22 in.	24 in.	27 in.	30 in.	250 mm	270 mm	300 mm	320 mm	350 mm	380 mm	400 mm	420 mm	450 mm	480 mm	500 mm	520 mm	550 mm	600 mm
MUV	32	•	•	•	•	•	•	•	•	•	•	•	•	•														
MUV34	33	•	•	•	•	•	•	•	•	•	•	•	•	•														
MUV HD	34							•	•	•	•	•	•	•														
MUV34 HD	35							•	•	•	•	•	•	•														
MUV Metric	36														•	•	•	•	•	•	•	•	•	•	•	•	•	•
MUV34 Metric	37														•	•	•	•	•	•	•	•	•	•	•	•	•	•

Light-Duty Drawer Slides

1129 Under-drawer Slide	8
1175 Under-drawer Slide	9
1260 3/4 Extension Drawer Slide	10
1265 3/4 Extension Drawer Slide	10
1275 3/4 Extension Drawer Slide	11
1284 3/4 Extension Drawer Slide	12
1300 3/4 Extension Drawer Slide	13
1305 3/4 Extension Drawer Slide	13
1315 3/4 Extension Drawer Slide	13
1375 3/4 Extension Drawer Slide	13
1805 3/4 Extension Euro-Style Drawer Slide	14
8300 3/4 Extension Box Drawer Slide	15
8350 3/4 Extension Box Drawer Slide	16
4400 Low Profile Drawer Slide	17
4430 Push-to-Open Drawer Slide	18
4450 Push-to-Open Drawer Slide	19



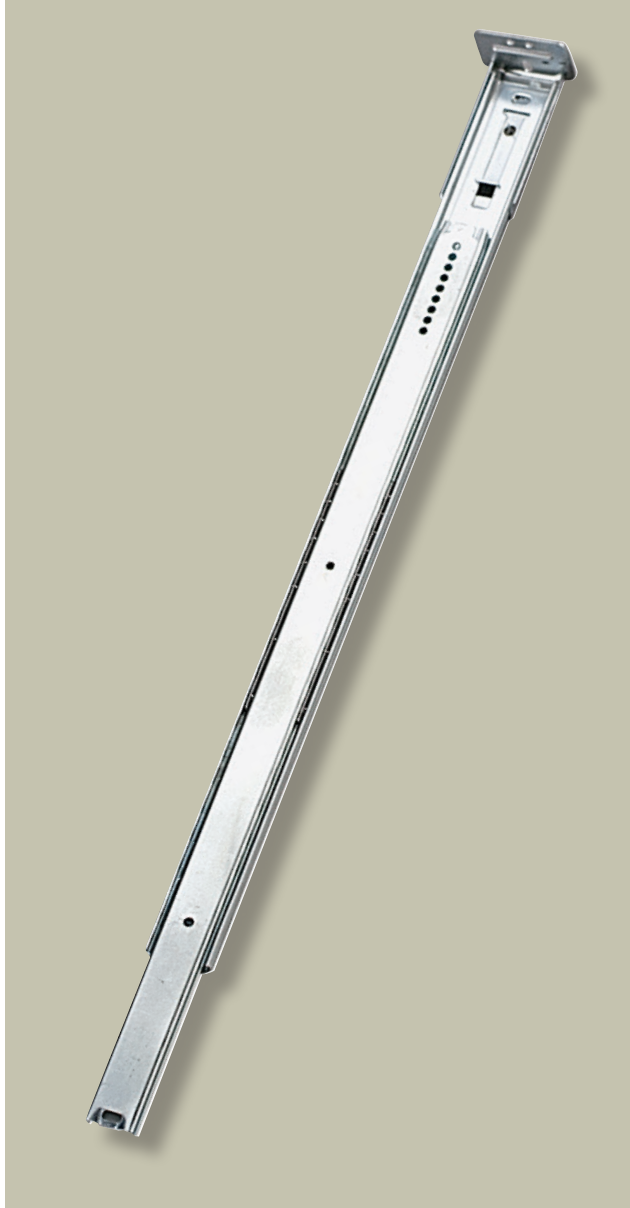
Quick Reference Chart

	Mounting Style	Load Class	Type	Extension			Disconnect Type				Open/Close Features					V-Notch (Special Order)			
			Roller Bearing	Ball Bearing	3/4 Extension	Full Extension	1" Overtravel	No Disconnect	Friction Release	Lever Release	Quick Disconnect	Lift Out	Hold In - Anti-Rebound	Hold Out/Open	Lock Open		Self-Close	Push-to-Open	Soft-Close
1129	Under	35	•	•															
1175	Under	50	•	•															
1260	Side	60	•	•															
1265	Side	60	•	•															•
1275	Side	60	•	•															
1284	Side	75	•	•															
1300	Side	75	•	•															
1305	Side	100	•	•															
1315	Side	75	•	•															•
1375	Side	75	•	•															
1805	Side	75	•	•															
8300	Side	75		•	•														
8350	Side	75		•	•														
8355	Side	75		•	•														
8357	Side	75		•	•														•
4400	Side	65		•	•														
4430	Side	65		•	•														
4450	Side	65		•	•														



1129 Under-Drawer Slide

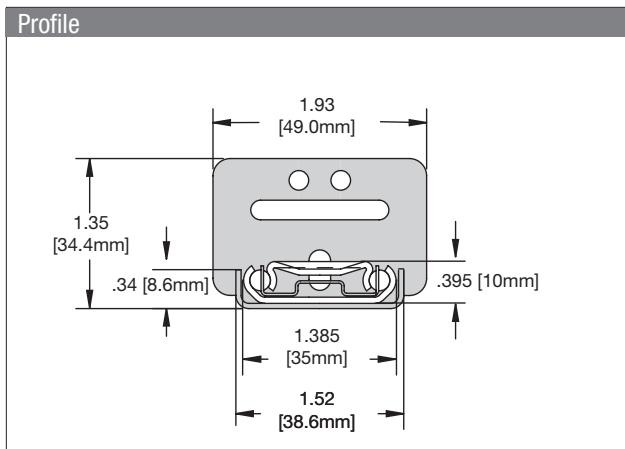
- Ball bearing movement
- Friction disconnect



Number	1129 3/4 Extension Slide
Mounting	Under Drawer
Action	Ball Bearing
Load Rating	35-Pound Class
Height	.395" [10mm]
Finish	Zinc (ZC)

Pack Configurations		Screws
Poly (P)	1 Set per Bag; 10 Sets per Carton	Yes

1129 Zinc (ZC) Finish	
Size	Poly(P)
12 in.	1129P ZC 12
14 in.	1129P ZC 14
16 in.	1129P ZC 16
18 in.	1129P ZC 18
20 in.	1129P ZC 20
22 in.	1129P ZC 22
24 in.	1129P ZC 24



- Mounts with staples or screws
- Drawers lift out for easy removal

Number	1175 3/4 Extension Slide
Mounting	Under Drawer
Action	Rollers
Load Rating	50-Pound Class
Height	1"
Finish	Zinc (ZC)

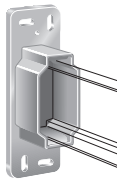
Pack Configurations		Screws
Bulk (B)	50 Slides per Carton	No
Poly (P)	1 Slide per Bag; 10 Slides per Carton	Yes

1175 Zinc (ZC) Finish		
Size	Poly (P)	Bulk (B)
18 in.	1175P ZC 18	
20 in.	1175P ZC 20	
22 in.		1175B ZC 22
22-5/8 in.	1175P ZC 22-5/8	1175B ZC 22-5/8
24 in.	1175P ZC 24	

Recommended Fasteners	KV Part	Finish	Qty.
 #6 x 1/2" Phillips Panhead	200106-5	Zinc (ZC)	1000



1123 PLAS
Plastic Rear Mounting Bracket



Product	Pack
1123 PLAS	500 Per Carton

1260 1260, 1265 Drawer Slides

- Positive Stop
- Rollers Operate on Ball Bearings
- Lever Disconnect



Number	1260 3/4 Extension Slide 1265 3/4 Extension V-Notch Wraparound Drawer Slide
Mounting Action	Side Ball Bearing Rollers
Load Rating	60-Pound Class
Height	3-1/8"
Clearance	1/2" plus 1/32" minus 0" each side
Finish	Almond (ALM), Brown (BRN), Zinc (ZC)

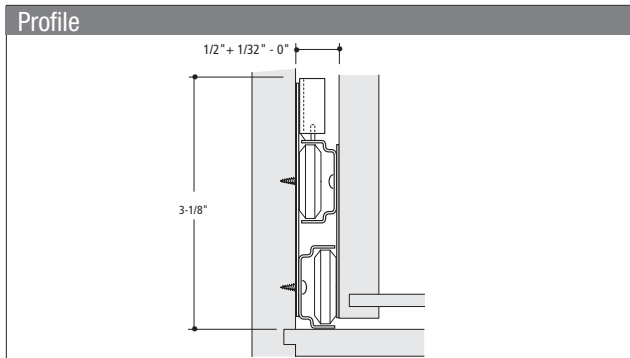
Pack Configurations		Screws
Bulk (B)	10 Sets per Carton	No
Poly (P)	1 Set per Bag; 10 Sets per Carton	Yes
Quantity (Q)	50 Sets per Carton; Multiple Cartons	No

1260 Brown (BRN) Finish		
12 in.	1260B BRN 12	
14 in.	1260B BRN 14	
16 in.	1260B BRN 16	
18 in.	1260B BRN 18	
20 in.	1260B BRN 20	
22 in.	1260B BRN 22	
24 in.	1260B BRN 24	

1260 Zinc (ZC) Finish		
12 in.	1260B 12	1260P 12
14 in.	1260B 14	1260P 14
16 in.	1260B 16	1260P 16
18 in.	1260B 18	1260P 18
20 in.	1260B 20	1260P 20
22 in.	1260B 22	1260P 22
24 in.	1260B 24	1260P 24

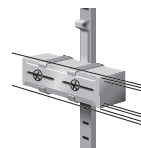
1260 Combinations		
Size	Product	Finish
18 in. x 19-3/4 in.	1260BSW18001975	Zinc (ZC)
18 in. x 20 in.	1260BSW18002000	Zinc (ZC)
20 in. x 22-3/4 in.	1260BSW20002275	Zinc (ZC)
18 in. x 20 in.	1260K ALM 18X20	Almond (ALM)
18 in. x 20 in.	1260K BRN 18X20	Brown (BRN)
20 in. x 22-3/4 in.	1260KBN2022-3/4	Brown (BRN)

1265 Slides Quantity (Q) Pack		
Size	1265 Zinc (ZC)	
12 in.	1265Q ZC 12	
14 in.	1265Q ZC 14	
16 in.	1265Q ZC 16	
18 in.	1265Q ZC 18	
20 in.	1265Q ZC 20	
22 in.	1265Q ZC 22	
24 in.	1265Q ZC 24	

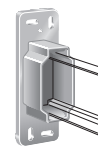


Recommended Fasteners	KV Part	Finish	Qty.
#6 x 13/32" Phillips Panhead	1300-83	Zinc (ZC)	1000

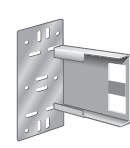
1303
Vertically Adjustable Side Mounting Bracket



1123 PLAS
Plastic Rear Mounting Bracket



1304
Metal Rear Mounting Bracket



- Optional bracket used with plaster strips (KV# 255, 233) mounted within the cabinet.
- Allows slide to be adjusted vertically when changes in drawer height are necessary.

- For Use with Combination Length Slides


Product	Pack
1303	100 Per Carton
1123 PLAS	500 Per Carton
1304	100 Per Carton

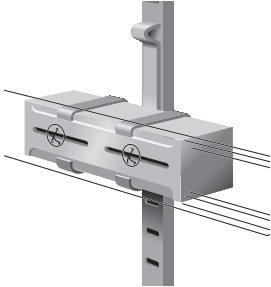
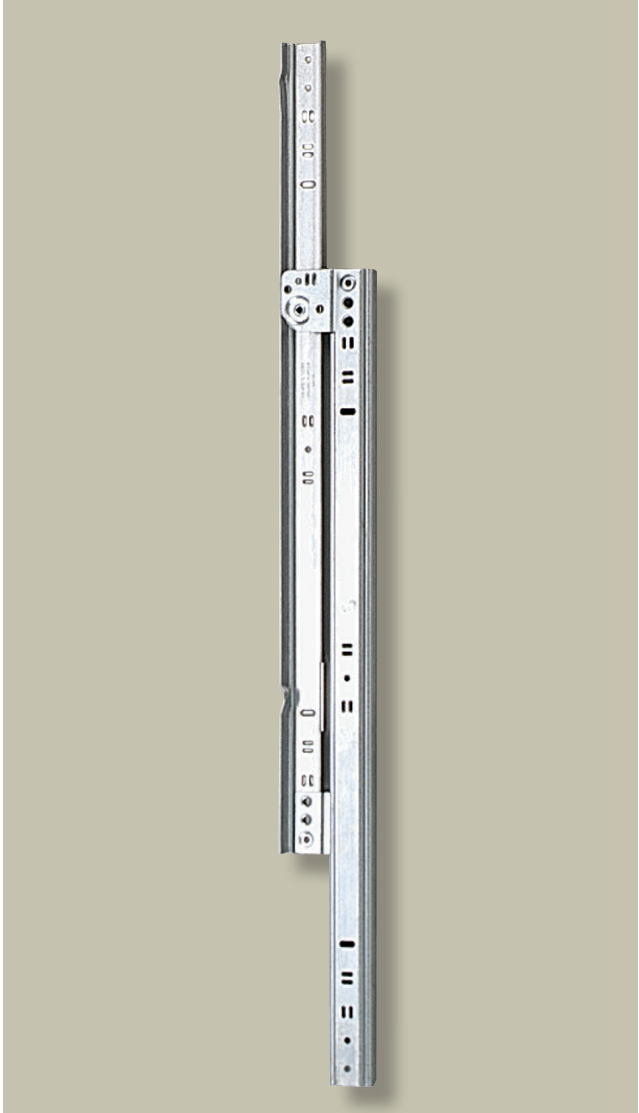


- Stay-close design
- Lift-out disconnect
- Rollers operate on ball bearings

Number	1275 3/4 Extension Slide
Mounting	Side
Action	Ball Bearing Rollers
Load Rating	60-Pound Class
Height	2-1/4"
Clearance	1/2" plus 1/32" minus 0" each side
Finish	Zinc (ZC)

Pack Configurations		Screws
Quantity (Q)	50 Sets; Multiple Cartons	No
1275 Quantity (Q)		
14 in.	1275Q 14	
16 in.	1275Q 16	
18 in.	1275Q 18	
20 in.	1275Q 20	
22 in.	1275Q 22	

Recommended Fasteners	KV Part	Finish	Qty.
 #6 x 1/2" Phillips Panhead	1300-83	Zinc (ZC)	1000

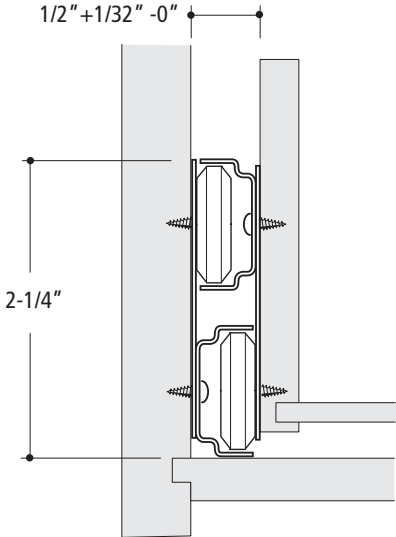


1303
Vertically Adjustable Side Mounting Bracket

- Optional bracket used with pilaster strips (KV# 255, 233) mounted within the cabinet.
- Allows slide to be adjusted vertically when changes in drawer height are necessary.

Product	Pack
1303	100 Per Carton

Profile



1284 Epoxy-Coated Drawer Slide

- Positive stop
- Stay-close design
- Lift out disconnect



Number	1284 3/4 Extension Epoxy-Coated Drawer Slide
Mounting Side	Side
Action	Ball Bearing Rollers
Load Rating	75-Pound Class
Height	1-9/32"
Clearance	1/2" plus 1/32" minus 0" each side
Finish	Almond (ALM), Brown (BRN), White (WH)

Pack Configurations		Screws
Bulk (B)	20 Sets per Carton	No
Poly (P)	1 Set per Bag; 10 Sets per Carton	Yes
Quantity (Q)	50 Sets; Multiple Cartons	No

1284 Almond (ALM) Finish


Size	Bulk (B)	Poly (P)	Quantity (Q)
300mm	1284B ALM 300	1284P ALM 300	1284Q ALM 300
350mm	1284B ALM 350	1284P ALM 350	1284Q ALM 350
400mm	1284B ALM 400	1284P ALM 400	1284Q ALM 400
450mm	1284B ALM 450	1284P ALM 450	1284Q ALM 450
500mm	1284B ALM 500	1284P ALM 500	1284Q ALM 500
550mm	1284B ALM 550	1284P ALM 550	1284Q ALM 550
600mm	1284B ALM 600	1284P ALM 600	1284Q ALM 600
650mm	1284B ALM 650	1284P ALM 650	1284Q ALM 650

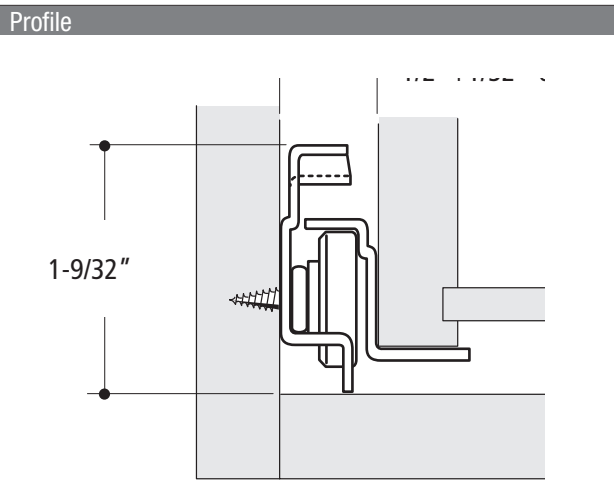
1284 Brown (BRN) Finish

300mm			1284Q BRN 300
350mm			1284Q BRN 350
400mm			1284Q BRN 400
450mm			1284Q BRN 450
500mm			1284Q BRN 500
550mm			1284Q BRN 550
600mm			1284Q BRN 600
650mm			1284Q BRN 650

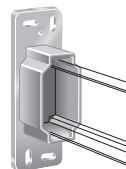
1284 White (WH) Finish

300mm	1284B WH 300	1284P WH 300	1284Q WH 300
350mm	1284B WH 350	1284P WH 350	1284Q WH 350
400mm	1284B WH 400	1284P WH 400	1284Q WH 400
450mm	1284B WH 450	1284P WH 450	1284Q WH 450
500mm	1284B WH 500	1284P WH 500	1284Q WH 500
550mm	1284B WH 550	1284P WH 550	1284Q WH 550
600mm	1284B WH 600	1284P WH 600	1284Q WH 600
650mm	1284B WH 650	1284P WH 650	1284Q WH 650

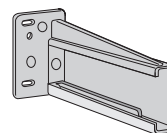
Recommended Fasteners	KV Part	Finish	Qty.
 #6 x 7/16 Phillips Panhead	1284-80	Zinc (ZC)	1000
#6 x 5/8 Phillips Flathead	8100-93 ZC	Zinc (ZC)	1000



1123 PLAS
Plastic Rear
Mounting Bracket



1284-4
Plastic Rear
Mounting Bracket



Product	Pack	Handed
1123 PLAS	500 per Carton	
1284LB-4R	500 Brackets per Carton	Right
1284LB-4L	500 Brackets per Carton	Left
1284-4R	200 Brackets per Carton	Right
1284-4L	200 Brackets per Carton	Left
1284HP-4R	4 Bags of 25	Right
1284HP-4L	4 Bags of 25	Left
1284-4WP	25 Brackets per Carton	Both

Number	1300 3/4 Extension Slide 1305 3/4 Extension V-Notch Wraparound Drawer Slide 1315 3/4 Extension V-Notch Wraparound Drawer Slide 1375 3/4 Extension Self Closing V-Notch Wraparound Slide
Mounting Action	Side Ball Bearing Rollers
Load Rating	75-pound Class: 1300, 1315, 1375 100-pound Class: 1305
Height	3" —1300, 1305, 1315 2-1/4" —1375
Clearance	1/2" plus 1/32" minus 0" each side
Finish	Almond (ALM), White (WH), Zinc (ZC)

Pack Configurations		Screws
Bulk (B)	10 Sets per Carton	No
Poly (P)	1 Set per Bag; 10 Sets per Carton	Yes


1300 Almond (ALM) Finish		
Size	Bulk (B)	
12 in.	1300B ALM 12	
14 in.	1300B ALM 14	
16 in.	1300B ALM 16	
18 in.	1300B ALM 18	
20 in.	1300B ALM 20	
22 in.	1300B ALM 22	

1300 White (WH) Finish		
14 in.	1300B WH 14	
16 in.	1300B WH 16	
18 in.	1300B WH 18	
20 in.	1300B WH 20	
22 in.	1300B WH 22	

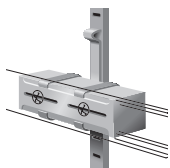
1300 Zinc (ZC) Finish		
12 in.	1300B ZC 12	1300P ZC 12
14 in.	1300B ZC 14	1300P ZC 14
16 in.	1300B ZC 16	1300P ZC 16
18 in.	1300B ZC 18	1300P ZC 18
20 in.	1300B ZC 20	1300P ZC 20
22 in.	1300B ZC 22	1300P ZC 22
24 in.	1300B ZC 24	1300P ZC 24
26 in.	1300B ZC 26	1300P ZC 26
28 in.	1300B ZC 28	1300P ZC 28

1300 Combinations Zinc (ZC) Finish		
Size	Product	
18 in. x 20 in.	1300BSW18002000	
20 in. x 22 in.	1300BSW20002200	
20 in. x 22-3/4 in.	1300BSW20002275	

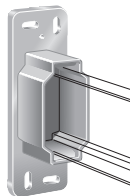
Special Order Slides Zinc (ZC) Finish	
Product	Bulk (B)
1305	Special Order
1315	Special Order
1375	Special Order

Recommended Fasteners	KV Part	Finish	Qty.
 #6 x 13/32" Phillips Panhead	1300-83	Zinc (ZC)	1000

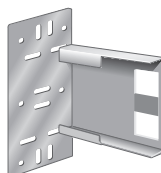
1303
Vertically Adjustable
Side Mounting Bracket



1123 PLAS
Plastic Rear
Mounting Bracket

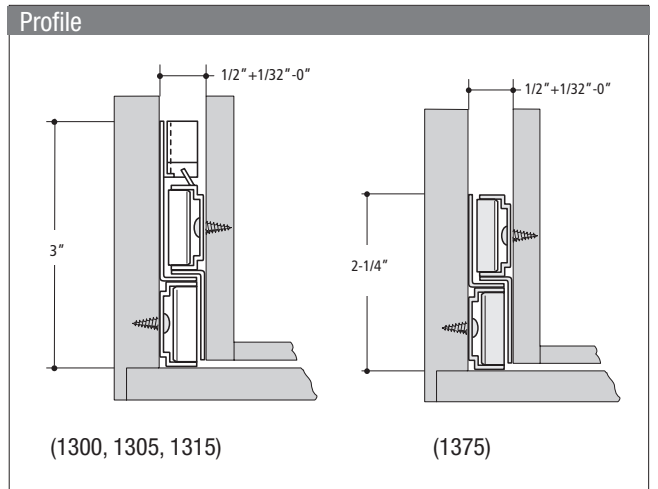
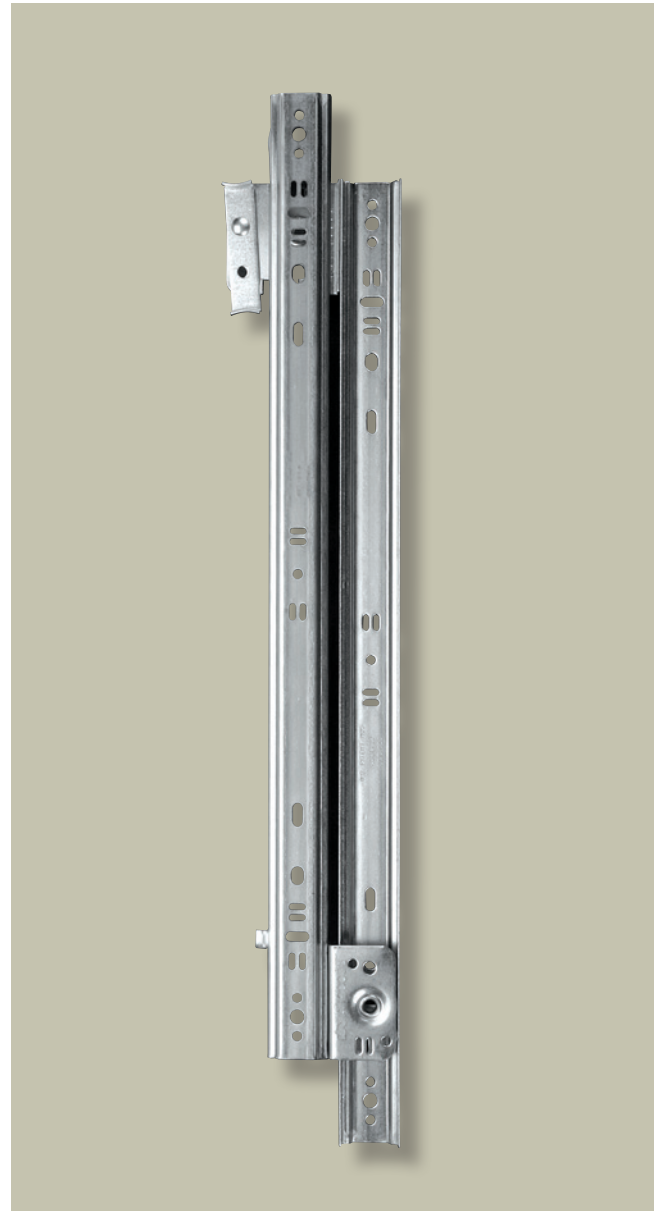


1304
Metal Rear
Mounting Bracket



Product	Pack
1303	100 Per Carton
1123 PLAS	500 Per Carton
1304	100 Per Carton

- Ball bearing movement
- Positive stop lever
- Stay close design



1805 Epoxy-Coated, Self-Close Euro Drawer Slides


- 32mm mounting hole pattern
- Lift out disconnect
- Self close design



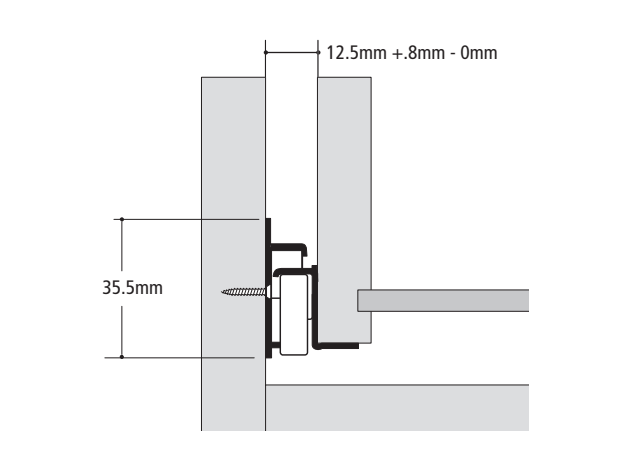
Number	1805 3/4 Extension Self-Close, Euro Drawer Slide
Mounting Side	Side
Action	Rollers
Load Rating	75-pound Class
Height	35.5mm
Clearance	12.5mm (1/2") plus .8mm (1/32"), minus 0" each side
Finish	Almond (ALM), Cream White (CW), White (WH)

Pack Configurations		Screws
Hefty (H)	1 Set per Bag; 20 Sets per Carton	Yes
Quantity (Q)	100 Sets; Multiple Cartons	No
Taped Pair (T)	1 Set Taped Together; 20 Sets per Carton	No

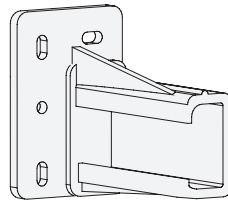
1805 Almond (ALM) Finish			
Size		Quantity (Q)	Taped Pair (T)
300mm		1805Q ALM 300	1805T ALM 300
350mm		1805Q ALM 350	1805T ALM 350
400mm		1805Q ALM 400	1805T ALM 400
450mm		1805Q ALM 450	1805T ALM 450
500mm		1805Q ALM 500	1805T ALM 500
550mm		1805Q ALM 550	1805T ALM 550
600mm		1805Q ALM 600	1805T ALM 600
1805 Cream White (CW) Finish			
300mm	1805H CW 300		
350mm	1805H CW 350		
400mm	1805H CW 400		
450mm	1805H CW 450		
500mm	1805H CW 500		
550mm	1805H CW 550		
600mm	1805H CW 600		
1805 White (WH) Finish			
300mm	1805H WH 300	1805Q WH 300	1805T WH 300
350mm	1805H WH 350	1805Q WH 350	1805T WH 350
400mm	1805H WH 400	1805Q WH 400	1805T WH 400
450mm	1805H WH 450	1805Q WH 450	1805T WH 450
500mm	1805H WH 500	1805Q WH 500	1805T WH 500
550mm	1805H WH 550	1805Q WH 550	1805T WH 550
600mm	1805H WH 600	1805Q WH 600	1805T WH 600

Recommended Fasteners	KV Part	Finish	Qty.
 #6 x 7/16" Phillips Flat Head	1284-80	Zinc (ZC)	1000

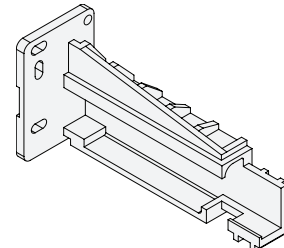
Profile



1805-101
Left and Right-Handed Sockets
(2-3/8" Socket)



1805-401
Left or Right-Handed Sockets
(4" Socket)




Product	Pack	Hand
1805-101L BP	50 per Carton	Left
1805-101R BP	50 per Carton	Right
1805-401L BP	50 per Carton	Left
1805-401R BP	50 per Carton	Right

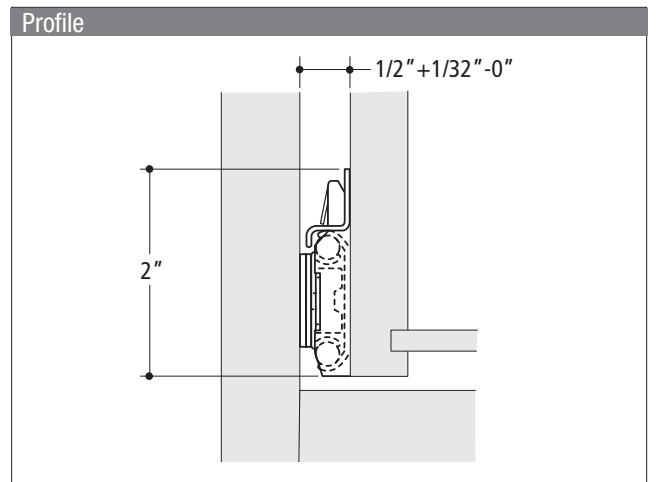
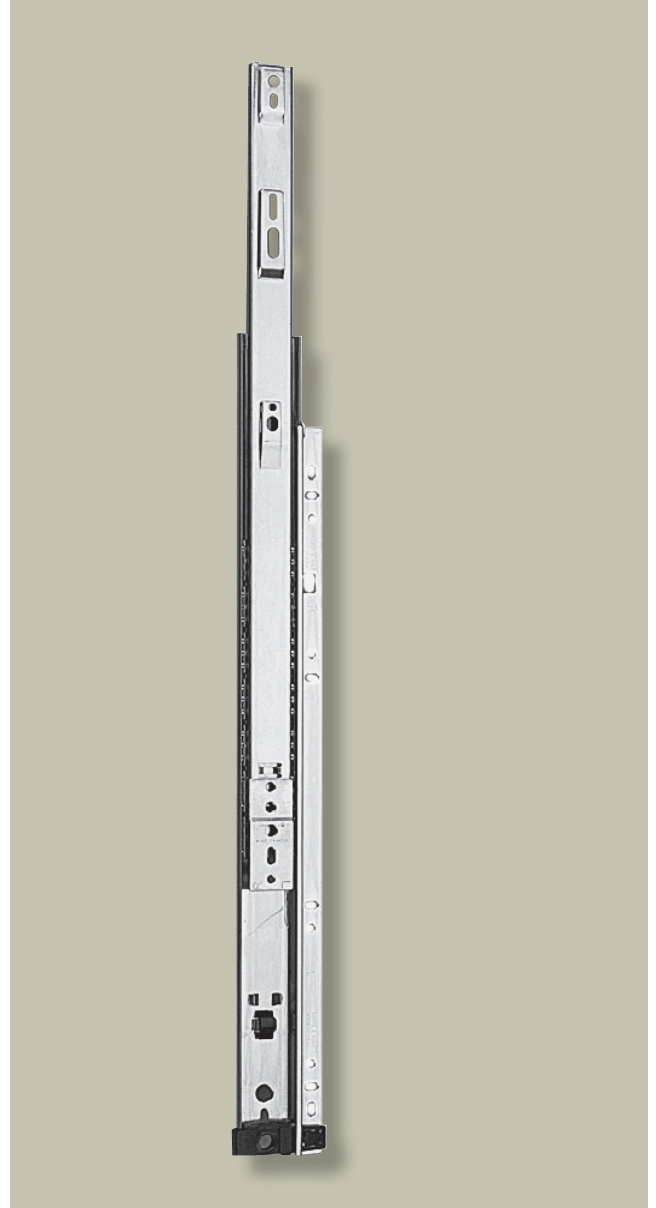
3/4 Extension Quick Disconnect Rail Box Drawer Slide 8300

- 32mm mounting hole pattern
- Non-handed quick disconnect drawer members

Number	8300 3/4 Extension Drawer Slide
Mounting	Side
Action	Ball Bearing
Load Rating	75-pound Class
Height	2" (includes Quick Disconnect Rails)
Clearance	1/2" plus 1/32" minus 0" each side
Finish	Anochrome (ANO), Ebony Black (EB)

Pack Configurations		Screws
Poly (P)	1 Set per Bag; 10 Sets per Carton	Yes
Quantity (Q)	20 Sets; Multiple Cartons	No
8300 Anochrome (ANO) Finish		
Size	Poly (P)	Quantity (Q)
12 in.	8300P 12	
14 in.	8300P 14	8300Q 14
16 in.	8300P 16	8300Q 16
18 in.	8300P 18	8300Q 18
20 in.	8300P 20	8300Q 20
22 in.	8300P 22	8300Q 22
24 in.	8300P 24	8300Q 24
8300 Ebony Black (EB) Finish		
16 in.		8300Q EB 16
18 in.		8300Q EB 18
20 in.		8300Q EB 20
22 in.		8300Q EB 22

Recommended Fasteners	KV Part	Finish	Qty.
 #7 x 1/2" Phillips Panhead	8500-93	Zinc (ZC)	1000
	8500-93 EB	Ebony Black (EB)	1000



8350 8350, 8355, 8357 3/4 Extension Drawer Slides

- 32mm mounting hole pattern
- Lever disconnects permit easy drawer removal
- Non handed design



Number	8350 3/4 Extension Drawer Slide 8355 Drawer Slide with Hold-Open Feature 8357 Drawer Slide with Shelf Tabs and Hold-Open Feature
Mounting Side	Side
Action	Ball Bearing Movement
Load Rating	75-pound Class
Height	1-3/8"
Clearance	1/2" plus 1/32" minus 0" each side
Finish	Anochrome (ANO), Ebony Black (EB)

Pack Configurations		Screws
Bulk (B)	10 Sets per Carton	No
Quantity (Q)	50 Sets; Multiple Cartons	No

8350 Anochrome (ANO) Finish		
Size	Bulk (B)	
12 in.	8350B 12	
14 in.	8350B 14	
16 in.	8350B 16	
18 in.	8350B 18	
20 in.	8350B 20	
22 in.	8350B 22	
24 in.	8350B 24	
26 in.	8350B 26	
28 in.	8350B 28	
30 in.	8350B 30	

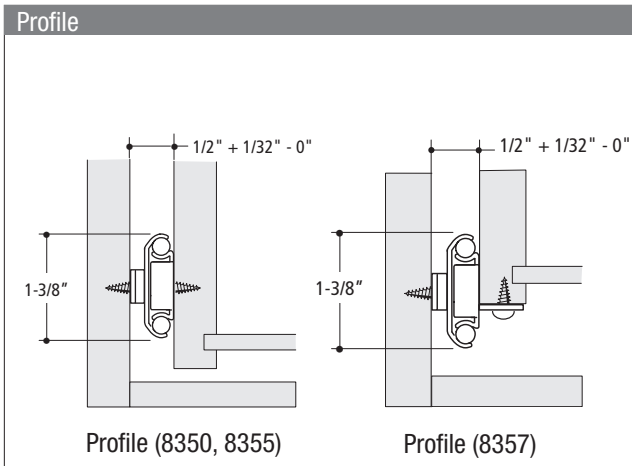
8350 Ebony Black (EB) Finish		
12 in.	8350B EB 12	8350Q EB 12
14 in.	8350B EB 14	8350Q EB 14
16 in.	8350B EB 16	8350Q EB 16
18 in.	8350B EB 18	8350Q EB 18
20 in.	8350B EB 20	8350Q EB 20
22 in.	8350B EB 22	8350Q EB 22
24 in.	8350B EB 24	8350Q EB 24
26 in.	8350B EB 26	8350Q EB 26
28 in.	8350B EB 28	8350Q EB 28
30 in.	8350B EB 30	8350Q EB 30

8355 Anochrome (ANO) Finish		
12 in.	8355P 12	8355Q 12
14 in.	8355P 14	8355Q 14
16 in.	8355P 16	8355Q 16
18 in.	8355P 18	8355Q 18
20 in.		8355Q 20

8355 Ebony Black (EB) Finish		
12 in.		8355Q EB 12
14 in.		8355Q EB 14
16 in.		8355Q EB 16
18 in.		8355Q EB 18
20 in.		8355Q EB 20

8357 Anochrome (ANO) Finish		
14 in.		8357Q 14
16 in.		8357Q 16
18 in.		8357Q 18
20 in.		8357Q 20

Recommended Fasteners	KV Part	Finish	Qty.
#7 x 1/2" Phillips Panhead	8500-93	Zinc (ZC)	1000




Low Profile Full Extension Drawer Slide 4400

- Lever release
- Hold-in detent
- Recommended max. drawer width: 24 in.

Number	4400 Full Extension Drawer Slide
Mounting	Side
Action	Telescopic Movement on Ball-bearings
Load Rating	65-pound Class
Height	1-13/32" (36mm)
Clearance	1/2" plus 1/32" minus 0" each side
Finish	Zinc (ZC)

Pack Configurations		Screws
Bulk (B)	10 Sets per Carton	No
4400 Zinc (ZC) Finish		
Size	Bulk (B)	
250mm [10 in.]	4400B 10	
300mm [12 in.]	4400B 12	
350mm [14 in.]	4400B 14	
400mm [16 in.]	4400B 16	
450mm [18 in.]	4400B 18	
500mm [20 in.]	4400B 20	
550mm [22 in.]	4400B 22	
600mm [24 in.]	4400B 24	
650mm [26 in.]	4400B 26	
700mm [28 in.]	4400B 28	

Recommended Fasteners	
	#6 x 1/2" Truss Head



4101B
Rear Mounting Bracket



- Non-handed snap-on design

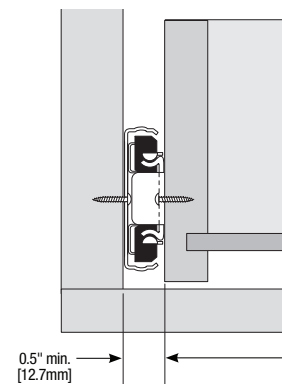
Product	Pack
4101B	20 Per Carton
4104B	20 Per Carton

4104B
Front Face Frame Bracket



- Non-handed snap-on design

Profile



4430 Low Profile Full Extension Push-to-Open Drawer Slide


- Lever release
- Push-to-open module
- Recommended max. drawer width: 24 in.

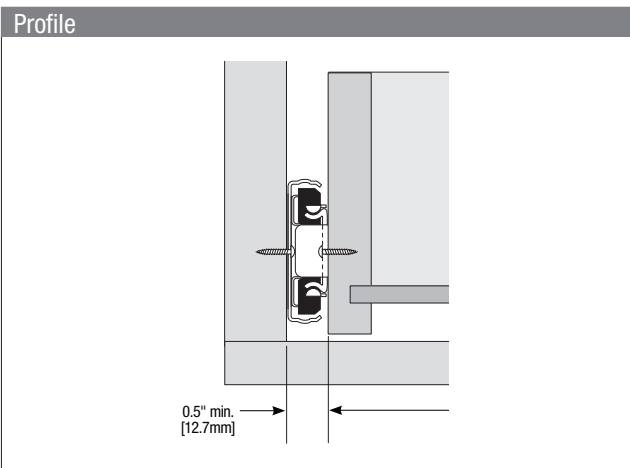


Number	4430 Full Extension Push-to-Open Drawer Slide
Mounting	Side
Action	Push-to-open
Load Rating	65-pound Class
Height	1-13/32" (36mm)
Clearance	1/2" plus 1/32" minus 0" each side
Finish	Zinc (ZC)

Pack Configurations		Screws
Bulk (B)	10 Sets per Carton, no fasteners	No

3730 Zinc (ZC) Finish	
Size	Bulk (B)
250mm [10 in.]	4430B 10
300mm [12 in.]	4430B 12
350mm [14 in.]	4430B 14
400mm [16 in.]	4430B 16
450mm [18 in.]	4430B 18
500mm [20 in.]	4430B 20
550mm [22 in.]	4430B 22
600mm [24 in.]	4430B 24

Recommended Fasteners	
	#6 x 1/2" Truss Head



4101B
Rear Mounting Bracket



- Non-handed snap-on design

4104B
Front Face Frame Bracket



- Non-handed snap-on design


Product	Pack
4101B	20 Per Carton
4104B	20 Per Carton

Low Profile Full Extension Soft-Close Drawer Slides 4450

Number	4450 Full Extension Soft-Close Drawer Slide
Mounting	Side
Action	Soft-close
Load Rating	65-pound Class
Height	1-13/32" (36mm)
Clearance	1/2" plus 1/32" minus 0" each side
Finish	Zinc (ZC)

Pack Configurations		Screws
Bulk (B)	10 Sets per Carton	No

3750 Zinc (ZC) Finish	
Size	Bulk (B)
300mm [12 in.]	4450B 12
350mm [14 in.]	4450B 14
400mm [16 in.]	4450B 16
450mm [18 in.]	4450B 18
500mm [20 in.]	4450B 20
550mm [22 in.]	4450B 22
600mm [24 in.]	4450B 24

Recommended Fasteners	
	#6 x 1/2" Truss Head

- Lever release
- Soft-close module
- Recommended max. drawer width: 24 in.



4101B
Rear Mounting Bracket



- Non-handed snap-on design

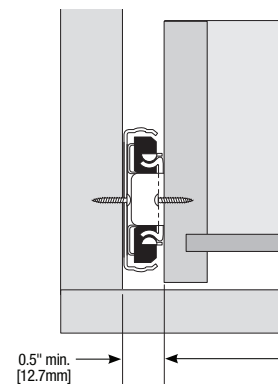
Product	Pack
4101B	20 Per Carton
4104B	20 Per Carton

4104B
Front Face Frame Bracket



- Non-handed snap-on design

Profile



Medium-Duty Drawer Slides

8400 Full Extension Box or File Drawer Slide	22
8405 1 in. Overtravel Box or File Drawer Slide	23
8407 Full Extension Drawer Slide with Shelf Tabs	24
8414 Full Extension Drawer Slide with Hold Open	25
8417/8419/8400RV Self-Closing Precision Drawer Slides	26
8430 Push-to-Open Drawer Slide	27
8450FM/8455FM Soft-Close Drawer Slides	28

Quick Reference Chart

	Mounting Style	Load Class	Type	Extension		Disconnect Type					Open/Close Features				Shelf Tabs			
			Roller Bearing	Ball Bearing	3/4 Extension	Full Extension	1" Overtravel	No Disconnect	Friction Release	Lever Release	Lift Out	Quick Disconnect	Hold In - Anti-Rebound	Hold Out/ Open		Lock Open	Self-Close	Push-to-Open
8400	Side	100		•	•							•						
8405	Side	100		•		•						•						
8407	Side	100		•	•							•						•
8414	Side	100		•	•							•	•					
8417	Side	100		•	•							•		•				
8419	Side	100		•	•	•						•		•				
8400RV	Side	100		•	•							•		•				
8430	Side	100		•	•							•			•			
8450FM	Side	100		•	•							•		•				•
8455FM	Side	100		•		•						•		•				•

8400 Series Slide Family

8400 — Full Extension, 100 Lb. Class

8405 — 1" Over travel, 100 Lb. Class

8407 — Full Extension, 100 Lb. Class, with Shelf Tabs

8414 — Full Extension, 100 Lb. Class, Hold-Out Precision Slide

8417 — Self-Closing Full-Extension

8419 — Self-Closing 1" Over Travel Drawer Slide

8400RV — Heavy-Duty Self-Closing, Full-Extension Drawer Slide

8430 — Push-to-Open Drawer Slide

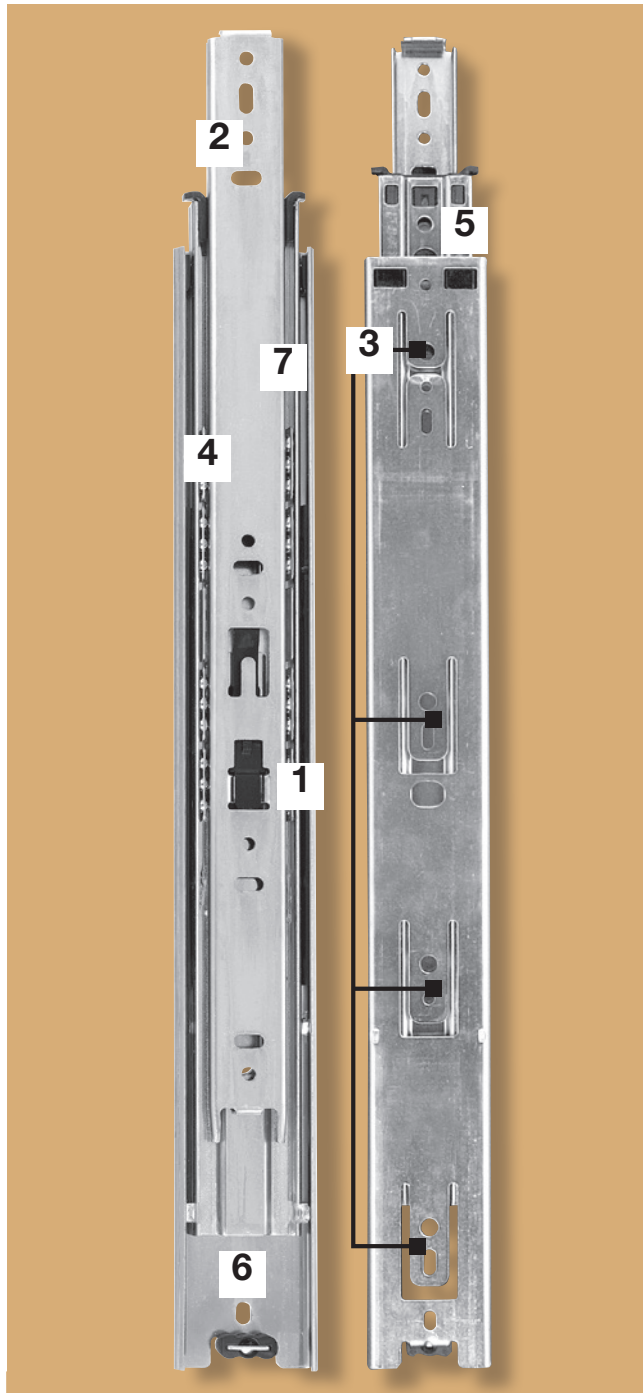
8450FM — Full-Extension, 100-lbs. Class Slide featuring KV's Integrated Soft-Close Mechanism

8455FM — 1" Over Travel, 90-pound Class Slide with Integrated Soft-Close Mechanism

8400 Series Slides

The Industry Leader

The Knap & Vogt 8400 high-precision drawer slide incorporates years of research and customer input. The KV8400 has become the premier, industry leader because we listened and built the smoothest action, quietest, strongest, precision slide in the hardware industry. The KV8400 is the first choice of quality cabinet and furniture makers the world over. The KV8400 works as easily with frame or frameless applications, with more side clearance tolerance and vertical adjustment, and all without removing the drawer box.



- 1** Push-in lever for drawer disconnect is ergonomically designed for easy drawer removal.
- 2** Traditional and 32mm hole pattern supports industry standards for safely fastening slide in place.
- 3** Reversed flex tabs allow improved slide performance with side clearance tolerance adjustments.
- 4** Rolled ball bearing raceway allows lateral loads to be carried by ball bearings and not transferred to bushings sliding on metal.
- 5** Mounting hole is provided for face frame applications to eliminate the need for a separate bracket.
- 6** Access holes allow for drawer adjustments at full extension without removing drawer.
- 7** Lacquer finish provides superior corrosion resistance

Self-Close Series Drawer Slides

Self-Close Solutions

The Self-Close Series uses spring technology to close a drawer and keep it closed.



Models/Descriptions

8417 — Self-Closing Full-Extension

8419 — Self-Closing 1" Overtravel Drawer Slide

8400RV — Heavy-Duty Self-Closing, Full-Extension Drawer Slide

Self-Close Series Features/Benefits

- Self-close feature assists with the closing of a drawer and is fully integrated into the slide
- RV version is ideal for mobile applications where the stronger spring helps to hold a drawer closed

8450FM Soft-Close Drawer Slide

Best-of-Class Soft-Close Technology

The new KV8450FM Series is a step forward in side-mounted ball-bearing drawer slides. The KV8450FM series incorporates state-of-the-art soft-close technology. The fully integrated soft close module brings drawer box to a smooth, quiet and secure closure.



Optional rear mounting hole increases mounting options

8450FM Series Features/Benefits

- Patented KV design incorporates dampening cylinder with balanced spring technology
- Soft-close module is fully integrated into an KV8400 style slide with same side clearance allowing cabinet makers to migrate directly to KV8450FM series products with no set up changes
- Exceeds KCMA, BHMA and BIFMA standards of performance: over 50,000 cycles including the soft-close module

8400 Full Extension Box or File Drawer Slide

- 32mm hole pattern with direct access mounting
- Lever disconnect for easy drawer removal
- Non-handed design
- Recommended max. drawer width: 24 in.




Number	8400 Full Extension Drawer Slide
Mounting Side	Side
Action	Telescopic Movement On Ball Bearings
Load Rating	100-Pound Class
Height	1-13/16"
Clearance	1/2" plus 1/32" minus 0" each side
Finish	Anochrome (ANO), Ebony Black (EB), White (WH)

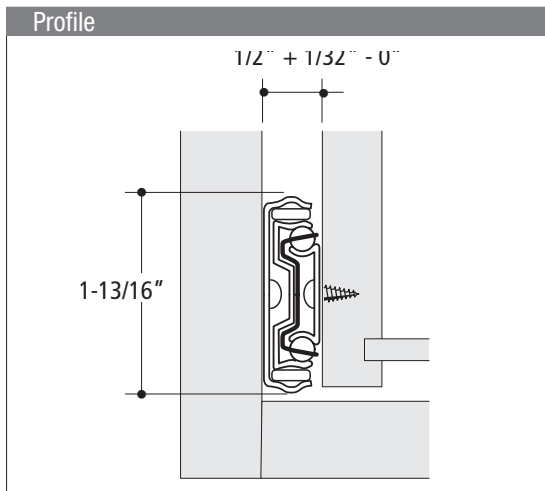
Pack Configurations		Screws
Bulk (B)	10 Sets per Carton	No
Poly (P)	1 Set per Bag; 10 Sets per Carton	Yes
Quantity (Q)	50 Sets; Multiple Cartons	No
Warehouse (WP)	1 Set per Bag; 10 Sets per Warehouse Pack/Display Carton	Yes

8400 Anochrome (ANO) Finish				
Size	Bulk (B)	Poly (P)	Quantity (Q)	Warehouse (WP)
8 in.	8400B 8	8400P 8	8400Q 8	
10 in.	8400B 10	8400P 10	8400Q 10	
12 in.	8400B 12	8400P 12	8400Q 12	
14 in.	8400B 14	8400P 14	8400Q 14	
16 in.	8400B 16	8400P 16	8400Q 16	8400WP 16
18 in.	8400B 18	8400P 18	8400Q 18	8400WP 18
20 in.	8400B 20	8400P 20	8400Q 20	8400WP 20
22 in.	8400B 22	8400P 22	8400Q 22	8400WP 22
24 in.	8400B 24	8400P 24	8400Q 24	8400WP 24
26 in.	8400B 26	8400P 26	8400Q 26	
28 in.	8400B 28	8400P 28	8400Q 28	

8400 Ebony Black (EB) Finish				
Size	Bulk (B)	Poly (P)	Quantity (Q)	Warehouse (WP)
8 in.	8400B EB 8	8400P EB 8	8400Q EB 8	
10 in.	8400B EB 10	8400P EB 10	8400Q EB 10	
12 in.	8400B EB 12	8400P EB 12	8400Q EB 12	
14 in.	8400B EB 14	8400P EB 14	8400Q EB 14	
16 in.	8400B EB 16	8400P EB 16	8400Q EB 16	
18 in.	8400B EB 18	8400P EB 18	8400Q EB 18	
20 in.	8400B EB 20	8400P EB 20	8400Q EB 20	
22 in.	8400B EB 22	8400P EB 22	8400Q EB 22	
24 in.	8400B EB 24	8400P EB 24	8400Q EB 24	
26 in.	8400B EB 26	8400P EB 26	8400Q EB 26	
28 in.	8400B EB 28	8400P EB 28	8400Q EB 28	

8400 White (WH) Finish				
Size	Bulk (B)	Poly (P)	Quantity (Q)	Warehouse (WP)
8 in.	8400B WH 8	8400P WH 8		
10 in.	8400B WH 10	8400P WH 10		
12 in.	8400B WH 12	8400P WH 12		
14 in.	8400B WH 14	8400P WH 14		
16 in.	8400B WH 16	8400P WH 16		
18 in.	8400B WH 18	8400P WH 18		
20 in.	8400B WH 20	8400P WH 20		
22 in.	8400B WH 22	8400P WH 22		
24 in.	8400B WH 24	8400P WH 24		
26 in.	8400B WH 26	8400P WH 26		
28 in.	8400B WH 28	8400P WH 28		

Recommended Fasteners	KV Part	Finish	Qty.
	8500-93	Zinc (ZC)	1000
	8500-93 EB	Ebony Black (EB)	1000
	8500-93 WH	White (WH)	50



Product	Front/Rear	Finish	Pack
8401	Rear	Zinc (ZC)	20 Brackets per Carton
8402	Rear	Zinc (ZC)	20 Brackets per Carton
8402BBL	Rear	Zinc (ZC)	400 Brackets per Carton
8402WP	Rear	Zinc (ZC)	20 Brackets per Warehouse Pack/ Display Carton
8404	Front	Zinc (ZC)	20 Brackets per Carton
8404B	Front	Zinc (ZC)	400 Brackets per Carton
8404 WH	Front	White (WH)	20 Brackets per Carton
8404 EB	Front	Ebony Black (EB)	20 Brackets per Carton
8404BBL	Front	Zinc (ZC)	400 Brackets per Carton
8404B KIT	Both	Zinc (ZC)	Includes: 2 8403 brackets, 2 8404 brackets, screws, installation sheet.

1" Over Travel Box or File Drawer Slide 8405


- 1 in. overtravel for full access to drawer contents
- Lever disconnect for easy drawer removal
- Non-handed design
- Recommended max. drawer width: 24 in.

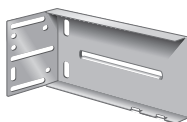
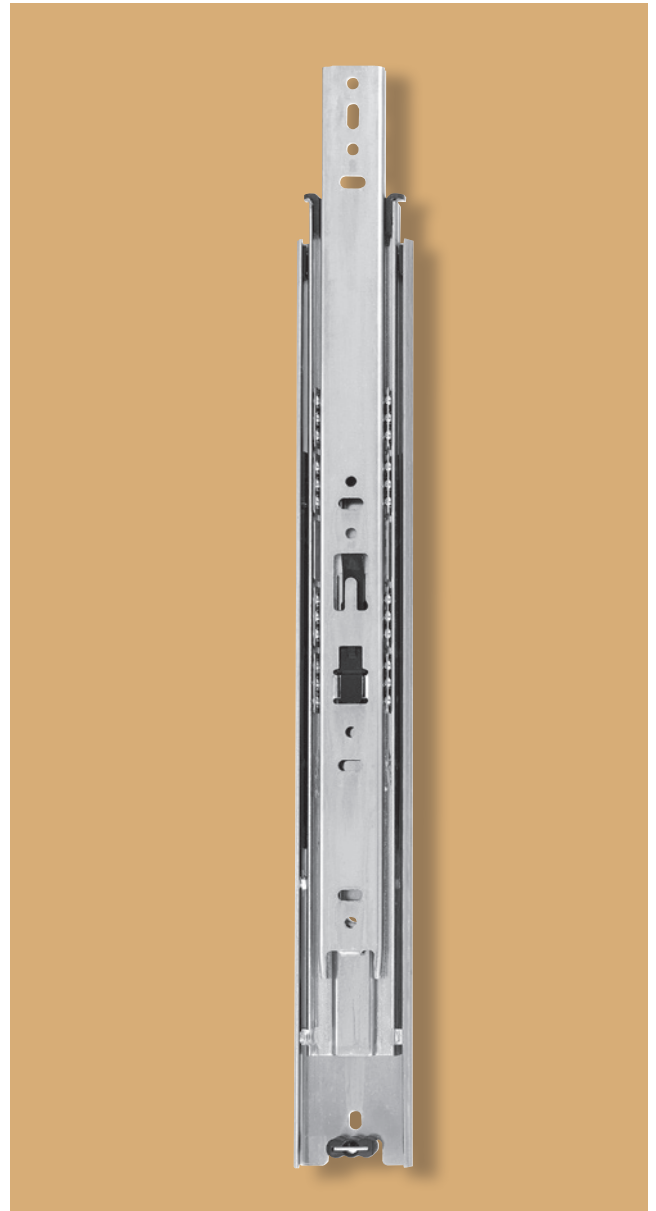
Number	8405 1" Overtravel Drawer Slide
Mounting	Side
Action	Telescopic Action On Ball Bearings
Load Rating	100-pound Class
Height	1-13/16"
Clearance	1/2" plus 1/32" minus 0" each side
Finish	Anochrome (ANO), Ebony Black (EB)

Pack Configurations		Screws
Bulk (B)	10 Sets per Carton	No
Poly (P)	1 Set per Bag; 10 Sets per Carton	Yes
Quantity (Q)	50 Sets; Multiple Cartons	No

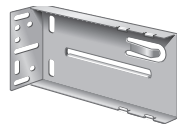
8405 Anochrome (ANO) Finish			
Size	Bulk (B)	Poly (P)	Quantity (Q)
10 in.	8405B 10	8405P 10	8405Q 10
12 in.	8405B 12	8405P 12	8405Q 12
14 in.	8405B 14	8405P 14	8405Q 14
16 in.	8405B 16	8405P 16	8405Q 16
18 in.	8405B 18	8405P 18	8405Q 18
20 in.	8405B 20	8405P 20	8405Q 20
22 in.	8405B 22	8405P 22	8405Q 22
24 in.	8405B 24	8405P 24	8405Q 24
26 in.	8405B 26	8405P 26	8405Q 26
28 in.	8405B 28	8405P 28	8405Q 28

8405 Ebony Black (EB) Finish			
Size	Bulk (B)	Poly (P)	Quantity (Q)
10 in.	8405B EB 10	8405P EB 10	8405Q EB 10
12 in.	8405B EB 12	8405P EB 12	8405Q EB 12
14 in.	8405B EB 14	8405P EB 14	8405Q EB 14
16 in.	8405B EB 16	8405P EB 16	8405Q EB 16
18 in.	8405B EB 18	8405P EB 18	8405Q EB 18
20 in.	8405B EB 20	8405P EB 20	8405Q EB 20
22 in.	8405B EB 22	8405P EB 22	8405Q EB 22
24 in.	8405B EB 24	8405P EB 24	8405Q EB 24
26 in.	8405B EB 26	8405P EB 26	8405Q EB 26
28 in.	8405B EB 28	8405P EB 28	8405Q EB 28

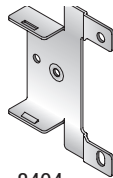
Recommended Fasteners		KV Part	Finish	Qty.
	#7 x 1/2" Phillips Panhead	8500-93	Zinc (ZC)	1000
		8500-93 EB	Ebony Black (EB)	1000



8401

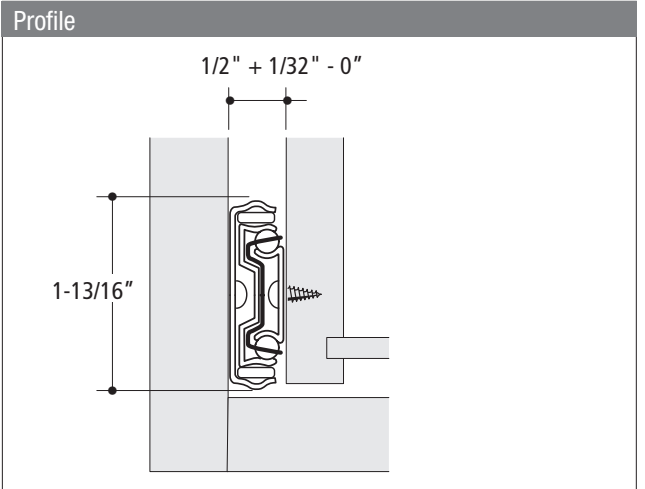


8402



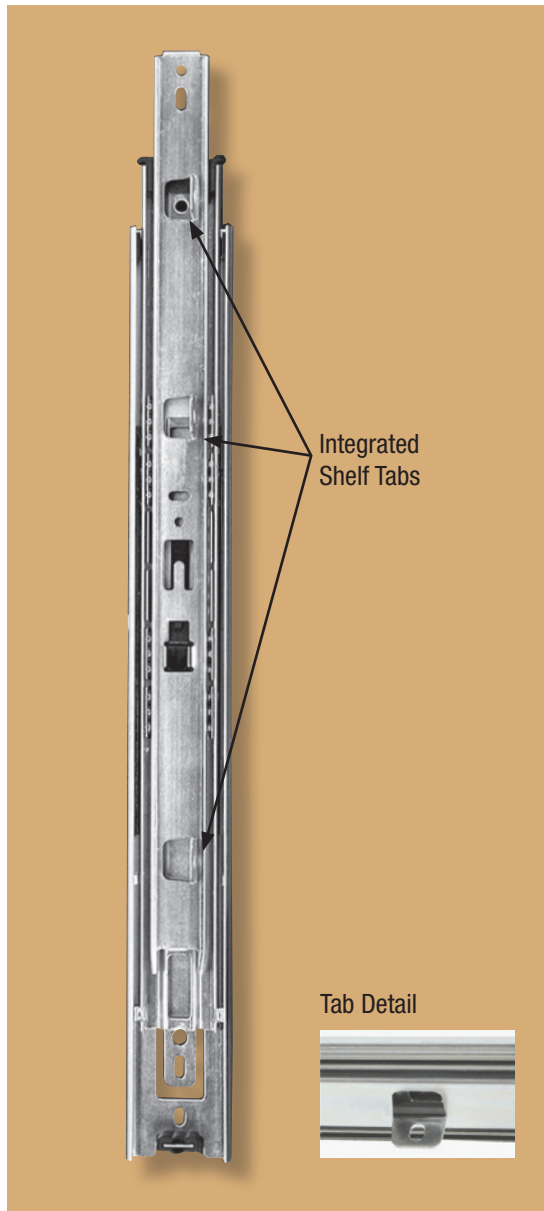
8404

Product	Front/Rear	Finish	Pack
8401	Rear	Zinc (ZC)	20 Brackets per Carton
8402	Rear	Zinc (ZC)	20 Brackets per Carton
8402BBL	Rear	Zinc (ZC)	400 Brackets per Carton
8402WP	Rear	Zinc (ZC)	20 Brackets per Warehouse Pack/ Display Carton
8404	Front	Zinc (ZC)	20 Brackets per Carton
8404B	Front	Zinc (ZC)	400 Brackets per Carton
8404 WH	Front	White (WH)	20 Brackets per Carton
8404 EB	Front	Ebony Black (EB)	20 Brackets per Carton
8404BBL	Front	Zinc (ZC)	400 Brackets per Carton
8404B KIT	Both	Zinc (ZC)	Includes: 2 8403 brackets, 2 8404 brackets, screws, installation sheet.



8407 Full Extension Box or File Drawer Slide with Shelf Tabs

- 32mm hole pattern with direct access mounting
- Lever disconnect for easy drawer removal
- Shelf tabs
- Recommended max. drawer width: 24 in.



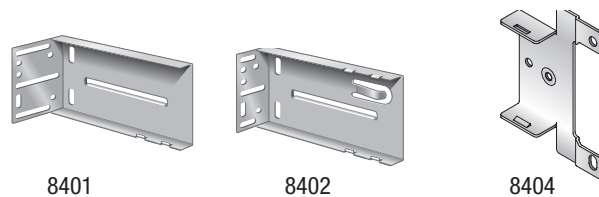
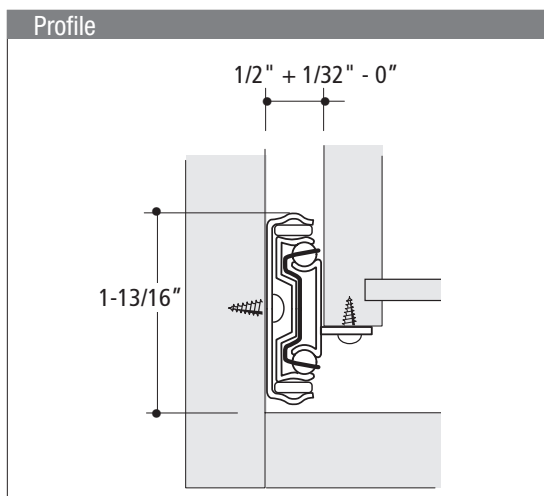
Number	8407 Full Extension Drawer Slide With Shelf Tabs
Mounting Action	Side
Load Rating	Telescopic Movement On Ball Bearings
Height	100-pound Class
Clearance	1-13/16"
Finish	1/2" plus 1/32" minus 0" each side
	Anochrome (ANO), Ebony Black (EB)

Pack Configurations		Screws
Bulk (B)	10 Sets per Carton	No
Poly (P)	1 Set per Bag; 10 Sets per Carton	Yes
Quantity (Q)	50 Sets; Multiple Cartons	No

8407 Anochrome (ANO) Finish			
Size	Bulk (B)	Poly (P)	Quantity (Q)
10 in.	8407B 10	8407P 10	8407Q 10
12 in.	8407B 12	8407P 12	8407Q 12
14 in.	8407B 14	8407P 14	8407Q 14
16 in.	8407B 16	8407P 16	8407Q 16
18 in.	8407B 18	8407P 18	8407Q 18
20 in.	8407B 20	8407P 20	8407Q 20
22 in.	8407B 22	8407P 22	8407Q 22
24 in.	8407B 24	8407P 24	8407Q 24
26 in.	8407B 26	8407P 26	8407Q 26
28 in.	8407B 28	8407P 28	8407Q 28

8407 Ebony Black (EB) Finish			
14 in.	8407B EB 14		
16 in.	8407B EB 16		
18 in.	8407B EB 18		
20 in.	8407B EB 20		
22 in.	8407B EB 22		
24 in.	8407B EB 24		

Recommended Fasteners		KV Part	Finish	Qty.
	#7 x 1/2" Phillips Panhead	8500-93	Zinc (ZC)	1000
		8500-93 EB	Ebony Black (EB)	1000



Product	Front/Rear	Finish	Pack
8401	Rear	Zinc (ZC)	20 Brackets per Carton
8402	Rear	Zinc (ZC)	20 Brackets per Carton
8402BBL	Rear	Zinc (ZC)	400 Brackets per Carton
8402WP	Rear	Zinc (ZC)	20 Brackets per Warehouse Pack/ Display Carton
8404	Front	Zinc (ZC)	20 Brackets per Carton
8404B	Front	Zinc (ZC)	400 Brackets per Carton
8404 WH	Front	White (WH)	20 Brackets per Carton
8404 EB	Front	Ebony Black (EB)	20 Brackets per Carton
8404BBL	Front	Zinc (ZC)	400 Brackets per Carton
8404B KIT	Both	Zinc (ZC)	Includes: 2 8403 brackets, 2 8404 brackets, screws, installation sheet.


Full Extension Hold-Out Precision Drawer Slide 8414

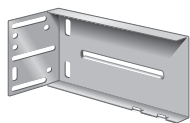
Number	8414 Hold-Out Full-Extension Drawer Slide
Mounting Action	Side Telescopic Movement On Ball Bearings
Load Rating	100-pound Class
Height	1-13/16"
Clearance	1/2" plus 1/32" minus 0" each side
Finish	Anochrome (ANO), Ebony Black (EB)

- 32mm hole pattern with direct access mounting
- Lever disconnect for easy drawer removal
- Hold-out feature allows slide to be held in place when drawer is open
- Recommended max. drawer width: 24 in.

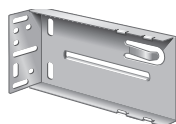
Pack Configurations		Screws
Bulk (B)	10 Sets per Carton	No
Poly (P)	1 Set per Bag; 10 Sets per Carton	Yes
Quantity (Q)	50 Sets; Multiple Cartons	No

8414 Anochrome (ANO) Finish			
Size	Bulk (B)	Poly (P)	Quantity (Q)
10 in.	8414B 10		
12 in.	8414B 12	8414P 12	8414Q 12
14 in.	8414B 14	8414P 14	8414Q 14
16 in.	8414B 16	8414P 16	8414Q 16
18 in.	8414B 18	8414P 18	8414Q 18
20 in.	8414B 20	8414P 20	8414Q 20
22 in.	8414B 22	8414P 22	8414Q 22
24 in.	8414B 24	8414P 24	8414Q 24
8414 Ebony Black (EB) Finish			
12 in.			8414Q EB 12
14 in.			8414Q EB 14
16 in.			8414Q EB 16
18 in.			8414Q EB 18
20 in.			8414Q EB 20
22 in.			8414Q EB 22
24 in.			8414Q EB 24

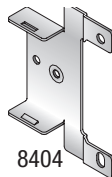
Recommended Fasteners	KV Part	Finish	Qty.
 #7 x 1/2" Phillips Panhead	8500-93	Zinc (ZC)	1000
	8500-93 EB	Ebony Black (EB)	1000



8401

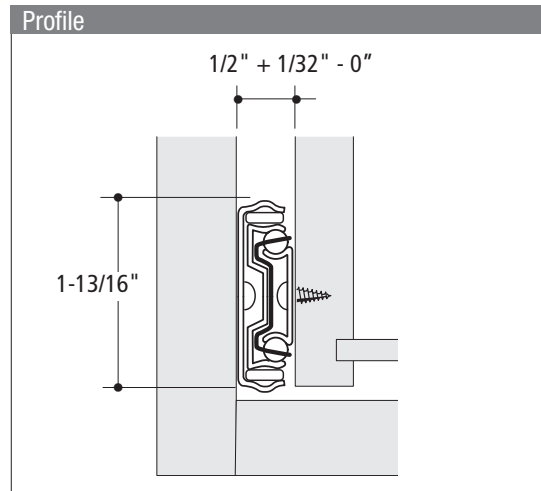


8402



8404

Product	Front/Rear	Finish	Pack
8401	Rear	Zinc (ZC)	20 Brackets per Carton
8402	Rear	Zinc (ZC)	20 Brackets per Carton
8402BBL	Rear	Zinc (ZC)	400 Brackets per Carton
8402WPP	Rear	Zinc (ZC)	20 Brackets per Warehouse Pack/ Display Carton
8404	Front	Zinc (ZC)	20 Brackets per Carton
8404B	Front	Zinc (ZC)	400 Brackets per Carton
8404 WH	Front	White (WH)	20 Brackets per Carton
8404 EB	Front	Ebony Black (EB)	20 Brackets per Carton
8404BBL	Front	Zinc (ZC)	400 Brackets per Carton
8404B KIT	Both	Zinc (ZC)	Includes: 2 8403 brackets, 2 8404 brackets, screws, installation sheet.

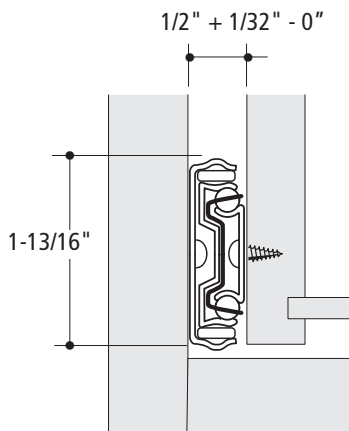


8417 8417, 8419, 8400RV Self-Closing Drawer Slides

- 32mm hole pattern with direct access mounting.
- Self-closing feature
- 8400RV features a stronger spring
- Recommended max. drawer width: 24 in.



Profile



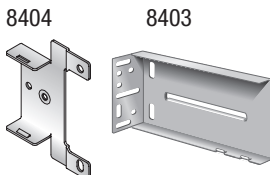
Number	8417 Self-Closing Full-Extension Drawer Slide 8419 Self-Closing 1" Overtravel Drawer Slide 8400RV Heavy-Duty Self-Closing, Full-Extension Drawer Slide
Mounting Action	Telescopic Action On Ball Bearings
Load Rating	100-pound Class
Height	1-13/16"
Clearance	1/2" plus 1/32" minus 0" each side
Finish	Anochrome (ANO), Ebony Black (EB), White (WH)

Pack Configurations		Screws
Bulk (B)	10 Sets per Carton	No
Poly (P)	1 Set per Bag; 10 Sets per Carton	Yes

8417 Anochrome (ANO) Finish		
Size	Bulk (B)	Poly (P)
12 in.	8417B 12	8417P 12
14 in.	8417B 14	8417P 14
16 in.	8417B 16	8417P 16
18 in.	8417B 18	8417P 18
20 in.	8417B 20	8417P 20
22 in.	8417B 22	8417P 22
24 in.	8417B 24	8417P 24
26 in.	8417B 26	8417P 26
8417 Ebony Black (EB) Finish		
12 in.	8417B EB 12	
14 in.	8417B EB 14	
16 in.	8417B EB 16	
18 in.	8417B EB 18	
20 in.	8417B EB 20	
22 in.	8417B EB 22	
24 in.	8417B EB 24	
26 in.	8417B EB 26	
8417 White (WH) Finish		
12 in.	8417B WH 12	
14 in.	8417B WH 14	
16 in.	8417B WH 16	
18 in.	8417B WH 18	
20 in.	8417B WH 20	
22 in.	8417B WH 22	
24 in.	8417B WH 24	
26 in.	8417B WH 26	
8419 Anochrome (ANO) Finish		
14 in.	8419B 14	8419P 14
16 in.	8419B 16	8419P 16
18 in.	8419B 18	8419P 18
20 in.	8419B 20	8419P 20
22 in.	8419B 22	8419P 22
24 in.	8419B 24	8419P 24
26 in.	8419B 26	8419P 26
8419 Ebony Black (EB) Finish		
14 in.	8419B EB 14	8419P EB 14
16 in.	8419B EB 16	8419P EB 16
18 in.	8419B EB 18	8419P EB 18
20 in.	8419B EB 20	8419P EB 20
22 in.	8419B EB 22	8419P EB 22
24 in.	8419B EB 24	8419P EB 24
26 in.	8419B EB 26	8419P EB 26
8400 RV Anochrome (ANO) Finish		
10 in.	8400BRV 10	
12 in.	8400BRV 12	
14 in.	8400BRV 14	
16 in.	8400BRV 16	
18 in.	8400BRV 18	
20 in.	8400BRV 20	
22 in.	8400BRV 22	
24 in.	8400BRV 24	
26 in.	8400BRV 26	
28 in.	8400BRV 28	

Recommended Fasteners		KV Part	Finish	Qty.
	#7 x 1/2" Phillips Panhead	8500-93	Zinc (ZC)	1000
		8500-93 EB	Ebony Black (EB)	1000
		8500-93 WH	White (WH)	50

Product	Front/Rear	Finish	Pack
8403	Rear	Zinc (ZC)	20 Brackets per Carton
8403BBL	Rear	Zinc (ZC)	400 Brackets per Carton
8404	Front	Zinc (ZC)	20 Brackets per Carton
8404B	Front	Zinc (ZC)	400 Brackets per Carton
8404 WH	Front	White (WH)	20 Brackets per Carton
8404 EB	Front	Ebony Black (EB)	20 Brackets per Carton
8404BBL	Front	Zinc (ZC)	400 Brackets per Carton
8404B KIT	Both	Zinc (ZC)	Includes: 2 8403 brackets, 2 8404 brackets, screws, installation sheet.




Push-to-Open Drawer Slide 8430

Number	8430 Full Extension Push-to-Open Drawer Slide
Mounting	Side
Action	Telescopic Movement On Ball Bearings
Load Rating	100-pound Class
Height	1-13/16"
Clearance	1/2" plus 1/32" minus 0" each side
Finish	Anochrome (ANO), Ebony Black (EB)

- Push-to-open feature holds a drawer or tray in the closed position until activated by a slight push.
- 1/2" side clearance, no set-up change
- Non-handed design
- Recommended max. drawer width: 24 in.

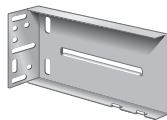
Pack Configurations			Screws
Bulk (B)	10 Sets per Carton		No
Poly (P)	1 Set per Bag; 10 Sets per Carton		Yes

8430 Anochrome (ANO) Finish			8430 Ebony Black (EB) Finish	
Size	Bulk (B)	Poly (P)	Size	Poly (P)
12 in.	8430B 12	8430P 12	16 in.	8430P EB 16
14 in.	8430B 14	8430P 14	18 in.	8430P EB 18
16 in.	8430B 16	8430P 16	20 in.	8430P EB 20
18 in.	8430B 18	8430P 18	22 in.	8430P EB 22
20 in.	8430B 20	8430P 20	24 in.	8430P EB 24
22 in.	8430B 22	8430P 22		
24 in.	8430B 24	8430P 24		
26 in.	8430B 26	8430P 26		

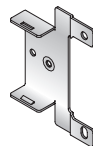
Recommended Fasteners	KV Part	Finish	Qty.	
	#7 x 1/2" Phillips Panhead	8500-93	Zinc (ZC)	1000
		8500-93 EB	Ebony Black (EB)	1000



8403

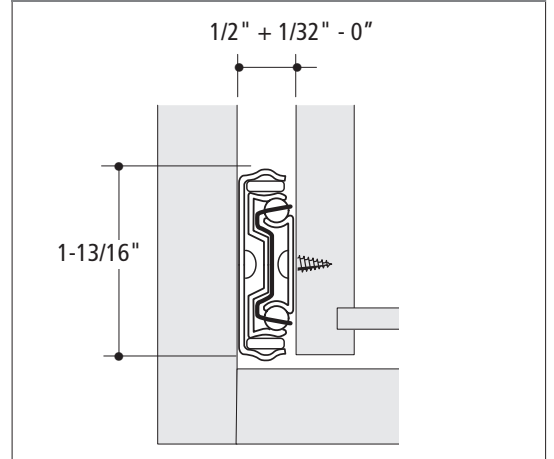


8404



Product	Front/Rear	Finish	Pack
8403	Rear	Zinc (ZC)	20 Brackets per Carton
8403BBL	Rear	Zinc (ZC)	400 Brackets per Carton
8404	Front	Zinc (ZC)	20 Brackets per Carton
8404B	Front	Zinc (ZC)	400 Brackets per Carton
8404 WH	Front	White (WH)	20 Brackets per Carton
8404 EB	Front	Ebony Black (EB)	20 Brackets per Carton
8404BBL	Front	Zinc (ZC)	400 Brackets per Carton
8404B KIT	Both	Zinc (ZC)	Includes: 2 8403 brackets, 2 8404 brackets, screws, installation sheet.

Profile



8450FM 8455FM Soft-Close Drawer Slide

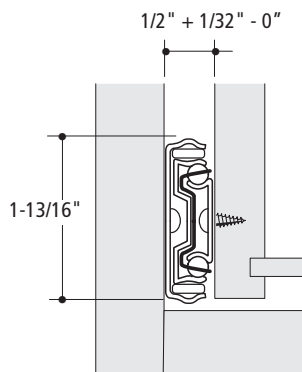
- Integrated patented soft-close mechanism
- 32mm hole pattern with direct access mounting
- Lever disconnect for easy drawer removal
- Non-handed design
- Recommended max. drawer width: 24 in.
- Optional rear mounting hole



Soft Close Module



Profile



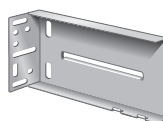
Number	8450FM Soft-Close Full-Extension Drawer Slide 8455FM Soft-Close 1" Overtravel Drawer Slide
Mounting Action	Side
Load Rating	Telescopic Movement On Ball Bearings 8450FM: 100-pound Class 8455FM: 90-pound Class
Height Clearance	1-13/16" 1/2" plus 1/32" minus 0" each side
Finish	Anochrome (ANO), Ebony Black (EB)

Pack Configurations		Screws
Bulk (B)	10 Sets per Carton	No
Poly (P)	1 Set per Bag; 10 Sets per Carton	Yes

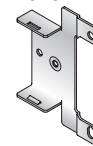
8450FM (Full Extension) Anochrome (ANO) Finish		
Size	Bulk (B)	Poly (P)
12 in.	8450FMB 12	8450FMP 12
14 in.	8450FMB 14	8450FMP 14
16 in.	8450FMB 16	8450FMP 16
18 in.	8450FMB 18	8450FMP 18
20 in.	8450FMB 20	8450FMP 20
22 in.	8450FMB 22	8450FMP 22
24 in.	8450FMB 24	8450FMP 24
26 in.	8450FMB 26	8450FMP 26
28 in.	8450FMB 28	8450FMP 28
8450FM (Full Extension) Ebony Black (EB) Finish		
12 in.	8450FMB EB 12	
14 in.	8450FMB EB 14	
16 in.	8450FMB EB 16	
18 in.	8450FMB EB 18	
20 in.	8450FMB EB 20	
22 in.	8450FMB EB 22	
24 in.	8450FMB EB 24	
26 in.	8450FMB EB 26	
28 in.	8450FMB EB 28	
8455FM (Over-Travel) Anochrome (ANO) Finish		
16 in.	8455FMB 16	8455FMP 16
18 in.	8455FMB 18	8455FMP 18
20 in.	8455FMB 20	8455FMP 20
22 in.	8455FMB 22	8455FMP 22
24 in.	8455FMB 24	8455FMP 24
26 in.	8455FMB 26	8455FMP 26
28 in.	8455FMB 28	8455FMP 28
8455FM (Over-Travel) Ebony Black (EB) Finish		
16 in.	8455FMB EB 16	
18 in.	8455FMB EB 18	
20 in.	8455FMB EB 20	
22 in.	8455FMB EB 22	
24 in.	8455FMB EB 24	
26 in.	8455FMB EB 26	
28 in.	8455FMB EB 28	

Recommended Fasteners		KV Part	Finish	Qty.
	#7 x 1/2" Phillips Panhead	8500-93	Zinc (ZC)	1000
		8500-93 EB	Ebony Black (EB)	1000

8403



8404



Product	Front/Rear	Finish	Pack
8403	Rear	Zinc (ZC)	20 Brackets per Carton
8403BBL	Rear	Zinc (ZC)	400 Brackets per Carton
8404	Front	Zinc (ZC)	20 Brackets per Carton
8404B	Front	Zinc (ZC)	400 Brackets per Carton
8404 WH	Front	White (WH)	20 Brackets per Carton
8404 EB	Front	Ebony Black (EB)	20 Brackets per Carton
8404BBL	Front	Zinc (ZC)	400 Brackets per Carton
8404B KIT	Both	Zinc (ZC)	Includes: 2 8403 brackets, 2 8404 brackets, screws, installation sheet.

MuV Undermount Drawer Slides



MuV Full Extension Undermount Drawer Slide	32
MuV34 Full Extension Undermount Drawer Slide	33
MuV HD Heavy-Duty Full Extension Drawer Slide	34
MuV34 HD Heavy-Duty Full Extension Drawer Slide	35
MuV Metric Full Extension Undermount Drawer Slide	36
MuV34 Metric Full Extension Undermount Drawer Slide	37

	Mounting Style	Load Class	Type	Extension	Disconnect Type					Open/Close Features		
			Undermount	3/4 Extension	Full Extension	1" Overtravel	No Disconnect	Friction Release	Lever Release	Lift Out	Quick Disconnect	Hold In/Anti-Rebound
MuV	Under	75	•	•						•	•	•
MuV34	Under	75	•	•						•	•	•
MuV HD	Under	120	•	•						•	•	•
MuV34 HD	Under	120	•	•						•	•	•
MuV Metric	Under	34kg	•	•						•	•	•
MuV34 Metric	Under	34kg	•	•						•	•	•

MuV Series Slide Family Features

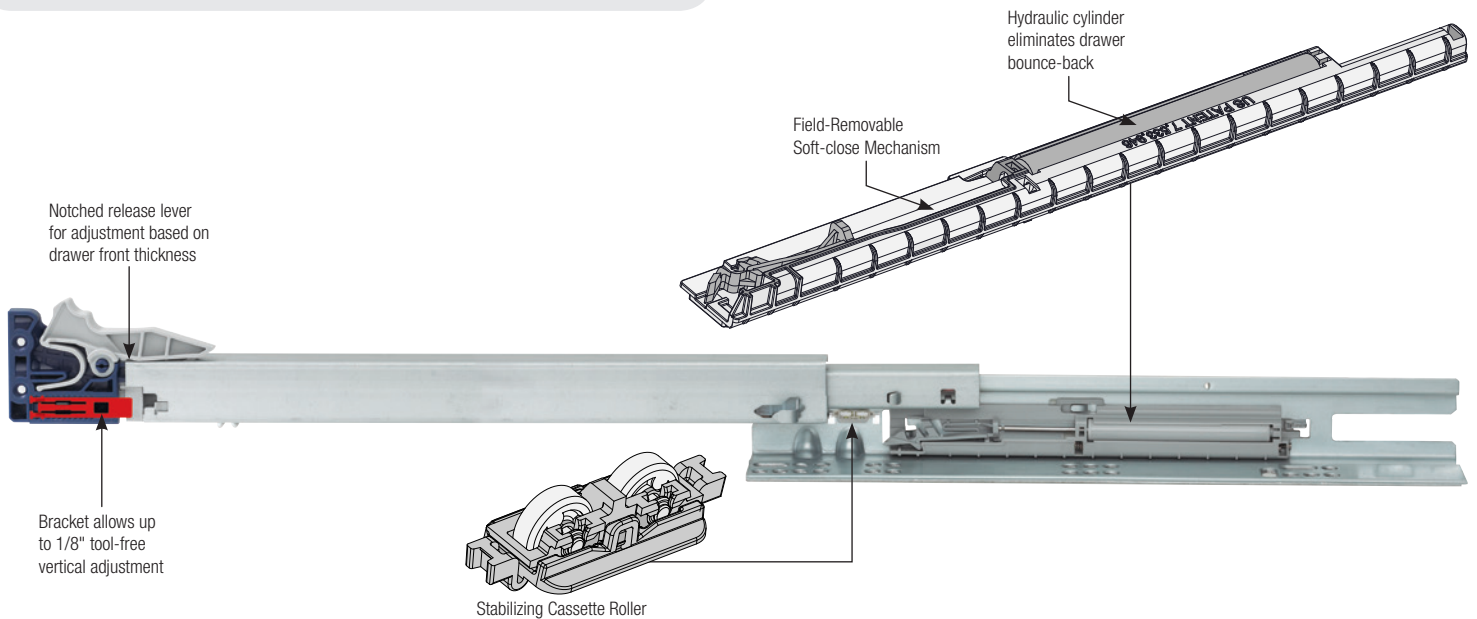
- 1 Notched release lever for adjustment based on drawer front thickness
- 2 Bracket allows up to 1/8" tool-free vertical adjustment
- 3 Stabilizing cassette roller keeps closed drawer fronts aligned and true
- 4 Patented soft-close mechanism with integrated spring dampener technology delivers superior performance
- 5 Elongated mounting holes simplify installation and adjustment

It's time to MuV

MuV soft close undermount drawer slides set a new standard for quiet and reliable operation. Featuring a number of technological innovations, MuV is the perfect balance of performance and affordability, with no sacrifice in reliability or ease-of-installation. It's time to MuV up to the maximum undermount value in the market today.

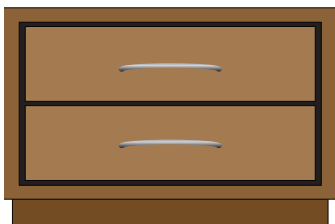
Patented soft close mechanism with integrated spring dampener technology delivers superior performance.

MuV's fully integrated soft close mechanism features the perfect balance of opening force and closing speed to ensure consistent positive closure. With a long dampening stroke (2-1/4" on 18" and larger slides), the hydraulic cylinder helps glide the drawer closed and eliminates the drawer "bounce" common to air filled cylinders. The mechanism can be removed and replaced independently of the slide.

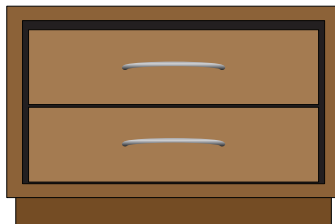


Stabilizing cassette roller keeps closed drawer fronts aligned and true.

Integrated cassette rollers help to stabilize content load and eliminate sag when the drawer is in the closed position. Inset drawers stay perfectly aligned and true.



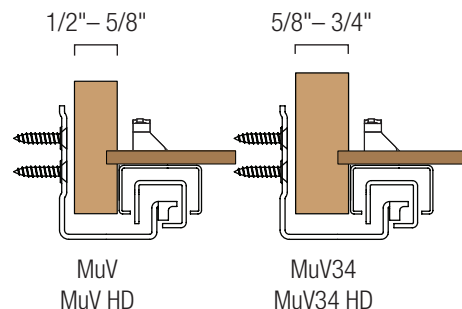
Stabilizing cassette rollers prevent drawer sag. Inset drawers stay aligned and true in closed position.



Slides without stabilizing cassette rollers tend to sag, making for an unsightly appearance and increasing the possibility of drawer malfunction.

Built to handle drawer box material up to 3/4" thick.

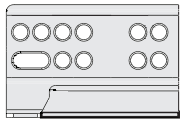
MuV and MuV HD are available in two material width models, allowing the use of drawer box material up to 3/4" in thickness.



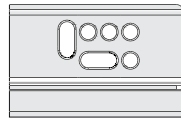
to one solution.

Set up, installation, and fine-tuning is as easy as 1-2-3.

1. MuV supports industry standard drawer box construction and features a 32mm mounting hole pattern.
2. MuV features elongated mounting holes on both the front and back of the drawer member, making horizontal and vertical adjustments fast and simple.



Front Mounting Hole Pattern



Rear Mounting Hole Pattern

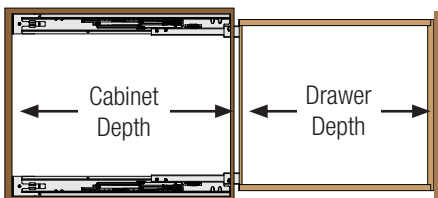
3. MuV's ergonomic front release brackets feature tool free 1/8" height adjustment for post-installation fine-tuning. Notched release brackets are designed to accommodate various drawer fronts. Open areas allow better fastener access.

NEW! MuV™ HD is a 120 pound load class slide that supports drawers up to 30" deep and 42" wide. MuV HD is perfect for heavy pot and pan drawers, deeper cabinets, and for wider drawers that are becoming more popular. MuV HD offers two additional lengths than its competition (20" and 22"), that provide up to 2" additional drawer storage for 24" base cabinets.



More sizes mean deeper drawer boxes for more usable storage space.

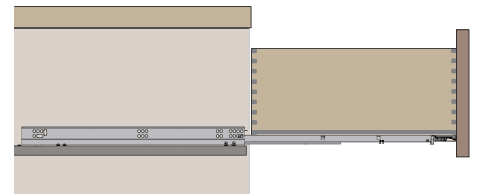
MuV and MuV HD's extended slide sizes give cabinet makers complete flexibility, including the ability to create deeper drawer boxes in standard cabinet configurations. By using MuV and MuV HD undermount slides, up to 2 full inches of additional drawer box depth can be built into the cabinet.



Cabinet Depth	Competitor Slide Length	MuV Slide Length	MuV HD Slide Length	Drawer Depth Gain
12"	9"	9"	-	
12"	9"	10"	-	+1"
15"	12"	12"	-	
15"	12"	14"	-	+2"
18"	15"	15"	-	
18"	15"	16"	-	+1"
21"	18"	18"	18"	
21"	18"	20"	20"	+2"
24"	21"	21"	21"	
24"	21"	22"	22"	+1"

Full extension for complete drawer box access.

All MuV and MuV HD slides 18" and longer feature a true full extension, which allows for complete access to drawer contents.



True full extension on sizes 18" and longer.


MUV Full Extension Undermount Drawer Slide

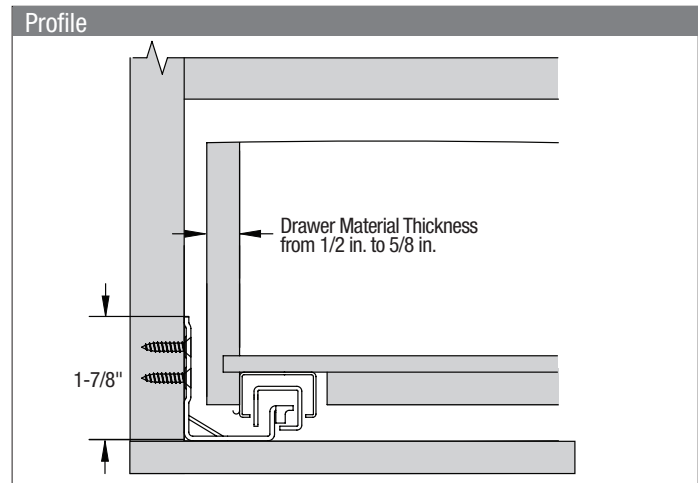
- For use with drawer material from 1/2" to 5/8"
- 32mm hole pattern matches existing industry standards
- True full extension
- Integrated soft-close motion-dampening cylinder guides drawer into closed position
- Packaged complete with release levers



Number	MuV Full Extension Undermount Drawer Slide with Soft-Close Feature
Mounting Action	Undermount Telescopic action
Load Rating	75-pound Class
Height	1-7/8"
Finish	Zinc (ZC)

Pack Configurations		Screws
Bulk (B)	9"-12" : 4 Sets per Carton, includes front release levers	No
	14"-22" : 6 Sets per Carton, includes front release levers	
MuV Zinc (ZC) Finish		
Size	Bulk (B)	
9 in.	MUVB 9	
10 in.	MUVB 10	
12 in.	MUVB 12	
14 in.	MUVB 14	
15 in.	MUVB 15	
16 in.	MUVB 16	
18 in.	MUVB 18	
20 in.	MUVB 20	
21 in.	MUVB 21	
22 in.	MUVB 22	

Recommended Fasteners	KV Part	Finish	Qty.	
	#7 x 5/8" Flat Head Wood Screws	MUV-122	Zinc (ZC)	100
	#6 x 1/2" Truss Head Wood Screws	MUV-123	Zinc (ZC)	100



Optimal Operation Guidelines for Drawer Width Based on Drawer Height:	
Drawer Height	Max. Width
Up to 6"	Slide Length + 10"
Greater than 6"	Slide length + 10" or 28", whichever is less
Greater than 8"	Slide Length + 10" or 24", whichever is less
Greater than 10"	Slide Length + 10" or 21", whichever is less

MUV-RBP Plastic Rear Mounting Bracket
Sizes 9-12"



MUV-RBM Metal Rear Mounting Bracket
Sizes 14"+



MUV-121 Installation Jig




Accessories		
Product	Description	Carton Qty.
MUV-RBP	Plastic rear mounting brackets (sizes 9-12")	8 (4L, 4R)
MUV-RBM	Metal rear mounting brackets (sizes 14"+)	12 (non-handed)
MUV-121	Installation Jig	1

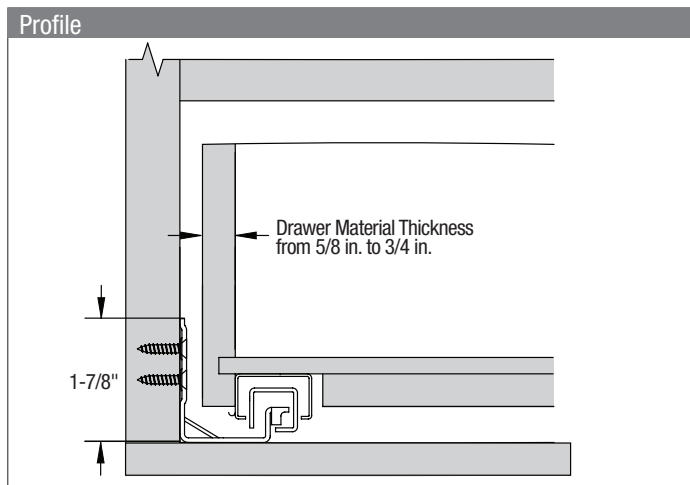
Full Extension Undermount Drawer Slide **MUV 34**

Number	MuV34 Full Extension Undermount Drawer Slide with Soft-Close Feature
Mounting Action	Undermount Telescopic action
Load Rating	75-pound Class
Height	1-7/8"
Finish	Zinc (ZC)

Pack Configurations	Screws
Bulk (B)	No
9"-12": 4 Sets per Carton, includes front release levers	
14"-22": 6 Sets per Carton, includes front release levers	

MuV Zinc (ZC) Finish	
Size	Bulk (B)
9 in.	MUV34B 9
10 in.	MUV34B 10
12 in.	MUV34B 12
14 in.	MUV34B 14
15 in.	MUV34B 15
16 in.	MUV34B 16
18 in.	MUV34B 18
20 in.	MUV34B 20
21 in.	MUV34B 21
22 in.	MUV34B 22

Recommended Fasteners	KV Part	Finish	Qty.
	#7 x 5/8" Flat Head Wood Screws	MUV-122	Zinc (ZC) 100
	#6 x 1/2" Truss Head Wood Screws	MUV-123	Zinc (ZC) 100



Optimal Operation Guidelines for Drawer Width Based on Drawer Height:	
Drawer Height	Max. Width
Up to 6"	Slide Length + 10"
Greater than 6"	Slide length + 10" or 28", whichever is less
Greater than 8"	Slide Length + 10" or 24", whichever is less
Greater than 10"	Slide Length + 10" or 21", whichever is less

MUV-RBP Plastic Rear Mounting Bracket

Sizes 9-12"



MUV-RBM Metal Rear Mounting Bracket

Sizes 14"+



MUV-121 Installation Jig



Accessories		
Product	Description	Carton Qty.
MUV-RBP	Plastic rear mounting brackets (sizes 9-12")	8 (4L, 4R)
MUV-RBM	Metal rear mounting brackets (sizes 14"+)	12 (non-handed)
MUV-121	Installation Jig	1

- For use with drawer material from 5/8" to 3/4"
- 32mm hole pattern matches existing industry standards
- True full extension
- Integrated soft-close motion-dampening cylinder guides drawer into closed position
- Packaged complete with release levers



MUV HD Heavy-Duty Full Extension Undermount Drawer Slide


- Handles drawer box materials from 1/2" to 5/8" thick
- Stabilizing rollers keep closed drawer fronts aligned and true
- Hydraulic soft-close cylinder eliminates drawer "bounce-back"
- Industry standard 32mm mounting hole pattern
- Optional bottom mount holes
- Recommended maximum drawer width 42"

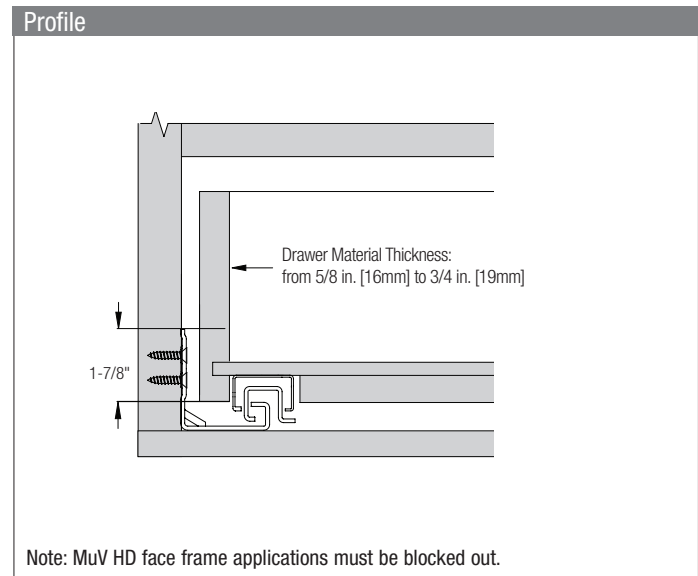


Number	MuV HD Heavy-Duty Full Extension Undermount Drawer Slide
Mounting	Undermount
Travel	True Extension
Load Rating	120-Pound Class
Height	1-7/8"
Finish	Galvanized (GALV)

Pack Configurations		Screws
Bulk (B)	4 Sets per Carton, includes front release levers	No

MuV HD Galvanized (GALV) Finish	
Size	Bulk (B)
18 in.	MUVHDB 18
20 in.	MUVHDB 20
21 in.	MUVHDB 21
22 in.	MUVHDB 22
24 in.	MUVHDB 24
27 in.	MUVHDB 27
30 in.	MUVHDB 30

Recommended Fasteners	KV Part	Finish	Qty.
 #7 x 5/8" Phillips Flathead Screws	MUV-122	Zinc (ZC)	100
#6 x 1/2" Phillips Flathead Screws	MUV-123	Zinc (ZC)	100



MUV-121
Slide Drill Jig



Accessories		
Product	Description	Carton Qty.
MUV-121	Installation Jig	1

Heavy-Duty Full Extension Undermount Drawer Slide **MUV34 HD**


Number	MuV34 HD Heavy-Duty Full Extension Undermount Drawer Slide
Mounting	Undermount
Travel	True Extension
Load Rating	120-Pound Class
Height	1-7/8"
Finish	Galvanized (GALV)

- Handles drawer box materials from 5/8" to 3/4" thick
- Stabilizing rollers keep closed drawer fronts aligned and true
- Hydraulic soft-close cylinder eliminates drawer "bounce-back"
- Industry standard 32mm mounting hole pattern
- Optional bottom mount holes
- Recommended maximum drawer width 42"

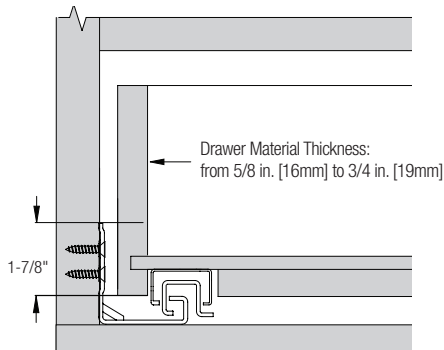
Pack Configurations	Screws
Bulk (B) 4 Sets per Carton, includes front release levers	No

MuV 34HD Galvanized (GALV) Finish

Size	Bulk (B)
18 in.	MUV34HDB 18
20 in.	MUV34HDB 20
21 in.	MUV34HDB 21
22 in.	MUV34HDB 22
24 in.	MUV34HDB 24
27 in.	MUV34HDB 27
30 in.	MUV34HDB 30

Recommended Fasteners	KV Part	Finish	Qty.
 #7 x 5/8" Flat Head Wood Screws	MUV-122	Zinc (ZC)	100
#6 x 1/2" Truss Head Wood Screws	MUV-123	Zinc (ZC)	100

Profile



Note: MuV HD face frame applications must be blocked out.

MUV-121
Slide Drill Jig



Accessories		
Product	Description	Carton Qty.
MUV-121	Installation Jig	1



MUV Metric Full Extension Undermount Drawer Slide



- For use with drawer material thickness from 13mm to 16mm
- Ergonomically designed front release levers allow for tool-free height adjustment
- 32mm hole pattern matches existing industry standards
- True full extension
- Integrated soft-close motion-dampening cylinder guides drawer into closed position
- Packaged complete with release levers



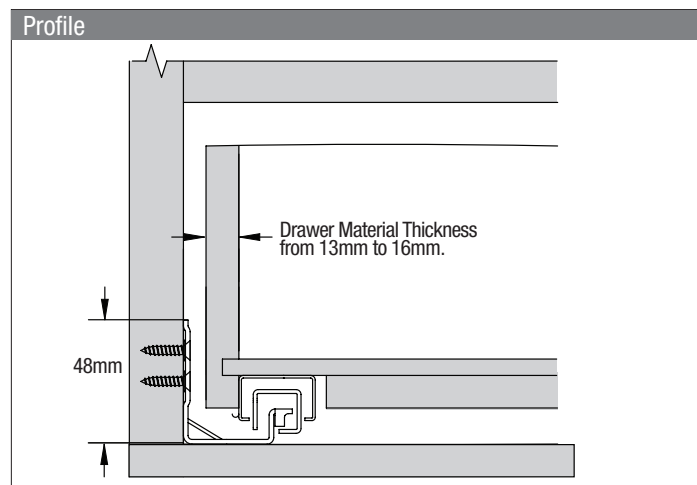
Number	MuV Full Extension Undermount Drawer Slide with Soft-Close Feature
Mounting	Undermount
Action	Telescopic action
Load Rating	34 KG Class [75 lbs.]
Height	48mm
Finish	Zinc (ZC)

Pack Configurations	Screws
Bulk (B)	No
250mm-320mm: 4 Sets per Carton, includes front release levers	
350mm-600mm: 6 Sets per Carton, includes front release levers	

MuV Zinc (ZC) Finish	
Size	Bulk (B)
250mm	MUVB 250
270mm	MUVB 270
300mm	MUVB 300
320mm	MUVB 320
350mm	MUVB 350
380mm	MUVB 380
400mm	MUVB 400
420mm	MUVB 420
450mm	MUVB 450
480mm	MUVB 480
500mm	MUVB 500
520mm	MUVB 520
550mm	MUVB 550
600mm	MUVB 600

Recommended Fasteners	kV Part	Finish	Qty.
 #7 x 5/8" Flat Head Wood Screws	MUV-122	Zinc (ZC)	100
 #6 x 1/2" Truss Head Wood Screws	MUV-123	Zinc (ZC)	100

Optimal Operation Guidelines for Drawer Width Based on Drawer Height:	
Drawer Height	Max. Width
Up to 152mm [6"]	Slide Length + 254mm [10"]
Greater than 152mm [6"]	Slide length + 254mm [10"] or 711mm [28"], whichever is less
Greater than 203mm [8"]	Slide Length + 254mm [10"] or 609mm [24"] whichever is less
Greater than 254mm [10"]	Slide Length + 254mm [10"] or 533mm [21"] whichever is less



MUV-121
Installation Jig





Product	Description	Carton Qty.
MUV-121	Installation Jig	1

Full Extension Undermount Drawer Slide MUV34 Metric

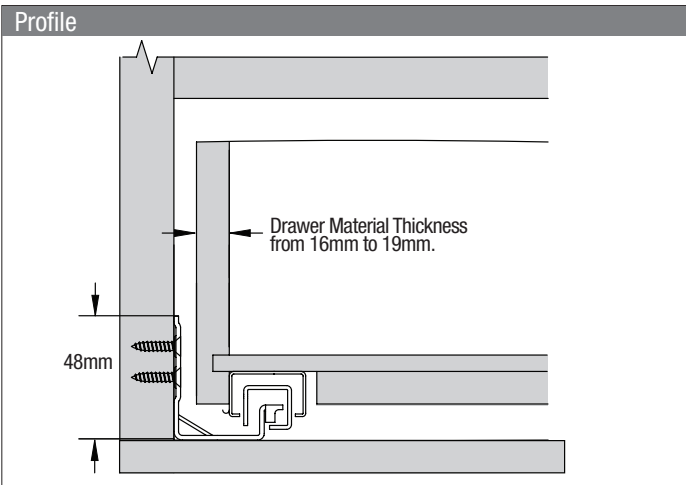
Name	MuV34 Metric Full Extension Undermount Drawer Slide Soft-Close Feature
Mounting	Undermount
Action	Telescopic action
Load Rating	34 KG Class [75]
Height	48mm
Finish	Zinc (ZC)

Pack Configurations	Screws
250mm-320mm: 4 Sets per Carton, includes front release levers	No
350mm-600mm: 6 Sets per Carton, includes front release levers	

MuV Zinc (ZC) Finish	
Size	Bulk (B)
250mm	MUV34B 250
270mm	MUV34B 270
300mm	MUV34B 300
320mm	MUV34B 320
350mm	MUV34B 350
380mm	MUV34B 380
400mm	MUV34B 400
420mm	MUV34B 420
450mm	MUV34B 450
480mm	MUV34B 480
500mm	MUV34B 500
520mm	MUV34B 520
550mm	MUV34B 550
600mm	MUV34B 600

Recommended Fasteners	KV Part	Finish	Qty.
 #7 x 5/8" Flat Head Wood Screws	MUV-122	Zinc (ZC)	100
 #6 x 1/2" Truss Head Wood Screws	MUV-123	Zinc (ZC)	100

Optimal Operation Guidelines for Drawer Width Based on Drawer Height:	
Drawer Height	Max. Width
Up to 152mm [6"]	Slide Length + 254mm [10"]
Greater than 152mm [6"]	Slide length + 254mm [10"] or 711mm [28"], whichever is less
Greater than 203mm [8"]	Slide Length + 254mm [10"] or 609mm [24"] whichever is less
Greater than 254mm [10"]	Slide Length + 254mm [10"] or 533mm [21"] whichever is less



MUV-121
Installation Jig



Product	Description	Carton Qty.
MUV-121	Installation Jig	1

- For use with drawer material thickness from 16mm to 19mm
- 32mm hole pattern matches existing industry standards
- True full extension
- Integrated soft-close motion-dampening cylinder guides drawer into closed position
- Packaged complete with release levers



Closed Position



Heavy-Duty Drawer Slides



6505 Over Travel Box or File Slide with Quick Disconnect Rail	39
8500 Full Extension Heavy-Duty File or Lateral Drawer Slides	40
8505 1-1/2 in. Overtravel Heavy-Duty File or Lateral Drawer Slides	40
8520 Full-extension Extra Heavy-Duty File or Lateral Drawer Slides	41
8525 1-1/2 in. Extra Heavy-Duty File or Lateral Drawer Slides	41
8800 Heavy-Duty Full-Extension Drawer Slide	42
8805 Heavy-Duty Over-Travel Drawer Slide with Quick Disconnect	43
8900 Extra Heavy-Duty Full-Extension Drawer Slide	44
8908 Extra Heavy-Duty Full-Extension Lock-in/Lock-out Slide	45
8909 Extra Heavy-Duty Full-Extension Lock-out Slide	45
8910 Extra Heavy-Duty Full-Extension Lock-in Slide	45

Quick Reference Chart

	Mounting Style	Load Class	Type		Extension				Disconnect Type			Open/Close Features						
			Roller Bearing	Ball Bearing	3/4 Extension	Full Extension	1" Overtravel	No Disconnect	Friction Release	Lever Release	Lift Out	Quick Disconnect	Hold Inanti-Rebound	Hold Out/Open	Lock In	Lock Open	Self-Close	Soft-Close
6505	Side	125		•				•				•	•					
8500	Side	150		•		•						•	•					
8505	Side	150		•				•				•	•					
8520	Side	175		•		•						•	•					
8525	Side	175		•			•					•	•					
8800	Side	200		•		•				•		•	•					
8805	Side	200		•			•					•	•					
8900	Side	150-500		•		•		•				•	•					
8908	Side	150-500		•		•		•							•	•		
8909	Side	150-500		•		•		•								•		
8910	Side	150-500		•		•		•										

Strength & Style


KV boasts one of the industry's widest selections of heavy-duty and extra heavy-duty drawer slides. With sizes ranging from 10 to 60 inches, and weight loads up to 500 lbs. (based on application), our products are ideal for a wide range of applications, including: office furniture, industrial, automotive, tool storage and heavy institutional furniture.

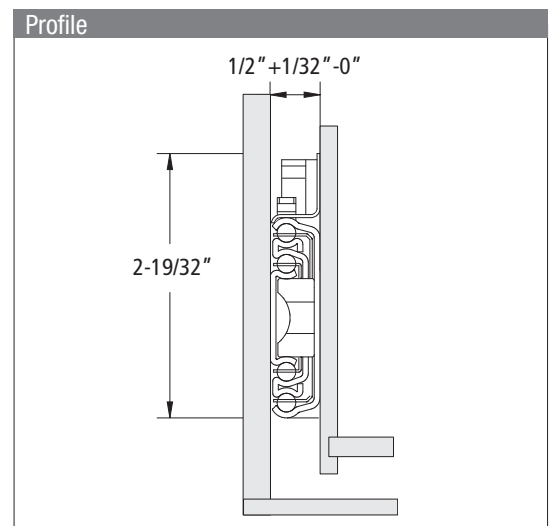
Over Travel Box or File Slide with Quick Disconnect Rail 6505

- 1" overtravel for easy access to drawer contents
- Closed position hold-in detent
- Quick disconnect Rail
- Recommended Max. Drawer Width: 30 in.

Number	6505 1" Over Travel Drawer Slide
Mounting	Side
Action	Telescopic Movement On Ball Bearings
Load Rating	125-pound Class
Height	2-19/32" (Includes Quick Disconnect Rail)
Clearance	1/2" plus 1/32" minus 0" each side
Finish	Zinc (ZC)

Pack Configurations		Screws
Bulk (B)	5 Sets per Carton	No
6505 Zinc (ZC) Finish		
Size	Bulk (B)	
12 in.	6505B 12	
14 in.	6505B 14	
16 in.	6505B 16	
18 in.	6505B 18	
20 in.	6505B 20	
22 in.	6505B 22	
24 in.	6505B 24	
26 in.	6505B 26	
28 in.	6505B 28	

Recommended Fasteners	
	#8 x 7/16" Wood Screw



8500 8500, 8505 Heavy-Duty File or Lateral Drawer Slides

- 32mm hole pattern
- Non-handed quick disconnect drawer members
- Hold-in feature to prevent bounceback
- Recommended Max. Drawer Width: 8500 —36 in.
8505 —30 in.



Number	8500 Full Extension Drawer Slide 8505 1-1/4" Overtravel Drawer Slide
Mounting	Side
Action	Progressive Movement on Ball Bearings
Load Rating	150-pound Class
Height	3-51/64" (including Quick Disconnect Rail)
Clearance	1/2" plus 1/32" minus 0" each side
Finish	Anochrome (ANO), Ebony Black (EB)

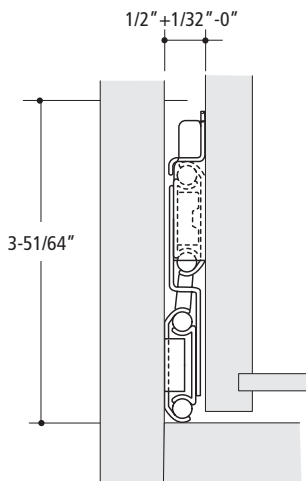
Pack Configurations				Screws
Bulk (B)	5 Sets per Carton			No
Poly (P)	1 Set per Bag; 5 Sets per Carton			Yes
Quantity (Q)	10 Sets; Multiple Cartons			No

8500 Anochrome (ANO) Finish (Full Extension)			
Size	Bulk (B)	Poly (P)	Quantity (Q)
12 in.	8500B 12	8500P 12	8500Q 12
14 in.	8500B 14	8500P 14	8500Q 14
16 in.	8500B 16	8500P 16	8500Q 16
18 in.	8500B 18	8500P 18	8500Q 18
20 in.	8500B 20	8500P 20	8500Q 20
22 in.	8500B 22	8500P 22	8500Q 22
24 in.	8500B 24	8500P 24	8500Q 24
26 in.	8500B 26	8500P 26	8500Q 26
28 in.	8500B 28	8500P 28	8500Q 28
30 in.	8500B 30	8500P 30	8500Q 30

8505 Anochrome (ANO) Finish (Overtravel)			
Size	Bulk (B)	Poly (P)	Quantity (Q)
12 in.	8505B 12	8505P 12	8505Q 12
14 in.	8505B 14	8505P 14	8505Q 14
16 in.	8505B 16	8505P 16	8505Q 16
18 in.	8505B 18	8505P 18	8505Q 18
20 in.	8505B 20	8505P 20	8505Q 20
22 in.	8505B 22	8505P 22	8505Q 22
24 in.	8505B 24	8505P 24	8505Q 24
26 in.	8505B 26	8505P 26	8505Q 26
28 in.	8505B 28	8505P 28	8505Q 28
30 in.	8505B 30	8505P 30	8505Q 30

8505 Ebony Black (EB) Finish (Overtravel)			
Size	Bulk (B)	Poly (P)	Quantity (Q)
12 in.	8505B EB 12		8505Q EB 12
14 in.	8505B EB 14		8505Q EB 14
16 in.	8505B EB 16	8505P EB 16	8505Q EB 16
18 in.	8505B EB 18	8505P EB 18	8505Q EB 18
20 in.	8505B EB 20	8505P EB 20	8505Q EB 20
22 in.	8505B EB 22	8505P EB 22	8505Q EB 22
24 in.	8505B EB 24	8505P EB 24	8505Q EB 24
26 in.	8505B EB 26		8505Q EB 26
28 in.	8505B EB 28		8505Q EB 28
30 in.	8505B EB 30		8505Q EB 30

Profile



Recommended Fasteners		KV Part	Finish	Qty.
	#7 x 1/2" Phillips Panhead	8500-93	Zinc (ZC)	1000
		8500-93 EB	Ebony Black (EB)	1000

8520, 8525 Extra Heavy-Duty File or Lateral Drawer Slides 8520

- 32mm hole pattern
- Non-handed quick disconnect drawer members
- Hold-in feature to prevent bounce-back
- Recommended Max. Drawer Width: 8520 —42 in.
8525 —36 in.

Number	8520 Full Extension Drawer Slide (42" max. drawer width) 8525 1-1/4" Overtravel Drawer Slide (36" max. drawer width)
Mounting	Side
Action	Progressive Movement on Ball Bearings
Load Rating	175-pound Class
Height	3-51/64" (includes Quick Disconnect rails)
Clearance	1/2" plus 1/32" minus 0" each side
Finish	Anochrome (ANO)


Pack Configurations		Screws
Poly (P)	1 Set per Bag; 5 Sets per Carton	Yes
Bulk (B)	5 Sets per Carton	No
Quantity (Q)	10 Sets; Multiple Cartons	No

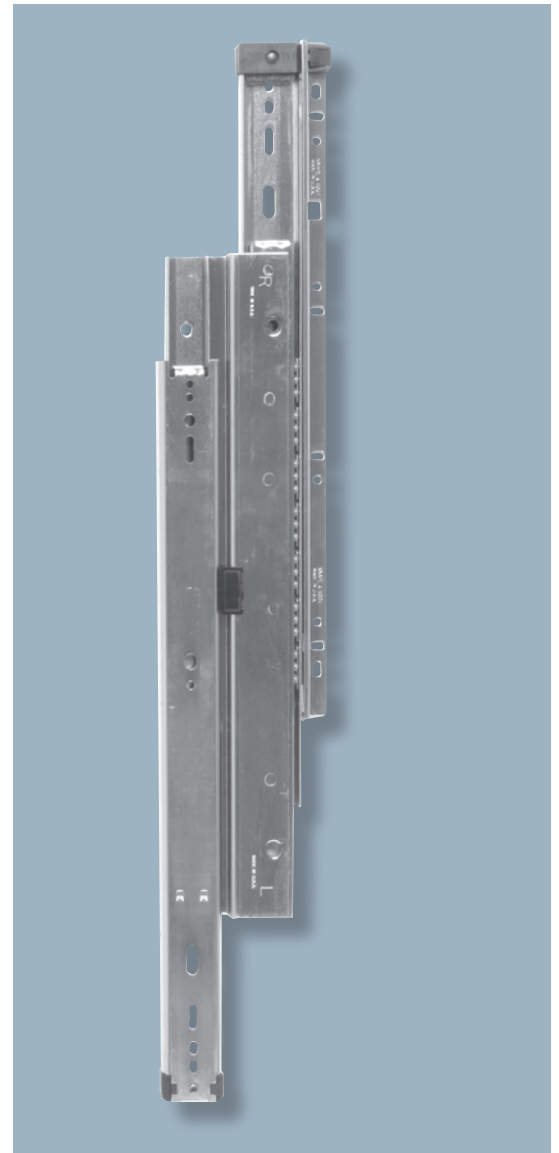
8520 Anochrome (ANO) Finish

Size	Poly (P)	Bulk (B)	Quantity (Q)
16 in.	8520B 16	8520P 16	8520Q 16
18 in.	8520B 18	8520P 18	8520Q 18
20 in.	8520B 20	8520P 20	8520Q 20

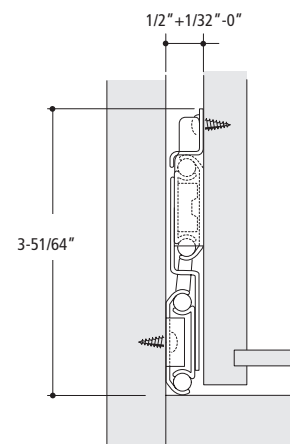
8525 Anochrome (ANO) Finish

16 in.	8525B 16	8525P 16	
18 in.	8525B 18	8525P 18	
20 in.	8525B 20	8525P 20	

Recommended Fasteners	KV Part	Finish	Qty.
 #7 x 1/2" Phillips Panhead	8500-93	Zinc (ZC)	1000

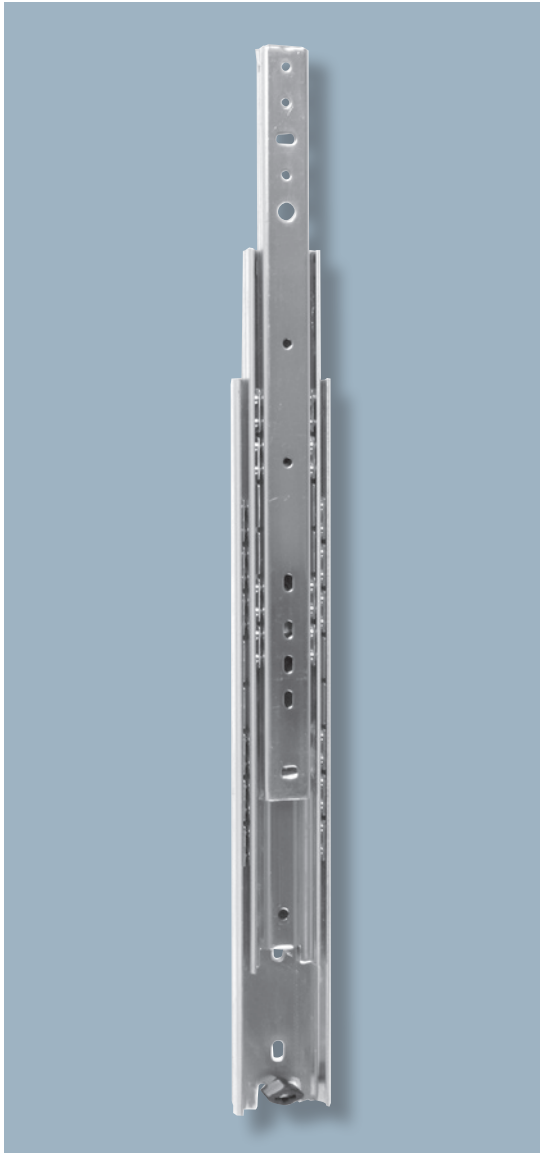


Profile




8800 Heavy-Duty Full Extension Drawer Slide

- Non-handed design for easy installation
- Closed-position hold-in detent
- Lever Disconnect
- Recommended Max. Drawer Width: 42 in.

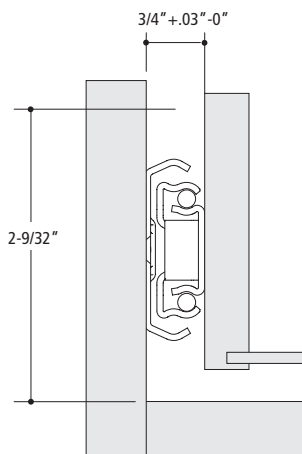


Number	8800 Full Extension Drawer Slide
Mounting	Side
Action	Telescopic Movement on Ball Bearings
Load Rating	200-pound Class
Height	2-9/32"
Clearance	3/4" plus .03" minus 0" each side
Finish	Zinc (ZC)

Pack Configurations		Screws
Bulk (B)	4 Sets per Carton	No
8800 Zinc (ZC) Finish		
Size	Bulk (B)	
12 in.	8800B 12	
14 in.	8800B 14	
16 in.	8800B 16	
18 in.	8800B 18	
20 in.	8800B 20	
22 in.	8800B 22	
24 in.	8800B 24	
26 in.	8800B 26	
28 in.	8800B 28	

Recommended Fasteners	
	#10, 82° flat head machine screws on cabinet channel
	#10-32 x 1/2" with #8 slotted truss head screws on drawer channel

Profile



Heavy-Duty Over Travel Drawer Slide with Quick Disconnect 8805

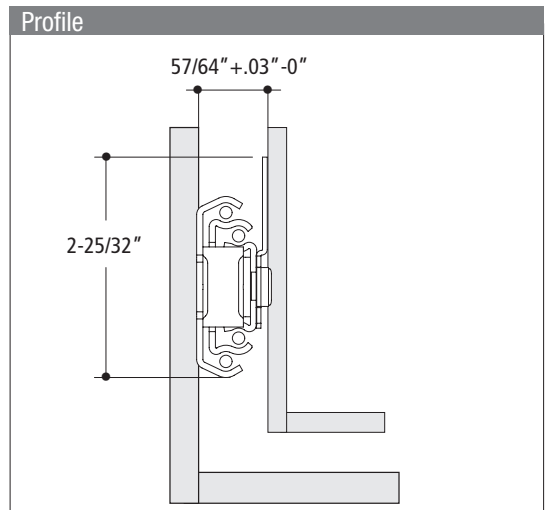
- Non-handed design for easy installation
- Ideal for large storage drawer applications
 - 1" Over-travel allows for easy access to drawer contents
- Quick disconnect rail for easy detachment
- Recommended Max. Drawer Width: 42 in.

Number	8805 1" Overtravel Drawer Slide
Mounting	Side
Action	Telescopic Movement on Ball Bearings
Load Rating	200-pound Class
Height	2-9/32" (2-25/32" with Quick Disconnect)
Clearance	57/64"
Finish	Zinc (ZC)

Pack Configurations		Screws
Bulk (B)	4 Sets per Carton	No
Poly (P)	1 Set per Bag; 4 Sets per Carton	Yes

8805 Zinc (ZC) Finish		
Size	Bulk (B)	Poly (P)
12 in.	8805B 12	8805P 12
14 in.	8805B 14	8805P 14
16 in.	8805B 16	8805P 16
18 in.	8805B 18	8805P 18
20 in.	8805B 20	8805P 20
22 in.	8805B 22	8805P 22
24 in.	8805B 24	8805P 24
26 in.	8805B 26	8805P 26
28 in.	8805B 28	8805P 28

Recommended Fasteners	
	#8 Truss Head Screws



8900 Extra Heavy-Duty Full Extension Drawer Slide


- Heavy-Duty stops are designed to survive rough use
- Non-handed design for easy installation
- Full extension travel
- Non disconnect



Number	8900 Extra Heavy-Duty Full Extension Slide
Mounting	Side
Action	Telescopic Movement on Ball Bearings
Load Rating	100 to 500 lbs. (based on application)
Height	3"
Clearance	3/4"
Finish	Zinc (ZC)

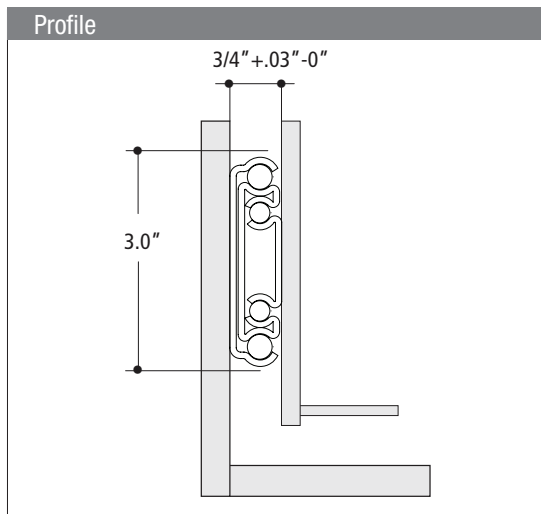
Pack Configurations		Screws
Bulk (B)	12" to 20" 4 Sets per Carton; 22" to 28" 3 Sets per Carton 30" to 36" 2 Sets per Carton; 40" to 60" 1 Set per Carton	No
Poly (P)	12" to 20" 4 Sets per Carton; 22" to 28" 3 Sets per Carton; 30" to 36" 2 Sets per Carton	No

8800 Zinc (ZC) Finish		
Size	Bulk (B)	Poly (P)
10 in.	8900B 10	8900P 10
12 in.	8900B 12	8900P 12
14 in.	8900B 14	8900P 14
16 in.	8900B 16	8900P 16
18 in.	8900B 18	8900P 18
20 in.	8900B 20	8900P 20
22 in.	8900B 22	8900P 22
24 in.	8900B 24	8900P 24
26 in.	8900B 26	8900P 26
28 in.	8900B 28	8900P 28
30 in.	8900B 30	8900P 30
32 in.	8900B 32	8900P 32
34 in.	8900B 34	8900P 34
36 in.	8900B 36	8900P 36
40 in.	8900B 40	
42 in.	8900B 42	
44 in.	8900B 44	
48 in.	8900B 48	
60 in.	8900B 60	

Recommended Fasteners	
	Use 1/4" or [M6 Euro] flat, hex, or panhead screw for .26 [6.6mm] cabinet member holes
	Use 1/4" or [M6 Euro] hex or panhead screw for .26 [6.6mm] drawer member holes
	Use #10 or [M5 Euro] flat, hex, or panhead screw for .20 [5.2mm] cabinet member holes
	Use #10 or [M5 Euro] hex or panhead screw for .20 [5.2mm] drawer member holes

Load Rating Chart		
Load Rating	Test Condition	Open/close cycle tested
500 Lb.	18 in. slide in 18 in. width drawer	10,000
400 Lb.	18 in. slide in 42 in. width drawer	30,000
300 Lb.	18 in. slide in 36 in. width drawer	75,000
100 lbs. flat load	18 in. slide in 32 in. width drawer	10,000

Note: This slide must never be used as a pull-out step, platform or any other application supporting human weight as injury may result.



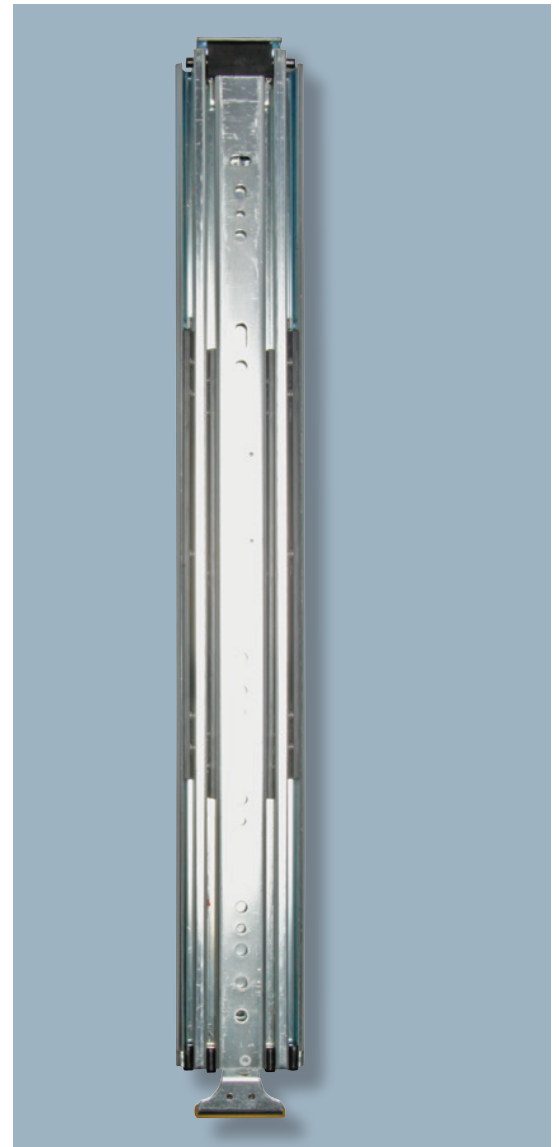
8909, 8910 Extra Heavy-Duty Full Extension Locking Slides 8908

- Automatic lock-in/lock-out feature
- Intuitive uni-directional release/closure
- Removable, ergonomic handle
- Spring-activated latches for vertical and horizontal mounting
- Non disconnect

Number	8908 Extra Heavy-Duty Full Extension Lock-in/Lock-out Slide 8909 Extra Heavy-Duty Full Extension Lock-out Only Slide 8910 Extra Heavy-Duty Full Extension Lock-in Only Slide
Mounting	Side or Flat
Action	Telescopic Movement on Ball Bearings
Load Rating	100 to 500 lbs. (based on application)
Height	3" (+.020, .020)
Clearance	0.75" (+.030, -.030)
Finish	Zinc (ZC)

Pack Configurations	Screws
Bulk (B) Sold as Each, Not Pairs 12" to 20": 8 slides per Carton 22" to 28": 6 slides per Carton 30" to 36": 4 slides per Carton 40", 42", 44", 48", 60": 2 slides per Carton Each slide is polybagged with instructions included.	No

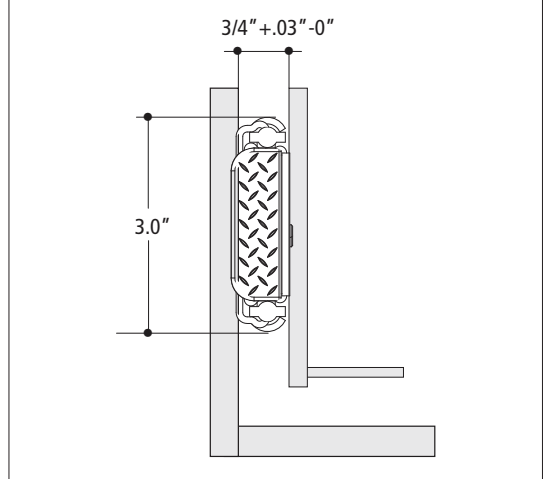
8908 Zinc (ZC) Finish			
Size	Lock-in/Lock-out	Lock Out Only	Lock In Only
10 in.	N/A	8909B10	8910B 10
12 in.	8908B 12	8909B 12	8910B 12
14 in.	8908B 14	8909B 14	8910B 14
16 in.	8908B 16	8909B 16	8910B 16
18 in.	8908B 18	8909B 18	8910B 18
20 in.	8908B 20	8909B 20	8910B 20
22 in.	8908B 22	8909B 22	8910B 22
24 in.	8908B 24	8909B 24	8910B 24
26 in.	8908B 26	8909B 26	8910B 26
28 in.	8908B 28	8909B 28	8910B 28
30 in.	8908B 30	8909B 30	8910B 30
32 in.	8908B 32	8909B 32	8910B 32
34 in.	8908B 34	8909B 34	8910B 34
36 in.	8908B 36	8909B 36	8910B 36
40 in.	8908B 40	8909B 40	8910B 40
42 in.	8908B 42	8909B 42	8910B 42
44 in.	8908B 44	8909B 44	8910B 44
48 in.	8908B 48	8909B 48	8910B 48
60 in.	8908B 60	8909B 60	8910B 60



Note: This slide must never be used as a pull-out step, platform or any other application supporting human weight as injury may result.

NOTE: The 8908 slide is designed for applications in the 100 to 500-pound class based on application:
 Modest Use: 500 lbs.; Normal Use: 400 lbs.; Vehicular Use: 300 lbs.; Flat Mount: 100 lbs.

Profile



Specialty Drawer Slides



6400 Stainless Steel Drawer Slide	47
8000 Undermount Pantry Slide	48
8500T Interlock™ Lateral File Drawer System	49

Quick Reference Chart

	Mounting Style	Load Class	Type		Extension				Disconnect Type				Open/Close Features					
			Roller Bearing	Ball Bearing	3/4 Extension	Full Extension	1" Overtravel	No Disconnect	Friction Release	Lever Release	Lift Out	Quick Disconnect	Hold In/Anti-Rebound	Hold Out/Open	Lock Open	Self-Close	Soft-Close	Shelf Tabs
6400	Side	75		•		•					•			•				
8000	Under	130		•				•				•						
8500T	Side	150		•		•							•	•				
8505T	Side	150		•			•						•	•				
8520T	Side	175		•		•							•	•				
8525T	Side	175		•			•						•	•				


Stainless Steel Drawer Slide 6400

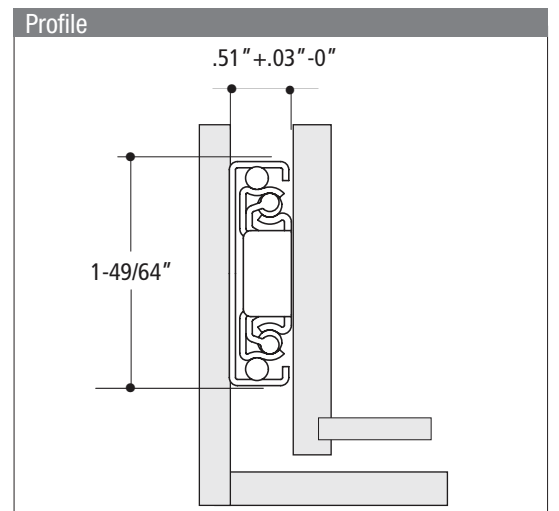
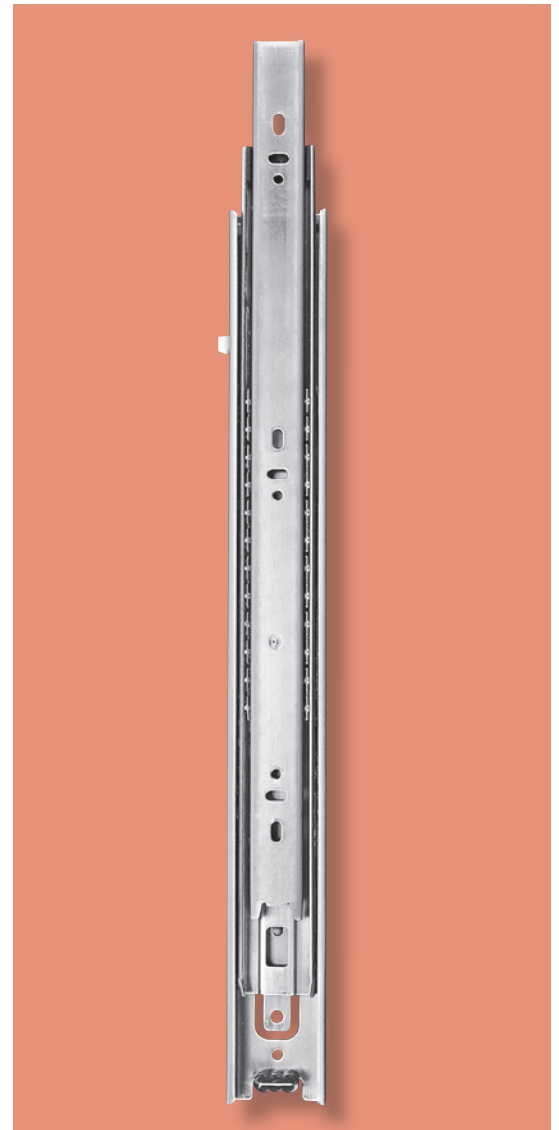
- 304-Grade stainless steel
- Ideal for use in wet or corrosive environments
- USDA H-1 approved grease
- Lever disconnect
- Recommended Max. Drawer Width: 24 in.

Number	6400 Full Extension Stainless Steel Drawer Slide
Mounting	Side
Action	Telescopic Movement on Ball Bearings
Load Rating	75-pound Class
Height	1-49/64"
Clearance	.51", plus .030" minus 0" each side
Finish	Stainless Steel (SS)

Pack Configurations		Screws
Poly (P)	1 Set per Bag; 10 Sets per Carton	Yes

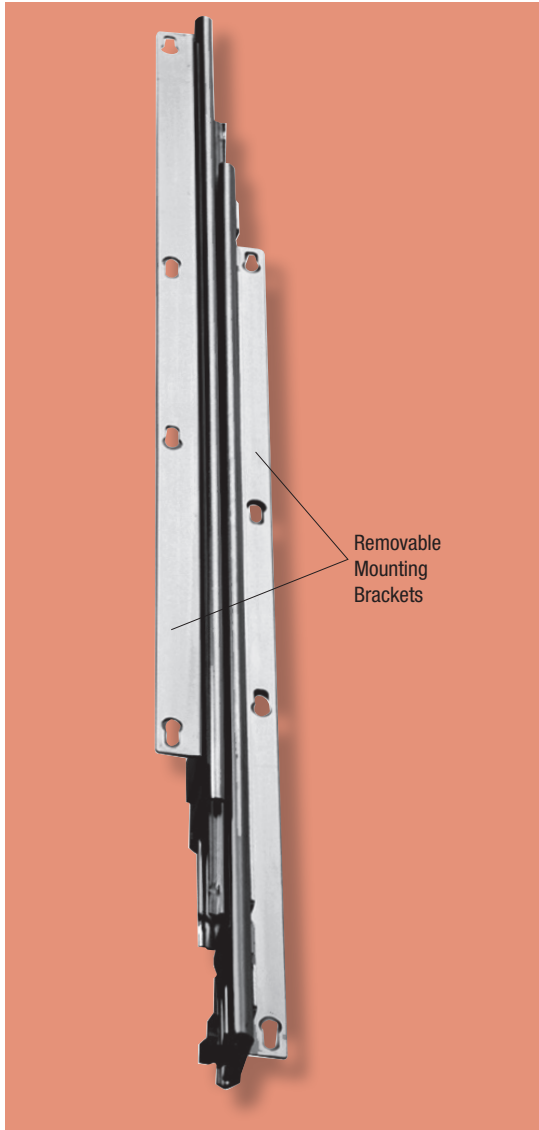
6400 Stainless Steel (SS) Finish	
Size	Bulk (B)
16 in.	6400P SS 16
18 in.	6400P SS 18
20 in.	6400P SS 20
22 in.	6400P SS 22

Recommended Fasteners	
	#7 x 1/2" Stainless Steel Panhead Screw



8000 Undermount Pantry Slide


- Removable mounting brackets
- Hold-in detent
- Key-hole style mounting holes



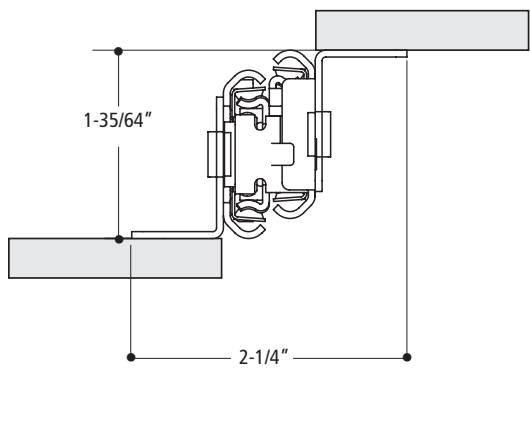
Number	8000 Over Travel Undermount Pantry Slide
Mounting	Bottom mount
Action	Telescopic Movement on Ball Bearings
Load Rating	130-pound Class
Height	1-35/64"
Clearance	3/4" (Slide Only), 2-1/4" (With Brackets)
Finish	Anochrome (ANO)

Pack Configurations	Screws
Poly (P) 1 Set per Bag; 5 Bags per Carton	Yes

8800 Zinc (ZC) Finish	
Size	Poly (P)
12 in.	8000P 12
14 in.	8000P 14
16 in.	8000P 16
18 in.	8000P 18
20 in.	8000P 20
22 in.	8000P 22
24 in.	8000P 24
26 in.	8000P 26
28 in.	8000P 28


Recommended Fasteners	KV Part	Finish	Qty.
 #8 x 5/8" Phillips Panhead	200114-6	Zinc (ZC)	1000

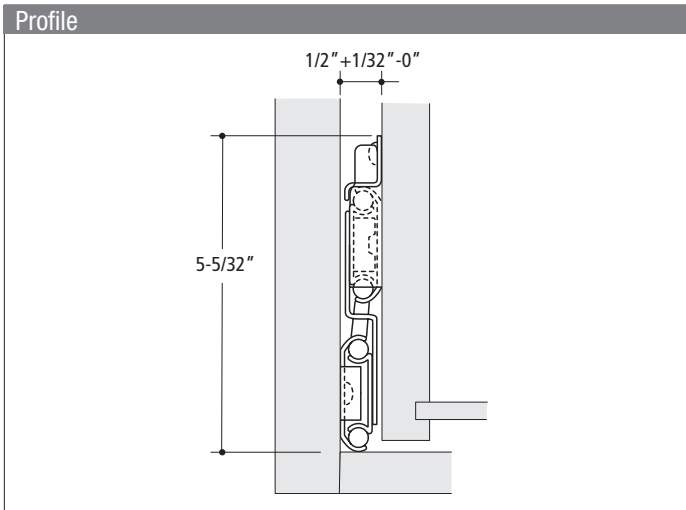
Profile



Number	8500T Full Extension Slide (Max. 36" Drawer Width) 8505T 1-1/4" Overtravel Slide (Max. 30" Drawer Width) Extra Heavy-Duty (175-pound Class) 8520T Full Extension Slide (Max. 42" Drawer Width) 8525T 1-1/2" Overtravel Slide (Max. 36" Drawer Width)
Mounting Action	Side Progressive Movement on Ball Bearings
Load Rating	8500T/8505T: 150 lbs. Class 8520T/8525T: 175 lbs. Class
Height Clearance	5-5/32"
Finish	1/2" plus 1/32" minus 0" each side Anochrome (ANO), Ebony Black (EB)

Pack Configurations		Screws
Quantity (Q)	20 Sets; Multiple Cartons	No
8500T Anochrome (ANO) Finish		
Size	Quantity (Q)	
16 in.	8500TQ 16	
18 in.	8500TQ 18	
20 in.	8500TQ 20	
8505T Anochrome (ANO) Finish		
16 in.	8505TQ 16	
18 in.	8505TQ 18	
20 in.	8505TQ 20	
Special Order Only		
8520T	Special Order	
8525T	Special Order	

Recommended Fasteners	KV Part	Finish	Qty.
 #7 x 1/2" Phillips Panhead	8500-93	Zinc (ZC)	1000
	8500-93 EB	Ebony Black (EB)	1000



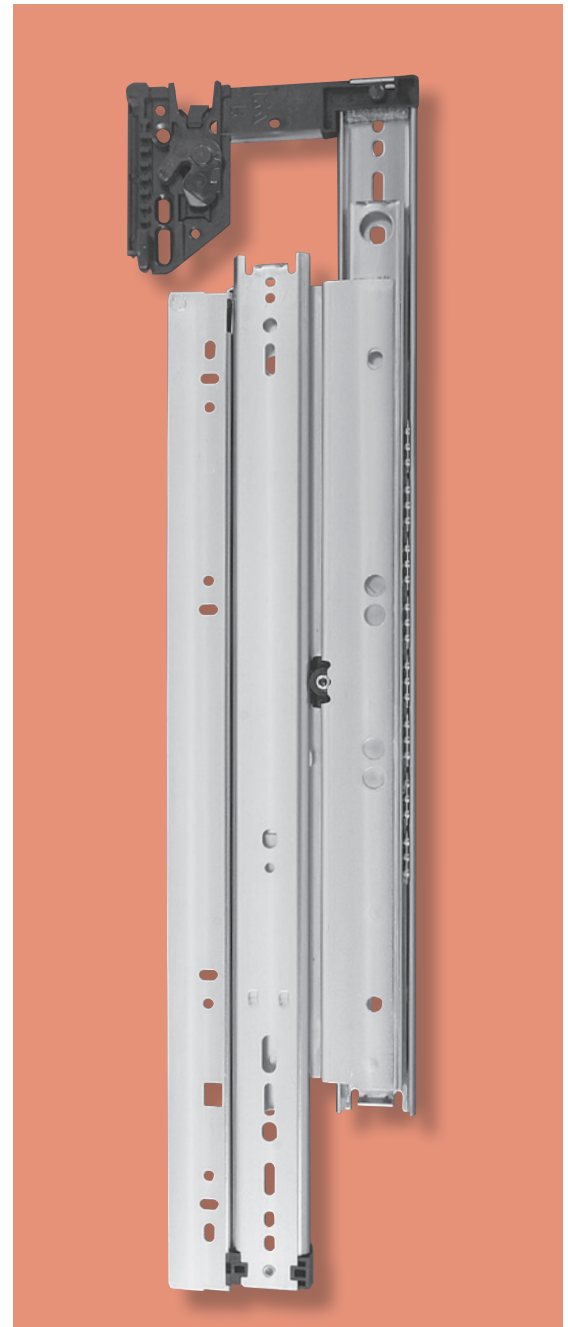
8500 Interlok™ Cable Accessory

Required for 8500T, 8505T, 8520T and 8525T INTERLOK anti-tilt systems.

Product	Size	Packed
8500T-11B 482	For 2-high lateral files	40 per Carton
8500T-11B 789	For 3-high lateral files	40 per Carton
8500T-11B 1095	For 4-high lateral files	40 per Carton

NOTE: Custom length cables are available as Special Order. Consult Customer Service for information and availability.

- Patented integrated anti-tilt mechanism
- Uses high-strength cable that laces through drawer slides and snaps into place, allowing only one drawer to open at a time
- Accommodates drawers on 12" (±1/2") Vertical centers
- Non-handed quick disconnect rail
- Designed for use on lateral file applications where a drawer anti-tilt feature is needed
- Maximum drawer width: 8500T —36 in.
8505T —30 in.
8520T —42 in.
8525T —36 in.



Overhead Door and Desk Slides

8100 3/4 Extension Keyboard Slide	51
8150/8157 3/4 Extension Variable-Height Keyboard Slide	52
8200 3/4 Extension Pencil or Center Drawer Slide	53
8250 3/4 Extension Variable-Height Pencil Drawer Slide	54
8040 EZ Hinged Door Slide	55
8041 EZ Hinged Door Slide	55
8042 EZ Hinged Door Slide	55
8043 EZ Hinged Door Slide	55
8044 EZ Hinged Door Slide	55
8045 EZ Hinged Door Slide	55
8050 EZ Hinged Door Slide	56

Quick Reference Chart

	Mounting Style	Load Class	Slide Type		Extension		Disconnect Type					Open/Close Features					V-Notch (Special Order)		
			Roller Bearing	Ball Bearing	3/4 Extension	Full Extension	1" Overtravel	No Disconnect	Friction Release	Lever Release	Lift Out	Quick Disconnect	Hold In/Anti-Rebound	Hold Out/Open	Lock Open	Self-Close		Soft-Close	Shelf Tabs
8100	Side	75		•	•			•					•	•					
8150	Side	75		•	•					•				•	•				
8157	Side	75		•	•					•				•	•				•
8200	Side	75		•	•								•	•					
8250	Side	75		•	•					•				•	•				


3/4 Extension Keyboard Slide 8100

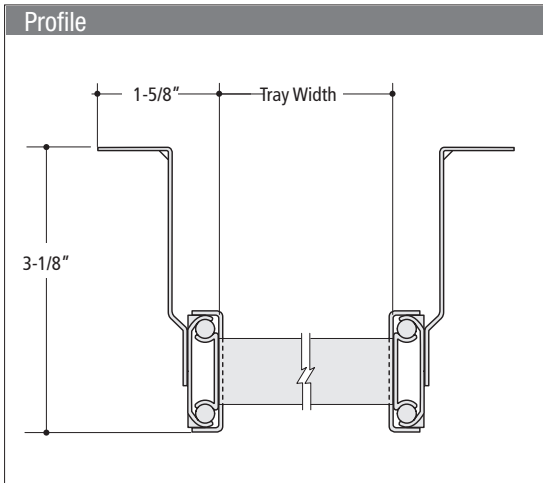
- Hold-out feature keeps drawer securely in the open position
- Hold-in feature prevents keyboard tray bounce back

Number	8100 3/4 Extension Keyboard Slide
Mounting	Under Surface
Action	Ball Bearing Movement
Load Rating	75-pound Class
Height	3-1/8" Overall Drop Height
Clearance	1-5/8" per side
Finish	Anochrome (ANO)

Pack Configurations		Screws
Poly (P)	1 Set per Bag; 10 Sets per Carton	Yes

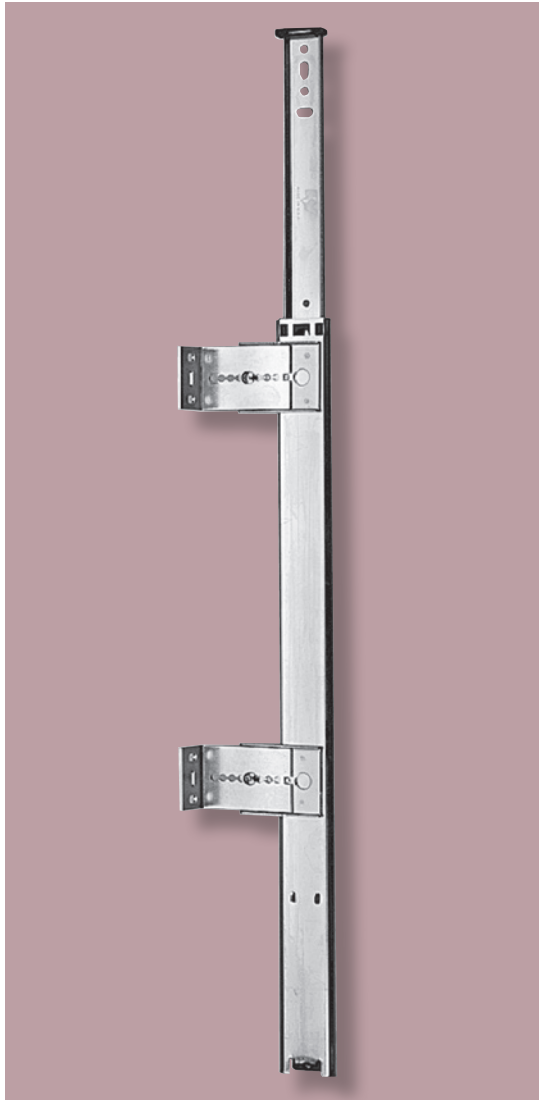
8100 Anochrome (ANO) Finish	
Size	Poly (P)
14 in.	8100P 14
16 in.	8100P 16
18 in.	8100P 18
20 in.	8100P 20

Recommended Fasteners	KV Part	Finish	Qty.
 #7 x 1/2" Phillips Panhead	8500-93	Zinc (ZC)	1000



8150 8150, 8157 3/4 Extension Variable-Height Keyboard Slide


- Mounting brackets adjust to 7 different heights and can be reversed for inboard/outboard mounting
- Track member quickly disconnects using positive lever release, easing installation
- Hold-in feature prevents keyboard tray bounce back
- Hold-out feature allows slide to be held in place when drawer is open

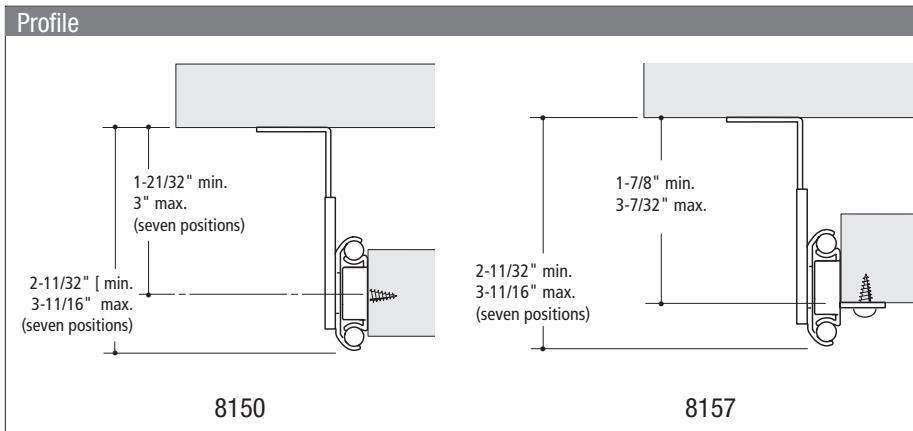


Number	8150 3/4 Extension Keyboard Slide 8157 3/4 Extension Keyboard Slide with Shelf Tabs
Mounting Action	Under Surface
Load Rating	Ball Bearing
Height	75-pound Class
Clearance	Overall Drop Height Is Adjustable From 2-11/32" to 3-11/16" In 7/32" Increments.
Finish	1-5/8" Per Side Outboard 5/8" Per Side Inboard
	Anochrome (ANO), Ebony Black (EB)

Pack Configurations		Screws
Poly (P)	1 Set per Bag; 10 Sets per Carton	Yes
Quantity (Q)	20 Sets; Multiple Cartons	No

8150 Anochrome (ANO) Finish		
Size	Poly (P)	Quantity (Q)
12 in.	8150P 12	8150Q 12
14 in.	8150P 14	8150Q 14
16 in.	8150P 16	8150Q 16
18 in.	8150P 18	8150Q 18
20 in.	8150P 20	8150Q 20
22 in.		8150Q 22
8150 Ebony Black (EB) Finish		
12 in.	8150P EB 12	
14 in.	8150P EB 14	8150Q EB 14
16 in.	8150P EB 16	8150Q EB 16
18 in.	8150P EB 18	8150Q EB 18
20 in.	8150P EB 20	8150Q EB 20
8157 Anochrome (ANO) Finish		
14 in.	8157P 14	
16 in.	8157P 16	
18 in.	8157P 18	
20 in.	8157P 20	
8157 Ebony Black (EB) Finish		
14 in.	8157P EB 14	
16 in.	8157P EB 16	
18 in.	8157P EB 18	
20 in.	8157P EB 20	

Recommended Fasteners	KV Part	Finish	Qty.	
	#7 x 1/2" Phillips Panhead	8500-93	Zinc (ZC)	1000




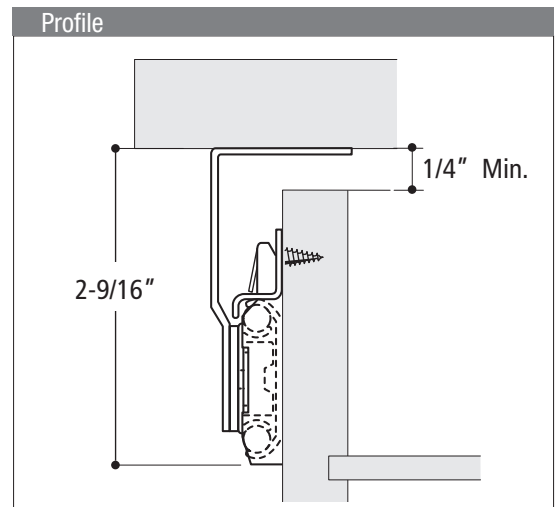
3/4 Extension Pencil or Center Drawer Slides 8200

- Quick disconnect drawer members
- Anti-rebound stay-close design holds pencil drawer in closed position yet allows for easy opening

Number	8200 3/4 Extension Drawer Slide
Mounting	Under Surface
Action	Ball Bearing Movement
Load Rating	75-pound Class
Height	2-9/16" Overall Drop Height
Clearance	9/16" plus 1/32" minus 0" each side
Finish	Anochrome (ANO), Ebony Black (EB)

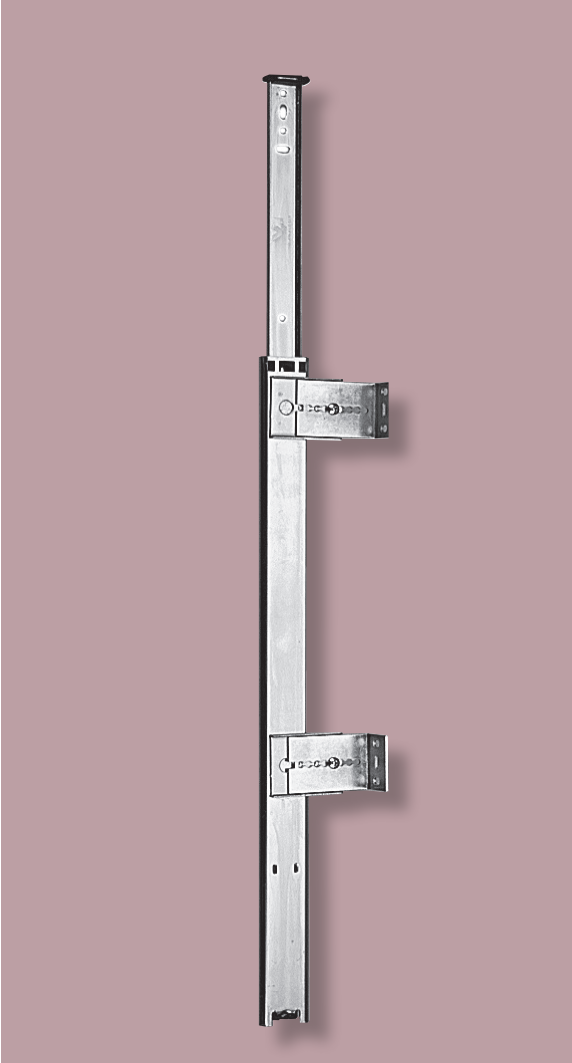
Pack Configurations		Screws
Poly (P)	1 Set per Bag; 10 Sets per Carton	Yes
Quantity (Q)	20 Sets; Multiple Cartons	No
8200 Anochrome (ANO) Finish		
Size	Poly (P)	Quantity (Q)
12 in.	8200P 12	8200Q 12
14 in.	8200P 14	8200Q 14
16 in.	8200P 16	8200Q 16
18 in.	8200P 18	8200Q 18
20 in.	8200P 20	8200Q 20
22 in.	8200P 22	8200Q 22
24 in.	8200P 24	8200Q 24
8200 Ebony Black (EB) Finish		
12 in.		8200Q EB 12
14 in.		8200Q EB 14
16 in.		8200Q EB 16
18 in.		8200Q EB 18
20 in.		8200Q EB 20
22 in.		8200Q EB 22
24 in.		8200Q EB 24

Recommended Fasteners	KV Part	Finish	Qty.
 #7 x 1/2" Phillips Panhead	8500-93	Zinc (ZC)	1000



8250 3/4 Extension Variable Height Keyboard Slide

- Mounting brackets adjust to 7 heights and can be reversed for inboard or outboard mounting
- Anti-rebound stay-close design holds pencil drawer in closed position yet allows for easy opening
- Track member quickly disconnects using positive lever releases




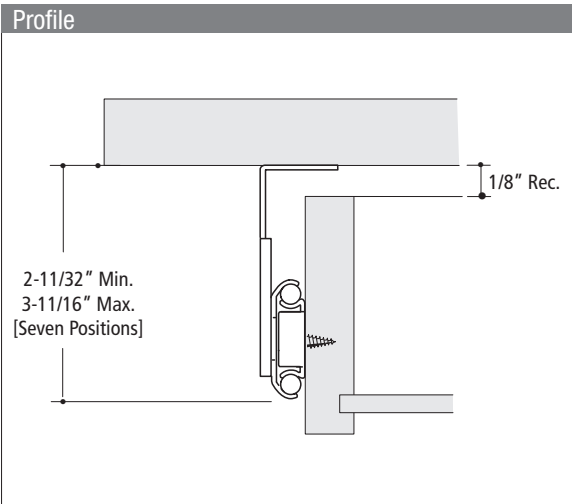
Number	8250 3/4 Extension Slide
Mounting	Under Surface
Action	Ball Bearing
Load Rating	75-pound Class
Height	Overall Drop Height: 2-11/32" To 3-11/16" In 7/32" Increments
Clearance	1-5/8" Per Side (Outboard Position) 17/32" Per Side (Inboard Position)
Finish	Anochrome (ANO), Ebony Black (EB)

Pack Configurations		Screws
Poly (P)	1 Set per Bag; 10 Sets per Carton	Yes
Quantity (Q)	20 Sets; Multiple Cartons	No

8250 Anochrome (ANO) Finish		
Size	Poly (P)	Quantity (Q)
10 in.	8250P 10	8250Q 10
12 in.	8250P 12	8250Q 12
14 in.	8250P 14	8250Q 14
16 in.	8250P 16	8250Q 16
18 in.	8250P 18	8250Q 18
20 in.	8250P 20	8250Q 20
22 in.	8250P 22	8250Q 22

8250 Ebony Black (EB) Finish		
10 in.		8250Q EB 10
12 in.		8250Q EB 12
14 in.		8250Q EB 14
16 in.		8250Q EB 16
18 in.		8250Q EB 18
20 in.		8250Q EB 20
22 in.		8250Q EB 22

Recommended Fasteners	KV Part	Finish	Qty.
 #7 x 1/2" Phillips Panhead	8500-93	Zinc (ZC)	1000




8042, 8043, 8044, 8045 Hinged Door Slides 8040

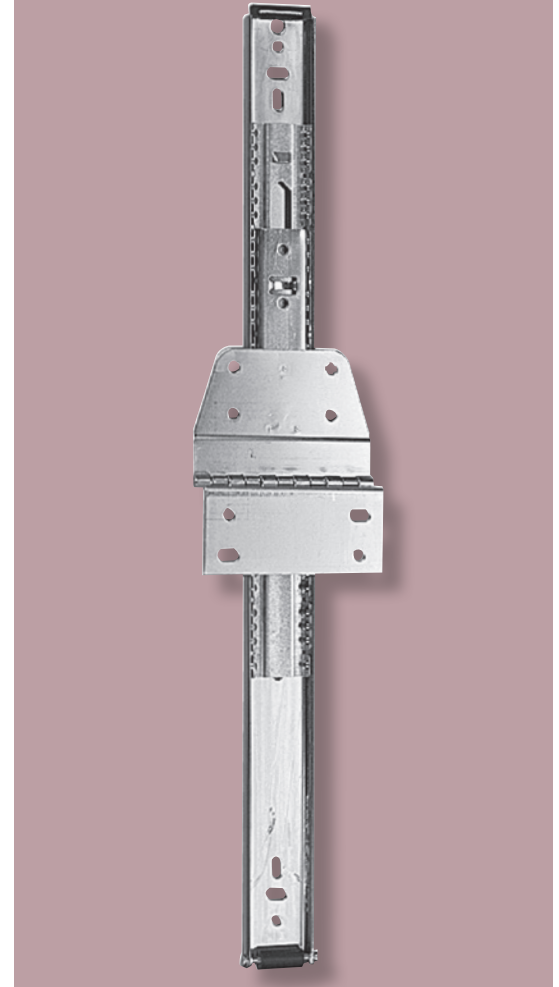
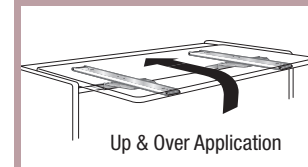
- One piece, non-marring roller
- Permanently staked hinge pin

Number	8040EZ Door Slide With 3/4" Offset Hinge 8041EZ Door Slide With 3/4" Offset Hinge and Mounting Brackets 8042EZ Door Slide With 1" Offset Hinge 8043EZ Door Slide With 1" Offset Hinge and Mounting Brackets 8044EZ Door Slide With 3/4" Straight Hinge 8045EZ Door Slide With 3/4" Straight Hinge and Mounting Brackets
Mounting	Hinge Mounts To Top Of Case, Slide Mounts To Backside Of Door
Action	Ball Bearing Movement
Load Rating	20-pound Class
Clearance	3/8" Low Profile, Mounts To Rear Side Of Door
Finish	Anochrome (ANO), Ebony Black (EB)

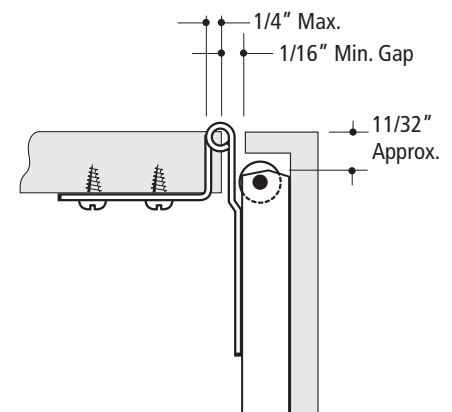
Pack Configurations		Screws
Bulk (B)	20 Sets per Carton	No
Poly (P)	1 Set per Bag; 10 Sets per Carton	Yes

8040 Anochrome (ANO) Finish				
Size	Bulk (B)	Poly (P)		
12 in.	8040BEZ 12	8040PEZ 12		
14 in.	8040BEZ 14	8040PEZ 14		
16 in.	8040BEZ 16	8040PEZ 16		
18 in.	8040BEZ 18	8040PEZ 18		
20 in.	8040BEZ 20	8040PEZ 20		
22 in.	8040BEZ 22	8040PEZ 22		
24 in.	8040BEZ 24	8040PEZ 24		
8040 Ebony Black (EB) Finish				
12 in.	8040BEZ EB 12	8040PEZ EB 12		
14 in.	8040BEZ EB 14	8040PEZ EB 14		
16 in.	8040BEZ EB 16	8040PEZ EB 16		
18 in.	8040BEZ EB 18	8040PEZ EB 18		
20 in.	8040BEZ EB 20	8040PEZ EB 20		
22 in.	8040BEZ EB 22	8040PEZ EB 22		
24 in.	8040BEZ EB 24	8040PEZ EB 24		
8041-8045 Anochrome (ANO) Special Order Products				
8041EZ	8042EZ	8043EZ	8044EZ	8045EZ
8041-8045 Ebony Black (EB) Special Order Products				
8041EZ EB	8042EZ EB	8043EZ EB	8044EZ EB	8045EZ EB

Recommended Fasteners	KV Part	Finish	Qty.
 #7 x 1/2" Phillips Panhead	8500-93	Zinc (ZC)	1000



Profile



8050 Hinged Door Slide


- One piece, non-marring roller
- Permanently staked hinge pin



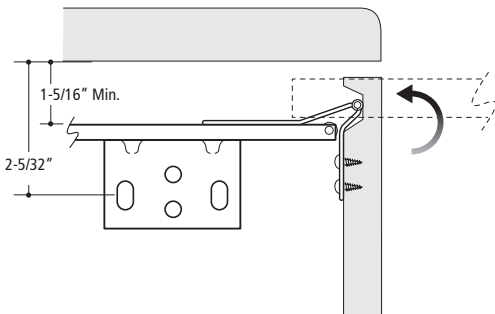
Number	8050EZ Door Slide With 3/4" Offset Hinge
Mounting	Under Surface
Action	Ball Bearing
Load Rating	20-pound Class
Clearance	1-5/16" Minimum
Finish	Anochrome (ANO)

Pack Configurations		Screws
Poly (P)	1 Set per Bag; 10 Sets per Carton	Yes
Quantity (Q)	20 Sets; Multiple Cartons	No

8050 Anochrome (ANO) Finish		
Size	Poly (P)	Quantity (Q)
12 in.	8050PEZ 12	8050QEZ 12
14 in.	8050PEZ 14	8050QEZ 14
16 in.	8050PEZ 16	8050QEZ 16
18 in.	8050PEZ 18	8050QEZ 18
20 in.	8050PEZ 20	8050QEZ 20
22 in.	8050PEZ 22	8050QEZ 22
24 in.	8050PEZ 24	8050QEZ 24

Recommended Fasteners		KV Part	Finish	Qty.
	#7 x 1/2" Phillips Panhead	8500-93	Zinc (ZC)	1000

Profile



Door Slides & Hinge Kits

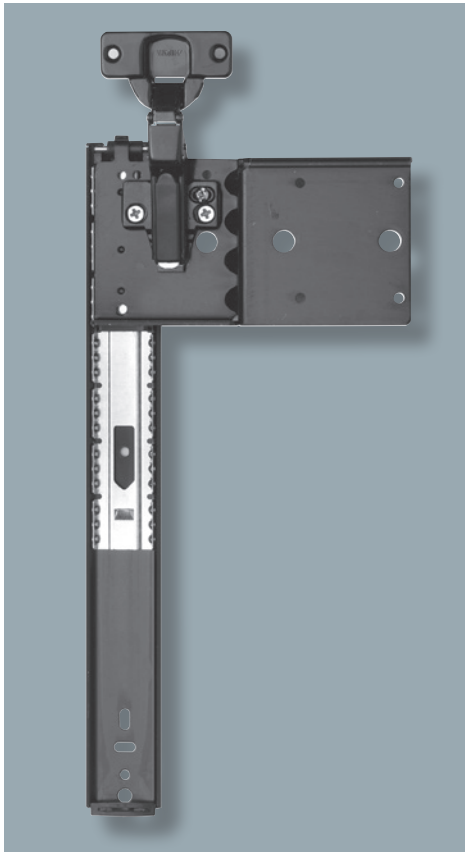


8070 Pivot Door Slide	58
8071 Pivot Door Slide	58
8072 Pivot Door Slide	58
8080 Pivot Door Slide	59
8081 Pivot Door Slide	59
8082 Pivot Door Slide	59
8091 4X4 Pocket Door Slide	60
8092 4X4 Pocket Door Slide	60
8091 4X4 Pocket Door Slide Full Overlay Kit	61
Salice Door Hinges	62



8070 8070, 8071, 8072 Pivot Door Slides

- Cabinet acts as installation jig
- Cushioned stops and door hold-out
- 3-way adjustable door hinge



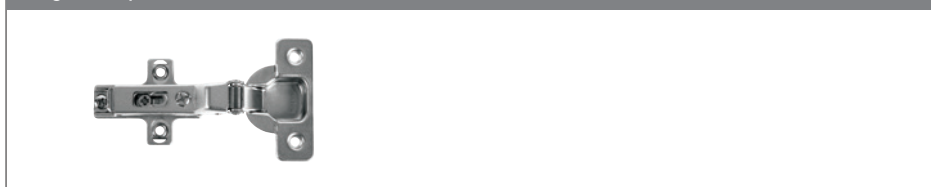
Number	8070 3/4 Extension Slide Packaged With Self-Close 35mm Hinge 8071 3/4 Extension Slide Packaged Without Hinge and Base 8072 3/4 Extension Slide Packaged With Attached Hinge Base	
Mounting	Side	
Action	Ball Bearing Movement	
Load Rating	30-Pound Class	
Maximum Dimensions	Horizontal Pivot Doors: 24" High x 48" Wide Vertical Doors: 42" High x 24" Wide	
Clearance	Maximum Slide Width Including Hinges:	
	Type	Standard Salice
Finish	Self-Close Hinge	1-23/32" 1-21/32"
	Free-Swing Hinge	1-23/32" 1-21/32"
	Overlay Hinge	1-7/8" 1-7/8"
	Thick Door Hinge	2-3/32" 2-3/32"
	Extra-Thick Door Hinge	2-13/32" 2-5/16"

Pack Configurations		Screws
Poly (P)	1 Set per Bag; 10 Sets per Carton	Yes

8070EZ Ebony Black (EB) Finish		8071EZ Ebony Black (EB) Finish		8072EZ Ebony Black (EB) Finish	
Includes Hinges and Bases		No Hinges or Bases		Hinge Base Only	
Size	Poly (P)	Size	Poly (P)	Size	Poly (P)
12 in.	8070PEZ EB 12	12 in.	8071PEZ EB 12	12 in.	8072PEZ EB 12
14 in.	8070PEZ EB 14	14 in.	8071PEZ EB 14	14 in.	8072PEZ EB 14
16 in.	8070PEZ EB 16	16 in.	8071PEZ EB 16	16 in.	8072PEZ EB 16
18 in.	8070PEZ EB 18	18 in.	8071PEZ EB 18	18 in.	8072PEZ EB 18
20 in.	8070PEZ EB 20	20 in.	8071PEZ EB 20	20 in.	8072PEZ EB 20
22 in.	8070PEZ EB 22	22 in.	8071PEZ EB 22	22 in.	8072PEZ EB 22
24 in.	8070PEZ EB 24	24 in.	8071PEZ EB 24	24 in.	8072PEZ EB 24

Recommended Fasteners	KV Part	Finish	Qty.
 #6 x 13/32" Phillips Panhead	1300-23	Zinc (ZC)	1000

Hinge Kit Options



Pack Configurations	
Hinge Kit (K)	2 Hinges per Kit; 10 Kits per Carton.

Nickel Hinges (for use with 8072)		
Kit (K)	Hinge Cup Size	Door Thickness
8080 HKEZS	35mm	3/4"
8080 HKEZL	40mm	3/4" Overlay
8080 HKEZF	35mm	3/4" Free Swing
8085 HKEZT	40mm	1" Thick
8086 HKEZX	40mm	1-1/4" Extra Thick

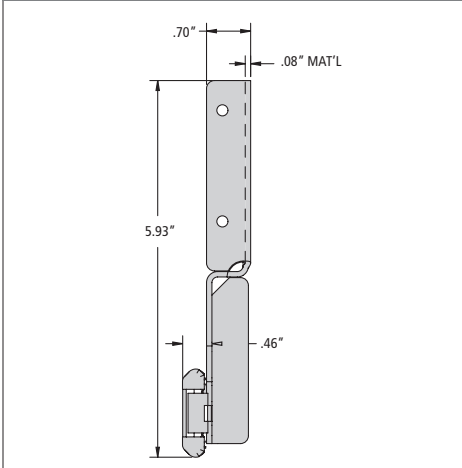
Ebony Black (EB) Hinges (for use with 8072)		
Kit (K)	Hinge Cup Size	Door Thickness
8080 HKEZS EB	35mm	3/4"
8080 HKEZL EB	40mm	3/4" Overlay
8080 HKEZF EB	35mm	3/4" Free Swing
8085 HKEZT EB	40mm	1" Thick
8086 HKEZX EB	40mm	1-1/4" Extra Thick

Salice Hinges (for use with 8071P EZ)		
Nickel Finish		
Kit (K)	Hinge Cup Size	Door Thickness
8080 HKS SAL	35mm	3/4"
8080 HKF SAL	35mm	3/4" Free Swing
8080 HKL SAL	40mm	3/4" Overlay
8086 HKX SAL	40mm	1-1/4" Extra Thick

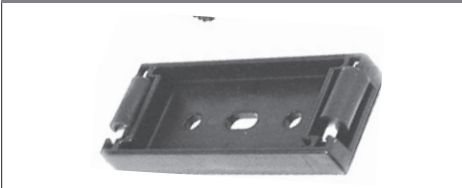
Salice Hinges (for use with 8071P EZ)		
Black (BLK) Finish		
Kit (K)	Hinge Cup Size	Door Thickness
8080 HKS SAL EB	35mm	3/4"
8080 HKL SAL EB	40mm	3/4" Overlay
8086 HKX SAL EB	40mm	1-1/4" Extra Thick

For additional information on our Salice Hinge offerings, please see page 61.

Profile



8090P CR Raised Panel Cassette Roller



- Additional protection for raised panel doors

Product	Pack
8090P CR	1 per Poly Pack w/screws

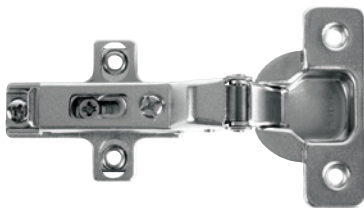
Number	8080 3/4 Extension Slide Packaged With Self-Close 35mm Hinge 8081 3/4 Extension Slide Packaged Without Hinge and Base 8082 3/4 Extension Slide Packaged With Attached Hinge Base	
Mounting	Side	
Action	Ball Bearing Movement	
Load Rating	30-Pound Class	
Maximum Dimensions	Horizontal Pivot Doors: 24" High x 48" Wide Vertical Doors: 42" High x 24" Wide	
Clearance	Maximum Slide Width Including Hinges:	
	Type	Standard Salice
	Self-Close Hinge	1-23/32" 1-21/32"
	Free-Swing Hinge	1-23/32" 1-21/32"
	Overlay Hinge	1-7/8" 1-7/8"
Finish	Thick Door Hinge	2-3/32" —
	Extra-Thick Door Hinge	2-13/32" 2-5/16"
	Anochrome (ANO), Ebony Black (EB)	

Pack Configurations		Screws
Poly (P)	1 Set per Bag; 10 Sets per Carton	Yes
Quantity (Q)	20 Sets; Multiple Cartons	No

8080EZ Anochrome (ANO) Finish			8081EZ Anochrome (ANO) Finish			8082EZ Anochrome (ANO) Finish		
Includes Hinges and Bases			No Hinges or Bases			Includes Hinge Base Only		
Size	Poly (P)	Quantity (Q)	Size	Poly (P)	Quantity (Q)	Size	Poly (P)	Quantity (Q)
12 in.	8080PEZ 12	8080QEZ 12	12 in.	8081PEZ 12	8081QEZ 12	12 in.	8082PEZ 12	8082QEZ 12
14 in.	8080PEZ 14	8080QEZ 14	14 in.	8081PEZ 14	8081QEZ 14	14 in.	8082PEZ 14	8082QEZ 14
16 in.	8080PEZ 16	8080QEZ 16	16 in.	8081PEZ 16	8081QEZ 16	16 in.	8082PEZ 16	8082QEZ 16
18 in.	8080PEZ 18	8080QEZ 18	18 in.	8081PEZ 18	8081QEZ 18	18 in.	8082PEZ 18	8082QEZ 18
20 in.	8080PEZ 20	8080QEZ 20	20 in.	8081PEZ 20	8081QEZ 20	20 in.	8082PEZ 20	8082QEZ 20
22 in.	8080PEZ 22	8080QEZ 22	22 in.	8081PEZ 22	8081QEZ 22	22 in.	8082PEZ 22	8082QEZ 22
24 in.	8080PEZ 24	8080QEZ 24	24 in.	8081PEZ 24	8081QEZ 24	24 in.	8082PEZ 24	8082QEZ 24
8080EZ Ebony Black (EB) Finish			8081EZ Ebony Black (EB) Finish			8082EZ Ebony Black (EB) Finish		
Includes Hinges and Bases			No Hinges or Bases			Includes Hinge Base Only		
Size	Poly (P)	Quantity (Q)	Size	Poly (P)	Quantity (Q)	Size	Poly (P)	Quantity (Q)
12 in.	8080PEZ EB 12	8080QEZ EB 12	12 in.	8081PEZ EB 12	8081QEZ EB 12	12 in.	8082PEZ EB 12	8082QEZ EB 12
14 in.	8080PEZ EB 14	8080QEZ EB 14	14 in.	8081PEZ EB 14	8081QEZ EB 14	14 in.	8082PEZ EB 14	8082QEZ EB 14
16 in.	8080PEZ EB 16	8080QEZ EB 16	16 in.	8081PEZ EB 16	8081QEZ EB 16	16 in.	8082PEZ EB 16	8082QEZ EB 16
18 in.	8080PEZ EB 18	8080QEZ EB 18	18 in.	8081PEZ EB 18	8081QEZ EB 18	18 in.	8082PEZ EB 18	8082QEZ EB 18
20 in.	8080PEZ EB 20	8080QEZ EB 20	20 in.	8081PEZ EB 20	8081QEZ EB 20	20 in.	8082PEZ EB 20	8082QEZ EB 20
22 in.	8080PEZ EB 22	8080QEZ EB 22	22 in.	8081PEZ EB 22	8081QEZ EB 22	22 in.	8082PEZ EB 22	8082QEZ EB 22
24 in.	8080PEZ EB 24	8080QEZ EB 24	24 in.	8081PEZ EB 24	8081QEZ EB 24	24 in.	8082PEZ EB 24	8082QEZ EB 24

Recommended Fasteners	KV Part	Finish	Qty.
 #6 x 13/32" Phillips Panhead	1300-23	Zinc (ZC)	1000

Hinge Kit Options



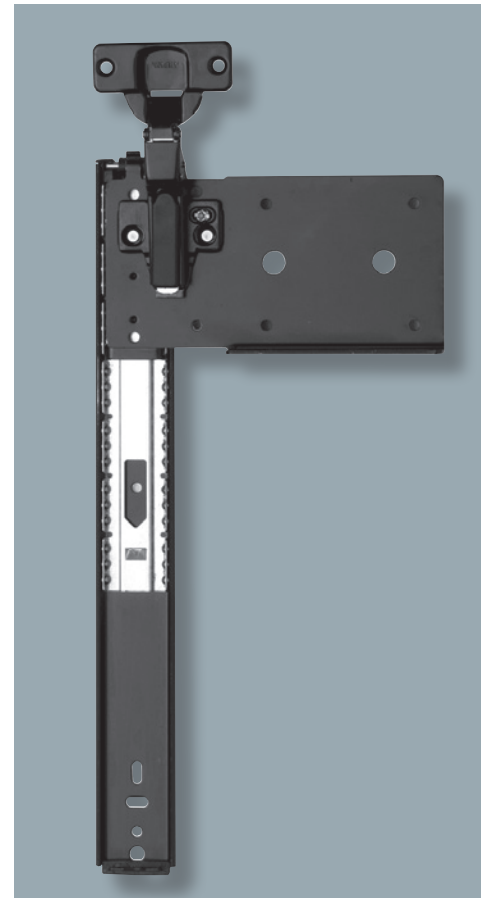
Pack Configurations	
Hinge Kit (K)	2 Hinges per Kit, 10 Kits per Carton.
Hinge Pack (P)	40 Hinges per Carton

Nickel Hinges (for use with 8082P & 8082Q)			
Kit (K)	Pack (P)	Hinge Cup Size	Door Thickness
8080 HKEZS	8080 HPEZS	35mm	3/4"
8080 HKEZL	8080 HPEZL	40mm	3/4" Overlay
8080 HKEZF	8080 HPEZF	35mm	3/4" Free Swing
8085 HKEZT	8085 HPEZT	40mm	1" Thick
8086 HKEZX	8086 HPEZX	40mm	1-1/4" Extra Thick
Ebony Black (EB) Hinges (for use with 8082P & 8082Q)			
8080 HKEZS EB	8080 HPEZS EB	35mm	3/4"
8080 HKEZL EB	8080 HPEZL EB	40mm	3/4" Overlay
8080 HKEZF EB	8080 HPEZF EB	35mm	3/4" Free Swing
8085 HKEZT EB	8085 HPEZT EB	40mm	1" Thick
8086 HKEZX EB	8086 HPEZX EB	40mm	1-1/4" Extra Thick

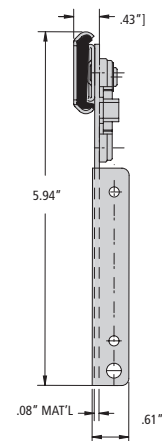
Salice Hinges (for use with 8081P) Nickel Finish		
Kit (K)	Hinge Cup Size	Door Thickness
8080 HKS SAL	35mm	3/4"
8080 HKF SAL	35mm	3/4" Free Swing
8080 HKL SAL	40mm	3/4" Overlay
8086 HKX SAL	40mm	1-1/4" Extra Thick
Salice Hinges (for use with 8081P) Black (BLK) Finish		
8080 HKS SAL EB	35mm	3/4"
8080 HKL SAL EB	40mm	3/4" Overlay
8086 HKX SAL EB	40mm	1-1/4" Extra Thick

For additional information on our Salice Hinge offerings, please see page 61.

- Cushioned stops and door hold-out
- 3-way adjustable door hinge



Profile



8090P CR Raised Panel Cassette Roller

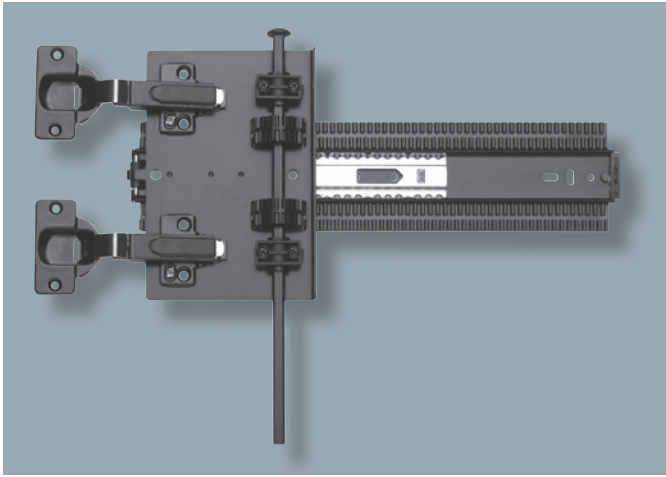


- Additional protection for raised panel doors

Product	Pack
8090P CR	1 per Poly Pack w/screws

8091 8091, 8092 4x4 Pocket Door® Slides

- Rack and pinion design
- Multiple hinge options
- Greatly reduces door sag
- Requires partition installation



Profile

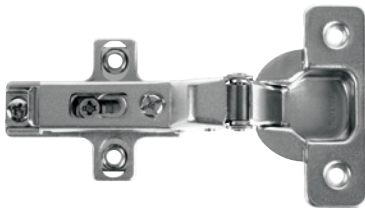


Number	8091 Packaged Without Hinge or Hinge Base 8092 Packaged With Attached Hinge Base		
Mounting	Side		
Action	Ball Bearing Movement		
Load Rating	75-pound Class		
Maximum Dimensions	Vertical Doors: 72" High x 26" Wide		
Clearance	Maximum Slide Width Including Hinges:		
	Type	Standard	Salice
	Self-Close Hinge	1-23/32"	1-21/32"
	Free-Swing Hinge	1-23/32"	1-21/32"
	Overlay Hinge 1-23/32"	1-7/8"	
	Thick Door Hinge	2-3/32"	
	Extra-Thick Door Hinge	2-13/32"	2-5/16"
Finish	Ebony Black (EB)		

Pack Configurations		Screws	
Poly (P)	1 Set per Bag; 6 Sets per Carton	Yes	
8091 Ebony Black (EB) Finish		8092 Ebony Black (EB) Finish	
Size	Poly (P)	Size	Poly (P)
12 in.	8091P EB 12	12 in.	8092P EB 12
13 in.	8091P EB 13	13 in.	8092P EB 13
14 in.	8091P EB 14	14 in.	8092P EB 14
15 in.	8091P EB 15	15 in.	8092P EB 15
16 in.	8091P EB 16	16 in.	8092P EB 16
18 in.	8091P EB 18	18 in.	8092P EB 18
20 in.	8091P EB 20	20 in.	8092P EB 20
22 in.	8091P EB 22	22 in.	8092P EB 22
24 in.	8091P EB 24	24 in.	8092P EB 24
26 in.	8091P EB 26	26 in.	8092P EB 26
28 in.	8091P EB 28	28 in.	8092P EB 28
30 in.	8091P EB 30	30 in.	8092P EB 30

Recommended Fasteners	KV Part	Finish	Qty.
#6 x 13/32" Phillips Panhead	1300-23	Zinc (ZC)	1000

Hinge Kit Options



Pack Configurations	
Hinge Kit (K)	2 Hinges per Kit, 10 Kits per Carton.
Hinge Pack (P)	40 Hinges per Carton

Nickel Hinges (for use with 8091 & 8092)			
Kit (K)	Pack (P)	Hinge Cup Size	Door Thickness
8080 HKEZS	8080 HPEZS	35mm	3/4"
8080 HKEZL	8080 HPEZL	40mm	3/4" Overlay
8080 HKEZF	8080 HPEZF	35mm	3/4" Free Swing
8085 HKEZT	8085 HPEZT	40mm	1" Thick
8086 HKEZX	8086 HPEZX	40mm	1-1/4" Extra Thick

Ebony Black (EB) Hinges (for use with 8091 & 8092)			
Kit (K)	Pack (P)	Hinge Cup Size	Door Thickness
8080 HKEZS EB	8080 HPEZS EB	35mm	3/4"
8080 HKEZL EB	8080 HPEZL EB	40mm	3/4" Overlay
8080 HKEZF EB	8080 HPEZF EB	35mm	3/4" Free Swing
8085 HKEZT EB	8085 HPEZT EB	40mm	1" Thick
8086 HKEZX EB	8086 HPEZX EB	40mm	1-1/4" Extra Thick

Pack Configurations	
Hinge Kit (K)	2 Hinges per Kit, 10 Kits per Carton.

Salice Hinges (for use with 8091) Nickel Finish		
Kit (K)	Hinge Cup Size	Door Thickness
8080 HKS SAL	35mm	3/4"
8080 HKF SAL	35mm	3/4" Free Swing
8080 HKL SAL	40mm	3/4" Overlay
8086 HKX SAL	40mm	1-1/4" Extra Thick

Salice Hinges (for use with 8091) Black (BLK) Finish		
Kit (K)	Hinge Cup Size	Door Thickness
8080 HKS SAL EB	35mm	3/4"
8080 HKL SAL EB	40mm	3/4" Overlay
8086 HKX SAL EB	40mm	1-1/4" Extra Thick

For additional information on our Salice Hinge offerings, please see page 61.

Pinion Shafts

8090B Pinion Shafts for 8091/8092 4x4 Pocket Door® Slides

- Pinion Shafts can be cut to length

Pack Configurations	
SB Pack (SB)	1 pair of shafts
Bulk (B) Pack	10 each

8090B Pinion Shaft Ebony Black (EB) Finish			8092SB Pinion Shaft Ebony Black (EB) Finish		
Size	Bulk (B)	Qty.	Size	SB	Qty.
36 in.	8090B EB 36	10	36 in.	8092SB EB 36	2
48 in.	8090B EB 48	10	48 in.	8092SB EB 48	2
72 in.	8090B EB 72	10	72 in.	8092SB EB 72	2

8090P CR Raised Panel Cassette Roller



- Additional protection for raised panel doors

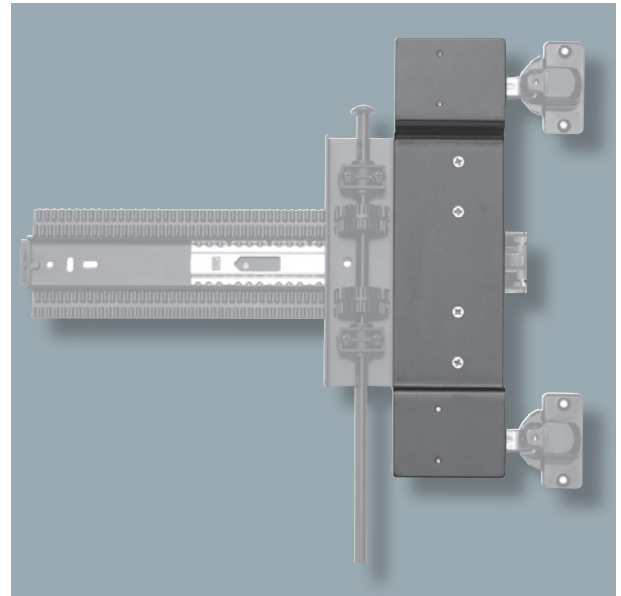
Product	Pack
8090P CR	1 per Poly Pack w/screws

- Provides a full door overlay on doors up to 3/4" thick
- Does not compromise key performance features of 4x4 Pocket Door® system
- Systems for both Mepla and Salice hinges

Number	8091FULL3/4 M 8091FULL3/4 S
Mounting	Mounts Directly To KV 8091 Series Slide
Load Rating	75-pound Class
Finish	Black

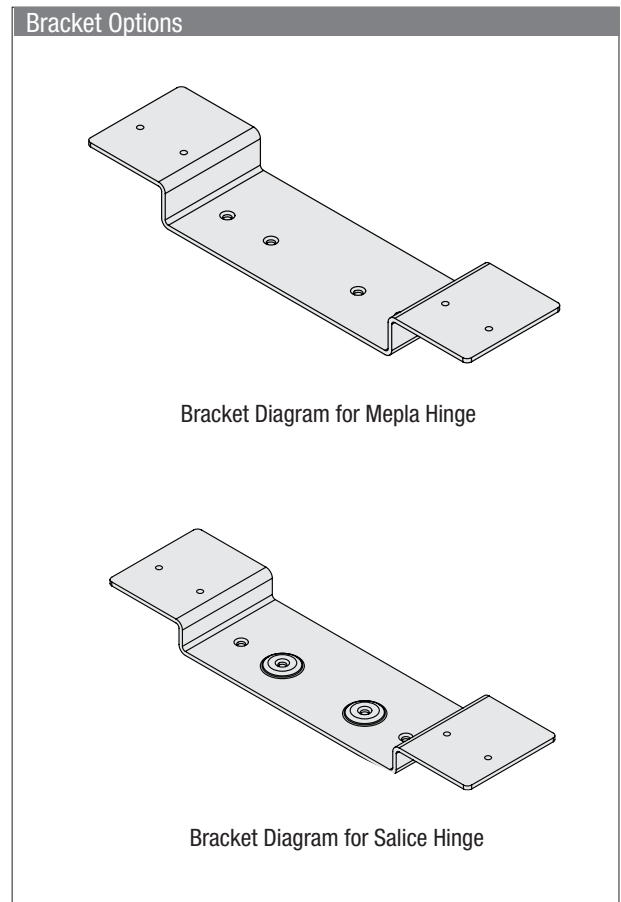
	Brackets	Overlay Hinges (40mm cup)	Hinge Bases	Hinge Cover Caps	Protective Felt Pads	Packed
Poly (P)	Qty: 2	Qty: 4	Qty: 4	Qty: 4	Qty: 4	6 Kits /Carton

Typical Overlay Applications			8091 Full Overlay Pocket Door Kit Black (BLK) Finish	
Door Thickness	Amount of Overlay	Pocket Width	Poly (P)	Hinge Compatibility
3/4 in.	3/4 in.	1-3/4 in.	8091FULL3/4 M	Mepla
13/16 in.	11/16 in.	1-13/16 in.	8091FULL3/4 S	Salice
7/8 in.	5/8 in.	1-7/8 in.		
15/16 in.	9/16 in.	1-15/16 in.		
1 in.	1/2 in.	2 in.		
1-1/16 in.	7/16 in.	2-1/16 in.		
1-1/8 in.	3/8 in.	2-1/8 in.		
1-3/16 in.	5/16 in.	2-3/16 in.		
1-1/4 in.	1/4 in.	2-1/4 in.		



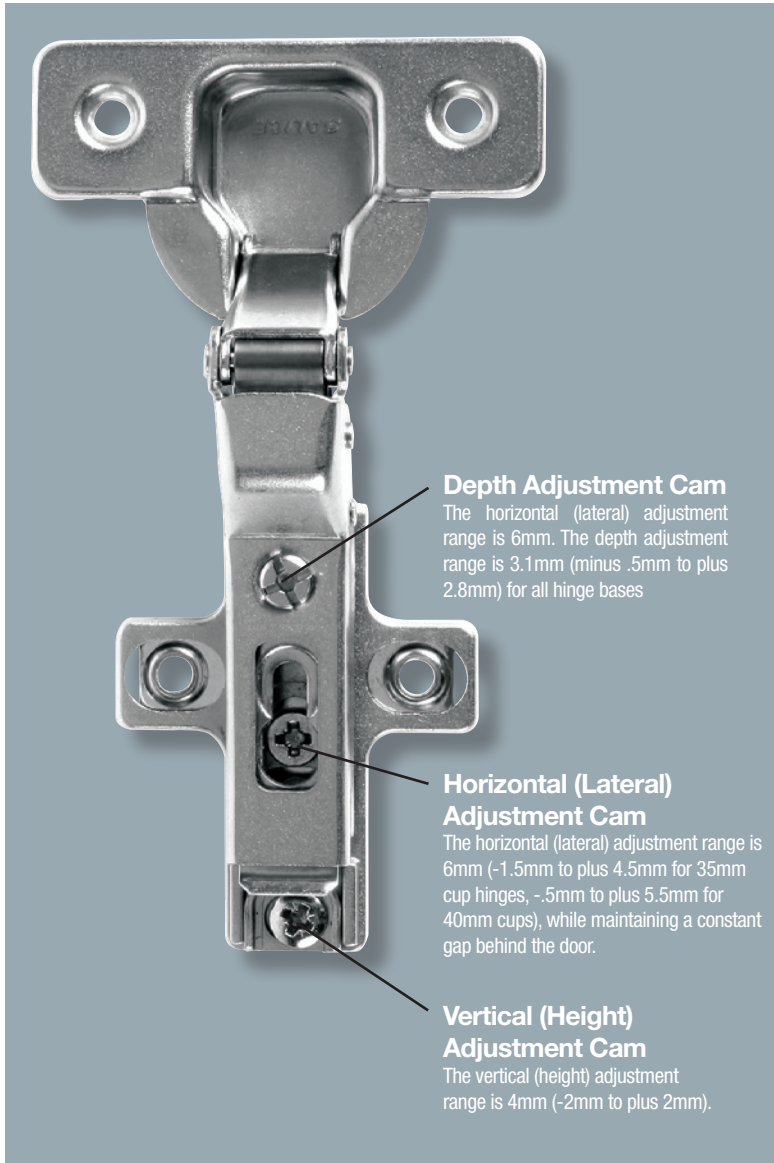
Full Overlay Kit Installation Requirements

- Overlay kits require the use of a KV 8091 Series Slide
- Overlay Kits require the use of a pinion shaft
- Overlay kits require the use of a partition wall within the cabinet



Salice Hinge Kits

- Three-way cam hinges for easy adjustment
- Horizontal, vertical and depth changes can be made without loosening any screws.
- Four types of hinges for a variety of applications



Depth Adjustment Cam

The horizontal (lateral) adjustment range is 6mm. The depth adjustment range is 3.1mm (minus .5mm to plus 2.8mm) for all hinge bases

Horizontal (Lateral) Adjustment Cam

The horizontal (lateral) adjustment range is 6mm (-1.5mm to plus 4.5mm for 35mm cup hinges, -.5mm to plus 5.5mm for 40mm cups), while maintaining a constant gap behind the door.

Vertical (Height) Adjustment Cam

The vertical (height) adjustment range is 4mm (-2mm to plus 2mm).

Number	8080HK SAL – Salice Hinge Kit
Clearance	Maximum Slide Width Including Hinge For Partition:
	8080 HKS– Standard Hinge: 1-21/32"
	8080 HKF– Free-Swing Hinge: 1-21/32"
	8080 HKL– Partial Overlay Hinge: 1-37/64"
Finish	8080 HKX– Extra Thick Door Hinge: 1-37/64"
	Black (BLK), Nickel (NP)

Pack Configurations		Hinge Base	Hinges	Screws	Cover Caps
Kit (K)	2 Per Bag; 10 bags per Carton	Yes	Yes	Yes	Yes

Nickel (NP) Finish Salice Hinges for use with 8071, 8081 & 8091 Pocket Door Slides

Kit (K)	Hinge Cup Size	Door Thickness
8080 HKS SAL	35mm	3/4"
8080 HKF SAL	35mm	3/4" Free Swing
8080 HKL SAL	40mm	3/4" Overlay
8086 HKX SAL	40mm	1-1/4" Door

Black (BLK) Salice Hinges for use with 8071, 8081 & 8091 Pocket Door Slides

Kit (K)	Hinge Cup Size	Door Thickness
8080 HKS SAL EB	35mm	3/4"
8080 HKL SAL EB	40mm	3/4" Overlay
8086 HKX SAL EB	40mm	1-1/4" Extra Thick

Shelving & Storage

Adjustable Wall Mounted Shelving Systems

Standards and Brackets Quick Reference Guide 64

Pilaster Adjustable Shelving Systems

255 Mortise-Mount Pilaster Shelving System 65-66

233/237 Surface-Mount Pilaster Shelving System 67

Regular-Duty Adjustable Shelving Systems

70/170 Standards and Bracket System 68

71/170 Standards and Bracket System 68

80/180 Standards and Brackets System 69-70

160LL/179/181 Brackets 71

79/7980 Hangrail System 72

Heavy-Duty Adjustable Shelving Systems

82/182 Standards and Brackets System 73-74

79/7982 Hangrail System 74

83/183 Standards and Brackets System 75-76

161LL Lock Lever Bracket 76

Extra-Duty Adjustable Shelving System

85/185 Standards and Brackets System 77-78

Super-Duty Shelving System

87/187 Standards and Brackets System 79-80

1987 Galvanized Steel Shelves 79

87SS/187SS Stainless Steel Standards and Brackets System 81-82

1987SS Stainless Steel Shelves 81

186LL Stainless Steel Bracket 82

Built-in Shelving Accessories

335 Plastic Shelf Supports 83

338 Plastic Shelf Supports 83

345 Shelf Supports 83

346 Shelf Supports 83

348 Shelf Supports 83

Misc. Shelf Supports 83

Utility Shelving Brackets

204 L-Bracket 84

206 Folding L-Bracket 84

208 Ultimate L-Bracket 85

221 Utility L-Bracket 85

Decorative Shelving Brackets

88/ 888 Wood Shelf Anchor® 86

215 Slim-Line™ Shelf Bracket 86

216 Simplicity™ Shelf Bracket 86

217 Silhouette™ Shelf Bracket 86

200 Series Designer Shelf Brackets 87-88

Shelf Board

1980 5/8 in. Shelf Board 89

1990 3/4 in. Shelf Board 89

Knap & Vogt pioneered the development of the modern standards and bracket system of wall shelving, and we are still the leader in selection, quality and innovation. With one of the industry's widest selection of systems and component accessories, chances are we make a shelving system just right for you. To aid your selection process, we've created the following chart, which lists the vital characteristics of our standards and brackets systems, as well as available finishes and accessories. If you still have questions or need more details, please contact KV Customer Service.

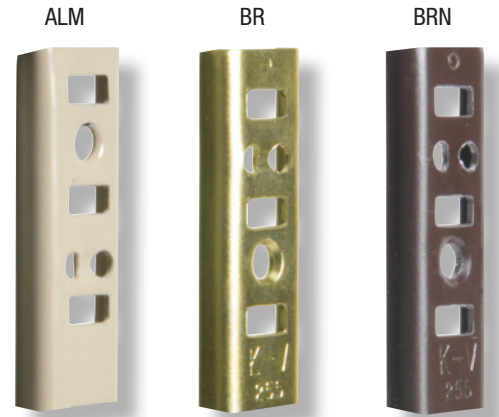
Part	Description	Features				Finish Options										Pack Options							
		1 in. Center Adjustment	1-1/4 in. Center Adjustment	2 in. Center Adjustment	Single Track	Almond (ALM)	Anochrome (ANO)	Black (BLK)	Brass-look (BR)	Brown (BRN)	Clear (CL)	Stainless Steel (SS)	Galvanized Steel (GALV)	Titanium (TI)	White (WH)	Zinc (ZC)	Economy Zinc (E)	Standard Pack	Builders Pack (BP)	Bulk Pack (B)	Display Pack (DP)	Heavy Pack (H)	Warehouse Pack (WP)
70/170 Regular-Duty Adjustable Standard and Bracket System																							
70	Standard	•			•												•	•					
170 E	Bracket	•			•												•	•					
71/170 Regular-Duty Adjustable Standard and Bracket System																							
71	Narrow Faced Standard	•			•													•					
170 ANO	Bracket	•			•													•					
80/180 Regular-Duty Adjustable Standard and Bracket Systems																							
80	Standard	•			•	•	•		•				•	•				•	•				
180	Bracket	•			•	•	•	•	•				•	•				•	•				•
181	Bracket	•			•													•					
160LL	Bracket	•			•			•										•					
179	Slanting Bracket	•			•			•	•									•					
80-88	Screws/Anchors					•	•	•	•	•			•	•				•		•			•
82/182 Heavy-Duty Adjustable Standard and Bracket Systems																							
82	Standard		•		•	•	•						•	•				•	•				
182	Bracket		•		•	•	•						•	•				•	•				
182BE	Bookend		•		•									•				•					
82DP Screw	Screws/Anchors														•							•	
182DP LCTR/JNR	Shelf Locater/Joiner		•		•					•												•	
182 DP LOCK	Bracket Lock Tab		•		•			•														•	
83/183 Oversized Heavy-Duty Adjustable Standard and Bracket Systems																							
83 ANO	Oversized Standard	•			•													•					
183	Handed Flange Bracket	•			•													•					
161LL	Bracket	•			•			•										•					
85/185 Extra-Duty Adjustable Standard and Bracket System																							
85	Standard	•			•									•				•					
185	Bracket	•			•									•				•					
106 ANO	Shelf Rest	•			•													•					
107 ANO	Hang Rod Clamp	•			•													•					
87/187 Super-Duty Adjustable Standard and Bracket System																							
87	Standard			•	•									•				•					
186LL	Bracket			•	•									•				•					
187LL	Bracket			•	•									•				•					
1987	Steel Shelves													•	•			•					

Mortise-Mount Pilaster Shelving System 255/256

- Holds up to 500 lbs. per shelf
- Mortise-Mount system
- 1/2" vertical slot adjustment
- BHMA Grade 1 compliant
- Wide selection of finishes & sizes
- Numbered slots for fast, accurate clip insertion
- Punched nail/screw holes
- Limited Lifetime Warranty
- Made in USA

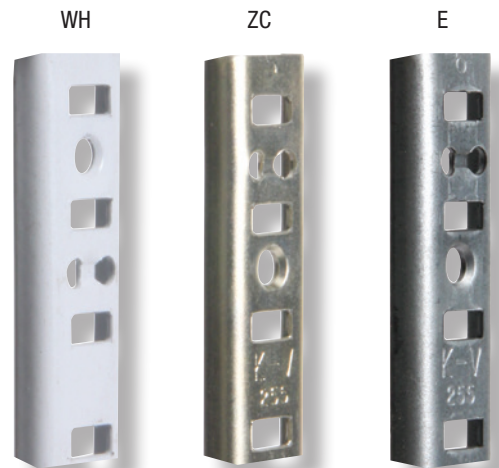
255 Steel Standards

Number	255 Series Mortise-Mount Steel Pilaster Standards
Dimensions	5/8" Wide x 3/16" Deep x Selected Length
Material	23 Gauge High Strength Steel
Origin	Made in USA
Finishes	Almond (ALM), Brass-look (BR), Brown (BRN), White (WH), Zinc (ZC), Economy Zinc (E)



Pack Configurations	
Standard	12"-60" packed 100 standards per Carton. 72"-96" packed 50 standards per Carton.
Retail (P)	20 Standards per Carton

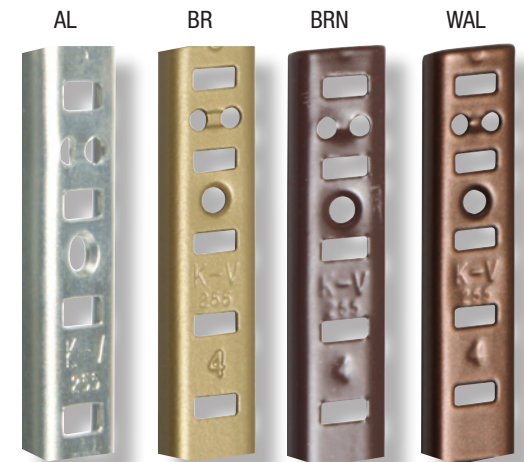
255 Steel Standards Standard Pack						
Size	Almond (ALM)	Brass-look (BR)	Brown (BRN)	Economy Zinc (E)	White (WH)	Zinc (ZC)
12 in.	255 ALM 12	255 BR 12	255 BRN 12	255 E 12	255 WH 12	255 ZC 12
18 in.	255 ALM 18	255 BR 18	255 BRN 18	—	255 WH 18	255 ZC 18
24 in.	255 ALM 24	255 BR 24	255 BRN 24	255 E 24	255 WH 24	255 ZC 24
30 in.	255 ALM 30	—	255 BRN 30	—	255 WH 30	255 ZC 30
36 in.	255 ALM 36	255 BR 36	255 BRN 36	255 E 36	255 WH 36	255 ZC 36
42 in.	—	—	—	—	—	255 ZC 42
48 in.	255 ALM 48	255 BR 48	255 BRN 48	255 E 48	255 WH 48	255 ZC 48
60 in.	255 ALM 60	255 BR 60	255 BRN 60	255 E 60	255 WH 60	255 ZC 60
72 in.	255 ALM 72	255 BR 72	255 BRN 72	255 E 72	255 WH 72	255 ZC 72
84 in.	255 ALM 84	255 BR 84	255 BRN 84	255 E 84	255 WH 84	255 ZC 84
96 in.	255 ALM 96	255 BR 96	255 BRN 96	255 E 96	255 WH 96	255 ZC 96



255 Steel Standards Retail Pack (P)					
Size	Almond (ALM)	Brass-look (BR)	Brown (BRN)	White (WH)	Zinc (ZC)
24 in.	—	PK255 BR 24	—	PK255 WH 24	PK255 ZC 24
36 in.	PK255 ALM 36	PK255 BR 36	PK255 BRN 36	PK255 WH 36	PK255 ZC 36
48 in.	PK255 ALM 48	PK255 BR 48	PK255 BRN 48	PK255 WH 48	PK255 ZC 48
60 in.	PK255 ALM 60	PK255 BR 60	PK255 BRN 60	PK255 WH 60	PK255 ZC 60
72 in.	PK255 ALM 72	PK255 BR 72	PK255 BRN 72	PK255 WH 72	PK255 ZC 72

255 Aluminum Standards

Number	255Al Series Mortise-Mount Aluminum Pilaster Standards
Dimensions	5/8" Wide x 3/16" Deep x Selected Length
Material	17 Gauge Aluminum
Origin	Made in USA
Finishes	Brass-look (BR), Brown (BRN), Natural (AL), Walnut (WAL)

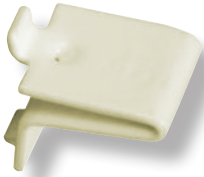


Pack Configurations	
Standard	12"-60" packed 100 standards per Carton. 72"-96" packed 50 standards per Carton.
Retail (P)	20 Standards per Carton

255 Aluminum Standards Standard Pack					255 Standards Retail Pack (P)	
Size	Natural (AL)	Brass-look (BR)	Brown (BRN)	Walnut (WAL)	Size	Walnut (WAL)
12 in.	255AL 12	255AL BR 12	255AL BRN 12	255AL WAL 12	36 in.	PK255AL WAL 36
18 in.	255AL 18	255AL BR 18	—	255AL WAL 18	48 in.	PK255AL WAL 48
24 in.	255AL 24	255AL BR 24	255AL BRN 24	255AL WAL 24	60 in.	PK255AL WAL 60
30 in.	255AL 30	255AL BR 30	—	255AL WAL 30	72 in.	PK255AL WAL 72
36 in.	255AL 36	255AL BR 36	255AL BRN 36	255AL WAL 36		
42 in.	255AL 42	—	—	—		
48 in.	255AL 48	255AL BR 48	255AL BRN 48	255AL WAL 48		
60 in.	255AL 60	255AL BR 60	255AL BRN 60	255AL WAL 60		
72 in.	255AL 72	255AL BR 72	255AL BRN 72	255AL WAL 72		
84 in.	255AL 84	255AL BR 84	255AL BRN 84	255AL WAL 84		
96 in.	255AL 96	255AL BR 96	255AL BRN 96	255AL WAL 96		

255/256 Mortise-Mount Pilaster Shelving System

ALM



AL NAT



BR



WAL



WH



ZC



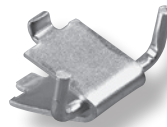
256R



239



244



243



757



229



Number	256 Series Pilaster Support
Material	High Strength Steel, Aluminum (AL)
Origin	Made in USA
Finishes	Almond (ALM), Natural Aluminum (AL NAT), Brass-look (BR), Walnut (WAL), White (WH), Zinc (ZC)
Features	256 WAL for use with 255 BRN pilaster standards. Patent pending clip design

Pack Configurations	
Standard	100 Pieces per Carton
Bulk (B)	1000 Pieces per Carton
Barrel (BBL)	9000 Pieces per Fiber Barrel
Poly (P)	12 supports and 28 nails per Bag; 10 Bag per Carton
Warehouse (WP)	12 supports and 28 nails per Bag; 50 Bags per Carton

256 Shelf Supports Almond (ALM) Finish				
Standard	Bulk (B)	Barrel (BBL)	Poly (P)	Warehouse (WP)
256SALM	—	—	256S PALM	256S WPALM

256 Shelf Supports Brass-look (BR) Finish				
Standard	Bulk (B)	Barrel (BBL)	Poly (P)	Warehouse (WP)
256 BR	256B BR	256BBL BR	256P BR	256WP BR

256 Shelf Supports Walnut (WAL) Finish				
Standard	Bulk (B)	Barrel (BBL)	Poly (P)	Warehouse (WP)
256 WAL	256B WAL	256BBL WAL	256P WAL	256WP WAL

256 Shelf Supports White (WH) Finish				
Standard	Bulk (B)	Barrel (BBL)	Poly (P)	Warehouse (WP)
256S WH	—	—	256S P WH	256S WP WH

256 Shelf Supports ZINC (ZC) Finish				
Standard	Bulk (B)	Barrel (BBL)	Poly (P)	Warehouse (WP)
256 ZC	256B ZC	256BBL ZC	256P ZC	256WP ZC

256 Shelf Supports Natural Aluminum (AL NAT) Finish				
Standard	Bulk (B)	Barrel (BBL)	Poly (P)	Warehouse (WP)
256 AL NAT	256AL NAT	—	—	—

Number	256R ZC	Support with Rubber Cushion
	239 ZC	Shelf Support
	243 ZC	3" Shelf Bracket (non-handed)
	244 ANO	For Wire Shelves
	757 ANO	Flange For 1-1/16" OD Closet Rod
Origin	Made in USA	
Finishes	Anochrome (ANO), Zinc (ZC)	
Packed	100 Pieces per Carton	

Number	229 ANO Series Support Bracket
Finish	Anochrome (ANO)
Packed	25 per Carton

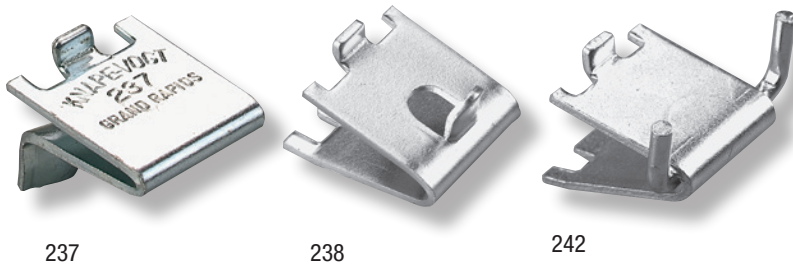
229 Bracket	
Size	Anochrome (ANO) Finish
4 in.	229 ANO 4
6 in.	229 ANO 6
8 in.	229 ANO 8
10 in.	229 ANO 10

Number	233 Surface-Mount Steel Pilaster Standards
Dimensions	13/16" Wide x 3/16" Deep x Selected Length
Material	23 Gauge High-Strength Steel
Origin	Made in USA
Finishes	Brass-look (BR), Steel (STL), Zinc (ZC)

Pack Configurations			
Standard	12"-60" packed 100 standards per Carton. 72"-96" packed 50 standards per Carton.		
Retail (P)	20 Standards per Carton		

233 Steel Standards Standard Pack				233 Steel Standards Poly Pack (P)	
Size	Brass-look (BR)	Steel (STL)	Zinc (ZC)	Size	Zinc (ZC)
12 in.	233 BR 12	233 STL 12	233 ZC 12	48 in.	PK233 ZC 48
18 in.	—	—	233 ZC 18	72 in.	PK233 ZC 72
24 in.	—	233 STL 24	233 ZC 24		
30 in.	—	—	233 ZC 30		
36 in.	233 BR 36	233 STL 36	233 ZC 36		
42 in.	—	—	233 ZC 42		
48 in.	233 BR 48	233 STL 48	233 ZC 48		
60 in.	233 BR 60	233 STL 60	233 ZC 60		
72 in.	233 BR 72	233 STL 72	233 ZC 72		
84 in.	—	233 STL 84	233 ZC 84		
96 in.	233 BR 96	233 STL 96	233 ZC 96		

- Holds up to 500 lbs. per shelf
- Surface-Mount System
- 1/2" vertical slot adjustability
- BHMA Grade 1 compliant
- Numbered slots for quick, accurate clip insertion
- Punched nail/screw & staple holes
- Limited lifetime warranty
- Made in USA



Number	237 ZC	Shelf support for 233 pilaster
	238 ANO	Shelf support with locator tab
	242 ANO	Wire shelf support
Origin	Made in USA	
Finishes	Anochrome (ANO), Zinc (ZC)	
Packed	100 Pieces per Carton	



Pack Configurations	
Standard	Approx. 650 Nails per Bag; 5 Bags per Carton

255 & 233 Nails	
Part	Finish
255-81N ALM	Almond (ALM)
255-81N BR	Brass-look (BR)
255-81N STB	Bronzed (STB)
255-81N WH	White (WH)
255-81N ZC	Zinc (ZC)

255 and 233 Nail Application Chart	
Nail	Use With:
255-81N ALM	255 ALM
255-81N BR	255BR, 233 BR, 255AL BR
255-81N STB	255BRN, 255AL BRN, 255 WAL
255-81N WH	255WH
255-81N-ZC	255ZC, 233ZC, 255E, 255AL



70/170 Regular-Duty Standards & Brackets System

- Holds up to 200 lbs. per pair*
- Regular-Duty System
- Single slot System
- 1" vertical slot adjustment
- BHMA Grade 2 compliant
- Limited lifetime warranty
- Made in USA



Number	70 Standards
Dimensions	5/8" Wide x 13/32" High, 1" Slot Adjustment
Material	16 Gauge Steel
Origin	Made in USA
Finish	Economy Zinc (E)

Pack Configurations	
Standard	10 Standards per Carton, Screws not Included, UPC applied
P70E Standards Economy Zinc (E)	
Size	Economy Zinc
24 in.	P70 E 24
36 in.	P70 E 36
48 in.	P70 E 48
72 in.	P70 E 72

Number	170E Brackets
	P170E Brackets
Material	16 Gauge Steel
Origin	Made in USA
Finish	Economy Zinc (E)

Pack Configurations		
Poly (P)	20 per Carton; UPC label Applied	
Standard	50 per Carton, No UPC	
170E Brackets Economy Zinc (E)		
Size	Standard	Poly
8 in.	170E 8	P170 E 8
10 in.	170E 10	P170 E 10
12 in.	170E 12	P170 E 12
48 in.	P70 E 48	

* Standards & brackets meet or exceed ANSI performance standards as established by BHMA testing requirements.

70/170 Regular-Duty Standards & Brackets System

- Holds up to 210 lbs. per pair*
- Regular-Duty System
- Single slot Design
- 1" vertical slot adjustment
- BHMA Grade 2 compliant
- Limited lifetime warranty
- Made in USA



Number	71 Narrow Face Standards
Dimensions	5/16" Wide x 13/32" Deep
Material	16 Gauge Steel
Origin	Made in USA
Finishes	Anochrome (ANO)

Pack Configurations	
Standard	10 per Carton
71 Standards Standard Pack	
Size	Anochrome (ANO)
48 in.	71 ANO 48
60 in.	71 ANO 60
72 in.	71 ANO 72
84 in.	71 ANO 84
96 in.	71 ANO 96

Number	170 ANO Brackets
Material	16 Gauge Steel
Origin	Made in USA
Finishes	Anochrome (ANO)

Pack Configurations	
Standard	10 per Carton
170 ANO Brackets	
Size	Anochrome (ANO)
10 in.	170 ANO 10
12 in.	170 ANO 12
14 in.	170 ANO 14

* Standards & brackets meet or exceed ANSI performance standards as established by BHMA testing requirements.

Regular-Duty Standards & Brackets System 80/180

Number	80 Standards
Dimensions	5/8" Wide x 13/32" Deep x Selected Length
Material	16 Gauge Steel
Origin	Made in USA
Finishes	Almond (ALM) , Anochrome (ANO), Black (BLK), Brass Look (BR) Brown (BN), Titanium (TI), White (WH)

- Holds up to 320 lbs. per pair*
- Regular-Duty System
- Single slot design
- 1" vertical slot adjustability
- BHMA Grade 2 compliant
- Spring clip for stability & friction lock
- Shelf retaining lip on bracket
- 2 locking teeth
- Limited lifetime warranty
- Made in USA

Pack Configurations

Standard	10 Standards per Carton, w/UPC labels
Builders Pack (BP)	25 Standards per Carton, NO UPC labels

80 Standards Standard Pack

Size	Almond (ALM)	Anochrome (ANO)	Black (BLK)	Brown (BN)	Brass-look (BR)	Titanium (TI)	White (WH)
12 in.	80 ALM 12	80 ANO 12	80 BLK 12	80 BN 12	80 BR 12	80 TI 12	80 WH 12
18 in.	—	80 ANO 18	—	—	—	—	—
24 in.	80 ALM 24	80 ANO 24	80 BLK 24	80 BN 24	80 BR 24	80 TI 24	80 WH 24
36 in.	80 ALM 36	80 ANO 36	80 BLK 36	80 BN 36	80 BR 36	80 TI 36	80 WH 36
48 in.	80 ALM 48	80 ANO 48	80 BLK 48	80 BN 48	80 BR 48	80 TI 48	80 WH 48
60 in.	80 ALM 60	80 ANO 60	80 BLK 60	80 BN 60	80 BR 60	80 TI 60	80 WH 60
72 in.	80 ALM 72	80 ANO 72	80 BLK 72	80 BN 72	80 BR 72	80 TI 72	80 WH 72
84 in.	—	80 ANO 84	—	—	—	—	—
96 in.	—	80 ANO 96	80 BLK 96	—	80 BR 96	80 TI 96	80 WH 96

80 Standards Builders Pack (BP)

Size	BP ANO
24 in.	80BP ANO 24
36 in.	80BP ANO 36
48 in.	80BP ANO 48
60 in.	80BP ANO 60
72 in.	80BP ANO 72
84 in.	80BP ANO 84
96 in.	80BP ANO 96

* Standards & brackets meet or exceed ANSI performance standards as established by BHMA testing requirements.



80/180 Regular-Duty Standards & Brackets System

Number	180 Brackets
Dimensions	5/8" Wide x 13/32" High x Selected Length
Material	14 & 16 Gauge Steel
Origin	Made in USA
Finishes	Almond (ALM), Anochrome (ANO), Black (BLK), Brass-look (BR), Brown (BN), Titanium (TI), White (WH)

Pack Configurations	
Standard	10 Brackets per Carton with UPC Labels Attached
Hefty Pack (HP)	40 Brackets per Display Carton, UPC Labels
Builders Pack (BP)	100 Brackets per Carton, No UPC Label

180 Brackets Standard Pack							
Size	Almond (ALM)	Anochrome (ANO)	Black (BLK)	Brown (BN)	Brass-look (BR)	Titanium (TI)	White (WH)
4 in.	—	180 ANO 4	180 BLK 4	—	—	—	180 WH 4
6 in.	180 ALM 6	180 ANO 6	180 BLK 6	180 BN 6	180 BR 6	180 TI 6	180 WH 6
8 in.	180 ALM 8	180 ANO 8	180 BLK 8	180 BN 8	180 BR 8	180 TI 8	180 WH 8
10 in.	180 ALM 10	180 ANO 10	180 BLK 10	180 BN 10	180 BR 10	180 TI 10	180 WH 10
12 in.	180 ALM 12	180 ANO 12	180 BLK 12	180 BN 12	180 BR 12	180 TI 12	180 WH 12
14 in.	180 ALM 14	180 ANO 14	180 BLK 14	—	180 BR 14	—	180 WH 14
16 in.	180 ALM 16	180 ANO 16	180 BLK 16	180 BN 16	180 BR 16	180 TI 16	180 WH 16
18 in.	—	180 ANO 18	—	—	—	—	180 WH 18
20 in.	—	180 ANO 20	—	—	—	—	180 WH 20

180 Brackets Hefty Pack (HP)							
Size	Almond (ALM)	Anochrome (ANO)	Black (BLK)	Brown (BN)	Brass-look (BR)	Titanium (TI)	White (WH)
6 in.	—	180 ANO 6	180 BLK 6	—	—	108HP TI 6	180 WH 6
8 in.	180HP ALM 8	180HP ANO 8	180HP BLK 8	180HP BN 8	180HP BR 8	180HP TI 8	180HP WH 8
10 in.	180HP ALM 10	180HP ANO 10	180HP BLK 10	180HP BN 10	180HP BR 10	180HP TI 10	180HP WH 10
12 in.	180HP ALM 12	180HP ANO 12	180HP BLK 12	180HP BN 12	180HP BR 12	180HP TI 12	180HP WH 12
16 in.	180HP ALM 16	180HP ANO 16	180HP BLK 16	180HP BN 16	180HP BR 16	180HP TI 16	180HP WH 16
18 in.	—	—	—	—	—	—	180HP WH 18

180 Brackets Builders Pack (BP)	
Size	Anochrome (ANO)
6 in.	180BP ANO 6
8 in.	180BP ANO 8
10 in.	180BP ANO 10
12 in.	180BP ANO 12
14 in.	180BP ANO 14
16 in.	180BP ANO 16
18 in.	180BP ANO 18

See next page for more bracket options.

ALM



ANO



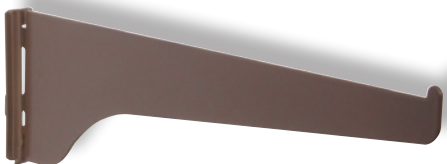
BLK



BR



BN



TI



WH



Screws & Anchors



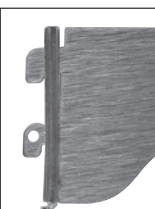
Dimensions	#6 Head, #8 body, 1-1/2" long
Finishes	Almond (ALM), Anochrome (ANO), Black (BLK), Brass-look (BR), Brown (BN), Titanium (TI), White (WH), Zinc (ZC)

Pack Configurations	
Bulk Pack (BP)	1000 Bulk screws per poly; 6000 per Carton
Display (DP)	20 Poly Bags per Carton; Each Poly Bag contains 6 Screws and 6 Screw Anchors
Standard Pack	50 Screws per Pack, No Anchors

Display Pack (DP)	
Part	Finish
80-88DP ALM	Almond (ALM)
80-88DP ANO	Anochrome (ANO)
80-88DP BLK	Black (BLK)
80-88DP BR	Brass-look (BR)
80-88DP BN	Brown (BN)
80-88DP TI	Titanium (TI)
80-88DP WH	White (WH)

Standard Pack	
Part	Finish
80-80 ALM	Almond (ALM)
80-80 BLK	Black (BLK)
80-80 BR	Brass-look (BR)
80-80 WH	White (WH)
80-80 ZC	Zinc (ZC)

Bulk Pack (BP)	
Part	Finish
200239-4 ALM	Almond (ALM)
200230-7 BLK	Black (BLK)
200231-0 BR	Brass-look (BR)
200241-1	Titanium (TI)
200235-2 WH	White (WH)
200234-9 ZC	Zinc (ZC)



Locking Teeth
(Side view)



Number	160LL Lock Lever Bracket
Material	14 Gauge Steel
Origin	Made in USA
Finishes	Anochrome (ANO), Brass-look (BR)

- 160LL Brackets for use with 1" adjustment standards
- 2 locking teeth
- Lever lock for extra secure mounting

Pack Configurations		
Standard	10 per Carton, No UPC Labels	
160LL Brackets		
Size	Anochrome (ANO)	Brass-look (BR)
6 in.	160LL ANO 6	—
8 in.	160LL ANO 8	160LL BR 8
10 in.	160LL ANO 10	160LL BR 10
12 in.	160LL ANO 12	160LL BR 12
14 in.	160LL ANO 14	—
16 in.	160LL ANO 16	160LL BR 16
18 in.	160LL ANO 18	—

160LL



Number	179 Adjustable Slant Brackets
Material	14 and 16 Gauge Steel
Origin	Made in USA
Finishes	Anochrome (ANO), Brass-Look (BR)

- For use with 1" adjustment standards
- Spring clip for stability & friction locking
- 179 Brackets Adjust to 15°, 30°, 45°, and level

Pack Configurations		
Standard	10 per Carton	
179 Brackets		
Size	Anochrome (ANO)	
10 in.	179 ANO 10	
12 in.	179 ANO 12	
14 in.	179 ANO 14	

179

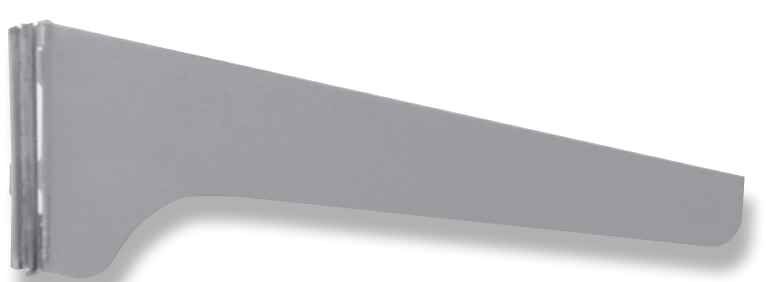


Number	181 Lipless Brackets
Material	14 and 16 Gauge Steel
Origin	Made in USA
Finish	Anochrome (ANO)

- For use with 1 in. adjustment standards
- Lip-less version of 180 Bracket

Pack Configurations		
Standard	10 per Carton	
181 Brackets		
Size	Anochrome (ANO)	
8 in.	181 ANO 8	
10 in.	181 ANO 10	
12 in.	181 ANO 12	
14 in.	181 ANO 14	
16 in.	181 ANO 16	

181



80/180 Regular-Duty Standards & Brackets System

- Holds up to 2700 lbs. per 80" Rail
- Holds up to 200 lbs. per Link
- Rail has screw holes every 8" for 16" and 24" stud centers
- Rigid profile design prevents twisting and bowing
- Mounts to most wall types and bare studs
- Anti-dislodge safety features

79 WH



79 TI



7980 TI



7980 WH



79/7980 Easy Installation Hang Rail for 80 Series Standards

Number	79 Easy Installation Hangrail
Material	Hardened Steel
Finishes	Titanium (TI), White (WH)

Pack Configurations		
Standard	10 per Carton	
79 Hangrail		
Size	Titanium (TI)	White (WH)
48 in.	79 TI 48	79 WH 48
80 in.	79 TI 80	79 WH 80

Number	7980 Standard Links
Material	Cast Aluminum
Finishes	Titanium (TI), White (WH)

Pack Configurations		
Standard	12 Pairs per Carton	
7980 Standard Links		
Titanium (TI)	White (WH)	
7980 TI	7980 WH	

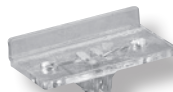
101 PLAS



102



103



103-1/2



104



104-1/2



105



119 RUB



129 RUB



136



137



153



154



Accessories

Number	101 PLAS	Clear Plastic Back Rest
	102 PLAS	Clear Plastic Front Rest
	103 PLAS	Clear Plastic Front Rest
	103-1/2L PLAS	Clear Plastic Front Rest (left)
	103-1/2R PLAS	Clear Plastic Front Rest (right)
	104 PLAS	Clear Plastic Back Rest
	104-1/2 ANO	Anochrome (ANO) Steel Back Rest
	104-1/2 PLAS	Clear Plastic Back Rest
	105 PLAS	Clear Plastic End Rest
	119 RUB	Gray (GRY) Rubber Cushion Use with metal rests
	129 RUB	Gray (GRY) Rubber Cushion Use with plastic rests
Packed	100 per Carton.	

Number	104 ANO	Anochrome (ANO) Steel Back rest
	136 ANO	Socket-#80 Standard Bottom Socket
	137 ANO	Socket-#80 Standard Top Socket
	153 ANO	Standard Fastener-Floor Mount (Bolt & Nut Not Included)
	154 ANO	Shelf Fastener (Fastens Shelf To Bracket)
Origin	Made in USA	
Packed	100 per Carton.	

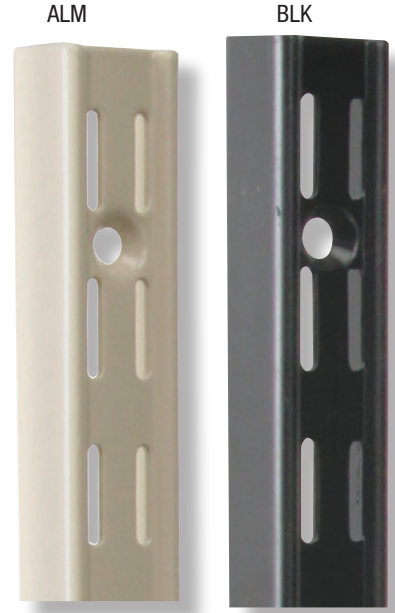
Number	82 Standards
Dimensions	1.05" Wide x .69" Deep x Selected Length
Material	14 Gauge Steel
Origin	Made in USA
Finishes	Almond (ALM), Black (BLK), Titanium (TI), White (WH)

Pack Configurations	
Standard	10 Brackets per Carton with UPC Labels
Builders Pack (BP)	10 Brackets per Carton, No UPC Label

82 Standards Standard Pack				
Size	Almond (ALM)	Black (BLK)	Titanium (TI)	White (WH)
16.5 in.	82 ALM 16.5	82 BLK 16.5	82 TI 16.5	82 WH 16.5
28 in.	82 ALM 28	82 BLK 28	82 TI 28	82 WH 28
39 in.	82 ALM 39	82 BLK 39	82 TI 39	82 WH 39
48 in.	82 ALM 48	82 BLK 48	82 TI 48	82 WH 48
63 in.	82 ALM 63	82 BLK 63	82 TI 63	82 WH 63
78 in.	82 ALM 78	82 BLK 78	82 TI 78	82 WH 78
94 in.	82 ALM 94	82 BLK 94	82 TI 94	82 WH 94

82 Standards Builders Pack			
Size	Almond (ALM)	Black (BLK)	White (WH)
16.5 in.	82BP ALM 16.5	82BP BLK 16.5	82BP WH 16.5
28 in.	82BP ALM 28	82BP BLK 28	82BP WH 28
39 in.	82BP ALM 39	82BP BLK 39	82BP WH 39
48 in.	82BP ALM 48	82BP BLK 48	82BP WH 48
63 in.	82BP ALM 63	82BP BLK 63	82BP WH 63
78 in.	82BP ALM 78	82BP BLK 78	82BP WH 78
94 in.	82BP ALM 94	82BP BLK 94	82BP WH 94

- Holds up to 450 lbs. per shelf*
- Heavy-Duty System
- Double slot design
- 1-1/4" vertical slot adjustment
- BHMA Grade 2 compliant
- European design
- Strength increasing ribs
- 4 locking teeth
- Formed shelf screw holes
- Limited lifetime warranty



* Standards & brackets meet or exceed ANSI performance standards as established by BHMA testing requirements.

Accessories

182BE

Number	182BE Bookend
Finish	White (WH)
Origin	Made in USA
Packed	10 Pairs per Carton

182BE Bookends Standard Pack	
Size	White (WH)
7 in.	182BE WH 7
9 in.	182BE WH 9
10.5 in.	182BE WH 10.5

82DP

Number	82DP SCREW ZC
Finish	Zinc (ZC)
Packed	20 bags per Carton (6 screws & 6 anchors per bag)

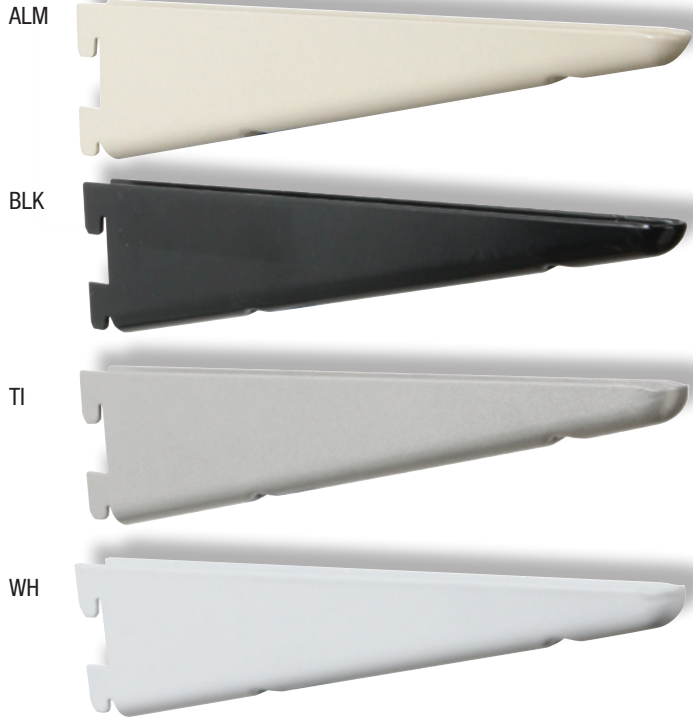
182DP LCTR/JNR

Number	182DP LCTR/JNR Shelf Locator Joiner
Finish	Clear Plastic (CL)
Packed	20 bags per Carton (4 locators & 8 screws per bag)

182DP LOCK

Number	182DP LOCK Bracket Lock
Finish	Black Rubber (BLK)
Packed	20 bags per Carton (6 locks per bag)

82/182 Heavy-Duty Standards & Brackets System



Number	182 Brackets
Material	16 Gauge Steel
Finishes	Almond (ALM), Black (BLK), Titanium (TI), White (WH)

Pack Configurations	
Standard	10 Brackets per Display Caront with UPC Labels Attached
Builders Pack (BP)	10 Brackets per Carton, No UPC Label

182 Brackets Standard Pack				
Size	Almond (ALM)	Black (BLK)	Titanium (TI)	White (WH)
5 in.	—	—	—	182 WH 5
7 in.	182 ALM 7	182 BLK 7	182 TI 7	182 WH 7
9 in.	182 ALM 9	182 BLK 9	182 TI 9	182 WH 9
10.5 in.	182 ALM 10.5	182 BLK 10.5	182 TI 10.5	182 WH 10.5
12.5 in.	182 ALM 12.5	182 BLK 12.5	182 TI 12.5	182 WH 12.5
14.5 in.	182 ALM 14.5	182 BLK 14.5	182 TI 14.5	182 WH 14.5
18.5 in.	182 ALM 18.5	182 BLK 18.5	182 TI 18.5	182 WH 18.5
24 in.	182 ALM 24	182 BLK 24	182 TI 24	182 WH 24

182 Brackets Builders Pack				
Size	Almond (ALM)	Black (BLK)	Titanium (TI)	White (WH)
5 in.	—	182BP BLK 5	—	182BP WH 5
7 in.	182BP ALM 7	182BP BLK 7	—	182BP WH 7
9 in.	182BP ALM 9	182BP BLK 9	182BP TI 9	182BP WH 9
10.5 in.	182BP ALM 10.5	182BP BLK 10.5	182BP TI 10.5	182BP WH 10.5
12.5 in.	182BP ALM 12.5	182BP BLK 12.5	182BP TI 12.5	182BP WH 12.5
14.5 in.	182BP ALM 14.5	182BP BLK 14.5	182BP TI 14.5	182BP WH 14.5
18.5 in.	182BP ALM 18.5	182BP BLK 18.5	182BP TI 18.5	182BP WH 18.5
24 in.	182BP ALM 24	182BP BLK 24	182BP TI 24	182BP WH 24

- Holds up to 2700 lbs. per 80" hang rail
- Holds up to 450 lbs. per link
- Rail has screw holes every 8" for 16" and 24" stud centers
- Rigid profile design prevents twisting and bowing
- Mounts to most wall types and bare studs
- Anti-dislodge safety features

79 WH



79 TI



7982 TI

7982 WH



79/7982 Easy Installation Hang Rail for 82 Series Standards

Number	79 Easy Installation Hangrail
Material	Hardened Steel
Finishes	Titanium (TI), White (WH)

Pack Configurations	
Standard	10 per Carton

79 Hangrail		
Size	Titanium (TI)	White (WH)
48 in.	79 TI 48	79 WH 48
80 in.	79 TI 80	79 WH 80

Number	7982 Standard Links
Material	Cast Aluminum
Finishes	Titanium (TI), White (WH)

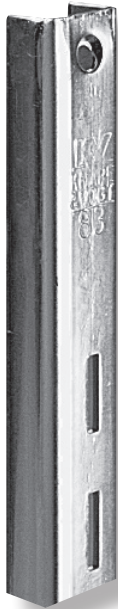
Pack Configurations	
Standard	12 pairs per Carton

7980 Standard Links	
Titanium (TI)	White (WH)
7982 TI	7982 WH

Heavy-Duty Oversized Standards & Brackets System 83/183

- Holds up to 460 lbs. per pair*
- Heavy-Duty System
- Single slot design
- 1" vertical slot adjustability
- BHMA Grade 2 compliant
- Flanges on brackets make attachment of wooden shelves to brackets simple and convenient
- Double flange bracket for use in joining 2 shelves or for added support on long shelving runs
- May also be used with 85 standards for added support in long shelving runs
- Limited lifetime warranty
- Made in USA

83 ANO 



Number	83 Oversized Standards
Dimensions	3/4" Wide x 1/2" Deep x Selected Length
Material	16 Gauge Steel
Origin	Made in USA
Finishes	Anochrome (ANO)

Pack Configurations

Standard	10 per Carton, no UPC labels
Retail (P)	10 per Carton with UPC labels

83 Standards Standard Pack	
Size	Anochrome (ANO)
24 in.	83 ANO 24
36 in.	83 ANO 36
48 in.	83 ANO 48
60 in.	83 ANO 60
72 in.	83 ANO 72
84 in.	83 ANO 84
96 in.	83 ANO 96

83 Standard Retail Pack	
Size	Anochrome (ANO)
24 in.	83P ANO 24
36 in.	83P ANO 36
48 in.	83P ANO 48
60 in.	83P ANO 60
72 in.	83P ANO 72
96 in.	83P ANO 96

* Standards & brackets meet or exceed ANSI performance standards as established by BHMA testing requirements.

113



119 RUB



134



135



159



191, 192



Accessories

Number	113L ANO Left Hand Anochrome (ANO) Panel Clip
Number	113R ANO Right Hand Anochrome (ANO) Panel Clip
Finish	Anochrome (ANO)
Packed	50 per Carton. Left and Right Hand Clips Packed Separately
Features	For use in attaching display and wall panels, pictures, etc. in vertical position

Number	119 RUB Gray (GRY) rubber cushion for use with metal rests
Packed	100 per Carton.

Number	134 ANO Socket-#83 Standard Bottom Socket
Number	135 ANO Socket-#83 Standard Top Socket
Packed	100 per Carton.

Number	159LL Lock Lever Heavy-Duty Support Bracket
Finish	Anochrome (ANO)
Packed	10 per Carton
Features	Provides extra support for shelves with heavy loads.

Number	191 ANO Hang Rod Saddle
Number	192 ANO Hang Rod Saddle
Finish	Anochrome (ANO)
Packed	10 per Carton
Features	191 Bolts to 183 or 185 brackets to hold 1-1/16" O.D. tubing. Not for use with 183C. 192 Bolts to 183 or 185 brackets to hold 1-5/16" O.D. tubing. Not for use with 183C.

83/183 Heavy-Duty Oversized Standards & Brackets System

183R 



183L 



183C 



161LL

- 3 locking teeth
- Lever lock for extra secure mounting



Number	183R Right Flange Bracket 183L Left Flange Bracket 183C Center Flange Bracket
Material	16 Gauge Steel
Origin	Made in USA
Finishes	Anochrome (ANO)

Pack Configurations

Standard	10 per Carton, no UPC labels
Retail (P)	10 per Carton with UPC labels

183 Brackets Standard Pack Anochrome (ANO) Finish

Size	Right	Left	Center
8 in.	183R ANO 8	183L ANO 8	183C ANO 8
10 in.	183R ANO 10	183L ANO 10	183C ANO 10
12 in.	183R ANO 12	183R ANO 12	183C ANO 12
14 in.	183R ANO 14	183L ANO 14	183C ANO 14
16 in.	183R ANO 16	183L ANO 16	183C ANO 16
18 in.	183R ANO 18	183L ANO 18	183C ANO 18
20 in.	183R ANO 20	183L ANO 20	183C ANO 20

183 Brackets Retail (P) Pack Anochrome (ANO) Finish

Size	Right	Left	Center
12 in.	183RP ANO 12	183LP ANO 12	183CP ANO 12
16 in.	183RP ANO 16	183LP ANO 16	183CP ANO 16
20 in.	183RP ANO 20	183LP ANO 20	183CP ANO 20

Number	161LL Lock Lever Bracket
Material	14 Gauge Steel
Origin	Made in USA
Finishes	Anochrome (ANO)

Pack Configurations

Standard	10 per Carton, No UPC Labels
----------	------------------------------

161LL Brackets

Size	Anochrome
14 in.	161LL ANO 14
16 in.	161LL ANO 16
18 in.	161LL ANO 18
20 in.	161LL ANO 20
22 in.	161LL ANO 22
24 in.	161LL ANO 24

Heavy-Duty Oversized Standards & Brackets System 85/185

Number	85 Standards
Dimensions	1-1/4" Wide x 1/2" High, 1" Slot Adjustment
Material	16 Gauge Steel
Origin	Made in USA
Finishes	Anochrome (ANO), White (WH)

Pack Configurations

Standard	10 per Carton, no UPC labels
Retail (B)	10 per Carton with UPC labels

85 Standards Standard Pack

Size	Anochrome (ANO)	White (WH)
24 in.	85 ANO 24	85 WH 24
36 in.	85 ANO 36	85 WH 36
48 in.	85 ANO 48	85 WH 48
60 in.	85 ANO 60	85 WH 60
72 in.	85 ANO 72	85 WH 72
84 in.	85 ANO 84	85 WH 84
96 in.	85 ANO 96	85 WH 96

85 Standards Retail Pack

Size	Anochrome (ANO)
48 in.	85B ANO 48
72 in.	85B ANO 72
96 in.	85B ANO 96

* Standards & brackets meet or exceed ANSI performance standards as established by BHMA testing requirements.

Recommended Fasteners

#10 flat-head wood screws for mounting 85 Standards

- Holds up to 680 lbs. per pair*
- Extra-Duty system
- Double slot design
- Adjustable in 1" increments
- BHMA Grade 2 compliant
- Shelf retaining lip on brackets
- 4 locking teeth & 2 support ears
- Limited lifetime warranty
- Made in USA



Accessories

Number	106 ANO Shelf Rest
Finish	Anochrome (ANO)
Packed	100 per Carton
Features	Used for joining two shelves at one bracket

Number	107 ANO Hang Rod Clamp
Finish	Anochrome (ANO)
Packed	20 per Carton
Features	Bolts to 183 and 185 Brackets to hold garment rods securely in position

Number	113L ANO Left Hand Anochrome (ANO) Panel Clip
	113R ANO Right Hand Anochrome (ANO) Panel Clip
Finish	Anochrome (ANO)
Packed	50 per Carton. Left and Right Hand Clips Packed Separately
Features	For use in attaching display and wall panels, pictures, etc. in vertical position

Number	129 RUB Gray (GRY) rubber cushion for use with plastic rests
Packed	100 per Carton.

Number	153 ANO Standard Fastener-Floor Mount (bolt & nut not included)
	154 ANO Shelf fastener (fastens shelf to bracket)
Finish	Anochrome (ANO)
Packed	100 per Carton

Number	159LL Lock Lever Heavy-Duty Support Bracket
Finish	Anochrome (ANO)
Packed	10 per Carton
Features	Provides extra support for shelves with heavy loads.

Number	191 ANO Hang Rod Saddle
	192 ANO Hang Rod Saddle
Finish	Anochrome (ANO)
Packed	10 per Carton
Features	191 Bolts to 183 or 185 brackets to hold 1-1/16" O.D. tubing. Not for use with 183C. 192 Bolts to 183 or 185 brackets to hold 1-5/16" O.D. tubing. Not for use with 183C.



85/185 Heavy-Duty Oversized Standards & Brackets System

RoHS ANO



Number	185 Brackets
Material	14 & 16 Gauge Steel
Origin	Made in USA
Finishes	Anochrome (ANO), White (WH)

Pack Configurations

Standard	10 per Carton, no UPC labels
Retail (B)	10 per Carton with UPC labels

182 Brackets Standard Pack

Size	Anochrome (ANO)	White (WH)
8 in.	185 ANO 8	185 WH 8
10 in.	185 ANO 10	185 WH 10
12 in.	185 ANO 12	185 WH 12
14 in.	185 ANO 14	185 WH 14
16 in.	185 ANO 16	185 WH 16
18 in.	185 ANO 18	185 WH 18
20 in.	185 ANO 20	185 WH 20
22 in.	185 ANO 22	185 WH 22
24 in.	185 ANO 24	185 WH 24

185 Brackets Retail Pack

Size	Anochrome (ANO)
10 in.	185B ANO 10
12 in.	185B ANO 12
14 in.	185B ANO 14
16 in.	185B ANO 16
18 in.	185B ANO 18
20 in.	185B ANO 20
22 in.	185B ANO 22
24 in.	185B ANO 24

Note: 180 Anochrome (ANO) Brackets and all other KV 1" adjustable brackets can be used with #85 Double-Slotted Standard.

RoHS WH



Super-Duty Oversized Standards & Brackets System 87/187

Number	87 Standards
Dimensions	7/8" Wide x 11/16" Deep 2" Slot Adjustment
Material	12 Gauge Steel
Origin	Made in USA
Finishes	Anochrome (ANO), White (WH)

- Holds up to 1060 lbs. per pair*
- Super-Duty system
- Single slot design
- Adjustable in 2" slot increments
- BHMA Grade 2 compliant
- Lever lock for ease of installation, stability, & safety
- 186LL & 187LL brackets feature a unique cam lock that allows easy installation and secures brackets to the standard
- Shelving designed for use with 87 ANO and 187ANO Standards & Brackets
- Limited lifetime warranty
- Made in USA

Pack Configurations		
Standard	5 per Carton, no UPC labels	
87 Standards Standard Pack		
Size	Anochrome (ANO)	White (WH)
24 in.	87 ANO 24	87 WH 24
36 in.	87 ANO 36	87 WH 36
48 in.	87 ANO 48	87 WH 48
60 in.	87 ANO 60	87 WH 60
72 in.	87 ANO 72	87 WH 72
84 in.	87 ANO 84	87 WH 84
96 in.	87 ANO 96	87 WH 96

* Standards & brackets meet or exceed ANSI performance standards as established by BHMA testing requirements.

Recommended Fasteners
87-10 flat-head wood screws for mounting 85 Standards

RoHS ANO

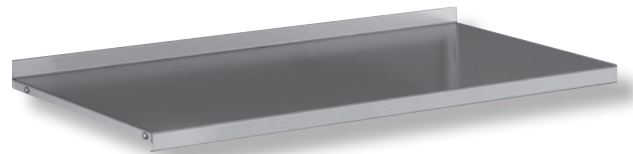
RoHS WH



Number	1987 GALV Galvanized Steel Shelving
Material	Galvanized steel
Origin	Made in USA
Finishes	Stainless Steel (SS) (304 SS w/brushed finish), Galvanized Steel (GALV)

1987 GALV

Pack Configurations	
Standard	10 per Carton
1987 Shelving Standard Pack	
Size	Galvanized Steel (GALV)
8 x 32 in.	1987 GALV 8X32
10 x 32 in.	1987 GALV 10X32
12 x 32 in.	1987 GALV 12X32
16 x 32 in.	1987 GALV 16X32
20 x 32 in.	1987 GALV 20X32



87/187 Super-Duty Oversized Standards & Brackets System

186LL

ANO



WH

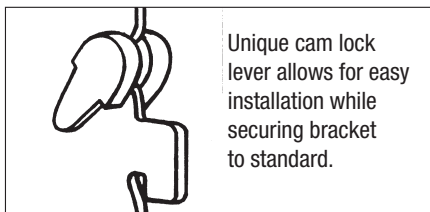


187LL

ANO



WH



Unique cam lock lever allows for easy installation while securing bracket to standard.

Number	186LL Brackets 187LL Brackets
Material	12 Gauge Steel
Origin	Made in USA
Finishes	Anochrome (ANO), White (WH)

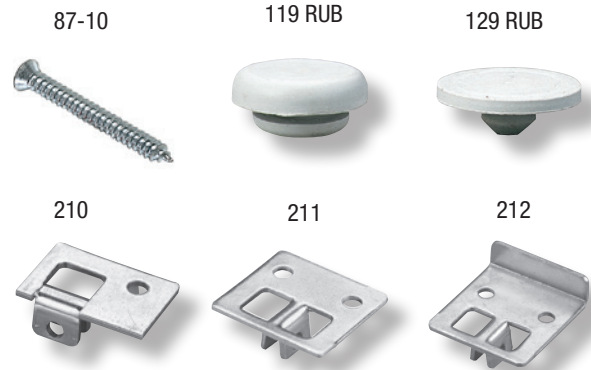
Pack Configurations

Standard 10 per Carton, no UPC labels

186LL Brackets Standard Pack			187LL Brackets Standard Pack		
Size	Anochrome (ANO)	White (WH)	Size	Anochrome (ANO)	White (WH)
8 in.	186LL ANO 8	186LL WH 8	12 in.	187LL ANO 12	187LL WH 12
10 in.	186LL ANO 10	186LL WH 10	14 in.	187LL ANO 14	187LL WH 14
			16 in.	187LL ANO 16	187LL WH 16
			18 in.	187LL ANO 18	187LL WH 18
			20 in.	187LL ANO 20	187LL WH 20
			22 in.	187LL ANO 22	187LL WH 22
			24 in.	187LL ANO 24	187LL WH 24

• Steel brackets do not work with 87SS stainless steel standards

Accessories



Number	87-10 WH SCREW
Sizes	#10 x 2-3/4"
Finish	White (WH)
Packed	100 per bag

Number	119 RUB Gray (GRY) rubber cushion for use with metal rests
Packed	100 per Carton.

Number	129 RUB Gray (GRY) rubber cushion for use with plastic rests
Packed	100 per Carton.

Number	210 ANO	Anochrome (ANO) End Rest
	210 WH	White (WH) End Rest
	211 ANO	Anochrome (ANO) Center Rest
	211 WH	White (WH) Center Rest
	212 ANO	Anochrome (ANO) Front Rest
	212 WH	White (WH) Front Rest
Finishes	Anochrome (ANO), White (WH), Rubber	
Packed	100 per Carton	
Features	Recommended for use with #186 and #187 brackets for anchoring shelf to bracket and joining two shelves on a single bracket. Screw included.	

Super-Duty Stainless Steel Standards & Brackets System 87SS/187SS

Number	87SS Standards
Dimensions	7/8" Wide x 11/16" Deep 2" Slot Adjustment
Material	14 Gauge 304 Grade Stainless Steel
Origin	Made in USA
Finishes	Stainless Steel (SS)

Pack Configurations	
Standard	5 per Carton, no UPC labels
82 Standards Standard Pack	
Size	Stainless Steel (SS)
24 in.	87 SS 24
36 in.	87 SS 36
48 in.	87 SS 48
60 in.	87 SS 60
72 in.	87 SS 72

- Holds up to 560 lbs. per pair*
- Super-Duty System
- Single slot design
- Adjustable in 2" slot increments
- BHMA Grade 2 compliant
- Lever lock for ease of installation, stability, & safety
- Shelves specifically designed for use with 87SS/187SS Standards & Brackets
- Shelves shipped with protective vinyl wrap
- Limited lifetime warranty
- Made in USA

* Standards & brackets meet or exceed ANSI performance standards as established by BHMA testing requirements.

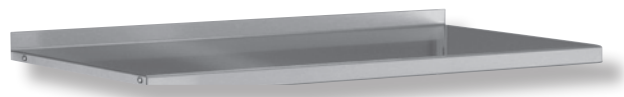
87SS



Number	1987 SS Stainless Steel Shelving
Material	14 Gauge 304 Grade Stainless Steel
Origin	Made in USA
Finishes	Stainless Steel (SS) (304 SS w/brushed finish)

Pack Configurations	
Standard	10 per Carton
1987SS Shelving Standard Pack	
Size	Stainless Steel (SS)
8 x 32 in.	1987 SS 8X32
10 x 32 in.	1987 SS 10X32
12 x 32 in.	1987 SS 12X32
16 x 32 in.	1987 SS 16X32
20 x 32 in.	1987 SS 20X32

1987 SS



87SS/187SS Super-Duty Stainless Steel Standards & Brackets System

186LL SS



187LL SS



Number	186LL SS Stainless Steel Locking Lever Brackets 187LL SS Stainless Steel Locking Lever Brackets
Material	14 Gauge 304 Grade Stainless Steel
Origin	Made in USA
Finishes	Stainless Steel (SS)

Pack Configurations			
Standard		10 per Carton, no UPC labels	
186LL SS Brackets Standard Pack		187LL SS Brackets Standard Pack	
Size	Stainless Steel (SS)	Size	Stainless Steel (SS)
8 in.	186LL SS 8	12 in.	187LL SS 12
10 in.	186LL SS 10	14 in.	187LL SS 14
		16 in.	187LL SS 16
		18 in.	187LL SS 18
		20 in.	187LL SS 20
		24 in.	187LL SS 24

• Stainless Steel brackets do not work with 87 steel standards

Supports for Built-In Shelving



Number	335 Series Plastic Shelf Support Pins
Dimensions	Pin Diameter: 1/4" Pin Length: 7/16" (11mm) Shelf Rest: 1/2" (13mm) Wide x 17/32" (14mm) Long
Finishes	Clear Plastic (CL), Plastic (PLAS), White (WH)

Number	338 Series Plastic Shelf Support Pins
Dimensions	Pin diameter: for 5mm holes Pin Length: 5/16" (8mm) Shelf Rest: 7/16" (11mm) Wide x 13/32" (10mm) Long
Finishes	Almond (ALM), Brown (BRN), Clear (CL), White (WH)

Pack Configurations	
Standard	100 Pieces per Carton
Poly (P)	12 Supports per Bag; 10 Bags per Carton
Warehouse Pack (WP)	12 supports per Bag, 50 Bags per Carton

335 Shelf Support			
Pack Configuration	Clear Plastic (CL)	Plastic (PLAS)	White (WH)
Standard pack	335 CL	335 PLAS	335 WH
Poly (P) Pack	335P CL	335P PLAS	335P WH
Warehouse (WP) Pack	335WP CL	—	335WP WH

338 Shelf Support				
Pack Configuration	Almond (ALM)	Brown (BRN)	Clear (CL)	White (WH)
Standard pack	338 ALM	338 BRN	338 CL	338 WH
Poly (P) Pack	—	—	338P CL	338P WH
Warehouse (WP) Pack	—	—	338WP CL	338WP WH

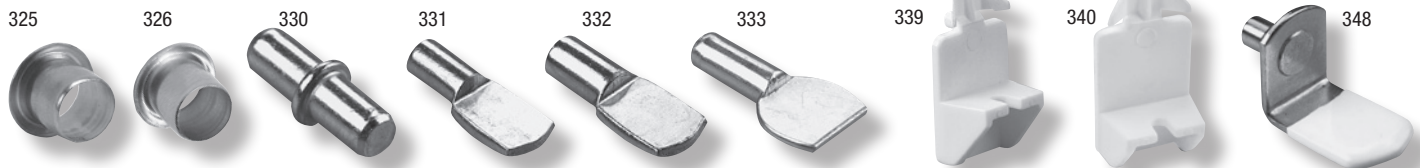
Number	345 Series Metal Shelf Pins
Dimensions	Pin Diameter: 4.7mm, For 5mm Hole (Use With 129 Rubber Cushion) Pin Length: 5/16" (8mm) Shelf Rest: 1/2" (13mm) Wide x 11/16" (17mm) Long
Finishes	Nickel Plated (NP), Brass-Look (BR), Walnut (WAL)

Number	346 Series Metal Shelf Pins
Dimensions	Pin Diameter: 1/4" (Use With 129 Rubber Cushion) Pin Length: 3/8" (9mm) Shelf Rest: 1/2" (13mm) Wide x 11/16" (17mm) Long
Finishes	Anochrome (ANO), Brass-Look (BR), Walnut (WAL)

Pack Configurations	
Standard	100 Pieces per Carton
Poly (P)	12 Supports per Bag; 10 Bags per Carton
Barrel (BBL)	9000 supports per Barrel

345 Shelf Support			
Pack Configuration	Nickel Plated (NP)	Brass-look (BR)	Walnut (WAL)
Standard pack	345 NP	345 BR	345 WAL
Poly (P) Pack	345P NP	345P BR	345P WAL

346 Shelf Support			
Pack Configuration	Anochrome (ANO)	Brass-look (BR)	Walnut (WAL)
Standard pack	346 ANO	346 BR	346 WAL
Poly (P) Pack	346P ANO	346P BR	346P WAL
Barrel (BBL) Pack	346BBL ANO	346BBL BR	—



Number	325 ANO Grommet 325 BR Grommet
Dimensions	Grommet Diameter: For 7.143mm Hole (9/32"), 1/4" Pin Diameter
Finishes	Anochrome (ANO), Brass-Look (BR)
Packed	1000 Per Bag, 4 Bags Per Carton

Number	326 ANO Grommet 326 BR Grommet
Dimensions	Grommet Diameter: For 5.556mm Hole (7/32"), 5mm Pin Diameter
Finishes	Anochrome (ANO), Brass-look (BR)
Packed	1000 per Bag, 4 Bags per Carton

Number	330 ANO Shelf Support 330 STB Shelf Support
Dimensions	Pin Diameter: For 5mm Hole (Approx. 13/64")
Finishes	Anochrome (ANO), Statuary Bronze (STB)
Packed	2000 per Bag, 4 Bags per Carton

Number	331 ANO Shelf Support 331 BR Shelf Support
Dimensions	Pin Diameter: For 1/4" Hole, Pin Length: 3/8" (9mm) Shelf Rest: 3/8" (9mm) Wide x 1/2" (13mm) Long
Finishes	Anochrome (ANO), Brass-look (BR)
Packed	Standard pack: 1000 per Bag, 4 Bags per Carton Warehouse pack: 12 Supports per Bag, 50 Bags per Carton

331 Shelf Support	
Pack Configuration	Anochrome (ANO) Brass-look (BR)
Standard pack	331 ANO 331 BR
Warehouse pack (WP)	331WP ANO 331WP BR

Number	333 ZC Shelf Support 333 BR Shelf Support
Dimensions	Pin Diameter: 7/32", Use 15/64" Diameter Drill Pin Length: 1/2" (13mm) Shelf Rest: 9/16" (14mm) Wide x 7/16" (11mm) Long
Finishes	Zinc (ZC), Brass-look (BR)
Packed	1000 per Carton

Number	332 ANO Shelf Support 332 BR Shelf Support
Dimensions	Pin Diameter: For 5mm Hole, Pin Length: 5/16" (8mm) Shelf Rest: 5/16" (8mm) Wide x 7/16" (11mm) Long
Finishes	Anochrome (ANO), Brass-look (BR)
Packed	Standard Pack: 1000 per Bag, 4 Bags per Carton Warehouse pack: 12 Supports per Bag, 50 Bags per Carton

332 Shelf Support		
Pack Configuration	Anochrome (ANO)	Brass-look (BR)
Standard pack	332 ANO	332 BR
Warehouse pack (WP)	332WP ANO	332WP BR

Number	339 ALM Plastic Locking Shelf Support (for 3/4" shelves) 339 WH Plastic Locking Shelf Support (for 3/4" shelves)
Dimensions	Pin Diameter: For 5mm Holes; Pin Length: 1/4"
Finishes	Almond (ALM), White (WH)
Packed	100 per Bag, 25 Bags per Carton

Number	340 WH Plastic Locking Shelf Support (for 1" shelves)
Dimensions	Pin Diameter: For 5mm Holes; Pin Length: 1/4"
Finish	White (WH)
Packed	100 per Bag, 25 Bags per Carton

Number	348 ALM Vinyl Coated Shelf Support 348 BRN Vinyl Coated Shelf Support 348 WH Vinyl Coated Shelf Support
Dimensions	Pin diameter: for 5mm hole, use 13/64" Drill Pin Length: 5/16" (8mm) Shelf Rest: 1/2" (13mm) Wide x 11/16" (17mm) Long
Finishes	Almond (ALM), Brown (BRN), (White (WH)
Packed	1000 Pieces per Carton



Utility Shelving Brackets

Number	204 L-Bracket
Material	12 Gauge Steel
Origin	Made in USA
Finishes	Anochrome (ANO)

Pack Configurations

24 per Carton

204 Brackets

Size	Anochrome (ANO)
4 in.	204 ANO 4
6 in.	204 ANO 6
8 in.	204 ANO 8
10 in.	204 ANO 10
12 in.	204 ANO 12

- Heavy-Duty Bracket
- BHMA Grade 2 compliant
- Mounts directly to the wall



204

Number	206 Folding L-Bracket
Finishes	Zinc (ZC), White (WH)

Pack Configurations

Standard 10 per Display Carton with UPC Labels Applied

206 Folding L-Brackets

Size	Zinc (ZC)	White (WH)
12 in.	206 ZC 12	206 WH 12
16 in.	206 ZC 16	206 WH 16

- Holds up to 750 lbs. per pair*
- Extra-Duty Bracket
- BHMA Grade 2 compliant
- 4 Adjustable positions: 90°, 80°, 70°, and 0° (closed position)[†]
- Durable steel construction with spring-loaded release lever



206

ZC



WH

*Brackets meet or exceed ANSI performance standards as established by BHMA testing requirements.
[†] +/- 1 degree

Utility Shelving Brackets

Number	208 "Ultimate" L-Bracket
Finishes	Black (BLK), Titanium (TI), White (WH)

Pack Configurations			
Standard	10 per Display Carton with UPC labels		
208 Bracket			
Size	Black (BLK)	Titanium (TI)	White (WH)
300mm	208 BLK 300	208 TI 300	208 WH 300
400mm	208 BLK 400	208 TI 400	208 WH 400
500mm	208 BLK 500	208 TI 500	208 WH 500
550mm	208 BLK 550	208 TI 550	208 WH 550

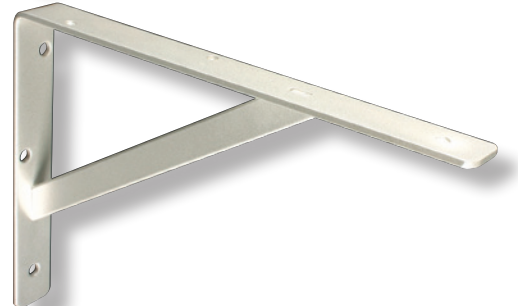
*Brackets meet or exceed ANSI performance standards as established by BHMA testing requirements.

- Holds up to 1,200 lbs. per pair*
- Super-Duty Bracket
- BHMA Grade 2 compliant
- Mounts directly to wall
- Corrosion resistant epoxy coated finish
- 5mm steel bar and 3/4" Steel strut

208
BLK



TI



WH



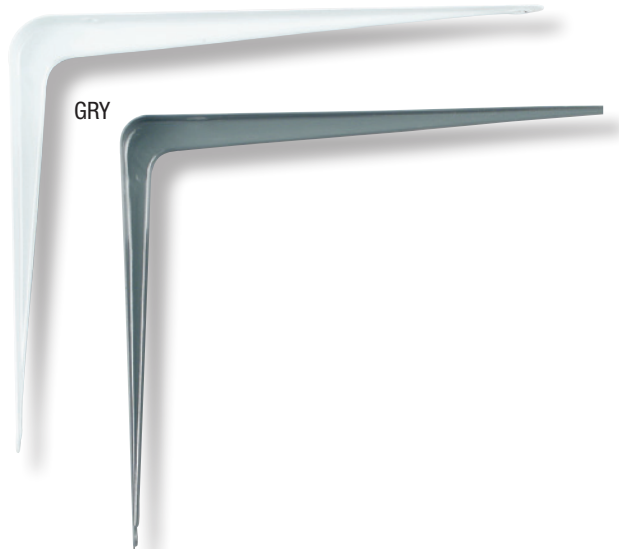
Number	221 Utility Bracket
Finishes	Gray (GRY), White (WH)

Pack Configurations		
Standard	20 per Display Carton with UPC Labels	
221 Bracket		
Size	Gray (GRY)	White (WH)
5 x 6 in.	221 GRY 5x6	221 WH 5x6
6 x 8 in.	221 GRY 6x8	221 WH 6x8
8 x 10 in.	221 GRY 8x10	221 WH 8x10
10 x 12 in.	221 GRY 10x12	221 WH 10x12
12 x 14 in.	221 GRY 12x14	221 WH 12x14

*Brackets meet or exceed ANSI performance standards as established by BHMA testing requirements.

- Holds up to 120 lbs. per pair*

221



WH

GRY

Decorative Shelving Brackets

- Regular-Duty Bracket
- 88 Anchors for use with 5/8" thick shelves (KV 1980)
- 888 Anchors for use with 3/4" thick shelves (KV 1990)
- An almost-invisible shelf support
- All hardware included



88
888
ALM
BLK
WH

- BHMA Grade 2 compliant
- Accented with decorative plastic trim that hides mounting hardware



215

- BHMA Grade 2 compliant
- Heavy-Duty steel
- Accented with decorative plastic trim that hides mounting hardware



216

- BHMA Grade 2 compliant
- Heavy-Duty Steel



217

Number	88 Wood Shelf Anchor® 888 Wood Shelf Anchor®
Finishes	Almond (ALM), Black (BLK), White (WH)

Pack Configurations			
Standard		5 per Carton	
88 Anchor Standard Pack			
Size	Almond (ALM)	Black (BLK)	White (WH)
24 in.	88 ALM 24	88 BLK 24	88 WH 24
36 in.	88 ALM 36	88 BLK 36	88 WH 36
48 in.	88 ALM 48	88 BLK 48	88 WH 48
888 Anchor Standard Pack			
Size	Black (BLK)	White (WH)	
24 in.	888 BLK 24	888 WH 24	
36 in.	888 BLK 36	888 WH 36	

Number	215 Slim-Line™ Shelf Bracket
Finishes	Black (BLK), White (WH)

Pack Configurations		
Special Pack (SP)	10 per Carton (all sizes) 8": 30 per Carton 10": 24 per Carton 12": 18 per Carton	
Standard	10": 24 per Carton 12": 18 per Carton	
215 Bracket Standard Pack		
Size	Black (BLK)	White (WH)
8 in.	215 BLK 8	215 WH 8
10 in.	215 BLK 10	215 WH 10
12 in.	215 BLK 12	215 WH 12
215SP Bracket Special Pack (SP)		
Size	Black (BLK)	White (WH)
8 in.	215SP BLK 8	215SP WH 8
10 in.	215SP BLK 10	215SP WH 10
12 in.	215SP BLK 12	215SP WH 12




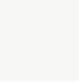
Number	216 Simplicity™ Series Shelf Brackets
Finishes	White (WH)

Pack Configurations	
10 pair per Carton (all sizes)	
216 Bracket Standard Pack	
Size	White (WH)
8 in.	216P WH 8
10 in.	216P WH 10

Number	217 Silhouette™ Shelf Bracket
Finishes	Black (BLK), White (WH)

Pack Configurations		
Special Pack (SP)	10 per Carton (all sizes) 8": 30 per Carton 10": 24 per Carton 12": 18 per Carton	
Standard	10": 24 per Carton 12": 18 per Carton	
217 Bracket Standard Pack		
Size	Black (BLK)	White (WH)
8 in.	217 BLK 8	217 WH 8
10 in.	217 BLK 10	217 WH 10
12 in.	217 BLK 12	217 WH 12
217 Bracket Special Pack (SP)		
Size	Black (BLK)	White (WH)
8 in.	217SP BLK 8	217SP WH 8
10 in.	217SP BLK 10	217SP WH 10
12 in.	217SP BLK 12	217SP WH 12

Decorative Shelf Brackets 200 Series

200 Series Color Chart			
Antique Bronze [AB]		Satin Nickel [SN]	
Black [BLK]		White [WH]	

- Holds up to 50 lbs. per pair*
- Designer series decorative shelf brackets
- BHMA Grade 1 compliant
- Distinct, contemporary styles fit any decor
- Screw holes for easy mounting
- 6 in. size for 6 to 8 in. deep shelves
- 8 in. size for 8 to 12 in. deep shelves

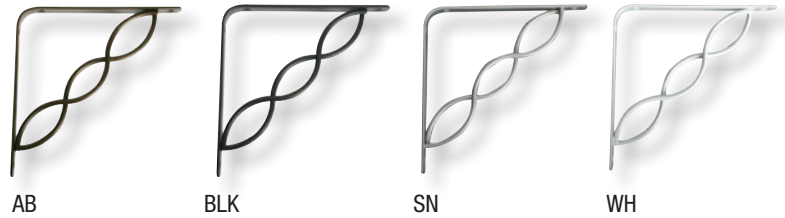
Number	200C Decorative Brackets
Finishes	Antique Bronze (AB), Black (BLK), Satin Nickel (SN), White (WH)

Pack Configurations				
Standard		10 Carded Pieces per Carton		
200 C				
Size	Antique Bronze (AB)	Black (BLK)	Satin Nickel (SN)	White (WH)
6 in.	200C AB 6	200C BLK 6	200C SN 6	200C WH 6
8 in.	200C AB 8	200C BLK 8	200C SN 8	200C WH 8

*Brackets meet or exceed ANSI performance standards as established by BHMA testing requirements.

Concord

200C



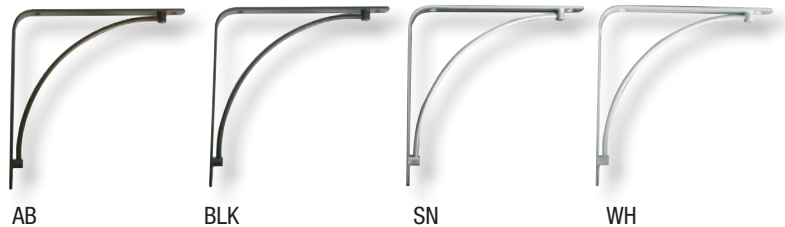
Manchester

200M

Number	200M Decorative Brackets
Finishes	Antique Bronze (AB), Black (BLK), Satin Nickel (SN), White (WH)

Pack Configurations				
Standard		10 Carded Pieces per Carton		
200 M				
Size	Antique Bronze (AB)	Black (BLK)	Satin Nickel (SN)	White (WH)
6 in.	200M AB 6	200M BLK 6	200M SN 6	200M WH 6
8 in.	200M AB 8	200M BLK 8	200M SN 8	200M WH 8

*Brackets meet or exceed ANSI performance standards as established by BHMA testing requirements.



- Holds up to 100 lbs. per pair*
- Designer series decorative shelf brackets
- BHMA Grade 1 compliant
- Distinct, contemporary styles fit any decor
- Screw holes for easy mounting
- 6 in. size for 6 to 8 in. deep shelves
- 8 in. size for 8 to 12 in. deep shelves
- Cast zinc insets

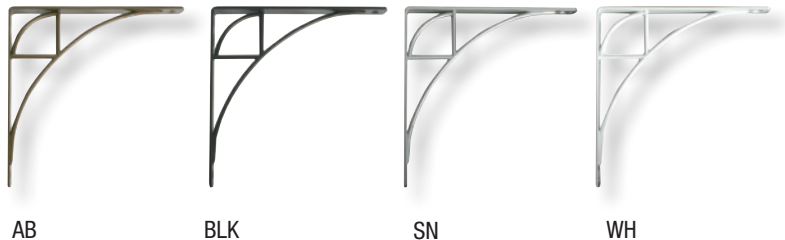
Number	200OP Decorative Brackets
Finishes	Antique Bronze (AB), Black (BLK), Satin Nickel (SN), White (WH)

Pack Configurations				
Standard		10 Carded Pieces per Carton		
200OP				
Size	Antique Bronze (AB)	Black (BLK)	Satin Nickel (SN)	White (WH)
6 in.	200OP AB 6	200OP BLK 6	200OP SN 6	200OP WH 6
8 in.	200OP AB 8	200OP BLK 8	200OP SN 8	200OP WH 8

*Brackets meet or exceed ANSI performance standards as established by BHMA testing requirements.

Oak Park

200OP



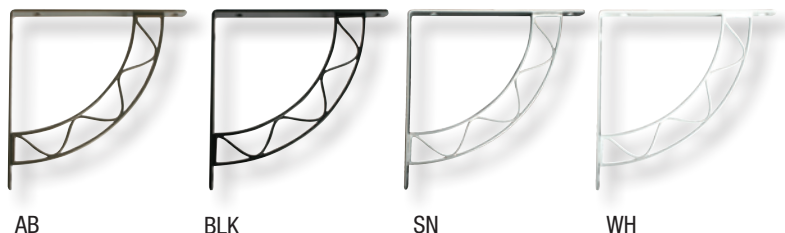
Number	200S Decorative Brackets
Finishes	Antique Bronze (AB), Black (BLK), Satin Nickel (SN), White (WH)

Pack Configurations				
Standard		10 Carded Pieces per Carton		
200S				
Size	Antique Bronze (AB)	Black (BLK)	Satin Nickel (SN)	White (WH)
6 in.	200S AB 6	200S BLK 6	200S SN 6	200S WH 6
8 in.	200S AB 8	200S BLK 8	200S SN 8	200S WH 8

*Brackets meet or exceed ANSI performance standards as established by BHMA testing requirements.

Stockton

200S



200 Series Decorative Shelf Brackets

- Holds up to 200 lbs. per pair*
- Designer series decorative brackets
- BHMA Grade 2 compliant
- Distinct, contemporary styles fit any decor
- Screw holes for easy mounting
- 8 in. size for 8 to 12 in. deep shelves
- Cast zinc insets

200 Series Color Chart

Antique Bronze [AB]			Satin Nickel [SN]
Black [BLK]			White [WH]

Baton Rouge

200BR



AB



BLK



SN



WH

Number	200BR Decorative Brackets
Finishes	Antique Bronze (AB), Black (BLK), Satin Nickel (SN), White (WH)

Pack Configurations

Standard 10 Carded Pieces per Carton

200 BR				
Size	Antique Bronze (AB)	Black (BLK)	Satin Nickel (SN)	White (WH)
8 in.	200BR AB 8	200BR BLK 8	200BR SN 8	200BR WH 8

*Brackets meet or exceed ANSI performance standards as established by BHMA testing requirements.

Charleston

200CH



AB



BLK



SN



WH

Number	200CH Decorative Brackets
Finishes	Antique Bronze (AB), Black (BLK), Satin Nickel (SN), White (WH)

Pack Configurations

Standard 10 Carded Pieces per Carton

200 BR				
Size	Antique Bronze (AB)	Black (BLK)	Satin Nickel (SN)	White (WH)
86 in.	200CH AB 8	200CH BLK 8	200CH SN 8	200CH WH 8

*Brackets meet or exceed ANSI performance standards as established by BHMA testing requirements.

All Purpose Shelf Board

- Holds up to 200 lbs. when properly installed
- 5/8" thick, with square corners
- Scratch and stain resistant for long life
- Easy-to-clean surface

Number	1980 All-Purpose Shelf Board
Finishes	Black (BLK), Cherry (CHY), Espresso (ESP), Maple (MPL), Oak (OK), Walnut (W), White (WH)

Pack Configurations							
Standard	Packed 5 per Carton, with the following exceptions: 10"x60", 12"x60", 16"x48", 10"x72", 12"x72", 16"x60" packed 3 per Carton						
1980 Shelving Standard Pack							
Size	Black (BLK)	Cherry (CHY)	Espresso (ESP)	Maple (MPL)	Oak (OK)	Walnut (WAL)	White (WH)
6 x 24 in.	—	—	—	—	—	—	1980 WH 6X24
6 x 36 in.	—	—	—	—	—	—	1980 WH 6X36
6 x 48 in.	—	—	—	—	—	—	1980 WH 6X48
8 x 24 in.	1980 BLK 8X24	1980 CHY 8X24	1980 ESP 8X24	1980 MPL 8X24	1980 OK 8X24	1980 W 8X24	1980 WH 8X24
8 x 36 in.	1980 BLK 8X36	1980 CHY 8X36	1980 ESP 8X36	1980 MPL 8X36	1980 OK 8X36	1980 W 8X36	1980 WH 8X36
8 x 48 in.	—	1980 CHY 8X48	1980 ESP 8X48	—	1980 OK 8X48	1980 W 8X48	1980 WH 8X48
8 x 60 in.	—	—	—	—	—	—	1980 WH 8X60
10 x 24 in.	—	1980 CHY 10X24	1980 ESP 10X24	1980 MPL 10X24	1980 OK 10X24	1980 W 10X24	1980 WH 10X24
10 x 36 in.	1980 BLK 10X36	1980 CHY 10X36	1980 ESP 10X36	1980 MPL 10X36	1980 OK 10X36	1980 W 10X36	1980 WH 10X36
10 x 48 in.	1980 BLK 10X48	1980 CHY 10X48	1980 ESP 10X48	1980 MPL 10X48	1980 OK 10X48	1980 W 10X48	1980 WH 10X48
10 x 60 in.	—	—	—	—	1980 OK 10X60	—	1980 WH 10X60
10 x 72 in.	—	—	—	—	1980 OK 10X72	—	1980 WH 10X72
12 x 24 in.	—	1980 CHY 12X24	1980 ESP 12X24	—	1980 OK 12X24	1980 W 12X24	1980 WH 12X24
12 x 36 in.	1980 BLK 12X36	1980 CHY 12X36	1980 ESP 12X36	1980 MPL 12X36	1980 OK 12X36	1980 W 12X36	1980 WH 12X36
12 x 48 in.	1980 BLK 12X48	1980 CHY 12X48	1980 ESP 12X48	1980 MPL 12X48	1980 OK 12X48	1980 W 12X48	1980 WH 12X48
12 x 60 in.	—	—	—	—	1980 OK 12X60	—	1980 WH 12X60
12 x 72 in.	—	—	—	—	1980 OK 12X72	—	1980 WH 12X72
16 x 36 in.	—	—	—	—	—	—	1980 WH 16X36
16 x 48 in.	—	—	—	—	—	—	1980 WH 16X48
16 x 60 in.	—	—	—	—	—	—	1980 WH 16X60

1980



1. Cherry
2. Espresso
3. Oak
4. Walnut
5. Black
6. Maple
7. White

- Holds up to 300 lbs. when properly installed and used in combination
With KV double slot standards and brackets
- 3/4" thick with rounded front corners
- Scratch & stain resistant for long life
- Easy to clean surface

Number	1990 Heavy-Duty Designer Shelf Board
Finishes	Oak (OK), White (WH)

Pack Configurations		
Standard	4 per Carton 20"x36" packed 3 per Carton	
1980 Shelving Standard Pack		
Size	OK	WH
8 x 24 in.	1990 OK 8X24	1990 WH 8X24
8 x 36 in.	1990 OK 8X36	1990 WH 8X36
10 x 24 in.	1990 OK 10X24	1990 WH 10X24
10 x 36 in.	1990 OK 10X36	1990 WH 10X36
12 x 36 in.	1990 OK 12X24	1990 WH 12X36
12 x 48 in.	1990 OK 12X36	1990 WH 12X48
20 x 36 in.	1990 OK 20X36	1990 WH 20X36

1990



Hardware & Storage Accessories

Door & Mirror Hardware

Catches	91
Pulls	91
Mirror Clips	92

Drawer Accessories

Index Followers, Locks & Pulls	93
Fasteners & Locks	94-95
Rollers	95

Sliding Door Hardware

Sheaves	96
Plastic Track	97
Metal Track	98
Roll-EZY Track	99-100

Closet Rod

660 Closet Rod & Accessories	101
750 Closet Rod & Accessories	102
770 Closet Rod & Accessories	103
880 Oval Closet Rod & Accessories	104
KV2 Adjustable Closet Rod	104

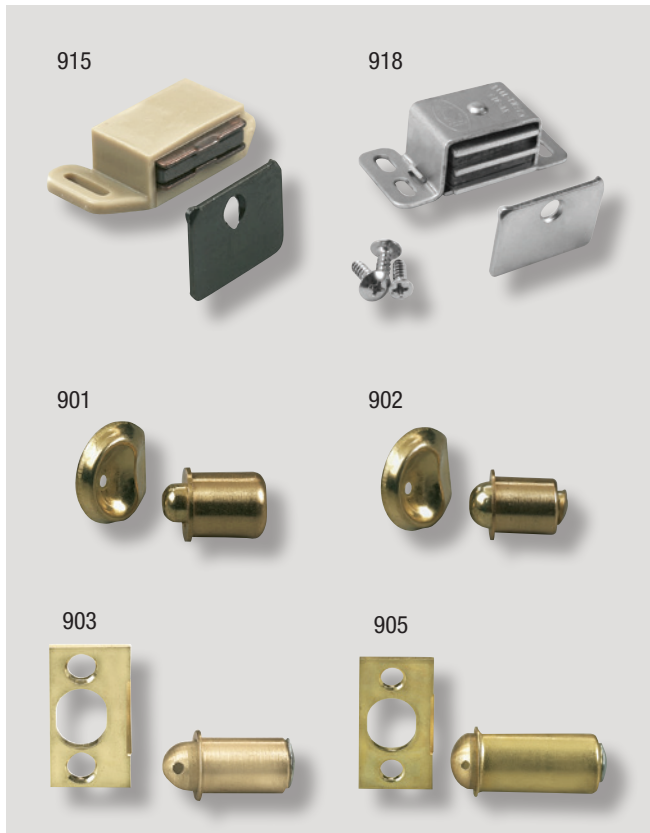
Closet Brackets

1180 Series	105
1190 Series	106-108

Closet Storage Aids

Utility Hooks	109
Coat Hooks	109
Extension Hang Rods	110
Three-Bar Towel Bars	110

Magnetic & Bullet Catches



Magnetic Catches

Number	915 BR	Economy Magnetic Catch
Size	2" x 1" Pull strength: 5 to 11 lbs.	
Finish	Tan Plastic (TN)	
Packed	100 per Carton	

Number	918 ALUM	Heavy-Duty Aluminum Magnetic Catch
Size	2-1/16" x 1" Pull strength: approx. 7 pounds	
Finish	Aluminum (ALUM)	
Packed	10 in clear envelope with screws per Carton	

Bullet Catches

Number	901 BR DIP	Varnish Proof Steel Catch With Barrel and Spring
Size	3/8" Diameter, 1/2" Long, 5/8" Diameter Strike	
Finish	Brass-Look (BR)	
Packed	100 per Carton	

Number	902 BR DIP	Steel Catch With Barrel and Spring
Size	21/64" Diameter, 3/8" Long, 5/8" Diameter Strike	
Finish	Brass-Look (BR)	
Packed	100 per Carton	

Number	903 BR DIP	Adjustable Brass Catch
Size	3/8" Diameter, 5/8" Long, 9/16" x 1-1/16" Diameter Strike	
Finish	Brass-Look (BR)	
Packed	100 per Carton	

Number	905 BR DIP	Adjustable Brass-Look Catch
Size	1/2" Diameter, 1-1/32" Long, 5/8" x 1-1/4" Diameter Strike	
Finish	Brass-Look (BR)	
Packed	50 per Carton with Screws	

Pulls for Sliding Doors



Knob Pulls

Number	813 ANO
Size	Over Flange, 13/16" x 2-7/8" Bore 51/64" x 2-1/2" x 25/64" Deep
Origin	Made in USA
Finish	Anochrome (ANO)
Packed	100 per Carton

Number	1088 ANOD
Finish	Zinc plated steel (ANOD)
Packed	In Sets: 2 Knobs, Screws, and Rubber Bumpers Per Envelope. 50 Sets Per Carton.
Features	Mounts to 1095 shoe (1092 assembly).

Finger Pulls

Number	801X BR	Flush Finger Pull
	801X NP	Flush Finger Pull
	803X BR	Flush Finger Pull
	803X NP	Flush Finger Pull
Size	Depth: 801 - 1/4", 803 - 3/8"	
Origin	Made in USA	
Finish	Nickel Plate, Brass Look	
Packed	100 per Carton	

Number	806 ANO	Flush Finger Pull
	806 BR	Flush Finger Pull
Size	2-1/16" Diameter Over Flange. Bore 1-3/4" Diameter Hole 13/32" Deep.	
Origin	Made in USA	
Finish	Anochrome (ANO), Brass (BR)	
Packed	10 per Carton	

Number	836 ANO	Threaded Finger Pull
	836 BR	Threaded Finger Pull
Size	1-3/4" x 3-1/4" x 9/16" Deep, With Beveled Edges	
Origin	Made in USA	
Finish	Anochrome (ANO), Brass (BR)	
Packed	50 per Carton	
Features	Two-piece screw together pull for glass 3/16" to 5/16" thick 1-1/16" OD rim. Drill hole in glass 13/16"	

Mirror Clips, Glass Clips & Fittings

6092
6094



6875



266



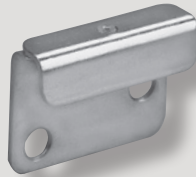
268



277



278



288



306



309



313



318



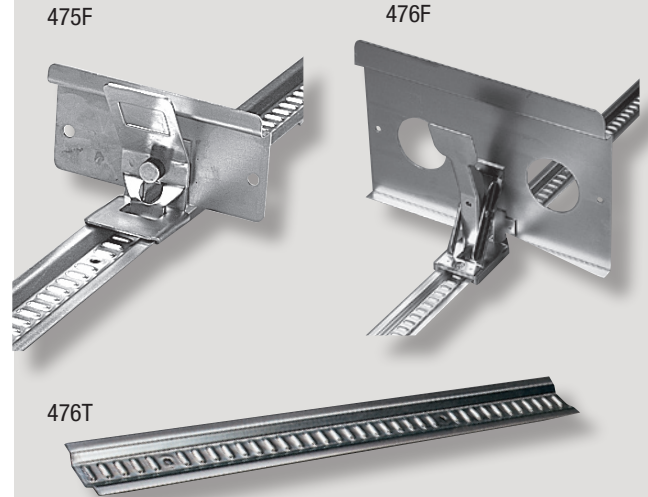
537



Number	6092 PLAS 6094 PLAS
Finish	Clear Plastic (PLAS)
Packed	100 per Carton with Screws
Features	6092: for 1/4 in. glass 6094: for 1/8 in. glass
Number	PK6092 PLAS
Finish	Clear Plastic (PLAS)
Packed	6 per Poly Bag with Screws; 24 Bags per Carton.
Number	6875 PLAS
Size	1-1/8 in. Diameter
Finish	Clear plastic
Packed	100 per Carton with screws
Number	266 CHR
Size	1-1/16 in. Long x 3/4 in. Wide
Finish	Chrome Look (CHR)
Packed	12 per Carton with screws
Features	For 1/4 in. glass
Number	268 CHR
Size	1-1/4 in. Long x 11/16 in. Wide
Finish	Chrome Look (CHR)
Packed	12 per Carton with screws
Features	For 1/4 in. glass
Number	277 ANO
Size	1-1/2 in. Wide x 1 in. High
Origin	Made in USA
Finish	Anochrome (ANO)
Packed	10 per Carton
Features	Screw attached upper flange for snug mounting
Number	278 ANO
Size	1-1/2 in. Wide x 1-1/8 in. High
Origin	Made in USA
Finish	Anochrome (ANO)
Packed	10 per Carton
Features	Screw attached upper flange for snug mounting
Number	288 ANO
Size	1/2 in. Wide
Origin	Made in USA
Finish	Anochrome (ANO)
Packed	100 per Carton
Features	For 1/4 in. glass
Number	306 ANO
Size	9/16 in. Wide x 1-1/4 in. Long.
Origin	Made in USA
Finish	Anochrome (ANO)
Packed	100 per Carton
Features	Countersunk for no. 4 Screws
Number	309 ANO
Size	9/16 in. Wide x 1-1/4 in. Long.
Origin	Made in USA
Finish	Anochrome (ANO)
Packed	100 per Carton
Features	For 5/16 in. glass Countersunk for no. 4 Screws
Number	313 ANO 1/2 1/2 in. Opening 313 ANO 3/4 3/4 in. Opening
Size	9/16 in. Wide
Origin	Made in USA
Finish	Anochrome (ANO)
Packed	100 per Carton
Features	For 5/16 in. glass Countersunk slot for no. 5 Flat head screws
Number	537 ZC
Size	(2) - 3/16 in. Screw Holes
Origin	Made in USA
Finish	Zinc (ZC) Plated Steel
Packed	100 per Carton

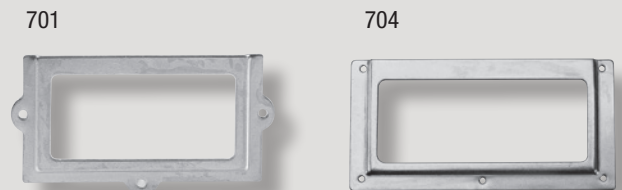
Index Followers & Track

Number	475F ZC Card-Sized Index Follower
Size	When Mounted, Plate Is 2-11/16" From Track and 4-3/4" Wide
Origin	Made in USA
Finish	Anochrome (ANO)
Packed	10 per Carton
Number	476F ZC Letter-Sized Index Follower
Size	When Mounted, Plate Is 7-5/8" From Track And 10-3/4" Wide
Origin	Made in USA
Finish	Anochrome (ANO)
Packed	10 per Carton
Number	476T ZC Index Follower Track
Size	For 475 Installation: Track Is 26" Long, May Be Recessed In 1-3/4" x 1/4" Slot For 476 Installation: Track Is 26" Long, May Be Recessed In 2-1/4" x 1/4" Slot
Origin	Made in USA
Finish	Anochrome (ANO)
Packed	10 per Carton with screws



Label Holders

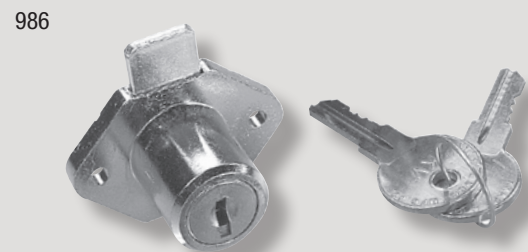
Number	701 ANO Label Holder
Size	2-5/8" x 1-7/16" For Card Dimension Of 2" x 1"
Origin	Made in USA
Finish	Anochrome (ANO)
Packed	100 per Carton
Number	704 ANO label Holder
Size	3-1/2" x 1-3/4" For Card Dimension Of 2-15/16" x 1-1/2"
Origin	Made in USA
Finish	Anochrome (ANO)
Packed	100 per Carton



Drawer Locks

Number	986 Series Drawer Lock
Size	986 NP – Mounts To Material Up To 7/8" Thick Mounting Flange: 1-1/2" x 2" Wide With Screw Holes On 1-7/16" Centers Barrel OD: 7/8"; Bolt Travel: 3/8"
Finish	Polished Nickel (NP)
Packed	12 per Carton
Features	Available keyed alike or with up to 4 key changes.

986 Drawer Locks		
Product	Finish	Keyed
986KA 70 NP	Nickel (NP)	Alike
986KD 71 NP	Nickel (NP)	Different
986KD 72 NP	Nickel (NP)	Different
986KD 73 NP	Nickel (NP)	Different
986KD 74 NP	Nickel (NP)	Different

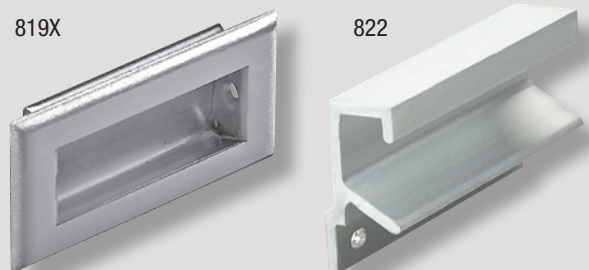


Drawer Pulls

Number	819X Flush Drawer Pull
Size	1-3/4" x 3-1/4" x 9/16" Deep, with Beveled Edges
Finish	Anochrome (ANO), Dull Brass (BR), Polished Brass (PB)
Packed	12 per Carton with Screws

819X Drawer Pulls	
Product	Finish
819X BR	Dull Brass (BR)
819X ANO	Anochrome (ANO)
819X PB	Polished Brass (PB)

Number	822 ALUM Extruded Aluminum Pull
Size	3-7/8" long
Finish	Aluminum (AL)
Packed	12 per Carton



Fasteners & Locks

320
323
324



341
342



1547



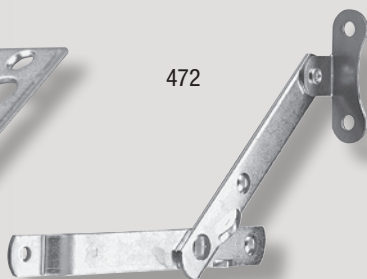
1548



521



472



962



965



984



989



Fasteners

Number	320 STL	Table Top Fastener, 1" width
	323 STL	Table Top Fastener, 5/8" width
	324 STL	Table Top Fastener, 3/4" width
Origin	Made in USA	
Finish	Steel (STL)	
Packed	100 per Carton	
Number	341 ZC	Corner Brace
	342 ZC	Corner Brace
Size	341 Installation: 1" x 1" ; 342 Installation: 2" x 2"	
Origin	Made in USA	
Finish	Zinc (ZC)	
Packed	100 per Carton	
Number	1547 STL Desk Top Fastener	
Origin	Made in USA	
Finish	Steel (STL)	
Packed	100 per Carton	
Number	1548 ZC Desk Top Fastener	
Origin	Made in USA	
Finish	Zinc (ZC)	
Packed	500 per Carton	
Number	521 ZC Hanger Plate (1/16" Steel)	
Size	13/16" x 2"	
Origin	Made in USA	
Finish	Zinc (ZC) Plate	
Packed	100 per Carton	
Features	Use with 3/4" No. 10 flathead wood screws	
Number	472 ANO Steel Support Hinge	
Size	6" or 10"	
Origin	Made in USA	
Finish	Anochrome (ANO)	

Pack Configurations

Standard	12 Pair (Left/Right Handed) Per Carton With Screws		
Optional	Left/Right Hand Packed Separately in Cartons of 24		
472 Support Hinges Standard Pack			
Standard	Finish		
472 ANO 6	Anochrome (ANO)		
472 ANO 10	Anochrome (ANO)		
472 Support Hinges Optional Pack			
Product	Finish	Handed	
472L ANO 6	Anochrome (ANO)	Left	
472L ANO 10	Anochrome (ANO)	Left	
472R ANO 6	Anochrome (ANO)	Right	
472R ANO 10	Anochrome (ANO)	Right	

Door Locks

Number	962KA 440 CH	Adjustable Ratchet Lock, for 3/4" Glass
	963KA 440 CH	Adjustable Ratchet Lock, for 1/4" Glass
Size	Adjustable 3/4" to 3-3/8"	
Finish	Chrome (CHR)	
Packed	12 per Carton	
Features	962 fits any door to 3/4" with thumbscrew adjustment 963 fits 1/4" sliding glass doors	
Number	965KA 50 NP Adjustable Locks	
	965KD 50 NP	
	965KD 51 NP	
	965KD 52 NP	
	965KD 53 NP	
	965KD 54 NP	
Size	Adjustable 1" to 3-3/8"	
Finish	Polished Nickel (NP)	
Packed	12 per Carton	
Features	Adjustable lock for 1/4" sliding glass doors.	
Number	984KA 90 NP Plunger Lock	
Size	Mounting Flange: 7/8" x 2" With Screw Holes On 1-1/2" Centers Barrel: 7/8" (Outside Diameter) Plunger Travel: 15/32" Plunger Receptacle: 1/2" (Outside Diameter) x 7/16"	
Finish	Polished Nickel (NP)	
Packed	12 per Carton	
Features	Keyed Alike Only.	
Number	989 SPR BR	Secret Gate Latch
	989 ALUM	Secret Gate Latch
Size	2" x 2-3/8"	
Finish	Sprayed Brass Look (SPR BR), Aluminum (ALUM)	
Packed	12 per Carton	
Features	Interchangeable left or right hand mounting	

Tite-Joint® Fastener

Number	516 ZC
Size	Center-to-center 2" to 3-1/2"
Origin	Made in USA
Finish	Zinc (ZC)
Features	Designed for 3/4" wood Applies an even controlled pressure between joint members, eliminating twisting and buckling
Installation	Use provided drill (516-64) and guide (516-63) packed with each box. Guide locates both holes. Drill fits 1/4" and larger chuck. Drill has special shoulder to control hole depth to 5/8".

Pack Configurations

Standard	25 per Carton
Builders (BP)	100 per Carton

516 Fasteners Zinc (ZC)	
Standard	Builders (BP)
516/25 ZC	516/100 ZC

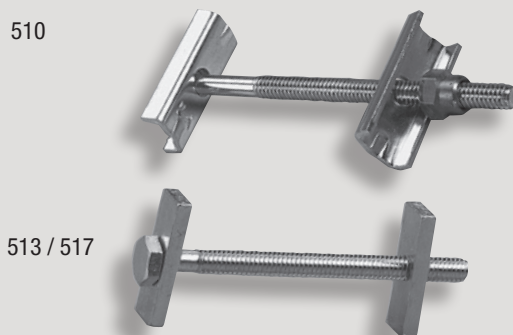
516 Joint Fastener Accessory Parts		
Product	Description	Packed
516-1	Draw Bolt	1 per Carton
516-60	Locking Sleeve	1 per Carton
516-62	Tightening Rod	1 per Carton
516-63	Drill Guide	1 per Carton
516-64	Drill	1 per Carton
516-80 100	Tightening Assembly	1 per Carton

Bolt-Style

Number	510 ZC
Size	4" bolt with plate 5/16" x 5/8" x 1-1/2"
Finish	Zinc (ZC)
Packed	100 per Carton
Features	An economical fastener, easy to install

Number	513 ZC
Size	4" bolt with flat bar plates 7/16" x 3/16" x 1-1/4"
Finish	Zinc (ZC)
Packed	100 per Carton

Number	517 ZC
Size	3-1/2" bolt with flat bar plates 7/16" x 3/16" x 1-1/4"
Finish	Zinc (ZC)
Packed	100 per Carton
Features	Same as 513 ZC with 3-1/2" bolt



Rollers

Door Rollers

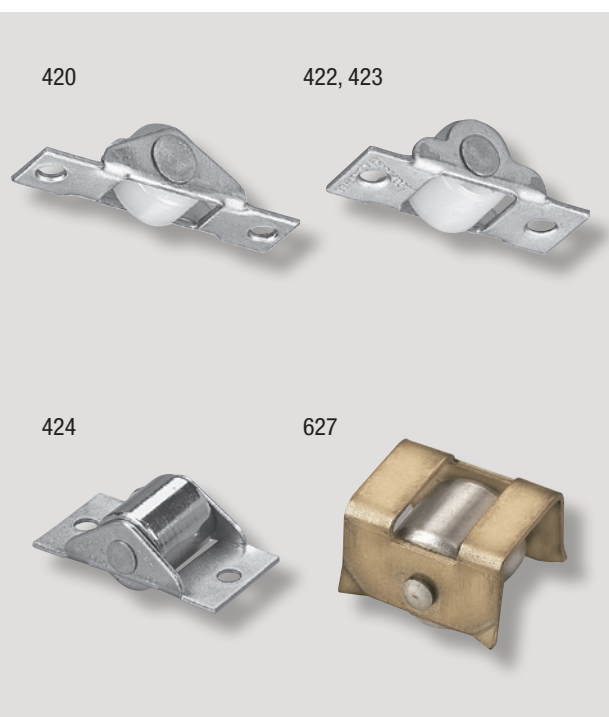
Number	420 STL
Size	Frame: 7/16" x 1-7/8" Nylon Roller: 9/16" Diameter Roller, 5/16" Wide
Finish	Steel (STL)
Packed	100 per Carton

Number	422 STL
Size	Frame: 5/8" x 1-13/16" Nylon Roller: 5/8" Diameter Roller, 1/2" Wide
Finish	Steel (STL)
Packed	100 per Carton

Number	423 STL
Size	Frame: 5/8" x 1-13/16" Steel Roller: 5/8" Diameter Roller, 1/2" Wide
Finish	Steel (STL)
Packed	100 per Carton

Number	424 STL
Size	Frame: 1" x 2" Steel Roller: 5/8" Diameter Roller, 7/8" Wide
Finish	Steel (STL)
Packed	50 per Carton

Number	627 SS
Size	Frame: 9/16" x 3/4" Steel Roller: 1/2" Diameter Roller Fits 9/16" Groove In Door Rail. Held In Place By Flared Points.
Finish	Brass-Look (BR) Case With Stainless Steel (SS) Roller
Packed	100 per Carton



Sheaves

413X



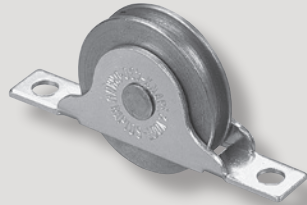
427



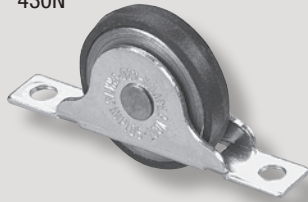
429



430



430N



592



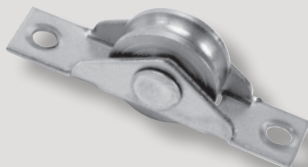
594



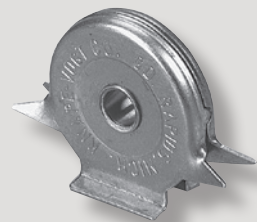
607



620



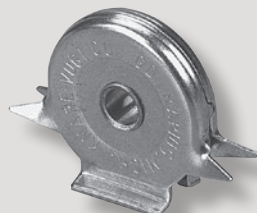
400A



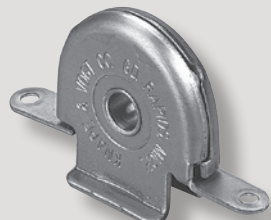
402



580



582



Number	413X BR
Size	Frame: 2-15/16" x 7/16" Wheel: 1-3/16" Diameter
Finish	Bronze Wheel With A Brass-Look (BR) Frame
Packed	50 per Carton with screws
Features	Brass wheel on self lubricating bearing. For use with KV track No. 455, 467, and 469
Number	427 STL
Size	Frame: 2-15/16" x 1/2" Wheel: 1-3/16" Diameter
Finish	Steel (STL)
Packed	50 per Carton
Features	Ball bearing round groove sheave. For use with KV track No. 455, 467, and 469
Number	429 STL
Size	Frame: 2-1/4" x 3/8" Wheel: 1" Diameter
Finish	Steel (STL)
Packed	100 per Carton
Features	Round groove sheave. For use with KV track No. 455, 467, and 469.
Number	430 STL
Size	Frame: 2-3/4" x 1/2" Wheel: 1-3/8" Diameter
Origin	Made in USA
Finish	Steel (STL)
Packed	50 per Carton
Features	Ball bearing round groove sheave. For use with KV track No. 455, 467, and 469.
Number	430 N STL
Size	Frame: 2-3/4" x 1/2" Wheel: 1-3/8" Diameter
Finish	Steel (STL)
Packed	50 per Carton
Features	Flat neoprene-tire ball bearing sheave. Used without track
Number	592 STL
Size	Frame: 9/32" x 2-1/4" Wheel: 1-3/16" Diameter
Finish	Steel (STL)
Packed	100 per Carton
Features	Nylon convex wheel for thin doors. For use with inverted KV track No. 455
Number	594 NYLON
Size	Frame: 2-15/16" x 1/2" Wheel: 1-3/16" Diameter
Finish	Steel (STL)
Packed	50 per Carton
Features	For doors to 1-1/8" thick. Nylon round groove wheel. For use with all KV tracks.
Number	607 ZC
Size	Frame: 2-5/16" x 1-5/16" Wheel: 1-3/8" Diameter
Finish	Steel (STL)
Packed	50 per Carton
Features	Heavy-Duty ball bearing sheave with side fastening plate Round groove wheel for use with KV track No. 455, 467, and 469.
Number	620 STL
Size	Frame: 7/16" x 1-7/8" Wheel: 11/16" x 9/32"
Finish	Steel (STL)
Packed	100 per Carton
Features	Axle bearing grooved steel roller. For use with KV track No. 455, 467, and 469.
Number	400A STL
Size	Case: 1-1/4" x 5/16"
Finish	Steel (STL)
Packed	100 per Carton
Features	Ball bearing sheave drive type. Use with KV track No. 455, 467, and 469
Number	402 STL
Size	Case: 1-1/4" x 5/16" Flange: 2-1/4" x 5/16"
Finish	Steel (STL)
Packed	100 per Carton
Features	Ball bearing sheave. Use with KV track No. 455, 467, and 469
Number	580 STL
Size	Case: 1-1/4" x 5/16"
Finish	Steel (STL)
Packed	100 per Carton
Features	Nylon round groove sheave for light doors. Use with KV track No. 455, 467, and 469
Number	582 STL
Size	Case: 1-1/4" x 5/16" Flange: 2-1/4" x 5/16"
Finish	Steel (STL)
Packed	100 per Carton
Features	Nylon round groove sheave Use with KV track No. 455, 467, and 469

Plastic Track & Guides for Sliding Doors

Fiber Track

Number	2401 FIBRE 72
Size	1/8" Width x 1/2" Height x 72" Length
Finish	Black
Packed	1 Each

Plastic Track and Upper Guides for 1/4" Doors

Number	2412 TAN 144 Upper Guide
	2412 GRAY 144 Upper Guide
	2412 WAL 144 Upper Guide
Size	27/32" Width x 9/16" Height x 144" Length
Finish	Gray (GRAY), Tan (TAN), Walnut (WAL)
Packed	1 Each

Number	2416 TAN 144 Track
	2416 GRAY 144 Track
	2416 WAL 144 Track
Size	27/32" Width x 5/16" Height x 144" Length
Finish	Gray (GRY), Tan (TAN), Walnut (WAL)
Packed	1 Each

Plastic Track and Upper Guides for 3/4" Doors

Number	2418 TAN 144 Upper Guide
Size	1-15/16" Width x 3/4" Height x 144" Length
Finish	Tan (TAN)
Packed	1 Each

Number	2420 TAN 144 Track
Size	1-15/16" Width x 3/8" Height x 144" Length
Finish	Tan (TAN)
Packed	1 Each

Nylon Glides

Number	2406 Nylon Glide
Size	1" Length x 1/4" Width
Packed	50 per Carton

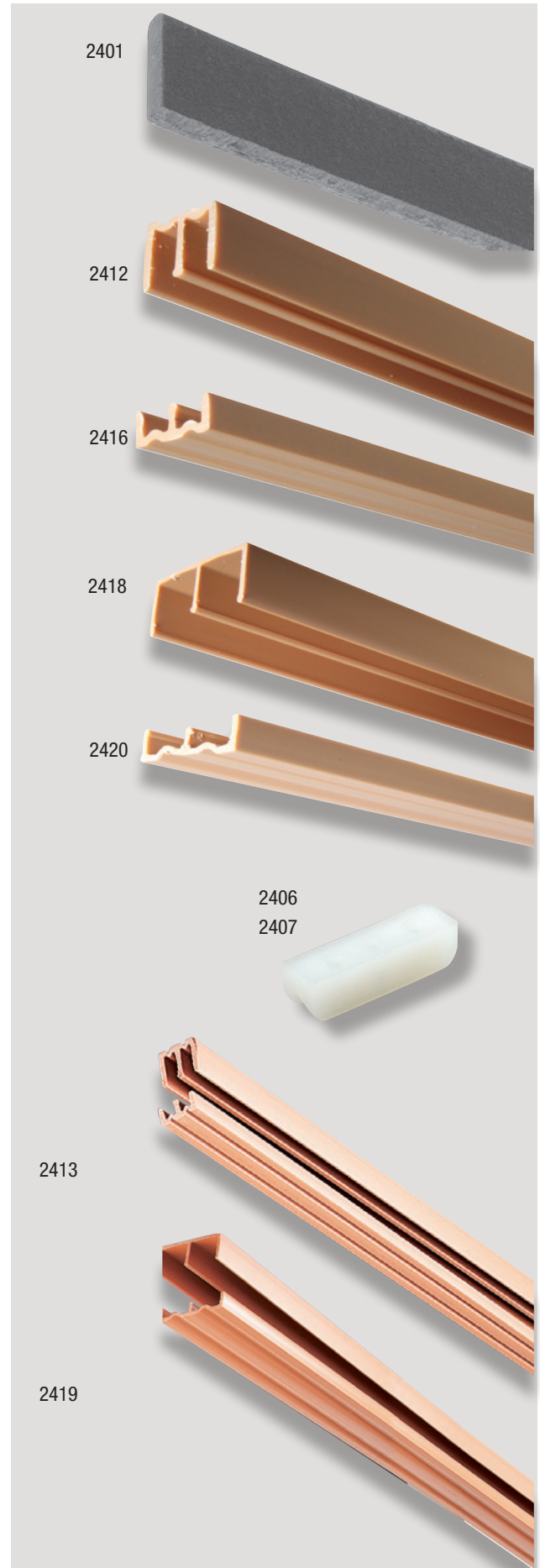
Number	2407 Nylon Glide
Size	1-3/8" Length x 3/8" Width
Packed	50 per Carton

Packaged Assemblies

Number	P2413 1/8" Door Assembly
	P2417 1/4" Door Assembly
	P2419 3/4" Door Assembly
	P2421 1/2" Door Assembly
Size	48", 60", and 72" Lengths
Finish	Tan (TAN), Walnut (WAL), White (WH)
Packed	10 Sets per Carton

Track Assemblies			
Product	Finish	Length	Door Size
P2413 TAN 48	Tan (TAN)	48"	1/8"
P2413 TAN 60	Tan (TAN)	60"	1/8"
P2413 TAN 72	Tan (TAN)	72"	1/8"
P2413 WH 48	White (WH)	48"	1/8"
P2413 WH 60	White (WH)	60"	1/8"
P2413 WH 72	White (WH)	72"	1/8"
P2417 TAN 48	Tan (TAN)	48"	1/4"
P2417 TAN 60	Tan (TAN)	60"	1/4"
P2417 TAN 72	Tan (TAN)	72"	1/4"
P2417 WAL 48	Walnut (WAL)	48"	1/4"
P2417 WAL 60	Walnut (WAL)	60"	1/4"
P2417 WAL 72	Walnut (WAL)	72"	1/4"
P2417 WH 48	White (WH)	48"	1/4"
P2417 WH 60	White (WH)	60"	1/4"
P2417 WH 72	White (WH)	72"	1/4"

Track Assemblies			
Product	Finish	Length	Door Size
P2419 TAN 48	Tan (TAN)	48"	3/4"
P2419 TAN 60	Tan (TAN)	60"	3/4"
P2419 TAN 72	Tan (TAN)	72"	3/4"
P2419 WH 48	White (WH)	48"	3/4"
P2419 WH 60	White (WH)	60"	3/4"
P2419 WH 72	White (WH)	72"	3/4"
P2421 TAN 48	Tan (TAN)	48"	1/2"
P2421 TAN 60	Tan (TAN)	60"	1/2"
P2421 TAN 72	Tan (TAN)	72"	1/2"
P2421 WH 48	White (WH)	48"	1/2"
P2421 WH 60	White (WH)	60"	1/2"
P2421 WH 72	White (WH)	72"	1/2"



Plastic Track & Guides for Sliding Doors



Number	455 STL 144 Lower Track
Size	5/16" Height, 21/32" Width x 144" Length
Origin	Made in USA
Finish	Plain finish wrought steel (STL)
Packed	1 Each
Features	1/2" nails included

Number	455 SS 144 Lower Track
Size	5/16" Height, 21/32" Width x 144" Length
Origin	Made in USA
Finish	Stainless steel (SS)
Packed	1 Each
Features	1/2" nails included

Number	467 STL 144 Lower Track
Size	5/16" Height, 21/32" Width x 144" Length
Origin	Made in USA
Finish	Steel (STL)
Packed	1 Each
Features	1/2" nails included

Number	469 ZC 144 Double Lower Track
	469 ZC 96 Double Lower Track
	469 ZC 72 Double Lower Track
Size	Double Track 1/4" Height x 1" Width 72", 96", and 144" Lengths
Origin	Made in USA
Finish	Zinc (ZC)
Packed	1 Each
Features	1/2" x No. 5 flathead wood screws included

Number	953 ZC 144 Top Door Divider
Size	5/8" Height x 5/8" Width x 144" Length
Origin	Made in USA
Finish	Pre-coated steel (ZC)
Packed	1 per Carton
Features	Upper T guide separates sliding door at top

Roll-Ezy Ball Bearing Track

Number	953 ZC Top Door Divider
Size	5/8" Wide x 5/8" High, 144" Lengths
Origin	Made in USA
Finish	Zinc (ZC)
Packed	1 Each
Features	Pre-coated steel upper T guide used with wood framed installations For use with 1/4" glass only

Number	993 ZC 144 Upper Channel
Size	15/16" Wide x 5/8" High, 144" Length
Origin	Made in USA
Finish	Zinc (ZC)
Packed	1 Each
Features	Upper channel for top and ends of opening Wide divider maintains door position.

Number	995 ZC 144 Door Shoe
Size	7/16" High x 144" Length
Origin	Made in USA
Finish	Zinc (ZC)
Packed	1 Each
Features	Shoe for 1/4" glass – scant or full. Lightly curved bottom for free rolling position on ball bearings.

Number	997 ZC 144 Ball Carrier
Size	144" Length
Origin	Made in USA
Finish	Zinc (ZC)
Packed	1 Each
Features	Ball bearing carrier has free rolling balls on 3" centers Unique design creates two point suspension between shoe and lower track.

Number	999 ZC 144 Lower Track
Size	1" Wide x 1" High x 144" Length
Origin	Made in USA
Finish	Zinc (ZC)
Packed	1 Each
Features	Balls ride freely on curved anvil with no contact against sides of lower track

NOTE: For each foot of opening, use: 1' of upper channel and lower track and shoe (plus 1" per door for overlap), with 1-1/2' of carrier (1-1/2 times door width for each door). Glass is cut 1-1/4" lower than height of opening.

Complete Assembly

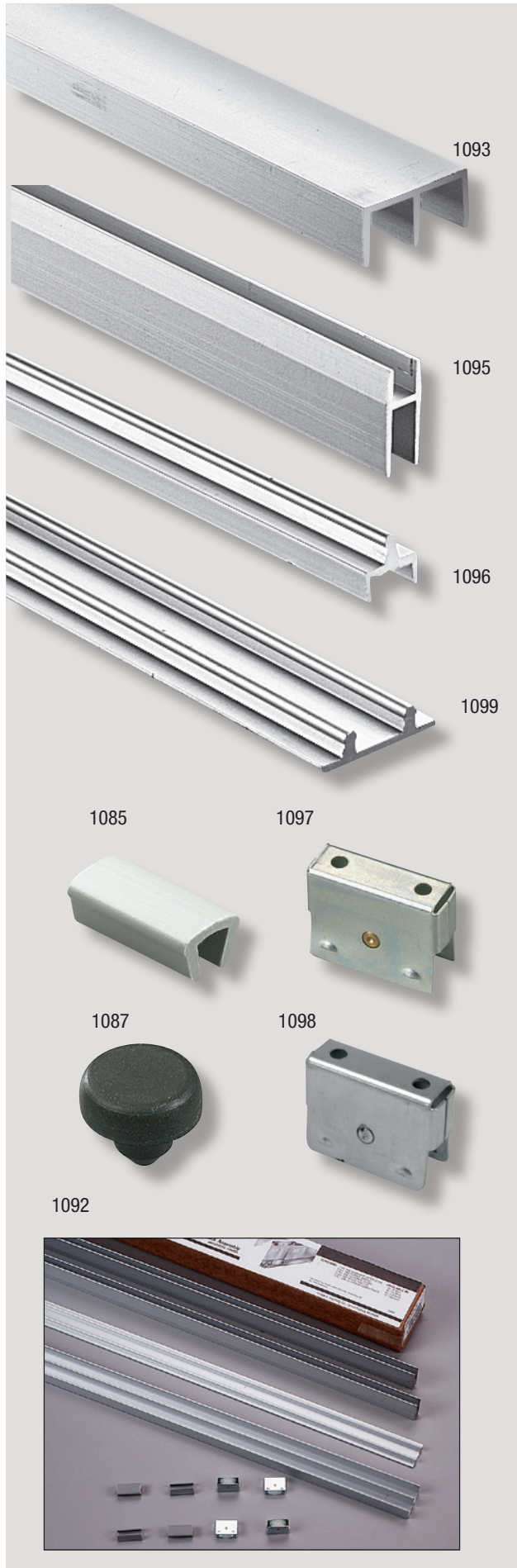
Number	P992 Large Glass Door Kit
Includes	1 Each – 993 Upper Channel
	2 Each – 995 Shoe
	2 Each – 997 Carrier
	1 Each – 999 Lower Track
Origin	Made in USA
Stocked	36", 48", 60", and 72" Lengths
Packed	1 Set per Carton

Complete Assemblies		
Product	Length	Packed
P992 ZC 36	36"	1 Set per Carton
P992 ZC 48	48"	1 Set per Carton
P992 ZC 60	60"	1 Set per Carton
P992 ZC 72	72"	1 Set per Carton

INSTALLATION NOTES & RECOMMENDATIONS:
Knappe & Vogt does not recommend butt-joints and/or openings longer than 12 feet.
Knappe & Vogt recommends that the height to width ratio for glass doors should not exceed 2:1.



Roll-Ezy Ball Bearing Track



Number	1093 144 Upper Channel
Size	1-3/16" Wide x 9/16" High x 144" Length
Finish	Aluminum (AL)
Packed	1 Each
Features	Double channel for tops, bottoms, and ends For use with 1/4" glass only

Number	1095 144 Door Shoe
Size	1" High x 144" Length
Finish	Aluminum (AL)
Packed	1 Each
Features	Shoe for 1/4" glass Rollers to be inserted in bottom

Number	1096 144 Single Lower Track
Size	31/64" Wide x 15/32" High x 144" Length
Finish	Aluminum (AL)
Packed	1 Each
Features	Single track For single doors or may be used with 1093 double channel for covered installation

NOTE: Cut glass 1-1/2" lower than opening when using 1096/1093 track assembly.

Number	1099 144 Double Lever Track
Size	1-1/16" Wide x 1/4" High x 144" Length
Finish	Aluminum (AL)
Packed	1 Each
Features	Double track

NOTE: Cut glass 1-3/16" lower than opening when using 1099 track

Accessories

Number	1085 VINYL Guide
Size	7/8" Long
Finish	Vinyl (VINYL)
Packed	100 per Carton
Features	Vinyl guide fits over top of glass for noiseless operation in upper channel

Number	1087 RUB Rubber Bumper
Finish	Rubber (RUB)
Packed	100 per Carton
Features	Rubber bumper installs in jambs to cushion glass

Number	1097 NYLON Nylon Rollers
Finish	Nylon (NYLON)
Packed	100 per Carton
Features	Nylon roller press fits into bottom of 1095 shoe

Number	1098 ZC Steel Ball Bearing Roller
Finish	Zinc (ZC)
Packed	20 per Carton
Features	Steel ball bearing roller press fits into bottom of 1095 shoe

Complete Assembly

Number	P1092 Small to Medium Glass Door Kit
Includes	1 each - 1093 upper channel 4 each - 1097 rollers 4 each - 1085 vinyl guides 2 each - 1095 shoe 1 each - 1099 lower track
Stocked	36", 48", 60", and 72" lengths
Packed	1 Set per Carton

INSTALLATION NOTES & RECOMMENDATIONS:
Knap & Vogt does not recommend butt-joints and/or openings longer than 12 feet.
Knap & Vogt recommends that the height to width ratio for glass doors should not exceed 2:1.

Complete Assemblies	
Product	Length
P1092 ANOD 36	36"
P1092 ANOD 48	48"
P1092 ANOD 60	60"
P1092 ANOD 72	72"

Heavy-Duty Round Closet Rod 660

Number	660 Heavy-Duty Round Closet Rod
Diameters	OD: 1-1/16"; ID: 29/32"; Wall Thickness: .087"
Origin	Made in USA
Finish	Brass (BR), Stainless Steel (SS)
Packed	6 per Carton
Features	Steel core with solid stainless steel or brass wrap

660 Tube Brass-Look (BR) Finish	
Product	Length
660 BR 48	48"
660 BR 60	60"
660 BR 72	72"
660 BR 96	96"
660 BR 120	120"
660 BR 144	144"

660 Tube Stainless Steel (SS) Finish	
Product	Length
660 SS 48	48"
660 SS 60	60"
660 SS 72	72"
660 SS 96	96"
660 SS 120	120"
660 SS 144	144"

Number	734 CHR Closed Wall-Mount Flange
Finish	Chrome (CHR)
Packed	50 per Carton with Screws
Holes	2 Screw Holes On 2" Centers
Features	For use with 660 Series Closet Rod

735 Flange	
Brass-look (BR)	Chrome (CHR)
734 BR	734 CHR

Number	735 Open Wall-Mount Flange
Finish	Brass-look (BR), Chrome (CHR)
Packed	50 per Carton with Screws
Holes	2 Screw Holes On 2" Centers
Features	For use with 660 Series Closet Rod

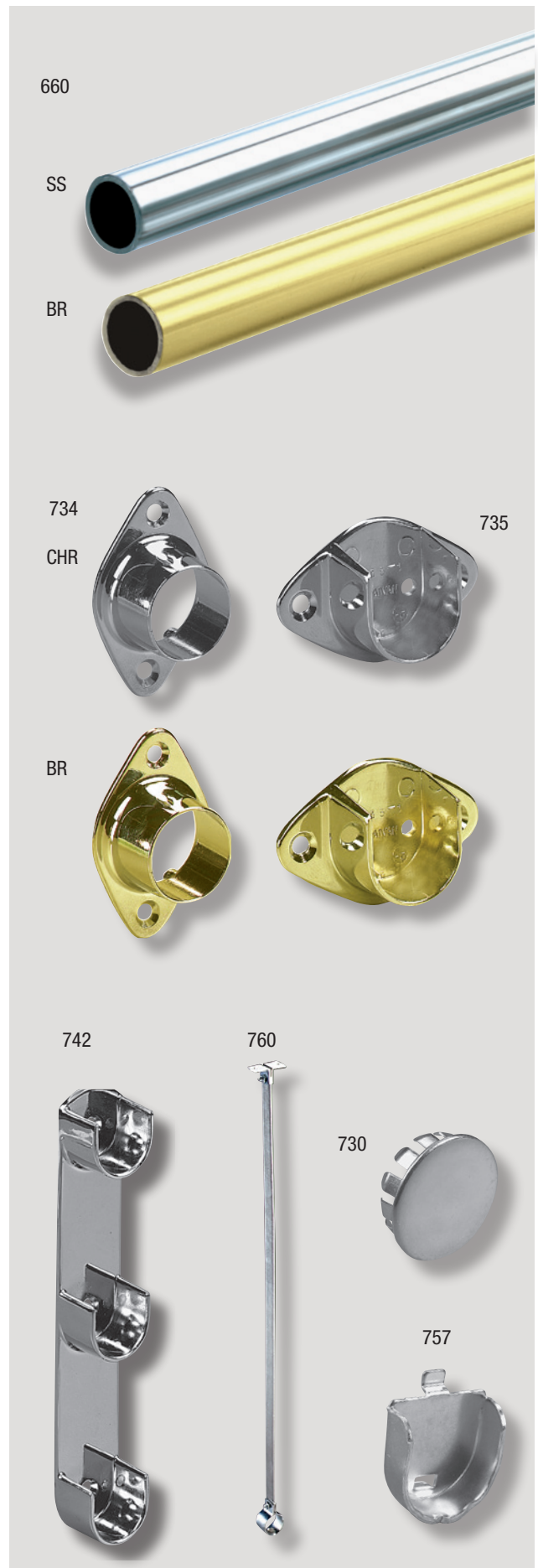
735 Flange	
Brass-look (BR)	Chrome (CHR)
735 BR	735 CHR

Number	730 ANO End Cap
Finish	Anochrome (ANO)
Packed	50 per Carton
Features	For use with 660 Series Closet Rod

Number	742 CHR Three-Tier Wall Mount Flange
Finish	Chrome (CHR)
Packed	12 per Carton with Screws
Holes	3 Screw Holes
Features	For use with 660 Series Closet Rod

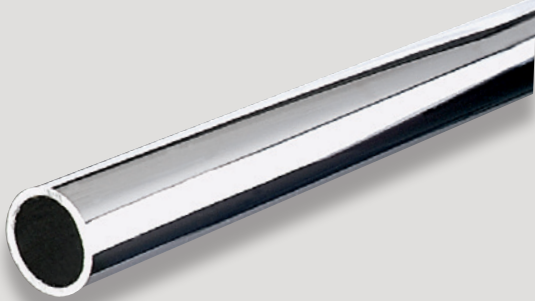
Number	757 ANO Pilaster Flange
Finish	Anochrome (ANO)
Packed	100 per Carton
Features	Fits #255 or #233 pilaster with 660 Series Closet Rod

Number	760 ANO 24
Finish	Anochrome (ANO)
Packed	12 per Carton with screws
Features	Center support 24" - can be cut to size with 660 Series Closet Rod



750 Heavy-Duty Round Closet Rod

750
CHR



734



735



764



766



731



732



742



757



632



760



Number	750 1
Diameters	OD: 1-1/16"; ID: 29/32"; Wall Thickness: .075"
Finish	Chrome (CHR)
Packed	6 per Carton

Number	750 5
Diameters	OD: 1-5/16"; ID: 1-5/32"; Wall Thickness: .075"
Finish	Chrome (CHR)
Packed	6 per Carton

750 1 Tube	
Size	Chrome (CHR)
72"	750 1 72
96"	750 1 96
120"	750 1 120
144"	750 1 144

750 5 Tube	
Size	Chrome (CHR)
72"	750 5 72
96"	750 5 96
120"	750 5 120
144"	750 5 144

Number	734 CHR Closed Wall-Mount Flange
Finish	Chrome (CHR)
Packed	50 per Carton with Screws
Holes	2 Screw Holes On 2" Centers
Features	For use with 750 1 Closet Rod

Number	735 CHR Open Wall-Mount Flange
Finish	Chrome (CHR)
Packed	50 per Carton with Screws
Holes	2 Screw Holes On 2" Centers
Features	For use with 750 1 Closet Rod

Number	764 CHR Closed Wall-Mount Flange
Finish	Chrome (CHR)
Packed	12 per Carton with Screws
Holes	3 Holes Spaced 1-1/8" From Center
Features	For use with 750 5 Closet Rod

Number	766 CHR Open Wall-Mount Flange
Finish	Chrome (CHR)
Packed	12 per Carton with Screws
Holes	2 Holes On 2-1/4" Centers, One At 90°
Features	For use with 750 5 Closet Rod

Number	731 ANO End Cap
Finish	Anochrome (ANO)
Packed	50 per Carton
Features	For use with 750 1 Closet Rod

Number	732 ANO End Cap
Finish	Anochrome (ANO)
Packed	50 per Carton
Features	For use with 750 5 Closet Rod

Number	742 CHR Three-Tier Wall Mount Flange
Finish	Chrome (CHR)
Packed	12 per Carton with Screws
Holes	3 Screw Holes
Features	For use with 750 1 Closet Rod

Number	757 ANO Pilaster Flange
Finish	Anochrome (ANO)
Packed	100 per Carton
Features	Fits #255 or #233 pilaster with 750 1 Closet Rod

Number	760 ANO 24
Finish	Anochrome (ANO)
Packed	12 per Carton with screws
Features	Center support 24" - can be cut to size with 750 1 Closet Rod

Number	632 Line Bore Flange
Finish	Chrome (CHR)
Packed	100 per Carton
Holes	1 For Extra Mounting Strength; Two 5mm Pins
Features	For use with 750 1 Closet Rod

Extra-Duty Round Closet Rod 770

Number	770 1
Diameters	OD: 1-1/16"; ID: 27/32"; Wall Thickness: .106"
Finish	Chrome (CHR)
Packed	6 per Carton

Number	770 5
Diameters	OD: 1-5/16"; ID: 1-3/32"; Wall Thickness: .106"
Finish	Chrome (CHR)
Packed	6 per Carton

770 1 Tube	
Size	Chrome (CHR)
48"	770 1 48
60"	770 1 60
72"	770 1 72
96"	770 1 96
120"	770 1 120
144"	770 1 144

770 5 Tube	
Size	Chrome (CHR)
72"	770 5 72
96"	770 5 96
120"	770 5 120
144"	770 5 144

Number	734 CHR Closed Wall-Mount Flange
Finish	Chrome (CHR)
Packed	50 per Carton with Screws
Holes	2 Screw Holes On 2" Centers
Features	For use with 770 1 Closet Rod

Number	735 CHR Open Wall-Mount Flange
Finish	Chrome (CHR)
Packed	50 per Carton with Screws
Holes	2 Screw Holes On 2" Centers
Features	For use with 770 1 Closet Rod

Number	764 CHR Closed Wall-Mount Flange
Finish	Chrome (CHR)
Packed	12 per Carton with Screws
Holes	3 Holes Spaced 1-1/8" From Center
Features	For use with 770 5 Closet Rod

Number	766 CHR Open Wall-Mount Flange
Finish	Chrome (CHR)
Packed	12 per Carton with Screws
Holes	2 Holes On 2-1/4" Centers, One At 90°
Features	For use with 770 5 Closet Rod

Number	731 ANO End Cap
Finish	Anochrome (ANO)
Packed	50 per Carton
Features	For use with 770 1 Closet Rod

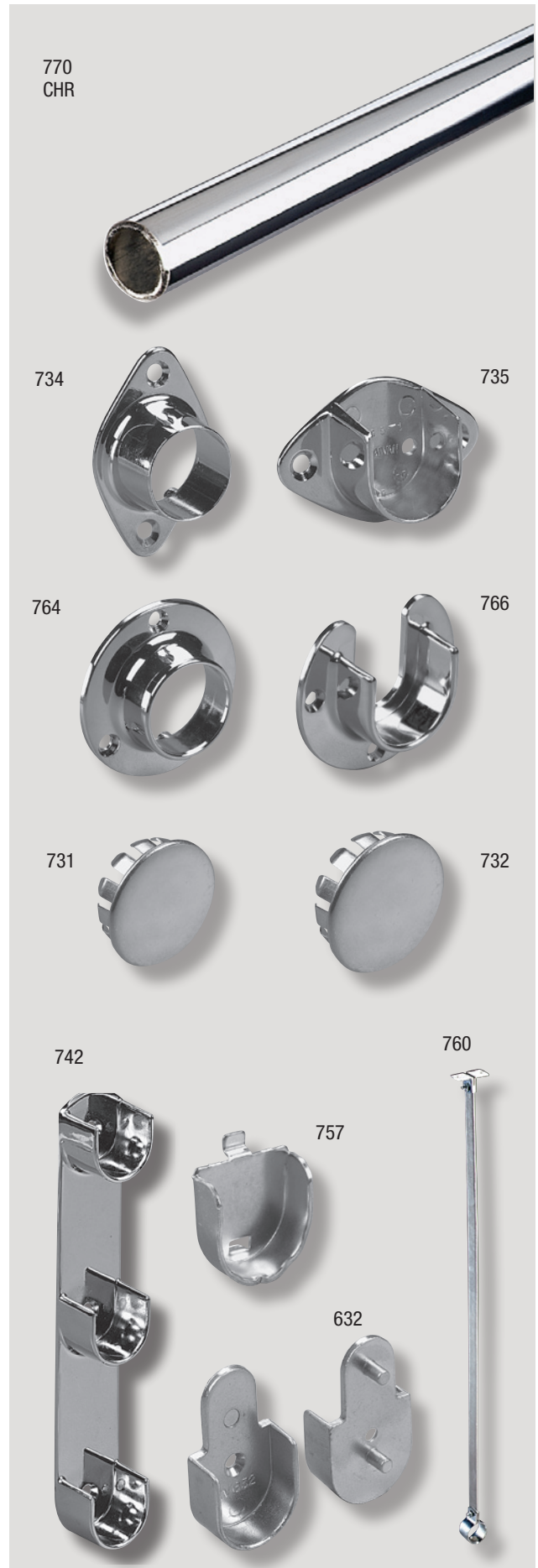
Number	732 ANO End Cap
Finish	Anochrome (ANO)
Packed	50 per Carton
Features	For use with 770 5 Closet Rod

Number	742 CHR Three-Tier Wall Mount Flange
Finish	Chrome (CHR)
Packed	12 per Carton with Screws
Holes	3 Screw Holes
Features	For use with 770 1 Closet Rod

Number	757 ANO Pilaster Flange
Finish	Anochrome (ANO)
Packed	100 per Carton
Features	Fits #255 or #233 pilaster with 770 1 Closet Rod

Number	632 Line Bore Flange
Finish	Chrome (CHR)
Packed	100 per Carton
Holes	1 For Extra Mounting Strength; Two 5mm Pins
Features	For use with 770 1 Closet Rod

Number	760 ANO 24
Finish	Anochrome (ANO)
Packed	12 per Carton with screws
Features	Center support 24" - can be cut to size with 770 1 Closet Rod



880 Extra-Duty Oval Closet Rod

Number	880 Oval Closet Rod
Size	30mm High x 15mm Wide; Wall Thickness: 1.2mm
Stock Lengths	96" and 144" Lengths
Finish	Chrome (CHR)
Packed	10 per Carton
Features	Heavy gauge, invisible welded seam

880 Tube	
Size	Chrome (CHR)
96"	880 1 96
144"	880 1 144

Mounting Flanges

Number	881 CHR Mounting Flange
Finish	Chrome (CHR)
Packed	50 per Carton
Holes	1 Hole For Extra Mounting Strength; Two 5mm Pins
Features	For use with 880 Oval Tubing

KV2 Extension Closet Rods

Number	KV2 Adjustable Closet Rod
Finish	White (WH), Zinc (ZC)

Pack Configurations

10 per Carton up to 60" to 96" size; 72" to 120" and above – 5 per Carton
20 per Carton

KV2 Closet Rods White (WH) Finish		KV2 Closet Rods Zinc (ZC) Finish		
Standard	Length	Standard	Builders (BP)	Length
KV2 WH 18	18"-30"	KV2 ZC 18	KV2BP ZC 18	18"-30"
KV2 WH 30	30"-48"	KV2 ZC 30	KV2BP ZC 30	30"-48"
KV2 WH 48	48"-72"	KV2 ZC 48	—	48"-72"
KV2 WH 60	60"-96"	KV2 ZC 60	—	60"-96"
KV2 WH 72	72"-120"	KV2 ZC 72	—	72"-120"
		KV2 ZC 96	—	96"-144"

Number	29201 ANO Center Hanger Support
Finish	Anochrome (ANO)
Packed	12 per Carton
Features	Use with installations over 72" in width



Shelf Brackets —No Rod Hook

Number	1186BP WT 12 Regular-Duty Adjustable Shelf Bracket
Size	10-1/4" to 10-3/4" depth shelving
Finish	Warm White (WT)
Packed	10 per Carton
Features	Holds up to 150 lbs. per pair Install with or without wall cleat 13 gauge steel platform 16 gauge steel support strut

Number	1187 Heavy-Duty Non-adjustable Shelf Bracket
Sizes	12", 16", 20"
Finish	Chrome (CHR), Warm White (WT)
Packed	10 per Carton
Features	Holds up to 500 lbs. per pair 14 gauge steel construction

1187		
Size	Chrome (CHR)	Warm White (WT)
12"	1187BP CHR 12	1187BP WT 12
16"		1187BP WT 16
20"		1187BP WT 20

Number	1188 Heavy-Duty Non-adjustable Shelf Bracket
Size	16", 20"
Finish	White (WT)
Packed	10 per Carton
Features	Holds up to 500 lbs. per pair Optional Rod Hook (1188BP WT HOOK) 14 gauge steel construction

1188	
Size	White (WT)
16"	1188BP WT 16
20"	1188BP WT 20

Number	1188BP WT HOOK Closet Rod Hook
Finish	White (WT)
Packed	20 per Carton
Features	For 1-1/4" to 1-5/16" Closet Rod For Use with 1188 Bracket

1186



1187



1188



1188 WT HOOK



1190 Series Adjustable Closet Rod & Shelf Brackets

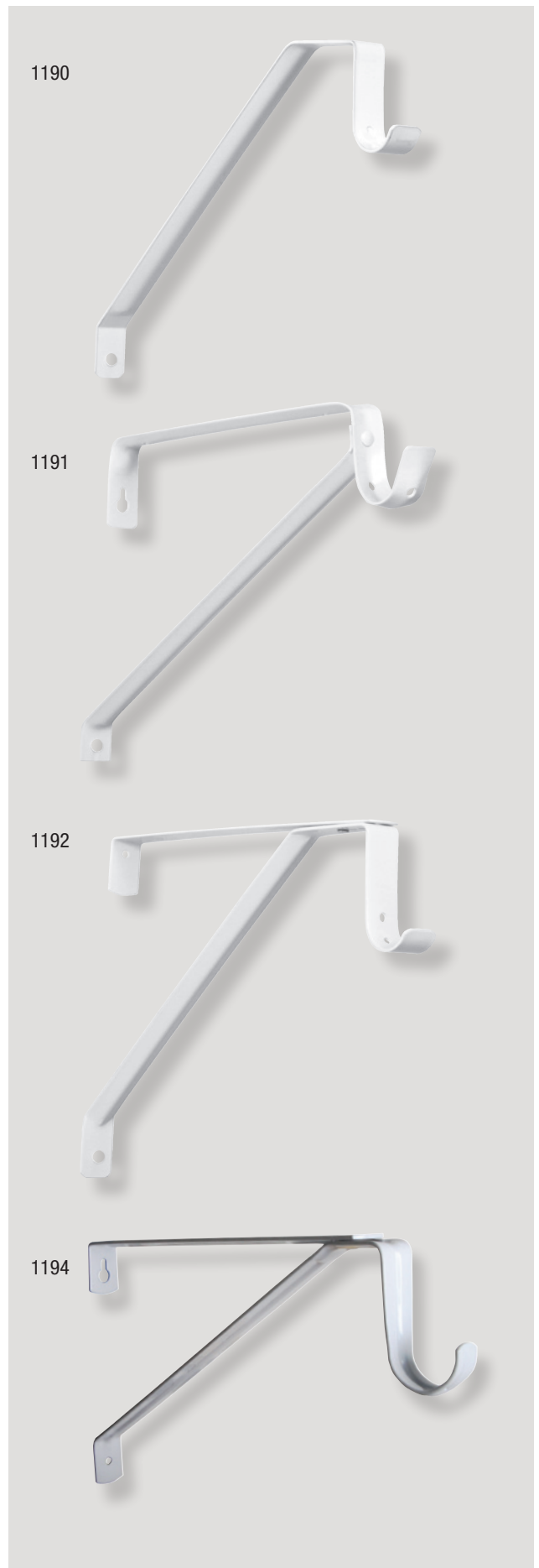
Number	1190BP WT 12 Economy Rod & Shelf Bracket
Size	12"
Finish	Warm White (WT)
Packed	10 per Carton
Hook Depth	2-1/2"
Features	Holds up to 150 lbs. per pair KV2 compatible Use with up to 1-3/8 in. dia. closet rods For 11 to 14 in. deep shelves Must be used with wall cleat 12 gauge steel platform

Number	1191BP WT 12 Regular-Duty Adjustable Rod & Shelf Bracket
Size	12"
Finish	Warm White (WT)
Packed	10 per Carton
Hook Depth	2-1/2"
Features	Holds up to 300 lbs. per pair KV2 compatible Use with up to 1-3/8 in. OD closet rods For 11 to 14 in. deep shelves Installs with or without cleat Shelf platform is 10 in. without cleat 14 gauge steel platform

Number	1192BP WT 12 Regular-Duty Adjustable Rod & Shelf Bracket
Size	12"
Finish	Warm White (WT)
Packed	10 per Carton
Hook Depth	3"
Features	Holds up to 300 lbs. per pair Use with up to 1-3/8 in. OD closet rod For 11 to 14 in. deep shelves Installs with or without cleat Shelf platform adjusts from 10-1/4 to 10-3/4 in. 14 gauge steel construction

Number	1194 Heavy-Duty Adjustable Rod & Shelf Bracket
Size	12"
Finish	Cream White (CREAM), Bright White (WH)
Packed	10 per Carton
Hook Depth	3"
Features	Holds up to 500 lbs. per pair Use with up to 1-3/8 in. OD closet rods For 11 to 14 in. shelf depths Installs with or without cleat Shelf platform adjusts from 10-1/4 to 10-3/4 in. Low profile 13 gauge steel construction

1194	
Cream White (CREAM)	White (WH)
1194 CREAM	1194 WH



Fixed Closet Rod & Shelf Mounting Brackets 1190 Series

Number	1193BP WT 12 Regular-Duty Fixed Rod & Shelf Bracket
Size	11"
Finish	Warm White (WT)
Packed	10 per Carton
Hook Depth	2-1/2"
Features	Holds up to 400 lbs. per pair KV2 compatible For 11 to 14 in. shelf depths Use with up to 1-3/8 in. OD closet rods 10-7/8 in. shelf platform One-piece design provides superior strength 16 gauge steel construction

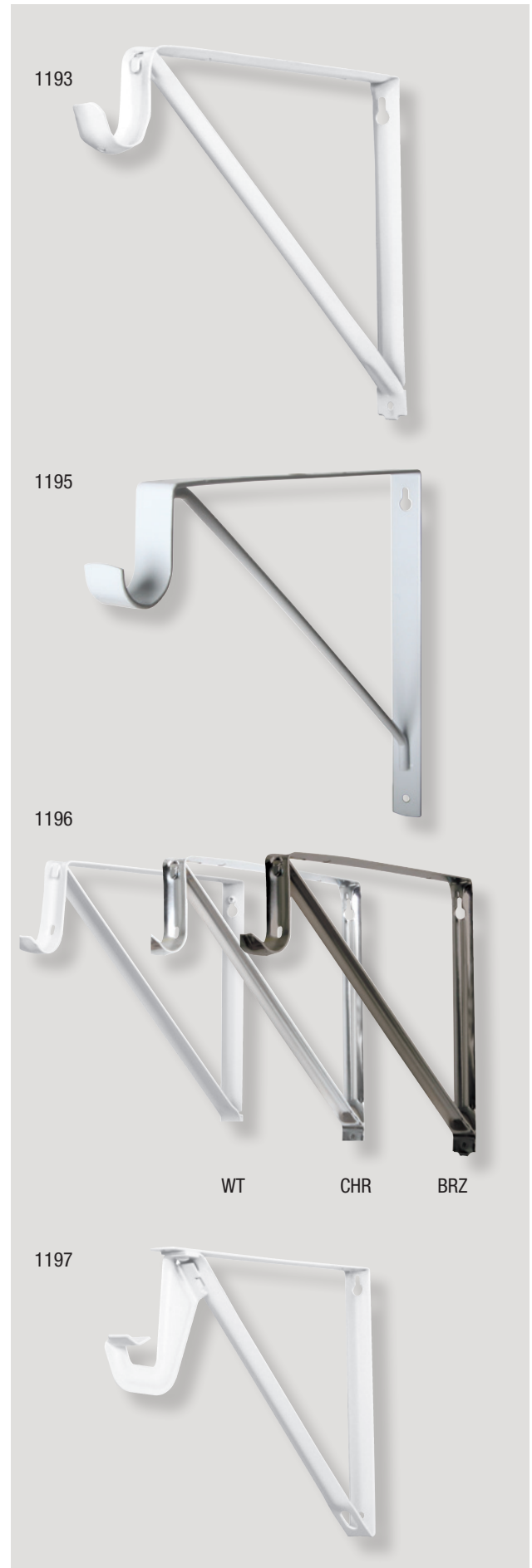
Number	1195 Heavy-Duty Fixed Rod & Shelf Bracket
Size	11"
Finish	Cream White (CREAM), Bright White (WH)
Packed	10 per Carton
Hook Depth	2-1/2"
Features	Holds up to 500 lbs. per pair KV2 compatible For 11 to 14 in. shelf depths Use with up to 1-3/8 in. OD closet rods 11 in. shelf platform 9/32 in. wire strut 12 gauge steel construction

1195		
Cream White (CREAM)	Bright White (WH)	
1195 CREAM	1195 WH	

Number	1196 Heavy-Duty Fixed Rod & Shelf Bracket
Size	10-3/4"
Finish	Bronze (BRZ), Chrome (CHR), Warm White (WT)
Packed	10 per Carton
Hook Depth	3"
Features	Holds up to 500 lbs. per pair For 11 to 14 in. shelf depths Use with up to 1-3/8 in. OD closet rods 11 in. shelf platform One-piece design provides superior strength 14 gauge steel construction

1196		
Bronze (BRZ)	Chrome (CHR)	White (WT)
1196BP BRZ 12	1196BP CHR 12	1196BP WT 12

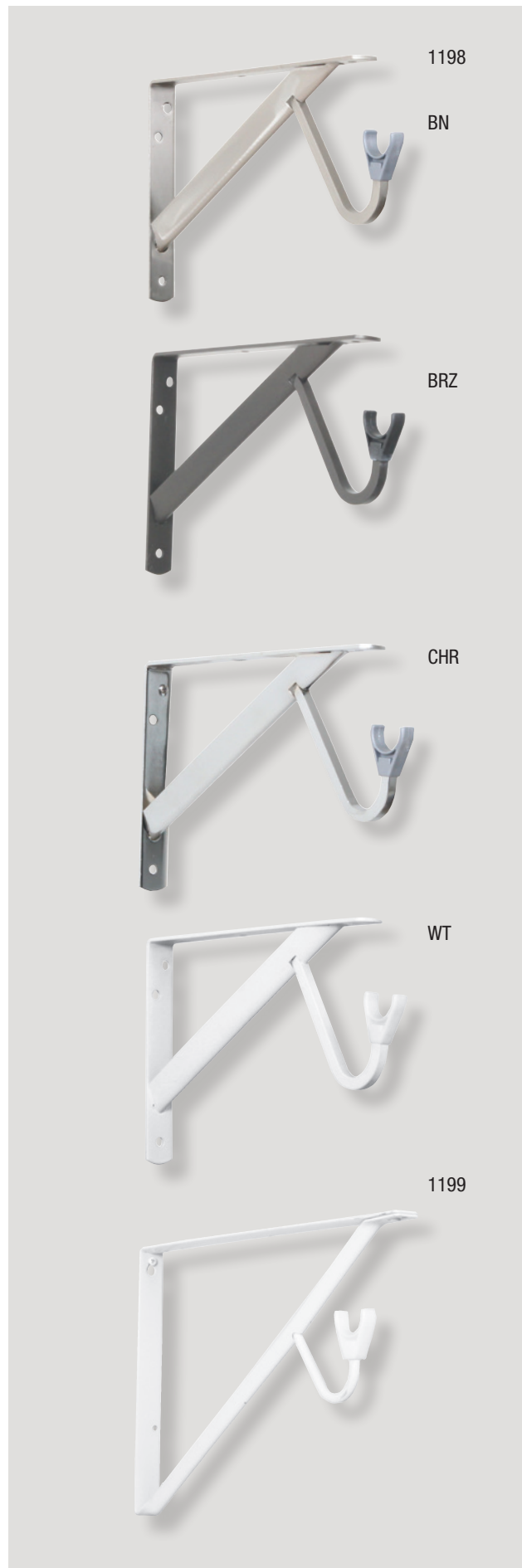
Number	1197BP WT 12 Heavy-Duty Fixed Rod & Shelf Bracket
Size	10-3/4"
Finish	White (WT)
Packed	10 per Carton
Hook Depth	3"
Features	Holds up to 500 lbs. per pair For 10-1/2 to 14 in. shelf depths Use with up to 1-3/8 in. OD closet rods 10-5/16 in. shelf platform Patented Slide-Thru™ feature 14 gauge steel construction



880 Extra-Duty Oval Closet Rod

Number	1198 Extra-Duty Fixed Rod & Shelf Bracket
Size	11-1/4"
Finish	Brushed Nickel (BN), Bronze (BRZ), Chrome (CHR), Warm White (WT)
Packed	10 per Carton
Hook Depth	3"
	Holds up to 1000 lbs. per pair
	For 11-1/2 to 14 in. shelf depths
	Snap-in pole feature for 1-1/4 to 1-5/16 in. OD closet rods
	11-1/4 in. shelf platform
	Patented Slide-Thru™ feature
	10 gauge steel construction

1198			
Brushed Nickel (BN)	Bronze (BRZ)	Chrome (CHR)	Warm White (WT)
1198BP BN 12	1198BP BRZ 12	1198BP CHR 12	1198BP WT 12



Number	1199 BP WT 16 Heavy-Duty Fixed Rod & Shelf Bracket
Size	14"
Finish	Warm White (WT)
Packed	10 per Carton
Hook Depth	3-3/4"
Features	Holds up to 500 lbs. per pair
	For 14 to 18 in. shelf depths
	Snap-in pole feature for 1-1/4 to 1-5/16 in. OD closet rods
	14 in. shelf platform
	Patented Slide-Thru™ feature
	13 gauge steel construction

Utility Hooks

Number	1132 ANO Utility Hook
Size	3", 4", 6", and 10"
Origin	Made in USA
Finish	Anochrome (ANO)
Packed	12 per Carton with Screws
Features	Sturdy hook for commercial use

1132 Utility Hook Anochrome (ANO) Finish	
Length	Product
3"	1132 ANO 3
4"	1132 ANO 4
6"	1132 ANO 6
10"	1132 ANO 10

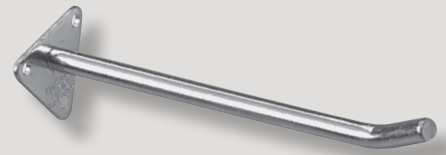
Number	P1198 ANO Utility Hook
Size	11-3/4" Long; Prongs 3/8" Diameter; Spaced 2.7" Apart
Origin	Made in USA
Finish	Anochrome (ANO)
Packed	10 per Carton
Features	Double prong utility hooks for storing mops, brooms, shovels, rakes, etc.

Number	2038 CHR Coat Hook P2038 CHR Coat Hook
Finish	Chrome (CHR)
Packed	2038 CHR: 12 units per Carton with screws P2038 CHR: 1 per Poly Bag with Header, 10 per Carton
Features	Classic institutional garment hook

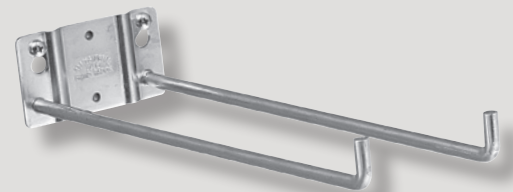
Number	PKV3 ANO Utility Hook
Sizes	5-1/2" and 10" Lengths
Finish	Anochrome (ANO)
Packed	10 units per Carton with Screws
Features	Sturdy steel rod for extra hanging space

PKV3 Utility Hook Anochrome (ANO) Finish	
Length	Product
5-1/2"	PKV3 ANO 5-1/2
10"	PKV3 ANO 10

1132



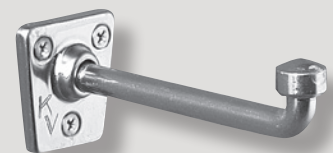
1198



2038



PKV3



Closet Storage Aids

Number	753 ANO Extension Hang Rod
Size	0.43" Diameter Rod; Extends 5/8" To 8-1/4"
Origin	Made in USA
Finish	Anochrome (ANO)
Packed	1 per Carton with Screws; 12 per Carton

Number	KV1 ANO Clothing Carrier
Sizes	10" – Fits 10" Shelf Only. 12" – Fits 12" To 16" Shelves. 16" – Fits 16" To 20" Shelves. 20" – Fits 20" To 24" Shelves.
Origin	Made in USA
Finish	Anochrome (ANO)
Packed	1 per Bag with Screws, 12 Bags per Carton
Features	Mounts under closet shelves, greatly increasing capacity, and making garments more accessible

KV1 Clothing Carrier Anochrome Finish	
Product	Travel
KV1 ANO 10	10"
KV1 ANO 12	12"
KV1 ANO 16	16"
KV1 ANO 20	20"

Number	P793 ANO Three-Bar Towel Bar
Size	18" Long x 5" Wide
Finish	Anochrome (ANO)
Packed	10 units per Carton
Features	Side mounts to either left or right hand side of the cabinet Rack mounts with 4 screws



Television Lifts, Mounts, and Swivels

Wall-Mounted TV Mounts

MM VESA Compliant Monitor & TV Arms	112
MM-3300 Flat Panel TV Wall Mount	112
MM-4400 Articulated Flat Panel TV Wall Mount	112

Heavy-Duty TV Swivels

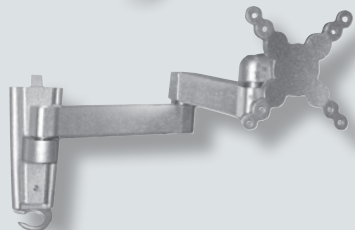
1388 Heavy-Duty TV Swivel	113
1389 Heavy-Duty TV Swivel	113

Wall Mounted Flat Panel TV Mounts

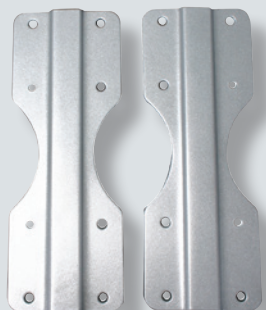
MM-100



MM-200



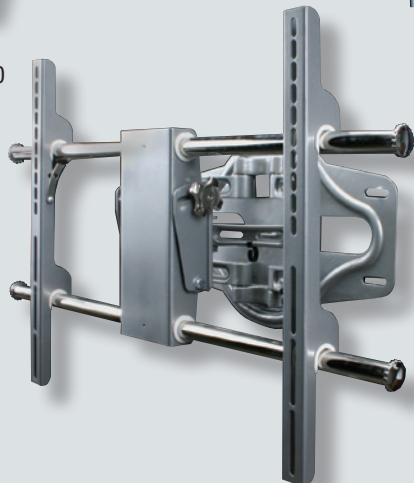
MM-300



MM-3300



MM-4400



VESA Compliant Mounting Arms

Number	MM-100
Finish	Aluminum (ALUM)
TV Size Rating	VESA 75/100 Compliant
Max. TV Weight	40 Lbs.
Packed	1 per Carton; 12 per Master Pack
Features	Built-in level Cable management system Extends 2.75" From wall

Number	MM-200
Finish	Aluminum
TV Size Rating	VESA 75/100 Compliant
Max. TV Weight	40 Lbs.
Packed	1 per Carton; 12 per Master Pack
Features	Tilt/swivel Built-in level Cable management system Extends from 2.75" To 16.5" From wall

Number	MM-300
Finish	Aluminum (ALUM)
TV Size Rating	VESA 100/200 Compliant
Max. TV Weight	40 Lbs.
Packed	1 per Carton; 10 per Master Pack
Features	Built-in level Extends 2.5" From wall

MM-3300 Flat Panel Mount

Number	MM-3300
Finish	Cold-Rolled Steel (STL)
TV Size Rating	37"-50"
Max. TV Weight	190 lbs.
Packed	1 per Carton; 2 per Master Pack
Features	Tilt adjustable Built-in level Safety bar

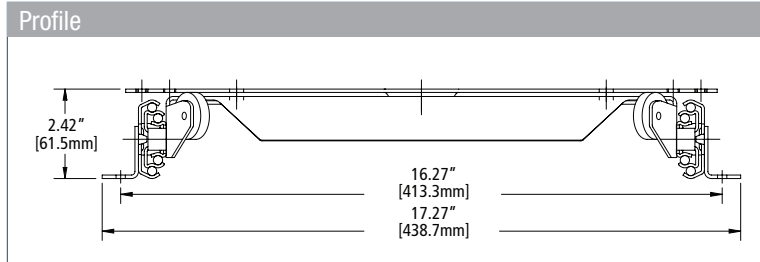
MM-4400 Articulated Flat Panel Mount

Number	MM-4400
Finish	Cold-Rolled Steel (STL)
TV Size Rating	37"-60"
Max. TV Weight	132 lbs.
Packed	1 per Carton; 1 per Master Pack
Features	Articulating wall mount Built-in level Safety bar Extends from 4.5" To 15.25 From wall

Key Features:

- 7/8" extension
- Ball-bearing slide assembly
- Swivels 360°

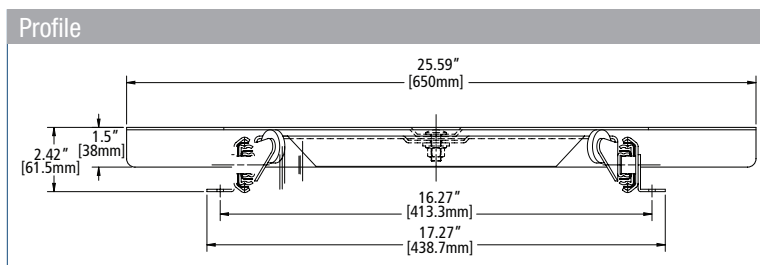
Number	1388 BLK
Load Rating	225-Pound Class
Action	Ball Bearing Movement
Dimensions	17-5/16" Wide x 2-7/16" High
	Plate Dimensions: 16" x 16"
	Plate Diagonal Dimensions: 22"
	Slide Length: 15-1/2"
	Slide Travel: 14"
Finish	Black (BLK)
Packed	1 unit per Carton, with mounting hardware



Key Features:

- 7/8" extension
- Ball-bearing slide assembly
- Swivels 180°

Number	1389 BLK
Load Rating	225-Pound Class
Action	Ball Bearing Movement
Dimensions	17-5/16" Wide x 2-7/16" High
	Plate Dimensions: 16" x 25-1/2"
	Plate Diagonal Dimensions: 30-3/8"
	Slide Length: 15-1/2"
	Slide Travel: 14"
Finish	Black
Packed	1 unit per Carton, with mounting hardware



Ergonomic Solutions

Keyboard Drawers

5700/5710 Keyboard Drawers	115
KD Series Keyboard Drawers	115-116

Value Keyboard Trays

SD-00 Series for Seated Use	117
-----------------------------------	-----

Performance Keyboard Trays

SD-1 Series for Seated Use	118
SD-3 Series for Seated Use	119
SD-2 Series for Sit/Stand Use	120

Ultimate Keyboard Trays

SD-4 Series for Seated Use	121
SD-5 Series for Sit/Stand Use	122

Keyboard Arms, Tracks, and Platforms for Customized Solutions

Keyboard Arms & Tracks	124
Keyboard Platforms	125-126

Flat Panel Monitor Arms

Flat Panel Monitor Arms	127
-------------------------------	-----

CPU Holders

Standard & Locking CPU Holders	128
--------------------------------------	-----

Dual Support Arms

ATK Series Dual Support Arms	129
------------------------------------	-----

Work Surface Corner Makers

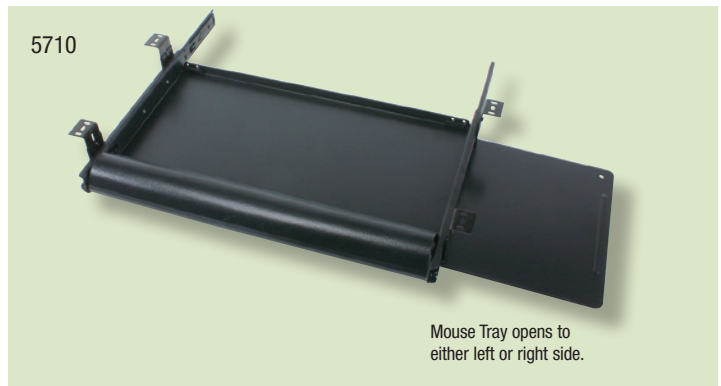
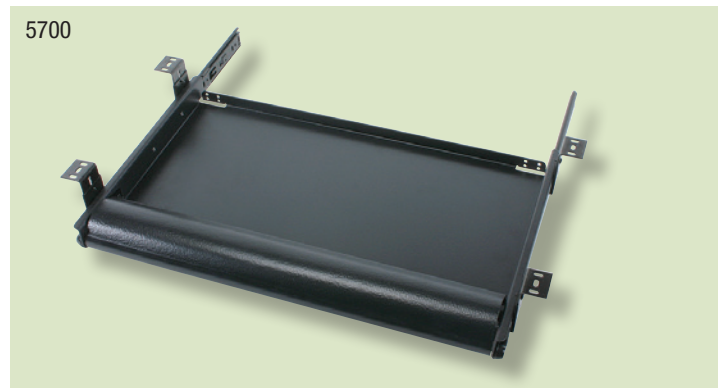
179 Series Corner Makers	129
--------------------------------	-----



Keyboard Drawers 5700/5710

- Integral, adjustable wrist rest
- Adjustable drop height
- Friction latch in open position
- Mouse tray opens to either left or right side
- Adjustable to seven positions

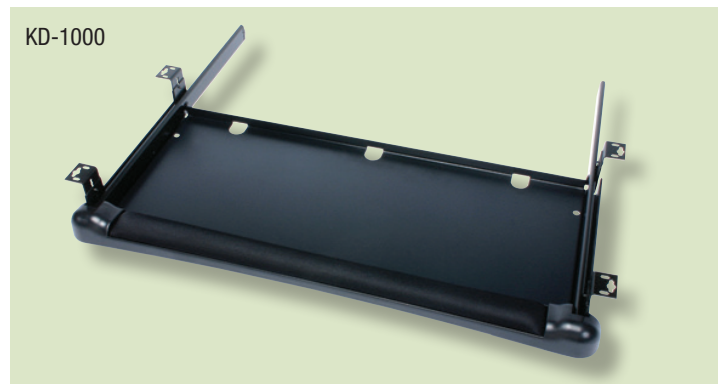
Number	5700 5710
Mounting	Brackets mount in outboard position under work surface for application widths 24" or greater, and in the inboard position for widths less than 24"
Action	Precision steel ball bearing slide assembly
Size	21-3/4" X 18" Tray
Load Rating	75-pound class (BHMA, KCMA, and BIFMA Applications)
Clearance	Fits 24" wide knee space under desk or other work surface
Finish	Black



Keyboard Drawers KD Series

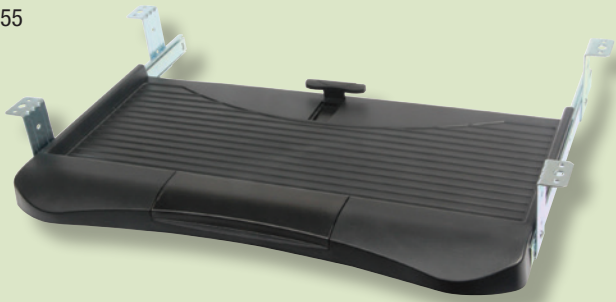
- 28.75" Lycra Gel/PVC cushion wrist rest wraps around the front edges of drawer
- Integral ambidextrous mousing surface inside tray
- Injection molded 25"x 5" accessory tray with extended slides (KD-1020)

Number	KD-1000 KD-1020
Mounting	Brackets mount in outboard position under work surface for application widths 29" or greater, and in the inboard position for widths less than 26.75"
Action	Precision steel ball bearing slide assembly with lockout
Size	25-3/4" x 10" Tray
Load Rating	75-pound class (BHMA, KCMA, and BIFMA Applications)
Clearance	Fits 29" wide spaces
Finish	Black



KD Series Keyboard Drawers

KD-55



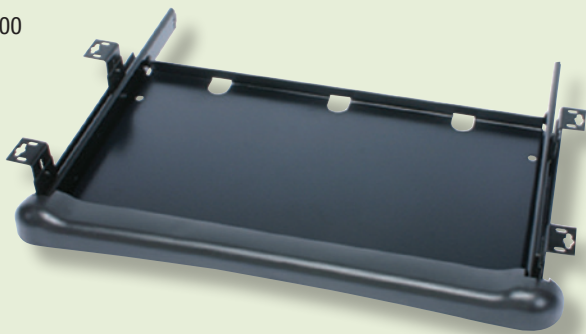
- Storage areas for pens, paper clips and accessories
- Injection molded platform
- 23" PVC cushion wrist rest wraps around the front edges of the drawer (KD-100/KD-110)
- Ambidextrous swivel 8" mousing surface with wire management (KD-110)

KD-75



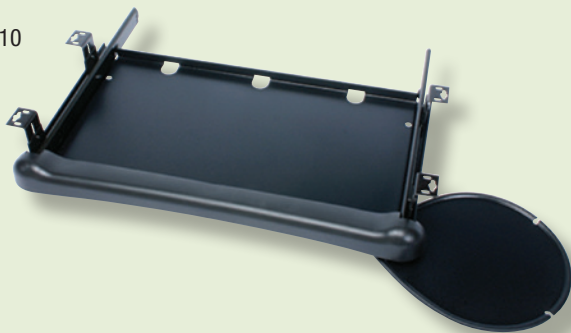
Number	KD-55 KD-75
Mounting	Brackets mount in outboard position under work surface for application widths 29" or greater, and in the inboard position for widths less than 26.75"
Action	Precision steel ball bearing slide assembly with lockout
Size	20" x 10" Tray
Load Rating	20-pound class (BHMA, KCMA, and BIFMA Applications)
Height	Adjustable - 7 positions from 2.25" X 3.60"
Clearance	Fits 23" wide spaces
Finish	Black

KD-100



Number	KD-100 KD-110
Mounting	Brackets mount in outboard position under work surface for application widths 23" or greater, and in the inboard position for widths less than 20.75"
Action	Precision steel ball bearing slide assembly with lockout
Size	20" x 10" Tray
Load Rating	75-pound class (BHMA, KCMA, and BIFMA Applications)
Height	Adjustable - 7 Positions From 2.25" To 3.60"
Clearance	Fits 23" wide knee space under desk or other work surface
Finish	Black

KD-110



KV AKP25-2T18

- 6" vertical height range from flush to work surface to 6" below
- Single soft-touch knob to adjust both height and tilt
- 30° tilt range with +/- 15° negative & positive tilt
- 360° swivel at track
- 18" track with EZ-Glide system
- Powder coated steel construction
- Optional positive tilt lockout

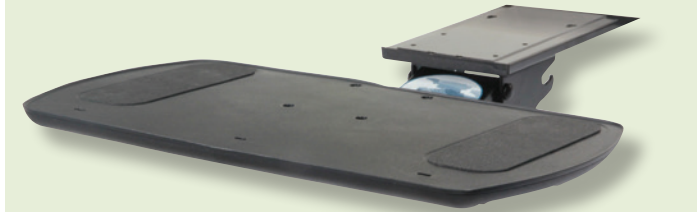
Number	SD-00-18
Components	KV AKP25-2T18 Optimal Keyboard Arm with 18" EZ-Glide Track KV PF1824-MPS Comfort Keyboard & Mouse Over Platform with Palm Support
Features	<ul style="list-style-type: none"> •Accommodates right or left hand mousing •20" Wide molded comfort platform •PVC-free removable padded palm support •Non-skid keyboard pads •MPS tilt & swivel mouse over mouse platform •Add mouse surface with model #MP-1

SD-00-18



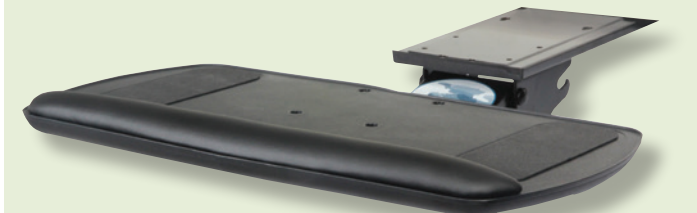
Number	SD-01-18
Components	KV AKP25-2T18 Optimal Keyboard Arm with 18" EZ-Glide Track KV PF - Comfort Keyboard Platform w/o Palm Support
Features	<ul style="list-style-type: none"> •Best for keyboard only applications •20" wide molded comfort platform •Non-skid keyboard pads •Add mouse platform with model #MPS •Add mouse surface with model #MP-1

SD-01-18



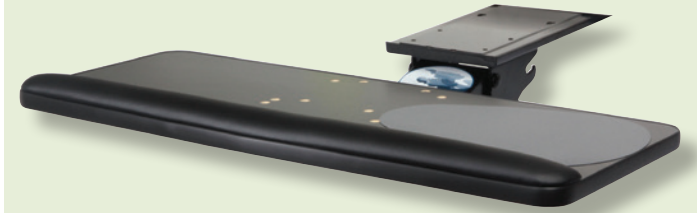
Number	SD-02-18
Components	KV AKP25-2T18 - Optimal Keyboard Arm with 18" EZ-Glide Track KV PF1824 - Comfort Keyboard Platform with Palm Support
Features	<ul style="list-style-type: none"> •Best for keyboard only applications •20" wide molded comfort platform •PVC-free removable padded palm support •Non-skid keyboard pads •Add mouse platform with model #MPS •Add mouse surface with model #MP-1

SD-02-18



Number	SD-04-18
Components	KV AKP25-2T18 - Optimal Keyboard Arm with 18" EZ-Glide Track PB2524 - Full Width, Melamine Keyboard and Mouse Platform with Palm Support
Features	<ul style="list-style-type: none"> •One piece construction for keyboard & mouse •Accommodates rights or left hand mousing •25" wide 5/8" melamine keyboard & mouse platform •PVC-free removable padded palm support •Mouse right or left •Mouse surface ensures smooth mouse operation

SD-04-18



SD Series Performance Keyboard Systems

SD-10-21



SD-12-21



SD-14-21



SD-15-21



SD-16-21



KV AKP55-2T21

- Extended 9-3/4" vertical height range from 2-1/2" above work surface to 7-1/4" below
- Single Keynetix Paddle control to adjust both height and tilt
- 30° tilt range with +/- 15° negative & positive tilt
- 360° swivel at track
- 21" track with EZ-Glide system
- Powder coated steel construction
- Optional positive tilt lockout

Number	SD-10-21
Components	KV AKP55-2T21 - Extended Range Keynetix Keyboard Arm with 21" EZ-Glide Track PF1824-MPS - Comfort Keyboard & Mouse Over Platform with Palm Support
Features	<ul style="list-style-type: none"> •Accommodates right or left hand mousing •20" wide molded comfort platform •PVC-free removable padded palm support •Non-skid keyboard pads •MPS tilt & swivel mouse over mouse platform •Add mouse surface with model #MP-1

Number	SD-12-21
Components	KV AKP55-2T21 - Extended Range Keynetix Keyboard Arm with 21" EZ-Glide Track KV PF1824- Comfort Keyboard Platform with Palm Support
Features	<ul style="list-style-type: none"> •Best for keyboard only with palm support •20" wide molded comfort platform •PVC-free removable padded palm support •Non-skid keyboard pads •Add mouse platform with model #MPS •Add mouse surface with model #MP-1

Number	SD-14-21
Components	KV AKP55-2T21 - Extended Range Keynetix Keyboard Arm with 21" EZ-Glide Track KV PC2524 - Full Width, Phenolic Keyboard Platform with Palm Support
Features	<ul style="list-style-type: none"> •One piece construction for keyboard & mouse •25" wide 5/8" melamine keyboard & mouse platform •PVC-free removable padded palm support •Mouse right or left •Mouse surface ensures smooth mouse operation

Number	SD-15-21
Components	KV AKP55-2T21 - Extended Range Keynetix Keyboard Arm with 21" EZ-Glide Track KVE-BP-1 - Single Mouse Under, Phenolic Keyboard and Mouse Platform with Palm Support
Features	<ul style="list-style-type: none"> •Single right swivel out mouse under mouse surface •Mouse surface can be moved to left with tools •PVC-free removable padded palm support •Mouse surface ensures smooth mouse operation

Number	SD-16-21
Components	KV AKP55-2T21 - Extended Range Keynetix Keyboard Arm with 21" EZ-Glide Track KVE-BP-2 - Dual Mouse Under, Phenolic Keyboard and Mouse Platform with Palm Support
Features	<ul style="list-style-type: none"> •Dual right & left swivel out mouse under mouse surface •Integrated mouse trap prevents mouse from falling off in negative tilt •PVC-free removable padded palm support •Mouse surface ensures smooth mouse operation

KV AKP45-2T18

- 6" vertical height range from flush to work surface to 6" below
- Single Keynetix Paddle control to adjust both height and tilt
- 30° tilt range with +/- 15° negative & positive tilt
- 360° swivel at track
- 18" track with EZ-Glide system
- Powder coated steel construction
- Optional positive tilt lockout

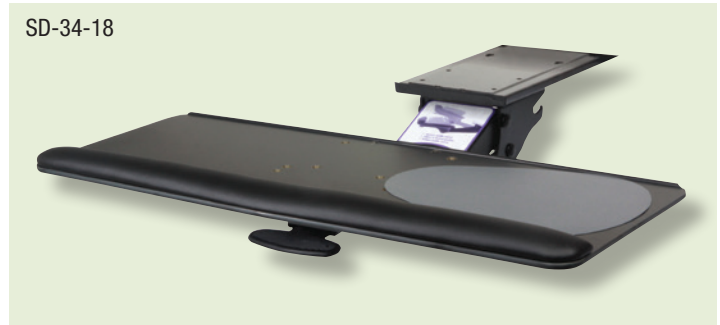
Number	SD-30-18
Components	KV AKP45-2T18 - Extended Range Keynetix Keyboard Arm with 18" EZ-Glide Track PF1824-MPS Comfort Keyboard & Mouse Over Platform with Palm Support
Features	<ul style="list-style-type: none"> •Accommodates right or left hand mousing •20" wide molded comfort platform •PVC-free removable padded palm support •Non-skid keyboard pads •MPS tilt & swivel mouse over mouse platform •Add mouse surface with model #MP-1

SD-30-18



Number	SD-34-18
Components	KV AKP45-2T18 - Extended Range Keynetix Keyboard Arm with 18" EZ-Glide Track KV PC2524 - Full Width, Phenolic Keyboard Platform with Palm Support
Features	<ul style="list-style-type: none"> •One piece construction for keyboard & mouse •25" wide 5/8" melamine keyboard & mouse platform •PVC-free removable padded palm support •Mouse right or left •Mouse surface ensures smooth mouse operation

SD-34-18



Number	SD-35-18
Components	KV AKP45-2T18 - Extended Range Keynetix Keyboard Arm with 18" EZ-Glide Track KVE-BP-1 - Single Mouse Under, Phenolic Keyboard and Mouse Platform with Palm Support
Features	<ul style="list-style-type: none"> •Single Right swivel out mouse under mouse surface •Mouse surface can be moved to left with tools •PVC-free removable padded palm support •Mouse surface ensures smooth mouse operation

SD-35-18



Number	SD-36-18
Components	KV AKP45-2T18 - Extended Range Keynetix Keyboard Arm with 18" EZ-Glide Track KVE-BP-2 - Dual Mouse Under, Phenolic Keyboard and Mouse Platform with Palm Support
Features	<ul style="list-style-type: none"> •Dual right & left swivel out mouse under mouse surface •Integrated mouse trap prevents mouse from falling off in negative tilt •PVC-free removable padded palm support •Mouse surface ensures smooth mouse operation

SD-36-18



SD Series Performance Sit-Stand Keyboard Systems

KV AKP85-2T21

- 12" height range from 6" above to 6" below work surface
- Keynetix2 Dual Paddle controls independently adjust height and tilt
- 30° tilt range with +/- 15° negative & positive tilt
- 360° swivel at track
- 21" track with EZ-Glide system
- Powder coated steel construction
- Optional positive tilt lockout

SD-20-21



Number	SD-20-21
Components	KV AKP85-2T21 – Sit-Stand Keynetix2 Keyboard Arm with 21" EZ-Glide Track PF1824-MPS Comfort Keyboard & Mouse Over Platform with Palm Support
Features	<ul style="list-style-type: none"> •Accommodates right or left hand mousing •20" wide molded comfort platform •PVC-free removable padded palm support •Non-skid keyboard pads •MPS tilt & swivel mouse over mouse platform •Add mouse surface with model #MP-1

SD-24-21



Number	SD-24-21
Components	KV AKP85-2T21 – Sit-Stand Keynetix2 Keyboard Arm with 21" EZ-Glide Track KV PC2524 – Full Width, Phenolic Keyboard Platform with Palm support
Features	<ul style="list-style-type: none"> •One piece construction for keyboard & mouse •25" wide 5/8" melamine keyboard & mouse platform •PVC-free removable padded palm support •Mouse right or left •Mouse surface ensures smooth mouse operation

SD-25-21



Number	SD-25-21
Components	KV AKP85-2T21 – Sit-Stand Keynetix2 Keyboard Arm with 21" EZ-Glide Track KVE-BP-1 - Single Mouse Under, Phenolic Keyboard and Mouse Platform with Palm Support
Features	<ul style="list-style-type: none"> •Single right swivel out mouse under mouse surface •Mouse surface can be moved to left with tools •PVC-free removable padded palm support •Mouse surface ensures smooth mouse operation

SD-26-21



Number	SD-26-21
Components	KV AKP85-2T21 – Sit-Stand Keynetix2 Keyboard Arm with 21" EZ-Glide Track KVE-BP-2 - Dual Mouse Under, Phenolic Keyboard and Mouse Platform with Palm Support
Features	<ul style="list-style-type: none"> •Dual right & left swivel out mouse under mouse surface •Integrated mouse trap prevents mouse from falling off in negative tilt •PVC-free removable padded palm support •Mouse surface ensures smooth mouse operation

KV AKP105-2T21

- Lift-and-Lock intuitive height adjustment
- 7-1/2" vertical height range from 1-1/4" above to 6-1/4" below work surface
- Integrated tilt angle indicator
- Single Soft-Touch knob to adjust tilt
- 30° tilt range with +/- 15° negative & positive tilt
- 360° swivel at track
- 21" track with EZ-Glide system
- Powder coated steel construction
- Optional positive tilt lockout

Number	SD-45-21
Components	KV AKP105-2T21 – Polaris Lift-and-Lock Keyboard Arm with 21" EZ-Glide Track KVE-BP-1 - Single Mouse Under, Phenolic Keyboard and Mouse Platform with Palm Support
Features	<ul style="list-style-type: none"> • Single right swivel out mouse under mouse surface • Mouse surface can be moved to left with tools • PVC-free removable padded palm support • Mouse surface ensures smooth mouse operation



SD-45-21

Number	SD-46-21
Components	KV AKP105-2T21 – Polaris Lift-and-Lock Keyboard Arm with 21" EZ-Glide Track KVE-BP-2 - Dual Mouse Under, Phenolic Keyboard and Mouse Platform with Palm Support
Features	<ul style="list-style-type: none"> • Dual right & left swivel out mouse under mouse surface • Integrated mouse trap prevents mouse from falling off in negative tilt • PVC-free removable padded palm support • Mouse surface ensures smooth mouse operation



SD-46-21

Number	SD-47-21
Components	KV AKP105-2T21 – Polaris Lift-and-Lock Keyboard Arm with 21" EZ-Glide Track KVE-SS-1 - Slide Out Mouse, Phenolic Keyboard and Mouse Platform with Palm Support
Features	<ul style="list-style-type: none"> • Right or Left slide-out mouse surface • Integrated mouse trap prevents mouse from falling off in negative tilt • PVC-free removable padded palm support • Mouse surface ensures smooth mouse operation



SD-47-21

Number	SD-48-21
Components	KV AKP105-2T21 – Polaris Lift-and-Lock Keyboard Arm with 21" EZ-Glide Track KVE-MO-1 – Reversible Mouse Over, Phenolic Keyboard and Mouse Platform with Palm Support
Features	<ul style="list-style-type: none"> • Right or Left "plug-in" mouse surface • Mouse surface adjust from flush to over ten key elevation • Independent mouse surface tilt adjustment • PVC-free removable padded palm support • Mouse surface ensures smooth mouse operation



SD-48-21

Number	SD-49-21
Components	KV AKP105-2T21 – Polaris Lift-and-Lock Keyboard Arm with 21" EZ-Glide Track UB2180S25 – Mouse Forward Slide-Out Keyboard and Mouse Platform with Palm Support
Features	<ul style="list-style-type: none"> • Right or Left curved slide out mouse surface • Integrated mouse trap prevents mouse from falling off in negative tilt • PVC-free removable padded palm support • Mouse surface ensures smooth mouse operation



SD Series Ultimate Sit-Stand Keyboard Systems

KV3177-22N

- Lift-and-Lock intuitive height adjustment
- 14-1/4" vertical height range from 7-1/4" above to 7" below work surface
- Integrated tilt angle indicator
- Soft-touch Dial-Tilt adjustment knob
- 25° tilt range with +10°/- 15° negative & positive tilt
- 360° swivel at track
- 22" glide track
- Powder coated steel construction

Number	SD-55-22
Components	KV3177-22N – PinnacleAD Lift-and-Lock Keyboard Arm with 22" Glide Track KVE-BP-1 - Single Mouse Under, Phenolic Keyboard and Mouse Platform with Palm Support
Features	<ul style="list-style-type: none"> • Single right swivel out mouse under mouse surface • Mouse surface can be moved to left with tools • PVC-free removable padded palm support • Mouse surface ensures smooth mouse operation

SD-55-22



Number	SD-56-22
Components	KV3177-22N – PinnacleAD Lift-and-Lock Keyboard Arm with 22" Glide Track KVE-BP-2 - Dual Mouse Under, Phenolic Keyboard and Mouse Platform with Palm Support
Features	<ul style="list-style-type: none"> • Dual right & left swivel out mouse under mouse surface • Integrated mouse trap prevents mouse from falling off in negative tilt • PVC-free removable padded palm support • Mouse surface ensures smooth mouse operation

SD-56-22



Number	SD-57-22
Components	KV3177-22N – PinnacleAD Lift-and-Lock Keyboard Arm with 22" Glide Track KVE-SS-1 - Slide Out Mouse, Phenolic Keyboard and Mouse Platform with Palm Support
Features	<ul style="list-style-type: none"> • Right or Left slide-out mouse surface • Integrated mouse trap prevents mouse from falling off in negative tilt • PVC-free removable padded palm support • Mouse surface ensures smooth mouse operation

SD-57-22



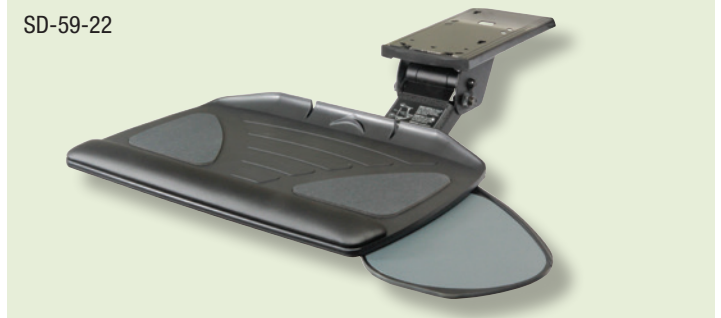
Number	SD-58-22
Components	KV3177-22N – PinnacleAD Lift-and-Lock Keyboard Arm with 22" Glide Track KVE-MO-1 – Reversible Mouse Over, Phenolic Keyboard and Mouse Platform with Palm Support
Features	<ul style="list-style-type: none"> • Right or Left "plug-in" mouse surface • Mouse surface adjust from flush to over ten key elevation • Independent mouse surface tilt adjustment • PVC-free removable padded palm support • Mouse surface ensures smooth mouse operation

SD-58-22



Number	SD-59-22
Components	KV3177-22N – PinnacleAD Lift-and-Lock Keyboard Arm with 22" Glide Track UB2180S25 – Mouse Forward Slide-Out Keyboard and Mouse Platform with Palm Support
Features	<ul style="list-style-type: none"> • Right or Left curved slide out mouse surface • Integrated mouse trap prevents mouse from falling off in negative tilt • PVC-free removable padded palm support • Mouse surface ensures smooth mouse operation

SD-59-22

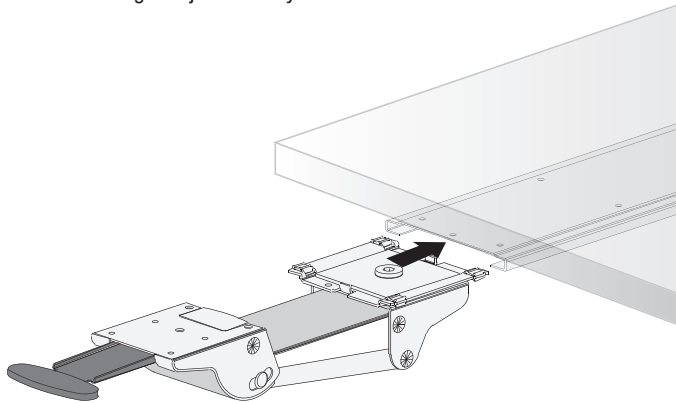




KV offers individual keyboard arms and platforms to allow customization for your unique application. For builders who make their own hardwood and veneer keyboard surfaces, choose a KV keyboard arm and create your unique keyboard platform and work station design. In addition individual keyboard platforms are offered to allow a quick and easy pick & place offering to mix the keyboard arm and platform to your requirements.

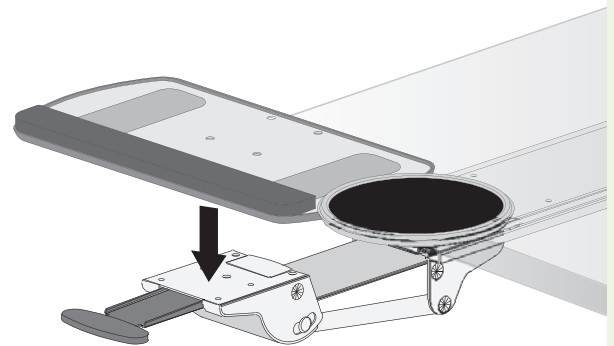
Which Arm is Right for You?

KV offers a comprehensive line of adjustable keyboard arms to fit a variety of needs for value as well as optimal ergonomic features and adjustment. The chart below will help you identify key features to meet your requirements and select the right adjustable keyboard arm.



Choose Your Keyboard Platform

With the variety of keyboard platforms offered you can select the best design for your individual application. Our platforms fit all KV keyboard arms. Simply select the platform features that meet your needs from the chart below and once the keyboard arm is installed, attach your platform and you're off to ergonomic comfort.

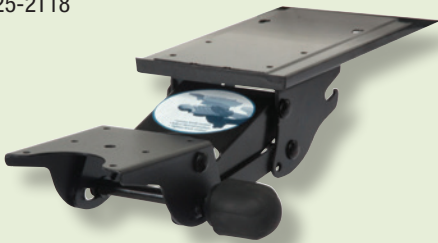


Model #	Seated Use	Sit Stand Extended Height Range	Lift - N-Lock intuitive height adjustment	360 ° Swivel at Track	Tilt/Angle Indicator	Tilt Range	Height Range	Above desk	Below Desk	Track Length
KV AKP25-2T18	•			•		30° +/-15°	6"	0"	6"	18"
KV AKP45-2T18	•			•		30° +/-15°	6"	0"	6"	18"
KV AKP55-2T21	•			•		30° +/-15°	9.75"	2.5"	7.25"	21"
KV AKP85-2T21		•		•		30° +/-15°	12"	6"	6"	21"
KV AKP105-2T21	•		•	•	•	30° +/-15°	7.5"	1.5"	6"	21"
KV3177-22N		•	•	•	•	25° +10/-15°	14.25"	7.25"	7"	22"

Model #	Keyboard and Mouse Platform	Padded Palm Support	Reversible R/L Mouse	Molded Platform	Melamine Platform	Phenolic Platform	Keyboard Width	Keyboard Depth	Total Width	Platform Thickness
KV PF				•			20"	10.4"	20"	.8"
KV PF1824		•		•			20"	10.4"	20"	.8"
PB2524	•	•	•		•		25"	10"	25"	.62"
PF1824-MPS	•	•	•	•			25"	10"	29.75"	.8"
KV PC2524	•	•	•			•	25"	10"	25"	.25"
KVE-BP-1	•	•				•	20"	10.4"	28"	.25"
KVE-BP-2	•	•	•			•	20"	10.4"	35.6"	.25"
KVE-MO-1	•	•	•			•	20"	10.4"	29"	.25"

Keyboard Arms & Tracks

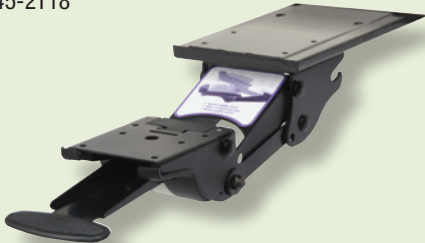
KV AKP25-2T18



Value adjustable keyboard arm with basic functions on 18" EZ-Glide track

Number Features	<p>KV AKP25-2T18</p> <ul style="list-style-type: none"> • 6" vertical height range from flush to work surface to 6" below • Single soft-touch knob to adjust both height and tilt • 30° tilt range with +/- 15° negative & positive tilt • 360° swivel at track • 18" track with EZ-Glide system • Powder coated steel construction • Optional positive tilt lockout
------------------------	--

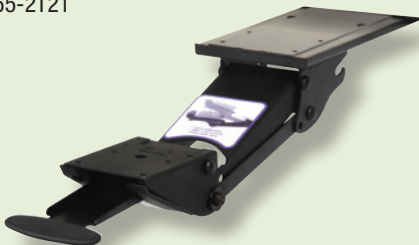
KV AKP45-2T18



Patented Keynetix adjustable keyboard arm on 18" EZ-Glide track

Number Features	<p>KV AKP45-2T18</p> <ul style="list-style-type: none"> • 6" vertical height range from flush to work surface to 6" below • Single Keynetix Paddle control to adjust both height and tilt • 30° tilt range with +/- 15° negative & positive tilt • 360° swivel at track • 18" track with EZ-Glide system • Powder coated steel construction • Optional positive tilt lockout
------------------------	--

KV AKP55-2T21



Patented Keynetix - Extended Range adjustable keyboard arm on 21" EZ-Glide track

Number Features	<p>KV AKP55-2T21</p> <ul style="list-style-type: none"> • Extended 9-3/4" vertical height range from 2-1/2" above work surface to 7-1/4" below • Single Keynetix Paddle control to adjust both height and tilt • 30° tilt range with +/- 15° negative & positive tilt • 360° swivel at track • 21" track with EZ-Glide system • Powder coated steel construction • Optional positive tilt lockout
------------------------	---

KV AKP85-2T21



Patented Keynetix2 Sit-to-Stand - Extended Range adjustable keyboard arm on 21" EZ-Glide track

Number Features	<p>KV AKP85-2T21</p> <ul style="list-style-type: none"> • 12" height range from 6" above to 6" below work surface • Keynetix2 Dual Paddle controls independently adjust height and tilt • 30° tilt range with +/- 15° negative & positive tilt • 360° swivel at track • 21" track with EZ-Glide system • Powder coated steel construction • Optional positive tilt lockout
------------------------	--

KV AKP105-2T21



Patented Polaris Lift-and-Lock adjustable keyboard arm on 21" EZ-Glide track

Number Features	<p>KV AKP105-2T21</p> <ul style="list-style-type: none"> • Lift-and-Lock intuitive height adjustment • 7-1/2" vertical height range from 1-1/4" above to 6-1/4" below work surface • Integrated tilt angle indicator • Single Soft-Touch knob to adjust tilt • 30° tilt range with +/- 15° negative & positive tilt • 360° swivel at track • 21" track with EZ-Glide system • Powder coated steel construction • Optional positive tilt lockout
------------------------	---

KV3177-22N



Lift-and-Lock/Sit-to-Stand adjustable keyboard arm on 22" nylon glide track

Number Features	<p>KV3177-22N</p> <ul style="list-style-type: none"> • Lift-and-Lock intuitive height adjustment • 14-1/4" vertical height range from 7-1/4" above to 7" below work surface • Integrated tilt angle indicator • Soft-touch Dial-Tilt adjustment knob • 25° tilt range with +10°/- 15° negative & positive tilt • 360° swivel at track • 22" glide track • Powder coated steel construction
------------------------	---

Single Mouse Under Phenolic Keyboard & Mouse Platform with Palm Support

Number	KVE-BP-1
Features	<ul style="list-style-type: none"> •Single right swivel out mouse under mouse surface •Mouse surface can be moved to left with tools •PVC-free removable padded palm support •Mouse surface ensures smooth mouse operation

KVE-BP-1



Dual Mouse Under Phenolic Keyboard & Mouse Platform with Palm Support

Number	KVE-BP-2
Features	<ul style="list-style-type: none"> •Dual Right & Left swivel out mouse under mouse surface •Integrated mouse trap prevents mouse from falling off in negative tilt •PVC-free removable padded palm support •Mouse surface ensures smooth mouse operation

KVE-BP-2



Reversible Mouse Over Phenolic Keyboard & Mouse Platform with Palm Support

Number	KVE-MO-1
Features	<ul style="list-style-type: none"> •Right or Left "plug-in" mouse surface •Mouse surface adjust from flush to over ten key elevation •Independent mouse surface tilt adjustment •PVC-free removable padded palm support •Mouse surface ensures smooth mouse operation

KVE-MO-1



Keyboard Platform Accessories MP

Number	MP-1 Mouse Surface
Features	<ul style="list-style-type: none"> • Gel palm rest is 6-1/2"W x 1-3/4"D • Generous mousing area is 9"W x 7-1/4"D • Mouse surface ensures smooth mouse operation • Non-skid bottom keeps mouse pad stationary

MP-1



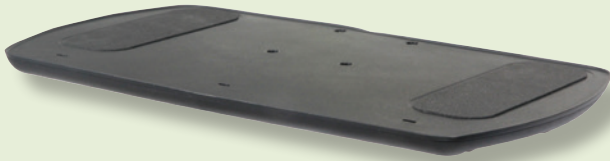
Number	MPS Mouse Platform
Features	<ul style="list-style-type: none"> • Mouse swivels above the keyboard for alternative position • Independent omni-directional tilting mouse area • Mouse tilting requires no knobs or secondary adjustments

MPS



PF Series Keyboard Platforms

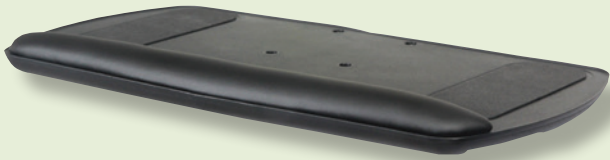
KV PF



Comfort Keyboard Platform

Number	KV PF
Features	<ul style="list-style-type: none"> •Best for keyboard only applications •20" wide molded comfort platform •Non-skid keyboard pads •Add mouse platform with model #MPS •Add mouse surface with model #MP-1

KV PF1824



Comfort Keyboard Platform with Palm Support

Number	KV PF1824
Features	<ul style="list-style-type: none"> •Best for keyboard only applications •20" wide molded comfort platform •PVC-free removable padded palm support •Non-skid keyboard pads •Add mouse platform with model #MPS •Add mouse surface with model #MP-1

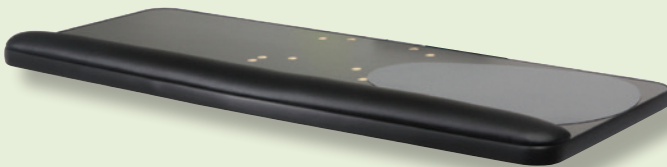
PF1824-MPS



Comfort Keyboard & Mouse Over Platform with Palm Support

Number	PF1824-MPS
Features	<ul style="list-style-type: none"> •Accommodates right or left hand mousing •20" wide molded comfort platform •PVC-free removable padded palm support •Non-skid keyboard pads •MPS tilt & swivel mouse over mouse platform

PB2524



Full Width, Melamine Keyboard & Mouse Platform with Palm Support

Number	PB2524
Features	<ul style="list-style-type: none"> •One piece construction for keyboard & mouse •Accommodates rights or left hand mousing •25" wide 5/8" melamine keyboard & mouse platform •PVC-free removable padded palm support •Mouse right or left •Mouse surface ensures smooth mouse operation

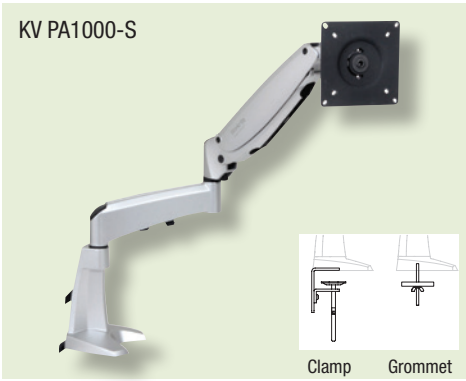
KV PC2524



Full Width, Phenolic Keyboard Platform with Palm Support

Number	KV PC2524
Components	KV AKP25-2T18 Optimal Keyboard Arm with 18" EZ-Glide Track
Features	<ul style="list-style-type: none"> •One piece construction for keyboard & mouse •25" wide 5/8" melamine keyboard & mouse platform •PVC-free removable padded palm support •Mouse right or left •Mouse surface ensures smooth mouse operation

KV PA1000-S

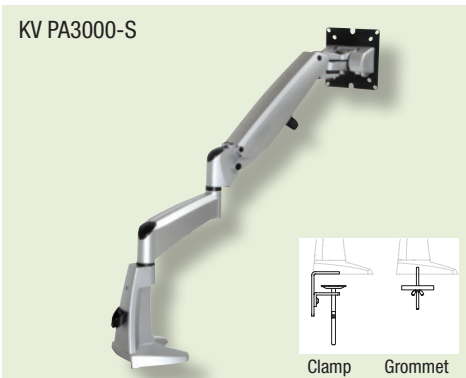


- Free up desk space
- Add mobility for user focal distance and height requirements
- Aids in collaboration with visual information sharing
- All arms include mounting patterns for 75mm and 100mm VESA standard

Poise Single Flat Panel Monitor Mount

Number	KV PA1000
Features	<ul style="list-style-type: none"> • Parallel arm design keeps display aligned when adjusting height • Adjustable pneumatic counter balance for effortless height adjustment • Allows rotation from portrait to landscape • 12" height range • 23.25" reach • 9 to 22 pound weight capacity • Integrated cable management • Includes 2 piece clamp & grommet mount standard • Fits .75" to 2.125" surface thickness • Available in Silver (KV PA1000-S) or Graphite (KV PA1000-B)

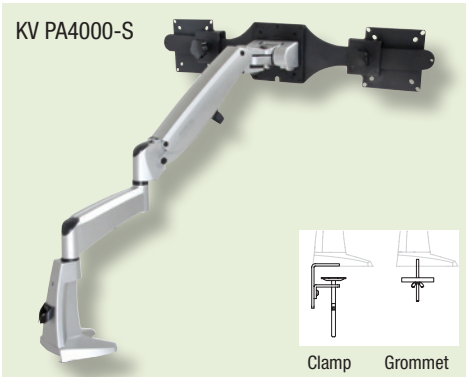
KV PA3000-S



Poise HD Flat Panel Monitor Mount

Number	KV PA3000
Features	<ul style="list-style-type: none"> • All the features of Poise in a heavy-duty single arm • Supports display from 18 to 42 lbs • Optional PA-MIS-E bracket for VESA 100x200 mount standard • Includes 2 piece clamp & grommet mount standard • Available in Silver (KV PA3000-S) or Graphite (KV PA3000-B)

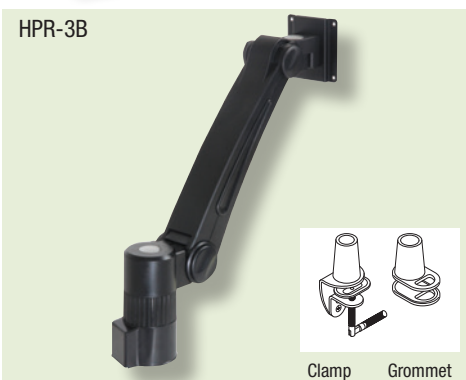
KV PA4000-S



Poise Twin Flat Panel Monitor Mount

Number	KV PA4000
Features	<ul style="list-style-type: none"> • All of the Poise features in a dual display mount • Supports 2 displays from 7 lbs to 18.5lbs each • Fits Displays up to 24.5" actual width • Mount displays in landscape or portrait at time of installation • Installs horizontal (side by side) or vertical (one over one) • Available in clamp or grommet mount • Available in Silver (KV PA4000-S) or Graphite (KV PA4000-B)

HPR-3B



Hopper Flat Panel Monitor Mount

Number	HPR-3B
Features	<ul style="list-style-type: none"> • Spring lift assist • Single adjustable arm • 180° swivel at monitor • 360° swivel at base • Includes clamp & grommet mount

KV PA-MIS-E



VESA Monitor Arm Adaptor

Number	KV PA-MIS-E
Features	<ul style="list-style-type: none"> • Optional VESA bracket for 100 mm x 200 mm mounting of larger/heavier monitors

CPU CPU Holders

- Free up desk space
- Keep CPU's cleaner by getting them off the floor
- Slide & Swivel features moves CPU out of knee space when in use
- Easy cleaning and maintenance
- Security version for theft protection

Slide & Swivel Tower CPU Holder

Number	CPU-3
Features	<ul style="list-style-type: none"> • Slide & swivel design with 18" track • Fits CPU's from 15"-23"H, 4-3/4" to 8-1/2"W by any depth • All metal construction • Black powder coated finish • 50 pound weight capacity

Locking Slide & Swivel Tower CPU Holder

Number	CPU-4
Features	<ul style="list-style-type: none"> • All of the features of the CPU-3 • Locking frame design captures CPU • Lock hold side bar securely in place



Fixed Mount Compact/Mini CPU Holder

Number	KV 920-F
Features	<ul style="list-style-type: none"> • Fit CPU's from 1.25" to 8.75"W x 9.75" to 18.5"H x 8" to 19.25"D • Under work surface or side mountable • 75 pound weight capacity • Add lock mechanism KV 920-LK

Slide & Swivel Compact/Mini CPU Holder

Number	KV 920-T
Features	<ul style="list-style-type: none"> • Fit CPU's from 1.25" to 8.75"W x 9.75" to 18.5"H x 8" to 19.25"D • Slide & swivel mount with 16" track • 75 pound weight capacity • Add lock mechanism KV 920-LK

Locking Slide & Swivel Compact/Mini CPU Holder

Number	KV 920-TL
Features	<ul style="list-style-type: none"> • Fit CPU's from 1.25" to 8.75"W x 9.75" to 18.5"H x 8" to 19.25"D • Slide & swivel mount with 16" track • 3 Point lock system for security • 75 pound weight capacity

Lock Mechanism for 920 Series CPU Holders

Number	KV 920-LK
Features	<ul style="list-style-type: none"> • Lock kit for 920 series CPU holders



Dual Support Arms ATK

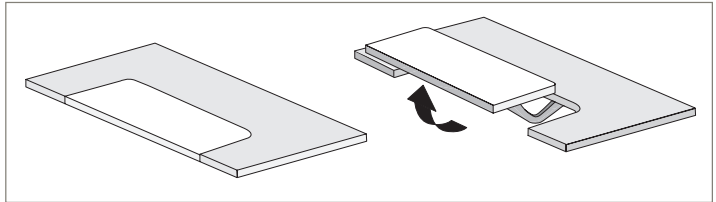
- Ideal for service counters where extended height range adjustment is required
- Designed for large surfaces where support and stability is paramount
- Trigger pull height release
- 12" height adjustment range, 5-7/8" above to 6-1/8" below work surface
- Locking knob tilt control
- Pneumatic lift assist and height lock design

Number	ATK-50 18
Features	<ul style="list-style-type: none"> • 1" wide outer width for use in narrow installation spaces • Used for narrow secondary surfaces less than 30" wide

Number	ATK-50 28
Features	<ul style="list-style-type: none"> • 28" wide outer width for average width installation spaces • Used for secondary surfaces from 30" to 46" wide

Number	ATK-50 44
Features	<ul style="list-style-type: none"> • 44" wide outer width for wide installation spaces • Used for secondary surfaces from 48" to 60" wide

ATK-50 18



Corner Makers 179

- Update 90 degree workstations to true corner workstations
- Attach any KV keyboard system
- Simple installation
- Sturdy steel construction
- Powder coated textured black finish

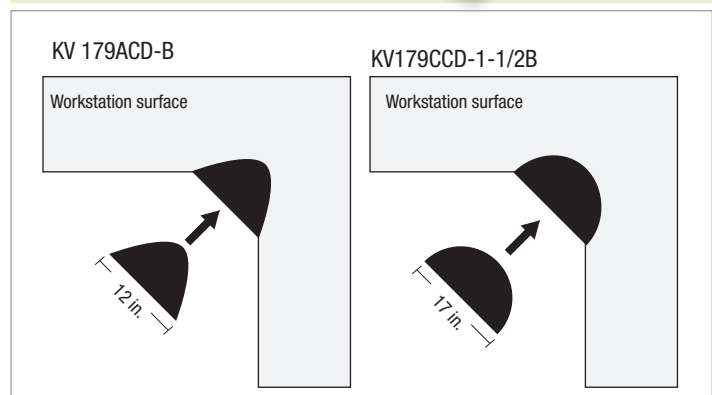
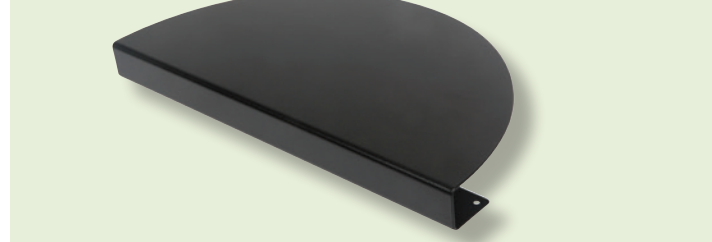
Number	KV 179ACD-B
Features	<ul style="list-style-type: none"> • Converts 90° surfaces to corner work stations • Adjustable design fits 1" to 2.25" thick surfaces • 12" wide for minimum setback from work surface • Fits all KV keyboard systems & adjustable keyboard arms

Number	KV179CCD-1-1/2B
Features	<ul style="list-style-type: none"> • Converts 90° surfaces to corner work stations • One piece design • Fit surfaces from 1.125" to 1.5" • 17.5" wide provides with for wider keyboard platforms

KV 179ACD-B



KV179CCD-1-1/2B



KV Series Index

70	68	237	67	620	96	1191	106	8072	58	KV1	110
71	68	238	67	627	95	1192	106	8080	59	KV2	104
79	72,74	239	66	632	102	1193	107	8080HK	58,62	KV 179	131
80	69	242	67	660	101	1194	106	8081	59	KV 920	130
80-80	70	243	66	701	93	1195	107	8082	59	KV3177	126
80-88	70	244	66	704	93	1196	107	8085HK	58	KV AKP	126
82	73	255	65	730	101	1197	107	8086HK	58,62	KVE	127
82DP	73	255-81	67	731	102	1198	108	8090B	60	KV PA	129
83	75	256	66	732	102	1199	108	8090P	58	KV PC	128
85	77	266	92	734	101	1260	10	8091	60	KV PF	128
87	79	268	92	735	101	1265	10	8091 FULL	61	MP	127
87-10	80	277	92	742	101	1275	11	8092	57	MM-100	114
87SS	81	278	92	750	103	1284	12	8100	48	MM-200	114
88	86	288	92	753	110	1284-4	12	8100-93	11	MM-300	114
101	72	306	92	757	66	1284-80	12	8150	49	MM-3300	114
102	72	309	92	760	101	1300	13	8157	49	MM-4400	114
103	72	313	92	764	102	1300-23	58	8200	50	MuV	32
103-1/2	72	318	92	766	102	1300-83	10	8250	51	MuV34	33
104 PLAS	72	320	94	770	103	1303	10	8300	14	MuV HD	34
104-1/2	72	323	94	801	91	1304	10	8350	15	MuV34 HD	35
105	72	324	94	803	91	1305	15	8355	15	MuV Metric	36
106	77	325	83	806	91	1315	15	8357	15	MuV34 Metric	37
107	77	326	83	813	91	1375	15	8400	20	MuV-121	32
113	75	330	83	819	93	1388	115	8400RV	23	MuV-122	32
119	72	331	83	822	93	1389	115	8401	19	MuV-123	32
119 RUB	75	332	83	836	91	1547	94	8402	19	MuV-RBP	32
129	72	333	83	880	104	1548	94	8403	19	MuV-RBM	32
134	75	335	83	881	104	1805	16	8404	19	P70	68
135	75	338	83	888	86	1805-101	16	8405	20	P170	68
136	72	339	83	901	91	1805-401	16	8407	21	P793	110
137	72	340	83	902	91	1980	89	8414	22	P992	99
153	72	341	94	903	91	1987	79	8417	23	P1092	100
154	72	342	94	905	91	1987 SS	81	8419	23	P1198	109
159LL	75	345	83	915	91	1990	89	8430	24	P2038	109
160LL	71	346	83	918	91	2038	109	8450FM	25	P2413	97
161LL	76	348	83	953	98	2401	97	8455FM	25	P2417	97
170	68	400A	96	962	94	2406	97	8500	37	P2419	97
179	71	402	96	963	94	2407	97	8500-93	19	P2421	97
180	70	413	96	965	94	2412	97	8500T	46	PB	128
181	71	420	95	984	94	2416	97	8505	37	PF	128
182	74	422	95	986	93	2418	97	8505T	46	PK6092	92
182BE	73	423	95	989	94	2420	97	8520	38	PKV3	109
182DP	73	424	95	993	99	4400	17	8520T	46	SD-0 Series	119
183	76	427	96	995	99	4430	18	8525	38	SD-1 Series	120
185	78	429	96	997	99	4450	19	8525T	46	SD-2 Series	122
186LL	80	430	96	999	99	5700	117	8800	39	SD-3 Series	121
186LL SS	82	455	98	1085	100	5710	117	8805	40	SD-4 Series	123
187LL	80	467	98	1087	100	6092	92	8900	41	SD-5 Series	124
187LL SS	82	469	98	1088	91	6094	92	8908	42		
191	75	472	94	1093	100	6400	47	8909	42		
192	75	475	93	1095	100	6505	39	8910	42		
200	87-88	476	93	1096	100	6875	92	29201	101		
204	84	476T	93	1097	100	7980	72	200106	8		
206	84	510	95	1098	100	7982	74	200114	45		
208	85	513	95	1099	100	8000	48	200230	67		
210	80	516	95	1123 PLAS	10	8040	55	200231	67		
211	80	517	95	1129	8	8041	55	200234	67		
212	80	521	95	1132	109	8042	55	200235	67		
215	86	537	92	1175	9	8043	55	200239	67		
216	86	580	96	1186	105	8044	55	200241	67		
217	86	582	96	1187	105	8045	55	ATK	128		
221	85	592	96	1188	105	8050	56	CPU	127		
229	66	594	96	1188 HOOK	105	8070	58	HPR	126		
233	67	607	96	1190	106	8071	58	KD	114-115		

The KV Difference

Broad Product Offering

We are proud of our reputation as a design innovator and a reliable manufacturer. You'll find that our hardware is functional in a wide range of applications: home and kitchen cabinetry, office furniture and files, and institutional and commercial furniture.

Exceptional Value

A significant feature of our product line is its superior price/value relationship. We maintain this value through advanced research and development activity, proven manufacturing techniques, thorough employee training, and rigorous quality inspection. Our Limited Lifetime Warranty also demonstrates our confidence in the quality, durability, and reliability of our products.

Responsive Service

Our design engineers, salespeople and customer service representatives all work toward one common goal: your complete satisfaction. No matter what function we perform for you — technical assistance or specialized consulting, product specification or order entry — we're committed to helping you operate your business smoothly and profitably.

Reliable Delivery

We've established the industry standards for on-time delivery and complete order fulfillment. You'll discover that virtually all of our in-stock hardware is available to you within 48 hours. We also closely monitor our inventory to ensure that you'll receive the quantities you require, whether it's 10 items or 10,000.

Knape and Vogt Limited Warranty

Limited Lifetime Warranty for Commercial Business Products

15 Year Limited Warranty for Ergonomics Products

This warranty is given to the initial purchaser of new commercial and ergonomic products purchased from Knape & Vogt Manufacturing Company and its subsidiaries. The warranty covers defects in materials and workmanship. The warranty does not apply to defects resulting from misuse, damage or abuse, normal wear and tear, accident, modification, improper installation or maintenance, third party materials or damage during shipping. The warranty is not transferable and does not cover any subsequent purchasers of the products.

Definitions of the specific warranty time periods by product can be obtained from Customer Service at 800-253-1561. The warranty time period begins on the date of purchase for all products. Applicable warranty time periods are based on one 8-hour shift per day usage, and warranty time periods are adjusted and shortened proportionally for any multiple shift or excess usage.

During the warranty period, Knape & Vogt, will, at its option, repair or replace any defective product with a comparable product or component. This limited warranty is for repair or replacement of defective products only and does not cover any other costs such as removal, installation, or other related expenses.

For warranty service, please contact Knape & Vogt Manufacturing Company, 2700 Oak Industrial Drive, Grand Rapids, MI 49505, Attention: Customer Service. Information regarding the claimed defect and date of purchase of the product must be provided. Any defective product must be returned postage or freight prepaid to Knape & Vogt.

THIS LIMITED WARRANTY CONSTITUTES THE ONLY WARRANTY FOR THE PRODUCTS AND ALL OTHER WARRANTIES OR REPRESENTATIONS, EXPRESS OR IMPLIED, BY OPERATION OF LAW OR OTHERWISE, INCLUDING BUT NOT LIMITED TO ANY IMPLIED WARRANTY OF MERCHANTABILITY OR FITNESS FOR A PARTICULAR PURPOSE, ARE EXPRESSLY DISCLAIMED (some states do not allow limitations on how long an implied warranty lasts).

THIS LIMITED WARRANTY CONSTITUTES THE SOLE REMEDY AVAILABLE WITH REGARD TO ANY DEFECTIVE PRODUCTS. KNAPE & VOGT SHALL NOT BE LIABLE FOR ANY INCIDENTAL, INDIRECT, CONSEQUENTIAL OR SPECIAL DAMAGES, INCLUDING WITHOUT LIMITATION, LOSS OF TIME, INCONVENIENCE, OR LOST REVENUES OR PROFITS (some states do not allow the exclusion or limitation of incidental or consequential damages).

Copyright © 2013 Knape & Vogt Manufacturing Company, all rights reserved.

Standard KV Commercial Warranty

Return Policy

Your satisfaction is our priority. We are happy to accept returns or exchanges for any resalable or defective products within 60 days of the shipping date

Return Policy for special order or nonstock items:

We're sorry, we cannot accept returns on nonstock products or special order products unless there is a Knap & Vogt error - which we will be happy to correct.

To return product(s), please follow these procedures:

Please contact Knap & Vogt Customer Service at 1-800-253-1561.

A Customer Service Representative will assist you with getting a Return Goods Authorization (RGA) number. The original P.O. is required to receive a RGA number. Please return product within 30 days of issuance of the RGA number.

Restocking Fees:

- All resalable product returned in original resalable packaging will be assessed a 20% fee for restocking and handling. Minimum fee is \$25.
- All resalable products returned not in resalable original packaging will be assessed a 20% fee for repackaging in addition to the 20% restocking and handling fee.
- Above referenced fees will be waived on returns resulting from Knap & Vogt error.

Shipping:

You are responsible for all return shipping charges to return the product unless we made an error in shipping your order, i.e., the product we shipped is not the one you ordered, or is defective.

In the US, please ship to:
Knap & Vogt
Return Goods Department
2700 Oak Industrial Dr., N.E.
Grand Rapids, MI 49505

In Canada, please ship to:
Logistics Distribution Inc.
Attn: Return Goods Department
205 Bethridge Rd
Etobicoke, Ontario M9W 1N4
Telephone: 416-747-7896

- Ensure the product(s) are properly packaged to prevent shipping damage.
- Include RGA number with return.
- Ensure all products returned match quantities and products listed on the assigned RGA.

Credit:

- A credit memo will be issued upon inspection and approval of the returned product.
- Upon receipt and inspection Knap & Vogt will determine credit amount. Please DO NOT make any financial adjustments to your account prior to Knap and Vogt issuing a credit memo for returned goods.
- Please allow a minimum of 14 days for us to receive and process your return.
- We will credit or refund the value of the product total and any taxes you were charged less applicable fees. (excluding delivery charges).
- Refunds will be given in the same form of payment. Adjustments to credit cards should appear within two billing cycles.

Replacement Orders:

- Any replacement orders will be charged to your account. A credit memo will be issued for returned products that have been approved.

RGA Status Information:

- Visit www.customerconnection.com. Enter your account information and follow prompts. If you do not already have your account set-up for this free service, please register at www.customerconnection.com.



KNAPE & VOGT.

