

# SECTION C SEMI-CONCEALED HINGES

## SPECIALTY HINGES

### SPECIALTY HINGES

#### Bench Seat Hinge

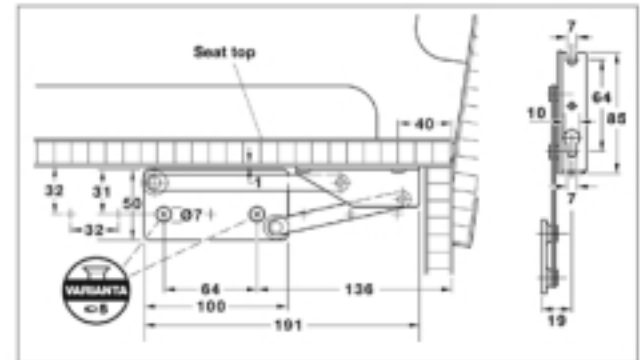
- Designed to maintain seat tops in the raised position at a 95° angle
- The hinge joints incorporate a stop to prevent the open seat from slamming shut
- Installation: Screw holes in both the bench side panel and seat top are on 32 mm centers. Keyholes and slots insure easy mounting for the seat top.
- Steel hinge with springs, sold without screws
- Self operating from 17°

**Packing:** As shown below.

**Sold In:** Both broken and full box quantities.

Discount available for full box orders.

**HÄFELE**



Item#	Supports	Finish	Box Qty
HE643-01-515	Up to 18 lbs.	Yellow Galvanized	10 Pairs
HE643-01-524	Up to 26 lbs.	Yellow Galvanized	10 Pairs

### FLAP HINGES

#### Folding Table Hinge

- This flap hinge is made of zinc die cast and is designed to be used in conjunction with a lid support as the hinge is free swinging
- Designed to be used with 5/8" thick material
- Three way adjustability: 1/8" side-to-side, 1/8" back-to-back and 1/16" up and down
- Installation requires a 1-3/8" (35mm) diameter hole, 15/32" (12mm) deep and centered 11/32" from edge of two surface opening angle is 90 degrees

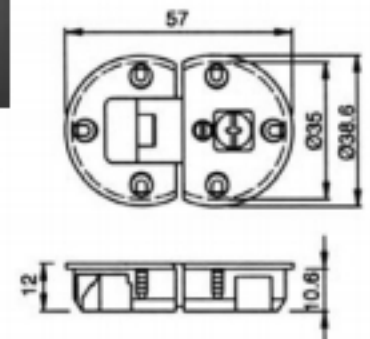
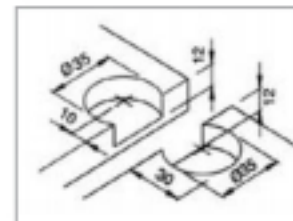
**Packing:** As shown below without screws.

**Sold In:** Both broken and full box quantities.

Discount available for full box orders.



**Wood Technology**  
Industry Supplier of Cabinet and Furniture Hardware - Since 1928



Item#	Size	Style	Box Qty
WY2351	57mm L x 38.6mm W	Free Swing	50

### FLAP HINGES

#### Concealed Hinge Design, 90° Self Closing

- This concealed self-closing hinge is designed to be used for drop flaps opening to a 90 degree angle
- Mounting plate is designed to be used in a 32mm hole pattern on cabinet side wall and will position hinge cup 1/8" (6mm) from the sidewall
- Hinge has front adjustment +2mm and -1.5mm and is available in left and right handed models

**Packing:** As shown below without screws.

**Sold In:** Both broken and full box quantities. Discount available for full box orders.

**Hettich**  
INTERNATIONAL

Item#	Description	Material/Finish	Box Qty
HT1083935	RH Hinge	Steel/Nickel Plated	50
HT1083936	LH Hinge	Steel/Nickel Plated	50
HT1079222	Mounting Plate	Steel/Nickel Plated	50

