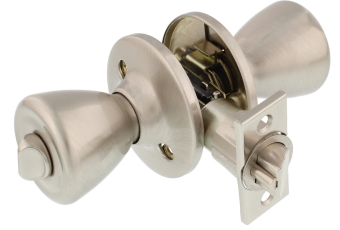




Ultra Locksets  
Specification Sheets

# Ultra Tulip Series



## Features & Options

**Door Thickness** – Fit 1-3/8" to 1-3/4" standard door thickness

**Door Preparation** – Cross Bore: 2-1/8", Edge: 1"

**Latch Backset** – Adjustable 2-3/8" – 2-3/4"

**Latch** – 2-way Radius

**Latch Faceplate** – 1" x 2-1/4" radius

**Spindle Type** – Crescent

**Bolt** – 1/2" throw

**Cylinder** – Solid brass cylinder KW1 keyway 5-pin

**Strike Plate** – 2-1/4" x 1-3/4" round corner

**Material** – Steel and Brass

**ANSI/BHMA** – Meets the requirements of A156.2 Grade 3

## Functions

### Entry – (F109)

Both lever locked or unlocked by key outside or turn-piece inside

### Passage – (F75): Standard

Both levers always free

### Privacy – (F76)

Both levers locked or unlocked by turn-piece inside. Outside lever unlocked by coin or screwdriver

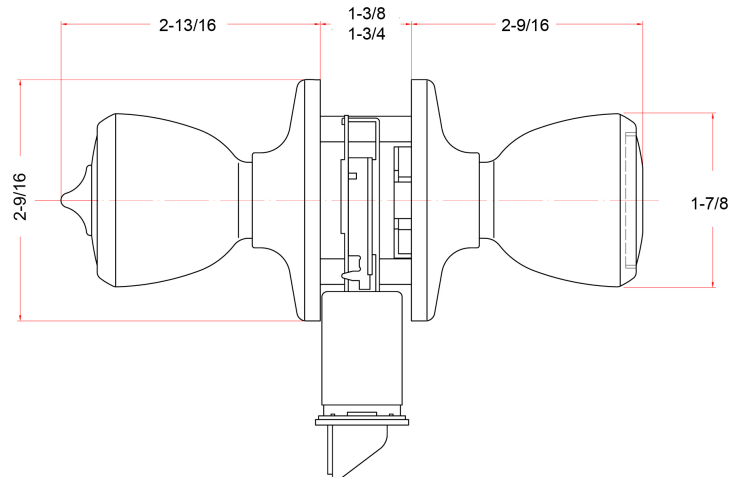
### Full Dummy

## Warranty

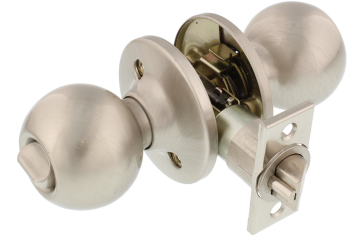
- Lifetime mechanical warranty
- Five years finish warranty

## Finishes

-  US3 – Polished Brass
-  US15 – Satin Nickel
-  US32D – Stainless Steel
-  US5 – Antique Brass
-  US10B – Oil Rubbed Bronze



# Chestnut Hill Series



## Features & Options

**Door Thickness** – Fit 1-3/8" to 1-3/4" standard door thickness

**Door Preparation** – Cross Bore: 2-1/8", Edge: 1"

**Latch Backset** – Adjustable 2-3/8" – 2-3/4"

**Latch** – 4-way

**Standard Latch Faceplate** – 1" x 2-1/4" Radius installed (square corner included).

**Spindle Type** – Square

**Bolt** – 1/2" throw

**Cylinder** – Solid brass cylinder KW1 keyway 5-pin

**Standard Strike Plate** – 2-1/4" x 1-3/4" round corner full and square corner included

**Material** – Steel and Brass

**ANSI/BHMA** – Meets the requirements of A156.2 Grade 3

## Functions

### Entry – (F109)

Both lever locked or unlocked by key outside or turn-piece inside

### Passage – (F75): Standard

Both levers always free

### Privacy – (F76)

Both levers locked or unlocked by turn-piece inside. Outside lever unlocked by coin or screwdriver

### Full Dummy

## Warranty

- Lifetime mechanical warranty
- Five years finish warranty

## Finishes



US3 – Polished Brass



US15 – Satin Nickel



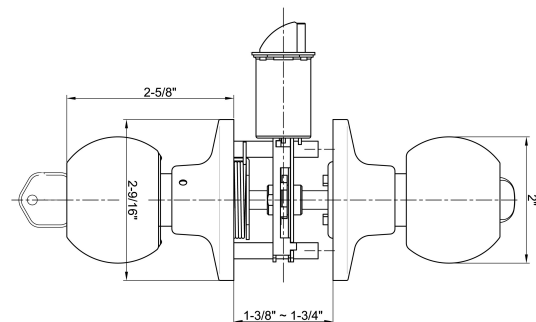
US5 – Antique Brass



US10B – Oil Rubbed Bronze



US32D – Stainless Steel



# Mobile Home Ultra Tulip Series



## Features & Options

**Door Thickness** – Fit 1-3/8" to 1-3/4" standard door thickness

**Door Preparation** – Cross Bore: 2-1/8", Edge: 1"

**Latch Backset** – Entry Adjustable 2-3/8" – 2-3/4"  
Passage and Privacy 2-3/8"

**Latch** – Drive-In

**Latch Faceplate** – 1" x 2-1/4" radius

**Spindle Type** – Crescent

**Bolt** – 1/2" throw

**Cylinder** – Solid brass cylinder KW1 keyway 5-pin

**Strike Plate** – 2-1/4" x 1-3/4" round corner

**Material** – Steel and Brass

Weather Seal foam on Entry Locks

**ANSI/BHMA** – Meets the requirements of A156.2 Grade 3

## Finishes

 US3 – Polished Brass

 US32D – Stainless Steel

## Functions

### Entry – (F109)

Both lever locked or unlocked by key outside or turn-piece inside

### Passage – (F75): Standard

Both levers always free. Backset not adjustable - 2-3/8" backset.

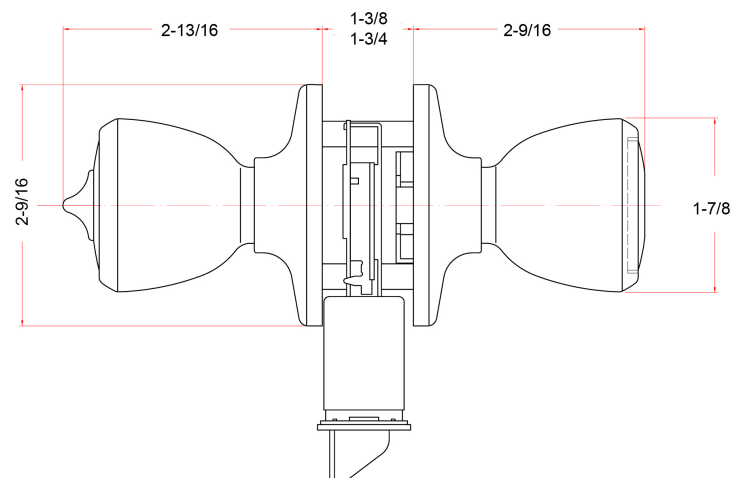
### Privacy – (F76)

Both levers locked or unlocked by turn-piece inside. Outside lever unlocked by coin or screwdriver. Backset not adjustable - 2-3/8" backset.

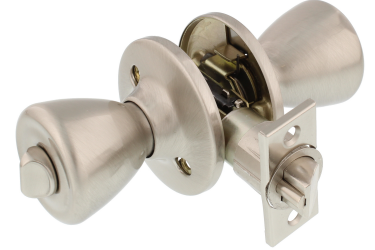
### Full Dummy

## Warranty

- Lifetime mechanical warranty
- Five years finish warranty



# Rittenhouse Series



## Features & Options

**Door Preparation** – Cross Bore: 2-1/8", Edge: 1"

**Latch Backset** – Adjustable 2-3/8" – 2-3/4"

**Latch** – 6-way adjustable

**Spindle Type** – Crescent

**Faceplate** – 1" x 2-1/4" radius and square corner plates included

**Bolt** – 1/2" throw

**Door Thickness** – Fit 1-3/8" to 1-3/4" standard door thickness

**Cylinder** – KW1 keyway solid brass cylinder standard 5-pin

**Strike Plate** – 2-1/4" x 1-3/4" round corner full lip installed (square corner included)

**Material** – Zinc die-cast lever

**ANSI/BHMA** – Meets the requirements of A156.2 Grade 3

## Functions

### Entry – (F109)

Both lever locked or unlocked by key outside or turn-piece inside

### Passage – (F75): Standard

Both levers always free

### Privacy – (F76)

Both levers locked or unlocked by turn-piece inside. Outside lever unlocked by coin or screwdriver

### Full Dummy

## Finishes

 US3 – Polished Brass

 US15 – Satin Nickel

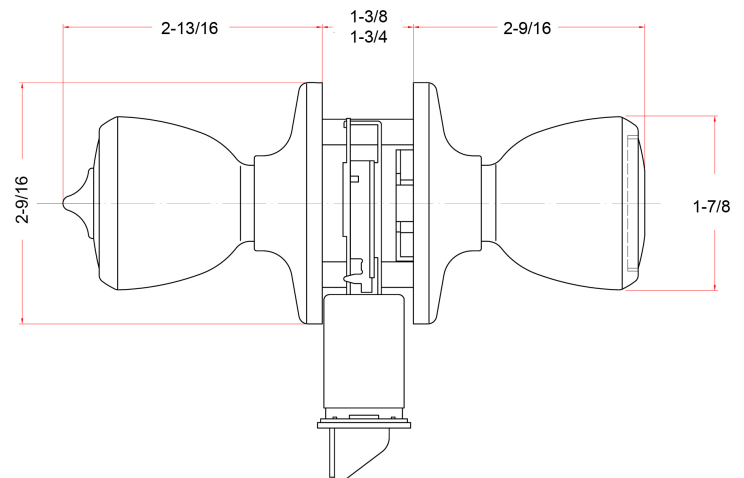
 US5 – Antique Brass

 US10B – Oil Rubbed Bronze

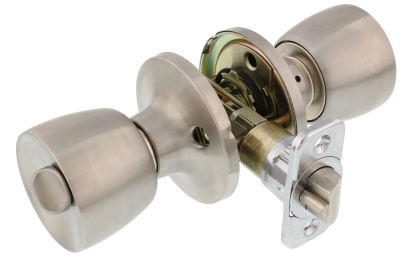
 US26D – Dull Chrome

## Warranty

- Lifetime mechanical warranty
- Five years finish warranty



# Lancaster Series



## Features & Options

**Door Thickness** – Fit 1-3/8" to 1-3/4" standard door thickness

**Door Preparation** – Cross Bore: 2-1/8", Edge: 1"

**Latch Backset** – Adjustable 2-3/8" – 2-3/4"

**Latch** – 6-way adjustable

**Standard Latch Faceplate** – 1" x 2-1/4" radius and square corner plates included

**Spindle Type** – Square

**Bolt** – 1/2" throw

**Cylinder** – Solid brass cylinder KW1 keyway 5-pin

**Standard Strike Plate** – 2-1/4" x 1-3/4" round corner and square corner included

**Material** – Steel and Brass

**ANSI/BHMA** – Meets the requirements of A156.2 Grade 3

## Functions

### Entry – (F109)

Both lever locked or unlocked by key outside or turn-piece inside

### Passage – (F75): Standard

Both levers always free

### Privacy – (F76)

Both levers locked or unlocked by turn-piece inside. Outside lever unlocked by coin or screwdriver

### Full Dummy

## Finishes

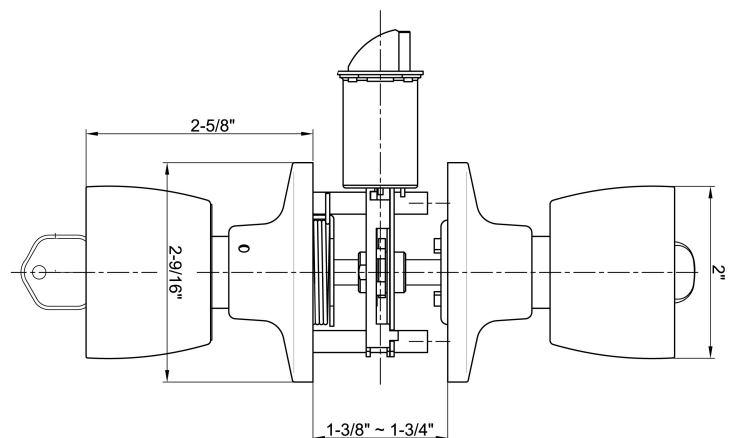
 US3 – Polished Brass

 US5 – Antique Brass

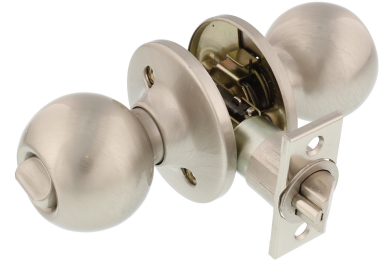
 US32D – Stainless Steel

## Warranty

- Lifetime mechanical warranty
- Five years finish warranty



# Valley Forge Series



## Features & Options

**Door Preparation** – Cross Bore: 2-1/8", Edge: 1"

**Latch Backset** – Adjustable 2-3/8" – 2-3/4"

**Latch** – 6-way with 4-way snap option

**Spindle Type** – Crescent

**Faceplate** – 1" x 2-1/4" round corner installed, square corner plate included

**Bolt** – 1/2" throw

**Door Thickness** – Fit 1-3/8" to 1-3/4" standard door thickness

**Cylinder** – KW1 keyway solid brass cylinder standard 5-pin

**Strike Plate** – 2-1/4" x 1-3/4" round corner full lip installed (square corner included)

**Material** – Steel and Brass

**ANSI/BHMA** – Meets the requirements of A156.2 Grade 3

## Functions

### Entry – (F109)

Both lever locked or unlocked by key outside or turn-piece inside.

### Privacy – (F76)

Both levers locked or unlocked by turn-piece inside. Outside lever unlocked by mini screwdriver.


### Passage – (F75)

Both levers always free. Outside lever unlocked by mini screwdriver.

### Full Dummy

## Finishes

 US3 – Polished Brass

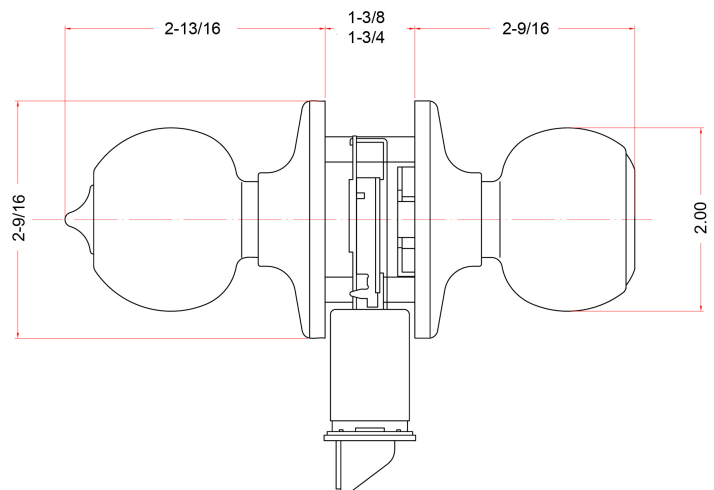
 US15 – Satin Nickel

 US5 – Antique Brass

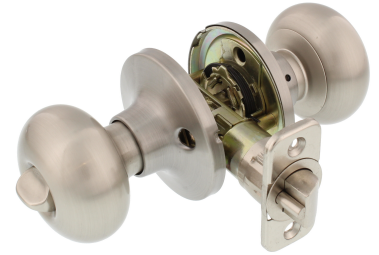
 US10B – Oil Rubbed Bronze

## Warranty

- Lifetime mechanical warranty
- Five years finish warranty



# Sturbridge Series



## Features & Options

**Door Thickness** – Fit 1-3/8" to 1-3/4" standard door thickness

**Door Preparation** – Cross Bore: 2-1/8", Edge: 1"

**Latch Backset** – Adjustable 2-3/8" – 2-3/4"

**Latch** – 6-way adjustable

**Standard Latch Faceplate** – 1" x 2-1/4" Radius installed (square corner included).

**Spindle Type** – Square

**Bolt** – 1/2" throw

**Cylinder** – Solid brass cylinder KW1 keyway 5-pin or SC1 keyway 5-pin

**Standard Strike Plate** – 2-1/4" x 1-3/4" round corner full lip and square corner included

**UL Strike Plate** - square corner

**Material** – Steel and Brass

**ANSI/BHMA** – Meets the requirements of A156.2 Grade 3

## Functions

### Entry – (F109)

Both lever locked or unlocked by key outside or turn-piece inside

### Passage – (F75): Standard

Both levers always free

### Privacy – (F76)

Both levers locked or unlocked by turn-piece inside. Outside lever unlocked by coin or screwdriver


### Full Dummy

## Warranty

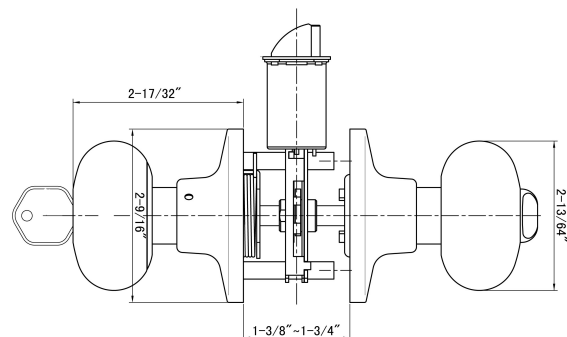
- Lifetime mechanical warranty
- Five years finish warranty

## Finishes

 US3 – Polished Brass

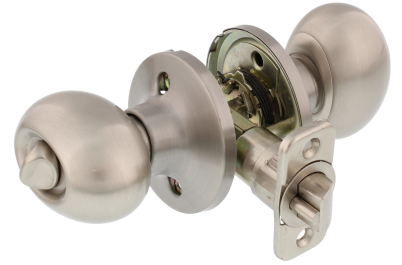
 US15 – Satin Nickel

 US10B – Oil Rubbed Bronze





# Strathmere Series



## Features & Options

**Door Preparation** – Cross Bore: 2-1/8", Edge: 1"

**Latch Backset** – Adjustable 2-3/8" – 2-3/4"

**Latch** – 6-way adjustable

**Spindle Type** – Square

**Faceplate** – 1" x 2-1/4" radius and square corner plates included

**Bolt** – 1/2" throw

**Door Thickness** – Fit 1-3/8" to 1-3/4" standard door thickness

**Cylinder** – KW1 keyway solid brass cylinder standard 5-pin

**Strike Plate** – 2-1/4" x 1-3/4" round corner full lip installed (square corner included)

**Material** – Zinc die-cast lever

**ANSI/BHMA** – Meets the requirements of A156.2 Grade 3

## Functions

### Entry – (F109)

Both lever locked or unlocked by key outside or turn-piece inside.

### Privacy – (F76)

Both levers locked or unlocked by turn-piece inside. Coin style emergency opening.

### Passage – (F75)

Both levers always free. Coin style emergency opening.

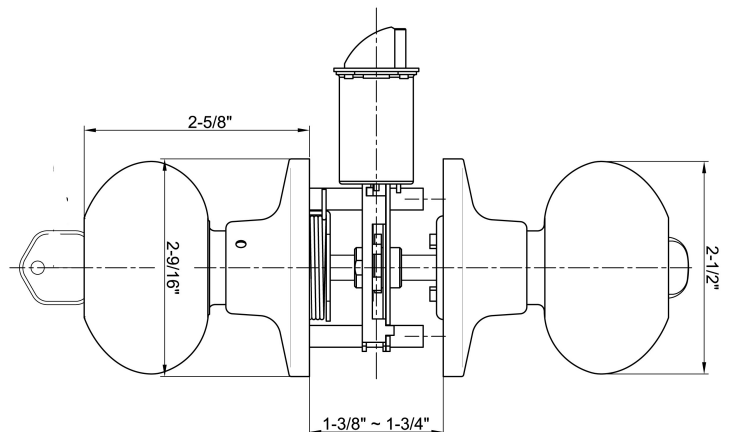
### Full Dummy

## Warranty

- Limited lifetime warranty
- Five years finish warranty

## Finishes

-  US3 – Polished Brass
-  US15 – Satin Nickel
-  US10B – Oil Rubbed Bronze



# Single Cylinder Deadbolt



## Features & Options

- Door Thickness** – Fits 1-3/8" to 1-3/4" standard door thickness
- Door Preparation** – Cross Bore: 2-1/8", Edge: 1"
- Latch Backset** – Adjustable 2-3/8" – 2-3/4"
- Latch** – 2-way or 6-way
- Standard Latch Faceplate** – 1" x 2-1/4" Radius
- Spindle Type** – Flat Bar
- Bolt** – 1" throw
- Cylinder** – Solid brass cylinder KW1 keyway 5-pin or SC1 keyway 5-pin
- Strike Plate** – Matched to latch
- Material** – Steel and Solid Brass
- ANSI/BHMA** – Meets the requirements of A156.2 Grade 3

## Functions

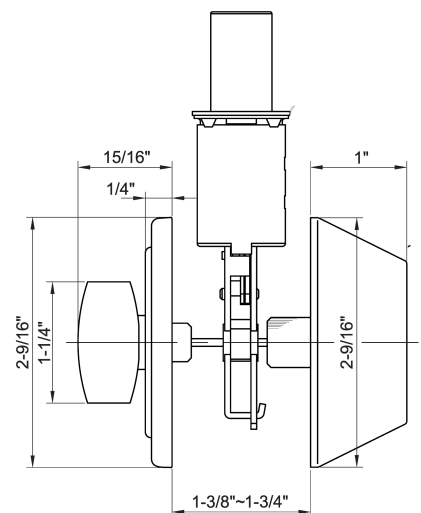
**Deadlock – (F17)**  
 The outside locked and unlocked with a key and the inside locked and unlocked by a thumb turn.

## Warranty

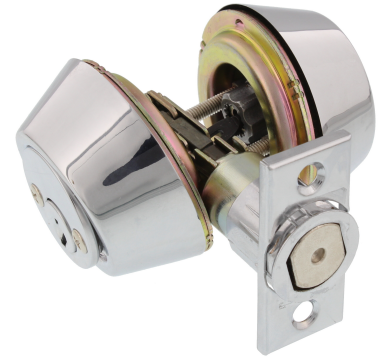
- Lifetime mechanical warranty
- Five years finish warranty

## Finishes

-  US3 – Polished Brass
-  US15 – Satin Nickel
-  US5 – Antique Brass
-  US10B – Oil Rubbed Bronze
-  US26 – Polished Chrome
-  US26D – Dull Chrome



# Double Cylinder Deadbolt



## Features & Options

**Door Preparation** – Cross Bore: 2-1/8", Edge: 1"

**Latch Backset** – Adjustable 2-3/8" – 2-3/4"

**Latch** – 2-way, 6-way adjustable

**Faceplate** – 1" x 2-1/4" square corner

**Bolt** – 1" throw

**Door Thickness** – Fit 1-3/8" to 1-3/4" standard door thickness

**Cylinder** – Solid brass cylinder. KW1 keyway or SC1 keyway

**Strike Plate** – Match latch

**Material** – solid brass & steel

**ANSI/BHMA** – Meets the requirements of A156.2 Grade 3

## Functions

**Deadlock – (F16)**

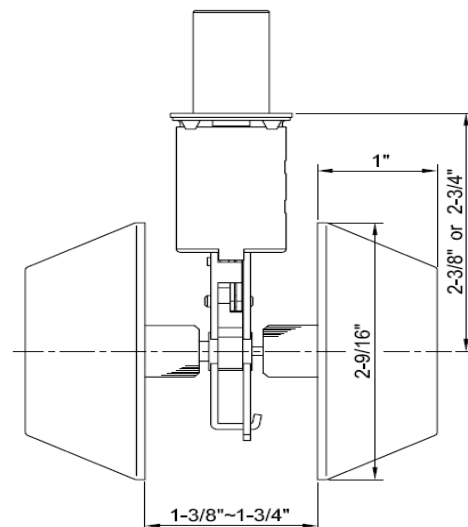
Both the outside and inside locked and unlocked with a key.

## Warranty

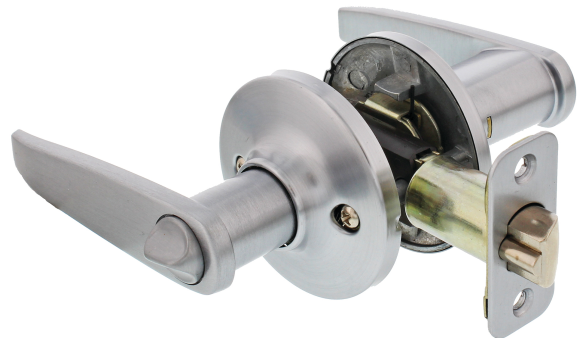
- Lifetime mechanical warranty
- Five years finish warranty

## Finishes

-  US3 – Polished Brass
-  US15 – Satin Nickel
-  US5 – Antique Brass
-  US32D – Stainless Steel
-  US26 – Polished Chrome
-  US26D – Dull Chrome



# Wynnewood Series I



## Features & Options

**Door Thickness** – Fit 1-3/8" to 1-3/4" standard door thickness

**Door Preparation** – Cross Bore: 2-1/8", Edge: 1"

**Latch Backset** – Adjustable 2-3/8" – 2-3/4"

**Latch** – 4-way Snap

**Faceplate** – 1" x 2-1/4" round corner installed and square corner plate included

**Spindle Type** – Crescent

**Bolt** – 1/2" throw

**Cylinder** – Solid brass cylinder KW1 keyway 5-pin

**Strike Plate** – 2-1/4" x 1-3/4" round corner

**Handing** – Supplied as left handed. Levers handles can be reversed for right handed installations.

**Material** – Zinc die-cast lever

**ANSI/BHMA** – Meets the requirements of A156.2 Grade 3

## Functions

### Entry – (F109)

Both lever locked or unlocked by key outside or turn-piece inside.

### Privacy – (F76)

Both levers locked or unlocked by turn-piece inside. Outside lever unlocked by coin or screwdriver.

### Passage – (F75)

Both levers always free.

### Full Dummy

Reversible

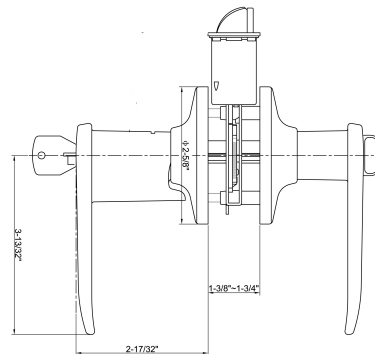
## Warranty

- Lifetime mechanical warranty
- Five years finish warranty

## Finishes

 US3 – Polished Brass

 US26D – Dull Chrome



# Lexington Series



## Features & Options

**Door Thickness** – Fit 1-3/8" to 1-3/4" standard door thickness

**Door Preparation** – Cross Bore: 2-1/8", Edge: 1"

**Latch Backset** – Adjustable 2-3/8" – 2-3/4"

**Latch** - 4-way

**Faceplate** – 1" x 2-1/4" round corner installed, square corner plate included

**Spindle Type** – Crescent

**Bolt** – 1/2" throw

**Cylinder** – Solid brass cylinder KW1 keyway  
5-pin or SC1 keyway 5-pin

**Strike Plate** – 2-1/4" x 1-3/4" round corner and square corner included

**Handing** – Supplied as left handed. Levers handles can be reversed for right handed installations.

**Material** – Zinc die-cast lever

**ANSI/BHMA** – Meets the requirements of A156.2 Grade 3

## Finishes

 US3 – Polished Brass

 US15 – Satin Nickel

 US10B – Oil Rubbed Bronze

## Functions

### Entry – (F109)

Both lever locked or unlocked by key outside or turn-piece inside.

### Privacy – (F76)

Both levers locked or unlocked by turn-piece inside. Outside lever unlocked by coin or screwdriver.

### Passage – (F75)

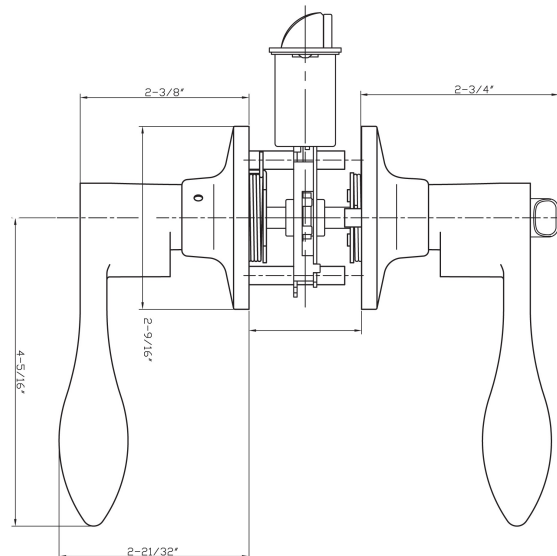
Both levers always free.

### Full Dummy

Reversible

## Warranty

- Lifetime mechanical warranty
- Five years finish warranty



# Gettysburg Series



## Features & Options

**Door Thickness** – Fit 1-3/8" to 1-3/4" standard door thickness

**Door Preparation** – Cross Bore: 2-1/8", Edge: 1"

**Latch Backset** – Adjustable 2-3/8" – 2-3/4"

**Latch** – 4-way

**Faceplate** – 1" x 2-1/4" round corner installed, square corner plate included

**Spindle Type** – Crescent

**Bolt** – 1/2" throw

**Cylinder** – Solid brass cylinder KW1 keyway 5-pin or SC1 keyway 5-pin

**Strike Plate** – 2-1/4" x 1-3/4" round corner and square corner included

**Handing** – Supplied as left handed. Levers handles can be reversed for right handed installations.

**Material** – Zinc die-cast lever

**ANSI/BHMA** – Meets the requirements of A156.2 Grade 3

## Functions

### Entry – (F109)

Both lever locked or unlocked by key outside or turn-piece inside.

### Privacy – (F76)

Both levers locked or unlocked by turn-piece inside. Outside lever unlocked by coin or screwdriver.

### Passage – (F75)

Both levers always free.

### Full Dummy


Reversible

## Warranty

- Lifetime mechanical warranty
- Five years finish warranty

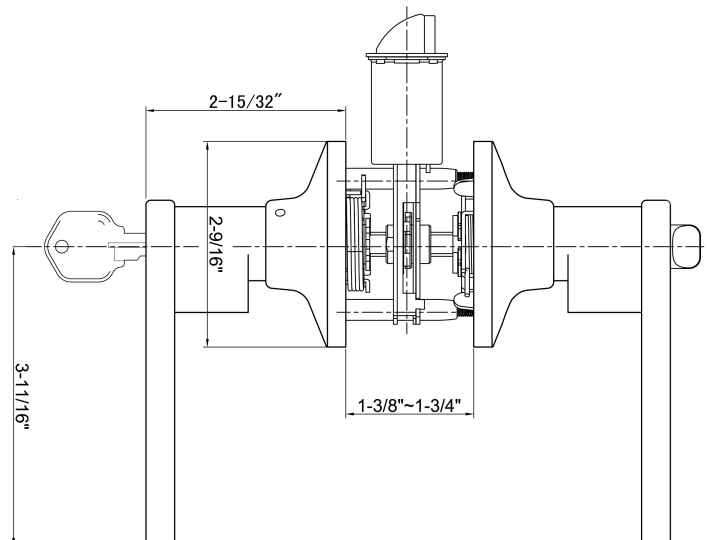
## Finishes

 US3 – Polished Brass

 US15 – Satin Nickel

 US5 – Antique Brass

 US10B – Oil Rubbed Bronze






# Briarwood Series



## Features & Options

- Door Thickness** – Fit 1-3/8" to 1-3/4" standard door thickness
- Door Preparation** – Cross Bore: 2-1/8", Edge: 1"
- Latch Backset** – Adjustable 2-3/8" – 2-3/4"
- Latch** – 4-way
- Faceplate** – 1" x 2-1/4" round corner installed, square corner plate included
- Spindle Type** – Crescent
- Bolt** – 1/2" throw
- Cylinder** – Solid brass cylinder KW1 keyway 5-pin
- Strike Plate** – 2-1/4" x 1-3/4" round corner full lip and square corner included
- Handing** – Supplied as left handed. Levers handles can be reversed for right handed installations.
- Material** – Zinc die-cast lever
- ANSI/BHMA** – Meets the requirements of A156.2 Grade 3

## Finishes

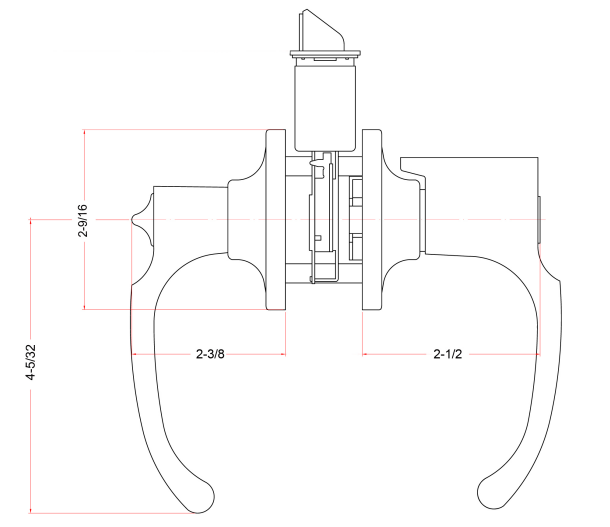
-  US3 – Polished Brass
-  US15 – Satin Nickel
-  US26D – Dull Chrome

## Functions

- Entry – (F109)**  
Both lever locked or unlocked by key outside or turn-piece inside.
- Privacy – (F76)**  
Both levers locked or unlocked by turn-piece inside. Outside lever unlocked by coin or screwdriver.
- Passage – (F75)**  
Both levers always free.
- Full Dummy**  
Reversible

## Warranty

- Lifetime mechanical warranty
- Five years finish warranty



# Scarborough Series



## Features & Options

**Door Preparation** – Cross Bore: 2-1/8", Edge: 1"

**Latch Backset** – Adjustable 2-3/8" – 2-3/4"

**Spindle Type** – Crescent

**Faceplate** – 1" x 2-1/4" round corner installed, square corner plate included

**Bolt** – 1/2" throw

**Door Thickness** – Fit 1-3/8" to 1-3/4" standard door thickness

**Cylinder** – KW1 keyway solid brass cylinder standard 5-pin

**Strike Plate** – 2-1/4" x 1-3/4" round corner full lip installed (square corner included)

**Handing** – Supplied as left handed. Lever handles can be reversed for right handed installations.

**Material** – Zinc die-cast lever

**ANSI/BHMA** – Meets the requirements of A156.2 Grade 3

## Functions

### Entry – (F109)

Both lever locked or unlocked by key outside or turn-piece inside.

### Privacy – (F76)

Both levers locked or unlocked by turn-piece inside.

### Passage – (F75)

Both levers always free.

### Full Dummy


Right Hand & Left Hand

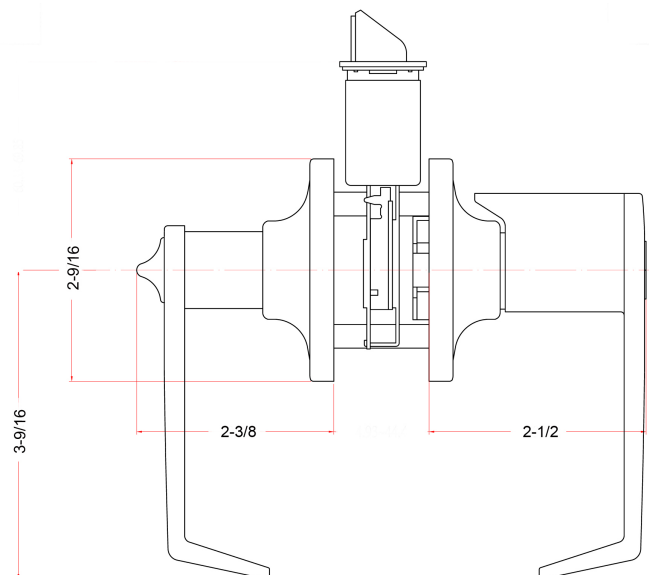
## Warranty

- Limited lifetime warranty
- Five years finish warranty

## Finishes

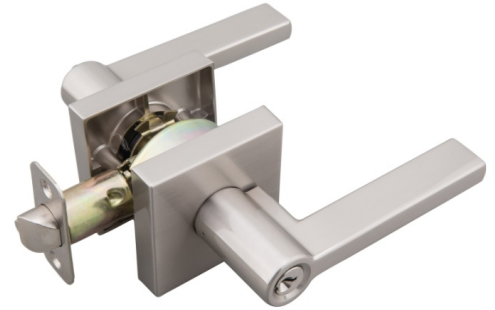
 US3 – Polished Brass

 US15 – Satin Nickel





# Flat Bar Lever



## Features & Options

**Door Thickness** – Fit 1-3/8" to 1-3/4" standard door thickness

**Door Preparation** – Cross Bore: 2-1/8", Edge: 1"

**Latch Backset** – Adjustable 2-3/8" – 2-3/4"

**Latch** – 2-way

**Faceplate** – 1" x 2-1/4" round corner

**Spindle Type** – Square

**Bolt** – 1/2" throw

**Cylinder** – Solid brass cylinder KW1 keyway 5-pin

**Strike Plate** – 2-1/4" x 1-3/4" round corner

**Handing** – Supplied as left handed. Levers handles can be reversed for right handed installations.

**Material** – Zinc Alloy

**Rosette** – Die Cast

**ANSI/BHMA** – Meets the requirements of A156.2 Grade 3

## Functions

### Entry – (F109)

Both lever locked or unlocked by key outside or turn-piece inside.

### Privacy – (F76)

Both levers locked or unlocked by turn-piece inside. Outside lever unlocked by coin or screwdriver.

### Passage – (F75)

Both levers always free.

### Full Dummy

Reversible

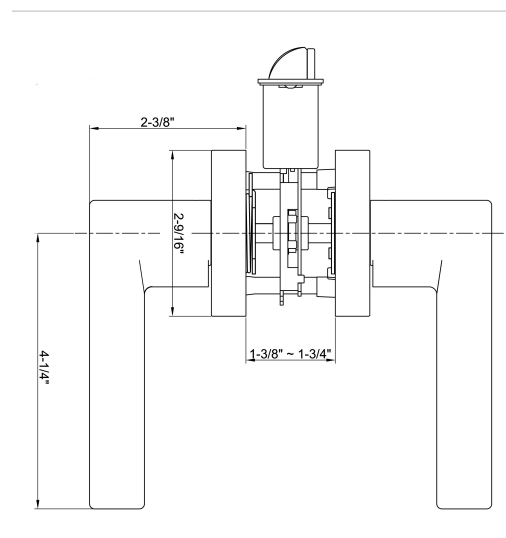
## Warranty

- Lifetime mechanical warranty
- Five years finish warranty

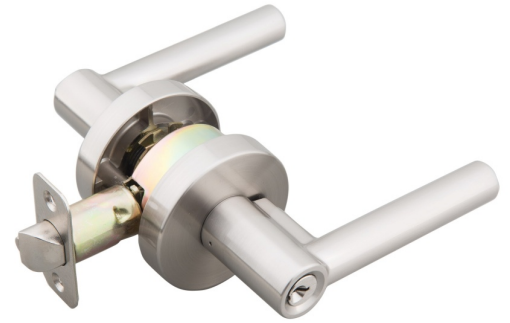
## Finishes

 US15 – Satin Nickel

 US10B – Oil Rubbed Bronze



# Round Bar Lever



## Features & Options

**Door Thickness** – Fit 1-3/8" to 1-3/4" standard door thickness

**Door Preparation** – Cross Bore: 2-1/8", Edge: 1"

**Latch Backset** – Adjustable 2-3/8" – 2-3/4"

**Latch** – 2-way

**Faceplate** – 1" x 2-1/4" round corner

**Spindle Type** – Square

**Bolt** – 1/2" throw

**Cylinder** – Solid brass cylinder KW1 keyway 5-pin

**Strike Plate** – 2-1/4" x 1-3/4" round corner

**Handing** – Supplied as left handed. Levers handles can be reversed for right handed installations.

**Material** – Zinc Alloy

**Rosette** – Die cast

**ANSI/BHMA** – Meets the requirements of A156.2 Grade 3

## Functions

### Entry – (F109)

Both lever locked or unlocked by key outside or turn-piece inside.

### Privacy – (F76)

Both levers locked or unlocked by turn-piece inside. Outside lever unlocked by coin or screwdriver.

### Passage – (F75)

Both levers always free.


### Full Dummy

Reversible

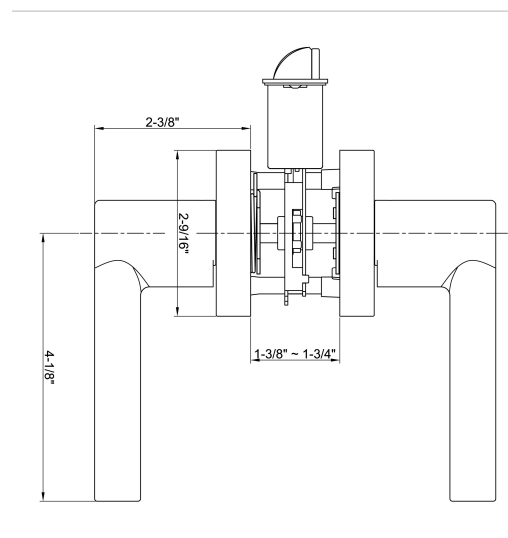
## Warranty

- Lifetime mechanical warranty
- Five years finish warranty

## Finishes

 US15 – Satin Nickel

 US10B – Oil Rubbed Bronze



# Remote Function Keypad Electronic Deadbolt



## Features & Options

**Door Preparation** – Cross Bore: 2-1/8", Edge: 1"

**Latch Backset** – Adjustable 2-3/8" – 2-3/4"

**Latch** – 4-way adjustable

**Faceplate** – 1" x 2-1/4" round and square corner

**Bolt** – 1" throw

**Door Thickness** – Fit 1-3/8" to 1-3/4" standard door thickness

**Cylinder** – Solid brass cylinder. KW1 keyway

**Strike Plate** – Square and round corner plates included

**Entry Access Options** – Remote entry using Radio Frequency remote fob from 90 ft away or through 50 unique user codes via illuminated alpha numeric keypad or through available emergency key override

**Material** – solid brass & steel

**ANSI/BHMA** – Meets the requirements of A156.2 Grade 3

## Functions

### Deadlock – (F17)

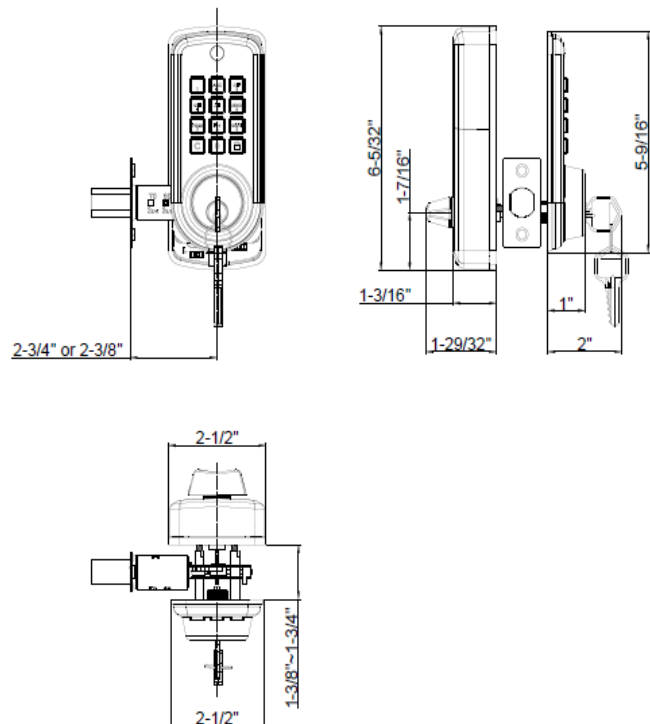
The outside locked and unlocked with a key, remote fob or alpha numeric; and the inside locked and unlocked by a thumb turn or remote fob.

## Warranty

- Lifetime mechanical warranty
- Five years finish warranty

## Finishes

-  US3 – Polished Brass
-  US15 – Satin Nickel
-  US10B – Oil Rubbed Bronze



# Touch Screen Electronic Deadbolt



## Features & Options

**Door Preparation** – Cross Bore: 2-1/8", Edge: 1"

**Latch Backset** – Adjustable 2-3/8" – 2-3/4"

**Latch** – 4-way adjustable

**Faceplate** – 1" x 2-1/4" round and square corner

**Bolt** – 1" throw

**Door Thickness** – Fit 1-3/8" to 1-3/4" standard door thickness

**Cylinder** – Solid brass cylinder. KW1 keyway

**Strike Plate** – Square and round corner plates included

**Entry Access Options** – Unique user codes via illuminated touch screen numeric keypad or through available emergency key override

**Material** – solid brass & steel

**ANSI/BHMA** – Meets the requirements of A156.2 Grade 3

## Functions

### Deadlock – (F17)


The outside locked and unlocked with a key or passcode and the inside locked and unlocked by a thumb turn or remote fob.

## Warranty

- Lifetime mechanical warranty
- Five years finish warranty

## Finishes

 US3 – Polished Brass

 US15 – Satin Nickel

# Angled Lever Cylindrical Grade 2 Commercial Lockset



## Features & Options

**Door Thickness** – Fit 1-3/8" to 1-3/4" standard door thickness

**Door Preparation** – Cross Bore: 2-1/8", Edge: 1"

**Latch Backset** – 2-3/4"

**Latch** – Square

**Latch Strike** – 1-1/8" face

**Spindle Type** – Cylindrical

**Bolt** – 1/2" throw

**Cylinder** – Re-keyable solid brass cylinder SC4 keyway 6-pin

**Strike Plate** – ASA strike

**Material** – Steel and Brass

**ANSI/BHMA** – Meets the requirements of A156.2 Grade 2

\* 2-3/8" - Backset latch sold separately

## Finishes

 US26D – Dull Chrome

## Functions

### Entry w/ADA– (F109)

Outside lever locked or unlocked by key. Inside locked by PUSH-BUTTON and always free with quick release function. No unlocking required for exit.

### Passage w/ADA– (F75):

Both levers always free.

### Privacy w/ADA– (F76)

Outside lever locked or unlocked by coin or screwdriver. Inside lever locked by PUSH-BUTTON and always free with quick release function. No unlocking required for exit.

**Storeroom**

**Classroom**

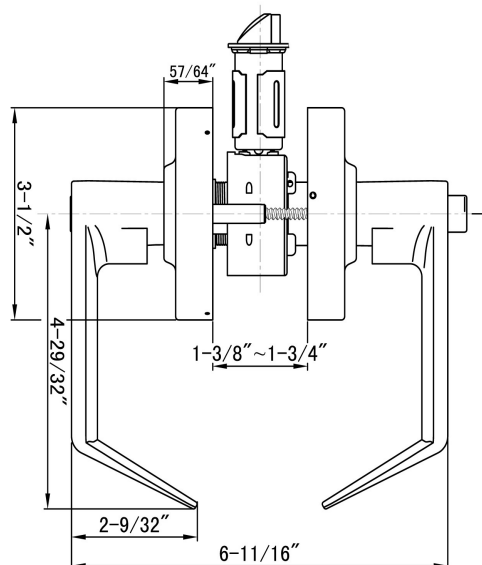
## Warranty

- Lifetime mechanical warranty
- Ten years finish warranty

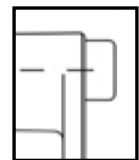
## Code Compliance

### Meets ADA Requirement

- Entry w/ADA - (F109)
- Passage w/ADA – (F75)
- Privacy w/ADA – (F76)



ADA



Push Button



# Commercial Ball Grade 2 Lockset



## Features & Options

- Door Thickness** – Fit 1-3/8" to 1-3/4" standard door thickness
- Door Preparation** – Cross Bore: 2-1/8", Edge: 1"
- Latch Backset** – 2-3/4"
- Latch** – 2-way Radius
- Latch Strike** – 1-1/8" face
- Spindle Type** – Cylindrical
- Bolt** – 1/2" throw
- Cylinder** – Re-keyable solid brass cylinder SC4 keyway 6-pin
- Strike Plate** – ASA Strike
- Material** – Steel and Brass
- ANSI/BHMA** – Meets the requirements of A156.2 Grade 2
- \* 2-3/8" - Backset latch sold separately

## Finishes

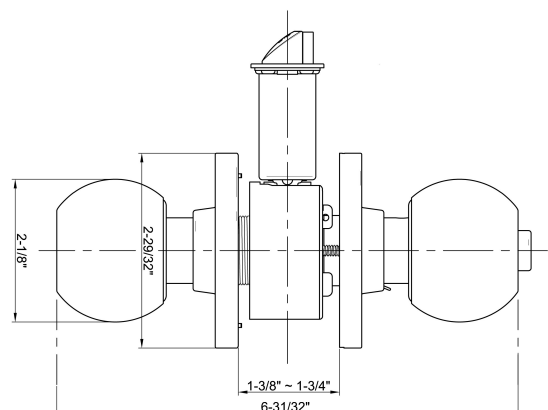
-  US3 – Polished Brass
-  US32 – Stainless Steel

## Functions

- Entry – (F109)**  
Both lever locked or unlocked by key outside or turn-piece inside
- Privacy – (F76)**  
Both levers locked or unlocked by turn-piece inside. Outside lever unlocked by coin or screwdriver
- Passage – (F75): Standard**  
Both levers always free
- Storeroom**

## Warranty

- Lifetime mechanical warranty
- Ten years finish warranty



# Light Commercial Grade 3 Ball Lockset



## Features & Options

**Door Thickness** – Fit 1-3/8" to 1-3/4" standard door thickness

**Door Preparation** – Cross Bore: 2-1/8", Edge: 1"

**Latch Backset** – Adjustable 2-3/8" – 2-3/4"

**Latch** – 2-way Square

**Latch Strike** – 1-1/8" face

**Spindle Type** – Cylindrical

**Bolt** – 1/2" throw

**Cylinder** – Re-keyable solid brass cylinder KW1 and SC1 keyways 6-pin

**Strike Plate** – T-Strike

**Material** – Steel and Brass

**ANSI/BHMA** – Meets the requirements of A156.2 Grade 3

## Functions

### Entry – (F109)

Both lever locked or unlocked by key outside or turn-piece inside

### Passage – (F75): Standard

Both levers always free

### Privacy – (F76)

Both levers locked or unlocked by turn-piece inside. Outside lever unlocked by coin or screwdriver

### Storeroom

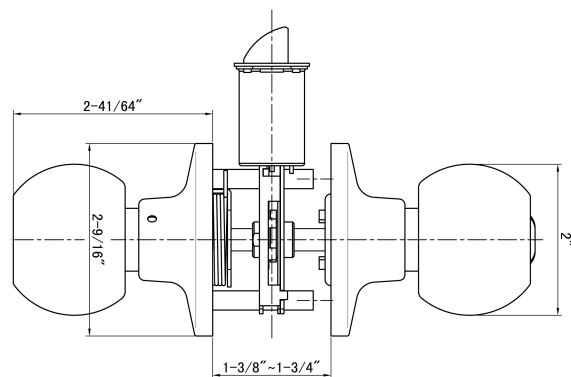
## Finishes

 US3 – Polished Brass

 US32 – Stainless Steel

## Warranty

- Lifetime mechanical warranty
- Ten years finish warranty



Distributed by

