

MULTIPOINT TRIM

K1 Sonoma

Multipoint Trim
1 1/2" x 11"

Shown with **AQ**
Sonoma Lever
in ORB finish



K2 Scalloped

Multipoint Trim
1 1/2" x 11"

Shown with **AF**
Paddle Lever
in ATP finish



K3 Contemporary

Multipoint Trim
1 1/2" x 11"

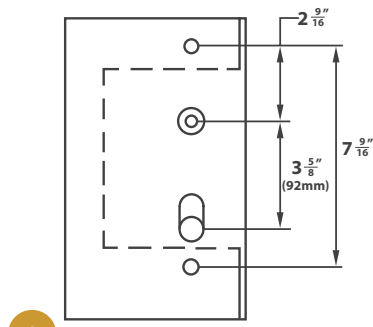
Shown with **BU**
Nevada Lever
in PLC finish



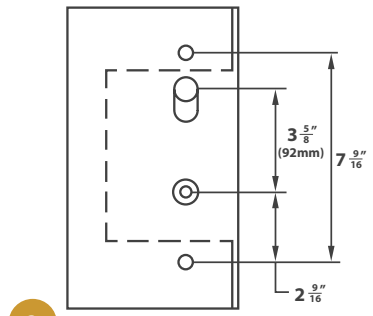
Fusion Multipoint Trim is designed to complement door hardware throughout the entire residence. Available in six door configurations and three trim designs, it is perfectly crafted to differentiate the home and reflect a personal decorating style. Each trim design is available in passage, patio, keyed and dummy functions.

The Fusion team is ready to work directly with you to identify the configuration you need for your doors. For more information, contact us at FusionSales@allegion.com or 877-215-4683.

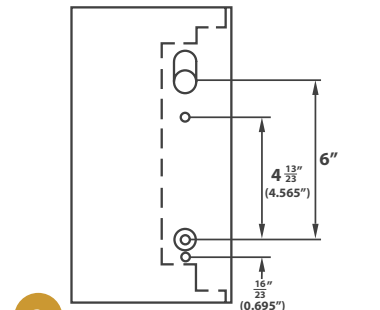
MULTIPOINT LOCK CONFIGURATIONS



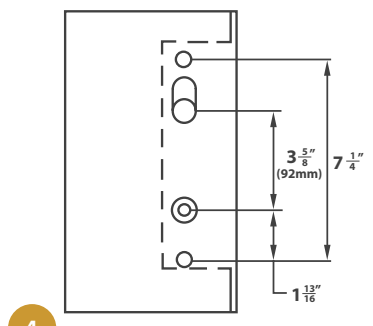
1 American Cylinder Below Handle
3 5/8" CENTER-TO-CENTER



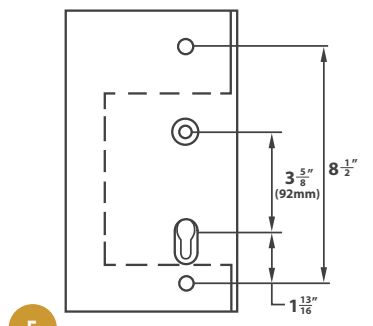
2 American Cylinder Above Handle
3 5/8" CENTER-TO-CENTER



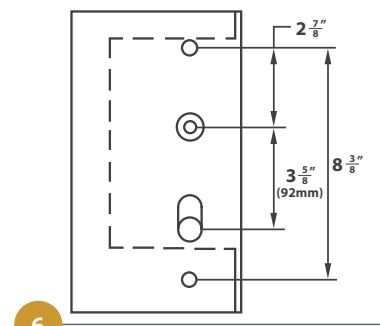
3 American Cylinder Above Handle
6" CENTER-TO-CENTER



4 American Cylinder Above Handle
3 5/8" CENTER-TO-CENTER



5 Euro Profile Cylinder Below Handle
3 5/8" CENTER-TO-CENTER
With coordinated cylinder finish



6 American Cylinder Below Handle
3 5/8" CENTER-TO-CENTER

MULTIPOINT TRIM FINISHES



ATP
Antique Pewter



BRN
Brushed Nickel



MDB
Medium Bronze



ORB
Oil Rubbed Bronze



PLC
Polished Chrome

STYLE

STYLE	ATP	BRN	MDB	ORB	PLC	LIST PRICE
K1 Sonoma			•	•		\$229
K2 Scalloped	•	•	•	•		\$229
K3 Contemporary		•		•	•	\$229

TO ORDER Multipoint

— — — — — —

MULTIPOINT CODE KNOB OR LEVER CODE ROSE CODE: K1 - SONOMA, K2 - SCALLOPED, K3 - CONTEMPORARY CONFIGURATION* (1, 2, 3, 4, 5, 6) FUNCTION: K - KEYED, P - PASSAGE, F - PATIO FIXED, Q - PATIO ACTIVE, D - DUMMY DOOR SIDE/SET: O - FULL SET, E - EXTERIOR, I - INTERIOR FINISH

SPECIFY HANDING FOR ALL LEVERS

All styles available in the following functions: keyed, patio (thumbturn interior/dummy exterior), passage and dummy. Please refer to the full catalog for knob and lever options.

*See diagrams above for details



FUSION
HARDWARE GROUP

1000 Satellite Boulevard NW
Building 103
Suwanee, GA 30024

FUSIONHARDWARE.COM

Order Toll-free, Online or Contact a Sales Representative

Telephone 877-215-4683
Fax 877-646-0632
Local Telephone 678-990-1676
Online fusionhardware.com
Email FusionSales@allegion.com

Customer Service 877-215-4683



ALLEGION