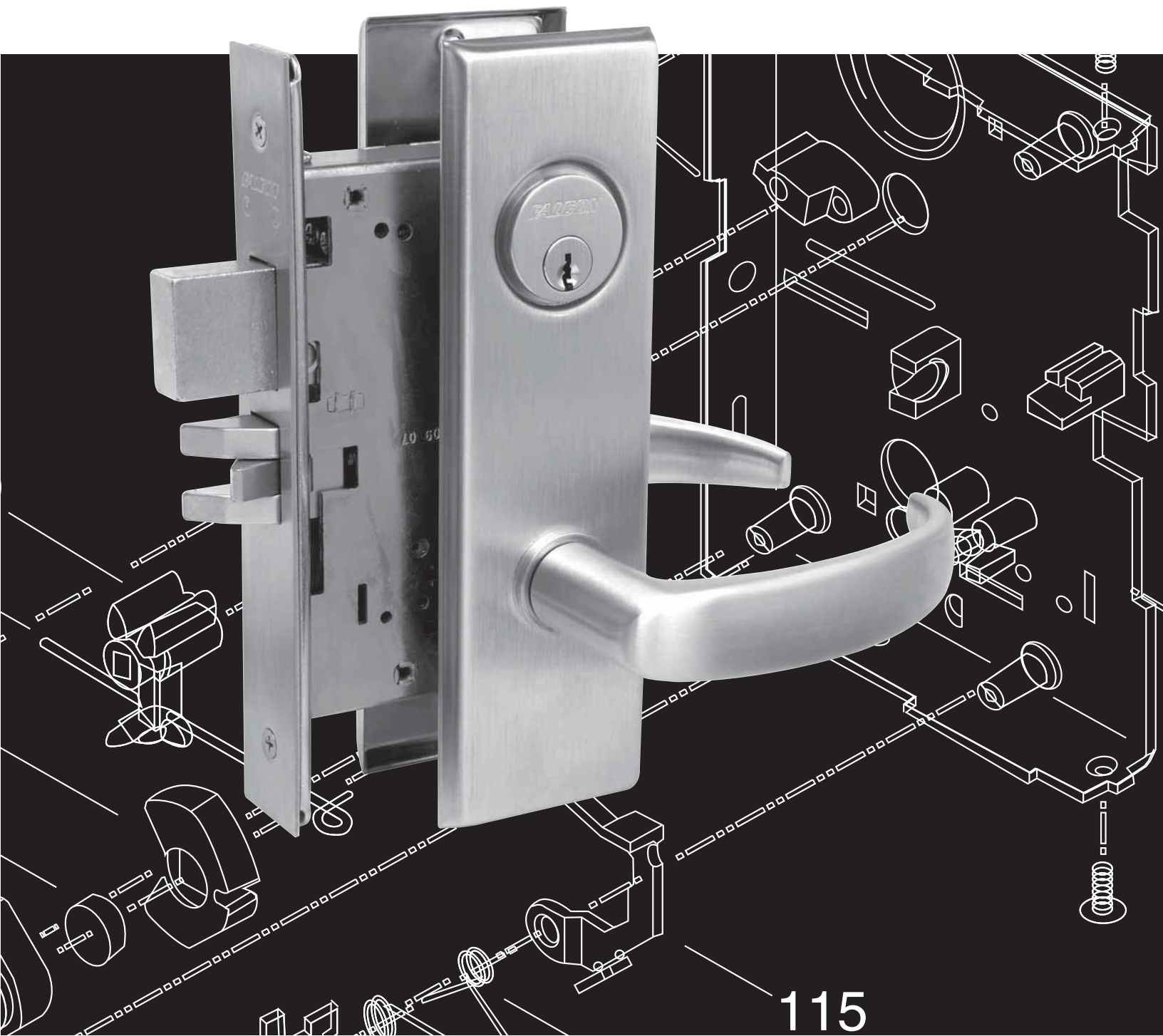


FALCON

M Series Service Manual

Extra Heavy Duty, Grade 1 Mortise Lever and Knob Locks



M-Series Service Manual

Table of Contents

Introduction	1-2	030173-004 Screws	30
Functions	3-5	Levers	31
Replacement Parts for Early LM Series Lever Trim	6	Roses	31
Trim Assemblies	7-11	Escutcheons	32
Falcon LM Series Mortise Trim	7	Strikes	33
Falcon L-900 Series Mortise Trim	8	Armored Fronts/Faceplates/Sclops	34
Falcon MM Series Mortise Trim	9	Mortise Cylinders	35-39
M Series Lever Trim Springs	10	Mortise, Rim and Cam Lock	35
LM12 Single Dummy Trim	11	Cams	36-37
Lock Case Assemblies	12-28	Cylinder Collars	38-39
M101 Passage Latchset	12	Instructions	40-42
M161 Connecting Room/Exit Latch	13	Reversing Hand of Locks	40
M301 Privacy Lock	14	Re-Handing Instructions for Lock Trim	41
M311 Privacy Lock	15	Lock Re-Handing Guide	42
M321 Privacy Lock	16		
M371/M541			
Store Door Lock/Entry/Office Lock	17		
M381/M441/M561 Entry/Restroom Lock/ Classroom Security/Classroom Lock	18		
M411 Asylum Lock	19		
M431/M571 Classroom Security and Deadbolt/ Dormitory Lock	20		
M451/M641/M711			
Hotel/Motel Lock/Dormitory Lock/Privacy Lock w/ Cylinder	21		
M521 Entry/Office Lock	22		
M531 Apartment Lock	23		
M581 Storeroom/Exit Lock	24		
M621 Front Door Lock	25		
M851	26		
M881	27		
M911/921/931/941 Deadbolt	28		
Lock Functions and Accessories	29-34		
Mortise Locking Units	29		
Electrified Mortise Chassis - Maxim w/			

Introduction

This manual contains a complete listing of parts and assemblies for M-Series mortise locks manufactured by Falcon Lock Company. This edition lists components of M-Series locks manufactured after June, 2001. All lock case covers are labeled with dates to identify year of manufacture. Example: 12507 = the 125th day of 2007.

Exploded views of each lock function and trim assembly are provided with accompanying charts to identify parts for replacement purposes. Exploded views of trim are shown with parts for standard size doors. In addition, this manual provides lock trim ordering procedures, cylinder length charts by door range, and all auxiliary components of the M-Series mortise locks.

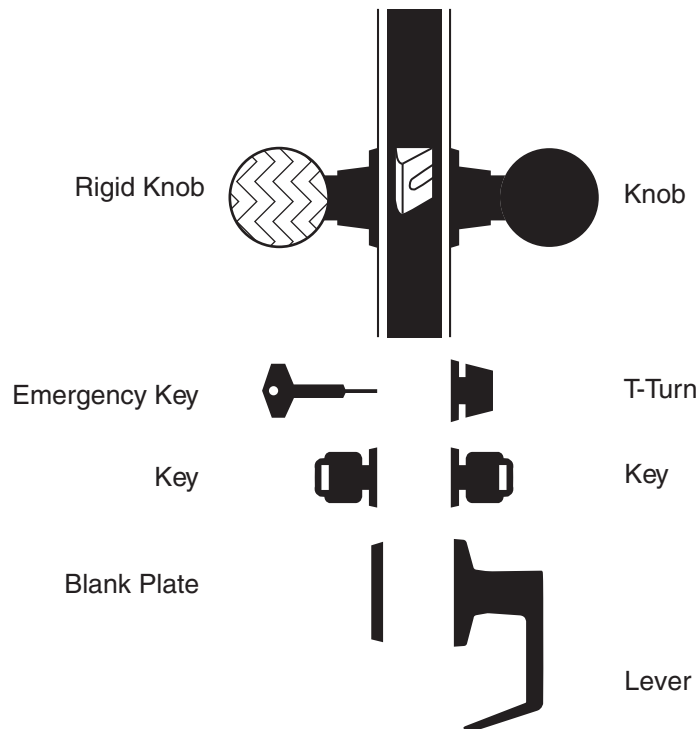
Standard Features*

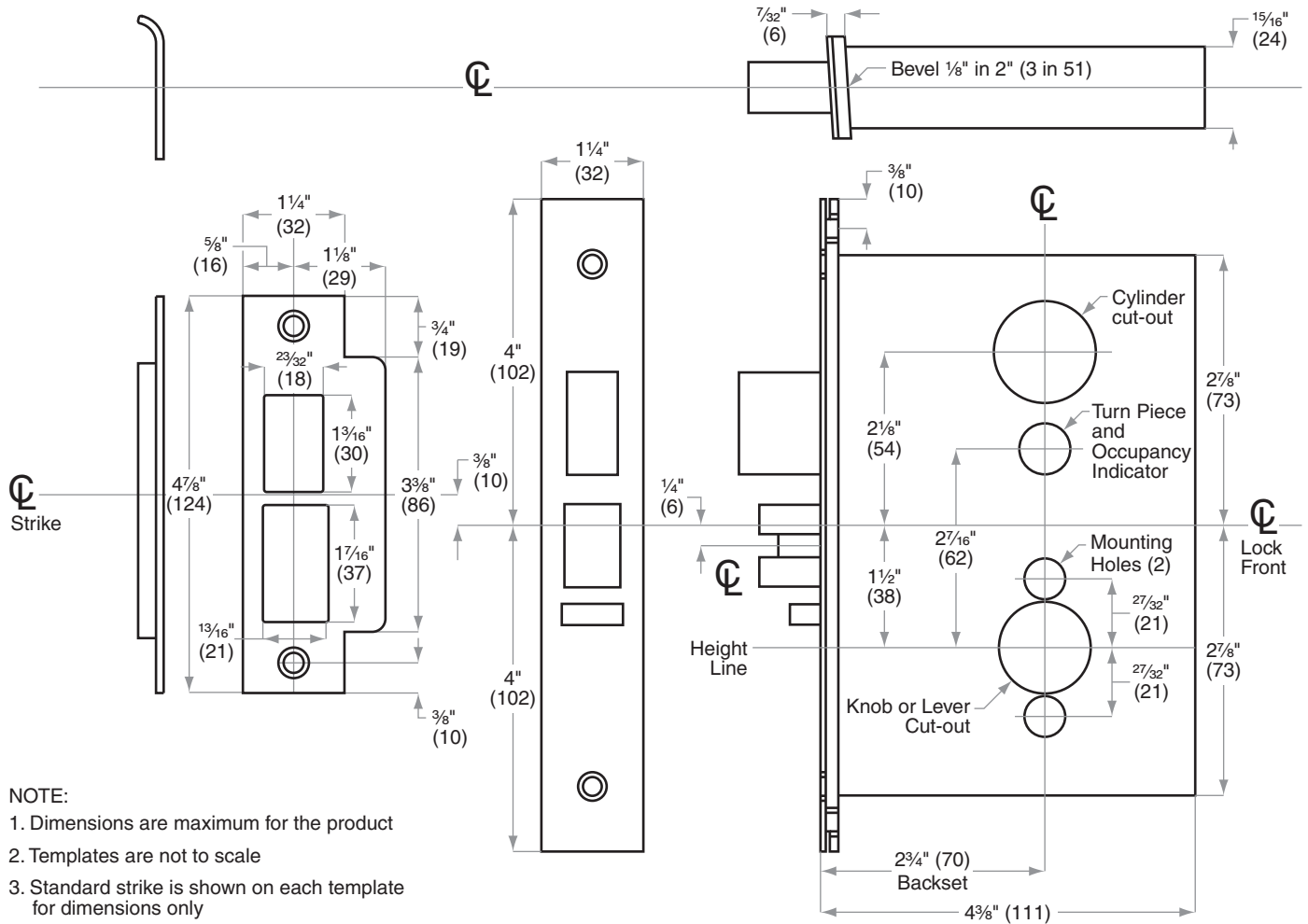
Certifications	ANSI A156 .13, Series 1000, Grade 1 Operation, Grade 2 security, UL Listed for 3-hour fire door.
Latch	2-piece brass mechanical anti-friction bolt, 3/4" projection.
Strike	1 1/4" x 4 7/8", ANSI, Square corner, no box.
Cylinder	6-Pin solid brass, keyed 5-pin, Falcon G keyway, keyed different (KD)
Door Range	1 3/4" – 2 1/4" standard
Keys	Two, nickel silver cut keys per lock, Falcon G keyway

* Locks are furnished with standard features unless otherwise specified.

Lock Assembly Drawing Index

The Lock Assembly Drawing Index provides visual representations and textual descriptions of available functions. Page numbers for full trim and chassis drawings are referenced.





- NOTE:
1. Dimensions are maximum for the product
 2. Templates are not to scale
 3. Standard strike is shown on each template for dimensions only
 4. Dimensions do not provide allowances for door silencers, weather stripping, sound proofing or other additions to door or door frames

ANSI Standards: M-Series locks meet all requirements for installations in doors and frames prepared in accordance with ANSI specifications A156.13, 2005

Metal Doors: Suitable reinforcement is required to support lock case in center of door and to prevent door from compressing when trim is tightened. (See ANSI A115.1)

Thick Doors: Locks for non-standard door thickness may require special instructions

Lead Lining: When M-Series locks are ordered with lead lining, add $\frac{1}{8}$ " (3) to the width of the mortise cut-out on the lock case cover side of installation

Electrified Locks: Provisions must be made to route low voltage wire to the lock. Attach wires to the 6" (152) pigtail of the solenoid. Power transfer unit and low voltage wiring are not furnished

Functions

M-Series Service Manual

To order Falcon M Series locksets, please consult page 19 for ordering information and assistance.










⌋ Indicates interchangeable core available.










Catalog Number Prefixes: Add the following prefix for the appropriate trim style.

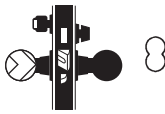
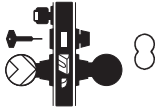






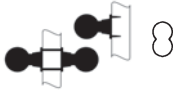
MM (example: MM521) = Knob Trim

LM (example: LM521) = Lever Trim

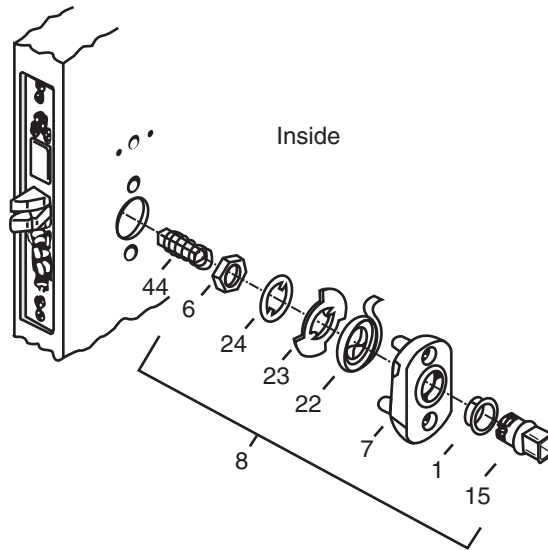
Note: If a special function is required and not listed here, please contact the factory for assistance.

Function		ANSI A156.13, 2005			Page	
SCHLAGE	ANSI	DESCRIPTION	OUTSIDE FUNCTION	INSIDE FUNCTION		
M101	F01-1 F01-2	Passage/Closet Latchset	Latch bolt by levers at all times.		Latch bolt by levers at all times.	11
M161	-	Connecting Room/Exit Latch	Non-removable blank plate.		Deadlocking latch bolt by inside knob/lever.	12
M301	F02-1 F02-2	Privacy Lock	Latch bolt by knobs/levers, emergency key (012727-000-30).		Latch bolt by knobs/levers. Deadbolt by turn.	13
M311	F19-1 F19-2	Privacy, Bedroom or Bath Lock	Latch bolt by knobs/levers. Deadbolt by emergency key (012727-000-30).		Latch bolt by knobs/levers. Deadbolt by turn. Rotating inside knob/lever retracts both bolts.	14
M321	F22-1 F22-2	Privacy Lock	Latch bolt operated by knob/lever from either side except when outside knob/lever is locked by inside T-turn. Emergency key (012727-000-30) furnished with lock.		Operating inside knob/lever, closing door or operating outside emergency release unlocks outside knob/lever.	15
M371	F14-1 F14-2	Store Door Lock	Latch bolt by knobs/levers. Deadbolt by key from either side.		Latch bolt by knobs/levers. Deadbolt by key from either side.	16
M381	F09-1 F09-2	Entry/Restroom Lock	Deadlocking latch bolt by knobs/levers except when outside knob/lever is locked by key inside, then by key outside.		-	17
M411	-	Asylum Lock	Deadlocking latch bolt by key from either side. Both knobs/levers rigid.		Deadlocking latch bolt by key from either side. Both knobs/levers rigid.	18
M431	-	Classroom Security Lock with Deadbolt	Retracted by knob/lever from either side, except when outside lever is locked; latch bolt then retracted by key outside.		Retracted by knob/lever from either side, except when outside lever is locked; latch bolt then retracted by rotating lever inside. Deadbolt thrown or retracted by key only.	19

Function		ANSI A156.13, 2005			Page	
SCHLAGE	ANSI	DESCRIPTION	OUTSIDE FUNCTION	INSIDE FUNCTION		
M441	-	Classroom Security Lock	Deadlocking latch bolt by levers from either side except when outer lever is locked by key from either side. Outer lever is unlocked by key from either side.		Deadlocking latch bolt by levers from either side except when outer lever is locked by key from either side. Inside lever is always free.	17
M451	F15-1 F15-2	Hotel/Guest Lock	Deadlocking latch bolt by key. Outside knob/lever rigid. Deadbolt by emergency key outside. Projecting deadbolt displays occupancy indicator and shuts out all keys except emergency.		Deadlocking latch bolt by inside knob/lever. Deadbolt by turn. Rotating inside knob/lever retracts both bolts. Must use button to unlock outside.	20
M521	F04-1 F04-2	Entry/Office Lock	Deadlocking latch bolt by knobs/levers except when outside knob/lever is locked by buttons in face, then by key outside.		Deadlocking latch bolt by knobs/levers except when outside knob/lever is locked by buttons in face, then by key outside. Must use button to unlock outside.	21
M531	F10-1 F10-2 F12-1 F12-2 F20-1	Apartment	Latch bolt by knobs/levers except when outside knob/lever is made inoperative by buttons in face. Deadbolt by key outside. Deadlocking latch.		Deadbolt by turn. Rotating inside knob/lever retracts both bolts.	22
M541	F21-1 F21-2	Entry/Office Lock	Latch bolt by knobs/levers. Deadbolt by key.		Latch bolt by knobs/levers. Deadbolt by turn.	16
M561	F05-1 F05-2	Classroom Lock	Deadlocking latch bolt by knobs/levers. Outside knob/lever locked by key outside.		Deadlocking latch bolt by knobs/levers. Inside knob/lever always free.	17
M571	F13-1 F13-2	Dormitory Lock	Latch bolt by knobs/levers except when knob/lever is locked by projecting deadbolt. Key retracts deadbolt and unlcks knob/lever.		Latch bolt by knobs/levers except when knob/lever is locked by projecting deadbolt. Rotating knob/lever retracts both bolts.	19
M581	F07-1	Storeroom Lock	Deadlocking latch bolt by key. Outside knob/lever always rigid.		Deadlocking latch bolt by knob/lever.	23
M621	F08	Entry Lock	Latch bolt is operated by knob/lever from either side except when outside knob/lever is made inoperative by a stop or mechanical means other than key. Key outside operates both bolts.		Deadbolt is operated by turn. Must use button to unlock outside.	24

Function		ANSI A156.13, 2005			Page	
SCHLAGE	ANSI	DESCRIPTION	OUTSIDE FUNCTION	INSIDE FUNCTION		
M641	-	Dormitory Lock	Latch bolt by key. Outside knob/lever rigid. Deadbolt by key. Deadlocking latch.		Latch bolt by knob/lever. Inside knob/lever free. Deadbolt by T-turn. Rotating knob/lever retracts both bolts. Deadlocking latch.	20
M711	-	Privacy Lock (Special)	Latch bolt operated by key. Outside knob/lever is always in operative. Deadbolt operated by emergency release. Key outside does not operate deadbolt. Deadlocking latch.		Latch bolt operated by operating knob/lever. Deadbolt operated by T-turn. Operating inside knob/lever retracts both bolts.	20
M851	-	Storeroom - Fail Safe EL	Latch bolt operated by knob/lever from either side except when outer knob/lever is electrically locked. When outer knob/lever is locked latch bolt retracted by key in cylinder outside. Deadlocking latch.		Auxiliary latch deadlocks latchbolt when door is closed. Inside knob/lever is always free for immediate exit.	25
M881	-	Storeroom - Fail Secure EU	When locked, key in cylinder outside retracts latch bolt.		Latch bolt operated by knob/lever from inside except when outer knob/lever is electrically unlocked, then latch bolt from either side.	26
M911	-	Classroom Safety Deadlock	Deadbolt retracted by key. Deadbolt projected by key.		Deadbolt retracted by turn.	27
M921	F18-1 F18-2	Deadlock	Deadbolt by key.		-	27
M931	F16-1 F16-2	Deadlock	Deadbolt by key.		Deadbolt by key.	27
M941	F17-1 F17-2	Deadlock	Deadbolt by key.		Deadbolt by turn.	27
M12/M18	-	Dummy Trim	Single or double available.		-	

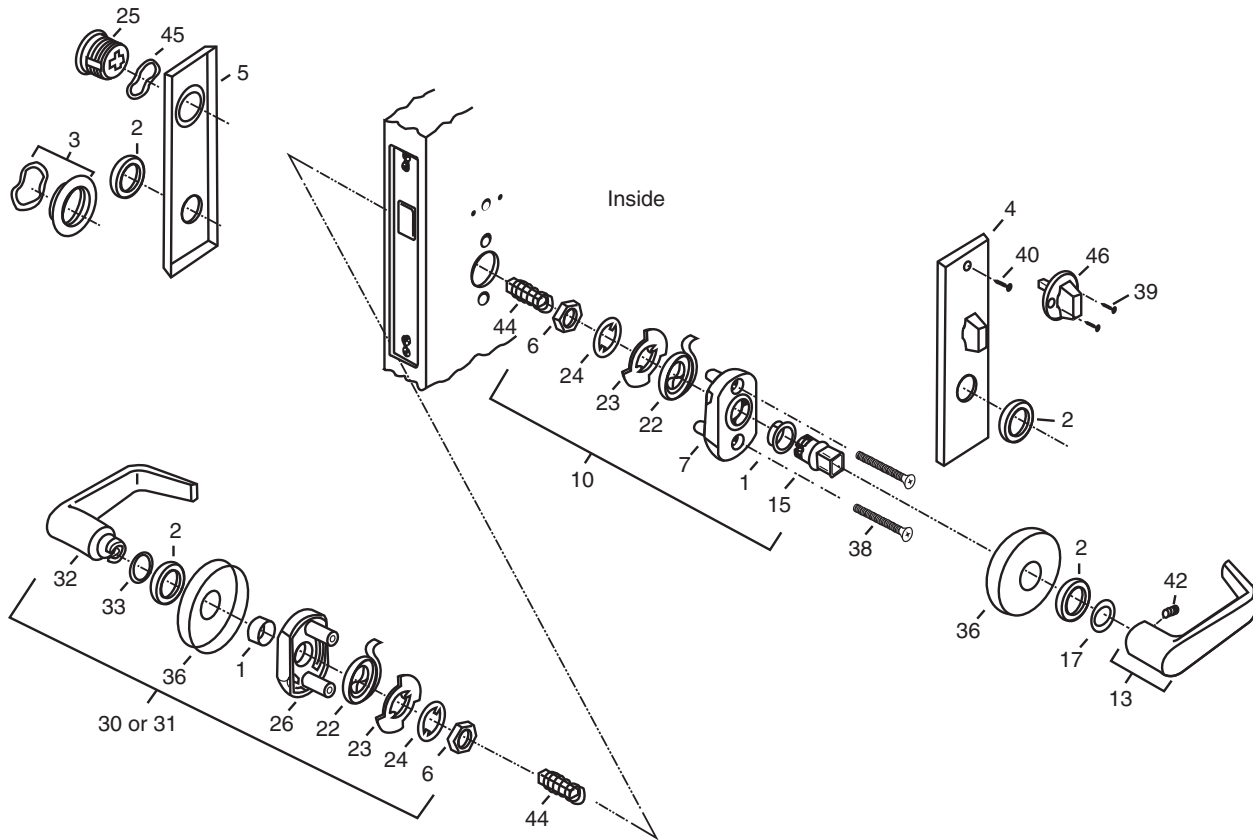
Replacement Parts for Early LM Series Lever Trim



Call Out Number	Description	Part Number
1	Bushing	030067-000-50
6	Hex Nut	030282-000-30
7	Inner Insert	030051-001-55
8	Inner Insert Assy, All Other Levers	A30073-003-00
15	Inner Trim Shank	030053-001-30

Call Out Number	Description	Part Number
22	Lever Return Spring, Green	030057-002-30
23	Lever Stop	030054-001-30
24	Lock Washer	030284-000-60
44	Spindle & Spring Assembly	A21245-000-00

Falcon LM Series Mortise Trim



Call Out Number	Description	Part Number
1	Bushing	030067-000-50
2	Collar	030059-000 *
3	Collar Assy, Sectional	A08794-000 *
4	Escutcheon w/T-Turn, Napa	A30203-000 *
5	Escutcheon, Napa	030066-005 *
6	Hex Nut	030282-000-30
7	Inner Insert	030051-001-55
10	Inner Insert Assy	A30073-001-00
13	Inner Lever Assy, Dane (shown)**	A30202-00D *
15	Inner Trim Shank	030053-001-30
17	Inner Washer	030205-001-50
22	Lever Return Spring	030057-002-30
23	Lever Stop	030054-001-30
24	Lock Washer	030284-000-60

Call Out Number	Description	Part Number
25	Mortise Cylinder w/9894-1 Cam	985 w/9894-1
26	Outer Insert, Tapped	030051-000-55
30	Outer Lever Assy, Dane Gala	A30068-00D *
31	Outer Lever Assy, Dane Napa	A30072-05D *
32	Outer Lever, Dane	021280-000 *
33	Outer Washer	030205-002-50
36	Rose	030052-000 *
38	Screw, 10-32 x 2 FHMS	030069-032-30
39	Screw, 6 x 1/2 FHSMS	002073-000 *
40	Screw, 6 x 3/4 OHSMS	002074-012 *
42	Set Screw, 1/4-28 x 1/4	030283-004-30
44	Spindle & Spring Assembly	A21245-000-00
45	Spring Washer, Cylinder	008789-001-60
46	T-Turn Assy, Sectional	A20336-000 *

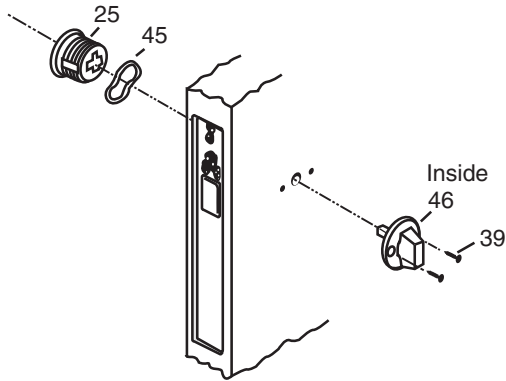
*= Finish or Specify Finish on All

**For other lever options, see page

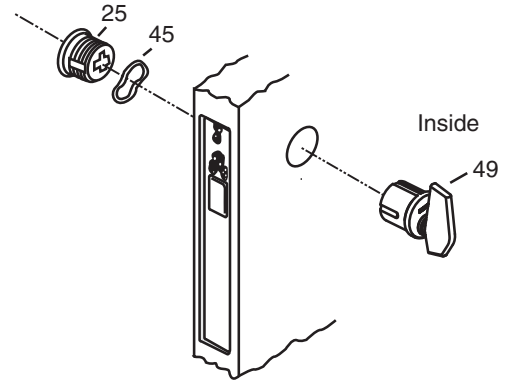
M-Series Service Manual

Falcon L-900 Series Mortise Trim

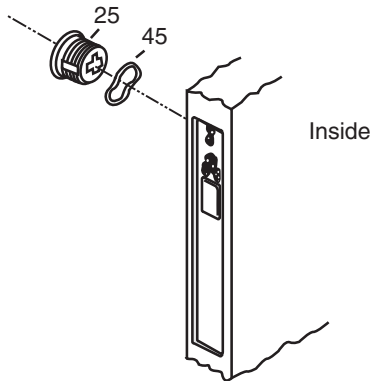
941



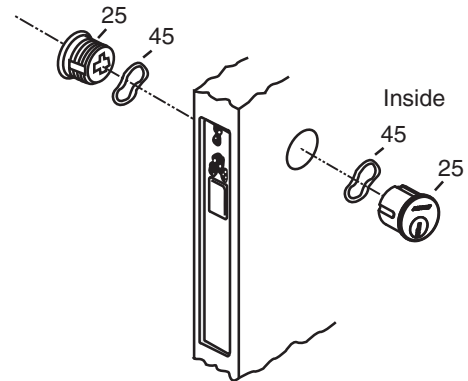
911



921



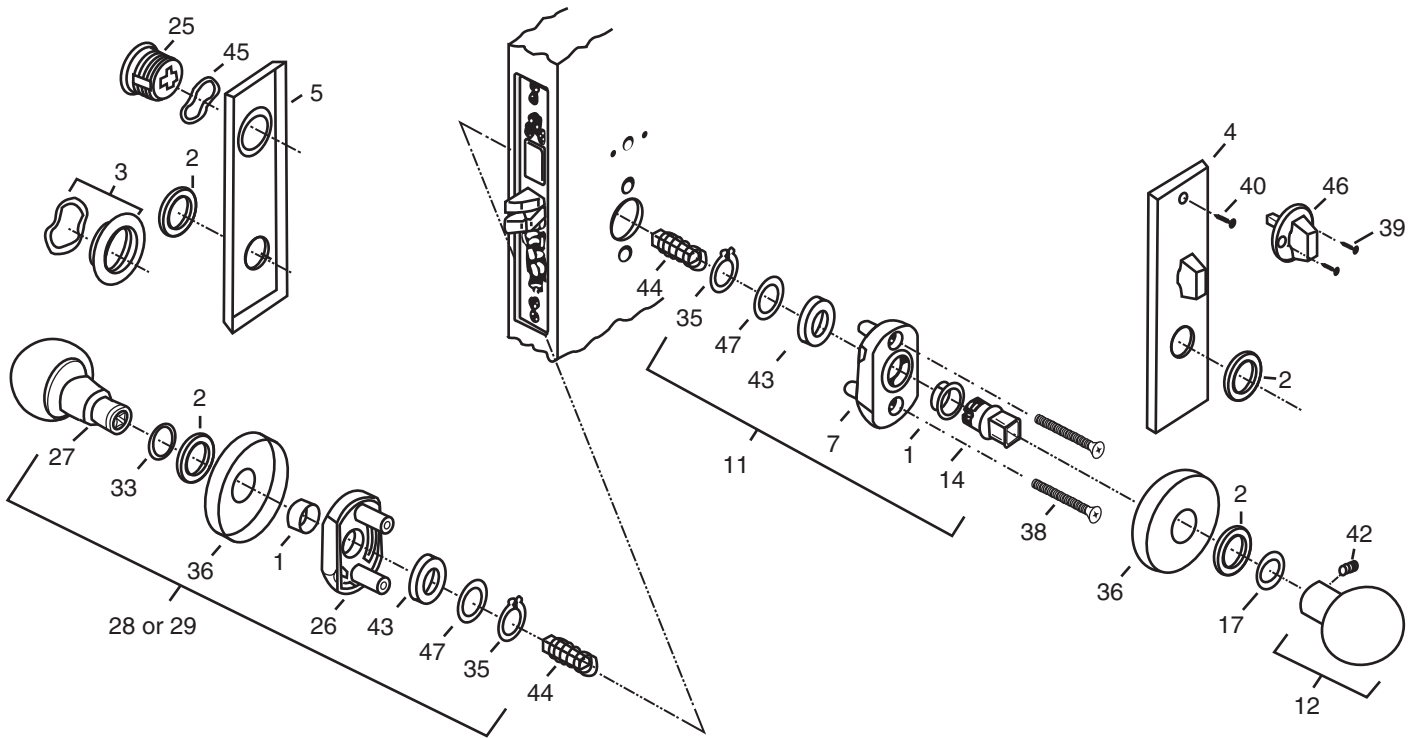
931



Call Out Number	Description	Part Number
25	Mortise Cylinder w/9894-1 Cam	985 w/9894-1
39	Screw, 6 x 1/2 FHSMS	002073-000 *
45	Spring Washer, Cylinder	008789-001-60
46	T-Turn Assy, Sectional	A20336-000 *
49	M911 Classroom Thumbturn	973 (RH) 974 (LH)

*= Finish or Specify Finish on All

Falcon MM Series Mortise Trim



Call Out Number	Description	Part Number
1	Bushing	030067-000-50
2	Collar	030059-000 *
3	Collar Assy, Sectional	A08794-000 *
4	Escutcheon w/T-Turn, Napa	A30203-000 *
5	Escutcheon, Napa	030066-005
7	Inner Insert	030051-001-55
11	Inner Insert Assy, Knob	A30078-000-00
12	Inner Knob Assy, Hana	A30065-00H *
14	Inner Trim Shank	030053-000-30
17	Inner Washer	030205-001-50
25	Mortise Cylinder w/9894-1 Cam	985 w/9894-1
26	Outer Insert, Tapped	030051-000-55
27	Outer Knob Assy, Hana	A30138-00H *
28	Outer Knob Assy, Hana Gala	A30077-00H *

Call Out Number	Description	Part Number
29	Outer Knob Assy, Hana Napa	A30074-05H *
33	Outer Washer	030205-002-50
35	Retainer Ring	002939-000-30
36	Rose	030052-000 *
38	Screw, 10-32 x 2 FHMS	030069-032-30
39	Screw, 6 x 1/2 FHSMS	002073-000 *
40	Screw, 6 x 3/4 OHSMS	002074-012 *
42	Set Screw, 1/4-28 x 1/4	030283-004-30
43	Spacer	030063-000-30
44	Spindle & Spring Assembly	A21245-000-00
45	Spring Washer, Cylinder	008789-001-60
46	T-Turn Assy, Sectional	A20336-000 *
47	Washer	030163-000-60

*= Finish or Specify Finish on All

M-Series Lever Trim Springs

030057-002-30

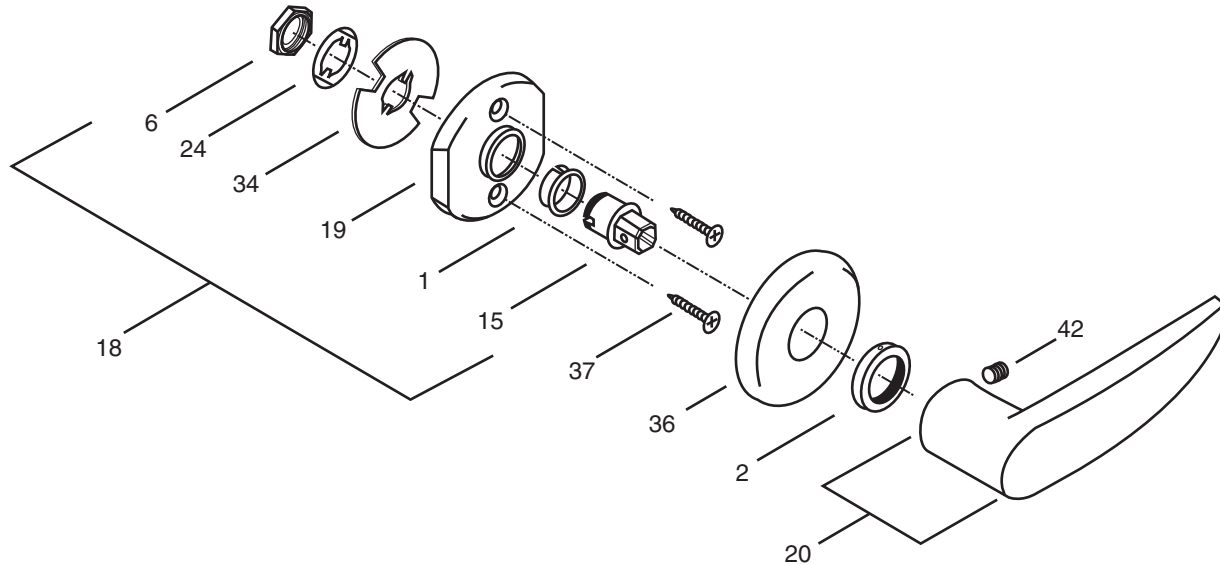
Yellow Color (.052 Thick Wire)
Replacement for Green Springs

Used on:

Avalon	All Materials
Dane	All Materials
Quantum	All Materials
Sutro	All Materials

First used in July 1995

LM12 Single Dummy Trim



Parts List - LM12 AG

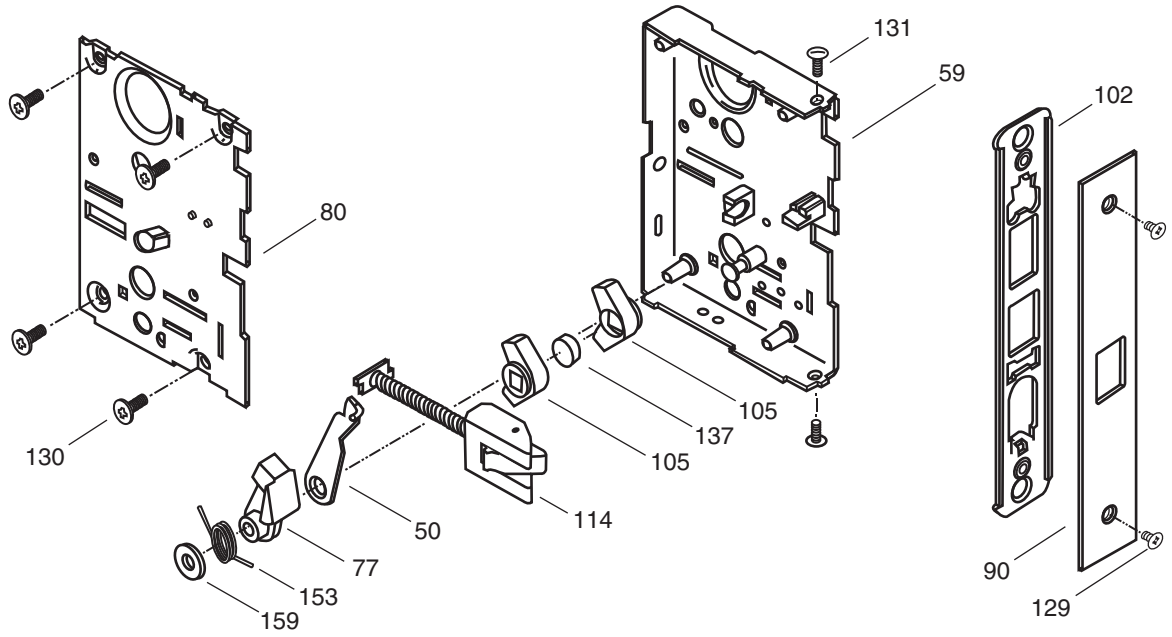
Call Out Number	Description	Part Number
1	Bushing	030067-000-50
2	Collar	030059-000 *
6	Hex Nut	030282-000-30
15	Inner Trim Shank	030053-001-30
18	Insert Assembly	A30257-04L-00
19	Insert, Dummy	030051-004-55

Call Out Number	Description	Part Number
20	Lever Assembly, Avalon**	A30202-00A *
24	Lock Washer	030284-000-60
34	Plate, Dummy	030054-002-30
36	Rose	030052-000 *
37	Screw, 10 x 1 FHSM (2)	030220-016-30
42	Set Screw, 1/4-28 x 1/4	030283-004-30

*= Finish or Specify Finish on All

** For other lever options, see page 25

M101 Passage Latchset
A20800-000-626



RIGHT HAND OR LEFT HAND REVERSE SHOWN

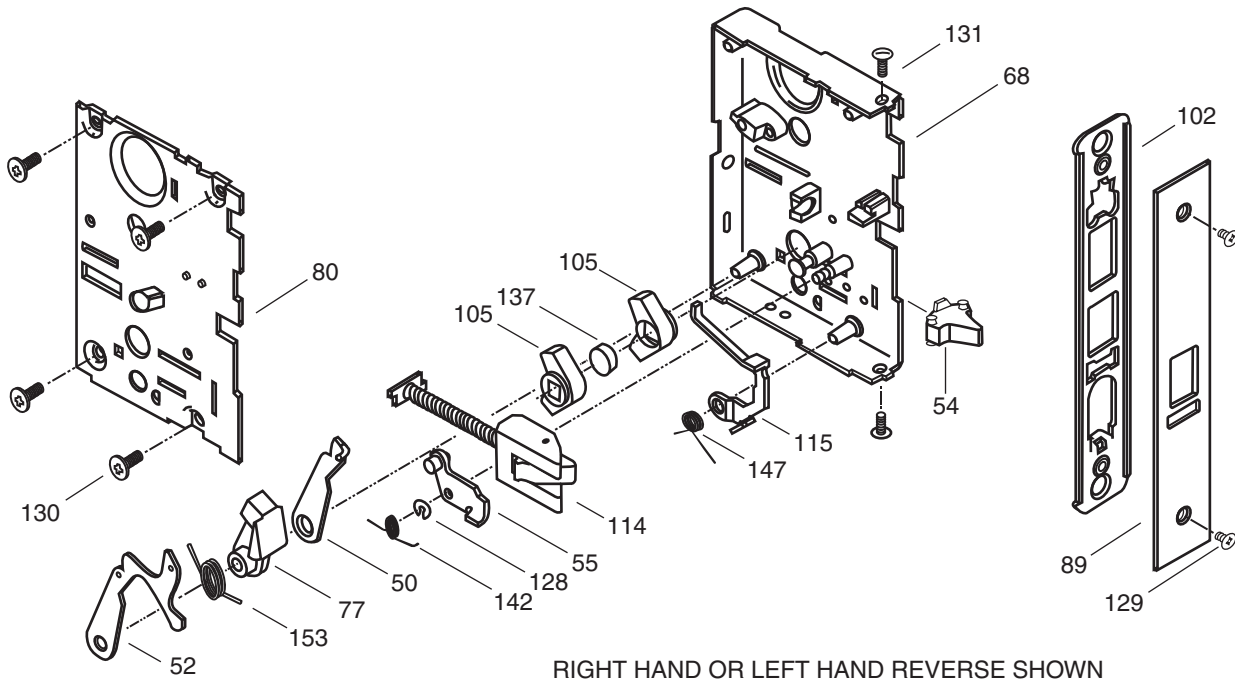
Parts List - A20800-30F * Locking Unit M101

Call Out Number	Description	Part Number
50	Arm, Lower Retract	020645-000-30
59	Case Assy	A20580-001-00
77	Coupling	020646-000-30
80	Cover Assy, Not Tapped	A30875-000-00
90	Faceplate	020100-000 *
102	Front Plate 1-1/4" Wide	021349-000-30
105	Hub, Non-Locking (2)	020642-000-30

Call Out Number	Description	Part Number
114	Latch Bolt Assy	A20639-004-626
129	Screw 8-32 x 1/4	K110-020
130	Screw 8-32 x 3/8 (4)	002801-006-30
131	Screw 8-32 x 3/8 (2)	002932-000-30
137	Spacer Hub	020674-000-30
153	Spring, Retract Arm	020666-000-60
159	Washer, Flat	002900-000-30

*= Finish or Specify Finish on All

M161 Connecting Room/Exit Latch
A30842-000-626



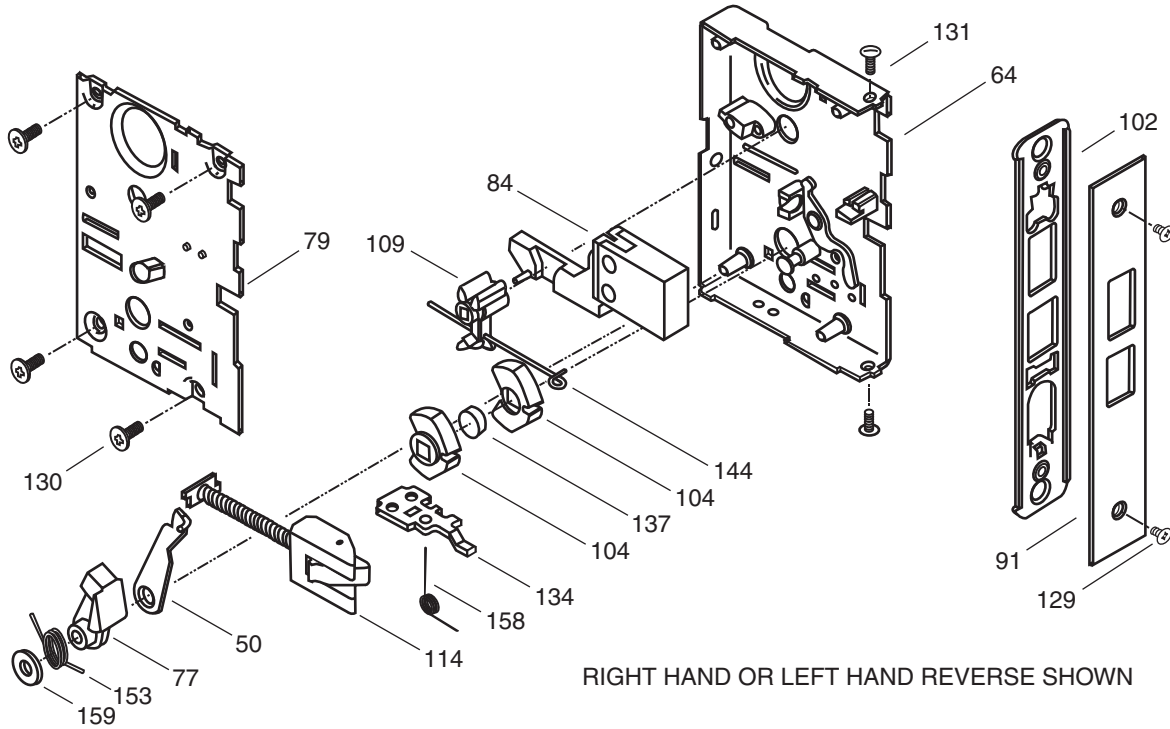
Parts List - A30842-30F* Locking Unit M161

Call Out Number	Description	Part Number
50	Arm, Lower Retract	020645-000-30
52	Arm, Upper Retract	020633-000-30
54	Bar, Deadlocking	020579-000-630
55	Blocker Assy	A20957-000-00
68	Case Assy	A30877-00-00
77	Coupling	020646-000-30
80	Cover Assy, Not Tapped	A30875-000-00
89	Faceplate	020099-01U *
102	Front Plate 1-1/4" Wide	021349-000-30
105	Hub, Non-Locking (2)	020642-000-30

Call Out Number	Description	Part Number
114	Latch Bolt Assy	A20639-004-626
115	Lever	020575-000-30
128	Ring, Truarc	005347-000-30
129	Screw 8-32 x 1/4 (2)	K110-020
130	Screw 8-32 x 3/8 (4)	002801-006-30
131	Screw 8-32 x 3/8 (2)	002932-000-30
137	Spacer Hub	020674-000-30
142	Spring, Blocker	020492-000-60
147	Spring, DL	020595-001-60
153	Spring, Retract Arm	020666-000-60

*= Finish or Specify Finish on All

M301 Privacy Lock
A20806-000-XXX



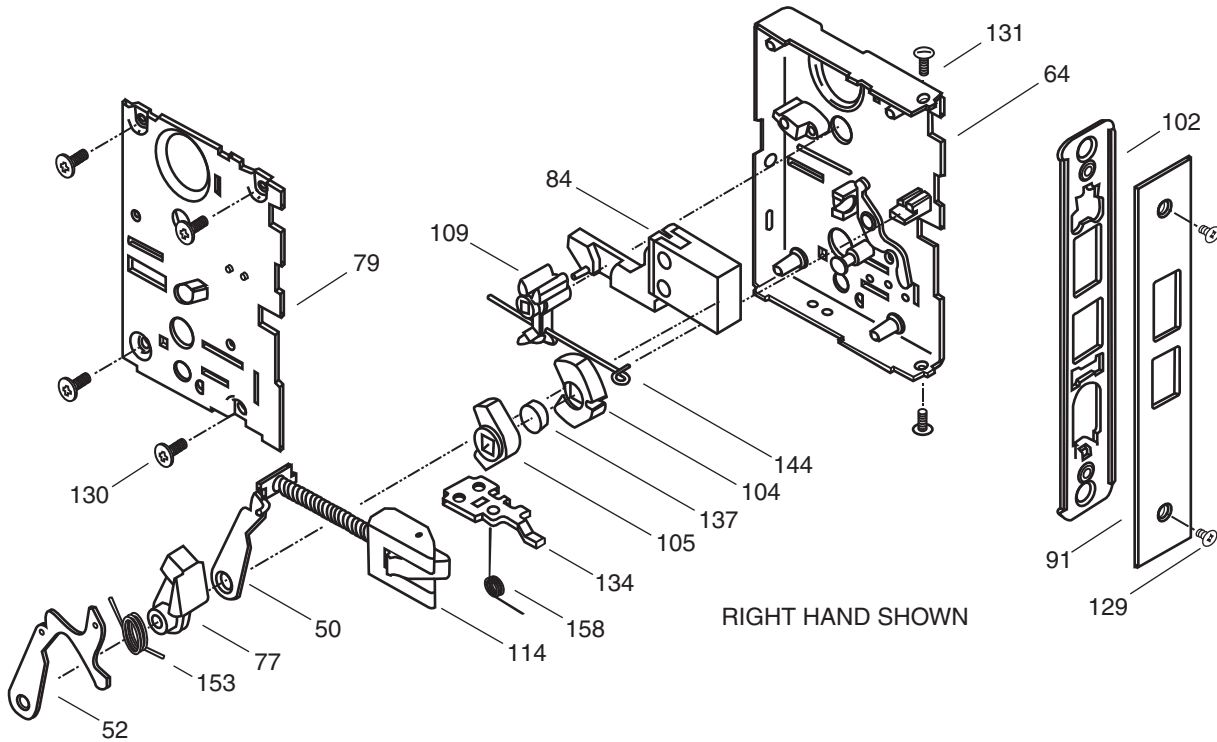
Parts List - A20806-000-626 Locking Unit M301

Call Out Number	Description	Part Number
50	Arm, Lower Retract	020645-000-30
64	Case Assy	A20588-001-00
77	Coupling	020646-000-30
79	Blocker Assy	A23204-000-00
84	Deadbolt 1"	030147-000-626
91	Faceplate UL	020109-000 *
102	Front Plate 1-1/4" Wide	021349-000-30
104	Hub, Locking	020643-000-30
109	Hub, T-Turn	020652-001-30
114	Latch Bolt Assy	A20639-004-626

Call Out Number	Description	Part Number
129	Screw 8-32 x 1/4 (2)	K110-020
130	Screw 8-32 x 3/8 (4)	002801-006-30
131	Screw 8-32 x 3/8 (2)	002932-000-30
134	Slide, Locking Hub	020572-000-30
137	Spacer Hub	020674-000-30
144	Spring, Deadbolt	020641-000-30
153	Spring, Retract Arm	020666-000-60
158	Torsion Spring	021111-001-60
159	Washer, Flat	002900-000-30

*= Finish or Specify Finish on All

M311 Privacy Lock
A21841-000-626



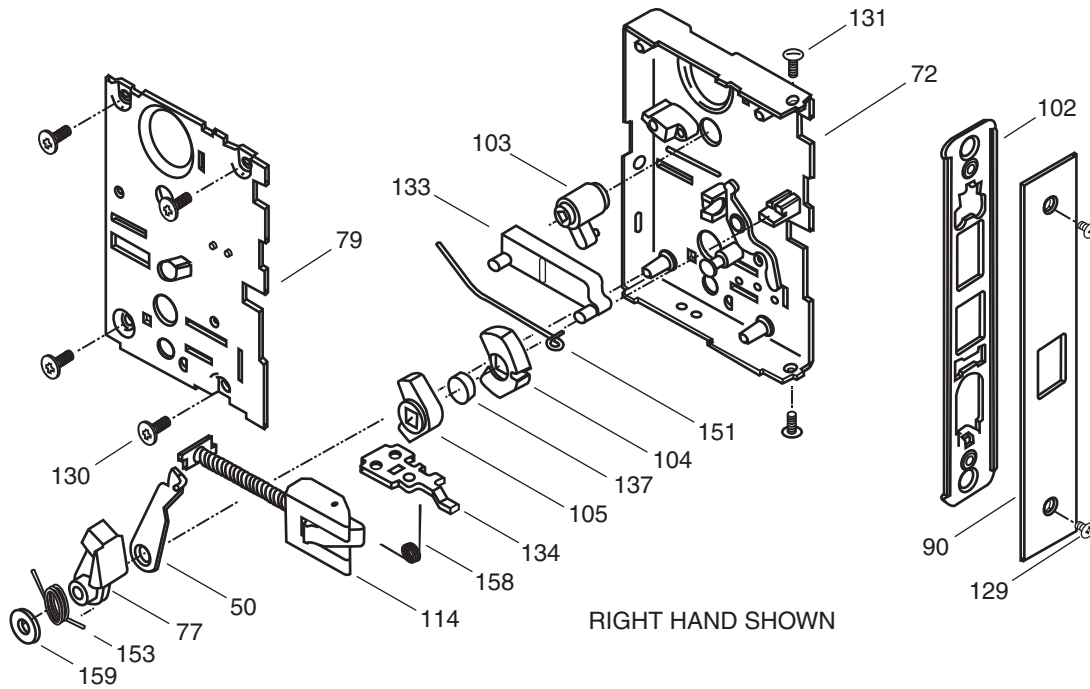
Parts List - A21863-30F * Locking Unit M311

Call Out Number	Description	Part Number
50	Arm, Lower Retract	020645-000-30
52	Arm, Upper Retract	020633-000-30
64	Case Assy, Not Tapped	A20588-001-00
77	Coupling	020646-000-30
79	Cover Assy, Threaded	A23204-000-00
84	Deadbolt 1"	030147-000-626
91	Faceplate UL	020109-000 *
102	Front Plate 1-1/4" Wide	021349-000-30
104	Hub, Locking	020643-000-30
105	Hub, Non-Locking	020642-000-30

Call Out Number	Description	Part Number
109	Hub, T-Turn	020652-001-30
114	Latch Bolt Assy	A20639-004-626
129	Screw 8-32 x 1/4 (2)	K110-020
130	Screw 8-32 x 3/8 (4)	002801-006-30
131	Screw 8-32 x 3/8 (2)	002932-000-30
134	Slide, Locking Hub	020572-000-30
137	Spacer Hub	020674-000-30
144	Spring, Deadbolt	020641-000-30
153	Spring, Retract Arm	020666-000-60
158	Torsion Spring	021111-001-60

*= Finish or Specify Finish on All

M321 Privacy Lock
A30539-000-626



Parts List - A30539-30F * Locking Unit M321

Call Out Number	Description	Part Number
50	Arm, Lower Retract	020645-000-30
72	Case Assy, Not Tapped	A30544-000-00
77	Coupling	020646-000-30
79	Cover Assy, Not Tapped	A23204-000-00
90	Faceplate	020100-000 *
102	Front Plate 1-1/4" Wide	021349-000-30
103	Hub & Pin Assy	A30534-000-00
104	Hub, Locking	020643-000-30
105	Hub, Non-Locking	020642-000-30
114	Latch Bolt Assy	A20639-004-626

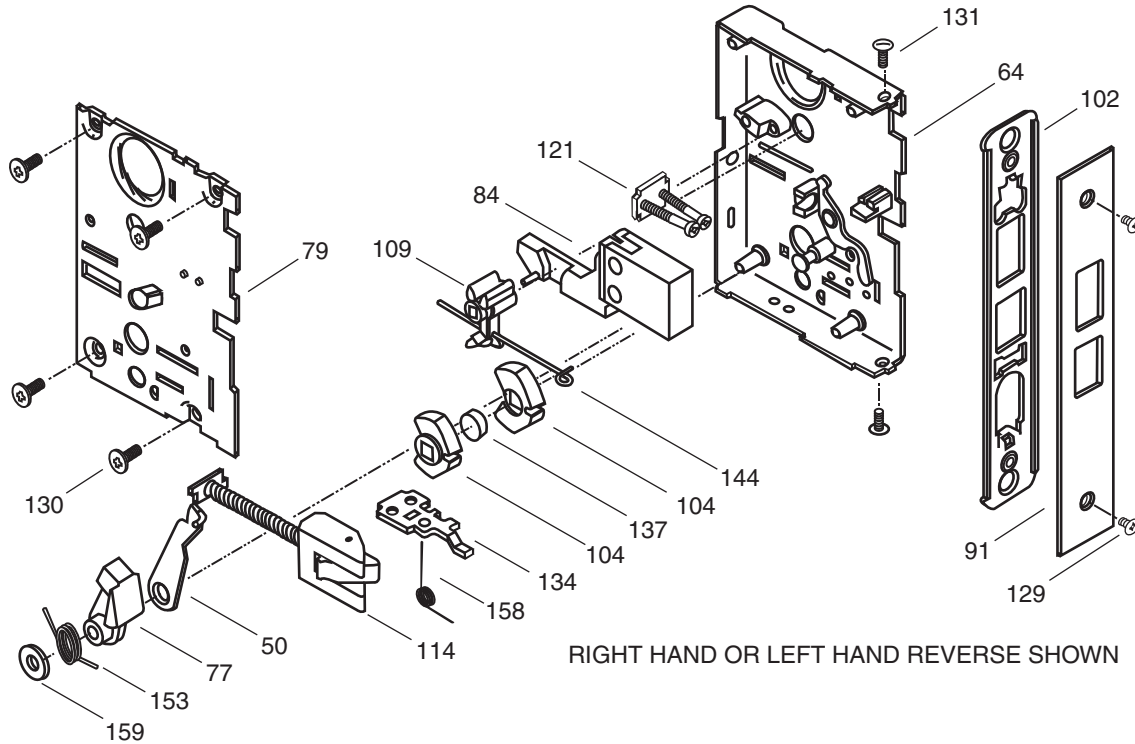
Call Out Number	Description	Part Number
129	Screw 8-32 x 1/4 (2)	K110-020
130	Screw 8-32 x 3/8 (4)	002801-006-30
131	Screw 8-32 x 3/8 (2)	002932-000-30
133	Slide, Locking	030535-000-55
134	Slide, Locking Hub	020572-000-30
137	Spacer Hub	020674-000-30
151	Spring, Locking Slide	030382-000-30
153	Spring, Retract Arm	020666-000-60
158	Torsion Spring	021111-001-60
159	Washer, Flat	002900-000-30

*= Finish or Specify Finish on All

M371 Store Door Lock

M541 Entry/Office Lock

A20809-000-626



Parts List - A20809-000-626 Locking Unit M371/541

Call Out Number	Description	Part Number
50	Arm, Lower Retract	020645-000-30
64	Case Assy	A20588-001-00
77	Coupling	020646-000-30
79	Cover Assy	A23204-000-00
84	Deadbolt 1"	030147-000-626
91	Faceplate	020109-000 *
102	Front Plate 1-1/4" Wide	021349-000-30
104	Hub, Locking (2)	020643-000-30
109	Hub, T-Turn	020652-001-30
114	Latch Bolt Assy	A20639-004-626

Call Out Number	Description	Part Number
121	Retainer Assy, Cyl	A21209-000-00
129	Screw 8-32 x 1/4 (2)	K110-020
130	Screw 8-32 x 3/8 (4)	002801-006-30
131	Screw 8-32 x 3/8 (2)	002932-000-30
134	Slide, Locking Hub	020572-000-30
137	Spacer Hub	020674-000-30
144	Spring, Deadbolt	020641-000-30
153	Spring, Retract Arm	020666-000-60
158	Torsion Spring	021111-001-60
159	Washer, Flat	002900-000-30

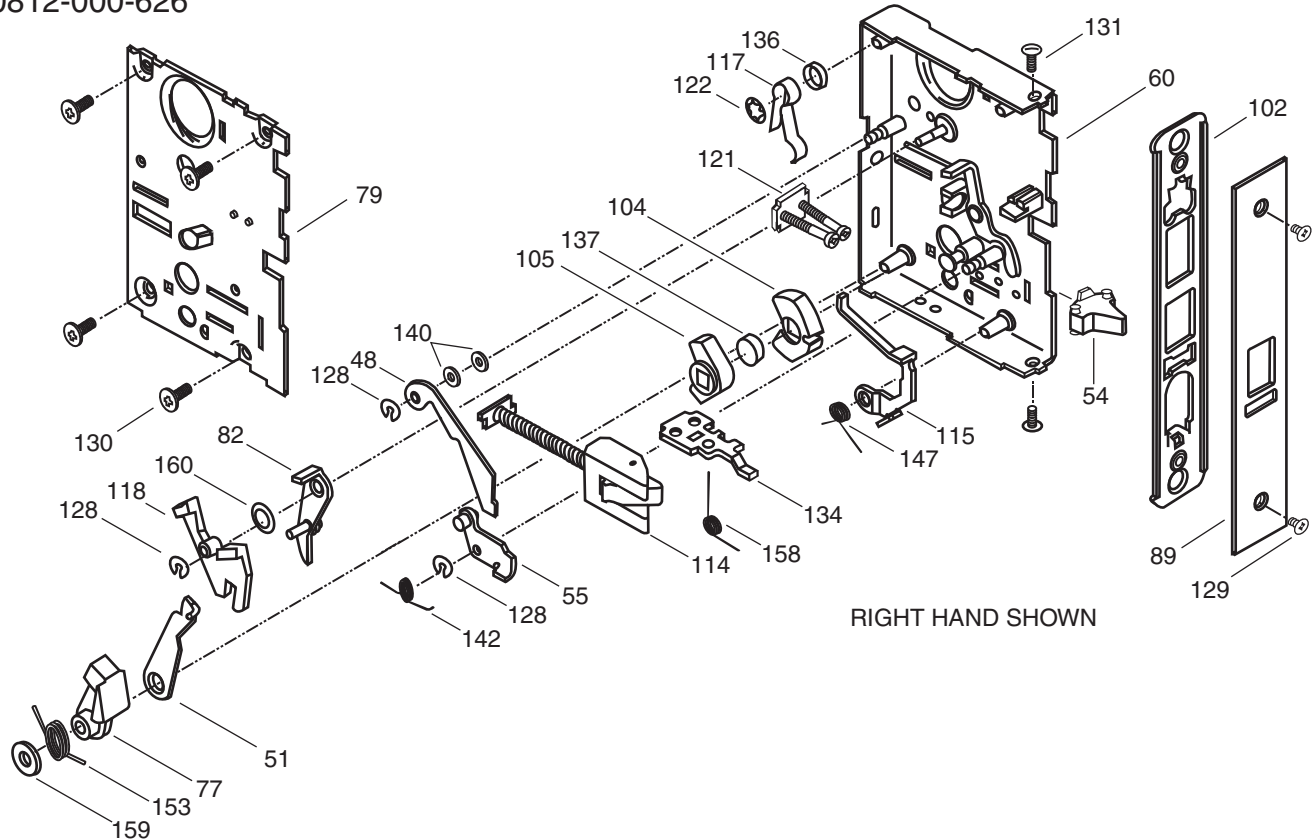
*= Finish or Specify Finish on All

M381 Entry/Restroom Lock

M441 Classroom Security

M561 Classroom Lock

A30812-000-626



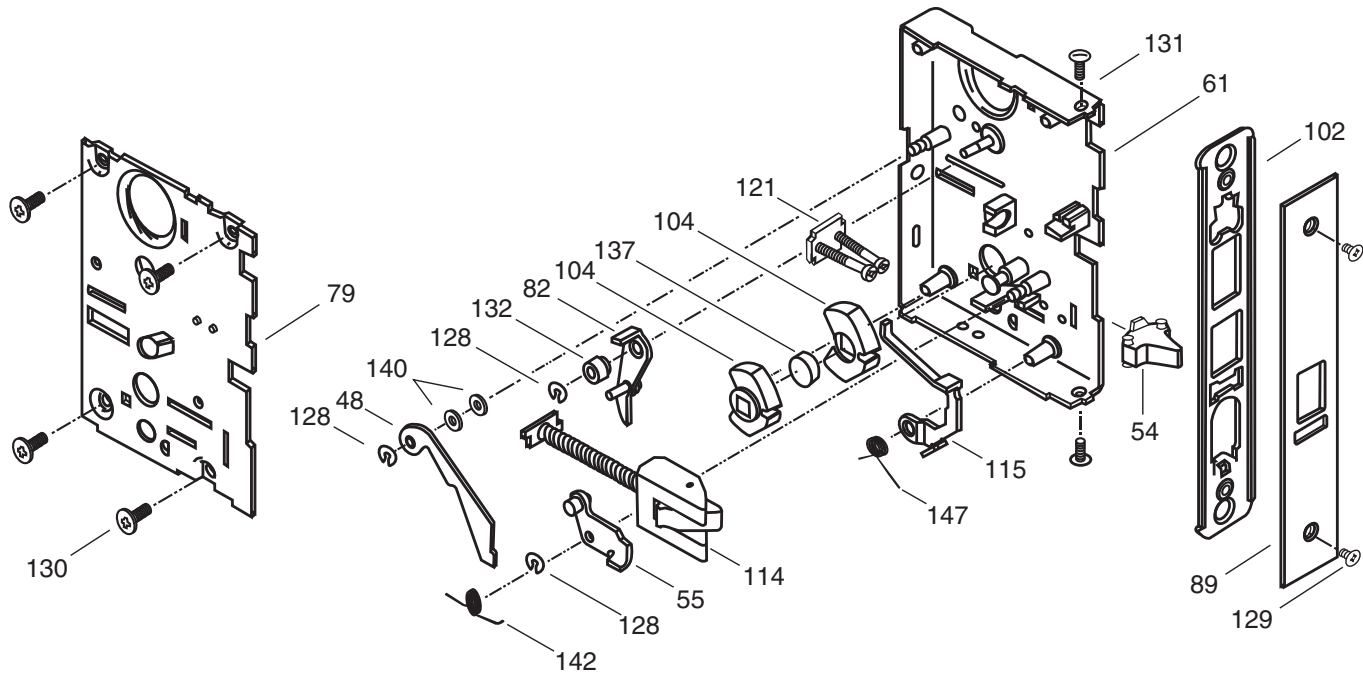
Parts List - A30812-30F * Locking Unit M381/561

Call Out Number	Description	Part Number
48	Arm, Blocker Release	020491-000-30
51	Arm, Lower Retract	021185-000-30
54	Bar, Deadlocking	020579-000-630
55	Blocker Assy	A20957-000-00
60	Case Assy	A20583-002-00
77	Coupling	020646-000-30
79	Cover Assy	A23204-000-00
82	Cylinder Lever Assy	A20598-000-00
89	Faceplate	020099-01U *
102	Front Plate 1-1/4" Wide	021349-000-30
104	Hub, Locking	020643-000-30
105	Hub, Non-Locking	020642-000-30
114	Latch Bolt Assy	A20639-004-626
115	Lever	020575-000-30
117	Lever Spring	020086-000-30
118	Lever, Cyl	020660-000-30

Call Out Number	Description	Part Number
121	Retainer Assy, Cyl	A21209-000-00
122	Retaining Ring	002975-000-30
128	Ring, Truarc (3)	005347-000-30
129	Screw 8-32 x 1/4 (2)	K110-020
130	Screw 8-32 x 3/8 (4)	002801-006-30
131	Screw 8-32 x 3/8 (2)	002932-000-30
134	Slide, Locking Hub	020572-000-30
136	Spacer, Spring	021026-000-10
137	Spacer Hub	020674-000-30
140	Spacer, Washer (2)	020447-000-10
142	Spring, Blocker	020492-000-60
147	Spring, DL	020595-001-60
153	Spring, Retract Arm	020666-000-60
158	Torsion Spring	021111-001-60
159	Washer, Flat	002900-000-30
160	Washer, Flat	004315-000-60

*= Finish or Specify Finish on All

M411 Asylum Lock
A30815-000-626



RIGHT HAND OR LEFT HAND REVERSE SHOWN

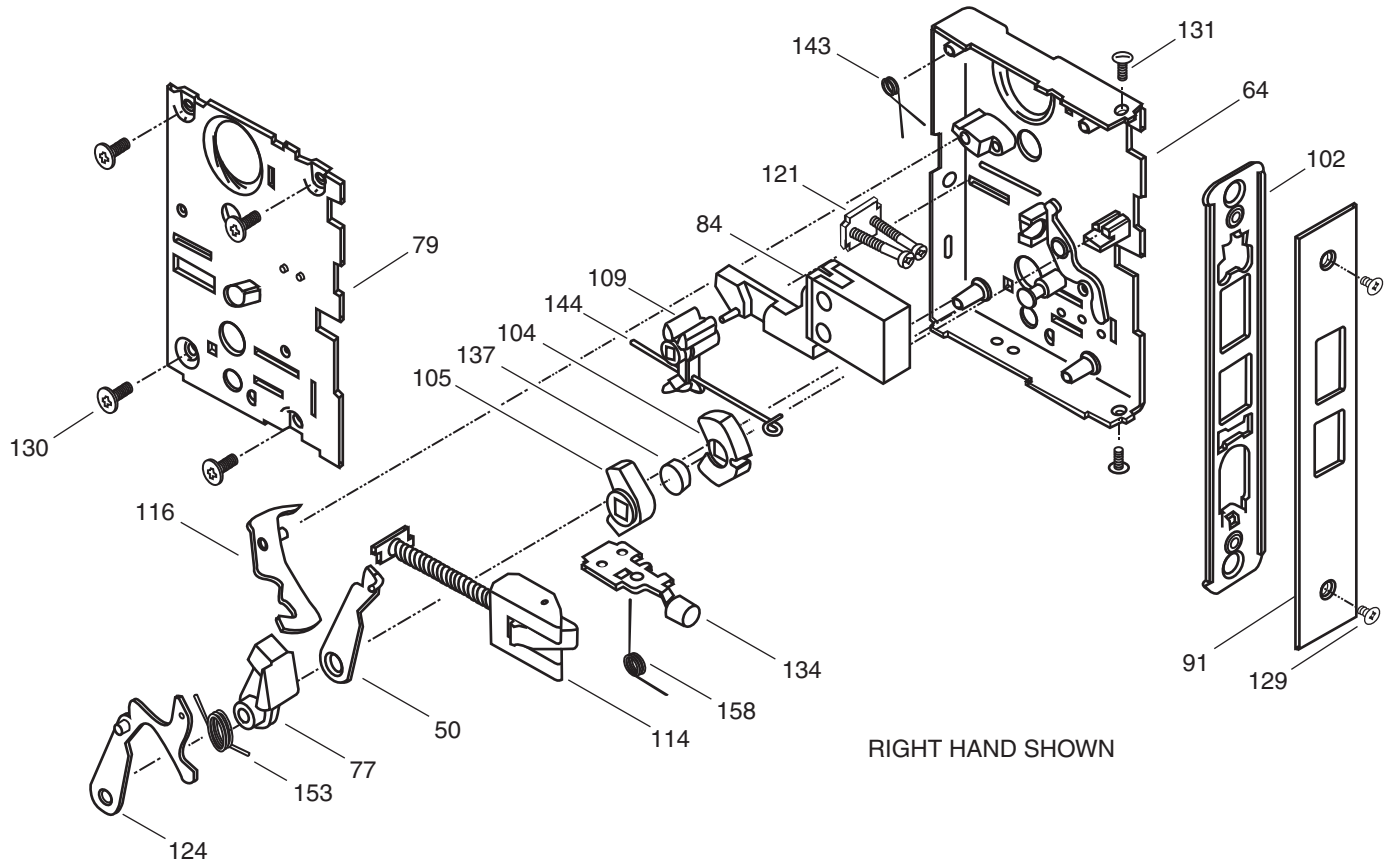
Parts List - A30815-30F * Locking Unit M411

Call Out Number	Description	Part Number
48	Arm, Blocker Release	020491-000-30
54	Bar, Deadlocking	020579-000-630
55	Blocker Assy	A20957-000-00
61	Case Assy	A20584-002-00
79	Cover Assy	A23204-000-00
82	Cylinder Lever Assy	A20598-000-00
89	Faceplate	020099-01U *
102	Front Plate 1-1/4" Wide	021349-000-30
104	Hub, Locking (2)	020643-000-30
114	Latch Bolt Assy	A20639-004-626
115	Lever	020575-000-30

Call Out Number	Description	Part Number
121	Retainer Assy. Cyl	A21209-000-00
128	Ring, Truarc (3)	005347-000-30
129	Screw 8-32 x 1/4 (2)	K110-020
130	Screw 8-32 x 3/8 (4)	002801-006-30
131	Screw 8-32 x 3/8 (2)	002932-000-30
132	Sleeve, Lever Post	020659-000-10
137	Spacer Hub	020674-000-30
140	Spacer, Washer (2)	020447-000-10
142	Spring, Blocker	020492-000-60
147	Spring, DL	020595-001-60

*= Finish or Specify Finish on All

M431 Classroom Security and Deadbolt
M571 Dormitory Lock
 A20827-000-626



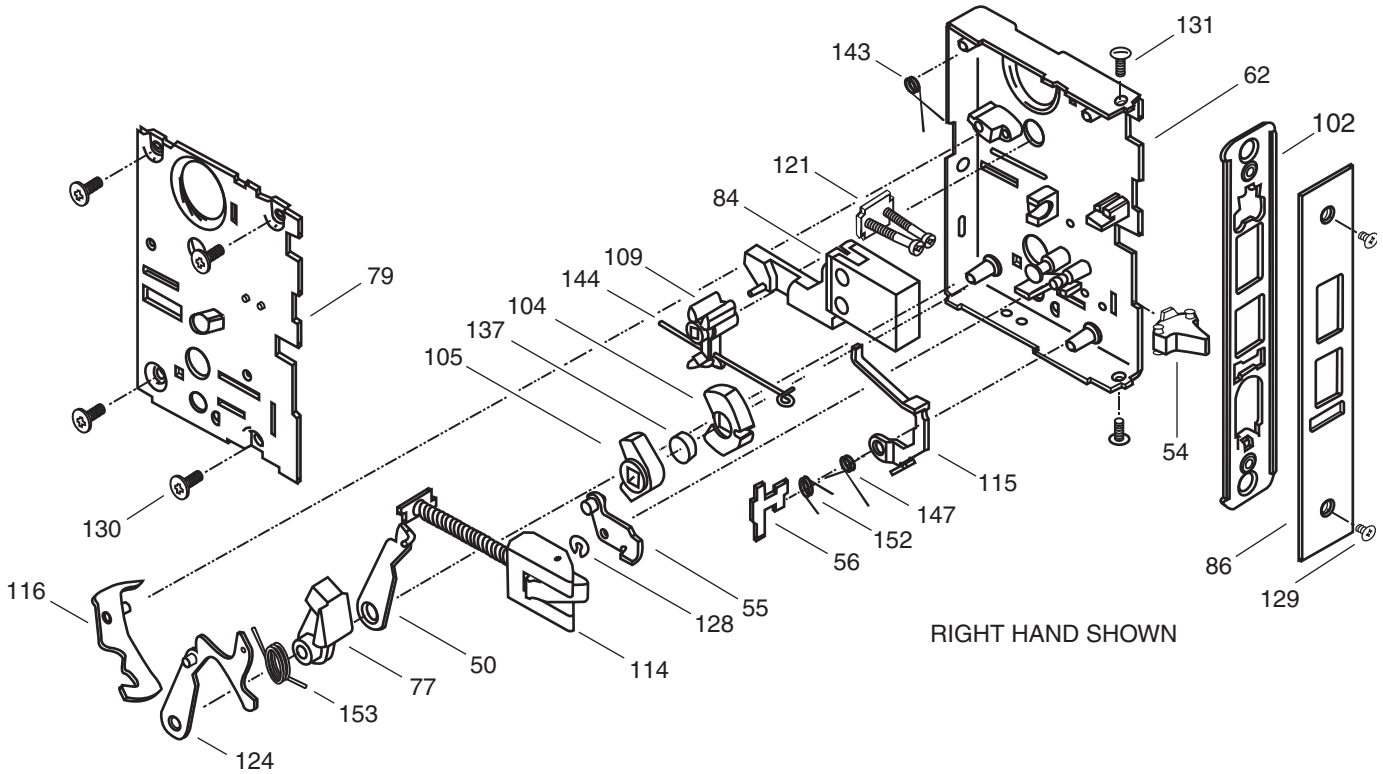
Parts List - A20827-000-626

Call Out Number	Description	Part Number
50	Arm, Lower Retract	020645-000-30
64	Case Assy	A20588-001-00
77	Coupling	020646-000-30
79	Cover Assy	A23204-000-00
84	Deadbolt 1"	030147-000-626
91	Faceplate	020109-000 *
102	Front Plate 1-1/4" Wide	021349-000-30
104	Hub, Locking	020643-000-30
105	Hub, Non-Locking	020642-000-30
109	Hub, T-Turn	020652-001-30
114	Latch Bolt Assy	A20639-004-626
116	Lever & Pin Assy	A20602-000-00

Call Out Number	Description	Part Number
121	Retainer Assy, Cyl	A21209-000-00
124	Retract Arm Assy	A20601-002-00
129	Screw 8-32 x 1/4 (2)	K110-020
130	Screw 8-32 x 3/8 (4)	002801-006-30
131	Screw 8-32 x 3/8 (2)	002932-000-30
134	Slide, Locking Hub	020572-000-30
137	Spacer Hub	020674-000-30
143	Spring, Cyl Lever	021011-000-60
144	Spring, Deadbolt	020641-000-30
153	Spring, Retract Arm	020666-000-60
158	Torsion Spring	021111-001-60

*= Finish or Specify Finish on All

M451 Hotel/Motel Lock
M641 Dormitory Lock
M711 Privacy Lock w/Cyl
 A30836-000-626



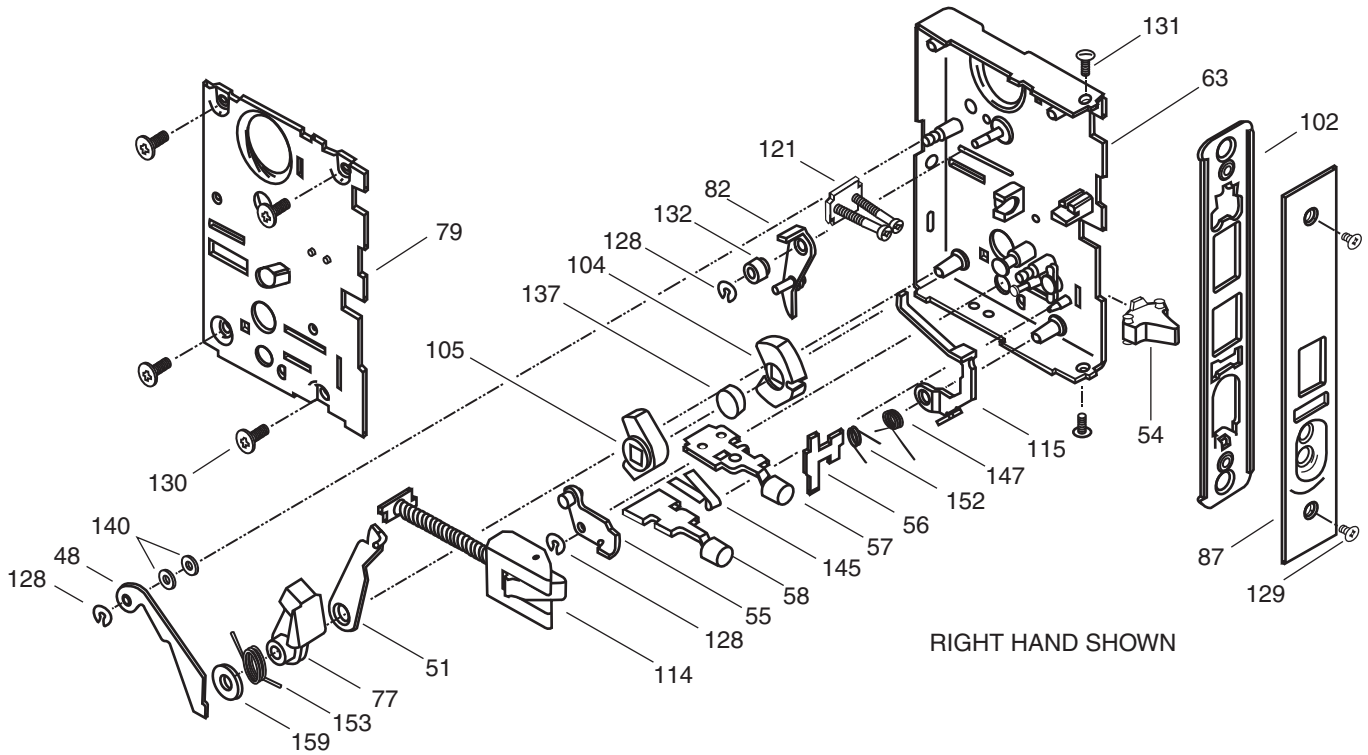
Parts List - A30836-30F * Locking Unit M451/631/641/711

Call Out Number	Description	Part Number
50	Arm, Lower Retract	020645-000-30
54	Bar, Deadlocking	020579-000-630
55	Blocker Assy	A20957-000-00
56	Blocker, Button	020577-000-30
62	Case Assy	A20586-002-00
77	Coupling	020646-000-30
79	Cover Assy	A23204-000-00
84	Deadbolt 1"	030147-000-626
86	Faceplate	014548-01U *
102	Front Plate 1-1/4" Wide	021349-000-30
104	Hub, Locking	020643-000-30
105	Hub, Non-Locking	020642-000-30
109	Hub, T-Turn	020652-001-30
114	Latch Bolt Assy	A20639-004-626

Call Out Number	Description	Part Number
115	Lever	020575-000-30
116	Lever & Pin Assy	A20602-000-00
121	Retainer Assy. Cyl	A21209-000-00
124	Retract Arm Assy	A20601-002-00
128	Ring, Truarc	005347-000-30
129	Screw 8-32 x 1/4 (2)	K110-020
130	Screw 8-32 x 3/8 (4)	002801-006-30
131	Screw 8-32 x 3/8 (2)	002932-000-30
137	Spacer Hub	020674-000-30
143	Spring, Cyl Lever	021011-000-60
144	Spring, Deadbolt	020641-000-30
147	Spring, DL	020595-001-60
152	Spring, Low Blocker	020978-000-60
153	Spring, Retract Arm	020666-000-60

*= Finish or Specify Finish on All

M521 Entry/Office Lock
A30824-000-626



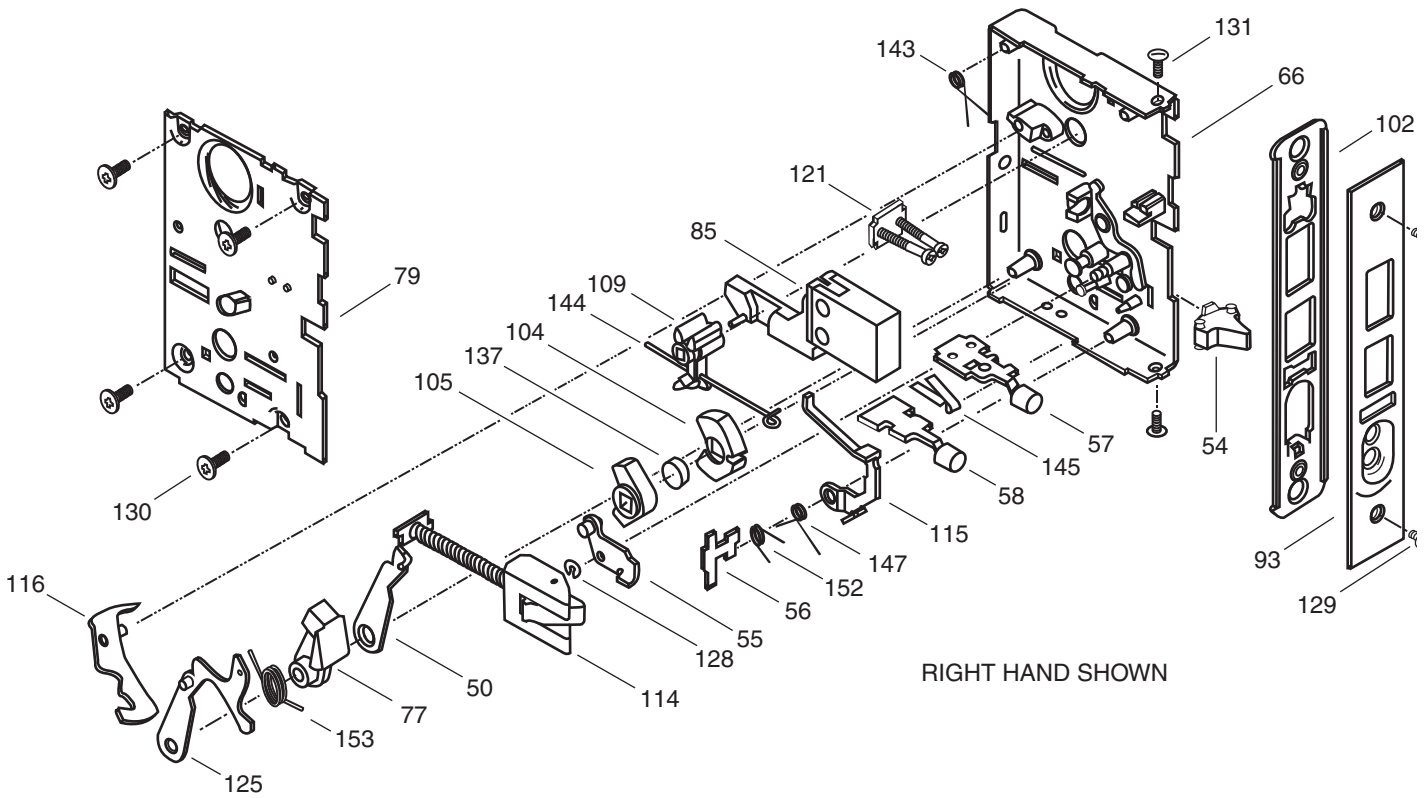
Parts List - A30824-30F * Locking Unit M521

Call Out Number	Description	Part Number
48	Arm, Blocker Release	020491-000-30
51	Arm, Lower Retract	021185-000-30
54	Bar, Deadlocking	020579-000-630
55	Blocker Assy	A20957-000-00
56	Blocker, Button	020577-000-30
57	Button Assy, Locking	A20958-000-626
58	Button Assy, Non-Lock	A20915-000-626
63	Case Assy	A20587-002-00
77	Coupling	020646-000-30
79	Cover Assy	A23204-000-00
82	Cylinder Lever Assy	A20598-000-00
87	Faceplate	020098-01U *
102	Front Plate 1-1/4" Wide	021349-000-30
104	Hub, Locking	020643-000-30
105	Hub, Non-Locking	020642-000-30

Call Out Number	Description	Part Number
114	Latch Bolt Assy	A20639-004-626
115	Lever	020575-000-30
121	Retainer Assy. Cyl	A21209-000-00
128	Ring, Truarc (3)	005347-000-30
129	Screw 8-32 x 1/4 (2)	K110-020
130	Screw 8-32 x 3/8 (4)	002801-006-30
131	Screw 8-32 x 3/8 (2)	002932-000-30
132	Sleeve, Lever Post	020659-000-10
137	Spacer Hub	020674-000-30
140	Spacer, Washer (2)	020447-000-10
145	Spring, Detent	021162-000-30
147	Spring, DL	020595-001-60
152	Spring, Low Blocker	020978-000-60
153	Spring, Retract Arm	020666-000-60
159	Washer, Flat	002900-000-30

*= Finish or Specify Finish on All

M531 Apartment Lock
A21019-001-626



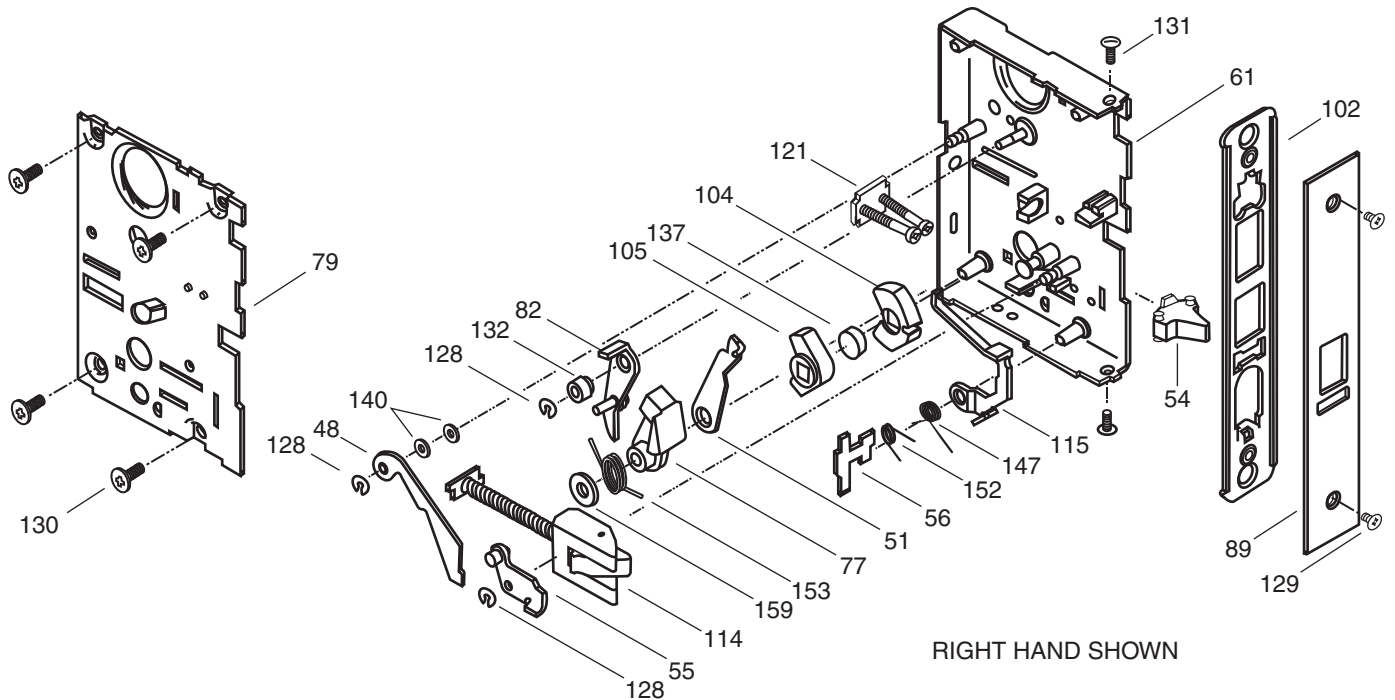
Parts List - A21308-30F * Locking Unit M361/531

Call Out Number	Description	Part Number
50	Arm, Lower Retract	020645-000-30
54	Bar, Deadlocking	020579-000-630
55	Blocker Assy	A20957-000-00
56	Blocker, Button	020577-000-30
57	Button Assy, Locking	A20958-000-626
58	Button Assy, Non-Lock	A20915-000-626
66	Case Assy	A20956-001-00
77	Coupling	020646-000-30
79	Cover Assy	A23204-000-00
85	Deadbolt 1"	030147-002-626
93	Faceplate	020576-01U *
102	Front Plate 1-1/4" Wide	021349-000-30
104	Hub, Locking	020643-000-30
105	Hub, Non-Locking	020642-000-30
109	Hub, T-Turn	020652-001-30
114	Latch Bolt Assy	A20639-004-626

Call Out Number	Description	Part Number
115	Lever	020575-000-30
116	Lever & Pin Assy	A20602-000-00
121	Retainer Assy, Cyl	A21209-000-00
125	Retract Arm Assy	A20601-002-00
128	Ring, Truarc	005347-000-30
129	Screw 8-32 x 1/4 (2)	K110-020
130	Screw 8-32 x 3/8 (4)	002801-006-30
131	Screw 8-32 x 3/8 (2)	002932-000-30
137	Spacer Hub	020674-000-30
143	Spring, Cyl Lever	021011-000-60
144	Spring, Deadbolt	020641-000-30
145	Spring, Detent	021162-000-30
147	Spring, DL	020595-001-60
152	Spring, Low Blocker	020978-000-60
153	Spring, Retract Arm	020666-000-60

*= Finish or Specify Finish on All

M581 Storeroom/Exit Lock
A30830-000-626



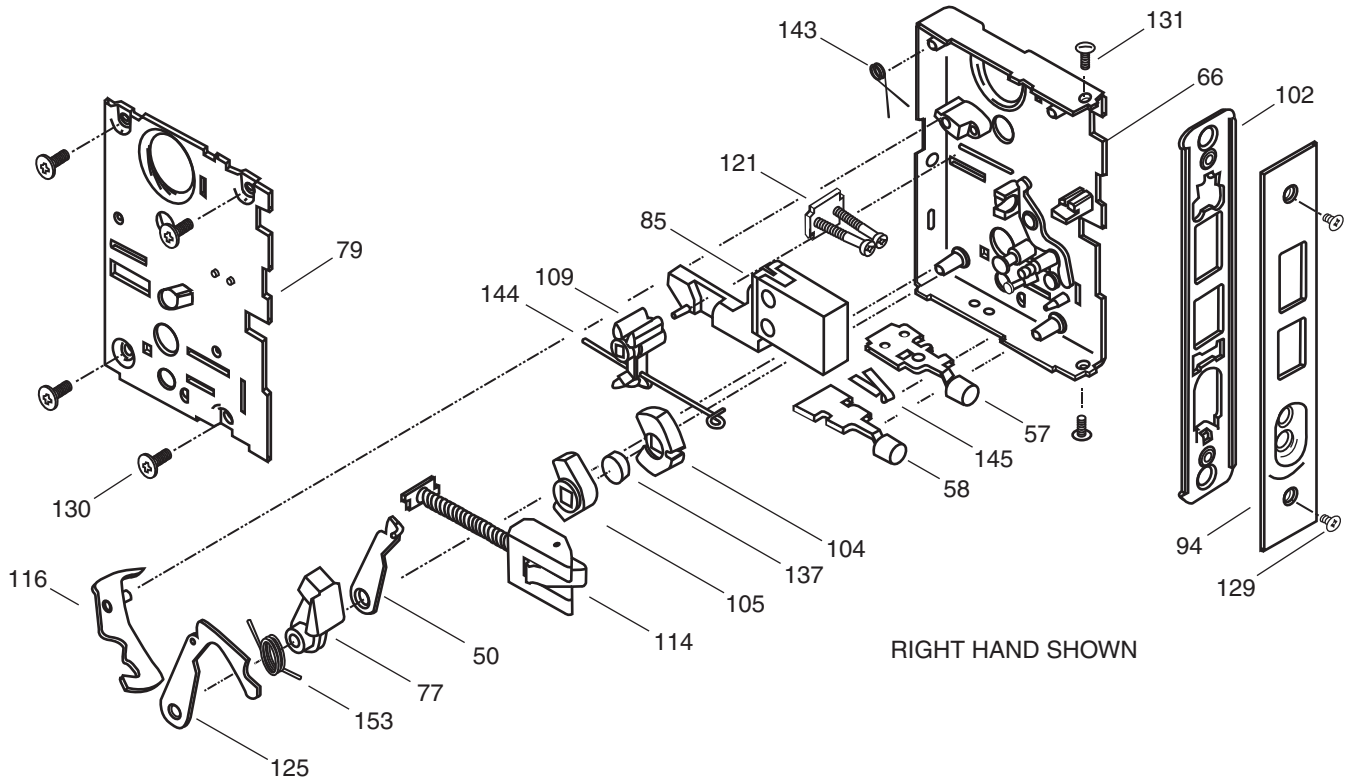
Parts List - A30830-30F * Locking Unit M581

Call Out Number	Description	Part Number
48	Arm, Blocker Release	020491-000-30
51	Arm, Lower Retract	021185-000-30
54	Bar, Deadlocking	020579-000-630
55	Blocker Assy	A20957-000-00
56	Blocker, Button	020577-000-30
61	Case Assy	A20584-002-00
77	Coupling	020646-000-30
79	Cover Assy	A23204-000-00
82	Cylinder Lever Assy	A20598-000-00
89	Faceplate	020099-01U *
102	Front Plate 1-1/4" Wide	021349-000-30
104	Hub, Locking	020643-000-30
105	Hub, Non-Locking	020642-000-30
114	Latch Bolt Assy	A20639-004-626

Call Out Number	Description	Part Number
115	Lever	020575-000-30
121	Retainer Assy, Cyl	A21209-000-00
128	Ring, Truarc (3)	005347-000-30
129	Screw 8-32 x 1/4 (2)	K110-020
130	Screw 8-32 x 3/8 (4)	002801-006-30
131	Screw 8-32 x 3/8 (2)	002932-000-30
132	Sleeve, Lever Post	020659-000-10
137	Spacer Hub	020674-000-30
140	Spacer, Washer (2)	020447-000-10
147	Spring, DL	020595-001-60
152	Spring, Low Blocker	020978-000-60
153	Spring, Retract Arm	020666-000-60
159	Washer, Flat	002900-000-30

*= Finish or Specify Finish on All

M621 Front Door Lock
A30821-000-626



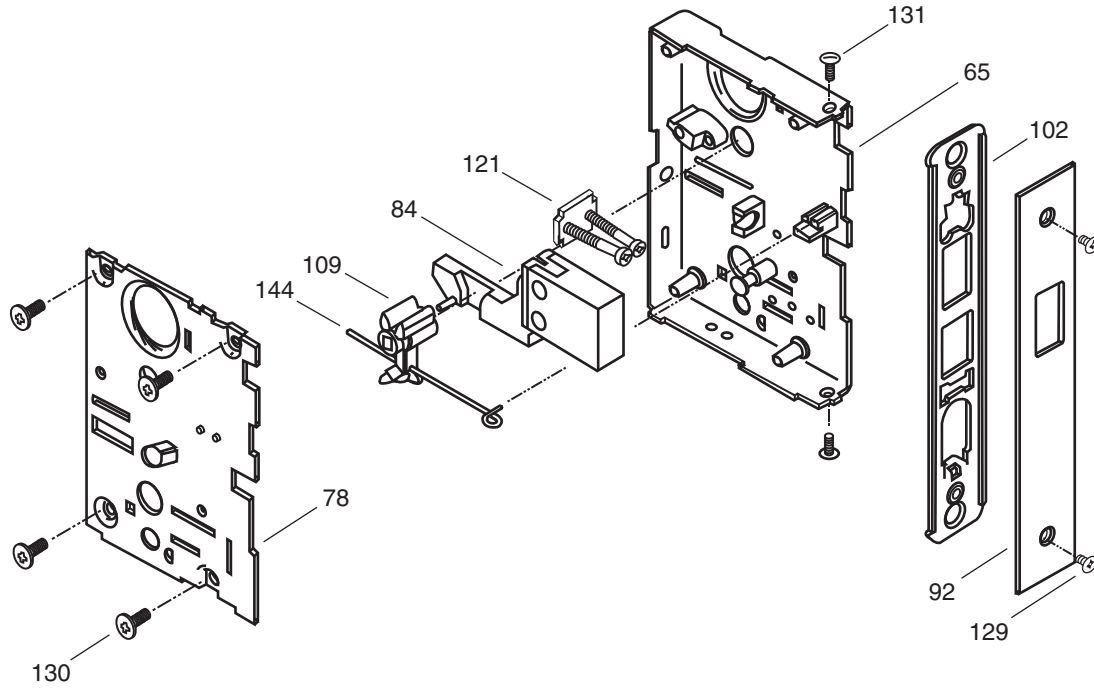
Parts List - A30821-30F * Locking Unit M621

Call Out Number	Description	Part Number
50	Arm, Lower Retract	020645-000-30
57	Button Assy, Locking	A20958-000-626
58	Button Assy, Non-Lock	A20915-000-626
66	Case Assy	A20956-001-00
77	Coupling	020646-000-30
79	Cover Assy	A23204-000-00
85	Deadbolt 1"	030147-002-626
94	Faceplate	030281-00U *
102	Front Plate 1-1/4" Wide	021349-000-30
104	Hub, Locking	020643-000-30
105	Hub, Non-Locking	020642-000-30
109	Hub, T-Turn	020652-001-30

Call Out Number	Description	Part Number
114	Latch Bolt Assy	A20639-004-626
116	Lever & Pin Assy	A20602-000-00
121	Retainer Assy, Cyl	A21209-000-00
125	Retract Arm Assy	A20601-003-00
129	Screw 8-32 x 1/4 (2)	K110-020
130	Screw 8-32 x 3/8 (4)	002801-006-30
131	Screw 8-32 x 3/8 (2)	002932-000-30
137	Spacer Hub	020674-000-30
143	Spring, Cyl Lever	021011-000-60
144	Spring, Deadbolt	020641-000-30
145	Spring, Detent	021162-000-30
153	Spring, Retract Arm	020666-000-30

*= Finish or Specify Finish on All

M911/921/931/941 Deadbolt
A20839-000-626



Parts List - A20839-30F * Locking Unit Deadbolt

Call Out Number	Description	Part Number
65	Case Assy	A20591-000-00
78	Cover	020854-000-30
84	Deadbolt 1"	030147-000-626
92	Faceplate	020432-000 *
102	Front Plate 1-1/4" Wide	021349-000-30

Call Out Number	Description	Part Number
109	Hub, T-Turn	020652-001-30
121	Retainer Assy, Cyl	A21209-000-00
129	Screw 8-32 x 1/4 (2)	K110-020
130	Screw 8-32 x 3/8 (4)	002801-006-30
144	Spring, Deadbolt	020641-000-30

*= Finish or Specify Finish on All

Mortise Locking Units

FUNCTION	W/ FACEPLATE	FACEPLATE
101	A20800-3xx-*	020100-000-*
161	A30842-3xx*	020099-01U-*
301	A20806-3xx-*	020109-000-*
311	A21863-3xx-*	020109-000-*
321	A30539-3xx-*	020100-000-*
531	A21308-3xx-*	020576-01U-*
371/541	A20809-3xx-*	020109-000-*
381/441/561	A30812-3xx-*	020099-01U-*
411	A30815-3xx-*	020099-01U-*
451/641/711	A30836-3xx-*	014548-01U-*
521	A30824-3xx-*	020098-01U-*
431/571	A20827-3xx-*	020109-000-*
581	A30830-3xx-*	020099-001-*
621	A30821-3xx-*	030281-00U-*
851	A38816-xSA-*	020099-01U-*
881	A38816-xSE-*	020099-01U-*
911/921/931/941	A20839-30F- (not handed)	020432-000-*
M12		
M18		

*Specify finish 606, 612, 613, 630

xx = RH - Right Hand	xxx = ORH - Right Hand
LH - Left Hand	OLH - Left Hand
RR - Right Hand Reverse	RHR - Right Hand Reverse
LR - Left Hand Reverse	LHR - Left Hand Reverse

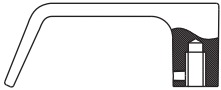
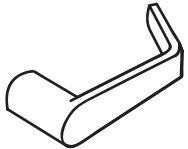



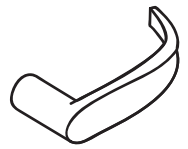
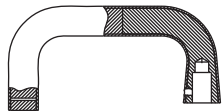

NOTE: Chassis for M101, M161, M301, M371/541, M411, M551 are Left Hand or Right Hand ONLY

Electrified Mortise Chassis - Maxim W/ 030173-004-* Screws

FUNCTION	W/ FACEPLATE	FACEPLATE	W/O FACEPLATE	
M851 Fail Safe 12 VAC/DC	A38816-1SA-*	020099-01U-*	A38812-1SA-626	Made from A30812-000-626
M851 Fail Safe 24 VAC/DC	A38816-2SA-*	020099-01U-*	A38812-2SA-626	
M881 Fail Secure 12 VAC/DC	A38816-1SE-*	020099-01U-*	A38812-1SE-626	
M881 Fail Secure 24 VAC/DC	A38816-2SE-*	020099-01U-*	A38812-2SE-626	

* Finish 606, 612, 613, 630

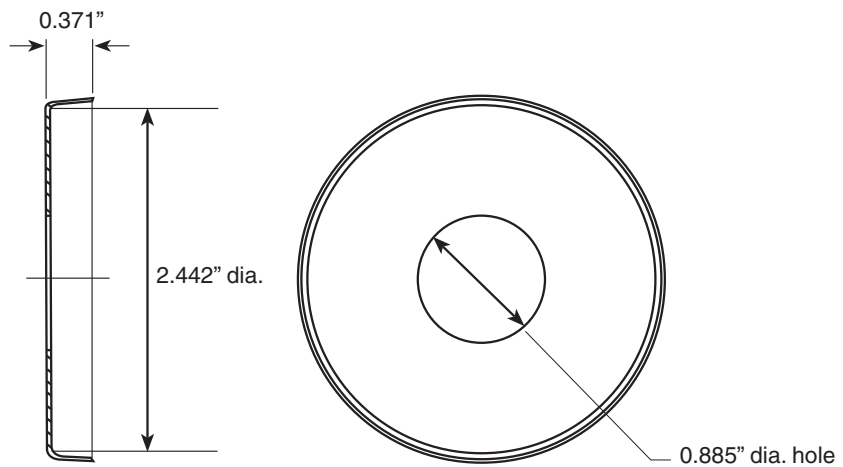
Levers

Inside	Outside	Outer	Inner
 <p data-bbox="454 430 527 462">Dane</p>		<p data-bbox="966 430 1112 462">021280-000</p>	<p data-bbox="1291 430 1453 462">A30202-00D</p>
 <p data-bbox="454 640 544 672">Avalon</p>		<p data-bbox="966 640 1112 672">030029-000</p>	<p data-bbox="1291 640 1453 672">A30202-00A</p>
 <p data-bbox="454 871 576 903">Quantum</p>		<p data-bbox="966 871 1112 903">030140-000</p>	<p data-bbox="1291 871 1453 903">A30202-00Q</p>
 <p data-bbox="454 1081 527 1113">Sutro</p>		<p data-bbox="966 1081 1112 1113">030526-000</p>	<p data-bbox="1291 1081 1453 1113">A30202-00S</p>

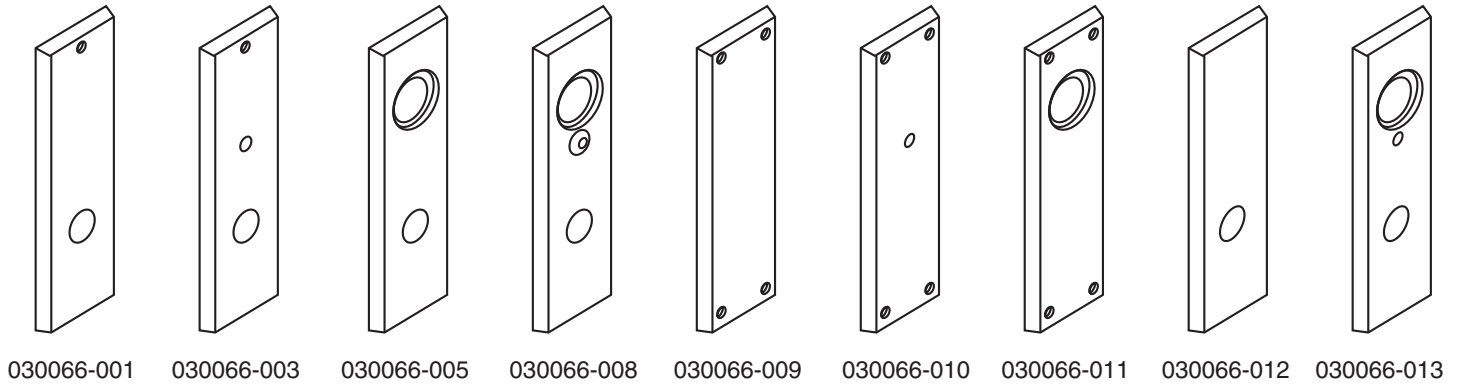
For Knurled Lever identify as

Roses

Gala
030052-000



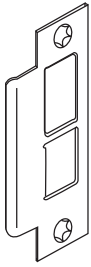
Escutcheons



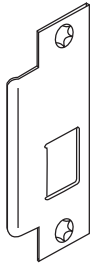
		Lock Case Assemblies																					
Description (Part Number)	101/161	301/311/321	361/371/381	411	451	521	531/541	561	571	581	621	631	641	711	771	811/821	851	881	911	921	931	941	
Napa Passage (030066-001)	•					• (i)		• (i)		• (i)		• (i)			• (i)		• (i)	• (i)					
Napa T-Turn Prep (030066-003)		•			• (i)		• (i)		• (i)		• (i)		• (i)	• (i)									
Napa Cyl (030066-005)			•	•		• (o)	• (o)	• (o)	• (o)	• (o)	• (o)	• (o)	• (o)		• (o)	•	• (o)	• (o)					
Napa w/ Indicator Hole (030066-008)					• (o)																		
(030066-009)																					• (i)		
(030066-010)																							• (i)
(030066-011)																				•	• (o)	•	• (o)
(030066-012)																							
Napa w/cyl/ emergency hole (030066-013)														• (o)									

(i) = inside (o) = outside
 * -002, -004, -006, -007 escutcheons are used on the RW-series retrofit

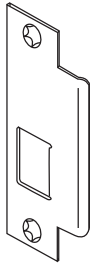
Strikes



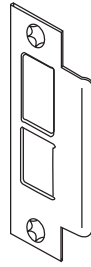
LH A21316-0xx



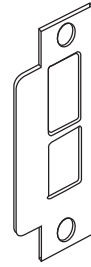
LH A21315-0xx



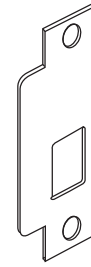
RH A21316-0xx



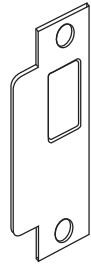
RH A21315-0xx



020569-000







020568-000







020317-000

Description	Standard Strikes (Lip Length)			Optional Strikes (Lip Length)				Strikes Sold Separate (Lip Length)						
	020569 (1-1/8")*	020568 (1-1/8")*	021317 (1-1/4")	21315 (1-1/4")	21316 (1-1/4")	20318 (1-1/4")*	20319 (1-1/8")*	A21315-0xx (1-1/4")*	A21316-0xx (1-1/4")*	021317-000 (1-1/4")	020568-000 (1-1/8")	020569-000 (1-1/8")	020318-0xx (1-1/8")*	020319-0xx (1-1/8")*
Strike for latchbolt only M101, 161, 321, 381, 411, 441, 521, 561, 581, 851, 881	•			•				•			•			
Strike for deadbolt and latch M301, 311, 371, 431, 451, 531, 541, 571, 621, 641, 711		•			•				•			•		
Strike for deadbolt only			•							•				
Strike for smoke seal or tight fitting doors latchbolt only						•							•	
Strike for smoke seal or tight fitting doors latch and deadbolt only							•							•

*Specify hand for all curved lip strikes

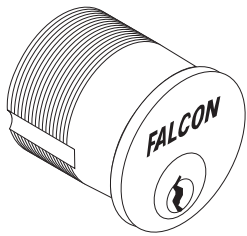
Part Number	Description
 014548-01U	M431 M451 M631 M641 M711
 020098-01U	M521
 020099-01U	M381 M411 M441 M561 M581 M851 M881
 020100-000	M101 M321

Part Number	Description
 020109-000	M301 M311 M371 M541 M571
 020432-000	M911 M921 M931 M941
 020576-01U	M531
 030281-00U	M621

Finishes: 606, 613, 630

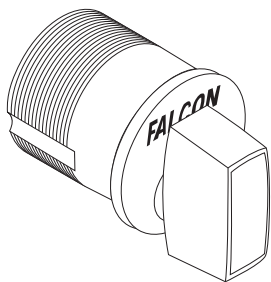
Notes: Screws supplied at no charge when requested.

Mortise, Rim and Cam Lock for Standard Cylinders



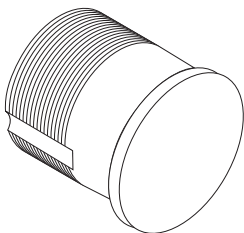
Mortise Cylinder
 900 Series Cylinders are furnished with #4 straight cam and 250 Series with #1 cloverleaf cam unless otherwise specified. See table for product numbers. See pages 32-33 for optional cams and 34-35 for collars.

Note: Specify finish: 605, 606, 612, 613, 626, 629, 630



Thumbturn Cylinder
 Furnished with #4 straight cam except 970 Series furnished with #1 cloverleaf cam unless otherwise specified. See table for product numbers. See pages 32-33 for optional cams and 34-35 for collars.

Note: Specify finish: 605, 606, 612, 613, 626, 629, 630



Dummy Cylinder
 Used to plug hole in door where lock remains but cylinder operation is no longer needed.
 984 1"
 985 1-1/8"

Note: Specify finish: 605, 606, 612, 613, 626, 629, 630

Keyed Mortise Cylinders



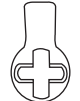









Catalog Number	Length	Pins	Application
985	1-1/8"	5 or 6	Generic
986	1-1/4"	5 or 6	Generic
987	1-3/8"	6 or 7	Generic
988	1-1/2"	6 or 7	Generic
990	1-3/4"	6 or 7	Generic
992	2"	6 or 7	Generic
250	1-1/8"	6	M451 hotel function
251	1-1/4"	6	M451 hotel function
252	1-3/8"	6	M451 hotel function
253	1-3/8"	7	M451 hotel function

Thumbturn Mortise Cylinders

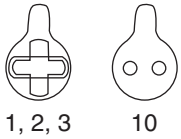
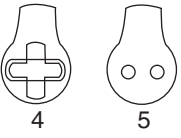
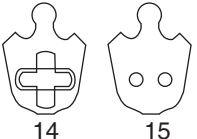


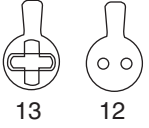

Catalog Number	Length	Pins	Application
985T	1-1/8"	-	Generic
986T	1-1/4"	-	Generic
973	1-1/8"	-	M911 Classroom Thumbturn, RH (CCW)
974	1-1/8"	-	M911 Classroom thumbturn, LH (CW)

Specify cylinder number, keyway, and finish when ordering.

Cams

Lock	Ref. Number	Part Number	For Cylinder
Falcon			
  1, 2, 3 10	Falcon M Series deadbolt functions	1 A09894-001-00 2 A09894-002-00 3 A09894-003-00 10 A12667-007-00	Falcon, Ilco, Lori, Schlage Arrow, Sargent & Yale Corbin Russwin Falcon I/C
  4 5	Falcon M Series non-deadbolt functions. Most old black cast iron locks. C/R ML2255 & ML2242 inside.	4 A09897-000-00 5 A12667-003-00	Conventional I/C Most Exit Devices
  14 15	Falcon M381 outside	14 A20065-00-00 15 A20278-000-00	Conventional I/C
Monarch			
  5 24	Monarch Dogging cylinder. Install cam upside down.	24 A09897-024-00 5 A12667-003-00	Conventional I/C
  21, 22, 23 20	Monarch Delta trim for 17C concealed vertical rod	21 A09894-021-00 22 A09894-022-00 23 A09894-023-00 20 A12667-020-00	Falcon, Ilco, Lori, Schlage Arrow, Sargent & Yale Corbin Russwin I/C
Schlage			
  13 12	Schlage L Series	13 A09888-000-00 12 A12667-008-00	Conventional I/C

Each part number indicates a package of 10 cams.

Lock	Ref. Number	Part Number	For Cylinder	
Other Manufacturers				
 <p>1, 2, 3 10</p>	Adams Rite MS, 4500 and 4700 Series	6 8	A09899-000-00 A12667-001-00*	Conventional I/C
 <p>4 5</p>	Adams Rite 4070 deadlock	16 9	A09898-000-00 A12667-002-00	Conventional I/C
 <p>14 15</p>	Arrow, Corbin Russwin ML2200 except ML2255 and ML2242	- 11	A20069-000-00 A12667-001-00	Conventional I/C
Other Manufacturers				
 <p>24</p>	Corbin Russwin DL4000 Series	27	A12667-013-00	I/C
 <p>20</p>	Corbin Russwin master ring black cast iron locks only. Requires brushing A09890-000-00	25	A12667-006-00	Conventional I/C Most exit devices
 <p>13 12</p>	Sargent & Yale	26 7	A08867-000-00 A12667-000-00	Conventional I/C
	Sargent 7737	-	A12667-03A-00*	I/C

Each part number indicates a package of 10 cams.

Cam Assortment Kits

- 1396 Standard Cylinders
Contains ten each #1, 4, and 13; fifteen #6 and five each #2, 3 and 14 cams, plus 50 cam screws and a plug follower.
- 1397 I/C Mortise Cylinders
Contains ten each #5, 7, 10, 11 and 12, twenty #8 and five #15 cams, a supply of throw member pins and plates, and one #1402 staking punch.

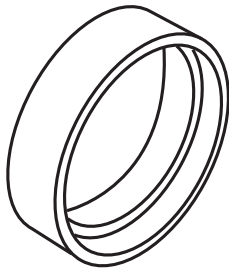


Cylinder Collars

Standard Collars for Cylinders Ordered Separately

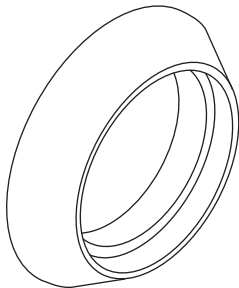
Length	Cylinder	Non-AR Cams	AR Cam
1"	984D	A08794-000	-
1-1/8"	250, 965, 966, 973, 974, 985 Series	A08794-000	008876-002
1-1/4"	251, 986 Series	A08794-001	008876-003
1-3/8"	252, 253, 987, C987, C997	A08794-002	008876-004
Longer	C260 Series, (C)988, (C)990, (C)992	A08794-000	008876-000

Escutcheon Trim Rin



Door Thickness	Function	985 1-1/8"	986 1-1/4"	(C)987 1-3/8"	(C)988 1-1/2"
1-1/2"	Single cylinder	-	A08790-000	A08790-001	A08790-002
1-1/2"	Double cylinder	A08790-000	-	-	-
1-3/4"	Single cylinder	-	-	A08790-000	A08790-001
1-3/4"	Double cylinder	-	A08790-000	A08790-001	A08790-002
2"	Single cylinder	-	-	A08790-000	A08790-001
2"	Double cylinder	-	-	A08790-000	A08790-001
2-1/4"	Single cylinder	-	-	-	A08790-000
2-1/4"	Double cylinder	-	-	-	-
2-1/2"	Single cylinder	-	-	-	-
2-1/2"	Double cylinder	-	-	-	-



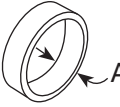
Sectional Trim Rin

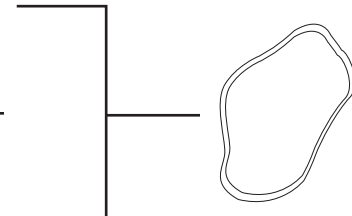


Door Thickness	Function	985 1-1/8"	986 1-1/4"	(C)987 1-3/8"	(C)988 1-1/2"
1-1/2"	Single cylinder	A08794-001	A08794-002	-	-
1-1/2"	Double cylinder	A08794-002	A08794-003	-	-
1-3/4"	Single cylinder	A08794-000	A08794-001	-	-
1-3/4"	Double cylinder	A08794-001	A08794-002	A08794-002	-
2"	Single cylinder	-	A08794-000	A08794-001	A08794-002
2"	Double cylinder	A08794-000	A08794-001	A08794-002	A08794-003
2-1/4"	Single cylinder	-	-	A08794-000	A08794-001
2-1/4"	Double cylinder	-	A08794-000	A08794-001	A08794-002
2-1/2"	Single cylinder	-	-	-	A08794-000
2-1/2"	Double cylinder	-	-	A08794-000	A08794-001

Specify part number and finish when ordering.
(e.g. A08790-000-626)

Trim Rings & Collars

	Dim. A	Dim. B	Part No.
	3/32"	9/32"	A08790-000
	7/32"	13/32"	A08790-001
	11/32"	17/32"	A08790-002
	15/32"	21/32"	A08790-003
	43/64"	55/64"	A08790-004
	3/32"	9/32"	A08794-000
	7/32"	13/32"	A08794-001
	11/32"	17/32"	A08794-002
	15/32"	21/32"	A08794-003
	1/8"	-	008876-000
	3/16"	-	008876-005
	1/4"	-	008876-001
	3/8"	-	008876-002
	1/2"	-	008876-003
	5/8"	-	008876-004



Wave washer included.
To order separately,
specify 008789-001-60.



008862-000
For all rim cylinders and cam locks.
Note: Specify finishes: 605, 606, 612, 613, 625, 626

Specify part number and finish when ordering.
(e.g. A08790-000-626)

Reversing Hand of Falcon M-Series Mortise Locks

If it is necessary to reverse the hand of a Falcon M-Series Mortise lock, it is quickly and easily accomplished by the following steps.

Note:

If the lock has a deadbolt, it must be in the retracted position when reversing hand.

1. REMOVE COVER

Remove the 4 Cover fastening screws and slowly lift off cover from case.

2. REVERSE LATCH BOLT ASSEMBLY

- A. Lift out Cylinder Retract Lever, if included.
- B. Lift out Upper Retract Arm, if included.
- C. Compress Latch Bolt Spring toward Faceplate to clear Latch Bolt Guide seat. Lift out and invert Latch Bolt Assembly. Place Latch Bolt Spring into Latch Bolt Guide seat.

Note:

Lower Retract Arm must be between Latch Bolt Foot & Latch Bolt Guide.

3. REVERSE KNOB HUBS

Note:

Knob hub reversing is required only on locks that contain two differently shaped hubs.

- A. To reverse, pull Coupling toward rear of case.
- B. Lift out both Hubs together, invert as an assembly and replace.
- C. Ease coupling back into hubs.

4. REASSEMBLE RETRACT ARM AND LEVER

- A. Replace Upper Retract Arm so that arm fits into space between Latch Bolt Foot and Coupling.
- B. Replace Cylinder Retract Lever so that it straddles the Dead Bolt Pin.
- C. Replace Cover guiding "T" Turn Hub into cover hole. Depress Latch Bolt to clear Foot.

Note:

A Phillips head screwdriver inserted through cover into "T" Turn Hub will retain hub and Cylinder Retract Lever in proper location while replacing cover.

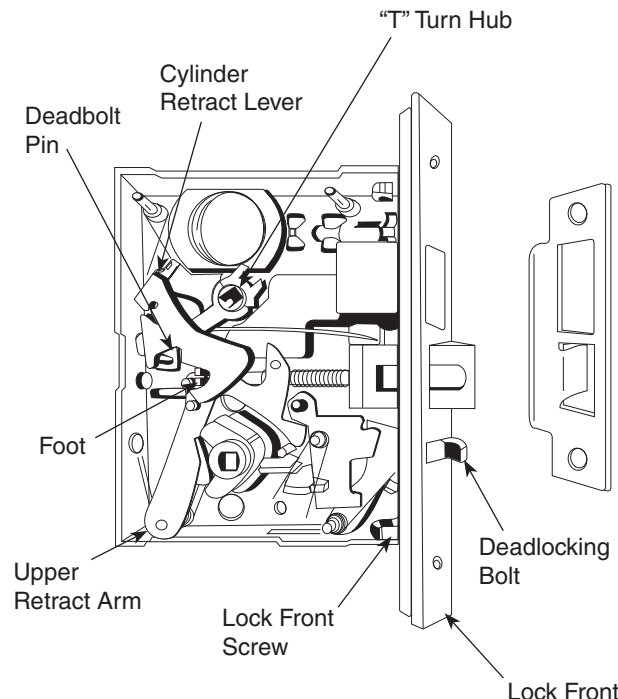
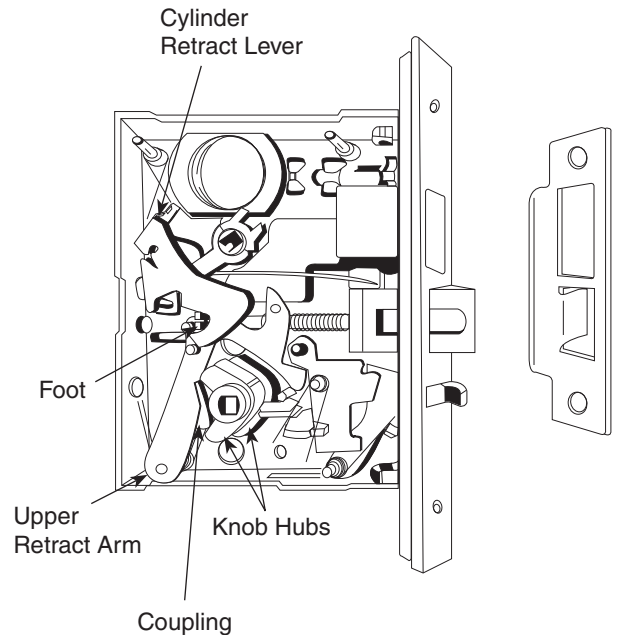
- D. Replace Cover fastening screws.

5. ADJUST BEVEL

Set Bevel of lock front to match door Bevel and securely tighten screws.

6. STRIKE

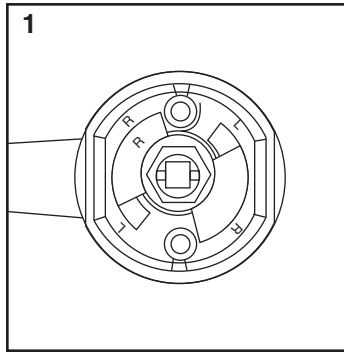
Replace Strike with Proper Hand condition if necessary.



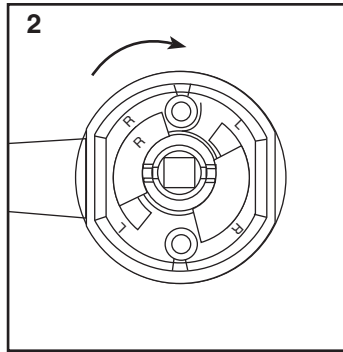
Re-Handing Instructions for Falcon M-Series Lock Trim

Example shown is right hand being changed to left hand. Reverse sequence to change from left to right hand.

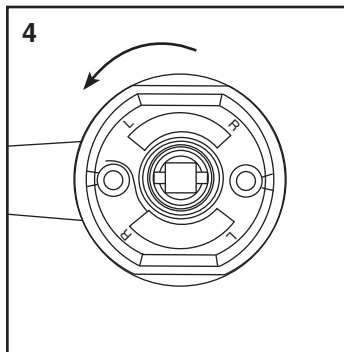
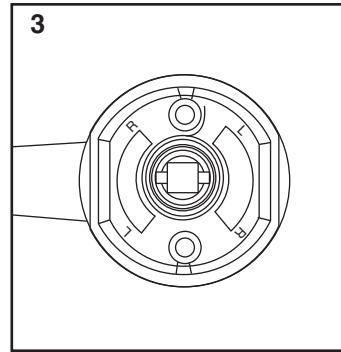
Note: Inside trim is always opposite the outside trim.



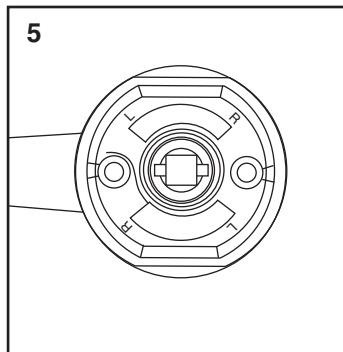
1 Holding lever as shown, bend tab of lockwasher back flat. Remove nut.



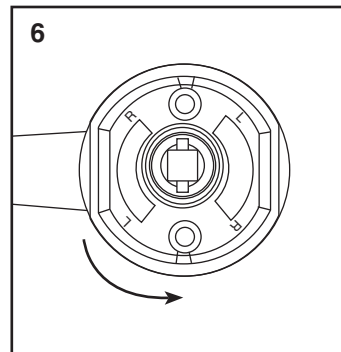
2 Holding lever securely, rotate rose assembly clockwise slightly, and remove plate and lockwasher.



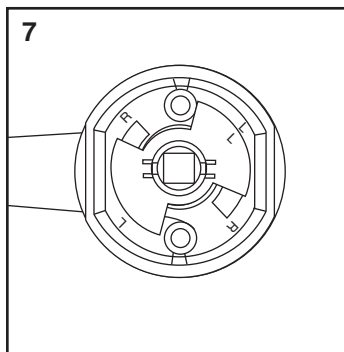
4 Using caution, allow rose assembly to rotate counter-clockwise to relieve spring tension.



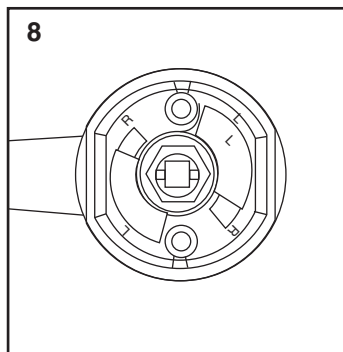
5 Remove spring and reinstall with spring hook on opposite side of post.



6 Holding lever securely, rotate rose assembly counter-clockwise slightly past 90°.

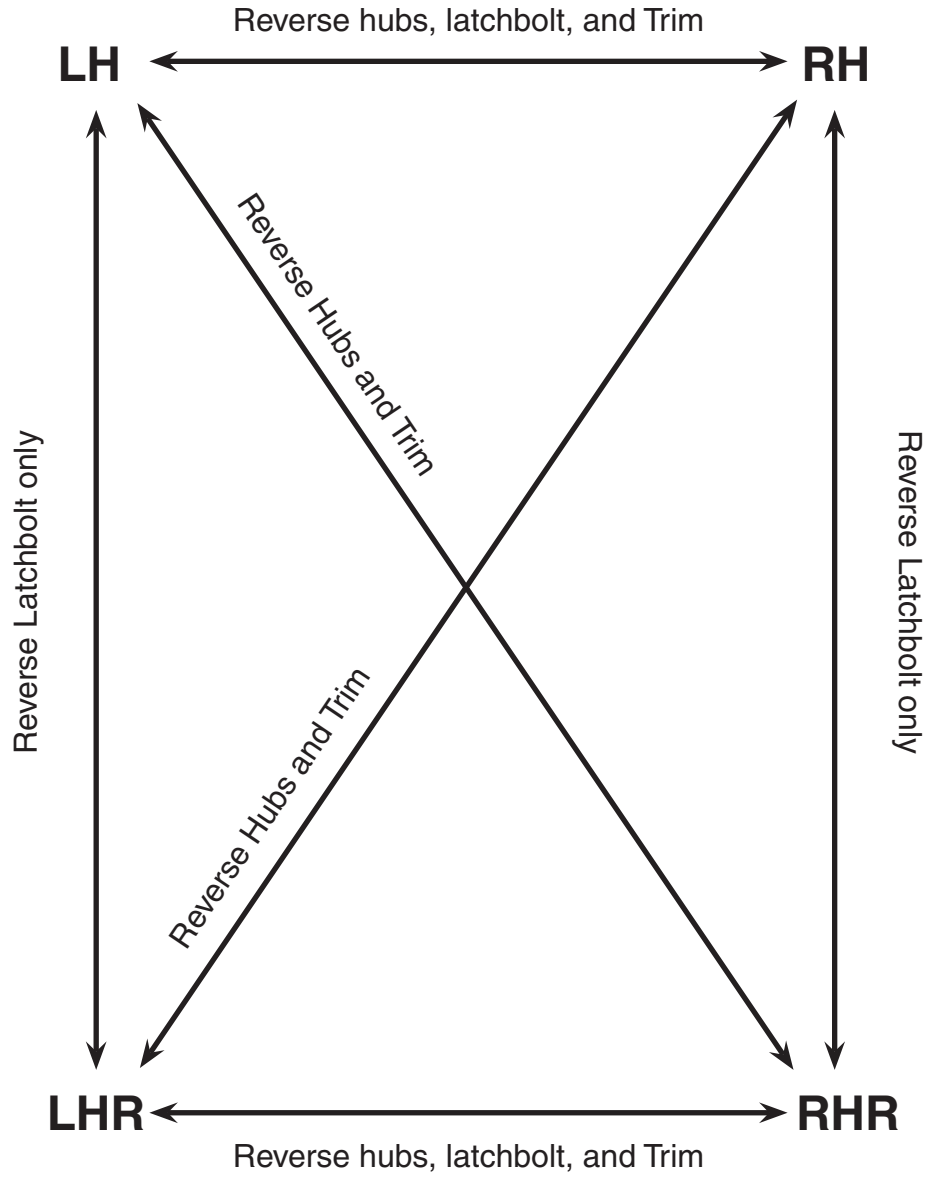


7 Reinstall plate with "L" side up and in line with "L" on rose assembly.



8 Reinstall lockwasher and nut. Tighten nut and then back off slightly until rose assembly rotates freely under plate. Bend up two tabs of lockwasher against nut.

Falcon Mortise Lock Re-Handing Guide





Ingersoll Rand's Security Technologies Sector is a leading global provider of products and services that make environments safe, secure and productive. The Sector's market-leading products include electronic and biometric access control systems; time and attendance and personnel scheduling systems; mechanical locks and portable security, door closers and exit devices, steel doors and frames, architectural hardware and technologies and services for global security markets.

800.847.1864

www.falcon.ingersollrand.com