

FALCON®

D100/D200

Deadbolt service manual



Contents

- 5 Introduction
- 5 Guide to Index Symbols for Lock Assembly Drawings
- 7 Lock Assembly Drawing Index
- 9 Lock assemblies
 - 10 D111G (SFIC), D111P: Classroom Function
 - 11 D121G (SFIC), D121P: Single Cylinder x Rose
 - 12 D131G (SFIC): Double Cylinder
 - 13 D131P: Double Cylinder
 - 14 D141G (SFIC), D141P: Single Cylinder x Thumbturn
 - 15 D151F: Thumbturn x Thumbturn
 - 16 D211G (SFIC), D211P: Classroom Function
 - 17 D221G (SFIC), D221P: Single Cylinder x Rose
 - 18 D231G: Double Cylinder
 - 19 D231P: Double Cylinder
 - 20 D241G (SFIC), D241P: Single Cylinder x Thumbturn
 - 21 D251: Thumbturn x Thumbturn
 - 22 D261: Thumbturn, Inside Only
 - 23 D261M: Thumbturn, Inside x Rose
 - 24 D271: Thumbturn, Inside x Occupancy Indicator
- 25 Parts and accessories
 - 26 Deadbolts
 - 27 Strikes
 - 28 Accessories
 - 31 Cylinders
 - 32 Cylinders— IC
 - 33 Cylinders— Conventional
 - 34 Tailpieces

Introduction

This manual contains a complete listing of Falcon D100-200 Series (Grade 1/Grade 2) deadbolt lock parts and assemblies. This edition lists components of D100-200 Series locks manufactured after January 2008.

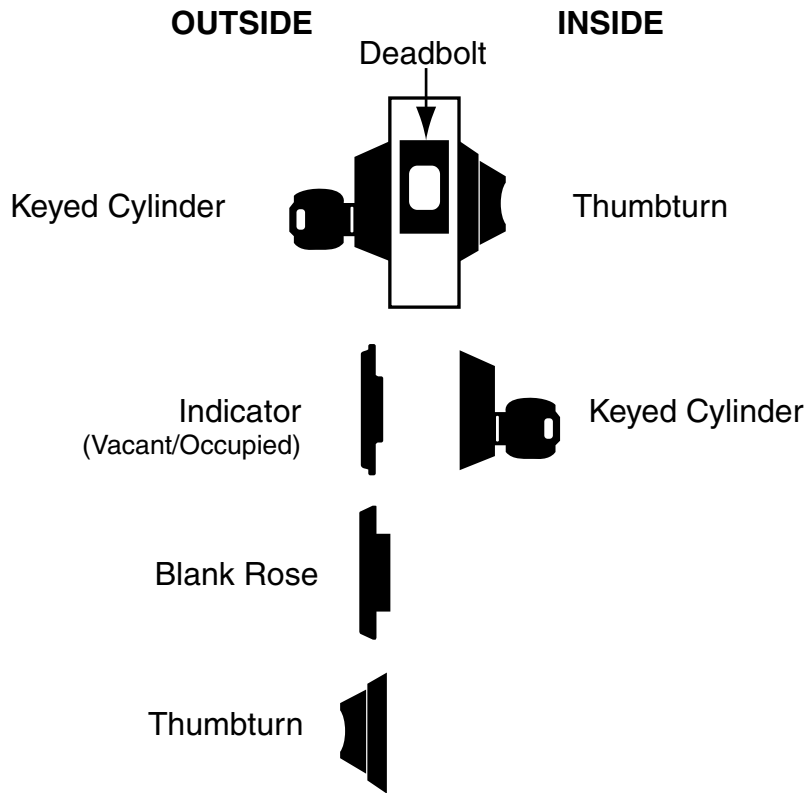
Exploded views of each deadbolt and trim assemblies are provided with accompanying charts to identify parts for replacement purposes.

In addition, this manual contains lock ordering procedures, general cylinder information and all auxilliary components of the D100-200 Series Deadbolt.

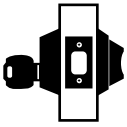


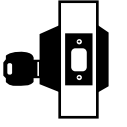


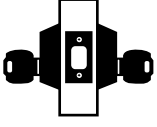


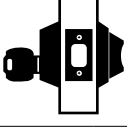



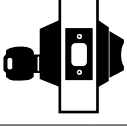


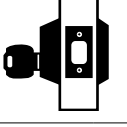


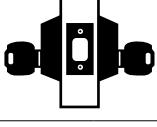




Standard Features		
	D100 Series	D200 Series
Certifications	BHMA-ANSI A156.5, 2001, Grade 1 auxiliary lock, Available UL Listed for 3-Hour fire door	BHMA-ANSI A156.5, 2001, Grade 2 auxiliary lock, Available UL Listed for 3-Hour fire door
Deadbolt	1-1/8" x 2-1/4", Square corner faceplate, 1" housing diameter, 1" throw	
Strike	1-1/8" x 2-3/4", lipless, with box	
Cylinder	6-Pin, Solid brass, Keyed 5-Pin, Falcon G keyway, Keyed different (KD)	
Door Range	1-3/8" - 1-3/4" standard	
Keys	Two, Nickel silver cut keys per lock, Falcon G keyway	
Reinforcement	Metal dust box reinforcer with three - 3" screws	
Trim Ring	1" Wrought brass or bronze, reinforced with security insert	

Locks are furnished with standard features unless otherwise specified.





Guide to Index Symbols for Lock Assembly Drawings



Lock Assembly Drawing Index

Function		BHMA/ANSI A156.6, 2001, Grade 1				
FALCON	ANSI	FUNCTION	CYLINDERS	PAGE	OUTSIDE FUNCTION	INSIDE FUNCTION
	E0171	Classroom		10	Deadbolt thrown or retracted by key from outside.	Inside turn will only retract bolt. Bolt automatically deadlocks when fully thrown.
						
	E0161	Single Cylinder x Rose		11	Deadbolt thrown or retracted by key only.	Blank plate inside. Bolt automatically deadlocks when fully thrown
						
	E2141	Double Cylinder*		13	Deadbolt thrown or retracted by key from either side.	Deadbolt thrown or retracted by key from either side. Bolt automatically deadlocks when fully thrown.
				12		
	E2151	Single Cylinder x Thumbturn		14	Deadbolt thrown or retracted by key from outside.	Deadbolt thrown or retracted by turn. Bolt automatically deadlocks when fully thrown.
						
		Thumbturn x Thumbturn	—	15	Deadbolt thrown or retracted by turn.	Deadbolt thrown or retracted by turn.
	E0172	Classroom		16	Deadbolt thrown or retracted by key from outside.	Inside turn will only retract bolt. Bolt automatically deadlocks when fully thrown.
						
	E0162	Single Cylinder x Rose		17	Deadbolt thrown or retracted by key only.	Blank rose inside. Bolt automatically deadlocks when fully thrown.
						
	E2142	Double Cylinder*		19	Deadbolt thrown or retracted by key from either side.	Deadbolt thrown or retracted by key from either side. Bolt automatically deadlocks when fully thrown.
				18		
<p>* Caution: Double cylinder locks on residences—or on any door in any structure which is used for egress—are a life safety hazard in times of emergency, and their use is not recommended. Installation should be in accordance with existing codes only.</p>						
 Standard cylinder option			 SFIC - small format interchangeable core option.			

Lock Assembly Drawing Index

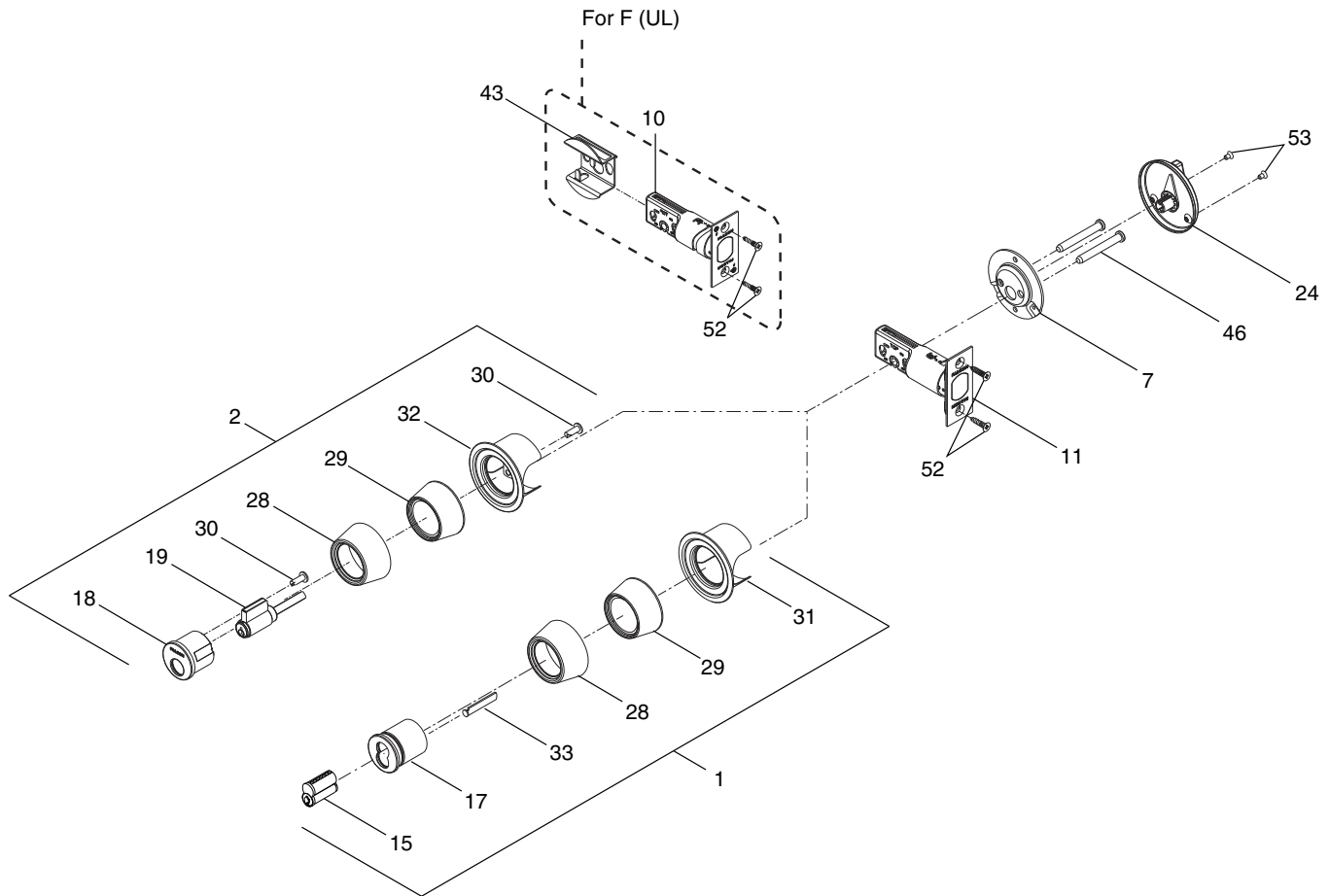
Function		BHMA/ANSI A156.6, 2001, Grade 1				
FALCON	ANSI	FUNCTION	CYLINDERS	PAGE	OUTSIDE FUNCTION	INSIDE FUNCTION
D241	E2152	Single Cylinder x Thumbturn	 	20	Deadbolt thrown or retracted by key or by turn. Bolt automatically deadlocks when fully thrown.	Deadbolt thrown or retracted by turn unit only. Bolt automatically deadlocks when fully thrown.
D251		Thumbturn x Thumbturn	—	21	Deadbolt thrown or retracted by turn.	Deadbolt thrown or retracted by turn.
D261	E2192	Thumbturn, Inside Only	—	22	No outside trim.	Deadbolt thrown or retracted by turn unit only. Bolt automatically deadlocks when fully thrown.
D261M	E01112	Thumbturn, Inside x Rose	—	23	Outside blank rose.	Deadbolt thrown or retracted by turn unit only. Bolt automatically deadlocks when fully thrown.
D271		Thumbturn x Occupancy Indicator	—	24	Occupancy indicator on outside (reads either in use or vacant with color coding).	Deadbolt thrown or retracted by turn unit only. Bolt automatically deadlocks when fully thrown.
* Caution: Double cylinder locks on residences—or on any door in any structure which is used for egress—are a life safety hazard in times of emergency, and their use is not recommended. Installation should be in accordance with existing codes only.						
 Standard cylinder option			 SFIC - small format interchangeable core option.			

Lock assemblies

- 6 D111G (SFIC), D111P: Classroom Function
- 7 D121G (SFIC), D121P: Single Cylinder x Rose
- 8 D131G (SFIC): Double Cylinder
- 9 D131P: Double Cylinder
- 10 D141G (SFIC), D141P: Single Cylinder x Thumbturn
- 11 D151F: Thumbturn x Thumbturn
- 12 D211G (SFIC), D211P: Classroom Function
- 13 D221G (SFIC), D221P: Single Cylinder x Rose
- 14 D231G: Double Cylinder
- 15 D231P: Double Cylinder
- 16 D241G (SFIC), D241P: Single Cylinder x Thumbturn
- 17 D251: Thumbturn x Thumbturn
- 18 D261: Thumbturn, Inside Only
- 19 D261M: Thumbturn, Inside x Rose
- 20 D271: Thumbturn, Inside x Occupancy Indicator

Lock assemblies

D111G (SFIC), D111P: Classroom Function

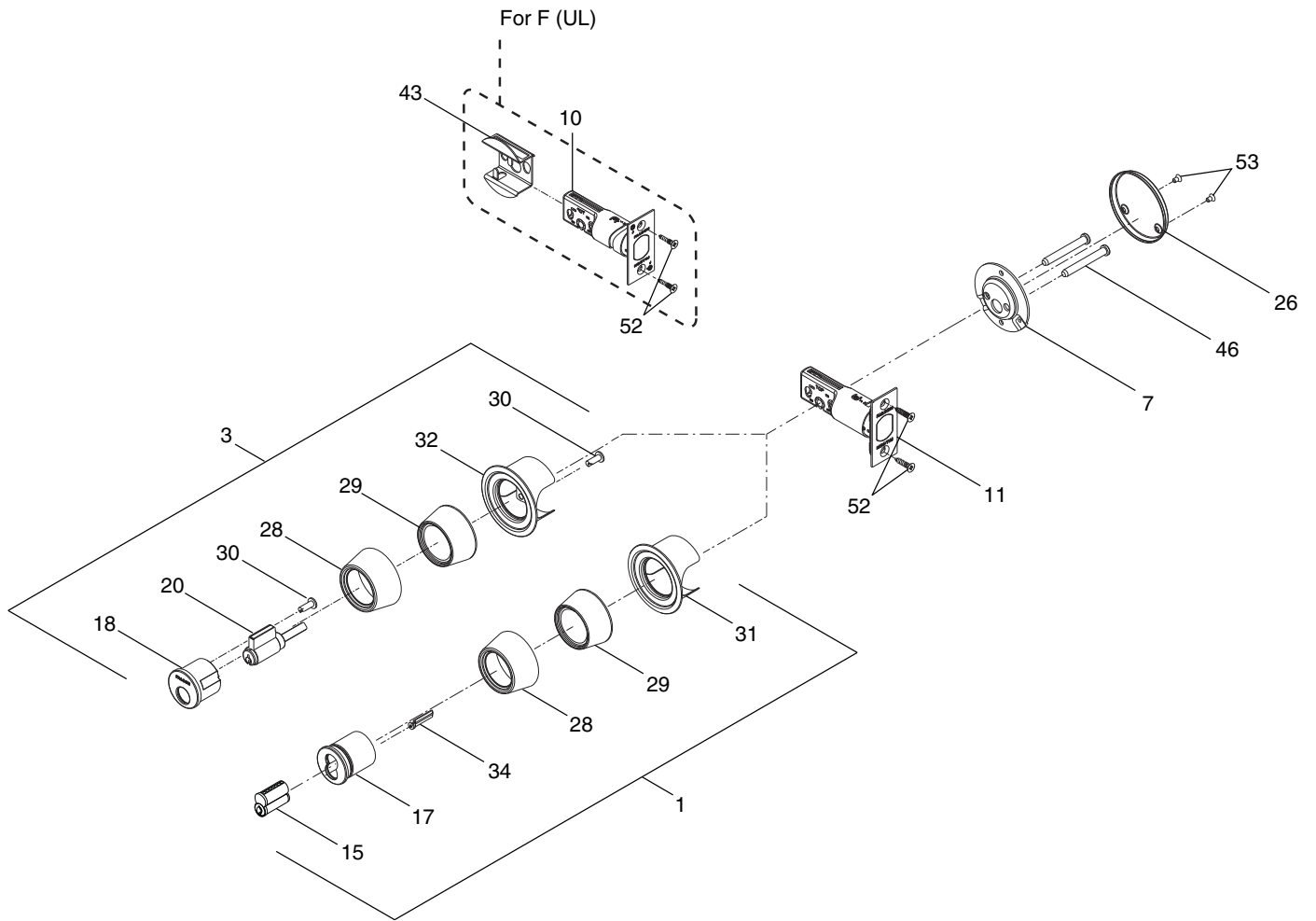


No.	Description	Part No.
1	Outside Housing Assy (G only)	SFIC
2	Outside Housing Assy (P only)	Q500-074
7	Mounting Plate	B600-018
10	Fire-Rated Bolt (F only)	*
11	Regular Bolt	Q330-256
15	SFIC Cylinder	C607
17	Outside Cylinder Housing Assy	B610-204
18	Cylinder Housing Assy	Q500-009
19	5 Pin Cylinder Assy	Q500-064
24	Thumbturn Assy, Classroom	B302-045

No.	Description	Part No.
28	Outside Rose	36-086
29	Insert Ring	B520-541
30	Cylinder Retaining Screw (2)	B300-108
31	Adapter Shield	B520-650
32	Anti-Pry Shield	B520-649
33	Driver Bar	B202-957
43	Fire Cup (F only)	*
46	Screw, Mounting (2)	B600-100
52	Screw, Deadbolt (2)	C603-897
53	Screw, Trim (2)	B600-066

Lock assemblies

D121G (SFIC), D121P: Single Cylinder x Rose

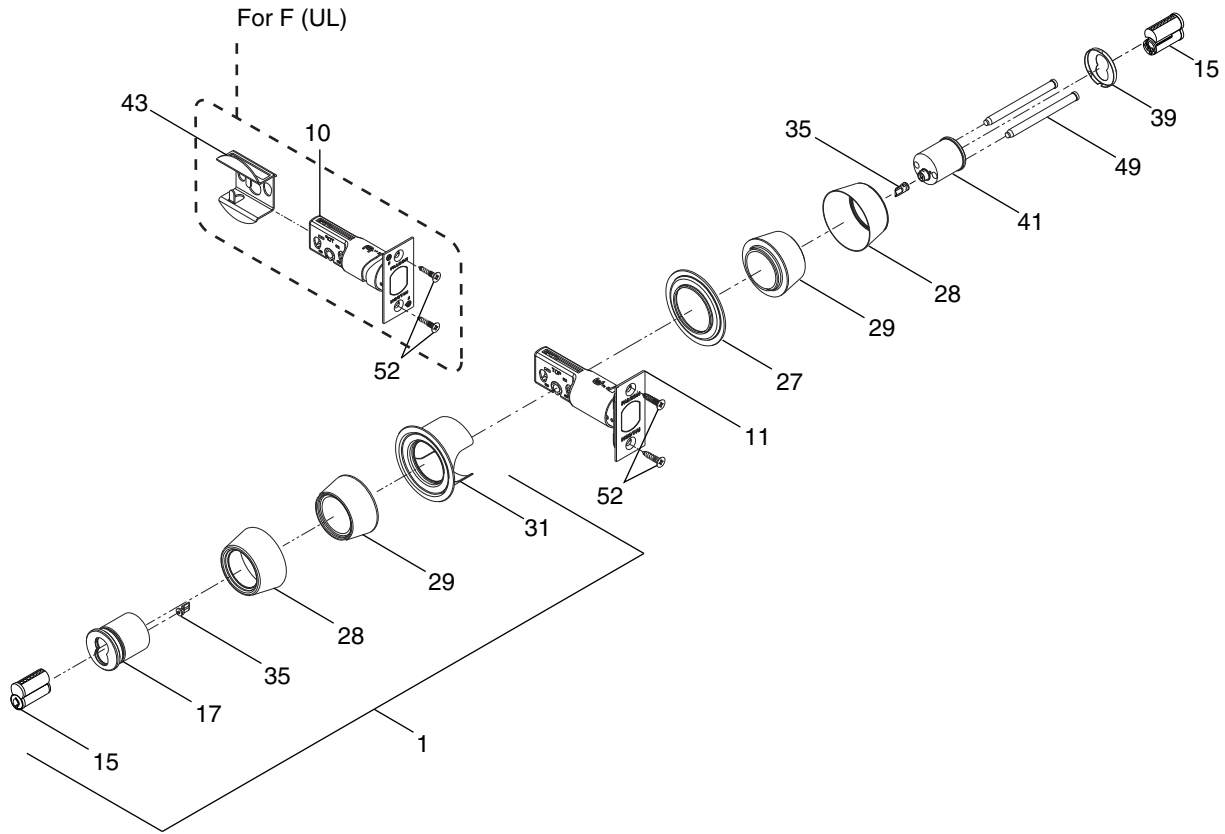


No.	Description	Part No.
1	Outside Housing Assy (G only)	SFIC
3	Outside Housing Assy (P only)	Q500-076
7	Mounting Plate	B600-018
10	Fire-Rated Bolt (F only)	*
11	Regular Bolt	Q330-256
15	SFIC Cylinder	C607
17	Outside Cylinder Housing Assy	B610-204
18	Cylinder Housing Assy	Q500-009
20	5 Pin Cylinder Assy	Q500-066
26	Blank Rose	B600-020

No.	Description	Part No.
28	Outside Rose	36-086
29	Insert Ring	B520-541
30	Cylinder Retaining Screw (2)	B300-108
31	Adapter Shield	B520-650
32	Anti-Pry Shield	B520-649
34	Driver Bar	B220-032
43	Fire Cup (F only)	*
46	Screw, Mounting (2)	B600-100
52	Screw, Deadbolt (2)	C603-897
53	Screw, Trim (2)	B600-066

Lock assemblies

D131G (SFIC): Double Cylinder



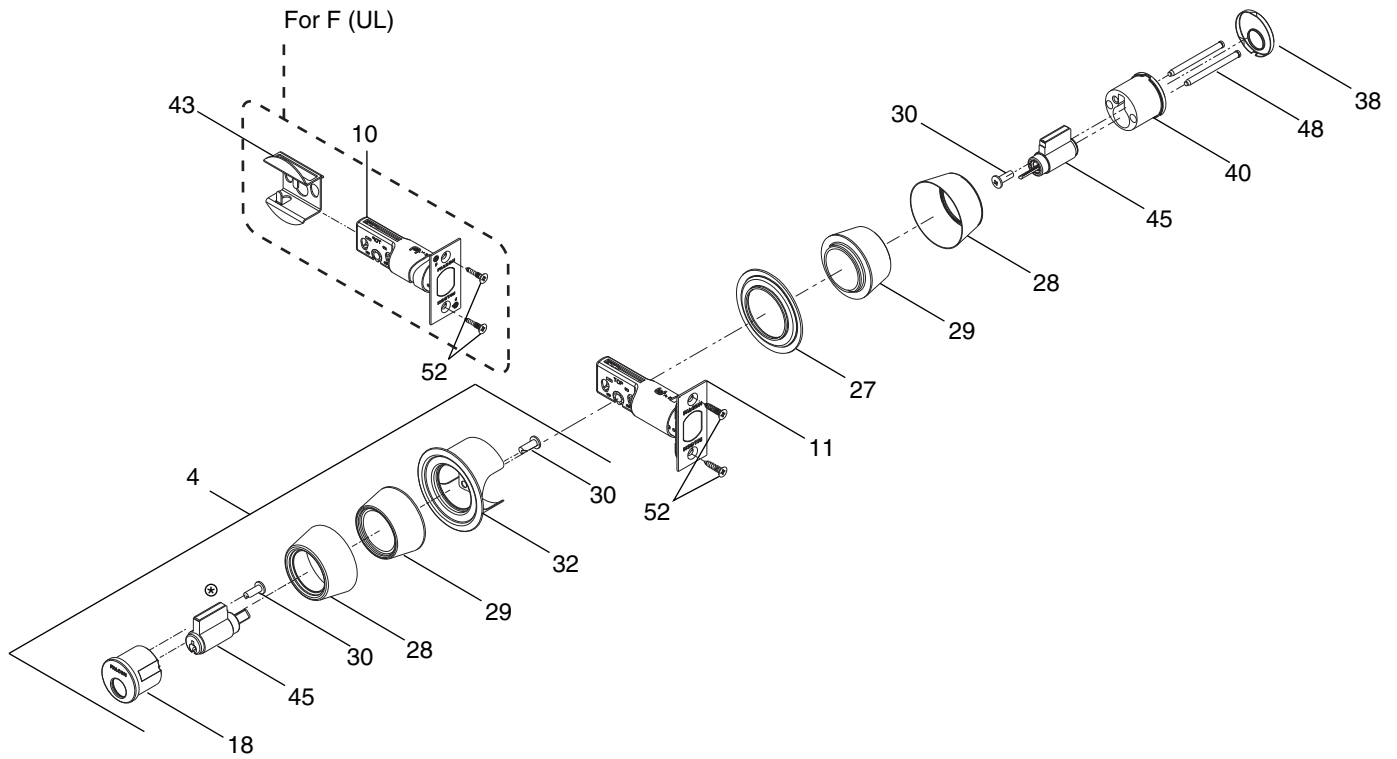
No.	Description	Part No.
1	Outside Housing Assy (G only)	SFIC
10	Fire-Rated Bolt (F only)	*
11	Regular Bolt	Q330-256
15	SFIC Cylinder	C607
17	Outside Cylinder Housing Assy	B610-204
27	Ring, 2-1/8" Bore	38-031
28	Outside Rose (2)	36-086
29	Insert Ring (2)	B520-541

No.	Description	Part No.
31	Adapter Shield	B520-650
35	Driver Bar (2)	B202-580
39	Snap-On Face Plate, Inside	B610-014
41	Inside Cylinder Housing	B610-281
43	Fire Cup (F only)	*
49	Screw, Mounting (2)	B600-053
52	Screw, Deadbolt (2)	C603-897

* Not for sale as individual parts.

Lock assemblies

D131P: Double Cylinder



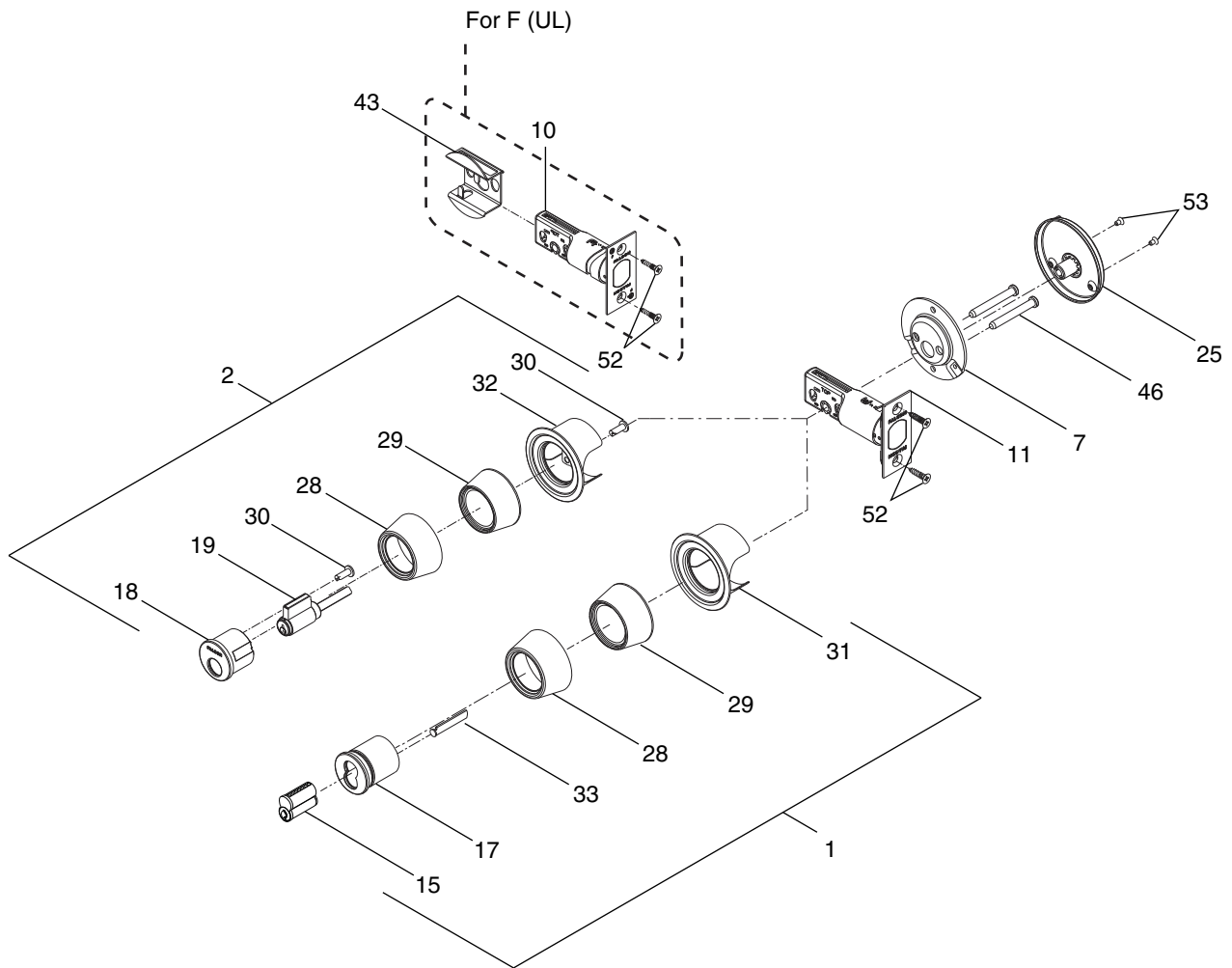
No.	Description	Part No.
4	Outside Housing Assy (P only)	Q500-020
10	Fire-Rated Bolt (F only)	*
11	Regular Bolt	Q330-256
18	Cylinder Housing Assy	Q500-009
20	5 Pin Cylinder Assy	Q500-066
27	Ring, 2-1/8" Bore	38-031
28	Outside Rose (2)	36-086
29	Insert Ring (2)	B520-541

No.	Description	Part No.
30	Cylinder Retaining Screw (3)	B300-108
32	Anti-Pry Shield	B520-649
38	Snap-On Face Plate, Inside	61-511
40	Inside Cylinder Housing	B600-090
43	Fire Cup (F only)	*
45	Cylinder (2)	Q500-072
48	Screw, Mounting (2)	B600-047
52	Screw, Deadbolt (2)	C603-897

* Not for sale as individual parts.

Lock assemblies

D141G (SFIC), D141P: Single Cylinder x Thumbturn



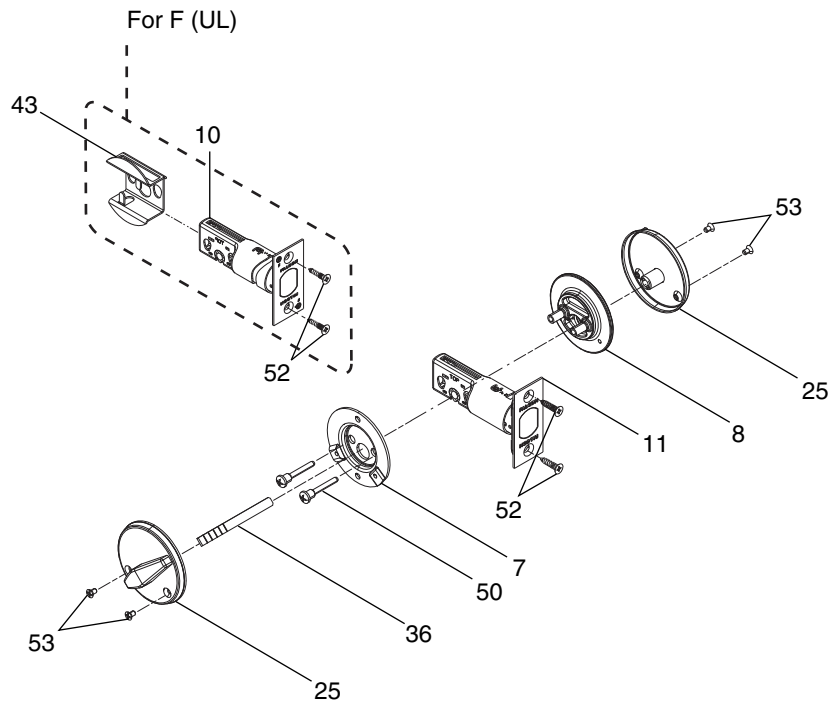
No.	Description	Part No.
1	Outside Housing Assy (G only)	SFIC
2	Outside Housing Assy (P only)	Q500-074
7	Mounting Plate	B600-018
10	Fire-Rated Bolt (F only)	*
11	Regular Bolt	Q330-256
15	SFIC Cylinder	C607
17	Outside Cylinder Housing Assy	B610-204
18	Cylinder Housing Assy	Q500-009
19	5 Pin Cylinder Assy	Q500-064
25	Thumbturn Assy	B302-041

No.	Description	Part No.
29	Insert Ring	B520-541
30	Cylinder Retaining Screw (2)	B300-108
31	Adapter Shield	B520-650
32	Anti-Pry Shield	B520-649
33	Driver Bar	B202-957
43	Fire Cup (F only)	*
46	Screw, Mounting (2)	B600-100
52	Screw, Deadbolt (2)	C603-897
53	Screw, Trim (2)	B600-066

* Not for sale as individual parts.

Lock assemblies

D151F: Thumbturn x Thumbturn



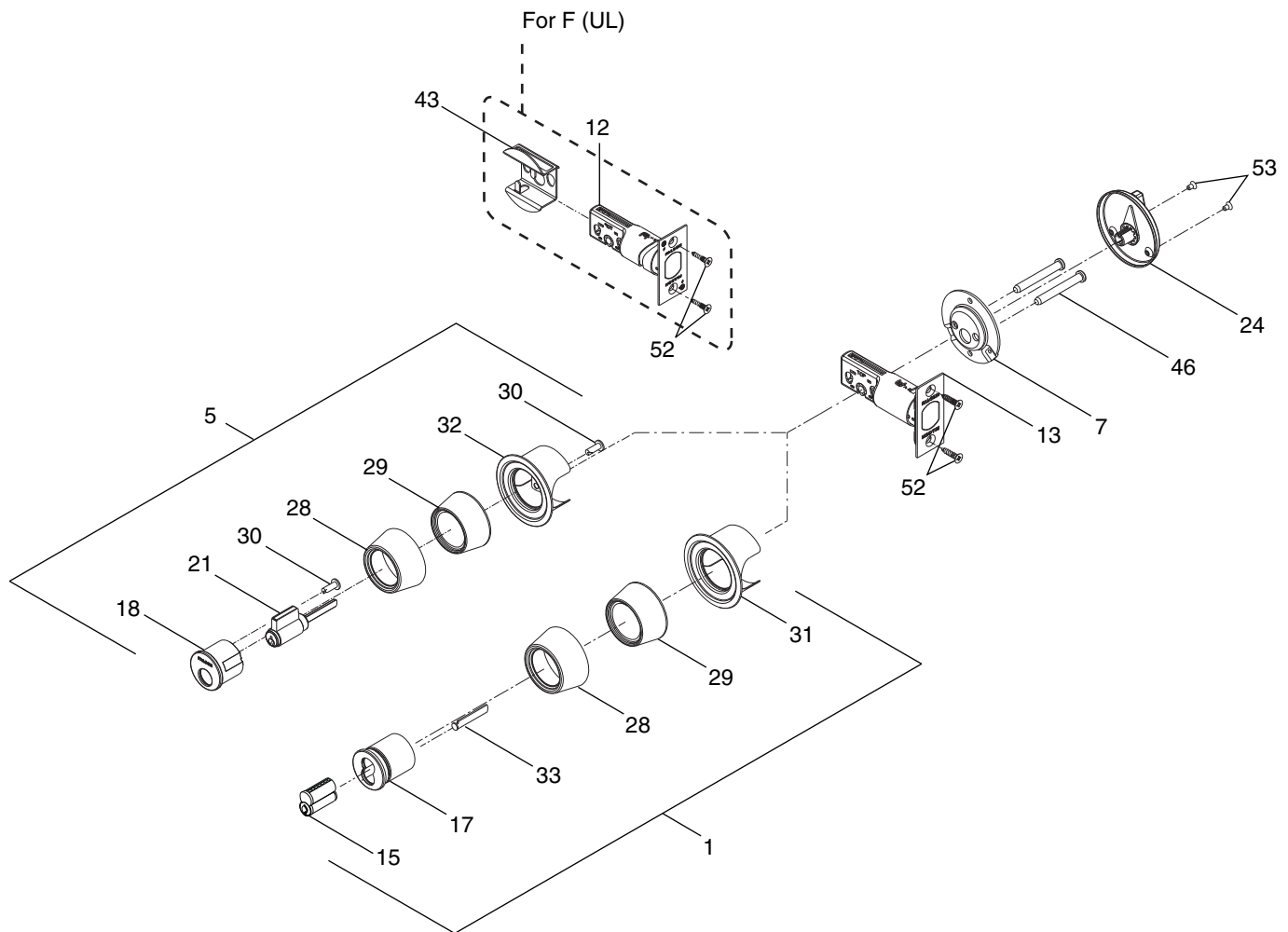
No.	Description	Part No.
7	Mounting Plate	B600-018
8	Mounting Plate, Outside	Q630-124
10	Fire-Rated Bolt (F only)	*
11	Regular Bolt	Q330-256
25	Thumbturn Assy (2)	B302-041

No.	Description	Part No.
36	Driver Bar	B520-653
43	Fire Cup (F only)	*
50	Screw, Mounting (2) x	B520-662
52	Screw, Deadbolt (2)	C603-897
53	Screw, Trim (4)	B600-066

* Not for sale as individual parts.

Lock assemblies

D211G (SFIC), D211P: Classroom Function



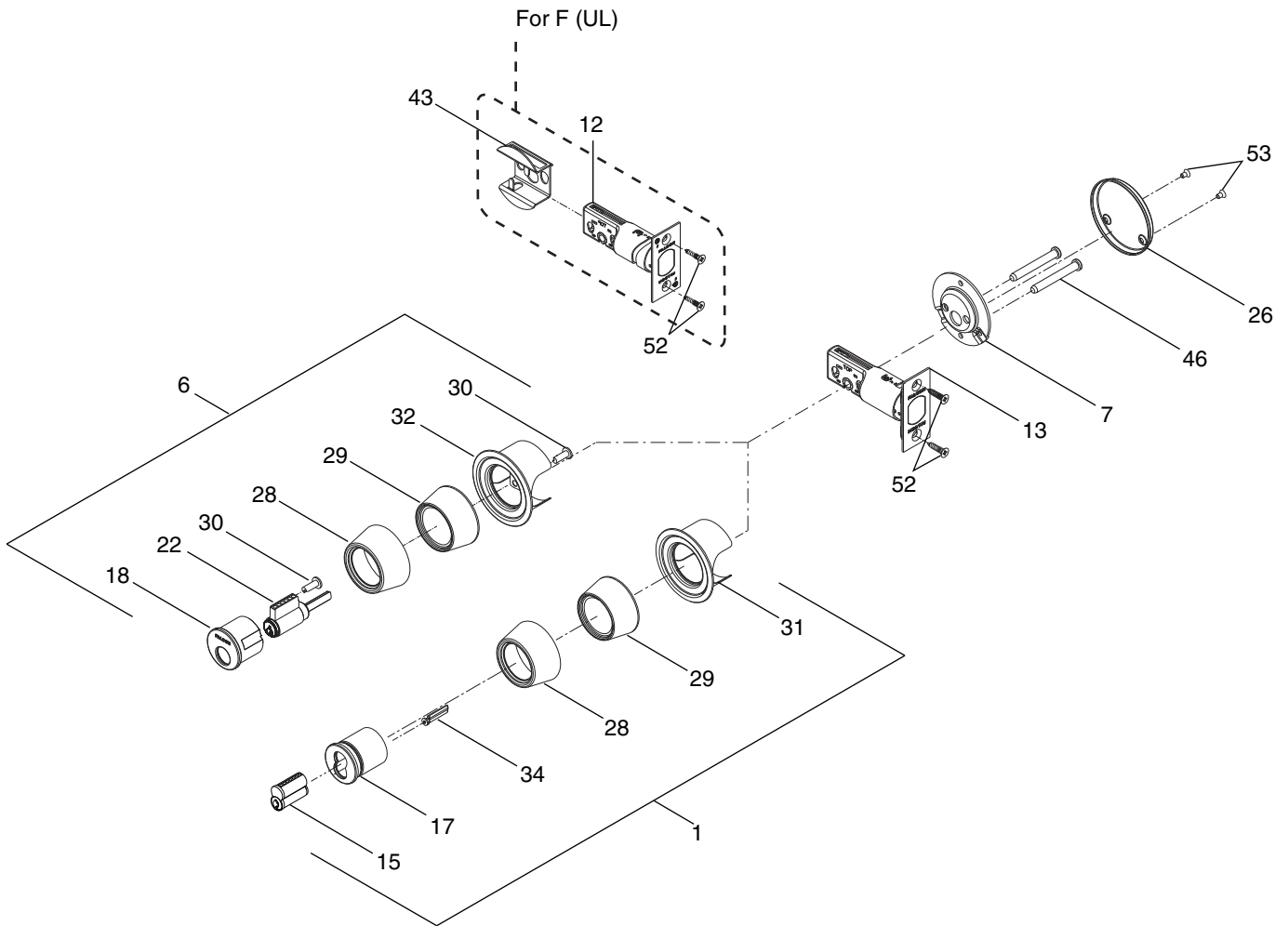
No.	Description	Part No.
1	Outside Housing Assembly	SFIC
5	Outside Housing Assy (P only)	Q500-077
7	Mounting Plate	B600-018
12	Fire-Rated Bolt (F only)	*
13	Regular Bolt	Q330-253
15	SFIC Cylinder	C607
17	Outside Cylinder Housing Assy	B610-204
18	Cylinder Housing Assy	Q500-009
21	5 Pin Cylinder Assy	Q500-067
24	Thumbturn Assy, Classroom	B302-045

No.	Description	Part No.
28	Outside Rose	36-086
29	Insert Ring	B520-541
30	Cylinder Retaining Screw (2)	B300-108
31	Adapter Shield	B520-650
32	Anti-Pry Shield	B520-649
33	Driver Bar	B202-957
43	Fire Cup (F only)	*
46	Screw, Mounting (2)	B600-100
52	Screw, Deadbolt (2)	C603-897
53	Screw, Trim (2)	B600-066

* Not for sale as individual parts.

Lock assemblies

D221G (SFIC), D221P: Single Cylinder x Rose



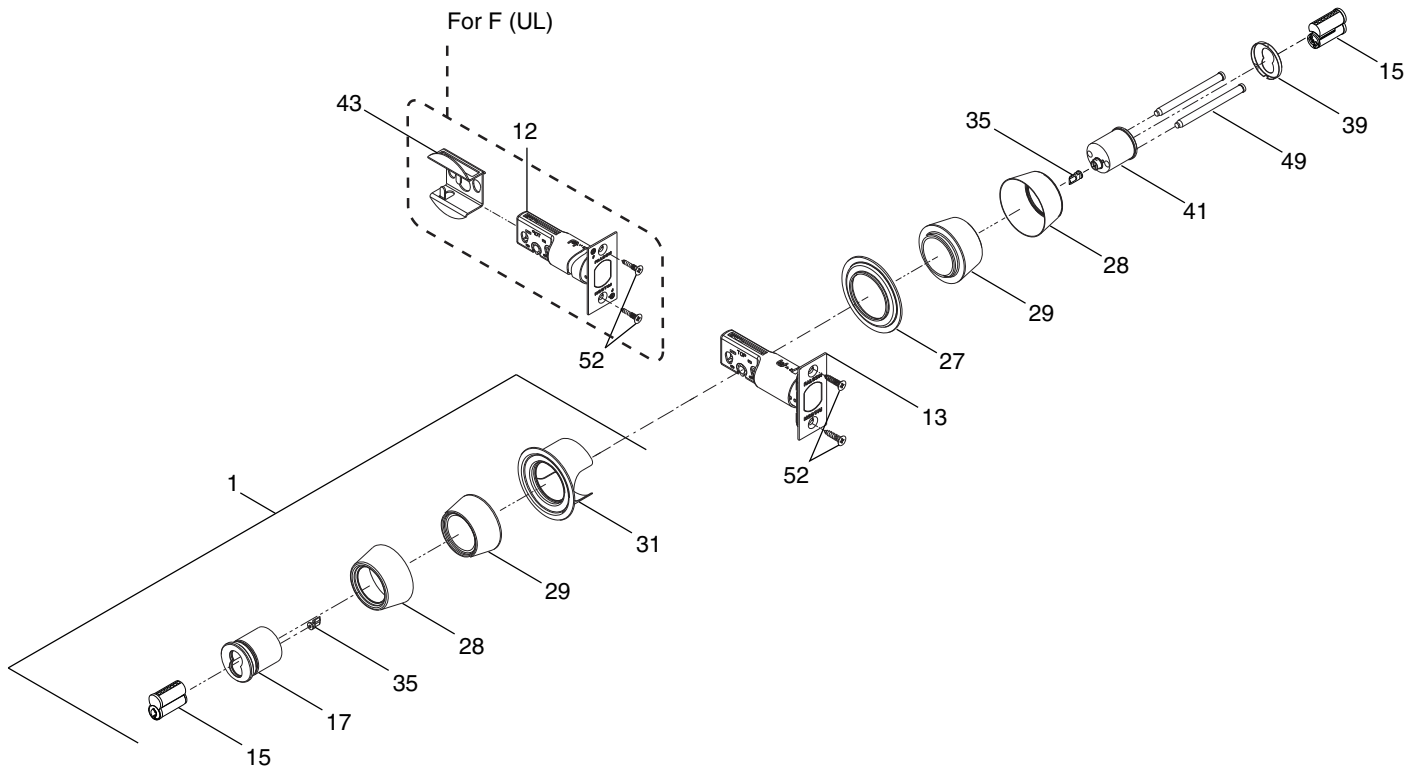
No.	Description	Part No.
1	Outside Housing Assy	SFIC
6	Outside Housing Assy (F only)	Q500-079
7	Mounting Plate	B600-018
12	Fire-Rated Bolt (F only)	*
13	Regular Bolt	Q330-253
15	SFIC Cylinder	C607
17	Outside Cylinder Housing Assy	B610-204
18	Cylinder Housing Assy	Q500-009
22	5 Pin Cylinder Assy	Q500-069
26	Blank Rose	B600-020

No.	Description	Part No.
28	Outside Rose	36-086
29	Insert Ring	B520-541
30	Cylinder Retaining Screw (2)	B300-108
31	Adapter Shield	B520-650
32	Anti-Pry Shield	B520-649
34	Driver Bar	B220-032
43	Fire Cup (F only)	*
46	Screw, Mounting (2)	B600-100
52	Screw, Deadbolt (2)	C603-897
53	Screw, Trim (2)	B600-066

* Not for sale as individual parts.

Lock assemblies

D231G: Double Cylinder



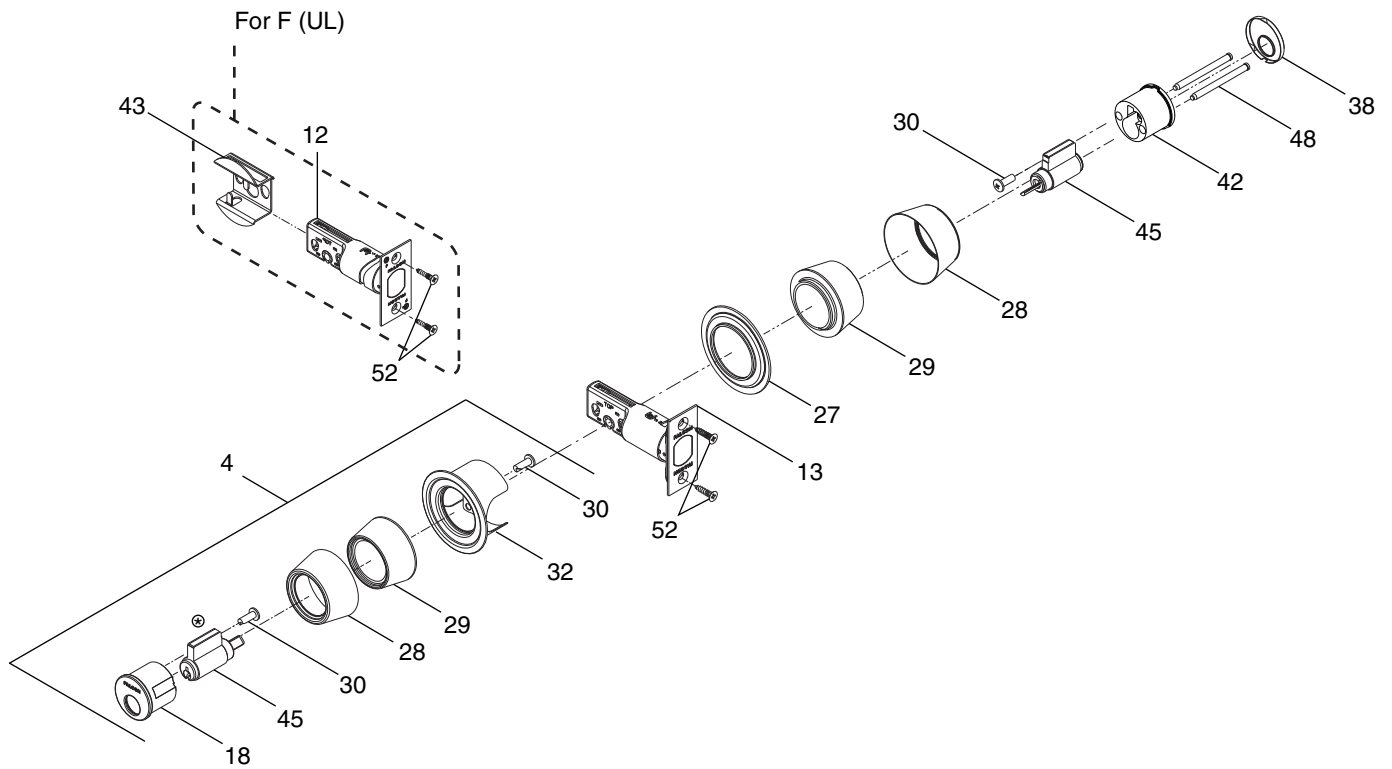
No.	Description	Part No.
1	Outside Housing Assy	SFIC
12	Fire-Rated Bolt (F only)	*
13	Regular Bolt	Q330-253
15	SFIC Cylinder (2)	C607
17	Outside Cylinder Housing Assy	B610-204
27	Ring, 2-1/8" Bore	38-031
28	Outside Rose	36-086
29	Insert Ring	B520-541

No.	Description	Part No.
31	Adapter Shield	B520-650
35	Driver Bar (2)	B202-580
39	Snap On Face Plate, Inside	B610-014
41	Inside Cylinder Housing	B610-281
43	Fire Cup (F only)	*
49	Screw, Mounting (2)	B600-053
52	Screw, Deadbolt (2)	C603-897

* Not for sale as individual parts.

Lock assemblies

D231P: Double Cylinder



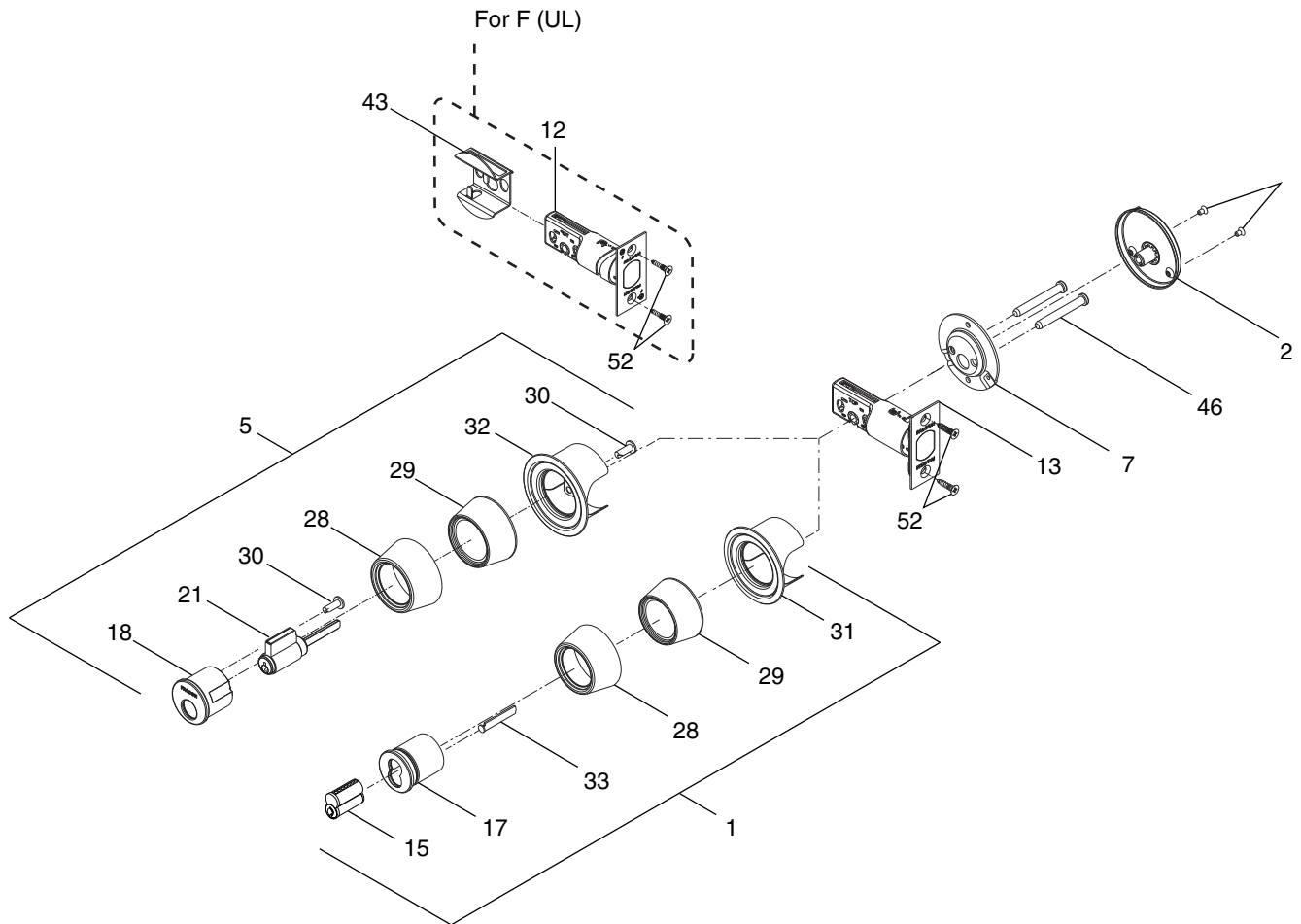
No.	Description	Part No.
4	Outside Housing Assy	Q500-020
12	Fire-Rated Bolt (F only)	*
13	Regular Bolt	Q330-253
18	Outside Cylinder Housing Assy	Q500-009
27	Ring, 2-1/8" Bore	38-031
28	Outside Rose (2)	36-086
29	Insert Ring (2)	B520-541
30	Cylinder Retaining Screw (3)	B300-108

No.	Description	Part No.
32	Anti-Pry Shield	B520-649
38	Snap On Face Plate, Inside	61-511
42	Inside Cylinder Housing	B520-648
43	Fire Cup (F only)	*
45	Cylinder (2)	Q500-072
48	Screw, Mounting (2)	B600-047
52	Screw, Deadbolt (2)	C603-897

* Not for sale as individual parts.

Lock assemblies

D241G (SFIC), D241P: Single Cylinder x Thumbturn



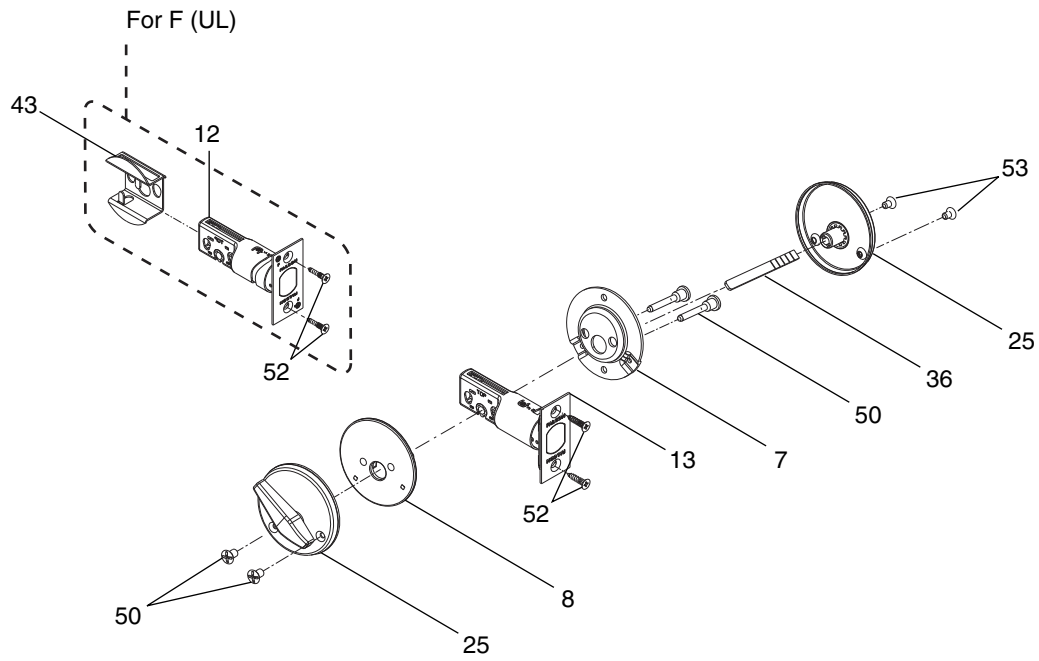
No.	Description	Part No.
1	Outside Housing Assy (G only)	SFIC
5	Outside Housing Assy (P only)	Q500-077
7	Mounting Plate	B600-018
12	Fire-Rated Bolt (F only)	*
13	Regular Bolt	Q330-253
15	SFIC Cylinder	C607
17	Outside Cylinder Housing Assy	B610-204
18	Cylinder Housing Assy	Q500-009
21	5 Pin Cylinder Assy	Q500-067
25	Thumbturn Assy	B302-041

No.	Description	Part No.
28	Outside Rose	36-086
29	Insert Ring	B520-541
30	Cylinder Retaining Screw (2)	B300-108
31	Adapter Shield	B520-650
32	Anti-Pry Shield	B520-649
33	Driver Bar	B202-957
43	Fire Cup (F only)	*
46	Screw, Mounting (2)	B600-100
52	Screw, Deadbolt (2)	C603-897
53	Screw, Trim (2)	B600-066

* Not for sale as individual parts.

Lock assemblies

D251: Thumbturn x Thumbturn



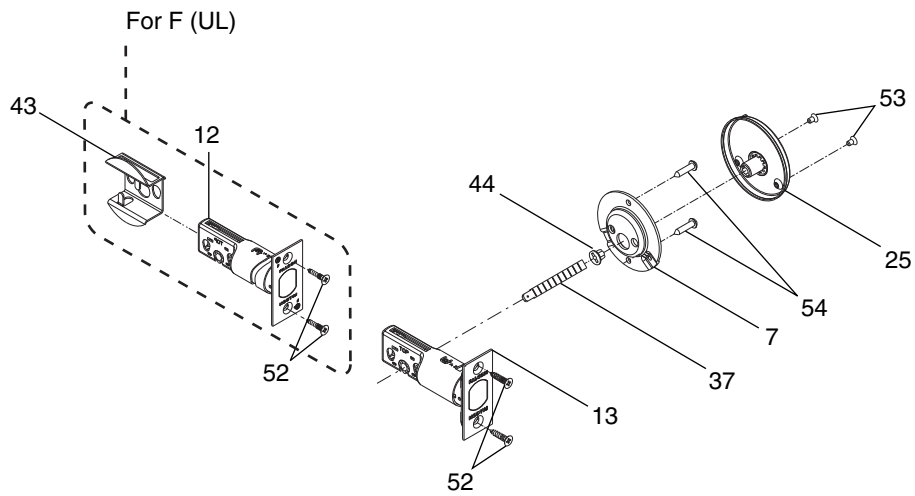
No.	Description	Part No.
7	Mounting Plate	B600-018
8	Mounting Plate, Outside	Q630-124
12	Fire-Rated Bolt (F only)	*
13	Regular Bolt	Q330-253
25	Thumbturn Assy (2)	B302-041

No.	Description	Part No.
36	Driver Bar	B520-653
43	Fire Cup (F only)	*
50	Screw, Mounting (2)	B520-662
52	Screw, Deadbolt (2)	C603-897
53	Screw, Trim (4)	B600-066

* Not for sale as individual parts.

Lock assemblies

D261: Thumbturn, Inside Only



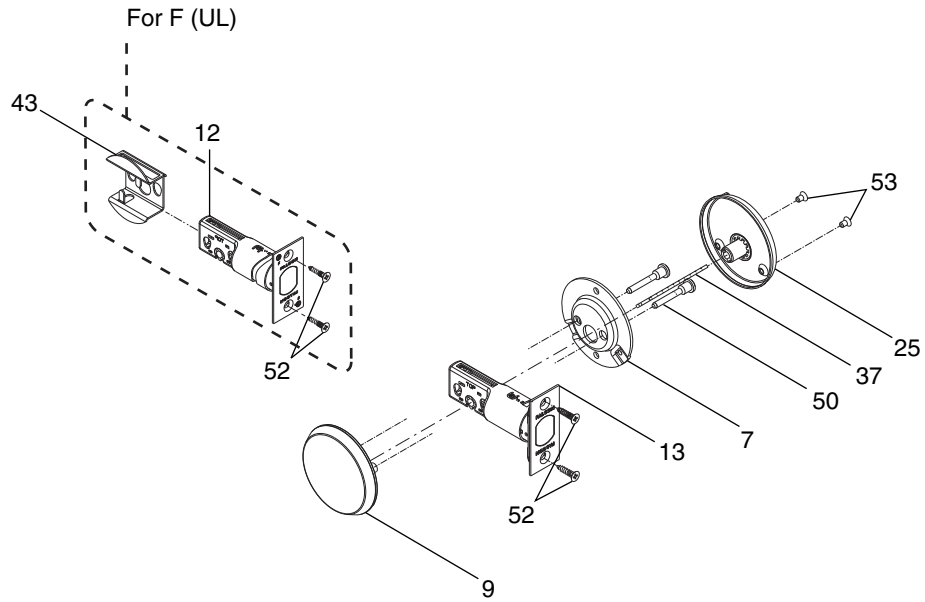
No.	Description	Part No.
7	Mounting Plate	B600-018
12	Fire-Rated Bolt	*
13	Regular Bolt	Q330-253
25	Thumbturn Assy	B302-041
37	Driver Bar	B600-041

No.	Description	Part No.
43	Fire Cup (F only)	*
44	Retainer, Driver Bar	B520-679
52	Screw, Deadbolt (2)	C603-897
53	Screw, Trim (2)	B600-066
54	Screw, Wood (2)	F506-359

* Not for sale as individual parts.

Lock assemblies

D261M: Thumbturn, Inside x Rose



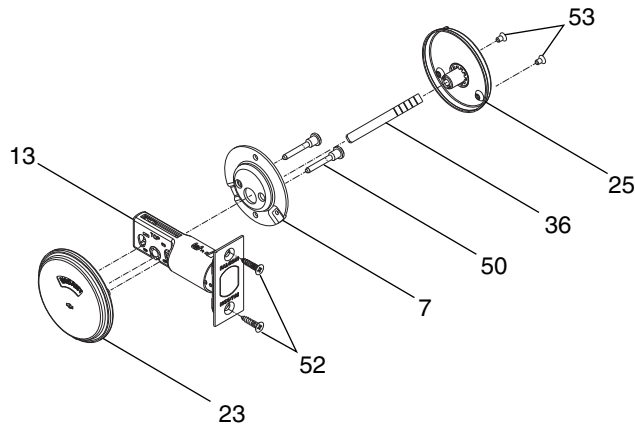
No.	Description	Part No.
7	Mounting Plate	B600-018
9	Mounting Plate, Blank	B600-098
12	Fire-Rated Bolt (F only)	*
13	Regular Bolt	Q330-253
25	Thumbturn Assy	B302-041

No.	Description	Part No.
37	Driver Bar	B600-041
43	Fire Cup (F only)	*
50	Screw, Mounting (2)	B520-662
52	Screw, Deadbolt (2)	C603-897
53	Screw, Trim (2)	B600-066

* Not for sale as individual parts.

Lock assemblies

D271: Thumbturn, Inside x Occupancy Indicator



No.	Description	Part No.
7	Mounting Plate	B600-018
13	Regular Bolt	Q330-253
23	Outside Assy, Indicator Lock	B302-044
25	Thumbturn Assy	B302-041

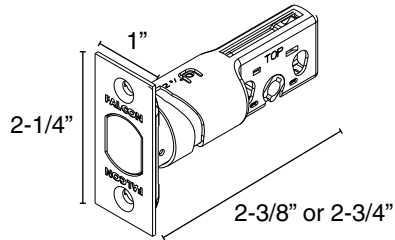
No.	Description	Part No.
36	Driver Bar	B520-653
50	Screw, Mounting (2)	B520-662
52	Screw, Deadbolt (2)	C603-897
53	Screw, Trim (2)	B600-066

Parts and accessories

- 22 Deadbolts
- 23 Strikes
- 24 Accessories
- 27 Cylinders
- 28 Cylinders— IC
- 29 Cylinders— Conventional
- 30 Tailpieces

Deadbolts

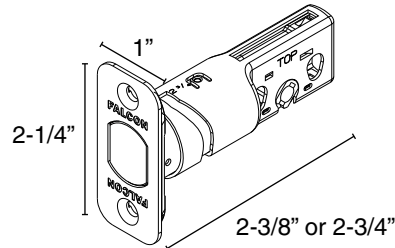
Square Corner (100 Series)
Q330-176



Housing Diameter:
2-3/8" or 2-3/4" Universal

Description:
Square corner, 1" x 2-1/4" faceplate
Specify finish

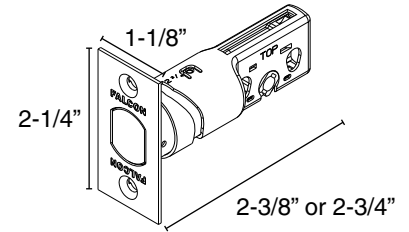
Round Corner (100 Series)
Q330-178



Housing Diameter:
2-3/8" or 2-3/4" Universal

Description:
1/4" radius corner, 1" x 2-1/4" faceplate
Specify finish

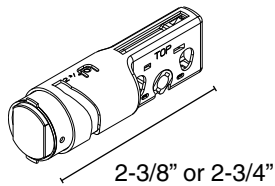
Square Corner (100 Series)
Q330-256



Housing Diameter:
2-3/8" or 2-3/4" Universal

Description:
Square corner, 1-1/8" x 2-1/4" faceplate
Specify finish

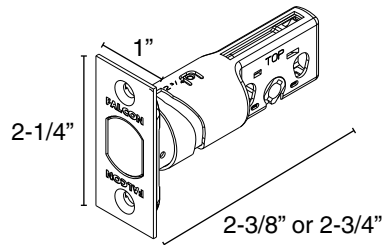
Drive-In (100 Series)
Q330-257



Housing Diameter:
2-3/8" or 2-3/4" Universal

Description:
1" circular drive-in, 626 only

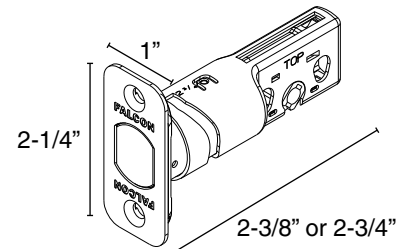
Square Corner (200 Series)
Q330-175



Housing Diameter:
2-3/8" or 2-3/4" Universal

Description:
Square corner, 1" x 2-1/4" faceplate
Specify finish

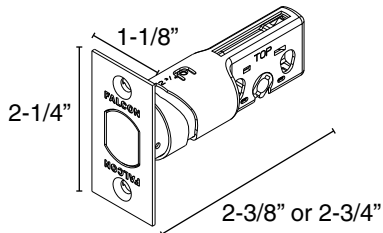
Round Corner (200 Series)
Q330-177



Housing Diameter:
2-3/8" or 2-3/4" Universal

Description:
1/4" radius corner, 1" x 2-1/4" faceplate
Specify finish

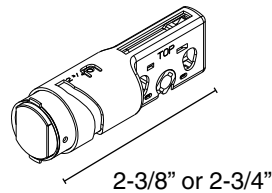
Square Corner (200 Series)
Q330-253



Housing Diameter:
2-3/8" or 2-3/4" Universal

Description:
Square corner, 1-1/8" x 2-1/4" faceplate
Specify finish

Drive-In (200 Series)
Q330-254



Housing Diameter:
2-3/8" or 2-3/4" Universal

Description:
1" circular drive-in, 626 only

Strikes

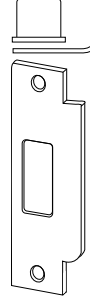
Drive-In Thimble Strike

10-064
Lip Length: 1"
Size: 1-3/16" dia.



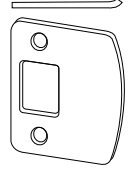
ANSI, with box

10-087
Lip Length: 1-1/8"
Size: 1-1/4" x 4-7/8"



Full Lip, 1/4" Radius Corner, no box

10-092
Lip Length: 1-5/16"
Size: 1-5/8" x 2-1/4"



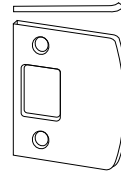
Square Corner, standard, with box

10-094
Lip Length: n/a
Size: 1-1/8" x 2-3/4"



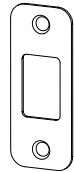
Full Lip, square corner, no box

10-095
Lip Length: n/a
Size: 1-5/8" x 2-1/4"



1", 1/4" Round Corner

10-103
Lip Length: n/a
Size: 1" x 2-1/4"



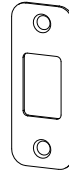
1-1/4", 1/4" Round Corner

10-104
Lip Length: n/a
Size: 1-1/4" x 3-5/8"



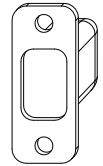
1-1/8", 1/4" Round Corner

10-108
Lip Length: n/a
Size: 1" x 2-1/4"



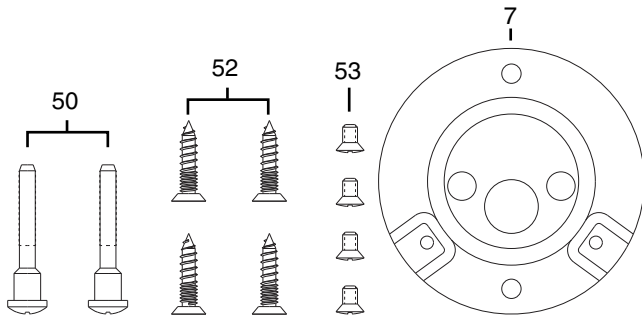
1-1/8", 1/4" Dust Box

B520-283
Lip Length: n/a
Size: 1-1/8" x 2-1/4"



Accessories

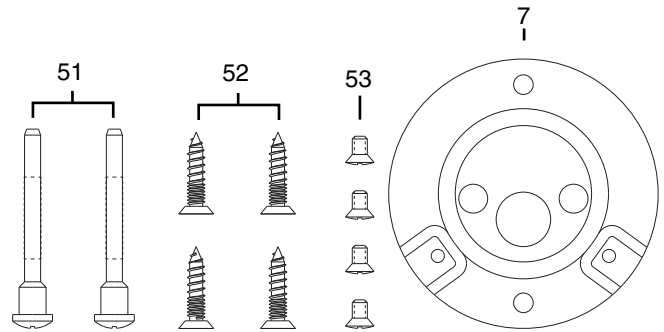
Accessory Bag 61-070



No.	Description	Part no.
7	Plate, Mounting	B600-018
50	Screw, Mounting	B520-662
52	Screw, Deadbolt	C603-897
53	Screw, Trim	B600-066

Door Range: 1³/₈" to 1⁷/₈"

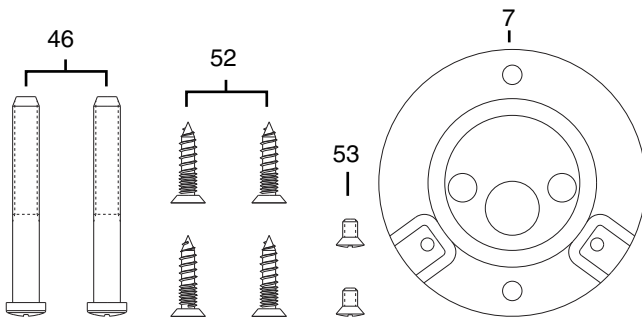
Accessory Bag 61-071



No.	Description	Part no.
7	Plate, Mounting	B600-018
51	Screw, Mounting	B520-663
52	Screw, Deadbolt	C603-897
53	Screw, Trim	B600-066

Door Range: 1³/₄" to 2"

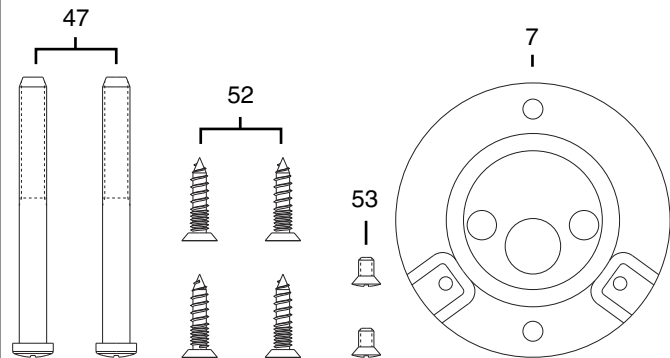
Accessory Bag 61-500



No.	Description	Part no.
7	Plate, Mounting	B600-018
46	Screw, Mounting	B600-100
52	Screw, Deadbolt	C603-897
53	Screw, Trim	B600-066

Door Range: 1³/₈" to 1⁷/₈"

Accessory Bag 61-501

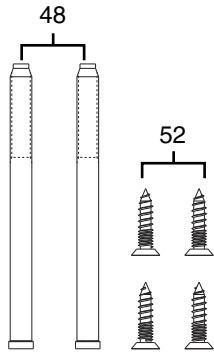


No.	Description	Part no.
7	Plate, Mounting	B600-018
47	Screw, Mounting	B600-101
52	Screw, Deadbolt	C603-897
53	Screw, Trim	B600-066

Door Range: >1⁷/₈" to 2¹/₄"

Parts and accessories

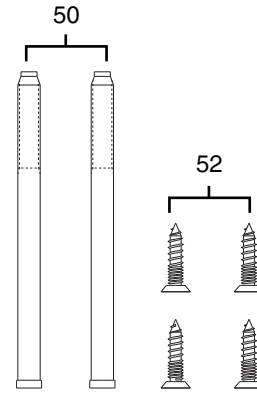
Accessory Bag 61-502



No.	Description	Part no.
48	Screw, Mounting	B600-047
52	Screw, Deadbolt	C603-897

Door Range: 1³/₈" to 1⁷/₈"

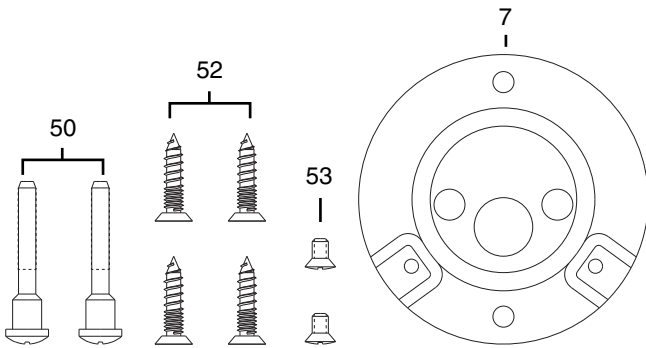
Accessory Bag 61-503



No.	Description	Part no.
50	Screw, Mounting	B520-662
52	Screw, Deadbolt	C603-897

Door Range: >1⁷/₈" to 2¹/₄"

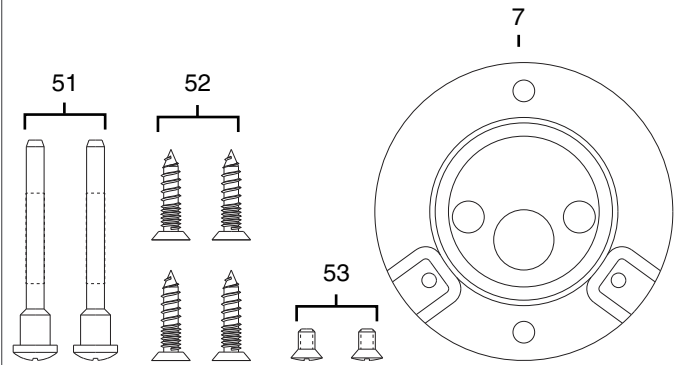
Accessory Bag 61-504



No.	Description	Part no.
7	Plate, Mounting	B600-018
50	Screw, Mounting	B520-662
52	Screw, Deadbolt	C603-897
53	Screw, Trim	B600-066

Door Range: 1³/₈" to 1⁷/₈"

Accessory Bag 61-505

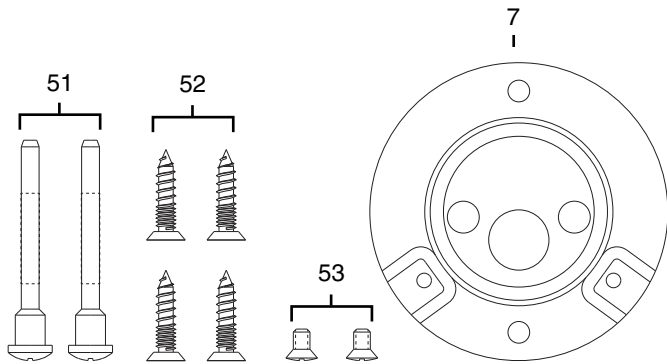


No.	Description	Part no.
7	Plate, Mounting	B600-018
51	Screw, Mounting	B520-663
52	Screw, Deadbolt	C603-897
53	Screw, Trim	B600-066

Door Range: >1⁷/₈" to 2¹/₄"

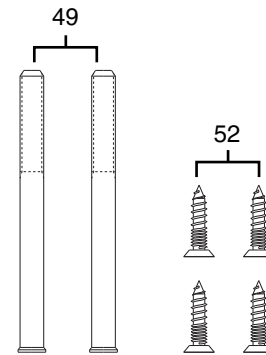
Parts and accessories

Accessory Bag 61-506



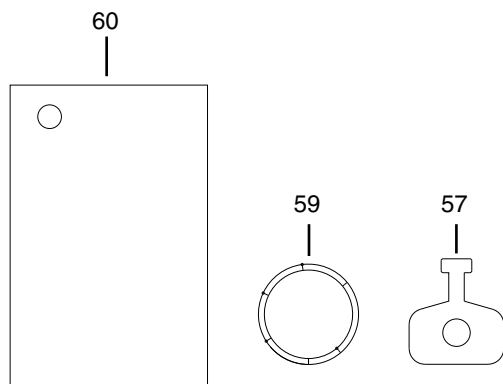
No.	Description	Part no.
7	Plate, Mounting	B600-018
52	Screw, Deadbolt	C603-897
53	Screw, Trim	B600-066
54	Screw, Wood	F506-359
55	Screw, Machine	B600-048
Door Range: 1 ³ / ₈ " to 1 ⁷ / ₈ "		

Accessory Bag 61-507



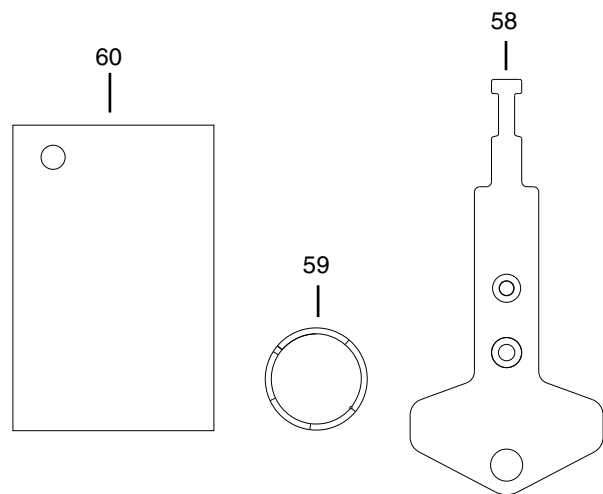
No.	Description	Part no.
49	Screw, Mounting	B600-053
52	Screw, Deadbolt	C603-897
Door Range: 1 ³ / ₄ " to 2"		

Emergency Key Pack 61-509



No.	Description	Part no.
57	Emergency Key, Small	009159
59	Ring, Key	C503-124
60	Emergency Key Tag	P515-768

Emergency Key Pack 61-509



No.	Description	Part no.
58	Emergency Key, Large	009159-001
59	Ring, Key	C503-124
60	Emergency Key Tag	P515-768

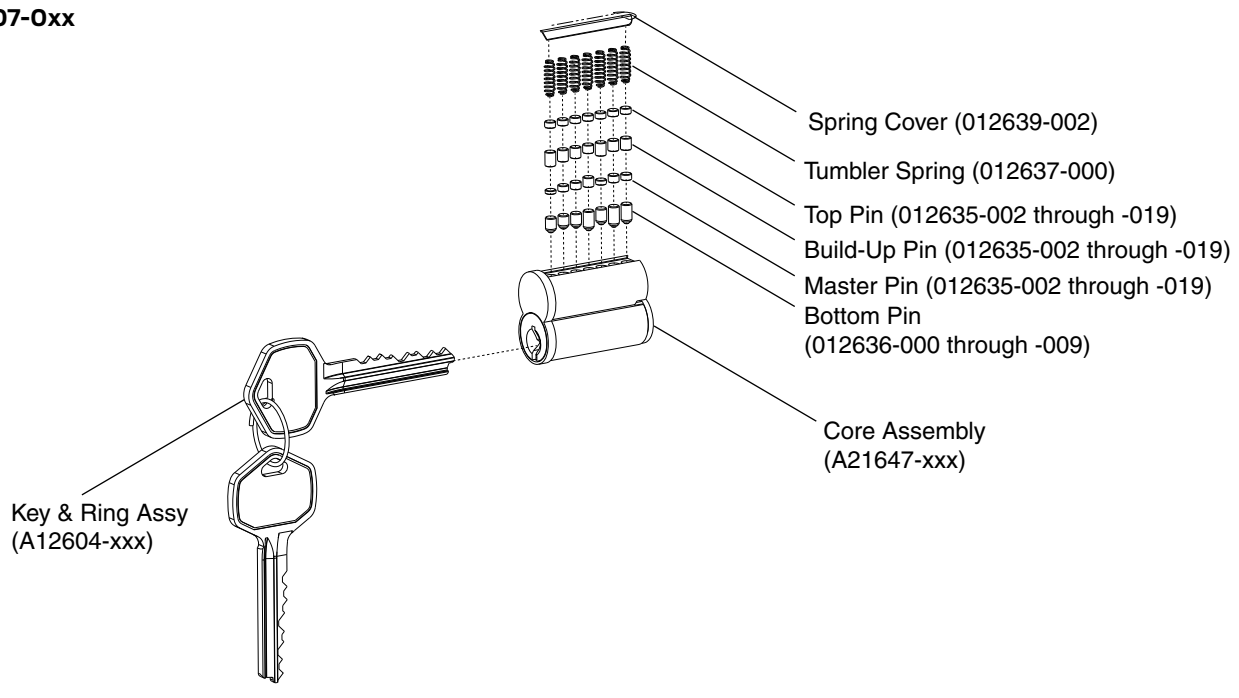
Parts and accessories

Cylinders

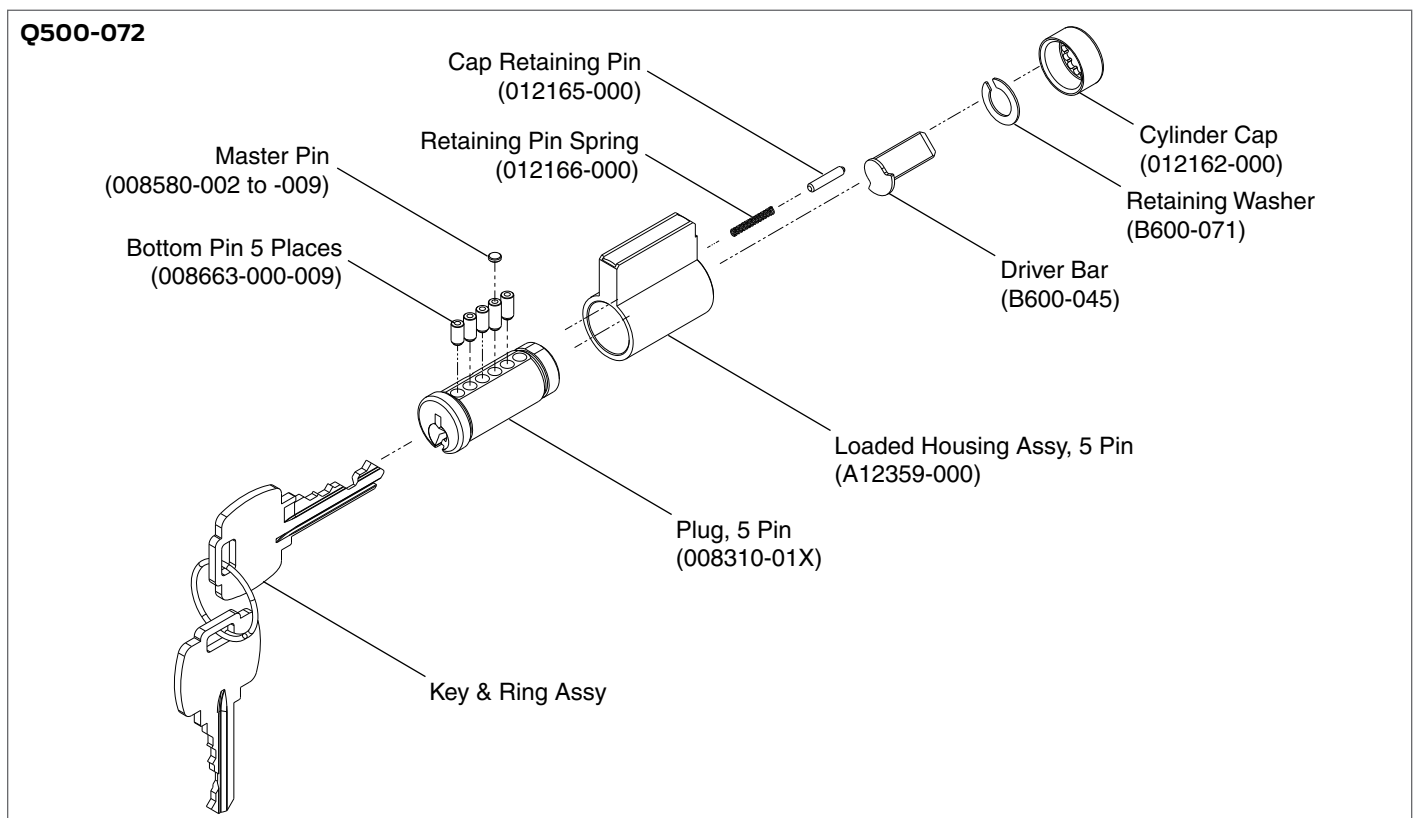
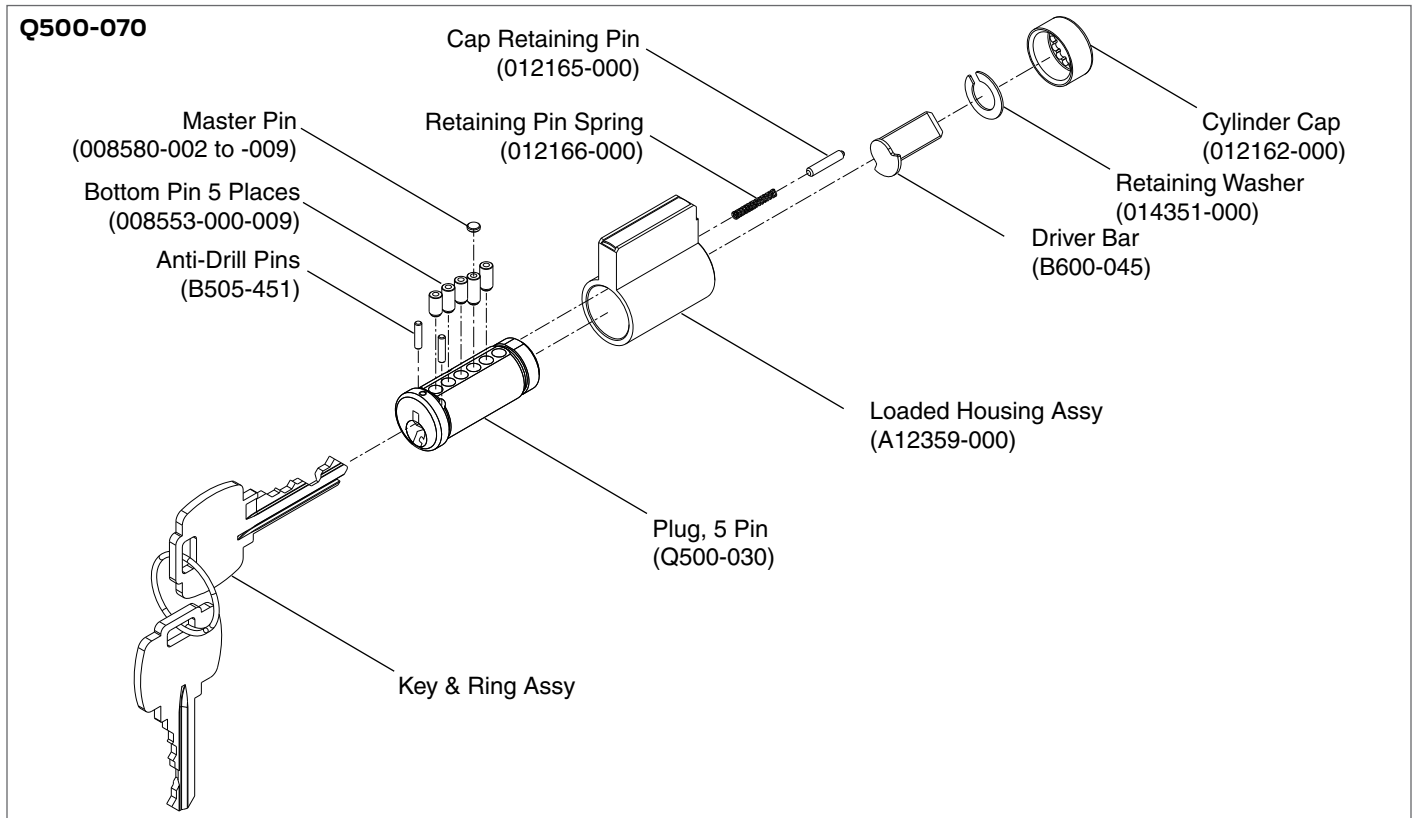
Part number	Specify finish	Description		Application	
		Size	Type	Use	Door thickness
Keyed, single conventional cylinder					
B600-100		1/4"-28 X 1-15/16"	Poh mach.	Mounting	1-3/8" - 1-3/4"
B600-101		1/4"-28 X 1-15/16"	Poh mach.	Mounting	1-3/4" - 2-1/4"
B600-066	•	6-32 X 1/4"	Ph mach.	Turn	-
B300-108		10-32 X 3/8"	Ph mach.	Anti-pry shield	-
Keyed, single SFIC cylinder					
B600-100		1/4"-28 X 1-15/16"	Poh mach.	Mounting	1-3/8" - 2-1/4"
B600-066	•	6-32 X 1/4"	Ph mach.	Turn	-
Keyed, double conventional cylinder					
B600-047		1/4"-28 X 3-13/16"	Ph mach.	Mounting	1-3/8" - 1-3/4"
B600-078		1/4"-28 X 3-29/64"	Ph mach.	Mounting	1-3/4" - 2-1/4"
B300-108		10-32 X 3/8"	Ph mach.	Anti-pry shield	-
Keyed, double SFIC cylinder					
B600-053		1/4"-28 X 3-61/64"	Ph mach.	Mounting	1-3/4" - 2-1/4"
B300-108		10-32 X 3/8"	Ph mach.	Anti-pry shield	-
Keyless, d261					
B600-066	•	6-32 X 1/4"	Ph mach.	Turn	-
B600-048		10-32 X 1/2"	Ph mach.	Mounting plate	-
F506-359		#8 X 3/4"	Rh wood	Mounting plate	-
Keyless, D261M, D271					
B520-662		10-32 X 1-3/4"	Poh mach.	Mounting	1-3/8" - 1-3/4"
B520-663		10-32 X 1-3/4"	Poh mach.	Mounting	1-3/4" - 2-1/4"
B600-066	•	6-32 X 1/4"	Ph mach.	Turn	Application
All functions					
C603-897	•	#8 X 3/4"	Pfh combo	Deadbolt & strike	-
J520-028		#8 X 2"	Pfh wood	2" Strike screw	-
R525-256		#12 X 3"	Pfh wood	3" Metal dust box	-

Cylinders— IC

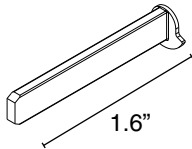
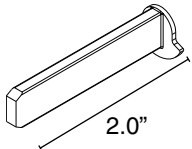
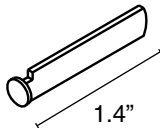
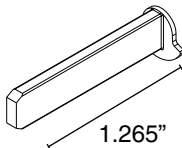
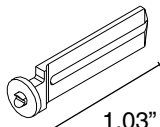
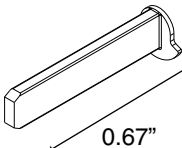
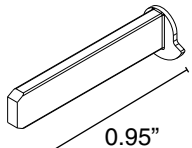
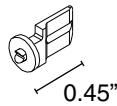
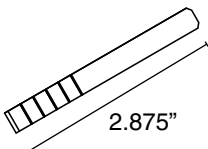
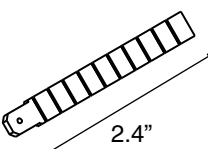
A21607-0xx



Cylinders— Conventional



Tailpieces

	Door Range: 1 ³ / ₈ " to 1 ⁷ / ₈ "	Door Range: >1 ⁷ / ₈ " to 2 ¹ / ₄ "	SFIC (Door Range: <2")
D111/D211 D141/D241	B520-651 	B520-652 	B202-957 
D121/D221	B520-667 	NA	B220-032 
D131/D231	B600-045 	B600-046 	B202-580 
D251/D271	B520-653 	NA	NA
D261/D261M	B600-041 	NA	NA

About Allegion

Allegion (NYSE: ALLE) creates peace of mind by pioneering safety and security. As a \$2 billion provider of security solutions for homes and businesses, Allegion employs more than 7,800 people and sells products in more than 120 countries across the world. Allegion comprises 23 global brands, including strategic brands CISA®, Interflex®, LCN®, Schlage® and Von Duprin®.

For more, visit www.allegion.com.

aptiQ ■ LCN ■ **SCHLAGE** ■ STEELCRAFT ■ VON DUPRIN