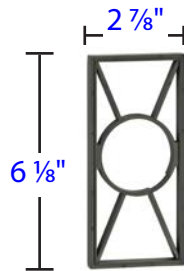
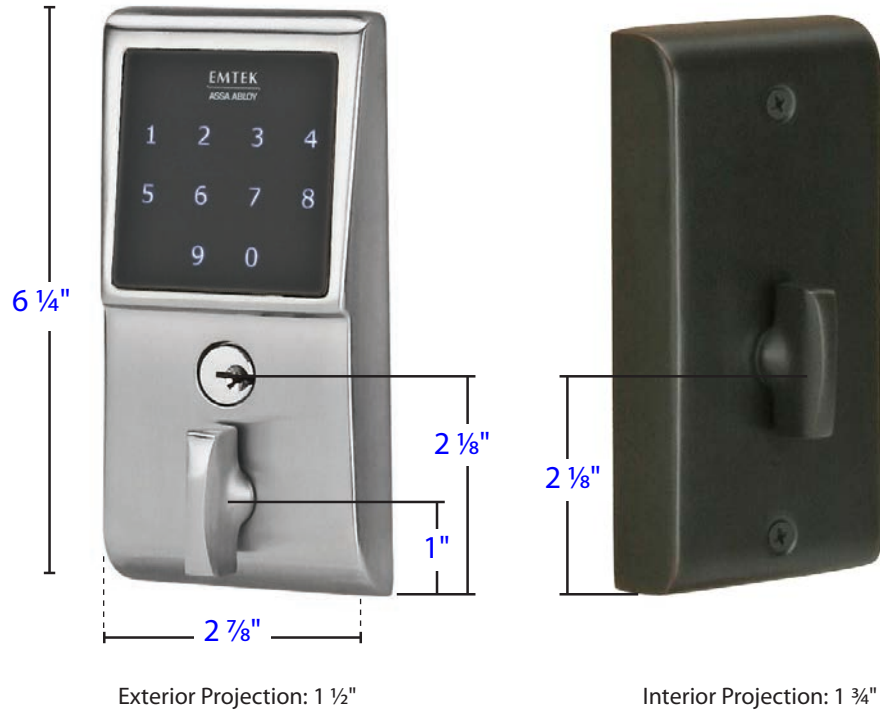


EMTEK

Technical Specifications Master Index

EMTOUCH™



Adaptors available for leversets to fit doors between 1 3/8" and 1 5/8" thick.

Product Features:

- Fits any door between 1 3/4" to 2 1/4" thick with a 2 1/8" bore standard door prep.
- Installs easily with only a Phillips head screwdriver.
- Easy to use installation and programming instructions included.
- Factory programmed with 2 unique, secure user codes for use right out of the box.
- Can be programmed with up to 20 user codes of your choice.
- Codes can be added and deleted.
- Easy lock operation, simply push the Emtek button and turn the exterior thumb turn to lock.
- Easy unlock operation, enter the 4 digit code and turn the exterior thumb turn.
- Programming changes can be made easily using the keypad.
- Sleek keypad has a protective coating to prevent wear patterns.
- Illuminated keypad for easy and quick operation after dark.
- Low battery indicator lets you know when it's time to change the battery.
- Emtek's standard mechanical and finish warranties along with a 2 year warranty on electronic components.

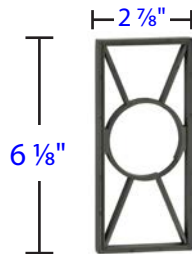
EMTOUCH™



Exterior Projection: 3"



Interior Projection: 3"



Adaptors available for leversets to fit doors between 1 3/8" and 1 5/8" thick.



Passage Function
Shown in Passage
Mode

Storeroom/Gate
Function



- Storeroom / Gate Function**
- Outside lever always locked
 - Entry by code or key only
 - Inside lever always free



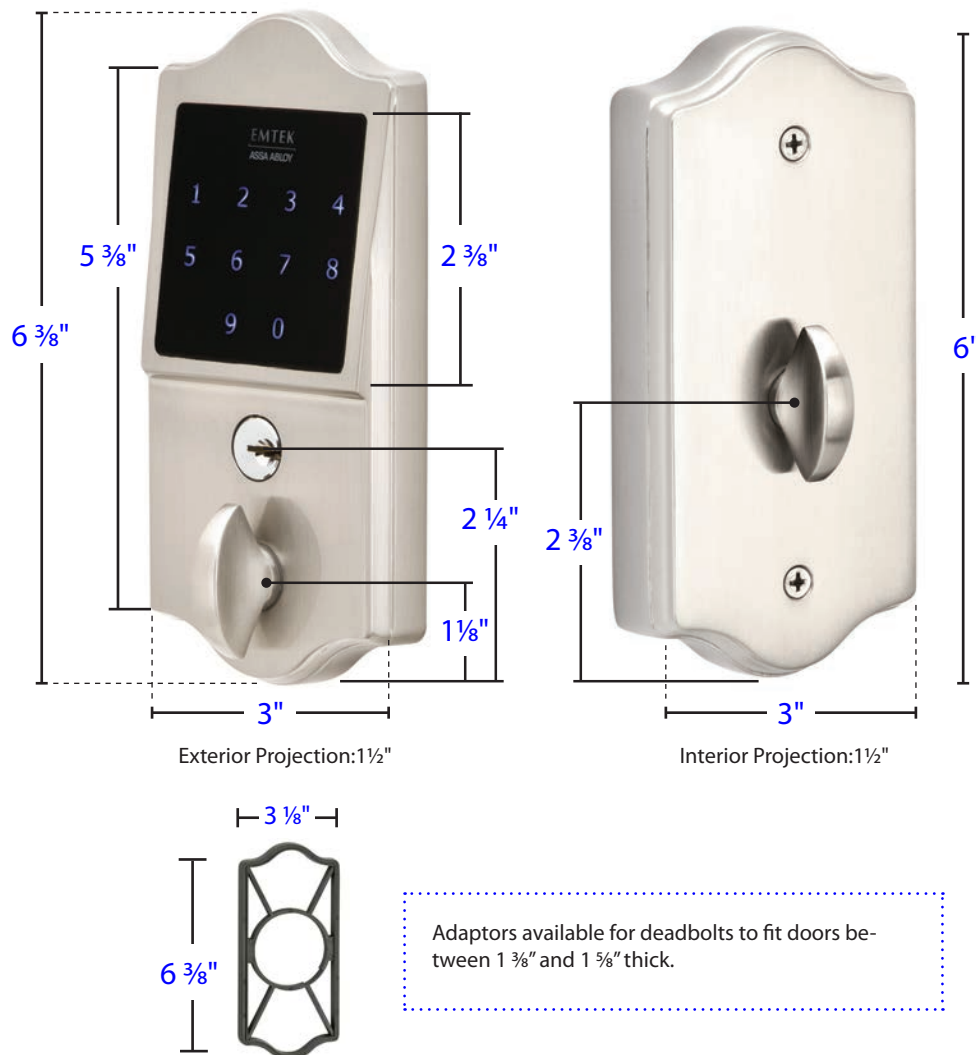
Passage Function in Locked Mode

- Outside lever always locked
- Entry by code or key only
- Inside lever always free



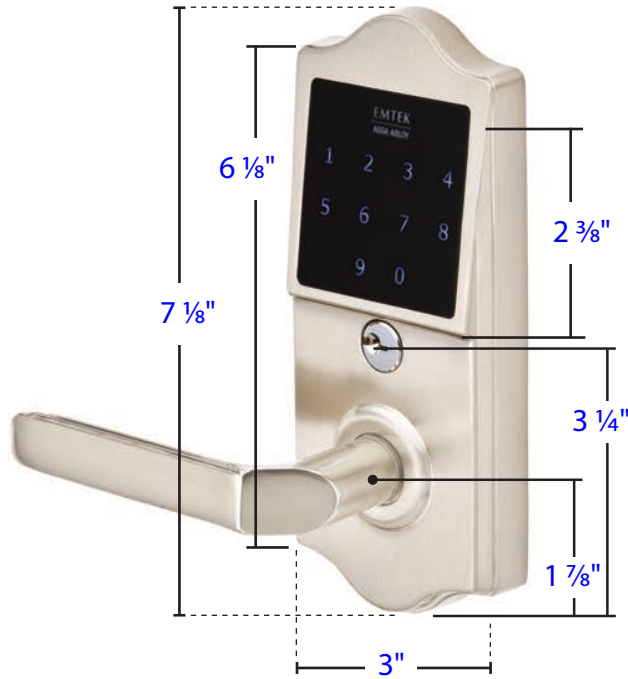
Passage Function in Passage Mode

- Outside lever always free
- Entry by operating lever, no code or key required.
- Inside lever always free

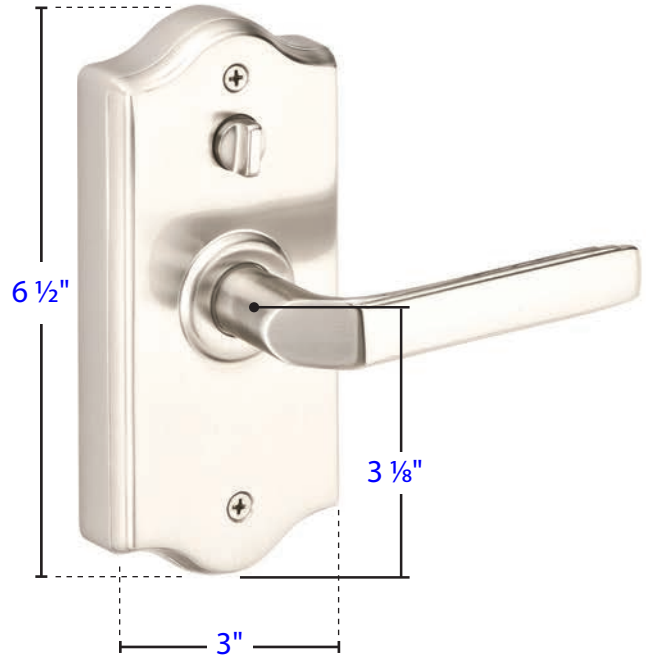
EMTOUCH™ CLASSIC**Product Features:**

- Fits any door between 1 3/4" to 2 1/4" thick with a 2 1/8" bore standard door prep.
- Installs easily with only a Phillips head screwdriver.
- Easy to use installation and programming instructions included.
- Factory programmed with 2 unique, secure user codes for use right out of the box.
- Can be programmed with up to 20 user codes of your choice.
- Codes can be added and deleted.
- Easy lock operation, simply push the Emtek button and turn the exterior thumb turn to lock.
- Easy unlock operation, enter the 4 digit code and turn the exterior thumb turn.
- Programming changes can be made easily using the keypad.
- Sleek keypad has a protective coating to prevent wear patterns.
- Illuminated keypad for easy and quick operation after dark.
- Low battery indicator lets you know when it's time to change the battery.
- Emtek's standard mechanical and finish warranties along with a 2 year warranty on electronic components.

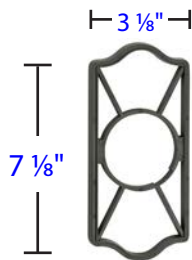
EMTOUCH™ CLASSIC



Exterior Projection: 3 1/4"



Interior Projection: 3 1/8"



Adaptors available for leversets to fit doors between 1 3/8" and 1 5/8" thick.



Passage Function
Shown in Passage
Mode

Storeroom/Gate
Function



- Storeroom / Gate Function**
- Outside lever always locked
 - Entry by code or key only
 - Inside lever always free



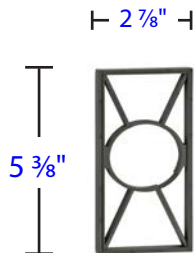
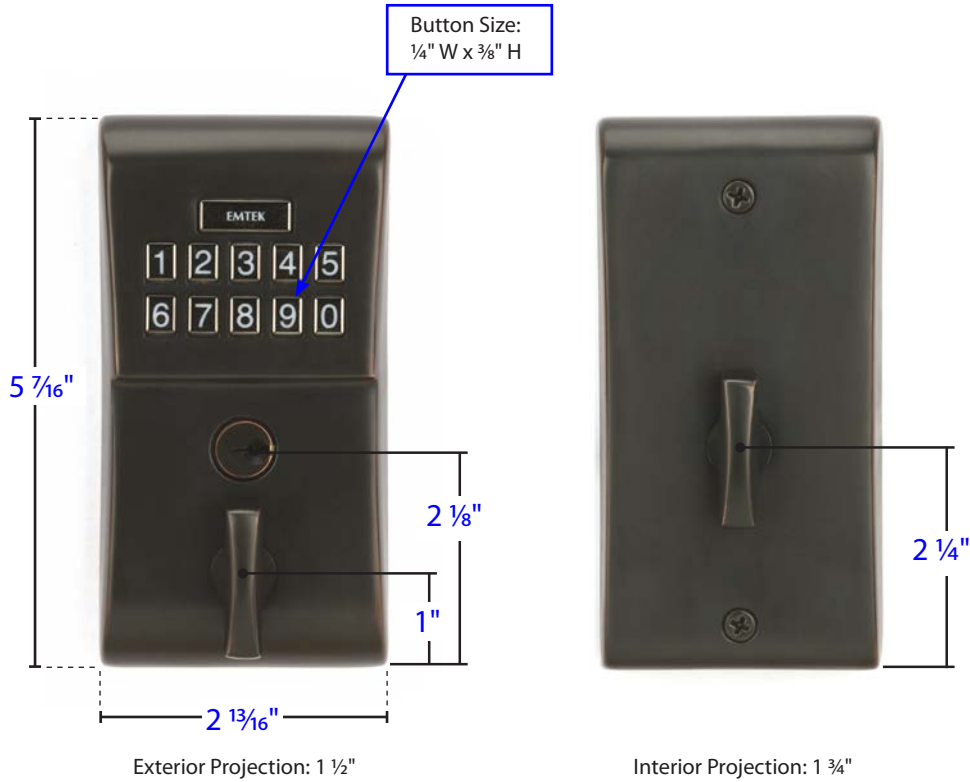
Passage Function in Locked Mode

- Outside lever always locked
- Entry by code or key only
- Inside lever always free



Passage Function in Passage Mode

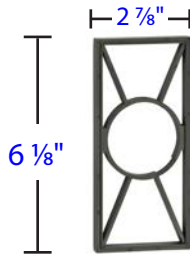
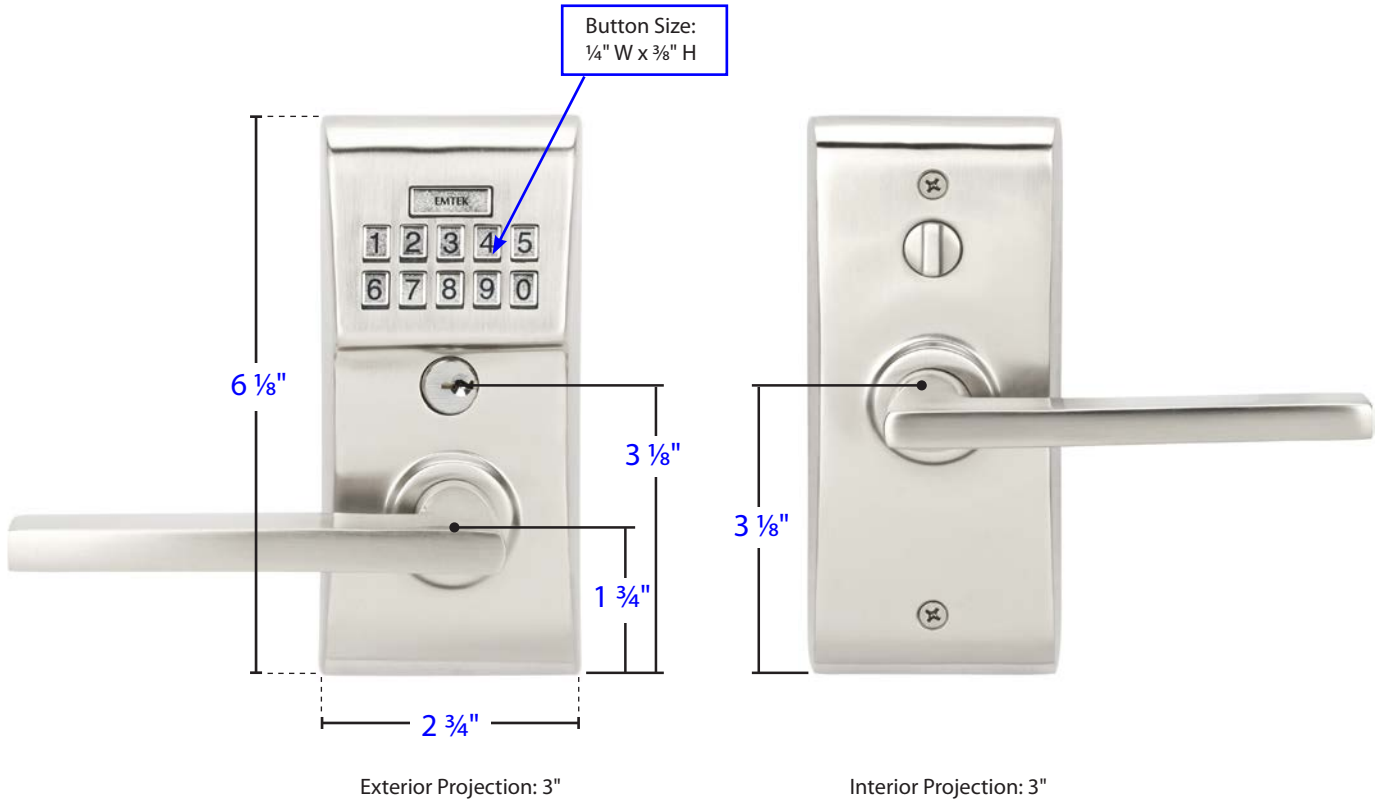
- Outside lever always free
- Entry by operating lever, no code or key required.
- Inside lever always free



Adaptors available for deadbolts to fit doors between $1 \frac{3}{8}$ " and $1 \frac{5}{8}$ " thick.

Product Features:

- Fits any door between $1 \frac{3}{4}$ " to $2 \frac{1}{4}$ " thick with a $2 \frac{7}{8}$ " bore standard door prep.
- Installs easily with only a Phillips head screwdriver.
- Easy to use installation and programming instructions included.
- Factory programmed with 2 unique, secure user codes for use right out of the box.
- Can be programmed with up to 20 user codes of your choice.
- Codes can be added and deleted.
- Easy lock operation, simply push the Emtek button and turn the exterior thumb turn to lock.
- Easy unlock operation, enter the 4 digit code and turn the exterior thumb turn.
- Programming changes can be made easily using the keypad.
- Sleek keypad has a protective coating to prevent wear patterns.
- Illuminated keypad for easy and quick operation after dark.
- Low battery indicator lets you know when it's time to change the battery.
- Emtek's standard mechanical and finish warranties along with a 2 year warranty on electronic components.



Adaptors available for leversets to fit doors between 1 ⅜" and 1 ⅝" thick.



Passage Function
Shown in Passage
Mode

Storeroom/Gate
Function



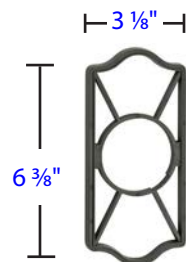
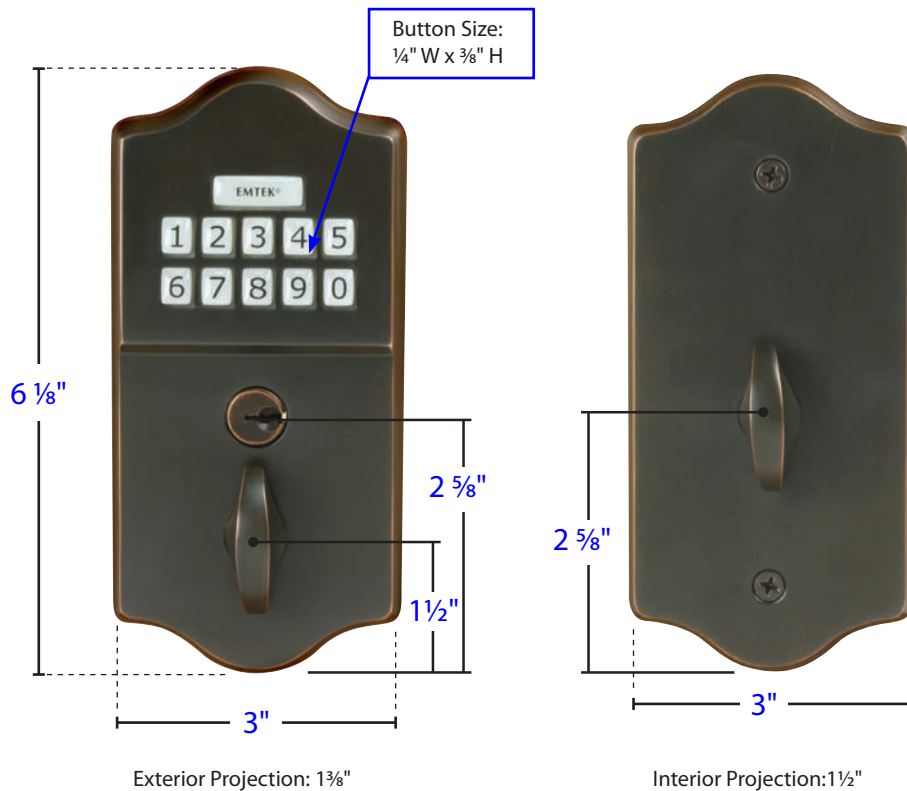
- Storeroom / Gate Function**
- Outside lever always locked
 - Entry by code or key only
 - Inside lever always free



- Passage Function in Locked Mode**
- Outside lever always locked
 - Entry by code or key only
 - Inside lever always free



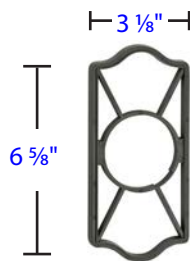
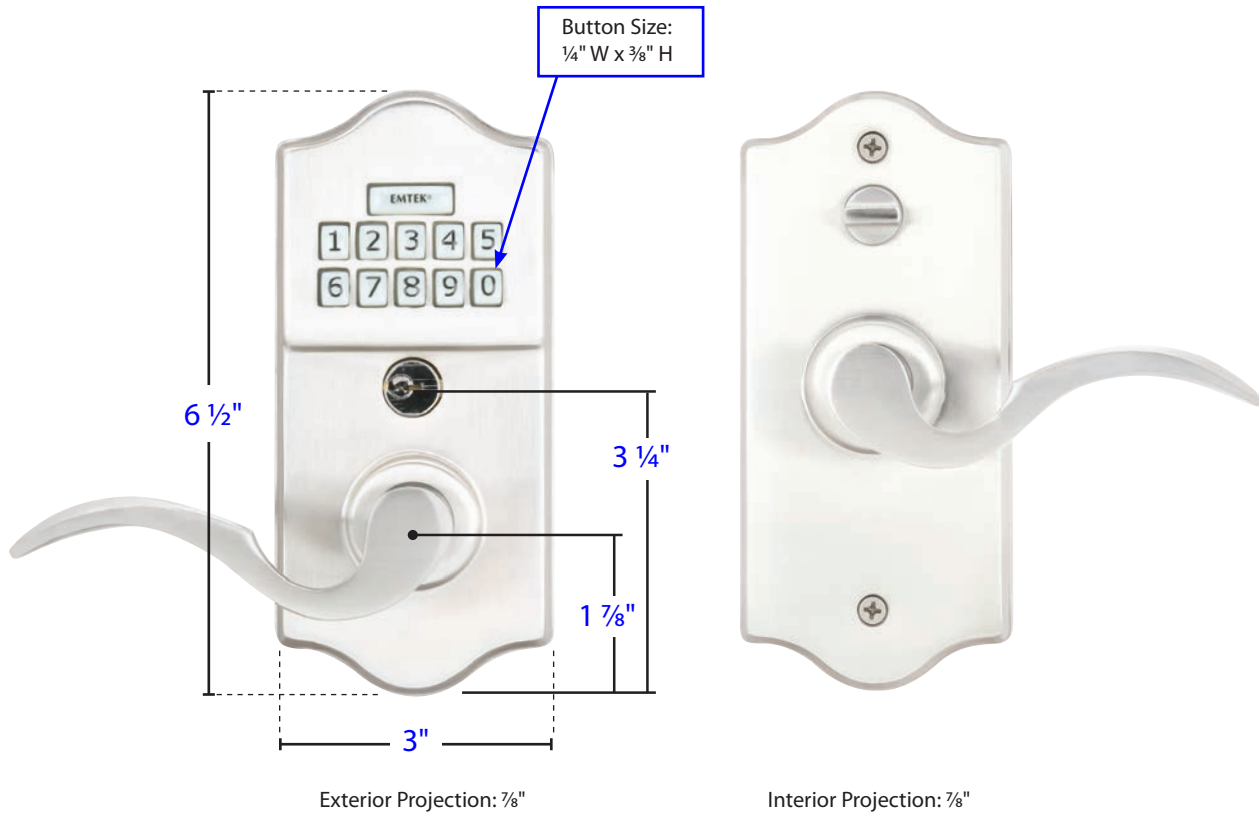
- Passage Function in Passage Mode**
- Outside lever always free
 - Entry by operating lever, no code or key required.
 - Inside lever always free



Adaptors available for deadbolts to fit doors between 1 3/8" and 1 5/8" thick.

Product Features:

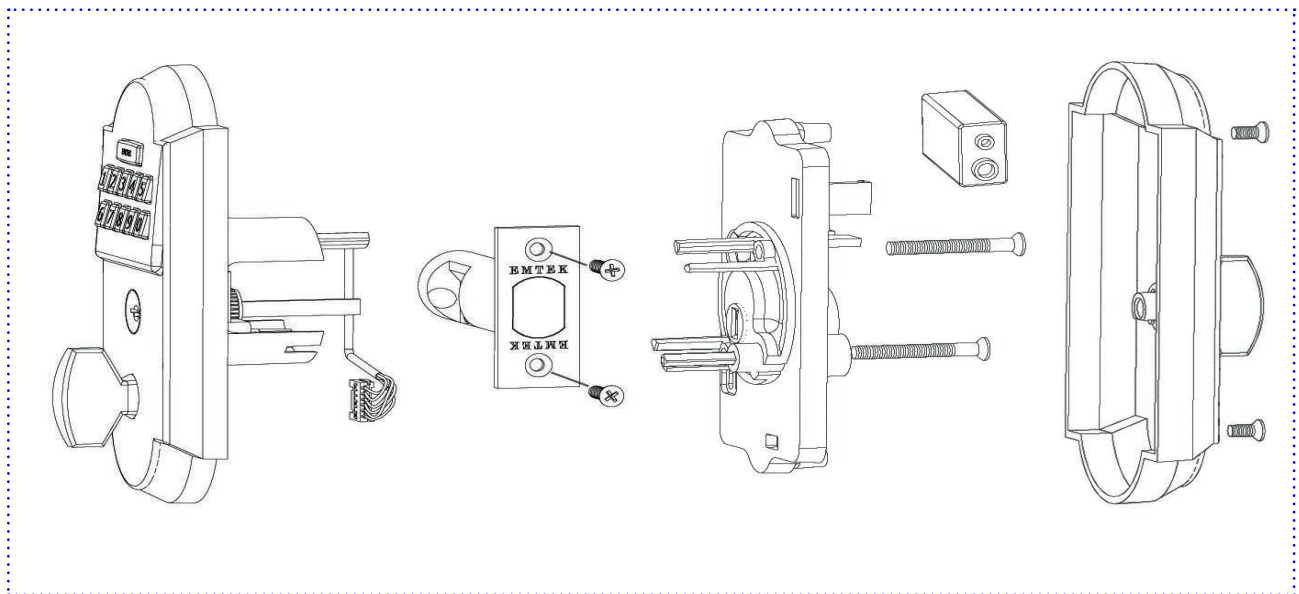
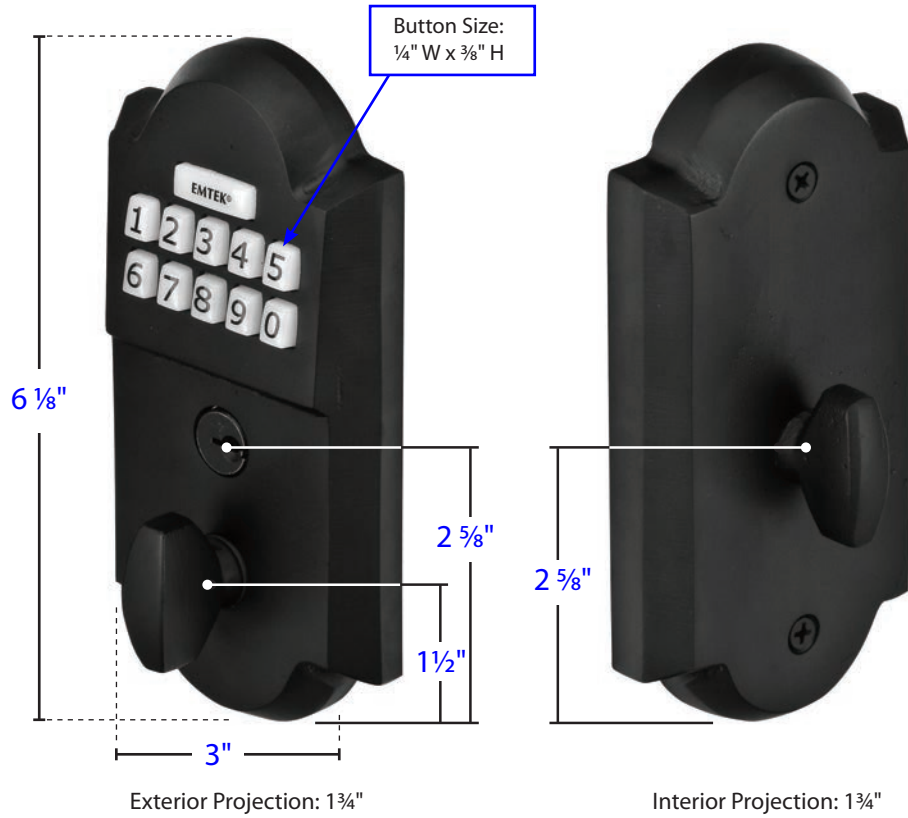
- Fits any door between 1 3/4" to 2 1/4" thick with a 2 1/8" bore standard door prep.
- Installs easily with only a Phillips head screwdriver.
- Easy to use installation and programming instructions included.
- Factory programmed with 2 unique, secure user codes for use right out of the box.
- Can be programmed with up to 20 user codes of your choice.
- Codes can be added and deleted.
- Easy lock operation, simply push the Emtek button and turn the exterior thumb turn to lock.
- Easy unlock operation, enter the 4 digit code and turn the exterior thumb turn.
- Programming changes can be made easily using the keypad.
- Keypad has a protective coating to prevent wear patterns.
- Illuminated keypad for easy and quick operation after dark.
- Low battery indicator lets you know when it's time to change the battery.
- Emtek's standard mechanical and finish warranties along with a 2 year warranty on electronic components.

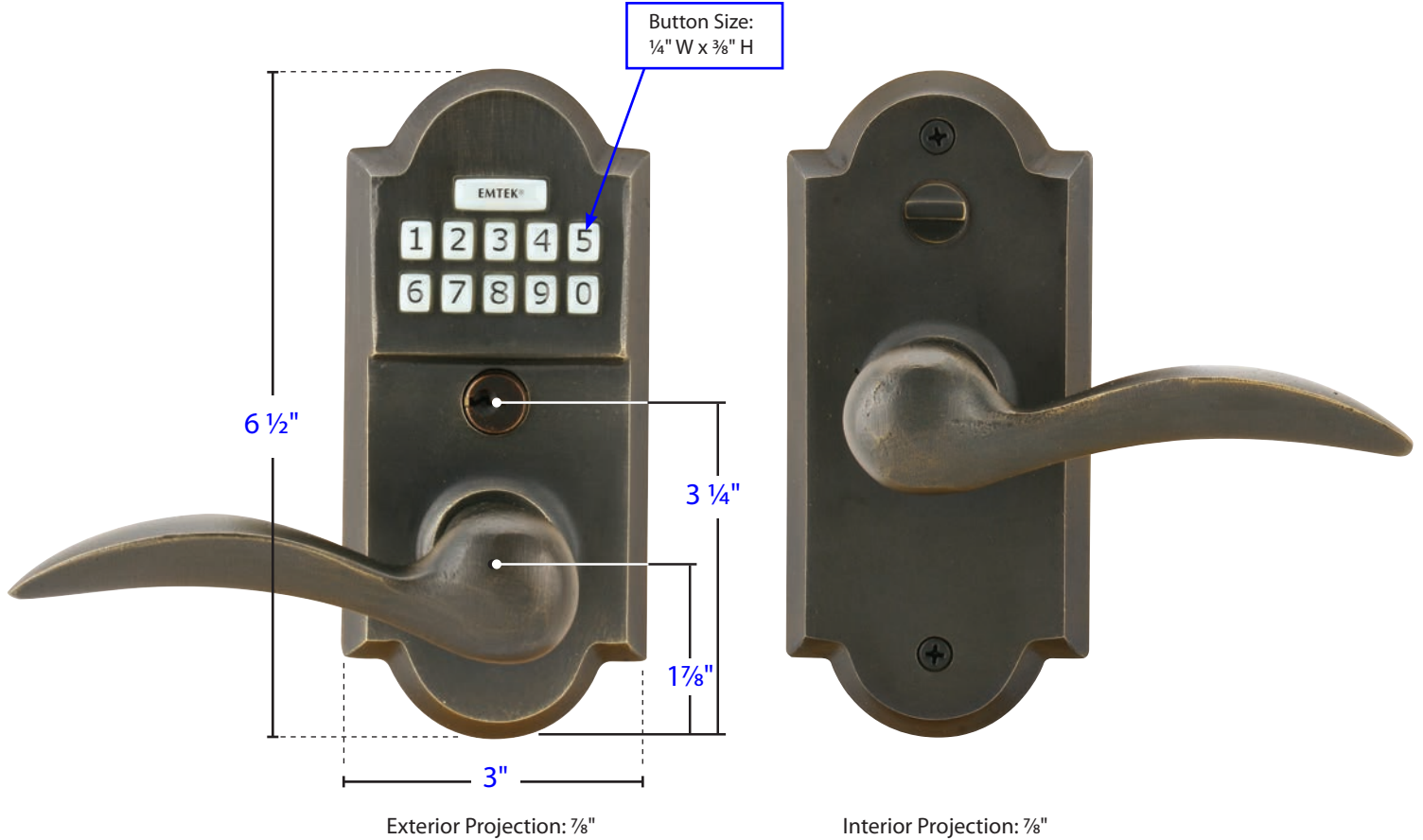



Adaptors available for lever sets to fit doors between 1 3/8" and 1 5/8" thick.

Product Features for both Deadbolt & Lever Locksets:


- Fits any door between 1 3/4" to 2 1/4" thick with a 2 1/8" bore standard door prep.
- Installs easily with only a Phillips head screwdriver.
- Easy to use installation and programming instructions included.
- Factory programmed with 2 unique, secure user codes for use right out of the box.
- Can be programmed with up to 20 user codes of your choice.
- Programming changes can be made easily using the keypad.
- Keypad has a protective coating to prevent wear patterns.
- Illuminated keypad for easy and quick operation after dark.
- Low battery indicator lets you know when it's time to change the battery.
- Emtek's standard mechanical and finish warranties along with a 2 year warranty on electronic components.









*Shown in
Passage Mode*



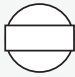
*Storeroom/Gate
Function*

 **Storeroom / Gate Function**

- Outside lever always locked
- Entry by code or key only
- Inside lever always free

 **Passage**

- Outside lever always free
- Entry by operating lever, no code or key required.
- Inside lever always free

 **Locked**

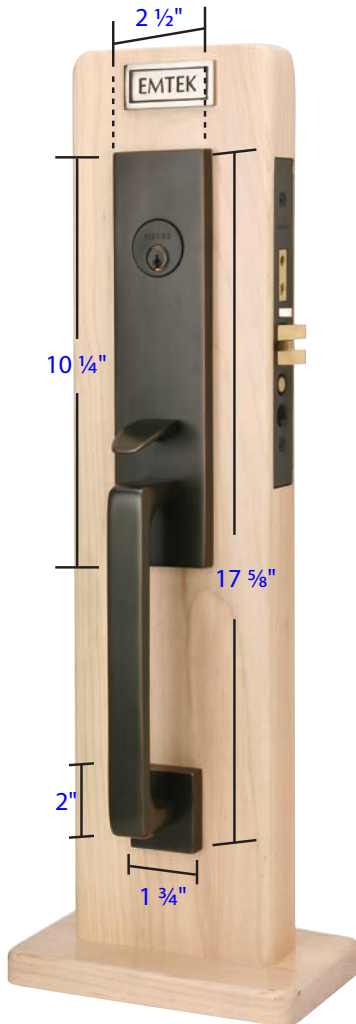
- Outside lever always locked
- Entry by code or key only
- Inside lever always free

EMTouch™, Modern, Classic Keypad Locks Deadbolt

<p>• Standard Door Thickness: 1³/₄" - 2¹/₄"</p> <p>Standard Components:</p> <ul style="list-style-type: none"> • 8-32 x 1¹/₂" Mounting Screws • Schlage Cylinder w/ 1¹/₂" Tailpiece • Deadbolt Strike Plate 	<p>• Narrow Door Thickness: 1³/₈" - 1⁵/₈"</p> <p>Narrow Components:</p> <ul style="list-style-type: none"> • Extension Plate** <p>**Extension Plate is not available with bronze trim</p>	<p>• Extended Door Thickness: Greater than 2¹/₄"</p> <p>Extended Components:</p> <ul style="list-style-type: none"> • Not Available
--	---	---

EMTouch™, Modern, Classic Keypad Locks Leverset

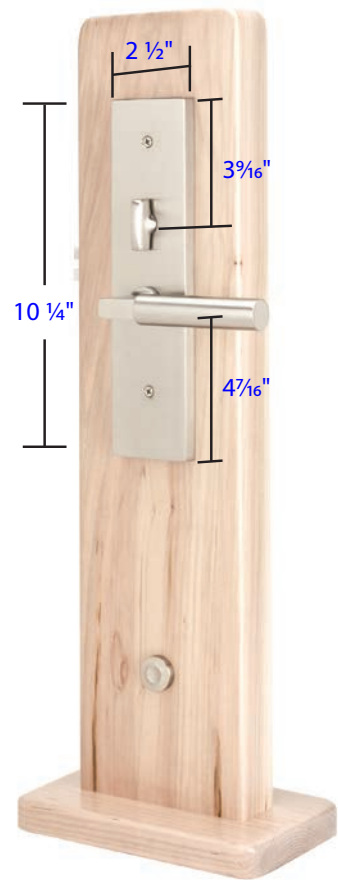
<p>• Standard Door Thickness: 1³/₄" - 2¹/₄"</p> <p>Standard Components:</p> <ul style="list-style-type: none"> • 8-32 x 1¹/₂" Mounting Screws • Schlage Cylinder w/ 3/8" Lever Lock Tailpiece • Full-Lip Strike Plate* <p>*Extended Full Lip Strike Plate is used on doors greater than 2" thick</p>	<p>• Narrow Door Thickness: 1³/₈" - 1⁵/₈"</p> <p>Narrow Components:</p> <ul style="list-style-type: none"> • Extension Plate** <p>**Extension Plate is not available with bronze trim</p>	<p>• Extended Door Thickness: Greater than 2¹/₄"</p> <p>Extended Components:</p> <ul style="list-style-type: none"> • Not Available
---	---	---



Mormont
 Trim Style
 Part # UL 3347



Lugano
 Trim Style
 Part # UL 3348



Standard interior trim
 Part # UL 3347 & 3348

Additional Dimensions: (Part# UL 3347 & 3348)

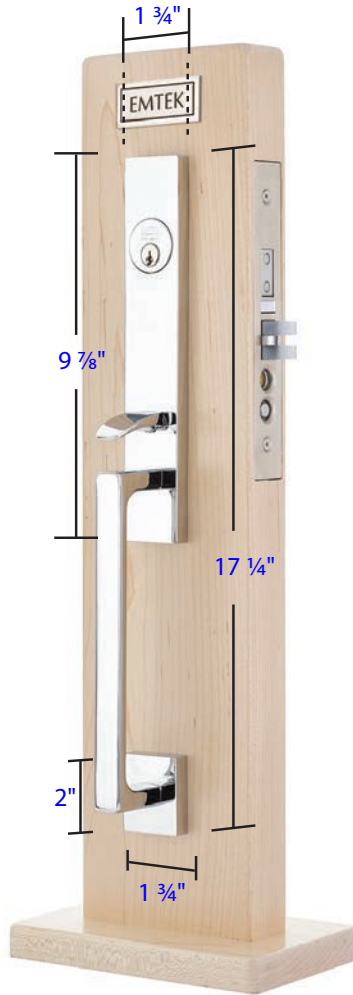
- Exterior Projection is 2 1/2"
- Interior Projection Depends on Handle Style
- Overall Grip thickness: 1"
- Clearance between door & grip is 1 1/2" - 1 7/8"
- Plates thickness: 1/2"

Same dimensions for dummy function



Door Thickness Specifications

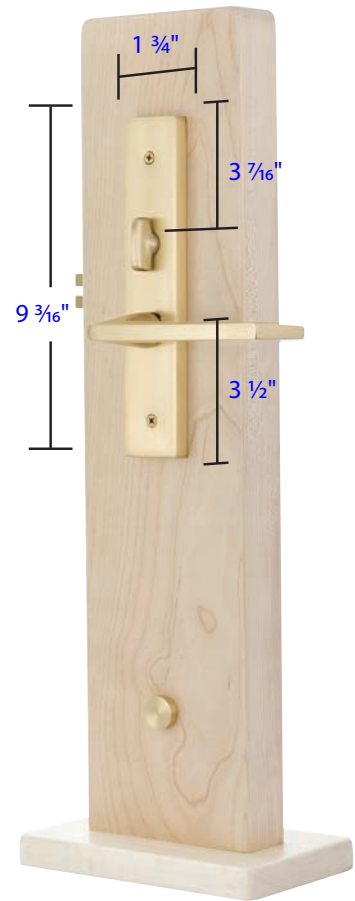
<p>Standard Door Thickness: 1 3/4" Standard Components:</p> <ul style="list-style-type: none"> • 1 3/8" Threaded Cylinder • 2" Long Spindle • 2" Top Rosette Screw • 1 1/2" Bottom Rosette Screw • Thumbpress • Strikeplate 	<p>Extended Door Thickness: 1 7/8" - 2 1/4" Extended Components:</p> <ul style="list-style-type: none"> • 1 1/2" Threaded Cylinder • 2" Long Spindle • 2 1/2" Top Rosette Screw • 2" Bottom Rosette Screw • Thumbpress • Strikeplate 	<p>Extended Door Thickness: 2 3/8" - 2 3/4" Extended Components:</p> <ul style="list-style-type: none"> • 1 3/4" Threaded Cylinder • 2 1/4" Long Spindle • 2 1/2" Top Rosette Screw • 2" Bottom Rosette Screw • Extended Thumbpress • Extended Strikeplate
---	--	--



Brisbane
 Trim Style
 Part # UL 3311



Adelaide
 Trim Style
 Part # UL 3312



Standard interior trim
 Part # UL 3311 & 3312

Additional Dimensions: (Part# UL 3311 & 3312)

- Exterior Projection is 2 1/2"
- Interior Projection Depends on Handle Style
- Overall Grip thickness: 1"
- Clearance between door & grip is 1 1/2" - 1 7/8"
- Plates thickness: 1/2"

Same dimensions for dummy function



Door Thickness Specifications

Standard Door Thickness: 1 3/4"

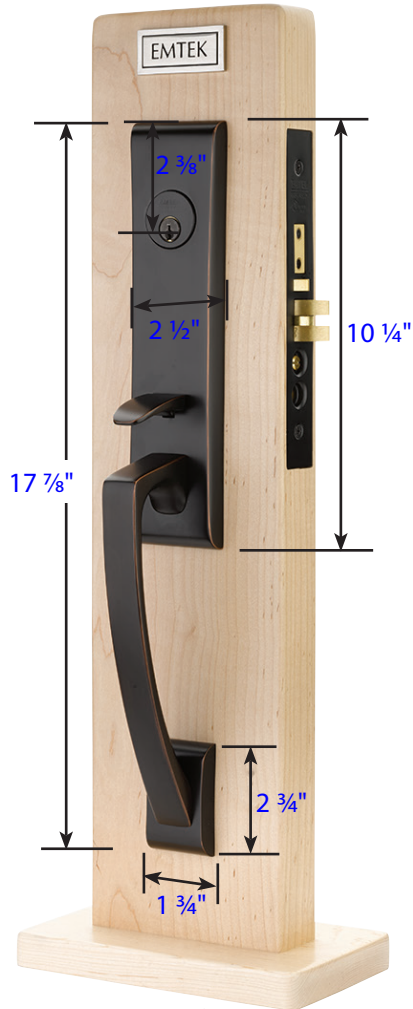
- Standard Components:
- 1 3/8" Threaded Cylinder
 - 2" Long Spindle
 - 2" Top Rosette Screw
 - 1 1/2" Bottom Rosette Screw
 - Thumbpress
 - Strikeplate

Extended Door Thickness: 1 7/8" - 2 1/4"

- Extended Components:
- 1 1/2" Threaded Cylinder
 - 2" Long Spindle
 - 2 1/2" Top Rosette Screw
 - 2" Bottom Rosette Screw
 - Thumbpress
 - Strikeplate

Extended Door Thickness: 2 3/8" - 2 3/4"

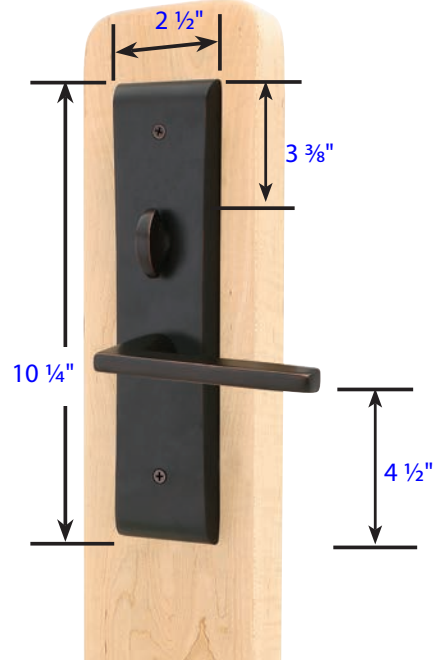
- Extended Components:
- 1 3/4" Threaded Cylinder
 - 2 1/4" Long Spindle
 - 2 1/2" Top Rosette Screw
 - 2" Bottom Rosette Screw
 - Extended Thumbpress
 - Extended Strikeplate



Artemis
Trim Style
Part # UL 3344



Hera
Trim Style
Part # UL 3345



Standard interior trim
Part # UL 3344 & 3345

Additional Dimensions: (Part# UL 3344 & 3345)

- Exterior Projection is 2 3/4"
- Interior Projection Depends on Handle Style
- Overall Grip thickness: 1"
- Clearance between door & grip is 2 1/4"
- Plates thickness: 1/2"

Same dimensions for dummy function



Door Thickness Specifications

Standard Door Thickness: 1 3/4"

Standard Components:

- 1 3/8" Threaded Cylinder
- 2" Long Spindle
- 2" Top Rosette Screw
- 1 1/2" Bottom Rosette Screw
- Thumbpress
- Strikeplate

Extended Door Thickness: 1 7/8" - 2 1/4"

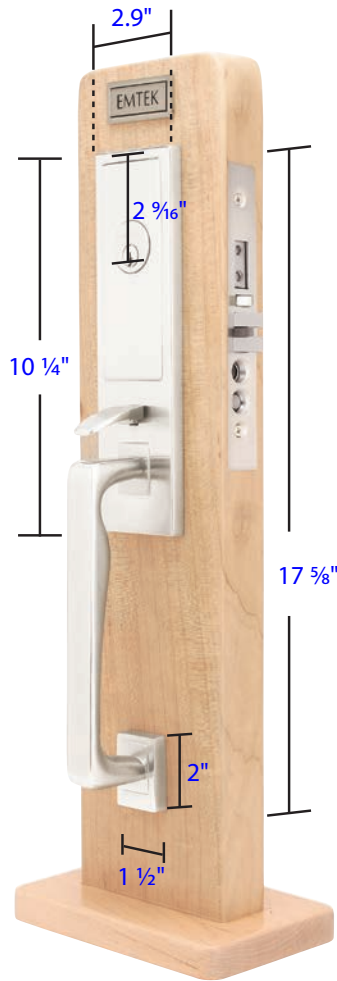
Extended Components:

- 1 1/2" Threaded Cylinder
- 2" Long Spindle
- 2 1/2" Top Rosette Screw
- 2" Bottom Rosette Screw
- Thumbpress
- Strikeplate

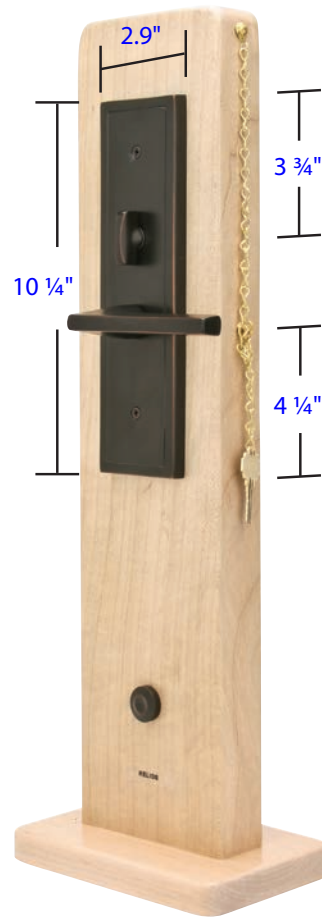
Extended Door Thickness: 2 3/8" - 2 3/4"

Extended Components:

- 1 3/4" Threaded Cylinder
- 2 1/4" Long Spindle
- 2 1/2" Top Rosette Screw
- 2" Bottom Rosette Screw
- Extended Thumbpress
- Extended Strikeplate



Zeus
Trim Style
Part # UL 3346



Standard interior trim
Part # UL 3346

Additional Dimensions: (Part# UL 3346)

- Exterior Projection is 2 1/2"
- Interior Projection Depends on Handle Style
- Overall Grip thickness: 1"
- Clearance between door & grip is 1 1/2" - 1 7/8"
- Plates thickness: 1/2"

Same dimensions for dummy function



Door Thickness Specifications

Standard Door Thickness: 1 3/4"

- Standard Components:
- 1 3/8" Threaded Cylinder
 - 2" Long Spindle
 - 2" Top Rosette Screw
 - 1 1/2" Bottom Rosette Screw
 - Thumbpress
 - Strikeplate

Extended Door Thickness: 1 7/8" - 2 1/4"

- Extended Components:
- 1 1/2" Threaded Cylinder
 - 2" Long Spindle
 - 2 1/2" Top Rosette Screw
 - 2" Bottom Rosette Screw
 - Thumbpress
 - Strikeplate

Extended Door Thickness: 2 3/8" - 2 3/4"

- Extended Components:
- 1 3/4" Threaded Cylinder
 - 2 1/4" Long Spindle
 - 2 1/2" Top Rosette Screw
 - 2" Bottom Rosette Screw
 - Extended Thumbpress
 - Extended Strikeplate



Mormont Stainless Steel

Trim Style
Part # UL S3301



Standard interior trim

Part # UL S3301

Additional Dimensions: (Part# UL S3301)

- Exterior Projection is 2 3/4"
- Interior Projection Depends on Handle Style
- Overall Grip thickness: 1"
- Clearance between door & grip is 1" - 1 3/4"
- Plates thickness: 1/2"

Same dimensions for dummy function



Door Thickness Specifications

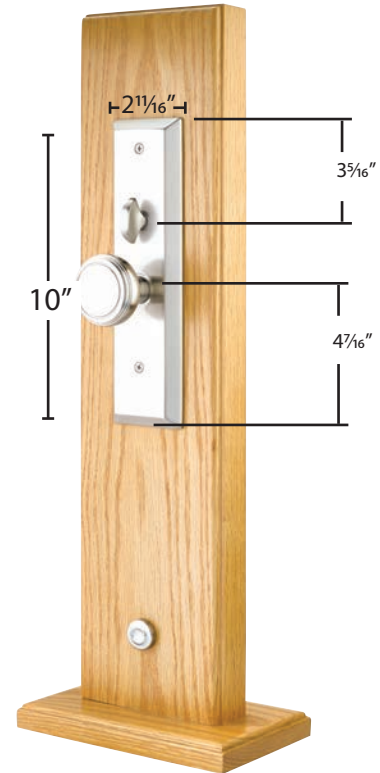
Standard Door Thickness: 1 3/4"	Extended Door Thickness: 1 7/8" - 2 1/4"	Extended Door Thickness: 2 3/8" - 2 3/4"
<p>Standard Components:</p> <ul style="list-style-type: none"> • 1 3/8" Threaded Cylinder • 2" Long Spindle • 2" Top Rosette Screw • 1 1/2" Bottom Rosette Screw • Thumbpress • Strikeplate 	<p>Extended Components:</p> <ul style="list-style-type: none"> • 1 1/2" Threaded Cylinder • 2" Long Spindle • 2 1/2" Top Rosette Screw • 2" Bottom Rosette Screw • Thumbpress • Strikeplate 	<p>Extended Components:</p> <ul style="list-style-type: none"> • 1 3/4" Threaded Cylinder • 2 1/4" Long Spindle • 2 1/2" Top Rosette Screw • 2" Bottom Rosette Screw • Extended Thumbpress • Extended Strikeplate



Harrison
Trim Style
Part # UL 3351



Middleton
Trim Style
Part # UL 3352



Standard interior trim
Part # UL 3351 & 3352

Additional Dimensions: (Part # UL 3351 & 3352)

- Exterior Projection is 2 3/4"
- Interior Projection Depends on Handle Style
- Overall Grip thickness: 1 1/4"
- Clearance between door & grip is 2"
- Plates thickness: 1/2"

Same dimensions for dummy function



Door Thickness Specifications

Standard Door Thickness: 1 3/4"

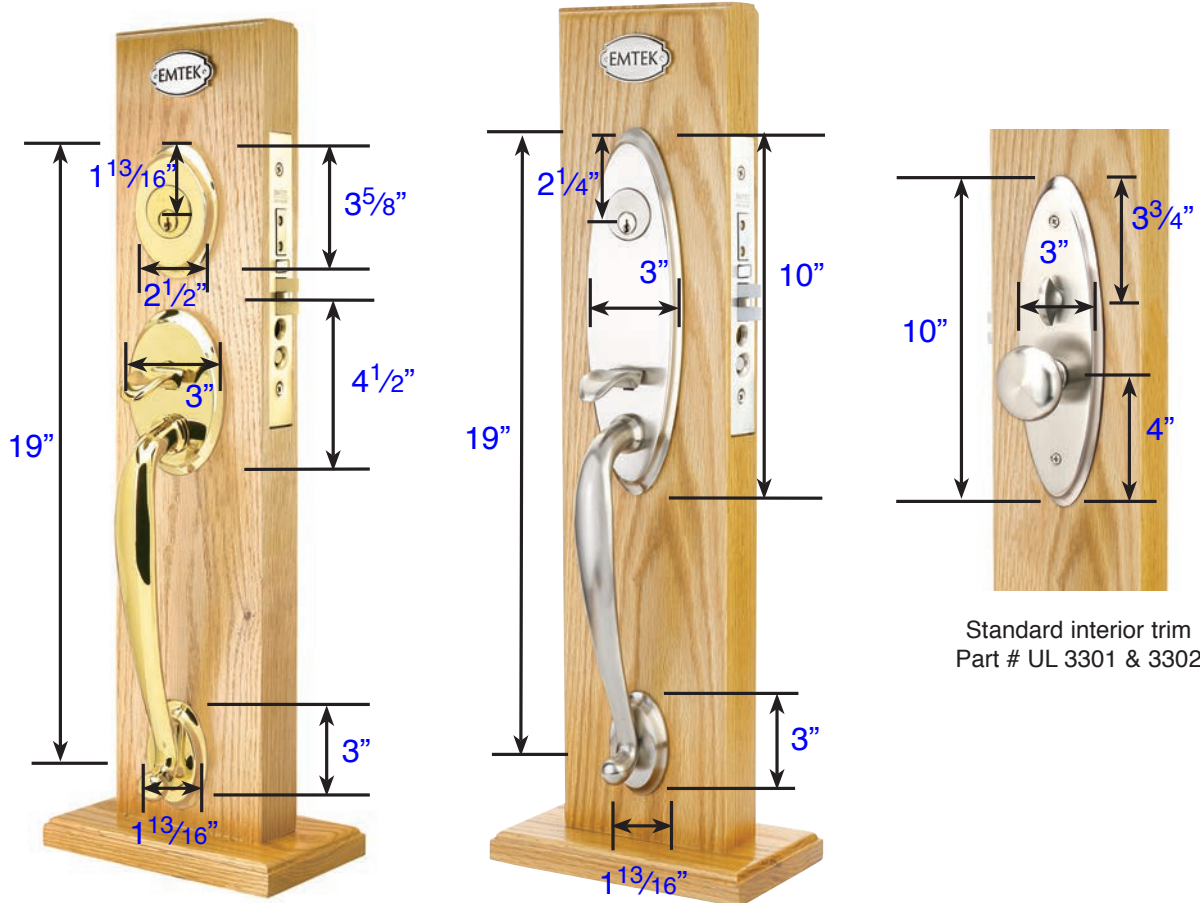
- Standard Components:
- 1 3/8" Threaded Cylinder
 - 2" Long Spindle
 - 2" Top Rosette Screw
 - 1 1/2" Bottom Rosette Screw
 - Thumbpress
 - Strikeplate

Extended Door Thickness: 1 7/8" - 2 1/4"

- Extended Components:
- 1 1/2" Threaded Cylinder
 - 2" Long Spindle
 - 2 1/2" Top Rosette Screw
 - 2" Bottom Rosette Screw
 - Thumbpress
 - Strikeplate

Extended Door Thickness: 2 3/8" - 2 3/4"

- Extended Components:
- 1 3/4" Threaded Cylinder
 - 2 1/4" Long Spindle
 - 2 1/2" Top Rosette Screw
 - 2" Bottom Rosette Screw
 - Extended Thumbpress
 - Extended Strikeplate



Salem
Trim Style
Part # UL 3301

Memphis
Trim Style
Part # UL 3302

Standard interior trim
Part # UL 3301 & 3302

Additional Dimensions: (Part # UL 3301 & 3302)

- Exterior Projection is 2 3/4"
- Interior Projection Depends on Handle Style
- Overall Grip thickness: 1 1/4"
- Clearance between door & grip is 2"
- Plates thickness: 1/2"

Same dimensions for dummy function



Door Thickness Specifications

Standard Door Thickness: 1 3/4"

Standard Components:

- 1 3/8" Threaded Cylinder
- 2" Long Spindle
- 2" Top Rosette Screw
- 1 1/2" Bottom Rosette Screw
- Thumbpress
- Strikeplate

Extended Door Thickness: 1 7/8" - 2 1/4"

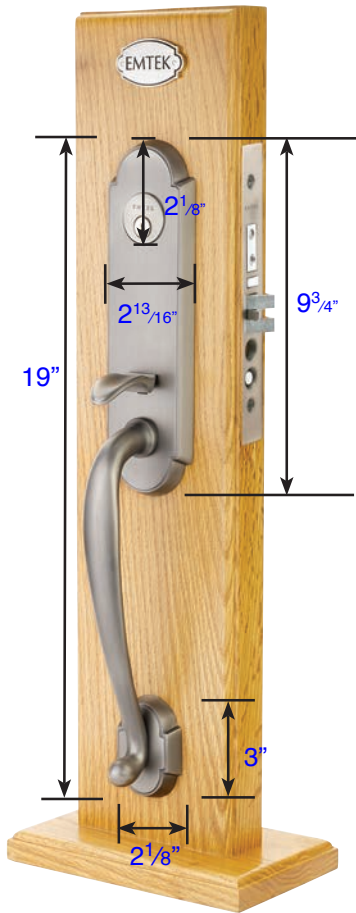
Extended Components:

- 1 1/2" Threaded Cylinder
- 2" Long Spindle
- 2 1/2" Top Rosette Screw
- 2" Bottom Rosette Screw
- Thumbpress
- Strikeplate

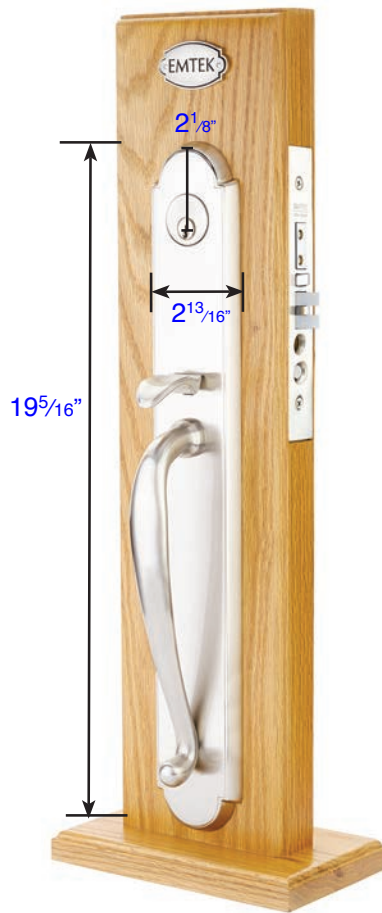
Extended Door Thickness: 2 3/8" - 2 3/4"

Extended Components:

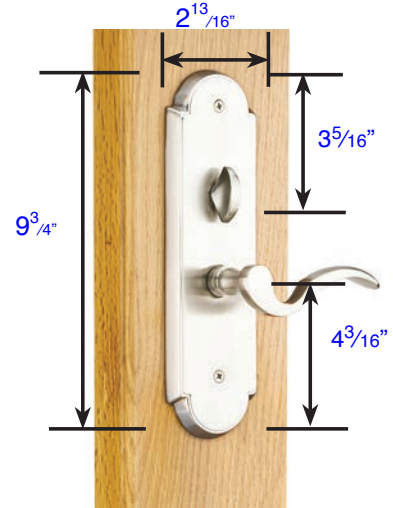
- 1 3/4" Threaded Cylinder
- 2 1/4" Long Spindle
- 2 1/2" Top Rosette Screw
- 2" Bottom Rosette Screw
- Extended Thumbpress
- Extended Strikeplate



Charleston
 Trim Style
 Part # UL 3343



Albany
 Trim Style
 Part # UL 3350



Standard interior trim
 Part # UL 3343 & 3350

Additional Dimensions: (Part# UL 3343 & 3350)

- Exterior Projection is 2 3/4"
- Interior Projection Depends on Handle Style
- Overall Grip thickness: 1 1/4"
- Clearance between door & grip is 2"
- Plates thickness: 1/2"

Same dimensions for dummy function



Door Thickness Specifications

Standard Door Thickness: 1 3/4"

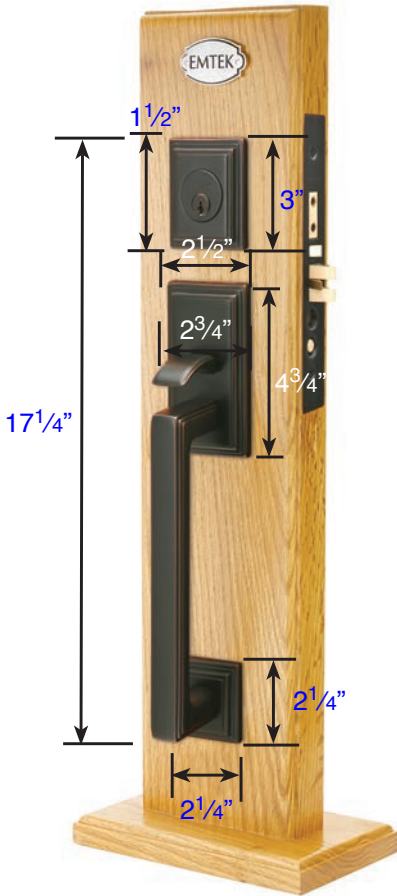
- Standard Components:
- 1 3/8" Threaded Cylinder
 - 2" Long Spindle
 - 2" Top Rosette Screw
 - 1 1/2" Bottom Rosette Screw
 - Thumbpress
 - Strikeplate

Extended Door Thickness: 1 7/8" - 2 1/4"

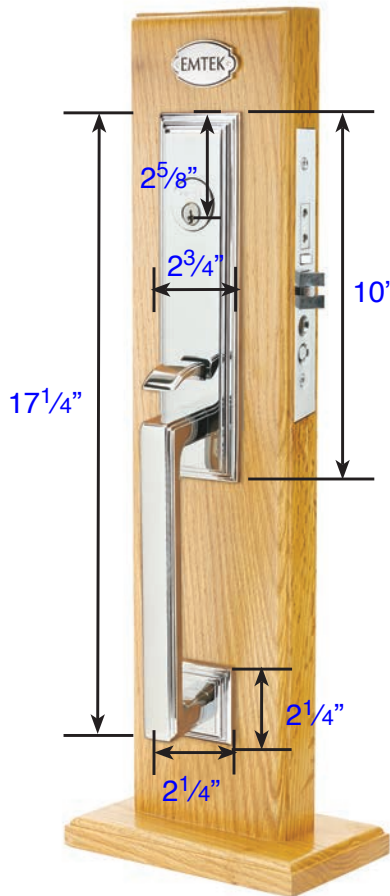
- Extended Components:
- 1 1/2" Threaded Cylinder
 - 2" Long Spindle
 - 2 1/2" Top Rosette Screw
 - 2" Bottom Rosette Screw
 - Thumbpress
 - Strikeplate

Extended Door Thickness: 2 3/8" - 2 3/4"

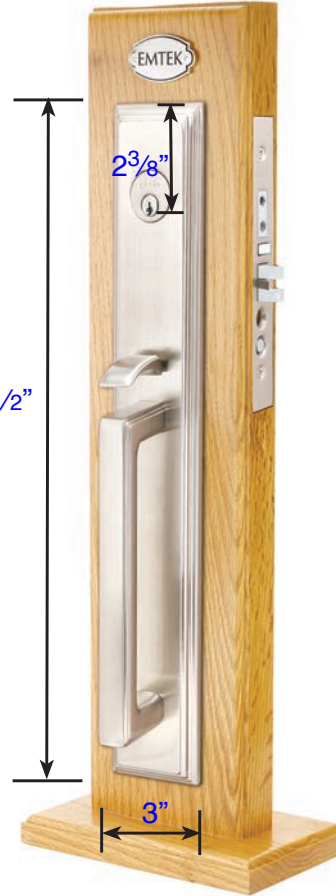
- Extended Components:
- 1 3/4" Threaded Cylinder
 - 2 1/4" Long Spindle
 - 2 1/2" Top Rosette Screw
 - 2" Bottom Rosette Screw
 - Extended Thumbpress
 - Extended Strikeplate



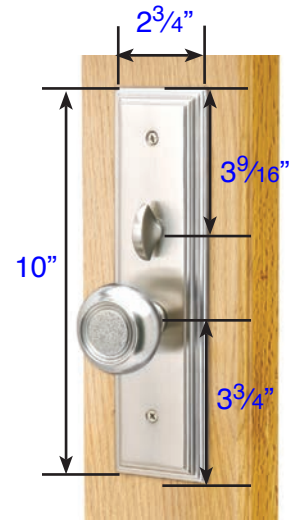
Mills
Trim
Part # UL 3310



Manhattan
Trim Style
Part # UL 3306



Melrose
Trim Style
Part # UL 3305



Standard interior trim
Part # UL 3310, 3306 & 3305

Additional Dimensions: (Part # UL 3310, 3306 & 3305)

- Exterior Projection is 2 5/8"
- Interior Projection Depends on Handle Style
- Overall Grip thickness: 1"
- Clearance between door & grip is 1 3/8"
- Plates thickness: 1/2"

Same dimensions for dummy function



Door Thickness Specifications

Standard Door Thickness: 1 3/4"

Standard Components:

- 1 3/8" Threaded Cylinder
- 2" Long Spindle
- 2" Top Rosette Screw
- 1 1/2" Bottom Rosette Screw
- Thumbpress
- Strikeplate

Extended Door Thickness: 1 7/8" - 2 1/4"

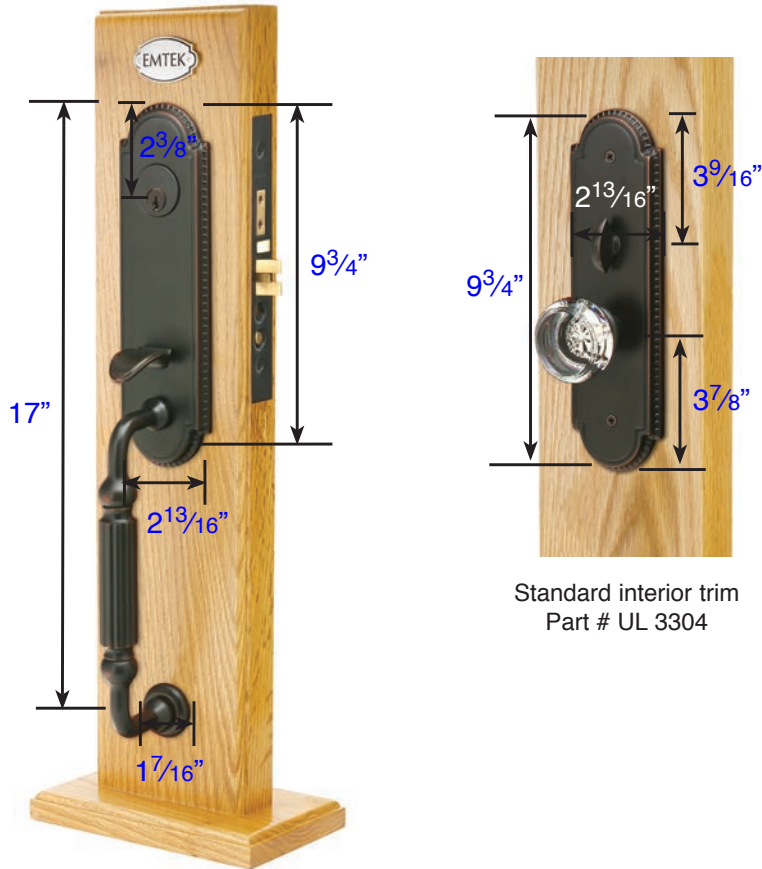
Extended Components:

- 1 1/2" Threaded Cylinder
- 2" Long Spindle
- 2 1/2" Top Rosette Screw
- 2" Bottom Rosette Screw
- Thumbpress
- Strikeplate

Extended Door Thickness: 2 3/8" - 2 3/4"

Extended Components:

- 1 3/4" Threaded Cylinder
- 2 1/4" Long Spindle
- 2 1/2" Top Rosette Screw
- 2" Bottom Rosette Screw
- Extended Thumbpress
- Extended Strikeplate



Hamilton
Trim Style
Part # UL 3304

Additional Dimensions: (Part # UL 3304)

- Exterior Projection is 2 7/8"
- Interior Projection Depends on Handle Style
- Overall Grip thickness: 1 1/4"
- Clearance between door & grip is 1 1/2"
- Plates thickness: 1/2"

Same dimensions for dummy function



Door Thickness Specifications

Standard Door Thickness: 1 3/4"

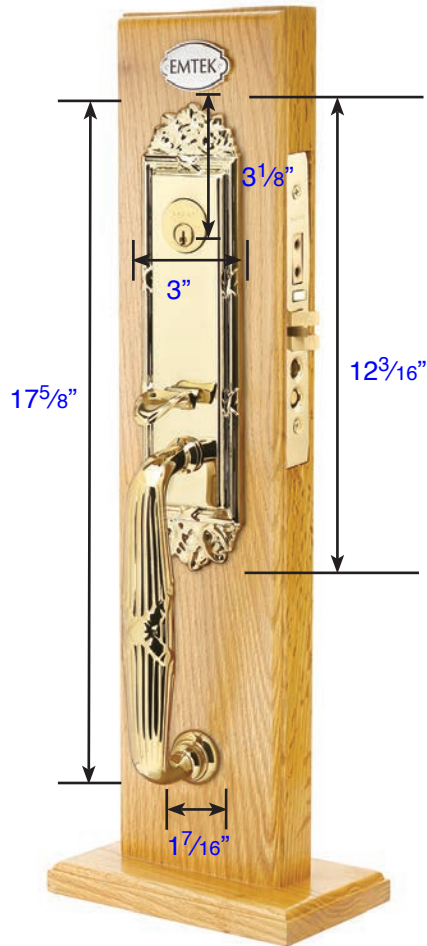
- Standard Components:
- 1 3/8" Threaded Cylinder
 - 2" Long Spindle
 - 2" Top Rosette Screw
 - 1 1/2" Bottom Rosette Screw
 - Thumbpress
 - Strikeplate

Extended Door Thickness: 1 7/8" - 2 1/4"

- Extended Components:
- 1 1/2" Threaded Cylinder
 - 2" Long Spindle
 - 2 1/2" Top Rosette Screw
 - 2" Bottom Rosette Screw
 - Thumbpress
 - Strikeplate

Extended Door Thickness: 2 3/8" - 2 3/4"

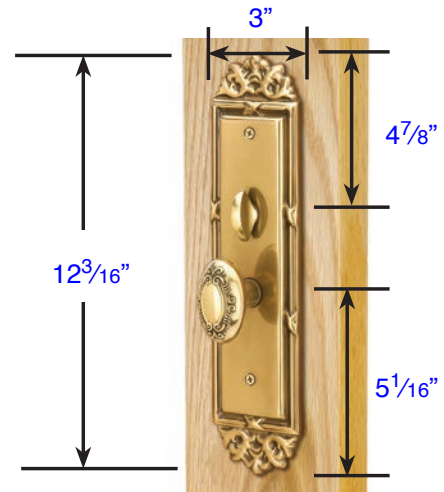
- Extended Components:
- 1 3/4" Threaded Cylinder
 - 2 1/4" Long Spindle
 - 2 1/2" Top Rosette Screw
 - 2" Bottom Rosette Screw
 - Extended Thumbpress
 - Extended Strikeplate



Regency
Trim Style
Part # UL 3307



Versailles
Trim Style
Part # UL 3309



Standard interior trim
Part # UL 3307 & 3309

Additional Dimensions: (Part # UL 3307 & 3309)

- Exterior Projection is 2 3/4"
- Interior Projection Depends on Handle Style
- Overall Grip thickness: 1 3/8"
- Clearance between door & grip is 1 1/16"
- Plates thickness: 1/2"

Same dimensions for dummy function



Door Thickness Specifications

Standard Door Thickness: 1 3/4"

Standard Components:

- 1 3/8" Threaded Cylinder
- 2" Long Spindle
- 2" Top Rosette Screw
- 1 1/2" Bottom Rosette Screw
- Thumbpress
- Strikeplate

Extended Door Thickness: 1 7/8" - 2 1/4"

Extended Components:

- 1 1/2" Threaded Cylinder
- 2" Long Spindle
- 2 1/2" Top Rosette Screw
- 2" Bottom Rosette Screw
- Thumbpress
- Strikeplate

Extended Door Thickness: 2 3/8" - 2 3/4"

Extended Components:

- 1 3/4" Threaded Cylinder
- 2 1/4" Long Spindle
- 2 1/2" Top Rosette Screw
- 2" Bottom Rosette Screw
- Extended Thumbpress
- Extended Strikeplate



Craftsman
Trim Style
Part # UL 3308

Craftsman Full Length
Trim Style
Part # UL 3349

Standard Interior Trim
Part # UL 3308 & 3349

Additional Dimensions: (Part # UL 3308 & 3349)

- Exterior Projection is 2 5/8"
- Interior Projection Depends on Handle Style
- Overall Grip thickness: 1 1/8"
- Clearance between door & grip is 1 3/8"
- Plates thickness: 1/2"

Same dimensions for dummy function



Door Thickness Specifications

Standard Door Thickness: 1 3/4"

Standard Components:

- 1 3/8" Threaded Cylinder
- 2" Long Spindle
- 2" Top Rosette Screw
- 1 1/2" Bottom Rosette Screw
- Thumbpress
- Strikeplate

Extended Door Thickness: 1 7/8" - 2 1/4"

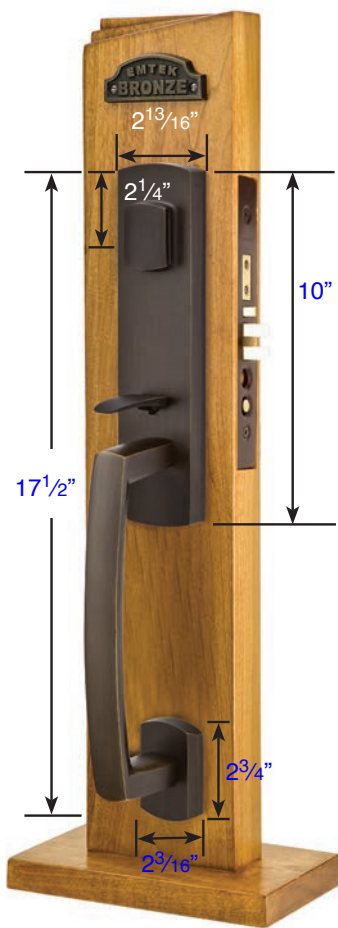
Extended Components:

- 1 1/2" Threaded Cylinder
- 2" Long Spindle
- 2 1/2" Top Rosette Screw
- 2" Bottom Rosette Screw
- Thumbpress
- Strikeplate

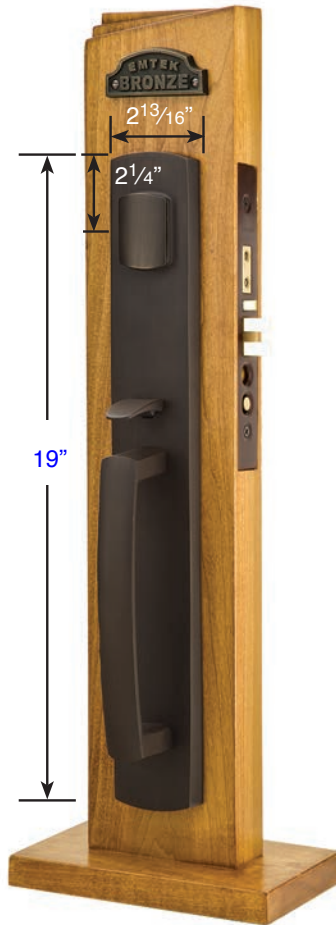
Extended Door Thickness: 2 3/8" - 2 3/4"

Extended Components:

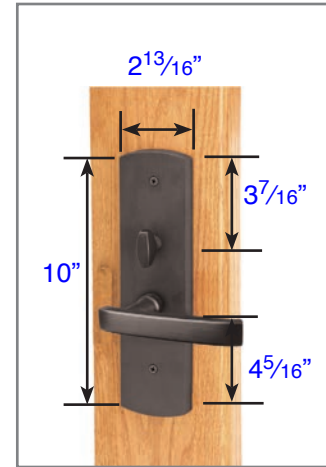
- 1 3/4" Threaded Cylinder
- 2 1/4" Long Spindle
- 2 1/2" Top Rosette Screw
- 2" Bottom Rosette Screw
- Extended Thumbpress
- Extended Strikeplate



Sonoma
Trim Style
Part # UL 3329



Longmont
Trim Style
Part # UL 3330



Standard Interior Trim
Part # UL 3329 & 3330

Additional Dimensions: (Part # UL 3329 & 3330)

- Exterior Projection is 3 1/8"
- Interior Projection Depends on Handle Style
- Overall Grip thickness: 1 3/4"
- Clearance between door & grip is 1 3/4"
- Plates thickness: 1/2"

Same dimensions for dummy function



Door Thickness Specifications

Standard Door Thickness: 1 3/4"

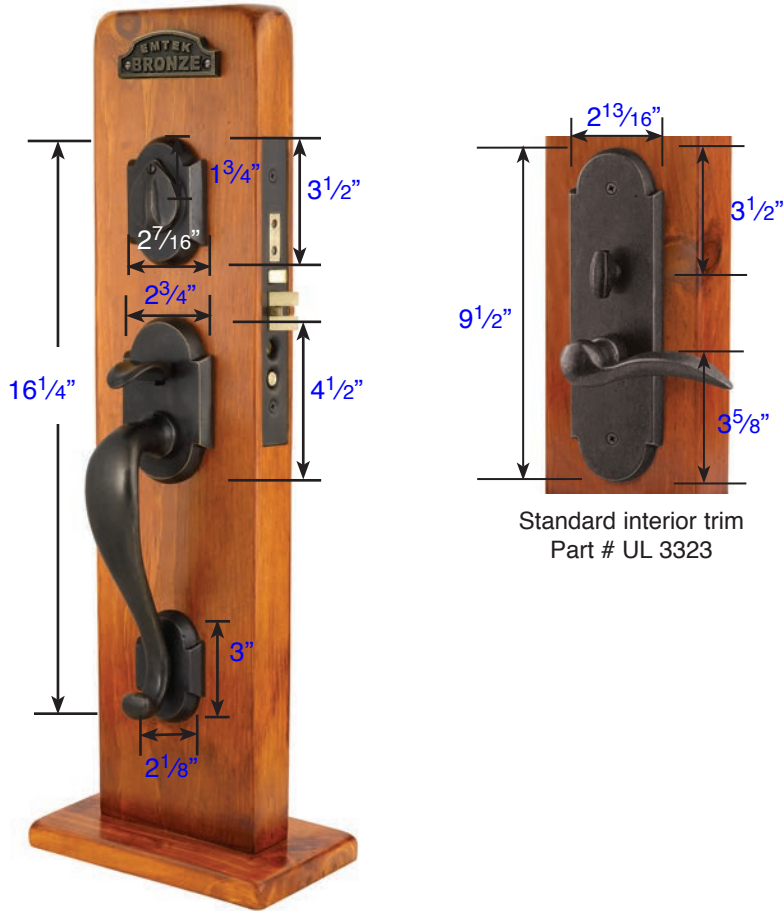
- Standard Components:
- 1 3/8" Threaded Cylinder
 - 2" Long Spindle
 - 2" Top Rosette Screw
 - 1 1/2" Bottom Rosette Screw
 - Thumbpress
 - Strikeplate

Extended Door Thickness: 1 7/8" - 2 1/4"

- Extended Components:
- 1 1/2" Threaded Cylinder
 - 2" Long Spindle
 - 2 1/2" Top Rosette Screw
 - 2" Bottom Rosette Screw
 - Thumbpress
 - Strikeplate

Extended Door Thickness: 2 3/8" - 2 5/8"

- Extended Components:
- 1 3/4" Threaded Cylinder
 - 2 1/4" Long Spindle
 - 2 1/2" Top Rosette Screw
 - 2" Bottom Rosette Screw
 - Extended Thumbpress
 - Extended Strikeplate
 - **2 3/4" TD Requires 2" Threaded Cylinder**



Denver
Trim Style
Part # UL 3323

Standard interior trim
Part # UL 3323

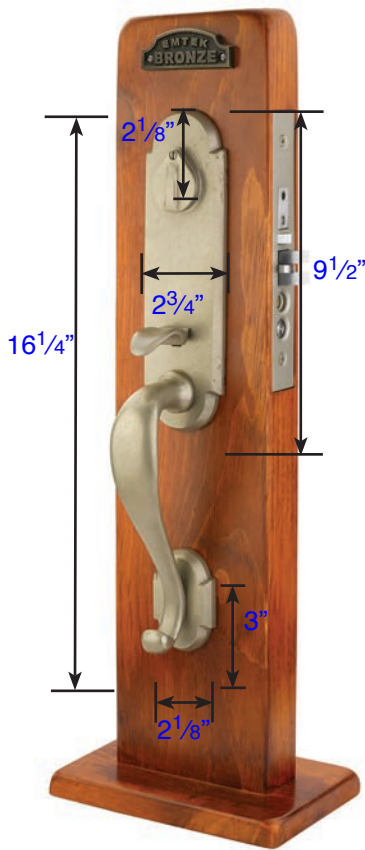
Additional Dimensions: (Part # UL 3323)

- Exterior Projection is 3"
- Interior Projection Depends on Handle Style
- Overall Grip thickness: 1"
- Clearance between door & grip is 1 1/2"
- Plates thickness: 1/2"

Same dimensions for dummy function



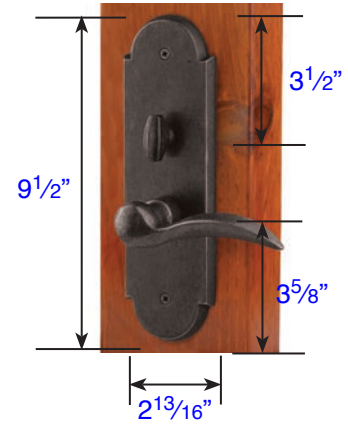
Door Thickness Specifications		
<p>Standard Door Thickness: 1 3/4"</p> <p>Standard Components:</p> <ul style="list-style-type: none"> • 1 3/8" Threaded Cylinder • 2" Long Spindle • 2" Top Rosette Screw • 1 1/2" Bottom Rosette Screw • Thumbpress • Strikeplate 	<p>Extended Door Thickness: 1 7/8" - 2 1/4"</p> <p>Extended Components:</p> <ul style="list-style-type: none"> • 1 1/2" Threaded Cylinder • 2" Long Spindle • 2 1/2" Top Rosette Screw • 2" Bottom Rosette Screw • Thumbpress • Strikeplate 	<p>Extended Door Thickness: 2 3/8" - 2 5/8"</p> <p>Extended Components:</p> <ul style="list-style-type: none"> • 1 3/4" Threaded Cylinder • 2 1/4" Long Spindle • 2 1/2" Top Rosette Screw • 2" Bottom Rosette Screw • Extended Thumbpress • Extended Strikeplate • 2 3/4" TD Requires 2" Threaded Cylinder



Cheyenne
Trim Style
Part # UL 3321



Topeka
Trim Style
Part # UL 3322



Standard interior trim
Part # UL 3321 & 3322

Additional Dimensions: (Part # UL 3321 & 3322)

- Exterior Projection is 3 1/8"
- Interior Projection Depends on Handle Style
- Overall Grip thickness: 1 3/4"
- Clearance between door & grip is 1 3/4"
- Plates thickness: 1/2"

Same dimensions for dummy function



Door Thickness Specifications

Standard Door Thickness: 1 3/4"

Standard Components:

- 1-1/2" Threaded Cylinder
- 2" Long Spindle
- 2" Top Rosette Screw
- 1 1/2" Bottom Rosette Screw
- Thumbpress
- Strikeplate

Extended Door Thickness: 1 7/8" - 2 1/4"

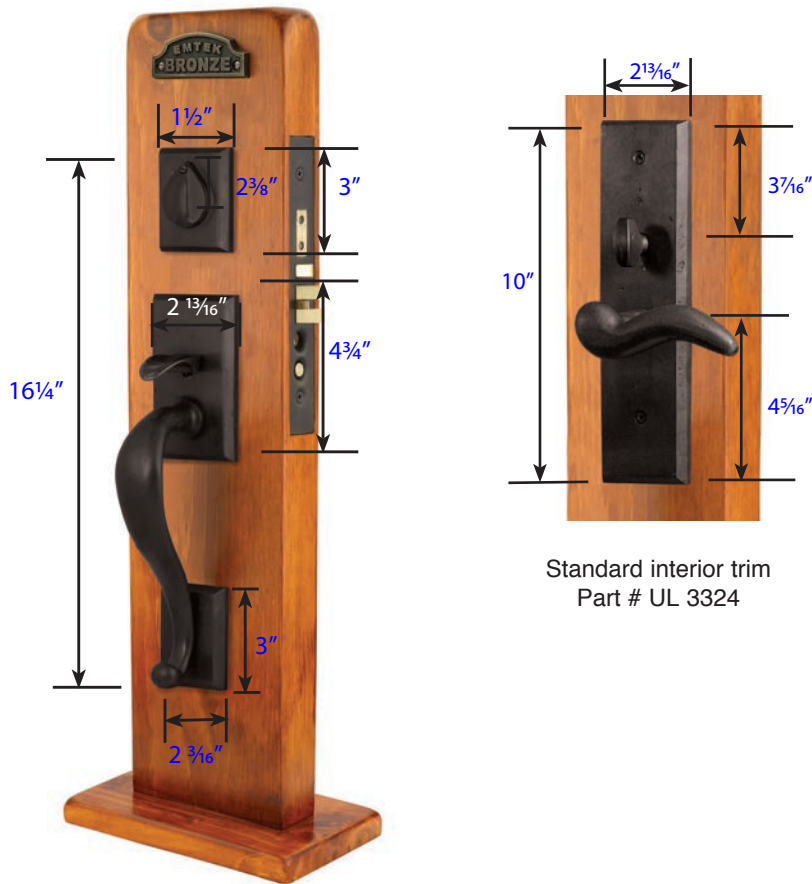
Extended Components:

- 1 1/2" Threaded Cylinder
- 2" Long Spindle
- 2 1/2" Top Rosette Screw
- 2" Bottom Rosette Screw
- Thumbpress
- Strikeplate

Extended Door Thickness: 2 3/8" - 2 5/8"

Extended Components:

- 1 3/4" Threaded Cylinder
- 2 1/4" Long Spindle
- 2 1/2" Top Rosette Screw
- 2" Bottom Rosette Screw
- Extended Thumbpress
- Extended Strikeplate
- **2 3/4" TD Requires 2" Threaded Cylinder**



Standard interior trim
Part # UL 3324

Rectangular Sectional

Trim Style
Part # UL 3324

Additional Dimensions: (Part # UL 3324)

- Exterior Projection is 3 1/8"
- Interior Projection Depends on Handle Style
- Overall Grip thickness: 1 3/4"
- Clearance between door & grip is 1 3/4"
- Plates thickness: 1/2"

Same dimensions for dummy function



Door Thickness Specifications

Standard Door Thickness: 1 3/4"

Standard Components:

- 1 1/2" Threaded Cylinder
- 2" Long Spindle
- 2" Top Rosette Screw
- 1 1/2" Bottom Rosette Screw
- Thumbpress
- Strikeplate

Extended Door Thickness: 1 7/8" - 2 1/4"

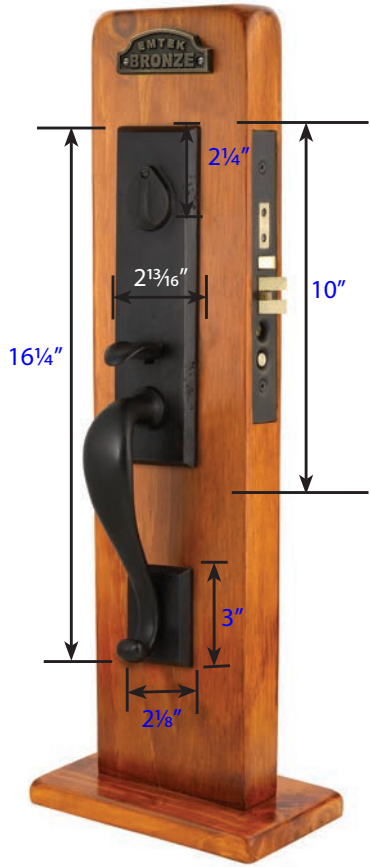
Extended Components:

- 1 1/2" Threaded Cylinder
- 2" Long Spindle
- 2 1/2" Top Rosette Screw
- 2" Bottom Rosette Screw
- Thumbpress
- Strikeplate

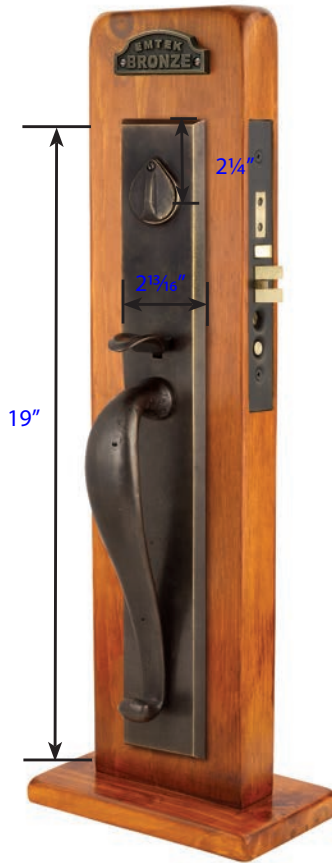
Extended Door Thickness: 2 3/8" - 2 5/8"

Extended Components:

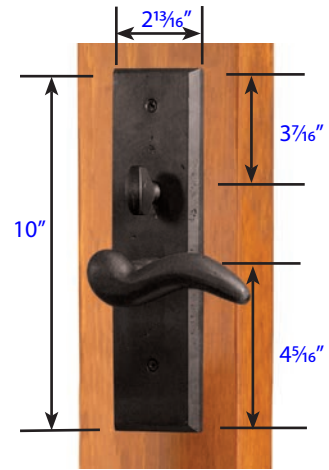
- 3/4" Threaded Cylinder
- 2 1/4" Long Spindle
- 2 1/2" Top Rosette Screw
- 2" Bottom Rosette Screw
- Extended Thumbpress
- Extended Strikeplate
- **2 3/4" TD Requires 2" Threaded Cylinder**



Rectangular Monolithic
Trim Style
Part # UL 3325



Rectangular Full Length
Trim Style
Part # UL 3326



Standard interior trim
Part # UL 3325 & 3326

Additional Dimensions: (Part # UL 3325 & 3326)

- Exterior Projection is 3 1/8"
- Interior Projection Depends on Handle Style
- Overall Grip thickness: 1 3/4"
- Clearance between door & grip is 1 3/4"
- Plates thickness: 1/2"

Same dimensions for dummy function



Door Thickness Specifications

Standard Door Thickness: 1 3/4"

Standard Components:

- 1 3/8" Threaded Cylinder
- 2" Long Spindle
- 2" Top Rosette Screw
- 1 1/2" Bottom Rosette Screw
- Thumbpress
- Strikeplate

Extended Door Thickness: 1 7/8" - 2 1/4"

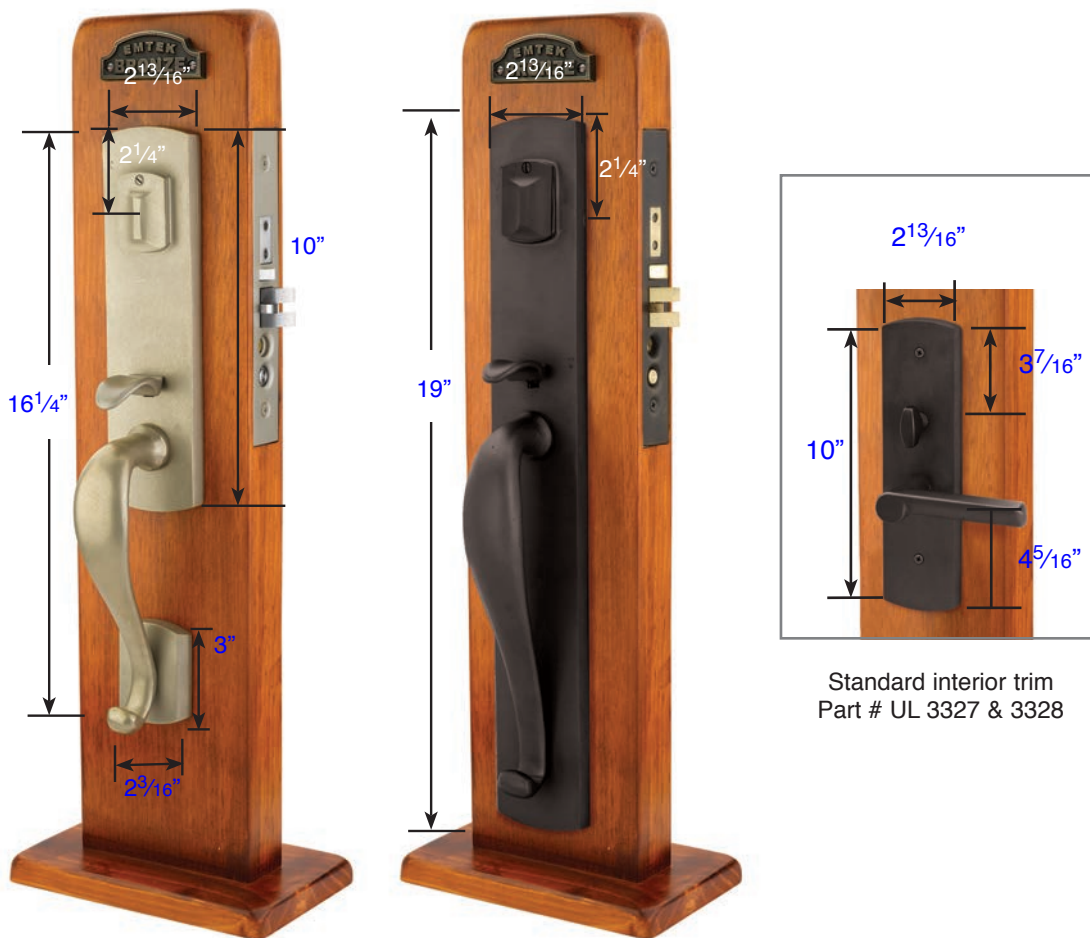
Extended Components:

- 1 1/2" Threaded Cylinder
- 2" Long Spindle
- 2 1/2" Top Rosette Screw
- 2" Bottom Rosette Screw
- Thumbpress
- Strikeplate

Extended Door Thickness: 2 3/8" - 2 5/8"

Extended Components:

- 1 3/4" Threaded Cylinder
- 2 1/4" Long Spindle
- 2 1/2" Top Rosette Screw
- 2" Bottom Rosette Screw
- Extended Thumbpress
- Extended Strikeplate
- **2 3/4" TD Requires 2" Threaded Cylinder**



Morgan
Trim Style
Part # UL 3327

Rockford
Trim Style
Part # UL 3328

Standard interior trim
Part # UL 3327 & 3328

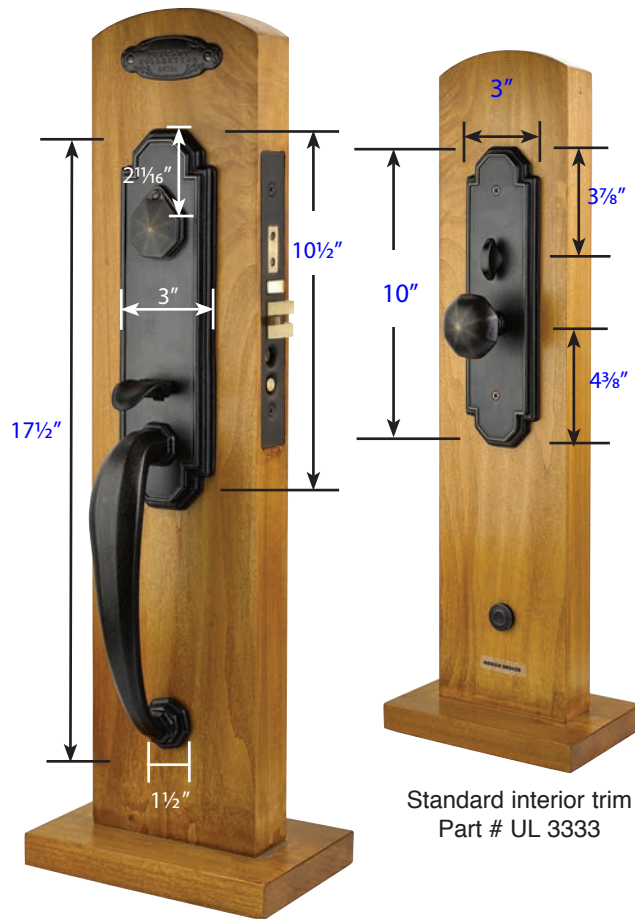
Additional Dimensions: (Part # UL 3327 & 3328)

- Exterior Projection is 3 1/8"
- Interior Projection Depends on Handle Style
- Overall Grip thickness: 1 3/4"
- Clearance between door & grip is 1 3/4"
- Plates thickness: 1/2"

Same dimensions for dummy function



Door Thickness Specifications		
<p>Standard Door Thickness: 1 3/4"</p> <p>Standard Components:</p> <ul style="list-style-type: none"> • 1 3/8" Threaded Cylinder • 2" Long Spindle • 2" Top Rosette Screw • 1 1/2" Bottom Rosette Screw • Thumbpress • Strikeplate 	<p>Extended Door Thickness: 1 7/8" - 2 1/4"</p> <p>Extended Components:</p> <ul style="list-style-type: none"> • 1 1/2" Threaded Cylinder • 2" Long Spindle • 2 1/2" Top Rosette Screw • 2" Bottom Rosette Screw • Thumbpress • Strikeplate 	<p>Extended Door Thickness: 2 3/8" - 2 5/8"</p> <p>Extended Components:</p> <ul style="list-style-type: none"> • 1 3/4" Threaded Cylinder • 2 1/4" Long Spindle • 2 1/2" Top Rosette Screw • 2" Bottom Rosette Screw • Extended Thumbpress • Extended Strikeplate • 2 3/4" TD Requires 2" Threaded Cylinder



Standard interior trim
Part # UL 3333

Octagon
Trim Style
Part # UL 3333

Additional Dimensions: (Part # UL 3333)

- Exterior Projection is 3 1/16"
- Interior Projection Depends on Handle Style
- Overall Grip thickness: 2 1/8"
- Clearance between door & grip is 1 1/16"
- Plates thickness: 1/2"

Same dimensions for dummy function



Door Thickness Specifications

Standard Door Thickness: 1 3/4"

Standard Components:

- 1 1/2" Threaded Cylinder
- 2" Long Spindle
- 2" Top Rosette Screw
- 1 1/2" Bottom Rosette Screw
- Thumbpress
- Strikeplate

Extended Door Thickness: 1 7/8" - 2 1/4"

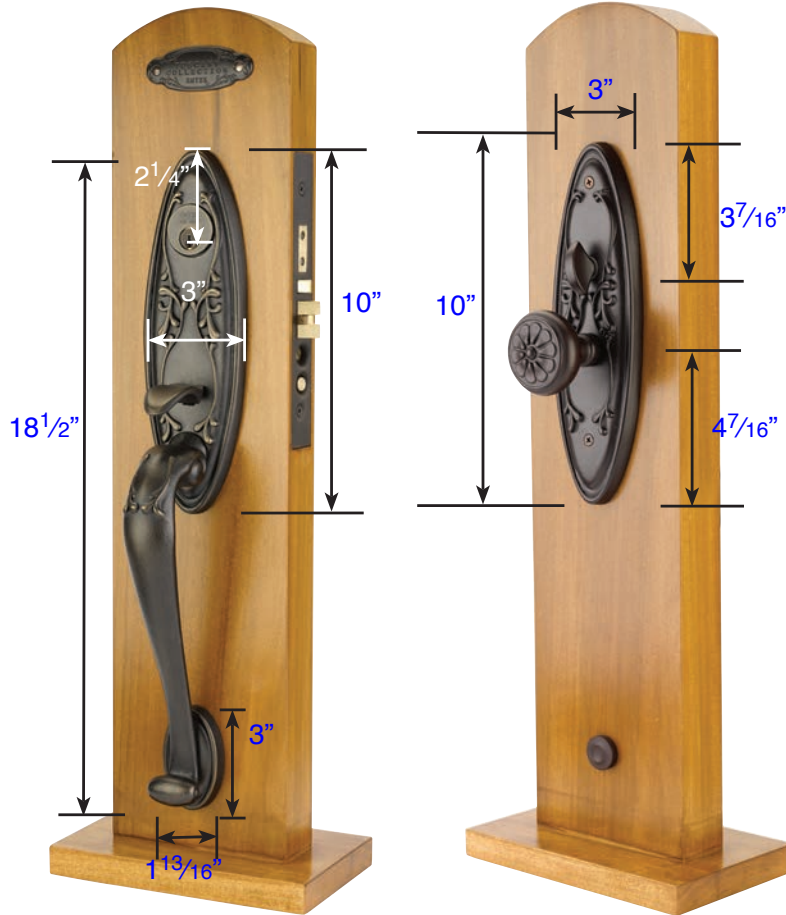
Extended Components:

- 1 1/2" Threaded Cylinder
- 2" Long Spindle
- 2 1/2" Top Rosette Screw
- 2" Bottom Rosette Screw
- Thumbpress
- Strikeplate

Extended Door Thickness: 2 3/8" - 2 5/8"

Extended Components:

- 1 3/4" Threaded Cylinder
- 2 1/4" Long Spindle
- 2 1/2" Top Rosette Screw
- 2" Bottom Rosette Screw
- Extended Thumbpress
- Extended Strikeplate
- **2 3/4" TD Requires 2" Threaded Cylinder**



Da Vinci
Trim Style
Part # UL 3331

Standard interior trim
Part # UL 3331

Additional Dimensions: (Part # UL 3331)

- Exterior Projection is 3 9/32"
- Interior Projection Depends on Handle Style
- Overall Grip thickness: 1 1/16"
- Clearance between door & grip is 1 7/8"
- Plates thickness: 1 1/16"

Same dimensions for dummy function



Door Thickness Specifications

Standard Door Thickness: 1 3/4"

Standard Components:

- 1 3/8" Threaded Cylinder
- 2" Long Spindle
- 2" Top Rosette Screw
- 1 1/2" Bottom Rosette Screw
- Thumbpress
- Strikeplate

Extended Door Thickness: 1 7/8" - 2 1/4"

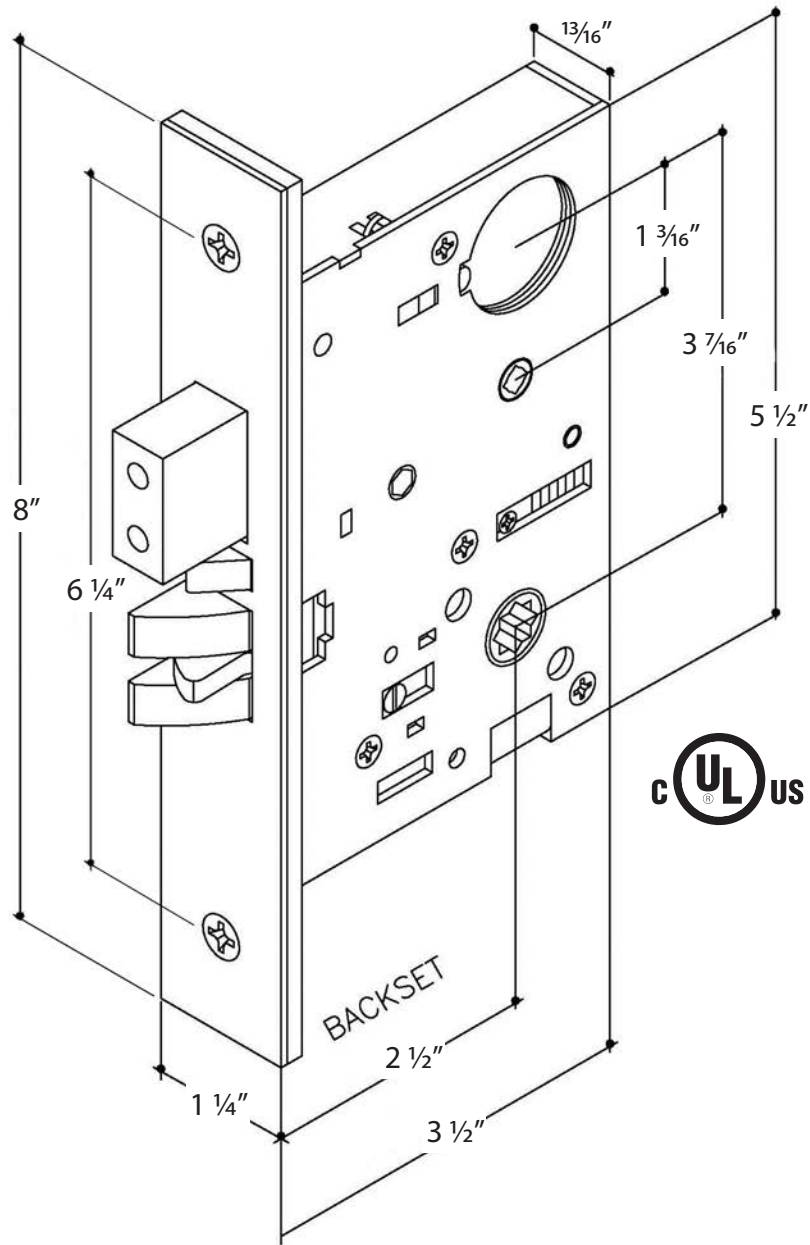
Extended Components:

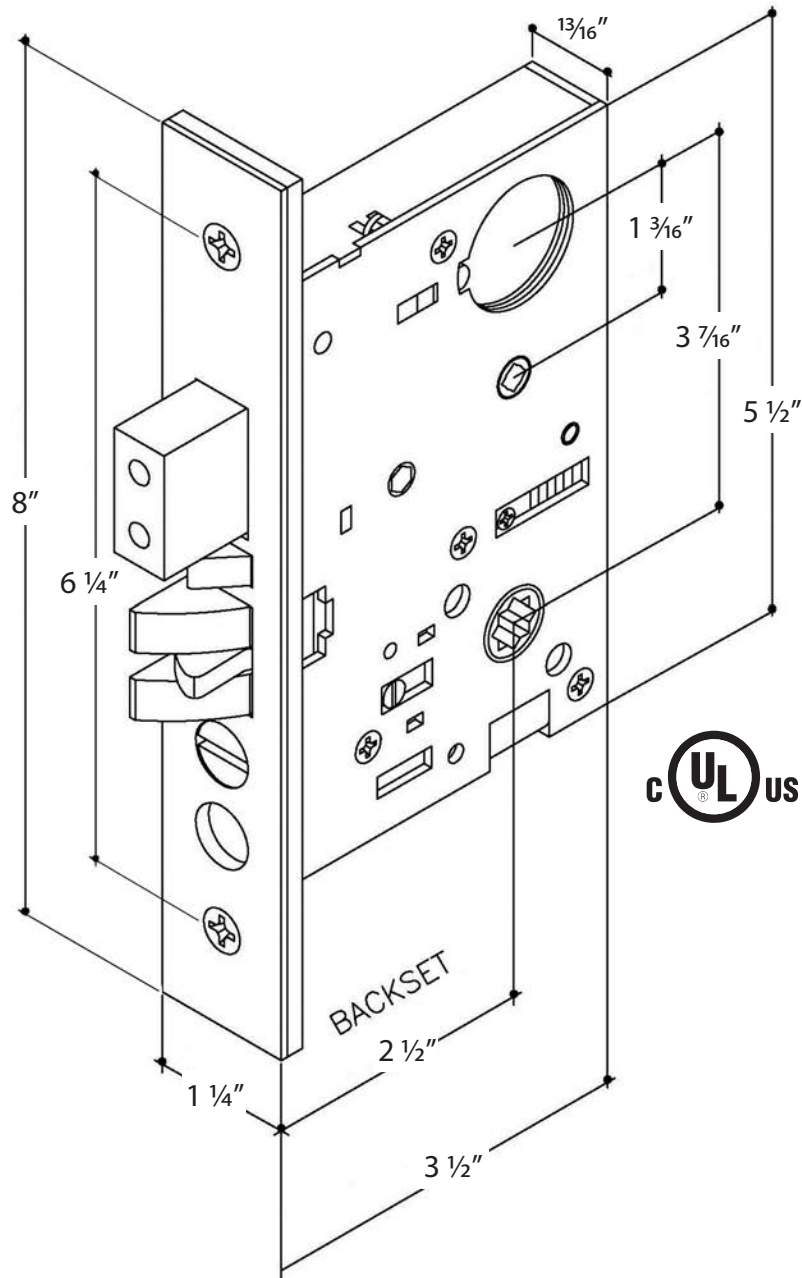
- 1 1/2" Threaded Cylinder
- 2" Long Spindle
- 2 1/2" Top Rosette Screw
- 2" Bottom Rosette Screw
- Thumbpress
- Strikeplate

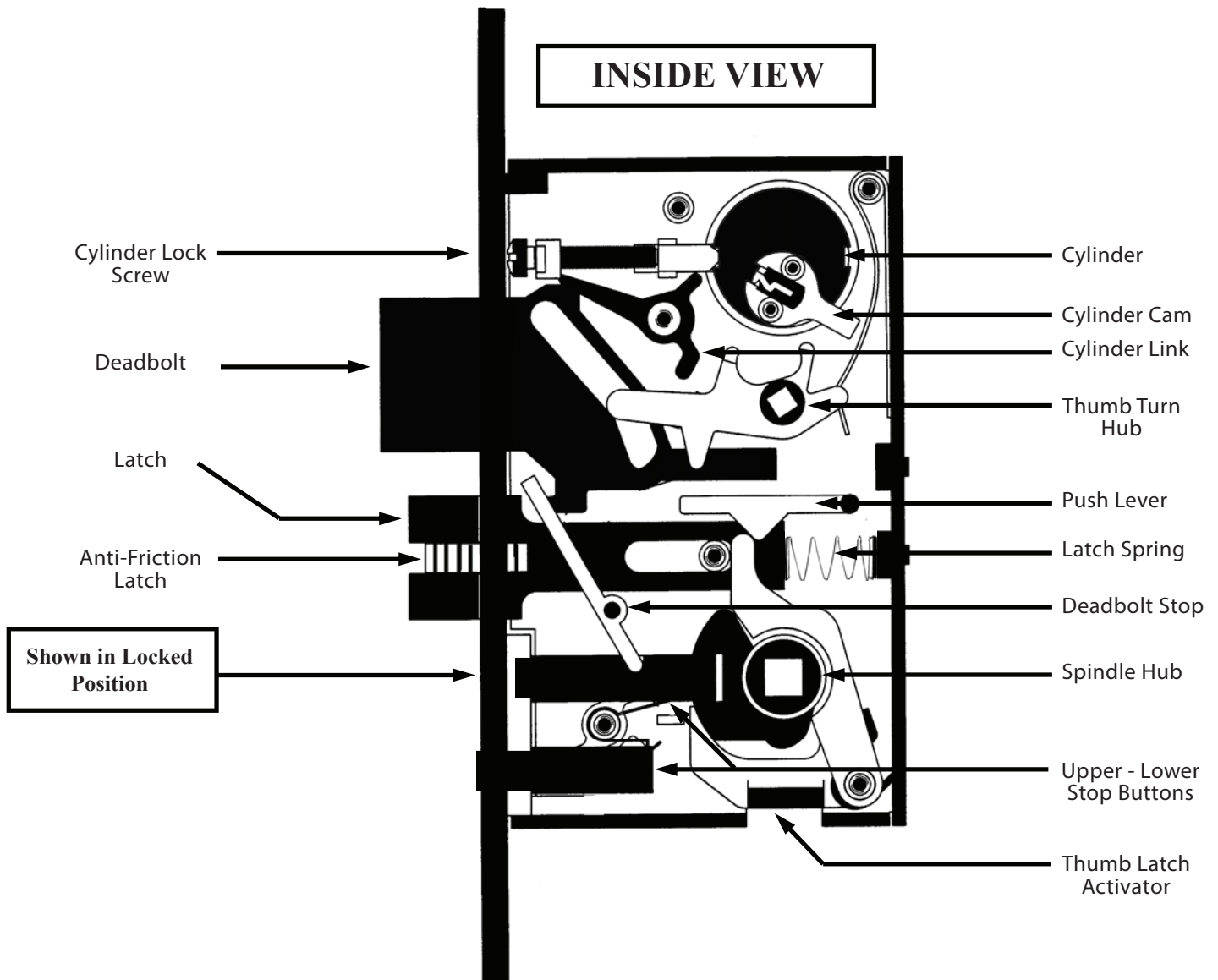
Extended Door Thickness: 2 3/8" - 2 5/8"

Extended Components:

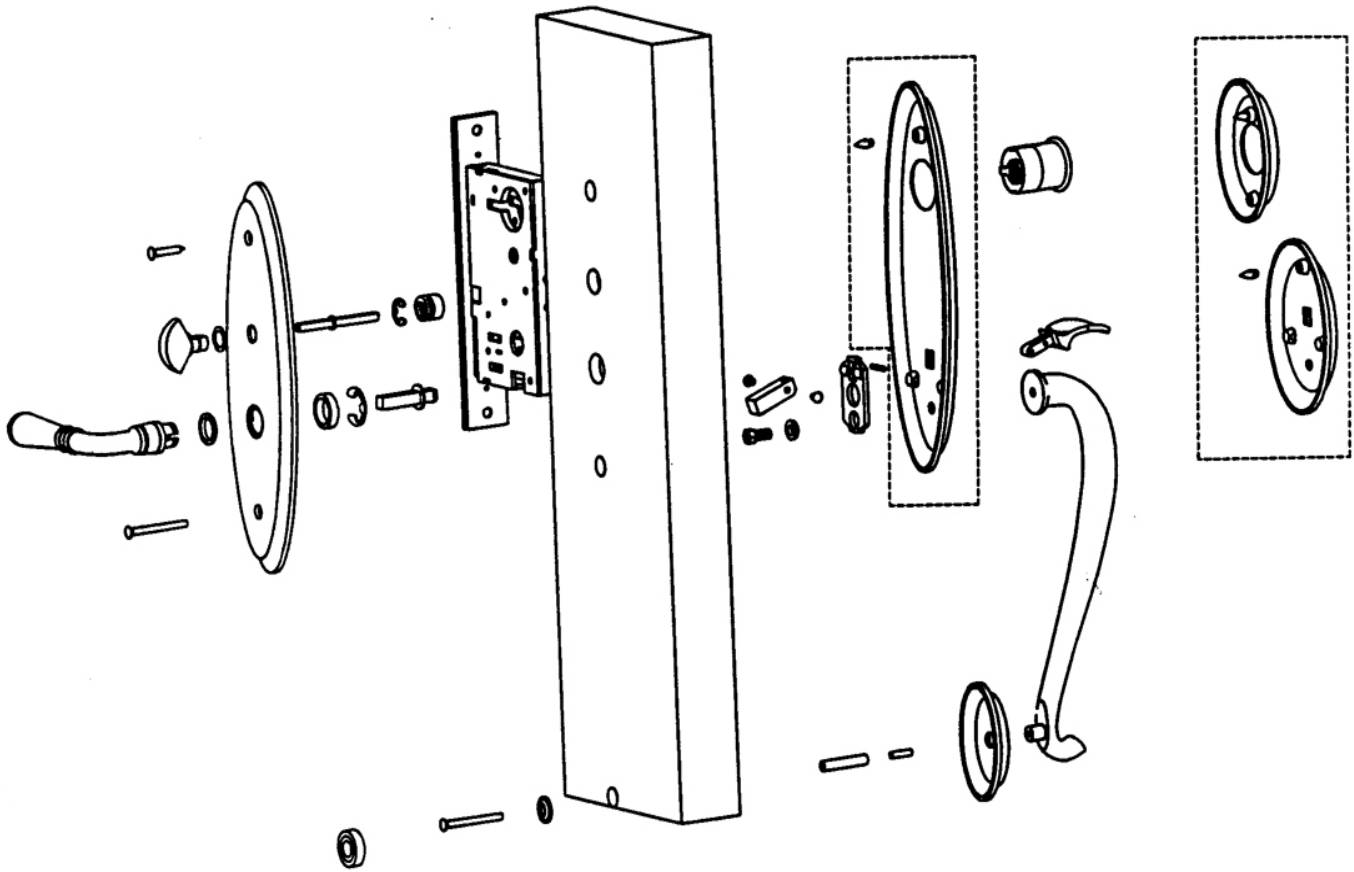
- 1 3/4" Threaded Cylinder
- 2 1/4" Long Spindle
- 2 1/2" Top Rosette Screw
- 2" Bottom Rosette Screw
- Extended Thumbpress
- Extended Strikeplate
- **2 3/4" TD Requires 2" Threaded Cylinder**

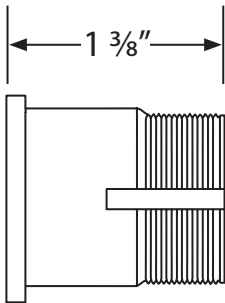




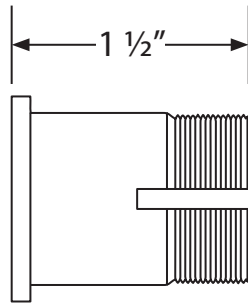


UL Mortise Lock Component Part Breakdown

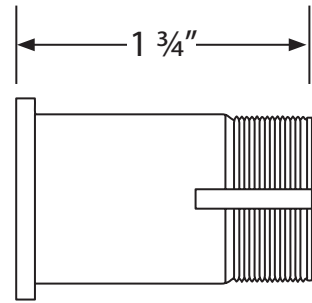




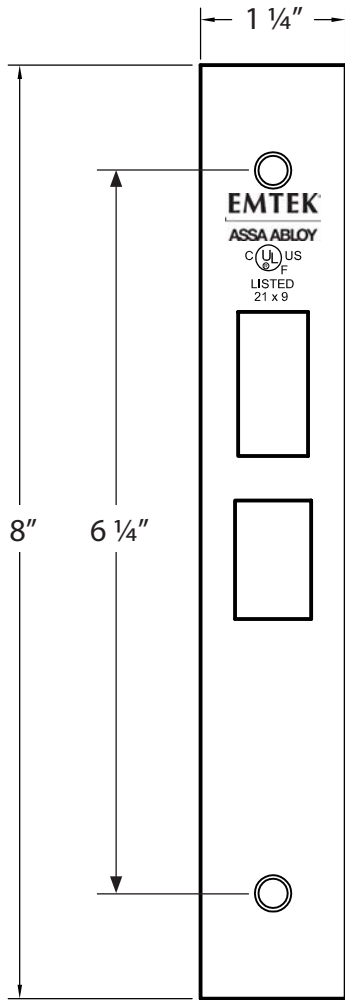
CY5-ThrdMrt1375



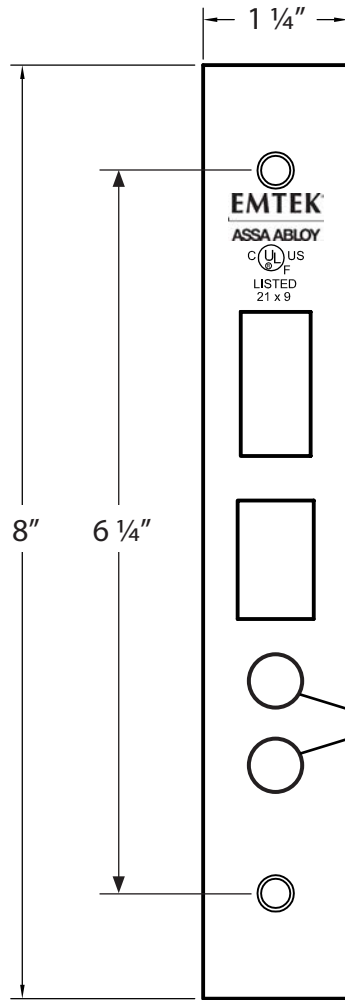
CY5-ThrdMrt150



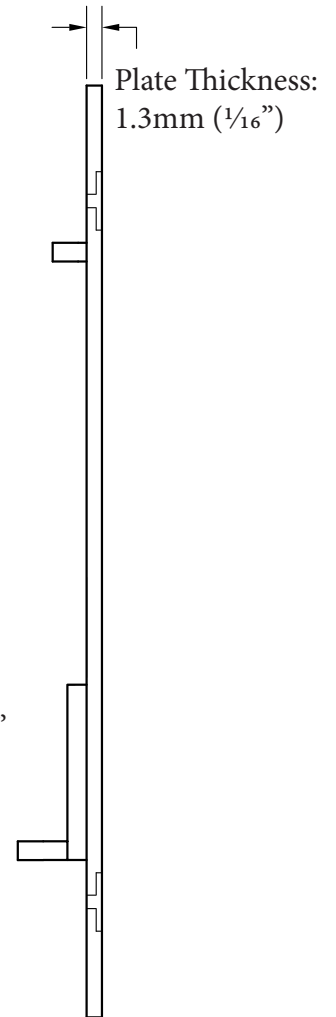
CY5-ThrdMrt175

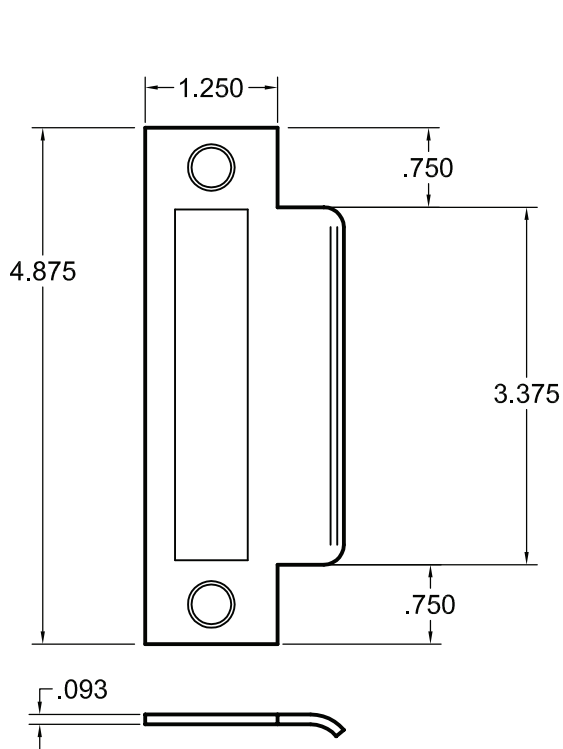


ANSI F13

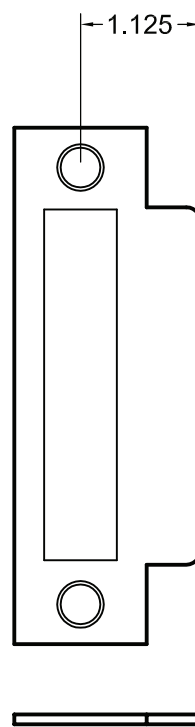


ANSI F20

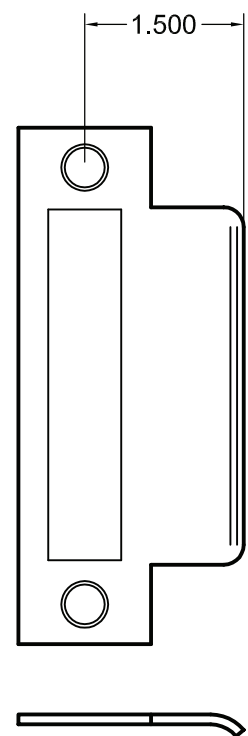




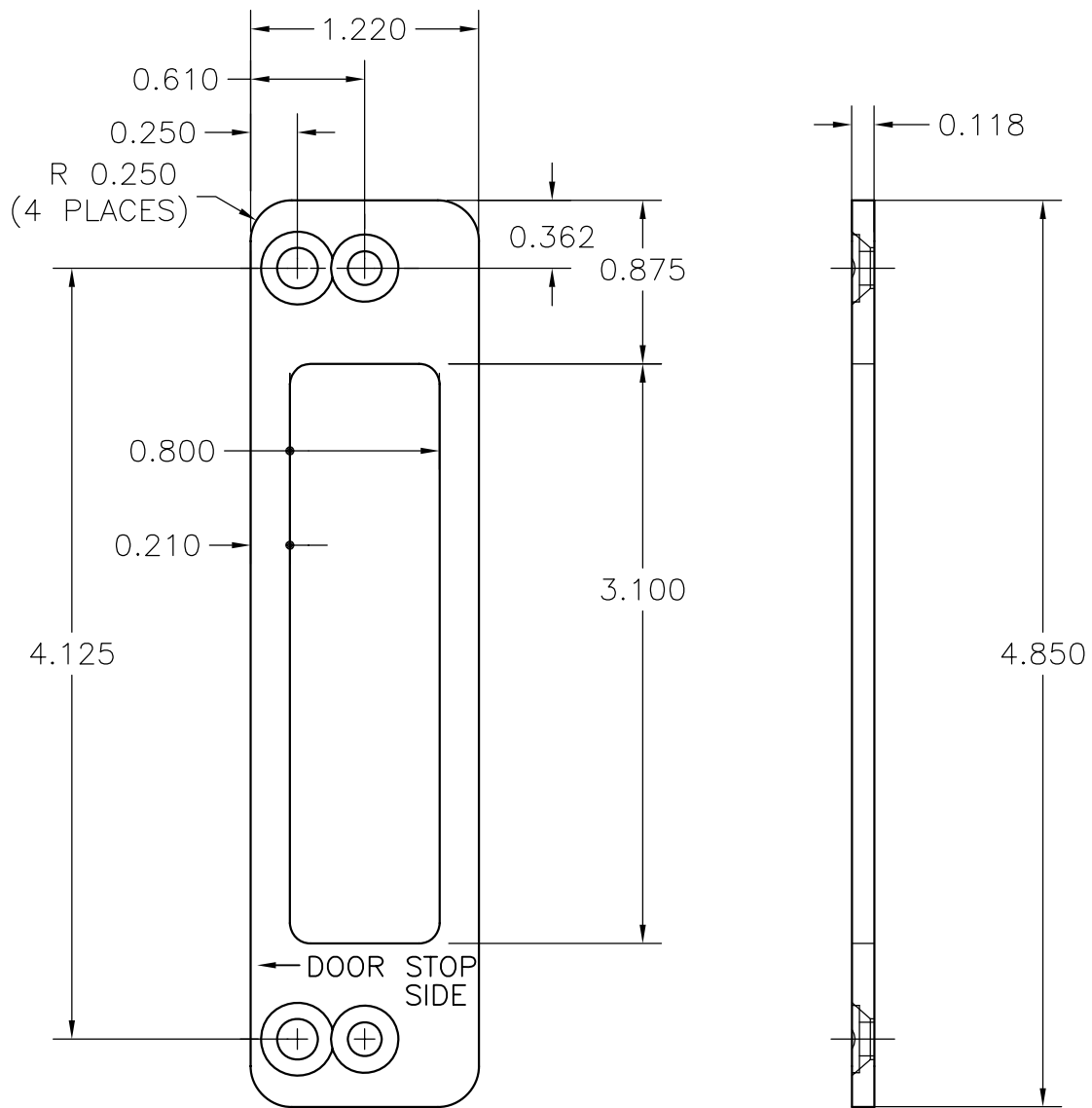
Brass Standard Strike Plate
#86147

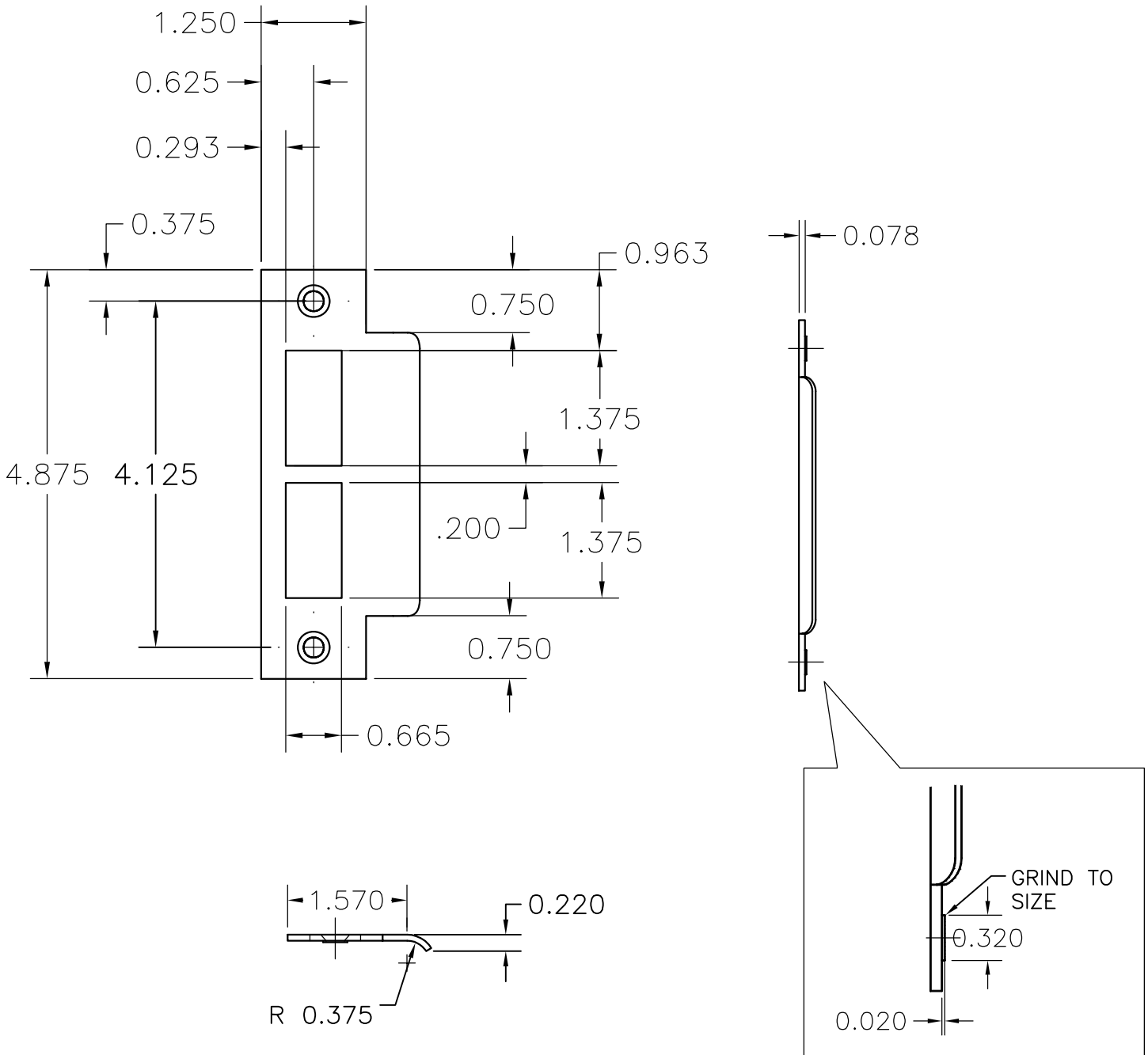


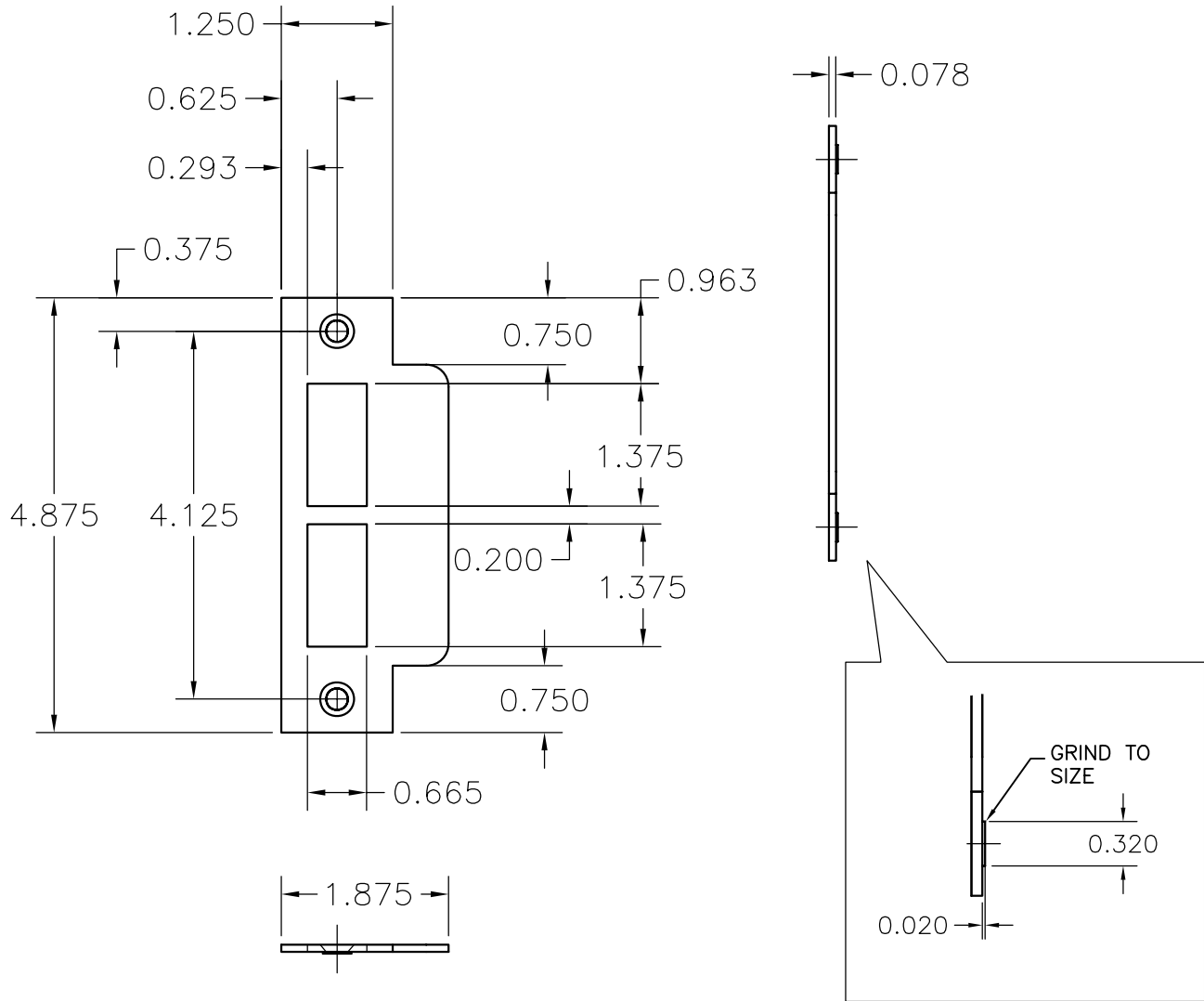
Brass Flat Strike Plate
#86148

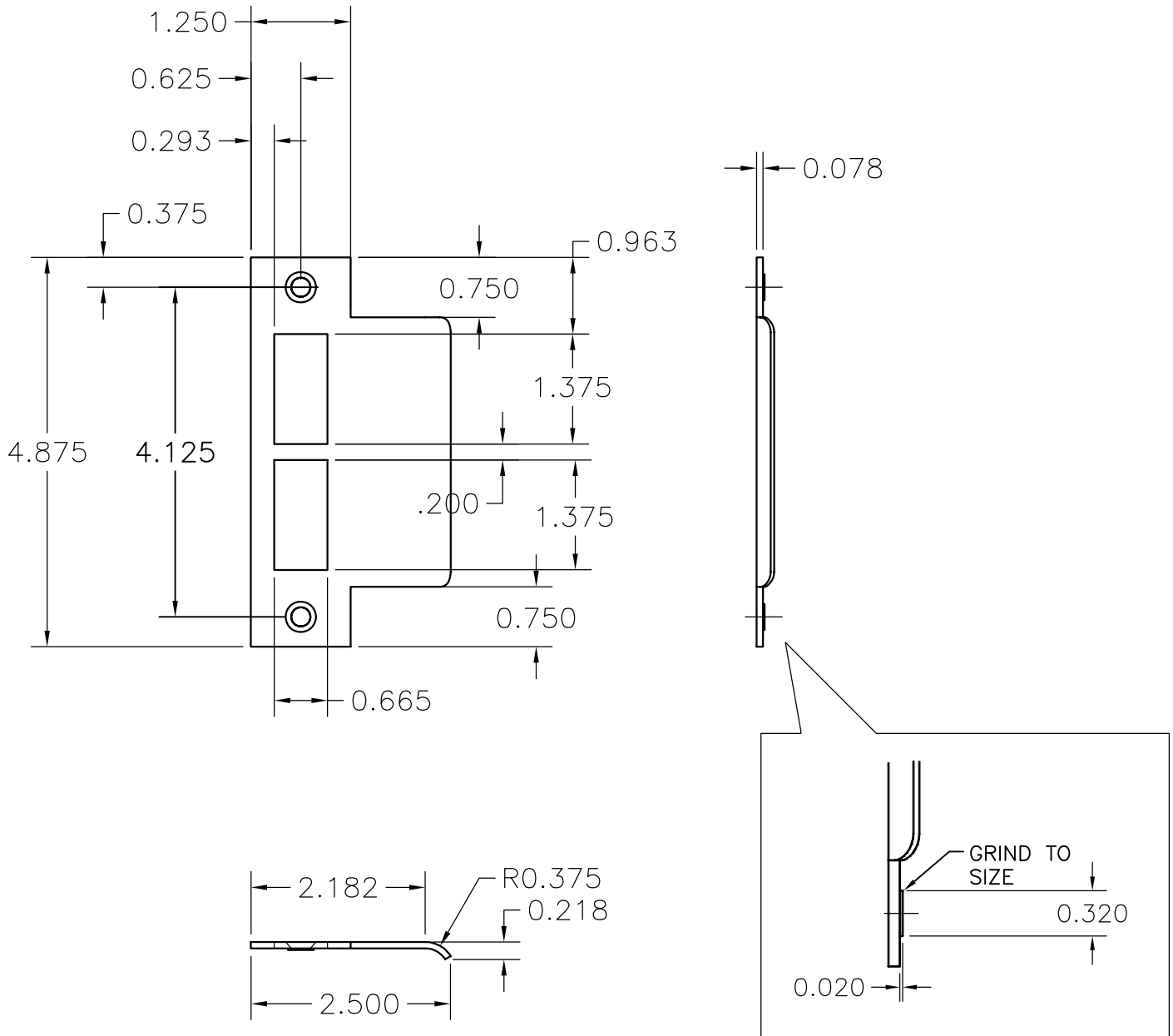


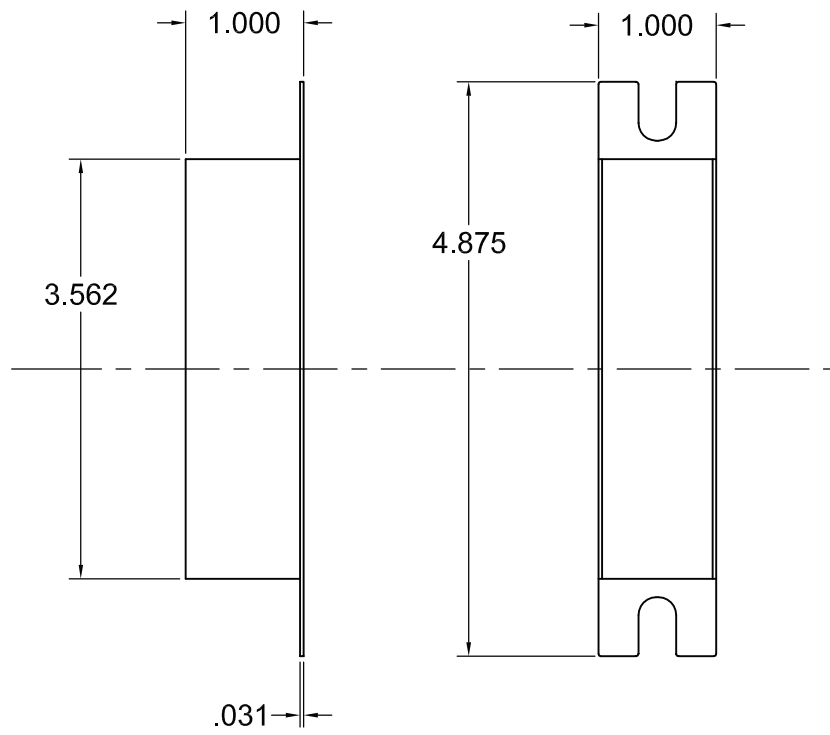
Brass Extended Strike Plate
#86149

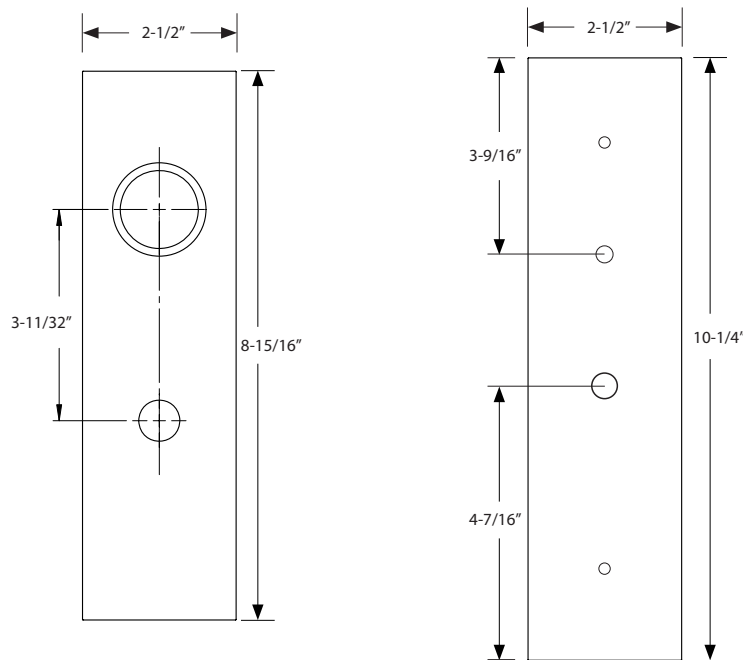




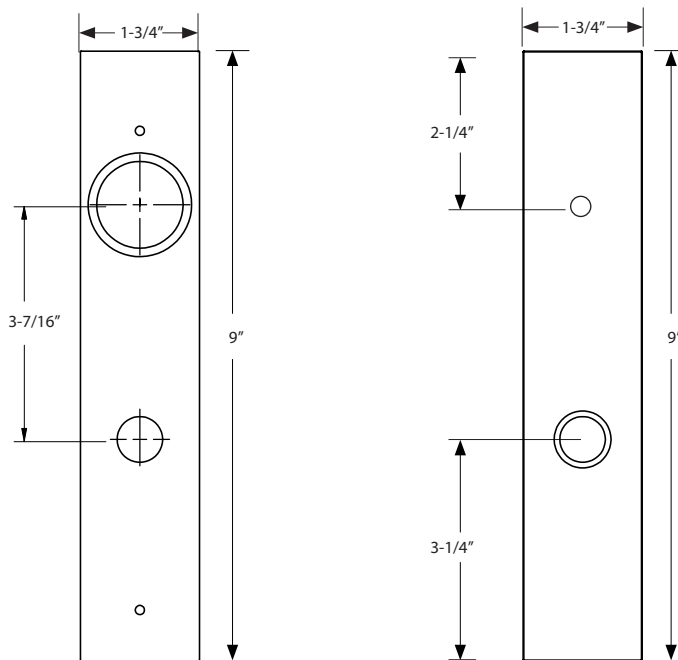




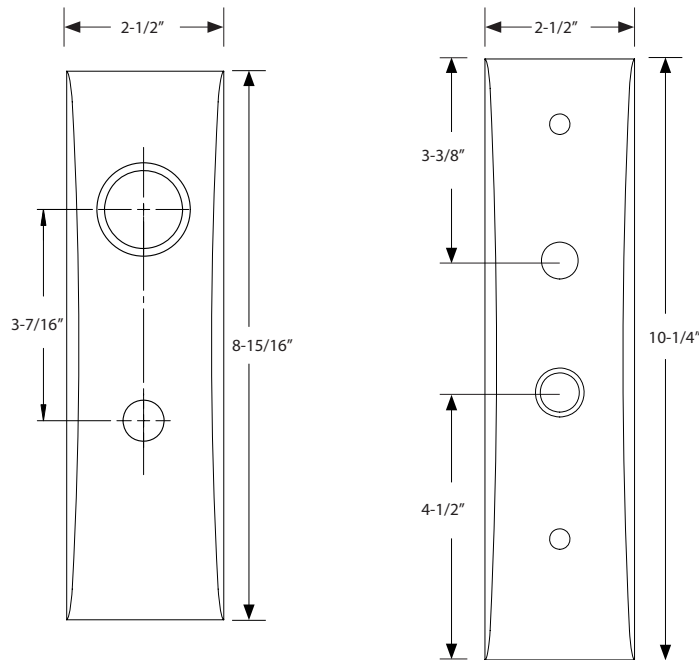




Door Thickness Specifications		
<p>Standard Door Thickness: 1-3/4"</p> <p>Standard Components:</p> <ul style="list-style-type: none"> • 1-3/8" Threaded Cylinder • 2" Long Spindle • 2" Top Rosette Screw • 1-1/2" Bottom Rosette Screw • Thumbpress • Strikeplate 	<p>Extended Door Thickness: 1-7/8" - 2-1/4"</p> <p>Extended Components:</p> <ul style="list-style-type: none"> • 1-1/2" Threaded Cylinder • 2" Long Spindle • 2-1/2" Top Rosette Screw • 2" Bottom Rosette Screw • Thumbpress • Strikeplate 	<p>Extended Door Thickness: 2-3/8" - 2-3/4"</p> <p>Extended Components:</p> <ul style="list-style-type: none"> • 1-3/4" Threaded Cylinder • 2-1/4" Long Spindle • 2-1/2" Top Rosette Screw • 2" Bottom Rosette Screw • Extended Thumbpress • Extended Strikeplate



Door Thickness Specifications		
<p>Standard Door Thickness: 1-3/4"</p> <p>Standard Components:</p> <ul style="list-style-type: none"> • 1-3/8" Threaded Cylinder • 2" Long Spindle • 2" Top Rosette Screw • 1-1/2" Bottom Rosette Screw • Thumbpress • Strikeplate 	<p>Extended Door Thickness: 1-7/8" - 2-1/4"</p> <p>Extended Components:</p> <ul style="list-style-type: none"> • 1-1/2" Threaded Cylinder • 2" Long Spindle • 2-1/2" Top Rosette Screw • 2" Bottom Rosette Screw • Thumbpress • Strikeplate 	<p>Extended Door Thickness: 2-3/8" - 2-3/4"</p> <p>Extended Components:</p> <ul style="list-style-type: none"> • 1-3/4" Threaded Cylinder • 2-1/4" Long Spindle • 2-1/2" Top Rosette Screw • 2" Bottom Rosette Screw • Extended Thumbpress • Extended Strikeplate



Door Thickness Specifications

Standard Door Thickness: 1-3/4"

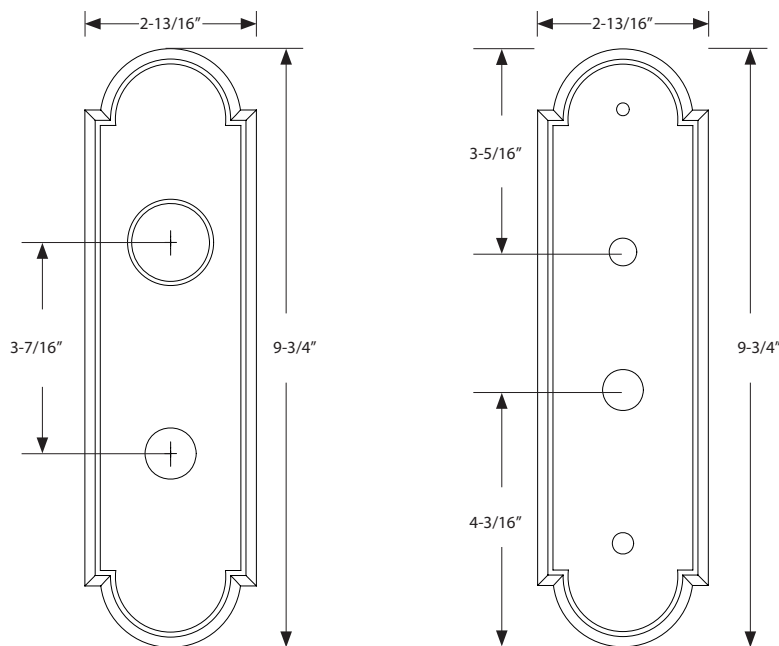
- Standard Components:
- 1-3/8" Threaded Cylinder
 - 2" Long Spindle
 - 2" Top Rosette Screw
 - 1-1/2" Bottom Rosette Screw
 - Thumbpress
 - Strikeplate

Extended Door Thickness: 1-7/8" - 2-1/4"

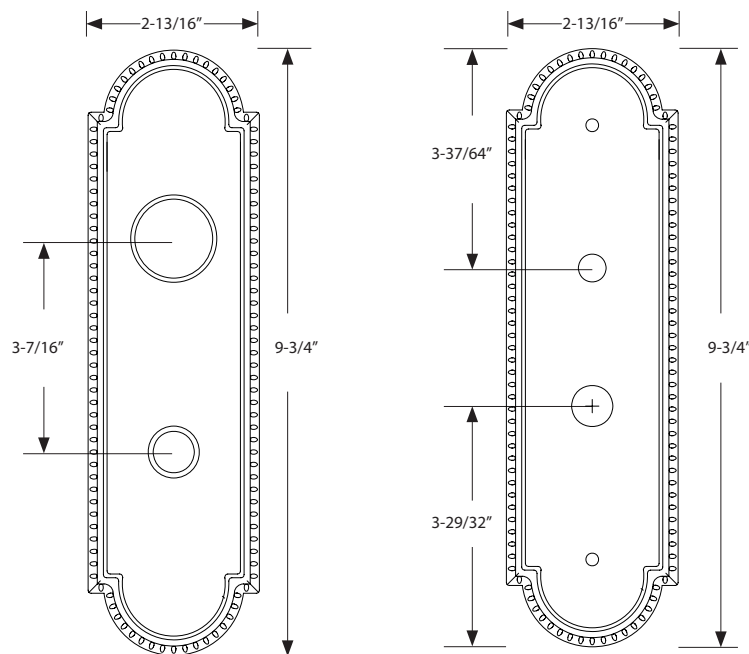
- Extended Components:
- 1-1/2" Threaded Cylinder
 - 2" Long Spindle
 - 2-1/2" Top Rosette Screw
 - 2" Bottom Rosette Screw
 - Thumbpress
 - Strikeplate

Extended Door Thickness: 2-3/8" - 2-3/4"

- Extended Components:
- 1-3/4" Threaded Cylinder
 - 2-1/4" Long Spindle
 - 2-1/2" Top Rosette Screw
 - 2" Bottom Rosette Screw
 - Extended Thumbpress
 - Extended Strikeplate



Door Thickness Specifications		
<p>Standard Door Thickness: 1-3/4"</p> <p>Standard Components:</p> <ul style="list-style-type: none"> • 1-3/8" Threaded Cylinder • 2" Long Spindle • 2" Top Rosette Screw • 1-1/2" Bottom Rosette Screw • Thumbpress • Strikeplate 	<p>Extended Door Thickness: 1-7/8" - 2-1/4"</p> <p>Extended Components:</p> <ul style="list-style-type: none"> • 1-1/2" Threaded Cylinder • 2" Long Spindle • 2-1/2" Top Rosette Screw • 2" Bottom Rosette Screw • Thumbpress • Strikeplate 	<p>Extended Door Thickness: 2-3/8" - 2-3/4"</p> <p>Extended Components:</p> <ul style="list-style-type: none"> • 1-3/4" Threaded Cylinder • 2-1/4" Long Spindle • 2-1/2" Top Rosette Screw • 2" Bottom Rosette Screw • Extended Thumbpress • Extended Strikeplate



Door Thickness Specifications

Standard Door Thickness: 1-3/4"

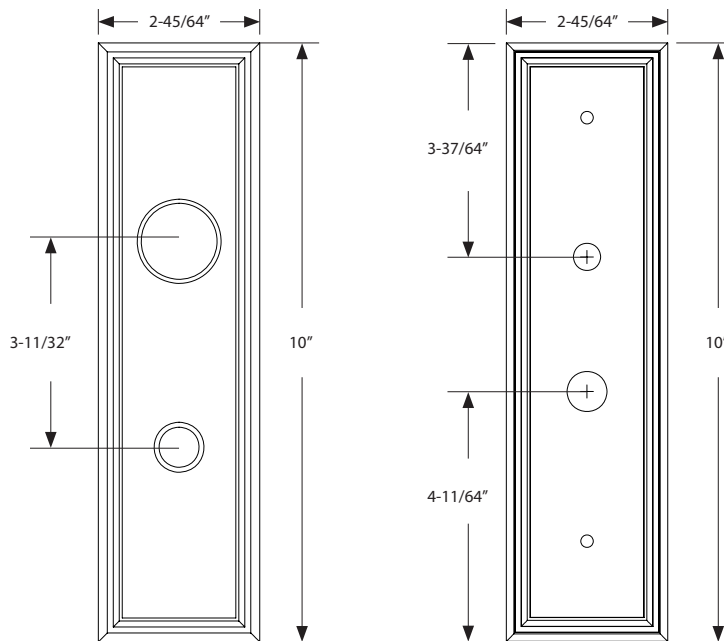
- Standard Components:
- 1-3/8" Threaded Cylinder
 - 2" Long Spindle
 - 2" Top Rosette Screw
 - 1-1/2" Bottom Rosette Screw
 - Thumbpress
 - Strikeplate

Extended Door Thickness: 1-7/8" - 2-1/4"

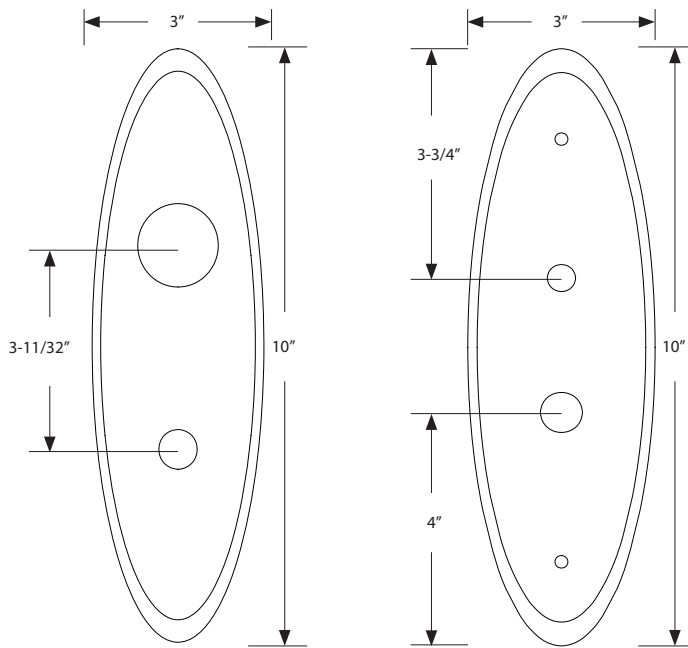
- Extended Components:
- 1-1/2" Threaded Cylinder
 - 2" Long Spindle
 - 2-1/2" Top Rosette Screw
 - 2" Bottom Rosette Screw
 - Thumbpress
 - Strikeplate

Extended Door Thickness: 2-3/8" - 2-3/4"

- Extended Components:
- 1-3/4" Threaded Cylinder
 - 2-1/4" Long Spindle
 - 2-1/2" Top Rosette Screw
 - 2" Bottom Rosette Screw
 - Extended Thumbpress
 - Extended Strikeplate



Door Thickness Specifications		
<p>Standard Door Thickness: 1-3/4"</p> <p>Standard Components:</p> <ul style="list-style-type: none"> • 1-3/8" Threaded Cylinder • 2" Long Spindle • 2" Top Rosette Screw • 1-1/2" Bottom Rosette Screw • Thumbpress • Strikeplate 	<p>Extended Door Thickness: 1-7/8" - 2-1/4"</p> <p>Extended Components:</p> <ul style="list-style-type: none"> • 1-1/2" Threaded Cylinder • 2" Long Spindle • 2-1/2" Top Rosette Screw • 2" Bottom Rosette Screw • Thumbpress • Strikeplate 	<p>Extended Door Thickness: 2-3/8" - 2-3/4"</p> <p>Extended Components:</p> <ul style="list-style-type: none"> • 1-3/4" Threaded Cylinder • 2-1/4" Long Spindle • 2-1/2" Top Rosette Screw • 2" Bottom Rosette Screw • Extended Thumbpress • Extended Strikeplate



Door Thickness Specifications

Standard Door Thickness: 1-3/4"

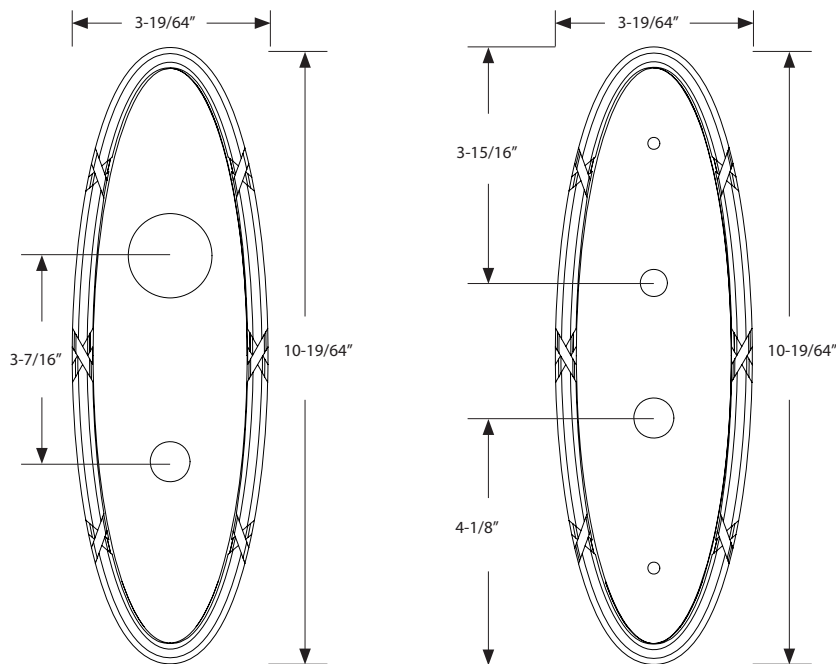
- Standard Components:
- 1-3/8" Threaded Cylinder
 - 2" Long Spindle
 - 2" Top Rosette Screw
 - 1-1/2" Bottom Rosette Screw
 - Thumbpress
 - Strikeplate

Extended Door Thickness: 1-7/8" - 2-1/4"

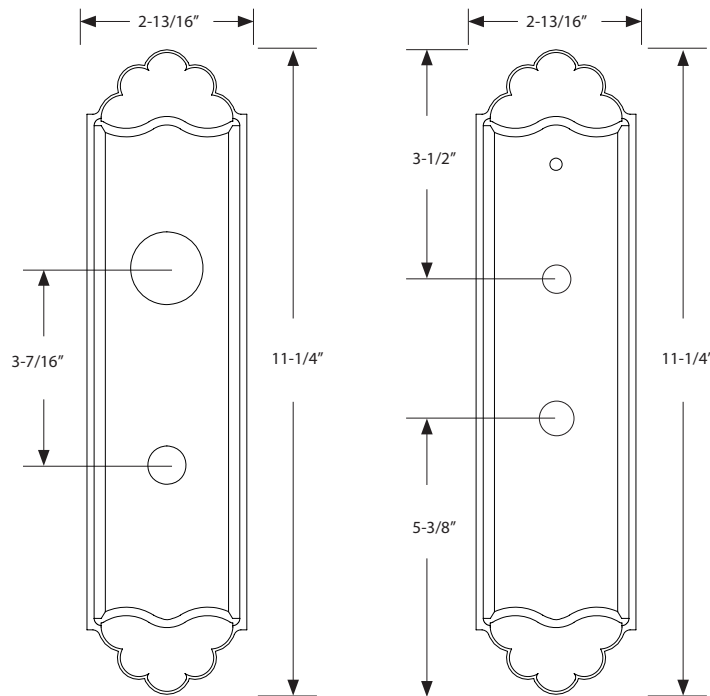
- Extended Components:
- 1-1/2" Threaded Cylinder
 - 2" Long Spindle
 - 2-1/2" Top Rosette Screw
 - 2" Bottom Rosette Screw
 - Thumbpress
 - Strikeplate

Extended Door Thickness: 2-3/8" - 2-3/4"

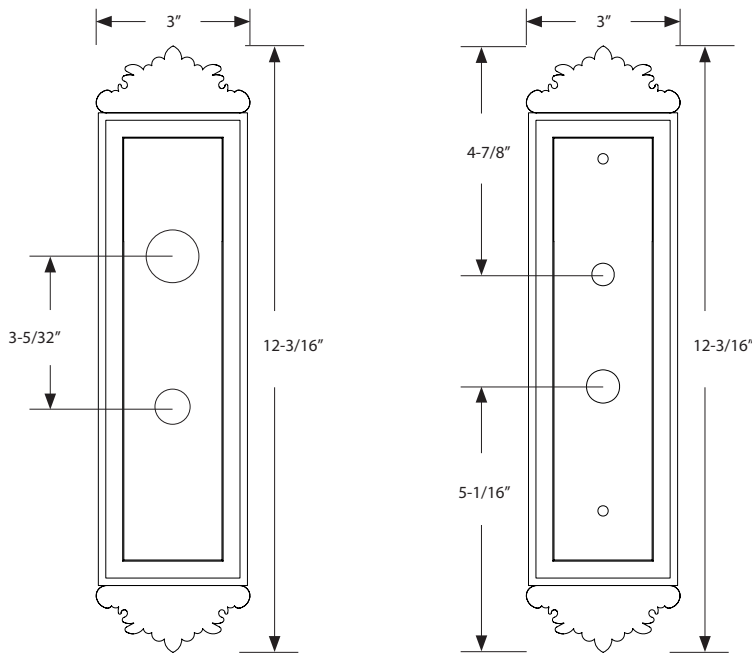
- Extended Components:
- 1-3/4" Threaded Cylinder
 - 2-1/4" Long Spindle
 - 2-1/2" Top Rosette Screw
 - 2" Bottom Rosette Screw
 - Extended Thumbpress
 - Extended Strikeplate



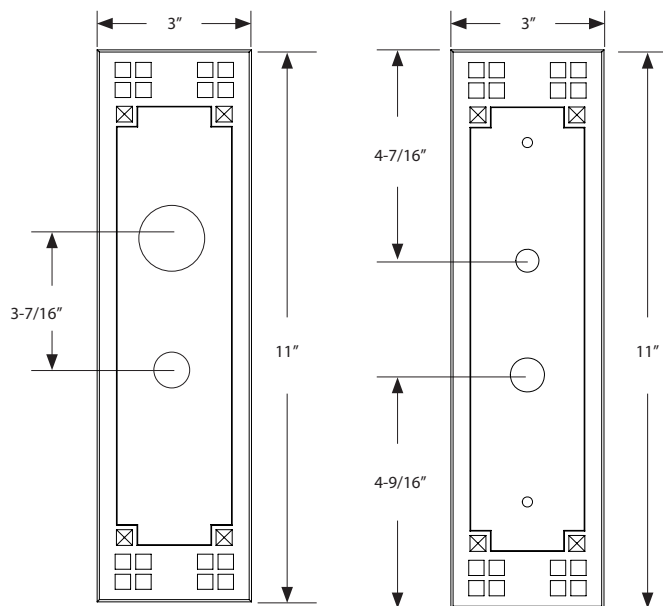
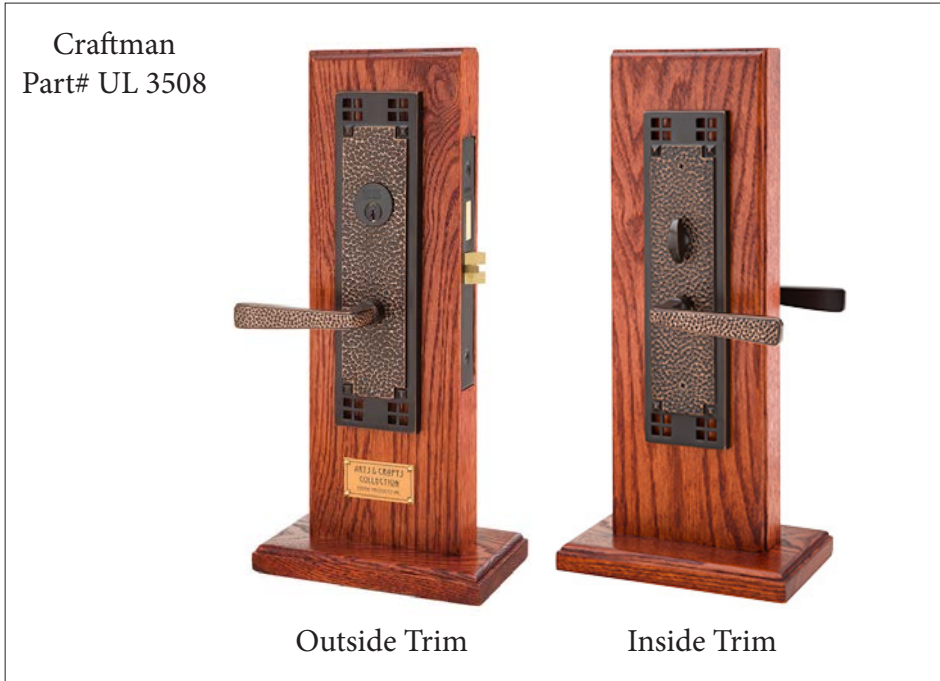
Door Thickness Specifications		
<p>Standard Door Thickness: 1-3/4"</p> <p>Standard Components:</p> <ul style="list-style-type: none"> • 1-3/8" Threaded Cylinder • 2" Long Spindle • 2" Top Rosette Screw • 1-1/2" Bottom Rosette Screw • Thumbpress • Strikeplate 	<p>Extended Door Thickness: 1-7/8" - 2-1/4"</p> <p>Extended Components:</p> <ul style="list-style-type: none"> • 1-1/2" Threaded Cylinder • 2" Long Spindle • 2-1/2" Top Rosette Screw • 2" Bottom Rosette Screw • Thumbpress • Strikeplate 	<p>Extended Door Thickness: 2-3/8" - 2-3/4"</p> <p>Extended Components:</p> <ul style="list-style-type: none"> • 1-3/4" Threaded Cylinder • 2-1/4" Long Spindle • 2-1/2" Top Rosette Screw • 2" Bottom Rosette Screw • Extended Thumbpress • Extended Strikeplate



Door Thickness Specifications		
<p>Standard Door Thickness: 1-3/4"</p> <p>Standard Components:</p> <ul style="list-style-type: none"> • 1-3/8" Threaded Cylinder • 2" Long Spindle • 2" Top Rosette Screw • 1-1/2" Bottom Rosette Screw • Thumbpress • Strikeplate 	<p>Extended Door Thickness: 1-7/8" - 2-1/4"</p> <p>Extended Components:</p> <ul style="list-style-type: none"> • 1-1/2" Threaded Cylinder • 2" Long Spindle • 2-1/2" Top Rosette Screw • 2" Bottom Rosette Screw • Thumbpress • Strikeplate 	<p>Extended Door Thickness: 2-3/8" - 2-3/4"</p> <p>Extended Components:</p> <ul style="list-style-type: none"> • 1-3/4" Threaded Cylinder • 2-1/4" Long Spindle • 2-1/2" Top Rosette Screw • 2" Bottom Rosette Screw • Extended Thumbpress • Extended Strikeplate



Door Thickness Specifications		
<p>Standard Door Thickness: 1-3/4"</p> <p>Standard Components:</p> <ul style="list-style-type: none"> • 1-3/8" Threaded Cylinder • 2" Long Spindle • 2" Top Rosette Screw • 1-1/2" Bottom Rosette Screw • Thumbpress • Strikeplate 	<p>Extended Door Thickness: 1-7/8" - 2-1/4"</p> <p>Extended Components:</p> <ul style="list-style-type: none"> • 1-1/2" Threaded Cylinder • 2" Long Spindle • 2-1/2" Top Rosette Screw • 2" Bottom Rosette Screw • Thumbpress • Strikeplate 	<p>Extended Door Thickness: 2-3/8" - 2-3/4"</p> <p>Extended Components:</p> <ul style="list-style-type: none"> • 1-3/4" Threaded Cylinder • 2-1/4" Long Spindle • 2-1/2" Top Rosette Screw • 2" Bottom Rosette Screw • Extended Thumbpress • Extended Strikeplate



Door Thickness Specifications

Standard Door Thickness: 1-3/4"

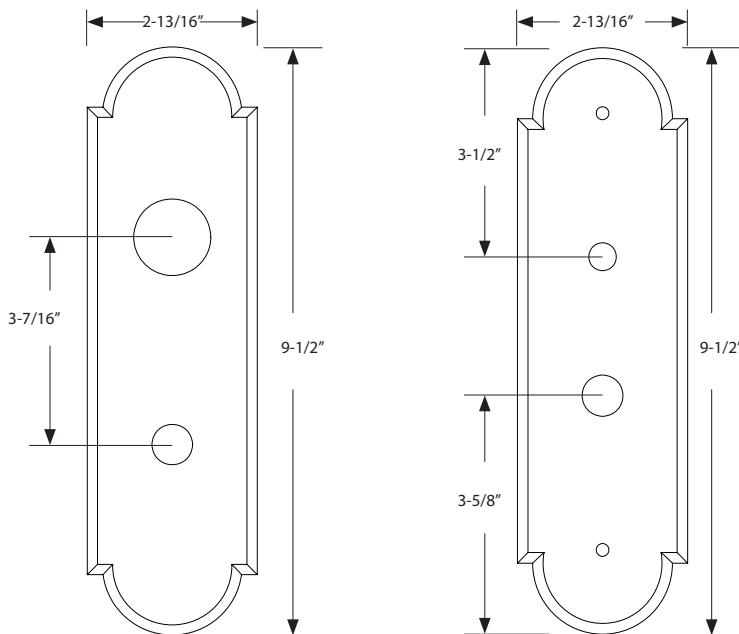
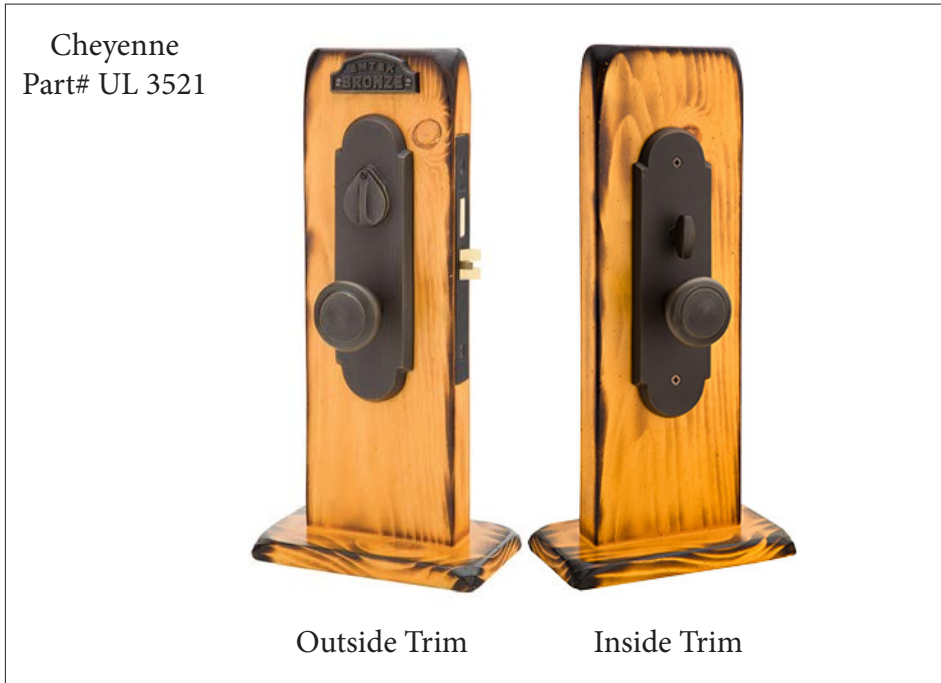
- Standard Components:
- 1-3/8" Threaded Cylinder
 - 2" Long Spindle
 - 2" Top Rosette Screw
 - 1-1/2" Bottom Rosette Screw
 - Thumbpress
 - Strikeplate

Extended Door Thickness: 1-7/8" - 2-1/4"

- Extended Components:
- 1-1/2" Threaded Cylinder
 - 2" Long Spindle
 - 2-1/2" Top Rosette Screw
 - 2" Bottom Rosette Screw
 - Thumbpress
 - Strikeplate

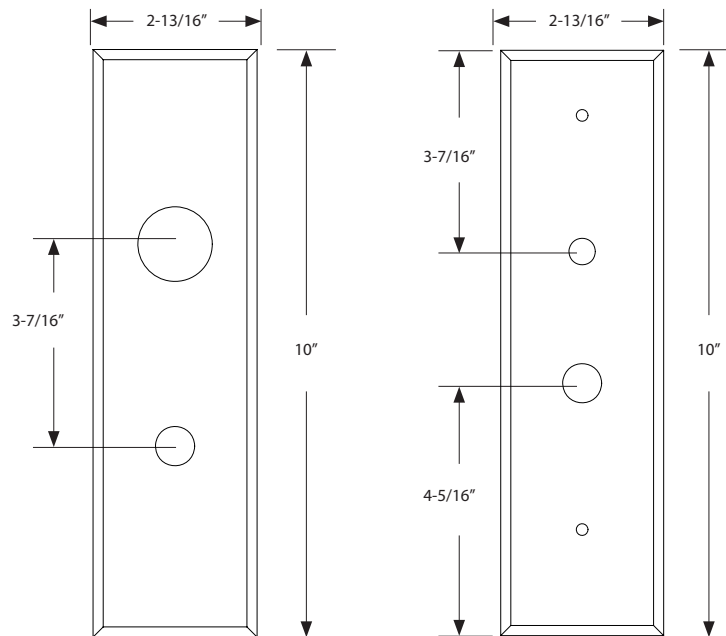
Extended Door Thickness: 2-3/8" - 2-3/4"

- Extended Components:
- 1-3/4" Threaded Cylinder
 - 2-1/4" Long Spindle
 - 2-1/2" Top Rosette Screw
 - 2" Bottom Rosette Screw
 - Extended Thumbpress
 - Extended Strikeplate

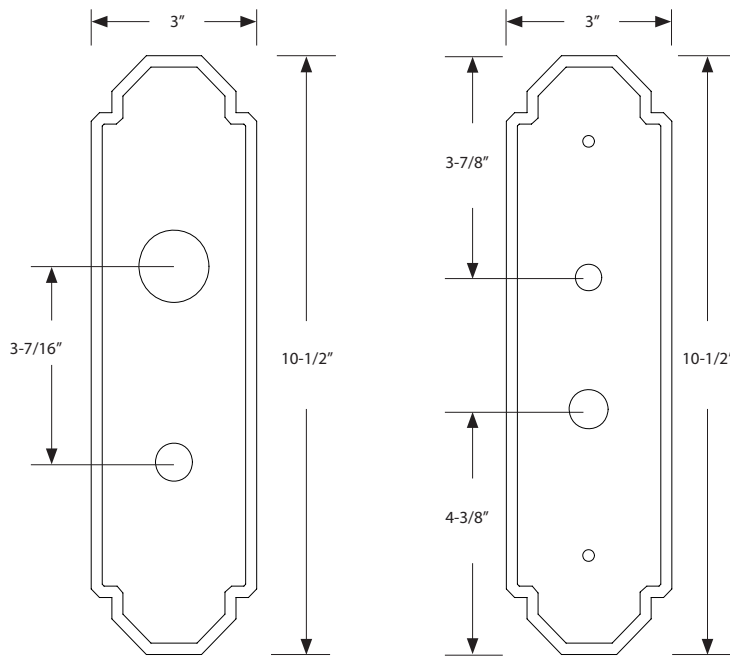


Door Thickness Specifications

<p>Standard Door Thickness: 1-3/4" Standard Components:</p> <ul style="list-style-type: none"> • 1-3/8" Threaded Cylinder • 2" Long Spindle • 2" Top Rosette Screw • 1-1/2" Bottom Rosette Screw • Thumbpress • Strikeplate 	<p>Extended Door Thickness: 1-7/8" - 2-1/4" Extended Components:</p> <ul style="list-style-type: none"> • 1-1/2" Threaded Cylinder • 2" Long Spindle • 2-1/2" Top Rosette Screw • 2" Bottom Rosette Screw • Thumbpress • Strikeplate 	<p>Extended Door Thickness: 2-3/8" - 2-5/8" Extended Components:</p> <ul style="list-style-type: none"> • 1-3/4" Threaded Cylinder • 2-1/4" Long Spindle • 2-1/2" Top Rosette Screw • 2" Bottom Rosette Screw • Extended Thumbpress • Extended Strikeplate • 2-3/4" TD Requires 2" Threaded Cylinder
--	---	---

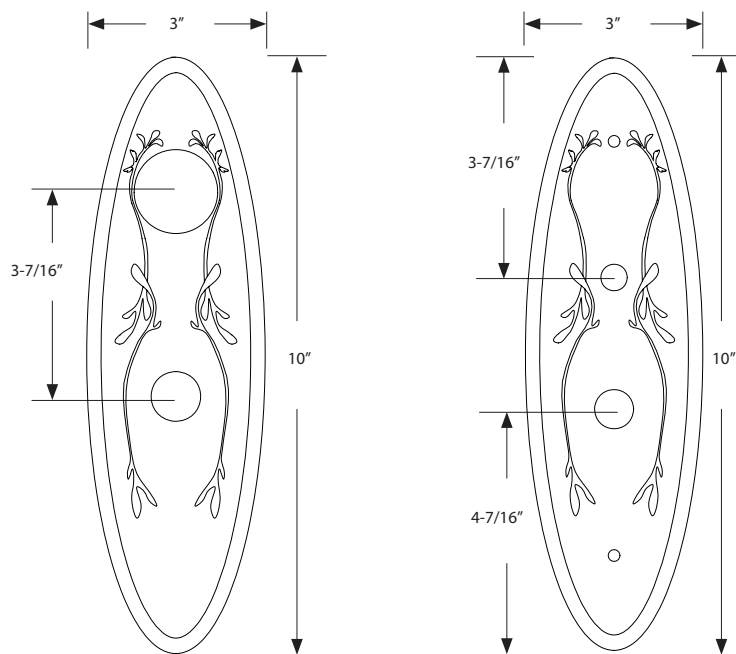


Door Thickness Specifications		
<p>Standard Door Thickness: 1-3/4"</p> <p>Standard Components:</p> <ul style="list-style-type: none"> • 1-3/8" Threaded Cylinder • 2" Long Spindle • 2" Top Rosette Screw • 1-1/2" Bottom Rosette Screw • Thumbpress • Strikeplate 	<p>Extended Door Thickness: 1-7/8" - 2-1/4"</p> <p>Extended Components:</p> <ul style="list-style-type: none"> • 1-1/2" Threaded Cylinder • 2" Long Spindle • 2-1/2" Top Rosette Screw • 2" Bottom Rosette Screw • Thumbpress • Strikeplate 	<p>Extended Door Thickness: 2-3/8" - 2-5/8"</p> <p>Extended Components:</p> <ul style="list-style-type: none"> • 1-3/4" Threaded Cylinder • 2-1/4" Long Spindle • 2-1/2" Top Rosette Screw • 2" Bottom Rosette Screw • Extended Thumbpress • Extended Strikeplate • 2-3/4" TD Requires 2" Threaded Cylinder



Door Thickness Specifications

<p>Standard Door Thickness: 1-3/4" Standard Components:</p> <ul style="list-style-type: none"> • 1-3/8" Threaded Cylinder • 2" Long Spindle • 2" Top Rosette Screw • 1-1/2" Bottom Rosette Screw • Thumbpress • Strikeplate 	<p>Extended Door Thickness: 1-7/8" - 2-1/4" Extended Components:</p> <ul style="list-style-type: none"> • 1-1/2" Threaded Cylinder • 2" Long Spindle • 2-1/2" Top Rosette Screw • 2" Bottom Rosette Screw • Thumbpress • Strikeplate 	<p>Extended Door Thickness: 2-3/8" - 2-5/8" Extended Components:</p> <ul style="list-style-type: none"> • 1-3/4" Threaded Cylinder • 2-1/4" Long Spindle • 2-1/2" Top Rosette Screw • 2" Bottom Rosette Screw • Extended Thumbpress • Extended Strikeplate • 2-3/4" TD Requires 2" Threaded Cylinder
--	---	---



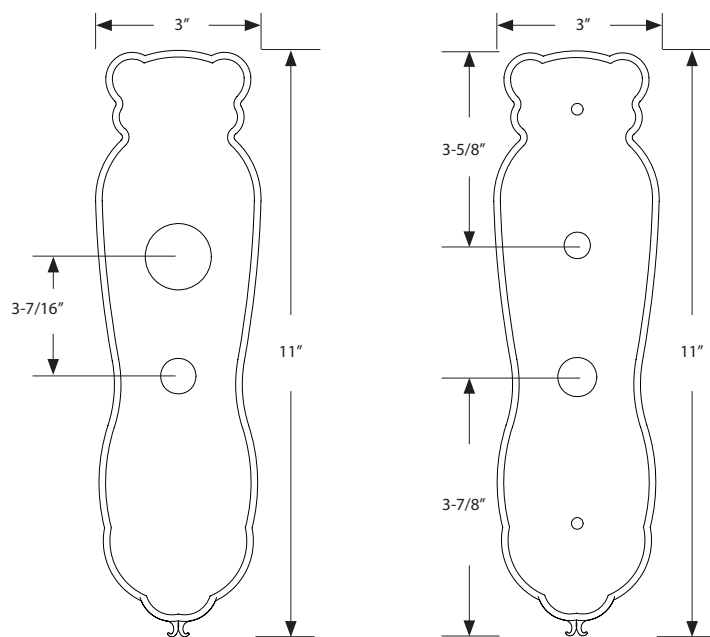
Door Thickness Specifications		
<p>Standard Door Thickness: 1-3/4"</p> <p>Standard Components:</p> <ul style="list-style-type: none"> • 1-3/8" Threaded Cylinder • 2" Long Spindle • 2" Top Rosette Screw • 1-1/2" Bottom Rosette Screw • Thumbpress • Strikeplate 	<p>Extended Door Thickness: 1-7/8" - 2-1/4"</p> <p>Extended Components:</p> <ul style="list-style-type: none"> • 1-1/2" Threaded Cylinder • 2" Long Spindle • 2-1/2" Top Rosette Screw • 2" Bottom Rosette Screw • Thumbpress • Strikeplate 	<p>Extended Door Thickness: 2-3/8" - 2-5/8"</p> <p>Extended Components:</p> <ul style="list-style-type: none"> • 1-3/4" Threaded Cylinder • 2-1/4" Long Spindle • 2-1/2" Top Rosette Screw • 2" Bottom Rosette Screw • Extended Thumbpress • Extended Strikeplate • 2-3/4" TD Requires 2" Threaded Cylinder

Art Nouveau
Part# UL 3532



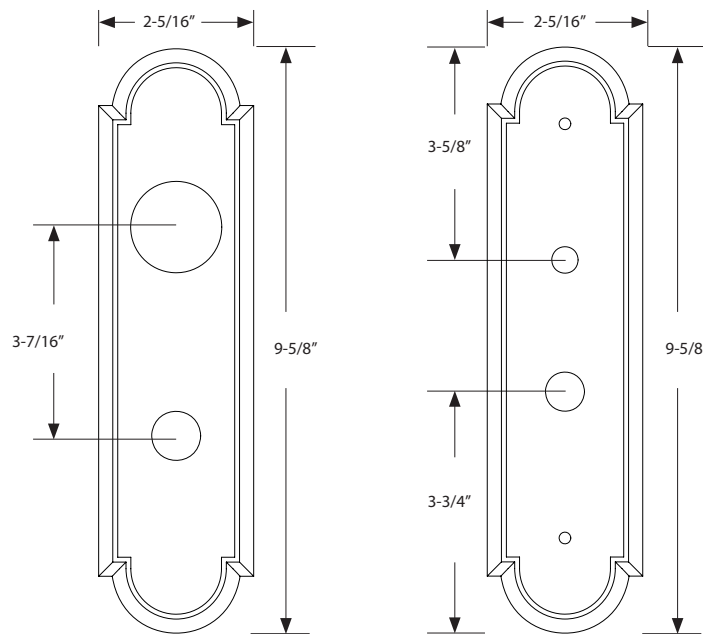
Outside Trim

Inside Trim

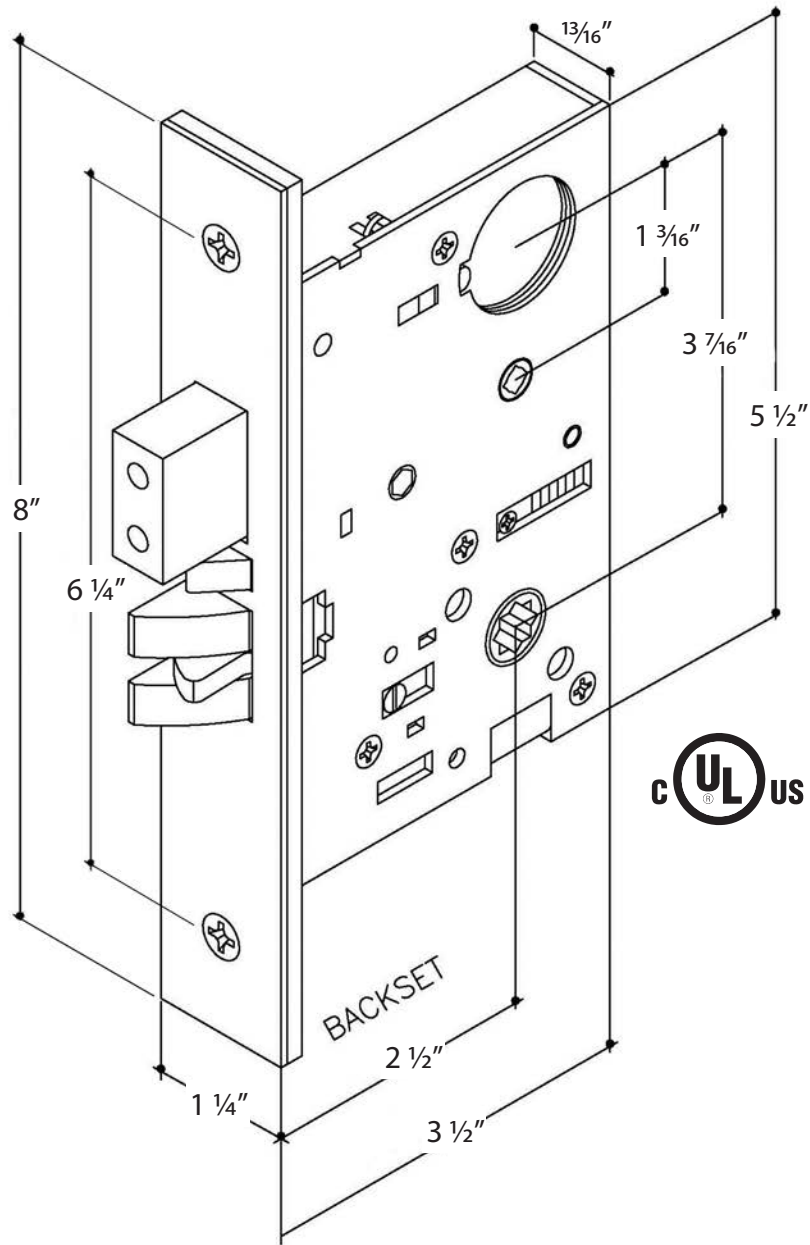


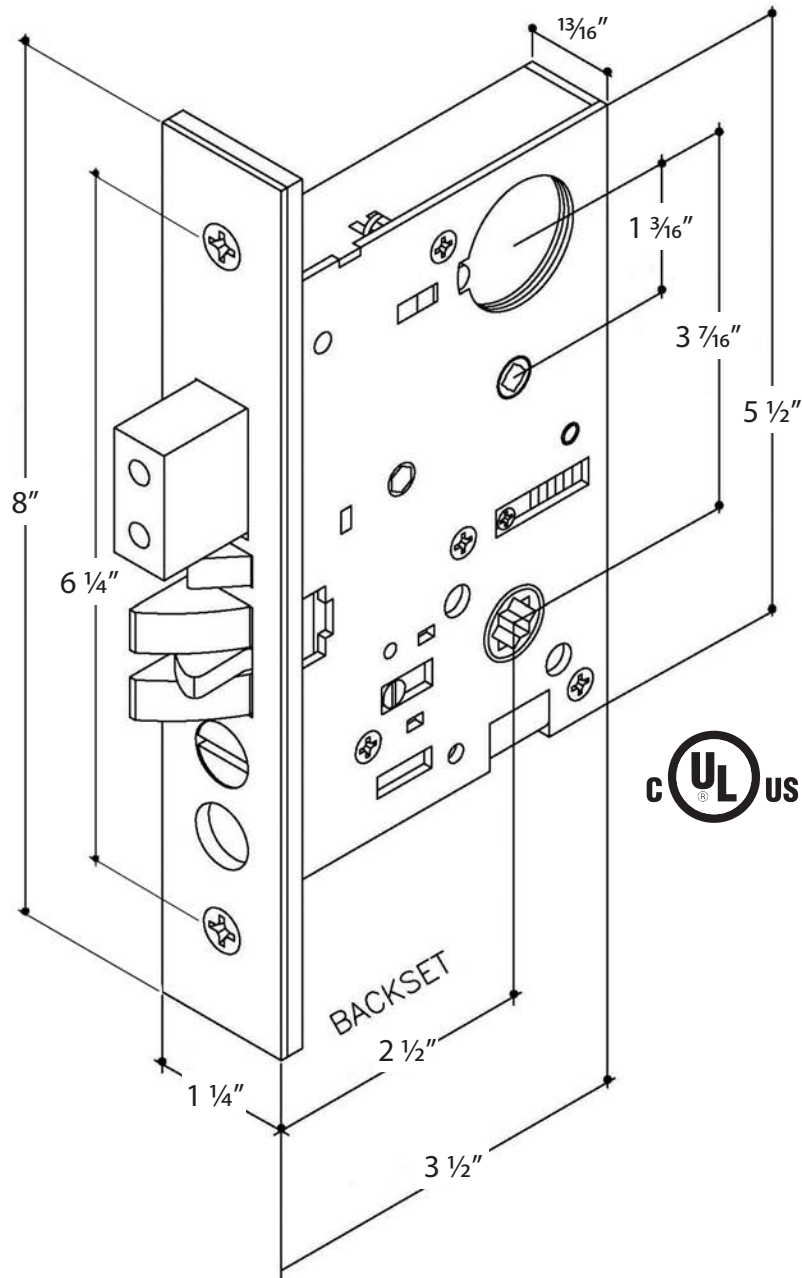
Door Thickness Specifications

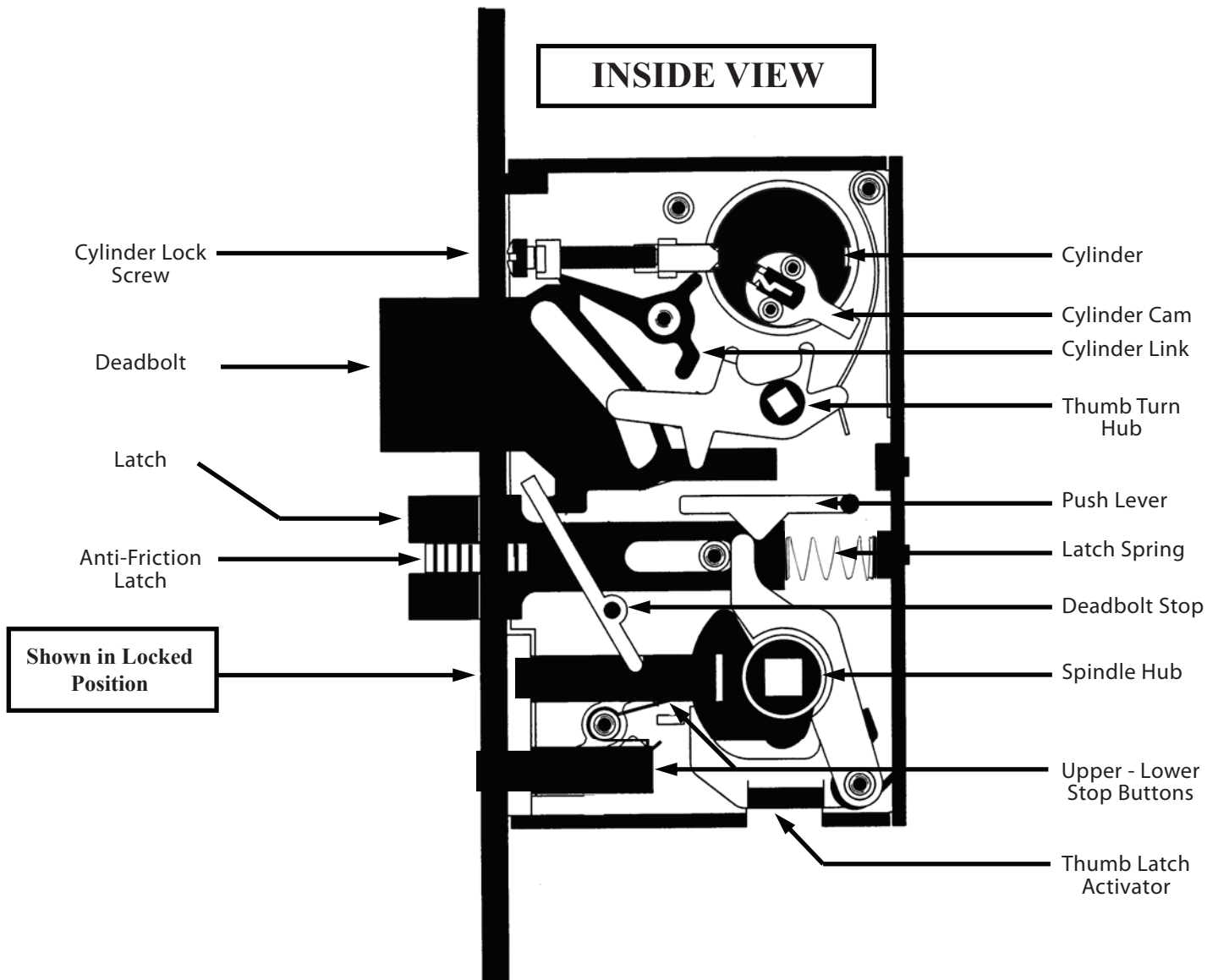
<p>Standard Door Thickness: 1-3/4"</p> <p>Standard Components:</p> <ul style="list-style-type: none"> • 1-3/8" Threaded Cylinder • 2" Long Spindle • 2" Top Rosette Screw • 1-1/2" Bottom Rosette Screw • Thumbpress • Strikeplate 	<p>Extended Door Thickness: 1-7/8" - 2-1/4"</p> <p>Extended Components:</p> <ul style="list-style-type: none"> • 1-1/2" Threaded Cylinder • 2" Long Spindle • 2-1/2" Top Rosette Screw • 2" Bottom Rosette Screw • Thumbpress • Strikeplate 	<p>Extended Door Thickness: 2-3/8" - 2-5/8"</p> <p>Extended Components:</p> <ul style="list-style-type: none"> • 1-3/4" Threaded Cylinder • 2-1/4" Long Spindle • 2-1/2" Top Rosette Screw • 2" Bottom Rosette Screw • Extended Thumbpress • Extended Strikeplate • 2-3/4" TD Requires 2" Threaded Cylinder
---	--	--



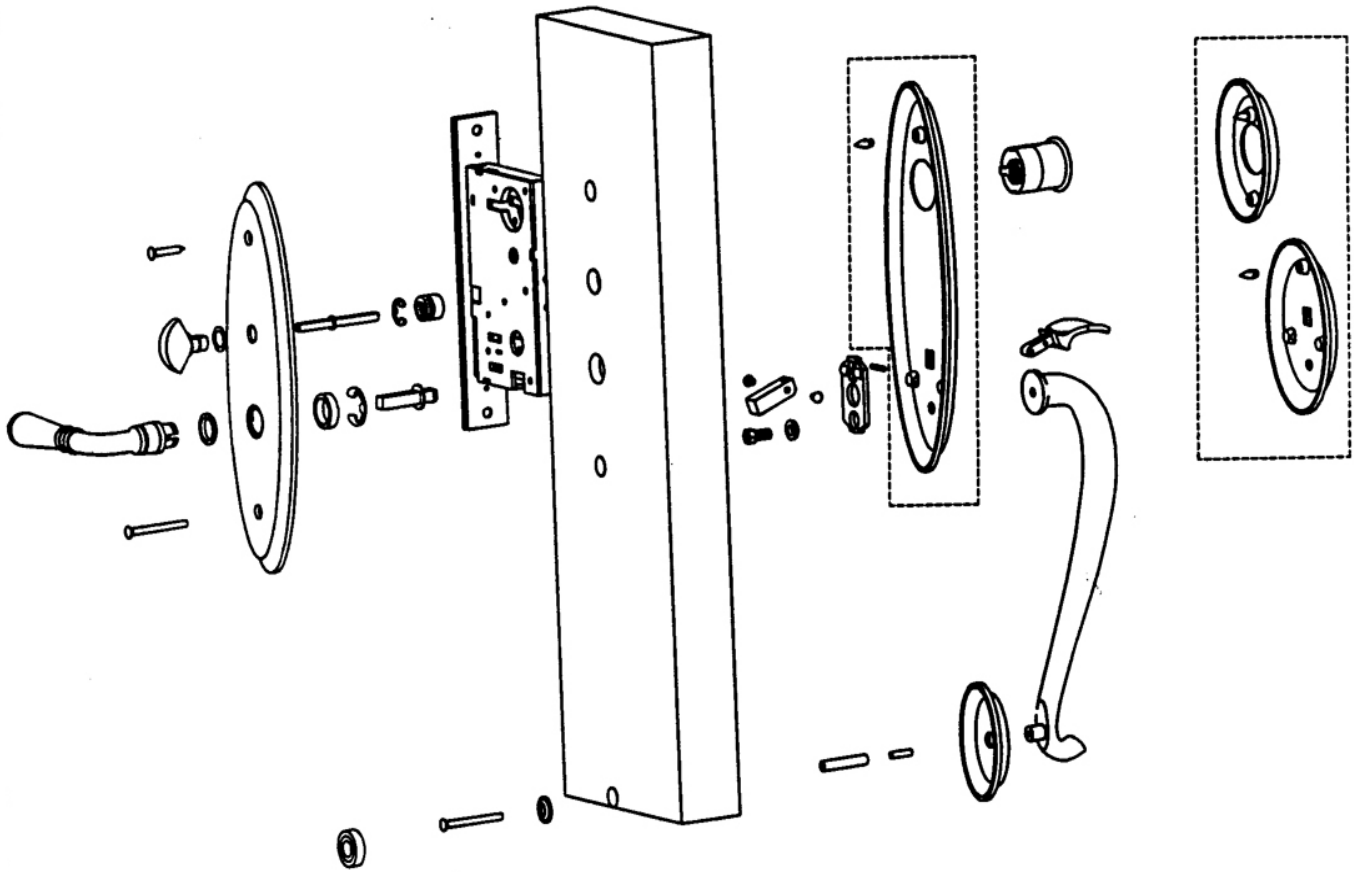
Door Thickness Specifications		
<p>Standard Door Thickness: 1-3/4"</p> <p>Standard Components:</p> <ul style="list-style-type: none"> • 1-3/8" Threaded Cylinder • 2" Long Spindle • 2" Top Rosette Screw • 1-1/2" Bottom Rosette Screw • Thumbpress • Strikeplate 	<p>Extended Door Thickness: 1-7/8" - 2-1/4"</p> <p>Extended Components:</p> <ul style="list-style-type: none"> • 1-1/2" Threaded Cylinder • 2" Long Spindle • 2-1/2" Top Rosette Screw • 2" Bottom Rosette Screw • Thumbpress • Strikeplate 	<p>Extended Door Thickness: 2-3/8" - 2-5/8"</p> <p>Extended Components:</p> <ul style="list-style-type: none"> • 1-3/4" Threaded Cylinder • 2-1/4" Long Spindle • 2-1/2" Top Rosette Screw • 2" Bottom Rosette Screw • Extended Thumbpress • Extended Strikeplate • 2-3/4" TD Requires 2" Threaded Cylinder

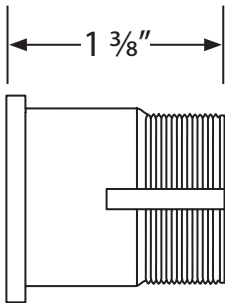




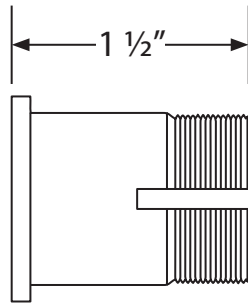


UL Mortise Lock Component Part Breakdown

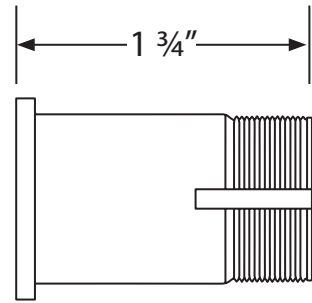




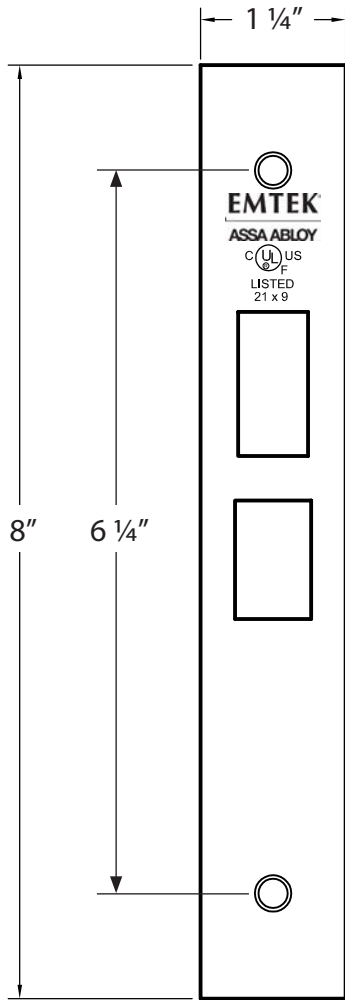
CY5-ThrdMrt1375



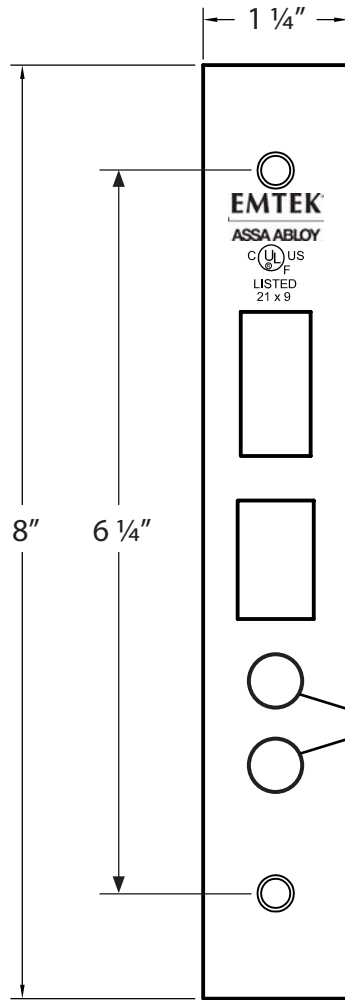
CY5-ThrdMrt150



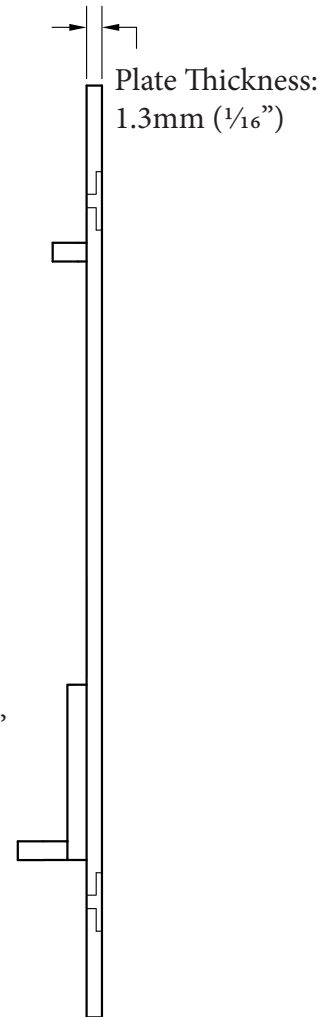
CY5-ThrdMrt175

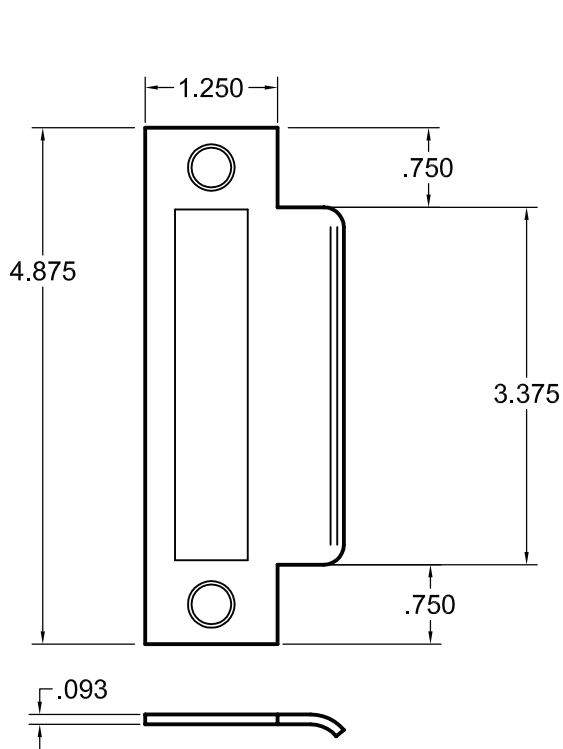


ANSI F13

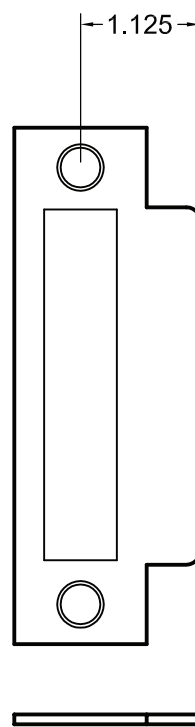


ANSI F20

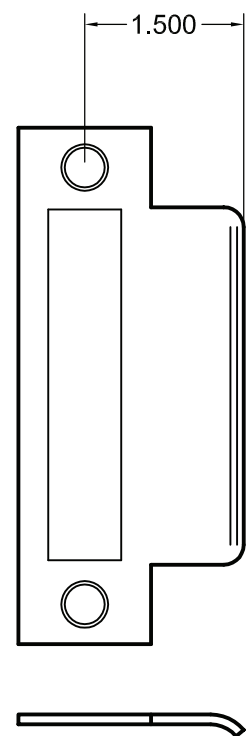




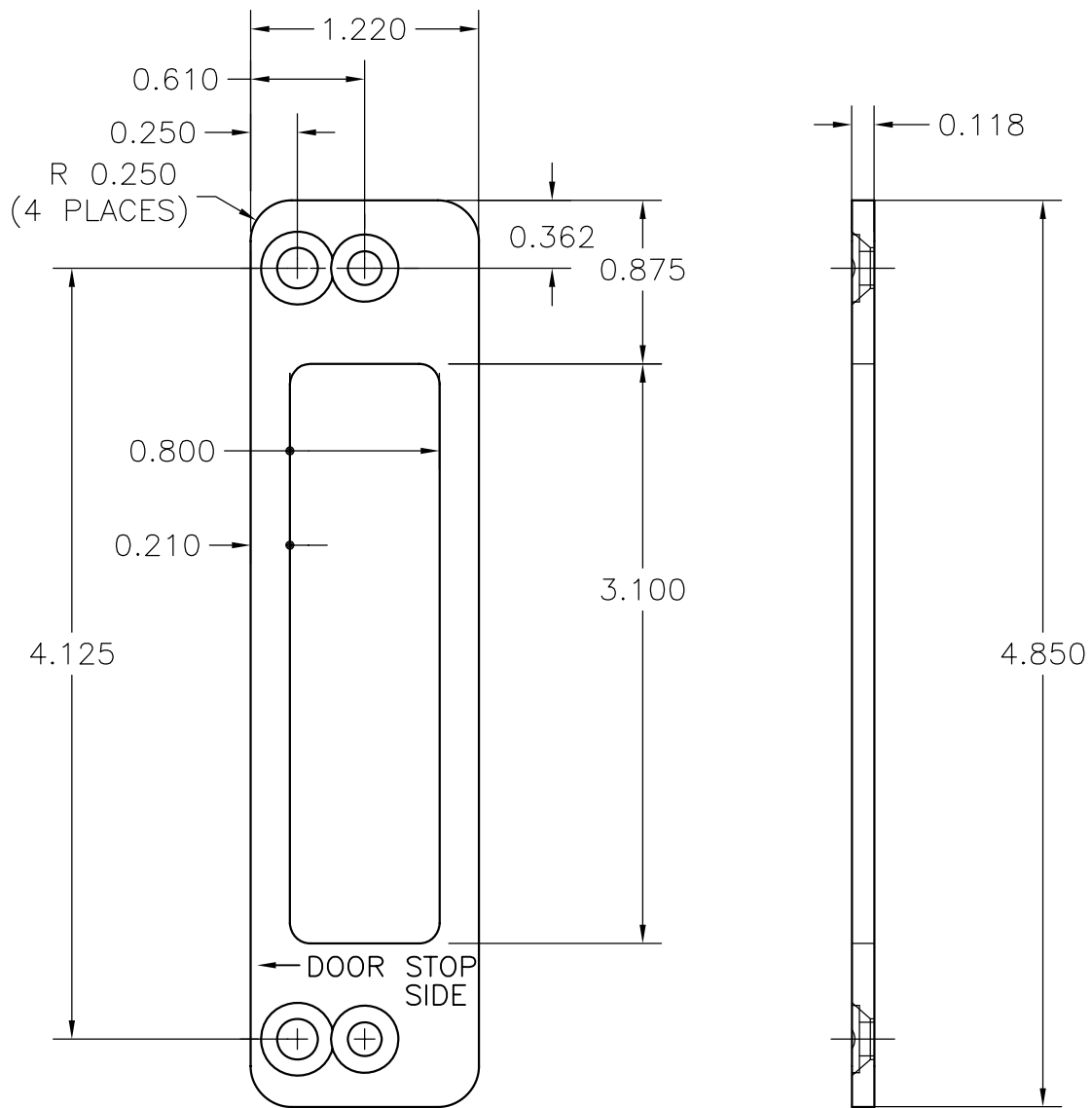
Brass Standard Strike Plate
#86147

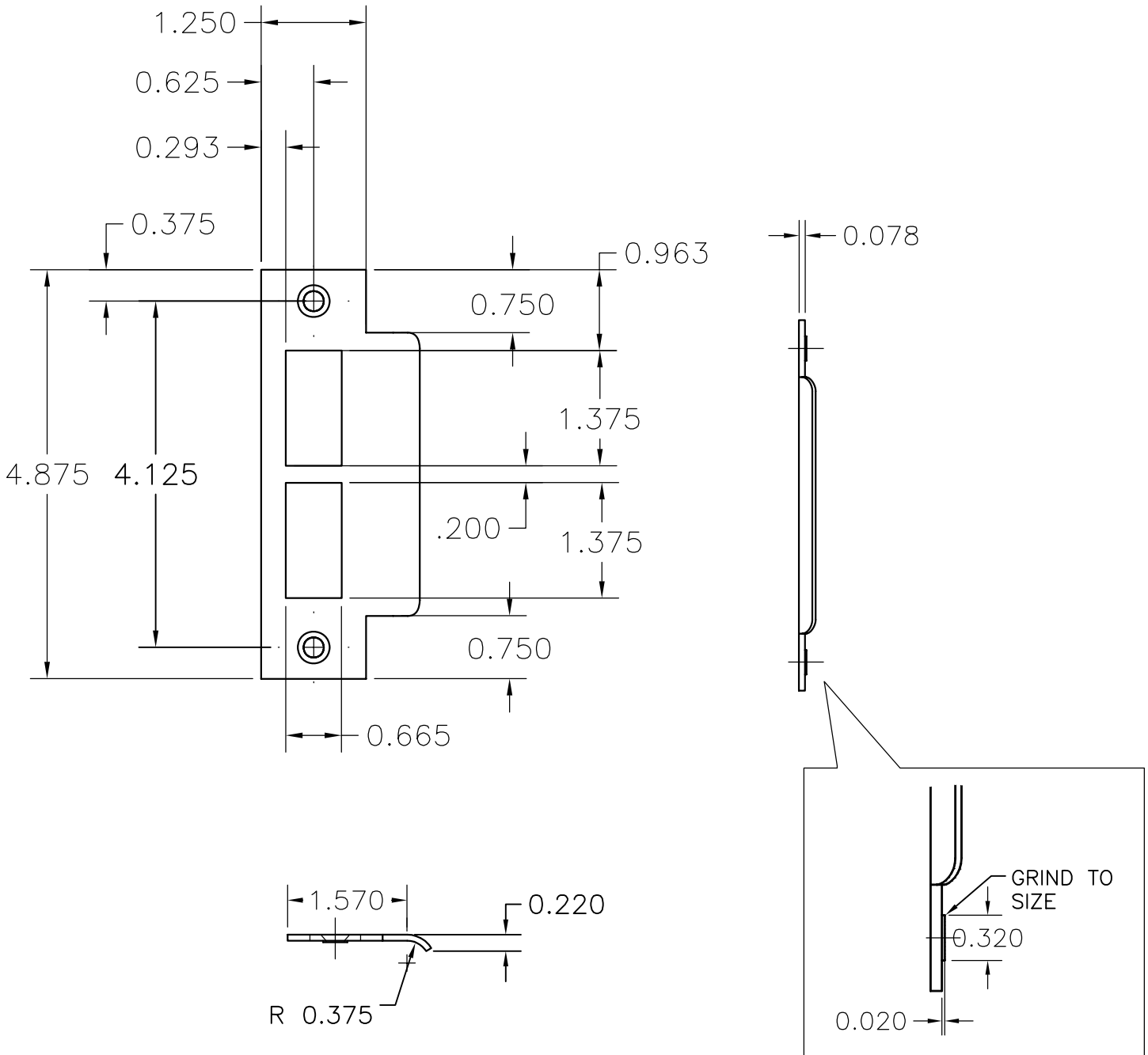


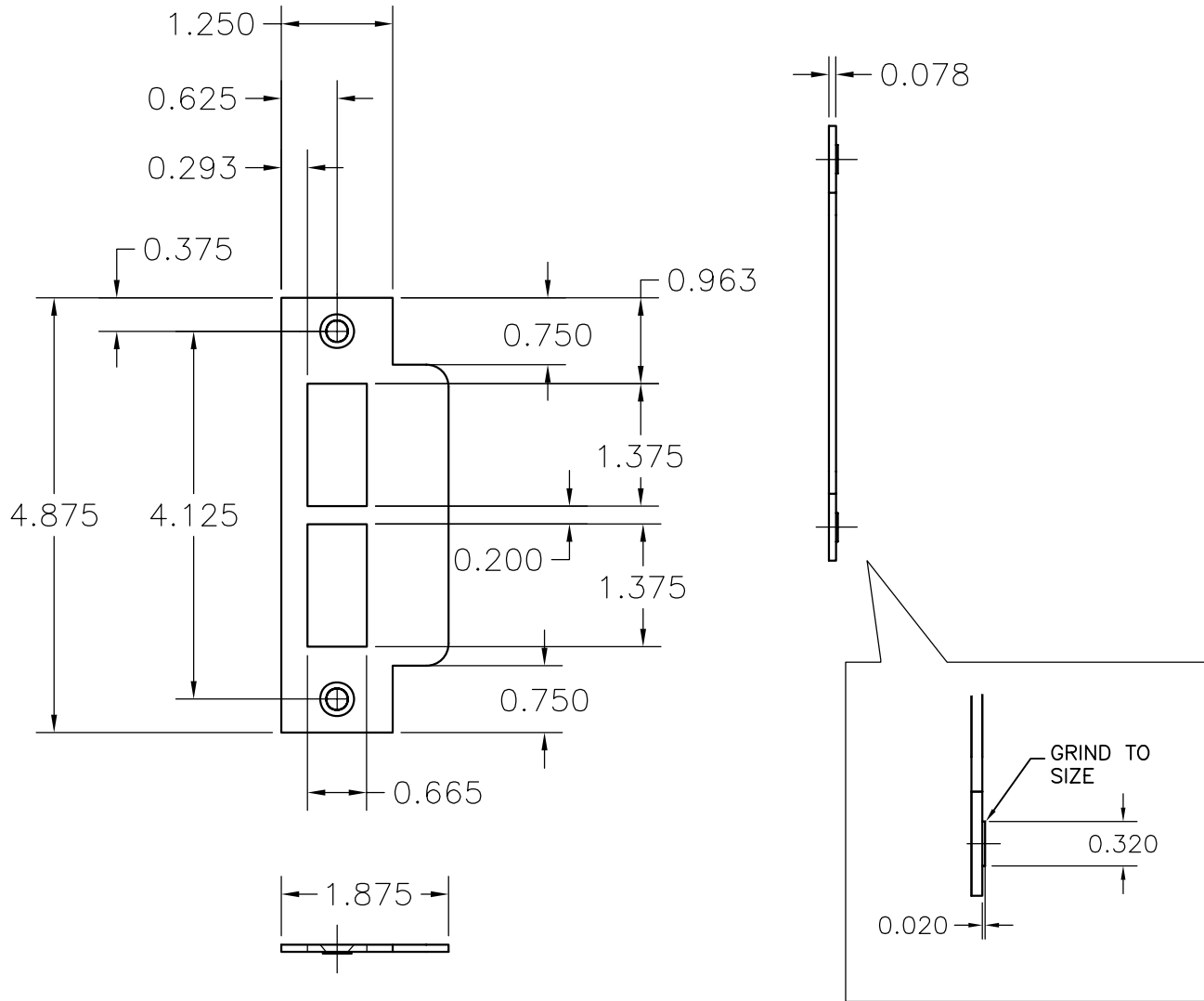
Brass Flat Strike Plate
#86148

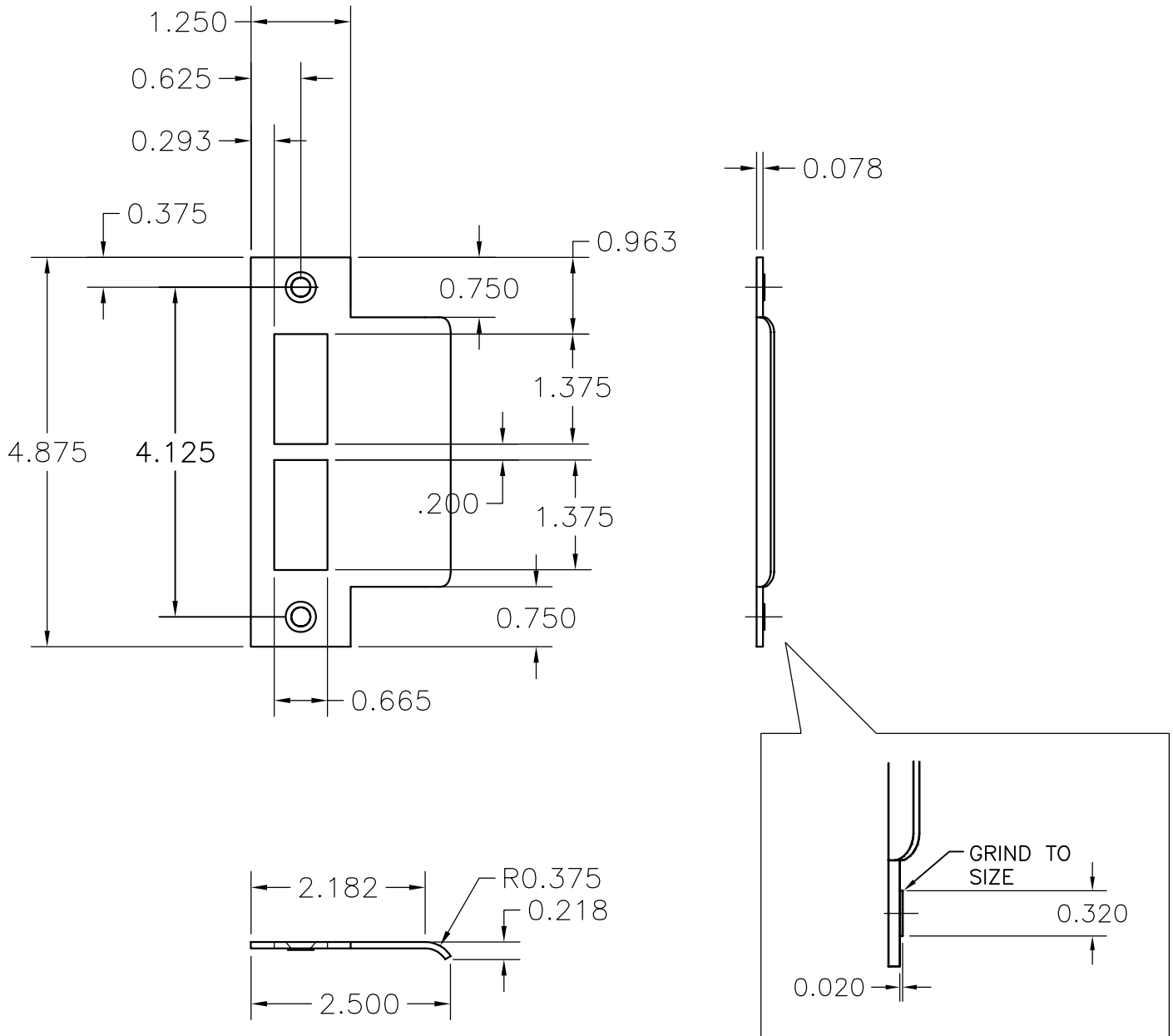


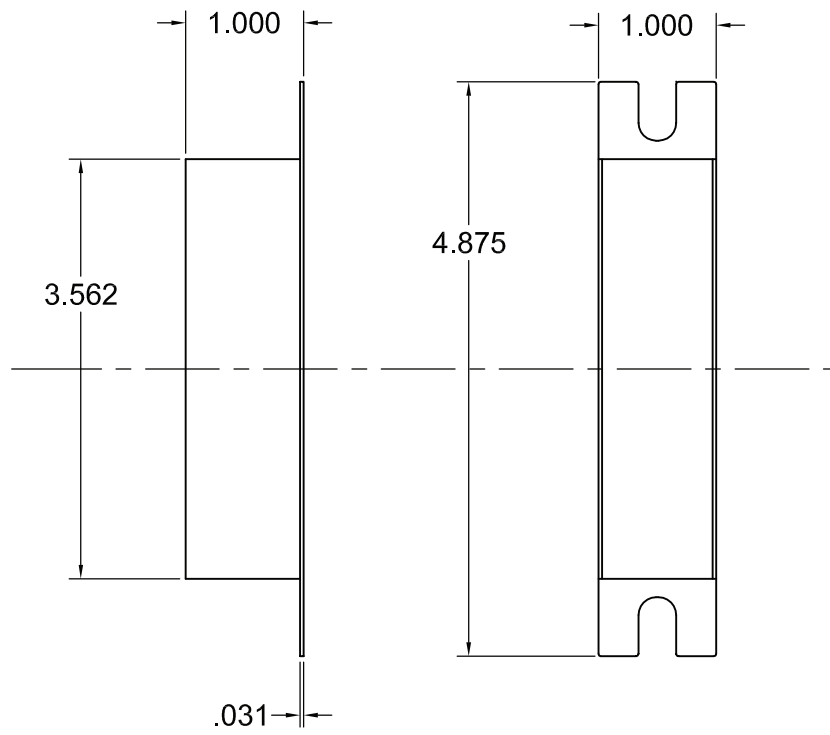
Brass Extended Strike Plate
#86149

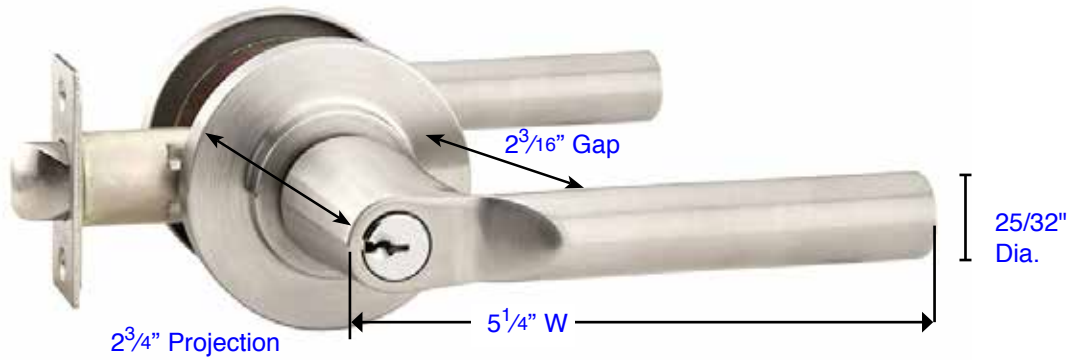












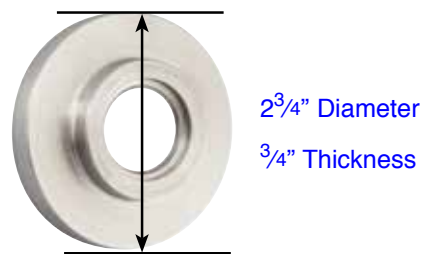
Hanover Lever (HN)

Door Thickness Specifications:

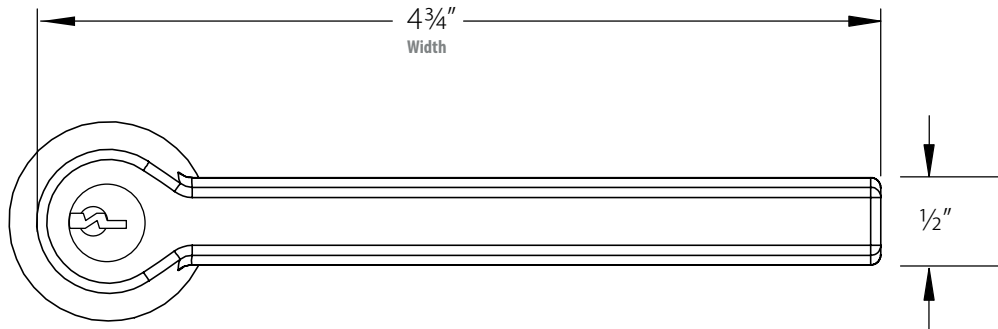
- Standard Door Thickness: $1\frac{1}{4}$ " - $2\frac{1}{16}$ "
- Extended Door Thickness Range: $2\frac{1}{16}$ " - $2\frac{3}{4}$ "

* Specify Door Thickness when ordering

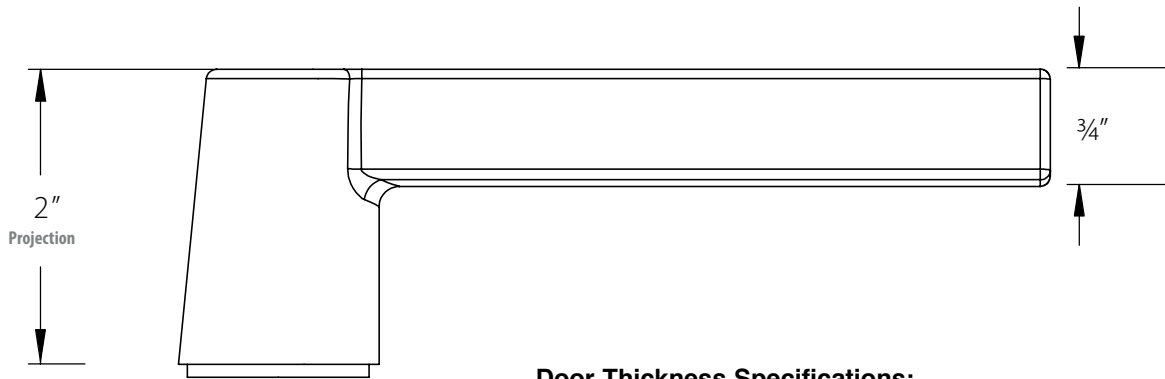
* For thicker doors, must order with Extension Kit



Disc Key-in
Rosette



Helios Lever (HLO)

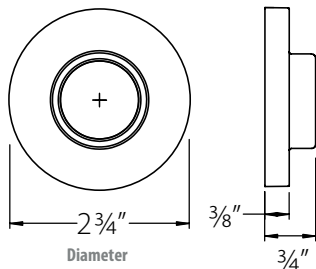


Door Thickness Specifications:

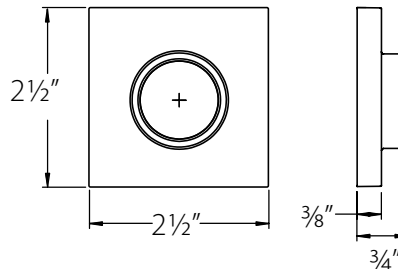
- Standard Door Thickness: 1 1/4" - 2 1/16"
- Extended Door Thickness Range: 2 1/16" - 2 3/4"

* Specify Door Handing and Thickness when ordering
* For thicker doors, must order with Extension Kit

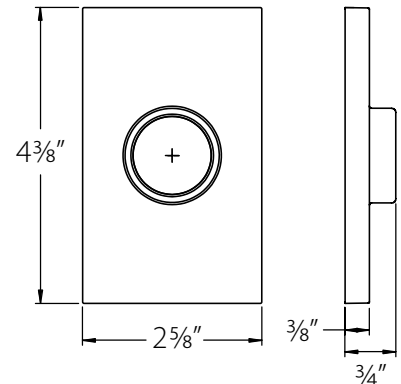
Disk Key-in Rosette

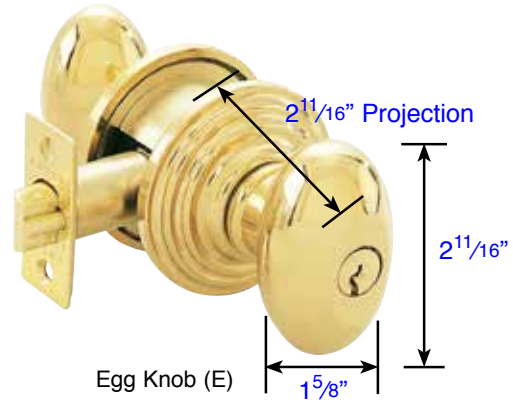
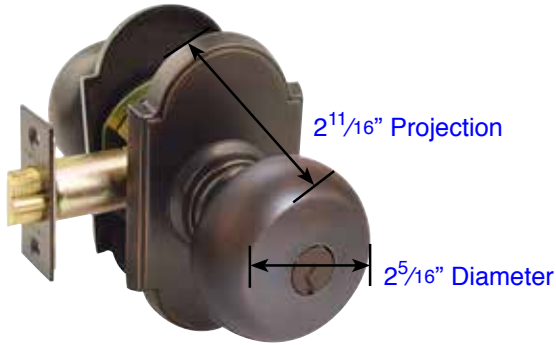


Square Key-in Rosette

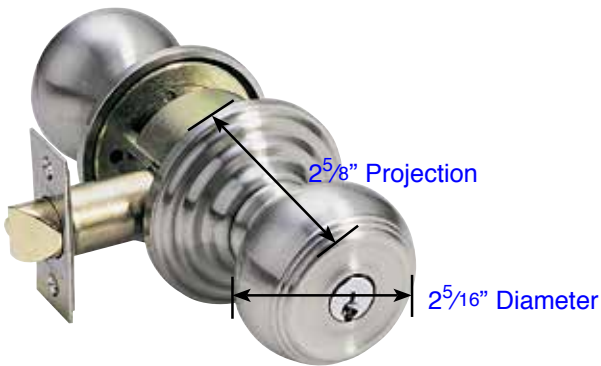


Modern Rectangular Key-in Rosette



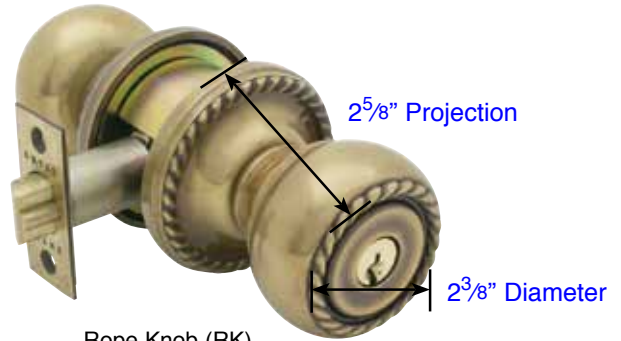


• Space between rosette and knob is approx. 1"



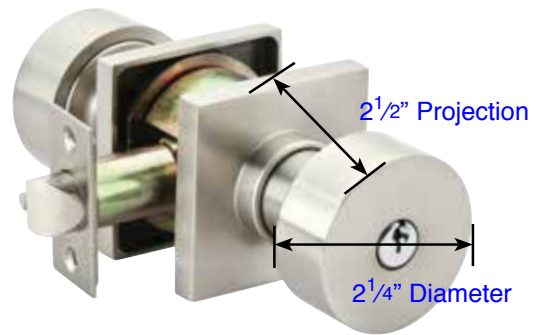
Waverly Knob (W)

• Space between rosette and knob is approx. 1"



Rope Knob (RK)

• Space between rosette and knob is approx. 1"

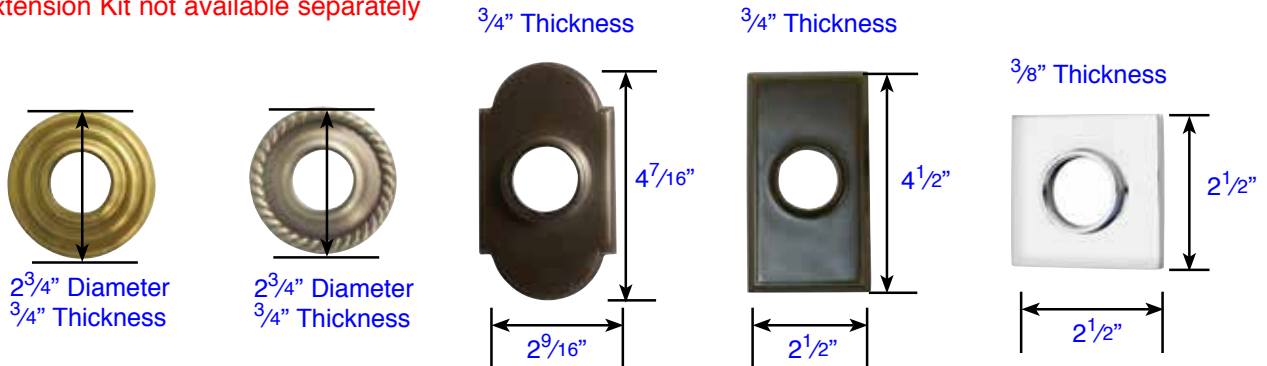


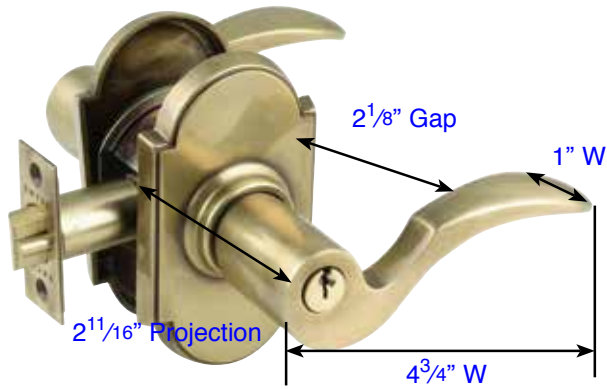
Round Knob (ROU)

Door Thickness Specifications:

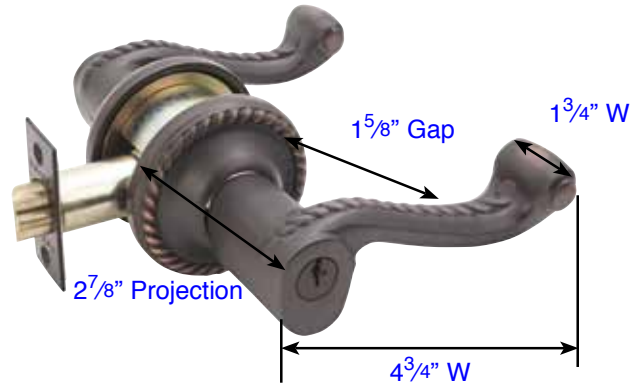
- Standard Door Thickness: 1 1/4" - 2 1/16"
- Extended Door Thickness Range: 2 1/16" - 2 3/4"

- * Specify Door Thickness when ordering
- * Extension Kit not available separately

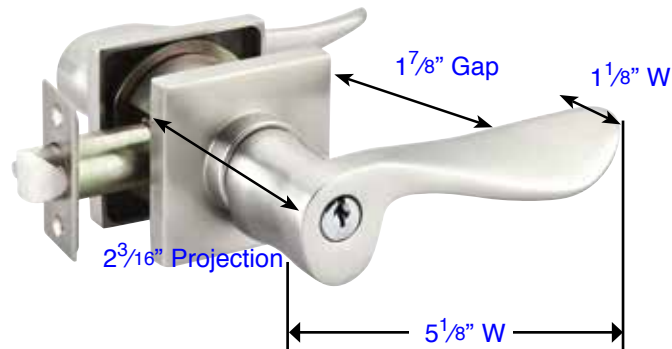




Cortina Lever (C)



Rope Lever (RL)

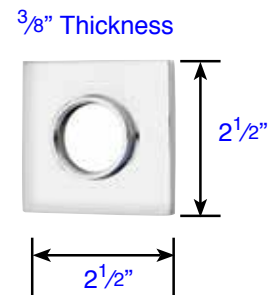
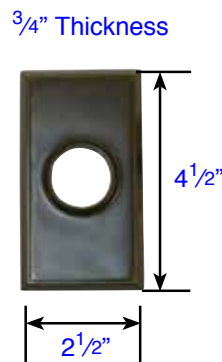
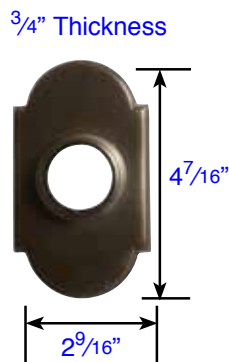
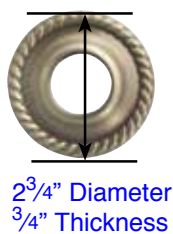
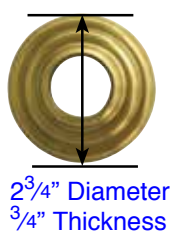


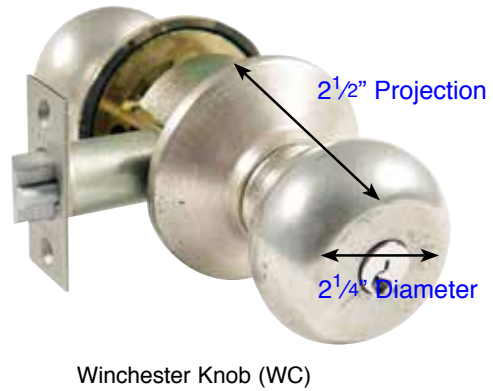
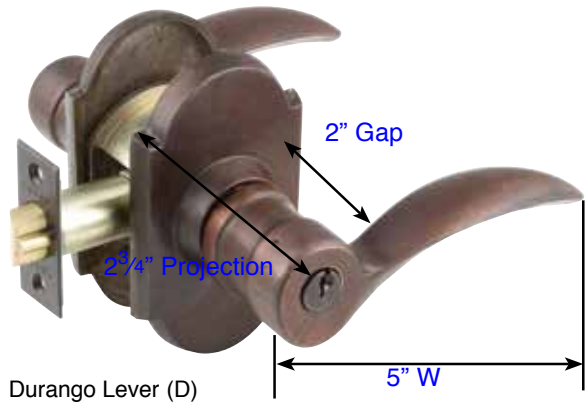
Luzern Lever (LU)

Door Thickness Specifications:

- Standard Door Thickness: 1 1/4" - 2 1/16"
- Extended Door Thickness Range: 2 1/16" - 2 3/4"

- * Specify Door Thickness when ordering
- * Extension Kit not available separately

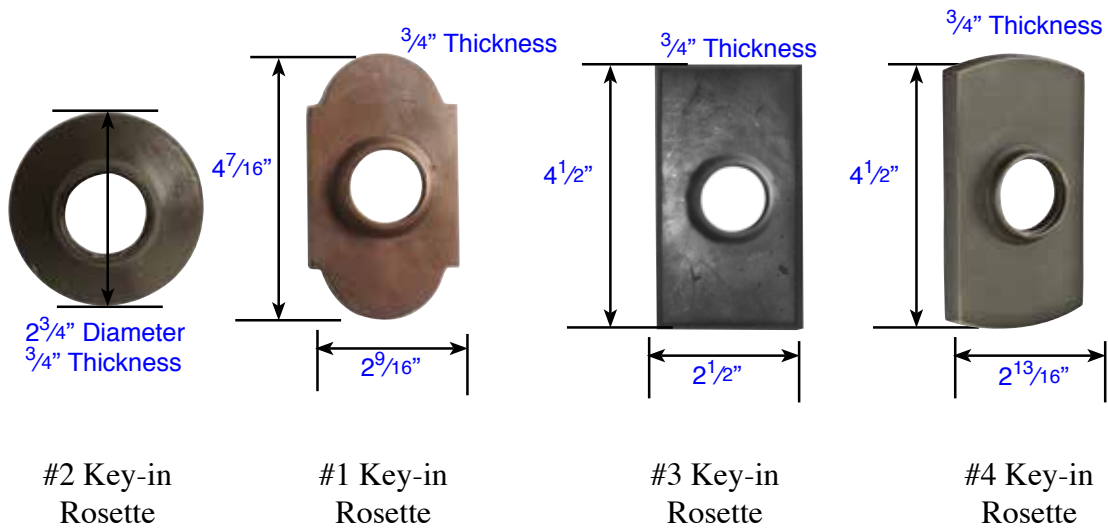


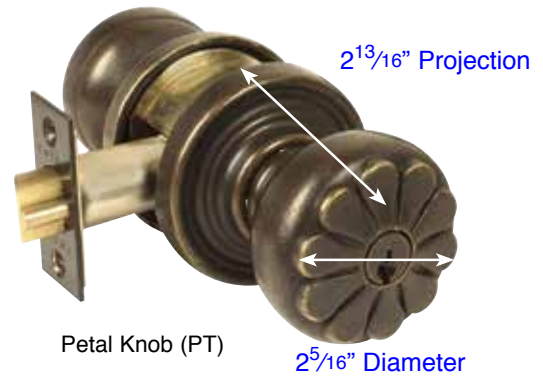
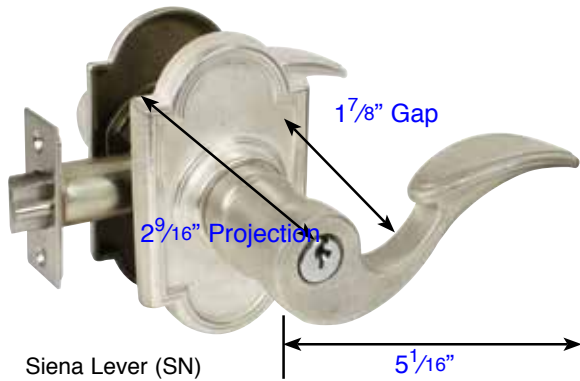


Door Thickness Specifications:

- Standard Door Thickness: 1 1/4" - 2 1/16"
- Extended Door Thickness Range: 2 1/16" - 2 3/4"

- * Specify Door Thickness when ordering
- * Extension Kit not available separately

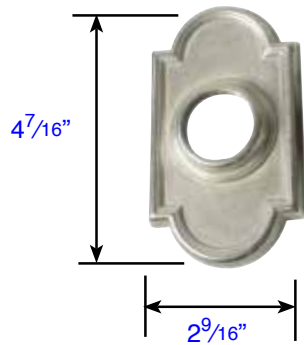




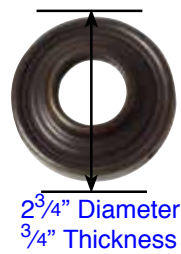
Door Thickness Specifications:

- Standard Door Thickness: 1¹/₄" - 2¹/₁₆"
- Extended Door Thickness Range: 2¹/₁₆" - 2³/₄"

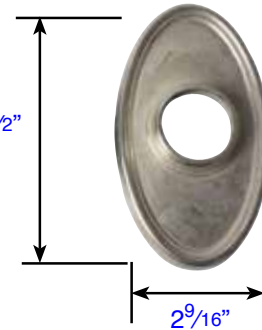
- * Specify Door Thickness when ordering
- * Extension Kit not available separately



3/4" Thickness

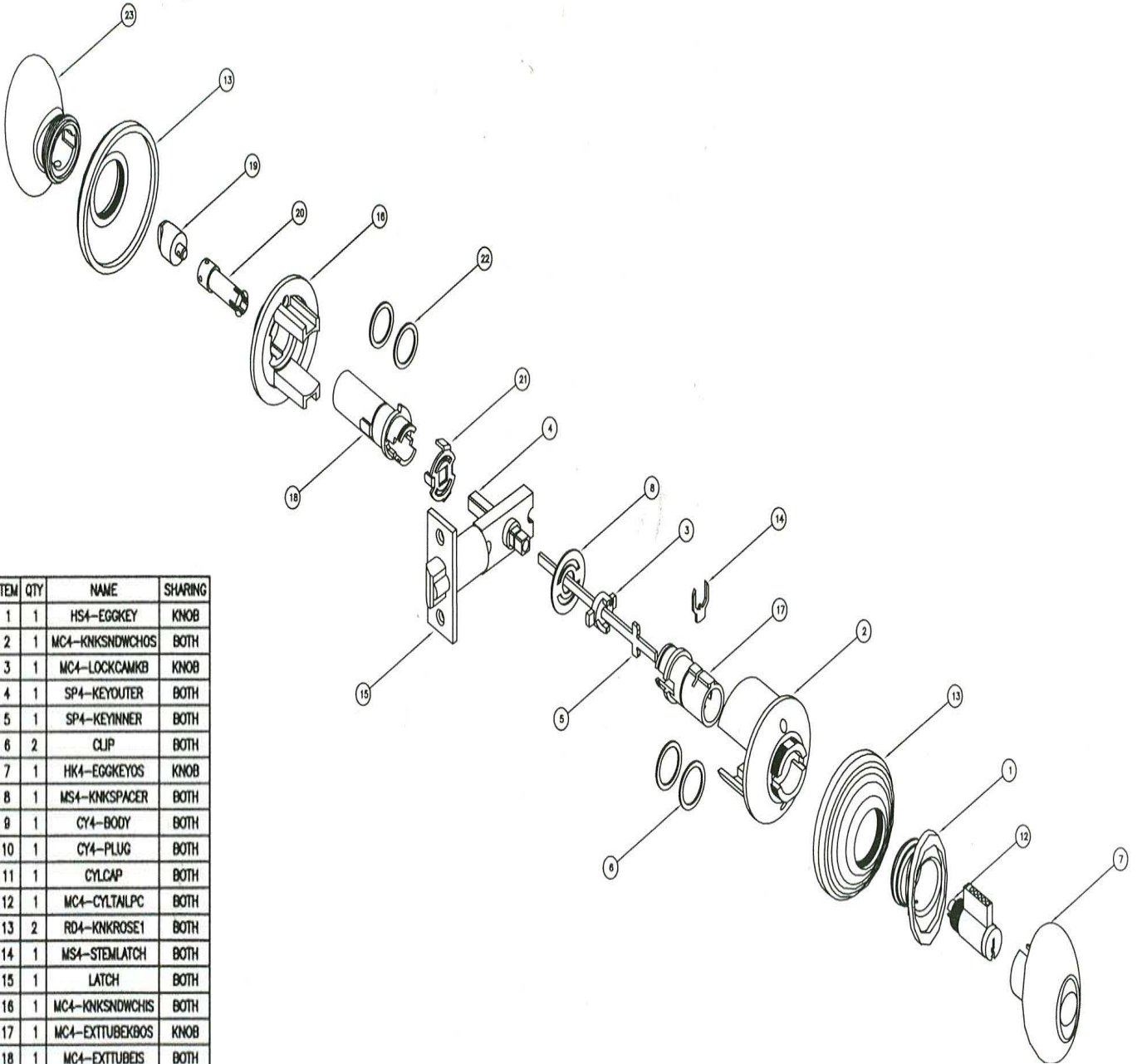


4 1/2"



3/4" Thickness

Key In Lock Component Part Breakdown



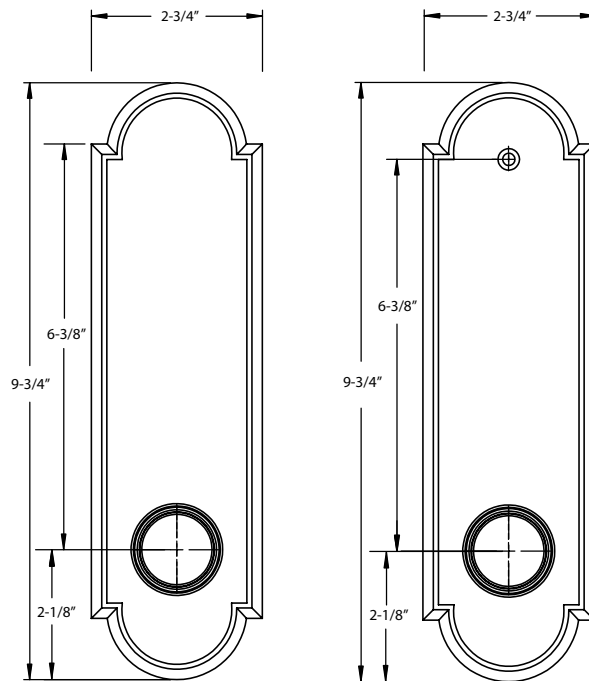
ITEM	QTY	NAME	SHARING
1	1	HS4-EGGKEY	KNOB
2	1	MCA-KNKSNDWCHOS	BOTH
3	1	MCA-LOCKCAMB	KNOB
4	1	SP4-KEYOUTER	BOTH
5	1	SP4-KEYINNER	BOTH
6	2	CLIP	BOTH
7	1	HK4-EGGKEYOS	KNOB
8	1	MS4-KNKSPACER	BOTH
9	1	CY4-BODY	BOTH
10	1	CY4-PLUG	BOTH
11	1	CYLCAP	BOTH
12	1	MCA-CYLTALPC	BOTH
13	2	RD4-KNKROSE1	BOTH
14	1	MS4-STEMLATCH	BOTH
15	1	LATCH	BOTH
16	1	MCA-KNKSNDWCHIS	BOTH
17	1	MCA-EXTTUBEXBOS	KNOB
18	1	MCA-EXTTUBEIS	BOTH
19	1	MM4-KNKTHUMB	BOTH
20	1	MP4-THMBTRNEXT	BOTH
21	1	MS4-TMEPLTKYKB	KNOB
22	2	CLIPIN	BOTH
23	1	HK4-EGGKEYIN	KNOB

Annapolis Single Point
Part# 5308/5358



Outside Trim

Inside Trim



Door Thickness Specifications

Standard Door Thickness: 1 1/4" - 2"

Standard Components:

- Inside Passage Half Spindle
- 1" Wood Screws
- Threaded Tubes & Machine Screws
Supplied upon request for Hollow-Core Doors
- Full-Lip Strike Plate

Extended Door Thickness: 1 3/4" - 2 1/4"

Extended Components:

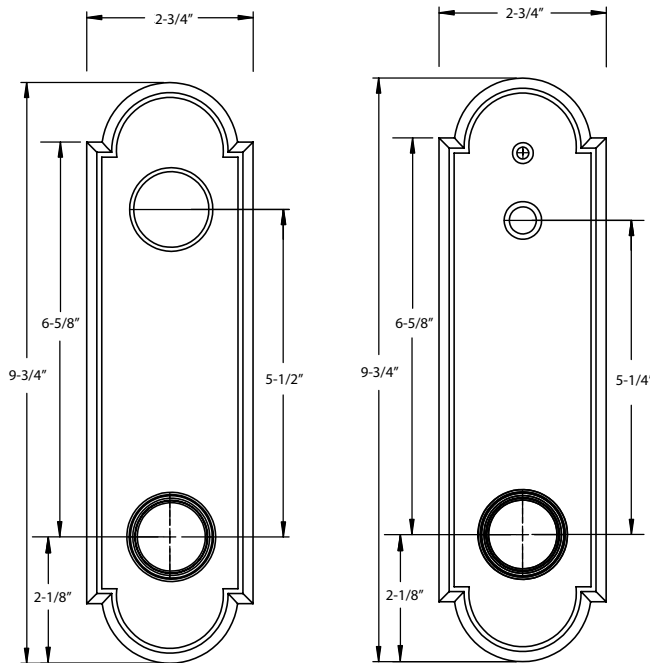
- Long Inside Passage Half Spindle
- 1" Wood Screws
- Threaded Tubes & Machine Screws
Supplied upon request for Hollow-Core Doors
- 2 1/2" Deadbolt Mounting Screws
- Extended Full-Lip Strike Plate

Annapolis Two Point Single Cylinder
Part# 5318



Outside Trim

Inside Trim



Door Thickness Specifications

Standard Door Thickness: 1 1/4" - 1 3/4"

Standard Components:

- Single Cylinder Tailpiece
- Inside Passage Half Spindle
- 1" Wood Screws
- Threaded Tubes & Machine Screws
Supplied upon request for Hollow-Core Doors
- 2 1/4" Deadbolt Mounting Screws
- Full-Lip Strike Plate
- Deadbolt Strike Plate

Extended Door Thickness: 1 3/4" - 2 1/4"

Extended Components:

- Long Single Cylinder Tailpiece
- Long Inside Passage Half Spindle
- 1" Wood Screws
- Threaded Tubes & Machine Screws
Supplied upon request for Hollow-Core Doors
- 2 1/2" Deadbolt Mounting Screws
- Extended Full-Lip Strike Plate
- Deadbolt Strike Plate

Extended Door Thickness: 2 1/4" - 2 3/4"

Extended Components:

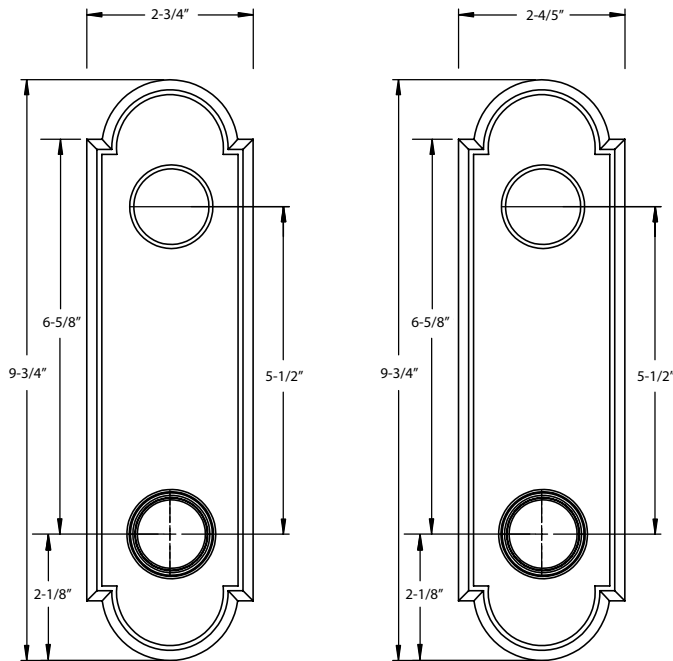
- Extra Long Single Cylinder Tailpiece
- Extra Long Inside Passage Half Spindle
- 1" Wood Screws
- Threaded Tubes & Machine Screws
Supplied upon request for Hollow-Core Doors
- 3" & 3 1/2" Deadbolt Mounting Screws
- Extended Full-Lip Strike Plate
- Deadbolt Strike Plate

Annapolis Two Point Double Cylinder
Part #5328



Outside Trim

Inside Trim



Door Thickness Specifications

Standard Door Thickness: 1 5/8" - 1 3/4"

Standard Components:

- Double Cylinder Tailpiece
- Inside Passage Half Spindle
- 1" Wood Screws
- Threaded Tubes & Machine Screws
- Supplied upon request for Hollow-Core Doors*
- 3" Deadbolt Mounting Screws
- Full-Lip Strike Plate
- Deadbolt Strike Plate

Extended Door Thickness: 1 3/4" - 2 1/2"

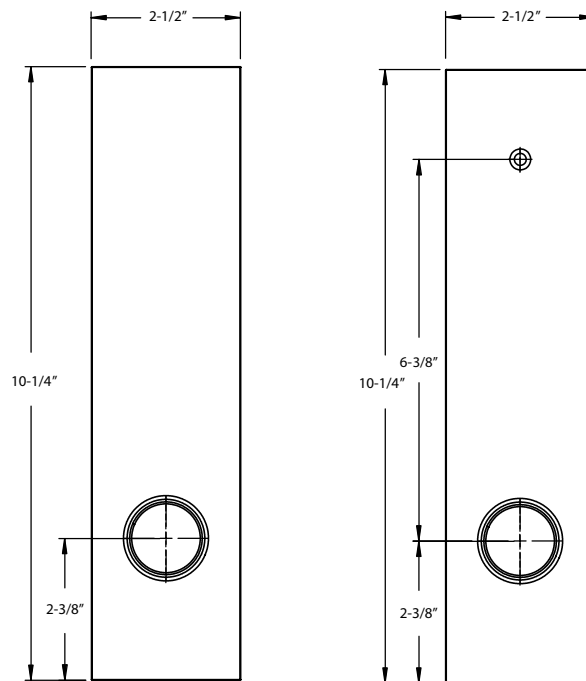
Extended Components:

- Long Double Cylinder Tailpiece
- Long Inside Passage Half Spindle
- 1" Wood Screws
- Threaded Tubes & Machine Screws
- Supplied upon request for Hollow-Core Doors*
- 3 1/2" Deadbolt Mounting Screws
- Extended Full-Lip Strike Plate
- Deadbolt Strike Plate

Modern Rectangular Single Point
Part# 5302/5352



Outside Trim Inside Trim



Door Thickness Specifications

Standard Door Thickness: 1 1/4" - 2"

Standard Components:

- Inside Passage Half Spindle
- 1" Wood Screws
- Threaded Tubes & Machine Screws
Supplied upon request for Hollow-Core Doors
- Full-Lip Strike Plate

Extended Door Thickness: 1 3/4" - 2 1/4"

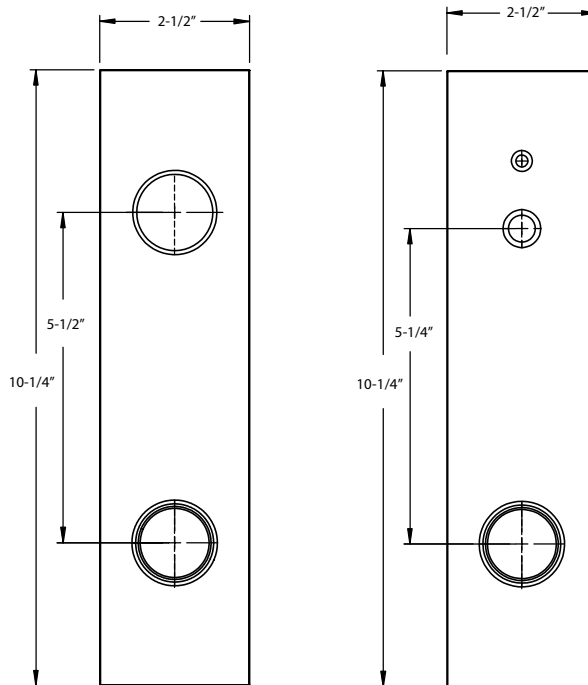
Extended Components:

- Long Inside Passage Half Spindle
- 1" Wood Screws
- Threaded Tubes & Machine Screws
Supplied upon request for Hollow-Core Doors
- 2 1/2" Deadbolt Mounting Screws
- Extended Full-Lip Strike Plate

Modern Rectangular Two Point Single Cylinder
Part# 5312



Outside Trim Inside Trim



Door Thickness Specifications

Standard Door Thickness: 1 ¼" - 1 ¾"

Standard Components:

- Single Cylinder Tailpiece
- Inside Passage Half Spindle
- 1" Wood Screws
- Threaded Tubes & Machine Screws
- Supplied upon request for Hollow-Core Doors*
- 2 ¼" Deadbolt Mounting Screws
- Full-Lip Strike Plate
- Deadbolt Strike Plate

Extended Door Thickness: 1 ¾" - 2 ¼"

Extended Components:

- Long Single Cylinder Tailpiece
- Long Inside Passage Half Spindle
- 1" Wood Screws
- Threaded Tubes & Machine Screws
- Supplied upon request for Hollow-Core Doors*
- 2 1/2" Deadbolt Mounting Screws
- Extended Full-Lip Strike Plate
- Deadbolt Strike Plate

Extended Door Thickness: 2 ¼" - 2 ¾"

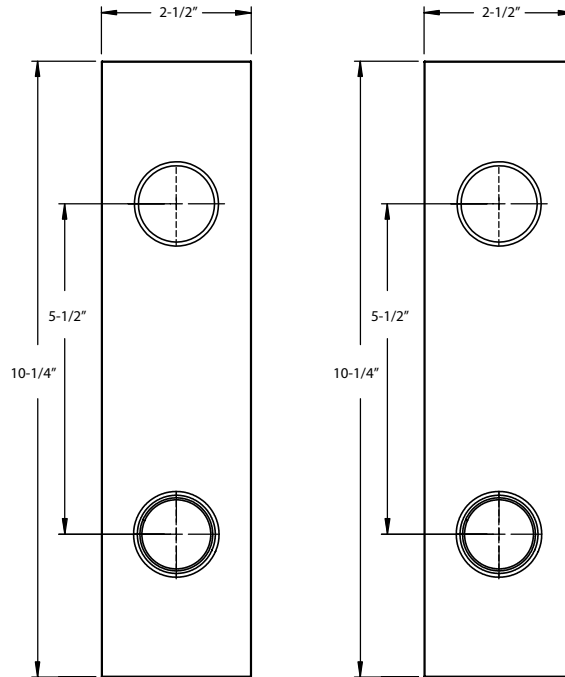
Extended Components:

- Extra Long Single Cylinder Tailpiece
- Extra Long Inside Passage Half Spindle
- 1" Wood Screws
- Threaded Tubes & Machine Screws
- Supplied upon request for Hollow-Core Doors*
- 3" & 3 ½" Deadbolt Mounting Screws
- Extended Full-Lip Strike Plate
- Deadbolt Strike Plate

Modern Rectangular Two Point Double Cylinder
Part #5322



Outside Trim Inside Trim



Door Thickness Specifications

Standard Door Thickness: 1 5/8" - 1 3/4"

Standard Components:

- Double Cylinder Tailpiece
- Inside Passage Half Spindle
- 1" Wood Screws
- Threaded Tubes & Machine Screws
- Supplied upon request for Hollow-Core Doors*
- 3" Deadbolt Mounting Screws
- Full-Lip Strike Plate
- Deadbolt Strike Plate

Extended Door Thickness: 1 3/4" - 2 1/2"

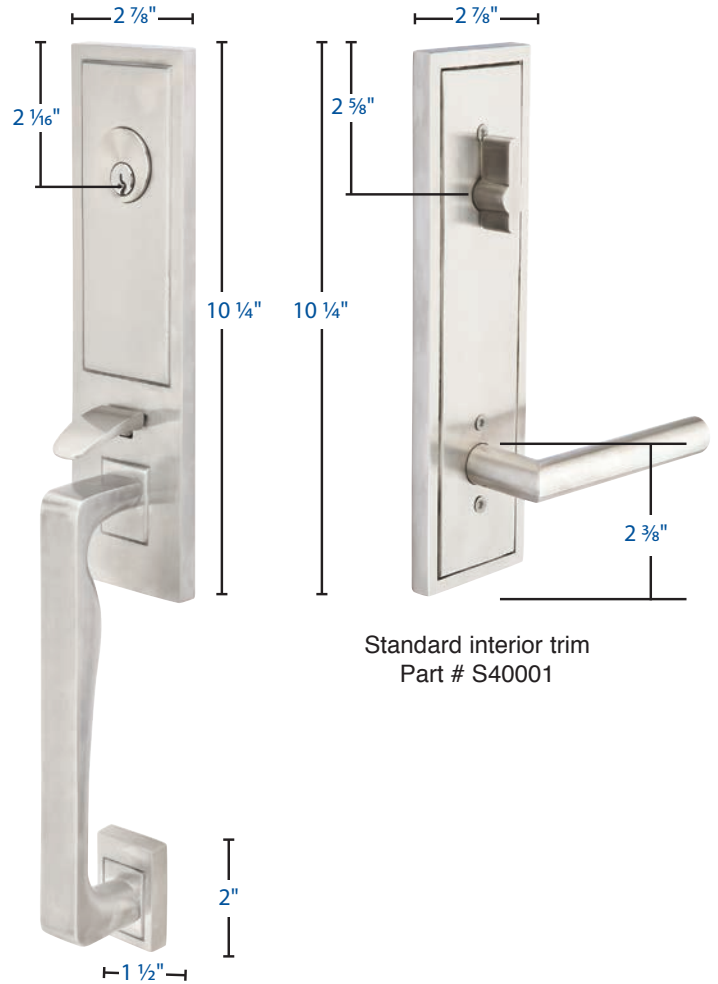
Extended Components:

- Long Double Cylinder Tailpiece
- Long Inside Passage Half Spindle
- 1" Wood Screws
- Threaded Tubes & Machine Screws
- Supplied upon request for Hollow-Core Doors*
- 3 1/2" Deadbolt Mounting Screws
- Extended Full-Lip Strike Plate
- Deadbolt Strike Plate



STAINLESS STEEL
Davos Style
Part # S40101

Standard interior trim
Part # S40101



STAINLESS STEEL
Zeus Style
Part # S40001

Standard interior trim
Part # S40001

Additional Dimensions: (Part # S40101)

- Exterior Projection is 2 3/4"
- Interior Projection Depends on Handle Style
- Overall Grip thickness: 1"
- Clearance between door & grip is 1" - 1 3/4"
- Plates thickness: 1/2"

Same Dimensions for Dummy Function

Additional Dimensions: (Part # S40001)

- Exterior Projection is 2 1/2"
- Interior Projection Depends on Handle Style
- Overall Grip thickness: 1 1/16"
- Clearance between door & grip is 1" - 1 3/8"
- Plates thickness: 7/16"

**Same Dimensions for
Double Cylinder & Dummy Function**

Stainless Steel Tubular Entryset Monolithic, Single Cylinder

STAINLESS STEEL Davos (S40101), STAINLESS STEEL Zeus (S40001)

- Standard Door Thickness: 1³/₄"- 2¹/₈"

Standard Components:

- 1¹/₂" Rosette Screws
- Single Cylinder Tailpiece
- Outside Entry Spindle
- Inside Passage Half Spindle
- 2¹/₄" Deadbolt Mounting Screws
- Full-Lip Strike Plate
- Deadbolt Strike Plate

- **Extended** Door Thickness: 2¹/₄"- 2¹/₂"

Extended Components:

- 2" Rosette Screws
- Long Single Cylinder Tailpiece
- Long Outside Entry Spindle
- Long Inside Passage Half Spindle
- 3" Deadbolt Mounting Screws
- Spindle Extensions
- Extended Full-Lip Strike Plate
- Deadbolt Strike Plate

- **Extended** Door Thickness: 2¹/₂"- 3"

Extended Components:

- 2¹/₂" Rosette Screws
- Extra Long Single Cylinder Tailpiece
- Long Outside Entry Spindle
- Extra Long Inside Passage Half Spindle
- 3" Deadbolt Mounting Screws
- Spindle Extensions
- Extended Full-Lip Strike Plate
- Deadbolt Strike Plate

Stainless Steel Entryset Monolithic, Double Cylinder

STAINLESS STEEL Zeus (S40002)

- Standard Door Thickness: 1³/₄"- 2"

Standard Components:

- 1¹/₂" Rosette Screws
- Double Cylinder Tailpiece
- Outside Entry Spindle
- Inside Passage Half Spindle
- 2¹/₄" Deadbolt Mounting Screws
- Full-Lip Strike Plate
- Deadbolt Strike Plate

- **Extended** Door Thickness: 2"- 2⁵/₈"

Extended Components:

- 2" Rosette Screws
- Long Double Cylinder Tailpiece
- Long Outside Entry Spindle
- Long Inside Passage Half Spindle
- 3" Deadbolt Mounting Screws
- Spindle Extensions
- Extended Full-Lip Strike Plate
- Deadbolt Strike Plate

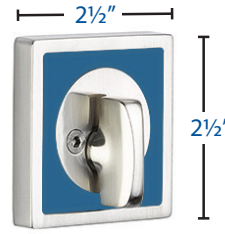
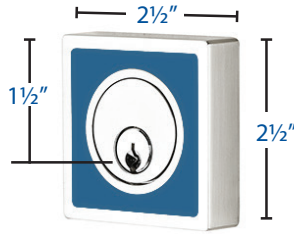
- **Extended** Door Thickness: 2⁵/₈"- 2⁷/₈"

Extended Components:

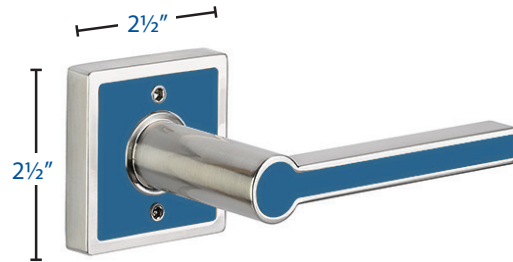
- 2¹/₂" Rosette Screws
- Long Double Cylinder Tailpiece
- Long Outside Entry Spindle
- Extra Long Inside Passage Half Spindle
- 3¹/₂" Deadbolt Mounting Screws
- Spindle Extensions
- Extended Full-Lip Strike Plate
- Deadbolt Strike Plate

* Part # DB4-COLLAR32 Available for 1³/₈" Thick Doors

Deadbolt Plate Thickness: 5/8"



CONTEMPORARY
COLOR COLLECTION
Martinique Style
Part # L4820



Standard interior trim
Part # L4820

Color Insert Options



Additional Dimensions: (Part # L4820)

- Exterior Projection is 2 1/2"
- Interior Projection Depends on Handle Style
- Overall Grip thickness: 1"
- Clearance between door & grip is 1 7/8"
- Plates thickness: 1/2"

**Same Dimensions for
Double Cylinder & Dummy Function**

Tubular Entryset Sectional, Single Cylinder

Martinique (L4820)

- Standard Door Thickness: 1-3/4" - 2-1/8"

Standard Components:

- 1-1/2" Rosette Screws
- Single Cylinder Tailpiece
- Outside Entry Spindle
- Inside Passage Half Spindle
- 2-1/4" Deadbolt Mounting Screws
- Full-Lip Strike Plate
- Deadbolt Strike Plate

- **Extended** Door Thickness: 2-1/4" - 2-5/8"

Extended Components:

- 2" Rosette Screws
- Long Single Cylinder Tailpiece
- Long Outside Entry Spindle
- Long Inside Passage Half Spindle
- 3" Deadbolt Mounting Screws
- Spindle Extensions
- Extended Full-Lip Strike Plate
- Deadbolt Strike Plate

- **Extended** Door Thickness: 2-5/8" - 3"

Extended Components:

- 2-1/2" Rosette Screws
- Extra Long Single Cylinder Tailpiece
- Long Outside Entry Spindle
- Extra Long Inside Passage Half Spindle
- 3-1/2" Deadbolt Mounting Screws
- Spindle Extensions
- Extended Full-Lip Strike Plate
- Deadbolt Strike Plate

Tubular Entryset Sectional, Double Cylinder

Martinique (L4830)

- Standard Door Thickness: 1-5/8" - 2-1/8"

Standard Components:

- 1-1/2" Rosette Screws
- Double Cylinder Tailpiece
- Outside Entry Spindle
- Inside Passage Half Spindle
- 2-1/4" & 2-1/2" Deadbolt Mounting Screws
- Full-Lip Strike Plate
- Deadbolt Strike Plate

- **Extended** Door Thickness: 2-1/4" - 2-5/8"

Extended Components:

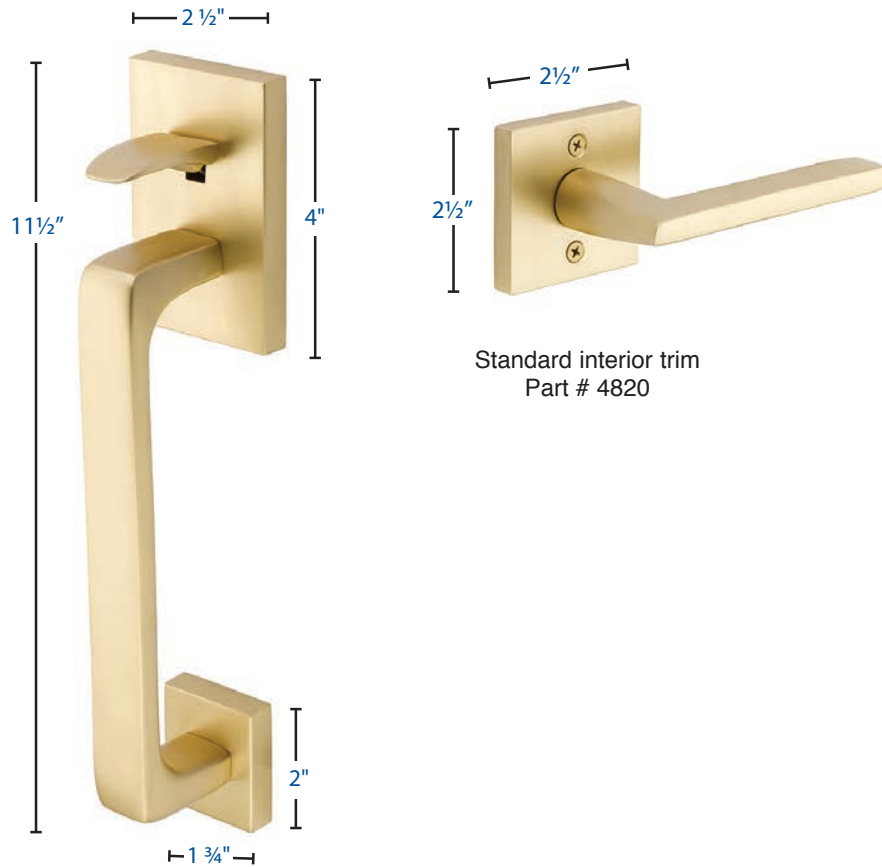
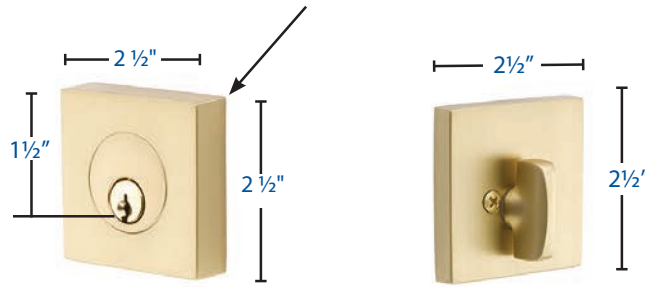
- 2" Rosette Screws
- Long Double Cylinder Tailpiece
- Long Outside Entry Spindle
- Long Inside Passage Half Spindle
- 3" Deadbolt Mounting Screws
- Spindle Extensions
- Extended Full-Lip Strike Plate
- Deadbolt Strike Plate

- **Extended** Door Thickness: 2-5/8" - 2-7/8"

Extended Components:

- 2-1/2" Rosette Screws
- Extra Long Double Cylinder Tailpiece
- Long Outside Entry Spindle
- Extra Long Inside Passage Half Spindle
- 3-1/2" Deadbolt Mounting Screws
- Spindle Extensions
- Extended Full-Lip Strike Plate
- Deadbolt Strike Plate

Deadbolt Plate Thickness: 5/8"



Standard interior trim
Part # 4820

Baden Style
Part # 4820

Additional Dimensions: (Part # 4820)

- Exterior Projection is 2 1/2"
- Interior Projection Depends on Handle Style
- Overall Grip thickness: 1"
- Clearance between door & grip is 1 7/8"
- Plates thickness: 1/2"

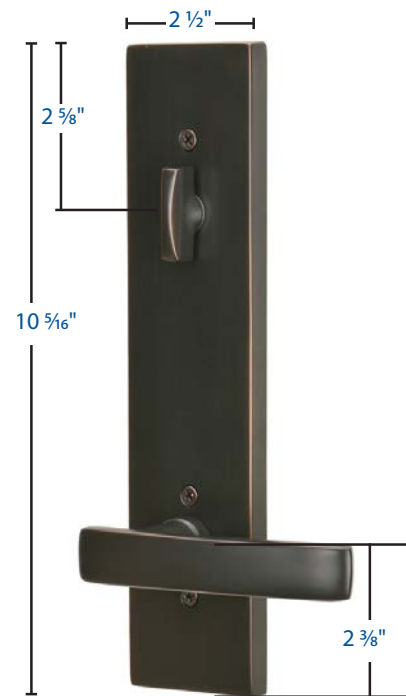
**Same Dimensions for
Double Cylinder & Dummy Function**



Davos Style
Part # 4818



Lausanne Style
Part # 4819



Standard interior trim
Part # 4818 & 4819

Additional Dimensions: (Part # 4818)

- Exterior Projection is 2 3/4"
- Interior Projection Depends on Handle Style
- Overall Grip thickness: 1"
- Clearance between door & grip is 1" - 1 3/4"
- Plates thickness: 1/2"

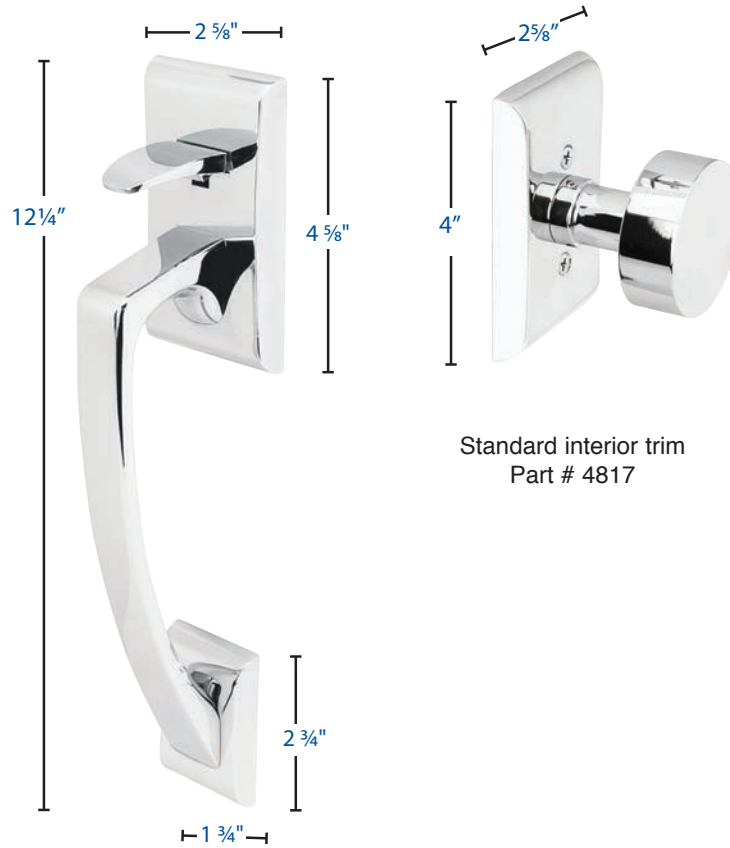
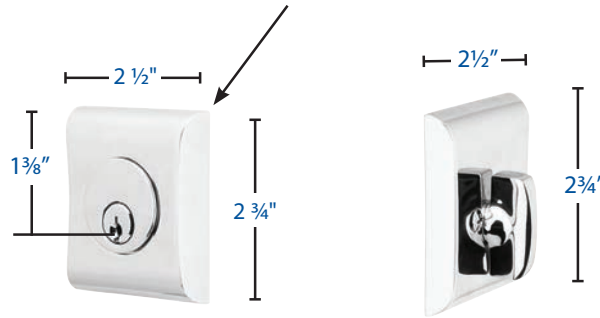
*Same Dimensions for
Double Cylinder & Dummy Function*

Additional Dimensions: (Part # 4819)

- Exterior Projection is 2 3/4"
- Interior Projection Depends on Handle Style
- Overall Grip thickness: 1"
- Clearance between door & grip is 1 7/16"
- Plates thickness: 1/2"

*Same Dimensions for
Double Cylinder & Dummy Function*

Deadbolt Plate Thickness: $\frac{5}{8}$ "



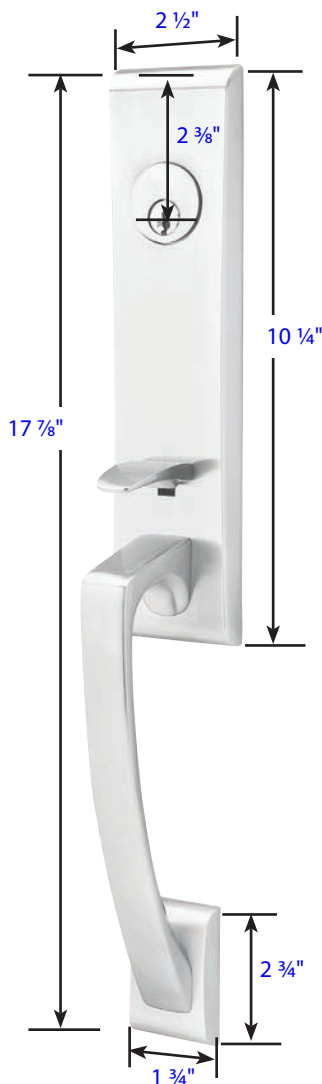
Standard interior trim
Part # 4817

Ares Style
Part # 4817

Additional Dimensions: (Part # 4817)

- Exterior Projection is $2 \frac{3}{4}$ "
- Interior Projection Depends on Handle Style
- Overall Grip thickness: $1 \frac{1}{16}$ "
- Clearance between door & grip is 1 "- $1 \frac{3}{8}$ "
- Plates thickness: $\frac{7}{16}$ "

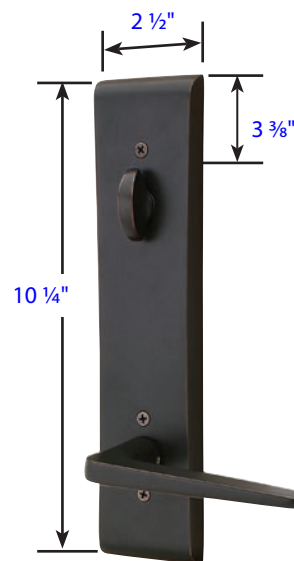
**Same Dimensions for
Double Cylinder & Dummy Function**



Apollo Style
Part # 4815



Orion Style
Part # 4816



Standard interior trim
Part # 4815 & 4816

Additional Dimensions: (Part # 4815)

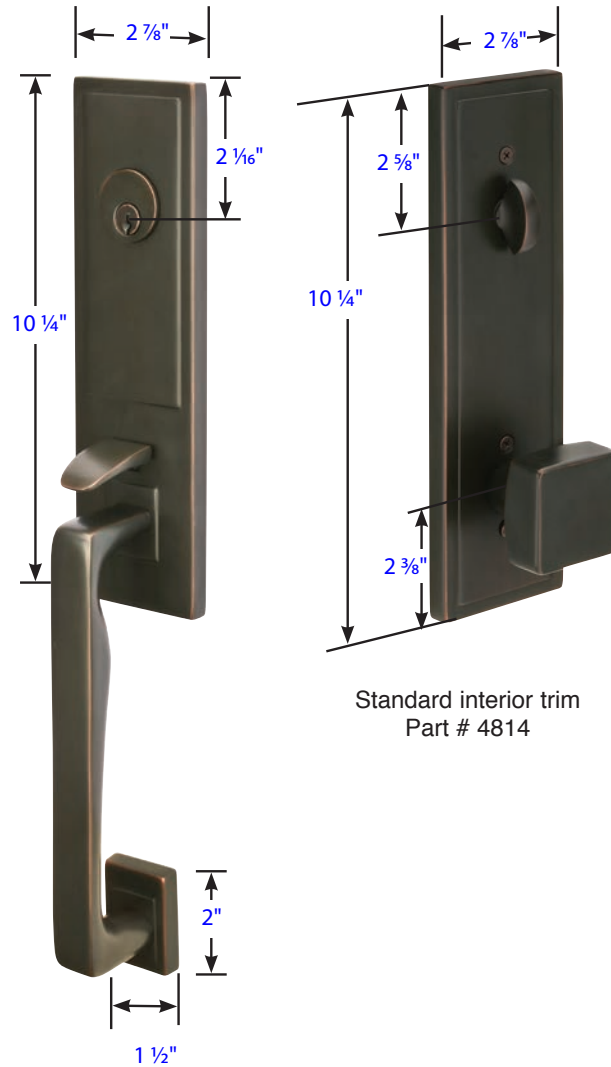
- Exterior Projection is 2 3/4"
- Interior Projection Depends on Handle Style
- Overall Grip thickness: 1"
- Clearance between door & grip is 2 1/4"
- Plates thickness: 1/2"

***Same Dimensions for
Double Cylinder & Dummy Function***

Additional Dimensions: (Part # 4816)

- Exterior Projection is 2 3/4"
- Interior Projection Depends on Handle Style
- Overall Grip thickness: 1"
- Clearance between door & grip is 1" - 1 3/4"
- Plates thickness: 1/2"

***Same Dimensions for
Double Cylinder & Dummy Function***



Zeus Style
Part # 4814

Additional Dimensions: (Part # 4814)

- Exterior Projection is 2 1/2"
- Interior Projection Depends on Handle Style
- Overall Grip thickness: 1 1/16"
- Clearance between door & grip is 1" - 1 3/8"
- Plates thickness: 7/16"

***Same Dimensions for
Double Cylinder & Dummy Function***

Brass Tubular Entryset Sectional, Single Cylinder

Baden (4820), Ares (4817)

- Standard Door Thickness: 1-3/4"- 2-1/8"

Standard Components:

- 1-1/2" Rosette Screws
- Single Cylinder Tailpiece
- Outside Entry Spindle
- Inside Passage Half Spindle
- 2-1/4" Deadbolt Mounting Screws
- Full-Lip Strike Plate
- Deadbolt Strike Plate

- **Extended** Door Thickness: 2-1/4"- 2-5/8"
- **Extended** Door Thickness: 2-5/8"- 3"

Extended Components:

- 2" Rosette Screws
- Long Single Cylinder Tailpiece
- Long Outside Entry Spindle
- Long Inside Passage Half Spindle
- 3" Deadbolt Mounting Screws
- Spindle Extensions
- Extended Full-Lip Strike Plate
- Deadbolt Strike Plate

Extended Components:

- 2-1/2" Rosette Screws
- Extra Long Single Cylinder Tailpiece
- Long Outside Entry Spindle
- Extra Long Inside Passage Half Spindle
- 3-1/2" Deadbolt Mounting Screws
- Spindle Extensions
- Extended Full-Lip Strike Plate
- Deadbolt Strike Plate

Brass Tubular Entryset Sectional, Double Cylinder

Baden (4830), Ares (4827)

- Standard Door Thickness: 1-5/8"- 2-1/8"

Standard Components:

- 1-1/2" Rosette Screws
- Double Cylinder Tailpiece
- Outside Entry Spindle
- Inside Passage Half Spindle
- 2-1/4" & 2-1/2" Deadbolt Mounting Screws
- Full-Lip Strike Plate
- Deadbolt Strike Plate

- **Extended** Door Thickness: 2-1/4"- 2-5/8"
- **Extended** Door Thickness: 2-5/8"- 2-7/8"

Extended Components:

- 2" Rosette Screws
- Long Double Cylinder Tailpiece
- Long Outside Entry Spindle
- Long Inside Passage Half Spindle
- 3" Deadbolt Mounting Screws
- Spindle Extensions
- Extended Full-Lip Strike Plate
- Deadbolt Strike Plate

Extended Components:

- 2-1/2" Rosette Screws
- Extra Long Double Cylinder Tailpiece
- Long Outside Entry Spindle
- Extra Long Inside Passage Half Spindle
- 3-1/2" Deadbolt Mounting Screws
- Spindle Extensions
- Extended Full-Lip Strike Plate
- Deadbolt Strike Plate

Brass Tubular Entryset Monolithic & Full Length, Single Cylinder

Davos (4818), Lausanne (4819), Apollo (4815), Orion (4816), Zeus (4814)

- Standard Door Thickness: 1³/₄"- 2¹/₈"

Standard Components:

- 1¹/₂" Rosette Screws
- Single Cylinder Tailpiece
- Outside Entry Spindle
- Inside Passage Half Spindle
- 2¹/₄" Deadbolt Mounting Screws
- Full-Lip Strike Plate
- Deadbolt Strike Plate

- **Extended** Door Thickness: 2¹/₄"- 2¹/₂"
- **Extended** Door Thickness: 2¹/₂"- 3"

Extended Components:

- 2" Rosette Screws
- Long Single Cylinder Tailpiece
- Long Outside Entry Spindle
- Long Inside Passage Half Spindle
- 3" Deadbolt Mounting Screws
- Spindle Extensions
- Extended Full-Lip Strike Plate
- Deadbolt Strike Plate

Extended Components:

- 2¹/₂" Rosette Screws
- Extra Long Single Cylinder Tailpiece
- Long Outside Entry Spindle
- Extra Long Inside Passage Half Spindle
- 3" Deadbolt Mounting Screws
- Spindle Extensions
- Extended Full-Lip Strike Plate
- Deadbolt Strike Plate

Brass Tubular Entryset Monolithic & Full Length, Double Cylinder

Davos (4828), Lausanne (4829), Apollo (4825), Orion (4826), Zeus (4824)

- Standard Door Thickness: 1³/₄"- 2"

Standard Components:

- 1¹/₂" Rosette Screws
- Double Cylinder Tailpiece
- Outside Entry Spindle
- Inside Passage Half Spindle
- 2¹/₄" Deadbolt Mounting Screws
- Full-Lip Strike Plate
- Deadbolt Strike Plate

- **Extended** Door Thickness: 2"- 2⁵/₈"

Extended Components:

- 2" Rosette Screws
- Long Double Cylinder Tailpiece
- Long Outside Entry Spindle
- Long Inside Passage Half Spindle
- 3" Deadbolt Mounting Screws
- Spindle Extensions
- Extended Full-Lip Strike Plate
- Deadbolt Strike Plate

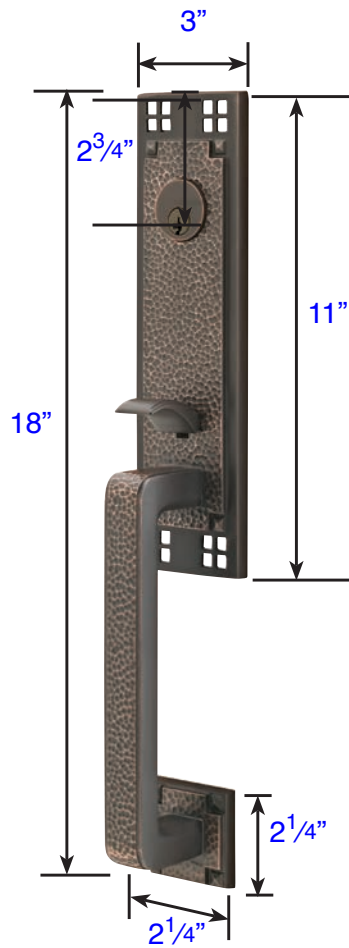
- **Extended** Door Thickness: 2⁵/₈"- 2⁷/₈"

Extended Components:

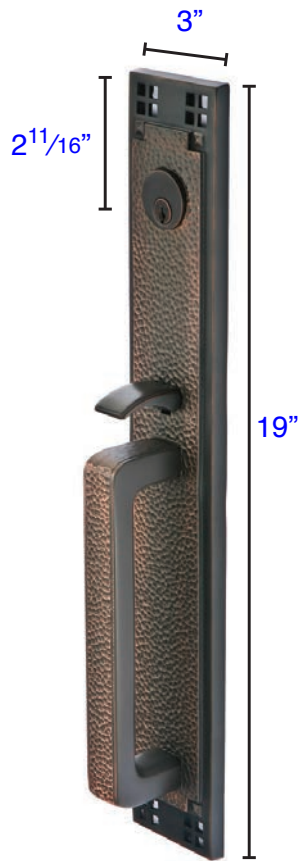
- 2¹/₂" Rosette Screws
- Long Double Cylinder Tailpiece
- Long Outside Entry Spindle
- Extra Long Inside Passage Half Spindle
- 3¹/₂" Deadbolt Mounting Screws
- Spindle Extensions
- Extended Full-Lip Strike Plate
- Deadbolt Strike Plate

* Part # DB4-COLLAR32 Available for 1³/₈" Thick Doors

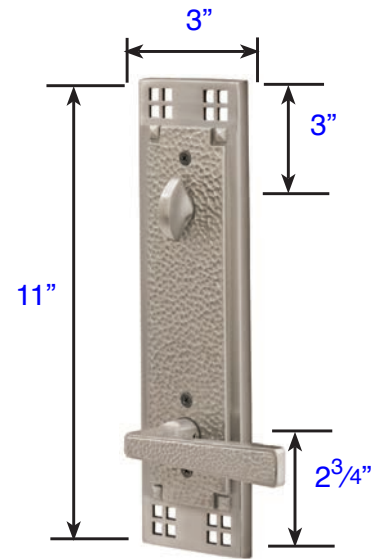
TS-TE REV17A 06/13/2017



Arts & Crafts Style
Part # 4811



Arts & Crafts Full Length Style
Part # 4812

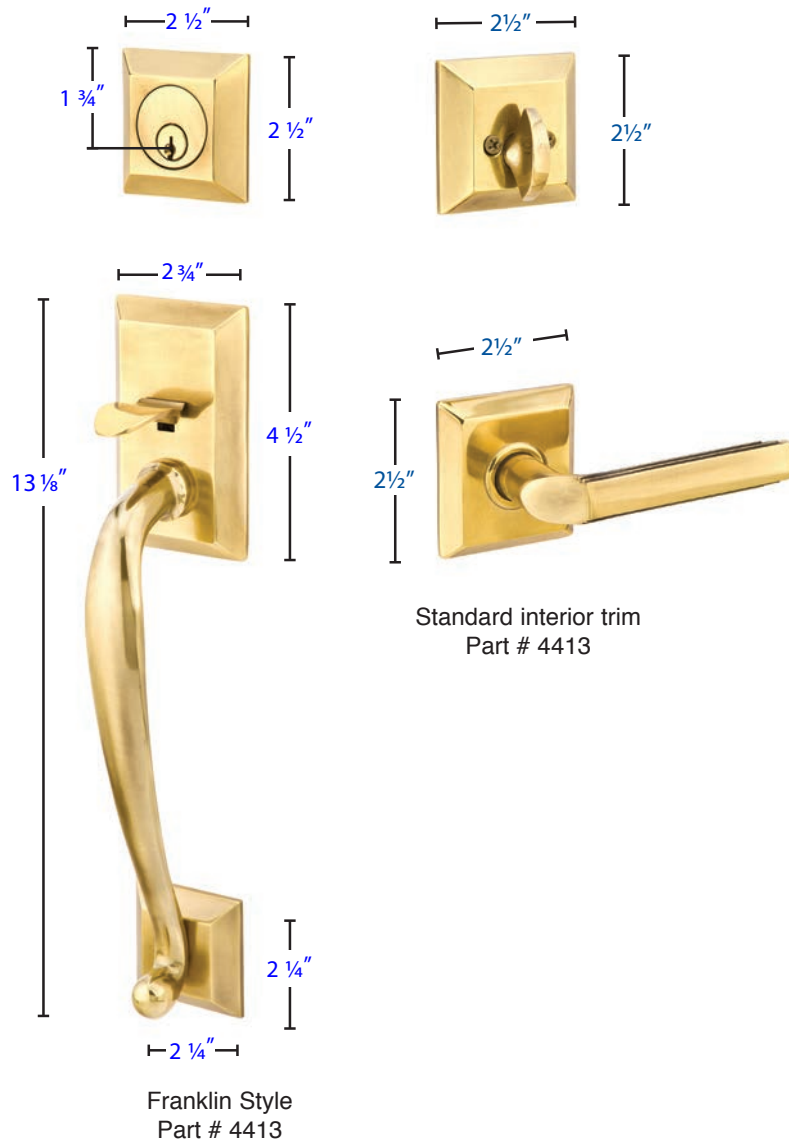


Standard interior trim
Part # 4811 & 4812

Additional Dimensions: (Part # 4811 & 4812)

- Exterior Projection is $2\frac{5}{8}$ "
- Interior Projection Depends on Handle Style
- Overall Grip thickness: $1\frac{1}{4}$ "
- Clearance between door & grip is $1\frac{1}{2}$ "
- Plates thickness: $\frac{1}{2}$ "

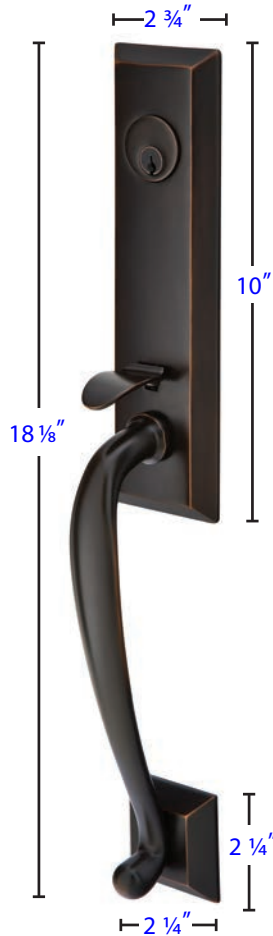
**Same Dimensions for
Double Cylinder & Dummy Function**



Additional Dimensions: (Part # 4413)

- Exterior Projection is $2\frac{11}{16}$ "
- Interior Projection Depends on Handle Style
- Overall Grip thickness: $1\frac{5}{16}$ "
- Clearance between door & grip is $1\frac{9}{16}$ "
- Plates thickness: $\frac{1}{2}$ "

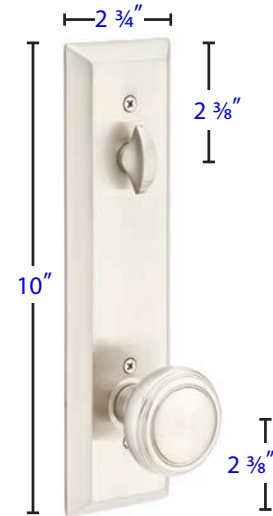
***Same Dimensions for
Double Cylinder & Dummy Function***



Adams Style
Part # 4414



Jefferson Trim Style
Part # 4415



Standard interior trim
Part # 4414 & 4415

Additional Dimensions: (Part # 4414)

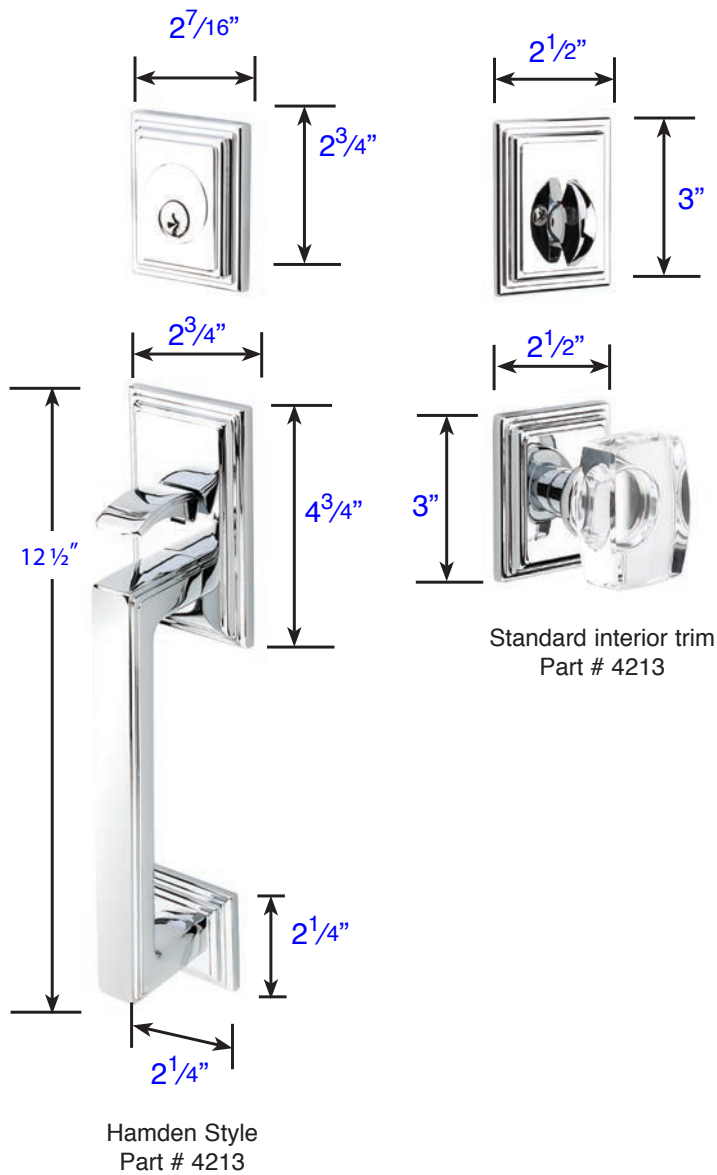
- Exterior Projection is 2^{11/16}"
- Interior Projection Depends on Handle Style
- Overall Grip thickness: 1^{5/16}"
- Clearance between door & grip is 1^{9/16}"
- Plates thickness: 1/2"

*Same Dimensions for
Double Cylinder & Dummy Function*

Additional Dimensions: (Part # 4415)

- Exterior Projection is 2^{3/4}"
- Interior Projection Depends on Handle Style
- Overall Grip thickness: 1 1/4"
- Clearance between door & grip is 2"
- Plates thickness: 1/2"

*Same Dimensions for
Double Cylinder & Dummy Function*

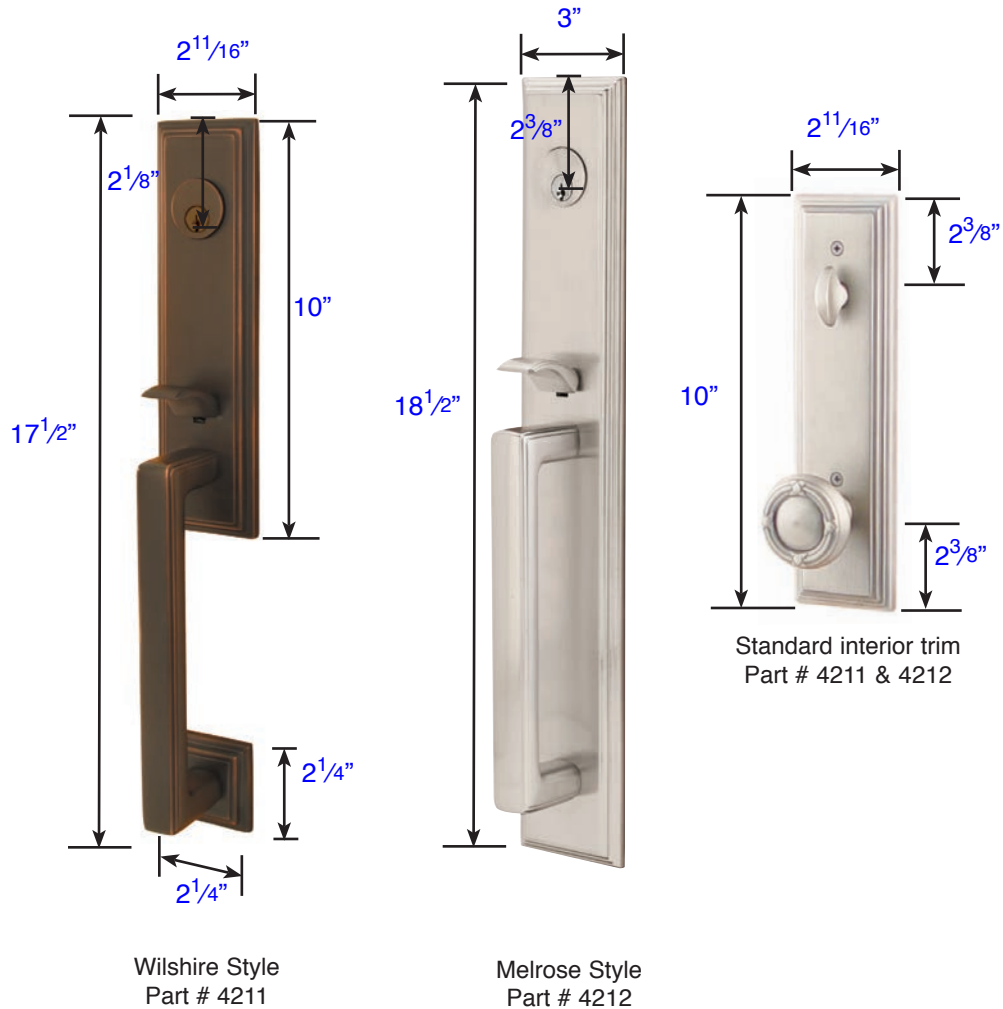


Standard interior trim
Part # 4213

Additional Dimensions: (Part # 4213)

- Exterior Projection is 2⁵/₈"
- Interior Projection Depends on Handle Style
- Overall Grip thickness: 1"
- Clearance between door & grip is 1³/₈"
- Plates thickness: 1/2"

**Same Dimensions for
Double Cylinder & Dummy Function**



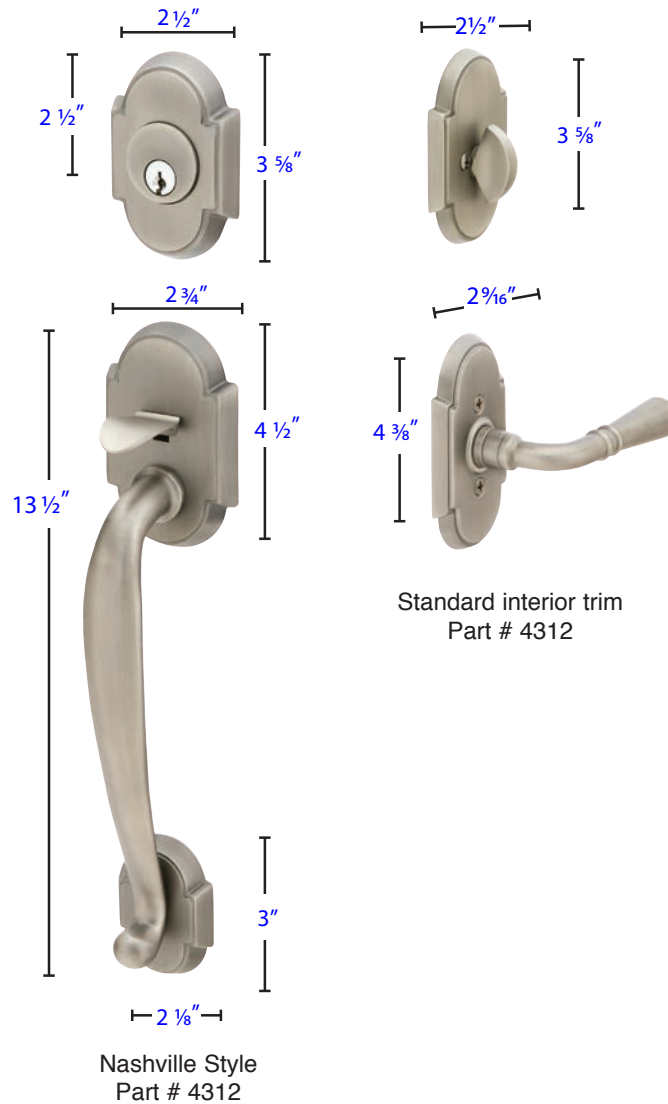
Wilshire Style
 Part # 4211

Melrose Style
 Part # 4212

Additional Dimensions: (Part # 4211 & 4212)

- Exterior Projection is 2⁵/₈"
- Interior Projection Depends on Handle Style
- Overall Grip thickness: 1"
- Clearance between door & grip is 1³/₈"
- Plates thickness: 1/2"

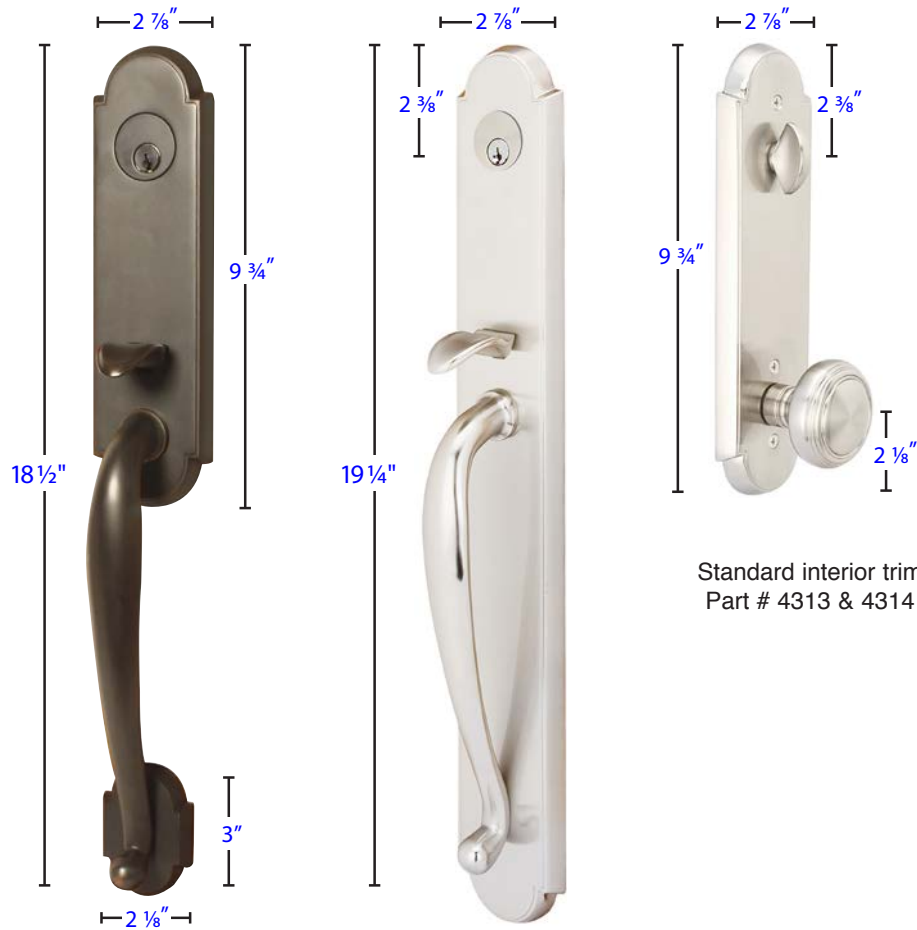
***Same Dimensions for
 Double Cylinder & Dummy Function***



Additional Dimensions: (Part # 4312)

- Exterior Projection is 2^{11/16}"
- Interior Projection Depends on Handle Style
- Overall Grip thickness: 1^{1/4}"
- Clearance between door & grip is 1^{15/16}"
- Plates thickness: 1/2"

*Same Dimensions for
Double Cylinder & Dummy Function*



Richmond Style
Part # 4313

Wilmington Style
Part # 4314

Standard interior trim
Part # 4313 & 4314

Additional Dimensions: (Part # 4313)

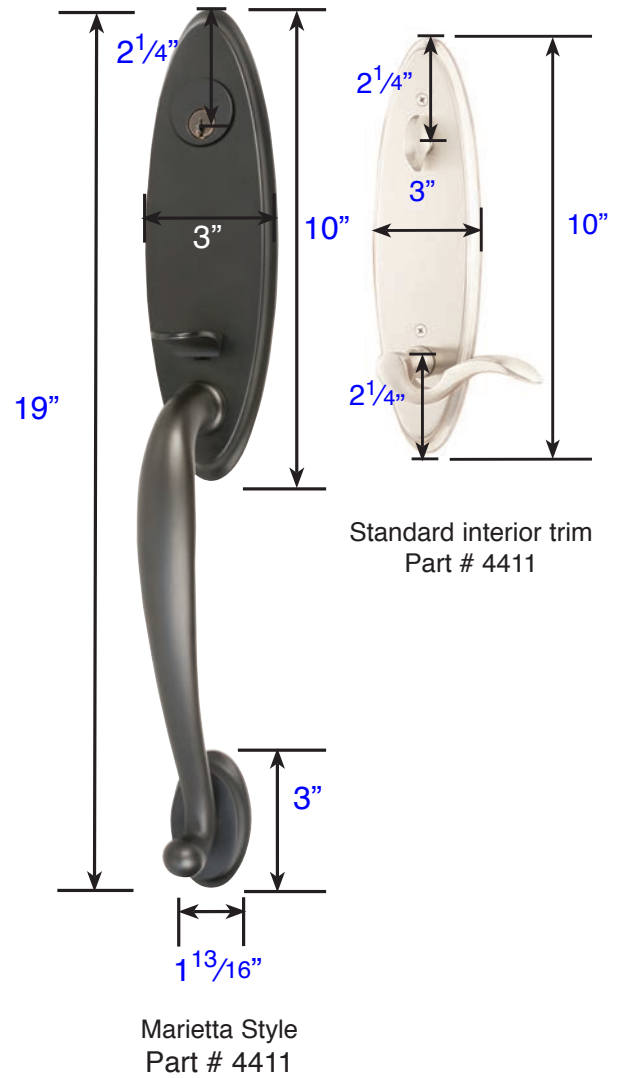
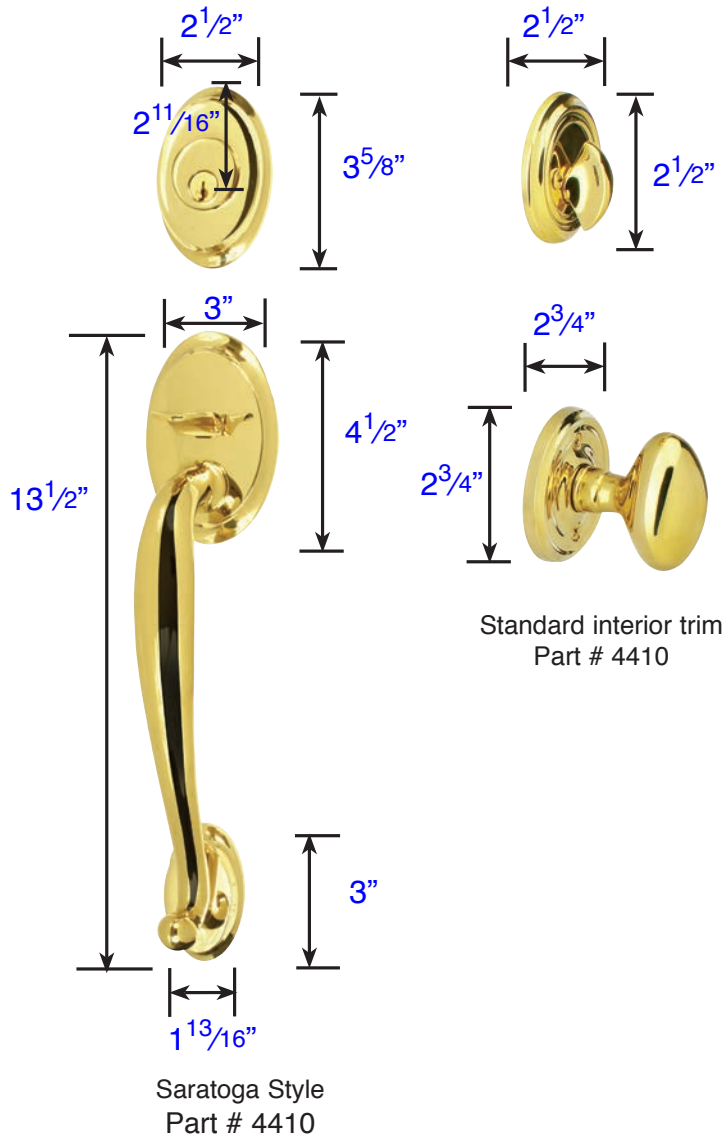
- Exterior Projection is 2 11/16"
- Interior Projection Depends on Handle Style
- Overall Grip thickness: 1 1/4"
- Clearance between door & grip is 2"
- Plates thickness: 1/2"

*Same Dimensions for
Double Cylinder & Dummy Function*

Additional Dimensions: (Part # 4314)

- Exterior Projection is 2 3/4"
- Interior Projection Depends on Handle Style
- Overall Grip thickness: 1"
- Clearance between door & grip is 1 7/16"
- Plates thickness: 1/2"

*Same Dimensions for
Double Cylinder & Dummy Function*



Additional Dimensions: (Part # 4410)

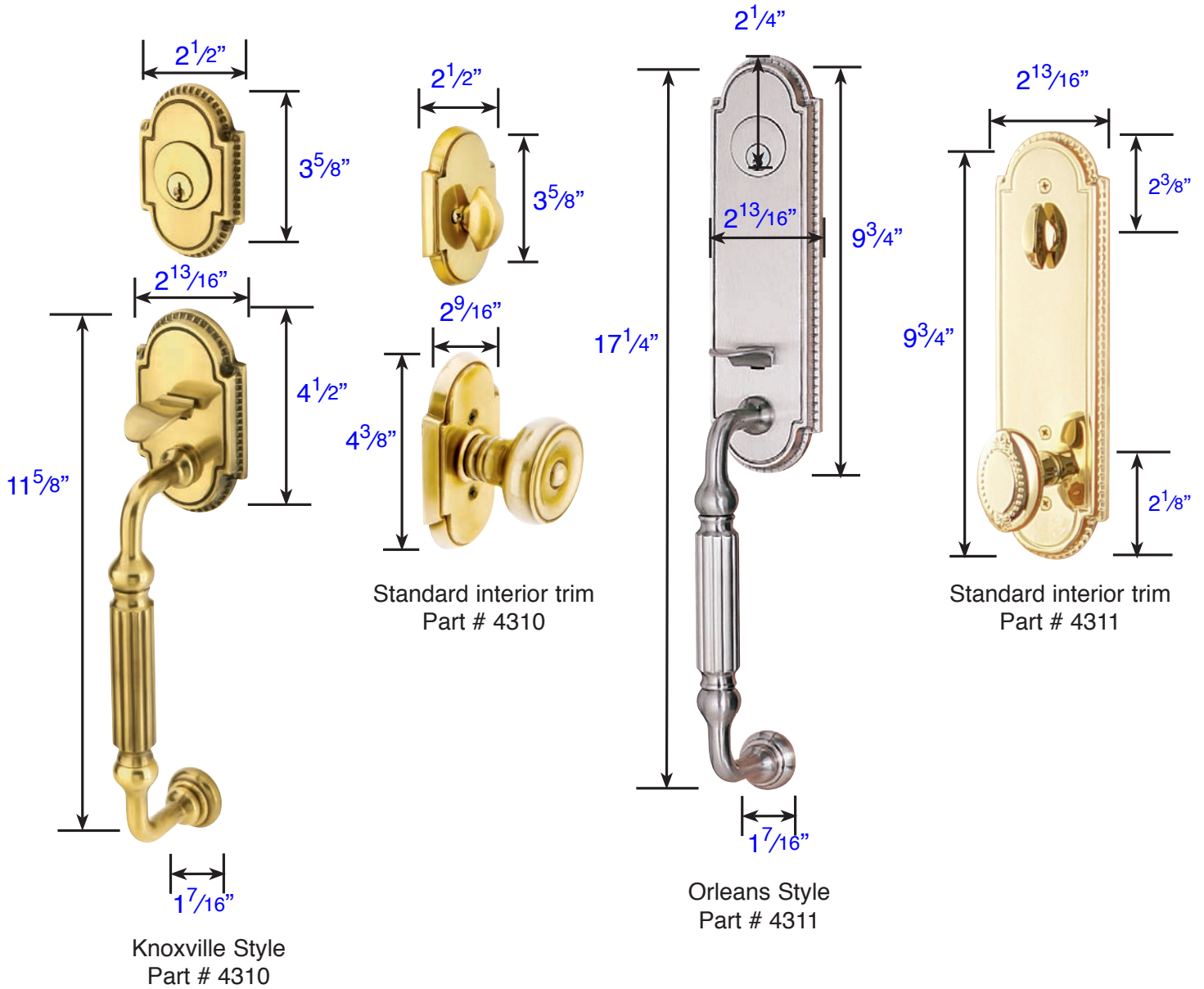
- Exterior Projection is 2 11/16"
- Interior Projection Depends on Handle Style
- Overall Grip thickness: 1 1/4"
- Clearance between door & grip is 1 5/16"
- Plates thickness: 7/16"

**Same Dimensions for
Double Cylinder & Dummy Function**

Additional Dimensions: (Part # 4411)

- Exterior Projection is 2 3/4"
- Interior Projection Depends on Handle Style
- Overall Grip thickness: 1 3/4"
- Clearance between door & grip is 2"
- Plates thickness: 1/2"

**Same Dimensions for
Double Cylinder & Dummy Function**



Additional Dimensions: (Part # 4310)

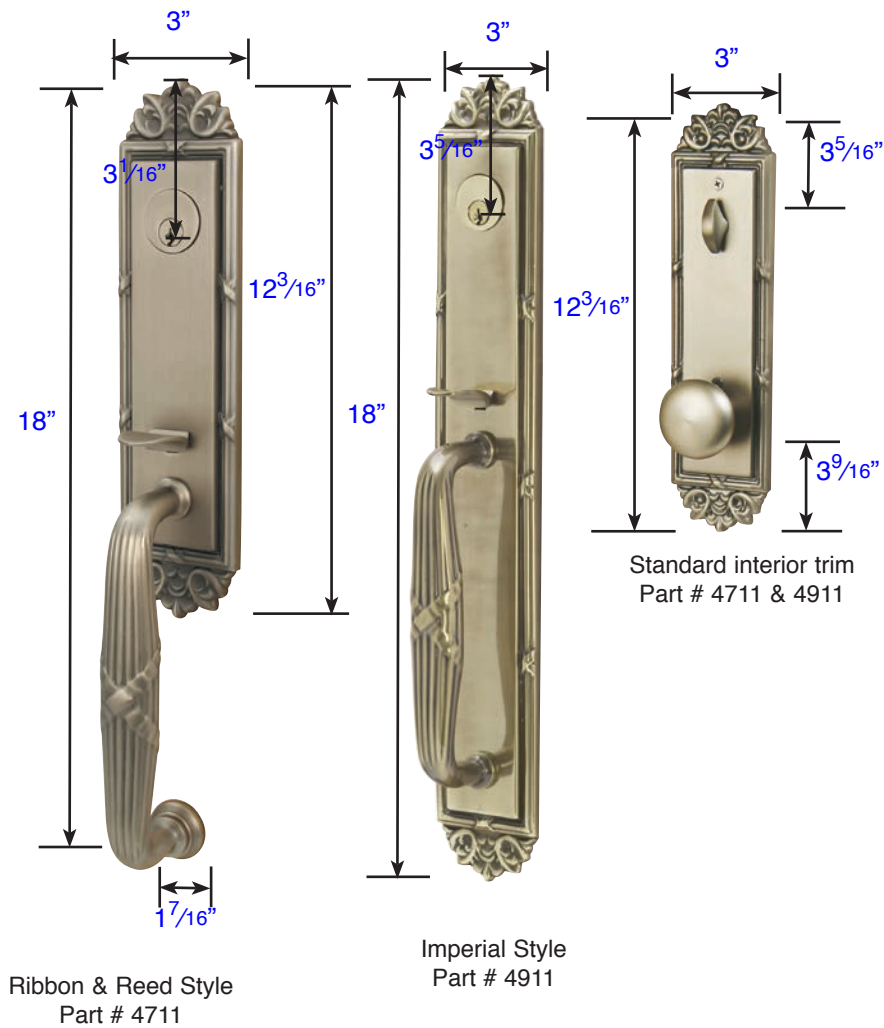
- Exterior Projection is 3"
- Interior Projection Depends on Handle Style
- Overall Grip thickness: 1"
- Clearance between door & grip is 1 1/2"
- Plates thickness: 1/2"

*Same Dimensions for
Double Cylinder & Dummy Function*

Additional Dimensions: (Part # 4311)

- Exterior Projection is 3"
- Interior Projection Depends on Handle Style
- Overall Grip thickness: 1"
- Clearance between door & grip is 1 1/2"
- Plates thickness: 1/2"

*Same Dimensions for
Double Cylinder & Dummy Function*



Additional Dimensions: (Part # 4711 & 4911)

- Exterior Projection is 2 11/16"
- Interior Projection Depends on Handle Style
- Overall Grip thickness: 1 5/16"
- Clearance between door & grip is 1 9/16"
- Plates thickness: 1/2"

***Same Dimensions for
Double Cylinder & Dummy Function***

Brass Tubular Entryset Sectional, Single Cylinder

Saratoga (4410), Knoxville (4310), Hamden (4213), Nashville (4312), Franklin (4413)

- Standard Door Thickness: 1³/₄" - 2¹/₈"
Standard Components:
- 1¹/₂" Rosette Screws
 - Single Cylinder Tailpiece
 - Outside Entry Spindle
 - Inside Passage Half Spindle
 - 2¹/₄" Deadbolt Mounting Screws
 - Full-Lip Strike Plate
 - Deadbolt Strike Plate

- **Extended** Door Thickness: 2¹/₄" - 2⁵/₈"
Extended Components:
- 2" Rosette Screws
 - Long Single Cylinder Tailpiece
 - Long Outside Entry Spindle
 - Long Inside Passage Half Spindle
 - 3" Deadbolt Mounting Screws
 - Spindle Extensions
 - Extended Full-Lip Strike Plate
 - Deadbolt Strike Plate

- **Extended** Door Thickness: 2⁵/₈" - 3"
Extended Components:
- 2¹/₂" Rosette Screws
 - Extra Long Single Cylinder Tailpiece
 - Long Outside Entry Spindle
 - Extra Long Inside Passage Half Spindle
 - 3¹/₂" Deadbolt Mounting Screws
 - Spindle Extensions
 - Extended Full-Lip Strike Plate
 - Deadbolt Strike Plate

Brass Tubular Entryset Sectional, Double Cylinder

Saratoga (4420), Knoxville (4320), Hamden (4223), Nashville (4322), Franklin (4423)

- Standard Door Thickness: 1⁵/₈" - 2¹/₈"
Standard Components:
- 1¹/₂" Rosette Screws
 - Double Cylinder Tailpiece
 - Outside Entry Spindle
 - Inside Passage Half Spindle
 - 2¹/₄" & 2¹/₂" Deadbolt Mounting Screws
 - Full-Lip Strike Plate
 - Deadbolt Strike Plate

- **Extended** Door Thickness: 2¹/₄" - 2⁵/₈"
Extended Components:
- 2" Rosette Screws
 - Long Double Cylinder Tailpiece
 - Long Outside Entry Spindle
 - Long Inside Passage Half Spindle
 - 3" Deadbolt Mounting Screws
 - Spindle Extensions
 - Extended Full-Lip Strike Plate
 - Deadbolt Strike Plate

- **Extended** Door Thickness: 2⁵/₈" - 2⁷/₈"
Extended Components:
- 2¹/₂" Rosette Screws
 - Extra Long Double Cylinder Tailpiece
 - Long Outside Entry Spindle
 - Extra Long Inside Passage Half Spindle
 - 3¹/₂" Deadbolt Mounting Screws
 - Spindle Extensions
 - Extended Full-Lip Strike Plate
 - Deadbolt Strike Plate

* Part # DB4-COLLAR32 Available for 1³/₈" Thick Doors

Brass Tubular Entryset Monolithic & Full Length, Single Cylinder

Marietta (4411), Orleans (4311), Arts & Crafts (4811), Wilshire (4211), Wilmington (4314), Melrose (4212), Ribbon & Reed (4711), Imperial (4911), Richmond (4313), Adams (4414), Jefferson (4415)

- Standard Door Thickness: 1³/₄" - 2¹/₈"
Standard Components:
- 1¹/₂" Rosette Screws
 - Single Cylinder Tailpiece
 - Outside Entry Spindle
 - Inside Passage Half Spindle
 - 2¹/₄" Deadbolt Mounting Screws
 - Full-Lip Strike Plate
 - Deadbolt Strike Plate

- **Extended** Door Thickness: 2¹/₄" - 2¹/₂"
Extended Components:
- 2" Rosette Screws
 - Long Single Cylinder Tailpiece
 - Long Outside Entry Spindle
 - Long Inside Passage Half Spindle
 - 3" Deadbolt Mounting Screws
 - Spindle Extensions
 - Extended Full-Lip Strike Plate
 - Deadbolt Strike Plate

- **Extended** Door Thickness: 2¹/₂" - 3"
Extended Components:
- 2¹/₂" Rosette Screws
 - Extra Long Single Cylinder Tailpiece
 - Long Outside Entry Spindle
 - Extra Long Inside Passage Half Spindle
 - 3" Deadbolt Mounting Screws
 - Spindle Extensions
 - Extended Full-Lip Strike Plate
 - Deadbolt Strike Plate

Brass Tubular Entryset Monolithic & Full Length, Double Cylinder

Marietta (4421), Orleans (4321), Arts & Crafts (4821), Wilshire (4221), Wilmington (4324), Melrose (4212), Ribbon & Reed (4721), Imperial (4921), Richmond (4323), Adams (4424), Jefferson (4425)

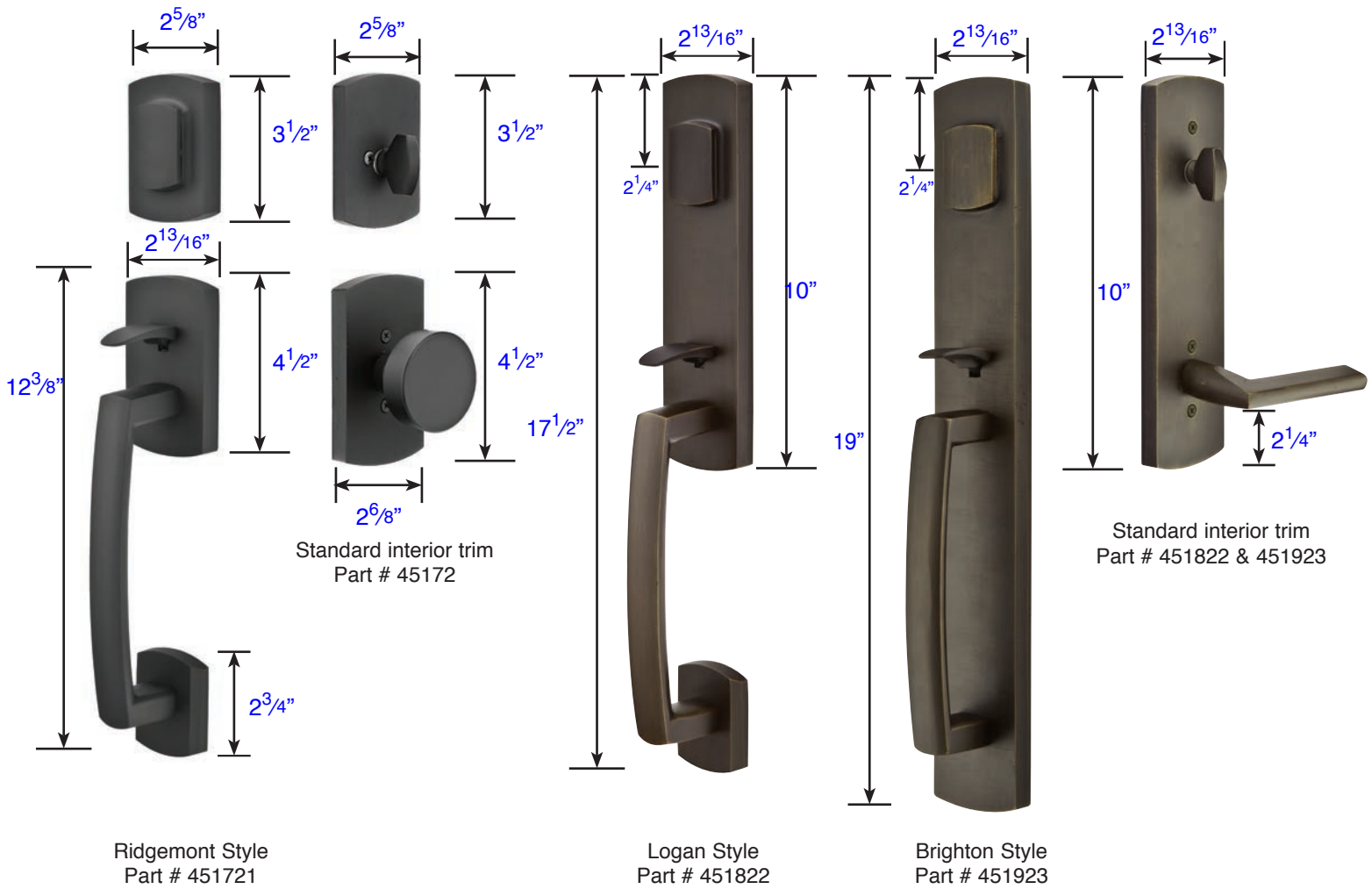
- Standard Door Thickness: 1³/₄" - 2"
Standard Components:
- 1¹/₂" Rosette Screws
 - Double Cylinder Tailpiece
 - Outside Entry Spindle
 - Inside Passage Half Spindle
 - 2¹/₄" Deadbolt Mounting Screws
 - Full-Lip Strike Plate
 - Deadbolt Strike Plate

- **Extended** Door Thickness: 2" - 2⁵/₈"
Extended Components:
- 2" Rosette Screws
 - Long Double Cylinder Tailpiece
 - Long Outside Entry Spindle
 - Long Inside Passage Half Spindle
 - 3" Deadbolt Mounting Screws
 - Spindle Extensions
 - Extended Full-Lip Strike Plate
 - Deadbolt Strike Plate

- **Extended** Door Thickness: 2⁵/₈" - 2⁷/₈"
Extended Components:
- 2¹/₂" Rosette Screws
 - Long Double Cylinder Tailpiece
 - Long Outside Entry Spindle
 - Extra Long Inside Passage Half Spindle
 - 3¹/₂" Deadbolt Mounting Screws
 - Spindle Extensions
 - Extended Full-Lip Strike Plate
 - Deadbolt Strike Plate

* Part # DB4-COLLAR32 Available for 1³/₈" Thick Doors

TS-TE REV17A 05/25/2017



Additional Dimensions: (Part # 451721)

- Exterior Projection is 2 7/8"
- Interior Projection Depends on Handle Style
- Overall Grip thickness: 1 1/16"
- Clearance between door & grip: 2"
- Plates thickness: 1/2"

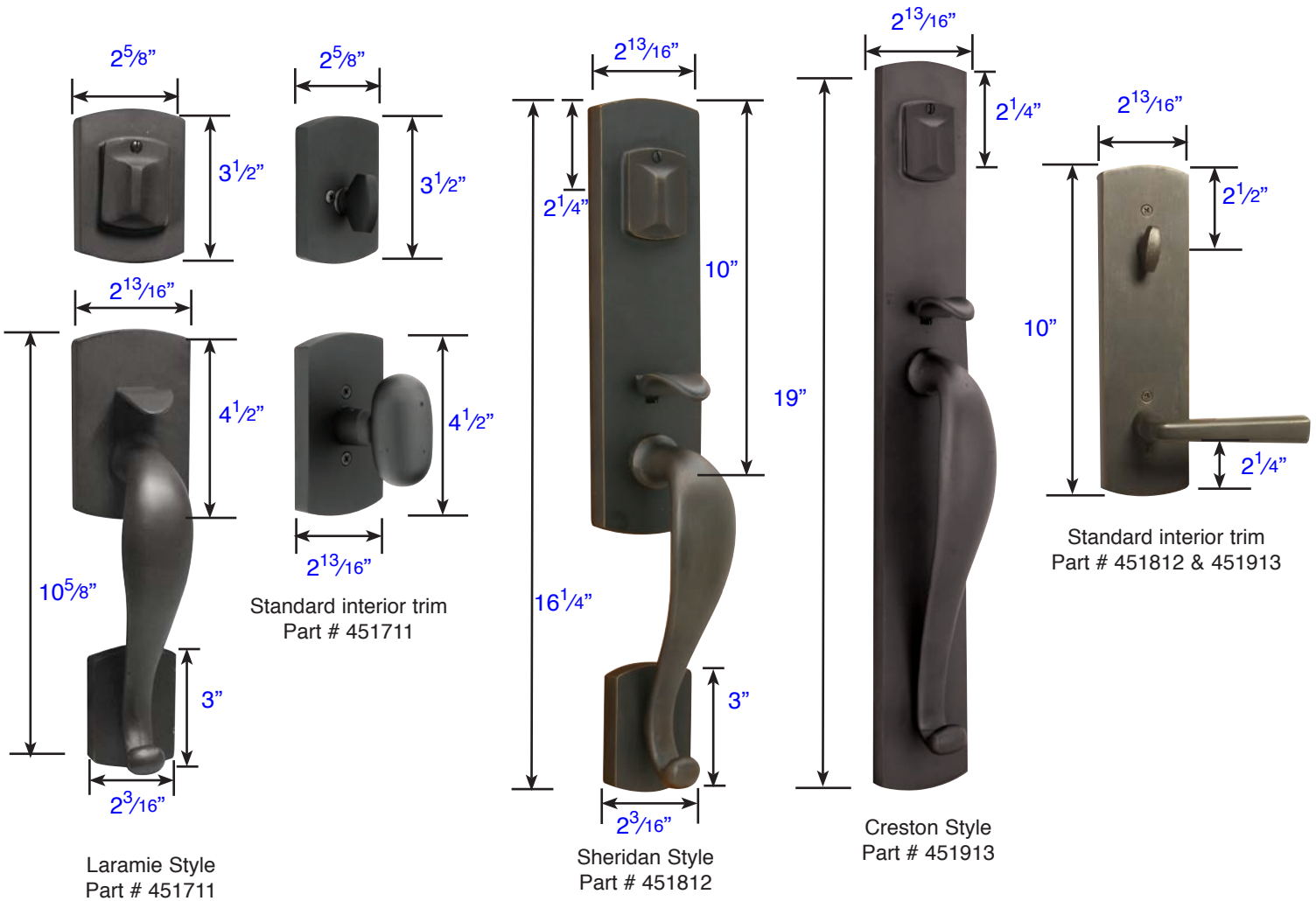
*Same Dimensions for
Double Cylinder & Dummy Function*

Additional Dimensions: (Part # 451822 & 451923)

- Exterior Projection is 2 7/8"
- Interior Projection Depends on Handle Style
- Overall Grip thickness: 1 1/16"
- Clearance between door & grip: 1 1/2"
- Plates thickness: 1/2"

*Same Dimensions for
Double Cylinder & Dummy Function*

Dimensions for **Grip-By-Grip Entrance** are the same as the Exterior Trim of standard grip handlesets.



Additional Dimensions: (Part # 451711)

- Exterior Projection is 3"
- Interior Projection Depends on Handle Style
- Overall Grip thickness: 1¹¹/₁₆"
- Clearance between door & grip is 1⁷/₈"
- Plates thickness: 1/2"

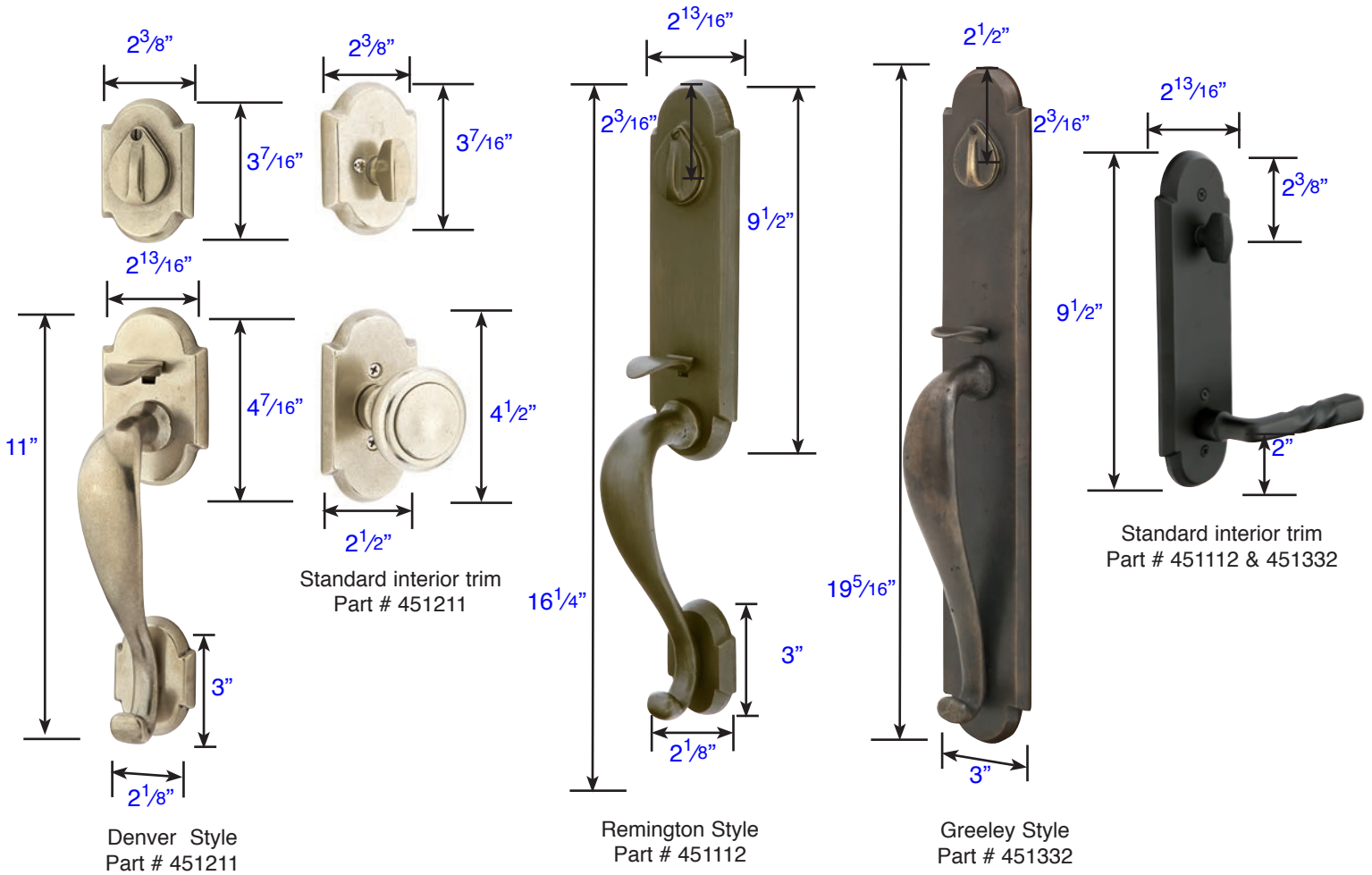
*Same Dimensions for
Double Cylinder & Dummy Function*

Additional Dimensions: (Part # 451812/451913)

- Exterior Projection is 3"
- Interior Projection Depends on Handle Style
- Overall Grip thickness: 1¹¹/₁₆"
- Clearance between door & grip is 1⁷/₈"
- Plates thickness: 1/2"

*Same Dimensions for
Double Cylinder & Dummy Function*

Dimensions for **Grip-By-Grip Entrance** are the same as the Exterior Trim of standard grip handlesets.



Additional Dimensions: (Part # 451211)

- Exterior Projection is 3"
- Interior Projection Depends on Handle Style
- Overall Grip thickness: 1¹/₁₆"
- Clearance between door & grip is 1⁷/₈"
- Plates thickness: 1/2"

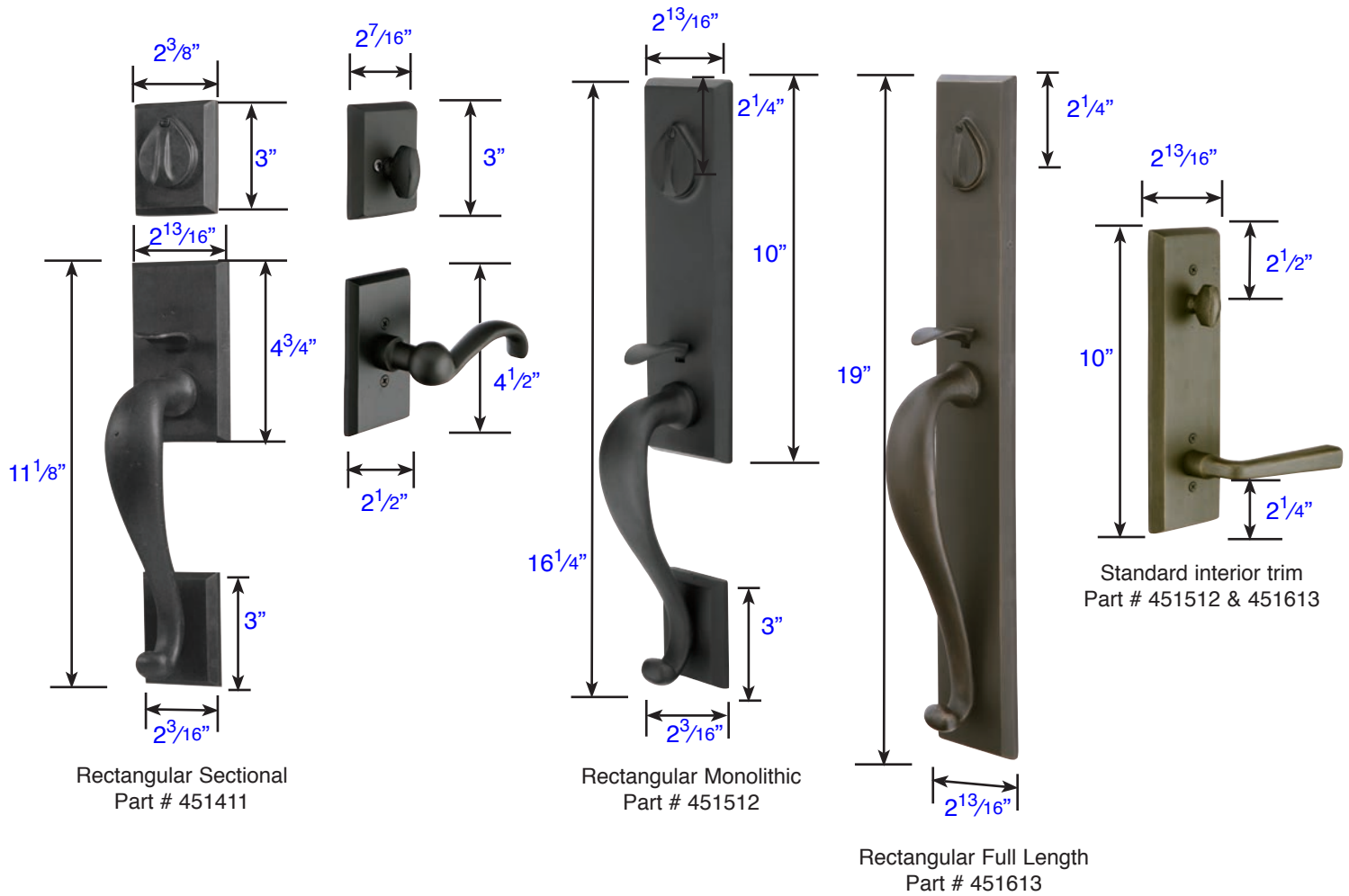
*Same Dimensions for
Double Cylinder & Dummy Function*

Additional Dimensions: (Part # 451112 & 451332)

- Exterior Projection is 3"
- Interior Projection Depends on Handle Style
- Overall Grip thickness: 1¹/₁₆"
- Clearance between door & grip is 1⁷/₈"
- Plates thickness: 1/2"

*Same Dimensions for
Double Cylinder & Dummy Function*

Dimensions for **Grip-By-Grip Entrance** are the same as the Exterior Trim of standard grip handlesets.



Additional Dimensions: (Part # 451411)

- Exterior Projection is 3"
- Interior Projection Depends on Handle Style
- Overall Grip thickness: 1 1/16"
- Clearance between door & grip is 1 7/8"
- Plates thickness: 1/2"

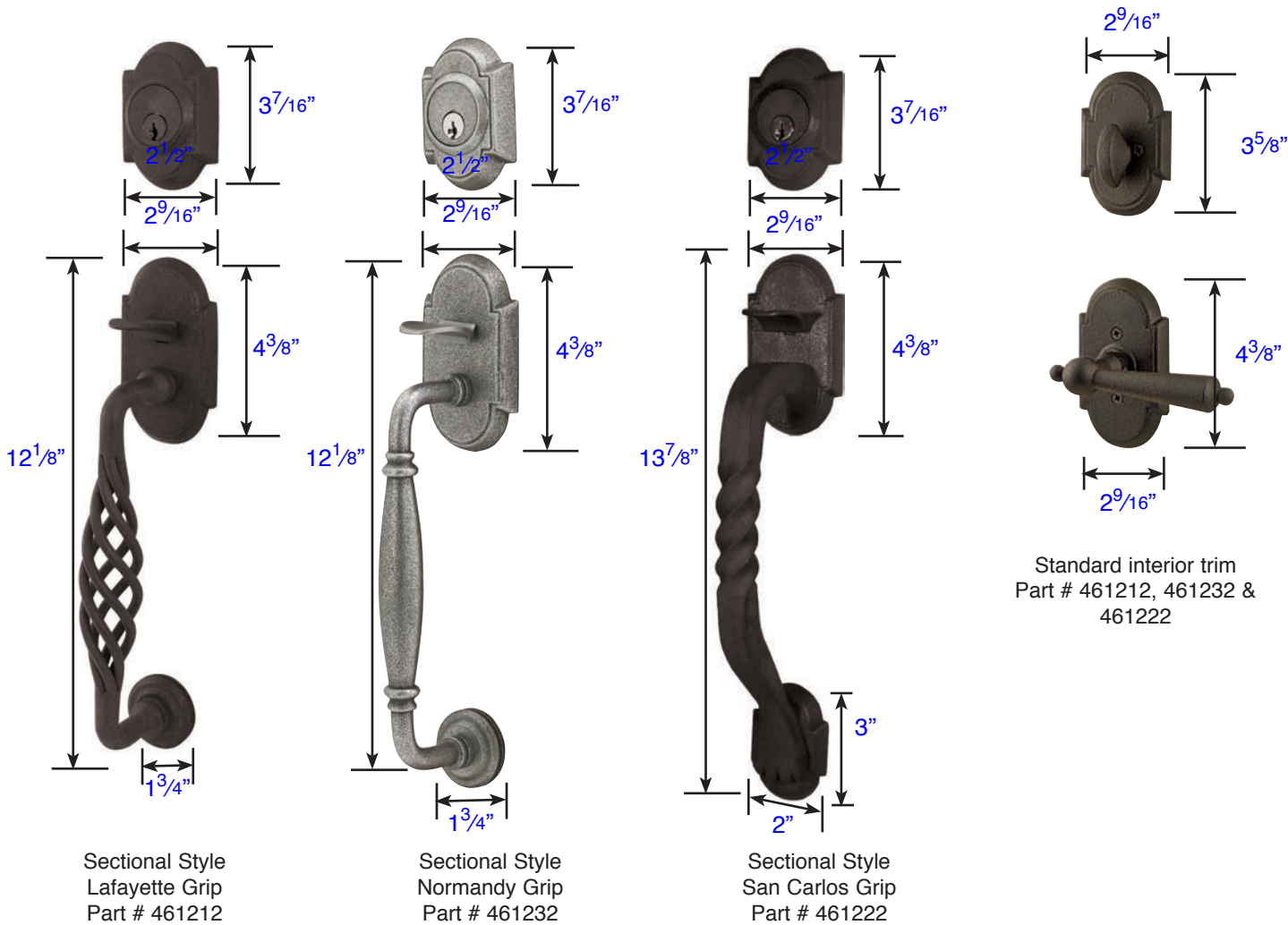
*Same Dimensions for
Double Cylinder & Dummy Function*

Additional Dimensions: (Part # 451512 & 451613)

- Exterior Projection is 3"
- Interior Projection Depends on Handle Style
- Overall Grip thickness: 1 1/16"
- Clearance between door & grip is 1 7/8"
- Plates thickness: 1/2"

*Same Dimensions for
Double Cylinder & Dummy Function*

Dimensions for **Grip-By-Grip Entrance** are the same as the Exterior Trim of standard grip handlesets.



Additional Dimensions: (Part # 461212 & 461232)

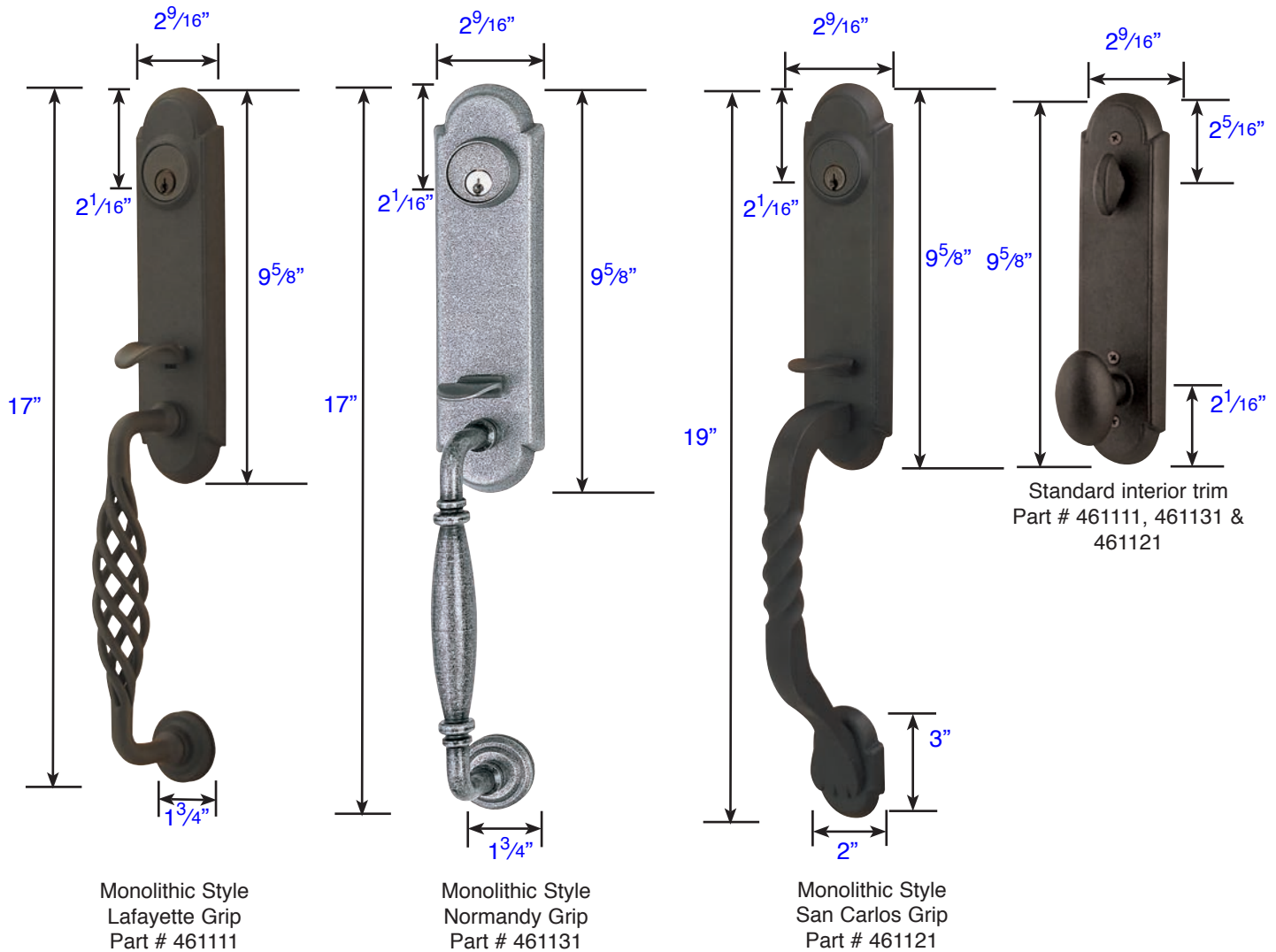
- Exterior Projection is 3"
- Interior Projection Depends on Handle Style
- Overall Grip thickness: 3/4"
- Clearance between door & grip is 1 5/8"
- Plates thickness: 1/2"

*Same Dimensions for
Double Cylinder & Dummy Function*

Additional Dimensions: (Part # 461222)

- Exterior Projection is 3 1/2"
- Interior Projection Depends on Handle Style
- Overall Grip thickness: 3/4"
- Clearance between door & grip is 2"
- Plates thickness: 1/2"

*Same Dimensions for
Double Cylinder & Dummy Function*



Monolithic Style
Lafayette Grip
Part # 461111

Monolithic Style
Normandy Grip
Part # 461131

Monolithic Style
San Carlos Grip
Part # 461121

Standard interior trim
Part # 461111, 461131 &
461121

Additional Dimensions: (Part # 461111 & 461131)

- Exterior Projection is 3"
- Interior Projection Depends on Handle Style
- Overall Grip thickness: 3/4"
- Clearance between door & grip is 1 5/8"
- Plates thickness: 1/2"

*Same Dimensions for
Double Cylinder & Dummy Function*

Additional Dimensions: (Part # 461121)

- Exterior Projection is 3 1/2"
- Interior Projection Depends on Handle Style
- Overall Grip thickness: 3/4"
- Clearance between door & grip is 2"
- Plates thickness: 1/2"

*Same Dimensions for
Double Cylinder & Dummy Function*

Cast Bronze Tubular Entryset Sectional, Single Cylinder

Denver (451211), Rectangular Sectional (451411), Laramie (451711)

<p>• Standard Door Thickness: 1³/₄" - 2"</p> <p>Standard Components:</p> <ul style="list-style-type: none"> • 1¹/₂" & 2" Rosette Screws • Single Cylinder Tailpiece • Outside Entry Spindle • Inside Passage Half Spindle • 2¹/₂" Deadbolt Mounting Screws • Full-Lip Strike Plate • Deadbolt Strike Plate 	<p>• Extended Door Thickness: 2" - 2¹/₂"</p> <p>Extended Components:</p> <ul style="list-style-type: none"> • 2" Rosette Screws • Long Single Cylinder Tailpiece • Long Outside Entry Spindle • Long Inside Passage Half Spindle • 3" Deadbolt Mounting Screws • Spindle Extensions • Extended Full-Lip Strike Plate • Deadbolt Strike Plate 	<p>• Extended Door Thickness: 2¹/₂" - 2⁷/₈"</p> <p>Extended Components:</p> <ul style="list-style-type: none"> • 2¹/₂" Rosette Screws • Extra Long Single Cylinder Tailpiece • Long Outside Entry Spindle • Extra Long Inside Passage Half Spindle • 3¹/₂" Deadbolt Mounting Screws • Spindle Extensions • Extended Full-Lip Strike Plate • Deadbolt Strike Plate
---	---	--

Cast Bronze Tubular Entryset Sectional, Double Cylinder

Denver (452211), Rectangular Sectional (452411), Laramie (452711)

<p>• Standard Door Thickness: 1³/₄" - 2"</p> <p>Standard Components:</p> <ul style="list-style-type: none"> • 1¹/₂" Rosette Screws • Double Cylinder Tailpiece • Outside Entry Spindle • Inside Passage Half Spindle • 2¹/₂" Deadbolt Mounting Screws • Full-Lip Strike Plate • Deadbolt Strike Plate 	<p>• Extended Door Thickness: 2¹/₄" - 2⁵/₈"</p> <p>Extended Components:</p> <ul style="list-style-type: none"> • 2" & 2¹/₂" Rosette Screws • Long Double Cylinder Tailpiece • Long Outside Entry Spindle • Long Inside Passage Half Spindle • 3" & 3¹/₂" Deadbolt Mounting Screws • Spindle Extensions • Extended Full-Lip Strike Plate • Deadbolt Strike Plate
--	--

Cast Bronze Tubular Entryset Monolithic & Full Length, Single Cylinder

Remington (451112), Greeley (451332), Rectangular Monolithic (451512), Sheridan (451812)
 Rectangular Full Length (451613), Creston (451913)

<p>• Standard Door Thickness: 1³/₄" - 2"</p> <p>Standard Components:</p> <ul style="list-style-type: none"> • 1¹/₂" & 2" Rosette Screws • Single Cylinder Tailpiece • Outside Entry Spindle • Long Inside Passage Half Spindle • 2¹/₂" Deadbolt Mounting Screws • Full-Lip Strike Plate • Deadbolt Strike Plate 	<p>• Extended Door Thickness: 2" - 2¹/₂"</p> <p>Extended Components:</p> <ul style="list-style-type: none"> • 2" Rosette Screws • Long Single Cylinder Tailpiece • Long Outside Entry Spindle • Long Inside Passage Half Spindle • 3" Deadbolt Mounting Screws • Spindle Extensions • Extended Full-Lip Strike Plate • Deadbolt Strike Plate 	<p>• Extended Door Thickness: 2¹/₂" - 2⁷/₈"</p> <p>Extended Components:</p> <ul style="list-style-type: none"> • 2¹/₂" Rosette Screws • Extra Long Single Cylinder Tailpiece • Long Outside Entry Spindle • Extra Long Inside Passage Half Spindle • 3¹/₂" Deadbolt Mounting Screws • Spindle Extensions • Extended Full-Lip Strike Plate • Deadbolt Strike Plate
--	---	--

Cast Bronze Tubular Entryset Monolithic & Full Length, Double Cylinder

Remington (452112), Greeley (452332), Rectangular Monolithic (452512), Sheridan (452812)
 Rectangular Full Length (452613), Creston (452913)

<p>• Standard Door Thickness: 1³/₄" - 2"</p> <p>Standard Components:</p> <ul style="list-style-type: none"> • 1¹/₂" Rosette Screws • Double Cylinder Tailpiece • Outside Entry Spindle • Long Inside Passage Half Spindle • 2¹/₂" Deadbolt Mounting Screws • Full-Lip Strike Plate • Deadbolt Strike Plate 	<p>• Extended Door Thickness: 2" - 2⁵/₈"</p> <p>Extended Components:</p> <ul style="list-style-type: none"> • 2" & 2¹/₂" Rosette Screws • Long Double Cylinder Tailpiece • Long Outside Entry Spindle • Long Inside Passage Half Spindle • 3" & 3¹/₂" Deadbolt Mounting Screws • Spindle Extensions • Extended Full-Lip Strike Plate • Deadbolt Strike Plate
---	---

Grip-By-Grip Tubular Entryset, Single Cylinder

Ridgemont (453727), Logan (453828), Brighton (453929), Denver(453212), Remington(453111), Greeley(453333), Rectangular Sectional(453414), Rectangular Monolithic(453515), Rectangular Full Length(453636)

- Standard Door Thickness: 1³/₄"- 2"
- Standard Components:
 - 1¹/₂" & 2" Rosette Screws
 - Single Cylinder Tailpiece
 - Outside Entry Spindle
 - Inside Passage Half Spindle
 - 2¹/₂" Deadbolt Mounting Screws
 - Full-Lip Strike Plate
 - Deadbolt Strike Plate

- **Extended** Door Thickness: 2"- 2¹/₂"
- Extended Components:
 - 2" & 2¹/₂" Rosette Screws
 - Long Single Cylinder Tailpiece
 - Long Outside Entry Spindle
 - 3" Deadbolt Mounting Screws
 - Extended Full-Lip Strike Plate
 - Deadbolt Strike Plate

- **Extended** Door Thickness: 2¹/₂"- 3"
- Extended Components:
 - 2¹/₂" & 3" Rosette Screws
 - Extra Long Single Cylinder Tailpiece
 - Long Outside Entry Spindle
 - 3¹/₂" Deadbolt Mounting Screws
 - Extended Full-Lip Strike Plate
 - Deadbolt Strike Plate

Grip-By-Grip Tubular Entryset, Double Cylinder

Ridgemont (454727), Logan (454828), Brighton (454929), Denver(454212), Remington(454111), Greeley(454333), Rectangular Sectional(454414), Rectangular Monolithic(454515), Rectangular Full Length(454636)

- Standard Door Thickness: 1³/₄"- 2¹/₈"
- Standard Components:
 - 1¹/₂" Rosette Screws
 - Double Cylinder Tailpiece
 - Outside Entry Spindle
 - 2¹/₂" & 3" Deadbolt Mounting Screws
 - Full-Lip Strike Plate
 - Deadbolt Strike Plate

- **Extended** Door Thickness: 2¹/₈"- 3"
- Extended Components:
 - 2¹/₂" & 3" Rosette Screws
 - Long Double Cylinder Tailpiece
 - Long Outside Entry Spindle
 - 3" & 3¹/₂" Deadbolt Mounting Screws
 - Extended Full-Lip Strike Plate
 - Deadbolt Strike Plate

Wrought Steel Tubular Entryset Sectional, Single Cylinder

Lafayette (461212), San Carlos (461222), Normandy (461232)

- Standard Door Thickness: 1⁵/₈"- 2"
- Standard Components:
 - 1¹/₂" Rosette Screws
 - Single Cylinder Tailpiece
 - Outside Entry Spindle
 - Inside Passage Half Spindle
 - 2¹/₄" Deadbolt Mounting Screws
 - Full-Lip Strike Plate
 - Deadbolt Strike Plate

- **Extended** Door Thickness: 2"- 2¹/₂"
- Extended Components:
 - 2" Rosette Screws
 - Long Single Cylinder Tailpiece
 - Long Outside Entry Spindle
 - Long Inside Passage Half Spindle
 - 3" Deadbolt Mounting Screws
 - Spindle Extensions
 - Extended Full-Lip Strike Plate
 - Deadbolt Strike Plate

- **Extended** Door Thickness: 2¹/₂"- 2⁷/₈"
- Extended Components:
 - 2¹/₂" Rosette Screws
 - Extra Long Single Cylinder Tailpiece
 - Long Outside Entry Spindle
 - Extra Long Inside Passage Half Spindle
 - 3¹/₂" Deadbolt Mounting Screws
 - Spindle Extensions
 - Extended Full-Lip Strike Plate
 - Deadbolt Strike Plate

Wrought Steel Tubular Entryset Sectional, Double Cylinder

Lafayette (462212), San Carlos (462222), Normandy (462232)

- Standard Door Thickness: 1¹/₂"- 2"
- Standard Components:
 - 1¹/₂" Rosette Screws
 - Double Cylinder Tailpiece
 - Outside Entry Spindle
 - Inside Passage Half Spindle
 - 2¹/₄" Deadbolt Mounting Screws
 - Full-Lip Strike Plate
 - Deadbolt Strike Plate

- **Extended** Door Thickness: 2"- 2⁵/₈"
- Extended Components:
 - 2" Rosette Screws
 - Long Double Cylinder Tailpiece
 - Long Outside Entry Spindle
 - Long Inside Passage Half Spindle
 - 3" Deadbolt Mounting Screws
 - Spindle Extensions
 - Extended Full-Lip Strike Plate
 - Deadbolt Strike Plate

- **Extended** Door Thickness: 2⁵/₈"- 2⁷/₈"
- Extended Components:
 - 2¹/₂" Rosette Screws
 - Extra Long Double Cylinder Tailpiece
 - Long Outside Entry Spindle
 - Extra Long Inside Passage Half Spindle
 - 3¹/₂" Deadbolt Mounting Screws
 - Spindle Extensions
 - Extended Full-Lip Strike Plate
 - Deadbolt Strike Plate

Wrought Steel Tubular Entryset Monolithic, Single Cylinder

Lafayette (461111), San Carlos (461121), Normandy (461131)

- Standard Door Thickness: 1³/₄"- 2¹/₈"
- Standard Components:
 - 1¹/₂" Rosette Screws
 - Single Cylinder Tailpiece
 - Outside Entry Spindle
 - Inside Passage Half Spindle
 - 2¹/₄" Deadbolt Mounting Screws
 - Full-Lip Strike Plate
 - Deadbolt Strike Plate

- **Extended** Door Thickness: 2¹/₄"- 2¹/₂"
- Extended Components:
 - 2" Rosette Screws
 - Long Single Cylinder Tailpiece
 - Long Outside Entry Spindle
 - Long Inside Passage Half Spindle
 - 2¹/₂" Deadbolt Mounting Screws
 - Spindle Extensions
 - Extended Full-Lip Strike Plate
 - Deadbolt Strike Plate

- **Extended** Door Thickness: 2¹/₂"- 3"
- Extended Components:
 - 2¹/₂" Rosette Screws
 - Extra Long Single Cylinder Tailpiece
 - Long Outside Entry Spindle
 - Extra Long Inside Passage Half Spindle
 - 3" Deadbolt Mounting Screws
 - Spindle Extensions
 - Extended Full-Lip Strike Plate
 - Deadbolt Strike Plate

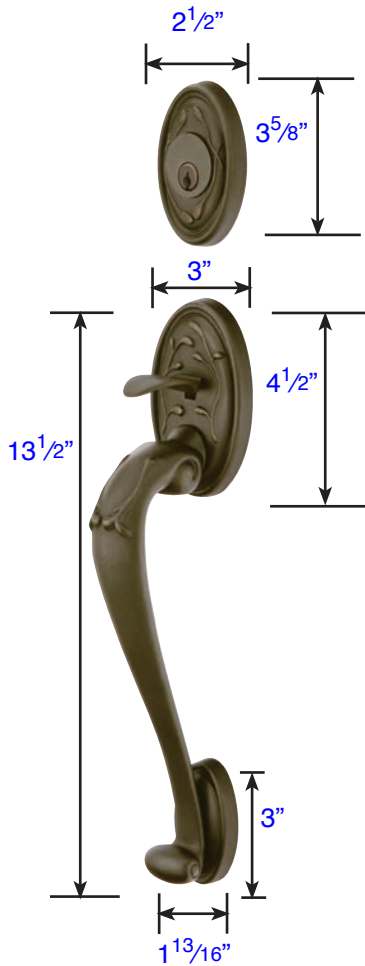
Wrought Steel Tubular Entryset Monolithic, Double Cylinder

Lafayette (462111), San Carlos (462121), Normandy (462131)

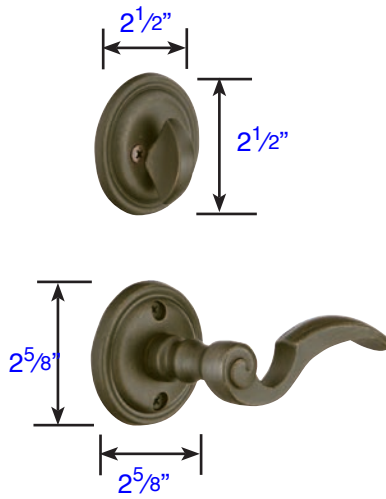
- Standard Door Thickness: 1³/₄"- 2"
- Standard Components:
 - 1¹/₂" Rosette Screws
 - Double Cylinder Tailpiece
 - Outside Entry Spindle
 - Inside Passage Half Spindle
 - 2¹/₄" Deadbolt Mounting Screws
 - Full-Lip Strike Plate
 - Deadbolt Strike Plate

- **Extended** Door Thickness: 2"- 2⁵/₈"
- Extended Components:
 - 2" Rosette Screws
 - Long Double Cylinder Tailpiece
 - Long Outside Entry Spindle
 - Long Inside Passage Half Spindle
 - 3" Deadbolt Mounting Screws
 - Spindle Extensions
 - Extended Full-Lip Strike Plate
 - Deadbolt Strike Plate

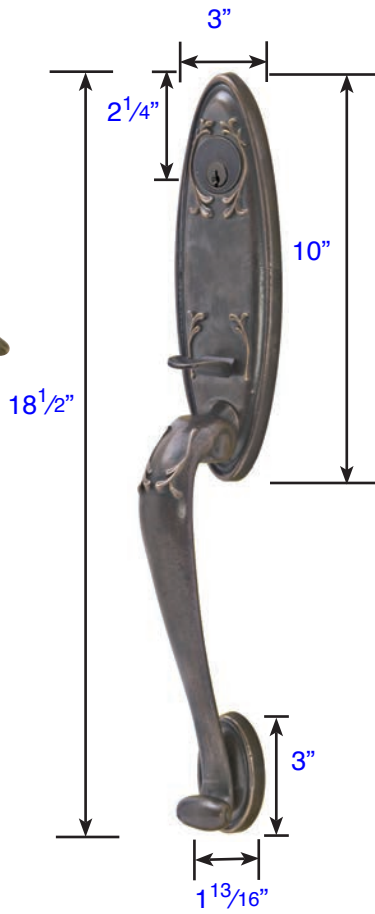
TS-TE REV17A 05/25/2017



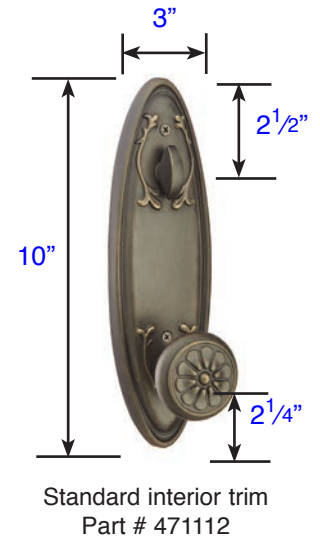
Tuscany Sectional Style
Part # 471224



Standard interior trim
Part # 471224



Tuscany Monolithic
Part # 471112



Standard interior trim
Part # 471112

Additional Dimensions: (Part # 471224)

- Exterior Projection is 3³/₃₂"
- Interior Projection Depends on Handle Style
- Overall Grip thickness: 1⁹/₁₆"
- Clearance between door & grip is 2³/₈"
- Plates thickness: 1/2"

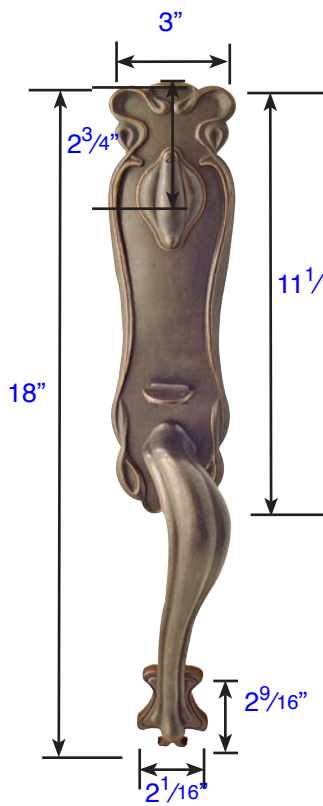
*Same Dimensions for
Double Cylinder & Dummy Function*

Additional Dimensions: (Part # 471112)

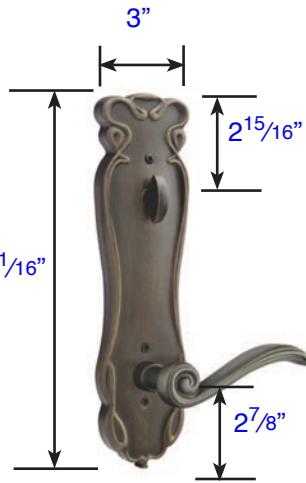
- Exterior Projection is 3³/₃₂"
- Interior Projection Depends on Handle Style
- Overall Grip thickness: 1"
- Clearance between door & grip is 2³/₈"
- Plates thickness: 1/2"

*Same Dimensions for
Double Cylinder & Dummy Function*

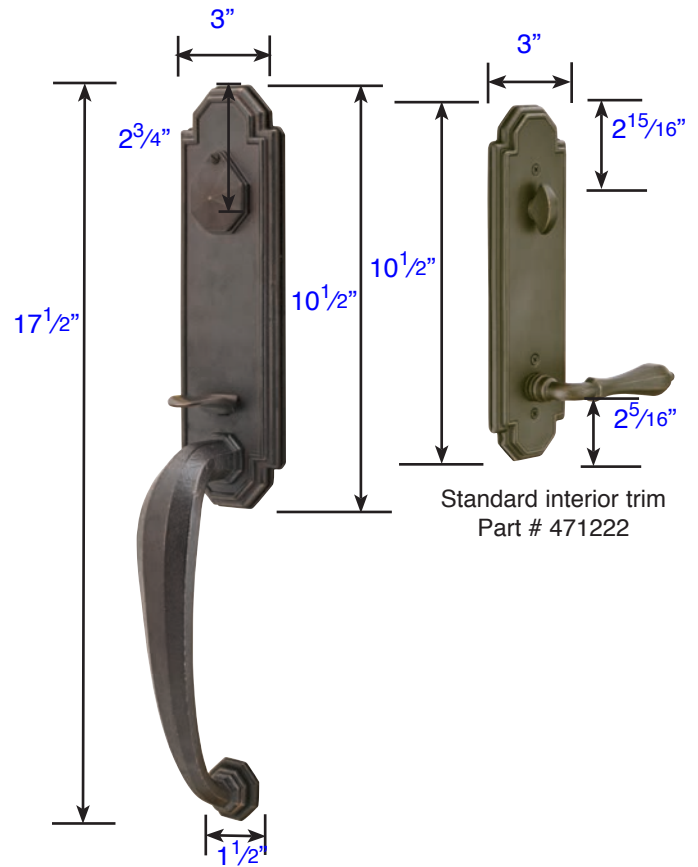
Dimensions for **Grip-By-Grip Entrance** are the same as the Exterior Trim of standard grip handlesets.



Art Nouveau Style
Right Hand Grip
Part # 471333



Standard interior trim
Part # 471333



Octagon Style
Part # 471222

Additional Dimensions: (Part # 471333 & 471222)

- Exterior Projection is 3 1/8"
- Interior Projection Depends on Handle Style
- Overall Grip thickness: 1 3/4"
- Clearance between door & grip is 1 3/4"
- Plates thickness: 1/2"

**Same Dimensions for
Double Cylinder & Dummy Function**

Dimensions for **Grip-By-Grip Entrance** are the same as the Exterior Trim of standard grip handlesets.

Lost Wax Cast Bronze Tubular Entryset Sectional, Single Cylinder

Tuscany Sectional (471224)

- Standard Door Thickness: 1³/₄" - 2"
- Standard Components:
- 1¹/₂" & 2" Rosette Screws
- Single Cylinder Tailpiece
- Outside Entry Spindle
- Inside Passage Half Spindle
- 2¹/₂" Deadbolt Mounting Screws
- Full-Lip Strike Plate
- Deadbolt Strike Plate

- **Extended** Door Thickness: 2" - 2¹/₂"
- Extended Components:
- 2" Rosette Screws
- Long Single Cylinder Tailpiece
- Long Outside Entry Spindle
- Long Inside Passage Half Spindle
- 3" Deadbolt Mounting Screws
- Spindle Extensions
- Extended Full-Lip Strike Plate
- Deadbolt Strike Plate

- **Extended** Door Thickness: 2¹/₂" - 2⁷/₈"
- Extended Components:
- 2¹/₂" Rosette Screws
- Extra Long Single Cylinder Tailpiece
- Long Outside Entry Spindle
- Extra Long Inside Passage Half Spindle
- 3¹/₂" Deadbolt Mounting Screws
- Spindle Extensions
- Extended Full-Lip Strike Plate
- Deadbolt Strike Plate

Lost Wax Cast Bronze Tubular Entryset Sectional, Double Cylinder

Tuscany Sectional (472224)

- Standard Door Thickness: 1³/₄" - 2"
- Standard Components:
- 1¹/₂" Rosette Screws
- Double Cylinder Tailpiece
- Outside Entry Spindle
- Inside Passage Half Spindle
- 2¹/₂" Deadbolt Mounting Screws
- Full-Lip Strike Plate
- Deadbolt Strike Plate

- **Extended** Door Thickness: 2¹/₄" - 2⁵/₈"
- Extended Components:
- 2" & 2¹/₂" Rosette Screws
- Long Double Cylinder Tailpiece
- Long Outside Entry Spindle
- Long Inside Passage Half Spindle
- 3" & 3¹/₂" Deadbolt Mounting Screws
- Spindle Extensions
- Extended Full-Lip Strike Plate
- Deadbolt Strike Plate

Lost Wax Cast Bronze Tubular Entryset Monolithic & Full Length, Single Cylinder

Tuscany (471112), Art Nouveau (471333), Octagon (471222)

- Standard Door Thickness: 1³/₄" - 2"
- Standard Components:
- 1¹/₂" & 2" Rosette Screws
- Single Cylinder Tailpiece
- Outside Entry Spindle
- Long Inside Passage Half Spindle
- 2¹/₂" Deadbolt Mounting Screws
- Full-Lip Strike Plate
- Deadbolt Strike Plate

- **Extended** Door Thickness: 2" - 2¹/₂"
- Extended Components:
- 2" Rosette Screws
- Long Single Cylinder Tailpiece
- Long Outside Entry Spindle
- Long Inside Passage Half Spindle
- 3" Deadbolt Mounting Screws
- Spindle Extensions
- Extended Full-Lip Strike Plate
- Deadbolt Strike Plate

- **Extended** Door Thickness: 2¹/₂" - 2⁷/₈"
- Extended Components:
- 2¹/₂" Rosette Screws
- Extra Long Single Cylinder Tailpiece
- Long Outside Entry Spindle
- Extra Long Inside Passage Half Spindle
- 3¹/₂" Deadbolt Mounting Screws
- Spindle Extensions
- Extended Full-Lip Strike Plate
- Deadbolt Strike Plate

Lost Wax Cast Bronze Tubular Entryset Monolithic & Full Length, Double Cylinder

Tuscany (472112), Art Nouveau (472333), Octagon (472222)

- Standard Door Thickness: 1³/₄" - 2"
- Standard Components:
- 1¹/₂" Rosette Screws
- Double Cylinder Tailpiece
- Outside Entry Spindle
- Long Inside Passage Half Spindle
- 2¹/₂" Deadbolt Mounting Screws
- Full-Lip Strike Plate
- Deadbolt Strike Plate

- **Extended** Door Thickness: 2" - 2⁵/₈"
- Extended Components:
- 2" & 2¹/₂" Rosette Screws
- Long Double Cylinder Tailpiece
- Long Outside Entry Spindle
- Long Inside Passage Half Spindle
- 3" & 3¹/₂" Deadbolt Mounting Screws
- Spindle Extensions
- Extended Full-Lip Strike Plate
- Deadbolt Strike Plate

Grip-By-Grip Tubular Entryset, Single Cylinder

Tuscany Sectional(473444), Tuscany(473111), Octagon(473222), Art Nouveau-LH(473333LH), Art Nouveau-RH(473333RH)

- Standard Door Thickness: 1⁵/₈" - 2"
- Standard Components:
- 1¹/₂" & 2" Rosette Screws
 - Single Cylinder Tailpiece
 - Outside Entry Spindle
 - Inside Passage Half Spindle
 - 2¹/₂" Deadbolt Mounting Screws
 - Full-Lip Strike Plate
 - Deadbolt Strike Plate

- **Extended** Door Thickness: 2" - 2¹/₂"
- Extended Components:
- 2" & 2¹/₂" Rosette Screws
 - Long Single Cylinder Tailpiece
 - Long Outside Entry Spindle
 - 3" Deadbolt Mounting Screws
 - Extended Full-Lip Strike Plate
 - Deadbolt Strike Plate

- **Extended** Door Thickness: 2¹/₂" - 3"
- Extended Components:
- 2¹/₂" & 3" Rosette Screws
 - Extra Long Single Cylinder Tailpiece
 - Long Outside Entry Spindle
 - 3¹/₂" Deadbolt Mounting Screws
 - Extended Full-Lip Strike Plate
 - Deadbolt Strike Plate

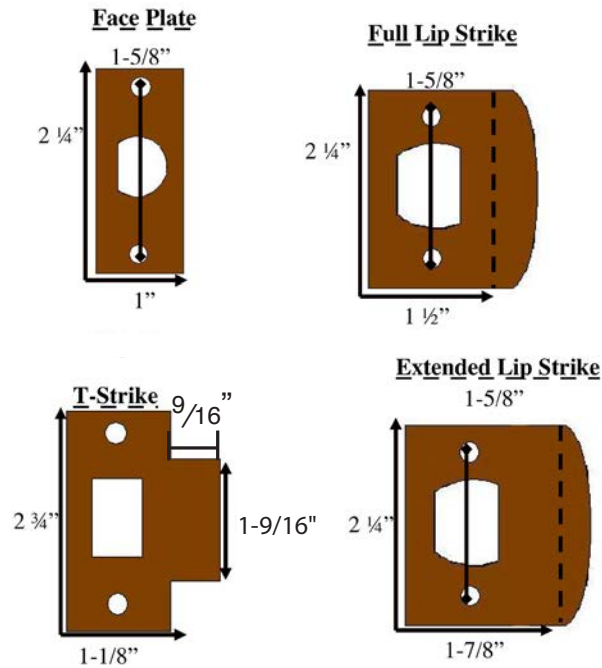
Grip-By-Grip Tubular Entryset, Double Cylinder

Tuscany Sectional(474444), Tuscany(474111), Octagon(474222), Art Nouveau-LH(474333LH), Art Nouveau-RH(474333RH)

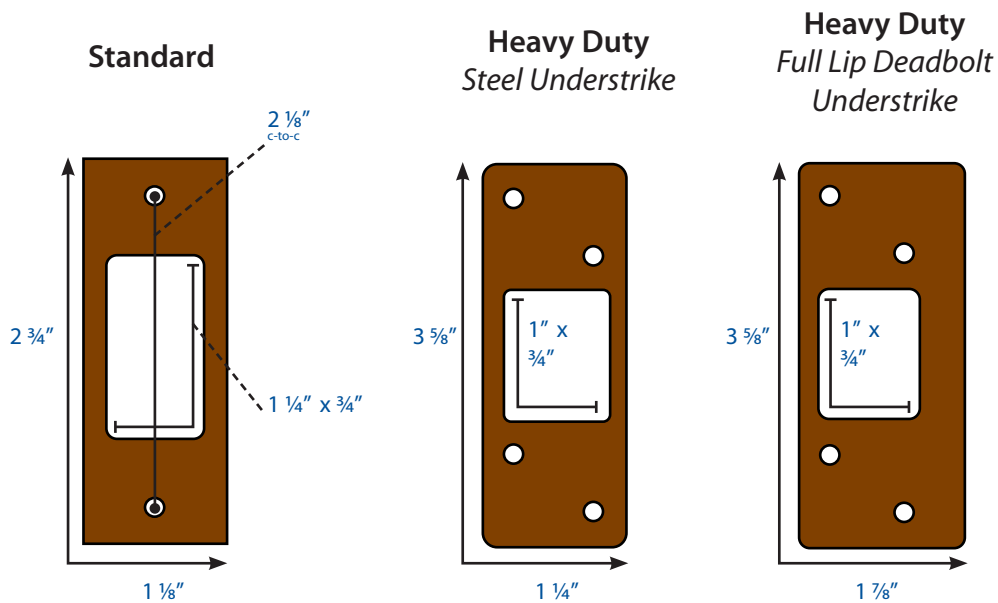
- Standard Door Thickness: 1⁵/₈" - 2¹/₈"
- Standard Components:
- 1¹/₂" Rosette Screws
 - Double Cylinder Tailpiece
 - Outside Entry Spindle
 - 2¹/₂" & 3" Deadbolt Mounting Screws
 - Full-Lip Strike Plate
 - Deadbolt Strike Plate

- **Extended** Door Thickness: 2¹/₈" - 3"
- Extended Components:
- 2¹/₂" & 3" Rosette Screws
 - Long Double Cylinder Tailpiece
 - Long Outside Entry Spindle
 - 3" & 3¹/₂" Deadbolt Mounting Screws
 - Extended Full-Lip Strike Plate
 - Deadbolt Strike Plate

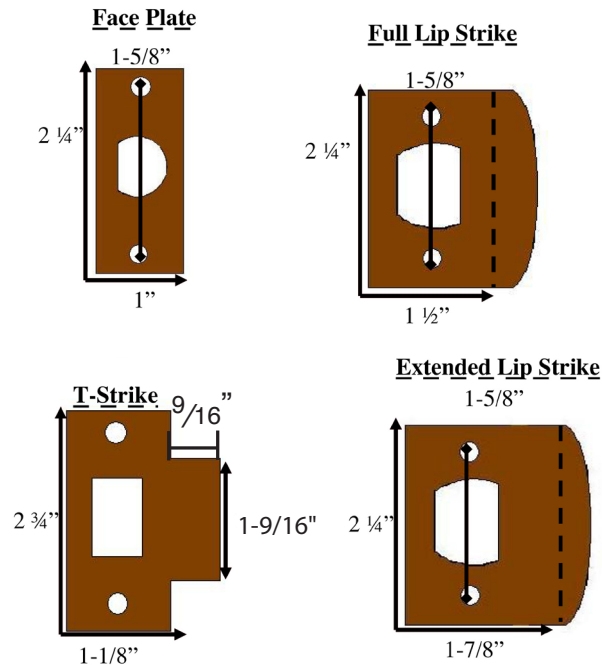
Face and Strike Plates



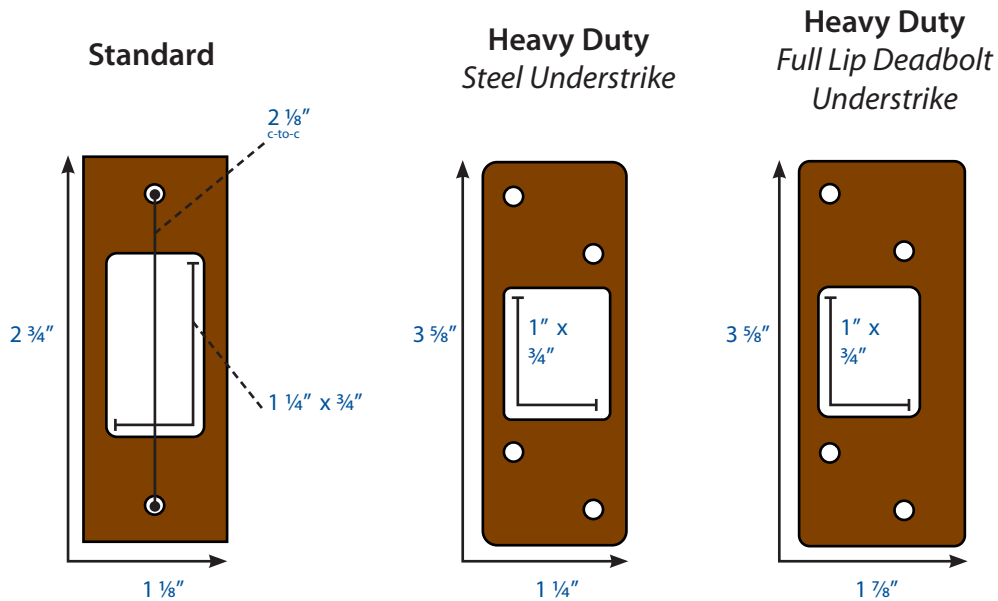
Deadbolt Strike Plates



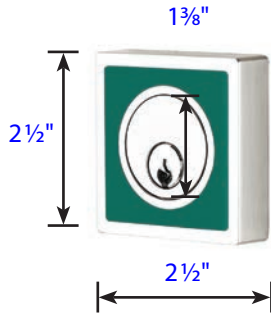
Face and Strike Plates



Deadbolt Strike Plates



Martinique Style Deadbolt

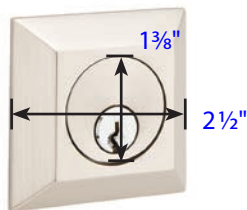


- Exterior Trim (L8469)
- Projection is 5/8"
 - L8369 same on both sides

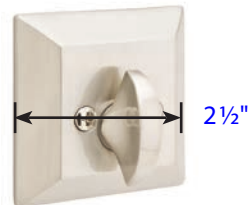


- Interior Trim (L8469)
- Projection is 1 1/4"
 - Thickness is 5/16"

Quincy Style Deadbolt

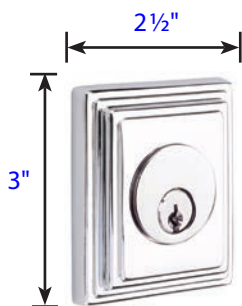


Exterior Trim (8478)
• Projection is 1/2"
• 8378 same on both sides



Interior Trim (8478)
• Projection is 1 1/4"
• Thickness is 5/16"

Wilshire Style Deadbolt

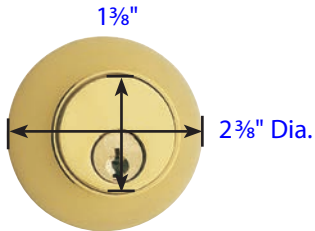


Exterior Trim (8479)
• Projection is 1/2"
• 8379 same on both sides



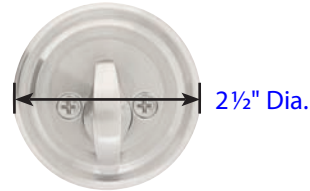
Interior Trim (8479)
• Projection is 1"
• Thickness is 5/16"

Regular Style Deadbolt



Exterior Trim (8450)

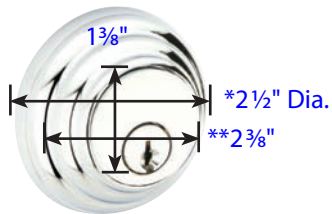
- Projection is 1³/₈"
- 8350 same on both sides
- Available Extension Collar for Thin Doors



Interior Trim (8450)

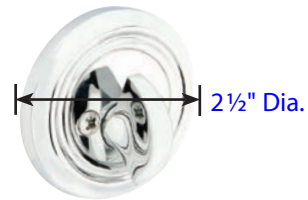
- Projection is 1¹/₄"
- Thickness is 5¹/₁₆"

Low Profile Style Deadbolt



Exterior Trim (8455)

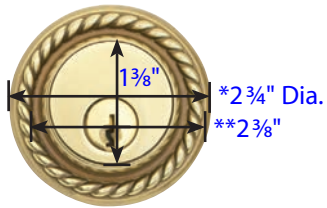
- * 2¹/₂" Diameter with Exterior ring
- ** 2³/₈" Diameter without Exterior ring
- Projection with Exterior ring: 7⁷/₈"
- Projection without Exterior ring: 5⁵/₈"
- 8355 same both sides
- Available Extension Collar for Thin Doors



Interior Trim (8455)

- Projection is 1¹/₄"
- Thickness is 5⁵/₁₆"

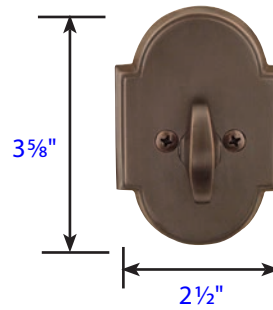
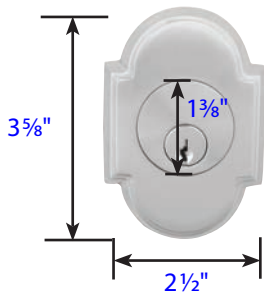
Rope Style Deadbolt



- Exterior Trim (8464)
- * 2 1/2" Diameter with Exterior ring
 - ** 2 3/8" Diameter without Exterior ring
 - Projection with ext. ring: 1 1/16"
 - Projection without ext. ring: 1/2"
 - 8364 same both sides

- Interior Trim (8464)
- Projection is 1 1/4"
 - Thickness is 5/16"

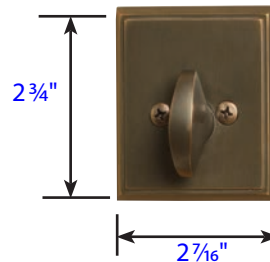
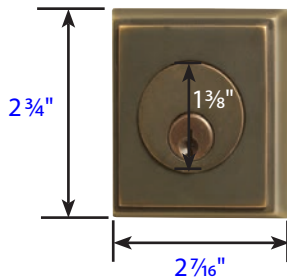
#8 Style Deadbolt



- Exterior Trim (8466)
- Projection is 1/2"
 - 8366 same on both sides

- Interior Trim (8466)
- Projection is 1 1/4"
 - Thickness is 5/16"

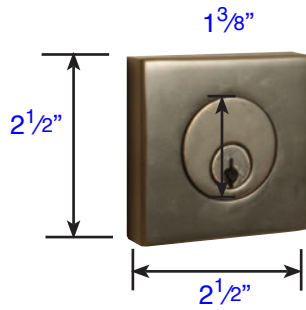
Rectangular Style Deadbolt



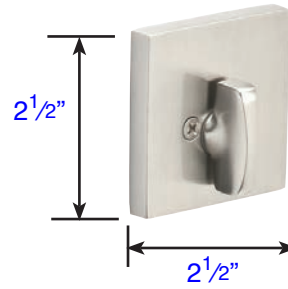
- Exterior Trim (8468)
- Projection is 9/16"
 - 8368 same on both sides

- Interior Trim (8468)
- Projection is 1 1/4"
 - Thickness is 9/32"

Square Style Deadbolt

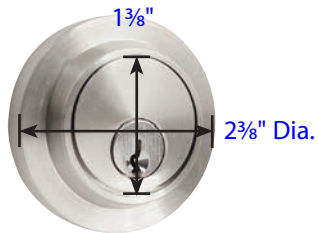


Exterior Trim (8469)
 • Projection is $\frac{5}{8}$ "
 • 8369 same on both sides

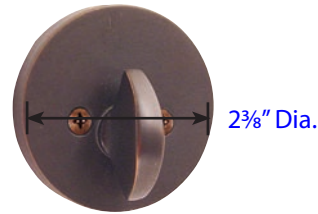


Interior Trim (8469)
 • Projection is $1\frac{1}{4}$ "
 • Thickness is $\frac{5}{16}$ "

Modern Style Deadbolt

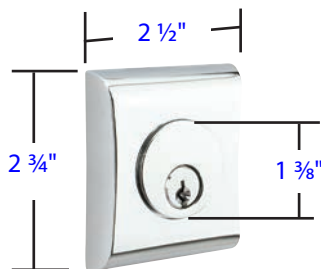


Exterior Trim (8467)
 • Projection is $\frac{5}{8}$ "
 • 8367 same on both sides

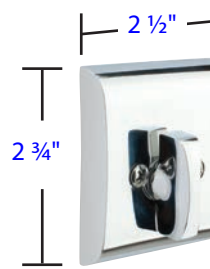


Interior Trim (8467)
 • Projection is $1\frac{1}{4}$ "
 • Thickness is $\frac{5}{16}$ "

Neos Style Deadbolt

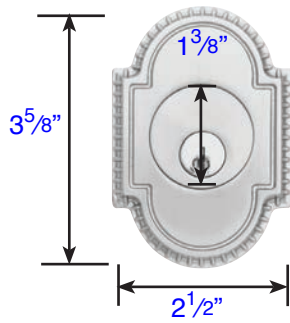


Exterior Trim (8475)
 • Projection is $\frac{5}{8}$ "
 • 8375 same on both sides

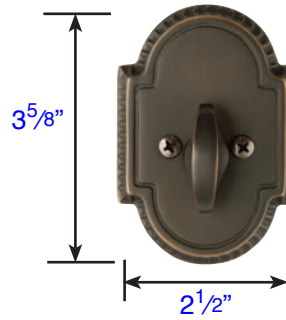


Interior Trim (8475)
 • Projection is 1"
 • Thickness is $\frac{3}{8}$ "

Knoxville Style Deadbolt

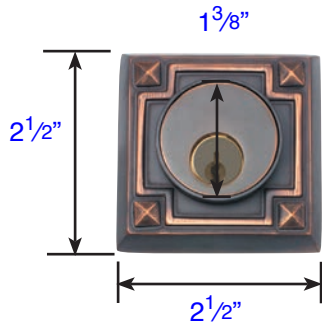


- Exterior Trim (8459)
- Projection is $\frac{1}{2}$ "
 - 8359 same on both sides

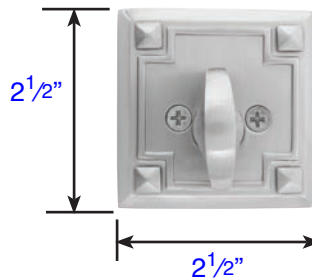


- Interior Trim (8459)
- Projection is $1\frac{1}{4}$ "
 - Thickness is $\frac{1}{2}$ "

Arts & Crafts Style Deadbolt

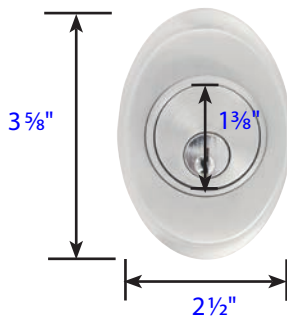


- Exterior Trim (8454)
- Projection is $\frac{9}{16}$ "
 - 8354 same on both sides

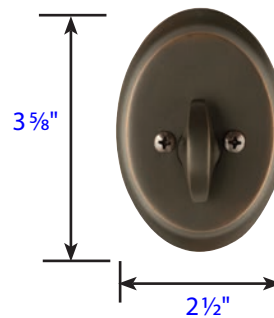


- Interior Trim (8454)
- Projection is $1\frac{1}{4}$ "
 - Thickness is $\frac{5}{16}$ "

Saratoga Style Deadbolt



- Exterior Trim (8458)
- Projection is $\frac{1}{2}$ "
 - 8358 same on both sides



- Interior Trim (8458)
- Projection is $1\frac{1}{4}$ "
 - Thickness is $\frac{1}{2}$ "

Brass Regular Style Deadbolt, Single Cylinder

Regular Style (8450)

<ul style="list-style-type: none"> • Standard Door Thickness: 1³/₈" - 2¹/₈" Standard Components: • 2¹/₄" Deadbolt Mounting Screws • Deadbolt Strike Plate 	<ul style="list-style-type: none"> • Extended Door Thickness: 2¹/₈" - 2³/₄" Extended Components: • Long Single Cylinder Tailpiece • 2¹/₂" & 3" Deadbolt Mounting Screws • Deadbolt Strike Plate 	<ul style="list-style-type: none"> • Extended Door Thickness: 2³/₄" - 3" Extended Components: • Extra Long Single Cylinder Tailpiece • 3¹/₂" Deadbolt Mounting Screws • Deadbolt Strike Plate
---	---	---

Brass Regular Style Deadbolt, Double Cylinder

Regular Style (8350)

<ul style="list-style-type: none"> • Standard Door Thickness: 1³/₈" - 1³/₄" Standard Components: • Double Cylinder Tailpieces • 2¹/₂" & 3" Deadbolt Mounting Screws • Deadbolt Strike Plate 	<ul style="list-style-type: none"> • Extended Door Thickness: 1³/₄" - 2¹/₂" Extended Components: • Long Double Cylinder Tailpieces • 3¹/₂" Deadbolt Mounting Screws • Deadbolt Strike Plate
--	---

Brass Low Profile & Rope Style Deadbolt, Single Cylinder

Low Profile (8455)* & Rope Style (8464)

<ul style="list-style-type: none"> • Standard Door Thickness: 1¹/₄" - 2¹/₄" Standard Components: • Single Cylinder Tailpiece • 2¹/₄" Deadbolt Mounting Screws • Deadbolt Strike Plate 	<ul style="list-style-type: none"> • Extended Door Thickness: 2¹/₄" - 2³/₄" Extended Components: • Long Single Cylinder Tailpiece • 3" Deadbolt Mounting Screws • Deadbolt Strike Plate 	<ul style="list-style-type: none"> • Extended Door Thickness: 2³/₄" - 3" Extended Components: • Extra Long Single Cylinder Tailpiece • 3¹/₂" Deadbolt Mounting Screws • Deadbolt Strike Plate
--	---	---

* Part # DB4-COLRG2 Available for 1³/₈" Thick Doors

Brass Low Profile & Rope Style Deadbolt, Double Cylinder

Low Profile (8355) & Rope Style (8364)

<ul style="list-style-type: none"> • Standard Door Thickness: 1¹/₄" - 2¹/₈" Standard Components: • Double Cylinder Tailpieces • 2¹/₂" & 3" Deadbolt Mounting Screws • Deadbolt Strike Plate 	<ul style="list-style-type: none"> • Extended Door Thickness: 2¹/₈" - 2⁷/₈" Extended Components: • Long Double Cylinder Tailpieces • 3" & 3¹/₂" Deadbolt Mounting Screws • Deadbolt Strike Plate
--	--

Brass Decorative Deadbolt, Single Cylinder

Style #8 (8466), Arts & Crafts (8454), Rectangular (8468), Saratoga (8458) & Knoxville (8459), Quincy (8478)

<ul style="list-style-type: none"> • Standard Door Thickness: 1³/₄"- 2¹/₈" Standard Components: • Single Cylinder Tailpiece • 2¹/₄" Deadbolt Mounting Screws • Deadbolt Strike Plate 	<ul style="list-style-type: none"> • <i>Extended</i> Door Thickness: 2¹/₈"- 2³/₄" Extended Components: • Long Single Cylinder Tailpiece • 2¹/₂" & 3" Deadbolt Mounting Screws • Deadbolt Strike Plate 	<ul style="list-style-type: none"> • <i>Extended</i> Door Thickness: 2³/₄"- 3" Extended Components: • Extra Long Single Cylinder Tailpiece • 3¹/₂" Deadbolt Mounting Screws • Deadbolt Strike Plate
---	--	--

Brass Decorative Deadbolt, Double Cylinder

Style #8 (8366), Arts & Crafts (8354), Rectangular (8368), Saratoga (8358) & Knoxville (8359), Quincy (8378)

<ul style="list-style-type: none"> • Standard Door Thickness: 1¹/₂"- 1⁷/₈" Standard Components: • Double Cylinder Tailpieces • 2¹/₂" Deadbolt Mounting Screws • Deadbolt Strike Plate 	<ul style="list-style-type: none"> • <i>Extended</i> Door Thickness: 1⁷/₈"- 2⁵/₈" Extended Components: • Long Double Cylinder Tailpieces • 3" & 3¹/₂" Deadbolt Mounting Screws • Deadbolt Strike Plate
--	---

* Part # DB4-COLLAR32 Available for 1³/₈" Thick Doors

Brass Modern Deadbolts, Single Cylinder

Modern Style (8467), Square Style (8469) & Martinique Style (L8469)

<ul style="list-style-type: none"> • Standard Door Thickness: 1³/₄"- 2¹/₈" Standard Components: • Single Cylinder Tailpiece • 2¹/₄" Deadbolt Mounting Screws • Deadbolt Strike Plate 	<ul style="list-style-type: none"> • <i>Extended</i> Door Thickness: 2¹/₈"- 2³/₄" Extended Components: • Long Single Cylinder Tailpiece • 2¹/₂" & 3" Deadbolt Mounting Screws • Deadbolt Strike Plate 	<ul style="list-style-type: none"> • <i>Extended</i> Door Thickness: 2³/₄"- 3" Extended Components: • Extra Long Single Cylinder Tailpiece • 3¹/₂" Deadbolt Mounting Screws • Deadbolt Strike Plate
---	--	--

Brass Modern Deadbolts, Double Cylinder

Modern Style (8367), Square Style (8369) & Martinique Style (L8369)

<ul style="list-style-type: none"> • Standard Door Thickness: 1¹/₂"- 1⁷/₈" Standard Components: • Double Cylinder Tailpieces • 2¹/₂" Deadbolt Mounting Screws • Deadbolt Strike Plate 	<ul style="list-style-type: none"> • <i>Extended</i> Door Thickness: 1⁷/₈"- 2⁵/₈" Extended Components: • Long Double Cylinder Tailpieces • 3" & 3¹/₂" Deadbolt Mounting Screws • Deadbolt Strike Plate
--	---

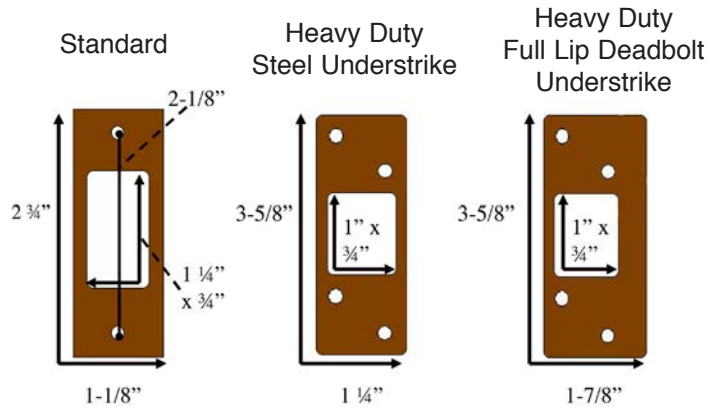
Brass *Single-Sided* Deadbolts

- Standard Door Thickness: 1⁵/₈" - 2³/₈"
- Standard Components:
 - Single Cylinder Tailpiece
 - 1³/₄" Deadbolt Mounting Screws
 - Deadbolt Strike Plate

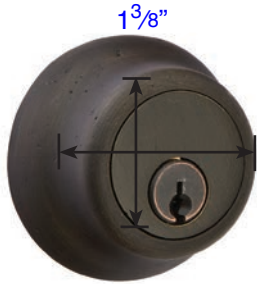
- *Extended* Door Thickness: 2³/₈" - 2³/₄"
- Extended Components:
 - Long Single Cylinder Tailpiece
 - 2¹/₄" Deadbolt Mounting Screws
 - Deadbolt Strike Plate

- *Extended* Door Thickness: 2⁷/₈" - 3³/₈"
- Extended Components:
 - Extra Long Single Cylinder Tailpiece
 - 2¹/₂" & 3" Deadbolt Mounting Screws
 - Deadbolt Strike Plate

Deadbolt Strike Plates

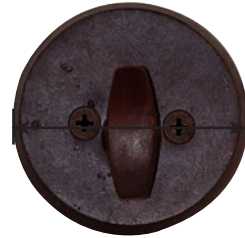


Bronze Regular Style Deadbolt



2³/₈" Dia.

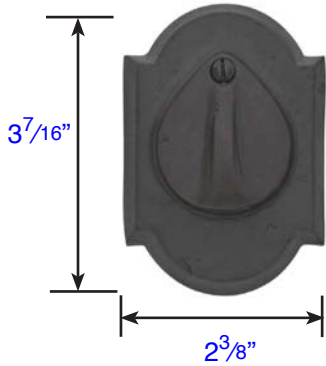
Exterior Trim (8450)
 • Projection is 1"
 • 8350 same on both sides



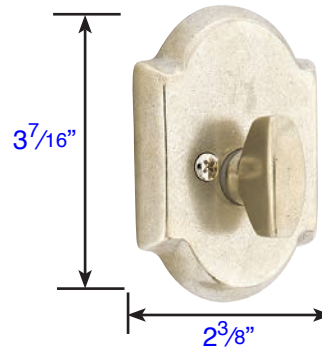
2¹/₂" Dia.

Interior Trim (8450)
 • Projection is 1¹/₄"
 • Thickness is 5/16"

#1 Style Plate with Flap Deadbolt

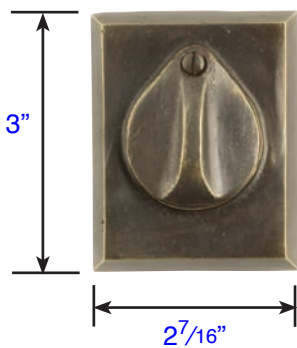


Exterior Trim (8457)
 • Projection is 1³/₁₆"
 • 8357 same on both sides

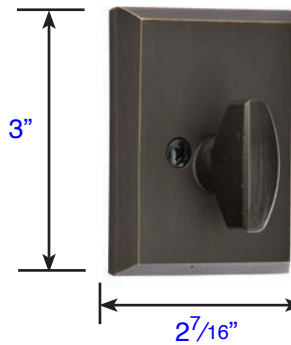


Interior Trim (8457)
 • Projection is 1¹/₄"
 • Thickness is 1/2"

#3 Style Plate with Flap Deadbolt

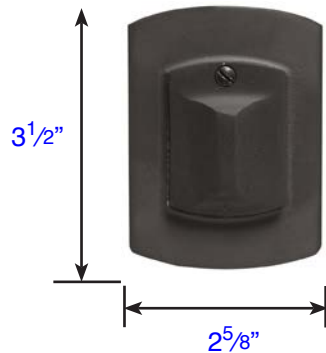


Exterior Trim (8465)
 • Projection is 1¹/₁₆"
 • 8365 same on both sides

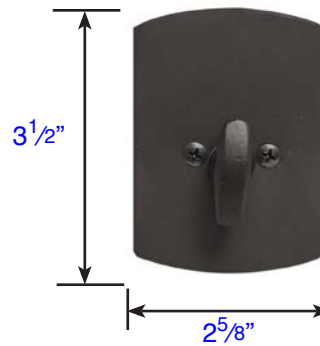


Interior Trim (8465)
 • Projection is 1¹/₄"
 • Thickness is 1/2"

#4 Style Plate with Flap Deadbolt

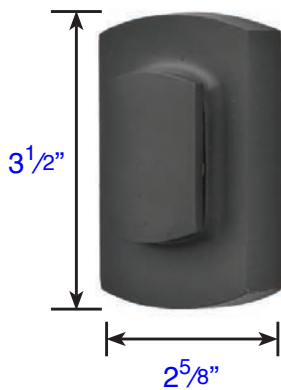


Exterior Trim (8474)
• Projection is $\frac{11}{16}$ "
• 8374 same on both sides

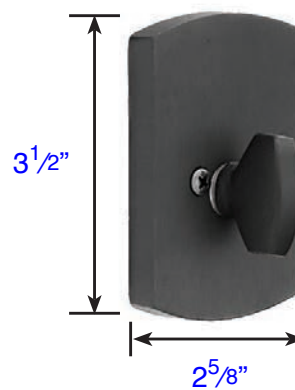


Interior Trim (8474)
• Projection is $1\frac{1}{4}$ "
• Thickness is $\frac{3}{8}$ "

#6 Ridgemont Style Plate with Flap Deadbolt



Exterior Trim (8476)
• Projection is $\frac{15}{16}$ "
• 8376 same on both sides



Interior Trim (8476)
• Projection is $1\frac{5}{16}$ "
• Thickness is $\frac{1}{2}$ "

Standard with Sandcast Bronze Deadbolt Locks

- Schlage C Keyway
- Standard Door Prep and Installation
- Solid Brass Cylinder
- Sandcast Bronze Collar and Inside Rosette
- Hardened Steel Bolt
- Heavy Gauge Steel Understrike and Brass Trim Strike Shipped with Every Deadbolt

Bronze Regular Style Deadbolt, Single Cylinder

Regular (8450)*

<ul style="list-style-type: none"> • Standard Door Thickness: 1³/₄"- 2³/₄" Standard Components: • Single Cylinder Tailpiece • 2¹/₄" & 2¹/₂" Deadbolt Mounting Screws • Deadbolt Strike Plate 	<ul style="list-style-type: none"> • Extended Door Thickness: 2"- 2¹/₂" Extended Components: • Long Single Cylinder Tailpiece • 3" Deadbolt Mounting Screws • Deadbolt Strike Plate 	<ul style="list-style-type: none"> • Extended Door Thickness: 2¹/₂"- 3" Extended Components: • Extra Long Single Cylinder Tailpiece • 3¹/₂" Deadbolt Mounting Screws • Deadbolt Strike Plate
---	---	--

**No Extension Collars Available for this Model*

Bronze Regular Style Deadbolt, Double Cylinder

Regular (8350)*

<ul style="list-style-type: none"> • Standard Door Thickness: 1³/₄"- 2" Standard Components: • Long Double Cylinder Tailpieces • 3" & 3¹/₂" Deadbolt Mounting Screws • Deadbolt Strike Plate

**No Extension Collars Available for this Model*

Bronze Decorative Deadbolts, Single Cylinder

#1 (8457), #3 (8465), #4 (8474), Ridgemont (8476)

<ul style="list-style-type: none"> • Standard Door Thickness: 1³/₄"- 2¹/₈" Standard Components: • Single Cylinder Tailpiece • 2¹/₂" & 3" Deadbolt Mounting Screws • Deadbolt Strike Plate 	<ul style="list-style-type: none"> • Extended Door Thickness: 2¹/₈"- 3" Extended Components: • Long Single Cylinder Tailpiece • 3" & 3¹/₂" Deadbolt Mounting Screws • Deadbolt Strike Plate
--	---

Bronze Decorative Deadbolts, Double Cylinder

#1 (8357), #3 (8365), #4 (8374), Ridgemont (8376)

<ul style="list-style-type: none"> • Standard Door Thickness: 1³/₄"- 2³/₈" Standard Components: • Double Cylinder Tailpieces • 2¹/₄" & 2¹/₂" Deadbolt Mounting Screws • Deadbolt Strike Plate 	<ul style="list-style-type: none"> • Extended Door Thickness: 1⁷/₈"- 2⁵/₈" Extended Components: • Long Double Cylinder Tailpieces • 3" & 3¹/₂" Deadbolt Mounting Screws • Deadbolt Strike Plate
--	---

Bronze *Single-Sided* Deadbolts

Regular Style (8450)

- Standard Door Thickness: 1³/₈" - 2³/₈"
- Standard Components:
 - Single Cylinder Tailpiece
 - 1³/₄" Deadbolt Mounting Screws
 - Deadbolt Strike Plate

- *Extended* Door Thickness: 2³/₈" - 2³/₄"
- Extended Components:
 - Long Single Cylinder Tailpiece
 - 2¹/₄" Deadbolt Mounting Screws
 - Deadbolt Strike Plate

- *Extended* Door Thickness: 2⁷/₈" - 3³/₈"
- Extended Components:
 - Extra Long Single Cylinder Tailpiece
 - 2¹/₂" & 3" Deadbolt Mounting Screws
 - Deadbolt Strike Plate

Bronze *Single-Sided* Deadbolts with Flaps

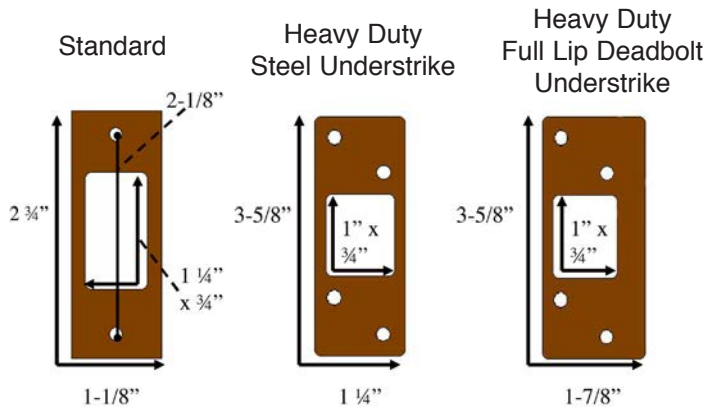
#1 (8457), #3 (8465), #4 (8474), Ridgmont (8476)

- Standard Door Thickness: 1³/₄" - 2³/₈"
- Standard Components:
 - Single Cylinder Tailpiece
 - 1³/₄" Deadbolt Mounting Screws
 - Deadbolt Strike Plate

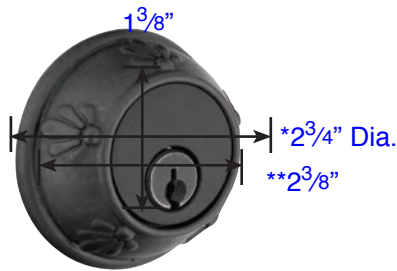
- *Extended* Door Thickness: 2³/₈" - 2³/₄"
- Extended Components:
 - Long Single Cylinder Tailpiece
 - 2¹/₄" Deadbolt Mounting Screws
 - Deadbolt Strike Plate

- *Extended* Door Thickness: 2⁷/₈" - 3³/₈"
- Extended Components:
 - Extra Long Single Cylinder Tailpiece
 - 2¹/₂" & 3" Deadbolt Mounting Screws
 - Deadbolt Strike Plate

Deadbolt Strike Plates



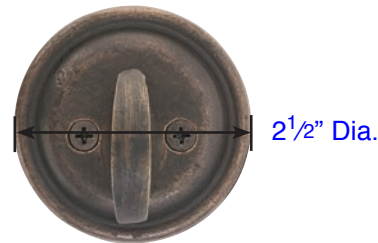
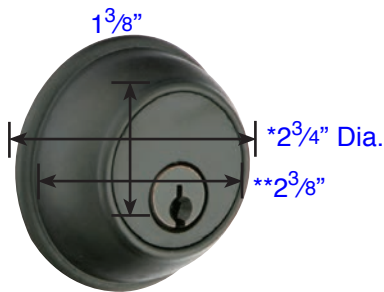
Tuscany Style Deadbolt



- Exterior Trim (8456)
- * 2³/₄" Diameter with Exterior ring
 - ** 2³/₈" Diameter without Exterior ring
 - Projection with ext. ring: 1"
 - Projection without ext. ring: 1¹/₁₆"
 - 8356 same both sides
 - Available Extension Collar for Thin Doors

- Interior Trim (8456)
- Projection is 1¹/₄"
 - Thickness is 5⁵/₁₆"

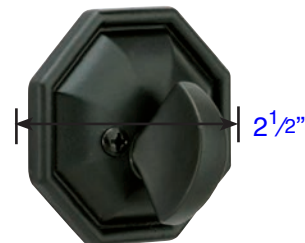
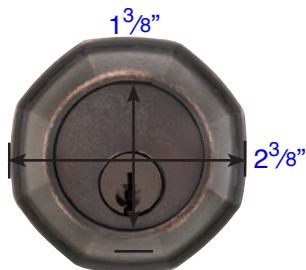
Tuscany Classic Style Deadbolt



- Exterior Trim (8471)
- * 2³/₄" Diameter with Exterior ring
 - ** 2³/₈" Diameter without Exterior ring
 - Projection with ext. ring: 1"
 - Projection without ext. ring: 1¹/₁₆"
 - 8371 same both sides
 - Available Extension Collar for Thin Doors

- Interior Trim (8471)
- Projection is 1¹/₄"
 - Thickness is 5⁵/₁₆"

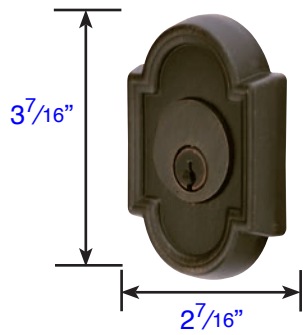
Octagon Style Deadbolt



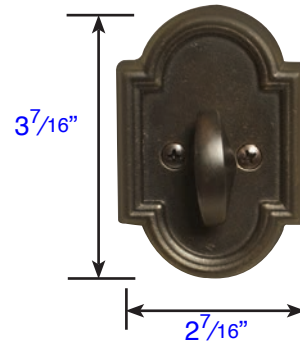
- Exterior Trim (8460)
- Projection is 3³/₄"
 - 8360 same on both sides

- Interior Trim (8460)
- Projection is 1¹/₄"
 - Thickness is 5⁵/₁₆"

#11 Style Deadbolt

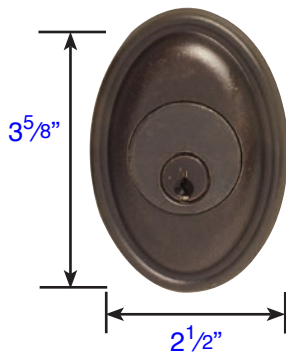


Exterior Trim (8472)
• Projection is $\frac{11}{16}$ "
8372 same both sides

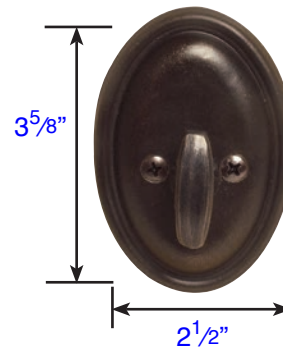


Interior Trim (8472)
• Projection is $1\frac{1}{4}$ "
• Thickness is $\frac{9}{16}$ "

#14 Style Deadbolt



Exterior Trim (8473)
• Projection is $\frac{11}{16}$ "
8373 same both sides



Interior Trim (8473)
• Projection is $1\frac{1}{4}$ "
• Thickness is $\frac{9}{16}$ "

Bronze Tuscany & Tuscany Classic Style Deadbolt, Single Cylinder

Tuscany (8456)* & Tuscany Classic (8471)

- Standard Door Thickness: 1³/₄"- 2¹/₄"
- Standard Components:
- Single Cylinder Tailpiece
- 2¹/₄" Deadbolt Mounting Screws
- Deadbolt Strike Plate

- *Extended* Door Thickness: 2¹/₄"- 2³/₄"
- Extended Components:
- Long Single Cylinder Tailpiece
- 3" Deadbolt Mounting Screws
- Deadbolt Strike Plate

- *Extended* Door Thickness: 2³/₄"- 3³/₈"
- Extended Components:
- Extra Long Single Cylinder Tailpiece
- 3¹/₂" Deadbolt Mounting Screws
- Deadbolt Strike Plate

* Part # DB4-TUSDBRG Available for 1³/₈" Thick Doors

Bronze Tuscany & Tuscany Classic Style Deadbolt, Double Cylinder

Tuscany (8356) & Tuscany Classic (8371)

- Standard Door Thickness: 1³/₄"- 2¹/₈"
- Standard Components:
- Double Cylinder Tailpieces
- 2¹/₂" & 3" Deadbolt Mounting Screws
- Deadbolt Strike Plate

- *Extended* Door Thickness: 2¹/₈"- 2⁷/₈"
- Extended Components:
- Long Double Cylinder Tailpieces
- 3" & 3¹/₂" Deadbolt Mounting Screws
- Deadbolt Strike Plate

Lost Wax Cast Bronze Deadbolts, Single Cylinder

Octagon (8460), Art Nouveau (8470), #11 Style (8472), #14 Style (8473)

- Standard Door Thickness: 1³/₈"- 2¹/₄"
- Standard Components:
- Single Cylinder Tailpiece
- 2¹/₂" & 3" Deadbolt Mounting Screws
- Deadbolt Strike Plate

- *Extended* Door Thickness: 2¹/₄"- 3"
- Extended Components:
- Long Single Cylinder Tailpiece
- 3" & 3¹/₂" Deadbolt Mounting Screws
- Deadbolt Strike Plate

Lost Wax Cast Bronze Deadbolts, Double Cylinder

Octagon (8360), Art Nouveau (8370), #11 Style (8372), #14 Style (8373)

- Standard Door Thickness: 1³/₄"- 2³/₈"
- Standard Components:
- Double Cylinder Tailpieces
- 2¹/₄" & 2¹/₂" Deadbolt Mounting Screws
- Deadbolt Strike Plate

- *Extended* Door Thickness: 2³/₈"- 3"
- Extended Components:
- Long Double Cylinder Tailpieces
- 3" & 3¹/₂" Deadbolt Mounting Screws
- Deadbolt Strike Plate

Bronze *Single-Sided* Deadbolts

Tuscany (8456)* & Tuscany Classic (8471), Octagon (8460),

- Standard Door Thickness: 1³/₈" - 2"
- Standard Components:
 - Single Cylinder Tailpiece
 - 1³/₄" Deadbolt Mounting Screws
 - Deadbolt Strike Plate

- **Extended** Door Thickness: 2³/₈" - 2³/₄"
- Extended Components:
 - Long Single Cylinder Tailpiece
 - 2¹/₄" Deadbolt Mounting Screws
 - Deadbolt Strike Plate

- **Extended** Door Thickness: 2⁷/₈" - 3³/₈"
- Extended Components:
 - Extra Long Single Cylinder Tailpiece
 - 2¹/₂" & 3" Deadbolt Mounting Screws
 - Deadbolt Strike Plate

* Part # DB4-TUSDBRG Available for 1³/₈" Thick Doors

Bronze *Single-Sided* Deadbolts

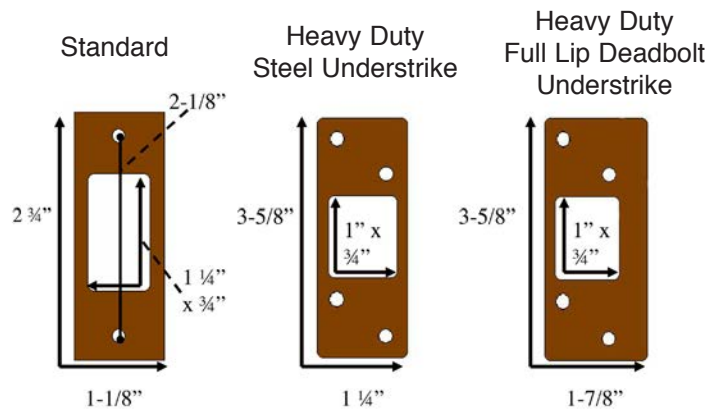
#11 Style (8472)*, #14 Style (8473)

- Standard Door Thickness: 1³/₄" - 2"
- Standard Components:
 - Single Cylinder Tailpiece
 - 1³/₄" Deadbolt Mounting Screws
 - Deadbolt Strike Plate

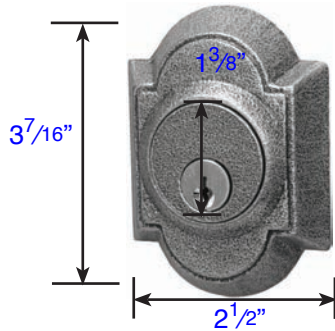
- **Extended** Door Thickness: 2³/₈" - 2³/₄"
- Extended Components:
 - Long Single Cylinder Tailpiece
 - 2¹/₄" Deadbolt Mounting Screws
 - Deadbolt Strike Plate

- **Extended** Door Thickness: 2⁷/₈" - 3³/₈"
- Extended Components:
 - Extra Long Single Cylinder Tailpiece
 - 2¹/₂" & 3" Deadbolt Mounting Screws
 - Deadbolt Strike Plate

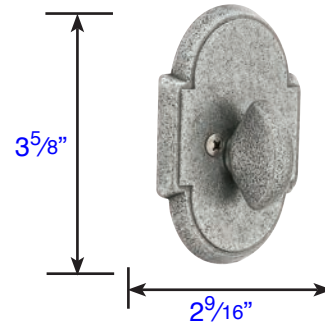
Deadbolt Strike Plates



#1 Style Deadbolt

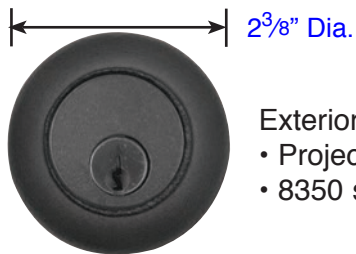


Exterior Trim (8461)
• Projection is 5⁵/₈"
• 8361 same on both sides

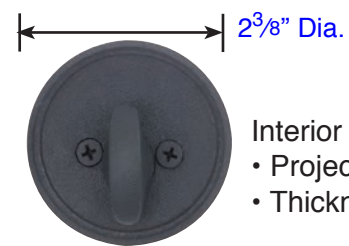


Interior Trim (8461)
• Projection is 1¹/₄"
• Thickness is 1¹/₄"

#2 Style Deadbolt

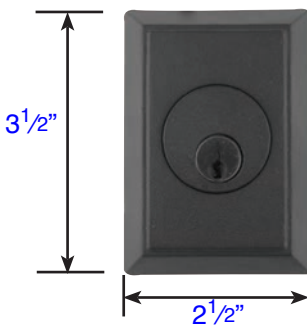


Exterior Trim (8452)
• Projection is 2³/₈"
• 8350 same on both sides

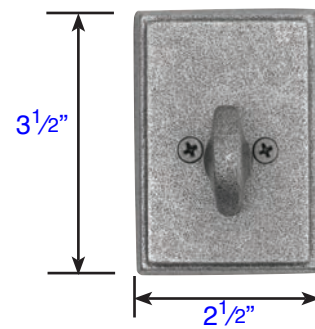


Interior Trim (8452)
• Projection is 1¹/₄"
• Thickness is 1¹/₄"

#3 Style Deadbolt



Exterior Trim (8463)
• Projection is 2¹/₂"
• 8363 same on both sides



Interior Trim (8463)
• Projection is 1¹/₄"
• Thickness is 1¹/₄"

Wrought Steel #2 Style Deadbolt, Single Cylinder (8352)

- Standard Door Thickness: 1³/₈"- 2"
- Standard Components:
 - Single Cylinder Tailpiece
 - 2¹/₄" Deadbolt Mounting Screws
 - Deadbolt Strike Plate

- *Extended* Door Thickness: 2"- 2³/₄"
- Extended Components:
 - Long Single Cylinder Tailpiece
 - 2¹/₂" & 3" Deadbolt Mounting Screws
 - Deadbolt Strike Plate

- *Extended* Door Thickness: 2³/₄"- 3"
- Extended Components:
 - Extra Long Single Cylinder Tailpiece
 - 3¹/₂" Deadbolt Mounting Screws
 - Deadbolt Strike Plate

Wrought Steel #2 Style Deadbolt, Double Cylinder (8350)

- Standard Door Thickness: 1³/₈"- 2"
- Standard Components:
 - Long Double Cylinder Tailpieces
 - 2¹/₂" & 3" Deadbolt Mounting Screws
 - Deadbolt Strike Plate

- *Extended* Door Thickness: 1⁷/₈"- 2¹/₂"
- Extended Components:
 - Long Double Cylinder Tailpieces
 - 3" & 3¹/₂" Deadbolt Mounting Screws
 - Deadbolt Strike Plate

Wrought Steel #1 & #3 Style Deadbolt, Single Cylinder (8461 & 8463)

- Standard Door Thickness: 1³/₄"- 2¹/₈"
- Standard Components:
 - Single Cylinder Tailpiece
 - 2¹/₄" Deadbolt Mounting Screws
 - Deadbolt Strike Plate

- *Extended* Door Thickness: 2¹/₈- 2⁷/₈"
- Extended Components:
 - Long Single Cylinder Tailpiece
 - 2¹/₂" & 3" Deadbolt Mounting Screws
 - Deadbolt Strike Plate

- *Extended* Door Thickness: 2⁷/₈"- 3³/₈"
- Extended Components:
 - Extra Long Single Cylinder Tailpiece
 - 3¹/₂" Deadbolt Mounting Screws
 - Deadbolt Strike Plate

Wrought Steel #1 & #3 Style Deadbolt, Double Cylinder (8361 & 8363)

- Standard Door Thickness: 1³/₄"- 2¹/₈"
- Standard Components:
 - Double Cylinder Tailpieces
 - 2¹/₄" Deadbolt Mounting Screws
 - Deadbolt Strike Plate

- *Extended* Door Thickness: 2¹/₈- 2⁷/₈"
- Extended Components:
 - Long Double Cylinder Tailpieces
 - 2¹/₂" & 3" Deadbolt Mounting Screws
 - Deadbolt Strike Plate

Wrought Steel *Single-Sided* Deadbolts

#2 Style (8452)

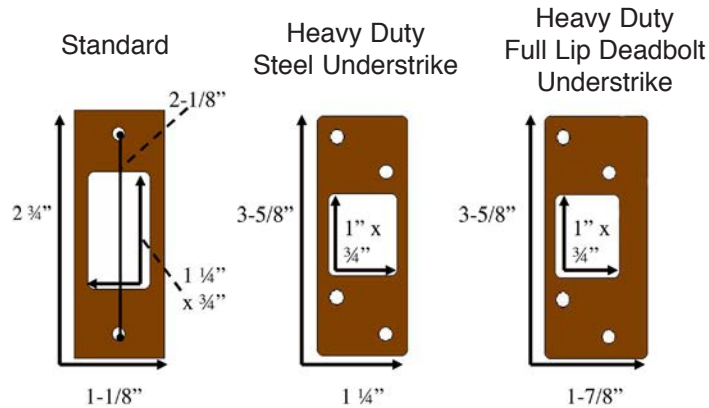
<ul style="list-style-type: none"> • Standard Door Thickness: 1³/₈"- 2" • Standard Components: • Single Cylinder Tailpiece • 1³/₄" Deadbolt Mounting Screws • Deadbolt Strike Plate 	<ul style="list-style-type: none"> • <i>Extended</i> Door Thickness: 2³/₈"- 2³/₄" • Extended Components: • Long Single Cylinder Tailpiece • 2¹/₄" Deadbolt Mounting Screws • Deadbolt Strike Plate 	<ul style="list-style-type: none"> • <i>Extended</i> Door Thickness: 2⁷/₈"- 3³/₈" • Extended Components: • Extra Long Single Cylinder Tailpiece • 2¹/₂" & 3" Deadbolt Mounting Screws • Deadbolt Strike Plate
--	---	--

Wrought Steel *Single-Sided* Deadbolts

#1 Style (8461), #3 Style (8463),

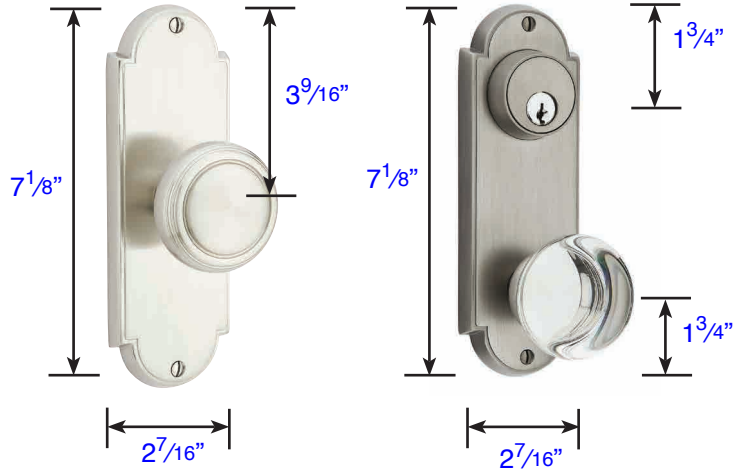
<ul style="list-style-type: none"> • Standard Door Thickness: 1³/₄"- 2¹/₈" • Standard Components: • Single Cylinder Tailpiece • 1³/₄" Deadbolt Mounting Screws • Deadbolt Strike Plate 	<ul style="list-style-type: none"> • <i>Extended</i> Door Thickness: 2³/₈"- 2³/₄" • Extended Components: • Long Single Cylinder Tailpiece • 2¹/₄" Deadbolt Mounting Screws • Deadbolt Strike Plate 	<ul style="list-style-type: none"> • <i>Extended</i> Door Thickness: 2⁷/₈"- 3³/₈" • Extended Components: • Extra Long Single Cylinder Tailpiece • 2¹/₂" & 3" Deadbolt Mounting Screws • Deadbolt Strike Plate
---	---	--

Deadbolt Strike Plates

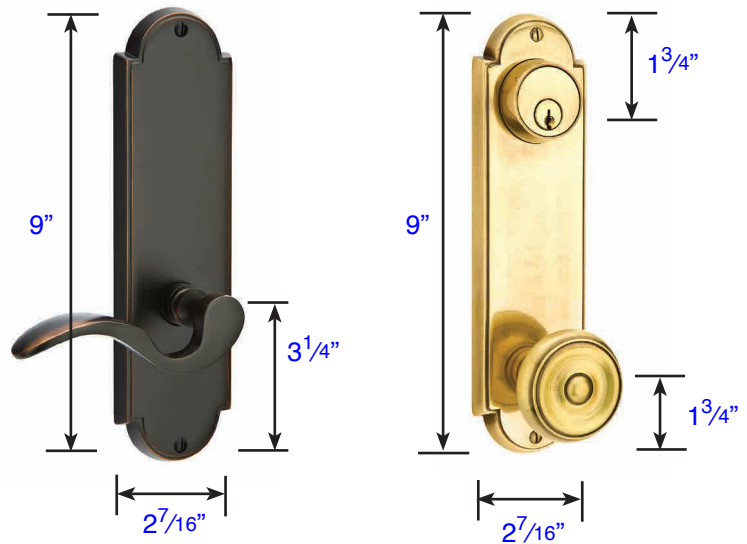


Delaware Style *Plates are 3/8" Thick*

<p>Non-Keyed Passage (8016) Privacy (8026) Dummy (8006)</p>	<p>Keyed 3⁵/₈" C-to-C Single Cylinder (8066) Double Cylinder (8166) Dummy (8061)</p>
---	--

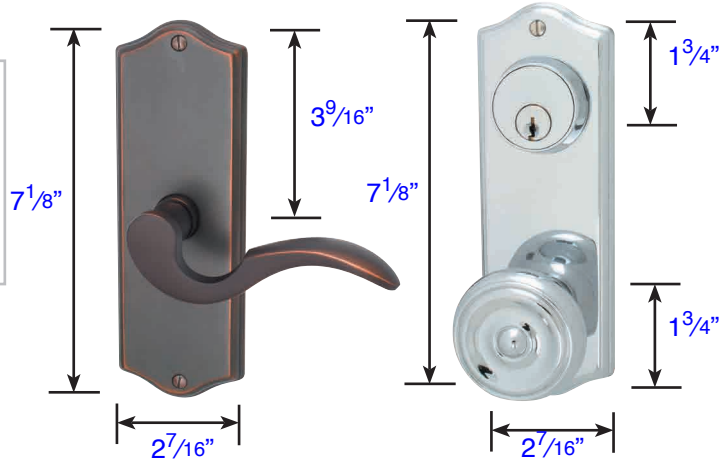


<p>Non-Keyed Passage (8716) Privacy (8816) Dummy (8898)</p>	<p>Keyed 5¹/₂" C-to-C Single Cylinder (8996) Double Cylinder (8997) Dummy (8856)</p>
---	--

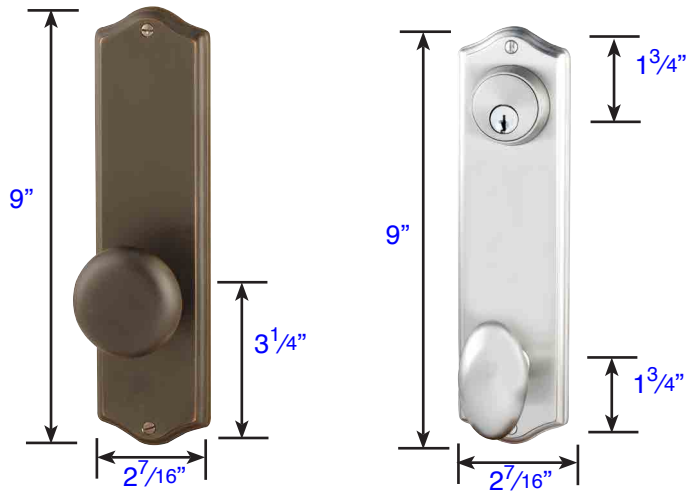


Colonial Style *Plates are 3/8" Thick*

<p>Non-Keyed Passage (8010) Privacy (8020) Dummy (8001)</p>	<p>Keyed 3 5/8" C-to-C Single Cylinder (8060) Double Cylinder (8160) Dummy (8065)</p>
---	---

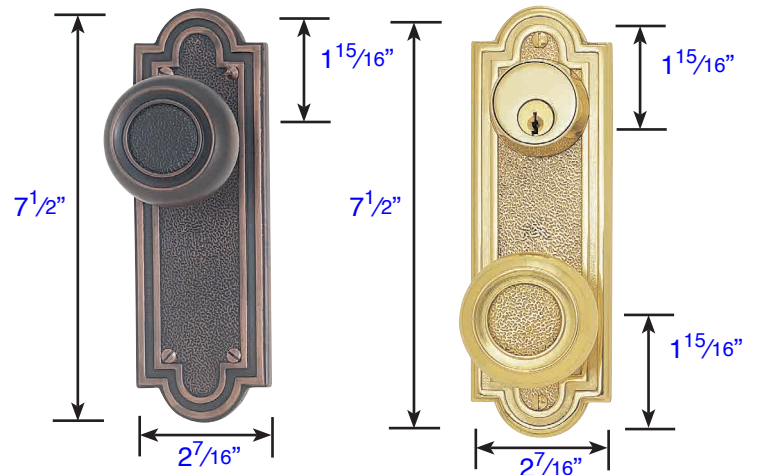


<p>Non-Keyed Passage (8711) Privacy (8811) Dummy (8851)</p>	<p>Keyed 5 1/2" C-to-C Single Cylinder (8990) Double Cylinder (8991) Dummy (8995)</p>
---	---

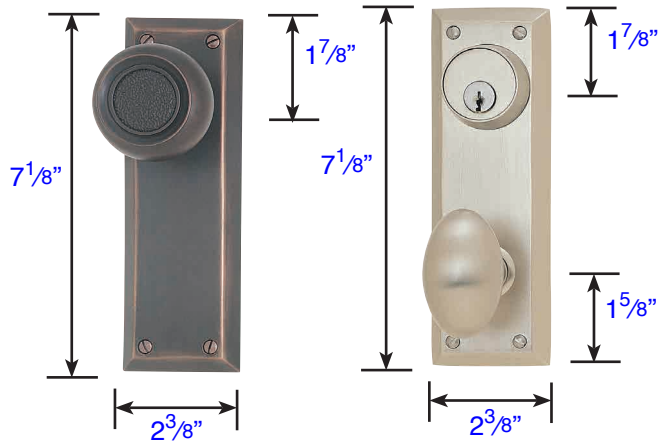


Belmont Style *Plates are 3/8" Thick*

<p>Non-Keyed Passage (8102) Privacy (8202) Dummy (8052)</p>	<p>Keyed 3 5/8" C-to-C Single Cylinder (8070) Double Cylinder (8071) Dummy (8075)</p>
---	---

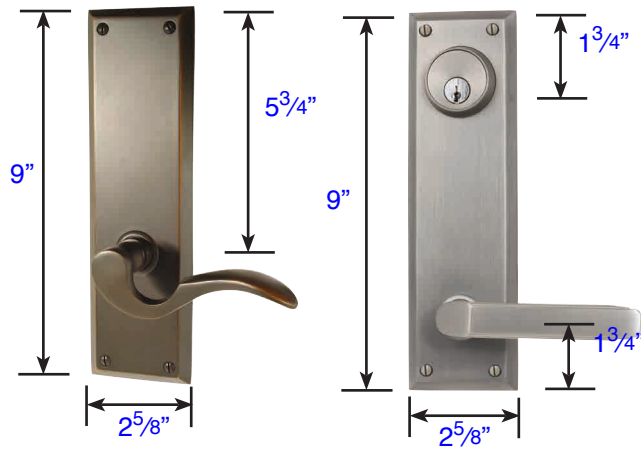


Quincy Style Plates are $\frac{3}{8}$ " Thick



Non-Keyed
 Passage (8104)
 Privacy (8204)
 Dummy (8054)

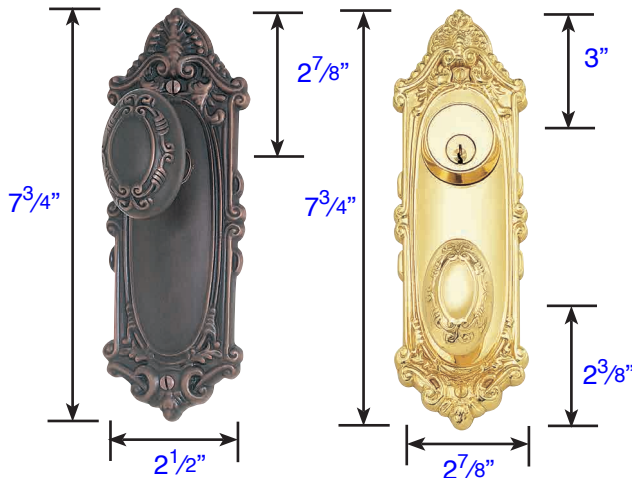
Keyed
3 5/8" C-to-C
 Single Cylinder (8080)
 Double Cylinder (8081)
 Dummy (8085)



Non-Keyed
 Passage (8704)
 Privacy (8804)
 Dummy (8854)

Keyed
5 1/2" C-to-C
 Single Cylinder (8980)
 Double Cylinder (8981)
 Dummy (8985)

Victoria Style Plates are $\frac{3}{8}$ " Thick



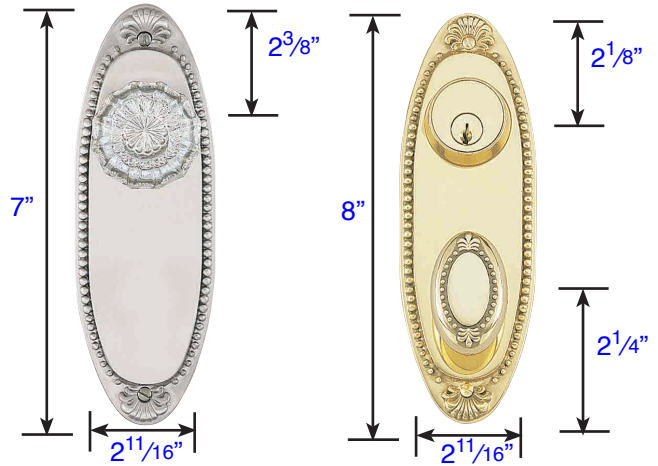
Non-Keyed
 Passage (8103)
 Privacy (8203)
 Dummy (8053)

Keyed
3 5/8" C-to-C
 Single Cylinder (8090)
 Double Cylinder (8091)
 Dummy (8095)

Oval Beaded Style *Plates are 3/8" Thick*

Non-Keyed
 Passage (8105)
 Privacy (8205)
 Dummy (8055)

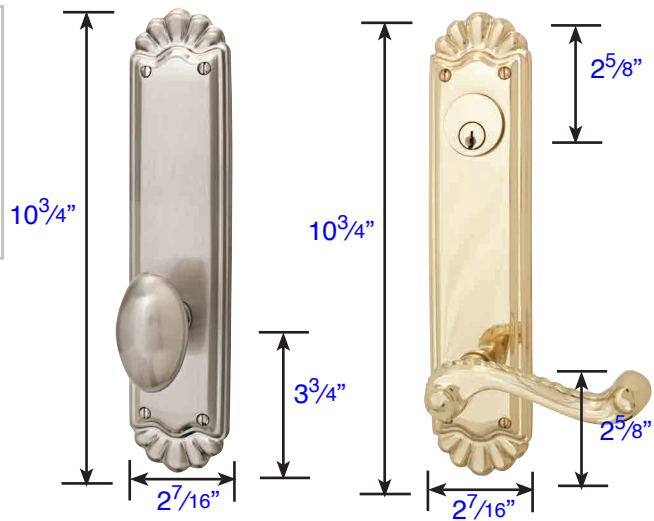
Keyed
3 5/8" C-to-C
 Single Cylinder (6010)
 Double Cylinder (6011)
 Dummy (6015)



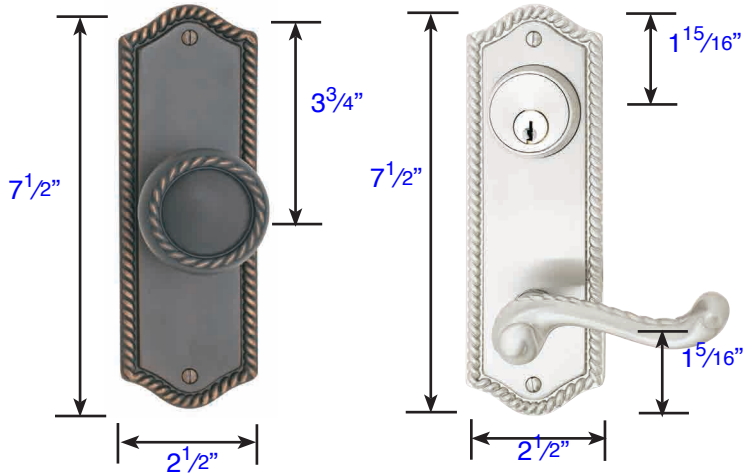
Trenton Style *Plates are 1/2" Thick*

Non-Keyed
 Passage (8109)
 Privacy (8209)
 Dummy (8059)

Keyed
5 1/2" C-to-C
 Single Cylinder (6030)
 Double Cylinder (6031)
 Dummy (6035)

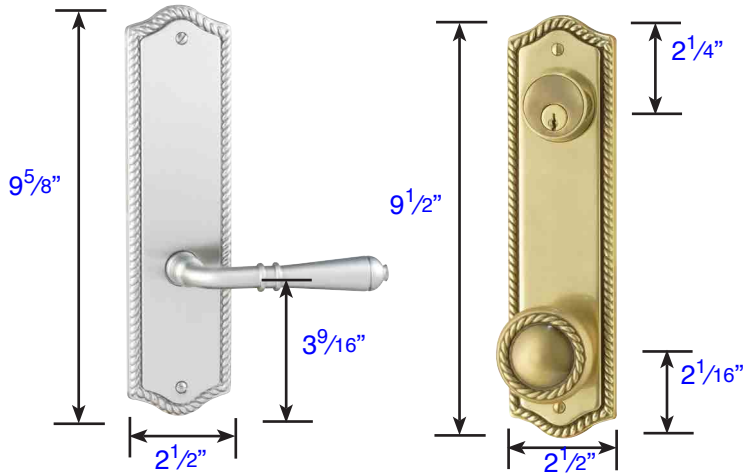


Rope Style Plates are 3/8" Thick



Non-Keyed
 Passage (7109)
 Privacy (7209)
 Dummy (7059)

Keyed
3 5/8" C-to-C
 Single Cylinder (7090)
 Double Cylinder (7091)
 Dummy (7095)



Non-Keyed
 Passage (7710)
 Privacy (7810)
 Dummy (7850)

Keyed
5 1/2" C-to-C
 Single Cylinder (7990)
 Double Cylinder (7991)
 Dummy (7995)

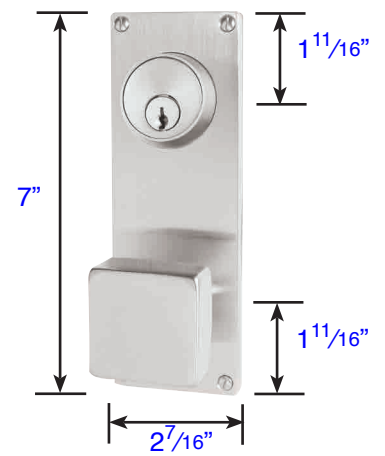
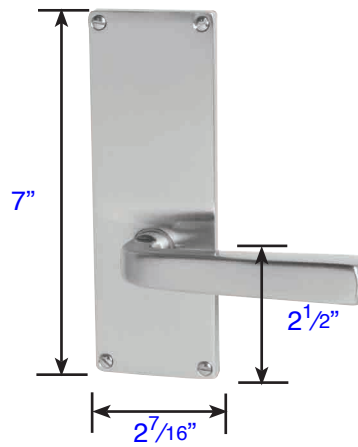
Modern Style *Plates are 3/8" Thick*

Non-Keyed

Passage (8111)
Privacy (8211)
Dummy (8011)

Keyed

3 5/8" C-to-C
Single Cylinder (8112)
Double Cylinder (8212)
Dummy (8012)

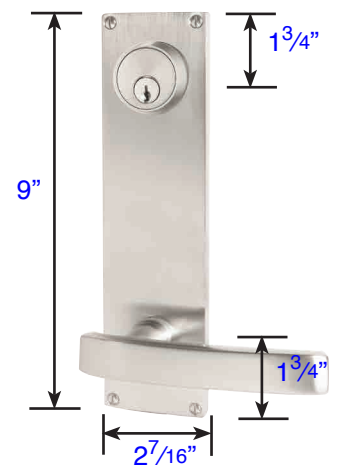
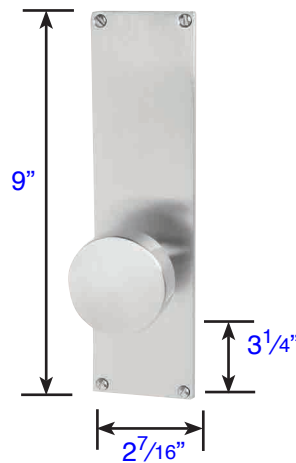


Non-Keyed

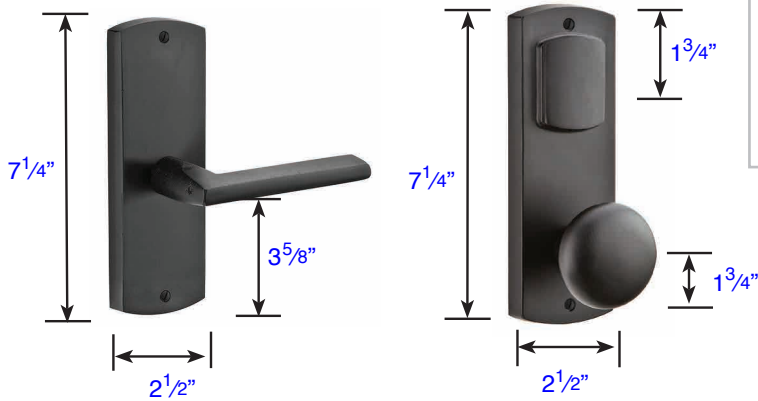
Passage (8113)
Privacy (8213)
Dummy (8013)

Keyed

5 1/2" C-to-C
Single Cylinder (8114)
Double Cylinder (8214)
Dummy (8014)

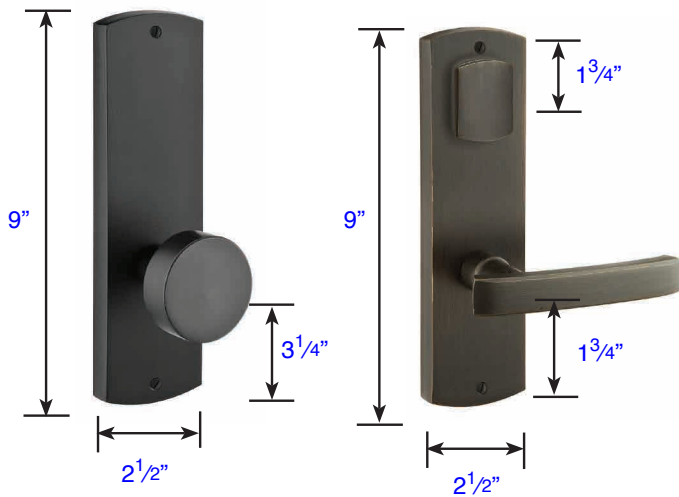


Missoula Style *Plates are 1/2" Thick*



Non-Keyed
 Passage (71023)
 Privacy (72023)
 Dummy (70063)

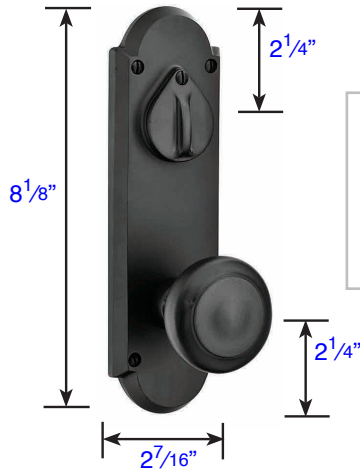
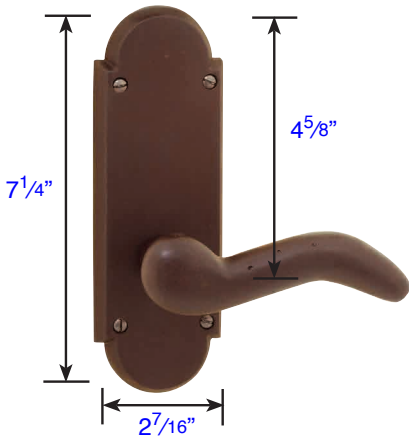
Keyed
3-5/8" C-to-C
 Single Cylinder (7370)
 Double Cylinder (7371)
 Dummy (7375)



Non-Keyed
 Passage (7522)
 Privacy (7622)
 Dummy (7562)

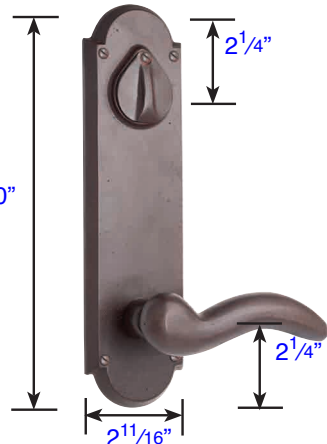
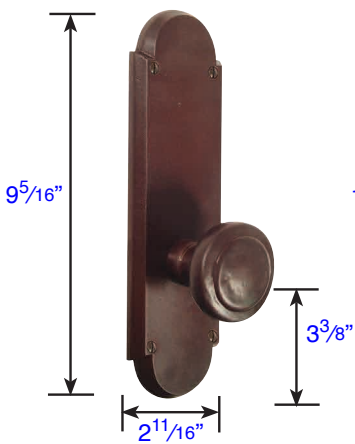
Keyed
5 1/2" C-to-C
 Single Cylinder (7570)
 Double Cylinder (7571)
 Dummy (7575)

#5 Style Plates are 1/2" Thick



Non-Keyed
Passage (7107)
Privacy (7207)
Dummy (7057)

Keyed
3 5/8" C-to-C
Single Cylinder (7070)
Double Cylinder (7071)
Dummy (7075)



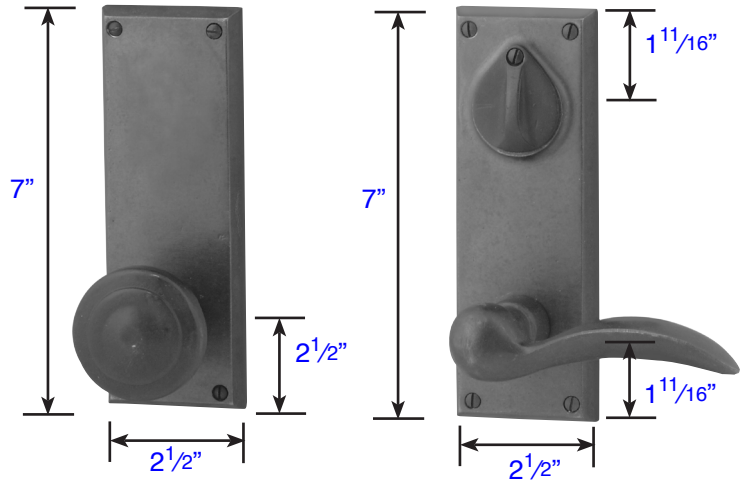
Non-Keyed
Passage (7707)
Privacy (7807)
Dummy (7757)

Keyed
5 1/2" C-to-C
Single Cylinder (7670)
Double Cylinder (7671)
Dummy (7675)

Rectangular Style *Plates are 1/2" Thick*

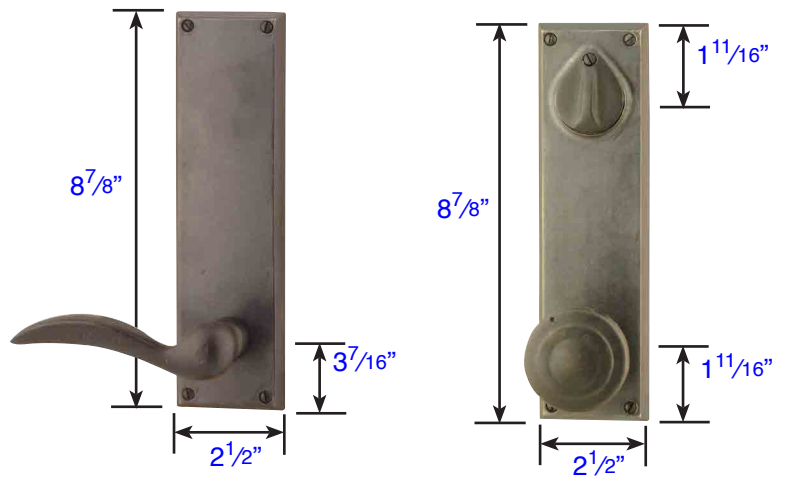
Non-Keyed
Passage (71013)
Privacy (72013)
Dummy (70053)

Keyed
3 5/8" C-to-C
Single Cylinder (7360)
Double Cylinder (7361)
Dummy (7365)

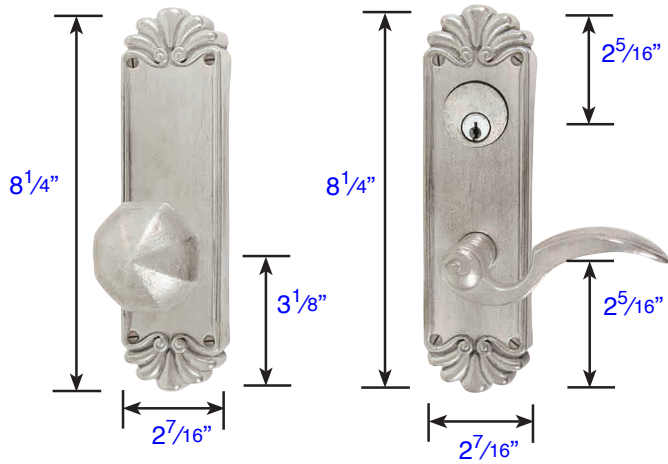


Non-Keyed
Passage (7512)
Privacy (7612)
Dummy (7552)

Keyed
5 1/2" C-to-C
Single Cylinder (7560)
Double Cylinder (7561)
Dummy (7565)

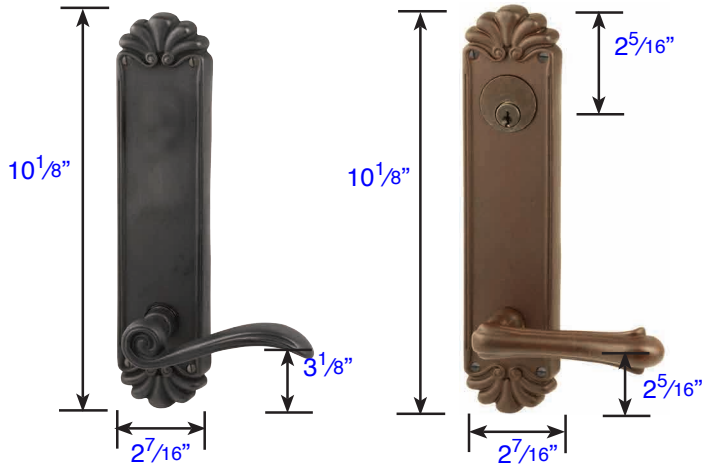


#16 Style Plates are $\frac{3}{8}$ " Thick



Non-Keyed
 Passage (6102)
 Privacy (6202)
 Dummy (6052)

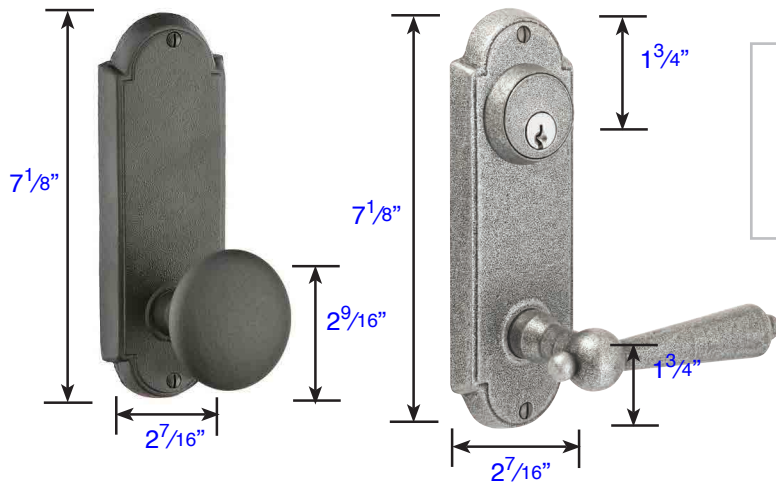
Keyed
3 5/8" C-to-C
 Single Cylinder (6020)
 Double Cylinder (6021)
 Dummy (6025)



Non-Keyed
 Passage (6702)
 Privacy (6802)
 Dummy (6752)

Keyed
5 1/2" C-to-C
 Single Cylinder (6620)
 Double Cylinder (6621)
 Dummy (6625)

Wrought Steel #5 Style Plates are $\frac{1}{2}$ " Thick



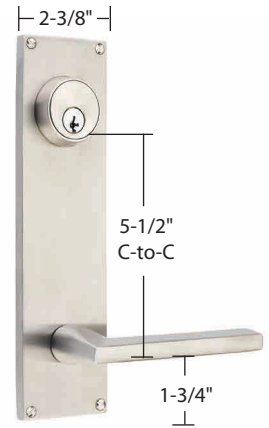
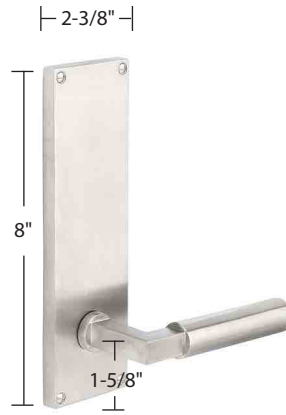
Non-Keyed
 Passage (7105)
 Privacy (7205)
 Dummy (7055)

Keyed
3 5/8" C-to-C
 Single Cylinder (7010)
 Double Cylinder (7011)
 Dummy (7015)

Stainless Steel Style *Plates are 3/8" Thick*

Non-Keyed
Passage (S801)
Privacy (S802)
Dummy (S800)

Keyed
5-1/2" C-to-C
Single Cylinder (S811)
Double Cylinder (S812)
Dummy (S810)



Brass Non-Keyed Plates (passage/privacy)

Delaware Style (8016/8026 & 8716/8816), Colonial Style (8010/8020 & 8711/8811), Belmont Style (8102/8202), Quincy Style (8104/8204 & 8704/8804), Victoria Style (8103/8203), Oval Beaded Style (8105/8205), Rope Style (7109/7209 & 7710/7810), Modern Style (8111/8112 & 8113/8213)

- Standard Door Thickness: 1¹/₄"- 2"
- Standard Components:
 - Privacy Pin (for privacy sets)
 - Inside Passage Half Spindle
 - 1" Wood Screws
 - Threaded Tubes & Machine Screws
- supplied upon request for Hollow-Core Doors*
- Full-Lip Strike Plate

- **Extended** Door Thickness: 2"- 3"
- Extended Components:
 - Privacy Pin w/ Extensions (for privacy sets)
 - Long Inside Passage Half Spindle
 - 1" Wood Screws
 - Threaded Tubes & Machine Screws
- supplied upon request for Hollow-Core Doors*
- Extended Full-Lip Strike Plate

Brass Keyed Plates, Single Cylinder

Delaware Style (8066/8996), Colonial Style (8060/8990), Belmont Style (8070), Quincy Style (8080/8980), Victoria Style (8090), Oval Beaded Style (6010), Rope Style (7090/7990), Modern Style (8112/8114)

- Standard Door Thickness: 1¹/₄"- 1³/₄"
- Standard Components:
 - Single Cylinder Tailpiece
 - Inside Passage Half Spindle
 - 1" Wood Screws
 - Threaded Tubes & Machine Screws
- supplied upon request for Hollow-Core Doors*
- 2¹/₄" Deadbolt Mounting Screws
- Full-Lip Strike Plate
- Deadbolt Strike Plate

- **Extended** Door Thickness: 1³/₄"- 2¹/₄"
- Extended Components:
 - Long Single Cylinder Tailpiece
 - Long Inside Passage Half Spindle
 - 1" Wood Screws
 - Threaded Tubes & Machine Screws
- supplied upon request for Hollow-Core Doors*
- 2¹/₂" Deadbolt Mounting Screws
- Extended Full-Lip Strike Plate
- Deadbolt Strike Plate

- **Extended** Door Thickness: 2¹/₄"- 2³/₄"
- Extended Components:
 - Extra Long Single Cylinder Tailpiece
 - Extra Long Inside Passage Half Spindle
 - 1" Wood Screws
 - Threaded Tubes & Machine Screws
- supplied upon request for Hollow-Core Doors*
- 3" & 3¹/₂" Deadbolt Mounting Screws
- Extended Full-Lip Strike Plate
- Deadbolt Strike Plate

Brass Keyed Plates, Double Cylinder

Delaware Style (8166/8997), Colonial Style (8160/8991), Belmont Style (8071), Quincy Style (8081/8981), Victoria Style (8091), Oval Beaded Style (6011), Rope Style (7091/7991), Modern Style (8212/8214)

- Standard Door Thickness: 1⁵/₈"- 1³/₄"
- Standard Components:
 - Double Cylinder Tailpiece
 - Inside Passage Half Spindle
 - 1" Wood Screws
 - Threaded Tubes & Machine Screws
- supplied upon request for Hollow-Core Doors*
- 3" Deadbolt Mounting Screws
- Full-Lip Strike Plate
- Deadbolt Strike Plate

- **Extended** Door Thickness: 1³/₄"- 2¹/₂"
- Extended Components:
 - Long Double Cylinder Tailpiece
 - Long Inside Passage Half Spindle
 - 1" Wood Screws
 - Threaded Tubes & Machine Screws
- supplied upon request for Hollow-Core Doors*
- 3¹/₂" Deadbolt Mounting Screws
- Extended Full-Lip Strike Plate
- Deadbolt Strike Plate

Trenton Keyed Plates, Single Cylinder (6030)

- Standard Door Thickness: 1⁵/₈"- 2¹/₈"
- Standard Components:
 - Single Cylinder Tailpiece
 - Inside Passage Half Spindle
 - 1" Wood Screws
 - Threaded Tubes & Machine Screws
- supplied upon request for Hollow-Core Doors*
- 2¹/₄" Deadbolt Mounting Screws
- Full-Lip Strike Plate
- Deadbolt Strike Plate

- **Extended** Door Thickness: 1³/₄"- 2³/₄"
- Extended Components:
 - Long Single Cylinder Tailpiece
 - Long Inside Passage Half Spindle
 - 1" Wood Screws
 - Threaded Tubes & Machine Screws
- supplied upon request for Hollow-Core Doors*
- 2¹/₂" & 3" Deadbolt Mounting Screws
- Extended Full-Lip Strike Plate
- Deadbolt Strike Plate

Trenton Style (Brass), Keyed Plates, Double Cylinder (6031)

- Standard Door Thickness: 1⁵/₈"- 2"
- Standard Components:
 - Double Cylinder Tailpiece
 - Inside Passage Half Spindle
 - 1" Wood Screws
 - Threaded Tubes & Machine Screws
- supplied upon request for Hollow-Core Doors*
- 2¹/₂" Deadbolt Mounting Screws
- Full-Lip Strike Plate
- Deadbolt Strike Plate

- **Extended** Door Thickness: 2"- 2⁵/₈"
- Extended Components:
 - Long Double Cylinder Tailpiece
 - Long Inside Passage Half Spindle
 - 1" Wood Screws
 - Threaded Tubes & Machine Screws
- supplied upon request for Hollow-Core Doors*
- 3" Deadbolt Mounting Screws
- Extended Full-Lip Strike Plate
- Deadbolt Strike Plate

* Part # DB4-COLLAR32 Available for 1³/₈" Thick Doors

Cast Bronze Non-Keyed Plates (passage/privacy)

#5 Style (7107/7207 & 7707/7807), Rectangular Style (71013/72013 & 7512/7612), #16 Style (6102/6202 & 6702/6802)
Missoula Style (71023/72023, 7522/7622)

- Standard Door Thickness: 1¹/₄"- 2"
- Standard Components:
 - Privacy Pin (for privacy sets)
 - Inside Passage Half Spindle
 - 1" Wood Screws
 - Threaded Tubes & Machine Screws
- supplied upon request for Hollow-Core Doors*
- Full-Lip Strike Plate

- **Extended** Door Thickness: 2"- 3"
- Extended Components:
 - Privacy Pin w/ Extensions (for privacy sets)
 - Long Inside Passage Half Spindle
 - 1" Wood Screws
 - Threaded Tubes & Machine Screws
- supplied upon request for Hollow-Core Doors*
- Extended Full-Lip Strike Plate

Cast Bronze Keyed Plates, Single Cylinder

#5 Style (7070/7670), Rectangular Style (7360/7560), #16 Style (6020/6620), Missoula Style (7370/7570)

- Standard Door Thickness: 1⁵/₈"- 2"
- Standard Components:
 - Single Cylinder Tailpiece
 - Inside Passage Half Spindle
 - 1" Wood Screws
 - Threaded Tubes & Machine Screws
- supplied upon request for Hollow-Core Doors*
- 2¹/₄" Deadbolt Mounting Screws
- Full-Lip Strike Plate
- Deadbolt Strike Plate

- **Extended** Door Thickness: 2"- 2³/₈"
- Extended Components:
 - Long Single Cylinder Tailpiece
 - Long Inside Passage Half Spindle
 - 1" Wood Screws
 - Threaded Tubes & Machine Screws
- supplied upon request for Hollow-Core Doors*
- 2¹/₂" Deadbolt Mounting Screws
- Extended Full-Lip Strike Plate
- Deadbolt Strike Plate

- **Extended** Door Thickness: 2³/₈"- 3"
- Extended Components:
 - Extra Long Single Cylinder Tailpiece
 - Extra Long Inside Passage Half Spindle
 - 1" Wood Screws
 - Threaded Tubes & Machine Screws
- supplied upon request for Hollow-Core Doors*
- 3" & 3¹/₂" Deadbolt Mounting Screws
- Extended Full-Lip Strike Plate
- Deadbolt Strike Plate

Cast Bronze Keyed Plates, Double Cylinder

#5 (7071/7671), Rectangular Style (7361/7561), #16 Style (6021/6621), Missoula Style (7371/7571)

- Standard Door Thickness: 1¹/₂"- 2"
- Standard Components:
 - Single Cylinder Tailpiece
 - Inside Passage Half Spindle
 - 1" Wood Screws
 - Threaded Tubes & Machine Screws
- supplied upon request for Hollow-Core Doors*
- 2¹/₂" Deadbolt Mounting Screws
- Full-Lip Strike Plate
- Deadbolt Strike Plate

- **Extended** Door Thickness: 2"- 2¹/₂"
- Extended Components:
 - Long Double Cylinder Tailpiece
 - Long Inside Passage Half Spindle
 - 1" Wood Screws
 - Threaded Tubes & Machine Screws
- supplied upon request for Hollow-Core Doors*
- 3" Deadbolt Mounting Screws
- Extended Full-Lip Strike Plate
- Deadbolt Strike Plate

- **Extended** Door Thickness: 2¹/₄"- 2³/₄"
- Extended Components:
 - Long Double Cylinder Tailpiece
 - Long Inside Passage Half Spindle
 - 1" Wood Screws
 - Threaded Tubes & Machine Screws
- supplied upon request for Hollow-Core Doors*
- 3¹/₂" Deadbolt Mounting Screws
- Extended Full-Lip Strike Plate
- Deadbolt Strike Plate

Wrought Steel #5 Keyed Plates, Double Cylinder (7011)

- Standard Door Thickness: 1⁵/₈"- 1³/₄"
- Standard Components:
 - Double Cylinder Tailpiece
 - Inside Passage Half Spindle
 - 1" Wood Screws
 - Threaded Tubes & Machine Screws
- supplied upon request for Hollow-Core Doors*
- 3" Deadbolt Mounting Screws
- Full-Lip Strike Plate
- Deadbolt Strike Plate

- **Extended** Door Thickness: 1³/₄"- 2³/₈"
- Extended Components:
 - Long Double Cylinder Tailpiece
 - Long Inside Passage Half Spindle
 - 1" Wood Screws
 - Threaded Tubes & Machine Screws
- supplied upon request for Hollow-Core Doors*
- 3¹/₂" Deadbolt Mounting Screws
- Extended Full-Lip Strike Plate
- Deadbolt Strike Plate

Wrought Steel Non-Keyed Plate (passage/privacy) (7105/7205)

- Standard Door Thickness: 1¹/₄"- 1³/₄"
- Standard Components:
 - Privacy Pin (for privacy sets)
 - Inside Passage Half Spindle
 - 1" Wood Screws
 - Threaded Tubes & Machine Screws
- supplied upon request for Hollow-Core Doors*
- Full-Lip Strike Plate

- **Extended** Door Thickness: 1³/₄"- 2³/₈"
- Extended Components:
 - Privacy Pin w/Extension (for privacy sets)
 - Long Inside Passage Half Spindle
 - 1" Wood Screws
 - Threaded Tubes & Machine Screws
- supplied upon request for Hollow-Core Doors*
- Extended Full-Lip Strike Plate

- **Extended** Door Thickness: 1³/₄"- 2³/₈"
- Extended Components:
 - Privacy Pin w/Extension (for privacy sets)
 - Long Inside Passage Half Spindle
 - 1" Wood Screws
 - Threaded Tubes & Machine Screws
- supplied upon request for Hollow-Core Doors*
- Extended Full-Lip Strike Plate

Wrought Steel #5 Style Keyed Plates, Single Cylinder (7010)

- Standard Door Thickness: 1¹/₂"- 1³/₄"
- Standard Components:
 - Single Cylinder Tailpiece
 - Inside Passage Half Spindle
 - 1" Wood Screws
 - Threaded Tubes & Machine Screws
- supplied upon request for Hollow-Core Doors*
- 2¹/₄" Deadbolt Mounting Screws
- Full-Lip Strike Plate
- Deadbolt Strike Plate

- **Extended** Door Thickness: 1³/₄"- 2¹/₄"
- Extended Components:
 - Long Single Cylinder Tailpiece
 - Long Inside Passage Half Spindle
 - 1" Wood Screws
 - Threaded Tubes & Machine Screws
- supplied upon request for Hollow-Core Doors*
- 2¹/₂" Deadbolt Mounting Screws
- Extended Full-Lip Strike Plate
- Deadbolt Strike Plate

- **Extended** Door Thickness: 2¹/₄"- 2³/₄"
- Extended Components:
 - Extra Long Single Cylinder Tailpiece
 - Extra Long Inside Passage Half Spindle
 - 1" Wood Screws
 - Threaded Tubes & Machine Screws
- supplied upon request for Hollow-Core Doors*
- 3" Deadbolt Mounting Screws
- Extended Full-Lip Strike Plate
- Deadbolt Strike Plate

SPECIAL MOUNTING KITS ENTRYSET WITH SIDEPLATE

Entryset x Sideplate Mounting Plate



- Used for mounting a tubular entryset with a sideplate on the inside.
- Plate goes on inside of door, under the sideplate.
- Screws pass through holes in plate and attach to exterior bell housing around thumb press.

SPECIAL MOUNTING KITS SIDEPLATE BY ROSETTE

Sideplate x Rosette Mounting Plate



- Used for mounting locksets with a sideplate on the outside, rosette on the inside.
- Plate goes on outside of door, under sideplate.
- Screws pass through inside rosette and attach to threaded posts on plate.

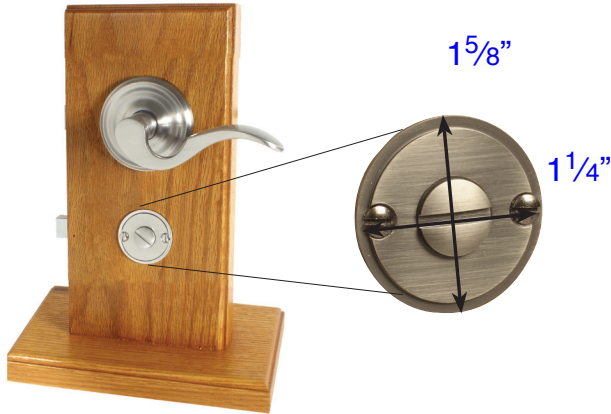
SPECIAL MOUNTING KITS HOLLOW DOOR

Hollow Door Kits for Sideplates

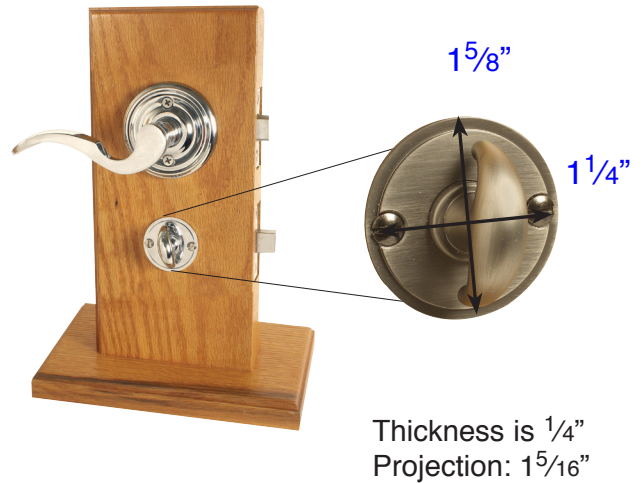


- Used for mounting sideplate sets on hollow, fiberglass, masonite or other doors that will not hold a wood screw.
- Sex bolt (threaded tube with short screw) passes through hole in first plate, another screw passes through hole in second plate and attaches to threaded tube.

**Cortina Leverset with
Thumbturn Privacy Set**
Exterior



**Cortina Leverset with
Thumbturn Privacy Set**
Interior



- Standard Door Thickness: 1 1/2" - 2"
- Standard Components:
 - Modified Tailpiece
 - Privacy Deadbolt Strike Plate

- **Extended** Door Thickness: 2" - 2 1/2"
- Extended Components:
 - Long Modified Tailpiece
 - Privacy Deadbolt Strike Plate

- **Extended** Door Thickness: 2 1/2" - 2 3/4"
- Extended Components:
 - Extra Long Modified Tailpiece
 - Privacy Deadbolt Strike Plate

Thumbturn Privacy with Decorative Plate Lock

Belmont (8224), Colonial (8022), Victoria (8225), Quincy (8226), Rope (7211), Oval Beaded (8227)

- Standard Door Thickness: 1 3/8" - 2"
- Standard Components:
 - Inside Passage Half Spindle
 - 1" Wood Screws
 - Threaded Tubes & Machine Screws*supplied upon request for Hollow-Core Doors*
 - 1 1/2" Rosette Screws
 - Full-Lip Strike Plate

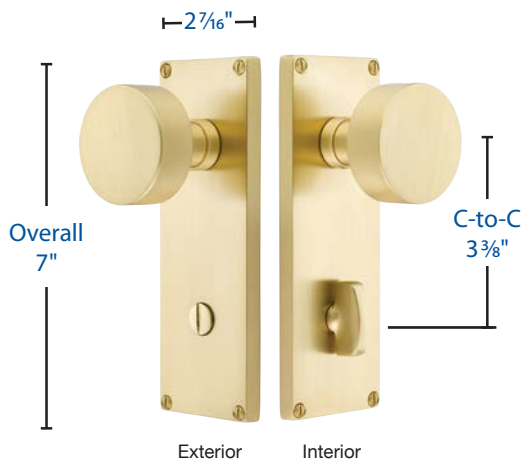
- **Extended** Door Thickness: 2" - 2 1/2"
- Extended Components:
 - Long Inside Passage Half Spindle
 - 1" Wood Screws
 - Threaded Tubes & Machine Screws*supplied upon request for Hollow-Core Doors*
 - 2" Rosette Screws
 - Extended Full-Lip Strike Plate

- **Extended** Door Thickness: 2 1/2" - 2 3/4"
- Extended Components:
 - Extra Long Inside Passage Half Spindle
 - 1" Wood Screws
 - Threaded Tubes & Machine Screws*supplied upon request for Hollow-Core Doors*
 - 2 1/2" Rosette Screws
 - Extended Full-Lip Strike Plate

Thumbturn Privacy, Non-Keyed Style

Description	Product Code
Modern Plate 3 3/8" Center to Center <i>Plates are 3/8" Thick</i>	8229

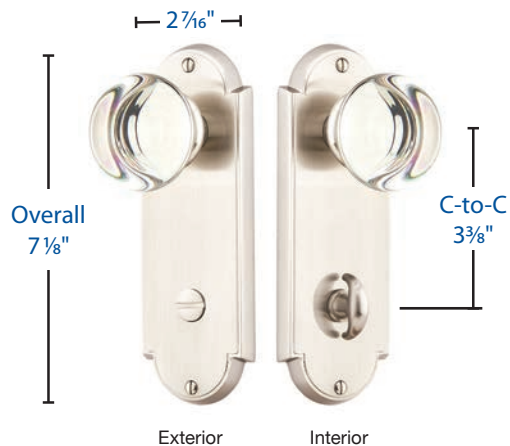
Modern Plates with Round Knobs



Thumbturn Privacy, Non-Keyed Style

Description	Product Code
Delaware Plate 3 3/8" Center to Center <i>Plates are 3/8" Thick</i>	8228

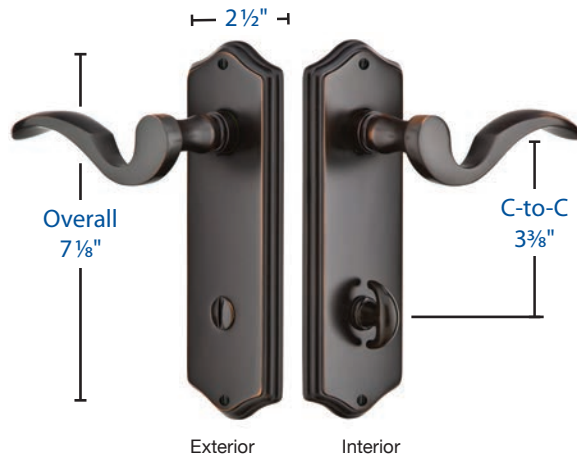
Delaware Plates with Providence Crystal Knobs



Thumbturn Privacy, Non-Keyed Style

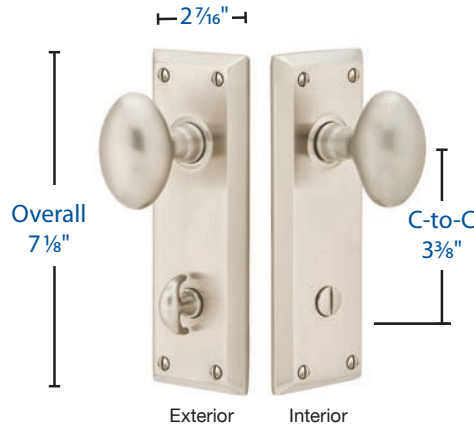
Description	Product Code
Colonial Plate 3 3/8" Center to Center Plates are 3/8" Thick	8022

Colonial Plates with Cortina Levers



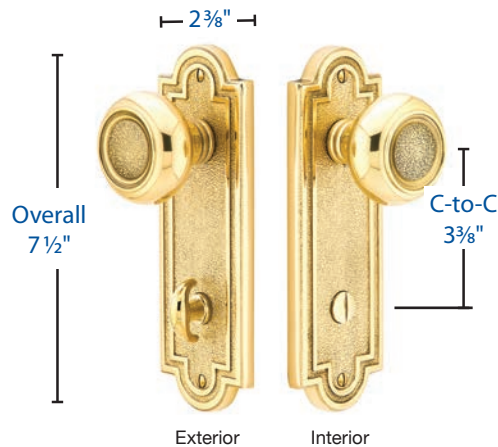
Description	Product Code
Quincy Plate 3 3/8" Center to Center Plates are 3/8" Thick	8226

Quincy Plates with Egg Knobs



Description	Product Code
Belmont Plate 3 3/8" Center to Center Plates are 3/8" Thick	8224

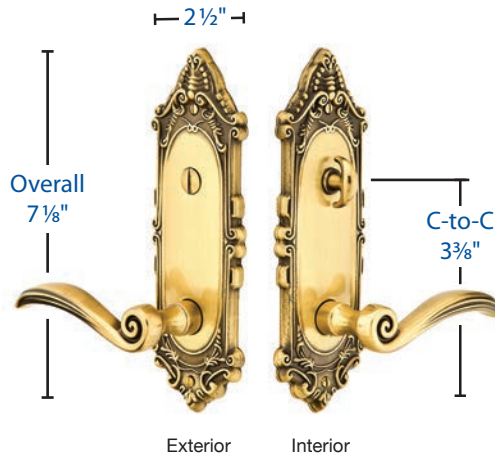
Belmont Plates with Belmont Knobs



Thumbturn Privacy, Non-Keyed Style

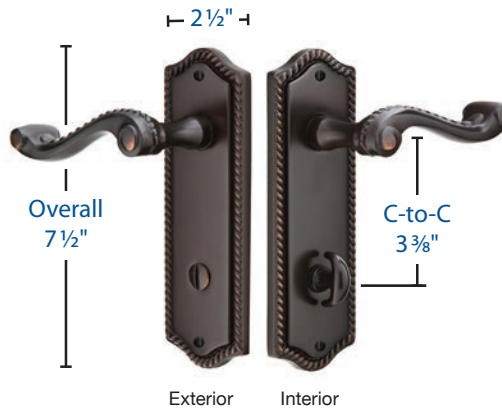
Description	Product Code
Victoria Plate 3 3/8" Center to Center Plates are 1/4" Thick	8225

Victoria Plates with Elan Levers



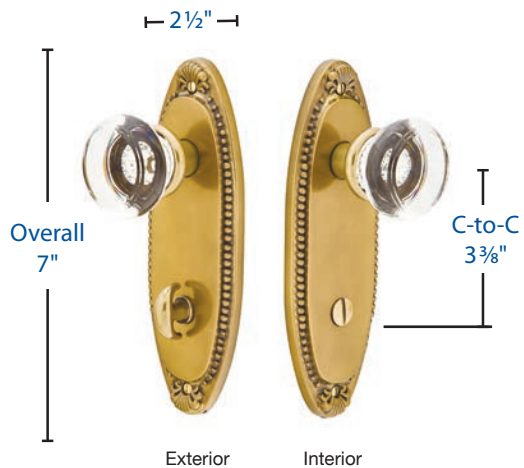
Description	Product Code
Rope Plate 3 3/8" Center to Center Plates are 1/4" Thick	8223

Rope Plates with Rope Levers



Description	Product Code
Oval Beaded Plate 3 3/8" Center to Center Plates are 3/8" Thick	8227

Oval Beaded Plates with Georgetown Knobs



Thumbturn Privacy, Non-Keyed Style

Modern Style (8229), Delaware Style (8228), Colonial Style (8022), Quincy Style (8226), Belmont Style (8224), Victoria Style (8225), Rope Style (7211), Oval Beaded Style (8227).

- Standard Door Thickness: 1 $\frac{3}{8}$ "- 2"

Standard Components:

- Inside Passage Half Spindle
- 1" Wood Screws
- Threaded Tubes & Machine Screws
Supplied upon request for Hollow-Core Doors
- Full-Lip Strike Plate

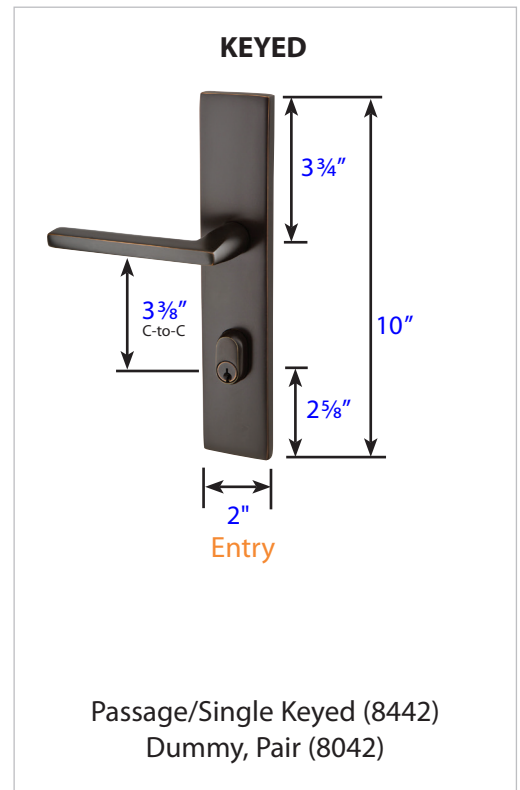
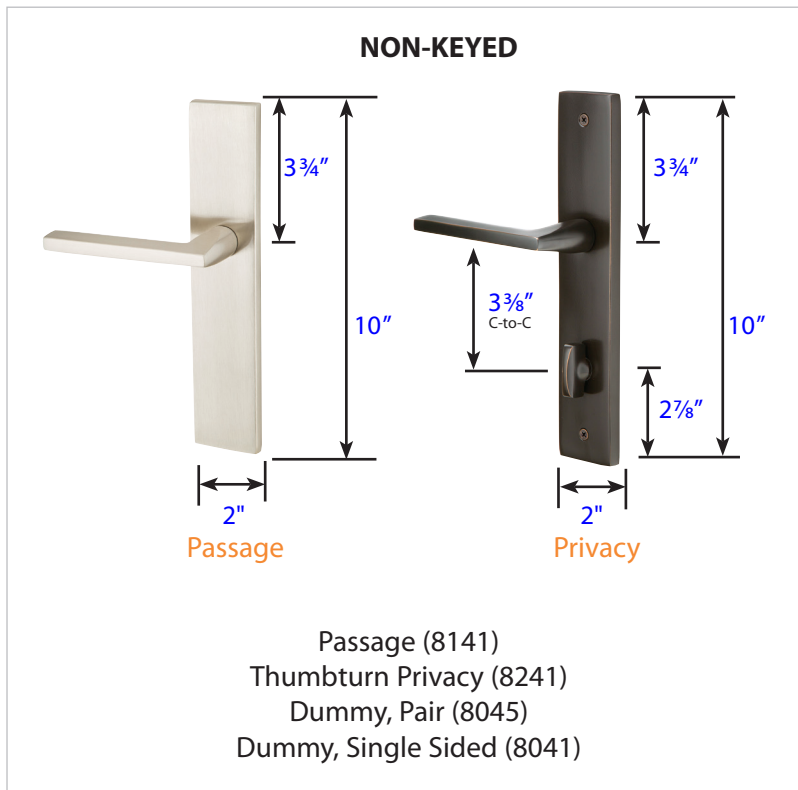
- *Extended* Door Thickness: 2"- 3"

Extended Components:

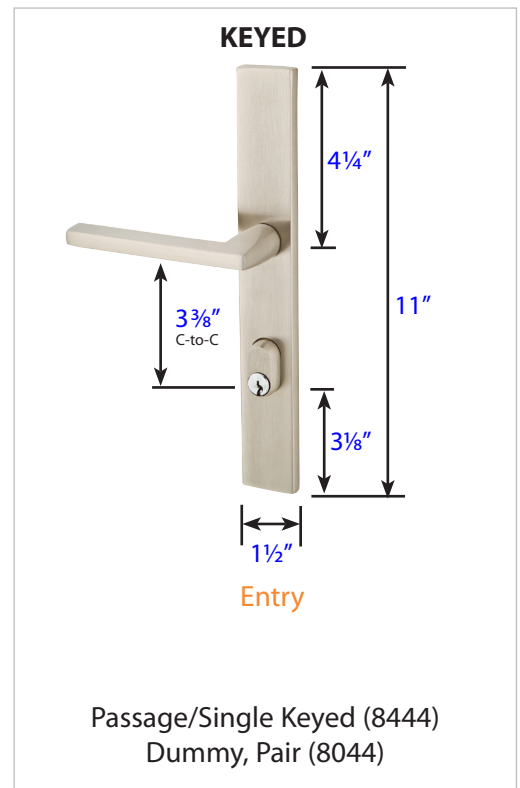
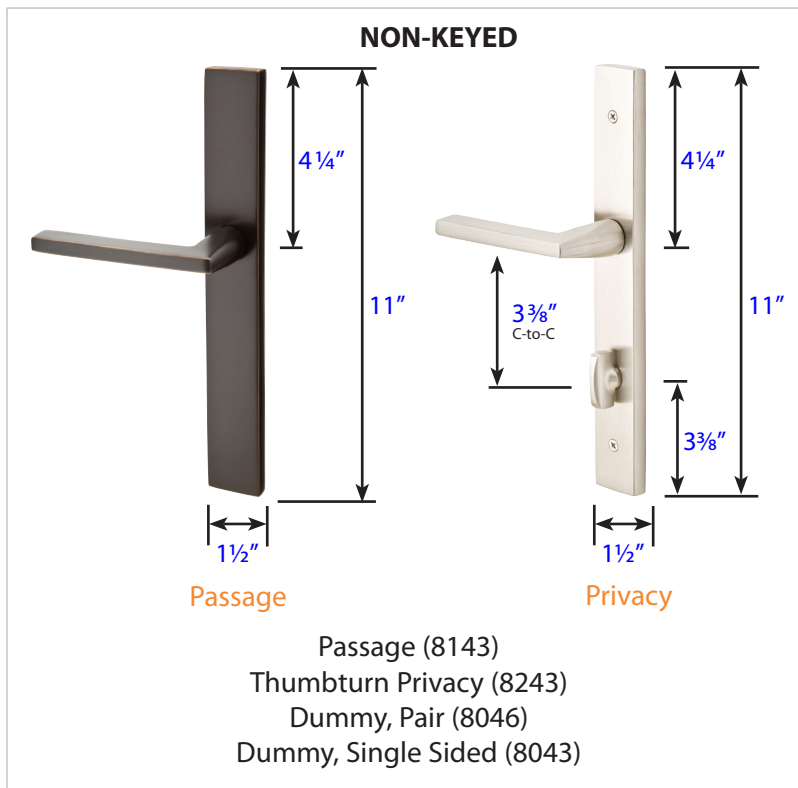
- Long Inside Passage Half Spindle
- 1" Wood Screws
- Threaded Tubes & Machine Screws
Supplied upon request for Hollow-Core Doors
- Extended Full-Lip Strike Plate

Stretto Style Plates are $\frac{3}{8}$ " Thick

10 in.



11 in.



Brass Non-Keyed Plates (Passage)

<p>Standard Door Thickness: 1 ¼" - 1 ¾"</p> <p>Standard Components:</p> <ul style="list-style-type: none"> • Inside Passage Half Spindle • ¾" Wood Screws • 1 ½" and/or 2" Mounting Screws • Full-Lip Strike Plate 	<p>Extended Door Thickness: 1 ¾" - 2 ¼"</p> <p>Extended Components:</p> <ul style="list-style-type: none"> • Long Inside Passage Half Spindle • ¾" Wood Screws • 2 ½" Mounting Screws • Extended Full-Lip Strike Plate 	<p>Extended Door Thickness: 2 ¼" - 3"</p> <p>Extended Components:</p> <ul style="list-style-type: none"> • Extra Long Inside Passage Half Spindle • ¾" Wood Screws • 3" Mounting Screws • Extended Full-Lip Strike Plate
---	--	--

Brass Plates (Entry/Privacy)

<p>Standard Door Thickness: 1 ¼" - 1 ¾"</p> <p>Standard Components:</p> <ul style="list-style-type: none"> • Regular Tailpiece • Inside Passage Half Spindle • ¾" Wood Screws • 1 ½" and/or 2" Mounting Screws • Full-Lip Strike Plate • Deadbolt Strike Plate 	<p>Extended Door Thickness: 1 ¾" - 2 ¼"</p> <p>Extended Components:</p> <ul style="list-style-type: none"> • Long Single Cylinder Tailpiece • Long Inside Passage Half Spindle • ¾" Wood Screws • 2 ½" Mounting Screws • Extended Full-Lip Strike Plate • Deadbolt Strike Plate 	<p>Extended Door Thickness: 2 ¼" - 3"</p> <p>Extended Components:</p> <ul style="list-style-type: none"> • Extra Long Single Cylinder Tailpiece • Extra Long Inside Passage Half Spindle • ¾" Wood Screws • 3" Mounting Screws • Extended Full-Lip Strike Plate • Deadbolt Strike Plate
---	---	---

Brass Plates (Dummy)

<p>Standard Door Thickness: 1 ¼" - 1 ¾"</p> <p>Standard Components:</p> <ul style="list-style-type: none"> • 1 ½" and/or 2" Mounting Screws 	<p>Extended Door Thickness: 1 ¾" - 2 ¼"</p> <p>Extended Components:</p> <ul style="list-style-type: none"> • 2 ½" Mounting Screws 	<p>Extended Door Thickness: 2 ¼" - 3"</p> <p>Extended Components:</p> <ul style="list-style-type: none"> • 3" Mounting Screws
---	--	--

Stretto Style Plates are $\frac{3}{8}$ " Thick

10 in.

NON-KEYED

Passage
Privacy

Passage (4141)
 Thumbturn Privacy (4241)
 Dummy, Pair (4045)
 Dummy, Single Sided (4041)

KEYED

Entry

Passage/Single Keyed (4442)
 Dummy, Pair (4042)

11 in.

NON-KEYED

Passage
Privacy

Passage (4143)
 Thumbturn Privacy (4243)
 Dummy, Pair (4046)
 Dummy, Single Sided (4043)

KEYED

Entry

Passage/Single Keyed (4444)
 Dummy, Pair (4044)

Bronze Non-Keyed Plates (Passage)

<p>Standard Door Thickness: 1 ¼" - 1 ¾"</p> <p>Standard Components:</p> <ul style="list-style-type: none"> • Inside Passage Half Spindle • ¾" Wood Screws • 1 ½" and/or 2" Mounting Screws • Full-Lip Strike Plate 	<p>Extended Door Thickness: 1 ¾" - 2 ¼"</p> <p>Extended Components:</p> <ul style="list-style-type: none"> • Long Inside Passage Half Spindle • ¾" Wood Screws • 2 ½" Mounting Screws • Extended Full-Lip Strike Plate 	<p>Extended Door Thickness: 2 ¼" - 3"</p> <p>Extended Components:</p> <ul style="list-style-type: none"> • Extra Long Inside Passage Half Spindle • ¾" Wood Screws • 3" Mounting Screws • Extended Full-Lip Strike Plate
---	--	--

Bronze Plates (Entry/Privacy)

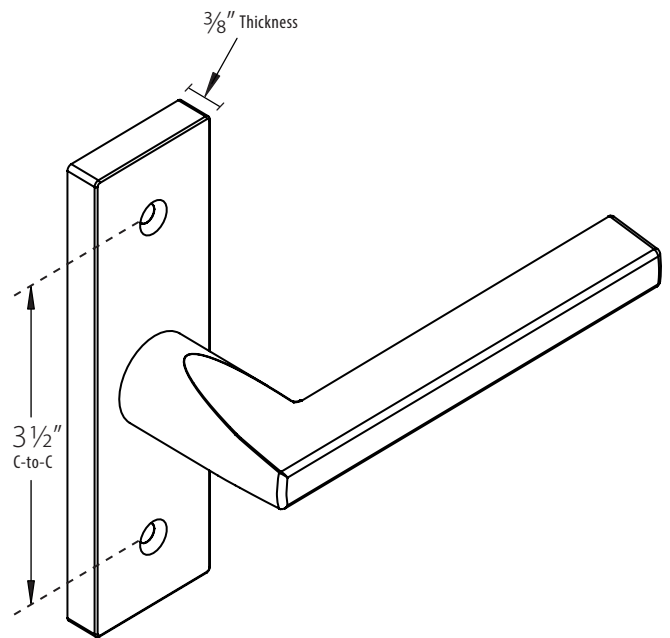
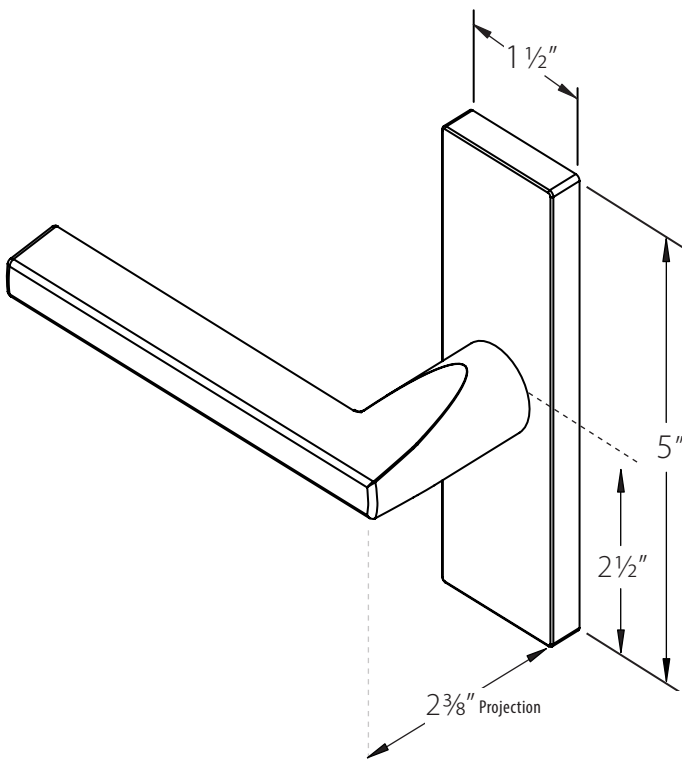
<p>Standard Door Thickness: 1 ¼" - 1 ¾"</p> <p>Standard Components:</p> <ul style="list-style-type: none"> • Regular Tailpiece • Inside Passage Half Spindle • ¾" Wood Screws • 1 ½" and/or 2" Mounting Screws • Full-Lip Strike Plate • Deadbolt Strike Plate 	<p>Extended Door Thickness: 1 ¾" - 2 ¼"</p> <p>Extended Components:</p> <ul style="list-style-type: none"> • Long Single Cylinder Tailpiece • Long Inside Passage Half Spindle • ¾" Wood Screws • 2 ½" Mounting Screws • Extended Full-Lip Strike Plate • Deadbolt Strike Plate 	<p>Extended Door Thickness: 2 ¼" - 3"</p> <p>Extended Components:</p> <ul style="list-style-type: none"> • Extra Long Single Cylinder Tailpiece • Extra Long Inside Passage Half Spindle • ¾" Wood Screws • 3" Mounting Screws • Extended Full-Lip Strike Plate • Deadbolt Strike Plate
---	---	---

Bronze Plates (Dummy)

<p>Standard Door Thickness: 1 ¼" - 1 ¾"</p> <p>Standard Components:</p> <ul style="list-style-type: none"> • 1 ½" and/or 2" Mounting Screws 	<p>Extended Door Thickness: 1 ¾" - 2 ¼"</p> <p>Extended Components:</p> <ul style="list-style-type: none"> • 2 ½" Mounting Screws 	<p>Extended Door Thickness: 2 ¼" - 3"</p> <p>Extended Components:</p> <ul style="list-style-type: none"> • 3" Mounting Screws
---	--	--

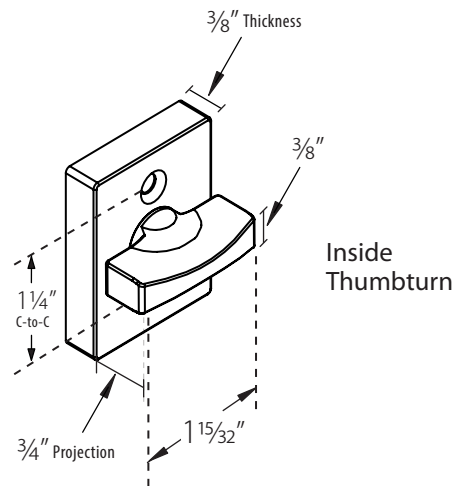
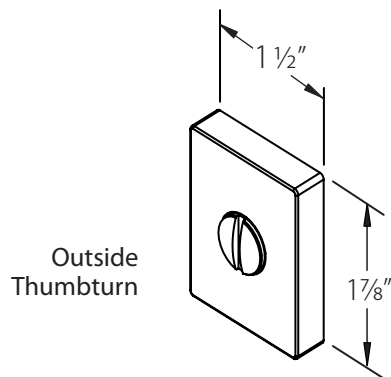
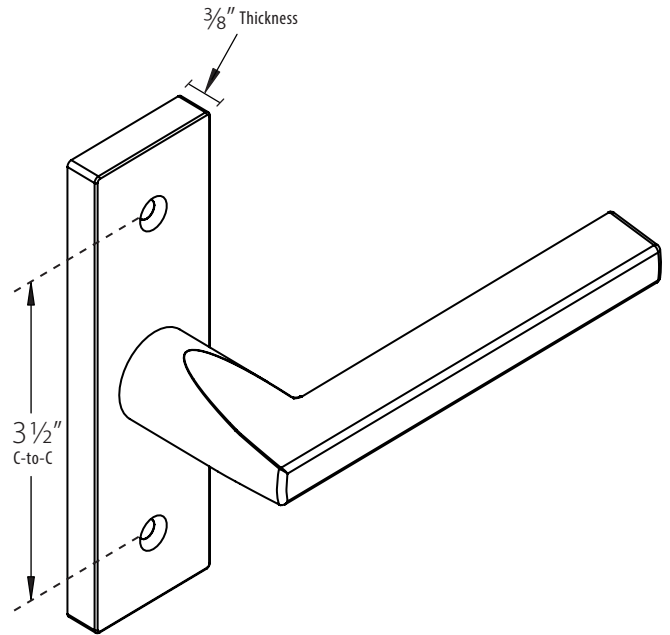
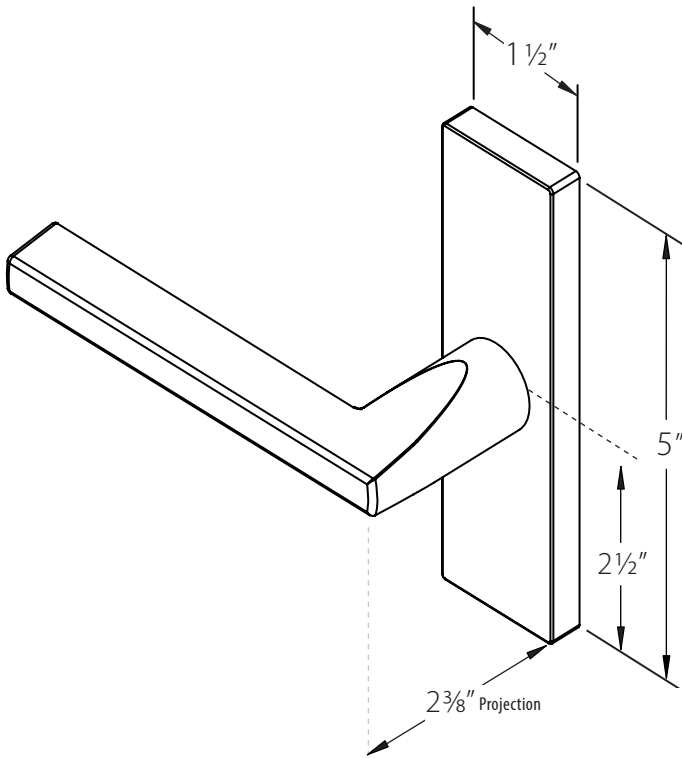
Outside Trim

Inside Trim



Outside Trim

Inside Trim



Passage

Standard Door Thickness: 1 ¼" - 1 ¾"

Standard Components:

- Inside Passage Half Spindle
- ¾" Wood Screws
- 1 ½" and/or 2" Mounting Screws
- Full-Lip Strike Plate

Extended Door Thickness: 1 ¾" - 2 ¼"

Extended Components:

- Long Inside Passage Half Spindle
- ¾" Wood Screws
- 2 ½" Mounting Screws
- Extended Full-Lip Strike Plate

Extended Door Thickness: 2 ¼" - 3"

Extended Components:

- Extra Long Inside Passage Half Spindle
- ¾" Wood Screws
- 3" Mounting Screws
- Extended Full-Lip Strike Plate

Privacy

Standard Door Thickness: 1 ¼" - 1 ¾"

Standard Components:

- Regular Tailpiece
- Inside Passage Half Spindle
- ¾" Wood Screws
- 1 ½" and/or 2" Mounting Screws
- Full-Lip Strike Plate
- Deadbolt Strike Plate

Extended Door Thickness: 1 ¾" - 2 ¼"

Extended Components:

- Long Single Cylinder Tailpiece
- Long Inside Passage Half Spindle
- ¾" Wood Screws
- 2 ½" Mounting Screws
- Extended Full-Lip Strike Plate
- Deadbolt Strike Plate

Extended Door Thickness: 2 ¼" - 3"

Extended Components:

- Extra Long Single Cylinder Tailpiece
- Extra Long Inside Passage Half Spindle
- ¾" Wood Screws
- 3" Mounting Screws
- Extended Full-Lip Strike Plate
- Deadbolt Strike Plate

Dummy

Standard Door Thickness: 1 ¼" - 1 ¾"

Standard Components:

- 1 ½" and/or 2" Mounting Screws

Extended Door Thickness: 1 ¾" - 2 ¼"

Extended Components:

- 2 ½" Mounting Screws

Extended Door Thickness: 2 ¼" - 3"

Extended Components:

- 3" Mounting Screws

Thin Rosette: #8, Rectangular, Disk, etc...

<ul style="list-style-type: none"> • Standard Door Thickness: 1$\frac{3}{8}$" – 1$\frac{5}{8}$" <p>Standard Components:</p> <ul style="list-style-type: none"> • Small Spindle • 8-32 x 1" Mounting Screws • Full Lip Strike Plate 	<ul style="list-style-type: none"> • Extended Door Thickness: 1$\frac{5}{8}$" – 2" <p>Extended Components:</p> <ul style="list-style-type: none"> • Medium Spindle • 8-32 x 1" Mounting Screws • Full Lip Strike Plate 	<ul style="list-style-type: none"> • Extended Door Thickness: 2" – 2$\frac{1}{4}$" <p>Extended Components:</p> <ul style="list-style-type: none"> • Long Spindle • 8-32 x 1$\frac{1}{2}$" Mounting Screws • Extended Full Lip Strike Plate
---	---	--

Medium Rosette: #2, Oval, Regular, etc...

<ul style="list-style-type: none"> • Standard Door Thickness: 1$\frac{3}{8}$" – 1$\frac{5}{8}$" <p>Standard Components:</p> <ul style="list-style-type: none"> • Medium Spindle • 8-32 x 1" Mounting Screws • Full Lip Strike Plate 	<ul style="list-style-type: none"> • Extended Door Thickness: 1$\frac{5}{8}$" – 2" <p>Extended Components:</p> <ul style="list-style-type: none"> • Medium Spindle • 8-32 x 1" Mounting Screws • Full Lip Strike Plate 	<ul style="list-style-type: none"> • Extended Door Thickness: 2" – 2$\frac{1}{4}$" <p>Extended Components:</p> <ul style="list-style-type: none"> • Long Spindle • 8-32 x 1$\frac{1}{2}$" Mounting Screws • Extended Full Lip Strike Plate
--	---	--

Thick Rosette: Neos, Landcaster, Euro, etc...

<ul style="list-style-type: none"> • Standard Door Thickness: 1$\frac{3}{8}$" – 1$\frac{5}{8}$" <p>Standard Components:</p> <ul style="list-style-type: none"> • Medium Spindle • 8-32 x 1" Mounting Screws • Full Lip Strike Plate 	<ul style="list-style-type: none"> • Extended Door Thickness: 1$\frac{5}{8}$" – 2" <p>Extended Components:</p> <ul style="list-style-type: none"> • Medium Spindle • 8-32 x 1" Mounting Screws • Full Lip Strike Plate 	<ul style="list-style-type: none"> • Extended Door Thickness: 2" – 2$\frac{1}{4}$" <p>Extended Components:</p> <ul style="list-style-type: none"> • Long Spindle • 8-32 x 1$\frac{1}{2}$" Mounting Screws • Extended Full Lip Strike Plate
--	---	--

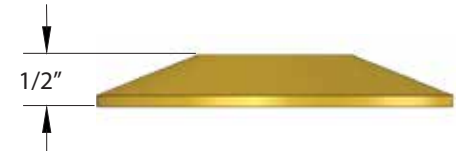
Thin Rosette: #8, Rectangular, Disk, etc...



Medium Rosette: #2, Oval, Regular, etc...



Thick Rosette: Neos, Landcaster, Euro, etc...

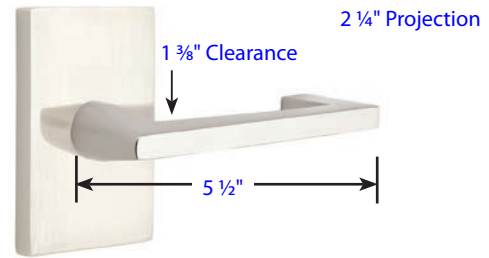


Note: Rosette Dimensions are approximate and will vary



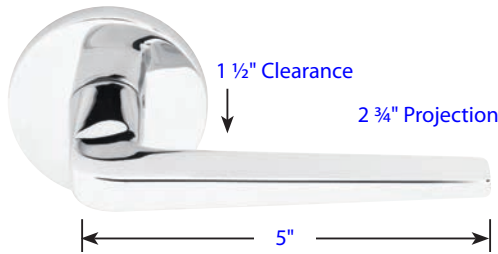
Aireon (A)

with Modern Rosette



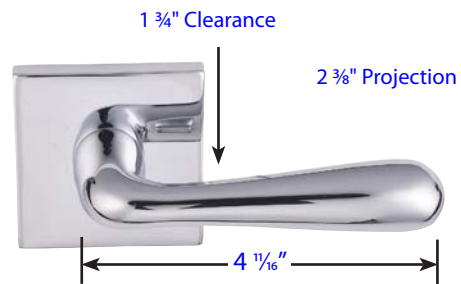
Argos (AG)

with Modern Rectangular Rosette



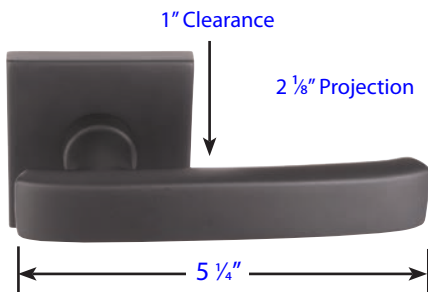
Athena (ATN)

with Disk Rosette



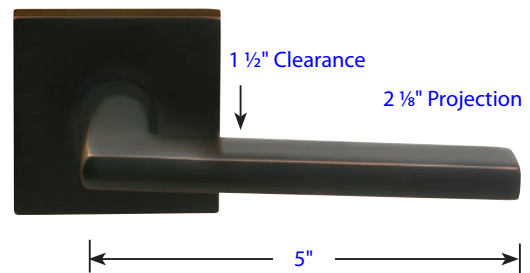
Basel (BA)

with Square Rosette



Geneva (GV)

with Square Rosette



Helios (HLO)

with Square Rosette

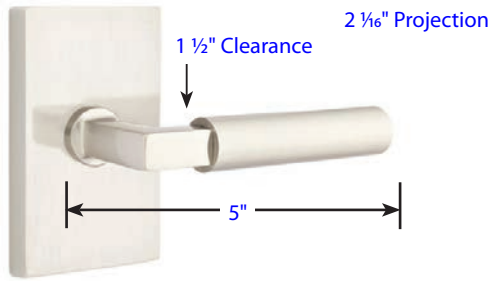
See page 3 for rosette specification.

Door Thickness Specifications

- Standard Door Thickness: 1 1/4" - 2"
- Standard Components:
- Privacy Pin (for privacy sets)
- Inside Passage Half Spindle
- 1 1/2" Rosette Screws
- Full-Lip Strike Plate

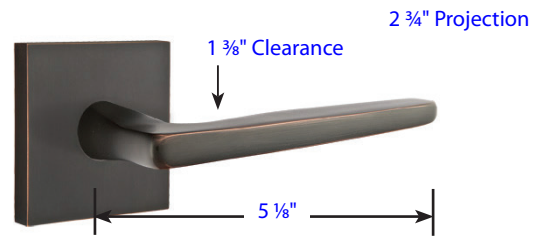
- **Extended** Door Thickness: 2" - 2 1/2"
- Extended Components:
- Privacy Pin w/ Extension (for privacy sets)
- Long Inside Passage Half Spindle
- 2" Rosette Screws
- Extended Full-Lip Strike Plate

- **Extended** Door Thickness: 2 1/2" - 3"
- Extended Components:
- Privacy Pin w/ Extension (for privacy sets)
- Extra Long Inside Passage Half Spindle
- 2 1/2" Rosette Screws
- Extended Full-Lip Strike Plate



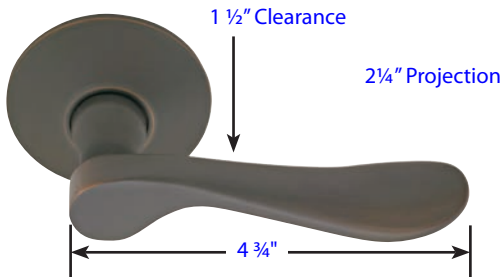
Hercules (HEC)

with Modern Rectangular Rosette



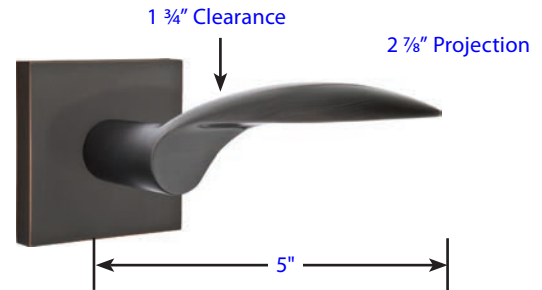
Hermes (HER)

with Square Rosette



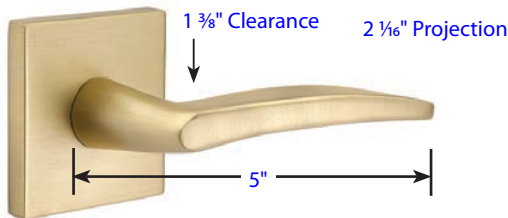
Luzern (LU)

with Modern Rosette



Mercury (MC)

with Square Rosette



Poseidon (POS)

with Square Rosette



Sion (SIO)

with Disk Rosette

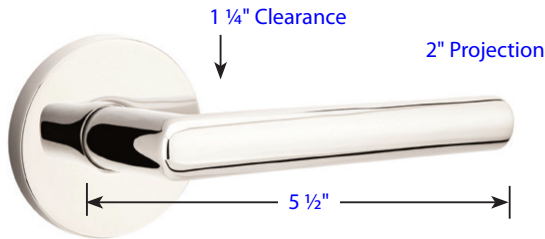
See page 3 for rosette specification.

Door Thickness Specifications

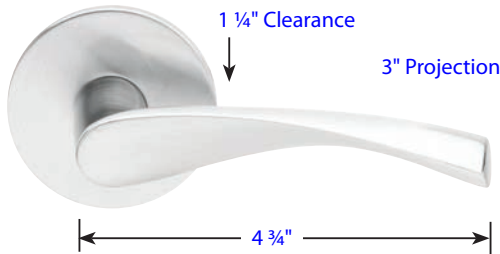
- Standard Door Thickness: 1 1/4" - 2" Standard Components:
- Privacy Pin (for privacy sets)
- Inside Passage Half Spindle
- 1 1/2" Rosette Screws
- Full-Lip Strike Plate

- **Extended** Door Thickness: 2" - 2 1/2" Extended Components:
- Privacy Pin w/ Extension (for privacy sets)
- Long Inside Passage Half Spindle
- 2" Rosette Screws
- Extended Full-Lip Strike Plate

- **Extended** Door Thickness: 2 1/2" - 3" Extended Components:
- Privacy Pin w/ Extension (for privacy sets)
- Extra Long Inside Passage Half Spindle
- 2 1/2" Rosette Screws
- Extended Full-Lip Strike Plate



Stuttgart (STU)
with Disk Rosette



Triton (TRT)
with Disk Rosette

Rosettes

3/8" Thick



Disk
2 1/2" Dia.

Modern Rectangular



2 1/2" x 4"

Square



2 1/2" x 2 1/2"

1/2" Thick

Modern



2 3/4" Dia.

Neos



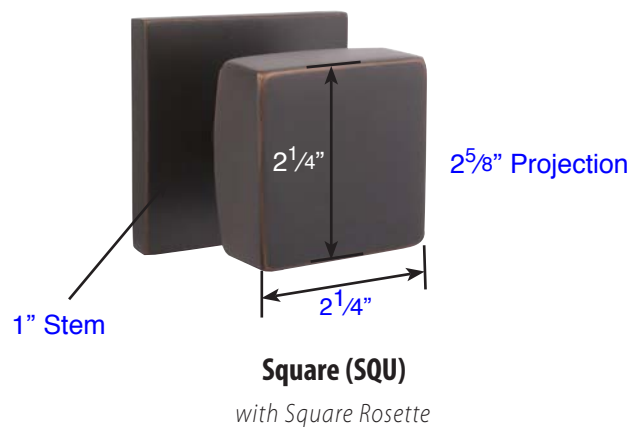
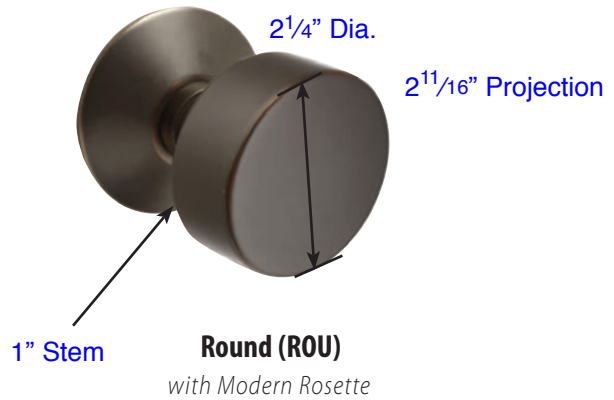
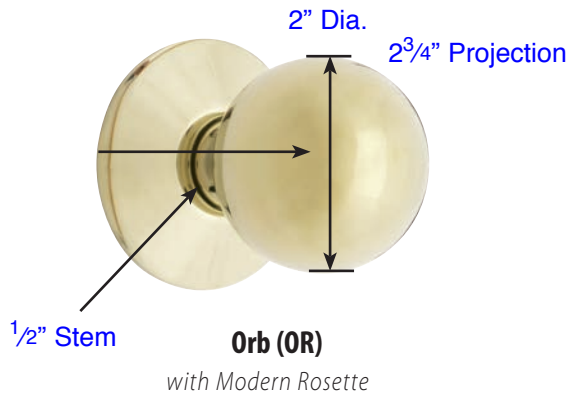
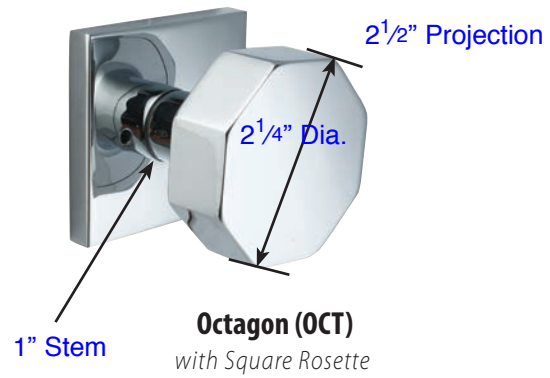
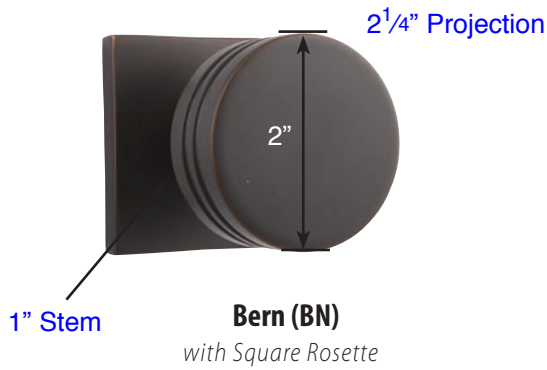
2 5/8" x 4"

Door Thickness Specifications

- Standard Door Thickness: 1 1/4" - 2"
- Standard Components:
- Privacy Pin (for privacy sets)
- Inside Passage Half Spindle
- 1 1/2" Rosette Screws
- Full-Lip Strike Plate

- **Extended** Door Thickness: 2" - 2 1/2"
- Extended Components:
- Privacy Pin w/ Extension (for privacy sets)
- Long Inside Passage Half Spindle
- 2" Rosette Screws
- Extended Full-Lip Strike Plate

- **Extended** Door Thickness: 2 1/2" - 3"
- Extended Components:
- Privacy Pin w/ Extension (for privacy sets)
- Extra Long Inside Passage Half Spindle
- 2 1/2" Rosette Screws
- Extended Full-Lip Strike Plate



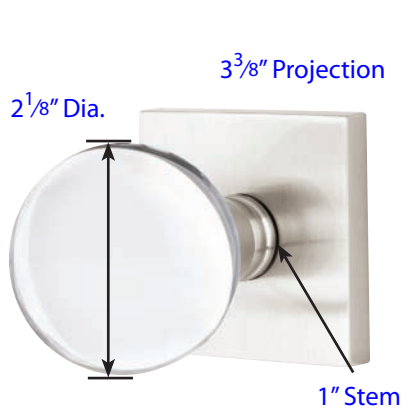
See page 3 for rosette specification.

Door Thickness Specifications

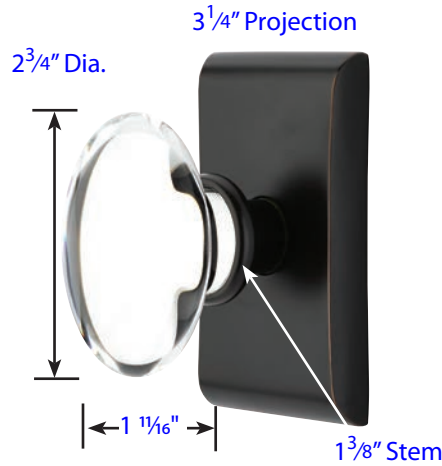
- Standard Door Thickness: 1 1/4" - 2"
- Standard Components:
 - Privacy Pin (for privacy sets)
 - Inside Passage Half Spindle
 - 1 1/2" Rosette Screws
 - Full-Lip Strike Plate

- **Extended** Door Thickness: 2" - 2 1/2"
- Extended Components:
 - Privacy Pin w/ Extension (for privacy sets)
 - Long Inside Passage Half Spindle
 - 2" Rosette Screws
 - Extended Full-Lip Strike Plate

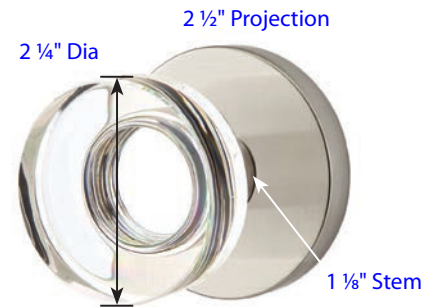
- **Extended** Door Thickness: 2 1/2" - 3"
- Extended Components:
 - Privacy Pin w/ Extension (for privacy sets)
 - Extra Long Inside Passage Half Spindle
 - 2 1/2" Rosette Screws
 - Extended Full-Lip Strike Plate



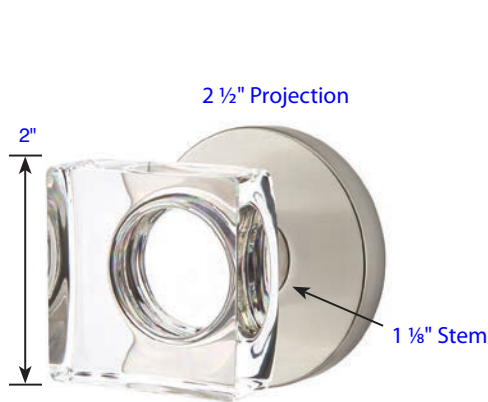
Bristol - Modern (BL)
 with Square Rosette



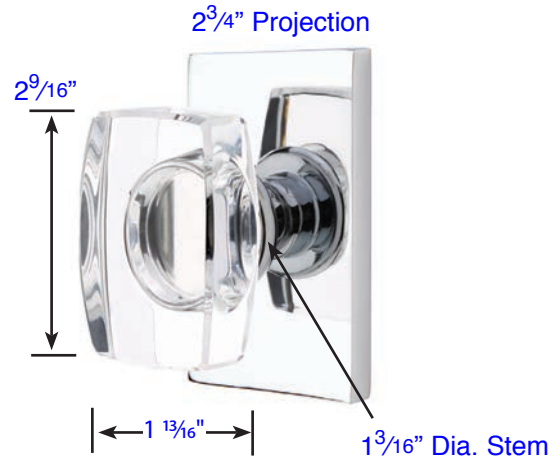
Hampton - Modern (HT)
 with Neos Rosette



Modern Disc Crystal (MDC)
 with Disk Rosette



Modern Square Crystal (MSC)
 with Disk Rosette



Windsor - Modern (WS)
 with Modern Rectangular Rosette

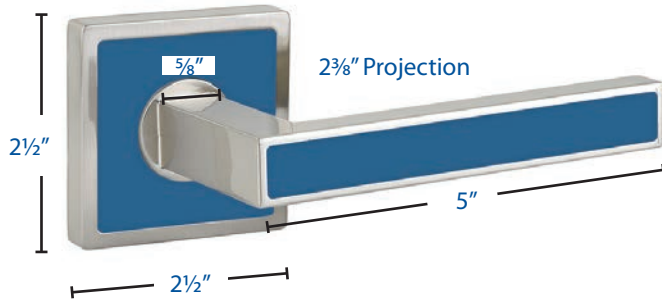
See page 3 rosette specification.

Door Thickness Specifications

- Standard Door Thickness: 1-1/4" - 2"
- Standard Components:
 - Privacy Pin (for privacy sets)
 - Inside Passage Half Spindle
 - 1-1/2" Rosette Screws
 - Full-Lip Strike Plate

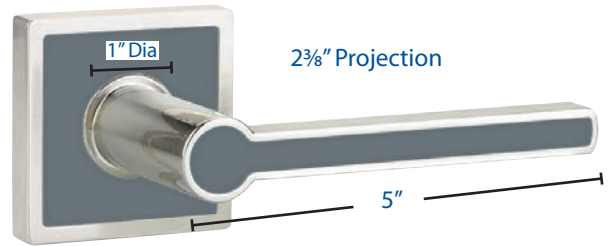
- **Extended** Door Thickness: 2" - 2-1/2"
- Extended Components:
 - Privacy Pin w/ Extension (for privacy sets)
 - Long Inside Passage Half Spindle
 - 2" Rosette Screws
 - Extended Full-Lip Strike Plate

- **Extended** Door Thickness: 2-1/2" - 3"
- Extended Components:
 - Privacy Pin w/ Extension (for privacy sets)
 - Extra Long Inside Passage Half Spindle
 - 2-1/2" Rosette Screws
 - Extended Full-Lip Strike Plate



Aruba (AB)

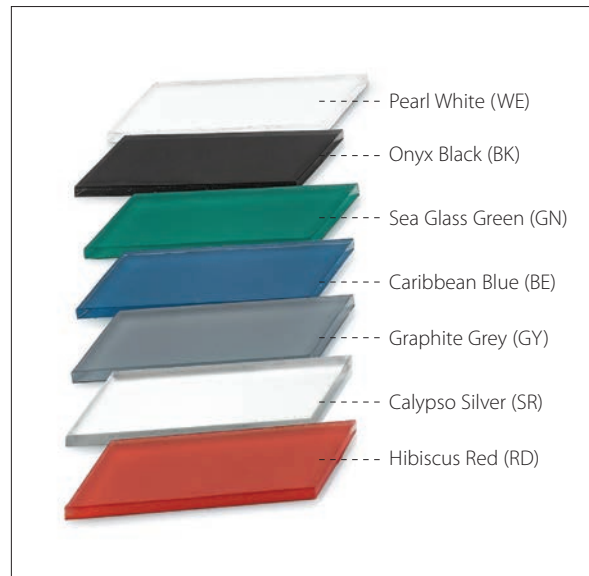
with Caribbean Blue Color Insert
Trinidad Rosette



Cayman (CM)

with Graphite Grey Color Insert
Trinidad Rosette

Color Insert Options



Door Thickness Specifications

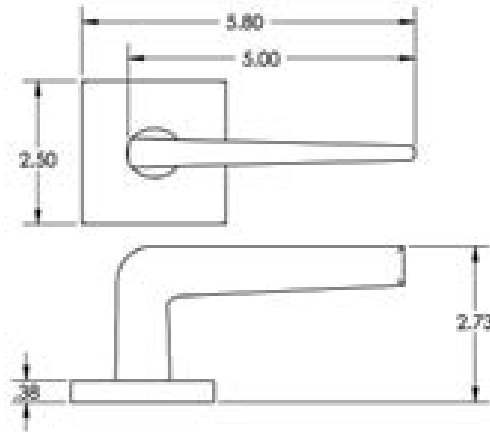
- Standard Door Thickness: 1 1/4" - 2"
- Standard Components:
- Privacy Pin (for privacy sets)
- Inside Passage Half Spindle
- 1 1/2" Rosette Screws
- Full-Lip Strike Plate

- **Extended** Door Thickness: 2" - 2 1/2"
- Extended Components:
- Privacy Pin w/ Extension (for privacy sets)
- Long Inside Passage Half Spindle
- 2" Rosette Screws
- Extended Full-Lip Strike Plate

- **Extended** Door Thickness: 2 1/2" - 3"
- Extended Components:
- Privacy Pin w/ Extension (for privacy sets)
- Extra Long Inside Passage Half Spindle
- 2 1/2" Rosette Screws
- Extended Full-Lip Strike Plate



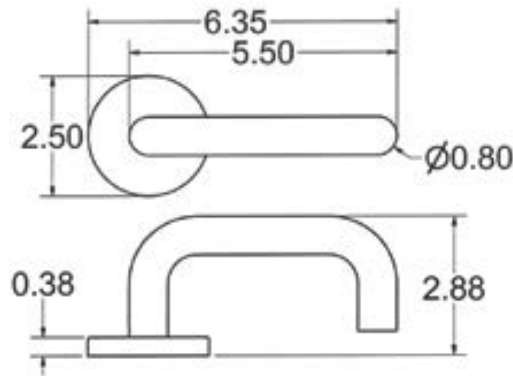
Athena (AT)
with Square Rosette



Clearance 1 1/2"



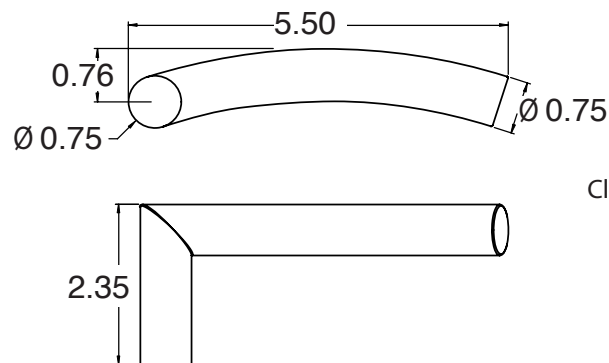
Cologne (CO)
with Disk Rosette



Clearance 1 5/8"



Dresden (DD)
with Square Rosette



Clearance 1 9/16"

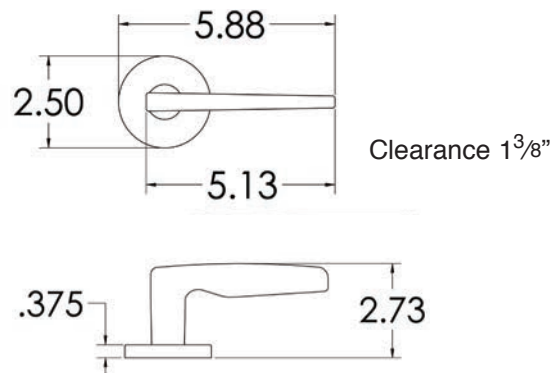
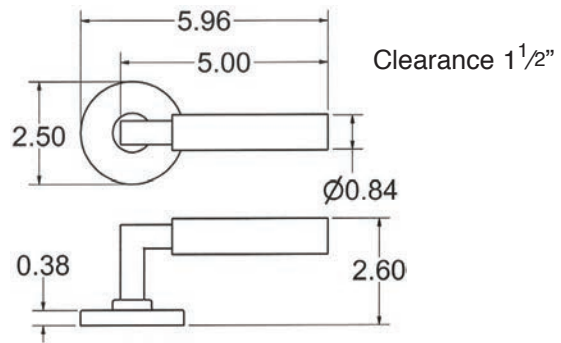
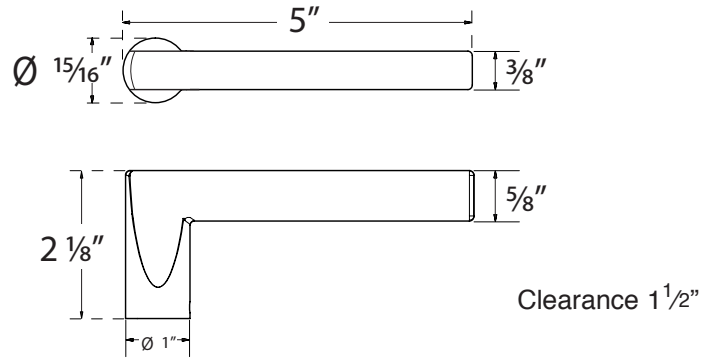
See page 11 for rosette specification.

Door Thickness Specifications

- Standard Door Thickness: 1 3/8" - 2"
- Standard Components:
 - Privacy Pin (for privacy sets)
 - Inside Passage Half Spindle
 - 1 1/2" Socket Head Machine Screws
 - Full-Lip Strike Plate

- **Extended** Door Thickness: 2" - 2 1/2"
- Extended Components:
 - Privacy Pin w/ Extension (for privacy sets)
 - Long Inside Passage Half Spindle
 - 2" Socket Head Machine Screws
 - Extended Full-Lip Strike Plate

- **Extended** Door Thickness: 2 1/2" - 2 3/4"
- Extended Components:
 - Privacy Pin w/ Extension (for privacy sets)
 - Long Inside Passage Half Spindle
 - 2 1/2" Socket Head Machine Screws
 - Extended Full-Lip Strike Plate



See page 11 for rosette specification.

Door Thickness Specifications

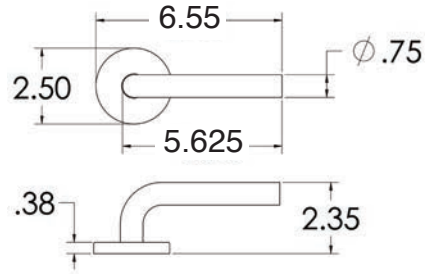
- Standard Door Thickness: 1 3/8" - 2"
- Standard Components:
 - Privacy Pin (for privacy sets)
 - Inside Passage Half Spindle
 - 1 1/2" Socket Head Machine Screws
 - Full-Lip Strike Plate

- **Extended** Door Thickness: 2" - 2 1/2"
- Extended Components:
 - Privacy Pin w/ Extension (for privacy sets)
 - Long Inside Passage Half Spindle
 - 2" Socket Head Machine Screws
 - Extended Full-Lip Strike Plate

- **Extended** Door Thickness: 2 1/2" - 2 3/4"
- Extended Components:
 - Privacy Pin w/ Extension (for privacy sets)
 - Long Inside Passage Half Spindle
 - 2 1/2" Socket Head Machine Screws
 - Extended Full-Lip Strike Plate



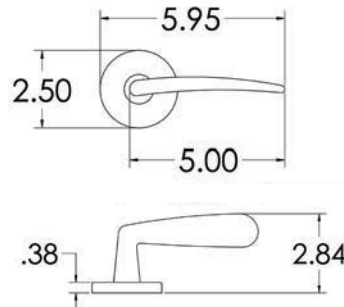
Kiel (KL)
with Beveled Rosette



Clearance: 1¼"



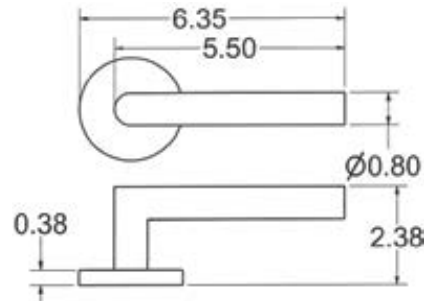
Poseidon (PO)
with Beveled Rosette



Clearance: 1⅜"



Stuttgart (STT)
with Disk Rosette



Clearance: 1¼"

See page 11 for rosette specification.

Door Thickness Specifications

- Standard Door Thickness: 1³/₈" - 2"
- Standard Components:
 - Privacy Pin (for privacy sets)
 - Inside Passage Half Spindle
 - 1¹/₂" Socket Head Machine Screws
 - Full-Lip Strike Plate

- **Extended** Door Thickness: 2" - 2¹/₂"
- Extended Components:
 - Privacy Pin w/ Extension (for privacy sets)
 - Long Inside Passage Half Spindle
 - 2" Socket Head Machine Screws
 - Extended Full-Lip Strike Plate

- **Extended** Door Thickness: 2¹/₂" - 2³/₄"
- Extended Components:
 - Privacy Pin w/ Extension (for privacy sets)
 - Long Inside Passage Half Spindle
 - 2¹/₂" Socket Head Machine Screws
 - Extended Full-Lip Strike Plate

Functions:

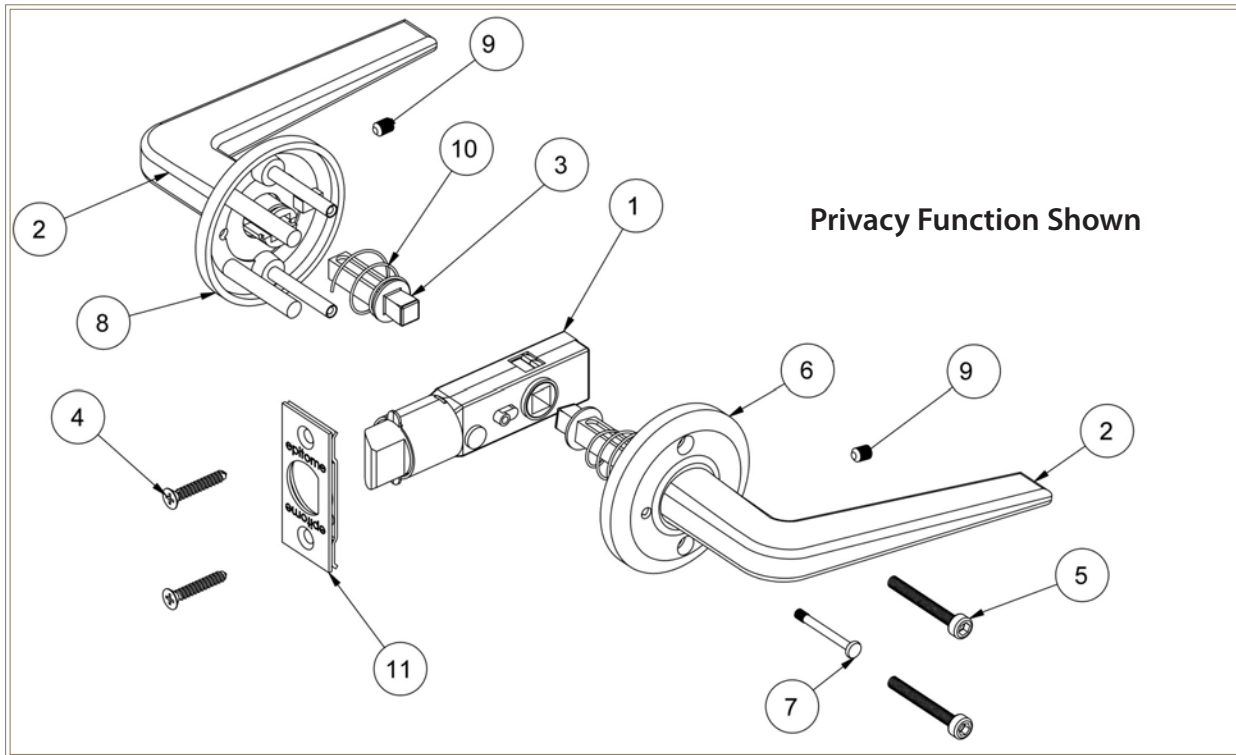
Passage: Lever operates from either side of door.

Privacy: Push button on the interior engages privacy. Turning the inside lever releases privacy and retracts latchbolt.

Dummy Pair: Surface mounted on threaded spindle. Requires no door prep.

Door Prep Specifications:

- Fits standard door prep--2¹/₈" face bore & 1" edge bore.
- Fits a range of door thickness from 1³/₈" to 2". Thicker doors--please specify.



Latches:

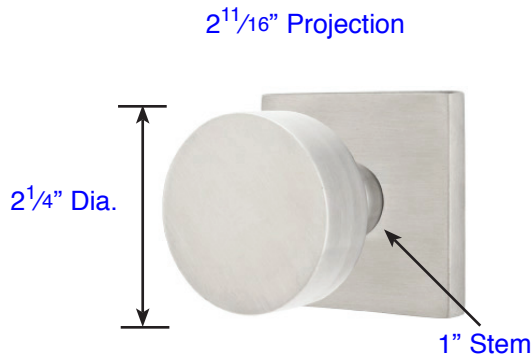
- 28° retraction
- 7MM hub
- Split spindles
- 2³/₈" backset standard
- 2³/₄" backset available--please specify
- Stainless steel nosebolt

Strike & Face Plates:

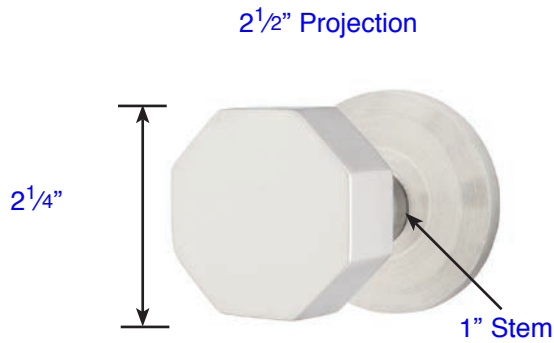
- Strike Plate--1¹/₂"W x 2¹/₄"H
- Face Plate--1"W x 2¹/₄"H
- Full Lip strike is standard
- "T" strike optional--please specify
- Strike & faceplates are square cornered

Legend

- 1) Latch (Passage/Privacy)
- 2) Lever Handles
- 3) Spindles
- 4) Face Plate Wood Screws
- 5) Socket Hex Head Machine Screws
- 6) Inside Rosette
- 7) Privacy Pin (for Privacy Sets)
- 8) Outside Rosette
- 9) Set Screws
- 10) Spindle Spring
- 11) Latch Face Plate



Round (RNK)
with Square Rosette



Octagon (OK)
with Beveled Rosette

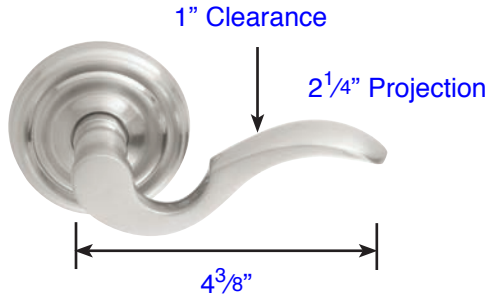
Rosettes
<p>3/8" Thick</p> <p>Beveled</p>  <p>2 7/16" Dia.</p>
<p>Disk</p>  <p>2 1/2" Dia.</p>
<p>Square</p>  <p>2 1/2" x 2 1/2"</p>

Door Thickness Specifications

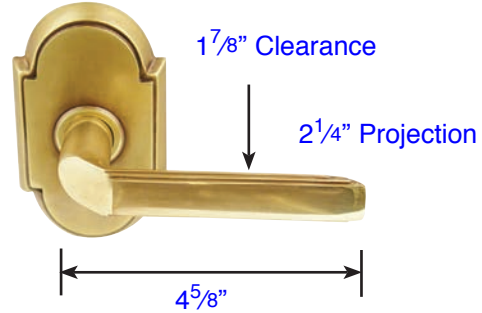
- Standard Door Thickness: 1 3/8" - 2"
- Standard Components:
 - Privacy Pin (for privacy sets)
 - Inside Passage Half Spindle
 - 1 1/2" Socket Head Machine Screws
 - Full-Lip Strike Plate

- **Extended** Door Thickness: 2" - 2 1/2"
- Extended Components:
 - Privacy Pin w/ Extension (for privacy sets)
 - Long Inside Passage Half Spindle
 - 2" Socket Head Machine Screws
 - Extended Full-Lip Strike Plate

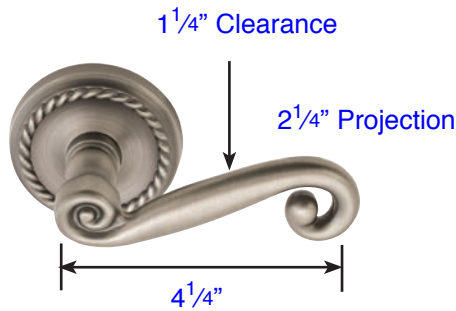
- **Extended** Door Thickness: 2 1/2" - 2 3/4"
- Extended Components:
 - Privacy Pin w/ Extension (for privacy sets)
 - Long Inside Passage Half Spindle
 - 2 1/2" Socket Head Machine Screws
 - Extended Full-Lip Strike Plate



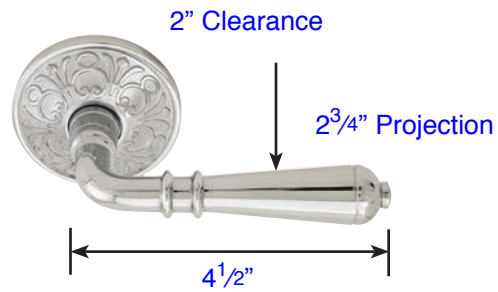
Cortina (C)
 with Regular Rosette



Milano (M)
 with #8 Rosette



Rustic (R)
 with Rope Rosette



Turino (T)
 with Lancaster Rosette

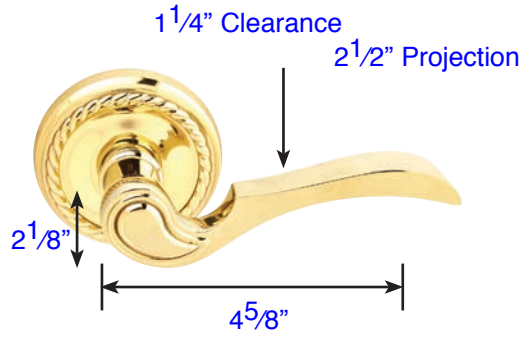
See page 14 for rosette specification.

Door Thickness Specifications

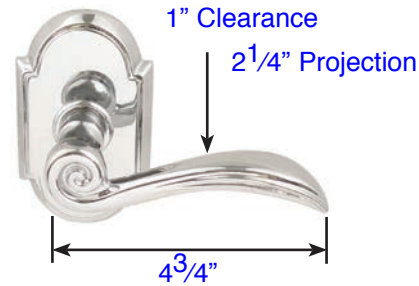
- Standard Door Thickness: 1 1/4" - 2"
- Standard Components:
- Privacy Pin (for privacy sets)
- Inside Passage Half Spindle
- 1 1/2" Rosette Screws
- Full-Lip Strike Plate

- **Extended** Door Thickness: 2" - 2 1/2"
- Extended Components:
- Privacy Pin w/ Extension (for privacy sets)
- Long Inside Passage Half Spindle
- 2" Rosette Screws
- Extended Full-Lip Strike Plate

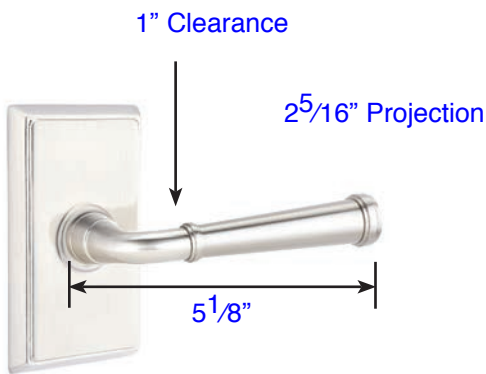
- **Extended** Door Thickness: 2 1/2" - 3"
- Extended Components:
- Privacy Pin w/ Extension (for privacy sets)
- Extra Long Inside Passage Half Spindle
- 2 1/2" Rosette Screws
- Extended Full-Lip Strike Plate



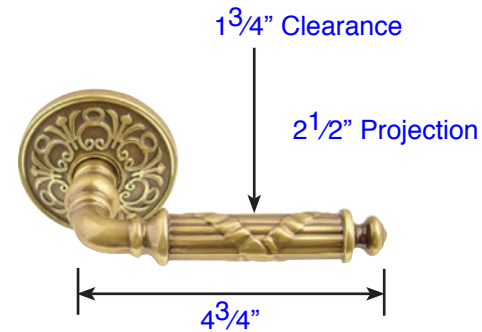
Coventry (CV)
 with Rope Rosette



Elan (EN)
 with #8 Rosette



Merrimack (ME)
 with Rectangular Rosette



Ribbon & Reed (RBL)
 with Lancaster Rosette

See page 14 for rosette specification.

Door Thickness Specifications

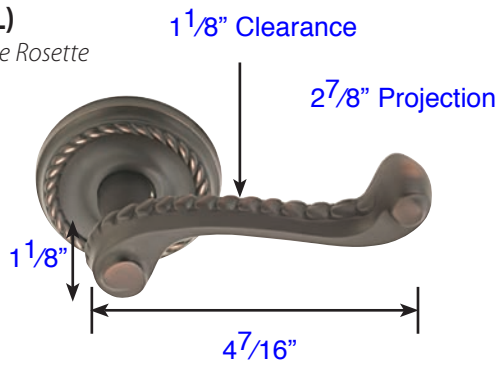
- Standard Door Thickness: 1 1/4" - 2"
- Standard Components:
- Privacy Pin (for privacy sets)
- Inside Passage Half Spindle
- 1 1/2" Rosette Screws
- Full-Lip Strike Plate

- **Extended** Door Thickness: 2" - 2 1/2"
- Extended Components:
- Privacy Pin w/ Extension (for privacy sets)
- Long Inside Passage Half Spindle
- 2" Rosette Screws
- Extended Full-Lip Strike Plate

- **Extended** Door Thickness: 2 1/2" - 3"
- Extended Components:
- Privacy Pin w/ Extension (for privacy sets)
- Extra Long Inside Passage Half Spindle
- 2 1/2" Rosette Screws
- Extended Full-Lip Strike Plate

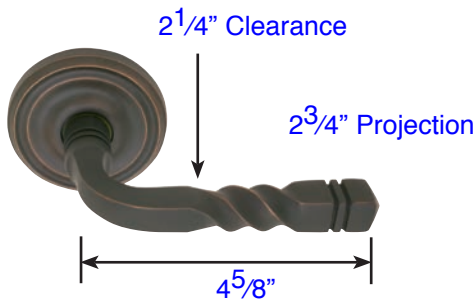
Rope (RL)

with Rope Rosette



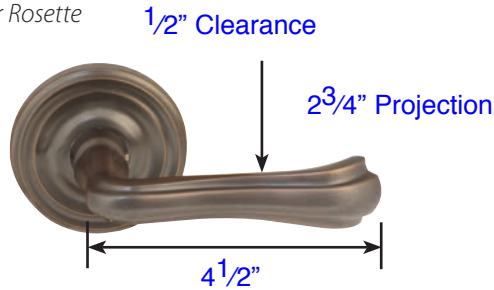
Santa Fe (SF)

with Regular Rosette



Wembley (WM)

with Regular Rosette



Rosettes

3/8" Thick



7/16" Thick



1/2" Thick

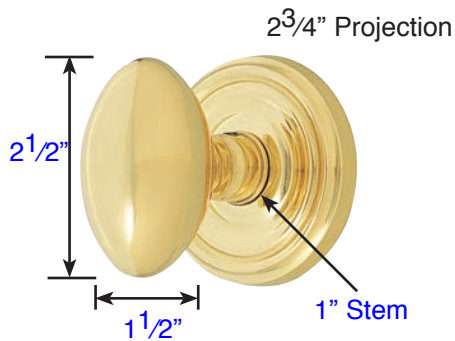


Door Thickness Specifications

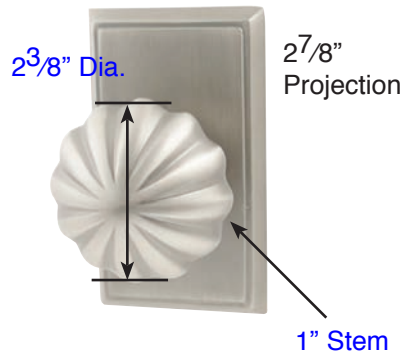
- Standard Door Thickness: 1 1/4" - 2"
- Standard Components:
- Privacy Pin (for privacy sets)
- Inside Passage Half Spindle
- 1 1/2" Rosette Screws
- Full-Lip Strike Plate

- **Extended** Door Thickness: 2" - 2 1/2"
- Extended Components:
- Privacy Pin w/ Extension (for privacy sets)
- Long Inside Passage Half Spindle
- 2" Rosette Screws
- Extended Full-Lip Strike Plate

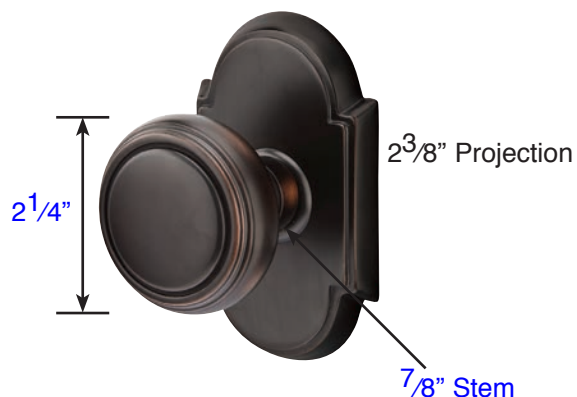
- **Extended** Door Thickness: 2 1/2" - 3"
- Extended Components:
- Privacy Pin w/ Extension (for privacy sets)
- Extra Long Inside Passage Half Spindle
- 2 1/2" Rosette Screws
- Extended Full-Lip Strike Plate



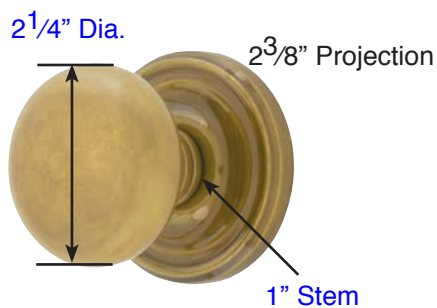
Egg (E)
with Regular Rosette



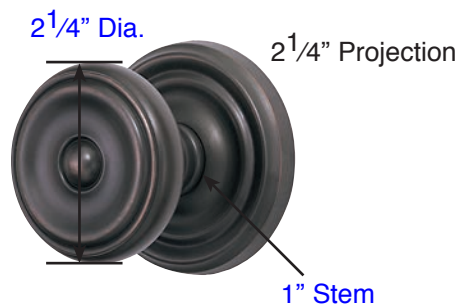
Melon (MN)
with Rectangular Rosette



Norwich (NW)
with #8 Rosette



Providence (P)
with Regular Rosette



Waverly (W)
with Regular Rosette

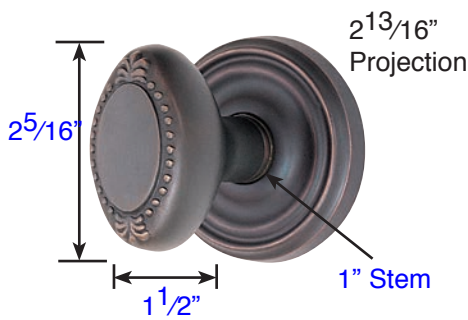
See page 14 for rosette specification.

Door Thickness Specifications

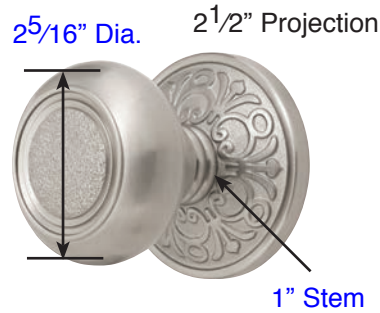
- Standard Door Thickness: 1 1/4" - 2"
- Standard Components:
 - Privacy Pin (for privacy sets)
 - Inside Passage Half Spindle
 - 1 1/2" Rosette Screws
 - Full-Lip Strike Plate

- **Extended** Door Thickness: 2" - 2 1/2"
- Extended Components:
 - Privacy Pin w/ Extension (for privacy sets)
 - Long Inside Passage Half Spindle
 - 2" Rosette Screws
 - Extended Full-Lip Strike Plate

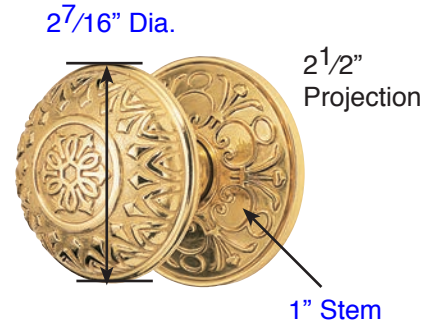
- **Extended** Door Thickness: 2 1/2" - 3"
- Extended Components:
 - Privacy Pin w/ Extension (for privacy sets)
 - Extra Long Inside Passage Half Spindle
 - 2 1/2" Rosette Screws
 - Extended Full-Lip Strike Plate



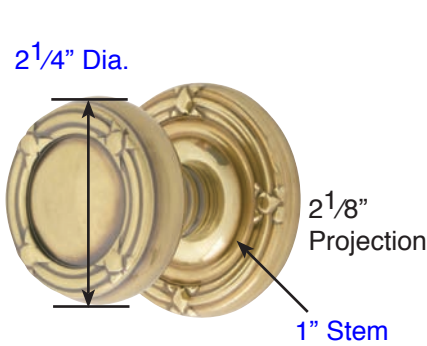
Beaded Egg (BE)
with Regular Rosette



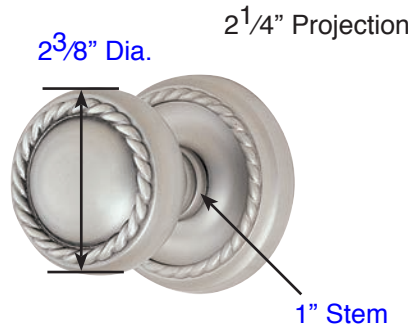
Belmont (BT)
with Lancaster Rosette



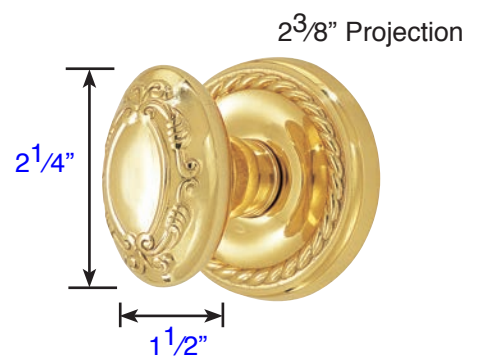
Lancaster (LN)
with Lancaster Rosette



Ribbon & Reed (RBK)
with Ribbon & Reed Rosette



Rope (RK)
with Rope Rosette



Victoria (V)
with Rope Rosette

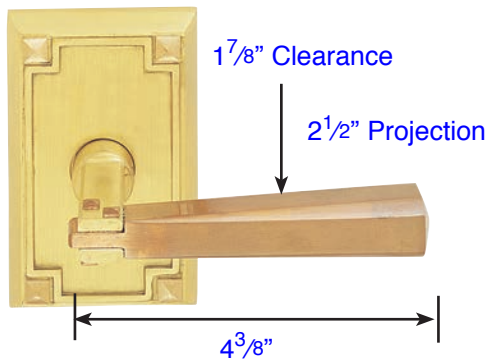
See page 14 for rosette specification.

Door Thickness Specifications

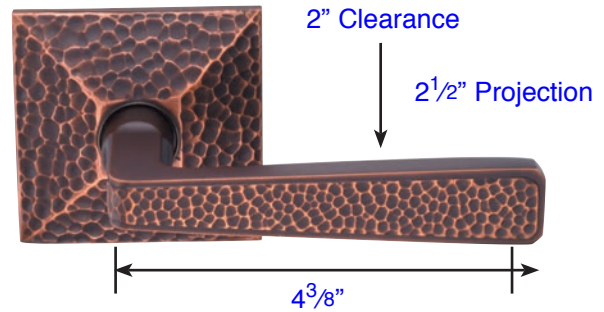
- Standard Door Thickness: 1 1/4" - 2"
- Standard Components:
 - Privacy Pin (for privacy sets)
 - Inside Passage Half Spindle
 - 1 1/2" Rosette Screws
 - Full-Lip Strike Plate

- **Extended** Door Thickness: 2" - 2 1/2"
- Extended Components:
 - Privacy Pin w/ Extension (for privacy sets)
 - Long Inside Passage Half Spindle
 - 2" Rosette Screws
 - Extended Full-Lip Strike Plate

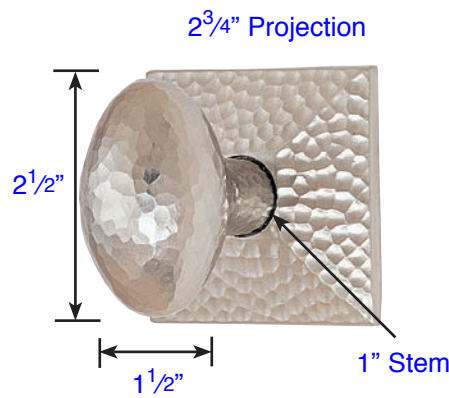
- **Extended** Door Thickness: 2 1/2" - 3"
- Extended Components:
 - Privacy Pin w/ Extension (for privacy sets)
 - Extra Long Inside Passage Half Spindle
 - 2 1/2" Rosette Screws
 - Extended Full-Lip Strike Plate



Arts & Crafts (AC)
with Arts & Crafts
Rectangular Rosette



Hammered (HM)
with Hammered Rosette



Hammered Egg (HE)
with Hammered Rosette

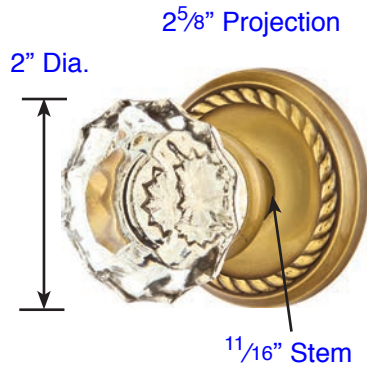
See page 14 for rosette specification.

Door Thickness Specifications

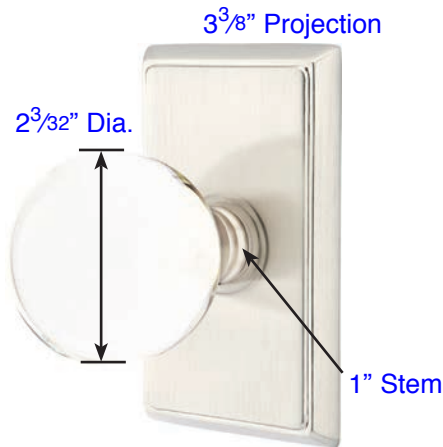
- Standard Door Thickness: 1 1/4" - 2"
- Standard Components:
 - Privacy Pin (for privacy sets)
 - Inside Passage Half Spindle
 - 1 1/2" Rosette Screws
 - Full-Lip Strike Plate

- **Extended** Door Thickness: 2" - 2 1/2"
- Extended Components:
 - Privacy Pin w/ Extension (for privacy sets)
 - Long Inside Passage Half Spindle
 - 2" Rosette Screws
 - Extended Full-Lip Strike Plate

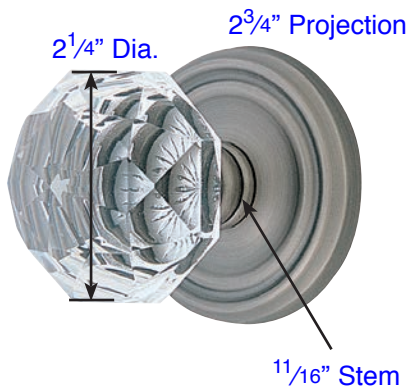
- **Extended** Door Thickness: 2 1/2" - 3"
- Extended Components:
 - Privacy Pin w/ Extension (for privacy sets)
 - Extra Long Inside Passage Half Spindle
 - 2 1/2" Rosette Screws
 - Extended Full-Lip Strike Plate



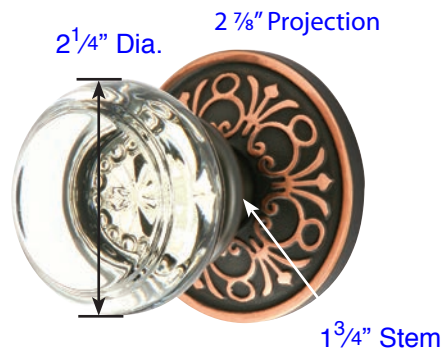
Astoria Clear (AS)
 with Rope Rosette



Bristol (BL)
 with Rectangular Rosette



Diamond (CK)
 with Regular Rosette



Georgetown (GT)
 with Lancaster Rosette

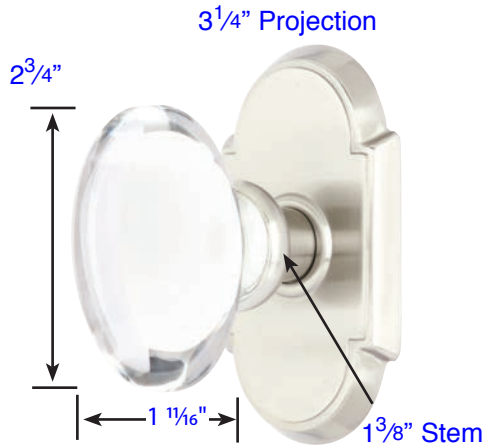
See page 14 for rosette specification.

Door Thickness Specifications

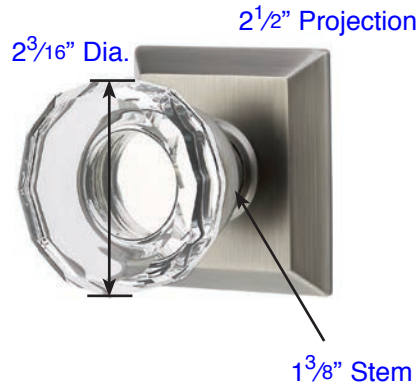
- Standard Door Thickness: 1 1/4" - 2"
- Standard Components:
 - Privacy Pin (for privacy sets)
 - Inside Passage Half Spindle
 - 1 1/2" Rosette Screws
 - Full-Lip Strike Plate

- **Extended** Door Thickness: 2" - 2 1/2"
- Extended Components:
 - Privacy Pin w/ Extension (for privacy sets)
 - Long Inside Passage Half Spindle
 - 2" Rosette Screws
 - Extended Full-Lip Strike Plate

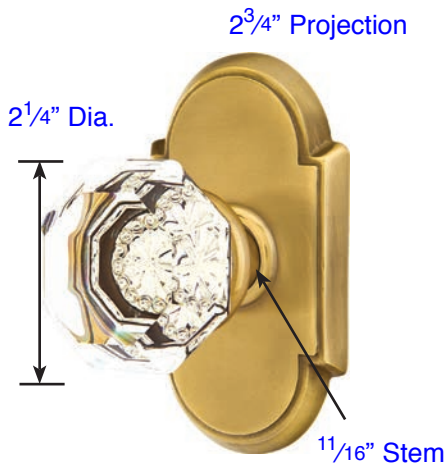
- **Extended** Door Thickness: 2 1/2" - 3"
- Extended Components:
 - Privacy Pin w/ Extension (for privacy sets)
 - Extra Long Inside Passage Half Spindle
 - 2 1/2" Rosette Screws
 - Extended Full-Lip Strike Plate



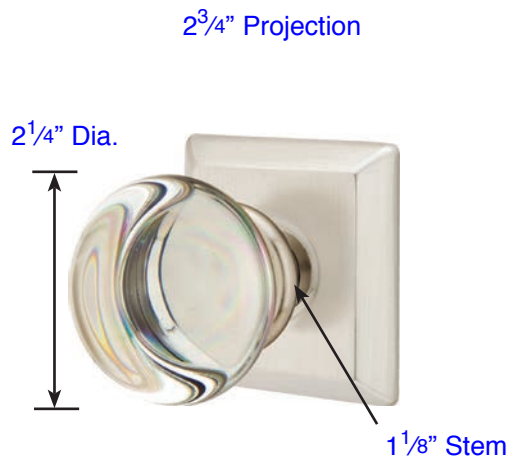
Hampton (HT)
 with #8 Rosette



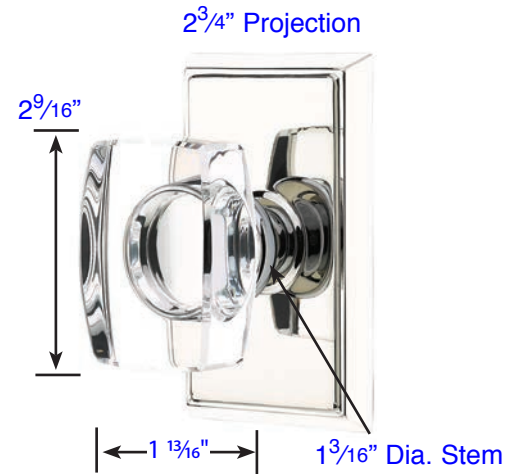
Lowell Crystal (LW)
 with Quincy Rosette



Old Town - Clear (OT)
 with #8 Rosette



Providence Crystal (PC)
 with Quincy Rosette



Windsor (WS)
 with Rectangular Rosette

See page 14 for rosette specification.

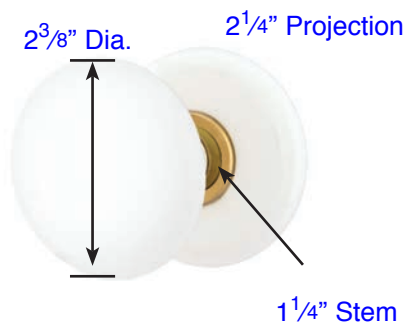
Door Thickness Specifications

- Standard Door Thickness: 1 1/4" - 2"
- Standard Components:
 - Privacy Pin (for privacy sets)
 - Inside Passage Half Spindle
 - 1 1/2" Rosette Screws
 - Full-Lip Strike Plate

- **Extended** Door Thickness: 2" - 2 1/2"
- Extended Components:
 - Privacy Pin w/ Extension (for privacy sets)
 - Long Inside Passage Half Spindle
 - 2" Rosette Screws
 - Extended Full-Lip Strike Plate

- **Extended** Door Thickness: 2 1/2" - 3"
- Extended Components:
 - Privacy Pin w/ Extension (for privacy sets)
 - Extra Long Inside Passage Half Spindle
 - 2 1/2" Rosette Screws
 - Extended Full-Lip Strike Plate

PORCELAIN KNOBSETS WITH PORCELAIN ROSETTES

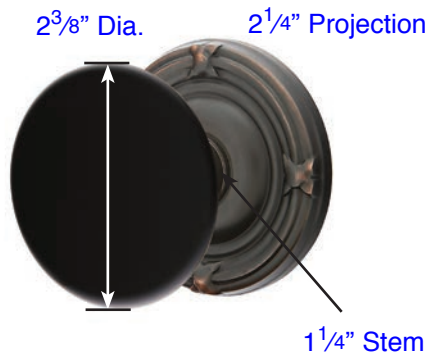


Ice White (IW)
 with Porcelain Rosette

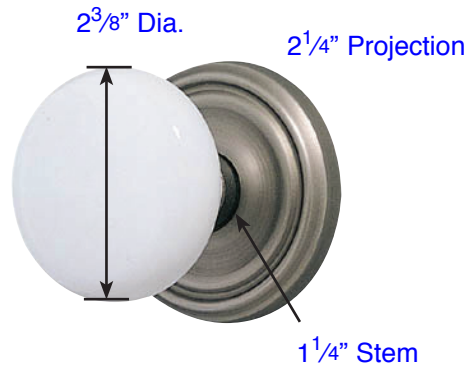


Ebony (EB)
 with Porcelain Rosette

PORCELAIN KNOBSETS WITH BRASS ROSETTES



Ebony (EB)
 with Ribbon & Reed Rosette



Ice White (IW)
 with Regular Rosette

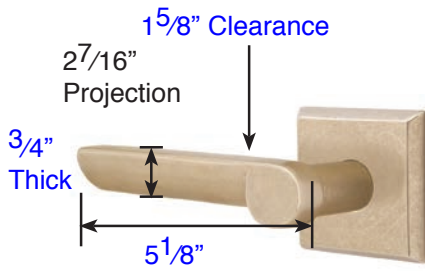
See page 14 for rosette specification.

Door Thickness Specifications

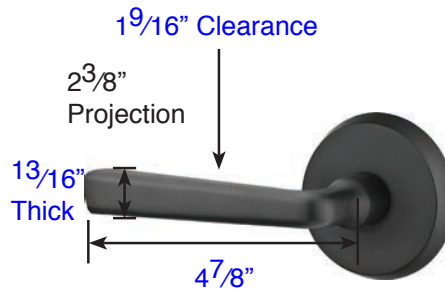
- Standard Door Thickness: 1 1/4" - 2"
- Standard Components:
 - Privacy Pin (for privacy sets)
 - Inside Passage Half Spindle
 - 1 1/2" Rosette Screws
 - Full-Lip Strike Plate

- **Extended** Door Thickness: 2" - 2 1/2"
- Extended Components:
 - Privacy Pin w/ Extension (for privacy sets)
 - Long Inside Passage Half Spindle
 - 2" Rosette Screws
 - Extended Full-Lip Strike Plate

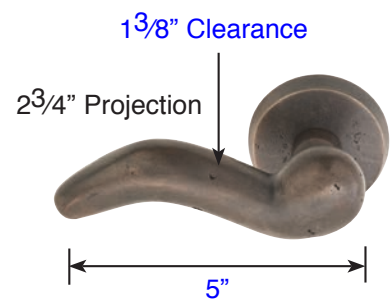
- **Extended** Door Thickness: 2 1/2" - 3"
- Extended Components:
 - Privacy Pin w/ Extension (for privacy sets)
 - Extra Long Inside Passage Half Spindle
 - 2 1/2" Rosette Screws
 - Extended Full-Lip Strike Plate



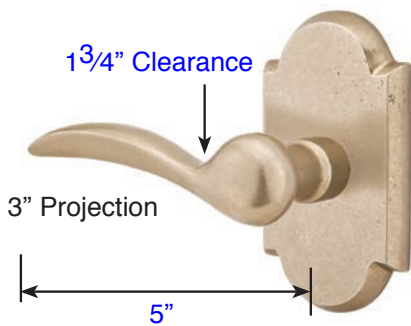
Aurora (AR)
with #6 Rosette



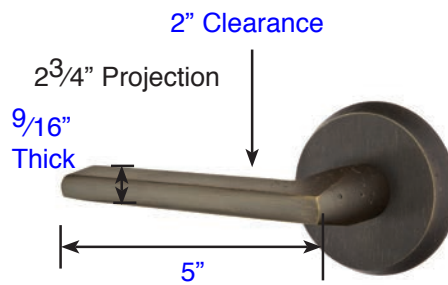
Cimarron (CR)
with #2 Rosette



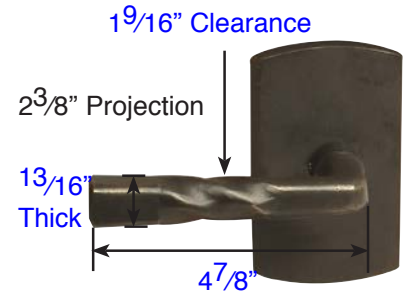
Cody (CD)
with #2 Rosette



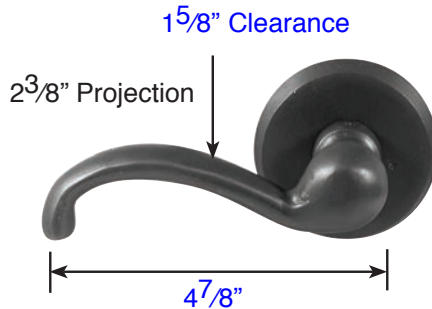
Durango (D)
with #1 Rosette



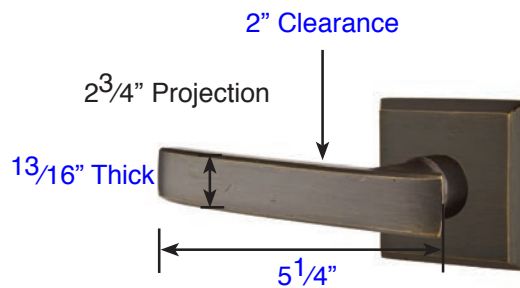
Lariat (LR)
with #2 Rosette



Montrose (MT)
with #4 Rosette



Teton (TT)
with #2 Rosette



Yuma (YM)
with #6 Rosette

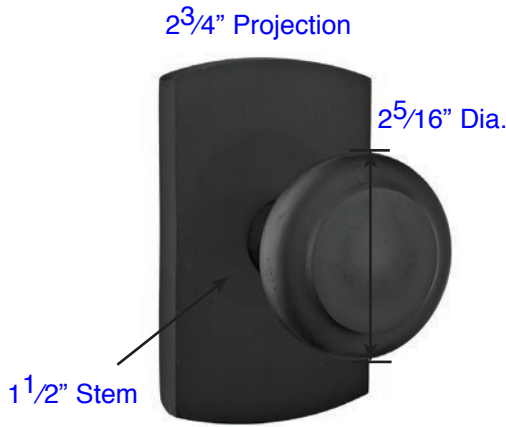
See page 22 for rosette specification.

Door Thickness Specifications

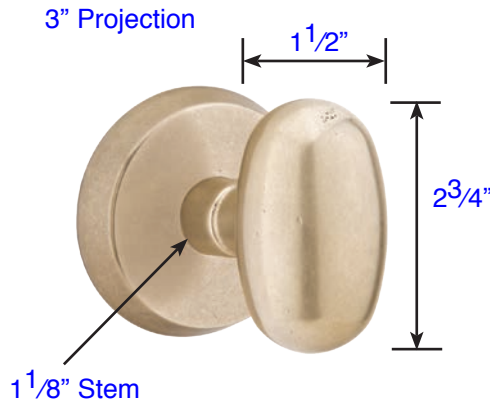
- Standard Door Thickness: 1 3/8" - 2"
- Standard Components:
 - Privacy Pin (for privacy sets)
 - Inside Passage Half Spindle
 - 1 1/2" Rosette Screws
 - Full-Lip Strike Plate

- **Extended** Door Thickness: 2" - 2 1/2"
- Extended Components:
 - Privacy Pin w/ Extension (for privacy sets)
 - Long Inside Passage Half Spindle
 - 2" Rosette Screws
 - Extended Full-Lip Strike Plate

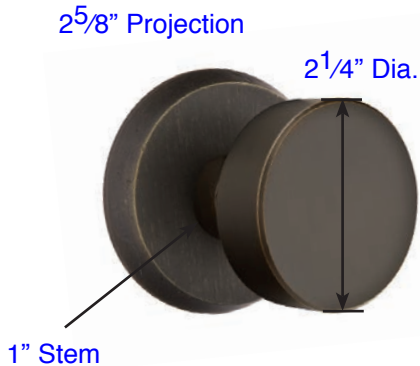
- **Extended** Door Thickness: 2 1/2" - 3"
- Extended Components:
 - Privacy Pin w/ Extension (for privacy sets)
 - Extra Long Inside Passage Half Spindle
 - 2 1/2" Rosette Screws
 - Extended Full-Lip Strike Plate



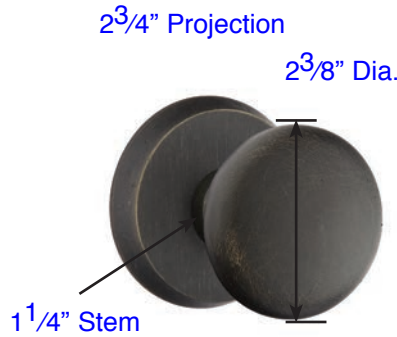
Butte (BU)
 with #4 Rosette








Bronze Egg (BZE)
 with #2 Rosette



Round (BZRN)
 with #2 Rosette



Winchester (WC)
 with #2 Rosette

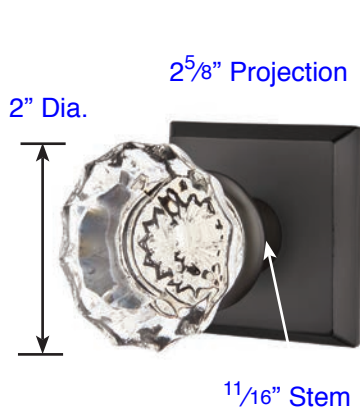
Rosettes	
7/16" Thick	<p>#1</p>  <p>4 1/2" x 2 1/2"</p>
	<p>#2</p>  <p>2 3/4" Dia.</p>
	<p>#3</p>  <p>4 1/2" x 2 1/2"</p>
1/2" Thick	<p>#4</p>  <p>4 1/2" x 2 13/16"</p>
7/16" Thick	<p>#6</p>  <p>2 1/2" x 2 1/2"</p>

Door Thickness Specifications

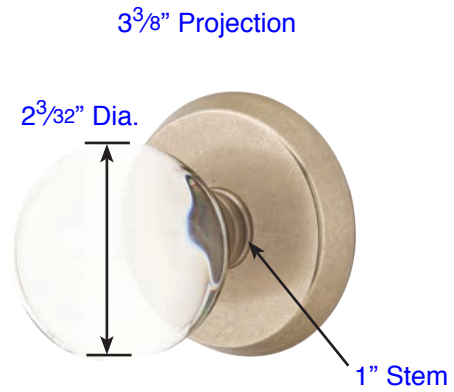
- Standard Door Thickness: 1 3/8" - 2"
- Standard Components:
 - Privacy Pin (for privacy sets)
 - Inside Passage Half Spindle
 - 1 1/2" Rosette Screws
 - Full-Lip Strike Plate

- **Extended** Door Thickness: 2" - 2 1/2"
- Extended Components:
 - Privacy Pin w/ Extension (for privacy sets)
 - Long Inside Passage Half Spindle
 - 2" Rosette Screws
 - Extended Full-Lip Strike Plate

- **Extended** Door Thickness: 2 1/2" - 3"
- Extended Components:
 - Privacy Pin w/ Extension (for privacy sets)
 - Extra Long Inside Passage Half Spindle
 - 2 1/2" Rosette Screws
 - Extended Full-Lip Strike Plate



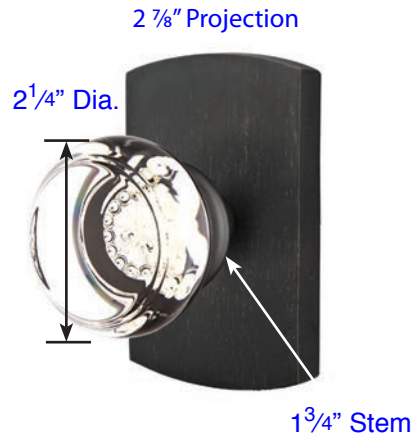
Astoria (AS)
 with #6 Rosette



Bristol (BL)
 with #2 Rosette



Diamond Crystal (CK)
 with #3 Rosette

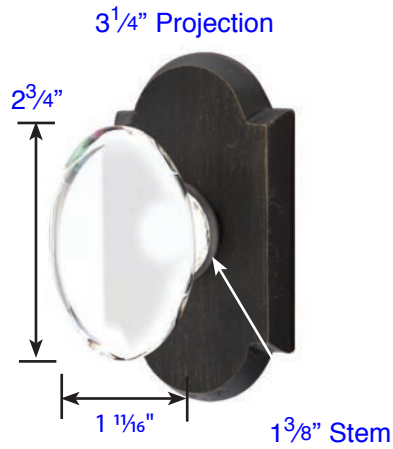


Georgetown (GT)
 with #4 Rosette

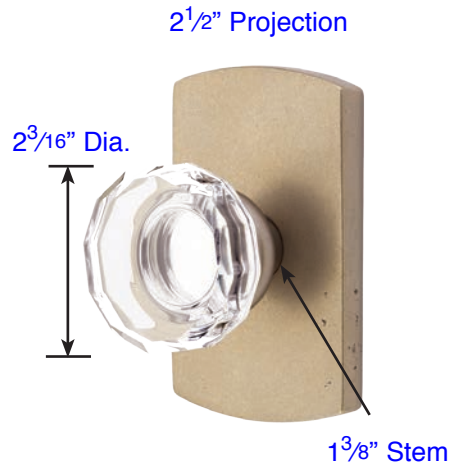
See page 22 for rosette specification.

Door Thickness Specifications

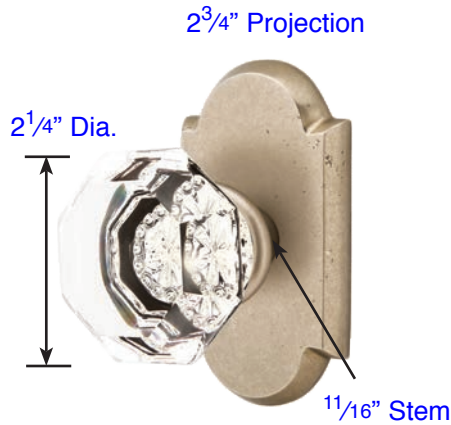
<ul style="list-style-type: none"> • Standard Door Thickness: 1¹/₄" - 2" Standard Components: <ul style="list-style-type: none"> • Privacy Pin (for privacy sets) • Inside Passage Half Spindle • 1¹/₂" Rosette Screws • Full-Lip Strike Plate 	<ul style="list-style-type: none"> • Extended Door Thickness: 2" - 2¹/₂" Extended Components: <ul style="list-style-type: none"> • Privacy Pin w/ Extension (for privacy sets) • Long Inside Passage Half Spindle • 2" Rosette Screws • Extended Full-Lip Strike Plate 	<ul style="list-style-type: none"> • Extended Door Thickness: 2¹/₂" - 3" Extended Components: <ul style="list-style-type: none"> • Privacy Pin w/ Extension (for privacy sets) • Extra Long Inside Passage Half Spindle • 2¹/₂" Rosette Screws • Extended Full-Lip Strike Plate
---	--	---



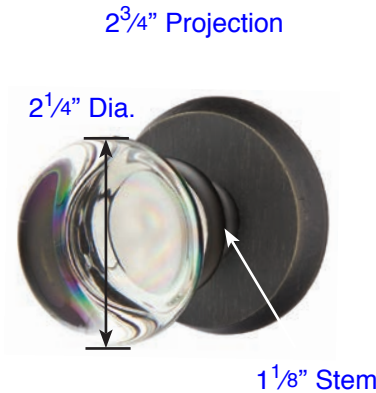
Hampton (HT)
 with #1 Rosette



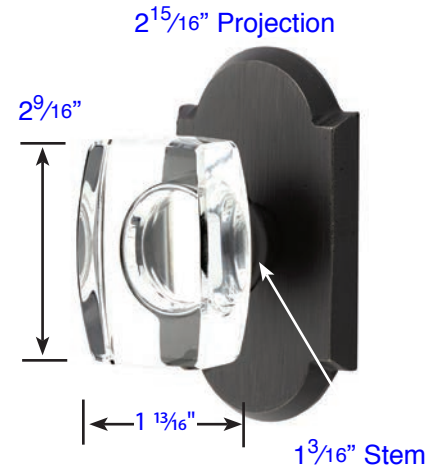
Lowell (LW)
 with #4 Rosette



Old Town - Clear (OT)
 with #1 Rosette



Providence (PC)
 with #2 Rosette



Windsor (WS)
 with #1 Rosette

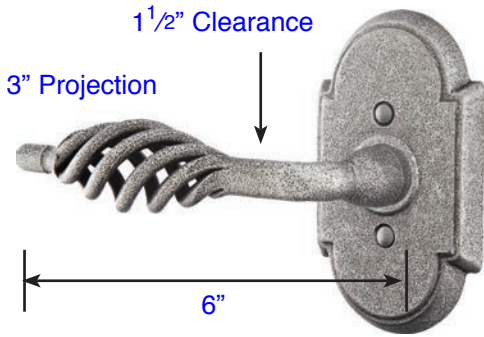
See page 22 for rosette specification.

Door Thickness Specifications

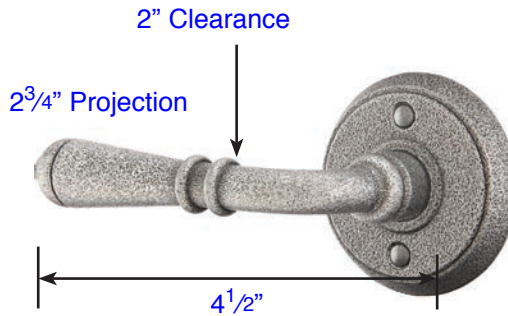
- Standard Door Thickness: 1 1/4" - 2"
- Standard Components:
 - Privacy Pin (for privacy sets)
 - Inside Passage Half Spindle
 - 1 1/2" Rosette Screws
 - Full-Lip Strike Plate

- **Extended** Door Thickness: 2" - 2 1/2"
- Extended Components:
 - Privacy Pin w/ Extension (for privacy sets)
 - Long Inside Passage Half Spindle
 - 2" Rosette Screws
 - Extended Full-Lip Strike Plate

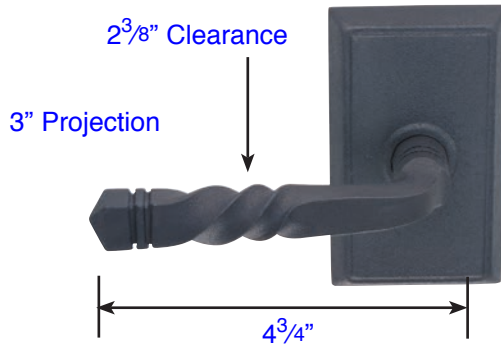
- **Extended** Door Thickness: 2 1/2" - 3"
- Extended Components:
 - Privacy Pin w/ Extension (for privacy sets)
 - Extra Long Inside Passage Half Spindle
 - 2 1/2" Rosette Screws
 - Extended Full-Lip Strike Plate



Lafayette (L)
 with #1 Rosette



Normandy (N)
 with #2 Rosette



San Carlos (SC)
 with #3 Rosette

Rosettes

3/8" Thick

#1



4 3/8" x 2 5/16"

#2



2 5/8" Dia.

#3



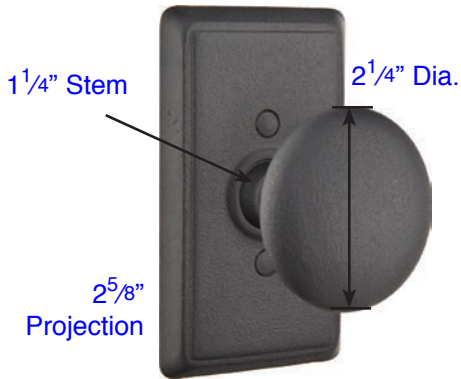
4 3/8" x 2 5/16"

Door Thickness Specifications

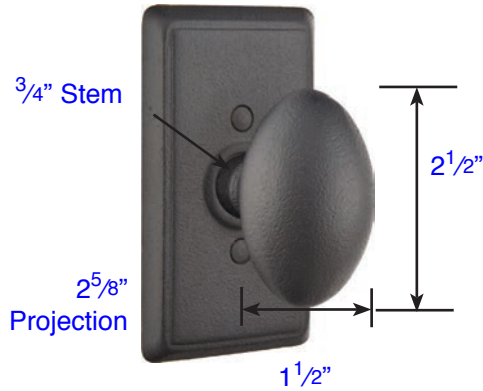
- Standard Door Thickness: 1 3/8" - 2"
- Standard Components:
 - Privacy Pin (for privacy sets)
 - Inside Passage Half Spindle
 - 1 1/2" Rosette Screws
 - Full-Lip Strike Plate

- **Extended** Door Thickness: 2" - 2 1/4"
- Extended Components:
 - Privacy Pin w/ Extension (for privacy sets)
 - Long Inside Passage Half Spindle
 - 2" Rosette Screws
 - Extended Full-Lip Strike Plate

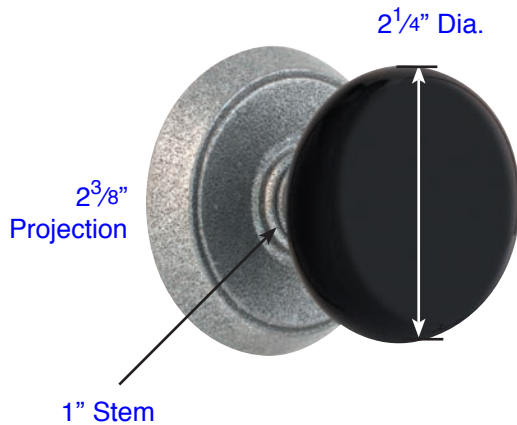
- **Extended** Door Thickness: 2 1/4" - 3"
- Extended Components:
 - Privacy Pin w/ Extension (for privacy sets)
 - Extra Long Inside Passage Half Spindle
 - 2 1/2" Rosette Screws
 - Extended Full-Lip Strike Plate



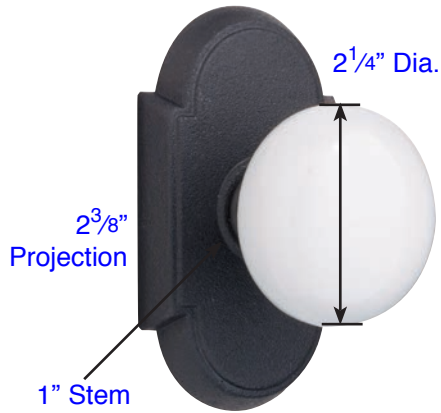
Jamestown (J)
with #3 Rosette



Savannah (SV)
with #3 Rosette



Madison Black (MB)
with #2 Rosette



Madison Ivory (MI)
with #1 Rosette

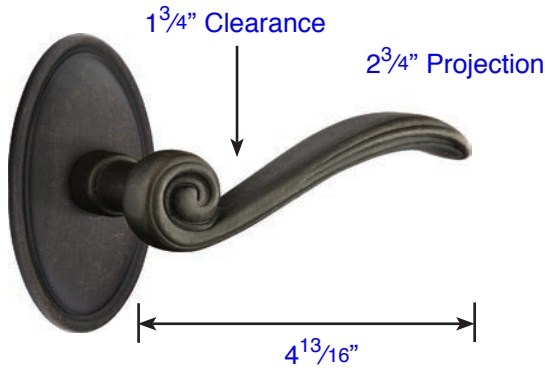
See page 25 for rosette specification.

Door Thickness Specifications

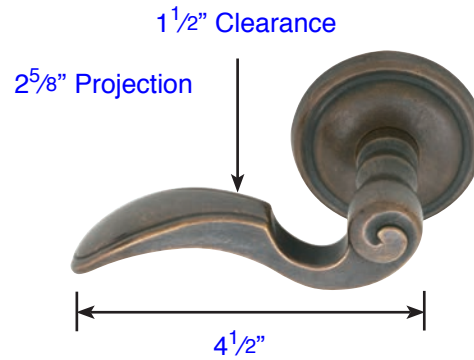
- Standard Door Thickness: 1³/₈" - 2"
- Standard Components:
 - Privacy Pin (for privacy sets)
 - Inside Passage Half Spindle
 - 1¹/₂" Rosette Screws
 - Full-Lip Strike Plate

- **Extended** Door Thickness: 2" - 2¹/₄"
- Extended Components:
 - Privacy Pin w/ Extension (for privacy sets)
 - Long Inside Passage Half Spindle
 - 2" Rosette Screws
 - Extended Full-Lip Strike Plate

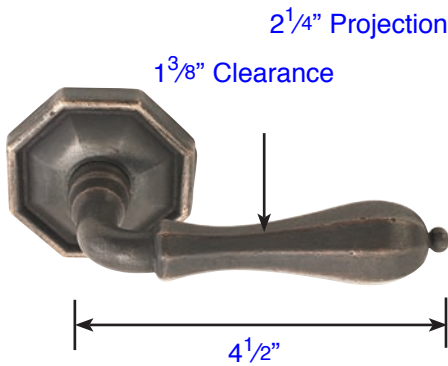
- **Extended** Door Thickness: 2¹/₄" - 3"
- Extended Components:
 - Privacy Pin w/ Extension (for privacy sets)
 - Extra Long Inside Passage Half Spindle
 - 2¹/₂" Rosette Screws
 - Extended Full-Lip Strike Plate



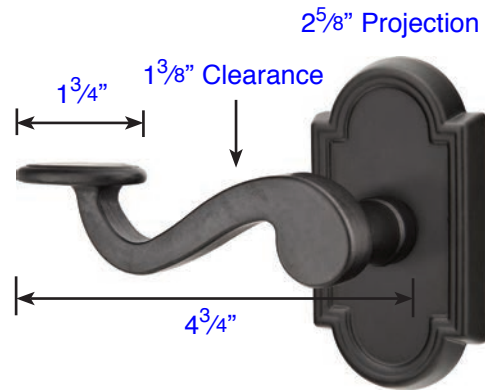
Medici (MDI)
 with #14 Rosette



Napoli (NA)
 with #12 Rosette



Octagon (OCL)
 with #15 Rosette



Padua (PD)
 with #11 Rosette

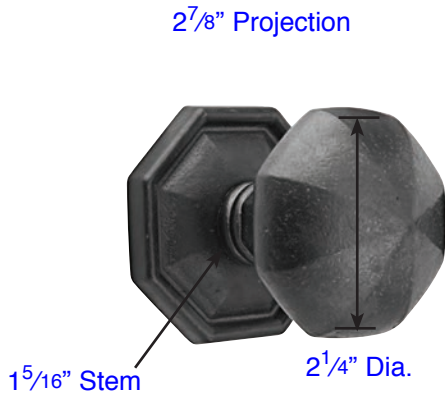
See page 28 for rosette specification.

Door Thickness Specifications

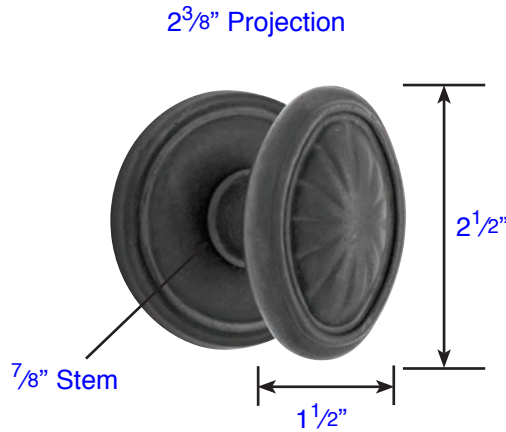
- Standard Door Thickness: 1 3/8" - 2"
- Standard Components:
 - Privacy Pin (for privacy sets)
 - Inside Passage Half Spindle
 - 1 1/2" Rosette Screws
 - Full-Lip Strike Plate

- **Extended** Door Thickness: 2" - 2 1/2"
- Extended Components:
 - Privacy Pin w/ Extension (for privacy sets)
 - Long Inside Passage Half Spindle
 - 2" Rosette Screws
 - Extended Full-Lip Strike Plate

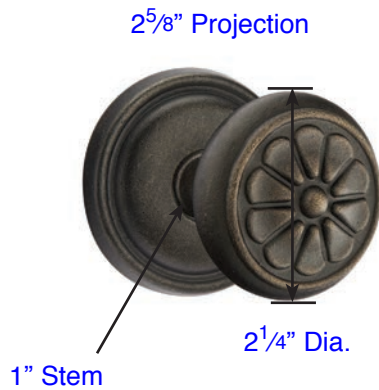
- **Extended** Door Thickness: 2 1/2" - 3"
- Extended Components:
 - Privacy Pin w/ Extension (for privacy sets)
 - Extra Long Inside Passage Half Spindle
 - 2 1/2" Rosette Screws
 - Extended Full-Lip Strike Plate



Octagon (OCK)
 with #15 Rosette



Parma (PA)
 with #12 Rosette



Petal (PT)
 with #12 Rosette

Rosettes

7/16" Thick



#11

4 1/2" x 2 1/2"



#12

2 5/8" Dia.



#14

4 1/2" x 2 3/8"



#15

2 1/2" x 2 1/2"

Door Thickness Specifications

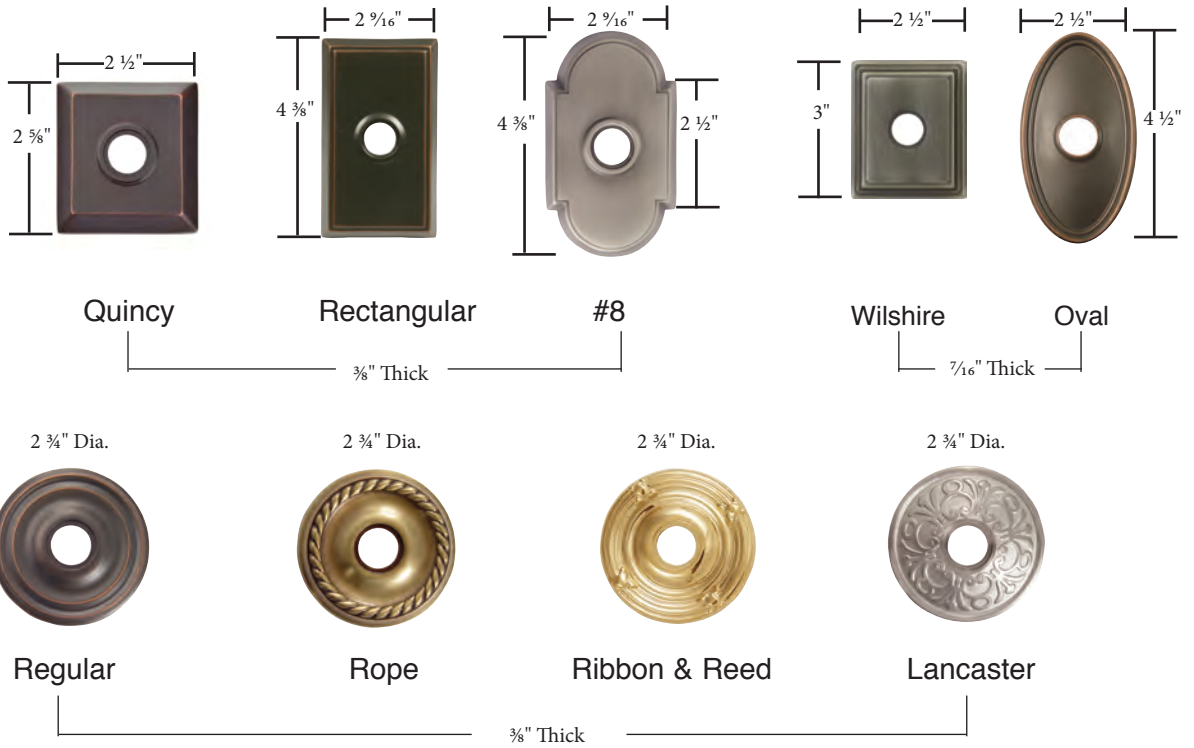
- Standard Door Thickness: 1 3/8" - 2"
- Standard Components:
 - Privacy Pin (for privacy sets)
 - Inside Passage Half Spindle
 - 1 1/2" Rosette Screws
 - Full-Lip Strike Plate

- **Extended** Door Thickness: 2" - 2 1/2"
- Extended Components:
 - Privacy Pin w/ Extension (for privacy sets)
 - Long Inside Passage Half Spindle
 - 2" Rosette Screws
 - Extended Full-Lip Strike Plate

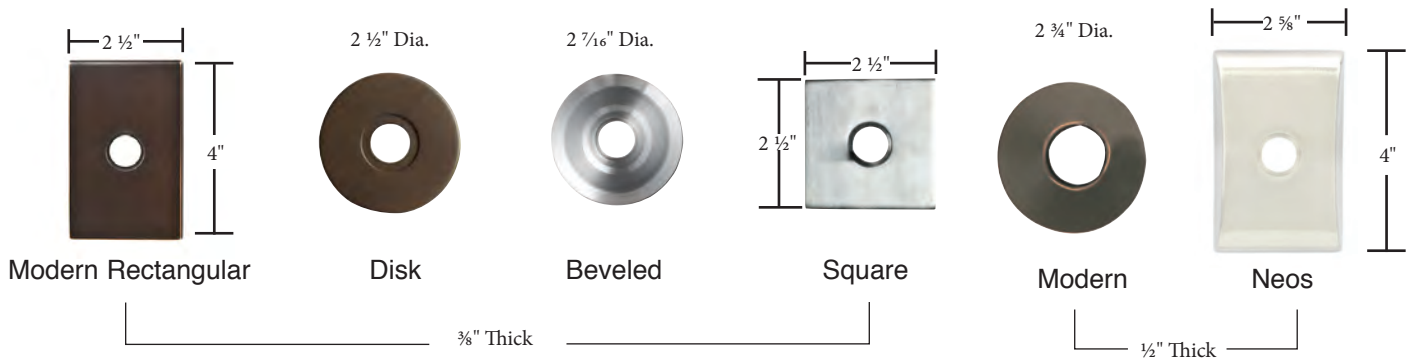
- **Extended** Door Thickness: 2 1/2" - 3"
- Extended Components:
 - Privacy Pin w/ Extension (for privacy sets)
 - Extra Long Inside Passage Half Spindle
 - 2 1/2" Rosette Screws
 - Extended Full-Lip Strike Plate

TS-PP REV17B 09/07/2017

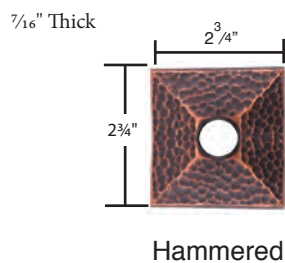
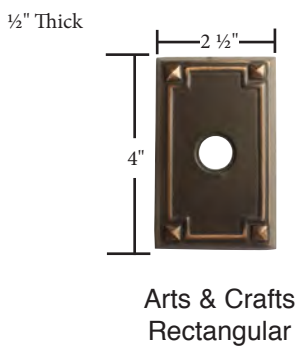
Brass Rosettes



Brass Modern Rosettes



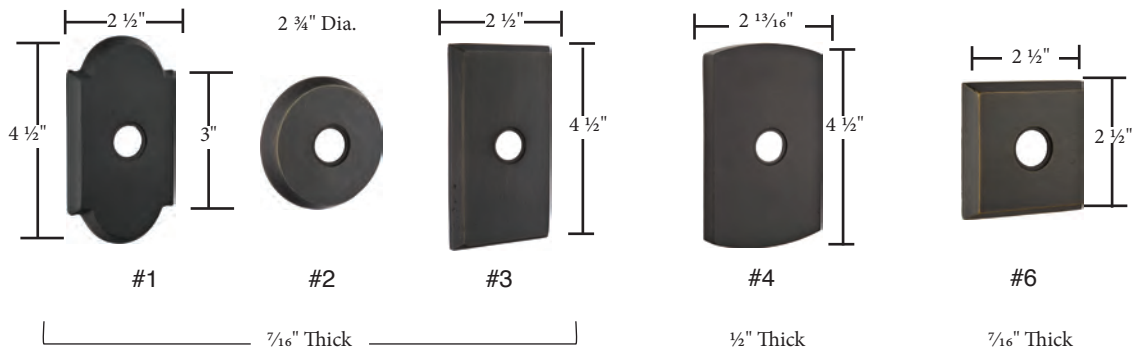
Arts & Crafts Rosettes



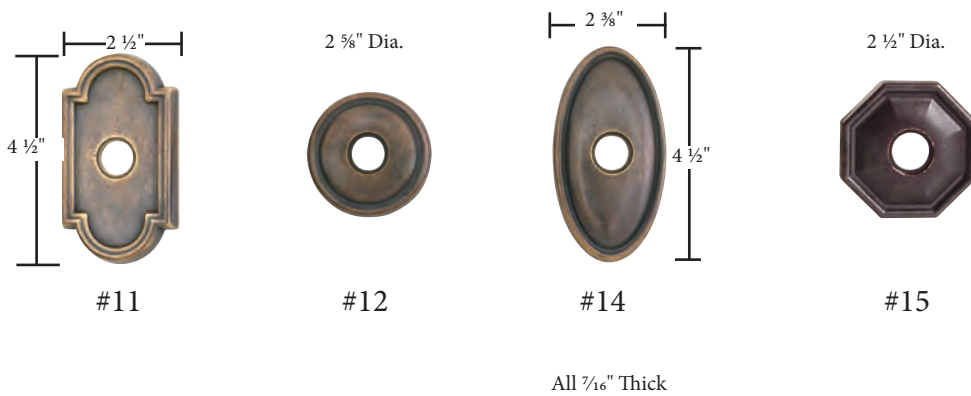
Porcelain Rosette



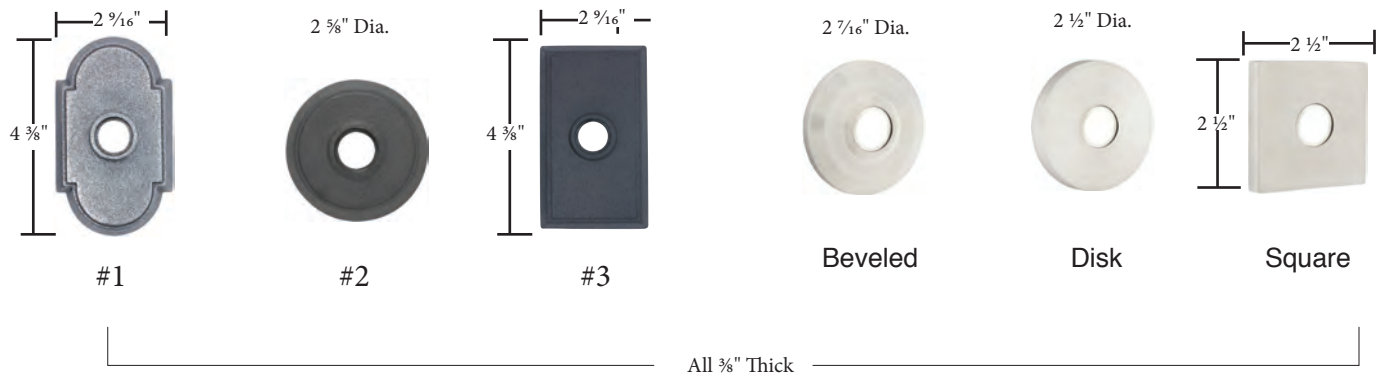
Sandcast Bronze Rosettes



Lost Wax Cast Bronze Rosettes



Wrought Steel & Stainless Steel Rosettes



- Same dimensions for doorbell buttons
- Screw-to-Screw for rosette/doorbell buttons 1 5/8"

EMTEK MULTI POINT LOCK TRIM FOR SWING PATIO DOORS



Door Manufacturers listed under each configuration are for reference only and are subject to change. Some retro fitting may be necessary. Please carefully measure and identify your hardware using the diagrams and steps listed on page 2 and 3.

G-U® is a registered trademark of G-U Hardware, Inc. Paddock™ is a registered trademark of Yale® UK. Pella® is a registered trademark of Pella Corporation. Sierra Pacific Windows® is a registered trademark of Sierra Pacific Industries. Superior® is a registered trademark of Superior Engineered Products Corporation. Willmar® is a registered trademark of JELD-WEN of Canada Ltd. Andersen® is a registered trademark of Andersen Corporation. Trillanium® is a registered trademark of Endura Products, Inc. Eagle® is a registered trademark of Eagle Window and Door, Inc. BiltBest® is a registered trademark of BiltBest Windows and Patio Doors. Ashland® is a registered trademark of Ashland Products, Inc. Caradco®, JELD-WEN, Norco® and Pozzi® are registered trademarks of JELD-WEN Inc., Oregon, USA. Integrity® and Marvin® are registered trademarks of Marvin Windows and Doors. Milgard® is a registered trademark of Milgard Windows, Inc. Therma-Tru® is a registered trademark of Therma-Tru Doors®. HOPPE® is a registered trademark of HOPPE North America, Inc. Hurd® is a registered trademark of Hurd Millwork Company. Kolbe & Kolbe® is a registered trademark of Kolbe & Kolbe Millwork Company, Inc. Lincoln® is a registered trademark of Lincoln Wood Products, Inc. Loewen® is a registered trademark of Loewen Windows. PGT® is a registered trademark of PGT Industries. Peachtree® and Vetter® are registered trademark of The Peachtree Companies, Inc. Semco® is a registered trademark of Semling-Menke Co. Inc. Weathershield® is a registered trademark of Weathershield Mfg. Inc. KML by Andersen® is a registered trademark of KML by Andersen. Atrium® is a registered trademark of Atrium. KfV® is a registered trademark of KfV. Simpson® is a registered trademark of Simpson. Signature® is a registered trademark of Signature. Crestline® is a registered trademark of Crestline. Windsor® is a registered trademark of Windsor. With the exception of Paddock™, none of the aforementioned companies are affiliated with Emtek Products, Inc.

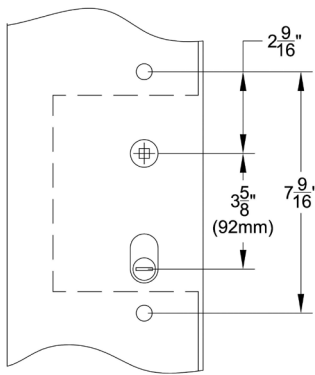
EMTEK MULTI POINT LOCK TRIM FOR SWING PATIO DOORS

CHOOSE TRIMSETS FROM 7 DOOR & LOCK CONFIGURATIONS, AVAILABLE BOTH KEYED AND NON-KEYED FUNCTIONS

>> To determine your Multi-Point Lock configuration:

- 1) Identify the manufacturer of your patio door and multi-point lock
- 2) Measure center-to-center hole spacing between lever and the cylinder
- 3) Check the lever position, is it above or below the cylinder?
- 4) Identify the type of cylinder used in the door, is it American or Euro Profile Cylinder?

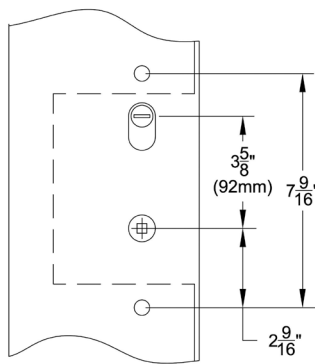
PAGE



Door Configuration #1 4-5

American Cylinder Hub Below Handle, 3 5/8" Center to Center

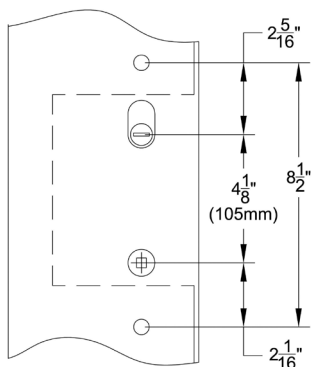
ref. Atrium®, G-U®, KML by Andersen®, Andersen®, Marvin Integrity®, Paddock Lockmaster™, Superior®



Door Configuration #2 6-7

American Cylinder Hub Above Handle, 3 5/8" Center to Center

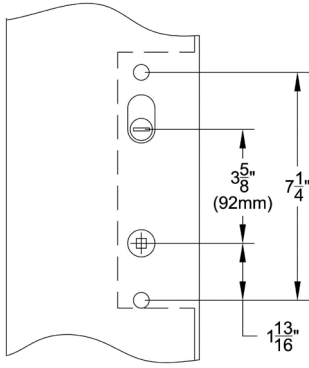
ref. BiltBest®, G-U®, Hurd® (Energy Saver), Andersen®



Door Configuration #3 8-9

American Cylinder Hub Above Handle, 4 1/8" Center to Center

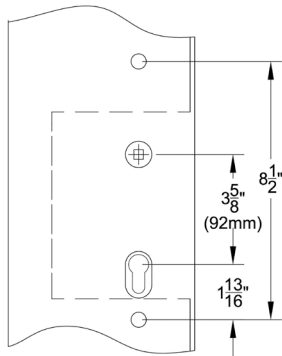
ref. Andersen®



Door Configuration #4 10-11

American Cylinder Hub Above Handle, 3 5/8" Center to Center

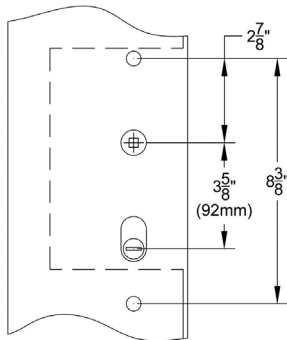
ref. Ashland®, Caradco®, JELD-WEN®, Jeldwen® Custom Collection (formerly Pozzi®), Marvin®, PGT®, Premium Collection (formerly Norco®), Weathershield®



Door Configuration #5 12-13

Euro Profile Cylinder Below Handle, 3 5/8" Center to Center

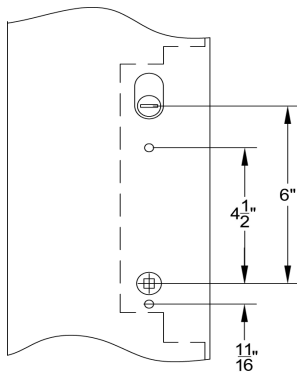
ref. Crestline®, Hoppe®, Hurd®, KFV®, Kolbe & Kolbe®, Lincoln®, Loewen®, Paddock Lockmaster™, Peachtree®, Semco®, Sierra Pacific®, Signature®, Simpson®, Therma-Tru®, Vetter®, Willmar®, Windsor®, Weathershield®



Door Configuration #6 14-15

American Cylinder Hub Below Handle, 3 5/8" Center to Center

ref. Milgard®, Pella®



Door Configuration #7 16-17

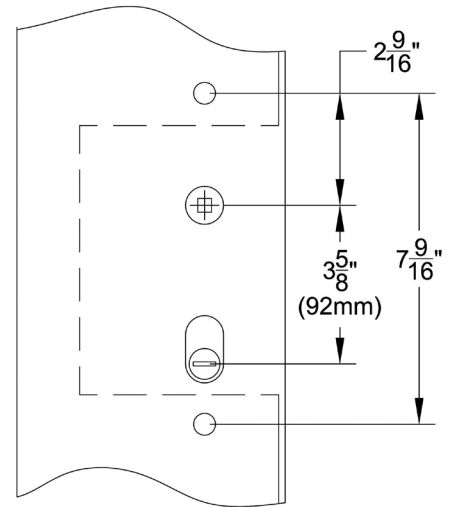
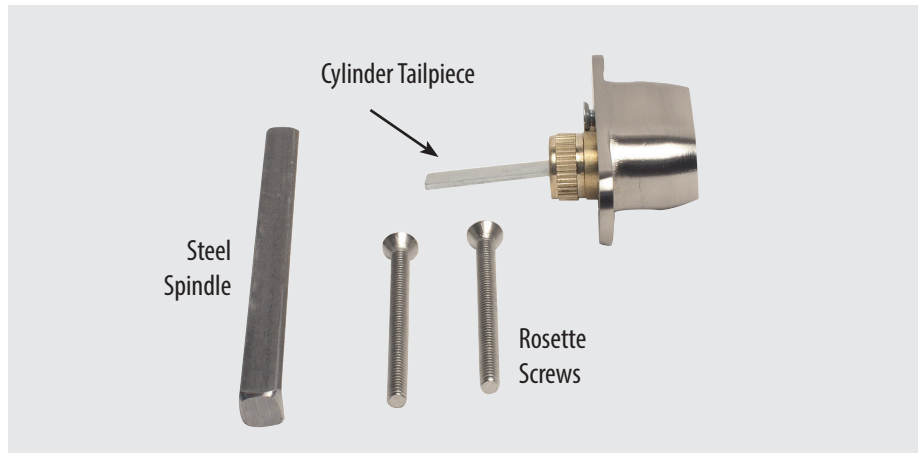
American Cylinder Hub Above Handle, 6" Center to Center

ref. Trillenium® (formerly W&F Manufacturing)

DOOR CONFIGURATION #1

Specification Sheet for Components and Door Thickness

American Cylinder Below Handle 3 5/8" Center to Center



Keyed Plates with American Cylinder Includes non-keyed, thumbturn inside

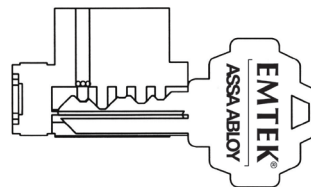
Standard Door Thickness: 1 5/8" ~ 2"	Extended Door Thickness: 2"+ ~ 2 3/4"
Standard Components: <ul style="list-style-type: none"> • Single Cylinder Tailpiece • 3 3/4" Steel Spindle • 2" Rosette Screws • 1 1/2" Rosette Screws for 1 5/8" thick door 	Extended Components: <ul style="list-style-type: none"> • Long Single Cylinder Tailpiece • 4 1/2" Steel Spindle • 2 1/2" Rosette Screws • 2" Rosette Screws for 2" - 2 1/8" thick door

Non-Keyed Plates Includes non-keyed passage, fixed handle out/operating handle in, and dummy (uses screws only)

Standard Door Thickness: 1 5/8" ~ 2"	Extended Door Thickness: 2"+ ~ 2 3/4"
Standard Components: <ul style="list-style-type: none"> • Thumbturn Tailpiece • 3 3/4" Steel Spindle (half-spindle for fixed handle out/operating handle in) • 2" Rosette Screws • 1 1/2" Rosette Screws for 1 5/8" thick door 	Extended Components: <ul style="list-style-type: none"> • Long Thumbturn Tailpiece • 4 1/2" Steel Spindle (half-spindle for fixed handle out/operating handle in) • 2 1/2" Rosette Screws • 2" Rosette Screws for 2" - 2 1/8" thick door

CONSTRUCTION KEYING

- Lost ball system.
- Last four pin locations drilled for lost ball application.
- Master key pins used for code variability.
- Construction keys and owner keys sent separately.
- Order by indicating "**Construction Keyed, House #_**" next to applicable locks.



- Construction devices used on one or all of last four positions.



- Dimples drilled in plug in this position.

Charge for Construction Keying - \$3.00 (NET)

- Locks that are both construction keyed and keyed alike in a house group will be charged a total of \$5.00 (NET) per cylinder.

Charge for Re-Keying - \$2.00 (NET) per Cylinder

- Locks that are keyed to code or keyed alike in a house group will be charged \$2.00 (NET) per cylinder.

Keying to Code

- Order by indicating "Key Code XXXXX" next to applicable locks.

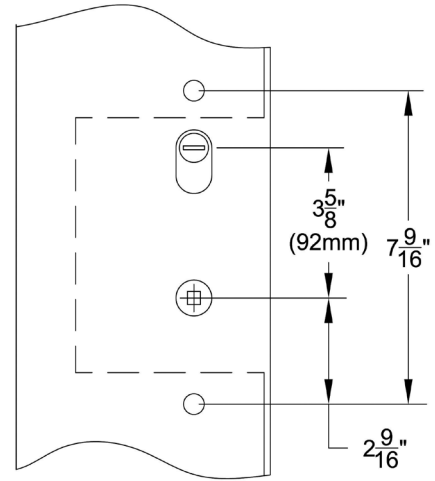
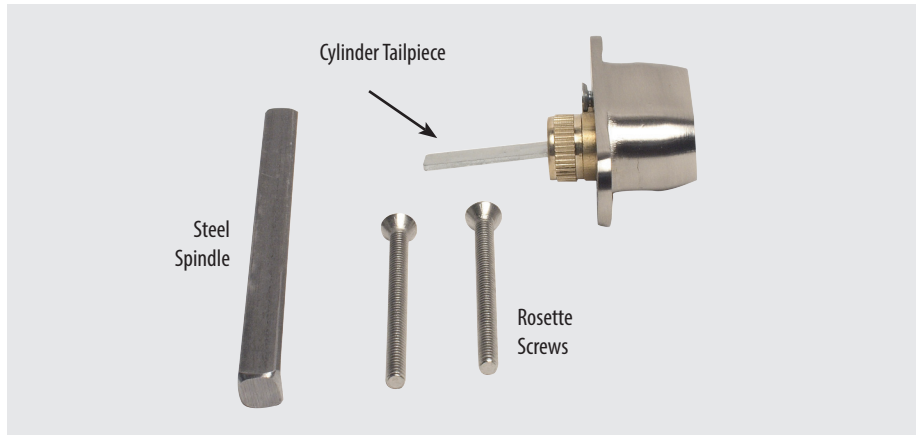
Keying Alike

- Order by indicating "Keyed Alike" next to applicable locks if only one keyed alike group is wanted.
- If ordering multiple groups (houses) indicate "**Keyed Alike House #_**" next to applicable locks.

Swinging Patio Door Hardware - Set includes Plates, Handles and Cylinders (where applicable)
 Atrium®, G-U®, KML by Andersen®, Andersen®, Marvin Integrity®, Paddock Lockmaster™, Superior®

Keyed with American Cylinder (for Active Door, Schlage® Keyway Standard, Weiser® Keyway Optional, Rekeyable)	
<p>1 1/2" x 11" Plates, Product Codes 1111, 1131, 1151, 1171, 11A1</p>	<p>2" x 10" Plates, Product Codes 1121, 1141, 1161, 1181, 11B1</p>
Non-Keyed, Passage (for Semi-Active Door)	
<p>1 1/2" x 11" Plates, Product Codes 1112, 1132, 1152, 1172, 11A2</p>	<p>2" x 10" Plates, Product Codes 1122, 1142, 1162, 1182, 11B2</p>
Non-Keyed, American Style Thumbturn Inside (for Active Door)	
<p>1 1/2" x 11" Plates, Product Codes 1113, 1133, 1153, 1173, 11A3</p>	<p>2" x 10" Plates, Product Codes 1123, 1143, 1163, 1183, 11B3</p>
Non-Keyed, Fixed Handle Outside, Operating Handle Inside (for Semi-Active Door)	
<p>1 1/2" x 11" Plates, Product Codes 1114, 1134, 1154, 1174, 11A4</p> <p>Fixed</p>	<p>2" x 10" Plates, Product Codes 1124, 1144, 1164, 1184, 11B4</p> <p>Fixed</p>
Dummy Pair (for Non-Active Door)	
<p>1 1/2" x 11" Plates, Product Codes 1115, 1135, 1155, 1175, 11A5</p> <p>Fixed</p> <p>Fixed</p>	<p>2" x 10" Plates, Product Codes 1125, 1145, 1165, 1185, 11B5</p> <p>Fixed</p> <p>Fixed</p>

Door Configuration #2 American Cylinder Above Handle 3 5/8" Center to Center



Keyed Plates with American Cylinder Includes non-keyed, thumbturn inside

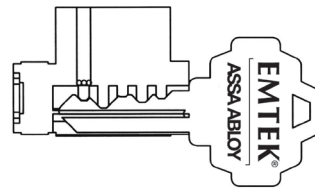
Standard Door Thickness: 1 5/8" ~ 2"	Extended Door Thickness: 2" + ~ 2 3/4"
Standard Components: <ul style="list-style-type: none"> • Single Cylinder Tailpiece • 3 3/4" Steel Spindle • 2" Rosette Screws • 1 1/2" Rosette Screws for 1 5/8" thick door 	Extended Components: <ul style="list-style-type: none"> • Long Single Cylinder Tailpiece • 4 1/2" Steel Spindle • 2 1/2" Rosette Screws • 2" Rosette Screws for 2" - 2 1/8" thick door

Non-Keyed Plates Includes non-keyed passage, fixed handle out/operating handle in, and dummy (uses screws only)

Standard Door Thickness: 1 5/8" ~ 2"	Extended Door Thickness: 2" + ~ 2 3/4"
Standard Components: <ul style="list-style-type: none"> • Thumbturn Tailpiece • 3 3/4" Steel Spindle (half-spindle for fixed handle out/operating handle in) • 2" Rosette Screws • 1 1/2" Rosette Screws for 1 5/8" thick door 	Extended Components: <ul style="list-style-type: none"> • Long Thumbturn Tailpiece • 4 1/2" Steel Spindle (half-spindle for fixed handle out/operating handle in) • 2 1/2" Rosette Screws • 2" Rosette Screws for 2" - 2 1/8" thick door

CONSTRUCTION KEYING

- Lost ball system.
- Last four pin locations drilled for lost ball application.
- Master key pins used for code variability.
- Construction keys and owner keys sent separately.
- Order by indicating "**Construction Keyed, House #_**" next to applicable locks.



- Construction devices used on one or all of last four positions.



- Dimples drilled in plug in this position.

Charge for Construction Keying - \$3.00 (NET)

- Locks that are both construction keyed and keyed alike in a house group will be charged a total of \$5.00 (NET) per cylinder.

Charge for Re-Keying - \$2.00 (NET) per Cylinder

- Locks that are keyed to code or keyed alike in a house group will be charged \$2.00 (NET) per cylinder.

Keying to Code

- Order by indicating "Key Code XXXXX" next to applicable locks.

Keying Alike

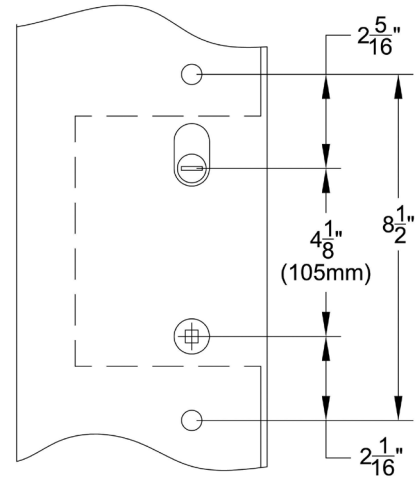
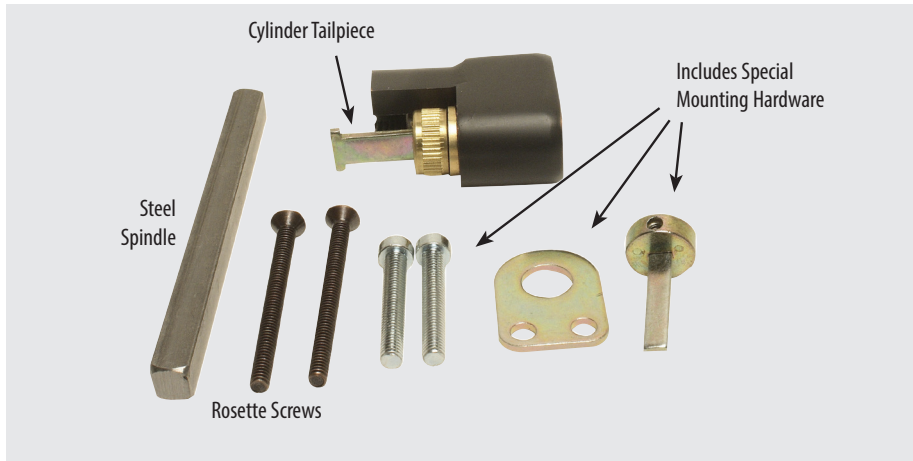
- Order by indicating "Keyed Alike" next to applicable locks if only one keyed alike group is wanted.
- If ordering multiple groups (houses) indicate "**Keyed Alike House #_**" next to applicable locks.

Swinging Patio Door Hardware - Set includes Plates, Handles and Cylinders (where applicable)

BiltBest®, G-U®, Hurd® (Energy Saver), Andersen®

<p>Keyed with American Cylinder (for Active Door, Schlage® Keyway Standard, Weiser® Keyway Optional, Rekeyable)</p>	
<p>1 ½" x 11" Plates, Product Codes 1211, 1231, 1251, 1271, 12A1</p>	<p>2" x 10" Plates, Product Codes 1221, 1241, 1261, 1281, 12B1</p>
<p>Non-Keyed, Passage (for Semi-Active Door)</p>	
<p>1 ½" x 11" Plates, Product Codes 1212, 1232, 1252, 1272, 12A2</p>	<p>2" x 10" Plates, Product Codes 1222, 1242, 1262, 1282, 12B2</p>
<p>Non-Keyed, American Style Thumbturn Inside (for Active Door)</p>	
<p>1 ½" x 11" Plates, Product Codes 1213, 1233, 1253, 1273, 12A3</p>	<p>2" x 10" Plates, Product Codes 1223, 1243, 1263, 1283, 12B3</p>
<p>Non-Keyed, Fixed Handle Outside, Operating Handle Inside (for Semi-Active Door)</p>	
<p>1 ½" x 11" Plates, Product Codes 1214, 1234, 1254, 1274, 12A4</p>	<p>2" x 10" Plates, Product Codes 1224, 1244, 1264, 1284, 12B4</p>
<p>Dummy Pair (for Non-Active Door)</p>	
<p>1 ½" x 11" Plates, Product Codes 1215, 1235, 1255, 1275, 12A5</p>	<p>2" x 10" Plates, Product Codes 1225, 1245, 1265, 1285, 12B5</p>

Door Configuration #3 American Cylinder Above Handle 4 1/8" Center to Center



Keyed Plates with American Cylinder Includes non-keyed, thumbturn inside

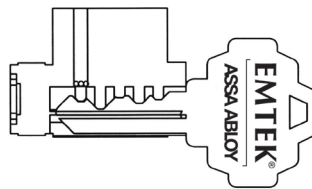
Standard Door Thickness: 1 5/8" ~ 2"	Extended Door Thickness: 2"+ ~ 2 3/4"
<p>Standard Components:</p> <ul style="list-style-type: none"> • Single Cylinder Tailpiece • 3 3/4" Steel Spindle • 2" Rosette Screws • 1 1/2" Rosette Screws for 1 5/8" thick door 	<p>Extended Components:</p> <ul style="list-style-type: none"> • Long Single Cylinder Tailpiece • 4 1/2" Steel Spindle • 2 1/2" Rosette Screws • 2" Rosette Screws for 2" - 2 1/8" thick door

Non-Keyed Plates Includes non-keyed passage, fixed handle out/operating handle in, and dummy (uses screws only)

Standard Door Thickness: 1 5/8" ~ 2"	Extended Door Thickness: 2"+ ~ 2 3/4"
<p>Standard Components:</p> <ul style="list-style-type: none"> • Thumbturn Tailpiece • 3 3/4" Steel Spindle (half-spindle for fixed handle out/operating handle in) • 2" Rosette Screws • 1 1/2" Rosette Screws for 1 5/8" thick door 	<p>Extended Components:</p> <ul style="list-style-type: none"> • Long Thumbturn Tailpiece • 4 1/2" Steel Spindle (half-spindle for fixed handle out/operating handle in) • 2 1/2" Rosette Screws • 2" Rosette Screws for 2" - 2 1/8" thick door

CONSTRUCTION KEYING

- Lost ball system.
- Last four pin locations drilled for lost ball application.
- Master key pins used for code variability.
- Construction keys and owner keys sent separately.
- Order by indicating "**Construction Keyed, House #_**" next to applicable locks.



- Construction devices used on one or all of last four positions.



- Dimples drilled in plug in this position.

<p>Charge for Construction Keying - \$3.00 (NET)</p> <ul style="list-style-type: none"> • Locks that are both construction keyed and keyed alike in a house group will be charged a total of \$5.00 (NET) per cylinder.

<p>Charge for Re-Keying - \$2.00 (NET) per Cylinder</p> <ul style="list-style-type: none"> • Locks that are keyed to code or keyed alike in a house group will be charged \$2.00 (NET) per cylinder.
--

<p>Keying to Code</p> <ul style="list-style-type: none"> • Order by indicating "Key Code XXXXX" next to applicable locks.

<p>Keying Alike</p> <ul style="list-style-type: none"> • Order by indicating "Keyed Alike" next to applicable locks if only one keyed alike group is wanted. • If ordering multiple groups (houses) indicate "Keyed Alike House #_" next to applicable locks.

Swinging Patio Door Hardware - Set includes Plates, Handles and Cylinders (where applicable)
Andersen®

Keyed with American Cylinder (for Active Door, Schlage® Keyway Standard, Weiser® Keyway Optional, Rekeyable)

1 1/2" x 11" Plates, Product Codes **1311, 1331, 1351, 1371, 13A1**

2" x 10" Plates, Product Codes **1321, 1341, 1361, 1381, 13B1**

Non-Keyed, Passage (for Semi-Active Door)

1 1/2" x 11" Plates, Product Codes **1312, 1332, 1352, 1372, 13A2**

2" x 10" Plates, Product Codes **1322, 1342, 1362, 1382, 13B2**

Non-Keyed, American Style Thumbturn Inside (for Active Door)

1 1/2" x 11" Plates, Product Codes **1313, 1333, 1353, 1373, 13A3**

2" x 10" Plates, Product Codes **1323, 1343, 1363, 1383, 13B3**

Non-Keyed, Fixed Handle Outside, Operating Handle Inside (for Semi-Active Door)

1 1/2" x 11" Plates, Product Codes **1314, 1334, 1354, 1374, 13A4**

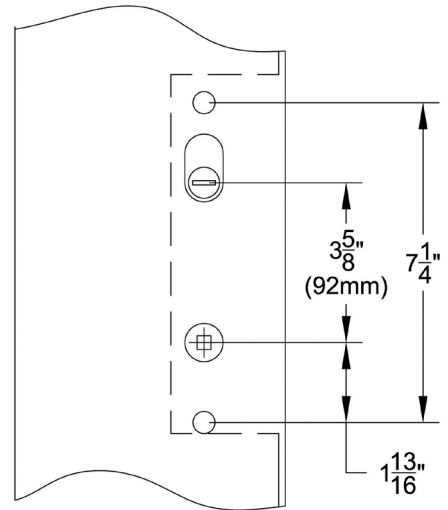
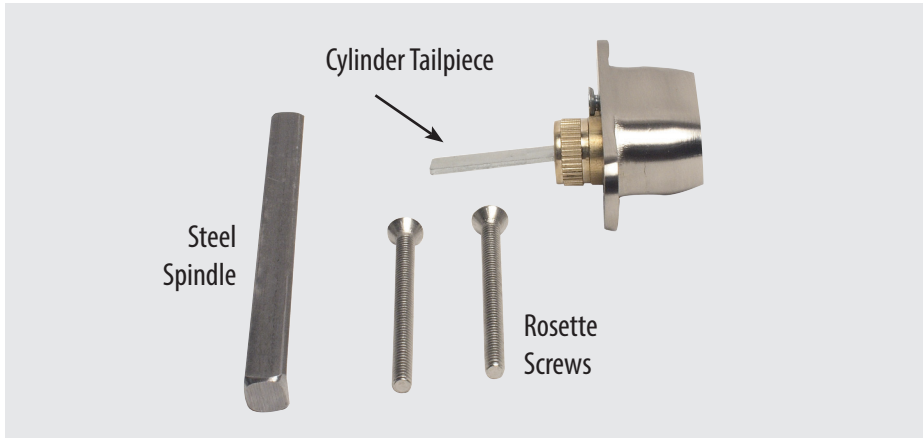
2" x 10" Plates, Product Codes **1324, 1344, 1364, 1384, 13B4**

Dummy Pair (for Non-Active Door)

1 1/2" x 11" Plates, Product Codes **1315, 1335, 1355, 1375, 13A5**

2" x 10" Plates, Product Codes **1325, 1345, 1365, 1385, 13B5**

Door Configuration #4 American Cylinder Above Handle 3 5/8" Center to Center



Keyed Plates with American Cylinder Includes non-keyed, thumbturn inside

Standard Door Thickness: 1 5/8" ~ 2"

- Standard Components:
- Single Cylinder Tailpiece
 - 3 3/4" Steel Spindle
 - 2" Rosette Screws for 1 5/8" - 1 3/4" thick door
 - 2 1/2" Rosette Screws for 1 3/4" - 2" thick door

Extended Door Thickness: 2"+ ~ 2 3/4"

- Extended Components:
- Long Single Cylinder Tailpiece
 - 4 1/2" Steel Spindle
 - 2 1/2" Rosette Screws 2" - 2 1/4" thick door
 - 3" Rosette Screws for 2 1/4" - 2 3/4" thick door

Non-Keyed Plates Includes non-keyed passage, fixed handle out/operating handle in, and dummy (uses screws only)

Standard Door Thickness: 1 5/8" ~ 2"

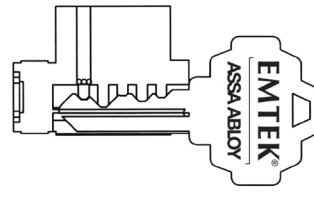
- Standard Components:
- Thumbturn Tailpiece
 - 3 3/4" Steel Spindle (half-spindle for fixed handle out/operating handle in)
 - 2" Rosette Screws for 1 5/8" - 1 3/4" thick door
 - 2 1/2" Rosette Screws for 1 3/4" - 2" thick door

Extended Door Thickness: 2"+ ~ 2 3/4"

- Extended Components:
- Long Thumbturn Tailpiece
 - 4 1/2" Steel Spindle (half-spindle for fixed handle out/operating handle in)
 - 2 1/2" Rosette Screws 2" - 2 1/4" thick door
 - 3" Rosette Screws for 2 1/4" - 2 3/4" thick door

CONSTRUCTION KEYING

- Lost ball system.
- Last four pin locations drilled for lost ball application.
- Master key pins used for code variability.
- Construction keys and owner keys sent separately.
- Order by indicating "**Construction Keyed, House #_**" next to applicable locks.



- Construction devices used on one or all of last four positions.



- Dimples drilled in plug in this position.

Charge for Construction Keying - \$3.00 (NET)

- Locks that are both construction keyed and keyed alike in a house group will be charged a total of \$5.00 (NET) per cylinder.

Charge for Re-Keying - \$2.00 (NET) per Cylinder

- Locks that are keyed to code or keyed alike in a house group will be charged \$2.00 (NET) per cylinder.

Keying to Code

- Order by indicating "Key Code XXXXX" next to applicable locks.

Keying Alike

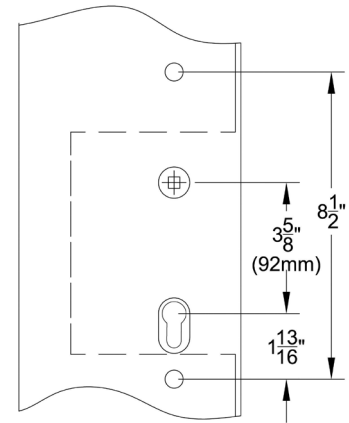
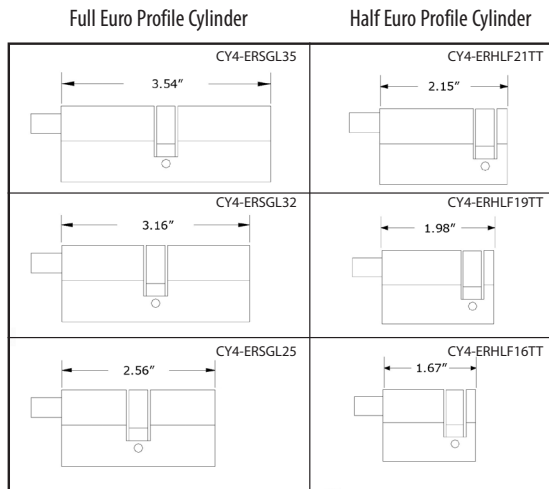
- Order by indicating "Keyed Alike" next to applicable locks if only one keyed alike group is wanted.
- If ordering multiple groups (houses) indicate "**Keyed Alike House #_**" next to applicable locks.

Swinging Patio Door Hardware - Set includes Plates, Handles and Cylinders (where applicable)

Ashland®, Caradco®, JELD-WEN®, Jeldwen® Custom Collection (formerly Pozzi®), Marvin®, PGT®, Premium Collection (formerly Norco®), Weathershield®

Keyed with American Cylinder (for Active Door, Schlage® Keyway Standard, Weiser® Keyway Optional, Rekeyable)	
<p>1 ½" x 11" Plates, Product Codes 1411, 1431, 1451, 1471, 14A1</p>	<p>2" x 10" Plates, Product Codes 1421, 1441, 1461, 1481, 14B1</p>
Non-Keyed, Passage (for Semi-Active Door)	
<p>1 ½" x 11" Plates, Product Codes 1412, 1432, 1452, 1472, 14A2</p>	<p>2" x 10" Plates, Product Codes 1422, 1442, 1462, 1482, 14B2</p>
Non-Keyed, American Style Thumbturn Inside (for Active Door)	
<p>1 ½" x 11" Plates, Product Codes 1413, 1433, 1453, 1473, 14A3</p>	<p>2" x 10" Plates, Product Codes 1423, 1443, 1463, 1483, 14B3</p>
Non-Keyed, Fixed Handle Outside, Operating Handle Inside (for Semi-Active Door)	
<p>1 ½" x 11" Plates, Product Codes 1414, 1434, 1454, 1474, 14A4</p> <p>Fixed</p>	<p>2" x 10" Plates, Product Codes 1424, 1444, 1464, 1484, 14B4</p> <p>Fixed</p>
Dummy Pair (for Non-Active Door)	
<p>1 ½" x 11" Plates, Product Codes 1415, 1435, 1455, 1475, 14A5</p> <p>Fixed</p>	<p>2" x 10" Plates, Product Codes 1425, 1445, 1465, 1485, 14B5</p> <p>Fixed</p>

Door Configuration #5 Euro Profile Cylinder Below Handle 3 5/8" Center to Center



Keyed Plates with Euro Profile Cylinder

Standard Door Thickness: 1 5/8" ~ 1 3/4"	Extended Door Thickness: 1 3/4" ~ 2 1/4"	Extended Door Thickness: 2 1/4" ~ 2 3/4"
Standard Components: <ul style="list-style-type: none"> • 2 9/16" Euro Profile Cylinder • 3 3/4" Steel Spindle • 1 1/2" Rosette Screws 	Extended Components: <ul style="list-style-type: none"> • 3 5/8" Euro Profile Cylinder • 4 1/2" Steel Spindle • 2" Rosette Screws 	Extended Components: <ul style="list-style-type: none"> • 3 1/2" Euro Profile Cylinder • 4 1/2" Steel Spindle • 2 1/2" Rosette Screws

Non-Keyed Plates with Euro Profile Half Cylinder

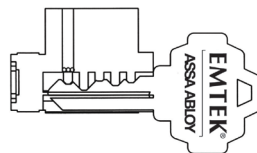
Standard Door Thickness: 1 5/8" ~ 1 3/4"	Extended Door Thickness: 1 3/4" ~ 2 1/4"	Extended Door Thickness: 2 1/4" ~ 2 3/4"
Standard Components: <ul style="list-style-type: none"> • 1 23/32" Euro Profile Half-Cylinder • 3 3/4" Steel Spindle • 1 1/2" Rosette Screws 	Extended Components: <ul style="list-style-type: none"> • 1 31/32" Euro Profile Half-Cylinder • 4 1/2" Steel Spindle • 2" Rosette Screws 	Extended Components: <ul style="list-style-type: none"> • 2 5/32" Euro Profile Half-Cylinder • 4 1/2" Steel Spindle • 2 1/2" Rosette Screws

Non-Keyed Plates Includes non-keyed passage, fixed handle out/operating handle in, and dummy (uses screws only)

Standard Door Thickness: 1 5/8" - 2"	Extended Door Thickness: 2" - 2 3/4"
Standard Components: <ul style="list-style-type: none"> • 3 3/4" Steel Spindle (half-spindle for fixed handle out/operating handle in) • 2" Rosette Screws • 1 1/2" Rosette Screws for 1 5/8" thick door 	Extended Components: <ul style="list-style-type: none"> • 4 1/2" Steel Spindle (half-spindle for fixed handle out/operating handle in) • 2 1/2" Rosette Screws • 2" Rosette Screws for 2" - 2 1/8" thick door

CONSTRUCTION KEYING

- Lost ball system.
- Last four pin locations drilled for lost ball application.
- Master key pins used for code variability.
- Construction keys and owner keys sent separately.
- Order by indicating "Construction Keyed, House #_" next to applicable locks.



- Construction devices used on one or all of last four positions.



- Dimples drilled in plug in this position.

Charge for Construction Keying - \$3.00 (NET)
• Locks that are both construction keyed and keyed alike in a house group will be charged a total of \$5.00 (NET) per cylinder.

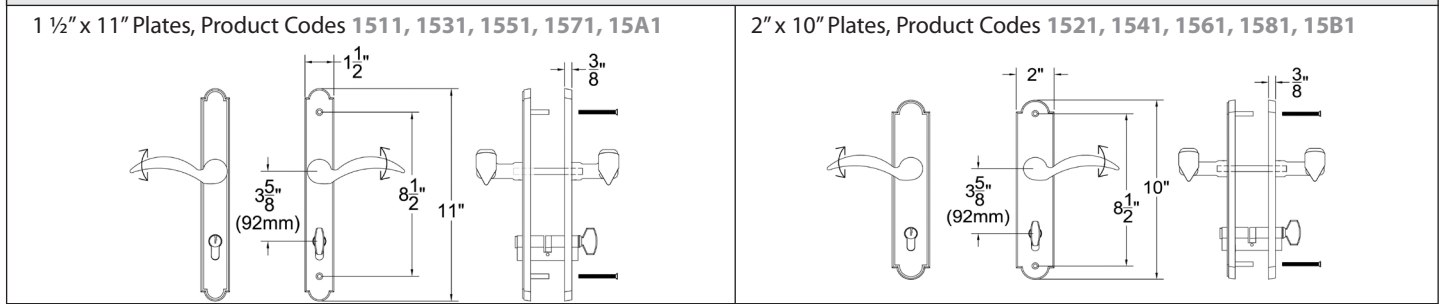
Charge for Re-Keying - \$2.00 (NET) per Cylinder
• Locks that are keyed to code or keyed alike in a house group will be charged \$2.00 (NET) per cylinder.

Keying to Code
• Order by indicating "Key Code XXXXX" next to applicable locks.

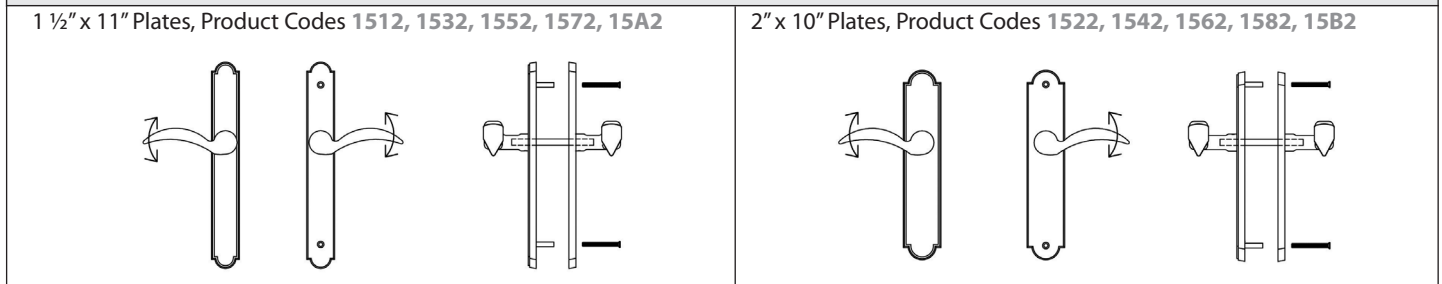
Keying Alike
• Order by indicating "Keyed Alike" next to applicable locks if only one keyed alike group is wanted.
• If ordering multiple groups (houses) indicate "Keyed Alike House #_" next to applicable locks.

Swinging Patio Door Hardware - Set includes Plates, Handles and Cylinders (where applicable)
 Crestline®, Hoppe®, Hurd®, KfV®, Kolbe & Kolbe®, Lincoln®, Loewen®, Paddock Lockmaster™,
 Peachtree®, Semco®, Sierra Pacific®, Signature®, Simpson®, Therma-Tru®, Vetter®, Willmar®, Windsor®, Weathershield®

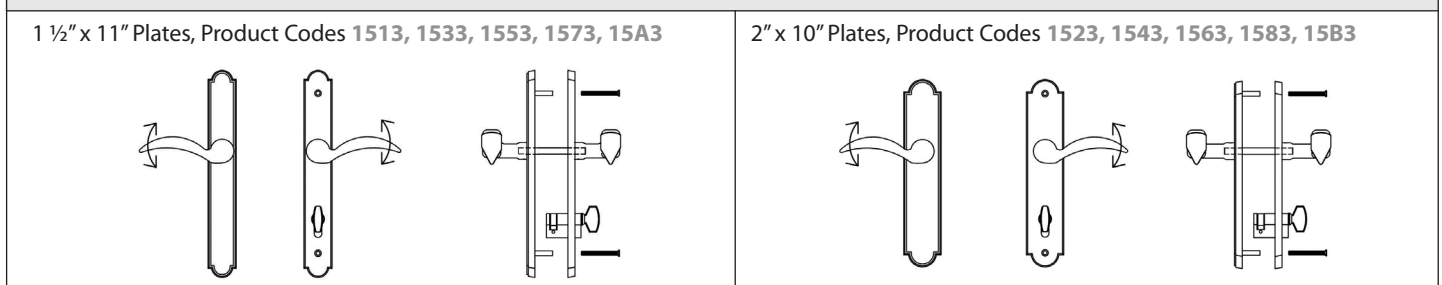
Keyed with Euro Profile Cylinder (for Active Door, Schlage® Keyway Standard, Rekeyable)



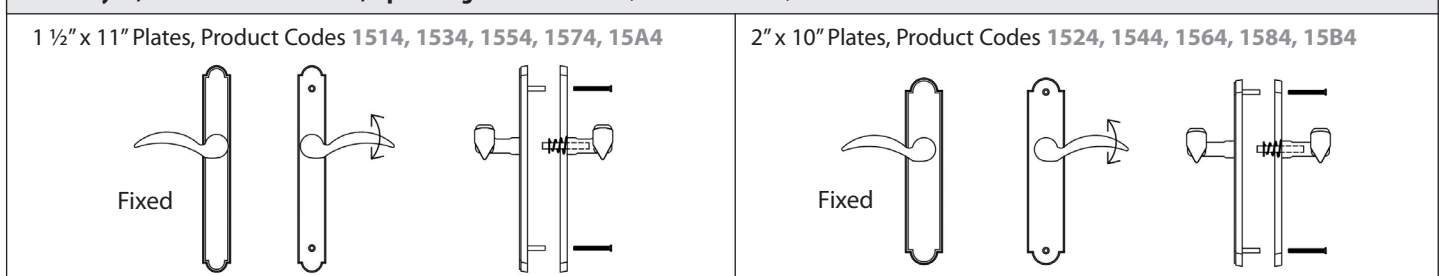
Non-Keyed, Passage (for Semi-Active Door)



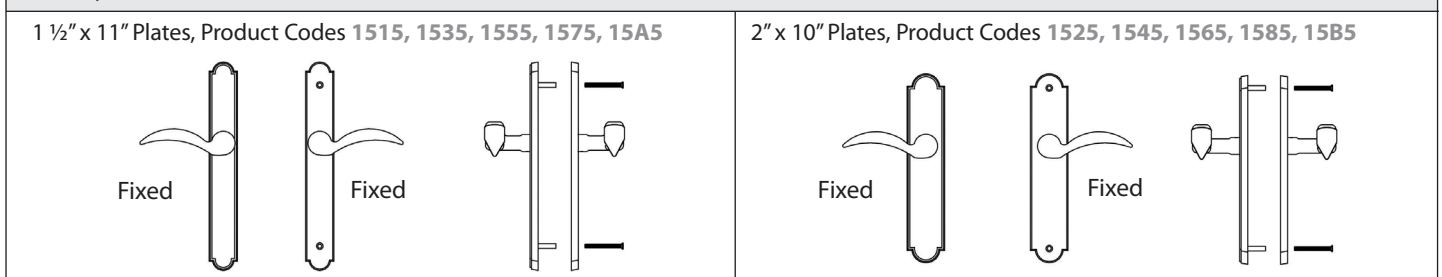
Non-Keyed, Euro Profile Style Thumbturn Inside (for Active Door)



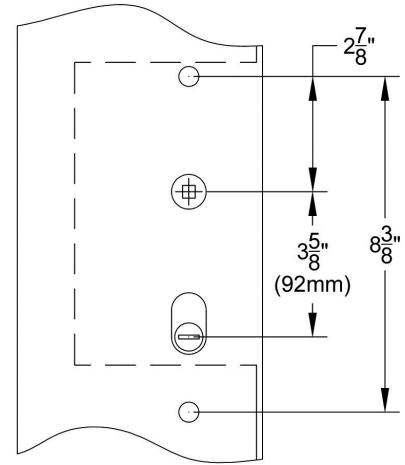
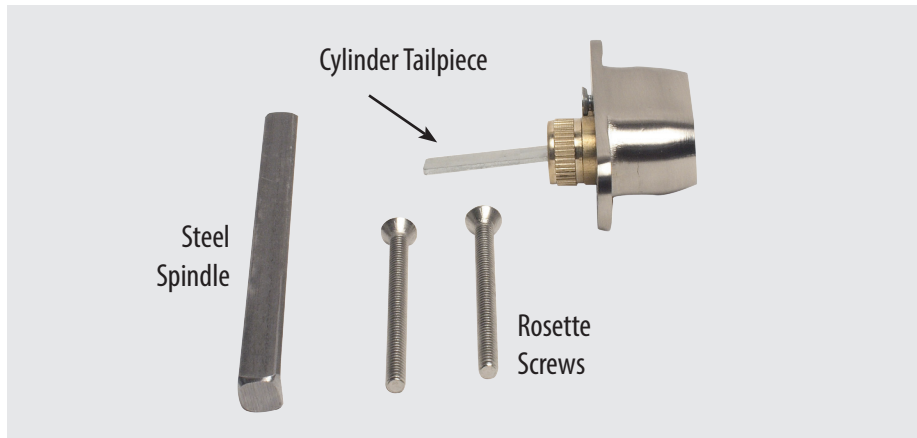
Non-Keyed, Fixed Handle Outside, Operating Handle Inside (for Semi-Active Door)



Dummy Pair (for Non-Active Door)



Door Configuration #6 American Cylinder Below Handle 3 5/8" Center to Center



Keyed Plates with American Cylinder Includes non-keyed, thumbturn inside

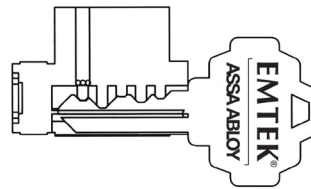
Standard Door Thickness: 1 5/8" ~ 2"	Extended Door Thickness: 2" + ~ 2 3/4"
<p>Standard Components:</p> <ul style="list-style-type: none"> • Single Cylinder Tailpiece • 3 3/4" Steel Spindle • 2" Rosette Screws • 1 1/2" Rosette Screws for 1 5/8" thick door 	<p>Extended Components:</p> <ul style="list-style-type: none"> • Long Single Cylinder Tailpiece • 4 1/2" Steel Spindle • 2 1/2" Rosette Screws • 2" Rosette Screws for 2" - 2 1/8" thick door

Non-Keyed Plates Includes non-keyed passage, fixed handle out/operating handle in, and dummy (uses screws only)

Standard Door Thickness: 1 5/8" ~ 2"	Extended Door Thickness: 2" + ~ 2 3/4"
<p>Standard Components:</p> <ul style="list-style-type: none"> • Thumbturn Tailpiece • 3 3/4" Steel Spindle (half-spindle for fixed handle out/operating handle in) • 2" Rosette Screws • 1 1/2" Rosette Screws for 1 5/8" thick door 	<p>Extended Components:</p> <ul style="list-style-type: none"> • Long Thumbturn Tailpiece • 4 1/2" Steel Spindle (half-spindle for fixed handle out/operating handle in) • 2 1/2" Rosette Screws • 2" Rosette Screws for 2" - 2 1/8" thick door

CONSTRUCTION KEYING

- Lost ball system.
- Last four pin locations drilled for lost ball application.
- Master key pins used for code variability.
- Construction keys and owner keys sent separately.
- Order by indicating "Construction Keyed, House #_" next to applicable locks.



- Construction devices used on one or all of last four positions.



- Dimples drilled in plug in this position.

Charge for Construction Keying - \$3.00 (NET)
• Locks that are both construction keyed and keyed alike in a house group will be charged a total of \$5.00 (NET) per cylinder.

Charge for Re-Keying - \$2.00 (NET) per Cylinder
• Locks that are keyed to code or keyed alike in a house group will be charged \$2.00 (NET) per cylinder.

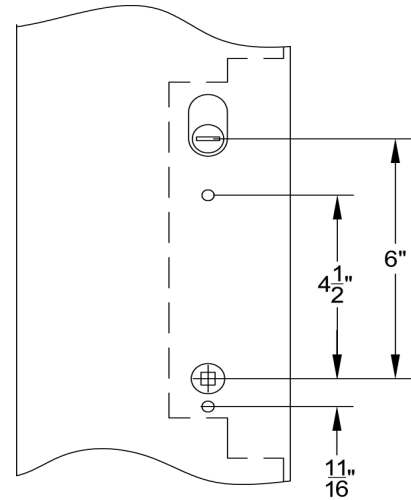
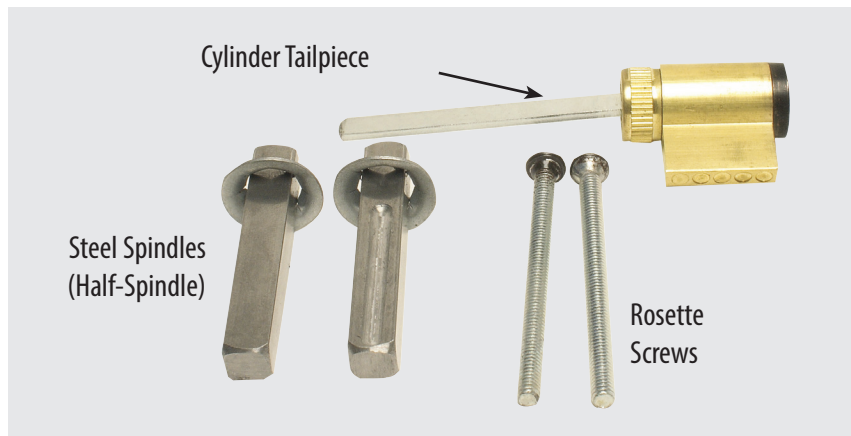
Keying to Code
• Order by indicating "Key Code XXXXX" next to applicable locks.

Keying Alike
• Order by indicating "Keyed Alike" next to applicable locks if only one keyed alike group is wanted.
• If ordering multiple groups (houses) indicate "Keyed Alike House #_" next to applicable locks.

Swinging Patio Door Hardware - Set includes Plates, Handles and Cylinders (where applicable)
Milgard®, Pella®

Keyed with American Cylinder (for Active Door, Schlage® Keyway Standard, Weiser® Keyway Optional, Rekeyable)	
<p>1 1/2" x 11" Plates, Product Codes 1611, 1631, 1651, 1671, 16A1</p>	<p>2" x 10" Plates, Product Codes 1621, 1641, 1661, 1681, 16B1</p>
Non-Keyed, Passage (for Semi-Active Door)	
<p>1 1/2" x 11" Plates, Product Codes 1612, 1632, 1652, 1672, 16A2</p>	<p>2" x 10" Plates, Product Codes 1622, 1642, 1662, 1682, 16B2</p>
Non-Keyed, American Style Thumbturn Inside (for Active Door)	
<p>1 1/2" x 11" Plates, Product Codes 1613, 1633, 1653, 1673, 16A3</p>	<p>2" x 10" Plates, Product Codes 1623, 1643, 1663, 1683, 16B3</p>
Non-Keyed, Fixed Handle Outside, Operating Handle Inside (for Semi-Active Door)	
<p>1 1/2" x 11" Plates, Product Codes 1614, 1634, 1654, 1674, 16A4</p> <p>Fixed</p>	<p>2" x 10" Plates, Product Codes 1624, 1644, 1664, 1684, 16B4</p> <p>Fixed</p>
Dummy Pair (for Non-Active Door)	
<p>1 1/2" x 11" Plates, Product Codes 1615, 1635, 1655, 1675, 16A5</p> <p>Fixed</p> <p>Fixed</p>	<p>2" x 10" Plates, Product Codes 1625, 1645, 1665, 1685, 16B5</p> <p>Fixed</p> <p>Fixed</p>

Door Configuration #7 American Cylinder Above Handle 6" Center to Center



Keyed Plates with American Cylinder Includes non-keyed, thumbturn inside

Standard Door Thickness: 1 5/8" ~ 2"

- Standard Components:
- Single Cylinder Tailpiece
 - 2" Steel Spindles (Half-spindle)
 - 2" Rosette Screws for 1 5/8" - 1 3/4" thick door
 - 2 1/2" Rosette Screws for 1 3/4" - 2" thick door

Extended Door Thickness: 2" + ~ 2 3/4"

- Extended Components:
- Long Single Cylinder Tailpiece
 - 2" Steel Spindles (Half-spindle)
 - 2 1/2" Rosette Screws 2" - 2 1/4" thick door
 - 3" Rosette Screws for 2 1/4" - 2 3/4" thick door

Non-Keyed Plates Includes non-keyed passage, fixed handle out/operating handle in, & dummy (uses screws only)

Standard Door Thickness: 1 5/8" ~ 2"

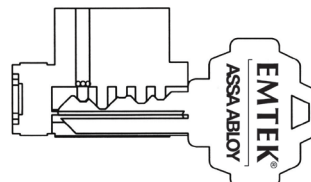
- Standard Components:
- Thumbturn Tailpiece
 - 2" Steel Spindles (Half-spindle. No spindle for fixed handles)
 - 2" Rosette Screws for 1 5/8" - 1 3/4" thick door
 - 2 1/2" Rosette Screws for 1 3/4" - 2" thick door

Extended Door Thickness: 2" + ~ 2 3/4"

- Extended Components:
- Long Thumbturn Tailpiece
 - 2" Steel Spindles (Half-spindle. No spindle for fixed handles)
 - 2 1/2" Rosette Screws 2" - 2 1/4" thick door
 - 3" Rosette Screws for 2 1/4" - 2 3/4" thick door

CONSTRUCTION KEYING

- Lost ball system.
- Last four pin locations drilled for lost ball application.
- Master key pins used for code variability.
- Construction keys and owner keys sent separately.
- Order by indicating "Construction Keyed, House # _" next to applicable locks.



- Construction devices used on one or all of last four positions.



- Dimples drilled in plug in this position.

Charge for Construction Keying - \$3.00 (NET)

- Locks that are both construction keyed and keyed alike in a house group will be charged a total of \$5.00 (NET) per cylinder.

Charge for Re-Keying - \$2.00 (NET) per Cylinder

- Locks that are keyed to code or keyed alike in a house group will be charged \$2.00 (NET) per cylinder.

Keying to Code

- Order by indicating "Key Code XXXXX" next to applicable locks.

Keying Alike

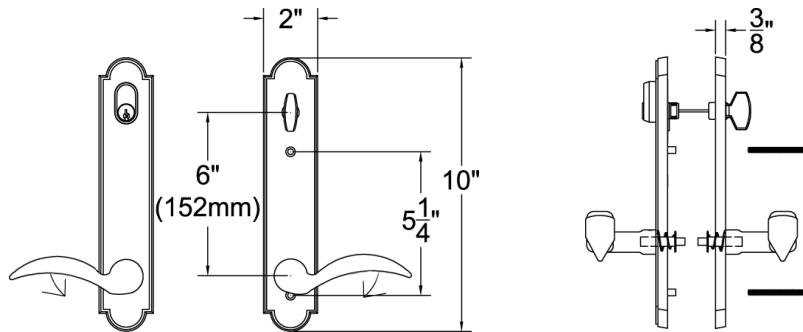
- Order by indicating "Keyed Alike" next to applicable locks if only one keyed alike group is wanted.
- If ordering multiple groups (houses) indicate "Keyed Alike House # _" next to applicable locks.

Swinging Patio Door Hardware - Set includes Plates, Handles and Cylinders (where applicable)

Trillenium® (formerly W&F Manufacturing)

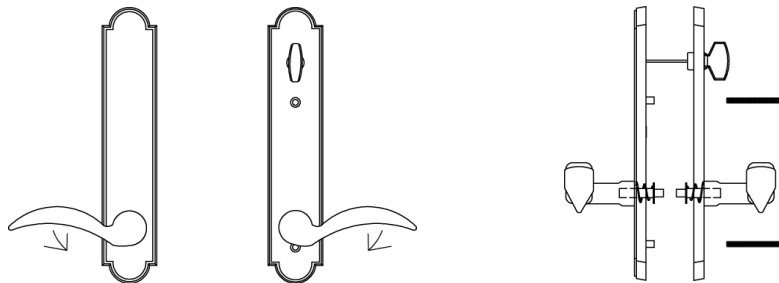
Keyed with American Cylinder (for Active Door, Schlage® Keyway Standard, Weiser® Keyway Optional, Rekeyable)

2" x 10" Plates, Product Codes **1721, 1741, 1761, 17B1**



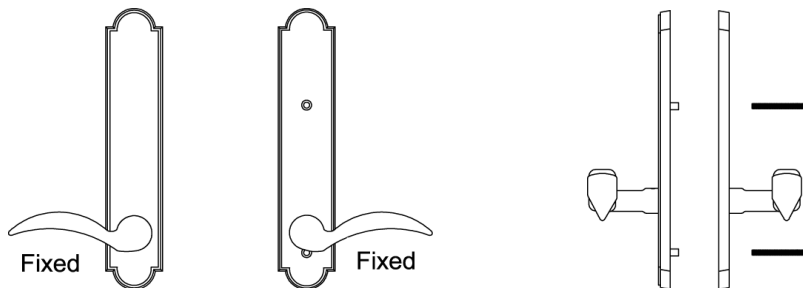
Non-Keyed, American Style T-Turn Inside (Active Door)

2" x 10" Plates, Product Codes **1723, 1743, 1763, 17B3**



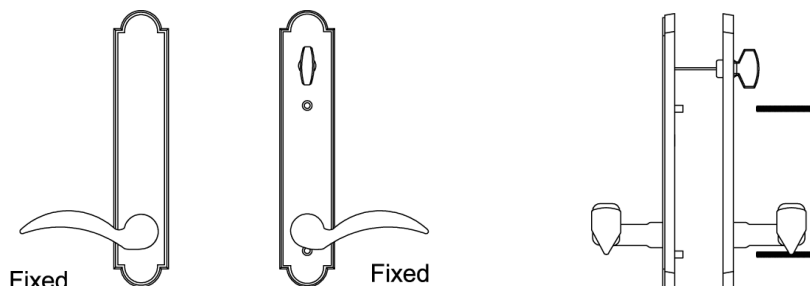
Dummy Pair (for Non-Active Door)

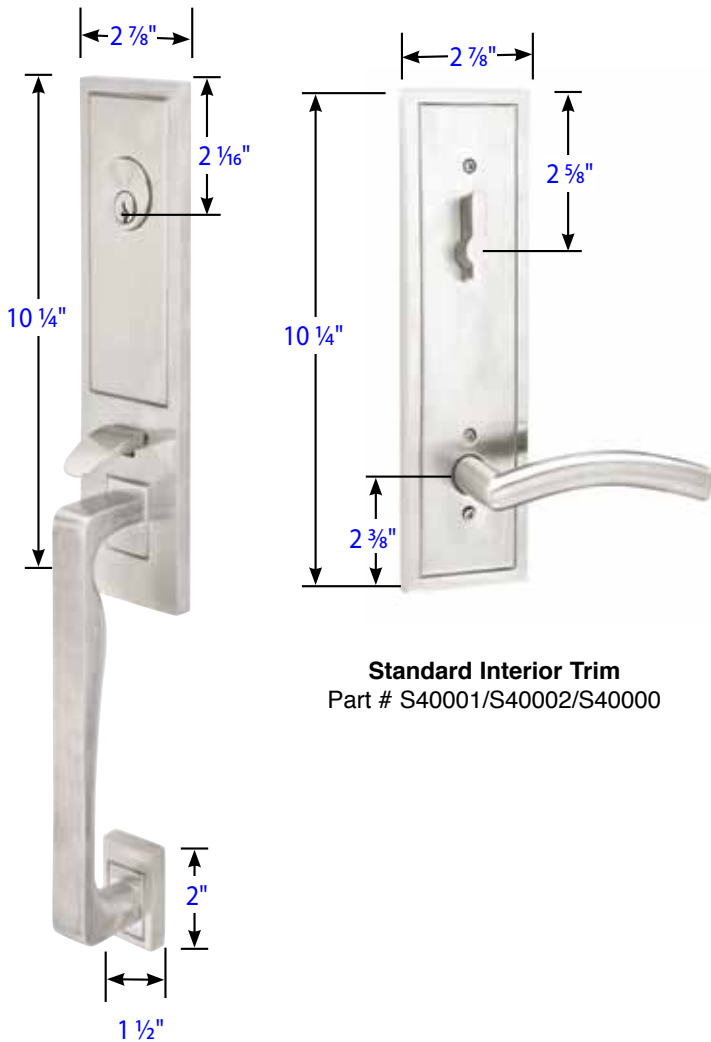
2" x 10" Plates, Product Codes **1725, 1745, 1765, 17B5**



Non-Keyed, Fixed Handles, American Style T-Turn Inside (for Semi-Active Door)

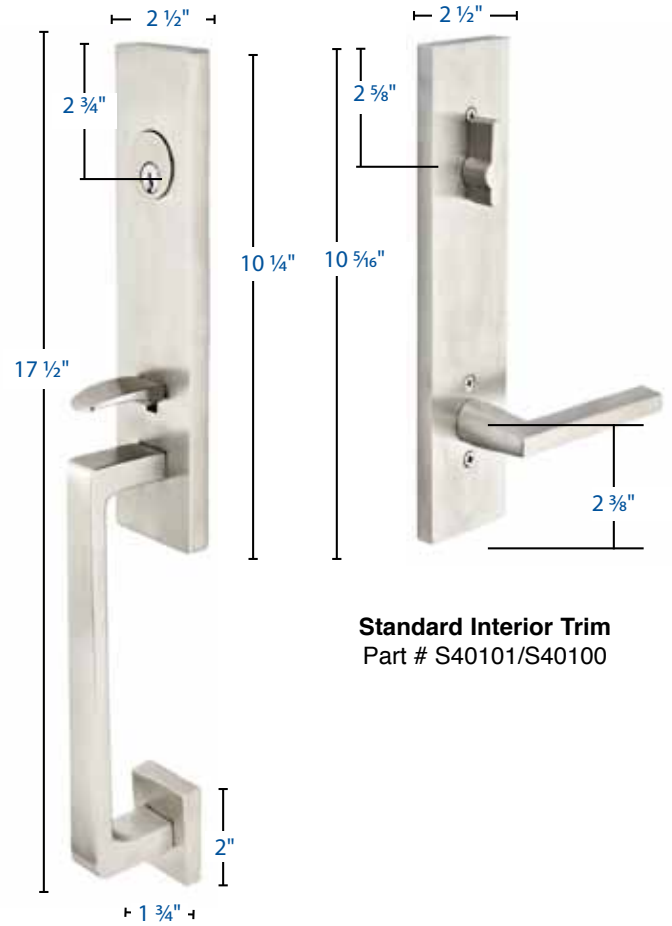
2" x 10" Plates, Product Codes **1726, 1746, 1766, 17B6**





Standard Interior Trim
Part # S40001/S40002/S40000

Zeus Style
Part # S40001/S40002/S40000



Standard Interior Trim
Part # S40101/S40100

Davos Style
Part # S40101/S40100

Additional Dimensions: (Part # S40001/S40002)

- Exterior Projection is 2 1/2"
- Interior Projection Depends on Handle Style
- Overall Grip thickness: 1 1/16"
- Clearance between door & grip is 1" - 1 3/8"
- Plates thickness: 7/16"

Same Dimensions for Dummy Function

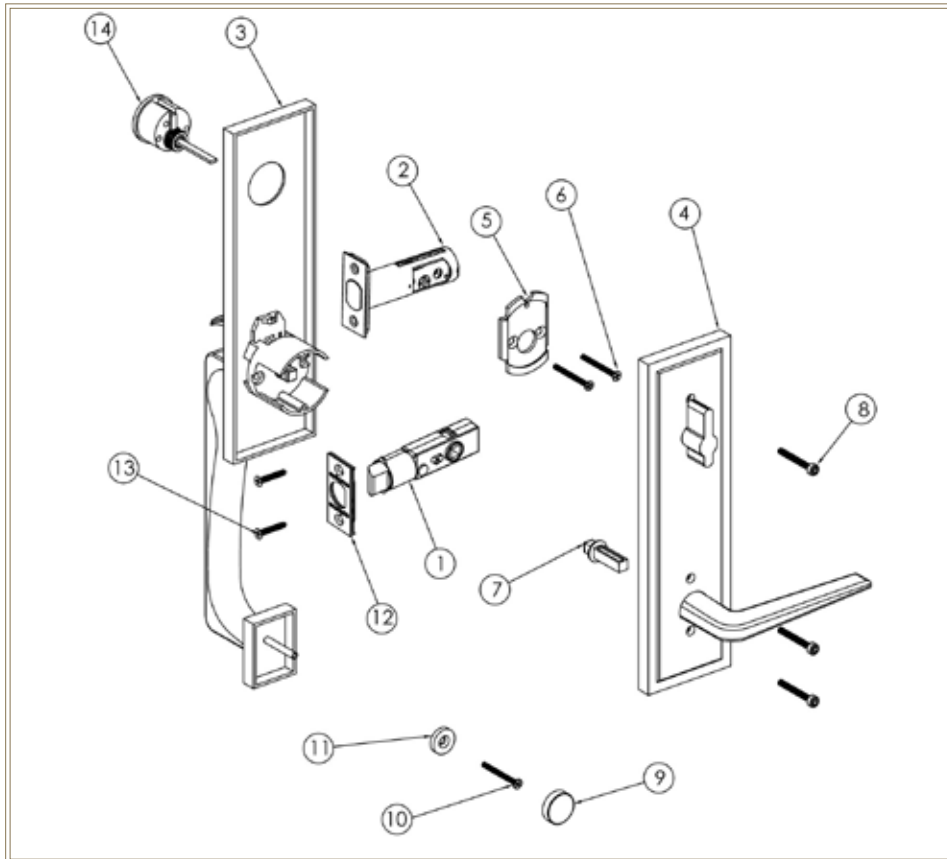
Additional Dimensions: (Part # S40101/S40100)

- Exterior Projection is 2 3/4"
- Interior Projection Depends on Handle Style
- Overall Grip thickness: 1"
- Clearance between door & grip is 1" - 1 3/4"
- Plates thickness: 1/2"

Same Dimensions for Dummy Function

Door Prep Specifications:

- Fits standard door prep-- $2\frac{1}{8}$ " face bore & 1" edge bore.
- Fits a range of door thickness from $1\frac{3}{8}$ " to 2". ($2\frac{1}{4}$ "- $2\frac{3}{4}$ ", Please specify)
- $5\frac{1}{2}$ " Center to Center spacing.



Legend

- 1) Passage Latch
- 2) Deadbolt Latch
- 3) Outside Handle Plate
- 4) Inside Plate
- 5) Deadbolt Mounting Plate
- 6) Deadbolt Machine Screws
- 7) Inside Spindle
- 8) Inside Plate Machine Screws
- 9) Decorative Cap
- 10) Handle Grip Machine Screw
- 11) Designer Washer
- 12) Latch Face Plate
- 13) Latch Wood Screws
- 14) Deadbolt Cylinder

Latches:

Passage:

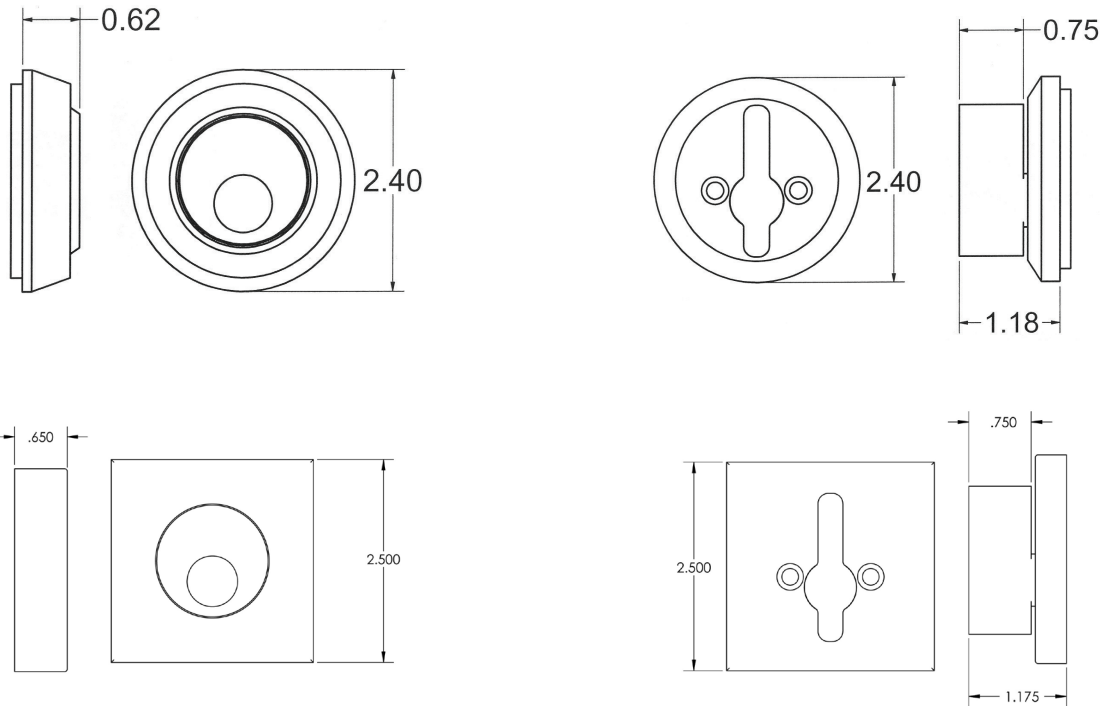
- 28° retraction
- 7MM hub
- Split spindles
- $2\frac{3}{8}$ " backset standard
- $2\frac{3}{4}$ " backset available--please specify
- Stainless steel nosebolt

Deadbolt:

- Hardened Steel Bolt
- $2\frac{3}{8}$ " backset standard
- $2\frac{3}{4}$ " backset available--please specify

Strike & Face Plates:

- Full Lip strike is standard (passage function)
- "T" strike optional--please specify (passage function)
- Strike & faceplates are square cornered
- Passage: Strike Plate-- $1\frac{1}{2}$ "W x $2\frac{1}{4}$ "H, Deadbolt: $1\frac{1}{8}$ "W x $2\frac{3}{4}$ "H (understrike supplied)
- Passage: Face Plate--1"W x $2\frac{1}{4}$ "H, Deadbolt:1"W x $2\frac{1}{4}$ "H (attached to latch)



Round & Square Deadbolts, **Single** Cylinder
Round (S50001) & Square (S50003)

- Standard Door Thickness: 1 3/8" - 2"
- Standard Components:
- Single Cylinder Tailpiece
- 2 1/4" Socket Head Machine Screws
- Deadbolt Strike Plate

- **Extended** Door Thickness: 2" - 2 1/2"
- Extended Components:
- Long Cylinder Tailpiece
- 2 1/2" & 3" Socket Head Machine Screws
- Deadbolt Strike Plate

- **Extended** Door Thickness: 2 1/2" - 3"
- Extended Components:
- Extra Long Cylinder Tailpiece
- 3" & 3 1/2" Socket Head Machine Screws
- Deadbolt Strike Plate

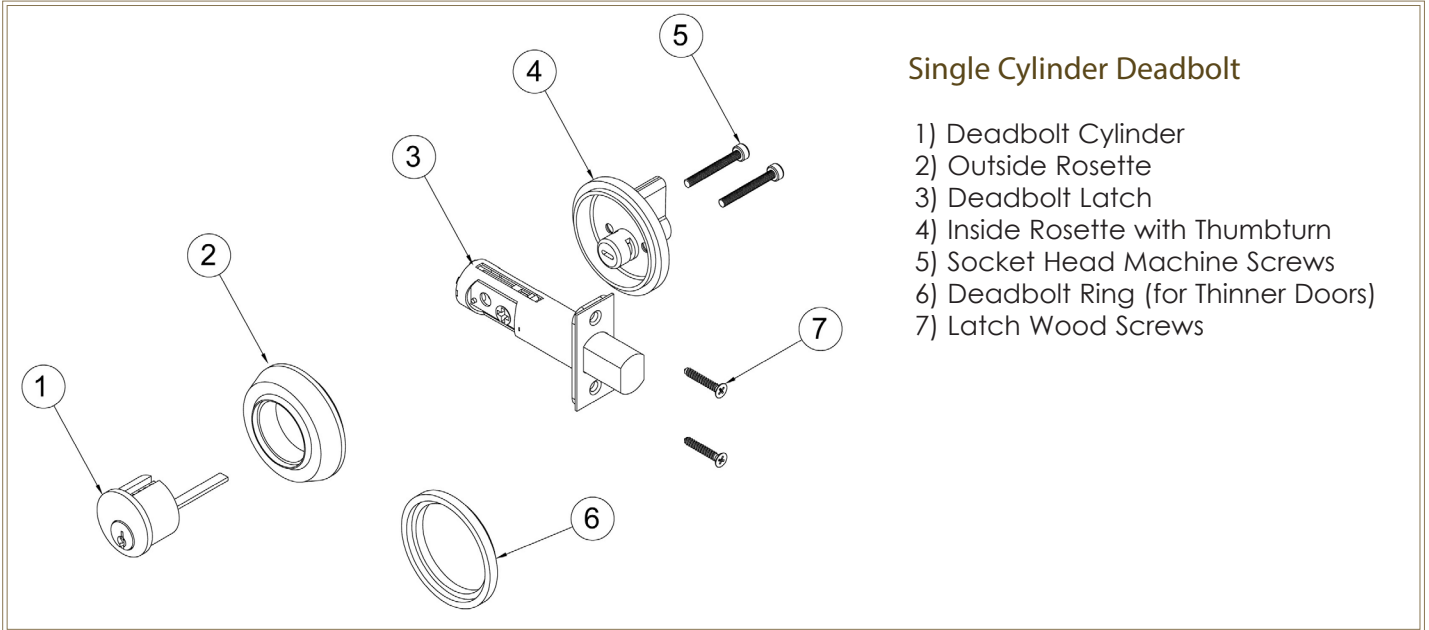
Round & Square Deadbolts, **Double** Cylinder
Round (S50002) & Square (S50023)

- Standard Door Thickness: 1 3/8" - 2"
- Standard Components:
- Double Cylinder Tailpiece
- 2 1/4" Socket Head Machine Screws
- Deadbolt Strike Plate

- **Extended** Door Thickness: 2" - 2 1/2"
- Extended Components:
- Long Double Cylinder Tailpiece
- 3" Socket Head Machine Screws
- Deadbolt Strike Plate

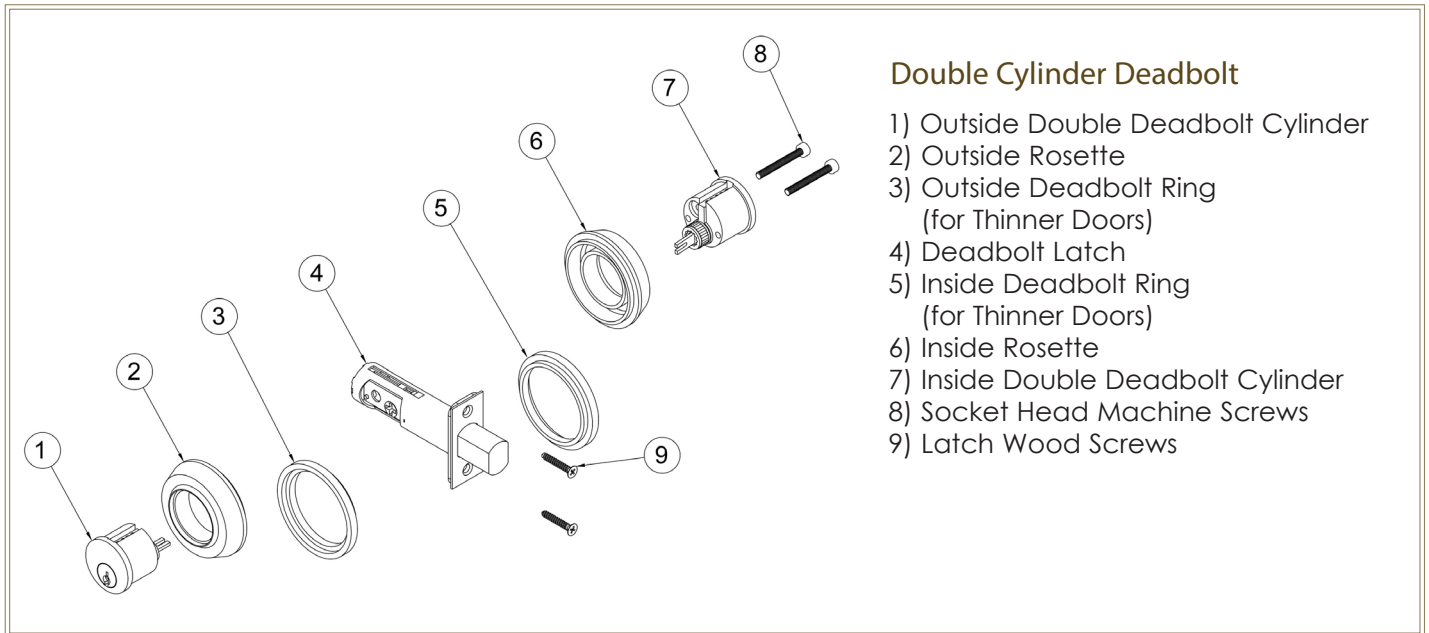
Door Prep Specifications:

- Fits standard door prep--2 1/8" face bore & 1" edge bore.
- Fits a range of door thickness from 1 3/8" to 2". Thicker doors--please specify.



Single Cylinder Deadbolt

- 1) Deadbolt Cylinder
- 2) Outside Rosette
- 3) Deadbolt Latch
- 4) Inside Rosette with Thumbturn
- 5) Socket Head Machine Screws
- 6) Deadbolt Ring (for Thinner Doors)
- 7) Latch Wood Screws



Double Cylinder Deadbolt

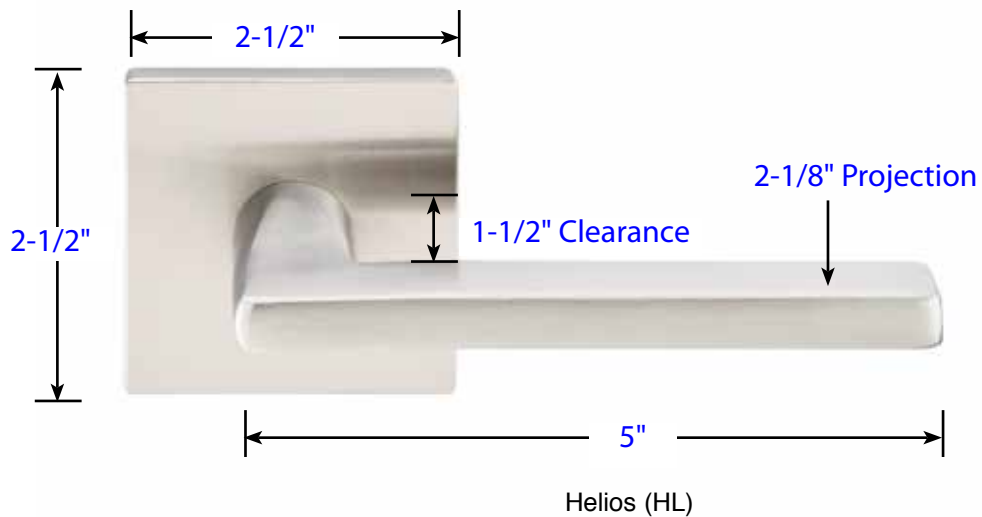
- 1) Outside Double Deadbolt Cylinder
- 2) Outside Rosette
- 3) Outside Deadbolt Ring (for Thinner Doors)
- 4) Deadbolt Latch
- 5) Inside Deadbolt Ring (for Thinner Doors)
- 6) Inside Rosette
- 7) Inside Double Deadbolt Cylinder
- 8) Socket Head Machine Screws
- 9) Latch Wood Screws

Deadbolt Latches:

- Hardened Steel Bolt
- 2 3/8" backset standard
- 2 3/4" backset available--please specify
- Heavy gauge steel understrike and brass trim strike supplied

Strike & Face Plates:

- Strike & faceplates are square cornered
- Strike Plate-- 1 1/8"W x 2 3/4"H
- Face Plate-- 1"W x 2 1/4"H (attached to latch)
- Understrike Plate--1 1/8"W x 2 3/4"H



Door Thickness Specifications

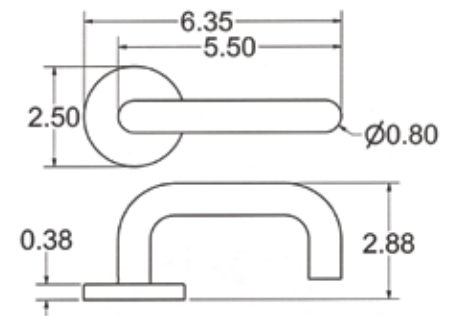
- Standard Door Thickness: 1³/₈"- 2"
- Standard Components:
 - Privacy Pin (for privacy sets)
 - Inside Passage Half Spindle
 - 1¹/₂" Socket Head Machine Screws
 - Full-Lip Strike Plate

- **Extended** Door Thickness: 2"- 2¹/₂"
- Extended Components:
 - Privacy Pin w/ Extension (for privacy sets)
 - Long Inside Passage Half Spindle
 - 2" Socket Head Machine Screws
 - Extended Full-Lip Strike Plate

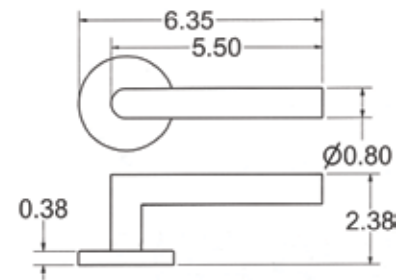
- **Extended** Door Thickness: 2¹/₂"- 2³/₄"
- Extended Components:
 - Privacy Pin w/ Extension (for privacy sets)
 - Long Inside Passage Half Spindle
 - 2¹/₂" Socket Head Machine Screws
 - Extended Full-Lip Strike Plate



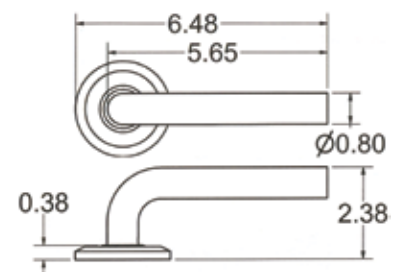
Cologne (CO)



Stuttgart (ST)



Kiel (KL)



Door Thickness Specifications

• Standard Door Thickness: 1³/₈"- 2"
Standard Components:

- Privacy Pin (for privacy sets)
- Inside Passage Half Spindle
- 1¹/₂" Socket Head Machine Screws
- Full-Lip Strike Plate

• **Extended** Door Thickness: 2"- 2¹/₂"
Extended Components:

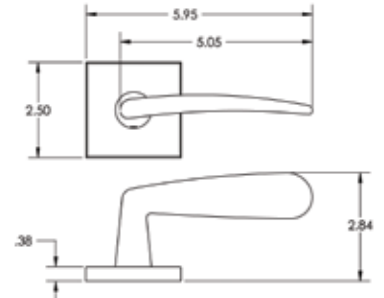
- Privacy Pin w/ Extension (for privacy sets)
- Long Inside Passage Half Spindle
- 2" Socket Head Machine Screws
- Extended Full-Lip Strike Plate

• **Extended** Door Thickness: 2¹/₂"- 2³/₄"
Extended Components:

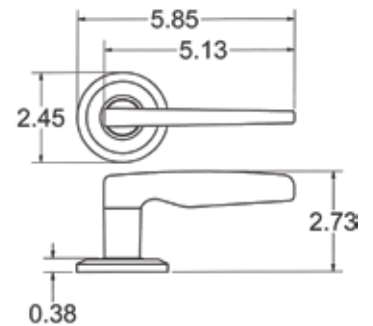
- Privacy Pin w/ Extension (for privacy sets)
- Long Inside Passage Half Spindle
- 2¹/₂" Socket Head Machine Screws
- Extended Full-Lip Strike Plate



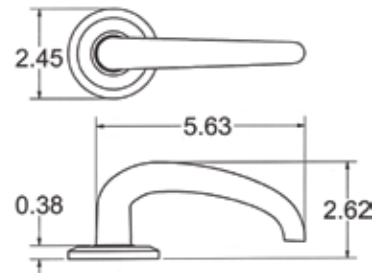
Poseidon (PO)



Hermes (HE)



Achilles (AC)



Door Thickness Specifications

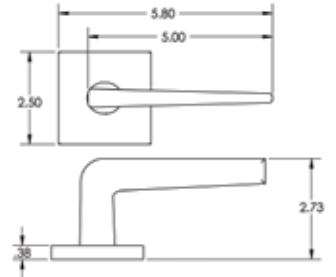
- Standard Door Thickness: 1³/₈"- 2"
- Standard Components:
 - Privacy Pin (for privacy sets)
 - Inside Passage Half Spindle
 - 1¹/₂" Socket Head Machine Screws
 - Full-Lip Strike Plate

- **Extended** Door Thickness: 2"- 2¹/₂"
- Extended Components:
 - Privacy Pin w/ Extension (for privacy sets)
 - Long Inside Passage Half Spindle
 - 2" Socket Head Machine Screws
 - Extended Full-Lip Strike Plate

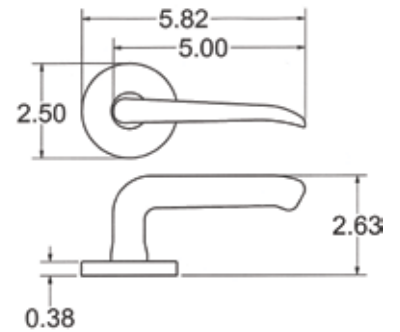
- **Extended** Door Thickness: 2¹/₂"- 2³/₄"
- Extended Components:
 - Privacy Pin w/ Extension (for privacy sets)
 - Long Inside Passage Half Spindle
 - 2¹/₂" Socket Head Machine Screws
 - Extended Full-Lip Strike Plate



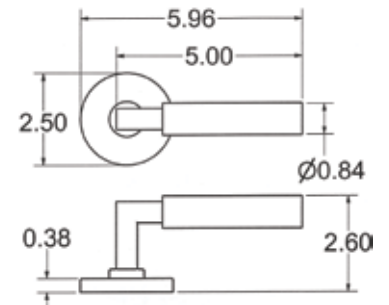
Athena (AT)



Ajax (AJ)



Hercules (HS)

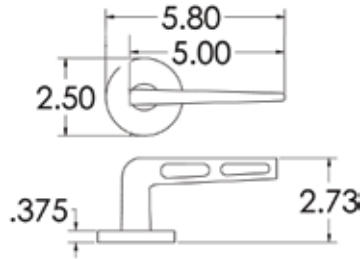


Door Thickness Specifications

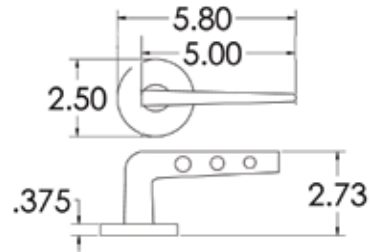
- Standard Door Thickness: 1³/₈" - 2"
- Standard Components:
 - Privacy Pin (for privacy sets)
 - Inside Passage Half Spindle
 - 1¹/₂" Socket Head Machine Screws
 - Full-Lip Strike Plate

- **Extended** Door Thickness: 2" - 2¹/₂"
- Extended Components:
 - Privacy Pin w/ Extension (for privacy sets)
 - Long Inside Passage Half Spindle
 - 2" Socket Head Machine Screws
 - Extended Full-Lip Strike Plate

- **Extended** Door Thickness: 2¹/₂" - 2³/₄"
- Extended Components:
 - Privacy Pin w/ Extension (for privacy sets)
 - Long Inside Passage Half Spindle
 - 2¹/₂" Socket Head Machine Screws
 - Extended Full-Lip Strike Plate

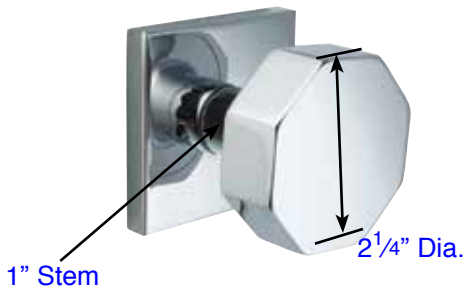


Comet (CT)



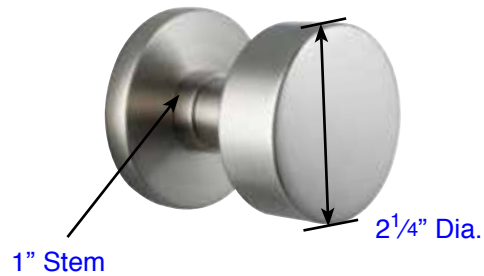
Meteor (MT)

2¹/₂" Projection



Octagon Knob (OK)

2¹/₁₆" Projection



Round Knob (RK)

Door Thickness Specifications

- Standard Door Thickness: 1³/₈"- 2"
- Standard Components:
 - Privacy Pin (for privacy sets)
 - Inside Passage Half Spindle
 - 1¹/₂" Socket Head Machine Screws
 - Full-Lip Strike Plate

- **Extended** Door Thickness: 2"- 2¹/₂"
- Extended Components:
 - Privacy Pin w/ Extension (for privacy sets)
 - Long Inside Passage Half Spindle
 - 2" Socket Head Machine Screws
 - Extended Full-Lip Strike Plate

- **Extended** Door Thickness: 2¹/₂"- 2³/₄"
- Extended Components:
 - Privacy Pin w/ Extension (for privacy sets)
 - Long Inside Passage Half Spindle
 - 2¹/₂" Socket Head Machine Screws
 - Extended Full-Lip Strike Plate

Functions:

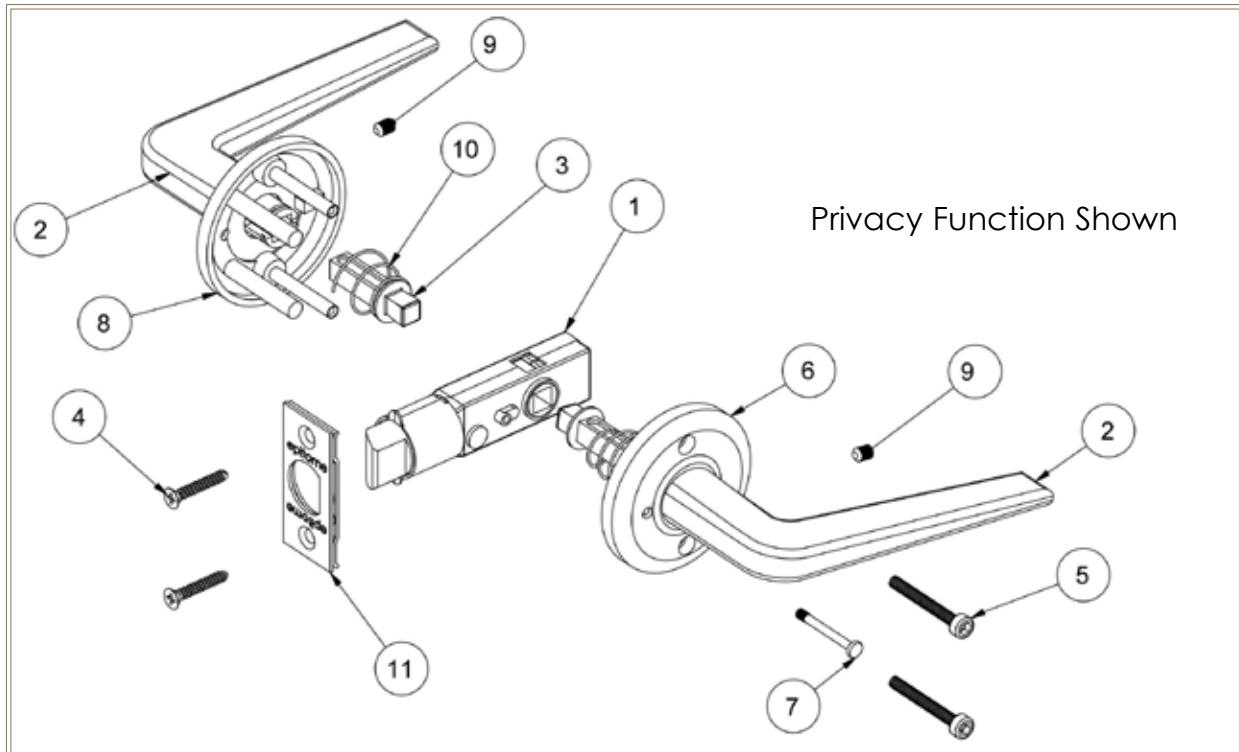
Passage: Lever operates from either side of door.

Privacy: Push button on the interior engages privacy. Turning the inside lever releases privacy and retracts latchbolt.

Dummy Pair: Surface mounted on threaded spindle. Requires no door prep.

Door Prep Specifications:

- Fits standard door prep--2¹/₈" face bore & 1" edge bore.
- Fits a range of door thickness from 1³/₈" to 2". Thicker doors--please specify.



Latches:

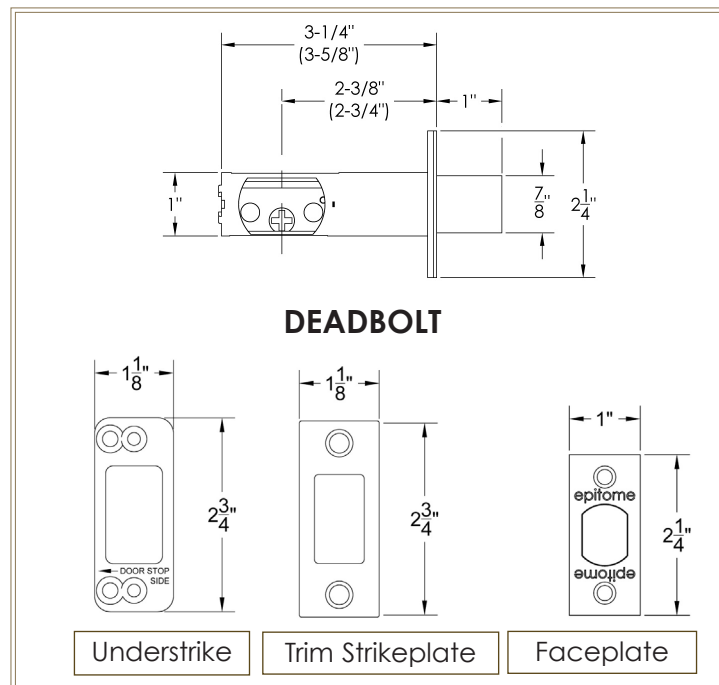
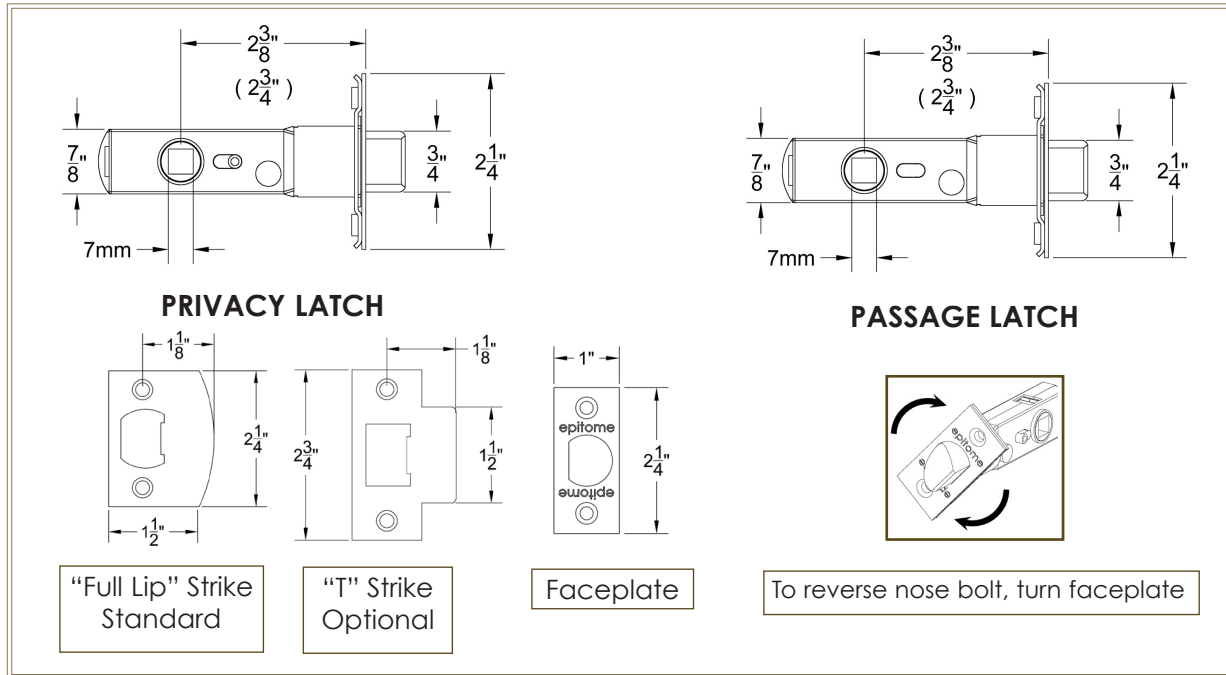
- 28° retraction
- 7MM hub
- Split spindles
- 2³/₈" backset standard
- 2³/₄" backset available--please specify
- Stainless steel nosebolt

Strike & Face Plates:

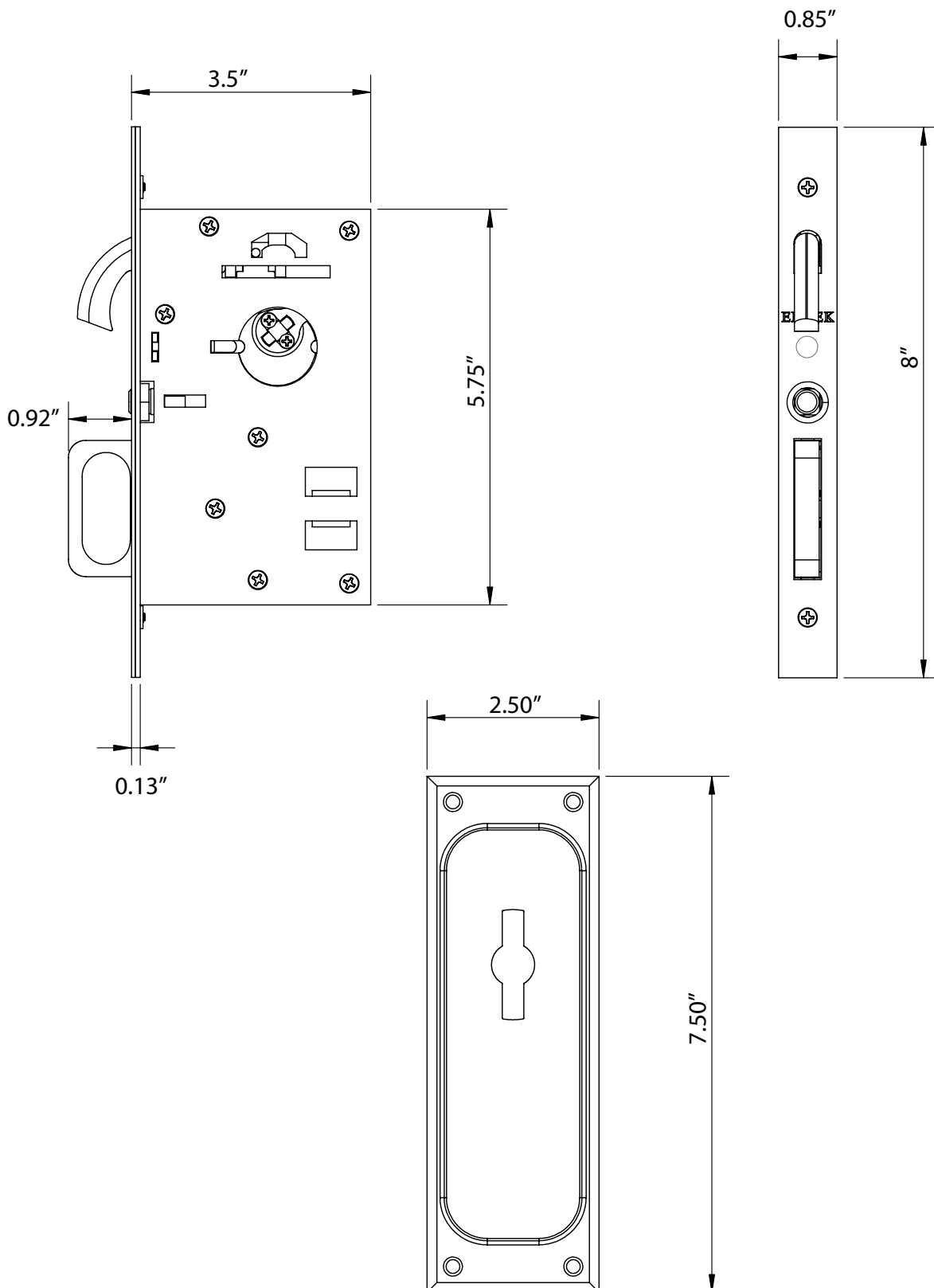
- Strike Plate--1¹/₂"W x 2¹/₄"H
- Face Plate--1"W x 2¹/₄"H
- Full Lip strike is standard
- "T" strike optional--please specify
- Strike & faceplates are square cornered

Legend

- 1) Latch (Passage/Privacy)
- 2) Lever Handles
- 3) Spindles
- 4) Face Plate Wood Screws
- 5) Socket Hex Head Machine Screws
- 6) Inside Rosette
- 7) Privacy Pin (for Privacy Sets)
- 8) Outside Rosette
- 9) Set Screws
- 10) Spindle Spring
- 11) Latch Face Plate

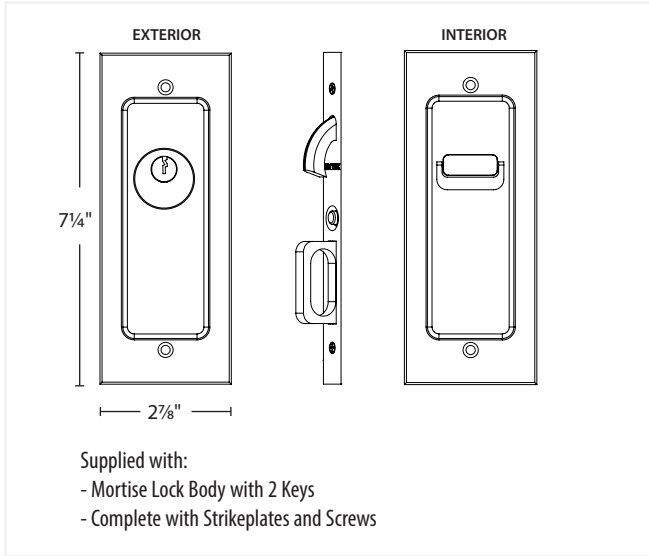


CLASSIC POCKET DOOR MORTISE

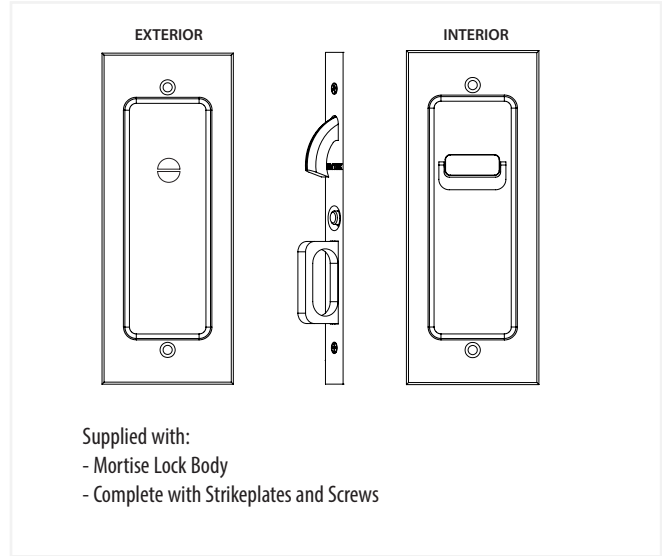


POCKET DOOR MORTISE - MODERN RECTANGULAR

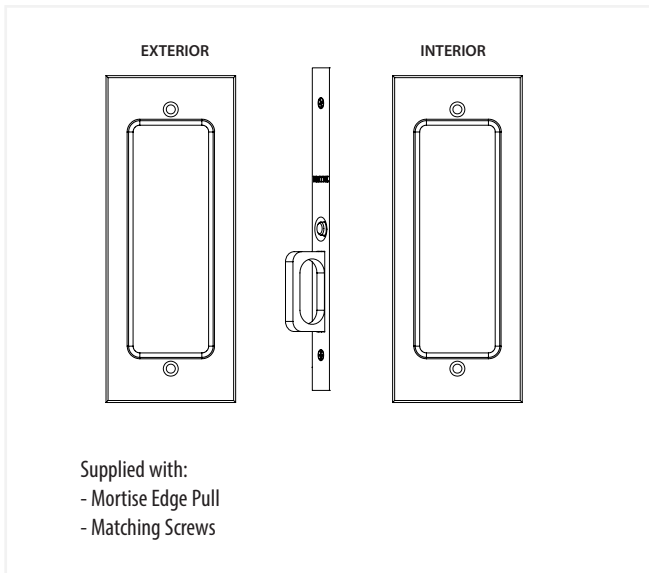
**Keyed
Door Mortise Lock**



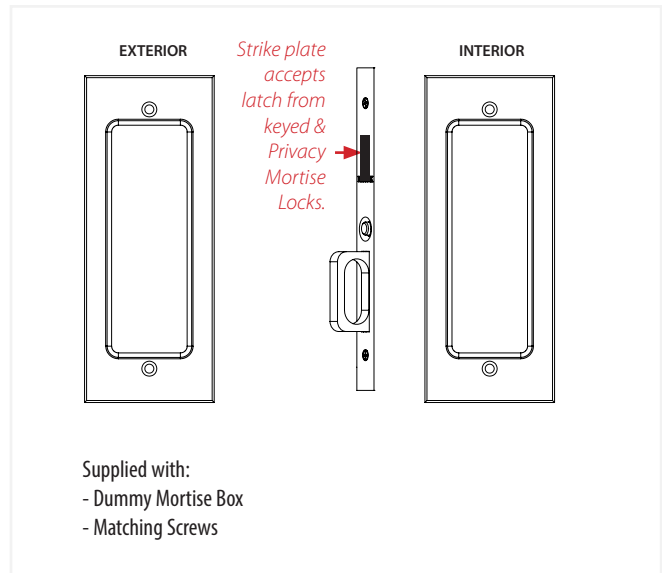
**Privacy
Door Mortise Lock**



**Passage
Door Mortise Lock**

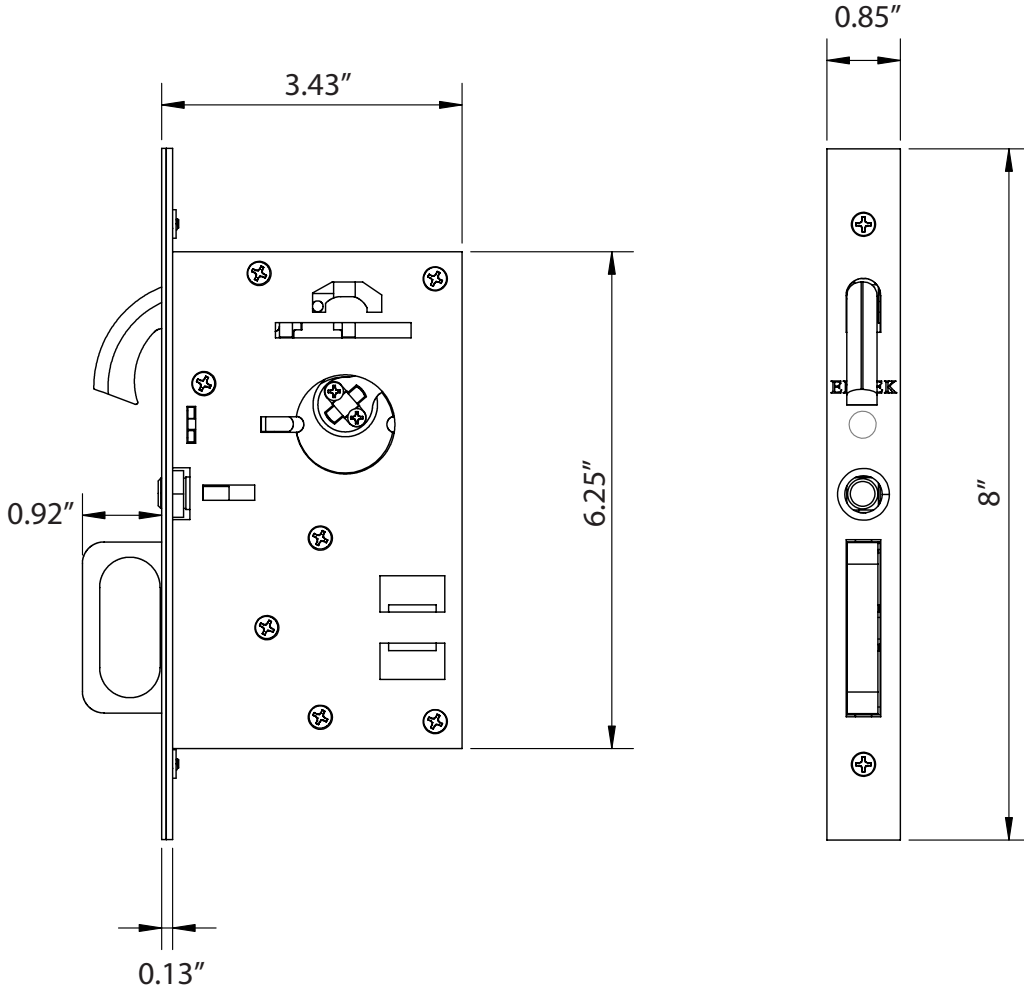


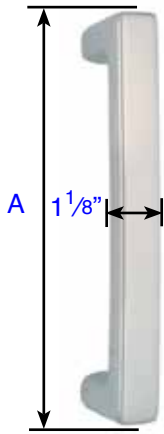
**Dummy
Door Mortise Lock**



* Multiple Emtek pocket door mortise locks can be keyed alike with each other, but may not be keyed alike with any other Emtek products.

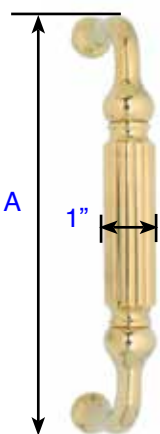
POCKET DOOR MORTISE - MODERN RECTANGULAR





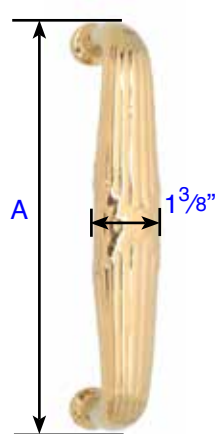
Wilshire Pull (86078)

Projection: 2 1/8"
A= 8 7/8"
Base: 1 1/8" Diameter



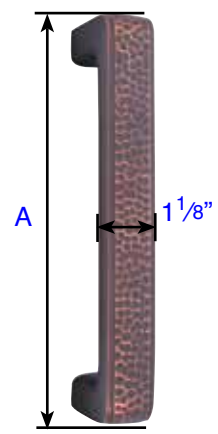
Knoxville Pull (86077)

Projection: 2 1/2"
A= 8 13/16"
Base: 3/4" Diameter



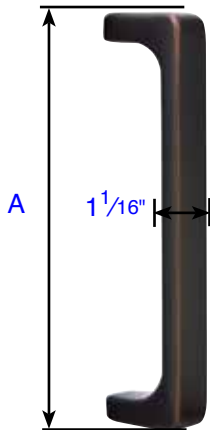
Ribbon & Reed Pull
(86080)

Projection: 2 3/8"
A= 8 15/16"
Base: 1" Diameter



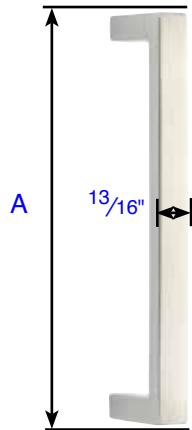
Arts & Crafts Pull
(86079)

Projection: 2 1/8"
A= 8 7/8"
Base: 1 1/8" Diameter



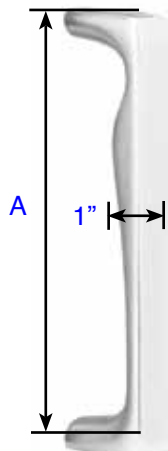
Baden Pull (86184)
Stainless Steel Baden Pull
(S86002)

Projection: 2 1/8"
A= 8 5/8"
Base: 1" x 1/16"



Brisbane Pull (86170)

Projection: 1 13/16"
A= 8 9/16"
Base: 13/16" x 9/16"

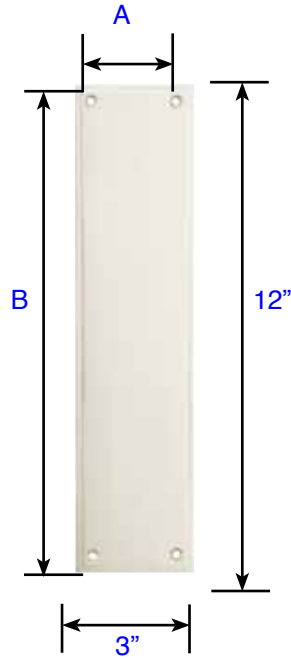


Zeus Pull (86183)
Stainless Steel Zeus Pull
(S86001)

Projection: 2 1/8"
A= 8 5/8"
Base: 1" x 1/16"

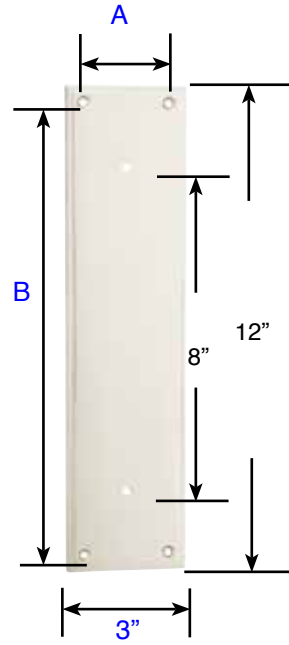
Screw Specifications - Brass 8" Pulls

- Standard Components:
- 1", 10-32 Screws
 - 1", 14-20 Screws
 - Inserts for 14-20 screws
 - Inserts for 10-32 screws



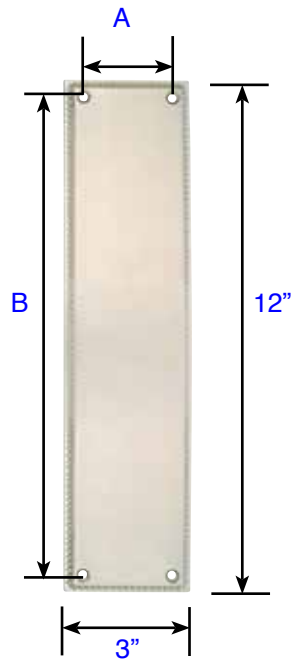
Modern Push Plate
(86436)

A= 2¹/₈" Screw-to-Screw
B= 11¹/₈" Screw-to-Screw



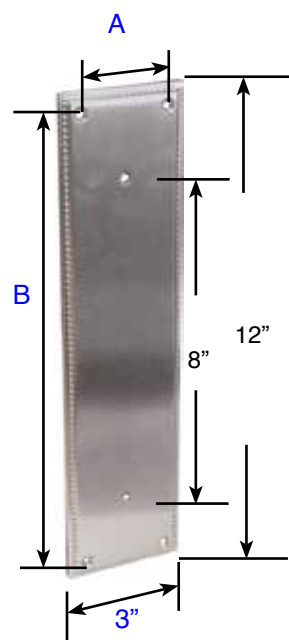
Modern Pull Plate (86437)
Plate only
drilled to accept 8" pull

A= 2¹/₈" Screw-to-Screw
B= 11¹/₈" Screw-to-Screw



Knoxville Push (86081)
Plate

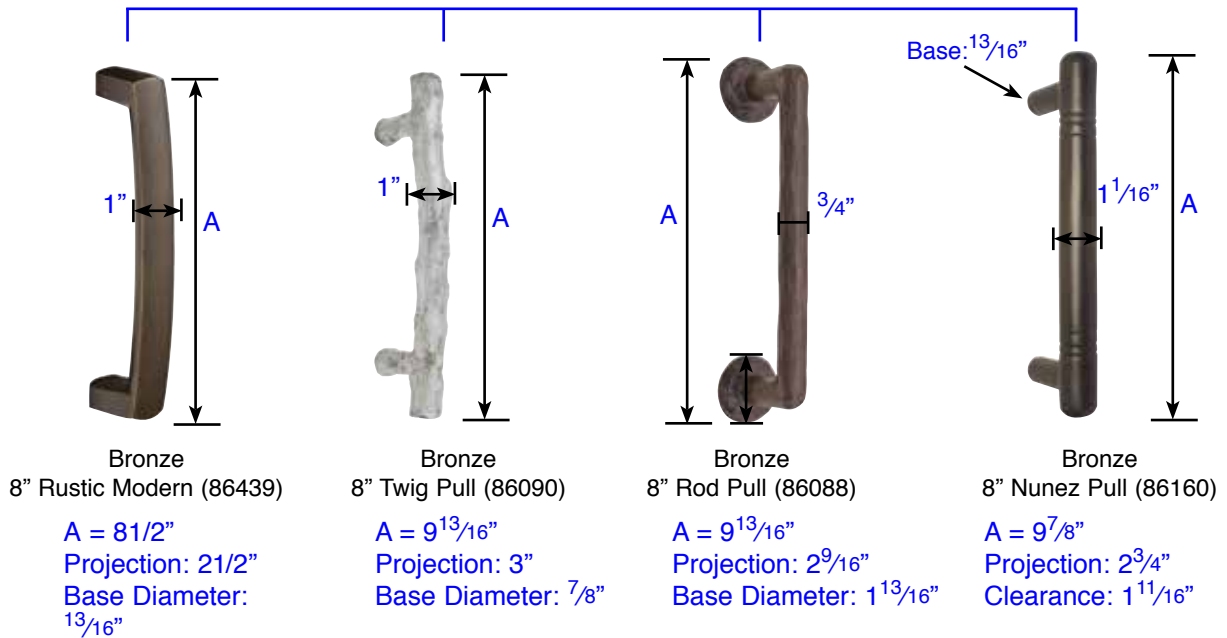
A= 2¹/₈" Screw-to-Screw
B= 11¹/₈" Screw-to-Screw



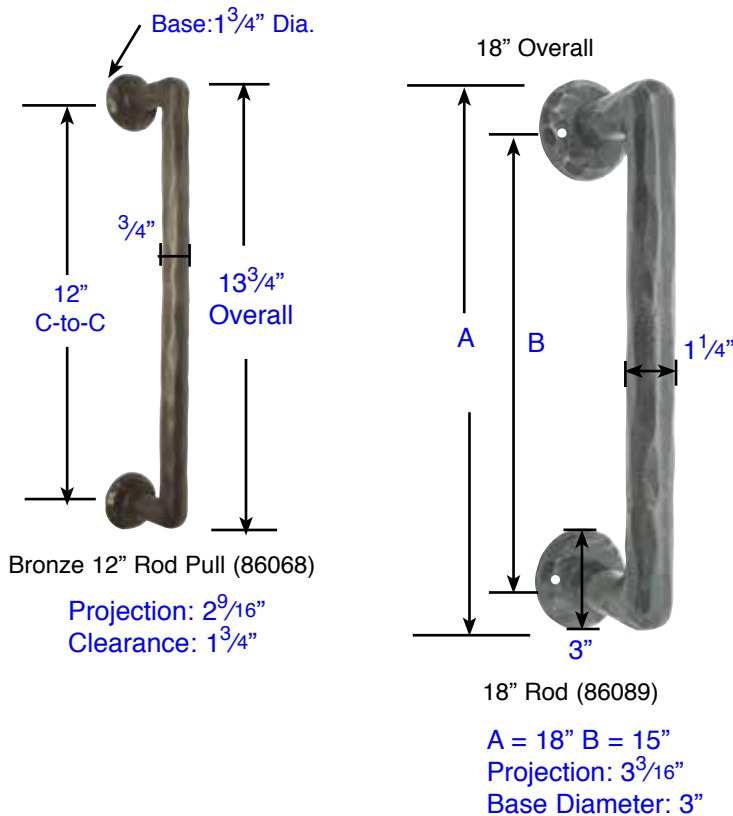
Knoxville Pull Plate (86082)
Plate only
drilled to accept 8" pull

A= 2¹/₈" Screw-to-Screw
B= 11¹/₈" Screw-to-Screw

8" Screw-to-Screw

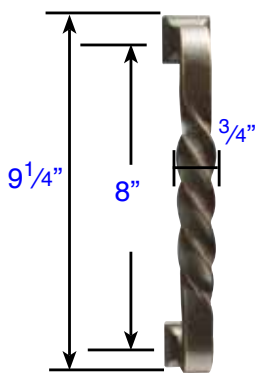


- Standard Components:
- 1", 10-32 Screws
 - 1", 14-20 Screws
 - Inserts for 14-20 screws
 - Inserts for 10-32 screws



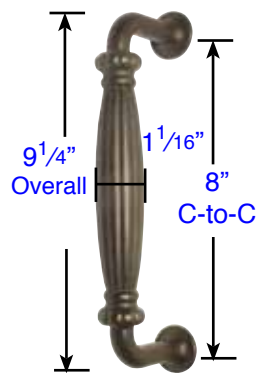
**Screw Specifications
Bronze 18" Pulls**

- Standard Components:
- #10, 1" Wood Screws



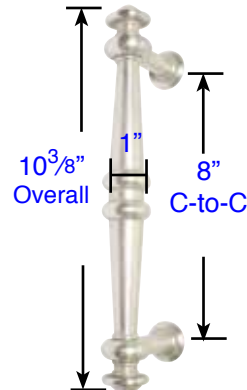
Tuscany 8" Twist Pull
(86069)

Projection: $2\frac{3}{4}$ "
Base = $1\frac{1}{4}$ "
Squared



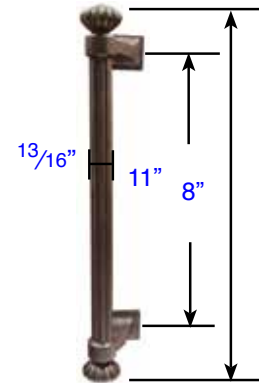
Tuscany 8" Palermo Pull
(86167)

Projection: $2\frac{13}{16}$ "
Clearance: $1\frac{3}{4}$ "
Base: $1\frac{1}{4}$ " Dia.



Tuscany 8" Recoleta Pull
(86168)

Projection: $2\frac{7}{8}$ "
Clearance: $1\frac{5}{8}$ "
Base: $1\frac{3}{16}$ "



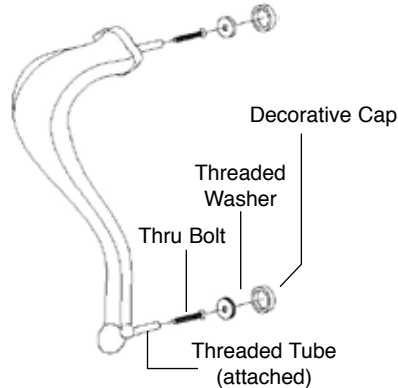
Tuscany 8" Column Pull
(86156)

Projection: 3"
Base = $1\frac{1}{4}$ "
Squared

Screw Specifications
Tuscany Bronze 8" Pulls

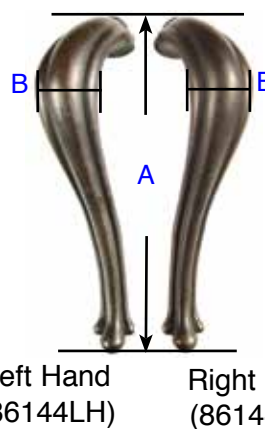
- Standard Components:
- 1", 10-32 Screws
 - 1", 14-20 Screws

8" Tuscany Pull
Fits Door Thickness $1\frac{3}{8}$ " to $2\frac{1}{4}$ "



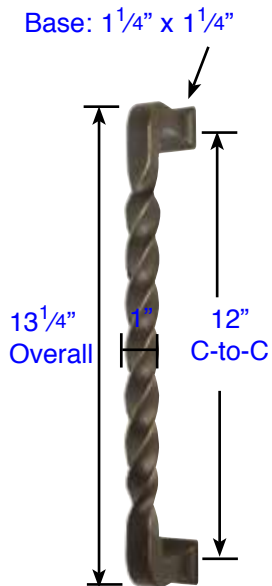
Screw Specifications
Art Nouveau 8" Pull
• $1\frac{1}{2}$ ", 8-32 Screws

8" Screw-to-Screw



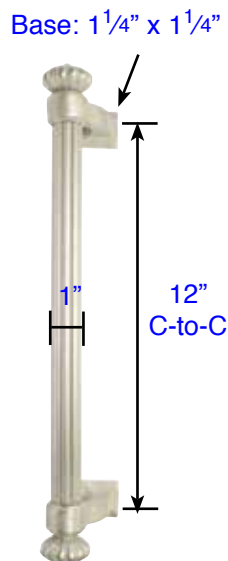
Left Hand (86144LH) Right Hand (86144RH)

A = $9\frac{3}{16}$ " B = $1\frac{7}{16}$ "
Projection: $2\frac{1}{2}$ "



Tuscany 12" Twist Pull
(86169)

Projection: 2³/₄"
Clearance: 1¹³/₁₆"



Tuscany 12" Twist Pull
(86159)

Projection: 3"
Clearance: 2"

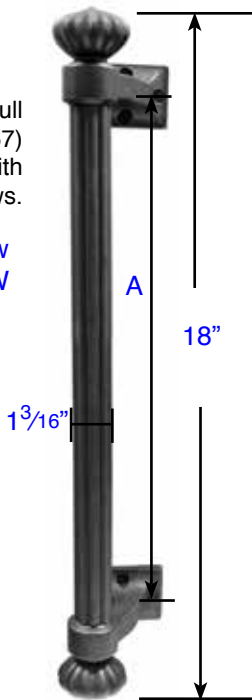
Standard Components:

- 1", 10-32 Screws
- 1", 14-20 Screws
- Inserts for 14-20 screws
- Inserts for 10-32 screws



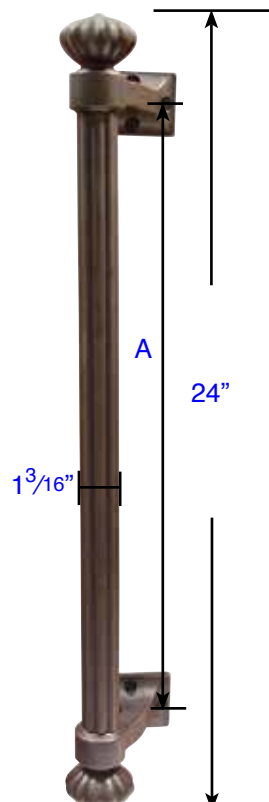
Tuscany 18" Column Pull
(86157)
Supplied with
#10 wood screws.

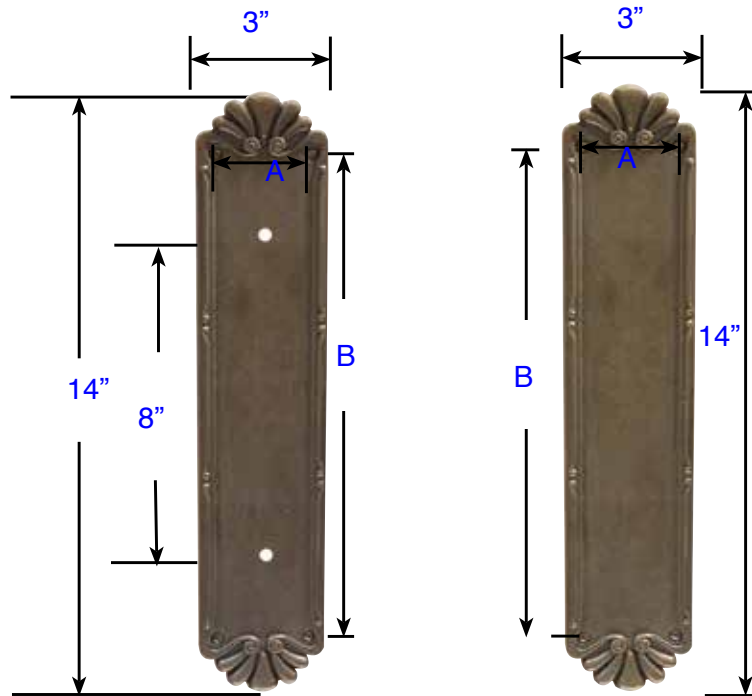
A = 13⁷/₁₆" Screw-to-Screw
Base = 2"L, 2³/₄"W



Tuscany 24" Column Pull
(86158)
Supplied with
#10 wood screws.

A = 19⁷/₁₆" Screw-to-Screw
Base = 2"L, 2³/₄"W



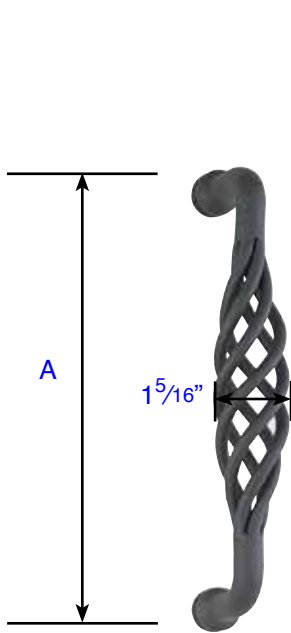


Tuscany Petal
Pull Plate (86182)
Plate only
drilled to accept 8" pull

Tuscany Petal
Push Plate (86181)

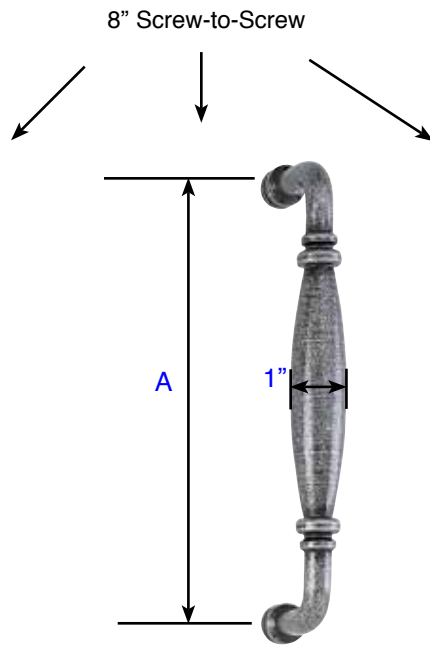
A = 2⁵/₃₂" Screw-to-Screw
B = 11¹/₄" Screw-to-Screw

A = 2⁵/₃₂" Screw-to-Screw
B = 11¹/₄" Screw-to-Screw



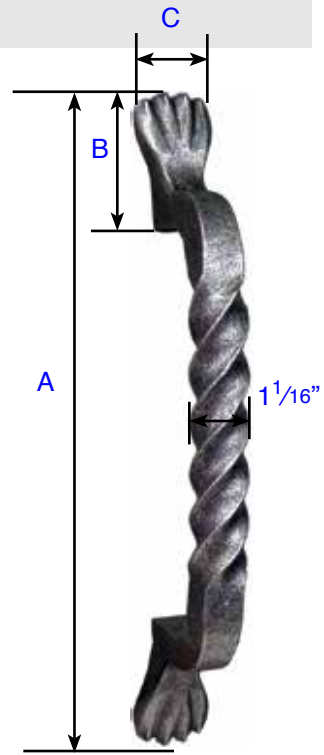
Lafayette (76030)

A = $8^{13/16}$ "
Projection: $2^{1/2}$ "
Base: $3/4$ " Diameter



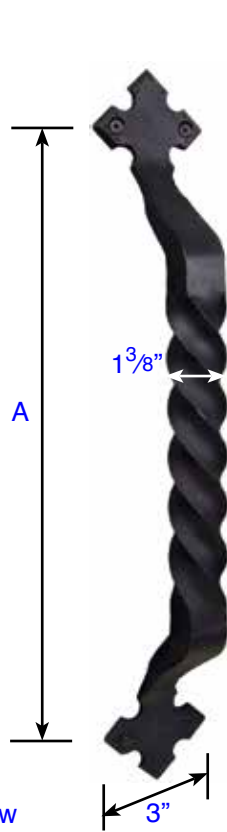
Normandy (76031)

A = $8^{13/16}$ "
Projection: $2^{1/2}$ "
Base: $3/4$ " Diameter



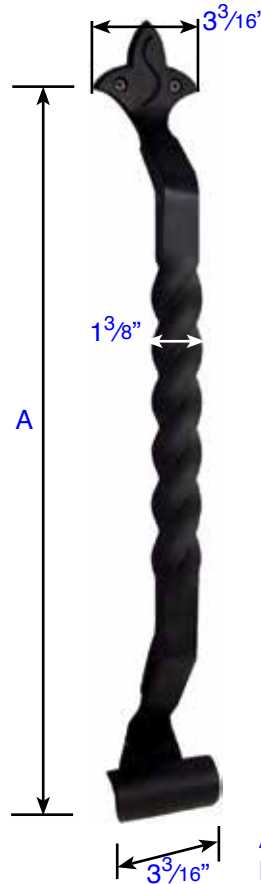
San Carlos 8" (76028)

A = $12^{1/4}$ ", B = $2^{1/2}$ ", C = $1^{1/8}$ "
Projection: $2^{7/16}$ "



A = $14^{3/4}$ " Screw-to-Screw
Projection: 3"

San Carlos, 18" (76029)



A = $21^{15/16}$ " Screw-to-Screw
Projection: 3"

San Carlos, 24" (76041)

**Screw Specifications
Wrought Steel 8" Pulls**

Standard Components:

- 1", 10-32 Screws
- 1", 14-20 Screws
- Inserts for 14-20 screws
- Inserts for 10-32 screws

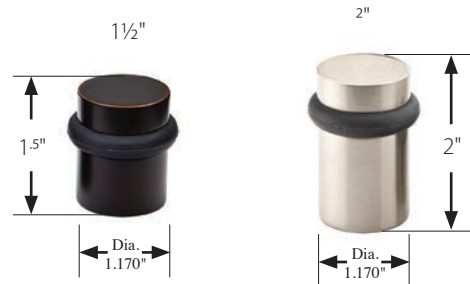
**Screw Specifications
Wrought Steel 18" & 24 Pulls**

Standard Components:

- #10, 1" Wood Screws

Cylinder Floor Bumpers *with Screws*

Description	Product Code
1 ½" Cylinder Floor Bumper	2257
2" Cylinder Floor Bumper	2258



Cylinder Floor Bumpers with Dome Cap *with Screws*

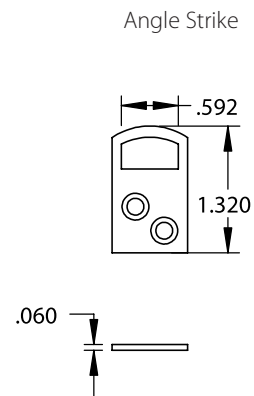
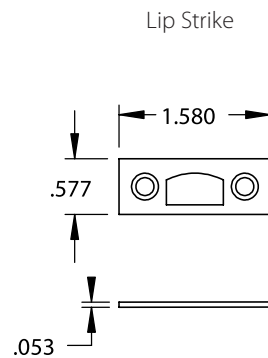
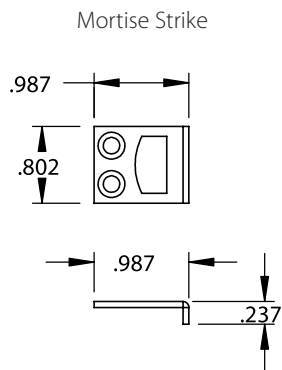
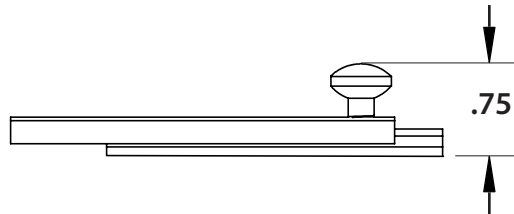
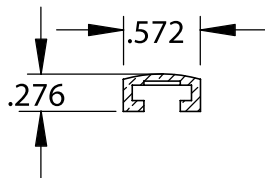
Description	Product Code
1 ½" Cylinder Floor Bumper with Dome Cap	2259
2" Cylinder Floor Bumper with Dome Cap	2260



DIMENSIONS ARE IN INCHES

Concealed Screw Surface Bolts

Description	Product Code
4" Concealed Screw Surface Bolt	8527
6" Concealed Screw Surface Bolt	8528
8" Concealed Screw Surface Bolt	8529
12" Concealed Screw Surface Bolt	8530



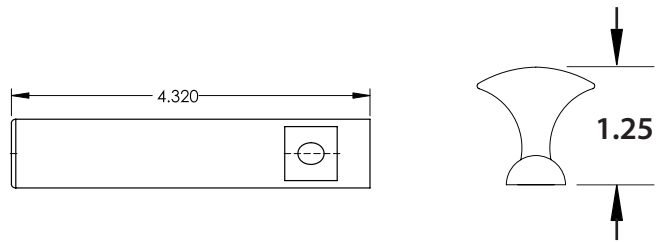
>> Supplied with 3 Types of Strike Plates and Screws. Strikes & Screws are **NOT** sold separately.

DIMENSIONS ARE IN INCHES



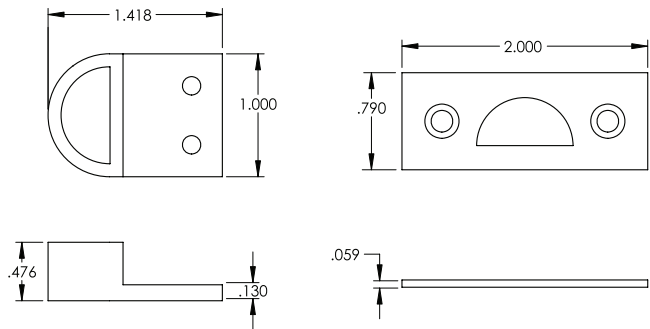
4" Dutch Door Bolts

Description	Product Code
4" Dutch Door Bolt	8516



Mortise Strike

Lip Strike

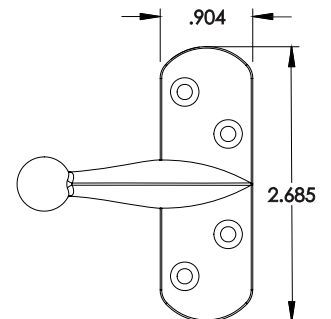
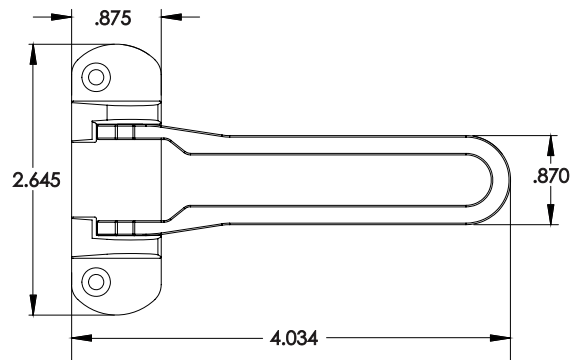


>> Supplied with 2 Types of Strike Plates and Screws. Strikes & Screws are NOT sold separately.

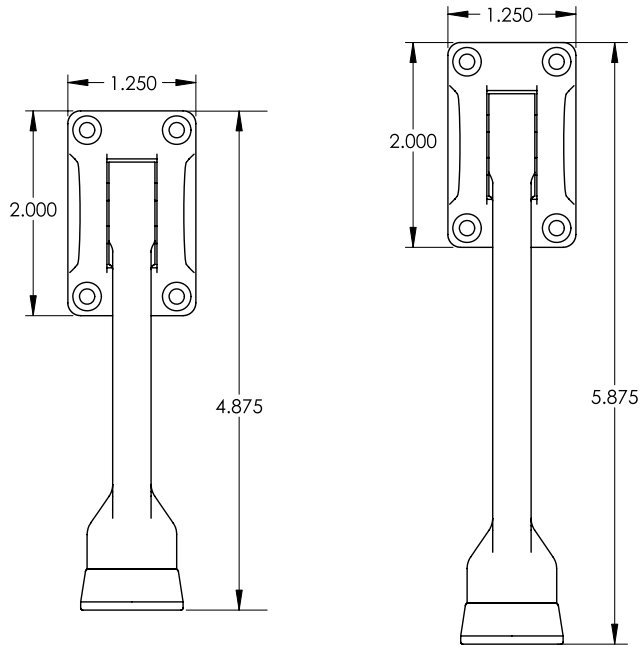


Security Door Guards

Description	Product Code
4" x 2½" Security Door Guard	2074
5" x 2½" Security Door Guard	2075



DIMENSIONS ARE IN INCHES



Kickdown Door Holders with Screws

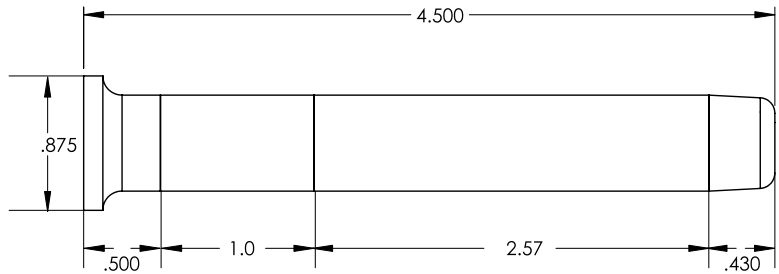
Description	Product Code
4" Kickdown Door Holder	2264
5" Kickdown Door Holder	2265



Extendable Baseboard Door Bumper

Product Code
2233

>> Includes 3", 1", and 1/2" base with 2" screw

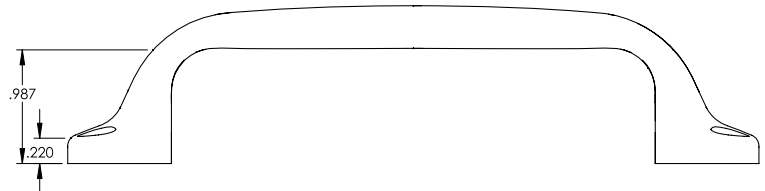
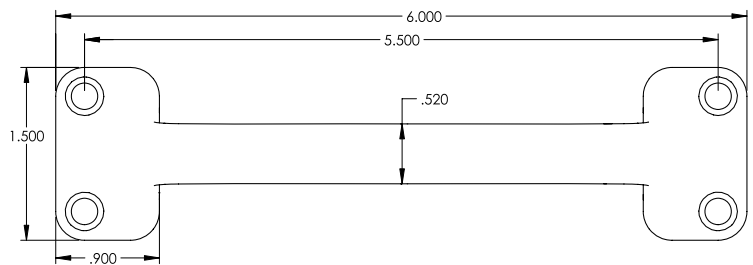
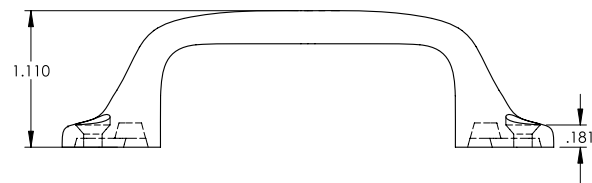
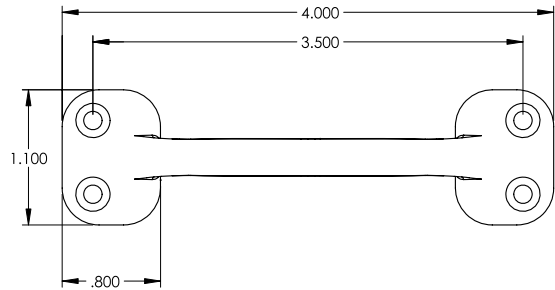


DIMENSIONS ARE IN INCHES



Window, Utility Pulls

Description	Product Code
4" Window, Utility Pulls	2244
6" Window, Utility Pulls	2246

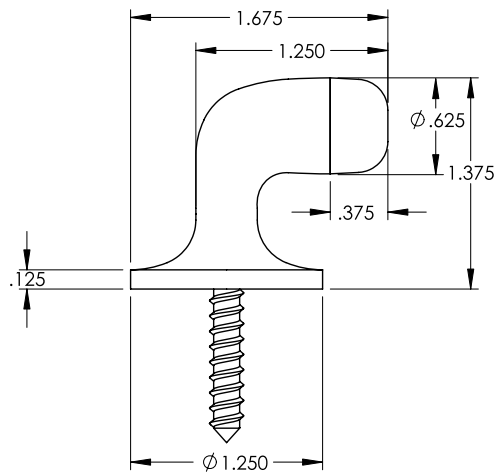


DIMENSIONS ARE IN INCHES



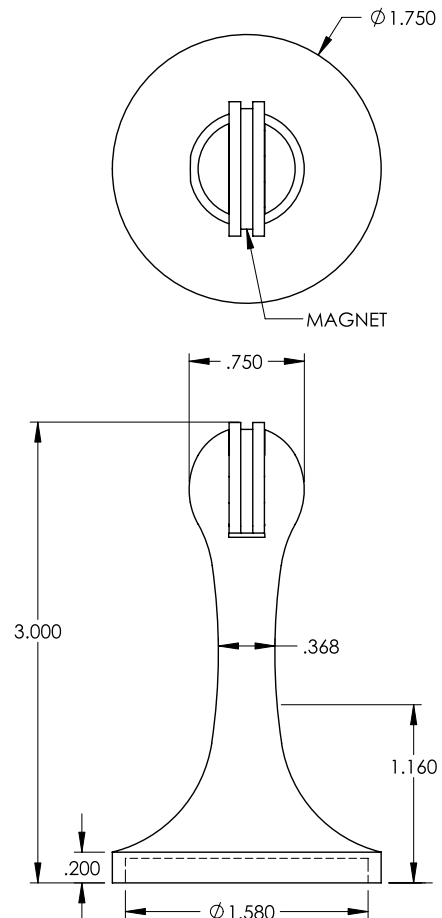
Floor Door Bumper

Product Code
2254

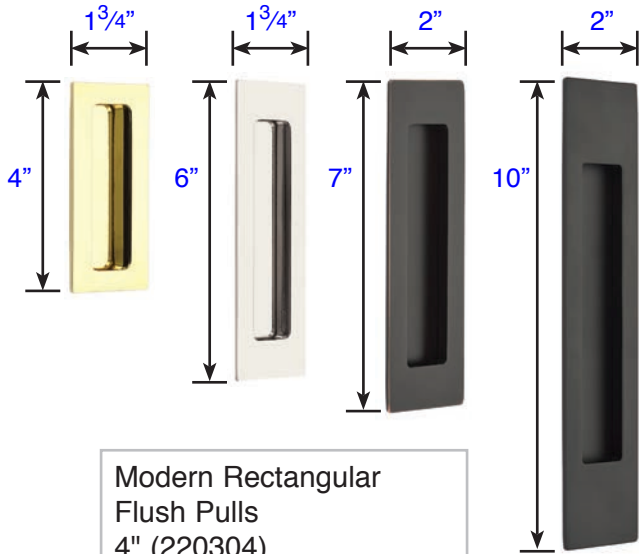


3" Magnetic Door Stop & Holder

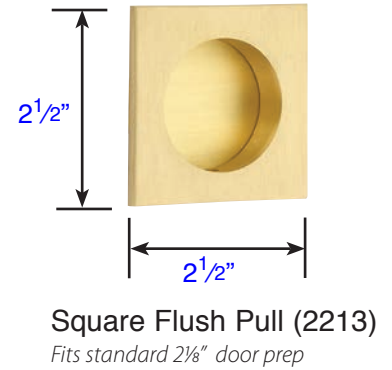
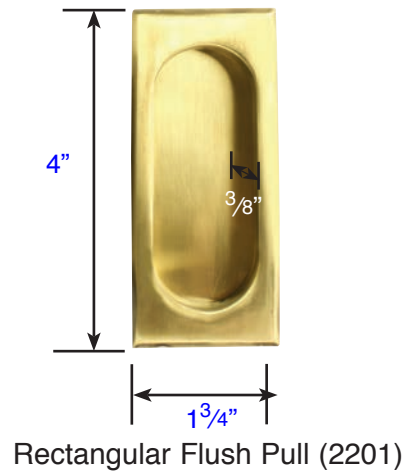
Product Code
2256



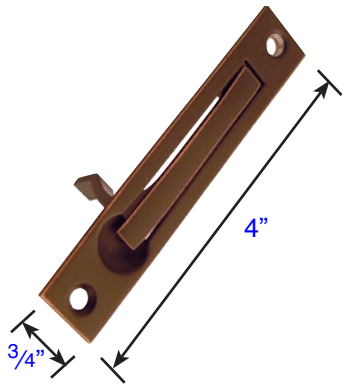
DIMENSIONS ARE IN INCHES



Modern Rectangular
Flush Pulls
4" (220304)
6" (220306)
7" (220307)
10" (220310)



Square Flush Pull (2213)
Fits standard 2 1/8" door prep



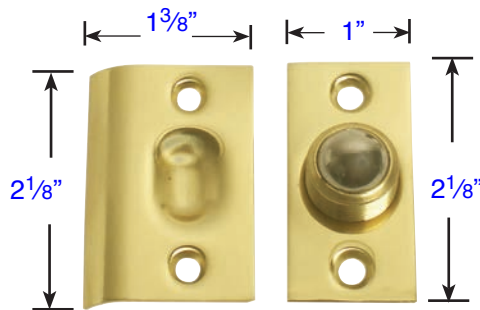
Edge Pull with Screws (2221)



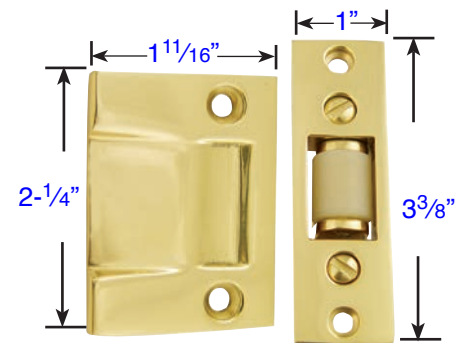
Door Stop
3" (2232) & 4" (2231)
Base = 1 1/4"



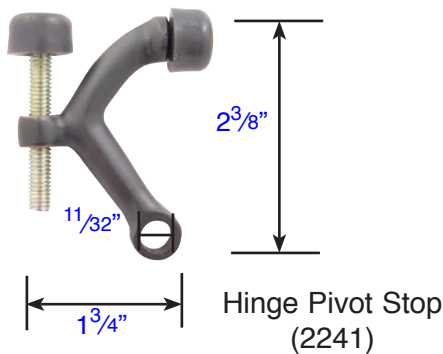
Round Flush Pull (2211)
Fits standard 2 1/8" door prep



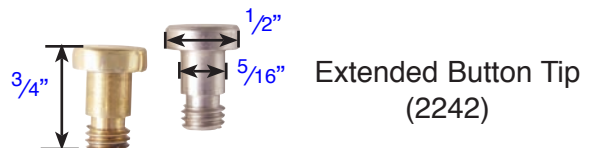
Ball Catch
with Strike & Screws (8802)



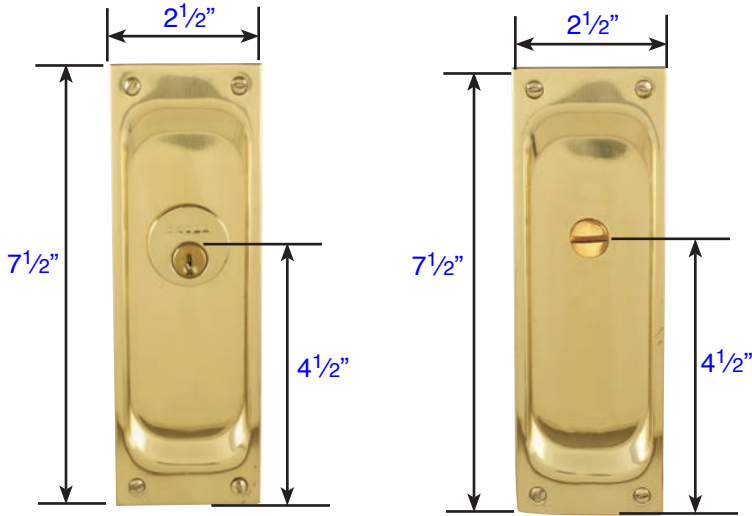
Roller Catch
with Strike & Screws (8801)



Hinge Pivot Stop
(2241)



Extended Button Tip
(2242)



Pocket Door Mortise Locks - Classic
 Keyed - (2103)
 Passage - (2104)
 Privacy - (2105)
 Dummy - (2106)

- Fits standard door thickness 1-³/₈" to 1³/₄"
 (Must Specify Door Thickness)
- Plates are ¹/₁₆" Thick

Solid Brass Door Viewer
(2610)



- Fits standard door thickness 1-³/₈" to 2"
 (not available for thicker door)

Half Dome Door Stop
(2251)



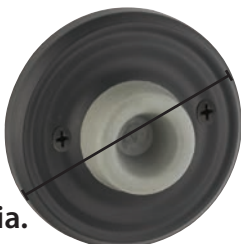
1" Projection (tall)
 1¹³/₁₆" Base Diameter

Goose Style Door Stop
(2253)



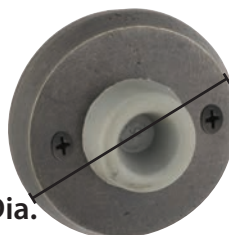
2⁷/₈" Tall

Brass Wall Bumper
with Regular Rosette
(2255)



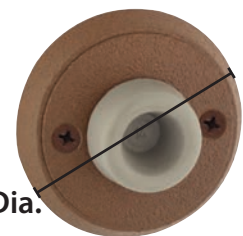
2³/₄" Dia.

Sandcast Bronze Wall Bumper
with #2 Rosette
(2255)



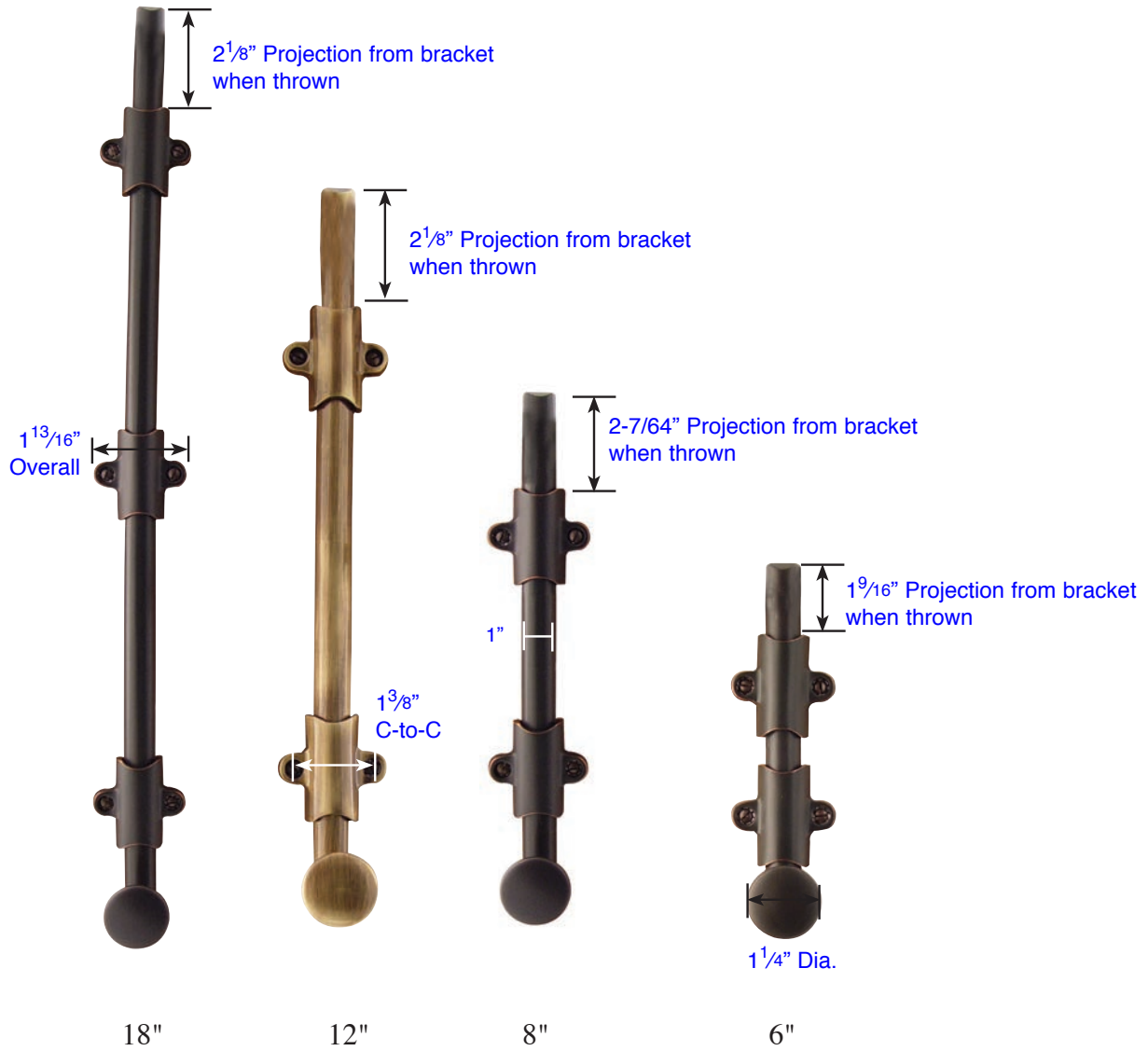
2³/₄" Dia.

Wrought Steel Wall Bumper
with #2 Rosette
(2255)

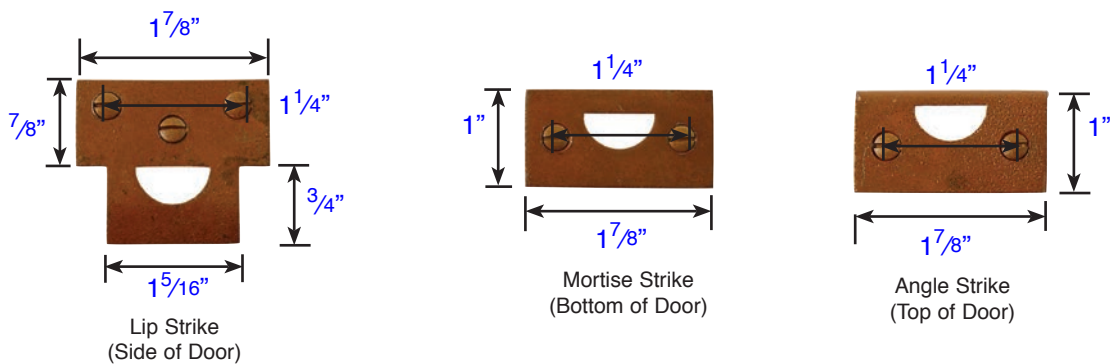


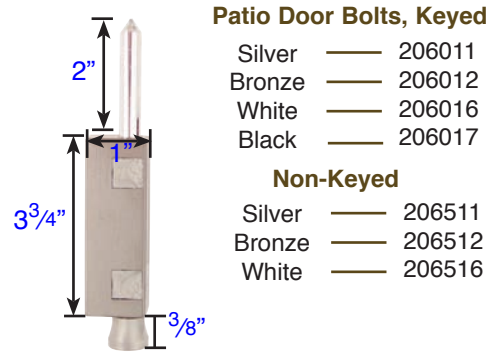
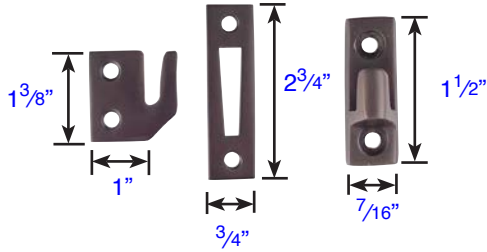
2⁵/₈" Dia.

Solid Brass Surface Bolts, 6" (8511), 8" (8515), 12" (8512), 18" (8513), 24" (8514)

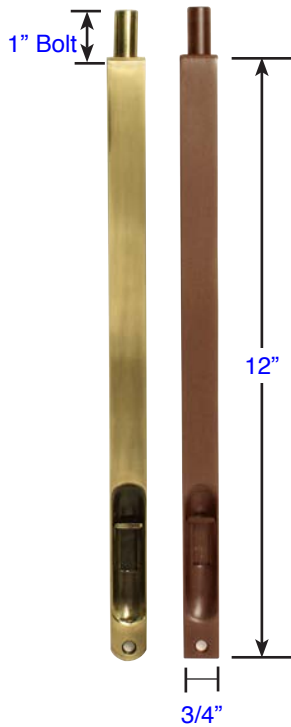


Surface Bolts Strike Plates

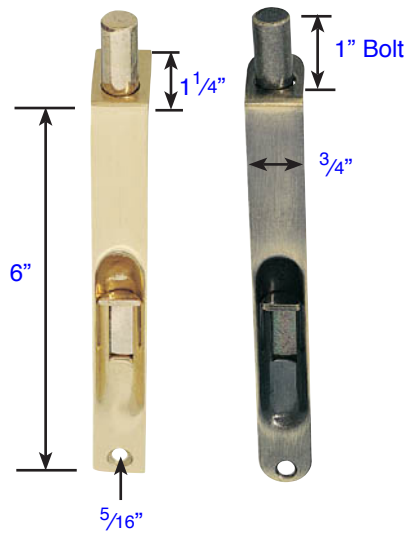




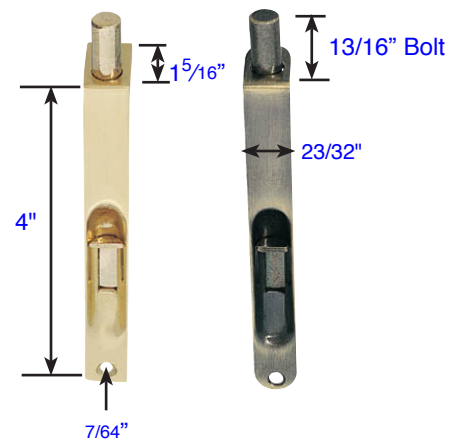
12" Flush Bolts



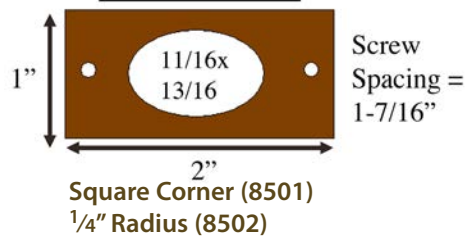
6" Flush Bolts



4" Flush Bolts

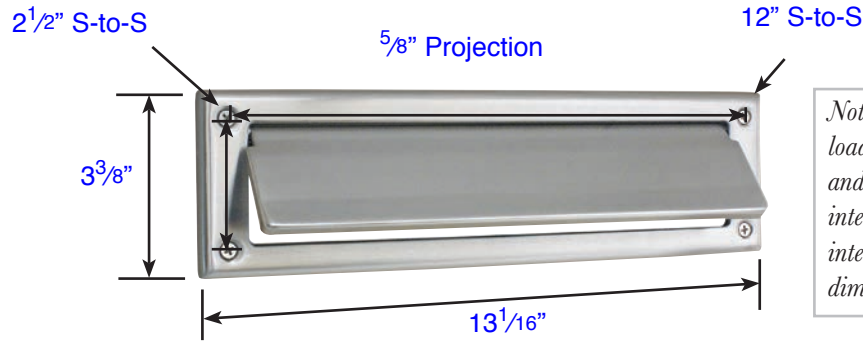


Flush Bolt Strike



SOLID BRASS MAIL SLOT

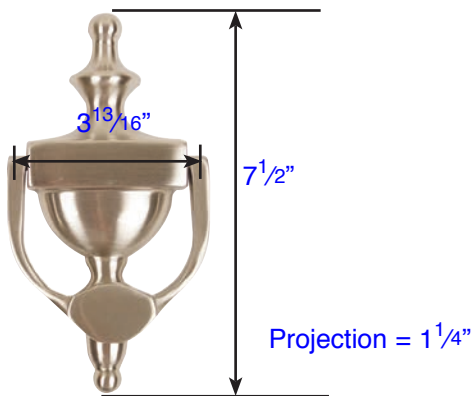
Brass Mail Slot (2280)



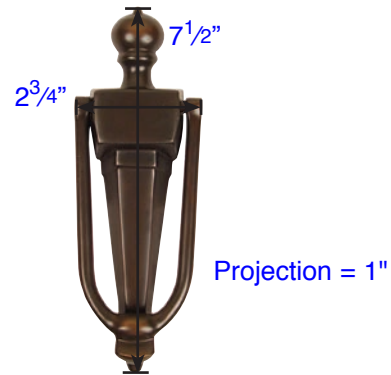
Note: Mail flap is spring loaded on the exterior and swing loosely on the interior. Both exterior and interior trims have the same dimensions.

SOLID BRASS DOOR KNOCKERS

Urn Style (2620)



Narrow Style (2621)



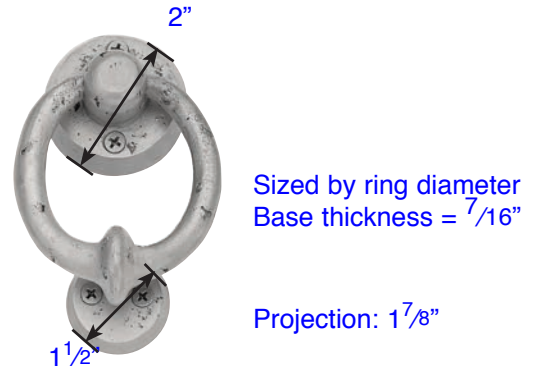
Note: We recommend that US3 finish be selected for those who intend to have the door knocker engraved. Emttek does not offer engraving services at this time

BRONZE DOOR KNOCKERS AND RING PULL

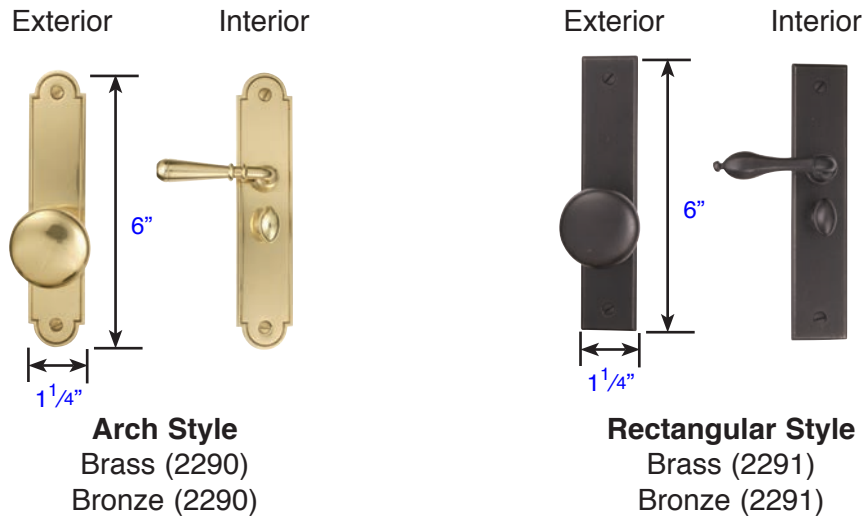
3" Door Knocker (86059)



4" Door Knocker (86060)

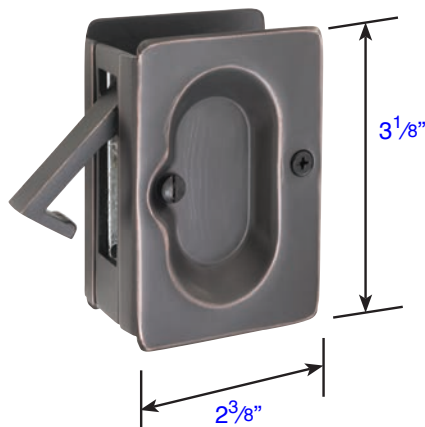


Screen Door Locksets



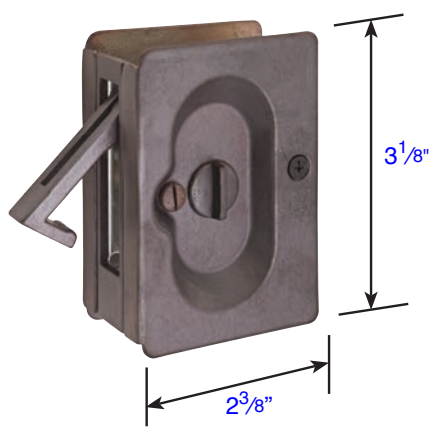
Exterior & Interior
Clearance: $\frac{3}{4}$ "
Projection: $1\frac{5}{8}$ "
Lever Length: $2\frac{5}{8}$ "
Knob Diameter: $1\frac{11}{16}$ "
Door Thickness Specifications: $1"-1\frac{3}{4}"$

POCKET DOOR LOCKS



Passage Function

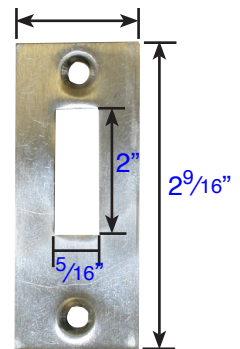
- Fits door thickness $1\frac{3}{8}"$ to $1\frac{3}{4}"$
- Standard rectangular door prep $2\frac{5}{8}"$ x $1\frac{3}{4}"$



Privacy Function

- Fits door thickness $1\frac{3}{8}"$ to $1\frac{3}{4}"$
- Standard rectangular door prep $2\frac{5}{8}"$ x $1\frac{3}{4}"$
- Complete with strikeplate

Strike Plate
(for privacy only)
 $1\frac{1}{16}"$



$2"$ Screw-to-Screw
 $\frac{1}{16}"$ Thick

Door Accessories - House Numbers

Supplied With Matching Screws

0
4"(2814), 6"(2820)

1
4"(2811), 6"(2821)

2
4"(2812), 6"(2822)

3
4"(2813), 6"(2823)

4
4"(2814), 6"(2824)

5
4"(2815), 6"(2825)

6
4"(2816), 6"(2826)

7
4"(2817), 6"(2827)

8
4"(2818), 6"(2828)

9
4"(2819), 6"(2829)

Brass 4"
Width: 2¹/₄"
Thickness: ³/₁₆"

Brass 6"
Width: 2³/₄"
Thickness: ³/₁₆"

BRONZE HOUSE NUMBERS

0
4"(2810), 6"(2820)

1
4"(2811), 6"(2821)

2
4"(2812), 6"(2822)

3
4"(2813), 6"(2823)

4
4"(2814), 6"(2824)

5
4"(2815), 6"(2825)

6
4"(2816), 6"(2826)

7
4"(2817), 6"(2827)

8
4"(2818), 6"(2828)

9
4"(2819), 6"(2829)

Bronze 4"
Width: 3¹/₄"
Thickness: ³/₁₆"

Bronze 6"
Width: 4⁵/₈"
Thickness: ³/₁₆"

Switch Plates Forged Brass - Colonial Design

Includes 1/2" & 3/4" 6-32 Machine Screws
All Plates approx. 1/4" Thick

<p>4⁵/₈" H x 2⁷/₈" W</p>	<p>Description</p> <p>Toggle 1, Colonial Switch Plate (29111)</p> <p>Toggle 2, Colonial Switch Plate (29112)</p> <p>Toggle 3, Colonial Switch Plate (29113)</p> <p>Toggle 4, Colonial Switch Plate (29114)</p>	<p>4⁵/₈" Squared</p>	<p>4⁵/₈" H x 6³/₈" W</p>	<p>4⁵/₈" H x 8¹/₄" W</p>
--	---	--	--	--

<p>4⁵/₈" H x 2⁷/₈" W</p>	<p>Rocker 1, Colonial Switch Plate (29121)</p> <p>Rocker 2, Colonial Switch Plate (29122)</p> <p>Rocker 3, Colonial Switch Plate (29123)</p> <p>Rocker 4, Colonial Switch Plate (29124)</p>	<p>4⁵/₈" Squared</p>	<p>4⁵/₈" H x 6³/₈" W</p>	<p>4⁵/₈" H x 8¹/₄" W</p>
--	---	--	--	--

<p>4⁵/₈" H x 2⁷/₈" W</p>	<p>Duplex 1, Colonial Switch Plate (29131)</p> <p>Duplex 2, Colonial Switch Plate (29132)</p>	<p>4⁵/₈" Squared</p>
--	---	--

<p>4⁵/₈" Squared</p>	<p>Toggle 1, Duplex 1 (29141)</p> <p>Toggle 2, Duplex 1 (29142)</p> <p>Rocker 1, Duplex 1 (29143)</p>	<p>4⁵/₈" H x 6³/₈" W</p>	<p>4⁵/₈" Squared</p>
--	---	--	--

<p>4⁵/₈" H x 2⁷/₈" W</p> <p>3¹/₄" C-to-C</p>	<p>Colonial Blank Plate (29151)</p>
--	-------------------------------------

<p>4⁵/₈" H x 2⁷/₈" W</p> <p>3/8" Dia.</p>	<p>Colonial Cable Plate (29161)</p>
---	-------------------------------------

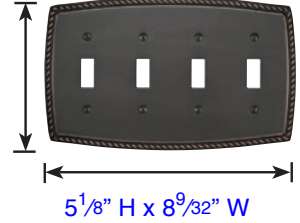
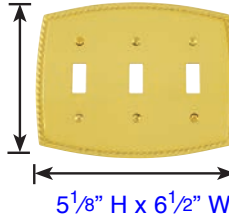
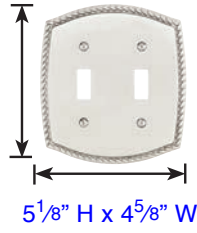
Switch Plates Forged Brass - Rope Design

Includes 1/2" & 3/4" 6-32 Machine Screws

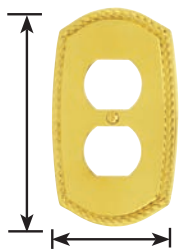
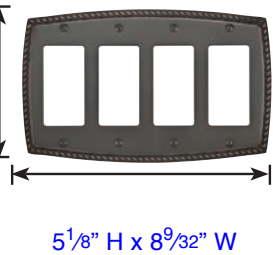
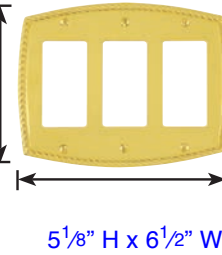
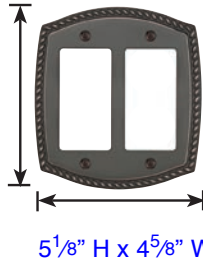
All Plates approx. 5/16" Thick



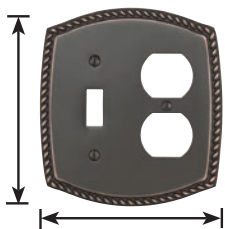
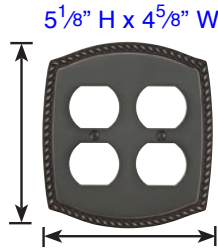
- Description**
- Toggle 1, Rope Switch Plate (29211)
 - Toggle 2, Rope Switch Plate (29212)
 - Toggle 3, Rope Switch Plate (29213)
 - Toggle 4, Rope Switch Plate (29214)



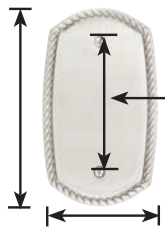
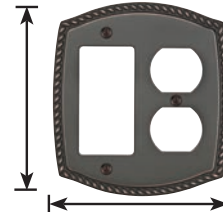
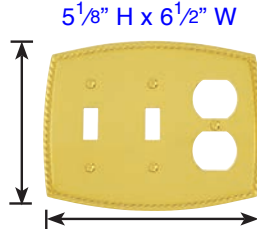
- Rocker 1, Rope Switch Plate (29221)
- Rocker 2, Rope Switch Plate (29222)
- Rocker 3, Rope Switch Plate (29223)
- Rocker 4, Rope Switch Plate (29224)



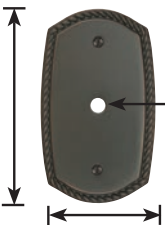
- Duplex 1, Rope Switch Plate (29231)
- Duplex 2, Rope Switch Plate (29232)



- Toggle 1, Duplex 1 (29241)
- Toggle 2, Duplex 1 (29242)
- Rocker 1, Duplex 1 (29243)



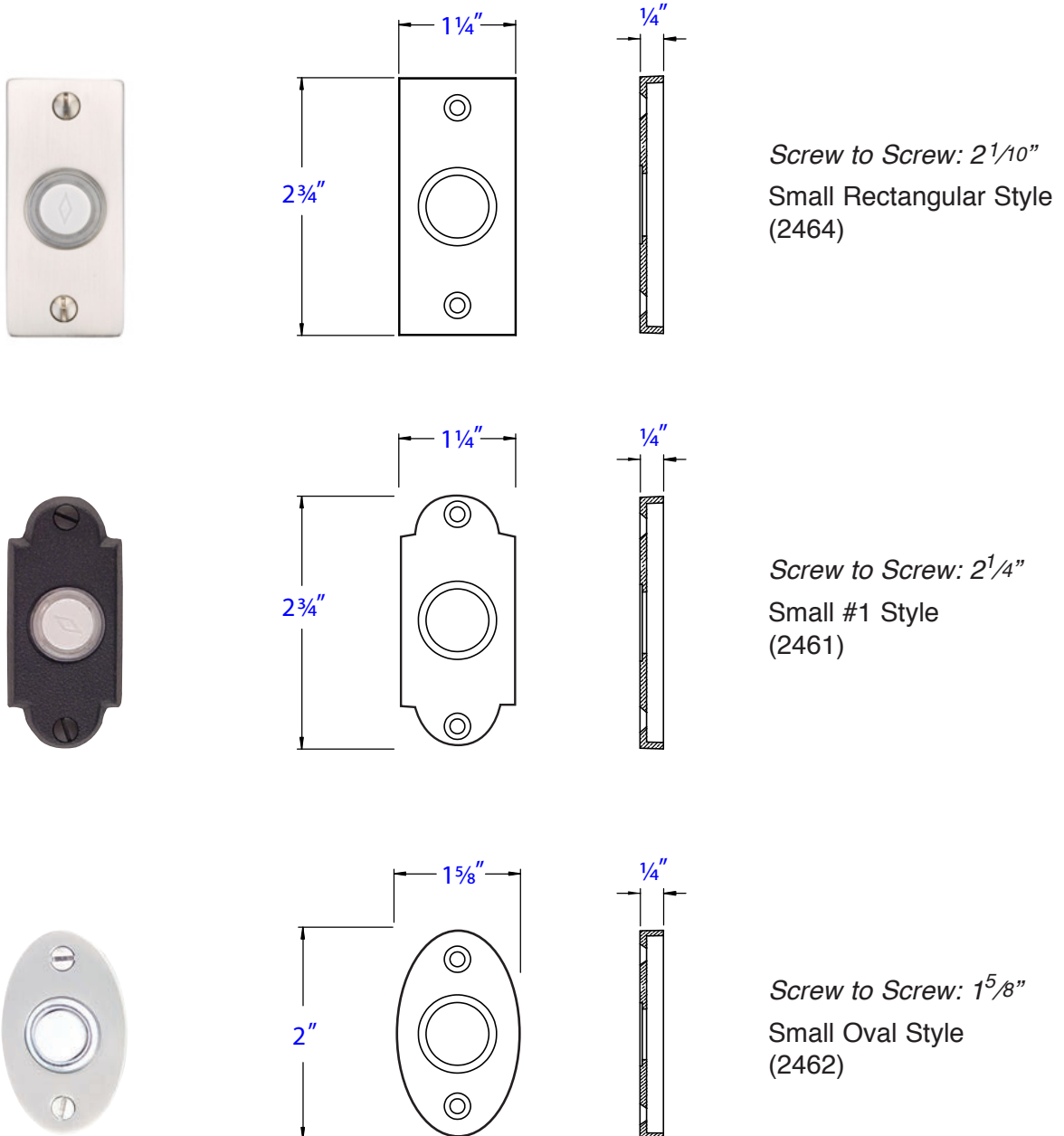
- Rope Blank Plate (29251)



- Rope Cable Plate (29261)

Door Bell - Small Rosette Style

Supplied With Matching Screws & Lighted Button

***Note:**

These are the dimensions for these three styles only. All other doorbell button rosettes are the same dimensions as the passage/privacy rosettes.



Standard Appliance and Door Pulls

Appliance/Door pulls are drilled and tapped for $\frac{3}{8}$ "-16 thread to accommodate thread adapters.

Supplied with:

- Two- Thread adapter for $\frac{1}{4}$ -20 thread
- Two- $\frac{1}{4}$ -20 Flat head machine screws x 1" long
- Two- Thread adapters for 10-32 thread
- Two- 10-32 Flat head machine screws x 1" long
- Two- 10-32 Flat head machine screws x 2" long
- Two- Threaded Washers
- Two- Decorative Caps



Back to Back Appliance and Door Pulls

Most standard appliance pulls and door pulls are available in Back to Back function. Fits door thickness from $1\frac{3}{8}$ " to $2\frac{1}{4}$ ". Specify if thicker.

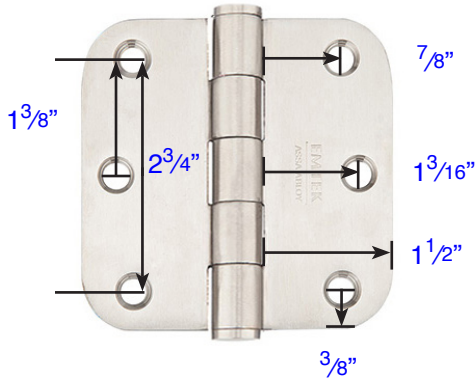
Supplied with:

- One grip with 10-32 threads in the stem
- One mating grip with $\frac{3}{8}$ " diameter hole in the stem
- Two $\frac{3}{8}$ " diameter bevel head screws with 10-32 shaft
- Two 10-32 set screws

HOW TO ORDER

Add **FUNCTION** to the Product Code, and Finish. For example:



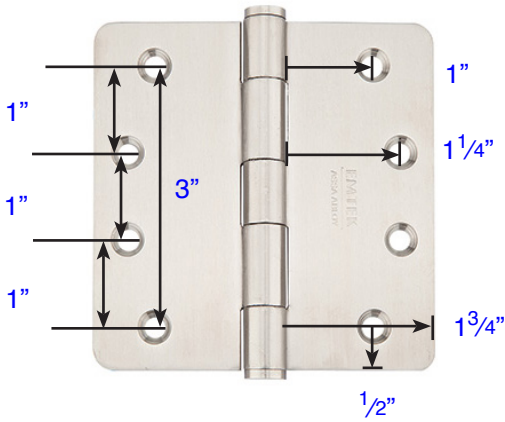


**3 1/2" x 3 1/2" Residential Duty
Plain Bearing with
5/8" Radius Corners**

Residential Duty Hinges

Plain Bearing, 304 Grade, 0.093" - 0.096" Thick

Description	Product Code
3 1/2" x 3 1/2" with Square Corners	9811332D
3 1/2" x 3 1/2" with 1/4" Radius Corners	9812332D
3 1/2" x 3 1/2" with 5/8" Radius Corners	9813332D

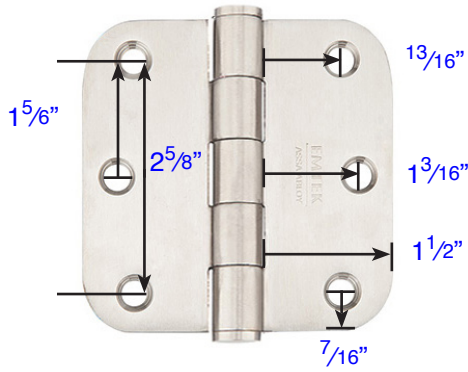


**4" x 4" Residential Duty
Plain Bearing with
1/4" Radius Corners**

Residential Duty Hinges

Plain Bearing, 304 Grade, 0.093" - 0.096" Thick

Description	Product Code
4" x 4" with Square Corners	9811432D
4" x 4" with 1/4" Radius Corners	9812432D
4" x 4" with 5/8" Radius Corners	9813432D

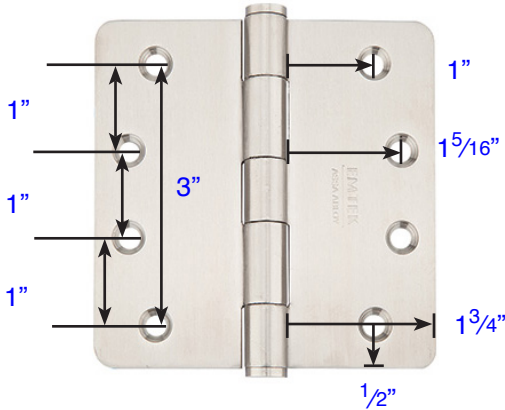


3 1/2" x 3 1/2" Heavy Duty Plain Bearing with 5/8" Radius Corners

Heavy Duty Hinges

Plain Bearing, 304 Grade, 0.113" - 0.135" Thick

Description	Product Code
3 1/2" x 3 1/2" with Square Corners	9821332D
3 1/2" x 3 1/2" with 1/4" Radius Corners	9822332D
3 1/2" x 3 1/2" with 5/8" Radius Corners	9823332D

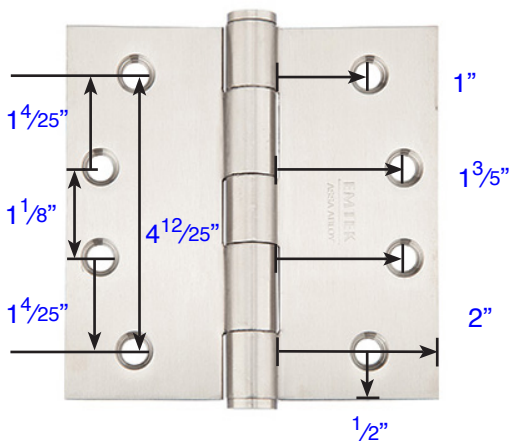


4" x 4" Heavy Duty Plain Bearing with 1/4" Radius Corners

Heavy Duty Hinges

Plain Bearing, 304 Grade, 0.113" - 0.135" Thick

Description	Product Code
4" x 4" with Square Corners	9821432D
4" x 4" with 1/4" Radius Corners	9822432D
4" x 4" with 5/8" Radius Corners	9823432D

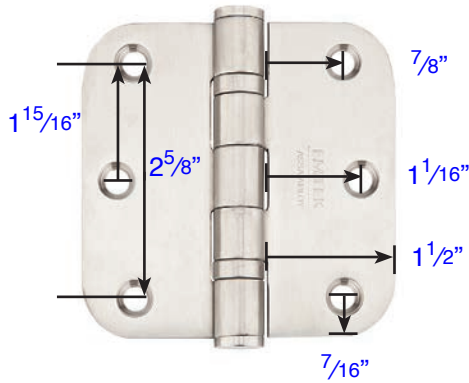


4 1/2" x 4 1/2" Heavy Duty Plain Bearing with Square Corners

Heavy Duty Hinges

Plain Bearing, 304 Grade, 0.113" - 0.135" Thick

Description	Product Code
4 1/2" x 4 1/2" with Square Corners	9821532D

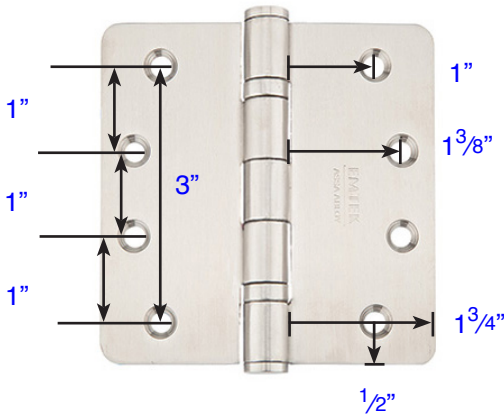


**3 1/2" x 3 1/2" Heavy Duty
Ball Bearing with
5/8" Radius Corners**

Heavy Duty Hinges

Ball Bearing, 304 Grade, 0.113" - 0.132" Thick

Description	Product Code
3 1/2" x 3 1/2" with Square Corners	9841332D
3 1/2" x 3 1/2" with 1/4" Radius Corners	9842332D
3 1/2" x 3 1/2" with 5/8" Radius Corners	9843332D

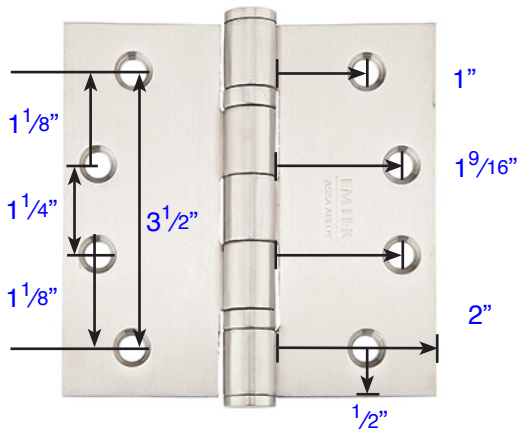


**4" x 4" Heavy Duty
Ball Bearing with
1/4" Radius Corners**

Heavy Duty Hinges

Ball Bearing, 304 Grade, 0.113" - 0.132" Thick

Description	Product Code
4" x 4" with Square Corners	9841432D
4" x 4" with 1/4" Radius Corners	9842432D
4" x 4" with 5/8" Radius Corners	9843432D

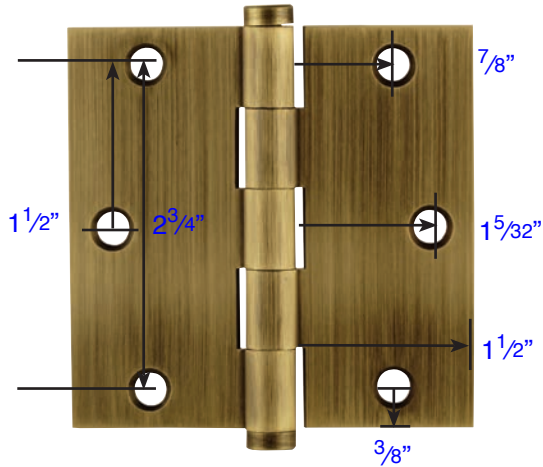


**4 1/2" x 4 1/2" Heavy Duty
Ball Bearing with
Square Corners**

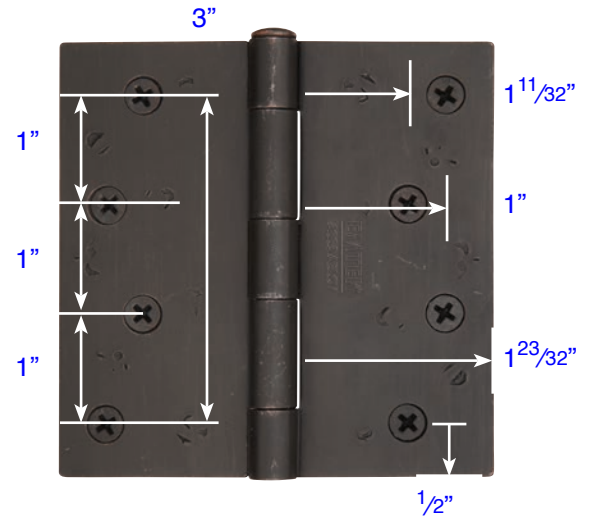
Heavy Duty Hinges

Ball Bearing, 304 Grade, 0.113" - 0.132" Thick

Description	Product Code
4 1/2" x 4 1/2" with Square Corners	9841532D



3 1/2" x 3 1/2"



4" x 4"

Brass Residential Duty
Square Corner: 96113
1/4" Radius: 96123
5/8" : 96133

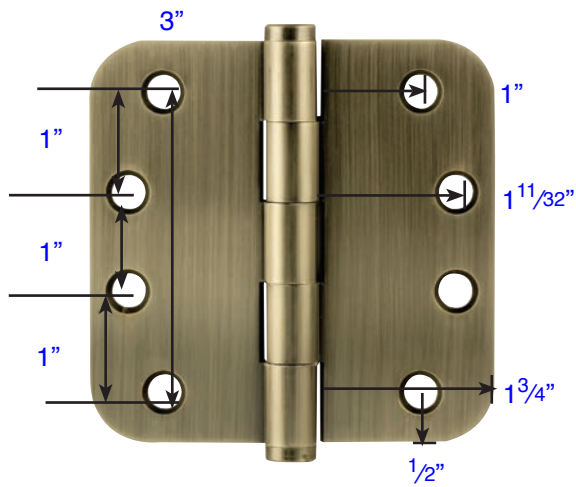
Brass Heavy Duty, Plain Bearing
Square Corner: 96213
1/4" Radius: 96223
5/8" : 96233

Brass Heavy Duty, Ball Bearing
Square Corner: 96413

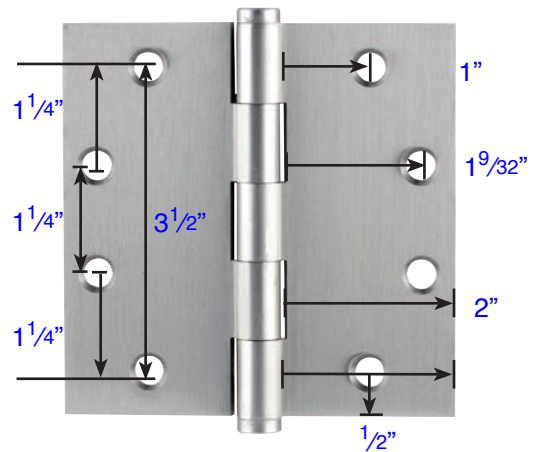
Steel Residential Duty
Square Corner: 91013
1/4" Radius: 91023
5/8" : 91033

Steel Heavy Duty, Plain Bearing
Square Corner: 92013
1/4" Radius: 92023

Steel Residential Duty
Square Corner: 91014
1/4" Radius: 91024
5/8" : 91034



4" x 4"



4 1/2" x 4 1/2"

Brass Residential Duty
Square Corner: 96114
1/4" Radius: 96124
5/8" : 96134

Brass Heavy Duty, Plain Bearing
Square Corner: 96214
1/4" Radius: 96224
5/8" : 96234

Brass Heavy Duty, Ball Bearing
Square Corner: 96414

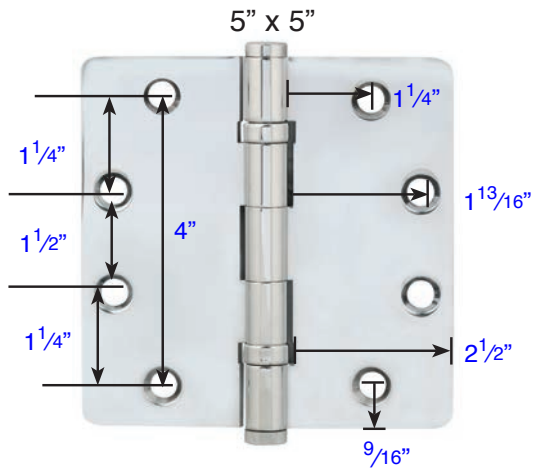
Steel Heavy Duty, Plain Bearing
Square Corner: 92014
1/4" Radius: 92024

Steel Heavy Duty, Ball Bearing
Square Corner: 94014
1/4" Radius: 94024

Brass Heavy Duty, Plain Bearing
Square Corner: 96215
1/4" Radius: 96225
Brass Heavy Duty, Ball Bearing
Square Corner: 96415
1/4" Radius: 96425

Steel Heavy Duty, Plain Bearing
Square Corner: 92015
1/4" Radius: 92025

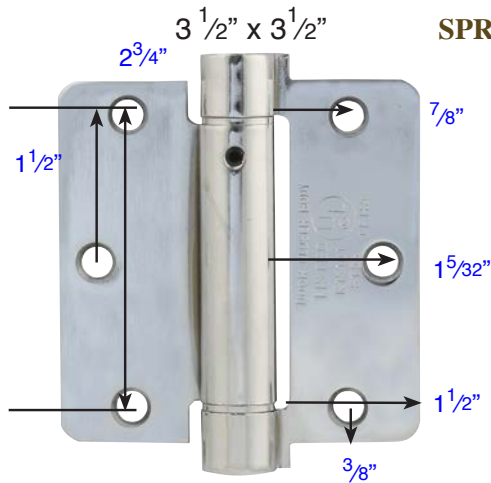
Steel Heavy Duty, Ball Bearing
Square Corner: 94015
1/4" Radius: 94025



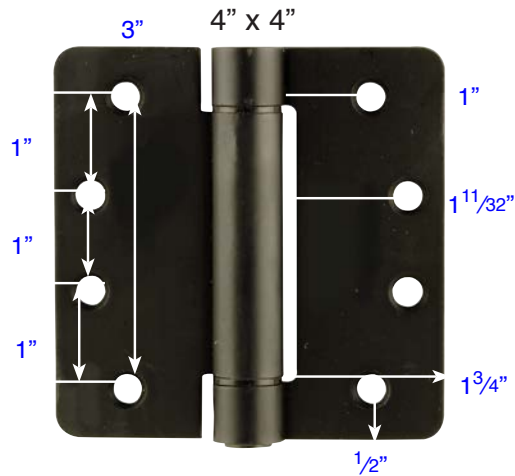
BALL BEARING, EXTRUDED

3 1/2" x 3 1/2", 4" x 4", 4 1/2" x 4 1/2", 5" x 5"

*Brass Heavy Duty, Ball Bearing
Square Corner: 96416*



SPRING HINGES



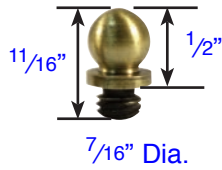
Brass Hinges

Hinges #	Description	Screw Dimensions
96113	3 1/2" x 3 1/2"	#9 x 3/4"
96123	Residential Duty	
96133	Plain Bearing	
96114	4" x 4"	#9 x 3/4"
96124	Residential Duty	
96134	Plain Bearing	
96213	3 1/2" x 3 1/2"	#10 x 1"
96223	Heavy Duty	
96233	Plain Bearing	
96214	4" x 4"	#12 x 1 1/4"
96224	Heavy Duty	
96234	Plain Bearing	
96215	4 1/2" x 4 1/2"	#12 x 1 1/4"
96225	Heavy Duty	
96235	Plain Bearing	
96413	3 1/2" x 3 1/2" Ball Bearing	#10 x 1"
96414	4" x 4" Ball Bearing	#12 x 1 1/4"
96415	4 1/2" x 4 1/2"	#12 x 1 1/4"
96425	Ball Duty	
96416	5" x 5" Ball Bearing	#12 x 1 1/4"

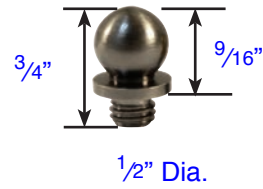
Steel Plated Hinges

Hinges #	Description	Screw Dimensions
91013	3 1/2" x 3 1/2"	#9 x 3/4"
91023	Residential Duty	
91033	Plain Bearing	
91014	4" x 4"	#9 x 3/4"
91024	Residential Duty	
91034	Plain Bearing	
92013	3 1/2" x 3 1/2"	#10 x 1"
92023	Heavy Duty	
92033	Plain Bearing	
92014	4" x 4"	#12 x 1 1/4"
92024	Heavy Duty	
92034	Plain Bearing	
92015	4 1/2" x 4 1/2"	#12 x 1 1/4"
92025	Heavy Duty	
92035	Plain Bearing	
94033	3 1/2" x 3 1/2" Ball Bearing	#10 x 1"
94014	4" x 4" Ball Bearing	#12 x 1 1/4"
94024	Plain Bearing	
94015	4 1/2" x 4 1/2"	#12 x 1 1/4"
94025	Ball Duty	

3 1/2" & 4" Residential Duty
(97203 & 97204)



3 1/2" H.D & B.B
(97303)

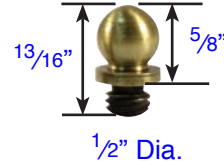


Threading is the same for all solid brass hinge tips

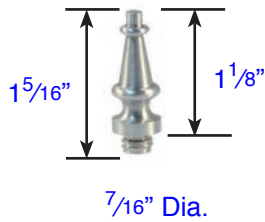
4" H.D & B.B
(97304)



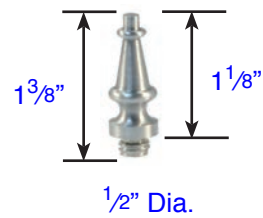
4 1/2" H.D & B.B
(97305)



3 1/2" & 4" Residential Duty
(97213 & 97214)

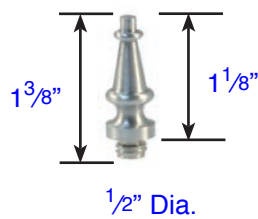


3 1/2" H.D & B.B
(97313)

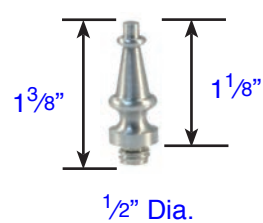


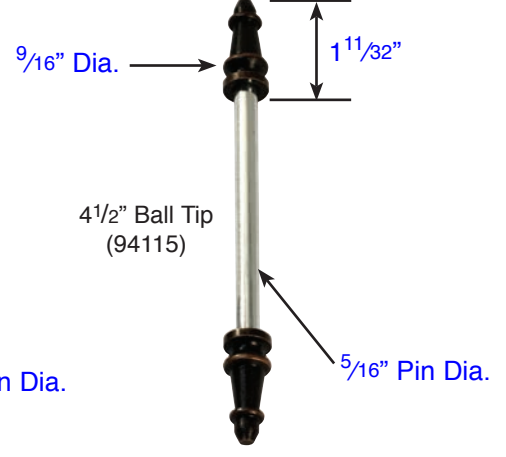
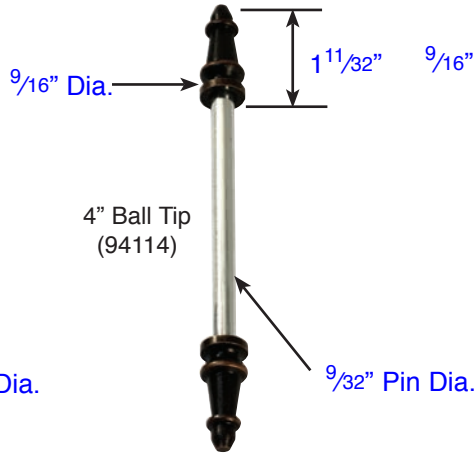
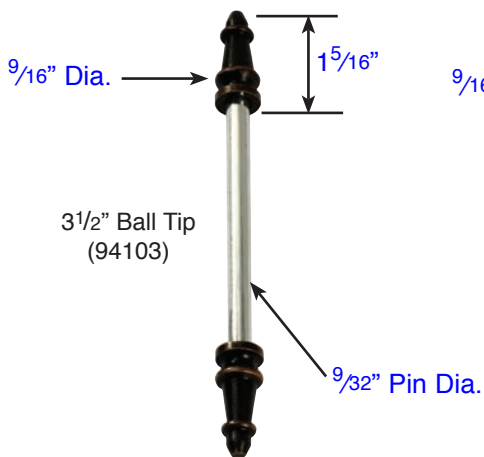
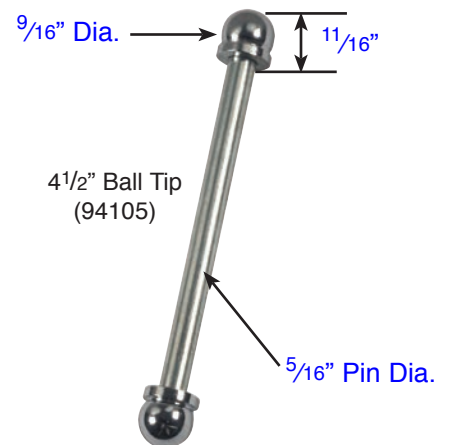
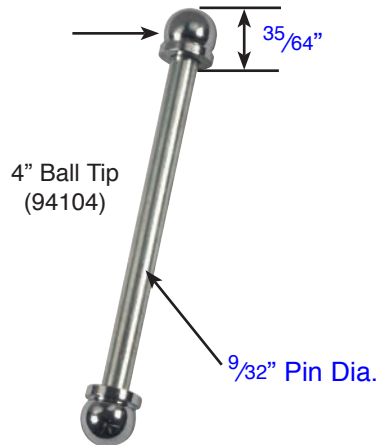
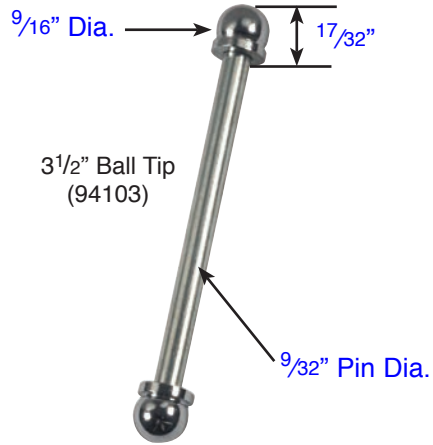
Threading is the same for all solid brass hinge tips

4" H.D & B.B
(97314)

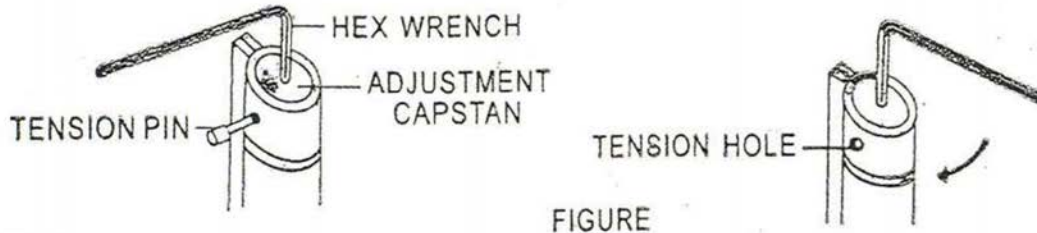


4 1/2" H.D & B.B
(97315)





SPRING HINGE



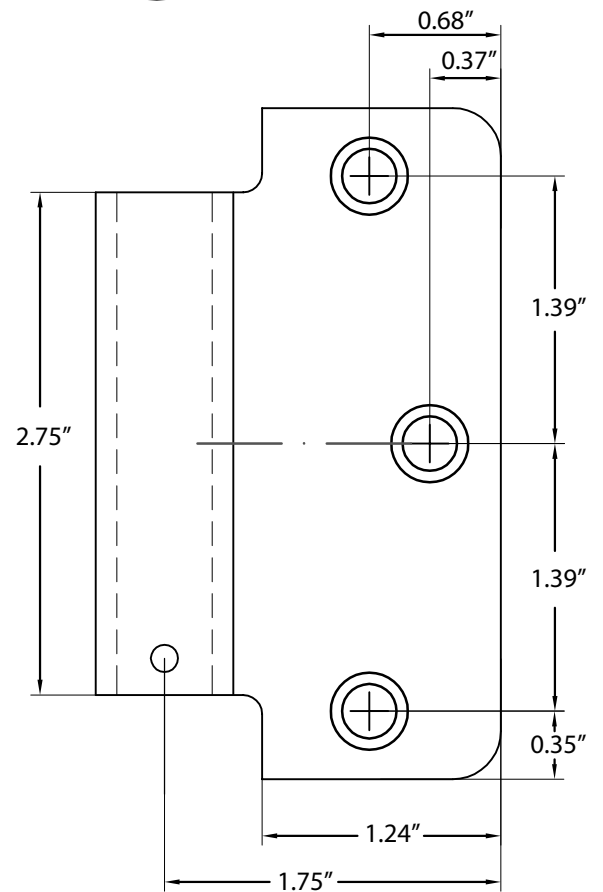
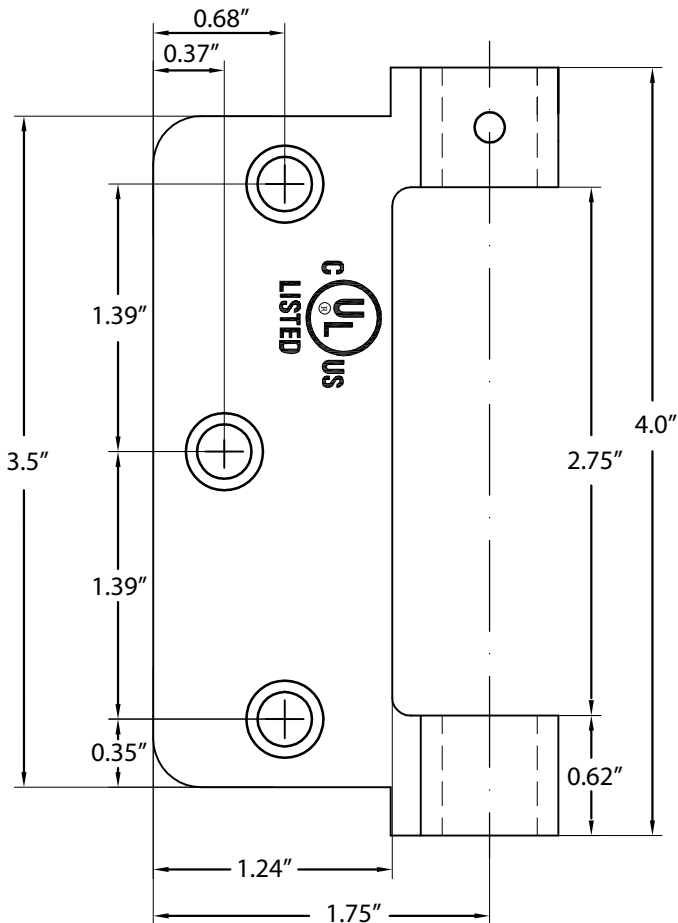
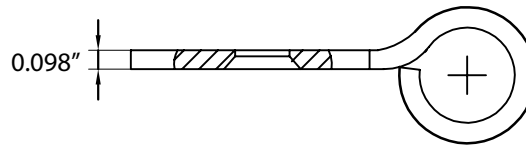
CAUTION:

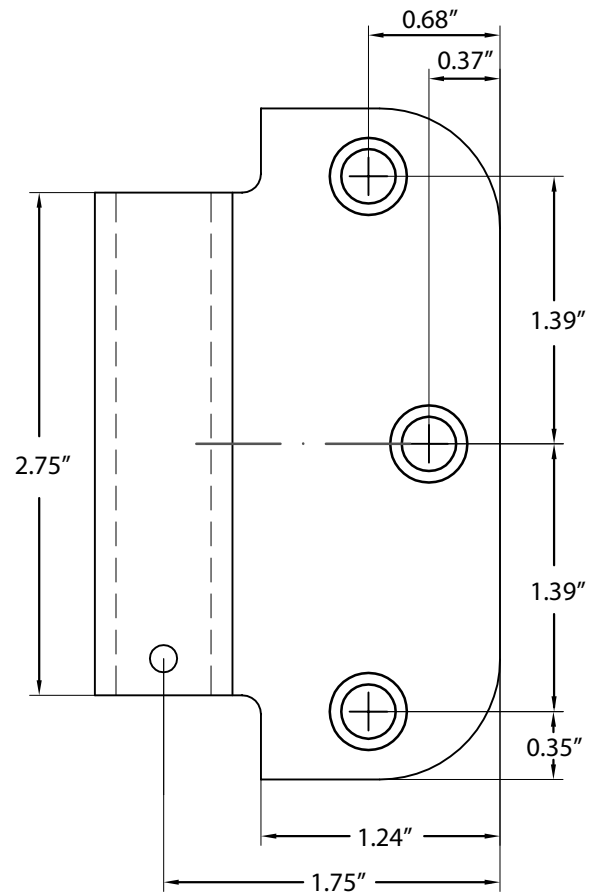
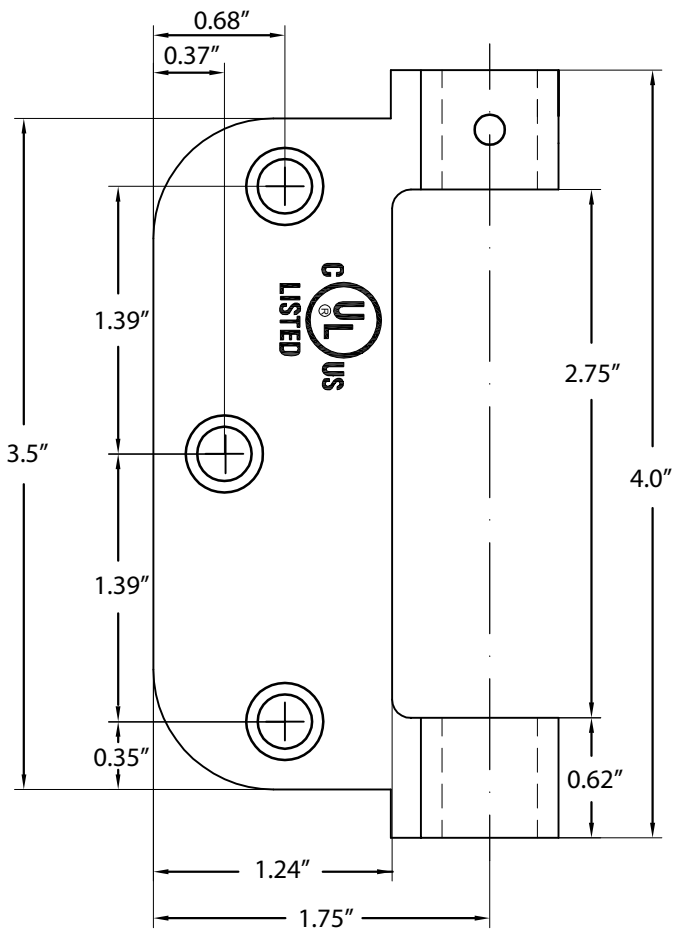
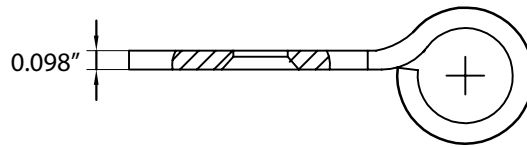
- (A) DONOT EXCEED THREE(3)HOLES TENSION FOR180° DOOR OPENING, OR FOUR(4)HOLES TENSION FOR 90° OPENING.
- (B) ALWAYS ROTATE THE HEX WRENCH TO THE CLOCKWISE REGARDLESS OF RIGHT ORLEFT HAND DOOR APPLICATION.
- 1. HINGE INSTALLATION: INSTALL HINGE IN NORMAL MANNER WITH THE ADJUSTMENT END OF HINGE UP, AS SHOWN ABOVE.
- 2. ADJUSTING SPRING TORQUE:
 - (A) ADJUST TORQUE ONLY AFTER TO HINGE IN INSTALLED AND WITH DOOR CLOSED.
 - (B) ROTATE ADJUSTMENT CAPSTAN TO THE CLOCKWISE BY HEX WRENCH TO ADJUST PROPER SPRING TENSION AND INSERT TENSION PIN INTO TENSION HOLE WITH TENSIONING HEX WRENCH AS SHOWN ON FIGURE.
 - (C) REMOVE HEX WRENCH, AND TRY DOOR FOR CLOSING. TO ACHIEVE PROPER CLOSING FORCE. CHANGE ADJUSTMENT FORM ONE HOLE TO THE NEXT INEITHER DIRECTION BY HEX WRENCH AS TENSION PIN IS REMOVED AND RESET.

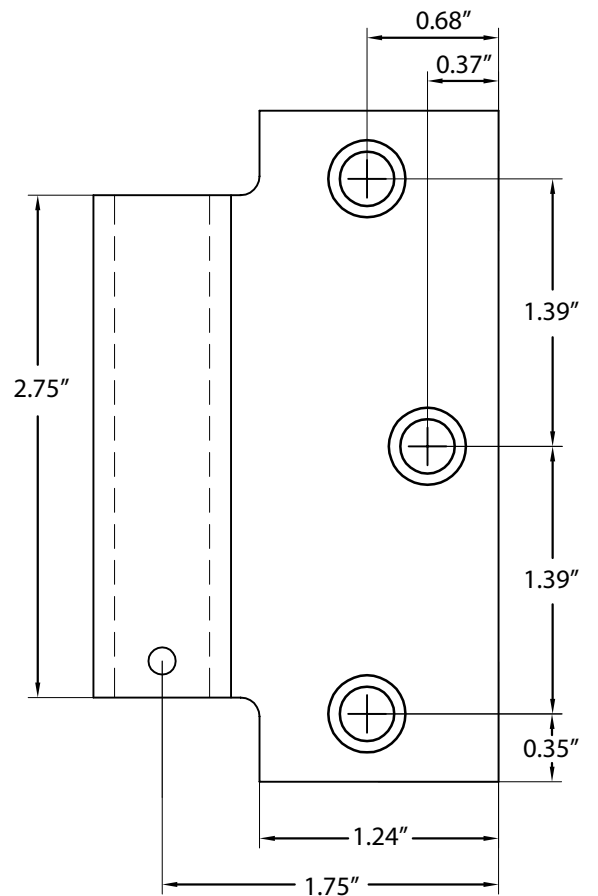
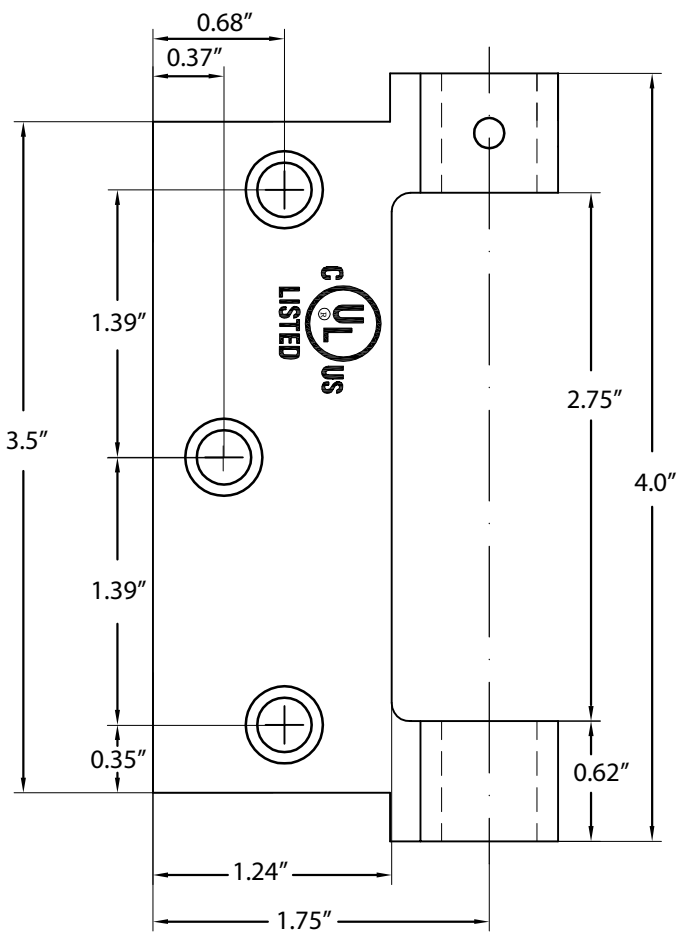
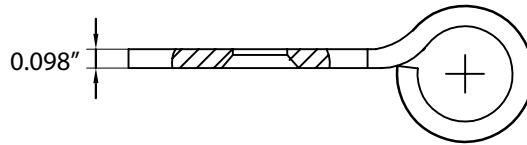
MAXIMUM DOOR SIZE RECOMMENDED 3' - 0" WIDE X 7'—0" HIGH				
RECOMMENDED MAXIMUM DOOR WEIGHT(LBS.)			HINGE SELECTION	
3.5 x 3.5	4 x 4	4.5 x 4.5	SPRING HINGES	BUTT HINGES
50	60	70	1 EACH	2 EACH
70	85	115	2 EACH	1 EACH
90	110	150	3 EACH	NONE

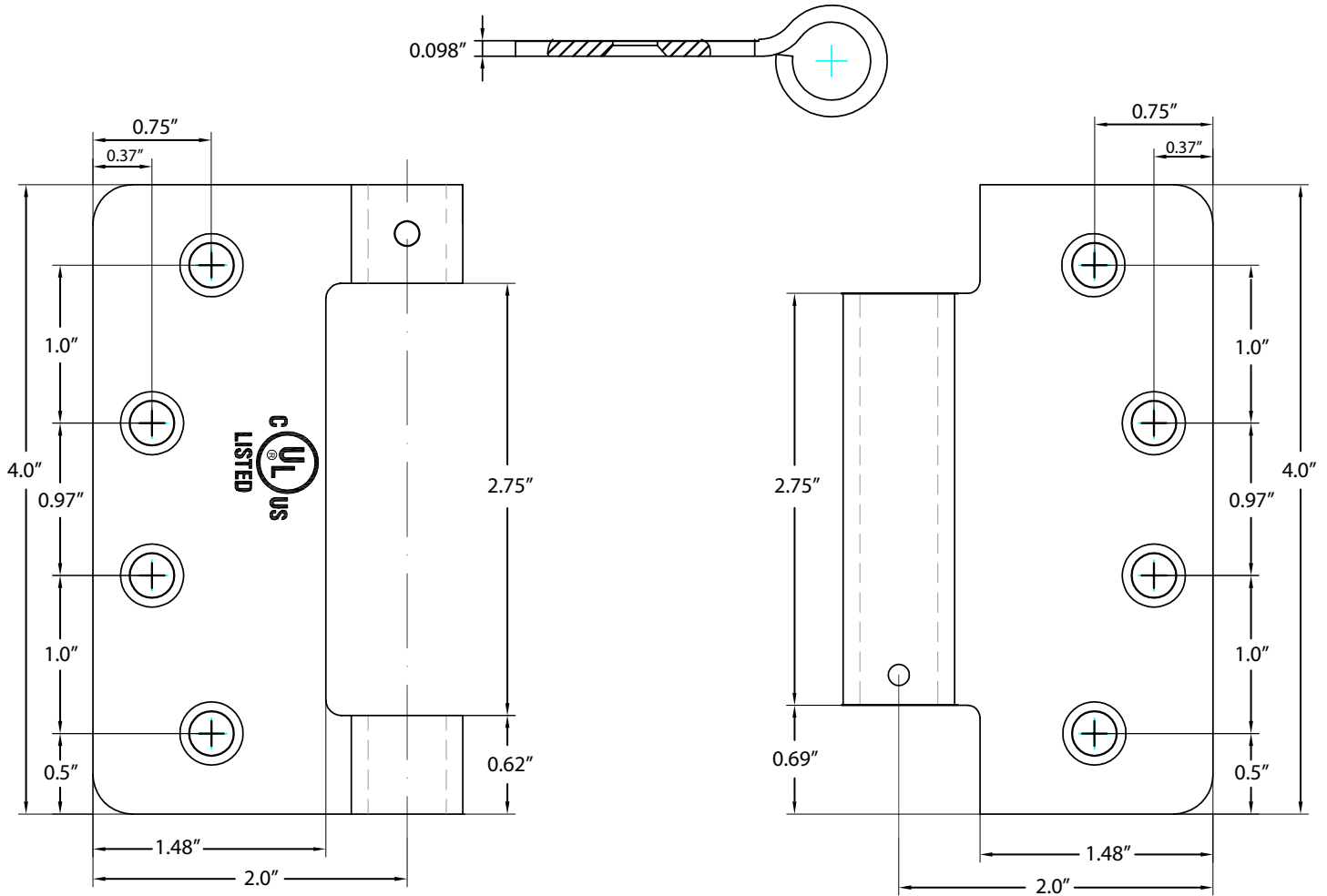
NOTES:

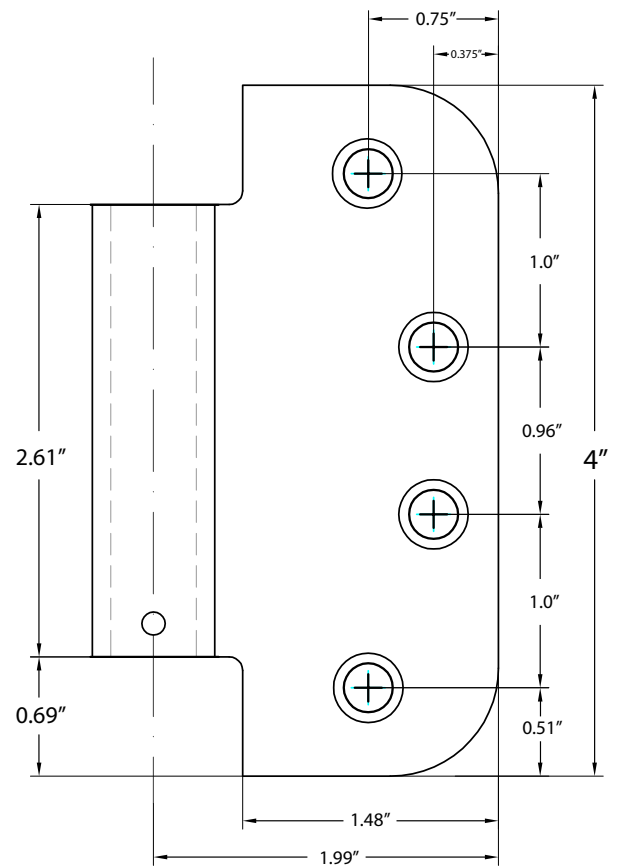
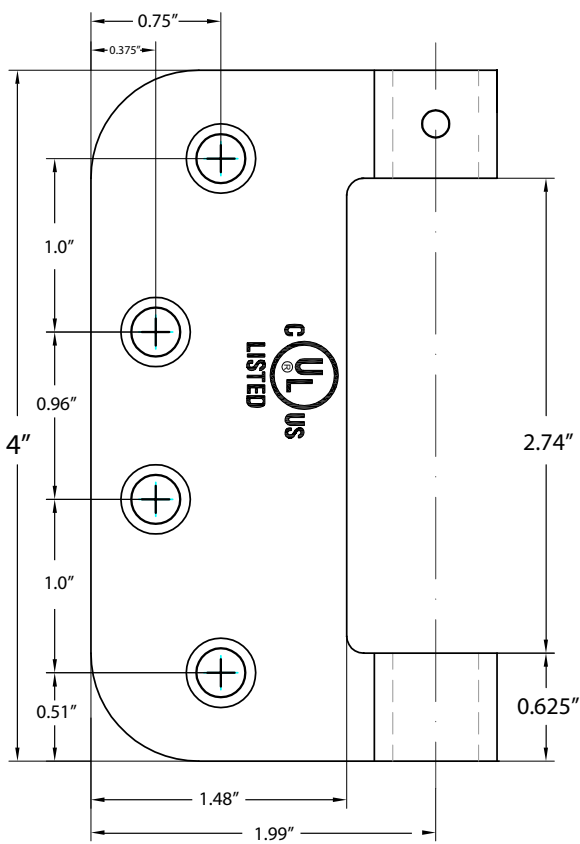
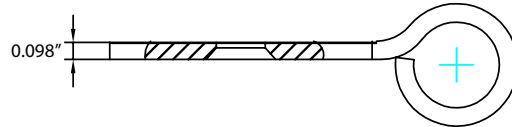
- 1) Wind conditions, excessive air pressure on one side of an opening, weather stripping, or other adverse job conditions may require the use of all spring hinges.
- 2) For maximum versatility, use all spring hinges.

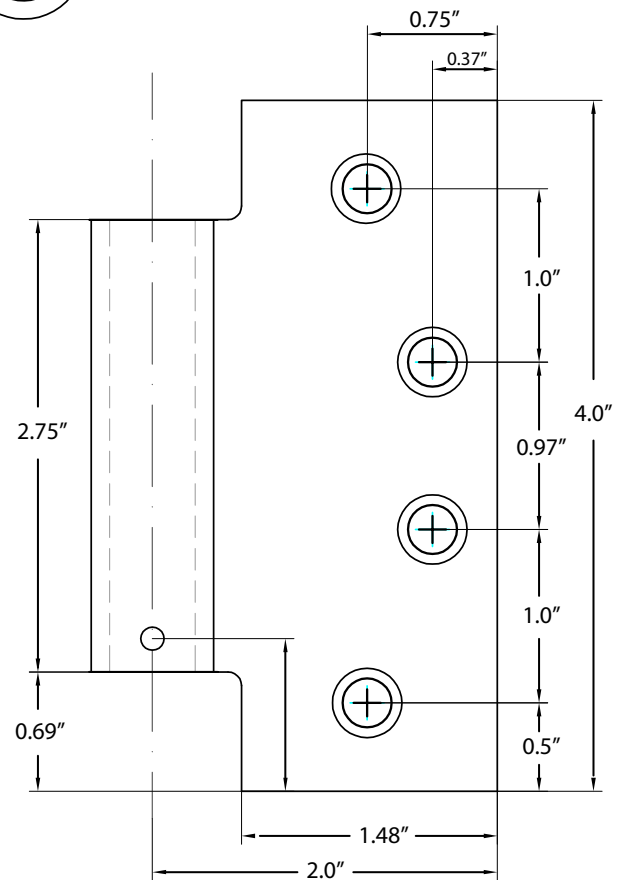
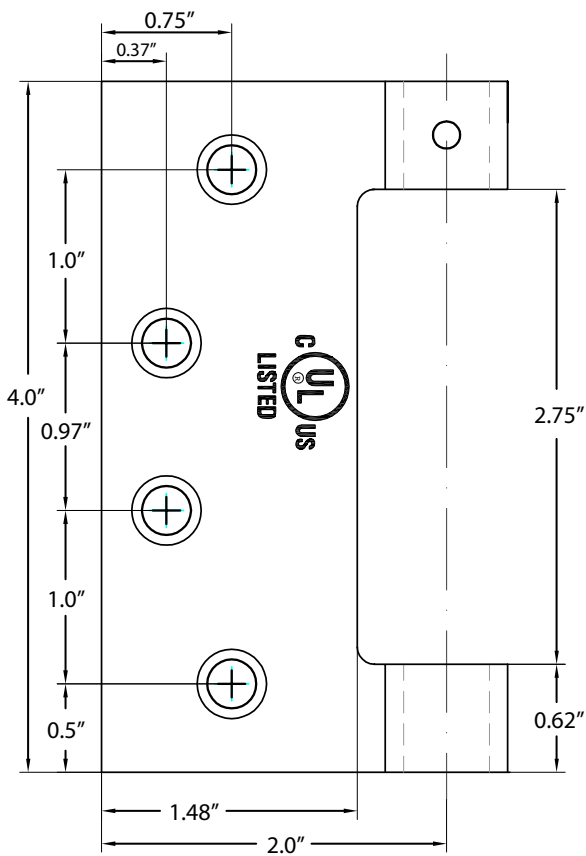
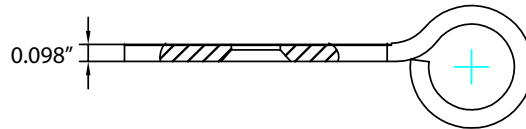




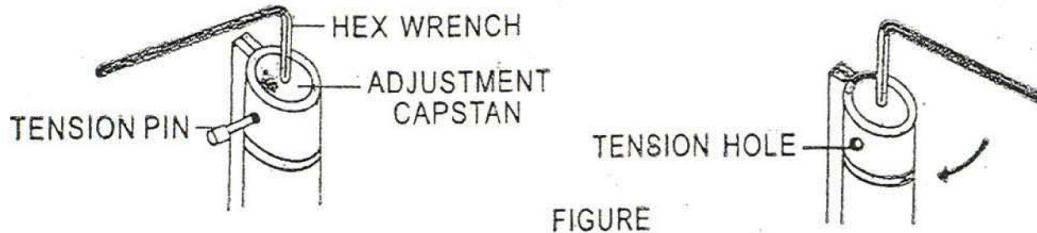








SPRING HINGE



CAUTION:

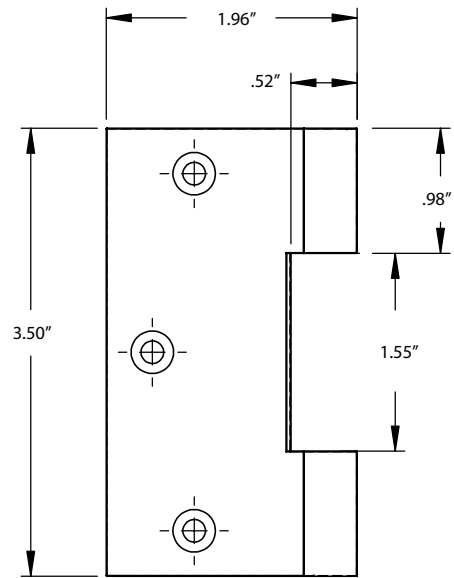
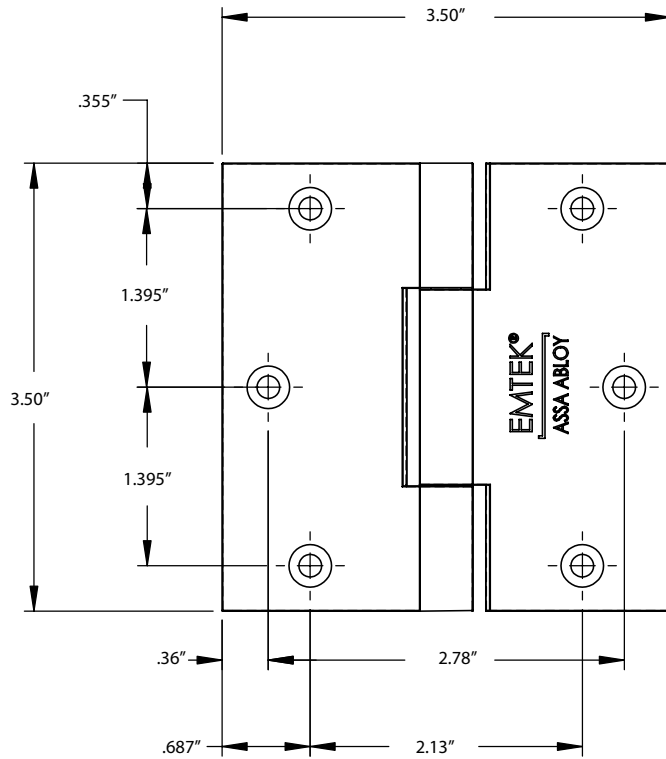
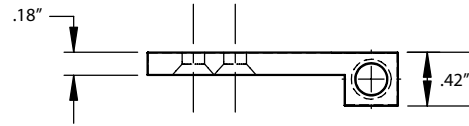
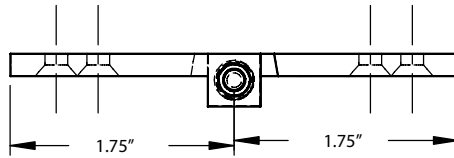
- (A) DONOT EXCEED THREE(3)HOLES TENSION FOR180° DOOR OPENING, OR FOUR(4)HOLES TENSION FOR 90° OPENING.
- (B) ALWAYS ROTATE THE HEX WRENCH TO THE CLOCKWISE REGARDLESS OF RIGHT ORLEFT HAND DOOR APPLICATION.
- 1. HINGE INSTALLATION: INSTALL HINGE IN NORMAL MANNER WITH THE ADJUSTMENT END OF HINGE UP, AS SHOWN ABOVE.
- 2. ADJUSTING SPRING TORQUE:
 - (A) ADJUST TORQUE ONLY AFTER TO HINGE IN INSTALLED AND WITH DOOR CLOSED.
 - (B) ROTATE ADJUSTMENT CAPSTAN TO THE CLOCKWISE BY HEX WRENCH TO ADJUST PROPER SPRING TENSION AND INSERT TENSION PIN INTO TENSION HOLE WITH TENSIONING HEX WRENCH AS SHOWN ON FIGURE.
 - (C) REMOVE HEX WRENCH, AND TRY DOOR FOR CLOSING. TO ACHIEVE PROPER CLOSING FORCE. CHANGE ADJUSTMENT FORM ONE HOLE TO THE NEXT INEITHER DIRECTION BY HEX WRENCH AS TENSION PIN IS REMOVED AND RESET.

MAXIMUM DOOR SIZE RECOMMENDED 3' - 0" WIDE X 7'—0" HIGH				
RECOMMENDED MAXIMUM DOOR WEIGHT(LBS.)			HINGE SELECTION	
3.5 x 3.5	4 x 4	4.5 x 4.5	SPRING HINGES	BUTT HINGES
50	60	70	1 EACH	2 EACH
70	85	115	2 EACH	1 EACH
90	110	150	3 EACH	NONE

NOTES:

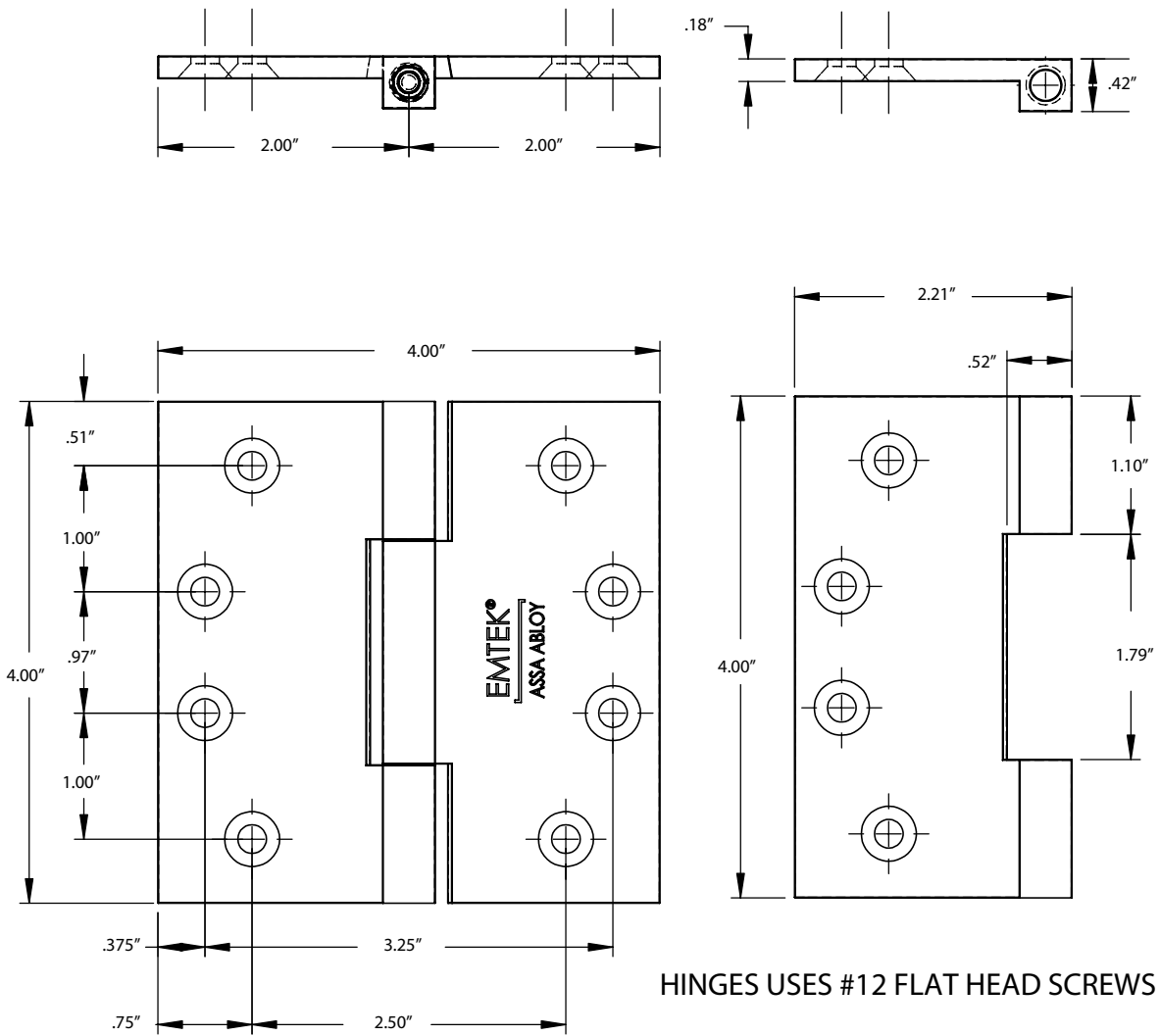
- 1) Wind conditions, excessive air pressure on one side of an opening, weather stripping, or other adverse job conditions may require the use of all spring hinges.
- 2) For maximum versatility, use all spring hinges.

SQUARE BARREL SOLID BRASS HINGES - 3-1/2" X 3-1/2"

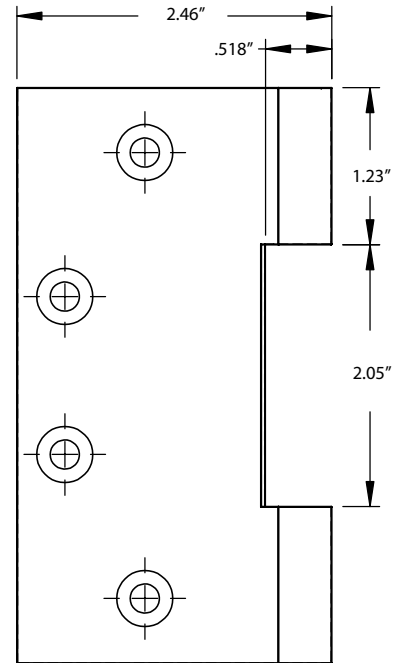
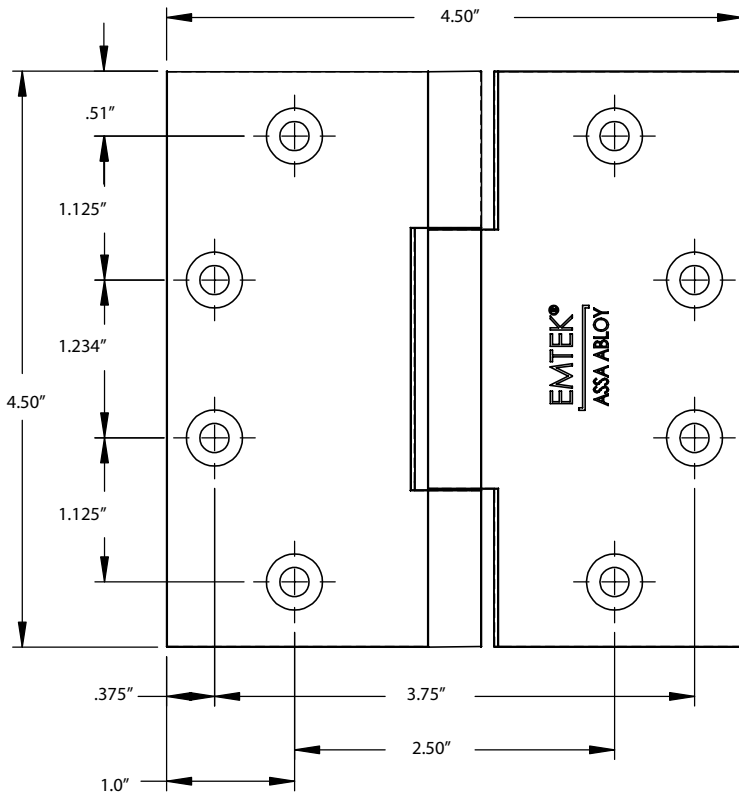
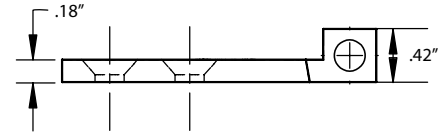
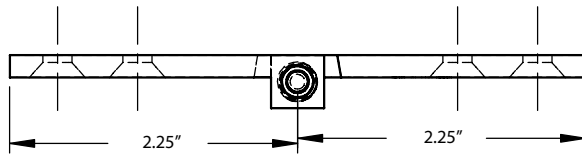


HINGES USES #9 FLAT HEAD SCREWS

SQUARE BARREL SOLID BRASS HINGES - 4" X 4"



SQUARE BARREL SOLID BRASS HINGES - 4-1/2" X 4-1/2"



HINGES USES #12 FLAT HEAD SCREWS



Standard Appliance and Door Pulls

Appliance/Door pulls are drilled and tapped for $\frac{3}{8}$ "-16 thread to accommodate thread adapters.

Supplied with:

- Two- Thread adapter for $\frac{1}{4}$ -20 thread
- Two- $\frac{1}{4}$ -20 Flat head machine screws x 1" long
- Two- Thread adapters for 10-32 thread
- Two- 10-32 Flat head machine screws x 1" long
- Two- 10-32 Flat head machine screws x 2" long
- Two- Threaded Washers
- Two- Decorative Caps



Back to Back Appliance and Door Pulls

Most standard appliance pulls and door pulls are available in Back to Back function. Fits door thickness from $1\frac{3}{8}$ " to $2\frac{1}{4}$ ". Specify if thicker.

Supplied with:

- One grip with 10-32 threads in the stem
- One mating grip with $\frac{3}{8}$ " diameter hole in the stem
- Two $\frac{3}{8}$ " diameter bevel head screws with 10-32 shaft
- Two 10-32 set screws


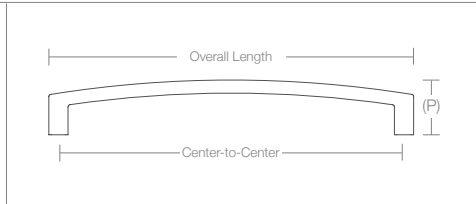
HOW TO ORDER

Add **FUNCTION** to the Product Code, and Finish. For example:


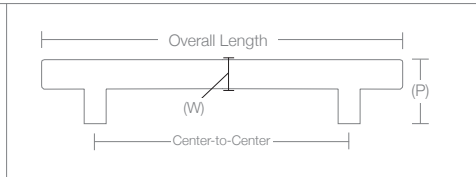


Appliance Pull Specifications


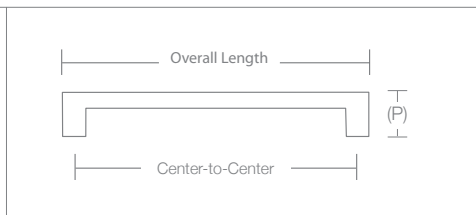
Bauhaus Appliance Pull

		Product Code Overall Length Dimension C-to-C Projection(P) Width(B)
		86345 12 9/16" 12" 1 7/8" 1" 86346 18 5/8" 18" 1 7/8" 1"


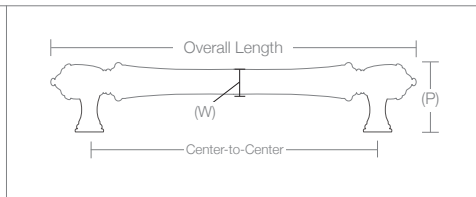
Bar Appliance Pull

		Product Code Overall Length Dimension C-to-C Projection(P) Width(W)
		86351 15 1/4" 12" 2" 7/8" 86352 21 1/4" 18" 2" 7/8"

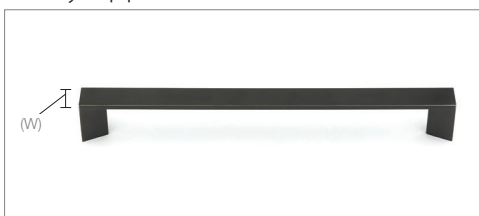
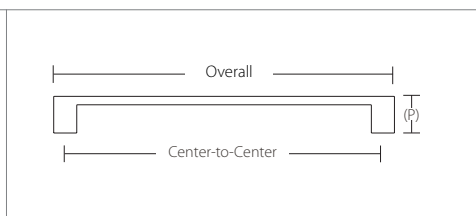
Trail Appliance Pull

		Product Code Overall Dimension C-to-C Projection(P) Width (B)
		86440 13" 12" 2" 1 1/16" 86441 19" 18" 2" 1 1/16"

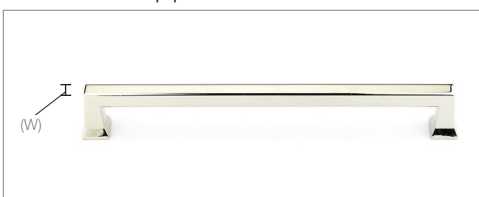
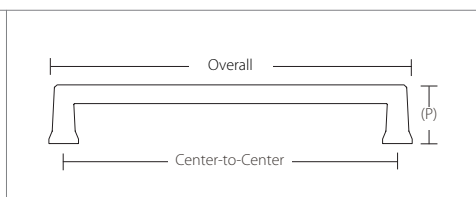
Spindle Appliance Pull

		Product Code Overall Length Dimension C-to-C Projection(P) Width(W) Center Only
		86343 14 1/2" 12" 2 1/8" 3/4" 86344 20 1/2" 18" 2 1/8" 3/4"


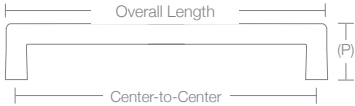
Trinity Appliance Pull

		Product Code Overall Length Dimension C-to-C Projection(P) Width(W)
		86444 13" 12" 1 3/4" 1" 86445 19" 18" 1 3/4" 1"


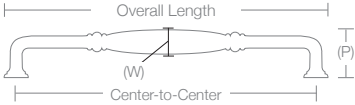
Alexander Appliance Pull

		Product Code Overall Length Dimension C-to-C Projection(P) Width(W)
		86442 13" 12" 2" 5/8" 86443 19" 18" 2" 5/8"


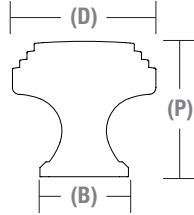
Sandcast Bronze Rail Appliance Pull

		Product Code	Overall Length	Dimension C-to-C	Projection(P)	Width(B)
		86349	12 13/16"	12"	2"	9/16"
		86350	18 13/16"	18"	2"	1/2"


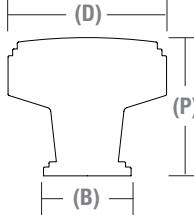
Tuscany Bronze Fluted Appliance Pull

		Product Code	Overall Length	Dimension C-to-C	Projection(P)	Width(B) Center Only
		86347	12 15/16"	12"	2"	7/8"
		86348	18 15/16"	18"	2"	7/8"


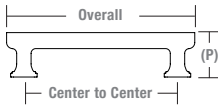
Art Deco Knob

		Product Code Dimension(D) Projection(P) Base Dimension(B)
		86421 1 1/4" 1 3/16" 3/4"


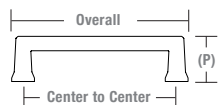
Newport Knob

		Product Code Dimension(D) Projection(P) Base Dimension(B)
		86432 1 1/4" 1 1/4" 3/4"
		86433 1 5/8" 1 1/2" 15/16"


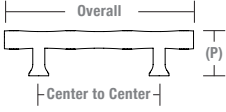
Art Deco Pull

		Product Code Dimension C-to-C Overall Projection(P) Base Dimension(B)
		86422 3 1/2" 4 3/8" 1 1/8" 5/8"
		86423 4" 4 7/8" 1 1/8" 5/8"


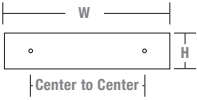
Alexander Pull

		Product Code Dimension C-to-C Overall Projection(P) Base Dimension(B)
		86424 3 1/2" 3 7/8" 1 1/8" 5/8"
		86425 4" 4 3/8" 1 1/8" 5/8"
		86484 5" 5 3/8" 1 1/8" 5/8"
		86426 6" 6 3/8" 1 1/8" 5/8"
		86427 8" 8 3/8" 1 1/8" 5/8"
		86485 10" 10 3/8" 1 1/8" 5/8"
		86479 12" 12 3/8" 1 1/8" 5/8"

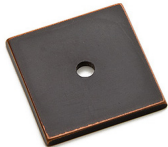
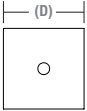
Tribeca Pull

		Product Code Dimension C-to-C Overall Projection(P) Base Dimension(B)
		86428 3 1/2" 5 1/2" 1 3/8" 5/8"
		86429 4" 6" 1 3/8" 5/8"
		86489 5" 7" 1 1/4" 5/8"
		86430 6" 8" 1 3/8" 5/8"
		86431 8" 10" 1 3/8" 5/8"
		86490 10" 12" 1 3/8" 5/8"
86491 12" 14" 1 3/8" 5/8"		


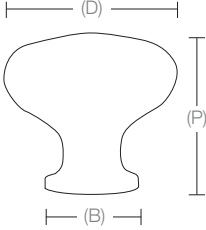
Art Deco Rectangular Backplate for Pulls

		Product Code Dimension C-to-C Dimension WxH Thickness
		86435 4" 5 3/16" x 1" 3/32"


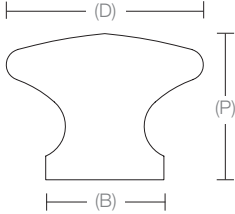
Art Deco Square Backplate for Knobs

		Product Code Dimension(D) Thickness
		86434 1 3/16" 3/32"


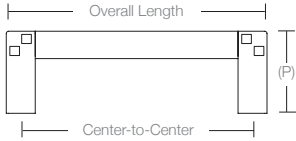
Round Dimpled Knob

		Product Code	Dimensions(D)	Projection(P)	Base Diameter(B)
		86037	1 ¼"	1 ¼"	¾"
		86213	1 ¾"	1 ½"	7/8"


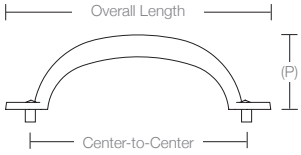
Square Dimpled Knob

		Product Code	Dimensions(D)	Projection(P)	Base Diameter(B)
		86038	1"	¾"	5/8"
		86039	1 ¼"	1"	¾"
		86212	1 ¾"	1 ⅛"	7/8"


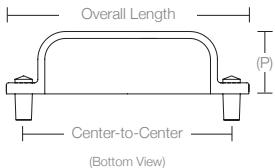
Mortise & Tenon Pull

		Product Code	Overall Length	Dimension C-to-C	Projection(P)
		86043	3 ¾"	3"	1 ⅛"
		86044	3 7/8"	3 ½"	1 ⅛"
		86045	4 ¾"	4"	1 ⅛"
		86276	6 ¾"	6"	1 ⅛"


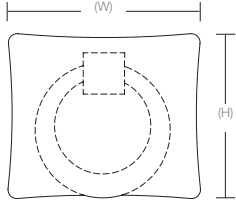
Hammered Pull

		Product Code	Overall Length	Dimension C-to-C	Projection(P)
		86046	3 7/8"	3"	1"
		86047	4 ¾"	3 ½"	1"
		86048	4 7/8"	4"	1"


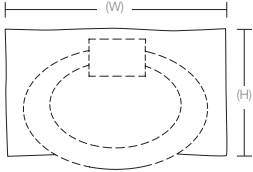
Hammered Bin Pull

		Product Code	Overall Length	Dimension C-to-C	Height	Projection(P)	Width(W)
		86049	3 ½"	3"	1 ½"	1"	1 ¾"


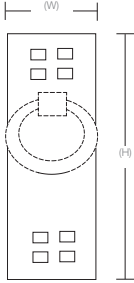
Hammered Ring Pull

		<table border="1"> <thead> <tr> <th>Product Code</th> <th>Dimension</th> </tr> </thead> <tbody> <tr> <td>86040</td> <td>1¾" W x 1½" H</td> </tr> </tbody> </table>	Product Code	Dimension	86040	1¾" W x 1½" H
Product Code	Dimension					
86040	1¾" W x 1½" H					

Hammered Oval Pull


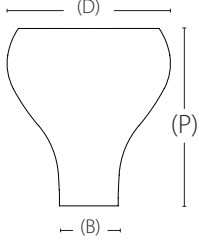
		<table border="1"> <thead> <tr> <th>Product Code</th> <th>Dimension</th> </tr> </thead> <tbody> <tr> <td>86041</td> <td>3" W x 1¾" H</td> </tr> </tbody> </table>	Product Code	Dimension	86041	3" W x 1¾" H
Product Code	Dimension					
86041	3" W x 1¾" H					

Hammered Vertical Ring Pull


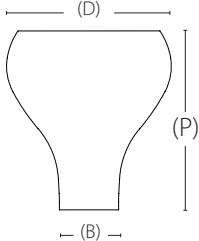
		<table border="1"> <thead> <tr> <th>Product Code</th> <th>C-toC</th> <th>Dimension</th> </tr> </thead> <tbody> <tr> <td>86042</td> <td>1½"</td> <td>1¼" W x 3½" H</td> </tr> </tbody> </table>	Product Code	C-toC	Dimension	86042	1½"	1¼" W x 3½" H
Product Code	C-toC	Dimension						
86042	1½"	1¼" W x 3½" H						

Carbon Fiber Cabinet Knob & Pull Specifications


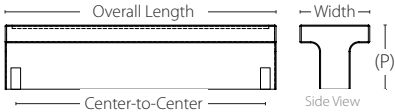
Carbon Fiber Knob - Black

		Product Code Dimension(D) Projection(P) Base Diameter(B)
		86368 1 1/4" 1 1/4" 3/8"
		86369 1 5/8" 1 1/2" 5/8"


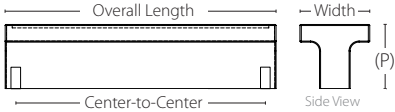
Carbon Fiber Knob - Silver

		Product Code Dimension(D) Projection(P) Base Diameter(B)
		86370 1 1/4" 1 1/4" 3/8"
		86371 1 5/8" 1 1/2" 5/8"

Carbon Fiber Bin Pull - Black

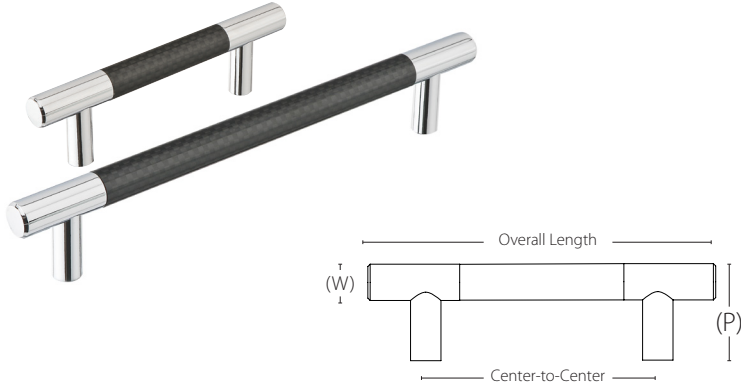
		Product Code Overall Length Dimension C-to-C Width Projection(P)
		86372 3 3/8" 3" 1" 1"
		86373 4 3/8" 4" 1" 1"

Carbon Fiber Bin Pull - Silver

		Product Code Overall Length Dimension C-to-C Width Projection(P)
		86374 3 3/8" 3" 1" 1"
		86375 4 3/8" 4" 1" 1"

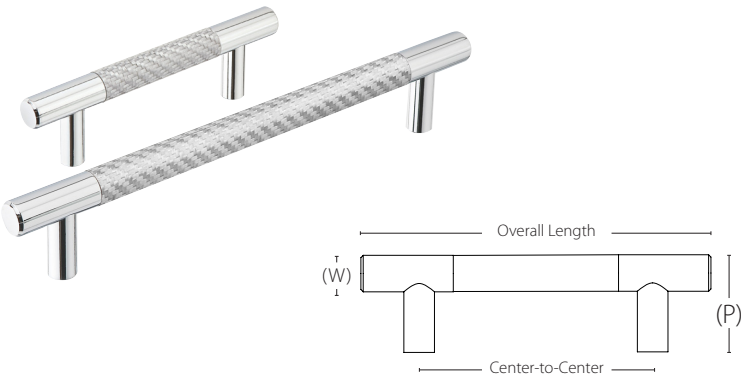
Carbon Fiber Cabinet Knob & Pull Specifications

Carbon Fiber Bar Pull - Black



Product Code	Overall Length	Dimension(D) C-to-C	Projection(P)	Bar Width(W)
86376	4 1/2"	3"	1 1/4"	1/2"
86377	5"	3 1/2"	1 1/4"	1/2"
86378	5 1/2"	4"	1 1/4"	1/2"
86379	6 1/2"	5"	1 1/4"	1/2"
86380	7 1/2"	6"	1 1/4"	1/2"
86381	9 1/2"	8"	1 1/4"	1/2"
86382	11 1/2"	10"	1 1/4"	1/2"
86383	13 1/2"	12"	1 1/4"	1/2"
86384	17 1/2"	16"	1 1/4"	1/2"


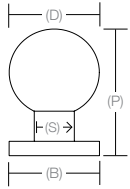
Carbon Fiber Bar Pull - Silver




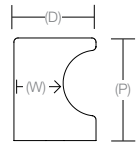
Product Code	Overall Length	Dimension(D) C-to-C	Projection(P)	Bar Width(W)
86385	4 1/2"	3"	1 1/4"	1/2"
86386	5"	3 1/2"	1 1/4"	1/2"
86387	5 1/2"	4"	1 1/4"	1/2"
86388	6 1/2"	5"	1 1/4"	1/2"
86389	7 1/2"	6"	1 1/4"	1/2"
86390	9 1/2"	8"	1 1/4"	1/2"
86391	11 1/2"	10"	1 1/4"	1/2"
86392	13 1/2"	12"	1 1/4"	1/2"
86393	17 1/2"	16"	1 1/4"	1/2"

Contemporary Cabinet Knob & Pull Specifications


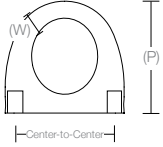
Globe Knob

 <p>(Back Plate Included)</p>		Product Code Dimension(D) Projection(P) Base Diameter(B) Stem Diameter(S)
		86152 1 1/8" 1 1/2" 1" 1/2"


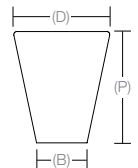
Finger Pull

		Product Code Dimension(D) Projection(P) Width(W)
		86150 7/8" 1" 5/8" 86151 1" 1 1/4" 5/8"


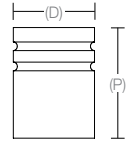
Ring Knob

 <p>(2 Screws are Included)</p>		Product Code Dimension C-to-C Projection(P) Width(W)
		86270 1" 1 1/4" 3/8"


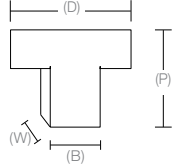
Cone Knob

		Product Code Dimension(D) Projection(P) Base Diameter(B)
		86261 1" 1 1/8" 1/2" 86262 1 1/8" 1 3/8" 5/8"


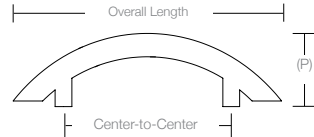
Metric Knob

		Product Code Dimension(D) Projection(P)
		86268 1" 1 1/8" 86269 1 1/8" 1 3/8"


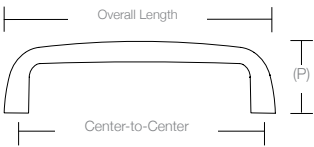
Trail Knob

		Product Code Dimension(D) Projection(P) Base(B) Width(W)
		86271 2" 1 3/8" 3/8" 5/8"


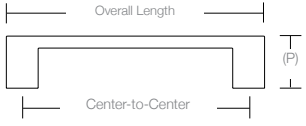
Arch Pull

		Product Code	Dimension C-to-C	Overall Length	Projection(P)
		86153	3"	4 ¾"	1 ⅛"
		86154	3 ½"	5 ⅛"	1 ⅛"
		86155	4"	5 ⅝"	1 ⅛"
		86251	6"	8 ½"	1 ¼"


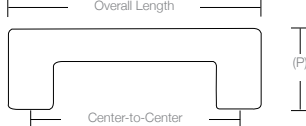
Orbit Pull

		Product Code	Dimension C-to-C	Overall Length	Projection(P)
		86256	3"	3 ⅜"	1"
		86257	3 ½"	3 ⅞"	1"
		86258	4"	4 ⅜"	1"
		86259	6"	6 ⅜"	1"
		86260	10"	10 ⅞"	1"


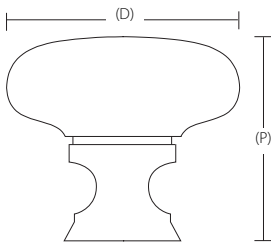
Trinity Pull

		Product Code	Dimension C-to-C	Overall Length	Projection(P)
		86263	3"	3 ½"	1"
		86264	3 ½"	4"	1"
		86265	4"	4 ½"	1"
		86482	5"	5 ½"	1"
		86266	6"	6 ½"	1"
		86438	8"	8 ½"	1"
		86267	10"	10 ½"	1"
		86483	12"	12 ½"	1"


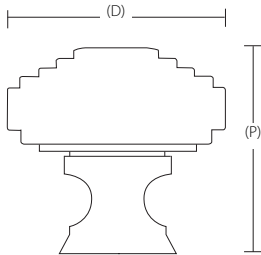
Trail Pull

		Product Code	Dimension C-to-C	Overall Length	Projection(P)
		86161	3"	3 ⅝"	1 ⅜"
		86162	3 ½"	4 ⅛"	1 ⅜"
		86163	4"	4 ⅝"	1 ⅜"
		86272	5"	5 ¾"	1 ⅜"
		86164	6"	6 ⅝"	1 ⅜"
		86165	8"	8 ⅝"	1 ⅜"
		86273	10"	10 ⅞"	1 ⅜"
		86166	12"	12 ⅝"	1 ⅜"
		86274	16"	16 ⅝"	1 ⅜"


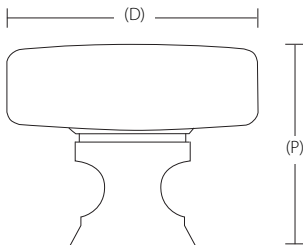
Providence Crystal Knob

		Product Code	Dimension(D)	Projection(P)
		86567	1 3/8"	1 3/8"
		86568	1 3/4"	1 1/2"


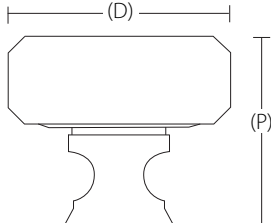
Deco Crystal Knob

		Product Code	Dimension(D)	Projection(P)
		86563	1 1/4"	1 3/8"
		86564	1 5/8"	1 5/8"

Windsor Crystal Knob


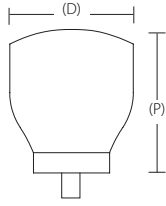
		Product Code	Dimension(D)	Projection(P)
		86566	1 5/8" x 1 1/8"	1 1/4"

Lowell Crystal Knob


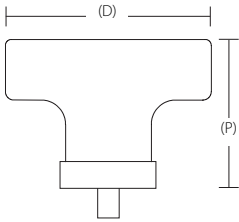
		Product Code	Dimension(D)	Projection(P)
		86571	1 3/8"	1 1/4"

Crystal Cabinet Knob Specifications


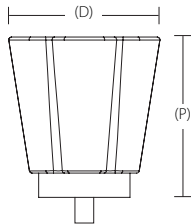
Juneau Crystal Knob

		<table border="1"> <thead> <tr> <th>Product Code</th> <th>Dimension(D)</th> <th>Projection(P)</th> </tr> </thead> <tbody> <tr> <td>86562</td> <td>1 1/8"</td> <td>1 3/8"</td> </tr> </tbody> </table>	Product Code	Dimension(D)	Projection(P)	86562	1 1/8"	1 3/8"
Product Code	Dimension(D)	Projection(P)						
86562	1 1/8"	1 3/8"						


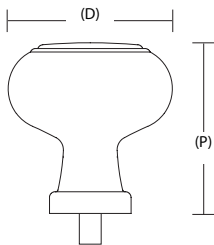
Grayson Crystal Knob

		<table border="1"> <thead> <tr> <th>Product Code</th> <th>Dimension(D)</th> <th>Projection(P)</th> </tr> </thead> <tbody> <tr> <td>86569</td> <td>1 1/4"</td> <td>1 1/8"</td> </tr> <tr> <td>86570</td> <td>1 3/4"</td> <td>1 1/4"</td> </tr> </tbody> </table>	Product Code	Dimension(D)	Projection(P)	86569	1 1/4"	1 1/8"	86570	1 3/4"	1 1/4"
Product Code	Dimension(D)	Projection(P)									
86569	1 1/4"	1 1/8"									
86570	1 3/4"	1 1/4"									


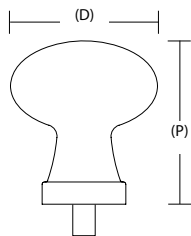
Forza Crystal Knob

		<table border="1"> <thead> <tr> <th>Product Code</th> <th>Dimension(D)</th> <th>Projection(P)</th> </tr> </thead> <tbody> <tr> <td>86565</td> <td>1 1/4"</td> <td>1 1/4"</td> </tr> </tbody> </table>	Product Code	Dimension(D)	Projection(P)	86565	1 1/4"	1 1/4"
Product Code	Dimension(D)	Projection(P)						
86565	1 1/4"	1 1/4"						

Georgetown Crystal Knob


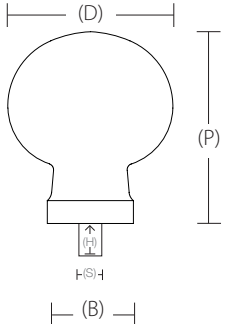
		<table border="1"> <thead> <tr> <th>Product Code</th> <th>Dimension(D)</th> <th>Projection(P)</th> </tr> </thead> <tbody> <tr> <td>86399</td> <td>1 1/4"</td> <td>1 1/2"</td> </tr> <tr> <td>86400</td> <td>1 3/4"</td> <td>1 3/4"</td> </tr> </tbody> </table>	Product Code	Dimension(D)	Projection(P)	86399	1 1/4"	1 1/2"	86400	1 3/4"	1 3/4"
Product Code	Dimension(D)	Projection(P)									
86399	1 1/4"	1 1/2"									
86400	1 3/4"	1 3/4"									

Hampton Crystal Knob


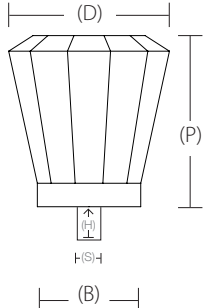
		<table border="1"> <thead> <tr> <th>Product Code</th> <th>Dimension(D)</th> <th>Projection(P)</th> </tr> </thead> <tbody> <tr> <td>86401</td> <td>1 1/4"</td> <td>1 3/8"</td> </tr> <tr> <td>86402</td> <td>1 3/4"</td> <td>1 5/8"</td> </tr> </tbody> </table>	Product Code	Dimension(D)	Projection(P)	86401	1 1/4"	1 3/8"	86402	1 3/4"	1 5/8"
Product Code	Dimension(D)	Projection(P)									
86401	1 1/4"	1 3/8"									
86402	1 3/4"	1 5/8"									

Crystal Cabinet Knob Specifications


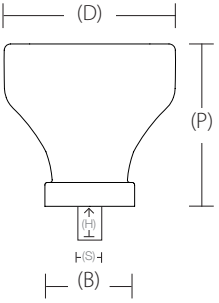
Bristol Cabinet Knob

		Product Code Dimension(D) Projection(P) Base Diameter(B) Stem Height(H) Stem Diameter(S)
		86394 1" 1 3/8" 3/4" 3/8" 1/4" 86395 1 1/4" 1 5/8" 7/8" 3/8" 1/4"


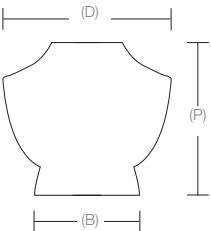
Brookmont Cabinet Knob

		Product Code Dimension(D) Projection(P) Base Diameter(B) Stem Height(H) Stem Diameter(S)
		86396 1" 1 3/8" 3/4" 3/8" 1/4" 86397 1 1/4" 1 5/8" 7/8" 3/8" 1/4" 86398 1 3/4" 1 3/4" 7/8" 3/8" 1/4"


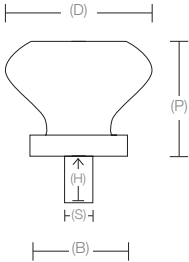
Lido Cabinet Knob

		Product Code Dimension(D) Projection(P) Base Diameter(B) Stem Height(H) Stem Diameter(S)
		86403 1 3/8" 1 3/8" 7/8" 3/8" 1/4" 86404 1 5/8" 1 1/2" 7/8" 3/8" 1/4"


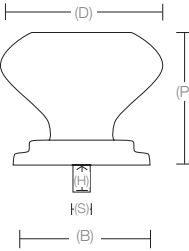
Astoria Knob

		Product Code Dimension(D) Projection(P) Base Diameter(B)
		86017 1 1/8" 1 1/8" 13/16" 86210 1 1/2" 1 1/2" 15/16"


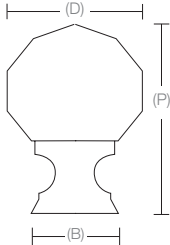
Old Town Cabinet Knob

		Product Code	Dimension(D)	Projection(P)	Base Diameter(B)	Stem Height(H)	Stem Diameter(S)
		86010	1"	1"	1/16"	3/8"	1/4"
		86011	1 1/4"	1 1/4"	13/16"	3/8"	1/4"


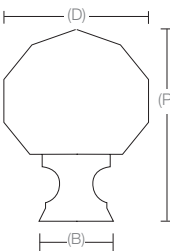
Old Town Wardrobe Knob

		Product Code	Dimension(D)	Projection(P)	Base Diameter(B)	Stem Height(H)	Stem Diameter(S)
		86028	1 3/4"	1 1/2"	1 3/4"	3/8"	1/4"


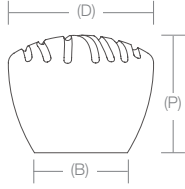
Diamond Cabinet Knob

		Product Code	Dimension(D)	Projection(P)	Base Diameter(B)
		86003	1"	1 3/8"	3/4"
		86012	1 1/4"	1 3/8"	3/4"


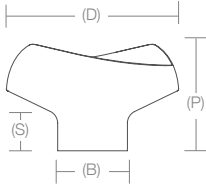
Diamond Wardrobe Knob

		Product Code	Dimension(D)	Projection(P)	Base Diameter(B)
		86209	1 3/4"	2 1/4"	3/4"


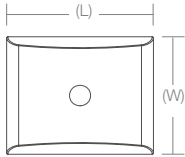
Sweep Knob

		Product Code	Dimension(D)	Projection(P)	Base Diameter(B) L x W
		86405	1 1/4"	1"	7/8" x 5/8"


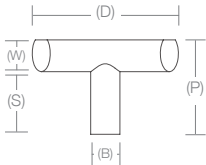
Bezier Knob

		Product Code	Dimension(D)	Projection(P)	Base Diameter(B)	Stem(S)
		86410	1 1/4"	1"	1/2"	3/8"
		86411	1 5/8"	1"	5/8"	3/8"


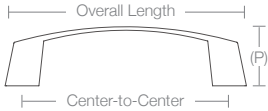
Neos Back Plate for Knob

		Product Code	Length(L)	Width(W)	Thickness
		86420	1 1/4"	1"	3/32"


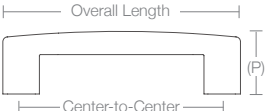
T-Curve Pull

		Product Code	Dimension(D)	Projection(P)	Base(B)	Width(W)	Stem(S)
		86415	2"	1 1/4"	3/8"	3/8"	7/8"


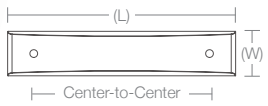
Sweep Pull

		Product Code	Dimension C-to-C	Overall Length	Projection(P)
		86406	3 1/2"	4 1/8"	1"
		86407	4"	4 3/4"	1"
		86486	5"	5 3/4"	1"
		86408	6"	6 3/4"	1"
		86409	8"	9 3/8"	1"
		86487	10"	11 3/8"	1 1/8"
86488	12"	13 1/2"	1 1/4"		


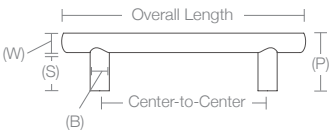
Bezier Pull

		Product Code	Overall Length	Dimension C-to-C	Projection(P)
		86412	4"	3 1/2"	1"
		86413	4 3/4"	4"	1 1/8"
		86414	6 3/4"	6"	1 1/8"

Neos Back Plate for Pull

		Product Code	Length(L)	Dimension C-to-C	Width(W)	Thickness
		86419	5 1/8"	4"	1"	3/32"

Curve Bar Pull

		Product Code	Overall Length	Dimension C-to-C	Width(W)	Base(B)	Stem(S)	Projection(P)
		86416	5"	3 1/2"	3/8"	3/8"	7/8"	1 1/4"
		86417	5 5/8"	4"	3/8"	3/8"	7/8"	1 1/4"
		86418	7 5/8"	6"	3/8"	3/8"	7/8"	1 1/4"

Geometric Oval Cabinet Knob

		Product Code Dimension(D) Projection(P) Base Diameter(B)
		86304 1 ¼" 1 ⅛" ¾"
		86305 1 ½" 1 ½" ¾"
		86306 1 ¾" 1 ½" ¾"


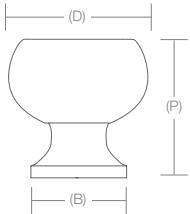
Geometric Square Knob

		Product Code Dimension(D) Projection(P) Base Dimension(B)
		86295 1 ¼" 1 ¼" ¾"
		86296 1 ⅝" 1 ⅜" ¾"


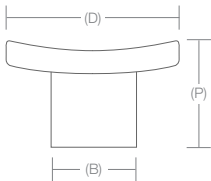
Geometric Rectangular Pull

		Product Code Dimension C-to-C Overall Projection(P) Base Dimension(B)
		86299 3" 4 ¼" 1 ⅛" ⅝"
		86300 3 ½" 4 ¾" 1 ⅛" ⅝"
		86301 4" 5 ⅜" 1 ⅛" ⅝"
		86492 5" 6 ⅜" 1 ⅛" ⅝"
		86302 6" 7 ⅛" 1 ⅛" ⅝"
		86303 10" 11 ⅞" 1 ⅛" ⅝"
		86493 12" 13 ⅛" 1 ⅛" ⅝"


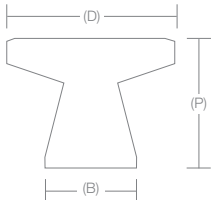
Atomic Knob

		Product Code Dimension(D) Projection(P) Base Diameter(B)
		86314 1" 1" 5/8" 86315 1 1/4" 1 1/4" 3/4" 86316 1 5/8" 1 1/2" 1 1/8"


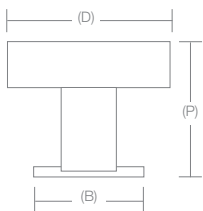
Basin Knob

		Product Code Dimension(D) Projection(P) Base Width(B)
		86317 1 1/4" 3/4" 5/8" 86318 1 5/8" 1" 3/4"


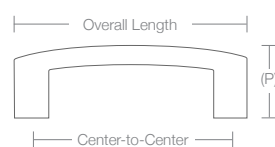
Podium Knob

		Product Code Dimension(D) Projection(P) Base Width(B)
		86319 1 1/4" 1 1/8" 3/4" 86320 1 3/4" 1 3/8" 7/8"


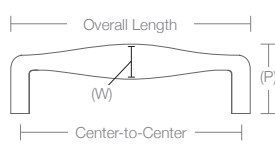
Cadet Knob

 <p>(Back Plate Included)</p>		Product Code Dimension(D) Projection(P) Base Diameter(B)
		86321 1" 1 1/8" 1" 86322 1 1/4" 1 1/8" 1" 86323 1 3/4" 1 3/8" 1 1/4"


Bauhaus Pull

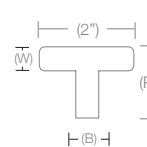
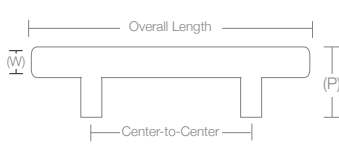
		Product Code	Overall Length	Dimension C-to-C	Projection(P)	Bar Width(W)
		86324	3 3/8"	3"	1 1/8"	1"
		86325	4 1/2"	4"	1 1/8"	1"

Dane Pull

		Product Code	Overall Length	Dimension C-to-C	Projection(P)	Bar Width(W)
		86309	3 3/8"	3"	1 1/2"	5/8"
		86310	3 7/8"	3 1/2"	1 1/2"	5/8"
		86311	4 3/8"	4"	1 1/2"	3/4"
		86312	6 5/16"	6"	1 1/2"	3/4"
		86313	10 3/8"	10"	1 1/2"	3/4"



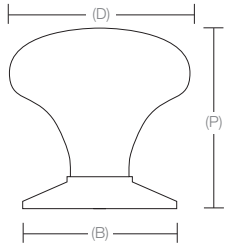
Brass Bar Knob & Pull

	Product Code	Overall Length	Dimension C-to-C	Projection(P)	Base Diameter(B)	Bar Width(W)
	86357	2"	N/A	1 1/4"	3/8"	1/2"
	86358	5"	3"	1 1/4"	3/8"	1/2"
	86359	5 1/2"	3 1/2"	1 1/4"	3/8"	1/2"
	86360	6 1/2"	4"	1 1/4"	3/8"	1/2"
	86361	7 1/2"	5"	1 1/4"	3/8"	1/2"
	86362	8 1/2"	6"	1 1/4"	3/8"	1/2"
	86363	10 1/2"	8"	1 1/4"	3/8"	1/2"
	86364	12 1/2"	10"	1 1/4"	3/8"	1/2"
	86365	14 1/2"	12"	1 1/4"	3/8"	1/2"
	86366	18 1/2"	16"	1 1/4"	3/8"	1/2"
86367	26 1/2"	24"	1 1/4"	3/8"	1/2"	



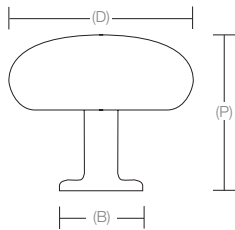
 <p>Brass Bar Knob (86357)</p>	 <p>Brass Bar Pull</p>
---	--

Porcelain Cabinet Knobs Specifications


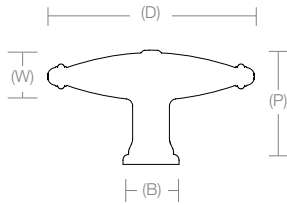
Porcelain Knob with Brass Base

 <p>Ice White</p>  <p>Ebony</p>		<p>Color Product Code Dimension(D) Projection(P) Base Diameter(B)</p>
		<p>Ice White 86001 1 3/8" 1 3/8" 1 3/8"</p> <p>Ice White 86034 1 3/4" 1 3/4" 1 1/2"</p> <p>Ebony 86009 1 3/8" 1 3/8" 1 3/8"</p> <p>Ebony 86033 1 3/4" 1 3/4" 1 1/2"</p>


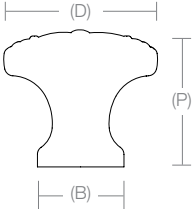
Madison Knob with Wrought Steel Stem

 <p>Ivory</p>  <p>Black</p>		<p>Color Product Code Dimension(D) Projection(P) Base Diameter(B)</p>
		<p>Ivory 86071 1 1/4" 1 1/4" 5/8"</p> <p>Ivory 86074 1 3/4" 1 3/4" 5/8"</p> <p>Black 86072 1 1/4" 1 1/4" 5/8"</p> <p>Black 86075 1 3/4" 1 3/4" 5/8"</p>


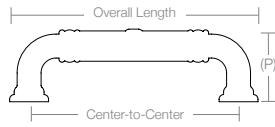
Ribbon & Reed Finger Knob

		Product Code	Dimension(D)	Projection(P)	Base Diameter(B)	Width(W)
		86279	1 3/4"	1 1/4"	3/4"	1/2"
		86280	3"	1 1/2"	3/4"	5/8"


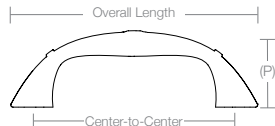
Ribbon & Reed Knob

		Product Code	Dimension(D)	Projection(P)	Base Diameter(B)
		86277	1 1/4"	1 1/8"	5/8"
		86278	1 3/4"	1 1/2"	1"


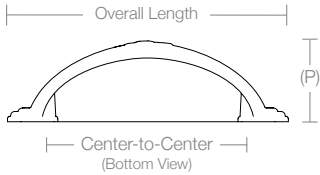
Ribbon & Reed Fixed Pull - Estate

		Product Code	Overall Length C-to-C	Dimension	Projection(P)
		86283	3 5/8"	3"	1 1/4"
		86284	4 1/8"	3 1/2"	1 1/4"
		86285	4 5/8"	4"	1 1/4"
		86286	6 5/8"	6"	1 1/4"
		86287	10 5/8"	10"	1 3/8"


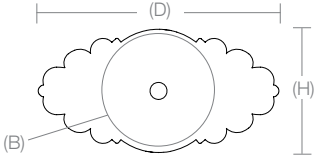
Ribbon & Reed Fixed Pull - Regal

		Product Code	Overall Length C-to-C	Dimension	Projection(P)
		86288	4 1/8"	3"	1 1/2"
		86289	4 5/8"	3 1/2"	1 1/2"
		86290	5 1/8"	4"	1 1/2"
		86291	7 1/4"	6"	1 1/2"
		86292	11 1/4"	10"	1 1/2"


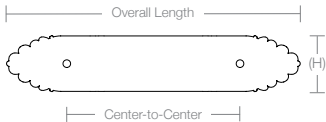
Ribbon & Reed Bin Pull

		Product Code	Overall Length	Dimension C-to-C	Height	Projection(P)
		86281	4"	3"	1 5/8"	1 1/8"
		86282	5 1/8"	4"	1 5/8"	1 1/4"

Ribbon & Reed Back Plate for Knob


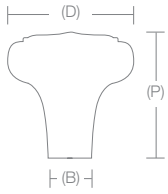
		Product Code	Dimension(D)	Height (H)	Plate Diameter(B)
		86293	2 1/2"	1 1/2"	1 1/4"

Ribbon & Reed Back Plate for Pull


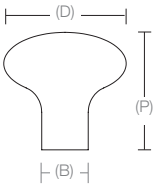
		Product Code	Overall Length	Dimension C-to-C	Height (H)
		86294	6 5/8"	4"	1 1/2"

Sandcast Bronze Cabinet Knob & Pull Specifications


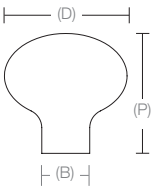
Sandcast Bronze Barn Knob

		Product Code Dimension(D) Projection(P) Base Diameter(B)
		86338 1" 1" 3/8"
		86339 1 1/4" 1 1/8" 4/9"
		86340 1 3/4" 1 1/2" 5/8"

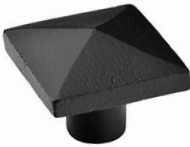
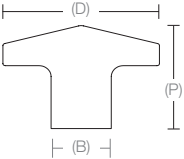
Sandcast Bronze Round Knob

		Product Code Dimension(D) Projection(P) Base Diameter(B)
		86057 1" 1" 1/2"
		86058 1 1/4" 1 1/4" 1/2"
		86117 1 3/4" 1 3/4" 5/8"


Sandcast Bronze Egg Knob

		Product Code Dimension(D) Projection(P) Base Diameter(B)
		86052 1" 1" 1/2"
		86053 1 1/4" 1 1/4" 1/2"
		86217 1 3/4" 1 5/8" 5/8"


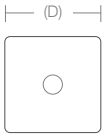
Sandcast Bronze Square Knob

		Product Code Dimension(D) Projection(P) Base Diameter(B)
		86145 1 1/4" 1 1/4" 1/2"
		86146 1 5/8" 1 1/8" 5/8"

Sandcast Round Back Plate


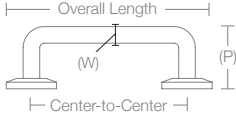
		Product Code Dimension(D) Thickness
		86341 1 1/4" 1/8"

Sandcast Square Back Plate


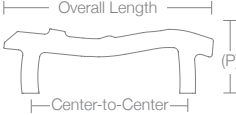
		Product Code Dimension(D) Thickness
		86342 1 1/4" 1/8"

Sandcast Bronze Cabinet Knob & Pull Specifications


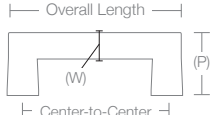
Sandcast Bronze Rod Pull

		Product Code	Overall Length	Dimension C-to-C	Projection(P)	Width(W)
		86054	4"	3"	1 1/4"	3/8"
		86055	4 1/2"	3 1/2"	1 1/4"	3/8"
		86056	5"	4"	1 1/4"	3/8"
		86253	7"	6"	1 1/4"	3/8"


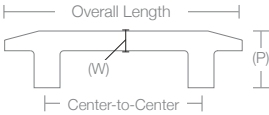
Sandcast Bronze Twig Pull

		Product Code	Overall Length	Dimension C-to-C	Projection(P)
		86061	4 1/2"	3"	1 1/4"
		86062	5 1/8"	3 1/2"	1 1/4"
		86063	5 1/4"	4"	1 1/4"
		86252	7 1/2"	6"	1 1/4"


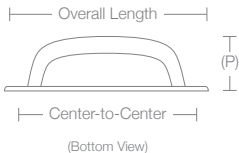
Sandcast Bronze Rail Pull

		Product Code	Overall Length	Dimension C-to-C	Projection(P)	Width(W)
		86332	3 1/2"	3"	1 1/4"	3/8"
		86333	4"	3 1/2"	1 1/4"	3/8"
		86334	4 1/2"	4"	1 1/4"	3/8"
		86335	6 1/2"	6"	1 3/8"	3/8"
		86336	8 1/2"	8"	1 3/8"	3/8"
		86337	10 1/2"	10"	1 3/8"	3/8"


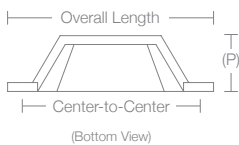
Sandcast Bronze Pyramid Pull

		Product Code	Overall Length	Dimension C-to-C	Projection(P)	Width(W)
		86328	4 1/2"	3"	1"	1"
		86329	5"	3 1/2"	1"	1"
		86330	5 1/2"	4"	1"	1"
		86331	7 1/2"	6"	1 1/8"	1 1/8"


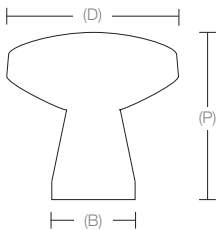
Sandcast Bronze Ranch Bin Pull

		Product Code	Overall Length	Dimension C-to-C	Height	Projection(P)	Width(W)
		86326	3 5/8"	3"	1 5/8"	1"	1 1/2"
		86327	4 5/8"	4"	1 3/4"	1"	1 1/2"


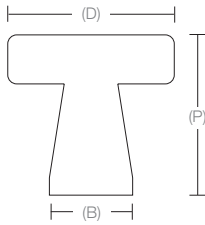
Sandcast Bronze Bin Pull

		Product Code	Overall Length	Dimension C-to-C	Height	Projection(P)	Width(W)
		86051	3 1/2"	3"	1 1/2"	1"	1 1/2"
		86050	4 5/8"	4"	1 5/8"	1"	1 1/2"


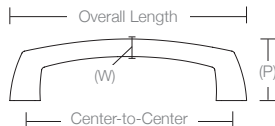
Stainless Steel Dome Knob

		Product Code	Dimension(D)	Projection(P)	Base Diameter(B)
		S61113SS	1 1/4"	1 1/4"	5/8"


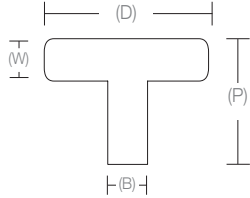
Stainless Steel Mushroom Knob

		Product Code	Dimension(D)	Projection(P)	Base Diameter(B)
		S61213SS	1 1/4"	1 1/4"	5/8"


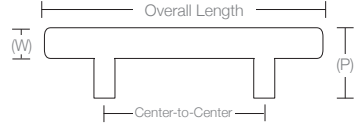
Stainless Steel Delta Pull

		Product Code	Overall Length	Dimension C-to-C	Projection(P)	Bar Width(W)
		S60030SS	3 1/2"	3"	1"	7/8"
		S60035SS	4"	3 1/2"	1"	7/8"
		S60040SS	4 1/2"	4"	1"	7/8"


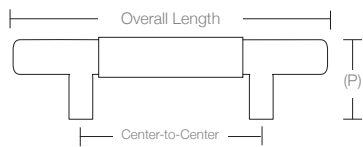
Stainless Steel Bar Knob

		Product Code	Dimension(D)	Projection(P)	Base Diameter(B)	Width(W)
		S62001SS	2"	1 ¼"	⅜"	½"

Stainless Steel Bar Pull


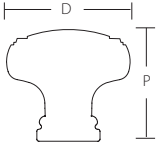
		Product Code	Overall Length	Dimension C-to-C	Projection(P)	Width(W)
		S62002SS	5"	3"	1 ¼"	½"
		S62003SS	5 ½"	3 ½"	1 ¼"	½"
		S62004SS	6 ½"	4"	1 ¼"	½"
		S62005SS	7 ½"	5"	1 ¼"	½"
		S62006SS	8 ½"	6"	1 ¼"	½"
		S62007SS	10 ½"	8"	1 ¼"	½"
		S62008SS	12 ½"	10"	1 ¼"	½"
		S62009SS	14 ½"	12"	1 ¼"	½"
		S62010SS	18 ½"	16"	1 ¼"	½"
		S62011SS	26 ½"	24"	1 ¼"	½"
		S62012SS	30 ½"	28"	1 ¼"	½"
		S62013SS	34 ½"	32"	1 ¼"	½"
		S62014SS	38 ½"	36"	1 ¼"	½"

Stainless Steel Leather Bar Pull


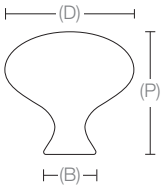
		Product Code	Overall Length	Dimension C-to-C	Projection(P)
		S86521	5"	3"	1 ⅜"
		S86522	5 ½"	3 ½"	1 ⅜"
		S86523	6 ½"	4"	1 ⅜"
		S86524	8 ½"	6"	1 ⅜"
		S86525	10 ½"	8"	1 ⅜"
		S86526	14 ½"	12"	1 ⅜"

Traditional Cabinet Knob & Pull Specifications


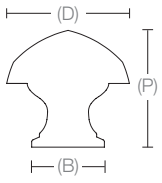
Norwich Knob

		Product Code	Dimension(D)	Projection(P)	Base Diameter(B)
		86610	1 1/4"	1 1/8"	5/8"
		86611	1 5/8"	1 1/2"	7/8"


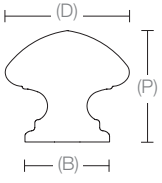
Egg Knob

		Product Code	Dimension(D)	Projection(P)	Base Diameter(B)
		86015	1"	1"	1/2"
		86016	1 1/4"	1 1/4"	1/2"
		86124	1 3/4"	1 5/8"	3/4"


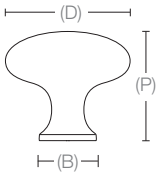
Hexagon Knob

		Product Code	Dimension(D)	Projection(P)	Base Diameter(B)
		86119	1 1/8"	1"	3/4"
		86120	1 3/8"	1 3/8"	3/4"
		86204	1 7/8"	1 3/4"	1 1/4"


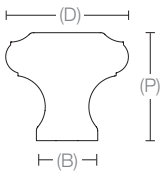
Melon Knob

		Product Code	Dimension(D)	Projection(P)	Base Diameter(B)
		86121	1"	1"	3/4"
		86122	1 1/4"	1 1/4"	3/4"
		86203	1 3/4"	1 3/4"	1"

Providence Knob


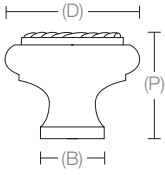
		Product Code	Dimension(D)	Projection(P)	Base Diameter(B)
		86013	1"	1"	5/8"
		86014	1 1/4"	1 1/4"	5/8"
		86027	1 3/4"	1 1/2"	3/4"

Waverly Knob


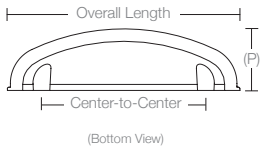
		Product Code	Dimension(D)	Projection(P)	Base Diameter(B)
		86114	1"	1"	5/8"
		86115	1 1/4"	1 1/4"	5/8"
		86201	1 3/4"	1 1/2"	7/8"

Traditional Cabinet Knob & Pull Specifications


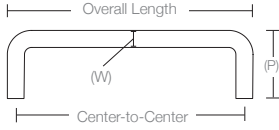
Rope Knob

		Product Code	Dimension(D)	Projection(P)	Base Diameter(B)
		86112	1"	1"	5/8"
		86113	1 1/4"	1 1/4"	5/8"
		86202	1 3/4"	1 1/2"	7/8"


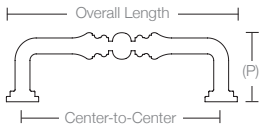
Cup Pull

	 <p>(Bottom View)</p>	Product Code	Overall Length	Dimension C-to-C	Height	Projection(P)
		86123	4 1/4"	3"	1 1/2"	1 1/4"
		86173	5 1/2"	4"	2 1/8"	1 1/2"

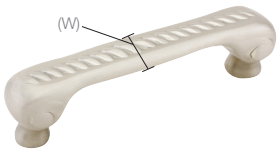
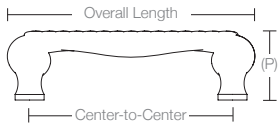
Wire Pull

		Product Code	Overall Length	Dimension C-to-C	Projection(P)	Bar Width(W)
		86131	3 3/8"	3"	1 1/4"	5/16"
		86132	3 7/8"	3 1/2"	1 1/4"	5/16"
		86133	4 5/16"	4"	1 1/4"	5/16"
		86249	6 5/16"	6"	1 1/4"	5/16"


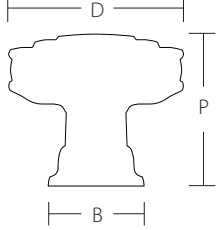
Spindle Pull

		Product Code	Overall Length	Dimension C-to-C	Projection(P)
		86128	3 5/8"	3"	1 1/4"
		86129	4 1/8"	3 1/2"	1 1/4"
		86130	4 5/8"	4"	1 1/4"
		86248	6 5/8"	6"	1 1/4"


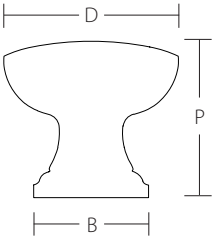
Rope Pull

		Product Code	Overall Length	Dimension C-to-C	Projection(P)	Bar Width(W)
		86125	3 5/8"	3"	1 1/4"	5/8"
		86126	4 1/8"	3 1/2"	1 1/4"	5/8"
		86127	4 5/8"	4"	1 1/4"	11/16"
		86247	6 5/8"	6"	1 1/4"	3/4"


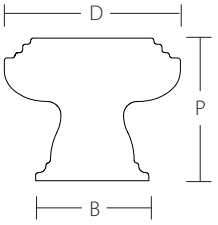
Glendon Knob

		Product Code Dimension(D) Projection(P) Base Diameter(B)
		86463 1 1/4" 1 1/4" 3/4"
		86464 1 5/8" 1 1/2" 7/8"


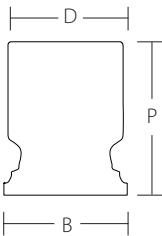
Overland Knob

		Product Code Dimension(D) Projection(P) Base Diameter(B)
		86467 1 1/4" 1 1/4" 7/8"
		86468 1 3/4" 1 1/2" 1"


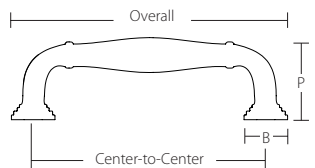
Midvale Knob

		Product Code Dimension(D) Projection(P) Base Diameter(B)
		86465 1 1/4" 1" 7/8"
		86466 1 3/4" 1 1/4" 7/8"


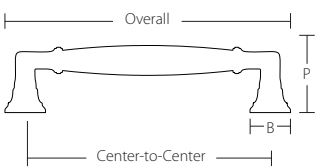
Prosser Knob

		Product Code Dimension(D) Projection(P) Base Diameter(B)
		86469 1" 1 1/4" 1"
		86470 1 1/8" 1 3/8" 1 1/8"

Blythe Pull


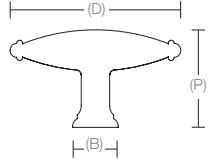
		Product Code	Dimension C-to-C	Overall Length	Projection(P)	Base Dimension(B)
		86471	3 1/2"	4 1/8"	1 1/4"	5/8"
		86472	4"	4 3/4"	1 1/4"	5/8"
		86473	6"	6 5/8"	1 3/8"	5/8"
		86474	8"	8 5/8"	1 1/2"	5/8"

Westwood Pull


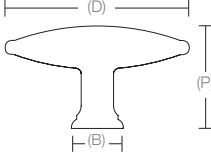
		Product Code	Dimension C-to-C	Overall Length	Projection(P)	Base Diameter(B)
		86475	3 1/2"	4 1/4"	1 1/8"	5/8"
		86476	4"	4 5/8"	1 1/8"	5/8"
		86477	6"	6 5/8"	1 1/8"	5/8"
		86478	8"	8 5/8"	1 1/4"	3/4"

Tuscany Bronze Cabinet Knob & Pull Specifications


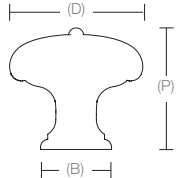
Tuscany Bronze Fluted Finger Knob

		Product Code	Dimension(D)	Projection(P)	Base Diameter(B)	Width(W)
		86227	1 3/4"	1 1/4"	1 1/16"	9/16"
		86228	3"	1 5/8"	13/16"	1 1/16"


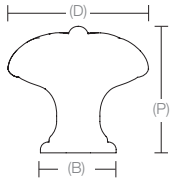
Tuscany Bronze Twist Knob

		Product Code	Dimension(D)	Projection(P)	Base Diameter(B)	Width(W)
		86097	1 3/4"	1 1/4"	1 1/16"	9/16"
		86098	3"	1 3/4"	13/16"	1 1/16"


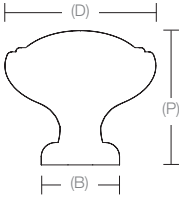
Tuscany Bronze Fluted Knob

		Product Code	Dimension(D)	Projection(P)	Base Diameter(B)
		86229	1"	1 1/8"	5/8"
		86230	1 1/4"	1 1/4"	1 1/16"
		86231	1 3/4"	1 1/2"	13/16"


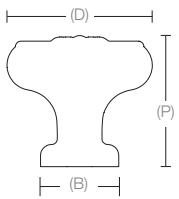
Tuscany Bronze Twist Round Knob

		Product Code	Dimension(D)	Projection(P)	Base Diameter(B)
		86244	1"	1 1/8"	5/8"
		86245	1 1/4"	1 1/4"	1 1/16"
		86246	1 3/4"	1 1/2"	13/16"

Tuscany Bronze Egg Knob


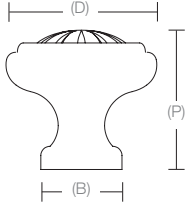
		Product Code	Dimension(D)	Projection(P)	Base Diameter(B)
		86093	1"	1"	5/8"
		86094	1 1/4"	1 1/4"	1 1/16"
		86143	1 3/4"	1 1/2"	13/16"

Tuscany Bronze Petal Knob


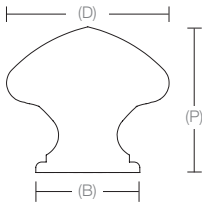
		Product Code	Dimension(D)	Projection(P)	Base Diameter(B)
		86095	1"	1"	5/8"
		86096	1 1/4"	1 1/4"	3/4"
		86214	1 3/4"	1 1/2"	7/8"

Tuscany Bronze Cabinet Knob & Pull Specifications


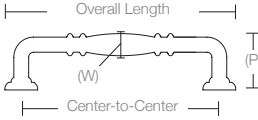
Tuscany Bronze Round Knob

		Product Code	Dimension(D)	Projection(P)	Base Diameter(B)
		86091	1"	1"	5/8"
		86092	1 1/4"	1 1/4"	3/4"
		86116	1 3/4"	1 1/2"	13/16"


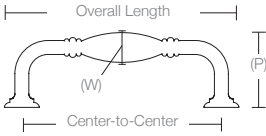
Tuscany Bronze Octagon Knob

		Product Code	Dimension(D)	Projection(P)	Base Diameter(B)
		86137	1"	1"	3/4"
		86138	1 1/4"	1 1/4"	3/4"
		86215	1 3/4"	1 5/8"	1"


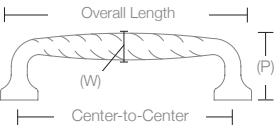
Tuscany Bronze Ribbed Pull


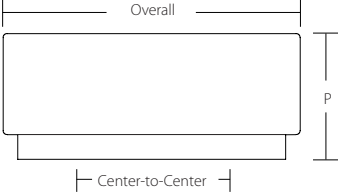
		Product Code	Overall Length	Dimension C-to-C	Projection(P)	Width(W)
		86100	3 5/8"	3"	1"	7/16"
		86101	4 1/8"	3 1/2"	1"	7/16"
		86102	4 5/8"	4"	1"	7/16"
		86255	6 5/8"	6"	1"	1/2"


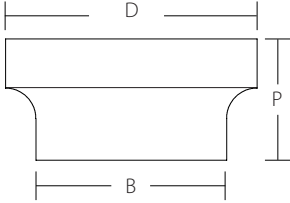
Tuscany Bronze Fluted Fixed Pull


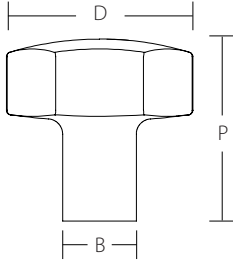
		Product Code	Overall Length	Dimension C-to-C	Projection(P)	Width(W)
		86218	3 3/4"	3"	1 1/2"	5/8"
		86219	4 1/4"	3 1/2"	1 1/2"	5/8"
		86220	4 3/4"	4"	1 1/2"	5/8"
		86221	6 3/4"	6"	1 1/2"	1 1/16"
		86222	8 3/4"	8"	1 1/2"	1 1/16"
		86223	10 3/4"	10"	1 1/2"	1 1/16"


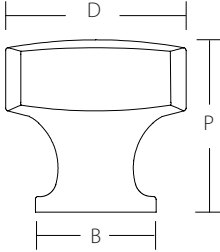
Tuscany Bronze Twist Fixed Pull


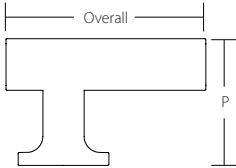
		Product Code	Overall Length	Dimension C-to-C	Projection(P)	Width(W)
		86103	3 5/8"	3"	1 1/4"	1/2"
		86104	4 1/4"	3 1/2"	1 1/4"	1/2"
		86105	4 1/2"	4"	1 1/4"	1/2"
		86238	6 3/4"	6"	1 3/8"	9/16"
		86239	8 3/4"	8"	1 3/8"	5/8"
		86240	10 3/4"	10"	1 3/8"	5/8"


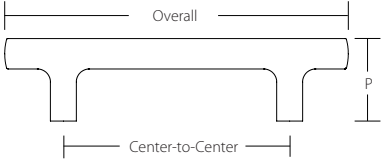
CINDER KNOB		Product Code	Overall	C-to-C	Projection(P)	Width
		86446	1 5/8"	1"	3/4"	5/8"
		86447	2 1/4"	1"	1"	1"


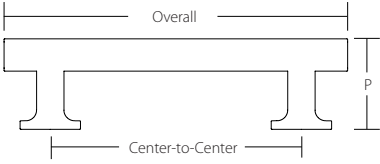
DISTRICT KNOB		Product Code	Dimension(D)	Projection(P)	Base Width(B)
		86448	1 1/4"	5/8"	1"
		86449	1 5/8"	5/8"	1 1/4"

MOD HEX KNOB		Product Code	Dimension(D)	Projection(P)	Base Width(B)
		86457	1 1/8"	1 1/4"	1/2"
		86458	1 1/2"	1 3/8"	5/8"


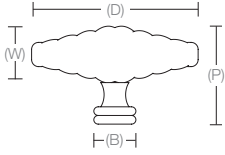
FREESTONE KNOB		Product Code	Dimension(D)	Projection(P)	Base Width(B)
		86450	1 1/4"	1 1/4"	7/8"
		86451	1 1/2"	1 1/4"	1"

FREESTONE FINGER PULL		Product Code	Overall	Width	Projection(P)
		86452	1 7/8"	3/8"	1 1/8"


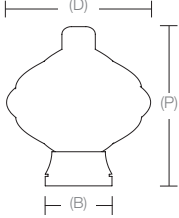
MOD HEX PULL		Product Code	C-to-C	Overall	Projection(P)	Width
		86459	3 1/2"	5 3/8"	1 1/4"	1/2"
		86460	4"	5 3/4"	1 1/4"	1/2"
		86461	6"	8"	1 3/8"	5/8"
		86462	8"	10 1/4"	1 3/8"	5/8"

FREESTONE PULL		Product Code	C-to-C	Overall	Projection(P)	Width
		86453	3 1/2"	4 3/4"	1 1/4"	3/8"
		86454	4"	5 1/4"	1 1/4"	3/8"
		86455	6"	7 5/8"	1 3/8"	1/2"
		86456	8"	10 1/2"	1 3/8"	1/2"


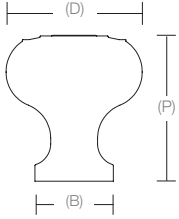
Wrought Steel Bastogne Knob

		Product Code Dimension(D) Projection(P) Base Diameter(B) Width(W)
		76017 2 3/8" 1 1/2" 5/8" 7/8"
		76018 3 3/8" 2" 1 1/16" 1 3/16"


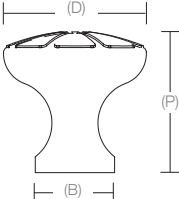
Wrought Steel Flanders Knob

		Product Code Dimension(D) Projection(P) Base Diameter(B)
		76011 1 1/4" 2" 5/8"
		76012 1 1/2" 2 1/8" 3/4"
76042 2" 2 1/2" 1 3/16"		


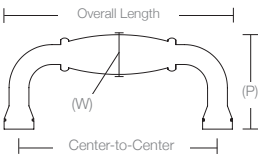
Wrought Steel Brittany Knob

		Product Code Dimension(D) Projection(P) Base Diameter(B)
		76015 1" 1 1/8" 5/8"
		76016 1 1/4" 1 3/8" 3/4"
76043 1 3/4" 1 3/4" 15/16"		


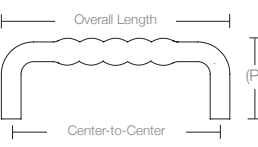
Wrought Steel Petal Knob

		Product Code Dimension(D) Projection(P) Base Diameter(B)
		76013 1" 1 1/4" 5/8"
		76014 1 1/4" 1 3/8" 3/4"
76044 1 3/4" 1 3/4" 15/16"		


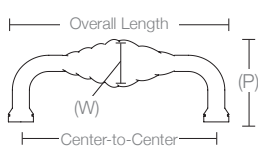
Wrought Steel Normandy Fixed Pull

		Product Code Overall Length Dimension(D) C-to-C Projection(P) Width(W) Center Only
		76027 3 1/2" 3" 1 1/2" 1 1/2"
		76023 4" 3 1/2" 1 1/2" 1 1/2"
		76024 4 1/2" 4" 1 1/2" 1 1/2"
		76046 6 1/2" 6" 1 1/2" 1 1/2"

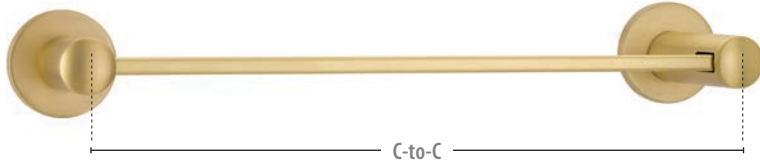
Wrought Steel San Carlos Fixed Pull

 <p>(Back Plates Included)</p>		Product Code Overall Length Dimension C-to-C Projection(P) Diameter of Back Plates
		76026 3 7/8" 3" 1 1/2" 7/8"
		76021 4 3/8" 3 1/2" 1 1/2" 7/8"
		76022 4 7/8" 4" 1 1/2" 7/8"
		76045 6 7/8" 6" 1 1/2" 7/8"

Wrought Steel Lafayette Fixed Pull

		Product Code Dimension(D) C-to-C Projection(P) Width(W)
		76025 3" 1 1/2" 7/8"
		76019 3 1/2" 1 1/2" 7/8"
		76020 4" 1 1/2" 7/8"
		76047 6" 1 1/2" 7/8"

MODERN BRASS TOWEL BAR with Small Disc Rosettes



Product Code C-to-C

28024	12"
28021	18"
28022	24"
28023	30"

Projection with Rosettes Shown

3 3/8"

Bar Dimensions

5/16" x 3/4"

Rosettes

3/8" Thick

Disk (09)



2 1/2" Dia.

Modern Rectangular (12)



2 1/2" x 4"

Square (10)



2 1/2" x 2 1/2"

Small Disc (00)



2" Dia.

1/2" Thick

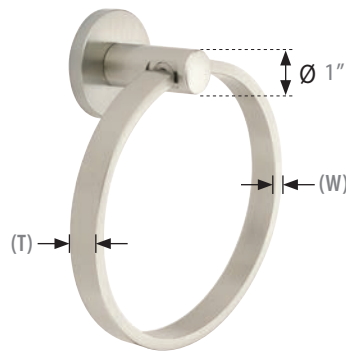
Neos (11)



2 5/8" x 4"

> Rosette size same as on passage sets

MODERN BRASS TOWEL RING with Small Disc Rosette



Product Code Overall

2801	6 1/2"
------	--------

Projection with Rosette Shown

2 5/8"

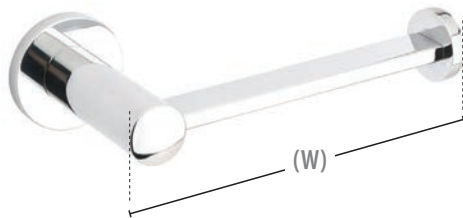
Thickness (T)

3/4"

Width (W)

3/8"

MODERN BRASS PAPER HOLDER - BAR STYLE with Small Disc Rosette



Product Code

2804

Projection with Rosette Shown

2 7/8"

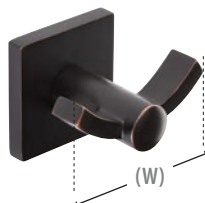
Bar Dimensions

5/16" x 3/4"

Width (W)

6 3/8"

MODERN BRASS DOUBLE HOOK with Square Rosette



Product Code

2809

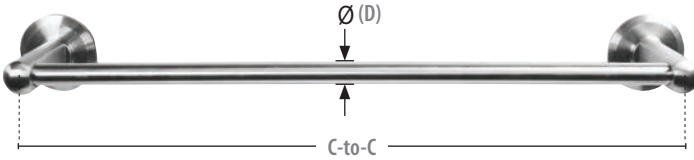
Projection with Rosette Shown

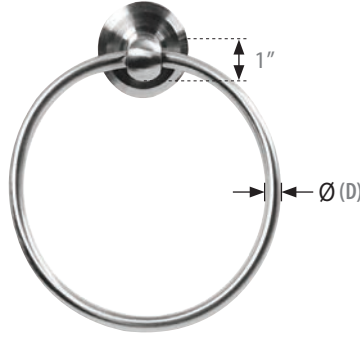
2 7/8"

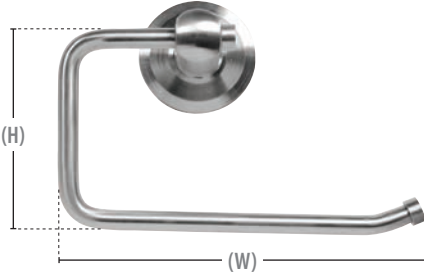
Width (W)

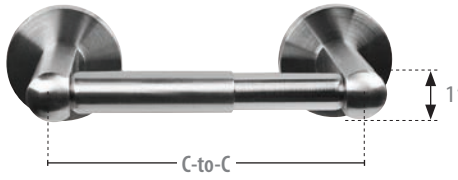
3 3/8"

> Please see page 15-17 for additional Rosette options and dimensions.

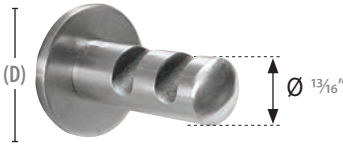
STAINLESS STEEL TOWEL BAR <i>with Beveled Rosettes</i>	Product Code	C-to-C
	S7040	12"
	S7010	18"
	S7020	24"
	S7030	30"
	Projection with Rosettes Shown	3 5/16"
	Bar Diameter (D)	5/8"

STAINLESS STEEL TOWEL RING <i>with Beveled Rosette</i>	Product Code	Overall	
	S7300	6 11/16"	
		Projection with Rosette Shown	2 13/16"
		Diameter (D)	3/8"

STAINLESS STEEL PAPER HOLDER - BAR STYLE <i>with Beveled Rosette</i>	Product Code	
	S7210	
	Projection with Rosette Shown	3 5/16"
	Bar Height (H)	3 7/8"
	Bar Width (W)	6 3/8"

STAINLESS STEEL PAPER HOLDER - SPRING ROD STYLE <i>with Disk Rosettes</i>	Product Code	C-to-C
	S7220	6 3/16"
	Projection with Rosettes Shown	3 3/8"

> Please see page 15-17 for additional Rosette options and dimensions.

STAINLESS STEEL SINGLE HOOK	Product Code	
	S71001	
	Projection	2 5/8"
	Rosette Diameter (D)	1 3/4"

>> Rosette options are not available for this product.

Rosettes
3/8" Thick
Beveled (1)

2 7/16" Dia.
Disk (2)

2 1/2" Dia.
Square (3)

2 1/2" x 2 1/2"

> Rosette size same as on passage sets

TRANSITIONAL BRASS TOWEL BAR *with Disk Rosettes*

Product Code	C-to-C
29025	12"
29026	18"
29027	24"
29028	30"

Projection with Rosettes Shown
3 3/8"

Diameter (D)
3/4"

TRANSITIONAL BRASS TOWEL RING *with Modern Rectangular Rosette*

Product Code
2901

Projection with Rosette Shown
3 1/4"

Bar Width (W)
6"

Bar Height (H)
7"

TRANSITIONAL BRASS PAPER HOLDER - BAR STYLE *with Quincy Rosette*

Product Code
2904

Projection with Rosette Shown
3 3/8"

Bar Width (W)
6 7/8"

Bar Height (H)
4 1/4"

TRANSITIONAL BRASS SINGLE HOOK WITH ROSETTE *with Disk Rosette*

Product Code
2909

Projection with Rosette Shown
2 7/8"

Rosettes

3/8" Thick

Regular (0) 2 3/4" Dia.	Rectangular (3) 4 3/8" x 2 9/16"
#8 (8) 4 3/8" x 2 9/16"	Quincy (31) 2 1/2" x 2 1/2"
Disk (09) 2 1/2" Dia.	Square (10) 2 1/2" x 2 1/2"
Modern Rectangular (12) 2 1/2" x 4"	Small Disc (00) 2" Dia.
Small Regular (20) 2" Dia.	

7/16" Thick

Oval (2) 4 1/2" x 2 1/2"	Wilshire (61) 3" x 2 1/2"
-----------------------------	------------------------------

1/2" Thick

Neos (11) 2 5/8" x 4"

> Please see page 15-17 for additional Rosette options and dimensions.

> Rosette size same as on passage sets

BRASS DOUBLE TOWEL BAR with Regular Rosettes

Product Code	C-to-C
26031	18"
26032	24"
26033	30"

Projection with Rosettes Shown
5 3/8"

Diameter (D)
1 1/16"

Overall Height
4 3/4"

BRASS TOWEL BAR with Rope Rosettes

Product Code	C-to-C
26024	12"
26021	18"
26022	24"
26023	30"

Projection with Rosettes Shown
3 3/8"

Diameter (D)
1 1/16"

BRASS TOWEL RING with Ribbon & Reed Rosette

Product Code	Overall
2601	6 7/8"

Projection with Rosette Shown
2 5/8"

Diameter (D)
7/16"

> Please see page 15-17 for additional Rosette options and dimensions.

Rosettes

3/8" Thick

Regular (0)  2 3/4" Dia.	Rope (1)  2 3/4" Dia.
Rectangular (3)  4 3/8" x 2 9/16"	Quincy (31)  2 1/2" x 2 1/2"
Lancaster (6)  2 3/4" Dia.	Ribbon & Reed (7)  2 3/4" Dia.
#8 (8)  4 3/8" x 2 9/16"	Small Regular (20)  2" Dia.

7/16" Thick

Oval (2)  4 1/2" x 2 1/2"	Wilshire (61)  3" x 2 1/2"
--	---

1/2" Thick

Arts & Crafts Rectangular (05)  4" x 2 1/2"
--

> Rosette size same as on passage sets

BRASS PAPER HOLDER - BAR STYLE <i>with Rope Rosette</i>	Product Code
	2604
	Projection with Rosette Shown
	3 3/8"
	Bar Width (W)
6 3/4"	
Bar Height (H)	
3 15/16"	

BRASS PAPER HOLDER - SPRING ROD STYLE <i>with Lancaster Rosettes</i>	Product Code
	2605
	C-to-C
	7 1/8"
	Projection with Rosettes Shown
3 3/8"	

BRASS DOUBLE HOOK WITH ROSETTE <i>with Oval Rosette</i>	Product Code
	2609
	Projection with Rosette Shown
	2 7/8"
	Width (W)
3 3/8"	

BRASS SINGLE HOOK POST <i>with Lancaster Rosette</i>	Product Code
	2608
	Projection with Rosette Shown
3 1/2"	

> Please see page 15-17 for additional Rosette options and dimensions.

Rosettes

3/8" Thick

Regular (0)	Rope (1)
2 3/4" Dia.	2 3/4" Dia.

Rectangular (3)	Quincy (31)
4 3/8" x 2 9/16"	2 1/2" x 2 1/2"

Lancaster (6)	Ribbon & Reed (7)
2 3/4" Dia.	2 3/4" Dia.

#8 (8)	Small Regular (20)
4 3/8" x 2 9/16"	2" Dia.

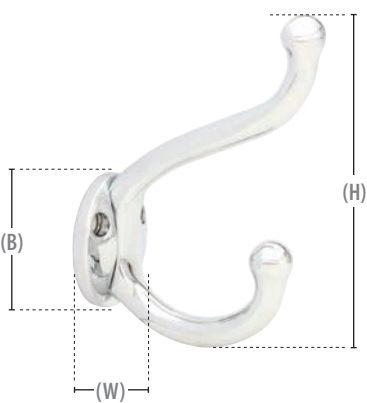
7/16" Thick

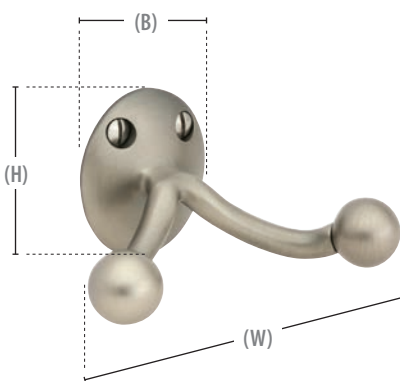
Oval (2)	Wilshire (61)
4 1/2" x 2 1/2"	3" x 2 1/2"

1/2" Thick

Arts & Crafts Rectangular (05)
4" x 2 1/2"

> Rosette size same as on passage sets

BRASS ROBE HOOK	Product Code
 <p>>> Rosette options are not available for this product.</p>	2606
	Upper Hook Projection 2 5/8"
	Base Height (B) 1 3/4"
	Base Width (W) 1 1/2"
	Screw-to-Screw 1"
	Overall Height (H) 4"

BRASS DOUBLE HOOK	Product Code
 <p>>> Rosette options are not available for this product.</p>	2607
	Projection 2 1/8"
	Base Height (H) 1 3/4"
	Base Width (B) 1 1/2"
	Screw-to-Screw 3/4"
	Overall Width (W) 3 1/2"

SANDCAST BRONZE DOUBLE TOWEL BAR with #1 Rosettes

Product Code	C-to-C
23051	18"
23052	24"
23053	30"

Projection with Rosettes Shown
 5 5/16"

Diameter (D)
 5/16"

Overall Height
 4 3/4"

SANDCAST BRONZE TOWEL BAR with #6 Rosettes

Product Code	C-to-C
23024	12"
23021	18"
23022	24"
23023	30"

Projection with Rosettes Shown
 3 3/8"

Bar Diameter (D)
 5/16"

SANDCAST BRONZE TOWEL RING with #3 Rosette

Product Code	Overall
2301	6 1/2"

Projection with Rosette Shown
 2 1/16"

Bar Diameter (D)
 3/4"

Rosettes

3/16" Thick

#1

 4 1/2" x 2 1/2"

#2

 2 3/4" Dia.

#3

 4 1/2" x 2 1/2"

1/2" Thick

#4

 4 1/2" x 2 13/16"

7/16" Thick

#6

 2 1/2" x 2 1/2"

> Please see page 15-17 for additional Rosette options and dimensions.

> Rosette size same as on passage sets

SANDCAST BRONZE PAPER HOLDER - BAR STYLE <i>with #1 Rosette</i>	Product Code	Width (W)
	2303	6 1/2"
	Projection with Rosette Shown 3"	
	Diameter (D) 3/4"	

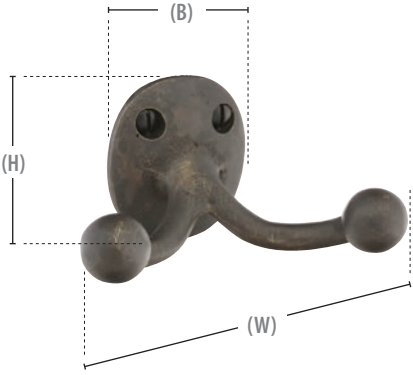
SANDCAST BRONZE PAPER HOLDER - SPRING ROD STYLE <i>with #6 Rosettes</i>	Product Code	
	2304	
	C-to-C 7 5/16"	
	Projection with Rosettes Shown 3"	

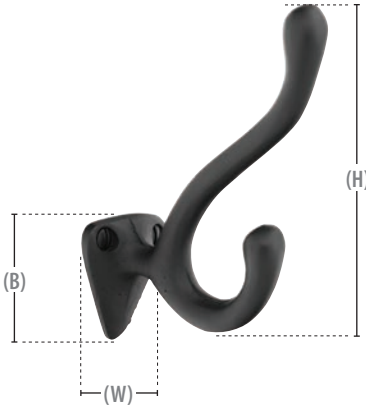
SANDCAST BRONZE SINGLE HOOK <i>with #2 Rosette</i>	Product Code	
	2308	
	Projection with Rosette Shown 2 3/4"	

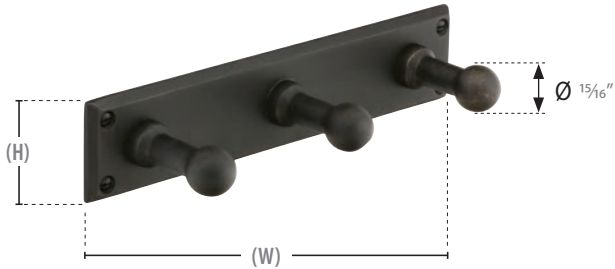
> Please see page 15-17 for additional Rosette options and dimensions.

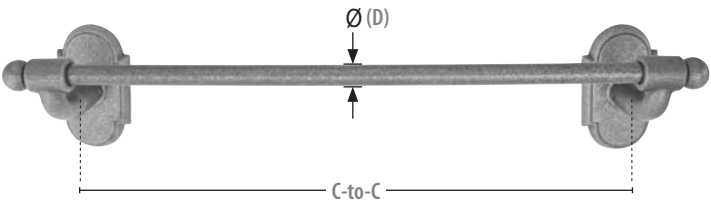
Rosettes
<p>3/16" Thick</p> <p>#1</p> <p>4 1/2" x 2 1/2"</p>
<p>#2</p> <p>2 3/4" Dia.</p>
<p>#3</p> <p>4 1/2" x 2 1/2"</p>
<p>1/2" Thick</p> <p>#4</p> <p>4 1/2" x 2 13/16"</p>
<p>7/16" Thick</p> <p>#6</p> <p>2 1/2" x 2 1/2"</p>

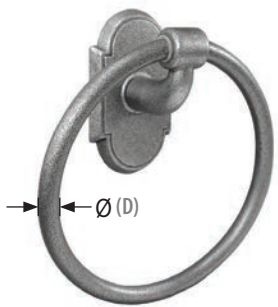
> Rosette size same as on passage sets

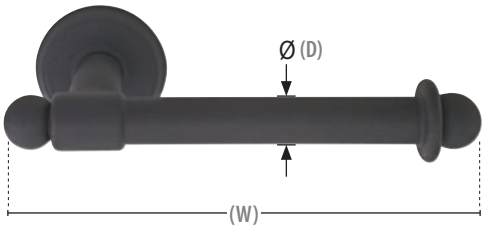
SANDCAST BRONZE DOUBLE HOOK	Product Code
 <p>>> Rosette options are not available for this product.</p>	2306
	Projection 2"
	Base Height (H) 1 3/4"
	Base Width (B) 1 1/2"
	Screw-to-Screw 3/4"
	Overall Width (W) 3 5/16"

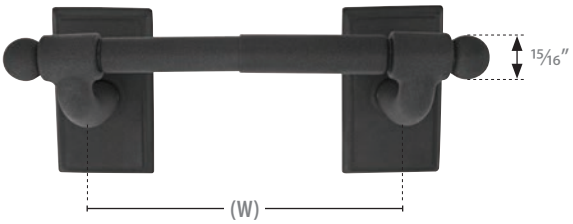
SANDCAST BRONZE ROBE HOOK	Product Code
 <p>>> Rosette options are not available for this product.</p>	86106
	Upper Hook Projection 2 1/2"
	Base Height (B) 1 1/2"
	Base Width (W) 1 1/4"
	Screw-to-Screw 13/16"
	Overall Height (H) 3 7/8"

SANDCAST BRONZE 3 HOOKS WITH RECTANGULAR PLATE	Product Code
	2307
	Projection 2 1/2"
	Height (H) 2"
	Width (W) 9 1/2"

WROUGHT STEEL TOWEL BAR with #1 Rosettes	Product Code	C-to-C
	25024	12"
	25021	18"
	25022	24"
	25023	30"
Projection with Rosettes Shown		3 7/16"
Diameter (D)		5/8"

WROUGHT STEEL TOWEL RING with #1 Rosette	Product Code	Overall	
	2501	6 1/2"	
	Projection with Rosette Shown		2 5/8"
	Bar Diameter (D)		1/2"

WROUGHT STEEL PAPER HOLDER - BAR STYLE with #2 Rosette	Product Code	Width (W)	
	2503	8 1/8"	
	Projection with Rosette Shown		3 3/8"
	Bar Diameter (D)		3/4"

WROUGHT STEEL PAPER HOLDER - SPRING ROD STYLE with #3 Rosettes	Product Code	Width (W)	
	2504	9 7/16"	
	Projection with Rosettes Shown		3 3/8"

Rosettes
<p>3/8" Thick</p> <p>#1</p>  <p>4 3/8" x 2 9/16"</p>
<p>#2</p>  <p>2 5/8" Dia.</p>
<p>#3</p>  <p>4 3/8" x 2 9/16"</p>

> Rosette size same as on passage sets

> Please see page 15-17 for additional Rosette options and dimensions.

WROUGHT STEEL ROBE HOOK

Product Code

25050

Upper Hook Projection

3"

Base Height (B)

1 1/2"

Base Width (W)

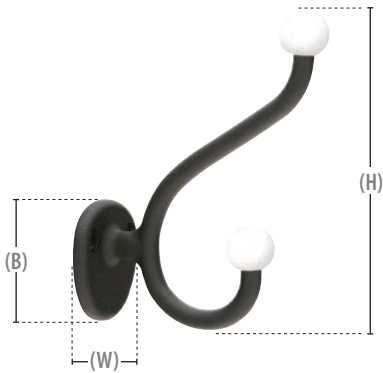
1 1/4"

Screw-to-Screw

1 3/16"

Overall Height (H)

3 13/16"



>> Rosette options are not available for this product.

TUSCANY BRONZE DOUBLE TOWEL BAR with #14 Rosettes

Product Code	C-to-C
27081	18"
27082	24"
27083	30"

Projection with Rosettes Shown
 5 3/8"

Diameter (D)
 9/16"

TUSCANY BRONZE TOWEL BAR with #12 Rosettes

Product Code	C-to-C
27024	12"
27021	18"
27022	24"
27023	30"

Projection with Rosettes Shown
 3 3/8"

Bar Diameter (D)
 9/16"

TUSCANY BRONZE TOWEL RING with #15 Rosette

Product Code	Overall
2701	6 1/2"

Projection with Rosette Shown
 2 5/8"

Bar Diameter (D)
 7/16"

Rosettes

3/16" Thick

#11

 4 1/2" x 2 1/2"

#12

 2 5/8" Dia.

#14

 4 1/2" x 2 3/8"

#15

 2 1/2" x 2 1/2"

> Rosette size same as on passage sets

> Please see page 15-17 for additional Rosette options and dimensions.

TUSCANY BRONZE PAPER HOLDER - BAR STYLE with #15 Rosette		Product Code	Width (W)
<p>Right Hand</p> <p>Left Hand</p> <p>(D)</p> <p>(W)</p>	2705RH	6 3/8"	
	2705LH	6 3/8"	
		Projection with Rosette Shown	3"
		Dimension (D)	1 3/16"

TUSCANY BRONZE PAPER HOLDER - SPRING ROD STYLE with #11 Rosettes		Product Code	C-to-C
<p>Ø (D)</p> <p>C-to-C</p>	2704	7 1/8"	
			Projection with Rosettes Shown
		Diameter (D)	1 3/16"

TUSCANY BRONZE SINGLE HOOK with #12 Rosette		Product Code	
<p>(D)</p>	2706		
			Projection with Rosette Shown
		Dimension (D)	1"

Rosettes
<p>3/16" Thick</p> <p>#11</p> <p>4 1/2" x 2 1/2"</p>
<p>#12</p> <p>2 5/8" Dia.</p>
<p>#14</p> <p>4 1/2" x 2 3/8"</p>
<p>#15</p> <p>2 1/2" x 2 1/2"</p>

> Rosette size same as on passage sets

> Please see page 15-17 for additional Rosette options and dimensions.

TUSCANY BRONZE DOUBLE HOOK

Product Code

2707

Projection

2 ¼"

Base Height (H)

1 ¾"

Base Width (B)

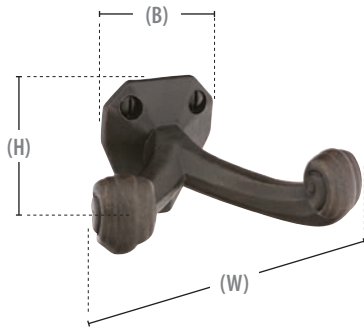
1 ½"

Screw-to-Screw

7/16"

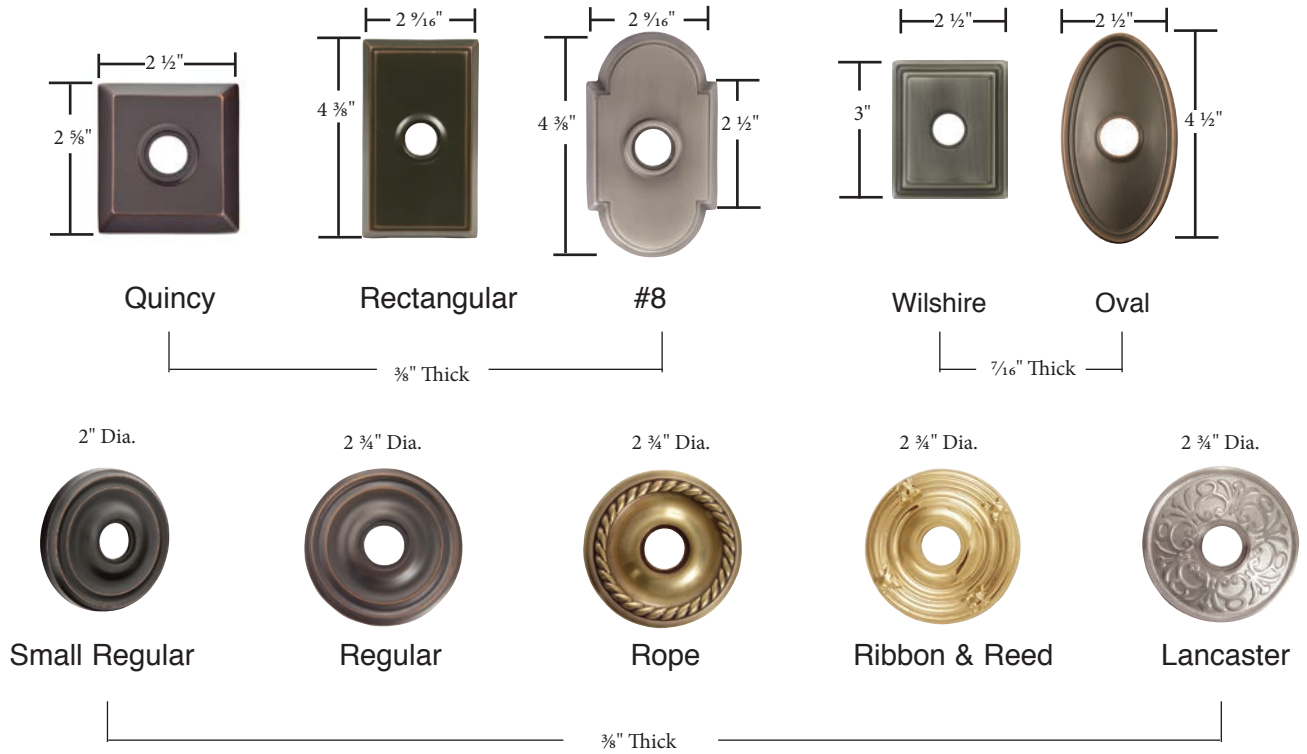
Overall Width (W)

3 ½"

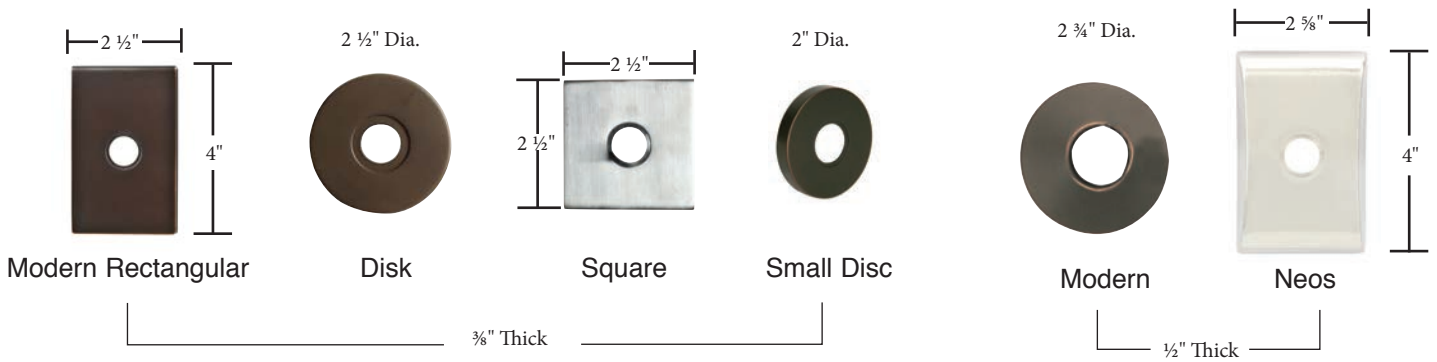


>> Rosette options are not available for this product.

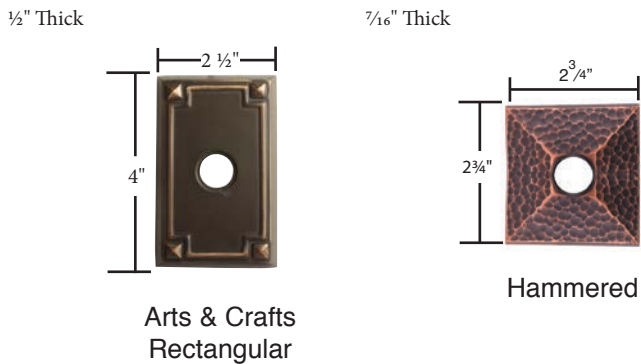
Solid Brass



Modern Brass



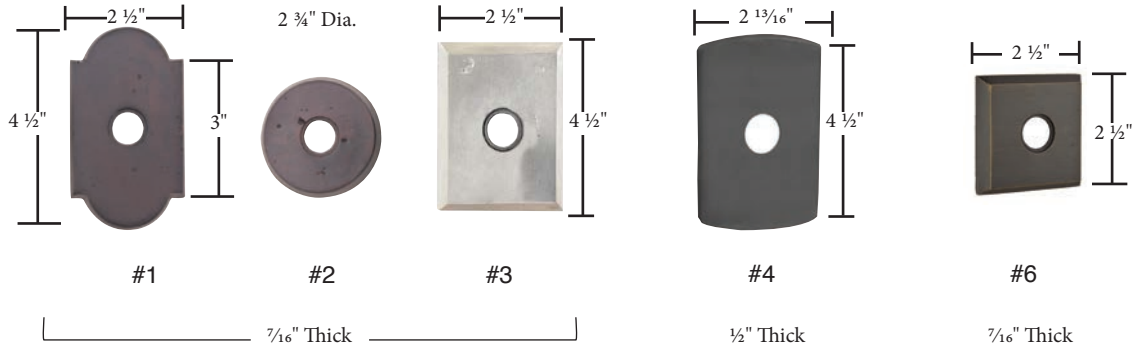
Arts & Crafts Brass



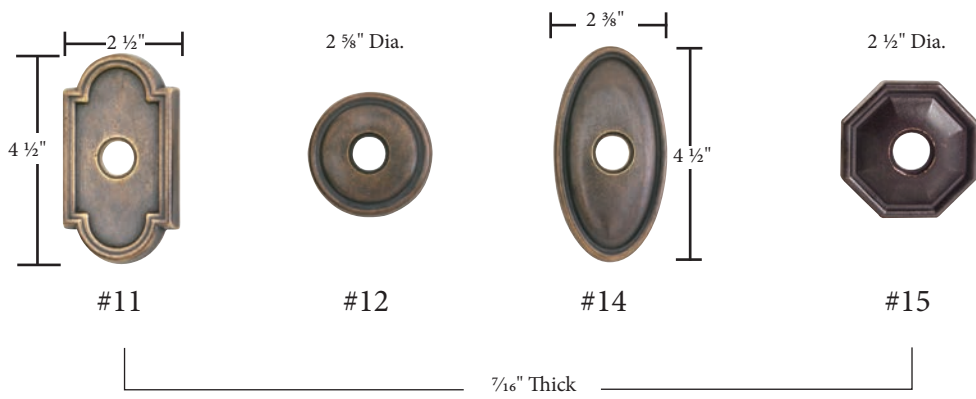
Porcelain



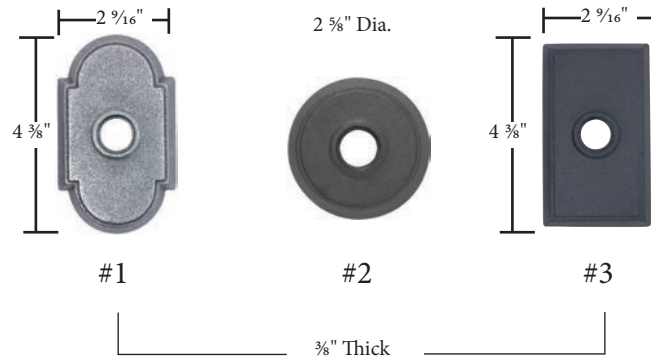
Sandcast Bronze



Lost Wax Cast Bronze



Wrought Steel



Stainless Steel

