



www.theDSgroup.com

Tomorrow's Innovative Solutions for Today's Doors & Windows

The DS Group Of Companies: Draftseal®, Kristrack®, Eclipse Architectural® & DSD Hardware

DraftSeal®

Residential Product: Gasket Weathersealing

DS425

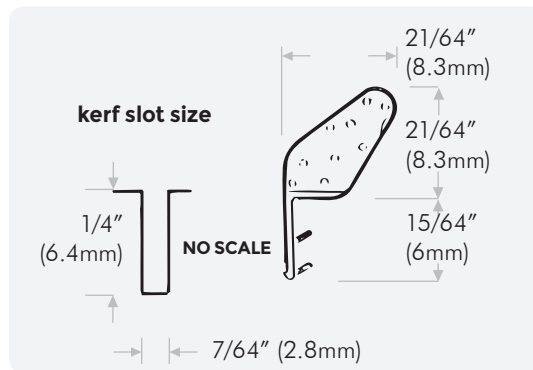
Kerf Inserted Gasket Seal For Windows



DS425W White

DS425B Brown

Lengths available:
By footage or 1500ft (457m) coil



Head Office & Manufacturing Centre - Vancouver, Canada

7470 Buller Avenue, Burnaby, B.C. V5J 4S5 Canada

Ph: (604) 451-1080 • Fax: (604) 451-1140 • info@theDSgroup.com • Outside Vancouver, BC use toll free numbers Ph: 1-888-520-9009 Fax: 1-800-567-2887

Branch Offices & Manufacturing Centres Toronto, Canada & Los Angeles, USA • THE DS GROUP IS THE BRAND IMAGE OF A.K. DRAFT SEAL LTD.

© COPYRIGHT A.K. DRAFT SEAL LTD • This drawing remains the property of A.K. Draft Seal and all its affiliates. The information contained in this drawing is not to be disclosed to any party without written approval from A.K. Draft Seal.