

A black and white photograph of a modern office hallway. The hallway is carpeted and has glass-walled offices on the right side. Each office door has a large, vertical, oval-shaped pull handle. The lighting is bright, and the overall atmosphere is clean and professional.

PULLS & HANDLES

Architectural Pulls and Handles for Interior or Exterior Commercial Doors



TG 138 Locking Ladder Pull

CONTENTS

DORMA Pulls and Handles	Overview	3
TG Handles	TG 9387 / TG 9335	4
	TG 9830 / TG 9304 / TG 9306	5
	Mounting Options	6
TG 138 Locking and Non-Locking Ladder Pulls	Overview	7
	49" TG 138 Ladder Pull Details & Glass Cutout Template	8
	60" TG 138 Ladder Pull Details & Glass Cutout Template	9
	72" TG 138 Ladder Pull Details & Glass Cutout Template	10
	84" TG 138 Ladder Pull Details & Glass Cutout Template	11
	Mounting Pack Options	12
MANET, ARCOS, and BEYOND Handles	MANET Handles	14
	MANET Details & Glass Fabrication	15
	ARCOS Details & Glass Fabrication	16
	BEYOND Details	17
Other Pull Handles and Knobs	Economy Pull Handles	17
	Slide-on Pulls / Flush Handles / Glass Knobs	19

PULLS AND HANDLES

DORMA offers a wide selection of pulls and handles for both tempered glass doors and solid material doors made of aluminum, wood, PVC, or mixed material: locking and non-locking ladder pulls, back-to-back pulls, customized handle solutions, and a variety of finishes and materials.

TG Handles

No handle in the market is more technically reliable or adaptable than the stainless steel TG handle. Available in numerous designs and sizes, DORMA TG handles provide customized solutions to meet individual application requirements. Some TG handles are made to order, to schedule, and to specification—eliminating the need to adapt on site.

TG 9387 handles are available in stock in 12", 18", 36", 42", and 60" lengths.

TG 138 Locking Ladder Pulls

A DORMA TG 138 locking ladder pull set is a pair of tubular lockable pull handles with a small format interchangeable (SFIC) cylinder on the secure side and a thumbturn on the non-secure side of the door. Made from the highest quality, Grade 316L stainless steel, TG 138 locking ladder pulls are perfect for the toughest interior/exterior environments. Four stocked lengths are available: 49", 60", 72", and 84" with custom sizes available for quote upon request.

ARCOS Handles

With its arc-like curvature to complement the ARCOS line, ARCOS handles are available in two lengths and two finishes: 13-3/4" (350 mm) or 29-1/2" (750 mm) in either Bright Anodized Aluminum or Custom Powder Coated. These beautifully crafted, high-quality, back-to-back handles combine a long service lifetime with an attractive appearance.

MANET Handles

Elegant, technologically advanced MANET handles deliver ideal solutions for a range of internal applications. These satin stainless steel handles are available in four fixed lengths and in single sided or back-to-back versions.

They can be installed horizontally, vertically, or in a handrail configuration.

BEYOND Handles

BEYOND handles were developed to complement the DORMA BEYOND system, but work well with all types of swing glass doors. Made of aluminum in a sleek modernist design, BEYOND handles are available in three lengths: 17-3/4" (450 mm), 23-5/8" (600 mm), and 35-7/16" (900 mm). The finish is Similar to Satin Stainless.

NOTE: Mounting packs are available for tempered glass doors and for aluminum, wood, PVC, and mixed material doors from 3/8" (10 mm) to 1-3/4" (44 mm). Contact the factory if mounting packs are required for thicker doors.

Warranty

For details, refer to **DORMA Limited Warranty** on our website at go.dorma.com/terms.



TG 9304



TG 9387



TG 9335



TG 9830



TG 138 Locking Ladder Pull



MANET Handle



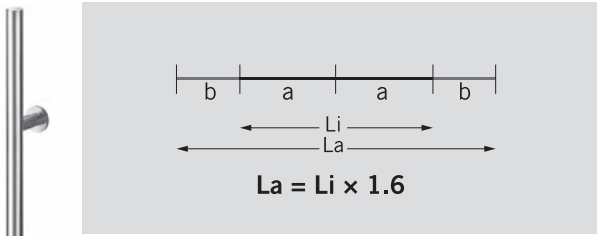
BEYOND Handle



ARCOS Handle

TG HANDLES

Center distance specifically tailored to your requirements

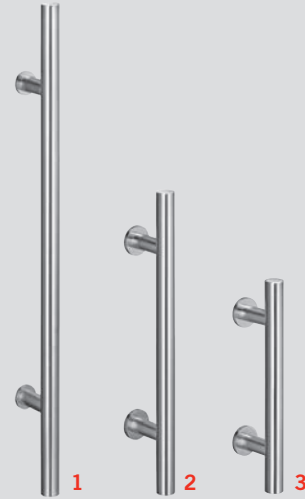


- Each pull handle custom ordered to fit field preparation. No cutting or handle modifications required in field.
- No inventory or storage costs.
- Robust design for maximum load resistance.
- Naturally corrosion resistant.
- All TG pulls are made from stainless steel base material.
- A range of mounting options is available to suit various door thicknesses for glass, metal, or wood doors.
- Consistent appearance of all pull handles in the building.

TG 9387

Pull handle with straight supports, stainless steel

- 1** Li = 39-3/8" (1000 mm)
La = 63" (1600 mm)
- 2** Li = 13-25/32" (350 mm)
La = 22-1/16" (560 mm)
- 3** Li = 11-13-16" (300 mm)
La = 18-29/32" (480 mm)

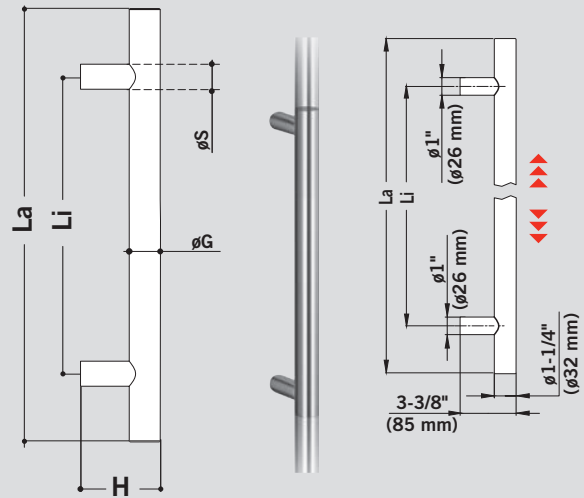
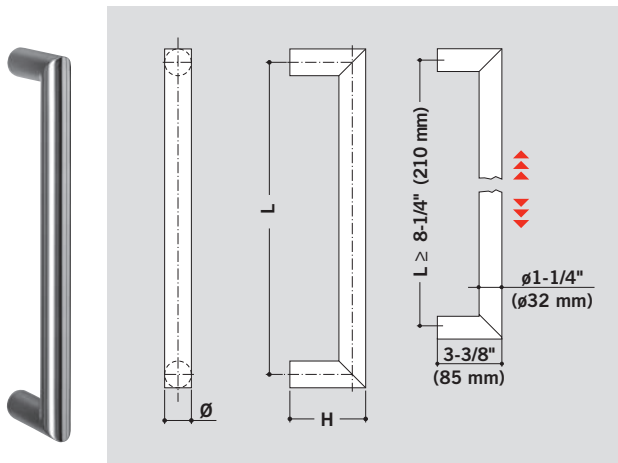


ø G	1" (25 mm)	1-1/4" (32 mm)
ø S	23/32" (18 mm)	1-1/32" (26 mm)
H	2-15/16" (75 mm)	3-11/32" (85 mm)
3 fixings required	59-1/16" (1500 mm)	74-13/16" (1900 mm)

TG 9335

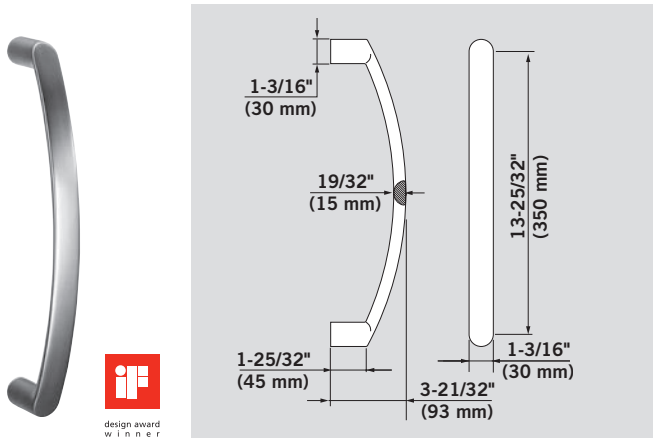
Straight mitered pull handle, stainless steel

ø	1" (25 mm)	1-1/4" (32 mm)
H	2-15/16" (75 mm)	3-11/32" (85 mm)
L	8-1/4" (210 mm)	7-7/8" (200 mm)
Max. L	39-3/8" (1000 mm)	51-3/16" (1300 mm)



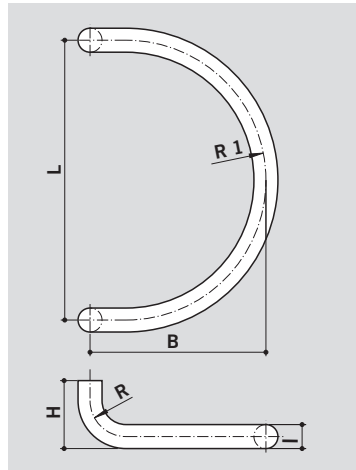
TG 9830

Pull handle, stainless steel



TG 9304

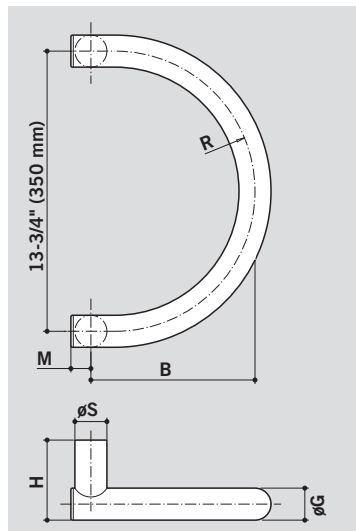
Semi-circular pull handle, aluminum, stainless steel



∅	1-3/16" (30 mm) aluminum	1-3/16" (30 mm) stainless steel
R	1-3/4" (45 mm)	1-3/4" (45 mm)
R1	5-29/32 (150 mm)	6-7/8" (175 mm)
B	7-11/16" (195 mm)	8-21/32" (220 mm)
H	3-11/32" (85 mm)	3-11/32" (85 mm)
L	11-13/16" (300 mm)	13-25/32" (350 mm)

TG 9306

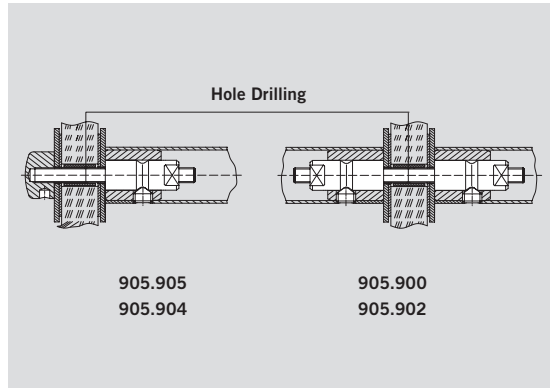
Semi-circular pull handle with spacer fixings, stainless steel



∅ G	1-3/16" (30 mm)	1-9/16" (34 mm)
∅ S	1-1/32" (26 mm)	1-1/4" (32 mm)
R	6-7/8" (175 mm)	6-7/8" (175 mm)
B	7-11/16" (195 mm)	8-1/16" (205 mm)
H	3-11/32" (85 mm)	3-15/16" (100 mm)
M	25/32" (20 mm)	1" (25 mm)

MOUNTING OPTIONS

TG Handles to Glass Doors



Single-sided, through-bolt mounting pack, with cap opposite

- 5/16" (8 mm) – 19/32" (15 mm) glass thickness

M6 Ref. # 905.905

M8 Ref. # 905.904

Back-to-back, through-bolt mounting pack, concealed

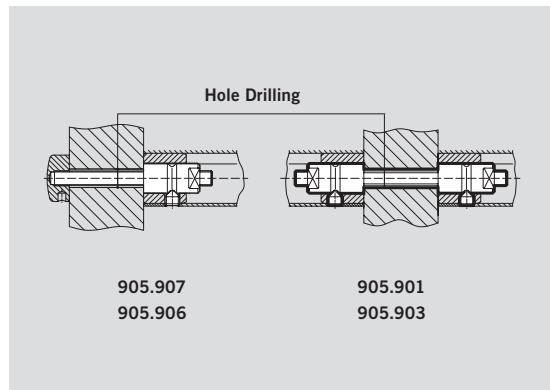
- 5/16" (8 mm) – 19/32" (15 mm) glass thickness

M6 Ref. # 905.900

M8 Ref. # 905.902

Screw M	Handle ϕ or ϕ G	Hole ϕ
M6	25/32" (20 mm)	1/2" (12 mm)
M6	1" (25 mm)	1/2" (12 mm)
M8	1-3/16" (30 mm)	1/2" (12 mm)
M8	1-1/4" (32 mm)	1/2" (12 mm)
M8	1-9/16" (40 mm)	1/2" (12 mm)

TG Handles to Wood Doors



Single-sided, through-bolt mounting pack, with cap opposite

- 1-3/8" (35 mm) – 3-15/16" (100 mm) wood thickness

M6 Ref. # 905.907

M8 Ref. # 905.906

Back-to-back, through-bolt mounting pack, concealed

- 1-3/8" (35 mm) – 3-15/16" (100 mm) wood thickness

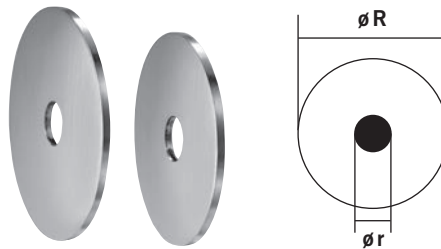
M6 Ref. # 905.901

M8 Ref. # 905.903

Screw M	Handle ϕ or ϕ G	Hole ϕ
M6	25/32" (20 mm)	5/16" (8 mm)
M6	1" (25 mm)	5/16" (8 mm)
M8	1-3/16" (30 mm)	3/8" (10 mm)
M8	1-1/4" (32 mm)	3/8" (10 mm)
M8	1-9/16" (40 mm)	3/8" (10 mm)

Optional Support Rose for Pull Handle

	GZ 540	GZ 544
ϕ R	1-9/16" (40 mm)	1-3/4" (44 mm)
ϕ r	1/4" (6 mm)	5/16" (8 mm)
for ϕ handle thickness	1" (25 mm)	1-1/4" (32 mm)



1/16" (2 mm) thickness

TG 138 LOCKING AND NON-LOCKING LADDER PULLS

Lockable Stainless Steel Pull Handles with Rim Cylinder & Thumbturn



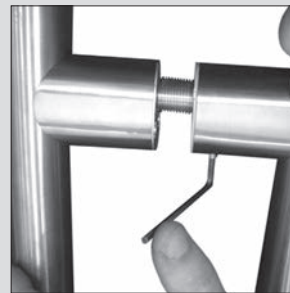
For elegant and secure glass entrances, DORMA offers the **TG 138 Locking and Non-Locking Ladder Pulls**—a pair of tubular lockable pull handles with a small format interchangeable (SFIC) cylinder on the secure side and a thumbturn on the non-secure side of the door. Made from the highest quality, Grade 316L stainless steel, TG 138 locking ladder pulls are perfect for the toughest interior/exterior environments. Four stocked lengths are available: 49", 60", 72", and 84" with custom sizes available for quote upon request.

Lockable pull handles feature a patented anti-break-in technology and steel dead bolt locking on the interior or opposite of the cylinder side of the opening. The default cylinder is a Small Format Interchangeable Core (SFIC) less core (00). Other cylinder and keying options are available. A dust proof strike is included.

Mounting packs are available for tempered glass doors and for aluminum, wood, PVC, and mixed material doors from 3/8" (10 mm) to 1-3/4" (44 mm). Contact the factory if mounting packs are required for thicker doors.

Matching non-locking Ladder Pulls are stocked in all four standard sizes, or custom sizes are available for a quote upon request.

Patented Anti-Break-In Technology

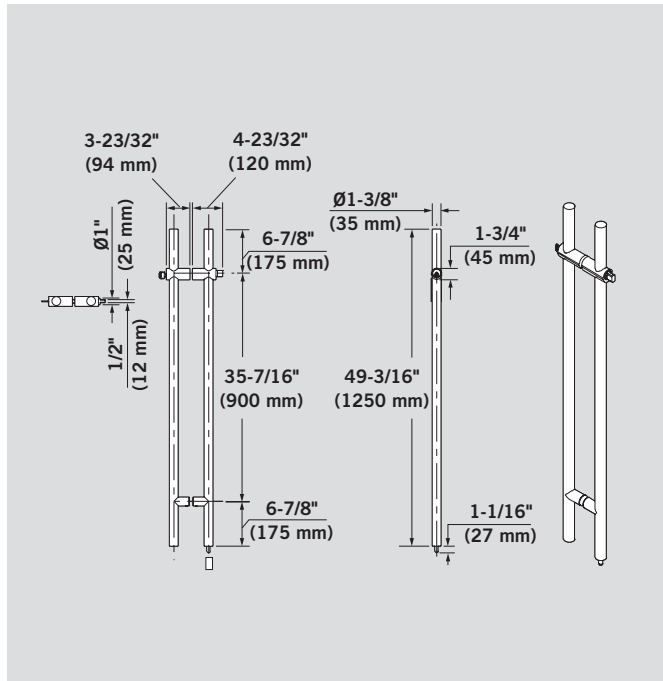


The patented anti-break-in technology conceals cylinder-mounting screws — creating a safer and more secure environment for your office occupants.

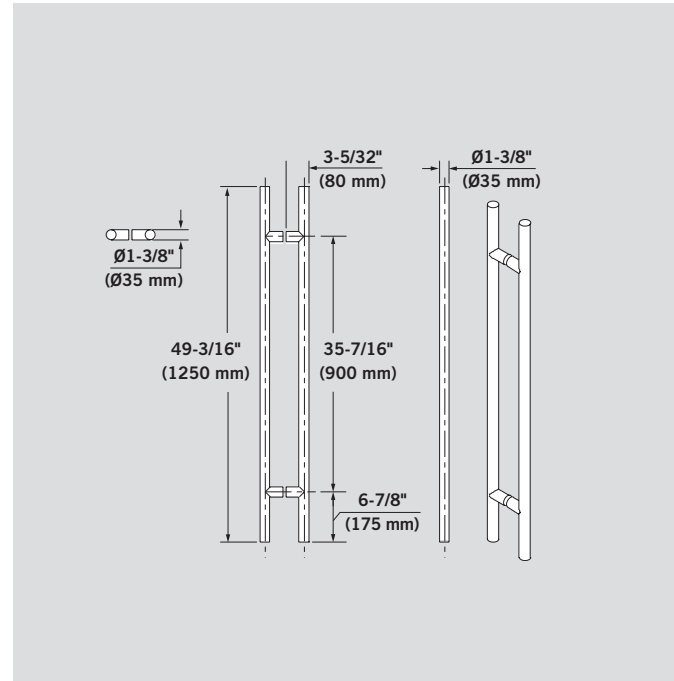


49" (900 MM) TG 138 LOCKING AND NON-LOCKING LADDER PULLS

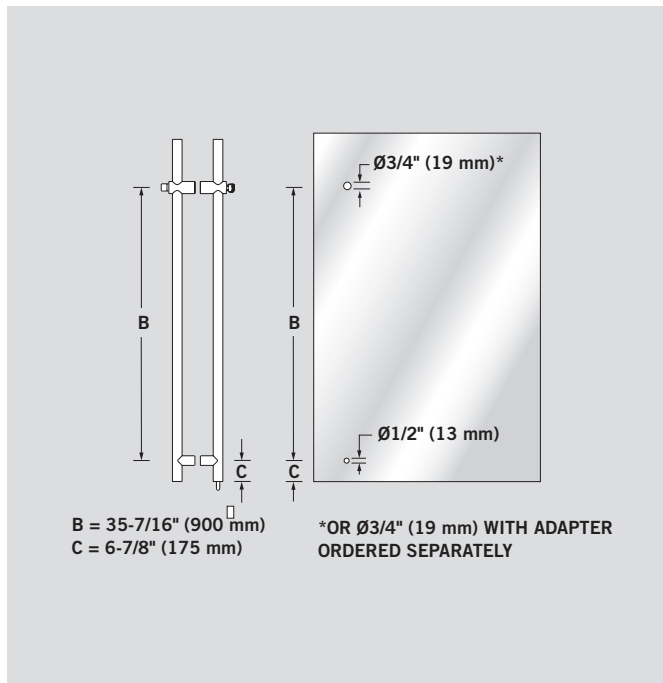
Locking Ladder Pull Details



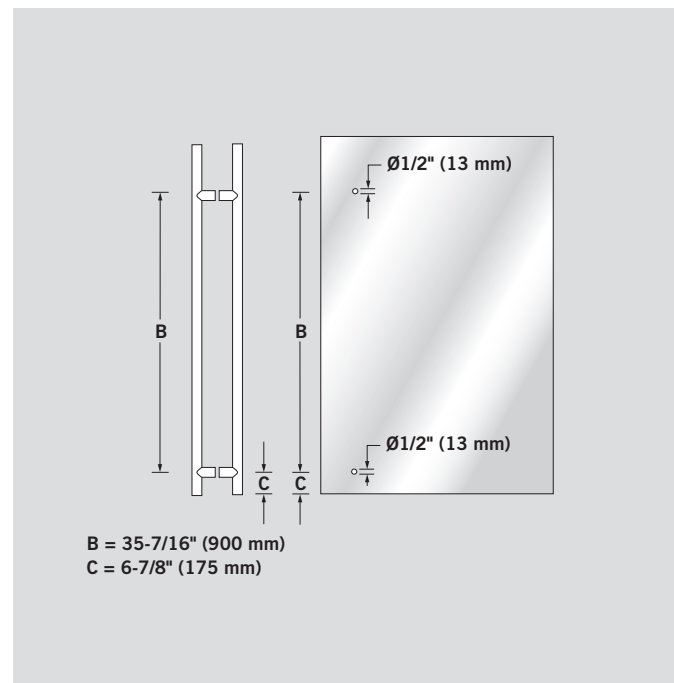
Non-Locking Ladder Pull Details



Locking Ladder Pull Glass Cutout Template



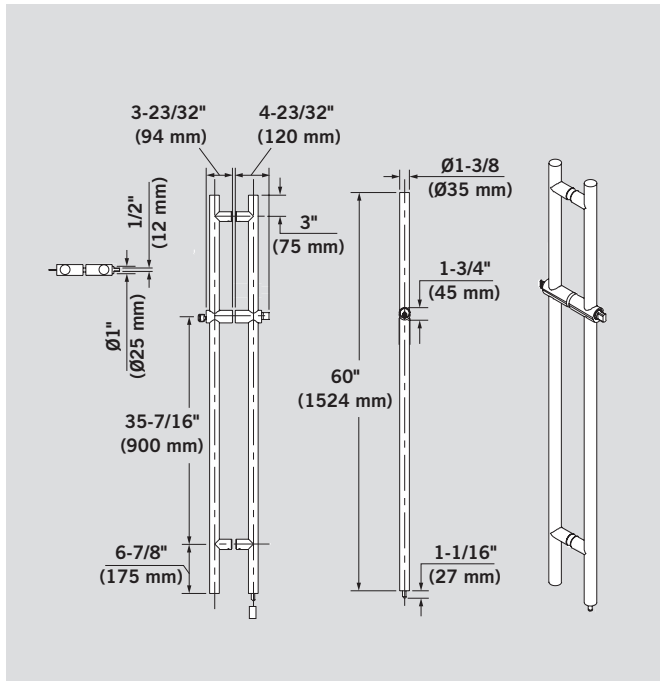
Non-Locking Ladder Pull Glass Cutout Template



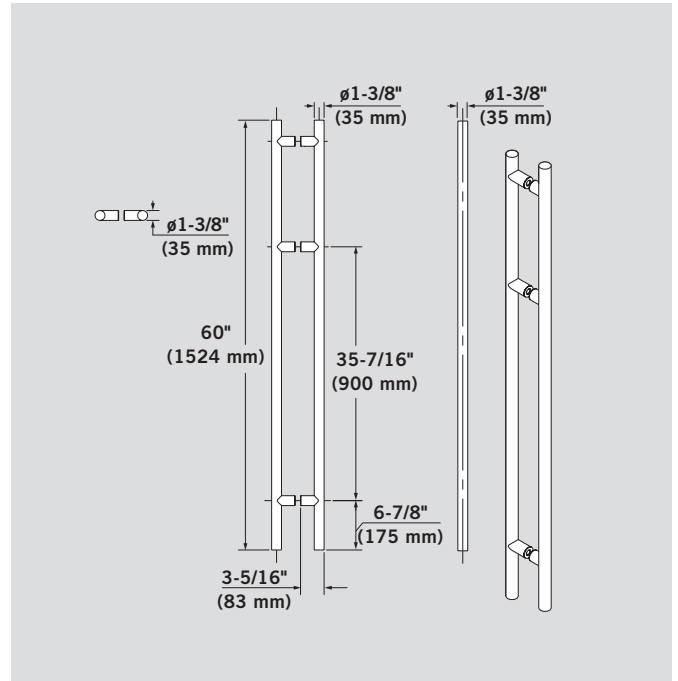
NOTE: Use this cutout preparation for 49" single-sided Locking Ladder Pull with cylinder or thumbturn.

60" (1524 MM) TG 138 LOCKING AND NON-LOCKING LADDER PULLS

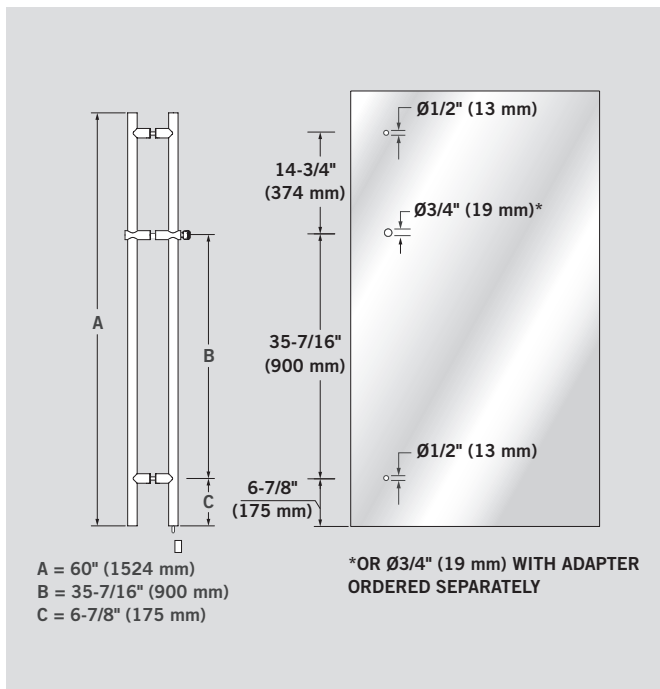
Locking Ladder Pull Details



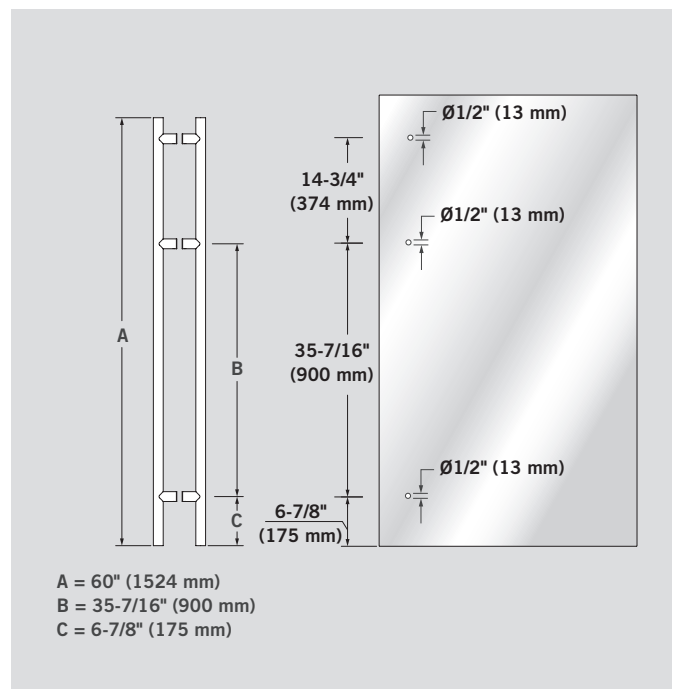
Non-Locking Ladder Pull Details



Locking Ladder Pull Glass Cutout Template

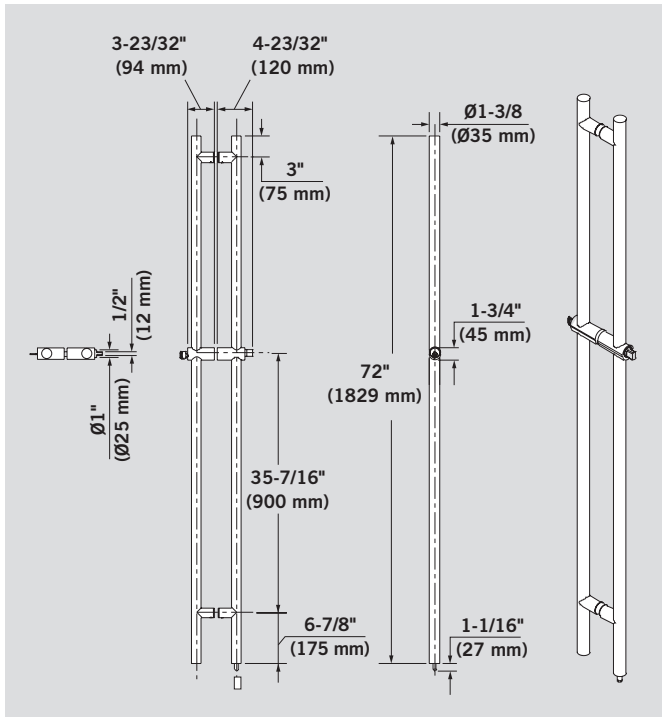


Non-Locking Ladder Pull Glass Cutout Template

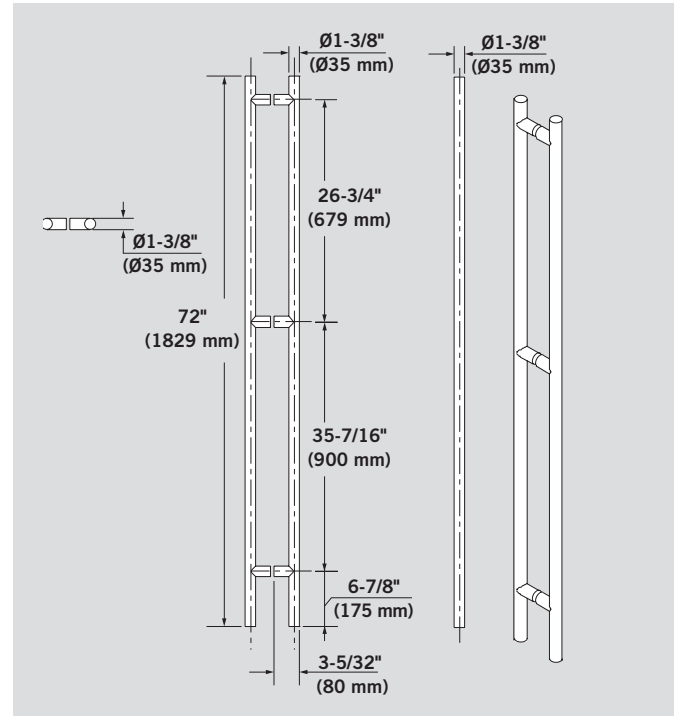


72" (1829 MM) TG 138 LOCKING AND NON-LOCKING LADDER PULLS

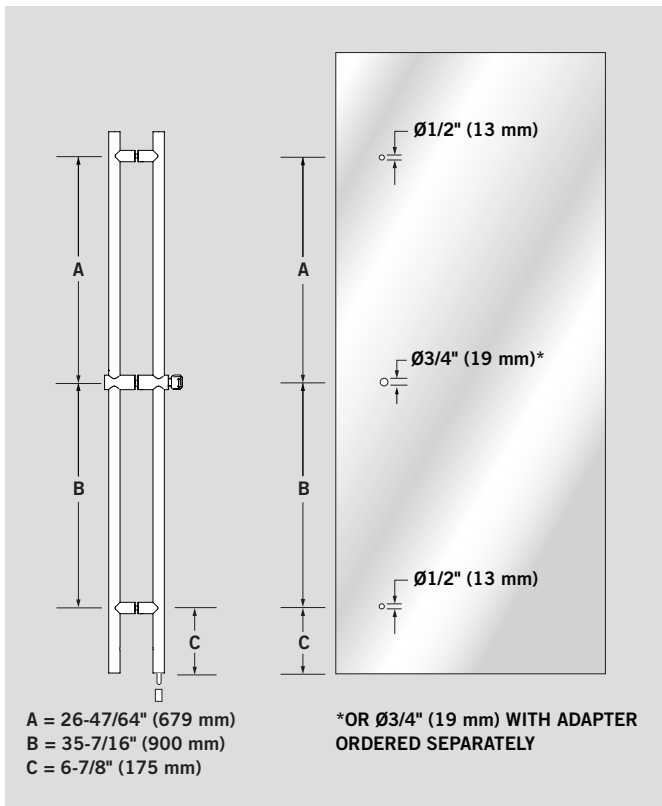
Locking Ladder Pull Details



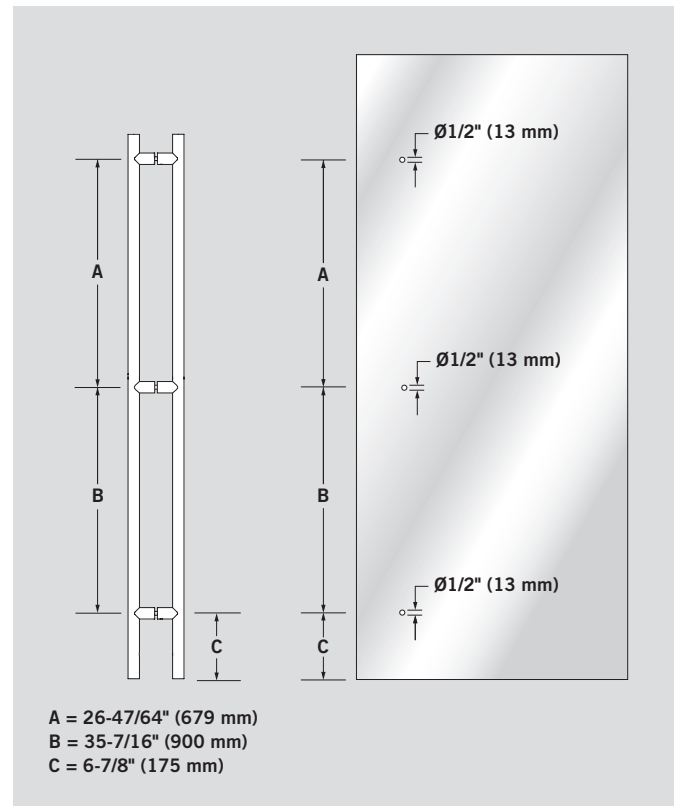
Non-Locking Ladder Pull Details



Locking Ladder Pull Glass Cutout Template

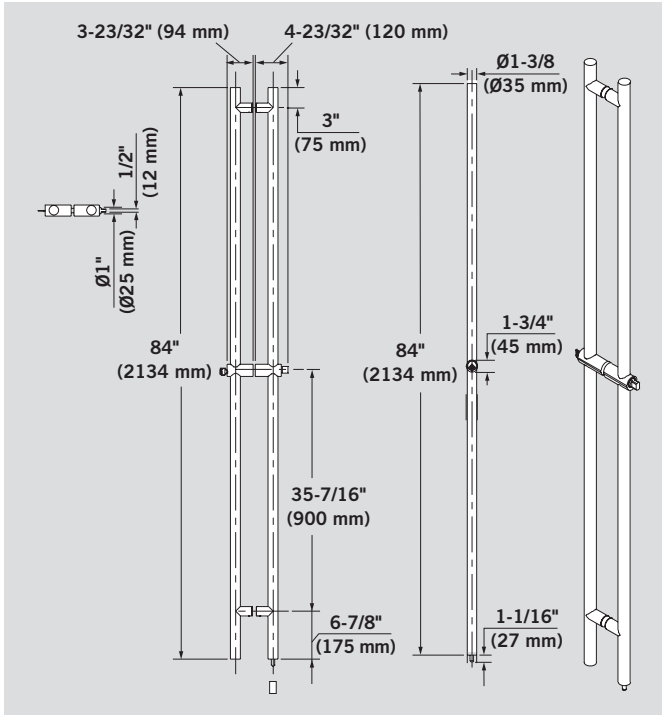


Non-Locking Ladder Pull Glass Cutout Template

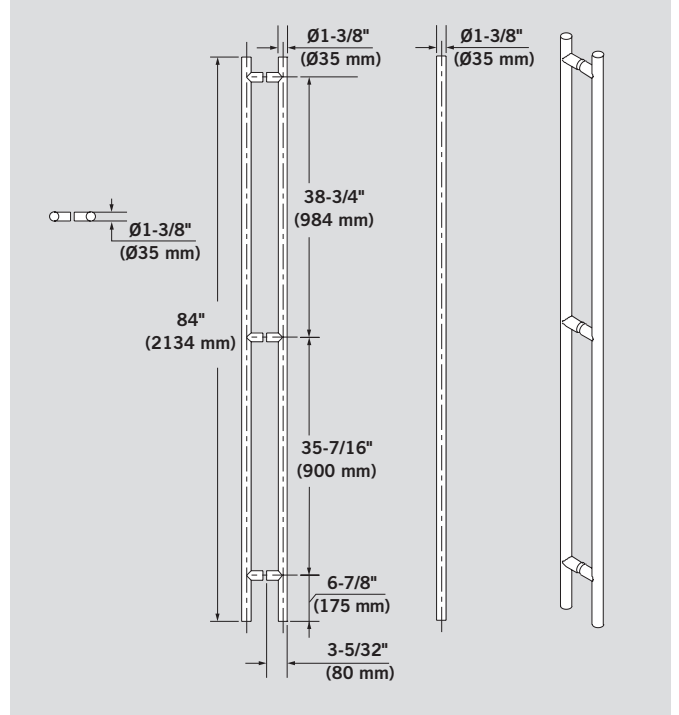


84" (2134 MM) TG 138 LOCKING AND NON-LOCKING LADDER PULLS

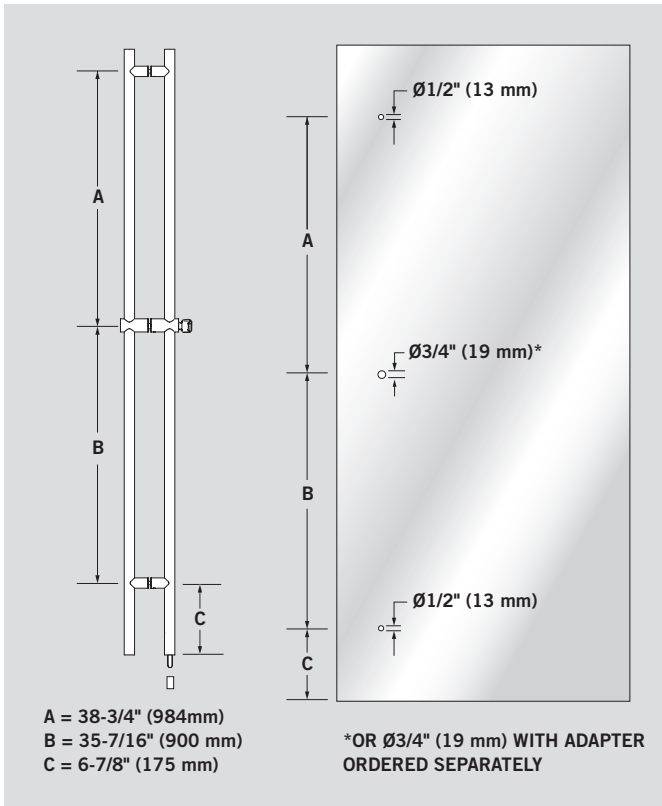
Locking Ladder Pull Details



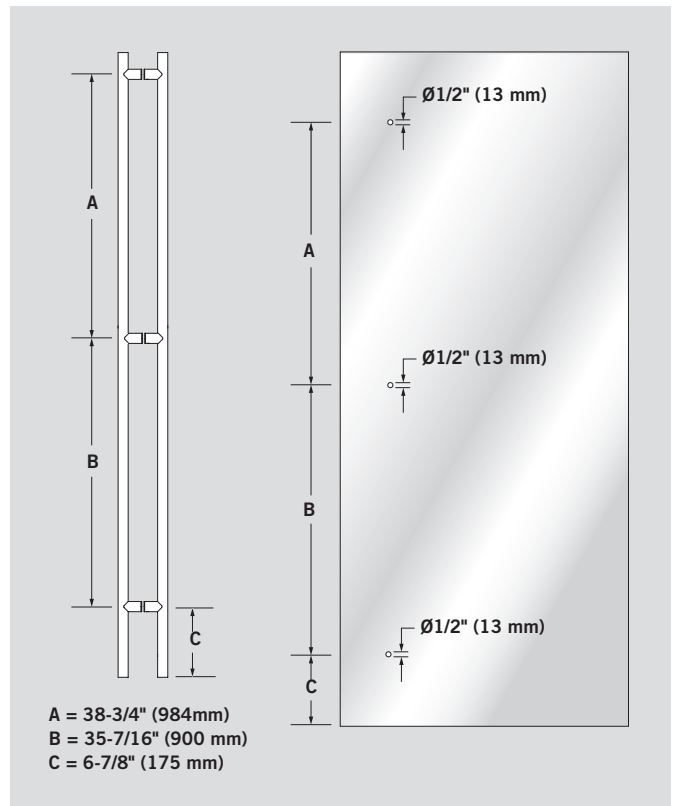
Non-Locking Ladder Pull Details



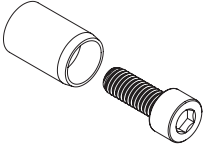
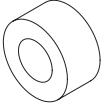
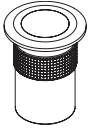
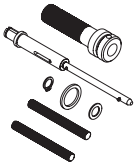
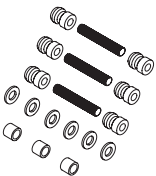
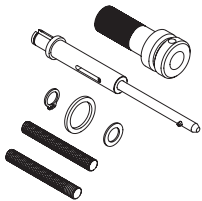
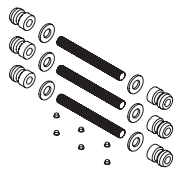
Locking Ladder Pull Glass Cutout Template


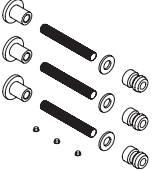
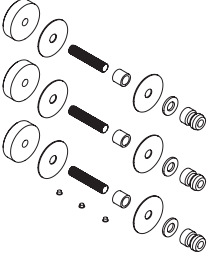
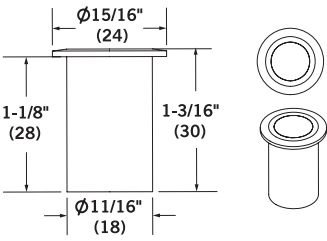
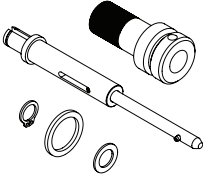
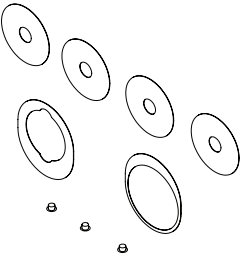


Non-Locking Ladder Pull Glass Cutout Template



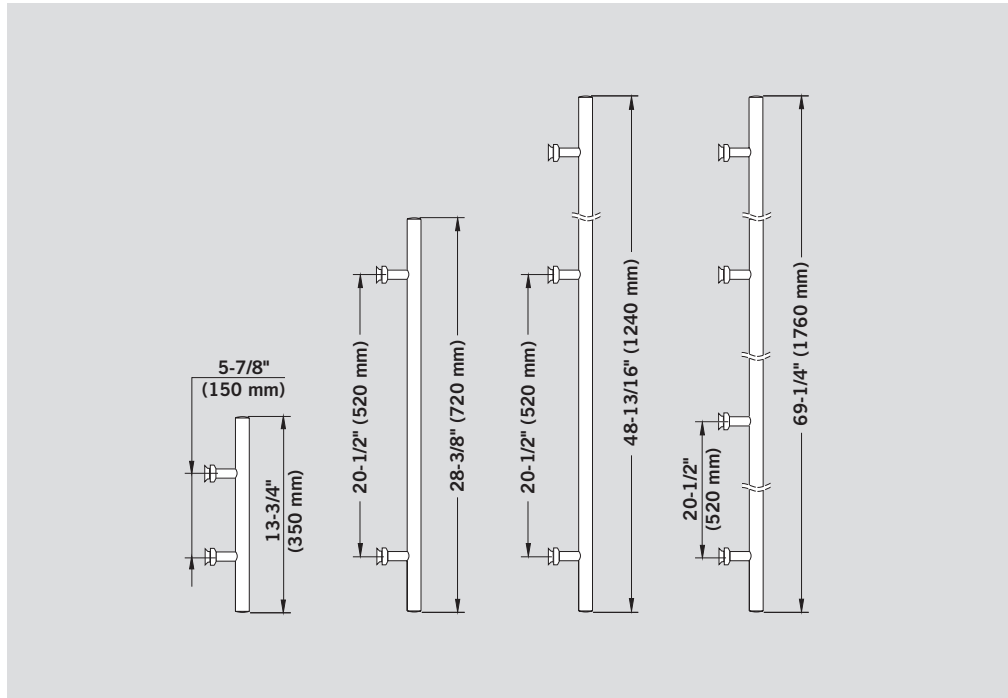
Mounting Pack Options

Mounting	Ref. #	Description	
	926.912	Kit, EXT BLT THRW MAX 1-7/16" (37 mm)	
	926.891	Adaptor, .75 adaptor allows Non-Locking Pull to install in Locking Post Prep	
	926.913	Strike, Dustproof, Standard	
Mounting	Ref. #	Description	Door Thickness
	926.890	Mounting Pack, Back-to-back Lock Post, Non-Locking Posts	1-3/4" (44 mm)
	926.941	Mounting Pack, Back-to-back, Non-Locking	3/8" (10 mm) – 3/4" (19 mm)
	926.911	Mounting Pack, Back-to-back, Locking	3/4" (19 mm)
	926.909	Mounting Pack, Back-to-back Non-Locking Post	1-3/8" (34 mm) – 1-3/4" (44 mm)

Mounting	Ref. #	Description	Door Thickness
	926.910	Mounting Pack, SNG Blind, 3 each in pack (Will not project through door)	min. 1-3/4" (44 mm)
	926.908	Mounting Pack, Single Non-Locking x Sex Nut	3/4" (19 mm) – 3-1/8" (80 mm)
	926.906	Mounting Pack, Single Non-Locking x Rose	3/8" (10 mm) – 3/4" (19 mm)
	926.937	Floor Strike	—
	926.938	Locking Mechanism only	1/2" (13 mm)
	926.939	Washer Pack	—

MANET HANDLES

MANET Handles, single side



Single side with clamping disk single point mounting for 3/8" (10 mm) and 1/2" (12 mm) glass.
316L stainless steel base material.

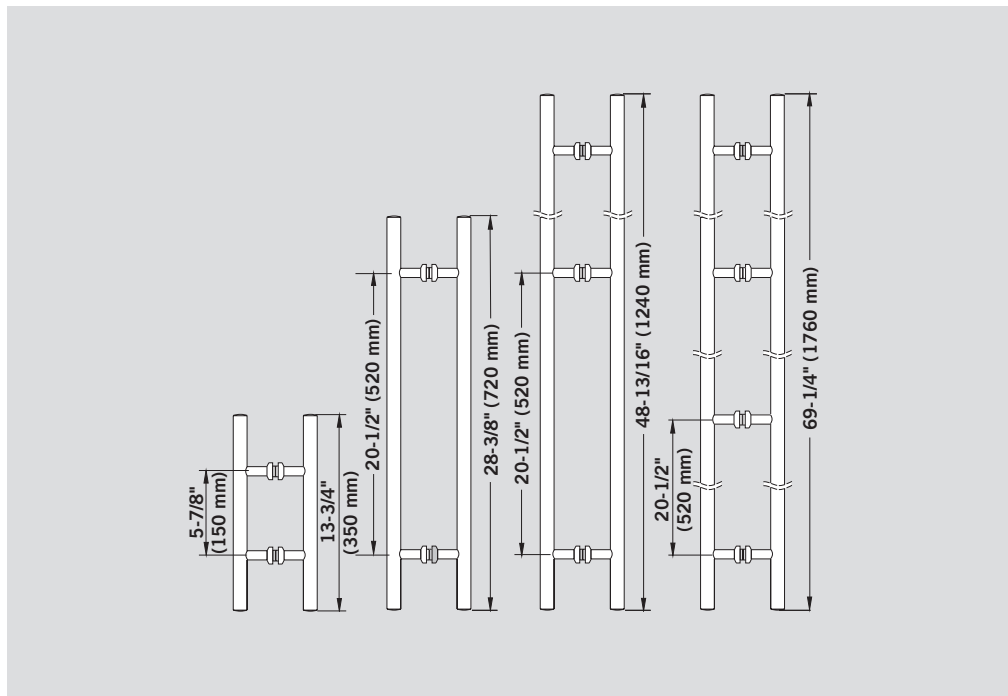
MANET handles, single side
13-3/4" (350 mm) O.A.
2-hole mounting for 3/8" (10 mm)
1/2" (12 mm) glass thickness
Ref. # 821.240

MANET handles, single side
28-3/8" (720 mm) O.A.
2-hole mounting for 3/8" (10 mm)
1/2" (12 mm) glass thickness
Ref. # 821.241

MANET handles, single side
48-13/16" (1240 mm) O.A.
3-hole mounting for 3/8" (10 mm)
1/2" (12 mm) glass thickness
Ref. # 821.242

MANET handles, single side
69-5/16" (1760 mm) O.A.
4-hole mounting for 3/8" (10 mm)
1/2" (12 mm) glass thickness
Ref. # 821.243

MANET Handles, back-to-back



Back-to-back including connecting bolt for 3/8" (10 mm) and 1/2" (12 mm) glass.
316L stainless steel base material.

MANET handles, back-to-back
13-3/4" (350 mm) O.A.
2-hole mounting for 3/8" (10 mm)
1/2" (12 mm) glass thickness
Ref. # 821.267

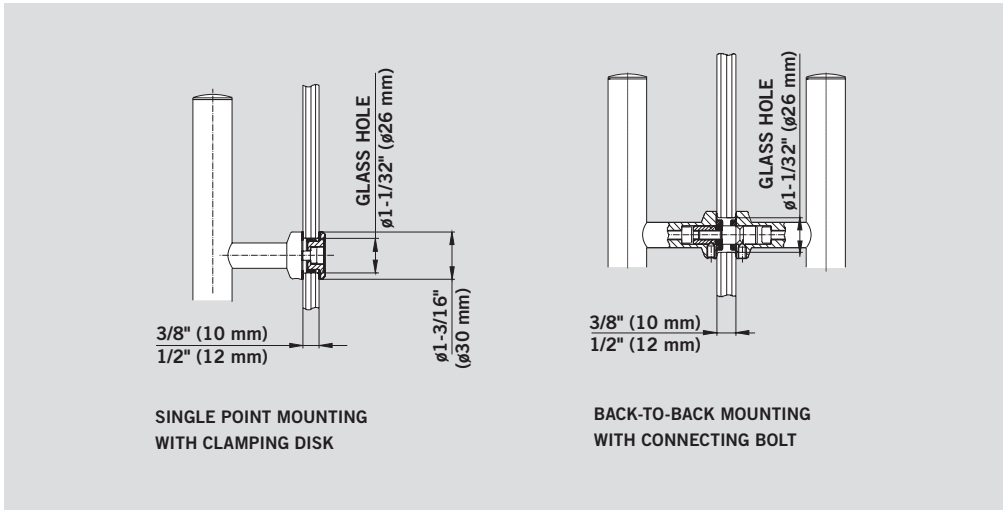
MANET handles, back-to-back
28-3/8" (720 mm) O.A.
2-hole mounting for 3/8" (10 mm)
1/2" (12 mm) glass thickness
Ref. # 821.270

MANET handles, back-to-back
48-13/16" (1240 mm) O.A.
3-hole mounting for 3/8" (10 mm)
1/2" (12 mm) glass thickness
Ref. # 821.273

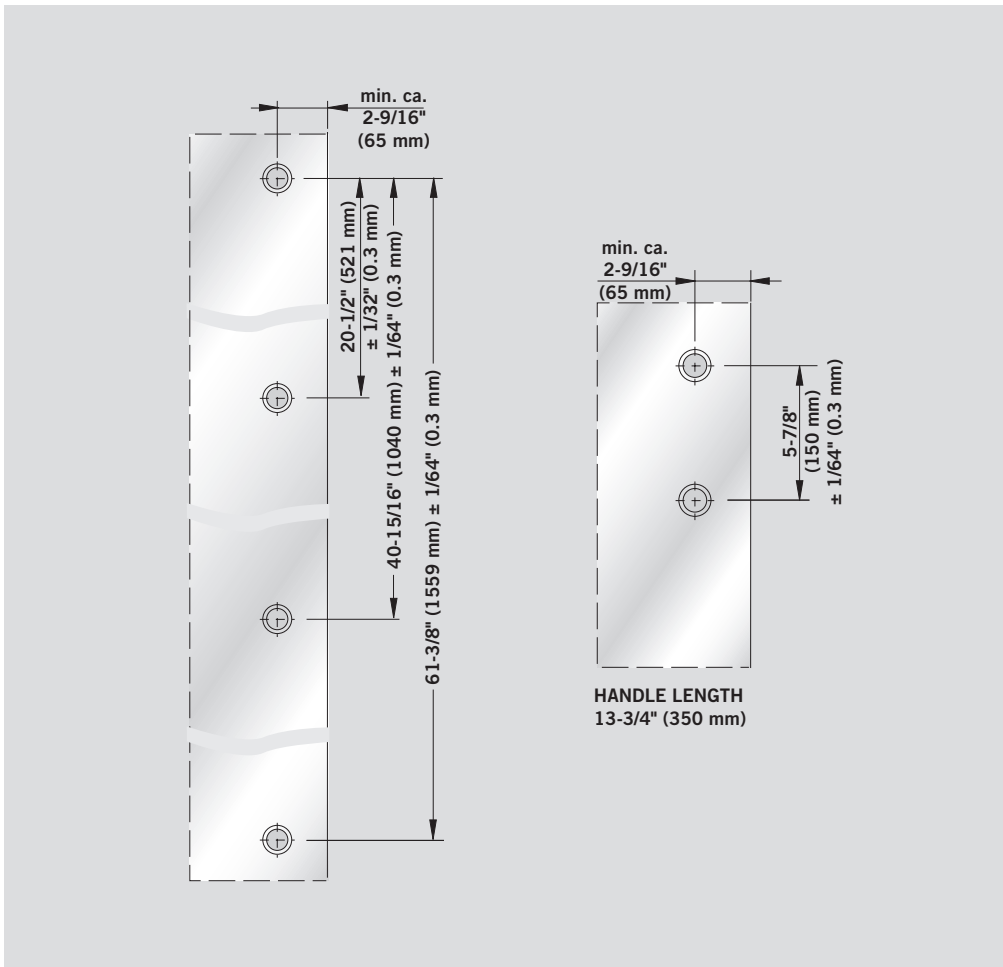
MANET handles, back-to-back
69-5/16" (1760 mm) O.A.
4-hole mounting for 3/8" (10 mm)
1/2" (12 mm) glass thickness
Ref. # 821.276

MANET HANDLES

MANET Glass Hole Details




MANET Glass Fabrication



ARCOS HANDLES

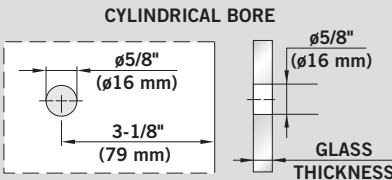
ARCOS Handle Details



ARCOS Handles
 13-3/4" (350 mm) C to C
 2-hole fixing for 3/8" (10 mm)
 1/2" (12 mm) glass thickness
Ref. # 826.500

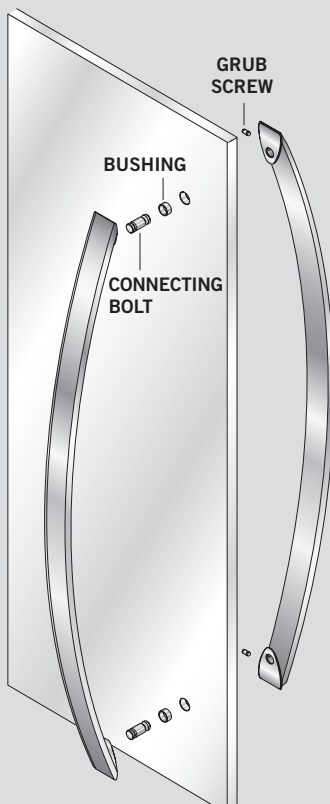
ARCOS Handles
 29-1/2" (750 mm) C to C
 2-hole fixing for 3/8" (10 mm)
 1/2" (12 mm) glass thickness
Ref. # 826.510

CYLINDRICAL BORE



826.500 826.510

ARCOS Glass Fabrication



GRUB SCREW

BUSHING

CONNECTING BOLT

3-11/32" (85 mm)

2-5/32" (55 mm)

13-3/4" / 29-1/2" (350 / 750 mm)

DRILL HOLE CENTERS

15-11/16" / 32-15/32" (398 / 824 mm)

GLASS THICKNESS

BEYOND HANDLES

BEYOND Handle Details

Length (L)	Ref. #
17-3/4" (450 mm)	830.300
23-5/8" (600 mm)	830.305
35-7/16" (900)	830.310

BEYOND handle
for 3/8" (10 mm) and 1/2" (12 mm) glass, two-hole attachment.

Available Finish
(107) Similar to Satin Stainless finish.

DORMA ECONOMY PULL HANDLES (SOLID & TUBULAR)

10" Handles

Handles, back-to-back pulls
tube, 10" (254 mm)
Ref. # 926.001 (solid)
Ref. # 926.601 (tubular)

Handles, single side
tube 10" (254 mm)
Ref. # 926.012 (solid)
Ref. # 926.612 (tubular)

GLASS CUT 5/8" (16 mm)

12" Handles

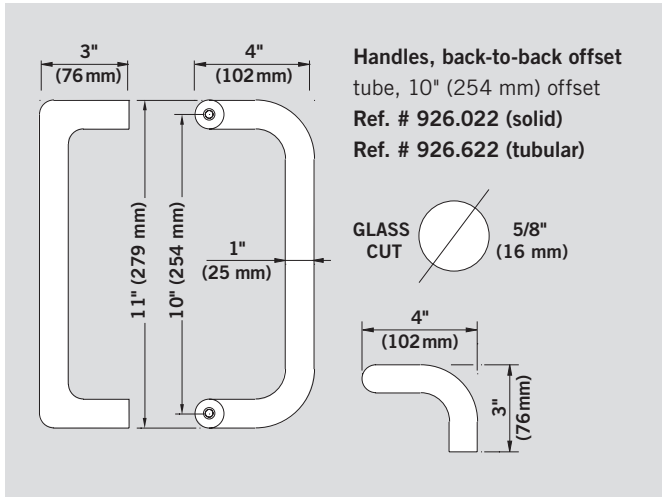
Handles, back-to-back pulls
tube, 12" (305 mm)
Ref. # 926.004 (solid)
Ref. # 926.604 (tubular)

Handles, single side
solid tube 12" (305 mm)
Ref. # 926.016 (solid)
Ref. # 926.616 (tubular)

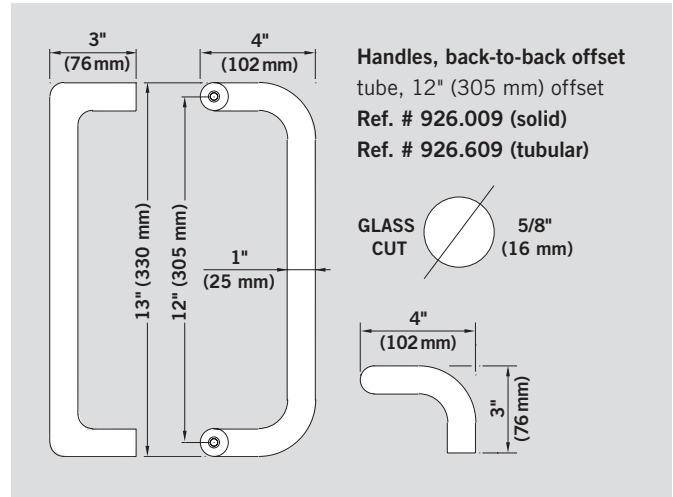
GLASS CUT 5/8" (16 mm)

DORMA ECONOMY PULL HANDLES (SOLID & TUBULAR)

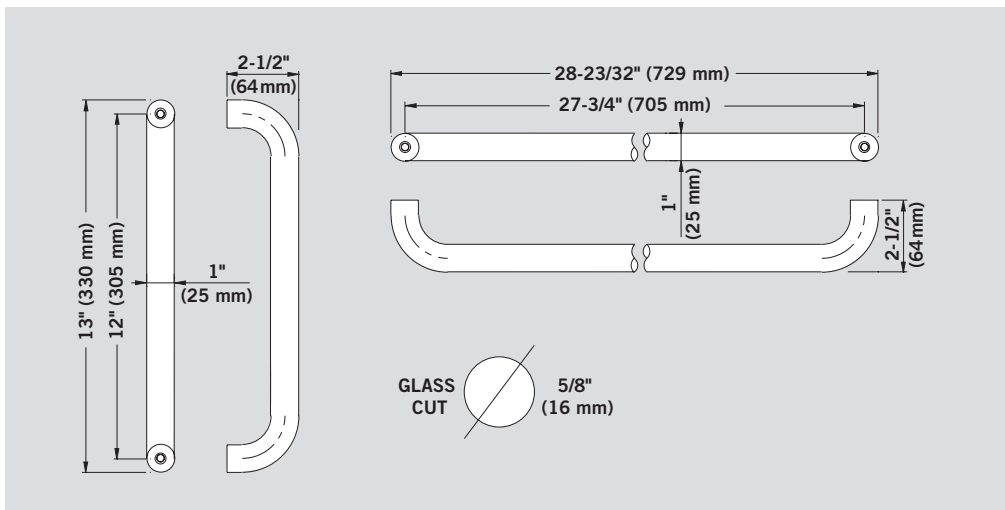
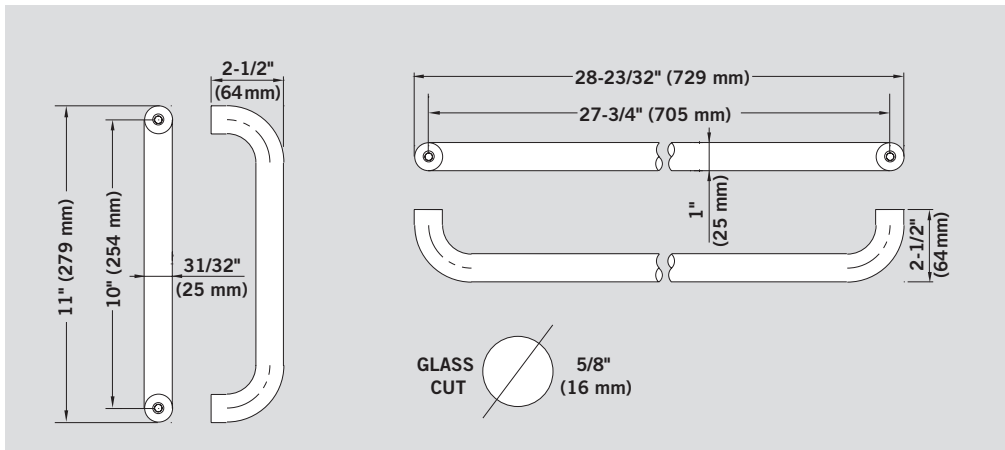
Offset Back to Back Handle – 10" Handles



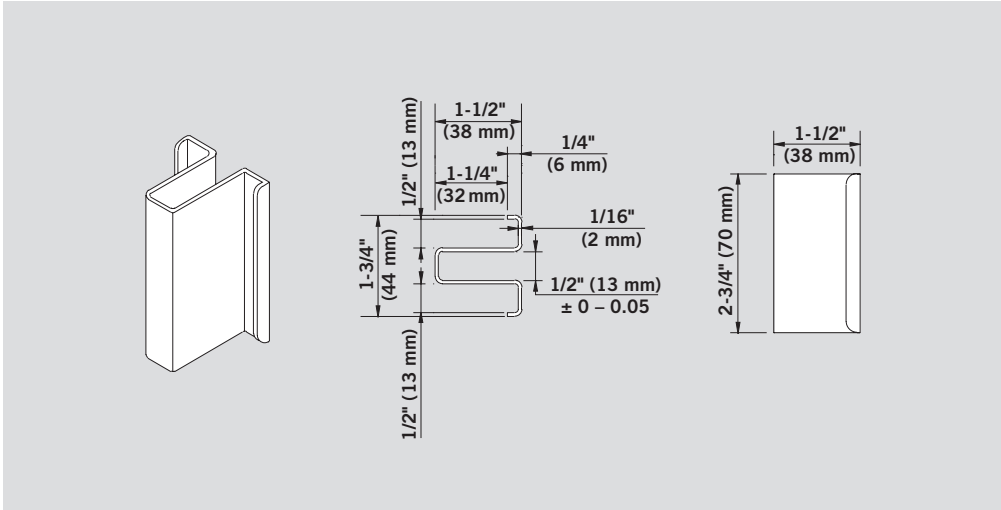
Offset Back to Back Handle – 12" Handles



Push/Pull Handles



DORMA SLIDE-ON PULL



Slide-On Pull

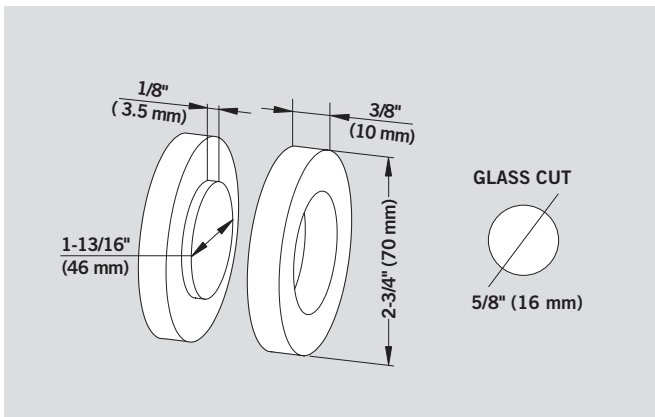
2-3/4" (70 mm) × 1-1/2" (38 mm)

Ref. # 931.125

For 1/2" (12 mm) glass only.
To be glued onto the glass.

DORMA FLUSH HANDLE & GLASS KNOBS

Flush Handle

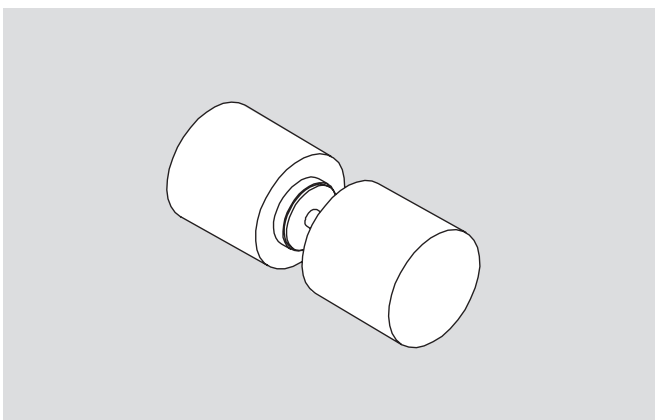


Flush Handle

aluminum, to be glued onto the glass — requires glass cut

Ref. # 907.200

Glass Knob



Glass Knob

ø1-15/32" (ø37 mm),
projection 1-1/4" (32 mm),
glass prep: drill 3/8" or 1/2"
(10 or 12 mm) ø hole for
3/8" or 1/2" (10 or 12 mm) glass
thickness

Ref. # 906.999



www.dorma.com



DORMA USA, Inc.
Dorma Drive, Drawer AC
Reamstown, PA 17567
Tel: 800 523 8483
Fax: 800 274 9724
archdw@dorma-usa.com

DORMA Canada
1680 Courtney Park Drive, Unit 13
Mississauga, Ontario L5T 1R4
Tel: 800 387 4938
Fax: 905 670 5850
www.dormacanada.com

DORMA Mexico
Calle Sur 110 no. 63, Col. Tolteca
01150 México, D.F.
Tel: 5255 5272 6937
Fax: 5255 5272 6948
operacion@dorma.com.mx