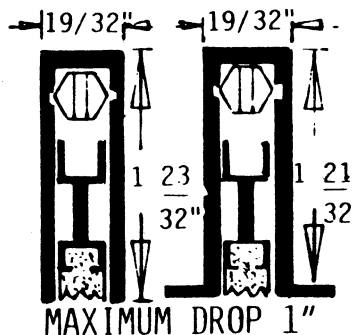


LENGTH



INSTALLATION INSTRUCTIONS FOR AUTOMATIC DOOR BOTTOMS.

Do not remove tape from end of Door Bottom until installation to Door is complete.

SURFACE TYPE: Measure door between stops. Cut door bottom to size from lock end. Allow 1/16" clearance between stops. Mount to door placing hex adjustment tip towards hinge side of door, and door bottom even with bottom of door. Turn hex tip counter clockwise till striking frame. Install 1/2"x6 flat head screw in frame to serve as strike. Adjust hex tip so as seal seats firmly on threshold. Do not over adjust so as to drag seal over threshold. When using as SEMIMORTISE, door bottom must be full width of door.

MORTISE TYPE: Prepare groove in door to case dimensions. Door bottom must be full width of door. Fasten to door thru flanges. Adjust to seal same as surface type. Nail end plates to door. **NOTE:** Close both ends of drop bar with pliers to keep seal in position.

All door bottoms may be trimmed no less than 4" from lock end only unless door bottom is under 30" in length when manufactured.

