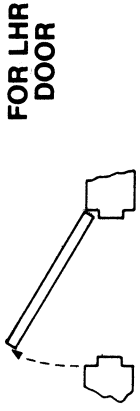


# MOUNTING TEMPLATE NO. 1 FOR SERIES 1200 - 1300 EXIT DEVICES (ALSO PREFIX L)



FOR LHR  
DOOR

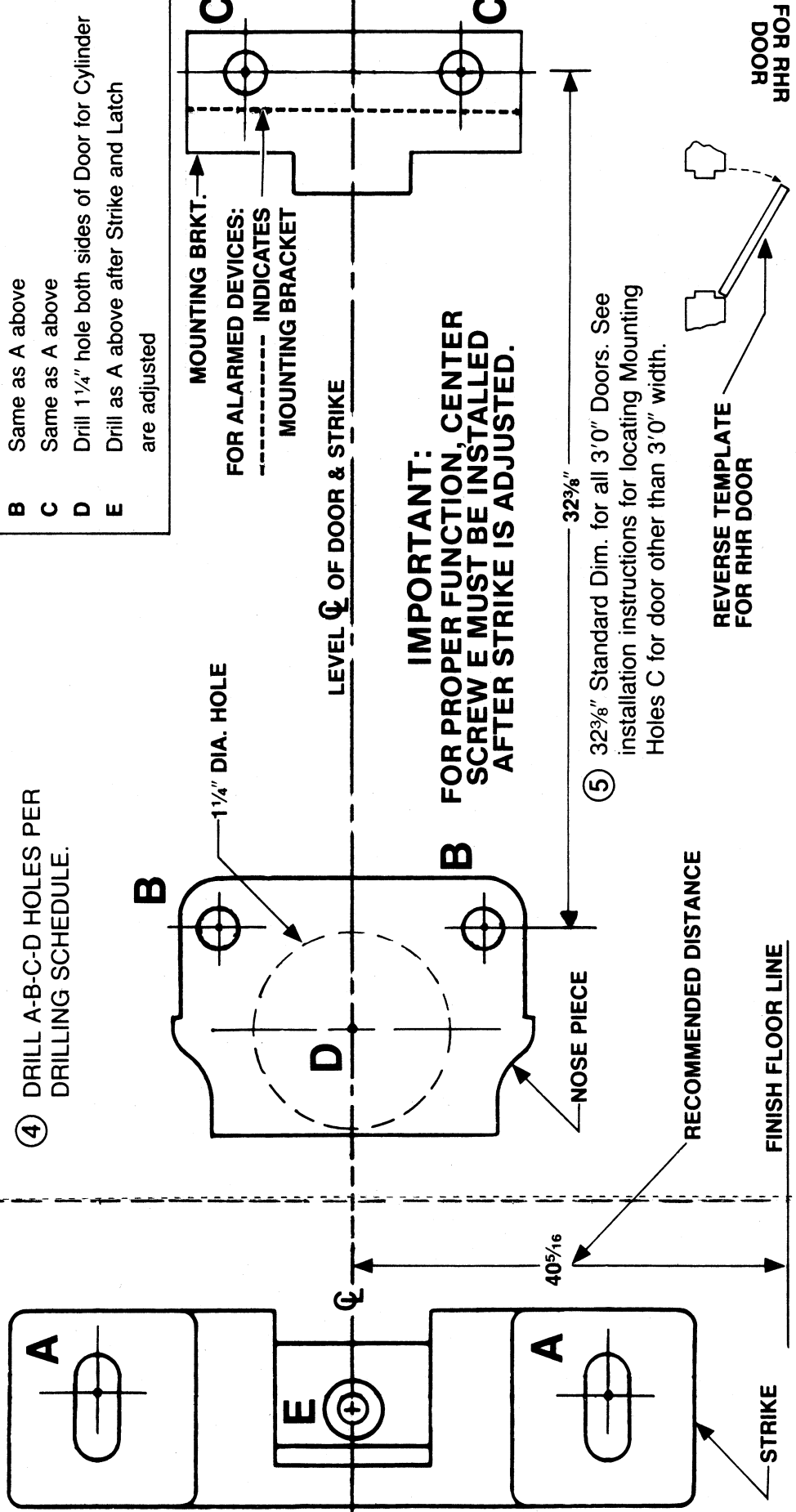
- 1 MARK  $\phi$  OF DOOR AND STRIKE, AS REQUIRED-SUGGESTED HEIGHT  $40\frac{5}{16}$ "

FACE OF STOP

- 2 FOLD TEMPLATE TOWARD YOU AND LOCATE FOLD ON FACE OF STOP. IF ALUMINUM FRAME REMOVE BLADE STOP FOR STRIKE. LOCATE FOLD ON FACE OF FRAME.
- 3 CENTER PUNCH HOLES A-B-C. HOLE D IF CYLINDER FUNCTION IS USED.
- 4 DRILL A-B-C-D HOLES PER DRILLING SCHEDULE.

## DRILLING SCHEDULE

Hole	Drill Size
A	Use #20 Drill for #12 x 1 Sheet Metal Screws
A	Use #16 Drill & Tap for 12-24 Mach. Screws
A	Use E Drill For 12-24 Mach. Screws thru Door and enlarge hole on Cylinder Side with U Drill for 12-24 x $1\frac{3}{4}$ " sex bolts
B	Same as A above
C	Same as A above
D	Drill $1\frac{1}{4}$ " hole both sides of Door for Cylinder
E	Drill as A above after Strike and Latch are adjusted



**IMPORTANT:**  
FOR PROPER FUNCTION, CENTER  
SCREW E MUST BE INSTALLED  
AFTER STRIKE IS ADJUSTED.

- 5  $32\frac{3}{8}$ " Standard Dim. for all 3'0" Doors. See installation instructions for locating Mounting Holes C for door other than 3'0" width.

REVERSE TEMPLATE  
FOR RHR DOOR

FINISH FLOOR LINE

STRIKE

RECOMMENDED DISTANCE

NOSE PIECE

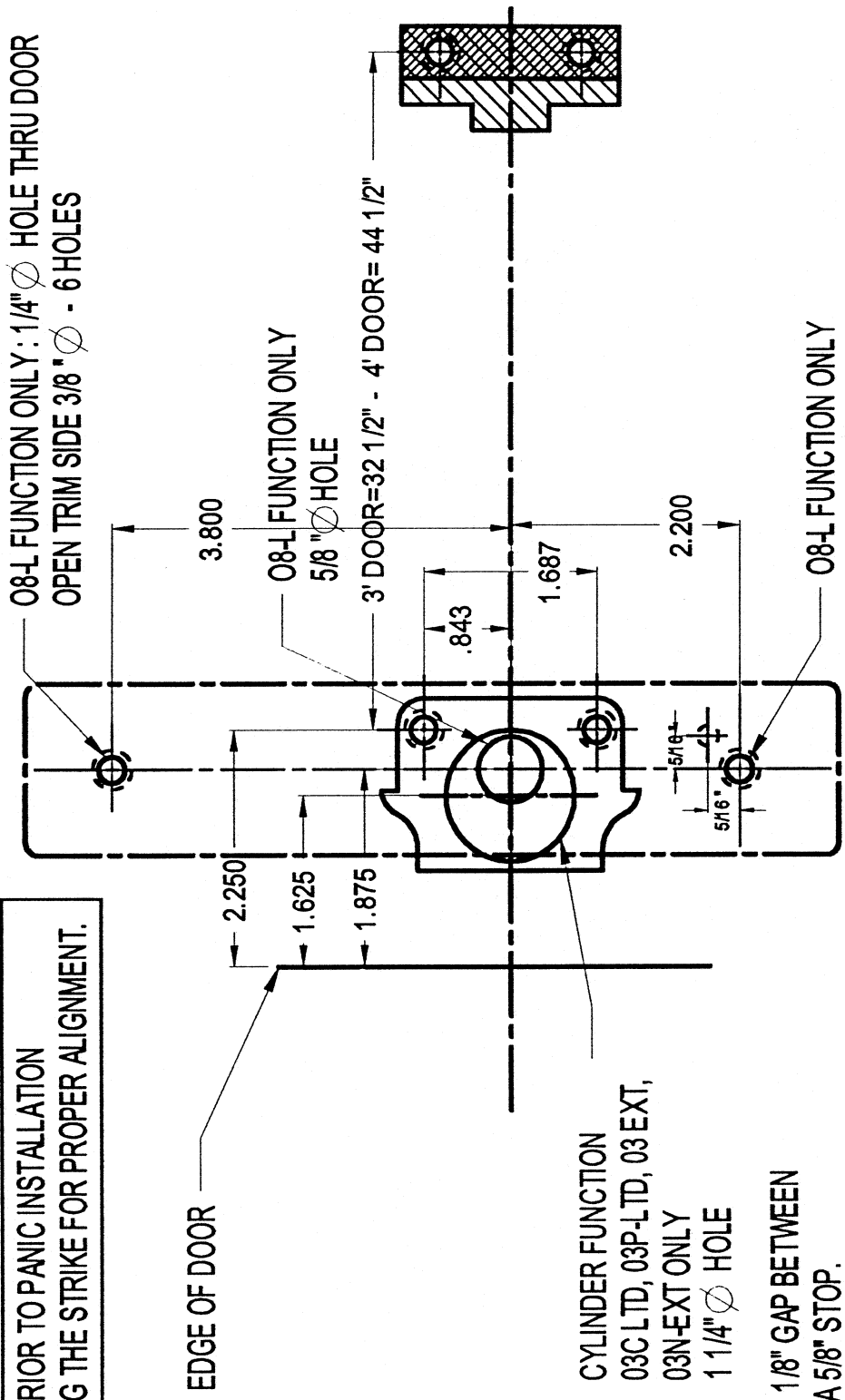
LEVEL  $\phi$  OF DOOR & STRIKE

MOUNTING BRKT.

MOUNTING DEVICES:  
INDICATES  
MOUNTING BRACKET

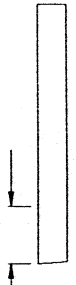
FOR RHR  
DOOR

PREPPING THE DOOR PRIOR TO PANIC INSTALLATION  
MAY REQUIRE SHIMMING THE STRIKE FOR PROPER ALIGNMENT.



DIMENSIONS BASED ON 1/8" GAP BETWEEN  
DOOR AND FRAME AND A 5/8" STOP.

MEASUREMENTS MADE FROM WIDE  
EDGE OF DOOR



SCALE	
MATERIAL	
PROJECT	
ASSEMBLY	
DRAWN BY	
DATE	
ENGINEER	
94#	
BY	DATE
CHANGE	
LET	

DOOR CONTROLS INTERNATIONAL  
2302 BISHOP CIRCLE EAST  
DEXTER MI. 48130 U.S.A

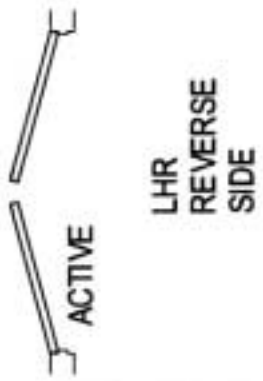


NAME 1200/1300 X DOOR PREP  
DWG NO.

# RHR

## 1200/1300 SERIES RIM PANIC W/ DDS - DOUBLE DOOR STRIKE

# RHR



STEP 1 - DETERMINE HAND OF DOOR, ALINE TEMPLATE ALONG EDGE OF ACTIVE DOOR AT A SUGGESTED HEIGHT OF 40 5/16" ABOVE FINISHED FLOOR.

STEP 2 - DRILL "A" AND "B" HOLES

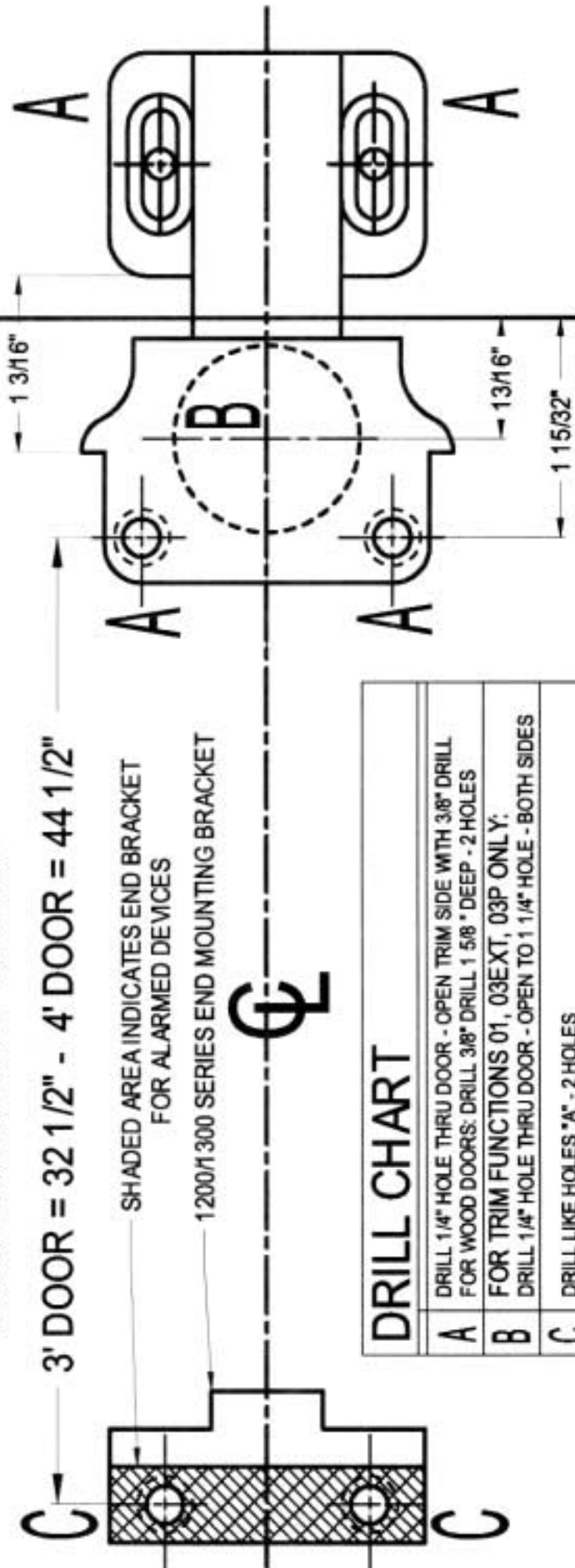
STEP 3 - MOUNT PANIC AND DOUBLE DOOR STRIKE (SEE INCLUDED SHEET)

STEP 4 - LEVEL DEVICE ON DOOR AND DRILL 2 "C" HOLES TO MOUNT END BRACKET

STEP 5 - ADJUST DOUBLE DOOR STRIKE SO THERE IS A 1 3/16" BETWEEN EDGE OF STRIKE AND EDGE OF NOSE PIECE.

EDGE OF THE ACTIVE DOOR

ADJUST



3' DOOR = 32 1/2" - 4' DOOR = 44 1/2"

SHADED AREA INDICATES END BRACKET FOR ARMED DEVICES

1200/1300 SERIES END MOUNTING BRACKET

### DRILL CHART

A	DRILL 1/4" HOLE THRU DOOR - OPEN TRIM SIDE WITH 3/8" DRILL FOR WOOD DOORS; DRILL 3/8" DRILL 1 5/8" DEEP - 2 HOLES
B	FOR TRIM FUNCTIONS 01, 03EXT, 03P ONLY; DRILL 1/4" HOLE THRU DOOR - OPEN TO 1/4" HOLE - BOTH SIDES
C	DRILL LIKE HOLES "A" - 2 HOLES



DOOR CONTROLS INTERNATIONAL

1-800-742-3634 OR FAX 1-800-742-0410

ACTIVE DOOR

INACTIVE DOOR

# LHR

## 1200/1300 SERIES RIM PANIC W/DDS - DOUBLE DOOR STRIKE

# LHR



RHR  
REVERSE  
SIDE

EDGE OF THE  
ACTIVE DOOR

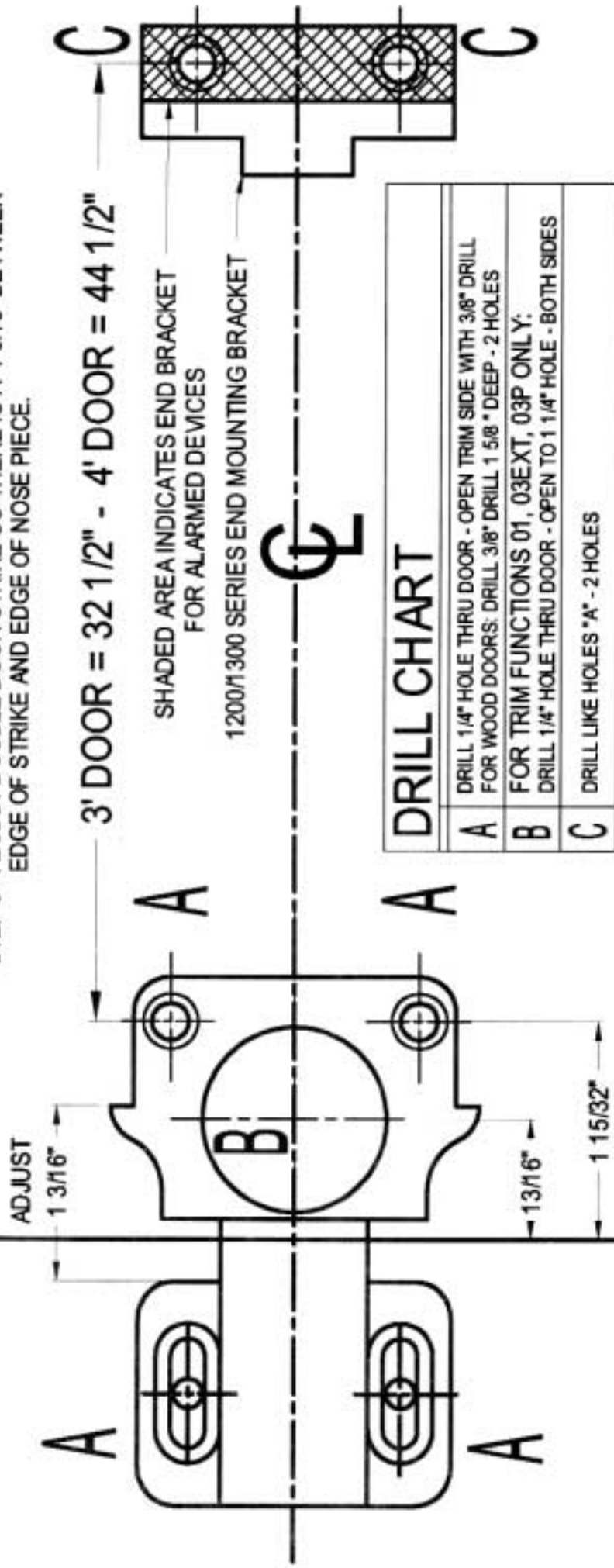
STEP 1 - DETERMINE HAND OF DOOR, ALINE TEMPLATE ALONG EDGE OF ACTIVE DOOR AT A SUGGESTED HEIGHT OF 40 5/16" ABOVE FINISHED FLOOR.

STEP 2 - DRILL "A" AND "B" HOLES

STEP 3 - MOUNT PANIC AND DOUBLE DOOR STRIKE (SEE INCLUDED SHEET)

STEP 4 - LEVEL DEVICE ON DOOR AND DRILL 2 "C" HOLES TO MOUNT END BRACKET

STEP 5 - ADJUST DOUBLE DOOR STRIKE SO THERE IS A 1 3/16" BETWEEN EDGE OF STRIKE AND EDGE OF NOSE PIECE.



### DRILL CHART

A	DRILL 1/4" HOLE THRU DOOR - OPEN TRIM SIDE WITH 3/8" DRILL FOR WOOD DOORS; DRILL 3/8" DRILL 1 5/8" DEEP - 2 HOLES
B	FOR TRIM FUNCTIONS 01, 03EXT, 03P ONLY; DRILL 1/4" HOLE THRU DOOR - OPEN TO 1 1/4" HOLE - BOTH SIDES
C	DRILL LIKE HOLES "A" - 2 HOLES

INACTIVE  
DOOR

ACTIVE  
DOOR



DOOR CONTROLS INTERNATIONAL

1-800-742-3634 OR FAX 1-800-742-0410

10/98