

Access
600® | RNE1

Corbin
Russwin®
ASSA ABLOY

Sleek Networked Access Control

Designed with aesthetics in mind, the Access 600® RNE1 integrates all standard access control components into a small, streamlined lock, offering the perfect balance of style and security.

The Access 600 RNE1 features Grade 1 Corbin Russwin hardware in mortise lock, cylindrical lock and exit device configurations. This wide range of quality hardware, customized monitoring options and easy system expansion define the advantages of the Access 600.



ASSA ABLOY, the global leader
in door opening solutions



ASSA ABLOY is the global leader in door opening solutions, dedicated to satisfying end-user needs for security, safety and convenience



Applications

- Access 600® RNE1 is ideal for
- Corporate campuses
 - Schools
 - Healthcare facilities
 - Government facilities

Specifications and System Requirements

Operating Power:

- › 125 kHz HID® prox: reader – 12VDC; cylindrical locks and exit devices available as 12 or 24VDC; mortise locks operate from 12-24VDC
- › 13.56 MHz HID iCLASS®: reader available as either 12 or 24VDC; cylindrical locks and exit devices available as 12 or 24VDC; mortise locks operate from 12-24VDC
- › Mortise locks field selectable to fail-safe or fail-secure; must specify fail-safe or fail-secure for cylindrical locks and exit devices

Software:

Open architecture platform is compatible with all popular access control systems

Available through Authorized Channel Partners only. Contact your ASSA ABLOY Door Security Solutions sales consultant for details.

Sold through



Installed by



Corbin Russwin Architectural Hardware
225 Episcopal Road Berlin, CT 06037
Phone 800-543-3658
Fax 800-447-6714
corbinrusswin.com

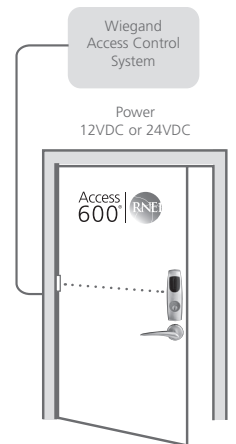


Sleek Networked Access Control

Features & Benefits

- ANSI/BHMA Grade 1 lock, available in cylindrical lock, mortise lock and exit device configurations, offers the highest degree of physical security available in access control locks
- All standard access control components, including card reader, door position switch and request to exit monitoring sensors are consolidated into the lock, significantly reducing installation time
- Streamlined appearance blends seamlessly into any environment and maintains architectural integrity around the door
- Open architecture platform is compatible with all popular access control systems
- ElectroLynx® universal quick-connect system reduces installation time and costs, improves reliability
- Lockdown capability offers the ability to secure areas immediately
- Supports HID® 125 kHz prox or 13.56 MHz iCLASS® credentials
- Available with MicroShield® antimicrobial finish
- Available in a variety of finishes with multiple lever options, including standard as well as Muséo® and Vineyard™ decorative levers, for a consistent design aesthetic throughout your facility
- Mortise locks feature EcoFlex™ technology
 - Reduces energy consumption up to 96%, as certified by GreenCircle
 - Field configurable to fail-safe or fail-secure
 - Operates from 12-24VDC, offering greater flexibility in system design
 - Innovative actuator design provides superior reliability

Typical System Configuration



As awarded by
The Chicago Athenaeum:
Museum of Architecture
and Design.

* U.S. Patent D601,001S; D601,002S; D601,003S; D602,762S



ElectroLynx®

As part of their promise to provide innovative, fast and effective high security solutions to their customers, certain ASSA ABLOY Group brands offer ElectroLynx®, a universal quick-connect system that simplifies the electrification of the door opening.

ElectroLynx® is a registered trademark of ASSA ABLOY Inc.



MicroShield®

As part of their promise to provide innovative solutions to their customers, certain ASSA ABLOY Group brands offer the MicroShield® technology, a silver-based antimicrobial coating designed to inhibit the growth of bacteria.

MicroShield® is a registered trademark of Yale Security Inc., an ASSA ABLOY Group company.


Corbin Russwin and Design®, Access 600® and Muséo® are registered trademarks of Corbin Russwin, Inc., an ASSA ABLOY Group company. Vineyard™ is a trademark of Corbin Russwin, Inc., an ASSA ABLOY Group company. These materials are protected under US copyright laws. Other products' brand names may be trademarks or registered trademarks of their respective owners and are mentioned for reference purposes only. All contents current at time of publication. Corbin Russwin, Inc., an ASSA ABLOY Group company reserves the right to change availability of any item in this sell sheet, its design, construction, and/or its materials. Copyright © 2007, 2011, 2014, 2015 Corbin Russwin, Inc., an ASSA ABLOY Group company. All rights reserved. Reproduction in whole or in part without the express written permission of Corbin Russwin, Inc. is prohibited.

HID and iCLASS are registered trademarks of HID Global in the U.S. and/or other countries.

Access
700® | PAC1

Corbin
Russwin
ASSA ABLOY

Campus Access Control



The One Card solution for securing campuses

Corbin Russwin Access 700® PAC1 lockset with PERSONA Campus™ software is an intelligent, One Card solution for economical and effective campus access control. The Grade 1 quality lockset – available with keypad and magnetic stripe, or magnetic stripe only versions – is a battery-operated lockset with on-board memory.

PERSONA Campus™ software technology provides seamless database integration and software interfacing with enterprise, transaction and housing systems.

Access 700 offline locks with PERSONA provide centralized security at a fraction of the cost of a hardwired system, as well as the top quality and high security you expect from Corbin Russwin.

POWERED BY
PERSONA™

ASSA ABLOY, the global leader in door opening solutions



**Corbin
Russwin**
ASSA ABLOY

Access 700® | PAC1

Campus Access Control

Applications

Access 700® PAC1 is ideal for Campuses:

- Residence Halls
- Restrooms
- Dining Halls
- Libraries
- Book Stores
- Leisure Centers
- Sports Halls
- Classrooms
- Laboratories

Specifications

- High security offline battery-operated lock
- Complete lockset with on-board memory
 - 1,200 users supported per lock
 - Audit trail for last 700 events
- Available with:
 - keypad and magnetic stripe
 - magnetic stripe only
 - high coercivity
- 3-hour UL fire rating for maximum security and safety
- ADA-compliant

Available through Authorized Channel Partners only. Contact your ASSA ABLOY Door Security Solutions sales consultant for details.



For more information or a personal demonstration, contact PERSONA at 1-800-481-8464 or visit www.personacampus.com

POWERED BY
PERSONA™

Features & Benefits

- ANSI/BHMA Grade 1 lock, available in cylindrical lock, mortise lock and exit device configurations, offers the highest degree of physical security available in access control locks
- Seamless database integration and software interface with enterprise, transaction and housing systems
- Interrogate individual locks and perform system upgrades and changes quickly and easily
- Issue cards at multiple locations, allowing administrators to issue new or replacement keycards in seconds, from anywhere on campus
- Ability to customize access, by defining unlimited access, extended-hours access or no access, by user and facility, down to the individual lock
- One Card system uses a single keycard to provide user identification, building access, and parking privileges, allowing for personalized security at its best
- Time-control user access allows campuses to limit entry to specific areas and hours, controlling who goes where and when
- Ability to audit event histories allows you to interrogate locks, review event history, and prevent false accusations of entry and theft
- Uses six AA batteries for easy, cost-effective deployment and maintenance
- Available with MicroShield® antimicrobial finish
- Available in a variety of finishes with multiple lever options, including standard as well as Muséo® and Vineyard™ decorative levers, for a consistent design aesthetic throughout your facility

Typical System Configuration



Available with Muséo® and Vineyard™ levers



MicroShield®

As part of their promise to provide innovative solutions to their customers, certain ASSA ABLOY Group brands offer the MicroShield® technology, a silver-based antimicrobial coating designed to inhibit the growth of bacteria. MicroShield® is a registered trademark of Yale Security Inc., an ASSA ABLOY Group company.

Corbin Russwin and Design®, Access 700®, and Muséo® are registered trademarks of Corbin Russwin, Inc., an ASSA ABLOY Group company. Vineyard™ is a trademark of Corbin Russwin, Inc., an ASSA ABLOY Group company. These materials are protected under US copyright laws. Other products' brand names may be trademarks or registered trademarks of their respective owners and are mentioned for reference purposes only. All contents current at time of publication. Corbin Russwin, Inc., an ASSA ABLOY Group company reserves the right to change availability of any item in this sell sheet, its design, construction, and/or its materials. © Copyright 2008-2011 Corbin Russwin, Inc., an ASSA ABLOY Group company. All rights reserved. Reproduction in whole or in part without the express written permission of Corbin Russwin, Inc. is prohibited.

ASSA ABLOY is the global leader in door opening solutions, dedicated to satisfying end-user needs for security, safety and convenience.

Access
700® | PIP1

Corbin
Russwin®
ASSA ABLOY

PoE Campus Access Control



The One Card solution for securing campuses

The Corbin Russwin Access 700® PIP1 intelligent Power over Ethernet (PoE) lockset offers online access control, using magstripe, PIN code, and HID® multiCLASS SE® technologies for customized access to campus facilities. This offers an ideal solution for forward-thinking campuses looking for a migration path to higher security credentials and mobile access.

Using the facility's Ethernet network, the Access 700 PIP1 provides full online access control with standard network cabling. Combined with approved third party software, the Access 700 PIP1 locks integrate seamlessly into transactional and housing systems, providing comprehensive, reliable access control for the campus environment.

The Access 700 PIP1 also integrates all standard access control components into one device—ANSI /BHMA Grade 1 quality lock or exit device, card reader, door position switch and Request-to-Exit sensor—and is available in mortise lock, cylindrical lock and exit device configurations.



ASSA ABLOY, the global leader in door opening solutions



ASSA ABLOY is the global leader in door opening solutions, dedicated to satisfying end-user needs for security, safety and convenience



Specifications and System Requirements

Credential Support:

- > Magstripe
- > High Frequency (13.56 MHz)
 - iCLASS®
 - iCLASS SE® (SIO-enabled)
 - iCLASS® Seos®
 - SIO on MIFARE® Classic
 - SIO on MIFARE DESfire® EV1
 - MIFARE Classic
 - DESfire EV1
 - Bluetooth Smart-enabled mobile phones
 - NFC-enabled mobile phones
- > Low Frequency (125 kHz)
 - HID Prox®

Technical Specifications:

- > Power over Ethernet enabled
- > Conforms to IEEE 802.3af PoE powered device standard
- > Class 2 device defined by IEEE 802.3af requiring 7 watts

Software:

- > Compatible with approved third party access control software

Security:

- > AES 128-bit encryption



Available through Authorized Channel Partners only. Contact your ASSA ABLOY Door Security Solutions sales consultant for details.

Sold through

Installed by



For more information or a personal demonstration, contact PERSONA at 1-800-481-8464 or visit www.personacampus.com

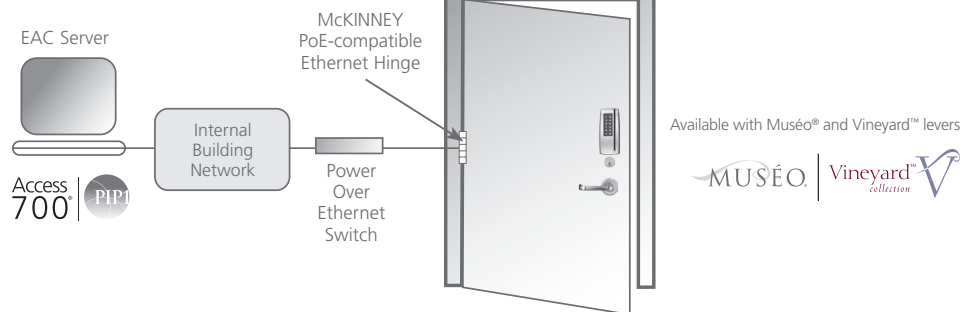
Corbin Russwin Architectural Hardware
225 Episcopal Road, Berlin, CT 06037
Phone 800-543-3658 | Fax 800-447-6714
corbinrusswin.com

Access 700® | PIP1

PoE Campus Access Control

Features	Benefits
Utilizes IEEE 802.3af PoE-enabled network infrastructure for both power and data	<ul style="list-style-type: none"> • Streamlines the installation process, reducing costs • Eliminates the need for any proprietary equipment • Enables real-time communication
HID® multiCLASS SE® Technology with magnetic stripe reader	<ul style="list-style-type: none"> • Provides heightened security • Supports multiple credential technologies, offering easy migration from magnetic stripe or other contactless standards to higher security credentials or consolidation of mixed credentials • Supports HID Mobile Access® powered by Seos® <ul style="list-style-type: none"> - Supports both iOS® and Android™ devices
Keypad option available	<ul style="list-style-type: none"> • Two-factor authentication offers enhanced security
Intelligence built into lock for local decision making	<ul style="list-style-type: none"> • Lock operates regardless of network status • Supports up to 2,400 users • Provides a 10,000 event transaction history/audit trail
Privacy button	<ul style="list-style-type: none"> • Allows shelter in place/local lockdown • Enables privacy capabilities for applications such as residence halls
Reduced energy consumption and product sustainability measures	<ul style="list-style-type: none"> • Uses up to 76% less power in standby mode than traditional access control installations, as certified by GreenCircle • Reuses existing network infrastructure • Streamlined system architecture provides improved reliability and reduces materials
Integrated ANSI/BHMA Grade 1 hardware, available in cylindrical lock, mortise lock, and exit device configurations	<ul style="list-style-type: none"> • Flexibility to support various openings • Assurance of high quality hardware
Available with a wide range of finishes and decorative levers	<ul style="list-style-type: none"> • Blends into any environment seamlessly • Designed to meet the requirements of designers and architects

Typical System Configuration



Corbin Russwin and Design®, Access 700®, and Muséo® are registered trademarks of Corbin Russwin, Inc., an ASSA ABLOY Group company. Vineyard™ is a trademark of Corbin Russwin, Inc., an ASSA ABLOY Group company. These materials are protected under US copyright laws. Other products' brand names may be trademarks or registered trademarks of their respective owners and are mentioned for reference purposes only. All contents current at time of publication. Corbin Russwin, Inc., an ASSA ABLOY Group company reserves the right to change availability of any item in this sell sheet, its design, construction, and/or its materials. © Copyright 2010, 2011, 2013, 2014, 2015 Corbin Russwin, Inc., an ASSA ABLOY Group company. All rights reserved. Reproduction in whole or in part without the express written permission of Corbin Russwin, Inc. is prohibited.

HID, iCLASS, iCLASS SE, and multiCLASS SE are registered trademarks or trademarks of HID Global in the U.S. and/or other countries. The Genuine HID Technology logo is a trademark owned and licensed by HID Global.

Access
700® | PW11

Corbin
Russwin®
ASSA ABLOY

WiFi Campus Access Control



The One Card solution for securing campuses

The Corbin Russwin Access 700® PW11 lockset is an intelligent WiFi lockset offering comprehensive access control for campus housing and facilities. This offers an ideal solution for forward-thinking campuses looking for a migration path to higher security credentials and mobile access.

Ideal for adding access control to areas of a building that would be too difficult or costly to wire, the Access 700 PW11 uses 802.11b/g/n WiFi infrastructure to significantly reduce hardware and labor costs. Combined with approved third party software, the Access 700 PW11 Series of locks integrate seamlessly into transactional and housing systems, providing comprehensive, reliable access control for the campus environment.

The Access 700 PW11 integrates all standard access control components into one device—ANSI Grade 1 quality lock or exit device, card reader, door position switch and Request-to-Exit sensor—and is available in mortise lock, cylindrical lock and exit device configurations.



ASSA ABLOY is the global leader in door opening solutions, dedicated to satisfying end-user needs for security, safety and convenience



Specifications and System Requirements

Credential Support:

- › Magstripe
- › High Frequency (13.56 MHz):
 - iCLASS®
 - iCLASS SE® (SIO-enabled)
 - iCLASS® Seos®
 - SIO on MIFARE® Classic
 - SIO on MIFARE DESfire® EV1
 - MIFARE Classic
 - DESfire EV1
 - Bluetooth Smart-enabled mobile phones
 - NFC-enabled mobile phones

› Low Frequency (125 kHz):

- HID Prox®

Operating Power:

- › 9VDC (6 AA) batteries

Software:

- › Compatible with approved third party access control software

Security:

- › AES 128-bit encryption
- › Supports current WiFi network security standards, including:
 - WEP, WPA and WPA2
 - 802.1x

Available through Authorized Channel Partners only. Contact your ASSA ABLOY Door Security Solutions sales consultant for details.

Sold through

Installed by



For more information or a personal demonstration, contact PERSONA at 1-800-481-8464 or visit www.personacampus.com

Corbin Russwin Architectural Hardware
225 Episcopal Road, Berlin, CT 06037
Phone 800-543-3658 | Fax 800-447-6714
corbinrusswin.com

Access 700® | PWTI

WiFi Campus Access Control

Features	Benefits
Utilizes IEEE 802.11 WiFi infrastructure	<ul style="list-style-type: none"> • Significantly reduces installation costs • Eliminates the need for any proprietary equipment • Ideal for hard-to-wire locations
HID® multiCLASS SE® Technology with magnetic stripe reader	<ul style="list-style-type: none"> • Provides heightened security • Supports multiple credential technologies, offering easy migration from magnetic stripe or other contactless standards to higher security credentials or consolidation of mixed credentials • Supports HID Mobile Access® powered by Seos® <ul style="list-style-type: none"> - Supports both iOS® and Android™ devices
Keypad option available	<ul style="list-style-type: none"> • Two-factor authentication offers enhanced security
Field-upgradable 802.11 b/g/n radio	<ul style="list-style-type: none"> • Interoperability with other WiFi equipment • Future proof for constantly evolving WiFi standards
Intelligence built into lock for local decision making	<ul style="list-style-type: none"> • Lock operates regardless of network status • Supports up to 2,400 users • Provides a 10,000 event transaction history/audit trail
Privacy button	<ul style="list-style-type: none"> • Allows shelter in place/local lockdown • Enables privacy capabilities for applications such as residence halls
Field selectable communication frequency	<ul style="list-style-type: none"> • Allows you to balance security requirements with battery life
Integrated ANSI/BHMA Grade 1 hardware, available in cylindrical lock, mortise lock, and exit device configurations	<ul style="list-style-type: none"> • Flexibility to support various openings • Assurance of high quality hardware
Available with a wide range of finishes and decorative levers	<ul style="list-style-type: none"> • Blends into any environment seamlessly • Designed to meet the requirements of designers and architects

Typical System Configuration



Available with Muséo® and Vineyard™ levers

Corbin Russwin and Design®, Access 700®, and Muséo® are registered trademarks of Corbin Russwin, Inc., an ASSA ABLOY Group company. Vineyard™ is a trademark of Corbin Russwin, Inc., an ASSA ABLOY Group company. These materials are protected under US copyright laws. Other products' brand names may be trademarks or registered trademarks of their respective owners and are mentioned for reference purposes only. All contents current at time of publication. Corbin Russwin, Inc., an ASSA ABLOY Group company reserves the right to change availability of any item in this sell sheet, its design, construction, and/or its materials. © Copyright 2010, 2011, 2013, 2014, 2015 Corbin Russwin, Inc., an ASSA ABLOY Group company. All rights reserved. Reproduction in whole or in part without the express written permission of Corbin Russwin, Inc. is prohibited.

HID, iCLASS, iCLASS SE, and multiCLASS SE are registered trademarks or trademarks of HID Global in the U.S. and/or other countries. The Genuine HID Technology logo is a trademark owned and licensed by HID Global.

Access
800® | AC2

Corbin
Russwin
ASSA ABLOY

Stand Alone Access Control

Access 800® AC2 stand alone locks provide easy flexibility, allowing you to update your locks quickly and efficiently using a handheld device or keypad. With support for HID® 125 kHz proximity and RF fob credentials, the AC2 combines a broad selection of technologies with Corbin Russwin ANSI/BHMA Grade 1 locking hardware, housed in a sleek contemporary design.



ASSA ABLOY, the global leader
in door opening solutions



Access 800® AC2



Stand Alone Access Control

Applications

- Access 800® AC2 is ideal for**
- Corporate campuses
 - Educational facilities
 - Healthcare facilities
 - Government facilities

System Requirements

Software:


- › SoloPlus™ Access Control Management Software
- › Microsoft Windows based operating system (XP and later) or Windows Server (2003, 2008)*

Hardware:

- › VGA monitor
- › CD Rom drive
- › Instruction manual (included)
- › Data Transfer Device or PDA (refer to catalog for compatible models)

* Refer to catalog or call 800-810-WIRE for specific information on compatible operating systems

Lock Features:

- › Supports 2,000 users
- › Provides 2,000 event audit trail
- › Credential support:
 - HID® 125 kHz prox 
 - RF fob
- › Available with keypad for dual factor authentication
- › Programmable via keypad, data transfer device (DTD), or PDA*
- › Available with key override
- › Supports multiple types of users, such as extended, temporary, or supervisory
- › Available in mortise lock, cylindrical lock, or exit device configurations

* DTD required for Windows Vista and later

SoloPlus Features:

- › Database supports up to 20,000 users
- › Ability to access information from multiple PCs through the use of a system manager
- › Ability to view, print, and save reports
- › User-friendly task list facilitates initial set up

Complete your system with:

- › 712F089 Enrollment Station for enrolling HID® 125 kHz proximity cards, up to 40 bit format, into SoloPlus software
- › WM800 Wall Proximity Reader (hard powered) for openings that require an auto operator

Available with Muséo® and Vineyard™ levers



ElectroLynx®

As part of their promise to provide innovative, fast and effective high security solutions to their customers, ASSA ABLOY Group companies offer ElectroLynx®, a universal quick-connect system that simplifies the electrification of the door opening.

ElectroLynx® is a registered trademark of ASSA ABLOY Inc.



MicroShield®

As part of their promise to provide innovative solutions to their customers, certain ASSA ABLOY Group brands offer the MicroShield® technology, a silver-based antimicrobial coating designed to inhibit the growth of bacteria.

MicroShield® is a registered trademark of Yale Security Inc., an ASSA ABLOY Group company.

Corbin Russwin and Design®, Access 800®, and Muséo® are registered trademarks of Corbin Russwin, Inc., an ASSA ABLOY Group company. Vineyard™ is a trademark of Corbin Russwin, Inc., an ASSA ABLOY Group company. These materials are protected under US copyright laws. Other products' brand names may be trademarks or registered trademarks of their respective owners and are mentioned for reference purposes only. All contents current at time of publication. Corbin Russwin, Inc., an ASSA ABLOY Group company reserves the right to change availability of any item in this sell sheet, its design, construction, and/or its materials. © Copyright 2007, 2010-2011 Corbin Russwin, Inc., an ASSA ABLOY Group company. All rights reserved. Reproduction in whole or in part without the express written permission of Corbin Russwin, Inc. is prohibited.

HID is a registered trademark of HID Global Corporation. The Genuine HID Technology logo is a trademark owned and licensed by HID Global.

ASSA ABLOY is the global leader in door opening solutions, dedicated to satisfying end-user needs for security, safety and convenience.

Corbin Russwin Architectural Hardware
225 Episcopal Road, Berlin, CT 06037
Phone 800-543-3658
Fax 800-447-6714
corbinruswin.com

Access
800® | IP1

Corbin
Russwin®
ASSA ABLOY

Intelligent Power over Ethernet (PoE) Access Control

The Corbin Russwin Access 800® IP1 is an intelligent Power over Ethernet (PoE) solution that integrates all standard access control components – including ANSI/BHMA Grade 1 Corbin Russwin hardware, contactless reader, door status monitoring, and controller – into a single device.

The Access 800 IP1 PoE lock uses a single Ethernet cable for both power and data, eliminating the need for any additional power supply or electrical wiring. It uses existing IEEE 802.3af PoE infrastructure to streamline the installation process, reduce costs, enable real-time communication, and minimize power consumption.

Using the Local Area Network and HID® 125 kHz proximity or 13.56 MHz iCLASS® credentials, the Access 800 IP1 offers complete access control features such as built-in door status monitoring and real-time configurable alarm notifications. Local decision making ensures operation regardless of network status.



ASSA ABLOY, the global leader
in door opening solutions



Access 800® IP1

Intelligent PoE Access Control

Applications

Access 800® IP1 is ideal for
Corporate campuses
Schools
Healthcare facilities

Specifications and System Requirements

Operating Power:

- › Power supplied through Ethernet
- › Class 2 Device as defined by IEEE 802.3af, requiring a maximum of 7 Watts

Software:

- › Lock Management Tool – Available for small installations
- › To ensure quick and easy integration, our products are tested and certified to work with access control software and systems from many providers. Visit www.intelligentopenings.com for a complete list of partners.
- › Software Development Kit (SDK) and support available to integrate into third party access control systems. Call 800-810-WIRE for assistance.

Security:

- › Advanced data security with standard encryption techniques – AES 128-bit encryption

Available through Authorized Channel Partners only. Contact your ASSA ABLOY Door Security Solutions sales consultant for details.

Installed by



Sold through

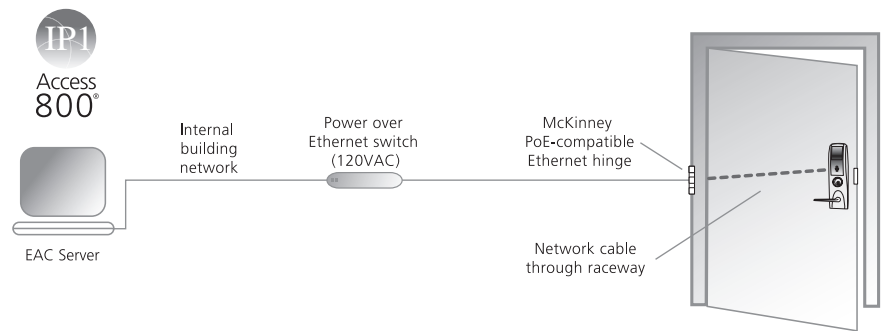


Corbin Russwin Architectural Hardware
225 Episcopal Road, Berlin, CT 06037
Phone 800-543-3658
Fax 800-447-6714
corbinruswin.com

Features & Benefits

- Utilizes IEEE 802.3af PoE-enabled network infrastructure for both power and data
- Integrated ANSI/BHMA Grade 1 lock, available in cylindrical lock, mortise lock and exit device configurations
- Local decision making ensures operation regardless of network status
- Built-in door status monitoring and real-time, configurable alarm notifications
- Real-time communication provides online access control functionality including lockdown
- Supports 2,400 users and 10,000 event audit trail
- Supports HID® 125 kHz prox or 13.56 MHz iCLASS® credentials (26 - 39 bit); supports CSN reads for other common 13.56 MHz cards, including MiFare, DesFire, and Felica
- Full iCLASS credential authentication
- Available with a keypad option for two-factor authentication
- Available with a variety of finishes and Muséo® decorative levers for a consistent design aesthetic throughout your facility
- Weatherseal gaskets and conduit included for use on exterior door
- Significantly reduces installation time and cost compared to traditional access control
- Integration with many popular third party access control systems. For more information, call 800-810-WIRE
- No proprietary equipment required; integrates easily with existing infrastructure

Typical System Configuration



Available with Muséo® and Vineyard™ levers



MicroShield®

As part of their promise to provide innovative solutions to their customers, certain ASSA ABLOY Group brands offer the MicroShield® technology, a silver-based antimicrobial coating designed to inhibit the growth of bacteria.

MicroShield® is a registered trademark of Yale Security Inc., an ASSA ABLOY Group company.

Corbin Russwin and Design®, Access 800®, and Muséo® are registered trademarks of Corbin Russwin, Inc., an ASSA ABLOY Group company. Vineyard™ is a trademark of Corbin Russwin, Inc., an ASSA ABLOY Group company. These materials are protected under US copyright laws. Other products' brand names may be trademarks or registered trademarks of their respective owners and are mentioned for reference purposes only. All contents current at time of publication. Corbin Russwin, Inc., an ASSA ABLOY Group company reserves the right to change availability of any item in this sell sheet, its design, construction, and/or its materials. © Copyright 2012, 2015 Corbin Russwin, Inc., an ASSA ABLOY Group company. All rights reserved. Reproduction in whole or in part without the express written permission of Corbin Russwin, Inc. is prohibited.

The Genuine HID Technology logo is a trademark owned and licensed by HID Global.

Access
800® | WI1

Corbin
Russwin
ASSA ABLOY

Intelligent WiFi Access Control

The Corbin Russwin Access 800® WI1 lockset is an intelligent WiFi solution that integrates all standard access control components - including ANSI/BHMA Grade 1 Corbin Russwin hardware, contactless reader and door status monitoring - into a single device.

The Access 800 WI1 is ideal for adding access control to areas of a building that would be too difficult or costly to wire. Its open architecture design eases integration with any access control system and since there are no wires to run, it significantly reduces hardware and labor costs.

Using an existing WiFi network and HID® 125 kHz proximity or 13.56 MHz iCLASS® credentials, the Access 800 WI1 offers complete access control functionality, such as built-in door status monitoring and real-time configurable alarm notifications. Local decision making ensures operation regardless of network status.



ASSA ABLOY, the global leader
in door opening solutions



ASSA ABLOY is the global leader in door opening solutions, dedicated to satisfying end-user needs for security, safety and convenience



Applications

Access 800® WI1 is ideal for
Corporate campuses
Schools
Healthcare facilities

Specifications and System Requirements

Operating Power:

› 9VDC (6 AA) batteries

Software:

- › Lock Management Tool – Available for small installations
- › To ensure quick and easy integration, our products are tested and certified to work with access control software and systems from many providers. Visit www.intelligentopenings.com for a complete list of partners.
- › Software Development Kit (SDK) and support available to integrate into third party access control systems. Call 800-810-WIRE for assistance.

Security:

- › Advanced data security with standard encryption techniques
- › AES 128-bit encryption
- › Supports most current WiFi network security standards. For specific security information, please contact your local ASSA ABLOY Door Security Solutions sales consultant or call 800-810-WIRE.

Available through Authorized Channel Partners only. Contact your ASSA ABLOY Door Security Solutions sales consultant for details.

Installed by

Sold through



Corbin Russwin Architectural Hardware
225 Episcopal Road, Berlin, CT 06037
Phone 800-543-3658
Fax 800-447-6714
corbinrusswin.com

Access 800® | WiFi

Intelligent WiFi Access Control

Features

- Intelligent, integrated ANSI/BHMA Grade 1 lockset, available in cylindrical lock, mortise lock, and exit device configurations, offers the highest degree of physical security available in access control locks
- Local decision making ensures operation regardless of network status
- Built-in door status monitoring and real-time, configurable alarm notifications
- Supports 2,400 users and 10,000 event audit trail
- Supports HID® 125 kHz prox or 13.56 MHz iCLASS® credentials (26 - 39 bit); supports CSN reads for other common 13.56 MHz cards, including MiFare, DesFire, and Felica
- Available with a keypad option for two-factor authentication
- Weatherseal gaskets and conduit included for use on exterior doors
- Uses six AA batteries for easy, cost-effective deployment and maintenance
- Available with MicroShield® antimicrobial finish
- Available in a variety of finishes with multiple lever options, including Muséo® and Vineyard™ decorative levers, for a consistent design aesthetic throughout your facility

Benefits

- Significantly reduces installation time and cost compared to traditional access control
- Integration with many popular third party access control systems. For more information, call 800-810-WIRE.
- Utilizes off-the-shelf or existing IEEE 802.11 b/g WiFi infrastructure for cost-effective installations
- Enables access control in hard-to-wire locations
- No proprietary equipment required; integrates easily with existing infrastructure

Typical System Configuration



Available with Muséo® and Vineyard™ levers



MicroShield®

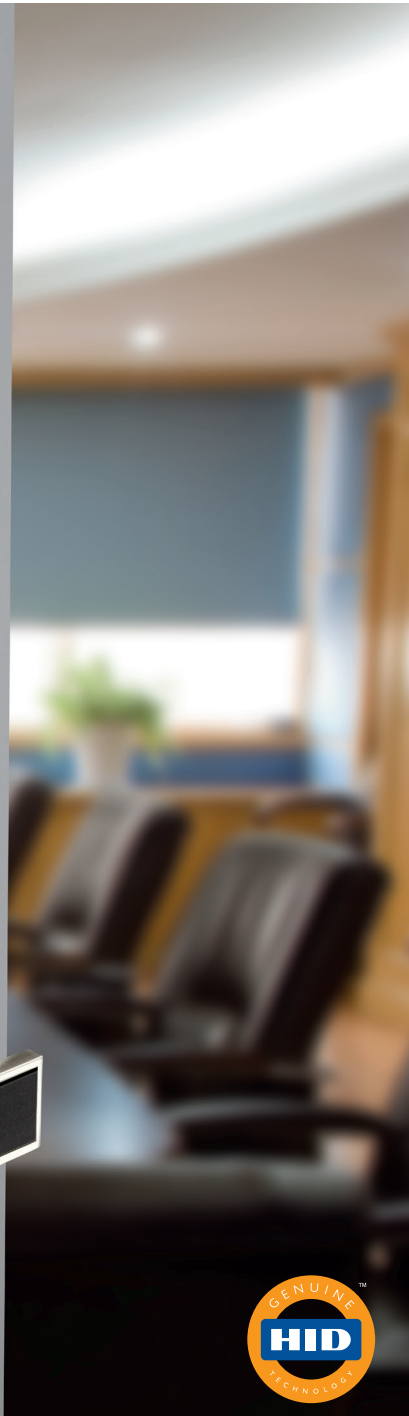
As part of their promise to provide innovative solutions to their customers, certain ASSA ABLOY Group brands offer the MicroShield® technology, a silver-based antimicrobial coating designed to inhibit the growth of bacteria. MicroShield® is a registered trademark of Yale Security Inc., an ASSA ABLOY Group company.

Corbin Russwin and Design®, Access 800®, and Muséo® are registered trademarks of Corbin Russwin, Inc., an ASSA ABLOY Group company. Vineyard™ is a trademark of Corbin Russwin, Inc., an ASSA ABLOY Group company. These materials are protected under US copyright laws. Other products' brand names may be trademarks or registered trademarks of their respective owners and are mentioned for reference purposes only. All contents current at time of publication. Corbin Russwin, Inc., an ASSA ABLOY Group company reserves the right to change availability of any item in this sell sheet, its design, construction, and/or its materials. © Copyright 2007, 2010-2011, 2014, 2015 Corbin Russwin, Inc., an ASSA ABLOY Group company. All rights reserved. Reproduction in whole or in part without the express written permission of Corbin Russwin, Inc. is prohibited.

HID and iCLASS are registered trademarks of HID Global Corporation. The Genuine HID Technology logo is a trademark owned and licensed by HID Global.

Corbin
Russwin

ASSA ABLOY



SEOS



IN120

Intelligent WiFi Access Control

The Corbin Russwin IN120 pairs a sleek, attractive design with the latest in access control technology to address the evolving needs of today's facilities.

Featuring multiCLASS SE® technology from HID Global®, this innovative WiFi lock makes it easy and affordable to expand your access control system.

ASSA ABLOY, the global leader
in door opening solutions



ASSA ABLOY is the global leader in door opening solutions, dedicated to satisfying end-user needs for security, safety and convenience



Specifications and System Requirements

Operating Power:

- › 6 AA batteries or
- › 12-24VDC hard power option

Credential Support:

The IN120 features HID® multiCLASS SE® technology to support the following credentials:

- › High Frequency (13.56 MHz):
 - iCLASS®
 - iCLASS SE® (SIO-enabled)
 - iCLASS® Seos®
 - SIO on MIFARE® Classic
 - SIO on MIFARE DESfire® EV1
 - MIFARE Classic
 - DESfire EV1
 - NFC-enabled mobile phones
 - Bluetooth Smart-enabled mobile phones
- › Low Frequency (125 kHz):
 - HID Prox®

Security:

- › AES 128-bit encryption
- › Supports current WiFi network security standards, including:
 - WEP, WPA and WPA2
 - 802.1x (e.g. EAP, PEAP, PAP)

Software:

- › Works with ASSA ABLOY IP-Enabled Access Control Partner software, allowing simple integration into existing or new systems
- › Software Development Kits (SDK) and support available to integrate into other third party access control systems. Email: OEMSupport_Group@assaabloy.com for assistance.

IN120

Intelligent WiFi Access Control

Features	Benefits
Utilizes IEEE 802.11 WiFi infrastructure	<ul style="list-style-type: none"> • Significantly reduces installation costs • Eliminates the need for any proprietary equipment • Ideal for hard-to-wire locations
multiCLASS SE® Technology from HID Global®	<ul style="list-style-type: none"> • Provides heightened security • Supports multiple credential technologies, offering easy migration to higher security credentials or consolidation of mixed credentials • Supports HID Mobile Access® powered by Seos® <ul style="list-style-type: none"> - Supports both iOS® and Android™ devices
Field-upgradable 802.11b/g/n radio	<ul style="list-style-type: none"> • Interoperability with other WiFi equipment • Future proof for constantly evolving WiFi standards
Customizable feature set	<ul style="list-style-type: none"> • Select only the features you need • Add features as your requirements grow
Intelligence built into lock for local decision making	<ul style="list-style-type: none"> • Lock operates regardless of network status • Supports up to 2,400 users • Provides a 10,000 event transaction history/audit trail
Privacy button	<ul style="list-style-type: none"> • Enables shelter in place / local lockdown • Offers privacy capabilities for applications such as restrooms
Field selectable communication frequency	<ul style="list-style-type: none"> • Allows you to balance security requirements with battery life
Integrated ANSI/BHMA Grade 1 hardware, available in cylindrical lock and mortise lock configurations	<ul style="list-style-type: none"> • Flexibility to support various openings • Assurance of high quality hardware
Available with a wide range of finishes and decorative levers	<ul style="list-style-type: none"> • Blends into any environment seamlessly • Designed to meet the requirements of designers and architects

Typical System Configuration



Corbin Russwin Architectural Hardware
 225 Episcopal Road
 Berlin, CT 06037
 Phone 800-543-3658
 Fax 800-447-6714
 corbinrusswin.com

Corbin Russwin and Design® is a registered trademark of Corbin Russwin, Inc., an ASSA ABLOY Group company. These materials are protected under US copyright laws. Other products' brand names may be trademarks or registered trademarks of their respective owners and are mentioned for reference purposes only. All contents current at time of publication. Corbin Russwin, Inc., an ASSA ABLOY Group company reserves the right to change availability of any item in this sell sheet, its design, construction, and/or its materials. Copyright © 2015 Corbin Russwin, Inc., an ASSA ABLOY Group company. All rights reserved. Reproduction in whole or in part without the express written permission of Corbin Russwin, Inc. is prohibited.

HID, iCLASS, iCLASS SE, and multiCLASS SE are registered trademarks or trademarks of HID Global in the U.S. and/or other countries. The Genuine HID Technology logo is a trademark owned and licensed by HID Global.

**Corbin
Russwin**

ASSA ABLOY



SE LP10-F

FIPS 201-1 Compliant PIV Solution
Integrated Wiegand Access Control

The Corbin Russwin SE LP10-F is designed for secure physical access projects that must comply with Personal Identity Verification (PIV) standards under Federal Information Processing Standards (FIPS) 201-1. Offering the same ease and convenience as our other Integrated Wiegand access control solutions, the SE LP10-F provides a simple-to-deploy, cost-effective turnkey solution for any federal agency or facility seeking compliance.

ASSA ABLOY, the global leader
in door opening solutions



ASSA ABLOY is the global leader in door opening solutions, dedicated to satisfying end-user needs for security, safety and convenience



Specifications and System Requirements

- › Reader: 12VDC
- › Mortise locks operate from 12-24VDC; cylindrical locks available as 12 or 24VDC; exit devices available as 24VDC only
- › Mortise locks field selectable to fail-safe or fail-secure; must specify fail-safe or fail-secure for cylindrical locks and exit devices

Credential Support:

The SE LP10-F features HID® multiCLASS SE® technology to support the following credentials:

- › High Frequency (13.56 MHz):
 - ISO14443A/B (FIPS 201-1* Transparent FASC-N read)
 - Secure Identity Object™ (SIO) on iCLASS Seos, iCLASS SE/SR, MIFARE DESFire EV1 and MIFARE Classic (on by default)
 - Standard iCLASS Access Control Application, ISO14443A (MIFARE) CSN, ISO14443B CSN, and ISO15693 CSN
- › Low Frequency (125 kHz):
 - HID Prox®, AWID, EM4102

* FIPS 201-2 support coming soon

Installed by



Sold through

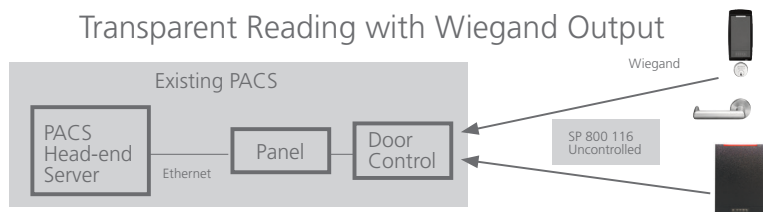


Corbin Russwin Architectural Hardware
225 Episcopal Road
Berlin, CT 06037
Phone 800-543-3658
Fax 800-447-6714
corbinrusswin.com

SE LP10-F Integrated Wiegand Access Control

	Features	Benefits
Compliance	Supports SP 800-116 for use in Uncontrolled security areas or sub-areas within Controlled or Limited areas	• Meets U.S. Government Smart Card Interoperability Specifications
	Transparent FASC-N read of PIV credential with Wiegand output	• Enables existing PACS infrastructure to be maintained for most facility openings
Technology	Open architecture platform multiCLASS SE® Technology from HID Global®	• Compatibility with all popular access control systems • Provides heightened security • Supports multiple credential types
	HID pivCLASS® Transparent Reader	• Supports dynamic detection of PIV or PIV-I cards; ideal for phased deployment approach
	Intelligent power management	• Reduces reader power consumption by as much as 75%
	Lockdown capable	• Ability to secure areas immediately from central security system
	Mortise locks feature EcoFlex™ technology	• Reduces energy consumption up to 96%, as certified by GreenCircle • Field configurable to fail-safe or fail-secure • Lock operates from 12-24VDC, offering greater flexibility in system design • Innovative actuator design provides superior reliability
Installation	Integrated design incorporates all access control components, including card reader, door position switch, and request to exit monitoring sensors	• Significantly reduces installation time with fewer components and a single wire harness
	Integrated ANSI/BHMA Grade 1 hardware, available in cylindrical lock, mortise lock, and exit device configurations	• Flexibility to support a variety of door applications; industry leading Grade 1 hardware offers the highest degree of physical security available in access control locks
	Direct Wiegand output (75 bit or 200 bit output option for PIV credentials) Provided with pre-terminated Electrolynx® connectors	• Eliminates the need for an interface panel • Reduced installation time and costs; improved reliability

Transparent Reading with Wiegand Output



Corbin Russwin and Design® is a registered trademark of Corbin Russwin, Inc., an ASSA ABLOY Group company. These materials are protected under US copyright laws. Other products' brand names may be trademarks or registered trademarks of their respective owners and are mentioned for reference purposes only. All contents current at time of publication. Corbin Russwin, Inc., an ASSA ABLOY Group company reserves the right to change availability of any item in this sell sheet, its design, construction, and/or its materials. Copyright © 2015 Corbin Russwin, Inc., an ASSA ABLOY Group company. All rights reserved. Reproduction in whole or in part without the express written permission of Corbin Russwin, Inc. is prohibited.

HID, iCLASS, iCLASS SE, and multiCLASS SE are registered trademarks or trademarks of HID Global in the U.S. and/or other countries. The Genuine HID Technology logo is a trademark owned and licensed by HID Global.

**Corbin
Russwin**

ASSA ABLOY



SE LP10-F

FIPS 201-1 Compliant PIV Solution
Integrated Wiegand Access Control

The Corbin Russwin SE LP10-F is designed for secure physical access projects that must comply with Personal Identity Verification (PIV) standards under Federal Information Processing Standards (FIPS) 201-1. Offering the same ease and convenience as our other Integrated Wiegand access control solutions, the SE LP10-F provides a simple-to-deploy, cost-effective turnkey solution for any federal agency or facility seeking compliance.

ASSA ABLOY, the global leader
in door opening solutions



ASSA ABLOY is the global leader in door opening solutions, dedicated to satisfying end-user needs for security, safety and convenience



Specifications and System Requirements

- › Reader: 12VDC
- › Mortise locks operate from 12-24VDC; cylindrical locks available as 12 or 24VDC; exit devices available as 24VDC only
- › Mortise locks field selectable to fail-safe or fail-secure; must specify fail-safe or fail-secure for cylindrical locks and exit devices

Credential Support:

The SE LP10-F features HID® multiCLASS SE® technology to support the following credentials:

- › High Frequency (13.56 MHz):
 - ISO14443A/B (FIPS 201-1* Transparent FASC-N read)
 - Secure Identity Object™ (SIO) on iCLASS Seos, iCLASS SE/SR, MIFARE DESFire EV1 and MIFARE Classic (on by default)
 - Standard iCLASS Access Control Application, ISO14443A (MIFARE) CSN, ISO14443B CSN, and ISO15693 CSN
- › Low Frequency (125 kHz):
 - HID Prox®, AWID, EM4102

* FIPS 201-2 support coming soon

Installed by

Sold through

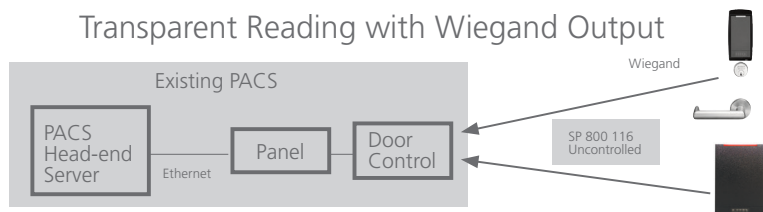


Corbin Russwin Architectural Hardware
225 Episcopal Road
Berlin, CT 06037
Phone 800-543-3658
Fax 800-447-6714
corbinrusswin.com

SE LP10-F Integrated Wiegand Access Control

	Features	Benefits
Compliance	Supports SP 800-116 for use in Uncontrolled security areas or sub-areas within Controlled or Limited areas	• Meets U.S. Government Smart Card Interoperability Specifications
	Transparent FASC-N read of PIV credential with Wiegand output	• Enables existing PACS infrastructure to be maintained for most facility openings
Technology	Open architecture platform multiCLASS SE® Technology from HID Global®	• Compatibility with all popular access control systems • Provides heightened security • Supports multiple credential types
	HID pivCLASS® Transparent Reader	• Supports dynamic detection of PIV or PIV-I cards; ideal for phased deployment approach
	Intelligent power management	• Reduces reader power consumption by as much as 75%
	Lockdown capable	• Ability to secure areas immediately from central security system
	Mortise locks feature EcoFlex™ technology	• Reduces energy consumption up to 96%, as certified by GreenCircle • Field configurable to fail-safe or fail-secure • Lock operates from 12-24VDC, offering greater flexibility in system design • Innovative actuator design provides superior reliability
Installation	Integrated design incorporates all access control components, including card reader, door position switch, and request to exit monitoring sensors	• Significantly reduces installation time with fewer components and a single wire harness
	Integrated ANSI/BHMA Grade 1 hardware, available in cylindrical lock, mortise lock, and exit device configurations	• Flexibility to support a variety of door applications; industry leading Grade 1 hardware offers the highest degree of physical security available in access control locks
	Direct Wiegand output (75 bit or 200 bit output option for PIV credentials) Provided with pre-terminated ElectroLynx® connectors	• Eliminates the need for an interface panel • Reduced installation time and costs; improved reliability

Transparent Reading with Wiegand Output



Corbin Russwin and Design® is a registered trademark of Corbin Russwin, Inc., an ASSA ABLOY Group company. These materials are protected under US copyright laws. Other products' brand names may be trademarks or registered trademarks of their respective owners and are mentioned for reference purposes only. All contents current at time of publication. Corbin Russwin, Inc., an ASSA ABLOY Group company reserves the right to change availability of any item in this sell sheet, its design, construction, and/or its materials. Copyright © 2015 Corbin Russwin, Inc., an ASSA ABLOY Group company. All rights reserved. Reproduction in whole or in part without the express written permission of Corbin Russwin, Inc. is prohibited.

HID, iCLASS, iCLASS SE, and multiCLASS SE are registered trademarks or trademarks of HID Global in the U.S. and/or other countries. The Genuine HID Technology logo is a trademark owned and licensed by HID Global.

CL Series Cylindrical Locks: Security That Fits



Versatile Locking Solutions for Any Environment

The security needs of your facility are complex and varied. Each opening has its own requirements, and choosing the right lock based on those demands is critical and sometimes overwhelming.

That's why Corbin Russwin created the versatile CL Series cylindrical locks. Designed with institutional and commercial environments in mind, these locks offer durability, strength, and reliability regardless of application.



CL3100 Vandal-Resistant Grade 1 Lock

Designed to withstand abusive environments, the CL3100 features our unique torque-resistant T-Zone construction and provides strength and durability far exceeding the A156.2 Series 4000 Grade 1 standards.



CL3300 Grade 1 Cylindrical Lock

Your "go-to" Grade 1 lockset, the CL3300 offers many functions and is easy to install and retrofit.



CL3800 Grade 2 Cylindrical Lock

This economical, Grade 2 lockset provides an outstanding combination of value and performance without compromising functionality or durability.

CL3100 Series

Vandal Resistant Grade 1 Lock



BENEFITS

- **Durable and Reliable:** Independently verified cycle testing proves the CL3100 series will last the lifetime of the facility
- **Flexible:** Integrates with numerous key systems and utilizes one lockbody for multiple functions, simplifying facility maintenance
- **Lower Cost of Ownership:** Fewer inventoried parts combined with a high number of opening cycles results in less time and frequency for maintenance and reduced overall expenses
- **Safe and Secure:** Torque resistant T-Zone construction provides ability to withstand tough environments to keep occupants and property safe and secure
- **Sustainable:** Contributes to your sustainability efforts - fewer lock replacements due to long life and high post-consumer recycled content
- **Healthy Environment:** Microshield® antimicrobial coating available; supplements your cleaning protocol for a healthier environment

FEATURES

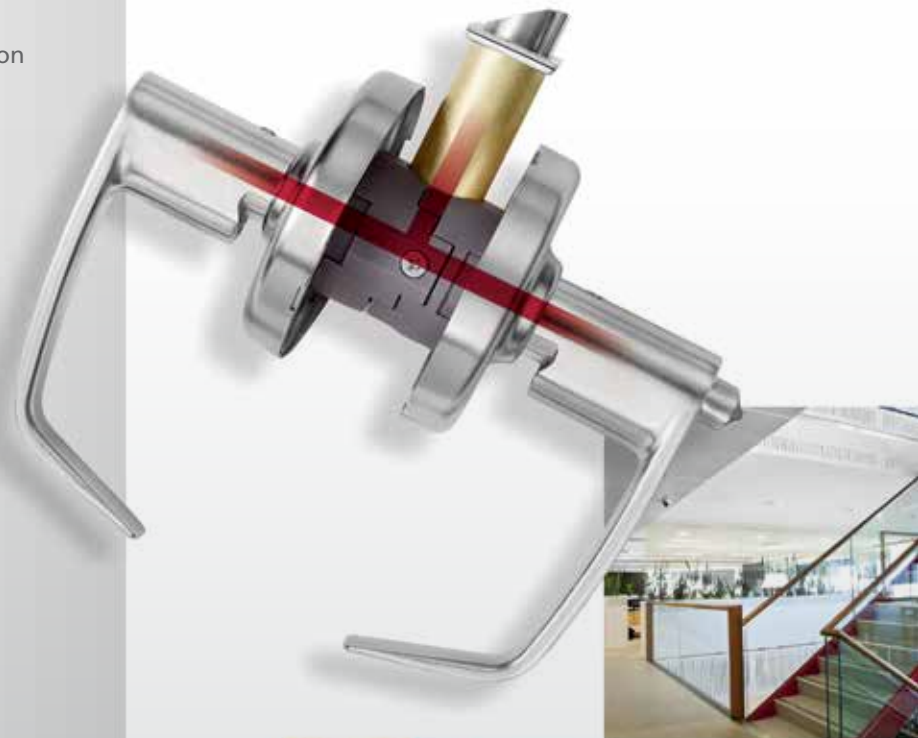
- 18 functions available, including Classroom Security; most requiring only two parts to change
- Simple cylinder removal provides easy change outs
- Integrates into most existing facility's key systems, including Best® SFIC and Schlage® LFIC
- Retrofits most standard 161 cylindrical lock door preps and is non-handed
- Made from 68% post-consumer recycled content as per LEED MR credit 4
- 10-year limited warranty
- Available in 14 architectural finishes and Microshield® antimicrobial coating

TYPICAL APPLICATIONS

- High traffic areas
- Offices
- Public buildings
- Hospitals
- Institutions
- Educational facilities
- Retail

DURABILITY AND CYCLE TESTING

- Withstands more than **TWO TIMES** ANSI/ BHMA A156.2 Grade 1 torque force on a locked lever
- T-Zone lock technology tested to **15 times** the standard in ANSI/BHMA A156.2 Grade 1 cycle testing
- **15 MILLION** cycles equals over 55 years of opening life in many facilities!



CL3300 Series

Grade 1 Cylindrical Lock



BENEFITS

- **Safe and Secure:** ANSI/BHMA Grade 1 lock manufactured with high quality materials; specialized functions allow for quick and secure lockdowns
- **Flexible:** 26 functions (2 electromechanical); 'go-to' cylindrical lock for almost any opening
- **Ease of Installation and Retrofit:** EZ-Install components significantly reduce install time and cover ANSI/BHMA Door Prep A156.115
- **Compatible:** Integrates into most existing facility's key systems, including Best® SFIC and Schlage® LFIC

FEATURES

- 26 functions available, including electromechanical
- Independent return springs to prevent lever sag
- Through-bolted cylindrical chassis prevents rotation and ensures proper alignment
- 7-year limited warranty
- Available in 14 architectural finishes and Microshield® antimicrobial coating

APPLICATIONS

- Corporate campuses
- Multi-family housing
- Restaurants
- Educational Facilities



CL3800 Series

Grade 2 Cylindrical Lock



BENEFITS

- **Reliable:** Exceeds ANSI/BHMA A156.2 Grade 2 cycle requirements
- **Flexible:** 18 functions; standard-duty cylindrical lock for light commercial applications
- **Compatible:** Visually consistent with CL3100 and CL3300 Grade 1 locks to provide the right level of security with similar aesthetics

FEATURES

- 18 functions available
- Steel lock chassis, zinc dichromated for corrosion resistance
- Non-handed
- 5-year limited warranty
- Available in 14 hardware finishes and Microshield® antimicrobial coating

APPLICATIONS

- Interior offices
- Closets
- Multi-family housing
- Restaurants
- Retail complexes



Where to Use Corbin Russwin Locks

OFFICE / WAREHOUSE EXAMPLE

- CL3100 Series
- CL3300 Series
- CL3800 Series
- Exit Device



MEDICAL OFFICE BUILDING EXAMPLE

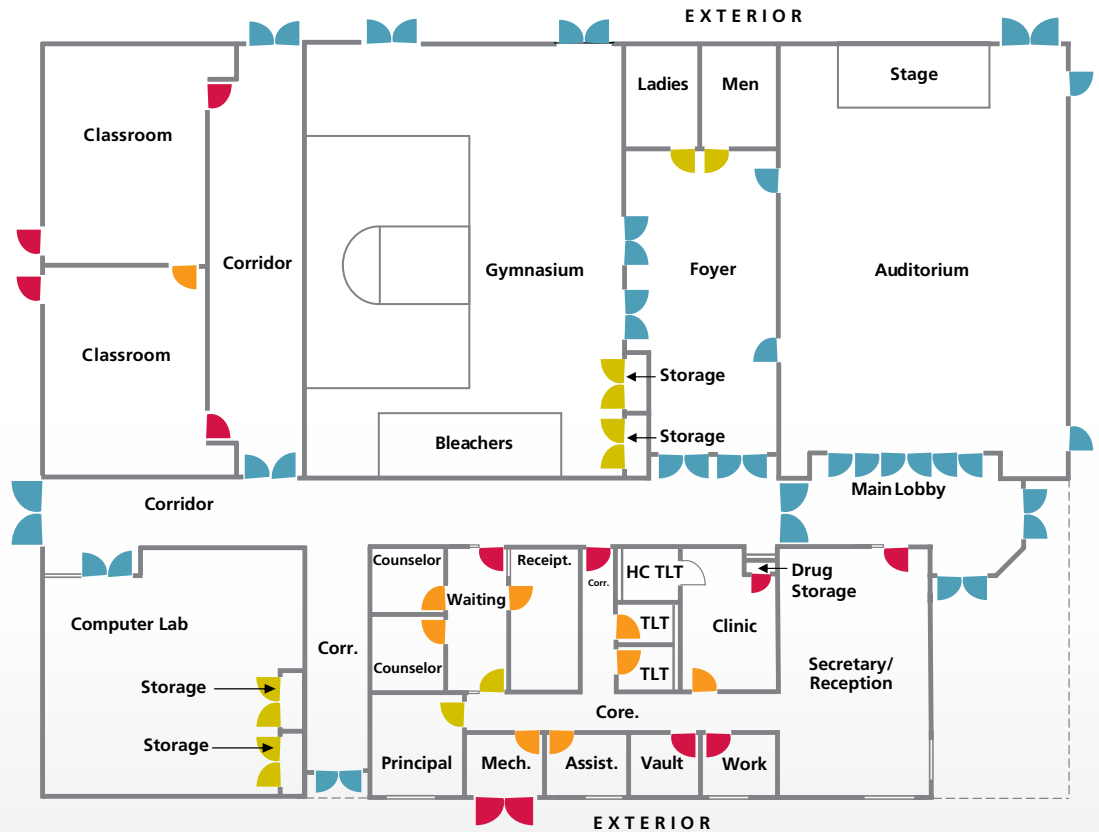
- CL3100 Series
- CL3300 Series
- CL3800 Series
- Exit Device



With the options available in **CL3100**, **CL3300**, and **CL3800** Series locks, you can always find the right lock for each opening. And no matter which lock you choose, you can depend on their strength, lasting durability, and the flexibility. The floor plans below show how the combination of these Series' secure the diverse openings in a facility.

SCHOOL EXAMPLE

- CL3100 Series
- CL3300 Series
- CL3800 Series
- Exit Device



For additional information, contact your
ASSA ABLOY Door Security Solutions
sales consultant or visit www.corbinruswin.com.



ASSA ABLOY

Corbin Russwin Architectural Hardware
225 Episcopal Road, Berlin, CT 06037
Phone 800-543-3658
Fax 800-447-6714
www.corbinruswin.com



MicroShield®

As part of their promise to provide innovative solutions to their customers, certain ASSA ABLOY Group brands offer the MicroShield® technology, registered with the EPA and FDA. MicroShield® is a silver-based antimicrobial coating designed to inhibit the growth of bacteria. MicroShield® is a registered trademark of Yale Security Inc., an ASSA ABLOY Group company.

ASSA ABLOY is the global leader in door opening solutions, dedicated to satisfying end-user needs for security, safety and convenience.

Corbin Russwin and Design® is a registered trademark of Corbin Russwin, Inc., an ASSA ABLOY Group company. These materials are protected under US copyright laws. Other products' brand names may be trademarks or registered trademarks of their respective owners and are mentioned for reference purposes only. All contents current at time of publication. Corbin Russwin, Inc., an ASSA ABLOY Group company reserves the right to change availability of any item in this product bulletin, its design, construction, and/or its materials. Copyright © 2015 Corbin Russwin, Inc., an ASSA ABLOY Group company. All rights reserved. Reproduction in whole or in part without the express written permission of Corbin Russwin, Inc. is prohibited.



Surpasses Every Test

CL3100 Series lever lock

As you open minds, you shouldn't have to worry about opening doors. Corbin Russwin designed the CL3100 Series to meet the demanding environments of educational facilities. The unique T-Zone construction easily exceeds ANSI/BHMA Grade 1 requirements for torque and cycle testing, ensuring durability in abusive applications. And, because few components are required when changing the lock function, the design simplifies facility maintenance. Plus, the CL3100 Series offers a classroom security function with unique locking indicator to help during panic situations. Durable, flexible, reliable—locks of the highest grade for facilities with the highest standards.

Applications

Classrooms • Bathrooms • Administrative Offices





CL3100 Series

Vandal Resistant Lever Lock

FEATURES

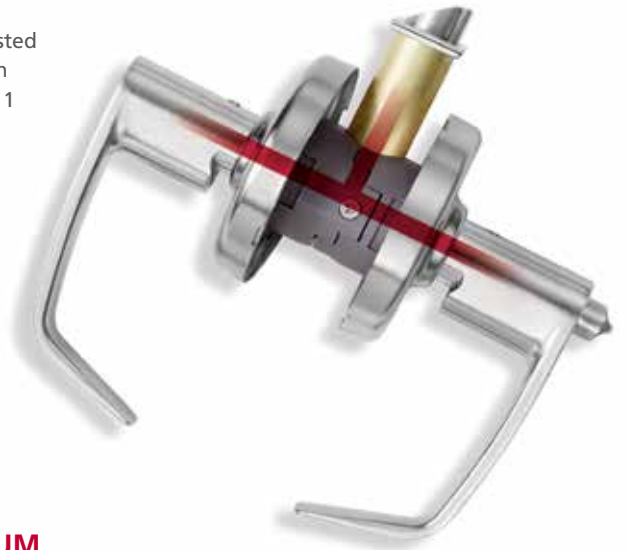
- 18 functions available, including Classroom Security; most requiring only two parts to change
- Simple cylinder removal provides easy change outs
- Integrates into most existing facility's key systems - accepts Corbin Russwin key systems including Access 3® and Pyramid; also accepts SFIC and Schlage® LFIC
- Fits standard 161 door preps and is non handed
- Made from 68% post-consumer recycled content as per LEED MR credit 4
- Available in 14 architectural finishes and Microshield® antimicrobial coating
- 10-year limited warranty

BENEFITS

- **Durable and Reliable:** Independently verified cycle testing proves the CL3100 series will last the lifetime of the facility. No through bolts or surface screws to be installed improperly or forgotten; T-Zone construction prevents the lock from twisting
- **Flexible:** Integrates with numerous key systems and utilizes one lockbody for multiple functions, simplifying facility maintenance
- **Lower Cost of Ownership:** Fewer inventoried parts combined with a high number of opening cycles results in less time and frequency for maintenance and reduced overall expenses
- **Safe and Secure:** Torque resistant T-Zone construction provides ability to withstand tough environments like schools to keep occupants and property safe and secure
- **Sustainable:** Contributes to your sustainability efforts - fewer lock replacements due to long life and high post-consumer recycled content
- **Healthy Environment:** Microshield® coating available; supplements your cleaning protocol for a healthier environment for children and faculty

DURABILITY AND CYCLE TESTING

- Withstands more than **TWO TIMES** ANSI/ BHMA A156.2 Grade 1 torque force on a locked lever.
- T-Zone lock technology tested to **15 times** the standard in ANSI/BHMA A156.2 Grade 1 cycle testing.
- **15 MILLION cycles** equals over 55 years of opening life in many facilities!



SECURITY CONTINUUM

Using a combination of the CL3100, CL3300 and CL3800 series locks, each opening can have the right level of strength, lasting durability and flexibility. This floor plan shows how the combination of these locks secure the diverse openings in a school all with the same key system!



Corbin Russwin Architectural Hardware
225 Episcopal Road, Berlin, CT 06037
Phone 800-543-3658
Fax 800-447-6714
www.corbinrusswin.com



MicroShield®

As part of their promise to provide innovative solutions to their customers, certain ASSA ABLOY Group brands offer the MicroShield® technology, registered with the EPA and FDA. MicroShield® is a silver-based antimicrobial coating designed to inhibit the growth of bacteria. MicroShield® is a registered trademark of Yale Security Inc., an ASSA ABLOY Group company.

ASSA ABLOY is the global leader in door opening solutions, dedicated to satisfying end-user needs for security, safety and convenience.

Corbin Russwin and Design® is a registered trademark of Corbin Russwin, Inc., an ASSA ABLOY Group company. These materials are protected under US copyright laws. Other products' brand names may be trademarks or registered trademarks of their respective owners and are mentioned for reference purposes only. All contents current at time of publication. Corbin Russwin, Inc., an ASSA ABLOY Group company reserves the right to change availability of any item in this product bulletin, its design, construction, and/or its materials. Copyright © 2015 Corbin Russwin, Inc., an ASSA ABLOY Group company. All rights reserved. Reproduction in whole or in part without the express written permission of Corbin Russwin, Inc. is prohibited.



Long Life



CL3100 Series lever lock

Extending life is the mission for healthcare facilities, and what makes Corbin Russwin's CL3100 Series the ideal solution for those demanding environments. The unique T-Zone construction provides durability and strength far above ANSI/BHMA Grade 1 requirements for torque and cycle testing. The design also simplifies facility maintenance by utilizing a single lock body for all functions. Flexible, durable and reliable—the lock that never gets old.

Applications

Laboratories • Public Restrooms • Offices



CL3100 Series

Vandal Resistant Lever Lock

FEATURES

- 18 functions available, including Hospital Privacy; most requiring only two parts to change
- Simple cylinder removal provides easy change outs
- Integrates into most existing facility's key systems - accepts Corbin Russwin key systems including Access 3® and Pyramid; also accepts SFIC and Schlage® LFIC
- Fits standard 161 door preps and is non handed
- Made from 68% post-consumer recycled content as per LEED MR credit 4
- Available in 14 architectural finishes and Microshield® antimicrobial coating
- 10-year limited warranty

BENEFITS

- **Durable and Reliable:** Independently verified cycle testing proves the CL3100 series will last the lifetime of the facility. No through bolts or surface screws to be installed improperly or forgotten; T-Zone construction prevents the lock from twisting
- **Flexible:** Integrates with numerous key systems and utilizes one lockbody for multiple functions, simplifying facility maintenance
- **Lower Cost of Ownership:** Fewer inventoried parts combined with a high number of opening cycles results in less time and frequency for maintenance and reduced overall expenses
- **Safe and Secure:** Torque resistant T-Zone construction provides ability to withstand tough environments like healthcare facilities to keep occupants and property safe and secure
- **Sustainable:** Contributes to your sustainability efforts - fewer lock replacements due to long life and high post-consumer recycled content
- **Healthy Environment:** Microshield® coating available; supplements your cleaning protocol for a healthier environment to keep germs at bay

DURABILITY AND CYCLE TESTING

- Withstands more than **TWO TIMES** ANSI/ BHMA A156.2 Grade 1 torque force on a locked lever.
- T-Zone lock technology tested to **15 times** the standard in ANSI/BHMA A156.2 Grade 1 cycle testing.
- **15 MILLION cycles** equals over 55 years of opening life in many facilities!



SECURITY CONTINUUM

Using a combination of the CL3100, CL3300 and CL3800 series locks, each opening can have the right level of strength, lasting durability and flexibility. This floor plan shows how the combination of these locks secure the diverse openings in a healthcare facility all with the same key system!



LEGEND	
■	CL3100 Series
■	CL3300 Series
■	CL3800 Series
■	Exit Device

Corbin Russwin Architectural Hardware
 225 Episcopal Road, Berlin, CT 06037
 Phone 800-543-3658
 Fax 800-447-6714
 www.corbinrusswin.com



MicroShield®

As part of their promise to provide innovative solutions to their customers, certain ASSA ABLOY Group brands offer the MicroShield® technology, registered with the EPA and FDA. MicroShield® is a silver-based antimicrobial coating designed to inhibit the growth of bacteria. MicroShield® is a registered trademark of Yale Security Inc., an ASSA ABLOY Group company.

ASSA ABLOY is the global leader in door opening solutions, dedicated to satisfying end-user needs for security, safety and convenience.

Corbin Russwin and Design® is a registered trademark of Corbin Russwin, Inc., an ASSA ABLOY Group company. These materials are protected under US copyright laws. Other products' brand names may be trademarks or registered trademarks of their respective owners and are mentioned for reference purposes only. All contents current at time of publication. Corbin Russwin, Inc., an ASSA ABLOY Group company reserves the right to change availability of any item in this product bulletin, its design, construction, and/or its materials. Copyright © 2015 Corbin Russwin, Inc., an ASSA ABLOY Group company. All rights reserved. Reproduction in whole or in part without the express written permission of Corbin Russwin, Inc. is prohibited.

CL3500 Series

Heavy-Duty Cylindrical Lever Locksets

A heavy-duty Grade 1 lever lockset, the CL3500 series is ideal for commercial, institutional and multi-family applications. Designed to continue the look of the cylindrical lockset family, the CL3500 lockset complements the CL3300 Series Extra Heavy-Duty Grade 1 and CL3800 Series Standard-Duty Grade 2 Locksets. Best of all, when you combine the cylindrical lockset series throughout your facility, the overall cost of your project is reduced without compromising functionality and durability.



**Corbin
Russwin** 

ASSA ABLOY

CL3500 Series

Heavy-Duty Cylindrical Lever Locksets



Features

Handing

Non-handed.

Door Thickness

1-3/8" - 2" standard.

Backset

2-3/4" standard.

Optional: 2-3/8", 3-3/4" and 5".

Lock Chassis

Steel, zinc dichromated for corrosion resistance.

Front

Brass, Bronze or Stainless Steel. 2-1/4" x 1-1/8" standard for 2-3/4", 3-3/4" and 5" backset. 2-1/4" x 1" standard for 2-3/8" backset. Accommodates flat doors and doors beveled 1/8" in 2".

Optional: rounded corner fronts; 1" fronts for 2-3/4" backset (standard for 2-3/8" backset).

Latchbolt

Brass, chrome plated with 1/2" throw.

Auxiliary Latchbolt

Deadlocking latchbolt prevents manipulation when door is closed.

Strike

Wrought brass or stainless steel ANSI curved lip, 4-7/8" x 1-1/4" x 1-1/4" lip to center standard.

Optional strikes, lip lengths and ANSI wrought strike box available.

Cylinder

Brass, 6-pin, L4 keyway, "O" bitted standard. Optional Cylinders available.

Keying Features Available

7-pin

Master keying

Construction master keying

Visual key control

Concealed key control

Interchangeable core (IC)

Security

Security IC

Pyramid Security

Pyramid Security IC

Pyramid High Security

Pyramid High Security IC

Keys

Two nickel-silver standard.

Warranty

Seven-year limited.

Applications

Typical applications include:

- Interior offices
- Apartment complexes
- Convalescent and elderly care facilities
- Hotels
- Restaurants
- Retail centers
- Fine homes

Advantages

- Non-handed
- Solid cast levers
- Independent return springs to prevent lever sag
- Through-bolted cylindrical chassis prevents rotation and ensures proper alignment
- ANSI Grade 1 certification
- Trim and keying compatible with other Corbin Russwin locksets

Certification/Compliance

ANSI

A156.2 Series 4000, Grade 1. Meets 117.1 Accessibility Code.



C-UL US

All locks listed for "A" label and lesser class single doors, 4' x 10'. Letter F and UL symbol on latch front indicate listing.



Federal

Meets FF-H-106C.

California State Reference Code

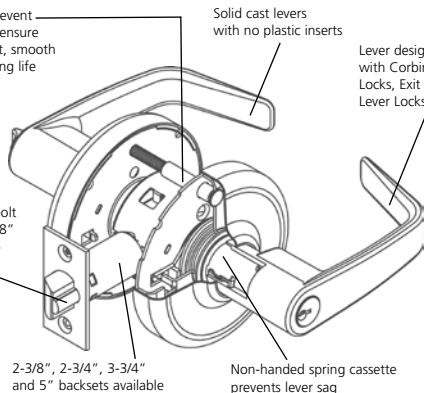
(Formerly Title 19, California State Fire Marshal Standard) All levers with returns comply; levers return to within 1/2" of door face.

Through-bolts prevent chassis rotation; ensure proper alignment, smooth operation and long life

Solid cast levers with no plastic inserts

Lever designs compatible with Corbin Russwin Mortise Locks, Exit Devices and other Lever Locksets

1/2" throw latchbolt accommodates 7/8" and 1" edge bore preps

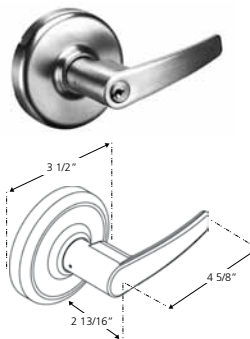


2-3/8", 2-3/4", 3-3/4" and 5" backsets available

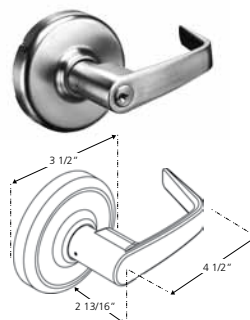
Non-handed spring cassette prevents lever sag



AZD lever



NZD lever



Finishes

605	Bright brass
606	Satin brass
611	Bright bronze
612	Satin bronze
613	Dark oxidized satin bronze, oil rubbed ¹
619	Satin nickel
625	Bright chromium plated
626	Satin chromium plated
722	Black oxidized bronze, oil rubbed ¹

Zinc levers are plated to match BHMA finish.

¹ New, March 2007

¹ Formerly 613 prior to March 2007

Corbin Russwin

ASSA ABLOY

Corbin Russwin
Architectural Hardware
225 Episcopal Road
Berlin, CT 06037
Phone 800-543-3658
Fax 800-447-6714
corbinrusswin.com

Corbin Russwin Architectural Hardware • 225 Episcopal Road • Berlin, CT 06037 • Phone: 800-543-3658 • Fax: 800-447-6714

Corbin Russwin and Design® is a registered trademark of Corbin Russwin, Inc., an ASSA ABLOY Group company. Other products' brand names may be trademarks or registered trademarks of their respective owners and are mentioned for reference purposes only. These materials are protected under US copyright laws. All contents current at time of publication. Corbin Russwin, Inc., an ASSA ABLOY Group Company, reserves the right to change availability of any item in this catalog, its design, construction, and/or its materials. Copyright © 2007, 2009 Corbin Russwin, Inc., an ASSA ABLOY Group company. All rights reserved. Reproduction in whole or in part without the express written permission of Corbin Russwin, Inc. is prohibited.
45520-5/09R

ASSA ABLOY is the global leader in door opening solutions, dedicated to satisfying end-user needs for security, safety and convenience.



**Corbin
Russwin**
ASSA ABLOY



A Grade 2, economical Standard-Duty lever lockset which provides an outstanding combination of value and performance, it's the ideal lever lockset for light commercial applications. The CL3800 is designed to complement the look of the CL3300 Series Extra Heavy-Duty Grade 1 and the CL3500 Series Heavy-Duty Grade 1 so you get a variety of performances with this family of lever locksets. Best of all, when you combine the cylindrical lockset series throughout your facility, the overall cost of your project is reduced without compromising functionality and durability.

CL3800 Series

Standard-Duty Key-in-Lever
Locksets

CL3800 Series

Standard-Duty Key-in-Lever Locksets

Features

Handing

Non-handed.

Door Thickness Adjustment

Standard 1-3/8" and 1-3/4" factory set for 1-3/4" doors. For 2" and 2-1/4" doors, specify door thickness on the order.

Lock Chassis

Steel, zinc dichromated for corrosion resistance.

Backset

2-3/4" standard.
Optional: 2-3/8", 3-3/4" and 5".

Latchbolt

Brass chrome plated, 1/2" throw latch with universal "floating" front to fit both flat and beveled doors. 2-1/4" x 1-1/8" square corner front for 2-3/4" backset standard.

Auxiliary Latchbolt

Deadlocking latchbolt prevents manipulation when door is closed.

Cylinder

Brass, 6-pin, L4 keyway,
"O" bitted standard.

Strike

ANSI curved lip strike standard, 4-7/8" x 1-1/4" x 1-1/4" lip to center. Optional strikes, lip lengths and ANSI wrought strike box available.

Keying Features Available

Conventional 6-pin
Conventional 7-pin
Master keying
Construction master keying
Visual key control
Concealed key control
Pyramid® Security
Pyramid High Security
Interchangeable core (IC)
Security IC
Pyramid Security IC
Pyramid High Security IC

Keys

Two nickel silver standard.

Warranty

Seven-year limited.

Certification/Compliance

ANSI

Meets A156.2 Series 4000, Grade 2. Meets A117.1 Accessibility Code.

Federal

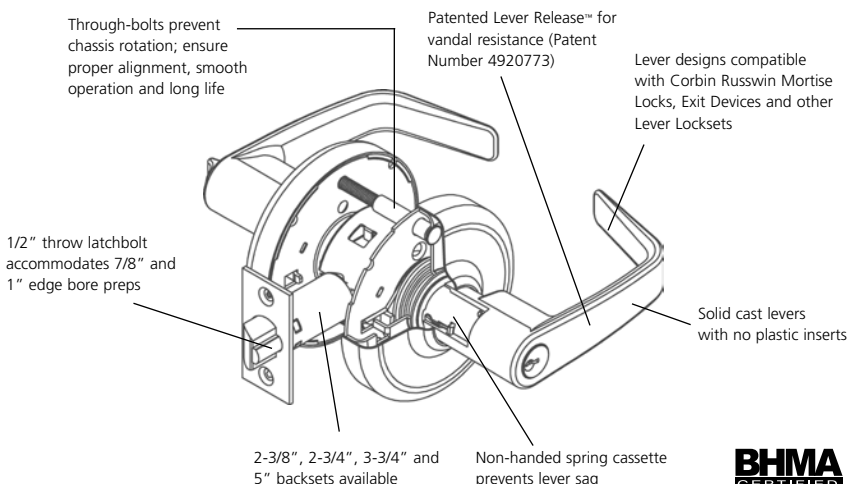
Meets FF-H-106C.

California State Reference Code

(Formerly Title 19, California State Fire Marshal Standard) All levers with returns comply; levers return to within 1/2" of door face.

UL /ULc

All locks listed for "A" label single doors. Letter "F" and UL symbol on latch front indicate listing.



Corbin Russwin Architectural Hardware • 225 Episcopal Road • Berlin, CT 06037 • Phone: 800-543-3658 • Fax: 800-447-6714
Corbin Russwin and Design® is a registered trademark of Corbin Russwin, Inc., an ASSA ABLOY Group company. Other products' brand names may be trademarks or registered trademarks of their respective owners and are mentioned for reference purposes only. These materials are protected under US copyright laws. All contents current at time of publication. Corbin Russwin, Inc., an ASSA ABLOY Group Company, reserves the right to change availability of any item in this catalog, its design, construction, and/or its materials. Copyright © 2007, 2009 Corbin Russwin, Inc., an ASSA ABLOY Group company. All rights reserved. Reproduction in whole or in part without the express written permission of Corbin Russwin, Inc. is prohibited.
45354-5/09R



Applications

Typical applications include:

- Interior offices
- Closets
- Multi-family housing
- Restaurants
- Retail complexes

Advantages

- Patented Lever Release™ for vandal resistance (Patent Number 4,920,773)
- Solid cast levers
- ANSI Grade 2 certification
- UL 3-hour fire rating
- Independent lever return springs
- Through-bolts on door for solid attachment
- Covers ANSI/DHI door prep A115.18 - 1994 "Spider Cut Out"

Finishes

605	Bright brass
606	Satin brass
611	Bright bronze
612	Satin bronze
613	Dark oxidized satin bronze, oil rubbed
619	Satin nickel
625	Bright chromium plated
626	Satin chromium plated
722	Black oxidized bronze, oil rubbed

Zinc levers are plated to match BHMA finish.

- New, March 2007
- Formerly 613 prior to March 2007

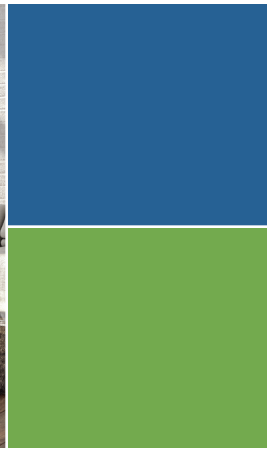
Corbin Russwin
ASSA ABLOY

Corbin Russwin
Architectural Hardware
225 Episcopal Road
Berlin, CT 06037
Phone 800-543-3658
Fax 800-447-6714
corbinrusswin.com

ASSA ABLOY is the global leader in door opening solutions, dedicated to satisfying end-user needs for security, safety and convenience.



The MUSÉO Line



THE Muséo[®] Line

Functionality With
Designers In Mind

ASSA ABLOY, the global leader in door opening solutions

Corbin
Russwin
ASSA ABLOY



The Muséo® Line delivers a complete selection of code compliant levers that meet both fire and ADA standards while coordinating decorative trim throughout an entire facility.

From mechanical mortise, exit and tubular locks to electronic access control technologies, Corbin Russwin provides innovative solutions for any market need.



ASSA ABLOY

For details, contact your ASSA ABLOY Door Security Solutions sales consultant or visit www.corbinruswinMUSEO.com.

Corbin Russwin, Inc. 225 Episcopal Road
Berlin, CT 06037-4004 Phone 800.543.3658
corbinruswin.com

Josef



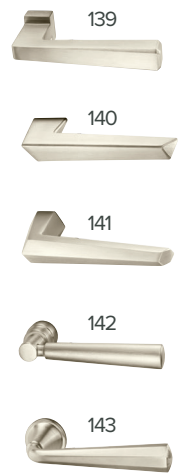
Georgia



Jackson



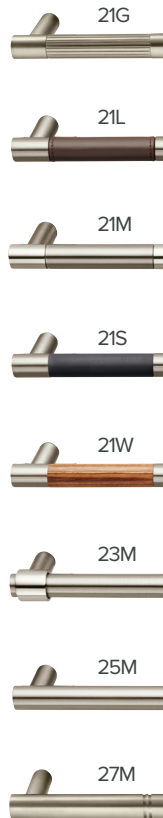
Georges



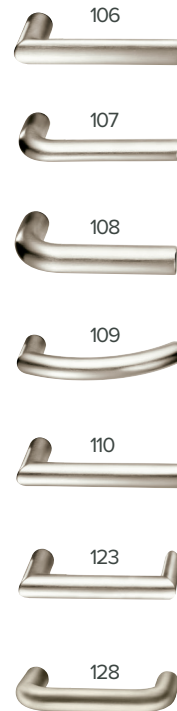
Marc



Piet



Salvador



Pablo



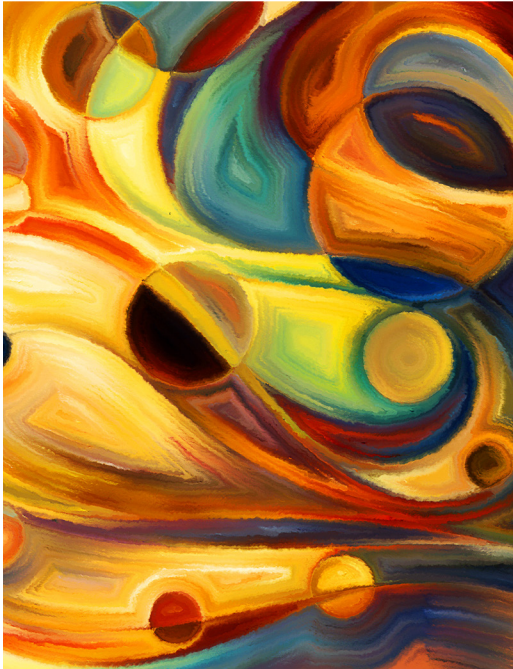
the good design studio

The Good Design Studio – your resource for beautiful doors, frames and hardware from ASSA ABLOY Group brands. www.thegooddesignstudio.com

© 2015, Corbin Russwin, Inc., an ASSA ABLOY Group company. All rights reserved. Reproduction in whole or in part without the express written permission of Corbin Russwin, Inc. is prohibited.



The MUSÉO Line



THE Art of Inspiration

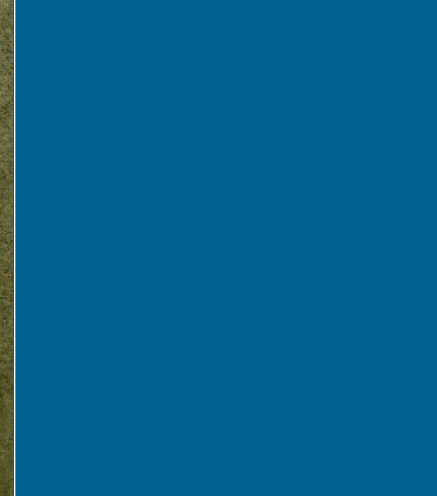
Jump-start your creativity with Inspire roseless trim. The harmonious union of lever and door creates an artful approach to every opening.

The | MUSÉO® | Line

ASSA ABLOY, the global leader in door opening solutions

Corbin
Russwin

ASSA ABLOY



Is door hardware obvious? Sometimes. But subtlety is key to good design. Select a stunning Muséo lever, combine it with Inspire trim, and create a masterpiece!

Inspire™ to create beautiful openings.

Offered with most Muséo levers, this exquisite trim by Corbin Russwin will inspire you and the door openings in your facilities to be works of art.

Features:

- Compatible with TL3700 tubular locks, ML2000 mortise locks and Access 600™ RNE1 mortise access control locks
- 14 architectural finishes available including MicroShield® antimicrobial coating
- Maiman and Graham wood doors, Ceco Door and Curries hollow metal doors can be expertly prepared for Inspire trim

Benefits:

- Lever and trim fade into the door for a subtle, refined look
- Variety of decorative levers offered to complement your design
- One lever on all openings creates a consistent theme throughout your building

the good design studio

The Good Design Studio – your resource for beautiful doors, frames and hardware from ASSA ABLOY Group brands. www.thegooddesignstudio.com



ASSA ABLOY

For details, contact your ASSA ABLOY Door Security Solutions sales consultant or visit www.corbinrusswinMUSEO.com.

Corbin Russwin, Inc. 225 Episcopal Road
Berlin, CT 06037-4004 Phone 800.543.3658
corbinrusswin.com

ASSA ABLOY is the global leader in door opening solutions, dedicated to satisfying end-user needs for security, safety and convenience

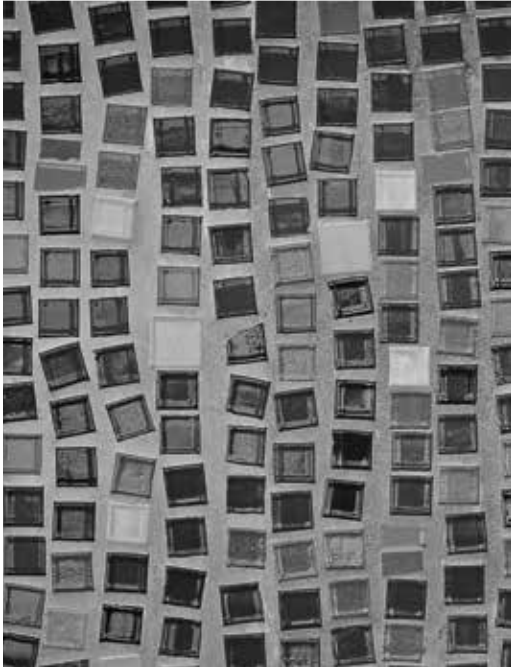
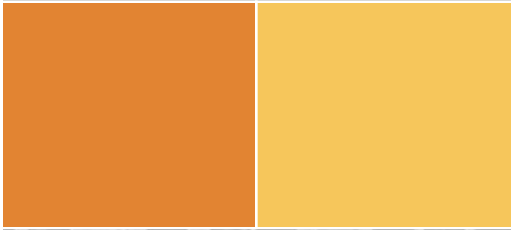
45224-0515

**Inspire is not available with 104, 111, 113, 121, Piet, Josef, or Georges Collection levers.*

© 2015, Corbin Russwin, Inc., an ASSA ABLOY Group company. All rights reserved. Reproduction in whole or in part without the express written permission of Corbin Russwin, Inc. is prohibited.



The MUSÉO Line



THE Josef Collection

Tribute to the square with beautifully simple, but dramatic forms.

The | MUSÉO® | Line

ASSA ABLOY, the global leader in door opening solutions



ASSA ABLOY



The Josef Collection by Corbin Russwin delivers modern design in smooth, bold shapes. Inspired by the works of Josef Albers, this collection of levers will bring a fresh look to your interior.

133



134



135



137



136



138



Features:

- Available with 9 roses, 2 escutcheons from The Muséo® Line
- Offered in 14 architectural finishes - Including MicroShield® antimicrobial coating (133 and 134 only)
- Compatible with mortise and tubular locks, access control locks and exit devices
- Designed to suite with IN120 access control reader, McKinney hinges, Rockwood door pulls and accessories

the good design studio

The Good Design Studio – your resource for beautiful doors, frames and hardware from ASSA ABLOY Group brands.

www.thegooddesignstudio.com



Note: 136-138 contain white or black polycarbonate insert

**Corbin
Russwin**

ASSA ABLOY

For details, contact your ASSA ABLOY Door Security Solutions sales consultant or visit www.corbinrusswinMUSEO.com.

Corbin Russwin, Inc. 225 Episcopal Road
Berlin, CT 06037-4004 Phone 800.543.3658
corbinrusswin.com

ASSA ABLOY is the global leader in door opening solutions, dedicated to satisfying end-user needs for security, safety and convenience

45432-0515

© 2015, Corbin Russwin, Inc., an ASSA ABLOY Group company. All rights reserved. Reproduction in whole or in part without the express written permission of Corbin Russwin, Inc. is prohibited.



The MUSÉO | Line



THE Piet Collection

An artful approach to every opening.
Striking levers with sleek, clean lines.

The | MUSÉO® | Line

ASSA ABLOY, the global leader in door opening solutions

Corbin
Russwin
ASSA ABLOY



Think of the Piet Collection for commercial projects such as office campuses, museums, and hotels; and large residential projects such as condominium complexes.

Designed for use with a full complement of Corbin Russwin commercial door hardware, the Piet Collection levers coordinate seamlessly with our exit devices, tubular locks, mortise locks and access control hardware, to create a cohesive design without compromising quality or functionality.

21G



21M



Polished with Satin Insert

21W



Wood Insert

25M



21L



Leather Insert

21S



Santoprene™ Insert

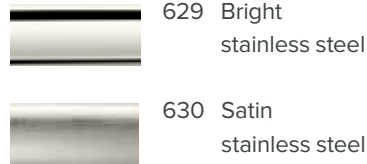
23M



27M



Available Finishes



Additional finishes, wood and leather colors available as special order. Consult the factory for more info.

the good design studio

The Good Design Studio – your resource for beautiful doors, frames and hardware from ASSA ABLOY Group brands.

www.thegooddesignstudio.com



**Corbin
Russwin**

ASSA ABLOY

For details, contact your ASSA ABLOY Door Security Solutions sales consultant or visit www.corbinrusswinMUSEO.com.

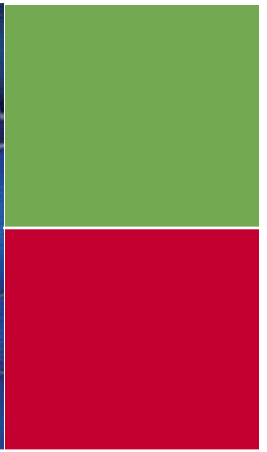
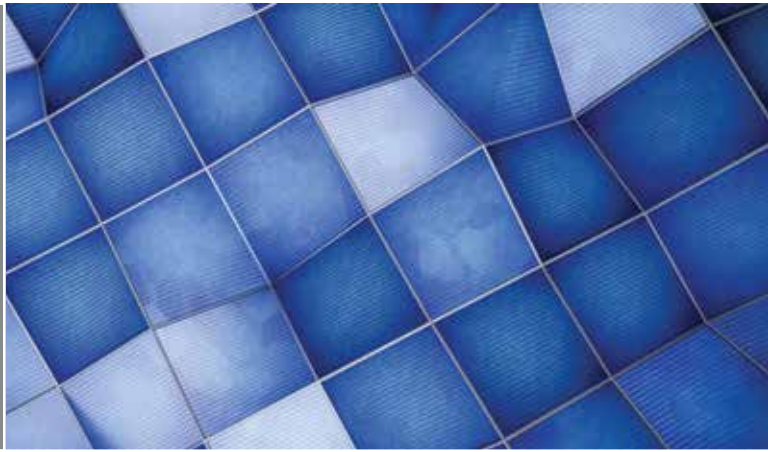
Corbin Russwin, Inc. 225 Episcopal Road
Berlin, CT 06037-4004 Phone 800.543.3658
corbinrusswin.com

ASSA ABLOY is the global leader in door opening solutions, dedicated to satisfying end-user needs for security, safety and convenience

45150-0515



The MUSÉO Line



THE Muséo[®] Line

Quick Ship Program

ASSA ABLOY, the global leader in door opening solutions

**Corbin
Russwin**
ASSA ABLOY

Beauty in Motion



Corbin Russwin Muséo® decorative hardware opens an expansive world of possibilities for design excellence.

Designers and architects will appreciate this aesthetic line of door levers and trim that creates a cohesive overall design without compromising quality or functionality.

Backed by commercial grade door hardware, these 10 levers are available on the 1-week Muséo Quick Ship Program.

1-Week Quick Ship Program

You ask, Corbin Russwin will deliver...in 5 days. Quality hardware paired with decorative trim arriving at the jobsite when you require it. Available with tubular locks, mortise locks, exit devices and access control products, the 1-week quick ship program provides a solution for any opening.

- 100 units maximum per order for tubular and mortise locks
- 25 units maximum per order for exit devices
- 12 units maximum per order for electrified products
- 5 day shipping from order entry confirmation
- Buying Program less 2 points for Quick Ship orders
- No additional discount may be applied
- Orders cannot be changed or cancelled
- No deviations

TL3700 Series Tubular Lock

Engineered for ease of installation with the quality you expect from Corbin Russwin, the TL3700 Series will exceed the expectations of the most demanding architects and design professionals. Ideal for interior applications such as hotel guest rooms, high-end condominiums and apartments.

Specifications:

- Passage, privacy, single lever pull, double lever pull and communicating functions available
- Standard for doors 1-3/8" (35mm) thick; 1-3/4" (44mm) thick doors available
- 2-3/4" backset standard with 1" (25mm) front
- ANSI Standard 161 Door Prep
- Latchbolt brass 1/2" (12.7mm) projection
- Easily field reversible
- Warranty: 1-year

Access Control

Designed with architects and designers in mind, the Corbin Russwin line of access control products allow facilities to seamlessly expand their access control systems without changing software or sacrificing aesthetics. Providing ultimate security with ease of installation, these products are ideal for corporate office buildings, healthcare facilities, schools and universities, or any door that requires electronic access control.

Specifications:

- Offline, IP-enabled WiFi, IP-Enabled PoE, and Integrated Wiegand locks and exit devices offered
- Certified ANSI/BHMA Grade 1 strength and durability
- Designed to integrate seamlessly into a wide range of third party access control systems
- Available through Authorized Channel Partners only. Contact your local ASSA ABLOY Door Security Solutions sales consultant for details
- Warranty: 2-year electrical



Available Finishes



605 Bright brass, clear coated



612 Satin bronze, clear coated



613 Dark oxidized satin bronze oil rubbed



613E Dark oxidized satin bronze, equivalent



619 Satin nickel, clear coated



625 Bright chrome plated



626 Satin chrome plated

*Access control products only offered in 626 finish

Note: For more information on shipping and options available, please consult the Electronic Access Control Quick Ship catalog



*The 25M lever is only available in 3030 (630) finish. Rose and lock trim will also be supplied in 630

ML2000 Series Mortise Lock

The ML2000 is a Grade 1 mortise lock designed to meet the rigors of high-traffic commercial buildings. A wide variety of functions and a 10-year warranty lend to the ML2000's versatility and reliability, making it the ideal choice for use in offices, schools, hospitals, hotels and other high-use applications.

Specifications:

- Certified to and exceeds ANSI A156.13, Series 1000, Operational Grade 1 and Security Grade 1
- Handed; quick reversible without disassembling the lock case
- All levers with returns, return to within 1/2" (13mm) of door face
- Backset 2-3/4" (70mm)
- 1-3/4" (44mm) thick door standard
- Electrical functions available
- Warranty: 10-year

ED5000 Series Exit Device

The ED5000 Series offers smooth lines in the exit device bar and a range of trim designs with visual diversity including a parabolic design option. Designed to allow safe and easy egress, the ED5000 is ideal for frequent use applications such as schools, factories, retail complexes and theaters.

Specifications:

- Mortise, rim and surface/concealed vertical rod exit devices offered
- UL Fire and Panic listed
- Quiet operation and solid security
- Single and double door applications
- Warranty: 5-year



ASSA ABLOY

Corbin Russwin, Inc.
225 Episcopal Road
Berlin, CT 06037-4004
Phone 800.543.3658
Fax 800.447.6714
corbinrusswin.com
corbinrusswinmuseo.com



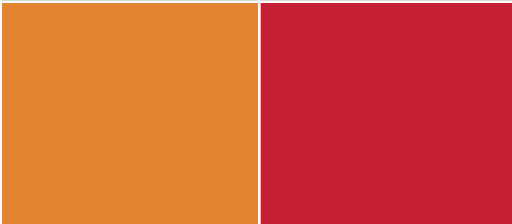
Corbin Russwin and Muséo® are registered trademarks of Corbin Russwin, Inc., an ASSA ABLOY Group company. These materials are protected under US copyright laws. Other products' brand names may be trademarks or registered trademarks of their respective owners and are mentioned for reference purposes only. All contents current at time of publication. Corbin Russwin, Inc., an ASSA ABLOY Group company reserves the right to change availability of any item in this catalog, its design, construction, and/or its materials. Copyright © 2009, 2013-2015 Corbin Russwin, Inc., an ASSA ABLOY Group company. All rights reserved. Reproduction in whole or in part without the express written permission of Corbin Russwin, Inc. is prohibited

ASSA ABLOY is the global leader in door opening solutions, dedicated to satisfying end-user needs for security, safety and convenience

45189-0515R



The MUSÉO Line



WE'VE
**Gone
Square**

A decorative square trim collection

The | MUSÉO® | Line

ASSA ABLOY, the global leader in door opening solutions

**Corbin
Russwin**
ASSA ABLOY



The frame puts the finishing touches on a work of art, just like the trim on a door. Corbin Russwin offers this square trim collection with all Muséo decorative levers in 14 architectural finishes.

Tubular Locks¹

Square roses are available with passage and privacy functions for TL3700 Series Tubular Locks.



E2 Rose, Passage E2 Rose, Privacy

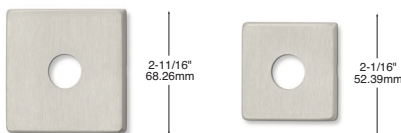
Selection of Complementary Levers

(See Muséo Catalog for full offering)



Mortise Locks

The square trim set includes cylinder collar, rose, thumbturn² and thumbturn backplate. The set is available with ML2000, IN120 and Access 700 (PAC1, PW11, PIP1) Series Mortise Locks. The E2 and E3 roses are available individually on any mortise lock where Muséo roses are currently offered.



E2 Rose E3 Rose



Square Cylinder Collar Square Backplate with MT2 Square Thumbturn



ASSA ABLOY

For details, contact your ASSA ABLOY Door Security Solutions sales consultant or visit www.corbinrusswinMUSEO.com.

Corbin Russwin, Inc. 225 Episcopal Road
Berlin, CT 06037-4004 Phone 800.543.3658
corbinrusswin.com



the good design studio

The Good Design Studio – your resource for beautiful doors, frames and hardware from ASSA ABLOY Group brands.

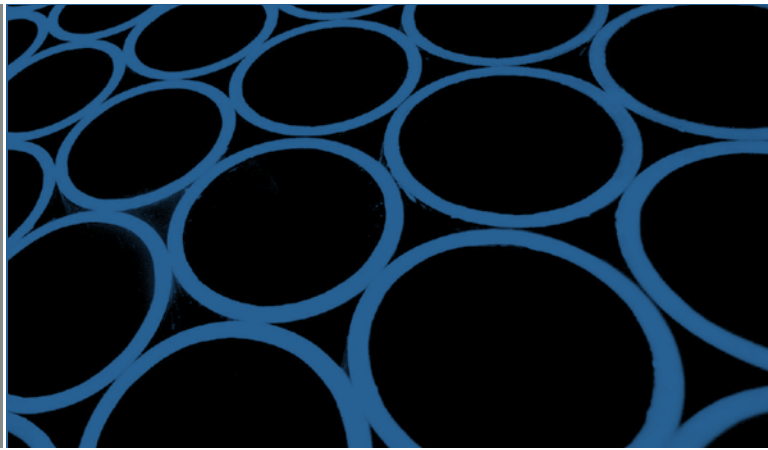
www.thegooddesignstudio.com

¹Cannot retrofit on existing cylindrical lock door preps with thru-bolt holes outside the 2-1/8" bored hole (Ex. CL3300 & CL3500).

²The square thumbturn (MT2) must be specified as a quick code in the lock order string. The standard thumbturn will be supplied if MT2 is not specified.



The MUSÉO Line



MUSÉO®

Sets the Standard

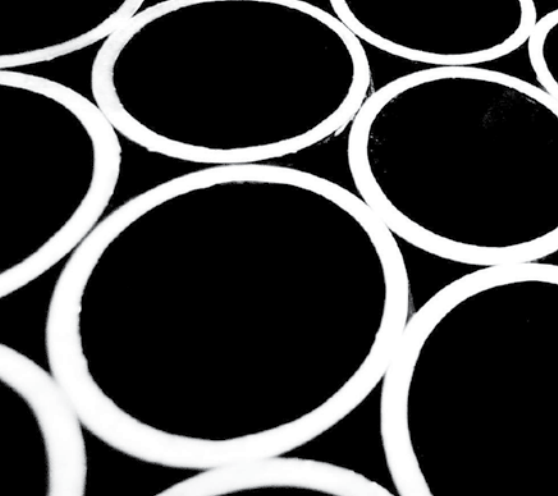
Our most popular levers & roses available with standard lead time

The | MUSÉO® | Line

ASSA ABLOY, the global leader in door opening solutions

Corbin
Russwin

ASSA ABLOY



Corbin Russwin now offers our eight most popular Muséo® levers — with standard lead times. Order any combination of locking hardware options — tubular, mortise or exit devices (including access control platforms) with no limit on quantity!

102



103



107



109



110



25M



116



123



124



125



T ROSE



X ROSE



ASSA ABLOY

For details, contact your ASSA ABLOY Door Security Solutions sales consultant or visit www.corbinrusswinMUSEO.com.

Corbin Russwin, Inc. 225 Episcopal Road
Berlin, CT 06037-4004 Phone 800.543.3658
corbinrusswin.com

ASSA ABLOY is the global leader in door opening solutions, dedicated to satisfying end-user needs for security, safety and convenience

605



606



611



612



613



613E



613L



722



618



619



625



626



- 605 Bright brass, clear coated
- 606 Satin brass, clear coated
- 611 Bright bronze, clear coated
- 612 Satin bronze, clear coated
- 613 Dark oxidized satin bronze, oil rubbed
- 613E Dark oxidized satin bronze, equivalent
- 613L Dark oxidized satin bronze, clear coated
- 722 Black oxidized bronze, oil rubbed
- 618 Bright nickel plated, clear coated
- 619 Satin nickel plated, clear coated
- 625 Bright chrome plated
- 626 Satin chrome plated



Heavy-Duty, Reliable Control

DC8000 Series
Cast Iron Door Closer

.....

Ideal for high use openings, the Corbin Russwin DC8000 Series cast iron door closer offers the durability, flexibility and strength required to meet the needs of your facility. For interior or exterior doors, this ANSI/BHMA Grade 1 closer features a full complement of arm options and a durable cast iron body that can be used in a variety of institutional environments requiring ADA compliance.



**Corbin
Russwin**
ASSA ABLOY

DC8000 Series

Cast Iron Door Closer

Applications

For high-use openings or those that must meet ADA requirements

- › Schools/Universities
- › Office Buildings
- › Healthcare Facilities

Benefits:

Reliable

- › One-piece cast iron closer body provides strength and durability
- › Forged arms for high-use environments
- › Independent latch, sweep and backcheck intensity valves to ensure positive latching
- › Staked valves offer vandal resistance

Flexible

- › Choice of standard or heavy-duty arms and adjustable spring power meets needs of any application
- › Non-handed

Low Total Cost of Ownership

- › Closer mounting bracket provides quick and easy installation
- › Pressure relief valves protect the door and frame from damage and reduces maintenance costs
- › Exceeds 25 million cycles reducing cost of ownership (witnessed and verified by UL)
- › 25-year limited warranty

Sustainability

- › Exceeds 25 million cycles. Fewer replacements for waste stream reduction.
- › ABS covers provide PVC-free choice for green building standards
- › Covered by Corbin Russwin End-of-Life Recycling Program

Features:

- › One-piece cast iron closer body
- › Forged standard and heavy duty arms available as hold open or non-hold open
- › Closer mounting installation bracket
- › Adjustable spring sizes 1 - 6
- › Maximum degree of swing is 180°, trim permitting
- › Tri-packed assembly for regular, top jamb or parallel mounting
- › Non-handed
- › Pressure relief valves
- › Molded ABS plastic cover
- › Optional delayed action feature
- › 25-year limited warranty
- › Exceeds 25 million cycles (witnessed and verified by UL)

Code Compliance

- › Certified to ANSI/BHMA standard A156.4, Grade 1
- › Meets the requirements for UL10C for 3-hour assemblies
- › Meets requirements for Americans with Disabilities Act (ADA) and ANSI/BHMA standard A117.1

Corbin Russwin Architectural Hardware
225 Episcopal Road, Berlin, CT 06037
Phone 800-543-3658
Fax 800-447-6714
corbinrusswin.com

Corbin Russwin and Design® is a registered trademark of Corbin Russwin, Inc., an ASSA ABLOY Group company. These materials are protected under US copyright laws. All contents current at time of publication. Copyright © 2013-2015 Corbin Russwin, Inc., an ASSA ABLOY Group company. All rights reserved. Reproduction in whole or in part without the express written permission of Corbin Russwin, Inc. is prohibited.

ASSA ABLOY is the global leader in door opening solutions, dedicated to satisfying end-user needs for security, safety and convenience.

Quality, Simplicity, and Beauty

ED5000 Series Exit Devices

The Corbin Russwin ED5000 Series exit devices are ideal for environments that require durable and attractive security solutions that will last the life of the building.

Available in rim, mortise, surface vertical and concealed vertical rod configurations, these exit devices exceed ANSI/BHMA Grade 1 requirements for cycle and strength.

These exit devices are aesthetically pleasing and offer a full range of decorative trim designs, including the Museo® and Vineyard™ Collections.



ED5000 Series Exit Device

FEATURES

- Modular construction, maintenance-free design
- Available in rim, mortise, surface vertical rod and concealed vertical rod
- Complete offering of electro-mechanical solutions
- Available with Microshield® antimicrobial coating
- Made from 61% post-consumer recycled content as per LEED MR credit 4
- 5 year warranty
- Available with Museo® decorative levers and 13 architectural finishes

BENEFITS

- **STRENGTH & RELIABILITY:**
Independently-verified cycle and strength testing proves the ED5000 Series exceeds ANSI/BHMA Grade 1 standards for long life.
- **SECURITY:**
Multiple security features provide additional resistance against vandalism and unauthorized entry.
- **EASE OF INSTALL AND MAINTENANCE:**
Modular components and robust design allow for quick and easy installation, and maintenance free operation.
- **AESTHETICS:**
Attractive, minimalist design featuring many levers and architectural finishes to blend with any decor.
- **SUSTAINABLE:**
Less product replacements due to long life and high post-consumer recycled content – contributing to your sustainability efforts.

APPLICATIONS

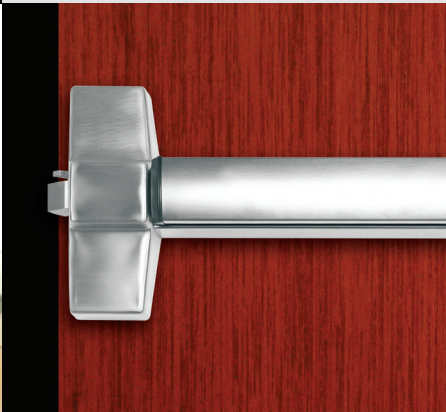
- Schools
- Hospitals
- Office Buildings
- Theaters





ED5200 Series Rim Exit Device

- Designed for standard width stile applications on wood and metal doors
- Single point rim latching device
- Single and double door applications with mullions
- ANSI/BHMA Grade 1
- UL Fire and Panic listed
- Also available in narrow stile (ED4200 Series)



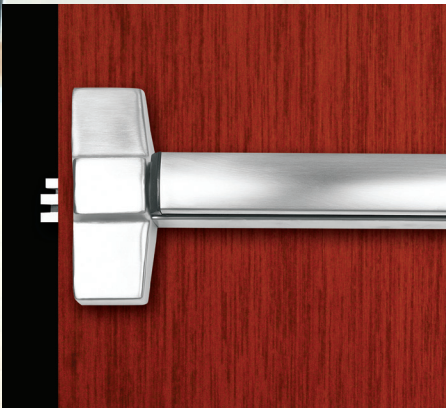
ED5400 Series Surface Vertical Rod Exit Device

- Designed for standard width stile applications on wood and metal doors
- Two point latching (top & bottom with adjustability through center case)
- Single or double door applications
- ANSI/BHMA Grade 1
- UL Fire and Panic Listed
- Also available in narrow stile (ED4400 Series)



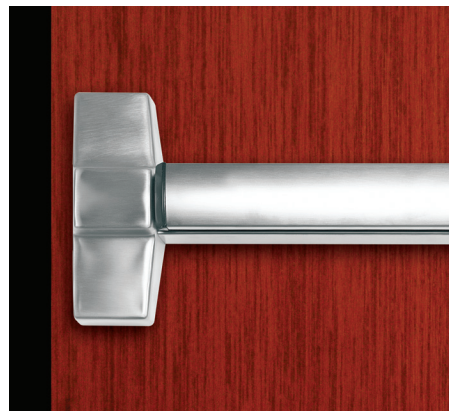
ED5600 Series Mortise Lock Exit Device

- Designed for standard width stile applications on wood and metal doors
- Concealed single point guarded latching for additional security
- Available for single door applications or double door applications
- ANSI/BHMA Grade 1
- UL Fire and Panic listed



ED5800 Series Concealed Vertical Rod Exit Device

- Designed for standard width stile applications on metal or aluminum doors
- Concealed rods for security and aesthetics
- Single and double door applications
- Available less bottom rod
- ANSI/BHMS Grade 1
- UL Fire and Panic listed
- Also available in narrow stile (ED4800 Series)



Popular Options Available



SecureBolt® Security Deadbolt

SecureBolt® provides increased security by resisting unauthorized entrance from the use of credit cards, crowbars, door rattling and shaking, etc.; therefore significantly reducing the threat of unauthorized entry.



PathLite™ Photoluminescent Option

The PathLite illuminated exit device increases the visibility of exit locations in dark or smoke filled passages, supplementing existing codes for egress lighting.



Double Cylinder Function

Corbin Russwin offers a double cylinder function for mortise, rim and SecureBolt® exit devices. This function allows the outside trim to be locked by the inside or outside cylinder. A cylinder on the inside cover provides a quick, easy way to lock the outside trim without opening the door.

Alarmed Exit (M61)

The Alarmed Exit option is designed for areas requiring a stand-alone alarm on outswinging doors. This option sounds immediately upon exit or if tampered with and discourages unauthorized use.

Latchbolt Monitor Switch (M91)

The latch monitor provides true, tamper resistant latchbolt monitoring. The monitor switch is activated when the rail is depressed or for any reason that the latch moves.

Lever Monitoring (M93)

Corbin Russwin offers monitoring for outside levers as well. Available as an option for our electrified devices, the lever monitoring option sends a signal when the outside lever is rotated for entry.

Electric Latch Pullback or Electric Latch Retraction (M94)

Allows electrified retraction of latchbolt for momentary or maintained periods. Device returns to normal operation if fire alarm goes off or if there is an interruption of power to device. Opening remains unsecured while latchbolt is held retracted.

Electric dogging (M97)

Allows continuous electrified dogging of latch. Dogging is released and device returns to normal operation if fire alarm goes off or if there is an interruption of power to device. When dogged, opening remains unsecured.

Hurricane and Windstorm Resistance Certifications

Designed for standard width stile applications on wood and metal doors.

ASSA ABLOY is the global leader in door opening solutions, dedicated to satisfying end-user needs for security, safety and convenience

Corbin Russwin and Design® is a registered trademark of Corbin Russwin, Inc., an ASSA ABLOY Group company. These materials are protected under US copyright laws. Other products' brand names may be trademarks or registered trademarks of their respective owners and are mentioned for reference purposes only. All contents current at time of publication. Corbin Russwin, Inc., an ASSA ABLOY Group company reserves the right to change availability of any item in this sell sheet, its design, construction, and/or its materials. Copyright © 2014 Corbin Russwin, Inc., an ASSA ABLOY Group company. All rights reserved. Reproduction in whole or in part without the express written permission of Corbin Russwin, Inc. is prohibited.

Corbin Russwin Architectural Hardware
225 Episcopal Road, Berlin, CT 06037
Phone 800-543-3658
Fax 800-447-6714
www.corbinrusswin.com

45389: 5/14



Access 3™
Key System

Complete Control.

Multiple Levels of Protection





Access 3™

Key Systems

Control through Access 3™

The Access 3 system from Corbin Russwin provides multiple levels of protection to offer the right level of security for each opening in your facility, without paying for features you don't need. Three levels of ANSI/BHMA Grade 1 protection secures every opening, from patented keyway to UL437 certified. A common key for all three levels of security enhances key control and simplifies administrative procedures. Key blanks are controlled through authorized distribution. Bump resistance is standard for all three Access 3 levels and geographical protection is available. Available for mortise, rim, component and Large Format Interchangeable Core (LFIC) cylinders, Corbin Russwin offers the right protection for your facility.

Features

- Three levels of utility-patented security:
 - AP: First level of protection; Key blanks available to authorized Corbin Russwin distributors; bump resistant with patented keys
 - AS: Geographically exclusive by end user; bump and pick resistant
 - AHS: Highest level of security; Geographically exclusive by end user; UL437 certified; bump and pick resistant
- Keys can be common between security levels
- New keyway families for all levels
- Construction master keying available
- ANSI/BHMA Grade 1 certified
- Available uncombined, master keyed or grandmaster keyed
- Bump resistant standard (Not available on Level 1 LFIC)

Available as:

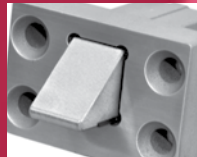
- Mortise Fixed and Interchangeable Cylinders (including Hotel function)
- Rim Fixed and Interchangeable Cylinders
- Component
- LFIC

Benefits

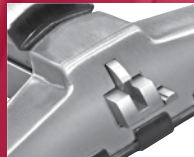
- Patented protection from unauthorized key duplication through 2027
- New keyway family protects system integrity from legacy systems
- Keys are significantly stronger than competitive systems
- User-friendly design with minimal components provides easy field service
- Availability in all existing Corbin Russwin cylinder types provides cost-effective upgrade for Corbin Russwin facilities
- Bump resistance for added protection



Storm-Resistant Design Helps Save Lives



Top Latch
5/8" stainless steel housings, 3/4" projection with 1/8" door gap



Center Bolt
Full 3/4" (19mm) projection, 1" (25mm) wide, positive deadlocking by auxiliary bolt



Bottom Bolt
7/8" square stainless steel bolt with 5/8" projection



Center Bolt Roller Strike
Surface-mounted 3/8" (10mm) diameter roller strike, complete with positive locking plate and shims

Multi-Point Exit Device Latching System for Community Shelter Door Assemblies

The Corbin Russwin FE5400S is a robust three-point latching system engineered to help protect lives by securing community shelter entries. Extra-heavy duty steel components secure the door to the frame – at the top, bottom and center latch points – fortifying the opening to withstand extreme wind speeds and flying debris.

To learn more about the FE5400S and how Corbin Russwin can help you keep people safe and secure, call 800-543-3658 or visit corbinrusswin.com.



FE5400S



Multi-Point Exit Device Latching System

Community Refuge Area Door Hardware

For use with UL listed door assemblies* that comply with FEMA P361 and ICC 500.

Applications

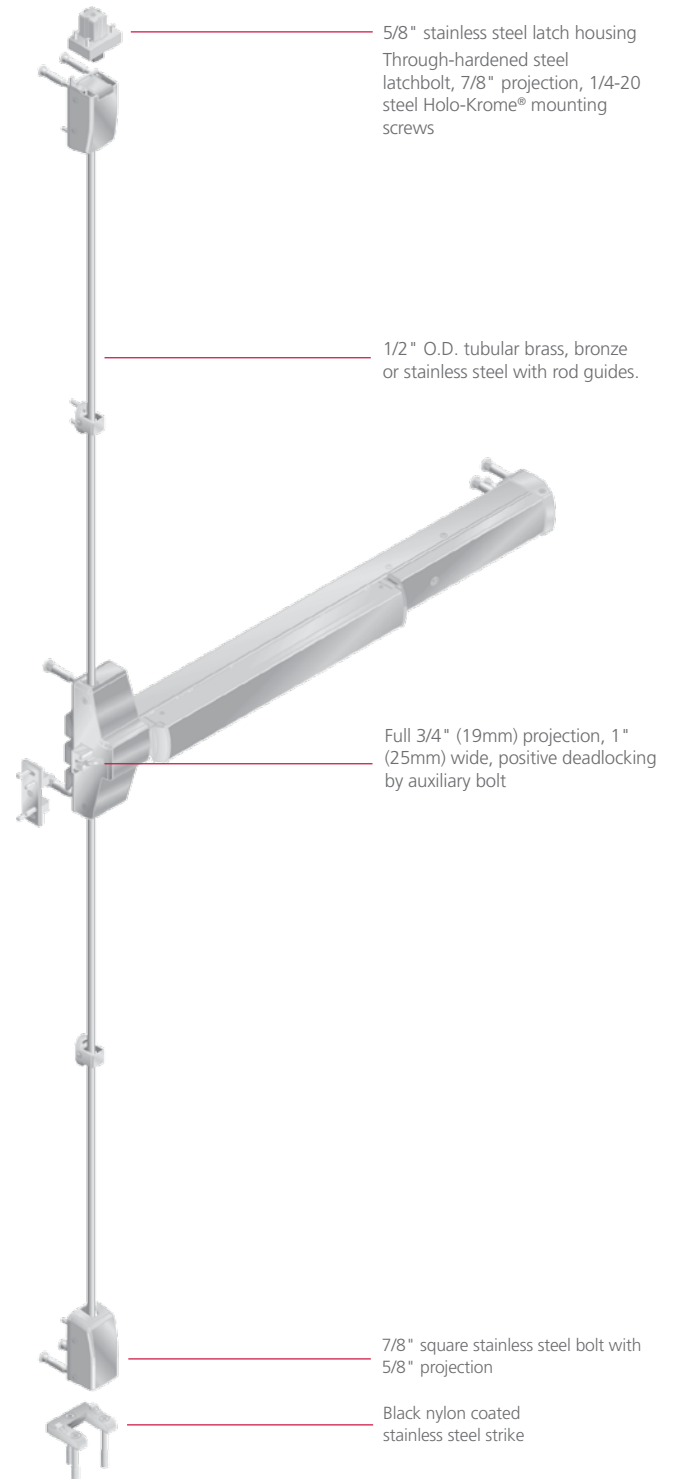
FE5400S is ideal for doors located in:

Community Shelters and Safe Rooms, Corporate Campuses, Schools, Healthcare Facilities, Government Facilities

Features

- < Three point auto deadlocking system
- < All three latching points are activated automatically when the door is closed
- < UL Listed and certified in accordance with FEMA P361 and ICC 500
- < UL 3-hour fire rating
- < Available with a variety of trim styles and finishes
- < Through-bolts on door for solid attachment
- < Fortified with high tensile alloy Holo-Krome® fasteners
- < Fully Integrated - FE5400S is part of a complete ASSA ABLOY tornado and hurricane shelter solution utilizing Ceco StormPro® 361, Curries StormPro® 361, Fleming F-5 doors and frames and McKinney® SP hinges

* For the latest listings on compliant door assemblies visit our website at corbinrusswin.com





Storm-Resistant Design Helps Save Lives



Top Latch
5/8" stainless steel housings, 3/4" projection with 1/8" window gap



Center Bolt
Stainless steel deadbolt with 1" projection



Bottom Bolt
3/4" diameter steel with 3/4" projection



Center Bolt Strike
1/4" stainless steel strike versus 1/8" standard wrought strike

Storm Shutter Multi-Point Latching System for Window Openings

The Corbin Russwin FE6700 is a robust three-point locking system engineered to help save lives by securing the community shelter window openings. Extra heavy-duty steel components secure the shutter to the frame – at the top, bottom and center latch points – fortifying the opening to withstand extreme wind speeds and flying debris. UL listed, the FE6700 is ideal for both FEMA P361 and ICC 500.

To learn more about the FE6700 and how Corbin Russwin can help you keep people safe and secure, call 800-543-3658 or visit corbinrusswin.com.



FE6700

Storm Shutter Multi-Point Latching System

Community Refuge Area Shutter Hardware
For use with UL approved shutter assemblies* that comply to FEMA P361 and ICC 500.

Applications

FE6700 is ideal for window openings located in:
Community Shelters and Safe Rooms, Corporate Campuses,
Schools, Healthcare Facilities, Government Facilities

Features & Benefits

- < Three point auto deadlocking system
- < UL approved to FEMA P361 and ICC 500
- < In swing applications
- < Heavy duty escutcheons standard
- < Fully Integrated - FE6700 is part of a complete ASSA ABLOY severe windstorm solution utilizing Ceco StormPro® 361, Curries StormPro® 361 and Fleming F-5 shutters and frames and McKinney hinges.
- < Fortified with high tensile alloy Holo-Krome® fasteners.
- < All three latching points are activated automatically when the shutter is closed.

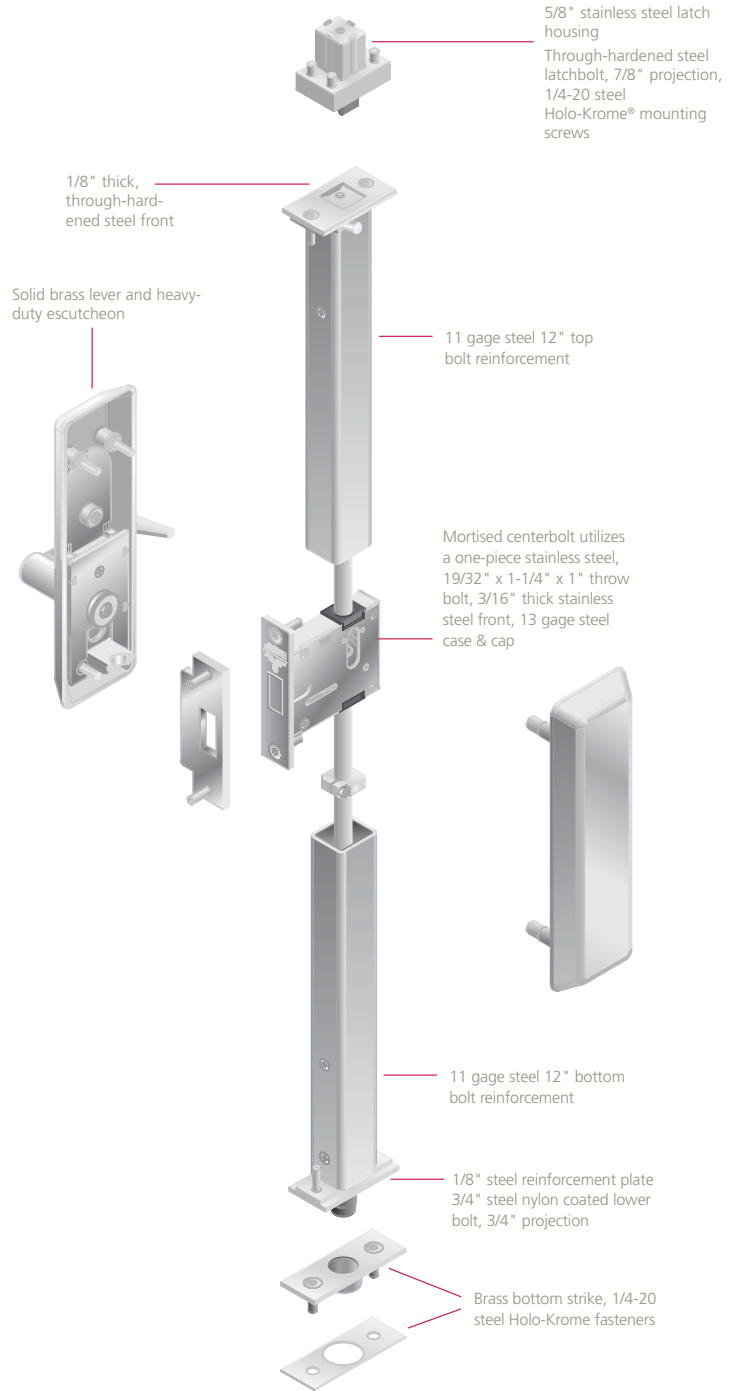
*For the latest listings on compliant shutter assemblies visit our website at corbinrusswin.com

For Typical Shutter Applications

Outside Inside	Series/ Function	Type	Function Description
	FE6780	Passage Lever x Blank Plate	<ul style="list-style-type: none"> • Three-point auto deadlocking. • Three-point latch retraction by inside grip. • Lever on one side, blank plate on the other. • Lever always free. • For inswing window storm shutters.

Optional Functions

Outside Inside	Series/ Function	Type	Function Description
	FE6755	Classroom	<ul style="list-style-type: none"> • Three-point auto deadlocking. • Three-point latch retraction by grip either side, unless outside grip is locked by key outside. • Inside grip always free.
	FE6710	Passage or Closet	<ul style="list-style-type: none"> • Three-point auto deadlocking. • Three-point latch retraction by grip either side. • Both grips always free.



Storm Resistant Design Helps Save Lives



Top Latch
5/8" stainless steel housings, 3/4" projection with 1/8" door gap



Center Bolt
Stainless steel deadbolt with 1" projection



Bottom Bolt
3/4" diameter steel with 3/4" projection



Center Bolt Strike
1/4" stainless steel strike versus 1/8" standard wrought strike

Fortified Multi-Point Latching System

for Community Shelter
Door Assembly

The Corbin Russwin FE6800 is a robust three-point locking system engineered to help save lives by securing the community shelter entry. Extra-heavy duty steel components secure the door to the frame – at the top, bottom and center latch points – fortifying the opening to withstand extreme wind speeds and flying debris. UL approved, the FE6800 is ideal for both FEMA P361 and FEMA P320 applications.

To learn more about the FE6800 and how Corbin Russwin can help you keep people safe and secure, call 800-543-3658 or visit corbinrusswin.com.



**Corbin
Russwin**
ASSA ABLOY

FE6800

FE6800 Fortified Multi-Point Latching System

Community Refuge Area Door Hardware

For use with UL listed door assemblies* that comply to FEMA 361 and FEMA 320 guidelines.

Applications

FE6800 is ideal for doors and inswing window storm shutters located in: Community Shelters and Safe Rooms, Corporate Campuses, Schools, Healthcare Facilities, Government Facilities

Features & Benefits

- < Three point auto deadlocking system
- < UL approved to FEMA P361 and FEMA P320 guidelines
- < Both inswing and outswing applications
- < Used with any door or window storm shutter from 6'8" to 8'0" height.
- < Heavy duty escutcheons standard
- < Fully Integrated - FE6800 is part of a complete ASSA ABLOY extreme windstorm solution utilizing Ceco StormPro® 361, Curries StormPro® 361 and Fleming F-5 doors and frames and McKinney hinges.
- < Fortified with high tensile alloy Holo-Krome® fasteners.
- < All three latching points are activated automatically when the door is closed.

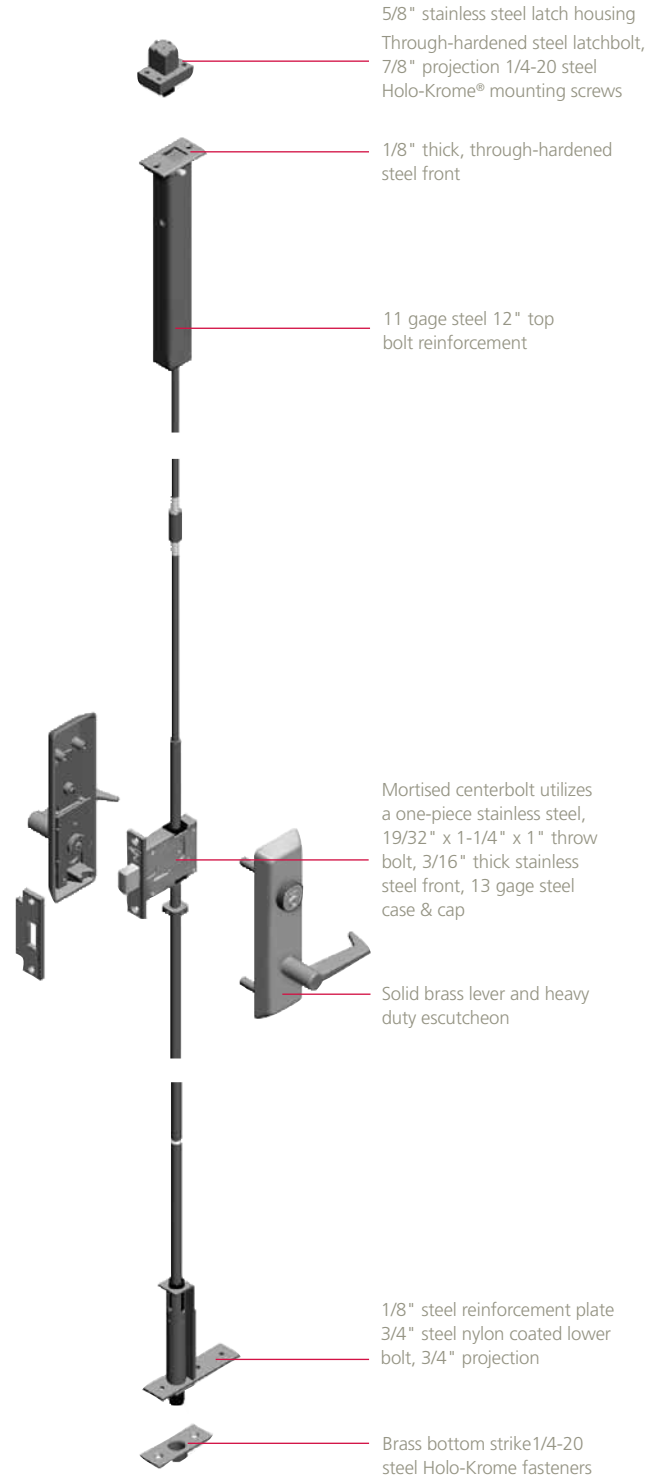
*For the latest listings on compliant door assemblies visit our website at corbinrusswin.com

FE6800 Three-Point Auto Deadlock

Outside Inside	Series/ Function	Type	Function Description
	FE6855	Classroom	<ul style="list-style-type: none"> • Three-point auto deadlocking. • Three-point latch retraction by grip either side, unless outside grip is locked by key outside. • Inside grip always free.
	FE6810	Passage or Closet	<ul style="list-style-type: none"> • Three-point auto deadlocking. • Three-point latch retraction by grip either side. • Both grips always free.
	FE6880	Passage Lever x Blank Plate	<ul style="list-style-type: none"> • Three-point auto deadlocking. • Three-point latch retraction by inside grip. • Lever on one side, blank plate on the other. • Lever always free.

**Corbin
Russwin**
ASSA ABLOY

Corbin Russwin Architectural Hardware
225 Episcopal Road | Berlin, CT 06037
Phone 800-543-3658 | Fax 800-447-6714
corbinrusswin.com



ASSA ABLOY is the global leader in door opening solutions, dedicated to satisfying end-user needs for security, safety and convenience.

Corbin Russwin and Design® is a registered trademark of Corbin Russwin, Inc., an ASSA ABLOY Group company. These materials are protected under US copyright laws. Other products' brand names may be trademarks or registered trademarks of their respective owners and are mentioned for reference purposes only. All contents current at time of publication. Corbin Russwin, Inc., an ASSA ABLOY Group company reserves the right to change availability of any item in this sell sheet, its design, construction, and/or its materials. Copyright © 2007, 2015 Corbin Russwin, Inc. an ASSA ABLOY Group company. All rights reserved. Reproduction in whole or in part without the express written permission of Corbin Russwin, Inc. is prohibited.

45044-5/15R



Make an Impression

Custom Laser Engraving





**Corbin
Russwin**
ASSA ABLOY

Custom Laser Engraving

Applications

- Multi-Family Housing
- Patient Rooms
- University Dorms
- Executive Suites
- Sports Arenas
- Exit Doors

Aesthetics, convenience, and security are important elements in present-day commercial building spaces. Corbin Russwin's Custom Laser Engraving option combines good design and visual identification with commercial grade hardware. Whether it's showcasing brand identity, numbering apartment doors, or paying homage to a sports team, laser engraving will add a touch of sophistication to your opening.

Features

- Permanent, durable laser engraving
- Clean, crisp aesthetic for door identification or vanity
- Offered on select Mortise and Tubular Lock trim, Exit Devices and Push/Pull Paddle Trim
 - ANSI/BHMA Grade 1 door hardware
 - UL Listed for use with Fire Rated doors
 - ADA Compliant
- Available in 8 architectural finishes; MicroShield® antimicrobial coating optional

Benefits

- Flexible: customizes door trim to match any requirements
- Aesthetically-pleasing: eliminates wall plaques and door numbers keeping interior clean and clutter-free
- Convenience: clearly identifies room numbers in multi-family housing, patient areas or university dorms
- Accessibility: provides eye level visual to ADA entryways for easy access
- Minimizes risk: highlights emergency exits or high-level security doors
- Vanity: showcases brand, school, or sports team pride

**Corbin
Russwin**
ASSA ABLOY

Corbin Russwin Architectural Hardware
225 Episcopal Road
Berlin, CT 06037
Phone 800-543-3658
Fax 800-447-6714
corbinrusswin.com



MicroShield®

As part of their promise to provide innovative solutions to their customers, certain ASSA ABLOY Group brands offer the MicroShield® technology, registered with the EPA and FDA. MicroShield® is a silver-based antimicrobial coating designed to inhibit the growth of bacteria.

MicroShield® is a registered trademark of Yale Security Inc., an ASSA ABLOY Group company.

Corbin Russwin and Design® is a registered trademark of Corbin Russwin, Inc., an ASSA ABLOY Group company. Access 3™ is a trademark of Corbin Russwin, Inc., an ASSA ABLOY Group company. These materials are protected under US copyright laws. Other products' brand names may be trademarks or registered trademarks of their respective owners and are mentioned for reference purposes only. All contents current at time of publication. Corbin Russwin, Inc., an ASSA ABLOY Group company reserves the right to change availability of any item in this sell sheet, its design, construction, and/or its materials. Copyright © 2014 Corbin Russwin, Inc., an ASSA ABLOY Group company. All rights reserved. Reproduction in whole or in part without the express written permission of Corbin Russwin, Inc. is prohibited.

ASSA ABLOY is the global leader in door opening solutions, dedicated to satisfying end-user needs for security, safety and convenience

Custom Laser Engraving

Program Guidelines and Authorization Form

ASSA ABLOY, the global leader
in door opening solutions



Program Details

Custom Laser Engraving

Products Available for Engraving

- Armstrong, Citation, Newport and Princeton standard levers
- 102, 103, 124 and 125 Muséo® decorative levers
- ML2000 M mortise lock escutcheon
- ED4000 and ED5000 exit device push pad and escutcheon
- HPSK push/pull paddle trim

(Contact factory for availability of other trim types)

Pricing

Laser engraving processing charge (all engraving types)

- \$250 net per order. Charge will be applied to production order when placed.

Single Vanity, Logo or Other (same engraving on all parts)

- Lever - \$10 net add each
- Mortise Escutcheon - \$10 net add each
- HPSK Paddle - \$10 net add each
- Exit trim
 - Escutcheon - \$10 net add each
 - Push pad cover - \$10 net add each

(No discount applies)

Unique laser engraving (i.e. Room Number, Apartment Number, etc)

- \$12 net add each (per piece)

Artwork Requirements and Approvals

Single Vanity, Logo or Other

- Electronic EPS vector file, black and white camera ready artwork
 - **Must be available prior to submitting request**
 - Font style required
 - All fonts offered in Microsoft® Word available

Unique Engraving (i.e. Room Number, Apartment Number, etc)

- Font style required
 - All fonts offered in Microsoft® Word available

Approvals

1. Authorized facility representative submits laser engraving approval form*
2. Corbin Russwin generates artwork approval document
3. Artwork approval document is signed by an **authorized facility representative**
4. Corbin Russwin generates sample part prior to production
5. Authorized facility representative approves sample part prior to production

How to Order Examples

Example:	Lock	Part to engrave	For lever and M escutcheon Specify I/S or O/S	For HPSK Specify up or down or I/S or O/S - (for right/left facing paddles)	Unique Laser**
1	ML2052 NSA 626 RH LC LASER	N	I/S		
2	ML2052 NSM 626 LH LC LASER	M	I/S		
3	ML2051 NSM 626 RHR L4 LASER	M	O/S		
4	ML2050 NSM 626 LASER	M	O/S		427
5	HP3010 HPSK 630 RH LASER	HPSK		UP	

NOTE: Specify Quick Code LASER on appropriate order string

*Please use enclosed approval form when submitting an order or sample request

**Unique engraving (i.e. Room Number, Apartment Number) must be specified for each product ordered and listed on purchase order.

ASSA ABLOY, the global leader in door opening solutions

Finishes Offered

BHMA 605 (US3)	Bright Brass
BHMA 606 (US4)	Satin Brass
BHMA 618 (US14)	Bright Nickel Plated
BHMA 619 (US15)	Satin Nickel Plated
BHMA 625 (US26)	Bright Chromium Plated
BHMA 626 (US26D)	Satin Chromium Plated
626C	Satin Chromium Plated with MicroShield®
BHMA 629 (US32)	Bright Stainless Steel
BHMA 630 (US32D)	Satin Stainless Steel
630C	Satin Stainless Steel with MicroShield®



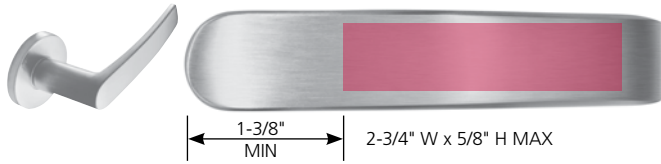
Product Engraving Placement

Custom Laser Engraving

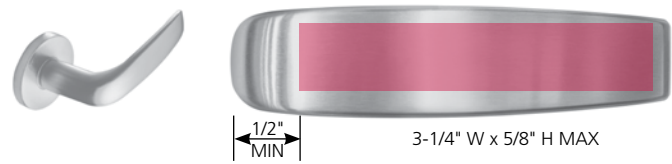
The guidelines below indicate the available engraving area for all products. The MIN area illustrates the clearance required on each product and the red shaded area illustrates the MAX etching space allowed.

Standard Levers for Cylindrical locks, Mortise locks, or Exit Trim

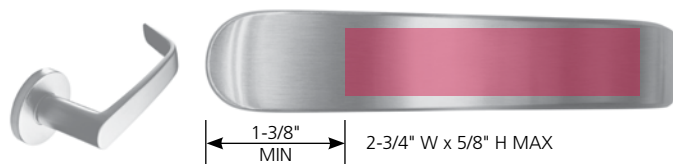
Armstrong



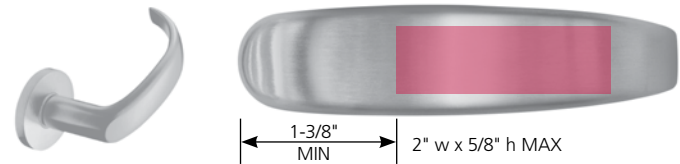
Citation



Newport

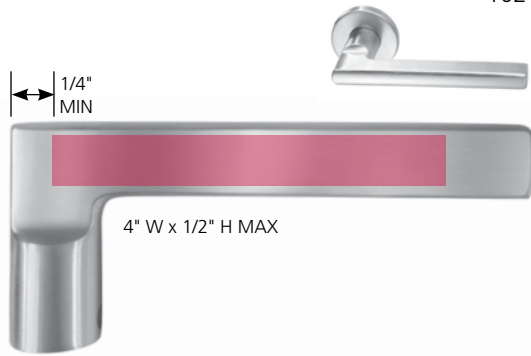


Princeton

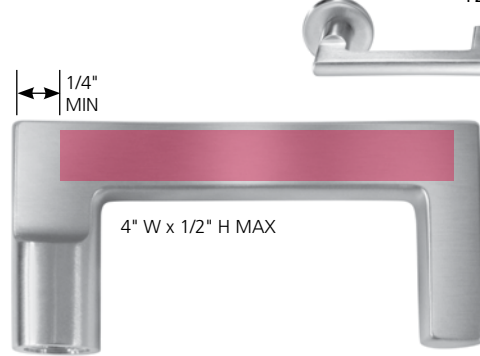


Muséo Levers for Tubular locks, Mortise locks, or Exit Trim

102



124



103



125

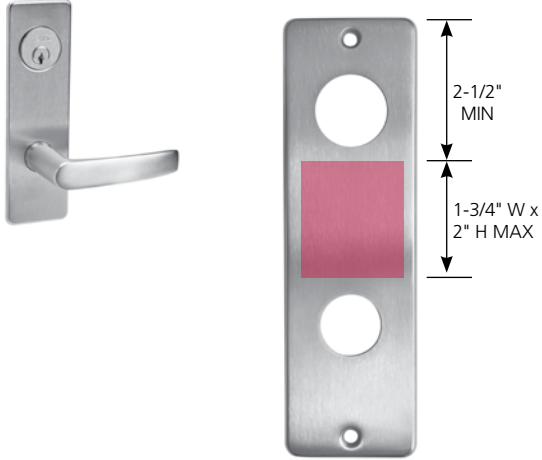


Product Engraving Placement

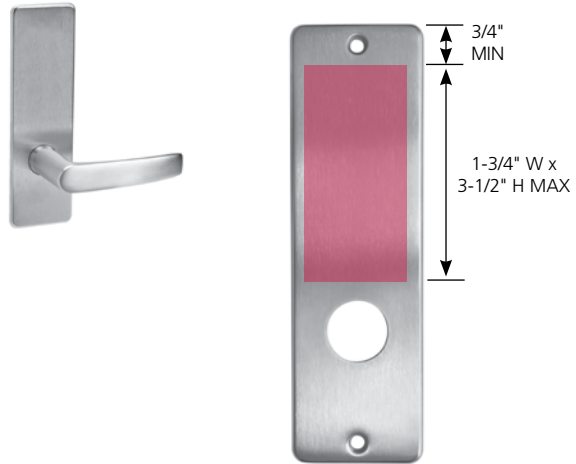
Custom Laser Engraving

Mortise Escutcheons

M Escutcheon (Keyed)

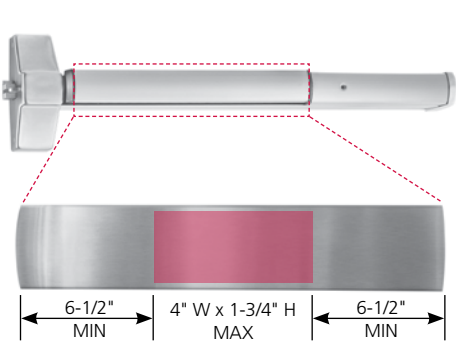


M Escutcheon (Non-Keyed)

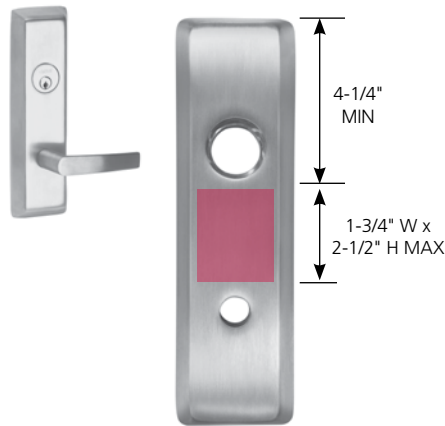


Exit Devices

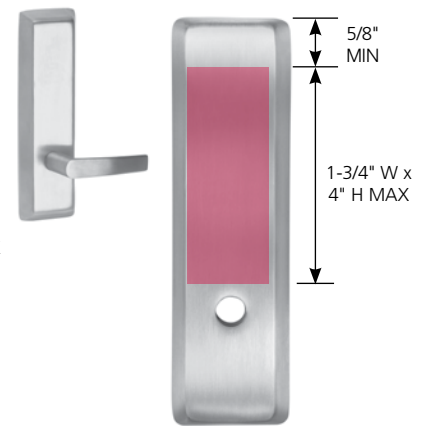
Exit Push Pad



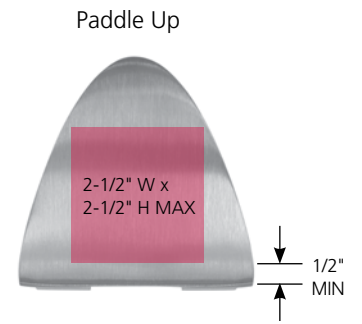
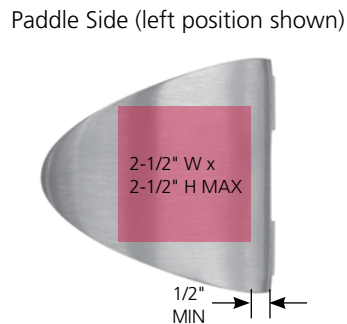
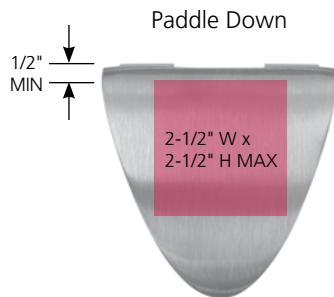
900 Series Escutcheon (Keyed)



900 Series Escutcheon (Non-Keyed)



Push/Pull Trim - HPSK



Custom Laser Engraving

Approval Form

Project Tracking Number: _____

Required Approvals

1. This form will be used for both artwork and product sample approvals
2. Single Vanity, Logo, or Unique Laser Engraving approval - must be signed by authorized facility representative prior to generating sample parts
3. Part sample approval - must be approved by authorized facility representative prior to final part production

Project Information:

End User: _____ Job Name: _____

Address: _____

City, State, Zip Code, Country: _____

Contact Name: _____

Contact Phone Number: _____ Contact Email Address: _____

Door Security Solutions Representative: _____

DSS Phone Number: _____ DSS Email Address: _____

Artwork Approval

(Signed after Corbin Russwin submits artwork to authorized facility representative)

Authorized End User signature: _____ Date: _____

Sample Approval

(Signed after Corbin Russwin submits sample to authorized facility representative)

Authorized End User signature: _____ Date: _____

Product Engraving Request

In the chart below, fill in the products that have been selected for engraving.

Standard Levers	Museo Levers	Mortise Escutcheons M	Ext Device Push Pad	Ext Device 900 Series Escutcheon	HPSK Paddle Trim	Unique Laser*
A (Armstrong), C (Citation), N (Newport), P (Princeton)	102, 103, 124, 125	Keyed Non-Keyed		Keyed Non-Keyed	Up Down Right Left	
Example: N		M Keyed			Up	427

*Unique engraving (i.e. Room Number, Apartment Number) must be specified for each product ordered and listed on purchase order.

**Submit this approval form, purchase order and logo/image file to Wayne Falce, Brand Manager at Corbin Russwin:
Wayne.Falce@assaabloy.com, Phone: (860) 828-7244.**

ASSA ABLOY is the global leader in door opening solutions, dedicated to satisfying end-user needs for security, safety and convenience



In U.S.

Corbin Russwin
Architectural Hardware
225 Episcopal Road
Berlin, CT 06037
Phone: 800-543-3658
Fax: 800-447-6714
corbinrusswin.com

In Canada

ASSA ABLOY Door
Security Solutions Canada
160 Four Valley Drive
Vaughan, Ontario
Canada L4K 4T9
Phone: 800-461-3007
Fax: 905-738-2478
www.assaabloy.ca

For more information regarding Corbin Russwin Locksets, Exit Devices, Door Controls and Key Systems, contact your authorized Corbin Russwin Distributor or Sales Representative.

Corbin Russwin and Design® and Muséo® are registered trademarks of Corbin Russwin, Inc, an ASSA ABLOY Group company. Other products' brand names may be trademarks or registered trademarks of their respective owners and are mentioned for reference purposes only. These materials are protected under US copyright laws. All contents current at time of publication. Corbin Russwin, Inc., an ASSA ABLOY Group company reserves the right to change availability of any item in this catalog, its design, construction, and/or its materials. Copyright © 2014 Corbin Russwin, Inc., an ASSA ABLOY Group company. All rights reserved. Reproduction in whole or in part without the express written permission of Corbin Russwin, Inc. is prohibited.

Lean Packaging

More Value Less Waste



Lean packaging is a cost effective and eco-friendly means of protecting and shipping hardware. This new, innovative packaging is designed with pre-installed hardware in mind.

Available with the following products:

- › Cylindrical Lock – CL3100, CL3300, CL3500 and CL3800 Series
- › Mortise Lock – ML2000 Series
- › Standard and Museo decorative trim
- › Tubular Lock – TL3700 Series

Designed to eliminate packaging waste and improve productivity, lean packaging is a perfect fit for distributors providing pre-installed hardware. It reduces cardboard waste and provides a fast way to remove the product for more efficient pre-assembly.

Benefits

- Reduces waste: Reduces packaging waste by up to 20%
- Saves time: Requires 25% less time to unpack hardware
- Environmentally friendly: All packaging is made from 100% post-consumer fiber
- Minimizes mistakes: Each lock is shipped in specially designed “sleeve” packaging with unique compartments, reducing the chance of missing parts
- Efficient: Packaging is easy to open, check-in and handle; improves productivity of the pre-installed hardware process

Availability and ordering information

- Available for cylindrical, mortise and tubular locks
- Configured as Lean Assembly Packs™ or Lean Project Pallets™
 - Specify quick code **LAP** for lean assembly pack orders
 - Minimum order quantity is 50 locks
 - 5 locks per pack
 - Specify quick code **LPP** for lean project pallet orders
 - Minimum order quantity is 50 locks
 - 25 “sleeves” per row
 - No outer carton, shrink wrapped to keep contents contained and protected
- No additional charge

Lean Assembly Pack



Lean Project Pallet



For more information contact your local ASSA ABLOY Door Security Solutions salesperson.

ASSA ABLOY is the global leader in door opening solutions, dedicated to satisfying end-user needs for security, safety and convenience

Corbin Russwin Architectural Hardware
225 Episcopal Road, Berlin, CT 06037
Phone 800-543-3658 | Fax 800-447-6714 | corbinrusswin.com



Classroom Security Solutions

ACCESS 800® AC2 LOCK WITH RF FOB



Today's school administrators and facility managers must provide more than just a space for student education; they must also provide a safe and secure learning environment. Any safety strategy should allow students and staff to move about freely, while keeping unauthorized individuals out.

Striking the right balance between security and mobility

Choosing the right access solution begins with a thorough understanding of the needs of each school and each opening. Life safety codes, fire codes and ADA compliance must also be taken account. In addition, facilities are often faced with the challenge of increasing security within the constraints of existing budgets and with minimal disruption to the school. As such, there are several possible safety scenarios that the chosen door hardware should be able to accommodate:

- Door remains locked throughout the day
- Door remains unlocked **EXCEPT** in an emergency situation
- Access control locks that require credentials to enter room
- Door locks are controlled by a central location

Corbin Russwin: Free to move, safe to learn

Corbin Russwin access control system designs begin with the special considerations of the school environment in mind; with that balance between safety and ease of movement as the primary objective. The unique functionality we offer keeps students and staff safe today, while the style and durability serve the needs of the facility for years to come.

The Corbin Russwin Access 800® AC2, a standalone access control lock, offers unique, affordable functionality that is ideal for classroom application. Providing easy everyday access to the classroom using a PIN code or proximity card, the Access 800® AC2 also provides the ability to lock the door quickly with an RF fob from almost anywhere inside the room.



ACCESS 800® AC2 FEATURES

Corbin Russwin Access 800 AC2 Series' product enhancements help to further distinguish it as the right choice for a wide range of applications.

- Supports 2,000 users
- Provides 2,000 event audit trail
- Credential support:
 - HID® 125 kHz prox card
 - RF fob
- Available with keypad for dual factor authentication
- Programmable via keypad, data transfer device (DTD), or PDA*
- Available with key override
- Supports multiple types of users, such as extended, temporary, or supervisory
- Available in mortise lock, cylindrical lock, or exit device configurations

*DTD required for Windows Vista and later

System Requirements

- **Software:**
 - SoloPlus™ Access Control Management Software
 - Microsoft Windows based operating system (XP and later) or Windows Server (2003, 2008)*
 - Local administrative rights to the computer
- **Hardware:**
 - CD-Rom drive
 - Data Transfer Device or PDA (*refer to catalog for compatible models*)

* Refer to catalog or call 800-810-WIRE for specific information on compatible operating systems

RF FOB "PANIC" FUNCTIONALITY AND SCHOOLS

Ideal for classroom environments, RF fobs offer a convenient solution for remote control locking of the Access 800® AC2.



When programmed for Panic mode and actuated from within 75 feet of the lock (inside):

- The door locks and disables all "user" credentials (both PIN code and prox card)
- The door stays locked even if fob is pressed repeatedly
- An interior indicator flashes red to show the door is in lockdown
- The lock must be reset by a master credential

RF Fob Features

- Three RF actuation modes: passage, unlock/relock or panic
- Use technology codes M804, M805, or M806 to order RF functionality
- UL and cUL Listed for fire doors
- Typical operating distance of 35 to 75 feet on inside of door; 10 to 25 feet on outside of door*

*Depends on building construction

ASSA ABLOY is the global leader in door opening solutions, dedicated to satisfying end-user needs for security, safety and convenience

Corbin Russwin Architectural Hardware
225 Episcopal Road, Berlin, CT 06037
Phone 800-543-3658
Fax 800-447-6714
www.corbinrusswin.com

Corbin Russwin and Design® is a registered trademark of Corbin Russwin, Inc., an ASSA ABLOY Group company. These materials are protected under US copyright laws. Other products' brand names may be trademarks or registered trademarks of their respective owners and are mentioned for reference purposes only. All contents current at time of publication. Corbin Russwin, Inc., an ASSA ABLOY Group company reserves the right to change availability of any item in this product bulletin, its design, construction, and/or its materials. Copyright © 2014 Corbin Russwin, Inc., an ASSA ABLOY Group company. All rights reserved. Reproduction in whole or in part without the express written permission of Corbin Russwin, Inc. is prohibited.

School Security Solutions For Exit Devices

Today, school administrators and facility managers are responsible not only for their students' education, but also with providing a safe and secure learning environment. Unauthorized individuals must be kept out of the building while students and staff can move freely about. While there are many factors that contribute to a safe learning environment, appropriate door hardware is a critical element.



There are several schools of thought about which locking solutions provide the optimal level of safety and security for a school. Doors with exit devices or "panic bars" are of special concern. Typically used on the perimeter, these doors tend to take the most abuse and are also the first line of defense against intruders. They must also meet fire and life safety codes, where applicable, and comply with ADA.

There is a multitude of functionality for an exit device.

Typical scenarios include:

- Door remains locked throughout the day
- Door remains unlocked EXCEPT in an emergency situation
- Door locks are controlled by a central location
- Door is monitored and alarms if opened

Each school must make their own determination about what security means. And regardless of what option is chosen, Corbin Russwin has solutions to get the job done. Many Corbin Russwin products were developed specifically for school settings and provide unique functionality to keep students and staff safe.

Finally, don't forget that life safety codes, fire codes and ADA compliance must also be taken in consideration when door functionality is determined.

The Corbin Russwin Solution

Corbin Russwin manufactures a full line of exit devices providing the best combination of simplicity, strength, durability, aesthetics and innovation. The Corbin Russwin ED4000 and ED5000 Series Exit Devices are the strongest, most durable exit devices in the industry today. And, they provide the additional security options needed to keep students and staff safe.



Shown: ED5200S

Security Options for Corbin Russwin Exit Devices



SecureBolt® Security Deadbolt

SecureBolt® provides increased security by resisting unauthorized entrance from the use of credit cards, crowbars, door rattling and shaking, etc.; therefore significantly reducing the threat of unauthorized entry.



PathLite™ Photoluminescent Option

The PathLite illuminated exit device increases the visibility of exit locations in dark or smoke filled passages, supplementing existing codes for egress lighting.



Double Cylinder Function

Corbin Russwin offers a double cylinder function for mortise, rim and SecureBolt® ED5000 Series exit devices. This function allows the outside trim to be locked from the inside or outside cylinder. Available as a cylinder on the inside chassis, this function provides a quick, easy way to lock the outside trim without opening the door.

Other Exit Device Security Options

Alarmed Exit (M61)

The Alarmed Exit option is designed for areas requiring a stand-alone alarm on outswinging doors. This option sounds immediately upon exit or if tampered with and discourages unauthorized use.

Latchbolt Monitor Switch (M91)

The latch monitor provides true, tamper resistant latchbolt monitoring. The monitor switch is activated when the rail is depressed or for any reason that the latch moves.

Lever Monitoring (M93)

Corbin Russwin offers monitoring for outside levers as well. Available as an option for our electrified devices, the lever monitoring option sends a signal when the outside lever is rotated for entry.

Electric Latch Pullback or Electric Latch Retraction (M94)

Allows electrified retraction of latchbolt for momentary or maintained periods. Device returns to normal operation if fire alarm goes off or if there is an interruption of power to device. Opening remains unsecured while latchbolt is held retracted.

Electric dogging (M97)

Allows continuous electrified dogging of latch. Dogging is released and device returns to normal operation if fire alarm goes off or if there is an interruption of power to device. When dogged, opening remains unsecured.

Corbin Russwin and Design® and SecureBolt® are registered trademarks of Corbin Russwin, Inc., an ASSA ABLOY Group company. PathLite™ is a trademark of Corbin Russwin, Inc., an ASSA ABLOY Group company. These materials are protected under US copyright laws. Other products' brand names may be trademarks or registered trademarks of their respective owners and are mentioned for reference purposes only. All contents current at time of publication. Corbin Russwin, Inc., an ASSA ABLOY Group company reserves the right to change availability of any item in this product bulletin, its design, construction, and/or its materials. Copyright © 2013 Corbin Russwin, Inc., an ASSA ABLOY Group company. All rights reserved. Reproduction in whole or in part without the express written permission of Corbin Russwin, Inc. is prohibited.

Corbin Russwin Architectural Hardware
225 Episcopal Road, Berlin, CT 06037
Phone 800-543-3658
Fax 800-447-6714
www.corbinrusswin.com

45316-1/13

ASSA ABLOY, the global leader in door opening solutions



Push/Pull Paddle Trim

..... Push/pull trim should be durable enough to withstand abusive environments while still being flexible and easy to use. The aesthetically pleasing Corbin Russwin push/pull trim is just that and more. Ideal for educational facilities, the ANSI/BHMA Grade 1 certified lock has multiple mounting orientations and an optional MicroShield® antimicrobial coating.
.....





Specialty Hardware

Push/Pull Paddle Trim

Applications

- › Classrooms
- › Bathrooms
- › Laboratories

Mortise Lock

Features:

- Same versatility and reliability as the ML2000 mortise lock
- Standard mortise door prep
- Available with 40 mechanical functions
- Electrified (fail safe and fail secure) functions available
- UL Listed for use with Fire Rated doors
- ANSI/BHMA Grade 1 certified



Tubular Lock

Features:

- Available in 2-3/4", 5" and 7" backsets
- Passage (HP3010) and privacy (HP3020) functions
- UL Listed for use with Fire Rated doors
- ANSI/BHMA Grade 1 certified



Trim Features

- Non-handed
- "Push" and "pull" identification available for paddles
- Available in a variety of finishes including stainless steel
- MicroShield® antimicrobial finish option available
- ADA Compliant

Benefits

- Beautiful: sleek, aesthetic form aligns with evidence-based design approach to modern learning environments
- Strong and durable: ANSI/BHMA Grade 1 locks withstand abusive environments
- Flexible: multiple mounting orientations accommodate customized openings
- Easy Open: paddle shape and location creates a quick reference point for door activation without using hands, and push/pull motion is easy for small hands to operate
- Easy to configure in the field with several mounting options and available with "push" and "pull" identification on paddles



U.S. Patent Numbers: D646,548S; D646,549S



MicroShield®

As part of their promise to provide innovative solutions to their customers, certain ASSA ABLOY Group brands offer the MicroShield® technology, a silver-based antimicrobial coating designed to inhibit the growth of bacteria.

MicroShield® is a registered trademark of Yale Security Inc., an ASSA ABLOY Group company.

Corbin Russwin and Design® is a registered trademark of Corbin Russwin, Inc., an ASSA ABLOY Group company. These materials are protected under US copyright laws. Other products' brand names may be trademarks or registered trademarks of their respective owners and are mentioned for reference purposes only. All contents current at time of publication. Corbin Russwin, Inc., an ASSA ABLOY Group company reserves the right to change availability of any item in this sell sheet, its design, construction, and/or its materials. Copyright © 2011, 2012 Corbin Russwin, Inc., an ASSA ABLOY Group company. All rights reserved. Reproduction in whole or in part without the express written permission of Corbin Russwin, Inc. is prohibited.



Push/Pull Paddle Trim

..... Push/pull trim should be durable enough to withstand abusive environments while still being flexible and easy to use. The aesthetically pleasing Corbin Russwin push/pull trim is just that and more. Ideal for healthcare facilities, the ANSI/BHMA Grade 1 certified lock, has multiple mounting orientations and an optional MicroShield® antimicrobial coating.
.....





Specialty Hardware

Push/Pull Paddle Trim

Applications

- › Behavioral Health Units
- › Patient Room Doors
- › Assisted Living Facilities
- › De-escalation Rooms
- › Psychiatric Facilities

Mortise Lock

Features:

- Same versatility and reliability as the ML2000 mortise lock
- Standard mortise door prep
- Available with 40 mechanical functions
- Electrified (fail safe and fail secure) functions available
- UL Listed for use with Fire Rated doors
- ANSI/BHMA Grade 1 certified



Tubular Lock

Features:

- Available in 2-3/4", 5" and 7" backsets
- Passage (HP3010) and privacy (HP3020) functions
- UL Listed for use with Fire Rated doors
- ANSI/BHMA Grade 1 certified



Trim Features

- Non-handed
- "Push" and "pull" identification available for paddles
- Available in a variety of finishes including stainless steel
- MicroShield® antimicrobial finish option available
- ADA Compliant

Benefits

- Beautiful: sleek, aesthetic form aligns with evidence-based design approach to healing environments
- Strong and durable: ANSI/BHMA Grade 1 certified locks withstand abusive environments
- Safety: features for behavioral health units and rehabilitation facilities
- Flexible: multiple mounting orientations accommodate customized openings
- Easy Open: paddle shape and location creates a quick reference point for door activation without using hands
- Easy to configure in the field with several mounting options and available with "push" and "pull" identification on paddles



U.S. Patent Numbers: D646,548S; D646,549S




MicroShield®

As part of their promise to provide innovative solutions to their customers, certain ASSA ABLOY Group brands offer the MicroShield® technology, a silver-based antimicrobial coating designed to inhibit the growth of bacteria.

MicroShield® is a registered trademark of Yale Security Inc., an ASSA ABLOY Group company.

Corbin Russwin and Design® is a registered trademark of Corbin Russwin, Inc., an ASSA ABLOY Group company. These materials are protected under US copyright laws. Other products' brand names may be trademarks or registered trademarks of their respective owners and are mentioned for reference purposes only. All contents current at time of publication. Corbin Russwin, Inc., an ASSA ABLOY Group company reserves the right to change availability of any item in this sell sheet, its design, construction, and/or its materials. Copyright © 2011, 2012 Corbin Russwin, Inc., an ASSA ABLOY Group company. All rights reserved. Reproduction in whole or in part without the express written permission of Corbin Russwin, Inc. is prohibited.

**Corbin
Russwin** 
ASSA ABLOY



Behavioral
Health Series®

BHSS Trim



ASSA ABLOY, the global leader
in door opening solutions



Behavioral Health Series®

BHSS Trim

Applications

- Behavioral Health Units
- Patient Room Doors
- De-escalation Rooms
- Psychiatric Facilities
- Assisted Living Facilities

Today, healthcare facilities are transforming the patient experience, combining safety and reliability with aesthetics. Corbin Russwin's innovative BHSS trim integrates the lever and escutcheon, creating a superior design that is safer, easy to use and aesthetically pleasing. Its streamlined look and feel brings an elegant style to the most demanding environments and fits perfectly in modern behavioral health areas.

Features

- Aesthetic, modern design with integrated lever and escutcheon
- Uses the ANSI/BHMA Grade 1 ML2000 mortise lock
- Available in 36 functions including Institutional/Utility (ANSI F30), Institutional Privacy (ANSI F26) and Privacy (ANSI F22) as well as electrified options
- Uses standard mortise prep, with only 2 additional holes
- Stainless Steel finishes (629, 630) standard; MicroShield® antimicrobial coating optional
- Matching behavioral health thumbturn available
- UL Listed for use with Fire Rated doors
- ADA Compliant
- U.S. Patent Number: D690,577

Benefits

- Beautiful: tapered surfaces and escutcheon shape lend a modern design aesthetic to healthcare facilities
- Strong and durable: lock exceeds ANSI/BHMA Grade 1 requirements to withstand abusive environments
- Versatile: 36 functions, including electrified and behavioral health specific; can be used on many opening types
- Minimizes risk: helps contribute to patient safety with unique design; available with MicroShield™ antimicrobial coating
- Easy to use: intuitive operation of lever provides easy access for staff and patients

Other Products in the Behavioral Health Series



BLSS Trim



HSS Knob



HPSK Trim



MicroShield®

As part of their promise to provide innovative solutions to their customers, certain ASSA ABLOY Group brands offer the MicroShield® technology, registered with the EPA and FDA. MicroShield® is a silver-based antimicrobial coating designed to inhibit the growth of bacteria.

MicroShield® is a registered trademark of Yale Security Inc., an ASSA ABLOY Group company.

NOTE: Although these products are better designed for behavioral health applications than traditional trim, they do not eliminate the risk that an object can be affixed to, or around them.

Corbin Russwin and Design® is a registered trademark of Corbin Russwin, Inc., an ASSA ABLOY Group company. Access 3™ is a trademark of Corbin Russwin, Inc., an ASSA ABLOY Group company. These materials are protected under US copyright laws. Other products' brand names may be trademarks or registered trademarks of their respective owners and are mentioned for reference purposes only. All contents current at time of publication. Corbin Russwin, Inc., an ASSA ABLOY Group company reserves the right to change availability of any item in this sell sheet, its design, construction, and/or its materials. Copyright © 2012-2015 Corbin Russwin, Inc., an ASSA ABLOY Group company. All rights reserved. Reproduction in whole or in part without the express written permission of Corbin Russwin, Inc. is prohibited.

ASSA ABLOY is the global leader in door opening solutions, dedicated to satisfying end-user needs for security, safety and convenience

45285-8/15R

Corbin
Russwin
ASSA ABLOY



Behavioral
Health Series™

BLSS Trim



ASSA ABLOY, the global leader
in door opening solutions



Behavioral Health Series™

BLSS Trim

Target Applications

- Behavioral Health Units
- Patient Room Doors
- De-escalation Rooms
- Psychiatric Facilities
- Assisted Living Facilities

The Corbin Russwin BLSS trim is part of the Behavioral Health Series™ of products. With an array of functions, this trim can be used on virtually any opening in healthcare environments. Sloping surfaces and overlapping rose and lever address safety concerns common in behavioral health facilities. Perfect for tough environments, the BLSS trim uses the Corbin Russwin ML2000 mortise lock, providing impressive strength and reliability.

Features

- Overlapping lever and rose construction
- Uses the ANSI/BHMA Grade 1 ML2000 mortise lock
- Available in 19 functions, including Institutional/Utility (ANSI F30) and Institutional Privacy (ANSI F26) and 4 electrified options
- Uses standard mortise prep
- Stainless Steel finishes (629, 630) standard; MicroShield® antimicrobial coating optional
- Matching behavioral health thumbturn available
- UL Listed for use with Fire Rated doors
- ADA Compliant

Benefits

- Strong and durable: lock exceeds ANSI/BHMA Grade 1 requirements to withstand abusive environments
- Flexible: 19 functions, including electrified; can be used on many opening types
- Minimizes risk: Sloped surfaces and overlapping rose with lever address common concerns in behavioral health environments; available with MicroShield® antimicrobial coating
- Simple retrofit: Upgrade existing openings easily; uses standard mortise door prep

Other Products in Behavioral Health Series:



BHSS Trim



HSS Knob



HPSK Trim



MicroShield®

As part of their promise to provide innovative solutions to their customers, certain ASSA ABLOY Group brands offer the MicroShield® technology, registered with the EPA and FDA. MicroShield® is a silver-based antimicrobial coating designed to inhibit the growth of bacteria.

MicroShield® is a registered trademark of Yale Security Inc., an ASSA ABLOY Group company.

Note: Although these products are better designed for behavior health applications than traditional trim, they do not eliminate the risk that an object can be affixed to, or around them.

Corbin Russwin and Design® is a registered trademark of Corbin Russwin, Inc., an ASSA ABLOY Group company. Access 3™ is a trademark of Corbin Russwin, Inc., an ASSA ABLOY Group company. These materials are protected under US copyright laws. Other products' brand names may be trademarks or registered trademarks of their respective owners and are mentioned for reference purposes only. All contents current at time of publication. Corbin Russwin, Inc., an ASSA ABLOY Group company reserves the right to change availability of any item in this sell sheet, its design, construction, and/or its materials. Copyright © 2012 Corbin Russwin, Inc., an ASSA ABLOY Group company. All rights reserved. Reproduction in whole or in part without the express written permission of Corbin Russwin, Inc. is prohibited.

ASSA ABLOY is the global leader in door opening solutions, dedicated to satisfying end-user needs for security, safety and convenience

45283-7/12