

29 Series FILTERS - REGULATORS - LUBRICATORS

FRL-CAT10



Introduction

The **29 Series** of Filters – Regulators – Lubricators are made from lightweight aluminum bodies, which lend themselves to a wide variety of applications. These filters, regulators and lubricators are also “modular” in design, meaning the individual units can be removed from the line without disturbing the piping or other components. The units can be assembled in minutes with an easy to use connecting system, so air system layout changes no longer require major or time consuming plumbing modifications. In addition to making installation, servicing or replacing units quick and easy, the **29 Series** modular connecting system is designed to save space, making them ideal for OEM equipment as well as suitable for tight areas in shop or factory air lines and assembly areas.

A well planned compressed air system is vital to efficient overall operation. Improper tool operation, higher costs per unit of compressed air and reduced component life are but a few of the many problems created by an inefficient system. This, in turn, results in the overall loss of millions of industry dollars every year.

Five key components to an efficient compressed air system are the filter, regulator, lubricator, dryer, and mechanical drain. When properly sized, installed and maintained, these units play a critical role in achieving optimum performance in the system. As a rule, no more than two devices should be serviced by a single filter, regulator, lubricator, or dryer.

Filters:

It is inevitable that impurities will make their way into the air distribution lines in any system. Pipe scale, rust, moisture, compressor oil, pipe compound and dirt are some of the contaminants that can damage valve parts and other close fitting parts of downstream devices.

A filter will remove all foreign matter and allow clean dry air to flow freely. It should be installed in the line upstream from all working devices and in such a way that it cannot be bypassed to avoid damage to those devices.

The filter capacity should be large enough to handle the required flow of air. In order to properly size a filter for a particular application, the maximum allowable pressure drop that can be caused by the filter should be established.

Regulators:

Pneumatic equipment is designed to operate properly at a certain pressure. Although most equipment will run at a pressure higher than recommended, the excess force, torque and wear can shorten the equipment’s life and waste compressed air. A regulator will provide a constant set flow of air pressure at its outlet, thus assessing optimum operation and life of the downstream equipment.

The size of the regulator is determined by the downstream flow and pressure requirements. While an undersized regulator will not be able to provide the required air pressure during maximum flow conditions, an oversized regulator will be more costly than necessary to do the job.







Lubricators:

Most moving parts require some form of lubrication. The high costs of inefficiently running equipment and repair expenses make the addition of an air line lubricator an economical practice. Lubricators store oil and inject a preset amount of oil mist, or fog, into the air stream which is then delivered to the downstream device.

The size of the lubricator for a particular application is determined by the downstream requirements. The pressure drop should be no greater than 5 PSID. A larger lubricator should be used if the pressure drop is over 5 PSID.

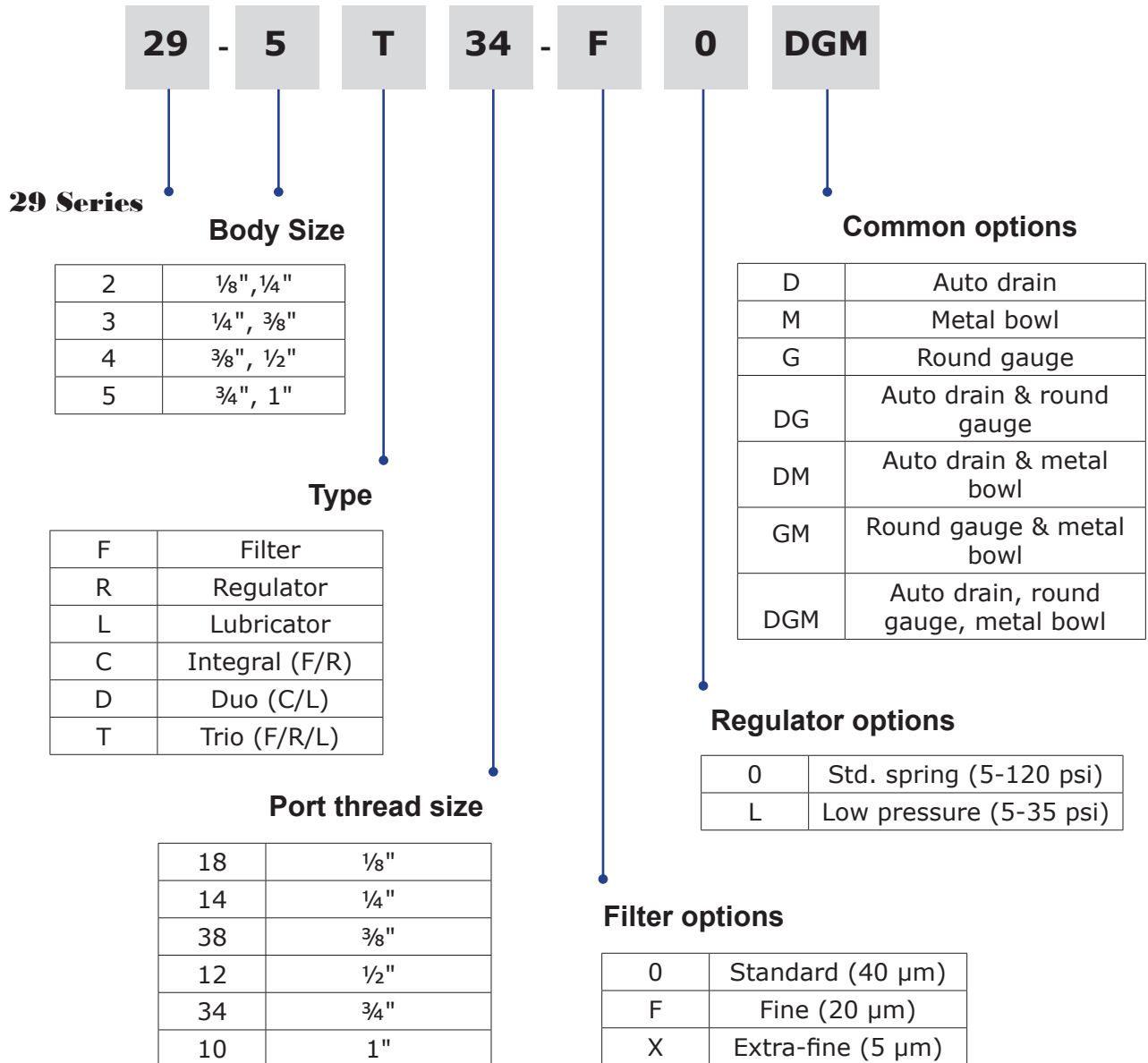
Special attention should be paid to the compatibility of the lubricants used in the system and the materials in the lubricator, especially where plastic reservoirs (bowls) are concerned. Should there be any question regarding their compatibility, consult the factory or use a metal reservoir.

TABLE OF CONTENTS

Introduction		2
Table of Contents		3
Part Numbering System		4
Modular Air Filter		5
Modular Air Pressure Regulator		6
Modular Air Line Lubricator		7
Modular Integral Filter/Regulator		8
Modular Integral Filter/Regulator & Lubricator Assembly		9
Modular Filter/Regulator & Lubricator Assembly		10
Accessories		11

29 Series

PART NUMBERING SYSTEM



29 Series

MODULAR AIR FILTER



29-2F14-0



29-3F38-0DM

[Specifications]

Max. Supply Pressure	220 PSI
Max. Operating Pressure	145 PSI
Ambient & Fluid Temp.	32°F to 140°F
Nominal Filtration Rating ¹	5,20,40 µm
Body Material	Aluminum
Bowl Material ²	Polycarbonate
Bowl Guard ³	Steel

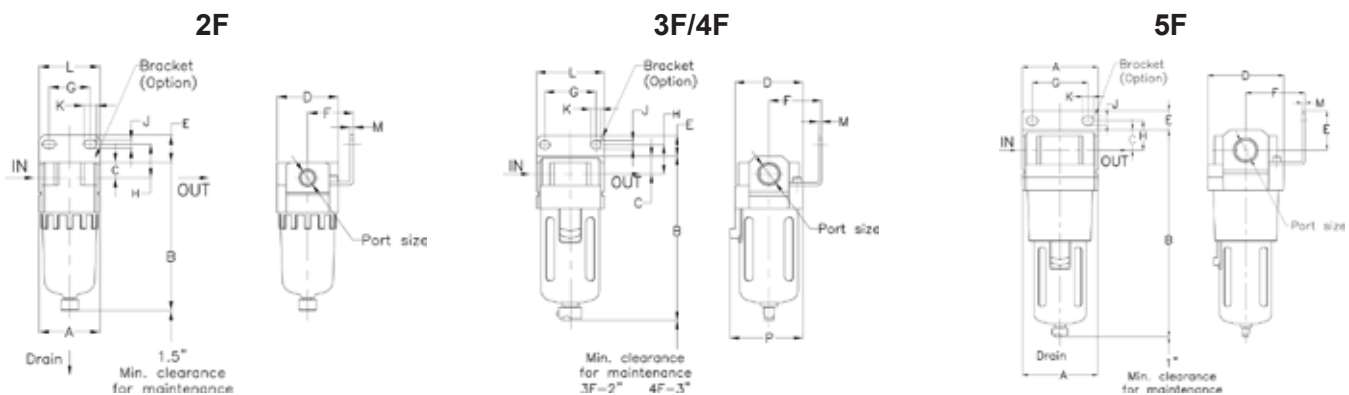
¹Standard: 40 µm - Options: 5,20 µm

²Metal Bowl is available on all Series

³No bowl guard on Series 2F

[Ordering Information]

Model		Specifications				Accessory	
Manual	Auto Drain	Max. Flow Rate CFM	Port Size NPT	Bowl Capacity oz	Weight Lbs	Bracket Assembly	
29-2F18-0	29-2F18-0D	26.5	1/8	1.1	0.25	2FLMB	
	29-2F18-0DM	26.5	1/8	1.1	0.25	2FLMB	
29-2F14-0	29-2F14-0D	26.5	1/4	1.1	0.25	2FLMB	
	29-2F14-0DM	26.5	1/4	1.1	0.25	2FLMB	
29-3F14-0	29-3F14-0D	53	1/4	5	0.60	3FLMB	
	29-3F14-0DM	53	1/4	5	0.60	3FLMB	
29-3F38-0	29-3F38-0D	53	3/8	5	0.60	3FLMB	
	29-3F38-0DM	53	3/8	5	0.60	3FLMB	
29-4F38-0	29-4F38-0D	140	3/8	16	1.10	4FLMB	
	29-4F38-0DM	140	3/8	16	1.10	4FLMB	
29-4F12-0	29-4F12-0D	140	1/2	16	1.10	4FLMB	
	29-4F12-0DM	140	1/2	16	1.15	4FLMB	
29-5F34-0	29-5F34-0D	247	3/4	16	2.25	5FLMB	
	29-5F34-0DM	247	3/4	16	2.20	5FLMB	
29-5F10-0	29-5F10-0D	247	1	16	2.20	5FLMB	
	29-5F10-0DM	247	1	16	2.20	5FLMB	



[Dimensions - inches]

Model	Port Size NPT	Standard Specifications					Accessory Specifications								
		A	B	C	D	P	Bracket Mounting Size						With Auto Drain		
							E	F	G	H	J	K	L	M	B
2F	1/8, 1/4	1.57	3.82	.39	1.57	-	.71	1.18	1.03	.86	.21	.295	1.59	.08	4.53
3F	1/4, 3/8	2.08	5.07	.55	2.08	2.24	.63	1.61	1.38	.90	.26	.315	1.90	.10	6.69
4F	3/8, 1/2	2.75	6.49	.70	2.75	2.87	.67	1.96	1.88	1.02	.34	.415	2.48	.10	8.03
5F	3/4, 1	3.54	9.64	.94	3.54	-	.90	2.75	2.15	1.37	.34	.415	3.15	.12	11.18

29 Series

MODULAR AIR PRESSURE REGULATOR

[Specifications]

Max. Supply Pressure	220 PSI
Max. Operating Pressure	145 PSI
Regulating Range ¹	5 PSI - 120 PSI
Ambient & Fluid Temp.	32°F to 140°F
Construction	Relieving Type
Body Material	Aluminum
Gauge ²	Square

¹Option: Low Pressure Regulating Range: 5 - 35 psi

²Option: Round gauge



29-2R14-0



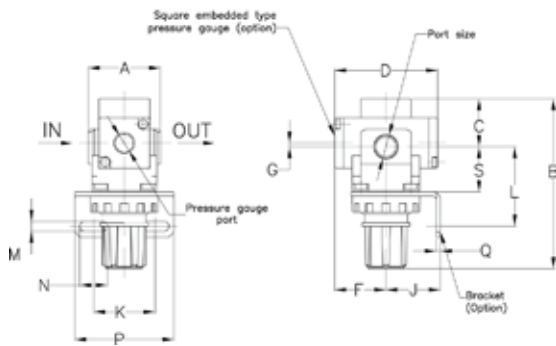
29-3R38-0

[Ordering Information]

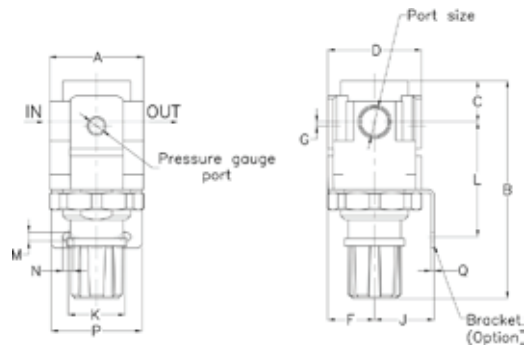
Model	Specifications				Weight Lbs	Accessory Bracket Assembly
	Square Gauge	Max. Flow Rate CFM*	Port Size NPT	Gauge Port NPT		
29-2R18-0		20	1/8	1/8	0.5	2RMB
29-2R14-0		20	1/4	1/8	0.5	2RMB
29-3R14-0		90	1/4	1/8	0.75	3RMB
29-3R38-0		90	3/8	1/8	0.75	3RMB
29-4R38-0		212	3/8	1/4	1.15	4RMB
29-4R12-0		212	1/2	1/4	1.15	4RMB
29-5R34-0		280	3/4	1/4	2.75	5RMB
29-5R10-0		280	1	1/4	2.75	5RMB

*Test Conditions: supply pressure = 100 PSI, setting pressure = 70 PSI

2R/3R/4R



5R



[Dimensions - inches]

Model	Port Size NPT	Standard Specifications						Accessory Specifications Bracket Mounting Size						
		A	C	B	D	F	G	J	K	L	M	N	P	Q
2R	1/8, 1/4	1.57	1.06	3.7	2.24	1.16	.078	1.18	1.34	1.73	.22	.61	2.17	.09
3R	1/4, 3/8	2.08	1.22	4.56	2.32	1.20	.137	1.61	1.46	1.81	.26	.31	2.08	.09
4R	3/8, 1/2	2.75	1.42	5.04	2.67	1.38	.137	1.96	2.13	2.13	.33	.41	2.75	.09
5R	3/4, 1	3.54	1.69	6.65	3.42	1.75	.129	2.25	2.15	3.70	.33	.41	3.15	.12

29 Series

MODULAR AIR LINE LUBRICATOR



29-2L14



29-3L38-M

[Specifications]

Max. Supply Pressure	220 PSI
Max. Operating Pressure	145 PSI
Ambient & Fluid Temp.	32°F to 140°F
Recommended Lubricant	ISO-VG32
Body Material	Aluminum
Bowl Material ¹	Polycarbonate
Bowl Guard ²	Steel

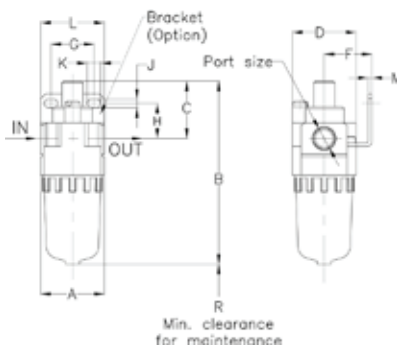
¹Metal bowl is available on all Series

²No Bowl guard on Series 2L

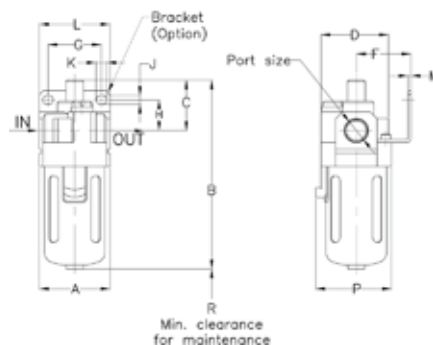
[Ordering Information]

Model	Specifications					Accessory
	Min. Operating Flow CFM	Max. Flow Rate CFM	Port Size NPT	Bowl Capacity oz	Weight Lbs	Bracket Assembly
29-2L18	0.53	28	1/8	1.1	0.25	2FLMB
29-2L18-M	0.53	28	1/8	1.1	0.25	2FLMB
29-2L14	0.53	28	1/4	1.1	0.25	2FLMB
29-2L14-M	0.53	28	1/4	1.1	0.25	2FLMB
29-3L14	1.1	60	1/4	5	0.50	3FLMB
29-3L14-M	1.1	60	1/4	5	0.50	3FLMB
29-3L38	1.4	60	3/8	5	0.50	3FLMB
29-3L38-M	1.4	60	3/8	5	0.50	3FLMB
29-4L38	1.8	175	3/8	16	1.03	4FLMB
29-4L38-M	1.8	175	3/8	16	1.00	4FLMB
29-4L12	1.8	175	1/2	16	1.03	4FLMB
29-4L12-M	1.8	175	1/2	16	1.00	4FLMB
29-5L34	6.7	250	3/4	16	2.40	5FLMB
29-5L34-M	6.7	250	3/4	16	2.20	5FLMB
29-5L10	6.7	250	1	16	2.40	5FLMB
29-5L10-M	6.7	250	1	16	2.20	5FLMB

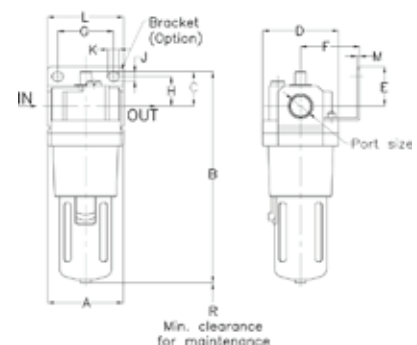
2L



3L/4L



5L



[Dimensions - inches]

Model	Port Size NPT	Standard Specifications						Accessory Specifications Bracket Mounting Size							
		A	B	C	D	P	R	E	F	G	H	J	K	L	M
2L	1/8, 1/4	1.57	4.52	1.42	1.57	-	2.36	-	1.18	1.03	.86	.21	.295	1.59	.08
3L	1/4, 3/8	2.08	5.59	1.49	2.08	2.24	3.15	-	1.61	1.375	.90	.26	.315	1.90	.10
4L	3/8, 1/2	2.75	6.92	1.57	2.75	2.87	4.33	-	1.97	1.875	2.02	.34	.415	2.48	.10
5L	3/4, 1	3.54	9.84	1.61	3.54	-	4.33	1.85	2.75	2.15	1.38	.34	.415	3.15	.12

29 Series

MODULAR INTEGRAL FILTER/REGULATOR

[Specifications]

Max. Supply Pressure	220 PSI
Max. Operating Pressure	145 PSI
Ambient & Fluid Temp.	32°F to 140°F
Nominal Filtration Rating ¹	5,20,40 µm
Bowl Material ²	Polycarbonate
Bowl Guard ³	Steel
Regulating Range ⁴	5 PSI - 120 PSI
Regulator Construction	Relieving Type
Body Material	Aluminum
Gauge ⁵	Square

¹Standard: 40 µm - Options: 5,20 µm

²Metal Bowl is available on all Series

³No bowl guard on Series 2C

⁴Option: Low Pressure Regulating Range: 5 - 35 psi

⁵Option: Round gauge



29-2C14-00



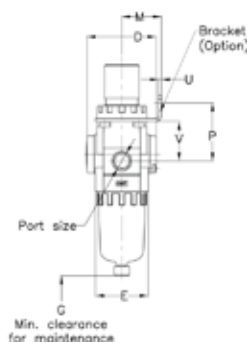
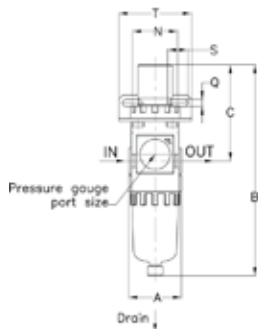
29-3C38-00DM

[Ordering Information]

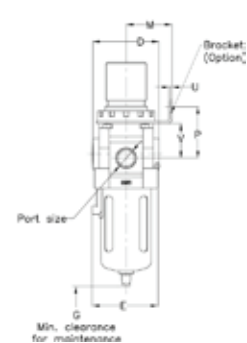
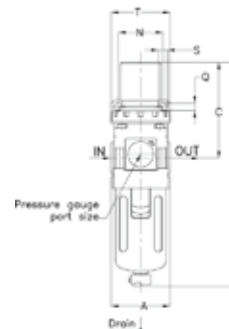
Model		Specifications				Accessory
Manual	Auto Drain	Max. Flow Rate CFM*	Port Size NPT	Bowl Capacity oz	Weight Lbs	Bracket Assembly
29-2C18-00	29-2C18-00D	20	1/8	1.1	0.47	2RMB
	29-2C18-00DM	20	1/8	1.1	0.47	2RMB
29-2C14-00	29-2C14-00D	20	1/4	1.1	0.47	2RMB
	29-2C14-00DM	20	1/4	1.1	0.47	2RMB
29-3C14-00	29-3C14-00D	70	1/4	5	1.00	3RMB
	29-3C14-00DM	70	1/4	5	1.00	3RMB
29-3C38-00	29-3C38-00D	70	3/8	5	1.00	3RMB
	29-3C38-00DM	70	3/8	5	1.00	3RMB
29-4C38-00	29-4C38-00D	140	3/8	16	1.76	4RMB
	29-4C38-00DM	140	3/8	16	1.70	4RMB
29-4C12-00	29-4C12-00D	140	1/2	16	1.76	4RMB
	29-4C12-00DM	140	1/2	16	1.70	4RMB

*Test conditions: Supply Pressure = 100 PSI, Setting Pressure = 70 PSI

2C



3C/4C



[Dimensions - inches]

Model	Port Size NPT	Standard Specifications					Accessory Specifications									
		A	B	C	D	E	Bracket Mounting Size									
							G	M	N	P	Q	S	T	U	B	
2C	1/8, 1/4	1.57	6.30	2.87	2.05	1.57	1.57	1.18	1.34	1.73	.22	.61	2.17	.09	6.97	
3C	1/4, 3/8	2.08	7.91	3.39	2.32	2.24	2.17	1.61	1.46	1.81	.26	.31	2.08	.09	9.53	
4C	3/8, 1/2	2.75	9.41	3.62	3.95	2.87	3.15	1.96	2.13	2.13	.33	.41	2.75	.09	10.94	

29 Series

MODULAR INTEGRAL FILTER/REGULATOR-LUBRICATOR ASSEMBLY

Fully assembled with "T" type mounting bracket

[Specifications]



29-2D14-00



29-3D38-00DM

Max. Supply Pressure	220 PSI
Max. Operating Pressure	145 PSI
Ambient & Fluid Temp.	32°F to 140°F
Nominal Filtration Rating ¹	5, 20, 40 μm
Bowl Material ²	Polycarbonate
Bowl Guard ³	Steel
Regulating Range ⁴	5 PSI - 120 PSI
Regulator Construction	Relieving Type
Body Material	Aluminum
Gauge ⁵	Square

¹Standard: 40 μm - Options: 5,20 μm

²Metal Bowl is available on all Series

³No bowl guard on Series 2D

⁴Option: Low Pressure Regulating Range: 5 - 35 psi

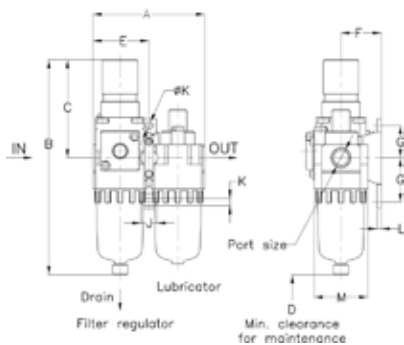
⁵Option: Round gauge

[Ordering Information]

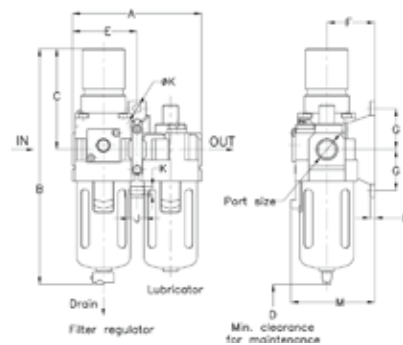
Model		Specifications					
Manual	Auto Drain	Component		Max. Flow Rate CFM*	Port Size NPT	Weight Lbs	"T" Type Mounting Bracket
		Filter/Regulator	Lubricator				
29-2D18-00	29-2D18-00D	29-2C18-00D	29-2L18	20	1/8	0.80	2MMB
	29-2D18-00DM	29-2C18-00DM	29-2L18-M	20	1/8	0.80	2MMB
29-2D14-00	29-2D14-00D	29-2C14-00D	29-2L14	20	1/4	0.80	2MMB
	29-2D14-00DM	29-2C14-00DM	29-2L14-M	20	1/4	0.80	2MMB
29-3D14-00	29-3D14-00D	29-3C14-00D	29-3L14	60	1/4	1.65	3MMB
	29-3D14-00DM	29-3C14-00DM	29-3L14-M	60	1/4	1.63	3MMB
29-3D38-00	29-3D38-00D	29-3C38-00D	29-3L38	60	3/8	1.65	3MMB
	29-3D38-00DM	29-3C38-00DM	29-3L38-M	60	3/8	1.63	3MMB
29-4D38-00	29-4D38-00D	29-4C38-00D	29-4L38	106	3/8	3.02	4MMB
	29-4D38-00DM	29-4C38-00DM	29-4L38-M	106	3/8	2.90	4MMB
29-4D12-00	29-4D12-00D	29-4C12-00D	29-4L12	106	1/2	2.95	4MMB
	29-4D12-00DM	29-4C12-00DM	29-4L12-M	106	1/2	2.90	4MMB

*Test conditions: Supply Pressure = 100 PSI, Setting Pressure = 70 PSI

2D



3D/4D



[Dimensions - inches]

Model	Port Size NPT	Specifications											
		Bracket Mounting Size											With Auto Drain
		A	B	C	D	E	F	G	J	K	L	M	
2D	1/8, 1/4	3.26	6.30	2.87	2.36	1.63	1.50	1.06	0.50	0.22	0.24	2.32	6.97
3D	1/4, 3/8	4.33	7.91	3.38	3.15	2.16	1.75	1.50	0.55	0.27	0.40	2.91	9.53
4D	3/8, 1/2	5.70	9.41	3.62	4.33	2.85	2.15	1.70	0.71	0.36	0.44	3.66	10.95

29 Series

MODULAR FILTER-REGULATOR-LUBRICATOR ASSEMBLY

[Specifications]

Max. Supply Pressure	220 PSI
Max. Operating Pressure	145 PSI
Ambient & Fluid Temp.	32°F to 140°F
Nominal Filtration Rating ¹	5, 20, 40 µm
Bowl Material ²	Polycarbonate
Bowl guard ³	Steel
Regulating Range ⁴	5 PSI - 120 PSI
Regulator Construction	Relieving Type
Body Material	Aluminum
Gauge ⁵	Square

¹Standard: 40 µm - Options: 5,20 µm

²Metal Bowl is available on all Series

³No bowl guard on Series 2T

⁴Option: Low Pressure Regulating Range: 5 - 35 psi

⁵Option: Round gauge

Fully assembled with "T" type mounting bracket



29-3T38-00DM



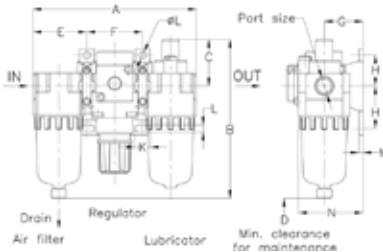
29-2T14-00

[Ordering Information]

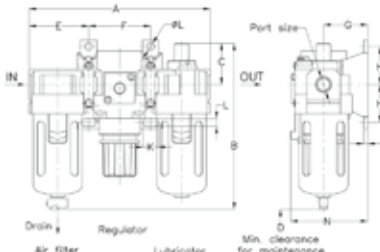
Model		Component			Specifications			
Manual	Auto Drain	Air Filter	Regulator	Lubricator	Max. Flow Rate CFM*	Port Size NPT	Weight Lbs	"T" Type Mounting Bracket
29-2T18-00	29-2T18-00D	29-2F18-0D	29-2R18-0	29-2L18	20	1/8	1.00	2MMB
	29-2T18-00DM	29-2F18-0DM	29-2R18-0	29-2L18-M	20	1/8	1.00	2MMB
29-2T14-00	29-2T14-00D	29-2F14-0D	29-2R14-0	29-2L14	20	1/4	1.00	2MMB
	29-2T14-00DM	29-2F14-0DM	29-2R14-0	29-2L14-M	20	1/4	1.00	2MMB
29-3T14-00	29-3T14-00D	29-3F14-0D	29-3R14-0	29-3L14	70	1/4	2.07	3MMB
	29-3T14-00DM	29-3F14-0DM	29-3R14-0	29-3L14-M	70	1/4	2.10	3MMB
29-3T38-00	29-3T38-00D	29-3F38-0D	29-3R38-0	29-3L38	70	3/8	2.07	3MMB
	29-3T38-00DM	29-3F38-0DM	29-3R38-0	29-3L38-M	70	3/8	2.10	3MMB
29-4T38-00	29-4T38-00D	29-4F38-0D	29-4R38-0	29-4L38	110	3/8	3.80	4MMB
	29-4T38-00DM	29-4F38-0DM	29-4R38-0	29-4L38-M	110	3/8	3.60	4MMB
29-4T12-00	29-4T12-00D	29-4F12-0D	29-4R12-0	29-4L12	140	1/2	3.80	4MMB
	29-4T12-00DM	29-4F12-0DM	29-4R12-0	29-4L12-M	140	1/2	3.60	4MMB
29-5T34-00	29-5T34-00D	29-5F34-0D	29-5R34-0	29-5L34	175	3/4	9.08	5MMB
	29-5T34-00DM	29-5F34-0DM	29-5R34-0	29-5L34-M	175	3/4	8.03	5MMB
29-5T10-00	29-5T10-00D	29-5F10-0D	29-5R10-0	29-5L10	175	1	9.08	5MMB
	29-5T10-00DM	29-5F10-0DM	29-5R10-0	29-5L10-M	175	1	8.20	5MMB

*Test conditions: Supply Pressure = 100 PSI, Setting Pressure = 70 PSI

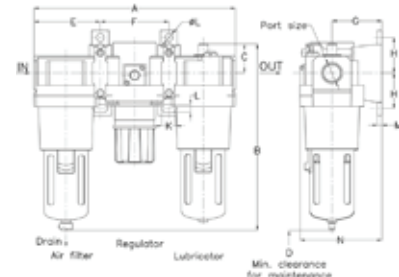
2T



3T/4T



5T

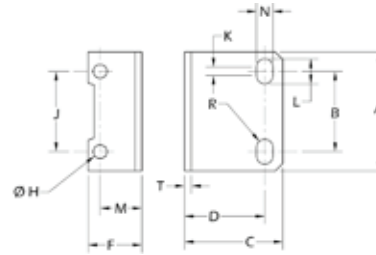


[Dimensions - inches]

Model	Port Size NPT	Specifications												
		A	B	C	D	Bracket Mounting Size							With Auto Drain	
					E	F	G	H	K	L	M	N	B	
2T	1/8, 1/4	4.96	4.84	1.42	2.36	1.63	1.7	1.50	1.06	0.50	0.22	0.24	2.32	5.55
3T	1/4, 3/8	6.57	6.02	1.53	3.15	2.17	2.24	1.75	1.50	0.55	0.27	0.40	2.91	7.64
4T	3/8, 1/2	8.66	7.36	1.69	4.33	2.85	2.95	2.15	1.70	0.71	0.36	0.44	3.66	8.90
5T	3/4, 1	11.1	10.4	2.06	4.33	3.66	3.77	3.1	2.10	0.78	0.41	0.60	4.86	11.9

29 Series ACCESSORIES

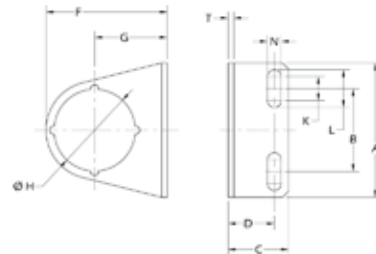
Mounting Bracket Set for Filter and Lubricator



[Ordering Information & Dimensions - inches]

Model	A	B	C	D	F	H	J	K	L	M	N	T	R
29-2FLMB	1.59	1.03	1.0	.75	.715	.17	1.0	.085	.295	.5	.21	.08	.105
29-3FLMB	1.9	1.375	1.51	1.21	1.02	.17	1.4	.055	.315	.75	.26	.10	.13
29-4FLMB	2.48	1.875	1.83	1.48	1.31	.20	1.85	.075	.415	.81	.34	.10	.17
29-5FLMB	3.15	2.15	2.22	1.875	1.33	.24	2.33	.075	.415	.94	.34	.12	.17

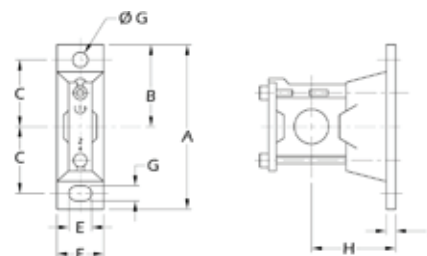
Mounting Bracket Set for Regulator and Filter/Regulator



[Ordering Information & Dimensions - inches]

Model	A	B	C	D	F	G	H	K	L	N	T
29-2RMB	2.17	1.34	.81	.56	1.97	1.18	1.10	.39	.61	.22	.09
29-3RMB	2.08	1.46	.865	.56	2.67	1.61	1.49	.05	.31	.26	.09
29-4RMB	2.75	2.13	1.10	.73	3.12	1.96	1.65	.08	.41	.33	.09
29-5RMB	3.15	2.15	2.20	1.85	3.80	2.25	2.44	.08	.41	.33	.12

Spacer with Type "T" Bracket for FRL Units



[Ordering Information & Dimensions - inches]

Model	A	B	C	E	F	G	H	J
29-2MMB	2.60	1.30	1.06	.50	.715	.22	1.50	.24
29-3MMB	3.60	1.80	1.50	.55	.83	.27	1.75	.40
29-4MMB	4.00	2.00	1.70	.71	1.02	.36	2.15	.44
29-5MMB	5.00	2.50	2.10	.78	1.26	.41	3.10	.60

Aluminum Transition Plate Square Gauge to Round Gauge



[Ordering Information]

Model	Description
29-RTP14	Aluminum Transition Plate 1/4"NPT
29-RTP18	Aluminum Transition Plate 1/8"NPT

29 Series ACCESSORIES

Additional Accessories Available

[Ordering Information]

Model	Description
29-2FLMB	Mounting Bracket Set for 20 Series Filter/Lubricator (1 Bracket + 2 Screws)
29-3FLMB	Mounting Bracket Set for 30 Series Filter/Lubricator (1 Bracket + 2 Screws)
29-4FLMB	Mounting Bracket Set for 40 Series Filter/Lubricator (1 Bracket + 2 Screws)
29-5FLMB	Mounting Bracket Set for 50 Series Filter/Lubricator (1 Bracket + 2 Screws)
29-2RMB	Mounting Bracket Set for 20 Series Regulator/FR (1 Bracket + 1 Lock Ring)
29-3RMB	Mounting Bracket Set for 30 Series Regulator/FR (1 Bracket + 1 Lock Ring)
29-4RMB	Mounting Bracket Set for 40 Series Regulator/FR (1 Bracket + 1 Lock Ring)
29-5RMB	Mounting Bracket Set for 50 Series Regulator/FR (1 Bracket + 1 Lock Ring)
29-2MMB	Spacer with "T" Type Bracket for Series 20 FRL (7 pieces)
29-3MMB	Spacer with "T" Type Bracket for Series 30 FRL (7 pieces)
29-4MMB	Spacer with "T" Type Bracket for Series 40 FRL (7 pieces)
29-5MMB	Spacer with "T" Type Bracket for Series 50 FRL (7 pieces)
29-2F40	PC Bowl Assembly for series 20 Filter, Manual Drain
29-3F40	PC Bowl Assembly with Metal Guard for series 30 Filter, manual Drain
29-4F40	PC Bowl Assembly with Metal Guard for Series 40/50 Filter, manual Drain
29-2F40D	PC Bowl Assembly for Series 20 Filter, Automatic Drain
29-3F40D	PC Bowl Assembly with Metal Guard for Series 30 Filter, Automatic Drain
29-4F40D	PC Bowl Assembly with Metal Guard for Series 40/50 Filter, Automatic Drain
29-2L40	PC Bowl Assembly for Series 20 Lubricator
29-3L40	PC Bowl Assembly with Metal Guard for Series 30 Lubricator
29-4L40	PC Bowl Assembly with Metal Guard for Series 40/50 Lubricator
29-2F40DM	Metal Bowl Assembly for Series 20 Filter, Automatic Drain
29-3F40DM	Metal Bowl Assembly for Series 30 Filter, Automatic Drain
29-4F40DM	Metal Bowl Assembly for Series 40/50 Filter, Automatic Drain
29-2L40M	Metal Bowl Assembly for Series 20 Lubricator
29-3L40M	Metal Bowl Assembly for Series 30 Lubricator
29-4L40M	Metal Bowl Assembly for Series 40/50 Lubricator
29-RTP14	Aluminum Transition Plate to Change Square Gauge to Round Gauge 1/4" NPT
29-RTP18	Aluminum Transition Plate to Change Square Gauge to Round Gauge 1/8" NPT

PRECAUTIONS

2F - 3F - 4F - 5F Installation

- Flush piping before installing.
- Install vertically.
- Polycarbonate bowls may be damaged and possibly fail if exposed to synthetic or phosphorus based lubricants, cleaning solvents, trichloroethylene, kerosene and other aromatic hydrocarbons. When in contact with any incompatible substance use a metal bowl.
- Auto drain lines should be between 1 to 15 feet in length.
- Auto drains require a minimum of 3.5 SCFM to operate properly.
- Auto drains require a minimum of 15 PSI to operate properly.

2R - 3R - 4R - 5R Installation

- Flush piping before installing.
- Install 2.5" of clearance for easy operation.
- May be installed with adjustment knob up or down except with "T" type bracket, regulator must be installed adjustment knob down.

2L - 3L - 4L - 5L Installation

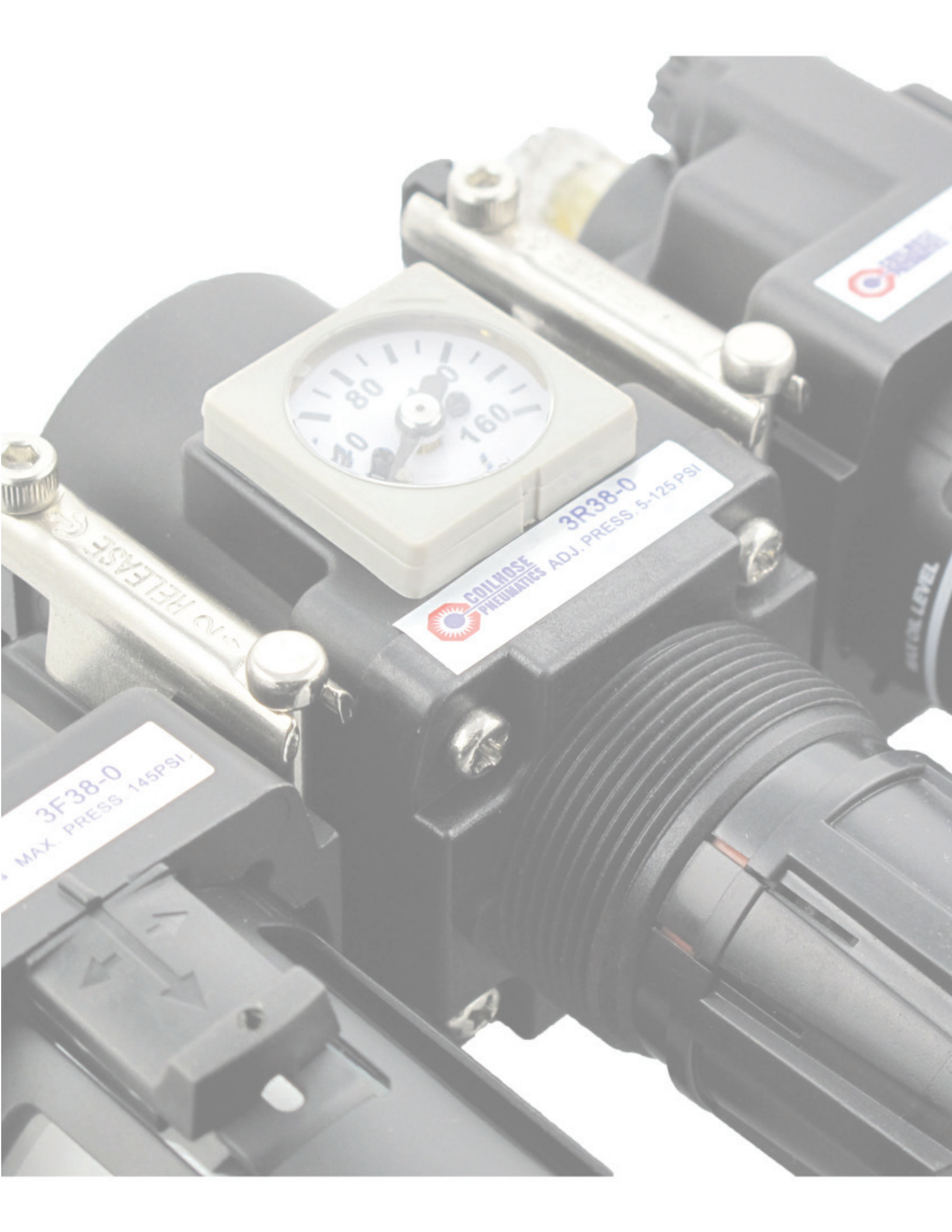
- Recommended lubricant is ISO VG32.
- Flush piping before installing.
- Install vertically.
- Never reverse flow through unit. Supply air to "IN" port.
- Polycarbonate bowls may be damaged and possibly fail if exposed to synthetic or phosphorus based lubricants, cleaning solvents, trichloroethylene, kerosene and other aromatic hydrocarbons. When in contact with any incompatible substance use a metal bowl.

2C - 3C - 4C Installation

- Flush piping before installing.
- Install vertically.
- Polycarbonate bowls may be damaged and possibly fail if exposed to synthetic or phosphorus based lubricants, cleaning solvents, trichloroethylene, kerosene and other aromatic hydrocarbons. When in contact with any incompatible substance use a metal bowl.
- Install 2.5" of clearance for easy operation.
- Auto drain lines should be between 1 to 15 feet in length.
- Auto drains require a minimum of 3.5 SCFM to operate properly.
- Auto drains require a minimum of 15 PSI to operate properly.

NOTES

NOTES



COILHOSE PNEUMATICS
3R38-0
ADJ. PRESS. 5-125 PSI

3F38-0
MAX. PRESS. 145 PSI

COILHOSE PNEUMATICS

MAX. LEVEL

NO RELEASE



Coilhose Distributor: