



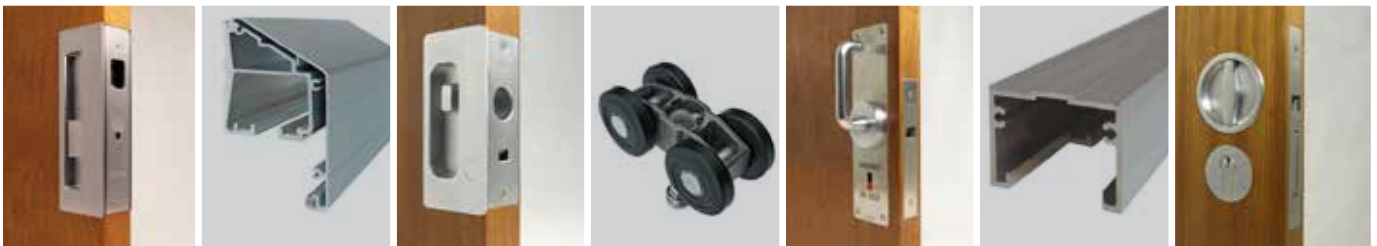
CavitySliders[®]

Quality Sliding Door Hardware





Specification Guide

www.cavitysliders.com



 TrackSystems	1
Top hung track systems for interior sliding doors	

 TrackSystems	2
Barn Door & Wall Mounted Hardware	
Surface mounted track systems for interior sliding doors	

 CaviLock	3
Handles and locks for sliding and pocket doors. Commercial, architectural and residential	

 CaviLock  ADA Hardware	4
ADA handles and locks for sliding and pocket doors	

 AutomaticUnits	5
Automated sliding doors	

Displays & Jigs	6
----------------------------	----------

Pricing & Order Forms	7
----------------------------------	----------

Cavity Sliders USA Inc.

Showroom
548 Finney Ct
Gardena
CA 90248

T (888) 466 0030
F (310) 769 5824
E info@cavitysliders.com

Introduction

Cavity Sliders USA Inc is the premier manufacturer of sliding door hardware. With strict attention to detail from design through to production, Cavity Sliders offers a product line that is high quality, reliable and operates smoothly.

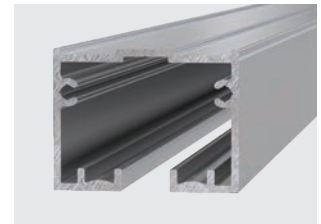
From humble beginnings in New Zealand as a family business, Cavity Sliders has grown to become a world leader in the supply of sliding door hardware. With branches throughout the United States, Australia and New Zealand, Cavity Sliders is committed to upholding the quality level of its existing product line. Emphasis is also placed on developing new products to meet the changing trends of the modern market.




TrackSystems

CS Track Systems is a range of high quality tracks to cater to your interior sliding applications. The integrity of our tracks is derived from their heavy duty aluminum extrusions. These systems have been engineered to offer reliable and incredibly smooth operation time after time.

CS Track Systems work perfectly with our carriages and other components, allowing you to supply and specify these products with confidence. Whether it be a barn sliding, multi-profile, bypass or pocket application, CS Track Systems have a first-class option to satisfy your requirements.



CS Pocket Track



CaviLock®



60976/2
CL400 Privacy (Snib/Emergency)
Satin Chrome finish

Cavity Sliders USA Inc. provides a complete range of hardware specifically designed for use on pocket doors. From high quality commercial grade ADA compliant locks for restrooms through to residential privacy locks, CaviLock has a handle that will suit your purpose.

Our manufacturing plant remains committed to upholding and improving the quality level of our existing product range. Emphasis is also placed on the development of new products to suit the changing trends of today's market whilst still offering serviceability on original product lines.

The plant has the capacity to meet large orders as well as custom, small scale production runs.

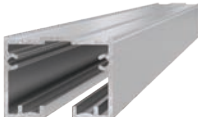
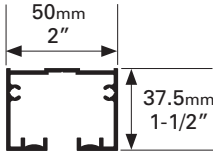
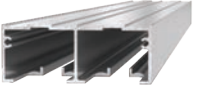
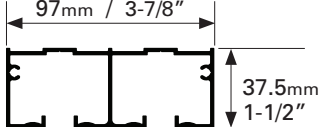
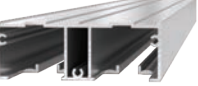
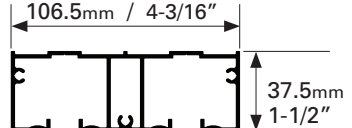
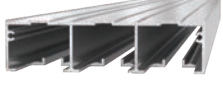
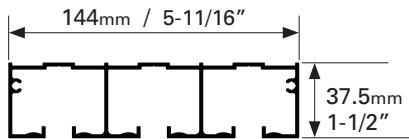
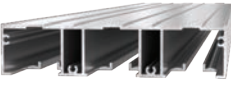
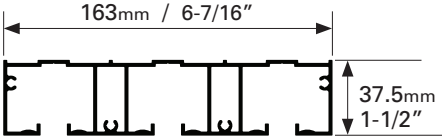
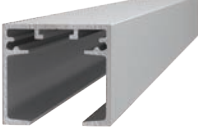
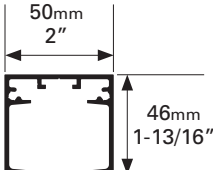
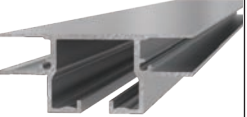
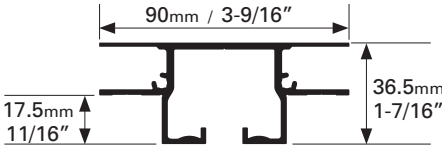
Whatever your requirements, the team at Cavity Sliders USA Inc. can deliver.



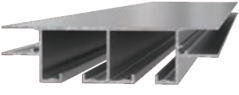
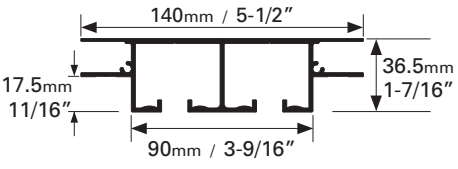
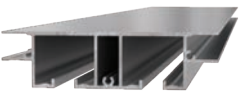
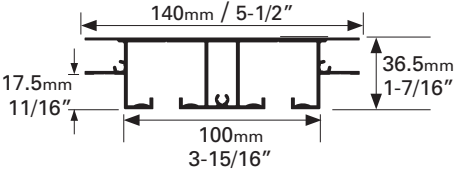
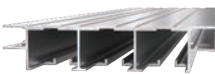
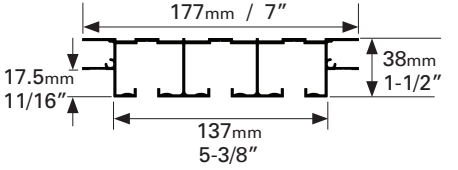
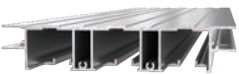
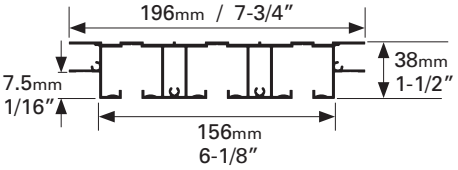
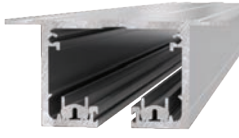
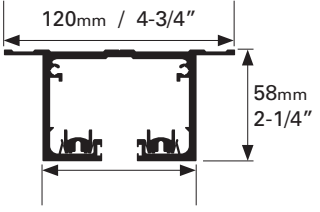

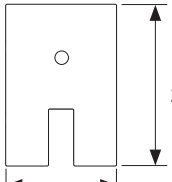
CS WallMount Track with M8 carriage and mounting plate with stop.



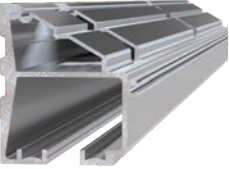
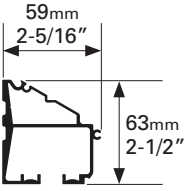

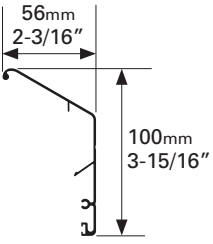

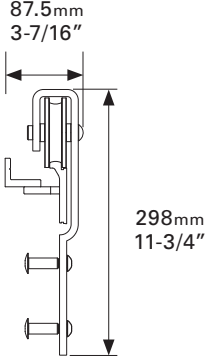
CS Track Systems - Quick Reference

Description	Image	Dimensions
<p>CS Pocket Track</p> <p>(Available in custom lengths up to 24ft)</p>		
<p>CS Top Mount Track - Double 1-3/8" door thickness</p> <p>(Available in custom lengths up to 24ft)</p>		
<p>CS Top Mount Track - Double 1-3/4" door thickness</p> <p>(Available in custom lengths up to 24ft)</p>		
<p>CS Top Mount Track - Triple 1-3/8" door thickness</p> <p>(Available in custom lengths up to 24ft)</p>		
<p>CS Top Mount Track - Triple 1-3/4" door thickness</p> <p>(Available in custom lengths up to 24ft)</p>		
<p>CS SofStop Track</p> <p>(Available in custom lengths up to 12ft)</p>		
<p>CS FH-Ceiling Mount Track - Single</p> <p>(Available in custom lengths up to 24ft)</p>		

CS Track Systems - Quick Reference

Description	Image	Dimensions
<p>CS FH-Ceiling Mount Track - Double 1-3/8" door thickness</p> <p>(Available in custom lengths up to 24ft)</p>		 <p>140mm / 5-1/2"</p> <p>17.5mm / 11/16"</p> <p>90mm / 3-9/16"</p> <p>36.5mm / 1-7/16"</p>
<p>CS FH-Ceiling Mount Track - Double 1-3/4" door thickness</p> <p>(Available in custom lengths up to 24ft)</p>		 <p>140mm / 5-1/2"</p> <p>17.5mm / 11/16"</p> <p>100mm / 3-15/16"</p> <p>36.5mm / 1-7/16"</p>
<p>CS FH-Ceiling Mount Track - Triple 1-3/8" door thickness</p> <p>(Available in custom lengths up to 24ft)</p>		 <p>177mm / 7"</p> <p>17.5mm / 11/16"</p> <p>137mm / 5-3/8"</p> <p>38mm / 1-1/2"</p>
<p>CS FH-Ceiling Mount Track - Triple 1-3/4" door thickness</p> <p>(Available in custom lengths up to 24ft)</p>		 <p>196mm / 7-3/4"</p> <p>17.5mm / 11/16"</p> <p>156mm / 6-1/8"</p> <p>38mm / 1-1/2"</p>
<p>CS Heavy Duty Track</p> <p>(Available in custom lengths up to 24ft)</p>		 <p>120mm / 4-3/4"</p> <p>58mm / 2-1/4"</p>
<p>CS Frameless Glass Clamp 3/8" glass thickness</p>		<p>80mm / 3-1/8"</p>  <p>60mm / 2-3/8"</p>
<p>CS Frameless Glass Clamp 1/2" glass thickness</p>		<p>41mm / 1-5/8"</p>

CS Track Systems - Quick Reference

Description	Image	Dimensions
<p>CS WallMount Track 1-3/8" & 1-3/4" door thickness (Available in custom lengths up to 24ft)</p>		
<p>Clip on fascia for CS WallMount Track</p>		
<p>CS Barn Door Track 1-3/8" & 1-3/4" door thickness (Available in custom lengths up to 24ft)</p>		

Standard Components

M6 Carriage
(up to 200lb per pair)



M8 Carriage
(up to 500lb per pair)



Carriages

- Large diameter wheels with precision ground bearings ensure smooth running and longevity.
- Self centering hanger bolt ensures the door hangs plumb.
- High performance nylon tires.
- Both M6 and M8 carriages are made to fit any of our standard track profiles.
- Hanger bolts allow for 5/16" vertical height adjustment using the wrench provided

Mounting Plates

- CarriSnap™** quick release system allows the door to be installed or removed easily from the carriage without altering door height adjustment.
- Plastic stop on the mounting plate hits on the track stop in the track (not the carriage body like other products on the market).

Components

M6/M8 Mounting Plate



M6/M8 Mounting Plate with Stop



Track Stop



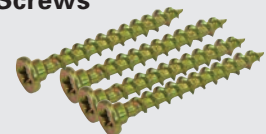
Adjusting Wrench



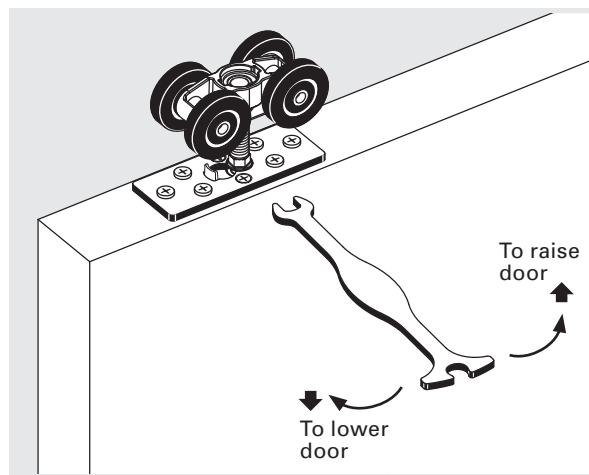
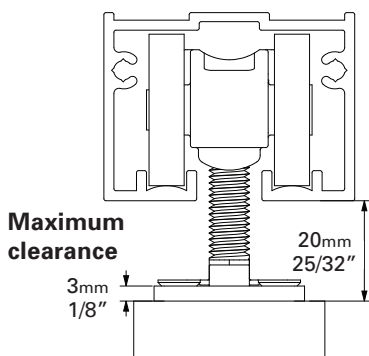
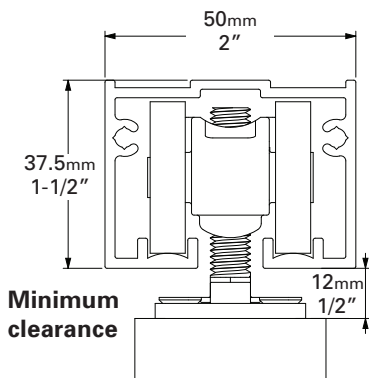
Black Plastic T Guide
23mm (7/8")



Mounting Plate Screws



Carriage Adjustment



Use adjusting wrench supplied to adjust door clearance

PocketTrack

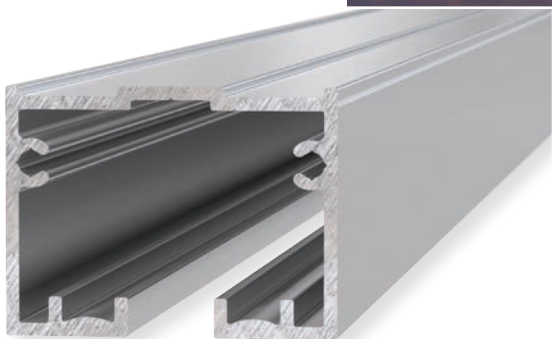
CS TrackSystems are an innovative range of track systems designed for a multitude of sliding doorway applications.

CS Pocket Track is a smooth running low profile track system suitable for incorporating into pocket door frame assemblies.

The addition of the Pocket Track and CS carriage system allows you to transform a standard pocket into a luxury item. This system is ideal for use in applications where longevity of use and smooth operation are required.



CS Pocket Track in a heavy duty pocket frame.

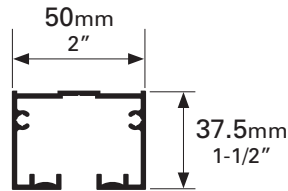


CS Pocket Track

Design Features & Options

- 1 Suitable for incorporating into pocket frame assemblies for a smooth running high end pocket system.
- 2 Available in 6', 8', 12' and 24' pre-cut lengths. Custom lengths can be cut to order.
- 3 Track can be configured to suit Bi-Parting door set-ups, including CornerMeeting detail.

Technical Information

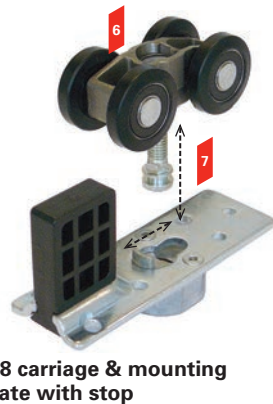
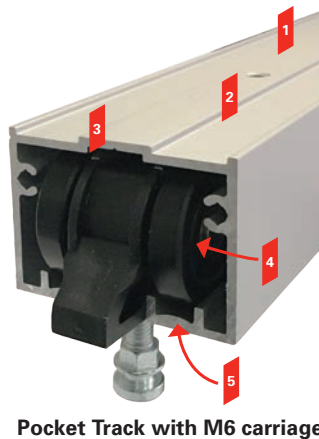


Finish:	Mill finish
Max Door Thickness:	No limit
Max Door Weight:	240kg (500lb)
Carriage Pack:	M6 or M8

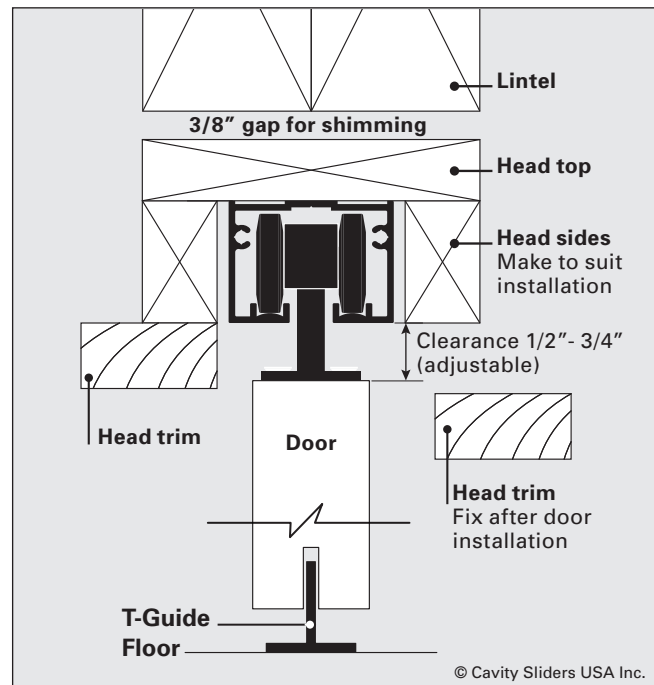
Standard CS Track Features

Our engineers focus on constantly developing new products and refining existing ones. That's why our products come with a number of unique features:

- 1 Heavy duty one-piece extruded aluminum track.
- 2 Pre-machined mounting holes.
- 3 Minimal clearance means carriages/wheels cannot jump off track or jam.
- 4 Large diameter wheels with precision ground bearings make for smooth running.
- 5 Radiused track reduces friction and allows dust to be pushed into the gutters so the door always slides smoothly.
- 6 M8 body made from cast stainless steel for strength and reliability. 4-wheel carriages are standard on all doors over 200lb.
- 7 CarriSnap™ quick release system allows the door to be removed easily from track; no need to unscrew anything and lose door height adjustment.



Suggested Assembly Detail



How to Order

1. **Specify track length**
Available in 6, 8, 12 and 24' pre-cut lengths or can be cut down to specified length on request.
2. **Choose a carriage pack** (one per door) - refer to **Carriage Packs** page
M6 (200lb) or **M8** (500lb)
(includes carriages, mounting plates, T-Guide, fixing screws, adjusting wrench and installation instructions)

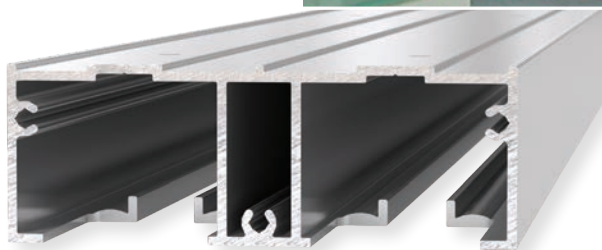
TopMountTrack - Double/Triple

CS TrackSystems are an innovative range of track systems designed for a multitude of sliding doorway applications.

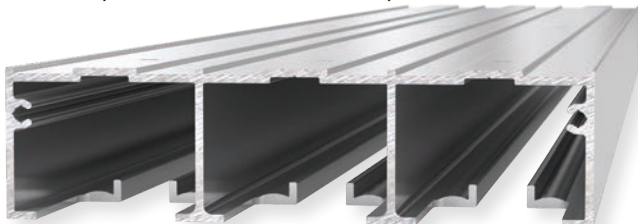
CS TopMount Track is a smooth running low profile track system suitable for incorporating into pocket door frame and bypass wardrobe assemblies.

The addition of the TopMount Track and CS carriage system allows you to transform a standard pocket into a luxury item. This system is ideal for use in applications where longevity of use and smooth operation are required.

TopMount Track is available as standard in a double or triple track configuration.



Double TopMount Track (1-3/4" door option)



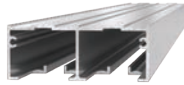
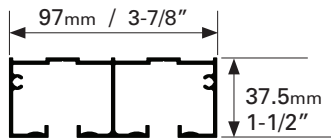
Triple TopMount Track (1-3/8" door option)

Triple TopMount Track pocket door system.

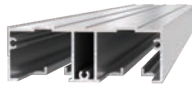
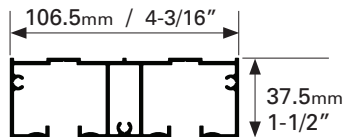
CS TopMountTrack - Double/Triple Track

Technical Information

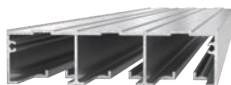
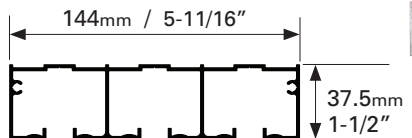
Double Track - 1-3/8" doors



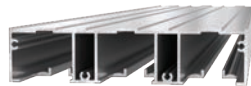
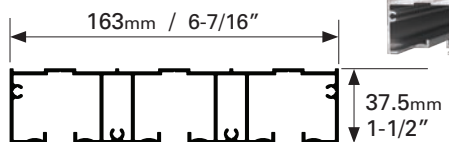
1-3/4" doors



Triple Track - 1-3/8" doors



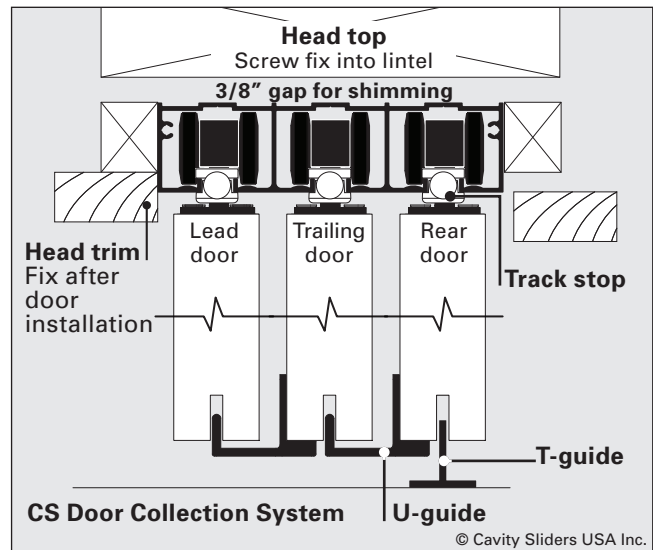
1-3/4" doors



Track	Double	Triple
Finish:	Mill-finish	Mill-finish
Recommended Door Thickness:	35 or 45mm (1-3/8" or 1-3/4")	35 or 45mm (1-3/8" or 1-3/4")*
Max Weight/door:	240kg (500lb)	240kg (500lb)
Carriage Pack:	M6 or M8	M6 or M8

*For thicker doors, please contact us for suitable options

Suggested Fixing Detail



Door Collection System

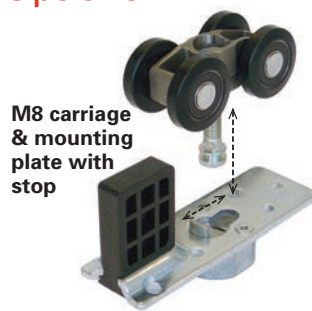
Where multiple doors are required to slide in conjunction with one another, the **CS Door Collection System** ensures a smooth running telescopic system (*see separate brochure*). The doors are connected so that there is no need for floor tracks or guides through the opening.

How to Order

1. Choose track configuration (double or triple)
2. Specify door thickness
3. Specify track length
(available in 6, 8, 12 and 24' pre-cut lengths)
4. Choose a carriage pack (one per door) - refer to *Carriage Packs page*
 - a) M6 (200lb)
 - b) M8 (500lb)
(includes carriages, mounting plates, T-Guide, fixing screws, adjusting wrench and installation instructions)
 - c) **CS Door Collection System**
(includes M6 or M8 carriage pack plus door collection system for 2 door or 3 door setup)

Design Features & Options

- ▶ Tracks can be used for bypass and collection systems.
- ▶ Tracks can be configured to suit Bi-Parting door set-ups, including CornerMeeting detail.
- ▶ Available in 6', 8', 12' and 24' pre-cut lengths. Custom lengths can be cut to order.
- ▶ Heavy duty one-piece extruded aluminum track.
- ▶ Pre-machined mounting holes.



- ▶ CarriSnap™ quick release system allows the door to be removed easily from track; no need to unscrew anything and lose door height adjustment.

www.cavitysliders.com

High quality products designed in New Zealand



T (888) 466 0030
F (310) 769 5824
E info@cavitysliders.com

Cavity Sliders USA Inc.

548 Finney Ct
Gardena
CA 90248



Quality products from:

CavitySliders
Quality Sliding Door Hardware

CS Door Collection System

The **CS Door Collection System** is used in conjunction with our **FullHeight** or **TopMount** double or triple track to create an easy to operate telescopic door collection system.

The doors are connected so that there is no need for floor tracks or guides through the opening.

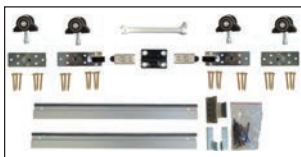
Design Features & Options

- ▮ Pack includes: pick-up extrusion, guides and fixing screws to allow one door to pick up the next.
- ▮ Available for double or triple door set-ups - simply choose your number of doors and carriage type (**M6** or **M8**).
- ▮ Pickup extrusion comes standard as 10ft length. Can be cut to required door height.
- ▮ You will also need to choose double or triple FH-CeilingMountTrack or CS TopMountTrack of the required length.
- ▮ Suitable for 1-3/8" to 1-3/4" thick doors. **For thicker doors, please inquire about suitable options.**

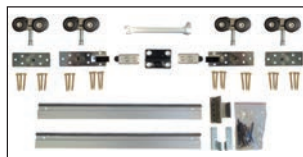
Pack Components

Kit includes carriages, mounting plates, adjusting wrench, extrusions, guides and fixing screws to allow one door to pick up the next.

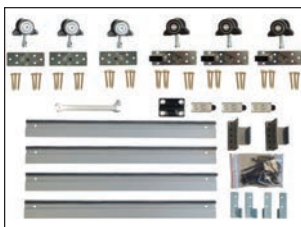
2 Door M6 (200lb) Pickup Pack



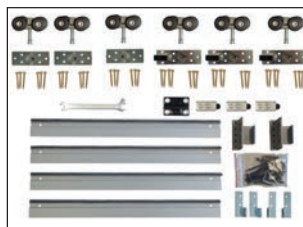
2 Door M8 (500lb) Pickup Pack



3 Door M6 (200lb) Pickup Pack

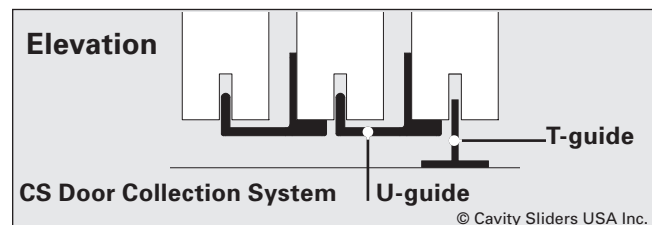
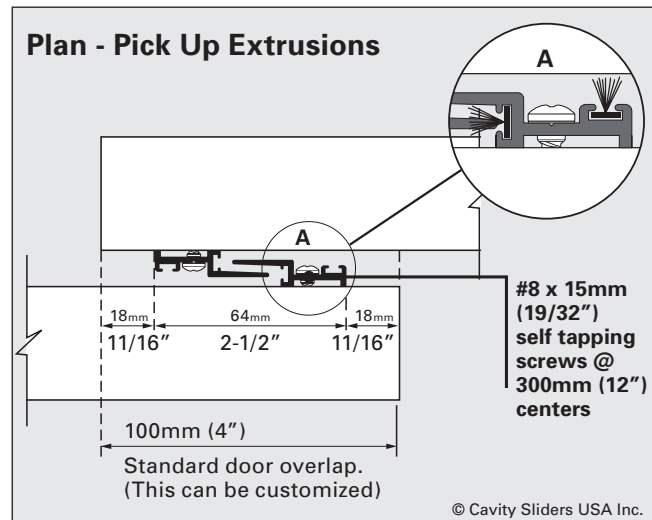


3 Door M8 (500lb) Pickup Pack



Collection system fixed to doors (not visible when installation is complete).

Technical Information



How to Order

1. Choose number of doors (double door or triple door kit)
2. Choose a carriage type: **M6** (200lb) or **M8** (500lb)

You will also require:

- CS FH-CeilingMountTrack (double or triple) or
- CS TopMountTrack (double or triple)

www.cavitysliders.com

High quality products designed in New Zealand



T (888) 466 0030
F (310) 769 5824
E info@cavitysliders.com

Cavity Sliders USA Inc.

548 Finney Ct
Gardena
CA 90248



Quality products from:

CavitySliders
Quality Sliding Door Hardware

SofStop® Pocket Track

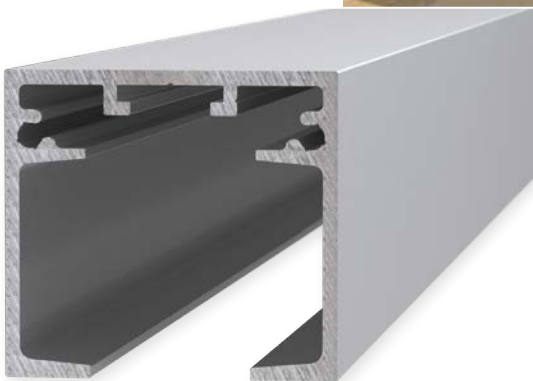
CS TrackSystems are an innovative range of track systems designed for a multitude of sliding doorway applications.

The **CS SofStop** is a smooth running, soft closing system designed specifically for pocket doors. It is suitable for areas where quiet is required, such as bedrooms, offices and patient rooms.

Engineered to stop doors up to 100kg (220lb), the CS SofStop is a must-have wherever quiet and safety are priorities. This system is the ultimate in style and sophistication.



Pocket door with CS SofStop and CL400 Magnetic handle.



CS SofStop Pocket Track.

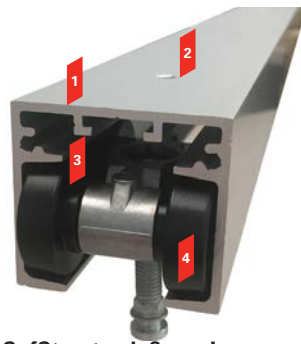
SofStop® Pocket Track

Design Features & Options

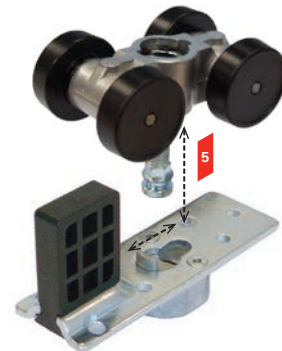
- 1 High quality soft close mechanism has been independently tested to 100,000 cycles.
- 2 The soft close mechanism is hidden from sight, yet remains fully serviceable.
- 3 Available in 6', 8' or 12' pre-cut lengths or cut to specified length on request.
- 4 Single or Double action (soft open/soft close) options available.
- 5 SofStop mechanism is engineered to stop doors up to 100kg (220lb). A small amount of force is necessary to open the door.
- 6 Best operating temperature: 10°C to 40°C (50°F to 104°F).

Standard CS Track Features

- 1 Heavy duty one-piece extruded aluminum track.
- 2 Pre-machined mounting holes.
- 3 Minimal clearance means carriages/wheels cannot jump off track or jam.
- 4 Large diameter wheels with precision ground bearings make for smooth running.
- 5 CarriSnap™ quick release system allows the door to be removed easily from track; no need to unscrew anything and lose door height adjustment.



SofStop track & carriage



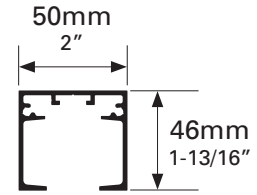
SofStop carriage & mounting plate with stop

How to Order

Refer to Carriage Packs page for more information

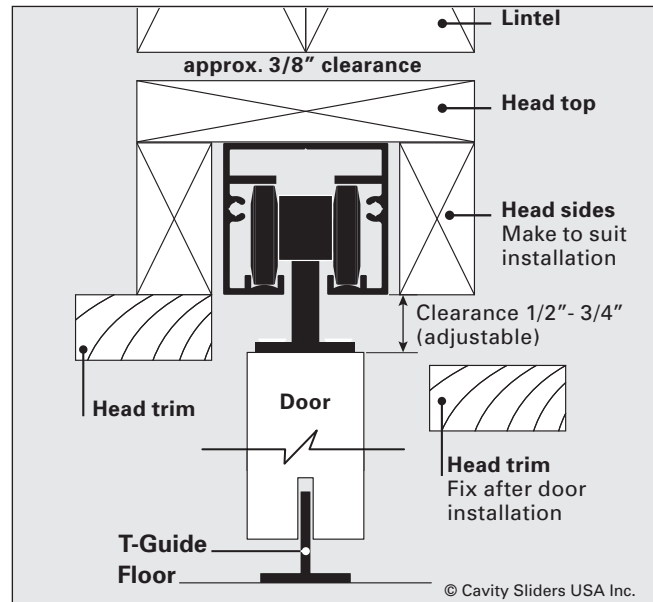
1. **Specify track length**
Available in 6', 8' and 12' pre-cut lengths or can be cut down to specified length on request.
2. **Specify door weight** (see options)
3. **Specify door width**
4. **Specify Single or Double Action**

Technical Information



- Finish:** Clear anodized
Minimum Door Width: See Door Weight Options
Maximum Door Weight: See Door Weight Options

Suggested Assembly Detail



Door Weight Options

SofStop® Single Action Soft Close	Minimum Door Width	Minimum Door Width	
		Single	Bi-Parting
0 - 50 kg (0 - 110 lb)	660mm (26")	740mm (29")	
50 - 100 kg (110 - 220 lb)	760mm (30")	810mm (32")	
SofStop® Double Action Soft Open + Soft Close	Minimum Door Width	Minimum Door Width	
		Single	Bi-Parting
0 - 50 kg (0 - 110 lb)	870mm (34 1/4")	940mm (37")	

© All copyright and other property in this document is reserved by Cavity Sliders USA Inc. Details and specifications are subject to change without notice. Whilst all care is taken to ensure the accuracy of all information, no responsibility will be accepted for any errors or omissions. Drawings are not to scale. CS SofStop™ (O.D. 2011), Patent pending. 60969 - 08.2017

www.cavitysliders.com

High quality products designed in New Zealand



T (888) 466 0030
 F (310) 769 5824
 E info@cavitysliders.com

Cavity Sliders USA Inc.

548 Finney Ct
 Gardena
 CA 90248



Quality products from:

CavitySliders
 Quality Sliding Door Hardware

FH-CeilingMountTrack - Single

CS TrackSystems are an innovative range of track systems designed for a multitude of sliding doorway applications.

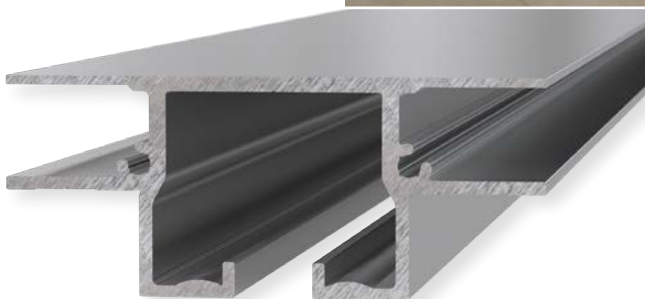
CS FH-CeilingMount Track is supplied with full-length fins that enable the ceiling lining to be fixed flush with the underside of the track.

Unlike other tracks, the base of the track is flat, ensuring a continuation of the ceiling-line through where the door slides. The track can also be painted on site to match the ceiling color.

FH-CeilingMountTrack is available as standard in a single, double and triple track configuration.



Single FH-CeilingMountTrack in a corner meeting pocket door setup.



Single FH-CeilingMountTrack

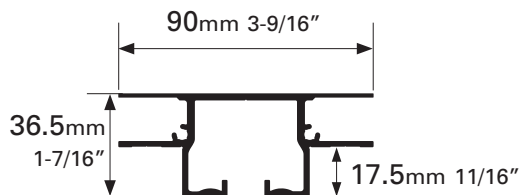
FH-CeilingMountTrack - Single

Design Features & Options

- 1 Suitable for large room dividers or surface sliding applications.*
- 2 Available in 6', 8', 12' and 24' pre-cut lengths. Custom lengths can be cut to order.
- 3 Track can be configured to suit Bi-Parting door set-ups, including CornerMeeting detail.
- 4 Track may be painted on site to match ceiling color. (See data sheet available for download from our website).

*Not suitable for use in a pre-fabricated pocket frame. You will need to build a wall either side of the track when using in a pocket application.

Technical Information



Finish:	Mill-finish
Max Door Thickness:	No limit
Max Weight per door:	240kg (500lb)
Carriage Pack:	M6 or M8

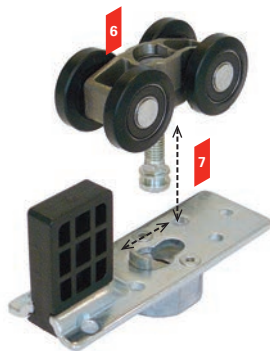
Standard CS Track Features

Our engineers focus on constantly developing new products and refining existing ones. That's why our products come with a number of unique features:

- 1 Heavy duty one-piece extruded aluminum track.
- 2 Pre-machined mounting holes.
- 3 Minimal clearance means carriages/wheels cannot jump off track or jam.
- 4 Large diameter wheels with precision ground bearings make for smooth running.
- 5 Radiused track reduces friction and allows dust to be pushed into the gutters so the door always slides smoothly.
- 6 M8 body made from cast stainless steel for strength and reliability. 4-wheel carriages are standard on all doors over 200lb.
- 7 **CarriSnap™** quick release system allows the door to be removed easily from track; no need to unscrew anything and lose door height adjustment.

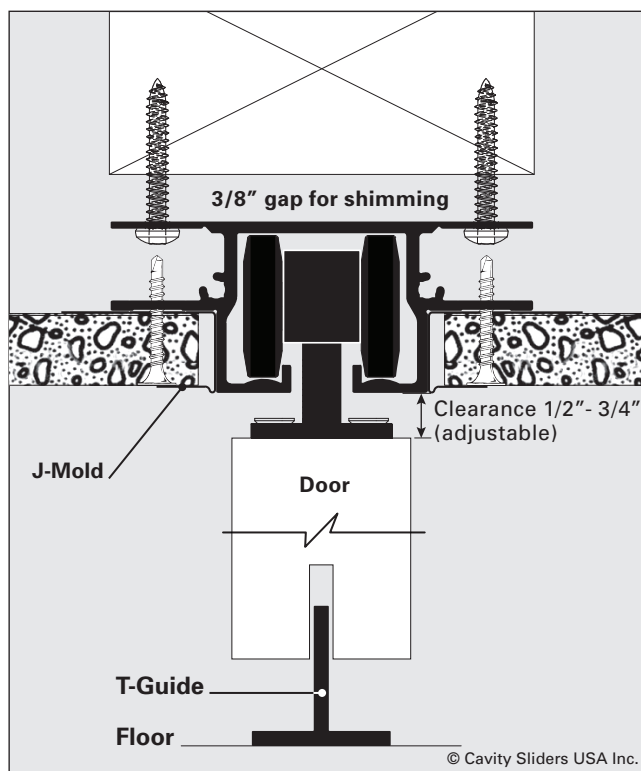


FH-Ceiling Mount Track with M6 carriage



M8 carriage & mounting plate with stop

Suggested Fixing Detail



How to Order

1. **Specify track length**
Available in 6, 8, 12 and 24' pre-cut lengths or can be cut down to specific lengths on request.
2. **Choose a carriage pack** (one per door) - refer to **Carriage Packs page**
M6 (200lb) or **M8** (500lb)
(includes carriages, mounting plates, T-Guide, fixing screws, adjusting wrench and installation instructions)

© All copyright and other property in this document is reserved by Cavity Sliders USA Inc. Details and specifications are subject to change without notice. Whilst all care is taken to ensure the accuracy of all information, no responsibility will be accepted for any errors or omissions. CS FH-CeilingMountTrack™ (O.D. 2008). Patent pending. 60883/A - 01.2017

www.cavitysliders.com

High quality products designed in New Zealand



T (888) 466 0030
F (310) 769 5824
E info@cavitysliders.com

Cavity Sliders USA Inc.

548 Finney Ct
Gardena
CA 90248



Quality products from:

CavitySliders
Quality Sliding Door Hardware

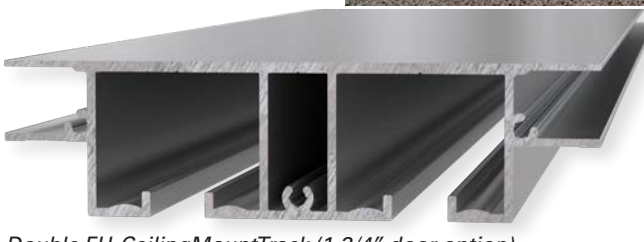
FH-CeilingMountTrack - Double/Triple

CS TrackSystems are an innovative range of track systems designed for a multitude of sliding doorway applications.

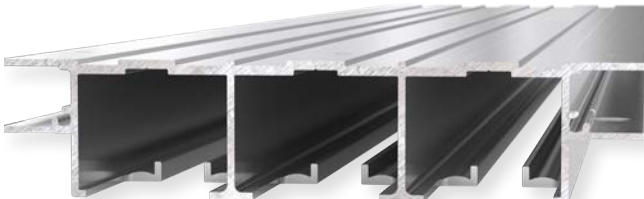
CS FH-CeilingMount Track is designed to enable ceiling linings to be fixed flush with the underside of the track.

Unlike other tracks, the base of the track is flat, ensuring a continuation of the ceiling-line through where the door slides. The track can also be painted on site to match the ceiling color.

FH-CeilingMountTrack is available as standard in a single, double and triple track configuration.



Double FH-CeilingMountTrack (1-3/4" door option)



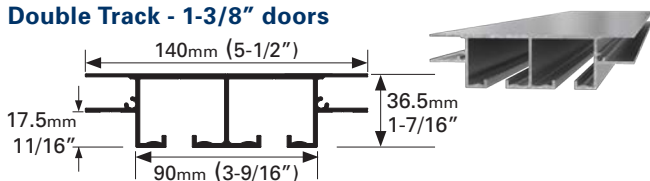
Triple FH-CeilingMountTrack (1-3/8" door option)

Triple FH-CeilingMountTrack pocket door system.

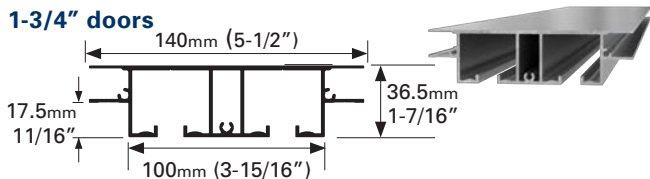
FH-CeilingMountTrack - Double/Triple

Technical Information

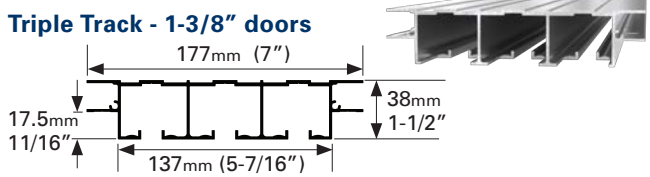
Double Track - 1-3/8" doors



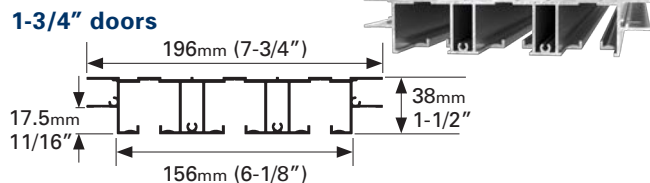
1-3/4" doors



Triple Track - 1-3/8" doors



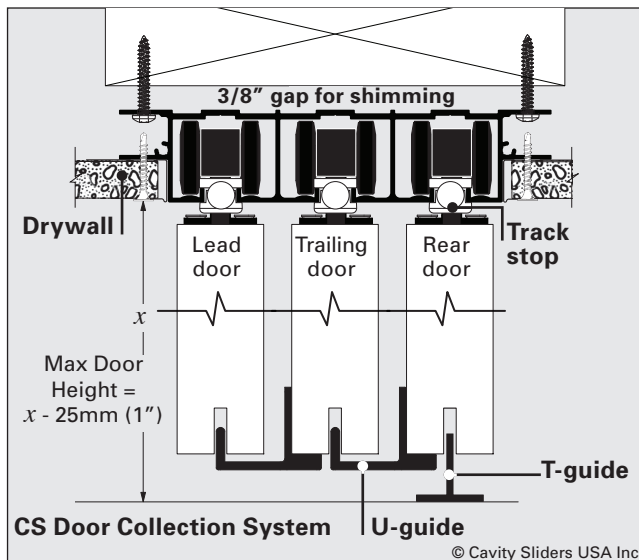
1-3/4" doors



Track	Double	Triple
Finish:	Mill-finish	Mill-finish
Recommended Door Thickness:	35 or 45mm (1-3/8" or 1-3/4")	35 or 45mm (1-3/8" or 1-3/4")*
Max Weight/door:	240kg (500lb)	240kg (500lb)
Carriage Pack:	M6 or M8	M6 or M8

*For thicker doors, please contact us for suitable options

Suggested Fixing Detail

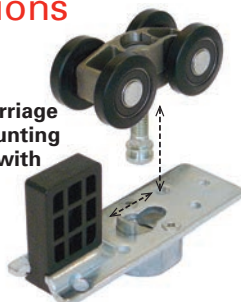


© All copyright and other property in this document is reserved by Cavity Sliders USA Inc. Details and specifications are subject to change without notice. Whilst all care is taken to ensure the accuracy of all information, no responsibility will be accepted for any errors or omissions. CS FH-CeilingMountTrack™ (O.D. 2008). Patent pending. 6088318 - 01.2017

Design Features & Options

- ▶ Tracks can be used for bypass and collection systems.*
- ▶ Tracks can be configured to suit Bi-Parting door set-ups, including CornerMeeting detail.
- ▶ Available in 6', 8', 12' and 24' pre-cut lengths. Custom lengths can be cut to order.
- ▶ Track may be painted on site to match ceiling color. (See data sheet available for download from our website).
- ▶ Ceiling linings may be fixed flush with the underside of the track.

M8 carriage & mounting plate with stop



- ▶ Heavy duty one-piece extruded aluminum track.
- ▶ Pre-machined mounting holes.
- ▶ CarriSnap™ quick release system allows the door to be removed easily from track; no need to unscrew anything and lose door height adjustment.

*Not suitable for use in a pre-fabricated pocket frame. You will need to build a wall either side of the track when using in a pocket application.

Door Collection System

Where multiple doors are required to slide in conjunction with one another, the **CS Door Collection System** ensures a smooth running telescopic system (*see separate brochure*). The doors are connected so that there is no need for floor tracks or guides through the opening.

How to Order

1. **Choose track configuration**(double or triple)
2. **Specify door thickness**
3. **Specify track length**
(available in 6, 8, 12 and 24' pre-cut lengths)
4. **Choose a carriage pack** (one per door)
- *refer to Carriage Packs page*
 - a) **M6** (200lb)
 - b) **M8** (500lb)
(includes carriages, mounting plates, T-Guide, fixing screws, adjusting wrench and installation instructions)
 - c) **CS Door Collection System** (for telescopic doors)
(includes **M6** or **M8** carriage pack plus door collection system for **2 door** or **3 door** setup)

www.cavitysliders.com

High quality products designed in New Zealand



T (888) 466 0030
F (310) 769 5824
E info@cavitysliders.com

Cavity Sliders USA Inc.

548 Finney Ct
Gardena
CA 90248



Quality products from:

CavitySliders
Quality Sliding Door Hardware

CS Door Collection System

The **CS Door Collection System** is used in conjunction with our **FullHeight** or **TopMount** double or triple track to create an easy to operate telescopic door collection system.

The doors are connected so that there is no need for floor tracks or guides through the opening.

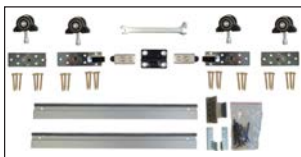
Design Features & Options

- ▮ Pack includes: pick-up extrusion, guides and fixing screws to allow one door to pick up the next.
- ▮ Available for double or triple door set-ups - simply choose your number of doors and carriage type (**M6** or **M8**).
- ▮ Pickup extrusion comes standard as 10ft length. Can be cut to required door height.
- ▮ You will also need to choose double or triple FH-CeilingMountTrack or CS TopMountTrack of the required length.
- ▮ Suitable for 1-3/8" to 1-3/4" thick doors. **For thicker doors, please inquire about suitable options.**

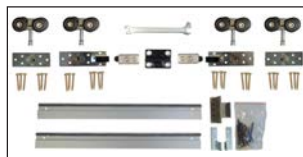
Pack Components

Kit includes carriages, mounting plates, adjusting wrench, extrusions, guides and fixing screws to allow one door to pick up the next.

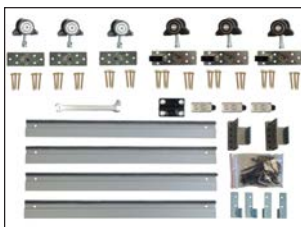
2 Door M6 (200lb) Pickup Pack



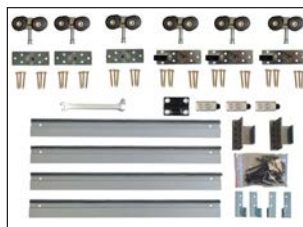
2 Door M8 (500lb) Pickup Pack



3 Door M6 (200lb) Pickup Pack

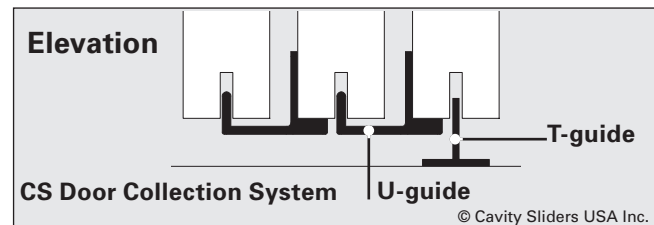
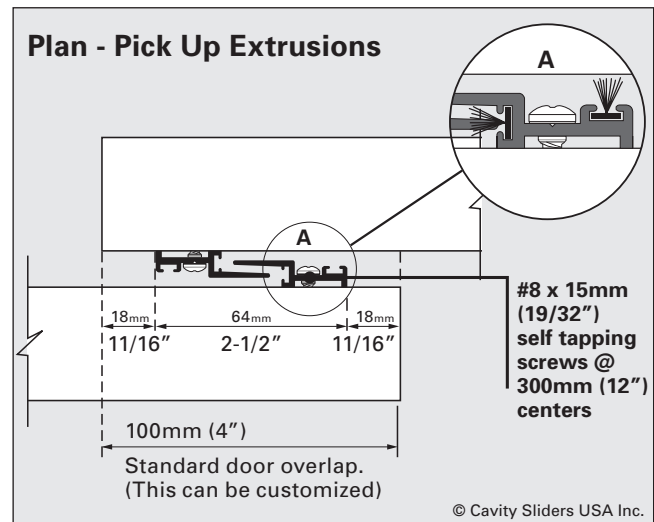


3 Door M8 (500lb) Pickup Pack



Collection system fixed to doors (not visible when installation is complete).

Technical Information



How to Order

1. Choose number of doors (double door or triple door kit)
2. Choose a carriage type: **M6** (200lb) or **M8** (500lb)

You will also require:

- CS FH-CeilingMountTrack (double or triple) or
- CS TopMountTrack (double or triple)

www.cavitysliders.com

High quality products designed in New Zealand



T (888) 466 0030
F (310) 769 5824
E info@cavitysliders.com

Cavity Sliders USA Inc.

548 Finney Ct
Gardena
CA 90248



Quality products from:

CavitySliders
Quality Sliding Door Hardware

CS Door Collection System

The **CS Door Collection System** is used in conjunction with our **FullHeight** or **TopMount** double or triple track to create an easy to operate telescopic door collection system.

The doors are connected so that there is no need for floor tracks or guides through the opening.

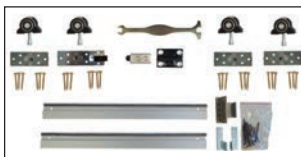
Design Features & Options

- ▮ Pack includes: pick-up extrusion, guides and fixing screws to allow one door to pick up the next.
- ▮ Available for double or triple door set-ups - simply choose your number of doors and carriage type (**M6** or **M8**).
- ▮ Pickup extrusion comes standard as 10ft length. Can be cut to required door height.
- ▮ You will also need to choose double or triple FH-CeilingMountTrack or CS TopMountTrack of the required length.
- ▮ Suitable for 1-3/8" to 1-3/4" thick doors. **For thicker doors, please inquire about suitable options.**

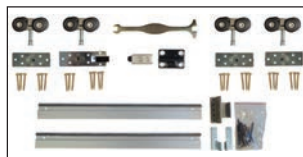
Pack Components

Kit includes carriages, mounting plates, adjusting wrench, extrusions, guides and fixing screws to allow one door to pick up the next.

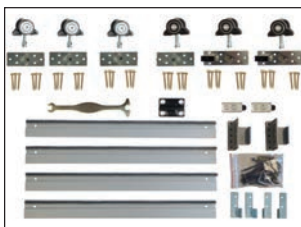
2 Door M6 (200lb) Pickup Pack



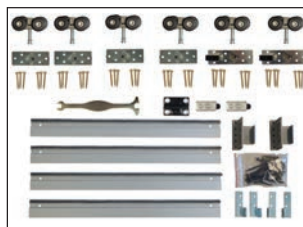
2 Door M8 (500lb) Pickup Pack



3 Door M6 (200lb) Pickup Pack

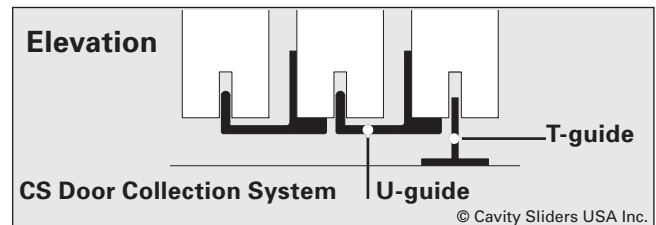
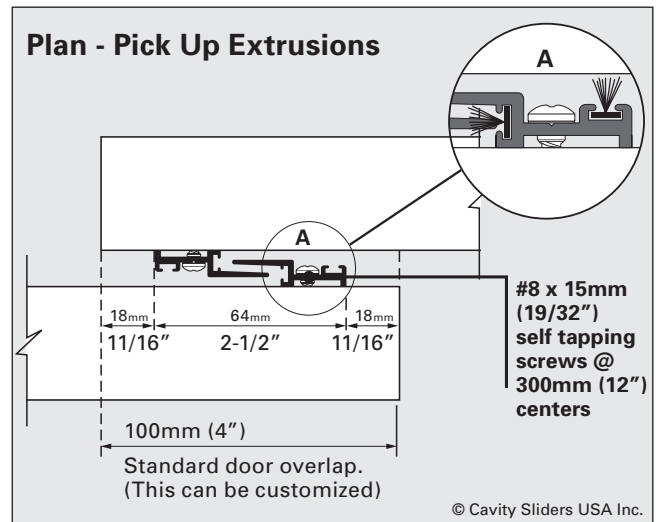


3 Door M8 (500lb) Pickup Pack



Collection system fixed to doors (not visible when installation is complete).

Technical Information



How to Order

1. Choose number of doors (double door or triple door kit)
2. Choose a carriage type: **M6** (200lb) or **M8** (500lb)

You will also require:

- CS FH-CeilingMountTrack (double or triple) or
- CS TopMountTrack (double or triple)

www.cavitysliders.com

High quality products designed in New Zealand



T (888) 466 0030
F (310) 769 5824
E info@cavitysliders.com

Cavity Sliders USA Inc.

548 Finney Ct
Gardena
CA 90248



Quality products from:

CavitySliders
Quality Sliding Door Hardware

HeavyDutyTrack

CS TrackSystems are an innovative range of track systems designed for a multitude of sliding doorway applications.

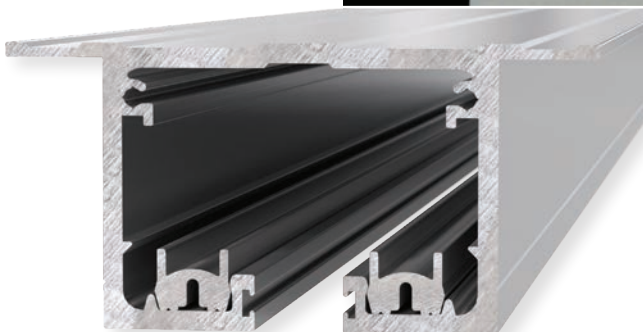
CS HeavyDutyTrack is an ultra heavy duty extruded track system designed to take oversized or heavy doors up to a maximum of 500kg (1100lb).

This track is suitable for a wide range of commercial, industrial and residential applications such as large feature doors (as pictured) or large factory doors.

The track is supplied in a clear (natural) anodized finish, making it suitable for interior or exterior use.

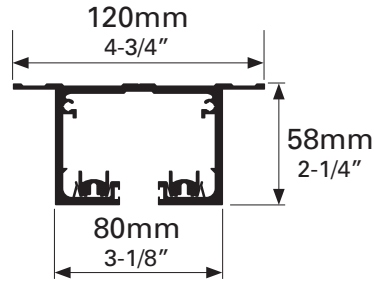


Large feature door hung on CS HeavyDutyTrack.



CS HeavyDuty Track with M10 carriage and mounting plate.

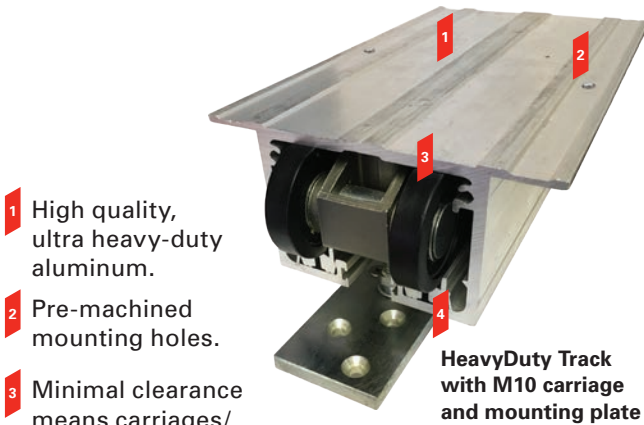
Technical Information



Finish:	Clear anodized	
Max. Door Weight:	500kg	1100lb
Min. Door Thickness:	40mm	1-9/16"
Carriage Pack:	M10 only	

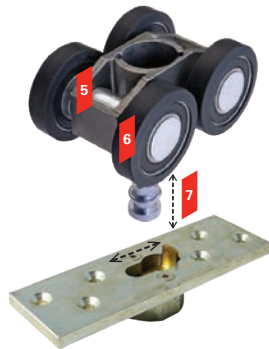
Track & Carriage Features

Our engineers focus on constantly developing new products and refining existing ones. That's why our products come with a number of unique features:



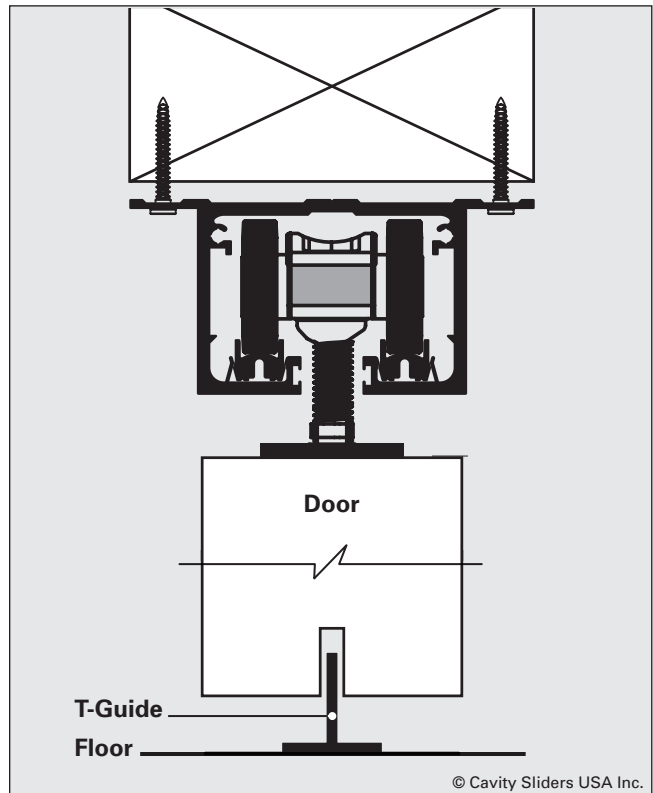
- 1 High quality, ultra heavy-duty aluminum.
- 2 Pre-machined mounting holes.
- 3 Minimal clearance means carriages/wheels cannot jump off track or jam.
- 4 Radiused track inserts reduce friction so the door always slides smoothly. Track inserts can be replaced if necessary due to heavy use.
- 5 M10 body made from cast stainless steel for strength and reliability.
- 6 Large diameter wheels with precision ground bearings make for smooth running.
- 7 CarriSnap™ quick release system allows the door to be removed easily from track.

HeavyDuty Track with M10 carriage and mounting plate



M10 carriage & mounting plate

Suggested Assembly Detail



© Cavity Sliders USA Inc.

How to Order

1. **Specify track length**
(available in lengths up to 24')
2. **Choose an M10 carriage pack** (one per door) - refer to *Carriage Packs* page
M10 (1100lb)
(includes carriages, mounting plates, T-Guide, fixing screws, adjusting wrench, installation instructions and stops if required)



FramelessGlass

CS TrackSystems are an innovative range of track systems designed for a multitude of sliding doorway applications.

The **CS Frameless Glass** clamp system is designed to take frameless glass sliding doors of 3/8" or 1/2" thickness. The clamp is compatible with all of the standard CS track systems.

Use this system for a distinctive, smooth running, reliable frameless glass door system.

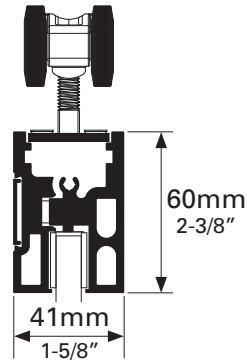


Pocket doors with CS Frameless Glass track systems.



CS Frameless Glass clamp system.

Technical Information



CS Frameless Glass clamp with M8 carriage

Clamp Finish:	Clear anodized
Glass Thickness:	10mm (3/8") or 13mm (1/2")
Max Door Weight:	240kg (500lb)
Carriage Pack:	M8 only

CS Frameless Glass Clamp Features

Our engineers focus on constantly developing new products and refining existing ones. That's why our products come with a number of unique features:



CS Frameless Glass clamp system with CS Pocket track, M8 carriage and mounting plate

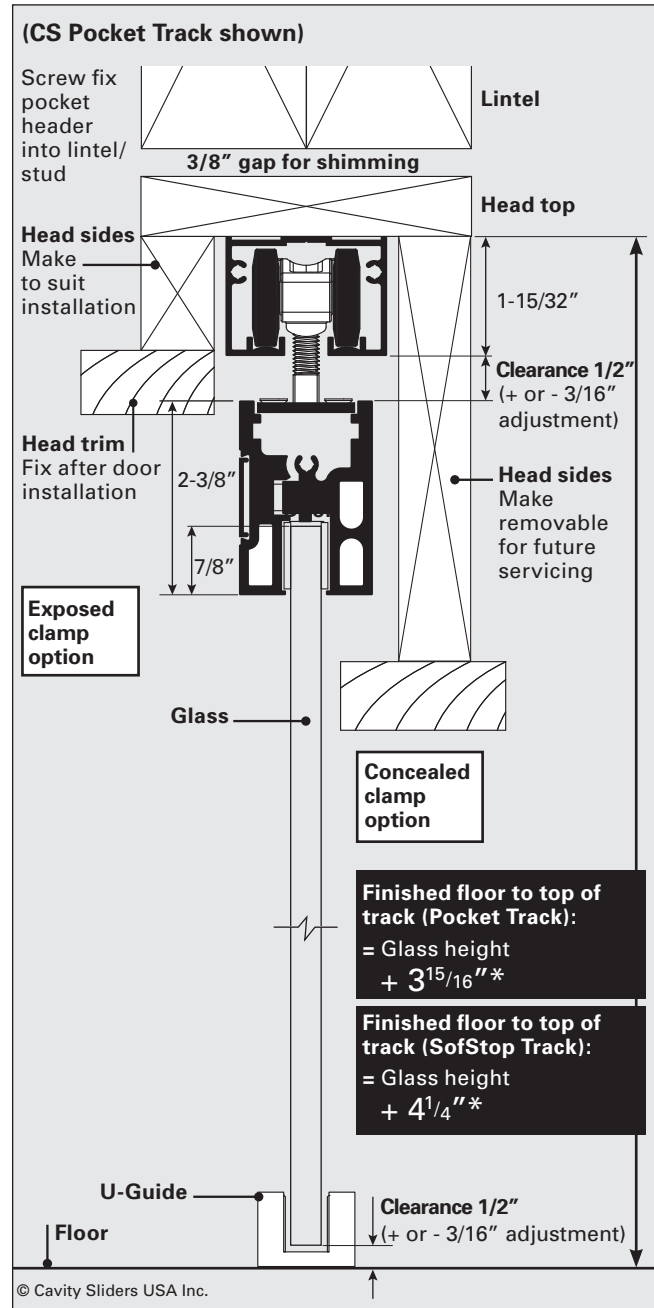
- 1** Compatible with all of the standard CS tracks (ordered separately)
- 2** M8 body made from cast stainless steel for strength and reliability. 4-wheel carriages are standard on all doors over 200lb
- 3** CarriSnap™ quick release system allows the door to be removed easily from track
- 4** Glass clamp rail
- 5** Removable end cap

How to Order

The CS Frameless Glass clamp system is compatible with all of the standard CS tracks (ordered separately).

- 1. Specify clamp length**
(available in 6, 8 and 12' pre-cut lengths or can be cut down to specified length on request)
- 2. Choose number of M8 (500lb) carriage packs**
(one per door - includes carriages, mounting plates, fixing screws, adjusting wrench and installation instructions)

Suggested Assembly Detail



*Assuming 1/2" middle carriage height adjustment and 1/2" floor clearance



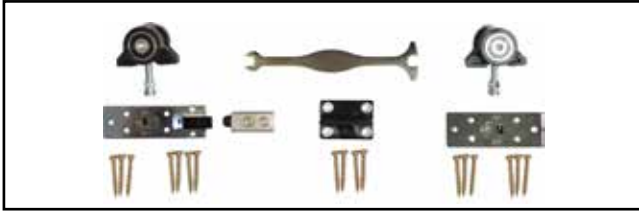
Carriage Packs

M6 (200lb)

DKM0600 - M6 Single Door with no stop



DKM0610 - M6 Single Door with 1 stop



DKM0620 - M6 Single Door with 2 stops



M8 (500lb)

DKM0800 - M8 Single Door with no stop



DKM0810 - M8 Single Door with 1 stop



DKM0820 - M8 Single Door with 2 stops



CS SOFSTOP - Single Action

DKS0300 (0-110lb) No Stops
DKS0400 (110-220lb) No Stops



DKS0310 (0-110lb) 1 stop
DKS0410 (110-220lb) 1 stop

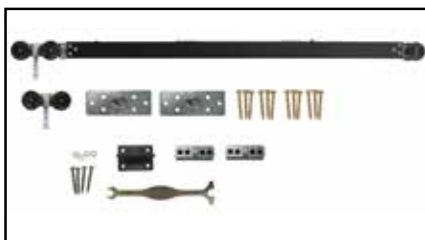


DKS0320 (0-110lb) 2 stops
DKS0420 (110-220lb) 2 stops



CS SOFSTOP - Double Action

DKS0600 (0-110lb) No Stops



DKS0610 (0-110lb) 1 Stop



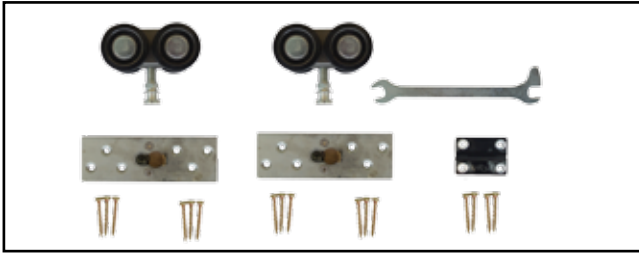
DKS0620 (0-110lb) 2 stops



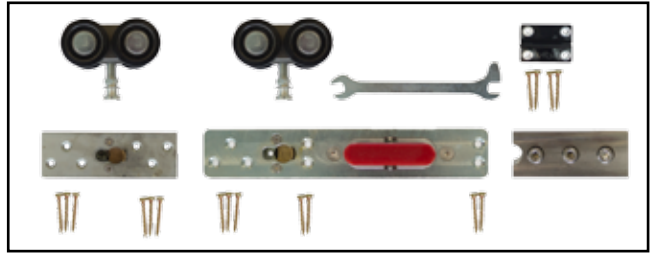
Carriage Packs

M10 (1100lb)

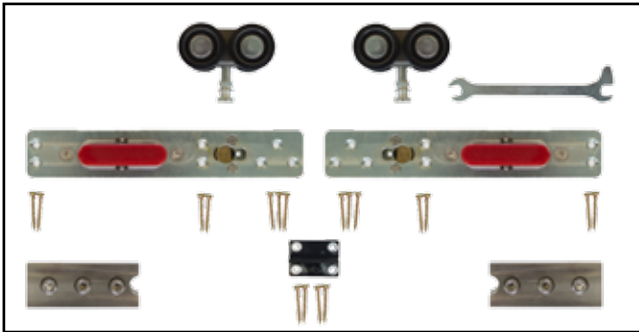
DKM1000 - M10 Single Door with no stop



DKM1010 - M10 Single Door with 1 stop



DKM1020 - M10 Single Door with 2 stops



Door Collection Systems

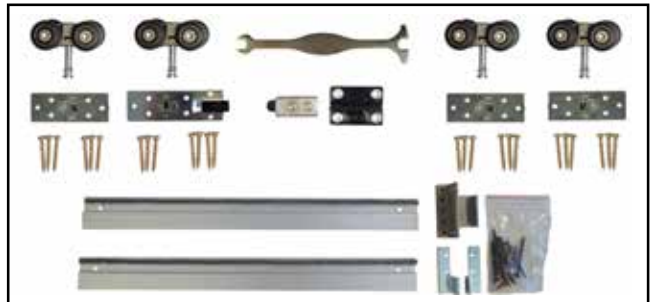
M6 (200lb)

DKO6200 - 2 Door M6 (200lb) 1 3/8" Collection Pack
DKO6220 - 2 Door M6 (200lb) 1 3/4" Collection Pack

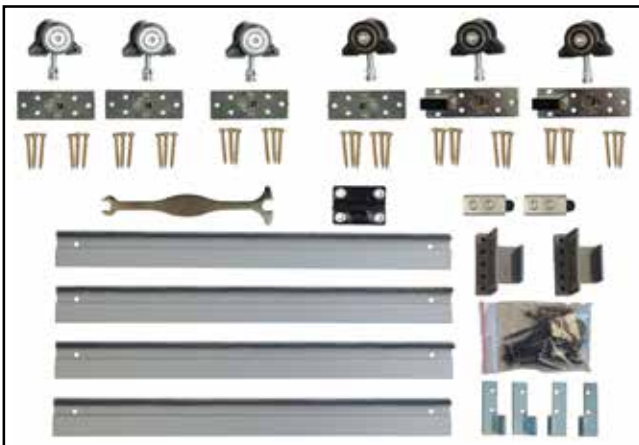


M8 (500lb)

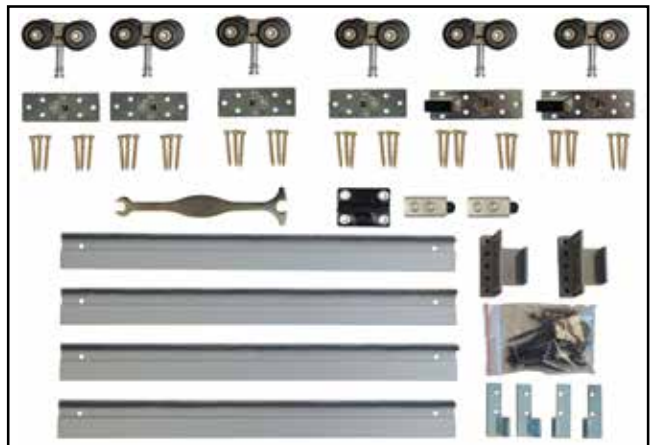
DKO8200 - 2 Door M8 (500lb) 1 3/8" Collection Pack
DKO8220 - 2 Door M8 (500lb) 1 3/4" Collection Pack




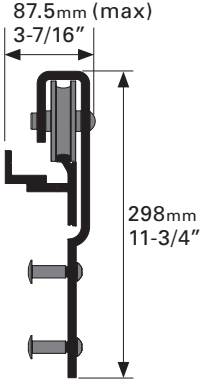
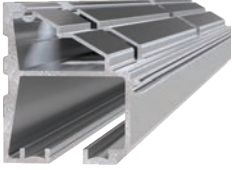
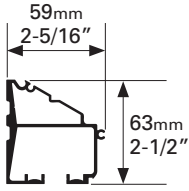

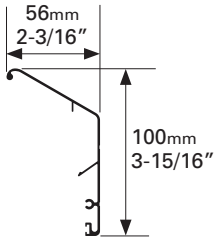
DKO6300 - 3 Door M6 (200lb) 1 3/8" Collection Pack
DKO6320 - 3 Door M6 (200lb) 1 3/4" Collection Pack



DKO8300 - 3 Door M8 (500lb) 1 3/8" Collection Pack
DKO8320 - 3 Door M8 (500lb) 1 3/4" Collection Pack



CS Barn Track Systems - Quick Reference

Description	Image	Dimensions
<p>CS Barn Door Track</p> <p>(Available in set lengths up to 12ft)</p>		
<p>CS WallMount Track</p> <p>1-3/8" & 1-3/4" door thickness</p> <p>For thicker doors, please inquire</p> <p>(Available in custom lengths up to 24ft)</p>		
<p>Clip on fascia for CS WallMount Track</p>		

BarnDoorTrack

CS TrackSystems are an innovative range of track systems designed for a multitude of sliding doorway applications.

CS BarnDoorTrack is suitable for surface sliding applications where there is enough strength in the wall to side mount a track above an opening.

Installation is quick and easy as the track bracket is supplied with pre-machined fixing slots. The track is pre-finished black anodized and supplied with fixing bracket, stops, door hangers and T-Guide.



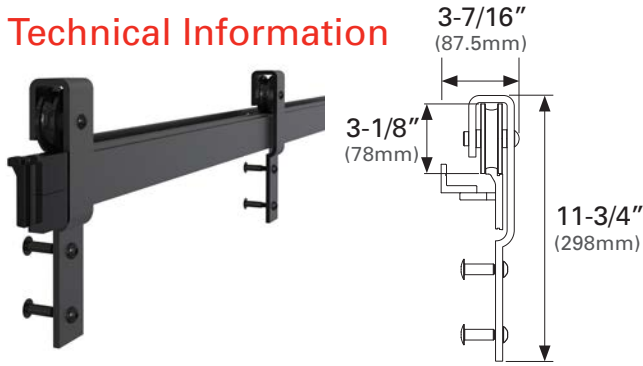
CS BarnDoorTrack with black anodized finish.



CS BarnDoorTrack and door hangers

 TrackSystems

Technical Information



Track Finish:	Black Anodized	
Max. Door Weight (per track):	300kg	650lb
Min. Door Thickness:	32mm	1-1/4"

Design Features & Options

- Track is high-quality, heavy duty extruded aluminum.
- Pre-machined mounting holes.
- Anti-jump system ensures wheels cannot jump off the track.
- Black Anodized finish.
- Ultra smooth running acetal wheels.
- Track can be easily adjusted to allow for different wall clearances with baseboard & casings.
- Maximum weight per track: 650lb (300kg) (see installation notes).

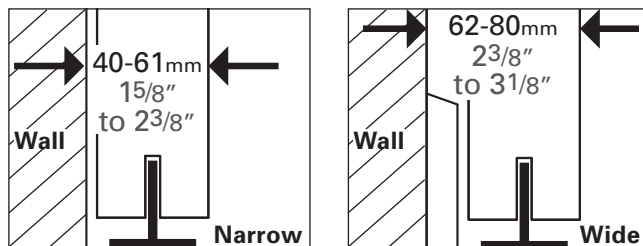
Installation Notes

The stud wall must be level and solid enough to support the door weight. This track is supplied with coach screws suitable for use with timber framing. For fixing to concrete walls, masonry anchors must be used.

Determine overall thickness

This track system is supplied with either a Narrow or Wide track bracket which must be specified at time of order. The bracket can be adjusted to suit an overall thickness of door + gap + moulding of:

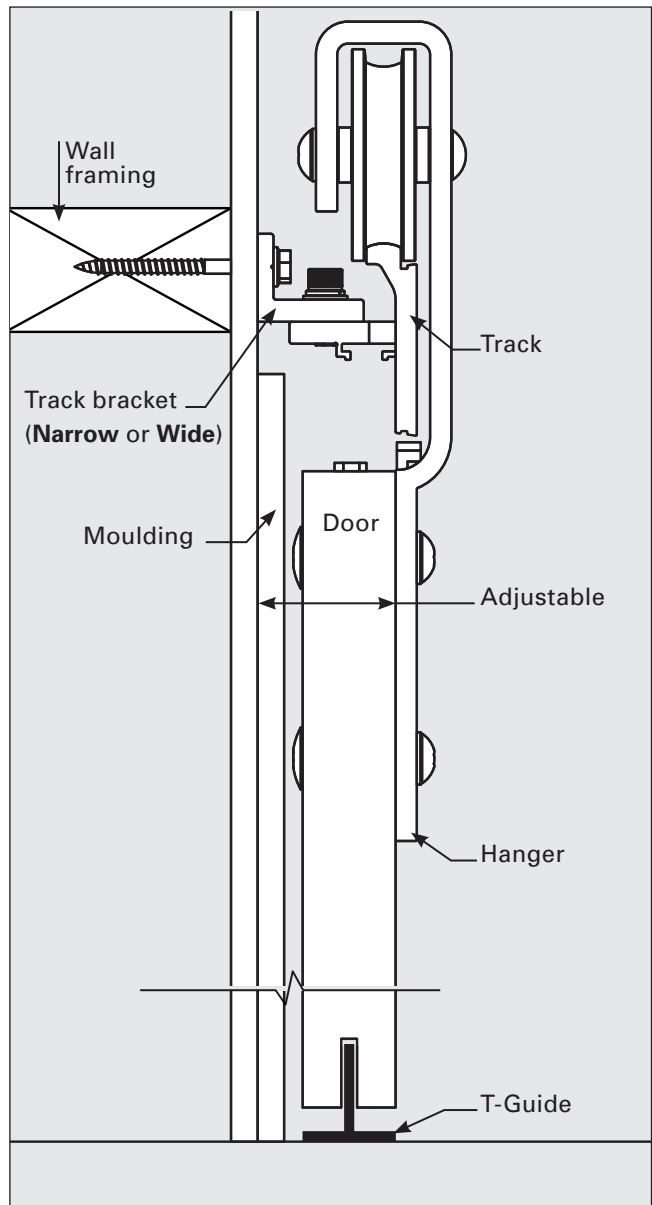
1-5/8" to 2-3/8" (40 - 61mm) (**Narrow** option) or
2-3/8" to 3-1/8" (62 - 80mm) (**Wide** option).



How to Order

1. **Specify track length**
(available in 5, 6, 7, 8, 10 and 12' pre-cut lengths)
2. **Choose Narrow or Wide bracket**

Fixing Detail

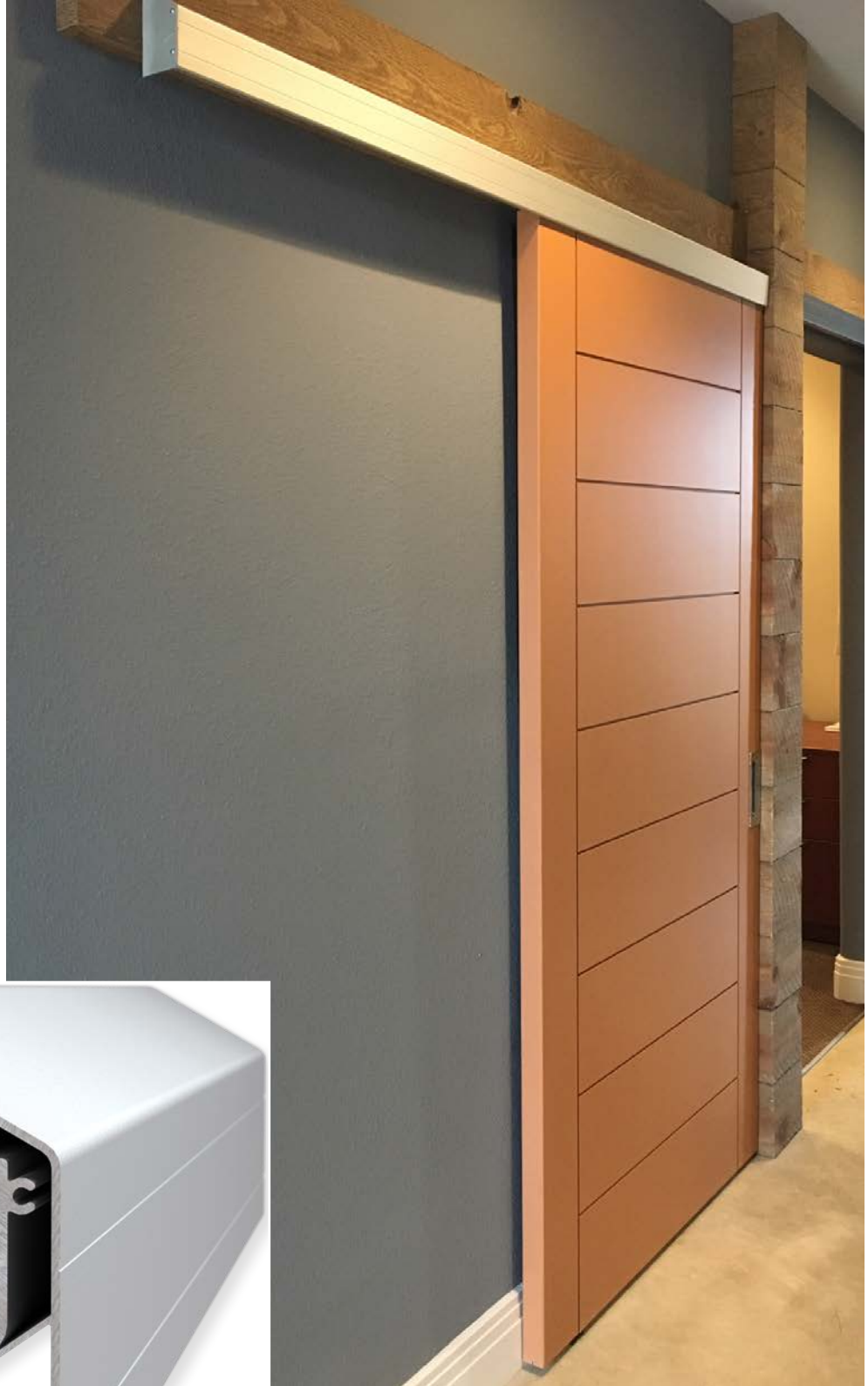


WallMountTrack

CS TrackSystems are an innovative range of track systems designed for a multitude of sliding doorway applications.

CS WallMountTrack is suitable for surface sliding applications where there is enough strength in the wall to side mount a track system above an opening.

Installation is quick and easy as the track is supplied with pre-machined fixing slots. The track also comes with a pre-finished, removable aluminum fascia and end caps that neatly conceal the top of the door, track and carriage system.



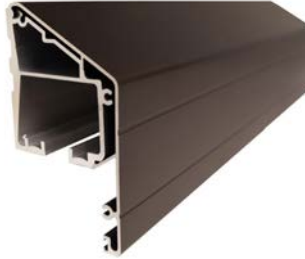
CS WallMountTrack with clear anodized finish.



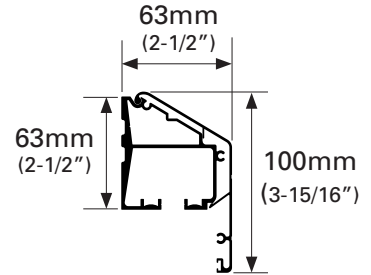
CS WallMountTrack

Design Features & Options

- 1 Available as a single track set-up only, i.e. no double or triple track versions are available.
- 2 Track can be configured to suit Bi-Parting door setups.
- 3 Fascia may be anodized or powder coated in a range of color options. Standard stocked finishes available: Clear or Bronze Anodized. Inquire about custom colors.



Technical Information



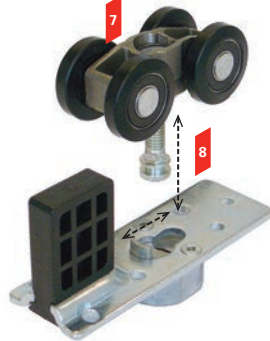
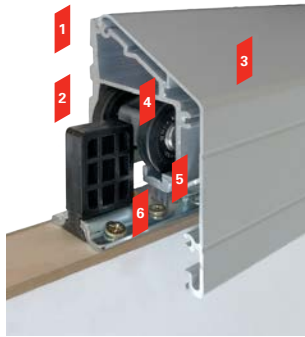
Track Finish:	Mill Finish
Fascia Finish:	See Design Features & Options
Door Thickness:	35-45mm 1-3/8" to 1-3/4"*
Max Door Weight:	240kg 500lb
Carriage Pack:	M6 or M8

* For doors thicker than 1-3/4", please contact us for installation information

Standard CS Track Features

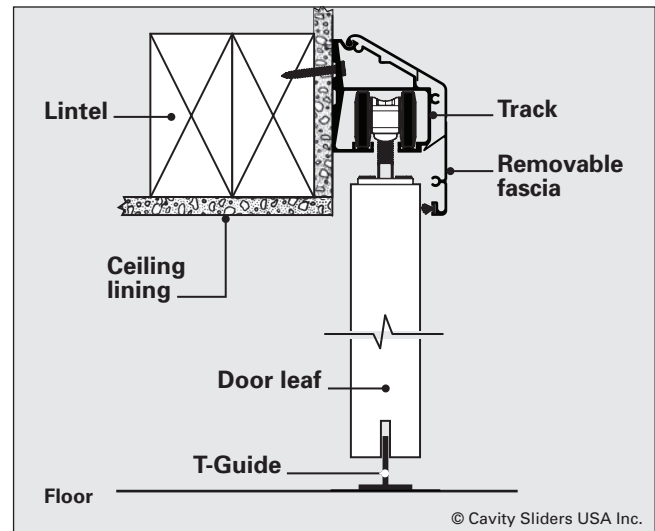
Our engineers focus on constantly developing new products and refining existing ones. That's why our products come with a number of unique features:

- 1 Heavy duty one-piece extruded aluminum track.
- 2 Pre-machined mounting holes.
- 3 Fascia is removable for future servicing requirements.
- 4 Minimal clearance means carriages/wheels cannot jump off track or jam.
- 5 Large diameter wheels with precision ground bearings make for smooth running.
- 6 Radiused track reduces friction and allows dust to be pushed into the gutters so the door always slides smoothly.
- 7 M8 body made from cast stainless steel for strength and reliability. 4-wheel carriages are standard on all doors over 200lb.
- 8 **CarriSnap™** quick release system allows the door to be removed easily from track; no need to unscrew anything and lose door height adjustment.



M8 carriage & mounting plate with stop

Fixing Detail



How to Order

1. **Specify track length**
Available in 6, 8, 12 and 24' pre-cut lengths or can be cut down to specified length on request.
2. **Specify door thickness**
3. **Specify finish**
(fascia and end caps)
4. **Choose a carriage pack** (one per door)
- **refer to Carriage Packs page**
M6 (200lb) or **M8** (500lb)
(includes carriages, mounting plates, T-Guide, fixing screws, adjusting wrench and installation instructions)



Handle & Lock Product Range



CL400[®] Magnetic

A range of high quality passage, privacy and locking handles suitable for single or double pocket doors.



CL200 FlushHandle

A range of high quality passage and privacy handles suitable for pocket doors.



CL100 Lever

A robust commercial grade side handle.



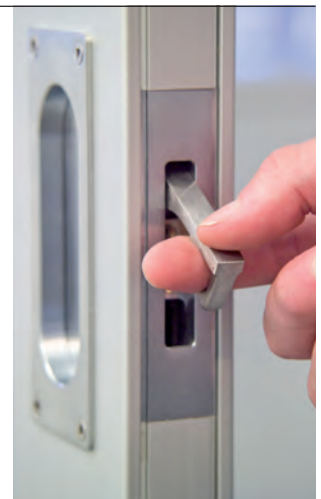
CL100 FlushTurn

A circular flush turn specifically designed for sliding doors.



Other Hardware

Flush handles and stylish edge pulls to suit timber or aluminum doors.



CL400[®] Magnetic

The **CAVILOCK[®] CL400 Magnetic** is a range of modern architectural hardware for sliding doors. The range covers Passage, Privacy, Bi-Parting and Key Locking configurations.

This high quality, wrap around handle is easy to fit, requiring no complicated mortise cutout.

Available in a range of finishes, the CL400 Magnetic is suitable for both residential and light commercial use.



Watch the CL400 Magnetic video on YouTube



CL400 Magnetic Privacy, Satin Nickel



CL400 Magnetic Key Locking, Oil Rubbed Bronze

 **CaviLock[®]**
Quality Sliding Door Hardware

Architectural styling with a wide range of configurations and finish options available

No on site alteration of handle is required

Reliable, high quality components

Suitable for pocket or barn slider style doors*

Step by step installation instructions with detailed diagrams and templates are included

Can be used to upgrade existing hardware by retrofitting over smaller box cutout

Positive grip for heavy doors

Simple cutout ensures quick fitting

Front edge incorporates a finger hole to retrieve door from the pocket

Moving parts sit flush until the door closes to minimize wear

Patented magnetic catch and plunger action[†] produces a positive hold close without the need to activate the snib

Striker can be adjusted 3/32" up or down once installed

Hidden fixing screws - only three small screws showing on the face plate

Striker sits flush with the closing jamb

Available with a choice of face plate widths to suit doors from 1-3/8" to 2-1/4" thick



CaviLock

* Not suitable where high security is a requirement.
† Patent Pending

The CL400 is a stylish architectural option for passage handles. Designed to complement the privacy and locking range, this handle features a positive hold close action to ensure the door doesn't bounce off the closing jamb.

Design Features & Options

- ▮ Passage hardware matches Privacy and Key Locking hardware.
- ▮ Door slides flush back into the pocket.
- ▮ Suits doors from 1-3/8" to 2-1/4" thick.
- ▮ Magnetic latch ensures door doesn't roll away from the closing jamb.
- ▮ Available in a range of finishes.
- ▮ Non-magnetic version also available.

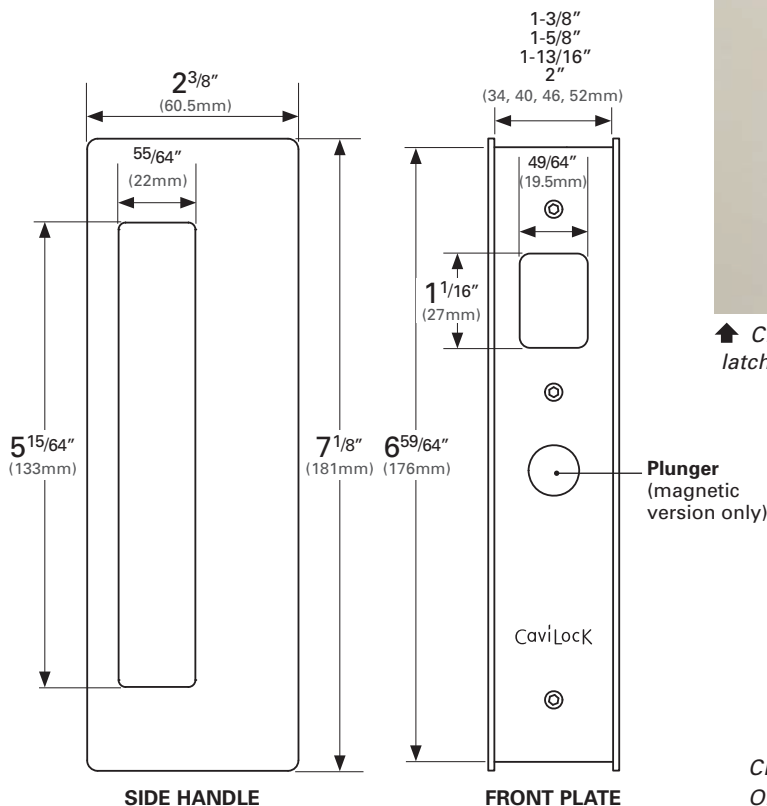


↑ CL400 Passage (non latching). Satin Chrome finish.



CL400 Passage (latching). Oil Rubbed Bronze finish. →

Technical Detail



Selection Procedure To order, ensure you have the following information ready:

Function	Door thickness	Finish
Passage (Non Latching)	34 - 40 mm (1-3/8" to 1-9/16")	Satin Chrome
Passage (Mag Latching)	40 - 46 mm (1-5/8" to 1-3/4")	Bright Chrome
	46 - 52 mm (1-13/16" to 2")	Satin Nickel
	52 - 58 mm (2-1/16" to 2-1/4")	Oil Rubbed Bronze
		Special Order

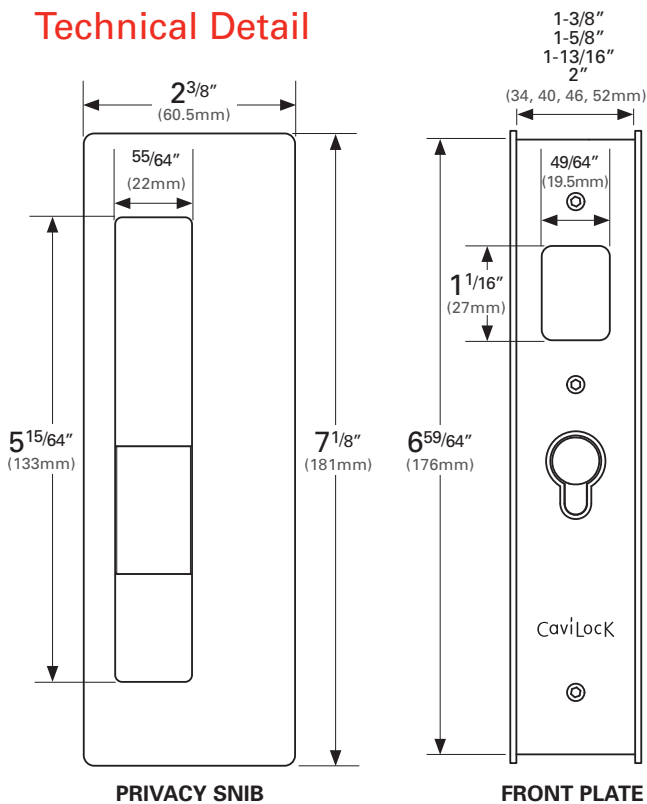
Dimensions shown in inches (and millimeters).

The CL400 Privacy option matches the other configurations in the range. The magnetic latching feature ensures the door doesn't roll open - even if the snib is not engaged.

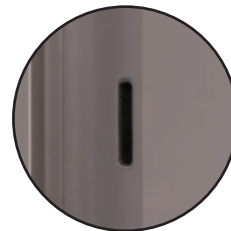
Design Features & Options

- Options include: Snib Both Sides, Snib One Side, or Snib/Emergency.
- Privacy hardware matches Passage and Key Locking hardware.
- Door slides flush back into the pocket.
- Magnetic latch ensures door doesn't roll away from the closing jamb.
- Moving parts sit flush until the door closes to minimize wear.
- Available in a range of finishes.
- Suits doors from 1-3/8" to 2-1/4" thick.

Technical Detail



CL400 Privacy Snib/ Snib option. Satin Nickel finish.



Emergency Release can be activated with a pen in an emergency.

CL400 Privacy - Emergency Release/Snib option. Matte Chrome finish.



Selection Procedure

To order, ensure you have the following information ready:

Function (see handing)	Door thickness	Finish	Handing Configuration
Snib/Snib	1-3/8" to 1-9/16"	Satin Chrome	Handing is determined at time of manufacture and cannot be altered on site. Careful selection of handing options is required at time of order. See diagram for determining handing of functions.
Snib/Emerg.	1-5/8" to 1-3/4"	Bright Chrome	
Snib One Side	1-13/16" to 2"	Satin Nickel	LH RH Stand looking into the pocket as shown
	2-1/16" to 2-1/4"	Oil Rubbed Bronze	
		Special Order	

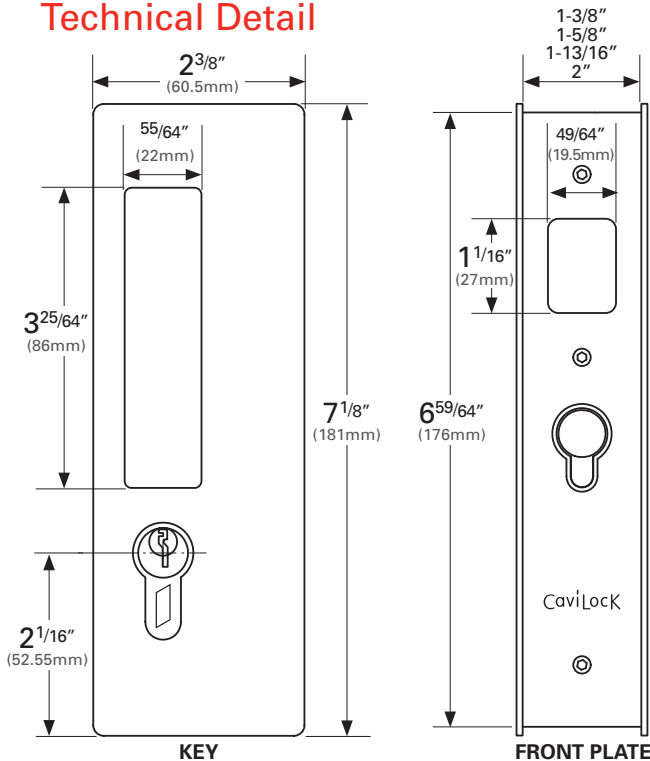
The CL400 Key Locking option is suitable for residential or light commercial use in internal situations where medium security is required.

It incorporates a single or double Euro Profile cylinder with Schlage C Keyway. All Key Locking handles come with a raised shroud as standard for increased security.*

Design Features & Options

- Options include:
 - Key/Snib, Key/Key or Key one side.
 - Magnetic latch ensures door doesn't roll away from the closing jamb.
 - Raised shroud included as standard for increased security.
 - Moving parts sit flush until the door closes to minimize wear.
 - Key Locking hardware matches Passage and Privacy hardware.
 - Available in a range of finishes.
 - Door slides flush back into the pocket.
 - Suits doors from 1-3/8" to 2-1/4" thick.

Technical Detail



CL400 Key/Key option. Satin Nickel finish.

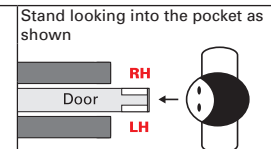


CL400 Key/Snib option. Oil Rubbed Bronze finish.

Selection Procedure

To order, ensure you have the following information ready:

Function (see handing)	Door thickness	Finish	Handing Configuration
Key/Snib	1-3/8" to 1-9/16"	Satin Chrome	Handing is determined at time of manufacture and cannot be altered on site. Careful selection of handing options is required at time of order. See diagram for determining handing of functions.
Key/Key	1-5/8" to 1-3/4"	Bright Chrome	
Key One Side	1-13/16" to 2"	Satin Nickel	
	2-1/16" to 2-1/4"	Oil Rubbed Bronze	
		Special Order	
			LH RH <input type="checkbox"/> Key <input type="checkbox"/> Key <input type="checkbox"/> Snib <input type="checkbox"/> Snib <input type="checkbox"/> Blank <input type="checkbox"/> Blank



Dimensions shown in inches (and millimeters). * Not suitable where high security is a requirement

Bi-Parting (Double Door) Set

CL400[®] Magnetic

The CL400 Bi-Parting set is suitable for use where two doors meet in the middle. Passage, Privacy and Key Locking configurations are available.

The positive hold close action brings the doors together smoothly and holds them together until ready to open.

Note: Privacy and Key Locking configurations are not suitable as a high security option when used in a Bi-Parting door setup.

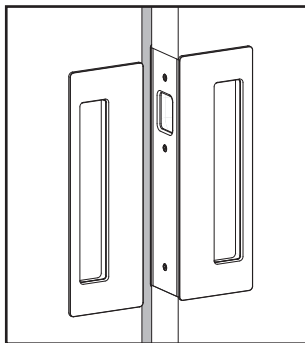
Design Features & Options

- Options include Passage, Privacy and Key Locking.
- Bi-Parting hardware matches other hardware in the range.
- Moving parts sit flush until the door closes to minimize wear.
- Doors slide flush back into the pocket.
- Available in a range of finishes.
- Suits doors from 1-3/8" to 2-1/4" thick.

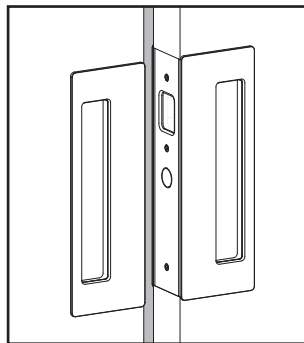
CL400 Bi-Parting Privacy Emergency/Snib option. Satin Nickel finish.



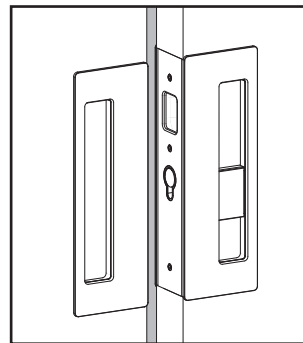
Configurations



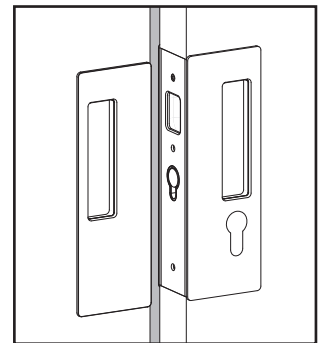
Passage - non latching



Passage - latching



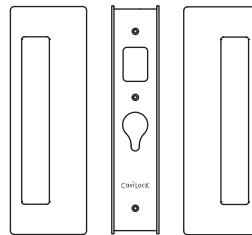
Privacy



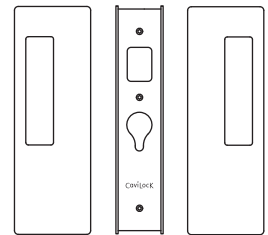
Key Locking

Selection Procedure

Select the functionality and finish required from the table below to choose your Bi-Parting Pack. A matching handle set will automatically be supplied to suit your selection.



Matching Handle Set - Passage / Privacy

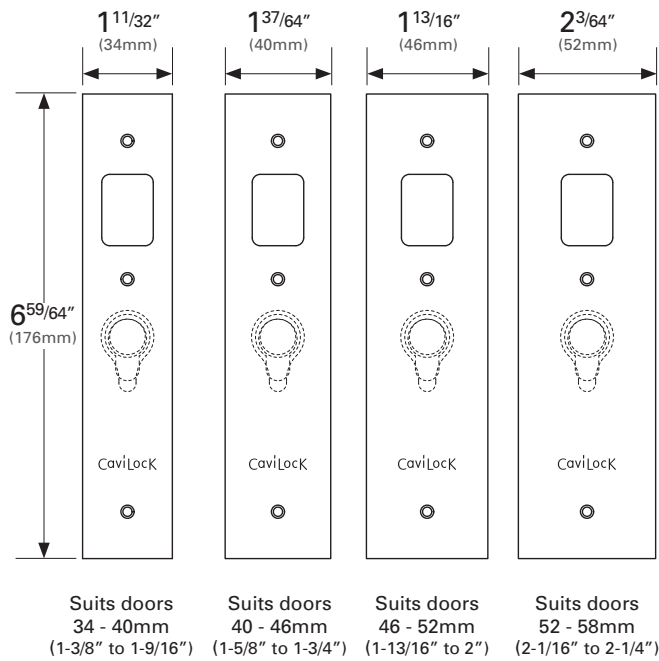


Matching Handle Set - Key Locking

Function	Door thickness	Finish	Handing Configuration						
Bi-Parting Passage	1-3/8" to 1-9/16"	Satin Chrome	Bi-Parting Privacy Snib One Side and Key One Side handles are supplied with the Snib or Key on the right hand side only.						
Bi-Parting Passage (Latching)	1-5/8" to 1-3/4"	Bright Chrome							
	1-13/16" to 2"	Satin Nickel							
Bi-Parting Privacy	2-1/16" to 2-1/4"	Oil Rubbed Bronze							
Bi-Parting Key		Special Order	<table border="0"> <tr> <td>Snib both sides</td> <td rowspan="5"> </td> </tr> <tr> <td>Snib one side</td> </tr> <tr> <td>Snib/Emergency</td> </tr> <tr> <td>Key both sides</td> </tr> <tr> <td>Key one side</td> </tr> </table>	Snib both sides		Snib one side	Snib/Emergency	Key both sides	Key one side
Snib both sides									
Snib one side									
Snib/Emergency									
Key both sides									
Key one side									

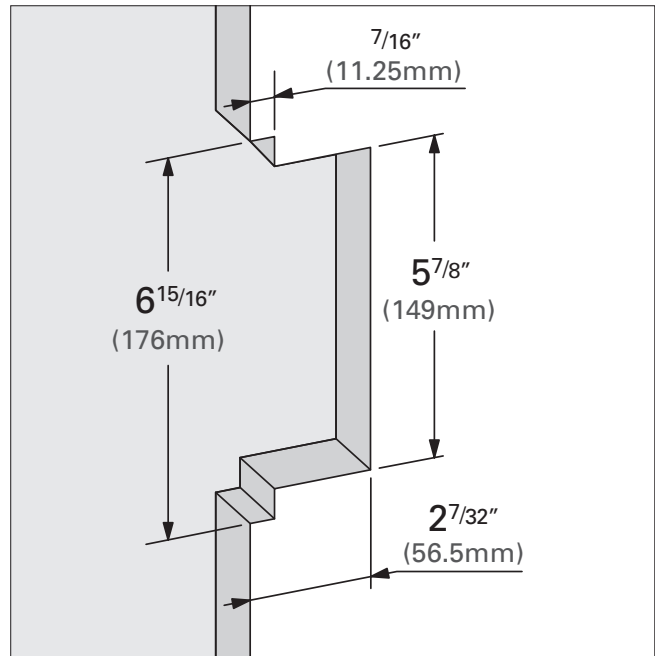
Face Plate

Four different face plate widths are available, to suit doors from 1-3/8" to 2-1/4" thick.



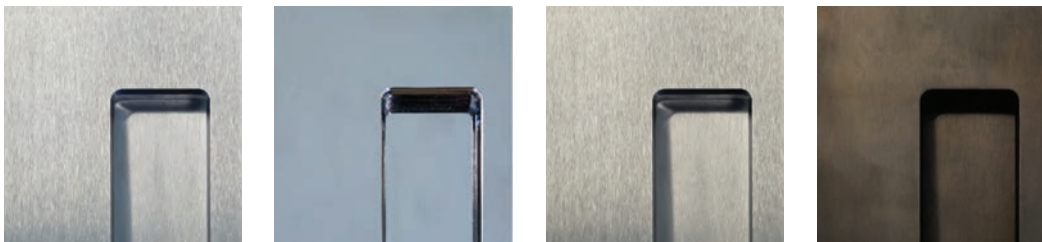
Door Cutout

The CL400 requires a simple door cut out. Complete instructions and templates are supplied with every handle.



Finish Options

All CL400 configurations are available in a range of finishes. Custom finishes are available by special order.



Satin Chrome

Bright Chrome

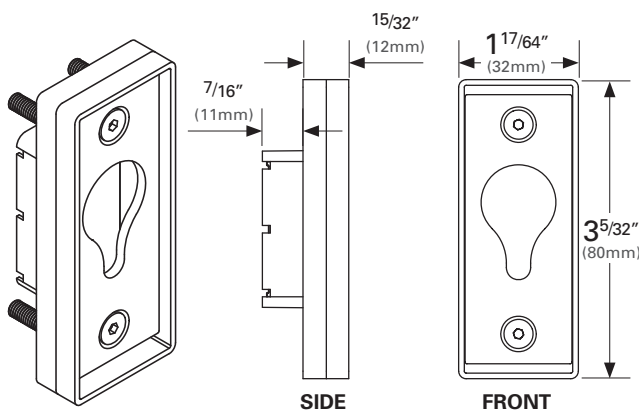
Satin Nickel

Oil Rubbed Bronze

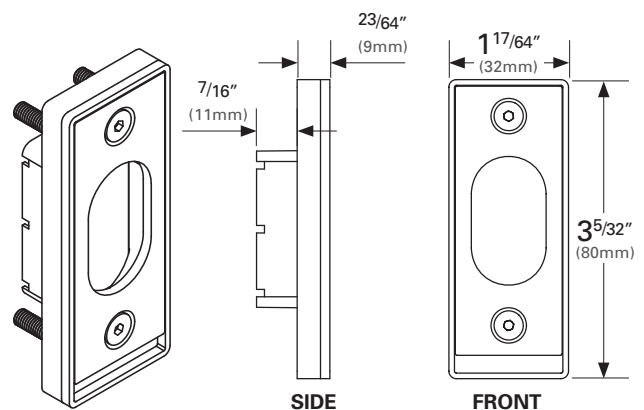
Striker

Depending on the configuration of the handle, the striker supplied is designed to either sit flush with the face of the closing jamb or recessed into the closing jamb. Striker cutout template and instructions are supplied with your handle and cover installation into a flush or recessed closing jamb.

Recessed striker - Key Locking handles



Flush striker - Privacy & Passage handles



Dimensions shown in inches (and millimeters).

© All copyright and other property in this document is reserved by Cavity Sliders USA Inc. Details and specifications are subject to change without notice. Whilst all care is taken to ensure the accuracy of all information, no responsibility will be accepted for any errors or omissions. Drawings & pictures are not to scale. Dimensions shown in inches (and millimeters). Colors shown may not accurately represent product. Timber lock blocks shown do not depict actual doors.

® CAVILOCK is a Registered Trademark. **CAVILOCK® CL400 MAGNETIC** (O.D. 2013). Patent pending. 60867/US - 08.2017

www.cavitysliders.com

High quality
products designed
in New Zealand



T (888) 466 0030
F (310) 769 5824
E info@cavitysliders.com

Cavity Sliders USA Inc.

548 Finney Ct
Gardena
CA 90248



Another quality product from:

 **CavitySliders**
Quality Sliding Door Hardware

CL200 FlushHandle

The **CaviLock® CL200** is a residential range of passage and privacy handles suitable for surface sliding and pocket doors (1-3/8" to 1-3/4" thick). When fitted to a pocket door, the CL200 allows the door to slide completely back inside the pocket, with the edge of the door finishing flush with the face of the pocket.

The front face plate on the CL200 incorporates a recessed edge-pull to allow the door to be withdrawn from the pocket when fully open. The CL200's deep recessed side pulls make even heavy doors easy to slide.



Bi-Parting pocket doors with CL200 Passage handles in satin chrome.

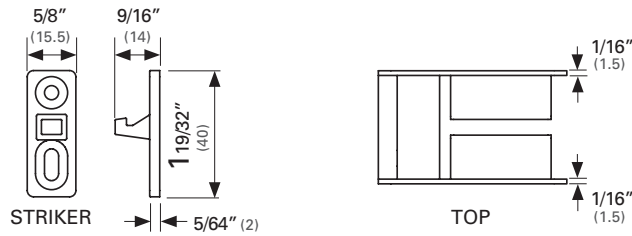


CaviLock CL200 Privacy handle in oil rubbed bronze.

 **CaviLock®**
Quality Sliding Door Hardware

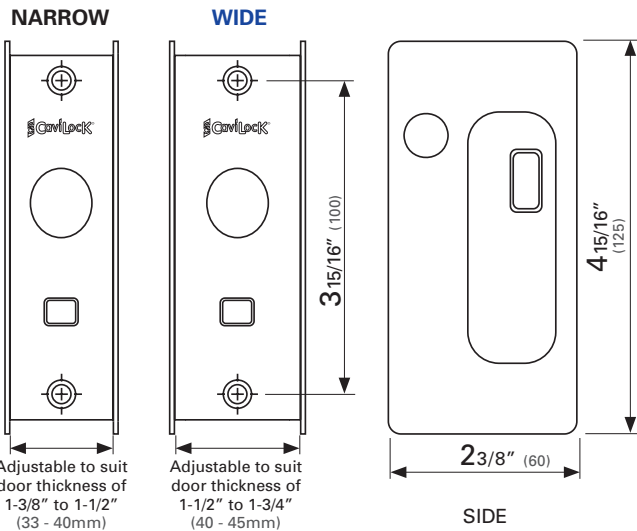
CL200 FlushHandle

Dimensions



Two face plate widths are available. These are adjustable to suit doors from **1-3/8" to 1-1/2"** or **1-1/2" to 1-3/4"**.

The **CL200 Privacy** set is the latching version of the CL200. This is an ideal handle for sliding doors in **bathrooms** and **en suites, serveries**, and as a **latching handle for double doors**. It is not recommended for use in commercial situations. This handle does not comply with disabled egress requirements.



Finish Options Wide Face Plate Available



Oil Rubbed Bronze
1210 / 1215

Satin Nickel
1090 / 1095

Satin Chrome
1010 / 1015

Chrome
1020 / 1025

Other finish options available on request.

(Note: Longer lead times and additional surcharges may apply.)

Configuration Options

PRIVACY



CONFIGURATION A
Privacy Snib Both Sides
or
Snib / Emergency
(option when fitting)



CONFIGURATION E
Passage with Striker
(Both Sides Blank)
For use only with Bi-Parting doors
to match Privacy A Configuration

PASSAGE



CONFIGURATION D
Passage - Both Sides Blank

How to Specify (Privacy option)

CL200 + Configuration (A or E) + Finish & Face Width

E.g. CL200 Privacy with snib both sides, in satin chrome, with wide face plate would be specified as: **CL200A1015**

How to Specify (Passage option)

CL200 + Configuration (D) + Finish & Face Width

E.g. CL200 Passage, blank on both sides, in satin chrome with wide face plate would be specified as: **CL200D1015**

Drawings & pictures are not to scale. Colors shown may not accurately represent product All dimensions in inches (and mm).

www.cavitysliders.com

High quality
products designed
in New Zealand



T (888) 466 0030
F (310) 769 5824
E info@cavitysliders.com

Cavity Sliders USA Inc.

548 Finney Ct
Gardena
CA 90248



Another quality product from:

CavitySliders
Quality Sliding Door Hardware

CL100 Lever

The **CaviLock® CL100 Lever** is the most common commercial side handle fitted to the **CL100 Mortise Lock**. It is robust and strong and has a commercial look that matches other commercial handles and locks in most applications. The vertical lever grip enables a positive pull action on even the heaviest doors.



CaviLock CL100 Lever with Key on aluminum door.

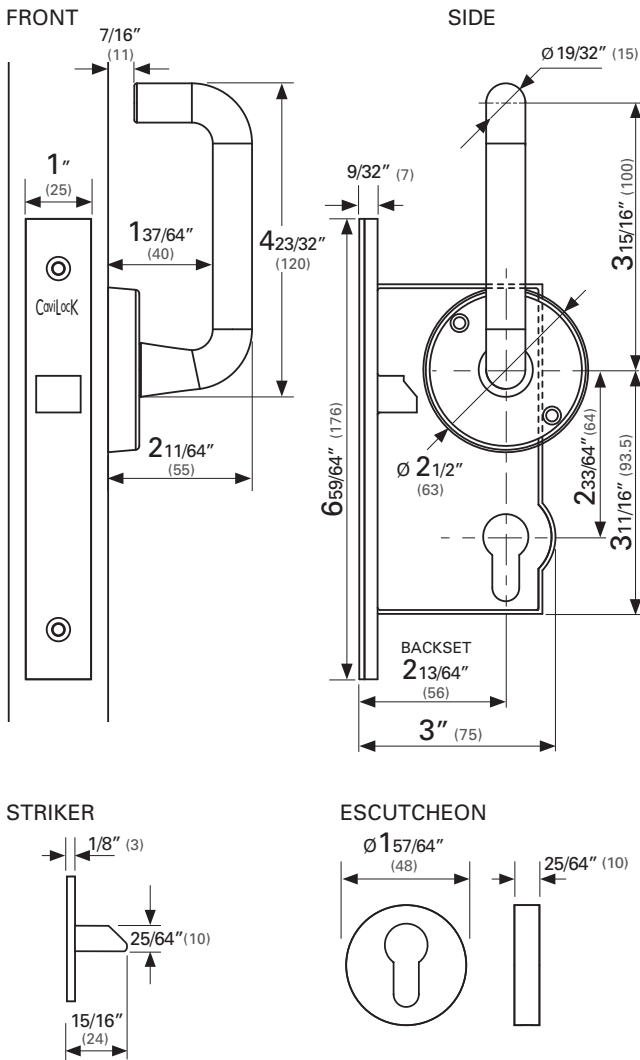


CaviLock CL100 Lever with Key on timber door.

 **CaviLock®**
Quality Sliding Door Hardware

CL100 Lever

Dimensions



Key Locking

Key locking may be added to the CL100 Mortise Lock with the addition of a Euro Profile cylinder with American Schlage C Keyway, specified as either KA (Keyed Alike) or KD (Keyed to Differ).

Options include:

- ▮ Turn/Emergency
- ▮ Turn/Key
- ▮ Key/Key
- ▮ Key One Side

Please note that this specification is suitable for 1-3/4" thick doors and must be done at time of order.



CL100 Lever (Key/Turn option).



Construction

Case:	Die cast Zinc
Internal Parts:	Bronze/Brass
Screws, springs etc:	Stainless Steel
Faceplate & striker:	Brushed Stainless Steel

Finish Options & Configurations

Available in Satin Chrome. Cylinders are not handed.

CL100A7002	Lever - Key/Key	
CL100A7010	Lever - Key/Turn	
CL100A7004	Lever - Key One Side	
CL100A7014	Lever - Turn/Emerg	
CL100B5002	Lever Only	

CL100 Mortise Lock Features

The **CL100 Mortise Lock** is a versatile mortise that has many different internal and external hardware options.



- ▮ Suitable for pocket doors and surface sliding doors
- ▮ Easy to operate
- ▮ Corrosion resistant
- ▮ For use with timber or aluminum doors

Drawings & pictures are not to scale. All dimensions in inches (and mm).

www.cavitysliders.com

High quality products designed in New Zealand



T (888) 466 0030
F (310) 769 5824
E info@cavitysliders.com

Cavity Sliders USA Inc.

548 Finney Ct
Gardena
CA 90248



Another quality product from:

CavitySliders
Quality Sliding Door Hardware

CL100 FlushTurn

The **CaviLock® CL100 Flush Turn** is specifically designed for sliding doors. It incorporates machined brass components that are either polished or satin chrome plated depending on the finish required.

Because of its shallow fitting depth and positive feel to the turn, this is a popular side handle for both latching and non-latching applications.

When combined with the CL100 Mortise Lock and euro profile cylinder it makes for a great looking medium security option.

Requires minimum door thickness of 1-1/2" (37mm).



CaviLock CL100 Flush Turn in Satin Chrome

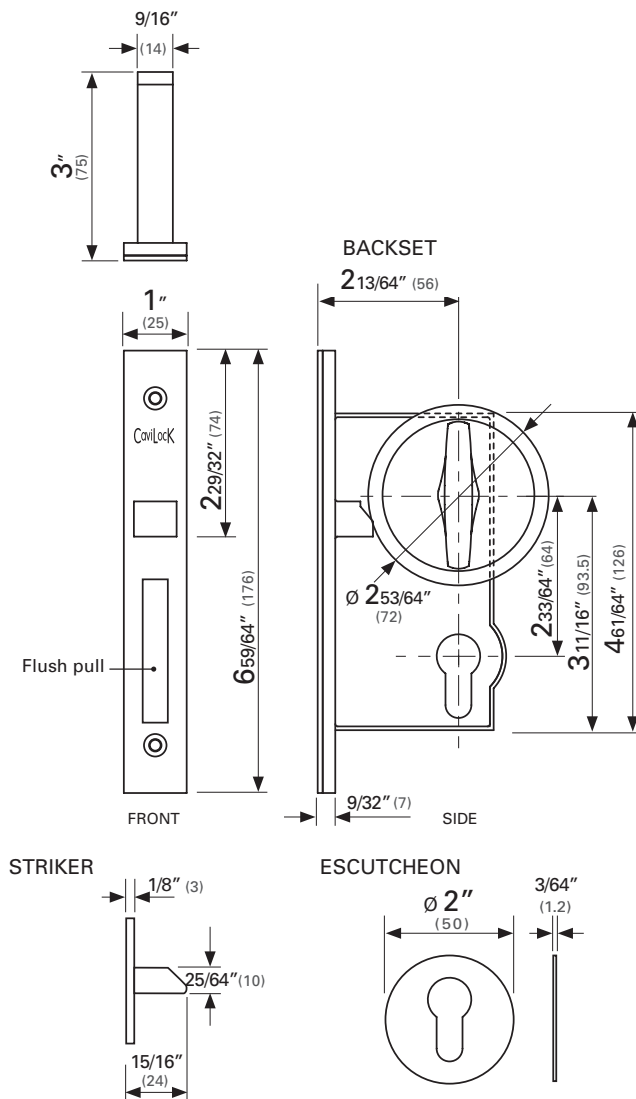


CaviLock CL100 Flush Turn with Key in Satin Chrome

 **CaviLock®**
Quality Sliding Door Hardware

CL100 FlushTurn

Dimensions



Flush Pulls

All CL100 Lock Cases come with the option of a built-in Flush Pull in either Stainless Steel or Brass. This Flush Pull is designed for use on doors which slide completely inside a wall.



CL100 Flush Turn and Flush Pull on aluminum door leaf.

Key Locking

Key locking may be added to the CL100 Mortise Lock with the addition of a Euro Profile cylinder with American Schlage C Keyway, specified as either KA (Keyed Alike) or KD (Keyed to Differ).

Please note that this specification is suitable for 1-3/4" thick doors and must be done at time of order.



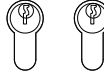

CL100 Flush Turn with key.

Construction

Case:	Die cast Zinc
Internal Parts:	Bronze/Brass
Screws, springs etc:	Stainless Steel
Faceplate & striker:	Brushed Stainless Steel or Brass (depending on finish req.)

Finish Options & Configurations

Available in Satin Chrome. Cylinders are not handed.

CL100A1004	Flush Turn - Key/Key	
CL100A1006	Flush Turn - Key One Side	
CL100A9004	Flush Turn only	

Drawings & pictures are not to scale. All dimensions in inches (and mm).

CL100 Mortise Lock Features

The **CL100 Mortise Lock** is a versatile mortise that has many different internal and external hardware options.



- ▀ Suitable for pocket doors and surface sliding doors
- ▀ Easy to operate
- ▀ Corrosion resistant
- ▀ For use with timber or aluminum doors

www.cavitysliders.com

High quality products designed in New Zealand



T (888) 466 0030
F (310) 769 5824
E info@cavitysliders.com

Cavity Sliders USA Inc.

548 Finney Ct
Gardena
CA 90248



Another quality product from:

CavitySliders
Quality Sliding Door Hardware

Louey SideHandle

The **Louey** is a high quality side handle machined from brass, finished in either brushed chrome or oil rubbed bronze. The handle has four countersunk fixing points at its corners and a 3/8" deep recessed hand grip for a positive pull on even heavy doors.

Timber EdgePull

The **Timber Edge Pull** is a high-quality front edge pull for timber doors, often used together with the Louey.



CaviLock Louey handles on Bi-Parting pocket doors.



CaviLock Louey with Timber Edge Pull in Satin Chrome

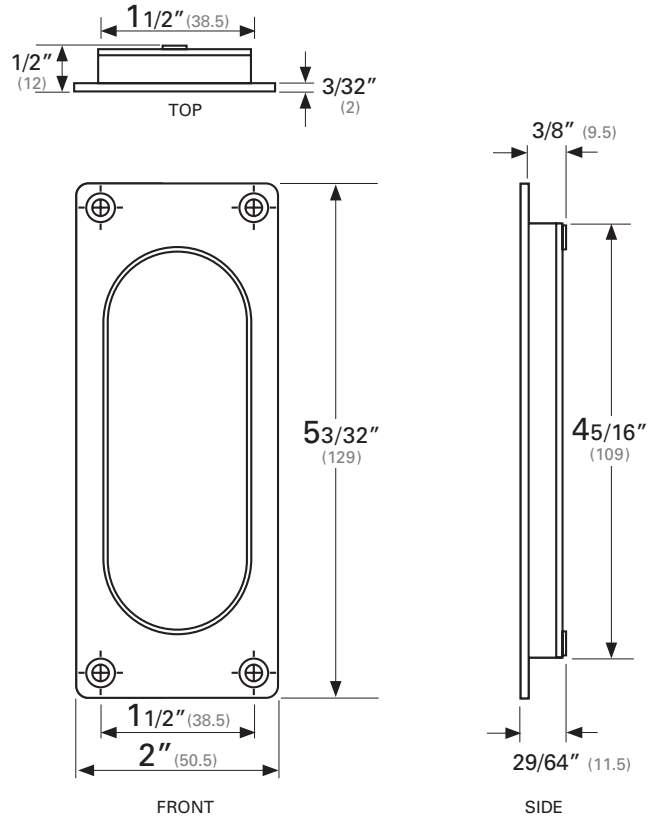
 **CaviLock**[®]
Quality Sliding Door Hardware

Louey SideHandle



Louey fitted to aluminum door.

Dimensions



Finish Options

▮ Satin Chrome
CL100I3000

▮ Oil Rubbed Bronze
CL100I3005

Timber EdgePull

The **Timber Edge Pull** is a high-quality front edge pull for timber doors. The body is machined from solid brass and the pull is made from cast stainless steel. It is strong enough to provide a positive grip on even the heaviest doors.

Once installed, this edge pull sits virtually flush with the edge of the door and has no visible screw fixings.



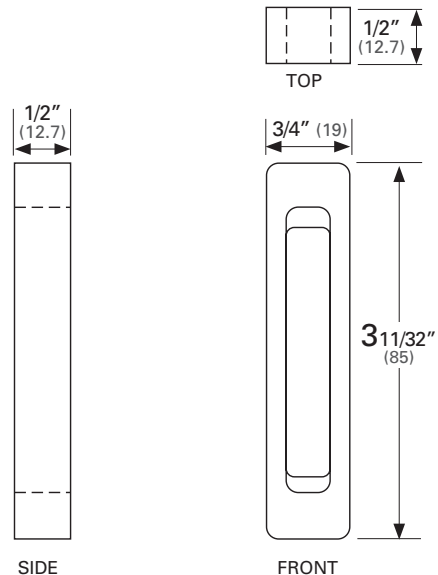
Timber Edge Pull in Satin Chrome

Finish Options

▮ Satin Chrome
CL800A4020

▮ Oil Rubbed Bronze
CL800A4021

Dimensions



Drawings & pictures are not to scale. All dimensions in inches (and mm).

© All copyright and other property in this document is reserved by Cavity Sliders USA Inc. Details and specifications are subject to change without notice. Whilst all care is taken to ensure the accuracy of all information, no responsibility will be accepted for any errors or omissions. © CAVILOCK is a Registered Trademark. CAVILOCK LOUEY™, CAVILOCK TIMBER EDGE PULL™ (O.D. 2005), 60141/2 - 03.2017

www.cavitysliders.com

High quality products designed in New Zealand



T (888) 466 0030
F (310) 769 5824
E info@cavitysliders.com

Cavity Sliders USA Inc.

548 Finney Ct
Gardena
CA 90248



Quality products from:

 **CavitySliders**
Quality Sliding Door Hardware

ADA Handle & Lock Product Range



CL400[®] ADA Magnetic

A range of high quality passage and privacy handles suitable for single or double pocket doors.



CL100 ADA LaviLock

Commercial grade disabled rest room access lock.



CL100 Lever

Commercial grade lever handle



CL100 ADA Lever

Commercial grade privacy or key lock with lever handle



CL400[®] ADA Magnetic

The new **CL400[®] ADA Magnetic** matches the look and functionality of the existing CL400 Magnetic range of pocket door hardware, with added ADA functionality.

Utilizing the patented magnetic mechanism of the CL400 Magnetic, this new addition to the range provides flexibility for building owners. The CL400 ADA uses the same door cutout and striker and is able to be retrofitted over existing CL400 flush handles for the requirements of ADA tenants.



ADA



CL400 ADA Privacy Snib in satin nickel finish.

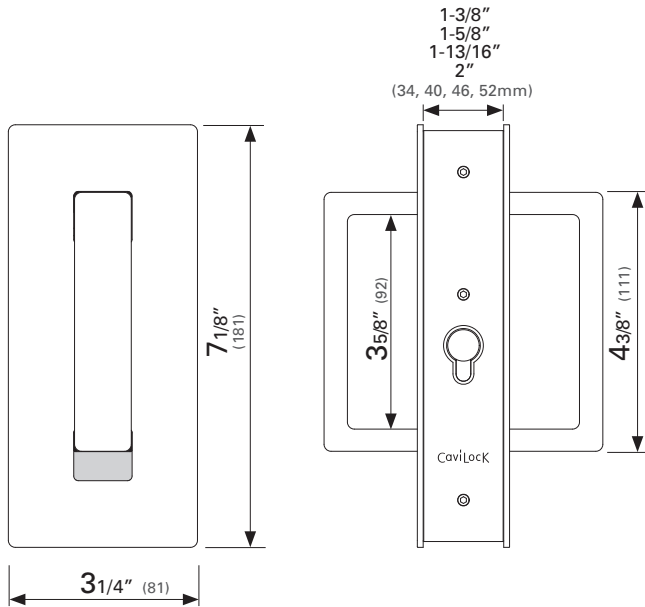


CaviLock CL400 ADA Privacy with Emergency Release

 **CaviLock[®]**

Quality Sliding Door Hardware

Dimensions



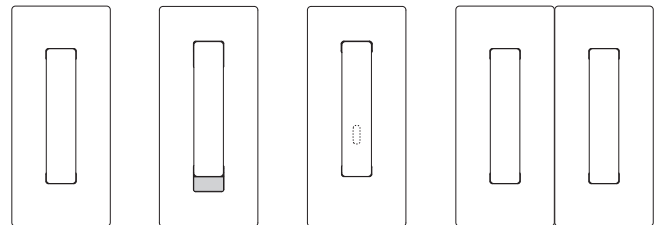
Finish Options



Satin Chrome Chrome Satin Nickel Oil Rubbed Bronze

Other finish options available on request.
(Note: Longer lead times and additional surcharges may apply.)

Configuration Options

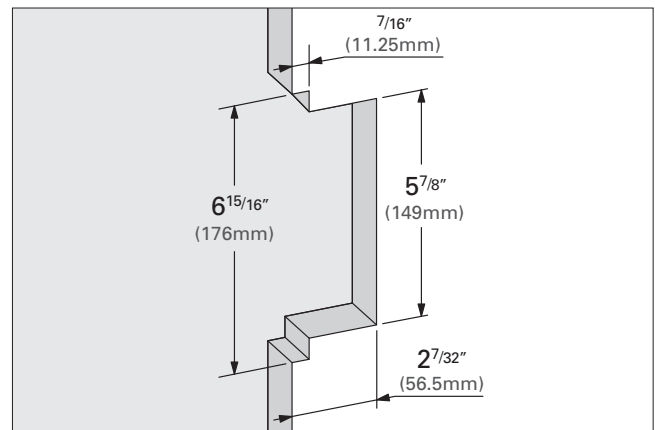


Passage Privacy Emergency Release Bi-Parting (Passage or Privacy)

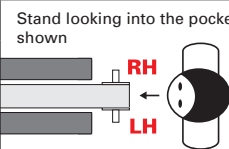
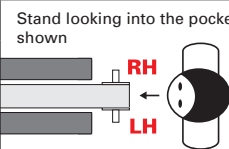
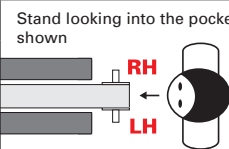
Design Features & Options

- Easy to use - no tight pinching or twisting of the wrist.
- Patented magnetic functionality.
- Striker sits flush with closing jamb.
- See at a glance whether a room is occupied.
- Matches other hardware in the CL400 range.

Door Cutout



Selection Procedure To order, ensure you have the following information ready:

Function	Finish	Door thickness	Handing Configuration										
Single Door	Satin Chrome	1-3/8" to 1-9/16"	Handing must be determined at time of manufacture and cannot be altered on site. Careful selection of handing options is required at time of order. See diagram for determining handing of functions.										
Bi-Parting Door	Satin Nickel	1-5/8" to 1-3/4"											
Passage (Non Latching)	Bright Chrome	1-13/16" to 2"	<table border="0"> <tr> <td>LH</td> <td>RH</td> <td rowspan="3">  </td> </tr> <tr> <td>Blank</td> <td>Blank</td> </tr> <tr> <td>Snib</td> <td>Snib</td> </tr> <tr> <td>Emerg.</td> <td>Emerg.</td> <td></td> </tr> </table>	LH	RH		Blank	Blank	Snib	Snib	Emerg.	Emerg.	
LH	RH												
Blank	Blank												
Snib	Snib												
Emerg.	Emerg.												
Passage (Mag Latching)	ORB	2-1/16" to 2-1/4"											
Privacy Locking	Special Order												

Drawings & pictures are not to scale. Colors shown may not accurately represent product All dimensions in inches (and mm).

www.cavitysliders.com

High quality products designed in New Zealand



T (888) 466 0030
F (310) 769 5824
E info@cavitysliders.com

Cavity Sliders USA Inc.

548 Finney Ct
Gardena
CA 90248



Another quality product from:

 **CavitySliders**
Quality Sliding Door Hardware

CL100 ADA LaviLock

The **CL100 ADA LaviLock** is a disabled access lockset designed with ease of use and longevity of service in mind. Brass and stainless steel working components ensure reliability.

The LaviLock is self-latching and utilizes 'fail safe' Exit Free functionality. It is driven by a lever operated mechanism that is easy to grasp with one hand, ensuring the lock meets ADA Accessibility Guidelines for Buildings and Facilities.



ADA



'Vacant/In Use' indicator plate with Emergency Release on outside door face.



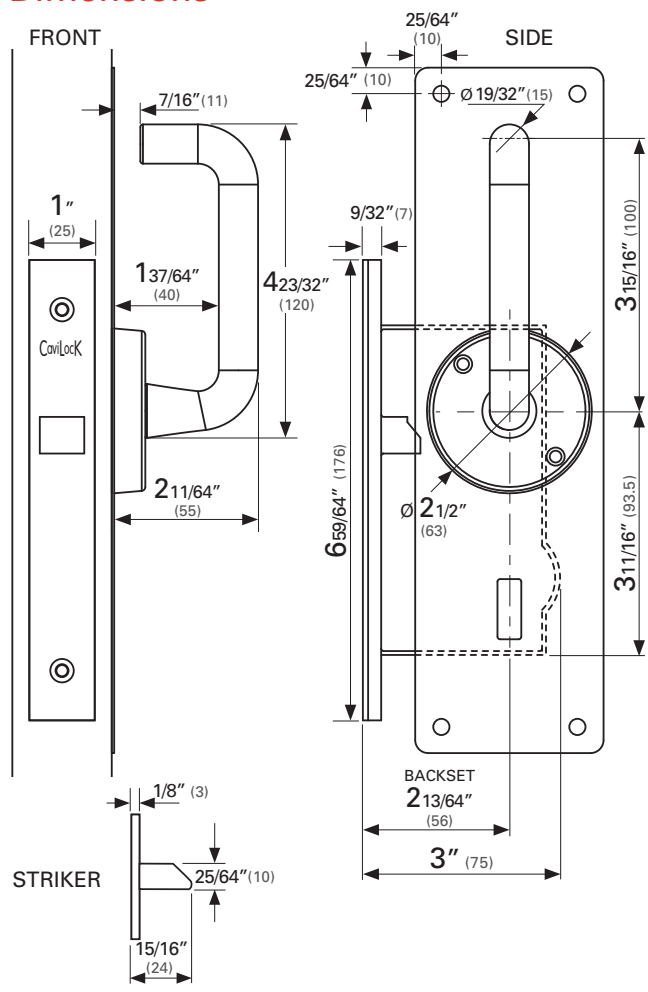
Easy to use 'Unlock/Lock' lever on inside door face.

CaviLock CL100 LaviLock in Satin Chrome fitted to door mounted on CS WallMount Track



Quality Sliding Door Hardware

Dimensions



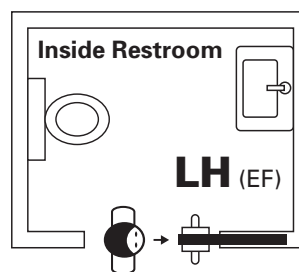
The LaviLock is supplied as a complete set including:

- ▮ Lever Handles
- ▮ Stainless Steel Indication Plates
- ▮ Slide Locking Buttons including Emergency Release
- ▮ CL100 Mortise Lock Case

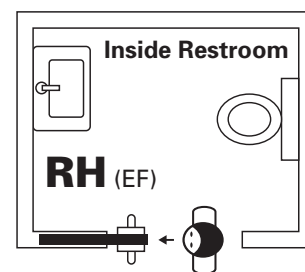
IMPORTANT: Operable parts of hardware must be mounted 34" (865mm) min. and 48" (1220 mm) max. above finished floor to meet ADA guidelines. The clear width of the door opening must be a minimum of 32". Always check State and Federal guidelines relating to the specific project.

Handing

The CL100 LaviLock is handed and handing must be specified at time of order.



When standing looking into the pocket, if the locking snib is on your **left hand** side then the LaviLock is a Left Hand lock.



When standing looking into the pocket, if the locking snib is on your **right hand** side then the LaviLock is a Right Hand lock.

EF = Egress Free - Even when in locked position the handle on the **inside** remains unlocked.

Construction

Case:	Die cast Zinc
Internal Parts:	Bronze/Brass
Screws, springs etc:	Stainless Steel
Faceplate & striker:	Brushed Stainless Steel

Finish Options & Configurations

Available in Satin Chrome. The CL100 ADA LaviLock is handed. Please check the Handing diagram above before ordering.

CL100B3008	ADA LaviLock - Right Hand
CL100B3010	ADA LaviLock - Left Hand

If LaviLock is to be installed into areas where there is exposure to corrosive environments, e.g. high chlorine or salt concentration, contact us for an appropriate solution.

Drawings & pictures are not to scale. All dimensions in inches (and mm).

CL100 Mortise Lock Features

The **CL100 Mortise Lock** is a versatile mortise that has many different internal and external hardware options. The internal components have been built to resist corrosion, making it suitable for both internal and external use in commercial, architectural and residential applications.



- ▮ Slimline mortise is compatible with doors 1-3/8" or thicker.
- ▮ Suitable for pocket doors and surface sliding doors
- ▮ Easy to operate
- ▮ Corrosion resistant
- ▮ For use with timber or aluminum doors

www.cavitysliders.com

High quality products designed in New Zealand



T (888) 466 0030
F (310) 769 5824
E info@cavitysliders.com

Cavity Sliders USA Inc.

548 Finney Ct
Gardena
CA 90248



Another quality product from:

 **CavitySliders**
Quality Sliding Door Hardware

CL100 ADA Lever

The CaviLock® CL100 ADA Lever is a disabled access lockset designed with ease of use and longevity of service in mind. Brass and stainless steel working components ensure reliability.

The privacy turn has been designed in accordance with ADA Accessibility Guidelines for Buildings and Facilities and **is easily operable without pinching, grasping or twisting of the wrist.**

The vertical lever grip enables a positive pull action on even the heaviest doors.



ADA



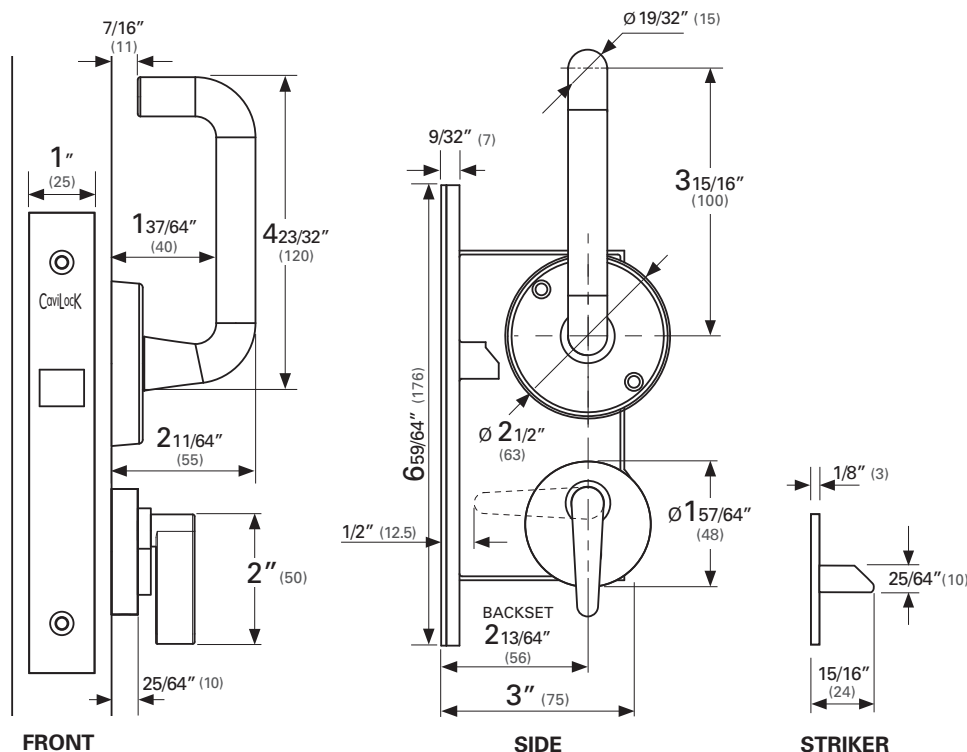
CaviLock CL100 ADA Lever fitted to aluminum door.



CaviLock CL100 ADA Lever on timber door.

 **CaviLock®**
Quality Sliding Door Hardware

Dimensions



CaviLock CL100 ADA Lever Turn/Key option

IMPORTANT: Operable parts of hardware must be mounted 34" (865mm) min. and 48" (1220 mm) max. above finished floor to meet ADA guidelines. The clear width of the door opening must be a minimum of 32". Always check State and Federal guidelines relating to the specific project.

Key Locking

The CL100 ADA Lever includes a Euro Profile cylinder with American Schlage C Keyway, specified as either KA (Keyed Alike) or KD (Keyed to Differ). It is most suitable for 1-3/4" thick doors.



Construction

Case:	Die cast Zinc
Internal Parts:	Bronze/Brass
Screws, springs etc:	Stainless Steel
Faceplate & striker:	Brushed Stainless Steel

CL100 Mortise Lock Features

The **CL100 Mortise Lock** is a versatile mortise that has many different internal and external hardware options.

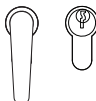


- ▀ Suitable for pocket doors and surface sliding doors
- ▀ Easy to operate
- ▀ Corrosion resistant
- ▀ For use with timber or aluminum doors

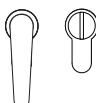
Finish Options & Configurations

Available in Satin Chrome. Cylinders are not handed.

CL100A7018 Lever - ADA Turn / Key



CL100A7020 Lever - ADA Turn / Emergency



Drawings & pictures are not to scale. All dimensions in inches (and mm).

www.cavitysliders.com

High quality products designed in New Zealand



T (888) 466 0030
F (310) 769 5824
E info@cavitysliders.com

Cavity Sliders USA Inc.

548 Finney Ct
Gardena
CA 90248



Another quality product from:

 **CavitySliders**
Quality Sliding Door Hardware

AutoCav

The **CS AutoCav** has been developed to provide a high quality automated pocket door for almost any situation. With a wide range of jamb options and door styles available, the CS AutoCav suits residential, commercial, architectural and healthcare projects.

A number of operating devices are compatible with this system. Installation instructions and comprehensive support are provided. Future servicing (if required) is made easy via the supplied track access panel.



CS AutoCav 120 FramelessGlass pocket door with secure entry.



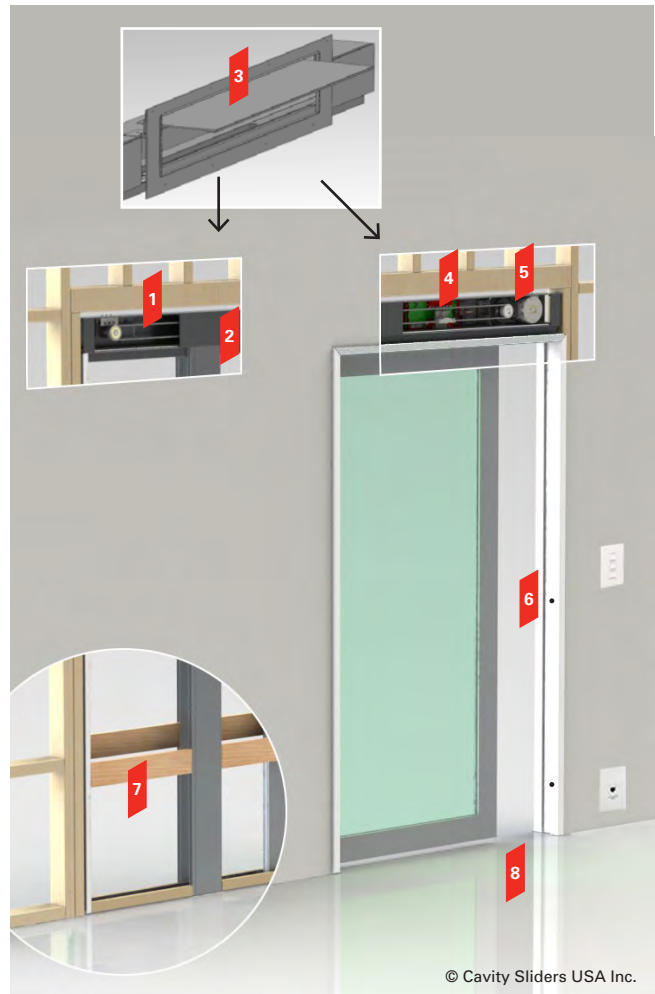
CS AutoCav 90 with panel joinery door.

High quality components have been designed for all parts of the system. This ensures reduced servicing intervals and product longevity. CS can supply a complete system including design and manufacture.

 AutomaticUnits

Standard CS AutoCav Features

- 1 Self-tensioning pulley and heavy duty belt**
Steel reinforced belt combined with self tensioning roller pulley ensures years of service without the need to tighten any belts.
- 2 Track & Carriages**
Heavy duty one-piece extruded aluminum track. Large diameter wheels with precision ground bearings make for smooth running.
- 3 Access panels** ensure access to the track section is always possible.
- 4 Controller**
Fully programmable with many standard operating modes. Includes built in safety beam controller, built in object detection, smart learning modes.
- 5 Motor and gearbox**
Precision cut metal gears and oil filled gearbox provide reliability and strength. Motor locks doors in place without the need for solenoid or magnetic locking devices.
- 6 Safety beam sensors** provide obstacle detection through the opening if required.
- 7 Quality components** have been designed for all parts of the system, ensuring reduced servicing intervals and product longevity.
- 8 No visible floor track**
Hidden T-guide at the base of the pocket guides the door through the opening.



Access Control Options

A variety of access control options are available, from simple push button or overhead sensor to secure entry via touch pad, swipe key or a combination of methods.



Design Features & Options

- Compatible with most control switching devices.
- Supplied fully assembled ready for on-site installation.
- Interface capable - the CS AutoCav can be wired to an overriding PLC or to work in conjunction with fire alarms and security.
- Safety features include electronic obstacle detection and auto-reversing of the door upon meeting an obstruction.
- In the event of power failure, the door can be manually opened or a battery backup can be supplied.