

# STANDOFF AND CLAMP HARDWARE

SC12 CATALOG



Glazing, Architectural, Railing, Construction, Industrial, and Automotive Supplies

## Architectural Products

Entrances  
Storefronts  
Curtain Walls

Window Walls  
Windows  
Sun Control Systems

Hurricane Resistant Systems  
Blast Mitigation Systems  
Monumental Doors

Balanced Doors  
'All-Glass' Door Rails  
Frameless Showers

[crlaurence.com](http://crlaurence.com)

[usalum.com](http://usalum.com)

[crl-arch.com](http://crl-arch.com)



## TABLE OF CONTENTS

All About Standoffs .....	SC01-SC03
1/2" Standoff Systems.....	SC04-SC05
3/4" Standoff Systems.....	SC06-SC09
1" Standoff Systems.....	SC10-SC11
1-1/4" Standoff Systems .....	SC12-SC15
1-1/2" Standoff Systems .....	SC16-SC18
2" Standoff Systems.....	SC20-SC22
UV Standoff Systems and Threaded Adapters .....	SC23
Specialty Standoff Systems.....	SC24-SC27
Custom Standoffs .....	SC28
Standoff Railing Systems .....	SC30-SC33
Cable Systems.....	SC34-SC40
Rod Display Systems .....	SC41-SC43
Swivel Fittings .....	SC44-SC50
Universal and Shelf Glass Clamps.....	SC51-SC56
Z-Series Clamps.....	SC57-SC63
Mall Front Clamps.....	SC64-SC65



## CRL STANDOFF AND GLASS CONNECTION SYSTEMS

**CRL'S FAMILY OF STANDOFF PRODUCTS CAN BE USED INDEPENDENTLY OR TOGETHER TO CREATE UNIQUE DESIGNS**

C.R. Laurence has more than Standoffs. We offer a complete family of Standoff related products. From our standard line of Round and Square Standoffs, to Custom Standoffs, Cap Assemblies, Tube Style Standoffs, Edge Grips, Slot Mount Standoffs, Accent Rings, Swivel Fittings, Framepegs, and Mounting Hardware, CRL has everything you will need to create innovative designs in architecture, store fixtures, signage, and furniture.

CRL's Standoff Display System provides architects and designers unlimited resources for retail store, commercial or restaurant applications. Most are available in Chrome, Brass, Brushed Stainless, Satin Chrome, and Gun Metal finishes. The following pages will provide the information you will require to select the perfect Standoff products for your project.



Round Standoff Bases



Slot Mount Standoffs



Tube Style Standoffs



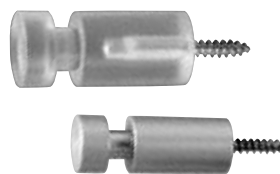
Standard Cap Assemblies



Square Standoff Bases



Edge Grips



Framepegs



Standoff Tube Adaptors



Low Profile Cap Assemblies



Accent Rings

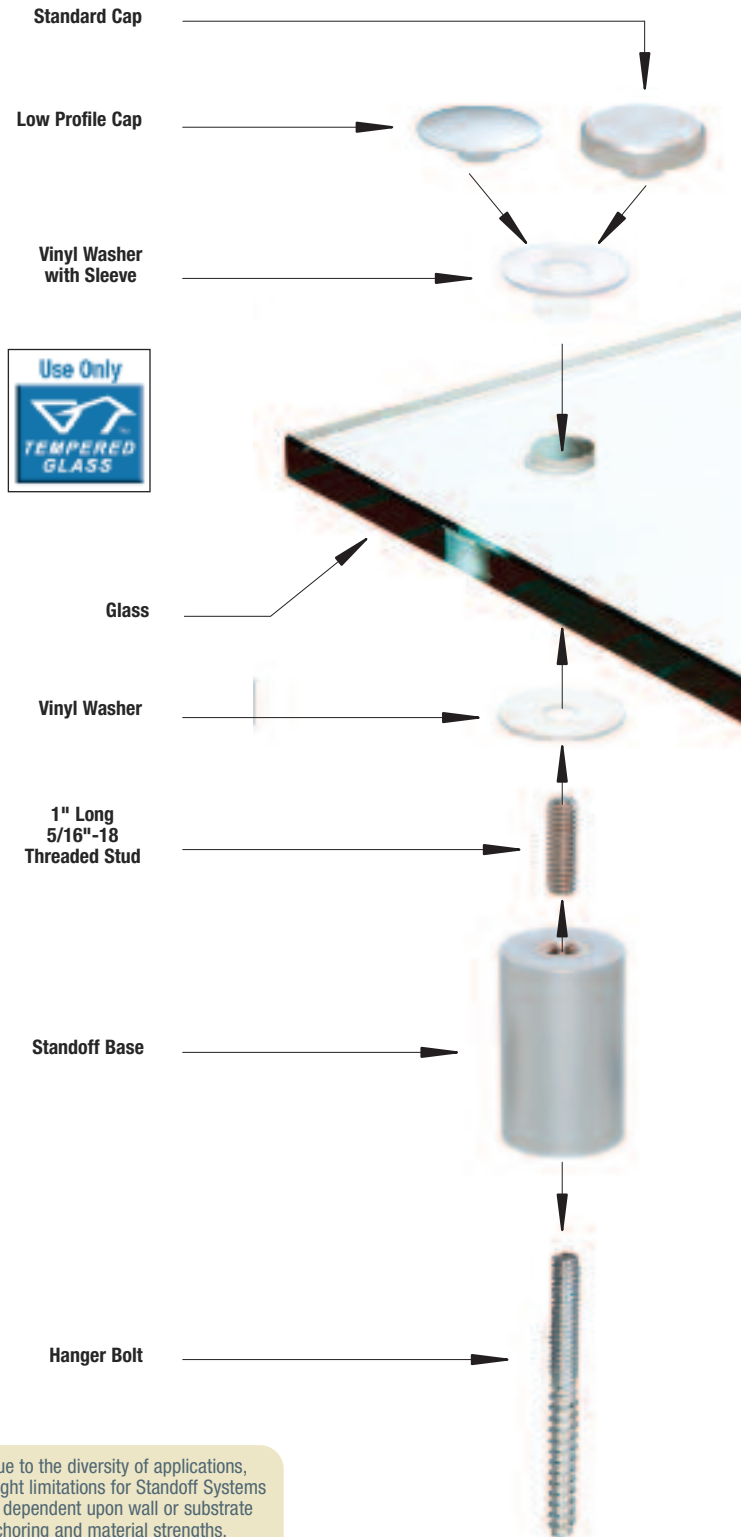


Flush Mount Cap Assemblies



## WHAT ARE SOME OF THE APPLICATIONS FOR CRL STANDOFF SYSTEMS?

- Typical Installation for 1-1/4" (31.7 mm) Diameter Standoff Base and Cap



Standoffs and Cap Assemblies are used to create innovative designs in commercial, retail or residential environments by combining glass and metal to connect panels, display merchandise, to mount signage or artwork to a wall, or to build unique displays. Standoffs can also be used to elevate a glass top above a reception desk, cocktail or lamp table, kitchen counter or bathroom sink. The uses for CRL Standoffs are virtually limitless.



## WHICH CRL STANDOFF SYSTEM SHOULD I USE?

CRL provides the most diverse selection of Standoff products available anywhere. Our 1/2" (12.7 mm) diameter Standoffs are a favorite for lighter weight glass displays or signage. 3/4" (19 mm) diameter Standoffs are the perfect design element for industrial projects such as exhibit building or retail display projects. CRL's 1-1/4" to 2" (31.7 to 50.8 mm) diameter Standoffs are designed to provide solutions for a vast variety of projects. Used to support heavier thicknesses of glass, the applications for this product are only limited by your imagination.



## CRL CUSTOM STANDOFF CAPABILITIES

CRL Custom Standoffs and Cap Assemblies are available in diameters and squares from 1/2" to 4" (12.7 to 102 mm), and in many popular finishes, including powder coating. Fabricated in CRL's California manufacturing facility, most Custom Standoff products are produced to your specifications and have short lead times. Refer to page SC28 for specific product information.

Due to the diversity of applications, weight limitations for Standoff Systems are dependent upon wall or substrate anchoring and material strengths.



# CRL STANDOFF SYSTEMS

For Pricing Visit Our Web Site or Call Us Toll Free at the Phone Numbers Shown on the Back Cover



## CRL 1/2" (12.7 MM) DIAMETER STANDOFF SYSTEM

- Available in Two Distinct 316 Stainless Steel Finishes to Accommodate Any Project Requirement
- Accomplish Your Design Objective by Selecting Any of Six Different Lengths

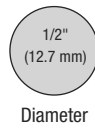
An assortment of lengths makes our 1/2" (12.7 mm) Standoff Base and Cap Assemblies the ideal solution for lighter weight glass displays or signage. Panels require 5/16" (8 mm) holes for assembly. Available finishes are Brushed Stainless and Polished Stainless.

**NOTE:** 1/2" (12.7 mm) Diameter Standoff Bases do not have internal threads. Attach Allen Screw, Hanger Bolt or Threaded Rod directly to the Cap Assembly for anchoring to substrate.



## CRL 1/2" (12.7 MM) DIAMETER STANDOFF BASES

- Six Available Lengths in Two Finishes

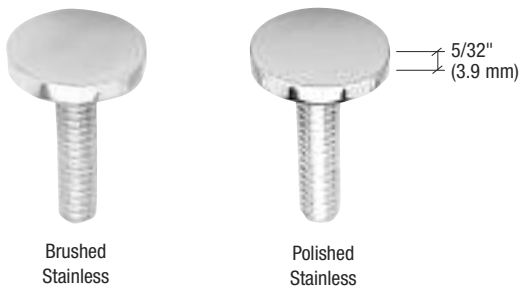


LENGTH	BRUSHED 316 STAINLESS CAT. NO.	POLISHED 316 STAINLESS CAT. NO.
1/4" (6.3 mm)	SOB1214BS	SOB1214PS
1/2" (12.7 mm)	SOB1212BS	SOB1212PS
3/4" (19 mm)	SOB1234BS	SOB1234PS
1" (25.4 mm)	SOB121BS	SOB121PS
1-1/4" (31.7 mm)	SOB12114BS	SOB12114PS
1-1/2" (38.1 mm)	SOB12112BS	SOB12112PS



Minimum order: 1 each. All Standoffs can be combined for quantity pricing.  
**NOTE:** Minimum material thickness for use with 1/2" (12.7 mm) Diameter Standoff Bases is 3/16" (4.7 mm).

## CRL CAP ASSEMBLIES FOR 1/2" (12.7 MM) STANDOFFS



- Cap Assemblies Consist of:**
- 1 Each 316 Stainless Steel Cap
  - 1 Each Washer with 3/16" (4.7 mm) Diameter Hole (Cat. No. SW012S)
  - 1 Each Washer with 1/4" (6.3 mm) Diameter Hole (Cat. No. SW012L)
  - 1 Each 1-1/2" (38.1 mm) Allen Screw

**NOTE:** Panels require 5/16" (8 mm) holes for assembly.

CAT. NO.	FINISH
CAP12BS	Brushed 316 Stainless
CAP12PS	Polished 316 Stainless

Minimum order: 1 each. All Standoff Caps can be combined for quantity pricing.



## CRL 1/2" (12.7 MM) DIAMETER STANDOFF MOUNTING OPTIONS



Tighten Cap down by using CRL Cat. No. 666564 Drill Bit. Insert into the side hole and tighten until snug.  
**NOTE:** Do not over tighten.



Due to the diversity of applications, weight limitations for Standoff Systems are dependent upon wall or substrate anchoring and material strengths.

## CRL MOUNTING ACCESSORIES FOR 1/2" (12.7 MM) DIAMETER STANDOFFS



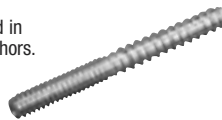
Hanger Bolt Drivers make installing Hanger Bolts into wood studs a breeze.

### HANGER BOLT DRIVER

CAT. NO.	SIZE
165HB1024	10-24

Minimum order: 1 each.

Hanger Bolts can be used in wood, or with plastic anchors.



### HANGER BOLTS

CAT. NO.	FINISH	SIZE
HB10241Z	Zinc	10-24 x 1" (25.4 mm)
HB1024112Z	Zinc	10-24 x 1-1/2" (38.1 mm)
HB10242Z	Zinc	10-24 x 2" (50.8 mm)
HB1024212Z	Zinc	10-24 x 2-1/2" (63.5 mm)

Minimum order: 10 each. Must be ordered in increments of 10.

Hex Nuts are used with applicable Flat Washers and/or Lock Washers to attach Standoffs, or to reshape threads after cutting Threaded Rod or Allen Screws.



### HEX NUTS

CAT. NO.	FINISH	SIZE
HN1024S	Stainless	10-24

Minimum order: 10 each. Must be ordered in increments of 10.

Use Flat Washers with Hex Nuts when attaching Standoffs to panels or substrates.



### FLAT WASHERS

CAT. NO.	FINISH	SIZE
FW10S	Stainless	10-24

Minimum order: 10 each. Must be ordered in increments of 10.

Lock Washers may be used with Hex Nuts for mounting Standoff assemblies.



### LOCK WASHERS

CAT. NO.	FINISH	SIZE
LW10S	Stainless	10-24

Minimum order: 10 each. Must be ordered in increments of 10.

Nylock Hex Nuts may be used without Locking Washers for attachment to Allen Screws or Threaded Rod for 1/2" (12.7 mm) diameter Standoffs.



### NYLOCK HEX NUTS

CAT. NO.	FINISH	SIZE
NLN1024S	Stainless	10-24

Minimum order: 10 each. Must be ordered in increments of 10.

Tee Nuts are mainly used in wood or plywood applications where it can be installed on the back side. Accepts Allen Screw or Threaded Rod.



### TEE NUTS

CAT. NO.	FINISH	SIZE
TN1024Z	Zinc	10-24

Minimum order: 10 each. Must be ordered in increments of 10.

Full 36" (914 mm) lengths of stainless Threaded Rod will permit you to cut Rod to desired length.

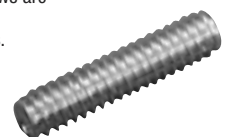


### THREADED RODS

CAT. NO.	FINISH	SIZE
TR1024X36S	Stainless	10-24 x 36" (914 mm)

Minimum order: 1 each.

Stainless Steel Allen Screws are available in 3/4" (19 mm) and 1" (25.4 mm) lengths.



### ALLEN SCREWS

CAT. NO.	FINISH	SIZE
AS102434	Stainless	10-24 x 3/4" (19 mm)
AS10241	Stainless	10-24 x 1" (25.4 mm)

Minimum order: 10 each. Must be ordered in increments of 10.



## CRL 3/4" (19 MM) DIAMETER STANDOFF SYSTEM



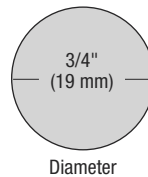
Residential Standoff Project Using 3/4" (19 mm) Custom Standoffs

- Available in Many Distinct Finishes to Accommodate Any Project Requirement
- Accomplish Your Design Objective by Choosing Any of Eight Different Lengths

The vast variety of finishes and lengths gives our 3/4" (19 mm) Standoff Base and Cap Assemblies unlimited potential for medium weight glass displays or signage. Panels require 1/2" (12.7 mm) holes for assembly.

## CRL 3/4" (19 MM) DIAMETER STANDOFF BASES

- Popular Decorator Finishes
- 316 Stainless Steel Can Be Used Indoors or Outdoors



Due to the diversity of applications, weight limitations for Standoff Systems are dependent upon wall or substrate anchoring and material strengths.

LENGTH	BRASS CAT. NO.	CHROME CAT. NO.	SATIN CHROME CAT. NO.	BRUSHED 316 STAINLESS CAT. NO.	POLISHED 316 STAINLESS CAT. NO.	GUN METAL CAT. NO.
1/4" (6.3 mm)	---	---	---	SOB3414BS	SOB3414PS	---
1/2" (12.7 mm)	---	---	---	SOB3412BS	SOB3412PS	---
3/4" (19 mm)	SOB3434BR	SOB3434CH	SOB3434SC	SOB3434BS	SOB3434PS	SOB3434GM
1" (25.4 mm)	SOB341BR	SOB341CH	SOB341SC	SOB341BS	SOB341PS	SOB341GM
1-1/2" (38.1 mm)	SOB34112BR	SOB34112CH	SOB34112SC	SOB34112BS	SOB34112PS	SOB34112GM
2" (50.8 mm)	SOB342BR	SOB342CH	SOB342SC	SOB342BS	SOB342PS	SOB342GM
4" (101.6 mm)	SOB344BR	SOB344CH	SOB344SC	SOB344BS	SOB344PS	SOB344GM
6" (152.4 mm)	SOB346BR	SOB346CH	SOB346SC	SOB346BS	SOB346PS	SOB346GM

Minimum order: 1 each. All Standoffs can be combined for quantity pricing.  
NOTE: Minimum material thickness for use with 1/2" (12.7 mm) Diameter Standoff Bases is 3/16" (4.7 mm).

CRL's 3/4" (19 mm) diameter Standoff's are the perfect design element for projects such as retail displays or exhibit building. 3/4" (19 mm) diameter Bases and Cap Assemblies can also be ordered in custom sizes.



- Available in Up to Eight Lengths

## CRL STAINLESS STEEL STANDOFF TRIM PLATES

- Enhance the Beauty of Your Standoff Installations
- For Use With 3/4" or 1" (19 or 25 mm) Diameter Standoffs

CRL's New Stainless Steel Trim Plates are ideal for either vertical or horizontal standoff base installations. The 316 alloy stainless steel Trim Plate provides both a decorative and functional transition between the standoff base and substrate by dispersing the weight of the glass over a 1-1/2" (38.1 mm) area to decrease the possibility of drywall indentations. Available in both brushed and polished finishes.



Standoff must be purchased separately

**new**

CAT. NO.	FINISH
SO1P1BS	Brushed 316 Stainless
SO1P1PS	Polished 316 Stainless

Minimum order: 1 each. Finishes can be combined for quantity pricing. Standoff Bases are not included.

## CRL ADJUSTABLE STRAP WRENCH

- A Must for Standoff Installations
- Tightens Standoff Base and Standard Style Caps Without Damaging Surfaces

Our Adjustable Strap Wrench is the perfect tool for anyone installing Standoff Bases or polished threaded tubing. The 7/16" (11 mm) wide x 1/8" (3 mm) thick rubber strap quickly and efficiently tightens any plated cylinder without damaging the surface's finish. The strap is easily adjustable from 3/4" (19 mm) to 4" (102 mm) diameter using a conveniently located thumb lever in the handle. Minimum order is one each.



CAT. NO. ASW12



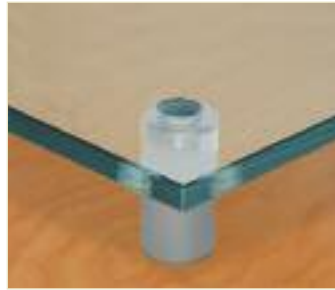
## CRL 3/4" (19 MM) DIAMETER STANDOFF INSTALLATION STEPS



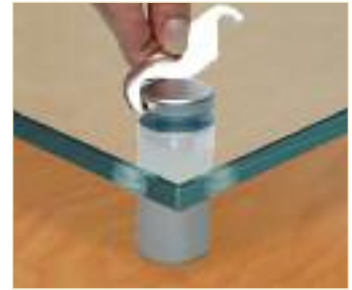
Set Fastener to Surface



Thread Base Onto Fastener



Align Glass on Standoff



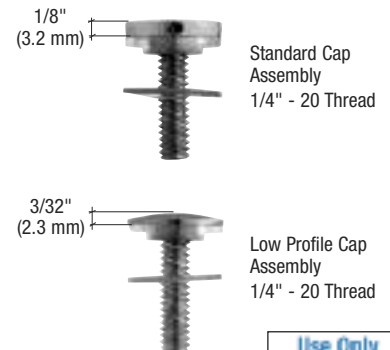
Tighten Cap with Wrench

**NOTE:** Due to the diversity of applications, weight limitations for Standoff Systems are dependent upon wall or substrate anchoring and material strengths.

## CRL CAP ASSEMBLIES FOR 3/4" (19 MM) DIAMETER STANDOFFS

### • Choice of Two Styles Available in Several Popular Finishes

Designed to be used with CRL's 3/4" (19 mm) Standoff Bases, Cap Assemblies are available in matching finishes. Standard Cap Assemblies are easily installed using our Cat. No. SOW Standoff Wrench (see page SC09). The Low Profile Cap Assemblies, which measure 3/32" (2.3 mm) in height, are used for desk tops or furniture where a low profile design is preferred. Low Profile Caps are tightened by placing a flat neoprene or rubber pad in the palm of your hand, applying pressure and turning. **NOTE:** Panels require 1/2" (12.7 mm) holes for assembly.



Standard Cap Assembly  
1/4" - 20 Thread

Low Profile Cap Assembly  
1/4" - 20 Thread

CAP	BRASS CAT. NO.	CHROME CAT. NO.	SATIN CHROME CAT. NO.	BRUSHED 316 STAINLESS CAT. NO.	POLISHED 316 STAINLESS CAT. NO.	GUN METAL CAT. NO.
Standard	<b>CAP34BR</b>	<b>CAP34CH</b>	<b>CAP34SC</b>	<b>CAP34BS</b>	<b>CAP34PS</b>	<b>CAP34GM</b>
Low Profile	<b>LPC34BR</b>	<b>LPC34CH</b>	<b>LPC34SC</b>	<b>LPC34BS</b>	<b>LPC34PS</b>	<b>LPC34GM</b>

Minimum order: 1 each. All Standoff Caps can be combined for quantity pricing.

Cap Assemblies Consist of:

- 1 Each Cap
- 1 Each 1" (25.4 mm) Allen Screw
- 1 Each Washer (Cat. No. HW058)
- 1 Each Washer with Sleeve (Cat. No. HW057)



## CRL TUBE ADAPTORS FOR 3/4" (19 MM) DIAMETER STANDOFFS

### • Adaptors Fit 1-1/2" (38.1 mm) and 2" (50.8 mm) Tubing

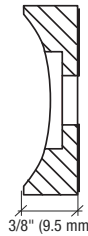
CRL Tube Adaptors allow 3/4" (19 mm) Standoff Bases to be attached to 1-1/2" (38.1 mm) or 2" (50.8 mm) Post Tubing. Use a Cat. No. RN1420 Riv-Nut (see page SC09) for securing the Standoff to the Tubing.



Slide on Adaptor Over  
1/4" - 20 Allen Screw



Attach Standoff Base



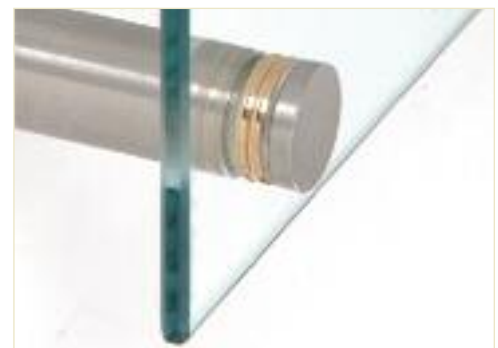
ADAPTOR FOR 1-1/2" TUBING CAT. NO.	ADAPTOR FOR 2" TUBING CAT. NO.	FINISH
<b>3STA112BR</b>	<b>3STA2BR</b>	Brass
<b>3STA112CH</b>	<b>3STA2CH</b>	Chrome
<b>3STA112BS</b>	<b>3STA2BS</b>	Brushed 316 Stainless
<b>3STA112SC</b>	<b>3STA2SC</b>	Satin Chrome

Minimum order: 1 each. All Tube Adaptors can be combined for quantity pricing.

## CRL ACCENT RINGS FOR 3/4" (19 MM) DIAMETER STANDOFFS

- Add a Decorative Accent to Signage or Display Standoffs
- Available in Chrome and Brass

CRL 3/4" (19 mm) Diameter Accent Rings are designed to be used with our 3/4" (19 mm) Diameter Standoff components. The Accent Rings can be placed either between the Standoff Cap and panel, or between the Standoff Base and panel to create an exciting and decorative new look to your signage or display project. Available in both Chrome and Brass finishes, our Accent Rings are most noticeable when mixed with other finishes such as a Brass Accent Ring with a Gun Metal Cap and Base, or a Chrome Accent Ring with a Satin Chrome Cap and Base. Just "mix and match" to obtain the look you want.



CAT. NO.	FINISH
<b>AR34CH</b>	Chrome
<b>AR34BR</b>	Brass

Minimum order: 1 each. All Accent Rings can be combined for quantity pricing.

## CRL 3/4" (19 MM) SQUARE STANDOFF ASSEMBLIES

- Available in Brass, Chrome, and Satin Chrome



CRL's Square Standoff Assemblies are uniquely designed to provide a different style of mounting hardware. They use the same mounting accessories as our very popular 3/4" (19 mm) diameter Round Standoffs.

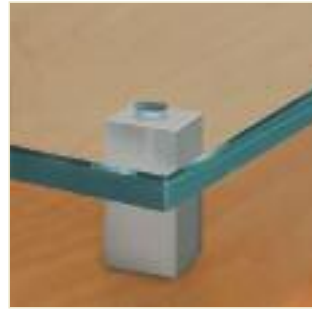
Due to the diversity of applications, weight limitations for Standoff Systems are dependent upon wall or substrate anchoring and material strengths.



Set Fastener to Surface



Thread Base Onto Fastener



Align Glass on Standoff



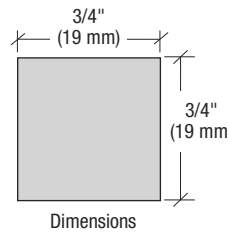
Tighten Secondary Cap and Install Top Cap

## CRL 3/4" (19 MM) SQUARE STANDOFF BASES

- Three Decorator Finishes

3/4" (19 mm) Square Standoff Bases are designed to be used for medium weight glass displays, exhibit or furniture projects. 3/4" (19 mm) Square Cap Assemblies give this system virtually unlimited potential. Available in standard lengths of 3/4" (19 mm), 1" (25.4 mm), 1-1/2" (38.1 mm), 2" (50.8 mm), and 4" (101.6 mm), Square Standoffs can also be ordered in custom sizes.

- Available in Five Standard Lengths



Dimensions



3/4"



1"



1-1/2"



2"



4"

LENGTH	BRASS CAT. NO.	CHROME CAT. NO.	SATIN CHROME CAT. NO.
3/4" (19 mm)	SQ7575BR	SQ7575CH	SQ7575SC
1" (25.4 mm)	SQ751BR	SQ751CH	SQ751SC
1-1/2" (38.1 mm)	SQ75112BR	SQ75112CH	SQ75112SC
2" (50.8 mm)	SQ752BR	SQ752CH	SQ752SC
4" (101.6 mm)	SQ754BR	SQ754CH	SQ754SC

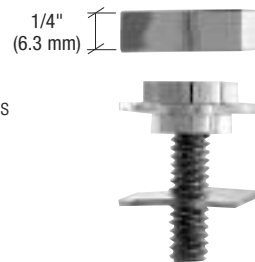
Minimum order: 1 each. All Standoffs can be combined for quantity pricing.  
NOTE: Minimum material thickness for use with 3/4" (19 mm) Square Standoff Bases is 3/16" (4.7 mm).

## CRL 3/4" (19 MM) SQUARE CAP ASSEMBLIES

- Available in Finishes to Match Our Square Bases

CRL's Square Standoff Cap Assemblies are easily installed and aligned with the Square Standoff Bases due to our exclusive design. The secondary cap, with removable Allen screw, has two flat sides which are used to secure the cap to the panel material. When firmly in place, the top cap is placed over the secondary cap, then aligned with the square base and held in position with undetectable double-sided tape. With this design there is no "adjustment" or "trial-and-error" required to line up the cap with the base.

NOTE: Panels require 9/16" (14 mm) diameter holes for assembly.



### SQUARE CAP ASSEMBLIES

CAT. NO.	FINISH
SCAP75BR	Brass
SCAP75CH	Chrome
SCAP75SC	Satin Chrome

### REPLACEMENT PARTS

CAT. NO.	DESCRIPTION
HW060	Washer with Sleeve
HW061	Flat Washer
AS141	1" (25.4 mm) Allen Screw

Minimum order: 1 each. Finishes can be combined for quantity pricing.  
NOTE: Mounting accessories for 3/4" (19 mm) Square Standoffs are shown on page SC09.

Minimum order: 10 each. Must be ordered in increments of 10.

## CRL STANDOFF SYSTEM ACCESSORIES FOR 3/4" (19 MM) STANDOFFS



Concrete Anchor

Hanger Bolt

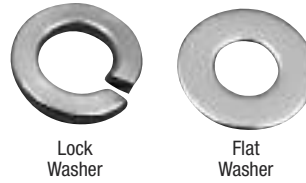
Threaded Rod

Riv-Nut

Allen Screw



Standoff Wrench



Lock Washer

Flat Washer



Nylock Hex Nut



Hex Nut



Tee Nut



Hanger Bolt Drivers make installing Hanger Bolts into wood studs a breeze.

### HANGER BOLT DRIVER

CAT. NO.	SIZE
165HB416	1/4"-20

Minimum order: 1 each.



The Standoff Wrench allows a quick and efficient method for tightening and loosening the Standard Cap Assembly of 3/4" (19 mm), 1" (25 mm), and 1-1/4" (31.7 mm) diameter Round Standoffs.

### STANDOFF WRENCH

CAT. NO.	FINISH	SIZE
SOW	Zinc	4-1/2" (114.3 mm)

Minimum order: 1 each.

### CRL MOUNTING HARDWARE FOR 3/4" (19 MM) SQUARE OR ROUND STANDOFFS

Hex Nuts are used with applicable Flat Washers and/or Lock Washers to attach Standoffs, or to reshape threads after cutting Threaded Rod or Allen Screws.



#### HEX NUTS

CAT. NO.	FINISH	SIZE
HN1420S	Stainless	1/4"-20
HN1420Z	Zinc	1/4"-20

Minimum order: 10 each. Must be ordered in increments of 10.

Use Flat Washers with Hex Nuts when attaching Standoffs to panels or substrates. Available in two finishes.



#### FLAT WASHERS

CAT. NO.	FINISH	SIZE
FW14S	Stainless	1/4"-20
FW14Z	Zinc	1/4"-20

Minimum order: 10 each. Must be ordered in increments of 10.

Tee Nuts are mainly used in wood or plywood applications where they can be installed on the back side. Accepts Allen Screw or Threaded Rod.



#### TEE NUTS

CAT. NO.	FINISH	SIZE
TN1420Z	Zinc	1/4"-20

Minimum order: 10 each. Must be ordered in increments of 10.

Use Riv-Nuts to attach 3STA112 or 3STA2 Standoff Tube Adaptors to 1-1/2" (38.1 mm) and 2" (50.8 mm) diameter Tubing.



#### RIV-NUTS

CAT. NO.	FINISH	SIZE
RN1420	Zinc	1/4"-20

Minimum order: 10 each. Must be ordered in increments of 10.

Use the Concrete Anchor when securing the Standoff Base to a cement or stone wall. Requires 5/16" (8 mm) hole in concrete.



#### CONCRETE ANCHORS

CAT. NO.	SIZE
CA1420	1/4"-20

Minimum order: 1 each.

Lock Washers may be used with Hex Nuts for mounting Standoff assemblies.

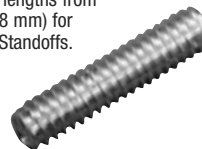


#### LOCK WASHERS

CAT. NO.	FINISH	SIZE
LW14S	Stainless	1/4"-20
LW14Z	Zinc	1/4"-20

Minimum order: 10 each. Must be ordered in increments of 10.

Stainless Steel Allen Screws are available in incremental lengths from 3/4" (19 mm) to 2" (50.8 mm) for 3/4" (19 mm) diameter Standoffs.

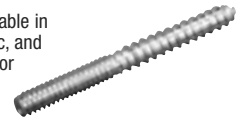


#### ALLEN SCREWS

CAT. NO.	FINISH	SIZE
AS1434	Stainless	1/4"-20 x 3/4" (19 mm)
AS141	Stainless	1/4"-20 x 1" (25.4 mm)
AS14114	Stainless	1/4"-20 x 1-1/4" (31.7 mm)
AS14112	Stainless	1/4"-20 x 1-1/2" (38.1 mm)
AS14134	Stainless	1/4"-20 x 1-3/4" (44.4 mm)
AS142	Stainless	1/4"-20 x 2" (50.8 mm)

Minimum order: 10 each. Must be ordered in increments of 10.

Hanger Bolts are available in both stainless and zinc, and can be used in wood, or with plastic anchors.



#### HANGER BOLTS

CAT. NO.	FINISH	SIZE
HB14112S	Stainless	1/4"-20 x 1-1/2" (38.1 mm)
HB14112Z	Zinc	1/4"-20 x 1-1/2" (38.1 mm)
HB14212S	Stainless	1/4"-20 x 2-1/2" (63.5 mm)
HB14212Z	Zinc	1/4"-20 x 2-1/2" (63.5 mm)

Minimum order: 1 each for Stainless; 10 each for Zinc.

Nylock Hex Nuts may be used without Locking Washers for attachment to Allen Screws or Threaded Rod for 3/4" (19 mm) diameter Standoffs.

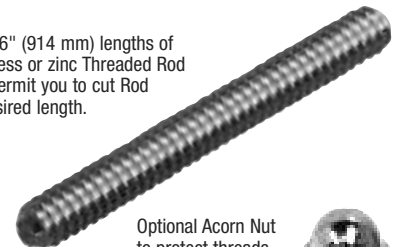


#### NYLOCK HEX NUTS

CAT. NO.	FINISH	SIZE
NLN1420S	Stainless	1/4"-20
NLN1420Z	Zinc	1/4"-20

Minimum order: 10 each. Must be ordered in increments of 10.

Full 36" (914 mm) lengths of stainless or zinc Threaded Rod will permit you to cut Rod to desired length.



Optional Acorn Nut to protect threads during installation.



#### THREADED RODS/ACORN NUTS

CAT. NO.	FINISH	SIZE
TR1420X36S	Stainless	1/4"-20 x 36" (914 mm)
TR1420X36Z	Zinc	1/4"-20 x 36" (914 mm)
ACN1420	Nickel	1/4"-20 Acorn Nut

Minimum order: 1 each for Rods; 10 each for Nuts.



## CRL 1" (25 MM) DIAMETER STANDOFF SYSTEM

- Available in Brushed or Polished Stainless Finishes
- Accomplish Your Design Objective by Choosing Any of Eight Different Lengths

The vast variety of finishes and lengths gives our 1" (25 mm) Standoff Base and Cap Assemblies unlimited potential for medium weight glass displays or signage. Panels require 1/2" (12.7 mm) holes for assembly.

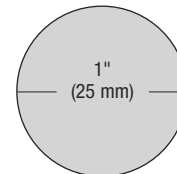


Residential Standoff Project Using 1" (25 mm) Standoffs

## CRL 1" (25 MM) DIAMETER STANDOFF BASES

- Brushed or Polished 316 Stainless Steel Finishes
- Can Be Used Indoors or Outdoors

Due to the diversity of applications, weight limitations for Standoff Systems are dependent upon wall or substrate anchoring and material strengths.



Diameter

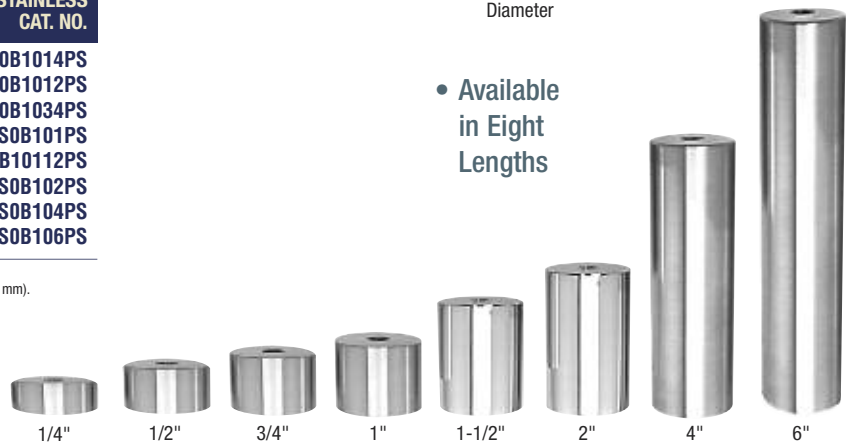


LENGTH	BRUSHED 316 STAINLESS CAT. NO.	POLISHED 316 STAINLESS CAT. NO.
1/4" (6.3 mm)	SOB1014BS	SOB1014PS
1/2" (12.7 mm)	SOB1012BS	SOB1012PS
3/4" (19 mm)	SOB1034BS	SOB1034PS
1" (25.4 mm)	SOB101BS	SOB101PS
1-1/2" (38.1 mm)	SOB10112BS	SOB10112PS
2" (50.8 mm)	SOB102BS	SOB102PS
4" (101.6 mm)	SOB104BS	SOB104PS
6" (152.4 mm)	SOB106BS	SOB106PS

Minimum order: 1 each. All Standoffs can be combined for quantity pricing.  
NOTE: Minimum material thickness for use with 1/2" (12.7 mm) Diameter Standoff Bases is 3/16" (4.7 mm).

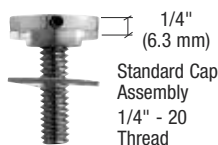
CRL's 1" (25 mm) diameter Standoffs are the perfect design element for projects such as retail displays or exhibit building. 1" (25 mm) diameter Bases and Cap Assemblies can also be ordered in custom sizes.

- Available in Eight Lengths



## CRL CAP ASSEMBLIES FOR 1" (25 MM) DIAMETER STANDOFFS

- Available in Brushed or Polished 316 Stainless Steel Finishes



Designed to be used with CRL's 1" (25 mm) Standoff Bases, Cap Assemblies are available in matching finishes. Cap Assemblies are easily installed using our Cat. No. S0W Standoff Wrench (see page SC11). NOTE: Panels require 1/2" (12.7 mm) holes for assembly.



### Cap Assemblies Consist of:

- 1 Each Cap
- 1 Each 1" (25.4 mm) Allen Screw
- 1 Each Washer (Cat. No. HW058)
- 1 Each Washer with Sleeve (Cat. No. HW057)

CAT. NO.	FINISH
CAP1BS	Brushed 316 Stainless
CAP1PS	Polished 316 Stainless

Minimum order: 1 each. All Standoff Caps can be combined for quantity pricing.

## CRL STAINLESS STEEL STANDOFF TRIM PLATES

- Enhance the Beauty of Your Standoff Installations
- For Use With 3/4" or 1" (19 or 25 mm) Diameter Standoffs

CRL's New Stainless Steel Trim Plates are ideal for either vertical or horizontal standoff base installations. The 316 alloy stainless steel Trim Plate provides both a decorative and functional transition between the standoff base and substrate by dispersing the weight of the glass over a 1-1/2" (38.1 mm) area to decrease the possibility of drywall indentations. Available in both brushed and polished finishes.



Standoff must be purchased separately

**new**



CAT. NO.	FINISH
SOTP1BS	Brushed 316 Stainless
SOTP1PS	Polished 316 Stainless

Minimum order: 1 each. Finishes can be combined for quantity pricing. Standoff Bases are not included.

## CRL STANDOFF SYSTEM ACCESSORIES FOR 1" (25 MM) STANDOFFS



Concrete Anchor



Hanger Bolt



Threaded Rod



Allen Screw



Riv-Nut



Standoff Wrench



Lock Washer



Flat Washer



Nylock Hex Nut



Hex Nut



Tee Nut



Hanger Bolt Drivers make installing Hanger Bolts into wood studs a breeze.



The Standoff Wrench allows a quick and efficient method for tightening and loosening the Standard Cap Assembly of 3/4" (19 mm), 1" (25 mm), and 1-1/4" (31.7 mm), diameter Round Standoffs.

### CRL MOUNTING HARDWARE FOR 1" (25 MM) ROUND STANDOFFS

Hex Nuts are used with applicable Flat Washers and/or Lock Washers to attach Standoffs, or to reshape threads after cutting Threaded Rod or Allen Screws.



#### HEX NUTS

CAT. NO.	FINISH	SIZE
HN1420S	Stainless	1/4"-20
HN1420Z	Zinc	1/4"-20

Minimum order: 10 each. Must be ordered in increments of 10.

Use Flat Washers with Hex Nuts when attaching Standoffs to panels or substrates. Available in two finishes.



#### FLAT WASHERS

CAT. NO.	FINISH	SIZE
FW14S	Stainless	1/4"-20
FW14Z	Zinc	1/4"-20

Minimum order: 10 each. Must be ordered in increments of 10.

Tee Nuts are mainly used in wood or plywood applications where they can be installed on the back side. Accepts Allen Screw or Threaded Rod.



#### TEE NUTS

CAT. NO.	FINISH	SIZE
TN1420Z	Zinc	1/4"-20

Minimum order: 10 each. Must be ordered in increments of 10.

Use Riv-Nuts to attach 3STA112 or 3STA2 Standoff Tube Adaptors to 1-1/2" (38.1 mm) and 2" (50.8 mm) diameter Tubing.



#### RIV-NUTS

CAT. NO.	FINISH	SIZE
RN1420	Zinc	1/4"-20

Minimum order: 10 each. Must be ordered in increments of 10.

Use the Concrete Anchor when securing the Standoff Base to a cement or stone wall. Requires 5/16" (8 mm) hole in concrete.



#### CONCRETE ANCHORS

CAT. NO.	SIZE
CA1420	1/4"-20

Minimum order: 1 each.

Lock Washers may be used with Hex Nuts for mounting Standoff assemblies.

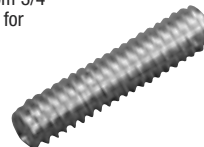


#### LOCK WASHERS

CAT. NO.	FINISH	SIZE
LW14S	Stainless	1/4"-20
LW14Z	Zinc	1/4"-20

Minimum order: 10 each. Must be ordered in increments of 10.

Stainless Steel Allen Screws are available in incremental lengths from 3/4" (19 mm) to 2" (50.8 mm) for 1" (25 mm) diameter Standoffs.

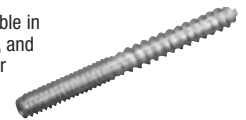


#### ALLEN SCREWS

CAT. NO.	FINISH	SIZE
AS1434	Stainless	1/4"-20 x 3/4" (19 mm)
AS141	Stainless	1/4"-20 x 1" (25.4 mm)
AS14114	Stainless	1/4"-20 x 1-1/4" (31.7 mm)
AS14112	Stainless	1/4"-20 x 1-1/2" (38.1 mm)
AS14134	Stainless	1/4"-20 x 3/4" (44.4 mm)
AS142	Stainless	1/4"-20 x 2" (50.8 mm)

Minimum order: 10 each. Must be ordered in increments of 10.

Hanger Bolts are available in both stainless and zinc, and can be used in wood, or with plastic anchors.



#### HANGER BOLTS

CAT. NO.	FINISH	SIZE
HB14112S	Stainless	1/4"-20 x 1-1/2" (38.1 mm)
HB14112Z	Zinc	1/4"-20 x 1-1/2" (38.1 mm)
HB14212S	Stainless	1/4"-20 x 2-1/2" (63.5 mm)
HB14212Z	Zinc	1/4"-20 x 2-1/2" (63.5 mm)

Minimum order: 1 each for Stainless; 10 each for Zinc.

Nylock Hex Nuts may be used without Locking Washers for attachment to Allen Screws or Threaded Rod for 1" (25 mm) diameter Standoffs.

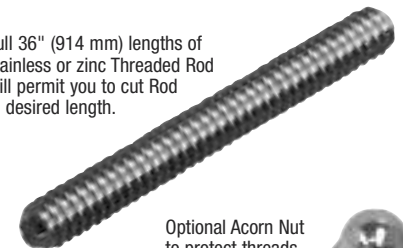


#### NYLOCK HEX NUTS

CAT. NO.	FINISH	SIZE
NLN1420S	Stainless	1/4"-20
NLN1420Z	Zinc	1/4"-20

Minimum order: 10 each. Must be ordered in increments of 10.

Full 36" (914 mm) lengths of stainless or zinc Threaded Rod will permit you to cut Rod to desired length.



Optional Acorn Nut to protect threads during installation.



#### THREADED RODS/ACORN NUTS

CAT. NO.	FINISH	SIZE
TR1420X36S	Stainless	1/4"-20 x 36" (914 mm)
TR1420X36Z	Zinc	1/4"-20 x 36" (914 mm)
ACN1420	Nickel	1/4"-20 Acorn Nut

Minimum order: 1 each for Rods; 10 each for Nuts.

## CRL 1-1/4" (31.7 MM) DIAMETER STANDOFF SYSTEM

- Available in Many Distinct Finishes to Accommodate Any Project Requirement
- Accomplish Your Design Objective by Choosing Any of Eight Different Lengths

Create a combination of different looks with our 1-1/4" (31.7 mm) Standoff System by designing a series of displays or architectural projects utilizing our vast array of Bases.

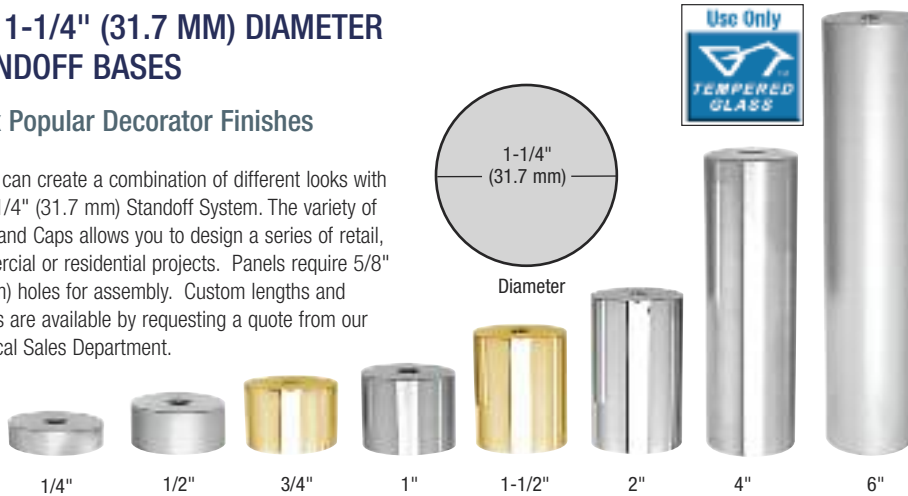


Standoffs Used for Railing Projects

## CRL 1-1/4" (31.7 MM) DIAMETER STANDOFF BASES

- Six Popular Decorator Finishes

You can create a combination of different looks with our 1-1/4" (31.7 mm) Standoff System. The variety of Bases and Caps allows you to design a series of retail, commercial or residential projects. Panels require 5/8" (16 mm) holes for assembly. Custom lengths and finishes are available by requesting a quote from our Technical Sales Department.



Due to the diversity of applications, weight limitations for Standoff Systems are dependent upon wall or substrate anchoring and material strengths.

LENGTH	BRASS CAT. NO.	CHROME CAT. NO.	SATIN CHROME CAT. NO.	BRUSHED 316 STAINLESS CAT. NO.	POLISHED 316 STAINLESS CAT. NO.	GUN METAL CAT. NO.
1/4" (6.3 mm)	SOB11414BR	SOB11414CH	SOB11414SC	SOB11414BS	SOB11414PS	SOB11414GM
1/2" (12.7 mm)	SOB11412BR	SOB11412CH	SOB11412SC	SOB11412BS	SOB11412PS	SOB11412GM
3/4" (19 mm)	SOB11434BR	SOB11434CH	SOB11434SC	SOB11434BS	SOB11434PS	SOB11434GM
1" (25.4 mm)	SOB11411BR	SOB11411CH	SOB11411SC	SOB11411BS	SOB11411PS	SOB11411GM
1-1/2" (38.1 mm)	SOB114112BR	SOB114112CH	SOB114112SC	SOB114112BS	SOB114112PS	SOB114112GM
2" (50.8 mm)	SOB1142BR	SOB1142CH	SOB1142SC	SOB1142BS	SOB1142PS	SOB1142GM
4" (101.6 mm)	SOB1144BR	SOB1144CH	SOB1144SC	SOB1144BS	SOB1144PS	SOB1144GM
6" (152.4 mm)	SOB1146BR	SOB1146CH	SOB1146SC	SOB1146BS	SOB1146PS	SOB1146GM

Minimum order: 1 each. All Standoffs can be combined for quantity pricing. NOTE: Minimum material thickness for use with 1-1/4" (31.7 mm) diameter Standoff Bases is 1/4" (6.3 mm) when used with Standard and Low Profile Caps, and 3/8" (9.5 mm) when used with Flush Mount Cap.

### REPLACEMENT CLEAR VINYL WASHERS

CAT. NO.	WASHER SIZE (O.D. X I.D.)
SW114S	1-1/4" (31.7 mm) x 5/16" (7.9 mm)
SW114L	1-1/4" (31.7 mm) x 7/16" (11.1 mm)
SM716	9/16" (14.3 mm) x 7/16" (11.1 mm)

Minimum order: 10 each. Must be ordered in increments of 10.

## CRL ACCENT RINGS FOR 1-1/4" (31.7 MM) DIAMETER STANDOFFS

- Add a Decorative Accent to Signage or Display Standoffs
- Available in Chrome and Brass

CRL 1-1/4" (31.7 mm) Accent Rings are designed to be used with our 1-1/4" (31.7 mm) Diameter Standoff components. Accent Rings can be placed either between the Standoff Cap and the panel, or between the Standoff Base and the panel to create a decorative new look to your signage or display projects.

Available in both Chrome and Brass finishes, Accent Rings are most noticeable when mixed with other finishes, such as a Brass Accent Ring with a Gun Metal Cap and Base, or a Chrome Accent Ring with a Satin Chrome Cap and Base. Just "mix and match" to obtain the look you want. The 1-1/4" (31.7 mm) diameter Accent Ring is countersunk to accept the Cap Assembly, and is supplied with a clear vinyl washer to protect the glass.



Accent Ring



Vinyl Washer

CAT. NO.	FINISH
AR114CH	Chrome
AR114BR	Brass

Minimum order: 1 each. All Accent Rings can be combined for quantity pricing.



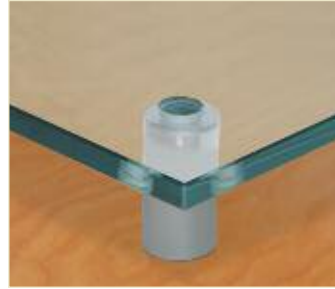
## CRL 1-1/4" (31.7 MM) DIAMETER STANDOFF INSTALLATION STEPS



Set Fastener to Surface



Thread Base Onto Fastener



Align Glass on Standoff



Tighten Cap with Wrench

**NOTE:** Due to the diversity of applications, weight limitations for Standoff Systems are dependent upon wall or substrate anchoring and material strengths.

## CRL CAP ASSEMBLIES FOR 1-1/4" (31.7 MM) DIAMETER STANDOFFS

Designed to be used with CRL's 1-1/4" (31.7 mm) Standoff Bases, Standard Cap Assemblies are available in matching finishes, and are easily tightened when being installed into Bases by using our Cat. No. SOW Standoff Wrench.

**NOTE:** Panels require 5/8" (16 mm) holes for assembly.



CAT. NO.	FINISH
CAP114BR	Brass
CAP114BS	Brushed 316 Stainless
CAP114PS	Polished 316 Stainless
CAP114CH	Chrome
CAP114SC	Satin Chrome
CAP114GM	Gun Metal

### Cap Assemblies Consist of:

- 1 Each Cap
- 1 Each 1" (25.4 mm) Allen Screw
- 2 Each Washers (Cat. Nos. SW114L and SW114S)
- 1 Each Vinyl Sleeve (Cat. No. SM716)

Minimum order: 1 each. All Standoff Caps can be combined for quantity pricing.

## CRL STAINLESS STEEL STANDOFF TRIM PLATES

- Enhance the Beauty of Your Standoff Installations
- For Use With 1-1/4" (31.7 mm) Diameter Standoffs

CRL's New Stainless Steel Trim Plates are ideal for either vertical or horizontal standoff base installations. The 316 alloy stainless steel Trim Plate provides both a decorative and functional transition between the standoff base and substrate by dispersing the weight of the glass over a 1-3/4" (44.4 mm) area to decrease the possibility of drywall indentations. Available in both brushed and polished finishes.

**new**



Standoff must be purchased separately

CAT. NO.	FINISH
SOTP114BS	Brushed 316 Stainless
SOTP114PS	Polished 316 Stainless

Minimum order: 1 each. Finishes can be combined for quantity pricing. Standoff Bases are not included.

## CRL LOW PROFILE CAP ASSEMBLIES

Our Low Profile Cap Assemblies, which measure 1/8" (3.2 mm) in height, are used for desktops or furniture where a low profile design is preferred. Low Profile Caps are tightened by placing a flat neoprene or rubber pad in the palm of your hand, then applying pressure and turning.



CAT. NO.	FINISH
LPC114BR	Brass
LPC114BS	Brushed 316 Stainless
LPC114PS	Polished 316 Stainless
LPC114CH	Chrome
LPC114SC	Satin Chrome
LPC114GM	Gun Metal

### Cap Assemblies Consist of:

- 1 Each Cap
- 1 Each 3/4" (19 mm) Allen Screw
- 1 Each Large Hole Vinyl Washer with Sleeve
- 1 Each Small Hole Vinyl Washer

Minimum order: 1 each. All Standoff Caps can be combined for quantity pricing.

## CRL FLUSH MOUNT CAP ASSEMBLY

CRL's Flush Mount Cap Assembly is designed to be used with 1-1/4" (31.7 mm) Standoff Bases in applications where the Standoff Cap must be flush with the surface of the glass. The Flush Cap comes with a 22 mm, 5/16"-18 Socket Head Screw with washers. The Flush Cap measures 1-1/8" (28.6 mm) in diameter. Minimum material thickness is 3/8" (9.5 mm). An optional 1-3/8" (35 mm) Screw is available for use with thicker materials. Minimum order is one each.



CAT. NO. CAPF114BS  
Flush Cap

**NOTE:**  
Fabrication Requirements for Flush Cap: 3/4" Diameter Hole; 1-1/2" Countersink (to desired depth) Using Cat. No. BDC112 Diamond Countersink



CAT. NO. CAP35S  
1-3/8" (35 mm) Screw

## CRL TUBE ADAPTORS FOR 1-1/4" (31.7 MM) DIAMETER STANDOFFS

- Adaptors Fit 1-1/2" (38.1 mm) and 2" (50.8 mm) Tubing

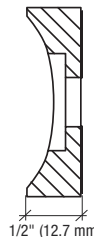
CRL Tube Adaptors allow 1-1/4" (31.7 mm) Standoffs and Slot Mount Standoffs to be attached to 1-1/2" (38.1 mm) or 2" (50.8 mm) Post Tubing. Use a Cat. No. ZRNU Riv-Nut (see page SC15) to secure the Standoff to the Tubing.



Slide on Adaptor Over 5/16" - 18 Allen Screw



Attach Standoff Base



1/2" (12.7 mm)

ADAPTOR FOR 1-1/2" TUBING CAT. NO.	ADAPTOR FOR 2" TUBING CAT. NO.	FINISH
STA112BR	STA2BR	Brass
STA112CH	STA2CH	Chrome
STA112BS	STA2BS	Brushed 316 Stainless
STA112SC	STA2SC	Stain Chrome

Minimum order: 1 each. All Tube Adaptors can be combined for quantity pricing.

## CRL 1-1/4" (31.7 MM) SQUARE STANDOFF ASSEMBLIES

- Uniquely Styled
- Available in Three Popular Finishes



CRL's Square Standoff Assemblies create a new and contemporary look that is certain to achieve maximum attention. Available in Brass, Chrome, and Satin Chrome, they use the same mounting accessories as our very popular 1-1/4" (31.7 mm) diameter Round Standoffs. Panels require 5/8" (16 mm) diameter holes for assembly.

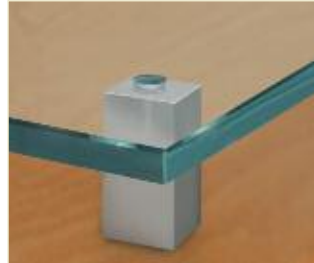
Due to the diversity of applications, weight limitations for Standoff Systems are dependent upon wall or substrate anchoring and material strengths.



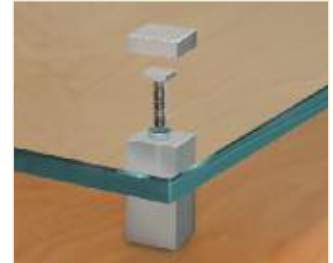
Set Fastener to Surface



Thread Base Onto Fastener



Align Glass on Standoff

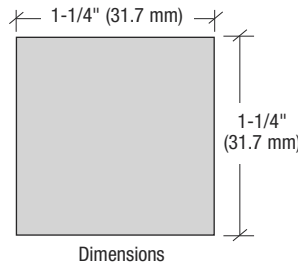


Tighten Secondary Cap and Install Top Cap

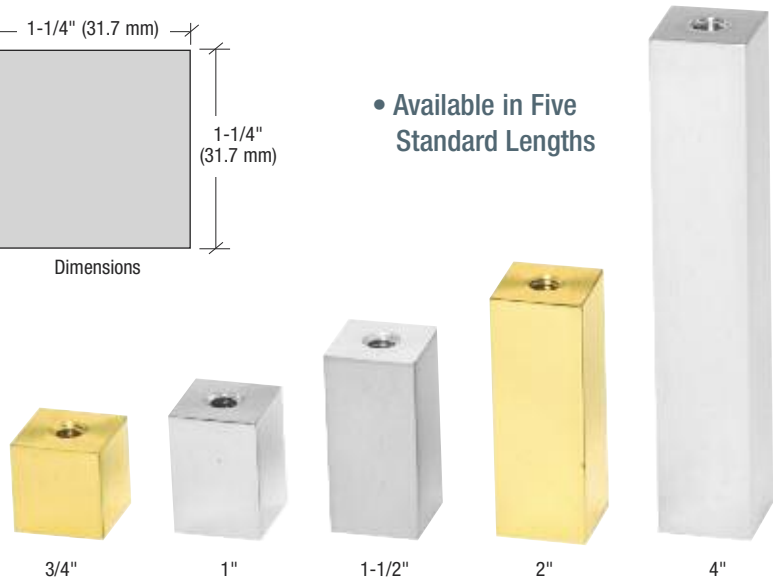
## CRL 1-1/4" (31.7 MM) SQUARE STANDOFF BASES

- New Standoff Configuration for Special Projects

CRL's 1-1/4" (31.7 mm) Square Standoff Bases are the perfect component for countertops, desks or furniture design. The five available lengths are adequate for most projects, but if custom lengths are required you can contact our Technical Sales Department for a quote.



- Available in Five Standard Lengths



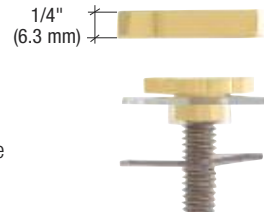
LENGTH	BRASS CAT. NO.	CHROME CAT. NO.	SATIN CHROME CAT. NO.
3/4" (19 mm)	SQ12575BR	SQ12575CH	SQ12575SC
1" (25.4 mm)	SQ1251BR	SQ1251CH	SQ1251SC
1-1/2" (38.1 mm)	SQ125112BR	SQ125112CH	SQ125112SC
2" (50.8 mm)	SQ1252BR	SQ1252CH	SQ1252SC
4" (101.6 mm)	SQ1254BR	SQ1254CH	SQ1254SC

Minimum order: 1 each. All Standoffs can be combined for quantity pricing.  
NOTE: Minimum material thickness for use with 1-1/4" Square Standoff Bases is 1/4" (6.3 mm).

## CRL 1-1/4" (31.7 MM) SQUARE CAP ASSEMBLIES

- Use With 1-1/4" (31.7 mm) Square Bases or as Decorative Wall Fasteners

Our 1-1/4" (31.7 mm) Square Standoff Cap Assemblies can be used with Square Bases or independently to attach panels or artwork to a wall. The Cap Assembly comes with a detachable 5/16"-18 x 1" Allen screw that requires a 5/8" (16 mm) hole for assembly. With this unique design there is no "adjustment" or "trial-and-error" required to line up the cap with the base.



### SQUARE CAP ASSEMBLIES

CAT. NO.	FINISH
SCAP125BR	Brass
SCAP125CH	Chrome
SCAP125SC	Satin Chrome

Minimum order: 1 each. Finishes can be combined for quantity pricing.  
NOTE: Mounting accessories for 1-1/4" (31.7 mm) Square Standoffs are shown on page SC15.

### REPLACEMENT PARTS

CAT. NO.	DESCRIPTION
HW062	Washer with Sleeve
HW063	Flat Washer
AS5161	1" (25.4 mm) Allen Screw

Minimum order: 10 each. Must be ordered in increments of 10.

## CRL STANDOFF SYSTEM ACCESSORIES FOR 1-1/4" (31.7 MM) STANDOFFS

• For Both Round and Square Standoffs



Concrete Anchor

Hanger Bolt

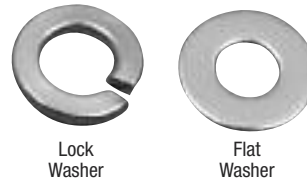
Threaded Rod

Riv-Nut

Allen Screw

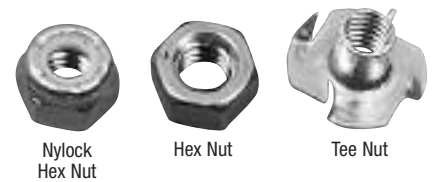


Standoff Wrench



Lock Washer

Flat Washer



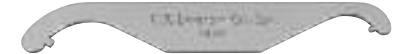
Nylock Hex Nut

Hex Nut

Tee Nut



Hanger Bolt Drivers make installing Hanger Bolts into wood studs a breeze.



The Standoff Wrench allows a quick and efficient method for tightening and loosening the Standard Cap Assembly of 3/4" (19 mm), 1" (25 mm), and 1-1/4" (31.7 mm) diameter Round Standoffs.

### HANGER BOLT DRIVER

CAT. NO.	SIZE
165HB516	5/16"-18

Minimum order: 1 each.

### STANDOFF WRENCH

CAT. NO.	FINISH	SIZE
SOW	Zinc	4-1/2" (114.3 mm)

Minimum order: 1 each.

### CRL MOUNTING HARDWARE FOR 1-1/4" (31.7 MM) SQUARE OR ROUND STANDOFFS

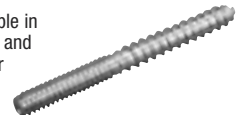
Hex Nuts are used with applicable Flat Washers and/or Lock Washers to attach Standoffs, or to reshape threads after cutting Threaded Rod or Allen Screws.



Use the Concrete Anchor when securing the Standoff Base to a cement or stone wall. Requires 3/8" (9.5 mm) hole in concrete.



Hanger Bolts are available in both stainless and zinc, and can be used in wood, or with plastic anchors.



#### HEX NUTS

CAT. NO.	FINISH	SIZE
HN51618S	Stainless	5/16"-18
HN51618Z	Zinc	5/16"-18

Minimum order: 10 each. Must be ordered in increments of 10.

#### CONCRETE ANCHORS

CAT. NO.	SIZE
CA51618	5/16"-18

Minimum order: 1 each.

Use Flat Washers with Hex Nuts when attaching Standoffs to panels or substrates. Available in two finishes.



Lock Washers may be used with Hex Nuts for mounting Standoff assemblies.



Nylock Hex Nuts may be used without Locking Washers for attachment to Allen Screws or Threaded Rod for 1-1/4" (31.7 mm) diameter Standoffs.



#### FLAT WASHERS

CAT. NO.	FINISH	SIZE
FW516S	Stainless	5/16"-18
FW516Z	Zinc	5/16"-18

Minimum order: 10 each. Must be ordered in increments of 10.

#### LOCK WASHERS

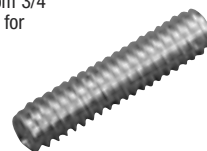
CAT. NO.	FINISH	SIZE
LW516S	Stainless	5/16"-18
LW516Z	Zinc	5/16"-18

Minimum order: 10 each. Must be ordered in increments of 10.

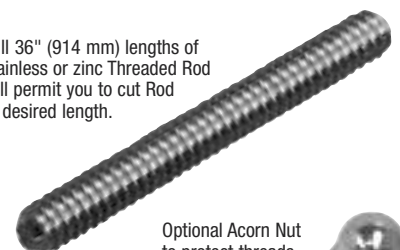
Tee Nuts are mainly used in wood or plywood applications where they can be installed on the back side. Accepts Allen Screw or Threaded Rod.



Stainless Steel Allen Screws are available in incremental lengths from 3/4" (19 mm) to 2" (50.8 mm) for 1-1/4" (31.7 mm) diameter Standoffs.



Full 36" (914 mm) lengths of stainless or zinc Threaded Rod will permit you to cut Rod to desired length.



Optional Acorn Nut to protect threads during installation.



#### TEE NUTS

CAT. NO.	FINISH	SIZE
TN51618Z	Zinc	5/16"-18

Minimum order: 10 each. Must be ordered in increments of 10.

Use Riv-Nuts to attach STA112 or STA2 Standoff Tube Adaptors to 1-1/2" (38.1 mm) and 2" (50.8 mm) diameter Tubing.



#### ALLEN SCREWS

CAT. NO.	FINISH	SIZE
AS51634	Stainless	5/16"-18 x 3/4" (19 mm)
AS5161	Stainless	5/16"-18 x 1" (25.4 mm)
AS516114	Stainless	5/16"-18 x 1-1/4" (31.7 mm)
AS516112	Stainless	5/16"-18 x 1-1/2" (38.1 mm)
AS516134	Stainless	5/16"-18 x 1-3/4" (44.4 mm)
AS5162	Stainless	5/16"-18 x 2" (50.8 mm)

Minimum order: 10 each. Must be ordered in increments of 10.

#### RIV-NUTS

CAT. NO.	FINISH	SIZE
ZRNU	Zinc	5/16"-18

Minimum order: 10 each. Must be ordered in increments of 10.

#### THREADED RODS/ACORN NUTS

CAT. NO.	FINISH	SIZE
TR51618X36S	Stainless	5/16"-18 x 36" (914 mm)
TR51618X36Z	Zinc	5/16"-18 x 36" (914 mm)
ACN51618	Nickel	5/16"-18 Acorn Nut

Minimum order: 1 each for Rods; 10 each for Nuts.



## CRL 1-1/2" (38.1 MM) DIAMETER 316 STAINLESS STEEL STANDOFF SYSTEM

- Available in Brushed and Polished 316 Stainless Steel in Six Standard Lengths
- Secured With 3/8"-16 Threaded Stud
- Custom Sizes and Finishes Are Also Available



CRL's 1-1/2" (38.1 mm) Diameter Standoffs are perfect for attaching heavy glass, granite, and marble to the top of cabinetry. They are available in Brushed or Polished 316 Stainless in a range of standard lengths from 1/2" to 4" (12.7 to 101.6 mm).

Our ability to produce custom size Standoffs in different sizes, thread configurations, and finishes means you can always have the Standoff you need to suit your customer's requirements. See page SC28 for Custom Standoff information.

## CRL 1-1/2" (38.1 MM) DIAMETER STANDOFF BASES

Due to the diversity of applications, weight limitations for Standoff Systems are dependent upon wall or substrate anchoring and material strengths.

CRL's 1-1/2" (38.1 mm) Diameter Standoff Bases are 3/8"-16 threaded at both ends up to 1" (25.4 mm) deep. They can be mounted using 3/8"-16 thread Allen Screws, Threaded Rods, or Hanger Bolts shown on page SC18. Six standard lengths from 1/2" to 4" (12.7 to 101.6 mm) are stocked in Brushed or Polished 316 Stainless. Cap Assemblies (shown below) must be ordered separately.



### 1-1/2" (38.1 MM) DIAMETER STANDOFF BASES

LENGTH	BRUSHED 316 STAINLESS CAT. NO.	POLISHED 316 STAINLESS CAT. NO.
1/2" (12.7 mm)	SOB11212BS	SOB11212PS
3/4" (19 mm)	SOB11234BS	SOB11234PS
1" (25.4 mm)	SOB1121BS	SOB1121PS
1-1/2" (38.1 mm)	SOB112112BS	SOB112112PS
2" (50.8 mm)	SOB1122BS	SOB1122PS
4" (101.6 mm)	SOB1124BS	SOB1124PS

- Two 316 Stainless Finishes
- Six Standard Lengths



Minimum order: 1 each. All Standoff Bases can be combined for quantity pricing.

## CRL CAP ASSEMBLIES FOR 1-1/2" (38.1 MM) DIAMETER STANDOFFS

- Two 316 Stainless Finishes

CRL's 1-1/2" (38.1 mm) Standoff Caps are supplied with a 3/8"-16 x 1" (25.4 mm) Stainless Steel Allen Screw, one Washer with molded sleeve, and one plain Washer. A hole in the side of the Cap is provided for tightening and loosening the Cap to the Standoff Base. Brushed or Polished 316 Stainless finishes to match our 1-1/2" (38.1 mm) Diameter Standoff Bases.



### 1-1/2" (38.1 MM) ROUND CAP ASSEMBLY

CAT. NO.	FINISH
CAP112BS	Brushed Stainless
CAP112PS	Polished Stainless

### 1-1/2" (38.1 MM) REPLACEMENT WASHERS

CAT. NO.	DESCRIPTION
CWK112	Vinyl Washer Set

Minimum order: 1 pack.

Minimum order: 1 each. All Standoff Caps can be combined for quantity pricing.

## CRL FLUSH MOUNT CAP ASSEMBLY

CRL's Flush Mount Cap Assembly is designed to be used with 1-1/2" (38.1 mm) Standoff Bases in applications where the Standoff Cap must be flush with the surface of the glass. The Flush Cap comes with a 22 mm, 3/8"-16 Socket Head Screw with washers. The Flush Cap measures 1-3/8" (35 mm) in diameter. Minimum material thickness is 3/8" (9.5 mm). An optional 1-1/2" (38.1 mm) Screw is available for use with thicker materials. Minimum order is one each.



CAT. NO. CAPF112BS  
Flush Cap

**NOTE:**  
Fabrication Requirements for Flush Cap: 3/4" Diameter Hole; 1-1/2" Countersink (to desired depth) Using Cat. No. BDC112 Diamond Countersink



CAT. NO. CAP38S  
1-1/2" (38.1 mm) Screw

## CRL 1-1/2" (38.1 MM) DIAMETER CLAD ALUMINUM STANDOFFS

- Clad in Brushed and Polished 316 Stainless Steel in Five Standard Lengths
- Secured With 3/8"-16 Threaded Stud
- Lightweight and Versatile

**new**



CRL's 1-1/2" (38.1 mm) Clad Aluminum Standoffs have an aluminum core and are beautifully clad in 316 stainless steel. This results in a lightweight product which can be used for most interior applications requiring Standoffs and Cap Assemblies. The Bases are available clad in both brushed and polished 316 stainless, and range in length from 1" to 6" (25.4 to 152.4 mm). These Standoffs are ideal for almost any horizontal application requiring the attachment of glass or granite tops to cabinetry or lighter weight panels to vertical substrates.

**Note:** Clad Aluminum Standoffs are not recommended for exterior or architectural applications.



## CRL 1-1/2" (38.1 MM) DIAMETER CLAD ALUMINUM STANDOFF BASES

Due to the diversity of applications, weight limitations for Standoff Systems are dependent upon wall or substrate anchoring and material strengths.

CRL's 1-1/2" (38.1 mm) Diameter Clad Aluminum Standoff Bases have 3/8"-16 threads. 1" and 1-1/2" (25.4 and 38.1 mm) lengths are drilled and tapped through; the 2" (50.8 mm) to 6" (152.4 mm) lengths have 1" (25.4 mm) deep threads at both ends. They can be mounted using 3/8"-16 threaded Allen Screws, Threaded Rods, or Hanger Bolts shown on page SC18. Five standard lengths from 1" to 6" (25.4 to 152.4 mm) are stocked in brushed or polished 316 stainless. Cap Assemblies (shown below) must be ordered separately.

### 1-1/2" (38.1 MM) DIAMETER STANDOFF BASES

LENGTH	BRUSHED 316 STAINLESS CAT. NO.	POLISHED 316 STAINLESS CAT. NO.
1" (25.4 mm)	ACSB1121BS	ACSB1121PS
1-1/2" (38.1 mm)	ACSB112112BS	ACSB112112PS
2" (50.8 mm)	ACSB1122BS	ACSB1122PS
4" (101.6 mm)	ACSB1124BS	ACSB1124PS
6" (152.4 mm)	ACSB1126BS	ACSB1126PS

Minimum order: 1 each. All Standoff Bases can be combined for quantity pricing.



- Clad in Two 316 Stainless Finishes
- Five Standard Lengths



## CRL CAP ASSEMBLIES FOR 1-1/2" (38.1 MM) DIAMETER CLAD ALUMINUM STANDOFFS

- Two 316 Stainless Finishes

CRL's 1-1/2" (38.1 mm) Caps for Clad Aluminum Standoffs are supplied with a 3/8"-16 x 1" (25.4 mm) Stainless Steel Allen Screw, one Washer with molded sleeve, and one plain Washer. A hole in the side of the Cap is provided for tightening or loosening the Cap to the Standoff Base. Available in brushed or polished 316 stainless finishes to match our 1-1/2" (38.1 mm) Standoff Bases. Panels require a 5/8" (16 mm) diameter hole for assembly.



1-1/2" (38.1 MM) ROUND CAP ASSEMBLY		1-1/2" (38.1 MM) REPLACEMENT WASHERS	
CAT. NO.	FINISH	CAT. NO.	DESCRIPTION
ACSC112BS	Brushed 316 Stainless	CWK112	Vinyl Washer Set
ACSC112PS	Polished 316 Stainless		

Minimum order: 1 each. All Standoff Caps can be combined for quantity pricing.

Minimum order: 1 pack.

## CRL LOW PROFILE CAP ASSEMBLIES

**new**

- Recommended for Desktops or Tables Where a Low Profile Design is Preferred
- Matches Our 1-1/2" (38.1 mm) Stainless Steel and Clad Aluminum Standoff Bases

CRL's new 316 Stainless Steel Low Profile Cap Assemblies are perfect for applications where a low profile design is both practical and preferred. Supplied with a same components as our Standard Cap Assemblies, the Low Profile Caps are tightened by placing a flat neoprene pad on the surface of the Cap, applying pressure and turning until tight.



1-1/2" (38.1 MM) LOW PROFILE CAP ASSEMBLY		FINISH
CAT. NO.		
LPC112BS		Brushed 316 Stainless
LPC112PS		Polished 316 Stainless

Minimum order: 1 each. All Standoff Caps can be combined for quantity pricing.

## CRL STANDOFF SYSTEM ACCESSORIES FOR 1-1/2" (38.1 MM) DIAMETER STANDOFFS



Concrete Anchor

Hanger Bolt

Threaded Rod

Stainless Steel Allen Screws are available in incremental lengths from 1" (25.4 mm) to 2" (50.8 mm) for 1-1/2" (38.1 mm) diameter Standoffs.

### ALLEN SCREWS

CAT. NO.	FINISH	SIZE
AS381	Stainless Steel	3/8"-16 x 1" (25.4 mm)
AS38114	Stainless Steel	3/8"-16 x 1-1/4" (31.7 mm)
AS38112	Stainless Steel	3/8"-16 x 1-1/2" (38.1 mm)
AS38134	Stainless Steel	3/8"-16 x 1-3/4" (44.4 mm)
AS382	Stainless Steel	3/8"-16 x 2" (50.8 mm)

Minimum order: 10 each. Must be ordered in increments of 10.

Full 36" (914 mm) lengths of stainless or zinc Threaded Rod will permit you to cut Rod to desired length.

### THREADED RODS

CAT. NO.	FINISH	SIZE
TR3816X36S	Stainless	3/8"-16 x 36" (914 mm)
TR3816X36Z	Zinc	3/8"-16 x 36" (914 mm)

Minimum order: 1 each.

Hex and Nylock Hex Nuts are used with Allen Screws or Threaded Rod for securing 1-1/2" (38.1 mm) diameter Standoffs.

### HEX AND NYLOCK HEX NUTS

CAT. NO.	FINISH	TYPE	SIZE
HN3816S	Stainless	Hex	3/8"-16
HN3816Z	Zinc	Hex	3/8"-16
NLN3816S	Stainless	Nylock	3/8"-16
NLN3816Z	Zinc	Nylock	3/8"-16

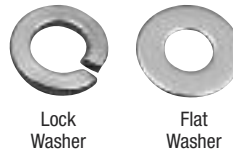
Minimum order: 10 each. Must be ordered in increments of 10.

Flat and Lock Washers are used when attaching Standoffs to panels or substrates. Available in two finishes.

### FLAT AND LOCK WASHERS

CAT. NO.	FINISH	TYPE	SIZE
FW38S	Stainless	Flat	3/8"-16
FW38Z	Zinc	Flat	3/8"-16
LW38S	Stainless	Lock	3/8"-16
LW38Z	Zinc	Lock	3/8"-16

Minimum order: 10 each. Must be ordered in increments of 10.



Lock Washer

Flat Washer



CAT. NO. ASW12

Adjustable strap to install Standoff Bases without damaging surface finish.



Vinyl Washers



Allen Screw

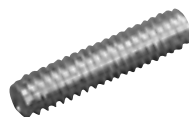


Hanger Bolt Drivers make installing Hanger Bolts into wood studs a breeze.

### HANGER BOLT DRIVER

CAT. NO.	SIZE
165HB616	3/8" - 16

Minimum order: 1 each.



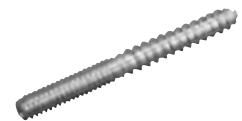
### STANDOFF WRENCH

The Standoff Wrench provides a quick and efficient method of tightening and loosening the Cap Assembly of Round Standoffs from 1-1/2" (38.1 mm) to 2" (50.8 mm) in diameter. Minimum order is one each.



CAT. NO. SSW12

Hanger Bolts are available in both stainless and zinc, and can be used in wood, or with plastic anchors.

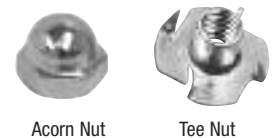


### HANGER BOLTS

CAT. NO.	FINISH	SIZE
HB38112S	Stainless	3/8"-16 x 1-1/2" (38.1 mm)
HB38112Z	Zinc	3/8"-16 x 1-1/2" (38.1 mm)
HB38212S	Stainless	3/8"-16 x 2-1/2" (63.5 mm)
HB38212Z	Zinc	3/8"-16 x 2-1/2" (63.5 mm)

Minimum order: 1 each for Stainless; 10 each for Zinc.

Acorn Nuts are commonly used on Hanger Bolts to protect the thread during installation. Tee Nuts are mainly used in wood or plywood applications where they can be installed on the back side. Tee Nuts accept Allen Screws or Threaded Rod.



Acorn Nut

Tee Nut

### ACORN AND TEE NUTS

CAT. NO.	FINISH	TYPE	SIZE
ACN3816S	Stainless	Acorn	3/8"-16
ACN3816Z	Zinc	Acorn	3/8"-16
TN3816Z	Zinc	Tee	3/8"-16

Minimum order: 10 each. Must be ordered in increments of 10.

Use the Concrete Anchor when securing the Standoff Base to a cement or stone wall. Requires 7/16" (11 mm) hole in concrete.



### CONCRETE ANCHORS

CAT. NO.	SIZE
CA3816	3/8"-16

Minimum order: 1 each.

Vinyl Washers for 1-1/2" (38.1 mm) diameter Standoffs. Set consists of two washers, one with a grommet.



### VINYL WASHERS

CAT. NO.	DESCRIPTION
CWK112	Washer Set for 1-1/2" (38.1 mm) Standoffs

Minimum order: 1 pack.



# CRL STANDOFF SYSTEMS

For Pricing Visit Our Web Site or Call Us Toll Free at the Phone Numbers Shown on the Back Cover



## CRL 2" (50.8 MM) DIAMETER 316 STAINLESS STEEL STANDOFF SYSTEM

- Available in Brushed and Polished 316 Stainless Steel in Six Standard Lengths
- Secured With 3/8"-16 Threaded Stud
- Custom Sizes and Finishes Are Also Available



CRL's 2" (50.8 mm) Diameter Standoffs are available in Brushed or Polished 316 Stainless in a range of standard lengths from 1/2" to 4" (12.7 to 101.6 mm). They are frequently used to attach heavy glass, granite, and marble to cabinet tops and kitchen islands, a very popular trend in modern homes.

CRL has the ability to produce custom size Standoffs in different sizes, thread configurations, and finishes. This means you can always have the Standoff you need to suit your customer's requirements. See page SC28 for more information on Custom Standoffs.

## CRL 2" (50.8 MM) DIAMETER STANDOFF BASES

Due to the diversity of applications, weight limitations for Standoff Systems are dependent upon wall or substrate anchoring and material strengths.

CRL's 2" (50.8 mm) Diameter Standoff Bases can be mounted using the 3/8"-16 thread Allen Screws, Threaded Rods, or Hanger Bolts shown on page SC22. They are 3/8"-16 threaded up to 1" (25.4 mm) deep at both ends, and stocked in six standard lengths from 1/2" to 4" (12.7 to 101.6 mm) in Brushed or Polished 316 Stainless. Cap Assemblies (shown below) must be ordered separately.



### 2" (50.8 MM) DIAMETER STANDOFF BASES

LENGTH	BRUSHED 316 STAINLESS CAT. NO.	POLISHED 316 STAINLESS CAT. NO.
1/2" (12.7 mm)	<b>SOB212BS</b>	<b>SOB212PS</b>
3/4" (19 mm)	<b>SOB234BS</b>	<b>SOB234PS</b>
1" (25.4 mm)	<b>SOB21BS</b>	<b>SOB21PS</b>
1-1/2" (38.1 mm)	<b>SOB2112BS</b>	<b>SOB2112PS</b>
2" (50.8 mm)	<b>SOB22BS</b>	<b>SOB22PS</b>
4" (101.6 mm)	<b>SOB24BS</b>	<b>SOB24PS</b>

Minimum order: 1 each. All Standoff Bases can be combined for quantity pricing.

- Two 316 Stainless Finishes
- Six Standard Lengths



## CRL CAP ASSEMBLIES FOR 2" (50.8 MM) DIAMETER STANDOFFS

- Two 316 Stainless Finishes

CRL's 2" (50.8 mm) Standoff Caps are supplied with a 3/8"-16 x 1" (25.4 mm) Stainless Steel Allen Screw, one Washer with molded sleeve, and one plain Washer. They come in Brushed or Polished 316 Stainless finishes to match our 2" (50.8 mm) Diameter Standoff Bases. A hole in the side of the Cap is provided for tightening the Cap to the Standoff Base.



2" (50.8 MM) ROUND CAP ASSEMBLY	FINISH
CAT. NO.	
<b>CAP2BS</b>	Brushed 316 Stainless
<b>CAP2PS</b>	Polished 316 Stainless

Minimum order: 1 each. All Standoff Caps can be combined for quantity pricing.

2" (50.8 MM) REPLACEMENT WASHERS	DESCRIPTION
CAT. NO.	
<b>CWK2</b>	Vinyl Washer Set

Minimum order: 1 pack.

## CRL LOW PROFILE CAP ASSEMBLIES

**new**

- Recommended for Desktops or Tables Where a Low Profile Design is Preferred
- Matches Our 2" (50.8 mm) Standoff Bases

CRL's new 316 Stainless Steel Low Profile Cap Assemblies are perfect for applications where a low profile design is both practical and preferred. Supplied with a same components as our Standard Cap Assemblies, the Low Profile Caps are tightened by placing a flat neoprene pad on the surface of the Cap, applying pressure and turning until tight.



2" (50.8 MM) LOW PROFILE CAP ASSEMBLY	FINISH
CAT. NO.	
<b>LPC2BS</b>	Brushed 316 Stainless
<b>LPC2PS</b>	Polished 316 Stainless

Minimum order: 1 each. All Standoff Caps can be combined for quantity pricing.



## CRL 2" (50.8 MM) DIAMETER CLAD ALUMINUM STANDOFFS

- Clad in Brushed and Polished 316 Stainless Steel in Five Standard Lengths
- Secured With 3/8"-16 Threaded Stud
- Lightweight and Versatile

**new**



CRL's 2" (50.8 mm) Clad Aluminum Standoffs have an aluminum core and are beautifully clad in 316 stainless steel. This results in a lightweight product which can be used for most interior applications requiring Standoffs and Cap Assemblies. The Bases are available clad in both brushed and polished 316 stainless, and range in length from 1" to 6" (25.4 to 152.4 mm). These Standoffs are ideal for almost any horizontal application requiring the attachment of glass or granite tops to cabinetry or lighter weight panels to vertical substrates.

**NOTE:** Clad Aluminum Standoffs are not recommended for exterior or architectural applications.



## CRL 2" (50.8 MM) DIAMETER CLAD ALUMINUM STANDOFF BASES

Due to the diversity of applications, weight limitations for Standoff Systems are dependent upon wall or substrate anchoring and material strengths.

CRL's 2" (50.8 mm) Diameter Clad Aluminum Standoff Bases have 3/8"-16 threads. 1" and 1-1/2" (25.4 and 38.1 mm) lengths are drilled and tapped through; the 2" (50.8 mm) to 6" (152.4 mm) lengths have 1" (25.4 mm) deep threads at both ends. They can be mounted using 3/8"-16 threaded Allen Screws, Threaded Rods, or Hanger Bolts shown on page SC22. Five standard lengths from 1" to 6" (25.4 to 152.4 mm) are stocked in brushed or polished 316 stainless. Cap Assemblies (shown below) must be ordered separately.

### 2" (50.8 MM) DIAMETER STANDOFF BASES

LENGTH	BRUSHED 316 STAINLESS CAT. NO.	POLISHED 316 STAINLESS CAT. NO.
1" (25.4 mm)	ACSB21BS	ACSB21PS
1-1/2" (38.1 mm)	ACSB2112BS	ACSB2112PS
2" (50.8 mm)	ACSB22BS	ACSB22PS
4" (101.6 mm)	ACSB24BS	ACSB24PS
6" (152.4 mm)	ACSB26BS	ACSB26PS

Minimum order: 1 each. All Standoff Bases can be combined for quantity pricing.



- Clad in Two 316 Stainless Finishes
- Five Standard Lengths



## CRL CAP ASSEMBLIES FOR 2" (50.8 MM) DIAMETER CLAD ALUMINUM STANDOFFS

- Two 316 Stainless Finishes

CRL's 2" (50.8 mm) Caps for Clad Aluminum Standoffs are supplied with a 3/8"-16 x 1" (25.4 mm) Stainless Steel Allen Screw, one Washer with molded sleeve, and one plain Washer. A hole in the side of the Cap is provided for tightening or loosening the Cap to the Standoff Base. Available in brushed or polished 316 stainless finishes to match our 2" (50.8 mm) Standoff Bases. Requires drilling a 5/8" (16 mm) diameter hole in the panel for assembly.



### 2" (50.8 MM) ROUND CAP ASSEMBLY

CAT. NO.	FINISH
ACSC2BS	Brushed 316 Stainless
ACSC2PS	Polished 316 Stainless

Minimum order: 1 each. All Standoff Caps can be combined for quantity pricing.

### 2" (50.8 MM) REPLACEMENT WASHERS

CAT. NO.	DESCRIPTION
CWK2	Vinyl Washer Set

Minimum order: 1 pack.

## CRL LOW PROFILE CAP ASSEMBLIES

- Recommended for Desktops or Tables Where a Low Profile Design is Preferred
- Matches our 2" (50.8 mm) Standoff Bases

**new**

CRL's new 316 Stainless Steel Low Profile Cap Assemblies are perfect for applications where a low profile design is both practical and preferred. Supplied with a same components as our Standard Cap Assemblies, the Low Profile Caps are tightened by placing a flat neoprene pad on the surface of the Cap, applying pressure and turning until tight.



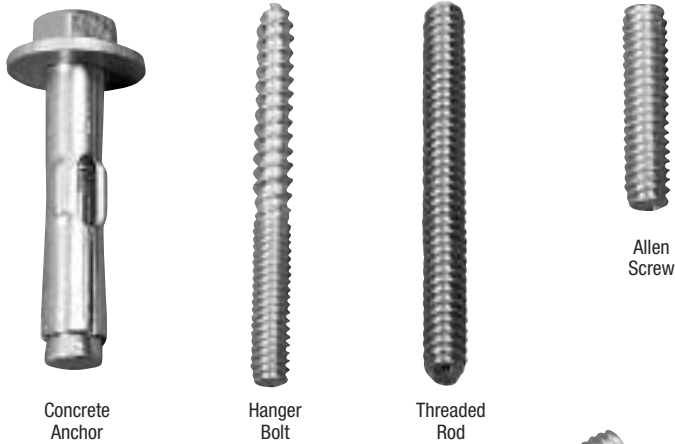
### 2" (50.8 MM) LOW PROFILE CAP ASSEMBLY

CAT. NO.	FINISH
LPC2BS	Brushed 316 Stainless
LPC2PS	Polished 316 Stainless

Minimum order: 1 each. All Standoff Caps can be combined for quantity pricing.



## CRL STANDOFF SYSTEM ACCESSORIES FOR 2" (50.8 MM) DIAMETER STANDOFFS



Stainless Steel Allen Screws are available in incremental lengths from 1" (25.4 mm) to 2" (50.8 mm) for 2" (50.8 mm) diameter Standoffs.

### ALLEN SCREWS

CAT. NO.	FINISH	SIZE
AS381	Stainless Steel	3/8"-16 x 1" (25.4 mm)
AS38114	Stainless Steel	3/8"-16 x 1-1/4" (31.7 mm)
AS38112	Stainless Steel	3/8"-16 x 1-1/2" (38.1 mm)
AS38134	Stainless Steel	3/8"-16 x 1-3/4" (44.4 mm)
AS382	Stainless Steel	3/8"-16 x 2" (50.8 mm)

Minimum order: 10 each. Must be ordered in increments of 10 each.

Full 36" (914 mm) lengths of stainless or zinc Threaded Rod will permit you to cut Rod to desired length.

### THREADED RODS

CAT. NO.	FINISH	SIZE
TR3816X36S	Stainless	3/8"-16 x 36" (914 mm)
TR3816X36Z	Zinc	3/8"-16 x 36" (914 mm)

Minimum order: 1 each.

Hex and Nylock Hex Nuts are used with Allen Screws or Threaded Rod for securing 2" (50.8 mm) diameter Standoffs.

### HEX AND NYLOCK HEX NUTS

CAT. NO.	FINISH	TYPE	SIZE
HN3816S	Stainless	Hex	3/8"-16
HN3816Z	Zinc	Hex	3/8"-16
NLN3816S	Stainless	Nylock	3/8"-16
NLN3816Z	Zinc	Nylock	3/8"-16

Minimum order: 10 each. Must be ordered in increments of 10 each.

Flat and Lock Washers are used when attaching Standoffs to panels or substrates. Available in two finishes.

### FLAT AND LOCK WASHERS

CAT. NO.	FINISH	TYPE	SIZE
FW38S	Stainless	Flat	3/8"-16
FW38Z	Zinc	Flat	3/8"-16
LW38S	Stainless	Lock	3/8"-16
LW38Z	Zinc	Lock	3/8"-16

Minimum order: 10 each. Must be ordered in increments of 10 each.



Nylock Hex Nut

Hex Nut

Tee Nut

Acorn Nut



Vinyl Washers



Lock Washer



Flat Washer

Hanger Bolt Drivers make installing Hanger Bolts into wood studs a breeze.

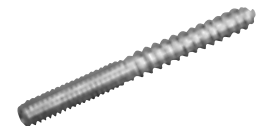


### HANGER BOLT DRIVER

CAT. NO.	SIZE
165HB616	3/8" - 16

Minimum order: 1 each.

Hanger Bolts are available in both stainless and zinc, and can be used in wood, or with plastic anchors.

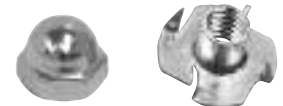


### HANGER BOLTS

CAT. NO.	FINISH	SIZE
HB38112S	Stainless	3/8"-16 x 1-1/2" (38.1 mm)
HB38112Z	Zinc	3/8"-16 x 1-1/2" (38.1 mm)
HB38212S	Stainless	3/8"-16 x 2-1/2" (63.5 mm)
HB38212Z	Zinc	3/8"-16 x 2-1/2" (63.5 mm)

Minimum order: 1 each for Stainless; 10 each for Zinc.

Acorn Nuts are commonly used on Hanger Bolts to protect the thread during installation. Tee Nuts are mainly used in wood or plywood applications where they can be installed on the back side. Tee Nuts accept Allen Screws or Threaded Rod.



Acorn Nut

Tee Nut

### ACORN AND TEE NUTS

CAT. NO.	FINISH	TYPE	SIZE
ACN3816S	Stainless	Acorn	3/8"-16
ACN3816Z	Zinc	Acorn	3/8"-16
TN3816Z	Zinc	Tee	3/8"-16

Minimum order: 10 each. Must be ordered in increments of 10 each.

Use the Concrete Anchor when securing the Standoff Base to a concrete or stone wall. Requires 7/16" (11 mm) hole in concrete.



### CONCRETE ANCHORS

CAT. NO.	SIZE
CA3816	3/8" - 16

Minimum order: 1 each.

Vinyl Washers for 2" (50.8 mm) diameter Standoffs. Set consists of two washers, one with a grommet.



### VINYL WASHERS

CAT. NO.	DESCRIPTION
CWK2	Washer Set for 2" (50.8 mm) Standoffs

Minimum order: 1 pack.

## CRL UV THREADED ADAPTERS

- Allow You to Glue Standoffs, Knobs, Pulls, and Towel Bars to Glass Without Drilling Holes
- Fabricated From 316 Stainless Steel
- Available in Six Diameters



CAT. NO.	DIAMETER	THREAD SIZE
UV34ADP	3/4" (19 mm)	1/4"-20 UNC
UV1ADP	1" (25.4 mm)	1/4"-20 UNC
UV1316ADP	1-3/16" (30.2 mm)	1/4"-20 UNC
UV114ADP	1-1/4" (31.8 mm)	5/16"-18 UNC
UV112ADP	1-1/2" (38.1 mm)	3/8"-16 UNC
UV2ADP	2" (50.8 mm)	3/8"-16 UNC

Minimum order: 1 each. Sizes can be combined for quantity pricing.

## CRL UV ADJUSTABLE STANDOFF BASE

- Adjusts to Uneven Surfaces
- Use for Glass Cabinets or Furniture Legs
- Brushed Stainless Steel Finish
- M6 x 1" (25 mm) Threaded Rod for Length Adjustment



**new**



CAT. NO.	DIAMETER	ADJUSTABLE LENGTH
UVAS0B1	1-5/8" (41.3 mm)	1-15/16" to 2-1/8" (49.2 to 54 mm)

Minimum order: 1 each.

## CRL UV GLASS SHELF SUPPORTS

Perfect for all glass bookcases, etageres or cabinets, these CRL Glass Shelf Supports are fabricated from 1-9/16" (40 mm) diameter stainless steel tubing for strength and corrosion resistance. Available in four lengths, they are supplied complete with two 2" (51 mm) bonding plates and threaded rod. For Replacement Caps order Cat. No. UV611CAP.

CAT. NO.	DESCRIPTION	LENGTH
UV6111	Shelf Support	4-1/2" (120 mm)
UV6112	Shelf Support	8-1/2" (220 mm)
UV6113	Shelf Support	12-1/2" (320 mm)
UV6114	Shelf Support	16-1/2" (420 mm)
UV611CAP	Replacement Cap	----

Minimum order: 1 each. Sizes can be combined for quantity pricing.



- Stainless Steel

## CRL UV VERTICAL COUNTERTOP SUPPORT

- Base Easily Mounts Mechanically to the Countertop
- Choose From Three Beautiful Finishes to Match Decor
- Easy to Install and Maintain

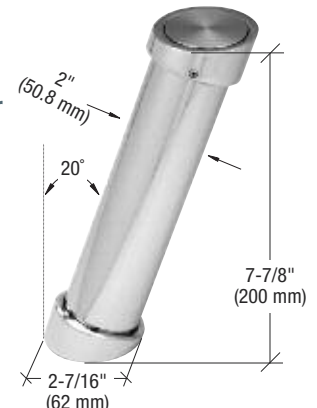


CAT. NO.	FINISH
UV0130	Chrome
UV0131	Satin Chrome
UV0132	Satin Nickel

Minimum order: 1 each.

## CRL UV ANGLED COUNTERTOP SUPPORT

- Projects the Surface Outward for Extra Clearance
- Allows Precise Adjustment After UV Bonding for a Perfect Fit
- Finishes to Match Our Vertical Countertop Supports



CAT. NO.	FINISH
UV0135	Chrome
UV0136	Satin Chrome
UV0137	Satin Nickel

Minimum order: 1 each.

## CRL TUBE STYLE STANDOFF BASE AND CAP ASSEMBLY



- Convenient Compact Design Includes Base, Cap, Stud, and Washers
- Two Diameters - 5/8" (15.9 mm) and 1" (25.4 mm)
- Available in Two Finishes



5/8" (15.9 mm) Diameter Shown in Satin Chrome Finish



1" (25.4 mm) Diameter Shown in Chrome Finish

Available in chrome or satin chrome finishes, CRL's Tube Style Standoffs are new and very unique. The 5/8" (15.9 mm) and 1" (25.4 mm) diameter Standoffs come complete with 1" (25.4 mm) long Base, Threaded Insert, and Cap with welded stud including clear washers and vinyl sleeve. Tube Style Standoffs are ideal for exhibit building, decorative acrylic panels, signage or lightweight glass displays. Designed primarily for the installation of vertical panels or displays, Tube Style Standoffs can also be used for horizontal applications such as elevating a glass top on a table or desk.

Required Panel Fabrication: 5/8" (15.9 mm) diameter Standoffs require 9/32" (7 mm) holes for installation; 1" (25.4 mm) diameter Standoffs require 7/16" (11 mm) drilled holes. The maximum recommended panel thickness is 3/8" (9.5 mm).

Installation is quick and easy. Using the Cat. No. 8X2FHPSMS Screw, simply attach Threaded Insert to substrate, screw-on Standoff Base, install Cap Assembly through the panel and you're done.

CAT. NO.	DIAMETER	LENGTH	FINISH
TS58CH	5/8" (15.9 mm)	1" (25 mm)	Chrome
TS58SC	5/8" (15.9 mm)	1" (25 mm)	Satin Chrome
TS1CH	1" (25.4 mm)	1" (25 mm)	Chrome
TS1SC	1" (25.4 mm)	1" (25 mm)	Satin Chrome

Minimum order: 1 each. All Standoffs can be combined for quantity pricing.

### INSTALLATION



Set Threaded Insert to Wall



Place Base onto Threaded Insert and Fasten



Tighten Base with Cat. No. ASW12 Wrench

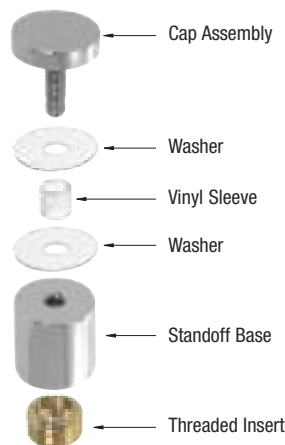


Align Hole in Panel and Install Cap Assembly



Tighten Cap with Cat. No. SOW Wrench

Due to the diversity of applications, weight limitations for Standoff Systems are dependent upon wall or substrate anchoring and material strengths.



### INSTALLATION OPTIONS AND ACCESSORIES

**Note:** Mounting and Installation Accessories ordered separately



**CAT. NO. HR12X112**  
Plastic Anchor  
For use in concrete, brick or stone



**CAT. NO. T11011**  
Toggler Anchor  
For attaching Standoffs into drywall, panels, plaster walls or hollow core doors



**CAT. NO. 8X2FHPSMS**  
Phillips Screw  
For installation of Threaded Insert into Anchor or wood blocking



**CAT. NO. 70231**  
Toggle Bolt  
Used for installations into wallboard, wood or steel up to 2-1/2" (63.5 mm) thick



**CAT. NO. ASW12**  
Strap Wrench  
For tightening or loosening Standoff Bases



**CAT. NO. SOW**  
Standoff Wrench  
For tightening or loosening Standoff Caps



## CRL 1-1/4" (31.7 MM) DIAMETER STUD MOUNT STANDOFF BASES

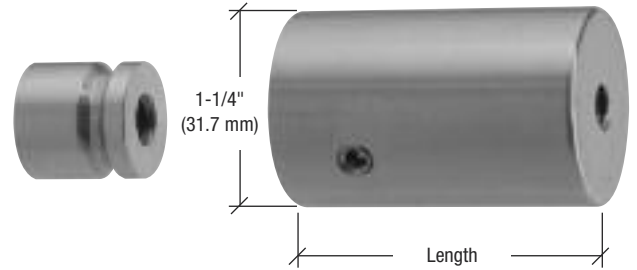
**new**



- Brushed 316 Stainless Steel
- Available in Two Lengths

CRL Stud Mount Standoffs are designed for easy removal from the wall without dismantling from the panel or glass. Commonly used in areas that conceal inspection hatches or machinery that requires scheduled maintenance. Simply loosening the Allen set screw allows for easy removal. Panels require a 5/8" (16 mm) hole for assembly. Does not include a Cat. No. CAP114BS Standoff Cap (see page SC13). Designed to be used with our 1-1/4" (31.7 mm) Diameter Standoff components (see page SC15).

- Easily Attached and Removed From a Wall Mounted Stud



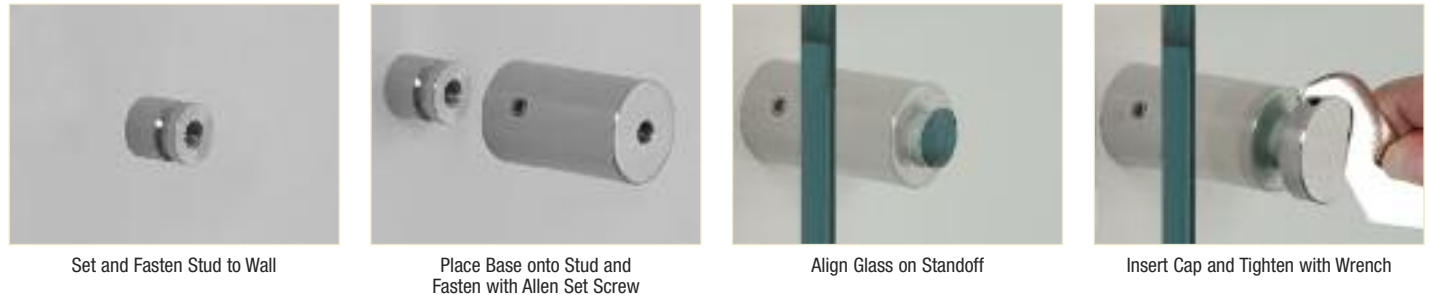
## CRL 1-1/4" (31.7 MM) DIAMETER STUD MOUNT STANDOFF INSTALLATION STEPS



Due to the diversity of applications, weight limitations for Standoff Systems are dependent upon wall or substrate anchoring and material strengths.

CAT. NO.	LENGTH	FINISH
SMS114112BS	1-1/2" (38.1 mm)	Brushed 316 Stainless
SMS1142BS	2" (50.8 mm)	Brushed 316 Stainless

Minimum order: 1 each. All Standoffs can be combined for quantity pricing. **NOTE:** Minimum material thickness for use with 1-1/4" (31.7 mm) diameter Standoff Bases is 1/4" (6.3 mm) when used with Standard and Low Profile Caps, and 3/8" (9.5 mm) when used with Flush Mount Cap.



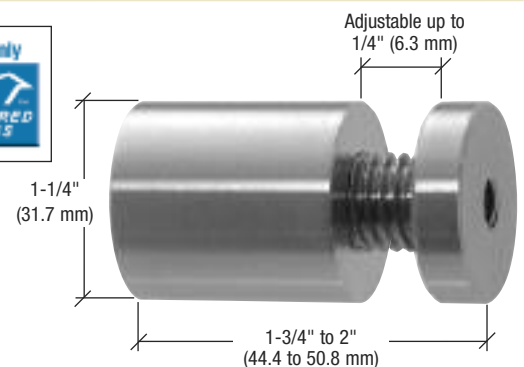
## CRL 1-1/4" (31.7 MM) DIAMETER ADJUSTABLE STANDOFF BASE

**new**



- Allows 1/4" (6.3 mm) Adjustment for Irregular Walls
- Eliminates Washers to Accomplish an Even Sightline
- Brushed 316 Stainless Steel

The CRL Adjustable Standoff is primarily designed for use on uneven walls or surfaces. When the adjustment collar is in the compressed position the base measures 1-3/4" (44.5 mm) in length. When the collar is backed out an additional 1/4" (6.3 mm) is gained for a 2" (50.8 mm) length. Any length in-between is possible simply by rotating the collar to the desired measurement and securing it with the Allen set screw. Panels require a 5/8" (16 mm) hole for assembly. Does not include a Cat. No. CAP114BS Standoff Cap (see page SC13). Designed to be used with our 1-1/4" (31.7 mm) Diameter Standoff components (see page SC15).



Due to the diversity of applications, weight limitations for Standoff Systems are dependent upon wall or substrate anchoring and material strengths.

CAT. NO.	LENGTH	FINISH
ASB114134BS	Adjustable 1-3/4" to 2"	Brushed 316 Stainless

Minimum order: 1 each. All Standoffs can be combined for quantity pricing. **NOTE:** Minimum material thickness for use with 1-1/4" (31.7 mm) diameter Standoff Bases is 1/4" (6.3 mm) when used with Standard and Low Profile Caps, and 3/8" (9.5 mm) when used with Flush Mount Cap.

## CRL SLOT MOUNT STANDOFFS

- Designed to Hold 1/4" (6.3 mm), 3/8" (9.5 mm) or 1/2" (12.7 mm) Thick Panels
- No Drilling Required for Installation

CRL's Slot Mount Standoffs are designed to be mounted either vertically or horizontally, and can be used for installing partition panels, shelving or signage without drilling holes in the material. Nylon tip set screws hold panels firmly in place without damaging panel material or glass. These 1-1/4" (31.7 mm) diameter Standoff Bases are available in brass, chrome, satin chrome, brushed stainless, and gun metal finishes. CRL's Standoff System Accessories can also be used for various mounting and installation options. (see page SC15).



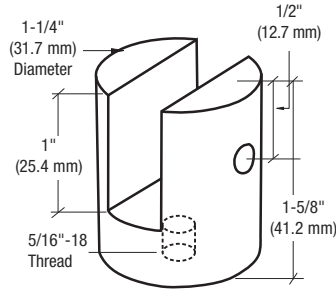
Set Fastener into Surface



Thread Onto Fastener



or Install on Standoff Base



MATERIAL THICKNESS	BRASS CAT. NO.	CHROME CAT. NO.	SATIN CHROME CAT. NO.	BRUSHED STAINLESS CAT. NO.	GUN METAL CAT. NO.
1/4" (6.3 mm)	SM14BR	SM14CH	SM14SC	SM14BS	SM14GM
3/8" (9.5 mm)	SM38BR	SM38CH	SM38SC	SM38BS	SM38GM
1/2" (12.7 mm)	SM12BR	SM12CH	SM12SC	SM12BS	SM12GM

Minimum order: 1 each. All Standoffs can be combined for quantity pricing.

### • Five Decorator Finishes

#### Slot Mount Standoff Assemblies Consist of:

- 1 Each Standoff
- 1 Each Nylon Tip Set Screw
- 1 Each Clear "L" Gasket

Due to the diversity of applications, weight limitations for Standoff Systems are dependent upon wall or substrate anchoring and material strengths.

## CRL STAINLESS STEEL STANDOFF

- Used to Mount Glass Panels to Walls, Brackets or Columns
- 1-3/16" (30.1 mm) Diameter
- Durable High Tech Finish



This CRL Stainless Steel Standoff Assembly is very popular in architectural applications to secure a lite of glass to a threaded metal bracket or column without the use of a frame. The glass is fabricated with the required holes, and then secured with the Standoff to create a frameless appearance. The Cat. No. SW30 Spanner Wrench is used to secure the Cap Assembly to the Standoff Base.

The Stainless Steel Standoff is designed to be used with panels ranging in thickness from 1/4" to 1/2" (6.3 to 12.7 mm). The maximum recommended panel size for 1/2" (12 mm) glass is 39" x 79" (990 x 2006 mm), with a maximum weight per attachment point of 55 pounds (25 kg). A 5/8" (16 mm) drilled hole is required for installation. **NOTE:** The SS30 Standoff is not compatible with other CRL Standoff Systems.

#### The SS30 Standoff Assembly Consists of:

- 1 Cap - 1/4" (6.3 mm) Thick; 1 Base - 3/8" (9.5 mm) Thick;
- 1 Allen Screw - M8 Metric Thread x 1-3/4" (44 mm) Long;
- 2 Vinyl Washers - 1-3/16" (30 mm) Diameter; 1 Vinyl Sleeve - 3/16" (5 mm) Long.



Spanner Wrench

CAT. NO.	DESCRIPTION
SS30	Stainless Steel Standoff
SW30	Spanner Wrench

Minimum order: 1 each. All Standoffs can be combined for quantity pricing.

Due to the diversity of applications, weight limitations for Standoff Systems are dependent upon wall or substrate anchoring and material strengths.

## CRL EDGE GRIP DISPLAY SYSTEM



**EG14**  
for 1/4" (6.3 mm)  
Thick Panels



**EG38**  
for 3/8" (9.5 mm)  
Thick Panels



**EG12**  
for 1/2" (12.7 mm)  
Thick Panels

- Designed to Hold Glass, Acrylic, Metal or Wood Panels in Thicknesses of 1/4" (6.3 mm), 3/8" (9.5 mm), or 1/2" (12.7 mm)
- No Drilling Required in Glass or Panel Materials

CRL's Edge Grips provide additional flexibility in attaching decorative panels or signage to walls or substrates. The Edge Grip allows material to be held to the wall without drilling holes in the face material. This allows for quick installation or adjustment of panels mounted in Edge Grips. 1-1/4" (31.7 mm) diameter Edge Grips are available in brass, chrome, satin chrome, brushed 316 stainless, and gun metal finishes, and are compatible with CRL Standoffs. We recommend CRL Edge Grips be used at the top, bottom, and sides of heavier panels for maximum support.

### Edge Grip Specs

Diameter: 1-1/4" (31.7 mm)  
EG14 Length: 1-1/16" (27 mm)  
EG38 Length: 1-1/8" (28.6 mm)  
EG12 Length: 1-3/16" (30.1 mm)



Edge Grips are perfect for signs or posters



Edge Grips shown in use on display columns commonly found in museums, at trade shows, etc.

### REPLACEMENT SCREWS FOR EDGE GRIPS

CAT. NO.	DESCRIPTION
EGCS	5/16"-18 Socket Head Cap Screw
EGNS	3/16" - 32 Nylon Tipped Allen Screw

Minimum order: 1 each.

### EDGE GRIPS

MATERIAL THICKNESS	BRASS CAT. NO.	CHROME CAT. NO.	SATIN CHROME CAT. NO.	BRUSHED 316 STAINLESS CAT. NO.	GUN METAL CAT. NO.
1/4" (6.3 mm)	EG14BR	EG14CH	EG14SC	EG14BS	EG14GM
3/8" (9.5 mm)	EG38BR	EG38CH	EG38SC	EG38BS	EG38GM
1/2" (12.7 mm)	EG12BR	EG12CH	EG12SC	EG12BS	EG12GM
Cover Disk*	EGD1SKBR	EGD1SKCH	EGD1SKSC	EGD1SKBS	EGD1SKGM

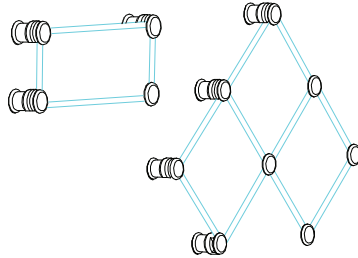
Minimum order: 1 each. All Edge Grips can be combined for quantity pricing. \*One Cover Disk comes with each Edge Grip. Additional Cover Disks sold separately.

## CRL ADJUSTABLE STANDOFF new

- Accommodates 3/16" to 3/8" (5 to 10 mm) Thick Panels
- Available in Chrome and Satin Chrome Finishes



Chrome Finish Shown



Similar to CRL's Edge Grips, our new 1" (25.4 mm) diameter Adjustable Standoff is the ideal solution for mounting name plates, signage or decorative panels to the wall without drilling holes in the panel. The Standoff has a 5/8" (15.9 mm) long internal adjustable "+" which is designed to support the corners of 3/16" to 3/8" (5 to 10 mm) thick panels. Each Adjustable Standoff can grip and support up to four corners. Available in chrome and satin chrome, the Standoff comes with a screw, anchor, and Allen wrench.

CAT. NO.	DIAMETER	FINISH
AS1CH	1" (25.4 mm)	Chrome
AS1SC	1" (25.4 mm)	Satin Chrome

Minimum order: 1 each. All Standoffs can be combined for quantity pricing.

## CRL FRAMEPEGS

- Perfect for Hanging Lightweight Mirrors, Signs, Artwork
- Available in Aluminum or Acrylic



Aluminum Style Framepegs



Acrylic Style Framepegs



CRL Framepegs are a new and easy-to-use method of displaying art objects, mirrors, signage or posters without drilling holes in the items being displayed. Framepegs are ideal for either retail or residential applications, and can accept panels or objects up to 1/4" (6.3 mm) thick, with a maximum weight of 33 pounds (15 kg). Available in 6061-T6 aluminum or clear acrylic material, Framepegs can be used individually as a hook, in pairs to support an item at the bottom, or at both the top and bottom to provide maximum support. CRL Framepegs ship in a pack of four each with wall anchors and installation instructions.

CAT. NO.	DIAMETER	DESCRIPTION
FPAL4	3/4" (19 mm)	Aluminum Set of 4
FPAC4	7/8" (22.2 mm)	Acrylic Set of 4

Minimum order: 1 each. Sizes can be combined for quantity pricing.



## CRL CUSTOM MANUFACTURED STANDOFF SERVICE

- Machined to Your Specifications in Lengths Up to 48" (1219 mm)
- Choose From a Variety of Bar Stock Dimensions
- Available in the Following Finishes: Polished Stainless, Brushed Stainless, Polished Brass, Satin Brass, Sandblasted Stainless Steel, and Powder Paint
- Custom Finishes Are Also Available
- Timely Delivery



CRL Custom Standoff Fittings may require machining, welding, bending, and special finishing. This can all be accomplished with our in-house equipment for the fastest delivery time in the industry. Not only will we bring your design to reality, but our Technical Sales staff is here to assist you with alternate designs or suggestions. We work every day with our customers to fulfill their glass attachment needs. Fax or e-mail your Custom Standoff requirements to CRL Technical Sales and we will quickly respond with a quotation.

**NOTE:** If diameter or square is equal to, or less than 3" (76 mm), the maximum length is 48" (1219 mm).  
If diameter or square is between 3" and 4" (76 to 102 mm), the maximum length is 8" (203 mm).



Custom Cap Diameters



Custom Base Diameters



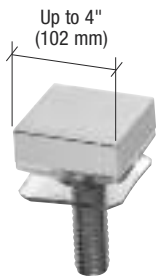
Custom Base Heights



Bending  
(on Selected Diameters)



Welding on All Diameters



Custom Square Caps



Custom Square Base Widths



Custom Square Base Heights



Precision Machining



Custom Counter



Custom Table Top



Custom Railing





# CRL SRS STANDOFF RAILING SYSTEM

For Pricing Visit Our Web Site or Call Us Toll Free at the Phone Numbers Shown on the Back Cover

## CRL STANDOFF RAILING SYSTEM

C.R. Laurence Company is now manufacturing Standoff Railing Systems. By specializing in the design and manufacturing of this innovative system, we offer you the ability to create custom railings that will address project-specific criteria. Product development is an ongoing process at CRL. Rest assured that the products we offer will represent the current evolution of the railing industry.

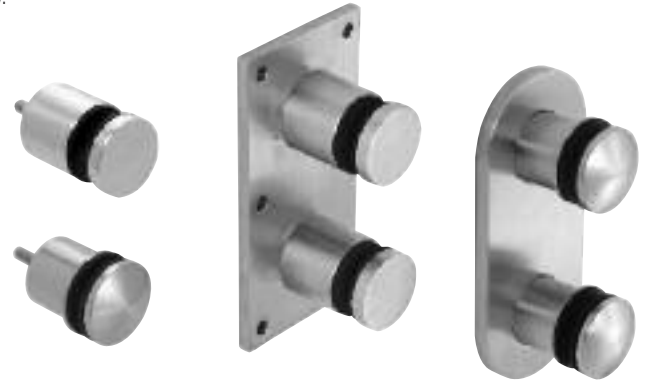


or

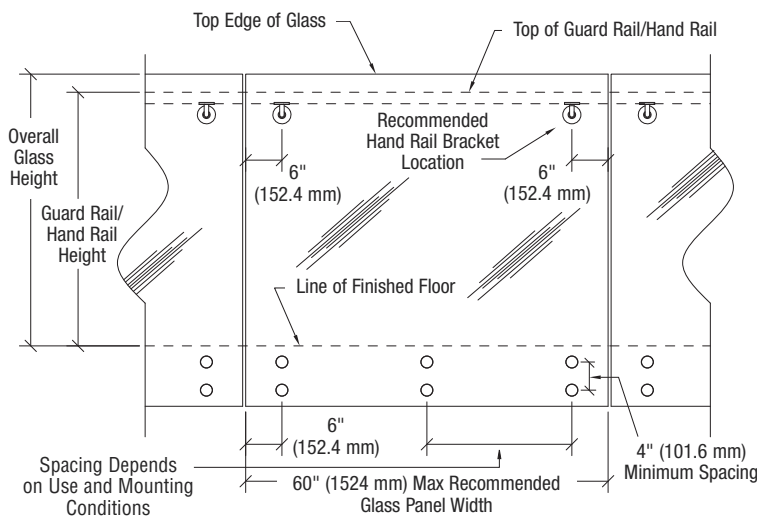


### DESIGN OPTIONS

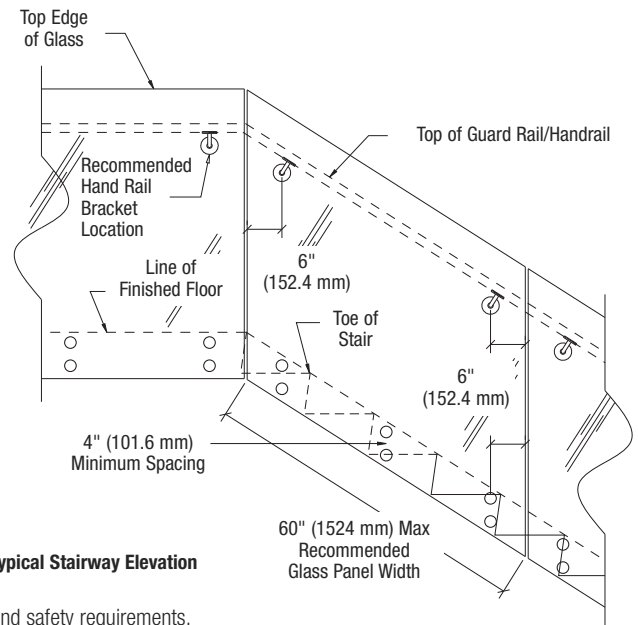
- Two New Innovative Designs for Use With 1/2" and 3/4" (12 and 19 mm) Monolithic Tempered Glass or 9/16" and 27/32" (13.52 and 21.52 mm) Laminated Tempered Glass Using DuPont® SentryGlas® Interlayers
- Brushed or Polished 316 Grade Stainless Finishes Available
- Powder Coated Finishes are Also Available
- Designed for Guard Rail, Stairway, and Ramp Areas in Exterior and Interior Applications



Auto Cad Details and Specifications are Available at: [crlaurence.com](http://crlaurence.com)



Typical Standoff Glass Rail Elevation



Typical Stairway Elevation

NOTE: If cap rail is not used a horizontal heavy wall hand rail is required to meet guard rail life and safety requirements.



# CRL SRS STANDOFF RAILING SYSTEM

For Pricing Visit Our Web Site or Call Us Toll Free at the Phone Numbers Shown on the Back Cover

## CRL GLASS RAIL STANDOFF FITTINGS

- Complete With Mounting Plate
- For Use With 1/2" and 3/4" (12 and 19 mm) Monolithic Tempered Glass or 9/16" and 27/32" (13.52 and 21.52 mm) Laminated Tempered Glass Using DuPont™ SentryGlas® Interlayers
- Brushed or Polished 316 Grade Stainless Finishes Available
- Designed for Steel, Wood, and Concrete Substrates



or



CRL's Heavy-Duty Point Supported Glass Rail Standoff Fittings gives the installer more adjustment during installation for those tricky job site mounting conditions. The steel back plate can be fastened directly to steel, concrete, or wood substrates and shimmed as required with blocking.

The Standoffs are mechanically fastened to a 3/8" (9.5 mm) thick 316 grade stainless steel back plate that is pre-drilled for mounting. Two popular stainless steel finishes are available from stock. If your customer has a special job site condition, custom diameters and lengths are also available. Attachment anchors for wood concrete or steel are sold separately.

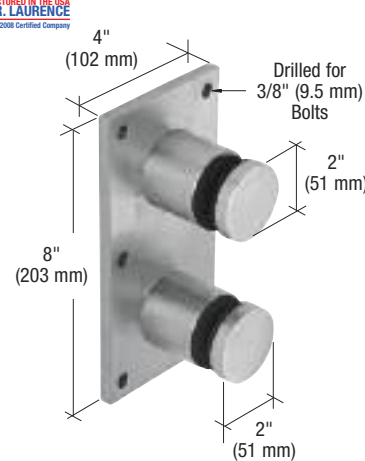
### SPECIFICATIONS:

For Use With 1/2" or 3/4" (12 or 19 mm) Monolithic Tempered Glass. Also for use with 9/16" or 27/32" (13.52 or 21.52 mm)

Laminated Tempered Glass using DuPont™ SentryGlas® Interlayers (Do not use with raw or annealed glass)

### Glass Fabrication:

Two 3/4" (19 mm) Diameter Holes Per Fitting



STANDARD 2" (51 MM) DIAMETER CAPS

CAT. NO.	FINISH
RSOB20BS	Brushed Stainless
RSOB20PS	Polished Stainless

Minimum order: 1 each. Finishes can be combined for quantity pricing.



**new**

**NOTE:**  
Cladded Cover Plate Included With RSOB25 Series Only

DOME 2-3/8" (60.3 MM) DIAMETER CAPS

CAT. NO.	FINISH
RSOB25BS	Brushed Stainless
RSOB25PS	Polished Stainless

Minimum order: 1 each. Finishes can be combined for quantity pricing.

Full engineering data available at [crlaurence.com](http://crlaurence.com)

## CRL GLASS RAIL STANDOFF BASE AND CAP

- For Use With 1/2" and 3/4" (12 and 19 mm) Monolithic Tempered Glass or 9/16" and 27/32" (13.52 and 21.52 mm) Laminated Tempered Glass Using DuPont™ SentryGlas® Interlayers
- Brushed or Polished 316 Grade Stainless Finishes Available
- Designed for Steel, Wood, and Concrete Substrates
- Choice of Standard or Dome Caps

These heavy-duty Railing Standoffs are designed for glass Handrail or Guard Rail applications standard. The standoff fittings have a 1-3/4" (44 mm) standard projection from the installed attachment point. Custom lengths and diameters are also available. They come with a 3/8"-16 x 2" (51 mm) Allen Stud for mounting to steel, along with necessary rubber washers and grommet. Other attachment anchors are also available, see page SC33.

### SPECIFICATIONS:

For Use With 1/2" or 3/4" (12 or 19 mm) Monolithic Tempered Glass. Also for use with 9/16" and 27/32" (13.52 or 21.52 mm)

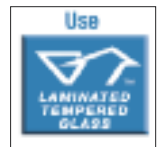
Laminated Tempered Glass using DuPont™ SentryGlas® Interlayers (Do not use with raw or annealed glass)

### Glass Fabrication:

One 3/4" (19 mm) Diameter Hole Per Fitting



or



**new**



Standard



Dome

STANDARD 2" (51 MM) DIAMETER

CAT. NO.	FINISH
RSOB2134BS	Brushed Stainless
RSOB2134PS	Polished Stainless

Minimum order: 1 each. Finishes can be combined for quantity pricing.

DOME 2-3/8" (60.3 MM) DIAMETER

CAT. NO.	FINISH
RSOB2135BS	Brushed Stainless
RSOB2135PS	Polished Stainless

Minimum order: 1 each. Finishes can be combined for quantity pricing.

Full engineering data available at [crlaurence.com](http://crlaurence.com)

[crlaurence.com](http://crlaurence.com)

**CRL C.R. LAURENCE COMPANY**

[crlaurence.ca](http://crlaurence.ca) • [crlaurence.com.au](http://crlaurence.com.au) • [crlaurence.co.uk](http://crlaurence.co.uk) • [crlaurence.de](http://crlaurence.de) • [crlaurence.eu](http://crlaurence.eu) | **SC31**  
[crlaurence.com.mx](http://crlaurence.com.mx) • [crlaurence.qc.ca](http://crlaurence.qc.ca) • [crlaurence.fr](http://crlaurence.fr) • [crlaurence.it](http://crlaurence.it) • [crlaurence.dk](http://crlaurence.dk)

# CRL SRS STANDOFF RAILING SYSTEM

For Pricing Visit Our Web Site or Call Us Toll Free at the Phone Numbers Shown on the Back Cover

## CRL 4" ADJUSTABLE STRAP WRENCH



**new**

Our Adjustable Strap Wrench is the perfect tool for anyone installing Standoff Bases or polished threaded tubing. The 7/16" (11 mm) wide x 1/8" (3 mm) thick rubber strap quickly and efficiently tightens any plated cylinder without damaging the finish. The strap is easily adjustable from 3/4" (19 mm) to 4" (102 mm) diameter using a conveniently located thumb lever in the handle. Minimum order is one each.



CAT. NO. ASW12

## CRL STANDOFF WRENCH FOR CRL'S GLASS RAIL STANDOFF FITTINGS



The Standoff Wrench provides a quick and efficient method of tightening and loosening the Cap Assembly of Round Standoffs from 1-1/2" to 2" (38 to 51 mm) in diameter.

CAT. NO.	DESCRIPTION
SSW12	Standoff Wrench

Minimum order: 1 each.

## CRL REPLACEMENT GASKET SETS FOR RSOB SERIES STANDOFF FITTINGS

### Each Gasket Set Includes:

- 1 Each Grommet
- 2 Each Black Neoprene Gaskets



Replacement Gaskets are designed for use with CRL's RSOB Series Standoffs Fittings. See page SC31 for standoff components.

CAT. NO.	WORKS WITH
RSOBRG1	RSOB20, RSOB2134
RSOBRG2	RSOB25, RSOB2135

Minimum order: 1 each.

## CRL REPLACEMENT STANDOFF CAPS FOR RSOB SERIES STANDOFF FITTINGS

### Each Cap Assembly Includes:

- 1 Each Cap
- 1 Each 3/8"-16 Allen Screw
- 1 Each Grommet
- 2 Each Black Neoprene Gaskets



Flat Cap

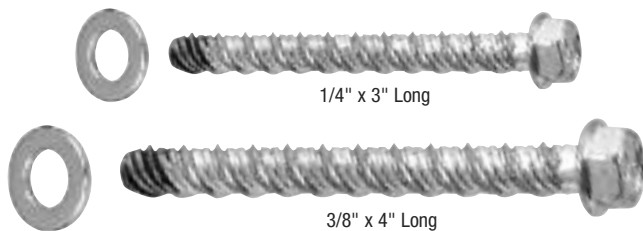
Dome Cap

Replacement Caps are designed for use with CRL's RSOB Series Standoffs Fittings. See page SC31 for standoff components.

CAT. NO.	FINISH	DESCRIPTION
RCAP2BS	Brushed Stainless	Flat Cap for RSOB20BS/RSOB2134BS
RCAP2PS	Polished Stainless	Flat Cap for RSOB20PS/RSOB2134PS
RCAP3BS	Brushed Stainless	Dome Cap for RSOB25BS/RSOB2135BS
RCAP3PS	Polished Stainless	Dome Cap for RSOB25PS/RSOB2135PS

Minimum order: 1 each.

## CRL WEDGE-BOLT CONCRETE ANCHORS



1/4" x 3" Long

3/8" x 4" Long

- Zinc Coated High Carbon Steel
- Great for Railing and Windscreen Applications

CAT. NO.	DESCRIPTION	QTY/BOX
WBA14X3	1/4" x 3" (6.3 x 76.2 mm) Wedge-Bolt Anchor	50
WBAW14*	1/4" Wedge-Bolt Washer for WBA14X3	50
WBA38X4	3/8" x 4" (9.5 x 101.6 mm) Wedge-Bolt Anchor	50
WBAW38*	3/8" Wedge-Bolt Washer for WBA38X4	50

Minimum order is 50 each. Must be ordered in increments of 50. \*Washers must be used with Wedge-Bolt Anchors to achieve the required attachment strength.

## CRL S.D.S. MASONRY DRILLS

- ANSI Specifications for Wedge-Bolts



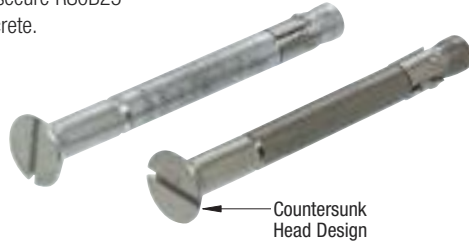
S.D.S. Masonry Drills are made to the ANSI Specifications required for the proper performance of Wedge-Bolts. Life expectancy: 100-500 holes, depending on substrate and drill used. They work in both regular and impact drills, and can be used in a number of masonry materials.

CAT. NO.	DIAMETER	LENGTH
SDSW12	.495" (12.6 mm)	12" (305 mm)
SDSW38	.389" (9.9 mm)	12" (305 mm)
SDSW14	.259" (6.6 mm)	8" (203 mm)

Minimum order: 1 each. Sizes can be combined for quantity pricing.

## CRL STANDOFF RAILING ATTACHMENT ACCESSORIES

Hilti® Kwik Bolt 3 are expansion anchors used to secure RS0B25 Standoffs to concrete.



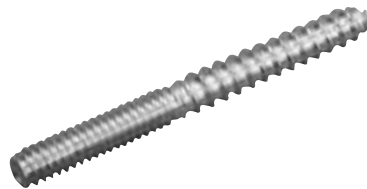
Countersunk Head Design

### KWIK BOLT 3

CAT. NO.	FINISH	SIZE
EBA336	18-8 Stainless	3/8" x 4" (102 mm)
EBA337	Carbon Steel	3/8" x 4" (102 mm)

Minimum order: 1 each.

Hanger Bolts are available in 304 stainless and can be used in wood substrates.

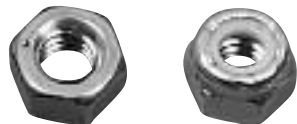


### HANGER BOLTS

CAT. NO.	FINISH	SIZE
HB38112S	304 Stainless	3/8"-16 x 1-1/2" (38.1 mm)
HB38212S	304 Stainless	3/8"-16 x 2-1/2" (63.5 mm)

Minimum order: 1 each. Sizes can be combined for quantity pricing.

Hex and Nylock Hex Nuts are used with Allen Screws or Threaded Rod for securing 1-1/2" (38 mm) diameter Standoffs.



Hex Nut

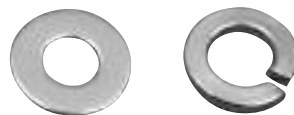
Nylock Hex Nut

### HEX AND NYLOCK HEX NUTS

CAT. NO.	FINISH	TYPE	SIZE
HN3816S	304 Stainless	Hex	3/8"-16
NLN3816S	304 Stainless	Nylock	3/8"-16

Minimum order: 10 each. Must be ordered in increments of 10.

Flat and Lock Washers are used when attaching Standoffs to panels or substrates.



Flat Washer

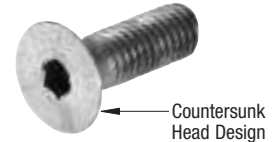
Lock Washer

### FLAT AND LOCK WASHERS

CAT. NO.	FINISH	TYPE	SIZE
FW38S	304 Stainless	Flat	3/8"-16
LW38S	304 Stainless	Lock	3/8"-16

Minimum order: 10 each. Must be ordered in increments of 10.

Socket Flat Head Cap Screws are used to secure RS0B25 Standoffs to a steel substrate.



Countersunk Head Design

### SOCKET FLAT HEAD CAP SCREWS

CAT. NO.	FINISH	SIZE
SHCSF3816X1	18-8 Stainless	3/8"-16 x 1" (25.4 mm)

Minimum order: 10 each.

Socket Head Cap Screws are used to secure RS0B20 Standoffs to a steel substrate with a minimum of 3/8" (9.5 mm) of thread engagement.

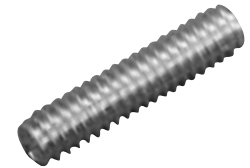


### SOCKET HEAD CAP SCREWS

CAT. NO.	FINISH	SIZE
SHCS38X34	304 Stainless	3/8"-16 x 3/4" (19 mm)
SHCS38X112	304 Stainless	3/8"-16 x 1-1/2" (38.1 mm)

Minimum order: 10 each. Must be ordered in increments of 10.

Stainless Steel Allen Screws are available in incremental lengths from 1" (25.4 mm) to 2" (51 mm) for 1-1/2" (38 mm) diameter Standoffs.



### ALLEN SCREWS

CAT. NO.	FINISH	SIZE
AS381	304 Stainless	3/8"-16 x 1" (25.4 mm)
AS38114	304 Stainless	3/8"-16 x 1-1/4" (31.7 mm)
AS38112	304 Stainless	3/8"-16 x 1-1/2" (38.1 mm)
AS38134	304 Stainless	3/8"-16 x 1-3/4" (44.4 mm)
AS382	304 Stainless	3/8"-16 x 2" (50.8 mm)

Minimum order: 10 each. Must be ordered in increments of 10. Sizes can be combined for quantity pricing.

Full 36" (914 mm) lengths of stainless Threaded Rod will permit you to cut Rod to desired length.



### THREADED RODS

CAT. NO.	FINISH	SIZE
TR3816X36S	304 Stainless	3/8"-16 x 36" (914 mm)

Minimum order: 1 each.

Acorn Nuts are commonly used for applications that need a finished top. **NOTE:** Allen Screws or Threaded Rods must be installed to proper length during installation for Acorn nut to fit properly.



Acorn Nut

### ACORN NUTS

CAT. NO.	FINISH	SIZE
ACN3816S	304 Stainless	3/8"-16

Minimum order: 10 each. Must be ordered in increments of 10.





Cable Display Systems provide some of the most versatile, durable, and best looking methods for decoration and interior design. Used in retail, commercial, and residential applications, CRL Cable Display Systems have limitless capabilities and functions.

CRL has Cable Display Systems for 1/4", 3/8", and 1/2" (6, 10, and 12 mm) thick glass. The most popular and basic installations for Cable Display Systems are from floor to ceiling, but they can also be used as shelving systems inside showcases and cabinets. Cable Display Systems are also available for ceiling-to-wall, wall-to-wall, and wall-to-floor applications.

The following pages will provide you with photographs of installations and parts to properly install your Cable Display System. Our Technical Sales team can also assist you in the selection of the right system for your project. Contact Technical Sales at (800) 421-6144 in the U.S., (877) 421-6144 from Canada, or (323) 588-1281 International, and ask for Ext. 7720. You can also e-mail us through our web site at [crlaurence.com](http://crlaurence.com). From the home page click on Contact Us, and then click on Technical Sales for Glass and Glazing Products.

## CRL CABLE DISPLAY SYSTEM FOR 1/4" TO 3/8" (6 TO 10 MM) GLASS



- Easy to Install and Adjust
- High Quality Components
- Works With 1/4" to 3/8" (6 to 10 mm) Materials

CRL's Cable Display System and components for 1/4" to 3/8" (6 to 10 mm) glass offers all the options you will need for ceiling-to-floor suspension, shelving installations, hanging vertical panels, signage or retail displays. This versatile system is easily installed and adjusted. These CRL Display Systems represent cable technology in its finest form.

The elegantly designed components are fabricated from brass then are nickel plated, which provides compatibility with other fixtures or amenities in the office, home or retail environment.

## CRL CEILING-TO-FLOOR CABLE KIT

- Shelving Cable System That Can Be Quickly and Easily Installed and Reconfigured
- Stainless Steel Cable and Nickel Plated Components

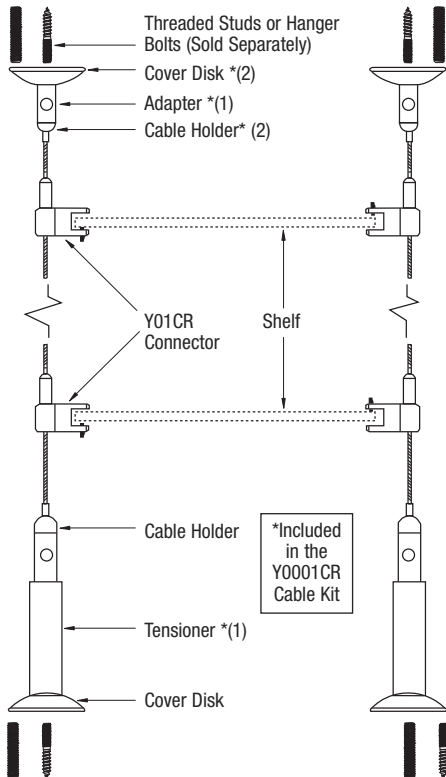
Contains all of the basic Cable components between the ceiling and floor or base: One 20 foot (6.1 m) length of Cable, one Tensioner, one Adapter, two Cable Holders, and two Cover Disks. Hanger Bolts or Threaded Studs for ceiling or floor attachment must be ordered separately (see page SC37). Shelf Connectors must also be ordered separately (see page SC36). Minimum order is one each.



Ceiling-to-Floor Cable Installation

**Weight Capacity:** Four cables, securely and properly anchored to ceiling beams or studs have a maximum weight capacity of 300 pounds (136 kg). Each Single Connector is rated at 20 pounds (9 kg), Double Connectors are rated at 10 pounds (4.5 kg). Due to the diverse variety of applications, weight limitations for the Cable Display Systems are dependent upon ceiling, wall or substrate anchoring.

### How It Works



### CAT. NO. Y0001CR CABLE KIT CONTAINS:

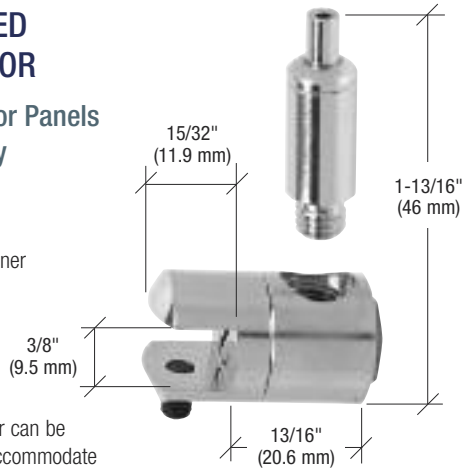


Minimum order: 1 each. All Cable Display System Components can be combined for quantity pricing.

## CRL SINGLE-SIDED SHELF CONNECTOR

- Position Shelves or Panels Either Horizontally or Vertically

The CRL Single-Sided Shelf Connector with Tensioner is designed for a maximum glass thickness of 3/8" (10 mm), and is used in single shelf or panel installations. The Connector can be rotated to any position to accommodate vertical panels and signage or "tilted" displays. Each Single-Sided Connector has a maximum weight capacity of 20 pounds (9 kg).

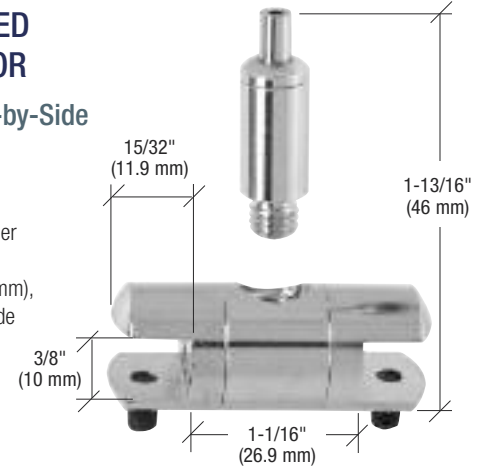


CAT. NO. Y01CR

## CRL DOUBLE-SIDED SHELF CONNECTOR

- Designed for Side-by-Side Shelf Installations

CRL's Double-Sided Shelf Connector with Tensioner is designed for a maximum glass thickness of 3/8" (10 mm), and is used when side-by-side shelves are required. These Connectors are installed on the "inside" cables. Screws are included with the Single-Sided and Double-Sided Connectors to accommodate both 1/4" and 3/8" (6 and 10 mm) panels. Each Double-Sided Connector has a maximum weight capacity of 10 pounds (4.5 kg).

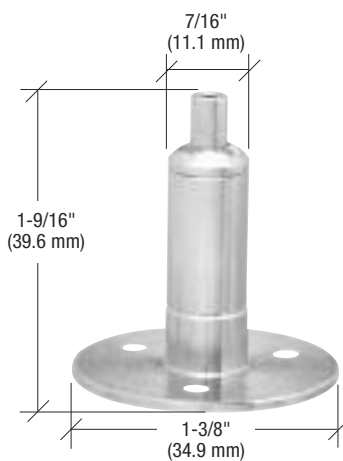


CAT. NO. Y02CR

## CRL DRILL-THRU SHELF SUPPORT

- Ideal for Glass or Wood Shelves

The CRL Drill-Thru Shelf Support with Tensioner is designed to be used for 3/8" (10 mm) Glass, and is used in single shelf installations. The Support requires a 1/2" (12.7 mm) drilled hole in the shelf. This Support can also be used with wood shelves using the three holes in the support disk to secure the shelf with wood screws (not included). Each Drill-Thru Shelf Support has a maximum weight capacity of 20 pounds (9 kg).

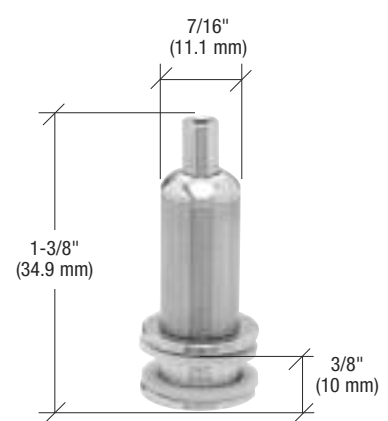


CAT. NO. Y03CR

## CRL THRU-GLASS SHELF HOLDER

- Attaches Securely to 3/8" (10 mm) Thick Shelves

CRL's Thru-Glass Shelf Holder is similar to the Drill-Thru Shelf Support in function, however the installation provides an extremely low profile appearance. Designed for 3/8" (10 mm) glass shelving, the Thru-Glass Shelf Holder requires a 7/16" (11 mm) hole in the glass. Each Shelf Holder has a maximum weight capacity of 20 pounds (9 kg).



CAT. NO. Y05CR

## CRL ACRYLIC PORTRAIT ENVELOPE **new**

- Display Advertisements or Photos
- Quickly Change Photos Without Removing Envelope from Cables
- Install Onto Cables Using Cat. No. Y01CR Connector



CRL's new Acrylic Portrait Envelope is a convenient and efficient way to display 8-1/2" wide x 11" high (216 x 279 mm) advertisements, notices, menus, or photos using CRL's Y0001CR Ceiling-to-Floor Cable Kit or our Y0002CR Wall-to-Wall Cable Kit. Material displayed in the Envelopes can be quickly changed while still connected to the cables. The Envelopes can also be easily moved up or down on the cables by depressing the tip on the Connector Tensioner.

CAT. NO. CE811

## CRL ACRYLIC LANDSCAPE ENVELOPE **new**

- Perfect for Signage or Advertisements
- Used With CRL Y0001CR and Y0002CR Cable Display Kits



CRL's new Acrylic Landscape Envelope is a great way to display product brochures or advertisements. Perfect for installation in store windows, the 11" wide x 8-1/2" high (279 x 216 mm) Landscape Envelopes are ideal for retail specials or daily ad sheets. Easy access to the back of the Envelope permits material to be quickly changed without being removed from cables.

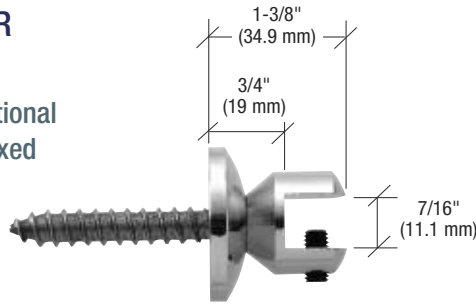
CAT. NO. CE118

Minimum order: 1 each. All Cable Display System Components can be combined for quantity pricing.



## CRL HORIZONTAL WALL ANCHOR

- Provides Additional Support for Fixed Shelves

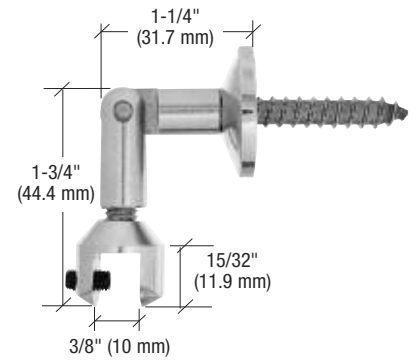


CRL's Horizontal Wall Anchors are designed to attach and support Cable Display System shelves to a wall or substrate. When Cable System shelving units are designed to have Cables supporting only the front edges of the shelves, the Horizontal Wall Anchor is the ideal component to secure and support the glass shelf against the wall. These matching components should be installed into wall studs for maximum support. The Wall Anchor has a weight capacity of 20 pounds (9 kg). Each package contains one Support, one Cover Disk, and one Dual Threaded Screw.

CAT. NO. Y06CR

## CRL VERTICAL WALL PANEL HANGER

- Perfect for Signage or Lightweight Panels

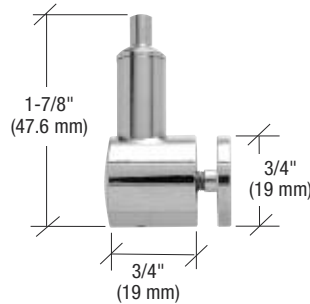


CRL's Vertical Wall Panel Hangers are designed for lightweight 1/4" to 3/8" (6 to 10 mm) signs or panels. Easily installed to vertical walls or substrates, the Panel Hangers can be used individually or in pairs to attractively hang signage, office nameplates or decorative panels. The Panel Hanger has a maximum weight capacity of 20 pounds (9 kg). Each package contains one Support, one Elbow, one Cover Disk, and one Dual Threaded Screw.

CAT. NO. Y07CR

## CRL VERTICAL PANEL CONNECTOR

- Hang Vertical Panels Safely and Securely
- Requires Drilled Hole in Glass or Panel

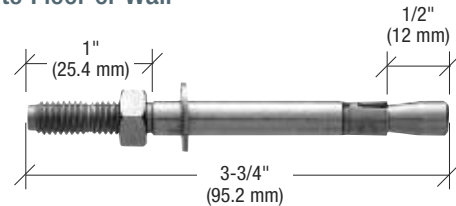


CRL's Vertical Panel Connectors are the ideal product for hanging 1/4" to 3/8" (6 to 10 mm) mirrors or glass panels in an environment where clamping on the edges of the glass is not the most secure method. The Panel Connectors are also the choice when Cables are designed to be installed behind the panel. Glass or panel fabrication requires a minimum 1/4" (6 mm) diameter hole, and can require a 3/8" (10 mm) diameter hole for 3/8" (10 mm) thick tempered glass. Each Panel Connector has a maximum weight capacity of 20 pounds (9 kg) for 1/4" to 5/16" (6 to 8 mm) panels, and 10 pounds (4.5 kg) for 3/8" (10 mm) panels.

CAT. NO. Y04CR

## CRL CONCRETE ANCHOR FOR 3/8" CABLE SYSTEM

- Attach Cable Components to Concrete Floor or Wall

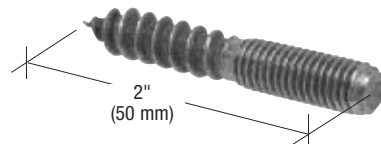


When it becomes necessary to install the CRL 3/8" (10 mm) Cable Display System into a concrete floor or wall, the Concrete Anchor is designed with an M8 thread which will attach to the Cable System Base Fitting. The Concrete Anchor can be easily installed by drilling a 5/16" (7.9 mm) diameter hole 2" (50.8 mm) deep into the concrete. Tapping the top of the Anchor with a hammer will result in securely fastening the Anchor into the concrete.

CAT. NO. Y38CA

## CRL DUAL THREADED SCREW

- Used for Cable Installation into Wood or Laminate

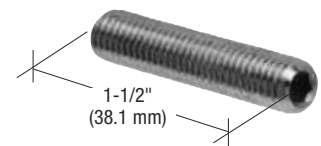


The CRL M8 x 50 mm Dual Threaded Screw is used when installing the Cable Display System into a wood or laminate base or ceiling support. The threaded portion of the screw is attached to the Cover Disk and Adapter.

CAT. NO. Y0010

## CRL THREADED STUD

- Used for Cable Installation into Metal



The CRL M8 x 40 mm Threaded Stud is used when installing the Cable Display System into metal at the ceiling or base. Half of the Stud is threaded into the ceiling or floor metal support, the other half is attached to the Cover Disk and Adapter.

CAT. NO. Y0020

Minimum order: 1 each. All Cable Display System Components can be combined for quantity pricing.

## CRL CABLE DISPLAY SYSTEMS FOR 3/8" TO 1/2" (10 TO 12 MM) GLASS



**new**

- An Ideal System for 1/2" (12 mm) Shelving
- High Quality in Appearance and Material

CRL's Cable Display System for 1/2" (12 mm) glass is also the ideal system for use with large size 3/8" (10 mm) shelving installations that are too heavy for CRL's Cable Display System for 3/8" Glass. The 4 mm stainless steel cable and stainless steel components are innovative both in design and technology. This system is extremely versatile and can easily be installed for shelving or for hanging vertical panels. Select from a variety of connectors and components, each one unique and functional. For additional information, contact CRL Technical Sales at (800) 421-6144 in the U.S., or (877) 421-6144 from Canada, and ask for Ext. 7720. You can also e-mail us through our web site at [crlaurence.com](http://crlaurence.com). From the home page click on Contact Us, and then click on Technical Sales for Glass and Glazing Products.



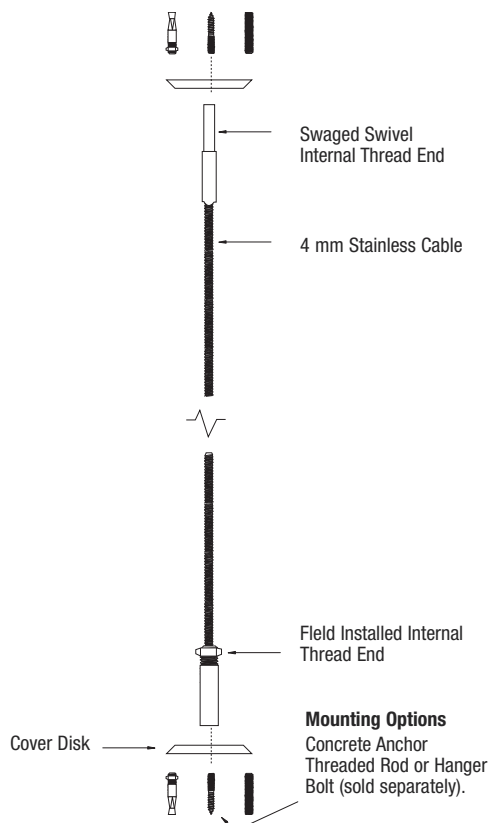
Ceiling-to-Floor Cable Installation

## CRL CABLE DISPLAY KIT FOR 3/8" TO 1/2" (10 TO 12 MM) GLASS

- Designed for Heavy Glass Shelves
- Horizontal and Vertical Applications

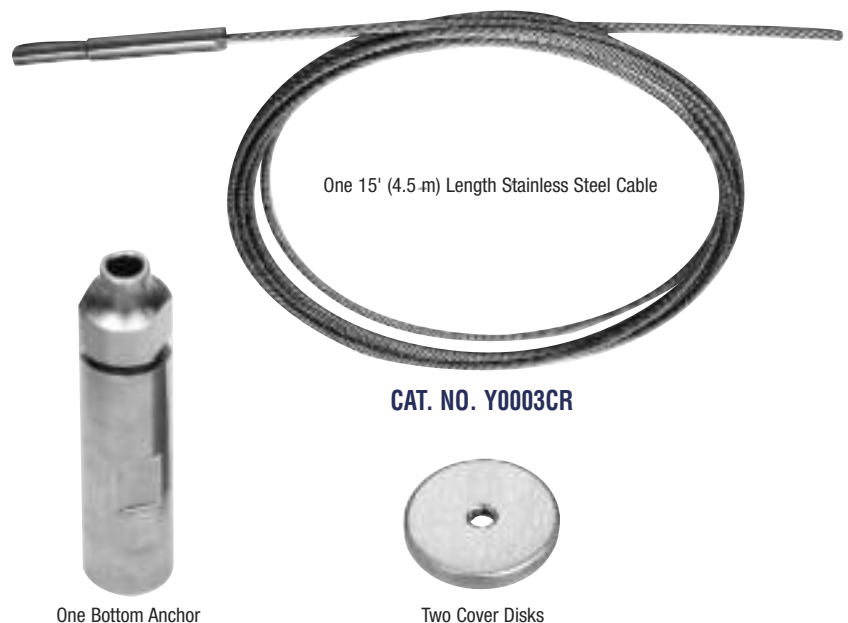
CRL's Cable Display Kit for 3/8" to 1/2" (10 to 12 mm) glass is fabricated from high quality 316 stainless steel. Used either indoors or outdoors, this system offers all the necessary components for any project design. The Kit contains: One 15 foot (4.5 m) length of Stainless Steel Cable with Top Swivel Fitting, one Bottom Anchor, and two Cover Disks. Shelf Connectors and attachment hardware must be purchased separately (see page SC39). Minimum order is one each.

### How It Works



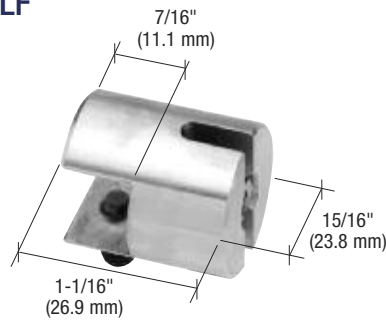
**Weight Capacity:** Each Cable is rated at 1600 pounds (725 kg), and each Connector has a maximum weight capacity of 35 pounds (16 kg). Due to the diverse variety of applications, weight limitations for the Cable Display Systems are dependent upon ceiling, wall or substrate anchoring.

### CAT. NO. Y0003CR CABLE KIT CONTAINS:



## CRL HORIZONTAL SHELF CONNECTOR

- Easily Adjust Shelf Height

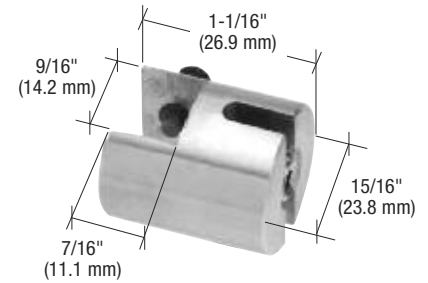


Designed for 1/2" (12 mm) glass single shelf installations, this Stainless Steel Connector can be securely positioned on the 4 mm Cable by tightening the set screw against the Cable. A nylon tipped screw holds the glass firmly in place. The weight capacity for the Horizontal Connector is 35 pounds (16 kg). Minimum order is one each.

**CAT. NO. Y031CR**

## CRL VERTICAL PANEL CONNECTOR

- Display Panel in Vertical Position



These Connectors are constructed of 316 stainless steel and designed to hold 3/8" to 1/2" (10 to 12 mm) panels in a vertical position. The Connectors clamp onto the sides of the panel, and are held in place with nylon tipped set screws. The weight capacity for the Vertical Connector is 35 pounds (16 kg). Minimum order is one each.

**CAT. NO. Y032CR**

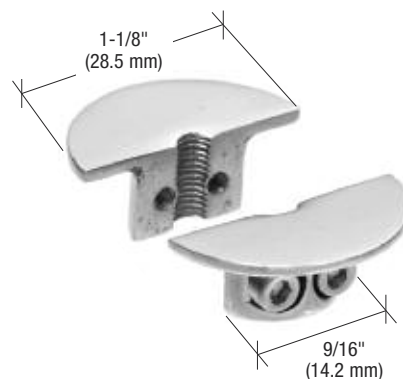
## CRL DRILL-THRU SHELF SUPPORT

- Provides "Frameless" Look



Trim Ring

**CAT. NO. Y033TR**

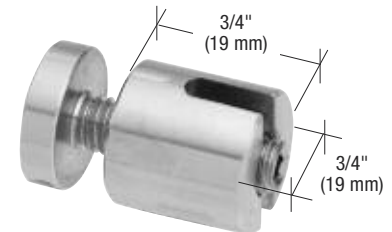


CRL's Drill-Thru Shelf Support for 1/2" (12 mm) glass shelves is a two-part Stainless Steel Clamp that is attached to the Cable with two socket head screws. The Drill-Thru Support requires a 1/2" (12 mm) diameter hole for the cable. The weight capacity for each Drill-Thru Shelf Support is 175 pounds (79 kg). Minimum order is one each.

**CAT. NO. Y033CR**

## CRL DRILL-THRU CONNECTOR FOR VERTICAL PANELS

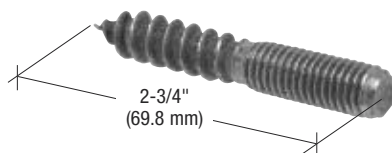
- Hang Vertical Panels Safely and Securely



CRL's Drill-Thru Connectors are the ideal product for hanging 3/8" to 1/2" (10 to 12 mm) glass panels in a high moisture environment where clamping onto the edges of the glass is not the most secure method. The Connector package contains one cap for 3/8" and 1/2" panels. Drilling 1/2" (12 mm) holes in the glass is required. The weight capacity for each Drill-Thru Connector is 35 pounds (16 kg). Minimum order is one each.

**CAT. NO. Y034CR**

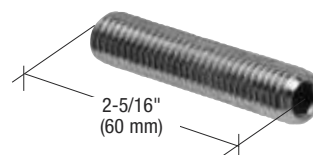
## CRL DUAL THREADED SCREW



Used when installing the 1/2" (12 mm) Cable Kit into wood at the ceiling or floor. Half the screw is M6 thread and half is wood thread. The M6 thread portion is connected through the Cover Disks to the cable end fittings. Minimum order is one each.

**CAT. NO. Y0310**

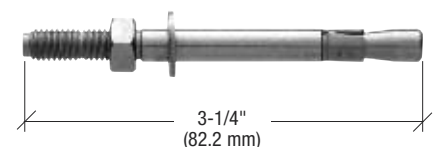
## CRL THREADED STUD



Used when installing a 1/2" (12 mm) Cable Kit to metal. The overall length of the Stud is 60 mm. The thread size is M6. Half of the Stud is threaded into the metal ceiling or floor metal support, and the other half connected through the Cover Disks to the cable end fittings. Minimum order is one each.

**CAT. NO. Y0320**

## CRL CONCRETE ANCHOR



When it becomes necessary to install the 1/2" (12 mm) Cable Display System into concrete, the Concrete Anchor has an M6 threaded end which attaches through the Cover Disk into the cable end fittings. The Concrete Anchor can be installed by drilling a 1/4" (6 mm) diameter hole 2" (51 mm) deep into the concrete. Tapping the top of the Anchor with a hammer will securely fasten the Anchor into the concrete. Minimum order is one each.

**CAT. NO. Y12CA**



# CRL CABLE DISPLAY SYSTEMS

For Pricing Visit Our Web Site or Call Us Toll Free at the Phone Numbers Shown on the Back Cover

## CRL WALL-TO-WALL VERTICAL CABLE DISPLAY SYSTEM



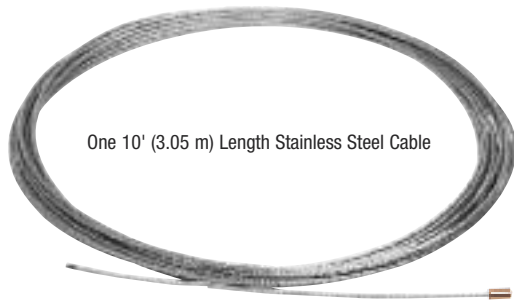
- Elegantly Display Artwork or Signage
- Easily Installed and Adjusted

CRL's Wall-to-Wall Vertical Cable Display System for 3/8" (10 mm) glass is designed to display signage, artwork or decorative panels. This Cable Display System is easily installed and adjusted. It is ideal for use in the office, home or retail environment. The components are fabricated from brass and are nickel plated. Two Wall-to-Wall Kits are required for mounting panels.

**Weight Capacity:** Each Wall-to-Wall Cable Display System, securely and properly anchored to wall studs or substrates, have a maximum weight capacity of 50 lbs. (22.7 kg).

### CAT. NO. Y0002CR CABLE KIT CONTAINS:

One 10' (3.05 m) length of 1.5 mm Cable, two Hanger Bolts, two Cover Disks, two Elbow Holders, two Cable Tensioners, one Comfort Tensioner, one Threaded Stud. Y01CR and Y02CR Connectors (see page SC36) are not included. Minimum order is one each.



One 10' (3.05 m) Length Stainless Steel Cable

### CAT. NO. Y0002CR



Two Cable Tensioners



Two Elbow Holders



One Threader Stud



One Comfort Tensioner

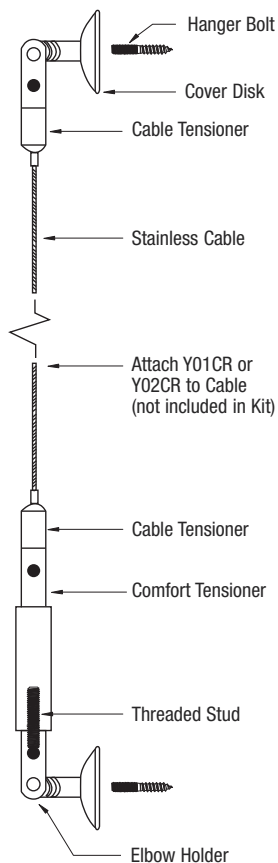


Two Wood Anchors



Two Cover Disks

### How It Works



Wall-to-Wall Cable Installation



**CAT. NO. Y01CR**  
CRL Single-Sided Shelf Connector



**CAT. NO. Y02CR**  
CRL Double-Sided Shelf Connector

**NOTE:** Single or Double-Sided Connectors must be ordered separately (see page SC36).

Minimum order: 1 each. All Cable Display System Components can be combined for quantity pricing.

# CRL ROD SYSTEM DISPLAY HARDWARE

For Pricing Visit Our Web Site or Call Us Toll Free at the Phone Numbers Shown on the Back Cover

## CRL WALL-TO-WALL ROD SYSTEM SHELF DISPLAY

- Adjustable Levels and Positions for Shelves
- Ideal for Office, Retail or Home
- Beautiful Finished Chrome Components



This easy-to-install CRL Wall-to-Wall Rod System Shelf Display will accommodate three shelves that can be mounted over an office desk or work station, utilized at home in the den, bedroom or kitchen, or as a perfect merchandiser for a retail store display.

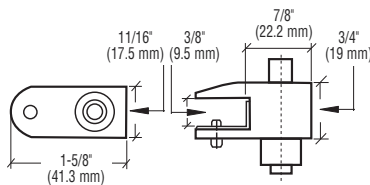
Using customer supplied 1/4" to 5/16" (6 to 8 mm) tempered glass shelves, these versatile, easy-to-install Glass Supports are completely adjustable to any vertical position on the 39" (1.0 m) Rods, and can be rotated 90 degrees so that longer shelves can extend beyond the Upper and Lower Bracket Supports (reference adjacent photo). The distance between the 14-1/4" (362 mm) long Bracket Supports should be spaced to allow for installation into wall studs, which will provide maximum support and stability. The Rod System Shelf Display has a maximum weight capacity of 120 pounds (54 kg). Minimum order quantity is one each.



CAT. NO. 4800CH

### CRL ONE-WAY GLASS SUPPORT FOR INSTALLING EXTRA SHELVES

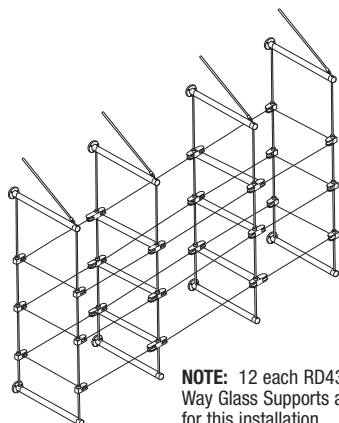
CRL's One-Way Glass Support can be used when additional shelves need to be added to the Cat. No. 4800CH Wall-to-Wall Rod System Shelf Display. Minimum order quantity is one each.



CAT. NO. RD4305CH

### CRL TWO-WAY GLASS SUPPORT FOR SIDE-BY-SIDE SHELF INSTALLATIONS

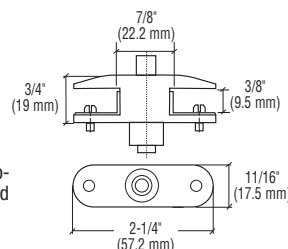
CRL's Wall-to-Wall Rod System Shelf Display is so versatile that two systems, can be installed side-by-side. CRL's Two-Way Glass Supports are required on the four middle rods to allow for connecting adjoining shelves. Minimum order quantity is one each.



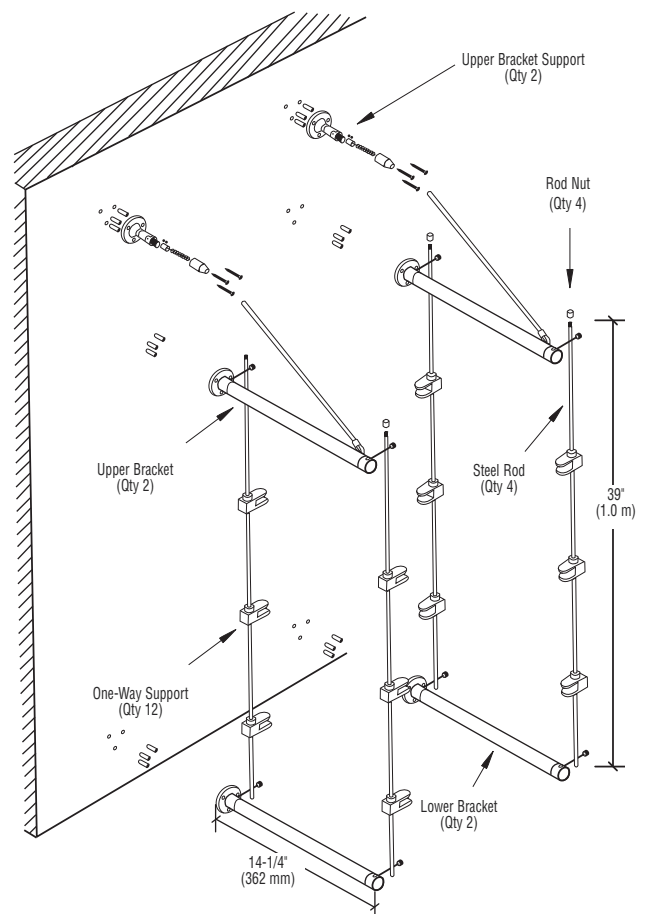
**NOTE:** 12 each RD4304CH Two-Way Glass Supports are required for this installation.



CAT. NO. RD4304CH



### How It Works



Each Cat. No. 4800CH Wall-to-Wall Shelf System consists of: Two Upper Bracket Supports, Two Upper Brackets, Four Steel Rods, Twelve One-Way Supports, Four Rod Nuts, Two Lower Brackets, One Pack Containing Screws and Anchors.

## CRL ROD SYSTEM DISPLAY FOR 3/8" GLASS



- Versatile Floor-to-Ceiling Display System
- Satin Chrome Components
- Works With 1/4" to 3/8" (6 to 10 mm) Materials

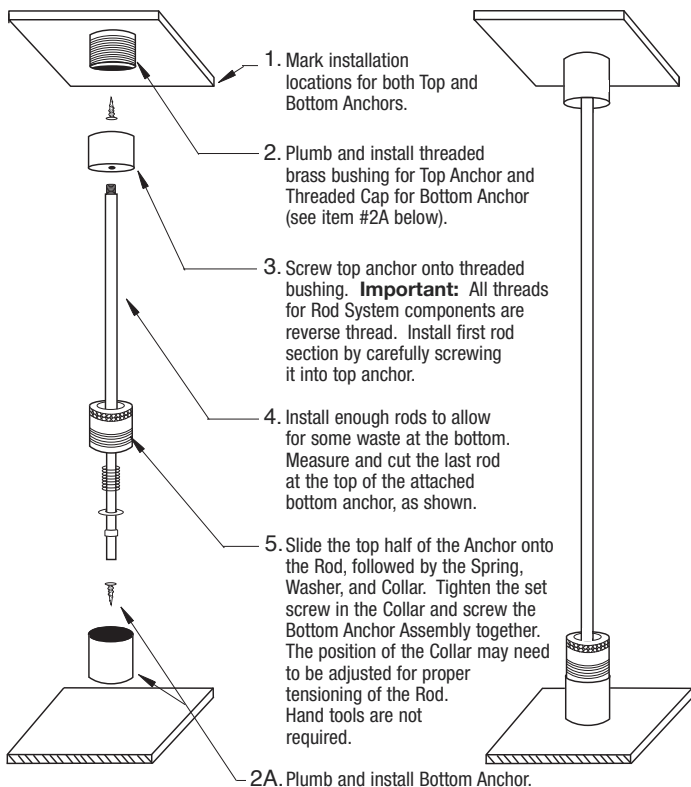
The Rod System Display is ideal for use in retail, commercial or residential applications. This easily installed system is stable when installed to ceiling and floor, and can be used as a shelving unit or for vertical panels. Rod Displays are also used to suspend shelving in display cases or cabinets.

CRL's Rod System Display is designed using satin chrome 6 mm Stainless Steel Rods and machined Brass Fittings. The Rods are available in three different lengths. Each Rod section has threaded internal and external ends which enable the Rods to screw together to achieve the designed length.

Weight Capacity: The maximum recommended load for each length of Rod, either individual or screwed together, is 150 pounds (68 kg). Each Rod Support or Connector will hold 25 pounds (11.3 kg).



### How It Works



### CRL 6 MM RODS

- Available in Three Lengths
- Satin Chrome Finish

CRL 6 mm Rods are designed to be used individually or together. Each Rod has threaded external and internal ends that screw together to achieve the desired length. The Rods can be cut to the exact height required, and are attached to the ceiling and floor or top and bottom of the showcase using CRL's Rod Anchor Set (see opposite page).



Thread Size: 4 mm .7 pitch

CAT. NO.	LENGTH
062050*	19-1/2" (.5 m)
062100	39" (1 m)
062150	59" (1.5 m)

Minimum order: 1 each. \*062050 has an external thread at one end and a finished end at the other.

### CRL BUTTERFLY WRENCH

Use the convenient Butterfly Wrench for making height adjustments on the Rod for Cat. No. 061912S Vertical Supports. The two protrusions in the wrench fit perfectly into the back of both Rod System Fittings, which makes tightening and loosening an easy process. Minimum order is one each.



CAT. NO. 061W



# CRL ROD SYSTEM DISPLAY HARDWARE

For Pricing Visit Our Web Site or Call Us Toll Free at the Phone Numbers Shown on the Back Cover

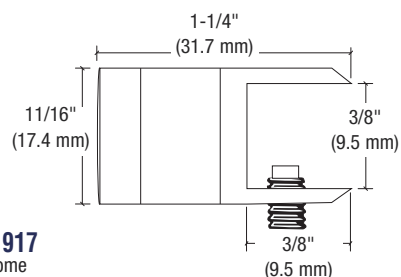
## CRL ROD SYSTEM SINGLE CONNECTOR

- Allows Shelves to Be Easily Repositioned
- Can Be Used Horizontally or Vertically

This satin chrome Single Connector is used in single shelf applications. The Connector can be rotated to any angle desired and locked into place with a set screw. The Connector is secured to the Rod using the Cat. No. 061W Butterfly Wrench, and has a maximum weight capacity of 25 pounds (11.3 kg). Minimum order is one each



**CAT. NO. 061917**  
Finish: Satin Chrome



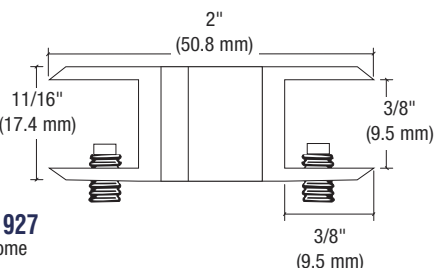
## CRL ROD SYSTEM DOUBLE CONNECTOR

- Shelves Can Be Easily Repositioned and Rotated for Horizontal or Vertical Applications

The Double Connector is designed to be used in side-by-side designs. Each side can be independently rotated to the desired angle and locked into place with a set screw. The Double Connector has a maximum weight capacity of 25 pounds (11.3 kg). Minimum order is one each.



**CAT. NO. 061927**  
Finish: Satin Chrome



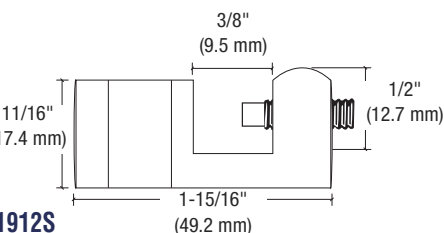
## CRL ROD SYSTEM VERTICAL SUPPORT

- Designed to Hold Vertical Panels

The Vertical Support is the ideal connector for displaying 1/4" to 3/8" (6 to 10 mm) vertical panels. The Support is located to the desired height on the Rod and secured in place using the Cat. No. 061W Butterfly Wrench. The maximum weight capacity is 25 pounds (11.3 kg). CRL's Cat. No. 071963 Cover Cap is available to provide a finished appearance (see below). Minimum order is one each.



**CAT. NO. 061912S**  
Finish: Satin Chrome



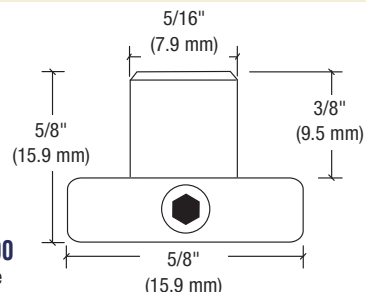
## CRL ROD SYSTEM DRILL-THRU SUPPORT

- Supports Drilled Shelves

CRL's satin chrome Drill-Thru Support is designed to hold shelves in a horizontal fixed position and is used in single shelf applications. The Drill-Thru Support requires a 3/8" (10 mm) drilled hole in the glass, is easily adjusted to the desired height on the Rod, and then locked into place by tightening the set screw in the Support. The maximum recommended weight capacity is 25 pounds (11.3 kg). Minimum order is one each.



**CAT. NO. 061000**  
Finish: Satin Chrome



## CRL ROD ANCHOR SET

- Used With CRL 6 mm Rods

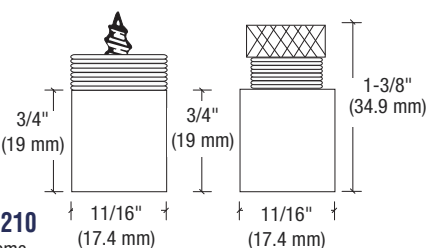
CRL's Rod Anchor Set consists of top and bottom fittings that attach to the Rod ends. The satin chrome Anchor Sets do not come with screws or fasteners to attach the Anchors to either the ceiling or floor. The top and bottom fittings have 3/16" (5 mm) diameter holes to accommodate your choice of screws or fasteners. Minimum order is one each.

Top Anchor



Bottom Anchor

**CAT. NO. 061210**  
Finish: Satin Chrome



## CRL COVER CAP FOR VERTICAL SUPPORT

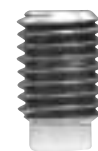
The Cover Cap is designed to be used with the Vertical Support Connector when it is important to provide a finished appearance. Minimum order is one each.



**CAT. NO. 071963**  
Finish: Satin Chrome

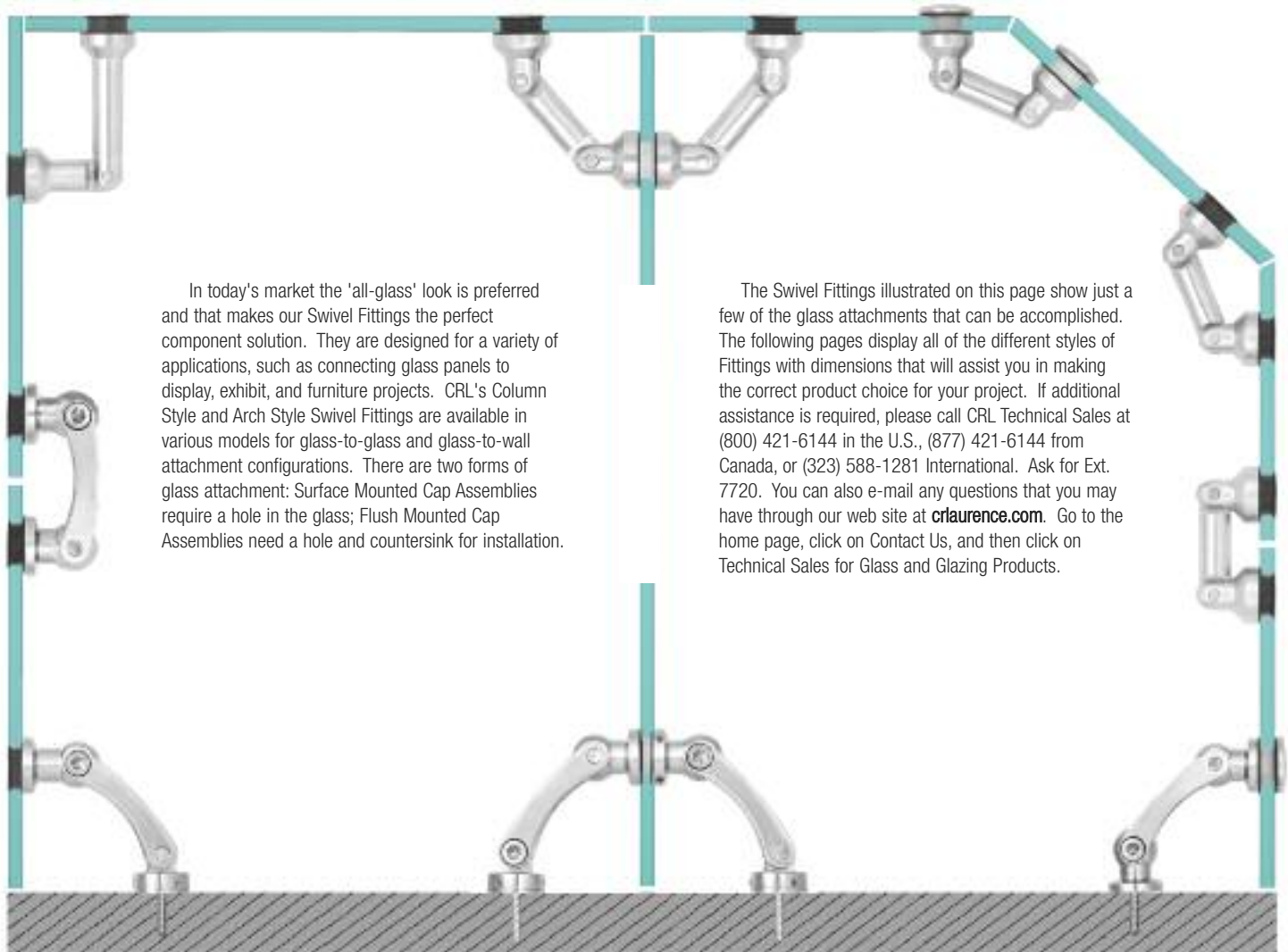
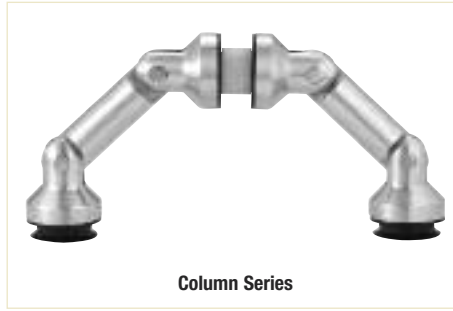
## CRL ROD SYSTEM SET SCREWS FOR 1/4" PANELS

Each of the Rod System Connectors come with screws to attach 3/8" (10 mm) panels. If 1/4" (6 mm) panels are intended for use with this system, these Set Screws are long enough to properly clamp the panel in the Connector. Minimum order is one each.



**CAT. NO. 072317**

## TYPICAL APPLICATIONS FOR CRL SWIVEL FITTINGS



## CRL SWIVEL FITTINGS



Column Series Swivel Fittings See pages SC46 to SC49



Arch Series Swivel Fittings See page SC50



This display unit was connected using our Column Series Swivel Fittings and our Round Standoffs

### STYLES OF SWIVEL FITTINGS

- Column or Arch Style Fittings Available in Wall-to-Glass or Glass-to-Glass Models
- Brushed Stainless Finish
- Swivels to Fit Different Angles
- Choose Surface or Flush Mount Glass Fasteners (Sold Separately)

CRL has developed two new styles of Swivel Fittings. Our Column Style and Arch Style Fittings are used for wall or floor-to-glass applications, and glass-to-glass applications. Surface or Flush Glass Attachments are sold separately. This gives you a choice, depending on your needs. See below for more information.

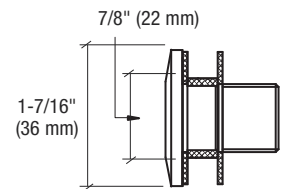
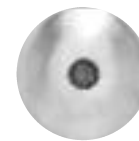
### CRL CAP ATTACHMENT CHOICES

- Choose Surface or Flush Mount Glass Fasteners (Sold Separately)
- Fits Both Column and Arch Style Swivel Fittings
- Brushed Stainless Finish
- Glass Fabrication Required to Install
- Thread Pitch M18 x 1.0

CRL realized that, depending on the use of the Swivel Fitting, different glass attachments might be needed. Many times glass in the horizontal position is used as a counter top or shelf where a flush surface is desired. For this application use our Flush Style Attachment Caps. Other times flush surfaces are not needed, and a Surface Style Attachment Cap will suffice. Glass fabrication costs are reduced with the Surface Style Glass Attachment Cap because no countersinking is required. Minimum order is one each.



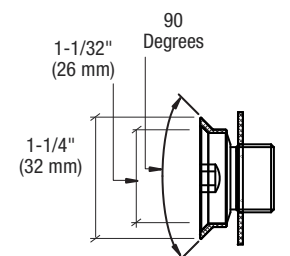
Surface Style Cap Attachment



CAT. NO. SGF36CAP



Flush Style Cap Attachment

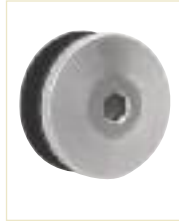


CAT. NO. SGF32CS



## CRL COLUMN SERIES SWIVEL FITTINGS

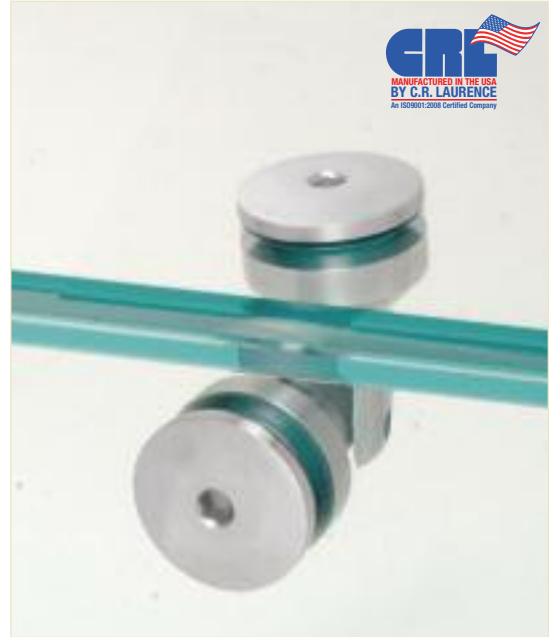
- Available in Eight Configurations for Either Surface or Flush Glass Attachments (Sold Separately)
- Brushed Stainless Finish
- Accomodate 3/8" or 1/2" (10 or 12 mm) Glass



Surface Mount Cap Assembly



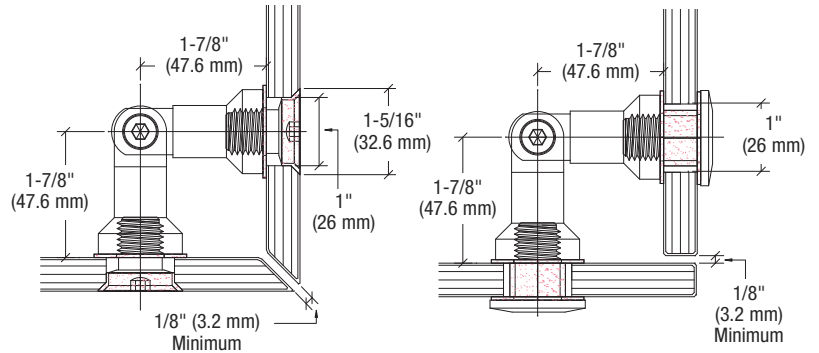
Flush Mount Cap Assembly



CRL's Column Series Swivel Fittings are designed to provide a simple solution to connecting pieces of glass at different angles. The Single Pivot Column Swivel Fitting gives you the option of selecting either a Surface Mount Glass Attachment Cap or a Flush Mount Glass Attachment Cap.

All Column Series Swivel Fittings will accommodate glass thicknesses from 3/8" to 1/2" (10 to 12 mm). An optional 3-15/16" (100 mm) Link is also available for those special applications. The simple design of this fitting makes for a quick and easy installation. Standard Column Series Swivel Fittings and Cap Assemblies (not included) come in a brushed stainless finish.

### CRL SINGLE PIVOT GLASS-TO-GLASS COLUMN SERIES SWIVEL FITTING



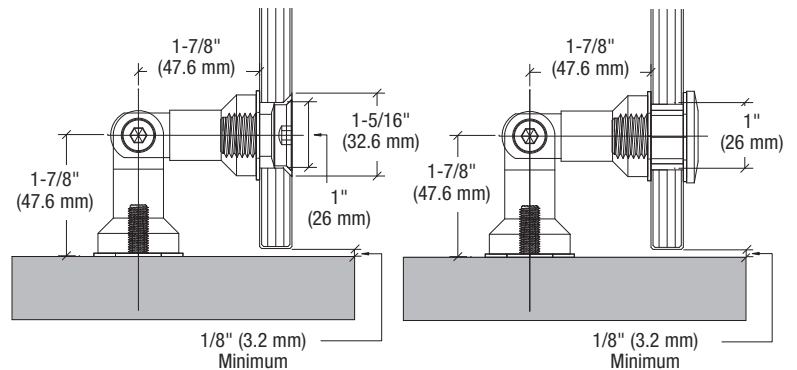
CAT. NO.	DESCRIPTION	FINISH
SGF42BGG	Single Pivot Glass-to-Glass Swivel Fitting	Brushed Stainless

Minimum order: 1 each. All Swivel Fittings can be combined for quantity pricing.

With Flush Mount Glass Cap Assemblies (Sold Separately)

With Surface Mount Glass Cap Assemblies (Sold Separately)

### CRL SINGLE PIVOT GLASS-TO-WALL/FLOOR COLUMN SERIES SWIVEL FITTING



CAT. NO.	DESCRIPTION	FINISH
SGF41BGW	Single Pivot Glass-to-Wall/Floor Swivel Fitting	Brushed Stainless

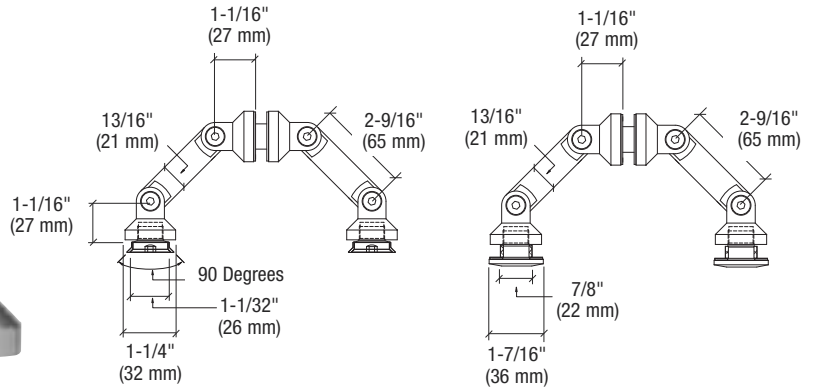
Minimum order: 1 each. All Swivel Fittings can be combined for quantity pricing.

**NOTE:** This Fitting uses the Glass Attachments shown at the top of the page. For Wall/Floor Attachments see page SC47.

# CRL GLASS PANEL CONNECTORS

For Pricing Visit Our Web Site or Call Us Toll Free at the Phone Numbers Shown on the Back Cover

## CRL GLASS FIN-TO-GLASS COLUMN SERIES SWIVEL FITTING



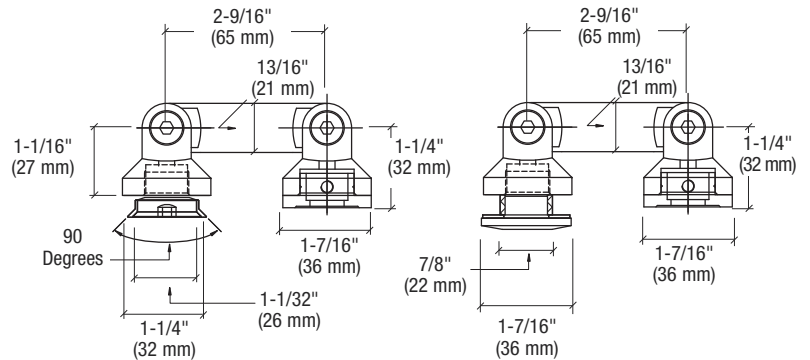
CAT. NO.	DESCRIPTION	FINISH
SGF67BGG	Glass Fin-to-Glass Swivel Fitting	Brushed Stainless

Minimum order: 1 each. All Swivel Fittings can be combined for quantity pricing.

With Flush Mounted Glass Cap Assemblies (Sold Separately)

With Surface Mounted Glass Cap Assemblies (Sold Separately)

## CRL DUAL PIVOT GLASS-TO-WALL/FLOOR COLUMN SERIES SWIVEL FITTING



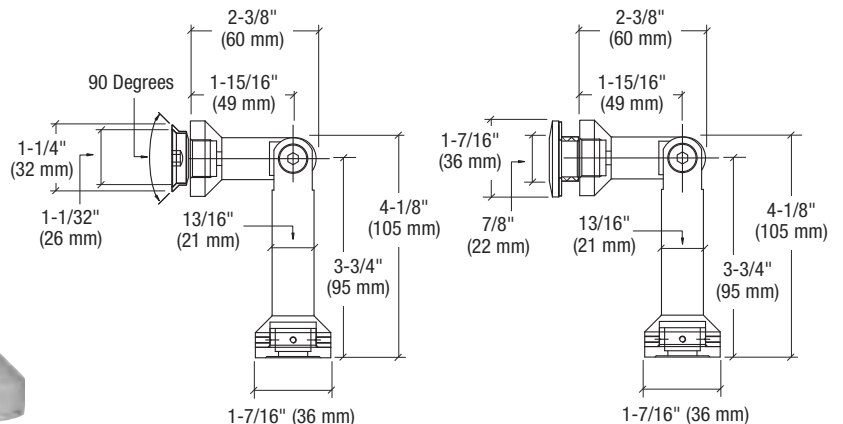
CAT. NO.	DESCRIPTION	FINISH
SGF61BGW	Dual Pivot Glass-to-Wall/Floor Swivel Fitting	Brushed Stainless

Minimum order: 1 each. All Swivel Fittings can be combined for quantity pricing.

With Flush Mounted Glass Cap Assemblies (Sold Separately)

With Surface Mounted Glass Cap Assemblies (Sold Separately)

## CRL SINGLE PIVOT GLASS-TO-WALL/FLOOR COLUMN SERIES SWIVEL FITTING



CAT. NO.	DESCRIPTION	FINISH
SGF63BGW	Single Pivot Glass-to-Wall/Floor Swivel Fitting	Brushed Stainless

Minimum order: 1 each. All Swivel Fittings can be combined for quantity pricing.

With Flush Mounted Glass Cap Assemblies (Sold Separately)

With Surface Mounted Glass Cap Assemblies (Sold Separately)

crlaurence.com

CRL C.R. LAURENCE COMPANY

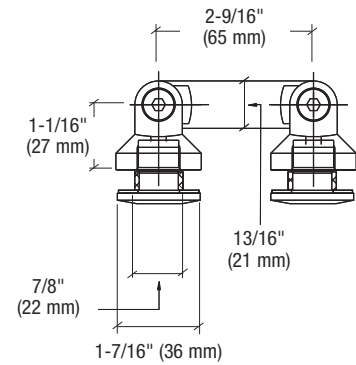
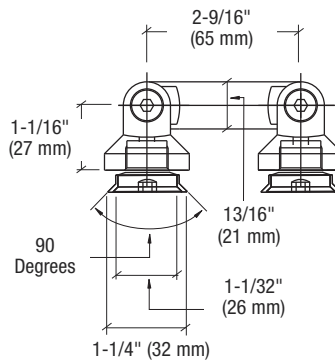
crlaurence.ca • crlaurence.com.au • crlaurence.co.uk • crlaurence.de • crlaurence.eu | SC47  
crlaurence.com.mx • crlaurence.qc.ca • crlaurence.fr • crlaurence.it • crlaurence.dk

# CRL GLASS PANEL CONNECTORS

For Pricing Visit Our Web Site or Call Us Toll Free at the Phone Numbers Shown on the Back Cover



## CRL DUAL PIVOT GLASS-TO-GLASS COLUMN SERIES SWIVEL FITTING



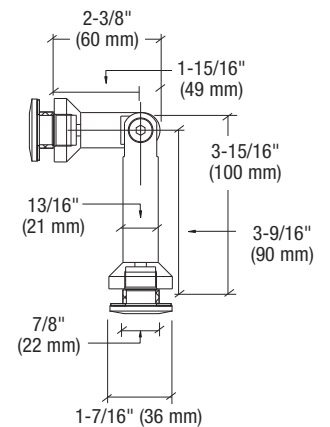
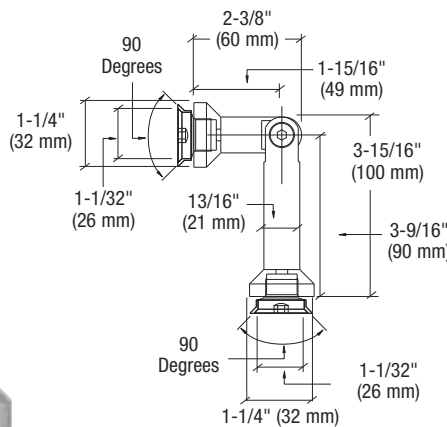
With Flush Mounted Glass Cap Assemblies (Sold Separately)

With Surface Mounted Glass Cap Assemblies (Sold Separately)

CAT. NO.	DESCRIPTION	FINISH
SGF62BGG	Dual Pivot Glass-to-Glass Swivel Fitting	Brushed Stainless

Minimum order: 1 each. All Swivel Fittings can be combined for quantity pricing.

## CRL SINGLE PIVOT GLASS-TO-GLASS COLUMN SERIES SWIVEL FITTING



With Flush Mounted Glass Cap Assemblies (Sold Separately)

With Surface Mounted Glass Cap Assemblies (Sold Separately)

CAT. NO.	DESCRIPTION	FINISH
SGF64BGG	Single Pivot Glass-to-Glass Swivel Fitting	Brushed Stainless

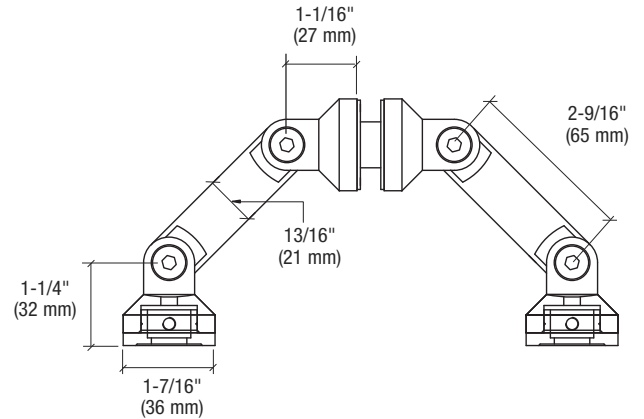
Minimum order: 1 each. All Swivel Fittings can be combined for quantity pricing.



# CRL GLASS PANEL CONNECTORS

For Pricing Visit Our Web Site or Call Us Toll Free at the Phone Numbers Shown on the Back Cover

## CRL GLASS FIN-TO-WALL/FLOOR COLUMN SERIES SWIVEL FITTING



CAT. NO.	DESCRIPTION	FINISH
SGF66BGW	Glass Fin-to-Wall/Floor Swivel Fitting	Brushed Stainless

Minimum order: 1 each. All Swivel Fittings can be combined for quantity pricing.

## CRL OPTIONAL LONG LINK FOR COLUMN SERIES SWIVEL FITTINGS

- 3-15/16" (100 mm) Length
- Easy to Replace



CRL's Optional Long Links are available for those situations where additional length is required between the ends of the fittings. The Link is easy to replace, and has the same brushed stainless finish as our Column Series Swivel Fittings.

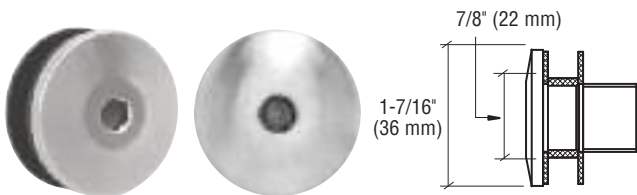


CAT. NO.	DESCRIPTION	FINISH
SGF100BS	3-15/16" (100 mm) Link	Brushed Stainless

Minimum order: 1 each. All Swivel Fittings can be combined for quantity pricing.

## GLASS FABRICATION INSTRUCTIONS FOR SWIVEL FITTING CAP ASSEMBLIES

### CRL SURFACE MOUNT CAP ASSEMBLY

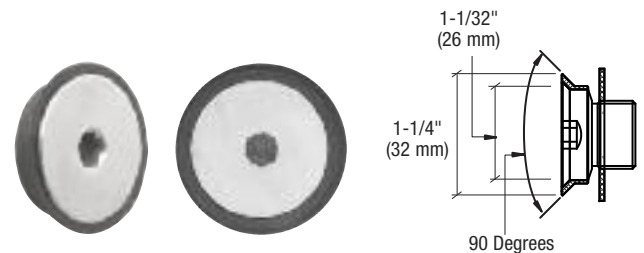


For CRL Surface Mount Caps use our Cat. No. PDT78 7/8" (22 mm) diameter Metal Bond Diamond Drill to make the required hole. Glass thickness range is 3/8" to 1/2" (10 to 12 mm). Thread pitch is M18 x 1.0.

CAT. NO.	DIAMETER	DESCRIPTION
SGF36CAP	1-7/16" (36 mm)	Surface Mount Cap Assembly

Minimum order: 1 each.

### CRL FLUSH MOUNT CAP ASSEMBLY



For CRL Flush Mount Caps use our Cat. No. PDT1 1" (26 mm) diameter Metal Bond Diamond Drill to make the required hole, and the Cat. No. BDC112 1-1/2" (38 mm) diameter Belgian Mount Diamond Countersink for the desired countersink depth stopping at 1-1/4" (32 mm) diameter. Glass thickness range is 3/8" to 1/2" (10 to 12 mm). Thread pitch is M18 x 1.0.

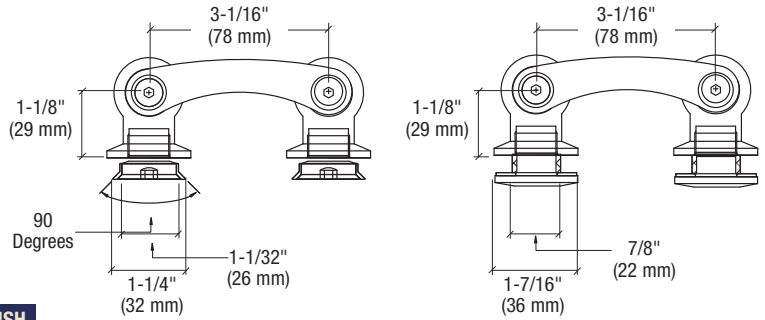
CAT. NO.	DIAMETER	DESCRIPTION
SGF32CS	1-1/4" (32 mm)	Flush Mount Cap Assembly

Minimum order: 1 each.

# CRL GLASS PANEL CONNECTORS

For Pricing Visit Our Web Site or Call Us Toll Free at the Phone Numbers Shown on the Back Cover

## CRL DUAL PIVOT GLASS-TO-GLASS ARCH SERIES SWIVEL FITTING



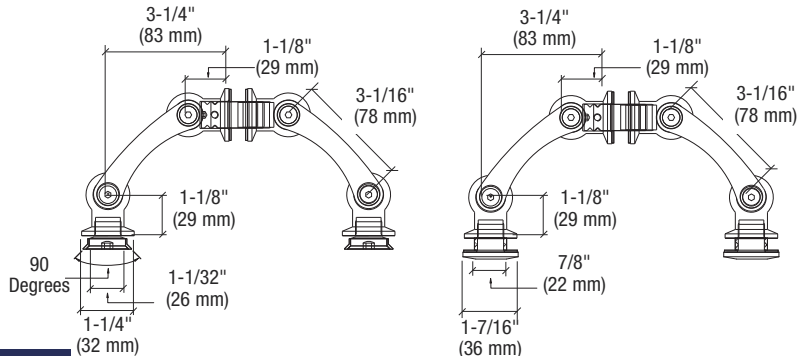
With Flush Mounted Glass Cap Assemblies (Sold Separately)

With Surface Mounted Glass Cap Assemblies (Sold Separately)

CAT. NO.	DESCRIPTION	FINISH
SGF02BGG	Dual Pivot Glass-to-Glass Swivel Fitting	Brushed Stainless

Minimum order: 1 each. All Swivel Fittings can be combined for quantity pricing.

## CRL GLASS FIN-TO-GLASS ARCH SERIES SWIVEL FITTING



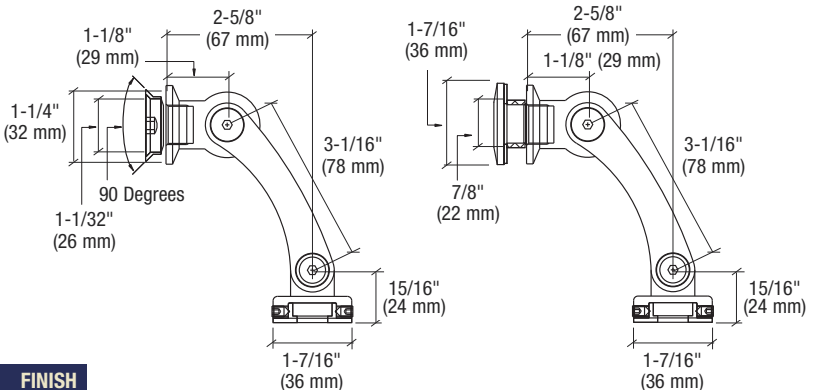
With Flush Mounted Glass Cap Assemblies (Sold Separately)

With Surface Mounted Glass Cap Assemblies (Sold Separately)

CAT. NO.	DESCRIPTION	FINISH
SGF04BGG	Glass Fin-to-Glass Swivel Fitting	Brushed Stainless

Minimum order: 1 each. All Swivel Fittings can be combined for quantity pricing.

## CRL DUAL PIVOT GLASS-TO-WALL/FLOOR ARCH SERIES SWIVEL FITTING



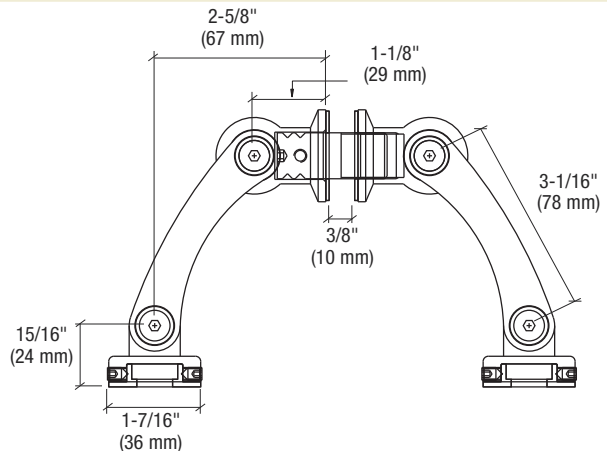
With Flush Mounted Glass Cap Assemblies (Sold Separately)

With Surface Mounted Glass Cap Assemblies (Sold Separately)

CAT. NO.	DESCRIPTION	FINISH
SGF01BGW	Dual Pivot Glass-to-Wall/Floor Swivel Fitting	Brushed Stainless

Minimum order: 1 each. All Swivel Fittings can be combined for quantity pricing.

## CRL GLASS FIN-TO-WALL/FLOOR ARCH SERIES SWIVEL FITTING



CAT. NO.	DESCRIPTION	FINISH
SGF03BGW	Glass Fin-to-Wall/Floor Swivel Fitting	Brushed Stainless

Minimum order: 1 each. All Swivel Fittings can be combined for quantity pricing.

## CRL GLASS CLAMPS TRANSFORM THE ORDINARY TO EXTRAORDINARY



- Fixed Panel Clamps, 90 Degree Clamps, 135 Degree Clamps, and 180 Degree Clamps for 1/4" to 1/2" (6 to 12 mm) Thick Glass
- Up to 24 Available Stock Finishes
- Options Include: Wall Mount, Ceiling Mount, Floor Mount, Post Mount, and Glass-to-Glass Mount



CRL offers the largest selection of Glass Clamps, in style, size, and finish on the market today. When the design calls for a frameless appearance with more glass and less metal, CRL Glass Clamps provide a sturdy, clean looking alternative to U-Channel or other framing. CRL Glass Clamps are available to accommodate from 1/4" to 1/2" (6 to 12 mm) thick panels made of glass, wood, plastic, or any other material you wish to work with. CRL Glass Clamps are also available with radius backs for mounting on 1" (25 mm) to 2" (51 mm) diameter posts.

Typical applications include: Railing, Showcases, Partition Walls, Stereo Cabinets, Kiosks, Signage, Retail Displays, Mall Fronts, and even Furniture. CRL Glass Clamps hold panels in place by either a set screw or repositionable plate, requiring no fabrication of the glass, or a thru-bolt or pin for added support. These require a hole in the panel to receive the Clamp.

The following pages provide you with details to help you choose the right clamp for your next project. For detailed drawings and templates, please visit us online at [crlaurence.com](http://crlaurence.com), or call CRL Technical Sales at (800) 421-6144 in the U.S., (877) 421-6144 from Canada, or (323) 588-1281 International. Ask for Ext. 7720. You can also e-mail us through our web site at [crlaurence.com](http://crlaurence.com). From the home page click on Contact Us, and then click on Technical Sales for Glass and Glazing Products.



Glass Infill Panels for Railings



Retail Displays



Frameless Showers



Commercial Applications-Mall Storefronts



Custom Showroom Installations



Glass Partitions



Glass Shelves

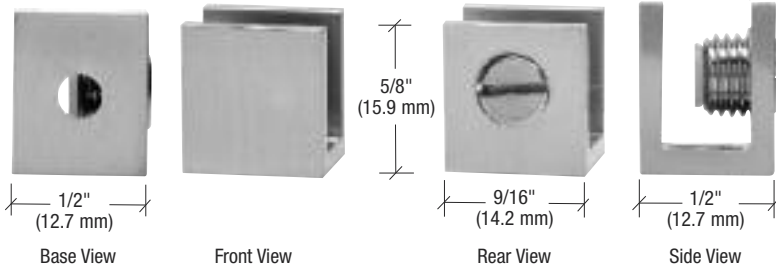




## CRL UNIVERSAL CLAMPS

CRL's Universal Clamps are available in four different sizes that will provide several options in mounting small glass shelves or panels in glass thicknesses from 3/16" to 5/16" (5 to 8 mm). All of the Clamps in this group can be installed without drilling holes in the glass. It is recommended that these Clamps be attached into wall studs or a wood substrate. Drawings and templates for all Clamps are available online at [crlaurence.com](http://crlaurence.com).

### CRL SET SCREW CLAMPS FOR 3/16" TO 1/4" (5 TO 6 MM) GLASS



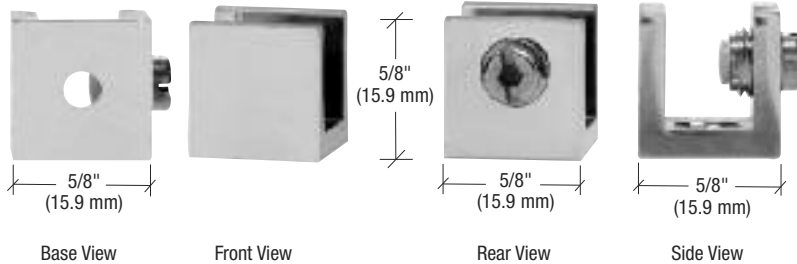
CRL Set Screw Glass Clamps are designed to attach glass without having to drill holes in the panels. These solid brass Clamps can be used for a variety of glass applications. They can be attached to any substrate, and are secured to the glass with plastic tipped set screws. Economically packaged 10 per pack for your convenience.

#### • Set Screw Type for 3/16" to 1/4" (5 to 6 mm) Glass

CAT. NO.	FINISH
EH22	Chrome
EH23	Brushed Nickel
EH24	Brass

Minimum order: 1 pack. All Glass Clamps can be combined for quantity pricing.

### CRL SET SCREW CLAMPS FOR 1/4" TO 5/16" (6 TO 8 MM) GLASS



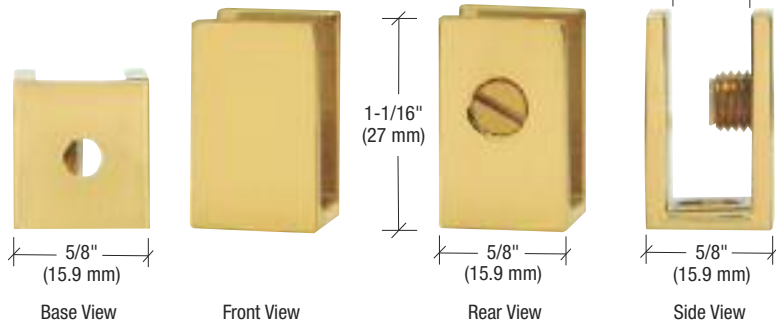
CRL Set Screw Clamps are designed for smaller glass mounting projects. They are an economical way of attaching shelves to walls. These solid brass Clamps can be used for a variety of glass applications. They can be attached to any substrate, and a plastic tipped set screw secures the glass. Sold only in packs of 10.

#### • Set Screw Type for 1/4" to 5/16" (6 to 8 mm) Glass

CAT. NO.	FINISH
EH26	Chrome
EH27	Brushed Nickel
EH28	Brass

Minimum order: 1 pack. All Glass Clamps can be combined for quantity pricing.

### CRL SINGLE SET SCREW CLAMPS FOR 1/4" TO 5/16" (6 TO 8 MM) GLASS



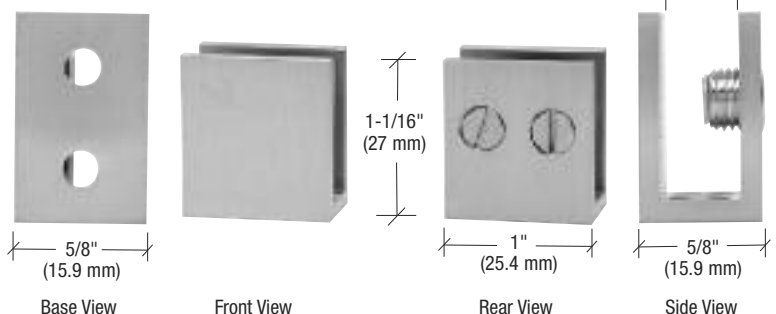
CRL Single Set Screw Glass Clamps are designed for lightweight glass mounting solutions such as erecting small signs, low glass partitions in kiosks, or attaching shelves to walls. These solid brass Clamps can be used for a variety of glass applications. They can be attached to any substrate. The glass is secured by a plastic tipped set screw. One Clamp per pack.

#### • Set Screw Type for 1/4" to 5/16" (6 to 8 mm) Glass

CAT. NO.	FINISH
EH30	Chrome
EH31	Brushed Nickel
EH32	Brass

Minimum order: 1 pack. All Glass Clamps can be combined for quantity pricing.

### CRL DOUBLE SET SCREW CLAMPS FOR 1/4" TO 5/16" (6 TO 8 MM) GLASS



CRL Double Set Screw Glass Clamps are designed to mount glass just about anywhere. With double plastic tipped set screws, this solid brass Clamp has the strength to support larger panels. Typical applications include connecting panels for railing systems, office partitions, and display merchandise signage. One Clamp per pack.

#### • Double Set Screw Type for 1/4" to 5/16" (6 to 8 mm) Glass

CAT. NO.	FINISH
EH34	Chrome
EH35	Brushed Nickel
EH36	Brass

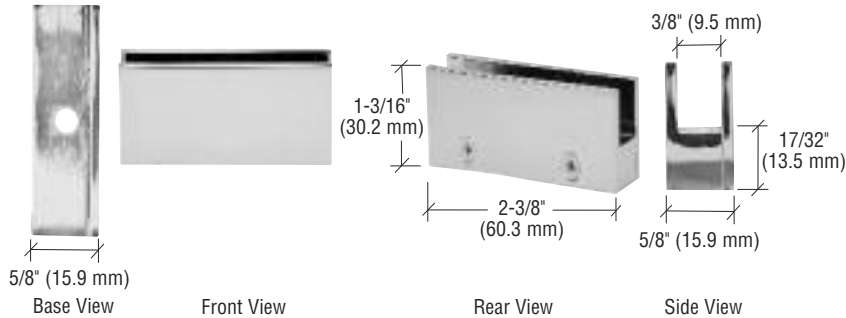
Minimum order: 1 pack. All Glass Clamps can be combined for quantity pricing.



## CRL FACE PLATE CLAMPS

From Clamps with narrow profiles to traditional designs, CRL offers Glass Clamps with both removable and fixed face plates to provide flush glazing and ease of panel installation. These solid brass Clamps work with glass thicknesses from 1/4" to 1/2" (6 to 12 mm). Drawings and templates for all Clamps are available online at [crlaurence.com](http://crlaurence.com).

### CRL LOW PROFILE FACE PLATE CLAMPS FOR 1/4" TO 5/16" (6 TO 8 MM) GLASS



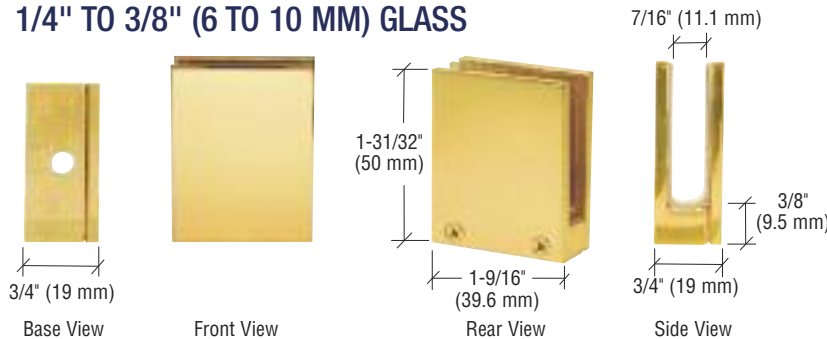
CRL Low Profile Face Plate Glass Clamps are perfect for flush glazing or attaching shelves to walls. The Clamp has a removable face plate secured with two screws. A gasket for 5/16" (8 mm) glass is supplied. For use with 1/4" (6 mm) glass we recommend CRL Cat. No. 820 Tuff-Pak Tape. One Clamp per pack.

- For 1/4" to 5/16" (6 to 8 mm) Glass

CAT. NO.	FINISH
EH09	Brushed Nickel
EH10	Chrome
EH11	Brass

Minimum order: 1 pack. All Glass Clamps can be combined for quantity pricing.

### CRL LIGHT GLASS FACE PLATE CLAMPS FOR 1/4" TO 3/8" (6 TO 10 MM) GLASS



CRL Light Glass Face Plate Clamps are one of our most popular sellers. Universal in design, the Clamp has a removable face plate secured with two screws. Gasket is supplied for 3/8" (10 mm) glass. For use with 1/4" (6 mm) glass we recommend CRL Cat. No. 820 Tuff-Pak Tape. One Clamp per pack.

- For 1/4" to 3/8" (6 to 10 mm) Glass

CAT. NO.	FINISH
EH12	Chrome
EH13	Brushed Nickel
EH14	Brass

Minimum order: 1 pack. All Glass Clamps can be combined for quantity pricing.

### CRL HEAVY GLASS FACE PLATE CLAMPS FOR 3/8" TO 1/2" (10 TO 12 MM) GLASS



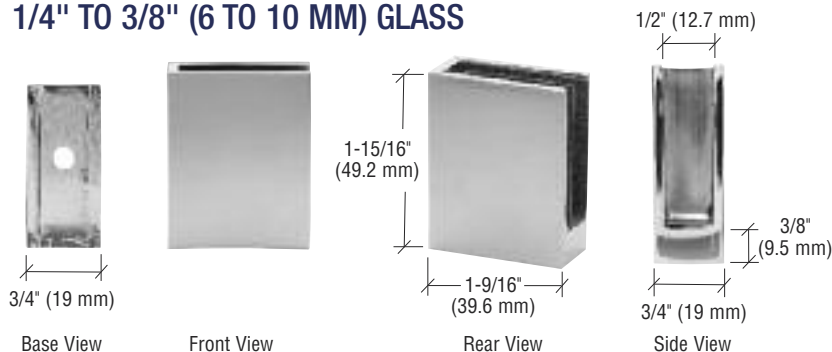
CRL Heavy Glass Face Plate Clamps are universal in design and solve many glass mounting problems. One of our most popular sellers for flush glazing or attaching shelves to walls, this Clamp has a removable face plate secured with two screws. A gasket is supplied for 1/2" (12 mm) glass. For use with 3/8" (10 mm) glass we recommend CRL Cat. No. 820 Tuff-Pak Tape. One Clamp per pack.

- For 3/8" to 1/2" (10 to 12 mm) Glass

CAT. NO.	FINISH
EH15	Brushed Nickel
EH16	Chrome
EH17	Brass

Minimum order: 1 pack. All Glass Clamps can be combined for quantity pricing.

### CRL FIXED PLATE CORNER CLAMPS FOR 1/4" TO 3/8" (6 TO 10 MM) GLASS



CRL Fixed Plate Corner Glass Clamps are ideal for securing glass at the top or bottom edges of partitions. These blank Corner Clamps have no face plates or set screws; glass is secured with packing. They give a finished look to shelves that are viewed from the front. Gasket is supplied for 3/8" (10 mm) glass. For use with 1/4" (6 mm) glass we recommend CRL Cat. No. 820 Tuff-Pak Tape. One Clamp per pack.

- For 1/4" to 3/8" (6 to 10 mm) Glass

CAT. NO.	FINISH
EH18	Chrome
EH19	Brushed Nickel
EH20	Brass

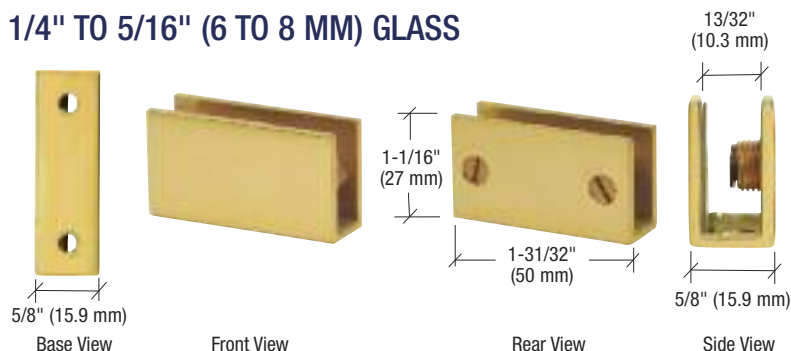
Minimum order: 1 pack. All Glass Clamps can be combined for quantity pricing.



## CRL SHELF CLAMPS

CRL has a diversified selection of Glass Clamps that can be used for a variety of shelving applications. These solid brass Clamps are designed for glass thicknesses from 1/4" to 5/16" (6 to 8 mm). It is recommended that the depth of the shelf should not exceed 5" (127 mm), and that the Clamps are installed into wall studs or a wood substrate. Drawings and templates for all Clamps are available online at [crlaurence.com](http://crlaurence.com).

### CRL RECTANGULAR SHELF CLAMPS FOR 1/4" TO 5/16" (6 TO 8 MM) GLASS



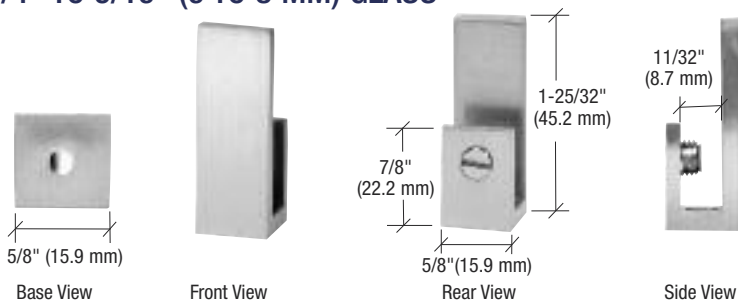
CRL Rectangular Shelf Clamps are designed to solve glass mounting problems such as flush glazing, or attaching shelves to walls. These long Clamps have the attaching strength to hold glass securely. The glass is secured by two plastic tipped set-screws. One Clamp per pack.

- For 1/4" to 5/16" (6 to 8 mm) Glass

CAT. NO.	FINISH
EH38	Chrome
EH39	Brushed Nickel
EH40	Brass

Minimum order: 1 pack. All Glass Clamps can be combined for quantity pricing.

### CRL SLIM-LINE SHELF CLAMPS FOR 1/4" TO 5/16" (6 TO 8 MM) GLASS



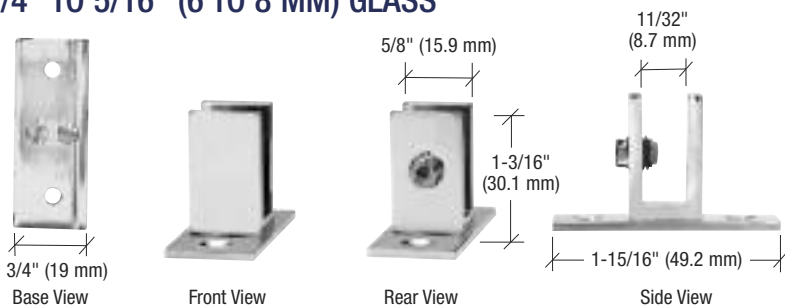
CRL Slim-Line Shelf Clamps are designed to mount glass quick and easy without having to drill holes in the glass. These solid brass Clamps can be used for a variety of glass applications. They can be attached to any substrate, and the glass is secured by a plastic tipped set screw. Each Clamp is supplied with one wood screw. One Clamp per pack.

- For 1/4" to 5/16" (6 to 8 mm) Glass

CAT. NO.	FINISH
EH42	Chrome
EH43	Brushed Nickel
EH44	Brass

Minimum order: 1 pack. All Glass Clamps can be combined for quantity pricing.

### CRL SMALL VERTICAL SHELF CLAMPS FOR 1/4" TO 5/16" (6 TO 8 MM) GLASS



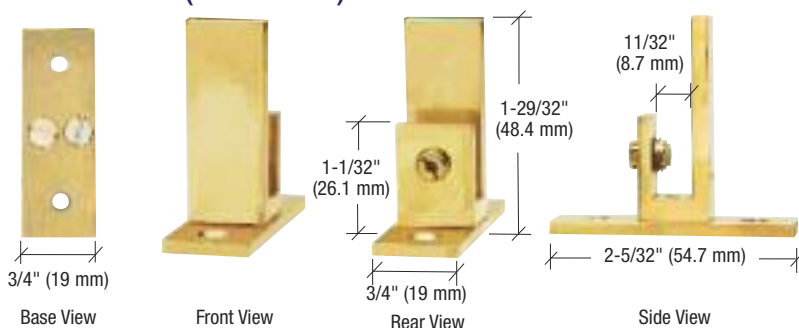
CRL Small Vertical Shelf Clamps are for glass mounting problems such as flush glazing, or attaching shelves to walls. These solid brass universal Clamps can be used for a variety of glass applications. They can be attached to any substrate. The glass is secured by a plastic tipped set screw. Each Clamp is supplied with two wood screws. One Clamp per pack.

- For 1/4" to 5/16" (6 to 8 mm) Glass

CAT. NO.	FINISH
EH46	Chrome
EH47	Brushed Nickel
EH48	Brass

Minimum order: 1 pack. All Glass Clamps can be combined for quantity pricing.

### CRL LARGE VERTICAL SHELF CLAMPS FOR 1/4" TO 5/16" (6 TO 8 MM) GLASS



CRL Large Vertical Shelf Clamps are great for attaching shelves to walls because the extra long leg gives added support. These solid brass Clamps can be used for a variety of glass applications as well. They can be attached to any substrate, and the glass is secured by a plastic tipped set screw. Each Clamp is supplied with two wood screws. One Clamp per pack.

- For 1/4" to 5/16" (6 to 8 mm) Glass

CAT. NO.	FINISH
EH50	Chrome
EH51	Brushed Nickel
EH52	Brass

Minimum order: 1 pack. All Glass Clamps can be combined for quantity pricing.



## CRL SLOT MOUNT STANDOFFS

- For 1/4", 3/8", and 1/2" (6, 10, and 12 mm) Thick Materials

CRL Slot Mount Standoffs are designed to be mounted either vertically or horizontally, and can be used for installing shelves without drilling holes in the material. The nylon tip set screws hold panels firmly in place without damaging panel material or glass. This 1-1/4" (31.8 mm) diameter Slot Mount Standoff is available to hold 1/4", 3/8", and 1/2" (6, 10, and 12 mm) thick material. Maximum recommended shelf projection from the wall is 5" (127 mm) when Standoff is anchored to the wall stud.



**Slot Mount Standoff Assemblies Consist of:**  
 1 Each Standoff  
 1 Each Nylon Tip Set Screw  
 1 Each Clear Gasket



BRASS CAT. NO.	CHROME CAT. NO.	SATIN CHROME CAT. NO.	BRUSHED STAINLESS CAT. NO.	GUN METAL CAT. NO.	MATERIAL THICKNESS
SM14BR	SM14CH	SM14SC	SM14BS	SM14GM	1/4" (6 mm)
SM38BR	SM38CH	SM38SC	SM38BS	SM38GM	3/8" (10 mm)
SM12BR	SM12CH	SM12SC	SM12BS	SM12GM	1/2" (12 mm)

Minimum order: 1 each. All Standoffs can be combined for quantity pricing.



## CRL SOLID BRASS SHELF CLAMPS

- For 1/4" to 3/8" (6 to 10 mm) Thick Glass
- No Glass Fabrication Required
- Available In Three Styles and Up to Eight Finishes

CRL Solid Brass Shelf Clamps can be used to secure a shelf for lightweight articles. Clamps will hold 1/4" to 3/8" (6 to 10 mm) glass, with no glass fabrication required. Nylon tip brass set screws secure the glass. Maximum 5" (127 mm) glass protrusion from wall is recommended. Clamps should be secured to wall with screws (not included) in studs, or with Molly-type anchors.

CAT. NO.	FINISH
FA10CH	Chrome
FA10BR	Brass
FA10BCO	Brushed Copper
FA10BN	Brushed Nickel
FA10PN	Polished Nickel
FA10SC	Satin Chrome
FA10SB	Satin Brass
FA10UBR	Ultra Brass

CAT. NO.	FINISH
FA11CH	Chrome
FA11BR	Brass
FA11BN	Brushed Nickel
FA11PN	Polished Nickel
FA11SB	Satin Brass

CAT. NO.	FINISH
FA12CH	Chrome
FA12BR	Brass
FA12ORB	Oil Rubbed Bronze
FA12BN	Brushed Nickel
FA12SB	Satin Brass
FA12SC	Satin Chrome

Minimum order: 1 each. All Clamps can be combined for quantity pricing.



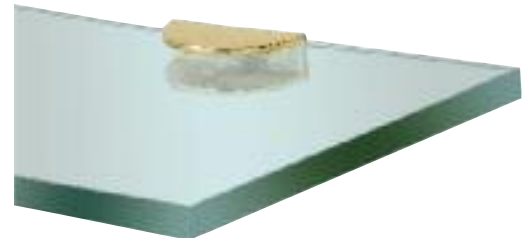
**CAT. NO. FA10**  
 Size: 1-1/8" (28.6 mm) Wide  
 x 1" (25.4 mm) Deep



**CAT. NO. FA12**  
 Size: 1-15/16" (49.2 mm) Wide  
 x 1" (25.4 mm) Deep



**CAT. NO. FA11**  
 Size: 3-15/16" (100 mm) Wide  
 x 1" (25.4 mm) Deep



## CRL SHELF CLAMPS WITH SUPPORT LEG

- For 1/4" to 3/8" (6 to 10 mm) Thick Glass
- Support Leg for Extra Strength

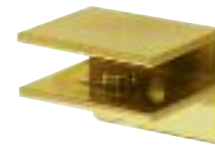
CRL Solid Brass Shelf Clamps with Support Leg can be used to secure a shelf for lightweight articles. Clamps will hold 1/4" to 3/8" (6 to 10 mm) glass, with no glass fabrication required. Nylon tip brass tension screws secure the glass. Maximum 5" (127 mm) glass protrusion from wall is recommended. Clamps should be secured to wall with screws (not included) in studs, or with Molly-type anchors. "F" shape gives an extra 1/2" (12 mm) support against the wall. One Clamp per pack.

CAT. NO.	FINISH
EH132	Chrome
EH134	Brass

CAT. NO.	FINISH
EH124	Chrome
EH126	Brass

CAT. NO.	FINISH
EH128	Chrome
EH130	Brass

Minimum order: 1 pack. All Clamps can be combined for quantity pricing.



**CAT. NO. EH132/EH134**  
 Size: 1-9/16" (40 mm) Wide  
 x 1-3/16" (30 mm) Deep



**CAT. NO. EH124/EH126**  
 Size: 1-15/16" (49 mm) Wide  
 x 15/16" (24 mm) Deep



**CAT. NO. EH128/EH130**  
 Size: 3-15/16" (100 mm) Wide  
 x 1-3/16" (30 mm) Deep

# CRL CABINET AND SHELF HARDWARE

For Pricing Visit Our Web Site or Call Us Toll Free at the Phone Numbers Shown on the Back Cover

## CRL NO-DRILL ROUND GLASS SHELF CLAMPS

- Solid Brass With Chrome or Gold Plated Finishes
- For 3/8" and 1/2" (10 and 12 mm) Thick Glass



Chrome



Gold Plated

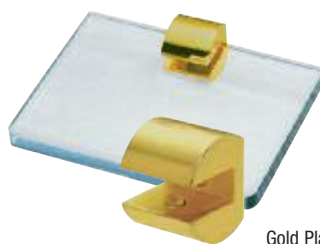
CRL No-Drill Glass Shelf Clamps are made of solid brass with a beautiful chrome or gold plated finish. They make mounting small glass shelves directly to walls or inside cabinets easy because nylon set screws secure the glass, so absolutely no glass drilling is required. The Round Clamps come in two diameters, 25/32" and 15/16" (19.8 and 23.8 mm) for 3/8" and 1/2" (10 and 12 mm) glass. Maximum shelf protrusion from the wall is 5" (127 mm). Shelf Clamps are also suitable for use with small acrylic or wood shelves. All Clamps have a single mounting hole. One per package.

CAT. NO.	FINISH	DIAMETER	GLASS THICKNESS
<b>1020CHR</b>	Chrome	25/32" (19.8 mm)	3/8" (10 mm)
<b>1020GP</b>	Gold Plated	25/32" (19.8 mm)	3/8" (10 mm)
<b>1222CHR</b>	Chrome	15/16" (23.8 mm)	1/2" (12 mm)
<b>1222GP</b>	Gold Plated	15/16" (23.8 mm)	1/2" (12 mm)

Minimum order: 1 each. Sizes and finishes can be combined for quantity pricing.

## CRL NO-DRILL LONG GLASS SHELF CLAMPS

- Solid Brass With Chrome or Gold Plated Finishes
- For 3/8" and 1/2" (10 and 12 mm) Thick Glass



Gold Plated



Chrome

CRL No-Drill Glass Shelf Clamps are made of solid brass with a beautiful chrome or gold plated finish. They make mounting small glass shelves directly to walls or inside cabinets easy because nylon set screws secure the glass, so absolutely no glass drilling is required. The Long Clamps are available in two lengths, 1-1/4" and 2-3/4" (32 and 70 mm) for 3/8" and 1/2" (10 and 12 mm) glass. Maximum shelf protrusion from the wall is 5" (127 mm). Shelf Clamps are also suitable for use with small acrylic or wood shelves. One per package.

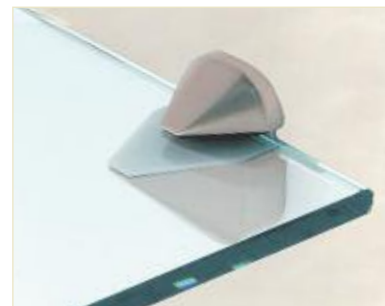
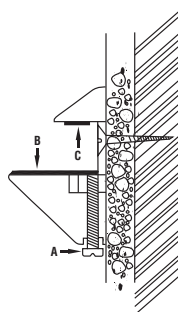
CAT. NO.	FINISH	LENGTH	GLASS THICKNESS
<b>1230CHR</b>	Chrome	1-1/4" (32 mm)	3/8" (10 mm)
<b>1230GP</b>	Gold Plated	1-1/4" (32 mm)	3/8" (10 mm)
<b>1270CHR</b>	Chrome	2-3/4" (70 mm)	3/8" (10 mm)
<b>1270GP</b>	Gold Plated	2-3/4" (70 mm)	3/8" (10 mm)
<b>1430CHR</b>	Chrome	1-1/4" (32 mm)	1/2" (12 mm)
<b>1430GP</b>	Gold Plated	1-1/4" (32 mm)	1/2" (12 mm)
<b>1470CHR</b>	Chrome	2-3/4" (70 mm)	1/2" (12 mm)
<b>1470GP</b>	Gold Plated	2-3/4" (70 mm)	1/2" (12 mm)

Minimum order: 1 each. Sizes and finishes can be combined for quantity pricing.

## CRL ADJUSTABLE SHELF BRACKETS

- Two Sizes for Glass or Wood Shelves  
1/8" to 15/16" (3 to 24 mm) Thick
- For Shelves Up to 12" (305 mm) Deep  
(Protrusion From Wall)

A = Adjustment Screw  
B = Plastic Cap  
C = Foam Cushion



CRL Regular Size Adjustable Shelf Brackets are designed to work with 1/8" to 15/16" (3 to 24 mm) thick glass or wood shelves, up to 10" (254 mm) deep. Heavy-Duty Adjustable Shelf Brackets work with 1/2" to 15/16" (12 to 24 mm) thick glass or wood shelves up to 12" (305 mm) deep.

The Brackets are secured with one screw (included) to the substrate. An adjustment screw is also included to accommodate various shelf thicknesses. Maximum recommended weight per pair of DL631 Brackets when correctly installed is 44 pounds (20 kg). Maximum recommended weight per pair of DL661 Brackets correctly installed is 50 pounds (23 kg). One pair per package.

REGULAR CAT. NO.	HEAVY-DUTY CAT. NO.	FINISH
<b>DL631CH</b>	<b>DL661CH</b>	Chrome
<b>DL631BR</b>	<b>DL661BR</b>	Brass
<b>DL631BL</b>	<b>DL661BL</b>	Black
<b>DL631BN</b>	<b>DL661BN</b>	Brushed Nickel
<b>DL631SC</b>	<b>DL661SC</b>	Satin Chrome
<b>DL631W</b>	<b>DL661W</b>	White

Minimum order: 1 pair for DL631; 1 each for DL661. Finishes can be combined for quantity pricing.

**new**

## CRL Z-SERIES SQUARE TYPE GLASS CORNER CLAMPS

### SPECIFICATIONS:

**Glass Thickness:** 3/8" or 1/2" (10 or 12 mm).

**Base Design:** Flat and Radius.

**For Use With:** Square Tubing or Other Flat Surfaces and 2" (50.8 mm) Diameter Round Tubing.

**Material:** Choice of Zinc Constructed or Stainless Steel Stainless Steel or Powder Painted Zinc Clamps are recommended for more durability in exterior applications.

### Glass Fabrication:

For 3/8" (10 mm) Thick Glass: 1/2" (12 mm) diameter hole required if using provided steel pin for glass support.

For 1/2" (12 mm) Thick Glass: 9/16" (14 mm) diameter hole required if using provided steel pin for glass support.

**Includes:** Rubber Gaskets, Steel Pin (for optional use) with Grommet, and Repositionable Plate (ZL Series only).



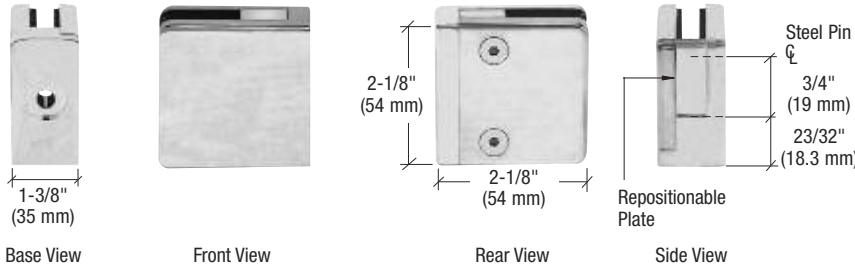
**CAT. NO. ZBOLT**  
Fastener for Use With Metal Posts



**CAT. NO. ZLAG**  
Fastener for Use With Wood Posts

### FOR 3/8" OR 1/2" (10 OR 12 MM) GLASS (FLAT SURFACE MOUNTING)

- Repositionable Plate for Use at Right or Left Corner of Glass
- For Use With Square Tubing or Other Flat Surfaces

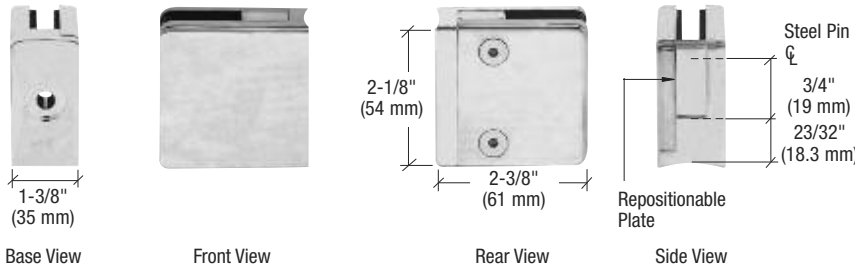


CAT. NO.	FINISH	BASE METAL
ZL810CH	Chrome	Zinc Casting
ZL810SC	Satin Chrome	Zinc Casting
ZL810BN	Brushed Nickel	Zinc Casting
ZL810W	White	Zinc Casting
ZL910BS	Brushed Stainless	Stainless Steel
ZL910PS	Polished Stainless	Stainless Steel
ZL38SG	Replacement Gasket Set for One Clamp	

Minimum order: 1 each. All Z-Series Clamps can be combined for quantity pricing.

### FOR 3/8" OR 1/2" (10 OR 12 MM) GLASS (RADIUS SURFACE MOUNTING)

- Repositionable Plate for Use at Right or Left Corner of Glass
- For Use With 2" (50.8 mm) Diameter Round Tubing



CAT. NO.	FINISH	BASE METAL
ZL610CH	Chrome	Zinc Casting
ZL610SC	Satin Chrome	Zinc Casting
ZL610BN	Brushed Nickel	Zinc Casting
ZL610W	White	Zinc Casting
ZL710BS	Brushed Stainless	Stainless Steel
ZL710PS	Polished Stainless	Stainless Steel
ZL38SG	Replacement Gasket Set for One Clamp	

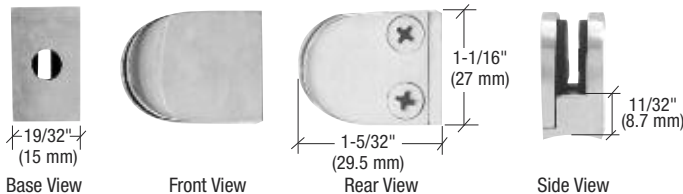
Minimum order: 1 each. All Z-Series Clamps can be combined for quantity pricing.

### CRL MINI Z-SERIES ROUND TYPE RADIUS BASE GLASS CLAMPS FOR 1/4" (6 MM) GLASS

- Stainless Steel in Two Finishes
- Fits 1" (25 mm) Diameter Tubing
- Ideal for Small Glass Barriers
- No Hole Drilling; Pressure Fit



**CAT. NO. SHCS10X34**  
Fastener For Use With Metal Posts



CAT. NO.	FINISH	TUBE DIA.	BASE METAL
ZMR06PS	Polished Stainless	1" (25 mm)	Stainless Steel
ZMR06SS	Satin Stainless	1" (25 mm)	Stainless Steel

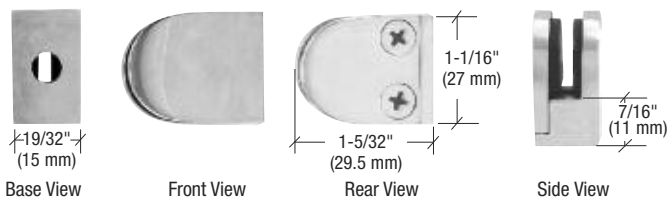
Minimum order: 1 each. All Z-Series Clamps can be combined for quantity pricing.

### CRL MINI Z-SERIES ROUND TYPE FLAT BASE GLASS CLAMPS FOR 1/4" (6 MM) GLASS

- Stainless Steel in Two Finishes
- For Mounting to Flat Surfaces
- Ideal for Small Glass Barriers
- No Hole Drilling; Pressure Fit



**CAT. NO. SHCS10X34**  
Fastener For Use With Metal Posts



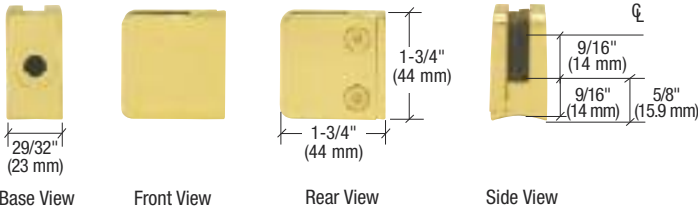
CAT. NO.	FINISH	BASE METAL
ZMF06PS	Polished Stainless	Stainless Steel
ZMF06SS	Satin Stainless	Stainless Steel

Minimum order: 1 each. All Z-Series Clamps can be combined for quantity pricing.



## CRL Z-SERIES SMALL SQUARE GLASS CLAMPS

FOR 1/4" (6 MM) TO 5/16" (8 MM) GLASS



- May Be Used on Wood or Metal Radius or Flat Surfaces



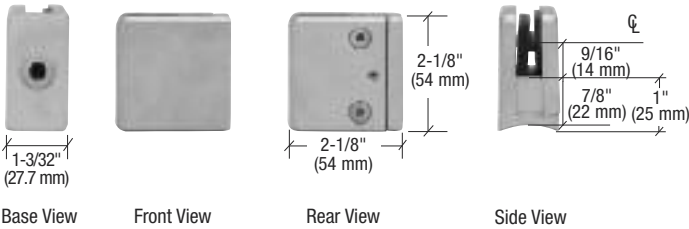
CAT. NO.	FINISH	BASE METAL
Z130BR	Brass	Zinc Casting
Z130CH	Chrome	Zinc Casting
Z130SC	Satin Chrome	Zinc Casting
Z130BN	Brushed Nickel	Zinc Casting
Z130GP	Gold Plated	Zinc Casting
Z130W	White	Zinc Casting
Z150PS	Polished Stainless	Stainless Steel
Z150SS	Satin Stainless	Stainless Steel

Glass Fabrication: 1/2" (12 mm) Diameter Hole Required if Using Provided Steel Pin

Minimum order: 1 each. All Z-Series Clamps can be combined for quantity pricing.

## CRL Z-SERIES LARGE SQUARE GLASS CLAMPS

FOR 3/8" (10 MM) GLASS



- May Be Used on Wood or Metal Radius or Flat Surfaces

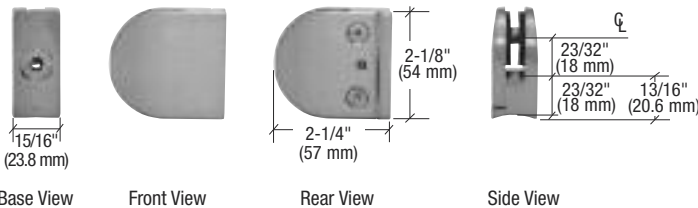
CAT. NO.	FINISH	BASE METAL
Z135BR	Brass	Zinc Casting
Z135CH	Chrome	Zinc Casting
Z135SC	Satin Chrome	Zinc Casting
Z135BN	Brushed Nickel	Zinc Casting
Z135GP	Gold Plated	Zinc Casting
Z135W	White	Zinc Casting
Z155PS	Polished Stainless	Stainless Steel
Z155SS	Satin Stainless	Stainless Steel

Glass Fabrication: 1/2" (12 mm) Diameter Hole Required if Using Provided Steel Pin

Minimum order: 1 each. All Z-Series Clamps can be combined for quantity pricing.

## CRL Z-SERIES LARGE ROUND GLASS CLAMPS

FOR 1/4" (6 MM) GLASS



- May Be Used on Wood or Metal Radius or Flat Surfaces

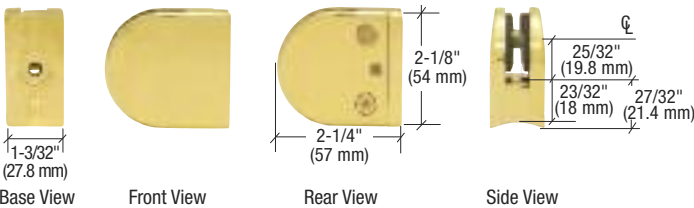
CAT. NO.	FINISH	BASE METAL
Z106BR	Brass	Zinc Casting
Z106CH	Chrome	Zinc Casting
Z106SC	Satin Chrome	Zinc Casting
Z106BN	Brushed Nickel	Zinc Casting
Z106GP	Gold Plated	Zinc Casting
Z106W	White	Zinc Casting

Glass Fabrication: 1/2" (12 mm) Diameter Hole Required if Using Provided Steel Pin

Minimum order: 1 each. All Z-Series Clamps can be combined for quantity pricing.

## CRL Z-SERIES LARGE ROUND GLASS CLAMPS

FOR 3/8" (10 MM) GLASS



- May Be Used on Wood or Metal Radius or Flat Surfaces

CAT. NO.	FINISH	BASE METAL
Z110BR	Brass	Zinc Casting
Z110CH	Chrome	Zinc Casting
Z110SC	Satin Chrome	Zinc Casting
Z110BN	Brushed Nickel	Zinc Casting
Z110GP	Gold Plated	Zinc Casting
Z110W	White	Zinc Casting

Glass Fabrication: 1/2" (12 mm) Diameter Hole Required if Using Provided Steel Pin

Minimum order: 1 each. All Z-Series Clamps can be combined for quantity pricing.

## CRL Z-SERIES ROUND TYPE RADIUS BASE GLASS CLAMPS



### SPECIFICATIONS:

**Glass Thickness:** Models for 1/4" to 1/2" (6 to 12 mm).

**Base Design:** Radius.

**For Use With:** 1-1/2" or 2" (38.1 or 50.8 mm)

Diameter Round Tubing.

**Material:** Choice of Zinc Constructed or Stainless Steel.

Stainless Steel or Powder Painted Zinc Clamps are recommended for more durability in exterior applications.

### Glass Fabrication:

For 1/4" (6 mm), 5/16" (8 mm), and 3/8" (10 mm)

Thick Glass: 1/2" (12 mm) diameter hole required if using provided steel pin for glass support.

For 1/2" (12 mm) Thick Glass: 9/16" (14 mm) diameter hole required if using provided steel pin for glass support.

**Includes:** Rubber Gaskets and Steel Pin (for optional use) with Grommet.



**CAT. NO. ZBOLT**  
Fastener for Use With Metal Posts

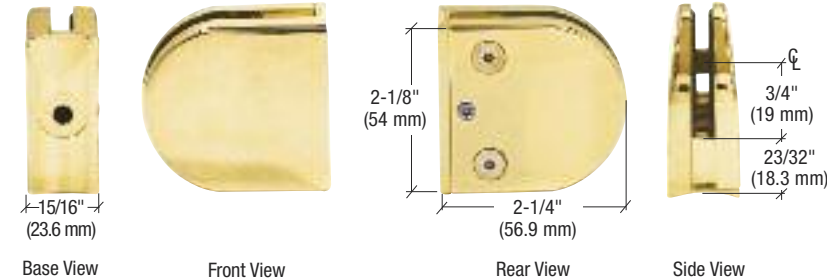


**CAT. NO. ZLAG**  
Fastener for Use With Wood Posts



Models for Round Tubing Installations

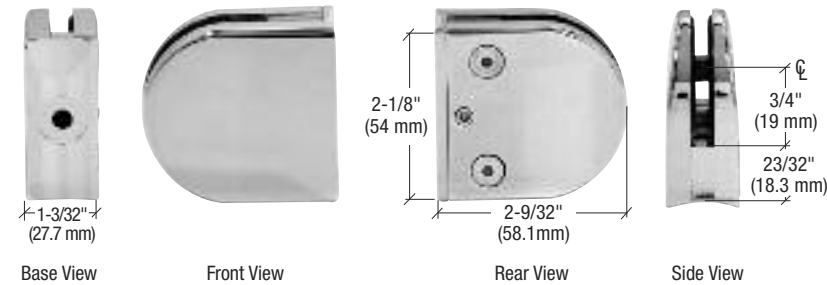
### FOR 1/4" (6 MM) AND 5/16" (8 MM) GLASS



CAT. NO.	FINISH	TUBE DIA.	BASE METAL
Z206BR	Brass	2" (50.8 mm)	Zinc Casting
Z206CH	Chrome	2" (50.8 mm)	Zinc Casting
Z206SC	Satin Chrome	2" (50.8 mm)	Zinc Casting
Z206BN	Brushed Nickel	2" (50.8 mm)	Zinc Casting
Z206GP	Gold Plated	2" (50.8 mm)	Zinc Casting
Z206W	White	2" (50.8 mm)	Zinc Casting
Z306BS	Brushed Stainless	2" (50.8 mm)	Stainless Steel
Z306PS	Polished Stainless	2" (50.8 mm)	Stainless Steel
Z15306BS	Brushed Stainless	1-1/2" (38.1 mm)	Stainless Steel
Z15306PS	Polished Stainless	1-1/2" (38.1 mm)	Stainless Steel
Z14RG	Replacement Gasket Set for One Clamp		

Minimum order: 1 each. All Z-Series Clamps can be combined for quantity pricing.

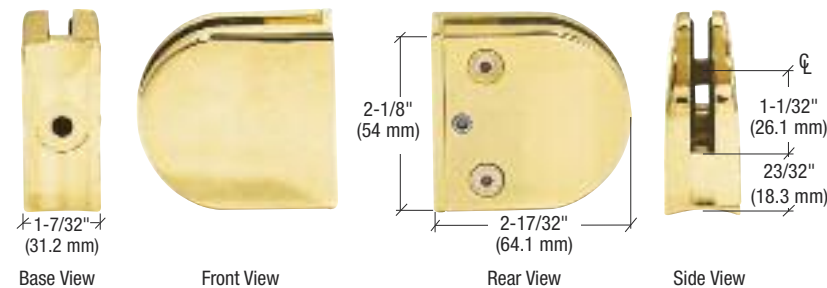
### FOR 3/8" (10 MM) GLASS



CAT. NO.	FINISH	TUBE DIA.	BASE METAL
Z210BR	Brass	2" (50.8 mm)	Zinc Casting
Z210CH	Chrome	2" (50.8 mm)	Zinc Casting
Z210SC	Satin Chrome	2" (50.8 mm)	Zinc Casting
Z210BN	Brushed Nickel	2" (50.8 mm)	Zinc Casting
Z210GP	Gold Plated	2" (50.8 mm)	Zinc Casting
Z210W	White	2" (50.8 mm)	Zinc Casting
Z310BS	Brushed Stainless	2" (50.8 mm)	Stainless Steel
Z310PS	Polished Stainless	2" (50.8 mm)	Stainless Steel
Z15310BS	Brushed Stainless	1-1/2" (38.1 mm)	Stainless Steel
Z15310PS	Polished Stainless	1-1/2" (38.1 mm)	Stainless Steel
Z38RG	Replacement Gasket Set for One Clamp		

Minimum order: 1 each. All Z-Series Clamps can be combined for quantity pricing.

### FOR 1/2" (12 MM) GLASS



CAT. NO.	FINISH	TUBE DIA.	BASE METAL
Z212BR	Brass	2" (50.8 mm)	Zinc Casting
Z212CH	Chrome	2" (50.8 mm)	Zinc Casting
Z212SC	Satin Chrome	2" (50.8 mm)	Zinc Casting
Z212BN	Brushed Nickel	2" (50.8 mm)	Zinc Casting
Z212GP	Gold Plated	2" (50.8 mm)	Zinc Casting
Z212W	White	2" (50.8 mm)	Zinc Casting
Z312BS	Brushed Stainless	2" (50.8 mm)	Stainless Steel
Z312PS	Polished Stainless	2" (50.8 mm)	Stainless Steel
Z15312BS	Brushed Stainless	1-1/2" (38.1 mm)	Stainless Steel
Z15312PS	Polished Stainless	1-1/2" (38.1 mm)	Stainless Steel
Z12RG	Replacement Gasket Set for One Clamp		

Minimum order: 1 each. All Z-Series Clamps can be combined for quantity pricing.

## CRL Z-SERIES ROUND TYPE FLAT BASE GLASS CLAMPS



### SPECIFICATIONS:

**Glass Thickness:** Models for 1/4" to 1/2" (6 to 12 mm).

**Base Design:** Flat.

**For Use With:** Square Tubing or Other Flat Surfaces.

**Material:** Choice of Zinc Constructed or Stainless Steel. Stainless Steel or Powder Painted Zinc Clamps are recommended for more durability in exterior applications.

### Glass Fabrication:

For 1/4" (6 mm), 5/16" (8 mm), and 3/8" (10 mm) Thick Glass: 1/2" (12 mm) diameter hole required if using provided steel pin for glass support.

For 1/2" (12 mm) Thick Glass: 9/16" (14 mm) diameter hole required if using provided steel pin for glass support.

**Includes:** Rubber Gaskets and Steel Pin (for optional use) with Grommet.



**CAT. NO. ZBOLT**  
Fastener for Use With Metal Posts



**CAT. NO. ZLAG**  
Fastener for Use With Wood Posts



Models for Flat Surface Installations

### FOR 1/4" (6 MM) AND 5/16" (8 MM) GLASS

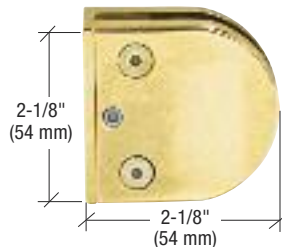


15/16" (23.6 mm)

Base View

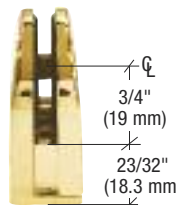


Front View



2-1/8" (54 mm)

Rear View



3/4" (19 mm)

23/32" (18.3 mm)

Side View

CAT. NO.	FINISH	BASE METAL
Z406BR	Brass	Zinc Casting
Z406CH	Chrome	Zinc Casting
Z406SC	Satin Chrome	Zinc Casting
Z406BN	Brushed Nickel	Zinc Casting
Z406GP	Gold Plated	Zinc Casting
Z406W	White	Zinc Casting
Z506BS	Brushed Stainless	Stainless Steel
Z506PS	Polished Stainless	Stainless Steel
Z14RG	Replacement Gasket Set for One Clamp	

Minimum order: 1 each. All Z-Series Clamps can be combined for quantity pricing.

### FOR 3/8" (10 MM) GLASS

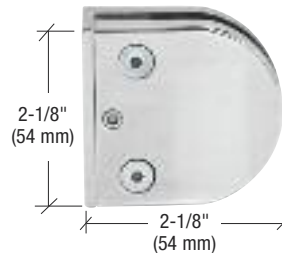


1-3/32" (27.7 mm)

Base View

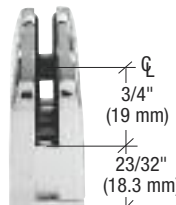


Front View



2-1/8" (54 mm)

Rear View



3/4" (19 mm)

23/32" (18.3 mm)

Side View

CAT. NO.	FINISH	BASE METAL
Z410BR	Brass	Zinc Casting
Z410CH	Chrome	Zinc Casting
Z410SC	Satin Chrome	Zinc Casting
Z410BN	Brushed Nickel	Zinc Casting
Z410GP	Gold Plated	Zinc Casting
Z410W	White	Zinc Casting
Z510BS	Brushed Stainless	Stainless Steel
Z510PS	Polished Stainless	Stainless Steel
Z38RG	Replacement Gasket Set for One Clamp	

Minimum order: 1 each. All Z-Series Clamps can be combined for quantity pricing.

### FOR 1/2" (12 MM) GLASS

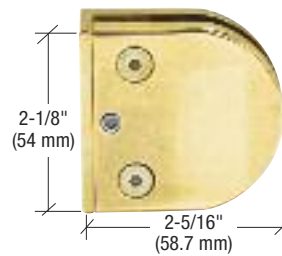


1-7/32" (31.2 mm)

Base View

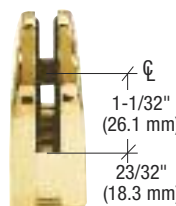


Front View



2-1/8" (54 mm)

Rear View



1-1/32" (26.1 mm)

23/32" (18.3 mm)

Side View

CAT. NO.	FINISH	BASE METAL
Z412BR	Brass	Zinc Casting
Z412CH	Chrome	Zinc Casting
Z412SC	Satin Chrome	Zinc Casting
Z412BN	Brushed Nickel	Zinc Casting
Z412GP	Gold Plated	Zinc Casting
Z412W	White	Zinc Casting
Z512BS	Brushed Stainless	Stainless Steel
Z512PS	Polished Stainless	Stainless Steel
Z12RG	Replacement Gasket Set for One Clamp	

Minimum order: 1 each. All Z-Series Clamps can be combined for quantity pricing.



## CRL Z-SERIES SQUARE TYPE RADIUS BASE GLASS CLAMPS



### SPECIFICATIONS:

**Glass Thickness:** Models for 1/4" to 1/2" (6 to 12 mm).

**Base Design:** Radius.

**For Use With:** 2" (50.8 mm) Diameter Round Tubing only.

**Material:** Choice of Zinc Constructed or Stainless Steel. Stainless Steel or Powder Painted Zinc Clamps are recommended for more durability in exterior applications.

### Glass Fabrication:

For 1/4" (6 mm), 5/16" (8 mm), and 3/8" (10 mm)

Thick Glass: 1/2" (12 mm) diameter hole required if using provided steel pin for glass support.

For 1/2" (12 mm) Thick Glass: 9/16" (14 mm) diameter hole required if using provided steel pin for glass support.

**Includes:** Rubber Gaskets and Steel Pin (for optional use) with Grommet.



**CAT. NO. ZBOLT**  
Fastener for Use With Metal Posts



**CAT. NO. ZLAG**  
Fastener for Use With Wood Posts



Models for Round Tubing Installations

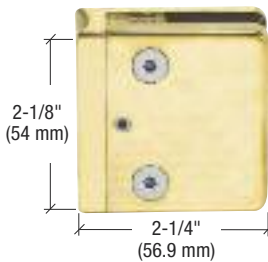
### FOR 1/4" (6 MM) AND 5/16" (8 MM) GLASS



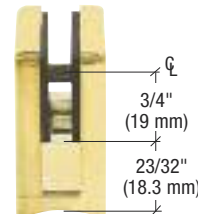
Base View



Front View



Rear View



Side View

CAT. NO.	FINISH	BASE METAL
Z606BR	Brass	Zinc Casting
Z606CH	Chrome	Zinc Casting
Z606SC	Satin Chrome	Zinc Casting
Z606BN	Brushed Nickel	Zinc Casting
Z606GP	Gold Plated	Zinc Casting
Z606W	White	Zinc Casting
Z706BS	Brushed Stainless	Stainless Steel
Z706PS	Polished Stainless	Stainless Steel
Z14SG	Replacement Gasket Set for One Clamp	

Minimum order: 1 each. All Z-Series Clamps can be combined for quantity pricing.

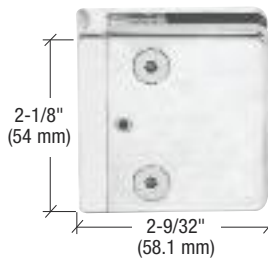
### FOR 3/8" (10 MM) GLASS



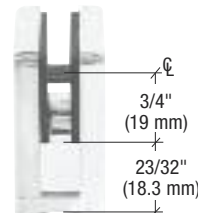
Base View



Front View



Rear View



Side View

CAT. NO.	FINISH	BASE METAL
Z610BR	Brass	Zinc Casting
Z610CH	Chrome	Zinc Casting
Z610SC	Satin Chrome	Zinc Casting
Z610BN	Brushed Nickel	Zinc Casting
Z610GP	Gold Plated	Zinc Casting
Z610W	White	Zinc Casting
Z710BS	Brushed Stainless	Stainless Steel
Z710PS	Polished Stainless	Stainless Steel
Z38SG	Replacement Gasket Set for One Clamp	

Minimum order: 1 each. All Z-Series Clamps can be combined for quantity pricing.

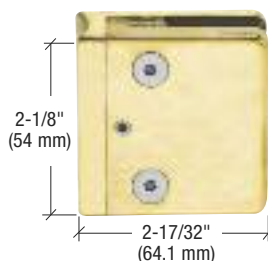
### FOR 1/2" (12 MM) GLASS



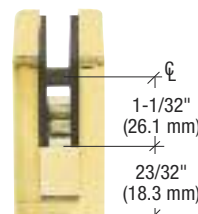
Base View



Front View



Rear View



Side View

CAT. NO.	FINISH	BASE METAL
Z612BR	Brass	Zinc Casting
Z612CH	Chrome	Zinc Casting
Z612SC	Satin Chrome	Zinc Casting
Z612BN	Brushed Nickel	Zinc Casting
Z612GP	Gold Plated	Zinc Casting
Z612W	White	Zinc Casting
Z712BS	Brushed Stainless	Stainless Steel
Z712PS	Polished Stainless	Stainless Steel
Z12SG	Replacement Gasket Set for One Clamp	

Minimum order: 1 each. All Z-Series Clamps can be combined for quantity pricing.

## CRL Z-SERIES SQUARE TYPE FLAT BASE GLASS CLAMPS



### SPECIFICATIONS:

**Glass Thickness:** Models for 1/4" to 1/2" (6 to 12 mm).

**Base Design:** Flat.

**For Use With:** Square Tubing or Other Flat Surfaces.

**Material:** Choice of Zinc Constructed or Stainless Steel.

Stainless Steel or Powder Painted Zinc Clamps are recommended for more durability in exterior applications.

### Glass Fabrication:

For 1/4" (6 mm), 5/16" (8 mm), and 3/8" (10 mm) Thick Glass: 1/2" (12 mm) diameter hole required if using provided steel pin for glass support.

For 1/2" (12 mm) Thick Glass: 9/16" (14 mm) diameter hole required if using provided steel pin for glass support.

**Includes:** Rubber Gaskets and Steel Pin (for optional use) with Grommet.



**CAT. NO. ZBOLT**  
Fastener for Use With Metal Posts



**CAT. NO. ZLAG**  
Fastener for Use With Wood Posts



Models for Flat Surface Installations

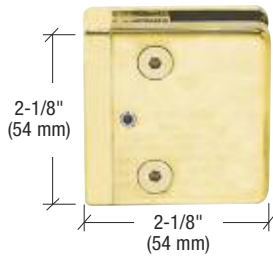
### FOR 1/4" (6 MM) AND 5/16" (8 MM) GLASS



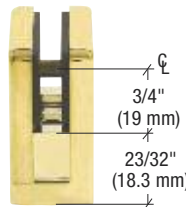
Base View



Front View



Rear View



Side View

CAT. NO.	FINISH	BASE METAL
Z806BR	Brass	Zinc Casting
Z806CH	Chrome	Zinc Casting
Z806SC	Satin Chrome	Zinc Casting
Z806BN	Brushed Nickel	Zinc Casting
Z806GP	Gold Plated	Zinc Casting
Z806W	White	Zinc Casting
Z906BS	Brushed Stainless	Stainless Steel
Z906PS	Polished Stainless	Stainless Steel
Z14SG	Replacement Gasket Set for One Clamp	

Minimum order: 1 each. All Z-Series Clamps can be combined for quantity pricing.

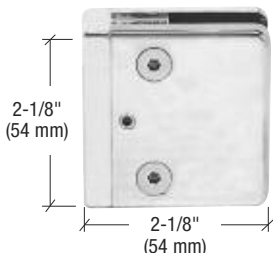
### FOR 3/8" (10 MM) GLASS



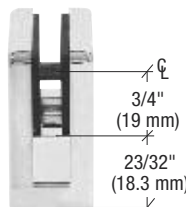
Base View



Front View



Rear View



Side View

CAT. NO.	FINISH	BASE METAL
Z810BR	Brass	Zinc Casting
Z810CH	Chrome	Zinc Casting
Z810SC	Satin Chrome	Zinc Casting
Z810BN	Brushed Nickel	Zinc Casting
Z810GP	Gold Plated	Zinc Casting
Z810W	White	Zinc Casting
Z910BS	Brushed Stainless	Stainless Steel
Z910PS	Polished Stainless	Stainless Steel
Z38SG	Replacement Gasket Set for One Clamp	

Minimum order: 1 each. All Z-Series Clamps can be combined for quantity pricing.

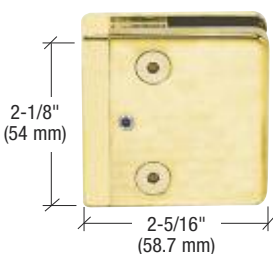
### FOR 1/2" (12 MM) GLASS



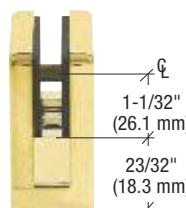
Base View



Front View



Rear View



Side View

CAT. NO.	FINISH	BASE METAL
Z812BR	Brass	Zinc Casting
Z812CH	Chrome	Zinc Casting
Z812SC	Satin Chrome	Zinc Casting
Z812BN	Brushed Nickel	Zinc Casting
Z812GP	Gold Plated	Zinc Casting
Z812W	White	Zinc Casting
Z912BS	Brushed Stainless	Stainless Steel
Z912PS	Polished Stainless	Stainless Steel
Z12SG	Replacement Gasket Set for One Clamp	

Minimum order: 1 each. All Z-Series Clamps can be combined for quantity pricing.

# CRL GLASS CLAMPS

For Pricing Visit Our Web Site or Call Us Toll Free at the Phone Numbers Shown on the Back Cover

## CRL Z-SERIES SQUARE TYPE GLASS CLAMPS FOR 3/4" (19 MM) GLASS

### SPECIFICATIONS:

**Glass Thickness:** 3/4" (19 mm).

**Base Design:** Flat and Radius.

**For Use With:** Square Tubing or Other Flat Surfaces and 2" (50.8 mm) Diameter Round Tubing.

**Material:** 316 Alloy Stainless Steel.

### Glass Fabrication:

One 7/8" (22.2 mm) diameter finger notch is required. The included steel pin must be used for 3/4" (19 mm) glass applications.

**Includes:** Rubber Gaskets and Steel Pin.

**new**



**CAT. NO. ZBOLT**  
Fastener for Use With Metal Posts



**CAT. NO. ZLAG**  
Fastener for Use With Wood Posts

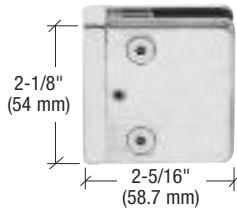
### FOR 3/4" (19 MM) GLASS (FLAT SURFACE MOUNTING)



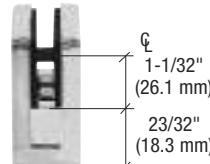
Base View



Front View



Rear View



Side View

- For Use With Square Tubing or Other Flat Surfaces
- 316 Alloy Stainless Steel

CAT. NO.	FINISH	BASE METAL
<b>Z934BS</b>	Brushed Stainless	Stainless Steel
<b>Z934PS</b>	Polished Stainless	Stainless Steel
<b>Z34SG</b>	Replacement Gasket Set for 3/4" (19 mm) Glass	
<b>Z58SG</b>	Replacement Gasket Set for 5/8" (16 mm) Glass	

Minimum order: 1 each. All Z-Series Clamps can be combined for quantity pricing.

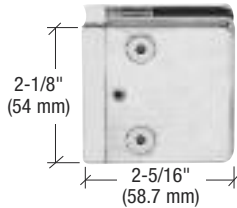
### FOR 3/4" (19 MM) GLASS (RADIUS SURFACE MOUNTING)



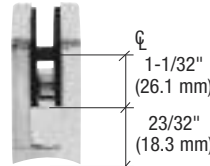
Base View



Front View



Rear View



Side View

- For Use With 2" (50.8 mm) Diameter Round Tubing
- 316 Alloy Stainless Steel

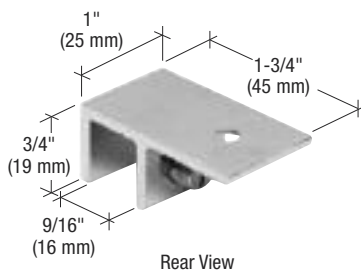
CAT. NO.	FINISH	BASE METAL
<b>Z734BS</b>	Brushed Stainless	Stainless Steel
<b>Z734PS</b>	Polished Stainless	Stainless Steel
<b>Z34SG</b>	Replacement Gasket Set for 3/4" (19 mm) Glass	
<b>Z58SG</b>	Replacement Gasket Set for 5/8" (16 mm) Glass	

Minimum order: 1 each. All Z-Series Clamps can be combined for quantity pricing.

### CRL CEILING MOUNT CLAMP



Front View



Rear View

Solid Brass Ceiling Mount Clamp will hold glass from 5/16" to 1/2" (8 to 12 mm) thick. Glass is held in place with a nylon tipped set screw. No glass fabrication required. One #10 x 2" (50.8 mm) Flat Head Phillips Screw and Clear Gasket included.

- For 5/16" to 1/2" (8 to 12 mm) Thick Glass

CAT. NO.	FINISH
<b>SOGC01CH</b>	Chrome
<b>SOGC01BR</b>	Brass
<b>SOGC01BN</b>	Brushed Nickel
<b>SOGC01PN</b>	Polished Nickel
<b>SOGC01ORB</b>	Oil Rubbed Bronze
<b>SOGC01BSC</b>	Brushed Satin Chrome
<b>SOGC01SC</b>	Satin Chrome

Minimum order: 1 each. All Glass Clamps can be combined for quantity pricing.

crlaurence.com

**CRL C.R. LAURENCE COMPANY**

crlaurence.ca • crlaurence.com.au • crlaurence.co.uk • crlaurence.de • crlaurence.eu | SC63  
crlaurence.com.mx • crlaurence.qc.ca • crlaurence.fr • crlaurence.it • crlaurence.dk





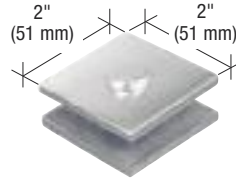
- A Choice of High Tech, Contemporary Designs for Use With 3/8" to 1/2" (10 to 12 mm) Thick Tempered Glass
- Commonly Used in Malls for Joining Vertical Joints of Glass Wall Panels
- Reduce Deflection and Improve Rigidity

Mall Front Clamps join vertical glass wall panels and provide rigidity to reduce flexing when pressure is applied. They can also serve as floating indicators to alert pedestrians of a panel's presence in dimly lit areas. All CRL Mall Front Clamps come in polished brass, polished stainless, or brushed stainless finishes, and are designed for 1/2" (12 mm) thick glass. To use on 3/8" (10 mm) glass simply file the threaded shank to the desired size. Suggested minimum gap for this Clamp is 7/32" (5.6 mm). Style F Clamps accommodate a maximum glass thickness of 3/4" (19 mm). Clamp styles D and E install using Cat. No. 491012 Clear Very High Bond Tape and Cat. No. RTV408C Clear Silicone.

CAT. NO.	CLAMP STYLE	FINISH
MFC10	A	Polished Stainless
MFC11	A	Brushed Stainless
MFC12	A	Polished Brass
MFC14	B	Polished Stainless
MFC15	B	Brushed Stainless
MFC16	B	Polished Brass
MFC18	C	Polished Stainless
MFC19	C	Brushed Stainless
MFC20	C	Polished Brass
MFC22	D	Polished Stainless
MFC23	D	Brushed Stainless
MFC24	D	Polished Brass
MFC26	E	Polished Stainless
MFC27	E	Brushed Stainless
MFC28	E	Polished Brass
MFC30	F	Polished Stainless
MFC31	F	Brushed Stainless
MFC34	G	Polished Stainless
MFC35	G	Brushed Stainless
MFC38	H	Polished Stainless
MFC39	H	Brushed Stainless
MFCW10	I	Polished Stainless
MFCW11	I	Brushed Stainless
MFCW12	I	Polished Brass
MFCW14	J	Polished Stainless
MFCW15	J	Brushed Stainless
MFCW16	J	Polished Brass

Minimum order: 1 each. All Mall Clamps can be combined for quantity pricing.

## CRL MALL FRONT CLAMPS



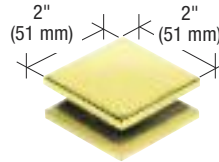
**STYLE A**

**2" x 2" Square**  
Attaches with a Single Beveled Female Nut



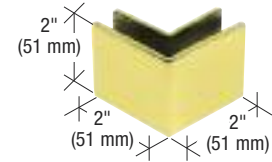
**STYLE B**

**2" Diameter**  
Attaches with a Single Beveled Female Nut



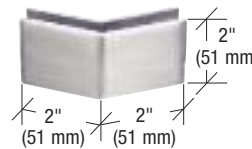
**STYLE C**

**2" x 2" Square**  
Attaches with Two Oval Head Phillips Screws



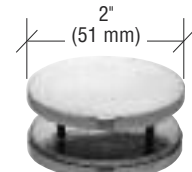
**STYLE D**

**2" x 2" Squares 90 Degrees**  
Installs with CRL RTV408C Silicone



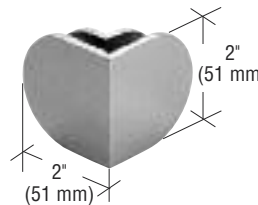
**STYLE E**

**2" x 2" Squares 135 Degrees**  
Installs with CRL RTV408C Silicone



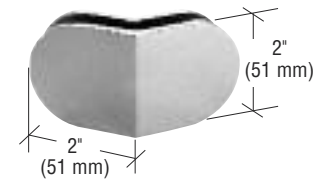
**STYLE F**

**2" Diameter**  
Attaches with Two Screws



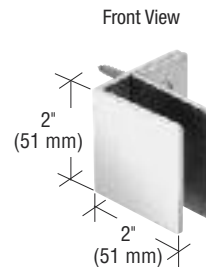
**STYLE G**

**90 Degrees Round**  
Installs with CRL RTV408C Silicone



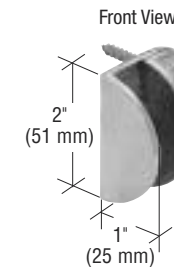
**STYLE H**

**135 Degrees Round**  
Installs with CRL RTV408C Silicone



**STYLE I**

**Wall Mount Square**  
Installs with Two Wood Screws (Included)



**STYLE J**

**Wall Mount Round**  
Installs with Two Wood Screws (Included)

## CRL MINI MALL FRONT CLAMPS



**CAT. NO. MC112BN**  
Brushed Nickel Finish  
Solid Brass



**CAT. NO. MC112BR**  
Brass Finish  
Solid Brass



**CAT. NO. MC112CH**  
Chrome Finish  
Solid Brass

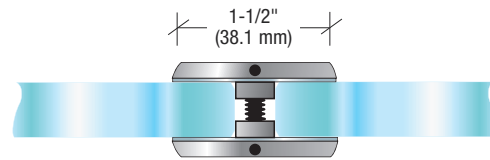


**CAT. NO. MC112A**  
Satin Anodized  
Aluminum



**CAT. NO. MC112BL**  
Black Anodized  
Aluminum

- Perfect for Joining Vertical Interior Panels of Heavy Glass in Malls
- For Use With 3/8" to 1/2" (10 to 12 mm) Tempered Glass
- Custom Finishes Available



CRL Mini Mall Front Clamps are used to join vertical glass panels. They make it more difficult to pinch fingers or clothing between glass panels. Mini Mall Clamps will work with 3/8" to 1/2" (10 to 12 mm) thick tempered glass, and are easy to install. The round cap is tightened by simply putting a 3/32" drill in the round hole in the beveled edge and turning.

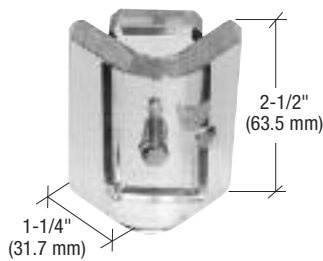
1-1/2" (38.1 mm) diameter Clamps are available with a solid brass construction in a choice of brushed nickel, brass or chrome finishes, or aluminum construction in a choice of satin anodized or black anodized finishes. Suggested minimum gap between panels is 1/4" (6 mm).

For custom finishes, contact CRL Technical Sales at (800) 421-6144 in the U.S., (877) 421-6144 from Canada, or (323) 588-1281 International, and ask for Ext. 7720. You can also e-mail us through our web site at [crlaurence.com](http://crlaurence.com). From the home page click on Contact Us, and then click on Technical Sales for Glass and Glazing Products.

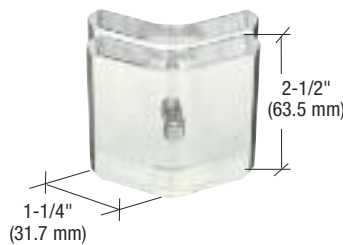
CAT. NO.	MATERIAL	FINISH
<b>MC112BN</b>	Solid Brass	Brushed Nickel
<b>MC112BR</b>	Solid Brass	Brass
<b>MC112CH</b>	Solid Brass	Chrome
<b>MC112A</b>	Aluminum	Satin Anodized
<b>MC112BL</b>	Aluminum	Black Anodized

Minimum order: 1 each.  
All Mall Clamps can be combined for quantity pricing.

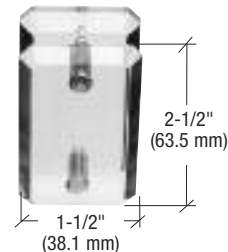
## CRL CLEAR ACRYLIC MALL GLASS CLAMPS



**CAT. NO. AMC90**  
90 Degrees



**CAT. NO. AMC135**  
135 Degrees



**CAT. NO. AMC180**  
180 Degrees



- Clear Acrylic Appearance Blends in With Glass
- For Use With 3/8" to 1/2" (10 to 12 mm) Tempered Glass

- Available in Three Styles
- Chrome Caps Hide Screws

CRL Clear Acrylic Mall Glass Clamps provide the perfect solution for heavy plate glass panels installed in mall fronts, and can be used for a variety of glass installations. The clear acrylic look blends in with the glass, making them almost invisible. A piece of vinyl tubing protects the glass from the #6-32 screw, and a chrome cap hides the screw after it has been installed.

CAT. NO.	MATERIAL	STYLE
<b>AMC90</b>	Clear Acrylic	90 Degree Angle
<b>AMC135</b>	Clear Acrylic	135 Degree Angle
<b>AMC180</b>	Clear Acrylic	180 Degree Angle

Minimum order: 1 each.  
All Mall Clamps can be combined for quantity pricing.



## CRL UNITED STATES

[crlaurence.com](http://crlaurence.com)

[usalum.com](http://usalum.com)

[crl-arch.com](http://crl-arch.com)

Corporate Headquarters

**LOS ANGELES, CALIFORNIA**

Phone: (323) 588-1281 Fax: (323) 581-6522  
Toll Free Phone: (800) 421-6144  
Toll Free Fax: (800) 262-3299

**ATLANTA, GEORGIA**

Phone: (404) 696-3445 Fax: (404) 696-3386

**BOSTON AREA, MASSACHUSETTS**

Phone: (508) 880-5600 Fax: (508) 880-5775

**CHICAGO AREA, ILLINOIS**

Phone: (847) 426-3800 Fax: (847) 426-0111

**CLEVELAND AREA, OHIO**

Phone: (440) 248-0003 Fax: (440) 248-0120

**DALLAS, TEXAS**

Phone: (214) 634-7305 Fax: (214) 631-6519

**DENVER, COLORADO**

Phone: (303) 373-9988 Fax: (303) 373-0884

**HOUSTON, TEXAS**

Phone: (713) 462-6300 Fax: (713) 462-6306

**LAS VEGAS, NEVADA**

Phone: (702) 253-0211 Fax: (702) 253-0311

**MIAMI AREA, FLORIDA**

Phone: (954) 846-9233 Fax: (954) 846-9277

**NEW YORK CITY AREA**

Phone: (201) 770-1077 Fax: (201) 770-1599

**ORLANDO, FLORIDA**

Phone: (407) 857-7900 Fax: (407) 857-7766

**PHILADELPHIA AREA**

Phone: (856) 727-1022 Fax: (856) 727-3299

**PHOENIX, ARIZONA**

Phone: (602) 269-7500 Fax: (602) 269-7600

**SAN DIEGO, CALIFORNIA**

Phone: (858) 678-8984 Fax: (858) 678-0486

**SAN FRANCISCO / OAKLAND AREA**

Phone: (510) 475-1000 Fax: (510) 475-1404

**SEATTLE AREA, WASHINGTON**

Phone: (253) 850-5800 Fax: (253) 813-1818

**GLASS MACHINERY DIVISION**

**CICERO, ILLINOIS**

Phone: (773) 242-2871 Fax: (708) 863-5462

**CRL-BLUMCRAFT**

**PITTSBURGH, PENNSYLVANIA**

Phone: (412) 681-2400 Fax: (412) 681-6840



## CRL CANADA

[crlaurence.ca](http://crlaurence.ca)

Corporate Headquarters

**TORONTO AREA, ONTARIO**

Phone: (905) 303-7966  
Fax: (905) 303-7965

Toll Free Phone: (800) 421-6144

Toll Free Fax: (800) 262-3299

**MONTREAL AREA, QUEBEC**

Phone: (514) 352-3300  
Fax: (514) 352-1017

**CALGARY, ALBERTA**

Phone: (403) 250-5783  
Fax: (403) 291-3260

**VANCOUVER AREA, B.C.**

Phone: (604) 448-9344  
Fax: (604) 448-9322



## CRL AUSTRALIA

[crlaurence.com.au](http://crlaurence.com.au)

Toll Free Phone: 1800 424 275

Toll Free Fax: 1800 813 013

**SYDNEY AREA,  
NEW SOUTH WALES**

Phone: (02) 9851-3444  
Fax: (02) 9851-3445

**MELBOURNE AREA,  
VICTORIA**

Phone: (03) 9764-8322  
Fax: (03) 9764-8378



## CRL EUROPE

[crlaurence.co.uk](http://crlaurence.co.uk)  
[crlaurence.it](http://crlaurence.it)

[crlaurence.eu](http://crlaurence.eu)  
[crlaurence.dk](http://crlaurence.dk)

[crlaurence.de](http://crlaurence.de)

Freephone: 00 800 0421 6144

Freefax: 00 800 0262 3299

**MANCHESTER AREA,  
ENGLAND**

Phone: +44 (0)1706 863 600  
Fax: +44 (0)1706 869 860

**STUTTGART AREA,  
GERMANY**

Phone: +49 (0)7062 915 93 15  
Fax: +49 (0)7062 915 93 16

**COPENHAGEN AREA,  
DENMARK**

Phone: +45 36 72 09 00  
Fax: +45 36 70 33 35

Visit our "Installation Image Gallery" at [crlaurence.com](http://crlaurence.com)  
to see beautiful completed jobs using CRL products

CRL SPECIALTY CATALOGS can be viewed online at [crlaurence.com](http://crlaurence.com)



U.S. Aluminum  
Storefront  
Design  
Manual  
USAL14



Sun Control  
Systems  
SC14



Architectural  
Hardware  
AH11



Architectural  
Railing  
Systems  
HR11



Architectural  
Metals  
AM09



Commercial  
Handles  
LP11



Transaction  
and Security  
Hardware  
TH10



Hospitality and  
Service  
Hardware  
HS12



Door Controls  
Hardware and  
Accessories  
DC07



Frameless  
Shower Door  
Hardware and  
Supplies  
SD12

### C.R. LAURENCE CO., INC.

Corporate Headquarters

Post Office Box 58923, Los Angeles, CA 90058-0923

International Phone: (323) 588-1281 • International Fax: (323) 581-6522

© Copyright 2012, C.R. Laurence Co., Inc.

### GLASS AND GLAZING

Phone: (800) 421-6144 or (323) 588-1281 Ext. 7720

Direct Fax: (800) 262-3299 or (323) 581-6522

Direct E-Mail: [glazing@crlaurence.com](mailto:glazing@crlaurence.com)