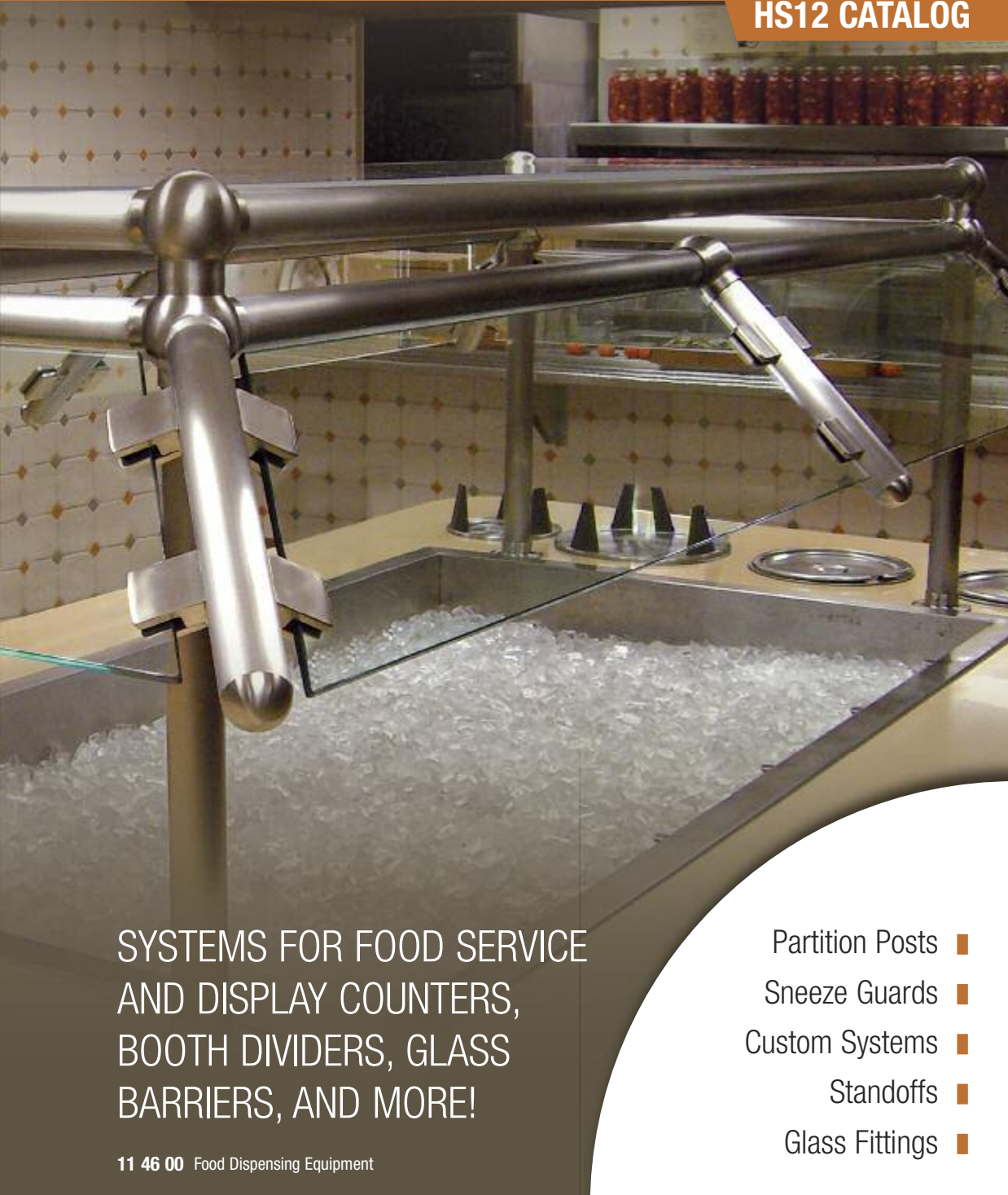


HOSPITALITY AND FOOD SERVICE HARDWARE

HS12 CATALOG



SYSTEMS FOR FOOD SERVICE
AND DISPLAY COUNTERS,
BOOTH DIVIDERS, GLASS
BARRIERS, AND MORE!

11 46 00 Food Dispensing Equipment

- Partition Posts ■
- Sneeze Guards ■
- Custom Systems ■
- Standoffs ■
- Glass Fittings ■



C.R. LAURENCE COMPANY

crlaurence.com | Worldwide Manufacturer and Supplier

Glazing, Railing, Architectural, Construction, Industrial, and Automotive Supplies

An ISO9001:2008 Certified Company

WHAT'S NEW IN THIS CATALOG

Many of our customers have been using C.R. Laurence Hospitality and Service Hardware for years. The time-tested reliability of our products ensures that your installation will be a combination of quality and beauty. The CRL product line is continually evolving with the addition of new products, and our goal for an ever-improving product selection. It is our intention that you be happy with the products you have used for years, and will find added opportunities through the use of our newest products.

Shown below are just some of the new products featured in this latest edition of our Hospitality and Service Hardware Catalog. We encourage you to review the products that feature the **NEW** icon. These products are either completely new to this catalog, or have improved features that are being offered for the first time. You will also find that many of our products are now available in a larger variety of stock finishes. So be on the lookout for the **NEW** icon throughout this catalog.

new

Guidelines and Recommendations for CRL Partition Posts



- Newly Developed Spanning and Mounting Data
- Various Recommended Clearance Deductions
- Round and Square Tubing Mounting Options

See Page P510

Radius Back Brass and Stainless Steel U-Channel in 98" Lengths for UPS Shipment

- No More Costly Freight Shipment of Longer Lengths Unless Required
- Channels for 1/4" and 3/8" (6 and 10 mm) Glass Thicknesses



See Page P564

Slimline Series Round and Square Partition Posts

- Thin Profile Maximizing the "All-Glass" Look
- Up to Six Configurations for Design Flexibility
- Beautiful Polished and Brushed Stainless Steel Finishes



See Pages P531 and P536

2" Diameter "Tight-Fit" Series Partition Posts

- Allows Glass to Sit Tightly on the Counter
- Attractive Cap Design Conceals Top of Glazing Channel
- Three Popular Configurations in Two Beautiful Finishes



See Page P551

Ultraviolet Bonding Systems and Fixation Devices

- Ideal for Construction of Modern Sneeze Guards and Food Shields
- Full Line of Adhesives and Accessories
- Complete Line of Professional Fixation Devices Allow Easy Installation



See Pages P612 and P613

Design Series Partition Posts

- New 135 Degree Right Hand and Left Hand Configurations
- New 45 Degree Center Configurations
- Up to Six Stock Post Heights



See Pages P512 and P513

TABLE OF CONTENTS

For Pricing Visit Our Web Site or Call Us Toll Free
at the Phone Numbers Shown on the Back Cover

CRL Manufacturing Information	P504-P505
Planning and Product Selection	P506-P509
Partition Posts and Sneeze Guards	P510-P573
Sneeze Guards	P574-P604
Bar Fixtures	P605-P607
Display Hardware	P608-P611
Glass Bonding	P612-P613
Heavy-Duty Partition Posts	P614-P629
Windscreen Systems	P630-P633
Gate Systems	P634-P643
Standoff Systems	P644-P663
Countertop Supports	P664-P665
Glass Panel Connectors	P666-P675
Other CRL Architectural Systems	P676-P699
CRL Specialty Catalogs	P700

See the complete A - Z Product Index on the inside rear cover.



CRL Decorative Posters

new

- Show Your Customers Beautiful Hospitality and Service Applications Created With CRL Hardware and a Little Imagination
- Large 24" (610 mm) x 36" (914 mm) Studio Quality Posters Can Be Displayed Anywhere in Their Protective Clear Sleeves
- New Posters Added Regularly



CAT. NO. FP05
Hospitality Hardware

CRL's Decorative Posters will make a quick and dramatic change to your showroom. They feature studio quality images of finished applications in beautiful environments. Display them in your showroom to inspire creativity by your customers and designers for future projects. Each Poster comes in a protective, easy-to-hang clear plastic sleeve, and measures approximately 24" (610 mm) x 36" (914 mm).

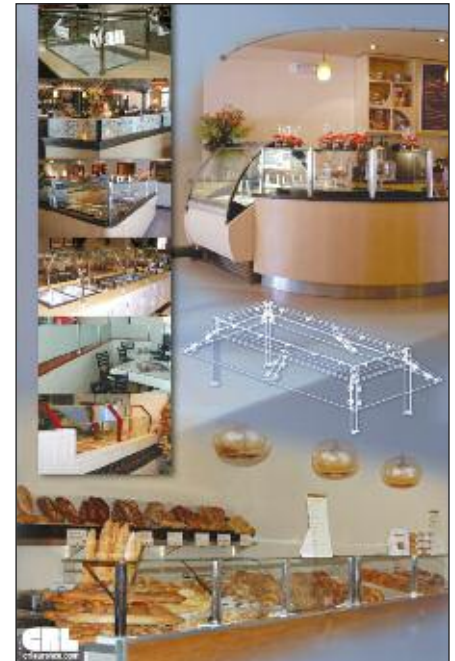
To view larger images and new additions of our Decorative Posters, please visit crlaurence.com. Posters using your own images can also be created on special order. Contact CRL Technical Sales for Hospitality Products for more information. Minimum order is one each.



CAT. NO. FP03
Hospitality Hardware



CAT. NO. FP04
Hospitality Hardware



CAT. NO. FP42
Hospitality Hardware

A Huge Inventory of Parts Allows Us to Offer a Large Variety of Partition Posts and Sneeze Guards to the Hospitality Industry



• CRL's Vast Selection of Component Parts, Along With Our In-House Manufacturing, Make it Possible to Provide You With Four Unique Post Hardware Programs

1. Quick Pick Stock Posts and Sneeze Guards. Ready for immediate shipment from our Los Angeles, California warehouse or, if you prefer, we can forward the merchandise to your local CRL warehouse on our weekly re-supply trucks. Whichever is more convenient for you. Look for the Quick Pick Arrow.

2. "Quick Ship" Posts. Due to our prefabricated component parts we are able to ship many of our most requested Posts and Sneeze Guards within a three to five working day lead time from Los Angeles, California. Again, you may request to have our weekly re-supply trucks bring the merchandise into your local CRL warehouse. The choice is yours.

3. Custom Posts and Sneeze Guards. We understand that certain jobs require custom hardware. With over 600,000 square feet of manufacturing capacity we are able to engineer, fabricate, finish,

package, and ship Custom Posts in five to seven working days and Custom Sneeze Guards in seven to ten working days. Both lead times are based on shipping from Los Angeles, California. You may request your order to be put on our weekly re-supply truck to bring the merchandise to your local CRL warehouse.

4. Modular "Make Your Own" Posts and Sneeze Guards. With the largest selection of modular component parts in the industry, CRL gives you the ability to fabricate any of the Posts or Sneeze Guards shown in this catalog right in your own shop. Simply purchase all the necessary stock component parts available for immediate shipment from our Los Angeles, California warehouse, or request that they be put on our weekly re-supply trucks to get them to your local CRL warehouse. It's that easy. NOTE: All quoted lead times above are based on the date an approved purchase order is received and put into fabrication by C.R. Laurence Co., Inc.



New 330,000 sq. ft. California Manufacturing Facility



Post Engineering on Computer



Drilling Holes in Tubing



Buffing Department



Attaching Cap and Base



Packaging of Posts for Shipment



UPS Truck Shipping to Customer

Precise Engineering, Along with Specialized Machinery and Trained Technicians Get the Job Done

CRL's Design and Engineering is the Key to Creativity and Quality



• CRL is ISO9001-2008 Certified

It all starts with ISO9001-2008 certification. We produce over 3,000 items for the industries we serve in our ISO9001 Certified manufacturing facilities. Our adherence to the strictest of standards reflects the commitment of our employees to provide the highest quality products.

• Innovation Makes Us a Leader

C.R. Laurence Manufacturing has provided new and innovative products for over 40 years. We know we can't just sit still, because if we do, others will pass us by, and that's not what being a leader is all about. Many CRL manufactured products incorporate features offered by no one else because we feel that no product is so good that it can't be improved.



• Award Winning Designs and Products

Just because we say our products are all top quality doesn't make it so. However, when those recognized as setting the standards for quality say we make the best, then that really means something. We have earned some very prestigious awards for design and manufacturing excellence by organizations that set the standards for quality.



• CRL Rapid Customization Program for Short Lead Times

The goal of CRL's Rapid Customization Program is to achieve the shortest possible lead time of all CRL Manufactured Products, from sketch to quote to fabrication to delivery. This is done several ways, and an important factor is keeping the entire process "in-house". Allowing CRL Manufacturing to control such processes as drafting, modeling, raw material procurement, cutting optimization, high-speed fabrication, finishing, powder coating, batch painting, packaging, and shipping makes for efficient and speedy delivery of products to you.

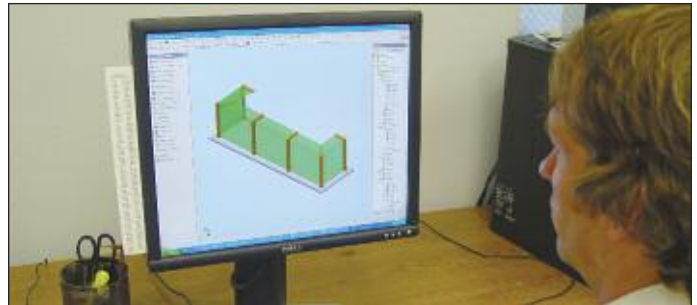
• Engineers Available for Product Development, Testing, and Production Support

CRL's Engineering Department works with you to review designs and job plans to address feasibility, safety concerns, and possible alternate solutions in order to prepare a fair and accurate per unit or per job quote for our Manufacturing services.



• Experienced, Knowledgeable Team Dedicated From Start to Finish

CRL Manufacturing has a large staff with decades of experience in the various stages of manufacturing. Our people draw upon their resources to find innovation and efficiency in our manufacturing processes, allowing us to build top quality products at prices that are always competitive. From the procurement of raw materials to final shipment of finished goods, it's our experience that makes the difference.



• State-of-the-Art Computers and Software

CRL's trained staff uses up-to-date programs including Auto CAD, Auto Desk Inventor, and ANSYS Workbench to provide the best designs to send to our Manufacturing plant. This software and our engineers provide workable, modern designs that can be simulated on our computers, saving you time and money down the road.

Do You Have a New Product That Could be Made by CRL? Need Help With a Current Product? Contact Us

We welcome the opportunity to serve you, and are committed to providing your business with the services that produce quality products. To discuss the possibility of working with CRL Manufacturing we invite you to contact CRL Technical Sales at (800) 421-6144 in the U.S., (877) 421-6144 from Canada, or (323) 588-1281 International. Ask for Ext. 7760. To send e-mail go to crlaurence.com, click on Contact Us, and then click on Technical Sales.

CRL's Manufacturing Capabilities Deliver Quality Products on Time



Our Manufacturing Advantages Include Over 600,000 sq. ft. of Manufacturing Facilities and the People to Make Things Happen

The Equipment to Make Almost Anything:



Saws



Punch Presses



Shears



Brakes



Laser



CNC



Welding



Machine Shop

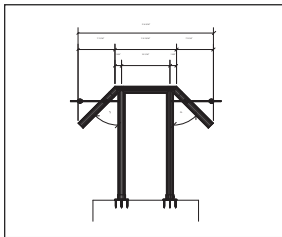


Polishing Room



Powder Painting

The Personnel to Make it Right:



Layout



Selecting Components



Measuring



Machining



Jigging



Fabricating



Finishing



Inspecting



Packing



Shipping

Putting it all together gives us the capability to manufacture production and custom items in a timely manner with quality results.

Planning a Restaurant or Store?

Put CRL Manufacturing to Work for You!



CRL Sneeze Guard Installed in a Food Preparation and Serving Area

C.R. Laurence Manufacturing has over 40 years experience in producing materials for the industries we serve. During that time we've learned what it takes to make quality products, and do so in a cost-efficient and timely manner. We've also learned what it takes to please customers who have very high standards, and as a result earned a number of very prestigious awards for manufacturing excellence.

CRL Meets Your Manufacturing Needs

We can meet the manufacturing needs of projects big and small. C.R. Laurence Manufacturing offers a variety of services to help you produce high quality products you will be proud to install. We use progressive ISO9001-2008 manufacturing processes to make quality tools, parts, and accessories for some of the world's largest corporations.

We also serve the needs of smaller, more specialized businesses. CRL will help you make products you can provide to your customers with complete confidence. Our capabilities encompass most every phase of the manufacturing process, from the early stages of design, all the way through to packaging and shipment. We can supply services such as:

- Engineering • Cutting • Drilling • Machining
- Welding • Cladding • Painting • Polishing
- Assembly • Packaging • Shipping



Fabrication, Finishing and Packaging. All Within 7 to 10 Days on Custom Posts and Sneeze Guards

CRL Says "Yes" to Custom Fabrication

Although C.R. Laurence Company stocks well over 50,000 products, we are aware that stock materials may not be the answer for every project. We do not like saying "no" to our customers, so please feel free to ask for any custom materials you need to complete your job. Over 600,000 square feet of manufacturing capacity in Los Angeles, California allows us to engineer and design custom products. Help us to say our favorite word, "YES", by asking for design assistance and a quote on any custom made product you require.



Custom Sneeze Guards Are One of Our Many Specialties



Which CRL Partition Post or Sneeze Guard System Should I Use?

CRL provides the most diversified and complete selection of Partition Post and Sneeze Guard products available anywhere. Our Sculptured and Design Series are a favorite for lighter weight 1/4" (6 mm) glass Partitions or Sneeze Guards. Heavier 3/8" (10 mm) thick glass is the ideal design element for our Plaza, Elegant, or Contemporary Series Partition Posts or Sneeze Guards. Your custom designs are also welcome. We have a fully dedicated Technical Sales Department that is ready to discuss design ideas and to recommend the right hardware for your project.



Custom Partition Posts Installed Using CRL Components

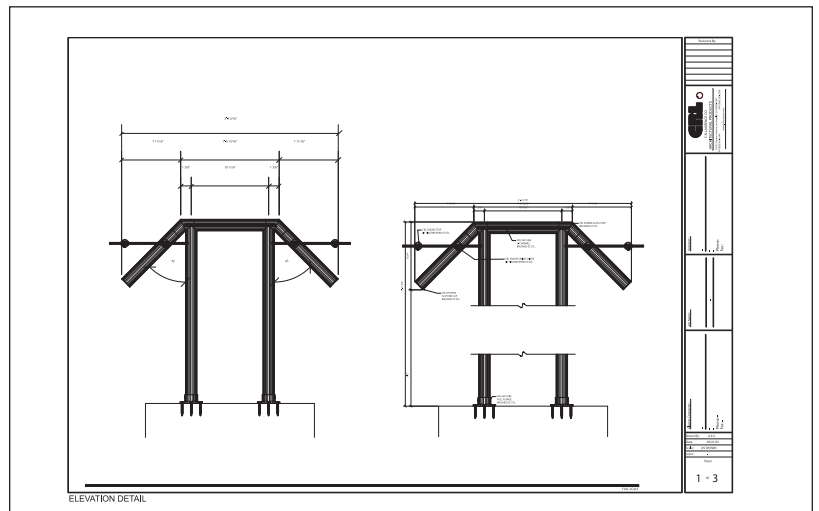
Technical Assistance

The C.R. Laurence Technical Sales Department has expanded into Product Specialist Groups who can assist you with design plans and installation questions pertaining to Partition Posts and Sneeze Guards. Your job can be made easier with the help of our specialists who are trained in the newest hardware systems, and can offer detailed diagrams, layout sheets, product specification data right down to CRL Standards, or custom ordering menus by fax or mail. We can "walk" you through a difficult installation, or help analyze the cause of a potential problem. From the beginning stages of design through the final installation, we are here to help you.

Our Technical Sales Department can be reached Monday through Friday from 6 a.m. to 5 p.m. Pacific Time. Phone Toll Free (800) 421-6144 from anywhere in the U.S., (877) 421-6144 from anywhere in Canada, or (323) 588-1281 International, and ask for Ext. 7760. E-mail: Go to the crlaurence.com home page, click on Contact Us, and then click on Technical Sales.



CRL Technical Assistance is Just a Phone Call, Fax, or an E-mail Away

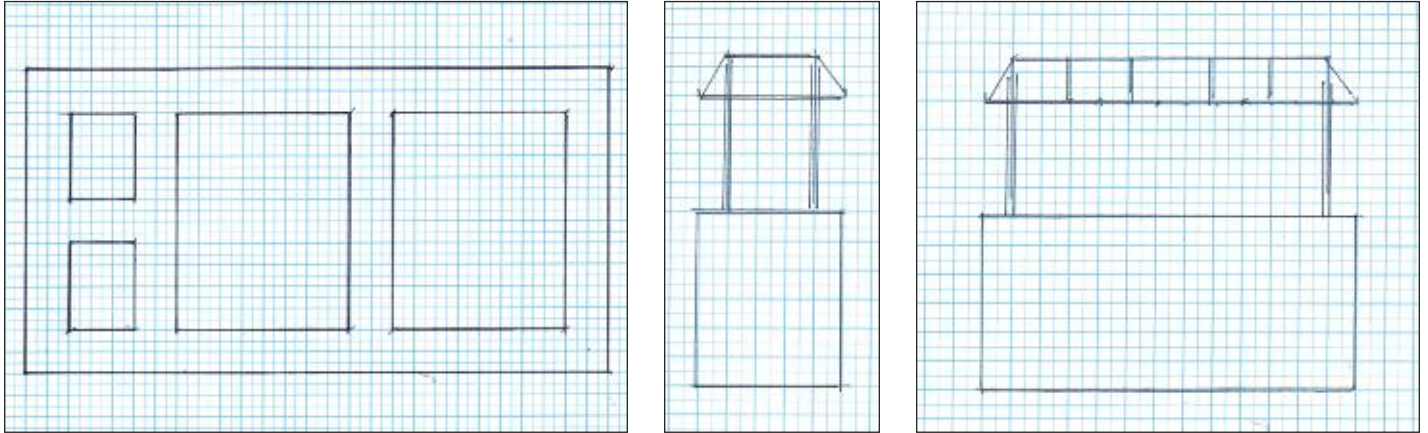


CRL Can Supply Drawings and Details for Final Approval

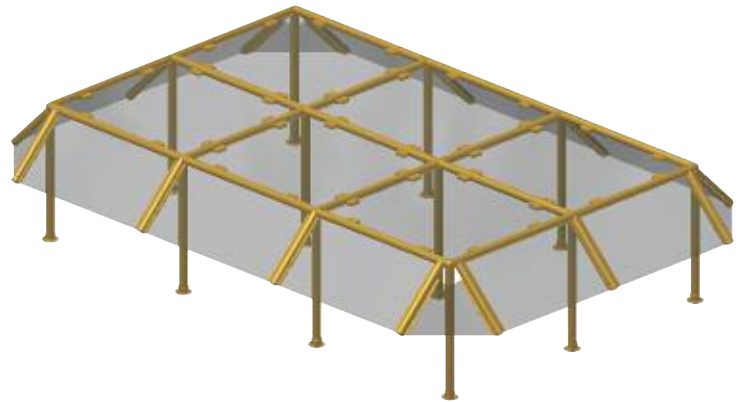
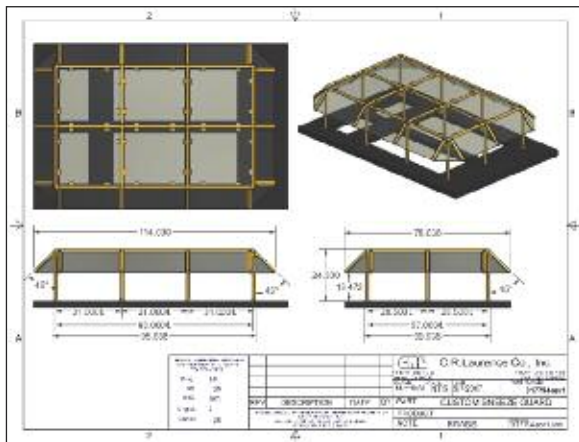
How Our Technical Sales Team Can Help You - As Easy As 1,2,3

Although CRL offers thousands of stock products with short lead times, custom designs will require more time and planning. This is when CRL excels. All we require from you is a drawing that puts to paper your vision of the final product. Our Technical Sales Representatives will then work with you to take this image to a new phase. Architectural drawings can be created, and ideas exchanged until the final ordering and production process takes place. The example below shows how a simple black and white drawing evolved into the final product that pleased our customer and, more importantly, their customer.

Customer's Rough Drawing of Counter Top Condition and Design Concept



CRL Architectural Drawing Ordered by Customer for End User Approval



Finished Product Right After Production

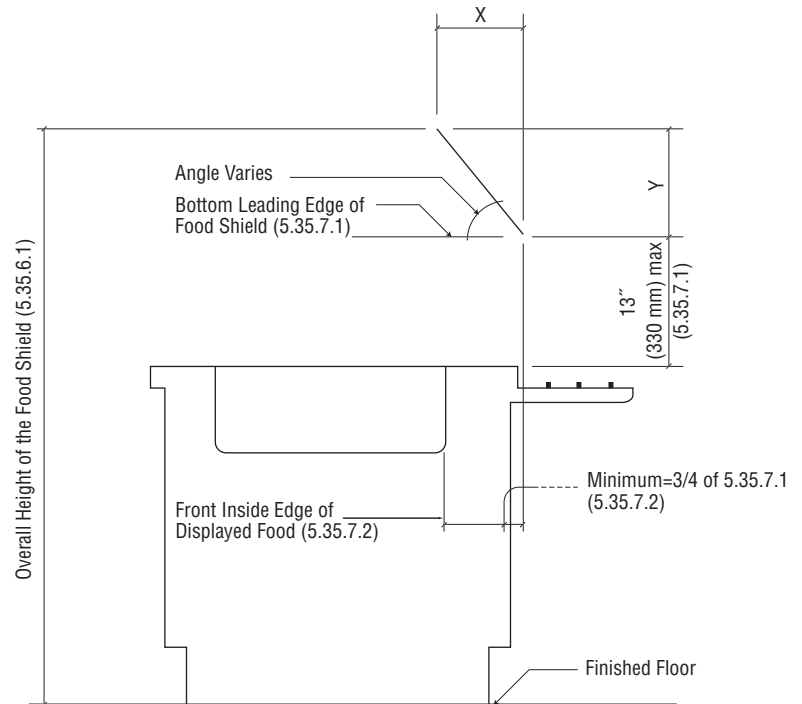


CRL Guidelines for Self-Service Open Front Food Bars



Regulations for Self-Service Sneeze Guards are set by national standards or by the local Health Department. After fabricating numerous Sneeze Guards for various food establishments we have narrowed down what we feel is acceptable in most jurisdictions for Self-Service Open Front Food Bars. The illustration to the right is our guideline, however the local Health Department or Building Department should be contacted as some have additional or stricter regulations.

Basically the CRL guidelines have been accepted by most jurisdictions across the country, however if you have any additional requirements placed on you, we will do our best to cover those requirements.



General Explanations on Food Service Barriers

What are Partition and Barrier Posts?

CRL Partition and Barrier Posts provide an almost invisible barrier between the customer and the food preparation areas. Partitions are vertical glass walls held in place by partition posts. They are designed to protect the food, and keep the customer from having any access to it. In recent years a lot of the food preparation has moved from the kitchen to the service line. No service is offered in this area, but visually it allows the customer to view the various selections being prepared and help determine their choice of entree. Partitions are also used as Booth Dividers and Area Separation Walls. The large variety of shapes, finishes, and sizes will cover most stock and custom applications.



What are Sneeze Guards and Food Shields?



Full Service Models



Self-Service Models

CRL Sneeze Guards and Food Shields protect food from sneezes and provide protection from the human breath zone. They fall into two categories: Full Service models that restrict access to the food by the customer, and usually have a top shelf for plated foods that are assembled by a server; Self-Service models (commonly used at Salad Bars) that allow the customer to serve themselves. This usually consists of a slanted piece of glass that protects the food from the breath zone as specified by CRL (see guidelines above). Full Service and Self-Service models are frequently combined to suit the needs of various dining establishments.

Design Guidelines for CRL Partition Posts and Sneeze Guards

- **Basic Measurements to Keep in Mind While Designing Your Service Areas**

A big part of a successful project is the initial layout and design. You want to make sure that your plans are attainable using the selected CRL hardware, and that you aren't creating a design that will run into roadblocks later in the process.

The information below is intended to assist your design process. As always, we offer technical assistance for all of your projects. Contact the Hospitality Technical Sales Department at (800) 421-6144 in the U.S., (877) 421-6144 from Canada, or (323) 588-1281 International. You can send email from the home page of crlaurence.com. Click on Contact Us, and then click on Technical Sales for Hospitality Products.

Maximum Spans Between Uprights (Per GANA Guidelines)

DESIGN SERIES AND SCULPTURE SERIES ALUMINUM PARTITION POSTS AND SNEEZE GUARDS

Our Design Series and Sculpture Series Aluminum Posts and Sneeze Guards are designed to accept 1/4" (6 mm) glazing. The maximum recommended span between uprights is 36" (914 mm).

PLAZA, ELEGANT, CONTEMPORARY, TIGHT-FIT, AND SLIMLINE SERIES STAINLESS STEEL AND BRASS PARTITION POSTS AND SNEEZE GUARDS

Our stainless steel and brass posts can be used with glass from 1/4" to 1/2" (6 to 12 mm) thick. For 1/4" (6 mm) glass the maximum recommended span between uprights is 42"; for 3/8" (10 mm) glass the maximum span is 56" (1422 mm); for 1/2" (12 mm) glass the maximum span is 72" (1829 mm).

Glass Deductions for Stainless Steel and Brass Tubing Posts

MEASURED CENTER-TO-CENTER OF POSTS		ROUND TUBING			SQUARE TUBING
HARDWARE	GLASS THICKNESS	1" (25.4 MM) DIAMETER	1-1/2" (38.1 MM) DIAMETER	2" (50.8 MM) DIAMETER	1-1/2" (38.1 MM) SQUARE
STAINLESS STEEL U-CHANNEL	1/4" (6 mm) and 3/8" (10 mm)	1-1/4" (31.7 mm) Deduction	1-3/4" (44.5 mm) Deduction	2-1/4" (57.1 mm) Deduction	2-3/8" (60.3 mm) Deduction
BRASS U-CHANNEL	1/4" (6 mm) and 3/8" (10 mm)	Not Applicable	1-13/16" (46 mm) Deduction	2-5/16" (58.7 mm) Deduction	Not Applicable
GLASS FITTINGS	1/4" (6 mm) and 3/8" (10 mm)	1-7/8" (47.6 mm) Deduction	2-3/8" (60.3 mm) Deduction	Not Applicable	2" (50.8 mm) Deduction
GLASS CLIPS	1/4" (6 mm) and 3/8" (10 mm)	Not Applicable	2-3/16" (55.6 mm) Deduction	Not Applicable	2-3/16" (55.6 mm) Deduction
Z-CLAMPS # Some Z-Clamps have an option for a notch in the glass.	1/4" (6 mm)	1-13/16" (46 mm) Deduction	3-1/16" (77.8 mm) Deduction	3-9/16" (90.5 mm) Deduction	3-1/16" (77.8 mm) Deduction
	3/8" (10 mm)	2-9/16" (65.1 mm) Deduction	#	#	#
	1/2" (12 mm)	Not Applicable			

Glass Deductions for Design Series Aluminum Posts

Design Series 1-1/8" (28.6 mm) square extruded aluminum Partition Posts accept 1/4" (6 mm) glass in u-channels affixed to the vertical edges. The glass deduction is 1-7/16" (36.5 mm) from the center-to-center measurement between posts.

NOTE: Deductions are based on CRL recommended measurements to achieve a secure glass fit between uprights. As with any project, your conditions may vary, and extra care should be taken to make exact measurements.

- Stock Posts, RED-E to Ship
- "Quick Ship" Custom and Prefabricated Posts Ready to Ship in Three to Five Days From Our California Manufacturing Plant
- "Make Your Own" Post Components in Stock
- "Re-Supply" Program Allows Shipments From Your Local CRL Warehouse on a Weekly Basis



Design Series

CRL Design Series Glass Partition and Divider Posts are some of our most popular. They are fabricated of square aluminum extrusion with the glass channels attached to the main extrusion. They are available in four stock finishes and three stock sizes, off the shelf and RED-E to Ship.



Stock Post Kits shown on page P513

Custom Post Kits shown on pages P514-P515

"Make Your Own" Posts from components shown on pages P516-P517

Sculptured Series

CRL Sculptured Series Glass Partition and Divider Posts are fabricated of square aluminum extrusion with the glass channels recessed in the main extrusion. They are available in three stock sizes and finishes, off the shelf and RED-E to Ship.



Stock Post Kits shown on page P524

Custom Post Kits shown on page P523

"Make Your Own" Posts from components shown on page P525

Plaza Series

CRL Plaza Series Glass Partition and Divider Posts are fabricated with 1-1/2" (38.1 mm) Stainless Steel Square Tubing. The glass can be attached using U-Channels, Glass Clips or Glass Clamps. They are available in three stock sizes and two stock finishes, off the shelf and RED-E to Ship.



Stock Post Kits shown on page P529

Custom and "Quick Ship" Prefabricated Post Kits shown on pages P530, P533-P535

"Make Your Own" Posts from components shown on pages P556-P573

Slimline Series

CRL Slimline Series Glass Partition and Divider Posts are fabricated with 1" (25.4 mm) Stainless Steel Round Tubing. The Glass is attached with a Small Clip Fitting that accommodates 1/4" or 3/8" (6 or 10 mm) glass. They are available in prefabricated and custom sizes in two finishes fabricated by CRL in three to five days, ready to ship from Los Angeles, California.



Custom and "Quick Ship" Prefabricated Post Kits shown on pages P536-P538

"Make Your Own" Posts from components shown on pages P556-P573

Elegant Series

CRL Elegant Series Glass Partition and Divider Posts are fabricated with 1-1/2" (38.1 mm) or 2" (50.8 mm) Stainless Steel or Brass Round Tubing. The glass can be attached using U-Channels, Glass Clips or Glass Clamps. They are available in three stock sizes and two stock finishes off the shelf and RED-E to Ship.



Stock Post Kits shown on page P543

Custom and "Quick Ship" Prefabricated Post Kits shown on pages P546-P549, P553-P555

"Make Your Own" Posts from components shown on pages P556-P573

Contemporary Series

CRL Contemporary Series Glass Partition and Divider Posts are fabricated with 1-1/2" (38.1 mm) Stainless Steel or Brass Tubing. The Glass is attached with a Small Clip Fitting that accommodates 1/4" or 3/8" (6 or 10 mm) glass. They are available in prefabricated and custom sizes and finishes fabricated by CRL in three to five days, ready to ship from Los Angeles, California.



Custom and "Quick Ship" Prefabricated Post Kits shown on pages P550, P553-P555

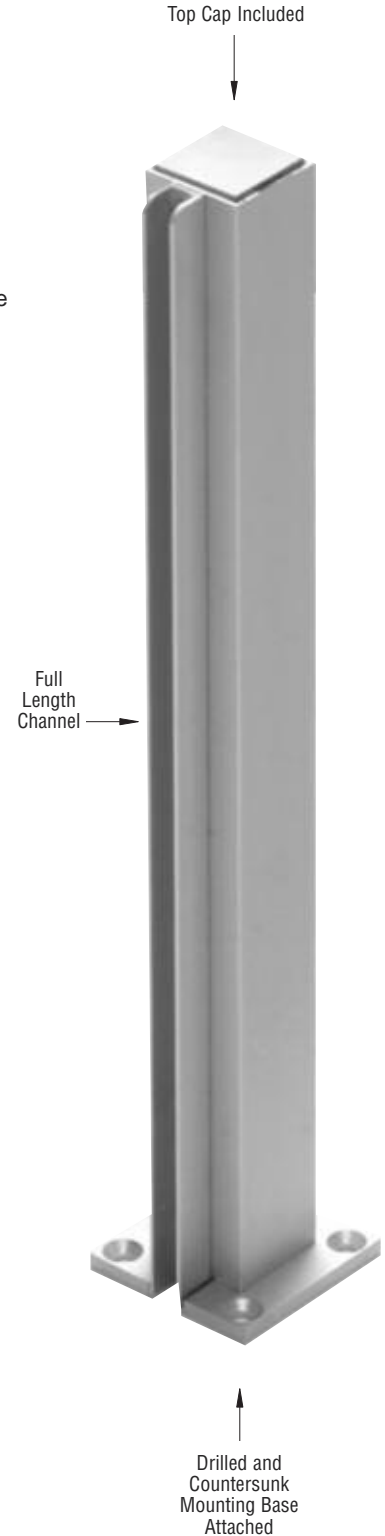
"Make Your Own" Posts from components shown on pages P556-P573

CRL Design Series Partition Posts



- **Stock Post Sizes, RED-E to Ship**
- **Standard Heights of 12", 18", and 24" (305, 457, and 610 mm) Available in Four Finishes**
- **14", 16", and 30" (356, 406, and 762 mm) Standard Heights Also Available in Satin Anodized Only**
- **Five Standard Configurations – End, Center, Corner, 3-Way, and 4-Way**
- **Aluminum Tubing With Full Length Channels for 1/4" (6 mm) Glass**
- **Top Cap and Mounting Base Included**

CRL Design Series Partition Posts are very popular, available in the standard stock sizes shown on the opposite page, and are ready for immediate delivery. These Posts have been used for years in banks, offices, and restaurants. A slim line profile and easy-to-install Mounting Base have made them a favorite in the industry. The glass can be secured into the glazing channels using Cat. No. 33SC Clear Silicone, or with the glazing vinyl provided for 1/4" (6 mm) or 3/16" (4.8 mm) glass. Also available in some finishes and sizes are Custom 135 Degree Posts. Each Post contains one attached Top Cap, one attached Mounting Base, and four Wood Screws for mounting.

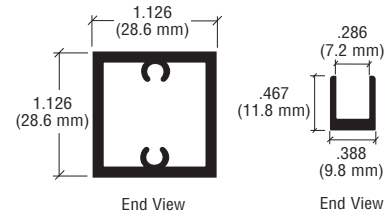
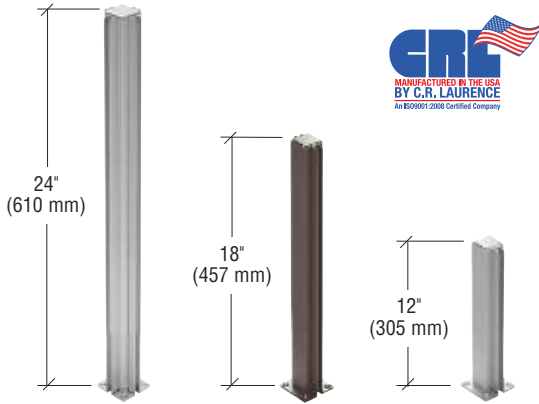


These Posts are stock sizes and are ready to ship to you. If you require Custom Posts we can fabricate these to ship from Los Angeles, California within three to five working days. Please see pages P514-P515 for more information on Custom Design Series Partition Posts. Also, for Do-it-Yourselfers we offer component parts so you can fabricate completed units in your own shop. See pages P516-P517 for more information. For a complete line of custom made to order Design Series Sneeze Guards please see pages P518-P521.

CRL ALUMINUM PARTITION POSTS

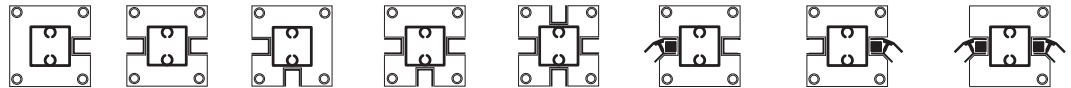
For Pricing Visit Our Web Site or Call Us Toll Free at the Phone Numbers Shown on the Back Cover

CRL Design Series Partition Posts



Cross Section of Post and Glass Channel Extrusions

These fully assembled Design Series Posts measure 1-1/8" (28.6 mm) square. Post Mounting Base Plates measure 2" (50.8 mm) square. Glazing Channels measure full length and rise 15/32" (11.8 mm) from the post surface. Glazing Vinyl for 1/4" (6 mm) and 3/16" (5 mm) glass is supplied to fill glass channel.

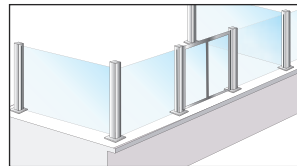


POST FINISHES	POST HEIGHT	END	CENTER	90 DEGREE CORNER	3-WAY	4-WAY	135 DEGREE RH CENTER	135 DEGREE LH CENTER	45 DEGREE CENTER
Satin Anodized	12" (305 mm)	D990A12E	D990A12C	D990A12CR	D990A123W	D990A124W	D990A12135R	D990A12135L	D990A1245C
	14" (355 mm)	D990A14E	D990A14C	D990A14CR	D990A143W	D990A144W	D990A14135R	D990A14135L	D990A1445C
	16" (406 mm)	D990A16E	D990A16C	D990A16CR	D990A163W	D990A164W	D990A16135R	D990A16135L	D990A1645C
	18" (457 mm)	D990A18E	D990A18C	D990A18CR	D990A183W	D990A184W	D990A18135R	D990A18135L	D990A1845C
	24" (610 mm)	D990A24E	D990A24C	D990A24CR	D990A243W	D990A244W	D990A24135R	D990A24135L	D990A2445C
	30" (762 mm)	D990A30E	D990A30C	D990A30CR	D990A303W	D990A304W	D990A30135R	D990A30135L	D990A3045C
Brite Anodized	12" (305 mm)	D990BA12E	D990BA12C	D990BA12CR	D990BA123W	D990BA124W	D990BA12135R	D990BA12135L	D990BA1245C
	14" (355 mm)	D990BA14E	D990BA14C	D990BA14CR	D990BA143W	D990BA144W	D990BA14135R	D990BA14135L	D990BA1445C
	16" (406 mm)	D990BA16E	D990BA16C	D990BA16CR	D990BA163W	D990BA164W	D990BA16135R	D990BA16135L	D990BA1645C
	18" (457 mm)	D990BA18E	D990BA18C	D990BA18CR	D990BA183W	D990BA184W	D990BA18135R	D990BA18135L	D990BA1845C
	24" (610 mm)	D990BA24E	D990BA24C	D990BA24CR	D990BA243W	D990BA244W	D990BA24135R	D990BA24135L	D990BA2445C
	30" (762 mm)	D990BA30E	D990BA30C	D990BA30CR	D990BA303W	D990BA304W	D990BA30135R	D990BA30135L	D990BA3045C
Brite Gold Anodized	12" (305 mm)	D990BGA12E	D990BGA12C	D990BGA12CR	D990BGA123W	D990BGA124W	D990BGA12135R	D990BGA12135L	D990BGA1245C
	14" (355 mm)	D990BGA14E	D990BGA14C	D990BGA14CR	D990BGA143W	D990BGA144W	D990BGA14135R	D990BGA14135L	D990BGA1445C
	16" (406 mm)	D990BGA16E	D990BGA16C	D990BGA16CR	D990BGA163W	D990BGA164W	D990BGA16135R	D990BGA16135L	D990BGA1645C
	18" (457 mm)	D990BGA18E	D990BGA18C	D990BGA18CR	D990BGA183W	D990BGA184W	D990BGA18135R	D990BGA18135L	D990BGA1845C
	24" (610 mm)	D990BGA24E	D990BGA24C	D990BGA24CR	D990BGA243W	D990BGA244W	D990BGA24135R	D990BGA24135L	D990BGA2445C
	30" (762 mm)	D990BGA30E	D990BGA30C	D990BGA30CR	D990BGA303W	D990BGA304W	D990BGA30135R	D990BGA30135L	D990BGA3045C
Duranodic Bronze	12" (305 mm)	D990DU12E	D990DU12C	D990DU12CR	D990DU123W	D990DU124W	D990DU12135R	D990DU12135L	D990DU1245C
	14" (355 mm)	D990DU14E	D990DU14C	D990DU14CR	D990DU143W	D990DU144W	D990DU14135R	D990DU14135L	D990DU1445C
	16" (406 mm)	D990DU16E	D990DU16C	D990DU16CR	D990DU163W	D990DU164W	D990DU16135R	D990DU16135L	D990DU1645C
	18" (457 mm)	D990DU18E	D990DU18C	D990DU18CR	D990DU183W	D990DU184W	D990DU18135R	D990DU18135L	D990DU1845C
	24" (610 mm)	D990DU24E	D990DU24C	D990DU24CR	D990DU243W	D990DU244W	D990DU24135R	D990DU24135L	D990DU2445C
	30" (762 mm)	D990DU30E	D990DU30C	D990DU30CR	D990DU303W	D990DU304W	D990DU30135R	D990DU30135L	D990DU3045C

Minimum order: 1 each. All Posts can be combined for quantity pricing.

CRL D980 Wicket Frames

- Install Between Partition Posts
- Available in Satin, Brite and Brite Gold Anodized, Plus Duranodic Bronze



CAT. NO. D980

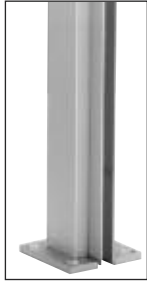
CRL D980 Wicket Frames coordinate with our Design Series Aluminum Partition Posts to create openings in partition enclosures. Wicket Frames are supplied with continuous hinges that mount to the posts at either side of the opening, and the matching panels have a latch bar on the clerk's side to keep them closed.

These Wicket Frames can be glazed with glass, plastic, masonite or metal panels up to 1/4" (6 mm) thick. Specify finish, overall width of opening, and height of posts (which must be ordered separately) when ordering. Minimum order is one each.



CRL Design Series Custom Partition Posts

- Custom Units Fabricated and Ready to Ship From Los Angeles Within 3 to 5 Working Days
- 1-1/8" (28.6 mm) Square Aluminum Extrusion for Use With 1/4" (6 mm) Glazing
- Available in Satin, Brite, and Brite Gold Anodized, Plus Duranodic Bronze



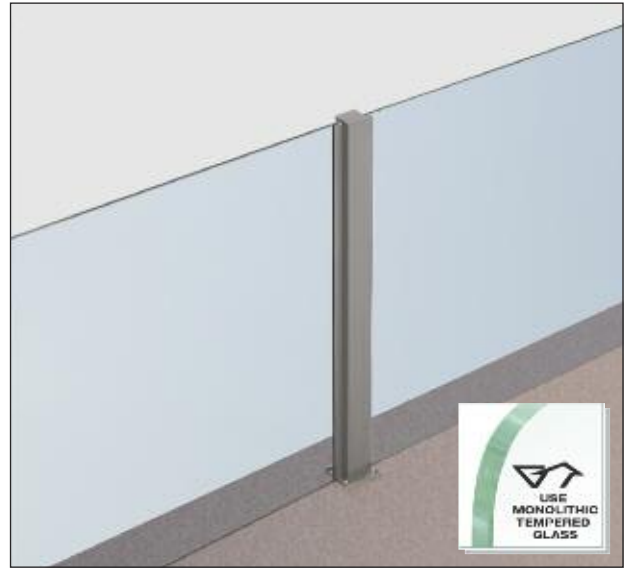
D990 Series Post Full Length Channel 2" x 2" (51 mm) Base



D991 Series Post Channel With Air Space 2" x 2" (51 mm) Base



D992 Series Post Full Length Channel 2" x 3" (51 x 76 mm) Base



Maximum Post Spacing Using 1/4" (6 mm) Glass is 42" (1067 mm)



In addition to our stock Design Series Aluminum Partition Posts, CRL offers Custom Design Series Aluminum Partition Posts fabricated using our 1-1/8" (28.6 mm) square aluminum extrusion. Finishes include Satin Anodized, Brite Anodized, Brite Gold Anodized, and Duranodic Bronze. U-Channels for 1/4" (6 mm) glass, Standard or Deluxe Caps, and different Base Plates let you design posts to meet your special order needs. A step by step Quote/Order process is provided below to assist you in your selection. Custom Partition Posts will be fabricated and ready to ship from Los Angeles, California within three to five working days. CRL has weekly re-supply trucks that stock our many warehouses around the U.S. and Canada. If time is not an issue we can arrange for our re-supply truck to get your Custom Posts to your local CRL branch for shipment. (Please allow seven to ten working days.)

Custom Design Series Post Quote/Order Steps

1. Specify Post Style and Quantity

- End Qty. _____ Center Qty. _____ Corner Qty. _____ 3-Way Qty. _____ 4-Way Qty. _____

Special 135 Degree Angle Posts

- Left 135° End Qty. _____ Right 135° End Qty. _____ 135° Center Qty. _____
 Left 135° Center Qty. _____ Right 135° Center Qty. _____

2. Select a Finish

- Satin Anodized Brite Gold Anodized
 Brite Anodized Duranodic Bronze
 Powder Painted RAL Color # _____

3. Specify Post Height in Inches _____

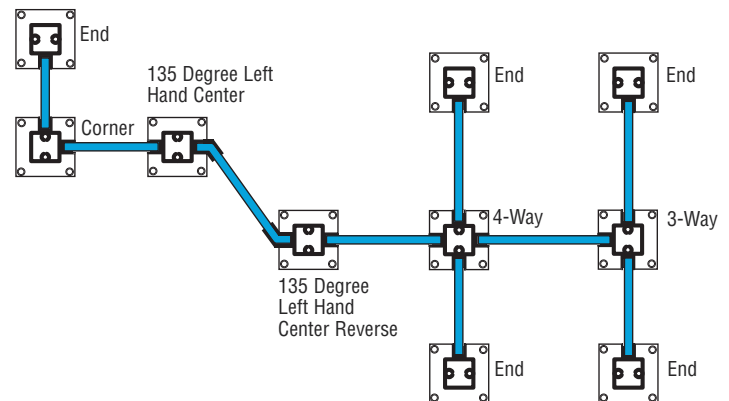
Maximum Height for Design Series Posts is 36" (914 mm).

4. Specify Air Space in Inches If Required _____

Air space is measured from counter top to bottom edge of glass for lower air space, or from top edge of glass to top of Post Cap for upper air space.

*Each Custom Post includes a Top Cap and appropriate Mounting Base with four Mounting Screws.

Plan View of Divider Assembly Showing Post Placement



For Quote or Order Information, contact CRL Technical Sales at (800) 421-6144 in the U.S., (877) 421-6144 from Canada, or (323) 588-1281 International. Ask for Ext. 7760. You can also E-mail us through our web site at crlaurence.com. From the home page click on Contact Us, and then click on Technical Sales.





CRL Design Series Partition Posts

Special Ordering Information

CRL Design Series Partition Posts offer you complete flexibility because the selection of styles, finishes, and configurations is so varied. But to be sure you get the posts exactly to your specifications we request you consider each of the requirements shown below when ordering or submitting a request for prices. Since custom posts are made especially to your order, they are non-returnable after fabrication. In some instances, we may request you submit a diagram of your proposed post layout prior to fabrication of your order. When planning your order, be sure to consider in your glazing requirements, the thickness of the posts between glazing panels.

Seven Simple Steps:

1. When Ordering Specify Post Style and Order By Number

D990 Standard	D991 Air Space
D992 Extra Tall	D995 Top Shelf
D996 Slant Front	D997 Smorgasbord
D998 Tee	D980 Wicket Frame

2. Specify Finish Desired:

A - Satin Anodized
 DU - Duranodic Bronze
 BA - Brite Anodized*
 BGA - Brite Gold Anodized*
 *Not available in all post styles

3. Specify Post Height:

D990 has three stock heights: 12", 18" and 24" (305, 610, and 914 mm). All others are custom made to order. Height is measured from top of post cap to counter surface.

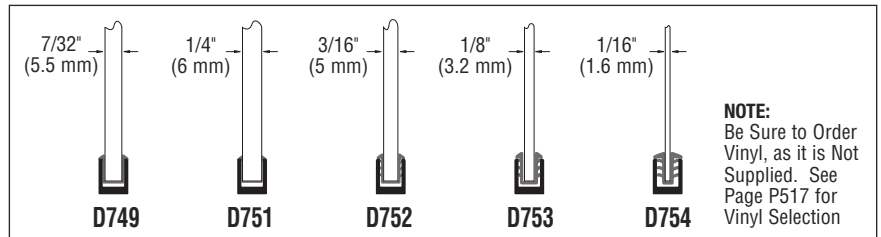
4. Specify Air Space (If Required):

Air space is measured from counter surface to the bottom edge of glass for lower air space-or-from top edge of glass to top of post cap for upper air space.

5. Specify Shelf Size:

D995, D996, D997 and D998 style Posts accommodate top shelves. Minimum width is 6" (152 mm), maximum width is 14" (355 mm).

6. Specify Glazing Information:



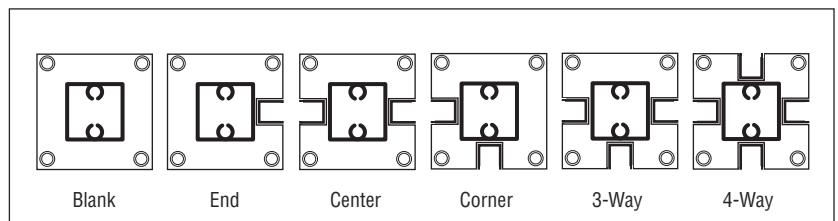
CRL Design Series Partition Posts come with 5/16" (8 mm) U-Channel which can be used to glaze five different thicknesses of materials.

7. Specify Post Configuration:

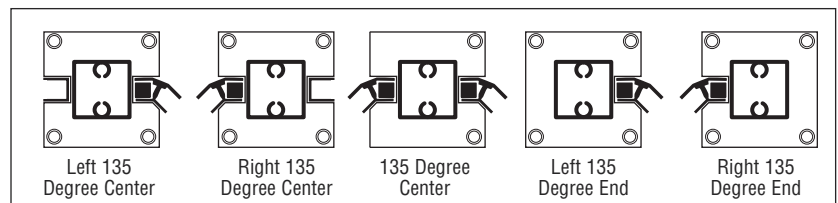
All Design Series Posts are surface mounted. Vertical channel accepts glass of 1/4" (6 mm) or less thickness. All Posts are manufactured from 1-1/8" (28.6 mm) square extruded aluminum tubing.



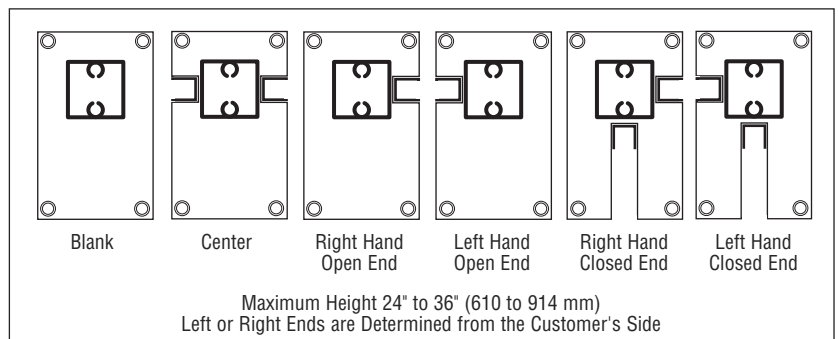
Standard 2" x 2" (50.8 x 50.8 mm) Base D990/ D991 Style Posts



Special 135 Degree Angle D990/ D991/ D992 Style Posts

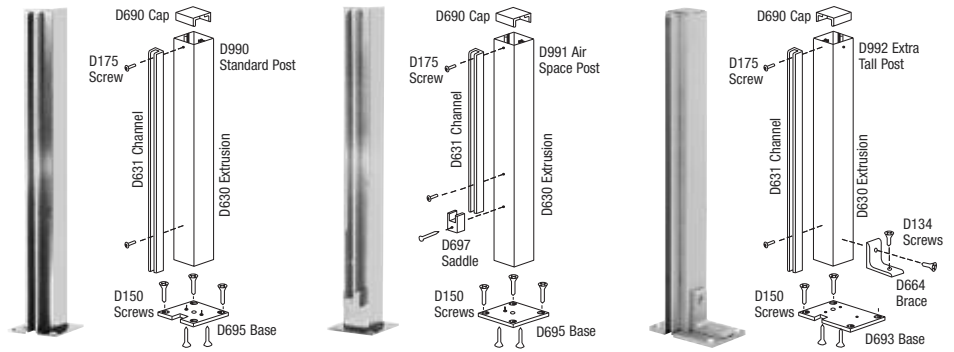


2" x 3" (50.8 x 76.2 mm) Base and Brace D992/ D995/ D996 Heavy-Duty Style Posts



"Make Your Own" Design Series Partition Posts With CRL Components

- Assemble the Aluminum Partition Posts You Need in Your Own Shop and Save Time
- With a Very Minimal Parts Inventory You Will Always Be Ready to Provide Your Customers With the Partitions They Want Without Delay

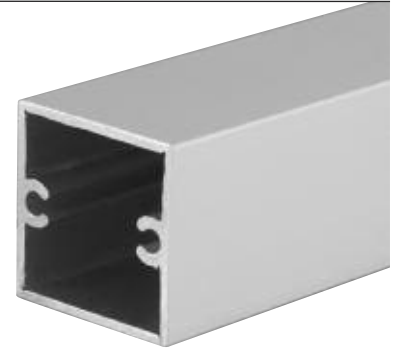
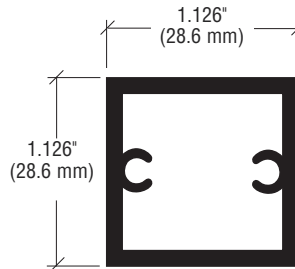


CRL Square Extrusion No. D630

Partition Post Stock is 1.126" (28.6 mm) square extruded aluminum in your choice of four beautiful finishes: Satin Anodized, Duranodic Bronze, Brite Anodized, and Brite Gold Anodized. 12 foot (3.66 m) stock lengths are ready to be cut into any length posts required.

CAT. NO.	FINISH
D630A	Satin Anodized
D630DU	Duranodic Bronze
D630BA	Brite Anodized
D630BGA	Brite Gold Anodized

Minimum order: 1 stock length. All CRL Aluminum Extrusions can be combined for quantity pricing. Packing charge added to orders of less than 10 combined lengths. F.O.B. CRL warehouses. Specify cutting instructions if stock lengths are to be shipped via U.P.S.

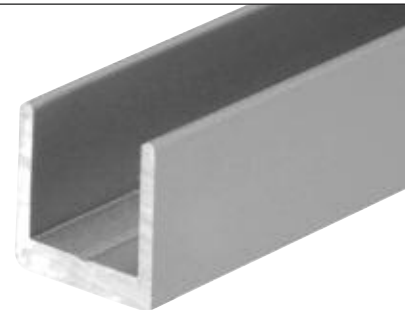
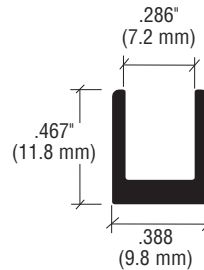


CRL Glass Channel No. D631

Glass Channel is available in the same four finishes as our D630 Square Extrusion. The .286" (7.2 mm) channel width allows for vinyl packing around glass of 3/16", 7/32", and 1/4" (5 to 6 mm) thickness. Fasten to Square Extrusion with pop rivets or Cat. No. D175 Screws. Available in 12 foot (3.66 m) stock lengths you cut to required size.

CAT. NO.	FINISH
D631A	Satin Anodized
D631DU	Duranodic Bronze
D631BA	Brite Anodized
D631BGA	Brite Gold Anodized

Minimum order: 1 stock length. All CRL Aluminum Extrusions can be combined for quantity pricing. Packing charge added to orders of less than 10 combined lengths. F.O.B. CRL warehouses. Specify cutting instructions if stock lengths are to be shipped via U.P.S.



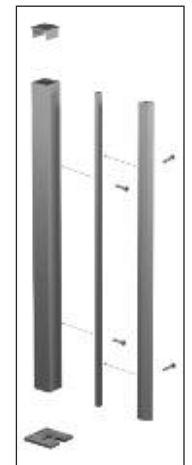
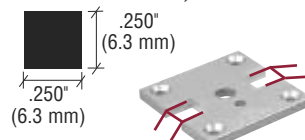
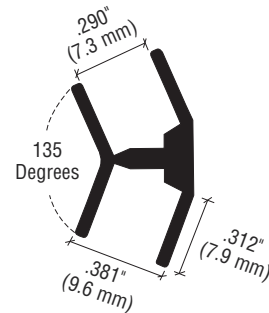
NOTE: If using 3/8" (10 mm) thick glass, D321 or D604 Channel must be used. View them at crlaurence.com for exact inside Channel dimensions that will be appropriate for your glass thickness. D321 and D604 Channels will require that you wet glaze the glass.

Make 135 Degree Posts for Special Installations

With CRL's 135 Degree H-Bar you're not restricted to rectangular Partition Post layouts. Use D634 in place of D631 Glass Channel to create 135 Degree Posts in either End or Center configurations. Fasten D637M Square Bar Stock to D630 Square Extrusion with D134 Screws, then fit D634 over D637M to make a 135 degree glass angle. D634 comes in four finishes to match our Square Extrusion and Glass Channel.

CAT. NO.	DESCRIPTION	FINISH
D634A	135° H-Bar	Satin Anodized
D634DU	135° H-Bar	Duranodic Bronze
D634BA	135° H-Bar	Brite Anodized
D634BGA	135° H-Bar	Brite Gold Anodized
D637M	Bar Stock	Mill

Minimum order: 1 stock length. All CRL Aluminum Extrusions can be combined for quantity pricing. Packing charge added to orders of less than 10 combined lengths. F.O.B. CRL warehouses. Specify cutting instructions if stock lengths are to be shipped via U.P.S.

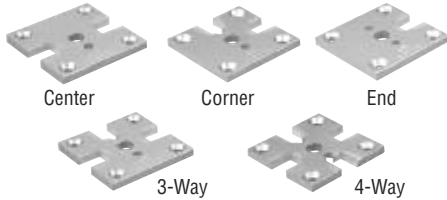
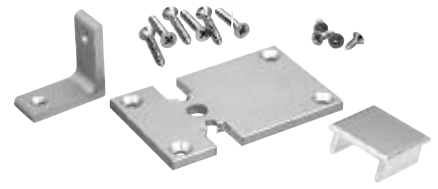


CRL ALUMINUM PARTITION POSTS

For Pricing Visit Our Web Site or Call Us Toll Free at the Phone Numbers Shown on the Back Cover

CRL Design Series Partition Post Base Plate Kits

CRL Partition Post Base Plate Kits contain either a 2" x 2" (51 x 51 mm) or 2" x 3" (51 x 76 mm) Base Plate, plus Top Cap and all hardware required. Use with CRL D630 Square Tubing and D631 Glass Channel, and you have everything you need.



2" X 2" BASE KIT FOR POSTS UP TO 24" (610 MM)

CAT. NO.	CONFIGURATION	FINISH
D1990AC	Center	Satin Anodized
D1990ACR	Corner	Satin Anodized
D1990AE	End	Satin Anodized
D1990A3W	3-Way	Satin Anodized
D1990A4W	4-Way	Satin Anodized

Minimum order: 1 each. Duranodic bronze, brite anodized, and brite gold anodized available by special order only.

2" X 3" BASE KIT FOR POSTS OVER 24" (610 MM)

CAT. NO.	CONFIGURATION	FINISH
D1993AC	Center	Satin Anodized
D1993ACR	Corner	Satin Anodized
D1993AEL	Left End	Satin Anodized
D1993AER	Right End	Satin Anodized

Minimum order: 1 each. Duranodic bronze, brite anodized, and brite gold anodized available by special order only.

CRL Design Series Partition Post Components

CRL Top Cap for D630 Post Extrusion.



CAT. NO.	FINISH
D690A	Satin Anodized
D691DU	Duranodic Bronze
D691BA	Brite Anodized
D691BGA	Brite Gold Anodized

Minimum order: 1 each.

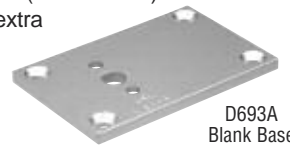
CRL Standard 2" x 2" (51 x 51 mm) Base for Post Extrusion. Screws included.



CAT. NO.	FINISH
D695A	Satin Anodized
D695DU	Duranodic Bronze
D695BA	Brite Anodized
D695BGA	Brite Gold Anodized

Minimum order: 1 each.

CRL 2" x 3" (51 x 76 mm) Base for extra tall posts. Screws included.



CAT. NO.	FINISH
D693A	Satin Anodized
D693DU	Duranodic Bronze
D693BA	Brite Anodized
D693BGA	Brite Gold Anodized

Minimum order: 1 each.

CRL Post Saddle used for lower support of glass on Design Series Posts with an air space. Order Cat. No. D175 Screws Separately.



CAT. NO.	FINISH
D697A	Satin Anodized
D697DU	Duranodic Bronze
D697BA	Brite Anodized
D697BGA	Brite Gold Anodized

Minimum order: 1 each.

CRL Mounting Screws. 100 per box. Minimum order is 100 each.



CAT. NO. D134
#6 x 1/2" Mounting Screw for D664 Brace



CAT. NO. D150
#8 x 1" Mounting Screw for D695 2" x 2" Base or D693 2" x 3" Base



CAT. NO. D175
#5 x 3/4" Mounting Screw for D697 Saddle

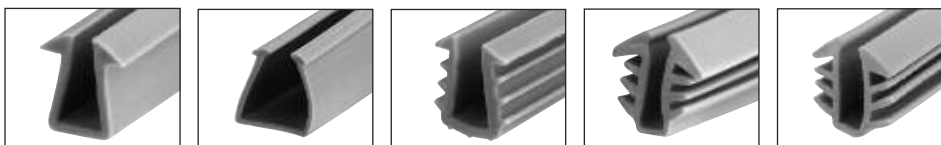
CRL Brace used on extra tall posts with D693 2" x 3" Base. Order Cat. No. D134 Screws separately.



CAT. NO.	FINISH
D664A	Satin Anodized
D664DU	Duranodic Bronze
D664BA	Brite Anodized
D664BGA	Brite Gold Anodized

Minimum order: 1 each.

CRL Glazing Vinyl for Design Series Partition Posts



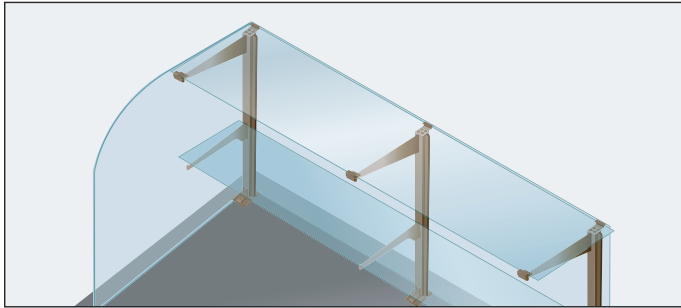
CRL Glazing Vinyls are made to fit D631 Glass Channel, normally used for 1/4" glass, to accommodate glass or other glazing materials 7/32", 3/16", 1/8" or 1/16" thick. When glazing is completed, all that remains visible is a neat "bead" that gives the framed glass or other glazing material a finished professional appearance. Available in gray color only.

• Available in Five Sizes

100 FOOT (30.5 M) ROLL CAT. NO.	GLASS THICKNESS	1000 FOOT (305 M) ROLL CAT. NO.
D749C	7/32" (5.5 mm)	D749M
D751C	1/4" (6 mm)	D751M
D752C	3/16" (5 mm)	D752M
D753C	1/8" (3.2 mm)	D753M
D754C	1/16" (1.6 mm)	D754M

Minimum order: 1 roll. Sizes can be combined for quantity pricing.

CRL No. D995 Custom Design Series Counter Partition Posts With Top Shelf Bracket



Right Hand or Left Hand is Determined from Customer's Side

- "Quick Ship" Sneeze Guards Ready to Ship in 7 to 10 Working Days From Los Angeles, California
- Custom Manufactured to Your Specifications
- Attractive and Easy to Install
- Ideal for Cafeteria Use
- Let Us Help You Plan Your Job



- Available in Five Finishes
- Supplied With Glass Channel Vinyl for 1/4" (6 mm) and 3/16" (5 mm) Glass



Counter Partition Post with Top Shelf Only

Counter Partition Post with Top Shelf and Intermediate Bracket

CAT. NO. D995

ORDERING INFORMATION

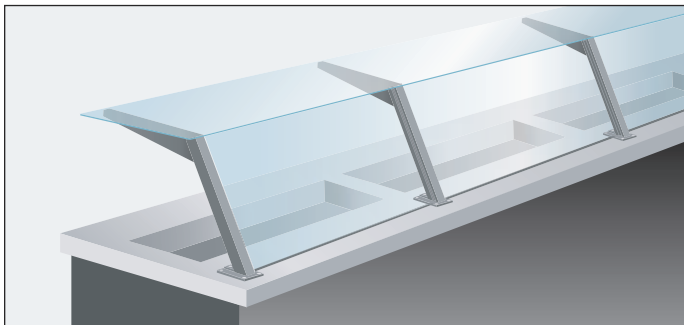
When ordering, please specify:

1. Stock Number: D995.
2. Finish: Standard finish is Satin Anodized. Other available finishes are Duranodic Bronze, Brite Anodized, Brite Gold Anodized, and Flat Black Powder Paint.
3. Post Height: Front glass full height, like our D990 Post, or with an air space, like our D991 Post.
4. Top Shelf Width: Any width up to 14" (355 mm). Typical sizes are 6", 8", 10", 12", and 14" (152, 203, 254, 305, and 355 mm).
5. Intermediate Bracket Width (if any): Available sizes are 4", 6", and 8" (102, 152, and 203 mm). Provide distance from top of counter to top of Intermediate Bracket.
6. Quantity of Each Kind of Post: Left Hand Open End; Right Hand Open End; Left Hand Closed End; Right Hand Closed End; Center.

By using CRL Design Series Counter Partition Posts the top glass shelf can be continuously supported by as many brackets as desired. No strips, plates or bars on top of the glass, therefore no drilling is required, nor is it necessary to splice shelves on every bracket. The top shelf is held firmly at front and rear so that the shelf cannot be accidentally raised.

You can protect the front and rear edges of the top shelf with our D631 Channel, which matches the contour of the front and rear clips exactly. This prevents chipped glass from contaminating food. Knife-edged brackets reduce maintenance because there are no braces, rivets, screw heads or other projections to gather food particles. All D995 Posts are shipped from our Los Angeles, California manufacturing facility.

CRL No. D996 Custom Design Series Slant Front Posts



- Ideal for Cafeterias
- Custom Made to Your Specifications
- Available in Five Finishes
- 7 to 10 Working Days Plus Shipping



CAT. NO. D996

The D996 Design Series Slant Front Post angles forward at 74 degrees to the countertop, providing an attractive look that is popular for cafeteria use. It is available with Top Brackets in widths from 6" to 14" (152 to 355 mm). Intermediate Brackets are not available. The glass channel is full post height.

Ordering requirements are the same as those specified above for our D995 Posts.

All D996 Posts are custom made, and require the submission of a diagram detailing desired post layout.

Available in five configurations: Left Hand Open End; Right Hand Open End; Left Hand Closed End; Right Hand Closed End; Center.

Fax diagrams to CRL Technical Sales at (800) 458-7496 in the U.S., or (323) 584-5293 from outside of the U.S.



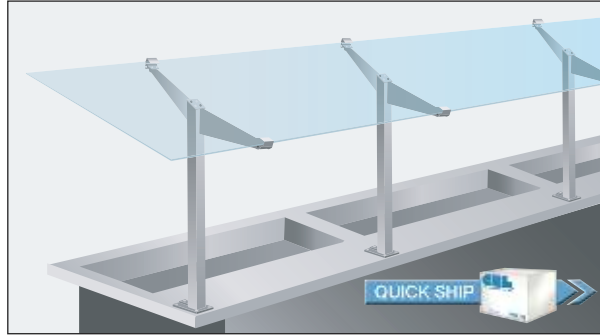
C.R. LAURENCE COMPANY

crlaurence.com

P518 | crlaurence.ca crlaurence.com.au crlaurence.co.uk crlaurence.de crlaurence.eu

CRL No. D997 Custom Design Series Smorgasbord Posts

- Perfect for Food Service Areas
- Custom Made to Your Specifications
- Available in Three Finishes
- Top Shelf Widths From 6" to 14" (152 to 355 mm)
- 7 to 10 Working Days Plus Shipping



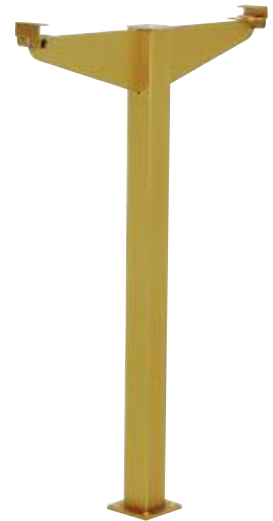
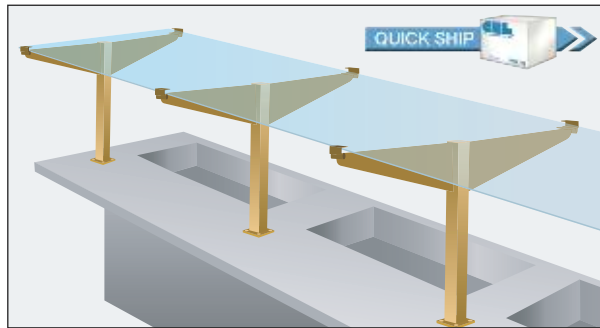
CAT. NO. D997

Our No. D997 Design Series Smorgasbord Post is the ideal partition maker for use in food service areas requiring sneeze guards. The slanted Top Brackets hold glass from 6" to 14" (152 to 355 mm) wide, without splicing bars or strips, so no drilling of the glass is required. You can also protect the front and rear edges of the glass with our No. D631 Channel, which matches the post finish exactly.

Since each one is custom made to your specifications, you have flexibility in post height, to a maximum of 16" (406 mm), and top shelf width. No. D997 can also be fabricated with side channels to accommodate glass partitions from counter to top shelf. All Custom Posts are shipped from our Los Angeles, California manufacturing facility. Contact CRL Technical Sales for more information.

CRL No. D998 Custom Design Series "Tee" Posts

- Custom Made to Your Specifications for Installation in Food Service Areas
- Available Top Shelf Widths from 6" to 14" (152 to 355 mm)
- Available in Five Finishes
- 7 to 10 Working Days Plus Shipping



CAT. NO. D998

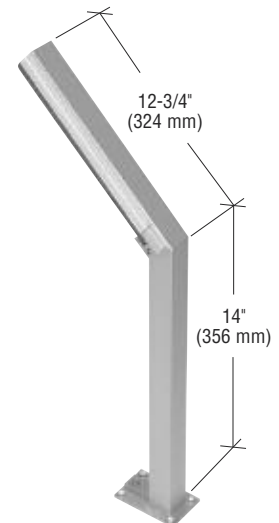
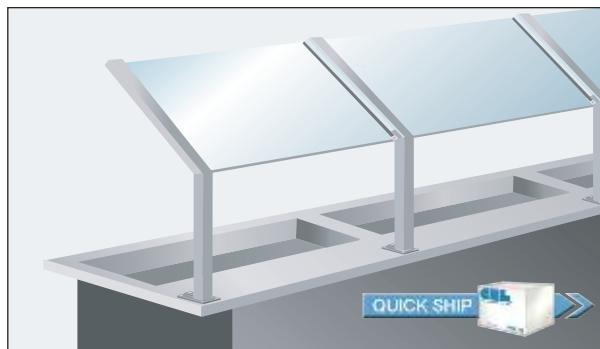
The No. D998 Design Series "Tee" Post was designed with food service areas in mind.

The vertical members secure countertop to shelf glass partitions, and the horizontal Top Brackets support the glass shelf that can be used for serving or display. Top shelf widths can vary from 6" to 14" (152 to 355 mm), and the vertical height is variable to a maximum 16" (406 mm) from the countertop. The Top Brackets secure the shelf without the need for drilling, and you can protect the shelf edges with our No. D631 Channel in finishes to match the posts.

All Custom Posts are fabricated and shipped from Los Angeles, California and may require you send us a post layout diagram with your order. Contact CRL Technical Sales for more information.

CRL No. D999 Custom Design Series Sneeze Guard Posts

- Glass Only on the Slant
- Available in Five Finishes
- 7 to 10 Working Days Plus Shipping



CAT. NO. D999

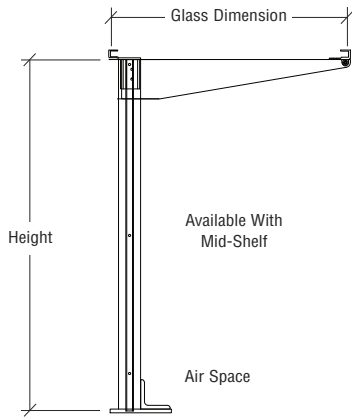
The No. D999 Design Series Sneeze Guard Post is designed for mounting on the customer's side of the counter with food service pans behind it. The glass in the slant portion of the post provides the sneeze protection, while the open vertical portion below gives access to the food.

The dimensioned post in the illustration is the largest a Post can be made and still be compliant with certain standards, if the front edge of the food service tray is a minimum of 7" (178 mm) back from the front edge of the glass. Smaller sizes may also be available. They're available in five finishes – Satin Anodized, Duranodic Bronze, Brite Anodized, Brite Gold Anodized, and Flat Black Powder Paint. Contact CRL Technical Sales for more information.

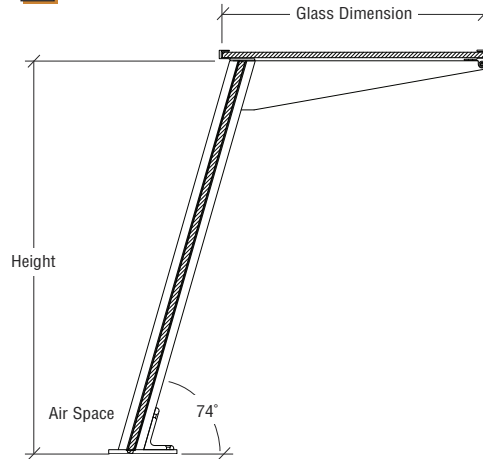
CRL Design Series Quote/Order Form - Page 1 of 2

Select Style

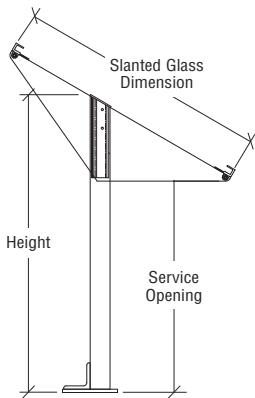
D995 Post



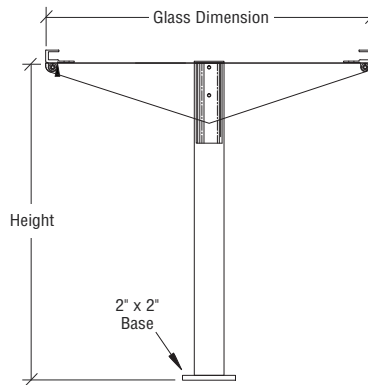
D996 Post



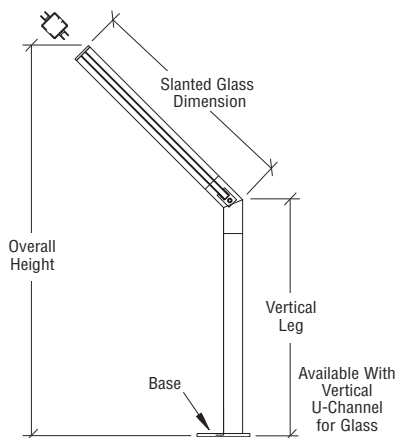
D997 Post



D998 Post



D999 Post



Specify Dimensions

(see pages P518-P519 for maximum sizes)

- _____ Air Space Dimension
- _____ Glass Dimension
- _____ Height or Vertical Leg Dimension
- _____ Service Opening
(Not Necessary If Vertical Leg Dimension Given)
- _____ Overall Height
(Not Necessary If Vertical Leg and Shelf Dimension Given)

CRL Design Series Quote/Order Form - Page 2 of 2

Finish

- Satin Anodized
- Brite Anodized
- Brite Gold Anodized
- Duranodic Bronze

U-Channel

- 1/4" (6 mm)

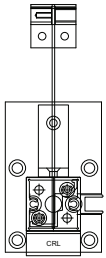
Top Bracket Size

- 14" (356 mm)
- 12" (305 mm)
- 10" (254 mm)
- 8" (203 mm)
- 6" (152 mm)
- Custom Bracket Size _____

Mid-Shelf Size (On D995 Only)

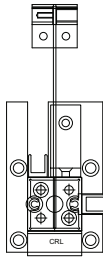
- 8" (203 mm)
- 6" (152 mm)

Handings are Taken from Customer Side



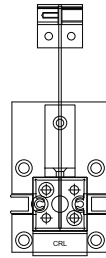
Left Open End

Quantity _____



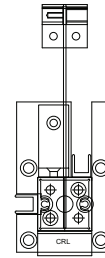
Left Closed End

Quantity _____



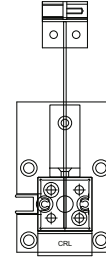
Center Post

Quantity _____



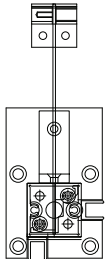
Right Closed End

Quantity _____



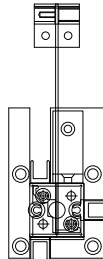
Right Open End

Quantity _____



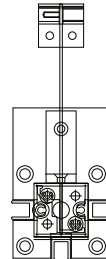
Left Open Reverse

Quantity _____



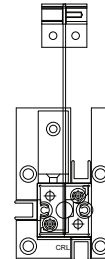
Left Closed Reverse

Quantity _____



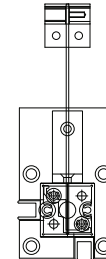
Center Closed Reverse

Quantity _____



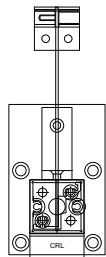
Right Closed Reverse

Quantity _____



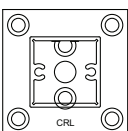
Right Open Reverse

Quantity _____



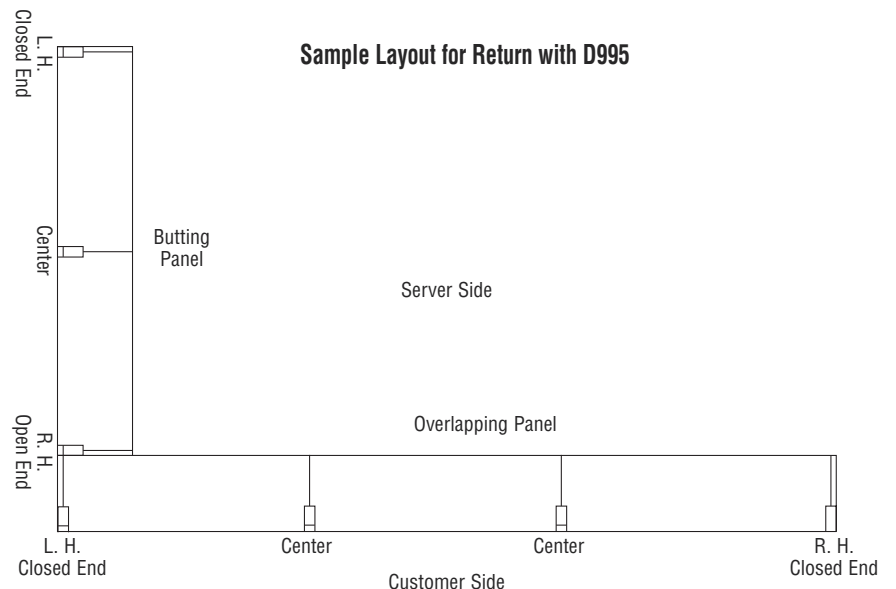
Blank

Quantity _____



**2 x 2 Base
On D998 Only**

Sample Layout for Return with D995



CRL Sculptured Series Aluminum Partition Post Kits

- Stock Post Sizes, RED-E to Ship
- Extruded Square Aluminum Posts for 7/32" or 1/4" (5.5 or 6 mm) Glass
- Satin Anodized, Buffed Brite Anodized, and Duranodic Bronze Finishes
- Standard Heights of 12", 18", and 24" (305, 457, and 610 mm) With Cap and Mounting Base
- Concealed Mounting Base Installs With Just Two Screws

CRL Sculptured Series Partition Posts are so versatile because you can arrange the three styles in any pattern required to complete an efficient and attractive counter post installation. Made of heavy-duty square extruded aluminum, these Posts have recessed channels that will accept 7/32" to 1/4" (5.5 to 6 mm) plate or patterned glass. The glass is secured into the recessed channels using Cat. No. 33SC Clear Silicone, which meets CRL Standards.

They're available in Satin Anodized, Buffed Brite Anodized, and Duranodic Bronze finishes. You can install them in wood, marble or vitreous counter tops using an ingenious yet simple concealed Mounting Base that requires only two screws to secure it. A black plastic Post Cap snaps in on top to complete the installation.

CRL Sculptured Series Partition Posts are stocked in standard 12", 18", and 24" (305, 457, and 610 mm) heights and are ready to ship. Each Kit contains one Post Extrusion, one Post Mounting Base, two Screws, and one Plastic Top Cap.



These Posts are stock sizes and are ready to ship. If you require Custom Posts we can fabricate these to ship from Los Angeles, California within three to five working days. Please see page P523 for more information on Sculptured Series Custom Partition Posts.

Also, for Do-it-Yourselfers, we offer ready to ship component parts so you can fabricate completed units in your own shop. See page P525 for more information.



Top Cap Included



Mounting Base Included

CRL Offers Stock Size Sneeze Guards RED-E to Ship



For information on our Stock Size Sculptured Series Sneeze Guards to be used in food service venues with salad and dessert bars, buffet tables, and cafeteria counters, see pages P526-P527.



CRL Sculptured Series Custom Aluminum Partition Posts

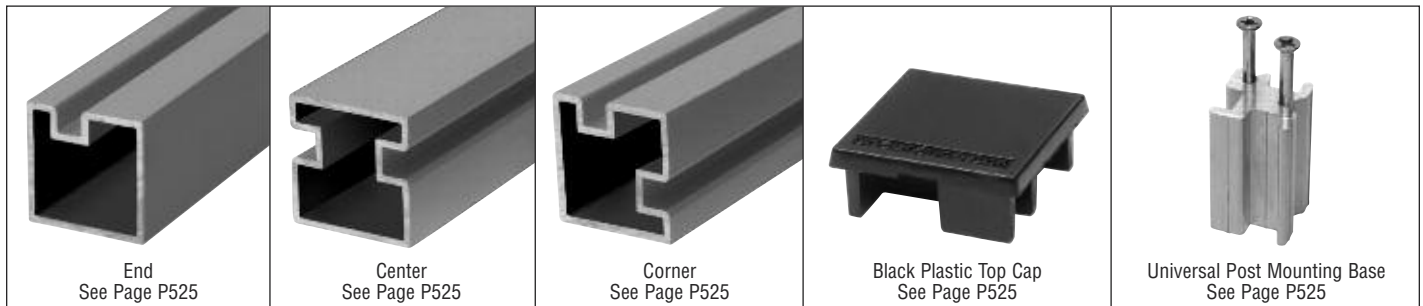
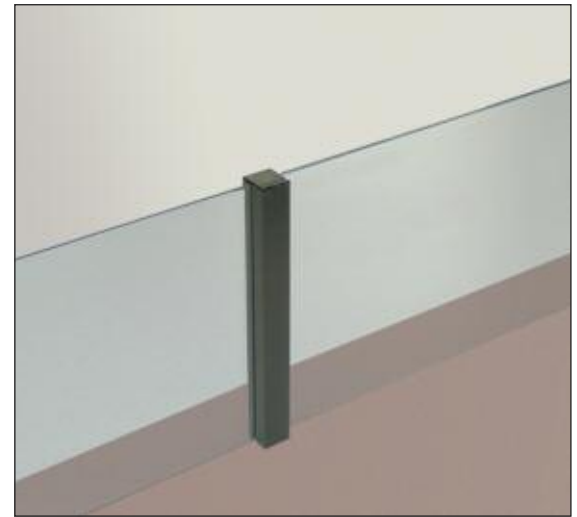
- Custom Units Fabricated and Ready to Ship From Los Angeles in Three to Five Working Days
- For Use With 1/4" (6 mm) Glazing
- Posts Can Be Fabricated Up to 36" (914 mm) Tall
- Available in Satin Anodized, Buffed Brite Anodized, Duranodic Bronze, and Powder Painted Finishes



End

Center

Corner



End
See Page P525

Center
See Page P525

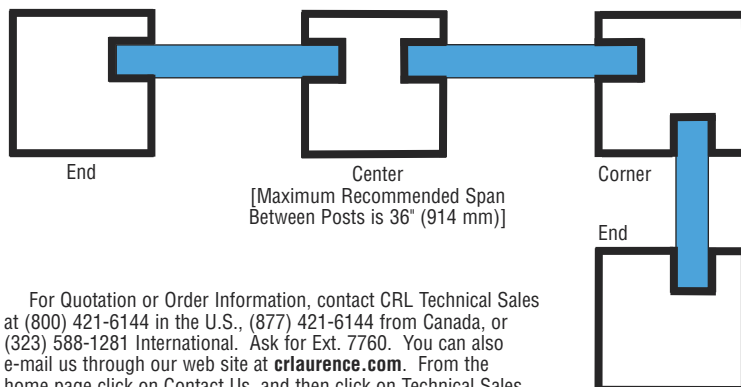
Corner
See Page P525

Black Plastic Top Cap
See Page P525

Universal Post Mounting Base
See Page P525

Our line of Sculptured Series Aluminum Partition Posts can also be custom made to order. Square Aluminum Extrusion is available in Satin Anodized, Buffed Brite Anodized, and Duranodic Bronze finishes. Recessed channel holds 7/32" to 1/4" (5.5 to 6 mm) glass. Included Black Top Cap and Universal Post Mounting Base fit snugly in the Extrusion. A step-by-step Quote/Order process is provided below to assist you in your selection. Custom Partition Posts will be fabricated and ready to ship from Los Angeles, California within three to five working days. CRL has weekly re-supply trucks which stock our many warehouses around the U.S. and Canada. If time is not an issue we can arrange for our truck to get your Custom Posts to your local CRL branch for shipment. Please allow for seven to ten working days.

Plan View of Divider Assembly Showing Post Placement



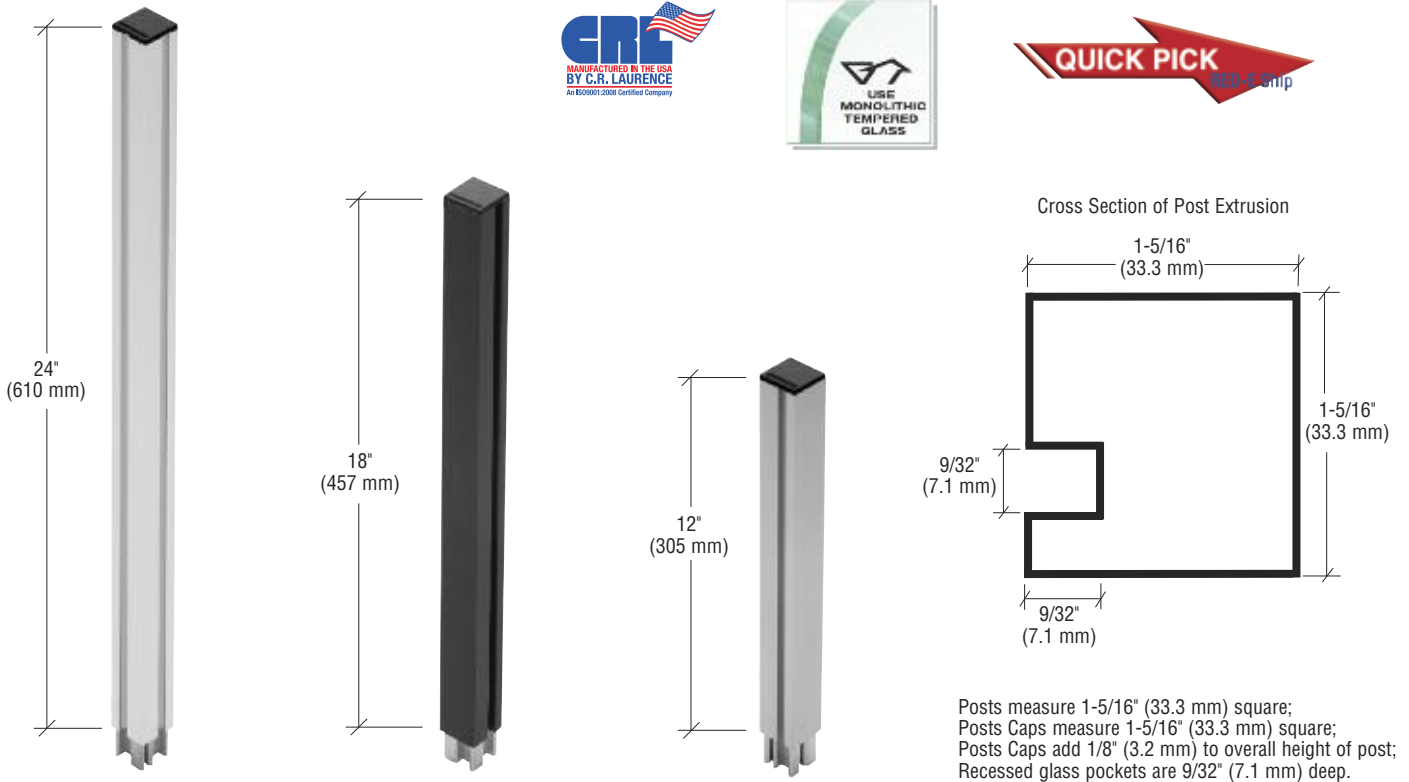
For Quotation or Order Information, contact CRL Technical Sales at (800) 421-6144 in the U.S., (877) 421-6144 from Canada, or (323) 588-1281 International. Ask for Ext. 7760. You can also e-mail us through our web site at crlaurence.com. From the home page click on Contact Us, and then click on Technical Sales.

Custom Sculptured Series Post Quote/Order Steps

1. Specify Post Style and Quantity
 _____ End _____ Center _____ Corner
2. Select a Finish Satin Anodized Duranodic Bronze
 Buffed Brite Anodized
 Powder Painted RAL Color # _____
3. Specify Post Height in Inches _____

Each Custom Post Includes a Plastic Top Cap and Universal Mounting Base with Two Screws.

CRL Sculptured Series Aluminum Partition Post Kits

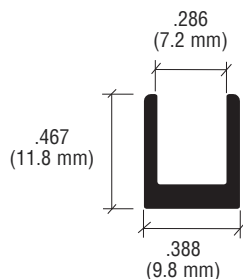


POST TYPE	WEIGHT	POST FINISHES			
		SATIN ANODIZED	DURANODIC BRONZE	BUFFED BRITE ANODIZED	
		CAT. NO.	CAT. NO.	CAT. NO.	
Corner	12" (305 mm)	6406312	6407312	6408312	
	18" (457 mm)	6406318	6407318	6408318	
	24" (610 mm)	6406324	6407324	6408324	
Center	12" (305 mm)	6406412	6407412	6408412	
	18" (457 mm)	6406418	6407418	6408418	
	24" (610 mm)	6406424	6407424	6408424	
End	12" (305 mm)	6406512	6407512	6408512	
	18" (457 mm)	6406518	6407518	6408518	
	24" (610 mm)	6406524	6407524	6408524	

Minimum order: 1 each. All Post Kits can be combined for quantity pricing. Post Kits include post extrusion, top cap, mounting base, and screws.

CRL Top and Bottom U-Channel

U-Channel for exposed top or bottom edges of glass panels between Partition Posts. You can either screw the U-Channel to the counter for securing the bottom of the glass, or place it on the top of the glass and secure it with vinyl or our Cat. No. 33SC Clear Silicone. Also available in other finishes. Please visit crlaurence.com.



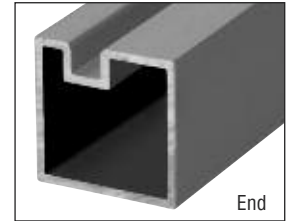
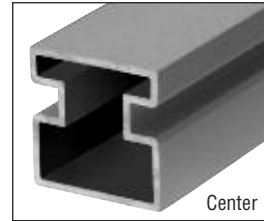
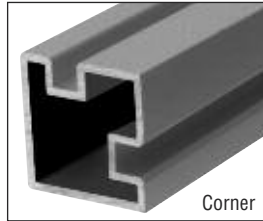
• Extruded Aluminum U-Channel in Finishes to Match Our Sculptured Series Posts

CAT. NO.	FINISH	STOCK LENGTH
D631A	Satin Anodized	12'-0" (3.66 m)
D631DU	Duranodic Bronze	12'-0" (3.66 m)
D631BA	Buffed Brite Anodized	12'-0" (3.66 m)

Minimum order: 1 stock length. All CRL Aluminum Extrusions can be combined for quantity pricing. Packing charge added to orders of less than 10 combined lengths. F.O.B. CRL warehouses. Specify cutting instructions if stock lengths are to be shipped via U.P.S.

"Make Your Own" CRL Sculptured Series Partition Posts

- Select the Post Extrusions That Meet Your Needs From Stock Lengths of 72" (1.8 m) or 146" (3.7 m)
- Outside Dimension of Posts is 1-5/16" x 1-5/16" (33 x 33 mm) With 9/32" (7 mm) Deep Recessed Pockets
- Three Post Configurations: 90 Degree Corners, Centers, and Ends
- Can Also Be Used to Fabricate Sculptured Series Sneez Guards



	POST FINISHES	SATIN ANODIZED CAT. NO.	DURANODIC BRONZE CAT. NO.	BUFFED BRITE ANODIZED CAT. NO.
DESCRIPTION				
72" (1.8 m) Corner Post Extrusion		6421000	6421010	6421020
146" (3.7 m) Corner Post Extrusion#		6431000	6431010	6431020
Corner				
72" (1.8 m) Center Post Extrusion		6422000	6422010	6422020
146" (3.7 m) Center Post Extrusion#		6432000	6432010	6432020
Center				
72" (1.8 m) End Post Extrusion		6423000	6423010	6423020
146" (3.7 m) End Post Extrusion#		6433000	6433010	6433020
End				
146" (3.7 m) Mounting Base Extrusion#		6435000	—	—

Minimum order: 1 each. Post Extrusions can be combined for quantity pricing. #146" (3.7 m) Extrusions must ship common carrier, unless you specify we cut them for U.P.S. A Cutting Charge will apply.

CRL Post Caps



Choice of black plastic
Sculptured Post Caps snap into all three Post Extrusions. Minimum order is one each.

CRL Post Mounting Base

Post Mounting Bases are 1-1/8" (28.5 mm) square with ribbed sides. Use included screws for mounting into any surface, then complete installation by press-fitting post to conceal base. Minimum order is one each.



CAT. NO. 6406002

CRL 90 Degree Splicing Lug

For splicing Post Extrusion at a 90 degree angle to make a sneeze guard with a flat top shelf. Minimum order is one each.



CAT. NO. 6406003

CRL 135 Degree Splicing Lug

For splicing Post Extrusion at a 135 degree angle to make a sneeze guard with a slant top. Minimum order is one each.



CAT. NO. 6406004

- Cut Post Extrusion to Length



- Attach Post Mounting Base to the Counter



- Slip Extrusion Over the Mounting Base



- Snap in the Plastic Post Cap

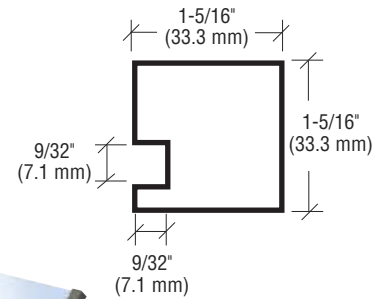


CRL "QUICK SHIP" SCULPTURED SERIES SNEEZE GUARDS

For Pricing Visit Our Web Site or Call Us Toll Free at the Phone Numbers Shown on the Back Cover

CRL Sculptured Series Sneeze Guards

- "Quick Ship" Sneeze Guards Ready to Ship in Three to Five Days from Los Angeles, California
- Four Popular Configurations for Most Salad Bars, Dessert Bars, Buffet Tables, and Cafeteria Counters
- Available Finishes are Satin Anodized, Brite Anodized, and Duranodic Bronze



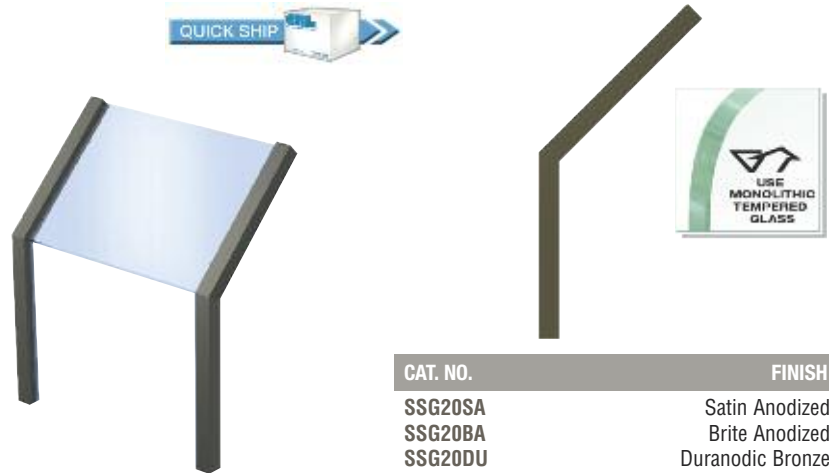
Our Sculptured Series Sneeze Guards are custom fabricated to your requirements to provide an effective barrier between diners and food service tables and trays. They can be used in restaurants with salad and dessert bars, at buffet tables, and at cafeteria counters. All are custom fabricated in our California manufacturing plant using strict QS9000 Standards for engineering excellence and customer satisfaction.

For information or a quote, contact our Technical Sales Department at (800) 421-6144 in the U.S., (877) 421-6144 from Canada, or (323) 588-1281 International. Ask for Ext. 7760. To contact us by e-mail go to the crlaurence.com home page, click on Contact Us, and then click on Technical Sales for Hospitality Products.

CRL Self-Service Sneeze Guard

- Open Front Allows Diners to Serve Themselves
- Available in Three Finishes

The basic Self-Service Sneeze Guard is a very popular choice for mounting in front of food service trays or plates. Its open front allows diners to serve themselves. It can be made any size you require, however, most health departments are requiring Sneeze Guards to meet certain standards. Call, e-mail, or see page P509 for more information and details.



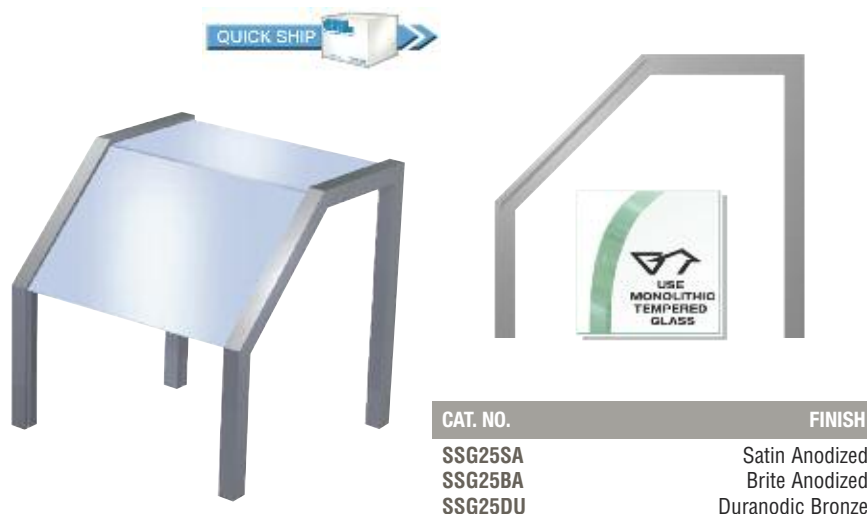
CAT. NO.	FINISH
SSG20SA	Satin Anodized
SSG20BA	Brite Anodized
SSG20DU	Duranodic Bronze

Minimum order: 1 each.

CRL Top Shelf Sneeze Guard

- Open Front Design Plus a Top Shelf for Additional Items
- Available in Three Finishes

This Top Shelf Sneeze Guard has the same features and function as our Self-Service model shown above, plus a top shelf for additional items. Its open front allows diners to serve themselves. It can be made any size you require, however, most health departments are requiring Sneeze Guards to meet certain standards. Call, e-mail, or see page P509 for more information and details.



CAT. NO.	FINISH
SSG25SA	Satin Anodized
SSG25BA	Brite Anodized
SSG25DU	Duranodic Bronze

Minimum order: 1 each.



C.R. LAURENCE COMPANY

P526 | crlaurence.ca crlaurence.com.au crlaurence.co.uk crlaurence.de crlaurence.eu

crlaurence.com

CRL "QUICK SHIP" SCULPTURED SERIES SNEEZE GUARDS

For Pricing Visit Our Web Site or Call Us Toll Free at the Phone Numbers Shown on the Back Cover

CRL Double Self-Service Sneeze Guard



- Allows Access From Both Sides of a Serving Island
- For 1/4" (6 mm) Glass Only

This Double Self-Service Sneeze Guard is very popular for mounting on a serving island in front of food service trays or plates. Its open front allows diners on either side to serve themselves. It can be made to any size, however, most health departments are requiring Sneeze Guards to meet certain standards. Ships knocked-down. Use Cat. No. 32629 Metal Contact Cement (see page P602) to achieve a secure and permanent bond at all connections. Please call, e-mail or see page P509 for more information and details.



CAT. NO.	FINISH
SSG30SA	Satin Anodized
SSG30BA	Brite Anodized
SSG30DU	Duranodic Bronze

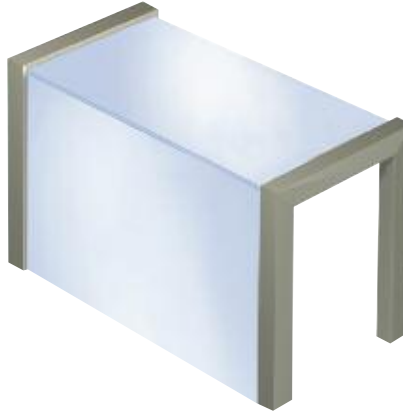
Minimum order: 1 each.

CRL Front-Enclosed Sneeze Guard



- Fully Enclosed Front With Top Shelf for Serving
- For 1/4" (6 mm) Glass Only

This Front-Enclosed Sneeze Guard has an enclosed front to protect the food items behind the glass. This allows the server to place items on the top shelf for easy access by diners. It can be made to any size you require, and is available with open or closed ends. Ships knocked-down. Use Cat. No. 32629 Metal Contact Cement (see page P602) to achieve a secure and permanent bond at all connections. Please call or e-mail for more information.



CAT. NO.	FINISH
SSG35SA	Satin Anodized
SSG35BA	Brite Anodized
SSG35DU	Duranodic Bronze

Minimum order: 1 each.

CRL Do-It-Yourself Sculptured Series Sneeze Guards

- Available Components Allow You to Fabricate Your Own Sculptured Series Sneeze Guards to Meet Job Conditions (See Page P525)
- Saves the Time of Waiting for Fabricated Units
- Technical Assistance by Phone, Fax or E-mail
- Satin Anodized, Brite Anodized, and Duranodic Bronze Finishes



CRL STOCK SIZE SQUARE PARTITION POSTS

For Pricing Visit Our Web Site or Call Us Toll Free at the Phone Numbers Shown on the Back Cover

CRL Plaza Series Square Partition Posts



- Stock Model PP43 Posts, **RED-E to Ship**
- **1-1/2" (38.1 mm) Square Stainless Steel Posts With Full Length Channels for 1/4" (6 mm) Glass**
- **Standard Heights of 12", 18", and 24" (305, 457, and 610 mm) With Flat Cap and Welded Flange Base**
- **Five Standard Configurations - End, Center, Corner, 3-Way, and 4-Way**

CRL Plaza Series Glass Partition and Divider Posts are constructed with 1-1/2" (38.1 mm) Stainless Steel Square Tubing. 1/4" (6 mm) glass can be attached to the full length U-Channels with Cat. No. 33SC Clear Silicone, which meets CRL Standards.

Model PP43 Posts are available off the shelf in two stock sizes and two finishes. You can install them in wood, marble or vitreous counter tops using the Welded Flange Base and the supplied screws. Each Kit contains one Post, one Welded Flange Base, one Top Cap, and Installation Screws.



These Posts are stock sizes and are ready to ship to you. We can fabricate Custom Posts to ship from Los Angeles, California within three to five working days. Please see pages P533-P535 for more information on Plaza Series Custom Partition Posts. Also, for Do-it-Yourselfers we offer stock component parts ready to ship so you can fabricate complete units in your own shop (see pages P556-P573 for more information).



C.R. LAURENCE COMPANY

crlaurence.com

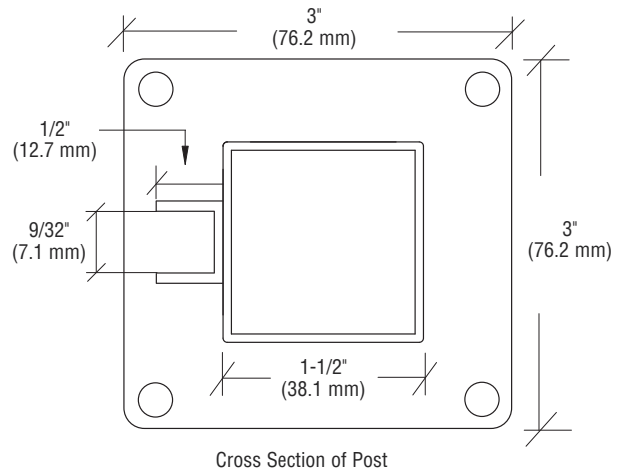
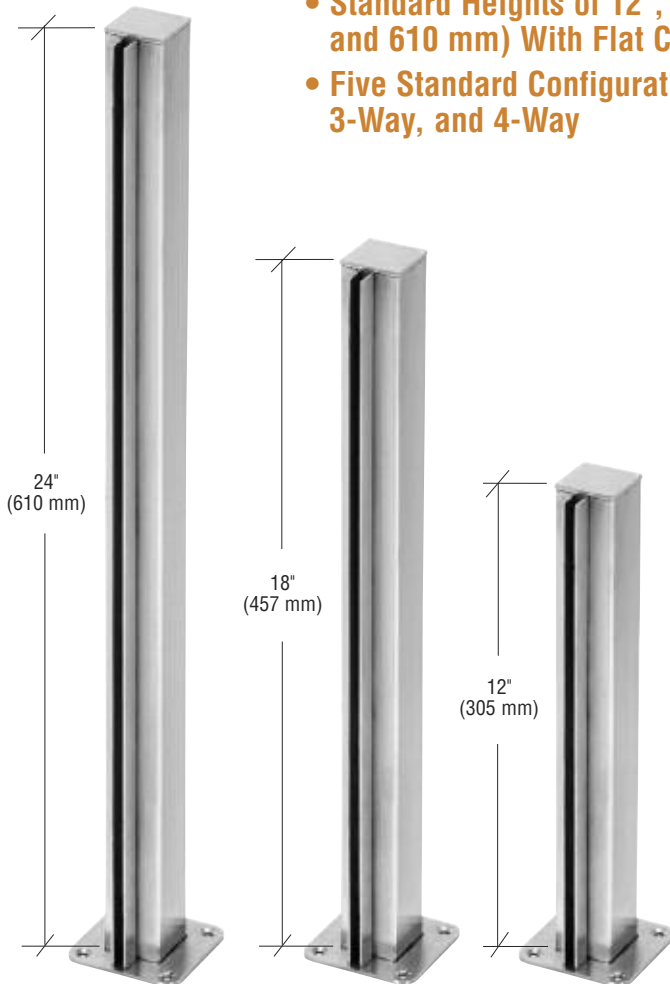
P528 | crlaurence.ca crlaurence.com.au crlaurence.co.uk crlaurence.de crlaurence.eu

CRL Plaza Series Square Partition Posts



Model PP43 Posts

- 1-1/2" (38.1 mm) Square Stainless Steel Posts With Full Length Channels for 1/4" (6 mm) Glass
- Standard Heights of 12", 18", and 24" (305, 457, and 610 mm) With Flat Cap and Welded Base Plate
- Five Standard Configurations – End, Center, Corner, 3-Way, and 4-Way



Posts measure 1-1/2" (38.1 mm) square; Welded base plates measure 3" (76.2 mm) square; 1/4" (6 mm) glazing channels measure full length, and rise 1/2" (12.7 mm) from the post surface.

POST TYPE DESCRIPTION	POST HEIGHT	BRUSHED STAINLESS STEEL CAT. NO.	POLISHED STAINLESS STEEL CAT. NO.
End	12" (305 mm)	PP43EBS	PP43EPS
	18" (457 mm)	PP4318EBS	PP4318EPS
	24" (610 mm)	PP4324EBS	PP4324EPS
Corner	12" (305 mm)	PP43LBS	PP43LPS
	18" (457 mm)	PP4318LBS	PP4318LPS
	24" (610 mm)	PP4324LBS	PP4324LPS
Center	12" (305 mm)	PP43CBS	PP43CPS
	18" (457 mm)	PP4318CBS	PP4318CPS
	24" (610 mm)	PP4324CBS	PP4324CPS
3-Way	12" (305 mm)	PP43TBS	PP43TPS
	18" (457 mm)	PP4318TBS	PP4318TPS
	24" (610 mm)	PP4324TBS	PP4324TPS
4-Way	12" (305 mm)	PP43XBS	PP43XPS
	18" (457 mm)	PP4318XBS	PP4318XPS
	24" (610 mm)	PP4324XBS	PP4324XPS

Minimum order: 1 each. All Post Kits can be combined for quantity pricing. Post Kits include Post, Cap, Mounting Base, and Screws.

CRL "QUICK SHIP" SQUARE PARTITION POSTS

For Pricing Visit Our Web Site or Call Us Toll Free at the Phone Numbers Shown on the Back Cover

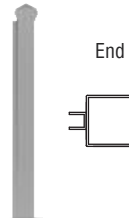
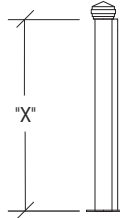
CRL Plaza Series Square Partition Posts



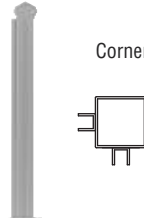
- 12", 18", and 24" x 1-1/2" (305, 457, and 610 x 38.1 mm) Square Posts With 1/4" (6.3 mm) Full Length Channel
- Supplied With Pyramid Cap and Welded Base Plate
- Posts Ready to Ship in Three to Five Days From Los Angeles



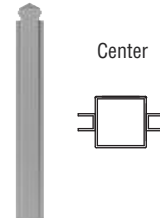
PP44 Plaza Series Square Partition Posts



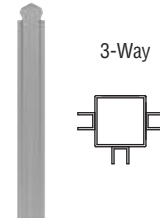
End



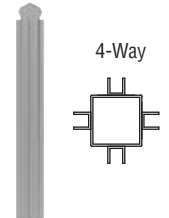
Corner



Center



3-Way



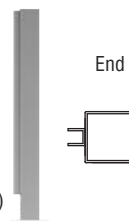
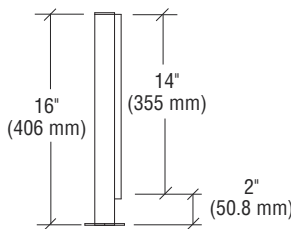
4-Way

FINISH	"X" HEIGHT	END CAT. NO.	CORNER CAT. NO.	CENTER CAT. NO.	3-WAY CAT. NO.	4-WAY CAT. NO.
Brushed Stainless	12" (305 mm)	PP4412EBS	PP4412LBS	PP4412CBS	PP4412TBS	PP4412XBS
Polished Stainless	12" (305 mm)	PP4412EPS	PP4412LPS	PP4412CPS	PP4412TPS	PP4412XPS
Brushed Stainless	18" (457 mm)	PP44EBS	PP44LBS	PP44CBS	PP44TBS	PP44XBS
Polished Stainless	18" (457 mm)	PP44EPS	PP44LPS	PP44CPS	PP44TPS	PP44XPS
Brushed Stainless	24" (610 mm)	PP4424EBS	PP4424LBS	PP4424CBS	PP4424TBS	PP4424XBS
Polished Stainless	24" (610 mm)	PP4424EPS	PP4424LPS	PP4424CPS	PP4424TPS	PP4424XPS

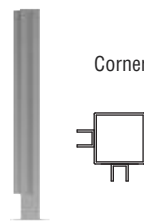
Minimum order: 1 each. For Stock Stainless Steel Posts ready for immediate shipping, see page P529. Plaza Series Posts can also be custom made to your exact requirements. See pages P533 to P535.

PP41 Plaza Series Square Partition Posts With Air Space

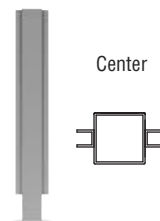
- 16" x 1-1/2" (406 x 38.1 mm) Square Posts With 1/4" (6.3 mm) Channel and 2" (50.8 mm) Air Space
- Supplied With Flat Cap and Welded Base Plate



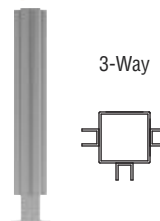
End



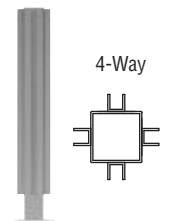
Corner



Center



3-Way



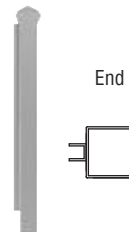
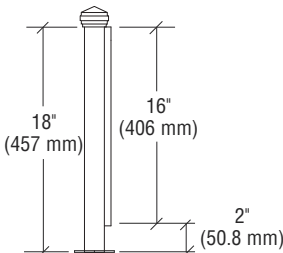
4-Way

FINISH	END CAT. NO.	CORNER CAT. NO.	CENTER CAT. NO.	3-WAY CAT. NO.	4-WAY CAT. NO.
Brushed Stainless	PP41EBS	PP41LBS	PP41CBS	PP41TBS	PP41XBS
Polished Stainless	PP41EPS	PP41LPS	PP41CPS	PP41TPS	PP41XPS

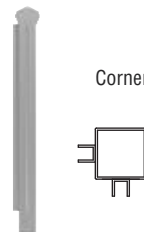
Minimum order: 1 each. For Stock Stainless Steel Posts ready for immediate shipping, see page P529. Plaza Series Posts can also be custom made to your exact requirements. See pages P533 to P535.

PP42 Plaza Series Square Partition Posts With Air Space

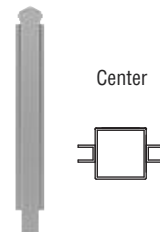
- 18" x 1-1/2" (457 x 38.1 mm) Square Posts With 1/4" (6.3 mm) Channel and 2" (50.8 mm) Air Space
- Supplied With Pyramid Cap and Welded Base Plate



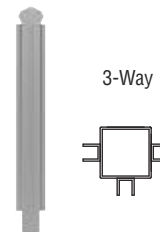
End



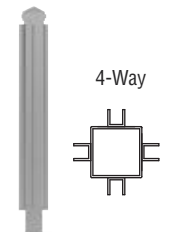
Corner



Center



3-Way



4-Way

FINISH	END CAT. NO.	CORNER CAT. NO.	CENTER CAT. NO.	3-WAY CAT. NO.	4-WAY CAT. NO.
Brushed Stainless	PP42EBS	PP42LBS	PP42CBS	PP42TBS	PP42XBS
Polished Stainless	PP42EPS	PP42LPS	PP42CPS	PP42TPS	PP42XPS

Minimum order: 1 each. For Stock Stainless Steel Posts ready for immediate shipping, see page P529. Plaza Series Posts can also be custom made to your exact requirements. See pages P533 to P535.



C.R. LAURENCE COMPANY

crlaurence.com

P530 | crlaurence.ca crlaurence.com.au crlaurence.co.uk crlaurence.de crlaurence.eu

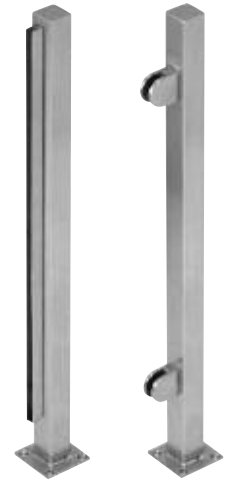
CRL MINI PLAZA SQUARE PARTITION POSTS

For Pricing Visit Our Web Site or Call Us Toll Free at the Phone Numbers Shown on the Back Cover

CRL Mini Plaza Series Square Partition Posts



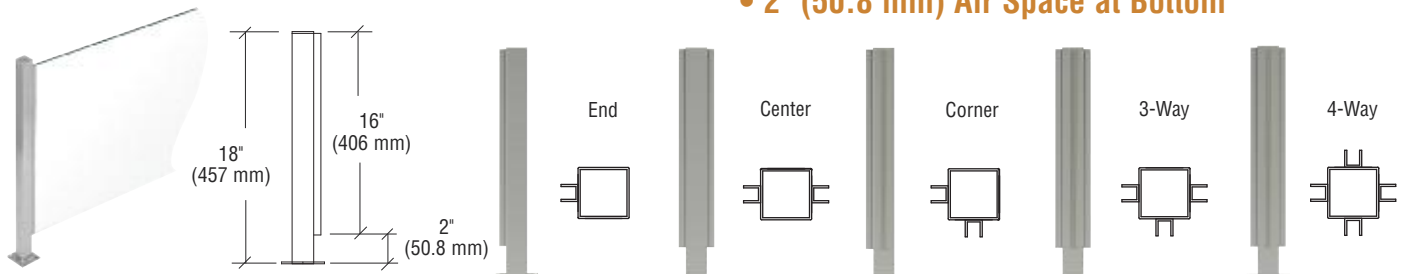
- Posts Ready to Ship in Three to Five Working Days From Los Angeles



PP47 Mini Plaza Series Square Partition Posts With U-Channel

new

- 18" x 1" (457 x 25.4 mm) Square Posts With U-Channel for 1/4" (6 mm) Glass
- Supplied With Flat Cap and Welded Base Plate
- 2" (50.8 mm) Air Space at Bottom



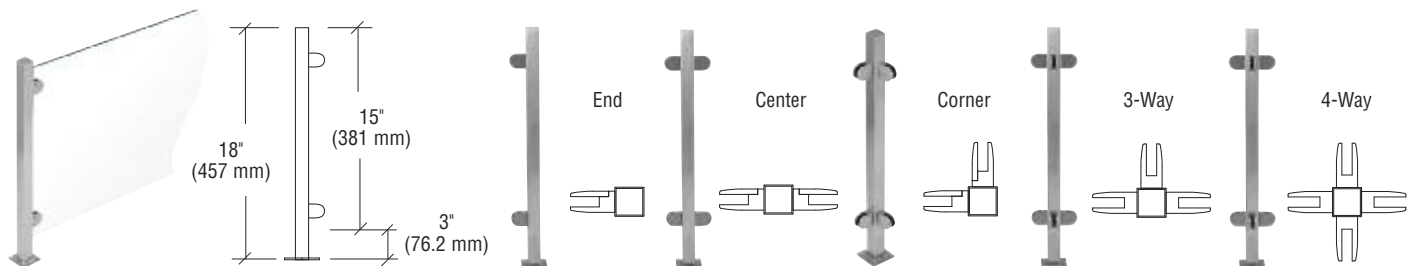
FINISH	END CAT. NO.	CENTER CAT. NO.	CORNER CAT. NO.	3-WAY CAT. NO.	4-WAY CAT. NO.
Brushed Stainless	PP47EBS	PP47CBS	PP47LBS	PP47TBS	PP47XBS
Polished Stainless	PP47EPS	PP47CPS	PP47LPS	PP47TPS	PP47XPS

Minimum order: 1 each. Mini Plaza Series Posts can also be made to your exact requirements. See Quote/Order Form on pages P534-P535 for more information.

PP48 Mini Plaza Series Square Partition Posts With Mini Z-Clamps

new

- 18" x 1" (457 x 25.4 mm) Square Posts With ZMF06 Mini Z-Clamps for 1/4" (6 mm) Glass
- Supplied With Flat Cap and Welded Base Plate



FINISH	END CAT. NO.	CENTER CAT. NO.	CORNER CAT. NO.	3-WAY CAT. NO.	4-WAY CAT. NO.
Brushed Stainless	PP48EBS	PP48CBS	PP48LBS	PP48TBS	PP48XBS
Polished Stainless	PP48EPS	PP48CPS	PP48LPS	PP48TPS	PP48XPS

Minimum order: 1 each. Mini Plaza Series Posts can also be made to your exact requirements. See Quote/Order Form on pages P534-P535 for more information.

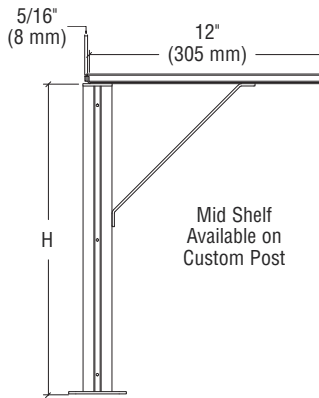
CRL CUSTOM PLAZA SERIES SNEEZE GUARDS

For Pricing Visit Our Web Site or Call Us Toll Free at the Phone Numbers Shown on the Back Cover

CRL Plaza Series SG400 and SG401 Sneeze Guards With Top Shelf

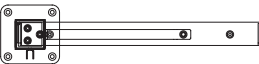
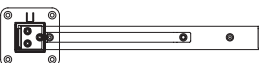

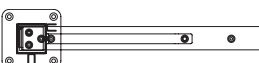
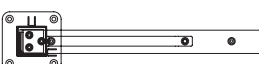


- Standard Heights of 12", 18", and 24" (305, 457, and 610 mm) With 12" (305 mm) Top Shelf and Welded Flange Base
- Available in Brushed Stainless and Polished Stainless Steel in Five Standard Configurations – L.H. Open End, R.H. Open End, Open Center, L.H. Closed End, and R.H. Closed End
- 1-1/2" (38.1 mm) Square Stainless Steel Posts With Full Length Channels for 1/4" (6 mm) Glass



CRL 1-1/2" Square Plaza Series Sneeze Guards are available in 12", 18", and 24" (305, 457, and 610 mm) heights with a 12" (305 mm) Top Shelf. Five styles are offered, Right Hand Open End, Left Hand Open End, Center Open, Left Hand Closed End, and Right Hand Closed End. Standard finishes are brushed stainless and polished stainless.

All Sneeze Guards listed below are available on our Quick Ship Program, and can be shipped from our Los Angeles, California facility in three to five working days, or we can put them on our weekly branch re-supply truck for Will Call or shipment from your local CRL warehouse. Custom sizes and finishes are also available on special order.

SNEEZE GUARD DESCRIPTION	"H" POST HEIGHT	BRUSHED STAINLESS CAT. NO.	POLISHED STAINLESS CAT. NO.
 Left Hand Open End	12" (305 mm)	SG400LEBS	SG400LEPS
	18" (457 mm)	SG40018LEBS	SG40018LEPS
	24" (610 mm)	SG40024LEBS	SG40024LEPS
 Right Hand Open End	12" (305 mm)	SG400REBS	SG400REPS
	18" (457 mm)	SG40018REBS	SG40018REPS
	24" (610 mm)	SG40024REBS	SG40024REPS
 Open Center	12" (305 mm)	SG400CBS	SG400CPS
	18" (457 mm)	SG40018CBS	SG40018CPS
	24" (610 mm)	SG40024CBS	SG40024CPS
 Left Hand Closed End	12" (305 mm)	SG401LEBS	SG401LEPS
	18" (457 mm)	SG40118LEBS	SG40118LEPS
	24" (610 mm)	SG40124LEBS	SG40124LEPS
 Right Hand Closed End	12" (305 mm)	SG401REBS	SG401REPS
	18" (457 mm)	SG40118REBS	SG40118REPS
	24" (610 mm)	SG40124REBS	SG40124REPS

Minimum order: 1 each. Sizes and finishes can be combined for quantity pricing.



Top Brackets allow for a continuous top shelf



C.R. LAURENCE COMPANY

532 | crlaurence.ca crlaurence.com.au crlaurence.co.uk crlaurence.de crlaurence.eu

crlaurence.com

CRL CUSTOM SQUARE PARTITION POSTS

For Pricing Visit Our Web Site or Call Us Toll Free at the Phone Numbers Shown on the Back Cover

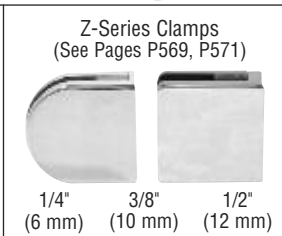
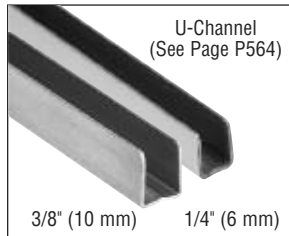
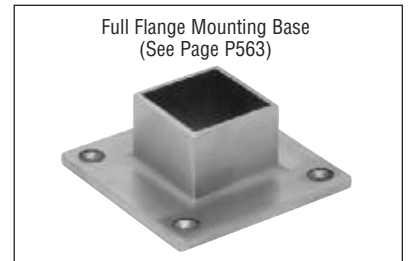
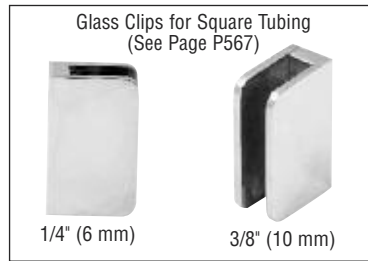
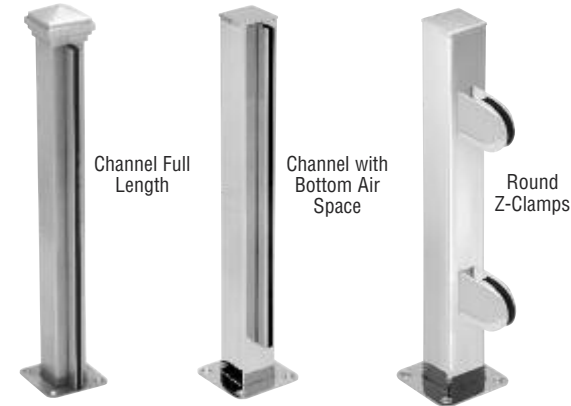
CRL Plaza Series Custom Square Partition Posts



- 1-1/2" (38.1 mm) Square Tubing for Use With 1/4", 3/8" or 1/2" (6, 10 or 12 mm) Glazing
- Heights of Posts Can Be Customized
- Available in Polished or Brushed Stainless Steel, or Powder Painted Finishes

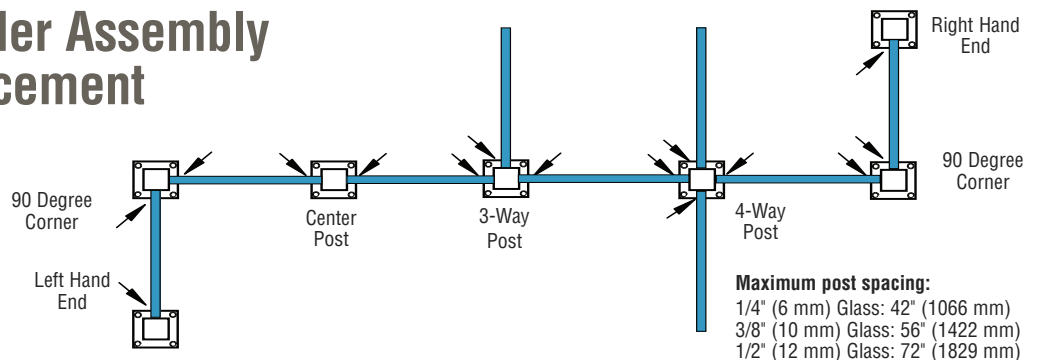


• Posts Ready to Ship in Three to Five Days From Los Angeles



In addition to our Stock and Prefabricated Posts we offer an extensive line of Custom Fabricated Posts. They are available in 1-1/2" (38.1 mm) Square Tubing. Finishes include Brushed Stainless, Polished Stainless, and Powder Painted. Different glass attachments (U-Channel, Z-Clamps or Glass Clips) in various glass thicknesses are available. A selection of Caps and Bases let you design Posts to match your décor. A step by step Quote/Order process is provided to assist you in your selection. Custom Partition Posts will be fabricated and ready to ship from Los Angeles, California within three to five working days. CRL has weekly re-supply trucks that stock our many warehouses around the U.S. and Canada. If time is not an issue we can arrange for our re-supply truck to get your Custom Posts to your local CRL branch for shipment. Please allow seven to ten working days.

Plan View of Divider Assembly Showing Post Placement



CRL Plaza Series Sneeze Guards (see page P532)



CRL Plaza Series Custom Square Partition Posts Quote/Order Form – Page 1 of 2

Select Tubing

See page P558.



1"
(25.4 mm)



1-1/2"
(38.1 mm)



Select a Finish



#4 Brushed Stainless



#8 Polished Stainless



Powder Paint RAL Color # _____



Post Style and Dimensions

Channel with Bottom Air Space



1/4" (6 mm) Glass Channel



3/8" (10 mm) Glass Channel

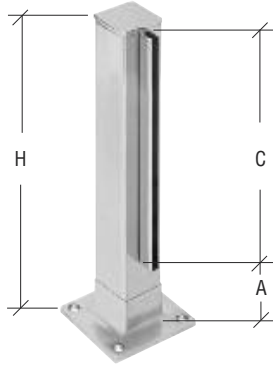


1/2" (12 mm) Glass Channel

H = Post Height _____"

C = Channel Length _____"

A = Air Space _____"



NOTE: If you have more than one style, use a separate form for each style.

Full Length Channel



1/4" (6 mm) Glass Channel



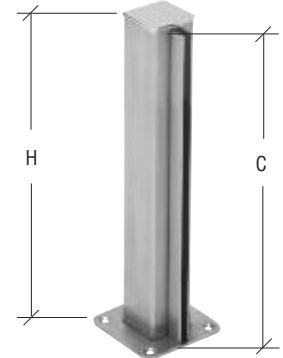
3/8" (10 mm) Glass Channel



1/2" (12 mm) Glass Channel

H = Post Height _____"

C = Channel Length _____"



Round Z-Clamps for Flat Back Models Only



1/4" (6 mm) Glass Z-Clamp



3/8" (10 mm) Glass Z-Clamp

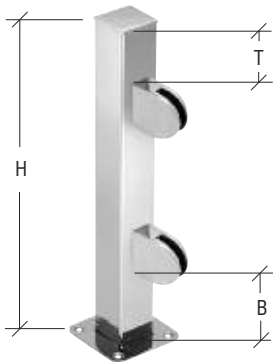


1/2" (12 mm) Glass Z-Clamp

H = Post Height _____"

T = Top of Post to Top of Upper Clamp _____"

B = Bottom of Lower Clamp to Surface of Counter _____"



Square Z-Clamps for Flat Back Models Only



1/4" (6 mm) Glass Z-Clamp



3/8" (10 mm) Glass Z-Clamp

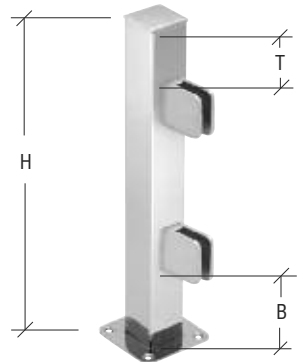


1/2" (12 mm) Glass Z-Clamp

H = Post Height _____"

T = Top of Post to Top of Upper Clamp _____"

B = Bottom of Lower Clamp to Surface of Counter _____"



Glass Clips



1/4" (6 mm) Glass Clip

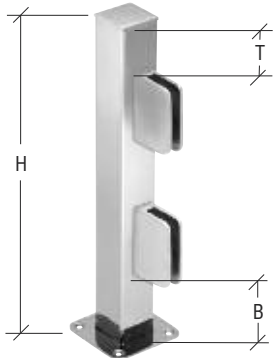


3/8" (10 mm) Glass Clip

H = Post Height _____"

T = Top of Post to Top of Upper Clip _____"

B = Bottom of Lower Clip to Surface of Counter _____"



Custom Designed Posts

Need something special in a Partition Post or Sneeze Guard? Ask CRL! Our Technical Sales Department can offer you detailed diagrams and layout sheets for just about any job. Contact CRL Technical Sales at (800) 421-6144 in the U.S., (877) 421-6144 from Canada, or (323) 588-1281 International. Ask for Ext. 7760. You can also e-mail us through our web site at crlaurence.com. From the home page click on Contact Us, and then click on Technical Sales.



CRL Plaza Series Custom Square Partition Posts Quote/Order Form – Page 2 of 2

Select a Top Cap

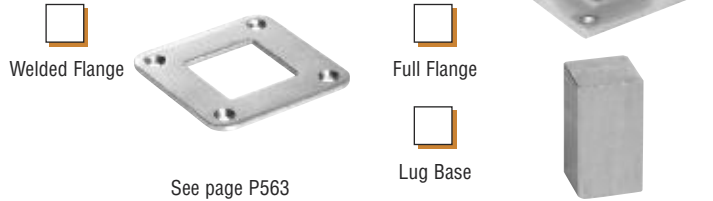


Flat

Pyramid

See page P558

Select a Mounting Base



Welded Flange

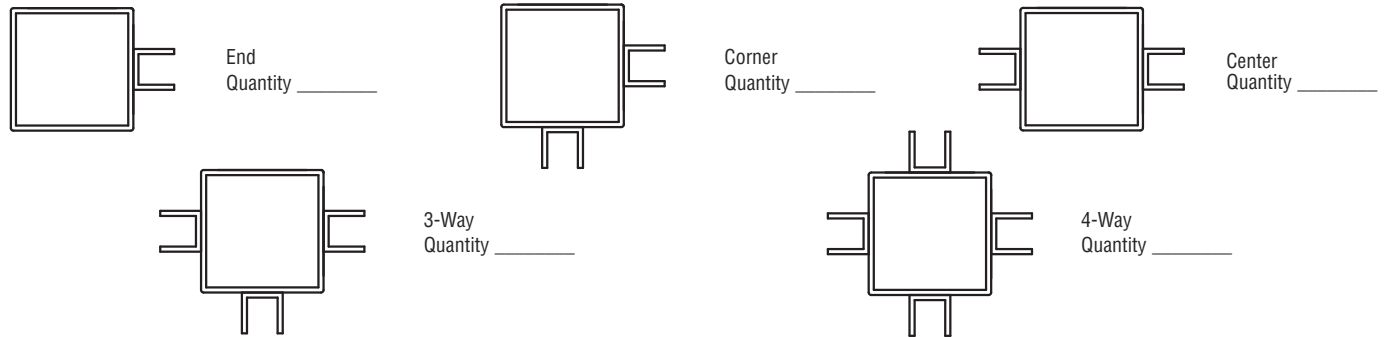
Full Flange

Lug Base

See page P563

Select Post Type and Quantity of Each

For Posts Using Glass U-Channel

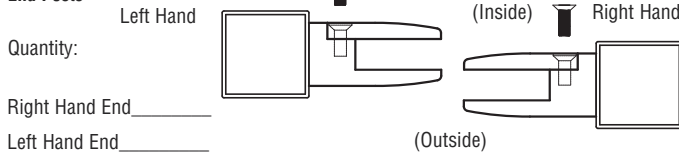


Glass is held in place by U-Channel mounted to the Partition Posts.

For Posts Using:



End Posts



Quantity:

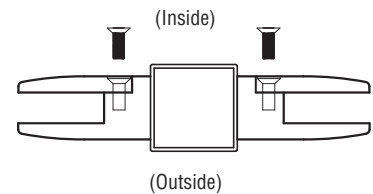
Right Hand End _____

Left Hand End _____

Glass is held in place with Clips, Clamps or Fittings mounted to the Partition Posts. Diagrams below give you the option for placement of exposed screw heads.

Center Posts

Quantity _____

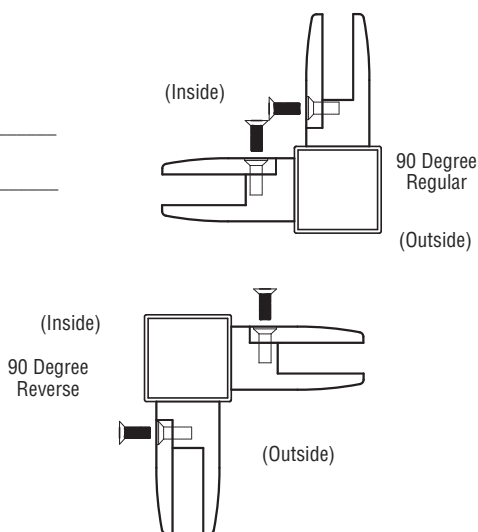


Corner Posts

Quantity:

90 Degree Regular _____

90 Degree Reverse _____

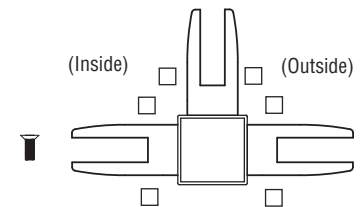


3-Way Posts

For Z-Clamps and Glass Clips only.

Mark one side of each clamp for the exposed screw location.

Quantity _____

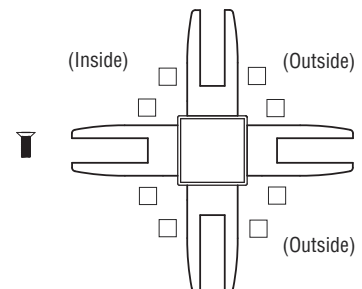


4-Way Posts

For Z-Clamps and Glass Clips only.

Mark one side of each clamp for the exposed screw location.

Quantity _____



CRL "QUICK SHIP" SLIMLINE PARTITION POSTS

For Pricing Visit Our Web Site or Call Us Toll Free at the Phone Numbers Shown on the Back Cover

CRL Slimline Series Round Partition Posts

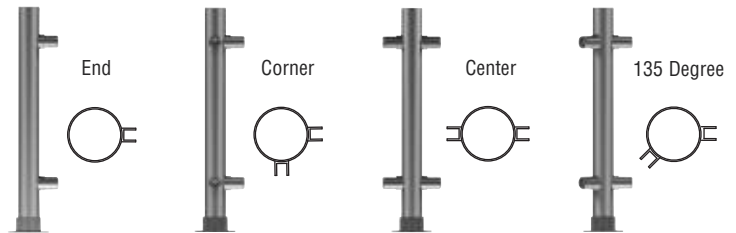
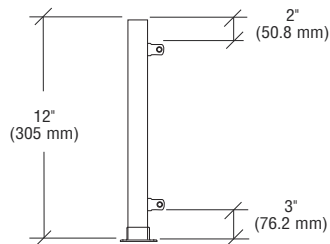


- Posts Ready to Ship in Three to Five Days From Los Angeles



PP55 Slimline Series Straight Front Partition Posts

- 12" x 1" (305 x 25.4 mm) Straight Front Round Posts With End Load Standoff Fittings for 1/4" or 3/8" (6 or 10 mm) Glass
- Supplied With Flat Cap and Full Flange Base

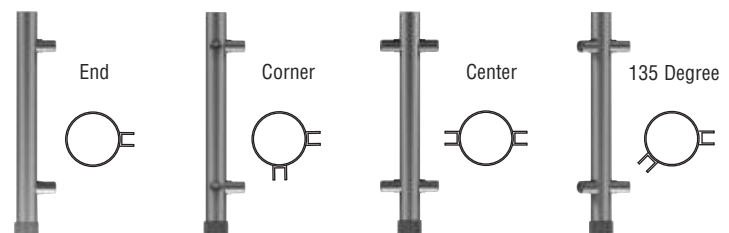
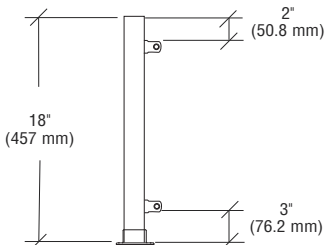


FINISH	END CAT. NO.	CORNER CAT. NO.	CENTER CAT. NO.	135 DEGREE CAT. NO.
Brushed Stainless	PP55EBS	PP55LBS	PP55CBS	PP55ABS
Black Powder Paint	PP55EBL	PP55LBL	PP55CBL	PP55ABL

Minimum order: 1 each. Slimline Series Posts can also be custom made to your exact requirements. See Quote/Order Form on pages P554-P555 for more information.

PP56 Slimline Series Straight Front Partition Posts

- 18" x 1" (457 x 25.4 mm) Straight Front Round Posts with End Load Standoff Fittings for 1/4" or 3/8" (6 or 10 mm) Glass
- Supplied With Flat Cap and Full Flange Base



FINISH	END CAT. NO.	CORNER CAT. NO.	CENTER CAT. NO.	135 DEGREE CAT. NO.
Brushed Stainless	PP56EBS	PP56LBS	PP56CBS	PP56ABS
Black Powder Paint	PP56EBL	PP56LBL	PP56CBL	PP56ABL

Minimum order: 1 each. Slimline Series Posts can also be custom made to your exact requirements. See Quote/Order Form on pages P554-P555 for more information.



C.R. LAURENCE COMPANY

crlaurence.com

P536 | crlaurence.ca crlaurence.com.au crlaurence.co.uk crlaurence.de crlaurence.eu

CRL "QUICK SHIP" SLIMLINE PARTITION POSTS

For Pricing Visit Our Web Site or Call Us Toll Free at the Phone Numbers Shown on the Back Cover

CRL Slimline Series Round Partition Posts

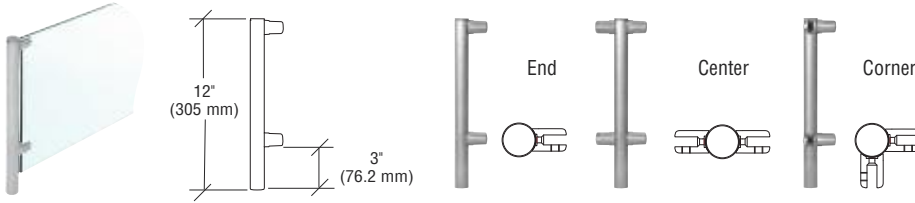


new

HB55 Slimline Series Partition Posts With Concealed Base

- Posts Ready to Ship in Three to Five Days From Los Angeles

- 12" x 1" (305 x 25.4 mm) Round Posts With SA50 Fittings for 1/4" or 3/8" (6 or 10 mm) Glass
- Supplied With Flat Cap and Concealed Lug Base



FINISH	END CAT. NO.	CENTER CAT. NO.	CORNER CAT. NO.
Brushed Stainless	HB55EBS	HB55CBS	HB55LBS
Polished Stainless	HB55EPS	HB55CPS	HB55LPS



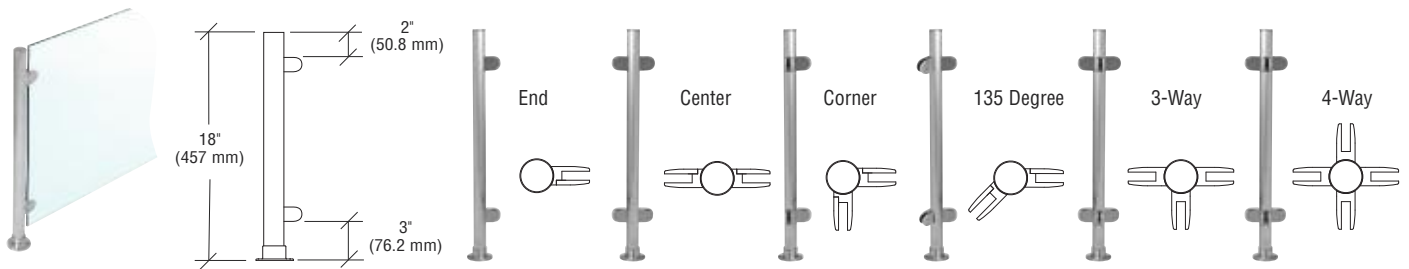
Minimum order: 1 each. Slimline Series Posts can also be made to your exact requirements. See Quote/Order Form on pages P554-P555 for more information.
* Fasteners for Concealed Lug Base sold separately.

See page P560 for Concealed Lug Base details*

PP49 Slimline Series Partition Posts With Mini Z-Clamps

new

- 18" x 1" (457 x 25.4 mm) Round Posts With ZMR06 Mini Z-Clamps for 1/4" (6 mm) Glass
- Supplied With Flat Cap and Full Flange Base



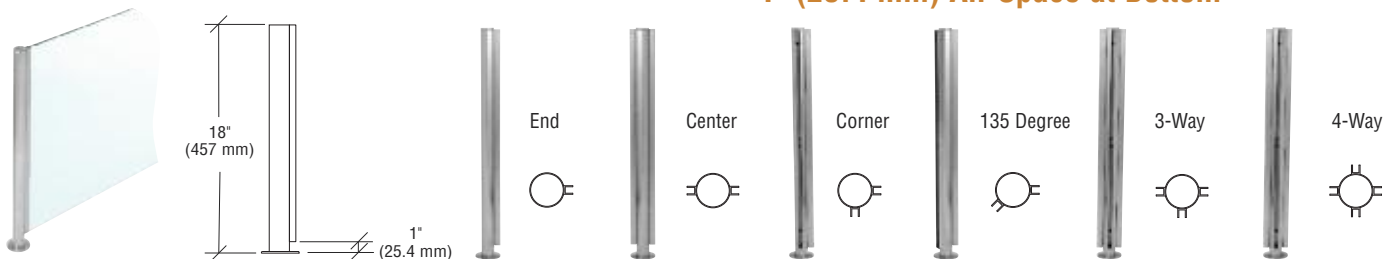
FINISH	END CAT. NO.	CENTER CAT. NO.	CORNER CAT. NO.	135 DEGREE CAT. NO.	3-WAY CAT. NO.	4-WAY CAT. NO.
Brushed Stainless	PP49EBS	PP49CBS	PP49LBS	PP49ABS	PP49TBS	PP49XBS
Polished Stainless	PP49EPS	PP49CPS	PP49LPS	PP49APS	PP49TPS	PP49XPS

Minimum order: 1 each. Slimline Series Posts can also be made to your exact requirements. See Quote/Order Form on pages P554-P555 for more information.

SBPP08 Slimline Series Partition Posts With U-Channel

new

- 18" x 1" (457 x 25.4 mm) Round Posts With U-Channel for 1/4" (6 mm) Glass
- Supplied With Flat Cap and Welded Base Plate
- 1" (25.4 mm) Air Space at Bottom



FINISH	END CAT. NO.	CENTER CAT. NO.	CORNER CAT. NO.	135 DEGREE CAT. NO.	3-WAY CAT. NO.	4-WAY CAT. NO.
Brushed Stainless	SBPP08EBS	SBPP08CBS	SBPP08LBS	SBPP08ABS	SBPP08TBS	SBPP08XBS
Polished Stainless	SBPP08EPS	SBPP08CPS	SBPP08LPS	SBPP08APS	SBPP08TPS	SBPP08XPS

Minimum order: 1 each. Slimline Series Posts can also be made to your exact requirements. See Quote/Order Form on pages P554-P555 for more information.

CRL "QUICK SHIP" SLIMLINE PARTITION POSTS

For Pricing Visit Our Web Site or Call Us Toll Free at the Phone Numbers Shown on the Back Cover

CRL Slimline Series Round Partition Posts



- Posts Ready to Ship in Three to Five Days From Los Angeles



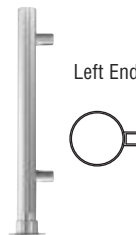
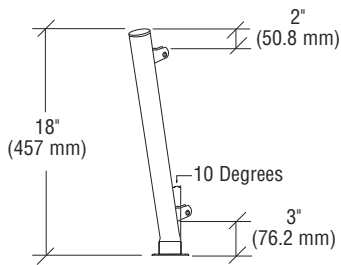
10 Degree Slant Front

PP65 Slimline Series Slant Front Partition Posts

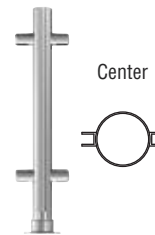
- 18" x 1" (457 x 25.4 mm) 10 Degree Slant Front Round Posts With End Load Standoff Fittings for 1/4" or 3/8" (6 or 10 mm) Glass
- Supplied With Flat Cap and Full Flange Base



10 Degree Slant Front



Left End



Center

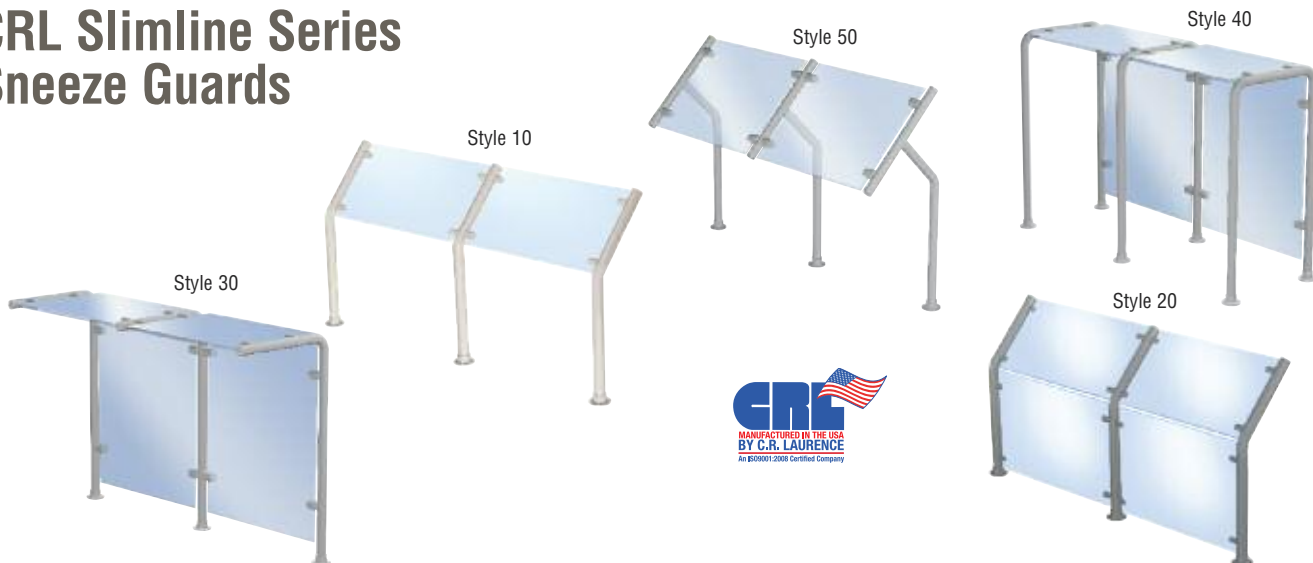


Right End

FINISH	LEFT END CAT. NO.	CENTER CAT. NO.	RIGHT END CAT. NO.
Brushed Stainless	PP65LEBS	PP65CBS	PP65REBS
Black Powder Paint	PP65LEBL	PP65CBL	PP65REBL

Minimum order: 1 each. Slimline Series Posts can also be custom made to your exact requirements. See Quote/Order Form on pages P554-P555 for more information.

CRL Slimline Series Sneeze Guards



For our complete line of Slimline Sneeze Guards see pages P539-P541



C.R. LAURENCE COMPANY

crlaurence.com

P538 | crlaurence.ca crlaurence.com.au crlaurence.co.uk crlaurence.de crlaurence.eu

CRL "QUICK SHIP" SLIMLINE SERIES SNEEZE GUARDS

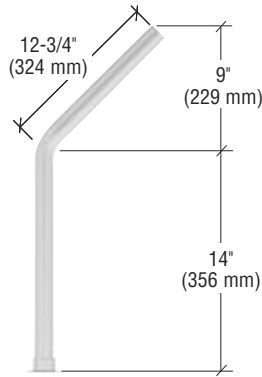
For Pricing Visit Our Web Site or Call Us Toll Free at the Phone Numbers Shown on the Back Cover

CRL Slimline Series Sneeze Guards

Style 10 - Fixed Glass On Slant Only

- 1" (25.4 mm) Stainless Steel Tubing
- For 1/4" or 3/8" (6 or 10 mm) Glass
- Brushed Stainless or Black Powder Paint

CRL Slimline Sneeze Guards are constructed of 1" (25.4 mm) stainless steel tubing. Full flange type bases are supplied for surface mounting. The fixed glass on the front slant is secured with nylon tipped set screws in the glass fittings, which will accommodate 1/4" to 3/8" (6 to 10 mm) tempered glass. Standard finishes are brushed stainless or black powder paint. Custom finishes are available on special order.



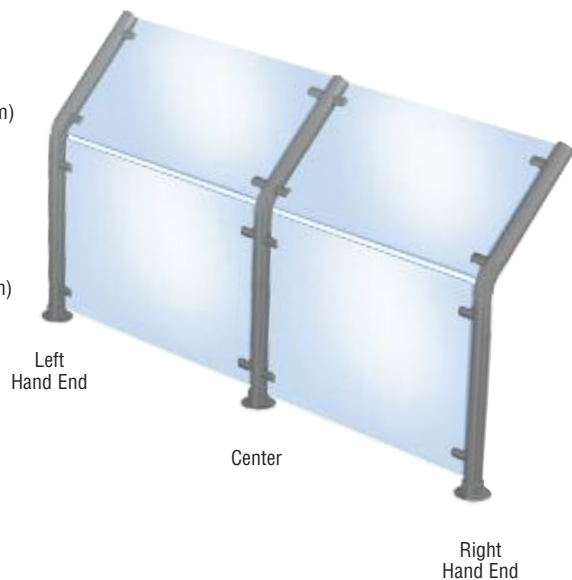
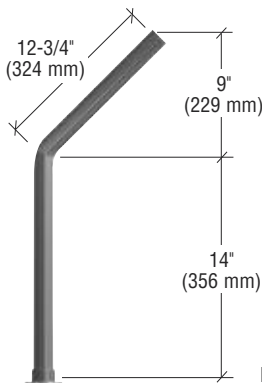
SNEEZE GUARD DESCRIPTION	BRUSHED STAINLESS CAT. NO.	BLACK POWDER PAINT CAT. NO.
Left Hand End	SGS10LEBS	SGS10LEBL
Center	SGS10CBS	SGS10CBL
Right Hand End	SGS10REBS	SGS10REBL

Minimum order: 1 each. Closed End models are available on special order.

Style 20 - Fixed Glass On Slant and Front Only

- 1" (25.4 mm) Stainless Steel Tubing
- For 1/4" or 3/8" (6 or 10 mm) Glass
- Brushed Stainless or Black Powder Paint

CRL Slimline Sneeze Guards are constructed of 1" (25.4 mm) stainless steel tubing. Full flange type bases are supplied for surface mounting. The fixed glass on the front and slant is secured with nylon tipped set screws in the glass fittings, which will accommodate 1/4" to 3/8" (6 to 10 mm) tempered glass. Standard finishes are brushed stainless or black powder paint. Custom finishes are available on special order.



SNEEZE GUARD DESCRIPTION	BRUSHED STAINLESS CAT. NO.	BLACK POWDER PAINT CAT. NO.
Left Hand End	SGS20LEBS	SGS20LEBL
Center	SGS20CBS	SGS20CBL
Right Hand End	SGS20REBS	SGS20REBL

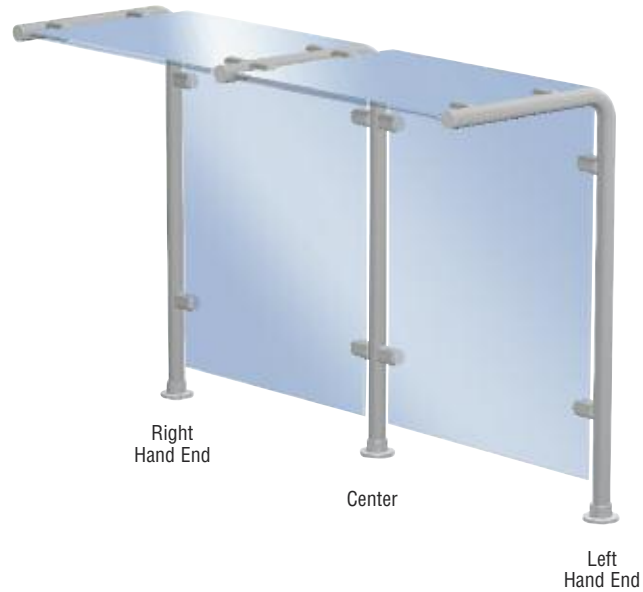
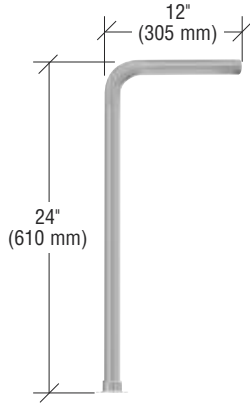
Minimum order: 1 each. Closed End models are available on special order.

CRL Slimline Series Sneeze Guards

Style 30 - Fixed Glass On Top and Front Only

- 1" (25.4 mm) Stainless Steel Tubing
- For 1/4" or 3/8" (6 or 10 mm) Glass
- Brushed Stainless or Black Powder Paint

CRL Slimline Sneeze Guards are constructed of 1" (25.4 mm) stainless steel tubing. Full flange type bases are supplied for surface mounting. The fixed glass on the top and front is secured with nylon tipped set screws in the glass fittings, which will accommodate 1/4" to 3/8" (6 to 10 mm) tempered glass. Standard finishes are brushed stainless or black powder paint. Custom finishes are available on special order.



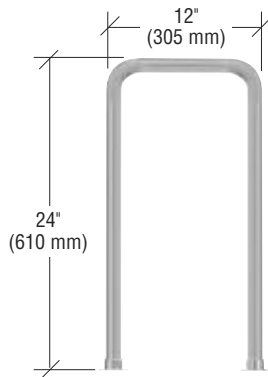
SNEEZE GUARD DESCRIPTION	BRUSHED STAINLESS CAT. NO.	BLACK POWDER PAINT CAT. NO.
Left Hand End	SGS30LEBS	SGS30LEBL
Center	SGS30CBS	SGS30CBL
Right Hand End	SGS30REBS	SGS30REBL

Minimum order: 1 each. Closed End models are available on special order.

Style 40 - Fixed Glass On Top and Front Only

- 1" (25.4 mm) Stainless Steel Tubing
- For 1/4" or 3/8" (6 or 10 mm) Glass
- Brushed Stainless or Black Powder Paint

CRL Slimline Sneeze Guards are constructed of 1" (25.4 mm) stainless steel tubing. Full flange type bases are supplied for surface mounting. The fixed glass on the top and front is secured with nylon tipped set screws in the glass fittings, which will accommodate 1/4" to 3/8" (6 to 10 mm) tempered glass. Standard finishes are brushed stainless or black powder paint. Custom finishes are available on special order.



SNEEZE GUARD DESCRIPTION	BRUSHED STAINLESS CAT. NO.	BLACK POWDER PAINT CAT. NO.
Left Hand End	SGS40LEBS	SGS40LEBL
Center	SGS40CBS	SGS40CBL
Right Hand End	SGS40REBS	SGS40REBL

Minimum order: 1 each. Closed End models are available on special order.

CRL "QUICK SHIP" SLIMLINE SERIES SNEEZE GUARDS

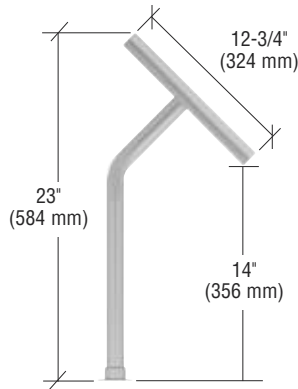
For Pricing Visit Our Web Site or Call Us Toll Free at the Phone Numbers Shown on the Back Cover

CRL Slimline Series Sneeze Guards

Style 50 - Fixed Glass On Slant Only

- 1" (25.4 mm) Stainless Steel Tubing
- For 1/4" or 3/8" (6 or 10 mm) Glass
- Brushed Stainless or Black Powder Paint

CRL Slimline Sneeze Guards are constructed of 1" (25.4 mm) stainless steel tubing. Full flange type bases are supplied for surface mounting. The fixed glass on the slant is secured with nylon tipped set screws in the glass fittings, which will accommodate 1/4" to 3/8" (6 to 10 mm) glass. Standard finishes are brushed stainless or black powder paint. Custom finishes are available on special order.



SNEEZE GUARD DESCRIPTION	BRUSHED STAINLESS CAT. NO.	BLACK POWDER PAINT CAT. NO.
Left Hand End	SGS50LEBS	SGS50LEBL
Center	SGS50CBS	SGS50CBL
Right Hand End	SGS50REBS	SGS50REBL

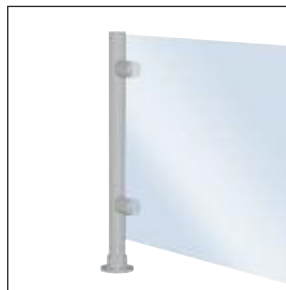
Minimum order: 1 each. Closed End models are available on special order.

Custom Slimline Sneeze Guards

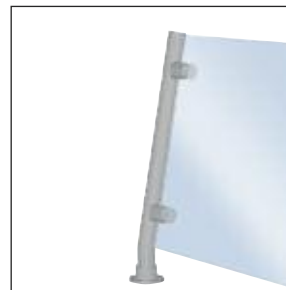
- 1" (25.4 mm) Stainless Steel Tubing in Two Standard Finishes, With Custom Finishes Also Available
- Ready to Ship in as Few as Five Working Days

CRL also fabricates custom and combination Sneeze Guards in any number of designs and finishes. Our Technical Sales Department will work with you to design a Sneeze Guard layout that will be ready to ship from our California manufacturing plant in as few as five working days.

For more information, contact Technical Sales at (800) 421-6144 in the U.S., (877) 421-6144 from Canada, or (323) 588-1281 International. Ask for Ext. 7760. You can also send e-mail from the home page of crlaurence.com. Click on Contact Us, and then click on Technical Sales for Hospitality Products.



Series 55



Series 65



Series 60



Series 70



Series 80



Series 90

CRL Elegant Series Round Partition Posts

- Stock Model PP08 Posts, **RED-E to Ship**
- 1-1/2" (38.1 mm) Round Stainless Steel Posts With Full Length Channels for 1/4" (6 mm) Glass
- Standard Heights of 12", 18", and 24" (305, 457, and 610 mm) With Flat Top Cap and Welded Base Plate
- Six Standard Configurations - End, Center, Corner, 3-Way, 4-Way, and 135 Degrees



Flat Top Cap

CRL Elegant Series Glass Partition and Divider Posts are constructed with 1-1/2" (38.1 mm) Stainless Steel Tubing. 1/4" (6 mm) glass can be attached to the full length U-Channels with Cat. No. 33SC Clear Silicone, which meets CRL Standards. Model PP08 Posts are available off the shelf in three stock sizes and two finishes. You can install them in wood, marble or vitreous counter tops using the Welded Base Plate and the supplied screws. Each Kit contains one Post, one Welded Base Plate, one Top Cap, and Installation Screws.



These Model PP08 Posts are stock sizes and ready to ship to you. If you require Custom Posts we can fabricate these to ship from Los Angeles, California within three to five working days. Please see pages P553-P555 for more information on Elegant Series Custom Partition Posts. Also, for Do-it-Yourselfers we offer component parts ready to ship so you can fabricate complete units in your own shop. See pages P556-P573 for more information.

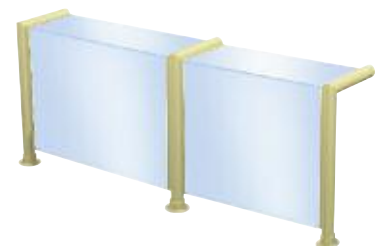


Welded Base Plate

CRL Offers Stock Size Sneeze Guards **RED-E to Ship**



Please see page P577 for information on our Stock Elegant Series Sneeze Guards to be used in food service venues with salad and dessert bars, buffet tables, and cafeteria counters.



CRL Elegant Series Round Partition Posts

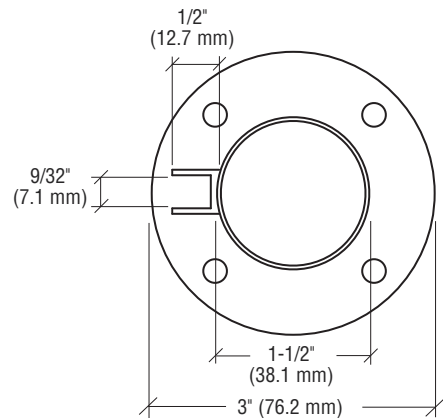


Model PP08 Posts

- 1-1/2" (38.1 mm) Round Stainless Steel Posts With Full Length Channels for 1/4" (6 mm) Glass

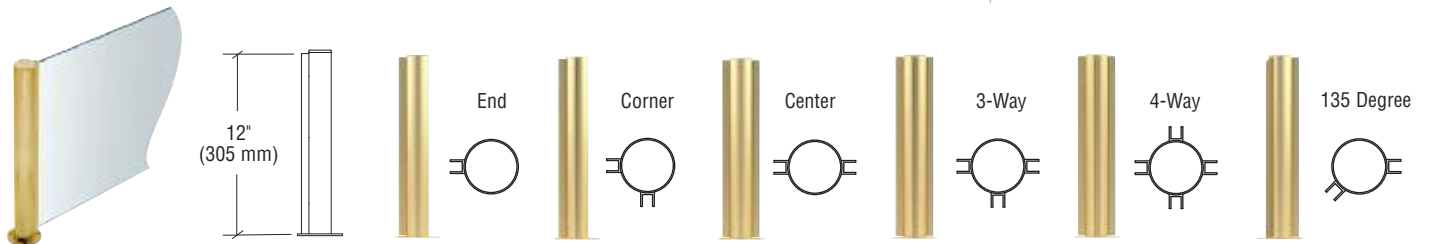
- Standard Heights of 12", 18", and 24" (305, 457, and 610 mm) With Flat Cap and Welded Base Plate

- Six Standard Configurations - End, Corner, Center, 3-Way, 4-Way, and 135 Degrees



Cross Section of Post

Round posts measure 1-1/2" (38.1 mm) in diameter; Welded base plates measure 3" (76.2 mm) in diameter. 1/4" (6 mm) glazing channels measure full length, and rise 1/2" (12.7 mm) from the post surface.



FINISH	END CAT. NO.	CORNER CAT. NO.	CENTER CAT. NO.	3-WAY CAT. NO.	4-WAY CAT. NO.	135 DEGREE CAT. NO.
Brushed Stainless 12" (305 mm)	PP08EBS	PP08LBS	PP08CBS	PP08TBS	PP08XBS	PP08ABS
Polished Stainless 12" (305 mm)	PP08EPS	PP08LPS	PP08CPS	PP08TPS	PP08XPS	PP08APS
Polished Brass 12" (305 mm)	PP08EPB	PP08LPB	PP08CPB	PP08TPB	PP08XPB	PP08APB
Brushed Stainless 18" (457 mm)	PP0818EBS	PP0818LBS	PP0818CBS	PP0818TBS	PP0818XBS	PP0818ABS
Polished Stainless 18" (457 mm)	PP0818EPS	PP0818LPS	PP0818CPS	PP0818TPS	PP0818XPS	PP0818APS
Brushed Stainless 24" (610 mm)	PP0824EBS	PP0824LBS	PP0824CBS	PP0824TBS	PP0824XBS	PP0824ABS
Polished Stainless 24" (610 mm)	PP0824EPS	PP0824LPS	PP0824CPS	PP0824TPS	PP0824XPS	PP0824APS

Minimum order: 1 each. Elegant Series Posts can also be custom made to your exact requirements. See pages P553 to P555. Polished Brass only stocked in 12" (305 mm) size.

CRL PARTITION POSTS AND SNEEZE GUARDS

For Pricing Visit Our Web Site or Call Us Toll Free at the Phone Numbers Shown on the Back Cover



C.R. LAURENCE COMPANY

P544 | crlaurence.ca crlaurence.com.au crlaurence.co.uk crlaurence.de crlaurence.eu

crlaurence.com

CRL "QUICK SHIP" ROUND PARTITION POSTS

For Pricing Visit Our Web Site or Call Us Toll Free at the Phone Numbers Shown on the Back Cover



A Large Stock of Parts and In-House Assembly Make Three to Five Day Shipping Possible for Our Most Popular Post Models and Finishes

• **Stainless Steel or Brass Posts Ready to Install**

By stocking large quantities of different Partition Post components, and matching them with pre-cut and fabricated tubing and channels, we can offer Custom "Quick Ship" Partition Posts in three to five working days shipping from our Los Angeles, California warehouse. Our manufacturing facility is equipped with plenty of machinery, assembly fixtures, and craftspeople with the technical expertise to quickly fill your requirements.



A Selection of Our More Popular Partition Posts



On the following pages is a selection of some of our more popular Partition Posts. These are considered Custom "Quick Ship" Posts and have dedicated part numbers. Custom "Quick Ship" Posts can be ready to ship in three to five working days from Los Angeles, California. Variations to these posts, such as changing Top Caps, Base styles, or the thickness of the Glass Attachment Channel, Clip or Clamp can still be accomplished in three to five working days, but these Posts are considered custom, and need to be ordered using our Custom Post Order Forms available at crlaurence.com.

For additional information, contact CRL Technical Sales at (800) 421-6144 in the U.S., (877) 421-6144 from Canada, or (323) 588-1281 International, and ask for Ext. 7760. You can also e-mail us through our web site at crlaurence.com. From the home page click on Contact Us, and then click on Technical Sales.



CRL "QUICK SHIP" ROUND PARTITION POSTS

For Pricing Visit Our Web Site or Call Us Toll Free at the Phone Numbers Shown on the Back Cover

CRL Elegant Series Round Partition Posts



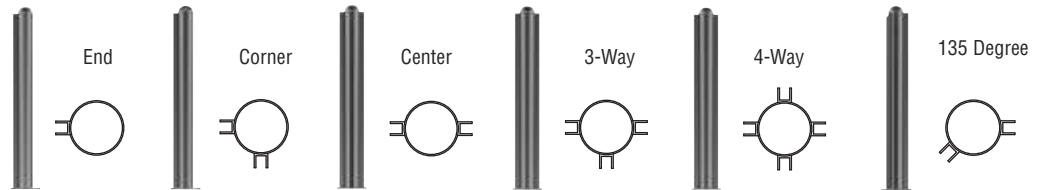
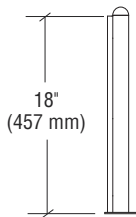
- Posts Ready to Ship in Three to Five Working Days From Los Angeles



PP09 Elegant Series Partition Posts

- 18" x 1-1/2" (457 x 38.1 mm) Round Posts With 1/4" (6.3 mm) Full Length Channel

- Supplied With Dome Cap and Welded Flange Base



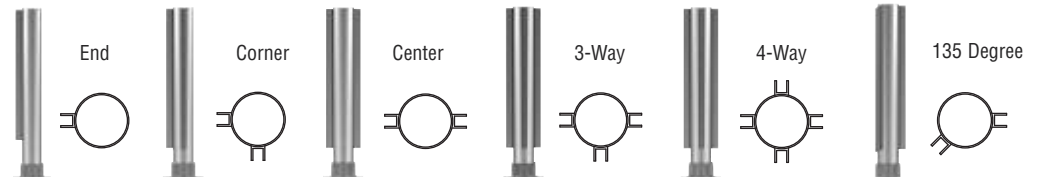
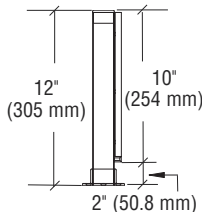
FINISH	END CAT. NO.	CORNER CAT. NO.	CENTER CAT. NO.	3-WAY CAT. NO.	4-WAY CAT. NO.	135 DEGREE CAT. NO.
Polished Brass	PP09EPB	PP09LPB	PP09CPB	PP09TPB	PP09XPB	PP09APB
Brushed Stainless	PP09EBS	PP09LBS	PP09CBS	PP09TBS	PP09XBS	PP09ABS
Polished Stainless	PP09EPS	PP09LPS	PP09CPS	PP09TPS	PP09XPS	PP09APS

Minimum order: 1 each. For Stock Stainless Steel Posts ready for immediate shipping see page P543. Elegant Series Posts can also be custom made to your exact requirements. See pages P554 to P555.

PP01 Elegant Series Partition Posts With Air Space

- 12" x 1-1/2" (305 x 38.1 mm) Round Posts With 1/4" (6.3 mm) Channel and 2" (50.8 mm) Air Space

- Supplied With Flat Cap and Full Flange Base



FINISH	END CAT. NO.	CORNER CAT. NO.	CENTER CAT. NO.	3-WAY CAT. NO.	4-WAY CAT. NO.	135 DEGREE CAT. NO.
Polished Brass	PP01EPB	PP01LPB	PP01CPB	PP01TPB	PP01XPB	PP01APB
Brushed Stainless	PP01EBS	PP01LBS	PP01CBS	PP01TBS	PP01XBS	PP01ABS
Polished Stainless	PP01EPS	PP01LPS	PP01CPS	PP01TPS	PP01XPS	PP01APS

Minimum order: 1 each. For Stock Stainless Steel Posts ready for immediate shipping see page P543. Elegant Series Posts can also be custom made to your exact requirements. See pages P554 to P555.



C.R. LAURENCE COMPANY

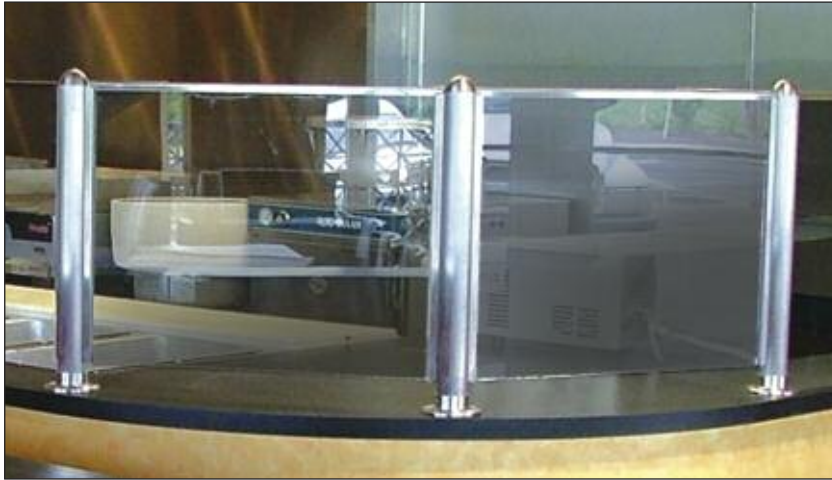
crlaurence.com

P546 | crlaurence.ca crlaurence.com.au crlaurence.co.uk crlaurence.de crlaurence.eu

CRL "QUICK SHIP" ROUND PARTITION POSTS

For Pricing Visit Our Web Site or Call Us Toll Free at the Phone Numbers Shown on the Back Cover

CRL Elegant Series Round Partition Posts

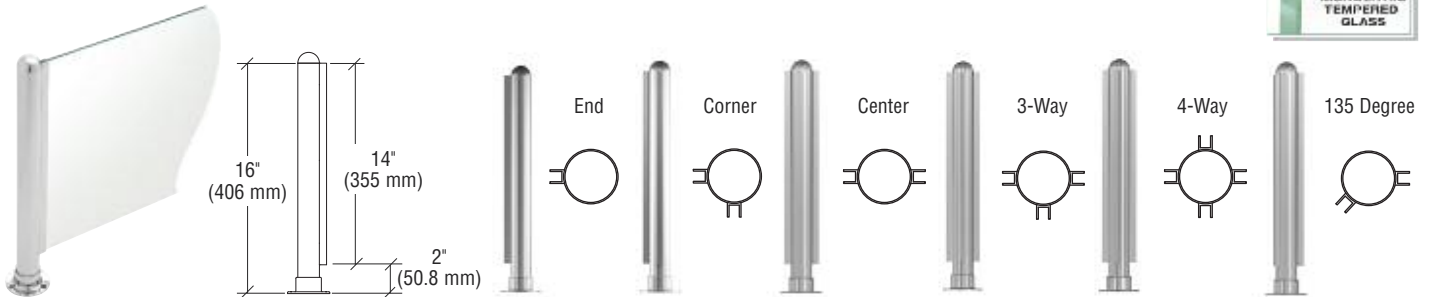


- Posts Ready to Ship in Three to Five Working Days From Los Angeles



PP02 Elegant Series Partition Posts With Air Space

- 16" x 1-1/2" (406 x 38.1 mm) Round Posts With 1/4" (6.3 mm) Channel and 2" (50.8 mm) Air Space
- Supplied With Dome Cap and Full Flange Base

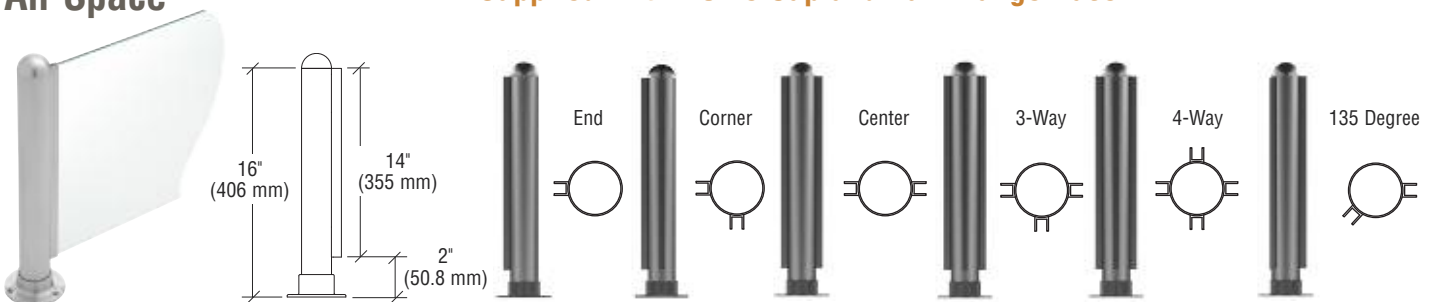


FINISH	END CAT. NO.	CORNER CAT. NO.	CENTER CAT. NO.	3-WAY CAT. NO.	4-WAY CAT. NO.	135 DEGREE CAT. NO.
Polished Brass	PP02EPB	PP02LPB	PP02CPB	PP02TPB	PP02XPB	PP02APB
Brushed Stainless	PP02EBS	PP02LBS	PP02CBS	PP02TBS	PP02XBS	PP02APS
Polished Stainless	PP02EPS	PP02LPS	PP02CPS	PP02TPS	PP02XPS	PP02APS

Minimum order: 1 each. For Stock Stainless Steel Posts ready for immediate shipping see page P543. Elegant Series Posts can also be custom made to your exact requirements. See pages P554 to P555.

PP03 Elegant Series Partition Posts With Air Space

- 16" x 2" (406 x 50.8 mm) Round Posts With 1/4" (6.3 mm) Channel and 2" (50.8 mm) Air Space
- Supplied With Dome Cap and Full Flange Base



FINISH	END CAT. NO.	CORNER CAT. NO.	CENTER CAT. NO.	3-WAY CAT. NO.	4-WAY CAT. NO.	135 DEGREE CAT. NO.
Polished Brass	PP03EPB	PP03LPB	PP03CPB	PP03TPB	PP03XPB	PP03APB
Brushed Stainless	PP03EBS	PP03LBS	PP03CBS	PP03TBS	PP03XBS	PP03ABS
Polished Stainless	PP03EPS	PP03LPS	PP03CPS	PP03TPS	PP03XPS	PP03APS

Minimum order: 1 each. For Stock Stainless Steel Posts ready for immediate shipping see page P543. Elegant Series Posts can also be custom made to your exact requirements. See pages P554 to P555.

CRL "QUICK SHIP" ROUND PARTITION POSTS

For Pricing Visit Our Web Site or Call Us Toll Free at the Phone Numbers Shown on the Back Cover

CRL Elegant Series Round Partition Posts

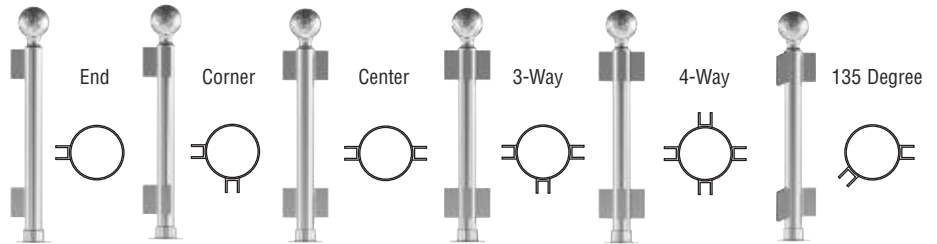
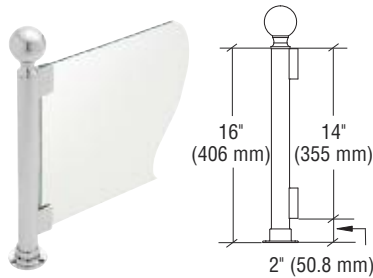


- Posts Ready to Ship in Three to Five Working Days From Los Angeles



PP04 Elegant Series Partition Posts With Air Space

- 16" x 1-1/2" (406 x 38.1 mm) Round Posts With 1/4" (6.3 mm) Glass Clips and 2" (50.8 mm) Air Space
- Supplied With Ball Cap and Full Flange Base

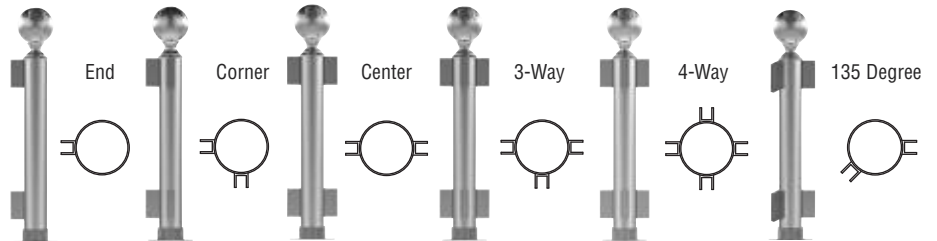
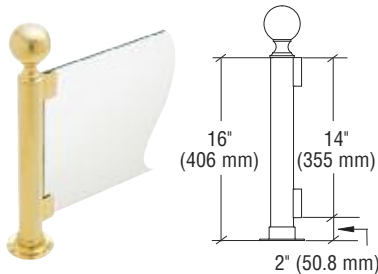


FINISH	*END CAT. NO.	*CORNER CAT. NO.	CENTER CAT. NO.	3-WAY CAT. NO.	4-WAY CAT. NO.	135 DEGREE CAT. NO.
Polished Brass	PP04EPB	PP04LPB	PP04CPB	PP04TPB	PP04XPB	PP04APB
Brushed Stainless	PP04EBS	PP04LBS	PP04CBS	PP04TBS	PP04XBS	PP04APS
Polished Stainless	PP04EPS	PP04LPS	PP04CPS	PP04TPS	PP04XPS	PP04APS

Minimum order: 1 each. For Stock Stainless Steel Posts ready for immediate shipping see page P543. Elegant Series Posts can also be custom made to your exact requirements. See pages P554 to P555. *Customer may choose handing.

PP05 Elegant Series Partition Posts With Air Space

- 16" x 2" (406 x 50.8 mm) Round Posts With 1/4" (6.3 mm) Glass Clips and 2" (50.8 mm) Air Space
- Supplied With Ball Cap and Full Flange Base



FINISH	*END CAT. NO.	*CORNER CAT. NO.	CENTER CAT. NO.	3-WAY CAT. NO.	4-WAY CAT. NO.	135 DEGREE CAT. NO.
Polished Brass	PP05EPB	PP05LPB	PP05CPB	PP05TPB	PP05XPB	PP05APB
Brushed Stainless	PP05EBS	PP05LBS	PP05CBS	PP05TBS	PP05XBS	PP05APS
Polished Stainless	PP05EPS	PP05LPS	PP05CPS	PP05TPS	PP05XPS	PP05APS

Minimum order: 1 each. For Stock Stainless Steel Posts ready for immediate shipping see page P543. Elegant Series Posts can also be custom made to your exact requirements. See pages P554 to P555. *Customer may choose handing.



C.R. LAURENCE COMPANY

crlaurence.com

P548 | crlaurence.ca crlaurence.com.au crlaurence.co.uk crlaurence.de crlaurence.eu

CRL "QUICK SHIP" ROUND PARTITION POSTS

For Pricing Visit Our Web Site or Call Us Toll Free at the Phone Numbers Shown on the Back Cover

CRL Elegant Series Round Partition Posts

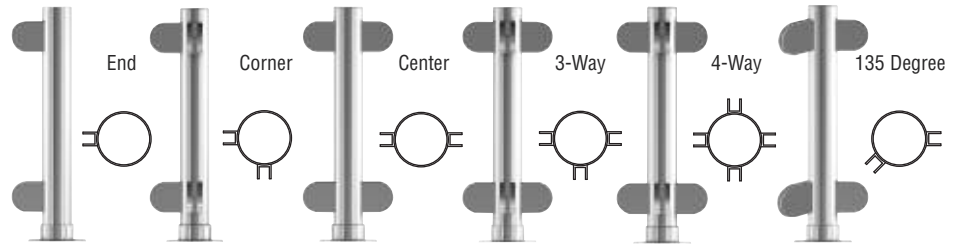
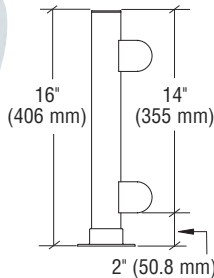


- Posts Ready to Ship in Three to Five Working Days From Los Angeles



PP06 Elegant Series Partition Posts With Air Space

- 16" x 2" (406 x 50.8 mm) Round Posts With 1/4" (6.3 mm) Round Z-Series Glass Clamps and 2" (50.8 mm) Air Space
- Supplied With Flat Cap and Full Flange Base

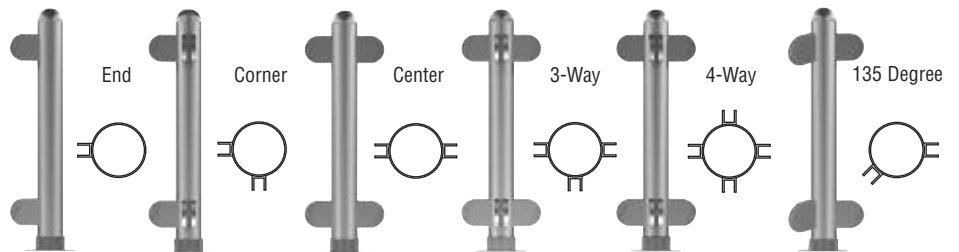
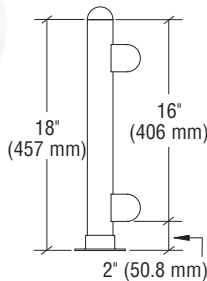


FINISH	END CAT. NO.	CORNER CAT. NO.	CENTER CAT. NO.	3-WAY CAT. NO.	4-WAY CAT. NO.	135 DEGREE CAT. NO.
Polished Brass	PP06EPB	PP06LPB	PP06CPB	PP06TPB	PP06XPB	PP06APB
Brushed Stainless	PP06EBS	PP06LBS	PP06CBS	PP06TBS	PP06XBS	PP06APS
Polished Stainless	PP06EPS	PP06LPS	PP06CPS	PP06TPS	PP06XPS	PP06APS

Minimum order: 1 each. For Stock Stainless Steel Posts ready for immediate shipping see page P543. Elegant Series Posts can also be custom made to your exact requirements. See pages P554 to P555.

PP07 Elegant Series Partition Posts With Air Space

- 18" x 2" (457 x 50.8 mm) Round Posts With 1/4" (6.3 mm) Round Z-Series Glass Clamps and 2" (50.8 mm) Air Space
- Supplied With Dome Cap and Full Flange Base



FINISH	END CAT. NO.	CORNER CAT. NO.	CENTER CAT. NO.	3-WAY CAT. NO.	4-WAY CAT. NO.	135 DEGREE CAT. NO.
Polished Brass	PP07EPB	PP07LPB	PP07CPB	PP07TPB	PP07XPB	PP07APB
Brushed Stainless	PP07EBS	PP07LBS	PP07CBS	PP07TBS	PP07XBS	PP07APS
Polished Stainless	PP07EPS	PP07LPS	PP07CPS	PP07TPS	PP07XPS	PP07APS

Minimum order: 1 each. For Stock Stainless Steel Posts ready for immediate shipping see page P543. Elegant Series Posts can also be custom made to your exact requirements. See pages P554 to P555.

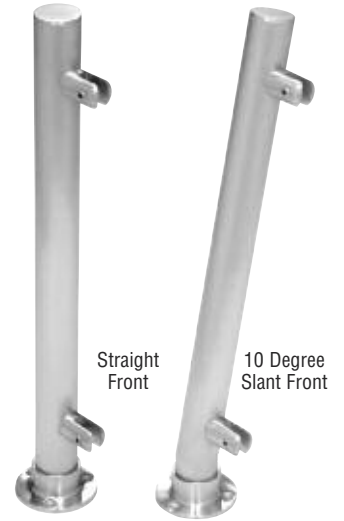
CRL "QUICK SHIP" ROUND PARTITION POSTS

For Pricing Visit Our Web Site or Call Us Toll Free at the Phone Numbers Shown on the Back Cover

CRL Contemporary Series Round Partition Posts

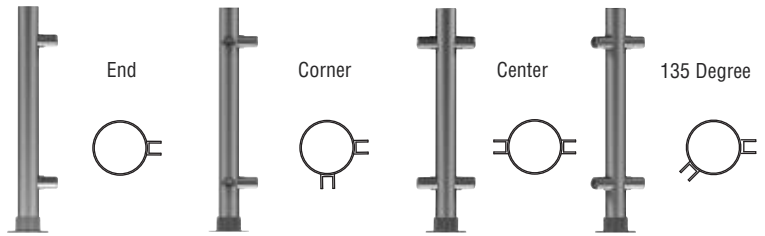
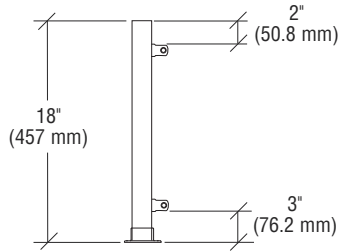


- Posts Ready to Ship in Three to Five Working Days From Los Angeles



PP45 Contemporary Series Straight Front Partition Posts

- 18" x 1-1/2" (457 x 38.1 mm) Straight Front Round Posts With End Load Standoff Fittings for 1/4" or 3/8" (6 or 10 mm) Glass
- Supplied With Flat Cap and Full Flange Base

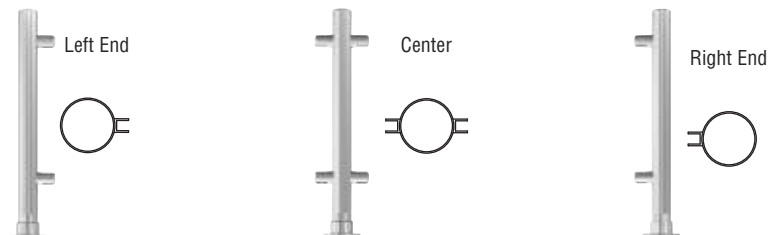
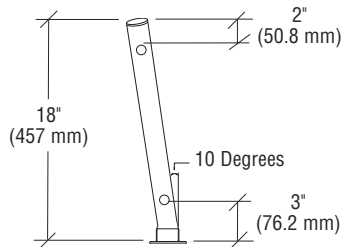


FINISH	END CAT. NO.	CORNER CAT. NO.	CENTER CAT. NO.	135 DEGREE CAT. NO.
Polished Brass	PP45EPB	PP45LPB	PP45CPB	PP45APB
Brushed Stainless	PP45EBS	PP45LBS	PP45CBS	PP45ABS
Polished Stainless	PP45EPS	PP45LPS	PP45CPS	PP45APS

Minimum order: 1 each. Contemporary Series Posts can also be custom made to your exact requirements. See Quote/Order Form on pages P554 to P555 for more information.

PP46 Contemporary Series Slant Front Partition Posts

- 18" x 1-1/2" (457 x 38.1 mm) 10 Degree Slant Front Round Posts With End Load Standoff Fittings for 1/4" or 3/8" (6 or 10 mm) Glass
- Supplied With Flat Cap and Full Flange Base



FINISH	LEFT END CAT. NO.	CENTER CAT. NO.	RIGHT END CAT. NO.
Polished Brass	PP46LEPB	PP46CPB	PP46REPB
Brushed Stainless	PP46LEBS	PP46CBS	PP46REBS
Polished Stainless	PP46LEPS	PP46CPS	PP46REPS

Minimum order: 1 each. Contemporary Series Posts can also be custom made to your exact requirements. See Quote/Order Form on pages P554 to P555 for more information.



C.R. LAURENCE COMPANY

crlaurence.com

P550 | crlaurence.ca crlaurence.com.au crlaurence.co.uk crlaurence.de crlaurence.eu

CRL "QUICK SHIP" ROUND PARTITION POSTS

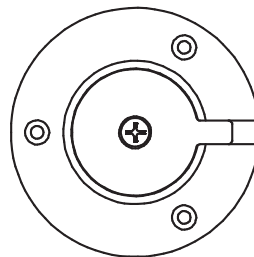
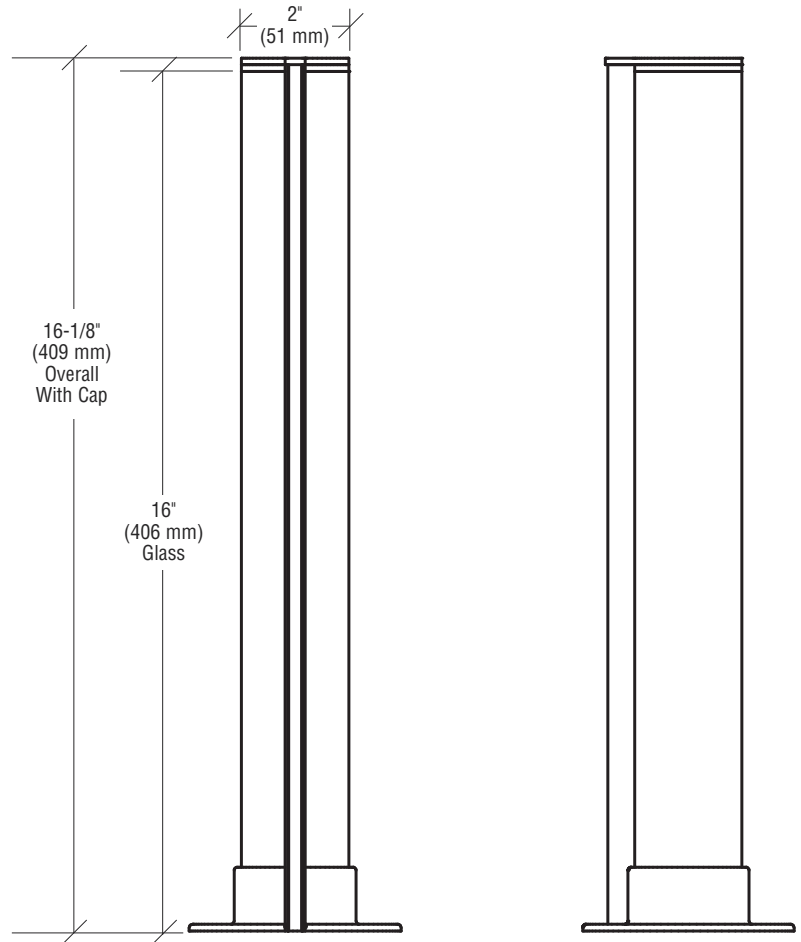
For Pricing Visit Our Web Site or Call Us Toll Free at the Phone Numbers Shown on the Back Cover

CRL Tight-Fit Series Round Partition Posts

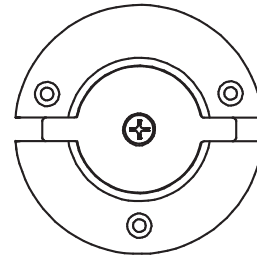
new

- Allow Glass to Sit Tight on Counter
- Notched Base Flange
- Top Cap Covers Channel
- Custom Posts Available

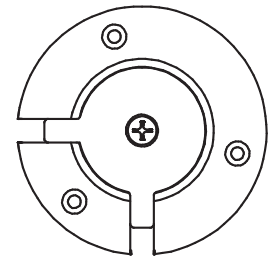
CRL's new Tight-Fit Series Posts allow the glass to sit tight on the counter. They are designed with an attractive cap that conceals the top of the glazing channel.



End



Center



Corner

3-15/16" (100 mm) Diameter Base

FINISH	END CAT. NO.	CENTER CAT. NO.	90 DEGREE CAT. NO.
Brushed Stainless	PPJ20EBS	PPJ20CBS	PPJ20LBS
Polished Stainless	PPJ20EPS	PPJ20CPS	PPJ20LPS

Minimum order: 1 each. Finishes may be combined for quantity pricing.

CRL CUSTOM ROUND PARTITION POSTS

For Pricing Visit Our Web Site or Call Us Toll Free
at the Phone Numbers Shown on the Back Cover

Custom Fabrication is Our Specialty. Let CRL Turn Your Design Into Reality!



Technical Sales Assistance



Project Engineering and Drawing



Collecting Project Parts



Cutting and Machining



Assembly and Cleaning



Packaging for Shipment

Combining quality made components in different configurations, along with our ability to weld and braze, makes it possible for us to fabricate Partition Posts, Sneeze Guards or Salad Bars to meet your specific requirements. We can fabricate any number of configurations which can include custom finishes, different thicknesses of glass, and various mounting options.

Send us a sketch or drawing of your idea and we will do our best to make it a reality. For additional information, contact CRL Technical Sales at (800) 421-6144 in the U.S., (877) 421-6144 from Canada, or (323) 588-1281 International, and ask for Ext. 7760. You can also e-mail us through our web site at crlaurence.com. From the home page click on Contact Us, and then click on Technical Sales for Hospitality Products.

Over 600,000 Square Feet of Manufacturing Capacity to Meet Your Needs



C.R. LAURENCE COMPANY

P552 | crlaurence.ca crlaurence.com.au crlaurence.co.uk crlaurence.de crlaurence.eu

crlaurence.com



CRL Elegant and Contemporary Series Custom Round Partition Posts

- 1-1/2" and 2" (38.1 and 50.8 mm) Round Tubing for Use With 1/4", 3/8" or 1/2" (6, 10 or 12 mm) Glazing
- Heights of Posts Can Be Customized
- Available in Polished Stainless Steel, Brushed Stainless Steel, and Polished Brass

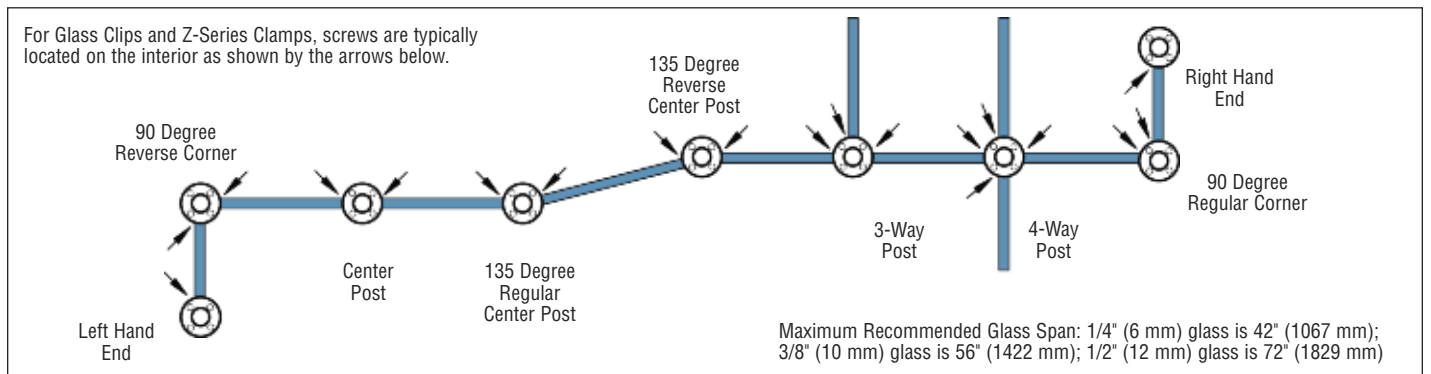
• Posts Ready to Ship in Three to Five Days From Los Angeles



<p>U-Channel for 1-1/2" or 2" Tubing (See Page P564)</p> <p>1/4" (6 mm) 3/8" (10 mm)</p>	<p>Z-Series Clamps for 2" Tubing Only. Limited Models for 1-1/2" (38 mm) Tubing (See Pages P568, P570)</p> <p>Round 1/4" (6 mm) Square 3/8" (10 mm) 1/2" (12 mm)</p>	<p>Glass Clips for 1-1/2" or 2" Tubing (See Page P566)</p> <p>1/4" (6 mm) 3/8" (10 mm)</p>	<p>End Load Standoff Fitting for 1-1/2" Tubing Only (See Page P565)</p> <p>1/4" (6 mm) to 3/8" (10 mm)</p>
<p>End Caps for 1-1/2" or 2" Tubing (See Pages P557, P559)</p> <p>Ball Flat Dome</p>	<p>Mounting Bases for 1-1/2" or 2" Tubing (See Pages P560 to P561)</p> <p>Full Flange Cut Flange Steel Flange and Canopy Concealed Base Lug</p>		<p>Welded or Brazed Mounting Base for 1-1/2" or 2" Tubing (See Page P562)</p> <p>Used with Full Length U-Channel</p>

In addition to our Stock and Custom "Quick Ship" Posts we offer an extensive line of Custom Fabricated Posts. They are available in 1-1/2" (38.1 mm) or 2" (50.8 mm) diameter Round Tubing. Finishes include Brushed Stainless, Polished Brass, Polished Stainless, and Powder Painted. Different glass attachments (U-Channel, Z-Clamps, Glass Clips or End Load Standoff Fittings) in various glass thicknesses are available. A selection of Caps and Bases let you design posts to match your décor. A step by step Quote/Order process is provided (see pages P554 to P555) to assist you in your selection. Custom Partition Posts will be fabricated and ready to ship from Los Angeles, California within three to five working days. CRL has weekly re-supply trucks that stock our many warehouses around the U.S. and Canada. If time is not an issue we can arrange for our re-supply truck to get your Custom Posts to your local CRL branch for shipment. Please allow seven to ten working days.

Plan View of Divider Assembly Showing Post Placement

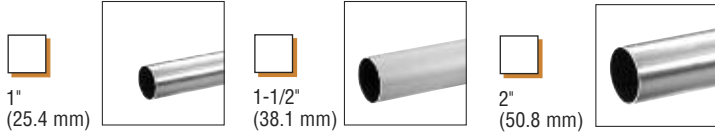


CRL Elegant and Contemporary Series Custom Round Partition Posts Quote/Order Form - Page 1 of 2



Select Tubing Diameter

See page P557



Select a Finish

- #4 Brushed Stainless*
- #8 Polished Stainless
- US3 Polished Brass
- Powder Paint
RAL Color # _____

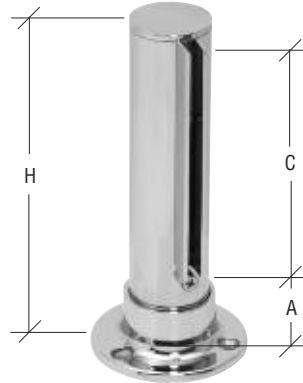
This form is also available online at crlaurence.com.
* Only finish available for 1" (25.4 mm) Tube

Post Style and Dimensions

U-Channel with Bottom Air Space

- 1/4" (6 mm) Glass Channel
- 3/8" (10 mm) Glass Channel

H = Post Height _____"
C = Channel Length _____"
A = Air Space _____"

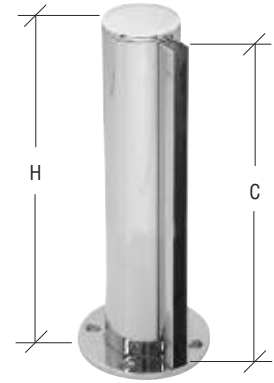


NOTE: If you have more than one style, use a separate form for each style.

Full Length U-Channel

- 1/4" (6 mm) Glass Channel
- 3/8" (10 mm) Glass Channel

H = Post Height _____"
C = Channel Length _____"

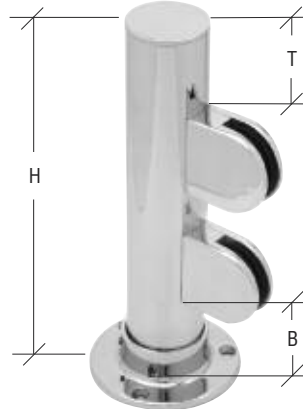


NOTE: Only available on Stainless or Brass Posts with Welded Base Plates.

Round Z-Clamps for 1", 1-1/2" and 2" (25.4, 38.1 and 50.8 mm) Tubing*

- 1/4" (6 mm) Glass Z-Clamp
- 3/8" (10 mm) Glass Z-Clamp
- 1/2" (12 mm) Glass Z-Clamp

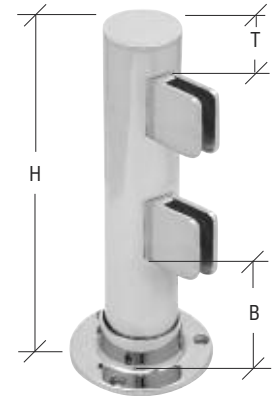
H = Post Height _____"
T = Top of Post to Top of Upper Clamp _____"
B = Bottom of Lower Clamp to Surface of Counter _____"



Square Z-Clamps for 2" (50.8 mm) Tubing

- 1/4" (6 mm) Glass Z-Clamp
- 3/8" (10 mm) Glass Z-Clamp
- 1/2" (12 mm) Glass Z-Clamp

H = Post Height _____"
T = Top of Post to Top of Upper Clamp _____"
B = Bottom of Lower Clamp to Surface of Counter _____"



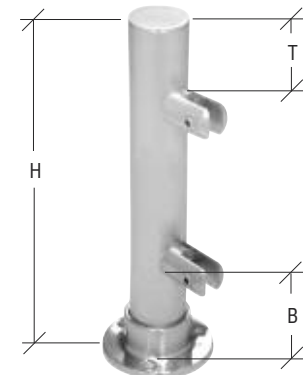
* Fittings for 2" (50.8 mm) Tubing are available in all finishes; for 1-1/2" (38.1 mm) Tubing brushed and polished stainless finishes only; for 1" (25.4 mm) Tubing brushed stainless finish only.

1" Diameter End Load Standoff Fitting for 1" and 1-1/2" (25.4 and 38.1 mm) Tubing

NOTE: This fitting matches Contemporary Series and Slimline Series Post*

- 1/4" (6 mm) Glass Fitting
- 3/8" (10 mm) Glass Fitting

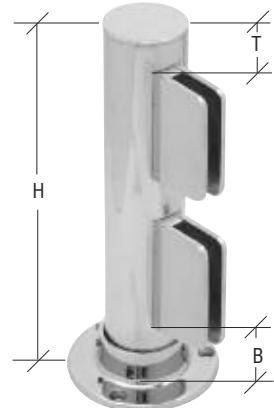
H = Post Height _____"
T = Top of Post to Top of Upper Fitting _____"
B = Bottom of Lower Fitting to Surface of Counter _____"



Glass Clips for 1-1/2" and 2" (38.1 and 50.8 mm) Tubing

- 1/4" (6 mm) Glass Clip
- 3/8" (10 mm) Glass Clip

H = Post Height _____"
T = Top of Post to Top of Upper Clip _____"
B = Bottom of Lower Clip to Surface of Counter _____"



* Fittings for 1-1/2" (38.1 mm) Tubing are available in all finishes, for 1" (25.4 mm) Tubing Brushed Stainless Finish only.

CRL Elegant and Contemporary Series Custom Round Partition Posts Quote/Order Form - Page 2 of 2

Select a Top Cap



*Flat



Ball



Dome



*Only Cap available for 1" (25.4 mm) Tube
See pages P557, P559

Select a Mounting Base



Welded Flange



Cut Flange



*Full Flange



Steel Flange and Canopy



Concealed Base Lug



*Only Base available for 1" (25.4 mm) Tube

See pages P560 to P562

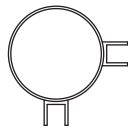
Select Post Type and Quantity of Each

Glass is held in place by U-Channel mounted to the Partition Posts.

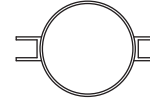
For Posts Using Glass U-Channel



End
Quantity _____



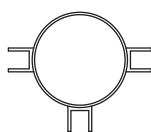
Corner
Quantity _____



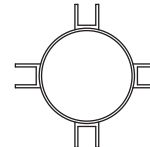
Center
Quantity _____



135 Degree
Quantity _____



3-Way
Quantity _____



4-Way
Quantity _____

For Posts Using:

Glass Clips

Z-Clamps

End Load
Standoff Fittings



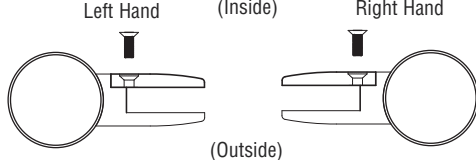
Glass is held in place with Clips, Clamps or Fittings mounted to the Partition Posts. Diagrams below give you the option for placement of exposed screw heads.

End Posts

Quantity:

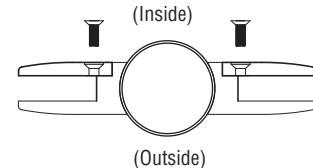
Right Hand End _____

Left Hand End _____



Center Posts

Quantity _____

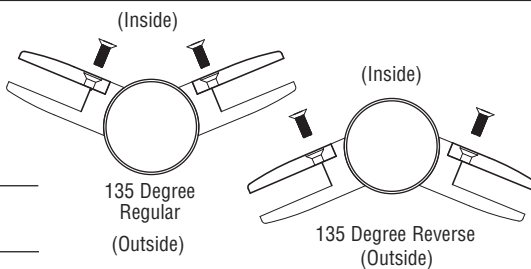


135 Degree Posts

Quantity:

135 Degree Regular _____

135 Degree Reverse _____

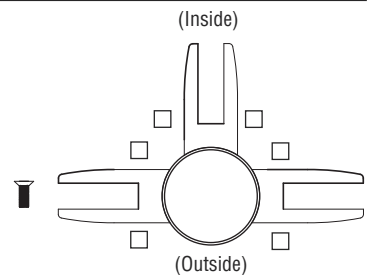


3-Way Posts

For Z-Clamps and Glass Clips only.

Mark one side of each clamp for the exposed screw location.

Quantity _____

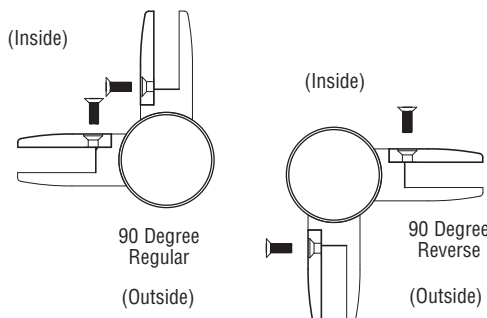


Corner Posts

Quantity:

90 Degree Regular _____

90 Degree Reverse _____

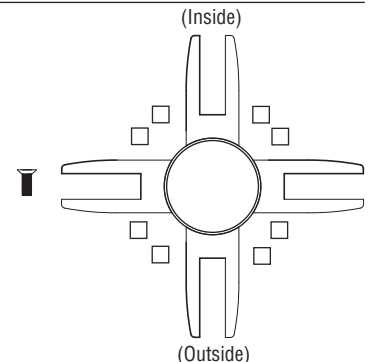


4-Way Posts

For Z-Clamps and Glass Clips only.

Mark one side of each clamp for the exposed screw location.

Quantity _____



CRL PARTITION POSTS COMPONENT PARTS

For Pricing Visit Our Web Site or Call Us Toll Free at the Phone Numbers Shown on the Back Cover

On the Following Pages are All of the Component Parts You Will Need to Fabricate Our Contemporary, Elegant, Plaza, and Slimline Series Partition Posts in Your Own Shop



Select Component Parts



Cut List for Tubing and U-Channel



Cut Tubing and U-Channel



Mark Attachment Points



Attach Clamps or U-Channel



Glue Base to Tubing



Glue Cap to Tubing



Clean Post for Installation

Fabricating your own Partition Posts allows you to match existing jobsite conditions with no delay for delivery. By doing it yourself you eliminate the fabrication, clean up, and packaging charges incurred with pre-fabricated partition posts. Most shops have the equipment needed to fabricate their own posts. Simple planning, fabricating, and assembly time is all that is required. Our Technical Sales Department is always there to help should you need assistance in planning your jobs.



C.R. LAURENCE COMPANY

crlaurence.com

P556 | crlaurence.ca crlaurence.com.au crlaurence.co.uk crlaurence.de crlaurence.eu

CRL PARTITION POSTS COMPONENT PARTS

For Pricing Visit Our Web Site or Call Us Toll Free at the Phone Numbers Shown on the Back Cover

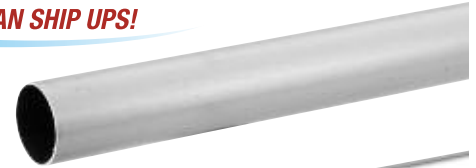
CRL Round Tubing for Partition Posts and Sneeze Guards

- Ready to Fabricate in Three Architectural Finishes
- Choice of Standard or 98" (2.49 m) Lengths
- Custom Lengths Are Also Available
- Three Stock Finishes
- Requires End Caps (Not Included)

CRL Round Tubing is formed using precision tooling to maintain uniform diameters, allowing for smooth hairline transitions at splices and end caps. Use our Cat. No. 32629 Metal Contact Cement (see page P602) to achieve a secure and permanent bond at all connections.

NEW 98" LENGTHS CAN SHIP UPS!

1" (25.4 mm) Diameter



1-1/2" (38.1 mm) Diameter



2" (50.8 mm) Diameter



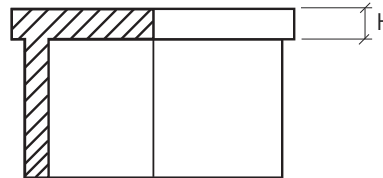
CAT. NO.	LENGTH	CAT. NO.	LENGTH	DIAMETER	FINISH	THICKNESS
HR10BS	236" (6.0 m)	HR10BS98	98" (2.49 m)	1" (25.4 mm)	Brushed Stainless	.050" (1.27 mm)
HR10PS	236" (6.0 m)	HR10PS98	98" (2.49 m)	1" (25.4 mm)	Polished Stainless	.050" (1.27 mm)
HR10PB	216" (5.48 m)	HR10PB98	98" (2.49 m)	1" (25.4 mm)	Polished Brass	.050" (1.27 mm)
HR15BS	236" (6.0 m)	HR15BS98	98" (2.49 m)	1-1/2" (38.1 mm)	Brushed Stainless	.050" (1.27 mm)
HR15PS	236" (6.0 m)	HR15PS98	98" (2.49 m)	1-1/2" (38.1 mm)	Polished Stainless	.050" (1.27 mm)
HR15PB	216" (5.48 m)	HR15PB98	98" (2.49 m)	1-1/2" (38.1 mm)	Polished Brass	.050" (1.27 mm)
HR20BS	236" (6.0 m)	HR20BS98	98" (2.49 m)	2" (50.8 mm)	Brushed Stainless	.050" (1.27 mm)
HR20PS	236" (6.0 m)	HR20PS98	98" (2.49 m)	2" (50.8 mm)	Polished Stainless	.050" (1.27 mm)
HR20PB	216" (5.48 m)	HR20PB98	98" (2.49 m)	2" (50.8 mm)	Polished Brass	.050" (1.27 mm)

Minimum order: 1 each. All Post Tubing can be combined for quantity pricing. Must ship common carrier if over 98" (2.49 m) length.

CRL Flat End Caps

- Three Sizes to Match Our Round Tubing
- Brushed Stainless, Polished Stainless, and Polished Brass Finishes

CRL Flat End Caps slip into the end of the tubing and provide a flat finished profile. Use our Cat. No. 32629 Metal Contact Cement (see page P602) to fasten End Cap to Tubing.



CAT. NO.	FOR TUBE DIAMETER	FINISH	"H" HEIGHT
HR10FBS	1" (25.4 mm)	Brushed Stainless	5/64" (2 mm)
HR10FPS	1" (25.4 mm)	Polished Stainless	5/64" (2 mm)
HR10FPB	1" (25.4 mm)	Polished Brass	5/64" (2 mm)
HR15FBS	1-1/2" (38.1 mm)	Brushed Stainless	1/8" (3.2 mm)
HR15FPS	1-1/2" (38.1 mm)	Polished Stainless	1/8" (3.2 mm)
HR15FPB	1-1/2" (38.1 mm)	Polished Brass	1/8" (3.2 mm)
HR20FBS	2" (50.8 mm)	Brushed Stainless	1/8" (3.2 mm)
HR20FPS	2" (50.8 mm)	Polished Stainless	1/8" (3.2 mm)
HR20FPB	2" (50.8 mm)	Polished Brass	1/8" (3.2 mm)

Minimum order: 1 each. Sizes and finishes can be combined for quantity pricing.



CRL PARTITION POSTS COMPONENT PARTS

For Pricing Visit Our Web Site or Call Us Toll Free at the Phone Numbers Shown on the Back Cover

CRL Square Tubing for Partition Posts and Sneeze Guards

- Ready to Fabricate
- Two Architectural Stainless Finishes
- Custom Lengths and Painted Finishes Available
- Requires End Caps Shown Below (Not Included)

All CRL Square Tubing is formed using precision tooling to maintain uniform dimensions, allowing for smooth hairline transitions at splices and end caps. Use our Cat. No. 32629 Metal Contact Cement (see page P602) to achieve a secure and permanent bond at all connections.

**NEW 98" LENGTHS
CAN SHIP UPS!**



1-1/2" (38.1 mm)
Square

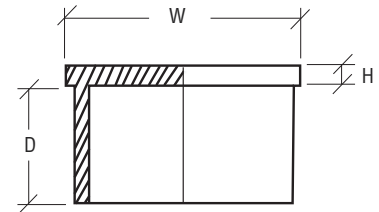
CAT. NO.	LENGTH	CAT. NO.	LENGTH	FINISH	THICKNESS	DIMENSIONS
HRS15BS	236" (6.0 m)	HRS15BS98	98" (2.49 m)	Brushed Stainless	.050" (1.27 mm)	1-1/2" x 1-1/2" (38.1 x 38.1 mm)
HRS15PS	236" (6.0 m)	HRS15PS98	98" (2.49 m)	Polished Stainless	.050" (1.27 mm)	1-1/2" x 1-1/2" (38.1 x 38.1 mm)

Minimum order: 1 each. All Post Tubing can be combined for quantity pricing. Must ship common carrier if over 98" (2.49 m) length.

CRL Flat Square End Caps

- Install Easily in Seconds
- Two Architectural Stainless Finishes

CRL Flat Square End Caps give the modern look to Partition Posts and Sneeze Guards. They are available in two architectural finishes to match our 1-1/2" (38.1 mm) Square Tubing. Use our Cat. No. 32629 Metal Contact Cement (see page P602) to bond the End Cap to Tubing.



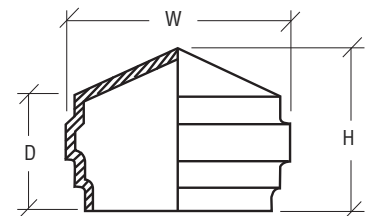
CAT. NO.	FINISH	"D" DEPTH	"W" WIDTH	"H" HEIGHT
SA10BS	Brushed Stainless	3/4" (19 mm)	1-1/2" (38.1 mm)	1/8" (3.2 mm)
SA10PS	Polished Stainless	3/4" (19 mm)	1-1/2" (38.1 mm)	1/8" (3.2 mm)

Minimum order: 1 each. Finishes can be combined for quantity pricing.

CRL Pyramid End Caps

- A Stylish Alternative for Square Partition Posts
- Brushed and Polished Stainless Finishes
- Simple and Ready to Install

CRL Pyramid End Caps give a stylish flair to Partition Posts and Sneeze Guards. They are available in two architectural finishes to match our 1-1/2" (38.1 mm) Square Tubing. Use our Cat. No. 32629 Metal Contact Cement (see page P602) to bond the End Cap to Tubing.



CAT. NO.	FINISH	"D" DEPTH	"W" WIDTH	"H" HEIGHT
SA11BS	Brushed Stainless	1" (25.4 mm)	2-1/8" (54 mm)	1-1/2" (38.1 mm)
SA11PS	Polished Stainless	1" (25.4 mm)	2-1/8" (54 mm)	1-1/2" (38.1 mm)

Minimum order: 1 each. Finishes can be combined for quantity pricing.



C.R. LAURENCE COMPANY

crlaurence.com

P558 | crlaurence.ca crlaurence.com.au crlaurence.co.uk crlaurence.de crlaurence.eu

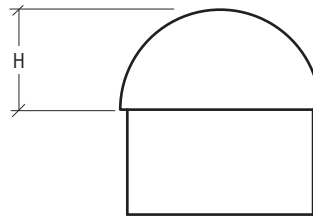
CRL PARTITION POSTS COMPONENT PARTS

For Pricing Visit Our Web Site or Call Us Toll Free at the Phone Numbers Shown on the Back Cover

CRL Dome End Caps

- Ready and Simple to Install
- Three Architectural Finishes

CRL Dome End Caps easily slip into our Round Tubing. Use of our Cat. No. 32629 Metal Contact Cement (see page P602) is required to achieve a secure and permanent bond.



DOMES END CAPS FOR 1-1/2" (38.1 MM) TUBING

CAT. NO.	FINISH	"H" HEIGHT
HR15DBS	Brushed Stainless	3/4" (19 mm)
HR15DPS	Polished Stainless	3/4" (19 mm)
HR15DPB	Polished Brass	3/4" (19 mm)

Minimum order: 1 each. Sizes and finishes can be combined for quantity pricing.

DOMES END CAPS FOR 2" (50.8 MM) TUBING

CAT. NO.	FINISH	"H" HEIGHT
HR20DBS	Brushed Stainless	1" (25.4 mm)
HR20DPS	Polished Stainless	1" (25.4 mm)
HR20DPB	Polished Brass	1" (25.4 mm)

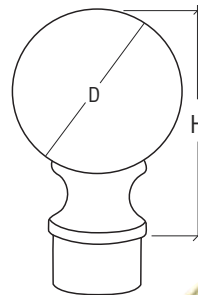
Minimum order: 1 each. Sizes and finishes can be combined for quantity pricing.



CRL Ball End Caps

- Ready to Install
- Two Sizes and Three Architectural Finishes

CRL Ball End Caps add an attractive look to partition posts. They are available in two sizes and three finishes. Use our Cat. No. 32629 Metal Contact Cement (see page P602) for a secure and permanent bond.



BALL END CAPS FOR 1-1/2" (38.1 MM) TUBING

CAT. NO.	FINISH	"D" DIMENSION	"H" HEIGHT
SA381BR	Polished Brass	2-9/16" (65 mm)	3-3/8" (86.5 mm)
SA381BS	Brushed Stainless	2-9/16" (65 mm)	3-3/8" (86.5 mm)
SA381PS	Polished Stainless	2-9/16" (65 mm)	3-3/8" (86.5 mm)

Minimum order: 1 each. Sizes and finishes can be combined for quantity pricing.

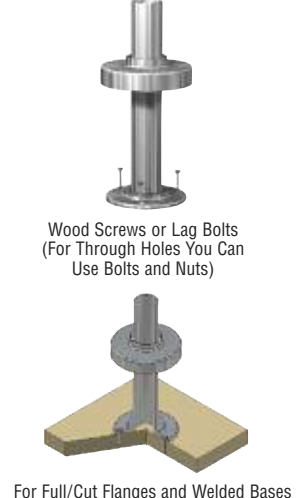
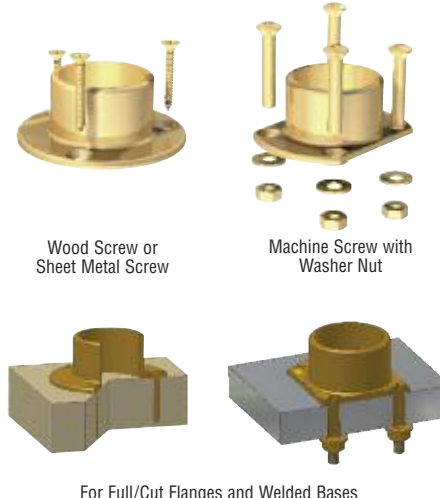
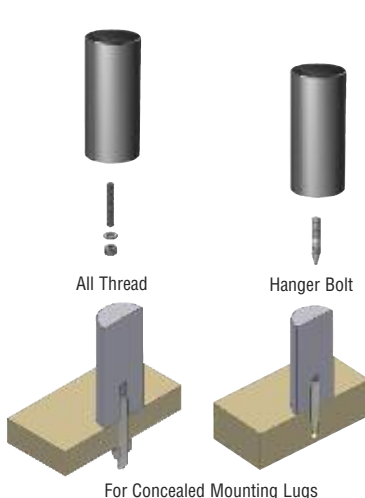
BALL END CAPS FOR 2" (50.8 MM) TUBING

CAT. NO.	FINISH	"D" DIMENSION	"H" HEIGHT
SA508BR	Polished Brass	3-1/8" (80 mm)	4-1/2" (115 mm)
SA508BS	Brushed Stainless	3-1/8" (80 mm)	4-1/2" (115 mm)
SA508PS	Polished Stainless	3-1/8" (80 mm)	4-1/2" (115 mm)

Minimum order: 1 each. Sizes and finishes can be combined for quantity pricing.



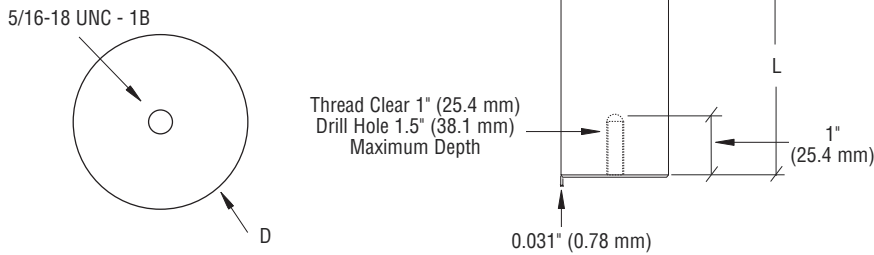
Base Securing Methods



CRL Concealed Mounting Lug

- Attaches to Counter With All Thread or Hanger Bolt
- Secures to Tubing With Metal Contact Cement

CRL Concealed Mounting Lugs easily slip into our Partition Post and Sneeze Guard Tubing. The 2" (50.8 mm) or 3" (76.2 mm) long Lugs are attached to the counter using All Thread or Hanger Bolts (sold separately - see page P657). Use our Cat. No. 32629 Metal Contact Cement (see page P602) to achieve a secure and permanent bond.



CONCEALED MOUNTING LUG FOR 1" (25.4 MM) TUBING

CAT. NO.	FINISH	"L" LENGTH	"D" DIAMETER
HR10CBM	Mill Aluminum	2" (50.8 mm)	7/8" (22.3 mm)

Minimum order: 1 each.

CONCEALED MOUNTING LUG FOR 1-1/2" (38.1 MM) TUBING

CAT. NO.	FINISH	"L" LENGTH	"D" DIAMETER
HR15CBM	Mill Aluminum	3" (76.2 mm)	1-3/8" (35 mm)

Minimum order: 1 each.

CONCEALED MOUNTING LUG FOR 2" (50.8 MM) TUBING

CAT. NO.	FINISH	"L" LENGTH	"D" DIAMETER
HR20CBM	Mill Aluminum	3" (76.2 mm)	1-7/8" (47.7 mm)

Minimum order: 1 each.

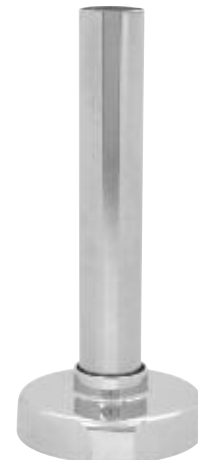
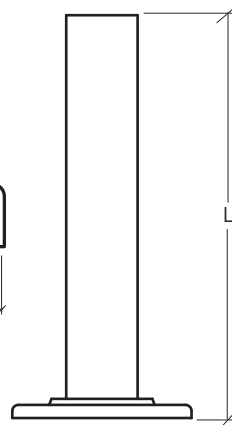
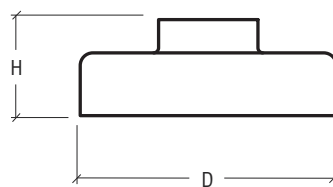


Tubing Slips Over Lug

CRL Steel Flanges and Canopies

- Ready to Install
- Three Architectural Finishes

CRL Steel Flanges and Canopies are packaged as a kit. The Steel Flange has a 12" (304.8 mm) high pipe that the Tubing slips over. The Canopy then slips over the Tubing to cover the Steel Flange for an attractive look. Use our Cat. No. 32629 Metal Contact Cement (see page P602) to achieve a secure and permanent bond.



Canopy Conceals Steel Flange

STEEL FLANGES AND CANOPIES FOR 1-1/2" (38.1 MM) TUBING

CAT. NO.	FINISH	"D" DIAMETER	"H" HEIGHT	"L" LENGTH
HR15XBS	Brushed Stainless	4" (101.6 mm)	1-1/2" (38.1 mm)	12" (304.8 mm)
HR15XPS	Polished Stainless	4" (101.6 mm)	1-1/2" (38.1 mm)	12" (304.8 mm)
HR15XPB	Polished Brass	4" (101.6 mm)	1-1/2" (38.1 mm)	12" (304.8 mm)

Minimum order: 1 each. Sizes and finishes can be combined for quantity pricing.

STEEL FLANGES AND CANOPIES FOR 2" (50.8 MM) TUBING

CAT. NO.	FINISH	"D" DIAMETER	"H" HEIGHT	"L" LENGTH
HR20XBS	Brushed Stainless	5" (127 mm)	1-1/2" (38.1 mm)	12" (304.8 mm)
HR20XPS	Polished Stainless	5" (127 mm)	1-1/2" (38.1 mm)	12" (304.8 mm)
HR20XPB	Polished Brass	5" (127 mm)	1-1/2" (38.1 mm)	12" (304.8 mm)

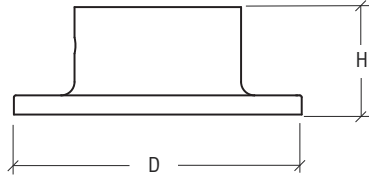
Minimum order: 1 each. Sizes and finishes can be combined for quantity pricing.

CRL PARTITION POSTS COMPONENT PARTS

For Pricing Visit Our Web Site or Call Us Toll Free at the Phone Numbers Shown on the Back Cover

CRL Full Flanges

- Ready to Mount
- Choice of Three Architectural Finishes



FULL FLANGES FOR 1" (25.4 MM) TUBING

CAT. NO.	FINISH	"D" DIMENSION	"H" HEIGHT
HR10YBS	Brushed Stainless	2" (50.8 mm)	15/16" (23.8 mm)

Minimum order: 1 each. Sizes and finishes can be combined for quantity pricing.

FULL FLANGES FOR 1-1/2" (38.1 MM) TUBING

CAT. NO.	FINISH	"D" DIMENSION	"H" HEIGHT
HR15YBS	Brushed Stainless	2-15/16" (75 mm)	1-1/8" (28 mm)
HR15YPS	Polished Stainless	2-15/16" (75 mm)	1-1/8" (28 mm)
HR15YPB	Polished Brass	2-15/16" (75 mm)	1-1/8" (28 mm)

Minimum order: 1 each. Sizes and finishes can be combined for quantity pricing.

FULL FLANGES FOR 2" (50.8 MM) TUBING

CAT. NO.	FINISH	"D" DIMENSION	"H" HEIGHT
HR20YBS	Brushed Stainless	3-15/16" (100 mm)	1-3/16" (30 mm)
HR20YPS	Polished Stainless	3-15/16" (100 mm)	1-3/16" (30 mm)
HR20YPB	Polished Brass	3-15/16" (100 mm)	1-3/16" (30 mm)

Minimum order: 1 each. Sizes and finishes can be combined for quantity pricing.

CRL Full Flanges easily slip onto the ends of our Partition Post and Sneeze Guard Tubing. Use our Cat. No. 32629 Metal Contact Cement (see page P602) to achieve a secure and permanent bond. Mounting screws and set screw are included. Additional information available at crlaurence.com.

CRL 45 Degree Angle Flanges

- Ready to Install
- Three Architectural Finishes

CRL 45 Degree Angle Flanges are designed to allow our Partition Posts and Sneeze Guard Tubing to be slipped inside the fitting for a secure mount. Use of our Cat. No. 32629 Metal Contact Cement (see page P602) is required to achieve a secure and permanent bond. Matching finish mounting screws and set screw are included. Additional information available at crlaurence.com.



45 DEGREE ANGLE FLANGES FOR 1-1/2" (38.1 MM) TUBING

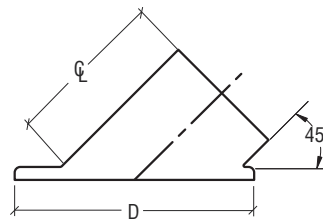
CAT. NO.	FINISH	"D" DIMENSION	"C/L"
HR15AFBS	Brushed Stainless	3-1/8" (79 mm)	1-11/16" (42.2 mm)
HR15AFPS	Polished Stainless	3-1/8" (79 mm)	1-11/16" (42.2 mm)
HR15AFPB	Polished Brass	3-1/8" (79 mm)	1-11/16" (42.2 mm)

Minimum order: 1 each. Sizes and finishes can be combined for quantity pricing.

45 DEGREE ANGLE FLANGES FOR 2" (50.8 MM) TUBING

CAT. NO.	FINISH	"D" DIMENSION	"C/L"
HR20AFBS	Brushed Stainless	5" (127 mm)	2-7/16" (62.6 mm)
HR20AFPS	Polished Stainless	5" (127 mm)	2-7/16" (62.6 mm)
HR20AFPB	Polished Brass	5" (127 mm)	2-7/16" (62.6 mm)

Minimum order: 1 each. Sizes and finishes can be combined for quantity pricing.



CRL Cut Flanges

- Ready to Install
- Three Architectural Finishes to Match Our Tubing

CRL Cut Flanges easily slip onto the ends of our Partition Post and Sneeze Guard Tubing. Use of our Cat. No. 32629 Metal Contact Cement (see page P602) is required to achieve a secure and permanent bond. Mounting screws and set screw are included. Additional information available at crlaurence.com.



CUT FLANGES FOR 1-1/2" (38.1 MM) TUBING

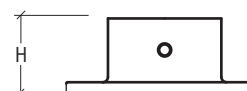
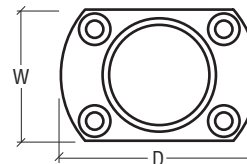
CAT. NO.	FINISH	"D" DIMENSION	"W" WIDTH	"H" HEIGHT
HR15ZBS	Brushed Stainless	2-15/16" (75 mm)	2" (50.8 mm)	1-1/8" (28.3 mm)
HR15ZPS	Polished Stainless	2-15/16" (75 mm)	2" (50.8 mm)	1-1/8" (28.3 mm)
HR15ZPB	Polished Brass	2-15/16" (75 mm)	2" (50.8 mm)	1-1/8" (28.3 mm)

Minimum order: 1 each. Sizes and finishes can be combined for quantity pricing.

CUT FLANGES FOR 2" (50.8 MM) TUBING

CAT. NO.	FINISH	"D" DIMENSION	"W" WIDTH	"H" HEIGHT
HR20ZBS	Brushed Stainless	4" (102 mm)	2-5/8" (66.9 mm)	1-1/8" (28.3 mm)
HR20ZPS	Polished Stainless	4" (102 mm)	2-5/8" (66.9 mm)	1-1/8" (28.3 mm)
HR20ZPB	Polished Brass	4" (102 mm)	2-5/8" (66.9 mm)	1-1/8" (28.3 mm)

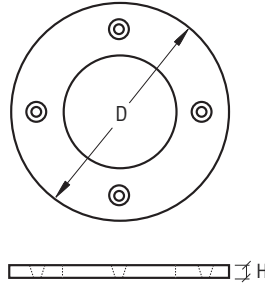
Minimum order: 1 each. Sizes and finishes can be combined for quantity pricing.



CRL Round Base Plates

- Sizes for Our 1-1/2" and 2" (38.1 and 50.8 mm) Round Tubing
- Ready to be Welded or Brazed to the Tubing
- Three Architectural Finishes

CRL Round Base Plates for welding or brazing to Partition Post and Sneeze Guard Tubing are available in three architectural finishes. Made for use with our 1-1/2" and 2" (38.1 and 50.8 mm) Round Tubing, these Base Plates provide great strength and allow the bottom edge of the glass to be 1/8" (3 mm) above the counter surface. Mounting screws are included. Additional information available at crlaurence.com.



ROUND BASE PLATES FOR 1-1/2" (38.1 MM) ROUND TUBING

CAT. NO.	FINISH	"D" DIMENSION	"H" HEIGHT
SA25BS	Brushed Stainless	3" (76.2 mm)	1/8" (3 mm)
SA25PS	Polished Stainless	3" (76.2 mm)	1/8" (3 mm)
SA25PB	Polished Brass	3" (76.2 mm)	1/8" (3 mm)

Minimum order: 1 each. Sizes and finishes can be combined for quantity pricing.

ROUND BASE PLATES FOR 2" (50.8 MM) ROUND TUBING

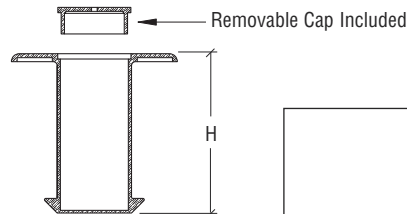
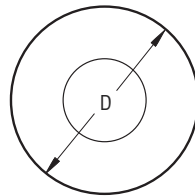
CAT. NO.	FINISH	"D" DIMENSION	"H" HEIGHT
SA28BS	Brushed Stainless	3-1/2" (88.9 mm)	1/8" (3 mm)
SA28PS	Polished Stainless	3-1/2" (88.9 mm)	1/8" (3 mm)
SA28PB	Polished Brass	3-1/2" (88.9 mm)	1/8" (3 mm)

Minimum order: 1 each. Sizes and finishes can be combined for quantity pricing.

CRL Floor Socket With Cap

- Ready to Install
- Three Architectural Finishes

CRL Floor Sockets With Caps are used in areas where Partition Posts are only required at certain times. The Floor Socket is inserted into a 3-1/4" (82.5 mm) diameter, 5" (127 mm) deep hole, and then set in place using Expanding Cement (see page P633). When Partition Posts are needed, the Cap is removed from the Floor Socket and the Partition Posts are inserted. When Partition Posts are not needed, the Cap is inserted for a finished look as well as to prevent tripping in the hole. The flange projects only 1/4" (6.3 mm) above the floor.



CAT. NO.	FINISH	"D" DIMENSION	"H" HEIGHT
HR20FSBS	Brushed Stainless	5" (127 mm)	4-3/4" (120 mm)
HR20FSPS	Polished Stainless	5" (127 mm)	4-3/4" (120 mm)
HR20FSPB	Polished Brass	5" (127 mm)	4-3/4" (120 mm)

Minimum order: 1 each. Finishes can be combined for quantity pricing.

CRL PARTITION POSTS COMPONENT PARTS

For Pricing Visit Our Web Site or Call Us Toll Free at the Phone Numbers Shown on the Back Cover

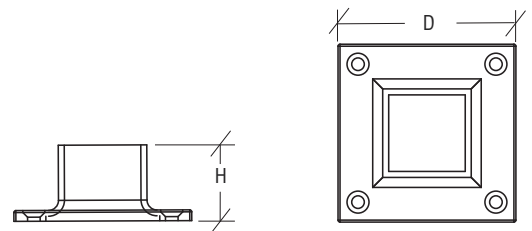
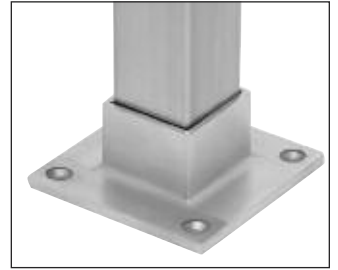
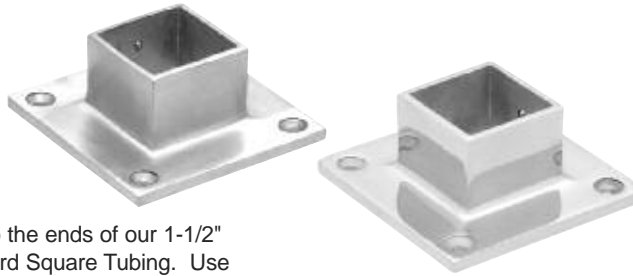
CRL Square Full Flanges

- Full Flange for 1-1/2" (38.1 mm) Square Tubing
- Ready to Mount
- Two Architectural Finishes

CRL Square Full Flanges easily slip onto the ends of our 1-1/2" (38.1 mm) Partition Posts and Sneeze Guard Square Tubing. Use our Cat. No. 32629 Metal Contact Cement (see page P602) to achieve a secure and permanent bond. Mounting screws are included. Additional information available at crlaurence.com.

CAT. NO.	FINISH	"D" DIMENSION	"H" HEIGHT
HR15SYBS	Brushed Stainless	3-1/2" (89 mm)	1-1/2" (38.1 mm)
HR15SYP	Polished Stainless	3-1/2" (89 mm)	1-1/2" (38.1 mm)

Minimum order: 1 each. Finishes can be combined for quantity pricing.



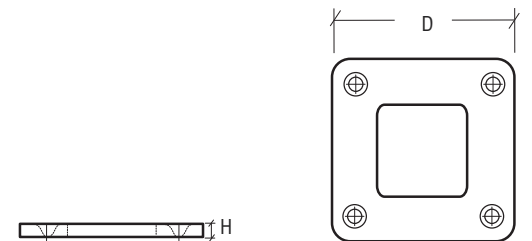
CRL Square Base Plates

- Ready to be Welded to the Tubing
- Two Architectural Finishes

CRL Square Base Plates fit 1-1/2" (38.1 mm) Square Partition Posts and Sneeze Guard Tubing, and are available in two architectural finishes. Plates provide great strength and allow the bottom edge of the glass to be 1/8" (3.2 mm) above the counter surface.

CAT. NO.	FINISH	"D" DIMENSION	"H" HEIGHT
SA30BS	Brushed Stainless	3" (76.2 mm)	1/8" (3.2 mm)
SA30PS	Polished Stainless	3" (76.2 mm)	1/8" (3.2 mm)

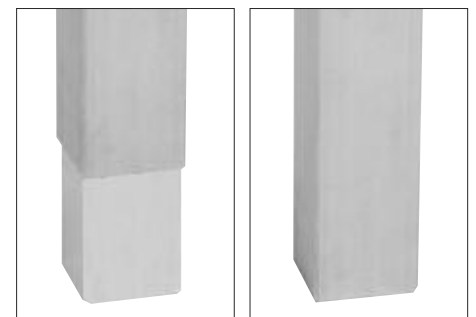
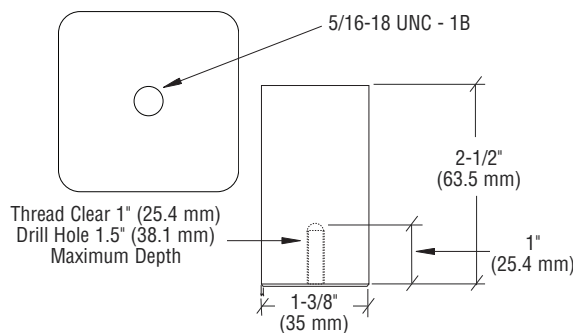
Minimum order: 1 each. Finishes can be combined for quantity pricing.



CRL Concealed Mounting Lugs

- Attaches to Counter With All Thread or Hanger Bolt
- Secures to Tubing With Metal Contact Cement

CRL Concealed Mounting Lugs easily slip into our Partition Post and Sneeze Guard Tubing. The 2-1/2" (63.5 mm) long Lugs are attached to the counter using All Thread or Hanger Bolts (sold separately - see page P657). Use our Cat. No. 32629 Metal Contact Cement (see page P602) to achieve a secure and permanent bond.



Square Tubing slips over Mounting Lug

CAT. NO.	FINISH	"L" LENGTH
HR15SCBM	Mill Aluminum	2-1/2" (63.5 mm)

Minimum order: 1 each.

CRL PARTITION POSTS COMPONENT PARTS

For Pricing Visit Our Web Site or Call Us Toll Free at the Phone Numbers Shown on the Back Cover

CRL Radiused Back Brass U-Channel

- Radiused Back Fits 1-1/2" or 2" (38.1 or 50.8 mm) Round Tubing
- Easily Secures to the Tubing With Screws

- Available for 1/4" and 3/8" (6 and 10 mm) Glass

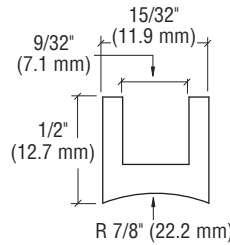


NEW 98" LENGTHS CAN SHIP UPS!

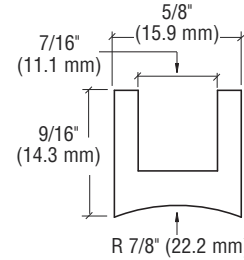
CRL Radiused Back Brass U-Channel is used to secure glass panels to the Round Tubing in Partition Post and Sneeze Guard installations. They are easily attached to the Tubing with screws (not included). On posts with an air space, be sure to use Glass Stops (see below).

CAT. NO.	GLASS THICKNESS	FINISH	STOCK LENGTH
SAC14BR	1/4" (6 mm)	Polished Brass	144" (3.66 m)
SAC38BR	3/8" (10 mm)	Polished Brass	144" (3.66 m)
SAC14BR98	1/4" (6 mm)	Polished Brass	98" (2.49 m)
SAC38BR98	3/8" (10 mm)	Polished Brass	98" (2.49 m)

Minimum order: 1 each. Sizes and finishes can be combined for quantity pricing. A Packing Charge will be added to orders of fewer than five lengths. 144" (3.66 m) lengths must ship common carrier.



For 1/4" (6 mm) Glass



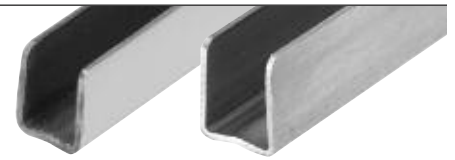
For 3/8" (10 mm) Glass



CRL Radiused Back Stainless Steel U-Channel

- Radiused Back Fits 1-1/2" or 2" (38.1 or 50.8 mm) Round or Square Tubing
- Easily Secures to the Tubing With Screws

- Available for 1/4" and 3/8" (6 and 10 mm) Glass

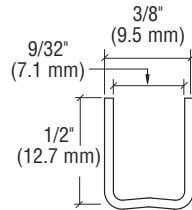


NEW 98" LENGTHS CAN SHIP UPS!

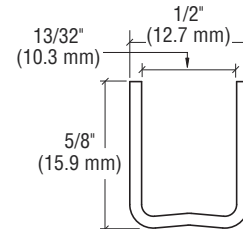
CRL Radiused Back Stainless Steel U-Channel is used to secure glass panels to Round or Square Tubing in Partition Post and Sneeze Guard installations. They are easily attached to the Tubing with screws (not included). On posts with an air space, be sure to use Glass Stops (see below).

CAT. NO.	GLASS THICKNESS	FINISH	STOCK LENGTH
SAC14BS	1/4" (6 mm)	Brushed Stainless	144" (3.66 m)
SAC38BS	3/8" (10 mm)	Brushed Stainless	144" (3.66 m)
SAC14PS	1/4" (6 mm)	Polished Stainless	144" (3.66 m)
SAC38PS	3/8" (10 mm)	Polished Stainless	144" (3.66 m)
SAC14BS98	1/4" (6 mm)	Brushed Stainless	98" (2.49 m)
SAC38BS98	3/8" (10 mm)	Brushed Stainless	98" (2.49 m)
SAC14PS98	1/4" (6 mm)	Polished Stainless	98" (2.49 m)
SAC38PS98	3/8" (10 mm)	Polished Stainless	98" (2.49 m)

Minimum order: 1 each. Sizes and finishes can be combined for quantity pricing. A Packing Charge will be added to orders of fewer than five lengths. 144" (3.66 m) lengths must ship common carrier.



For 1/4" (6 mm) Glass



For 3/8" (10 mm) Glass



CRL Glass Stops

- Polished Brass, Brushed and Polished Stainless Finishes Available for 1/4" and 3/8" (6 and 10 mm) Glass U-Channels
- Supports Glass on Posts With an Air Space

POLISHED BRASS CAT. NO.	BRUSHED STAINLESS CAT. NO.	POLISHED STAINLESS CAT. NO.	GLASS THICKNESS
SA14BR	SA14BS	SA14PS	1/4" (6 mm)
SA38BR	SA38BS	SA38PS	3/8" (10 mm)

Minimum order: 1 each. Sizes and finishes can be combined for quantity pricing.

CRL Glass Stops are used to support the glass on posts that have an air space. They are easily secured with the 3/4" (19 mm) thread cutting screw that is supplied with the Glass Stop. A cushion should be provided between the glass edge and the Glass Stop. This can easily be accomplished with a piece of clear or electrical tape.

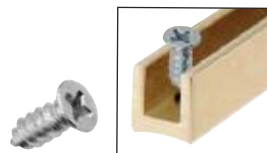


CRL Flat Head Phillips Securing Screws

- Choice of Screw Head Sizes, Lengths, and Finishes

CAT. NO.	HEAD	LENGTH	FINISH	SOLD BY
AV1479	#8	7/16" (11.1 m)	Zinc Plated	*Box (100 per box)
10X112FHPBS	#10	1-1/2" (38.1 m)	Brushed Stainless	**Each
10X112FHPPS	#10	1-1/2" (38.1 m)	Polished Stainless	**Each
10X112FHPBR	#10	1-1/2" (38.1 m)	Brass Plated	**Each

* Minimum order: 1 box. ** Minimum order: 100 each.



CAT. NO. AV1479



CAT. NO. 10X112FHP



C.R. LAURENCE COMPANY

564 | crlaurence.ca crlaurence.com.au crlaurence.co.uk crlaurence.de crlaurence.eu

crlaurence.com

CRL PARTITION POSTS COMPONENT PARTS

For Pricing Visit Our Web Site or Call Us Toll Free at the Phone Numbers Shown on the Back Cover

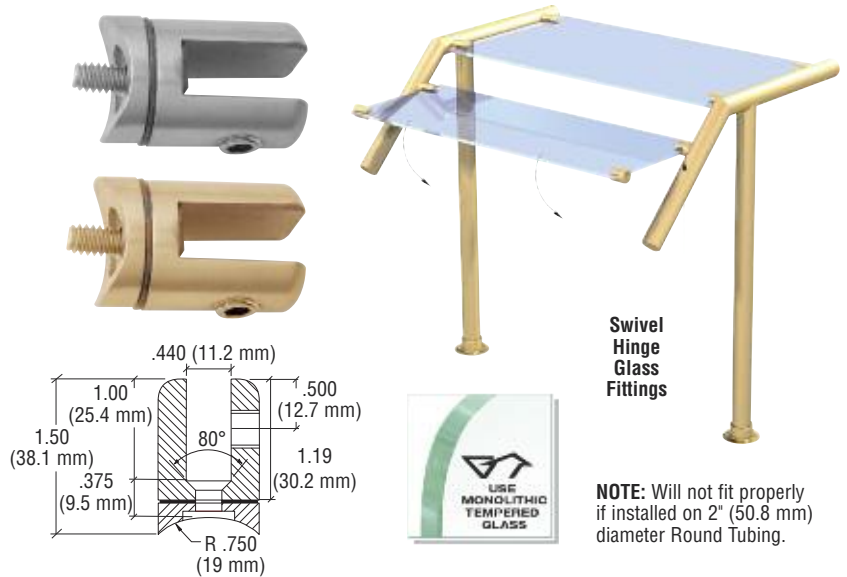
CRL Swivel Hinge Glass Fittings

- Radius Mounting Base for 1-1/2" (38.1 mm) Diameter Round Tubing
- 1/4" and 3/8" (6 and 10 mm) Thick Glass is Secured With a Vinyl Gasket and a Nylon Tipped Set Screw

CRL Swivel Hinge Glass Fittings allow the glass panel to be swiveled up for access when attached to our Round Tubing and the glass. Fitting is for 1-1/2" (38.1 mm) Tubing and supplied with a 1/4"-20 Flat Head Screw.

CAT. NO.	FINISH
SA61PB	Polished Brass
SA61BS	Brushed Stainless
SA61PS	Polished Stainless
SA60K1T	Replacement Gasket and Set Screw

Minimum order: 1 each. Finishes can be combined for quantity pricing.



Swivel Hinge Glass Fittings

NOTE: Will not fit properly if installed on 2" (50.8 mm) diameter Round Tubing.

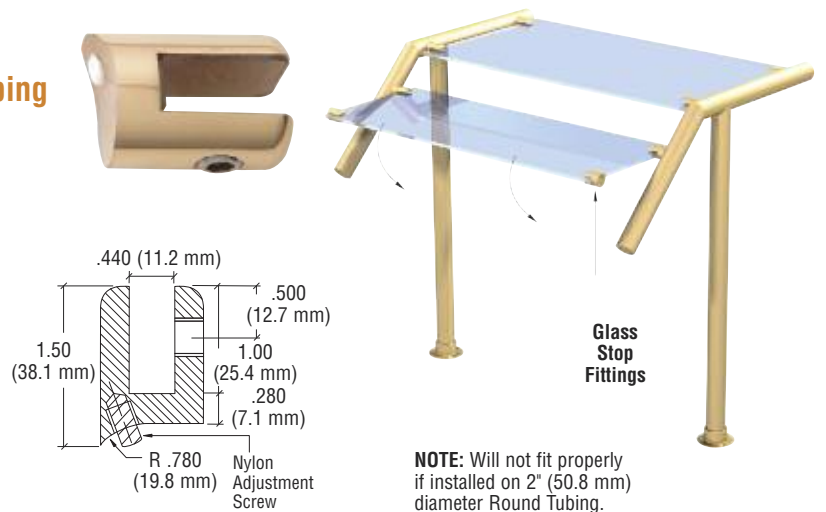
CRL Glass Stop Fittings

- For 1-1/2" (38.1 mm) Diameter Round Tubing
- 1/4" and 3/8" (6 and 10 mm) Thick Glass is Secured With a Vinyl Gasket and a Nylon Tipped Set Screw

CRL Glass Stop Fittings mount to the glass panel to provide a cushioned and adjustable stop when it is placed in the closed position on Slant Front Sneeze Guards.

CAT. NO.	FINISH
SA62PB	Polished Brass
SA62BS	Brushed Stainless
SA62PS	Polished Stainless
SA60K1T	Replacement Gasket and Set Screw

Minimum order: 1 each. Finishes can be combined for quantity pricing.



Glass Stop Fittings

NOTE: Will not fit properly if installed on 2" (50.8 mm) diameter Round Tubing.

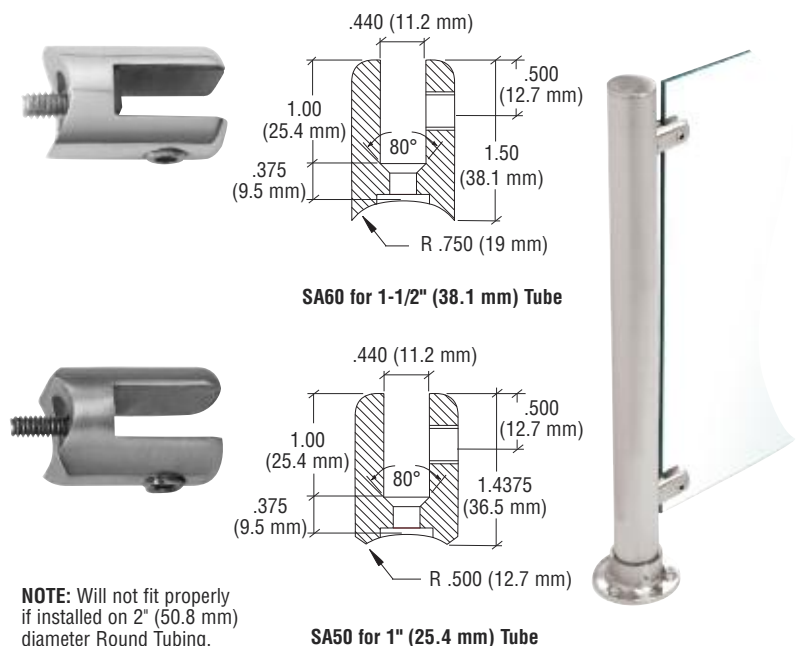
CRL Fixed Glass Fittings

- Radius Mounting Base for 1" (25.4 mm) and 1-1/2" (38.1 mm) Diameter Round Tubing

CRL Fixed Glass Fittings offer an easy yet attractive way to secure glass panels to Partition Posts and Sneeze Guards. After mounting to the Tubing the glass panel is simply secured in place with a clear vinyl gasket and a nylon tipped set screw. Works with both 1/4" and 3/8" (6 and 10 mm) glass. Can be used on 1" or 1-1/2" (25.4 or 38.1 mm) Tubing. Fitting for 1" (25.4 mm) Tubing comes with a 10-24 Flat Head Screw; Fitting for 1-1/2" (38.1 mm) Tubing comes with a 1/4"-20 Flat Head Screw. Matching size Rivet-Nuts are shown on page P573.

CAT. NO.	FITS TUBING DIAMETER	FINISH
SA50BS	1" (25.4 mm)	Brushed Stainless
SA60BS	1-1/2" (38.1 mm)	Brushed Stainless
SA60PS	1-1/2" (38.1 mm)	Polished Stainless
SA60PB	1-1/2" (38.1 mm)	Polished Brass
SA60K1T	Replacement Gasket and Set Screw for SA50 and SA60	

Minimum order: 1 each. Finishes can be combined for quantity pricing.



SA60 for 1-1/2" (38.1 mm) Tube

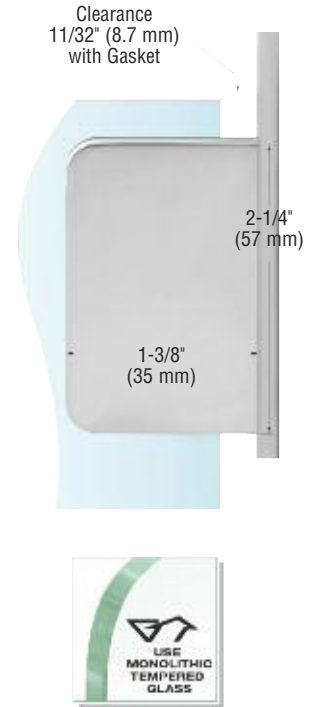
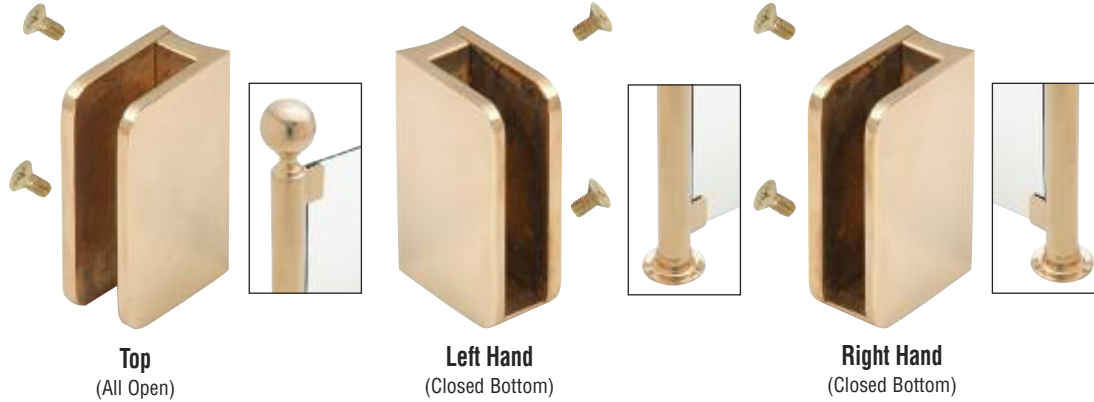
SA50 for 1" (25.4 mm) Tube

NOTE: Will not fit properly if installed on 2" (50.8 mm) diameter Round Tubing.

CRL Glass Clips

- Radius Mounting Base
- Sizes to Hold 1/4" or 3/8" (6 or 10 mm) Thick Glass
- Supplied With Clear Gaskets and Self-Tapping Mounting Screws

CRL Glass Clips are used on Partition Posts and Sneeze Guards to support the glass. The Radius Base secures to 1-1/2" and 2" (38.1 and 50.8 mm) Round Tubing. A side plate secured with two screws can easily be removed to allow the placement of the glass. Clear gaskets are supplied to act as a cushion between the glass and the Clips. Each Clip is supplied with mounting screws.



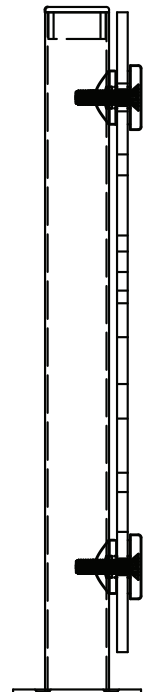
TYPE OF GLASS CLIP	GLASS THICKNESS	POLISHED BRASS CAT. NO.	BRUSHED STAINLESS CAT. NO.	POLISHED STAINLESS CAT. NO.	REPLACEMENT GASKETS
Top (All Open)	1/4" (6 mm)	SA94BR	SA94BS	SA94PS	RG94
Top (All Open)	3/8" (10 mm)	SA87BR	SA87BS	SA87PS	RG87
Left Hand (Closed Bottom)	1/4" (6 mm)	SA96BR	SA96BS	SA96PS	RG9596
Left Hand (Closed Bottom)	3/8" (10 mm)	SA93BR	SA93BS	SA93PS	RG9293
Right Hand (Closed Bottom)	1/4" (6 mm)	SA95BR	SA95BS	SA95PS	RG9596
Right Hand (Closed Bottom)	3/8" (10 mm)	SA92BR	SA92BS	SA92PS	RG9293

Minimum order: 1 each. All Glass Clips can be combined for quantity pricing. Replacement Gaskets sold by the pack. Each pack contains clear gaskets for one Glass Clip.

CRL Tube Adaptors for 1-1/2" (38.1 mm) Diameter and 2" (50.8 mm) Diameter Tubing

- Adaptors Fit 1-1/2" (38.1 mm) and 2" (50.8 mm) Tubing

CRL Tube Adaptors allow Standoff Bases to be attached to 1-1/2" (38.1 mm) or 2" (50.8 mm) Post Tubing. Use Riv-Nut for securing the Standoff to the Tubing.



ADAPTOR DIAMETER	FINISH	ADAPTOR FOR	ADAPTOR FOR	STANDARD CAP CAT. NO.	LOW PROFILE CAP CAT. NO.	RIV-NUT CAT. NO.
		1-1/2" (38.1 MM) DIAMETER TUBING CAT. NO.	2" (50.8 MM) DIAMETER TUBING CAT. NO.			
3/4" (19 mm)	Brass	3STA112BR	3STA2BR	CAP34BR	LPC34BR	RN1420
3/4" (19 mm)	Chrome	3STA112CH	3STA2CH	CAP34CH	LPC34CH	RN1420
3/4" (19 mm)	Brushed Stainless	3STA112BS	3STA2BS	CAP34BS	LPC34BS	RN1420
3/4" (19 mm)	Satin Chrome	3STA112SC	3STA2SC	CAP34SC	LPC34SC	RN1420
1-1/4" (31.7 mm)	Brass	STA112BR	-	CAP114BR	LPC114BR	ZRNU
1-1/4" (31.7 mm)	Chrome	STA112CH	-	CAP114CH	LPC114CH	ZRNU
1-1/4" (31.7 mm)	Brushed Stainless	STA112BS	-	CAP114BS	LPC114BS	ZRNU
1-1/4" (31.7 mm)	Satin Chrome	STA112SC	-	CAP114SC	LPC114SC	ZRNU
2" (50.8 mm)	Brass	-	STA2BR	CAP2BR	-	323VB
2" (50.8 mm)	Chrome	-	STA2CH	CAP2CH	LPC2PS	323VB
2" (50.8 mm)	Brushed Stainless	-	STA2BS	CAP2BS	LPC2BS	323VB
2" (50.8 mm)	Satin Chrome	-	STA2SC	CAP2SC	-	323VB

Minimum order: 1 each for all Adaptors and Caps. Finishes can be combined for quantity pricing. RIV-NUTS are ordered in increments of 10 only, except 323VB which are sold per Pack (25 per Pack).

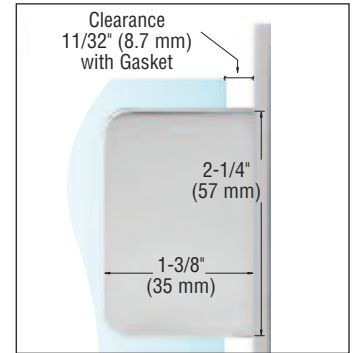
CRL PARTITION POSTS COMPONENT PARTS

For Pricing Visit Our Web Site or Call Us Toll Free at the Phone Numbers Shown on the Back Cover

CRL Glass Clips

- Flat Mounting Base for Use on Square Posts
- Sizes for 1/4" or 3/8" (6 or 10 mm) Thick Glass
- Supplied With Clear Gaskets and Mounting Screws

CRL Glass Clips are used on Partition Posts and Sneeze Guards to support the glass. The flat base secures to our 1-1/2" (38.1 mm) Square Tubing. A side plate secured with two screws can easily be removed to allow placement of the glass. Clear gaskets are supplied to act as a cushion between the glass and the Clips. Each Clip is supplied with mounting screws.



Top
(All Open)



Closed Bottom
(Left Hand)



Closed Bottom
(Right Hand)



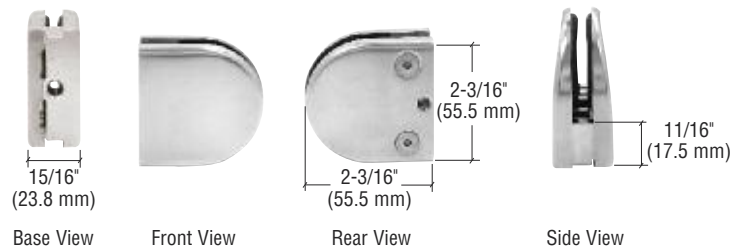
TYPE OF GLASS CLIP	GLASS THICKNESS	POLISHED BRASS CAT. NO.	BRUSHED STAINLESS CAT. NO.	POLISHED STAINLESS CAT. NO.	REPLACEMENT GASKETS
Top (All Open)	1/4" (6 mm)	SA94FBR	SA94FBS	SA94FPS	RG94
Top (All Open)	3/8" (10 mm)	SA87FBR	SA87FBS	SA87FPS	RG87
Closed Bottom (Left Hand)	1/4" (6 mm)	SA96FBR	SA96FBS	SA96FPS	RG9596
Closed Bottom (Left Hand)	3/8" (10 mm)	SA93FBR	SA93FBS	SA93FPS	RG9293
Closed Bottom (Right Hand)	1/4" (6 mm)	SA95FBR	SA95FBS	SA95FPS	RG9596
Closed Bottom (Right Hand)	3/8" (10 mm)	SA92FBR	SA92FBS	SA92FPS	RG9293

All Glass Clips can be combined for quantity pricing. Minimum order: 1 each. Replacement Gaskets sold by pack. Each pack contains Clear Gaskets for 1 Glass Clip.

CRL Adjustable Glass Clamp

- Used to Hold 3/16" to 3/8" (5 to 10 mm) Glass Between Partition Posts
- Flat Mounting Base
- Satin Chrome Finish

CRL's Adjustable Glass Clamps are an easy and secure way to create privacy dividers with 3/16" to 3/8" (5 to 10 mm) thick glass. They have a satin chrome finish and rubber O-rings for a solid grip on the glass. Easily installed and attached by tightening the two large screws snugly against the glass, then tighten the set screw to apply the clamping action.



CAT. NO.	FINISH	BASE METAL	GLASS THICKNESS
38AGP	Satin Chrome	Zinc Casting	3/16" to 3/8" (5 to 10 mm)

Minimum order: 1 each. All Glass Clamps can be combined for quantity pricing.

CRL Z-Series Round Type Radius Base Glass Clamps



SPECIFICATIONS:

Glass Thickness: Models for 1/4" to 1/2" (6 to 12 mm).

Base Design: Radius.

For Use With: 1-1/2" or 2" (38.1 or 50.8 mm)

Diameter Round Tubing.

Material: Choice of Zinc Constructed or Stainless Steel.

Stainless Steel or Powder Painted Zinc Clamps are recommended for more durability in exterior applications.

Glass Fabrication:

For 1/4" (6 mm), 5/16" (8 mm), and 3/8" (10 mm) Thick Glass: 1/2" (12 mm) diameter hole required if using provided steel pin for glass support.

For 1/2" (12 mm) Thick Glass: 9/16" (14 mm) diameter hole required if using provided steel pin for glass support.

Includes: Rubber Gaskets and Steel Pin (for optional use) with Grommet.



CAT. NO. ZBOLT
Fastener for Use With Metal Posts



CAT. NO. ZLAG
Fastener for Use With Wood Posts



Models for Round Tubing Installations

For 1/4" (6 mm) and 5/16" (8 mm) Glass

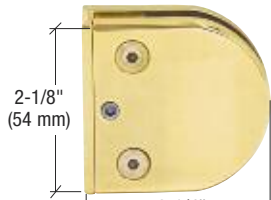


15/16" (23.6 mm)

Base View



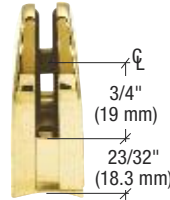
Front View



2-1/8" (54 mm)

2-1/4" (56.9 mm)

Rear View



3/4" (19 mm)

23/32" (18.3 mm)

Side View

CAT. NO.	FINISH	TUBE DIA.	BASE METAL
Z206BR	Brass	2" (50.8 mm)	Zinc Casting
Z206CH	Chrome	2" (50.8 mm)	Zinc Casting
Z206SC	Satin Chrome	2" (50.8 mm)	Zinc Casting
Z206BN	Brushed Nickel	2" (50.8 mm)	Zinc Casting
Z206GP	Gold Plated	2" (50.8 mm)	Zinc Casting
Z206W	White	2" (50.8 mm)	Zinc Casting
Z306BS	Brushed Stainless	2" (50.8 mm)	Stainless Steel
Z306PS	Polished Stainless	2" (50.8 mm)	Stainless Steel
Z15306BS	Brushed Stainless	1-1/2" (38.1 mm)	Stainless Steel
Z15306PS	Polished Stainless	1-1/2" (38.1 mm)	Stainless Steel
Z14RG	Replacement Gasket Set for One Clamp		

Minimum order: 1 each. All Z-Series Clamps can be combined for quantity pricing.

For 3/8" (10 mm) Glass

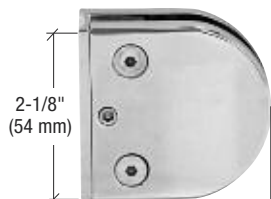


1-3/32" (27.7 mm)

Base View



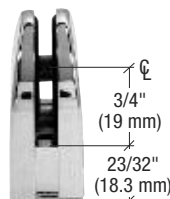
Front View



2-1/8" (54 mm)

2-9/32" (58.1 mm)

Rear View



3/4" (19 mm)

23/32" (18.3 mm)

Side View

CAT. NO.	FINISH	TUBE DIA.	BASE METAL
Z210BR	Brass	2" (50.8 mm)	Zinc Casting
Z210CH	Chrome	2" (50.8 mm)	Zinc Casting
Z210SC	Satin Chrome	2" (50.8 mm)	Zinc Casting
Z210BN	Brushed Nickel	2" (50.8 mm)	Zinc Casting
Z210GP	Gold Plated	2" (50.8 mm)	Zinc Casting
Z210W	White	2" (50.8 mm)	Zinc Casting
Z310BS	Brushed Stainless	2" (50.8 mm)	Stainless Steel
Z310PS	Polished Stainless	2" (50.8 mm)	Stainless Steel
Z15310BS	Brushed Stainless	1-1/2" (38.1 mm)	Stainless Steel
Z15310PS	Polished Stainless	1-1/2" (38.1 mm)	Stainless Steel
Z38RG	Replacement Gasket Set for One Clamp		

Minimum order: 1 each. All Z-Series Clamps can be combined for quantity pricing.

For 1/2" (12 mm) Glass

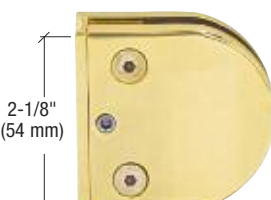


1-7/32" (31.2 mm)

Base View



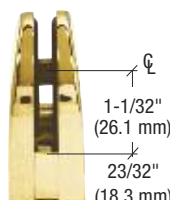
Front View



2-1/8" (54 mm)

2-17/32" (64.1 mm)

Rear View



1-1/32" (26.1 mm)

23/32" (18.3 mm)

Side View

CAT. NO.	FINISH	TUBE DIA.	BASE METAL
Z212BR	Brass	2" (50.8 mm)	Zinc Casting
Z212CH	Chrome	2" (50.8 mm)	Zinc Casting
Z212SC	Satin Chrome	2" (50.8 mm)	Zinc Casting
Z212BN	Brushed Nickel	2" (50.8 mm)	Zinc Casting
Z212GP	Gold Plated	2" (50.8 mm)	Zinc Casting
Z212W	White	2" (50.8 mm)	Zinc Casting
Z312BS	Brushed Stainless	2" (50.8 mm)	Stainless Steel
Z312PS	Polished Stainless	2" (50.8 mm)	Stainless Steel
Z15312BS	Brushed Stainless	1-1/2" (38.1 mm)	Stainless Steel
Z15312PS	Polished Stainless	1-1/2" (38.1 mm)	Stainless Steel
Z12RG	Replacement Gasket Set for One Clamp		

Minimum order: 1 each. All Z-Series Clamps can be combined for quantity pricing.

CRL Z-Series Round Type Flat Base Glass Clamps



SPECIFICATIONS:

Glass Thickness: Models for 1/4" to 1/2" (6 to 12 mm).

Base Design: Flat.

For Use With: Square Tubing or Other Flat Surfaces.

Material: Choice of Zinc Constructed or Stainless Steel. Stainless Steel or Powder Painted Zinc Clamps are recommended for more durability in exterior applications.

Glass Fabrication:

For 1/4" (6 mm), 5/16" (8 mm), and 3/8" (10 mm) Thick Glass: 1/2" (12 mm) diameter hole required if using provided steel pin for glass support.

For 1/2" (12 mm) Thick Glass: 9/16" (14 mm) diameter hole required if using provided steel pin for glass support.

Includes: Rubber Gaskets and Steel Pin (for optional use) with Grommet.



CAT. NO. ZBOLT
Fastener for Use With Metal Posts



CAT. NO. ZLAG
Fastener for Use With Wood Posts



Models for Flat Surface Installations

For 1/4" (6 mm) and 5/16" (8 mm) Glass

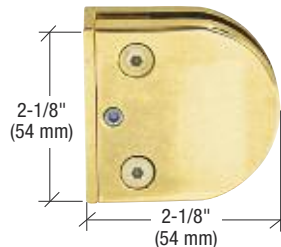


15/16"
(23.6 mm)

Base View



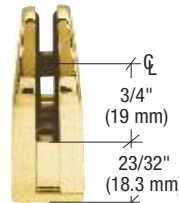
Front View



2-1/8"
(54 mm)

2-1/8"
(54 mm)

Rear View



3/4"
(19 mm)

23/32"
(18.3 mm)

Side View

CAT. NO.	FINISH	BASE METAL
Z406BR	Brass	Zinc Casting
Z406CH	Chrome	Zinc Casting
Z406SC	Satin Chrome	Zinc Casting
Z406BN	Brushed Nickel	Zinc Casting
Z406GP	Gold Plated	Zinc Casting
Z406W	White	Zinc Casting
Z506BS	Brushed Stainless	Stainless Steel
Z506PS	Polished Stainless	Stainless Steel
Z14RG	Replacement Gasket Set for One Clamp	

Minimum order: 1 each. All Z-Series Clamps can be combined for quantity pricing.

For 3/8" (10 mm) Glass

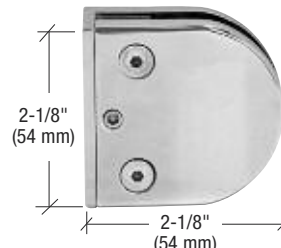


1-3/32"
(27.7 mm)

Base View



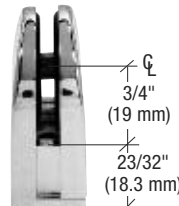
Front View



2-1/8"
(54 mm)

2-1/8"
(54 mm)

Rear View



3/4"
(19 mm)

23/32"
(18.3 mm)

Side View

CAT. NO.	FINISH	BASE METAL
Z410BR	Brass	Zinc Casting
Z410CH	Chrome	Zinc Casting
Z410SC	Satin Chrome	Zinc Casting
Z410BN	Brushed Nickel	Zinc Casting
Z410GP	Gold Plated	Zinc Casting
Z410W	White	Zinc Casting
Z510BS	Brushed Stainless	Stainless Steel
Z510PS	Polished Stainless	Stainless Steel
Z38RG	Replacement Gasket Set for One Clamp	

Minimum order: 1 each. All Z-Series Clamps can be combined for quantity pricing.

For 1/2" (12 mm) Glass

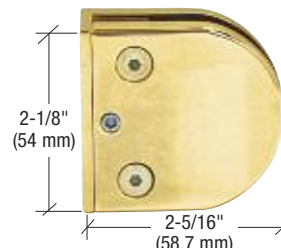


1-7/32"
(31.2 mm)

Base View



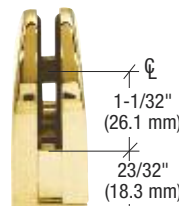
Front View



2-1/8"
(54 mm)

2-5/16"
(58.7 mm)

Rear View



1-1/32"
(26.1 mm)

23/32"
(18.3 mm)

Side View

CAT. NO.	FINISH	BASE METAL
Z412BR	Brass	Zinc Casting
Z412CH	Chrome	Zinc Casting
Z412SC	Satin Chrome	Zinc Casting
Z412BN	Brushed Nickel	Zinc Casting
Z412GP	Gold Plated	Zinc Casting
Z412W	White	Zinc Casting
Z512BS	Brushed Stainless	Stainless Steel
Z512PS	Polished Stainless	Stainless Steel
Z12RG	Replacement Gasket Set for One Clamp	

Minimum order: 1 each. All Z-Series Clamps can be combined for quantity pricing.

CRL Z-Series Square Type Radius Base Glass Clamps



SPECIFICATIONS:

Glass Thickness: Models for 1/4" to 1/2" (6 to 12 mm).

Base Design: Radius.

For Use With: 2" (50.8 mm) Diameter Round Tubing only.

Material: Choice of Zinc Constructed or Stainless Steel. Stainless Steel or Powder Painted Zinc Clamps are recommended for more durability in exterior applications.

Glass Fabrication:

For 1/4" (6 mm), 5/16" (8 mm), and 3/8" (10 mm) Thick Glass: 1/2" (12 mm) diameter hole required if using provided steel pin for glass support.

For 1/2" (12 mm) Thick Glass: 9/16" (14 mm) diameter hole required if using provided steel pin for glass support.

Includes: Rubber Gaskets and Steel Pin (for optional use) with Grommet.



CAT. NO. ZBOLT
Fastener for Use With Metal Posts



CAT. NO. ZLAG
Fastener for Use With Wood Posts



Models for Round Tubing Installations

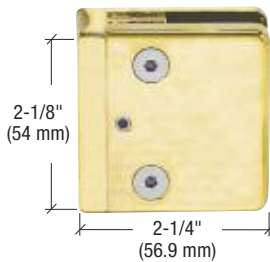
For 1/4" (6 mm) and 5/16" (8 mm) Glass



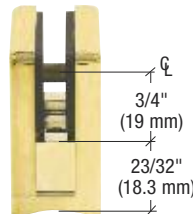
Base View



Front View



Rear View



Side View

CAT. NO.	FINISH	BASE METAL
Z606BR	Brass	Zinc Casting
Z606CH	Chrome	Zinc Casting
Z606SC	Satin Chrome	Zinc Casting
Z606BN	Brushed Nickel	Zinc Casting
Z606GP	Gold Plated	Zinc Casting
Z606W	White	Zinc Casting
Z706BS	Brushed Stainless	Stainless Steel
Z706PS	Polished Stainless	Stainless Steel
Z14SG	Replacement Gasket Set for One Clamp	

Minimum order: 1 each. All Z-Series Clamps can be combined for quantity pricing.

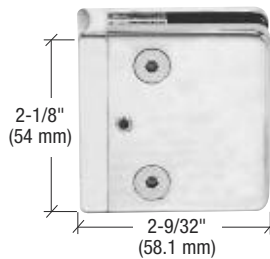
For 3/8" (10 mm) Glass



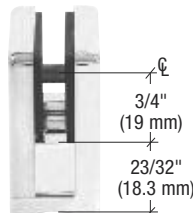
Base View



Front View



Rear View



Side View

CAT. NO.	FINISH	BASE METAL
Z610BR	Brass	Zinc Casting
Z610CH	Chrome	Zinc Casting
Z610SC	Satin Chrome	Zinc Casting
Z610BN	Brushed Nickel	Zinc Casting
Z610GP	Gold Plated	Zinc Casting
Z610W	White	Zinc Casting
Z710BS	Brushed Stainless	Stainless Steel
Z710PS	Polished Stainless	Stainless Steel
Z38SG	Replacement Gasket Set for One Clamp	

Minimum order: 1 each. All Z-Series Clamps can be combined for quantity pricing.

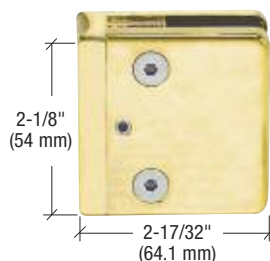
For 1/2" (12 mm) Glass



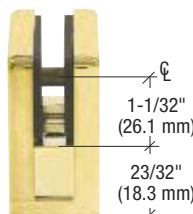
Base View



Front View



Rear View



Side View

CAT. NO.	FINISH	BASE METAL
Z612BR	Brass	Zinc Casting
Z612CH	Chrome	Zinc Casting
Z612SC	Satin Chrome	Zinc Casting
Z612BN	Brushed Nickel	Zinc Casting
Z612GP	Gold Plated	Zinc Casting
Z612W	White	Zinc Casting
Z712BS	Brushed Stainless	Stainless Steel
Z712PS	Polished Stainless	Stainless Steel
Z12SG	Replacement Gasket Set for One Clamp	

Minimum order: 1 each. All Z-Series Clamps can be combined for quantity pricing.



CRL PARTITION POSTS COMPONENT PARTS

For Pricing Visit Our Web Site or Call Us Toll Free at the Phone Numbers Shown on the Back Cover

CRL Z-Series Square Type Flat Base Glass Clamps



SPECIFICATIONS:

Glass Thickness: Models for 1/4" to 1/2" (6 to 12 mm).

Base Design: Flat.

For Use With: Square Tubing or Other Flat Surfaces.

Material: Choice of Zinc Constructed or Stainless Steel. Stainless Steel or Powder Painted Zinc Clamps are recommended for more durability in exterior applications.

Glass Fabrication:

For 1/4" (6 mm), 5/16" (8 mm), and 3/8" (10 mm) Thick Glass: 1/2" (12 mm) diameter hole required if using provided steel pin for glass support.

For 1/2" (12 mm) Thick Glass: 9/16" (14 mm) diameter hole required if using provided steel pin for glass support.

Includes: Rubber Gaskets and Steel Pin (for optional use) with Grommet.



CAT. NO. ZBOLT
Fastener for Use With Metal Posts



CAT. NO. ZLAG
Fastener for Use With Wood Posts



Models for Flat Surface Installations

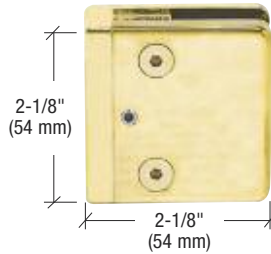
For 1/4" (6 mm) and 5/16" (8 mm) Glass



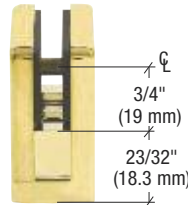
Base View



Front View



Rear View



Side View

CAT. NO.	FINISH	BASE METAL
Z806BR	Brass	Zinc Casting
Z806CH	Chrome	Zinc Casting
Z806SC	Satin Chrome	Zinc Casting
Z806BN	Brushed Nickel	Zinc Casting
Z806GP	Gold Plated	Zinc Casting
Z806W	White	Zinc Casting
Z906BS	Brushed Stainless	Stainless Steel
Z906PS	Polished Stainless	Stainless Steel
Z14SG	Replacement Gasket Set for One Clamp	

Minimum order: 1 each. All Z-Series Clamps can be combined for quantity pricing.

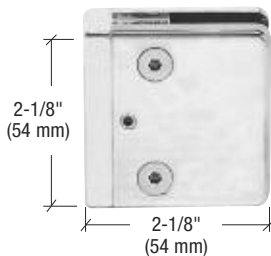
For 3/8" (10 mm) Glass



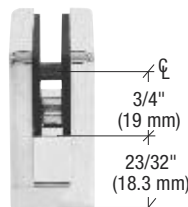
Base View



Front View



Rear View



Side View

CAT. NO.	FINISH	BASE METAL
Z810BR	Brass	Zinc Casting
Z810CH	Chrome	Zinc Casting
Z810SC	Satin Chrome	Zinc Casting
Z810BN	Brushed Nickel	Zinc Casting
Z810GP	Gold Plated	Zinc Casting
Z810W	White	Zinc Casting
Z910BS	Brushed Stainless	Stainless Steel
Z910PS	Polished Stainless	Stainless Steel
Z38SG	Replacement Gasket Set for One Clamp	

Minimum order: 1 each. All Z-Series Clamps can be combined for quantity pricing.

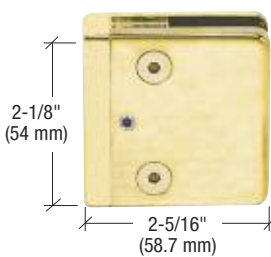
For 1/2" (12 mm) Glass



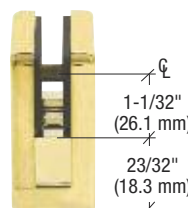
Base View



Front View



Rear View



Side View

CAT. NO.	FINISH	BASE METAL
Z812BR	Brass	Zinc Casting
Z812CH	Chrome	Zinc Casting
Z812SC	Satin Chrome	Zinc Casting
Z812BN	Brushed Nickel	Zinc Casting
Z812GP	Gold Plated	Zinc Casting
Z812W	White	Zinc Casting
Z912BS	Brushed Stainless	Stainless Steel
Z912PS	Polished Stainless	Stainless Steel
Z12SG	Replacement Gasket Set for One Clamp	

Minimum order: 1 each. All Z-Series Clamps can be combined for quantity pricing.

CRL PARTITION POSTS COMPONENT PARTS

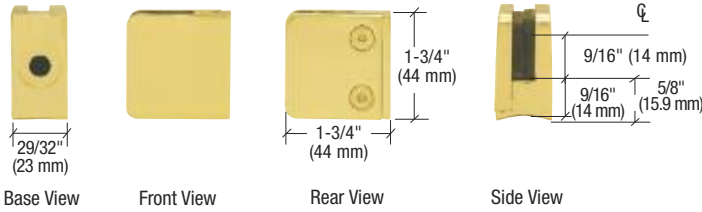
For Pricing Visit Our Web Site or Call Us Toll Free at the Phone Numbers Shown on the Back Cover



CRL Z-Series Small Square Glass Clamps

For 1/4" (6 mm) to 5/16" (8 mm) Glass

- May Be Used on Wood or Metal Radius or Flat Surfaces



CAT. NO.	FINISH	BASE METAL
Z130BR	Brass	Zinc Casting
Z130CH	Chrome	Zinc Casting
Z130SC	Satin Chrome	Zinc Casting
Z130BN	Brushed Nickel	Zinc Casting
Z130GP	Gold Plated	Zinc Casting
Z130W	White	Zinc Casting
Z150PS	Polished Stainless	Stainless Steel
Z150SS	Satin Stainless	Stainless Steel

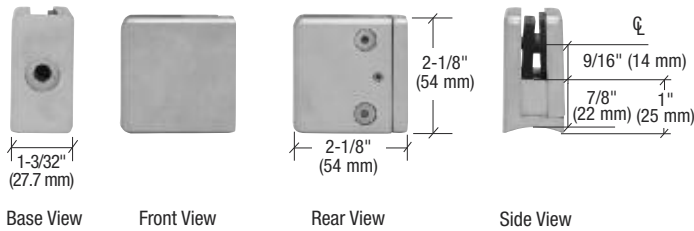
Glass Fabrication: 1/2" (12 mm) Diameter Hole Required if Using Provided Steel Pin.

Minimum order: 1 each. All Z-Series Clamps can be combined for quantity pricing.

CRL Z-Series Large Square Glass Clamps

For 3/8" (10 mm) Glass

- May Be Used on Wood or Metal Radius or Flat Surfaces



CAT. NO.	FINISH	BASE METAL
Z135BR	Brass	Zinc Casting
Z135CH	Chrome	Zinc Casting
Z135SC	Satin Chrome	Zinc Casting
Z135BN	Brushed Nickel	Zinc Casting
Z135GP	Gold Plated	Zinc Casting
Z135W	White	Zinc Casting
Z155PS	Polished Stainless	Stainless Steel
Z155SS	Satin Stainless	Stainless Steel

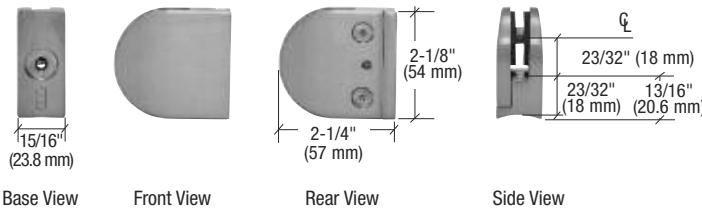
Glass Fabrication: 1/2" (12 mm) Diameter Hole Required if Using Provided Steel Pin.

Minimum order: 1 each. All Z-Series Clamps can be combined for quantity pricing.

CRL Z-Series Large Round Glass Clamps

For 1/4" (6 mm) Glass

- May Be Used on Wood or Metal Radius or Flat Surfaces



CAT. NO.	FINISH	BASE METAL
Z106BR	Brass	Zinc Casting
Z106CH	Chrome	Zinc Casting
Z106SC	Satin Chrome	Zinc Casting
Z106BN	Brushed Nickel	Zinc Casting
Z106GP	Gold Plated	Zinc Casting
Z106W	White	Zinc Casting

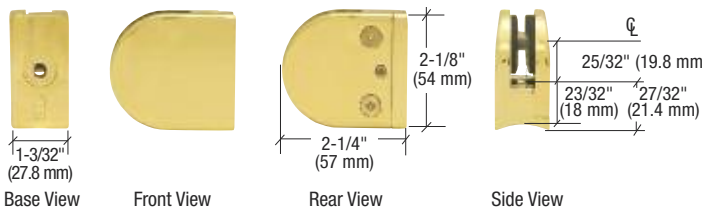
Glass Fabrication: 1/2" (12 mm) Diameter Hole Required if Using Provided Steel Pin.

Minimum order: 1 each. All Z-Series Clamps can be combined for quantity pricing.

CRL Z-Series Large Round Glass Clamps

For 3/8" (10 mm) Glass

- May Be Used on Wood or Metal Radius or Flat Surfaces



CAT. NO.	FINISH	BASE METAL
Z110BR	Brass	Zinc Casting
Z110CH	Chrome	Zinc Casting
Z110SC	Satin Chrome	Zinc Casting
Z110BN	Brushed Nickel	Zinc Casting
Z110GP	Gold Plated	Zinc Casting
Z110W	White	Zinc Casting

Glass Fabrication: 1/2" (12 mm) Diameter Hole Required if Using Provided Steel Pin.

Minimum order: 1 each. All Z-Series Clamps can be combined for quantity pricing.



C.R. LAURENCE COMPANY

crlaurence.com

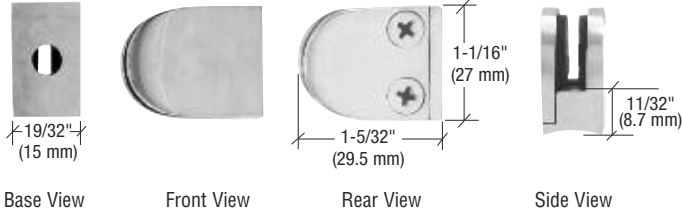
P572 | crlaurence.ca crlaurence.com.au crlaurence.co.uk crlaurence.de crlaurence.eu

CRL PARTITION POSTS COMPONENT PARTS

For Pricing Visit Our Web Site or Call Us Toll Free at the Phone Numbers Shown on the Back Cover

CRL Mini Z-Series Round Type Radius Base Glass Clamps For 1/4" (6 mm) Glass

- **Stainless Steel in Two Finishes**



- **Fits 1" (25 mm) Diameter Tubing**
- **Ideal for Small Glass Barriers**
- **No Hole Drilling; Pressure Fit**



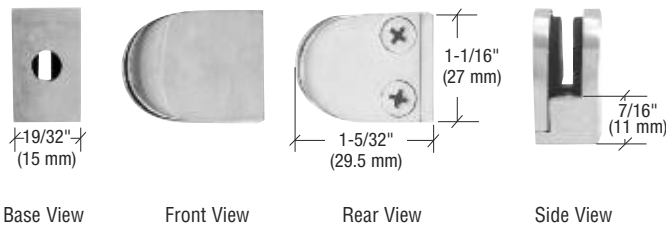
CAT. NO. SHCS10X34
Fastener For Use With Metal Posts

CAT. NO.	FINISH	TUBE DIA.	BASE METAL
ZMR06PS	Polished Stainless	1" (25 mm)	Stainless Steel
ZMR06SS	Satin Stainless	1" (25 mm)	Stainless Steel

Minimum order: 1 each. All Z-Series Clamps can be combined for quantity pricing.

CRL Mini Z-Series Round Type Flat Base Glass Clamps For 1/4" (6 mm) Glass

- **Stainless Steel in Two Finishes**



- **For Mounting to Flat Surfaces**
- **Ideal for Small Glass Barriers**
- **No Hole Drilling; Pressure Fit**



CAT. NO. SHCS10X34
Fastener For Use With Metal Posts

CAT. NO.	FINISH	BASE METAL
ZMF06PS	Polished Stainless	Stainless Steel
ZMF06SS	Satin Stainless	Stainless Steel

Minimum order: 1 each. All Z-Series Clamps can be combined for quantity pricing.

CRL Post Rivet-Nuts

CRL Rivet-Nuts are used to secure Fixed Glass and Swivel Hinge Fittings in Partition Post and Sneeze Guard Tubing. Simply drill the appropriate size hole, insert the Rivet-Nut, and compress it.



CAT. NO. 134VB



CAT. NO. RN1420



CAT. NO. ZRNUT



CAT. NO.	THREAD SIZE	REQUIRED HOLE	USED WITH CLAMPS	QTY/PKG
134VB	10-24	1/4" (6.3 mm)	SA50, ZMR06, ZMF06	100
RN1420	1/4"-20	25/64" (9.9 mm)	SA60, SA61, Z106, Z110, Z135, Z155	10
ZRNUT	5/16"-18	17/32" (13.5 mm)	Z206 to Z912, Z15310, Z15312, Z130	10

Minimum order: 1 pack for 134VB; 10 each for RN1420 and ZRNUT.

CRL Heavy-Duty Thread Insert Tool

- **For Installing Large Size Rivet-Nuts and Thread Inserts**
- **Comes With 1/4"-20 Mandrel and Nosepiece**

The CRL Heavy-Duty Thread Insert Tool is supplied with a 1/4"-20 Mandrel and Nosepiece. Use it to install aluminum or steel Rivet-Nuts and Poly-Nuts. A 5/16"-18 Mandrel and Nosepiece are sold separately. Works well with our Cat. No. RN1420 and Cat. No. ZRNUT Rivet-Nuts (see above).



CAT. NO.	DESCRIPTION
34604	Heavy-Duty Thread Insert Tool
34618	5/16"-18 Mandrel and Nosepiece

Minimum order: 1 each.

CRL Thread-Setter Tool

- **For Installing Smaller Size Rivet-Nuts and Thread Inserts**
- **Comes With Mandrels to Set 8-32, 10-24, and 10-32 Thread Size Rivet-Nuts**



The CRL Thread-Setter Tool comes with three mandrels to set 8-32, 10-24, and 10-32 thread size Rivet-Nuts. Works well with out Cat. No. 134VB Rivet-Nuts (see above). Replacement Mandrels and Nosepieces available at crlaurence.com. Minimum order is one each.

CAT. NO. 39200

How Our Technical Sales Team Can Help You

It's sometimes difficult to satisfy all the different local building codes throughout the country. We find most local building and health departments use certain common standards as their own. CRL Technical Sales experts will work with you to design a unit that will meet these local standards.

CRL can help you customize a unit that not only meets your needs, but also falls within your budget. We encourage you to contact us to guide you through your design needs. Contact Technical Sales at (800) 421-6144 in the U.S., (877) 421-6144 from Canada, or (323) 588-1281 International, ask for Ext. 7760. You can also e-mail us through our web site at crlaurence.com. Click on Contact Us, and then click on Technical Sales for Hospitality Products.



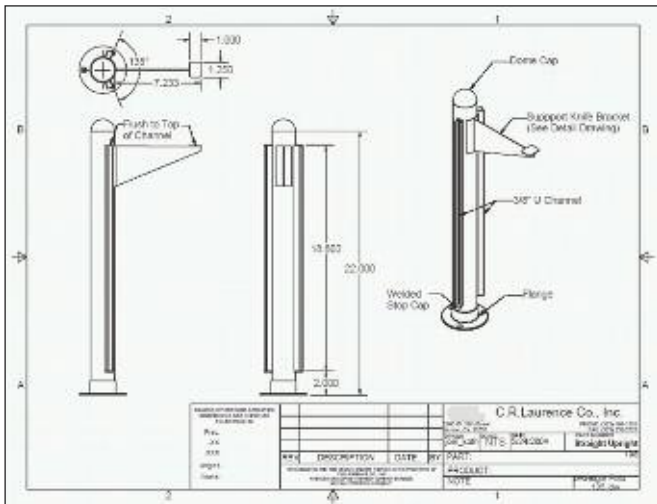
Technical Sales

We will discuss your needs, advise you of the "do's and don'ts", and submit the design for a quote on your project in a timely manner. A name and phone extension will always be provided should you have additional questions.



Quoting Your Job

After all of the details have been worked out our Quotations Department will calculate your price and fax or e-mail you an initial quote for review and approval.



Engineering

After the initial quote has been accepted, detailed drawings will be provided for your approval. After the drawings are approved, production scheduling will be done to have your product ready to ship within 7 to 10 working days from our Los Angeles, California manufacturing facility or we can put them on our weekly re-supply truck to your local CRL warehouse for shipment or Will Call pick-up.

CRL Stock, Custom "Quick Ship", and Custom Sneeze Guards

- Stock Sneeze Guards Ready to Ship (See Page P577)
- Custom Sneeze Guards Ship Within Seven to Ten Working Days
- "Build Your Own Sneeze Guards" Using Stock Components Ready to Ship
- Send CRL Your Designs and Plans for Custom Sneeze Guards
- Technical Sales Staff Ready to Assist You With Design Ideas



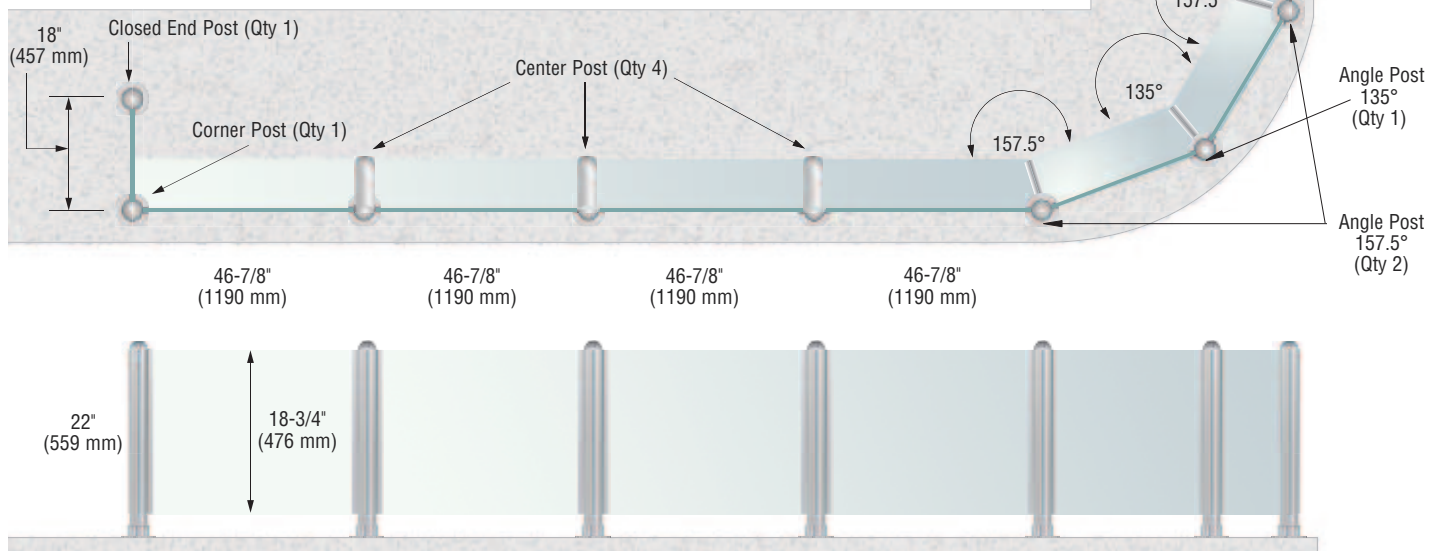
C.R. Laurence Company has been in the glass and glazing supply business for over 40 years, and we continue to grow each year by listening to you, our customers. We are constantly looking at ways we can do things better, and are always striving to keep our customers satisfied. That is why CRL warehouses throughout the United States, Canada, Australia, and Europe are unmatched when it comes to customer service.

When Hospitality Sneeze Guards or Food Shields are required on a project, who better to turn to than CRL for all your "On-Time" delivered merchandise?

Most of our Sneeze Guards are made from our vast selection of stock component parts allowing for "Quick Ship" on complete units within three to five working days. However, with over 600,000 square feet of manufacturing capacity and trained technicians, CRL can fabricate any Custom Sneeze Guard System you design within seven to ten working days, ready to ship from Los Angeles, California.

CRL has a fully dedicated Technical Sales Staff willing to assist you with design ideas, price quotations, and ordering. CRL Technical Sales is available at (800) 421-6144 in the U.S., (877) 421-6144 from Canada, or (323) 588-1281 International. Ask for Ext. 7760.

Send CRL Your Custom Sneeze Guard Drawing and We Can Fabricate Exactly to Your Specifications



CRL SNEEZE GUARD STYLES

For Pricing Visit Our Web Site or Call Us Toll Free at the Phone Numbers Shown on the Back Cover

CRL Sculptured Series Aluminum Sneeze Guards

- Square Tubing With Recessed Glass Channel
- 7 to 10 Working Days



See pages P526 to P527

CRL Design Series Aluminum Sneeze Guards

- Square Tubing With U-Channel
- 7 to 10 Working Days



See pages P518 to P519

CRL Elegant Series Brass and Stainless Steel Sneeze Guards

- Round Tubing With Glass Clamps or U-Channel
- 7 to 10 Working Days



Fixed Glass Panels



See pages P578 to P590

CRL Contemporary Series Brass and Stainless Steel Sneeze Guards



- Round Tubing With Small Glass Clips
- Available With Fixed or Movable Glass Panels
- 7 to 10 Working Days



Fixed Glass Panels



Hinge Fittings



Movable Glass Panels

Hinge Fittings

See pages P591 to P595



C.R. LAURENCE COMPANY

crlaurence.com

P576 | crlaurence.ca crlaurence.com.au crlaurence.co.uk crlaurence.de crlaurence.eu

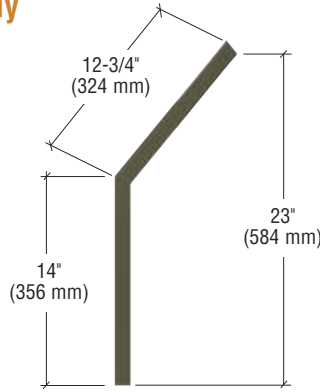
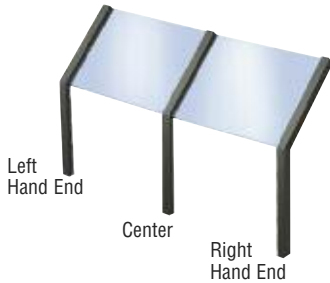
CRL STOCK SIZE SNEEZE GUARDS

For Pricing Visit Our Web Site or Call Us Toll Free at the Phone Numbers Shown on the Back Cover

CRL Sculptured Series Aluminum Sneeze Guards

- Right and Left Hand End Posts, Plus a Center Post, Available From Stock and RED-E to Ship
- For 1/4" (6 mm) Glass Only

Open Front, Glass On Slant Sneeze Guard



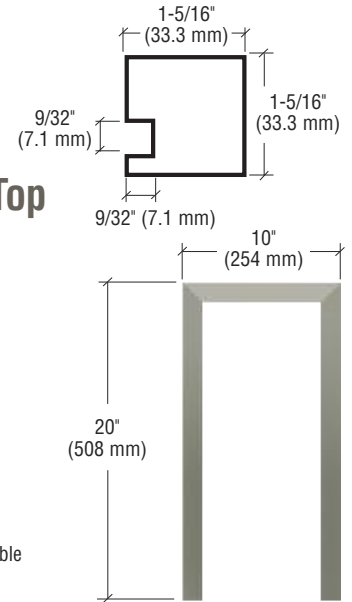
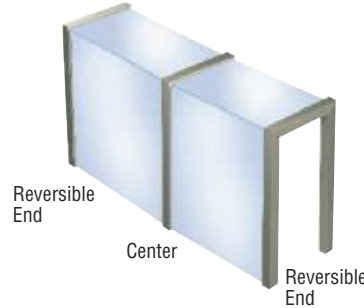
Our Open Front, Glass On Slant Sculptured Series Aluminum Sneeze Guards are in stock and ready for immediate shipment. The 1-5/16" (33.3 mm) Square Post is available in three styles and three finishes. Easily attaches to the counter. Ships knocked-down. Use Cat. No. 32629 Metal Contact Cement (see page P602) to achieve a secure and permanent bond at all connections.

SATIN ANODIZED CAT. NO.	BRITE ANODIZED CAT. NO.	DURANODIC BRONZE CAT. NO.	TYPE
SG600SA	SG600BA	SG600DU	Left Hand End
SG625SA	SG625BA	SG625DU	Right Hand End
SG650SA	SG650BA	SG650DU	Center

Minimum order: 1 each. All Sneeze Guards can be combined for quantity pricing.



Glass On Front and Top Shelf Sneeze Guard



Our Glass On Front and Top Shelf Sculptured Series Aluminum Sneeze Guards are in stock and ready for immediate shipment. The 1-5/16" (33.3 mm) Square Post is available in two styles and three finishes. Easily attaches to the counter. Ships knocked-down. Use Cat. No. 32629 Metal Contact Cement (see page P602) to achieve a secure and permanent bond at all connections.

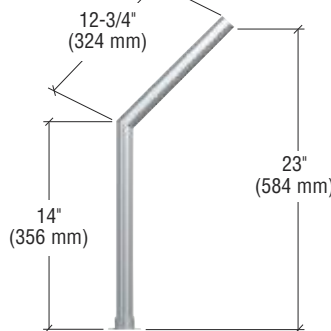
SATIN ANODIZED CAT. NO.	BRITE ANODIZED CAT. NO.	DURANODIC BRONZE CAT. NO.	TYPE
SG700SA	SG700BA	SG700DU	Reversible End
SG750SA	SG750BA	SG750DU	Center

Minimum order: 1 each. All Sneeze Guards can be combined for quantity pricing.

CRL Elegant Series Brass and Stainless Steel Sneeze Guards

- Right and Left Hand End Posts, Plus a Center Post, Available From Stock and RED-E to Ship
- For 1/4" (6 mm) Glass Only

Open Front, Glass On Slant Sneeze Guard



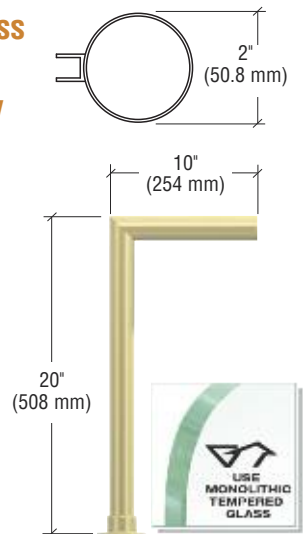
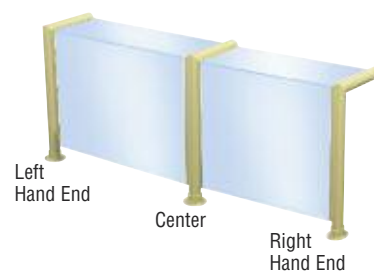
Our Open Front, Glass On Slant Elegant Series Sneeze Guards are in stock and ready for immediate shipment. The 2" (50.8 mm) Tubing is available in three styles that easily attach to the counter. Ships fully assembled.

POLISHED BRASS* CAT. NO.	POLISHED STAINLESS CAT. NO.	BRUSHED STAINLESS CAT. NO.	TYPE
SG800PB	SG800PS	SG800BS	Left Hand End
SG825PB	SG825PS	SG825BS	Right Hand End
SG850PB	SG850PS	SG850BS	Center

Minimum order: 1 each. * Polished Brass Sneeze Guards are available in three to five days F.O.B. Los Angeles, CA. All Sneeze Guards can be combined for quantity pricing.

- 2" (50.8 mm) Polished Brass or Stainless Steel Tubing
- For 1/4" (6 mm) Glass Only

Glass On Front and Top Shelf Sneeze Guard



Our Glass On Front and Top Shelf Elegant Series Sneeze Guards are in stock and ready for immediate shipment. The 2" (50.8 mm) Tubing is available in three styles that easily attach to the counter. Ships fully assembled.

POLISHED BRASS* CAT. NO.	POLISHED STAINLESS CAT. NO.	BRUSHED STAINLESS CAT. NO.	TYPE
SG900PB	SG900PS	SG900BS	Left Hand End
SG925PB	SG925PS	SG925BS	Right Hand End
SG950PB	SG950PS	SG950BS	Center

Minimum order: 1 each. * Polished Brass Sneeze Guards are available in three to five days F.O.B. Los Angeles, CA. All Sneeze Guards can be combined for quantity pricing.

CRL Elegant Series Sneeze Guards

- Available in 1-1/2" (38.1 mm) and 2" (50.8 mm) Diameter Tubing
- Choose From Polished Brass, Polished or Brushed Stainless Steel, and Powder Painted Finishes
- Four Different Glass Attachment Choices (See Page P553)
- Custom "Quick Ship" Configurations in Three to Five Working Days
- Custom Configurations in Seven to Ten Working Days



The Following Pages Contain Some of Our Most Popular Sneeze Guard Configurations. Design Options Are Limitless. If You Can Sketch It, CRL Can Make It!

Our Elegant Series Sneeze Guard and Salad Bar offerings are available in dozens of different configurations. They go from simple angled front models to wall mount, ceiling mount or free-standing configurations. They are made from component parts or welded assemblies in a variety of finishes.

All Elegant Series styles and sizes can be manufactured to conform to CRL Standards, or to the customer's specifications. Below are shown some of the more popular configurations. For additional information, contact CRL Technical Sales at crlaurence.com. From the home page click on Contact Us, and then click on Technical Sales for Hospitality Products.



Food Shields



Style 139



Style 101



Style 108

Single-Sided Self Service Sneeze Guards



Style 100



Style 124



Style 113

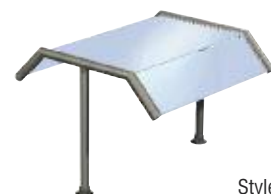
Dual-Sided Self Service Sneeze Guards



Style 109



Style 130



Style 120

See pages P579 to P590 for the Complete Selection of Elegant Series Sneeze Guards



CRL "QUICK SHIP" ELEGANT SERIES SNEEZE GUARDS

For Pricing Visit Our Web Site or Call Us Toll Free at the Phone Numbers Shown on the Back Cover



Style 100 - Fixed Glass On Slant Only



1-1/2" (38 MM) DIA. TUBING CAT. NO.	2" (51 MM) DIA. TUBING CAT. NO.	FINISH
SG5100PB	SG0100PB	Polished Brass
SG5100PS	SG0100PS	Polished Stainless
SG5100BS	SG0100BS	Brushed Stainless
SG5100PT	SG0100PT	Powder Painted*

Minimum order: 1 each. *Contact CRL Technical Sales for information on Powder Painted finishes.

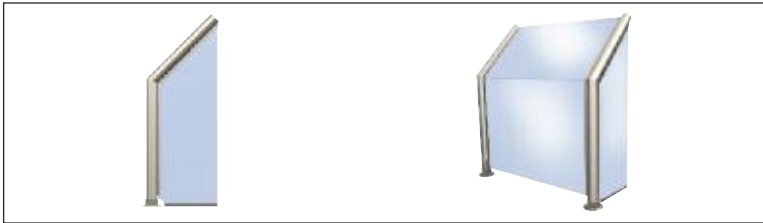
Style 101 - Fixed Glass On Slant and Front Only



1-1/2" (38 MM) DIA. TUBING CAT. NO.	2" (51 MM) DIA. TUBING CAT. NO.	FINISH
SG5101PB	SG0101PB	Polished Brass
SG5101PS	SG0101PS	Polished Stainless
SG5101BS	SG0101BS	Brushed Stainless
SG5101PT	SG0101PT	Powder Painted*

Minimum order: 1 each. *Contact CRL Technical Sales for information on Powder Painted finishes.

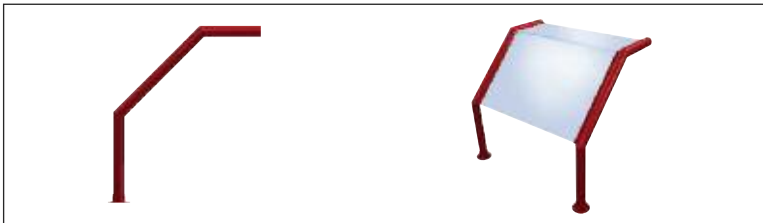
Style 102 - Fixed Glass On Slant, Front, and One End or Both Ends



1-1/2" (38 MM) DIA. TUBING CAT. NO.	2" (51 MM) DIA. TUBING CAT. NO.	FINISH
SG5102PB	SG0102PB	Polished Brass
SG5102PS	SG0102PS	Polished Stainless
SG5102BS	SG0102BS	Brushed Stainless
SG5102PT	SG0102PT	Powder Painted*

Minimum order: 1 each. *Contact CRL Technical Sales for information on Powder Painted finishes.

Style 103 - Fixed Glass On Top and Slant Only



1-1/2" (38 MM) DIA. TUBING CAT. NO.	2" (51 MM) DIA. TUBING CAT. NO.	FINISH
SG5103PB	SG0103PB	Polished Brass
SG5103PS	SG0103PS	Polished Stainless
SG5103BS	SG0103BS	Brushed Stainless
SG5103PT	SG0103PT	Powder Painted*

Minimum order: 1 each. *Contact CRL Technical Sales for information on Powder Painted finishes.

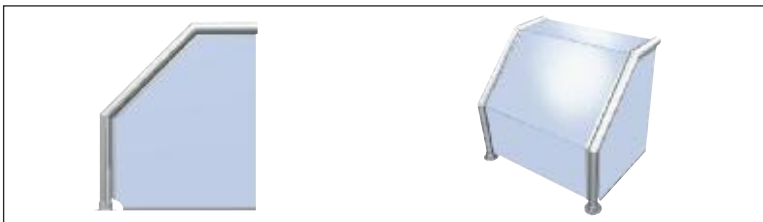
Style 104 - Fixed Glass On Top, Slant, and Front Only



1-1/2" (38 MM) DIA. TUBING CAT. NO.	2" (51 MM) DIA. TUBING CAT. NO.	FINISH
SG5104PB	SG0104PB	Polished Brass
SG5104PS	SG0104PS	Polished Stainless
SG5104BS	SG0104BS	Brushed Stainless
SG5104PT	SG0104PT	Powder Painted*

Minimum order: 1 each. *Contact CRL Technical Sales for information on Powder Painted finishes.

Style 105 - Fixed Glass On Top, Slant, Front, and One End or Both Ends



1-1/2" (38 MM) DIA. TUBING CAT. NO.	2" (51 MM) DIA. TUBING CAT. NO.	FINISH
SG5105PB	SG0105PB	Polished Brass
SG5105PS	SG0105PS	Polished Stainless
SG5105BS	SG0105BS	Brushed Stainless
SG5105PT	SG0105PT	Powder Painted*

Minimum order: 1 each. *Contact CRL Technical Sales for information on Powder Painted finishes.

CRL "QUICK SHIP" ELEGANT SERIES SNEEZE GUARDS

For Pricing Visit Our Web Site or Call Us Toll Free at the Phone Numbers Shown on the Back Cover



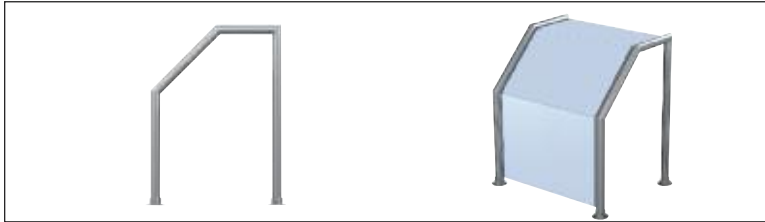
Style 106 - Fixed Glass On Slant and Top Only



1-1/2" (38 MM) DIA. TUBING CAT. NO.	2" (51 MM) DIA. TUBING CAT. NO.	FINISH
SG5106PB	SG0106PB	Polished Brass
SG5106PS	SG0106PS	Polished Stainless
SG5106BS	SG0106BS	Brushed Stainless
SG5106PT	SG0106PT	Powder Painted*

Minimum order: 1 each. *Contact CRL Technical Sales for information on Powder Painted finishes.

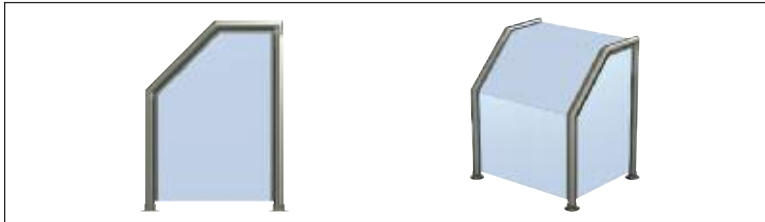
Style 107 - Fixed Glass On Slant, Top, and Front Only



1-1/2" (38 MM) DIA. TUBING CAT. NO.	2" (51 MM) DIA. TUBING CAT. NO.	FINISH
SG5107PB	SG0107PB	Polished Brass
SG5107PS	SG0107PS	Polished Stainless
SG5107BS	SG0107BS	Brushed Stainless
SG5107PT	SG0107PT	Powder Painted*

Minimum order: 1 each. *Contact CRL Technical Sales for information on Powder Painted finishes.

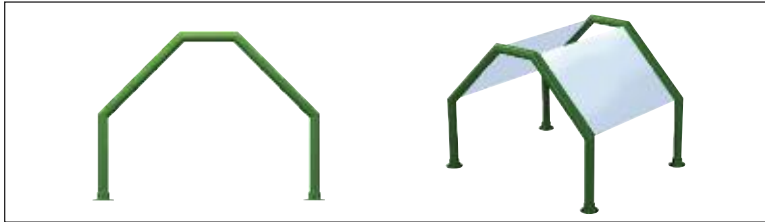
Style 108 - Fixed Glass On Slant, Top, Front, and One End or Both Ends



1-1/2" (38 MM) DIA. TUBING CAT. NO.	2" (51 MM) DIA. TUBING CAT. NO.	FINISH
SG5108PB	SG0108PB	Polished Brass
SG5108PS	SG0108PS	Polished Stainless
SG5108BS	SG0108BS	Brushed Stainless
SG5108PT	SG0108PT	Powder Painted*

Minimum order: 1 each. *Contact CRL Technical Sales for information on Powder Painted finishes.

Style 109 - Fixed Glass On Slants Only



1-1/2" (38 MM) DIA. TUBING CAT. NO.	2" (51 MM) DIA. TUBING CAT. NO.	FINISH
SG5109PB	SG0109PB	Polished Brass
SG5109PS	SG0109PS	Polished Stainless
SG5109BS	SG0109BS	Brushed Stainless
SG5109PT	SG0109PT	Powder Painted*

Minimum order: 1 each. *Contact CRL Technical Sales for information on Powder Painted finishes.

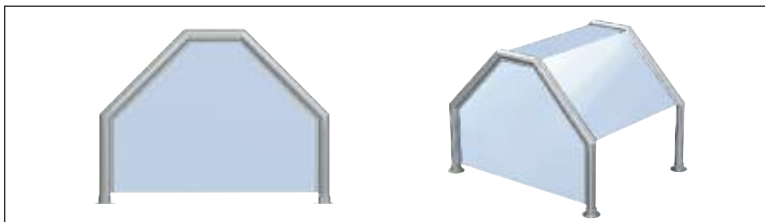
Style 110 - Fixed Glass On Top and Slants Only



1-1/2" (38 MM) DIA. TUBING CAT. NO.	2" (51 MM) DIA. TUBING CAT. NO.	FINISH
SG5110PB	SG0110PB	Polished Brass
SG5110PS	SG0110PS	Polished Stainless
SG5110BS	SG0110BS	Brushed Stainless
SG5110PT	SG0110PT	Powder Painted*

Minimum order: 1 each. *Contact CRL Technical Sales for information on Powder Painted finishes.

Style 111 - Fixed Glass On Top, Slants, and One End or Both Ends



1-1/2" (38 MM) DIA. TUBING CAT. NO.	2" (51 MM) DIA. TUBING CAT. NO.	FINISH
SG5111PB	SG0111PB	Polished Brass
SG5111PS	SG0111PS	Polished Stainless
SG5111BS	SG0111BS	Brushed Stainless
SG5111PT	SG0111PT	Powder Painted*

Minimum order: 1 each. *Contact CRL Technical Sales for information on Powder Painted finishes.



C.R. LAURENCE COMPANY

P580 | crlaurence.ca crlaurence.com.au crlaurence.co.uk crlaurence.de crlaurence.eu

crlaurence.com

CRL "QUICK SHIP" ELEGANT SERIES SNEEZE GUARDS

For Pricing Visit Our Web Site or Call Us Toll Free at the Phone Numbers Shown on the Back Cover



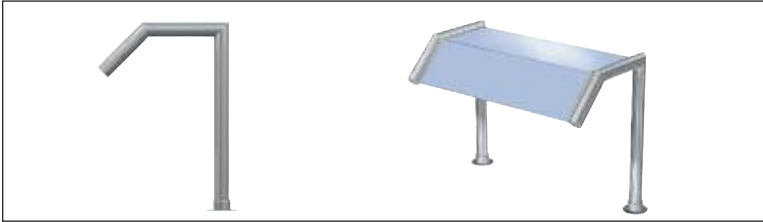
Style 112 - Fixed Glass On Slant Only



1-1/2" (38 MM) DIA. TUBING CAT. NO.	2" (51 MM) DIA. TUBING CAT. NO.	FINISH
SG5112PB	SG0112PB	Polished Brass
SG5112PS	SG0112PS	Polished Stainless
SG5112BS	SG0112BS	Brushed Stainless
SG5112PT	SG0112PT	Powder Painted*

Minimum order: 1 each. *Contact CRL Technical Sales for information on Powder Painted finishes.

Style 113 - Fixed Glass On Slant and Top Only



1-1/2" (38 MM) DIA. TUBING CAT. NO.	2" (51 MM) DIA. TUBING CAT. NO.	FINISH
SG5113PB	SG0113PB	Polished Brass
SG5113PS	SG0113PS	Polished Stainless
SG5113BS	SG0113BS	Brushed Stainless
SG5113PT	SG0113PT	Powder Painted*

Minimum order: 1 each. *Contact CRL Technical Sales for information on Powder Painted finishes.

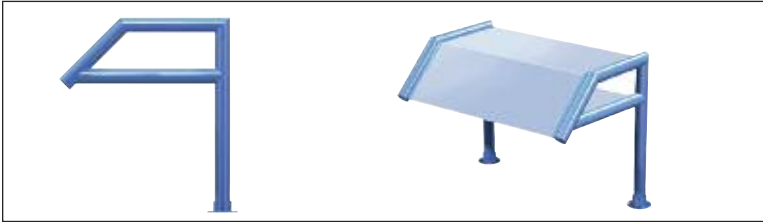
Style 114 - Fixed Glass On Slant, Top, and One End or Both Ends



1-1/2" (38 MM) DIA. TUBING CAT. NO.	2" (51 MM) DIA. TUBING CAT. NO.	FINISH
SG5114PB	SG0114PB	Polished Brass
SG5114PS	SG0114PS	Polished Stainless
SG5114BS	SG0114BS	Brushed Stainless
SG5114PT	SG0114PT	Powder Painted*

Minimum order: 1 each. *Contact CRL Technical Sales for information on Powder Painted finishes.

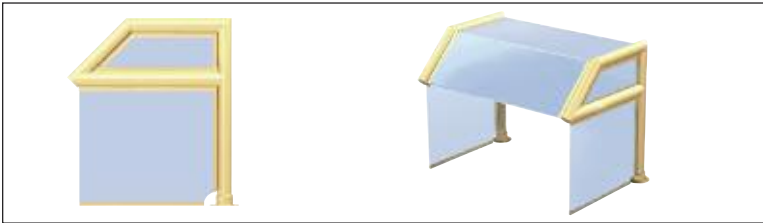
Style 115 - Fixed Glass On Top, Slant, and Shelf Only



1-1/2" (38 MM) DIA. TUBING CAT. NO.	2" (51 MM) DIA. TUBING CAT. NO.	FINISH
SG5115PB	SG0115PB	Polished Brass
SG5115PS	SG0115PS	Polished Stainless
SG5115BS	SG0115BS	Brushed Stainless
SG5115PT	SG0115PT	Powder Painted*

Minimum order: 1 each. *Contact CRL Technical Sales for information on Powder Painted finishes.

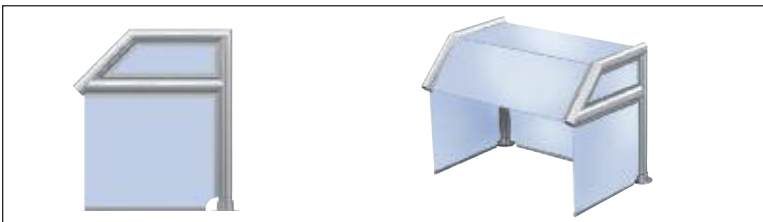
Style 116 - Fixed Glass On Top, Slant, Shelf, and Ends



1-1/2" (38 MM) DIA. TUBING CAT. NO.	2" (51 MM) DIA. TUBING CAT. NO.	FINISH
SG5116PB	SG0116PB	Polished Brass
SG5116PS	SG0116PS	Polished Stainless
SG5116BS	SG0116BS	Brushed Stainless
SG5116PT	SG0116PT	Powder Painted*

Minimum order: 1 each. *Contact CRL Technical Sales for information on Powder Painted finishes.

Style 117 - Fixed Glass On Top, Slant, Shelf, Back Bottom, and Ends



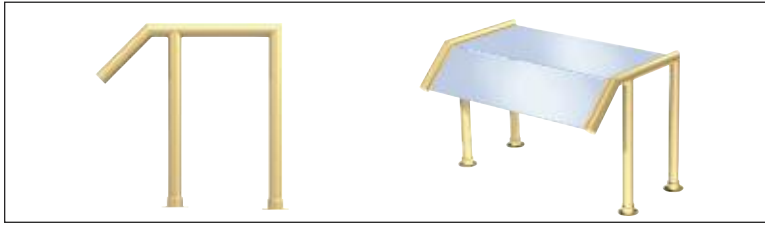
1-1/2" (38 MM) DIA. TUBING CAT. NO.	2" (51 MM) DIA. TUBING CAT. NO.	FINISH
SG5117PB	SG0117PB	Polished Brass
SG5117PS	SG0117PS	Polished Stainless
SG5117BS	SG0117BS	Brushed Stainless
SG5117PT	SG0117PT	Powder Painted*

Minimum order: 1 each. *Contact CRL Technical Sales for information on Powder Painted finishes.

CRL "QUICK SHIP" ELEGANT SERIES SNEEZE GUARDS

For Pricing Visit Our Web Site or Call Us Toll Free at the Phone Numbers Shown on the Back Cover

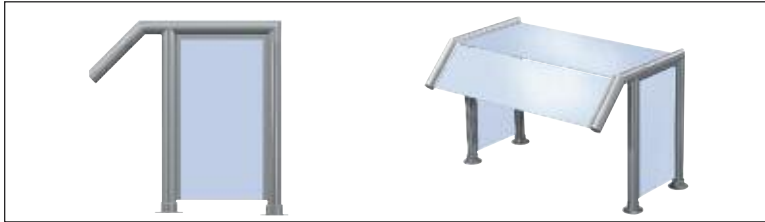
Style 118 - Fixed Glass On Slant and Top Only



1-1/2" (38 MM) DIA. TUBING CAT. NO.	2" (51 MM) DIA. TUBING CAT. NO.	FINISH
SG5118PB	SG0118PB	Polished Brass
SG5118PS	SG0118PS	Polished Stainless
SG5118BS	SG0118BS	Brushed Stainless
SG5118PT	SG0118PT	Powder Painted*

Minimum order: 1 each. *Contact CRL Technical Sales for information on Powder Painted finishes.

Style 119 - Fixed Glass On Slant, Top, and One End or Both Ends



1-1/2" (38 MM) DIA. TUBING CAT. NO.	2" (51 MM) DIA. TUBING CAT. NO.	FINISH
SG5119PB	SG0119PB	Polished Brass
SG5119PS	SG0119PS	Polished Stainless
SG5119BS	SG0119BS	Brushed Stainless
SG5119PT	SG0119PT	Powder Painted*

Minimum order: 1 each. *Contact CRL Technical Sales for information on Powder Painted finishes.

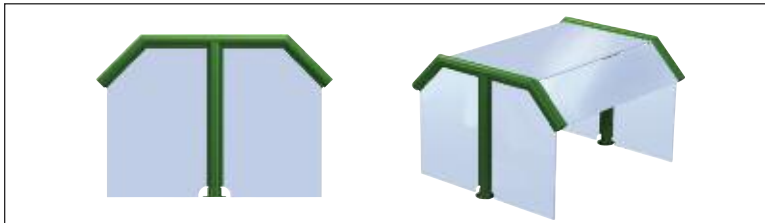
Style 120 - Fixed Glass On Slants and Top Only



1-1/2" (38 MM) DIA. TUBING CAT. NO.	2" (51 MM) DIA. TUBING CAT. NO.	FINISH
SG5120PB	SG0120PB	Polished Brass
SG5120PS	SG0120PS	Polished Stainless
SG5120BS	SG0120BS	Brushed Stainless
SG5120PT	SG0120PT	Powder Painted*

Minimum order: 1 each. *Contact CRL Technical Sales for information on Powder Painted finishes.

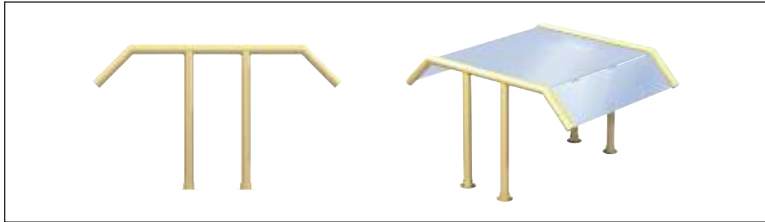
Style 121 - Fixed Glass On Slants, Top, and One End or Both Ends



1-1/2" (38 MM) DIA. TUBING CAT. NO.	2" (51 MM) DIA. TUBING CAT. NO.	FINISH
SG5121PB	SG0121PB	Polished Brass
SG5121PS	SG0121PS	Polished Stainless
SG5121BS	SG0121BS	Brushed Stainless
SG5121PT	SG0121PT	Powder Painted*

Minimum order: 1 each. *Contact CRL Technical Sales for information on Powder Painted finishes.

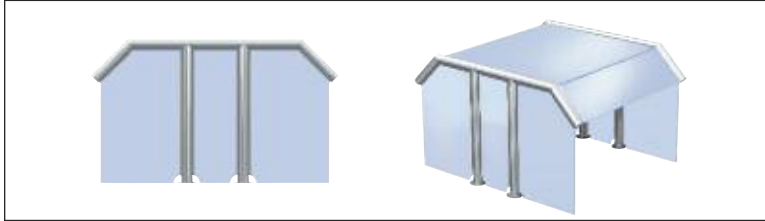
Style 122 - Fixed Glass On Slants and Top Only



1-1/2" (38 MM) DIA. TUBING CAT. NO.	2" (51 MM) DIA. TUBING CAT. NO.	FINISH
SG5122PB	SG0122PB	Polished Brass
SG5122PS	SG0122PS	Polished Stainless
SG5122BS	SG0122BS	Brushed Stainless
SG5122PT	SG0122PT	Powder Painted*

Minimum order: 1 each. *Contact CRL Technical Sales for information on Powder Painted finishes.

Style 123 - Fixed Glass On Slants, Top, and One End or Both Ends



1-1/2" (38 MM) DIA. TUBING CAT. NO.	2" (51 MM) DIA. TUBING CAT. NO.	FINISH
SG5123PB	SG0123PB	Polished Brass
SG5123PS	SG0123PS	Polished Stainless
SG5123BS	SG0123BS	Brushed Stainless
SG5123PT	SG0123PT	Powder Painted*

Minimum order: 1 each. *Contact CRL Technical Sales for information on Powder Painted finishes.



C.R. LAURENCE COMPANY

crlaurence.com

P582 | crlaurence.ca crlaurence.com.au crlaurence.co.uk crlaurence.de crlaurence.eu

CRL "QUICK SHIP" ELEGANT SERIES SNEEZE GUARDS

For Pricing Visit Our Web Site or Call Us Toll Free at the Phone Numbers Shown on the Back Cover



Style 124 - Fixed Glass On Slant Only



1-1/2" (38 MM) DIA. TUBING CAT. NO.	2" (51 MM) DIA. TUBING CAT. NO.	FINISH
SG5124PB	SG0124PB	Polished Brass
SG5124PS	SG0124PS	Polished Stainless
SG5124BS	SG0124BS	Brushed Stainless
SG5124PT	SG0124PT	Powder Painted*

Minimum order: 1 each. *Contact CRL Technical Sales for information on Powder Painted finishes.

Style 125 - Fixed Glass On Slant, and One End or Both Ends



1-1/2" (38 MM) DIA. TUBING CAT. NO.	2" (51 MM) DIA. TUBING CAT. NO.	FINISH
SG5125PB	SG0125PB	Polished Brass
SG5125PS	SG0125PS	Polished Stainless
SG5125BS	SG0125BS	Brushed Stainless
SG5125PT	SG0125PT	Powder Painted*

Minimum order: 1 each. *Contact CRL Technical Sales for information on Powder Painted finishes.

Style 126 - Fixed Glass On Slant and Top Only



1-1/2" (38 MM) DIA. TUBING CAT. NO.	2" (51 MM) DIA. TUBING CAT. NO.	FINISH
SG5126PB	SG0126PB	Polished Brass
SG5126PS	SG0126PS	Polished Stainless
SG5126BS	SG0126BS	Brushed Stainless
SG5126PT	SG0126PT	Powder Painted*

Minimum order: 1 each. *Contact CRL Technical Sales for information on Powder Painted finishes.

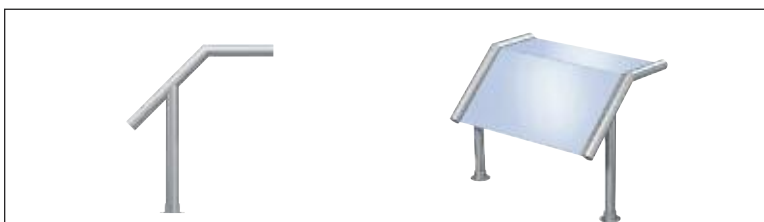
Style 127 - Fixed Glass On Slant, Top, and One End or Both Ends



1-1/2" (38 MM) DIA. TUBING CAT. NO.	2" (51 MM) DIA. TUBING CAT. NO.	FINISH
SG5127PB	SG0127PB	Polished Brass
SG5127PS	SG0127PS	Polished Stainless
SG5127BS	SG0127BS	Brushed Stainless
SG5127PT	SG0127PT	Powder Painted*

Minimum order: 1 each. *Contact CRL Technical Sales for information on Powder Painted finishes.

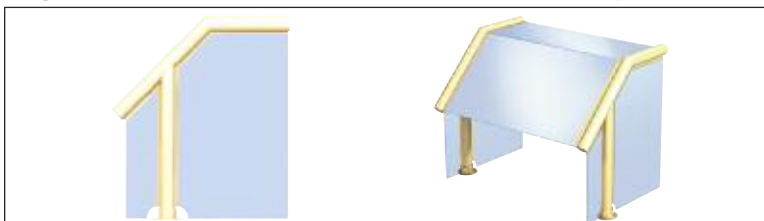
Style 128 - Fixed Glass On Slant and Top Only



1-1/2" (38 MM) DIA. TUBING CAT. NO.	2" (51 MM) DIA. TUBING CAT. NO.	FINISH
SG5128PB	SG0128PB	Polished Brass
SG5128PS	SG0128PS	Polished Stainless
SG5128BS	SG0128BS	Brushed Stainless
SG5128PT	SG0128PT	Powder Painted*

Minimum order: 1 each. *Contact CRL Technical Sales for information on Powder Painted finishes.

Style 129 - Fixed Glass On Slant, Top, and One End or Both Ends



1-1/2" (38 MM) DIA. TUBING CAT. NO.	2" (51 MM) DIA. TUBING CAT. NO.	FINISH
SG5129PB	SG0129PB	Polished Brass
SG5129PS	SG0129PS	Polished Stainless
SG5129BS	SG0129BS	Brushed Stainless
SG5129PT	SG0129PT	Powder Painted*

Minimum order: 1 each. *Contact CRL Technical Sales for information on Powder Painted finishes.

CRL "QUICK SHIP" ELEGANT SERIES SNEEZE GUARDS

For Pricing Visit Our Web Site or Call Us Toll Free at the Phone Numbers Shown on the Back Cover

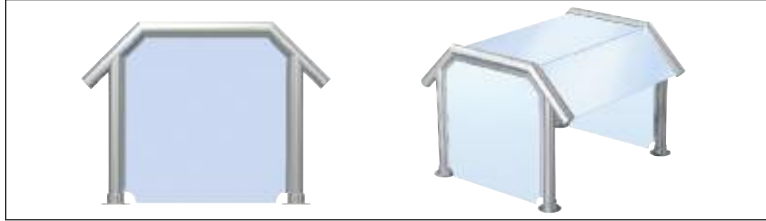
Style 130 - Fixed Glass On Slant and Top Only



1-1/2" (38 MM) DIA. TUBING CAT. NO.	2" (51 MM) DIA. TUBING CAT. NO.	FINISH
SG5130PB	SG0130PB	Polished Brass
SG5130PS	SG0130PS	Polished Stainless
SG5130BS	SG0130BS	Brushed Stainless
SG5130PT	SG0130PT	Powder Painted*

Minimum order: 1 each. *Contact CRL Technical Sales for information on Powder Painted finishes.

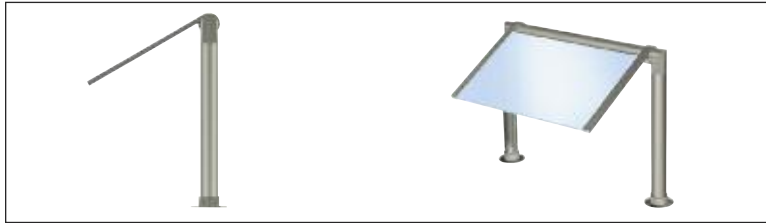
Style 131 - Fixed Glass On Slant, Top, and One End or Both Ends



1-1/2" (38 MM) DIA. TUBING CAT. NO.	2" (51 MM) DIA. TUBING CAT. NO.	FINISH
SG5131PB	SG0131PB	Polished Brass
SG5131PS	SG0131PS	Polished Stainless
SG5131BS	SG0131BS	Brushed Stainless
SG5131PT	SG0131PT	Powder Painted*

Minimum order: 1 each. *Contact CRL Technical Sales for information on Powder Painted finishes.

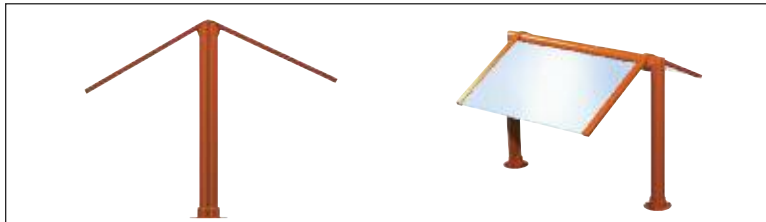
Style 132 - Fixed Glass On Slant Only



1-1/2" (38 MM) DIA. TUBING CAT. NO.	2" (51 MM) DIA. TUBING CAT. NO.	FINISH
—	SG0132PB	Polished Brass
—	SG0132PS	Polished Stainless
—	SG0132BS	Brushed Stainless
—	SG0132PT	Powder Painted*

Minimum order: 1 each. *Contact CRL Technical Sales for information on Powder Painted finishes.

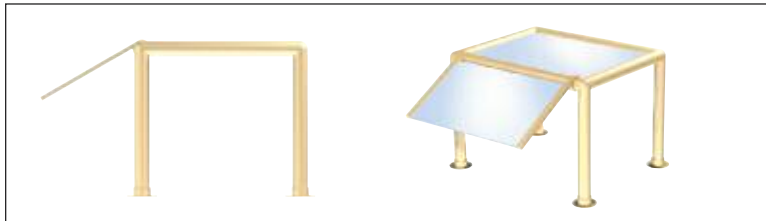
Style 133 - Fixed Glass On Slants Only



1-1/2" (38 MM) DIA. TUBING CAT. NO.	2" (51 MM) DIA. TUBING CAT. NO.	FINISH
—	SG0133PB	Polished Brass
—	SG0133PS	Polished Stainless
—	SG0133BS	Brushed Stainless
—	SG0133PT	Powder Painted*

Minimum order: 1 each. *Contact CRL Technical Sales for information on Powder Painted finishes.

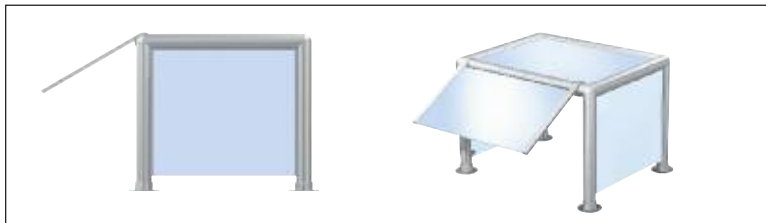
Style 134 - Fixed Glass On Slant and Top Only



1-1/2" (38 MM) DIA. TUBING CAT. NO.	2" (51 MM) DIA. TUBING CAT. NO.	FINISH
—	SG0134PB	Polished Brass
—	SG0134PS	Polished Stainless
—	SG0134BS	Brushed Stainless
—	SG0134PT	Powder Painted*

Minimum order: 1 each. *Contact CRL Technical Sales for information on Powder Painted finishes.

Style 135 - Fixed Glass On Slant, Top, and One End or Both Ends



1-1/2" (38 MM) DIA. TUBING CAT. NO.	2" (51 MM) DIA. TUBING CAT. NO.	FINISH
—	SG0135PB	Polished Brass
—	SG0135PS	Polished Stainless
—	SG0135BS	Brushed Stainless
—	SG0135PT	Powder Painted*

Minimum order: 1 each. *Contact CRL Technical Sales for information on Powder Painted finishes.



C.R. LAURENCE COMPANY

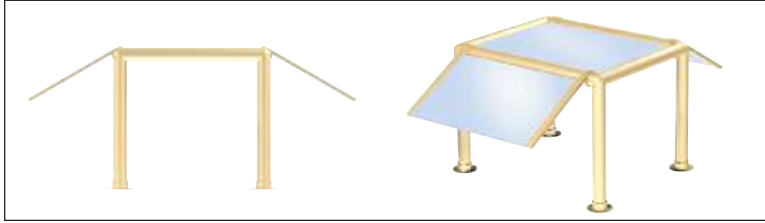
P584 | crlaurence.ca crlaurence.com.au crlaurence.co.uk crlaurence.de crlaurence.eu

crlaurence.com

CRL "QUICK SHIP" ELEGANT SERIES SNEEZE GUARDS

For Pricing Visit Our Web Site or Call Us Toll Free at the Phone Numbers Shown on the Back Cover

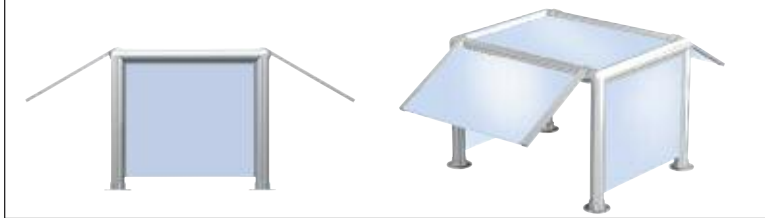
Style 136 - Fixed Glass On Slants and Top Only



1-1/2" (38 MM) DIA. TUBING CAT. NO.	2" (51 MM) DIA. TUBING CAT. NO.	FINISH
—	SG0136PB	Polished Brass
—	SG0136PS	Polished Stainless
—	SG0136BS	Brushed Stainless
—	SG0136PT	Powder Painted*

Minimum order: 1 each. *Contact CRL Technical Sales for information on Powder Painted finishes.

Style 137 - Fixed Glass On Slants, Top, and One End or Both Ends



1-1/2" (38 MM) DIA. TUBING CAT. NO.	2" (51 MM) DIA. TUBING CAT. NO.	FINISH
—	SG0137PB	Polished Brass
—	SG0137PS	Polished Stainless
—	SG0137BS	Brushed Stainless
—	SG0137PT	Powder Painted*

Minimum order: 1 each. *Contact CRL Technical Sales for information on Powder Painted finishes.

Style 138 - Fixed Glass On Top Only



1-1/2" (38 MM) DIA. TUBING CAT. NO.	2" (51 MM) DIA. TUBING CAT. NO.	FINISH
SG5138PB	SG0138PB	Polished Brass
SG5138PS	SG0138PS	Polished Stainless
SG5138BS	SG0138BS	Brushed Stainless
SG5138PT	SG0138PT	Powder Painted*

Minimum order: 1 each. *Contact CRL Technical Sales for information on Powder Painted finishes.

Style 139 - Fixed Glass On Top and Front Only



1-1/2" (38 MM) DIA. TUBING CAT. NO.	2" (51 MM) DIA. TUBING CAT. NO.	FINISH
SG5139PB	SG0139PB	Polished Brass
SG5139PS	SG0139PS	Polished Stainless
SG5139BS	SG0139BS	Brushed Stainless
SG5139PT	SG0139PT	Powder Painted*

Minimum order: 1 each. *Contact CRL Technical Sales for information on Powder Painted finishes.

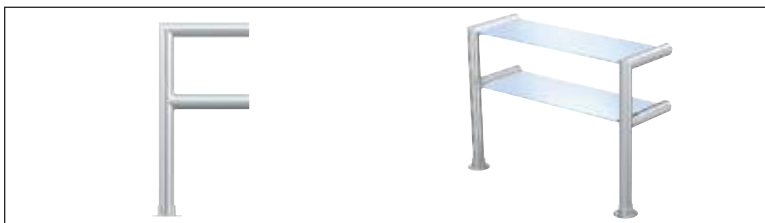
Style 140 - Fixed Glass On Top, Front, and One End or Both Ends



1-1/2" (38 MM) DIA. TUBING CAT. NO.	2" (51 MM) DIA. TUBING CAT. NO.	FINISH
SG5140PB	SG0140PB	Polished Brass
SG5140PS	SG0140PS	Polished Stainless
SG5140BS	SG0140BS	Brushed Stainless
SG5140PT	SG0140PT	Powder Painted*

Minimum order: 1 each. *Contact CRL Technical Sales for information on Powder Painted finishes.

Style 141 - Fixed Glass On Top and Shelf Only



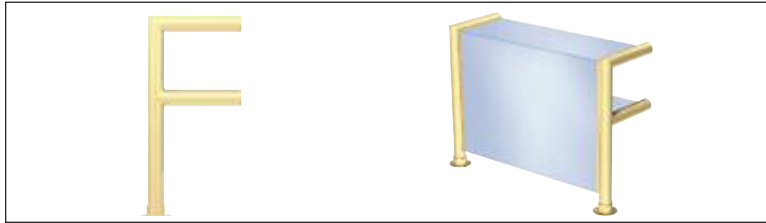
1-1/2" (38 MM) DIA. TUBING CAT. NO.	2" (51 MM) DIA. TUBING CAT. NO.	FINISH
SG5141PB	SG0141PB	Polished Brass
SG5141PS	SG0141PS	Polished Stainless
SG5141BS	SG0141BS	Brushed Stainless
SG5141PT	SG0141PT	Powder Painted*

Minimum order: 1 each. *Contact CRL Technical Sales for information on Powder Painted finishes.

CRL "QUICK SHIP" ELEGANT SERIES SNEEZE GUARDS

For Pricing Visit Our Web Site or Call Us Toll Free at the Phone Numbers Shown on the Back Cover

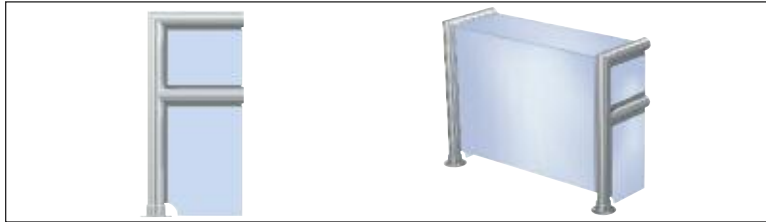
Style 142 - Fixed Glass On Top, Shelf, and Front Only



1-1/2" (38 MM) DIA. TUBING CAT. NO.	2" (51 MM) DIA. TUBING CAT. NO.	FINISH
SG5142PB	SG0142PB	Polished Brass
SG5142PS	SG0142PS	Polished Stainless
SG5142BS	SG0142BS	Brushed Stainless
SG5142PT	SG0142PT	Powder Painted*

Minimum order: 1 each. *Contact CRL Technical Sales for information on Powder Painted finishes.

Style 143 - Fixed Glass On Top, Shelf, Front, and One End or Both Ends



1-1/2" (38 MM) DIA. TUBING CAT. NO.	2" (51 MM) DIA. TUBING CAT. NO.	FINISH
SG5143PB	SG0143PB	Polished Brass
SG5143PS	SG0143PS	Polished Stainless
SG5143BS	SG0143BS	Brushed Stainless
SG5143PT	SG0143PT	Powder Painted*

Minimum order: 1 each. *Contact CRL Technical Sales for information on Powder Painted finishes.

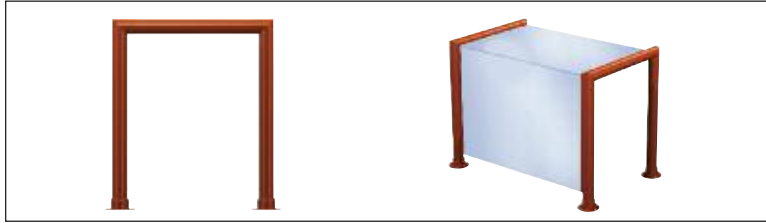
Style 144 - Fixed Glass On Top Only



1-1/2" (38 MM) DIA. TUBING CAT. NO.	2" (51 MM) DIA. TUBING CAT. NO.	FINISH
SG5144PB	SG0144PB	Polished Brass
SG5144PS	SG0144PS	Polished Stainless
SG5144BS	SG0144BS	Brushed Stainless
SG5144PT	SG0144PT	Powder Painted*

Minimum order: 1 each. *Contact CRL Technical Sales for information on Powder Painted finishes.

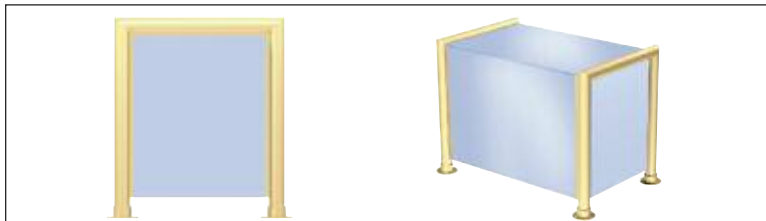
Style 145 - Fixed Glass On Top and Front Only



1-1/2" (38 MM) DIA. TUBING CAT. NO.	2" (51 MM) DIA. TUBING CAT. NO.	FINISH
SG5145PB	SG0145PB	Polished Brass
SG5145PS	SG0145PS	Polished Stainless
SG5145BS	SG0145BS	Brushed Stainless
SG5145PT	SG0145PT	Powder Painted*

Minimum order: 1 each. *Contact CRL Technical Sales for information on Powder Painted finishes.

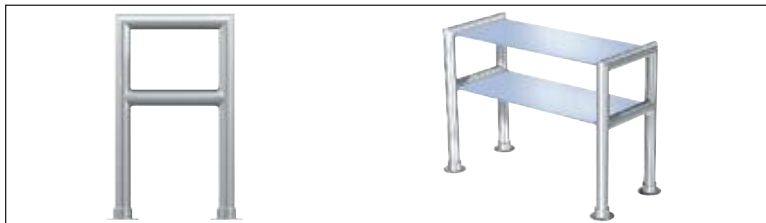
Style 146 - Fixed Glass On Top, Front, and One End or Both Ends



1-1/2" (38 MM) DIA. TUBING CAT. NO.	2" (51 MM) DIA. TUBING CAT. NO.	FINISH
SG5146PB	SG0146PB	Polished Brass
SG5146PS	SG0146PS	Polished Stainless
SG5146BS	SG0146BS	Brushed Stainless
SG5146PT	SG0146PT	Powder Painted*

Minimum order: 1 each. *Contact CRL Technical Sales for information on Powder Painted finishes.

Style 147 - Fixed Glass On Top and Shelf Only



1-1/2" (38 MM) DIA. TUBING CAT. NO.	2" (51 MM) DIA. TUBING CAT. NO.	FINISH
SG5147PB	SG0147PB	Polished Brass
SG5147PS	SG0147PS	Polished Stainless
SG5147BS	SG0147BS	Brushed Stainless
SG5147PT	SG0147PT	Powder Painted*

Minimum order: 1 each. *Contact CRL Technical Sales for information on Powder Painted finishes.



C.R. LAURENCE COMPANY

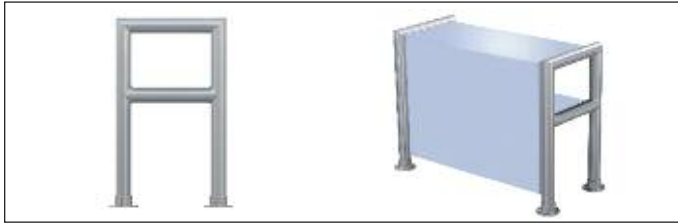
P586 | crlaurence.ca crlaurence.com.au crlaurence.co.uk crlaurence.de crlaurence.eu

crlaurence.com

CRL "QUICK SHIP" ELEGANT SERIES SNEEZE GUARDS

For Pricing Visit Our Web Site or Call Us Toll Free at the Phone Numbers Shown on the Back Cover

Style 148 - Fixed Glass On Top, Shelf, and Front Only



1-1/2" (38 MM) DIA. TUBING CAT. NO.	2" (51 MM) DIA. TUBING CAT. NO.	FINISH
SG5148PB	SG0148PB	Polished Brass
SG5148PS	SG0148PS	Polished Stainless
SG5148BS	SG0148BS	Brushed Stainless
SG5148PT	SG0148PT	Powder Painted*

Minimum order: 1 each. *Contact CRL Technical Sales for information on Powder Painted finishes.

Style 149 - Fixed Glass On Top, Shelf, Front, and One End or Both Ends



1-1/2" (38 MM) DIA. TUBING CAT. NO.	2" (51 MM) DIA. TUBING CAT. NO.	FINISH
SG5149PB	SG0149PB	Polished Brass
SG5149PS	SG0149PS	Polished Stainless
SG5149BS	SG0149BS	Brushed Stainless
SG5149PT	SG0149PT	Powder Painted*

Minimum order: 1 each. *Contact CRL Technical Sales for information on Powder Painted finishes.

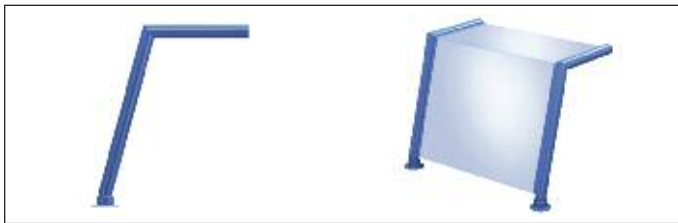
Style 150 - Fixed Glass On Top Only



1-1/2" (38 MM) DIA. TUBING CAT. NO.	2" (51 MM) DIA. TUBING CAT. NO.	FINISH
SG5150PB	SG0150PB	Polished Brass
SG5150PS	SG0150PS	Polished Stainless
SG5150BS	SG0150BS	Brushed Stainless
SG5150PT	SG0150PT	Powder Painted*

Minimum order: 1 each. *Contact CRL Technical Sales for information on Powder Painted finishes.

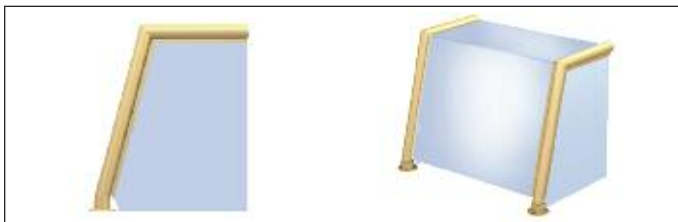
Style 151 - Fixed Glass On Top and Front Only



1-1/2" (38 MM) DIA. TUBING CAT. NO.	2" (51 MM) DIA. TUBING CAT. NO.	FINISH
SG5151PB	SG0151PB	Polished Brass
SG5151PS	SG0151PS	Polished Stainless
SG5151BS	SG0151BS	Brushed Stainless
SG5151PT	SG0151PT	Powder Painted*

Minimum order: 1 each. *Contact CRL Technical Sales for information on Powder Painted finishes.

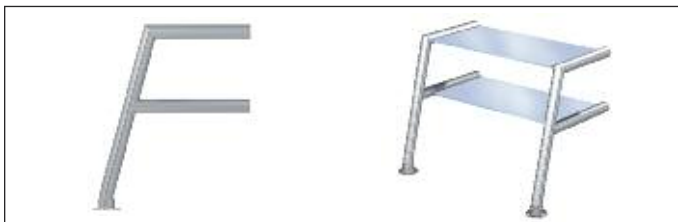
Style 152 - Fixed Glass On Top, Front, and One End or Both Ends



1-1/2" (38 MM) DIA. TUBING CAT. NO.	2" (51 MM) DIA. TUBING CAT. NO.	FINISH
SG5152PB	SG0152PB	Polished Brass
SG5152PS	SG0152PS	Polished Stainless
SG5152BS	SG0152BS	Brushed Stainless
SG5152PT	SG0152PT	Powder Painted*

Minimum order: 1 each. *Contact CRL Technical Sales for information on Powder Painted finishes.

Style 153 - Fixed Glass On Top and Shelf Only



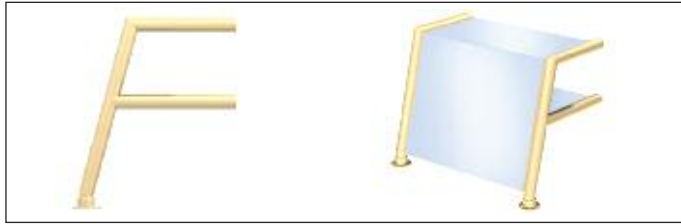
1-1/2" (38 MM) DIA. TUBING CAT. NO.	2" (51 MM) DIA. TUBING CAT. NO.	FINISH
SG5153PB	SG0153PB	Polished Brass
SG5153PS	SG0153PS	Polished Stainless
SG5153BS	SG0153BS	Brushed Stainless
SG5153PT	SG0153PT	Powder Painted*

Minimum order: 1 each. *Contact CRL Technical Sales for information on Powder Painted finishes.

CRL "QUICK SHIP" ELEGANT SERIES SNEEZE GUARDS

For Pricing Visit Our Web Site or Call Us Toll Free at the Phone Numbers Shown on the Back Cover

Style 154 - Fixed Glass On Top, Shelf, and Front Only



1-1/2" (38 MM) DIA. TUBING CAT. NO.	2" (51 MM) DIA. TUBING CAT. NO.	FINISH
SG5154PB	SG0154PB	Polished Brass
SG5154PS	SG0154PS	Polished Stainless
SG5154BS	SG0154BS	Brushed Stainless
SG5154PT	SG0154PT	Powder Painted*

Minimum order: 1 each. *Contact CRL Technical Sales for information on Powder Painted finishes.

Style 155 - Fixed Glass On Top, Shelf, Front, and One End or Both Ends



1-1/2" (38 MM) DIA. TUBING CAT. NO.	2" (51 MM) DIA. TUBING CAT. NO.	FINISH
SG5155PB	SG0155PB	Polished Brass
SG5155PS	SG0155PS	Polished Stainless
SG5155BS	SG0155BS	Brushed Stainless
SG5155PT	SG0155PT	Powder Painted*

Minimum order: 1 each. *Contact CRL Technical Sales for information on Powder Painted finishes.

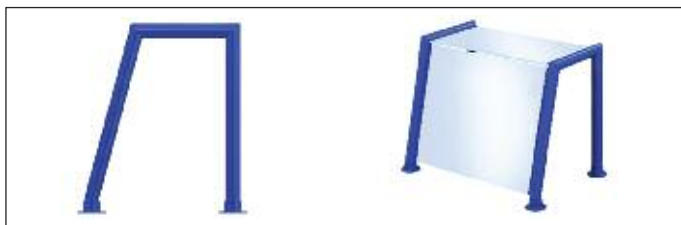
Style 156 - Fixed Glass On Top Only



1-1/2" (38 MM) DIA. TUBING CAT. NO.	2" (51 MM) DIA. TUBING CAT. NO.	FINISH
SG5156PB	SG0156PB	Polished Brass
SG5156PS	SG0156PS	Polished Stainless
SG5156BS	SG0156BS	Brushed Stainless
SG5156PT	SG0156PT	Powder Painted*

Minimum order: 1 each. *Contact CRL Technical Sales for information on Powder Painted finishes.

Style 157 - Fixed Glass On Top and Front Only



1-1/2" (38 MM) DIA. TUBING CAT. NO.	2" (51 MM) DIA. TUBING CAT. NO.	FINISH
SG5157PB	SG0157PB	Polished Brass
SG5157PS	SG0157PS	Polished Stainless
SG5157BS	SG0157BS	Brushed Stainless
SG5157PT	SG0157PT	Powder Painted*

Minimum order: 1 each. *Contact CRL Technical Sales for information on Powder Painted finishes.

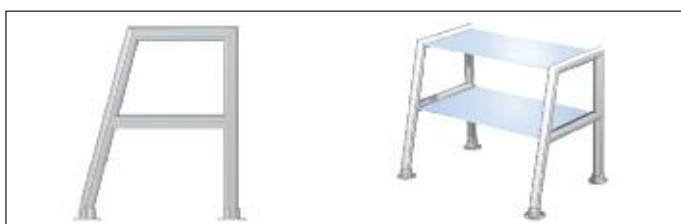
Style 158 - Fixed Glass On Top, Front, and One End or Both Ends



1-1/2" (38 MM) DIA. TUBING CAT. NO.	2" (51 MM) DIA. TUBING CAT. NO.	FINISH
SG5158PB	SG0158PB	Polished Brass
SG5158PS	SG0158PS	Polished Stainless
SG5158BS	SG0158BS	Brushed Stainless
SG5158PT	SG0158PT	Powder Painted*

Minimum order: 1 each. *Contact CRL Technical Sales for information on Powder Painted finishes.

Style 159 - Fixed Glass On Top and Shelf Only



1-1/2" (38 MM) DIA. TUBING CAT. NO.	2" (51 MM) DIA. TUBING CAT. NO.	FINISH
SG5159PB	SG0159PB	Polished Brass
SG5159PS	SG0159PS	Polished Stainless
SG5159BS	SG0159BS	Brushed Stainless
SG5159PT	SG0159PT	Powder Painted*

Minimum order: 1 each. *Contact CRL Technical Sales for information on Powder Painted finishes.



C.R. LAURENCE COMPANY

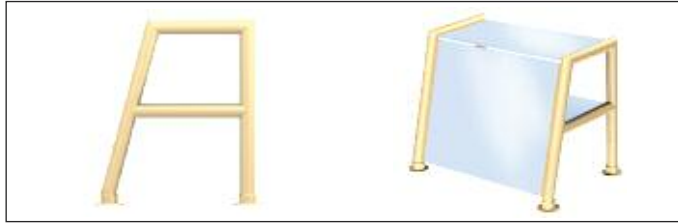
P588 | crlaurence.ca crlaurence.com.au crlaurence.co.uk crlaurence.de crlaurence.eu

crlaurence.com

CRL "QUICK SHIP" ELEGANT SERIES SNEEZE GUARDS

For Pricing Visit Our Web Site or Call Us Toll Free at the Phone Numbers Shown on the Back Cover

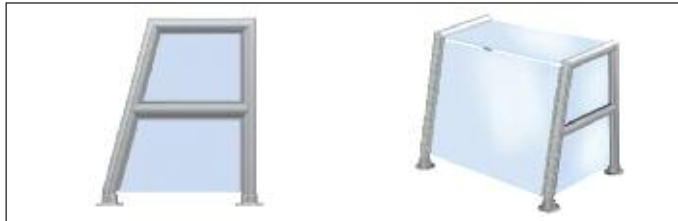
Style 160 - Fixed Glass On Top, Shelf, and Front Only



1-1/2" (38 MM) DIA. TUBING CAT. NO.	2" (51 MM) DIA. TUBING CAT. NO.	FINISH
SG5160PB	SG0160PB	Polished Brass
SG5160PS	SG0160PS	Polished Stainless
SG5160BS	SG0160BS	Brushed Stainless
SG5160PT	SG0160PT	Powder Painted*

Minimum order: 1 each. *Contact CRL Technical Sales for information on Powder Painted finishes.

Style 161 - Fixed Glass On Top, Shelf, Front, and One or Both Ends



1-1/2" (38 MM) DIA. TUBING CAT. NO.	2" (51 MM) DIA. TUBING CAT. NO.	FINISH
SG5161PB	SG0161PB	Polished Brass
SG5161PS	SG0161PS	Polished Stainless
SG5161BS	SG0161BS	Brushed Stainless
SG5161PT	SG0161PT	Powder Painted*

Minimum order: 1 each. *Contact CRL Technical Sales for information on Powder Painted finishes.

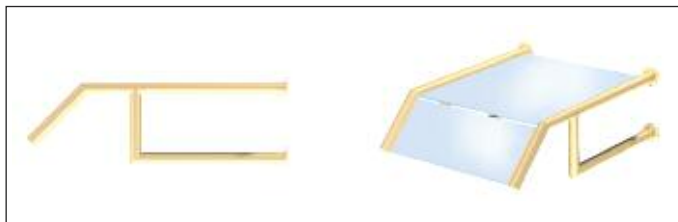
Style 163 - Fixed Glass On Slant Only



1-1/2" (38 MM) DIA. TUBING CAT. NO.	2" (51 MM) DIA. TUBING CAT. NO.	FINISH
SG5163PB	SG0163PB	Polished Brass
SG5163PS	SG0163PS	Polished Stainless
SG5163BS	SG0163BS	Brushed Stainless
SG5163PT	SG0163PT	Powder Painted*

Minimum order: 1 each. *Contact CRL Technical Sales for information on Powder Painted finishes.

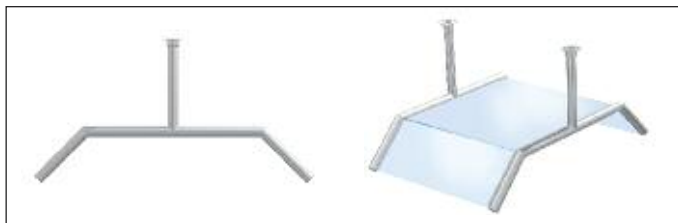
Style 164 - Fixed Glass On Slant and Top Only



1-1/2" (38 MM) DIA. TUBING CAT. NO.	2" (51 MM) DIA. TUBING CAT. NO.	FINISH
SG5164PB	SG0164PB	Polished Brass
SG5164PS	SG0164PS	Polished Stainless
SG5164BS	SG0164BS	Brushed Stainless
SG5164PT	SG0164PT	Powder Painted*

Minimum order: 1 each. *Contact CRL Technical Sales for information on Powder Painted finishes.

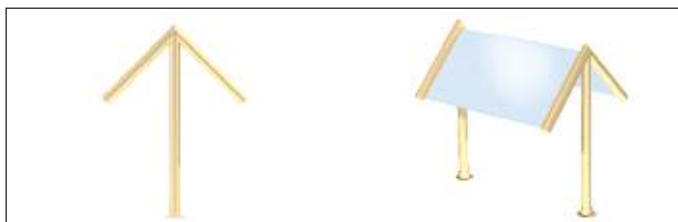
Style 165 - Fixed Glass On Slants and Top Only



1-1/2" (38 MM) DIA. TUBING CAT. NO.	2" (51 MM) DIA. TUBING CAT. NO.	FINISH
SG5165PB	SG0165PB	Polished Brass
SG5165PS	SG0165PS	Polished Stainless
SG5165BS	SG0165BS	Brushed Stainless
SG5165PT	SG0165PT	Powder Painted*

Minimum order: 1 each. *Contact CRL Technical Sales for information on Powder Painted finishes.

Style 166 - Fixed Glass On Slants Only



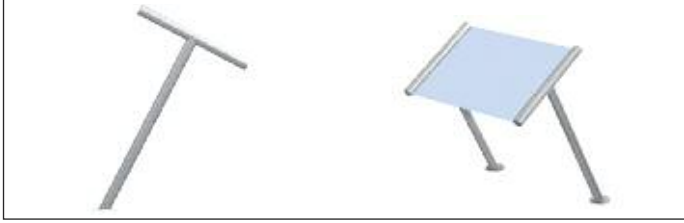
1-1/2" (38 MM) DIA. TUBING CAT. NO.	2" (51 MM) DIA. TUBING CAT. NO.	FINISH
SG5166PB	SG0166PB	Polished Brass
SG5166PS	SG0166PS	Polished Stainless
SG5166BS	SG0166BS	Brushed Stainless
SG5166PT	SG0166PT	Powder Painted*

Minimum order: 1 each. *Contact CRL Technical Sales for information on Powder Painted finishes.

CRL "QUICK SHIP" ELEGANT SERIES SNEEZE GUARDS

For Pricing Visit Our Web Site or Call Us Toll Free at the Phone Numbers Shown on the Back Cover

Style 167 - Fixed Glass On Slant Only



1-1/2" (38 MM) DIA. TUBING CAT. NO.	2" (51 MM) DIA. TUBING CAT. NO.	FINISH
SG5167PB	SG0167PB	Polished Brass
SG5167PS	SG0167PS	Polished Stainless
SG5167BS	SG0167BS	Brushed Stainless
SG5167PT	SG0167PT	Powder Painted*

Minimum order: 1 each. *Contact CRL Technical Sales for information on Powder Painted finishes.

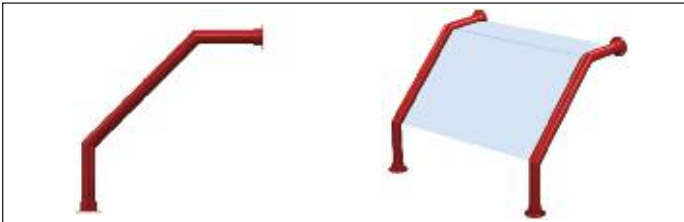
Style 168 - Fixed Glass On Slant Only



1-1/2" (38 MM) DIA. TUBING CAT. NO.	2" (51 MM) DIA. TUBING CAT. NO.	FINISH
SG5168PB	SG0168PB	Polished Brass
SG5168PS	SG0168PS	Polished Stainless
SG5168BS	SG0168BS	Brushed Stainless
SG5168PT	SG0168PT	Powder Painted*

Minimum order: 1 each. *Contact CRL Technical Sales for information on Powder Painted finishes.

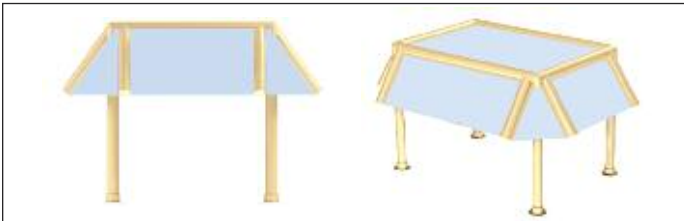
Style 169 - Fixed Glass On Slant and Top Only



1-1/2" (38 MM) DIA. TUBING CAT. NO.	2" (51 MM) DIA. TUBING CAT. NO.	FINISH
SG5169PB	SG0169PB	Polished Brass
SG5169PS	SG0169PS	Polished Stainless
SG5169BS	SG0169BS	Brushed Stainless
SG5169PT	SG0169PT	Powder Painted*

Minimum order: 1 each. *Contact CRL Technical Sales for information on Powder Painted finishes.

Style 170 - Fixed Glass On Slant and Top Only



1-1/2" (38 MM) DIA. TUBING CAT. NO.	2" (51 MM) DIA. TUBING CAT. NO.	FINISH
SG5170PB	SG0170PB	Polished Brass
SG5170PS	SG0170PS	Polished Stainless
SG5170BS	SG0170BS	Brushed Stainless
SG5170PT	SG0170PT	Powder Painted*

Minimum order: 1 each. *Contact CRL Technical Sales for information on Powder Painted finishes.

Technical Sales Assistance For All Your Project Requirements

The C.R. Laurence Company Technical Sales Department will assist you with design plans and installation questions concerning Hospitality Hardware. Your job can be made easier with the help of our Technical Sales Representatives who are trained in the newest hardware systems, and can offer you detailed diagrams and layout sheets. Contact CRL Technical Sales at (800) 421-6144 in the U.S., (877) 421-6144 from Canada, or (323) 588-1281 International, and ask for Ext. 7760. You can also e-mail us through our web site at crlaurence.com. From the home page click on Contact Us, and then click on Technical Sales for Hospitality Products.



C.R. LAURENCE COMPANY

P590 | crlaurence.ca crlaurence.com.au crlaurence.co.uk crlaurence.de crlaurence.eu

crlaurence.com

CRL Contemporary Series Sneeze Guards



- Both Fixed Glass and Movable Glass Models Available
- 1-1/2" (38.1 mm) Slim Tubing Adds to the Frameless Look
- Petite Fittings Accommodate 1/4" (6 mm) or 3/8" (10 mm) Glass
- Choose From Four Finishes - Polished Brass, Brushed Stainless, Polished Stainless, and Powder Painted
- Three Petite Glass Fittings Available



Contemporary Series Fixed Glass Model
(See pages P591 to P593 for available models)



Fixed Fitting

Hinge Fitting

Stop Fitting

To achieve the frameless look that today's installers prefer, CRL has created a series of Petite Glass Fittings that replicate the design of Standoff Fittings commonly used in glass fabrication. These three Petite Fittings are for use with 1/4" (6 mm) or 3/8" (10 mm) glass, and allow for fixed glass or movable glass applications. All are available in Polished Brass, Brushed Stainless, Polished Stainless, and Powder Painted finishes. When used in conjunction with 1-1/2" (38.1 mm) Tubing a unit with minimal frame width is achieved.



Contemporary Series Movable Glass Model
(See pages P594 to P595 for available models)



Style 200 - Fixed Glass On Slant Only



Style 201 - Fixed Glass On Slant and Front Only



- 1-1/2" (38.1 mm) Diameter Tubing in Four Finishes

1-1/2" (38 MM) DIA. TUBING CAT. NO.	FINISH
SG5200PB	Polished Brass
SG5200PS	Polished Stainless
SG5200BS	Brushed Stainless
SG5200PT	Powder Painted*

Minimum order: 1 each. *Contact CRL Technical Sales for information on Powder Painted finishes.

1-1/2" (38 MM) DIA. TUBING CAT. NO.	FINISH
SG5201PB	Polished Brass
SG5201PS	Polished Stainless
SG5201BS	Brushed Stainless
SG5201PT	Powder Painted*

Minimum order: 1 each. *Contact CRL Technical Sales for information on Powder Painted finishes.



• **1-1/2" (38.1 mm) Diameter Tubing in Four Finishes**



Style 202 - Fixed Glass On Top Only



1-1/2" (38 MM) DIA. TUBING CAT. NO.	FINISH
SG5202PB	Polished Brass
SG5202PS	Polished Stainless
SG5202BS	Brushed Stainless
SG5202PT	Powder Painted*

Minimum order: 1 each. *Contact CRL Technical Sales for information on Powder Painted finishes.

Style 203 - Fixed Glass On Slant Only



1-1/2" (38 MM) DIA. TUBING CAT. NO.	FINISH
SG5203PB	Polished Brass
SG5203PS	Polished Stainless
SG5203BS	Brushed Stainless
SG5203PT	Powder Painted*

Minimum order: 1 each. *Contact CRL Technical Sales for information on Powder Painted finishes.

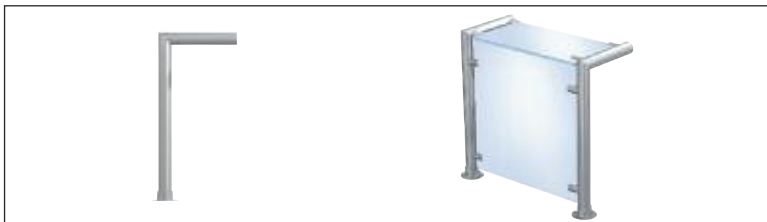
Style 204 - Fixed Glass On Slant Only



1-1/2" (38 MM) DIA. TUBING CAT. NO.	FINISH
SG5204PB	Polished Brass
SG5204PS	Polished Stainless
SG5204BS	Brushed Stainless
SG5204PT	Powder Painted*

Minimum order: 1 each. *Contact CRL Technical Sales for information on Powder Painted finishes.

Style 205 - Fixed Glass On Top and Front Only



1-1/2" (38 MM) DIA. TUBING CAT. NO.	FINISH
SG5205PB	Polished Brass
SG5205PS	Polished Stainless
SG5205BS	Brushed Stainless
SG5205PT	Powder Painted*

Minimum order: 1 each. *Contact CRL Technical Sales for information on Powder Painted finishes.

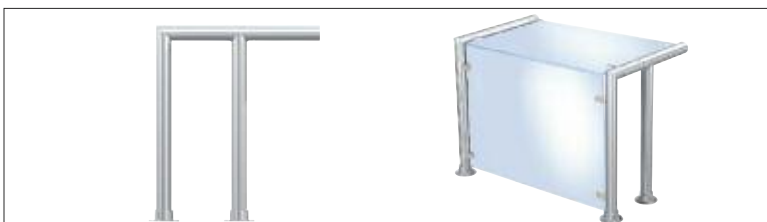
Style 206 - Fixed Glass On Top, Front, and One or Both Ends



1-1/2" (38 MM) DIA. TUBING CAT. NO.	FINISH
SG5206PB	Polished Brass
SG5206PS	Polished Stainless
SG5206BS	Brushed Stainless
SG5206PT	Powder Painted*

Minimum order: 1 each. *Contact CRL Technical Sales for information on Powder Painted finishes.

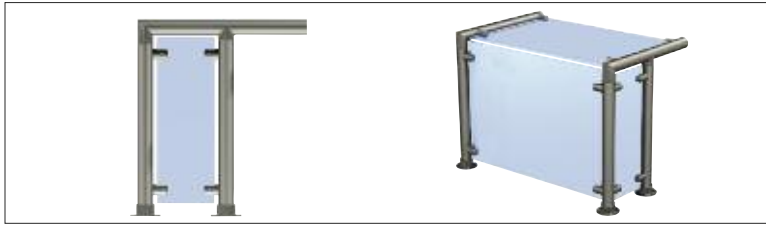
Style 207 - Fixed Glass On Top and Front Only



1-1/2" (38 MM) DIA. TUBING CAT. NO.	FINISH
SG5207PB	Polished Brass
SG5207PS	Polished Stainless
SG5207BS	Brushed Stainless
SG5207PT	Powder Painted*

Minimum order: 1 each. *Contact CRL Technical Sales for information on Powder Painted finishes.

Style 208 - Fixed Glass On Top, Front, and One or Both Ends



• 1-1/2" (38.1 mm) Diameter Tubing in Four Finishes



1-1/2" (38 MM) DIA. TUBING CAT. NO.	FINISH
SG5208PB	Polished Brass
SG5208PS	Polished Stainless
SG5208BS	Brushed Stainless
SG5208PT	Powder Painted*

Minimum order: 1 each. *Contact CRL Technical Sales for information on Powder Painted finishes.

Style 209 - Fixed Glass On Top and Front Only



1-1/2" (38 MM) DIA. TUBING CAT. NO.	FINISH
SG5209PB	Polished Brass
SG5209PS	Polished Stainless
SG5209BS	Brushed Stainless
SG5209PT	Powder Painted*

Minimum order: 1 each. *Contact CRL Technical Sales for information on Powder Painted finishes.

Style 210 - Fixed Glass On Top, Front, and One or Both Ends



1-1/2" (38 MM) DIA. TUBING CAT. NO.	FINISH
SG5210PB	Polished Brass
SG5210PS	Polished Stainless
SG5210BS	Brushed Stainless
SG5210PT	Powder Painted*

Minimum order: 1 each. *Contact CRL Technical Sales for information on Powder Painted finishes.

Style 211 - Fixed Glass On Top and Front Only



1-1/2" (38 MM) DIA. TUBING CAT. NO.	FINISH
SG5211PB	Polished Brass
SG5211PS	Polished Stainless
SG5211BS	Brushed Stainless
SG5211PT	Powder Painted*

Minimum order: 1 each. *Contact CRL Technical Sales for information on Powder Painted finishes.

Style 212 - Fixed Glass On Top, Front, and One or Both Ends



1-1/2" (38 MM) DIA. TUBING CAT. NO.	FINISH
SG5212PB	Polished Brass
SG5212PS	Polished Stainless
SG5212BS	Brushed Stainless
SG5212PT	Powder Painted*

Minimum order: 1 each. *Contact CRL Technical Sales for information on Powder Painted finishes.

Style 213 - Fixed Glass On Top and Slants Only

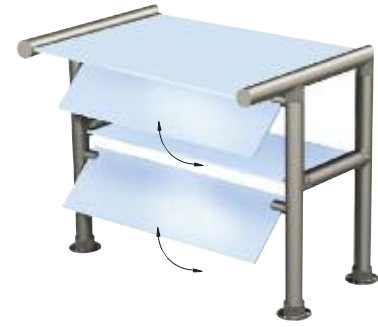
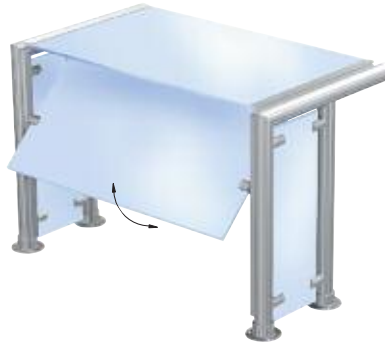


1-1/2" (38 MM) DIA. TUBING CAT. NO.	FINISH
SG5213PB	Polished Brass
SG5213PS	Polished Stainless
SG5213BS	Brushed Stainless
SG5213PT	Powder Painted*

Minimum order: 1 each. *Contact CRL Technical Sales for information on Powder Painted finishes.

CRL "QUICK SHIP" CONTEMPORARY SERIES SNEEZE GUARDS

For Pricing Visit Our Web Site or Call Us Toll Free at the Phone Numbers Shown on the Back Cover



CRL's Contemporary Series Sneeze Guard line offers units with movable glass panels, which are ideal for cleaning as well as gaining a larger access area to the food when it is necessary to replenish.

Allow CRL to assist you in selecting the right Sneeze Guard. We can suggest glass positions and mounting options, as well as the perfect finish to match any décor. Contact Technical Sales at (800) 421-6144 in the U.S., (877) 421-6144 from Canada, or (323) 588-1281 International. Ask for Ext. 7760. You can also reach us by e-mail. Go to the crlaurence.com home page and click on Contact Us, then click on Technical Sales for Hospitality Products.



Style 301 - Fixed Glass On Top, Plus Movable Front Panel

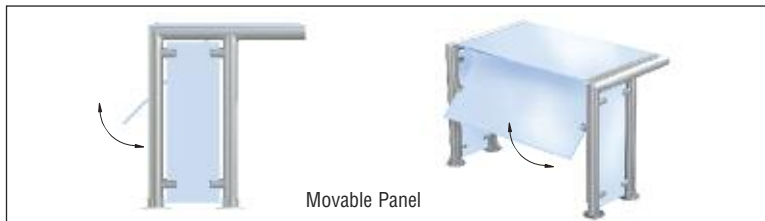


• 1-1/2" (38.1 mm) Diameter Tubing in Four Finishes

1-1/2" (38 MM) DIA. TUBING CAT. NO.	FINISH
SG5301PB	Polished Brass
SG5301PS	Polished Stainless
SG5301BS	Brushed Stainless
SG5301PT	Powder Painted*

Minimum order: 1 each. *Contact CRL Technical Sales for information on Powder Painted finishes.

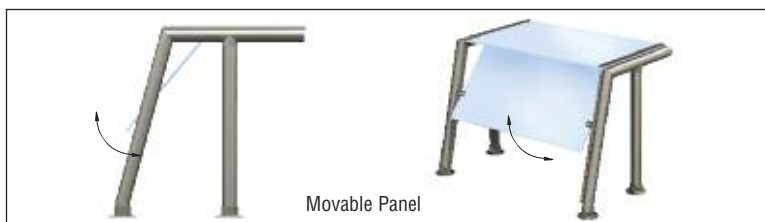
Style 302 - Fixed Glass On Top and One or Both Ends, Plus Movable Front Panel



1-1/2" (38 MM) DIA. TUBING CAT. NO.	FINISH
SG5302PB	Polished Brass
SG5302PS	Polished Stainless
SG5302BS	Brushed Stainless
SG5302PT	Powder Painted*

Minimum order: 1 each. *Contact CRL Technical Sales for information on Powder Painted finishes.

Style 303 - Fixed Glass On Top, Plus Movable Slanted Panel



1-1/2" (38 MM) DIA. TUBING CAT. NO.	FINISH
SG5303PB	Polished Brass
SG5303PS	Polished Stainless
SG5303BS	Brushed Stainless
SG5303PT	Powder Painted*

Minimum order: 1 each. *Contact CRL Technical Sales for information on Powder Painted finishes.



C.R. LAURENCE COMPANY

crlaurence.com

P594 | crlaurence.ca crlaurence.com.au crlaurence.co.uk crlaurence.de crlaurence.eu



Style 304 - Fixed Glass On Top and One or Both Ends, Plus Movable Slanted Panel

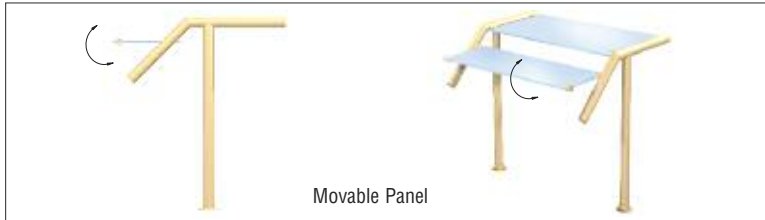


• 1-1/2" (38.1 mm) Diameter Tubing in Four Finishes

1-1/2" (38 MM) DIA. TUBING CAT. NO.	FINISH
SG5304PB	Polished Brass
SG5304PS	Polished Stainless
SG5304BS	Brushed Stainless
SG5304PT	Powder Painted*

Minimum order: 1 each. *Contact CRL Technical Sales for information on Powder Painted finishes.

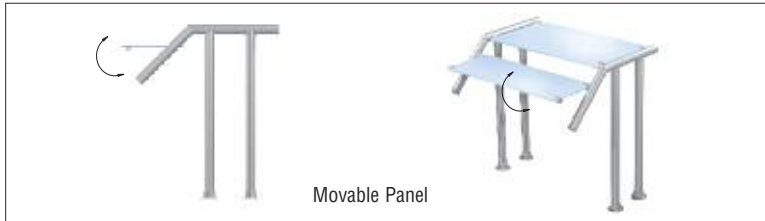
Style 305 - Fixed Glass On Top, Plus Movable Slanted Panel



1-1/2" (38 MM) DIA. TUBING CAT. NO.	FINISH
SG5305PB	Polished Brass
SG5305PS	Polished Stainless
SG5305BS	Brushed Stainless
SG5305PT	Powder Painted*

Minimum order: 1 each. *Contact CRL Technical Sales for information on Powder Painted finishes.

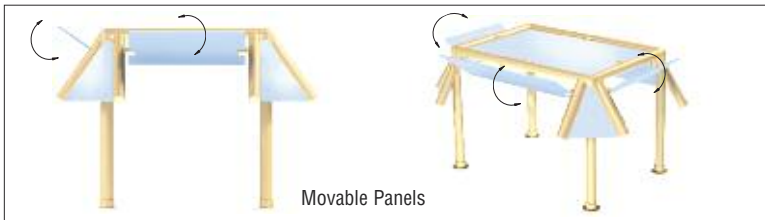
Style 306 - Fixed Glass On Top, Plus Movable Slanted Panel



1-1/2" (38 MM) DIA. TUBING CAT. NO.	FINISH
SG5306PB	Polished Brass
SG5306PS	Polished Stainless
SG5306BS	Brushed Stainless
SG5306PT	Powder Painted*

Minimum order: 1 each. *Contact CRL Technical Sales for information on Powder Painted finishes.

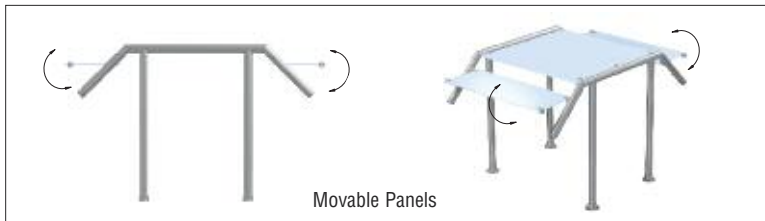
Style 307 - Fixed Glass On Top and Corners, Plus Movable Slanted Panels



1-1/2" (38 MM) DIA. TUBING CAT. NO.	FINISH
SG5307PB	Polished Brass
SG5307PS	Polished Stainless
SG5307BS	Brushed Stainless
SG5307PT	Powder Painted*

Minimum order: 1 each. *Contact CRL Technical Sales for information on Powder Painted finishes.

Style 308 - Fixed Glass On Top, Plus Movable Slanted Panels



1-1/2" (38 MM) DIA. TUBING CAT. NO.	FINISH
SG5308PB	Polished Brass
SG5308PS	Polished Stainless
SG5308BS	Brushed Stainless
SG5308PT	Powder Painted*

Minimum order: 1 each. *Contact CRL Technical Sales for information on Powder Painted finishes.

Style 309 - Fixed Glass On Top and Shelf, Plus Movable Slanted Panels



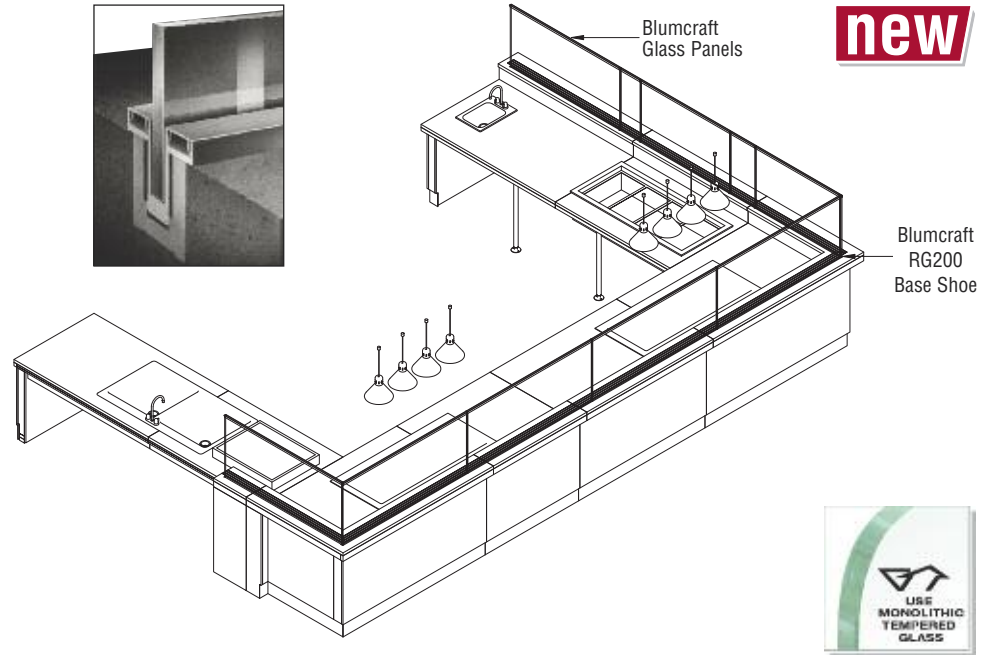
1-1/2" (38 MM) DIA. TUBING CAT. NO.	FINISH
SG5309PB	Polished Brass
SG5309PS	Polished Stainless
SG5309BS	Brushed Stainless
SG5309PT	Powder Painted*

Minimum order: 1 each. *Contact CRL Technical Sales for information on Powder Painted finishes.

CRL-Blumcraft Aluminum Base Shoe for Food Service Partitions

- Glass Partitions Are Just One of the Alternative Uses for Our Aluminum Base Shoe
- Segmented Panels Make for Easy Removal or Repair Without Replacing the Entire Divider

The Hospitality Technical Sales staff can assist you in the selection of the perfect aluminum base shoe to construct sturdy and attractive glass partitions for food service areas. The variety of designs for surface or flush mounted panels of monolithic tempered or laminated tempered glass gives you design flexibility.



CRL-Blumcraft Monolithic Aluminum Base Shoes



- For Food Service Partition, Windscreen or Glass Railing Applications
- Available to Mount 1/2" and 3/4" (12 and 19 mm) Monolithic Tempered Glass
- Factory Controlled Bonding of Glass Also Available
- 6063 Alloy, T52 Temper in Three Finishes
- 144" Stock Lengths or Custom Lengths to Order



RG200 Series
for 1/2" (12 mm) Glass



RG450 Series
for 1/2" (12 mm) Glass



RG500 Series
for 3/4" (19 mm) Glass



RG650 Series
for 3/4" (19 mm) Glass

Shipping Note: Due to the difficulty in packaging and handling 144" (3.65 m) stock lengths, it is suggested that you take delivery of these at any of our distribution centers. If requiring shipment, all packaging and handling concerns must be agreed to by CRL and the customer prior to shipping. All shipping arrangements will be documented on your quotation for your signed approval.

CRL Can Fabricate Almost Any Sneeze Guard You Can Design

Our over 600,000 square feet of manufacturing capacity has the talented crafts people and the machinery to build virtually any Sneeze Guard you can design. We custom make products that will meet your needs, satisfy local building codes, and please your customers.



Tubular Junctions



Brake Shapes

General Machinery - Our general use machinery, such as Saws, Drilling Machines, Lathes, and CNC Machines allow us to perform most fabrication requirements for stock or custom made orders.

Specialized Machinery - We have heavily invested in a variety of equipment to speed up our service level. Our Laser Cutter not only cuts flat stock, but also tubular stock. The computerized Brakes will form all types of shapes quickly and accurately.



Fixtures and Welding - Precise and accurate fixtures guarantee constant and repetitive results. Having all component parts securely fastened prevents warping and mis-alignment during the welding process.

Assembly - Clear assembly drawings, proper tools, and qualified personnel are used to guarantee a quality product, whether it's for stock or custom made for a specific project.



Polishing and Finishing - Our Polishing Department expertly produces the required finish, and then cleans it for shipping or additional finishing requirements. Our automated powder paint lines can apply any of the 256 RAL colors along with custom colors to your specifications.



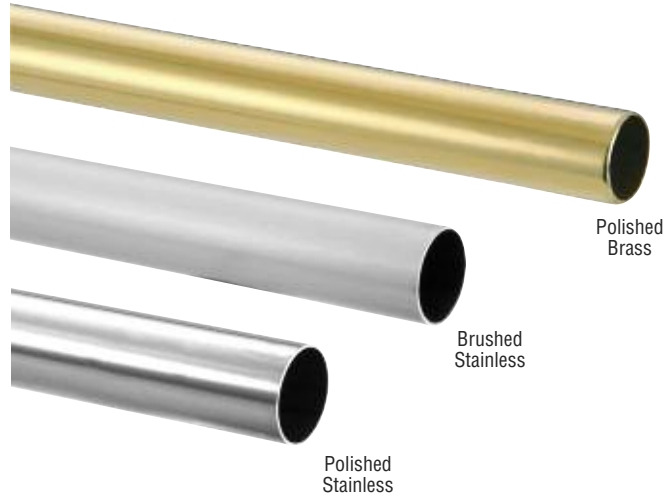
Packaging and Shipping - Immediately after fabrication and finishing the product is carefully packed to prevent any damage during shipping. Then the product is shipped from our Los Angeles, California facility or put on our weekly re-supply truck for Will Call pick-up or shipping from your local CRL warehouse.

Build Your Own Elegant and Contemporary Series Sneeze Guards

- Components "In Stock" and Ready to Ship
- Three Architectural Finishes Available

- Easy to Fabricate Right in Your Own Shop With No Special Tools Needed

CRL Sneeze Guard Tubing



CRL Round Tubing is formed using precision tooling to maintain uniform diameters, allowing for a smooth hairline transition at splices and end caps. Available in two diameters and three architectural finishes, Brushed Stainless Steel, Polished Stainless Steel, and Polished Brass.

See page P557

CRL Sneeze Guard End Caps



CRL Sneeze Guard End Caps are available in three designer styles, Dome, Flat, and Ball. Each is ready to install, and match the same three architectural finishes as our Tubing.

See pages P557,P559

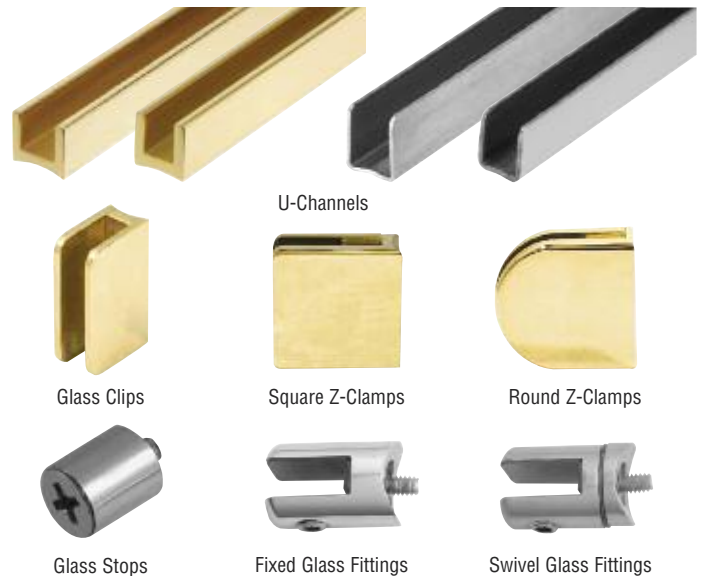
CRL Sneeze Guard Bases



CRL offers six options when it comes to mounting Sneeze Guards. All exposed bases are available in the same three matching architectural finishes, Brushed Stainless Steel, Polished Stainless Steel, and Polished Brass, as our Tubing.

See pages P560 to P562

CRL Sneeze Guard Glass Attachments



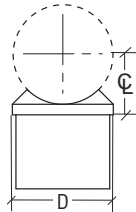
CRL offers many options for mounting glass to Sneeze Guards. Choose from U-Channels, Glass Clips, Z-Series Clamps, Fixed and Swivel Glass Fittings. CRL even has Glass Stops when an air space is required.

See pages P564-P573

CRL Perpendicular Collars

- Ready to Install
- Three Architectural Finishes Available

CRL Perpendicular Collars attach to our Partition Post and Sneeze Guard Tubing with a screw. The base slips easily into the vertical tube. Use of our Cat. No. 32629 Metal Contact Cement (see page P602) is required to achieve a secure and permanent bond.



PERPENDICULAR COLLARS FOR 1-1/2" (38.1 MM) TUBING

CAT. NO.	FINISH	"D" DIMENSION	"C/L"
HR15PCBS	Brushed Stainless	1-1/2" (38.1 mm)	7/8" (22.2 mm)
HR15PCPS	Polished Stainless	1-1/2" (38.1 mm)	7/8" (22.2 mm)
HR15PCPB	Polished Brass	1-1/2" (38.1 mm)	7/8" (22.2 mm)

Minimum order: 1 each. Finishes can be combined for quantity pricing.

PERPENDICULAR COLLARS FOR 2" (50.8 MM) TUBING

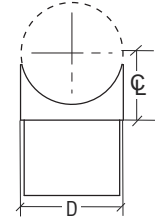
CAT. NO.	FINISH	"D" DIMENSION	"C/L"
HR20PCBS	Brushed Stainless	2" (50.8 mm)	1-1/4" (31.7 mm)
HR20PCPS	Polished Stainless	2" (50.8 mm)	1-1/4" (31.7 mm)
HR20PCPB	Polished Brass	2" (50.8 mm)	1-1/4" (31.7 mm)

Minimum order: 1 each. Finishes can be combined for quantity pricing.

CRL Coped Perpendicular Collars

- Installs Easily Into Tubing
- Finishes to Match Our Tubing

CRL Coped Perpendicular Collars attach to our Partition Post and Sneeze Guard Tubing with screws. The base slips easily into the Vertical tube. Use our Cat. No. 32629 Metal Contact Cement (see page P602) to achieve a secure and permanent bond.



COPED PERPENDICULAR COLLARS FOR 1" (25.4 MM) AND 1-1/2" (38.1 MM) TUBING

CAT. NO.	FINISH	"D" DIMENSION	"C/L"
HR10CCBS	Brushed Stainless	1" (25.4 mm)	3/4" (19 mm)
HR15CCBS	Brushed Stainless	1-1/2" (38.1 mm)	1" (25.4 mm)
HR15CCPS	Polished Stainless	1-1/2" (38.1 mm)	1" (25.4 mm)
HR15CCPB	Polished Brass	1-1/2" (38.1 mm)	1" (25.4 mm)

Minimum order: 1 each. Finishes can be combined for quantity pricing.

COPED PERPENDICULAR COLLARS FOR 2" (50.8 MM) TUBING

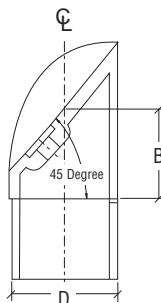
CAT. NO.	FINISH	"D" DIMENSION	"C/L"
HR20CCBS	Brushed Stainless	2" (50.8 mm)	1-1/4" (31.7 mm)
HR20CCPS	Polished Stainless	2" (50.8 mm)	1-1/4" (31.7 mm)
HR20CCPB	Polished Brass	2" (50.8 mm)	1-1/4" (31.7 mm)

Minimum order: 1 each. Finishes can be combined for quantity pricing.

CRL 45 Degree Coped Perpendicular Collars

- Installs Easily Into Tubing
- Two Sizes Available

CRL 45 Degree Coped Perpendicular Collars attach to our Partition Post and Sneeze Guard Tubing with a screw. The base slips easily into the vertical tube. Use of our Cat. No. 32629 Metal Contact Cement (see page P602) is required to achieve a secure and permanent bond. Additional information available at crlaurence.com.



45 DEGREE COPED PERPENDICULAR COLLARS FOR 1" (25.4 MM) AND 1-1/2" (38.1 MM) TUBING

CAT. NO.	FINISH	"D" DIMENSION	"B"
HR104PCBS	Brushed Stainless	1" (25.4 mm)	3/4" (19 mm)
HR154PCBS	Brushed Stainless	1-1/2" (38.1 mm)	1" (25.4 mm)
HR154PCPS	Polished Stainless	1-1/2" (38.1 mm)	1" (25.4 mm)
HR154PCPB	Polished Brass	1-1/2" (38.1 mm)	1" (25.4 mm)

Minimum order: 1 each. Finishes can be combined for quantity pricing.

45 DEGREE COPED PERPENDICULAR COLLARS FOR 2" (50.8 MM) TUBING

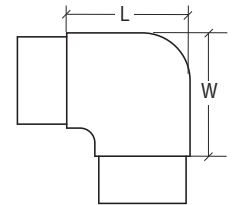
CAT. NO.	FINISH	"D" DIMENSION	"B"
HR204PCBS	Brushed Stainless	2" (50.8 mm)	1-1/4" (31.7 mm)
HR204PCPS	Polished Stainless	2" (50.8 mm)	1-1/4" (31.7 mm)
HR204PCPB	Polished Brass	2" (50.8 mm)	1-1/4" (31.7 mm)

Minimum order: 1 each. Finishes can be combined for quantity pricing.

CRL Sharp Radius 90 Degree Corners

- Ready to Install
- Three Architectural Finishes

CRL Sharp Radius 90 Degree Corners easily slip into our Partition Post and Sneeze Guard Tubing. Use of our Cat. No. 32629 Metal Contact Cement (see page P602) is required to achieve a secure and permanent bond.



SHARP RADIUS 90 DEGREE CORNERS FOR 1-1/2" (38.1 MM) TUBING

CAT. NO.	FINISH	"D" DIMENSION	"W" WIDTH
HR15HBS	Brushed Stainless	2" (50.8 mm)	2" (50.8 mm)
HR15HPS	Polished Stainless	2" (50.8 mm)	2" (50.8 mm)
HR15HPB	Polished Brass	2" (50.8 mm)	2" (50.8 mm)

Minimum order: 1 each. Finishes can be combined for quantity pricing.

SHARP RADIUS 90 DEGREE CORNERS FOR 2" (50.8 MM) TUBING

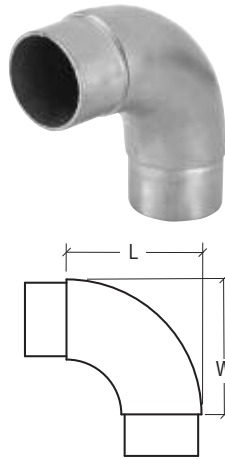
CAT. NO.	FINISH	"D" DIMENSION	"W" WIDTH
HR20HBS	Brushed Stainless	2-3/8" (60 mm)	2-3/8" (60 mm)
HR20HPS	Polished Stainless	2-3/8" (60 mm)	2-3/8" (60 mm)
HR20HPB	Polished Brass	2-3/8" (60 mm)	2-3/8" (60 mm)

Minimum order: 1 each. Finishes can be combined for quantity pricing.

CRL E.Z. Radius 90 Degree Corners

- Ready to Install
- Three Architectural Finishes to Match Our Tubing

CRL E.Z. Radius 90 Degree Corners easily slip into our Partition Post and Sneeze Guard Tubing. Use of our Cat. No. 32629 Metal Contact Cement (see page P602) is required to achieve a secure and permanent bond.



E.Z. RADIUS 90 DEGREE CORNERS FOR 1-1/2" (38.1 MM) TUBING

CAT. NO.	FINISH	"L" LENGTH	"W" WIDTH
HR15CBS	Brushed Stainless	2-9/16" (65 mm)	2-9/16" (65 mm)
HR15CPS	Polished Stainless	2-9/16" (65 mm)	2-9/16" (65 mm)
HR15CPB	Polished Brass	2-9/16" (65 mm)	2-9/16" (65 mm)

Minimum order: 1 each. Finishes can be combined for quantity pricing.

E.Z. RADIUS 90 DEGREE CORNERS FOR 2" (50.8 MM) TUBING

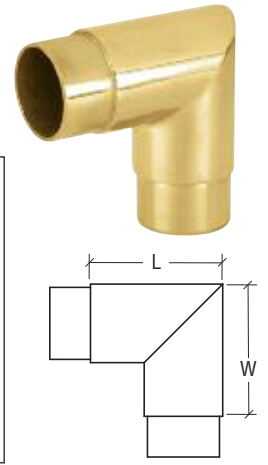
CAT. NO.	FINISH	"L" LENGTH	"W" WIDTH
HR20CBS	Brushed Stainless	2-15/16" (75 mm)	2-15/16" (75 mm)
HR20CPS	Polished Stainless	2-15/16" (75 mm)	2-15/16" (75 mm)
HR20CPB	Polished Brass	2-15/16" (75 mm)	2-15/16" (75 mm)

Minimum order: 1 each. Finishes can be combined for quantity pricing.

CRL Mitered Style 90 Degree Corners

- Two Sizes Available
- Three Architectural Finishes

CRL Mitered Style 90 Degree Corners easily slip into our Partition Post and Sneeze Guard Tubing. Use of our Cat. No. 32629 Metal Contact Cement (see page P602) is required to achieve a secure and permanent bond.



MITERED STYLE 90 DEGREE CORNERS FOR 1-1/2" (38.1 MM) TUBING

CAT. NO.	FINISH	"L" LENGTH	"W" WIDTH
HR15MCBS	Brushed Stainless	2-3/8" (60 mm)	2-3/8" (60 mm)
HR15MCPS	Polished Stainless	2-3/8" (60 mm)	2-3/8" (60 mm)
HR15MCPB	Polished Brass	2-3/8" (60 mm)	2-3/8" (60 mm)

Minimum order: 1 each. Finishes can be combined for quantity pricing.

MITERED STYLE 90 DEGREE CORNERS FOR 2" (50.8 MM) TUBING

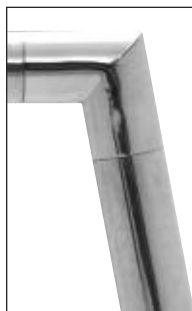
CAT. NO.	FINISH	"L" LENGTH	"W" WIDTH
HR20MCBS	Brushed Stainless	3-1/8" (80 mm)	3-1/8" (80 mm)
HR20MCPS	Polished Stainless	3-1/8" (80 mm)	3-1/8" (80 mm)
HR20MCPB	Polished Brass	3-1/8" (80 mm)	3-1/8" (80 mm)

Minimum order: 1 each. Finishes can be combined for quantity pricing.

CRL Mitered Style 100 Degree Flush Corners

- Ready to Install
- Three Architectural Finishes

CRL 100 Degree Flush Corners easily slip into our Partition Post and Sneeze Guard Tubing for the top tube on 10 degree slant front applications. Use our Cat. No. 32629 Metal Contact Cement (see page P602) to achieve a secure and permanent bond. Available only for 1-1/2" (38.1 mm) Tubing.



MITERED STYLE 100 DEGREE CORNERS FOR 1-1/2" (38.1 MM) TUBING

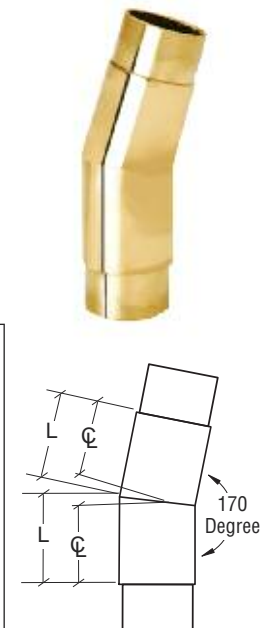
CAT. NO.	FINISH	"L" LENGTH	"C/L"
HR15SCBS	Brushed Stainless	2-3/8" (60 mm)	1-3/4" (45 mm)
HR15SCPS	Polished Stainless	2-3/8" (60 mm)	1-3/4" (45 mm)
HR15SCPB	Polished Brass	2-3/8" (60 mm)	1-3/4" (45 mm)

Minimum order: 1 each. Finishes can be combined for quantity pricing.

CRL Mitered Style 170 Degree Flush Angles

- Ready to Install
- Choose From Three Architectural Finishes

CRL 170 Degree Flush Angles easily slip into our Partition Post and Sneeze Guard Tubing for 10 degree slant front applications. Use of our Cat. No. 32629 Metal Contact Cement (see page P602) is required to achieve a secure and permanent bond. For 1-1/2" (38.1 mm) Tubing only.



MITERED STYLE 170 DEGREE ANGLES FOR 1-1/2" (38.1 MM) TUBING

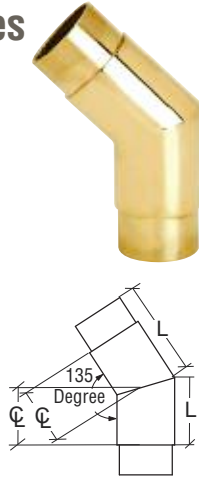
CAT. NO.	FINISH	"L" LENGTH	"C/L"
HR15SABS	Brushed Stainless	1-3/4" (45 mm)	1-11/16" (42.9 mm)
HR15SAPS	Polished Stainless	1-3/4" (45 mm)	1-11/16" (42.9 mm)
HR15SAPB	Polished Brass	1-3/4" (45 mm)	1-11/16" (42.9 mm)

Minimum order: 1 each. Finishes can be combined for quantity pricing.

CRL 135 Degree Flush Angles

- Ready to Install
- Three Architectural Finishes

CRL 135 Degree Flush Angles easily slip into our Partition Post and Sneeze Guard Tubing. Use of our Cat. No. 32629 Metal Contact Cement (see page P602) is required to achieve a secure and permanent bond.



135 DEGREE FLUSH ANGLES FOR 1-1/2" (38.1 MM) TUBING

CAT. NO.	FINISH	"L" LENGTH	"C/L"
HR15MBS	Brushed Stainless	1-3/4" (45 mm)	1-7/16" (37 mm)
HR15MPS	Polished Stainless	1-3/4" (45 mm)	1-7/16" (37 mm)
HR15MPB	Polished Brass	1-3/4" (45 mm)	1-7/16" (37 mm)

Minimum order: 1 each. Finishes can be combined for quantity pricing.

135 DEGREE FLUSH ANGLES FOR 2" (50.8 MM) TUBING

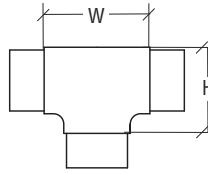
CAT. NO.	FINISH	"L" LENGTH	"C/L"
HR20MBS	Brushed Stainless	2" (50.8 mm)	1-9/16" (39.3 mm)
HR20MPS	Polished Stainless	2" (50.8 mm)	1-9/16" (39.3 mm)
HR20MPB	Polished Brass	2" (50.8 mm)	1-9/16" (39.3 mm)

Minimum order: 1 each. Finishes can be combined for quantity pricing.

CRL Flush Tees

- Ready to Install
- Three Architectural Finishes

CRL Flush Tees easily slip into our Partition Post and Sneeze Guard Tubing. Use of our Cat. No. 32629 Metal Contact Cement (see page P602) to achieve a secure and permanent bond.



FLUSH TEES FOR 1-1/2" (38.1 MM) TUBING

CAT. NO.	FINISH	"H" HEIGHT	"W" WIDTH
HR15KBS	Brushed Stainless	2" (50.8 mm)	2-7/16" (61.4 mm)
HR15KPS	Polished Stainless	2" (50.8 mm)	2-7/16" (61.4 mm)
HR15KPB	Polished Brass	2" (50.8 mm)	2-7/16" (61.4 mm)

Minimum order: 1 each. Finishes can be combined for quantity pricing.

FLUSH TEES FOR 2" (50.8 MM) TUBING

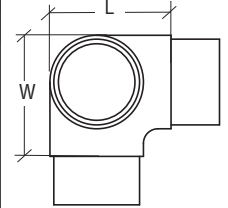
CAT. NO.	FINISH	"H" HEIGHT	"W" WIDTH
HR20KBS	Brushed Stainless	2-3/8" (60 mm)	2-11/16" (68.5 mm)
HR20KPS	Polished Stainless	2-3/8" (60 mm)	2-11/16" (68.5 mm)
HR20KPB	Polished Brass	2-3/8" (60 mm)	2-11/16" (68.5 mm)

Minimum order: 1 each. Finishes can be combined for quantity pricing.

CRL 90 Degree Side Outlet Elbows

- Easy to Install
- Two Sizes Available

CRL 90 Degree Side Outlet Elbows easily slip into our Partition Post and Sneeze Guard Tubing. Use of our Cat. No. 32629 Metal Contact Cement (see page P602) is required to achieve a secure and permanent bond.



90 DEGREE SIDE OUTLET ELBOWS FOR 1-1/2" (38.1 MM) TUBING

CAT. NO.	FINISH	"L" LENGTH	"W" WIDTH
HR15JBS	Brushed Stainless	2" (50.8 mm)	2" (50.8 mm)
HR15JPS	Polished Stainless	2" (50.8 mm)	2" (50.8 mm)
HR15JPB	Polished Brass	2" (50.8 mm)	2" (50.8 mm)

Minimum order: 1 each. Finishes can be combined for quantity pricing.

90 DEGREE SIDE OUTLET ELBOWS FOR 2" (50.8 MM) TUBING

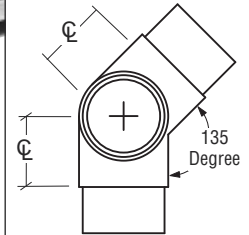
CAT. NO.	FINISH	"L" LENGTH	"W" WIDTH
HR20JBS	Brushed Stainless	2-3/8" (60 mm)	2-3/8" (60 mm)
HR20JPS	Polished Stainless	2-3/8" (60 mm)	2-3/8" (60 mm)
HR20JPB	Polished Brass	2-3/8" (60 mm)	2-3/8" (60 mm)

Minimum order: 1 each. Finishes can be combined for quantity pricing.

CRL 135 Degree Side Outlet Elbows

- Ready to Install
- Available in Two Sizes

CRL 135 Degree Side Outlet Elbows easily slip into our Partition Post and Sneeze Guard Tubing. Use of our Cat. No. 32629 Metal Contact Cement (see page P602) is required to achieve a secure and permanent bond.



135 DEGREE SIDE OUTLET ELBOWS FOR 1-1/2" (38.1 MM) TUBING

CAT. NO.	FINISH	"C/L"
HR15PBS	Brushed Stainless	1-7/16" (37 mm)
HR15PPS	Polished Stainless	1-7/16" (37 mm)
HR15PPB	Polished Brass	1-7/16" (37 mm)

Minimum order: 1 each. Finishes can be combined for quantity pricing.

135 DEGREE SIDE OUTLET ELBOWS FOR 2" (50.8 MM) TUBING

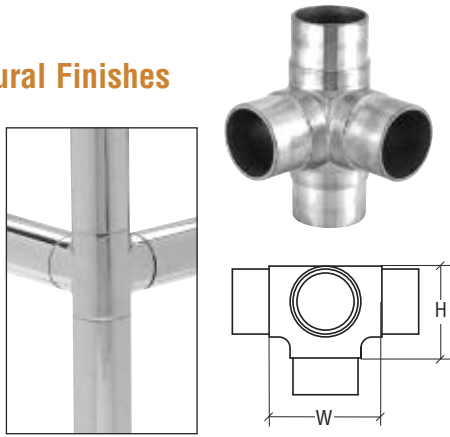
CAT. NO.	FINISH	"C/L"
HR20PBS	Brushed Stainless	1-9/16" (39.3 mm)
HR20PPS	Polished Stainless	1-9/16" (39.3 mm)
HR20PPB	Polished Brass	1-9/16" (39.3 mm)

Minimum order: 1 each. Finishes can be combined for quantity pricing.

CRL Side Outlet Tees

- Ready to Install
- Three Architectural Finishes

CRL Side Outlet Tees easily slip into our Partition Post and Sneeze Guard Tubing. Use of our Cat. No. 32629 Metal Contact Cement (see below) is required to achieve a secure and permanent bond.



SIDE OUTLET TEES FOR 1-1/2" (38.1 MM) TUBING

CAT. NO.	FINISH	"H" HEIGHT	"W" WIDTH
HR15LBS	Brushed Stainless	2" (50.8 mm)	2-7/16" (61.4 mm)
HR15LPS	Polished Stainless	2" (50.8 mm)	2-7/16" (61.4 mm)
HR15LPB	Polished Brass	2" (50.8 mm)	2-7/16" (61.4 mm)

Minimum order: 1 each. Finishes can be combined for quantity pricing.

SIDE OUTLET TEES FOR 2" (50.8 MM) TUBING

CAT. NO.	FINISH	"H" HEIGHT	"W" WIDTH
HR20LBS	Brushed Stainless	2-3/8" (60 mm)	2-11/16" (68.5 mm)
HR20LPS	Polished Stainless	2-3/8" (60 mm)	2-11/16" (68.5 mm)
HR20LPB	Polished Brass	2-3/8" (60 mm)	2-11/16" (68.5 mm)

Minimum order: 1 each. Finishes can be combined for quantity pricing.

CRL Flush Crosses

- Slip-In Installation
- Three Architectural Finishes

CRL Flush Crosses easily slip into our Partition Post and Sneeze Guard Tubing at 4-Way Intersections. Use of our Cat. No. 32629 Metal Contact Cement (see below) is required to achieve a secure and permanent bond.



FLUSH CROSSES FOR 1-1/2" (38.1 MM) TUBING

CAT. NO.	FINISH	"H" HEIGHT	"W" WIDTH
HR15NBS	Brushed Stainless	2-7/16" (61.4 mm)	2-7/16" (61.4 mm)
HR15NPS	Polished Stainless	2-7/16" (61.4 mm)	2-7/16" (61.4 mm)
HR15NPB	Polished Brass	2-7/16" (61.4 mm)	2-7/16" (61.4 mm)

Minimum order: 1 each. Finishes can be combined for quantity pricing.

FLUSH CROSSES FOR 2" (50.8 MM) TUBING

CAT. NO.	FINISH	"H" HEIGHT	"W" WIDTH
HR20NBS	Brushed Stainless	2-11/16" (68.5 mm)	2-11/16" (68.5 mm)
HR20NPS	Polished Stainless	2-11/16" (68.5 mm)	2-11/16" (68.5 mm)
HR20NPB	Polished Brass	2-11/16" (68.5 mm)	2-11/16" (68.5 mm)

Minimum order: 1 each. Finishes can be combined for quantity pricing.

CRL Metal Contact Cement

- The Strength of an Epoxy and the Speed of an Instant Adhesive
- Permanently Bonds Components With Superior Strength Holding Power Up to 2,700 psi
- Offers Handling Strength in 60 Seconds, Full Cure in 24 Hours

To permanently bond Sneeze Guard components we suggest this strong adhesive system from Loctite®, with two different Primers to best suit your assembly time frame.

Use Cat. No. 7649 Primer to activate in 60 seconds, 60% of full strength in two minutes, and a full cure in 24 hours. When a longer curing time is needed use Cat. No. 7075 Primer to activate in five minutes, 60% of full strength in ten minutes, and a full cure in 24 hours.

For best performance surfaces should be clean and free of grease. Simply apply a generous amount of Primer to both of the bond surfaces and apply Adhesive to one of the surfaces. Position parts quickly and exactly as Adhesive begins to work immediately. Excess Adhesive outside joined surfaces can be wiped away with an organic solvent.



CAT. NO. 32629
Cement



CAT. NO.	DESCRIPTION	ACTIVATION	CONTENTS
32629	Metal Contact Cement	---	1.69 Fl. Oz. (50 ml)
7649	Primer for Metal Contact Cement	60 Seconds	1.75 Fl. Oz. (52 ml)
7075	Primer for Metal Contact Cement	5 Minutes	4.5 Oz. (140 g)

Minimum order: 1 each.



CAT. NO. 7649
60 Second Primer

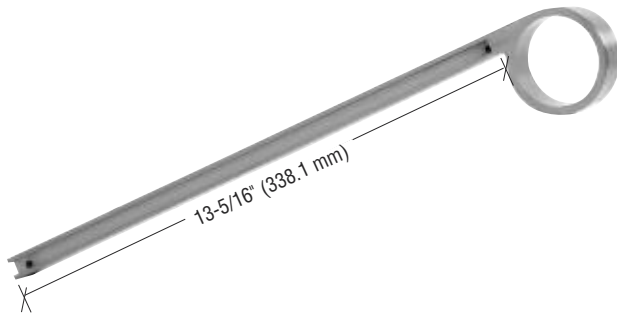


CAT. NO. 7075
5 Minute Primer

CRL Single Faced Sneeze Guard Brackets



- Simply Slide Over a 2" (50.8 mm) Horizontal Tube to Create a Sneeze Guard
- Glue in Place With CRL Metal Contact Cement
- 1/4" (6 mm) Glass is Held in Place With CRL 33SC Clear Silicone
- Maximum Panel Length is 42" (1067 mm)



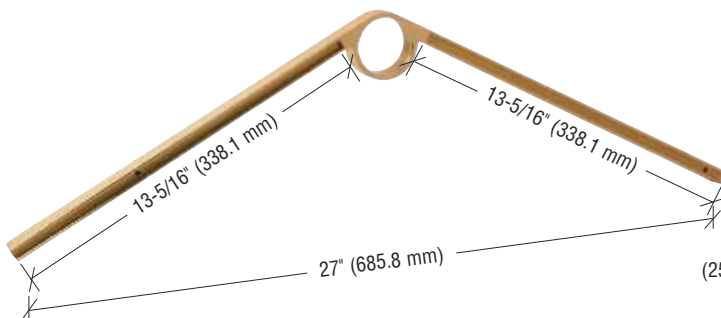
DESCRIPTION	POLISHED BRASS CAT. NO.	BRUSHED NICKEL CAT. NO.	CHROME CAT. NO.
Right Hand Single Bracket	SA41BR	SA41BN	SA41CH
Center Single Bracket	SA42BR	SA42BN	SA42CH
Left Hand Single Bracket	SA43BR	SA43BN	SA43CH

Minimum order: 1 each. All Brackets can be combined for quantity pricing.

CRL Single Faced Sneeze Guard Brackets provide an angled panel of glass over the food service area. Simply create a post system with 2" (50.8 mm) diameter horizontal tubing that the brackets can be attached to, then secure by using CRL Cat. No. 32629 Metal Contact Cement (see page P602).

CRL Double Faced Sneeze Guard Brackets

- Simply Slide Over a 2" (50.8 mm) Horizontal Tube to Create a Sneeze Guard
- Glue in Place With CRL Metal Contact Cement
- 1/4" (6 mm) Glass is Held in Place With CRL 33SC Clear Silicone
- Maximum Panel Length is 42" (1067 mm)



DESCRIPTION	POLISHED BRASS CAT. NO.	BRUSHED NICKEL CAT. NO.	CHROME CAT. NO.
End Double Bracket	SA44BR	SA44BN	SA44CH
Center Double Bracket	SA45BR	SA45BN	SA45CH

Minimum order: 1 each. All Brackets can be combined for quantity pricing.

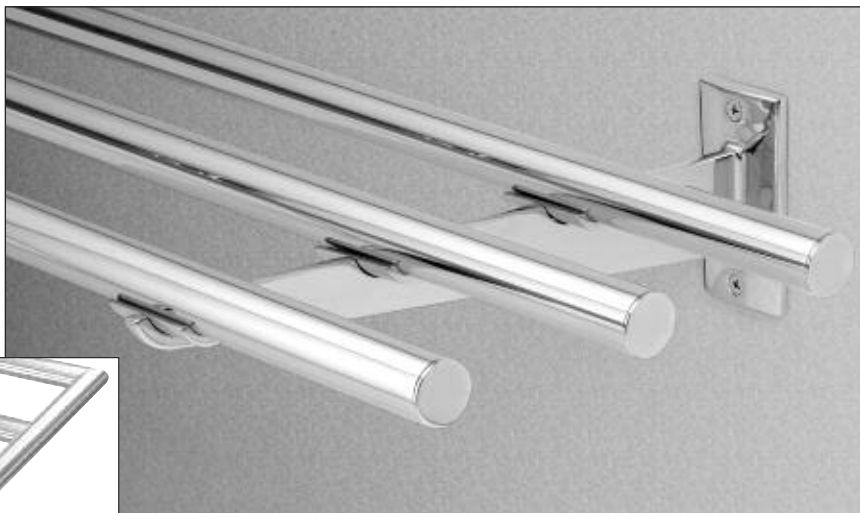
CRL Double Faced Sneeze Guard Brackets provide two angled glass panels over the food service area. Simply create a post system with 2" (50.8 mm) diameter horizontal tubing that the brackets can be attached to, then secure by using CRL Cat. No. 32629 Metal Contact Cement (see page P602).

CRL SNEEZE GUARD COMPONENTS

For Pricing Visit Our Web Site or Call Us Toll Free at the Phone Numbers Shown on the Back Cover

CRL Tray Slide Shelves

- 1" (25.4 mm) Tubing
- 12" (305 mm) Projection
- Available in Polished Brass, Brushed Stainless, and Polished Stainless Finishes
- Flat Cap, Radius or Mitered Tubing Ends Available

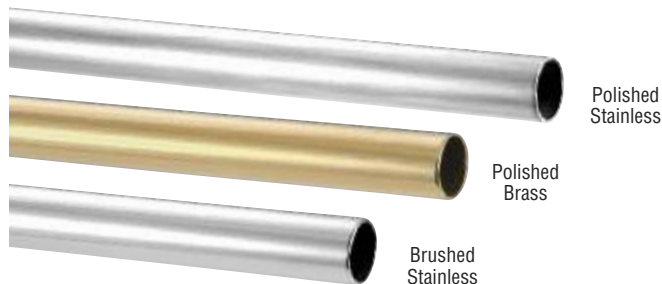


Flat Cap

Radius

Mitered

CRL Tray Slide Shelf Tubing



Polished Stainless

Polished Brass

Brushed Stainless

CRL Tray Slide Shelf Tubing is used to create a sliding tray shelf in front of a food service island. The 1" (25.4 mm) Tubing mounts with screws on the Tray Slide Shelf Brackets, spaced no more than 42" (1067 mm) apart.

CAT. NO.	FINISH	DIAMETER	LENGTH
HR10PB	Polished Brass	1" (25.4 mm)	216" (5.48 m)
HR10BS	Brushed Stainless	1" (25.4 mm)	236" (6.0 m)
HR10PS	Polished Stainless	1" (25.4 mm)	236" (6.0 m)

Minimum order: 1 each. Finishes can be combined for quantity pricing. Must ship common carrier.

CRL Tray Slide Shelf Brackets



CRL Tray Slide Shelf Brackets have a 12" (305 mm) projection and support three evenly spaced 1" (25.4 mm) tubes. Maximum Shelf Bracket spacing is 42" (1067 mm) apart. Additional information available at crlaurence.com.

CAT. NO.	FINISH	LENGTH
TSSB10PB	Polished Brass	12" (305 mm)
TSSB10BS	Brushed Stainless	12" (305 mm)
TSSB10PS	Polished Stainless	12" (305 mm)

Minimum order: 1 each. Finishes can be combined for quantity pricing.

CRL Flat End Caps for Tray Slide Shelf Tubing

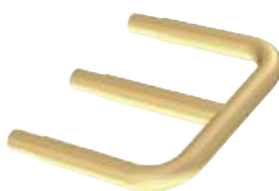


CRL Flat End Caps simply slip into the end of 1" (25.4 mm) Tubing. Caps are secured with CRL Cat. No. 32629 Metal Contact Cement (see page P602).

CAT. NO.	"H" HEIGHT	FINISH
HR10FPB	5/64" (2 mm)	Polished Brass
HR10FBS	5/64" (2 mm)	Brushed Stainless
HR10FPS	5/64" (2 mm)	Polished Stainless

Minimum order: 1 each. Finishes can be combined for quantity pricing.

CRL Radiused Tubing Ends



CRL Radiused Tubing Ends finish off a Tray Slide Shelf. The fabricated ends have Connector Sleeves. Secure with CRL Cat. No. 32629 Metal Contact Cement (see page P602). Additional information available at crlaurence.com.

CAT. NO.	TUBING	FINISH
RTE1PB	1" (25.4 mm)	Polished Brass
RTE1BS	1" (25.4 mm)	Brushed Stainless
RTE1PS	1" (25.4 mm)	Polished Stainless

Minimum order: 1 each. Finishes can be combined for quantity pricing.

CRL Mitered Tubing Ends



CRL Mitered Tubing Ends finish off a Tray Slide Shelf. The fabricated ends have Connector Sleeves. Secure with CRL Cat. No. 32629 Metal Contact Cement (see page P602). Additional information available at crlaurence.com.

CAT. NO.	TUBING	FINISH
MTE1PB	1" (25.4 mm)	Polished Brass
MTE1BS	1" (25.4 mm)	Brushed Stainless
MTE1PS	1" (25.4 mm)	Polished Stainless

Minimum order: 1 each. Finishes can be combined for quantity pricing.



C.R. LAURENCE COMPANY

crlaurence.com

P604 | crlaurence.ca crlaurence.com.au crlaurence.co.uk crlaurence.de crlaurence.eu

CRL Service Rails

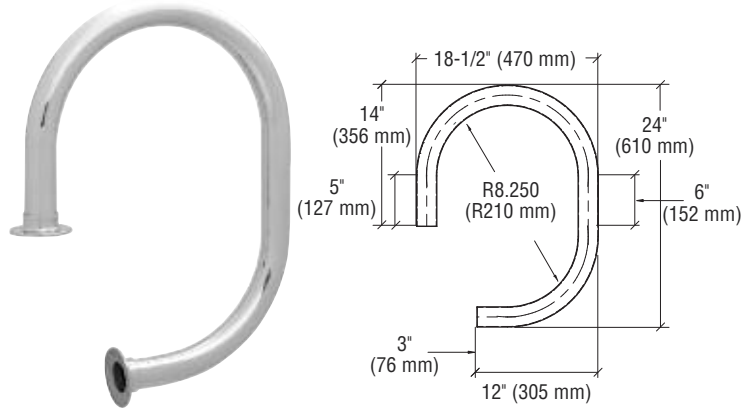
- Counter and Floor Mount Models are Available in 1-1/2" and 2" (38.1 and 50.8 mm) Tubing
- Protects Access to Service Area
- Available in Polished Brass, Brushed Stainless, and Polished Stainless Steel
- Can Be Cut to Size in the Field



CRL Service Rails are designed to provide access for servers to the service area. They are available in two models: Counter Mount and Floor Mount. Rails are completely fabricated and ready to install. They can be field cut to the correct size for your project. Rail Mounting Flanges are secured with screws and CRL Cat. No. 32629 Metal Contact Cement (see page P602).

If our standard Service Rails do not fit your needs we can fabricate custom sizes. For information, contact CRL Technical Sales at (800) 421-6144 in the U.S., (877) 421-6144 from Canada, or (323) 588-1281 International, and ask for Ext. 7730. You can also e-mail us through our web site at crlaurence.com. From the home page click on Contact Us, and then click on Technical Sales for Hospitality Products.

CRL Counter Mount Service Rails

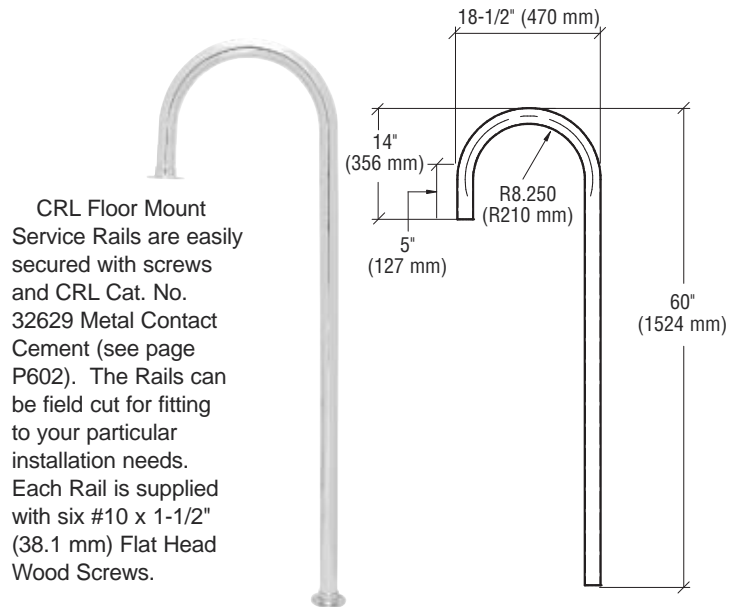


CRL Counter Mount Service Rails are easily secured with screws and CRL Cat. No. 32629 Metal Contact Cement (see page P602). The Rails can be field cut for fitting to your particular installation needs. Each Rail is supplied with six #10 x 1-1/2" (38.1 mm) Flat Head Wood Screws.

CAT. NO.	TUBE DIAMETER	FINISH
CMSR15BS	1-1/2" (38.1 mm)	Brushed Stainless
CMSR15PS	1-1/2" (38.1 mm)	Polished Stainless
CMSR15PB	1-1/2" (38.1 mm)	Polished Brass
CMSR20BS	2" (50.8 mm)	Brushed Stainless
CMSR20PS	2" (50.8 mm)	Polished Stainless
CMSR20PB	2" (50.8 mm)	Polished Brass

Minimum order: 1 each. All Counter Mount and Floor Mount Service Rails can be combined for quantity pricing.

CRL Floor Mount Service Rails



CRL Floor Mount Service Rails are easily secured with screws and CRL Cat. No. 32629 Metal Contact Cement (see page P602). The Rails can be field cut for fitting to your particular installation needs. Each Rail is supplied with six #10 x 1-1/2" (38.1 mm) Flat Head Wood Screws.

CAT. NO.	TUBE DIAMETER	FINISH
FMSR15BS	1-1/2" (38.1 mm)	Brushed Stainless
FMSR15PS	1-1/2" (38.1 mm)	Polished Stainless
FMSR15PB	1-1/2" (38.1 mm)	Polished Brass
FMSR20BS	2" (50.8 mm)	Brushed Stainless
FMSR20PS	2" (50.8 mm)	Polished Stainless
FMSR20PB	2" (50.8 mm)	Polished Brass

Minimum order: 1 each. All Counter Mount and Floor Mount Service Rails can be combined for quantity pricing.

CRL Combination Foot Railing Brackets

- Mounts to Bar With Additional Support Leg to Floor
- Ready to Install
- Three Architectural Finishes

CRL Combination Foot Railing Brackets are available in three architectural finishes for 1-1/2" or 2" (38.1 or 50.8 mm) Tubing (see page P557). Brackets are individually packed and come with two #12 x 2" (50.8 mm) Phillips Flat Head Wood Screws. Tubing is secured with integral set screw.

NOTE: Recommended maximum spacing of Foot Railing Brackets is 48" (1219 mm). For heavy use, steel inserts should be used for added strength. Contact CRL Technical Sales for details.

COMBINATION BRACKETS FOR 1-1/2" (38.1 MM) TUBING

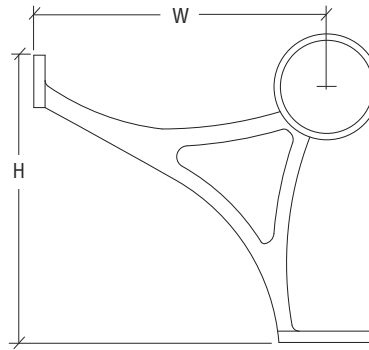
CAT. NO.	FINISH	"W" WIDTH	"H" HEIGHT
FRCB15BS	Brushed Stainless Steel	6-1/16" (154 mm)	6-3/16" (157.4 mm)
FRCB15PS	Polished Stainless Steel	6-1/16" (154 mm)	6-3/16" (157.4 mm)
FRCB15PB	Polished Brass	6-1/16" (154 mm)	6-3/16" (157.4 mm)

Minimum order: 1 each. All Foot Railing Brackets can be combined for quantity pricing.

COMBINATION BRACKETS FOR 2" (50.8 MM) TUBING

CAT. NO.	FINISH	"W" WIDTH	"H" HEIGHT
FRCB20BS	Brushed Stainless Steel	6-5/16" (160 mm)	7-3/16" (182.5 mm)
FRCB20PS	Polished Stainless Steel	6-5/16" (160 mm)	7-3/16" (182.5 mm)
FRCB20PB	Polished Brass	6-5/16" (160 mm)	7-3/16" (182.5 mm)

Minimum order: 1 each. All Foot Railing Brackets can be combined for quantity pricing.



See page P557 for Tubing.

CRL Bar Mount Foot Railing Brackets

- Mounts to Bar Only
- Ready to Install
- Three Architectural Finishes

CRL Combination Brackets for Foot Railings are available in three architectural finishes for 1-1/2" (38.1 mm) or 2" (50.8 mm) Tubing. Brackets are individually packed and come with two #12 x 3/4" (19 mm) and one #12 x 2" (50.8 mm) Phillips Flat Head Wood Screws, one 5/16 - 18 x 3" (76.2 mm) All Thread, one 7/8" (22.2 mm) dia. Washer, one Spring Lock Washer, and one 5/16" (7.9 mm) Hex Nut. Tubing is secured with integral set screw.

NOTE: Recommended maximum spacing of Foot Railing Brackets is 48" (1219 mm). For heavy use, steel inserts should be used for added strength. Contact CRL Technical Sales for details.

BAR MOUNT BRACKETS FOR 1-1/2" (38.1 MM) TUBING

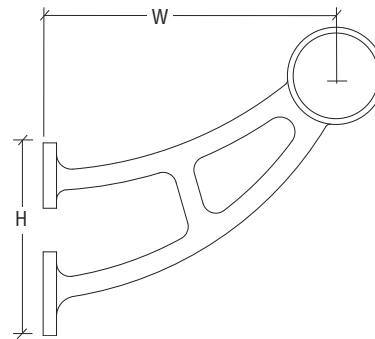
CAT. NO.	FINISH	"W" WIDTH	"H" HEIGHT
FRBB15BS	Brushed Stainless Steel	6" (152 mm)	3-3/4" (95.3 mm)
FRBB15PS	Polished Stainless Steel	6" (152 mm)	3-3/4" (95.3 mm)
FRBB15PB	Polished Brass	6" (152 mm)	3-3/4" (95.3 mm)

Minimum order: 1 each. All Foot Railing Brackets can be combined for quantity pricing.

BAR MOUNT BRACKETS FOR 2" (50.8 MM) TUBING

CAT. NO.	FINISH	"W" WIDTH	"H" HEIGHT
FRBB20BS	Brushed Stainless Steel	6-7/8" (175 mm)	4-1/2" (115 mm)
FRBB20PS	Polished Stainless Steel	6-7/8" (175 mm)	4-1/2" (115 mm)
FRBB20PB	Polished Brass	6-7/8" (175 mm)	4-1/2" (115 mm)

Minimum order: 1 each. All Foot Railing Brackets can be combined for quantity pricing.



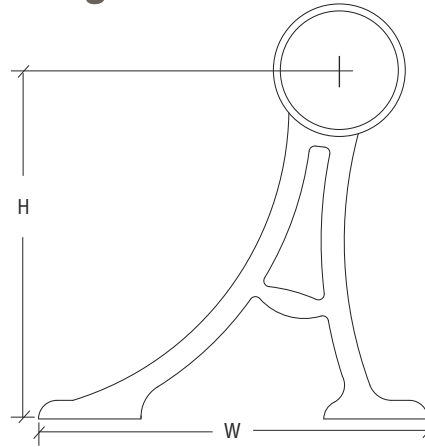
See page P557 for Tubing.

CRL Floor Mount Foot Railing Brackets

- Mounts to Floor Only
- Ready to Install
- Three Architectural Finishes

CRL Floor Mount Foot Railing Brackets are available in three architectural finishes for 1-1/2" or 2" (38.1 or 50.8 mm) Tubing (see page P557). Brackets are individually packed and come with two #12 x 2" (50.8 mm) Phillips Flat Head Wood Screws. Tubing is secured with integral set screws.

NOTE: Recommended maximum spacing of Foot Railing Brackets is 48" (1219 mm). For heavy use, steel inserts should be used for added strength. Contact CRL Technical Sales for details.



See page P557 for Tubing

FLOOR MOUNT BRACKETS FOR 1-1/2" (38.1 MM) TUBING

CAT. NO.	FINISH	"W" WIDTH	"H" HEIGHT
FRFB15BS	Brushed Stainless Steel	6-5/16" (160 mm)	5-7/8" (149.2 mm)
FRFB15PS	Polished Stainless Steel	6-5/16" (160 mm)	5-7/8" (149.2 mm)
FRFB15PB	Polished Brass	6-5/16" (160 mm)	5-7/8" (149.2 mm)

Minimum order: 1 each. All Foot Railing Brackets can be combined for quantity pricing.

FLOOR MOUNT BRACKETS FOR 2" (50.8 MM) TUBING

CAT. NO.	FINISH	"W" WIDTH	"H" HEIGHT
FRFB20BS	Brushed Stainless Steel	6-5/8" (168.3 mm)	5-7/8" (149.2 mm)
FRFB20PS	Polished Stainless Steel	6-5/8" (168.3 mm)	5-7/8" (149.2 mm)
FRFB20PB	Polished Brass	6-5/8" (168.3 mm)	5-7/8" (149.2 mm)

Minimum order: 1 each. All Foot Railing Brackets can be combined for quantity pricing.

CRL Foot Rail Tubing Ends

- 1-1/2" or 2" (38.1 or 50.8 mm) Diameters in Three Finishes to Match Our Foot Rail Tubing

Ends for Foot Rail Tubing are available in three architectural finishes. The use of our Cat. No. 32629 Metal Contact Cement (see page P602) is required to achieve a secure and permanent bond. For 1-1/2" or 2" (38.1 or 50.8 mm) Round Tubing, see page P557.



Flat End Caps
See page P557



Dome End Caps
See page P559



Ball End Caps
See page P559



Scroll End Caps
Available at
crlaurence.com

CRL Glass Stemware Racks

- Safe and Attractive Way to Hang Stemware
- Ideal for Mounting Under a Cabinet
- Available in Brass and Chrome
- Easy to Install

CRL Glass Stemware Racks provide an attractive means to hang glass stemware up and out of the way. They come in 9-3/4" (248 mm) lengths, which allows you to mount them under a standard size wood cabinet. Simply attach the rack using the brackets and wood screws supplied. Available in both polished brass and chrome. Multiple units may be mounted side by side for a true bar look.



Mounting Information Available Online

CAT. NO.	LENGTH	HEIGHT	FINISH
GSR10BR	9-3/4" (248 mm)	1-3/4" (44.5 mm)	Brass
GSR10CH	9-3/4" (248 mm)	1-3/4" (44.5 mm)	Chrome

Minimum order: 1 each. Finishes can be combined for quantity pricing

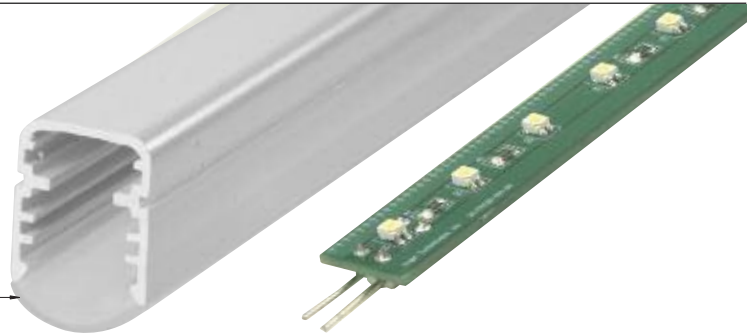
CRL LED Lighting Components

- Ideal for Edge Lighting of Glass Panels
- Illuminates Carved or Sandblasted Images
- Meets NFPA Life Safety Code for Illumination
- 50,000 Hour LED Life
- Low Voltage - Low Maintenance
- 4.3 Watts Per Foot

CRL LED Strip Lights

- Low Voltage Lighting Available in Five Stock Sizes
- Two Popular Stock Colors: Warm and Cool White
- Custom Colors Also Available on Special Order

Cap Rail Insert Housing Sold Separately



WARM WHITE CAT. NO.	COOL WHITE CAT. NO.	STRIP LENGTH
LED24WW	LED24CW	24" (610 mm)
LED36WW	LED36CW	36" (914 mm)
LED48WW	LED48CW	48" (1219 mm)
LED60WW	LED60CW	60" (1524 mm)
LED72WW	LED72CW	72" (1829 mm)

CRL LED Strip Lights have 18 LEDs per foot, which are spaced 3/4" (19 mm) on center. Available in stock lengths from 24" to 72" (610 to 1829 mm), they can be cut down every 4" (102 mm) on a pre-marked line, and connected together for longer applications.

Cool White has a blue hue or appearance, while the Warm White has a more traditional yellow hue. CRL LED Strip Lights work with our Low Voltage LED Driver and Enclosure Box (see below). They do not come with a plug.

Minimum order: 1 each.

CRL Low Voltage LED Driver



- 100W 24V Driver Provides 24V DC
- 120V to 277V Universal Input
- UL Class 2 Rated
- For Dry and Damp Locations
- Powers Up to 20'-0" of Lighting With CRL's 14 Gauge Wire

The Low Voltage LED Driver converts 120/240 Volt AC into low voltage DC power. These solid-state units have special circuitry to provide only the voltage and current demand required by the LEDs, and no more.

CAT. NO.	DESCRIPTION
PT10024	100 Watt - 24 Volt DC LED Driver

Minimum order: 1 each.

CRL LED Driver Enclosure Box

- Nema 3R Screw Cover Rain Proof Box
- Holds Up to Two LED Drivers
- Designed for Interior and Exterior Use



Height: 10" (254 mm)
Width: 8" (203.2 mm)
Depth: 4" (101.6 mm)

This LED Driver Enclosure Box is made of steel and painted gray. It has plenty of room to accommodate two of the LED Drivers shown at left. It prevents tampering and protects the Drivers.

CAT. NO.	DESCRIPTION
EJ1084	LED Driver Enclosure Box

Minimum order: 1 each.

CRL Menu and Bulletin Boards

- Contemporary Design Will Fit Any Venue
- Unlimited Choice of Powder Coat Colors to Suit any Décor
- Lockable Doors Make Them Secure Against Tampering



CRL Menu and Bulletin Boards are the ideal way to list the day's specials, greet special guests or parties, and promote special events. Verbiage can be easily changed by simply inserting the 3/4" (19 mm) white Helvetica font letters or numerals into grooved black letter board. Cases are also available with backboards of black cork, and all cases are key lockable to prevent tampering. Satin Anodized or Bronze Anodized finishes are standard, with custom finishes available on special order. All are fabricated in our California manufacturing facility for short lead times (see pages P610 to P611).

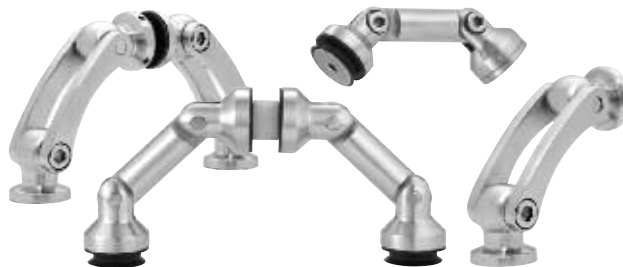


CRL Supports, Standoffs, and Swivel Glass Fittings

Our Stainless Steel Supports give designers a stylish and functional way to enhance modern kitchen countertops. Elegantly styled and sturdy, they're the latest in modern kitchen accessories. Find them on pages P664 to P665.

CRL Round and Square Standoffs can be used to create beautiful displays, signage, and furnishings. Ranging in sizes from 1/2" to 2" (12.7 to 50.8 mm), they come in an assortment of lengths. Designer finishes such as Polished Brass, Chrome, Satin Chrome, Brushed Stainless, and Gun Metal give you lots of options when it comes to mixing and matching hardware finishes. The complete assortment is on pages P644 to P663.

You'll also find that our Swivel Fittings are the perfect component in the fabrication of elegant and functional 'all-glass' displays. For glass-to-glass or glass-to-wall applications they are the solution to working with glass panels. See them all on pages P666 to P674.



CRL Wall Mounted Menu Board Cases



- Contemporary Design Will Fit Any Venue
- Lockable Doors Make Them Perfect for School Cafeterias or Commercial Applications
- Custom Cases Can Also Be Fabricated to Your Specifications

CRL's Wall Mounted Menu Board Cases for interior applications are available in satin anodized or bronze anodized finishes. Backboard options are a natural black cork with a self-healing surface, or a black letter board complete with 3/4" (19 mm) white letters and numerals in a Helvetica font. Letters and numerals are not included in Cases with cork backboards.

These beautifully CRL designed and manufactured aluminum cases are offered in single or double door models that provide ample space to post any message. Intended for interior installation, CRL Menu Board Cases ship to you fully assembled and ready for installation on any wall surface. All frame fasteners are countersunk, flush mounted, and match the finish of the frame. Hanging Cleats and L-Bar Supports are included with each Case. Installer provides installation fasteners to match mounting requirements.

Custom Menu Board Cases are also available upon request. For additional information, contact CRL Technical Sales at (800) 421-6144 in the U.S., (877) 421-6144 from Canada, or (323) 588-1281 International, and ask for Ext. 7760. You can also e-mail us through our web site at crlaurence.com. From the home page click on Contact Us, and then click on Technical Sales for Hospitality Products.



CRL Stock Size Hinged Door Menu Board Cases

- Single Locking Hinged Door
- Size: 24" x 36" (610 x 914 mm)
- Universal Design Enables Right or Left Hand Door Option



CRL's Single Door Menu Board Cases have a continuous hinge, and are glazed with 1/8" (3 mm) shatter resistant acrylic. These Cases can be easily installed with the lockable door on either the right or left hand side. The Single Door Model with Cork Backboard can also be installed horizontally with the continuous hinge at the bottom of the case to provide additional lateral viewing space (see next page). Easily installed using the supplied Hanging Cleat at the top and an L-Bar at the bottom. Fully assembled and securely packaged for U.P.S. shipment. Custom Cases are available in sizes up to 36" x 48" (914 mm x 1219 mm).

CAT. NO.	BACKBOARD	FRAME FINISH
BBC11CA	Black Cork	Satin Anodized
BBC11CDU	Black Cork	Bronze Anodized
BBC11LA	Black Letter Board	Satin Anodized
BBC11LDU	Black Letter Board	Bronze Anodized

Minimum order: 1 each. Additional Letter Sets can be ordered separately. See Cat. No. LS34 on page P611.

- Double Doors With Keyed Alike Locks
- Size: 47" x 36" (1194 x 914 mm)
- Easy to Install



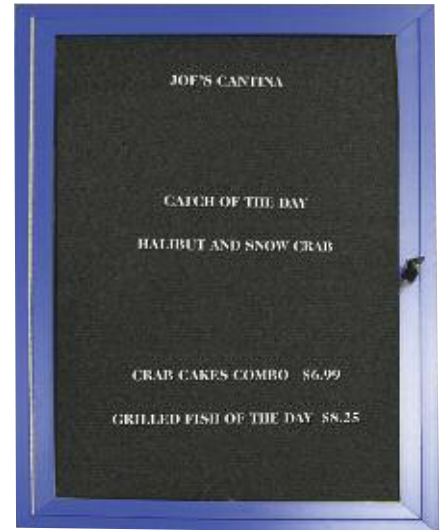
CRL's Double Door Menu Board Cases come fully assembled and securely packed for shipment via common carrier. Your choices for backboard include black colored cork or black letter board, either selection presenting an excellent viewing contrast. Fabricated with smooth operating continuous hinges and glazed with 1/8" (3 mm) acrylic. Easily installed using the supplied Hanging Cleat at the top and L-Bar at the bottom. These Cases are secured with keyed alike locks and ready for years of reliable service. Custom Cases are available in sizes up to 48" x 48" (1219 mm x 1219 mm).

CAT. NO.	BACKBOARD	FRAME FINISH
BBC12CA	Charcoal Cork	Satin Anodized
BBC12CDU	Charcoal Cork	Bronze Anodized
BBC12LA	Black Letter Board	Satin Anodized
BBC12LDU	Black Letter Board	Bronze Anodized

Minimum order: 1 each. Must ship common carrier. Additional Letter Sets can be ordered separately. See Cat. No. LS34 on page P611.



CRL Custom Wall Mounted Menu Board Cases



- Custom Sizes Available for Quotation
- Unlimited Powder Coat Color Selection
- 3/16" (5 mm) Tempered Glass Available for Doors

Designed for interior applications, CRL offers satin anodized, bronze anodized, and powder coat frame finishes on Custom Menu Boards. We can match any RAL color or an existing color if a sample is provided. CRL has the technical expertise and the manufacturing resources to provide the very best quality products in lead times unmatched in the industry.

Non-standard Menu Board Cases can be quoted upon request. Our Technical Sales staff is here to assist you. Send us your requirements and we will quickly respond with a quote. Contact CRL Technical Sales at (800) 421-6144 in the U.S., (877) 421-6144 from Canada, or (323) 588-1281 International, and ask for Ext. 7720. You can also e-mail us through our web site at crlaurence.com. From the home page click on Contact Us, and then click on Technical Sales for Hospitality Products.

Installation Diagram

- Complete Installation Instructions Included With Each Case
- Easy Installation Mounting Hardware Included



CRL Letter Set



Additional Helvetica font Letter Sets are available to fit your Menu Board. These precision molded, white plastic letters match the 3/4" (19 mm) letters and numerals that ship with each CRL Menu Board with black letter board inserts. Minimum order is one set.

CAT. NO. LS34

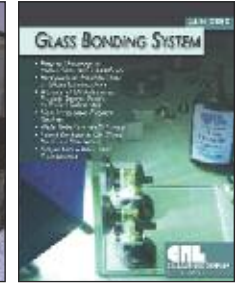
CRL Display Cases



CRL can provide custom-designed showcases of the kind typically used to display food items and retail merchandise. Just let us know what you want to display and our Technical Sales staff can work with you to create showcases that are both attractive and sanitary to optimize a profit opportunity.

CRL UV Glass Bonding System Catalog

We offer you our UV Glass Bonding System Catalog as both a training aid and an ordering guide for our full range of glass bonding products. This informative, full-color publication is organized to take you through the various steps of the glass bonding process, from proper surface preparation to fabrication. Select from a variety of adhesives, tools, and furnishing hardware. You'll find the GB10 easy to use and a good resource for your success with UV Glass Bonding.



Here's What You Will Find in the GB10:

CAT. NO. GB10

CRL Fixation Devices

For optimum curing of UV Adhesives it is imperative to keep the glass parts from sliding out of place. In the past, a second person was often needed to hold the glass parts in position. Now, with CRL Fixation Devices, one person can easily manage all the work steps alone. Many of the Fixation Devices have adjustment screws to raise and lower the glass parts for proper application of high and low viscosity (capillary action) UV Adhesives. Other devices have marked dimensions for fixing glass parts at virtually any angle.



Pages 10-17

CRL Has the Right UV Adhesive for Any Application

CRL UV/Visible Light Cure Adhesives handle any glass bonding application you may encounter. Choose from several different formulations plus colored adhesives for your projects. Typical applications include: glass knobs and metal towel bars to frameless glass shower doors; glass shelves on mirrors; glass showcases; glass sculptures; glass artwork; and efficient production of glass furniture and displays.

Our different formulations adhere to many substrates, including metal, ceramic, stone, plastic, wood, and laminated glass. Laminated glass normally does not lend itself to UV adhesives because the PVB inner layer absorbs almost all of the UVA radiation.



Pages 18-27

CRL UV Curing Lamps

Maximum bond strengths of UV Adhesives are achieved with the appropriate UV Curing Lamp. CRL Lamps emit the correct UV wavelength of 365 nm for curing adhesives, and different intensity lamps are available to cure the adhesive at a faster rate if desired. NOTE: Always wear special UV safety glasses, goggles, or face shield when using UV Curing Lamps.



Pages 28-31

CRL Glass Furniture Hardware

Glass has long been the choice for unique furniture designs and display products due to the many alternatives available for glass thickness and colors. Glass is also unique in that glass shops or glass fabricators can produce custom furniture designs for homes or businesses, no matter how large or small. CRL Glass Furniture Hardware provides the latest in design and function. Combined with our different formulas of UV Adhesives, our many Fixation Devices, and UV Curing Lamps, your possibilities are almost limitless.



Pages 36-53

CRL Basic UV Glass Bonding Starter Kit

- Complete Glass-to-Glass and Glass-to-Metal Projects
- Crystal Clear Visible Light UV Adhesive
- Ships With Easy-to-Follow Instructions

Keep up with the growing trend of UV Glass Bonding usage with the CRL Basic UV Glass Bonding Starter Kit. We provide you with the very versatile Visible Light Glass-to-Glass and Glass-to-Metal UV Adhesive that allows you to UV bond our special selection of UV hardware to create displays, showcases, furniture, and more. Simple instructions included with the Kit will have you completing projects in no time. Minimum order is one each.



CAT. NO. UVSK2

CRL BASIC UV GLASS BONDING STARTER KIT INCLUDES:

- 1 each Cat. No. UV240 110 Volts UV Adhesive Curing Lamp
- 1 each Cat. No. UVS30 UV Protective Spectacles
- 1 each Cat. No. UV604L25 Visible Light UV Adhesive
- 5 each Cat. No. UVN85 Medium Viscosity Applicator Needles
- 2 each Cat. No. UVA1 Application Needle Adapters
- 1 each Cat. No. RS65 Glass Scraper

- 100 each Cat. No. 51S Single Edge Razor Blades
- 12 pair Cat. No. 700512 Nitrile Gloves
- 1 pack Cat. No. Z100 Extra Fine Steel Wool
- 1 each Cat. No. CRL7528 Cleaner Degreaser
- 1 each Cat. No. T1418 Carrying Case



CAT. NO. UV240



CAT. NO. UVS30



CAT. NO. UV604L25



CAT. NO. UVN85



CAT. NO. UVA1



CAT. NO. RS65



CAT. NO. 51S



CAT. NO. 700512



CAT. NO. Z100



CAT. NO. CRL7528



CAT. NO. T1418

CRL Professional UV Glass Bonding Kit With Tube Lamp

- Professional Quality Kit for UV Bonding
- Complete Larger Projects
- Ships With Easy-to-Follow Instructions



The CRL Professional UV Glass Bonding Kit With Tube Lamp provides you with all the basic equipment required to produce beautiful projects in your shop or on the job site. The Cat. No. UVBL15 UV Tube Lamp can be used to cure glass-to-metal hardware applications as well as longer bonding joints for furniture and display assemblies. Minimum order is one each.



CAT. NO. UVSK3

CRL PROFESSIONAL UV GLASS BONDING KIT WITH TUBE LAMP INCLUDES:

- 1 each Cat. No. UVBL15 110 Volt Adhesive Curing Tube Lamp
- 1 each Cat. No. UV604L25 Visible Light UV Adhesive
- 1 each Cat. No. UV701T25 Low Viscosity UV Adhesive
- 5 each Cat. No. UVN85 Medium Viscosity Applicator Needles
- 5 each Cat. No. UVN35 Low Viscosity Applicator Needles
- 2 each Cat. No. UVA1 Application Needle Adapters
- 1 each Cat. No. RS65 Glass Scraper
- 100 each Cat. No. 51S Single Edge Razor Blades
- 12 pair Cat. No. 700512 Nitrile Gloves

- 1 pack Cat. No. Z100 Extra Fine Steel Wool
- 1 each Cat. No. CRL7528 Cleaner Degreaser
- 1 each Cat. No. UVS30 UV Protective Spectacles
- 1 each Cat. No. UV69962 Mini Clamp-It® 90 Degree Fixation Set
- 1 each Cat. No. UV69954 Clamp-It® 90 Degree Fixation Set
- 2 each Cat. No. UV282 Adjustable Angle Fixation Device
- 4 each Cat. No. UV285 Eccentric Height Adjustment Stops
- 1 each Cat. No. UVB1N1 Storage Container



CAT. NO. UVBL15



CAT. NO. UV604L25
CAT. NO. UV701T25



CAT. NO. UVN35
CAT. NO. UVN85



CAT. NO. UVA1



CAT. NO. RS65
CAT. NO. 51S



CAT. NO. 700512
CAT. NO. Z100



CAT. NO. UVS30
CAT. NO. CRL7528



CAT. NO. UV69962



CAT. NO. UV69954



CAT. NO. UV282



CAT. NO. UV285



CAT. NO. UVB1N1

CRL Heavy Glass Partition Post System

- **Accepts 1/4" to 1/2" (6 to 12 mm) Thick Glass for the Creation of Attractive and Functional Glass Barriers**



The Heavy Glass Partition Post System was developed to provide an attractive, maintenance-free glass wall that will enhance any residential or commercial application. All Posts can be used in conjunction with a concrete slab, block wall or individual footings. If our stock components do not fit your application, allow us to design a system that can. CRL has the ability to design, engineer, and fabricate a custom system that will satisfy not only your need for safety and security, but also your artistic tastes. For additional information, contact CRL Technical Sales at (800) 421-6144 in the U.S., (877) 421-6144 from Canada, or (323) 588-1281 International, and ask for Ext. 7730. You can also e-mail us through our web site at crlaurence.com. From the home page click on Contact Us, and then click on Technical Sales for Railing Products.

Visual Appeal – The homeowner will love the clean look of this wall and the virtually unobstructed view it provides.

Noise Reduction – The Heavy Glass Partition Post System is superbly suited as a sound wall. Our system provides a much higher sound transmission rating than conventional fencing.

Maintenance – The Heavy Glass Partition Post System is low maintenance. All components are specially coated to prevent corrosion and ensure that the homeowner will be satisfied for many years.

Flexibility – The Heavy Glass Partition Post System adapts to a wide variety of terrain and wall designs. It can easily handle slopes, steps, and curves. In addition, the system is ideal for pool areas, decks, and balcony applications.

Lead Time – We carry 36" (914 mm), 48" (1219 mm), 60" (1524 mm), and 72" (1829 mm) posts in stock, allowing CRL to respond almost instantly to your needs. This system can be installed during almost any phase of construction, allowing the builder or contractor important scheduling flexibility.

Integrity – The Heavy Glass Partition Post System has been designed to provide a safe, transparent fence during high wind conditions. All glass installed must be fully tempered to meet all safety requirements and building codes.



Price – Because of this efficient design, our system is priced very competitively to other less attractive alternatives, such as wrought iron or wood fencing.



CRL Heavy Glass Partition Post System

Unlike other glass wind wall systems, the Heavy Glass Partition Post System keeps all aluminum out of contact with concrete. The lime in concrete is very corrosive to aluminum, and over time will degrade the physical properties of the components. The system utilizes a painted steel embedment that supports the vertical post and eliminates the possibility of damaging corrosion.

An added benefit of the steel embed is that the contractor can install the steel components early in the construction process, then install the painted aluminum post later when the chances of damage by other tradesmen are greatly reduced. These are strong attributes of the system, and have a real value to the builder and homeowner.

Another benefit of the system is the fact that it was designed to be a wind wall system that is very aesthetically pleasing. Because of the great design and the interaction with the steel insert, the system has enhanced structural properties, and allows for increased height and span abilities.

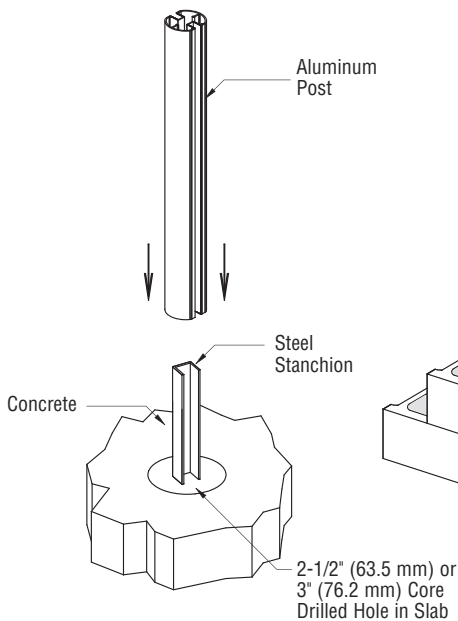
The Heavy Glass Partition Post design also solved the problem of glazing vinyl shrinking and falling out over time, creating liabilities for all parties involved. The glazing channel is a one-piece co-extrusion that cannot fall out once the glass is installed. This glazing channel is faster and easier to install than typical glazing beads, and simplifies the glass installation.

For additional information, contact CRL Technical Sales at (800) 421-6144 in the U.S., (877) 421-6144 from Canada, or (323) 588-1281 International and ask for Ext. 7730. You can also e-mail us through our web site at crlaurence.com. From the home page click on Contact Us, and then click on Technical Sales for Railing Products.

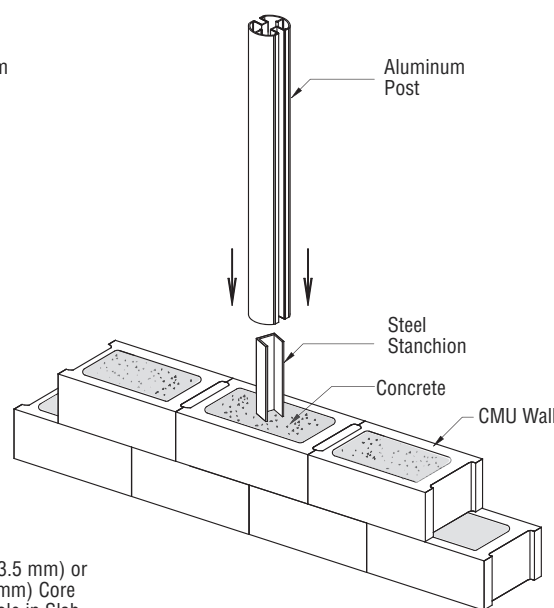


TYPICAL MOUNTING OPTIONS

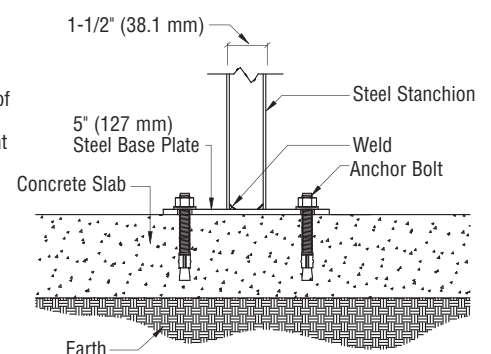
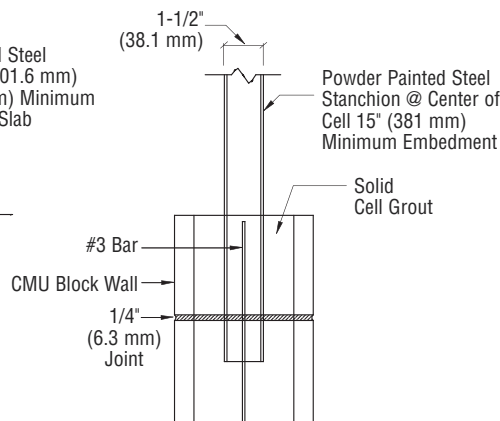
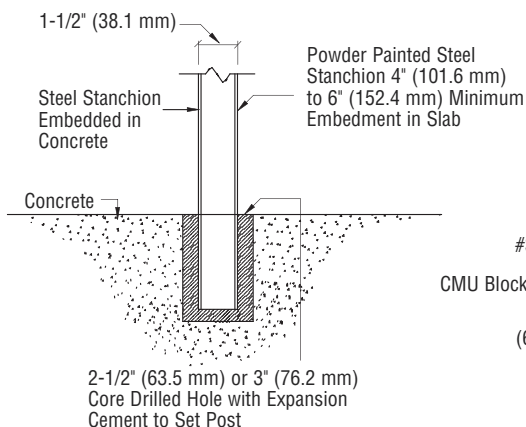
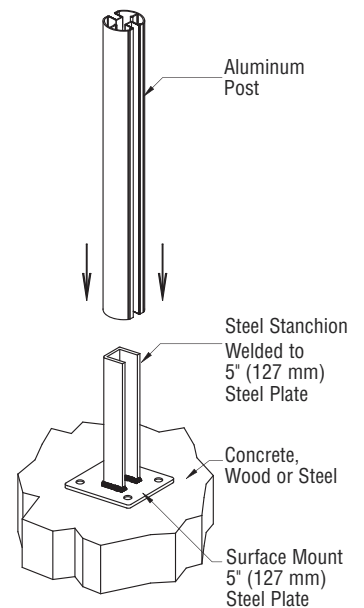
Core Mounted Installation for a Concrete Slab



Core Mounted Installation for CMU Block Walls

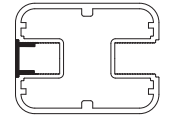
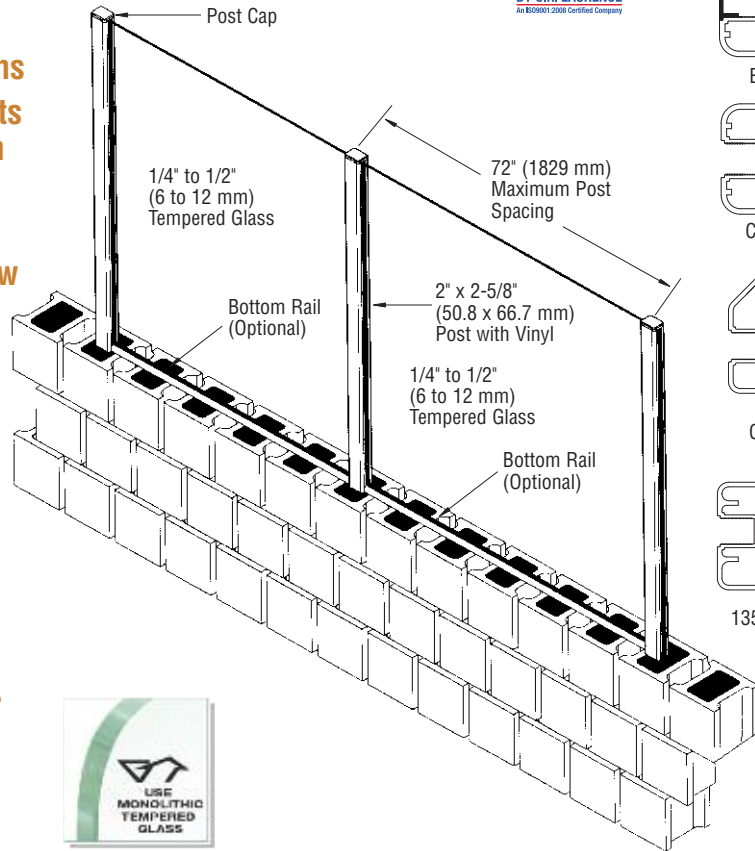


Surface Mounted Installation for a Concrete Slab

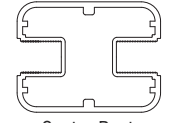


CRL Standard Rectangular Partition Post System

- 2" x 2-5/8" (50.8 x 66.7 mm) Rectangular Standard Partition Post System
- Great for Pools, Balconies, Fencing, Steps, Slopes, and Many Other Options
- Low Maintenance With All Components Specially Coated to Prevent Corrosion
- Adapts Easily to a Wide Variety of Terrain and Wall Designs
- Provides a Virtually Unobstructed View
- Will Accommodate 1/4" (6 mm), 3/8" (10 mm), and 1/2" (12 mm) Wet Set Glazing
- Seven Standard Colors, Plus Unfinished Chromate. Custom Colors Also Available
- 36" (914 mm), 48" (1219 mm), 60" (1524 mm), and 72" (1829 mm) Standard Heights in Stock. Custom Heights Also Available
- Glazing Vinyl Available in Black Color
- Designed and Engineered to Meet or Exceed Building Codes



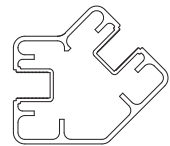
End Posts



Center Posts



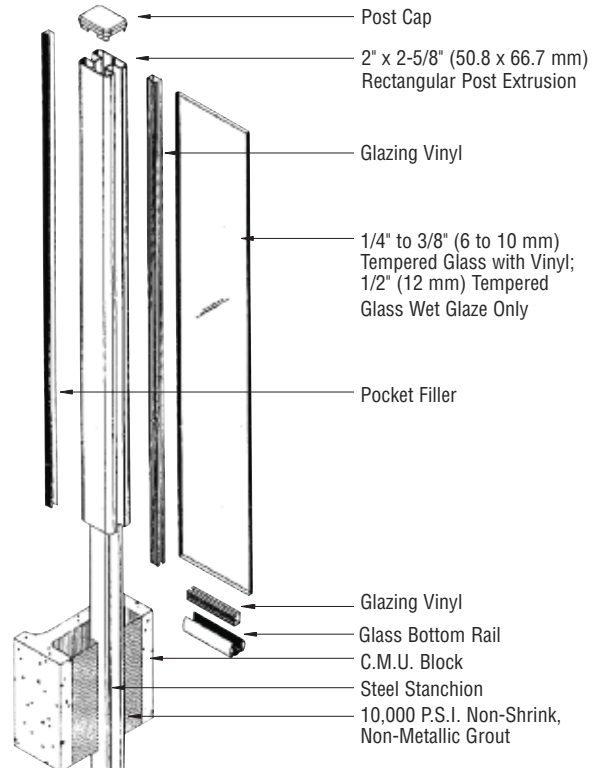
90 Degree Corner Post



135 Degree Post



NOTE: Not for use as a guard rail.



CRL HEAVY GLASS PARTITION POSTS

For Pricing Visit Our Web Site or Call Us Toll Free at the Phone Numbers Shown on the Back Cover

CRL 2" x 2-5/8" (51 x 67 mm) Rectangular 180 Degree Center or End Post Kits

- Standard Kits Include Post, Top Cap, and Vinyl
- Seven Standard Colors, Plus Unfinished Chromate
- Custom Colors Available Upon Request
- Accommodates 1/4" to 3/8" (6 to 10 mm) Glass Dry Glazed With Vinyl
- Accommodates 1/2" (12 mm) Glass Wet Glazed

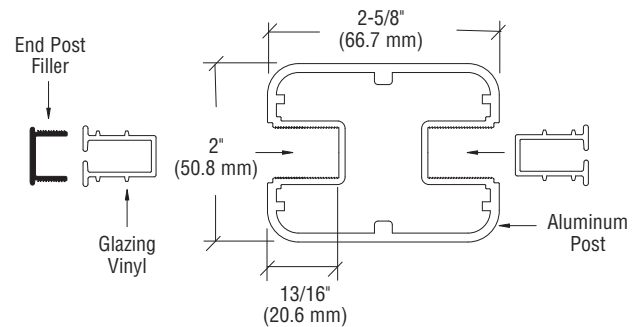
These Kits can be used to fabricate posts used at the end of a barrier, or to join two panels at 180 degrees. They can accommodate 1/4" to 3/8" (6 to 10 mm) panels when dry glazed with vinyl, and 1/2" (12 mm) panels when wet glazed. They are available in seven standard colors, plus unfinished chromate, with custom colors available on request.

NOTE: Maximum Post Spacing is 72" (1829 mm) on center. Maximum square footage should not exceed 24 square feet per panel.

Standard Center Kits Include:



Standard End Kits Include:



CENTER POST KITS

CAT. NO.*	HEIGHT
S36CK	36" (914 mm)
S48CK	48" (1219 mm)
S60CK	60" (1524 mm)
S72CK	72" (1829 mm)

Minimum order: 1 each. *Specify color when ordering. **NOTE:** Steel Stanchions sold separately.

END POST KITS

CAT. NO.*	HEIGHT
S36EK	36" (914 mm)
S48EK	48" (1219 mm)
S60EK	60" (1524 mm)
S72EK	72" (1829 mm)

Minimum order: 1 each. *Specify color when ordering. **NOTE:** Steel Stanchions sold separately.

STANDARD COLORS



Colors shown are representative only, and may vary slightly from actual gloss, color, and texture. If color match is critical, please contact Technical Sales for additional information.

Additional Color Options - CRL has over 250 quick turn custom color options with the ability to color match as well.

CRL 2" x 2-5/8" (51 x 67 mm) Rectangular 180 Degree Center or End Post Only

- Ready to Install
- Low Maintenance With Special Coating to Prevent Corrosion
- Four Standard Post Heights, Plus a Stock Length So You Can Cut Custom Heights
- Seven Standard Colors, Plus Unfinished Chromate
- Custom Colors Also Available

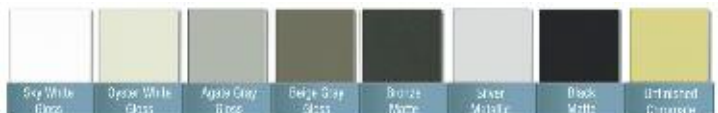
RECTANGULAR CENTER OR END POSTS

CAT. NO.*	HEIGHT/LENGTH
SP36	36" (914 mm)
SP48	48" (1219 mm)
SP60	60" (1524 mm)
SP72	72" (1829 mm)
SP194	241" (6.12 m)#

Minimum order: 1 each. *Specify color when ordering. # Must ship common carrier. End Post Filler Inserts sold separately.

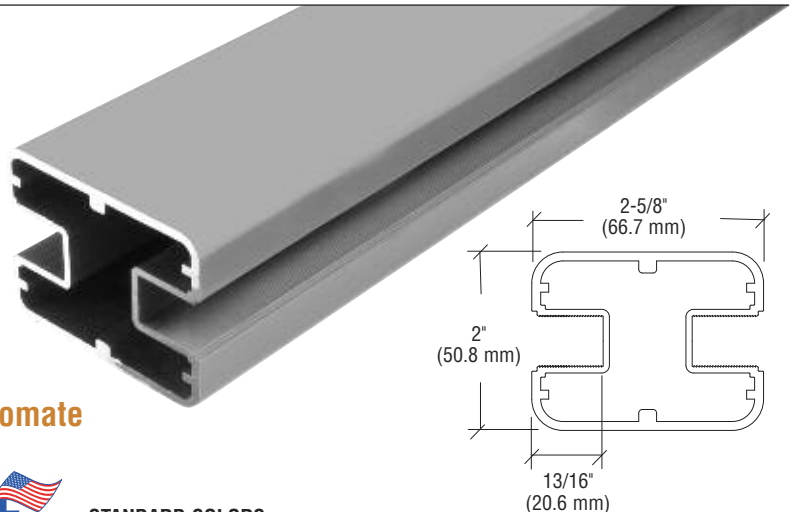


STANDARD COLORS



Colors shown are representative only, and may vary slightly from actual gloss, color, and texture. If color match is critical, please contact Technical Sales for additional information.

Additional Color Options - CRL has over 250 quick turn custom color options with the ability to color match as well.



CRL 2" x 2-5/8" (51 x 67 mm) Rectangular 90 Degree Corner Post Kits

- Standard Kits Include Post, Top Cap, and Vinyl
- Seven Standard Colors, Plus Unfinished Chromate
- Custom Colors Available Upon Request
- Accommodates 1/4" to 3/8" (6 to 10 mm) Glass Dry Glazed With Vinyl
- Accommodates 1/2" (12 mm) Glass Wet Glazed

These Kits are for fabricating posts used to join two panels at 90 degrees. They can accommodate 1/4" to 3/8" (6 to 10 mm) panels when dry glazed with vinyl, and 1/2" (12 mm) panels when wet glazed. They are available in seven standard colors, plus unfinished chromate, with custom colors available on request.



NOTE: Maximum Post Spacing is 72" (1829 mm) on center. Maximum square footage should not exceed 24 square feet per panel.

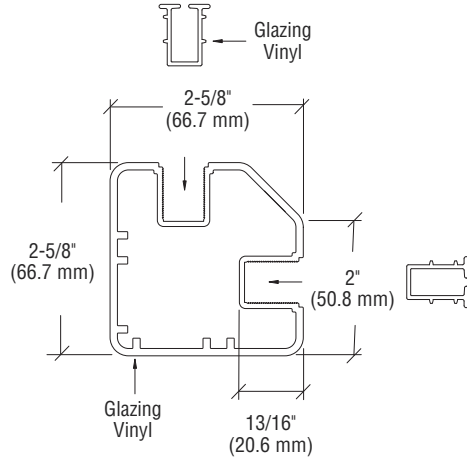
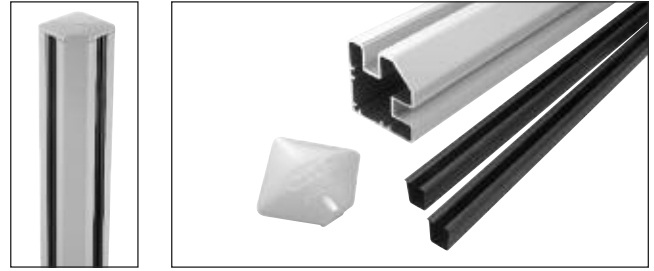
CORNER POST KITS

CAT. NO.*	HEIGHT
S36CRK	36" (914 mm)
S48CRK	48" (1219 mm)
S60CRK	60" (1524 mm)
S72CRK	72" (1829 mm)

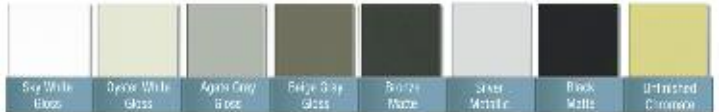
Minimum order: 1 each. *Specify color when ordering.
NOTE: Steel Stanchions sold separately.

Additional Color Options - CRL has over 250 standard quick turn custom color options with the ability to color match as well.

Standard Corner Kits Include:



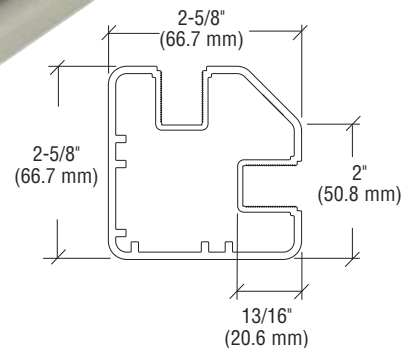
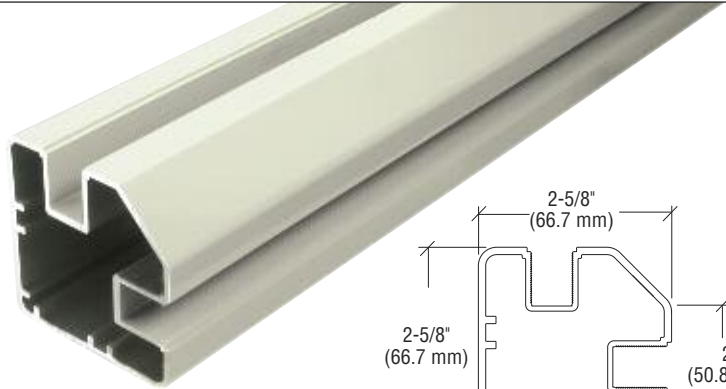
STANDARD COLORS



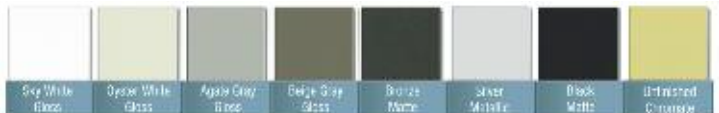
Colors shown are representative only, and may vary slightly from actual gloss, color, and texture. If color match is critical, please contact Technical Sales for additional information.

CRL 2" x 2-5/8" (51 x 67 mm) Rectangular 90 Degree Corner Post Only

- Ready to Install
- Low Maintenance With Special Coating to Prevent Corrosion
- Four Standard Post Heights, Plus a Stock Length So You Can Cut Custom Heights
- Seven Standard Colors, Plus Unfinished Chromate
- Custom Colors Also Available



STANDARD COLORS



Colors shown are representative only, and may vary slightly from actual gloss, color, and texture. If color match is critical, please contact Technical Sales for additional information.

Additional Color Options - CRL has over 250 quick turn custom color options with the ability to color match as well.

RECTANGULAR CORNER POSTS

CAT. NO.*	HEIGHT/LENGTH
SP936	36" (914 mm)
SP948	48" (1219 mm)
SP960	60" (1524 mm)
SP972	72" (1829 mm)
SP9194	241" (6.12 m)#

Minimum order: 1 each. *Specify color when ordering.
 # Must ship common carrier.



CRL 2" x 2-3/8" (51 x 60 mm) Rectangular 135 Degree Post Kits

- Standard Kits Include Post, Top Cap, and Vinyl
- Seven Standard Colors, Plus Unfinished Chromate
- Custom Colors Available Upon Request
- Accommodates 1/4" to 3/8" (6 to 10 mm) Glass Dry Glazed With Vinyl
- Accommodates 1/2" (12 mm) Glass Wet Glazed

These Kits are for fabricating posts used to join two panels at 135 degrees. They can accommodate 1/4" to 3/8" (6 to 10 mm) panels when dry glazed with vinyl, and 1/2" (12 mm) panels when wet glazed. They are available in seven standard colors, plus unfinished chromate with custom colors available on request.



NOTE: Maximum Post Spacing is 72" (1829 mm) on center. Maximum square footage should not exceed 24 square feet per panel.

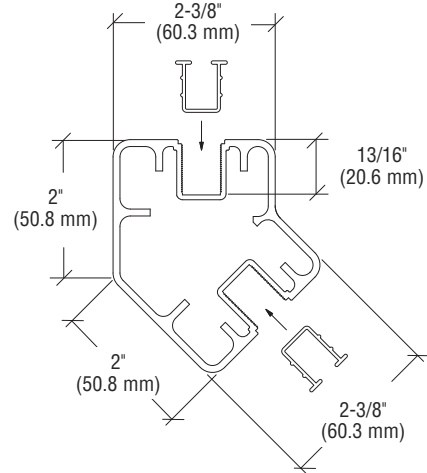
RECTANGULAR 135 DEGREE POST KITS

CAT. NO.*	HEIGHT
S365K	36" (914 mm)
S485K	48" (1219 mm)
S605K	60" (1524 mm)
S725K	72" (1829 mm)

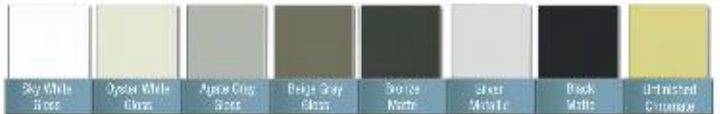
Minimum order: 1 each. *Specify color when ordering.
NOTE: Steel Stanchions sold separately.

Additional Color Options - CRL has over 250 standard quick turn custom color options with the ability to color match as well.

Standard 135 Degree Kits Include:



STANDARD COLORS



Colors shown are representative only, and may vary slightly from actual gloss, color, and texture. If color match is critical, please contact Technical Sales for additional information.

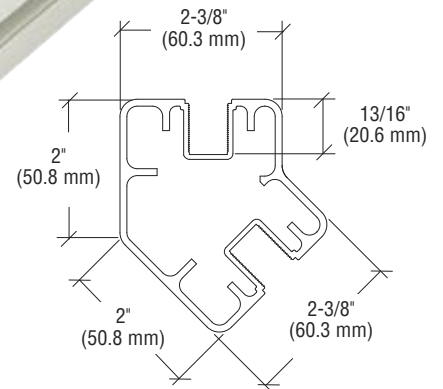
CRL 2" x 2-3/8" (51 x 60 mm) Rectangular 135 Degree Post Only

- Ready to Install
- Low Maintenance With Special Coating to Prevent Corrosion
- Four Standard Post Heights, Plus a Stock Length So You Can Cut Custom Heights
- Seven Standard Colors, Plus Unfinished Chromate
- Custom Colors Available Upon Request

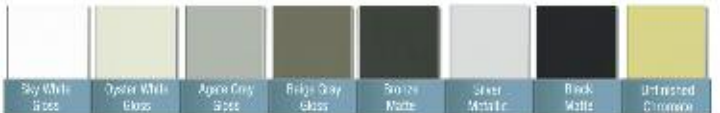
RECTANGULAR 135 DEGREE POSTS

CAT. NO.*	HEIGHT/LENGTH
SP536	36" (914 mm)
SP548	48" (1219 mm)
SP560	60" (1524 mm)
SP572	72" (1829 mm)
SP5241	241" (6.12 m)#

Minimum order: 1 each. *Specify color when ordering.
 # Must ship common carrier.



STANDARD COLORS

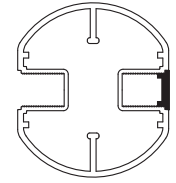
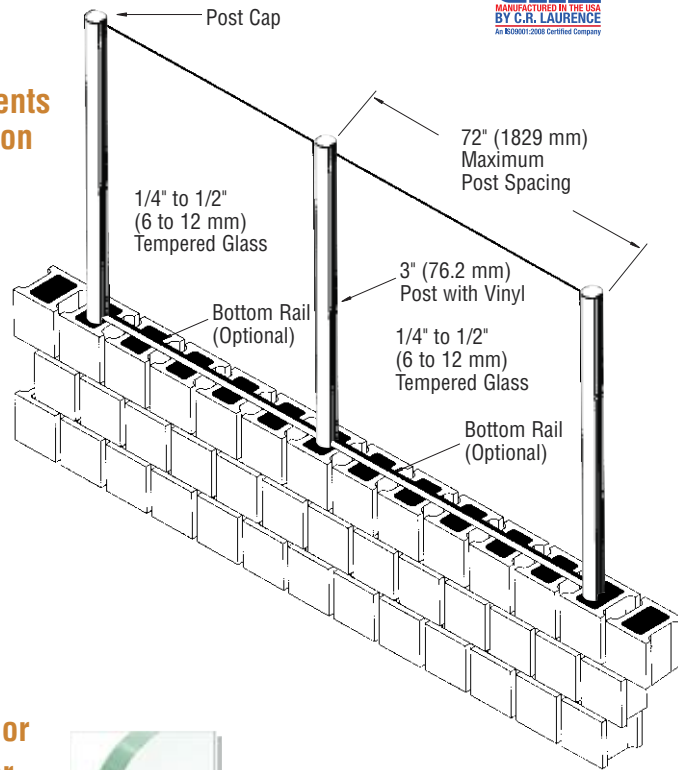


Colors shown are representative only, and may vary slightly from actual gloss, color, and texture. If color match is critical, please contact Technical Sales for additional information.

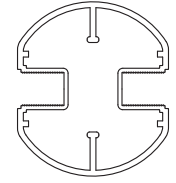
Additional Color Options - CRL has over 250 quick turn custom color options with the ability to color match as well.

CRL Standard Round Partition Post System

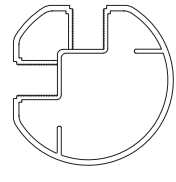
- 3" (76.2 mm) Diameter Standard Partition Post System for Pools, Balconies, Fencing, Steps, Slopes, and Many Other Options
- Low Maintenance With All Components Specially Coated to Prevent Corrosion
- Adapts Easily to a Wide Variety of Terrain and Wall Designs
- Provides a Virtually Unobstructed View
- Will Accommodate 1/4" (6 mm), 3/8" (10 mm), and 1/2" (12 mm) Wet Set Glazing
- Seven Standard Colors, Plus Unfinished Chromate in. Custom Colors Also Available
- 36" (914 mm), 48" (1219 mm), 60" (1524 mm), and 72" (1829 mm) Standard Heights in Stock. Custom Heights Also Available
- Glazing Vinyl Available in Black Color
- Designed and Engineered to Meet or Exceed Building Codes



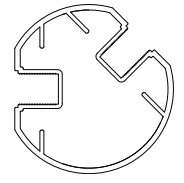
End Posts



Center Posts



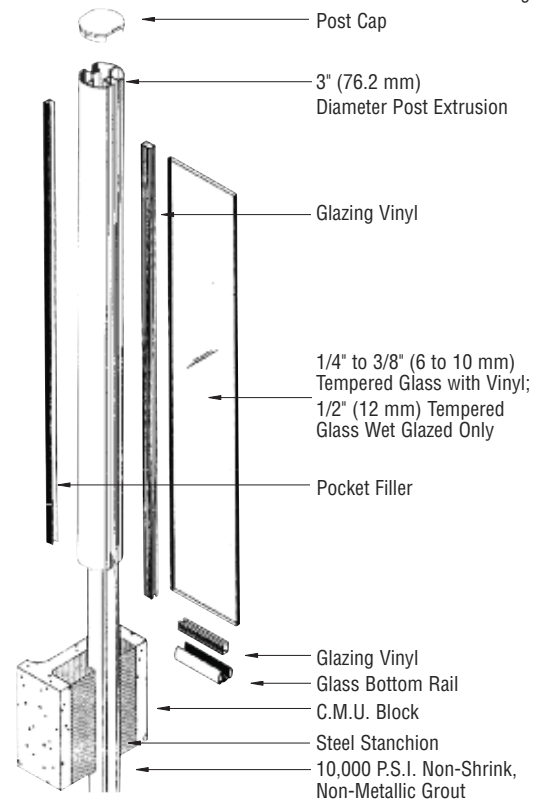
90 Degree Posts



135 Degree Posts



NOTE: Not for use as a guard rail.



CRL HEAVY GLASS PARTITION POSTS

For Pricing Visit Our Web Site or Call Us Toll Free at the Phone Numbers Shown on the Back Cover

CRL 3" (76 mm) Diameter Round 180 Degree Center or End Post Kits

- Standard Kits Include Post, Top Cap, and Vinyl
- Seven Standard Colors, Plus Unfinished Chromate
- Custom Colors Available Upon Request
- Accommodates 1/4" to 3/8" (6 to 10 mm) Glass Dry Glazed With Vinyl
- Accommodates 1/2" (12 mm) Glass Wet Glazed

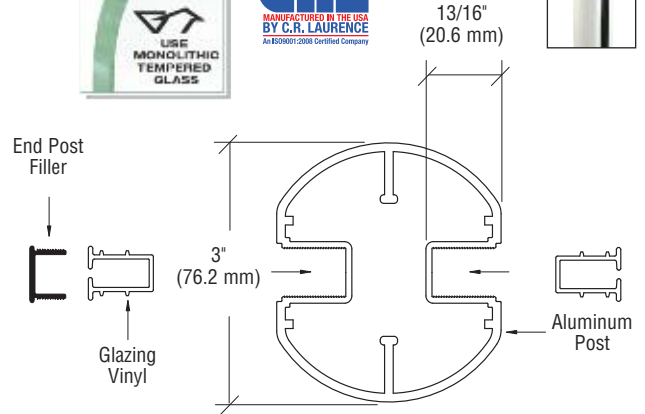
These Kits can be used to fabricate posts used at the end of a barrier, or to join two panels at 180 degrees. They can accommodate 1/4" to 3/8" (6 to 10 mm) panels when dry glazed with vinyl, and 1/2" (12 mm) panels when wet glazed. They are available in seven standard colors, plus unfinished chromate, with custom colors available on request.

NOTE: Maximum Post Spacing is 72" (1829 mm) on center. Maximum square footage should not exceed 24 square feet per panel.

Standard Center Kits Include:



Standard End Kits Include:



ROUND CENTER POST KITS

CAT. NO.*	LENGTH
R36CK	36" (914 mm)
R48CK	48" (1219 mm)
R60CK	60" (1524 mm)
R72CK	72" (1829 mm)

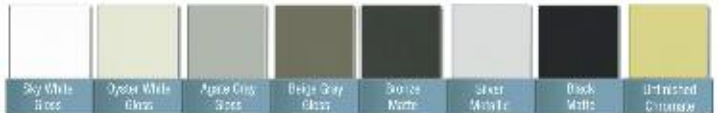
Minimum order: 1 each. *Specify color when ordering.
Note: Steel Stanchions sold separately.

ROUND END POST KITS

CAT. NO.*	LENGTH
R36EK	36" (914 mm)
R48EK	48" (1219 mm)
R60EK	60" (1524 mm)
R72EK	72" (1829 mm)

Minimum order: 1 each. *Specify color when ordering.
Note: Steel Stanchions sold separately.

STANDARD COLORS



Colors shown are representative only, and may vary slightly from actual gloss, color, and texture. If color match is critical, please contact Technical Sales for additional information.

Additional Color Options - CRL has over 250 quick turn custom color options with the ability to color match as well.

CRL 3" (76 mm) Diameter Round 180 Degree Center or End Post Only

- Low Maintenance With Special Coating to Prevent Corrosion
- Four Standard Post Heights, Plus a Stock Length So You Can Cut Custom Heights
- Seven Standard Colors, Plus Unfinished Chromate



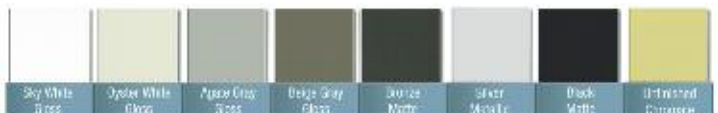
ROUND CENTER OR END POSTS

CAT. NO.*	HEIGHT/LENGTH
RP36	36" (914 mm)
RP48	48" (1219 mm)
RP60	60" (1524 mm)
RP72	72" (1829 mm)
RP194	241" (6.12 m)#

Minimum order: 1 each. *Specify color when ordering.
Must ship common carrier. End Post Filler Inserts sold separately.



STANDARD COLORS



Colors shown are representative only, and may vary slightly from actual gloss, color, and texture. If color match is critical, please contact Technical Sales for additional information.

Additional Color Options - CRL has over 250 quick turn custom color options with the ability to color match as well.

CRL HEAVY GLASS PARTITION POSTS

For Pricing Visit Our Web Site or Call Us Toll Free at the Phone Numbers Shown on the Back Cover

CRL 3" (76 mm) Diameter Round 90 Degree Corner Post Kits

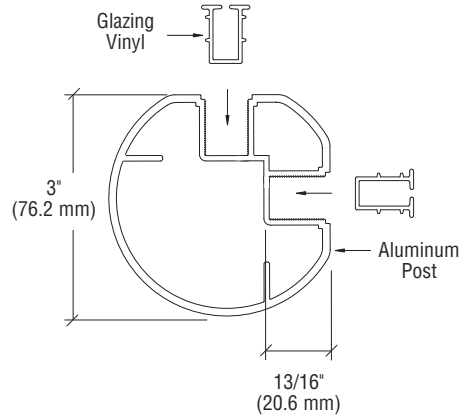
- Standard Kits Include Post, Top Cap, and Vinyl
- Seven Standard Colors, Plus Unfinished Chromate
- Custom Colors Available Upon Request
- Accommodates 1/4" to 3/8" (6 to 10 mm) Glass Dry Glazed With Vinyl
- Accommodates 1/2" (12 mm) Glass Wet Glazed

These Kits are for fabricating posts used to join two panels at 90 degrees. They can accommodate 1/4" to 3/8" (6 to 10 mm) panels when dry glazed with vinyl, and 1/2" (12 mm) panels when wet glazed. They are available in seven standard colors, plus unfinished chromate, with custom colors available on request.

NOTE: Maximum Post Spacing is 72" (1829 mm) on center. Maximum square footage should not exceed 24 square feet per panel.



Standard Corner Kits Include:



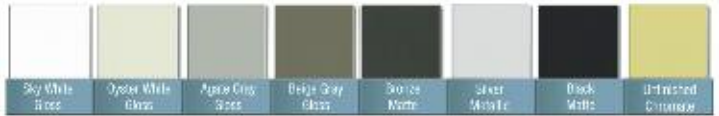
ROUND CORNER POST KITS

CAT. NO.*	LENGTH
R36CRK	36" (914 mm)
R48CRK	48" (1219 mm)
R60CRK	60" (1524 mm)
R72CRK	72" (1829 mm)

Minimum order: 1 each. *Specify color when ordering.
Note: Steel Stanchions sold separately.

Additional Color Options - CRL has over 250 standard quick turn custom color options with the ability to color match as well.

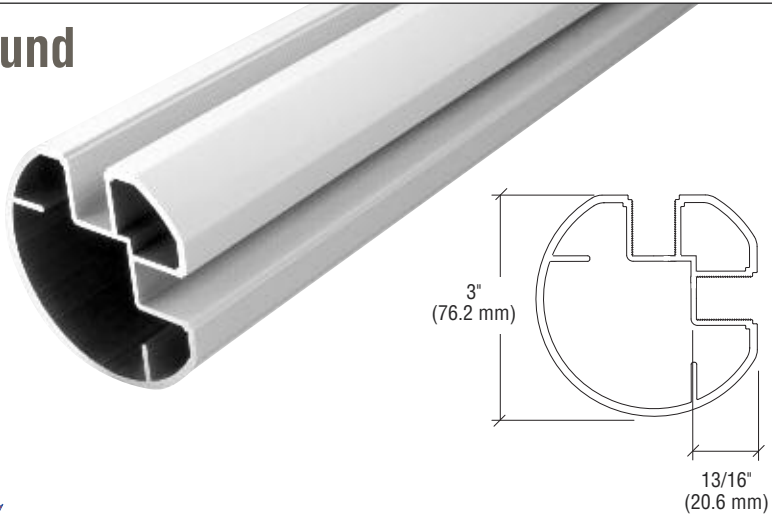
STANDARD COLORS



Colors shown are representative only, and may vary slightly from actual gloss, color, and texture. If color match is critical, please contact Technical Sales for additional information.

CRL 3" (76 mm) Diameter Round 90 Degree Corner Post Only

- Ready to Install
- Low Maintenance With Special Coating to Prevent Corrosion
- Four Standard Post Heights, Plus a Stock Length So You Can Cut Custom Heights
- Seven Standard Colors, Plus Unfinished Chromate
- Custom Colors Also Available



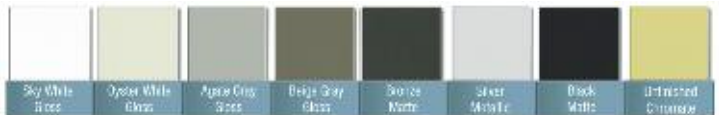
ROUND CORNER POSTS

CAT. NO.*	LENGTH
RP936	36" (914 mm)
RP948	48" (1219 mm)
RP960	60" (1524 mm)
RP972	72" (1829 mm)
RP9194	241" (6.12 m)#

Minimum order: 1 each. *Specify color when ordering.
 # Must ship common carrier.



STANDARD COLORS



Colors shown are representative only, and may vary slightly from actual gloss, color, and texture. If color match is critical, please contact Technical Sales for additional information.

Additional Color Options - CRL has over 250 quick turn custom color options with the ability to color match as well.



C.R. LAURENCE COMPANY

622 | crlaurence.ca crlaurence.com.au crlaurence.co.uk crlaurence.de crlaurence.eu

crlaurence.com

CRL HEAVY GLASS PARTITION POSTS

For Pricing Visit Our Web Site or Call Us Toll Free at the Phone Numbers Shown on the Back Cover

CRL 3" (76 mm) Diameter Round 135 Degree Post Kits

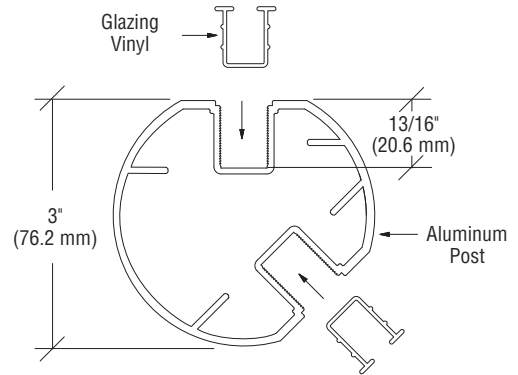
- Standard Kits Include Post, Top Cap, and Vinyl
- Seven Standard Colors, Plus Unfinished Chromate
- Custom Colors Available Upon Request
- Accommodates 1/4" to 3/8" (6 to 10 mm) Glass Dry Glazed With Vinyl
- Accommodates 1/2" (12 mm) Glass Wet Glazed

These Kits are for fabricating posts used to join two panels at 135 degrees. They can accommodate 1/4" to 3/8" (6 to 10 mm) panels when dry glazed with vinyl, and 1/2" (12 mm) panels when wet glazed. They are available in seven standard colors, plus unfinished chromate, with custom colors available on request.

NOTE: Maximum Post Spacing is 72" (1829 mm) on center. Maximum square footage should not exceed 24 square feet per panel.



Standard 135 Degree Kits Include:



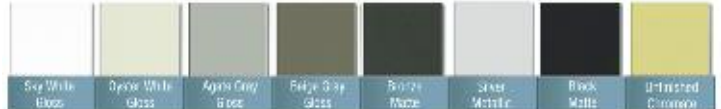
ROUND 135 DEGREE POST KITS

CAT. NO.*	LENGTH
R365K	36" (914 mm)
R485K	48" (1219 mm)
R605K	60" (1524 mm)
R725K	72" (1829 mm)

Minimum order: 1 each. *Specify color when ordering.
Note: Steel Stanchions sold separately.

Additional Color Options - CRL has over 250 standard quick turn custom color options with the ability to color match as well.

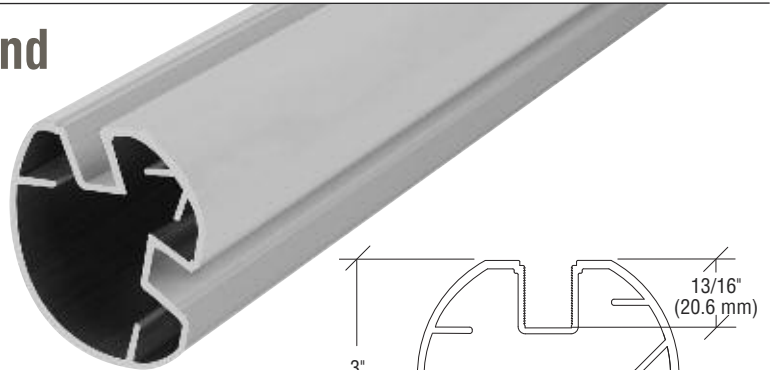
STANDARD COLORS



Colors shown are representative only, and may vary slightly from actual gloss, color, and texture. If color match is critical, please contact Technical Sales for additional information.

CRL 3" (76 mm) Diameter Round 135 Degree Post Only

- Ready to Install
- Low Maintenance With Special Coating to Prevent Corrosion
- Four Standard Post Heights, Plus a Stock Length So You Can Cut Custom Heights
- Seven Standard Colors, Plus Unfinished Chromate
- Custom Colors Also Available



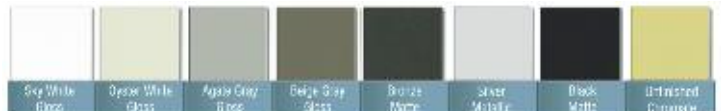
ROUND 135 DEGREE POSTS

CAT. NO.*	HEIGHT/LENGTH
RP536	36" (914 mm)
RP548	48" (1219 mm)
RP560	60" (1524 mm)
RP572	72" (1829 mm)
RP5241	241" (6.12 m)#

Minimum order: 1 each. *Specify color when ordering.
 # Must ship common carrier.



STANDARD COLORS



Colors shown are representative only, and may vary slightly from actual gloss, color, and texture. If color match is critical, please contact Technical Sales for additional information.

Additional Color Options - CRL has over 250 quick turn custom color options with the ability to color match as well.

CRL Rectangular Post Caps

- Ready to Install
- Available in Seven Standard Colors, Plus Unfinished Chromate
- Attaches to Post Using CRL's 95CBL Silicone

Rectangular Post Top Caps slip easily into our Post Extrusions. Use our Cat. No. 95C Silicone (see page P628) to secure and fasten Caps to Posts. Standard colors are shown on page P617. Color options include over 250 quick turn custom colors, as well as the ability to color match to your requirements.



For 180 Degree Center Posts or End Posts



CAT. NO.	COLOR
PC1SW	Sky White
PC1SOW	Oyster White
PC1SAGY	Agate Gray
PC1SBGY	Beige Gray
PC1SBL	Matte Black
PC1SBRZ	Matte Bronze
PC1SS	Silver Metallic
PC1SCRM	Chromate

Minimum order: 1 each.

For 135 Degree Posts



CAT. NO.	COLOR
PC135SW	Sky White
PC135SOW	Oyster White
PC135SAGY	Agate Gray
PC135SBGY	Beige Gray
PC135SBL	Matte Black
PC135SBRZ	Matte Bronze
PC135SS	Silver Metallic
PC135SCRM	Chromate

Minimum order: 1 each.

For 90 Degree Corner Posts



CAT. NO.	COLOR
PC9SW	Sky White
PC9SOW	Oyster White
PC9SAGY	Agate Gray
PC9SBGY	Beige Gray
PC9SBL	Matte Black
PC9SBRZ	Matte Bronze
PC9SS	Silver Metallic
PC9SCRM	Chromate

Minimum order: 1 each.

CRL Round Post Caps

- Ready to Install
- Available in Seven Standard Colors, Plus Unfinished Chromate

Round Post Top Caps slip easily into our Post Extrusions. Use our Cat. No. 95C Silicone (see page P628) to secure and fasten Caps to Posts. Standard colors are shown on page P617. Color options include over 250 quick turn custom colors, as well as the ability to color match to your requirements.



For 180 Degree Center Posts or End Posts



CAT. NO.	COLOR
PC1RW	Sky White
PC1ROW	Oyster White
PC1RAGY	Agate Gray
PC1RBGY	Beige Gray
PC1RBL	Matte Black
PC1RBRZ	Matte Bronze
PC1RS	Silver Metallic
PC1RCRM	Chromate

Minimum order: 1 each.

For 135 Degree Posts



CAT. NO.	COLOR
PC135RW	Sky White
PC135ROW	Oyster White
PC135RAGY	Agate Gray
PC135RBGY	Beige Gray
PC135RBL	Matte Black
PC135RBRZ	Matte Bronze
PC135RS	Silver Metallic
PC135RCRM	Chromate

Minimum order: 1 each.

For 90 Degree Corner Posts



CAT. NO.	COLOR
PC9RW	Sky White
PC9ROW	Oyster White
PC9RAGY	Agate Gray
PC9RBGY	Beige Gray
PC9RBL	Matte Black
PC9RBRZ	Matte Bronze
PC9RS	Silver Metallic
PC9RCRM	Chromate

Minimum order: 1 each.

CRL HEAVY GLASS PARTITION POSTS

For Pricing Visit Our Web Site or Call Us Toll Free at the Phone Numbers Shown on the Back Cover

CRL Partition Post Pocket Fillers

- Ready to Snap Into Glass Pocket
- Low Maintenance, With Special Coating to Prevent Corrosion
- Seven Standard Colors, Plus Unfinished Chromate



CAT. NO.*	LENGTH
PF36	36" (914 mm)
PF48	48" (1219 mm)
PF60	60" (1524 mm)
PF72	72" (1829 mm)
PF194	241" (6.12 m)#

Minimum order: 1 each. *Specify powder coat color when ordering. See page P369 for color chart. # Must ship common carrier.

Post Pocket Fillers are designed to be snapped into the glass pocket of the Posts where glass will not be used. No tools or adhesives are required, and they can be removed to reconfigure post layouts if required. All Post Pocket Fillers are low maintenance, with a special coating to prevent corrosion. Fillers are available in the same seven standard colors as our Partition Posts, plus unfinished chromate. Custom colors are also available.



CRL Rigid Glazing Vinyl

- Black Color Rigid Push-In Glazing Vinyl for Use With Aluminum Posts and Bottom Rails
- Designed to Accommodate 1/4" to 3/8" (6 to 10 mm) Tempered Glazing



CAT. NO.	LENGTH
GV36BL	36" (914 mm)
GV48BL	48" (1219 mm)
GV60BL	60" (1524 mm)
GV72BL	72" (1829 mm)
GV120BL	144" (3.6 m)#

Minimum order: 1 each. # Must ship common carrier.

Rigid Glazing Vinyl is used to dry glaze 1/4" to 3/8" (6 to 10 mm) tempered glass into Posts and Bottom Rails. Available in five different lengths, the Vinyl has an overall width of 5/8" (15.9 mm).



CRL Bottom Rail Kits With Rigid Glazing Vinyl

- Low Maintenance, With a Special Coating to Prevent Corrosion
- Designed to Accommodate 1/4" and 3/8" (6 and 10 mm) Tempered Glazing
- Seven Standard Colors, Plus Unfinished Chromate
- Custom Colors Also Available

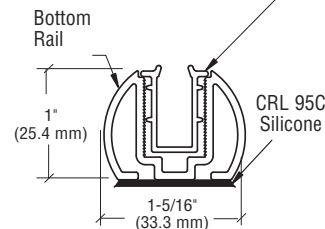


Included Vinyl is only for use with 1/4" to 3/8" (6 to 10 mm) tempered glazing. 1/2" (12 mm) tempered glass must be wet glazed.

CAT. NO.*	LENGTH
BR36K	36" (914 mm)
BR48K	48" (1219 mm)
BR60K	60" (1524 mm)
BR72K	72" (1829 mm)
BR194	241" (6.12 m)#

Minimum order: 1 each. *Specify powder coat color when ordering. See page P369 for color chart. # Must ship common carrier.

Bottom Rails are designed to be mounted to a substrate using Cat. No. 95C Silicone (see page P628). All Bottom Rails have a special chromate coating to prevent corrosion, and are powder coated in the stock colors to match our Posts. Kits include a length of Rigid Glazing Vinyl.



CRL Core Mount Stanchions

- **Black Powder Coated to Prevent Corrosion**
- **Available in Three Different Sizes for Round or Rectangular Posts**
- **Available in Stainless Steel for Coastal Installations**

Core Mount Stanchions are for use with our Heavy Glass Partition Posts. Stanchions are recommended to be set into 8,000 psi concrete with a minimum of 6" (152.4 mm) embedment depth for a concrete slab. If installing the Stanchion into a block wall, allow a 15" (381 mm) minimum embedment depth. Sold six per package (individual Stanchions are not available). See page P633 for Expanding Cement.

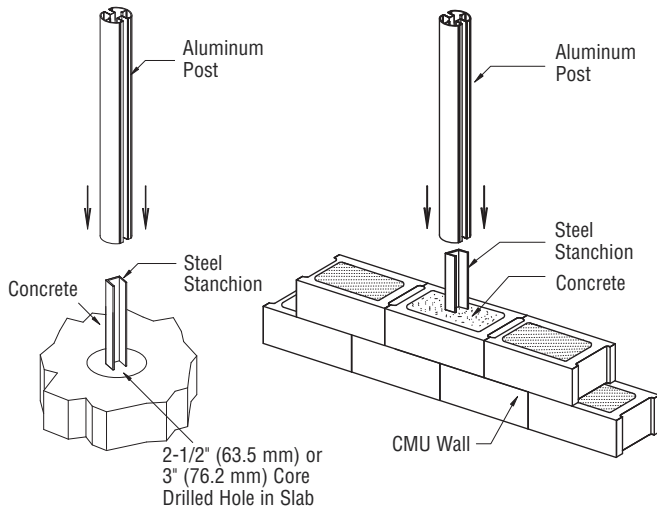


CAT. NO.	DESCRIPTION	HEIGHT	FOR POST HEIGHT	THICKNESS
PST1	Grade 50 Steel Stanchion	18" (457 mm)	Up to 36" (914 mm)	1/8" (3.2 mm)
PST2	Grade 50 Steel Stanchion	18" (457 mm)	Up to 48" (1219 mm)	1/4" (6.3 mm)
PST3	Grade 50 Steel Stanchion	30" (762 mm)	Up to 72" (1829 mm)	1/4" (6.3 mm)
PST4	Grade 300 Stainless Steel Stanchion	30" (762 mm)	Up to 72" (1829 mm)	1/8" (3.2 mm)

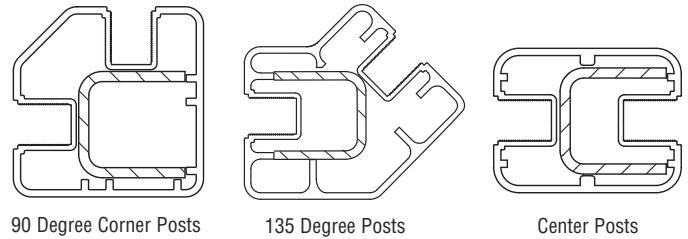
Minimum order: 1 pack. For Posts less than 30" (762 mm), the Stanchion can be cut to size.

Core Mount Installation for a Concrete Slab

Core Mount Installation for CMU Block Walls



- **Fit All of Our Rectangular or Round Heavy Glass Partition Posts**



Custom sizes are available by contacting CRL Technical Sales at (800) 421-6144 in the U.S., (877) 421-6144 from Canada or (323) 588-1281 International. Ask for Extension 7730.

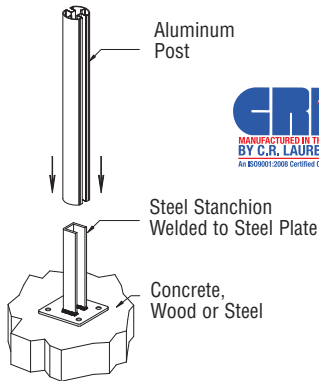
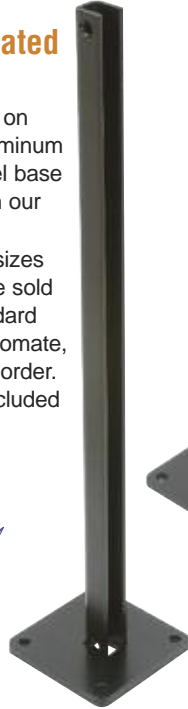


CRL Welded Steel Surface Mount Stanchions

- Mounting Bases Available in Seven Standard Colors, Plus Unfinished Chromate to Match Our Posts
- 90, 135, and 180 Degree Bases are Designed for Concrete or Steel Installations
- Attaches to the Post Using Our 95CBL Silicone
- Galvanized and Powder Coated to Prevent Corrosion

Welded Steel Stanchions are for use on surface mount applications with our Aluminum Posts. Stanchions are welded to a steel base plate, and then powder coated to match our Posts and Bottom Rails.

Stanchions are available in different sizes based on the height of the post, and are sold individually. Base Plates in seven standard colors are available, plus unfinished chromate, with custom colors available on special order. One each Moisture Barrier Gasket is included with each Stanchion.



STEEL STANCHIONS FOR POST HEIGHTS UP TO 24" (610 MM)

CAT. NO.*	STANCHION HEIGHT	DESCRIPTION
PSB1A	12" (305 mm)	For 180 Degree Round or Rectangular Center or End Posts
PSB2A	12" (305 mm)	For 90 Degree Round Corner Posts
PSB3A	12" (305 mm)	For 90 Degree Rectangular Corner Posts
PSB4A	12" (305 mm)	For 135 Degree Round Center Posts
PSB5A	12" (305 mm)	For 135 Degree Rectangular Center Posts

Minimum order: 1 each. *Specify powder coat color when ordering. Base measures 5" x 5" (127 x 127 mm) and is 3/8" (9.5 mm) thick.

STEEL STANCHIONS FOR POST HEIGHTS UP TO 48" (1219 MM)

CAT. NO.*	STANCHION HEIGHT	DESCRIPTION
PSB1B	30" (762 mm)	For 180 Degree Round or Rectangular Center or End Posts
PSB2B	30" (762 mm)	For 90 Degree Round Corner Posts
PSB3B	30" (762 mm)	For 90 Degree Rectangular Corner Posts
PSB4B	30" (762 mm)	For 135 Degree Round Center Posts
PSB5B	30" (762 mm)	For 135 Degree Rectangular Center Posts

Minimum order: 1 each. *Specify powder coat color when ordering. Base measures 5" x 5" (127 x 127 mm) and is 3/8" (9.5 mm) thick.

STEEL STANCHIONS FOR POST HEIGHTS UP TO 72" (1829 MM)

CAT. NO.*	STANCHION HEIGHT	DESCRIPTION
PSB1C	30" (762 mm)	For 180 Degree Round or Rectangular Center or End Posts
PSB2C	30" (762 mm)	For 90 Degree Round Corner Posts
PSB3C	30" (762 mm)	For 90 Degree Rectangular Corner Posts
PSB4C	30" (762 mm)	For 135 Degree Round Center Posts
PSB5C	30" (762 mm)	For 135 Degree Rectangular Center Posts

Minimum order: 1 each. *Specify powder coat color when ordering. Base measures 6" x 6" (152 x 152 mm) and is 7/16" (11.1 mm) thick.

STANDARD COLORS



Colors shown are representative only, and may vary slightly from actual gloss, color, and texture. If color match is critical, please contact Technical Sales for additional information.

Additional Color Options

CRL has over 250 quick turn custom color options, with the ability to color match as well.



CRL HEAVY GLASS PARTITION POSTS

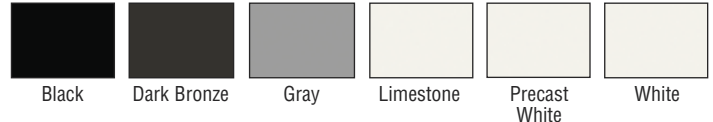
For Pricing Visit Our Web Site or Call Us Toll Free at the Phone Numbers Shown on the Back Cover

CRL 95C Silicone Building Sealant

- Excellent Primerless Adhesion to Most Common Construction Substrates
- ±50% Joint Width Movement
- Long Tooling Time, All Temperature Gunning, Plus Each Tube has an Innovative Screw-On Nozzle
- Custom Colors Available



Available in These Colors



CRL 95C Silicone is a one part, low modulus, neutral cure formulation that cures to a durable and flexible silicone rubber building joint seal. It can accommodate ±50 percent joint movement in properly designed joints. Designed for sealing expansion and control joints in precast concrete panels and metal curtainwalls; non-structural glazing of glass, metal, and plastic, as well as waterproofing applications, including perimeter sealing of doors and windows. CRL 95C forms a durable, flexible, watertight bond with most building materials in any combination of glass, ceramics, plastics, stone, masonry, wood, steel, anodized and mill-finished aluminum, and painted surfaces. CRL 95C can be applied at outdoor temperatures as low as -20°F (-29°C), provided that surfaces are clean, dry, and frost-free, or on surfaces as high as 100°F (38°C). Cured sealant will perform at cold temperatures down to -40°F (-40°C), or at high temperatures up to 350°F (177°C).

10.3 Fl. Oz. (305 ml) Cartridges;
30 Cartridges Per Case;
1440 Cartridges Per Pallet

CAT. NO.	COLOR
95CBL	Black
95CDBRZ	Dark Bronze
95CGRY	Gray
95CL	Limestone
95CW	Precast White
95CWH	White

Minimum order: 1 each. Colors can be combined for quantity pricing. Also available in 2 and 4.5 gallon pails.

CRL Professional Touch-Up Paint

- Acrylic Enamel Touch-Up Paint
- Matches Seven Standard CRL Powder Paint Colors
- Used to Cover Scratches or Bare Metal Ends



Our CRL Professional Touch-Up Paint is used to cover scratches or bare metal ends. It can be applied at the job site, thus eliminating the need for costly dismantling and reassembling of the affected parts. Touch-Up Paint is a cost and labor saver. Each can is 12 ounces (340 grams). Minimum order is one can. Colors can be combined for quantity pricing.

CAT. NO.	COLOR
SP8W	Sky White
SP8OW	Oyster White
SP8AGY	Agate Gray
SP8BGY	Beige Gray
SP8BL	Matte Black
SP8BRZ	Matte Bronze
SP8S	Silver Metallic

Minimum order: 1 each. Colors can be combined for quantity pricing.



U.S. Pat. No. 7,730,677

CRL Glass Pocket Setting Block for Heavy Glass Partition Posts

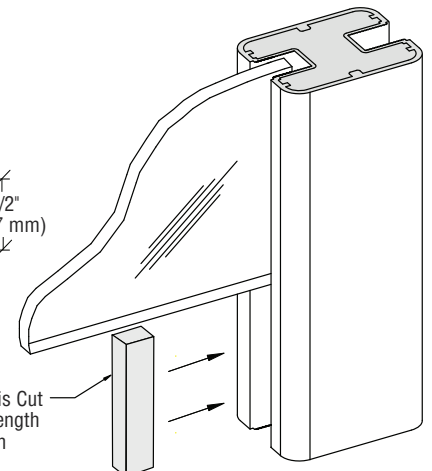
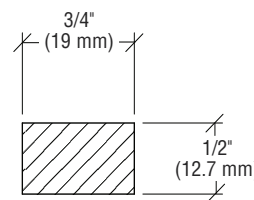
- Can Be Easily Cut to Any Length
- Will Not Compress Under Glass Weight



This Post Setting Block fits into the glass pocket to support the glass panel at the height you determine. It is made of a rigid UHMW plastic composite that won't compress under the weight of the glass, helping to maintain an even sight line. You can trim it to any length you require.

CAT. NO.	THICKNESS	WIDTH	LENGTH
WPSB1	1/2" (12.7 mm)	3/4" (19 mm)	24" (610 mm)

Minimum order: 1 each.



C.R. LAURENCE COMPANY

628 | crlaurence.ca crlaurence.com.au crlaurence.co.uk crlaurence.de crlaurence.eu

crlaurence.com



Quote/Order Checklist

C.R. Laurence Co.

CRL offers complete Post Kits and Components. We are also able to custom fabricate to your specification. Please contact Technical Sales for a quote today, or simply fax this form to (800) 587-7501 (U.S.), or (323) 584-5289 (Canada and International).

Company Name _____
 Contact _____
 Job Name _____

Phone # _____
 Fax # _____
 Email _____

POST TYPE

- Rectangular 2" x 2-5/8" (50.8 x 66.7 mm)
- Round 3" (76.2 mm) Diameter

POSTS NEEDED

- Ends _____
- 90 Degree Corners _____
- 180 Degree Centers _____
- 135 Degree Centers _____

POST ATTACHMENT

- Core Mount
- Fascia Mount
- Surface Mount
- Other _____

POST HEIGHT

- 36" (914 mm)
- 48" (1219 mm)
- 60" (1524 mm)
- 72" (1829 mm)
- Other _____

SUBSTRATE

- Concrete
- Steel
- Wood
- Other _____

GLASS THICKNESS

- 1/4" (6 mm)
 - 3/8" (10 mm)
 - 1/2" (12 mm)
 - Other _____
- (Glass not supplied by CRL)



BOTTOM RAIL LENGTH (OPTIONAL)

- 36" (914 mm)
- 48" (1219 mm)
- 60" (1524 mm)
- 72" (1829 mm)
- No Bottom Rail
- Other _____

COLOR

- Sky White
- Oyster White
- Agate Gray
- Beige Gray
- Bronze Matte
- Black Matte
- Silver Metallic
- Unfinished Chromate
- Clad in Polished S.S. w/Flat Cap
- Clad in Satin S.S. w/Flat Cap
- Special (Specify) _____

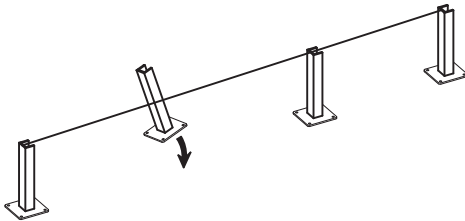
FLOOR CONDITION

- Flat
- Sloped (Degrees) _____

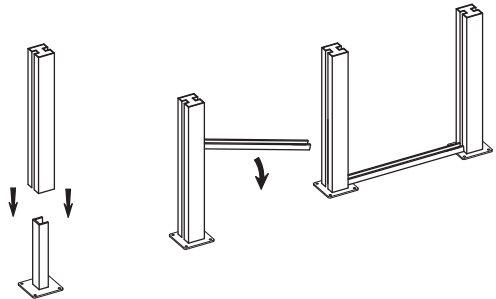
Basic Installation Guidelines

(Complete Instructions Will Be Included With Each Kit)

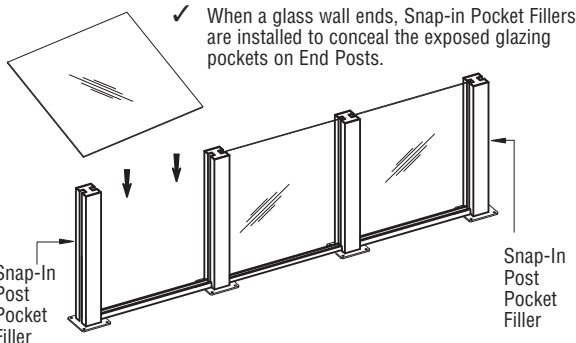
- 1
 - ✓ Core mount or surface mount the Steel Stanchions, starting with the End and Corner Posts first, using expanding cement.
 - ✓ Then run a straight line between your End Posts and/or Corner Posts before you set the Intermediate Posts.
 - ✓ Be sure the Stanchions are plumb and level.



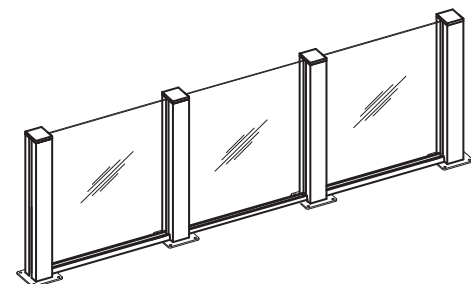
- 2
 - ✓ Once the Steel Stanchions are installed, apply CRL 95C Silicone to the Stanchion before mounting the Post into place.
 - ✓ If you are installing a Bottom Rail, measure and cut to the desired size, then install the Bottom Rail onto the substrate using CRL 95C Silicone.
 - ✓ **NOTE:** Bottom Rails are optional when installing the Post System.



- 3
 - ✓ When installing the glass panels, make sure the rigid vinyl is installed into the glass pocket before installing the panels.
 - ✓ Slide the glass panels down from the top of the Post. Make sure the vinyl is lubricated to protect the vinyl from damage during installation.



- 4
 - ✓ Install Post Caps with CRL 95C Silicone.
 - ✓ To protect the glass from debris over time, use Cat. No. TPC16 Surface Protector to seal the glass.



CRL Frameless Windscreen Clamp System

- Gives the 'All-Glass' Frameless Look to Wind Breaks or Pool Surrounds
- Core-Mounted, Surface-Mounted, or Side-Mounted Styles for 3/8", 1/2", and 9/16" (10, 12, and 13.52 mm) Glass
- Available in 316 Alloy and Duplex 2205 Grade Stainless Steel
- Custom Powder Coated Finishes Also Available
- Designed for Monolithic and Laminated Tempered Glass



OR



CRL Frameless Windscreen Clamps are typically used to create a tempered glass windscreen or pool surround with minimal distractions from vertical or horizontal frame members. Four styles are designed for insertion in core-drilled holes in a concrete deck, which are then filled with expanding cement. There is also a Windscreen Clamp designed to be mounted on the face of a wall or planter box. And now you can select one of our new Surface Mount Models. Custom powder-painted finishes are also available.

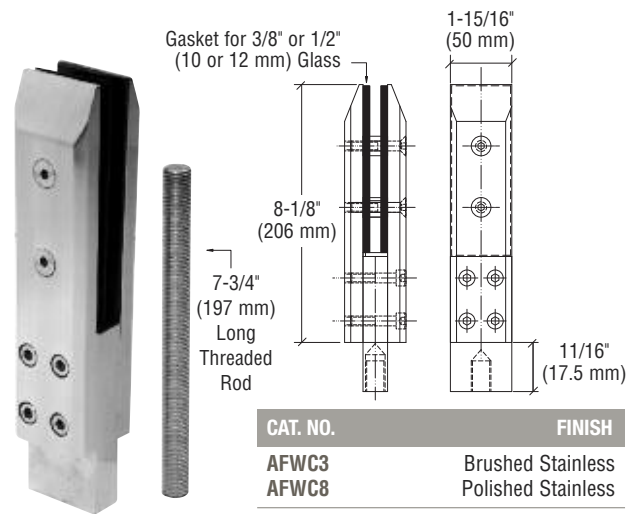
NOTE: CRL is an international supplier, and suggests you check local building codes to confirm these Frameless Windscreen Clamps meet local regulations.

CRL Three-Piece Core Mount Frameless Windscreen Clamp

- 316 Alloy Stainless Steel
- 16 mm Rod Easily Inserts Into Core-Drilled Hole
- Designed for 3/8" or 1/2" (10 or 12 mm) Tempered Monolithic Glass and 9/16" (13.52 mm) Tempered Laminated Glass

CRL Three-Piece Core Mount Frameless Windscreen Clamps are designed for insertion in core-drilled holes in a deck or on top of a wall. They are supplied with a 16 mm threaded rod that screws into the bottom for additional support.

All necessary hardware is packaged with the Clamp. Glass fabrication requires two 3/4" (19 mm) holes per Clamp. Instruction sheet and glass fabrication templates are supplied. To secure Clamp in hole we suggest you use Kwixset® Expanding Cement (see page P633).

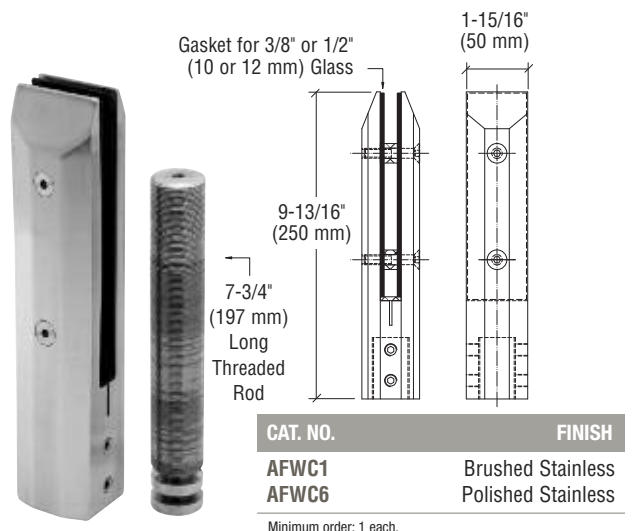


CRL One-Piece Core Mount Frameless Windscreen Clamp

- 316 Alloy Stainless Steel
- 30 mm Rod Easily Inserts Into Core-Drilled Hole
- Designed for 3/8" or 1/2" (10 or 12 mm) Tempered Monolithic Glass and 9/16" (13.52 mm) Tempered Laminated Glass

CRL One-Piece Core Mount Frameless Windscreen Clamps are designed for insertion in core-drilled holes in a deck or on top of a wall. They are supplied with a 30 mm grooved stainless steel rod that fits into the bottom of the Clamp and is secured with set screws for additional support.

All necessary hardware is packaged with the Clamp. Glass fabrication requires two 3/4" (19 mm) holes per Clamp. Instruction sheet and glass fabrication templates are supplied. To secure Clamp in hole we suggest you use Kwixset® Expanding Cement (see page P633).



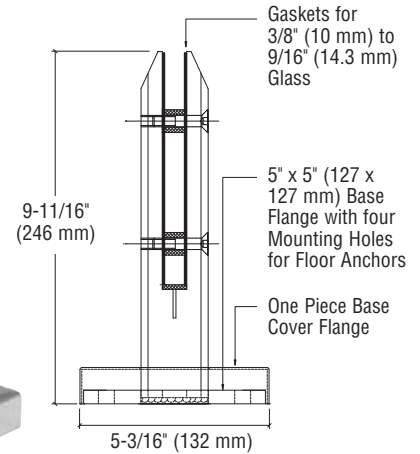
CRL Surface Mount Frameless Windscreen Clamp

- 316 Grade Stainless Steel in Two Architectural Finishes
- For 3/8" or 1/2" (10 or 12 mm) Tempered Monolithic Glass and 9/16" (13.52 mm) Tempered Laminated Glass

CRL's Surface Mounted Frameless Windscreen Clamps are designed for use on a wide range of residential and commercial applications. They provide an attractive, low maintenance, unobstructed view. These innovative Clamps can be installed to almost any mounting substrate, and meet all safety requirements and building codes. Glass fabrication requires two 3/4" (19 mm) holes per Clamp. **NOTE:** Anchor bolts sold separately.



Supplied Complete With Base Cover Flange and Moisture Barrier Gasket



CAT. NO.	FINISH
AFWC1SBS	Brushed Stainless
AFWC1SPS	Polished Stainless

Minimum order: 1 each.

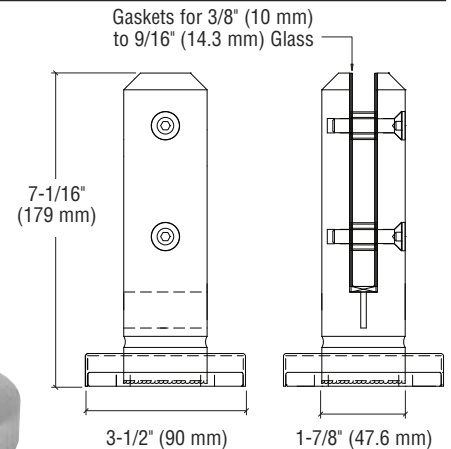
CRL Low Profile Surface Mount Frameless Windscreen Clamp

- Great for Windscreens or Glass Partitions (Not Designed for Guard Rail Applications)
- 316 Grade Stainless Steel in Two Architectural Finishes
- For 3/8" or 1/2" (10 or 12 mm) Tempered Monolithic Glass and 9/16" (13.52 mm) Tempered Laminated Glass

CRL's Low Profile Surface Mounted Frameless Windscreen Clamps are designed for small windbreaks, restaurants, and store areas that need counter top mounted glass partitions. These Clamps can be surface mounted to almost any mounting substrate, and are offered in two architectural finishes. Glass fabrication requires two 3/4" (19 mm) holes per Clamp. **NOTE:** Anchor bolts sold separately.



Supplied Complete With Base Cover Flange and Moisture Barrier Gasket



CAT. NO.	FINISH
AFWC4SBS	Brushed Stainless
AFWC4SPS	Polished Stainless

Minimum order: 1 each.

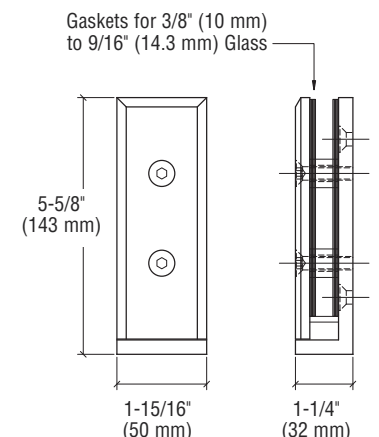
CRL Two-Piece Side Mount Frameless Windscreen Clamp

- Great for Windscreens or Glass Partitions (Not Designed for Guard Rail Applications)
- 316 Grade Stainless Steel in Two Architectural Finishes
- For 3/8" or 1/2" (10 or 12 mm) Tempered Monolithic Glass and 9/16" (13.52 mm) Tempered Laminated Glass

CRL Two-Piece Side Mount Frameless Windscreen Clamps are designed for attachment to the front side of walls or planter boxes. Due to the number of varying mounting conditions, anchors and mounting screws are not supplied. The back plate is fabricated to accept 8 mm (5/16") flat head screws. Glass fabrication requires two 3/4" (19 mm) holes per Clamp. An instruction sheet and glass fabrication template are supplied.



Replacement Bolt



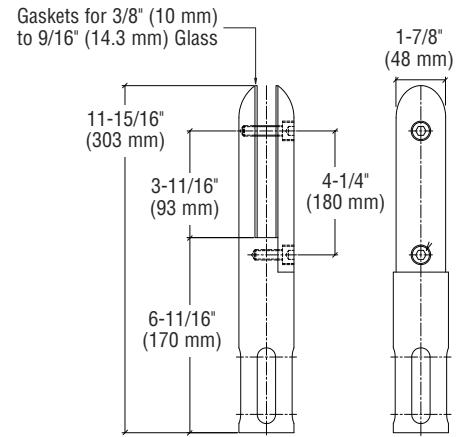
CAT. NO.	FINISH
AFWC2	Brushed Stainless
AFWC7	Polished Stainless

Minimum order: 1 each.

CRL Two-Piece Core Mount Round Frameless Windscreen Clamp

- Made of Duplex 2205 Grade Brushed Stainless Steel
- Designed for 3/8" or 1/2" (10 or 12 mm) Tempered Monolithic Glass and 9/16" (13.52 mm) Tempered Laminated Glass

Duplex 2205 is a more corrosive-resistant, higher grade of stainless steel than #316. It is ideally suited for areas within 1 mile of saltwater environments due to higher chromium content in the metal. Glass fabrication requires one 19 mm (3/4") hole per Clamp.



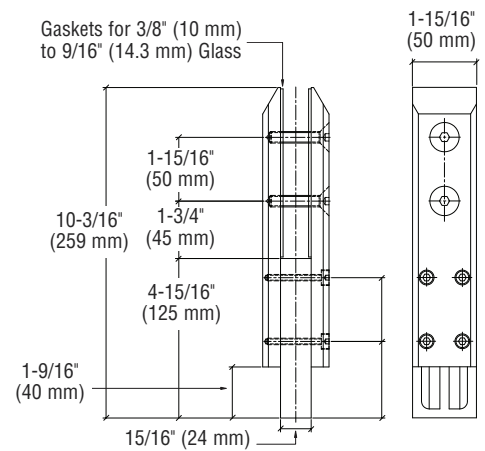
CAT. NO.	FINISH
AFWC4	Brushed Stainless

Minimum order: 1 each.

CRL Three-Piece Core Mount Frameless Windscreen Clamp

- Made of Duplex 2205 Grade Brushed Stainless Steel
- Designed for 3/8" or 1/2" (10 or 12 mm) Tempered Monolithic Glass and 9/16" (13.52 mm) Tempered Laminated Glass

Duplex 2205 is a more corrosive-resistant, higher grade of stainless steel than #316. It is ideally suited for areas within 1 mile of saltwater environments due to higher chromium content in the metal. Glass fabrication required two 19 mm (3/4") holes per Clamp.



CAT. NO.	FINISH
DFWC3	Brushed Stainless

Minimum order: 1 each.

Beautiful, Yes! But Check Local Codes First

This beautiful private terrace was visually enhanced and made more comfortable for outdoor seating with a CRL Frameless Windscreen System. The stainless steel construction of our hardware allows it to withstand the elements while staying both attractive and secure.

But you should also note that CRL is an international supplier, and suggests you check local building codes to confirm these Frameless Windscreen Clamps will meet the local regulations for your intended installation.



CRL Kwixset® Expanding Cement

- Great for Securing Hardware in Core-Drilled Holes
- Expands as it Sets
- Fast Setting, Will Not Shrink or Crack



CRL Kwixset® Expanding Cement is not affected by standing water, making it the right cement for exterior use. When mixed with water it pours in place smoothly. Sets in 15 to 20 minutes and develops a compression strength in excess of 8000 pounds per square inch. Can be used in temperatures as low as 40°F (4°C), in exterior or interior conditions. Mixing instructions and proportions included.

CAT. NO.	CONTENTS
KWX25	25 Pounds (11.35 kg)
KWX50	50 Pounds (22.7 kg)

Minimum order: 1 each.

CRL Garnish Rings for Three-Piece Core Mount Windscreen Clamps



CRL's Garnish Rings add the finishing touch to your installation. These 316 Grade brushed and polished stainless steel covers easily slip over the Frameless Windscreen Clamp, and secure in place with Cat. No. 95CBL Black Silicone (see page P628).

CAT. NO.	DIAMETER	FINISH	FITS CLAMP
AFWC3G	4" (102 mm)	Brushed Stainless	AFWC3
AFWC8G	4" (102 mm)	Polished Stainless	AFWC8

Minimum order: 1 each.

CRL Garnish Ring for One-Piece Core Mount Windscreen Clamps



CRL's Garnish Rings add the finishing touch to your installation. These 316 Grade brushed and polished stainless steel covers easily slip over the Frameless Windscreen Clamp, and secure in place with Cat. No. 95CBL Black Silicone (see page P628).

CAT. NO.	DIAMETER	FINISH	FITS CLAMP
AFWC1G	4" (102 mm)	Brushed Stainless	AFWC1
AFWC6G	4" (102 mm)	Polished Stainless	AFWC6

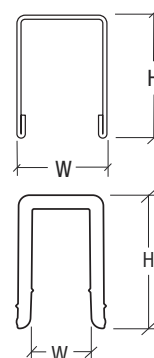
Minimum order: 1 each.

CRL U-Channel Cap and Cap Rail Vinyl

- Secures to Top of 1/2" (12 mm) Tempered Glass Panels to Prevent Pinching and Edge Chipping

Stainless steel U-Channel Cap protects the edge of the glass and secures the glass panels together. Standard stainless alloy is 304. Alloy 316 is available on special order. Inside dimension of channel is 21/32" (16.5 mm).

Cap Rail Vinyl is designed to provide a protective barrier between the U-Channel Cap and the glass. Secures with Cat. No. 95CBL Black Silicone (see page P628).



CAT. NO.	DESCRIPTION	"W" WIDTH	"H" HEIGHT	LENGTH
GRUC5BS10	Brushed Stainless U-Channel Cap	27/32" (21.6 mm)	1-1/2" (38.1 mm)	120" (3.05 m) #
GR5PV	Black Cap Rail Vinyl	1/2" (12.7 mm)	1-3/16" (30.2 mm)	120" (3.05 m) #

Minimum order: 1 each. # 120" (3.05 m) lengths must ship common carrier. A Packing Charge will be added to orders of fewer than five lengths of either item.

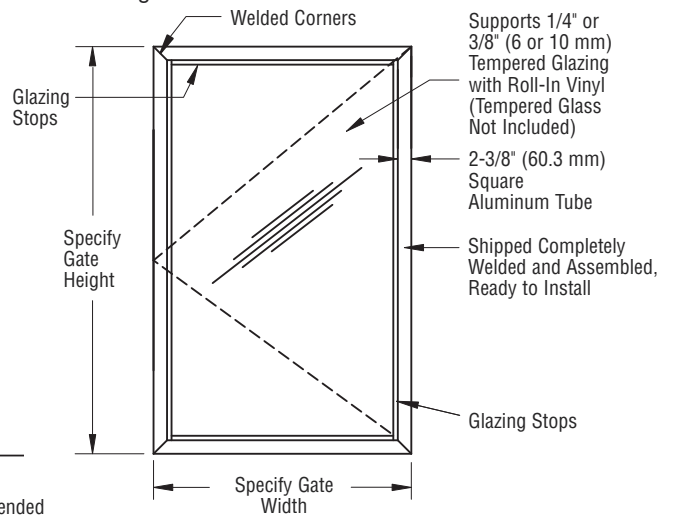
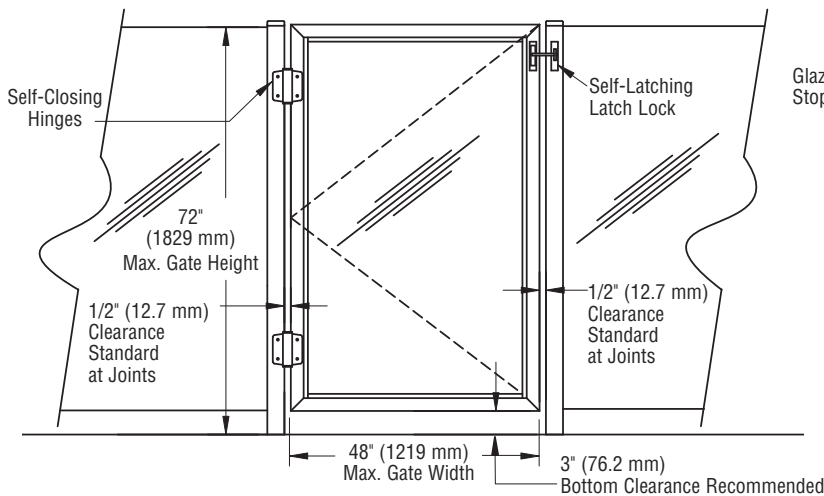
CRL AWS Custom Gate Systems

- Passage, Driveway, and Door Style Glass or Picket Gates are Available
- Tension Adjustable Self-Closing Hinge is Standard
- Available Gate Latch, Knob Latch, Electronic Magnetic Latch, and Panic Hardware Options
- We Can Fabricate Custom Styles From Stock Components
- Seven Standard Colors, Plus Unfinished Chromate
- Custom Colors Also Available
- Gate Hinge and Lock Options Also Available (See Pages P635 to P642)



Gates are an integral part of most commercial, multi-family, and residential projects. Your choice of gate designs range from the basic swinging gate to the most customized automatic or manual gate you can create. CRL Gates can accommodate standard, electronic or remotely operated locksets, as well as a variety of opening mechanisms.

For additional information, contact CRL Technical Sales at (800) 421-6144 in the U.S., (877) 421-6144 from Canada, or (323) 588-1281 International, and ask for Ext. 7730. You can also e-mail us through our web site at crlaurence.com. From the home page click on Contact Us, and then click on Technical Sales for Railing Products.



Color Selection

- Tough, Powder-Coated or Optional Kynar Paint Colors for Superior Color Retention and Weather Resistance
- Special Coating for Resistance to Salt Water Corrosion

Our specially formulated coatings are designed to resist the corrosive effects of salt water, providing a permanent, worry-free addition to your building. You can choose from one of the seven standard colors, plus Unfinished Chromate or one of our 250 additional "Quick Turn" colors. If you still can't find just the right color, you can send us the desired color and we can match it for you.

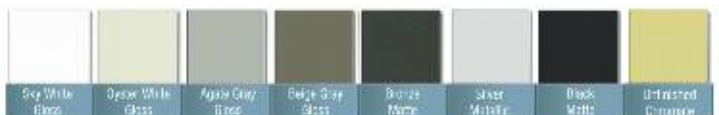
Standard Colors

- In-House Factory Applied
- Baked on TGIC Polyester Powder Coat Paint System
- Excellent Weatherability and Durability
- Meets AAMA 2603-98 Specifications

Additional Color Options

- A Variety of Textured and Performance Enhanced Powder Coat Paint Systems
- Custom Color Matching
- 50% and 70% Kynar Paint Systems to Meet Stringent AAMA 2604-98 and 2605-98 Commercial Specifications
- All Paint Systems Will Be Applied Over State-of-the-Art Chromate Pre-Treatment

STANDARD COLORS



Colors shown are representative only, and may vary slightly from actual gloss, color, and texture. If color match is critical, please contact Technical Sales for additional information.

Additional Color Options - CRL has over 250 quick turn custom color options with the ability to color match as well.



CRL AWS Gate System Hardware

- **Non-Rusting, Binding or Staining**
- **Easy to Install and Maintain**
- **Limited Lifetime Warranty**

CRL offers a complete line of hardware to complement our AWS Gate Systems. Starting with the CRL Magna-Latch® to significantly reduce the chance of drowning accidents in swimming pools, our CRL Gate Hardware line has expanded to include a comprehensive range of safety and security products and accessories. Application assistance is available from CRL Technical Sales.

CRL Tru-Close® Gate Hinges

- **Quick Adjustment and Self-Lubricating**
- **Internal Spring Replaces External Spring**
- **Never Requires Lubrication**

These CRL Tru-Close® Safety Gate Hinges are available in models for both square and round post applications. Injection-molded from special UV-stabilized glass-fiber reinforced polymer materials, which provide a rust-free Hinge that won't bind, sag or stain. And they never require lubrication.



See page P636

CRL Lokk-Latch® Pro

- **Opens and Locks From Either Side of Gate**
- **Can Be Keyed Alike to Most Home Locks**

The CRL Lokk-Latch Pro® is uniquely constructed to work effectively in both residential and commercial gate applications, and are designed to suit vinyl, wood, and metal gate materials. This latch can be installed onto any square or rectangular post ranging from 1-1/2" to 5" (38 to 127 mm).



See page P639

CRL Lokk-Latch® "Series 2"

- **Opens and Locks From Either Side of Gate**
- **New Improved Ergonomic Design**

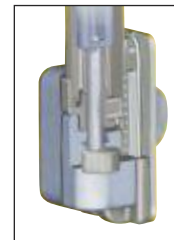
The new CRL Lokk-Latch® "Series 2" is our easiest to install general purpose lock latch. Offered with a higher degree of adjustability and designed to suit all fence and gate materials. CRL offers two models, one for square posts and one for round posts.



See page P639

CRL Magna-Latch® "Series 2"

- **Magnetically Triggered and Self-Latching**
- **Key-Lockable for Added Safety**



Magnetic Triggering Means No Resistance To Closure

The CRL Magna-Latch® "Series 2" is quick and easy to install, and can be adjusted both horizontally and vertically. Designed for all areas where child safety is important, the CRL Magna-Latch® "Series 2" adapts readily to most new or existing metal, wood or vinyl gates.



See Page P640

Code Compliance and/or Affiliations: Associated Locksmiths of America (ALOA) • U.S. Consumer Product Safety Commission (CPSC) • American Fence Association (AFA) • Association of Pool & Spa Professionals (APSP) • International Code Council (ICC) • American Standard Testing Materials International (ASTM)

SAFETY NOTE: Always confirm any such requirements with the appropriate local pool or safety authorities in your area, as regulations may vary from region to region. After installation, inform the gate owner that it is their responsibility to inspect and adjust any gate latches and hinges to compensate for ground movement and other factors, so that the gate continues to self-close and self-latch effectively. No product is childproof, and should not be used in place of adult supervision.

CRL Tru-Close® Gate Hinges

- Molded Polymer Construction With No Unsightly External Springs
- Tension Adjustable Using Only a Screwdriver
- Generally Meets All Pool Barrier Codes

An internal stainless steel adjustable spring allows for smooth, even closure under different weights, and generally meets all pool barrier codes. UV-stabilized materials are strong, self-lubricating, and weather-resistant. Available in black or white. If the gate weighs in excess of 55 pounds (25 kg), or is wider than 3 feet (914 mm), choose Heavy-Duty TCHD1 Series Hinge shown below.

CAT. NO.	COLOR
TCHA1BL	Black
TCHA1W	White

Minimum order: 1 each. All Tru-Close® Hinges can be combined for quantity pricing.



CRL Tru-Close® Heavy-Duty Gate Hinges

- Molded Polymer Construction With No Unsightly External Springs
- Tension Adjustable Using Only a Screwdriver
- Generally Meets All Pool Barrier Codes

The CRL Tru-Close® Heavy-Duty Gate Hinge is a heavier-duty Hinge than the TCHA1 Series shown above. The internal stainless steel adjustable spring allows for smooth, even closure under different weights, and generally meets all pool barrier codes. UV-stabilized materials are strong, self-lubricating, and weather-resistant. Available in black or white. Designed for gates weighing between 55 pounds (25 kg) and 132 pounds (60 kg), or if the gate is between 3 and 4 feet (914 and 1219 mm) wide. Contact CRL Technical Sales if the gate exceeds 132 pounds (60 kg) or 4 feet (1219 mm) in width.

CAT. NO.	COLOR
TCHD1BL	Black
TCHD1W	White

Minimum order: 1 each. All Tru-Close® Hinges can be combined for quantity pricing.



CRL Tru-Close® Round Post Gate Hinge

- Molded Polymer Construction With No Unsightly External Springs
- Tension Adjustable Using Only a Screwdriver
- Generally Meets All Pool Barrier Codes

An internal stainless steel adjustable spring allows for smooth, even closure under different weights, and generally meets all pool barrier codes. UV-stabilized materials are strong, self-lubricating, and weather-resistant. It is ideal for round fence post diameters of 1-7/8" to 2", and 2-7/8" (48 to 51, and 73 mm) using supplied Adaptors, and gate frame diameters of 1-7/8" to 2" (48 to 51 mm). Hinges can also be mounted without adaptors to rectangular or square posts. Gate widths can be between 3 and 4 feet (914 and 1219 mm). Contact CRL Technical Sales if the gate door exceeds 132 pounds (60 kg) or 4 feet (1219 mm) in width.

CAT. NO.	COLOR
TCHDR2BL	Black

Minimum order: 1 each. All Tru-Close® Hinges can be combined for quantity pricing.



CRL Single Acting Wall-to-Glass Gate Hinge

- **Handed Self-Centering Hinge for Use With 3/8" or 1/2" (10 or 12 mm) Tempered Glass**
- **All 316 Alloy Brushed or Polished Stainless Steel**



CRL Single Acting Wall-to-Glass Gate Hinges are handed, and can be screwed to the wall or to a 1.9" (48.3 mm) diameter post if used with the Adaptor Plate (sold separately). These are self-centering hinges that swing both ways and center with the downward force of gravity. They are not designed to meet swimming pool regulations or codes which require a force closing hinge with at least five pounds of closing force. Two 3/4" (19 mm) holes are required for each hinge. Maximum width 42" (1067 mm); maximum weight 65 lbs. (29.5 kg). Instructions and cut-out template are included in each box.

WALL-TO-GLASS HINGES

BRUSHED STAINLESS CAT. NO.	POLISHED STAINLESS CAT. NO.	HANDING
GH037LBS	GH037LPS	LH/RHR
GH037RBS	GH037RPS	RH/LHR

Minimum order: 1 each. All Gate Hinges can be combined for quantity pricing.

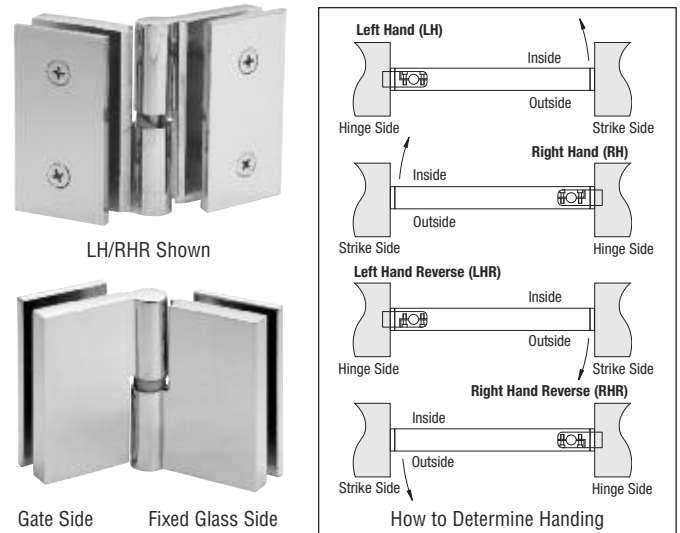
1.9" (48.3 MM) DIAMETER POST ADAPTOR PLATE

BRUSHED STAINLESS CAT. NO.	POLISHED STAINLESS CAT. NO.	HANDING
AP037BS	AP037PS	Universal

Minimum order: 1 each.

CRL Single Acting Glass-to-Glass Gate Pivot Patch

- **Handed Self-Centering Hinge for Use With 3/8" or 1/2" (10 or 12 mm) Tempered Glass**
- **All 316 Alloy Brushed or Polished Stainless Steel**



CRL Single Acting Glass-to-Glass Gate Hinges are handed. These are self-centering hinges that center with the downward force of gravity and swing both ways. They are not designed to meet swimming pool regulations or codes which require a force closing hinge with at least five pounds of closing force. Two 3/4" (19 mm) holes are required for each side of the hinge (two on the fixed panel and two on the gate). Maximum width 42" (1067 mm); maximum weight 65 lbs. (29.5 kg). Instructions and cut-out template are included in each box.

BRUSHED STAINLESS CAT. NO.	POLISHED STAINLESS CAT. NO.	HANDING
GH180LBS	GH180LPS	LH/RHR
GH180RBS	GH180RPS	RH/LHR

Minimum order: 1 each. All Gate Hinges can be combined for quantity pricing.

CRL Tubing Hinge

- **Free-Swinging Hinge for Use With 1.9" (48.3 mm) Diameter Tubing**
- **316 Alloy Brushed Stainless Steel**



This CRL Tubing Hinge is designed to work with 1.9" (48.3 mm) diameter tubing. The Hinge is free-swinging, and pivots on a nylon bearing. Hinge is secured from the front side with supplied screws. Maximum width 42" (1067 mm); maximum weight 65 lbs. (29.5 kg). Minimum order is one each.

CAT. NO. TH12BS

CRL Tubing Latch

- **Manually Operated Latch Bar for Use With 1.9" (48.3 mm) Diameter Tubing**
- **316 Alloy Brushed Stainless Steel**



This CRL Tubing Latch is designed to work with 1.9" (48.3 mm) diameter tubing. Latch has a manually operated pivoting bar, and is secured from the front side with supplied screws. Minimum order is one each.

CAT. NO. TL22BS

CRL Glass-to-Glass Gate Pivot Patch



This CRL Glass-to-Glass Gate Pivot Patch is designed to allow for a gate in an 'all-glass' windscreen using either Base Shoe or Frameless Windscreen Clamps (see pages P630 to P633). It fits in the upper corner of the fixed glass panel, and requires a hole and glass cut-out in the glass. As a safety measure the bottom of the pivot bar is raised 3/4" (19 mm) above the CRL Top Gate Patch Fitting (not included), allowing a space that fingers will fit in between to help prevent pinching. Brushed stainless steel finish, complete with instructions and a glass cut-out template. Minimum order is one each.

CAT. NO. GGP12BS

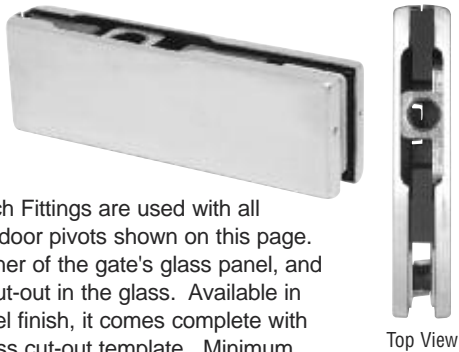
CRL Wall Mount Gate Pivot



This CRL Wall Mount Gate Pivot is designed for mounting to a post or wall. As a safety measure the bottom of the pivot bar is raised 3/4" (19 mm) above the CRL Top Gate Patch Fitting (not included), allowing for adequate space to help prevent pinching of fingers. Available in brushed stainless steel finish, it comes complete with instructions and a glass cut-out template. Minimum order is one each.

CAT. NO. WGP22BS

CRL Top Gate Patch Fitting



CRL Top Gate Patch Fittings are used with all three of the gate and door pivots shown on this page. It fits in the upper corner of the gate's glass panel, and requires a hole and cut-out in the glass. Available in brushed stainless steel finish, it comes complete with instructions and a glass cut-out template. Minimum order is one each.

The following guidelines are to be used when making a gate using this hardware:
 Maximum Height: 108" (2.74 m)
 Maximum Width: 43" (1.1 m)
 Maximum Weight: 176 lbs. (80 kg)
 If the gate exceeds any of these limitations full door rails should be used.



CAT. NO. PH20ABS

CRL Wall Mount Door Pivot



This CRL Wall Mount Door Pivot is designed for mounting to a post or wall. The space between the bottom of the pivot bar and the CRL Top Door Patch Fitting (not included) has been reduced to 1/8" (3 mm), because at gate height the chance of pinching fingers is greatly reduced. Available in brushed stainless steel finish, complete with instructions and a glass cut-out template. Minimum order is one each.

CAT. NO. WDP32BS

CRL Bottom Gate Patch Fitting



CRL Bottom Gate Patch Fittings are used with our bottom door pivots or floor closers. It fits in the lower corner of the gate's glass panel, and requires a hole and cut-out in the glass. Available in brushed stainless steel finish, it comes complete with instructions and a glass cut-out template. Minimum order is one each.

The following guidelines are to be used when making a gate using this hardware:
 Maximum Height: 108" (2.74 m)
 Maximum Width: 43" (1.1 m)
 Maximum Weight: 176 lbs. (80 kg)
 If the gate exceeds any of these limitations full door rails should be used.



CAT. NO. PH10CBS

CRL Gate Accessories

Bottom Pivots



Details at crlaurence.com

Floor Closers



Details at crlaurence.com

CRL Lokk-Latch® Pro

- **Tough, Glass Reinforced Polymer and Stainless Steel Construction**
- **Can Be Keyed Alike By a Locksmith to Most Household Doors**

A high-quality Gate Latch with an external push-button access that allows the gate to be opened and locked from either side. It is easy to install with a fitting jig supplied, requiring just one hole through the post, and requires no welding. Available in black or white, this Gate Latch can be installed onto any square or rectangular post from 1-1/2" to 5" (38.1 to 127 mm) in width.



CAT. NO.	COLOR
LLP1BL	Black
LLP1W	White

Minimum order: 1 each. All Gate Latches and Locks can be combined for quantity pricing.

CRL Lokk-Latch® "Series 2" for Square Posts

- **Tough, Glass Reinforced Polymer and Stainless Steel Construction**
- **Key Locking and Opening From Both Sides**

The new and improved pedestrian Gate Latch now offers easier installation, more versatile use, and a higher degree of adjustability. The external push-button allows the gate to be opened and locked from either side of the gate at the same time. Adapting the Latch to fit left hand or right hand hinged gates is now easier. Instead of the previous six-screw backing plate, the new adaptor plates are a "snap-on" design retained using just one screw. Available in black or white, this Latch can be installed on all square or rectangular gate materials (metal, wood, vinyl) from 1" to 6" (25.4 to 152.4 mm) wide.



CAT. NO.	COLOR
LLA2BL	Black
LLA2W	White

Minimum order: 1 each. All Gate Latches and Locks can be combined for quantity pricing.

CRL Lokk-Latch® "Series 2" for Round Posts

- **Tough, Glass Reinforced Polymer and Stainless Steel Construction**
- **Key Locking and Opening From Both Sides**

This Lokk-Latch® has an external push-button that allows the gate to be opened and locked from either side at the same time. Adapting the Latch to fit left hand or right hand hinged gates is now easier. Instead of the previous six-screw backing plate, the new adaptor plates are a "snap-on" design retained using just one screw. This Lokk-Latch® includes hardware to attach to fence posts diameters of 1-7/8" to 2", 2-3/8", and 2-7/8" (47.6 to 50.8, 60.3, and 73 mm).

The Strike includes hardware to attach to gate frame diameters of 1-3/8" to 1-5/8" (35 to 41.2 mm). For gates with 1.9" to 2" diameter gate frames contact CRL Technical Sales.



CAT. NO.	COLOR
LLA2RBL	Black

Minimum order: 1 each. All Gate Latches and Locks can be combined for quantity pricing.

CRL Magna-Latch® "Series 2" Safety Locks

- Magnetically Triggered and Self-Latching
- Key-Lockable for Added Safety

Magna-Latch® "Series 2" is made of quality molded polymers and stainless steel, providing horizontal and vertical adjustment for quick and easy installation. Magna-Latch® "Series 2" is ideal for swimming pools and child safety areas, such as daycare centers. Fits most gate and fence heights, however ideal height is 48" (1219 mm) as the latch can be installed with the release knob out of reach of toddlers. Consult local authorities for height requirements on swimming pool gates. Available in black or white.



CAT. NO.	COLOR
LL1MBL	Black
LL1MW	White

Minimum order: 1 each. All Gate Latches and Locks can be combined for quantity pricing.

CRL Lokk-Bolt® Cane Bolts

- Key-Lockable Gate Security
- Tough Molded Polymer Housings
- Marine Grade Stainless Steel Rod

The new CRL Lokk-Bolt® Cane Bolt can be keyed alike to most doors and the Lokk-Latch® Pro Lock by a locksmith. Ideal for double driveway gates, however it is equally as effective on pedestrian gates. Quick and simple to install. Clever bolt retention grooves mean that this 18" (457 mm) cane bolt will never drop, drag, bend or grind across driveways. Available in black or white.



CAT. NO.	COLOR
LB118BXL	Black
LB118BXW	White

Minimum order: 1 each. All Gate Latches and Locks can be combined for quantity pricing.

CRL Gate Stops

- Molded, Reinforced Polymer Construction

The CRL Gate Stop is the ideal gate alignment device for preventing hinge, latch, and gate damage, and for extending gate life. An integrated rubber buffer protects against "gate slam" and reduces noise. For gates higher than 48" (1219 mm) two Gate Stops may be required. Available in black or white.

NOTE: A Gate Stop should not be used on child safety gates, as toddlers may use them as footholds.



CAT. NO.	COLOR
TCGS2BL	Black
TCGS2W	White

Minimum order: 1 each. Colors can be combined for quantity pricing.

CRL Gate Handles

- Molded, Reinforced Polymer Construction
- Fits Left Hand or Right Hand Opening Gates
- Ergonomic Design

This CRL Gate Handle is a general-purpose handle made to fit all types of gates and gate materials. It offers convenient gate opening and closing on virtually all applications. Handles are available in black or white, and guaranteed against rusting and staining.



CAT. NO.	COLOR
LLH1BGBL	Black
LLH1BGW	White

Minimum order: 1 each. Colors can be combined for quantity pricing.

CRL Stainless Steel PullBolt™ Security Locks

- **Face Mount and Side Mount Models to Fit Most Applications**
- **Key-Lockable, Six Pin Lock Security**
- **3/4" (19 mm) Diameter Bolt With 1-1/4" (31.7 mm) Throw**
- **Limited Lifetime Warranty**
- **Flexible Mounting Methods**

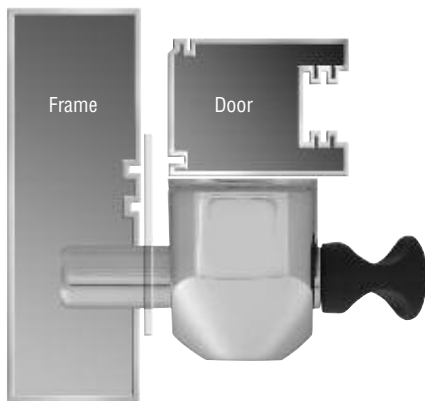
This Stainless Steel PullBolt™ is designed to provide powerful locking security for storefronts, doors, frames, and gates. It can act as add-on security to existing locking systems, or can be used as a primary lock.

The superbly cast PullBolt™ comes in two models, Side Mount and Face Mount. It is installed using four, thru-mounted M10 stainless steel screws. The lock bolt slides snugly across into the sturdy keeper housing for optimum security.

The PullBolt™ is made from 316 Alloy stainless steel, making the device ideal for use in marine and other corrosive environments. The locking mechanism is a deadlock design, which protects the device from being tampered with, and also assures the system cannot be locked without the keyholder(s) authority.

Side Mount Lock

- **Stainless Steel Construction**



Plan View: Side Mount Lock

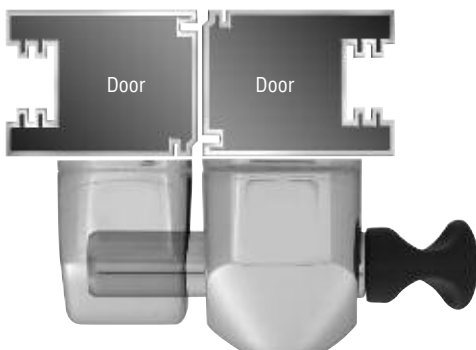


CAT. NO.	DESCRIPTION	FINISH
PBS1PS	Security Side Mount Lock	Polished Stainless Steel

Minimum order: 1 each. All PullBolt™ Locks can be combined for quantity pricing.

Face Mount Lock

- **Stainless Steel Construction**



Plan View: Face Mount Lock



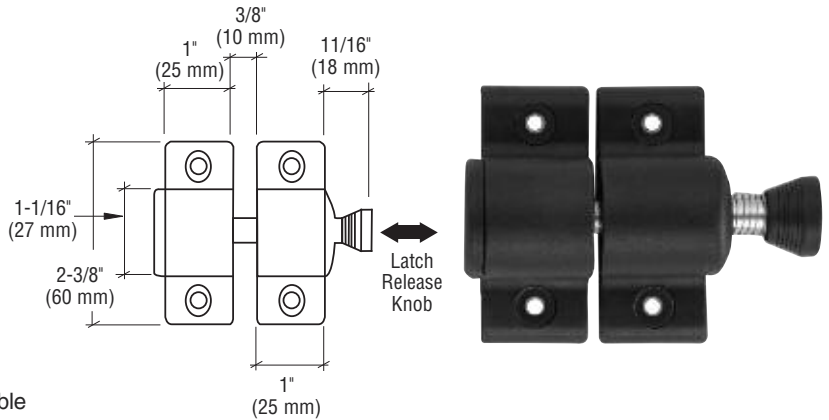
CAT. NO.	DESCRIPTION	FINISH
PBF1PS	Security Side Mount Lock	Polished Stainless Steel

Minimum order: 1 each. All PullBolt™ Locks can be combined for quantity pricing.

CRL Magna-Latch "Side Pull" Gate Latch

- Great for Around Homes and Gardens
- Reliable, Effective, and Unobtrusive
- Quick and Easy Installation
- Magnetic Self-Latching Trigger
- Easily Mounts to Metal, Wood, and Vinyl

The magnetic, self-latching CRL Magna-Latch is an ideal general-purpose latch for gates around homes and gardens. It's suitable for a wide variety of uses where a non-key lockable latch is needed. When used on picket-style swimming pool gates a compliant acrylic shield must be used to prevent latch access by toddlers. Consult your local building code for more information. For more latch information go to crlaurence.com.



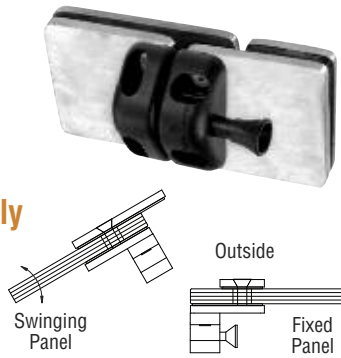
CAT. NO.	DESCRIPTION	COLOR
MLSP1	Side Pull Gate Latch	Black

Minimum order: 1 each.

CRL 180 Degree Glass-to-Glass Gate Latch

- Designed for 1/2" (12 mm) Tempered Glass Applications Only

This Glass-to-Glass Gate Latch is mounted to the inside of the opening for out-swinging gates. For more information go to crlaurence.com.



Glass Fabrication is required. Installation instructions and fabrication template included in package.

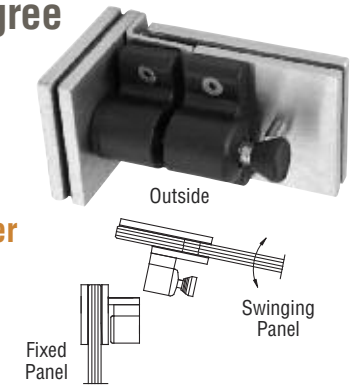
CAT. NO.	DESCRIPTION	FINISH
MLSP2BS	180 Degree Gate Latch	Brushed Stainless

Minimum order: 1 each.

CRL Outside 90 Degree Glass-to-Glass Gate Latch

- Designed for 1/2" (12 mm) Tempered Glass 90 Degree Corner Applications

This Glass-to-Glass Gate Latch is mounted to the inside of the opening for out-swinging gates. For more information go to crlaurence.com.



Glass Fabrication is required. Installation instructions and fabrication template included in package.

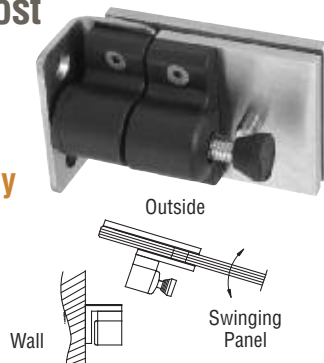
CAT. NO.	DESCRIPTION	FINISH
MLSP3BS	90 Degree Gate Latch	Brushed Stainless

Minimum order: 1 each.

CRL Wall/Square Post Mount Gate Latch

- Designed for 1/2" (12 mm) Tempered Glass Applications Only

This Gate Latch is mounted to the inside of the opening for out-swinging gates. The Gate Latch is designed for square post and wall mount applications. For more information go to crlaurence.com.



Glass Fabrication is required. Installation instructions and fabrication template included in package.

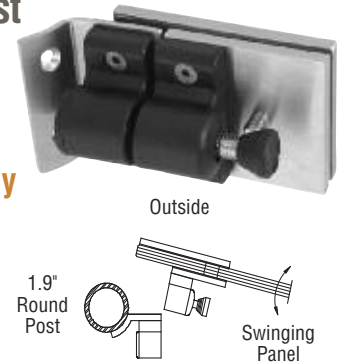
CAT. NO.	DESCRIPTION	FINISH
MLSP4BS	Wall/Square Post Mount Gate Latch	Brushed Stainless

Minimum order: 1 each.

CRL 1.9" Round Post Mount Gate Latch

- Designed for 1/2" (12 mm) Tempered Glass Applications Only

This Gate Latch is mounted to the inside of the opening for out-swinging gates. The Gate Latch is designed for round post mount applications. For more information go to crlaurence.com.



Glass Fabrication is required. Installation instructions and fabrication template included in package.

CAT. NO.	DESCRIPTION	FINISH
MLSP5BS	1.9" Round Post Mount Gate Latch	Brushed Stainless

Minimum order: 1 each.

CRL WINDSCREEN SYSTEMS

For Pricing Visit Our Web Site or Call Us Toll Free at the Phone Numbers Shown on the Back Cover



CRL Standoff and Glass Connection Systems

CRL's Family of Standoff Products Can Be Used Independently or Together to Create Unique Designs

C.R. Laurence has more than Standoffs. We offer a complete family of Standoff related products. From our standard line of Round and Square Standoffs, to Custom Standoffs, Cap Assemblies, Tube Style Standoffs, Edge Grips, Slot Mount Standoffs, Accent Rings, Swivel Fittings, Framepegs, and Mounting Hardware, CRL has everything you will need to create innovative designs in architecture, store fixtures, signage, and furniture.

CRL's Standoff Display System provides architects and designers unlimited resources for retail store, commercial or restaurant applications. Most are available in Chrome, Brass, Brushed Stainless, Satin Chrome, and Gun Metal finishes. The following pages will provide the information you will require to select the perfect Standoff products for your project.



For a Full Selection of CRL Standoff Systems and Accessories see our SC12 Catalog



Round Standoff Bases



Slot Mount Standoffs



Tube Style Standoffs



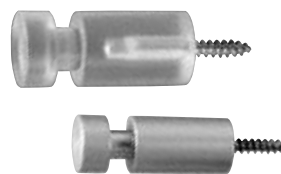
Square Standoff Bases



Standard Cap Assemblies



Edge Grips



Framepegs



Standoff Tube Adaptors



Low Profile Cap Assemblies



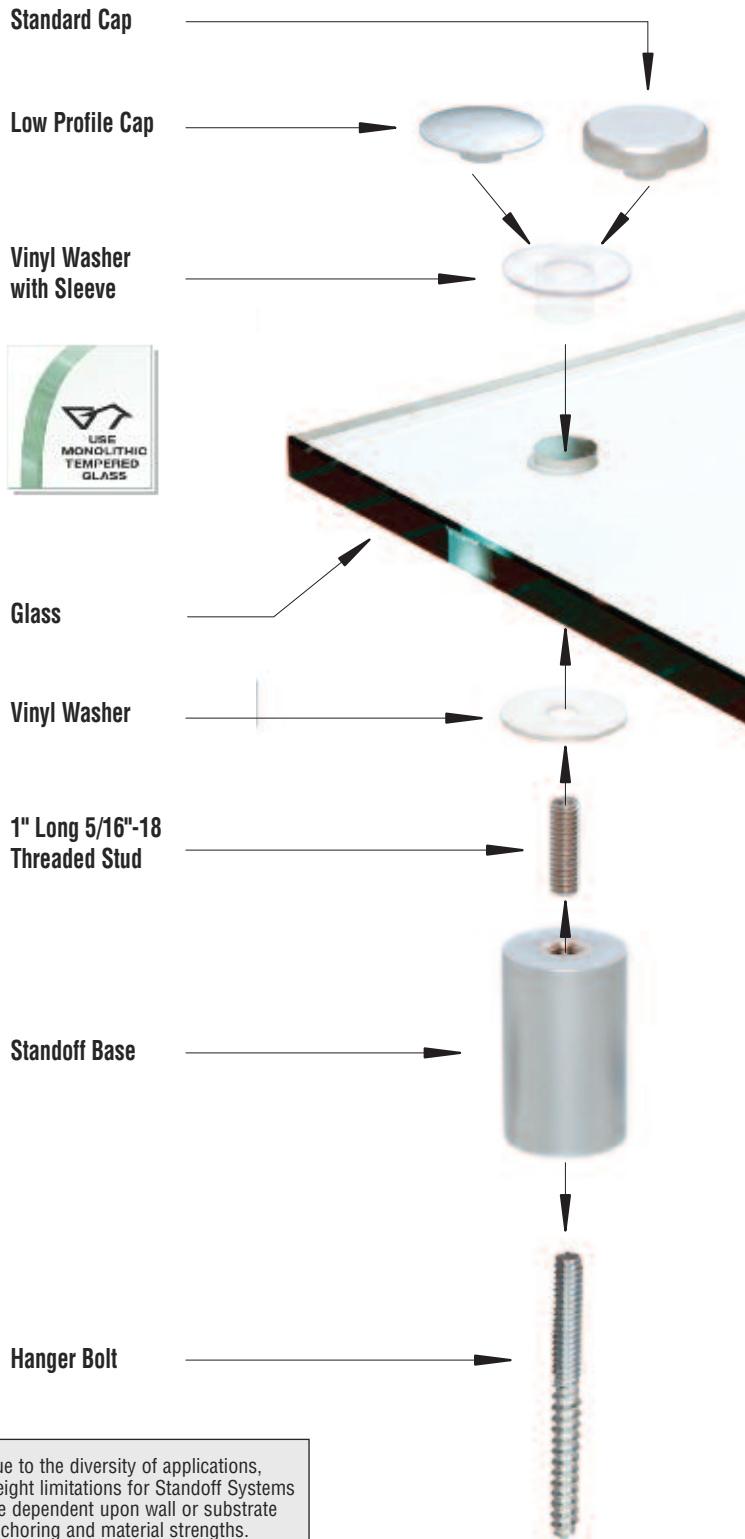
Accent Rings



Flush Mount Cap Assemblies

What Are Some of the Applications for CRL Standoff Systems?

- **Typical Installation for 1-1/4" (31.7 mm) Diameter Standoff Base and Cap**



Due to the diversity of applications, weight limitations for Standoff Systems are dependent upon wall or substrate anchoring and material strengths.

Standoffs and Cap Assemblies are used to create innovative designs in commercial, retail or residential environments by combining glass and metal to connect panels, display merchandise, to mount signage or artwork to a wall, or to build unique displays. Standoffs can also be used to elevate a glass top above a reception desk, cocktail or lamp table, kitchen counter or bathroom sink. The uses for CRL Standoffs are virtually limitless.



Which CRL Standoff System Should I Use?

CRL provides the most diverse selection of Standoff products available anywhere. Our 1/2" (12.7 mm) diameter Standoffs are a favorite for lighter weight glass displays or signage. 3/4" (19 mm) diameter Standoffs are the perfect design element for industrial projects such as exhibit building or retail display projects. CRL's 1-1/4" to 2" (31.7 to 50.8 mm) diameter Standoffs are designed to provide solutions for a vast variety of projects. Used to support heavier thicknesses of glass, the applications for this product are only limited by your imagination.



CRL Custom Standoff Capabilities

CRL Custom Standoffs and Cap Assemblies are available in diameters and squares from 1/2" to 4" (12.7 to 102 mm), and in many popular finishes, including powder coating. Fabricated in CRL's California manufacturing facility, most Custom Standoff products are produced to your specifications and have short lead times.

CRL 1/2" (12.7 mm) Diameter Standoff System

- Available in Two Distinct 316 Stainless Steel Finishes to Accommodate Any Project Requirement
- Accomplish Your Design Objective by Selecting Any of Six Different Lengths

An assortment of lengths makes our 1/2" (12.7 mm) Standoff Base and Cap Assemblies the ideal solution for lighter weight glass displays or signage. Panels require 5/16" (8 mm) holes for assembly. Available finishes are Brushed Stainless and Polished Stainless.

NOTE: 1/2" (12.7 mm) Diameter Standoff Bases do not have internal threads. Attach Allen Screw, Hanger Bolt or Threaded Rod directly to the Cap Assembly for anchoring to substrate.



CRL 1/2" (12.7 mm) Diameter Standoff Bases

- Six Available Lengths in Two Finishes



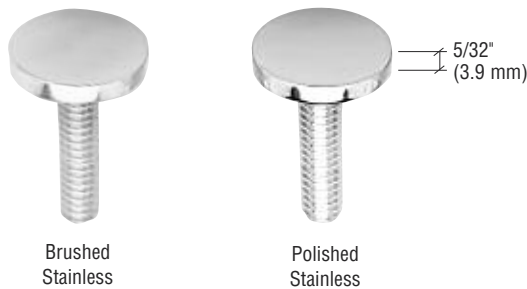
Diameter

LENGTH	BRUSHED 316 STAINLESS CAT. NO.	POLISHED 316 STAINLESS CAT. NO.
1/4" (6.3 mm)	SOB1214BS	SOB1214PS
1/2" (12.7 mm)	SOB1212BS	SOB1212PS
3/4" (19 mm)	SOB1234BS	SOB1234PS
1" (25.4 mm)	SOB121BS	SOB121PS
1-1/4" (31.7 mm)	SOB12114BS	SOB12114PS
1-1/2" (38.1 mm)	SOB12112BS	SOB12112PS



Minimum order: 1 each. All Standoffs can be combined for quantity pricing.
NOTE: Minimum material thickness for use with 1/2" (12.7 mm) Diameter Standoff Bases is 3/16" (4.7 mm).

CRL Cap Assemblies for 1/2" (12.7 mm) Standoffs



Brushed Stainless

Polished Stainless

Cap Assemblies Consist of:

- 1 Each 316 Stainless Steel Cap
- 1 Each Washer with 3/16" (4.7 mm) Diameter Hole (Cat. No. SW012S)
- 1 Each Washer with 1/4" (6.3 mm) Diameter Hole (Cat. No. SW012L)
- 1 Each 1-1/2" (38.1 mm) Allen Screw

NOTE: Panels require 5/16" (8 mm) holes for assembly.

CAT. NO.	FINISH
CAP12BS	Brushed 316 Stainless
CAP12PS	Polished 316 Stainless

Minimum order: 1 each. All Standoff Caps can be combined for quantity pricing.



Due to the diversity of applications, weight limitations for Standoff Systems are dependent upon wall or substrate anchoring and material strengths.

CRL 1/2" (12.7 mm) Diameter Standoff Mounting Options



Install Hanger Bolt into stud or wall anchor. Then slip on the non-threaded Standoff Base, Plastic Washer, panel material, Plastic Washer, and attach the Cap.



Tighten Cap down by using CRL Cat. No. 666564 Drill Bit. Insert into the side hole and tighten until snug. **NOTE:** Do not over tighten.



Install Threaded Rod through Plastic Washer, panel material, Plastic Washer, Standoff Base, substrate, and into Hex Nut or Tee Nut. Attach the Cap.

Due to the diversity of applications, weight limitations for Standoff Systems are dependent upon wall or substrate anchoring and material strengths.

CRL Mounting Accessories for 1/2" (12.7 mm) Diameter Standoffs



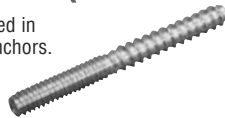
Hanger Bolt Drivers make installing Hanger Bolts into wood studs a breeze.

HANGER BOLT DRIVER

CAT. NO.	SIZE
165HB1024	10-24

Minimum order: 1 each.

Hanger Bolts can be used in wood, or with plastic anchors.



HANGER BOLTS

CAT. NO.	FINISH	SIZE
HB10241Z	Zinc	10-24 x 1" (25.4 mm)
HB1024112Z	Zinc	10-24 x 1-1/2" (38.1 mm)
HB10242Z	Zinc	10-24 x 2" (50.8 mm)
HB1024212Z	Zinc	10-24 x 2-1/2" (63.5 mm)

Minimum order: 10 each. Must be ordered in increments of 10.

Hex Nuts are used with applicable Flat Washers and/or Lock Washers to attach Standoffs, or to reshape threads after cutting Threaded Rod or Allen Screws.



HEX NUTS

CAT. NO.	FINISH	SIZE
HN1024S	Stainless	10-24

Minimum order: 10 each. Must be ordered in increments of 10.

Use Flat Washers with Hex Nuts when attaching Standoffs to panels or substrates.



FLAT WASHERS

CAT. NO.	FINISH	SIZE
FW10S	Stainless	10-24

Minimum order: 10 each. Must be ordered in increments of 10.

Lock Washers may be used with Hex Nuts for mounting Standoff assemblies.



LOCK WASHERS

CAT. NO.	FINISH	SIZE
LW10S	Stainless	10-24

Minimum order: 10 each. Must be ordered in increments of 10.

Nylock Hex Nuts may be used without Locking Washers for attachment to Allen Screws or Threaded Rod for 1/2" (12.7 mm) diameter Standoffs.



NYLOCK HEX NUTS

CAT. NO.	FINISH	SIZE
NLN1024S	Stainless	10-24

Minimum order: 10 each. Must be ordered in increments of 10.

Tee Nuts are mainly used in wood or plywood applications where it can be installed on the back side. Accepts Allen Screw or Threaded Rod.



TEE NUTS

CAT. NO.	FINISH	SIZE
TN1024Z	Zinc	10-24

Minimum order: 10 each. Must be ordered in increments of 10.

Full 36" (914 mm) lengths of stainless Threaded Rod will permit you to cut Rod to desired length.

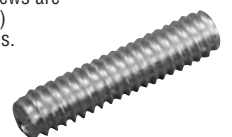


THREADED RODS

CAT. NO.	FINISH	SIZE
TR1024X36S	Stainless	10-24 x 36" (914 mm)

Minimum order: 1 each.

Stainless Steel Allen Screws are available in 3/4" (19 mm) and 1" (25.4 mm) lengths.



ALLEN SCREWS

CAT. NO.	FINISH	SIZE
AS102434	Stainless	10-24 x 3/4" (19 mm)
AS10241	Stainless	10-24 x 1" (25.4 mm)

Minimum order: 10 each. Must be ordered in increments of 10.

CRL 3/4" (19 mm) Diameter Standoff System



Residential Standoff Project Using 3/4" (19 mm) Custom Standoffs

- Available in Many Distinct Finishes to Accommodate Any Project Requirement
- Accomplish Your Design Objective by Choosing Any of Eight Different Lengths

The vast variety of finishes and lengths gives our 3/4" (19 mm) Standoff Base and Cap Assemblies unlimited potential for medium weight glass displays or signage. Panels require 1/2" (12.7 mm) holes for assembly.



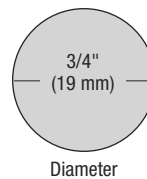
Bathroom Project Using 3/4" (19 mm) Standoffs



Vanity Using 3/4" (19 mm) Standoffs

CRL 3/4" (19 mm) Diameter Standoff Bases

- Popular Decorator Finishes
- 316 Stainless Steel Can Be Used Indoors or Outdoors

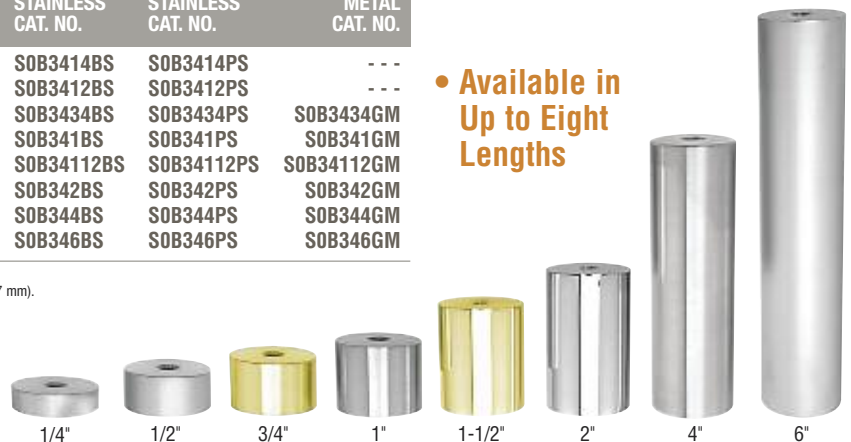


Due to the diversity of applications, weight limitations for Standoff Systems are dependent upon wall or substrate anchoring and material strengths.

LENGTH	BRASS CAT. NO.	CHROME CAT. NO.	SATIN CHROME CAT. NO.	BRUSHED 316 STAINLESS CAT. NO.	POLISHED 316 STAINLESS CAT. NO.	GUN METAL CAT. NO.
1/4" (6.3 mm)	---	---	---	SOB3414BS	SOB3414PS	---
1/2" (12.7 mm)	---	---	---	SOB3412BS	SOB3412PS	---
3/4" (19 mm)	SOB3434BR	SOB3434CH	SOB3434SC	SOB3434BS	SOB3434PS	SOB3434GM
1" (25.4 mm)	SOB341BR	SOB341CH	SOB341SC	SOB341BS	SOB341PS	SOB341GM
1-1/2" (38.1 mm)	SOB34112BR	SOB34112CH	SOB34112SC	SOB34112BS	SOB34112PS	SOB34112GM
2" (50.8 mm)	SOB342BR	SOB342CH	SOB342SC	SOB342BS	SOB342PS	SOB342GM
4" (101.6 mm)	SOB344BR	SOB344CH	SOB344SC	SOB344BS	SOB344PS	SOB344GM
6" (152.4 mm)	SOB346BR	SOB346CH	SOB346SC	SOB346BS	SOB346PS	SOB346GM

Minimum order: 1 each. All Standoffs can be combined for quantity pricing.
NOTE: Minimum material thickness for use with 1/2" (12.7 mm) Diameter Standoff Bases is 3/16" (4.7 mm).

CRL's 3/4" (19 mm) diameter Standoffs are the perfect design element for projects such as retail displays or exhibit building. 3/4" (19 mm) diameter Bases and Cap Assemblies can also be ordered in custom sizes.



- Available in Up to Eight Lengths

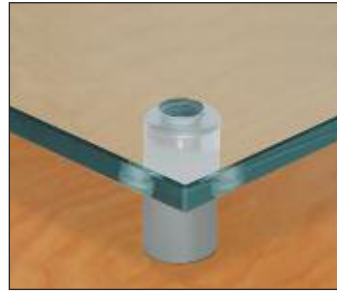
CRL 3/4" (19 mm) Diameter Standoff Installation Steps



Set Fastener to Surface



Thread Base Onto Fastener



Align Glass on Standoff



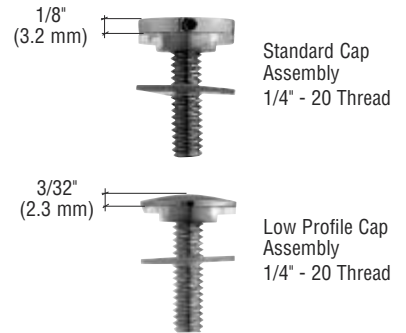
Tighten Cap with Wrench

NOTE: Due to the diversity of applications, weight limitations for Standoff Systems are dependent upon wall or substrate anchoring and material strengths.

CRL Cap Assemblies for 3/4" (19 mm) Diameter Standoffs

• Choice of Two Styles Available in Several Popular Finishes

Designed to be used with CRL's 3/4" (19 mm) Standoff Bases, Cap Assemblies are available in matching finishes. Standard Cap Assemblies are easily installed using our Cat. No. S0W Standoff Wrench (see page P651). The Low Profile Cap Assemblies, which measure 3/32" (2.3 mm) in height, are used for desk tops or furniture where a low profile design is preferred. Low Profile Caps are tightened by placing a flat neoprene or rubber pad in the palm of your hand, applying pressure and turning. **NOTE:** Panels require 1/2" (12.7 mm) holes for assembly.



Standard Cap Assembly
1/4" - 20 Thread

Low Profile Cap Assembly
1/4" - 20 Thread

CAP	BRASS CAT. NO.	CHROME CAT. NO.	SATIN CHROME CAT. NO.	BRUSHED 316 STAINLESS CAT. NO.	POLISHED 316 STAINLESS CAT. NO.	GUN METAL CAT. NO.
1/2" (12.7 mm)	CAP34BR	CAP34CH	CAP34SC	CAP34BS	CAP34PS	CAP34GM
3/4" (19 mm)	LPC34BR	LPC34CH	LPC34SC	LPC34BS	LPC34PS	LPC34GM

Minimum order: 1 each. All Standoff Caps can be combined for quantity pricing.

Cap Assemblies Consist of:
 1 Each Cap
 1 Each 1" (25.4 mm) Allen Screw
 1 Each Washer (Cat. No. HW058)
 1 Each Washer with Sleeve (Cat. No. HW057)



CRL Tube Adaptors for 3/4" (19 mm) Diameter Standoffs

• Adaptors Fit 1-1/2" (38.1 mm) and 2" (50.8 mm) Tubing

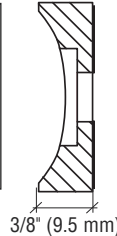
CRL Tube Adaptors allow 3/4" (19 mm) Standoff Bases to be attached to 1-1/2" (38.1 mm) or 2" (50.8 mm) Post Tubing. Use a Cat. No. RN1420 Riv-Nut (see page P651) for securing the Standoff to the Tubing.



Slide on Adaptor Over 1/4" - 20 Allen Screw



Attach Standoff Base



ADAPTOR FOR 1-1/2" TUBING CAT. NO.	ADAPTOR FOR 2" TUBING CAT. NO.	FINISH
3STA112BR	3STA2BR	Brass
3STA112CH	3STA2CH	Chrome
3STA112BS	3STA2BS	Brushed 316 Stainless
3STA112SC	3STA2SC	Satin Chrome

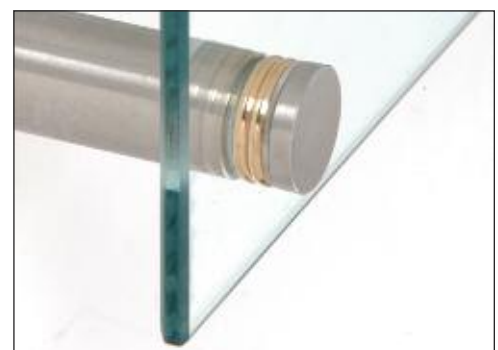
Minimum order: 1 each. All Tube Adaptors can be combined for quantity pricing.

CRL Accent Rings for 3/4" (19 mm) Diameter Standoffs

• Add a Decorative Accent to Signage or Display Standoffs

• Available in Chrome and Brass

CRL 3/4" (19 mm) Diameter Accent Rings are designed to be used with our 3/4" (19 mm) Diameter Standoff components. The Accent Rings can be placed either between the Standoff Cap and panel, or between the Standoff Base and panel to create an exciting and decorative new look to your signage or display project. Available in both Chrome and Brass finishes, our Accent Rings are most noticeable when mixed with other finishes such as a Brass Accent Ring with a Gun Metal Cap and Base, or a Chrome Accent Ring with a Satin Chrome Cap and Base. Just "mix and match" to obtain the look you want.



CAT. NO.	FINISH
AR34CH	Chrome
AR34BR	Brass

Minimum order: 1 each. All Accent Rings can be combined for quantity pricing.

CRL 3/4" (19 mm) Square Standoff Assemblies

- Available in Brass, Chrome, and Satin Chrome



CRL's Square Standoff Assemblies are uniquely designed to provide a different style of mounting hardware. They use the same mounting accessories as our very popular 3/4" (19 mm) diameter Round Standoffs.

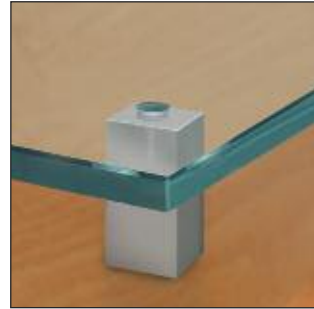
Due to the diversity of applications, weight limitations for Standoff Systems are dependent upon wall or substrate anchoring and material strengths.



Set Fastener to Surface



Thread Base Onto Fastener



Align Glass on Standoff



Tighten Secondary Cap and Install Top Cap

CRL 3/4" (19 mm) Square Standoff Bases

- Three Decorator Finishes

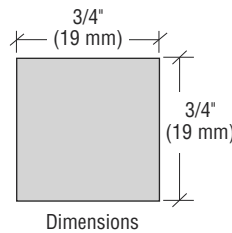
3/4" (19 mm) Square Standoff Bases are designed to be used for medium weight glass displays, exhibit or furniture projects. 3/4" (19 mm) Square Cap Assemblies give this system virtually unlimited potential. Available in standard lengths of 3/4" (19 mm), 1" (25.4 mm), 1-1/2" (38.1 mm), 2" (50.8 mm), and 4" (101.6 mm), Square Standoffs can also be ordered in custom sizes.

LENGTH	BRASS CAT. NO.	CHROME CAT. NO.	SATIN CHROME CAT. NO.
3/4" (19 mm)	SQ7575BR	SQ7575CH	SQ7575SC
1" (25.4 mm)	SQ751BR	SQ751CH	SQ751SC
1-1/2" (38.1 mm)	SQ75112BR	SQ75112CH	SQ75112SC
2" (50.8 mm)	SQ752BR	SQ752CH	SQ752SC
4" (101.6 mm)	SQ754BR	SQ754CH	SQ754SC

Minimum order: 1 each. All Standoffs can be combined for quantity pricing.

NOTE: Minimum material thickness for use with 3/4" (19 mm) Square Standoff Bases is 3/16" (4.7 mm).

- Available in Five Standard Lengths



Dimensions



3/4"



1"



1-1/2"



2"



4"

CRL 3/4" (19 mm) Square Cap Assemblies

- Available in Finishes to Match Our Square Bases

CRL's Square Standoff Cap Assemblies are easily installed and aligned with the Square Standoff Bases due to our exclusive design. The secondary cap, with removable Allen screw, has two flat sides which are used to secure the cap to the panel material. When firmly in place, the top cap is placed over the secondary cap, then aligned with the square base and held in position with undetectable double-sided tape. With this design there is no "adjustment" or "trial-and-error" required to line up the cap with the base.

NOTE: Panels require 9/16" (14 mm) diameter holes for assembly.

SQUARE CAP ASSEMBLIES

CAT. NO.	FINISH
SCAP75BR	Brass
SCAP75CH	Chrome
SCAP75SC	Satin Chrome

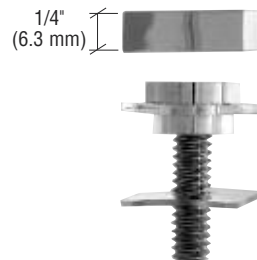
Minimum order: 1 each. Finishes can be combined for quantity pricing.

NOTE: Mounting accessories for 3/4" (19 mm) Square Standoffs are shown on page P651.

REPLACEMENT PARTS

CAT. NO.	DESCRIPTION
HW060	Washer with Sleeve
HW061	Flat Washer
AS141	1" (25.4 mm) Allen Screw

Minimum order: 10 each. Must be ordered in increments of 10.



CRL Standoff System Accessories for 3/4" (19 mm) Standoffs



Concrete Anchor

Hanger Bolt

Threaded Rod

Riv-Nut



Allen Screw



Standoff Wrench



Lock Washer

Flat Washer



Nylock Hex Nut



Hex Nut



Tee Nut



Hanger Bolt Drivers make installing Hanger Bolts into wood studs a breeze.

HANGER BOLT DRIVER

CAT. NO.	SIZE
165HB416	1/4"-20

Minimum order: 1 each.



The Standoff Wrench allows a quick and efficient method for tightening and loosening the Standard Cap Assembly of 3/4" (19 mm), 1" (25 mm), and 1-1/4" (31.7 mm) diameter Round Standoffs.

STANDOFF WRENCH

CAT. NO.	FINISH	SIZE
SOW	Zinc	4-1/2" (114.3 mm)

Minimum order: 1 each.

CRL MOUNTING HARDWARE FOR 3/4" (19 MM) SQUARE OR ROUND STANDOFFS

Hex Nuts are used with applicable Flat Washers and/or Lock Washers to attach Standoffs, or to reshape threads after cutting Threaded Rod or Allen Screws.



HEX NUTS

CAT. NO.	FINISH	SIZE
HN1420S	Stainless	1/4"-20
HN1420Z	Zinc	1/4"-20

Minimum order: 10 each. Must be ordered in increments of 10.

Use Flat Washers with Hex Nuts when attaching Standoffs to panels or substrates. Available in two finishes.



FLAT WASHERS

CAT. NO.	FINISH	SIZE
FW14S	Stainless	1/4"-20
FW14Z	Zinc	1/4"-20

Minimum order: 10 each. Must be ordered in increments of 10.

Tee Nuts are mainly used in wood or plywood applications where they can be installed on the back side. Accepts Allen Screw or Threaded Rod.



TEE NUTS

CAT. NO.	FINISH	SIZE
TN1420Z	Zinc	1/4"-20

Minimum order: 10 each. Must be ordered in increments of 10.

Use Riv-Nuts to attach 3STA112 or 3STA2 Standoff Tube Adaptors to 1-1/2" (38.1 mm) and 2" (50.8 mm) diameter Tubing.



RIV-NUTS

CAT. NO.	FINISH	SIZE
RN1420	Zinc	1/4"-20

Minimum order: 10 each. Must be ordered in increments of 10.

Use the Concrete Anchor when securing the Standoff Base to a cement or stone wall. Requires 5/16" (8 mm) hole in concrete.



CONCRETE ANCHORS

CAT. NO.	SIZE
CA1420	1/4"-20

Minimum order: 1 each.

Lock Washers may be used with Hex Nuts for mounting Standoff assemblies.



LOCK WASHERS

CAT. NO.	FINISH	SIZE
LW14S	Stainless	1/4"-20
LW14Z	Zinc	1/4"-20

Minimum order: 10 each. Must be ordered in increments of 10.

Stainless Steel Allen Screws are available in incremental lengths from 3/4" (19 mm) to 2" (50.8 mm) for 3/4" (19 mm) diameter Standoffs.

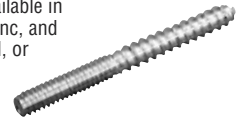


ALLEN SCREWS

CAT. NO.	FINISH	SIZE
AS1434	Stainless	1/4"-20 x 3/4" (19 mm)
AS141	Stainless	1/4"-20 x 1" (25.4 mm)
AS14114	Stainless	1/4"-20 x 1-1/4" (31.7 mm)
AS14112	Stainless	1/4"-20 x 1-1/2" (38.1 mm)
AS14134	Stainless	1/4"-20 x 1-3/4" (44.4 mm)
AS142	Stainless	1/4"-20 x 2" (50.8 mm)

Minimum order: 10 each. Must be ordered in increments of 10.

Hanger Bolts are available in both stainless and zinc, and can be used in wood, or with plastic anchors.



HANGER BOLTS

CAT. NO.	FINISH	SIZE
HB14112S	Stainless	1/4"-20 x 1-1/2" (38.1 mm)
HB14112Z	Zinc	1/4"-20 x 1-1/2" (38.1 mm)
HB14212S	Stainless	1/4"-20 x 2-1/2" (63.5 mm)
HB14212Z	Zinc	1/4"-20 x 2-1/2" (63.5 mm)

Minimum order: 1 each for Stainless; 10 each for Zinc.

Nylock Hex Nuts may be used without Locking Washers for attachment to Allen Screws or Threaded Rod for 3/4" (19 mm) diameter Standoffs.



NYLOCK HEX NUTS

CAT. NO.	FINISH	SIZE
NLN1420S	Stainless	1/4"-20
NLN1420Z	Zinc	1/4"-20

Minimum order: 10 each. Must be ordered in increments of 10.

Full 36" (914 mm) lengths of stainless or zinc Threaded Rod will permit you to cut Rod to desired length.



Optional Acorn Nut to protect threads during installation.



THREADED RODS/ACORN NUTS

CAT. NO.	FINISH	SIZE
TR1420X36S	Stainless	1/4"-20 x 36" (914 mm)
TR1420X36Z	Zinc	1/4"-20 x 36" (914 mm)
ACN1420	Nickel	1/4"-20 Acorn Nut

Minimum order: 1 each for Rods; 10 each for Nuts.

CRL 1" (25 mm) Diameter Standoff System

- Available in Brushed or Polished Stainless Finishes
- Accomplish Your Design Objective by Choosing Any of Eight Different Lengths

The vast variety of finishes and lengths gives our 1" (25 mm) Standoff Base and Cap Assemblies unlimited potential for medium weight glass displays or signage. Panels require 1/2" (12.7 mm) holes for assembly.



Residential Standoff Project Using 1" (25 mm) Standoffs

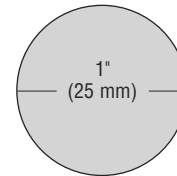
CRL 1" (25 mm) Diameter Standoff Bases

- Brushed or Polished 316 Stainless Steel Finishes
- Can Be Used Indoors or Outdoors

LENGTH	BRUSHED 316 STAINLESS CAT. NO.	POLISHED 316 STAINLESS CAT. NO.
1/4" (6.3 mm)	SOB1014BS	SOB1014PS
1/2" (12.7 mm)	SOB1012BS	SOB1012PS
3/4" (19 mm)	SOB1034BS	SOB1034PS
1" (25.4 mm)	SOB101BS	SOB101PS
1-1/2" (38.1 mm)	SOB10112BS	SOB10112PS
2" (50.8 mm)	SOB102BS	SOB102PS
4" (101.6 mm)	SOB104BS	SOB104PS
6" (152.4 mm)	SOB106BS	SOB106PS

Minimum order: 1 each. All Standoffs can be combined for quantity pricing.
NOTE: Minimum material thickness for use with 1/2" (12.7 mm) Diameter Standoff Bases is 3/16" (4.7 mm).

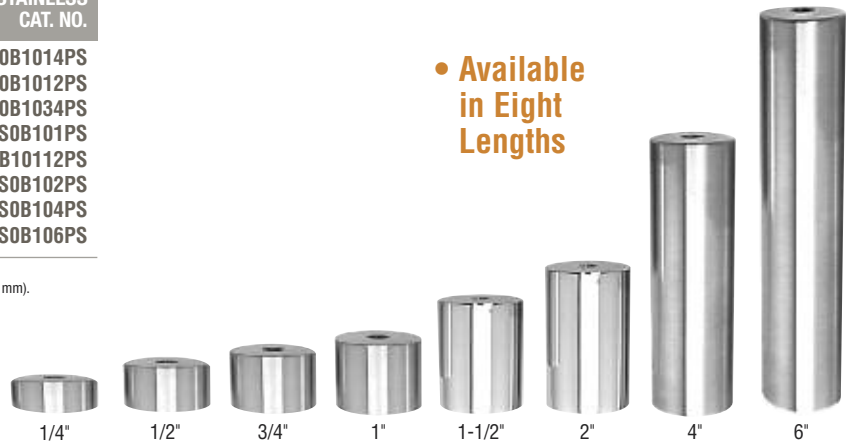
CRL's 1" (25 mm) diameter Standoffs are the perfect design element for projects such as retail displays or exhibit building. 1" (25 mm) diameter Bases and Cap Assemblies can also be ordered in custom sizes.



Diameter



- Available in Eight Lengths



CRL Cap Assemblies for 1" (25 mm) Diameter Standoffs

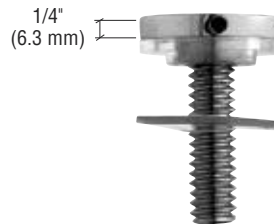
- Available in Brushed or Polished 316 Stainless Steel Finishes

Designed to be used with CRL's 1" (25 mm) Standoff Bases, Cap Assemblies are available in matching finishes. Cap Assemblies are easily installed using our Cat. No. S0W Standoff Wrench (see page P653).

NOTE: Panels require 1/2" (12.7 mm) holes for assembly.

Cap Assemblies Consist of:

- 1 Each Cap
- 1 Each 1" (25.4 mm) Allen Screw
- 1 Each Washer (Cat. No. HW058)
- 1 Each Washer with Sleeve (Cat. No. HW057)



Due to the diversity of applications, weight limitations for Standoff Systems are dependent upon wall or substrate anchoring and material strengths.

Standard Cap Assembly
1/4" - 20 Thread

CAT. NO.	FINISH
CAP1BS	Brushed 316 Stainless
CAP1PS	Polished 316 Stainless

Minimum order: 1 each. All Standoff Caps can be combined for quantity pricing.

CRL Standoff System Accessories for 1" (25 mm) Standoffs



Concrete Anchor

Hanger Bolt

Threaded Rod

Allen Screw

Riv-Nut

CRL MOUNTING HARDWARE FOR 1" (25 mm) ROUND STANDOFFS

Hex Nuts are used with applicable Flat Washers and/or Lock Washers to attach Standoffs, or to reshape threads after cutting Threaded Rod or Allen Screws.



HEX NUTS

CAT. NO.	FINISH	SIZE
HN1420S	Stainless	1/4"-20
HN1420Z	Zinc	1/4"-20

Minimum order: 10 each. Must be ordered in increments of 10.

Use Flat Washers with Hex Nuts when attaching Standoffs to panels or substrates. Available in two finishes.



FLAT WASHERS

CAT. NO.	FINISH	SIZE
FW14S	Stainless	1/4"-20
FW14Z	Zinc	1/4"-20

Minimum order: 10 each. Must be ordered in increments of 10.

Tee Nuts are mainly used in wood or plywood applications where they can be installed on the back side. Accepts Allen Screw or Threaded Rod.



TEE NUTS

CAT. NO.	FINISH	SIZE
TN1420Z	Zinc	1/4"-20

Minimum order: 10 each. Must be ordered in increments of 10.

Use Riv-Nuts to attach 3STA112 or 3STA2 Standoff Tube Adaptors to 1-1/2" (38.1 mm) and 2" (50.8 mm) diameter Tubing.



RIV-NUTS

CAT. NO.	FINISH	SIZE
RN1420	Zinc	1/4"-20

Minimum order: 10 each. Must be ordered in increments of 10.

Use the Concrete Anchor when securing the Standoff Base to a cement or stone wall. Requires 5/16" (8 mm) hole in concrete.



CONCRETE ANCHORS

CAT. NO.	SIZE
CA1420	1/4"-20

Minimum order: 1 each.

Lock Washers may be used with Hex Nuts for mounting Standoff assemblies.

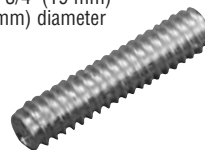


LOCK WASHERS

CAT. NO.	FINISH	SIZE
LW14S	Stainless	1/4"-20
LW14Z	Zinc	1/4"-20

Minimum order: 10 each. Must be ordered in increments of 10.

Stainless Steel Allen Screws are available in incremental lengths from 3/4" (19 mm) to 2" (50.8 mm) for 1" (25 mm) diameter Standoffs.



ALLEN SCREWS

CAT. NO.	FINISH	SIZE
AS1434	Stainless	1/4"-20 x 3/4" (19 mm)
AS141	Stainless	1/4"-20 x 1" (25.4 mm)
AS14114	Stainless	1/4"-20 x 1-1/4" (31.7 mm)
AS14112	Stainless	1/4"-20 x 1-1/2" (38.1 mm)
AS14134	Stainless	1/4"-20 x 3/4" (44.4 mm)
AS142	Stainless	1/4"-20 x 2" (50.8 mm)

Minimum order: 10 each. Must be ordered in increments of 10.

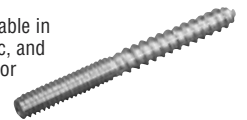
The Standoff Wrench allows a quick and efficient method for tightening and loosening the Standard Cap Assembly of 3/4" (19 mm), 1" (25 mm), and 1-1/4" (31.7 mm), diameter Round Standoffs.

STANDOFF WRENCH

CAT. NO.	FINISH	SIZE
SOW	Zinc	4-1/2" (114.3 mm)

Minimum order: 1 each.

Hanger Bolts are available in both stainless and zinc, and can be used in wood, or with plastic anchors.



HANGER BOLTS

CAT. NO.	FINISH	SIZE
HB14112S	Stainless	1/4"-20 x 1-1/2" (38.1 mm)
HB14112Z	Zinc	1/4"-20 x 1-1/2" (38.1 mm)
HB14212S	Stainless	1/4"-20 x 2-1/2" (63.5 mm)
HB14212Z	Zinc	1/4"-20 x 2-1/2" (63.5 mm)

Minimum order: 1 each for Stainless; 10 each for Zinc.

Nylock Hex Nuts may be used without Locking Washers for attachment to Allen Screws or Threaded Rod for 1" (25 mm) diameter Standoffs.

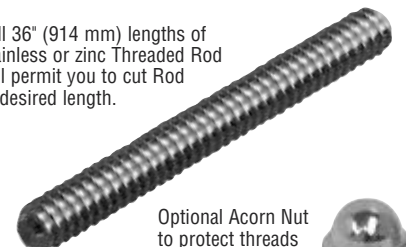


NYLOCK HEX NUTS

CAT. NO.	FINISH	SIZE
NLN1420S	Stainless	1/4"-20
NLN1420Z	Zinc	1/4"-20

Minimum order: 10 each. Must be ordered in increments of 10.

Full 36" (914 mm) lengths of stainless or zinc Threaded Rod will permit you to cut Rod to desired length.



Optional Acorn Nut to protect threads during installation.



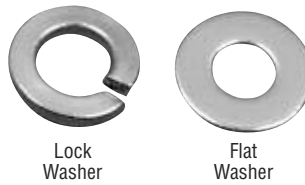
THREADED RODS/ACORN NUTS

CAT. NO.	FINISH	SIZE
TR1420X36S	Stainless	1/4"-20 x 36" (914 mm)
TR1420X36Z	Zinc	1/4"-20 x 36" (914 mm)
ACN1420	Nickel	1/4"-20 Acorn Nut

Minimum order: 1 each for Rods; 10 each for Nuts.



Standoff Wrench



Lock Washer

Flat Washer



Nylock Hex Nut



Hex Nut



Tee Nut



Hanger Bolt Drivers make installing Hanger Bolts into wood studs a breeze.

HANGER BOLT DRIVER

CAT. NO.	SIZE
165HB416	1/4"-20

Minimum order: 1 each.



CRL 1-1/4" (31.7 mm) Diameter Standoff System

- Available in Many Distinct Finishes to Accommodate Any Project Requirement
- Accomplish Your Design Objective by Choosing Any of Eight Different Lengths

Create a combination of different looks with our 1-1/4" (31.7 mm) Standoff System by designing a series of displays or architectural projects utilizing our vast array of Bases.

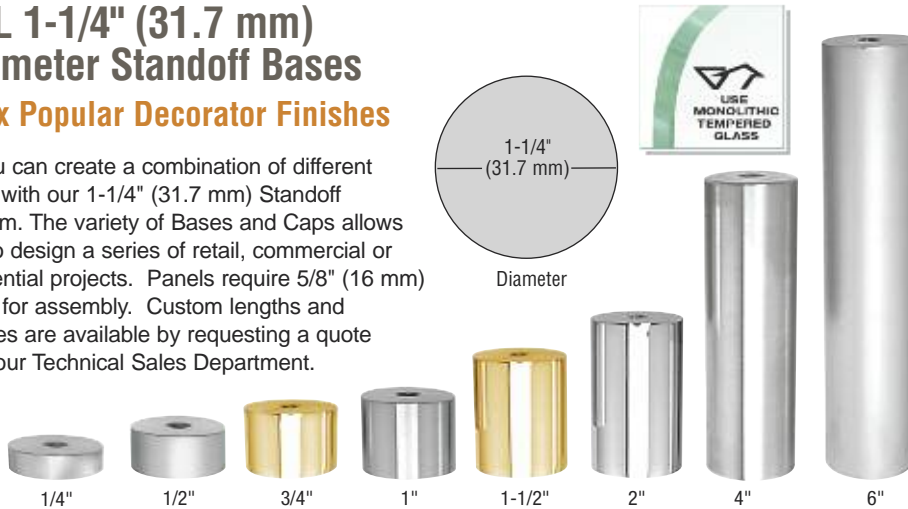


Standoffs Used for Railing Projects

CRL 1-1/4" (31.7 mm) Diameter Standoff Bases

- Six Popular Decorator Finishes

You can create a combination of different looks with our 1-1/4" (31.7 mm) Standoff System. The variety of Bases and Caps allows you to design a series of retail, commercial or residential projects. Panels require 5/8" (16 mm) holes for assembly. Custom lengths and finishes are available by requesting a quote from our Technical Sales Department.



LENGTH	BRASS CAT. NO.	CHROME CAT. NO.	SATIN CHROME CAT. NO.	BRUSHED 316 STAINLESS CAT. NO.	POLISHED 316 STAINLESS CAT. NO.	GUN METAL CAT. NO.
1/4" (6.3 mm)	SOB11414BR	SOB11414CH	SOB11414SC	SOB11414BS	SOB11414PS	SOB11414GM
1/2" (12.7 mm)	SOB11412BR	SOB11412CH	SOB11412SC	SOB11412BS	SOB11412PS	SOB11412GM
3/4" (19 mm)	SOB11434BR	SOB11434CH	SOB11434SC	SOB11434BS	SOB11434PS	SOB11434GM
1" (25.4 mm)	SOB1141BR	SOB1141CH	SOB1141SC	SOB1141BS	SOB1141PS	SOB1141GM
1-1/2" (38.1 mm)	SOB114112BR	SOB114112CH	SOB114112SC	SOB114112BS	SOB114112PS	SOB114112GM
2" (50.8 mm)	SOB1142BR	SOB1142CH	SOB1142SC	SOB1142BS	SOB1142PS	SOB1142GM
4" (101.6 mm)	SOB1144BR	SOB1144CH	SOB1144SC	SOB1144BS	SOB1144PS	SOB1144GM
6" (152.4 mm)	SOB1146BR	SOB1146CH	SOB1146SC	SOB1146BS	SOB1146PS	SOB1146GM

Due to the diversity of applications, weight limitations for Standoff Systems are dependent upon wall or substrate anchoring and material strengths.

REPLACEMENT CLEAR VINYL WASHERS

CAT. NO.	WASHER SIZE (O.D. X I.D.)
SW114S	1-1/4" (31.7 mm) x 5/16" (7.9 mm)
SW114L	1-1/4" (31.7 mm) x 7/16" (11.1 mm)
SM716	9/16" (14.3 mm) x 7/16" (11.1 mm)

Minimum order: 10 each. Must be ordered in increments of 10.

CRL Accent Rings for 1-1/4" (31.7 mm) Diameter Standoffs

- Add a Decorative Accent to Signage or Display Standoffs
- Available in Chrome and Brass

CRL 1-1/4" (31.7 mm) Accent Rings are designed to be used with our 1-1/4" (31.7 mm) Diameter Standoff components. Accent Rings can be placed either between the Standoff Cap and the panel, or between the Standoff Base and the panel to create a decorative new look to your signage or display projects.

Available in both Chrome and Brass finishes, Accent Rings are most noticeable when mixed with other finishes, such as a Brass Accent Ring with a Gun Metal Cap and Base, or a Chrome Accent Ring with a Satin Chrome Cap and Base. Just "mix and match" to obtain the look you want. The 1-1/4" (31.7 mm) diameter Accent Ring is countersunk to accept the Cap Assembly, and is supplied with a clear vinyl washer to protect the glass.



Accent Ring



Vinyl Washer

CAT. NO.	FINISH
AR114CH	Chrome
AR114BR	Brass

Minimum order: 1 each. All Accent Rings can be combined for quantity pricing.

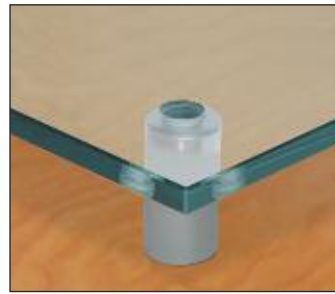
CRL 1-1/4" (31.7 mm) Diameter Standoff Installation Steps



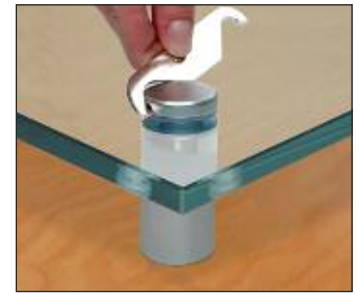
Set Fastener to Surface



Thread Base Onto Fastener



Align Glass on Standoff



Tighten Cap with Wrench

NOTE: Due to the diversity of applications, weight limitations for Standoff Systems are dependent upon wall or substrate anchoring and material strengths.

CRL Cap Assemblies for 1-1/4" (31.7 mm) Diameter Standoffs

Designed to be used with CRL's 1-1/4" (31.7 mm) Standoff Bases, Standard Cap Assemblies are available in matching finishes, and are easily tightened when being installed into Bases by using our Cat. No. S0W Standoff Wrench.

NOTE: Panels require 5/8" (16 mm) holes for assembly.

CAT. NO.	FINISH
CAP114BR	Brass
CAP114BS	Brushed 316 Stainless
CAP114PS	Polished 316 Stainless
CAP114CH	Chrome
CAP114SC	Satin Chrome
CAP114GM	Gun Metal



Cap Assemblies Consist of:

- 1 Each Cap
- 1 Each 1" (25.4 mm) Allen Screw
- 2 Each Washers (Cat. Nos. SW114L and SW114S)
- 1 Each Vinyl Sleeve (Cat. No. SM716)



Vanity Project Using 1-1/4" (31.7 mm) Standoffs

Minimum order: 1 each. All Standoff Caps can be combined for quantity pricing.

CRL Low Profile Cap Assemblies

Our Low Profile Cap Assemblies, which measure 1/8" (3.2 mm) in height, are used for desktops or furniture where a low profile design is preferred. Low Profile Caps are tightened by placing a flat neoprene or rubber pad in the palm of your hand, then applying pressure and turning.



CAT. NO.	FINISH
LPC114BR	Brass
LPC114BS	Brushed 316 Stainless
LPC114PS	Polished 316 Stainless
LPC114CH	Chrome
LPC114SC	Satin Chrome
LPC114GM	Gun Metal

Cap Assemblies Consist of:

- 1 Each Cap
- 1 Each 3/4" (19 mm) Allen Screw
- 1 Each Large Hole Vinyl Washer with Sleeve
- 1 Each Small Hole Vinyl Washer

Minimum order: 1 each. All Standoff Caps can be combined for quantity pricing.

CRL Flush Mount Cap Assembly

CRL's Flush Mount Cap Assembly is designed to be used with 1-1/4" (31.7 mm) Standoff Bases in applications where the Standoff Cap must be flush with the surface of the glass. The Flush Cap comes with a 22 mm, 5/16"-18 Socket Head Screw with washers. The Flush Cap measures 1-1/8" (28.6 mm) in diameter. Minimum material thickness is 3/8" (9.5 mm). An optional 1-3/8" (35 mm) Screw is available for use with thicker materials. Minimum order is one each.



CAT. NO. CAPF114BS
Flush Cap

NOTE:
Fabrication Requirements for Flush Cap: 3/4" Diameter Hole; 1-1/2" Countersink (to desired depth) Using Cat. No. BDC112 Diamond Countersink



CAT. NO. CAP35S
1-3/8" (35 mm) Screw

CRL Tube Adaptors for 1-1/4" (31.7 mm) Diameter Standoffs

• Adaptors Fit 1-1/2" (38.1 mm) and 2" (50.8 mm) Tubing

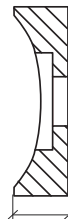
CRL Tube Adaptors allow 1-1/4" (31.7 mm) Standoffs and Slot Mount Standoffs to be attached to 1-1/2" (38.1 mm) or 2" (50.8 mm) Post Tubing. Use a Cat. No. ZRNU Riv-Nut (see page P657) to secure



Slide on Adaptor Over 5/16"-18 Allen Screw



Attach Standoff Base



1/2" (12.7 mm)

ADAPTOR FOR 1-1/2" TUBING	ADAPTOR FOR 2" TUBING	FINISH
CAT. NO.	CAT. NO.	
STA112BR	STA2BR	Brass
STA112CH	STA2CH	Chrome
STA112BS	STA2BS	Brushed 316 Stainless
STA112SC	STA2SC	Stain Chrome

Minimum order: 1 each. All Tube Adaptors can be combined for quantity pricing.

CRL 1-1/4" (31.7 mm) Square Standoff Assemblies

- Uniquely Styled
- Available in Three Popular Finishes



CRL's Square Standoff Assemblies create a new and contemporary look that is certain to achieve maximum attention. Available in Brass, Chrome, and Satin Chrome, they use the same mounting accessories as our very popular 1-1/4" (31.7 mm) diameter Round Standoffs. Panels require 5/8" (16 mm) diameter holes for assembly.

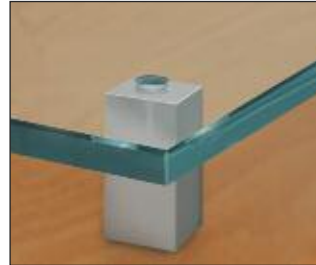
Due to the diversity of applications, weight limitations for Standoff Systems are dependent upon wall or substrate anchoring and material strengths.



Set Fastener to Surface



Thread Base Onto Fastener



Align Glass on Standoff

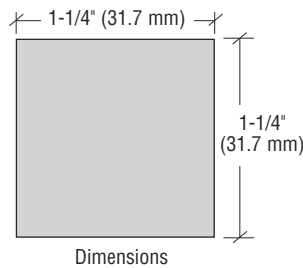


Tighten Secondary Cap and Install Top Cap

CRL 1-1/4" (31.7 mm) Square Standoff Bases

- New Standoff Configuration for Special Projects

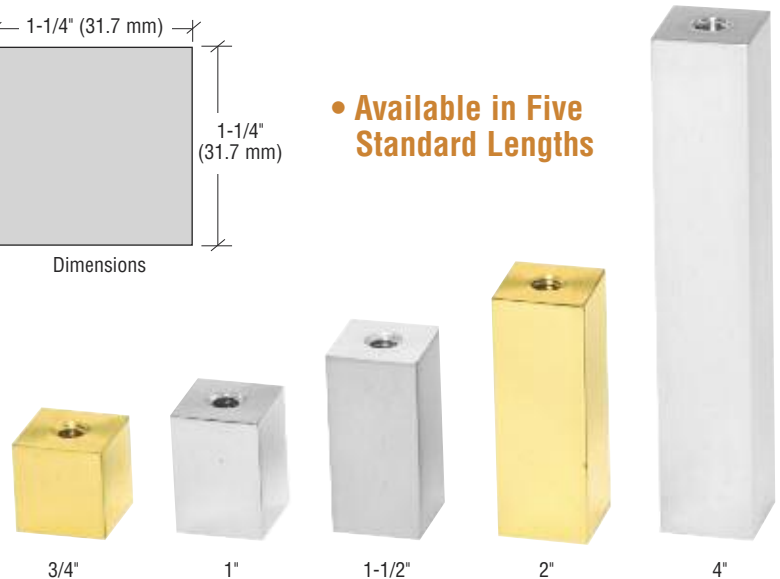
CRL's 1-1/4" (31.7 mm) Square Standoff Bases are the perfect component for countertops, desks or furniture design. The five available lengths are adequate for most projects, but if custom lengths are required you can contact our Technical Sales Department for a quote.



- Available in Five Standard Lengths

LENGTH	BRASS CAT. NO.	CHROME CAT. NO.	SATIN CHROME CAT. NO.
3/4" (19 mm)	SQ12575BR	SQ12575CH	SQ12575SC
1" (25.4 mm)	SQ1251BR	SQ1251CH	SQ1251SC
1-1/2" (38.1 mm)	SQ125112BR	SQ125112CH	SQ125112SC
2" (50.8 mm)	SQ1252BR	SQ1252CH	SQ1252SC
4" (101.6 mm)	SQ1254BR	SQ1254CH	SQ1254SC

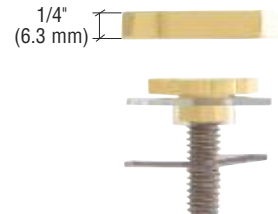
Minimum order: 1 each. All Standoffs can be combined for quantity pricing.
NOTE: Minimum material thickness for use with 1-1/4" Square Standoff Bases is 1/4" (6.3 mm).



CRL 1-1/4" (31.7 mm) Square Cap Assemblies

- Use With 1-1/4" (31.7 mm) Square Bases or as Decorative Wall Fasteners

Our 1-1/4" (31.7 mm) Square Standoff Cap Assemblies can be used with Square Bases or independently to attach panels or artwork to a wall. The Cap Assembly comes with a detachable 5/16"-18 x 1" Allen screw that requires a 5/8" (16 mm) hole for assembly. With this unique design there is no "adjustment" or "trial-and-error" required to line up the cap with the base.



SQUARE CAP ASSEMBLIES

CAT. NO.	FINISH
SCAP125BR	Brass
SCAP125CH	Chrome
SCAP125SC	Satin Chrome

REPLACEMENT PARTS

CAT. NO.	DESCRIPTION
HW062	Washer with Sleeve
HW063	Flat Washer
AS5161	1" (25.4 mm) Allen Screw

Minimum order: 10 each. Must be ordered in increments of 10.

CRL Standoff System Accessories for 1-1/4" (31.7 mm) Standoffs

• For Both Round and Square Standoffs



Concrete Anchor

Hanger Bolt

Threaded Rod

Riv-Nut

Allen Screw



Standoff Wrench



Lock Washer

Flat Washer



Nylock Hex Nut



Hex Nut



Tee Nut



Hanger Bolt Drivers make installing Hanger Bolts into wood studs a breeze.

HANGER BOLT DRIVER

CAT. NO.	SIZE
165HB516	5/16"-18

Minimum order: 1 each.



The Standoff Wrench allows a quick and efficient method for tightening and loosening the Standard Cap Assembly of 3/4" (19 mm), 1" (25 mm), and 1-1/4" (31.7 mm) diameter Round Standoffs.

STANDOFF WRENCH

CAT. NO.	FINISH	SIZE
SOW	Zinc	4-1/2" (114.3 mm)

Minimum order: 1 each.

CRL MOUNTING HARDWARE FOR 1-1/4" (31.7 MM) SQUARE OR ROUND STANDOFFS

Hex Nuts are used with applicable Flat Washers and/or Lock Washers to attach Standoffs, or to reshape threads after cutting Threaded Rod or Allen Screws.



Use the Concrete Anchor when securing the Standoff Base to a cement or stone wall. Requires 3/8" (9.5 mm) hole in concrete.

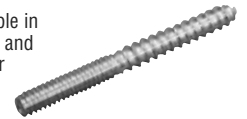


CONCRETE ANCHORS

CAT. NO.	SIZE
CA51618	5/16"-18

Minimum order: 1 each.

Hanger Bolts are available in both stainless and zinc, and can be used in wood, or with plastic anchors.



HANGER BOLTS

CAT. NO.	FINISH	SIZE
HB516112S	Stainless	5/16"-18 x 1-1/2" (38.1 mm)
HB516112Z	Zinc	5/16"-18 x 1-1/2" (38.1 mm)
HB516212S	Stainless	5/16"-18 x 2-1/2" (63.5 mm)
HB516212Z	Zinc	5/16"-18 x 2-1/2" (63.5 mm)

Minimum order: 1 each for Stainless; 10 each for Zinc.

HEX NUTS

CAT. NO.	FINISH	SIZE
HN51618S	Stainless	5/16"-18
HN51618Z	Zinc	5/16"-18

Minimum order: 10 each. Must be ordered in increments of 10.

Use Flat Washers with Hex Nuts when attaching Standoffs to panels or substrates. Available in two finishes.



Lock Washers may be used with Hex Nuts for mounting Standoff assemblies.



LOCK WASHERS

CAT. NO.	FINISH	SIZE
LW516S	Stainless	5/16"-18
LW516Z	Zinc	5/16"-18

Minimum order: 10 each. Must be ordered in increments of 10.

Nylock Hex Nuts may be used without Locking Washers for attachment to Allen Screws or Threaded Rod for 1-1/4" (31.7 mm) diameter Standoffs.



NYLOCK HEX NUTS

CAT. NO.	FINISH	SIZE
NLN51618S	Stainless	5/16"-18
NLN51618Z	Zinc	5/16"-18

Minimum order: 10 each. Must be ordered in increments of 10.

Tee Nuts are mainly used in wood or plywood applications where they can be installed on the back side. Accepts Allen Screw or Threaded Rod.



TEE NUTS

CAT. NO.	FINISH	SIZE
TN51618Z	Zinc	5/16"-18

Minimum order: 10 each. Must be ordered in increments of 10.

Use Riv-Nuts to attach STA112 or STA2 Standoff Tube Adaptors to 1-1/2" (38.1 mm) and 2" (50.8 mm) diameter Tubing.



RIV-NUTS

CAT. NO.	FINISH	SIZE
ZRNUZ	Zinc	5/16"-18

Minimum order: 10 each. Must be ordered in increments of 10.

Stainless Steel Allen Screws are available in incremental lengths from 3/4" (19 mm) to 2" (50.8 mm) for 1-1/4" (31.7 mm) diameter Standoffs.



ALLEN SCREWS

CAT. NO.	FINISH	SIZE
AS51634	Stainless	5/16"-18 x 3/4" (19 mm)
AS5161	Stainless	5/16"-18 x 1" (25.4 mm)
AS516114	Stainless	5/16"-18 x 1-1/4" (31.7 mm)
AS516112	Stainless	5/16"-18 x 1-1/2" (38.1 mm)
AS516134	Stainless	5/16"-18 x 1-3/4" (44.4 mm)
AS5162	Stainless	5/16"-18 x 2" (50.8 mm)

Minimum order: 10 each. Must be ordered in increments of 10.

Full 36" (914 mm) lengths of stainless or zinc Threaded Rod will permit you to cut Rod to desired length.



Optional Acorn Nut to protect threads during installation.



THREADED RODS/ACORN NUTS

CAT. NO.	FINISH	SIZE
TR51618X36S	Stainless	5/16"-18 x 36" (914 mm)
TR51618X36Z	Zinc	5/16"-18 x 36" (914 mm)
ACN51618	Nickel	5/16"-18 Acorn Nut

Minimum order: 1 each for Rods; 10 each for Nuts.

CRL 1-1/2" (38.1 mm) Diameter 316 Stainless Steel Standoff System

- Available in Brushed and Polished 316 Stainless Steel in Six Standard Lengths
- Secured With 3/8"-16 Threaded Stud
- Custom Sizes and Finishes Are Also Available



CRL's 1-1/2" (38.1 mm) Diameter Standoffs are perfect for attaching heavy glass, granite, and marble to the top of cabinetry. They are available in Brushed or Polished 316 Stainless in a range of standard lengths from 1/2" to 4" (12.7 to 101.6 mm).

Our ability to produce custom size Standoffs in different sizes, thread configurations, and finishes means you can always have the Standoff you need to suit your customer's requirements.

CRL 1-1/2" (38.1 mm) Diameter Standoff Bases

Due to the diversity of applications, weight limitations for Standoff Systems are dependent upon wall or substrate anchoring and material strengths.

CRL's 1-1/2" (38.1 mm) Diameter Standoff Bases are 3/8"-16 threaded at both ends up to 1" (25.4 mm) deep. They can be mounted using 3/8"-16 thread Allen Screws, Threaded Rods, or Hanger Bolts shown on page P660. Six standard lengths from 1/2" to 4" (12.7 to 101.6 mm) are stocked in Brushed or Polished 316 Stainless. Cap Assemblies (shown below) must be ordered separately.



1-1/2" (38.1 MM) DIAMETER STANDOFF BASES

LENGTH	BRUSHED 316 STAINLESS CAT. NO.	POLISHED 316 STAINLESS CAT. NO.
1/2" (12.7 mm)	SOB11212BS	SOB11212PS
3/4" (19 mm)	SOB11234BS	SOB11234PS
1" (25.4 mm)	SOB1121BS	SOB1121PS
1-1/2" (38.1 mm)	SOB112112BS	SOB112112PS
2" (50.8 mm)	SOB1122BS	SOB1122PS
4" (101.6 mm)	SOB1124BS	SOB1124PS

Minimum order: 1 each. All Standoff Bases can be combined for quantity pricing.

- Two 316 Stainless Finishes
- Six Standard Lengths



CRL Cap Assemblies for 1-1/2" (38.1 mm) Diameter Standoffs

- Two 316 Stainless Finishes

CRL's 1-1/2" (38.1 mm) Standoff Caps are supplied with a 3/8"-16 x 1" (25.4 mm) Stainless Steel Allen Screw, one Washer with molded sleeve, and one plain Washer. A hole in the side of the Cap is provided for tightening and loosening the Cap to the Standoff Base. Brushed or Polished 316 Stainless finishes to match our 1-1/2" (38.1 mm) Diameter Standoff Bases.



1-1/2" (38.1 MM) ROUND CAP ASSEMBLY		1-1/2" (38.1 MM) REPLACEMENT WASHERS	
CAT. NO.	FINISH	CAT. NO.	DESCRIPTION
CAP112BS	Brushed Stainless	CWK112	Vinyl Washer Set
CAP112PS	Polished Stainless		

Minimum order: 1 pack.

Minimum order: 1 each. All Standoff Caps can be combined for quantity pricing.

CRL Flush Mount Cap Assembly

CRL's Flush Mount Cap Assembly is designed to be used with 1-1/2" (38.1 mm) Standoff Bases in applications where the Standoff Cap must be flush with the surface of the glass. The Flush Cap comes with a 22 mm, 3/8"-16 Socket Head Screw with washers. The Flush Cap measures 1-3/8" (35 mm) in diameter. Minimum material thickness is 3/8" (9.5 mm). An optional 1-1/2" (38.1 mm) Screw is available for use with thicker materials. Minimum order is one each.



CAT. NO. CAPF112BS
Flush Cap

NOTE:
Fabrication Requirements for Flush Cap: 3/4" Diameter Hole; 1-1/2" Countersink (to desired depth) Using Cat. No. BDC112 Diamond Countersink



CAT. NO. CAP38S
1-1/2" (38.1 mm) Screw

CRL 1-1/2" (38.1 mm) Diameter Clad Aluminum Standoffs

new



- Clad in Brushed and Polished 316 Stainless Steel in Five Standard Lengths
- Secured With 3/8"-16 Threaded Stud
- Lightweight and Versatile

CRL's 1-1/2" (38.1 mm) Clad Aluminum Standoffs have an aluminum core and are beautifully clad in 316 stainless steel. This results in a lightweight product which can be used for most interior applications requiring Standoffs and Cap Assemblies. The Bases are available clad in both brushed and polished 316 stainless, and range in length from 1" to 6" (25.4 to 152.4 mm). These Standoffs are ideal for almost any horizontal application requiring the attachment of glass or granite tops to cabinetry. Can also be used for attaching lighter weight panels to vertical substrates.

Note: Clad Aluminum Standoffs are not recommended for exterior or architectural applications.



CRL 1-1/2" (38.1 mm) Diameter Clad Aluminum Standoff Bases

Due to the diversity of applications, weight limitations for Standoff Systems are dependent upon wall or substrate anchoring and material strengths.

CRL's 1-1/2" (38.1 mm) Diameter Clad Aluminum Standoff Bases have 3/8"-16 threads. 1" and 1-1/2" (25.4 and 38.1 mm) lengths are drilled and tapped through; the 2" (50.8 mm) to 6" (152.4 mm) lengths have 1" (25.4 mm) deep threads at both ends. They can be mounted using 3/8"-16 threaded Allen Screws, Threaded Rods, or Hanger Bolts shown on page P660. Five standard lengths from 1" to 6" (25.4 to 152.4 mm) are stocked in brushed or polished 316 stainless. Cap Assemblies (shown below) must be ordered separately.

1-1/2" (38.1 MM) DIAMETER STANDOFF BASES

LENGTH	BRUSHED 316 STAINLESS CAT. NO.	POLISHED 316 STAINLESS CAT. NO.
1" (25.4 mm)	ACSB1121BS	ACSB1121PS
1-1/2" (38.1 mm)	ACSB112112BS	ACSB112112PS
2" (50.8 mm)	ACSB1122BS	ACSB1122PS
4" (101.6 mm)	ACSB1124BS	ACSB1124PS
6" (152.4 mm)	ACSB1126BS	ACSB1126PS

Minimum order: 1 each. All Standoff Bases can be combined for quantity pricing.



- Clad in Two 316 Stainless Finishes
- Five Standard Lengths



CRL Cap Assemblies for 1-1/2" (38.1 mm) Diameter Clad Aluminum Standoffs

- Two 316 Stainless Finishes

CRL's 1-1/2" (38.1 mm) Caps for Clad Aluminum Standoffs are supplied with a 3/8"-16 x 1" (25.4 mm) Stainless Steel Allen Screw, one Washer with molded sleeve, and one plain Washer. A hole in the side of the Cap is provided for tightening or loosening the Cap to the Standoff Base. Available in brushed or polished 316 stainless finishes to match our 1-1/2" (38.1 mm) Standoff Bases. Panels require a 5/8" (16 mm) diameter hole for assembly.



1-1/2" (38.1 MM) ROUND CAP ASSEMBLY

CAT. NO.	FINISH
ACSC112BS	Brushed 316 Stainless
ACSC112PS	Polished 316 Stainless

Minimum order: 1 each. All Standoff Caps can be combined for quantity pricing.

1-1/2" (38.1 MM) REPLACEMENT WASHERS

CAT. NO.	DESCRIPTION
CWK112	Vinyl Washer Set

Minimum order: 1 pack.

CRL Low Profile Cap Assemblies **new**

- Recommended for Desktops or Tables Where a Low Profile Design is Preferred
- Matches Our 1-1/2" (38.1 mm) Stainless Steel and Clad Aluminum Standoff Bases

CRL's new 316 Stainless Steel Low Profile Cap Assemblies are perfect for applications where a low profile design is both practical and preferred. Supplied with the same components as our Standard Cap Assemblies, Low Profile Caps are tightened by placing a flat neoprene pad on the surface of the Cap, applying pressure, and turning until tight.



1-1/2" (38.1 MM) LOW PROFILE CAP ASSEMBLY

CAT. NO.	FINISH
LPC112BS	Brushed 316 Stainless
LPC112PS	Polished 316 Stainless

Minimum order: 1 each. All Standoff Caps can be combined for quantity pricing.

CRL Standoff System Accessories for 1-1/2" (38.1 mm) Diameter Standoffs



Concrete Anchor

Hanger Bolt

Threaded Rod

Stainless Steel Allen Screws are available in incremental lengths from 1" (25.4 mm) to 2" (50.8 mm) for 1-1/2" (38.1 mm) diameter Standoffs.

ALLEN SCREWS

CAT. NO.	FINISH	SIZE
AS381	Stainless Steel	3/8"-16 x 1" (25.4 mm)
AS38114	Stainless Steel	3/8"-16 x 1-1/4" (31.7 mm)
AS38112	Stainless Steel	3/8"-16 x 1-1/2" (38.1 mm)
AS38134	Stainless Steel	3/8"-16 x 1-3/4" (44.4 mm)
AS382	Stainless Steel	3/8"-16 x 2" (50.8 mm)

Minimum order: 10 each. Must be ordered in increments of 10.

Full 36" (914 mm) lengths of stainless or zinc Threaded Rod will permit you to cut Rod to desired length.

THREADED RODS

CAT. NO.	FINISH	SIZE
TR3816X36S	Stainless	3/8"-16 x 36" (914 mm)
TR3816X36Z	Zinc	3/8"-16 x 36" (914 mm)

Minimum order: 1 each.

Hex and Nylock Hex Nuts are used with Allen Screws or Threaded Rod for securing 1-1/2" (38.1 mm) diameter Standoffs.

HEX AND NYLOCK HEX NUTS

CAT. NO.	FINISH	TYPE	SIZE
HN3816S	Stainless	Hex	3/8"-16
HN3816Z	Zinc	Hex	3/8"-16
NLN3816S	Stainless	Nylock	3/8"-16
NLN3816Z	Zinc	Nylock	3/8"-16

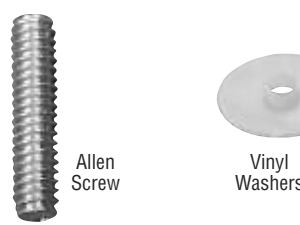
Minimum order: 10 each. Must be ordered in increments of 10.

Flat and Lock Washers are used when attaching Standoffs to panels or substrates. Available in two finishes.

FLAT AND LOCK WASHERS

CAT. NO.	FINISH	TYPE	SIZE
FW38S	Stainless	Flat	3/8"-16
FW38Z	Zinc	Flat	3/8"-16
LW38S	Stainless	Lock	3/8"-16
LW38Z	Zinc	Lock	3/8"-16

Minimum order: 10 each. Must be ordered in increments of 10.



Allen Screw

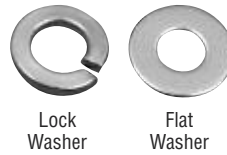
Vinyl Washers

Hanger Bolt Drivers make installing Hanger Bolts into wood studs a breeze.

HANGER BOLT DRIVER

CAT. NO.	SIZE
165HB616	3/8" - 16

Minimum order: 1 each.



Lock Washer

Flat Washer



CAT. NO. ASW12
Adjustable Strap Wrench to install Standoff Bases without damaging surface finish



Nylock Hex Nut

Hex Nut

Tee Nut

Acorn Nut

STANDOFF WRENCH

The Standoff Wrench provides a quick and efficient method of tightening and loosening the Cap Assembly of Round Standoffs from 1-1/2" (38.1 mm) to 2" (50.8 mm) in diameter. Minimum order is one each.



CAT. NO. SSW12

Hanger Bolts are available in both stainless and zinc, and can be used in wood, or with plastic anchors.

HANGER BOLTS

CAT. NO.	FINISH	SIZE
HB38112S	Stainless	3/8"-16 x 1-1/2" (38.1 mm)
HB38112Z	Zinc	3/8"-16 x 1-1/2" (38.1 mm)
HB38212S	Stainless	3/8"-16 x 2-1/2" (63.5 mm)
HB38212Z	Zinc	3/8"-16 x 2-1/2" (63.5 mm)

Minimum order: 1 each for Stainless; 10 each for Zinc.

Acorn Nuts are commonly used on Hanger Bolts to protect the thread during installation. Tee Nuts are mainly used in wood or plywood applications where they can be installed on the back side. Tee Nuts accept Allen Screws or Threaded Rod.

ACORN AND TEE NUTS

CAT. NO.	FINISH	TYPE	SIZE
ACN3816S	Stainless	Acorn	3/8"-16
ACN3816Z	Zinc	Acorn	3/8"-16
TN3816Z	Zinc	Tee	3/8"-16

Minimum order: 10 each. Must be ordered in increments of 10.

Use the Concrete Anchor when securing the Standoff Base to a cement or stone wall. Requires 7/16" (11 mm) hole in concrete.

CONCRETE ANCHORS

CAT. NO.	SIZE
CA3816	3/8"-16

Minimum order: 1 each.

Vinyl Washers for 1-1/2" (38.1 mm) diameter Standoffs. Set consists of two washers, one with a grommet.

VINYL WASHERS

CAT. NO.	SIZE
CWK112	Washer Set for 1-1/2" (38.1 mm) Standoffs

Minimum order: 1 pack.

CRL 2" (50.8 mm) Diameter 316 Stainless Steel Standoff System

- Available in Brushed and Polished 316 Stainless Steel in Six Standard Lengths
- Secured With 3/8"-16 Threaded Stud
- Custom Sizes and Finishes Are Also Available



CRL's 2" (50.8 mm) Diameter Standoffs are available in Brushed or Polished 316 Stainless in a range of standard lengths from 1/2" to 4" (12.7 to 101.6 mm). They are frequently used to attach heavy glass, granite, and marble to cabinet tops and kitchen islands, a very popular trend in modern homes.

CRL has the ability to produce custom size Standoffs in different sizes, thread configurations, and finishes. This means you can always have the Standoff you need to suit your customer's requirements.



CRL 2" (50.8 mm) Diameter Standoff Bases

Due to the diversity of applications, weight limitations for Standoff Systems are dependent upon wall or substrate anchoring and material strengths.

CRL's 2" (50.8 mm) Diameter Standoff Bases can be mounted using the 3/8"-16 thread Allen Screws, Threaded Rods, or Hanger Bolts shown on page P663. They are 3/8"-16 threaded up to 1" (25.4 mm) deep at both ends, and stocked in six standard lengths from 1/2" to 4" (12.7 to 101.6 mm) in Brushed or Polished 316 Stainless. Cap Assemblies (shown below) must be ordered separately.

2" (50.8 MM) DIAMETER STANDOFF BASES

LENGTH	BRUSHED 316 STAINLESS CAT. NO.	POLISHED 316 STAINLESS CAT. NO.
1/2" (12.7 mm)	SOB212BS	SOB212PS
3/4" (19 mm)	SOB234BS	SOB234PS
1" (25.4 mm)	SOB21BS	SOB21PS
1-1/2" (38.1 mm)	SOB2112BS	SOB2112PS
2" (50.8 mm)	SOB22BS	SOB22PS
4" (101.6 mm)	SOB24BS	SOB24PS

Minimum order: 1 each. All Standoff Bases can be combined for quantity pricing.



- Two 316 Stainless Finishes
- Six Standard Lengths



CRL Cap Assemblies for 2" (50.8 mm) Diameter Standoffs

- Two 316 Stainless Finishes

CRL's 2" (50.8 mm) Standoff Caps are supplied with a 3/8"-16 x 1" (25.4 mm) Stainless Steel Allen Screw, one Washer with molded sleeve, and one plain Washer. They come in Brushed or Polished 316 Stainless finishes to match our 2" (50.8 mm) Diameter Standoff Bases. A hole in the side of the Cap is provided for tightening the Cap to the Standoff Base.



2" (50.8 MM) ROUND CAP ASSEMBLY

CAT. NO.	FINISH
CAP2BS	Brushed 316 Stainless
CAP2PS	Polished 316 Stainless

Minimum order: 1 each. All Standoff Caps can be combined for quantity pricing.

2" (50.8 MM) REPLACEMENT WASHERS

CAT. NO.	DESCRIPTION
CWK2	Vinyl Washer Set

Minimum order: 1 pack.

CRL Low Profile Cap Assemblies

- Recommended for Desktops or Tables Where a Low Profile Design is Preferred
- Matches Our 2" (50.8 mm) Standoff Bases

CRL's new 316 Stainless Steel Low Profile Cap Assemblies are perfect for applications where a low profile design is both practical and preferred. Supplied with a same components as our Standard Cap Assemblies, Low Profile Caps are tightened by placing a flat neoprene pad on the surface of the Cap, applying pressure, and turning until tight.

new



2" (50.8 MM) LOW PROFILE CAP ASSEMBLY

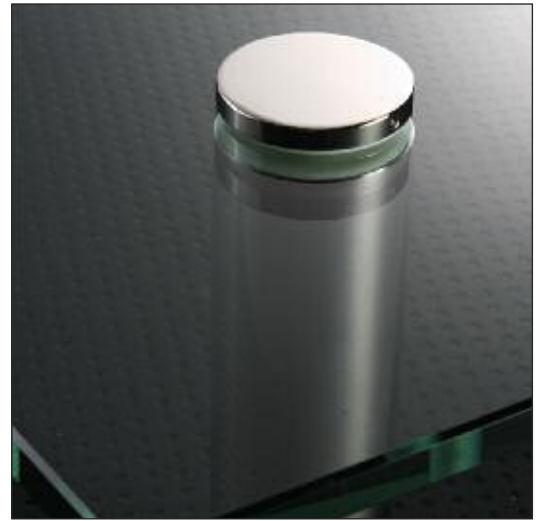
CAT. NO.	FINISH
LPC2BS	Brushed 316 Stainless
LPC2PS	Polished 316 Stainless

Minimum order: 1 each. All Standoff Caps can be combined for quantity pricing.

CRL 2" (50.8 mm) Diameter Clad Aluminum Standoffs

- Clad in Brushed and Polished 316 Stainless Steel in Five Standard Lengths
- Secured With 3/8"-16 Threaded Stud
- Lightweight and Versatile

new



CRL's 2" (50.8 mm) Clad Aluminum Standoffs have an aluminum core and are beautifully clad in 316 stainless steel. This results in a lightweight product which can be used for most interior applications requiring Standoffs and Cap Assemblies. The Bases are available clad in both brushed and polished 316 stainless, and range in length from 1" to 6" (25.4 to 152.4 mm). These Standoffs are ideal for almost any horizontal application requiring the attachment of glass or granite tops to cabinetry or lighter weight panels to vertical substrates.

Note: Clad Aluminum Standoffs are not recommended for exterior or architectural applications.

CRL 2" (50.8 mm) Diameter Clad Aluminum Standoff Bases

Due to the diversity of applications, weight limitations for Standoff Systems are dependent upon wall or substrate anchoring and material strengths.

CRL's 2" (50.8 mm) Diameter Clad Aluminum Standoff Bases have 3/8"-16 threads. 1" and 1-1/2" (25.4 and 38.1 mm) lengths are drilled and tapped through; the 2" (50.8 mm) to 6" (152.4 mm) lengths have 1" (25.4 mm) deep threads at both ends. They can be mounted using 3/8"-16 threaded Allen Screws, Threaded Rods, or Hanger Bolts shown on page P663. Five standard lengths from 1" to 6" (25.4 to 152.4 mm) are stocked in brushed or polished 316 stainless. Cap Assemblies (shown below) must be ordered separately.

1-1/2" (38.1 MM) DIAMETER STANDOFF BASES

LENGTH	BRUSHED 316 STAINLESS CAT. NO.	POLISHED 316 STAINLESS CAT. NO.
1" (25.4 mm)	ACSB21BS	ACSB21PS
1-1/2" (38.1 mm)	ACSB2112BS	ACSB2112PS
2" (50.8 mm)	ACSB22BS	ACSB22PS
4" (101.6 mm)	ACSB24BS	ACSB24PS
6" (152.4 mm)	ACSB26BS	ACSB26PS

Minimum order: 1 each. All Standoff Bases can be combined for quantity pricing.



- Clad in Two 316 Stainless Finishes
- Five Standard Lengths



CRL Cap Assemblies for 2" (50.8 mm) Diameter Clad Aluminum Standoffs

- Two 316 Stainless Finishes

CRL's 2" (50.8 mm) Caps for Clad Aluminum Standoffs are supplied with a 3/8"-16 x 1" (25.4 mm) Stainless Steel Allen Screw, one Washer with molded sleeve, and one plain Washer. A hole in the side of the Cap is provided for tightening or loosening the Cap to the Standoff Base. Available in brushed or polished 316 stainless finishes to match our 2" (50.8 mm) Standoff Bases. Requires drilling a 5/8" (16 mm) diameter hole in the panel for assembly.



2" (50.8 MM)

ROUND CAP ASSEMBLY

CAT. NO.	FINISH
ACSC2BS	Brushed 316 Stainless
ACSC2PS	Polished 316 Stainless

2" (50.8 MM)

REPLACEMENT WASHERS

CAT. NO.	DESCRIPTION
CWK2	Vinyl Washer Set

Minimum order: 1 pack.

Minimum order: 1 each. All Standoff Caps can be combined for quantity pricing.

CRL Low Profile Cap Assemblies

- Recommended for Desktops or Tables Where a Low Profile Design is Preferred
- Matches Our 2" (50.8 mm) Standoff Bases

new

CRL's new 316 Stainless Steel Low Profile Cap Assemblies are perfect for applications where a low profile design is both practical and preferred. Supplied with the same components as our Standard Cap Assemblies, Low Profile Caps are tightened by placing a flat neoprene pad on the surface of the Cap, applying pressure, and turning until tight.



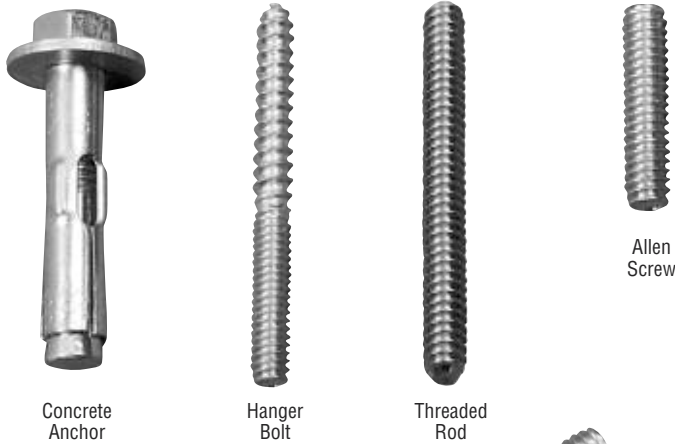
2" (50.8 MM) LOW PROFILE CAP ASSEMBLY

CAT. NO.	FINISH
LPC2BS	Brushed 316 Stainless
LPC2PS	Polished 316 Stainless

Minimum order: 1 each. All Standoff Caps can be combined for quantity pricing.



CRL Standoff System Accessories for 2" (50.8 mm) Diameter Standoffs



Stainless Steel Allen Screws are available in incremental lengths from 1" (25.4 mm) to 2" (50.8 mm) for 2" (50.8 mm) diameter Standoffs.

ALLEN SCREWS

CAT. NO.	FINISH	SIZE
AS381	Stainless Steel	3/8"-16 x 1" (25.4 mm)
AS38114	Stainless Steel	3/8"-16 x 1-1/4" (31.7 mm)
AS38112	Stainless Steel	3/8"-16 x 1-1/2" (38.1 mm)
AS38134	Stainless Steel	3/8"-16 x 1-3/4" (44.4 mm)
AS382	Stainless Steel	3/8"-16 x 2" (50.8 mm)

Minimum order: 10 each. Must be ordered in increments of 10 each.

Full 36" (914 mm) lengths of stainless or zinc Threaded Rod will permit you to cut Rod to desired length.

THREADED RODS

CAT. NO.	FINISH	SIZE
TR3816X36S	Stainless	3/8"-16 x 36" (914 mm)
TR3816X36Z	Zinc	3/8"-16 x 36" (914 mm)

Minimum order: 1 each.

Hex and Nylock Hex Nuts are used with Allen Screws or Threaded Rod for securing 2" (50.8 mm) diameter Standoffs.

HEX AND NYLOCK HEX NUTS

CAT. NO.	FINISH	TYPE	SIZE
HN3816S	Stainless	Hex	3/8"-16
HN3816Z	Zinc	Hex	3/8"-16
NLN3816S	Stainless	Nylock	3/8"-16
NLN3816Z	Zinc	Nylock	3/8"-16

Minimum order: 10 each. Must be ordered in increments of 10 each.

Flat and Lock Washers are used when attaching Standoffs to panels or substrates. Available in two finishes.

FLAT AND LOCK WASHERS

CAT. NO.	FINISH	TYPE	SIZE
FW38S	Stainless	Flat	3/8"-16
FW38Z	Zinc	Flat	3/8"-16
LW38S	Stainless	Lock	3/8"-16
LW38Z	Zinc	Lock	3/8"-16

Minimum order: 10 each. Must be ordered in increments of 10 each.



Nylock Hex Nut

Hex Nut

Tee Nut

Acorn Nut



Vinyl Washers



Lock Washer



Flat Washer

Hanger Bolt Drivers make installing Hanger Bolts into wood studs a breeze.

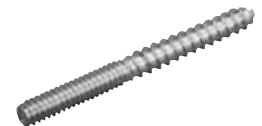


HANGER BOLT DRIVER

CAT. NO.	SIZE
165HB616	3/8" - 16

Minimum order: 1 each.

Hanger Bolts are available in both stainless and zinc, and can be used in wood, or with plastic anchors.



HANGER BOLTS

CAT. NO.	FINISH	SIZE
HB38112S	Stainless	3/8"-16 x 1-1/2" (38.1 mm)
HB38112Z	Zinc	3/8"-16 x 1-1/2" (38.1 mm)
HB38212S	Stainless	3/8"-16 x 2-1/2" (63.5 mm)
HB38212Z	Zinc	3/8"-16 x 2-1/2" (63.5 mm)

Minimum order: 1 each for Stainless; 10 each for Zinc.

Acorn Nuts are commonly used on Hanger Bolts to protect the thread during installation. Tee Nuts are mainly used in wood or plywood applications where they can be installed on the back side. Tee Nuts accept Allen Screws or Threaded Rod.



Acorn Nut

Tee Nut

ACORN AND TEE NUTS

CAT. NO.	FINISH	TYPE	SIZE
ACN3816S	Stainless	Acorn	3/8"-16
ACN3816Z	Zinc	Acorn	3/8"-16
TN3816Z	Zinc	Tee	3/8"-16

Minimum order: 10 each. Must be ordered in increments of 10 each.

Use the Concrete Anchor when securing the Standoff Base to a concrete or stone wall. Requires 7/16" (11 mm) hole in concrete.



CONCRETE ANCHORS

CAT. NO.	SIZE
CA3816	3/8" - 16

Minimum order: 1 each.

Vinyl Washers for 2" (50.8 mm) diameter Standoffs. Set consists of two washers, one with a grommet.



VINYL WASHERS

CAT. NO.	DESCRIPTION
CWK2	Washer Set for 2" (50.8 mm) Standoffs

Minimum order: 1 pack.

CRL Stainless Steel Counter Top Post Supports

- Contemporary Brushed Stainless Steel Design
- Choose From Two Distinct Post Patterns
- Also Available in Custom Lengths and Finishes

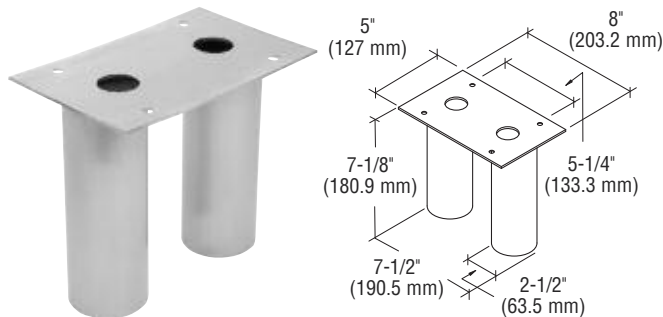


CRL Stainless Steel Round and Tapered Post Supports are uniquely engineered to provide maximum support that is distinctively styled for contemporary kitchen and family room designs. CRL is now your source for Supports and Posts installed into granite, travertine, Corian®, marble, wood, and other counter top materials. These Post Supports have a brushed stainless finish, and soft lines that will match your customer's stainless steel appliances and fixtures. The mounting plate surrounds the Post Supports for maximum strength, and provides for quick and easy installations.

Both styles of Post Supports ship with all required mounting hardware. Custom lengths and finishes are available upon request. For additional information, contact CRL Technical Sales at (800) 421-6144 in the U.S., (877) 421-6144 from Canada, or (323) 588-1281 International, and ask for Ext. 7760. You can also e-mail us through our web site at crlaurence.com. From the home page click on Contact Us, and then click on Technical Sales for Hospitality Products.

CRL Round Stainless Steel Post Supports

- Integrated Design and Appearance Combined With Quality Construction Throughout

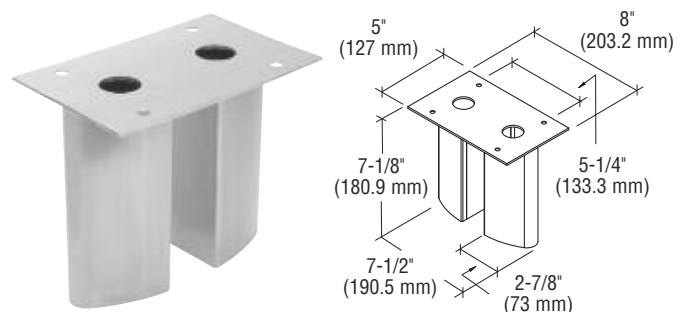


CRL's Round Stainless Steel Post Supports feature a welded mounting plate for added strength. The contemporary design gives kitchen or family room counters a unique appearance. The sturdy 7-1/8" (180.9 mm) high by 2-1/2" (63.5 mm) diameter tubing is easily installed and will highlight counter tops made of granite, Corian® or other materials. Minimum order is one each.

CAT. NO. SPS6R

CRL Tapered Stainless Steel Post Supports

- Distinctively Styled Twin Posts in a Brushed Stainless Finish



CRL's Tapered Stainless Steel Post Supports are engineered and fabricated to the same quality CRL specifications as our Round Post Supports, but provide a soft, distinctive design. These new and innovative products from CRL will provide an elegant appearance and years of reliable service. Minimum order is one each.

CAT. NO. SPS6T

CRL Stainless Steel Supports for Granite, Marble, and Other Counter Materials

• Patent Pending

- Unique, Elegantly Styled Mounting System Provides Maximum Support
- Custom Sizes and Finishes Available

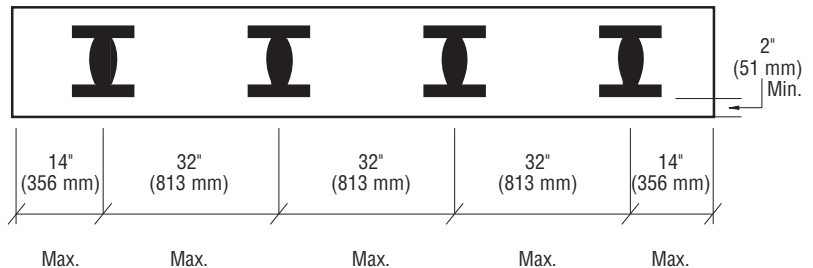
CRL introduces two new Stainless Steel Supports for granite, Corian®, wood, tile, concrete, and stone. New and innovative designs for kitchens and bathrooms always seem to incorporate granite, Corian® or marble tops for counters and tables, and installation methods to make the room look unique and elegant are in demand.

The most recent kitchen designs feature stainless steel appliances and fixtures. CRL's new brushed stainless Vertical and Angled Steel Supports are designed to combine all the contemporary features in the room to provide a coordinated appearance. CRL's Steel Supports are also designed for ease of installation. Each pack contains all the required hardware to install the Support. Custom lengths and finishes are available by special quote.

For additional information, contact CRL Technical Sales at (800) 421-6144 in the U.S., (877) 421-6144 from Canada, or (323) 588-1281 International, and ask for Ext. 7760. You can also e-mail us through our web site at crlaurence.com. From the home page click on Contact Us, and then click on Technical Sales for Hospitality Products.



Installation Guidelines

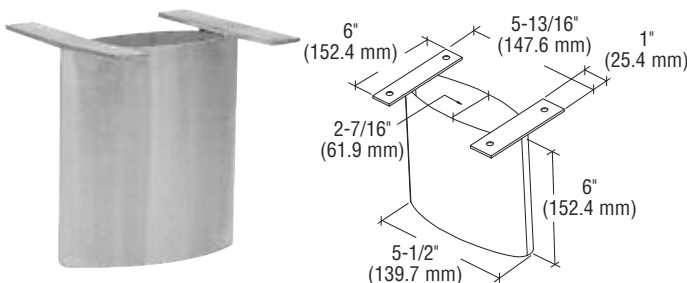


Measure top of bar to determine the number of Supports required. Maximum recommended distance from ends is 14" (356 mm) on center. Distance between center Supports should be no greater than 32" (813 mm) on center. Minimum distance from the edge of the bar top is 2" (51 mm), as shown above.



CRL Vertical Stainless Steel Supports

- Designed for Ease of Installation

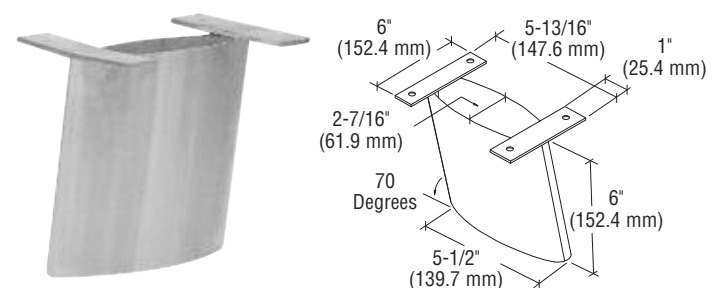


CRL's traditional Vertical Supports are 6" (152.4 mm) high by 5-1/2" (139.7 mm) wide, and can be installed directly onto a wood or stone base. Supports easily hold another stone slab over the bottom surface. These beautifully designed Supports easily integrate with stainless steel kitchen appliances and surfaces. Minimum order is one each.

CAT. NO. SCS6V

CRL Angled Stainless Steel Supports

- Elegantly Styled and Sturdy



CRL's Angled Supports have the same height and width dimensions as the Vertical Support, but project at a 2" (51 mm) angle from bottom to top for installation of cantilevered stone bar tops. These elegantly styled Supports will provide the finishing touch for custom granite counters. Minimum order is one each.

CAT. NO. SCS6A

CRL Universal Swivel Fittings Systems



Column Series Swivel Fittings
See pages P669 to P672



Arch Series Swivel Fittings
See pages P673 to P674

Styles of Swivel Fittings

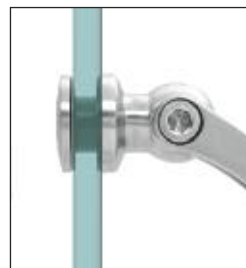
- Column or Arch Style Fittings Available in Wall-to-Glass or Glass-to-Glass Models
- Brushed Stainless Finish
- Swivels to Fit Different Angles
- Choose Surface or Flush Mount Glass Fasteners (Sold Separately)

CRL has developed two new styles of Swivel Fittings. Our Column Style and Arch Style Fittings are used for wall or floor-to-glass applications, and glass-to-glass applications. Surface or Flush Glass Attachments are sold separately. This gives you a choice, depending on your needs. See below for more information.

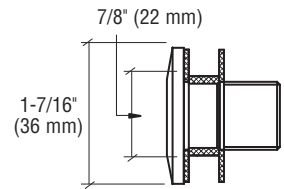
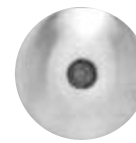
CRL Cap Attachment Choices

- Choose Surface or Flush Mount Glass Fasteners (Sold Separately)
- Fits Both Column and Arch Style Swivel Fittings
- Brushed Stainless Finish
- Glass Fabrication Required to Install

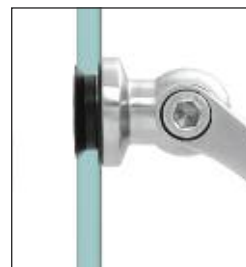
CRL realized that, depending on the use of the Swivel Fitting, different glass attachments might be needed. Many times glass in the horizontal position is used as a counter top or shelf where a flush surface is desired. For this application use our Flush Style Attachment Caps. Other times flush surfaces are not needed, and a Surface Style Attachment Cap will suffice. Glass fabrication costs are reduced with the Surface Style Glass Attachment Cap because no countersinking is required. Thread pitch is M18 x 1 mm. Minimum order is one each.



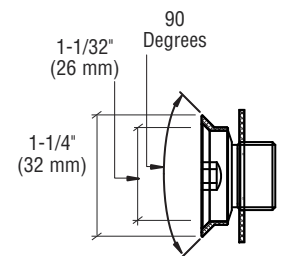
Surface Style Cap Attachment



CAT. NO. SGF36CAP

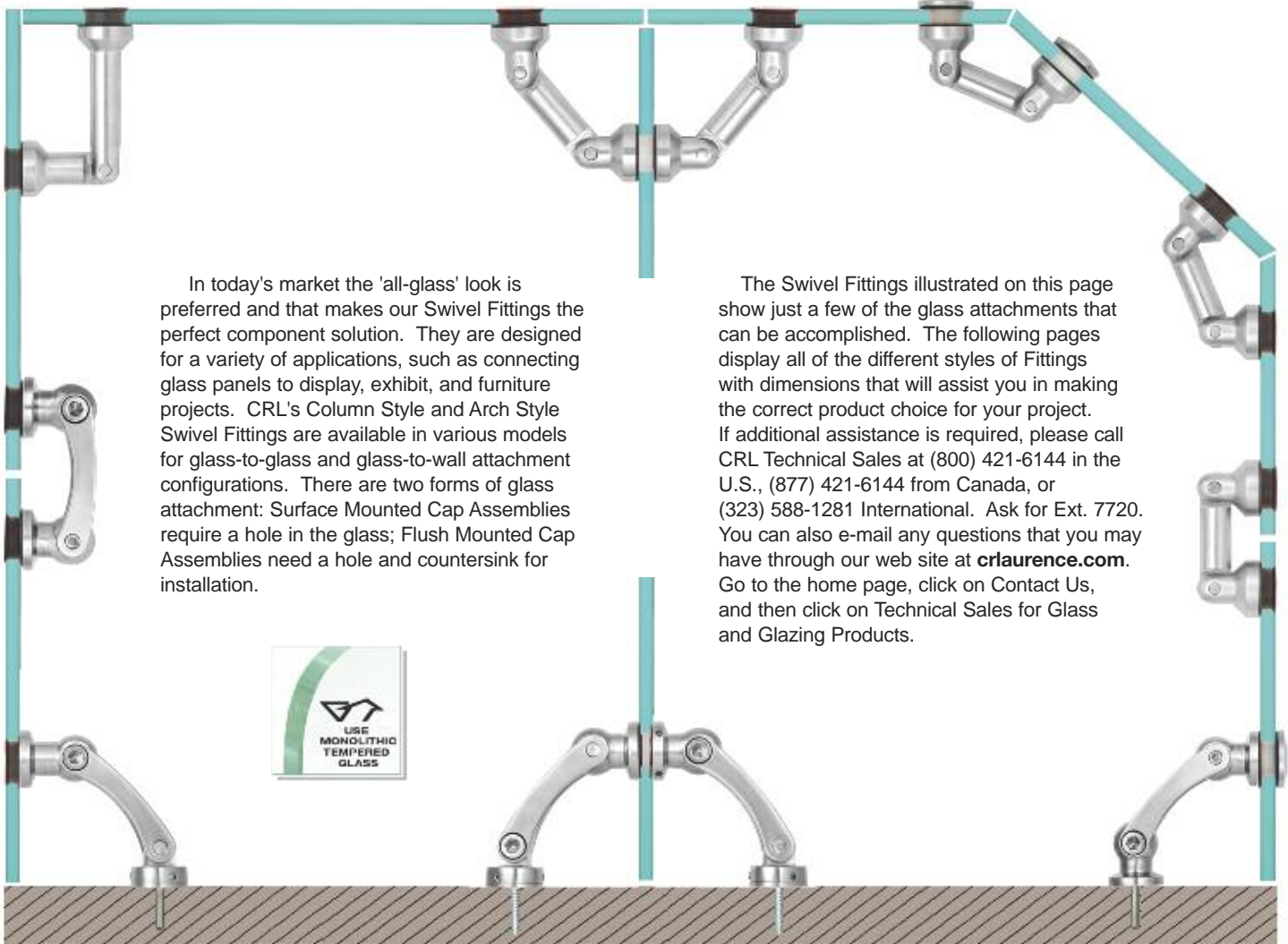
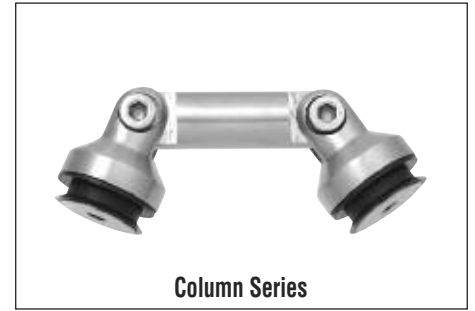
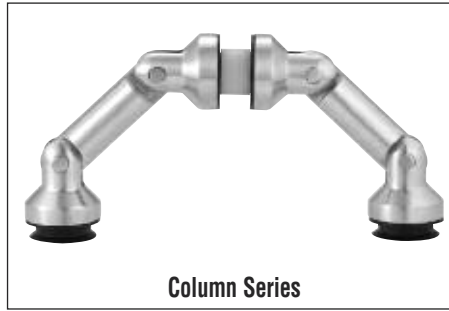
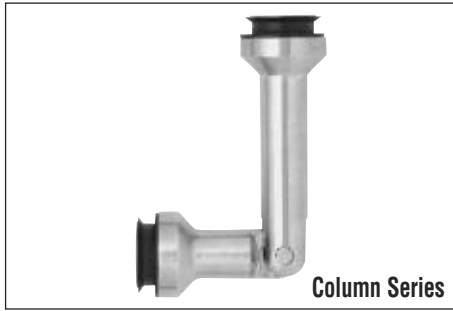


Flush Style Cap Attachment



CAT. NO. SGF32CS

Typical Applications for CRL Swivel Fittings

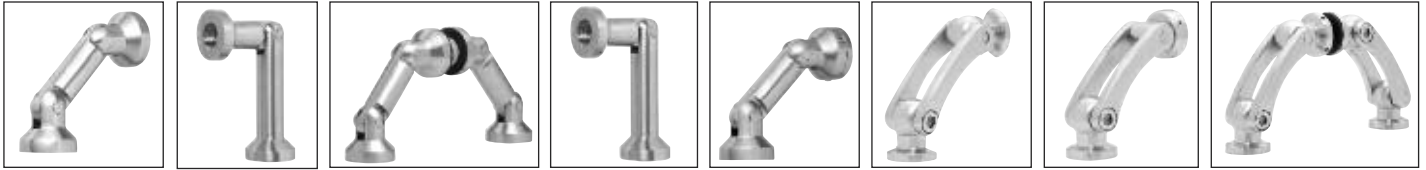


In today's market the 'all-glass' look is preferred and that makes our Swivel Fittings the perfect component solution. They are designed for a variety of applications, such as connecting glass panels to display, exhibit, and furniture projects. CRL's Column Style and Arch Style Swivel Fittings are available in various models for glass-to-glass and glass-to-wall attachment configurations. There are two forms of glass attachment: Surface Mounted Cap Assemblies require a hole in the glass; Flush Mounted Cap Assemblies need a hole and countersink for installation.

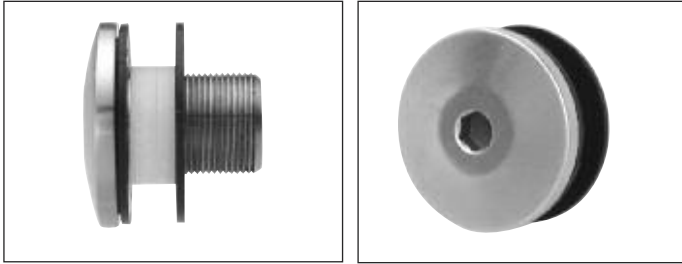
The Swivel Fittings illustrated on this page show just a few of the glass attachments that can be accomplished. The following pages display all of the different styles of Fittings with dimensions that will assist you in making the correct product choice for your project. If additional assistance is required, please call CRL Technical Sales at (800) 421-6144 in the U.S., (877) 421-6144 from Canada, or (323) 588-1281 International. Ask for Ext. 7720. You can also e-mail any questions that you may have through our web site at crlaurence.com. Go to the home page, click on Contact Us, and then click on Technical Sales for Glass and Glazing Products.



CRL Cap Assemblies for Column and Arch Series Swivel Fittings



CRL Surface Mount Cap Assembly

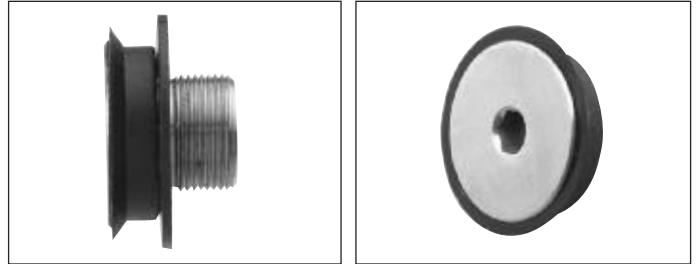


CRL Surface Mount Cap Assemblies work with eight different Column or Arch Swivel Fittings. Each Cap is supplied with all necessary gaskets. Fittings are tightened with a 6 mm Allen wrench (not supplied). Thread pitch is M18 x 1 mm. See below for glass fabrication requirements.

CAT. NO.	DIAMETER	FINISH
SGF36CAP	1-7/16" (36 mm)	Brushed Stainless

Minimum order: 1 each. All Swivel Fittings can be combined for quantity pricing.

CRL Flush Mount Cap Assembly

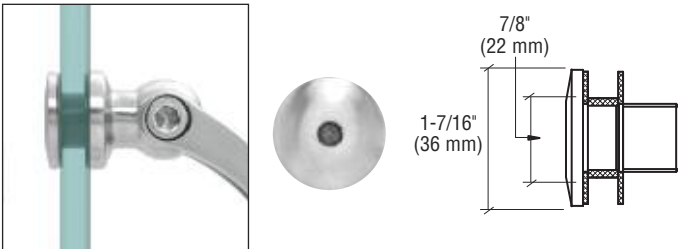


CRL Flush Mount Cap Assemblies work with eight different Column or Arch Swivel Fittings. Each Cap is supplied with all necessary gaskets. Fittings are tightened with a 6 mm Allen wrench (not supplied). Thread pitch is M18 x 1 mm. See below for glass fabrication requirements.

CAT. NO.	DIAMETER	FINISH
SGF32CS	1-1/4" (32 mm)	Brushed Stainless

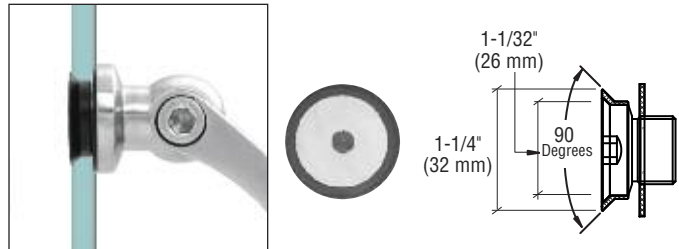
Minimum order: 1 each. All Swivel Fittings can be combined for quantity pricing.

Glass Fabrication Requirements



For CRL Surface Mount Caps use our Cat. No. PDT78 7/8" (22 mm) diameter Metal Bond Diamond Drill to make the required hole. Glass thickness range is 3/8" to 1/2" (10 to 12 mm).

Glass Fabrication Requirements



For CRL Flush Mount Caps use our Cat. No. PDT1 1" (26 mm) diameter Metal Bond Diamond Drill to make the required hole, and Cat. No. BDC112 1-1/2" (38 mm) diameter Belgian Mount Diamond Countersink for the desired countersink depth, stopping at 1-1/4" (32 mm) diameter. Glass thickness range is 3/8" to 1/2" (10 to 12 mm).

CRL Offers Engineering and Design Assistance



CRL has Technical Sales and Engineering Personnel to assist you in your design and installation plans. Call (800) 421-6144 in the U.S., (877) 421-6144 from Canada, or (323) 588-1281 International. Ask for Ext. 7720.



Many times customers are capable of designing their own projects if given enough information. CRL can provide you CAD or PDF Drawings via computer or FAX. This will aid you in the placement of the Swivel Fittings.

CRL Column Series Swivel Fittings

- Available in Eight Configurations for Either Surface or Flush Glass Attachments (Sold Separately)
- Brushed Stainless Finish
- For 3/8" or 1/2" (10 to 12 mm) Glass



Surface Mount Cap Assembly



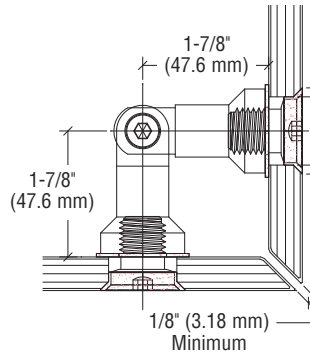
Flush Mount Cap Assembly



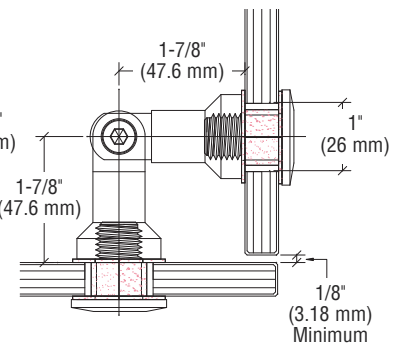
CRL's Column Series Swivel Fittings are designed to provide a simple solution to connecting pieces of glass at different angles. The Single Column Swivel Fitting gives you the option of selecting either a Surface Mount Glass Attachment Cap or a Flush Mount Glass Attachment Cap.

All Column Series Swivel Fittings will accommodate glass thicknesses from 3/8" to 1/2" (10 to 12 mm). An optional 3-15/16" (100 mm) Link is also available for those special applications. The simple design of this fitting makes for a quick and easy installation. Standard Column Series Swivel Fittings and Cap Assemblies (not included) come in brushed stainless finish.

CRL Single Pivot Glass-to-Glass Swivel Fitting



With Flush Mount Glass Cap Assemblies (Sold Separately)

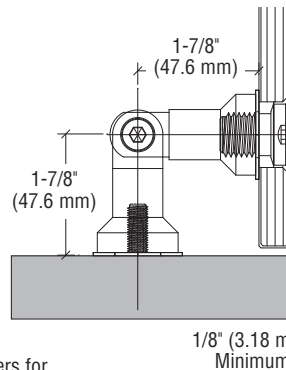


With Surface Mount Glass Cap Assemblies (Sold Separately)

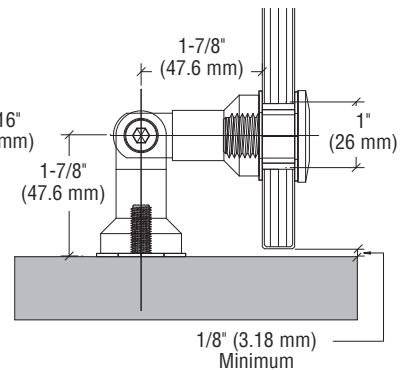
CAT. NO.	DESCRIPTION	FINISH
SGF42BGG	Single Pivot Glass-to-Glass Swivel Fitting	Brushed Stainless

Minimum order: 1 each. All Swivel Fittings can be combined for quantity pricing.

CRL Single Pivot Glass-to-Wall/ Floor Swivel Fitting



With Flush Mount Glass Cap Assembly (Sold Separately)



With Surface Mount Glass Cap Assembly (Sold Separately)

NOTE: Fasteners for wall/floor substrate attachment are not included.

CAT. NO.	DESCRIPTION	FINISH
SGF41BGW	Single Pivot Glass-to-Wall/ Floor Swivel Fitting	Brushed Stainless

Minimum order: 1 each. All Swivel Fittings can be combined for quantity pricing.

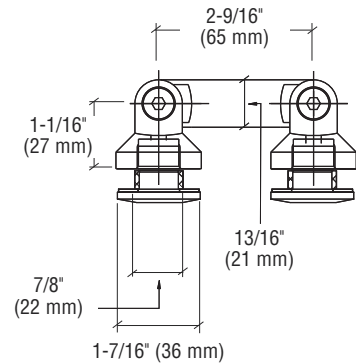
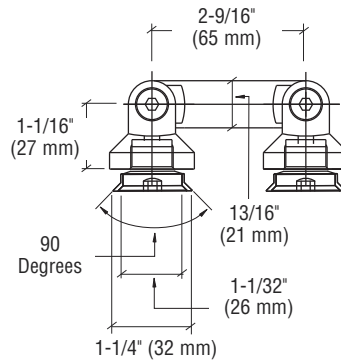
NOTE: This Fitting uses the Glass Attachments shown at the top of the page.

CRL GLASS PANEL CONNECTORS

For Pricing Visit Our Web Site or Call Us Toll Free at the Phone Numbers Shown on the Back Cover



CRL Dual Pivot Glass-to-Glass Swivel Fitting



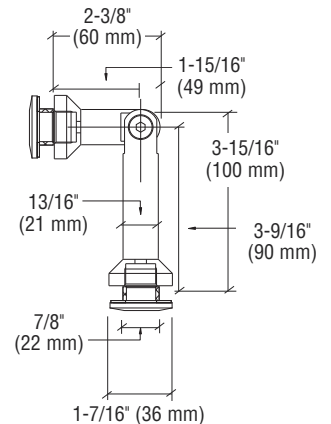
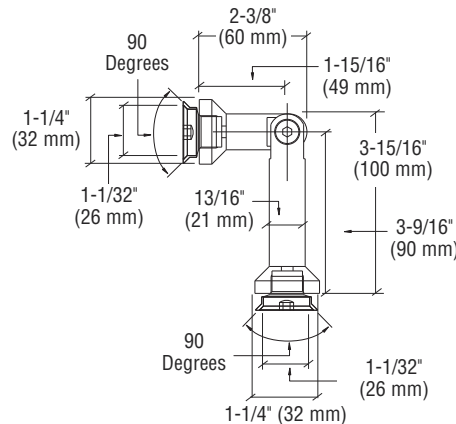
CAT. NO.	DESCRIPTION	FINISH
SGF62BGG	Dual Pivot Glass-to-Glass Swivel Fitting	Brushed Stainless

Minimum order: 1 each. All Swivel Fittings can be combined for quantity pricing.

With Flush Mounted Glass Cap Assemblies (Sold Separately)

With Surface Mounted Glass Cap Assemblies (Sold Separately)

CRL Single Pivot Glass-to-Glass Swivel Fitting



CAT. NO.	DESCRIPTION	FINISH
SGF64BGG	Single Pivot Glass-to-Glass Swivel Fitting	Brushed Stainless

Minimum order: 1 each. All Swivel Fittings can be combined for quantity pricing.

With Flush Mounted Glass Cap Assemblies (Sold Separately)

With Surface Mounted Glass Cap Assemblies (Sold Separately)



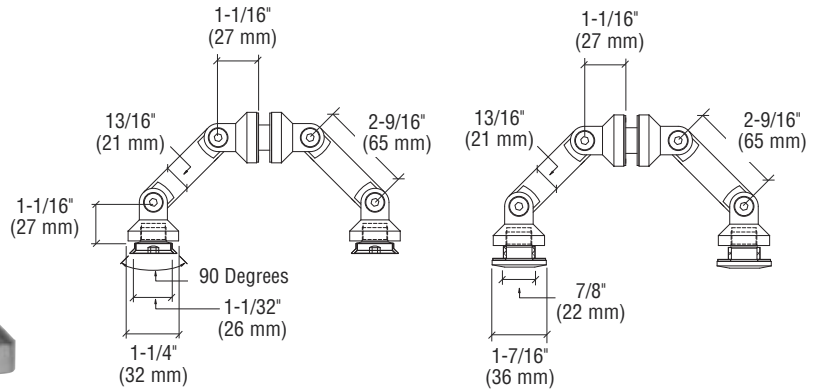
C.R. LAURENCE COMPANY

P670 | crlaurence.ca crlaurence.com.au crlaurence.co.uk crlaurence.de crlaurence.eu

crlaurence.com

CRL Column Series Swivel Fittings

CRL Glass Fin-to-Glass Swivel Fitting



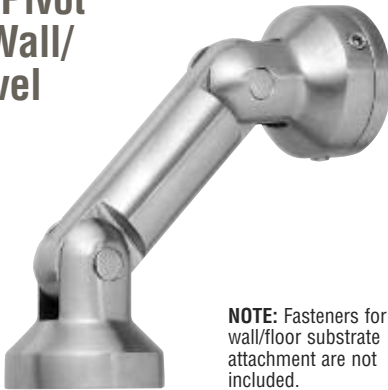
CAT. NO.	DESCRIPTION	FINISH
SGF67BGG	Glass Fin-to-Glass Swivel Fitting	Brushed Stainless

Minimum order: 1 each. All Swivel Fittings can be combined for quantity pricing.

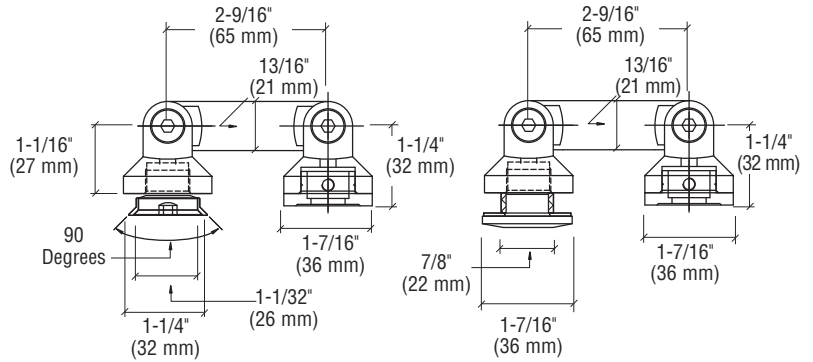
With Flush Mounted Glass Cap Assemblies (Sold Separately)

With Surface Mounted Glass Cap Assemblies (Sold Separately)

CRL Dual Pivot Glass-to-Wall/Floor Swivel Fitting



NOTE: Fasteners for wall/floor substrate attachment are not included.



CAT. NO.	DESCRIPTION	FINISH
SGF61BGW	Dual Pivot Glass-to-Wall/Floor Swivel Fitting	Brushed Stainless

Minimum order: 1 each. All Swivel Fittings can be combined for quantity pricing.

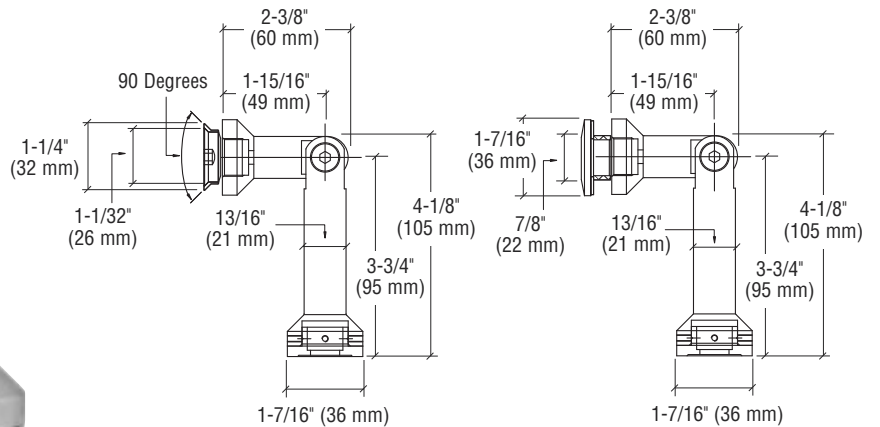
With Flush Mounted Glass Cap Assemblies (Sold Separately)

With Surface Mounted Glass Cap Assemblies (Sold Separately)

CRL Single Pivot Glass-to-Wall/Floor Swivel Fitting



NOTE: Fasteners for wall/floor substrate attachment are not included.



CAT. NO.	DESCRIPTION	FINISH
SGF63BGW	Single Pivot Glass-to-Wall/Floor Swivel Fitting	Brushed Stainless

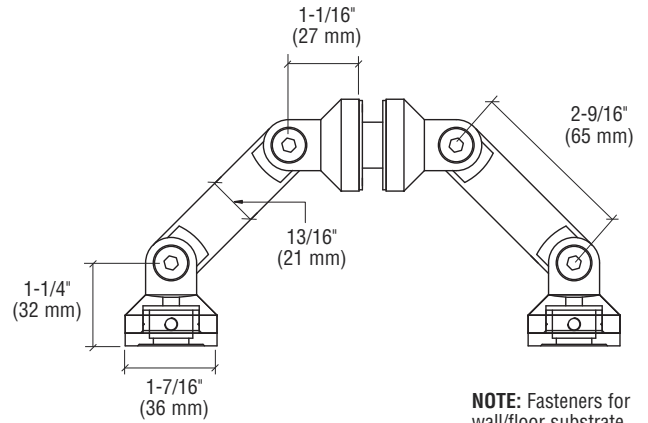
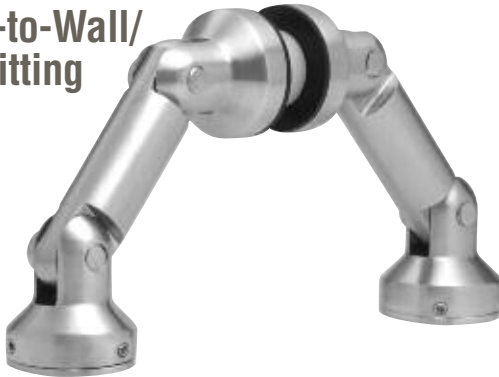
Minimum order: 1 each. All Swivel Fittings can be combined for quantity pricing.

With Flush Mounted Glass Cap Assemblies (Sold Separately)

With Surface Mounted Glass Cap Assemblies (Sold Separately)

CRL Column Series Swivel Fittings

CRL Glass Fin-to-Wall/ Floor Swivel Fitting



NOTE: Fasteners for wall/floor substrate attachment are not included.

CAT. NO.	DESCRIPTION	FINISH
SGF66BGW	Glass Fin-to-Wall/Floor Swivel Fitting	Brushed Stainless

Minimum order: 1 each. All Swivel Fittings can be combined for quantity pricing.

CRL Optional Long Link for Column Series Swivel Fittings

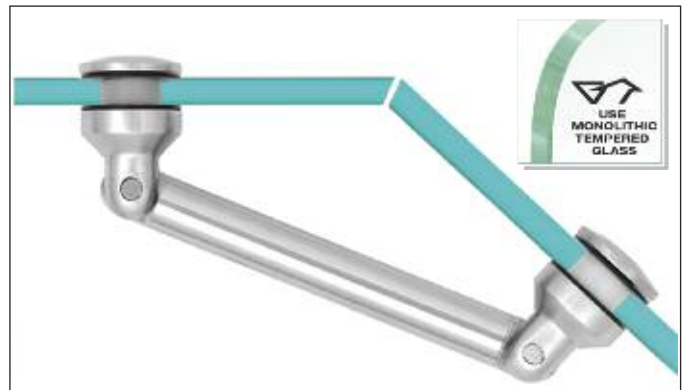
- 3-15/16" (100 mm) Length
- Easy to Replace



CRL's Optional Links are available for those situations where additional length is required between the ends of the fittings. The Link is easy to replace, and has the same brushed stainless finish as our Column Series Swivel Fittings.

CAT. NO.	DESCRIPTION	FINISH
SGF100BS	3-15/16" (100 mm) Link	Brushed Stainless

Minimum order: 1 each. All Swivel Fittings can be combined for quantity pricing.



The unique hinge design of CRL Swivel Fittings allows them to be easily installed in a number of applications.

For design assistance, contact CRL Technical Sales at (800) 421-6144 in the U.S., (877) 421-6144 from Canada, or (323) 588-1281 International. Ask for Ext. 7720.



CRL Arch Series Swivel Fittings

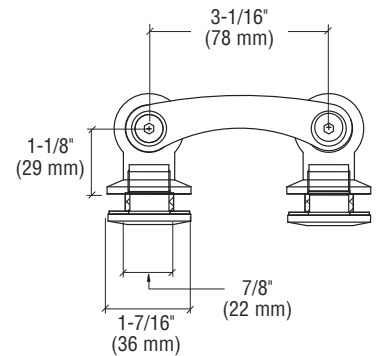
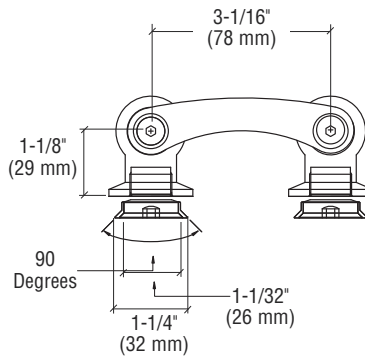
- Available in Four Configurations for Either Surface or Flush Glass Attachment Caps (Sold Separately)
- Contemporary, High Tech Design
- Brushed Stainless Finish
- For 3/8" to 1/2" (10 to 12 mm) Glass



CRL's Arch Series Swivel Fittings are designed to provide a simple solution to connecting pieces of glass at different angles. Pivot angles for the Arch Series Swivels can be adjusted and locked into position by using a 5/16" Allen wrench (not supplied). The Arch Swivel Fitting gives you the option of selecting either a Surface Mount Glass Attachment Cap or a Flush Mount Glass Attachment Cap.

These Arch Series Swivel Fittings will accommodate glass thicknesses from 3/8" to 1/2" (10 to 12 mm). The simple design of this fitting makes for a quick and easy installation. All Arch Series Swivel Fittings and Cap Assemblies (not included) come in brushed stainless finish.

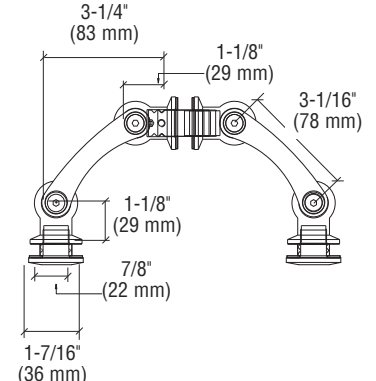
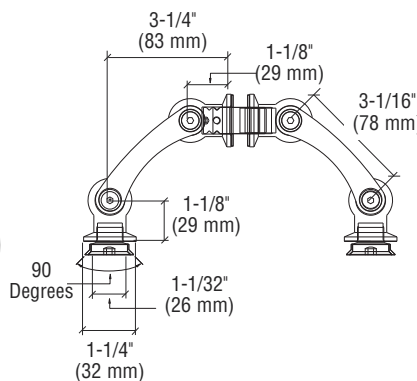
CRL Dual Pivot Glass-to-Glass Swivel Fitting



CAT. NO.	DESCRIPTION	FINISH
SGF02BGG	Dual Pivot Glass-to-Glass Swivel Fitting	Brushed Stainless

Minimum order: 1 each. All Swivel Fittings can be combined for quantity pricing.

CRL Glass Fin-to-Glass Swivel Fitting

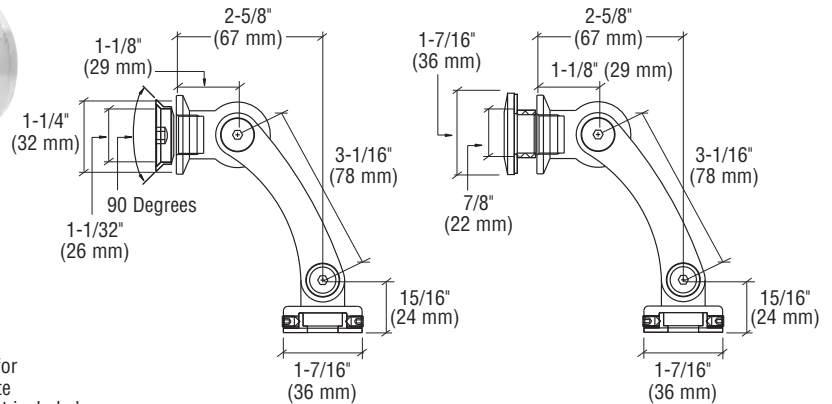


CAT. NO.	DESCRIPTION	FINISH
SGF04BGG	Glass Fin-to-Glass Swivel Fitting	Brushed Stainless

Minimum order: 1 each. All Swivel Fittings can be combined for quantity pricing.

CRL Arch Series Swivel Fittings

CRL Dual Pivot Glass-to-Wall/Floor Swivel Fitting



NOTE: Fasteners for wall/floor substrate attachment are not included.

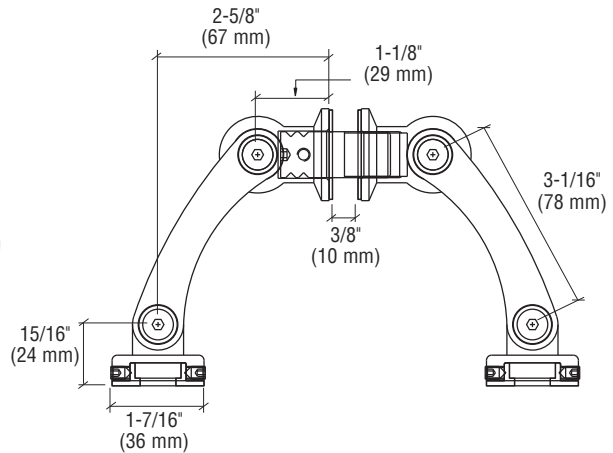
With Flush Mounted Glass Cap Assemblies (Sold Separately)

With Surface Mounted Glass Cap Assemblies (Sold Separately)

CAT. NO.	DESCRIPTION	FINISH
SGF01BGW	Dual Pivot Glass-to-Wall/Floor Swivel Fitting	Brushed Stainless

Minimum order: 1 each. All Swivel Fittings can be combined for quantity pricing.

CRL Glass Fin-to-Wall/Floor Swivel Fitting



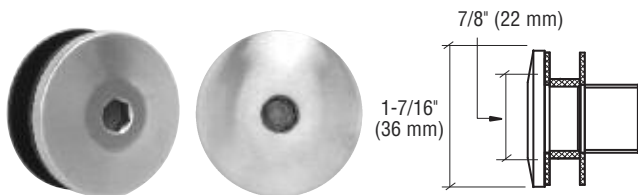
NOTE: Fasteners for wall/floor substrate attachment are not included.

CAT. NO.	DESCRIPTION	FINISH
SGF03BGW	Glass Fin-to-Wall/Floor Swivel Fitting	Brushed Stainless

Minimum order: 1 each. All Swivel Fittings can be combined for quantity pricing.

Glass Fabrication Instructions for Swivel Fitting Cap Assemblies

CRL Surface Mount Cap Assembly

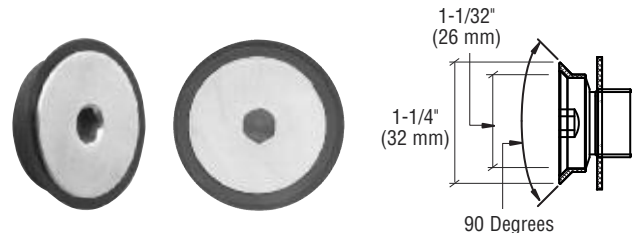


For CRL Surface Mount Caps use our Cat. No. PDT78 7/8" (22 mm) diameter Metal Bond Diamond Drill to make the required hole. Thread pitch is M18 x 1 mm. Glass thickness range is 3/8" to 1/2" (10 to 12 mm).

CAT. NO.	DIAMETER	DESCRIPTION
SGF36CAP	1-7/16" (36 mm)	Surface Mount Cap Assembly

Minimum order: 1 each. All Swivel Fittings can be combined for quantity pricing.

CRL Flush Mount Cap Assembly



For CRL Flush Mount Caps use our Cat. No. PDT1 1" (26 mm) diameter Metal Bond Diamond Drill to make the required hole, and the Cat. No. BDC112 1-1/2" (38 mm) diameter Belgian Mount Diamond Countersink for the desired countersink depth stopping at 1-1/4" (32 mm) diameter. Thread pitch is M18 x 1 mm. Glass thickness range is 3/8" to 1/2" (10 to 12 mm).

CAT. NO.	DIAMETER	DESCRIPTION
SGF32CS	1-1/4" (32 mm)	Flush Mount Cap Assembly

Minimum order: 1 each. All Swivel Fittings can be combined for quantity pricing.

CRL Angle Panel Connectors

- For Connecting Free Standing Panels From 3/16" to 3/4" (5 to 19 mm) Thick
- Available With Your Choice of Standard or Low Profile Caps
- Adjustable Angles to 300 Degrees
- Four Decorative Finishes



CRL Angle Panel Connectors are designed to connect free standing dressing screens, fireplace screens, decorative panels or retail display panels. They will work with panel thicknesses from 3/16" to 3/4" (4.7 to 19 mm), and are fully adjustable in angles up to 300 degrees.

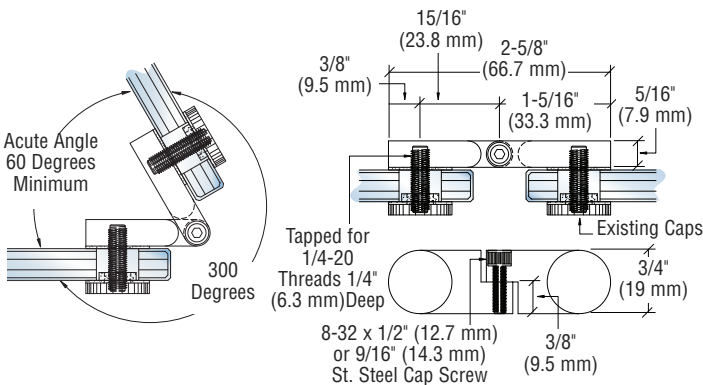
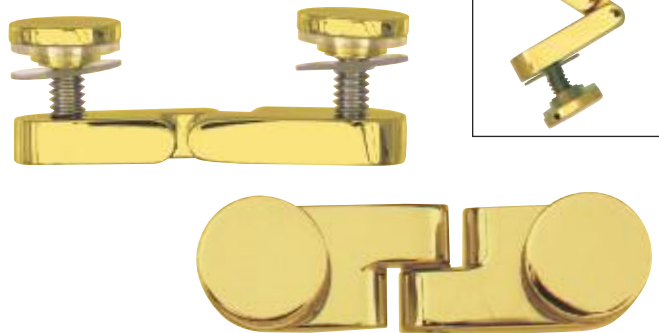
Available in four popular finishes in either standard or low profile cap designs. Angle Panel Connectors require a 1/2" (13 mm) drilled hole for installation.

Supplied with two each 1/4"- 20 x 3/4" and two each 1/4"- 20 x 1-1/4" Allen Screws to accommodate varying panel thicknesses.

NOTE: Panel thicknesses less than 3/8" (9.5 mm) will require cutting the Allen Screw.

The Standard Caps can easily be tightened using Cat. No. S0W Standoff Wrench (see page P651). The Low Profile Caps are tightened by placing a flat neoprene or rubber pad in the palm of your hand, applying pressure, and then turning.

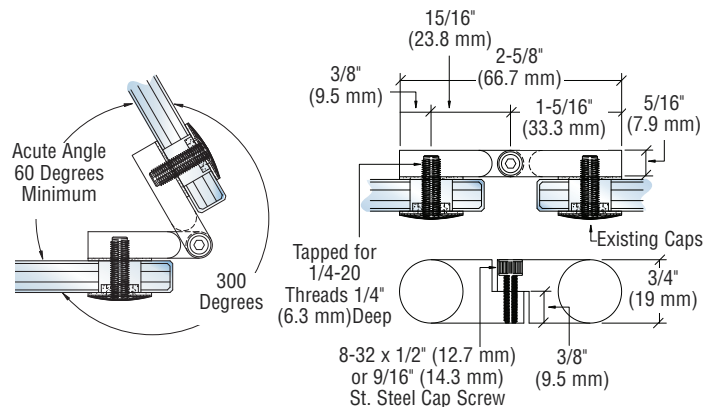
CRL Standard Cap Angle Panel Connector



CAT. NO.	CAP TYPE	FINISH
P68RCH	Standard	Chrome
P68RBR	Standard	Brass
P68RBN	Standard	Brushed Nickel
P68RORB	Standard	Oil Rubbed Bronze

Minimum order: 1 each. All Panel Connectors can be combined for quantity pricing.

CRL Low Profile Cap Angle Panel Connector



CAT. NO.	CAP TYPE	FINISH
P68FCH	Low Profile	Chrome
P68FBR	Low Profile	Brass
P68FBN	Low Profile	Brushed Nickel
P68FORB	Low Profile	Oil Rubbed Bronze

Minimum order: 1 each. All Panel Connectors can be combined for quantity pricing.

CRL Architectural Hardware

- 'All-Glass' Entrance and Storefront Systems
- Panic Handle Systems
- Structural Glass Fittings
- Commercial Patch Hardware
- Display Hardware
- Standoff Systems



Wedge-Lock™ Door and Sidelite Rails



Stacking Door System



Wedge-Lock™ Door Rails and Access Handles



Bottom Rolling Sliding Door Systems



The Contemporary 'All-Glass' Look



Patch Fittings



Door and Sidelite Rails



Heavy Glass Sliding Door Systems



Standoffs



Structural Glass Fittings



Panic Handles, Deadbolt Handles, and Electronic Egress Control Handles

ANSI/BHMA A156.3-2008 Grade 1 Panic Handle and ANSI/BHMA A156.16-1997 Deadbolt Handle for 'All-Glass' Doors



Stacking Partition System



Stacking Partition System

CRL Heavy Glass Door and Room Partition Systems



Laguna Sliding Door System



Intelli-Track™ Roller (Patent Pending)



Top Hung Single Track Sliding Door Systems



CRL Heavy Glass Wall and Room Divider Systems

Our Heavy Glass Wall and Room Divider Systems can make confined areas more open and airy, while still providing for a partition between adjacent spaces. These systems incorporate our Sidelite Rails and U-Channels, Heavy Base Shoes, Cap Rails, Concealed and Floor Mounted Door Closers, Header and Hat Channels, Door Locks and Handles. All of which can be supplied to you from any CRL regional warehouse.

For more information on these systems, or for a quote, contact CRL Technical Sales at (800) 421-6144 in the U.S., (877) 421-6144 from Canada, or (323) 588-1281 International. Ask for Ext. 7700. You can also contact us by e-mail. Go to the crlaurence.com home page and click on Contact Us, then click on Technical Sales for Commercial Products.



Heavy Glass Conference Room Walls



Heavy Glass Office Walls



Heavy Glass Office Divider Walls



Heavy Glass Office Separation Walls

CRL Base Supported Heavy Glass Windbreaks and Hand Railings

For information on these systems, ask for Ext. 7730.



Base Supported Heavy Glass Windbreaks



Base Supported Heavy Glass Hand Railings

CRL Heavy Glass Hardware Systems

CRL is an innovator in hardware systems for structural glass. Let us provide design assistance for your next heavy glass project. Contact CRL Technical Sales at (800) 421-6144 in the U.S., (877) 421-6144 in Canada, or (323) 588-1281 International. Ask for Ext. 7700. You can also send e-mail from the crlaurence.com home page. Click on Contact Us, and then click on Technical Sales for Commercial Products.



Overhead Track Bi-Fold Door Systems



Laguna Series Pivot Door Systems



Glass Awning Support Systems



Structural Glass Fittings



Patch Hardware Systems



Bottom Rolling Sliding Door Systems

CRL-Blumcraft Access Control Handles for 'All-Glass' Doors

CRL-Blumcraft manufactures a complete line of Access Control Handles for your 'all-glass' door needs. We have Panic Devices, Deadbolt Handles, and Electronic Egress Control Handles in a wide variety of configurations. We can also supply you with Dummy Handles to match these devices, allowing you to maintain the same appearance throughout the project, but without the added costs.

Please visit crlaurence.com for more information.



- Available in a Number of Standard Finishes for 1/2" (12 mm) or 3/4" (19 mm) Tempered Glass Doors
- Custom Finishes Available By Special Order
- Stock Sizes Available for Immediate Shipment
- Custom Sizes Ship Within One to Two Weeks
- Wide Selection of Exterior Fixed Handles

CRL-Blumcraft Panic Handles

- Elegant Tubular Design
- UL and ANSI/BHMA Certified



The operating mechanism concealed within the vertical tubing of our Panic Handles retracts the latch bolt when the interior actuation bar is pushed. An optional exterior Keyed Access Device can be installed to allow entry. A special dogging feature allows the doors to remain unlocked during business hours. Electronic Strikes are also available, providing a variety of secured entry options.



CRL-Blumcraft Deadbolt Handles

- Easy Secure Access
- ANSI/BHMA Certified



The locking mechanism is concealed within the vertical tubing of our Deadbolt Handles, providing easy access through the use of a variety of keying options. An optional Top Latch Roller Bolt allows the use of Electronic Strikes for controlled entry systems.



CRL-Blumcraft Electronic Egress Control Handles

- Ideal for Maintaining Security and Aesthetics
- UL Recognized Component



U.S. Patent No. 7,347,461

An electronic switch concealed within the vertical tubing of our Electronic Egress Control Handle releases the magnetic lock at the top or bottom of the door when the interior actuation bar is pushed. Please consult your local building codes as they relate to electromagnetic locking hardware acceptability.



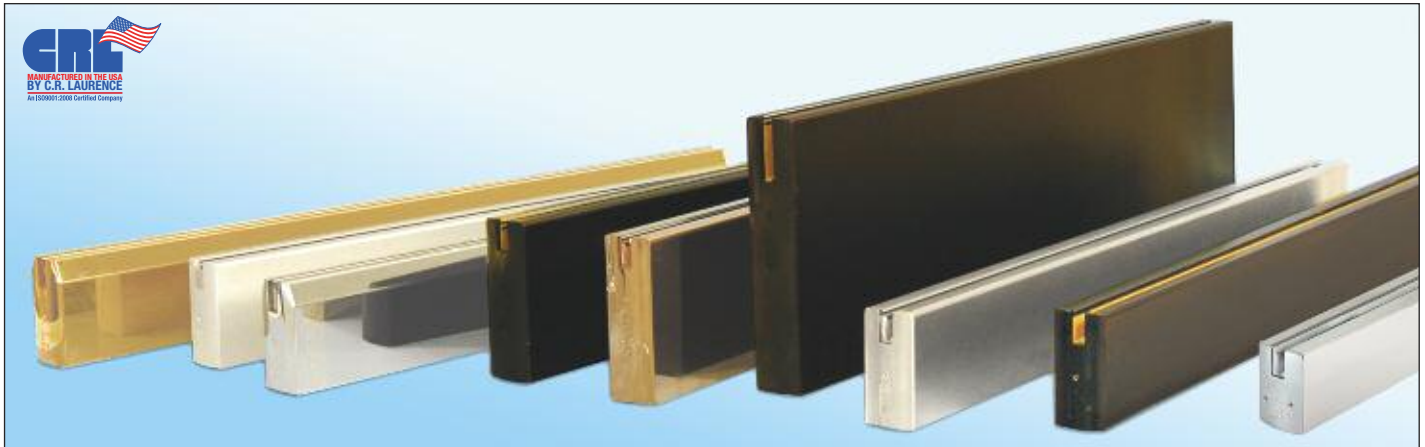
CRL-Blumcraft Dummy Handles

- Endless Variety of Configurations Available to Match Our Panic, Deadbolt, and Electronic Egress Handles
- Elegant Tubular Design

When functionality is not required, our Dummy Handles can be made to match any of our Panic, Deadbolt or Electronic Egress Handles, giving you the same appearance throughout your project.



NOTE: All Access Control Handles on this page function as health and safety tools, and may only be purchased through a CRL Authorized Glass Fabricator.



VISIT
CRLAURENCE.COM
FOR COMPLETE
ARCHITECTURAL
SPECIFICATIONS

CRL's DRS Door Rail System Features Our Patented Wedge-Lock™ Glass Securing System and Our New and Improved Kwik-Adjust™ Pivot Alignment System

U.S. Patents 6,434,905 and 6,912,818 B2.
Foreign Patents Pending.

- **Three Standard Heights Plus New Low Profile Rails**
- **Six Standard Finishes Plus Custom Finishes on Special Order**

We are proud of our DRS Door Rail System with our patented Wedge-Lock™ Glass Securing System. Our Rails now feature the Kwik-Adjust™ Pivot Alignment System, which allows the installer to quickly and easily adjust the lateral alignment of the pivot centers by simply turning a single screw in either the top or bottom rail of the door.

Our entire DRS Line of 2-5/16", 4", 6" and 10" tall Door Rails, as well as our Patch Rails, utilize both Wedge-Lock™ and Kwik-Adjust™ technologies, giving you the most versatile door rail system on the market today. Our standard rail length of 35-3/4" (908 mm) can be used on either 36" (914 mm) wide single door or 72" (1828 mm) wide double door openings, making ordering simple while reducing stocking requirements and shortening lead times.

Since we manufacture them ourselves, custom Door Rails can be fabricated for your every rail need. When it comes to quality and service, CRL is your source for Door Rails.

For additional information, contact CRL Technical Sales at (800) 421-6144 in the U.S., (877) 421-6144 from Canada, or (323) 588-1281 International. Ask for Ext. 7700. You can also e-mail us through our web site at crlaurence.com. From the home page click on Contact Us, and then click on Technical Sales for Commercial Products.



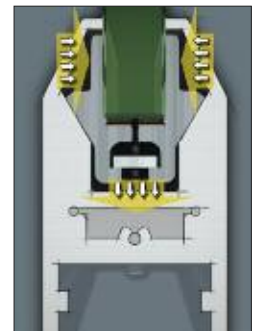
Black Anodized Polished Brass Brushed Stainless Polished Stainless Dark Bronze Anodized Satin Anodized

How the Wedge-Lock™ Glass Securing System Works

The patented Wedge-Lock™ Glass Securing System is a totally original concept for securing the glass in the Door Rail. No more fumbling with multiple pieces, trying to align them properly. No more time wasted waiting for cement to dry, or in clean up.

The Wedge-Lock™ System works by applying pressure evenly along both sides of the glass. Simply tighten the jaw screws, accessed from the hardware pocket of the rail. The screws then draw down a flat stainless steel bar. The steel bar in turn pulls down the gripping jaws. This action then forces the jaws towards one another, creating a tremendous amount of force against the glass, holding it securely in place.

The Wedge-Lock™ Glass Securing System is so unique that it is covered by U.S. Patents 6,434,905 and 6,912,818 B2. Foreign Patents Pending.



Features of the CRL Wedge-Lock™ Door Rail System

- **Exclusive CRL Wedge-Lock™ Glass Securing System for Rapid Installation and Steadfast Holding Power**
- **Door Assembly Can Be Ready for Installation in Less Than 10 Minutes**
- **Universal Top and Bottom Rails Cut Inventory and Make Ordering Easier**
- **Dry Glazing Allows for Field Replacement**
- **Kwik-Adjust™ Pivot Alignment System Allows Jamb Alignment Without Removing the Door**
- **Internal Components Do Not Require Removal Before Installation**
- **Rigid Single Component Housing Will Not Shift or Fall Out of Adjustment**
- **Glass Securing Pads are Designed for Longevity in Extreme Environments**

We offer the most comprehensive Door and Sidelite Rail program in the industry. We stock 2-5/16", 4", 6", and 10" tall Door and Sidelite Rails in six standard architectural finishes, and offer a large variety of powder-coated options, as well as custom finishing.

Our Door Rails are prepped to accept most of the standard hardware on the market today, but we don't stop there. We also offer custom fabrication to handle the rest, and we do it faster than any of our competitors.

Wedge-Lock™ Laboratory Test

National Technical Systems, a certified laboratory, tested the Wedge-Lock™ Door Rail System, subjecting it to temperatures ranging from -10°F to 150°F (-23°C to 65.5°C), with 1000 pounds (454 kg) of tension load applied. No evidence of movement was detected at any temperature. At an ambient temperature of 73°F (22.8°C), in a "Pull to Failure" Test, 6900 pounds (3130 kg) of tension was required before any creep (not failure) was detected.



For more information, please contact our Technical Sales Department at (800) 421-6144 in the U.S., (877) 421-6144 from Canada, or (323) 588-1281 International. Ask for Ext. 7700. You can send e-mail through the crlaurence.com home page. Click on Contact Us, and then click on Technical Sales for Commercial Products.



Full Length
Door Rails



10", 6" and 4" Square

4" Tapered

2-5/16" Low Profile

Wedge-Lock™ Ordering Variety

- **Available With or Without a Lock**
- **Rails Stocked for 3/8", 1/2", and 3/4" (10, 12, and 19 mm) Glass**
- **Up to Six Stock Finishes Available in 2-5/16", 4", 6", and 10" (59, 102, 152, and 254 mm) Heights**
- **Custom Sizes and Finishes Also Available**



CRL Sidelite Rails, U-Channel, and Accessories

CRL Sidelite Rails With Top Load Roll-In Gasket

- Five Styles in Up to Eleven Architectural Finishes
- Sidelite Rails Match Door Rails for Even Sightline



10" Square 6" Square 4" Square 4" Tapered 2-5/16" Low Profile

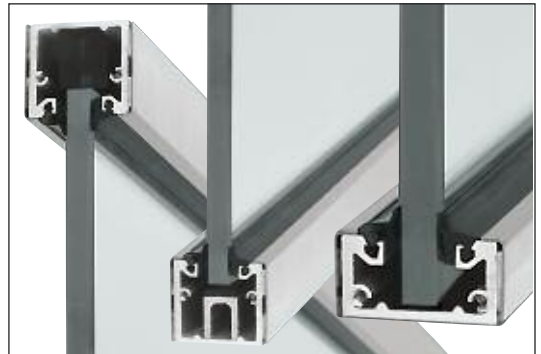


CRL Combination Wide U-Channel and Narrow Header

- Available in Stock Lengths, Fabricated Headers, or Headers With Side Pockets for "Lift and Drop" Panel Glazing
- Matches the Width of Door and Sidelite Rails
- Accepts Roll-In Gasket, Top Pivot Block, and Flush Snap-In Insert
- Accepts 3/8", 1/2", 5/8", and 3/4" (10 mm to 19 mm) Glass
- Eleven Architectural Finishes
- Custom Sizes and Finishes Available



Combination Wide U-Channel and Narrow Header



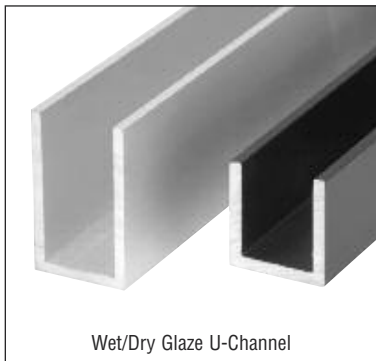
Regular U-Channel with Aluminum/Neoprene Setting Block

Shallow U-Channel

CRL Regular and Shallow U-Channel With Top Load Roll-In Gasket

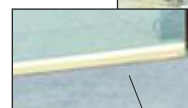
- Accepts 3/8" (10 mm) or 1/2" (12 mm) Glass
- Both Depths Available in Six Standard Architectural Finishes

CRL Wet/Dry Glaze U-Channel



Wet/Dry Glaze U-Channel

- Accepts 3/8" (10 mm) or 1/2" (12 mm) Glass
- Offered in Three Heights
- 120" (3.05 m) and 240" (6.10 m) Stock Lengths Available in Six Finishes
- Custom Finishes Available



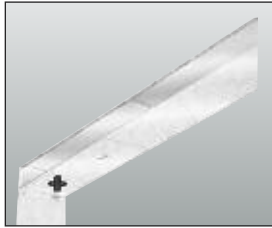
Wet Glaze U-Channel Shown



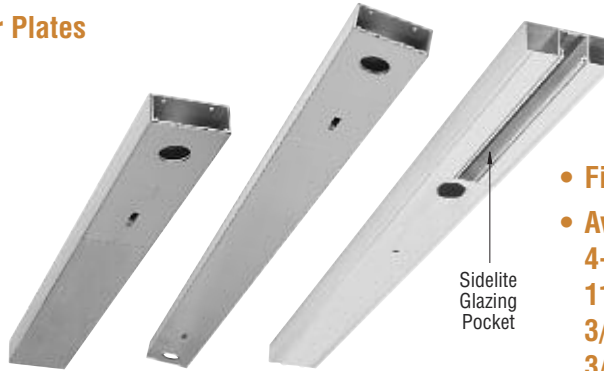
CRL Commercial Glass Door Accessories

CRL Stock Size Headers for Overhead Concealed Door Closers

- Five Stock Finishes
- Includes Snap-In Cover Plates
- 4" and 4-1/2" (102 mm and 114 mm) Widths



Typical Installation Showing Exposed Spindle of Overhead Closer



36" (914 mm) Single Door 72" (1829 mm) Double Door Custom Lengths



CRL Custom Length Door Headers With Glazing Pocket

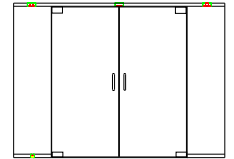


Fixed Panel Section With Glazing Gasket



Header Section

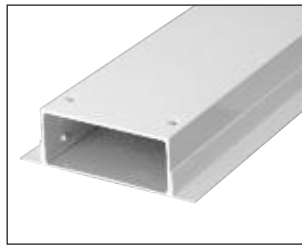
- Five Stock Finishes
- Available in 4" or 4-1/2" (102 mm and 114 mm) Widths for 3/8", 1/2", 5/8", and 3/4" (10 mm to 19 mm) Glass



Typical Double Glass Doors with Sidelites

CRL Hat Channel Door Closer Header for Single and Double Doors

- Surrounded by "L" Angle to Support Ceiling Tiles
- White Finish to Match Ceiling "T" Bar
- Provides Almost Invisible Look



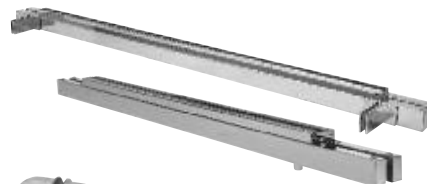
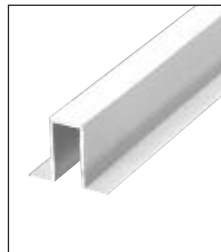
CRL Floating Header for Overhead Concealed Door Closers

- Available for 1/2" (12 mm) Glass-to-Glass or Glass-to-Wall Installations With or Without Overhead Door Closers
- Stock 36" (914 mm) Single and 72" (1829 mm) Double Headers, With Custom Sizes Available
- Available in Five Stock Finishes



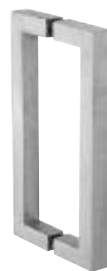
CRL Hat Channel for Fixed Glazing

- White Finish to Match Ceiling "T" Bar
- Accepts 3/8" or 1/2" (10 mm or 12 mm) Glass
- Glass Secured With Silicone Sealant or Roll-in Vinyl



Complete Line of Commercial Door Pulls and Center Lock Housings

- Custom Finishes and Sizes Available
- Beautiful Accessories for Frameless 'All-Glass' Entrance Doors and Sidelites



CRL Surface Mounted Door Closers

- Fixed and Multi-Size Adjustable Models
- Barrier-Free and Delayed Action Models to Meet A.D.A. Barrier-Free Requirements
- Adjustable Backcheck is Standard
- Reversible for Regular, Top-Jamb, and Parallel Arm Applications
- 10 Year Warranty
- UL Listed

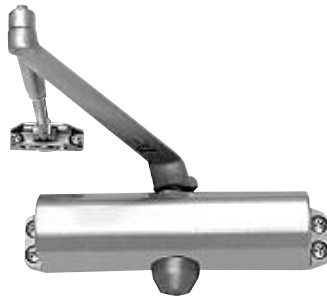


CRL presents the glazing industry's largest selection of quality Surface Mounted Door Closers and accessories. Available in both single size fixed and multi-size adjustable spring power, barrier-free, and delayed action models. All Closers are supplied with adjustable backcheck, and both the closing and latching speeds are independently adjustable.

CRL Surface Mounted Door Closers are available in Satin Aluminum and Bronze finishes, with some also available in Bright Gold or Chrome. Parallel Arm Brackets and mounting hardware are included with each Closer, permitting universal installation for regular, top jamb or parallel arm applications. Optional accessories, such as Drop Plates and Hold-Open Arms, are available for special installations. The entire selection can be viewed in our Online Catalog at crlaurence.com.

DC50 Series

- ANSI Grade 1 Fixed Size Models in Spring Sizes 1 Through 5
- Suitable for Doors From 33 to 264 Pounds (15 to 120 kg)
- Models Engineered for Residential and Commercial Use



PR70 Series

- Available in Four Finishes
- Multi-Size Adjustable Models Ranging From Spring Sizes 1/2 to 4 or 2 to 6
- Suitable for Doors From 22 to 330 Pounds (10 to 150 kg)
- Barrier-Free and Delayed Action Models to Meet A.D.A. Barrier-Free Requirements



PR80 Series

- Multi-Size Adjustable Models Ranging From Spring Sizes 1 to 4 or 2 to 5
- Suitable for Doors From 33 to 264 Pounds (15 to 120 kg)
- Barrier-Free Models to Meet A.D.A. Barrier-Free Requirements



PR40 Series

- ANSI A156.4 Grade 1 Multi-Size Adjustable Models Ranging From Spring Sizes 1 to 4 or 2 to 5
- Suitable for Doors From 33 to 264 Pounds (15 to 120 kg)
- Barrier-Free and Delayed Action Models to Meet A.D.A. Barrier-Free Requirements



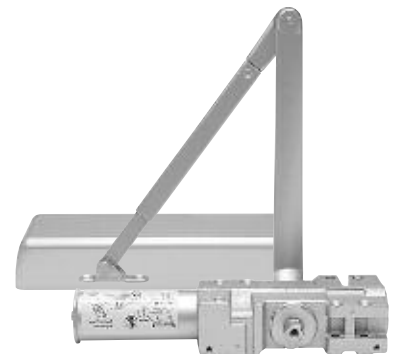
PR50 Series

- ANSI Grade 1 Multi-Size Adjustable Models Ranging From Spring Sizes 1 Through 5
- Suitable for Doors From 33 to 264 Pounds (15 to 120 kg)
- Barrier-Free and Delayed Action Models to Meet A.D.A. Barrier-Free Requirements



PR90 Series

- ANSI A156.4 Grade 1 Multi-Size Adjustable Models Ranging From Spring Sizes 1 Through 6
- Suitable for Doors From 33 to 330 Pounds (15 to 150 kg)
- Durable Cast Iron Body



CRL Concealed Door Closers

- **A.D.A. 5 Lb. (Interior) and 8.5 Lb. (Exterior) Spring Size Models to Meet A.D.A. Barrier-Free Requirements**
- **Available With Light, Medium or Heavy Spring Size**
- **90 Degree or 105 Degree Swing, Hold or Non-Hold Open Functions**
- **Single or Double Action Non-Handed Design**
- **Interchangeable With Similar Style Closer Bodies**
- **Wide Variety of Accessories to Suit Most Applications**



CRL Acquires Jackson Corporation
CRL is proud to add the Jackson Corporation line of Door Hardware for aluminum and tempered glass doors. See page P700 for complete details.



CRL offers a complete line of Overhead Concealed and Floor Mounted Closers to suit the needs of the glass and glazing industry. These Closers are of the highest quality, having successfully passed rigorous testing to ensure long lasting, maintenance free performance.

The universal design of these Closers allows one basic, non-handed closer mechanism to be used for either center-hung or offset applications. Suitable for both interior and exterior installations, with a wide variety of accessories to accommodate most applications.



Overhead Concealed Closer Body Only

- **Mechanism Only, Packed With Mounting Clips**
- **Available With Standard 1/2" (12 mm) or Extended Length 3/4" (19 mm) Spindle**
- **Ideal for Retrofit or Replacement Applications**

Overhead Concealed Closer Body With Complete Door Package

- **Completely Packed With Closer, Mounting Clips, Door Arm, and Floor Pivot**
- **Available With Choice of Side-Load, End-Load or Offset Arm Packages**
- **Ideal for New Installations**

8300 Series Low Profile Floor Mounted Closer

- **Low Profile 1-9/16" (39.7 mm) Depth for Thin-Slab Applications**
- **Includes Cement Case and Cover Plate**
- **Suitable for Doors Up to 264 Pounds (120 kg)**
- **Interchangeable Spindles to Accommodate Various Finished Floor Heights**

8400 Series Narrow Floor Mounted Closer

- **Narrow 3-1/16" (77.8 mm) Width Compact Design**
- **Includes Cement Case and Cover Plate**
- **Suitable for Doors Up to 264 Pounds (120 kg)**
- **Interchangeable Spindles to Accommodate Various Finished Floor Heights**

8500 Series Heavy Weight Floor Mounted Closer

- **800 Pound (363 kg) Capacity, Maximum 54" (1371 mm) Wide Doors**
- **Narrow Width, Shallow Depth Compact Design**
- **Selective Multi-Point Hold-Open Position**
- **Variable Delayed Action**
- **Interchangeable Spindles to Accommodate Various Finished Floor Heights**



CAT. NO. HR11

CRL Architectural Railing Systems Catalog



- **New Systems for Hand Rails, Guard Rails, Balustrades, Windscreens, and Gates Designed and Engineered for Residential, Commercial, and Institutional Needs**
- **New TAPER-LOC™ 'X' Dry Glazing System for Glass Railings**



In this catalog you will find an extensive selection of architectural railing systems and related hardware for the construction of beautiful, code compliant railings and balustrades, including our very popular Aluminum Railing Systems, and our impressive line of Windscreens. We've expanded our complete line of Glass Railing Hardware, from Base Shoe to Cap Rails, simplifying your hardware selection process for balustrades, hand rails, and guard rails. We have also included our Stainless Steel Post Railing Kits, Wood Cap Rails and Hand Rails, as well as our line of Swinging Gates.

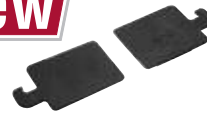
Our Architectural Railing Catalog features TAPER-LOC™ 'X', the dry glazing system for Glass Railings. TAPER-LOC™ 'X' Tapers can be used with monolithic and laminated tempered glass. This innovative system reduces the installation time and mess associated with wet glaze systems, and is what railing installers have been waiting for.



A Total Program Combining Style With Safety



new



CRL proudly designs and manufactures Architectural Railing Systems for residential, commercial, and institutional needs. It is a comprehensive program that can provide you with Hand Rails, Guard Rails, Balustrades, Windscreens, and Gates that will not only serve their purpose, but also do so in a manner that will add to the aesthetics of the structure into which they are installed.

CRL Architectural Railing Systems combine innovative component design and installation techniques refined by experts in the field of railing technology. Materials used throughout are of the highest quality in a variety of standard architectural finishes.

Our Technical Sales Professionals can help you select and design the Railing System that will best serve your needs. It's a total program that is unmatched by any firm in our industry. For additional information, contact CRL Railing Technical Sales at (800) 421-6144 in the U.S., (877) 421-6144 from Canada, or (323) 588-1281 International, and ask for Ext. 7730. You can also e-mail us through our web site at crlaurence.com. From the home page click on Contact Us, and then click on Technical Sales for Railing Products.

Glass Railing Systems

- Available in Diameters From 1-1/2" to 4" (38 to 102 mm) and Up to Six Stock Finishes



Hand Rail Systems

- Available in Stainless Steel, Brass, Aluminum, and Wood
- Round and Square Profiles



Aluminum Railing Systems

- Glass, Picket, Cable, and Custom Systems in a Variety of Colors



Aluminum Windscreen Systems

- For Pools and Spas, Patios, Balconies, and Observation Decks



CRL ARS Aluminum Railing System

C.R. Laurence Company manufactures a premium Aluminum Railing System. By specializing in the design and manufacturing of this innovative system, we are uniquely suited to solve difficult installation issues and maintain high quality production. By controlling each step, from original design to final shipping, we can provide the highest level of quality control and lead time reliability for projects anywhere in the world.

Product development is an ongoing process at CRL. Rest assured that the products we offer will represent the current evolution of railing technology. In addition to our standard designs, we offer the ability to create custom railings that address project-specific criteria.

CRL's high quality commercial and residential Aluminum Railing Systems are manufactured from extruded aluminum framing members utilizing tempered glass, aluminum pickets or cable that is engineered to meet applicable building code specifications. Regardless of style or color, each one of our railing systems provides superior color retention, impact resistance, and weatherability in any environment.

Our specially formulated coatings are designed to resist the corrosive effects of salt water, providing a permanent, worry-free addition to your building. We manufacture a comprehensive selection of railing systems that combine the durability of extruded aluminum with innovative design details. This assures long-term structural integrity, and enhances project aesthetics, while consistently reducing the annual maintenance expense.



Glass Railing System

Use CRL's Glass Railing System for projects that are view-oriented. Glass Railings give buildings a sophisticated appeal. Our various systems will accept any 1/4" (6 mm) through 3/8" (10 mm) clear or tinted glass infill options. Glass Railings also serve as effective wind barriers, further enhancing the outdoor balcony environment.

Picket Railing System

CRL's Picket Railing System is simple, attractive, and strong. Widely specified for commercial and residential applications, the Picket Railing System utilizes 5/8" (16 mm) or 3/4" (19 mm) square or round vertical pickets. Choose any one of our standard Top Rail options. Add our decorative Cast Infill Panels to create a unique architectural accent. For custom applications, consult CRL Technical Sales.

Cable Railing System

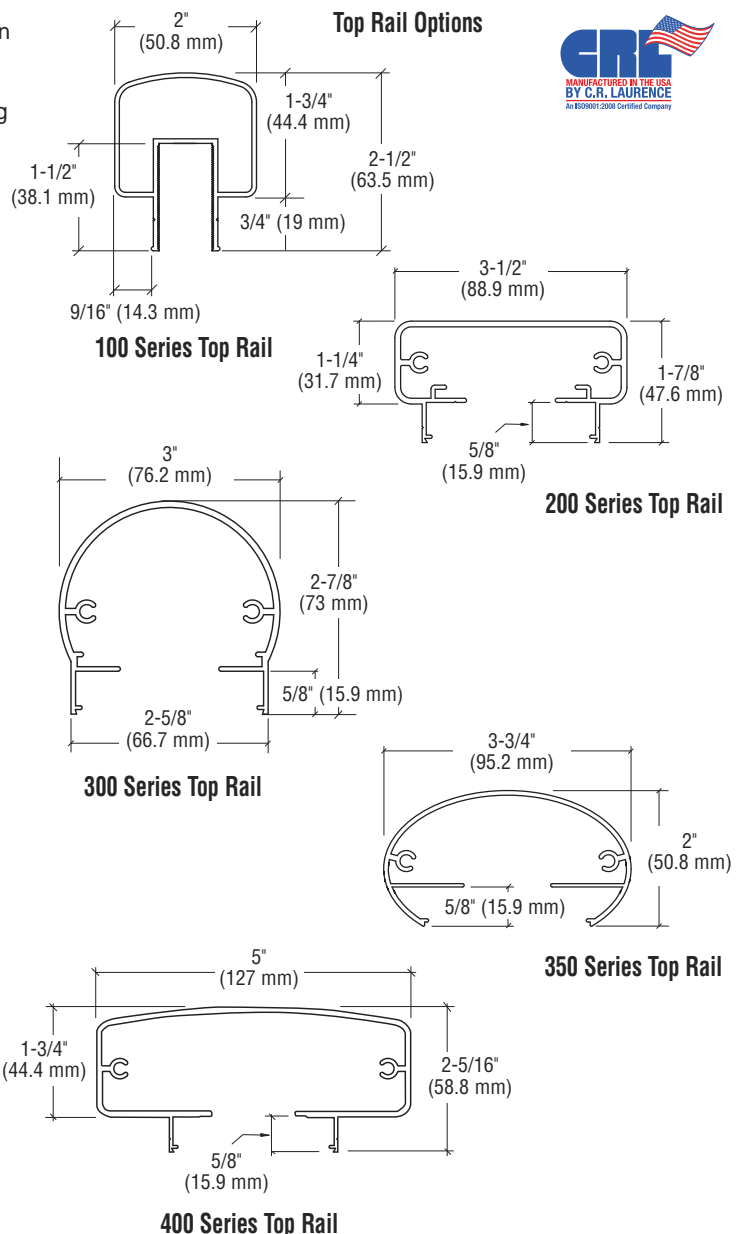
CRL's Cable Railing System is perfect for projects that call for a more commercial or nautical feel. Using quality 1/8" diameter 316 alloy cable and stainless steel hardware, our Cable Railing System performs in the harshest of conditions. Typical applications utilize horizontal cables spaced 3-1/2" (89 mm) on center.

Color Selection

You can choose from one of the seven standard finishes, or one of our 250 additional "Quick Turn" colors. If you still can't find just the right color, you can send us the desired color and we can match it for you.

Information

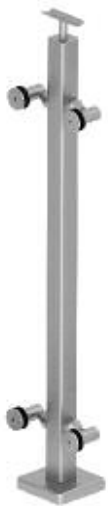
For additional information on our ARS Aluminum Railing System, contact CRL Technical Sales at (800) 421-6144 in the U.S., (877) 421-6144 from Canada, or (323) 588-1281 International, and ask for Ext. 7730. You can also e-mail us through our web site at crlaurence.com. From the home page click on Contact Us, and then click on Technical Sales for Railing Products.



CRL Stainless Steel Post Railing Kits



or



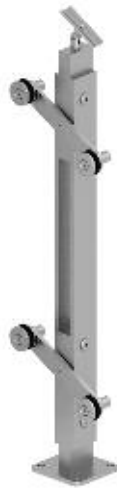
P1 Series



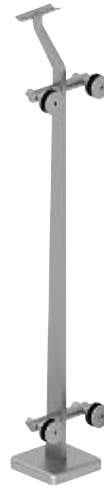
P2 Series



P3 Series



P4 Series



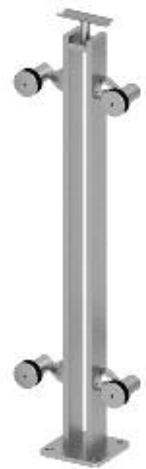
P5 Series



P6 Series



P7 Series



P8 Series

- **Post Kits Designed for Interior or Exterior Hand Rail and Guard Rail Applications**
- **Designed and Engineered to Meet or Exceed Building Codes**
- **For Use With 1/2" (12 mm) to 1" (25 mm) Thick Panels**
- **Low Maintenance 304 Alloy Stainless Steel Alloy Posts are Ready to Install**
- **Two Standard Stainless Finishes, With Custom Powder Paint Finishes Also Available**
- **Standard 36" (914 mm) and 42" (1067 mm) Post Heights Available**
- **Custom Styles and Heights on Special Order**

C.R. Laurence manufactures a comprehensive selection of Post Railing Kits that combine the durability of stainless steel components with innovative designs and engineering. This ensures long-term structural integrity and enhances project aesthetics. Our P-Series Post Railing Kits offer a choice of eight distinctive designs for both commercial and residential applications. All are designed and engineered to meet or exceed most local building codes. Posts are fabricated from 304 alloy stainless steel, and come ready to install. Standard Post heights are 36" and 42" (914 and 1067 mm), but you can also order them in custom heights to meet your exact requirements. Standard finishes are brushed and polished stainless steel, with custom powder paint finishes available on special order. For the top rail you can select either 1-1/4" (31.8 or 38.1 mm) Schedule 40 Hand Rail Tubing in complementary or contrasting finishes.

NOTE: The tempered glass or laminated tempered glass is supplied by the customer, and must be fabricated with pre-drilled holes to be fastened to the Posts. CRL does not supply the glass, but can assist with the drilling information. Please contact CRL Technical Sales for assistance in planning your Post Railing project. C.R. Laurence is a fully accredited quality assurance company that is ISO-9001:2008 Certified. With over 40 years experience, C.R. Laurence has learned a lot about what it takes to make quality products.



CRL HRS Hand Rail Tubing and Components

- **Designed for Commercial, Institutional, and Residential Applications**
- **Available in Stainless Steel, Brass, Aluminum, and Wood**
- **Can Be Designed to Meet the Strictest of Building Codes, and are A.D.A. Compliant**
- **Round and Square Profiles Available**
- **Easy to Install and Attractively Priced**
- **Select From a Variety of Architectural Finishes**

CRL has developed a line of Hand Rail Tubing for our HRS Hand Railing System. Plus we offer a complete selection of accessory components. Our collection of Corners, Tees, Elbows, Crosses, Flanges, and Brackets will fill the need of most projects. We will also custom fabricate to fit your unique job conditions.

For complete information on HRS Hand Rails, contact CRL Technical Sales at (800) 421-6144 in the U.S., (877) 421-6144 from Canada, or (323) 588-1281 International, and ask for Ext. 7730. You can also e-mail us through our web site at crlaurence.com. From the home page click on Contact Us, and then click on Technical Sales for Railing Products.

- **A Full Range of Assembly Components to Complete Just About Any Configuration**



1-1/2" and 2" Stainless Steel and Brass



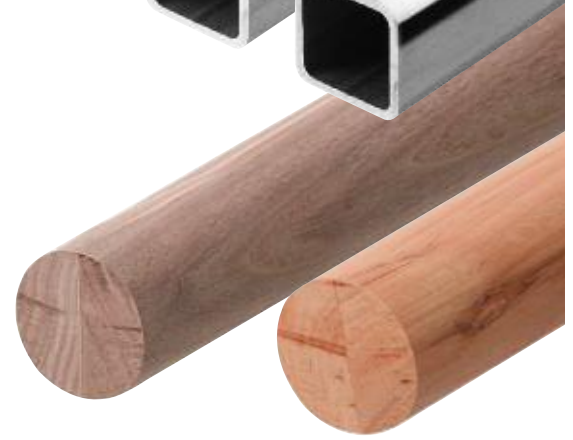
1-1/4" and 1-1/2" Stainless Steel and Aluminum



1-1/2" and 2" Stainless Steel and Aluminum



1-1/2" and 2" Wood



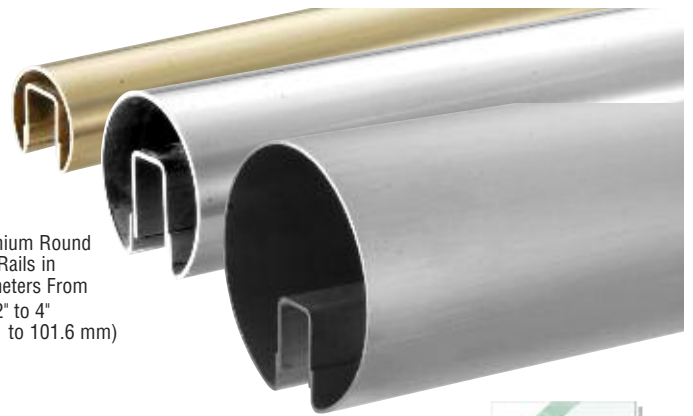
CRL Cap Rails

- Premium Cap Rails are Manufactured by Bump-Forming to Ensure Reduced Spring Back
- A Variety of Sizes and Finishes Available to Accommodate 1/2" (12 mm), 5/8" (16 mm), and 3/4" (19 mm) Thick Glass

CRL Hand Railing Cap Rails are our latest innovation to set a standard for quality and cutting edge technical resources. We offer a Bump-Formed Cap Rail formed around a radius die, ensuring reduced spring back of the finished rail. CRL Formed Cap Rails are fabricated from 16 and 18 gauge material, depending on the diameter. CRL Extruded Aluminum Cap Rails have a standard wall thickness of 1/8" (3.2 mm).

CRL Cap Rails are available in a wide range of architectural finishes, as well as accessories to complete the installation. If you have a unique job condition, or for additional information, contact CRL Railing Technical Sales at (800) 421-6144 in the U.S., (877) 421-6144 from Canada, or (323) 588-1281 International, and ask for Ext. 7730. You can also e-mail us through our web site at crlaurence.com. From the home page click on Contact Us, and then click on Technical Sales for Railing Products.

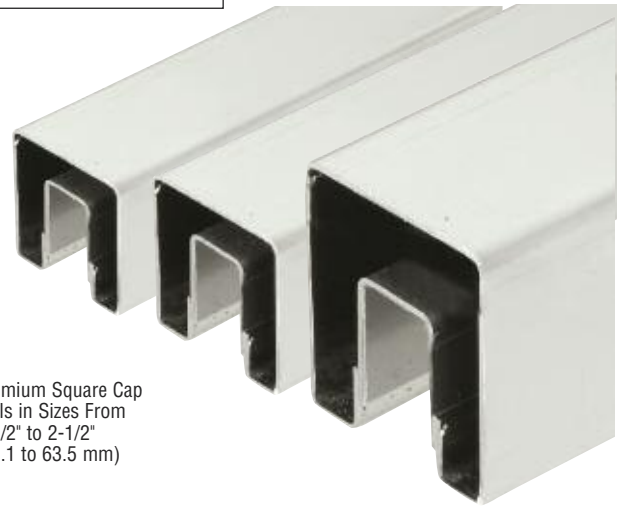
- A Full Line of Accessories to Complete the Installation



Premium Round Cap Rails in Diameters From 1-1/2" to 4" (38.1 to 101.6 mm)



New Oval Rails



Premium Square Cap Rails in Sizes From 1-1/2" to 2-1/2" (38.1 to 63.5 mm)

CRL Wood Cap Rails for 1/2" (12 mm), 5/8" (16 mm) or 3/4" (19 mm) Glass

- 10 Foot (3.05 m) Stock Lengths Available in a Variety of Hardwoods
- Extruded Aluminum Interior Glass Pocket
- Custom Ordered to Meet Your Specific Needs
- Custom Diameters and Shapes Available

CRL Wood Cap Rails are produced to the customer's specifications, and can be fully fabricated or shipped in stock 10 foot (3.05 m) lengths. They are available in many different configurations, sizes, and types of hardwoods. CRL Wood Cap Rails have an extruded aluminum channel installed, providing a glass pocket, while adding strength, and preventing the wood from splitting.

For additional information, contact CRL Railing Technical Sales at (800) 421-6144 in the U.S., (877) 421-6144 from Canada, or (323) 588-1281 International, and ask for Ext. 7730. You can also e-mail us through our web site at crlaurence.com. From the home page click on Contact Us, and then click on Technical Sales for Railing Products.

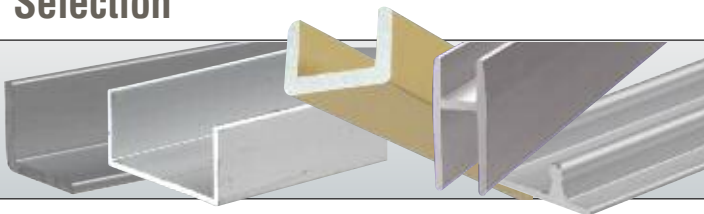


CRL Extrusions and Moldings

The Shapes, Materials, and Finishes You Need, When You Need Them



Selection



Through years of working with the industries, C.R. Laurence Company has developed an extensive line of Extrusions and Moldings that enables professionals to create projects with no limitations of design. Whether you are working with glass, mirror, plastics or other materials, you will find the selection of CRL Extrusions to be made of the highest quality materials, in the most commonly used shapes, along with hundreds of special application configurations.

Our material choices of aluminum, stainless steel, and plastic will allow you to use the most appropriate parts in assembling your jobs. Our large selection of finishes make it easier than ever to accent the applications in either new or existing environments. And if you need something special, custom shapes and finishes can be quoted upon request.

Service



Ordering online at crlaurence.com, by toll free phone, toll free fax, or visiting one of our warehouse locations is easier than ever. We take a business-to-business approach to every transaction with our customers. We are always pleased to receive your orders, and promise to fill them as promptly as possible.

C.R. Laurence's Customer Services are offered in a variety of forms. The CRL Technical Sales Department offers Product Specialist Groups who are trained in the latest product systems and are ready to answer all of our product questions.

Most important is knowing that you can depend on CRL to have the inventory of products you need when you need them. We've invested in huge supplies of Extrusions and Moldings to be ready to serve you.



CRL's High Standards Produce the Results You Need to Achieve Excellence

Material Quality

Our aluminum smelting process starts with the highest quality primary ingots for billet castings. Alloy analysis is made using spectrometers, tensile testers, and impact testers for consistent results. Stainless steel moldings are made from Type 430, 316, and 304 alloys, and all of our plastic channels are of the finest materials available.



Aluminum Anodizing

Only high quality materials and chemicals are used in conjunction with 6,000-10,000 Amp rectifiers. CRL offers the widest range of anodized, brushed anodized, and polished colors to precisely match our hardware with guaranteed consistency. Custom finishes are available, just ask.



Powder Coating

Electro-static powder coating of CRL Aluminum Extrusions and Moldings is done with the finest powders and latest technology. Quality control experts constantly monitor pre-treatment chemicals for consistency. Choose from standard stocked colors, or let us match colors to your specific requirements.



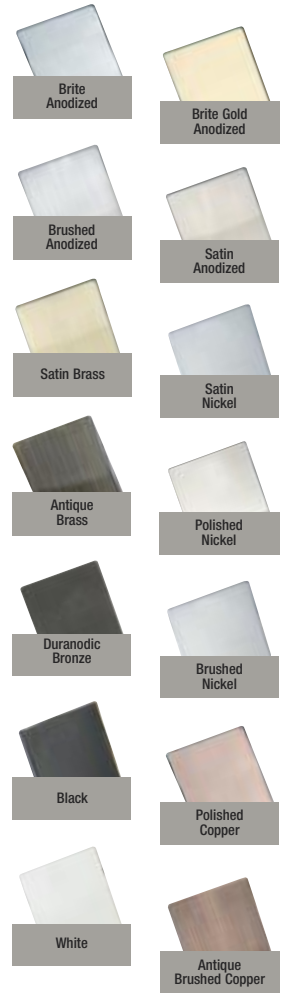
Custom Shapes and Fabrication

CRL can produce virtually any shape extrusion from your drawing or samples. Our die makers will precisely design and produce high tolerance tooling with CNC Machine efficiency. Value added fabrication of special orders are never a problem. Services available include hole punching and drilling, cut-to-size, processing, assembly, accessory fitting, stamping, mechanical polishing, and packaging with fasteners.

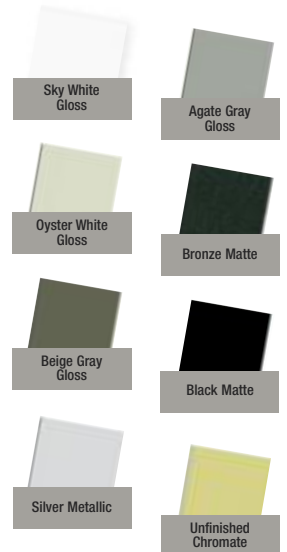


Superior Packaging

CRL's years of experience in handling and packaging extrusions have helped us design a variety of sound and secure packing methods. Protection of critical finished surfaces by polywrapping individual lengths and tightly packed full case shipments ensure delivery of flawless materials for your project requirements.



Powder Coat Finishes



The full selection of RAL Colors are also available.

Colors shown are representative only, and may vary slightly from actual gloss, color, and texture. If color match is critical, please contact Technical Sales for additional information.

Architectural Metals Designed, Engineered, and Manufactured by C.R. Laurence

- Custom Clad Entrance and Storefront Systems
- Custom Break Shaped Aluminum or Architectural Metals
- Custom Metal Column Covers
- Custom Metal Panel Systems
- Custom Ornamental Metals
- Custom Ornamental Hand Rails and Guard Rails
- Custom Canopies



C.R. Laurence Company fabricates custom metals that are both functionally correct and aesthetically pleasing to the eye. We can be involved in all phases of your project, from initial design to delivery, with every step controlled by processes that meet strict ISO standards. Our Los Angeles, California manufacturing staff incorporates fine craftsmanship and experience in the design, fabrication, and finishing of architectural metals.

Some of our work is installed in the finest hotels and retail buildings in North America. You can see examples of it in many commercial and entertainment venues. We're able to be involved in so many projects because we have the versatility to supply what you want, and to do so in a cost-efficient and timely manner.

Custom architectural finishes and textures are always an option, so you won't have to be limited to just a few. We specialize in meeting your requirements.

For more information on custom architectural metals contact CRL Technical Sales at (800) 421-6144 in the U.S., (877) 421-6144 from Canada, or (323) 588-1281 International. You can also send e-mail from the crlaurence.com home page. Click on Contact Us, and then click on Technical Sales for Architectural Metals.



Available Finishes

- US-32 #8 Polished Stainless Steel
- US-32D #4 Satin Stainless Steel
- US-3 Polished Brass
- US-4 Satin Brass
- US-9 464 Polished Bronze
- US-10 464 Satin Bronze
- US-10B Oil Rubbed Bronze*
- US-28 Satin Aluminum Clear Anodized
- Dark Bronze Anodized
- Custom Powder Coated Finishes
- Custom Plated Finishes
- Custom Brushed Finishes

* NOTE: Finish 613 (US-10B) is unstable and will vary when applied to different alloys or forms of base metal, and to products of different manufacturers.



CRL Transaction and Security Hardware

• CRL Has Hardware for Numerous Transaction and Security Applications



Ask for Catalog TH10 or link to it online at crlaurence.com

CRL Service Windows

• Only CRL Offers So Many Choices



Drive Thru • Walk Up • Fast Food • Concessions • Pharmacy • Hospital • Security • Special Applications



"DW" Series Manual Deluxe Window



"SCDW" Series Self Closing Deluxe Window



"EDW" Series Fully Automatic Deluxe Electric Window



Flush Mount Manual Bi-Fold Window



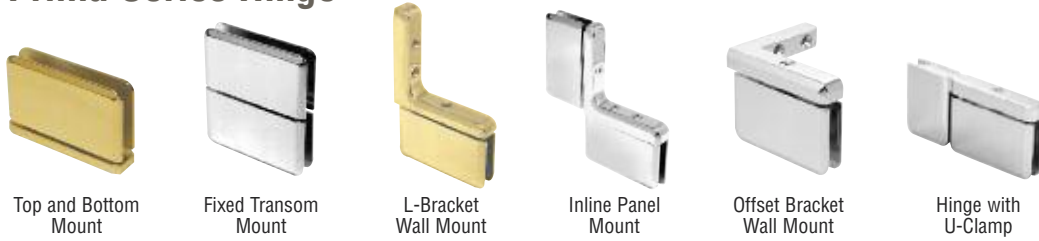
Projected Bi-Fold Window



Shelves, Transoms, Sidelites, Projections, Speak-Thrus, Special Sizes and Configurations

CRL Frameless Shower Hardware

Prima Series Hinge



Prima Hinges provide extra application possibilities. Their Top and Bottom Pivot style handles the weight of the door better than traditional "Side Mount" hinges, as well as allowing greater glass exposure, thus making for a more aesthetic enclosure.

Prima Hinges can be mounted floor and ceiling, floor and wall, floor and fixed transom, floor and inline panel, or floor and header for enclosures not reaching the ceiling. Our New Hinge with U-Clamp can be used in enclosures where a horizontal metal header is not desired.



Ask for Catalog SD10 or link to it online at crlaurence.com

Vienna Series Hinge



Cologne Series Hinge



Vienna and Cologne Series Hinges are ideal for wider and heavier doors. Two hinges can accommodate up to a 36" (914 mm) wide door weighing up to 110 pounds (49.9 kg), while three hinges can accommodate up to a 36" (914 mm) wide door up to 140 pounds (63.5 kg).

Two strategically placed steel pins allow the hinge to be used in a "mouse-ear" shaped cut-out, thus providing a non-slip safety feature. For those customers wishing to do a rectangular style cut-out, the two steel pins may be removed, allowing more adjustability.



CRL Offers Over 20 Varieties of Hinge Series to Accommodate 1/4" to 1/2" (6 mm to 12 mm) Thick Glass, and Match Most Any Modern Bathroom Décor



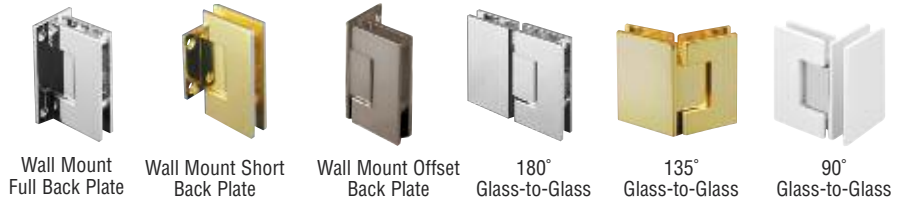
CRL Frameless Shower Hardware



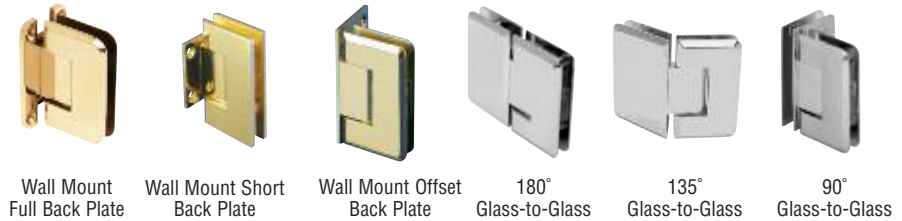
Online Glass Sizing Program
Go to crlaurence.com for a 30-day Free Trial



Geneva Series Hinge



Pinnacle Series Hinge



Geneva Hinges offer three varieties of Wall Mount Hinges, in addition to three Glass-to-Glass models. Pinnacle Hinges offer three styles of Wall Mount Hinges, as well as three

Glass-to-Glass models. Adjustable models (not pictured here) that feature up to 90 degree adjustment to accommodate "off angles" are also available.



Regal Series Adjustable Hinge



The Regal Hinge offers an adjustable closing angle from 0 to 90 degrees. After the door is installed, simply loosen the Allen screw adjustment, position the door to the desired closed position, and tighten the Allen screw.

You have now solved the problem of walls not meeting the door at the perfect 90 degree angle. This adjustment feature means that a single Glass-to-Glass model can accommodate angles from 90 to 180 degrees.

A Full Line of Accessories Provide the Finishing Touch to Complement Your Choice of Hinges and Design

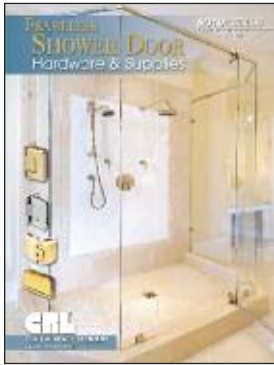
Jamb Mounted Hinge Kits, Pull Handles, Towel Bars, Knobs, Glass Clamps, U-Channel, Headers, Thresholds, Vanity Mirrors, Polycarbonate and Vinyl Wipes and Seals.



CRL Specialty Catalogs

- Full Color Catalogs Showcasing Specific Product Lines
- Great for Customer Presentations
- The Latest Product Updates

CRL Specialty Catalogs are available for some of our major product lines. Each catalog is presented in full color, and contains descriptive and informative specifications that will assist our field sale and estimating staff in the selection of the right product to satisfy your customer's needs. We invite you to contact CRL Customer Service by phone, fax, mail or e-mail. You can order them separately, or add them to your regular product orders. You can also view them over the Internet, or download them to your computer, when you log onto our web site at crlaurence.com.



CRL is your source for the largest selection of Frameless Shower Door Hardware and Supplies. See it all, with photographs of finished installations, in this informative catalog.

ASK FOR CATALOG SD10



CRL offers the largest selection of Architectural Railing Systems. See them all, plus beautiful photographs of finished installations, in our Railing Systems Catalog.

ASK FOR CATALOG HR11



Our Architectural Hardware Catalog features our expanded selection of architectural metal and glass hardware for construction of the 'all-glass' entrances in commercial office buildings and storefronts. There are photos of finished projects, as well as helpful technical data to help you create your designs.

ASK FOR CATALOG AH11



Our line of Door Closers and related Door Control Hardware can be found in this full color catalog. Specifications and ordering information make it easy for you to select the right product every time.

ASK FOR CATALOG DC07



See the latest in top quality Transaction hardware and bullet resistant exchange products, beautifully illustrated with specifications and installation photographs.

ASK FOR CATALOG TH10



We fabricate an extensive selection of architectural metal systems and related hardware for the construction of beautiful and code-compliant building facades.

ASK FOR CATALOG AM09

Acquisitions By CRL



CRL Announces Acquisition of Delta Doors of Miami, Florida

Originally founded in 1996 as a distribution center for doors and storefront materials, Delta Doors later shifted into manufacturing aluminum doors, windows, and framing systems. Delta Doors is considered the "major force" in doors and window wall systems, and is one of the few companies meeting all of Miami-Dade County (FL) air, water, structural, and impact requirements. Delta Doors has also received top accolades in the industry with its implementation of the industry's first Inswing Impact Resistant Entrance. Delta presently holds Notices of Acceptance for six of the impact resistant system it manufactures. Visit the company's web site at crlaurence.com.



CRL Announces Acquisition of Jackson Corporation

Los Angeles-based Jackson Corporation has been a manufacturer of door hardware for the aluminum and tempered glass door industry for over 50 years. Jackson became the first U.S. hardware manufacturer to be certified to ISO 9001 quality standards in 1995. The manufacturing operation is housed in our new 60,000 sq. ft. facility in Vernon, California, while Jackson products will be distributed worldwide through the current network, as well as CRL's own worldwide network. Jackson's very popular Transom Closer was originally developed and patented over 35 years ago. The innovative features of today's versions continue to make the Jackson Transom Closer a top choice. The company's Panic Exit Hardware is universally recognized as the standard for the aluminum storefront market.



CRL Announces Acquisition of Tajima Corporation USA

Built upon a foundation of quality, innovation, and performance in architectural metals, Tajima has enjoyed decades of leadership in the architectural metals industry serving respected architects, designers and contractors. We offer design support for: countertops, custom hoods, backsplashes, metal wall panels, column and duct covers, cladding, grille work, and every variety of ornamental metal. Tajima's stainless steel countertops and custom hoods are made utilizing traditional craftsmanship methods with the most progressive metal fabrication and finishing techniques known in the industry. We proudly present our quality countertops which are a great choice for the modern kitchen countertop and island.



CRL Announces Acquisition of Blumcraft of Pittsburgh

Blumcraft has been designing, manufacturing, and delivering high quality products to the architectural metal and glass industry for over 100 years. The company is well respected as an innovator and a pioneer in the heavy glass door market with many firsts, including the invention of the first panic door system for heavy glass doors. This product was so well received, it is generally known as a "Blumcraft" within our industry. The company's tempered glass doors, panic hardware, handrails, and display doors are well known and respected by architects, contractors, and installers.



CRL Announces Acquisition of Master Manufacturers

Master Manufacturers has supplied the industry with such products as architectural hardware, door and window hardware, thresholds, kick plates, strike plates, and specialty signs. Their manufacturing skills are well recognized in the architectural hardware business. Master Manufacturers has been a well regarded family-owned and operated company for over 60 years. The products and existing customer base will make a good fit for CRL. At the same time, the acquisition will enable CRL to offer our customers worldwide a new range of high quality products.

HS12 CATALOG A TO Z PRODUCT INDEX

1/2" Diameter Standoffs	P646-P647
3/4" Diameter Standoffs	P648-P651
1" Diameter Standoffs	P652-P653
1-1/4" Diameter Standoffs	P654-P657
1-1/2" Diameter Standoffs	P658-P660
2" Diameter Standoffs	P661-P663

A

Accent Rings for Standoffs	P649, P654
Accessories, Standoff	P647, P651, P653, P657, P660, P663
Aluminum Base Shoe	P596
Aluminum Partition Posts	P512-P517, P522-P525
Angle Flanges	P561
Angle Panel Connectors	P675
Arch Series Swivel Fittings	P673-P674
AWS Gate Systems	P634-P635

B

Ball End Caps	P559
Bar Fixtures	P605-P607
Base Plates	P517, P562-P563
Base Shoe	P596
Bottom Rail Kits	P625
Brackets, Foot Railing	P606-P607
Brackets, Sneeze Guard	P603
Bulletin Boards	P609

C

Canopies and Flanges	P560-P561, P563
Cap Assemblies for Standoffs	P646, P649-P650, P652, P655-P656, P658-P659, P661-P662
Cap Assemblies for Swivel Fittings	P666, P668, P674
Cap Rail Vinyl	P633
Cement, Expanding	P633
Cement, Metal Contact	P602
Clad Aluminum Standoff Bases	P659, P662
Clamps, Glass	P567-P573
Clamps, Windscreen	P630-P633
Column Series Swivel Fittings	P669-P672
Concealed Mounting Lugs	P560, P563
Connectors	P666-P675
Contemporary Series Partition Posts	P550
Contemporary Series Sneeze Guards	P591-P595
Core Mount Stanchions	P626
Corners, Sneeze Guards	P599-P600
Counter Mount Service Rails	P605
Counter Top Supports	P664-P665
Custom Design Series Sneeze Guards	P518-P521
Custom Gate Systems	P634-P635
Custom Partition Posts	P514-P515, P533-P535, P552-P555
Cut Flanges	P561

D

Decorative Posters	P502
Design Series Aluminum Partition Posts	P512-P517
Design Series Aluminum Sneeze Guards	P518-P521
Display Hardware	P609-P611
Dome End Caps	P559
Double Faced Sneeze Guard Brackets	P603
Dual Pivot Swivel Fittings	P670-P674

E

Elegant Series Round Partition Posts	P542-P549
Elegant Series Sneeze Guards	P577-P590
End Caps	P557-P559, P598, P604
Expanding Cement	P633
E.Z. Radius 90 Degree Corners	P600

F

Fin-to-Glass Swivel Fittings	P671, P673
Fixation Devices, UV	P612
Fixed Glass Fittings	P565
Fixed Glass Sneeze Guards	P579-P595
Flat End Caps	P557-P558, P604
Floor Mount Brackets	P607
Floor Mount Service Rails	P605

Floor Socket With Cap	P562
Flush Angles	P600-P601
Flush Corners	P600
Flush Crosses	P602
Flush Mount Cap Assembly	P658
Flush Tees	P601
Foot Railing Brackets	P606-P607
Frameless Windscreen Clamps	P630-P633
Full Flanges	P561

G

Gate Hardware	P635-P642
Gate Systems	P634-P635
Garnish Rings for Windscreen Clamps	P633
Glass Bonding Kits, UV	P613
Glass Channel	P516
Glass Clamps	P567-P573
Glass Clips	P566-P567
Glass Panel Connectors	P666-P675
Glass Stemware Racks	P607
Glass Stops/Fittings	P564-P565
Glass Windscreen Systems	P630-P633
Glazing Vinyl for Partition Posts	P517, P625

H

Heavy Glass Partition Posts and Systems	P614-P629
Hinged Door Menu Board Cases	P610
Hinges, Gate	P635-P637

K

Kwikset Expanding Cement	P633
--------------------------	------

L

Latches, Gate	P637, P639-P642
LED Lighting	P608
Locks, Security	P641
Lokk-Latch Pro	P639
Long Link for Swivel Fittings	P672
Low Profile Cap Assemblies	P659, P661-P662

M

Magna-Latch	P640, P642
Menu Board Cases	P610-P611
Metal Contact Cement	P602
Mini-Plaza Partition Posts	P531
Mini Z-Series Glass Clamps	P573
Mitered Style Corners	P600
Mitered Style Flush Angles	P600
Mitered Tubing Ends	P604
Mounting Accessories for Standoffs	P647, P651, P653, P657, P660, P663
Mounting Lugs, Concealed	P560, P563

O

Outlet Elbows	P601
Outlet Tees	P602

P

Patch Fittings for Gates	P638
Partition Post and Sneeze Guard Tubing	P557-P558
Partition Post Component Parts	P517, P556-P573
Partition Posts	P511-P517, P522-P525, P528-P531, P533-P538, P542-P555
Pivots and Pivot Patches, Gate	P638
Perpendicular Collars	P599
Plaza Series Partition Posts	P528-P531, P533-P535
Plaza Series Sneeze Guards	P532
Post Caps	P517, P525, P624
Post Extrusions	P516, P525
Post Fillers	P625
Post Mounting Bases	P517, P525
Post Rivet-Nuts	P573
Posters	P502
PullBolt Security Locks	P641
Pyramid End Caps	P558

R

Racks, Stemware	P607
Radiused Back U-Channel	P564
Radiused Tubing Ends	P604
Rails, Bar	P605
Rectangular Heavy Glass Partition Post Kits	P616-P619
Rigid Glazing Vinyl	P625
Rivet Nuts	P573
Round Base Plates	P562
Round Heavy Glass Partition Post Kits	P620-P623
Round Partition Posts	P536-P538, P542-P551, P620-P623
Round Tubing	P557

S

Sculptured Series Partition Post Kits	P522-P525
Sculptured Series Sneeze Guards	P526-P527
Self-Service Open Front Food Bars	P509
Service Rails	P605
Setting Block for Heavy Glass Partition Posts	P628
Sharp Radius 90 Degree Corners	P599
Side Outlet Elbows	P601
Side Outlet Tees	P602
Silicone Building Sealant	P628
Single Faced Sneeze Guard Brackets	P603
Single Pivot Swivel Fittings	P669-P671
Slant Front Posts	P518, P550
Slimline Series Partition Posts	P536-P538
Slimline Series Sneeze Guards	P539-P541
Smorgasbord Posts	P519
Sneeze Guard Components	P598-P604
Sneeze Guards	P518-P521, P526-P527, P532, P539-P541, P574-P595, P597-P603
Specialty Catalogs	P700
Square Base Plates	P563
Square Extrusion	P516
Square Full Flanges	P563
Square Partition Posts	P513, P524, P529-P531, P533-P535
Square Post Tubing	P558
Square Standoff Bases	P650, P656
Stanchions, Post	P626-P627
Standoff Bases	P646, P648, P650, P652, P654, P656, P658-P659, P661-P662
Standoff System Accessories	P647, P651, P653, P657, P660, P663
Steel Flanges and Canopies	P560-P561, P563
Swivel Fitting Systems	P666-P674
Swivel Hinge Glass Fittings	P565

T

Tee Posts	P519
Tee, Outlet	P602
Thread-Setter Tool	P573
Tight-Fit Series Posts	P551
Touch-Up Paint	P628
Tray Slide Shelf Hardware	P604
Tru-Close Gate Hinges	P635-P636
Tube Adaptors for Standoffs	P566, P649, P655
Tubing	P557-P558, P604

U

U-Channel Cap	P633
U-Channel, Radius Back	P564
U-Channel, Top and Bottom	P524
Universal Swivel Fittings System	P666
UV Bonding Catalog	P612
UV Glass Bonding Kits	P613

W

Welded Steel Surface Mount Stanchions	P627
Wicket Frames	P513
Windscreen Systems	P630-P633, P643

Z

Z-Series Glass Clamps	P568-P573
-----------------------	-----------



UNITED STATES Visit Our Web Site: crlaurence.com

**CORPORATE HEADQUARTERS
 LOS ANGELES, CALIFORNIA**

Phone: (323) 588-1281
 Fax: (323) 581-6522
 Toll Free Phone: (800) 421-6144
 Toll Free Fax: (800) 262-3299

ATLANTA, GEORGIA

Phone: (404) 696-3445 Fax: (404) 696-3386

BOSTON AREA, MASSACHUSETTS

Phone: (508) 880-5600 Fax: (508) 880-5775

CHICAGO AREA, ILLINOIS

Phone: (847) 426-3800 Fax: (847) 426-0111

CLEVELAND AREA, OHIO

Phone: (440) 248-0003 Fax: (440) 248-0120

DALLAS, TEXAS

Phone: (214) 634-7305 Fax: (214) 631-6519

DENVER, COLORADO

Phone: (303) 373-9988 Fax: (303) 373-0884

HOUSTON, TEXAS

Phone: (713) 462-6300 Fax: (713) 462-6306

LAS VEGAS, NEVADA

Phone: (702) 253-0211 Fax: (702) 253-0311

MIAMI AREA, FLORIDA

Phone: (954) 846-9233 Fax: (954) 846-9277

NEW YORK CITY AREA

Phone: (201) 770-1077 Fax: (201) 770-1599

ORLANDO, FLORIDA

Phone: (407) 857-7900 Fax: (407) 857-7766

PHILADELPHIA AREA

Phone: (856) 727-1022 Fax: (856) 727-3299

PHOENIX, ARIZONA

Phone: (602) 269-7500 Fax: (602) 269-7600

SAN DIEGO, CALIFORNIA

Phone: (858) 678-8984 Fax: (858) 678-0486

SAN FRANCISCO / OAKLAND AREA

Phone: (510) 475-1000 Fax: (510) 475-1404

SEATTLE AREA, WASHINGTON

Phone: (253) 850-5800 Fax: (253) 813-1818

**CRL MANUFACTURING HEADQUARTERS
 LOS ANGELES, CALIFORNIA**

Phone: (323) 588-1281 Fax: (323) 581-6522

**GLASS MACHINERY DIVISION
 CICERO, ILLINOIS**

Phone: (773) 242-2871 Fax: (708) 863-5462

**BLUMCRAFT OF PITTSBURGH
 PITTSBURGH, PENNSYLVANIA**

Phone: (412) 681-2400 Fax: (412) 681-6840



CRL CANADA
crlaurence.ca

CORPORATE HEADQUARTERS

TORONTO AREA, ONTARIO
 Phone: (905) 303-7966
 Fax: (905) 303-7965

MONTREAL AREA, QUEBEC
 Phone: (514) 352-3300
 Fax: (514) 352-1017

CALGARY, ALBERTA
 Phone: (403) 250-5783
 Fax: (403) 291-3260

Toll Free Phone: (800) 421-6144
Toll Free Fax: (800) 262-3299
VANCOUVER AREA, B.C.
 Phone: (604) 448-9344
 Fax: (604) 448-9322



CRL AUSTRALIA
crlaurence.com.au

Toll Free Phone: 1800 424 275 Toll Free Fax: 1800 813 013

**SYDNEY AREA,
 NEW SOUTH WALES**

Phone: (02) 9851-3444
 Fax: (02) 9851-3445

**MELBOURNE AREA,
 VICTORIA**

Phone: (03) 9764-8322
 Fax: (03) 9764-8378



CRL EUROPE

Freephone: 00 800 0421 6144
 Freefax: 00 800 0262 3299

**STUTT GART AREA,
 GERMANY**

Phone: +49 (0)7062 915 93 15
 Fax: +49 (0)7062 915 93 16
crlaurence.de

**MILAN AREA,
 ITALY**

Phone: +39 02 93562376
 Fax: +39 02 93566422
crlaurence.it

**MANCHESTER AREA,
 ENGLAND**

Phone: +44 (0)1706 863 600
 Fax: +44 (0)1706 869 860
crlaurence.co.uk
crlaurence.eu

**COPENHAGEN AREA,
 DENMARK**

Phone: +45 36 72 09 00
 Fax: +45 36 70 33 35
crlaurence.dk

LANGUAGES

Information about the products in this CRL Catalog is available in these languages when you visit our supplementary web sites:

crlaurence.com.mx or
crlaurence.es : Spanish

crlaurence.de : German
crlaurence.qc.ca or crlaurence.fr : French

crlaurence.it : Italian
crlaurence.dk : English

Enter the product number into the Search Box and information about the item will be in that language.

C.R. LAURENCE CO., INC.

Corporate Headquarters
 Post Office Box 58923, Los Angeles, CA 90058-0923
 International Phone: (323) 588-1281 • International Fax: (323) 581-6522

HOSPITALITY SALES

Phone: (800) 421-6144 or (323) 588-1281 Ext. 7760
 Direct Fax: (800) 458-7496 or (323) 584-5293
 Direct E-Mail: hospitality@crlaurence.com