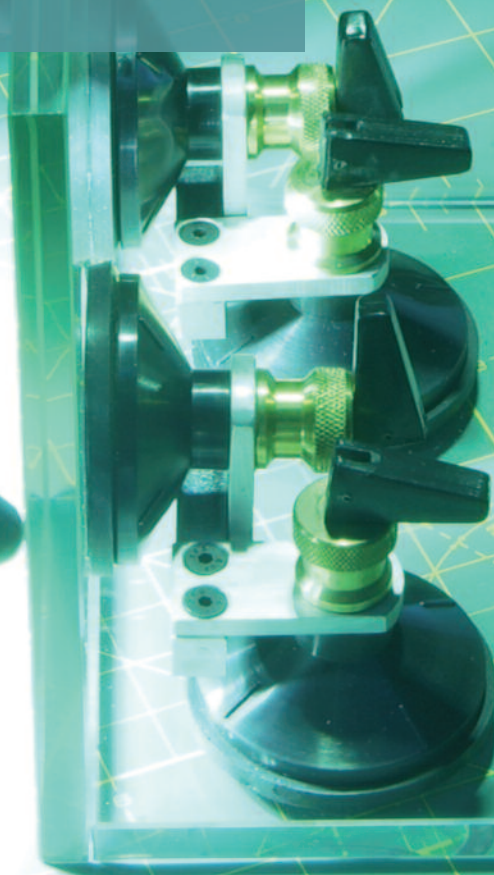


GLASS BONDING SYSTEM

- *Easy to Understand Instructions and Guidelines*
- *Hundreds of Possible Uses in Glass Construction*
- *Advanced UV Adhesives Provide Strong Bonds to Varied Substrates*
- *New Innovative Fixation Devices*
- *Wide Selection of UV Lamps*
- *Latest Designs in UV Glass Furniture Hardware*
- *Starter Kits – Basic and Professional*

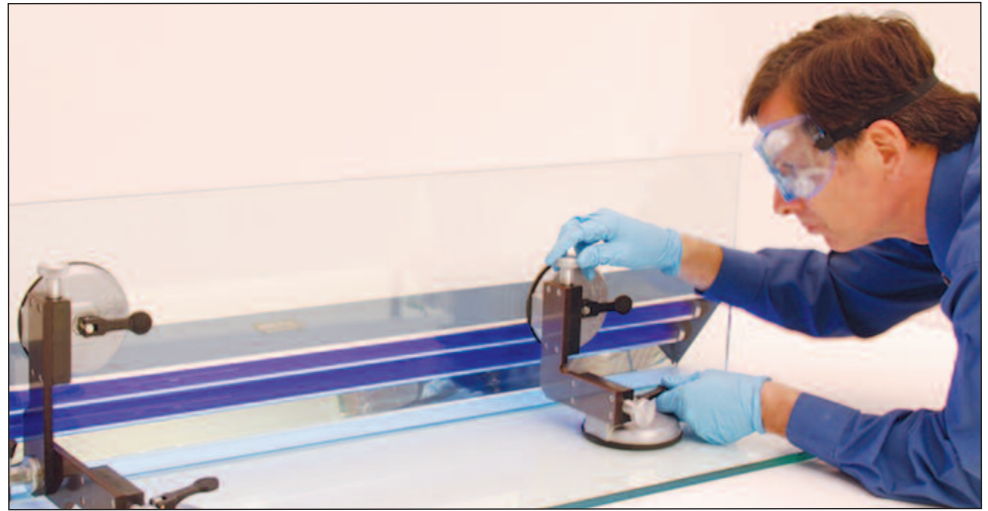


CRL[®]

C.R. LAURENCE COMPANY
crlaurence.com

CRL GLASS BONDING

The Easy Solution For All Your Glass Bonding Needs

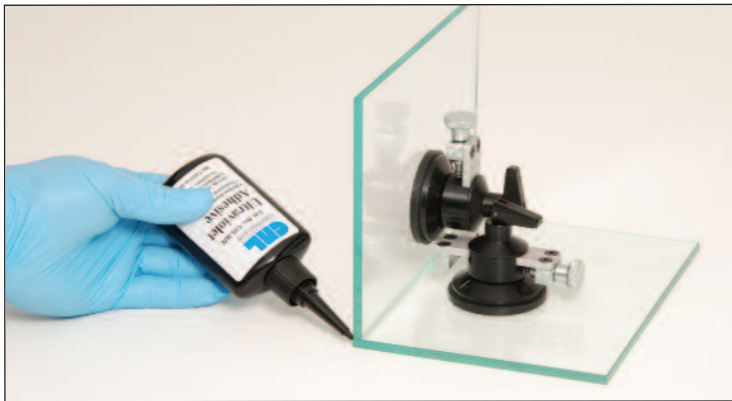


Simplified Technology for Efficient and Safe Glass Bonding

CRL takes the mystery out of glass bonding with our complete line of UV and UV/Visible Light Adhesives, Fixation Devices, UV Lamps, and Glass Furniture Hardware.

Everything you need with easy-to-understand instructions and guidelines to produce glass bonded work from functional glass furniture to beautiful glass artwork. There are hundreds of possible uses in glass construction with the Glass Bonding System from CRL.

New innovative Fixation Devices make construction faster and easier. Advanced UV Adhesives provide strong bonds to many different substrates including laminated glass, tempered glass, steel, aluminum, stainless steel, ceramic, stone, wood, and plastics. We have a wide selection for UV Lamps for fast bonding of all sizes of glass furniture. We even have basic UV Starter Kits for first time users and professional kits for full time users, plus all the right cleaners and accessories needed to make your job easier and more profitable.

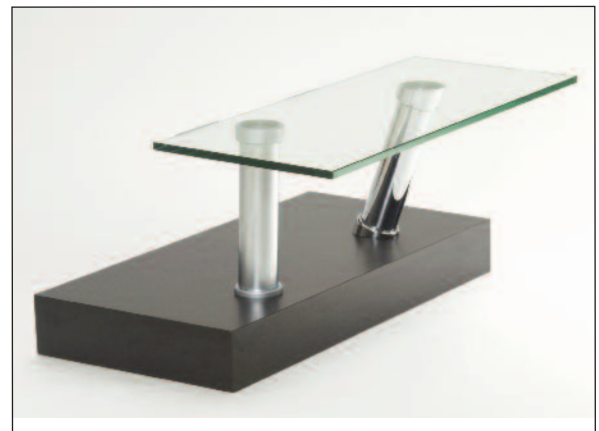


Advantages of CRL's Glass Bonding System

- Easy to Understand Instructions and Guidelines
- Hundreds of Possible Uses in Glass Construction
- Advanced UV Adhesives Provide Strong Bonds to Varied Substrates
- New Innovative Fixation Devices
- Wide Selection of UV Lamps
- Latest Designs in Glass Furniture Hardware
- Starter Kits – Basic and Professional

FOR TECHNICAL ASSISTANCE CONTACT GLASS AND GLAZING TECH SALES

Phone: (800) 421-6144 or (323) 588-1281 Ext. 7720
Direct Fax: (866) 921-0532 or (323) 584-5226
Direct E-Mail: glassglazing@crlaurence.com



LOG ON TO crlaurence.com FOR BUSINESS-TO-BUSINESS SERVICES

PHONE (800) 421-6144 | FAX (800) 262-3299 TOLL FREE FROM ANYWHERE IN THE U.S.A. OR CANADA

CRL Has the Right UV Adhesive for Any Application

- High, Medium, and Low Viscosity Formulas
- Strong Bond to Many Substrates, Even Laminated Glass
- See Pages GB18-GB27

CRL UV/Visible Light Cure Adhesives handle any glass bonding application you may encounter. Choose from seven different formulations plus colored adhesives for your projects. Typical applications include: glass knobs and metal towel bars to frameless glass shower doors; glass shelves on mirrors; glass showcases; glass sculptures; glass artwork; and efficient production of glass furniture.

Our different formulations adhere to many substrates, including metal, ceramic, stone, plastic, wood, and laminated glass, which normally does not lend itself to UV adhesives, because the PVB inner layer absorbs almost all of the UVA radiation.



CRL Fixation Devices

- Wide Selection to Choose From
- Precisely Positions and Holds Glass in Place While Adhesive Cures
- See Pages GB10-GB17

For optimum curing of UV Adhesives it is imperative to keep the glass parts from sliding out of place. In the past, a second person was often needed to hold the glass parts in position. Now, with CRL Fixation Devices, one person can easily manage all the work steps alone. Many of the Fixation Devices have adjustment screws to raise and lower the glass parts for proper application of high and low viscosity (capillary action) UV Adhesives. Other devices have marked dimensions for fixing glass parts in virtually any angle.



CRL UV Curing Lamps

- Provides Correct UV Wavelength for Proper Curing of UV Adhesives
- Numerous Models to Choose From
- See Pages GB28-GB32

Maximum bond strengths of UV Adhesives are achieved with the appropriate UV Curing Lamp. CRL Lamps emit the correct UV wavelength of 365 nm for curing adhesives, and different intensity lamps are available to cure the adhesive at a faster rate if desired. **NOTE:** Always wear special UV safety glasses, goggles, or face shield when using UV Curing Lamps.



CRL Glass Furniture Hardware

- Latest Designs for Unique Glass Furniture
- Eliminates Cut-Outs, Notches or Drilling Holes in Glass
- See Pages GB36-GB53

Glass has long been the choice for unique furniture designs and display products due to the many alternatives available for glass thickness and colors. Glass is also unique in that glass shops or glass fabricators can produce custom furniture designs for homes or businesses, no matter how large or small. CRL Glass Furniture Hardware provides the latest in design and function. Combined with our different formulas of UV Adhesives, our many Fixation Devices, and UV Curing Lamps, your possibilities are almost limitless.



Using UV Adhesives

Bonding glass with UV Curing Adhesives can easily be achieved by taking your time and carefully following these basic steps:

1. Material Selection

Glass choice and adhesive selection is critical since both predetermine the results. A different mix of glass and adhesives will result in varying bond strengths. Clear float glass, mirrored, tempered glass, and smooth, flat wired glass can be bonded without problems. Structured glass like patterned, sandblasted, or wired glass can cause lower bond strengths or cannot be bonded at all. The UVA light permeability depends on the glass thickness and color intensity of the glass. Glass with high UV absorption such as laminated glass or colored glass cannot be bonded with common UV adhesives and require a highly sensitive adhesive such as our UV678 (page GB20). Bonding metal-to-glass requires a suitable adhesive such as our UV682 (page GB20).

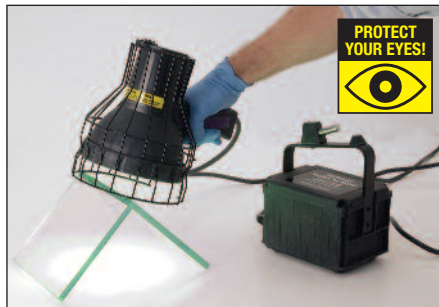


2. Surface Preparation

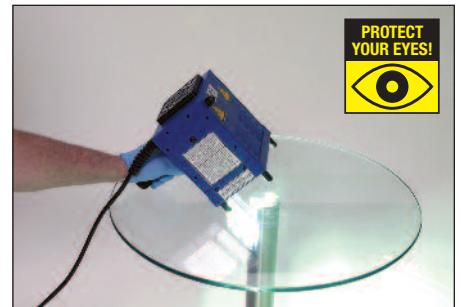
All bonding surfaces must be absolutely clean, free of grease, and dry. When UV bonding use appropriate cleaners such as CRL7528 (page GB06) that are free of surfactants (soap) or other contaminants. Common glass and general purpose cleaners are not suitable in most cases. In order to obtain a stable and durable bond, the adhesive and all parts to be bonded must be at room temperature. Heating all surfaces to 155°F (68°C) prior to bonding will remove any condensation that could adversely affect the bond strength.



CRL7528 Cleaner



UV665 Glass-to-Glass Bonding



UV682 Glass-to-Metal Bonding

3. Adhesive Selection

The correct UV Adhesive depends on the bonding materials, application of the finished product, and the resulting stress load.

- For glass-to-glass bonds, self-supported "closed" construction is recommended to obtain the highest possible stability. Adhesives such as our UV678 and UV690 (pages GB20-GB21) are best suited for this type of "closed" construction. When self-supported "closed" construction isn't possible, use UV740, UV665, UV770, UV760 or UV682 Adhesives for non-self-supported "open" construction (pages GB19-GB21).
- For glass-to-metal bonds, use our UV682 Adhesive (page GB20).



Self-Supported "Closed" Construction



Non-Self-Supported "Open" Construction



4. Applying UV Adhesive

Before applying the adhesive it is recommended to check if the bonding parts will fit in their intended position. This is best done by first assembling the project without bonding by using the CRL Fixation Devices shown on pages GB10 to GB17 to securely hold the surfaces in position.

- The adhesive should be applied within five minutes after the parts have been heated. Should a longer time period have passed, the parts should be re-heated.
- Bonding surfaces should preferably be in a horizontal position when the adhesive is applied.
- Precise and economic application of the adhesive can be achieved by using CRL Dispensing Systems and Application Needles shown on page GB24.



An important fact to always remember is that the smoother the bonding surface and the thinner the layer of adhesive, the stronger and more resilient the bond will be. A layer of too much adhesive reduces the strength of the bond, and increases the workload of removing excess adhesive.

Applying the adhesive BEFORE joining the parts:

With medium/high viscosity adhesives, such as UV770 (page GB19), the adhesive should be applied in a wiggly pattern before the parts are joined.

- When bonding horizontally, the bonding parts should be evenly and carefully joined to avoid trapping any air bubbles.
- The weight of the bonding parts should be sufficient to evenly spread the adhesive over the entire bonding surface.
- When bonding metal-to-glass, apply a liberal amount of the adhesive to the center of the part and gently squeeze or clamp to eliminate any air bubbles.
- Air bubbles appearing in adhesive may be removed by carefully moving parts in a circular motion until bubble moves to the edge and is released.

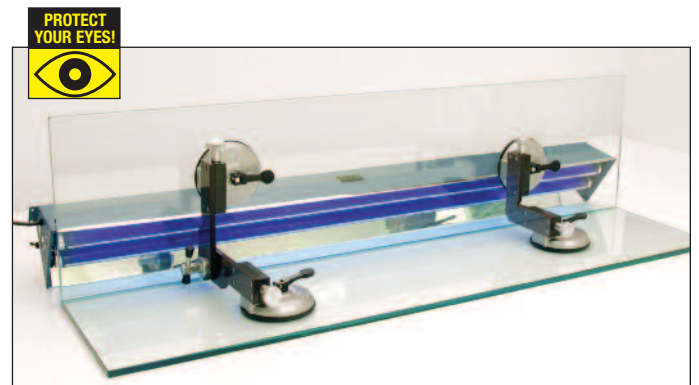
Applying the adhesive AFTER joining the parts:

With low viscosity adhesive, such as UV740 (page GB19), the adhesive seeps into the bondline gap by itself. Therefore, the bonding parts can be joined in their final position before the adhesive is applied.

- Do not work on several parts at the same time, instead build the project one step at a time.
- To achieve an optimum distribution of adhesive over the entire bonding surface, the parts should be slightly lifted and lowered to increase coverage before curing. Care should be exercised as to not create air bubbles in adhesive.

5. Structural Stability

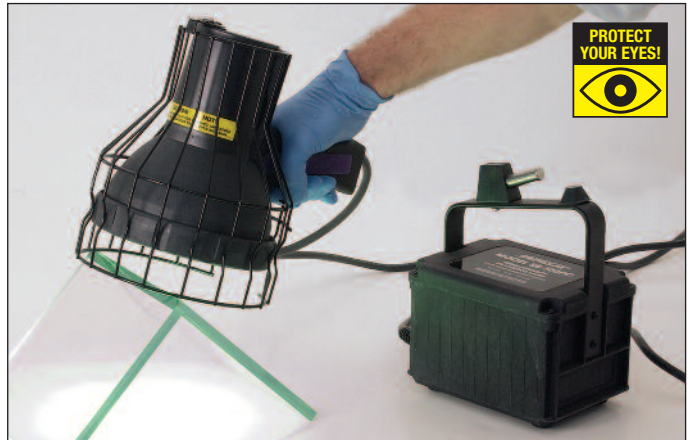
It is absolutely critical that the bonded surfaces are kept stable and in a fixed position. This is made possible by using the CRL Fixation Devices shown on pages GB10 to GB17.



6. Curing UV Adhesive

CRL UV Lamps are equipped with UV filters that reduce potential damage to eyes and skin. For your own safety, however, you should use additional suitable protection, such as UVS30 Safety Glasses with UV filtering (page GB32), and 700512 Disposable Gloves (page GB32).

- Use a suitable size CRL UV Lamp (page GB28). The Lamp should not be shorter than the bonding edge to avoid tension build-up due to uneven curing.
- Position Lamp as close as possible to the bonding surface during curing.
- Never move parts during the curing process, and do not expose the project to vibrations.



The Exposure to UV Light is Done in Two Steps: Pre-Cure and Finish-Cure

- **Pre-Cure** the bond by exposing to UV light from at least 10 seconds to approximately two minutes, depending on the type of Curing Lamp used and glass thickness. By pre-curing, a working strength (approximately 30% of the final strength) is achieved. This allows excess adhesive outside the bonding surface to be removed easily.
- Remove any Fixation Devices and clean the object of any adhesive residue.
CRL Loctite Chisel® Paint Stripper: 79040 (page GB09)
CRL Glass Scraper: RS65 (page GB09)
CRL Extra Fine Steel Wool: Z100 (page GB09)
- **Finish-Cure** the bond by exposing to UV light for at least 60 seconds to approximately five minutes, depending on the type of UV Curing Lamp used and glass thickness.

NOTE: Exposing the bond for a longer time has no negative or positive effects on the bond.

- After final curing (approximately 24 hours), the bond is fully functional, and can be put under load.

7. Bond Test

- Test strength of bond by subjecting it to stresses exceeding those it would normally incur by impacts, tilting, sudden movements, etc.
IMPORTANT NOTE: Protect yourself from future liability claims by advising your customers in writing that no construction performed solely with adhesives is 100 percent fail safe. Conditions outside of your control, such as excessive loads, whether accidentally or intentionally placed on the completed project, can cause a bond to fail, and that you are by no means responsible in those situations.
- For technical assistance, contact CRL Technical Sales at (800) 421-6144 in the U.S., (877) 421-6144 from Canada, or (323) 588-1281 International. Ask for Ext. 7720. You can also e-mail us through our web site at crlaurence.com. From the home page click on Contact Us, and then click on Technical Sales for Glass and Glazing Products.

Limited Warranty: CRL guarantees the satisfactory quality of the products and the materials supplied by us. The preceding information as well as any technical recommendation given in writing, verbally or based on tests, is provided to the best of our knowledge. They are non-binding recommendations only, and do not affect your responsibility to determine the suitability of the product for your particular processes and purposes. The quality of the bond depends on conditions which are outside of our control. We therefore have to reject any liability which exceeds the replacement of faulty material. This refers especially to any indirect or consequential loss, damages or expenses.

CRL Glass Bonding Training

- In-House Training Seminars
- Training and Instructional Videos
- Online Webinars



Let us help you get started with UV Glass Bonding, or answer your questions if you have already experimented with producing glass construction using UV adhesives. We have the easy solutions for all your glass bonding needs, and can provide them to you with a Training and Instructional Video, an In-House Training Seminar, and Online Webinars.

The Training and Instruction Video can be ordered in DVD format (Cat. No. DVDUV101). Log on to crlaurence.com for information on CRL Webinars and to register for the next scheduled one, or call us for the date of our next in-house Training Seminar at our Los Angeles, California headquarters.



CRL Glass Bonding 101 Training Will Provide the Following:

- Features and Advantages of Different CRL UV Adhesives, Including Properties of Each and Their Best Use
- Instructions and Techniques on Proper Surface Preparation
- Explanations and Demonstrations of CRL Fixation Devices
- Information on Different UV Bonding Lamps to Help You to Choose the Right One
- Proper Selection and Installation of CRL's Wide Variety of Glass Furniture Hardware



Proper Surface Preparation – Crucial for Optimal Bonding

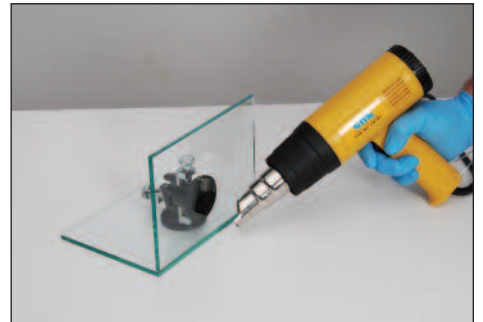
Just like in the application of construction sealants or automotive windshield urethanes, proper cleaning of all surfaces prior to applying the bonding adhesive is essential for good results. Only with an absolutely clean surface is it possible to achieve optimal bonding results with UV Adhesives. Therefore, a complete pre-cleaning procedure of the glass and hardware is very important. All bonding surfaces must be **clean** and free of grease and oil, and **completely dry** as well. By following our application instructions, and by using the cleaning products and accessories on the following pages you will achieve optimal bonds.



First, clean entire glass piece with Cat. No. S50 Glass Cleaner and Cat. No. 1550 Lint Free Glass Wipes



Second, clean the edges to be bonded with Cat. No. CRL7528 Cleaner and Degreaser



Third, completely dry edges to be bonded with Hot Air Heat Gun Cat. No's LD121 or UV8978

CRL Cleaner and Degreaser



- Prepares Surfaces for UV Adhesives
- Cleans Up Uncured UV Adhesive

- Contains No Ozone Depleting Chemicals
- Evaporates Quickly



CRL Cleaner and Degreaser is a general-purpose cleaner/degreaser ideal for preparing surfaces prior to use of all ultraviolet adhesives and sealants. It removes all traces of grease and oils, and leaves no residue. 12 per case. Minimum order is one each.

20 Oz. (567 g)

CAT. NO. CRL7528

LOG ON TO crlaurence.com FOR BUSINESS-TO-BUSINESS SERVICES

GB06 | PHONE (800) 421-6144 | FAX (800) 262-3299 TOLL FREE FROM ANYWHERE IN THE U.S.A. OR CANADA

CRL Loctite® ODC-Free Cleaner and Degreaser

- Prepares Surfaces for UV Adhesives
- Cleans Uncured UV Adhesives
- Contains No Ozone Depleting Chemicals
- Non-Aerosol Pump Spray Container



16 Fl. Oz. (473 ml)

Loctite® ODC-Free Cleaner and Degreaser is a general purpose cleaner/degreaser, ideal for preparing surfaces prior to use of all Loctite® adhesives and sealants. Removes all traces of grease and oils, and leaves no residue. It is nonflammable and low in toxicity. 12 cans per case. Minimum order is one each.

CAT. NO. 20162

CRL S50 Sprayway Glass Cleaner

- Ammonia Free Formula
- Fast Evaporation Rate, Just Spray and Wipe Clean



19 Oz. (539 g)

CRL S50 is Sprayway's leading Glass Cleaner. The formula includes perfume-grade alcohols, which are the best cleaning agents you can use. It also has a fast evaporation rate, which keeps it from leaving a film and adversely interacting with other materials. 12 cans per case. Minimum order is one case.

CAT. NO. S50

CRL Hot Air Gun Kit

- Dual Heat and Fan Settings
- Ideal for Removing Residual Moisture After Cleaning



After cleaning the bonding surfaces an invisible moisture residue remains which can negatively affect the strength of the bond. Remove this moisture quickly and reliably with the CRL Hot Air Gun Kit. It has dual heat and fan settings: 1000 W - 375°C/700°F and 1500 W - 495°C/925°F. This 110V AC Hot Air Gun is also excellent for use in putty removal, paint removal, plastic pipe welding, and other jobs that require this type of tool. 240 Volt model also available. Minimum order is one each.

CAT. NO. LD121

CRL Milwaukee® Heat Gun

new

- Variable Temperature With Heat Adjustment Dial
- Ideal for Removing Residual Moisture After Cleaning



After cleaning the bonding surfaces an invisible moisture residue remains which can negatively affect the strength of the bond. Remove this moisture quickly and reliably with this variable temperature Heat Gun. It offers a range from 200 to 1050°F (93 to 565°C) that is controlled with a heat adjustment dial. The electrical heat control allows extra reduction of airflow for more accurate and concentrated heat location without damage to the heating element. Double insulated 110V AC tool features a unique impact resistant heating element. Minimum order is one each.

CAT. NO. UV8978

CRL Non-Contact Thermometer

- Monitors Glass Temperature While Heating for Optimum Bond Results
- Built-In Laser Pointer
- Easily Switch From Fahrenheit to Celsius
- Digital Display

new

CRL EXCLUSIVE



Now you can easily confirm the temperature of your bonding materials with the CRL Non-Contact Thermometer. No more guessing or risking burns with a touch test. This tool will tell you via digital display when your bonding components reach the 140 to 160°F (60 to 71°C) preheat stage required for a permanent bond. Easy one button control for switching between Fahrenheit and Celsius readings. Powered by two AAA batteries (included). Minimum order is one each.

CAT. NO. UV1575

CRL Kimberly-Clark® WypAll® X50 Paper Towels

new

- 1,100 Sheets Per Roll
- Perforated for Easy Tear-Off



These WypAll® X50 Paper Towels are perfect for cleaning glass prior to UV adhesive application, as well as for cleaning up excess adhesive that has oozed out around parts being bonded. The perforated sheets make removal easy with only one hand when used with our Paper Towel Dispensers, keeping your other hand free to hold the glass parts you are working on.

Largest and most economical towel we sell. Packed one roll per case. Each roll contains 1100 each 9-3/4" x 13-3/8" (247 x 340 mm) towels. Minimum order is one roll.

CAT. NO. K35015

CRL Paper Towel Dispenser

new

- Holds Wypall® K35015 Jumbo Rolls
- Perfect for Workbench, Floor, or Wall



Shown with Cat. No. K35015 X50 Paper Towels sold separately.

Cleaning glass prior to applying UV adhesives or cleaning up excess adhesive means you need plenty of paper towels close at hand. The 80595 floor model Dispenser has detachable legs so it can also be used on a table top bench. Use the wall mount model to mount your jumbo rolls of paper towels right next to your work station.

CAT. NO.	DESCRIPTION
80595	Floor/Bench Dispenser
80579	Wall Mount Dispenser

Minimum order: 1 each.

CRL Micro Fiber Wipes

- Large 16" x 16" (406 x 406 mm) Size
- Can Be Used Hundreds of Times
- Super Soft



CRL Micro Fiber Wipes have thousands of microscopic fibers that trap dirt and grime to increase cleaning effectiveness and reduce cleaning and drying times. Our large 16" x 16" (406 x 406 mm) size takes on big cleaning jobs, and when you're done you can simply machine-wash them (without fabric softener). Packed two wipes per poly bag with a hanger hook so you can also offer them for resale to your customers. Minimum order is one pack.

CAT. NO. MFW2

CRL Lint Free Glass Wipes

- Use for Cleaning and Removing Excess Adhesive
- Strong, 4-Ply White Paper Wipes



CAT. NO. BX15
Box of 150 Wipes



CAT. NO. 1550
Case of 900 Wipes

Extra-tough CRL Lint Free Glass Wipes bring the absorbing power you need in a lighter weight material that's reinforced with a nylon scrim for extra strength. The ripple texture makes them easy to hold during use, and provides just the right amount of surface area for cleaning solutions to do their work.

CAT. NO.	DESCRIPTION
BX15	Box of 150 Wipes
1550	Case of 900 Wipes

Minimum order: 1 box of BX15 or 1 case of 1550.

CRL Loctite Chisel® Paint Stripper

- Foaming Action Softens Cured UV Adhesive



If excess UV adhesive is allowed to cure it is almost impossible to remove. The strong foaming action of this aerosol solvent softens cured UV adhesives to aid in removal with steel wool, scraping tools, and blades. Minimum order is one each.



CAT. NO. 79040

CRL Single Edge Razor Blades

- Our Most Popular Single Edge Blade
- Individually Wrapped to Protect the Edge



This CRL Single Edge Razor Blade is top quality, industrial grade, .009" thick surgical steel precision-honed for extra sharpness. It delivers durability along with the exacting quality cut that professionals demand. Packed 100 each per box, there are 50 boxes per case. Each blade is individually wrapped to protect the edge until you are ready to use it. Minimum order is 100 each.

CAT. NO. 51S

CRL Heavy-Duty Industrial Razor Blades

- Extra Rigid Single Edge Blades Without Notch
- For Use in Paint Scrapers



Our CRL Heavy-Duty Razor Blades are more rigid than our regular razor blades because of their .012" thick steel construction, and because they have no side notches. Their extra rigidity makes them great for really tough scraping jobs. Packed 100 per box, 50 boxes per case. Minimum order is 100 each.

CAT. NO. KKB12

CRL Razor Blade Holder and Scraper

- Safely Holds Single Edge Metal Razor Blades
- Comfortable Handle for a Sure Grip

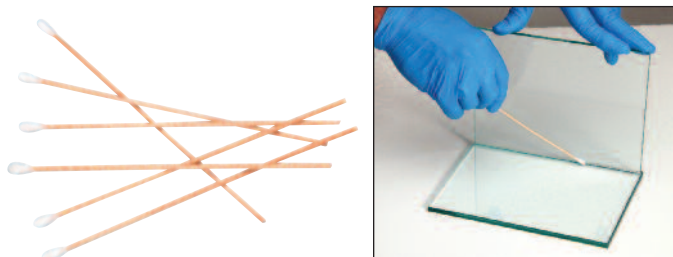


The CRL Razor Blade Holder and Scraper is a safe and easy way to handle single edge metal razor blades for all your scraping jobs. The blade end is molded into a plastic handle that provides for a comfortable and sure grip, with a metal ferrule so you can hang it up. There is also a slip-on safety cover for the blade edge. Holds our 51S and KKB12 Single Edge Razor Blades. Overall length is 6-1/2" (165 mm). Minimum order is one each.

CAT. NO. RS65

CRL Cotton Swabs With Wooden Shafts

- Use to Remove Excess Adhesive



CRL Cotton Swabs with Wooden Shafts make removing excess adhesives in corners and hard to reach areas easier. Minimum order is 100 each.

CAT. NO. 1CS

CRL Extra Fine Steel Wool

- Extra Fine Steel Wool #0000
- Use to Clean Excess Adhesive

CRL Extra Fine Steel Wool is used to remove excess cured adhesive that has oozed out around parts being sealed. Use in conjunction with Loctite Chisel® Paint Stripper (Cat. No. 79040) 16 pads per package. Minimum order is one pack.



CAT. NO. Z100

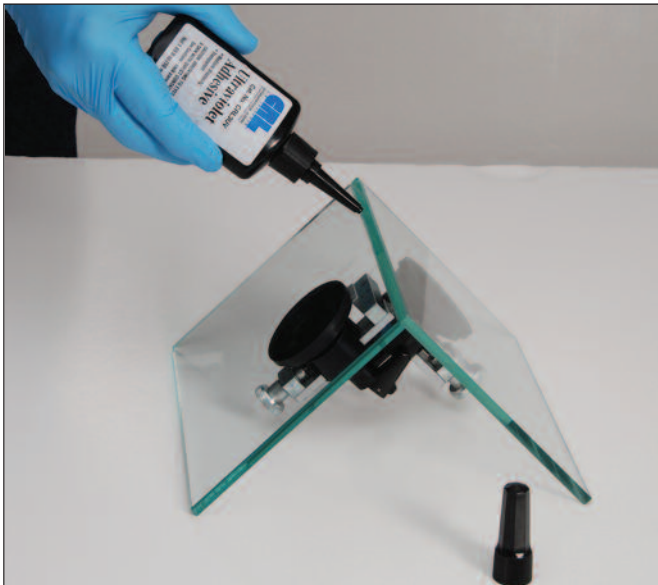
CRL Fixation Devices

- Used When Curing UV Adhesives
- Prevents Bonding Parts From Moving While Curing
- Adjustable to Multiple Angles

It is absolutely critical that the bonded surfaces are kept stable and in a fixed position when UV Adhesives are curing. This is made possible by using these specially designed CRL Fixation Devices. From simple economical clamps to precision engineered, adjustable holders that are capable of placing the parts in precise angled positions, CRL offers a complete line of Fixation Devices designed for use when bonding UV Adhesives. These devices allow just one person to manage the steps involved when working with UV Adhesives. Using our CRL Fixation Devices properly will give professional results.



- Complex Glass Construction Projects
- Glass Cabinets and Showcases
- Wall Partitions and Shower Doors
- Glass Furniture
- Display Windows
- Decorative Glass Projects



LOG ON TO crlaurence.com FOR BUSINESS-TO-BUSINESS SERVICES

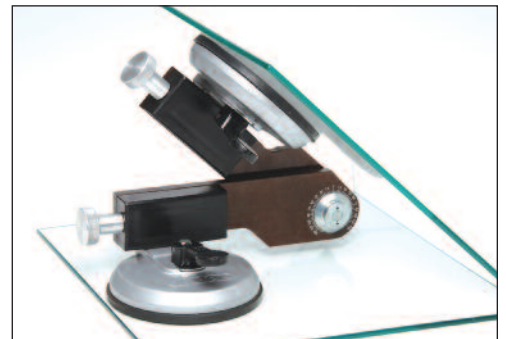
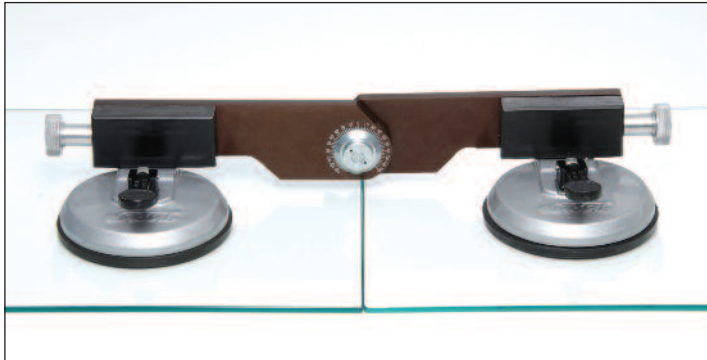
GB10 | PHONE (800) 421-6144 | FAX (800) 262-3299 TOLL FREE FROM ANYWHERE IN THE U.S.A. OR CANADA

CRL Adjustable Angle Suction Holder

new

- Holds Glass Pieces From Inside or Outside Surface While Adhesive Cures
- Adjustable Between 40 and 300 Degrees

This CRL Adjustable Angle Suction Holder grips glass from outside or inside surfaces, and can be fixed at a desired angle of 40 to 300 degrees. Height and position can be adjusted up to 11/16" (18 mm) by knobs located on each arm. Glass is held firmly in place with 4-3/4" (120 mm) diameter rubber suction pads until the surfaces are firmly bonded. Minimum order is one each.



CAT. NO. UV282

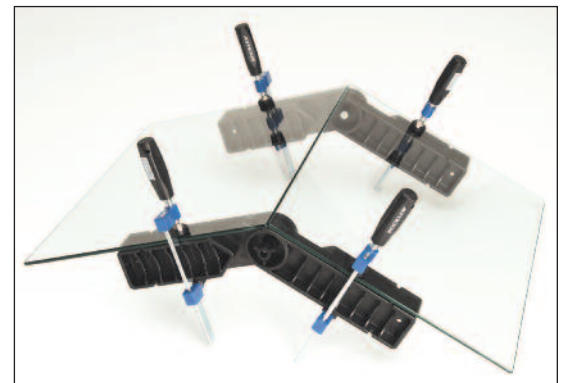
CRL Adjustable Angle Clamp-It® Assembly Tool Kit

new

CRL
EXCLUSIVE

- Adjusts to Multiple Angles From 45 to 315 Degrees
- Economical Method for Holding Glass Surfaces in Place

This CRL Adjustable Angle Clamp-It® Assembly Tool Kit allows you to align it, hold it, and clamp it at multiple angles in five degree increments from 45 to 315 degrees. This handy and economical kit allows one to hold glass surfaces at odd angles while bonding with UV adhesives. Kit comes complete with two adjustable assembly squares and four 5" (127 mm) steel bar clamps. The adjustable squares are manufactured from high-impact, rigid polycarbonate to ensure strength and accuracy. The angle is held in place by interlocking teeth that can be adjusted by simply loosening a center knob. The bar clamps feature a 3/4" (19 mm) deep throat to clamp center of the assembly square, and a 5" (127 mm) bar to accommodate panel thickness up to 2-1/2" (64 mm). Minimum order is one kit.



CAT. NO. UV28843

LOG ON TO crlaurence.com FOR BUSINESS-TO-BUSINESS SERVICES

PHONE (800) 421-6144 | FAX (800) 262-3299 TOLL FREE FROM ANYWHERE IN THE U.S.A. OR CANADA | GB11

CRL 90 Degree Inside Suction Holder

- Suction Cups Hold Glass Firmly in Place While Adhesive Cures
- Holds Glass Pieces at 90 Degrees
- Perfect for Frameless Shower Installations As Well

This CRL 90 Degree Suction Holder grips glass on the inside surfaces at a fixed 90 degree angle. Height and position can be adjusted up to 11/16" (18 mm) by knobs located on each arm for precise UV adhesive application. Glass pieces are held firmly in place until they are bonded by rubber suction cups measuring 4-3/4" (120 mm) diameter. Minimum order is one each.

new

CAT. NO. UV280
Inside Surface Holder



CRL 90 Degree Outside Suction Holder

- Suction Cups Hold Glass Firmly in Place While Adhesive Cures
- Holds Glass Pieces at 90 Degrees
- Perfect for Frameless Shower Installations As Well

This CRL 90 Degree Suction Holder grips glass on the outside surfaces at a fixed 90 degree angle. Height and position can be adjusted up to 11/16" (18 mm) by knobs located on each arm for precise UV adhesive application. Glass pieces are held firmly in place until they are bonded by rubber suction cups measuring 4-3/4" (120 mm) diameter. Minimum order is one each.

new

CAT. NO. UV281
Outside Surface Holder



CRL 90 Degree Clamp-It® Assembly Square Kits

new CRL EXCLUSIVE

- Holds Glass Pieces at Fixed 90 Degree Angle
- Cost-Effective Method for Holding Glass Surfaces in Place

These CRL 90 Degree Clamp-It® Assembly Square Kits allow you to align, hold, and clamp glass securely in place while bonding with UV adhesives. Both six-piece Kits come complete with two assembly squares and four steel bar clamps. The squares are manufactured from high-impact, rigid polycarbonate to ensure strength and accuracy. The steel bar clamps feature an ergonomic handle with a friction fit for quick and easy one-handed operation. Two Kits to choose from.



Mini Clamp-It® Clamps Shown



CAT. NO. UV69954
Clamp-It® Kit



CAT. NO. UV69962
Mini Clamp-It® Kit

CAT. NO.	SQUARE SIZE	BAR CLAMP SIZE	BAR CLAMP THROAT DEPTH
UV69954	8" x 8" x 1-1/2" (203 x 203 x 38 mm)	5" (127 mm)	3/4" (19 mm)
UV69962	4" x 4" x 1-1/4" (102 x 102 x 32 mm)	4" (122 mm)	3/4" (19 mm)

Minimum order: 1 each.

LOG ON TO crlaurence.com FOR BUSINESS-TO-BUSINESS SERVICES

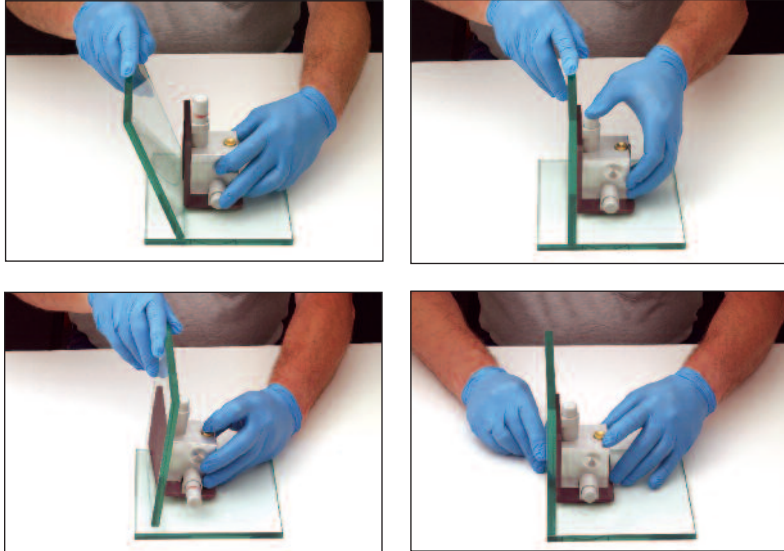
GB12 | PHONE (800) 421-6144 | FAX (800) 262-3299 TOLL FREE FROM ANYWHERE IN THE U.S.A. OR CANADA

CRL Pump-Activated 90 Degree Suction Holder

- Holds Glass at 90 Degrees
- Superior Vacuum Stability
- Precise Positioning Every Time

new

CAT. NO. UV6380
Single Pump – Activated Holder



CAT. NO. UV6389
Set of Two Pump – Activated Holders in Case

CRL Pump-Activated 90 Degree Suction Holders have a self-contained priming pump with excellent vacuum stability that holds glass pieces firmly in a fixed 90 degree angle. Excellent for fabricating glass cases, shelves, and showcases with horizontal and vertical partitions. Beveled corners prevent contact with the UV adhesive. Each unit has two built-in vacuum pumps, which can be quickly vented individually to allow parts to be repositioned as needed.

The unique duranodic finish on the attachment plates provides a better grip on the glass, eliminates oxidation, and is resistant to adhesion of foreign materials. In the event that there is a loss of vacuum, a red ring indicator warns that the pump needs to be re-primed. Holders are easy to work with in limited space since the holder surfaces measure only 2-7/8" x 3-15/16" and 3-15/16" x 3-15/16" (73 x 100 mm and 100 x 100 mm) and can be turned to suit the space available. This CRL Suction Holder is available as a single unit or convenient set of two packed in a sturdy carrying case. Minimum order is one each.

CRL Magfix Fixed 90 Degree Magnetic Cube

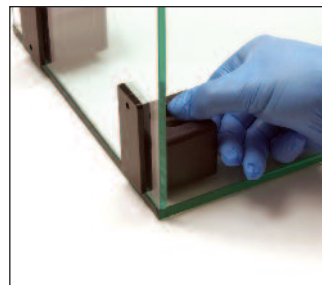
- Holds Glass at 90 Degrees
- Cup Type Neodymium Magnet
- Works on Non-Porous and Porous Surfaces

new

The CRL Magfix Fixed 90 Degree Magnetic Cube securely holds smaller glass parts up to 3/8" (10 mm) thick at 90 degree angles. The cube is ideal for use in areas with limited space since it measures only 2-7/32" (56 mm) square. Plates measure 1-3/16" x 3-3/16" (30 x 81 mm). Cube and Counter Plates have beveled edges, and are lacquered to avoid scratches on glass surfaces and UV Adhesives during application. Minimum order is one each.



CAT. NO. UV6340



CAUTION: Strong Magnetic Field. Keep Away from Cardiac Pacemakers.



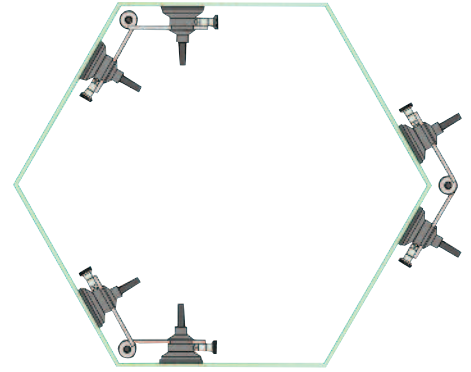
CRL Adjustable Angle Suction Holder

- Holds Glass Pieces From Inside or Outside Surface
- Adjustable Between 60 and 240 Degrees

This CRL Adjustable Angle Suction Holder grips glass pieces from outside or inside surfaces, and can be fixed at desired angles of 60 to 240 degrees. Height and position can be adjusted up to 5/16" (8 mm) by knobs located on each arm. 2-3/8" (60 mm) diameter rubber suction pads hold glass panels firmly until they are bonded. Minimum order is one each.



new
CRL
EXCLUSIVE



CAT. NO. UV2933

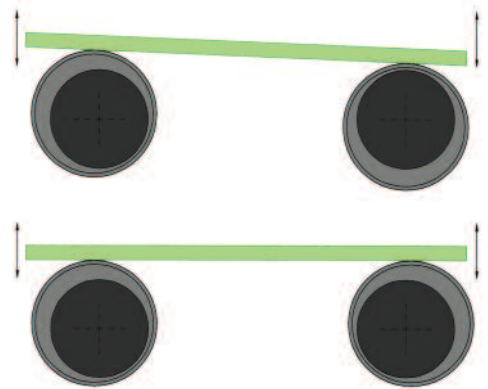
CRL Eccentric Height Adjustment Stop

- Adheres to Glass With Suction Cup
- Used for Height Adjustment of Glass Pieces
- Shelf Leveling Made Easy

These CRL Eccentric Height Adjustment Stops can be used in pairs to make precision height adjustments of glass pieces before bonding with UV adhesives. Simply rotate the disk to the desired position. Minimum order is one each.



new



CAT. NO. UV285

CRL Suction Stop and Holder

- Used to Hold Glass Panels in Place
- Can Be Adjusted With Great Precision

This handy CRL Suction Stop and Holder can be used in pairs to hold a glass shelf in place while bonding with UV adhesive. Just flip the cup lever for glass attachment, then loosen the knurled nut to allow the height adjustment bar to be moved as needed. Suction pad measures 2-1/4" (57 mm). Minimum order is one each.



CAT. NO. RH670

CRL UV Assembly Shim Set

- Precise Positioning Aids
- Alignment Shims Cushion and Center Doors and Hardware During Assembly

CRL UV Assembly Shims make precise positioning of glass doors and hardware simple and repeatable. Pre-assemble a cabinet door or any similar configuration and be assured that every clearance gap is precisely aligned top to bottom, side to side.

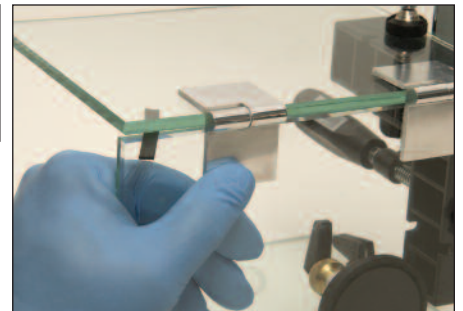
new
CRL
EXCLUSIVE



CRL UV ASSEMBLY SHIM SET INCLUDES:

- 10 each 2" x 1/16" x 1/4" (51 x 1.6 x 6.3 mm)
- 10 each 2" x 1/8" x 1/4" (51 x 3.2 x 6.3 mm)
- 10 each 2" x 1/4" x 1/4" (51 x 6.3 x 6.3 mm)
- 10 each 2" x 3/8" x 1/4" (51 x 9.5 x 6.3 mm)
- 10 each 2" x 1/2" x 1/2" (51 x 12.7 x 12.7 mm)

Minimum order is one package.



CAT. NO. UVSH1MS

LOG ON TO crlaurence.com FOR BUSINESS-TO-BUSINESS SERVICES

GB14 | PHONE (800) 421-6144 | FAX (800) 262-3299 TOLL FREE FROM ANYWHERE IN THE U.S.A. OR CANADA

CRL Fixed Position 90 Degree Inside Suction Holder

new

- Suction Cups Hold Glass Firmly in Place While Adhesive Cures
- Inside 90 Degree Holder

This CRL 90 Degree Inside Suction Holder firmly grips glass from the inside surface at a fixed 90 degree angle. 2-3/8" (60 mm) diameter rubber suction pads hold the glass pieces firmly until they are bonded. Minimum order is one each.



CAT. NO. UV2921

CRL Fixed Position 90 Degree Outside Suction Holder

new



- Suction Cups Hold Glass Firmly in Place While Adhesive Cures
- Outside 90 Degree Holders

This CRL 90 Degree Outside Suction Holder firmly grips glass from the outside surface at a fixed 90 degree angle. 2-3/8" (60 mm) diameter rubber suction pads hold the glass pieces in place until they are bonded. Minimum order is one each.



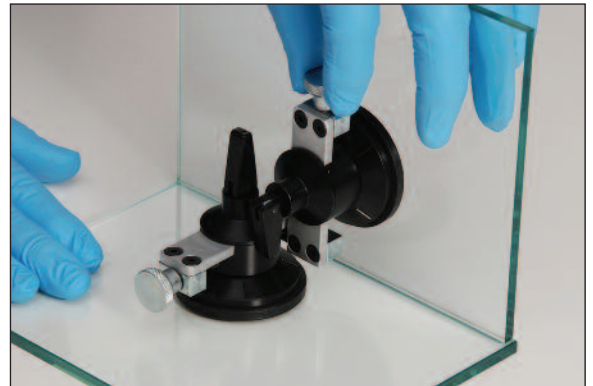
CAT. NO. UV2922

CRL Adjustable 90 Degree Inside Suction Holder

new

- Adjustable Height and Position
- Suction Cups Hold Glass Firmly in Place at 90 Degrees While Adhesive Cures

This CRL Adjustable 90 Degree Inside Suction Holder firmly grips glass from the inside surface at 90 degrees. Height and position can be adjusted up to 5/16" (8 mm) by knobs located on each arm for precise UV adhesive application. Glass pieces are held firmly in place by 2-3/8" (60 mm) diameter rubber suction pads until they are bonded. Minimum order is one each.



CAT. NO. UV2931

CRL Adjustable 90 Degree Outside Suction Holder

new



- Adjustable Height and Position
- Suction Cups Hold Glass Firmly in Place at 90 Degrees While Adhesive Cures

This CRL Adjustable 90 Degree Outside Suction Holder firmly grips glass from the outside surface at 90 degrees. Height and position can be adjusted up to 5/16" (8 mm) by knobs located on each arm for precise UV adhesive application. Glass pieces are held firmly in place by 2-3/8" (60 mm) diameter rubber suction pads until they are bonded. Minimum order is one each.



CAT. NO. UV2932

CRL Adjustable 90 Degree Interior Corner Support

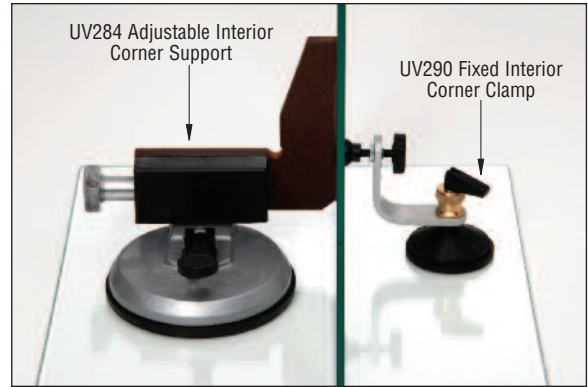
new



- Holds Glass at 90 Degrees

CRL Fixed 90 Degree Interior Corner Support holds glass pieces from inside surfaces at 90 degrees. Height and position can be adjusted up to 11/16" (17 mm) by knobs located on each arm for precise UV adhesive application. 4-3/4" (120 mm) diameter rubber suction pad holds glass pieces firmly until they are bonded. Minimum order is one each.

Shown in use with Cat. No. UV290 Fixed Interior Corner Clamp (Sold Separately)



CAT. NO. UV284

CRL Fixed 90 Degree Exterior Tall Arm Corner Clamp

new

- Holds Glass at 90 Degrees

The CRL Fixed 90 Degree Exterior Tall Arm Corner Clamp holds glass pieces from outside surfaces at 90 degrees. The outside arm is 4-5/8" (117 mm) tall with an adjustable thrust pad. This Clamp can be used with our Cat. No. UV284 Support to hold glass pieces while bonding. 2-3/8" (60 mm) diameter rubber suction pad holds glass pieces firmly until they are bonded. Minimum order is one each.



CAT. NO. UV289

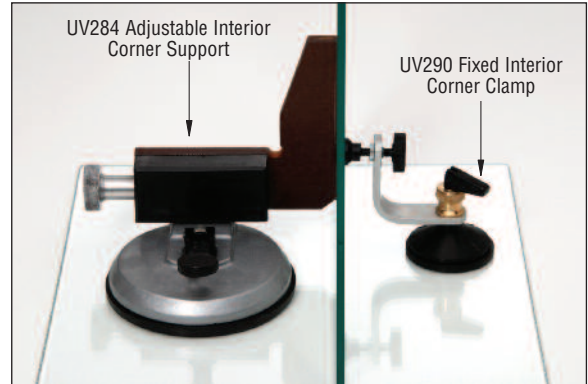
CRL Fixed 90 Degree Interior Corner Clamp

new

- Holds Glass at 90 Degrees

The CRL Fixed 90 Degree Interior Corner Clamp holds inside glass pieces at 90 degrees. Can be used with our Cat. No. UV284 Support to hold glass pieces while bonding. 2-3/8" (60 mm) diameter rubber suction pad holds glass pieces firmly until they are bonded. Minimum order is one each.

Shown in use with Cat. No. UV284 Adjustable Interior Corner Support (Sold Separately)



CAT. NO. UV290

CRL Fixed 90 Degree Exterior Short Arm Corner Clamp

new

- Holds Glass at 90 Degrees

CRL Fixed 90 Degree Exterior Short Arm Corner Clamp holds glass pieces from outside surfaces at 90 degrees. The outside arm is 3-1/4" (83 mm) tall with an adjustable thrust pad. This Clamp can be used with our Cat. No. UV284 Support to hold glass pieces while bonding. 2-3/8" (60 mm) diameter rubber suction pad holds glass pieces firmly until they are bonded. Minimum order is one each.



CAT. NO. UV291

CRL UV Hardware Positioning Device

new

- Accurately Aligns Locks, Hinges, and Other Hardware
- Fast Set-Up

Accurate positioning of UV bonding hardware is essential to producing high quality finished displays, showcases, and furniture. The CRL UV Hardware Positioning Device quickly attaches to the glass with a 2-1/8" (54 mm) vacuum cup, and features a pivoting arm to align hardware on two surfaces when required. Once in place, the initial adhesion set can be made, the Positioning Device removed, and the final cure can then be completed. Minimum order is one each.



CAT. NO. UV6335

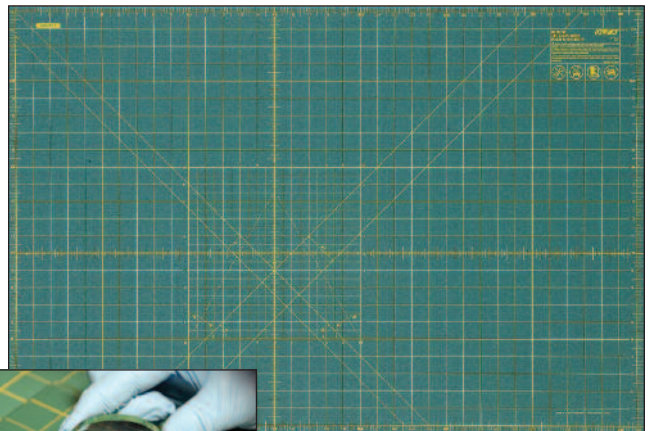
CRL UV Lay-Out Mat

new



- Slide Under Glass to Accurately Position Your UV Projects
- Easy to Read Grid Lines With 45, 90, and 135 Degree Calibrations

CRL's 24" x 36" (610 x 914 mm) UV Lay-Out Mat covers a large work surface and lets you check your bonding project for square prior to adhesive application. The surface is self-healing should you also use it for razor cutting use. Flip it over to the blank side and you have a durable, protective surface for your other work. Minimum order is one each.



CAT. NO. UV9891

CRL UV Bonding Work Surface Carpet

new



- Dark Color Absorbs UV Light
- Special Long Wearing High Density Material

This CRL UV Bonding Work Surface Carpet makes an ideal work area and prevents glass damage. It's light absorbing material is appropriate when setting your UV bonding lamps aside. Note that you should never set your lamps face-down directly on this carpet as excessive heat build up will take place (always use a guard or other support). Carpet measures 36" x 72" (914 x 1829 mm) Minimum order is one each.



CAT. NO. UV3672

CRL UV Glass Bonding Adhesives

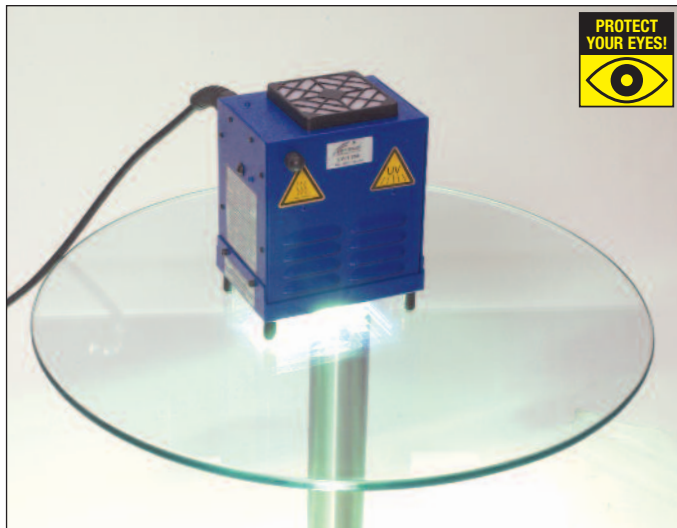
The Benefits of UV Curing Adhesive Technology Are Many



Join the Growing Trend of UV Glass Bonding

The use of glass combined with other materials continues to grow year after year. Store displays, showcases, and furniture designs are being produced without the usual mechanical fasteners and moving toward the clean, transparent look of UV bonded components.

The technological development of UV Glass Bonding over the years has enabled us to present a range of adhesives with a unique combination of performance, design, and processing benefits. You now have choices of adhesives with varying curing times that allow you to align parts precisely prior to curing.



UV Adhesive Technology for Common Use

These amazing materials have properties that allow them to remain in a liquid state during proper storage and are able to then cure with UV light exposure in a matter of seconds.

Using the properties of ultraviolet light, high curing speeds take the place of common slow evaporation methods for maximum processing production. Material construction combinations now include glass-to-glass, glass-to-metal, and glass-to-stone, further expanding the opportunities for creative designs more than ever.

Maximum strength developed between components is developed by keeping the gap between their surfaces as small as possible, optimally between 0.04 and 0.5 mm.



It's Now Easier to Fabricate Than Ever Before

The best finished appearance for projects is achieved when glass edges are precisely ground and polished and when all other surfaces to be bonded are as smooth as possible.

Simple to follow step-by-step instructions provided to you for pre-treatment, proper fixation of the components, careful application of the adhesive, and the correct method for curing, can result in the production of unique, creative and practical products.

CRL's staff of trained technicians is always available to provide you with the answers to your production questions and any other UV bonding requirements you may have as you familiarize yourself with this exciting new industry segment.

Contact CRL Technical Sales at (800) 421-6144 in the U.S., (877) 421-6144 from Canada, or (323) 588-1281 International, and ask for Ext. 7720. You can also e-mail us through our web site at crlaurence.com. From the home page click on Contact Us, and then click on Technical Sales for Glass and Glazing Products.

CRL UV770 High Viscosity UV Adhesive

- Use to Adhere All-Glass Showcases, Shelves, Furniture, Towel Bars, and Standoff Bases
- Optically Clear
- Fast High Strength Bonds

CRL UV770 is a high viscosity, 100% solids, general purpose adhesive that forms resilient, high strength bonds between materials such as glass, steel, aluminum, stainless steel, and many plastics.

CRL UV770 is ideal for making all-glass showcases, glass shelves, and glass furniture. This adhesive does not have capillary properties; therefore it must be applied to the bonding surface prior to assembling the parts. Ideal for bonding Glass Door Knobs or Metal Towel Bars in frameless shower door installations, as well as adhering metal Standoff Bases to glass.

Bonds prepared with CRL UV770 are optically clear as well as resistant to moisture and yellowing. The adhesive cures within seconds upon exposure to ultraviolet light. The speed of cure depends on the UV intensity as measured at the product surface, as well as the adhesive depth. CRL UV770 has outstanding ability to cure through large gaps, and cures to a hard surface that is transparent. Store adhesive away from sunlight.

CRL7528 Cleaner and Degreaser provides for optimum adhesion when used first to prepare the glass by removing any dirt and grease that is present.

NOTE: When bonding plastics, always test first, as not all plastics can be bonded properly. Do not bond any coated parts (powder coated or galvanized) with this adhesive.

new

SPEC. DATA

MSDS



CAT. NO. CRL7528*
Cleaner/Degreaser

CAT. NO.	DESCRIPTION	CONTENTS
UV77030	High Viscosity UV Adhesive	30g
UV77010	High Viscosity UV Adhesive	100g
UV77025	High Viscosity UV Adhesive	250g
UV7701K	High Viscosity UV Adhesive	1000g
CRL7528	Cleaner and Degreaser	20 Oz. (567 g)

Minimum order: 1 each. *CRL Cleaner and Degreaser cannot be shipped via air freight.

CRL UV740 Low Viscosity UV Adhesive

- Ideal for Production of Glass Furniture
- Cures Within Seconds Upon Exposure to UV Light
- Capillary Action
- Optically Clear

CRL UV740 is a low viscosity, 100% solids, adhesive that forms resilient, high strength bonds coupled with good elasticity between materials such as glass, steel, aluminum, stainless steel, and many plastics.

Due to its excellent capillary action (low viscosity) it is ideal for glass-to-glass and tempered glass-to-tempered glass bonding, primarily in the construction of showcases and the efficient production of glass furniture. Reduced clean-up time means glass furniture production cycles are done quickly and efficiently.

Bonds prepared with CRL UV740 are optically clear as well as resistant to moisture and yellowing. The adhesive cures within seconds upon exposure to ultraviolet light. The speed of cure depends on the UV intensity as measured at the product surface, as well as the adhesive depth. Store adhesive away from sunlight.

CRL7528 Cleaner and Degreaser provides for optimum adhesion when used first to prepare the glass by removing any dirt and grease that is present.

NOTE: When bonding plastics, always test first, as not all plastics can be bonded properly. Do not bond any coated parts (powder coated or galvanized) with this adhesive.

new

SPEC. DATA

MSDS



CAT. NO. CRL7528*
Cleaner/Degreaser

CAT. NO.	DESCRIPTION	CONTENTS
UV74030	Low Viscosity UV Adhesive	30g
UV74010	Low Viscosity UV Adhesive	100g
UV74025	Low Viscosity UV Adhesive	250g
UV7401K	Low Viscosity UV Adhesive	1000g
CRL7528	Cleaner and Degreaser	20 Oz. (567 g)

Minimum order: 1 each. *CRL Cleaner and Degreaser cannot be shipped via air freight.

CRL UV678 UV/Visible Light Adhesive

- Bonds Laminated Glass
- UV and Visible Light Cure
- Medium Viscosity With Capillary Action
- Optically Clear

CRL UV678 is a medium viscosity, 100% solids, UV/visible light curable adhesive that bonds to a variety of substrates such as glass, laminated glass, metal, ceramic, and many plastics. It has good capillary action with glass up to 1/4" (6 mm) thick. For thicker glass apply to the bonding surface prior to assembly.

Of particular interest is its suitability for bonding laminated safety glass. The PVB film between laminated glass panes absorbs almost all of the UVA radiation, but because this adhesive has been made to also cure by daylight, it reacts with the remaining radiation (above 380 nm) and cures completely. Butt-edge bonding is also no problem, as the adhesive does not affect the PVB film.

Cured bonds of CRL UV678 are optically clear, extremely flexible, and demonstrate outstanding elongation, making this adhesive ideal for bonding different material combinations. Bonds are tough, durable, exhibit high vibration resistance, and are very resistant to moisture and yellowing. Store adhesive away from sunlight.

CRL7528 Cleaner and Degreaser provides for optimum adhesion when used first to prepare the glass by removing any dirt and grease that is present.

NOTE: When bonding plastics, always test first, as not all plastics can be bonded properly. Do not bond any coated parts (powder coated or galvanized) with this adhesive.

new

SPEC. DATA

MSDS



85g



1000g



Laminated Glass
Butt-Edge Bond



CAT. NO. CRL7528*
Cleaner/Degreaser

CAT. NO.	DESCRIPTION	CONTENTS
UV67885	UV/Visible Light Adhesive	85g
UV6781K	UV/Visible Light Adhesive	1000g
CRL7528	Cleaner and Degreaser	20 Oz. (567 g)

Minimum order: 1 each. *CRL Cleaner and Degreaser cannot be shipped via air freight.

CRL UV682 UV/Visible Light Adhesive

- Especially Strong Glass to Metal Bonds
- UV and Visible Light Cure
- Medium Viscosity
- Optically Clear

CRL UV682 is a medium viscosity, 100% solids, UV/visible light curable adhesive formulated to form high tensile shear and peel strength bonds to a variety of substrates such as glass, laminated glass, steel, stainless steel, aluminum, ceramic, stone, wood and some plastics. This adhesive does not have capillary properties; therefore it must be applied to the bonding surface prior to assembling the parts.

Of particular interest is its suitability of bonding laminated safety glass. The PVB film between laminated glass panes absorbs almost all of the UVA radiation, but because this adhesive has been made to also cure by daylight, it reacts with the remaining radiation (above 380 nm) and cures completely.

Cured bonds of CRL UV682 are optically clear, resistant to moisture and thermal cycling. Store adhesive away from sunlight.

CRL7528 Cleaner and Degreaser provides for optimum adhesion when used first to prepare the glass by removing any dirt and grease that is present.

NOTE: When bonding plastics, always test first, as not all plastics can be bonded properly. Do not bond any coated parts (powder coated or galvanized) with this adhesive.

new

SPEC. DATA

MSDS



30g



100g



250g



1000g



CAT. NO. CRL7528*
Cleaner/Degreaser

CAT. NO.	DESCRIPTION	CONTENTS
UV68230	UV/Visible Light Adhesive	30g
UV68210	UV/Visible Light Adhesive	100g
UV68225	UV/Visible Light Adhesive	250g
UV6821K	UV/Visible Light Adhesive	1000g
CRL7528	Cleaner and Degreaser	20 Oz. (567 g)

Minimum order: 1 each. *CRL Cleaner and Degreaser cannot be shipped via air freight.

CRL UV665 Low Viscosity UV Adhesive

- Ideal for Glass-to-Glass Bonding
- Capillary Action
- Optically Clear

CRL UV665 is a low viscosity, 100% solids adhesive that forms resilient, high strength bonds between materials such as glass, metal, wood, and many plastics.

Due to its high purity UV665 is especially suited for bonding glass-to-glass where looks are paramount, making it suitable for bonding optical components. Because of its excellent capillary action (low viscosity) it is ideal for glass-to-glass and tempered glass-to-tempered glass bonding, primarily in the construction of showcases and the efficient production of glass furniture. Reduced clean-up time means glass furniture production cycles are done quickly and efficiently.

Bonds prepared with CRL UV665 are optically clear. The adhesive cures within seconds upon exposure to ultraviolet light. The speed of cure depends on the UV intensity as measured at the product surface, as well as the adhesive depth. Store adhesive away from sunlight.

CRL7528 Cleaner and Degreaser provides for optimum adhesion when used first to prepare the glass by removing any dirt and grease that is present.

NOTE: When bonding plastics, always test first, as not all plastics can be bonded properly. Do not bond any coated parts (powder coated or galvanized) with this adhesive.



CAT. NO.	DESCRIPTION	CONTENTS
UV66530	Low Viscosity UV Adhesive	30g
UV66510	Low Viscosity UV Adhesive	100g
UV66525	Low Viscosity UV Adhesive	250g
UV6651K	Low Viscosity UV Adhesive	1000g
CRL7528	Cleaner and Degreaser	20 oz. (567 g)

Minimum order: 1 each. *CRL Cleaner and Degreaser cannot be shipped via air freight.

CRL UV690 Medium Viscosity UV Adhesive

- Extremely Flexible for Bonding Different Materials and Surface Bonding
- Capillary Action
- Optically Clear

CRL UV690 is a medium viscosity, 100% solids, general purpose adhesive that forms resilient, high strength bonds between materials such as glass, metal, ceramic, and many plastics.

CRL UV690 is extremely flexible, and demonstrates outstanding elongation, making it ideal for bonding different materials, as well as for surface bonding up to 1 m² (10.8 ft²). It shows good capillary action with glass up to 1/4" (6 mm) thick. For thicker glass apply to the bonding surface prior to assembly.

Bonds prepared with CRL UV690 are optically clear as well as resistant to moisture and yellowing. The adhesive cures within seconds upon exposure to ultraviolet light. The speed of cure depends on the UV intensity as measured at the product surface, as well as the adhesive depth. Store adhesive away from sunlight.

CRL7528 Cleaner and Degreaser provides for optimum adhesion when used first to prepare the glass by removing any dirt and grease that is present.

NOTE: When bonding plastics, always test first, as not all plastics can be bonded properly. Do not bond any coated parts (powder coated or galvanized) with this adhesive.



CAT. NO.	DESCRIPTION	CONTENTS
UV69085	Medium Viscosity UV Adhesive	85g
UV6901K	Medium Viscosity UV Adhesive	1000g
CRL7528	Cleaner and Degreaser	20 oz. (567 g)

Minimum order: 1 each. *CRL Cleaner and Degreaser cannot be shipped via air freight.

CRL UV760 High Viscosity UV Adhesive

- Withstands High Static and Dynamic Forces
- Optically Clear
- Suitable for Universal Applications

CRL UV760 is a high viscosity, 100% solids, general purpose adhesive that forms resilient, high strength bonds between materials such as glass, metal, stone, wood, and many plastics. When bonding plastics, always test first, as not all plastics can be bonded properly. Do not bond any coated parts (powder coated or galvanized) with this adhesive.

CRL UV760 is ideal for making 'all-glass' showcases, glass shelves, and glass furniture. This adhesive does not have capillary properties, therefore it must be applied to the bonding surface prior to assembling the part. Ideal for bonding glass door knobs or metal towel bars in frameless shower door installations, as well as adhering metal standoff bases to glass.

Bonds prepared with CRL UV760 are optically clear as well as resistant to moisture and yellowing. The adhesive cures within seconds upon exposure to ultraviolet light. The speed of cure depends on the UV intensity as measured at the product surface, as well as the adhesive depth. CRL UV760 has outstanding ability to cure through large gaps and it cures to a hard surface that is transparent. Store adhesive away from sunlight.

CRL7528 Cleaner and Degreaser provides for optimum adhesion when used first to prepare the glass by removing any dirt and grease that is present.

new

SPEC. DATA

MSDS



30g

100g

250g

1000g



CAT. NO. CRL7528*
Cleaner/Degreaser

CAT. NO.	DESCRIPTION	CONTENTS
UV76030	High Viscosity UV Adhesive	30g
UV76010	High Viscosity UV Adhesive	100g
UV76025	High Viscosity UV Adhesive	250g
UV7601K	High Viscosity UV Adhesive	1000g
CRL7528	Cleaner and Degreaser	20 Oz. (567 g)

Minimum order: 1 each. *CRL Cleaner and Degreaser cannot be shipped via air freight.

CRL Colored UV Adhesive

- Five Colors Plus Clear for Surface Bonding of Glass Parts
- Brilliant, High Intensity Colors
- Bonds Bevels Onto Glass or Mirror
- Thin Viscosity



new

SPEC. DATA

MSDS



30g

100g



CAT. NO. CRL7528*
Cleaner/Degreaser

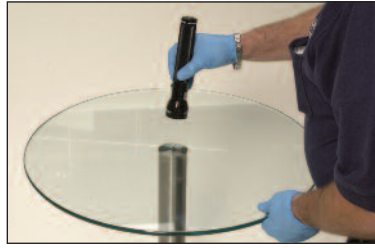
CRL Colored UV Adhesives are designed for bonding larger glass surfaces to make decorative colored pieces. An example would be a mirror with beveled clear glass bonded to the surface. The five different moisture-resistant colors can be used separately or mixed together for a wide range of color effects that are seen through the clear glass overlays. The Clear Base Adhesive is used to dilute the high intensity colors to produce a wide range of color options or to create separations between colors. This adhesive is intended for surface bonding only, and should never be used to bond edges (furniture construction). Due to the high color pigmentation the setting time is three to five times longer than typical clear UV adhesives and bonds are not as strong. Hands should be protected from the high color pigments by wearing our Disposable Nitrile Gloves (see page GB32).

CAT. NO.	DESCRIPTION	CONTENTS
UV19331	Clear Base UV Adhesive	30g
UV1933110	Clear Base UV Adhesive	100g
UV19332	Red UV Adhesive	30g
UV1933210	Red UV Adhesive	100g
UV19333	Yellow UV Adhesive	30g
UV1933310	Yellow UV Adhesive	100g
UV19334	Blue UV Adhesive	30g
UV1933410	Blue UV Adhesive	100g
UV19335	Green UV Adhesive	30g
UV1933510	Green UV Adhesive	100g
UV19336	Black UV Adhesive	30g
UV1933610	Black UV Adhesive	100g
UV19337	Set of Six Colors	30g Each
CRL7528	Cleaner and Degreaser	20 Oz. (567 g)

Minimum order: 1 each. *CRL Cleaner and Degreaser cannot be shipped via air freight.

CRL Loctite® Impruv™ UV Adhesive

- Bonds and Seals Glass-to-Glass, or Glass-to-Metal Components
- Optically Clear UV Adhesive
- Cures Within Seconds



CRL Loctite® UV Adhesive is a one-part high viscosity adhesive with an ultraviolet cure system. Tough, durable bonds can be formed with excellent adhesion to glass, metal and some thermoplastics. Ideal for making all glass showcases, glass shelves, furniture, etc. The adhesive cures within seconds upon exposure to UV light from a curing lamp to form a transparent bond. This product is cured when exposed to UV radiation of 365nm. The speed of cure will depend on the UV intensity as measured at the product surface, as well as the coating depth. UV349 has an outstanding ability to cure through large gaps and to cure to a hard, dry surface that is water clear. CRL Loctite® 20162 Cleaner and Degreaser is offered for optimum glass preparation, and removal of dirt and grease.

COVERAGE:

Approximate coverage of a 1.69 fl. oz. bottle:
 1/16" (1.6 mm) bead - 1,000 linear inches (25 m)
 1/8" (3 mm) bead - 250 linear inches (6.3 m).



CAT. NO. UV349
UV Adhesive



CAT. NO. 20162
Cleaner/Degreaser

CAT. NO.	DESCRIPTION	CONTENTS
UV349	UV Clear Adhesive	1.69 Fl. Oz. (50 ml)
UV34990	UV Clear Adhesive	33.8 Fl. Oz. (1 l)
20162	Cleaner and Degreaser	16 Fl. Oz. (473 ml)

Minimum order: 1 each.

CRL Loctite Minute Bond Adhesive and Primer

- Joins Glass-to-Metal Without a UV Lamp
- Clear Color Makes it an Excellent All Purpose Adhesive
- Superior Holding Strength Up to 3000 psi
- Four Kit Sizes Including Single Application Size



CRL Loctite® Minute Bond Adhesive permanently bonds non-porous materials such as glass, metal, tile, coated wood, plastics, and nylon with superior strength holding power up to 3,000 psi. The combined Primer and Adhesive two-step application offers handling strength in 10 seconds, 60% full strength in two minutes, and a full cure in 24 hours. Kits contain both Adhesive and Primer.



CAT. NO. 0144
1.69 Fl. Oz. Kit



CAT. NO. 3325
0.8 Fl. Oz. Kit



CAT. NO. 3346
0.2 Fl. Oz. Kit



CAT. NO. 37438
Single Application Kit



CAT. NO. 73656
Primer Improves Bond Strength

NOTE: Minute Bond Adhesive is only recommended for use on non-porous flat surfaces that are to be mated together with a gap of .004" maximum. Where bond gaps are large, up to a maximum of .02", or faster cure speed is required, primer should be applied to both surfaces. Primer should be 72°F (22°C) or warmer.

CAT. NO.	DESCRIPTION	MIN. ORDER
0144	1.69 Fl. Oz. (50 ml) Adhesive/6 Oz. (170 g) Primer	1 Kit
3325	0.8 Fl. Oz. (24 ml) Adhesive/6 Oz. (170 g) Primer	1 Kit
3346	0.2 Fl. Oz. (6 ml) Adhesive/1.33 Oz. (38 g) Primer	1 Kit
37438	0.01 Fl. Oz. (0.3 ml) Adhesive/0.02 Fl. Oz. (0.6 ml) Primer	1 Box (12/Bx)
73656	6 Oz. (170 g) Minute Bond Primer	1 Can

Minimum order: 1 each.

CRL UV Adhesive Dispensing Needles

- Eight Needle Sizes to Fit All UV Adhesive Applications
- Color Coded for Quick, Accurate Selection
- Sold Individually or in a Cost-Saving Set

Working with UV adhesives requires precise control of the volume used for each application. CRL's choice of eight different orifice diameters will help you select just the right size Dispensing Needle for the job. Cat. No. UVA1 Needle Adapters fit all our standard size bottles (except 1 liter). Bottle caps stay clean and may be re-used to seal the bottle for storage.

new



CAT. NO. UV9SET
Complete Set



CAT. NO.	COLOR	DIAMETER	FOR ADHESIVES
UVN25	Red	0.25 mm	UV740
UVN35	Orange	0.35 mm	UV740
UVN40	Blue	0.40 mm	UV740 & UV678
UVN50	Dark Blue	0.50 mm	UV678 & UV682
UVN60	Violet	0.60 mm	UV678 & UV682
UVN85	Green	0.85 mm	UV678 & UV682
UVN140	Dark Red	1.40 mm	UV682
UVN155	Dark Green	1.55 mm	UV770 & UV349
UVA1	Orange	-	Dispensing Needle Adapter
UV9SET	-	-	Complete 8 Needle Set with Adapter

Minimum order: 5 each. (Except UVA1 and UV9SET, 1 each.)

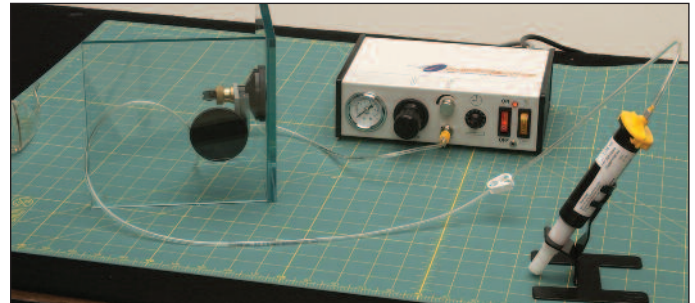
CRL Timed Air Dispenser System for UV Adhesives

new

- Wide Range of Applications
- Barrel Suck-Back Assures No Dripping
- Low Cost System With High Reliability
- 110 Volts AC

The CRL Analog Timed Air Dispenser for UV Adhesives is an economical, versatile, and simple to use general purpose dispenser. It is designed for operator or automatic use in manual or automatic modes for timed air deposits, dots, beads or potting. It features easy to read gauges as the timed air pushes fluid out in doses.

Operation is easy, just hook up the barrel adapter (included), then connect the air and electric cords. Timed air is sent into the syringe to push the material out in measured doses. Requires an air supply of 70 to 100 psi (5.0 – 7.0 bar). The CRL Timed Air Dispenser comes complete with a starter kit of supplies, ready to use. Minimum order is one each.



SYSTEM INCLUDES:

- 1 each Cat. No. UV1284 CRL Analog Timed Air UV Adhesive Metering Unit With Foot Pedal Control
- 4 each 30cc/ml Cat. No. UV0322 Syringe Packages (1 Per Pack)
- 1 set of Needles Cat. No. UV9SET
- 1 each Lab Stand

CAT. NO. UV510

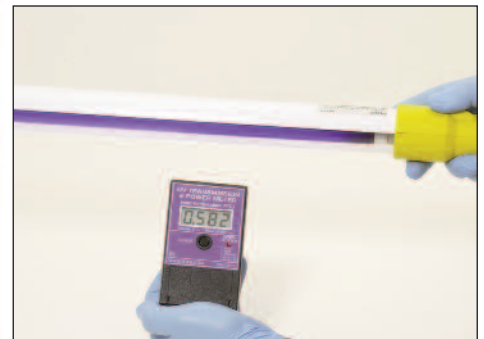
CRL UV Transmission and Power Meter

new

- Checks Strength of UV Curing Lamps
- Displays UV Transmission % or Power Readings
- Measures Temperature in F° or C°

The CRL UV Transmission and Power Meter is the most versatile product available for measuring UV. It measures UV intensities (irradiance), or UV Transmission percentage. Perfect for checking the output of your UV curing lamps, you can even confirm the protection level of your UV spectacles, goggles and facemasks. An added feature allows you to also measure temperatures in Fahrenheit and Celsius.

Unlike other UV products on the market, this Meter is extremely simple to operate. The digital display is continually updated with real-time readings. Powered by a 9-volt battery (included). Minimum order is one each.



CAT. NO. UV1365

CRL Loctite® Poxy-Pak™ Clear Two-Part Epoxy

- Pre-Measured Resin and Hardener for Easy Applications, Consistent Strength
- Resealable – No Waste
- Bonds Virtually Any Material

CRL Loctite® Poxy-Pak™ Clear Adhesive is a rapid cure two-part epoxy that reaches handling strength in about five minutes, and fully cures in 45 to 60 minutes. Poxy-Pak™ is easily dispensed from the two-cylinder syringe in any amount you need. It bonds metals, ceramics, concrete, wood, glass, and most plastics. It's inexpensive to use, as the unused portion can be re-sealed and saved. May be drilled, tapped, sanded, machined and painted after it cures. Poxy-Pak™ cures at room temperature, and can withstand temperatures up to 300°F (149°C).



SPEC. DATA

MSDS

CAT. NO.	CONTENTS	QTY/CASE
81120	1 Fl. Oz. (29 ml)	12

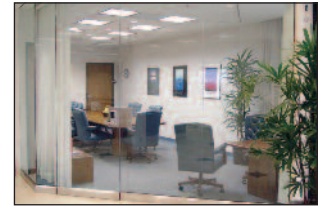
Minimum order: 1 each.

CRL Water Clear Silicone Sealant

SPEC. DATA

MSDS

- Optically Clear When Cured
- Water Clear Formulation for Sealing Glass-to-Glass, Glass-to-Tile and Glass-to-U-Channel
- Applications Include Glass Butt Joints, Showcases, and Specialty Glass Assemblies



CRL Water Clear Silicone Sealant is an optically clear one-part silicone sealant that cures in the presence of atmospheric moisture (acetic cure) to produce a durable and flexible silicone rubber. Its unique weatherability enables it to retain original design properties, even after years of exposure.

CAT. NO.	CONTENTS	QTY/CASE
WCS1	10.3 Fl. Oz. (305 ml)	30
WCS5	5 Fl. Oz. (148 ml)	30

Minimum order: 1 each. Can be combined with all cartridge sealants for quantity pricing.

CRL Metal Contact Cement

MSDS

- Strength of an Epoxy and the Speed of an Instant Adhesive
- Permanently Bonds Metal to Metal Without a UV Lamp, With Superior Strength Holding Power Up to 2,700 psi

To permanently bond metal to metal we suggest this strong adhesive system from Loctite®, with two different Primers to best suit your assembly time frame. Use Cat. No. 7649 Primer to activate in 60 seconds, 60% of full strength in two minutes, and a full cure in 24 hours. When a longer curing time is needed use Cat. No. 7075 Primer to activate in five minutes, 60% of full strength in ten minutes, and a full cure in 24 hours. For best performance surfaces should be clean and free of grease. Simply apply a generous amount of Primer to both of the bond surfaces and apply Adhesive to one of the surfaces. Position parts quickly and exactly as Adhesive begins to work immediately. Excess Adhesive outside joined surfaces can be wiped away with an organic solvent.

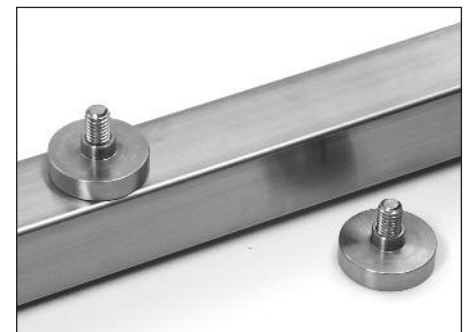


CAT. NO. 7075*
5 Minute Primer



CAT. NO. 7649
60 Second Primer

CAT. NO. 32629
Contact Cement



CAT. NO.	DESCRIPTION	ACTIVATION	CONTENTS
32629	Metal Contact Cement	--	1.69 Fl. Oz. (50 ml)
7649	Primer for Metal Contact Cement	60 Seconds	1.75 Fl. Oz. (52 ml)
7075	Primer for Metal Contact Cement	5 Minutes	4.5 Oz. (128 g)

Minimum order: 1 each. *Cat. No. 7075 cannot be shipped via air freight.

CRL UV ADHESIVE PROPERTIES AT A GLANCE

UV ADHESIVE	VISCOSITY	FINAL CONSISTENCY	TENSILE/SHEAR STRENGTH*	BONDLINE GAP	MAX. ALLOWABLE CONTINUOUS TEMPERATURE**	TEMPERATURE RANGE-PEAK VALUES	COLOR
CRL UV665	20 - 100 cps at 25°C (77°F)	Very Hard Shore D 70 - 80	24 N/mm ²	0.5 - 1 mil	50°C (122°F)	-40°C - 125°C (-40°F - 257°F)	Optically Clear
CRL UV740	10 - 150 cps at 25°C (77°F)	Very Hard Shore D 55 - 70	18 N/mm ²	1 - 2 mils	70°C (158°F)	-40°C - 120°C (-40°F - 248°F)	Optically Clear
CRL UV678	400 - 800 cps at 25°C (77°F)	Elastic Shore D 25 - 35	10 N/mm ²	0.5 - 1 mil	50°C (122°F)	-50°C - 150°C (-58°F - 302°F)	Optically Clear
CRL UV690	400 - 800 cps at 25°C (77°F)	Elastic Shore D 25 - 35	10 N/mm ²	0.5 - 1 mil	50°C (122°F)	-50°C - 150°C (-58°F - 302°F)	Optically Clear
CRL UV682	500 - 1000 cps at 25°C (77°F)	Very Hard Shore D 65 - 75	27 N/mm ²	0.5 - 1 mil	50°C (122°F)	-40°C - 130°C (-40°F - 266°F)	Optically Clear
CRL UV760	1000 - 2000 cps at 25°C (77°F)	Hard Shore D 60 - 70	26 N/mm ²	1 - 2 mils	70°C (158°F)	-40°C - 120°C (-40°F - 248°F)	Optically Clear
CRL UV770	3000 - 6000 cps at 25°C (77°F)	Very Hard Shore D 50 - 60	20 N/mm ²	1 - 2 mils	70°C (158°F)	-40°C - 120°C (-40°F - 248°F)	Optically Clear
LOCTITE® IMPRUV™	6000 - 13500 mPas at 25°C (77°F)	Very Hard Shore D 70	15 N/mm ²	N/A	N/A	-54°C - 150°C (-65°F - 302°F)	Optically Clear

* When recommended minimum and maximum layer thicknesses are taken into consideration, the tensile/shear strengths listed in the table can be achieved. N/mm² = Newtons per square millimeter.

** The maximum allowable continuous temperature shows the maximum temperature at which the cured adhesive is not irreversibly damaged. With increasing temperatures the maximum strength steadily decreases.

THESE ARE TYPICAL PROPERTIES AND ARE NOT MEANT TO BE PRODUCT SPECIFICATIONS.

NOTE: The information contained in this chart and product pages are believed to be reliable.

C.R. Laurence Co., Inc. makes no representation or warranties of any kind concerning this information.

It is the user's responsibility to determine the suitability of this product for any intended use.

The user assumes all risk and liability connected with the use of these products.

CRL UV ADHESIVE PROPERTIES AT A GLANCE

UV ADHESIVE	PROPERTIES	APPLICATIONS	BONDING SUBSTRATES (BY PRIORITY)	STORAGE IN ORIGINAL CONTAINER
CRL UV665	Excellent capillary action, resistant to moisture.	Efficient production of glass furniture and showcases. Easy clean-up. Suitable for optical components.	Glass-to-glass, glass-to-metal, wood, many plastics.	Cool, dry, dark location (without UV radiation).
CRL UV740	Excellent capillary action, resistant to moisture and yellowing.	Efficient production of glass furniture and showcases. Easy clean-up.	Glass-to-glass, tempered glass-to-tempered glass, glass-to-metal (steel, aluminum, stainless steel), glass to many plastics.	Cool, dry, dark location (without UV radiation).
CRL UV678	Good capillary action, high vibration resistance, resistant to moisture and yellowing.	Especially for bonding laminated glass, ideal for bonding different material combinations.	Laminated glass to: glass, laminated glass, metal, ceramic, many plastics.	Cool, dry, dark location (without UV radiation).
CRL UV690	Good capillary action, extremely flexible, high vibration resistance, resistant to moisture and yellowing.	Ideal for bonding different material combinations, surface bonding up to 1 m ² .	Glass-to-glass, glass-to-metal, glass-to-ceramic, glass to many plastics.	Cool, dry, dark location (without UV radiation).
CRL UV682	Apply prior to glass assembly, resistant to moisture and thermal cycling, high tensile shear and peel strength bonds.	Especially for glass-to-metal bonding in furniture production.	Glass-to-metal, glass-to-glass, tempered-glass-to-tempered glass, glass-to-metal (steel, aluminum, stainless steel), ceramic, stone, wood, and some plastics.	Cool, dry, dark location (without UV radiation).
CRL UV760	Apply prior to glass assembly, resistant to moisture and thermal cycling.	Constructions subject to high static loads, difficult climate conditions especially for glass/metal bonding in furniture production.	Glass-to-metal, glass-to-glass, tempered glass-to-tempered glass, glass-to-stone, glass-to-wood, glass to many plastics.	Cool, dry, dark location (without UV radiation).
CRL UV770	Apply prior to glass assembly, resistant to moisture and yellowing.	Shower enclosure glass knobs and metal towel bars, metal standoff bases, glass shelves, showcases, glass sculptures.	Glass-to-glass, glass-to-metal (steel, aluminum, stainless steel), glass to many plastics.	Cool, dry, dark location (without UV radiation).
LOCTITE® IMPRUV™	Apply prior to glass assembly.	Shower enclosure glass knobs and metal towel bars, metal standoff bases, glass shelves, showcases, glass sculptures.	Glass-to-glass, glass-to-metal.	Cool, dry, dark location (without UV radiation).



LOG ON TO crlaurence.com FOR BUSINESS-TO-BUSINESS SERVICES

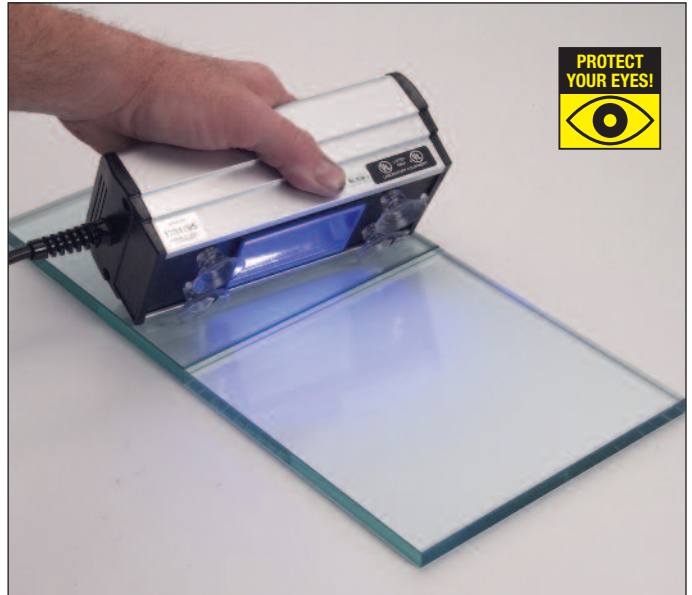
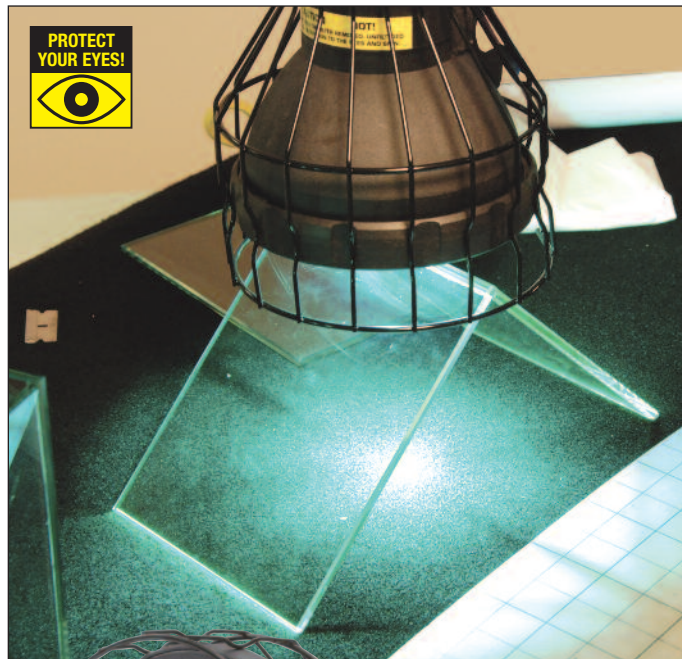
PHONE (800) 421-6144 | FAX (800) 262-3299 TOLL FREE FROM ANYWHERE IN THE U.S.A. OR CANADA | GB27

CRL UV Curing Lamps and Accessories

Curing UV Adhesives

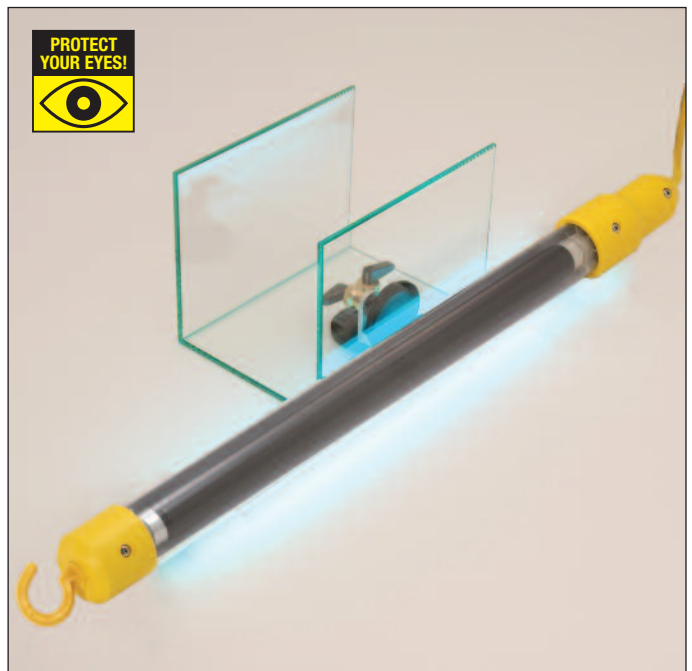
To cure the technologically advanced UV adhesives offered by C.R. Laurence, UVA Lamps emitting wave lengths in the range of 315 – 400 nm are required. A comprehensive selection of models is available to meet all the requirements to construct beautifully finished showcase, display, furniture, and specialty projects.

Depending on the type of construction used, the choice of the proper UV Curing Lamps is essential. Depending on the choice of lamp used, prior testing is essential to determine full cure time based on the lamp's strength and the age of the bulb. Our Cat. No. UV1365 UV Transmission and Power Meter can provide precise ratings when needed (see page GB24).



Bonding metal hardware to glass requires a smaller UV light area for the quickest cure times. Our Cat. Nos. UV255 and Z7596 Lamps are ideal choices. Only about 10 to 15 seconds are required for an initial set, and 90 to 120 seconds for full cure. Our Cat. No. UB80 Lamp takes longer for the initial set, approximately 60 to 90 seconds, and four to six minutes for final cure. Our Cat. No. UV240 Lamp provides an initial set of 25 to 30 seconds, and three to four minutes for full cure.

Longer lengths of glass in showcase and furniture construction should have the adhesive cured with Tube Lamps such as our Cat. Nos. XX40 or UVBL15 to assure tension-free results. Keep in mind that bond tension caused by curing shorter lengths at a time result in bond damage or glass breakage. UVA Tube Lamps take approximately 30 seconds for pre-curing, and three to five minutes for a full cure.

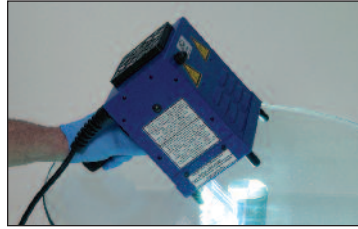


Safe lamp use must take into account the considerable heat developed by our high intensity bulb lamps. Always be sure to keep lamps away from combustible materials. Place them on a non-flammable surface when putting lamps aside. Lamps should never be positioned with the filter screen face down as this will cause excessive heat build-up that could destroy the lamp.

CRL UV Lamps are equipped with filter screens to reduce potential damage to eyes and skin. However, we strongly recommend the use of our Cat. No. 700512 Nitrile Gloves to protect your skin, and the appropriate eye protection provided by our UV Spectacles, Goggles or Face Mask (see page GB32).

CRL High-Intensity Hand-Held UV Adhesive Curing Lamp

- High Intensity Light Cures Fast
- Light Weight, Under 3 Pounds
- 13 Foot Electrical Cord
- Built-In Cooling Fan



CRL's High-Intensity Hand-Held UV Adhesive Curing Lamp provides the best uniform UV adhesive curing with a 96 square inch (8" x 12"), 620 square centimeter (20 x 30 cm) curing area at a distance of 8" (20 cm) by use of its highly efficient 250 watt halide UV bulb. The homogeneous intensity distribution is guaranteed by its optimized reflector surface.

Designed to cure all CRL UV Bonding Adhesives, the Cat. No. UVH255 features spacer spots near the lamp's lens to prevent overheating when the lamp unit is laid down. An hour counter integrated in the ballast box provides for operational monitoring and control over lamp life.

The high strength aluminum and polycarbonate lamp housing makes this lamp a very durable UL 2422 Approved curing device. Minimum order is one each.



new

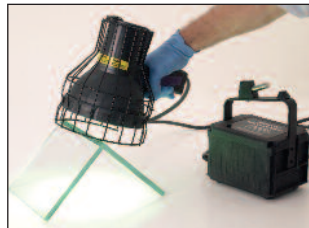


CAT. NO.	DESCRIPTION
UV255	High-Intensity Hand-Held UV Adhesive Curing Lamp
UV255B	Replacement Bulb
UVH255F	Replacement Filter

Minimum order: 1 each.

CRL Hand-Held Spot Bulb UV Adhesive Curing Lamp

- Powerful 100 Watt Lamp Cures UV Adhesives in Seconds
- Lamp Head is Ergonomically Designed to Prevent Fatigue
- Impact Resistant Polymer Housing is Dent-Proof



The CRL Hand-Held Spot Bulb UV Adhesive Curing Lamp provides up to a 40mW/cm² of UV-A energy to cure all of our UV Adhesives in just seconds. Perfect for fabricating with our UV Bonded Hardware components, its unique filter provides maximum curing energy while minimizing the hazardous radiation inevitably produced by all high intensity UV-A lamps.

Cat. Nos. Z7596 and AUZ7596 combines state-of-the-art design innovations with traditional proven features like the detachable lamp head with 96" (2.44 m) cord for lightweight hand-held use. Keep the lamp head mounted on the transformer and rotate it 360 degrees in either the horizontal or vertical positions for bench use. Included with each lamp is one pair of Cat. No. UVG50 Goggles, one pair of Cat. No. UVS30 Spectacles, and a Heat Guard Stand to minimize the risk of accidental burn injury. Replacement bulbs and filters are available. Minimum order is one each.

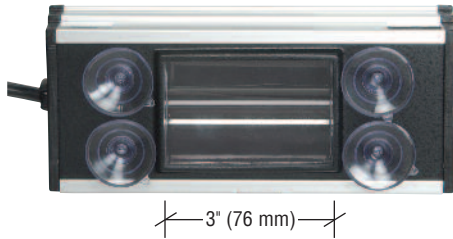


CAT. NO.	DESCRIPTION
Z7596	Hand-Held Spot Bulb UV Adhesive Curing Lamp 110V AC 60Hz
AUZ7596	Hand-Held Spot Bulb UV Adhesive Curing Lamp 240V AC 50Hz
Z100SM	Replacement Bulb for Lamps with Serial Numbers 1567104 and Higher
Z100S	Replacement Bulb for Lamps with Serial Numbers 1567103 and Lower
Z2F100C	Replacement Filter for Z7596/AUZ7596
UVG100	Heat Guard Stand for Z7596/AUZ7596

Minimum order: 1 each.

CRL Compact AC Curing Lamp

- Lightweight and Durable
- Excellent for Smaller Projects
- Built-In Suction Cups for Positioning



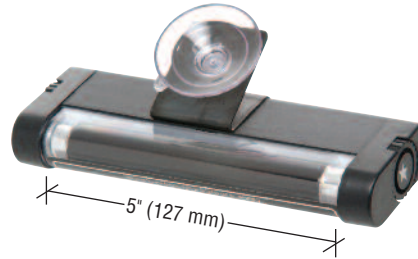
The CRL Compact AC Curing Lamp is a great tool to assist you in the introduction to UV glass bonding. Although small in size, initial pre-cure and full cure bonding is assured with its 2,900 watts/cm² light output. The built-in suction cups allow you to fix the lamp's position securely during the curing process.

CAT. NO.	DESCRIPTION
UV240	Compact Curing Lamp 110 Volts AC 60Hz
UV240230	Compact Curing Lamp 230 Volts AC 50Hz
UV240BULB	Replacement Bulb for UV240, UV240230 and UB80

Minimum order: 1 each.

CRL Battery Operated UV Curing Lamp

- Cures All CRL UV Bonding Adhesives
- Built-In Suction Cup for Positioning



Our Battery Operated UV Curing Lamp may be small, but when allowed the appropriate initial pre-cure and final curing times, the resulting bonds will be high quality in strength and appearance. Power comes from the four "AA" batteries included with the Lamp producing 950 watts/cm² of light output. This is the most affordable tool to use when starting out with UV bonding on a small scale.

CAT. NO.	DESCRIPTION
UB80	Battery Powered UV Adhesive Curing Lamp
UV240BULB	Replacement Bulb for UB80, UV240, and UV240230

Minimum order: 1 each.

CRL High-Intensity LED UV Adhesive Curing Lamp Kit

- Small in Size, Big in Energy Savings
- 30,000 Hour LED Bulb Life
- Perfect for Affixing UV Bonding Hardware
- Cures All CRL UV Bonding Adhesives

CRL's High-Intensity LED UV Adhesive Curing Lamp provides ultra-high intensity up to 50,000 watts/cm² of true UV-A, 365 nm radiation to cure UV adhesives incredibly fast. Push the 'on' button and the lamp immediately reaches full power and is ready for use eliminating the down time waiting for bulbs to warm up. Cordless operation lets you move around your work unencumbered, and the powerful NiMH battery will operate the lamp continuously for 90 minutes before a recharge is needed.

The 2" (51 mm) lamp diameter and 8" (203 mm) length of the lamp's body is encased in durable anodized aluminum. The LED bulb is made with an electronic intensity stabilizer to ensure consistent performance and also means that the beam strength will not fade while operating between charges. Kit comes complete with smart AC and DC Chargers, UV Absorbing Spectacles, Belt Holster, and padded Carrying Case. Optional 240V AC Chargers are available and sold separately.

CAT. NO.	DESCRIPTION
OPX365	High-Intensity LED UV Adhesive Curing Lamp Kit
RB3FA	Optional Australian Use 240V AC Charger
RB3FB	Optional European Use 240V AC Charger

Minimum order: 1 each.



CAT. NO. OPX365



CAT. NO. RB3FA



CAT. NO. RB3FB



CRL UV Curing Long Double Tube Lamp

- 48" (1219 mm) Tubes for Long Seam UV Bonding
- Most Powerful Lamp of It's Type
- Mountable Fixture Housing



The CRL Long Tube UV Curing Lamp is perfect for use where high-intensity, wide-area UV coverage is needed. Special filtered bulbs makes it the most powerful lamp of it's type available. Suited to cure all CRL UV Bonding Adhesives, it features an enameled sheet metal housing that can be side mounted, hung overhead, or used as a portable lamp to accommodate many different requirements.

A corrosion resistant, specular aluminum reflector ensures maximum UV irradiance. On/off switch is conveniently located on the lamp's housing. Lamps are U.L. listed.



CAT. NO.	DESCRIPTION
XX40	UV Curing Double Tube Lamp 110 Volts AC 60Hz
XX40230FA	Australian Use UV Curing Double Tube Lamp 230 Volts AC 50Hz
XX40230F	European Use UV Curing Double Tube Lamp 230 Volts AC 50Hz
XX40BULB	Replacement Bulb for UV Curing Double Tube Lamp

Minimum order: 1 each.

CRL UV Curing Single Tube Lamp

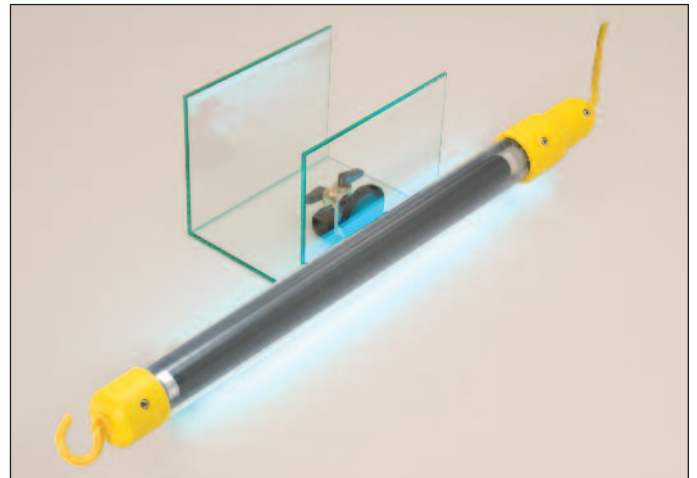
- Cures All CRL UV Bonding Adhesives
- Extra Long 30 (9.1 m) Foot Cord
- 17-1/2" (444 mm) Irradiation Length



new

The CRL UV Curing Single Tube Lamp is easily removed from position to position due to it's light weight and long 30' (9.1 m) electrical cord. The 365 nm output is ideal for curing all CRL UV Bonding Adhesives for glass-to-glass and glass-to-metal applications. The 17-1/2" (444 mm) irradiation length will cure seams up to that length. You can add more lamps end-to-end for longer lengths.

The on/off switch is conveniently located at the hand-held end of the lamp. The fluorescent tube is protected by a heavy-duty acrylic tube, and has a light shield around the back side. A hanging hook is built in for temporary mounting positions.



CAT. NO.	DESCRIPTION
UVBL15	15 Watt UV Curing Single Tube Lamp 110 Volts AC 60Hz
UVBL15BULB	Replacement Bulb for 15 Watt UV Curing Single Tube Lamp

Minimum order: 1 each.

CRL UV-Absorbing Spectacles

new

- Protects Against UV Exposure
- Fits Easily Over Regular Eyeglasses



Ultraviolet light is an invisible band of electromagnetic radiation just beyond the violet end of the visible spectrum. Although UV exposure is a natural part of our environment, prolonged and unprotected exposure to UV light can result in eye damage.

These CRL UV-Absorbing Spectacles are specially designed to protect the user against limited exposure to low intensity UV sources. Attractive and durable, these well proportioned frames fit easily over conventional eyeglasses. Minimum order is one each.

CAT. NO. UVS30

CRL UV-Absorbing Goggles

- Protects Eyes From UV Sources
- Meets ANSI and OSHA Standards
- Fits Easily Over Regular Eyeglasses



Ultraviolet light is an invisible band of electromagnetic radiation just beyond the violet end of the visible spectrum. Although UV exposure is a natural part of our environment, prolonged and unprotected exposure to UV light can result in eye damage.

These CRL UV-Absorbing Goggles are recommended for extended or high intensity exposure to UV sources. They meet ANSI specification Z87.1 for safety eye wear, and OSHA standard 1910.133 for eye and face protection. These comfortable goggles easily fit over conventional eyeglasses. Minimum order is one each.

CAT. NO. UVG50

CRL UV-Absorbing Face Shield

new

- Adjustable to Fit All Sizes
- Can Be Pivoted Off the Face



Ultraviolet light is an invisible band of electromagnetic radiation just beyond the violet end of the visible spectrum. Although UV exposure is a natural part of our environment, prolonged and unprotected exposure to UV light can result in eye damage.

The CRL UV-Absorbing Face Shield provides the recommended maximum protection for both eye and face from extended or high intensity UV sources. This Face Shield is adjustable to fit all sizes and has a visor that can be pivoted off the face. The shield meets ANSI specification Z87.1 for safety eye wear, and OSHA standard 1910.133 for eye and face protection. Minimum order is one each.

CAT. NO. UVF80

CRL Disposable Nitrile Gloves

- Provides Resistance Against Solvents
- Powder Free
- Exam Grade
- One Size Fits All



100% Nitrile Gloves provide better protection against solvents where more splash protection is required than you can get with latex gloves. The Nitrile compound gives greater puncture resistance than comparable natural rubber and vinyl disposable gloves, and reduces hand pressure and fatigue caused by elastomeric stress.

CAT. NO.

7005NG

QTY/BOX

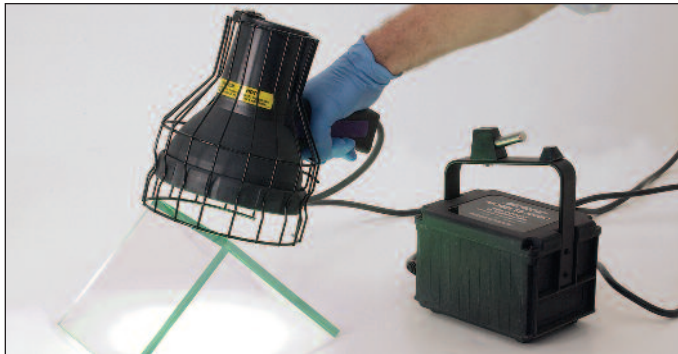
100

Minimum order: 1 box. Can be combined with all other disposable gloves for quantity pricing.

CRL UV Glass Bonding Kits

Starting a new opportunity segment for your business can cause concern about making the right decisions on equipment and supply selection. CRL UV Glass Bonding Kits have all of the choices made for you in advance to allow you to enter this field of technology easily at various levels based on your needs.

From our very basic CRL Small Project UV Glass Bonding Starter Kit suited for artists, hobbyists and small commercial requirements, to our Professional Kits with a wider variety of equipment and components, you will find just the right Kit to start creating finished projects in no time. Backed by our experienced in-house technicians and detailed instructions included with each kit, you'll have everything you need at a great price without the tedious research usually required to start your new range of product offers.



As you familiarize yourself with the various production techniques you will quickly be able to expand the types of desired finished items produced by choice from our variety of specialty UV Pre-Treatment Supplies, Adhesives, Lamps, Fixation Devices, and Display and Furniture Hardware.

As work area safety is of the utmost importance, all CRL Curing Lamps are equipped with UV filter screens to prevent damage to eyes and skin, and we offer further protection with a selection of UV Spectacles, Goggles, and Face masks.

C.R. Laurence will always be researching the newest developments in UV glass bonding to continually be positioned to offer the finest quality supplies, equipment, and hardware to the glass industry.

CRL Small Project UV Glass Bonding Starter Kit

- An Affordable Way to Learn UV Glass Bonding Techniques
- Low Viscosity UV Adhesive in Crystal Clear and Colors
- Ships With Easy-To-Follow Instructions

Modern technology has allowed development of UV Glass Bonding Adhesives and Equipment to become user friendly to a point that by following simple step-by-step instructions beautiful small UV bonding projects can be created easily. Small display cases, crystal repairs and even art projects with the colorful UV Adhesives provided are easy to complete. Minimum order is one each.

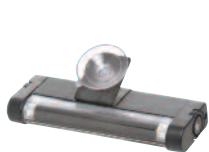


CAT. NO. UVSK1

CRL SMALL PROJECT UV GLASS BONDING STARTER KIT INCLUDES:

- 1 each Cat. No. UB80 DC UV Adhesive Curing Lamp
- 1 each Cat. No. UV74010 Low Viscosity UV Adhesive
- 1 each Cat. No. UV19332 Red UV Adhesive
- 1 each Cat. No. UV19333 Yellow UV Adhesive
- 1 each Cat. No. UV19334 Blue UV Adhesive
- 5 each Cat. No. UVN35 Low Viscosity Applicator Needles
- 1 each Cat. No. UVA1 Application Needle Adapter
- 1 each Cat. No. RS65 Glass Scraper
- 12 pair Cat. No. 700512 Nitrile Gloves
- 1 pack Cat. No. Z100 Extra Fine Steel Wool
- 1 each Cat. No. UVS30 UV Spectacles
- 1 each Carrying Case

new



CAT. NO. UB80



CAT. NO. UV74010



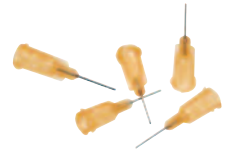
CAT. NO. UV19332



CAT. NO. UV19333



CAT. NO. UV19334



CAT. NO. UVN35



CAT. NO. UVS30



CAT. NO. UVA1



CAT. NO. RS65



CAT. NO. 700512



CAT. NO. Z100



Carrying Case

LOG ON TO crlaurence.com FOR BUSINESS-TO-BUSINESS SERVICES

CRL Basic UV Glass Bonding Starter Kit

- Complete Glass-to-Glass and Glass-to-Metal Projects
- Crystal Clear Medium Bodied UV Adhesive
- Ships With Easy-to-Follow Instructions **new**

Keep up with the growing trend of UV Glass Bonding usage with the CRL Basic UV Glass Bonding Starter Kit. We provide you with the very versatile Medium Viscosity Glass-to-Glass and Glass-to-Metal UV Adhesive that allows you to UV bond our special selection of UV hardware to create displays, showcases, furniture, and more. Simple instructions included with the Kit will have you completing projects in no time. Minimum order is one each.

CRL BASIC UV GLASS BONDING STARTER KIT INCLUDES:

- 1 each Cat. No. UV240 110 Volts UV Adhesive Curing Lamp
- 1 each Cat. No. UVS30 UV Protective Spectacles
- 1 each Cat. No. UV68225 Medium Viscosity UV Adhesive
- 5 each Cat. No. UVN85 Medium Viscosity Applicator Needles
- 2 each Cat. No. UVA1 Application Needle Adapter
- 1 each Cat. No. RS65 Glass Scraper



CAT. NO. UVSK2

- 100 each Cat. No. 51S Single Edge Razor Blades
- 12 pair Cat. No. 700512 Nitrile Gloves
- 1 pack Cat. No. Z100 Extra Fine Steel Wool
- 1 each Cat. No. CRL7528 Cleaner Degreaser
- 1 each Carrying Case



CAT. NO. UV240



CAT. NO. UVS30



CAT. NO. UV68225



CAT. NO. UVN85



CAT. NO. UVA1



CAT. NO. RS65



CAT. NO. 51S



CAT. NO. 700512



CAT. NO. Z100



CAT. NO. CRL7528



Carrying Case

CRL Professional UV Glass Bonding Kit With Tube Lamp

- Professional Quality Kit for UV Bonding
- Complete Larger Projects
- Ships With Easy-to-Follow Instructions **new**

The CRL Professional UV Glass Bonding Kit With Tube Lamp provides you with all the basic equipment required to produce beautiful projects in your shop or on the job site. The Cat. No. UVBL15 UV Tube Lamp can be used to cure glass-to-metal hardware applications as well as longer bonding joints for furniture and display assemblies. Minimum order is one each.

CRL PROFESSIONAL UV GLASS BONDING STARTER KIT WITH TUBE LIGHT INCLUDES:

- 1 each Cat. No. UVBL15 110 Volt Adhesive Curing Tube Lamp
- 1 each Cat. No. UV68225 Medium Viscosity UV Adhesive
- 1 each Cat. No. UV74025 Low Viscosity UV Adhesive
- 5 each Cat. No. UVN85 Medium Viscosity Applicator Needles
- 5 each Cat. No. UVN35 Low Viscosity Applicator Needles
- 2 each Cat. No. UVA1 Application Needle Adapters
- 1 each Cat. No. RS65 Glass Scraper
- 100 each Cat. No. 51S Single Edge Razor Blades
- 12 pair Cat. No. 700512 Nitrile Gloves



CAT. NO. UVSK3

- 1 pack Cat. No. Z100 Extra Fine Steel Wool
- 1 each Cat. No. CRL7528 Cleaner Degreaser
- 1 each Cat. No. UVS30 UV Protective Spectacles
- 1 each Cat. No. UV69962 Mini Clamp-It® 90 Degree Fixation Set
- 1 each Cat. No. UV69954 Clamp-It® 90 Degree Fixation Set
- 2 each Cat. No. UV282 Adjustable Angle Fixation Device
- 4 each Cat. No. UV285 Eccentric Height Adjustment Stops
- 1 each Storage Container



CAT. NO. UVBL15



CAT. NO. UV68225
CAT. NO. UV74025



CAT. NO. UVN35
CAT. NO. UVN85



CAT. NO. UVA1



CAT. NO. RS65
CAT. NO. 51S



CAT. NO. 700512
CAT. NO. Z100



CAT. NO. UVS30
CAT. NO. CRL7528



CAT. NO. UV69962



CAT. NO. UV69954



CAT. NO. UV282



CAT. NO. UV285



Storage Container

LOG ON TO crlaurence.com FOR BUSINESS-TO-BUSINESS SERVICES

CRL Professional UV Glass Bonding Kit With High Intensity Lamp

new

- Perfectly Suited for the Fabrication of Showcases and Glass Furniture
- Supplied With CRL's Four Most Popular UV Bonding Adhesives for a Wide Variety of Applications
- Fixation Devices Securely Position Your Work Pieces for Precise Fabrication



CAT. NO. UVSK4

This CRL Professional UV Glass Bonding Kit features our powerful Z7596 High Intensity UV Lamp, designed to emit wave lengths of 365 nm, perfect for curing all CRL UV Bonding Adhesives. That means your projects will take less time to complete with full curing achieved quickly.

Cat. No. UV770 High Viscosity UV Adhesive included is perfect 'all-glass' showcases, shelves, furniture, towel bar installations, and standoff applications. The Cat. No. UV740 Low Viscosity Adhesive uses capillary action capabilities for the efficient production of glass furniture with crystal clear results. Use the Cat. No. UV682 Medium Viscosity Adhesive for your glass-to-metal hardware installations. And finally, the Cat. No. UV678 Medium Viscosity Adhesive provided has special properties to be compatible with laminated glass bonding requirements.

The six Fixation Device configurations will enable you to position multitudes of glass arrangements securely during the UV adhesive application and curing stages of your assemblies. These, combined with all of the other basic supplies and tools shown below, will set you apart from the competition and on your way to the growing popularity of finished UV bonded glass products. Minimum order is one each.

CRL PROFESSIONAL UV GLASS BONDING KIT WITH HIGH INTENSITY LAMP INCLUDES:



- 1 each Cat. No. Z7596 110 Volt UV Adhesive Curing Lamp
- 1 each Cat. No. UV67885 Medium Viscosity UV Adhesive
- 1 each Cat. No. UV68225 Medium Viscosity UV Adhesive
- 1 each Cat. No. UV74025 Low Viscosity UV Adhesive
- 1 each Cat. No. UV77010 High Viscosity UV Adhesive
- 2 each Cat. No. UV9SET Application Needle Sets
- 4 each Cat. No. UVA1 Application Needle Adapters
- 1 each Cat. No. RS65 Glass Scraper
- 100 each Cat. No. 51S Single Edge Razor Blades
- 12 pair Cat. No. 700512 Nitrile Gloves
- 1 pack Cat. No. Z100 Extra Fine Steel Wool
- 1 each Cat. No. CRL7528 Cleaner Degreaser
- 1 each Cat. No. UV1575 Non-Contact Laser Thermometer
- 1 each Cat. No. UV2931 Small 90 Degree Fixation Device
- 1 each Cat. No. UV280 Large 90 Degree Fixation Device
- 1 each Cat. No. UV69962 Mini Clamp-It® 90 Degree Fixation Set
- 1 each Cat. No. UV69954 Clamp-It® 90 Degree Fixation Set
- 2 each Cat. No. UV282 Adjustable Angle Fixation Device
- 4 each Cat. No. UV285 Eccentric Height Adjustment Stops
- 1 each Cat. No. UVB1N1 Storage Container



CAT. NO. Z7596



CAT. NO. UV68225



CAT. NO. UV67885



CAT. NO. UV74025



CAT. NO. UV77010



CAT. NO. UV9SET



CAT. NO. UVA1



CAT. NO. RS65



CAT. NO. 51S



CAT. NO. 700512



CAT. NO. Z100



CAT. NO. CRL7528



CAT. NO. UV1575



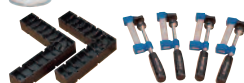
CAT. NO. UV2931



CAT. NO. UV280



CAT. NO. UV69962



CAT. NO. UV69954



CAT. NO. UV282



CAT. NO. UV285



CAT. NO. UVB1N1

LOG ON TO crlaurence.com FOR BUSINESS-TO-BUSINESS SERVICES

CRL UV Bonding Glass Hardware for Furniture and Display Products



- Create Custom Designs
- A New Business Opportunity Awaits
- 'All-Glass' Look is the Choice of Many Interior Designers

Glass has long been the choice for unique furniture designs and display products due to the many alternatives available for glass thicknesses and colors. Glass furniture and displays, due to the clarity, also creates the illusion of being in a much larger environment. Glass is also unique in that custom designs, no matter how large or small, or what the intended use, can be produced by glass or fabricators using your drawings to construct almost anything for your home or business.

Until recently, the only method of connecting glass panels was by using various types of connectors that require cut-outs, notches or drilling holes in the glass. Through the development of UV glass bonding adhesives and specialty hardware like hinges, locks, pulls, shelf supports, handles, and counter top supports, glass bonding has developed into a whole new world of glass product design and fabrication.

C.R. Laurence Co. has all the glass bonding cleaners, UV adhesives, fixtures, clamps and selection of UV glass hardware you will need to create truly original and unique glass furniture or displays. Also important is that C.R. Laurence has the technical resources and expertise to answer any glass bonding questions you may have. For additional information on CRL's Glass Bonding Products, contact CRL Technical Sales at (800) 421-6144 in the U.S., (877) 421-6144 from Canada, or (323) 588-1281 International. Ask for ext. 7720. You can also e-mail us through our web site at crlaurence.com. From the home page click on Contact Us, and then click on Technical Sales for Glass and Glazing Products.



LOG ON TO crlaurence.com FOR BUSINESS-TO-BUSINESS SERVICES

GB36 | PHONE (800) 421-6144 | FAX (800) 262-3299 TOLL FREE FROM ANYWHERE IN THE U.S.A. OR CANADA

CRL UV Glass-to-Glass Swing Hinge

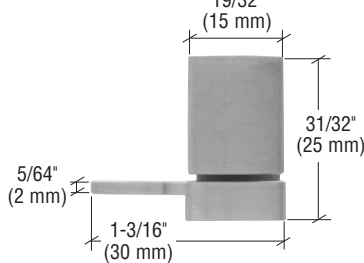
- Designed for Inset Doors
- Fabricated From Stainless Steel



new



CAT. NO. UV6261



CRL's UV Glass-to-Glass Hinges are designed for all-glass showcase applications. This unique two-part Top and Bottom Hinge is fabricated from stainless steel material that comes in a brushed finish and is bonded to inset doors with a glass thickness up to 1/2" (12 mm). A threaded pin in the Top Hinge allows the door to be easily installed or removed after bonding. Minimum order is one pair (top and bottom).

CAT. NO.	DESCRIPTION	WEIGHT CAPACITY
UV6260	Small Glass-to-Glass Hinge	22 Lbs. (10 kg)
UV6261	Large Glass-to-Glass Hinge	44 Lbs. (20 kg)

Minimum order: 1 pair.

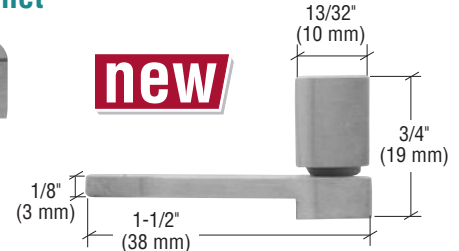
CRL UV Glass-to-Wood Swing Hinge

- For Inset Glass Doors in a Wood Cabinet

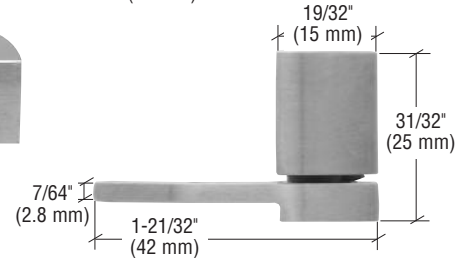


CAT. NO. UV6262

new



CAT. NO. UV6263



CRL's UV Glass-to-Wood Hinges provide the perfect solution for bonded glass cabinet doors installed into a wood surround frame. These brushed stainless hinges can be bonded to glass up to a 1/2" (12 mm) thick per pair of hinges. A threaded pin in the Top Hinge permits easy installation and removal after glass bonding. Minimum order is one pair (top and bottom).

CAT. NO.	DESCRIPTION	WEIGHT CAPACITY
UV6262	Small Glass-to-Wood Hinge	22 Lbs. (10 kg)
UV6263	Large Glass-to-Wood Hinge	44 Lbs. (20 kg)

Minimum order: 1 pair.

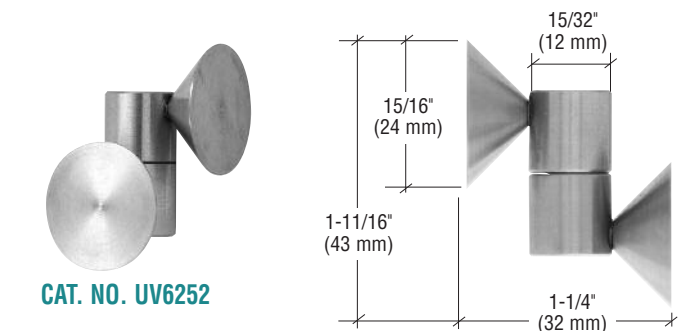
CRL UV Glass-to-Glass Cone Hinges

- For Overlay Doors
- Available in Two Sizes

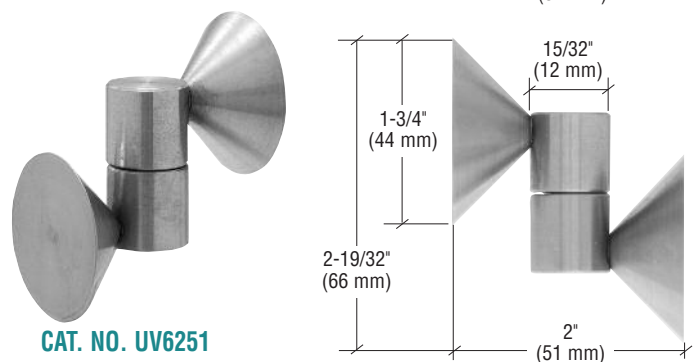
new



CRL's UV Cone Glass-to-Glass Hinges are designed for all-glass showcases with overlay doors. The doors must overlap the end of the glass side panels by 1" to 2" (25 to 50 mm) depending on which Hinge is being used. The Hinges are bonded on exterior end panels and the overlap portion of the glass door. The Hinges open to a maximum of 180 degrees. Fabricated in brushed stainless steel, the minimum order for Cone Hinges is one each.



CAT. NO. UV6252



CAT. NO. UV6251

CAT. NO.	CONE DIAMETER	MAX. GLASS THICKNESS	WEIGHT CAPACITY
UV6252	15/16" (24 mm)	3/8" (10 mm)	22 Lbs. (10 kg)
UV6251	1-3/4" (44 mm)	1/2" (12 mm)	44 Lbs. (20 kg)

Minimum order: 1 each.

CRL UV Designer Series Hinges, Locks, and Door Pull

- Matching Design for All Bonded Hardware
- Brushed Stainless Finish
- Hinges for All-Glass and Glass-to-Wood Doors



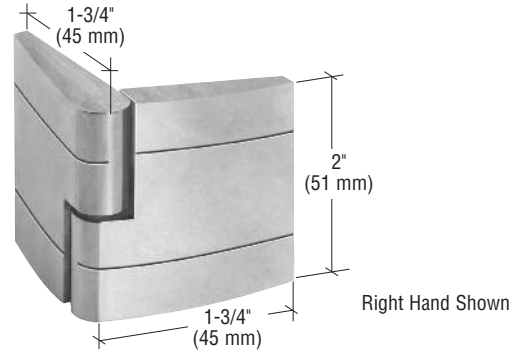
CRL's Designer Series UV Hardware for glass showcases or cabinets is elegantly designed, and provides a coordinated appearance from Hinges to Locks to Pulls. This hardware design brings something unique to what could be very plain. The Designer Series collection of UV Hardware gives you the opportunity to create an attractive and functional display or piece of furniture.

CRL UV Designer Glass-to-Glass and Glass-to-Wood Hinges

new

- For Inset Glass Doors

UV Designer Series Hinges can be used on either 'all-glass' cabinets or attached to wood side panels. Easily installed, these Hinges have a maximum recommended glass thickness of 1/4" (6 mm). The Glass-to-Wood Hinge has an internal wood mounting plate that slides into the Hinge housing to securely hold it in place. The maximum weight per pair of Hinges is 33 lbs. (15 kg). Hinges are available for both right hand and left hand doors.



CAT. NO.	DESCRIPTION	JAMB
UV0264	Glass-to-Glass	Right Hand
UV0263	Glass-to-Glass	Left Hand
UV0274	Glass-to-Wood	Right Hand
UV0273	Glass-to-Wood	Left Hand

Minimum order: 1 each.

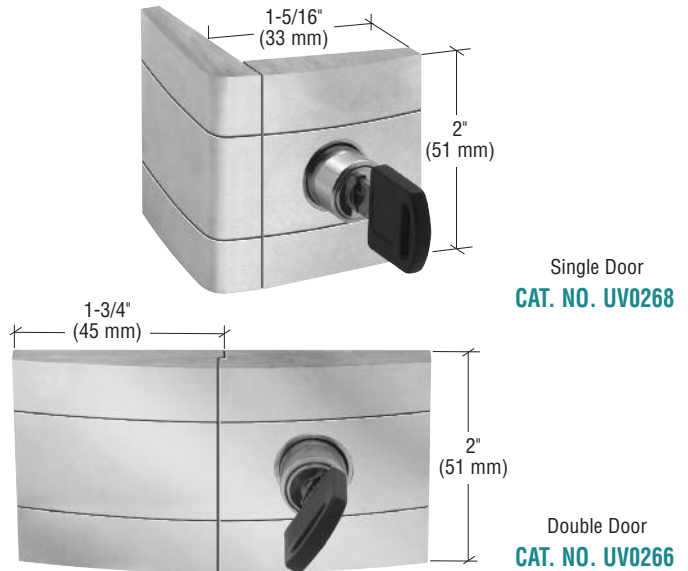
CRL UV Designer Single and Double Door Locks

new

- For Inset or Overlay Doors
- Locks Keyed Differently

Simply bond the Keeper to the glass side panel and bond the Lock to the door. Turn the key and the cam slides into the Keeper and your showcase is secure. Minimum order is one each.

CRL's UV Lock for double doors provides an easy and trouble free method to secure your glass door showcase or cabinet. The matching Lock and Keeper can be used with our Designer Series Glass-To-Glass or Glass-To-Wood Hinges to create an attractive, unique appearance. Minimum order is one each.

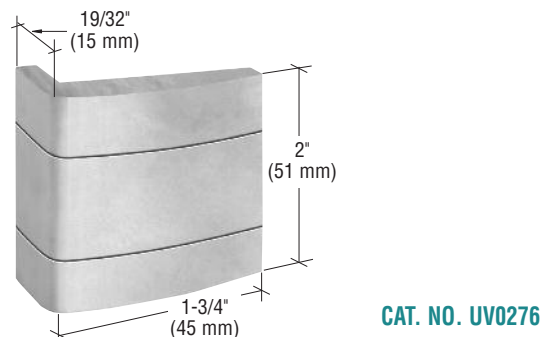


CRL UV Designer Pull

new

- For Inset or Overlay Glass Doors

Install your Designer Pull anywhere along the edge of your door overlapping the cabinet sidewall to provide a convenient handle to easily open your glass door. The Pull and single Door Lock can be used together, and will present a coordinated look with the Glass-To-Glass or Glass-To-Wood Hinges. Minimum order is one each.

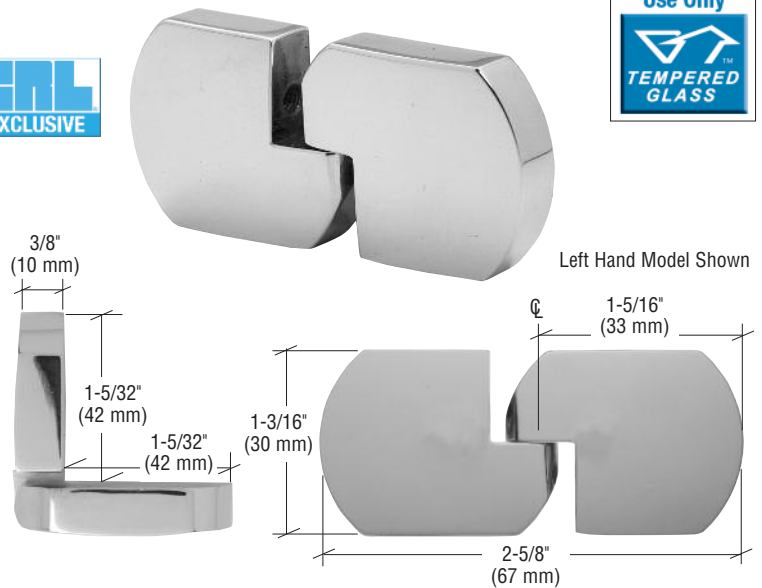


CRL UV Curved Glass-to-Glass Hinges

- For Overlay Glass Doors
- Available in Two Finishes

new

CRL EXCLUSIVE



CRL's UV Curved Glass-to-Glass Hinges have a unique and contemporary design that will enhance the look of any 'all-glass' cabinet or showcase. These Hinges are easy to install and the polished or satin nickel finish will match other showcase hardware. The maximum glass thickness is 1/4" (6 mm), and maximum weight per pair of Hinges is 33 lbs. (15 kg). Hinges are available for left hand or right hand doors. Minimum order is one each.

CAT. NO.	JAMB	FINISH
UVCK12PN	Left Hand	Polished Nickel
UVCK11PN	Right Hand	Polished Nickel
UVCK12SN	Left Hand	Satin Nickel
UVCK11SN	Right Hand	Satin Nickel

Minimum order: 1 each. Finishes can be combined for quantity pricing.

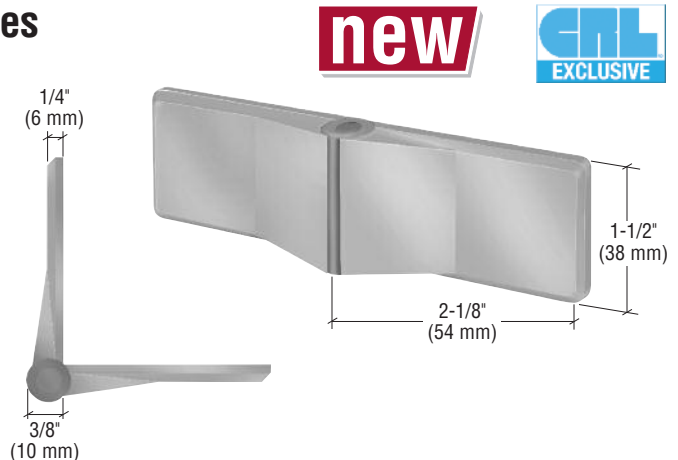
CRL UV Stainless Steel Glass-to-Glass Hinges

- For Inset or Overlay Doors

CRL's UV Stainless Steel Glass-to-Glass Hinges are designed for 'all-glass' cabinets, and are available in brushed or polished stainless. The Hinge plate measures 2-1/8" (54 mm) long by 1-1/2" (38 mm) wide. The maximum recommended door weight per pair of Hinges is 40 lbs. (18 kg). Minimum order is one each.

CAT. NO.	FINISH
UVHG1BS	Brushed Stainless
UVHG1PS	Polished Stainless

Minimum order: 1 each. Finishes can be combined for quantity pricing.



CRL UV Circular Glass-to-Glass Hinges

- Available in Brushed or Polished Stainless

CRL's UV Circular Glass-to-Glass Hinges are fabricated from stainless steel, and are designed for inset glass doors. The overall length of each side measures 1-31/32" (50 mm), and the diameter of the bonding disk is 1-3/16" (30 mm). The maximum recommended weight per pair of Hinges is 28 lbs. (13 kg). Minimum order is one each.

CAT. NO.	FINISH
UV3010BS	Brushed Stainless
UV3010PS	Polished Stainless

Minimum order: 1 each. Finishes can be combined for quantity pricing.



CRL UV Large Flat Glass-to-Glass Hinge

new



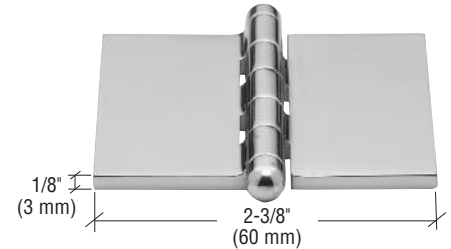
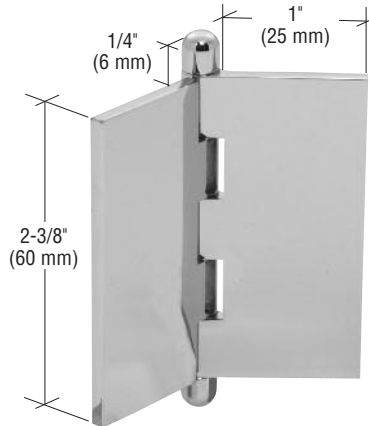
- For Inset or Overlay Doors
- Chrome Plated Brass

CRL's UV Large Flat Glass-to-Glass Hinge is free-swinging and designed for 'all-glass' showcases or cabinets. The maximum glass thickness for these chrome plated Hinges is 1/4" (6 mm). The maximum recommended door width is 19" (483 mm). Maximum weight per pair of Hinges is 16-1/2 lbs. (7.5 kg).

NOTE: Lightly scuff (do not scratch) bonding surface prior to applying adhesive.

CAT. NO.	FINISH
UV0090	Chrome

Minimum order: 1 each. All hinges on this page can be combined for quantity pricing.



CRL UV Flat Glass-to-Glass Hinges

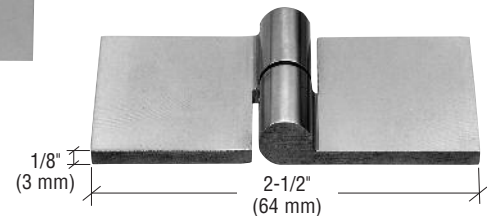
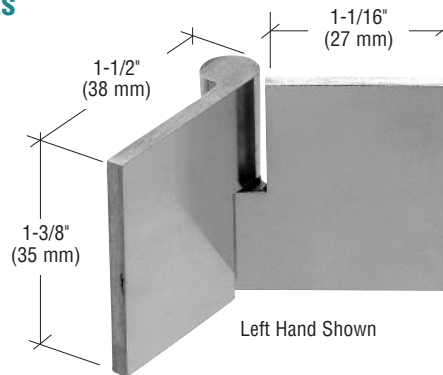
new

- Ideal for Smaller 'All-Glass' Cabinets

These free-swinging polished aluminum Glass-to-Glass Hinges are designed for smaller 'all-glass' cabinets with inset doors. The maximum recommended glass thickness is 1/4" (6 mm). Maximum weight per pair of Hinges is 22 lbs. (10 kg). Minimum order is one each.

CAT. NO.	JAMB
UV6265	Right Hand
UV6267	Left Hand

Minimum order: 1 each. All hinges on this page can be combined for quantity pricing.



CRL UV Flat Glass-to-Wood Hinges

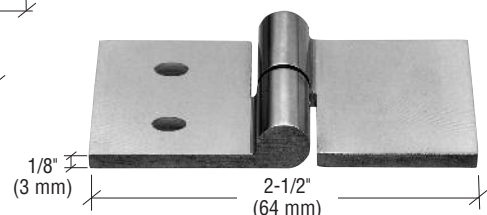
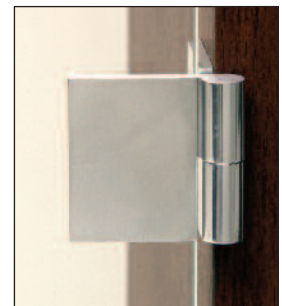
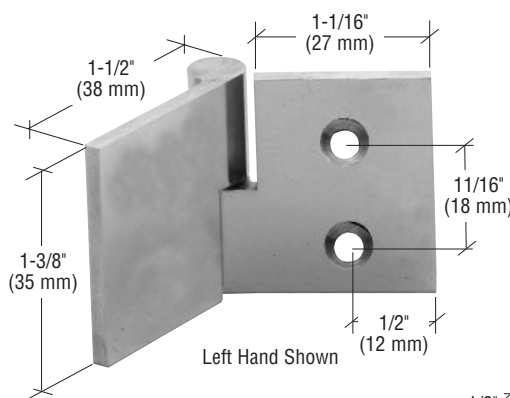
new

- Designed for Wood Cabinets With Glass Doors

CRL's free-swinging polished aluminum Glass-to-Wall Hinges are designed for smaller size cabinets with wood side panels and inset glass doors. The maximum recommended glass thickness is 1/4" (6 mm). Maximum weight per pair of Hinges is 22 lbs. (10 kg). Minimum order is one each.

CAT. NO.	JAMB
UV6266	Right Hand
UV6268	Left Hand

Minimum order: 1 each. All hinges on this page can be combined for quantity pricing.



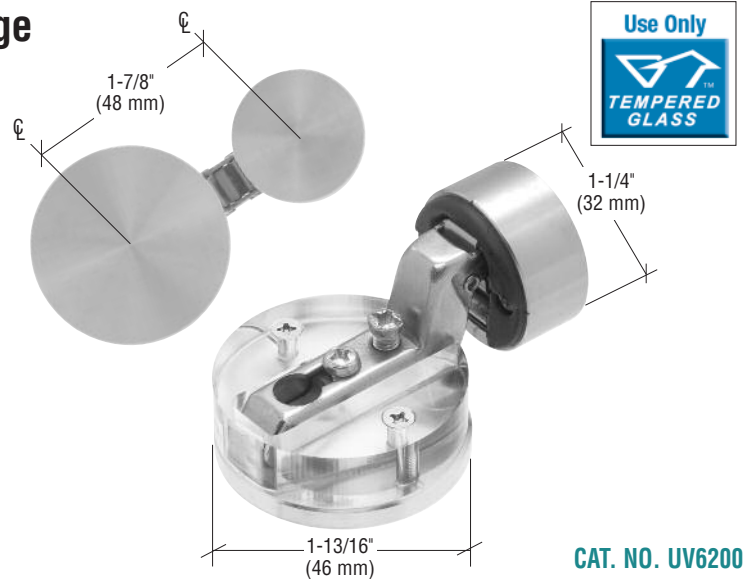
CRL UV Round Glass-to-Glass Door Hinge

- For Inset Glass-to-Glass Doors
- Gives Cabinets an 'All-Glass' Look

new

CRL's UV Round Glass-to-Glass Door Hinge is popular in the furniture industry due to its clean, efficient design and ease of assembly. The door moves to the inside of the cabinet by 1-3/16" (30 mm) when opening. After installation, minor adjustments to the door can be made by simply turning a screw.

Maximum glass thickness is 5/16" (8 mm), and maximum door weight should not exceed 18 lbs. (8 kg) using two Hinges. Minimum order is one each.



CRL UV Square Glass-to-Glass Door Hinge

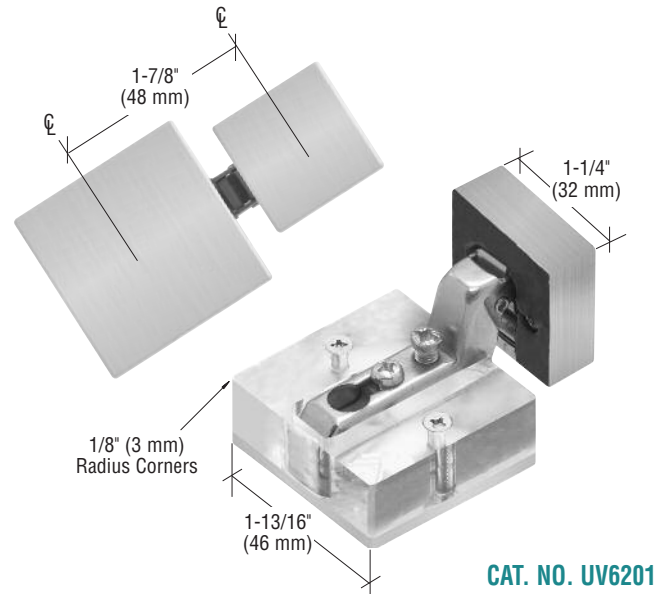
- For Inset Glass-to-Glass Doors
- Gives Cabinets an 'All-Glass' Look

new

CRL EXCLUSIVE

CRL's UV Square Glass-to-Glass Hinge uses the same clean, efficient design as the round UV6200 Hinge shown above, but with all new square bonding plates. The fixed sidewall plate measures 1-13/16" (46 mm) square while the door plate measures 1-1/4" (32 mm) square.

Maximum glass thickness is 5/16" (8 mm), and maximum door weight should not exceed 18 lbs. (8 kg) using two Hinges. Minimum order is one each.



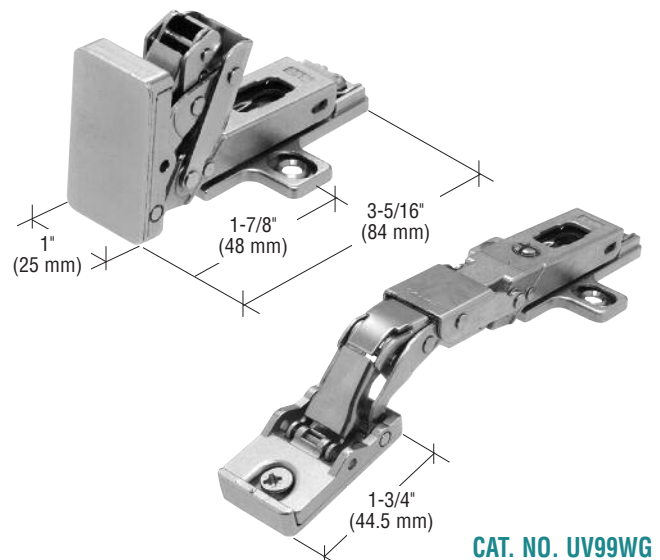
CRL UV European Style Glass-to-Wood Hinge

- For Inset Glass-to-Wood Doors

new

CRL's UV Glass-to-Wood Hinge features a nickel plated finish and a positive action close. Made popular on kitchen cabinets and stereo furniture, this side wall mounted Hinge comes with a plate that is UV bonded to the glass door. The face of the Hinge snaps into the mounting plate which connects the door to the Hinge.

Maximum recommended door size using two Hinges is 24" (610 mm) wide and 36" (914 mm) high, with a maximum weight of 20 lbs. (10 kg). Using three Hinges increases the maximum door height to 60" (1525 mm) and weight to 40 lbs. (20 kg). However, the maximum door width remains at 24" (610 mm). Minimum order is one each.



CRL UV Classic Series Glass Door Lock and Keeper

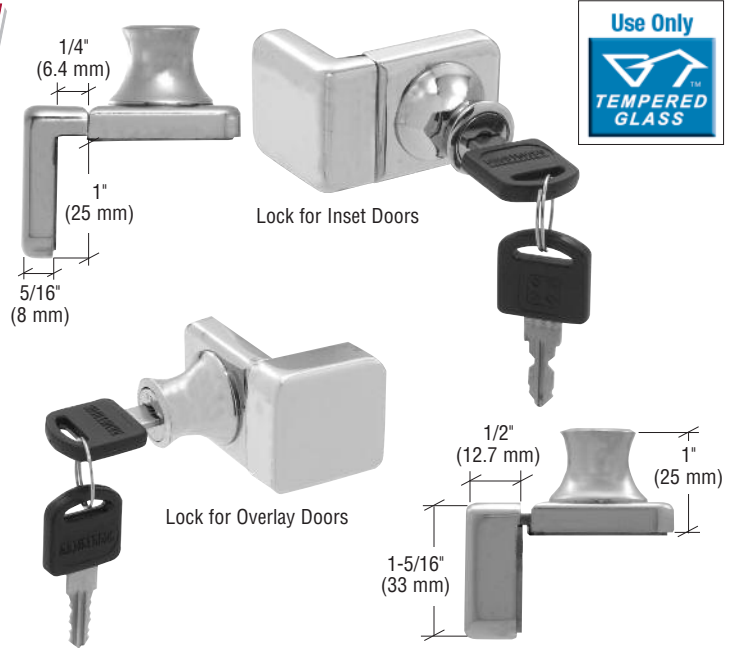
- For Overlay and Inset Glass Doors
- Available in Chrome and Brushed Nickel



CRL's UV Glass Door Locks for Inset and Overlay Doors are attractively designed and easily installed. Available in chrome and brushed nickel, the lock set includes a UV Lock and Keeper. The recommended glass thickness is 1/4" (6 mm). The 1-1/4" (32 mm) tall design of this lock is very versatile in that it can be installed anywhere along the vertical length on right or left hand doors or at the top of the door. Use with CRL's Classic Series Hinges to provide your customer with matching UV hardware. Bolt throw for each style is 3/8" (9.5 mm).

CAT. NO.	DESCRIPTION	FINISH
UV4070CH	Overlay Doors	Chrome
UV4070BN	Overlay Doors	Brushed Nickel
UV4071CH	Inset Doors	Chrome
UV4071BN	Inset Doors	Brushed Nickel

Minimum order: 1 each. Finishes can be combined for quantity pricing.



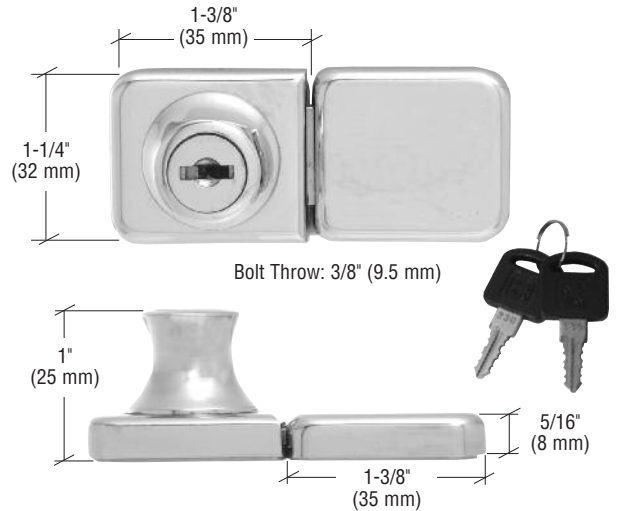
CRL UV Classic Series Glass Door Lock and Keeper for Double Doors

- Available in Chrome and Brushed Nickel

This UV Lock for double glass doors can be bonded at any convenient door height. The Lock cylinder functions as a door pull. See below for matching chrome or brushed nickel UV Hinges.

CAT. NO.	DESCRIPTION	FINISH
UV417CH	Double Doors	Chrome
UV417BN	Double Doors	Brushed Nickel

Minimum order: 1 each. Finishes can be combined for quantity pricing.



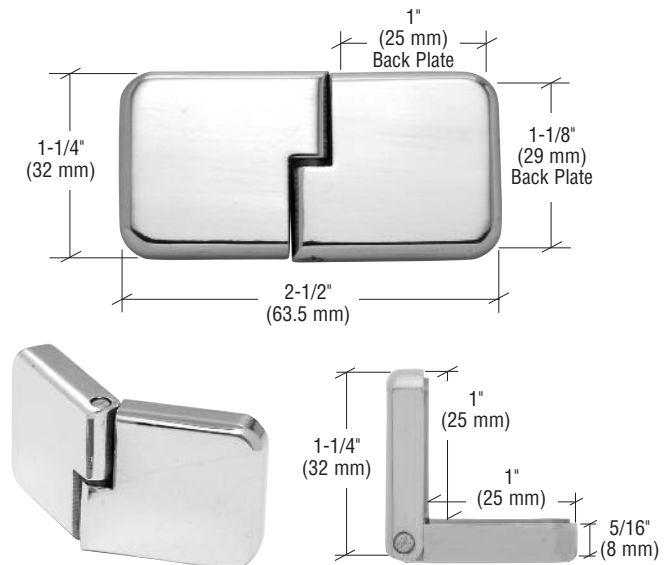
CRL UV Classic Series Glass Door Hinges

- Matches Design of Single and Double Door Locks
- Available in Chrome and Brush Nickel

CRL's UV Classic Series Hinges match the configuration of the Classic Series Locks, and are available in chrome or brushed nickel. Recommended for 1/4" (6 mm) thick glass, the recommended weight capacity is 22 lbs. (10 kg). Two Hinges per pack.

CAT. NO.	FINISH
UVHG3CH	Chrome
UVHG3BN	Brushed Nickel

Minimum order: 1 pack. Finishes can be combined for quantity pricing.



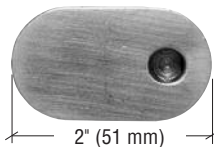
CRL UV Tube Locks

- For Inset, Overlay, and Double Doors

new

CRL's Tube Locks are extremely versatile due to the side mounted design. Easy to install, these Locks can be installed on glass doors up to a maximum thickness of 1/2" (12 mm). All three key tubes measure 1-3/32" (28 mm) in diameter and 1-13/16" (46 mm) in length. These tubes are flat on one long side for bonding. The 3/8" (10 mm) thick x 1-3/16" (30 mm) high receiver plates vary in size according to application. Minimum order is one each.

Receiver Plates



For Single Inset Doors



For Single Overlay Door Lock



For Double Door Lock



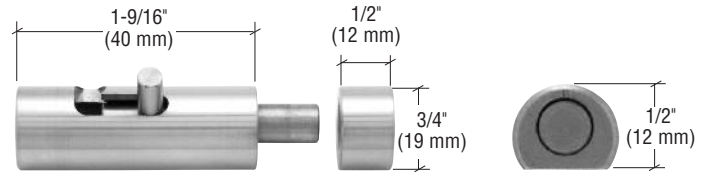
CAT. NO.	DESCRIPTION	FINISH
UV6278BS	Single Inset Door Lock	Brushed Stainless
UV6278PS	Single Inset Door Lock	Polished Stainless
UV6279BS	Single Overlay Door Lock	Brushed Stainless
UV6279PS	Single Overlay Door Lock	Polished Stainless
UV6280BS	Double Door Lock	Brushed Stainless
UV6280PS	Double Door Lock	Polished Stainless

Minimum order: 1 each. Finishes can be combined for quantity pricing.

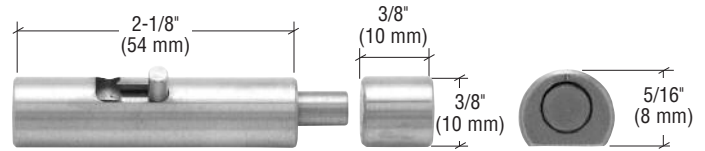
CRL UV Bolt Locks for Double Doors

- For Large and Small Double Glass Doors

new



CAT. NO. UV6259
3/4" (19 mm)
Diameter Bolt Lock



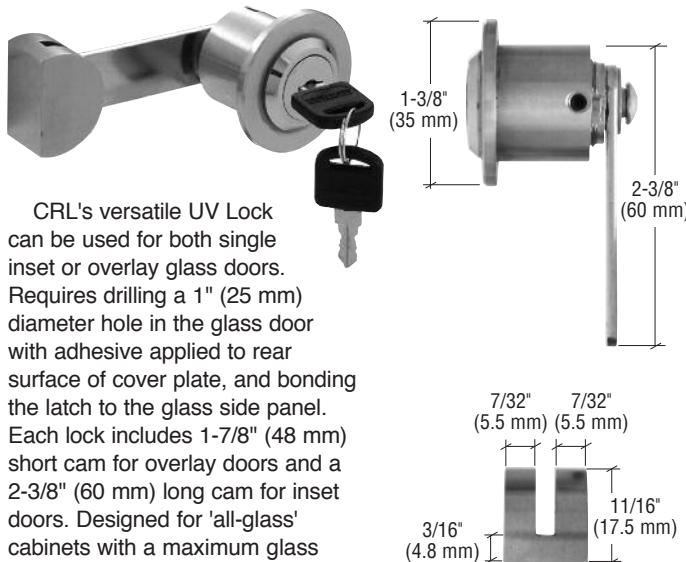
CAT. NO. UV6258
3/8" (10 mm)
Diameter Bolt Lock

CRL's UV stainless steel Bolt Locks for double glass doors are easily installed and keep the doors of your glass cabinet or showcase closed without requiring a key for access. It is available in two sizes to accommodate both large and small doors. Minimum order is one each.

CRL UV Lock for Single Inset or Overlay Doors

new **CRL EXCLUSIVE**

- Available in Brushed and Polished Stainless Steel



CRL's versatile UV Lock can be used for both single inset or overlay glass doors. Requires drilling a 1" (25 mm) diameter hole in the glass door with adhesive applied to rear surface of cover plate, and bonding the latch to the glass side panel. Each lock includes 1-7/8" (48 mm) short cam for overlay doors and a 2-3/8" (60 mm) long cam for inset doors. Designed for 'all-glass' cabinets with a maximum glass thickness of 3/8" (10 mm).

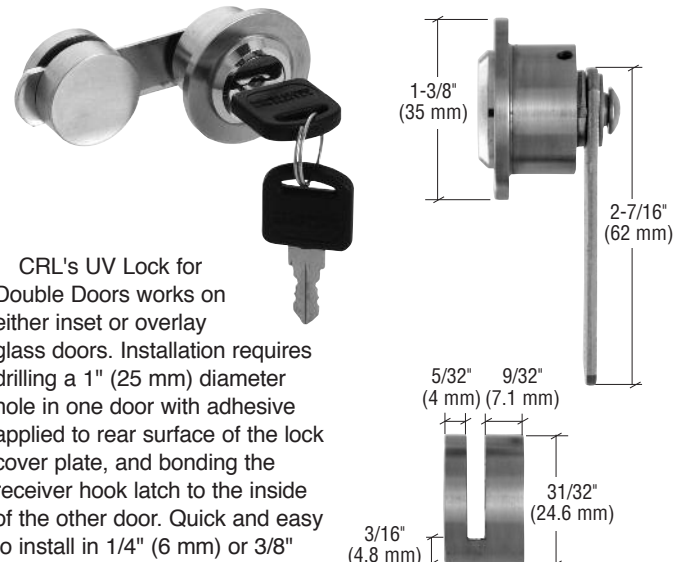
CAT. NO.	DESCRIPTION	FINISH
UV4101BS	Single Inset or Overlay Lock	Brushed Stainless
UV4101PS	Single Inset or Overlay Lock	Polished Stainless

Minimum order: 1 each. Finishes can be combined for quantity pricing.

CRL UV Lock for Double Glass Doors

new **CRL EXCLUSIVE**

- For Inset or Overlay Doors



CRL's UV Lock for Double Doors works on either inset or overlay glass doors. Installation requires drilling a 1" (25 mm) diameter hole in one door with adhesive applied to rear surface of the lock cover plate, and bonding the receiver hook latch to the inside of the other door. Quick and easy to install in 1/4" (6 mm) or 3/8" (10 mm) glass.

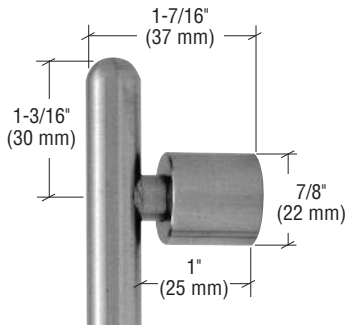
CAT. NO.	DESCRIPTION	FINISH
UV4102BS	Double Door Lock	Brushed Stainless
UV4102PS	Double Door Lock	Polished Stainless

Minimum order: 1 each. Finishes can be combined for quantity pricing.

CRL UV Stainless Steel Handle

- Versatile Design **new**

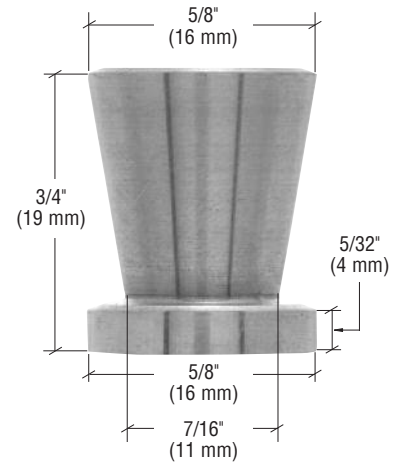
This universally designed UV glass door Handle can be bonded to single or double glass doors vertically or horizontally. The brushed stainless steel Handle is 7/16" (11 mm) wide and 8-1/2" (200 mm) long. Minimum order is one each.



CAT. NO. UV0241

CRL UV Stainless Steel Knob

- Ideal for Small Glass Doors or Kitchen Cabinets **new**



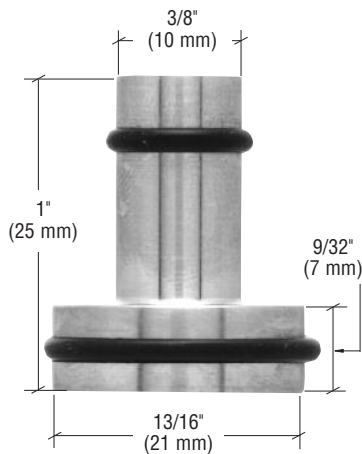
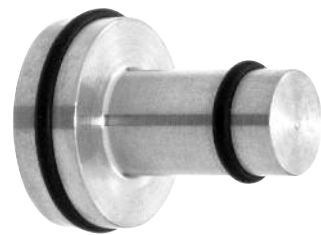
CRL's UV Stainless Steel Knobs are perfect for small cabinets or showcases with glass doors. The tapered knob design is easy to grip and provides a contemporary appearance. The base of the Knob measures 5/8" (16 mm), and extends 3/4" (19 mm) from the door's surface. Minimum order is one each.

CAT. NO. UV6256

CRL UV Door Knob

- Stainless Steel Material
- Use as a Knob or Shelf Support
- Neoprene Grip Rings

new



CRL's UV Door Knob has a high tech style and the versatile design is perfect for both knob or shelf support. The bonding surface measures 13/16" (21 mm), and extends 1" (25 mm) from the glass surface. Minimum order is one each.

CAT. NO. UV6170

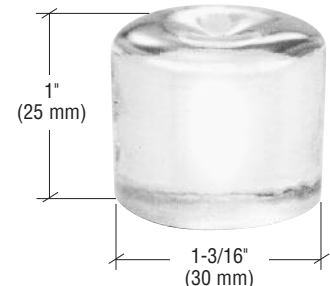
CRL UV Glass Knobs

- Knobs Blend With 'All-Glass' Doors

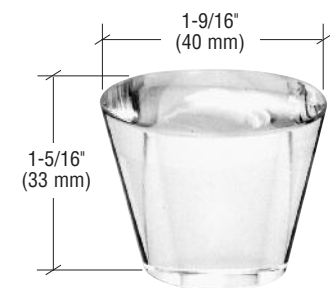
new



CAT. NO. UV367



CAT. NO. UVK01



CRL's UV Glass Knobs are perfect for your 'all-glass' cabinet or showcase doors. The clean, simple lines make for a great appearance and creates a total see-through look. Minimum order is one each.

CRL UV GLASS BONDING HARDWARE

For Pricing on CRL Products, Call Toll Free (800) 421-6144, or Visit crlaurence.com

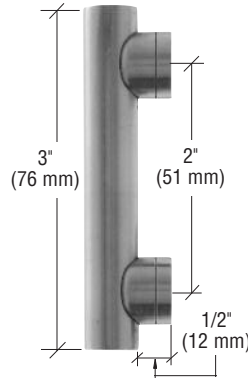
CRL UV Pivot Pull

new



- Fabricated From Type 304 Stainless Steel
- Matches Design of Cat. No. 12PVH Hinges

CRL's UV Pivot Pull is perfect for a contemporary, high tech design. The narrow, 1/2" (12 mm) diameter, 3" (76 mm) solid tube looks great on glass cabinet doors. Choose matching CRL Hinges Cat. No. 12PVH, which are designed for 1/4" (6 mm) thick glass and require drilling holes in the glass, or select UV hinges from selections shown on pages GB37-GB41. Minimum order is one each.



CAT. NO. UV12PVP

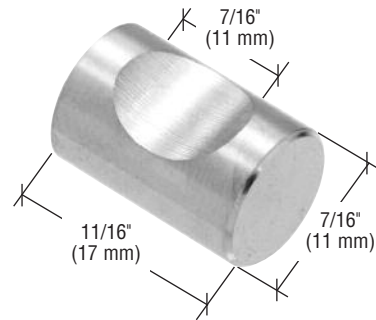
CRL UV Silhouette Pull

new



- Brushed Stainless Finish
- Petite Design

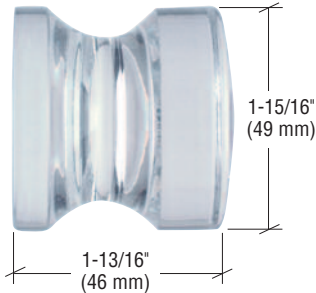
Our CRL UV Silhouette Pull is ideal for small showcase or kitchen cabinet doors. The design is clean and simple. The Pull can be bonded at the most convenient location on the door. Minimum order is one each.



CAT. NO. UVCK37

CRL UV Traditional Crystal Knob

- All Crystal Design

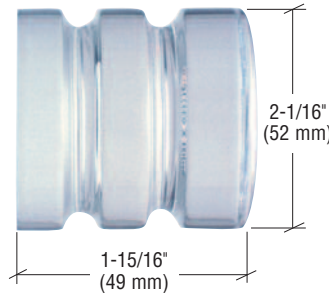


The Traditional Style UV Crystal Knob provides a clean and transparent look. Use UV760 Adhesive for bonding Glass-to-Glass (see page GB22). Minimum order is one each.

CAT. NO. SDK400CR

CRL UV Contemporary Crystal Knob

- Transparent and Elegant

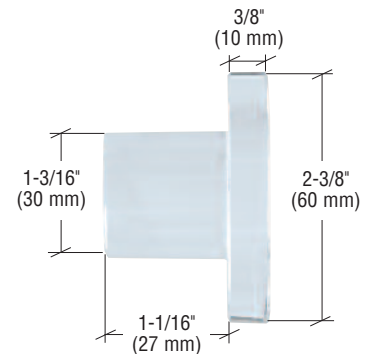


The Contemporary Style UV Crystal Knob and a glass door blend together for a see-through appearance. Use UV760 Adhesive for bonding Glass-to-Glass (see page GB22). Minimum order is one each.

CAT. NO. SDK406CR

CRL UV Solid Glass Knob

- Transparent Crystal Design



CRL's Solid Glass UV Knob is beautifully styled and can provide several applications: Door Knob, Foot for Glass Showcase, or Robe Hook on a Shower Door. Knob extends 1-1/2" (38 mm) from the glass surface. Use UV760 Adhesive for bonding Glass-to-Glass (see page GB22). Minimum order is one each.

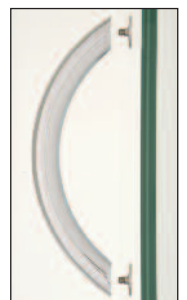
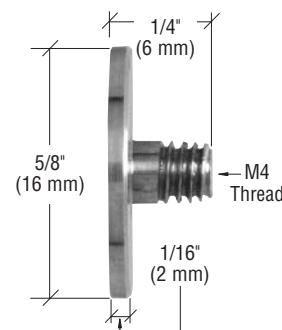
CAT. NO. SDK061

CRL UV Threaded Adapter for Knobs and Pulls

- Use With M4 Threaded Knobs and Pulls

new

CRL's UV Threaded Adapters have a 5/8" (16 mm) bonding surface with M4 thread that can be positioned anywhere along edge of glass door. Adapter will accommodate any style or size of knob with M4 thread. They are available in packs of four. Minimum order is one pack.



CAT. NO. UV6169

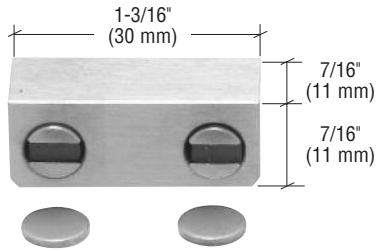
LOG ON TO crlaurence.com FOR BUSINESS-TO-BUSINESS SERVICES

PHONE (800) 421-6144 | FAX (800) 262-3299 TOLL FREE FROM ANYWHERE IN THE U.S.A. OR CANADA | GB45

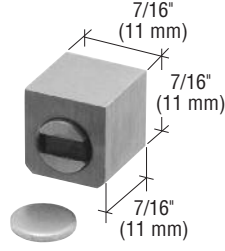
CRL UV Magnetic Latches for 'All-Glass' Cabinets

new

- Designed for 'All-Glass' Cabinets
- Available for Single and Double Glass Doors



CAT. NO. UV6255
For Double Doors



CAT. NO. UV6254
For Single Doors

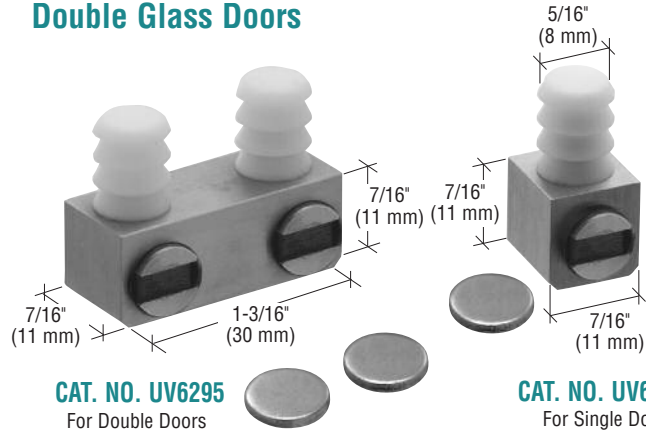
CRL's UV Magnetic Latches are perfect for keeping glass cabinet doors closed if there is no door lock. The Latches are fabricated from stainless steel and are designed so they can be bonded at the top or bottom of your 'all-glass' cabinet. Each Latch comes with 5/16" (8 mm) Round Disks that need to be UV bonded to the glass door. Latches are available for both single and double doors. Minimum order quantity is one each.

CRL UV Magnetic Latches for Wood Cabinets

new



- Available for Single and Double Glass Doors



CAT. NO. UV6295
For Double Doors

CAT. NO. UV6294
For Single Doors

CRL's UV Magnetic Latches for wood cabinets with glass doors are fabricated from stainless steel. They come with hardware to mount the Latch to either the wood top or base. Each Latch comes with 5/16" (8 mm) Round Disks that need to be UV bonded to the door. The minimum order quantity is one each.

CRL UV Pushbutton Magnetic Latch

- Round and Square Designs

new

The UV Pushbutton Magnetic Latch can be UV bonded to either the top or bottom of your 'all-glass' cabinet or showcase. The internal pushbutton spring mechanism retracts and releases. Each Latch comes with 5/16" (8 mm) Round Disks that need to be UV bonded to the glass door. Minimum order is one each.



CAT. NO. UV0250

CAT. NO. UV0251

CRL UV Magnetic Holder

new

- Designed for 'All-Glass' Doors



CRL's UV stainless steel Magnetic Holder is designed to be bonded to either the top or bottom of an all glass cabinet. Each Holder comes with a 7/16" (11 mm) diameter Disk that is UV bonded to the door. The Holder measures 1-1/8" (28 mm) in overall length and 5/8" (16 mm) in diameter. Minimum order is one each.

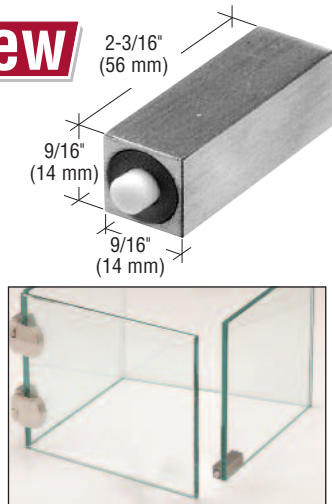
CAT. NO. UVCK28

CRL UV Damper for Glass Doors

new

- Available With Two Dampening Strengths

CRL's UV Dampers are designed for glass doors with self-closing hinges. It is available with soft or strong damping force. Easy to install on 'all-glass' cabinets. Minimum order is one each.



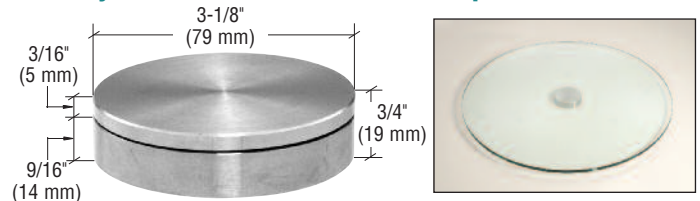
CAT. NO.	DESCRIPTION
UV0235	Soft Damper
UV0236	Strong Damper

Minimum order: 1 each.

CRL UV Rotation Support

new

- "Lazy-Susan" for Glass Table Tops



CRL's UV Rotation Support requires a 1-3/16" (30 mm) diameter hole in glass top. The Rotation Support is installed onto the middle of the glass table and then the glass "lazy-susan" is UV bonded to the stainless steel support. The maximum glass size is 24" (600 mm) in diameter. The maximum recommended weight capacity is 130 lbs. (60 kg). Minimum order is one each.

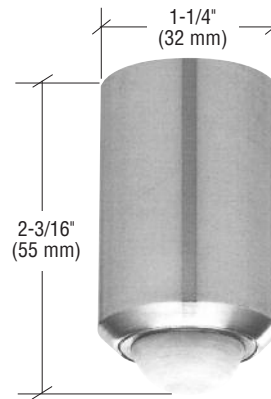
CAT. NO. UVCK20

CRL UV Stainless Steel Furniture Foot

new

- Nylon Tip to Protect Floor's Surface
- Brushed Stainless Steel Finish

This CRL UV Stainless Steel Foot for glass furniture provides a nylon cushion to protect your floor. Foot can support up to 55 lbs. (25 kg) each, and is fabricated from stainless steel for strength and corrosion resistance. Minimum order is one each.



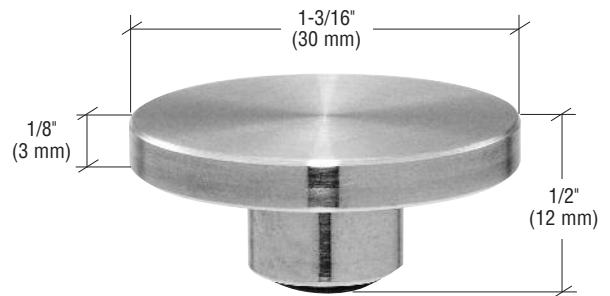
CAT. NO. UV6120

CRL UV Stainless Steel Furniture Foot

new

- With Plastic Floor Glide
- Brushed Stainless Steel Finish

CRL's UV Furniture Foot is ideal for all glass cabinets, showcases or bookcases. The stainless steel Foot includes a plastic glide which protects the floor's surface when the fixture is relocated or moved. Minimum order is one each.



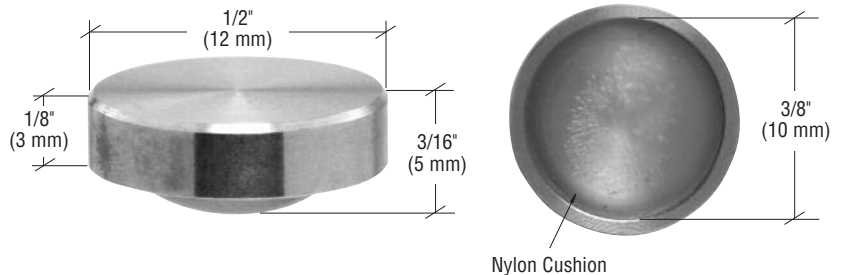
CAT. NO. UV0280

CRL UV Glass Support

new

- Used to Protect Glass and Counter Surfaces

CRL's UV Glass Support is designed to be used underneath glass cabinets or fixtures to protect the glass or countertop from getting scratched. Also, keeps the cabinet from sliding. The UV bonding surface measures 1/2" (12 mm) in diameter. The overall height is 3/16" (5 mm) including the cushion. Minimum order is one each.



CAT. NO. UVCK27

CRL UV Adjustable Support

new



- Designed to Function as Cabinet or Showcase Leg

CRL's UV Adjustable Support is designed to be bonded to the underside of a glass cabinet or showcase. The overall height of the Support is 1-5/16" (33 mm). The bonding diameter is 1-1/2" (38 mm). The maximum height adjustment is 3/16" (5 mm), and the recommended maximum weight capacity is 88 lbs. (40 kg) per Support. Minimum order is one each.



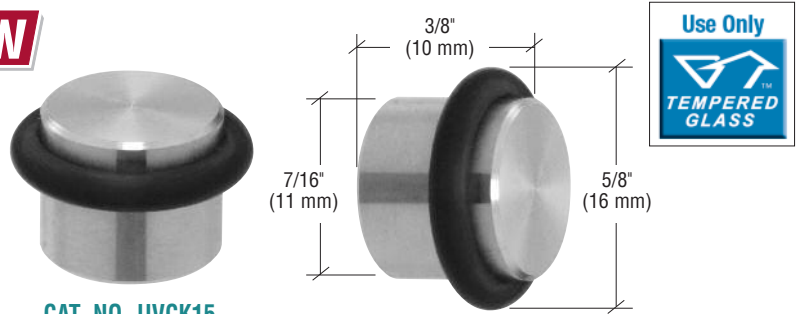
CAT. NO. UVCK33

CRL UV Fixed Shelf Support

new

- Stainless Steel Material
- For Glass and Wood

CRL offers two styles of fixed shelf supports that can be attached to glass by UV bonding and to wood side panels using a screw. Both Supports can hold glass up to a recommended thickness of 3/8" (10 mm). The rubber surround cushions protect the glass from both movement and scratches. Minimum order is one each.

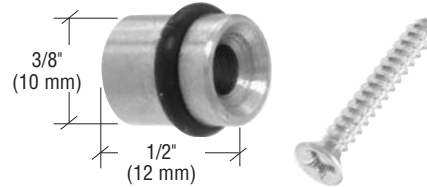


CAT. NO. UVCK15



CAT. NO.	DESCRIPTION	WEIGHT CAPACITY
UVCK15	UV Support for Glass	11 Lbs. (5 kg)
UV6197	Support for Wood Panels	20 Lbs. (10 kg)

Minimum order: 1 each.



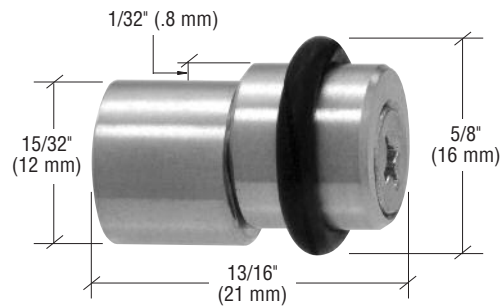
CAT. NO. UV6197

CRL UV Adjustable Shelf Support

new

- Permits Adjusting After Bonding

CRL's UV Adjustable stainless steel Shelf Support is used in all glass cabinets or showcases to support shelves. Bonded to glass side panels, the Adjustable Support, once installed, can be rotated to make minor 1/32" (.8 mm) height adjustments so that glass shelves are level. The weight capacity for Support is 11 lbs. (5 kg) each. Minimum order is one each.



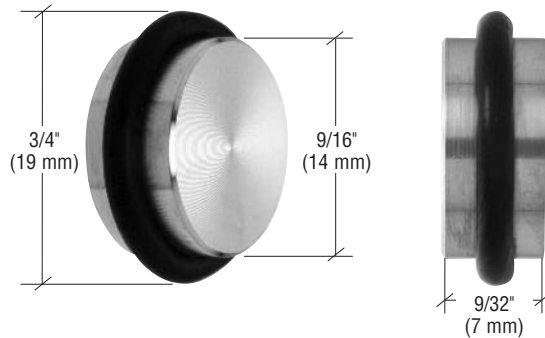
CAT. NO. UVCK16

CRL UV Large Fixed Shelf Support

new

- Stainless Steel Material

CRL's UV Large Fixed Glass Shelf Support is designed to be bonded to the vertical side panels in all cabinets to support shelving. The Support has a rubber ring surrounding the cylinder which prevents glass movement and scratches. The diameter measures 3/4" (19 mm) and is 9/32" (7 mm) thick. Maximum weight capacity is 44 lbs. (20 kg) each. Minimum order is one each.



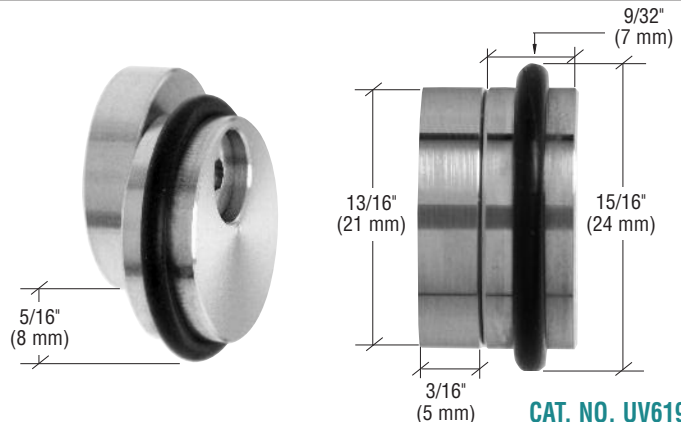
CAT. NO. UV6192

CRL UV Large Adjustable Shelf Support

new

- Level Shelves After Installation

These UV Large Adjustable Shelf Supports have a weight capacity of 44 lbs. (20 kg) each. After being bonded to the glass side panel, adjustments of up to 5/16" (8 mm) per Support is possible to insure the shelf is perfectly level. The Support is 1/2" (12 mm) thick and has a rubber ring, which cushions the glass and prevents slippage. Minimum order is one each.



CAT. NO. UV6194

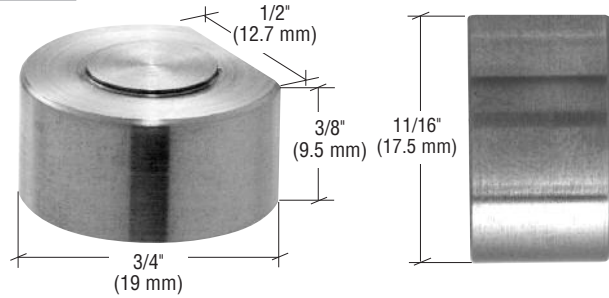
CRL UV Fixed Shelf Support

new



- Bond Vertically or Horizontally

CRL's stainless steel UV Fixed Shelf Support is 3/4" (19 mm) in diameter. The flat or shelf rest area is 1/2" (12 mm). This Support can be bonded to the glass side panel either vertically or horizontally. The maximum load capacity is 44 lbs. (20 kg) per four Supports. Minimum order is four each.

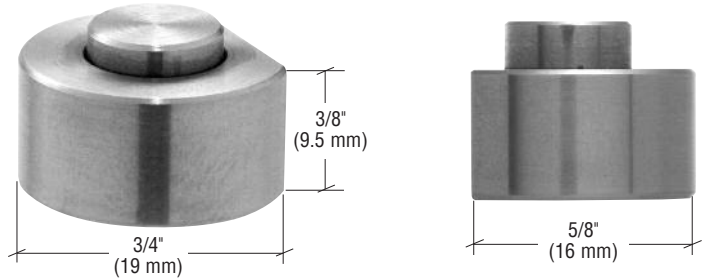


CAT. NO. UV6191

CRL UV Adjustable Shelf Support **new**

- Allows 1/8" (3.2 mm) Height Adjustment

CRL's UV Adjustable Shelf Support has a height adjustment of 1/8" (3 mm) after bonding. Adjustment is accomplished by turning a set screw. The maximum recommended weight capacity is 44 lbs. (20 kg) per four Supports. Minimum order is four each.



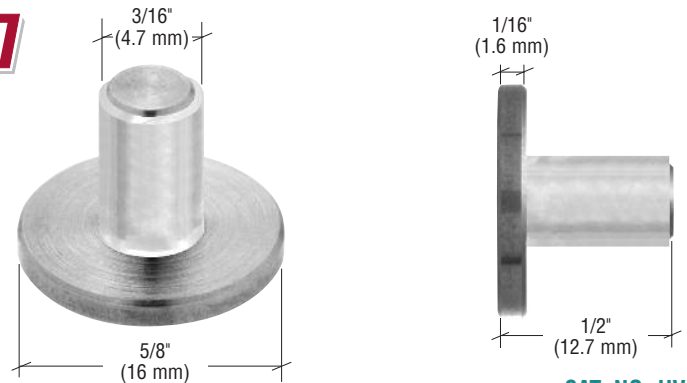
CAT. NO. UV6193

CRL UV Shelf Supports

new

- With Plastic Cushion

CRL's stainless steel UV Shelf Supports have a 5/8" (16 mm) diameter bonding surface. Comes with a clear plastic cushion to ensure there's no glass to metal contact. Maximum weight capacity is 88 lbs. (40 kg) per four Supports. Minimum order quantity is one pack of four.



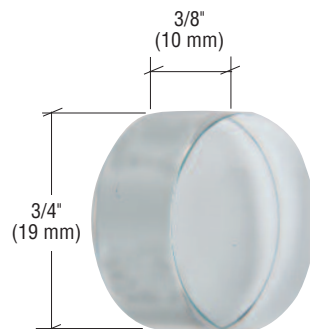
CAT. NO. UV6198

CRL UV Round and Square Crystal Shelf Supports

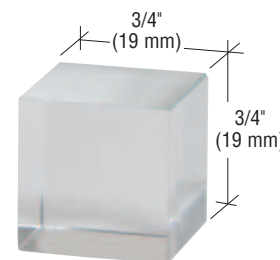
new

- Crystal Clear Transparency
- Use as Shelf Support or Foot

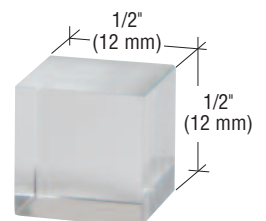
CRL's Crystal Shelf Supports provide a unique and attractive method of supporting shelves in 'all-glass' cabinets or showcases. Both Round and Square Supports have a recommended weight capacity of 44 lbs. (20 kg) per four Supports. Minimum order is four each.



CAT. NO. UVRD38



CAT. NO. UVSQ34



CAT. NO. UVSQ12

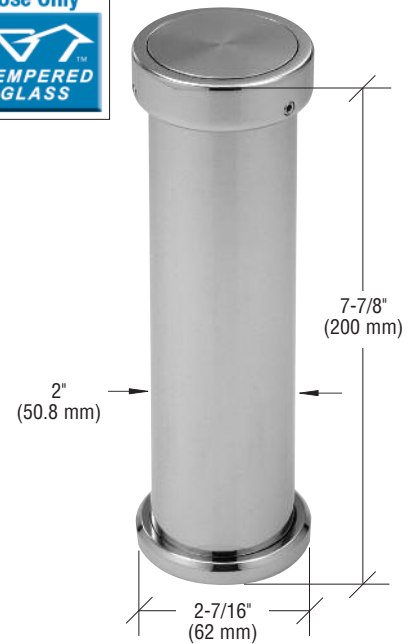
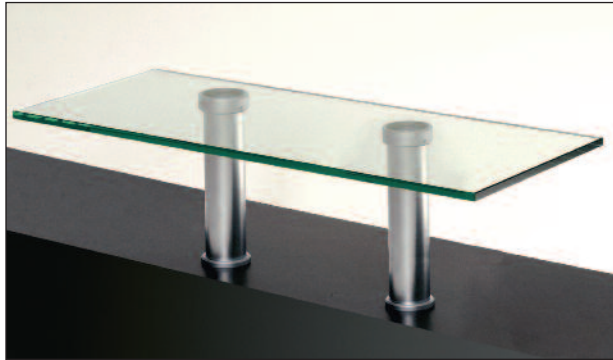
CRL UV GLASS BONDING HARDWARE

For Pricing on CRL Products, Call Toll Free (800) 421-6144, or Visit crlaurence.com

CRL UV Vertical Countertop Support

new

- Base Easily Mounts Mechanically to the Countertop
- Choose From Three Beautiful Finishes to Match Decor
- Easy to Install and Maintain



The trend towards added counter space in kitchens and baths is growing quickly and provides the opportunity for you to offer more choices to your customers looking to enhance new and re-model projects. CRL Vertical Countertop Supports can be used to add both glass and solid counter tops to granite, Corian, wood, tile, concrete, and stone surfaces. Custom sneeze guards are another possibility.

Three popular finishes are available, and simple-to-follow instructions are provided for easy installation. The Supports are designed to allow precise final height adjustments to compensate for slightly uneven surfaces. Lower counter mounting bolts are included with each Support. A finely machined disk for UV bonding provides the perfect surface for strong contact to glass (use Cat. No. UV682 UV Bonding Adhesive).

NOTE: Maximum recommended span between Supports is 23-1/2" (600 mm). Maximum overhang from post center is 7-7/8" (200 mm). Maximum load capacity is 33 lbs. (15 kg) per Support.

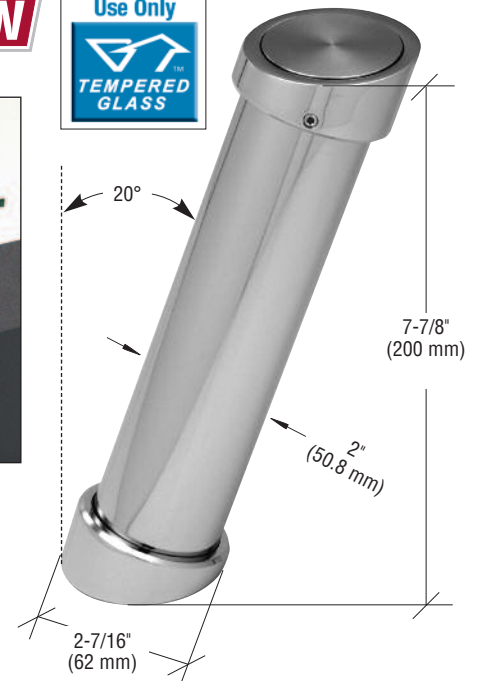
CAT. NO.	FINISH
UV0130	Chrome
UV0131	Satin Chrome
UV0132	Satin Nickel

Minimum order: 1 each.

CRL UV Angled Countertop Support

new

- Projects the Surface Outward for Extra Clearance
- Allows Precise Adjustment After UV Bonding for a Perfect Fit
- Finishes to Match Our Vertical Countertop Supports



CRL Angled Countertop Supports are 20 degrees off vertical to assist positioning the upper countertop off the lower for additional space requirements in residential and commercial applications. Installed height matches our Vertical Countertop Supports. Use a combination of Vertical and Angled Countertop Supports to create unique installation designs for your customer's shelf riser, sneeze guard, or glass breakfast bar applications.

You can use our UV682 UV Bonding Adhesive for the flat insert, glass-to-metal portion of the installation. Everything required for the mechanical portion of the installation is provided with each Support, including the lower counter mounting bolts.

NOTE: Maximum recommended span between Supports is 23-1/2" (600 mm). Maximum overhang from post center is 7-7/8" (200 mm). Maximum load capacity is 33 lbs. (15 kg) per Support.

CAT. NO.	FINISH
UV0135	Chrome
UV0136	Satin Chrome
UV0137	Satin Nickel

Minimum order: 1 each.

LOG ON TO crlaurence.com FOR BUSINESS-TO-BUSINESS SERVICES

GB50 | PHONE (800) 421-6144 | FAX (800) 262-3299 TOLL FREE FROM ANYWHERE IN THE U.S.A. OR CANADA

CRL UV Glass Shelf Supports **new**

• Stainless Steel

Perfect for all glass bookcases, etageres or cabinets, these CRL Glass Shelf Supports are fabricated from 1-9/16" (40 mm) diameter stainless steel tubing for strength and corrosion resistance. Available in multiple lengths, they are supplied complete with two 2" (51 mm) bonding plates and threaded rod. Minimum order is one each.

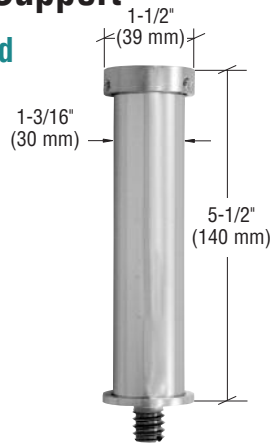
CAT. NO.	LENGTH
UV6111	4-1/2" (120 mm)
UV6112	8-1/2" (220 mm)
UV6113	12-1/2" (320 mm)
UV6114	16-1/2" (420 mm)

Minimum order: 1 each. Sizes can be combined for quantity pricing.



CRL UV Pole Support **new**

• Flat Glass Board Mounting



CRL Standoff Pole Supports can be used to support a flat glass shelf, bar, or table top at 5-1/2" (140 mm) above the bottom surface. Fabricated from stainless steel for strength and corrosion resistance. These vertical Supports can be installed into wood bases by drilling a 7/16" (11 mm) hole or into granite or stone by drilling 5/8" (16 mm) diameter holes. Minimum order is one each.

CAT. NO. UVCD30

CRL UV Wall Mount Shelf Support Brackets **new**



• Available in Two Sizes



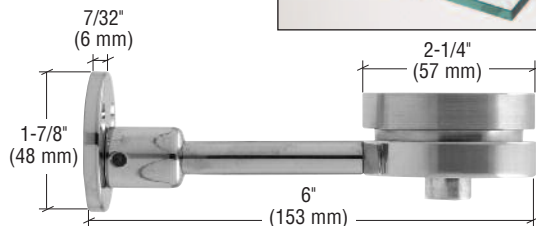
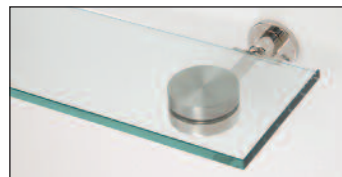
CRL's UV stainless steel Wall Mount Brackets are intended to be installed into concrete, brick, stone or wall studs. These uniquely designed wall brackets will hold glass shelving to hold books, collectibles, speakers, etc. These 2-1/2" (63.5 mm) Tall Brackets are available in two diameters. Minimum order is one each.

CAT. NO.	DIAMETER	MAX. DEPTH	WEIGHT CAPACITY
UVCK38	13/16" (21 mm)	5" (127 mm)	13 Lbs. (6 kg) Pair
UVCK39	1-1/8" (29 mm)	8" (203 mm)	22 Lbs. (10 kg) Pair

Minimum order: 1 each. Sizes can be combined for quantity pricing.

CRL UV Glass-to-Wall Support **new**

• Stainless Steel Material

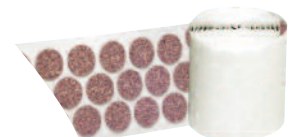


CRL's UV Glass-to-Wall Support is designed to install into wall studs, wood blocking, concrete, stone or brick to support glass shelves. The Supports can accommodate a shelf with a maximum width of 8" (203 mm). The distance from the wall to the center line of the bonding puck is 5" (127 mm). Maximum recommended weight capacity per Support is 44 lbs. (20 kg). Minimum order is one each.

CAT. NO. UVCK29

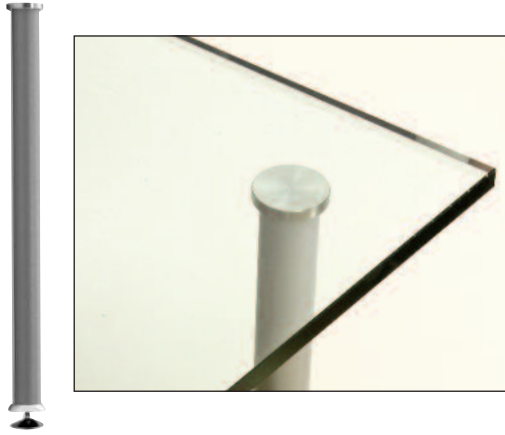
CRL Glass Protectors

- Protects Against Scratches and Abrasions
- Easy to Use and Remove



CRL offers a complete selection of Glass Protectors in plastic, vinyl, cork, and sponge rubber. They cushion glass on furniture tops and prevent slamming, scuffing, sliding or vibration. Some are available with or without adhesive backing. See the full selection in our Online Catalog.

CRL UV Table Legs • Powder Coated • Standard Table Heights • Adjustable Foot



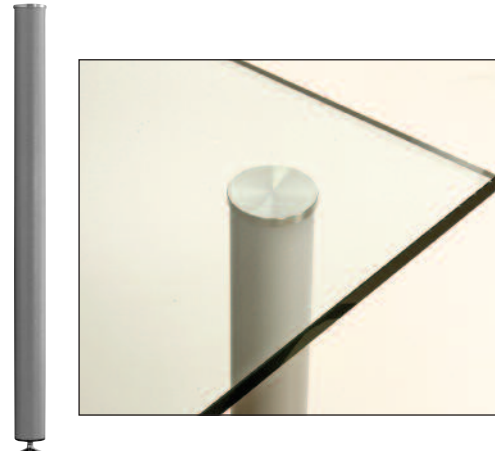
new
CRL
EXCLUSIVE

Available in Silver, Black or Chrome, CRL's 1-3/16" diameter (30 mm) UV Legs for coffee tables come in 17" (432 mm) heights. Fabricated from 1 mm thick wall aluminum, these attractively designed legs are perfect for any style of "occasional" table. The UV adapter can be quickly and easily bonded to any glass table top. Adjustable foot included.

1-3/16" (30 MM) DIAMETER UV TABLE LEGS

CAT. NO.	LENGTH	FINISH
UVD30430S	17" (432 mm)	Silver
UVD30430BL	17" (432 mm)	Black
UVD30430CH	17" (432 mm)	Chrome

Minimum order: 1 each.



Use Only
TEMPERED
GLASS

CRL's 2" diameter (50 mm) UV Legs for dining and coffee tables are available in 17" (432 mm) and 28" (711 mm) heights. Fabricated from 1.50 mm thick wall aluminum tubing for superior strength, these attractively designed Legs are available in beautiful and durable powder coated finishes. The UV adapter can be easily bonded to any thickness of glass. Adjustable foot included.

2" (50 MM) DIAMETER UV TABLE LEGS

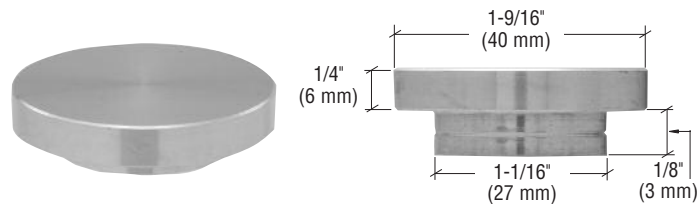
CAT. NO.	LENGTH	FINISH
UVD50430S	17" (432 mm)	Silver
UVD50430BL	17" (432 mm)	Black
UVD50710S	28" (711 mm)	Silver
UVD50710BL	28" (711 mm)	Black

Minimum order: 1 each.

CRL UV 40 mm Bonding Plate

• Used With 30 mm Coffee Table Legs

new



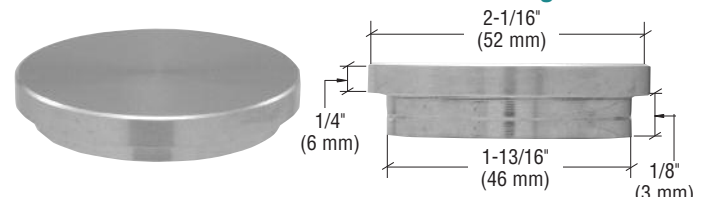
CRL 40 mm Table Leg Bonding Plates are used for attaching 30 mm diameter table legs to glass tops with UV adhesives. Made from stainless steel for superior durability and corrosion resistance. These Bonding Plates can be used with CRL's UVD30430 Series table legs above. Requires M8 threaded stud. Minimum order is one each.

CAT. NO. UVCK22

CRL UV 55 mm Bonding Plate

• Used With 50 mm Diameter Table Legs

new



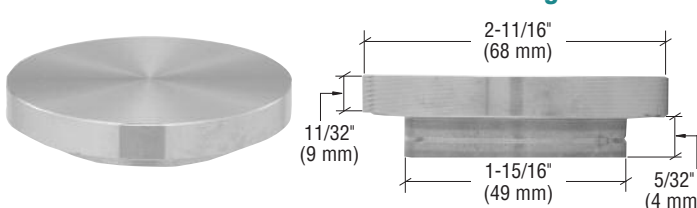
CRL 55 mm Table Leg Bonding Plates are used for attaching 50 mm diameter table legs to glass tops with UV adhesives. Made from stainless steel for superior durability and corrosion resistance. These Bonding Plates can be used with CRL's UVD50430 and UVD50710 Series table legs above. Requires M10 threaded stud. Minimum order is one each.

CAT. NO. UVCK23

CRL UV 70 mm Bonding Plate

• Used With 60 mm Diameter Table Legs

new



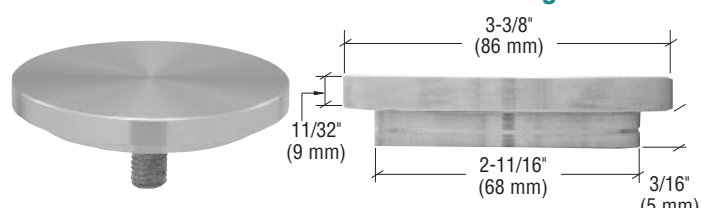
CRL 70 mm Table Leg Bonding Plates are used for attaching 60 mm diameter table legs to glass tops with UV adhesives. Made from stainless steel for superior durability and corrosion resistance. Requires M10 threaded stud. Minimum order is one each.

CAT. NO. UVCK24

CRL UV 90 mm Bonding Plate

• Used With 80 mm Diameter Table Legs

new



CRL 90 mm Table Leg Bonding Plates with a M12 threaded stud are used for attaching 80 mm diameter table legs to glass tops with UV adhesives. Made from stainless steel for superior durability and corrosion resistance. Minimum order is one each.

CAT. NO. UVCK25

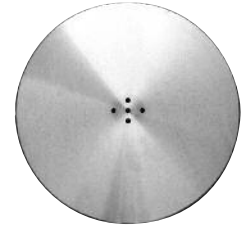
CRL UV Table Posts and Base Plates

- Design and Build Beautiful Glass Tables With These Posts and Bases

Posts are available in three sizes. All are pre-drilled and threaded to match Base Plates. Brushed stainless steel finish.



new



These stainless steel clad Base Plates provide stability for your table. Pre-drilled to match holes in posts. Fasteners are included.

CRL has the components for you to design and build beautiful glass tables with these posts and bases. Maximum recommended glass table top diameter is 1-1/2 times the diameter of the base.

POSTS

CAT. NO.	DIAMETER	HEIGHT
UV0156	2-3/8" (60 mm)	17-13/16" (452 mm)
UV0158	3-3/16" (80 mm)	26-1/2" (672 mm)
UV0159	4-5/16" (110 mm)	42-1/2" (1077 mm)

Minimum order: 1 each.

BASE PLATES

CAT. NO.	DIAMETER
UV0154	15-3/4" (400 mm)
UV0155	19-11/16" (500 mm)

Minimum order: 1 each.

CRL UV Castors With Stainless Steel Bonding Plates

new

CRL UV Support With Roller

- Easy Movement for Glass Showcases

CRL's UV Support with Roller is bonded to the bottom panel of glass cabinets or showcases to allow the unit to be easily moved or relocated. The 1-1/2" (38 mm) diameter stainless steel puck and 1-3/8" (35 mm) plastic roller has a maximum weight capacity of 33 lbs. (15 kg) each. The overall height of the Support with Roller is 3-5/16" (84 mm). Minimum order is one each.



CAT. NO. UVCK19

CRL Metal Shield UV Caster

- Chrome Shield for Attractive Appearance

CRL's Metal Shield UV Caster comes with a 2" (51 mm) diameter polyurethane roller. The chrome shield provides an attractive appearance. Includes a 1-3/4" (44 mm) diameter stainless steel bonding adapter. Weight capacity for this 3-3/8" (86 mm) tall Caster is 60 lbs. (27 kg). Minimum order is one each.



CAT. NO. UVC1CASTER

CRL Hooded Twin-Wheel UV Casters

- BIFMA Compliant

CRL's Hooded Twin-Wheel UV Casters are available with or without a brake. Both come with a 1-3/4" (44 mm) diameter stainless steel bonding adapter to bond to glass. Weight capacity per Caster is 75 lbs. (34 kg). Overall height is 3-1/4" (82 mm). Easy to install and smooth rolling. Minimum order is one each.



CAT. NO.	DESCRIPTION
UVC2CASTER	1-9/16" (40 mm) Without Brake
UVC3CASTER	1-9/16" (40 mm) With Brake

Minimum order: 1 each.

CRL Twin-Wheel UV Caster

- High Weight Capacity With European Styling

CRL's Twin-Wheel UV Caster comes with a 2" (51 mm) diameter hard wheel. Includes a 1-3/4" (44 mm) diameter stainless steel bonding adapter to bond to glass. Weight capacity per Caster is 75 lbs. (34 kg). Overall height is 3-1/8" (79 mm). Minimum order is one each.



CAT. NO. UVC4CASTER



CRL Manufacturing

- Making Quality Products for Almost 40 Years
- User of Progressive ISO9001:2008 Manufacturing Processes
- Mechanical and Technical Expertise Available to Assist Your Manufacturing Processes



You may know C.R. Laurence Company as a global distributor of supplies to the glass industry however; you may not know that we are also a manufacturer of over 5,000 products found in our Online Catalog. Our 270,000 plus square foot manufacturing plant in Vernon, California is just five minutes from CRL Corporate Headquarters, and ten minutes from downtown Los Angeles. It is here that we make some of the best products available to customers worldwide. Our people use progressive ISO9001:2008 manufacturing processes to make products for the Glazing, Railing, Architectural, Construction, Industrial, and Automotive industries. These certified processes ensure that we give every product our full attention to detail.

There are many industries served by the products manufactured in our California plant. We make architectural hardware for new and retrofit building construction, railing systems and windscreens for balconies and decks, security transaction windows and devices, display hardware for the retail trade, specialty tools for the glazing trade, hinges and other products for frameless shower doors, and automotive windows for trucks, vans, and RV's.

Using strict manufacturing standards we produce the kind of quality hardware that has kept us at the head of this field for many years. That's your assurance that when you select a product made by CRL Manufacturing you have made the best possible choice.

We're always looking for ways to make our products better, and along the way we've added knowledgeable experts in their fields to our staff of designers, engineers, and craftspeople. Our goal is to make our products a better value to you, whether it's time or labor savings, extended service life, increased versatility or enhanced visual appeal.

Many of our products incorporate industry "firsts", features offered by no other manufacturer because we feel that no product or process is so good that it can't be improved. We strive to make products of high quality and value. That's the goal we set for ourselves at the onset, and it's still our guiding influence.

Some of the improvements we've made have originated from people who have used our products and generously contributed their opinions and suggestions. We welcome your comments, and invite you to contact us at any time regarding a C.R. Laurence product.



LOG ON TO crlaurence.com FOR BUSINESS-TO-BUSINESS SERVICES

GB54 | PHONE (800) 421-6144 | FAX (800) 262-3299 TOLL FREE FROM ANYWHERE IN THE U.S.A. OR CANADA

CRL's Precision Design and Engineering is the Key to Quality



• CRL is ISO9001:2008 Certified

It all starts with ISO9001:2008 certification. We produce over 5,000 items for the industries we serve in our ISO9001 Certified manufacturing facilities. Our adherence to the strictest of standards reflects the commitment of our employees to provide the highest quality products.

• Award Winning Designs and Products

Just because we say our products are all top quality doesn't make it so. However, when those recognized as setting the standards for quality say we make the best, then that really means something. C.R. Laurence Manufacturing has earned some very prestigious awards for manufacturing excellence by organizations that set the standards for quality.

• CRL Rapid Customization Program for Short Lead Times

The goal of CRL's Rapid Customization Program is to achieve the shortest possible lead time on all CRL Manufactured Products, from sketch to quote to fabrication to delivery. This is done several ways, and an important factor is keeping the entire process "in-house". Allowing CRL Manufacturing to control such processes as drafting, modeling, raw material procurement, cutting optimization, high-speed fabrication, finishing, powder coating, batch painting, packaging, and shipping makes for efficient and speedy delivery of products to you.

• Innovation Makes Us a Leader

C.R. Laurence Manufacturing has provided new and innovative products for almost 40 years. We know we can't just sit still, because if we do, others will pass us by, and that's not what being a leader is all about. Many CRL manufactured products incorporate features offered by no one else because we feel that no product is so good that it can't be improved.

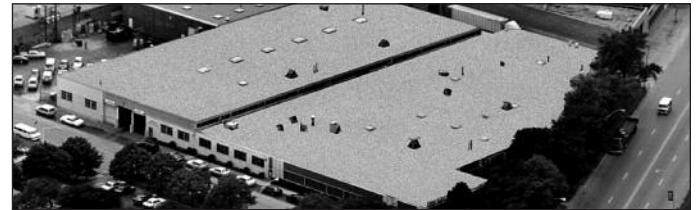


• Engineers Available for Product Development, Testing, and Production Support

CRL's Engineering Department works with you to review designs and job plans to address feasibility, safety concerns, and possible alternate solutions in order to prepare a fair and accurate per unit or per job quote for our Manufacturing services.

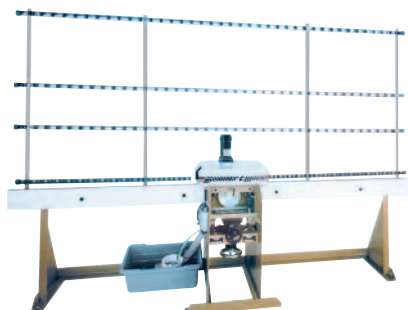
• Experienced, Knowledgeable Team Dedicated From Start to Finish

Our staff has decades of experience in the various stages of manufacturing. Our people draw upon their resources to find innovation and efficiency in our manufacturing processes, allowing us to build top quality products at prices that are always competitive. From the procurement of raw materials to final shipment of finished goods, it's our experience that makes the difference.



90,000 Square foot machinery manufacturing facility in Cicero, Illinois, a suburb of Chicago.

Sommer & Maca GLASS MACHINERY DIVISION



VE1P
One-Spindle
Glass Edger



2200RP
106" Wet
Abrasive Belt
Sander



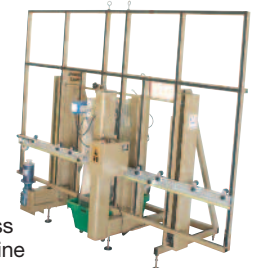
2402522
Hydraulic
Cutting Table



TTW606
60" Six-Brush
Glass Washer



DBS106
Twin Belt
Seamer



TD25
Vertical Glass
Drilling Machine

The Sommer & Maca Glass Machinery Company has built and serviced innovative, specialized machinery for the glass industry for over 80 years. Sommer & Maca machines are built to exact specifications and tested by machinery experts, then crated and shipped for use throughout the world. An extensive inventory of service parts is maintained, and trained technicians can provide installation and service assistance for the entire line. We invite you to contact us regarding our line of quality glass machinery. Let CRL/Somaca help you design the perfect machines and glass processing equipment to suit your needs. Call our Glass Machinery Division at (866) 583-1377. You can also send e-mail to somaca@crlaurence.com.



CRL Serves the World With Ever-Improving Service Capabilities From Three Continents

• North America • Europe • Australia

C.R. Laurence has been a global supplier to customers worldwide for decades, and can now offer our unmatched range of products and services from CRL locations on three continents: North America, Europe, and Australia. In our history we have prospered as a company because we've followed a path of innovation and growth, always seeking new ways to use the latest technology to expand our service capabilities.

C.R. Laurence Customer Services



Communicating

Major advancements in the world of communications have made much of this possible. We've always been among the first to introduce new ways of reaching our customers, and in return, have made it easier for them to do business with us.

C.R. Laurence was the first in our industry to offer toll free telephone ordering. For over thirty years our customers have been able to call our 1-800 number to place orders, ask questions about products, get prices, and communicate with us without it costing them a cent. Our recent expansion into Europe lets us offer the same free phone and free fax service to our customers on this continent.

In the early '80's we added toll free fax ordering, making it possible for our customers to fax their purchase orders, parts lists, shop drawings and the like directly to our Customer Service Department at CRL Corporate Headquarters. It was during this time that we also introduced CRL FastFax, providing customers instant notification that their orders had been shipped.

One of our most important advances was the installation of the CRL Computer System in 1978. The power of our abilities multiplied many times when we went 'online' because we were better able to track inventory levels throughout our distribution network, and better able to process your orders quickly and more accurately. The ongoing evolution of the CRL Computer System now includes our Internet and fax servers, which empowers us to offer our customers in every corner of the world ever-improving service at every step in the process, from order entry through shipping and billing.

Some say our most important communications advancement was our entry into the business of Electronic Commerce with the introduction of the CRL web site in 1997. What was once a fledgling effort has blossomed into a full service web site featuring information regarding all of the products and services CRL has to offer. Customers who use crlaurence.com find an enlightening and comprehensive web site that is constantly improving with the addition of new features that make it quicker and easier to use. And now we have web sites especially tailored to the countries from which we do business (see next page).

C.R. Laurence makes a serious effort to promote ever-improving service by making the investments required to improve communications at every level. We want your business dealings with CRL to be simple, clear, and convenient. If you feel that we can improve communications at any level, we would like to hear from you. To submit comments, go to crlaurence.com and click on Contact Us, then click on Web Comments.

Building A Network

To provide the ever-improving service level we strive for has meant bringing CRL to our customers. From a single Los Angeles, California location we have grown to a network of distribution warehouses that puts us within two days ground shipping service to over 90 percent of our customers in North America.

Each of our distribution warehouses are connected to Corporate Headquarters through our computer system, which monitors and updates inventory levels with the arrival of each new delivery truck and the shipment of each customer order. Every warehouse receives fresh inventory each week through our Inter-Branch Transfer System so stock levels can remain high. This improves the percentage of your orders we can ship complete, and usually on the same day we receive them.

Another advantage of having regionally located warehouses in or near major metropolitan areas is the opportunity to serve our customers in person. Each CRL location has a Will Call Department open six days a week. For directions to CRL locations, go to the crlaurence.com home page, point to General Information, and then click on About CRL. The pop-up menu will give you a selection for Distribution Locations.

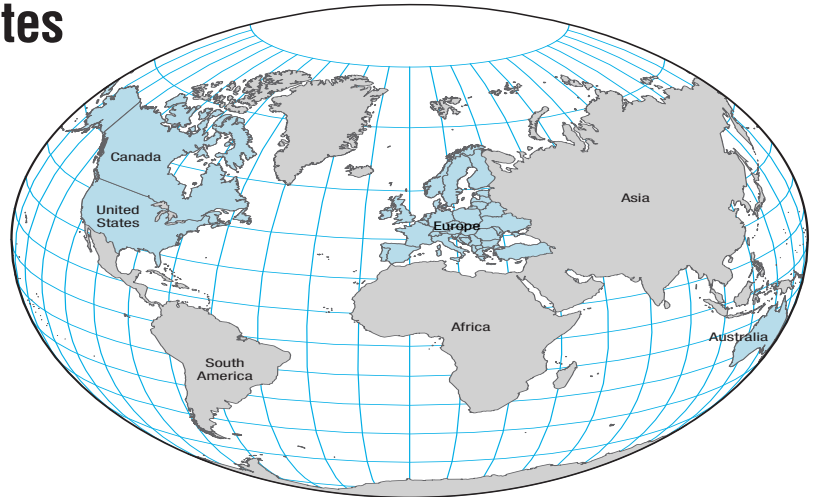
And in order to provide ever-improving service the CRL network of distribution warehouses will continue to grow. In recent years CRL service has come to Australia and Europe with the opening of locations to serve customers on these continents. New or enlarged locations are planned for metropolitan areas throughout the U.S. With the opening of each new facility, we make getting what you want from CRL faster and easier.

Investing In People To Serve You

The best way we can serve you is to have capable people available to answer your questions, take and expedite your orders, suggest solutions to problems you may be having with a job, or to assist you in any manner we can. We maintain ongoing training programs so that the CRL people who serve you will have at their command the resources to make your business transactions with us a pleasant experience.

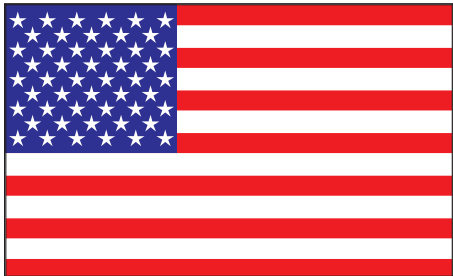
CRL Provides Global Service With Regionally Oriented Web Sites

- Access to All CRL Products and Services is Available 24 Hours a Day, Seven Days a Week When You Visit Us Online
- Our Sites are Updated Continually to Bring You Our Newest Products and Special Offers
- The Entry Port for Showers Online, Hand Rails Online, and Our Other Web-Based Services



CRL United States and International crlaurence.com

C.R. Laurence Company was founded in the United States, and we host our global operations from our Corporate Headquarters in Los Angeles, California. CRL distribution warehouses are located in 16 major metropolitan areas. Manufacturing facilities are based in Los Angeles, and the Chicago suburb of Cicero, Illinois.



CRL Australia crlaurence.com.au

C.R. Laurence Australia is headquartered in the Sydney area, and serves the continent from distribution warehouses in metropolitan Sydney and Melbourne. Manufacturing operations are also located in our Melbourne facility.



CRL Canada crlaurence.ca

C.R. Laurence Canada serves all of Canada coast-to-coast from distribution warehouses located in four metropolitan areas: Toronto, Montreal, Vancouver, and Calgary. Manufacturing facilities are also based in our Toronto headquarters.



CRL Europe crlaurence.co.uk crlaurence.de

C.R. Laurence Europe is headquartered in the Manchester area of the United Kingdom. Service to the continent is provided from our distribution warehouses in Manchester and metropolitan Stuttgart, Germany.



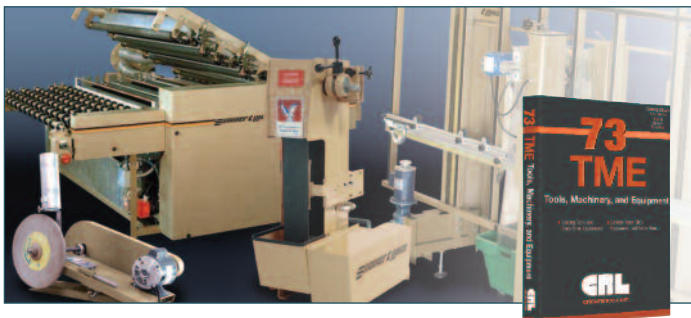
Welcome to the C.R. Laurence Online Catalog

- Thousands of Pages of Quality Products and Helpful Information are Just Clicks Away, Anytime, and at Your Convenience

What's the best way to shop at C.R. Laurence? Visit the Online Catalog at crlaurence.com. Our Online Catalog brings you thousands of pages from our many printed catalogs. All of them in full color, and linked to our ordering module so you can browse and shop at any time it's convenient. You can check prices, review stock levels, and get the most complete and up-to-date details on the products we offer. And you can do it all from any PC.

Our full service web site and Online Catalog are the most comprehensive and convenient up-to-date information sources we can offer. Explore some of our most popular product lines or review individual products. CRL has over 50,000 of them organized by specific product categories.

The convenience of having all CRL catalogs combined into one Online Catalog is the quick and easy way to find just what you need, available at your convenience, whenever you're ready. And if you ever need assistance, just contact us over the Internet or by toll free phone. We'll be glad to help.



LOG ON TO crlaurence.com FOR BUSINESS-TO-BUSINESS SERVICES

GB58 | PHONE (800) 421-6144 | FAX (800) 262-3299 TOLL FREE FROM ANYWHERE IN THE U.S.A. OR CANADA

Of all the products we bring you, our Online Catalog may be the most important. We know that the most efficient way for our customers to shop at CRL is by using this carefully planned and thoroughly prepared Online Catalog to make it easy for them to find exactly what they need. C.R. Laurence Company is committed to making our Online Catalog your best source for information and technical support.

What you will find at crlaurence.com is a link to who we are, what we do, and what we have to offer our customers. The CRL full service web site allows us to use the powers of Electronic Commerce to bring you closer to all of the products and services that we offer.

We take a Business-to-Business approach of conducting business over the Internet because it gives us so many ways to connect with you. Methods of searching for and ordering products that just a few years ago would have been impossible were it not for the versatility of this powerful tool.

Empowerment is what a good web site is all about. We let you make the decisions that will best serve you. You can build your orders and submit them 24 hours a day, seven days a week, at your convenience. You can review over 50,000 products we make available, including pricing and current stock availability.

All of this and more is available to CRL customers who have signed on to our web site and become part of the world of crlaurence.com.

CRL Policies

Information Center

The CRL Policies Information Center is available on our web site, crlaurence.com. It's here that you'll find our policies regarding these aspects of doing business with C.R. Laurence:

- **Catalog Policy**
- **Credit Terms and Policies**
- **CRL International**
- **Customer Service**
- **Custom Order Service**
- **Fax Service**
- **Image Use**
- **Ordering Information**
- **Privacy Policy**
- **Product Information**
- **Shipping Information**
- **Warranty Policy**
- **Will Call Policy**

LOG ON TO crlaurence.com FOR BUSINESS-TO-BUSINESS SERVICES

C.R. Laurence is a Catalog Company

- Master and Specialty Catalogs in Print and Online
- Thousands of Products Presented in an Organized Manner
- Color Photos and Detailed Illustrations
- Easy to Understand Ordering Information



Of all the products we bring you, our catalogs may be the most important. C.R. Laurence is in the business of making catalogs because we know that the most efficient way for our customers to shop at CRL is through carefully planned and thoroughly prepared catalogs that make it easy for them to find exactly what they need.

Part of our catalog philosophy is to bring more of the information you need, and not overburden you with excess catalog literature. That is why we make our Master Catalogs that usually contain all of the products we offer to certain industries, as well as our Specialty Catalogs that focus on particular product groups. You can select CRL Catalogs for only the areas that pertain to your business, or choose to shop from our Master Catalogs because you like the convenience of finding such a wide variety of products all under one cover.

Master Catalog Selection

- **03 SEALANTS, ADHESIVES, AND FASTENERS**
- **23 FRAMELESS SHOWER DOOR HARDWARE**
- **43 AUTO GLASS TOOLS AND WINDOWS**
- **53 GLASS AND GLAZING HARDWARE**
- **63 ARCHITECTURAL HARDWARE**
- **73 TOOLS, MACHINERY, AND EQUIPMENT**
- **83 WINDOW AND DOOR REPLACEMENT HARDWARE**

Free CRL Catalogs Online

You can also view or download CRL Catalogs free of charge any time at crlaurence.com. Go to the Home Page and click on the button for the CRL Catalog Library.



Once you open the page you'll be able to view full PDF versions of each catalog simply by clicking on the image of that catalog's cover. Browse through them page by page at your convenience. When you find a product that you want more information for, or would like to order, just click on its Catalog Number and you'll go directly to that product's Offer Page. It's another convenient way for you to shop at crlaurence.com.

CRL's Complete Selection of Catalogs

Click on any catalog's image to view, download or learn more about that catalog.

MASTER CATALOGS

CRL03 Sealants and Fasteners
CRL23 Shower Hardware
CRL33 New Products
CRL43 Automotive
CRL53 Glass and Glazing
CRL63 Architectural
CRL73 Tools and Machinery
CRL83 Window and Door General Supplies

SPECIALTY CATALOGS

GB10 Glass Bonding
SD10 Shower Door Hardware
TH10 Transaction Hardware
LP10 Commercial Door Handles
AH10 Architectural Hardware
AM09 Architectural Metals
HR09 Architectural Railing
DC07 Door Controls
HS07 Hospitality and Service
TV03 Automotive
GM04 Insulated Glass Manual

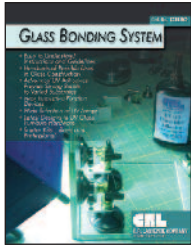
[View any catalog page by CRL page number](#)

Catalogs in New Format

CRL Specialty Catalogs

- Full Color Catalogs Showcasing Specific Product Lines
- Great for Customer Presentations

CRL Specialty Catalogs are available for some of our major product lines. Each catalog is presented in full color, and contains descriptive and informative specifications that will assist your field sales and estimating staff in the selection of the right product to satisfy your customer's needs. We invite you to contact CRL Customer Service by phone, fax, mail or e-mail. You can order them separately, or add them to your regular product orders. You can also view them over the Internet, or download them, when you log onto our web site at crlaurence.com.



See the latest in UV Glass Bonding tools and accessories including UV Adhesives, Fixation Devices, Curing Lamps, and Unique Hardware. Loaded with full color photos and technical data.

ASK FOR CATALOG GB10



CRL is your source for the largest selection of Frameless Shower Door Hardware and Supplies. See it all, plus a gallery of finished installations, in this informative catalog.

ASK FOR CATALOG SD10



Our full line of Commercial Door Handles, including Ladder Pulls, Locking Ladder Pulls, Center Locks, Deadbolt, Panic, and Electronic Egress Handles. There are photos of finished projects as well as helpful technical data.

ASK FOR CATALOG LP10



Our Architectural Hardware Catalog features our expanded selection of architectural metal and glass hardware for the construction of 'all-glass' entrances in commercial office buildings and storefronts. There are photos of finished projects, as well as helpful technical data.

ASK FOR CATALOG AH10



See the latest in top quality Column Covers (Cladding), Wall Panels, Canopies, Sunshades, and Awnings. There are photos of finished projects, as well as helpful technical data.

ASK FOR CATALOG AM09



CRL offers the largest selection of Architectural Railing Systems. See them all, plus beautiful photographs of finished installations, in our Railing Systems Catalog.

ASK FOR CATALOG HR09



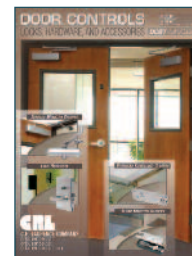
CRL is your source for the largest selection of Transaction and Security Hardware. Service Windows, Bullet Resistant Windows, Deal Trays, Speak-Thrus, Package Receivers, and more.

ASK FOR CATALOG TH10



Our Hospitality and Service Hardware Catalog introduces CRL's expanded line of Standoffs, Swivel Fittings, Partition Posts, Sneeze Guards, and Glass Barrier Hardware.

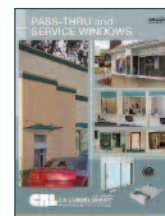
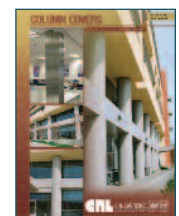
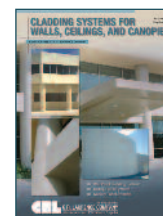
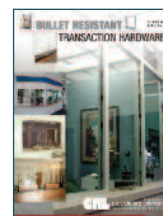
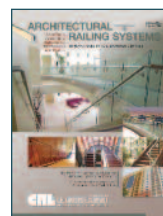
ASK FOR CATALOG HS07



Our line of Door Closers and related Door Control Hardware can be found in this full color catalog. Specifications and ordering information make it easy for you to select the right product every time.

ASK FOR CATALOG DC07

CRL Products are Also Featured in the Sweet's Catalog



Contact us for free copies of Sweets Buyline inserts. You can also view them over the Internet, or download them from our web site at crlaurence.com.

LOG ON TO crlaurence.com FOR BUSINESS-TO-BUSINESS SERVICES

PHONE (800) 421-6144 | FAX (800) 262-3299 TOLL FREE FROM ANYWHERE IN THE U.S.A. OR CANADA | **GB61**

Customer Service Order Desk

- Get Product Information
- Request Price Quotes
- Check Stock Availability
- Place or Trace Orders
- Check Your Account Status

Customer Service / Order Desk hours are 6 am to 5 pm (Pacific Time) Monday through Friday, and 7 am to 12 pm Saturday. If you wish to pick up your order at the Will Call counter of our regional warehouses the hours are 8 am to 5 pm Monday through Friday, and 8 am to 12 pm Saturday. For the fastest Will Call service be sure to place your order in advance so we can have it ready upon your arrival.

Ask for Extension

5275

Direct Fax
(800) 262-3299

Direct E-Mail
crl@crlaurence.com



CRL03



CRL23



CRL43



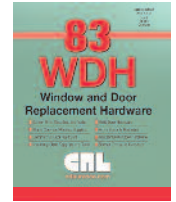
CRL53



CRL63



CRL73



CRL83

Technical Sales Business Groups

Architectural Hardware

- Architectural Storefronts
- 'All-Glass' Entrance Systems
- Door and Sidelite Rails
- Glass Walls and Partitions
- Structural Glass Fittings
- Door Controls

Ask for Extension

7700

Direct Fax **(800) 587-7501**

Direct E-Mail architectural@crlaurence.com

CRL63



Glass and Glazing

- Mirror and Glass Hardware
- Door and Window Hardware
- Retail Display Hardware, and Standoffs
- Glazier's Tools and Machinery
- Sealants, Adhesives, and Fasteners
- UV Glass Bonding

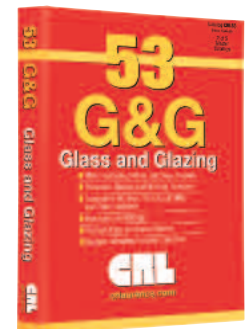
Ask for Extension

7720

Direct Fax **(800) 587-7501**

Direct E-Mail glazing@crlaurence.com

CRL53



Architectural Railings

- Aluminum Railing Systems
- Cap Railing Systems
- Hand Railing Systems
- Post Railing Systems
- Windscreen and Gate Systems
- Heavy Glass Base Shoe

Ask for Extension

7730

Direct Fax **(800) 587-7501**

Direct E-Mail railings@crlaurence.com

HR09



Online Assistance by Telephone:

United States **(800) 421-6144**

Canada **(877) 421-6144**

International **(323) 588-1281**

Ask for Extension

6200

Technical Sales Business Groups

Frameless Shower Door

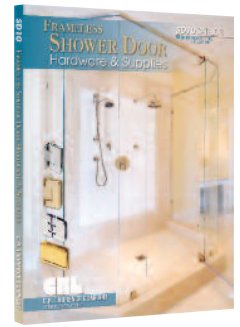
- Hinges and Clamps
- Knobs and Pull Handles
- Towel and Grab Bars
- Sliding Shower Enclosures
- Vanity and Wardrobe Mirrors

Ask for Extension

7740

Direct Fax (800) 458-7496
Direct E-Mail showers@crlaurence.com

CRL23



Hospitality and Service

- Partition Posts and Booth Dividers
- Food Service Sneeze Guards
- Tray Slide Hardware
- Menu Boards
- Bar Fixtures

Ask for Extension

7760

Direct Fax (800) 458-7496
Direct E-Mail hospitality@crlaurence.com

HS07



Transaction and Security

- Drive-Thru and Walk-Up Service Windows
- Bullet Resistant Exchange Windows
- Ticket and Cashier Windows
- Cash Tray and Deal Drawers
- Speak-Thru Devices
- Safety and Security Mirrors

Ask for Extension

7760

Direct Fax (800) 458-7496
Direct E-Mail transaction@crlaurence.com

TH10



Architectural and Ornamental Metals

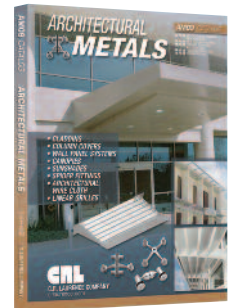
- Clad Entrances and Storefronts
- Canopies and Sunshades
- Metal Wall Panels
- Column Covers (Cladding)
- Ornamental Hand and Guard Rails
- Break Shaped Metals

Ask for Extension

7770

Direct Fax (866) 921-0532
Direct E-Mail archmetals@crlaurence.com

AM09



Automotive

- Truck Sliding Rear Windows
- Pop-Up and Electric Sunroofs
- Van and RV Windows
- Auto Glass Shop Products
- Auto Glass Tools

Ask for Extension

7780

Direct Fax (800) 587-7501
Direct E-Mail automotive@crlaurence.com

CRL43



Online Assistance by E-Mail: askus@crlaurence.com

LOG ON TO crlaurence.com FOR BUSINESS-TO-BUSINESS SERVICES



Supplying the World With Glazing, Railing, Architectural,
Construction, Industrial, and Automotive Supplies

C.R. Laurence Co., Inc. An ISO9001:2008 Company

There Are Many Ways to Find Just the Right Product for Any Job, and We are Here to Help

C.R. Laurence Co., Inc.

2503 E. Vernon Ave.

Los Angeles, California 90058-1897

Toll Free Phone (800) 421-6144

Toll Free Fax (800) 262-3299

International Phone (323) 588-1281

International Fax (323) 581-6522



Send E-Mail To Customer Service

You've looked through our catalog and tried the A-Z Index on our web site, and still couldn't find what you were looking for? Don't give up, just ask us for assistance by e-mail. Go to the crlaurence.com home page and click on Contact Us. Then click on Customer Service to tell us what it is you are looking for. Our Customer Service Department will respond with an answer, usually within one hour if you contact us during normal business hours. Any extra information (drawings, photos, dimensions, etc.) you can include in your e-mail is always appreciated. We will do our best to help you because your satisfaction is our goal.



Call Us Toll Free At (800) 421-6144

There's a friendly and helpful voice to help with your product inquiries whenever you call us toll free at **(800) 421-6144** from anywhere in the United States or Canada. Please ask for Customer Service and let us know what you are looking for, how many you need, and when you need them. We're experts at searching available sources worldwide. The experience gained by decades of service affords us the ability to serve you in more ways than you might realize. In Australia our number is **1800-424-275**. In Europe the Freephone number is **00 800 0421 6144**.



Fax Us Toll Free At (800) 262-3299

They say a picture is worth a thousand words, and when you send us a fax describing what you need it makes it that much easier to serve you. CRL offers toll free fax service from anywhere in the United States and Canada. Just dial **(800) 262-3299**, and address your request to CRL Customer Service. Make sure to include your name and return telephone number. We'll be in touch shortly with an answer. Our fax number in Australia is **1800-813-013**. In Europe the number is **00 800 0262 3299**.

CRL Web Quotes

CRL sells over 50,000 products. Many of them are custom made to your specifications and in order to get pricing a quote must be done. Items that can be quoted in this area range from: Service and Transaction Windows; Door Rails; Custom Door Handles; Shower Door Hardware; Mirror Frames; Showcases; Partition Posts; and much more. Quotes can also be requested on large quantities of stock items that are above and beyond our normal price breaks.

Simply click on the "Request a Quote" link from the crlaurence.com web site, and follow the instructions. It's that easy.



GB10 CATALOG A TO Z PRODUCT INDEX

A		
Adhesive		
Colored UV	GB22	
Curing Lamp Kit	GB30	
Curing UV	GB28	
Dispenser System	GB24	
Dispensing Needles	GB24	
High Viscosity UV	GB19, GB22	
Loctite® Minute Bond	GB23	
Low Viscosity UV	GB19, GB21	
Medium Viscosity UV	GB20-GB21	
Properties at a Glance Chart	GB26-GB27	
Visible Light	GB20	
Adhesives	GB19-GB23, GB25	
Adjustable		
Angle Clamp-It® Tool Kit	GB11	
Angle Suction Holders	GB11, GB14	
Shelf Supports	GB48-GB49	
Stop, Eccentric Height	GB14	
Angled Countertop Support	GB50	
B		
Base Plate, Table	GB53	
Blades, Razor	GB09	
Bonding, Glass Hardware	GB36-GB53	
Bonding Kits, Glass	GB33-GB35	
Bonding Plates	GB52	
Bonding Work Surface Carpet	GB17	
Brackets, Shelf Support	GB51	
C		
Carpet for Bonding Work	GB17	
Casters	GB53	
Chart, UV Adhesive At A Glance	GB26-GB27	
Chisel® Paint Stripper	GB09	
Clamp-It® Adjustable Angle Tool Kit	GB11	
Clamp-It® Assembly Square Kit	GB12	
Cleaners, Degreasers	GB06-GB07	
Cleaners, Glass	GB07	
Colored UV Adhesives	GB22	
Compact A.C. Curing Lamp	GB30	
Contact Cement, Metal	GB25	
Corner Clamps	GB16	
Corner Support, Interior	GB16	
Cotton Swabs	GB09	
Cube, Magnetic Fixation	GB13	
Curing Lamps and Accessories	GB28-GB31	
D		
Damper for Glass Doors	GB46	
Designer Hinges, Locks and Pulls	GB38	
Devices, Fixation	GB10-GB17	
Dispenser System, Timed Air UV Adhesive	GB24	
Dispensers, Paper Towel	GB08	
Dispensing Needles	GB24	
Disposable Nitrile Gloves	GB32	
Door Knobs	GB44-GB45	
Door Locks and Keepers	GB38, GB42-GB43	
Door Pulls	GB38, GB44-GB45	
E		
Eccentric Height Adjustable Stop	GB14	
Epoxy, Clear Two-Part	GB25	
Exterior Corner Clamps	GB16	
Eye Protection	GB32	
F		
Face Shield, UV Absorbing	GB32	
Fixation Devices	GB10-GB16	
Fixed Shelf Support	GB49	
Fixed Suction Stop and Holder	GB14	
Furniture Hardware	GB36-GB53	
G		
Glass		
Bonding Hardware	GB36-GB53	
Bonding Kits	GB33-GB35	
Cleaners	GB06-GB07	
Door Damper	GB46	
Door Hinges	GB37-GB42	
Door Knobs	GB44-GB45	
Door Locks and Keepers	GB38, GB42-GB43	
Furniture Hardware	GB36-GB53	
Knobs	GB44-GB45	
Preparation Supplies	GB06-GB09	
Protectors	GB51	
Supports	GB47, GB51-GB53	
Wipes, Lint Free	GB08	
Glass-to-Glass Hinges	GB37-GB42	
Glass-to-Wood Hinges	GB37-GB38, GB40-GB41	
Gloves, Disposable Nitrile	GB32	
Goggles, UV Absorbing	GB32	
H		
Hand Held UV Curing Lamp	GB29	
Handle	GB44	
Hardware, Glass	GB36-GB53	
Hardware Positioning Device	GB17	
Heat Guns	GB07	
Heavy-Duty Industrial Razor Blades	GB09	
High Intensity Hand Held UV Curing Lamp	GB29	
High Viscosity UV Adhesive	GB19, GB22	
Hinges	GB37-GB42	
Holder, Razor Blade	GB09	
Holders, Suction	GB11-GB17	
Hooded Twin-Wheel Casters	GB53	
I		
Industrial Razor Blades	GB09	
Interior Corner Clamp	GB16	
Interior Corner Support	GB16	
In-House Training Seminars	GB05	
K		
Knobs	GB44-GB45	
L		
Lamps, UV Curing	GB28-GB31	
Latches, Magnetic	GB46	
Lay-Out Mat, UV	GB17	
Lazy-Susan Hardware	GB46	
LED UV Adhesive Curing Lamp Kit	GB30	
Legs, Table	GB52	
Lint Free Glass Wipes	GB08	
Locks	GB38, GB42-GB43	
Loctite® Impruv™ UV Adhesive	GB23	
Loctite® Minute Bond Adhesive and Primer	GB23	
Loctite® Poxy-Pak™ Clear Two-Part Epoxy	GB25	
Long Double Tube UV Curing Lamp	GB31	
Low Viscosity UV Adhesive	GB19, GB21	
M		
Magnetic Cube, Fixed 90 Degree	GB13	
Magnetic Holder	GB46	
Magnetic Latches	GB46	
Mat, UV Lay-Out	GB17	
Medium Viscosity UV Adhesive	GB20-GB21	
Metal Contact Cement	GB25	
Metal Shield Casters	GB53	
Micro Fiber Wipes	GB08	
Milwaukee Heat Gun	GB07	
Minute Bond Adhesive and Primer	GB23	
N		
Needles, UV Dispensing	GB24	
Nitrile Disposable Gloves	GB32	
Non-Contact Laser Thermometer	GB07	
O		
Online Webinars	GB05	
P		
Paint Stripper, Chisel®	GB09	
Paper Towels and Dispensers	GB08	
Positioning Device, UV Hardware	GB17	
Posts, Table	GB53	
Power Meter, UV Transmission	GB24	
Primer, Loctite® Minute Bond Adhesive	GB23	
Preparation Supplies, Glass	GB06-GB09	
Protectors, Glass	GB51	
Pulls	GB38, GB44-GB45	
Pump-Activated 90 Degree Suction Holder	GB13	
R		
Razor Blade Holder and Scraper	GB09	
Razor Blades	GB09	
Rotation Support	GB46	
S		
Scraper, Razor Blade	GB09	
Shelf Supports	GB48-GB49, GB51	
Shim Set	GB14	
Silicone Sealant, Water Clear	GB25	
Single Edge Razor Blades	GB09	
Spectacles, UV Absorbing	GB32	
Sprayway Glass Cleaner	GB07	
Starter Kits	GB33-GB35	
Steel Wool	GB09	
Stripper, Paint Chisel®	GB09	
Support		
Angled Countertop	GB50	
Glass	GB47, GB51-GB52	
Interior Corner	GB16	
Rotation	GB46	
Shelf	GB48-GB49, GB51	
Vertical Countertop	GB50-GB51	
Surface Carpet for Bonding Work	GB17	
Surface Preparation	GB06	
Swabs, Cotton	GB09	
T		
Table Legs	GB52	
Table Posts and Base Plate	GB53	
Thermometer, Non-Contact Laser	GB07	
Threaded Adapters for Knobs	GB45	
Timed Air UV Adhesive Dispenser System	GB24	
Tool Kit, Adjustable Angle Clamp-It®	GB11	
Towels, Paper	GB08	
Training and Instruction Videos	GB05	
Tube Locks	GB43	
Tube, UV Curing Lamp	GB31	
Twin-Wheel Casters	GB53	
U		
UV		
Adhesive Properties Chart	GB26-GB27	
Adhesives	GB18-GB23	
Curing Lamps and Accessories	GB28-GB31	
Eye Protection	GB32	
Glass Hardware	GB36-GB53	
Lay-Out Mat	GB17	
Transmission and Power Meter	GB24	
V		
Vertical Countertop Supports	GB50-GB51	
Videos, Training and Instruction	GB05	
Visible Light Adhesives	GB20	
W		
Wall Mount Shelf Support Brackets	GB51	
Water Clear Silicone Sealant	GB25	
Wipes	GB08	
Wood-to-Glass Hinges	GB37-GB38, GB40-GB41	
Wool, Steel	GB09	

IMAGE GALLERY:

CRL has an Image Gallery of projects fabricated using our products. We invite you to submit images of projects you have done using our Glass Bonding products and technology. E-mail your images to crl@crlaurence.com. Tell us a little about the project, and which CRL products you used to complete it. Be sure to include your name and return e-mail address so we can contact you. We thank you in advance for your contributions.



C.R. LAURENCE COMPANY

An ISO9001:2008 Certified Company

GB10 CATALOG



UNITED STATES

Visit Our Web Site: crlaurence.com

Corporate Headquarters
LOS ANGELES, CALIFORNIA
Phone: (323) 588-1281
Fax: (323) 581-6522

ATLANTA, GEORGIA
Phone: (404) 696-3445
Fax: (404) 696-3386

BOSTON AREA, MASSACHUSETTS
Phone: (508) 880-5600
Fax: (508) 880-5775

CHICAGO AREA, ILLINOIS
Phone: (847) 426-3800
Fax: (847) 426-0111

CLEVELAND AREA, OHIO
Phone: (440) 248-0003
Fax: (440) 248-0120

DALLAS, TEXAS
Phone: (214) 634-7305
Fax: (214) 631-6519

DENVER, COLORADO
Phone: (303) 373-9988
Fax: (303) 373-0884

HOUSTON, TEXAS
Phone: (713) 462-6300
Fax: (713) 462-6306

LAS VEGAS, NEVADA
Phone: (702) 253-0211
Fax: (702) 253-0311

MIAMI AREA, FLORIDA
Phone: (954) 846-9233
Fax: (954) 846-9277

NEW YORK CITY AREA
Phone: (201) 770-1077
Fax: (201) 770-1599

ORLANDO, FLORIDA
Phone: (407) 857-7900
Fax: (407) 857-7766

PHILADELPHIA AREA
Phone: (856) 727-1022
Fax: (856) 727-3299

PHOENIX, ARIZONA
Phone: (602) 269-7500
Fax: (602) 269-7600

SAN FRANCISCO / OAKLAND AREA
Phone: (510) 475-1000
Fax: (510) 475-1404

SEATTLE AREA, WASHINGTON
Phone: (253) 850-5800
Fax: (253) 813-1818



**SOMMER AND MACA
GLASS MACHINERY DIVISION
CICERO, ILLINOIS**
Phone: (773) 242-2871
Fax: (708) 863-5462



CRL CANADA crlaurence.ca

Corporate Headquarters
TORONTO AREA, ONTARIO
Phone: (905) 303-7966
Fax: (905) 303-7965

MONTREAL AREA, QUEBEC
Phone: (514) 352-3300
Fax: (514) 352-1017

CALGARY, ALBERTA
Phone: (403) 250-5783
Fax: (403) 291-3260

VANCOUVER AREA, B.C.
Phone: (604) 448-9344
Fax: (604) 448-9322



CRL AUSTRALIA crlaurence.com.au

SYDNEY AREA, NEW SOUTH WALES
Phone: (02) 9851-3444
Fax: (02) 9851-3445
MELBOURNE AREA, VICTORIA
Phone: (03) 9764-8322
Fax: (03) 9764-8378



MANCHESTER AREA, ENGLAND
Phone: +44 (0)1706 863 600
Fax: +44 (0)1706 869 860
crlaurence.co.uk
STUTTART AREA, GERMANY
Phone: +49 (0)7062 915 93 15
Fax: +49 (0)7062 915 93 16
crlaurence.de

CRL EUROPE



C.R. Laurence Corporate Headquarters in Los Angeles, California.

C.R. LAURENCE CO., INC.

Corporate Headquarters
Post Office Box 58923, Los Angeles, CA 90058-0923

International Phone: (323) 588-1281 • International Fax: (323) 581-6522

© Copyright 2009, C.R. Laurence Co., Inc.

C.R. LAURENCE MANUFACTURING

Los Angeles, California
Phone: (323) 588-1281 • Fax: (323) 581-6522

GLASS AND GLAZING TECH SALES

Phone: (800) 421-6144 or (323) 588-1281 Ext. 7720
Direct Fax: (866) 921-0532 or (323) 584-5226
Direct E-Mail: glassglazing@crlaurence.com