



Blumcraft
OF PITTSBURGH

08 41 00/BLU
Buyline 0530

B-2010

COPYRIGHT 2009

TEMPERED GLASS DOORS PANIC, DEADBOLT AND DUMMY HARDWARE

THIS CATALOGUE IS PREPARED EXCLUSIVELY FOR THE ARCHITECTURAL PROFESSION



SERIES 1301 DOOR WITH
PANIC DEVICE H-100-A



SERIES 250 DOOR WITH
DEADBOLT HOUSING DB-170-JS



SERIES 640C DOOR WITH
PUSH/PULL HANDLE P-751-A

460 MELWOOD AVENUE
PITTSBURGH, PA 15213-1195
TELEPHONE 412-681-2400
FAX 412-681-6840



SERIES 1200 DOORS WITH
DEADBOLT HOUSINGS DB-140-KS

GENERAL INQUIRIES: info@blumcraft.com • ENGINEERING DEPARTMENT: eng@blumcraft.com

VISIT OUR WEBSITE AT: www.blumcraft.com

The Evolution of Blumcraft



The Early Years

Blumcraft's founder Hyman Blum, a young artisan from Latvia, immigrated to America in 1908. He was a highly skilled craftsman whose forte was hand-forged decorative wrought iron railings, gates, lighting fixtures, and ornamental hardware. His creativity with metals and the prudent business sense of his three sons, Max, Louis, and Harry facilitated the transition of the Hyman Blum Company into Blumcraft of Pittsburgh.

The Blum collection of exquisite metal treasures can be seen at the Heinz History Center in Pittsburgh.

A New Era

During World War II, metal was not allowed to be used for decorative purposes, but after the war ended and the restrictions were lifted, Blumcraft pioneered the development of innovative adjustable aluminum handrail components. As architectural trends changed, Blumcraft again enhanced its leadership role in the industry by adding wood, glass, bronze, brass, and stainless steel to its product line. Following working relationships with PPG Industries and Libbey Owens Ford, Blumcraft launched new product lines, thanks in part to the

creativity of a brilliant designer, Bill Horgan. Tempered glass doors and attractive operating hardware once again established a higher level of architectural design acceptance.

Blumcraft Today

Blumcraft of Pittsburgh continues to proudly manufacture fine top quality American made products. With the passing of Louis Blum, the last remaining partner, on March 31, 2004 at the age of 94, the Blumcraft legacy continues under the leadership of Myron Caplan and Rick Kremer. Having over 80 years of combined experience with the firm, these men will lead Blumcraft into the future.

As always, Blumcraft will assist architects by publishing catalogues in Sweets hard copy files, by maintaining up to date sections within the Sweets website, and by supporting its own online website, www.blumcraft.com

Throughout the years, architects have come to expect superb quality of design exhibited by tempered glass doors, architectural hardware, railing systems, and display case doors.

Blumcraft of Pittsburgh will fulfill these expectations with service and quality!

Inside This Catalogue

Tempered Glass Doors

3/4" High Rails—Series 1301	3-8
3-1/2" High Rails—Series 640C	12
Tall Rails—Series 640CH/640SH	13
Thin Vertical Stiles—Series 640S/640SH	13
Series 150/250	14
Tall Doors—Series 860/1200	15

Panic Hardware (Tubular)

Top Latching H-100	17-20
Bottom Latching H-110	21
Applications	16, 26, 27

Deadbolt Hardware (Tubular)

Top Bolt DB-100, DB-160, DB-170	17-20, 23
Bottom Bolt DB-110, DB-140, DB-150	21, 23
Top and Bottom Bolts DB-130	22
Applications	26, 27

Dummy Hardware (Tubular)

Matching Panic and Deadbolt Hardware . . . Refer to Panic and Deadbolt Pages	
---	--

Interior Operating Handles (Tubular)

Exterior Pull Handles (Tubular)

Pull Handles

Sidelights

Floating Transom Bars

Thru-Glass and Rail Dead Locks

Specifications

30, 31

DOOR SERIES 1301
MORE GLASS . . . LESS METAL

DOOR SERIES 1301 AVAILABLE IN 1/2", 5/8" OR 3/4" TEMPERED GLASS.
METAL IN STAINLESS STEEL OR BRONZE ONLY.

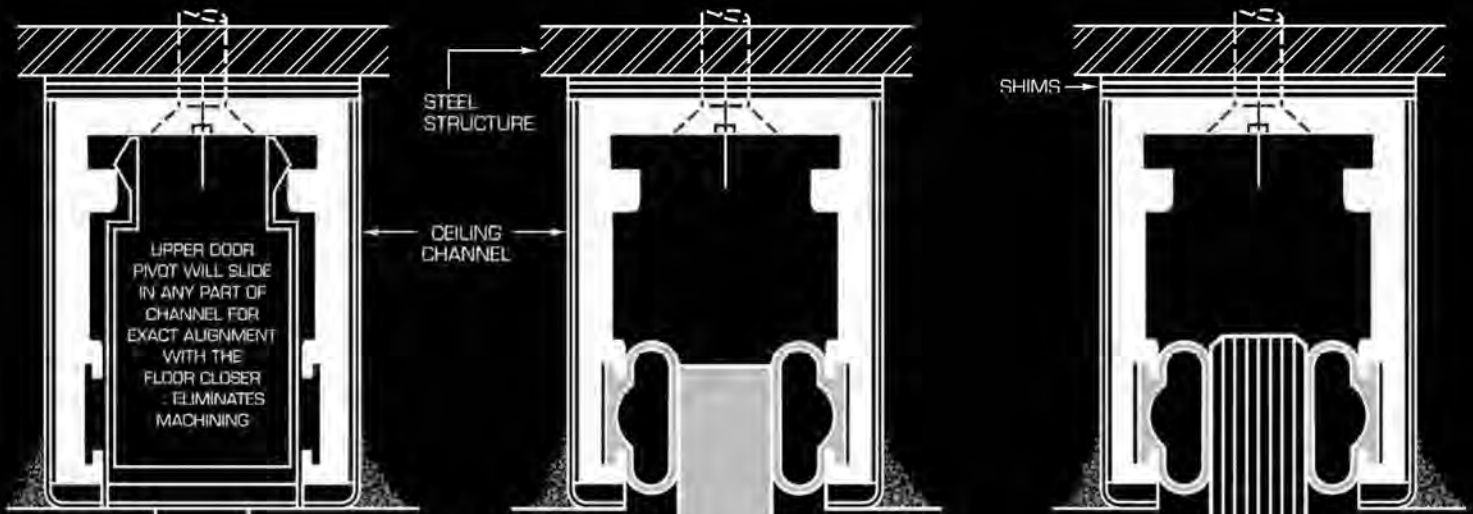


EXTERIOR VIEW



END VIEW

SERIES 1301 DOORS WITH H-100-A PANIC DEVICES



CEILING CHANNELS

PART NO.	C-7500	C-7501
GLASS	1/2"	5/8" OR 3/4"
ALUMINUM HEIGHT	2"	2"
ALUMINUM WIDTH	1-1/2"	1-3/4"
*CLAD HEIGHT	2-1/8"	2-1/8"
*CLAD WIDTH	1-11/16"	1-15/16"

*IF EXPOSED, CAN BE CLAD IN STAINLESS STEEL OR BRONZE

NOTE: GLASS SIDELIGHTS WITH TOP & BOTTOM RAILS TO MATCH RAILS OF DOOR ARE FURNISHED COMPLETELY BY BLUMCRAFT

MATCHES DOOR RAIL SIGHTLINE

BASE CHANNELS

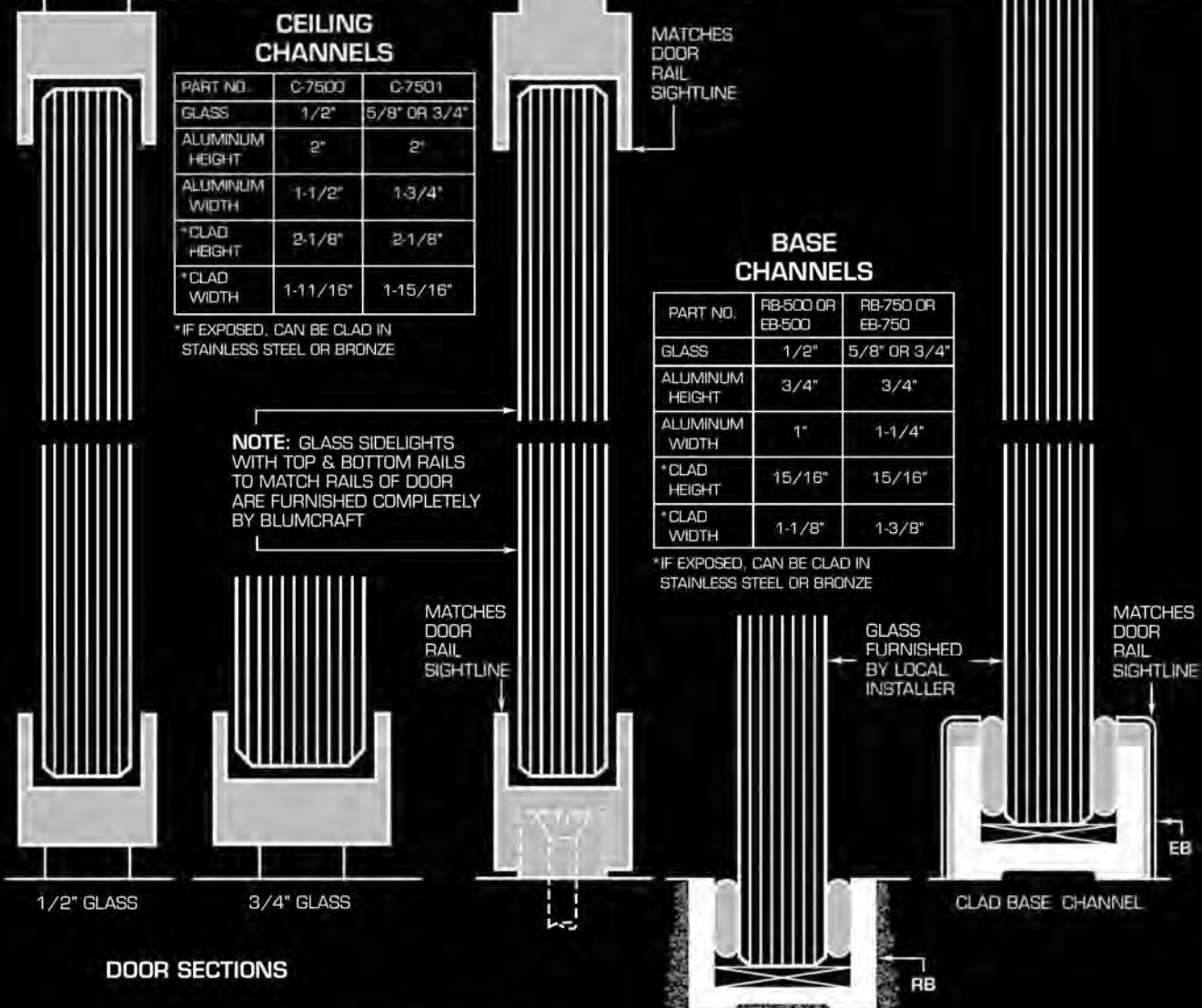
PART NO.	RB-500 OR EB-500	RB-750 OR EB-750
GLASS	1/2"	5/8" OR 3/4"
ALUMINUM HEIGHT	3/4"	3/4"
ALUMINUM WIDTH	1"	1-1/4"
*CLAD HEIGHT	15/16"	15/16"
*CLAD WIDTH	1-1/8"	1-3/8"

*IF EXPOSED, CAN BE CLAD IN STAINLESS STEEL OR BRONZE

MATCHES DOOR RAIL SIGHTLINE

GLASS FURNISHED BY LOCAL INSTALLER

MATCHES DOOR RAIL SIGHTLINE

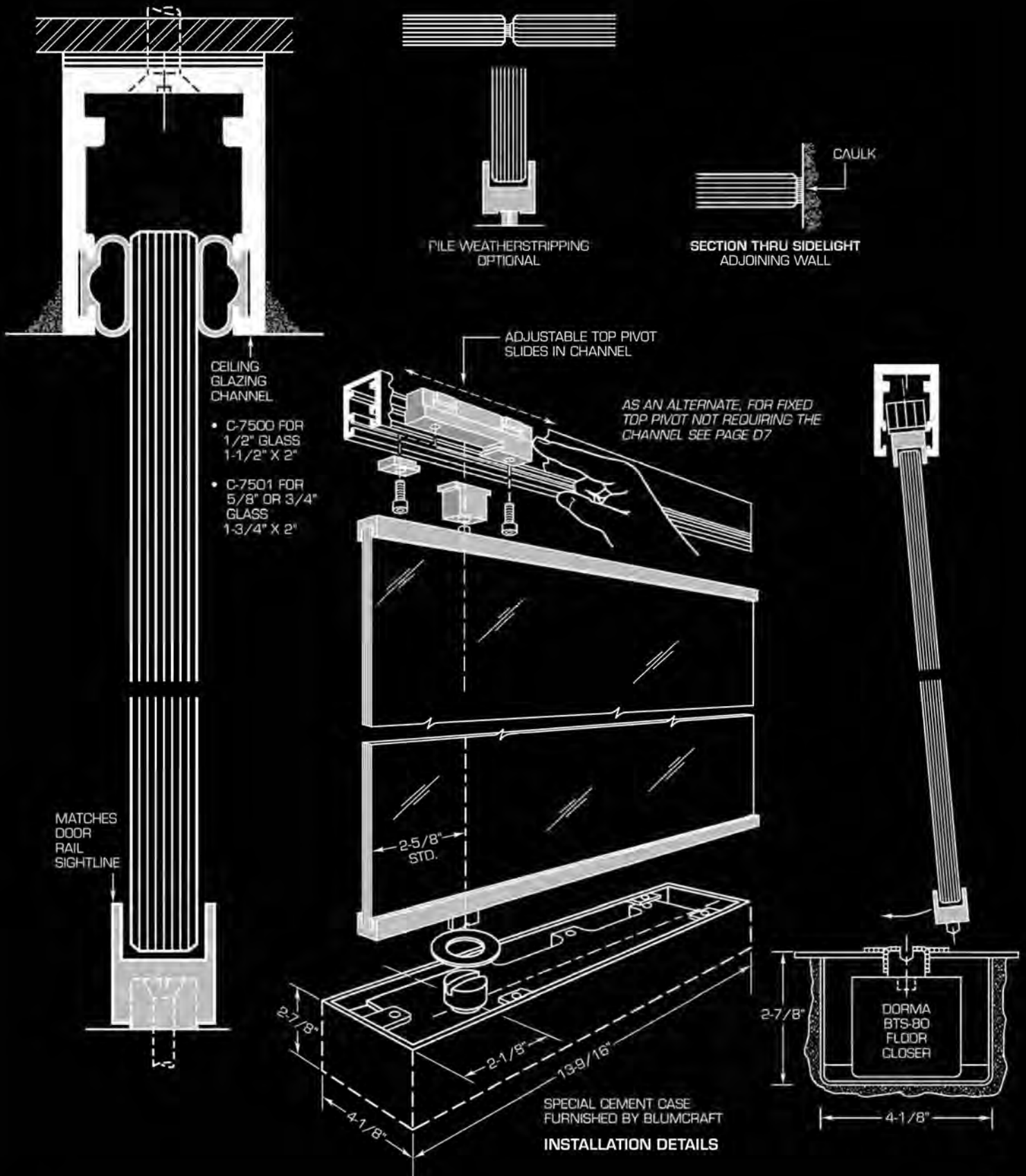


DOOR SECTIONS

ALL SECTIONS FULL SIZE

ALUMINUM BASE CHANNEL

SIDELIGHT SECTIONS



DOOR SERIES 1301
MORE GLASS . . . LESS METAL

**DOOR SERIES 1301 AVAILABLE IN 1/2", 5/8" OR 3/4" TEMPERED GLASS.
METAL IN STAINLESS STEEL OR BRONZE ONLY.**



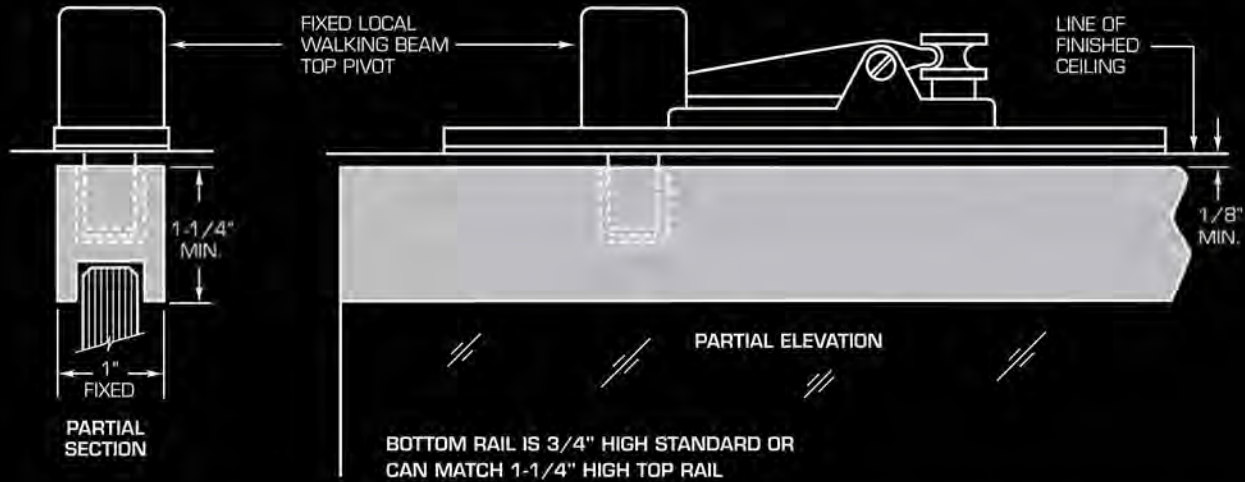
EXTERIOR VIEW

END VIEW

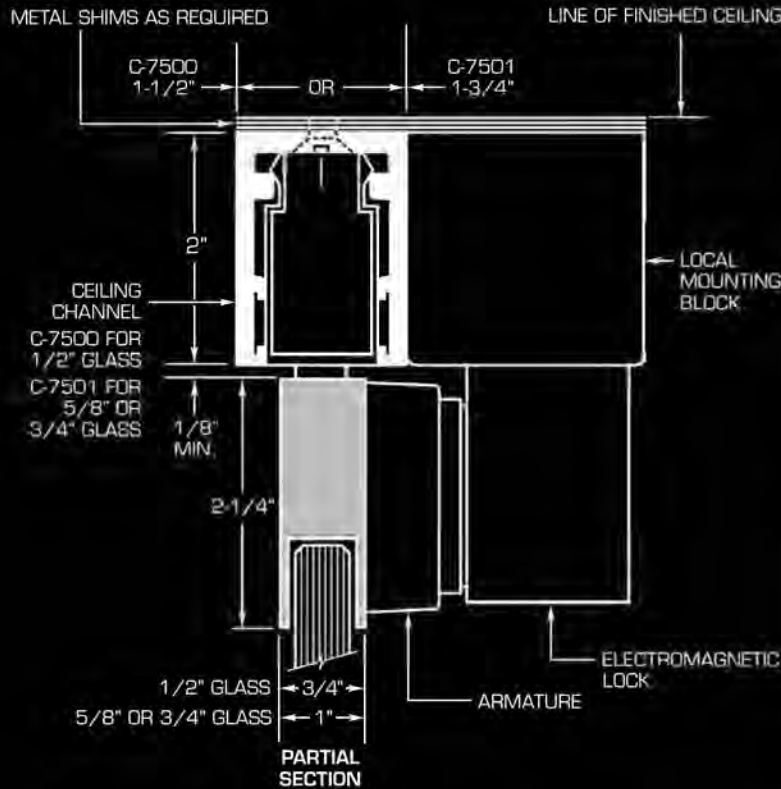
SERIES 1301 DOORS WITH FULL HEIGHT DEADBOLT HOUSINGS DB-130-F

**LOCKING IS SIMULTANEOUS AT TOP AND BOTTOM
OR SEPARATELY AT TOP OR AT BOTTOM**

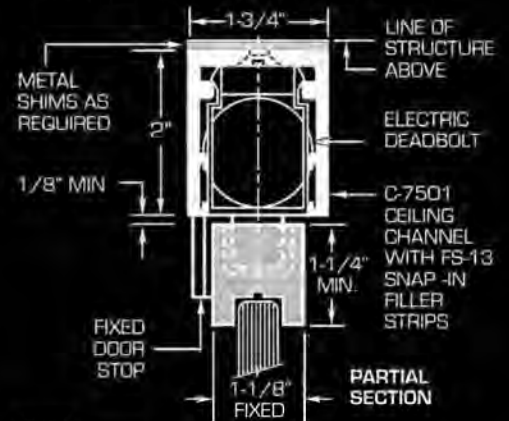
STANDARD TOP PIVOT
[CEILING CHANNEL C-7500 OR C-7501 NOT REQUIRED]



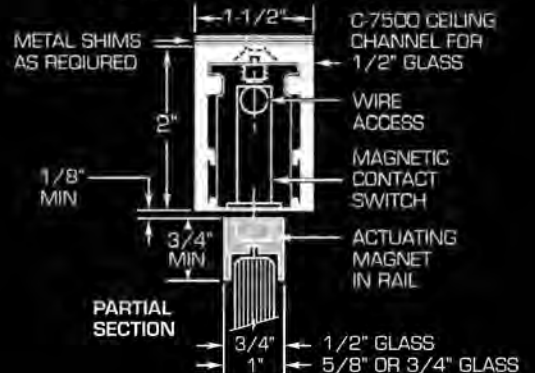
ELECTROMAGNETIC LOCK



ELECTRIC DEADBOLT (DROP BOLT)

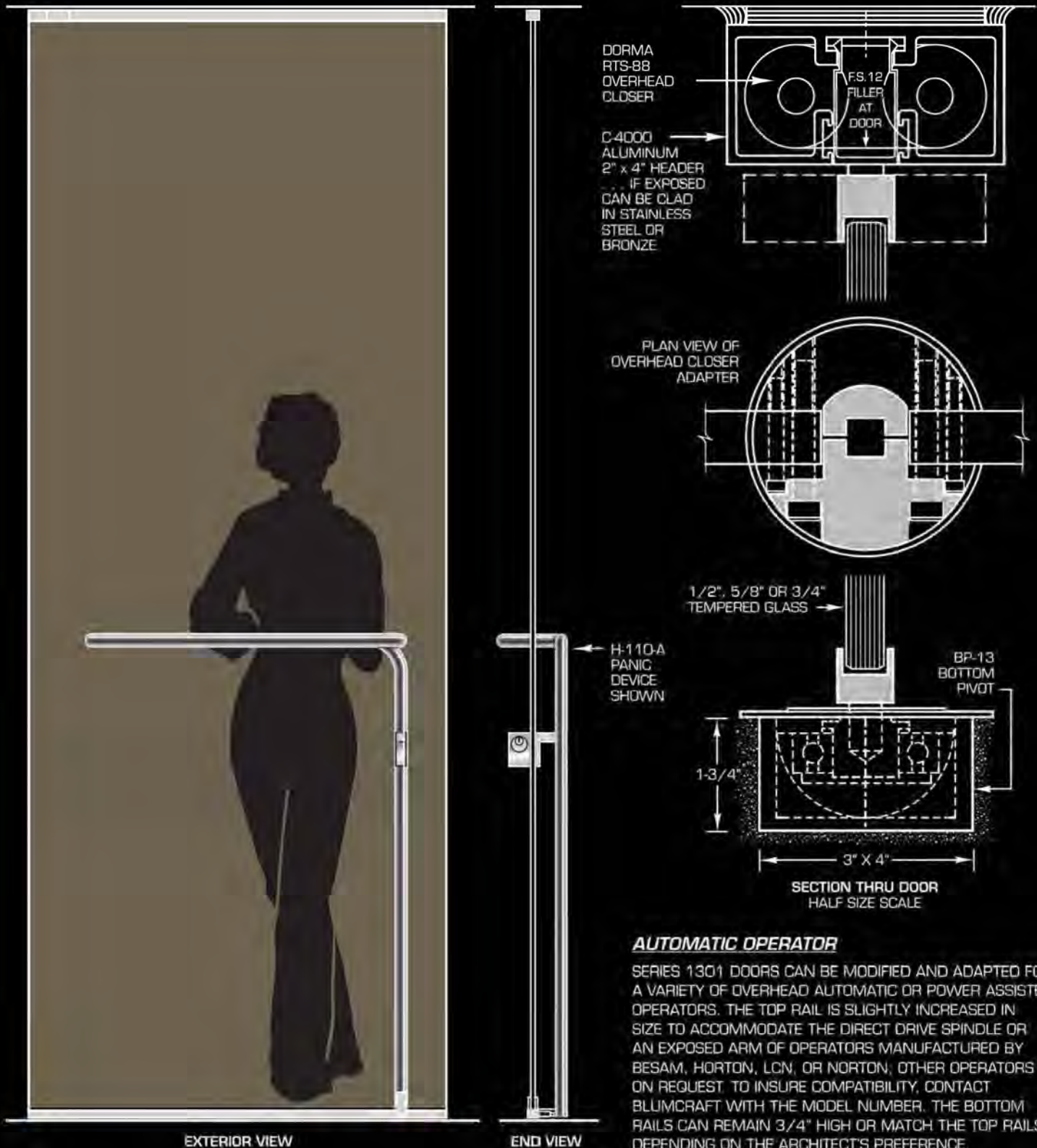


MAGNETIC CONTACT (DOOR POSITION SWITCH)



OVERHEAD CLOSER DETAILS

ALL BLUMCRAFT DOOR HARDWARE APPLICABLE TO DOOR SERIES 1301
 BLUMCRAFT RECOMMENDS THE USE OF FLOOR CLOSERS FOR TEMPERED GLASS DOORS



AUTOMATIC OPERATOR

SERIES 1301 DOORS CAN BE MODIFIED AND ADAPTED FOR A VARIETY OF OVERHEAD AUTOMATIC OR POWER ASSISTED OPERATORS. THE TOP RAIL IS SLIGHTLY INCREASED IN SIZE TO ACCOMMODATE THE DIRECT DRIVE SPINDLE OR AN EXPOSED ARM OF OPERATORS MANUFACTURED BY BESAM, HORTON, LCN, OR NORTON; OTHER OPERATORS ON REQUEST. TO INSURE COMPATIBILITY, CONTACT BLUMCRAFT WITH THE MODEL NUMBER. THE BOTTOM RAILS CAN REMAIN 3/4" HIGH OR MATCH THE TOP RAILS DEPENDING ON THE ARCHITECT'S PREFERENCE.

SIDELIGHTS

TOP MOUNTING TRACK

TOP RAIL



C-4001
HEADER

MATCHES
DOOR
RAIL
SIGHTLINE



C-4000
HEADER

HEADERS

PART NO.	C-4001	C-4000
ALUMINUM HEIGHT	1-3/4"	2"
ALUMINUM WIDTH	4"	4"
*CLAD HEIGHT	1-13/16"	2-1/16"
*CLAD WIDTH	4-1/4"	4-1/4"

* IF EXPOSED, CAN BE CLAD IN STAINLESS STEEL OR BRONZE

NOTE:
GLASS
SIDELIGHTS
WITH TOP &
BOTTOM RAILS
TO MATCH
RAILS OF DOOR
ARE FURNISHED
COMPLETELY BY
BLUMCRAFT

1/2", 5/8"
OR 3/4"
TEMPERED
GLASS

BASE CHANNELS

PART NO.	RB-500 OR EB-500	RB-750 OR EB-750
GLASS	1/2"	5/8" OR 3/4"
ALUMINUM HEIGHT	3/4"	3/4"
ALUMINUM WIDTH	1"	1-1/4"
*CLAD HEIGHT	15/16"	15/16"
*CLAD WIDTH	1-1/8"	1-3/8"

* IF EXPOSED, CAN BE CLAD IN STAINLESS STEEL OR BRONZE

MATCHES
DOOR
RAIL
SIGHTLINE

GLASS
FURNISHED
BY LOCAL
INSTALLER

MATCHES
DOOR
RAIL
SIGHTLINE

EB

CLAD
BASE
CHANNEL

RB

ALUMINUM
BASE
CHANNEL

BOTTOM RAIL

BOTTOM MOUNTING TRACK

SECTIONS THRU SIDELIGHTS
HALF SIZE SCALE

BLUMCRAFT HAS DEVELOPED THIS TRANSOM SYSTEM TO GIVE THE ENTRANCE A CLEAN GLASS LOOK. THE NARROW HORIZONTAL MEMBER SUPPORTING THE TRANSOM GLASS IS SUSPENDED BY THIN STAINLESS STEEL RODS CONCEALED IN THE JOINTS BETWEEN THE TRANSOM GLASS AND THE SIDELIGHTS. A HIGHLY REFLECTIVE FINISH OF THE B-1250 TRANSOM BAR WILL FURTHER MINIMIZE THE PRESENCE OF SUPPORTING MEMBERS AS IT BLENDS INTO THE REFLECTION OF THE GLASS. THIS TRANSOM SYSTEM CAN ACCOMMODATE A PAIR OF DOORS OR A SINGLE DOOR FLANKED BY SIDELIGHTS. CONNECTIONS ARE ALSO AVAILABLE ON ONE OR BOTH SIDES TO STRUCTURAL JAMB MEMBERS OR WALLS.

NOTE: CORNER CUTOUTS AND HOLES IN GLASS ARE ELIMINATED, AVOIDING CRITICAL STRESS.



SERIES 1301 DOORS WITH H-100-X PANIC DEVICES

- **ELECTRIC STRIKES CAN BE USED WITH TRANSOM IN COMBINATION WITH BLUMCRAFT PANIC DEVICES AND DEADBOLT HOUSINGS. SEE PAGES D-26 AND D-27**
- **TRANSOM BARS CAN BE MOUNTED TO WALLS OR FRAMING. CONTACT BLUMCRAFT FOR DETAILS**

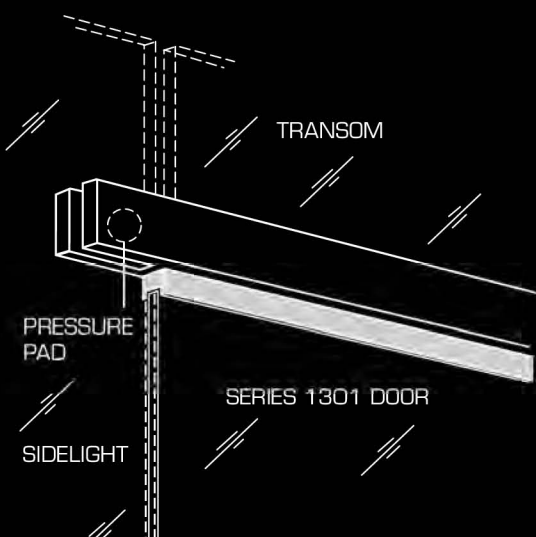
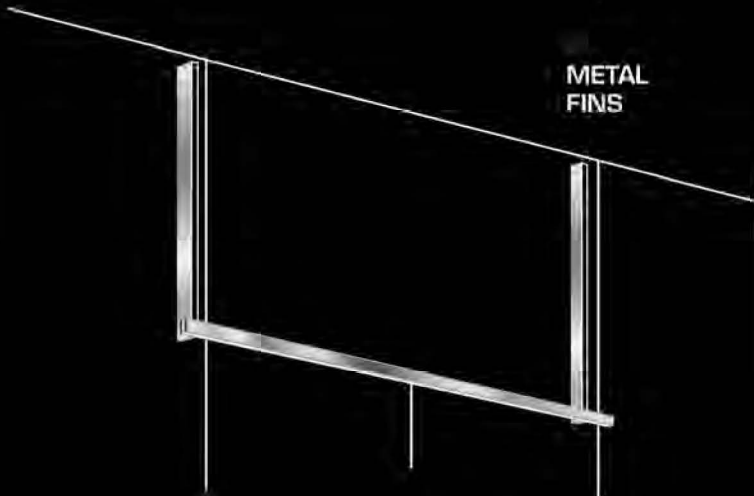
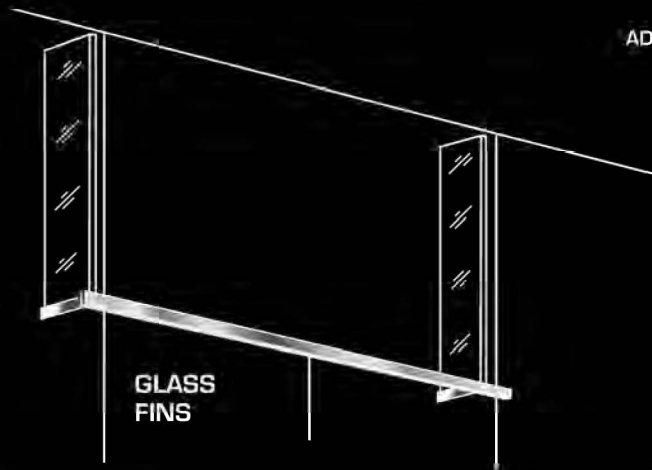
WINDLOADS, STACK ACTION, VENTILATION LOADS, HEAVY USAGE AND FREQUENCY OF OPERATION ARE FACTORS THAT AFFECT THE FOLLOWING:

- **GLASS THICKNESS**
- **TRANSOM BAR DIMENSIONS**
- **NECESSITY FOR FINS**
- **FIN SIZE**

IT IS SUGGESTED THAT THE ARCHITECT'S STRUCTURAL ENGINEER REVIEW EACH ENTRANCE CONSIDERING THESE FACTORS.

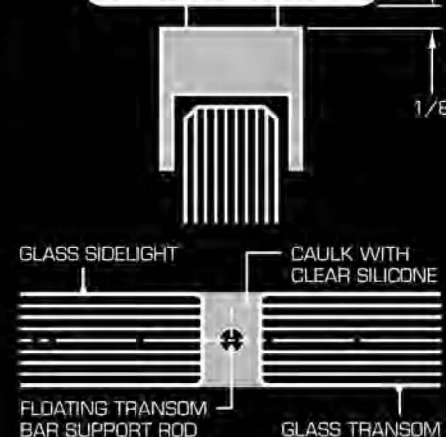
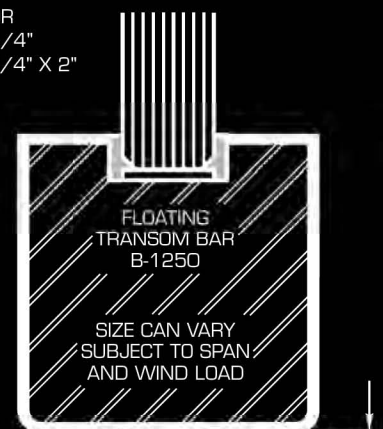
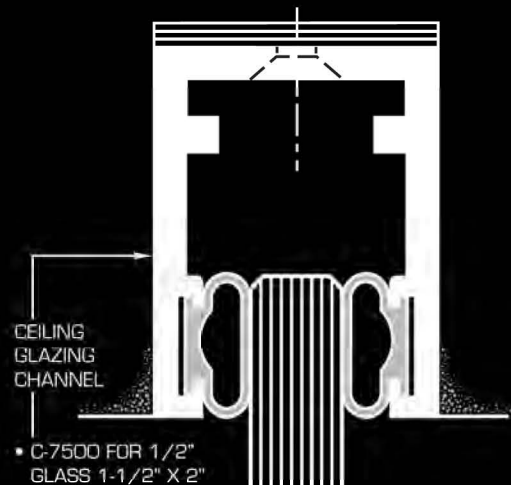
ADVANTAGES:

- A. MINIMUM EXPOSED METAL MAINTAINS AN ALL GLASS ENTRANCE LOOK.
- B. CORNER CUTOUTS AND HOLE FABRICATION OF THE GLASS ARE ELIMINATED, THUS AVOIDING CRITICAL STRESS POINTS IN BOTH TRANSOM AND SIDELIGHT GLASS
- C. THE TRANSOM GLASS RESTS IN THE SLOT OF THE FLOATING TRANSOM BAR, ASSURING RIGID INSTALLATION OF THE TRANSOM GLASS.
- D. THE GLASS TRANSOM GAINS LATERAL SUPPORT FROM ADJACENT SIDELIGHTS WITHOUT HOLES IN THE SIDELIGHT GLASS.
- E. DOORS ARE EASILY ADJUSTABLE BOTH Laterally AND VERTICALLY FOR BETTER POSITIONING IN THE OPENING.

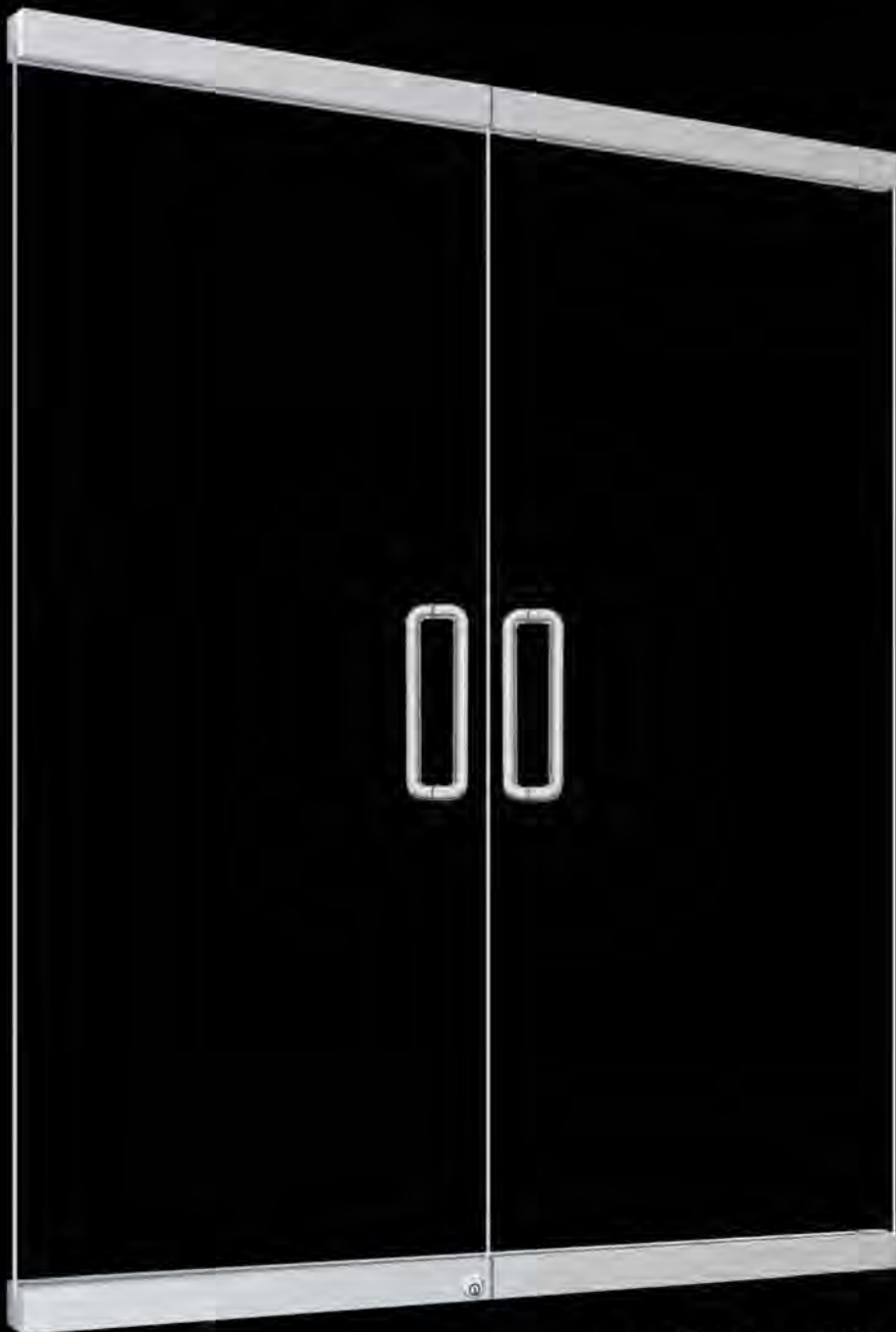


THE TRANSOM BAR IS HELD IN PLACE USING PRESSURE PADS AT THE SIDELIGHT AND SUPPORT RODS HANGING FROM THE CEILING CHANNEL

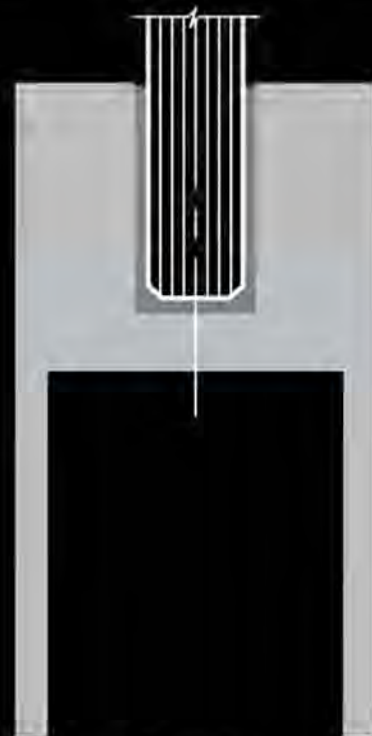
BLUMCRAFT'S FLOATING TRANSOM SYSTEM HAS BEEN ERECTED AND THOROUGHLY TESTED IN BLUMCRAFT'S OWN STATIC LOAD TESTING CHAMBER. GLASS APPLIED STRAIN GAUGES ALONG WITH DEFLECTION GAUGES CONTINUOUSLY MONITORED THE GLASS DURING TESTING. THE RESULTS ARE AVAILABLE TO ARCHITECTS UPON REQUEST. ARCHITECTS SHOULD SUBMIT PRELIMINARY SKETCHES AND ADVISE WIND LOADS FOR EXTERIOR USE.



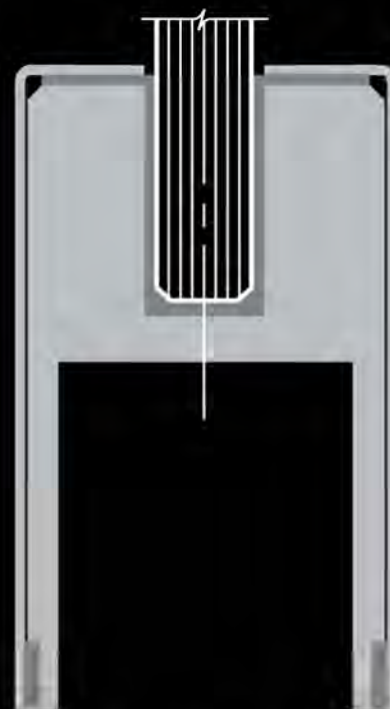
SERIES 640 DOORS ARE AVAILABLE IN 1/2", 5/8" OR 3/4" THICK TEMPERED GLASS. STANDARD TOP AND BOTTOM RAILS ARE 3-3/8" HIGH OR 3-1/2" HIGH (CLAD), BUT CAN BE FABRICATED UP TO 12" HIGH. RAILS AND STILES ARE FURNISHED IN ALUMINUM, BRONZE, OR STAINLESS STEEL. THESE DOORS ARE ADAPTABLE TO MOST OVERHEAD/FLOOR CLOSERS, AUTOMATIC OPERATORS, ELECTRIC DEADBOLTS, ELECTROMAGNETIC LOCKS, AND DOOR POSITION SWITCHES. CONTACT OUR SALES DEPARTMENT TO INSURE COMPATIBILITY. ALL BLUMCRAFT PANIC DEVICES, DEADBOLT HOUSINGS AND LOCKS ARE APPLICABLE TO SERIES 640 DOORS.



**SERIES 640C DOORS WITH
P-751-A PUSH/PULL HANDLE**

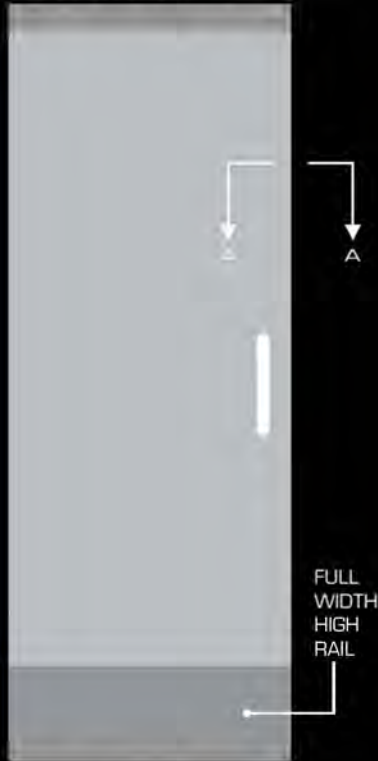


ALUMINUM
FULL SIZE SECTION THRU
BOTTOM AND TOP RAIL



BRONZE OR STAINLESS STEEL
FULL SIZE SECTION THRU
BOTTOM AND TOP RAIL

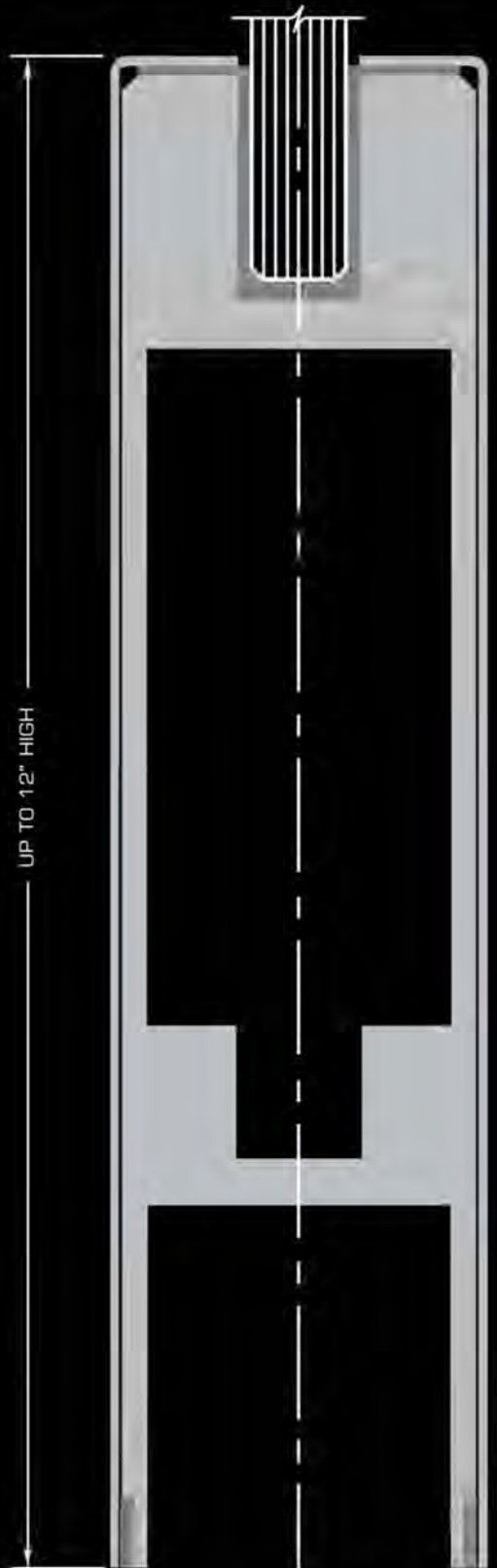
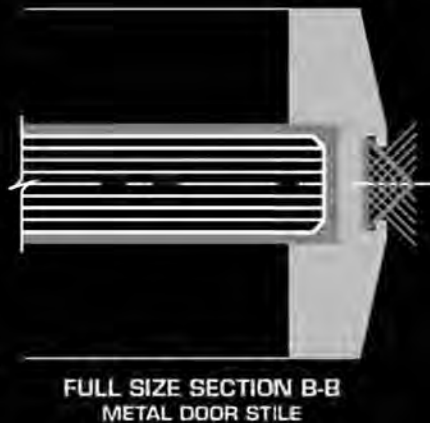
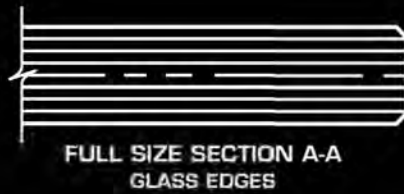
SERIES 640CH
ALUMINUM, BRONZE
OR STAINLESS STEEL



SERIES 640S
ALUMINUM, BRONZE
OR STAINLESS STEEL



SERIES 640SH
ALUMINUM, BRONZE
OR STAINLESS STEEL



ALUMINUM, BRONZE
OR STAINLESS STEEL
FULL SIZE SECTION

SERIES 250 DOORS HAVE FULL WIDTH TOP AND BOTTOM RAILS AND VERY THIN VERTICAL STILES BONDED TO GLASS. THEY ARE AVAILABLE IN ALUMINUM, BRONZE, OR STAINLESS STEEL.

SERIES 150 DOORS LIKE SERIES 250 DOORS HAVE FULL WIDTH TOP AND BOTTOM RAILS BUT HAVE NO VERTICAL STILES. THEY ARE AVAILABLE IN ALUMINUM, BRONZE, OR STAINLESS STEEL.

AVAILABLE IN 1/2", 5/8" OR 3/4" THICK TEMPERED GLASS



SERIES 250 DOOR
SHOWN WITH DEADBOLT HOUSING DB-170-JS



SERIES 150 DOOR
SHOWN WITH PANIC DEVICE H-100-D

ALL BLUMCRAFT PANIC DEVICES, DEADBOLT HOUSINGS AND LOCKS ARE APPLICABLE TO SERIES 250 AND SERIES 150 DOORS

FOR EXTERIOR DOORS OVER 8'-6" PRELIMINARY DRAWING SHOULD BE SENT TO BLUMCRAFT FOR REVIEW



ALUMINUM
FULL SIZE SECTION THRU
SERIES 250 DOOR STILE



BRONZE OR STAINLESS STEEL
FULL SIZE SECTION THRU
SERIES 250 DOOR STILE



ALUMINUM
FULL SIZE SECTION THRU
BOTTOM AND TOP RAIL



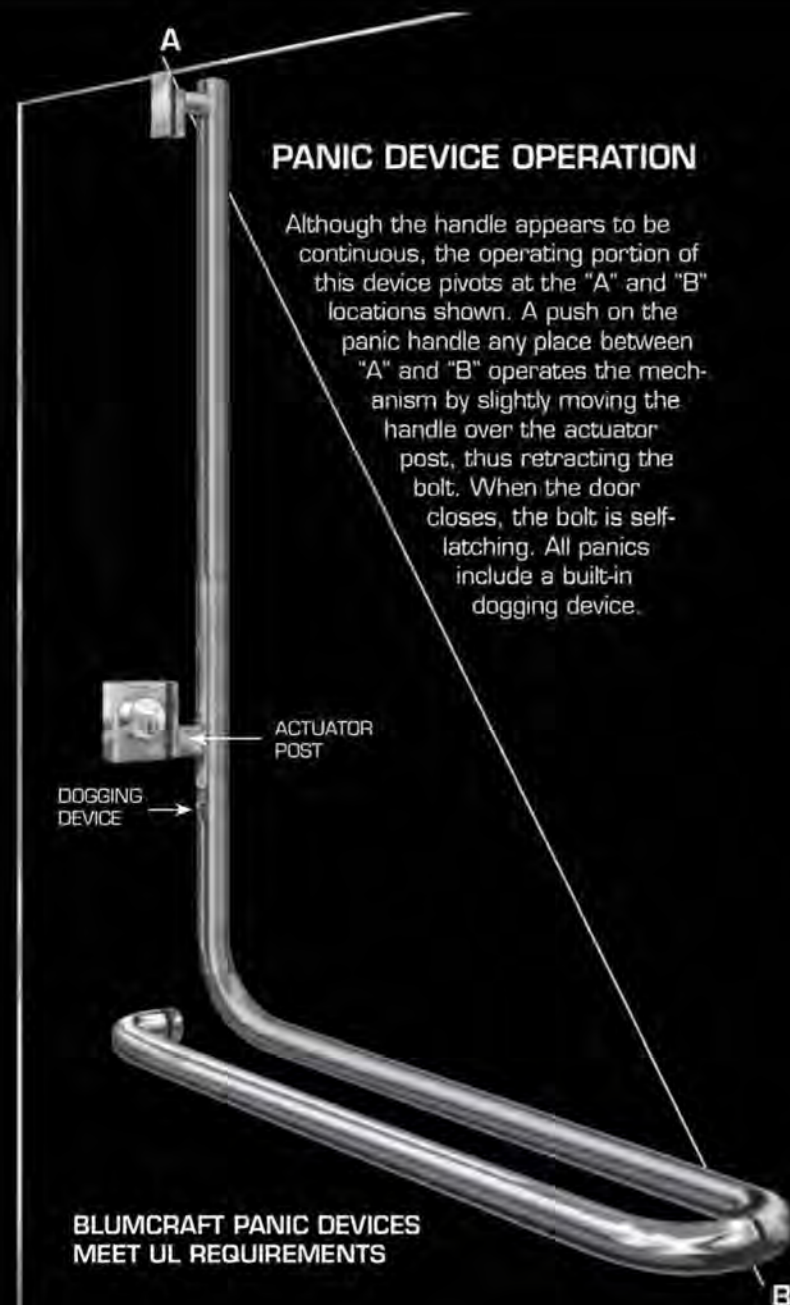
BRONZE OR STAINLESS STEEL
FULL SIZE SECTION THRU
BOTTOM AND TOP RAIL

SERIES 1200 DOORS ARE DESIGNED TO USE 1/2" THICK TEMPERED GLASS UP TO 12'-0" HIGH. THESE TALL DOORS ARE CONTROLLED BY STANDARD FLOOR CLOSERS. THE WEIGHT OF THE DOOR IS BORNE BY A HEAVY DUTY LOAD BEARING CEMENT CASE INDEPENDENT OF THE FLOOR CLOSER. A VARIETY OF BLUMCRAFT DEADBOLT AND PANIC HARDWARE IS ADAPTABLE TO SERIES 1200 DOORS.

SERIES 860 DOORS ARE ALSO DESIGNED TO USE 1/2" THICK TEMPERED GLASS, BUT ONLY UP TO 8'-6" HIGH. THIS SMALLER VERSION OF THE SERIES 1200 FEATURES SAFETY JAMB PROTECTION AND ELIMINATION OF THE TOP AND BOTTOM RAILS. OVERHEAD AND FLOOR CLOSERS ARE OPTIONS. ALL BLUMCRAFT PANIC AND DEADBOLT HARDWARE IS SUITABLE FOR USE WITH SERIES 860 DOORS.



SERIES 1200 DOORS WITH DB-140-KS DEADBOLT HOUSINGS



PANIC DEVICE OPERATION

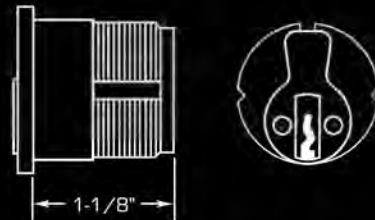
Although the handle appears to be continuous, the operating portion of this device pivots at the "A" and "B" locations shown. A push on the panic handle any place between "A" and "B" operates the mechanism by slightly moving the handle over the actuator post, thus retracting the bolt. When the door closes, the bolt is self-latching. All panics include a built-in dogging device.

**MORTISE CYLINDER EQUIVALENTS
(1-1/8" NOMINAL LENGTH)**

MANUFACTURER	MODEL NO.	CAM NO.
ARROW	MC61	001
ASSA	6551	5
BEST	1E64	1EC4
CORBIN/RUSSWIN	1000-118	A02
FALCON	985	4
ILCO (LORI)	7186XX	1
MEDECO	10-0200	CT-Z01
SARGENT	41	13-0660
SCHLAGE*	20-001	B502-191
YALE	2153	1161

**Standard with Blumcraft Panic Devices and Deadbolt Housings*

Removable core cylinders and thumbturns are applicable with the straight cam shown. Cylinder collars for Blumcraft hardware will vary with the cylinder lengths longer than 1-1/8"



DOOR SWING DIAGRAM

**BLUMCRAFT PANIC DEVICES
MEET UL REQUIREMENTS**

**PANIC DEVICES, DEADBOLT HOUSINGS
AND DUMMY HANDLES ARE AVAILABLE
IN STAINLESS STEEL OR ARCHITECTURAL
BRONZE**



H-100 H-110 H-100 DB-130

**ALL BLUMCRAFT HARDWARE IS APPLICABLE
TO MOST TYPES OF DOORS INCLUDING:**

- TEMPERED GLASS • WOOD
- MEDIUM/WIDE STILE AND RAIL
- BALANCED • HOLLOW METAL

H-100-A PANIC DEVICE (SHOWN)

The top latchbolt is retracted by pushing the interior "L" shaped crash bar. A conveniently located built-in dogging device keeps the latchbolt in the retracted position and the crash bar becomes fixed. Exterior key cylinder for entry is optional. For electric strike applications see pages D26 and D27.

DB-100-A DEADBOLT HOUSING (SHOWN)

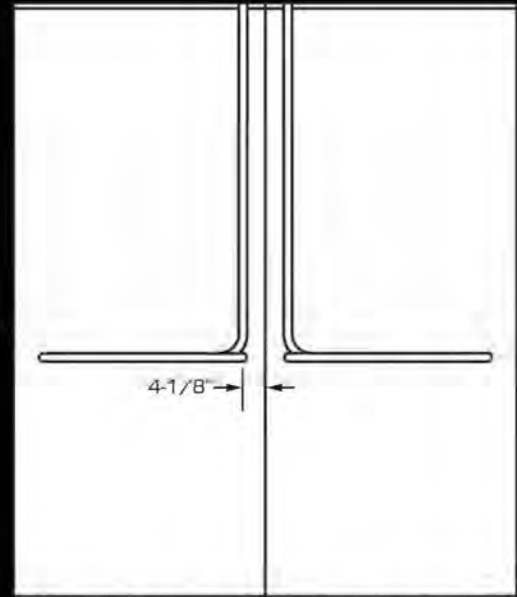
The upper deadbolt is operated by key cylinders on both sides or with an interior thumbturn.

DH-100-A DUMMY HANDLE

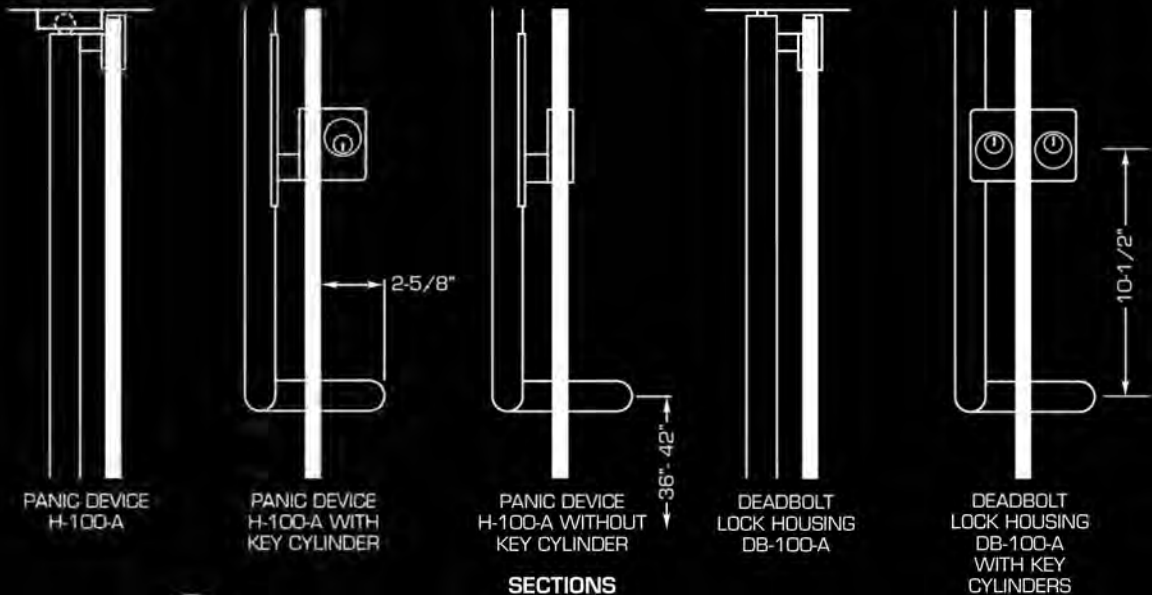
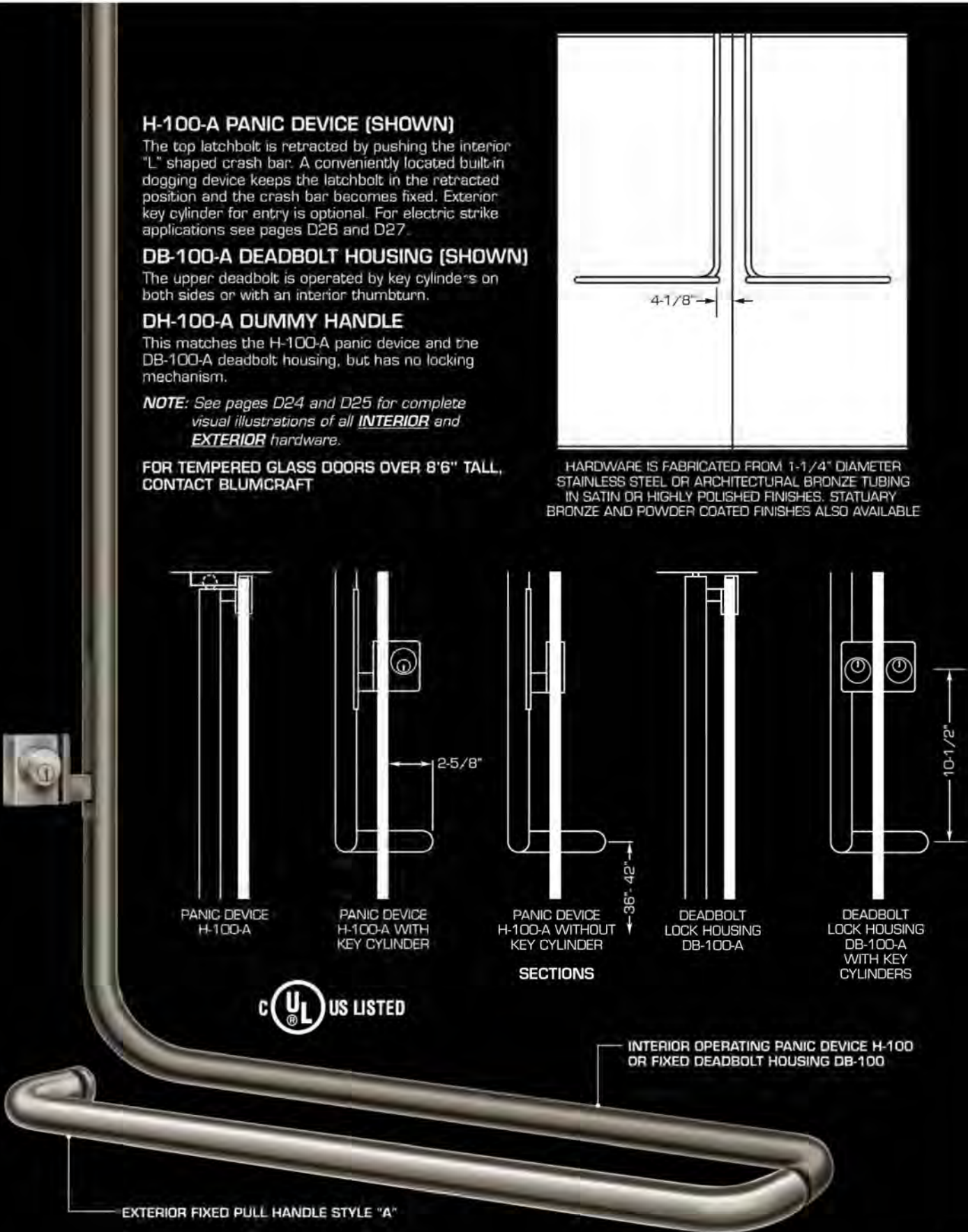
This matches the H-100-A panic device and the DB-100-A deadbolt housing, but has no locking mechanism.

NOTE: See pages D24 and D25 for complete visual illustrations of all **INTERIOR** and **EXTERIOR** hardware.

FOR TEMPERED GLASS DOORS OVER 8'6" TALL, CONTACT BLUMCRAFT



HARDWARE IS FABRICATED FROM 1-1/4" DIAMETER STAINLESS STEEL OR ARCHITECTURAL BRONZE TUBING IN SATIN OR HIGHLY POLISHED FINISHES. STATUARY BRONZE AND POWDER COATED FINISHES ALSO AVAILABLE



H-100-B PANIC DEVICE (SHOWN)

The top latchbolt is retracted by pushing the interior "L" shaped crash bar. A conveniently located built-in dogging device keeps the latchbolt in the retracted position and the crash bar becomes fixed. Exterior key cylinder for entry is optional. For electric strike applications see pages D26 and D27.

DB-100-B DEADBOLT HOUSING (SHOWN)

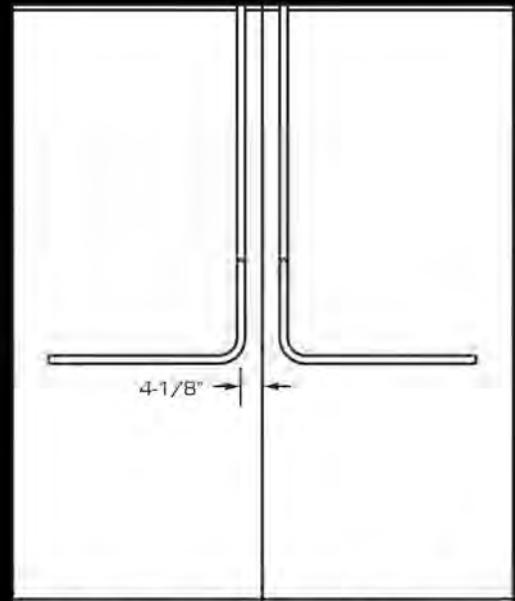
The upper deadbolt is operated by key cylinders on both sides or with an interior thumbturn.

DH-100-B DUMMY HANDLE

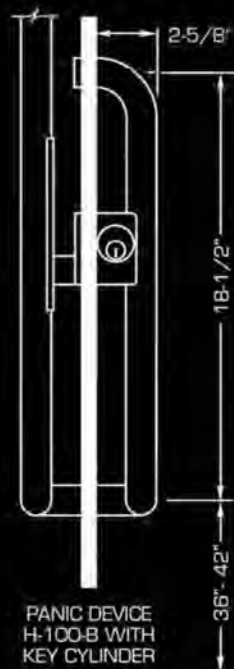
This matches the H-100-B panic device and the DB-100-B deadbolt housing, but has no locking mechanism.

NOTE: See pages D24 and D25 for complete visual illustrations of all **INTERIOR** and **EXTERIOR** hardware.

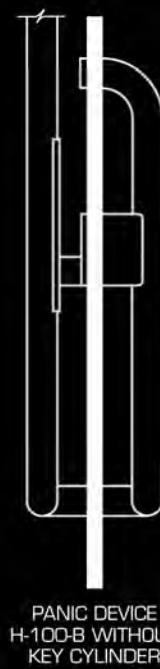
FOR TEMPERED GLASS DOORS OVER 8'6" TALL, CONTACT BLUMCRAFT



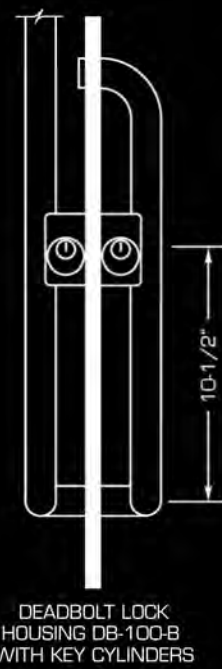
HARDWARE IS FABRICATED FROM 1-1/4" DIAMETER STAINLESS STEEL OR ARCHITECTURAL BRONZE TUBING IN SATIN OR HIGHLY POLISHED FINISHES. STATUARY BRONZE AND POWDER COATED FINISHES ALSO AVAILABLE



PANIC DEVICE
H-100-B WITH
KEY CYLINDER



PANIC DEVICE
H-100-B WITHOUT
KEY CYLINDER



DEADBOLT LOCK
HOUSING DB-100-B
WITH KEY CYLINDERS

SECTIONS



INTERIOR OPERATING PANIC DEVICE H-100
OR FIXED DEADBOLT HOUSING DB-100

EXTERIOR FIXED PULL HANDLE STYLE "B"

H-100-D PANIC DEVICE (SHOWN)

The top latchbolt is retracted by pushing the interior "L" shaped crash bar. A conveniently located built-in dogging device keeps the latchbolt in the retracted position and the crash bar becomes fixed. Exterior key cylinder for entry is optional. For electric strike applications see pages D26 and D27.

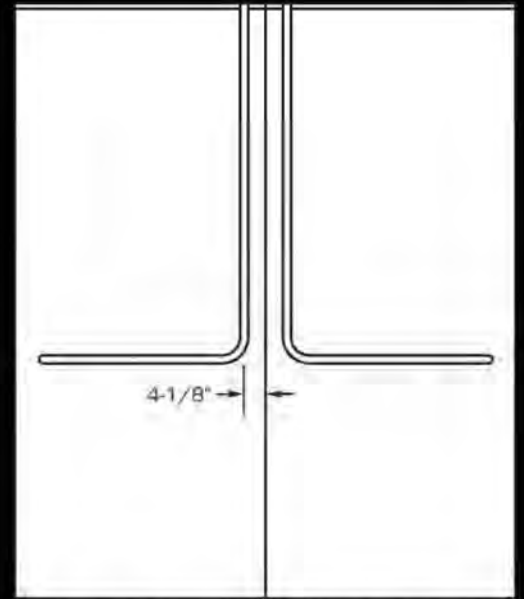
DB-100-D DEADBOLT HOUSING (SHOWN)

The upper deadbolt is operated by key cylinders on both sides or with an interior thumbturn.

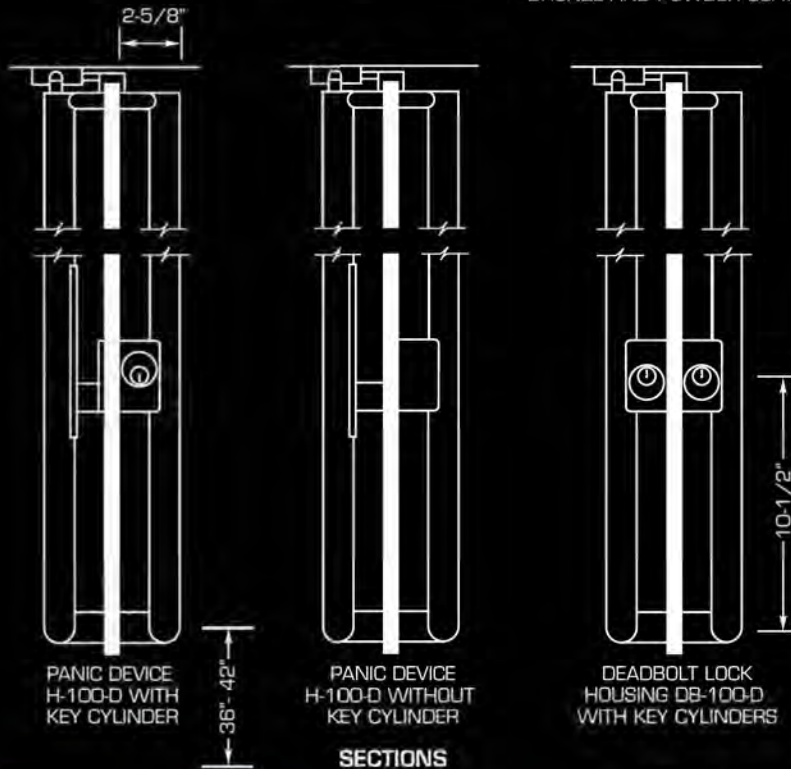
DH-100-D DUMMY HANDLE

This matches the H-100-D panic device and the DB-100-D deadbolt housing, but has no locking mechanism.

NOTE: See pages D24 and D25 for complete visual illustrations of all **INTERIOR** and **EXTERIOR** hardware.



HARDWARE IS FABRICATED FROM 1-1/4" DIAMETER STAINLESS STEEL OR ARCHITECTURAL BRONZE TUBING IN SATIN OR HIGHLY POLISHED FINISHES. STATUARY BRONZE AND POWDER COATED FINISHES ALSO AVAILABLE



FOR TEMPERED GLASS DOORS OVER 8'6" TALL, CONTACT BLUMCRAFT

INTERIOR OPERATING PANIC DEVICE H-100 OR FIXED DEADBOLT HOUSING DB-100

EXTERIOR FIXED PULL HANDLE STYLE "D"



H-100-F PANIC DEVICE (SHOWN)

The top latchbolt is retracted by pushing the interior "L" shaped crash bar. A conveniently located built-in dogging device keeps the latchbolt in the retracted position and the crash bar becomes fixed. Exterior key cylinder for entry is optional. For electric strike applications see pages D26 and D27.

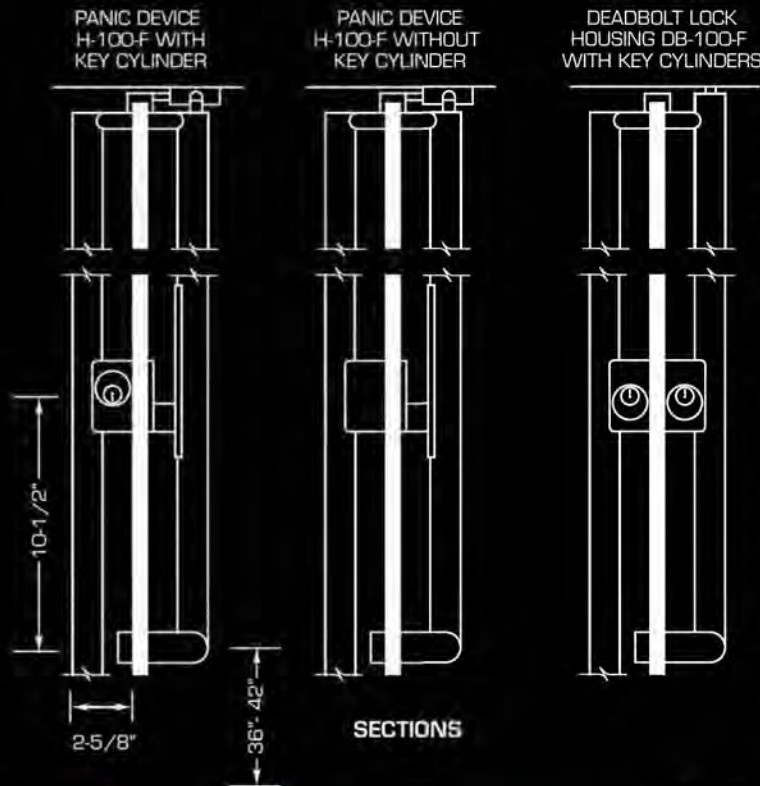
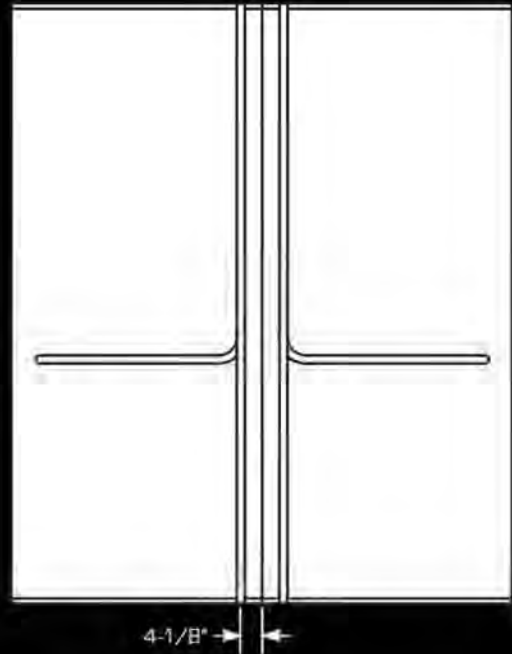
DB-100-F DEADBOLT HOUSING (SHOWN)

The upper deadbolt is operated by key cylinders on both sides or with an interior thumbturn.

DH-100-F DUMMY HANDLE

This matches the H-100-F panic device and the DB-100-F deadbolt housing, but has no locking mechanism.

NOTE: See pages D24 and D25 for complete visual illustrations of all **INTERIOR** and **EXTERIOR** hardware.



EXTERIOR FIXED PULL HANDLES STYLE "F" WITH H-100 PANIC DEVICES MAY NOW BE USED ON 1/2" TEMPERED GLASS DOORS UP TO 9'-0" TALL. CRASH BAR MUST BE 42" FROM BOTTOM OF DOOR. STYLE "F" HANDLE MAY BE FULL HEIGHT OR 10" SHORT OF DOOR BOTTOM.

HARDWARE IS FABRICATED FROM 1-1/4" DIAMETER STAINLESS STEEL OR ARCHITECTURAL BRONZE TUBING IN SATIN OR HIGHLY POLISHED FINISHES. STATUARY BRONZE AND POWDER COATED FINISHES ALSO AVAILABLE.

INTERIOR OPERATING PANIC DEVICE H-100 OR FIXED DEADBOLT HOUSING DB-100



EXTERIOR FIXED PULL HANDLE STYLE "F"

H-110-A PANIC DEVICE (SHOWN)

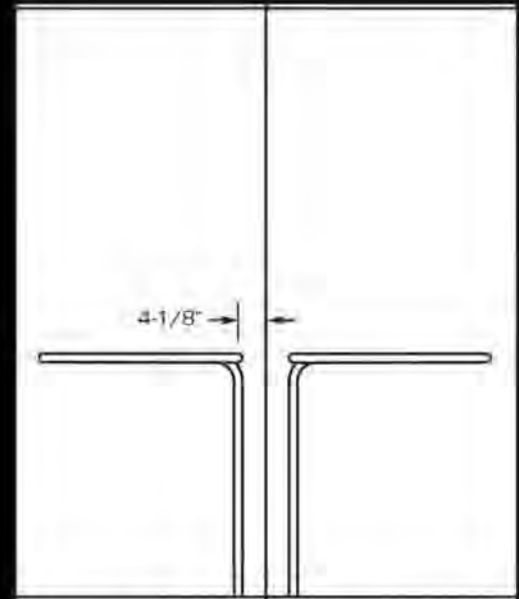
The bottom latchbolt is retracted by pushing the interior inverted "L" shaped crash bar. A conveniently located built-in dogging device keeps the latchbolt in the retracted position and the crash bar becomes fixed. Exterior key cylinder for entry is optional. Threshold is recommended. See pages D26 and D27.

DB-110-A DEADBOLT HOUSING (SHOWN)

The lower deadbolt is operated by key cylinders on both sides or with an interior thumbturn.

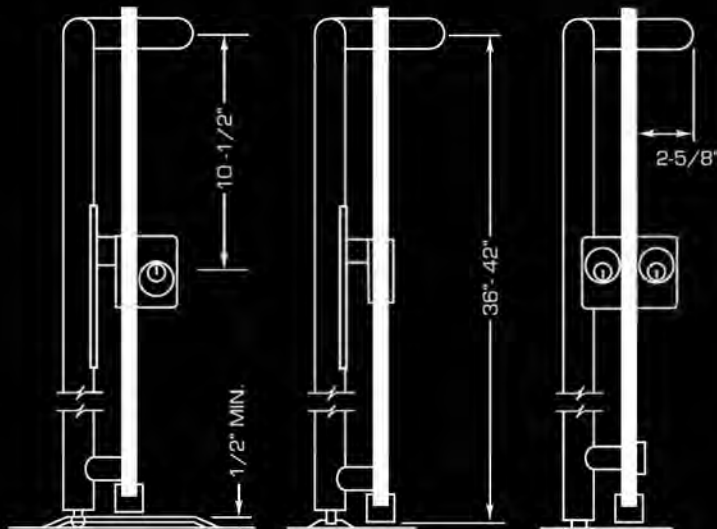
DH-110-A DUMMY HANDLE

This matches the H-110-A panic device and the DB-110-A deadbolt housing, but has no locking mechanism.



HARDWARE IS FABRICATED FROM 1-1/4" DIAMETER STAINLESS STEEL OR ARCHITECTURAL BRONZE TUBING IN SATIN OR HIGHLY POLISHED FINISHES. STATUARY BRONZE AND POWDER COATED FINISHES ALSO AVAILABLE

FOR TEMPERED GLASS DOORS
OVER 8'6" TALL, CONTACT BLUMCRAFT

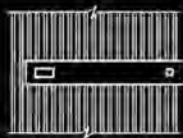


PANIC DEVICE
H-110-A WITH
KEY CYLINDER

PANIC DEVICE
H-110-A WITHOUT
KEY CYLINDER

DEADBOLT LOCK
HOUSING DB-110-A
WITH KEY
CYLINDERS

SECTIONS



THRESHOLD RAMP
STRIKE S-110-T



FLOOR MOUNTED
RAMP STRIKE S-110-F



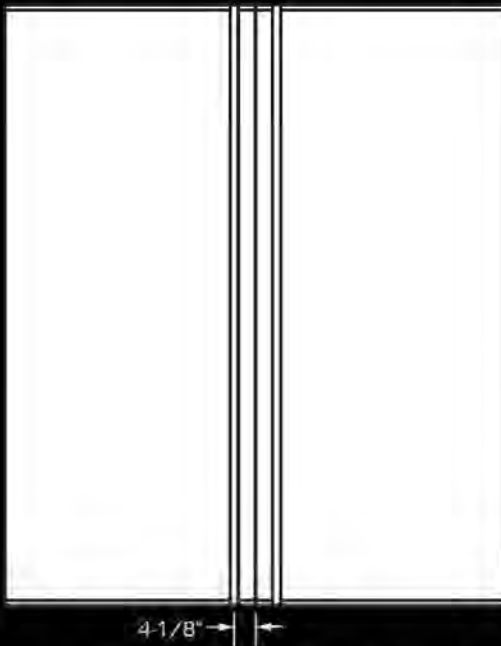
RECESSED STRIKE
S-110-R



CAUTION:
THRESHOLD RAMP STRIKE IS RECOMMENDED.
FLOOR MOUNTED RAMP STRIKE
COULD BE A TRIPPING HAZARD.



NOTE: See pages D24 and D25 for complete visual illustrations of all **INTERIOR** and **EXTERIOR** hardware.



4-1/8" →

HARDWARE IS FABRICATED FROM 1-1/4" DIAMETER STAINLESS STEEL OR ARCHITECTURAL BRONZE TUBING IN SATIN OR HIGHLY POLISHED FINISHES. STATUARY BRONZE AND POWDER COATED FINISHES ALSO AVAILABLE

INTERIOR
DEADBOLT
HOUSING
DB-130

DB-130-F DEADBOLT HOUSING (SHOWN)

This versatile hardware can have top **AND** bottom bolts simultaneously operated by key cylinders on both sides or by interior thumbturn. Locking bolts also can be at **TOP** only or at **BOTTOM** only.

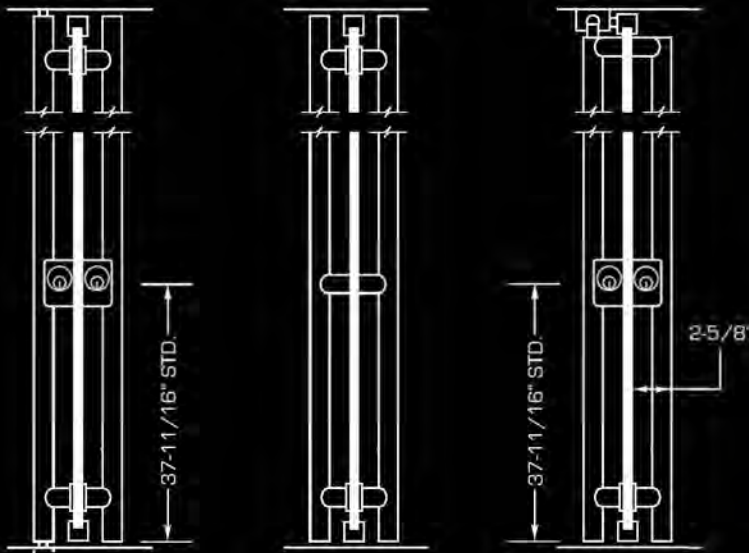
NEW DEVELOPMENT Patent Pending

Blumcraft's top locking deadbolt hardware, DB-100, DB-130, DB-160, and DB-170 now has the capability of self-latching with key cylinders or thumbturns that spring-back when turned. This hardware is similar to the H-100 panic device except there is no crash bar for immediate exit. This new function allows entry or exit by key cylinders without the relocking requirement of previous models, i.e. the top bolt is always ready to re-latch into a standard strike or an electric strike. This hardware also incorporates a unique feature similar to a panic dogging device that can retract the top bolt and retain it, making the deadbolts ordinary push/pull handles. These deadbolts with the new feature are called DBL-100, DBL-130, DBL-160, and DBL-170 having the same look as the previous models. This hardware can be used in combination with Blumcraft exterior pull handles designated by letters. Local building codes should be reviewed for compliance. Contact Blumcraft for additional information.

DH-130-F DUMMY HANDLE (SHOWN)

This matches the DB-130-F deadbolt housing but has no locking mechanism.

NOTE: See pages D24 and D25 for complete visual illustrations of all **INTERIOR** and **EXTERIOR** hardware.



DB-130-F DEADBOLT HOUSING WITH TOP AND BOTTOM BOLTS

DH-130-F DUMMY HANDLE WITH NO LOCKING MECHANISM

DB-130-F DEADBOLT HOUSING WITH TOP LATCHBOLT ADAPTABLE FOR ELECTRIC STRIKE

2-5/8"

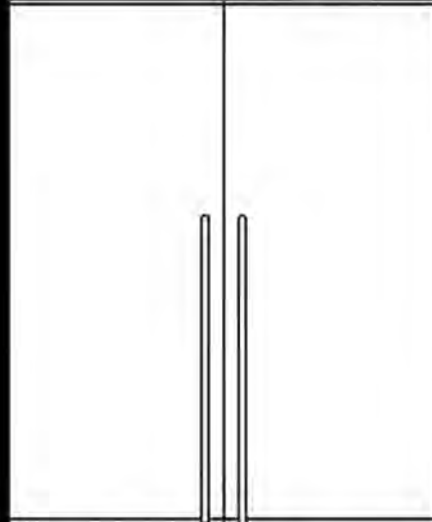
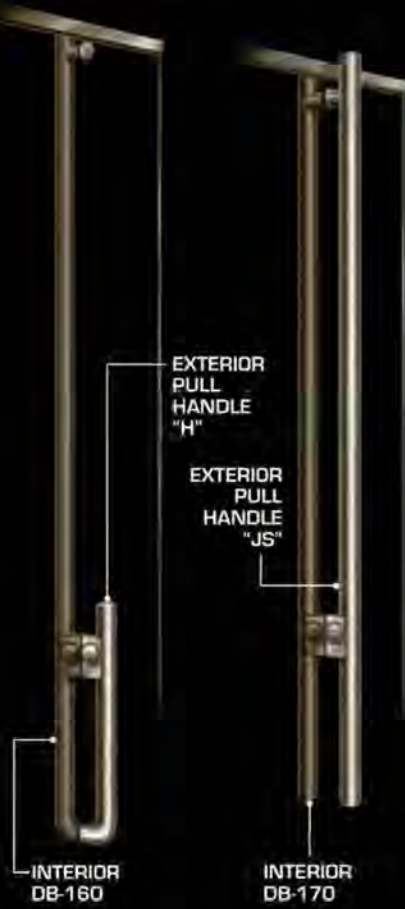
37-11/16" STD.

37-11/16" STD.

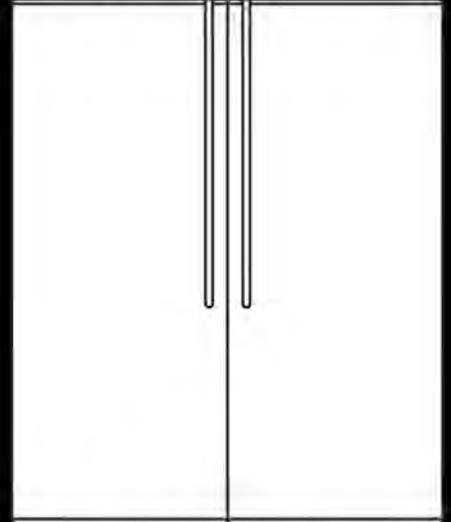
DB-130-F DEADBOLT HOUSINGS ARE AVAILABLE 10" SHORT OF THE DOOR BOTTOM WITH A TOP BOLT ONLY

EXTERIOR
FIXED PULL
HANDLE
STYLE "F"

HARDWARE IS FABRICATED FROM 1-1/4" DIAMETER STAINLESS STEEL OR ARCHITECTURAL BRONZE TUBING IN SATIN OR HIGHLY POLISHED FINISHES. STATUARY BRONZE AND POWDER COATED FINISHES ALSO AVAILABLE



DEADBOLT HOUSINGS
DB-140-KS AND DB-150-P
MATCHING DUMMY HANDLES
DH-140-KS AND DH-150-P
WITHOUT LOCKING MECHANISMS

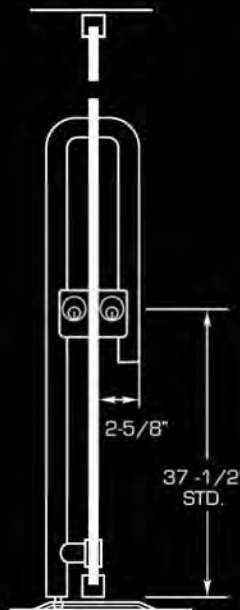


DEADBOLT HOUSINGS
DB-160-H AND DB-170-JS
MATCHING DUMMY HANDLES
DH-160-H AND DH-170-JS
WITHOUT LOCKING MECHANISMS

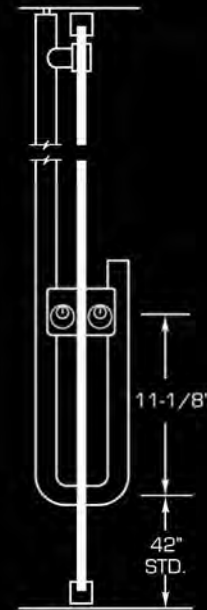
ALL DEADBOLT HOUSINGS ARE OPERATED BY KEY CYLINDERS ON BOTH SIDES OR WITH AN INTERIOR THUMBTURN



DEADBOLT LOCK HOUSING
DB-140-KS



DEADBOLT LOCK HOUSING
DB-150-P



DEADBOLT LOCK HOUSING
DB-160-H



DEADBOLT LOCK HOUSING
DB-170-JS

NOTE: See pages D24 and D25 for complete visual illustrations of all **INTERIOR** and **EXTERIOR** hardware.

**PANIC
DEVICES**
WITH
OPERATING
HANDLES ON
INTERIOR
SIDE OF DOOR



PANIC
H-100



PANIC
H-110

MAXIMUM DOOR HEIGHTS FOR H-100 ONLY
With Crash Bar at 42" High

DOOR HEIGHT	GLASS THICKNESS	EXTERIOR HANDLES APPLICABLE
8'-6"	1/2"	All
9'-0"	1/2"	"F" Full Height
9'-0"	1/2"	"F" 10" Short of Door Bottom
9'-0"	3/4"	All

PANIC DEVICES, DEADBOLT HOUSINGS AND
DUMMY HANDLES AVAILABLE IN STAINLESS STEEL
OR ARCHITECTURAL BRONZE

**DEADBOLT
LOCK
HOUSINGS**
WITH LOCKING
MECHANISM ON
INTERIOR
SIDE OF DOOR



DEADBOLT
DB-100



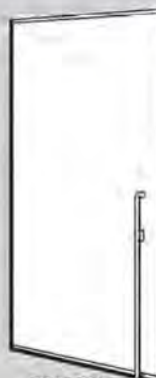
DEADBOLT
DB-110



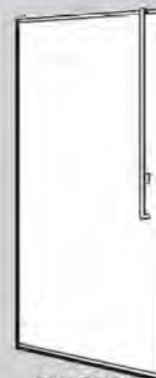
DEADBOLT
DB-130



DEADBOLT
DB-140



DEADBOLT
DB-150



DEADBOLT
DB-160



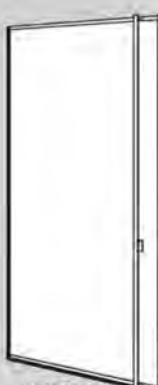
DEADBOLT
DB-170

**DBL
DEADBOLT
HARDWARE**
WITH
LATCHING
MECHANISM
ON
INTERIOR
SIDE OF DOOR

FOR COMPLETE
DESCRIPTION
SEE PAGE D22



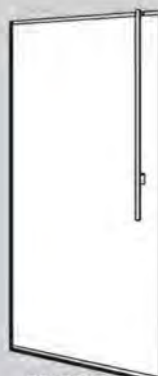
DEADBOLT
DBL-100



DEADBOLT
DBL-130



DEADBOLT
DBL-160



DEADBOLT
DBL-170

**DUMMY
HANDLES**
WITH NO
LOCKING
MECHANISM
ON
INTERIOR
SIDE OF DOOR



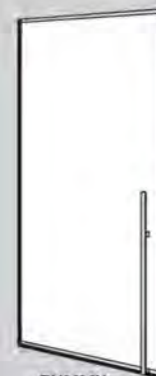
DUMMY
DH-100



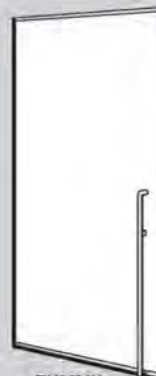
DUMMY
DH-110



DUMMY
DH-130



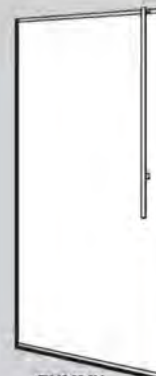
DUMMY
DH-140



DUMMY
DH-150



DUMMY
DH-160



DUMMY
DH-170

THE **EXTERIOR** PUSH/PULL HANDLES ON THIS PAGE CAN BE USED WITH ANY **INTERIOR** PANIC DEVICE, DEADBOLT HOUSING, OR DUMMY HANDLE SHOWN ON PAGE D24. WITH OVER 140 COMBINATIONS AVAILABLE, THE ARCHITECT CAN SELECT FROM A WIDE VARIETY OF OPTIONS

PUSH/PULL HANDLES AVAILABLE IN STAINLESS STEEL OR ARCHITECTURAL BRONZE



HOW TO SPECIFY THE INTERIOR AND EXTERIOR HARDWARE COMBINATION

1. INTERIOR OPERATING HANDLE (Select Prefix)	H* = PANIC	DH = DUMMY	<input type="text"/>
	DB = DEADBOLT	DBL** = LATCHING	

* APPLICABLE ONLY WITH 100 AND 110

** APPLICABLE ONLY WITH 100, 130, 160, AND 170

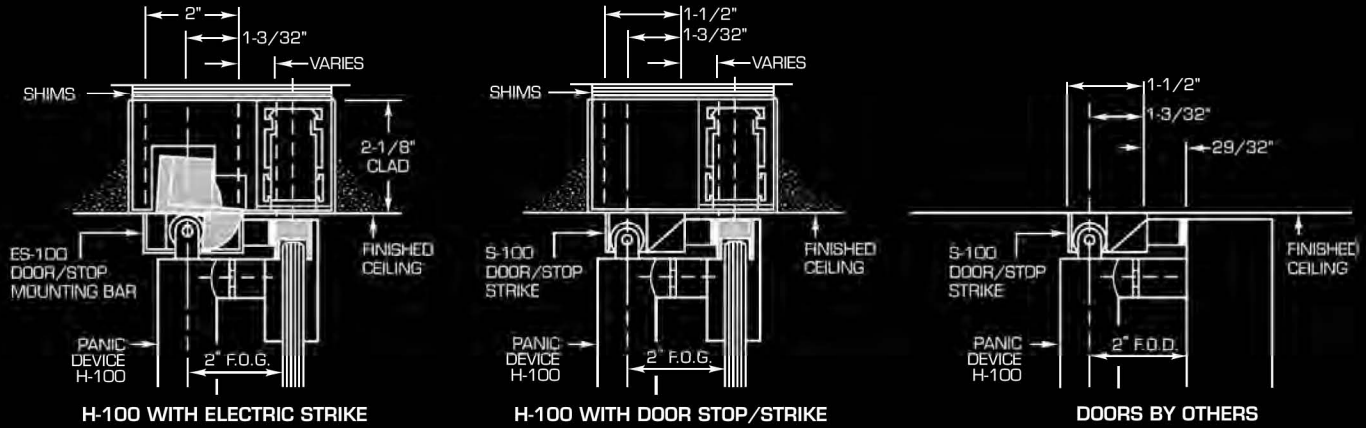
2. INTERIOR OPERATING HANDLE STYLE (Select One)	100	110	130	140	<input type="text"/>
	150	160	170		

3. EXTERIOR PUSH/PULL HANDLE (Select One)	A	B	C	D	<input type="text"/>
	E	F	H	J	
	JS	K	KS	N	
	P	X	Y		

COMBINE THE THREE SELECTIONS

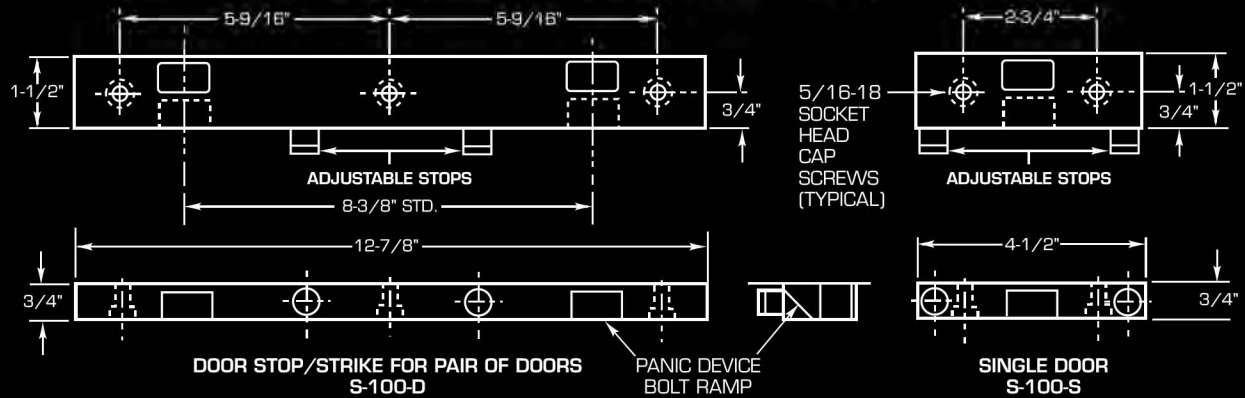
EXAMPLE: - -
 1. 2. 3.

H-100 PANIC DEVICE APPLICATIONS



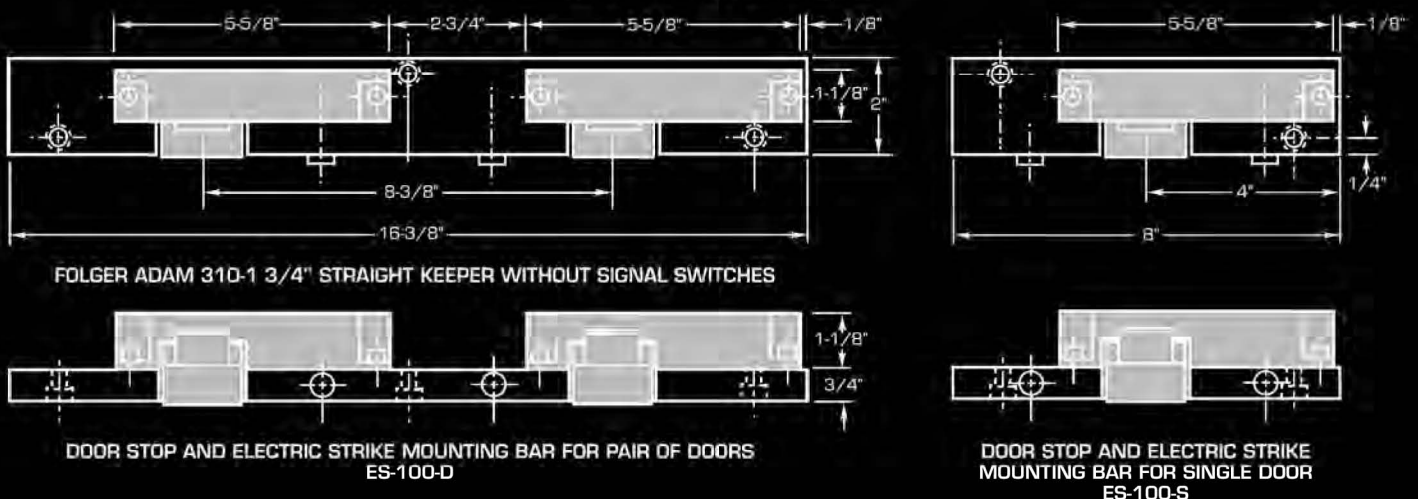
NOTE: SH-100 SWITCH HOUSINGS, WHILE SIMILAR IN APPEARANCE TO H-100 PANIC DEVICES, HAVE A SWITCHING FUNCTION THAT ONLY OPERATES INDEPENDENT ELECTRIC LOCKS. THESE ELECTRIC LOCKS CAN BE ELECTROMAGNETIC, DROP BOLTS, OR SHEAR LOCKS. CONTACT BLUMCRAFT WITH MODEL NUMBER OF SELECTED LOCK TO INSURE COMPATIBILITY.

DOOR STOP/STRIKES FOR H-100 PANIC DEVICES



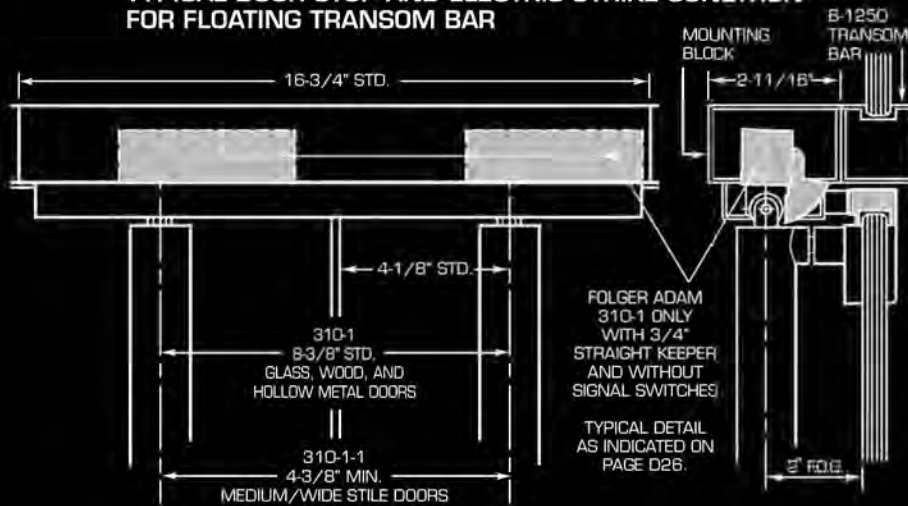
NOTE: DOORSTOP/STRIKES FOR DEADBOLT HOUSINGS ARE SIMILAR TO THE ABOVE, EXCEPT THAT THEY HAVE NO PANIC BOLT RAMP. MOUNTING HOLES ARE IDENTICAL.

ELECTRIC STRIKE APPLICATIONS

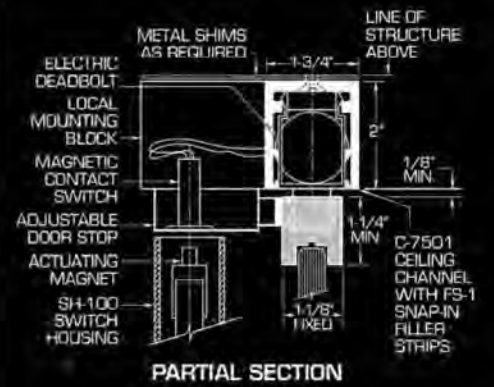


THE ES-100-D DOOR STOP/MOUNTING BAR IS ALSO AVAILABLE WITH AN ELECTRIC STRIKE ON ONLY ONE SIDE.

TYPICAL DOOR STOP AND ELECTRIC STRIKE CONDITION FOR FLOATING TRANSOM BAR

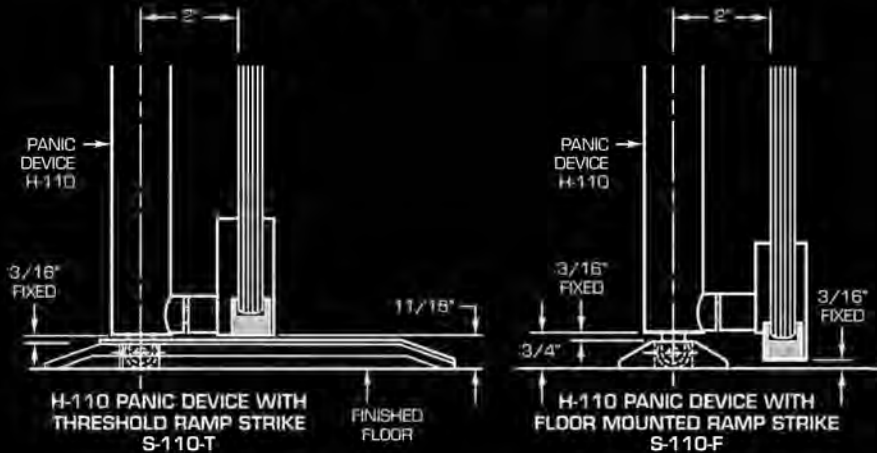


SH-100 SWITCH HOUSING (TO ACTUATE ELECTRIC LOCK)

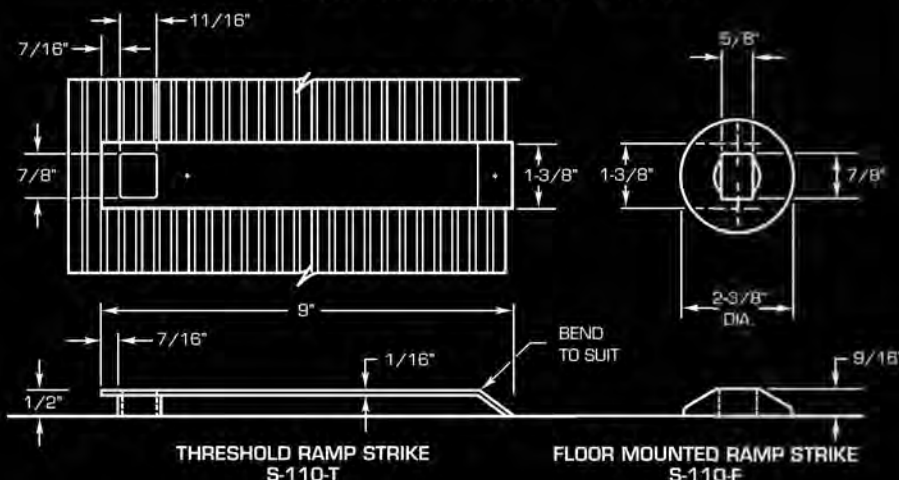


NOTE: RAILS CAN BE ADAPTED FOR VARIOUS TYPES OF ELECTROMAGNETIC LOCKS OR ELECTRIC DEADBOLTS. CONTACT BLUMCRAFT WITH MODEL NUMBER OF SELECTED LOCK TO INSURE COMPATIBILITY.

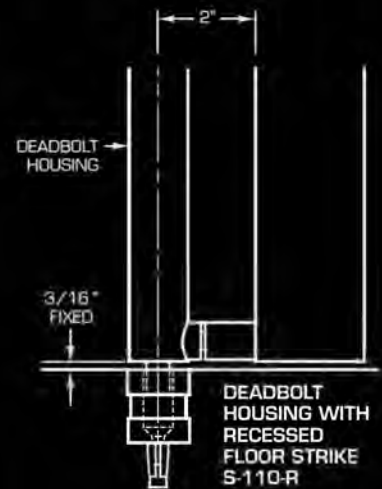
H-110 PANIC DEVICE APPLICATIONS



STRIKES FOR H-110 PANIC DEVICES



DEADBOLT HOUSING APPLICATIONS



STRIKE FOR DEADBOLT HOUSINGS



THE HANDLES SHOWN ON THIS PAGE CAN BE ADAPTED TO GLASS, WOOD OR METAL DOORS AND ARE AVAILABLE IN THE FOLLOWING MATERIALS AND FINISHES:

ALUMINUM — SATIN CLEAR ANODIZED AND DARK BRONZE OR BLACK DURANODIC
 STAINLESS STEEL — SATIN OR HIGH BUFF LUSTRE
 BRONZE — SATIN OR HIGH BUFF LUSTRE



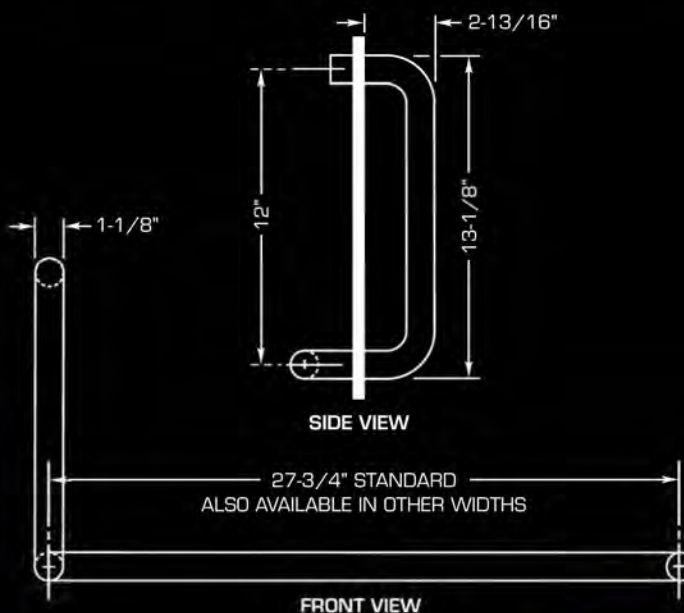
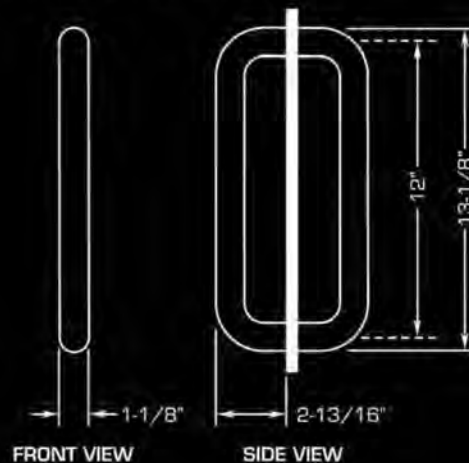
SIDE VIEW

SCALE: 1-1/2" = 1'-0"

P-722
FULL HEIGHT
TUBULAR
PUSH/PULL
HANDLE
Both Sides
of Door



P-751-A SOLID PUSH/PULL HANDLE
 1-1/8" DIA. - Both Sides of Door



P-752-A SOLID PUSH/PULL HANDLE
 1-1/8" DIA. - Both Sides of Door

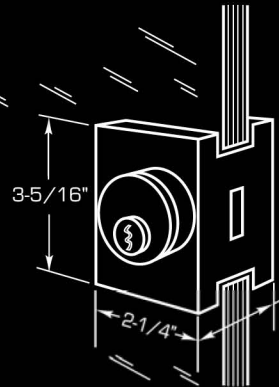
THRU-GLASS LOCKS

3/4" THROW

1/2", 5/8" OR 3/4" TEMPERED GLASS

AVAILABLE IN STAINLESS STEEL, BRONZE OR ALUMINUM IN A VARIETY OF FINISHES

**1351
CENTER HOUSING
DEADBOLT LOCK**

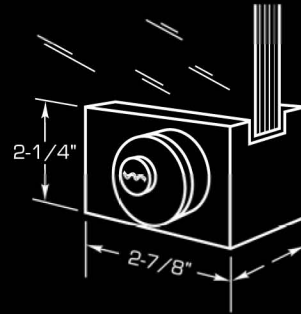


**1352
STRIKE HOUSING**

1-9/16" FOR
1/2" GLASS

1-13/16" FOR
5/8" OR 3/4"
GLASS

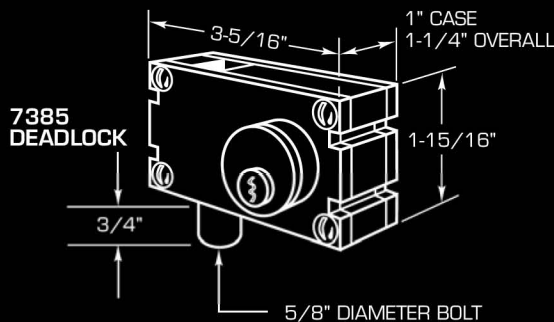
**1350
CORNER LOCK
USED WITH
SERIES 1301
DOORS**



1-9/16" FOR
1/2" GLASS

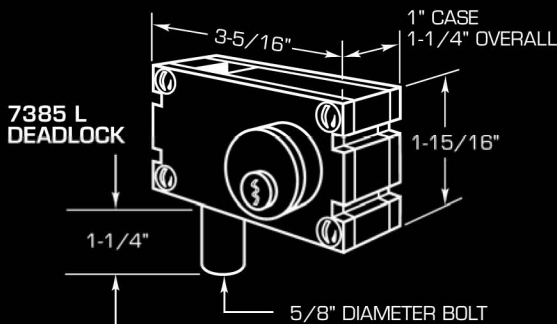
1-13/16" FOR
5/8" OR 3/4"
GLASS

RAIL DEADLOCKS



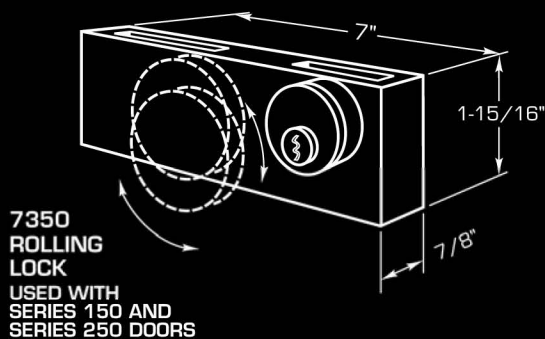
**7385
DEADLOCK**

THIS BLUMCRAFT DEADLOCK HAS A 5/8" DIAMETER DROP BOLT WITH A 3/4" THROW THAT CAN ENGAGE INTO A STRIKE PLATE, THRESHOLD, OR DUST-PROOF STRIKE. THE 7385 LOCK CAN BE MOUNTED IN THE BLUMCRAFT 640C DOOR AND MOST TEMPERED GLASS DOORS. STANDARD MORTISE KEY CYLINDERS ARE HELD IN POSITION WITH SET SCREWS THAT ARE ACCESSIBLE FROM THE END OF THE DOOR RAIL.



**7385 L
DEADLOCK**

THIS DEADLOCK IS THE SAME AS THE STANDARD 7385 EXCEPT THAT IT HAS A FULL 1-1/4" THROW. THE ADDITIONAL ENGAGEMENT CAN ACCOMMODATE CLEARANCES UP TO 11/16" OR SPECIAL FLOOR CONDITIONS.



**7350
ROLLING
LOCK
USED WITH
SERIES 150 AND
SERIES 250 DOORS**

THIS BLUMCRAFT DEADLOCK HAS A CYLINDRICALLY SHAPED BOLT THAT ROLLS RATHER THAN SLIDES. ROLLING REDUCES THE CONTACT AREA SURROUNDING THE BOLT AND THE POSSIBILITY OF FREEZING IN AN OPEN OR CLOSED POSITION. WHEN LOCKED, THE BOLT BECOMES VERY DIFFICULT TO DAMAGE BECAUSE IT REVOLVES ON ITS OWN AXIS. BALL BEARINGS SMOOTH OUT THE OPERATION OF ALL STAINLESS STEEL MOVING PARTS. SIX PIN MORTISE CYLINDERS ARE STANDARD AND CAN BE KEYED ALIKE OR KEYED SEPARATELY.

GUIDELINES

- EXTERIOR USE** 8'-0" HIGH FOR 1/2" THICK GLASS
 8'-6" HIGH FOR 5/8" OR 3/4" THICK GLASS
- INTERIOR USE** 8'-6" HIGH FOR 1/2" THICK GLASS
 9'-0" HIGH FOR 5/8" OR 3/4" THICK GLASS

SINCE INCREASED SIZES MAKE THE DOORS HEAVIER AND MORE FLEXIBLE, CONSIDER THE FOLLOWING:

- WINDLOAD, STACK ACTION, AND VENTILATION LOADS
- PANIC DEVICE AND DEADBOLT HOUSING LIMITATIONS
- MOUNTING CONDITIONS OF DOORS TO BUILDING STRUCTURE
- FLOOR CLOSER OR OVERHEAD CLOSER CHARACTERISTICS
- HEAVY USAGE AND FREQUENCY OF OPERATION
- COMFORTABLE FEEL OF THE DOOR DURING OPERATION



FINAL DETERMINATION SHOULD BE MADE BY THE ARCHITECT'S STRUCTURAL ENGINEER

SPECIFICATIONS

1/2" THICK FULLY TEMPERED GLASS IS AVAILABLE IN CLEAR, SOLARBRONZE, SOLARGRAY, STARPHIRE LOW-IRON, SATIN ETCH, AND SATIN ETCH/LOW IRON.
 5/8" AND 3/4" GLASS AVAILABLE IN CLEAR AND STARPHIRE LOW-IRON ONLY.

SERIES 1301 DOORS

SERIES 1301 DOORS ARE AVAILABLE IN 1/2", 5/8", AND 3/4" TEMPERED GLASS. THE TOP AND BOTTOM RAILS ARE FURNISHED IN 3/4" HIGH SOLID STAINLESS STEEL OR ARCHITECTURAL BRONZE TO BE USED WITH BLUMCRAFT CEILING CHANNELS OR TRANSOM BARS WHERE THE TOP PIVOT RECEPTACLES ARE RECESSED AND ADJUSTABLE. SPECIAL REMOVABLE SPINDLE FITS DORMA BTS-80 FLOOR CLOSERS. WHEN OVERHEAD CLOSERS ARE USED, A CIRCULAR ADAPTER FITS THE CLOSER PINTEL. RECESSED BOTTOM PIVOT IS BP-13.

IMPORTANT: THE SERIES 1301 TOP AND BOTTOM RAILS CAN VARY IN SIZE TO ACCOMMODATE ELECTRO-MAGNETIC LOCKS, ELECTRIC DROP BOLTS, AUTOMATIC OPERATORS, OVERHEAD CLOSERS, WALKING BEAM TOP PIVOTS, AND TO ALIGN WITH ADJACENT MATERIALS. CONTACT FACTORY FOR DETAILS.

FINISHES FOR SERIES 1301 DOORS

- STAINLESS STEEL:** SATIN US32D, POLISHED US32, POWDER COATED
- BRONZE:** SATIN US1Q, POLISHED US9, STATUARY US10B
- NOTE: BRONZE FINISH IS FURNISHED NOT LACQUERED. CONTACT BLUMCRAFT FOR SUGGESTED MAINTENANCE.*
- ALUMINUM:** NOT AVAILABLE

FLOOR/OVERHEAD CLOSERS FOR SERIES 1301 DOORS

FLOOR CLOSERS: **DORMA BTS-75V, DORMA BTS-80, JACKSON 900**
 OVERHEAD CLOSERS: **DORMA RTS-88**

WEATHERSTRIPPING

PILE WEATHERSTRIPPING CAN BE APPLIED TO EDGES OF GLASS. IT IS REPLACEABLE WITHOUT REMOVING DOORS FROM THEIR OPENINGS.

SIDELIGHTS

SIDELIGHTS TYPICALLY HAVE TOP/BOTTOM RAILS TO MATCH THE DOORS, BUT A VARIETY OF OPTIONS ARE ALSO AVAILABLE. THEY CAN BE RECESSED INTO CEILING OR BASE CHANNELS FOR AN ALL GLASS LOOK AND ARE GENERALLY FURNISHED COMPLETELY BY BLUMCRAFT.

OTHER DOOR SERIES

SERIES 250 DOORS

HORIZONTAL TOP AND BOTTOM RAILS ARE FURNISHED IN SOLID ALUMINUM SECTIONS 1-1/4" THICK FOR 1/2" GLASS. FOR 5/8" AND 3/4" GLASS, THE RAILS ARE 1-1/2" THICK. VERTICAL STILES MUST BE THE EXACT SHAPE AND SIZE TO MATCH THE RAILS. THESE STILES ARE BONDED TO THE GLASS IN BLUMCRAFT'S FACTORY AND MAY HAVE PILE WEATHERSTRIPPING APPLIED. HOLLOW SHAPES OR CHANNEL SECTIONS WILL NOT BE ACCEPTABLE. THESE RAILS CONTAIN ADJUSTABLE TOP AND BOTTOM PIVOT BLOCKS WITH ADAPTERS TO FIT OPERATING FLOOR CHECKS SPECIFIED. THESE BLOCKS ARE TO BE SOLID AND BUILT TO THE DIMENSIONS AS DETAILED. THE PIVOT BLOCKS HAVE ADJUSTABLE FEATURES FOR ALIGNMENT OF DOOR AND HAVE REMOVABLE COVER PLATES TO HIDE ADJUSTMENT SCREWS. WHEN OVERHEAD CLOSERS ARE USED, THE PIVOT BLOCK CONTAINS A HEAVY DUTY TAPERED ROLLER BEARING WHICH IS ADJUSTABLE IN HEIGHT. THE UPPER PIVOT BLOCK CONTAINS AN ADJUSTABLE PIVOT ARM TO FIT THE PINTEL OF THE SPECIFIED OVERHEAD CLOSER. SERIES 250 DOORS CAN ACCEPT #7350 RAIL LOCKS.

SERIES 640 DOORS

THE SERIES 640C, 640CH, 640S, AND 640SH DOORS ARE AVAILABLE IN 1/2", 5/8", OR 3/4" THICK TEMPERED GLASS. STANDARD TOP AND BOTTOM RAILS ARE 3-3/8" HIGH OR 3-1/2" HIGH WHEN CLAD, BUT CAN BE FABRICATED UP TO 12" HIGH. RAILS AND STILES (640S AND 640SH) ARE FURNISHED IN ALUMINUM, STAINLESS STEEL, OR BRONZE AND CAN ACCEPT #7385 RAIL LOCKS. THESE DOORS ARE ADAPTABLE TO MOST OVERHEAD/FLOOR CLOSERS, AUTOMATIC OPERATORS, ELECTRIC DROP BOLTS, ELECTROMAGNETIC LOCKS, AND DOOR POSITION SWITCHES.

SERIES 860 DOORS

A SMALLER VERSION OF THE SERIES 1200 DOOR, THE SERIES 860 DOOR IS ALSO DESIGNED TO USE 1/2" TEMPERED GLASS, BUT ONLY UP TO 8'-6" HIGH. THE DOOR FEATURES SAFETY JAMB PROTECTION AND ELIMINATION OF THE TOP AND BOTTOM RAILS.

FINISHES FOR SERIES 250, 640, AND 860 DOORS

ALUMINUM: SATIN CLEAR ANODIZED, MEDIUM OR DARK BRONZE DURANODIC AND BLACK DURANODIC, PAINTED OR POWDER COATED AVAILABLE IN VARIOUS COLORS.

STAINLESS STEEL: SATIN US32D, POLISHED US32.

BRONZE ALLOY 280: SATIN US10, POLISHED US9, STATUARY US10B.

NOTE: BRONZE FINISH IS FURNISHED NOT LACQUERED. CONTACT BLUMCRAFT FOR SUGGESTED MAINTENANCE.

FLOOR CLOSERS FOR SERIES 250, 640, AND 860 DOORS

RIXSON: 26, 28, 30, 40, 5013-15, 5023-25

DORMA: BTS-75V, BTS-80

JACKSON: 900

NOTE: IF A POSITIVE STOP IS REQUIRED, SPECIFY "AUXILIARY STOP TO BE APPLIED AT THE FLOOR, HEADER, OR WALL AT OR NEAR THE LEADING EDGE OF THE DOOR"

OVERHEAD CLOSERS FOR SERIES 250, 640, AND 860 DOORS

BLUMCRAFT DOES NOT RECOMMEND OVERHEAD CLOSERS FOR GENERAL EXTERIOR USE OR FOR LARGE DOORS OR DOORS MADE OF EXCESSIVELY HEAVY GLASS OR HARDWARE. SELECTION OF CLOSERS SHOULD BE DETERMINED BY THE ARCHITECT AND THE HARDWARE CONSULTANT.

RIXSON: 608, 700, 800

DORMA: RTS-88

JACKSON: 20-330

SERIES 1200 DOORS

SERIES 1200 DOORS ARE DESIGNED TO USE 1/2" THICK TEMPERED GLASS UP TO 12'-0" HIGH. THESE TALL DOORS ARE CONTROLLED BY DORMA BTS-80 FLOOR CLOSERS. THE WEIGHT OF THE DOOR IS BORNE BY A HEAVY DUTY LOAD BEARING CEMENT CASE INDEPENDENT OF THE FLOOR CLOSER.

FINISHES FOR SERIES 1200 DOORS

ALUMINUM: SATIN CLEAR ANODIZED, MEDIUM OR DARK BRONZE DURANODIC AND BLACK DURANODIC, PAINTED OR POWDER COATED AVAILABLE IN VARIOUS COLORS.

STAINLESS STEEL: SATIN US32D, POLISHED US32.

BRONZE ALLOY 280: SATIN US10, POLISHED US9, STATUARY US10B.

NOTE: BRONZE FINISH IS FURNISHED NOT LACQUERED. CONTACT BLUMCRAFT FOR SUGGESTED MAINTENANCE.

WEATHERSTRIPPING

PILE WEATHERSTRIPPING CAN BE APPLIED TO EDGES OF GLASS OR IN SERIES 250 AND 640S/640SH VERTICAL STILES. IT IS REPLACEABLE WITHOUT REMOVING DOORS FROM THEIR OPENINGS.

SIDELIGHTS

SIDELIGHTS TYPICALLY HAVE TOP/BOTTOM RAILS TO MATCH THE DOORS, BUT A VARIETY OF OPTIONS ARE ALSO AVAILABLE. THEY CAN BE RECESSED INTO CEILING OR BASE CHANNELS FOR AN ALL GLASS LOOK AND ARE GENERALLY FURNISHED COMPLETELY BY BLUMCRAFT.

FLOATING TRANSOM BARS

THE B-1250 FLOATING TRANSOM BARS ARE MADE OF SOLID STEEL AND CLAD TO MATCH THE SPECIFIED FINISH. THEY HAVE BOTH VERTICAL AND LATERAL ADJUSTMENTS. INSTALLATION IS ACCOMPLISHED BY STAINLESS STEEL SUPPORT RODS HANGING FROM CEILING CHANNELS AND PRESSURE PADS TO THE SIDELIGHT GLASS. ELECTRIC STRIKES CAN BE USED WITH TRANSOM BARS IN COMBINATION WITH BLUMCRAFT PANIC DEVICES OR DEADBOLT HOUSINGS. TRANSOM BARS CAN BE MOUNTED TO WALLS OR FRAMING.

AUTOMATIC OPERATORS

SERIES 250 AND 640 DOORS ARE READILY ADAPTABLE TO MOST OVERHEAD AUTOMATIC OR POWER ASSISTED OPERATORS SUCH AS BESAM, HORTON, LCN, OR NORTON. SERIES 1301 DOORS ARE ADAPTABLE TO THESE SAME OPERATORS WITH MODIFICATIONS TO THE TOP RAILS. SERIES 640 DOORS ARE ALSO ADAPTABLE TO TORMAX FLOOR AUTOMATIC OPERATORS. TO INSURE COMPATIBILITY, CONTACT BLUMCRAFT.

TUBULAR HARDWARE

PANIC DEVICES

PANIC DEVICES H-100 OR H-110 WITH INTERIOR OPERATING PANIC HANDLES CAN BE USED IN COMBINATION WITH EXTERIOR FIXED PULL HANDLES DESIGNATED BY LETTERS. THE PANIC MECHANISM IS CONCEALED WITHIN THE 1-1/4" DIAMETER STAINLESS STEEL OR ARCHITECTURAL BRONZE TUBING. ENTRANCE FROM EXTERIOR BY KEY CYLINDER IS OPTIONAL.

ELECTRIC STRIKES

ELECTRIC STRIKES ARE FOLGER ADAM 310-1 WITH 3/4" STRAIGHT KEEPER WITHOUT SIGNAL SWITCHES USING H-100 PANIC DEVICES. THEY ARE MOUNTED IN THE HEADER OR TRANSOM BAR.

DEADBOLT HOUSINGS

DEADBOLT HOUSINGS DB-100, DB-110, DB-130, DB-140, DB-150, DB-160, OR DB-170 WITH INTERIOR FIXED HANDLES CAN BE USED IN COMBINATION WITH ANY OF THE FIXED EXTERIOR PULL HANDLES DESIGNATED BY LETTERS. THE OPERATING MECHANISM IS CONCEALED WITHIN THE 1-1/4" DIAMETER STAINLESS STEEL OR ARCHITECTURAL BRONZE TUBING. THERE IS A KEYPED CYLINDER ON BOTH SIDES OR A THUMBTURN ON THE INTERIOR SIDE WHERE INDICATED. THE LOCKING MECHANISM IS ON THE INTERIOR SIDE OF THE DOOR.

DEADBOLT HOUSINGS (SELF-LATCHING)

DEADBOLT HOUSINGS DBL-100, DBL-130, DBL-160 OR DBL-170 WITH INTERIOR FIXED HANDLES CAN BE USED IN COMBINATION WITH ANY OF THE FIXED EXTERIOR PULL HANDLES DESIGNATED BY LETTERS. THIS NEW SELF-LATCHING FUNCTION IS FULLY DESCRIBED ON PAGE D22.

DUMMY HANDLES

DUMMY HANDLES DH-100, DH-110, DH-130, DH-140, DH-150, DH-160, OR DH-170 WITH INTERIOR FIXED HANDLES CAN BE USED IN COMBINATION WITH ANY OF THE FIXED EXTERIOR PULL HANDLES DESIGNATED BY LETTERS. THIS HARDWARE MATCHES THE PANIC OR DEADBOLT HARDWARE BUT HAS NO LOCKING MECHANISM.

FINISHES FOR TUBULAR HARDWARE

STAINLESS STEEL: SATIN US32D, POLISHED US32, POWDER COATED

BRONZE: SATIN US10, POLISHED US9, STATUARY US10B

ALUMINUM: NOT AVAILABLE

NOTE: BRONZE FINISH IS FURNISHED NOT LACQUERED. CONTACT BLUMCRAFT FOR SUGGESTED MAINTENANCE.

CONSTRUCTION AND TESTING

DOORS ARE COMPLETELY BUILT WITH TOP/BOTTOM RAILS AND VERTICAL STILES BONDED TO GLASS. ALL OPERATING HARDWARE IS MOUNTED TO DOORS. THIS ASSEMBLY MUST BE DONE IN BLUMCRAFT'S FACTORY UNDER CONTROLLED CONDITIONS. EACH DOOR IS THEN PHYSICALLY TESTED IN OUR FACTORY FOR ALL OPERATING FUNCTIONS AND MADE READY FOR INSTALLATION.

INSTALLATION

INSTALLATION IS MADE IN ACCORDANCE WITH MANUFACTURER'S RECOMMENDATIONS. DOOR FRAMING, JAMBS, AND THRESHOLDS MUST BE SET SQUARE AND PLUMB. CLEARANCES BETWEEN THE DOORS, HEADER, JAMB, AND THRESHOLD MUST BE AS RECOMMENDED BY BLUMCRAFT. PIVOT BLOCKS AT TOP AND BOTTOM OF DOORS MUST BE PROPERLY ALIGNED BY INTERNAL ADJUSTMENTS BEFORE PLACING STRIKE PLATES IN FLOOR, THRESHOLD, AND HEADER. THE INSTALLATION CONTRACTOR IS FULLY RESPONSIBLE FOR PROPERLY ALIGNING AND SETTING THE DOORS AND THE SIDELIGHTS IN ACCORDANCE WITH BLUMCRAFT'S DETAILED INSTRUCTION SHEETS INCLUDED WITH EACH SHIPMENT.

PROTECTION

DURING THE INSTALLATION AND AFTER THE INSTALLATION IS COMPLETED, THE GENERAL CONTRACTOR IS FULLY RESPONSIBLE FOR PROVIDING ADEQUATE PROTECTION AGAINST ANY STAINS OR OTHER DAMAGE THAT MAY OCCUR DURING CONSTRUCTION.

SHOP DRAWINGS

BLUMCRAFT'S ENGINEERING STAFF WILL PREPARE ALL SHOP DRAWINGS.



OVER 80,000 BLUMCRAFT INSTALLATIONS CAN BE FOUND IN SOME OF THE MOST PRESTIGIOUS BUILDINGS THROUGHOUT THE WORLD. THE FOLLOWING IS A PARTIAL LISTING OF NOTABLE PROJECTS WHERE BLUMCRAFT ENTRANCE DOORS AND HARDWARE HAVE BEEN INSTALLED.

NY JETS TRAINING FACILITY

Florham Park, NJ

NESTLE CULINARY INNOVATION CENTER

Salon, OH

MERCK

Rahway, NJ

UNITED NATIONS PENSION FUND

New York, NY

BAYER CORPORATION

Pittsburgh, PA

PERFORMING ARTS

St. Louis, MO

YALE UNIVERSITY

New Haven, CT

LOUVRE

Paris, France

HARVARD UNIVERSITY

Cambridge, MA

MILWAUKEE ART MUSEUM

Milwaukee, WI

SUPREME COURT

Jerusalem, Israel

BLOOMBERG

New York, NY

PFIZER

New York, NY

165 CHARLES STREET

New York, NY

DELOITTE HEADQUARTERS

Chicago, IL

INSTITUTE FOR THE STUDY OF THE ANCIENT WORLD

New York, NY

MT. VERNON VISITOR'S CENTER

Mt. Vernon, NY

WOLFGANG PUCK-THE BORGATA NORTH

Atlantic City, NJ

CARLOW COLLEGE

Pittsburgh, PA

CANADIAN EMBASSY

Riyadh, Saudi Arabia

M.M. ROBERTS STADIUM

UNIVERSITY OF MISSISSIPPI

Hattiesburg, MS

HARLEY DAVIDSON MUSEUM

Milwaukee, WI

UCLA YOUNG RESEARCH LIBRARY

Los Angeles, CA

PURDUE UNIVERSITY

West Lafayette, IN

RITZ CARLTON

New York, NY

JAMES GALLERY

Pittsburgh, PA

NEWSEUM

Washington, DC

DUPONT

Wilmington, DE

RADISSON WAIKIKI PRINCE KUHIO HOTEL

Honolulu, HI

WORLD WAR II MUSEUM

New Orleans, LA

ASIAN ART MUSEUM

San Francisco, CA

METROPOLITAN MUSEUM OF ART

New York, NY

DEPARTMENT OF HOMELAND SECURITY

New York, NY

NELSON ATKINS MUSEUM

Kansas City, MO

NEW YORK HISTORICAL SOCIETY

New York, NY

NETFLIX

Los Gatos, CA

XEROX WORLD HEADQUARTERS

Stamford, CT

U.S. STATE DEPARTMENT GALLERIES

Washington, DC

CANARY WHARF

London, England

CALVIN KLEIN

Dubai, UAE

VANDERBILT MUSEUM

Centerpoint, NY

BLOOMINGDALE'S

New York, NY

IBM

Toronto, Ontario

NATIONAL BASEBALL HALL OF FAME

Cooperstown, NY

CHEVRON PARK

San Ramon, CA

DALLAS COWBOYS STADIUM

Arlington, TX



460 MELWOOD AVENUE • PITTSBURGH, PA 15213-1195
TELEPHONE 412-681-2400 • FAX 412-681-6840

E-mail (general inquiries for quick response): info@blumcraft.com
E-mail (for drawings/engineering department): eng@blumcraft.com

Visit our website at www.blumcraft.com