



DOORS

CAT. NO. **CRL14D**

DOORS AND ENTRANCE SYSTEMS

CRL Manufactures the Largest Selection of Glass, Metal, and Screen Doors in the Industry



- 'All Glass' Doors
- Balanced Doors
- Bi-Folding Doors
- Blast Resistant Doors
- Bottom Rolling Doors
- Clad Doors
- Display Case Doors
- Elephant Doors
- Formed Metal Doors
- Full Framed Doors
- Hurricane Resistant Doors
- Screen Doors
- Security Doors
- Stacking Doors
- Thermal Doors
- Top Hung Sliding Doors

FEATURING:



C.R. LAURENCE COMPANY

Worldwide Manufacturer and Supplier

Glazing, Screen, Architectural, Railing, Construction, Industrial, and Automotive Supplies

crlaurence.com

| usalum.com

|

crl-arch.com

A Letter From The President

C.R. Laurence (CRL) offers a complete range of doors and entrance systems for every application and budget. We've expanded to over a 1,000,000 square feet of ISO 9001:2008 certified manufacturing space to support our 40 distribution service centers throughout the United States, Canada, Australia, and Europe. This growth furthers our goal to provide products of the highest quality and value, and to maintain our leadership position in the glazing industry.

In this catalog you will find the largest selection of Entrance Doors ever offered to the glazing and architectural industries. Everything from our 'All-Glass' Entrance Doors, Aluminum Framed Entrance Doors, Top Hung Sliders, Bottom Rolling Sliders, to our new Elephant Sliding Storefronts and new Monterey Series Bi-Fold Doors for exterior applications. Our Entrance Door Systems are among the industry's best, providing years of service. In fact, Series 250, 400, 550 Aluminum Framed Doors, and Series 800 and 850 Durafront™ Doors come with a lifetime warranty on the corner construction, which is mechanically fastened and welded. All of our doors are built consistently to the highest industry standards.

CRL supports our extensive product lines with a dedicated Technical Sales Department providing superior customer service and resources to keep our customers on the cutting edge of technology. You can send e-mail requests for quotes or product information from the crlaurence.com home page. Click on Contact Us, and then click on Technical Sales for Commercial Products.

We are determined to provide whatever products you need to see that your business is as successful as it can be. With your continued support we will provide the best service and products available now and into the future. Let's continue our success together.



A handwritten signature in black ink, appearing to read 'Lloyd W. Talbert'.

Lloyd W. Talbert

President and C.O.O.
C.R. Laurence Co., Inc.



'ALL GLASS' PIVOTING DOORS PAGES 101D THRU 164D

1



FRAMED PIVOTING DOORS PAGES 165D THRU 260D

2



TOP HUNG SLIDING DOORS PAGES 261D THRU 364D

3



BOTTOM ROLLING DOORS PAGES 365D THRU 396D

4



HANDLES AND ACCESSORIES PAGES 397D THRU 444D

5



SCREEN DOORS PAGES 445D THRU 484D

6



ARCHITECTURAL SYSTEMS PAGES 485D THRU 498D

7





CRL Serves the World From Three Continents With Ever-Improving Service Capabilities

- North America • Europe • Australia

C.R. Laurence has been a supplier to customers worldwide for decades, and can now offer our unmatched range of products and services from CRL locations on three continents: North America, Europe, and Australia.

Communicating

In our history we have prospered as a company because we've followed a path of innovation and growth, always seeking new ways to use the latest technology to expand our service capabilities. Major advancements in the world of communications have made much of this possible. We've always been among the first to introduce new ways of reaching our customers, and in return, have made it easier for them to do business with us.

C.R. Laurence was the first in our industry to offer toll free telephone ordering. For over 40 years our customers have been able to call our 800 number to place orders, ask questions about products, get prices, and communicate with us without it costing them a cent. Our recent expansion into Europe lets us offer the same free phone and free fax service to our customers on that continent.

In the early '80's we added toll free fax ordering, making it possible for our customers to fax their purchase orders, parts lists, shop drawings and other documents directly to our Customer Service Department at CRL Corporate Headquarters. It was during this time that we also introduced CRL FastFax, providing customers instant notification that their orders had been shipped.

One of our most important advances was the installation of the CRL Computer System in 1978. The power of our abilities multiplied many times when we went 'online' because we were better able to track inventory levels throughout our distribution network, and better able to process your orders quickly and more accurately. The ongoing evolution of the CRL Computer System now includes our Internet and fax servers, which empowers us to offer our customers in every corner of the world ever-improving service at every step in the process, from order entry through shipping and billing.

Some say our most important communications advancement was our entry into the business of Electronic Commerce with the introduction of the CRL web site in 1997. What was once a fledgling effort has blossomed into a self service web site featuring information regarding all of the products and services CRL has to offer. Customers who use crlaurence.com find an enlightening and comprehensive web site that is constantly improving with the addition of new features that make it quicker and easier to use. And now we have web sites especially tailored to the countries with which we do business.

C.R. Laurence makes a serious effort to promote ever-improving service by making the investments required to improve communications at every level. We want your business dealings with CRL to be simple, clear, and



convenient. If you feel that we can improve communications at any level, we would like to hear from you. To submit comments, go to crlaurence.com and click on Contact Us, then click on Web Comments.

Building A Network

Providing the ever-improving service level we strive for means bringing CRL to our customers. From a single Los Angeles, California location we have grown to a network of Service Centers in six countries on three continents.

Each of our Service Centers is connected to Corporate Headquarters through our computer system, which monitors and updates inventory levels with the arrival of each new delivery truck and the shipment of each customer order. Every Service Center receives fresh inventory each week through our Inter-Branch Transfer System so stock levels can remain high. This improves the percentage of your orders we can ship complete, and usually on the same day we receive them.

Another advantage of having regionally located Service Centers in or near major metropolitan areas is the opportunity to serve our customers in person. Each CRL location has a Will Call Trade Counter open six days a week. For directions to CRL locations go to crlaurence.com and click on About CRL under the General Information menu to the left of your screen. The pop-up menu will give you a selection for Service Centers.

And in order to provide ever-improving service, the CRL network of Service Centers will continue to grow. In recent years CRL service has come to Australia and Europe with the opening of locations to serve customers on these continents. New or enlarged Service Centers are planned for metropolitan areas throughout the U.S. With the opening of each new facility, we make getting what you want from CRL faster and easier.

Investing In People To Serve You

The best way we can serve you is to have capable people available to answer your questions, take and expedite your orders, suggest solutions to problems you may be having with a job, or to assist you in any manner we can. We maintain ongoing training programs so that the CRL people who serve you will have at their command the resources to make your business transactions with us a pleasant experience.





CRL Serves the World With Local and International Brands of Your Favorite Products

• North America

• Europe

• Australia



CRL's Global Headquarters in the Los Angeles, California area

Brand Names

Product branding is the identification of a product by a specific name, and it is present in just about everything you buy. Whether it's groceries, garments, appliances, electronics or vehicles, we all have our favorite brands. We get to know and trust certain brands for their reputation of quality, good or bad, and we make buying decisions in part based on our familiarity and trust in a brand name.

The same is true for the products we use. Every professional has favorite brands that they trust for quality, service life, and value. Some of these names are familiar worldwide, and can be found in shops in virtually every country. Others are more local in scope, marketed only in certain countries or on certain continents.

As for quality, in many cases the "local" brands are just as good as the "international" brands, and provide equal value. They have their particular markets, and have excelled in them by producing top quality products at affordable prices.

CRL Brings The Best To You

Operating on three continents allows us to bring brands to you that you may not otherwise have local access to. Our purchasing agents select quality products from vendors across the globe, and because we have a global distribution network these products can be made available through any of our Service Centers.

When you review our catalogs, both in print and online, you'll see many familiar brand names and some that will be new to you. Be assured that these new brands, including those products bearing the CRL brand name, are tested products that will deliver both quality and value.

As both a manufacturer and a distributor CRL can bring you the best products at value prices. We're a brand name that you can trust.

Need It But Don't See It? Just Ask CRL

Our access to suppliers worldwide gives us the ability to deliver products from any of the brand names we advertise. If you need a certain product from a specific brand name, don't hesitate to ask us for a price and delivery time. We're experts at getting you what you want when you need it. Just ask us and we'll do our best to serve you.



CRL's Canadian Headquarters in the Toronto, Ontario area



CRL's European Headquarters in the Manchester, England area



CRL's Australian Headquarters in the Sydney, New South Wales area

CRL Provides Global Service With Regionally Oriented Web Sites

- Access to All CRL Products and Services is Available 24 Hours a Day, Seven Days a Week When You Visit Us Online
- Our Sites are Updated Continually to Bring You Our Newest Products and Special Offers
- The Entry Port for 'All-Glass' Storefronts Online®, Showers Online, Hand Rails Online, and Our Other Web-Based Services



As a global supplier to the industries we serve, CRL recognizes that the power of electronic commerce strengthens our ability to serve you locally, as well as our other customers worldwide. And while the Internet has created a virtual "global village", it's important to also have the capability to tailor our web sites to the specific needs and business conditions of the continents on which we are based. That said, it became apparent that our web site, crlaurence.com, had to at the same time be global in appeal, but still local enough to be relevant.

Thus the creation of our Global Web Site Directory. When you visit our web site you are directed to the home page of the individual site designated to host your home country.

You can also move from one site to another simply by clicking on the directory icon at the top of the home page. From here you have access to all of our sites, giving you the opportunity to explore the entire scope of CRL's online world.

As we progress in this global strategy, look for us to include new translations of our Online Catalog into many more of the major languages. We are committed to spreading the virtual world of C.R. Laurence around the globe, and making your online shopping experience at crlaurence.com pleasant and easy to understand. We want you to be comfortable with CRL, and will work hard to make that possible.

Welcome to the C.R. Laurence Global Web Site Directory

Please select from one of these web sites to begin your visit.

 UNITED STATES and INTERNATIONAL English Language crlaurence.com	 CANADA English Language crlaurence.ca	 EUROPE - UK English Language crlaurence.co.uk	 EUROPE - DE Deutsche Sprache crlaurence.de
 UNITED STATES and INTERNATIONAL MX idioma español crlaurence.com.mx	 CANADA FR en français crlaurence.qc.ca	 EUROPE FR en français crlaurence.fr	 EUROPE English Language crlaurence.eu
 EUROPE - IT Lingua Italiana crlaurence.it	 AUSTRALIA crlaurence.com.au	 EUROPE Spanish Language crlaurence.es	 SCANDINAVIA ApS crlaurence.dk
 USALUMINUM usalum.com	 Architectural Products & Services crl-arch.com	 SOMACA & ARCH GLASS MACHINERY DIVISION A Division of C.R. Laurence Co., Inc. somaca.com	 CRL STONE A Division C.R. Laurence of Europe LTD crlaurence.co.uk
 THE FIRM COLUMBIA MANUFACTURING CORP. A Division of C.R. Laurence Co., Inc.	 mobile web site		



CRL Methods of Ordering Online at crlaurence.com

- crlaurence.com Never Closes!
- It's the Home of Our Online Catalog

Many of our customers have found the most convenient method of ordering from CRL is through our "self-service" web site. When you use crlaurence.com to place your orders you have many options that other methods don't provide. You set the schedule and the pace because you can sign on 24 hours a day, seven days a week. You can build a personal catalog and even make changes or additions to your orders online. There's no easier way! See pages XIII - XV for more information about the benefits of ordering at crlaurence.com.



Toll Free Fax Service

- This Convenient Way of Ordering is Used Over 1,000 Times Every Day

When we introduced toll free fax service in the '80's we had no idea how popular it would become, but now our customers send us over 1,000 orders or quote requests every business day! Fax ordering is very convenient because you can fill out your own purchase orders and then just fax them to us. You can be specific about shipping instructions or other details that will help us serve you. To send your orders or quote requests by toll free fax from anywhere in the U.S. or Canada, just dial **(800) 262-3299**. In Australia the number is **1800 813 013**. In Europe the freefax number is **00 800 0262 3299**.



Toll Free Customer Service Order Desk

- Our Friendly, Trained Staff is Always Happy to Hear From You

For over 40 years CRL has provided toll free ordering at **(800) 421-6144**. When you call our Customer Service Order Desk you'll find CRL staff who are trained to provide assistance with CRL products and services. They have instant access to pricing, stock availability, and the status of your account, plus they can connect you to CRL Technical Sales personnel if you need specialized product assistance. Order Desk hours are 6 am to 5 pm (Pacific Time) Monday through Friday, and 7 am to 12 pm Saturdays. In Australia our number is **1800 424 275**. In Europe our freephone number is **00 800 0421 6144**.



Will Call Trade Counter

- When You Need It Today, Our Will Call Trade Counter is Your Fastest Option
- Come In and Visit Us at All CRL Service Center Locations

Every CRL Service Center location has a Will Call Trade Counter where you can place and pick up your orders in person. And when you place your order in advance by phone, fax, or over the Internet, we can have it ready and waiting for you, which can save you a lot of time. Will Call Trade Counter hours are 8 am to 5 pm Monday through Friday, and 8 am to 12 pm Saturdays. Some of our most experienced people staff our Will Call Trade Counter, and they are always happy to see you. Remember, to save time just place your order in advance.

Who May Buy

C.R. Laurence is a manufacturer and wholesale distributor. Possession of this catalog, or any other CRL sales literature, does not constitute an offer to sell. Orders from individuals (except professional tradesmen) may not be accepted.



Los Angeles, California Headquarters of CRL Manufacturing

CRL Manufacturing

- Making Quality Products for Over 50 Years
- User of Progressive ISO9001:2008 Manufacturing Processes
- Mechanical and Technical Expertise Available to Assist Your Manufacturing Processes



You may know C.R. Laurence Company as the world's largest distributor of supplies to the glass industry. What you may not know is that we are also a manufacturer of over 7,000 products found in our Online Catalog. We make some of the best products available to customers worldwide. Our people use progressive ISO9001:2008 manufacturing processes to make products for the Glazing, Screen, Architectural, Railing, Construction, Industrial, and Automotive industries. These certified processes ensure that we give every product our full attention to detail.

Using strict manufacturing standards we produce the kind of quality products that has kept us at the head of this field for many years. That's your assurance that when you select a product made by CRL Manufacturing, you have made the best possible choice.

We're always looking for ways to make our products better, and along the way we've added experts from different fields to our staff of designers, engineers, and craftspeople. Our goal is to make our products a better value to you, whether it's time or labor savings, extended service life, increased versatility or enhanced visual appeal.



Manufacturing Video Online

Go to the home page of crlaurence.com and click on Video Library. From there you can select a seven-minute video presentation detailing CRL's product line and manufacturing capabilities.



Many of our products incorporate industry "firsts"; features offered by no other manufacturer because we feel that no product or process is so good that it can't be improved. We strive to make products of high quality and value. That's the goal we set for ourselves at the onset, and it's still our guiding influence. Some of the improvements we've made have originated from people who have used our products and generously contributed their opinions and suggestions. We welcome your comments, and invite you to contact us at any time regarding a C.R. Laurence product.

Expansion of our manufacturing capability has brought our total manufacturing floor space in California to roughly 650,000 square feet. CRL now has almost 1 million square feet of distribution and manufacturing capability in the local area to better serve our customers. We also have a 90,000 square foot machinery facility in Ciero, Illinois, and a new facility in Melbourne, Australia for the manufacture of our Vacuum Lifters. It's all part of CRL's commitment to provide good quality products with short lead times to the industries we serve.

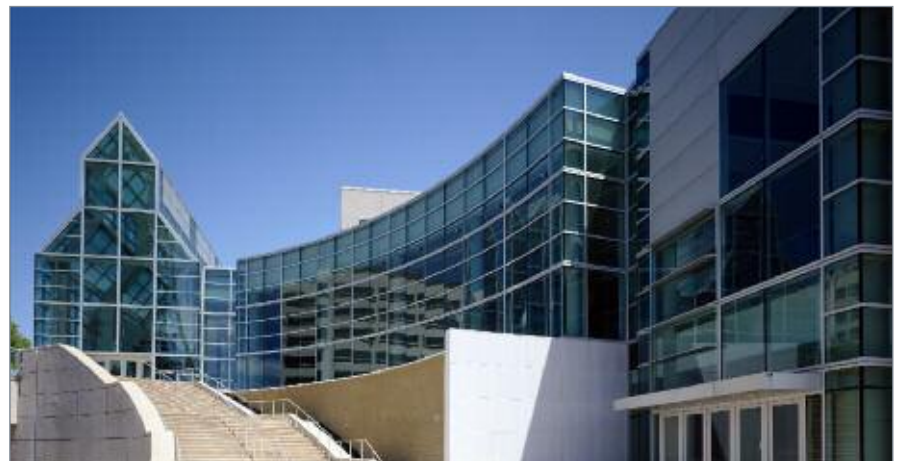
U.S. Aluminum is Now a Part of the CRL Family of Companies



C.R. Laurence Company is pleased to announce the acquisition of United States Aluminum. Originally founded in 1960, United States Aluminum offers the glass and glazing industry a broad range of high-quality storefront and curtain wall products available through a North American network of customer-focused service centers.

Their engineers and fabrication specialists developed many architectural systems widely used in the construction of residential, commercial, and institutional buildings. Through precise engineering and testing in a variety of climate conditions, the company improved upon their designs, resulting in architectural systems known throughout the industry as being innovative, durable, and reliable. Architects and designers who are familiar with the qualities found in United States Aluminum systems know that they can specify them with confidence to their clients. The company has invested the time and effort required to assure their systems are properly tested to meet the conditions required to pass local and national building codes; including some of the very strictest, such as the Miami/Dade County Protocols for impact resistance in hurricane-prone areas.

United States Aluminum had for a time struggled with its own viability in the current economy, and faced an uncertain future. The leadership at C.R. Laurence saw this as an opportunity to save hundreds of American jobs, and keep good American made products on the market. Now renamed simply U.S. Aluminum in its new partnership with C.R. Laurence, the company will continue to make available the architectural systems that have made them a leader in the industry for so long. These systems' reputation for quality benefits not only those who specify and install them, but also the occupants of the buildings into which they have been installed. For more information, contact U.S. Aluminum Technical Sales at (800) 262-5151, or visit our web site at usalum.com.



CRL is Proud to Announce the Addition of Columbia Manufacturing and Guarda™ Lines to Our Extensive Selection of Architectural Products



CRL Columbia Manufacturing

We are very proud to announce the acquisition of Columbia Manufacturing Corp., a well respected name with over 50 years of experience in the screen products industry. We are now operating Columbia through a new entity that is wholly owned by C.R. Laurence Co., Inc.

Columbia's manufacturing plant continues to operate in Gardena, California, and is now open and ready to provide the same high level of service that you are accustomed to receiving from C.R. Laurence. We've made investments and enhancements in the operation to increase capacity, improve the service level, and upgrade quality, design, and product assortment. Our continuing commitment is to provide a full range of products, literature, and technical support to our customers.

For more information about the Columbia Manufacturing line, please contact CRL Columbia Technical Sales at (800) 729-3667, and ask for Ext. 3973 or visit our web site at columbiamfg.com.



CRL Guarda™

C.R. Laurence Co., Inc. has entered into an agreement with Meshtec International Co., Ltd., manufacturer of an innovative premium high tensile stainless steel mesh that provides unparalleled security protection for doors and windows. Meshtec passes international security standards, including Australia's, which are some of the most stringent in the world.

Under the terms of the agreement, C.R. Laurence will manufacture and market products with Meshtec stainless steel mesh creating a new line of Guarda™ brand door and window protection that meets the need for high security protection for commercial, residential, and institutional buildings. One of the unique features of the new Guarda™ line is its blend of strength, design, and beauty. The quality of C.R. Laurence's manufacturing capabilities, coupled with the strength of our service center footprint, will enable customers full access to the Guarda™ product line of security doors, screens, balustrades, and window products for residential and commercial applications. For more information, visit our web site at crlaurence.com. You can contact us by toll free phone by dialing (855) 4GUARDA.



Blumcraft, Jackson, and Tajima Become Part of the Future of C.R. Laurence

CRL-Blumcraft

Blumcraft of Pittsburgh is a member of the C.R. Laurence family of companies. An icon in the architectural metal and glass industry, Blumcraft has been designing, manufacturing, and delivering high quality products to the architectural metal and glass industry for over 95 years. The company's tempered glass doors, panic hardware, hand rails, and display doors are well known to architects, contractors, and installers in their building trades. Blumcraft has close ties to many architectural firms, customizing products to their specifications.

Blumcraft metalwork elements have been installed in more than 80,000 buildings throughout the world, including the White House, the Smithsonian Institute, the Metropolitan Museum of Art, the Louvre in Paris, and many other prestigious buildings.

The acquisition of Blumcraft benefits CRL customers by providing even more choices of high quality architectural hardware products. We value the experience, reputation, and technical expertise of the Blumcraft staff, and are pleased they are part of the CRL team.

For more information about the Blumcraft line, please contact CRL Technical Sales for Architectural Products or visit our web site at crlaurence.com.



CRL Jackson

Jackson Corporation is now a member of CRL Manufacturing. Jackson has been a leading manufacturer of door hardware for the aluminum and tempered glass door industry for over 50 years. In 1995 they became the first U.S. hardware manufacturer to be certified to ISO 9001 quality standards. The manufacturing operations are housed in our new facility in Los Angeles, and Jackson products are distributed through CRL's worldwide network.

This joining provides CRL customers more choices than ever of traditionally high quality Jackson architectural hardware. Jackson's very popular Transom Closer was originally developed and patented over 35 years ago. The innovative features of today's versions continue to make the Jackson Transom Closer a top choice. The company's Panic Exit Hardware is universally recognized as the standard for the aluminum storefront market.

The experience gained through this move is invaluable, and we welcome the Jackson staff into our Technical Sales and Manufacturing efforts. For more information, to place an order or request a quote, contact CRL Jackson Technical Sales or visit our web site at crlaurence.com.



CRL Tajima

Tajima Corporation USA is a well-known firm in the Architectural Metals industry. Based in Los Angeles, Tajima has been supplying design, engineering, and manufacturing services to this industry in the United States for over 20 years. The employees of Tajima have joined CRL as Tajima's operations have consolidated with our existing Los Angeles Architectural Metals and Manufacturing operations.

Tajima Corporation USA has extensive experience in the architectural metals industry. The company's product expertise includes: curtain walls, entrances, storefronts, metal wall panels, column covers, cladding, canopies, sunscreens, hand rails, and custom ornamental metals.

CRL also announced an agreement with Pacific Door Closer to become the exclusive manufacturer and distributor of Balanced Doors developed by Wikk Industries, whose balanced door hardware has been tested and proven commercially in thousands of installations. CRL continues to produce this well-known line of Balanced Doors.

The people, products, machinery and know-how acquired in these two transactions are tremendous complements to our growing Architectural Metals and Architectural Hardware capabilities, and represent our strong commitment to these important industries.

CRL's extensive line of Architectural Metals is showcased in the CRL AM09 Architectural Metals Catalog and the TAJ11 CRL Tajima Architectural Metals Catalog. Both are available for viewing or download at crlaurence.com.



You Can Do It!

The Storefront Store Can Show You How

- There's No Mystery Behind Selling and Installing Quality U.S. Aluminum Entrance Doors and Storefronts
- We Share Our Experience With You to Help You Expand Into This Profitable Business

The Storefront Store employs designers, technicians, and service representatives who are invested in making the storefront business a profitable venture for U.S. Aluminum and our customers. Our years of experience in the field have given us the confidence to promote your entry into the sale and installation of attractive and quality-built aluminum entrance doors and storefronts.

Every community has businesses large and small that depend upon welcoming and reliable entrance doors and storefronts to attract customers. As time passes these entrance doors and storefronts can become worn or dated, in need of repair or outright replacement.

You can be your community's source for storefront repairs and replacement. It's not difficult when you have the backing of the Storefront Store. From design to delivery, the Storefront Store has the personnel and assets to get your storefront materials to you on time and without hassle.

We can do it and so can you. So if you would like more information on the products and services provided by the Storefront Store, just contact us toll free at (800) 421-6144 from anywhere in the United States and Canada. You can also contact us through our web site at crlaurence.com.

**CALL US TOLL FREE FROM ANYWHERE IN THE UNITED STATES AND CANADA
(800) 421-6144 Ext. 5305**



Come visit the Storefront Store in our Los Angeles, California Service Center. Our knowledgeable service representatives are anxiously waiting to assist you.

Our Service Centers Are the Home of the Storefront Store

U.S. Aluminum Service Centers provide quality architectural systems that you can sell and install with confidence. Each is home to the Storefront Store, providing you with the systems, supplies, and service you need to make storefronts a part of your successful business. Our product lines include storefronts, entrance doors, window walls, curtain walls, sun control, and other systems that are known by the architectural community for their quality, performance, and aesthetic beauty.

U.S. Aluminum Service Centers provide dependable quality systems to meet specifications. Thousands of examples of U.S. Aluminum products are installed in buildings nationwide. Builders know that our systems are subjected to rigorous testing to assure quality and reliability through many years of service in all environmental conditions. Many U.S. Aluminum products now qualify for LEED® ratings as the requirement for "green" building products increases.

Experienced U.S. Aluminum employees operate our Service Centers, and have developed long-lasting relationships with our suppliers and customers. Their familiarity with the product line and regional environmental conditions are a big plus when it comes to recommending just the right U.S. Aluminum system to complete your project. We invite you to contact your local U.S. Aluminum Service Center for information and pricing on any of our systems and product lines.

CALL US TOLL FREE FROM ANYWHERE IN THE UNITED STATES AND CANADA
(800) 421-6144 Ext. 5305



U.S. Aluminum's 62,000 sq. ft. Service Center in Los Angeles, California

CRL Curtain Wall and Storefront Estimating Software

NEW!

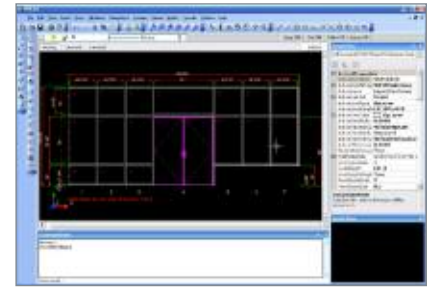
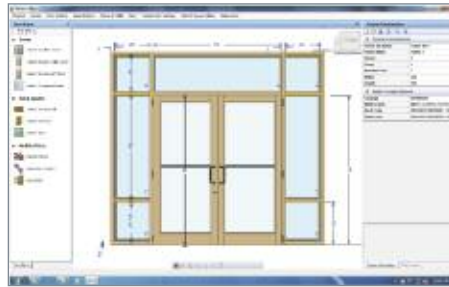


C.R. Laurence and U.S. Aluminum are offering curtain wall and storefront estimating software programs that allow you to produce professional plan views and make hardware ordering lists right from your own PC.

A powerful stock material optimizer allows you to check and modify cut pieces before the job is optimized. You get glass sizes based on elevations drawn, and a print sheet can be produced for the shop to use for optimization of materials. The software provides you with libraries of common curtain wall and storefront templates that can be tailored to a particular project or you can build your own library of your most common designs. You can also copy and modify past jobs.

Contact U.S. Aluminum Technical Sales toll free at (800) 262-5151 for information on how you can put this valuable innovation to work for you.

FOR MORE INFORMATION ON CURTAIN WALL AND STOREFRONT ESTIMATING SOFTWARE CALL US TOLL FREE (800) 262-5151

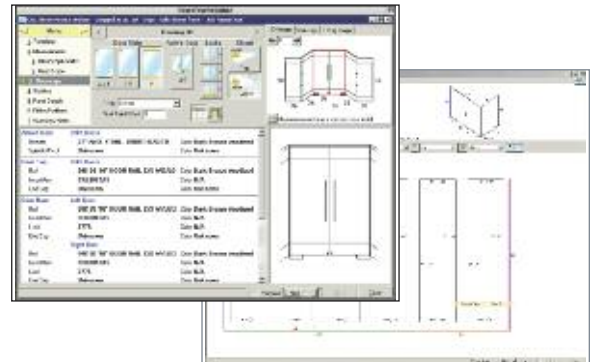


CRL 'All-Glass' Storefronts Online®

- Request Quotes and Order Directly From the Program
- You Can Create a Job Template Library or Clone Any Saved Project
- New Branding Features Add Your Company Logo to Documents
- Direct Link to CRL Web Site From the Program
- CRL Training Webinars to Get You Started



Designers of 'all-glass' storefronts will find our web based 'All-Glass' Storefronts Online® program to be a real time and money saver. It is tailored for use in most any 'all-glass' storefront applications using 3/8", 1/2" or 3/4" (10, 12 or 19 mm) glass, including doors, sidelites, transoms, and fin supports with full top and bottom rails or patch fittings. Our program will create a hardware list, print glass sizes, and create a quote sheet in minutes. This includes warnings regarding any issues that may conflict with a complete and sound entrance. You can simply log on from any computer that is connected to the Internet. All the processing takes place on our computers so you do not need any special hardware to run it. Any Windows-based PC running Windows 2000 or newer with a minimum of 56K modem can be used. Go to crlaurence.com and sign up for our Webinar and a **FREE** 30-day trial.



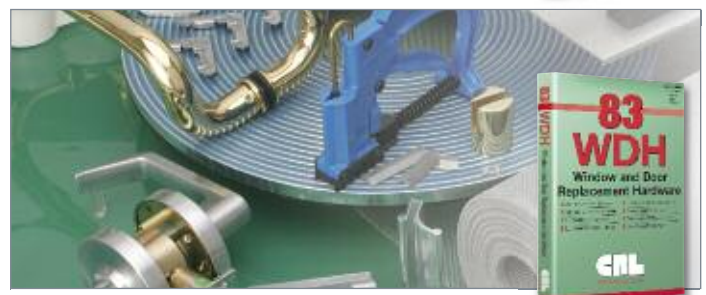
Welcome to the C.R. Laurence Online Catalog

- Thousands of Pages of Quality Products and Helpful Information are Just Clicks Away, Anytime, and at Your Convenience
- It's the Best Way to Shop at CRL

What's the best way to shop at C.R. Laurence? Visit the Online Catalog at crlaurence.com. Our Online Catalog brings you thousands of pages from our many printed catalogs, all of them in full color, and linked to our ordering module so you can browse and shop at any time it's convenient. You can check prices, review stock levels, and get the most complete and up-to-date details on the products we offer. And you can do it all from any PC.

Our "self-service" web site and Online Catalog are the most comprehensive and convenient up-to-date information sources we can offer. Explore some of our most popular product lines or review individual products. CRL has over 50,000 of them organized by specific product categories.

The convenience of having all CRL catalogs combined into one Online Catalog is the quick and easy way to find just what you need, available at your convenience, whenever you're ready. And if you ever need assistance, just contact us over the Internet or by toll free phone. We'll be glad to help.



We know that the most efficient way for our customers to shop at CRL is by using this carefully planned and thoroughly prepared Online Catalog that makes it easy for you to find the CRL products and services that will best meet your needs. C.R. Laurence Company is committed to making our Online Catalog your best source for information and technical support.

What you will find at crlaurence.com is a link to who we are, what we do, and what we have to offer our customers. The CRL "self-service" web site allows us to use the powers of Electronic Commerce to bring you closer to all of the products and services that we offer.

We take a Business-to-Business approach of conducting business over the Internet because it gives us so many ways to connect with you. Our web site provides methods of searching for and ordering products that just a few years ago would have been impossible were it not for the versatility of this powerful tool.

Empowerment is what a good web site is all about. We let you make the decisions that will best serve you. You can build your orders and submit them 24 hours a day, seven days a week, at your convenience. You can review over 50,000 products which we make available, including pricing and current stock availability.

All of this and more is available to CRL customers who have signed on to our web site and become part of the world of crlaurence.com.

Our Home Page has buttons you can click on to link directly to the most popular areas of **crlaurence.com**. With one click you can get phone and fax numbers for CRL Departments; directions to all CRL locations; access our Customer Support Center or our Document Library; review our promotions; view and check out your Online Orders, and navigate Product Groups by catalog type. All of this is just a click away.

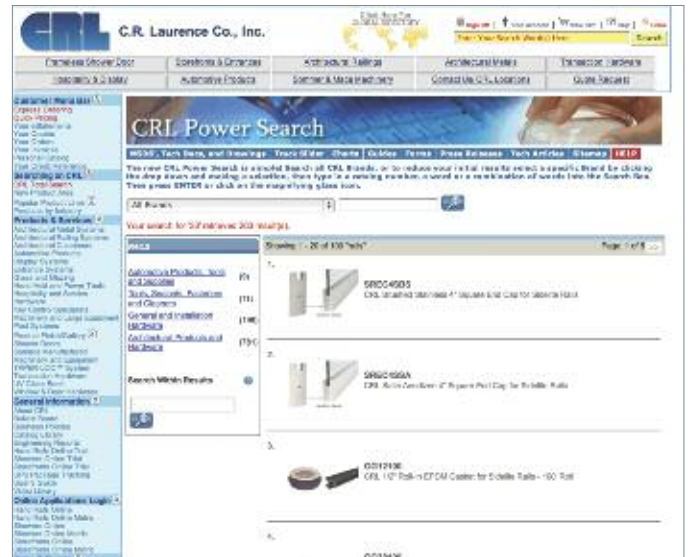
The Navigation Menu is also where you'll find our all-important 'Enter Your Search Words Here' box. This powerful option lets you locate CRL products by entering their catalog number, key words, or the names of products. Navigating a web site with over 50,000 products doesn't need to be difficult, just make sure to take advantage of this helpful feature.



Near the top of our Customer Menu is your link to **Express Ordering**, an easy to learn and quick to complete method of placing orders online whenever it's convenient for you. You set the schedule and the pace because you are in control. You can also build your Personal Catalog by matching your part numbers to our Catalog Numbers.



With **crlaurence.com** it's easy for you to contact us online 24 hours a day for **Online Support**. With just a click or two you can send e-mail to a number of CRL Departments. You can also get addresses, phone and fax numbers, and even driving directions for all CRL locations in the United States, Canada, Europe, and Australia.



The new **CRL Power Search** is simple! Search all CRL Brands or, to reduce your initial results, select a specific Brand by clicking the drop down menu and making a selection. Then type in a catalog number, a word or a combination of words into the Search Box. Now press ENTER or click on the magnifying glass icon. Within seconds you will see results from your search. It's that easy!



When you click into our **Help** screen you are presented with a selection that includes information about CRL's Business Policies, ways to contact us, our distribution locations, and how to sign in. There's also a link to our Document Library of Comparison, Cross-Reference and Specification Charts, Application Guides, New Product Submittal Forms, and more.

CRL PRESENTS THE NEW HOME FOR ARCHITECTS, DESIGNERS, AND SPECIFIERS



Architectural Products & Services

INSTANT ACCESS TO:

- SPECIFICATIONS | CAD DWG's | ENGINEERING REPORTS
- LEED STATEMENTS | PROJECT GALLERY | VIDEO LIBRARY

INTRODUCING **crl-arch.com**

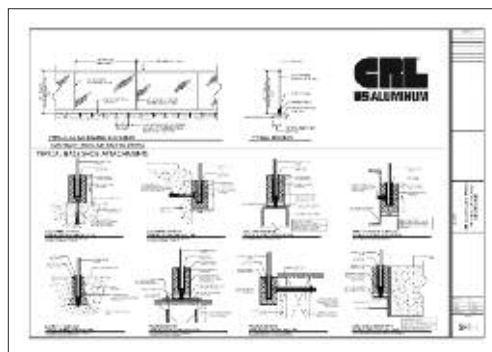
crl-arch.com is the online reference for CRL Architectural Systems, designed with the architect, designer, specifier, and contractor in mind. Here you will find instant access to CAD Drawings, CSI Format Specifications, Engineering Reports, LEED® Statements, BIM Models, Project Galleries, and our extensive Catalog Library.

In addition to our array of online tools, all of our products are backed by a team of project managers, engineers, estimators, designers, and specialists, ready to help you with your project needs.

C.R. Laurence is the leading manufacturer of Doors, 'All-Glass' Entrance Hardware, Storefronts, Exit Devices, Commercial Doors, Custom Cladding, Balanced Doors, Curtain Walls, Sunshades, Architectural Railings, and Frameless Shower Door Hardware. **crl-arch.com** is the new home for CRL Architectural Products, including the family of dependable brands you've come to trust: C.R. Laurence, U.S. Aluminum, Blumcraft, Jackson, and Tajima.



Easy to find specifications, cad files, LEED® information, project galleries, catalogs, and much more!



Cad Files in both dwg and pdf formats.



Specifications in both doc and pdf formats.



C.R. LAURENCE COMPANY

crlaurence.com | usalum.com

XVI | crlaurence.ca crlaurence.com.au crlaurence.co.uk crlaurence.de crlaurence.eu

1

'ALL GLASS' PIVOTING DOORS

- Dry Glaze Door Rails
- Wet Glaze Door Rails
- Patch Hardware
- Laguna Series Pivot Doors
- Glass Hinge Kits
- Blumcraft Series 1301, 1200, 150, and 250 Doors
- Blumcraft Series 1301 Display Case Doors

See other side for Section Index.

TOLL FREE PHONE SERVICE

U.S. and CANADA
(800) 421-6144

EUROPE
00 800 0421 6144

AUSTRALIA
1800 424 275

CRL[®]
U.S. ALUMINUM
crlaurence.com
usalum.com

CRL Wedge-Lock™ Dry Glaze
Door Rails and Ladder Pulls

1

'ALL GLASS' PIVOTING DOORS



New York, New York Casino
Las Vegas, NV

No one can outshine CRL and U.S. Aluminum when it comes to 'All Glass' Pivoting Doors. Our Wedge-Lock™ Door Rails are used worldwide with our Patch Hardware and Glass Hinges to create functional and attractive entrances. Architects and designers know us for our innovative designs and attention to detail.

We have a trained Technical Sales staff that can assist your selection and ordering. For additional information contact our Technical Sales Staff at (800) 421-6144 in the U.S., (877) 421-6144 from Canada, or (323) 588-1281 International. Ask for Ext. 7700. You can also e-mail us through our web site at crlaurence.com. From the home page click on Contact Us, and then click on Technical Sales for Commercial Products.

SUBJECT

PAGES

• Dry Glaze Door Rails	101D thru 122D
• Wet Glaze Door Rails	123D thru 129D
• Patch Hardware	130D thru 143D
• Laguna Series Pivot Doors	144D thru 147D
• Glass Hinge Kits	148D thru 155D
• Blumcraft 1301, 1200, 150, and 250 Doors	156D thru 161D
• Blumcraft 1301 Display Case Doors	162D thru 163D

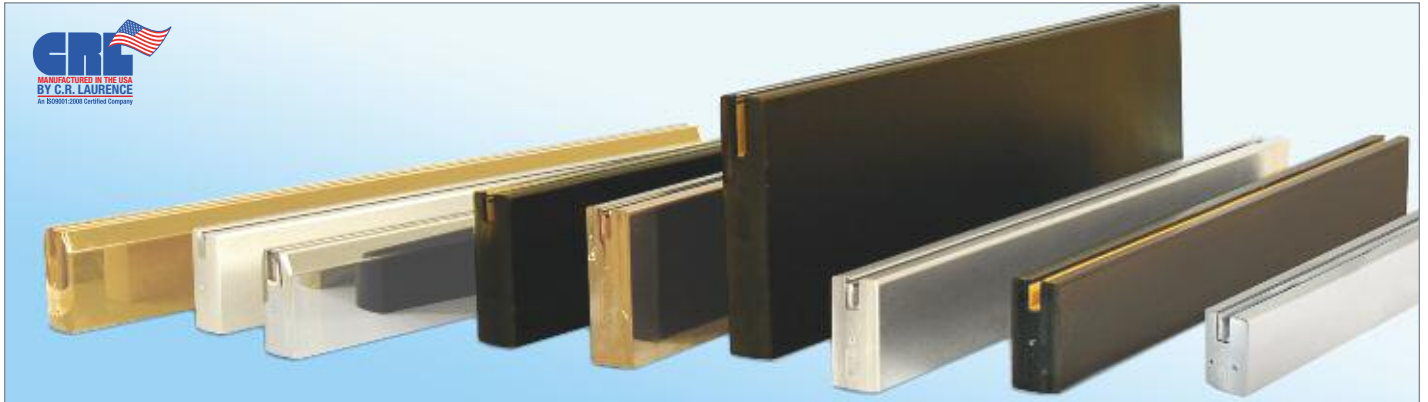
For information or other assistance, use our toll free phone or fax service numbers

In the U.S. or Canada Toll Free Phone (800) 421-6144 Toll Free Fax (800) 262-3299

In Europe Freephone 00 800 0421 6144 Freefax 00 800 0262 3299

In Australia Toll Free Phone 1800 424 275 Toll Free Fax 1800 813 013

Contact us through our web site at crlaurence.com



CRL's DRS Door Rail System Features Our Patented Wedge-Lock™ Glass Securing System and Our New and Improved Kwik-Adjust™ Pivot Alignment System



They said it couldn't be done, that the CRL DRS Door Rail System couldn't be improved upon. Well, we have surprised even ourselves!

We are proud to introduce our patented Wedge-Lock™ Glass Securing System, now with the Kwik-Adjust™ Pivot Alignment System that allows the installer to quickly and easily adjust the lateral alignment of the pivot centers by simply turning a single screw in either the top or bottom rail of the door. All of our 4", 6" and 10" tall Door Rails, as well as our Patch Rails, utilize both Wedge-Lock™ and Kwik-Adjust™ technologies, giving you the most versatile rail system on the market today.

Our standard rail length of 35-3/4" (908 mm) can be used on either 36" (914 mm) wide single door or 72" (1828 mm) wide double door openings, making ordering simple while reducing stocking requirements and shortening lead times.

DRS components are stocked in each of our locations throughout the U.S., Canada, Europe and Australia. And since we manufacture them ourselves, custom door rails can be fabricated for your every rail need. When it comes to quality and service, CRL is your source for Door Rails.

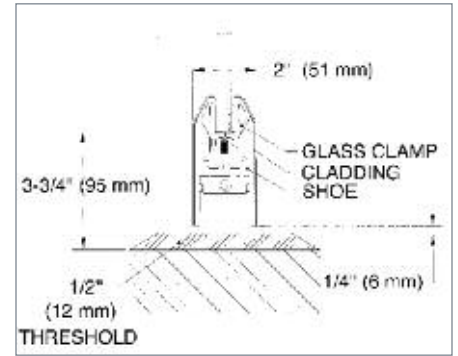
For additional information, contact CRL Technical Sales at (800) 421-6144 in the U.S., (877) 421-6144 from Canada, or (323) 588-1281 International. Ask for Ext. 7700. You can also e-mail us through our web site at crlaurence.com. From the home page click on Contact Us, and then click on Technical Sales for Commercial Products.



CRL DRY GLAZE DOOR RAILS

For Pricing Visit Our Web Site or Call Us Toll Free at the Phone Numbers Shown on the Back Cover

Everyone at C.R. Laurence is dedicated to providing superior customer service, along with products and resources to keep our customers on the cutting edge of technology. We have added a dedicated Computer Aided Drafting (CAD) Department to our arsenal of Technical Sales and Engineering groups to assist you with drawing submittals and custom design work to land that special project.



We try to explore all aspects of the industry, starting with the quoting process itself. We were challenged to come up with a faster, more accurate means of quoting complex heavy glass storefronts, something not just for our internal use, but a resource that our customers could use to improve their business.

We met that challenge and introduced 'All-Glass' Storefronts Online[®], an easy to use, comprehensive web-based program that is maintained by CRL, but all of your data is only accessible by you. See page XII.

We offer the most comprehensive Door and Sidelite Rail program in the industry. We stock 2-5/16", 4", 6", and 10" tall Door and Sidelite Rails in six standard architectural finishes, and offer a large variety of powder-coated options as well as custom finishing.

Our Door Rails are prepped to accept most all of the standard hardware on the market today, but we don't stop there. We also offer custom fabrication to handle the rest, and we do it faster than any of our competitors.



C.R. LAURENCE COMPANY

crlaurence.com | usalum.com

102D | crlaurence.ca crlaurence.com.au crlaurence.co.uk crlaurence.de crlaurence.eu

Features of the CRL Wedge-Lock™ Door Rail System

- Exclusive CRL Wedge-Lock™ Glass Securing System for Rapid Installation and Steadfast Holding Power
- Door Assembly Can Be Ready for Installation in Less Than 10 Minutes
- Universal Top and Bottom Rails Cut Inventory and Make Ordering Easier
- Dry Glazing Allows for Field Replacement
- Allows Jamb Alignment Without Removing the Door
- Internal Components Do Not Require Removal Before Installation
- Rigid Single Component Housing Will Not Shift or Fall Out of Adjustment
- Glass Securing Pads are Designed for Longevity in Extreme Environments



10", 6" and 4" Square

4" Tapered

2-5/16" Low Profile

Wedge-Lock™ Ordering Variety

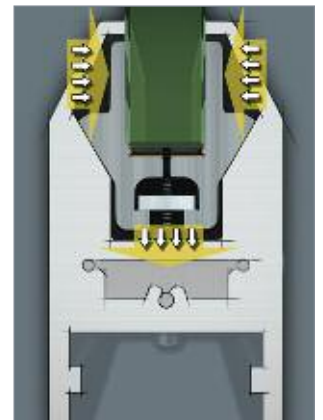
- Available With or Without a Lock
- Rails Stocked for 3/8", 1/2", and 3/4" (10, 12, and 19 mm) Glass Ready to Ship
- Up to Six Stock Finishes Available in 2-5/16", 4", 6", and 10" (59, 102, 152, and 254 mm) Heights
- Custom Sizes and Finishes Also Available in 3-5 Days

How the Wedge-Lock™ Glass Securing System Works

The patented Wedge-Lock™ Glass Securing System is a totally original concept for securing the glass in the Door Rail. No more fumbling with multiple pieces, trying to align them properly. No more time wasted waiting for cement to dry, or on clean up.

The Wedge-Lock™ System works by applying pressure evenly along both sides of the glass. Simply tighten the jaw screws, accessed from the hardware pocket of the rail. The screws then draw down a flat stainless steel bar. The steel bar in turn pulls down the gripping jaws. This action then forces the jaws toward one another, creating a tremendous amount of force against the glass, holding it securely in place.

The Wedge-Lock™ Glass Securing System is so unique that it is covered by U.S. Patents 6,434,905 and 6,912,818 B2. Foreign patents pending.



Wedge-Lock™ Laboratory Test

National Technical Systems, a certified laboratory, tested the Wedge-Lock™ Door Rail System, subjecting it to temperatures ranging from -10°F to 150°F (-23°C to 65.5°C), with 1000 pounds (454 kg) of tension load applied. No evidence of movement was detected at any temperature. At an ambient temperature of 73°F (22.8°C), in a "Pull to Failure" Test, 6900 pounds (3130 kg) of tension was required before any creep (not failure) was detected.

Wedge-Lock™ Door Rails come completely fabricated with the end caps in place, thus making them ready to install right out of the package. Experienced installers can secure our Door Rails in fewer than 10 minutes.

For more information, please contact our Technical Sales Department at (800) 421-6144 in the U.S., (877) 421-6144 from Canada, or (323) 588-1281 International. Ask for Ext. 7700. You can send e-mail through the crlaurence.com home page. Click on Contact Us, and then click on Technical Sales for Commercial Products.



Features of the CRL Wedge-Lock™ Door Rail System Kwik-Adjust™ Pivot Alignment System

Vertical Jamb Alignment

C.R. Laurence is always looking for ways to improve the product we supply our customers. We believe that "good enough" is never enough. We have made an improvement to our Jamb Alignment System in our 4", 6", and 10" (102, 152, and 254 mm) high Rails. Now with the Kwik-Adjust™ System just the turn of only one screw adjusts the door away from or toward the door jamb.

NOTE: For jamb alignment in our Low Profile Rails see page 112D.

To Adjust the Door Rail Away From the Jamb

1. Remove the End Cap. This will reveal the adjustment screw.
2. Insert the T912 T-Handle Key into the screw and turn the screw clockwise to the proper clearance from the jamb. A slight clicking noise may be heard. This sound is caused by our friction retention mechanism that will help prevent the screw from loosening out of alignment.
3. Replace the End Cap.

To Adjust the Door Rail Towards the Jamb

1. Remove the End Cap. This will reveal the adjustment screw.
2. Insert the T912 T-Handle Key into the screw and turn the screw counter-clockwise to the proper clearance from the jamb. A slight clicking noise may be heard. This sound is caused by our friction retention mechanism that will help prevent the screw from loosening out of alignment.
3. Replace the End Cap.

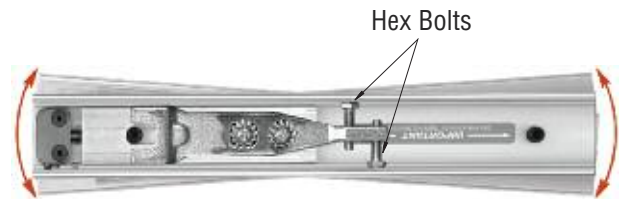
Centering Adjustment

We have designed our Cat. No. CRL8010AS Overhead Closer Arm and our Cat. No. CRL9040AS Floor Closer Arm to help make the centering adjustment easier. To center the door you just loosen the two Pan Head Phillips Screws holding the arm to the block, then adjust the two hex bolts at the end of each arm to slightly change the angle of the arm as it mounts on the Door Rail. Make sure that both hex bolts are tightened against the inside face of the Door Rail, and the two Pan Head Phillips Screws are tightened to the block when the adjustment is complete. This will secure your adjustments into place.



U.S. Patents 6,434,905 and 6,912,818 B2.
Foreign Patents Pending.

The low profile of the adjustable slide block allows the arm or pivot blocks to be moved to a position other than the standard American setback of 2-3/4" (70 mm). This means that if you use our Door Rails, we can fabricate them for vertically out-of-square openings.

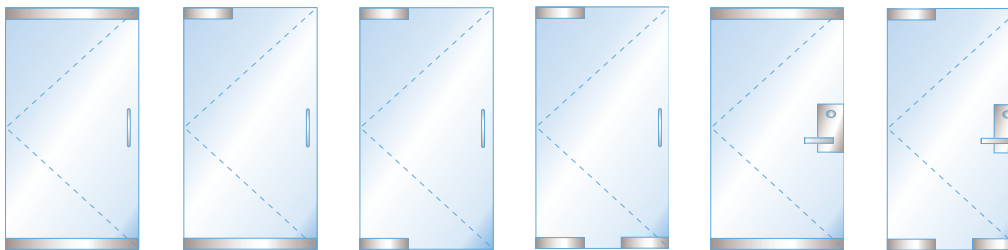


Door centering is easily achieved by turning the two hex head bolts.

"Industry Standard" Door Styles and Swinging Door Patterns

There are six basic 'all-glass' door styles typically referred to throughout the industry. By identifying your basic door style and swing, it will help make clear what your intentions are for the particular project.

Standard Door Styles



P

BP

A

F

A-1

A-2

Door Swing Chart

I N T E R I O R					
6 LH	5 RH			2 LHD	1 RHD
		4 LHR	3 RHR		
E X T E R I O R					

For more information, please contact our Technical Sales Department at (800) 421-6144 in the U.S., (877) 421-6144 in Canada, or (323) 588-1281 International. Ask for Ext. 7700. You can send e-mail through the crlaurence.com home page. Click on Contact Us, and then click on Technical Sales for Commercial Products.

The Benefits of Using CRL Wedge-Lock™ Door Rails

U.S. Patents
6,434,905 and 6,912,818 B2.
Foreign Patents Pending.

1. The CRL Wedge-Lock™ Dry Glaze Door Rail System is designed for quick field installation on the glass.

BENEFIT: No more mixing and pouring messy cement, and having to wait for it to dry.



2. The Wedge-Lock™ System allows for door sizing adjustments at the job site, by simply placing the door glass on saw horses and loosening the Wedge-Lock™ securing screws.

BENEFIT: Door Rails can be adjusted up, down or at an angle, to provide attractive sight lines in the door opening.



3. The universal Kwik-Adjust™ Alignment System has a 1/4" (6 mm) jamb adjustment [1/8" (3 mm) in or out]. It is designed to receive our CRL9040AS or CRL8010AS Door Closer Arms, or any standard CRL8010 Series Bottom Pivot without modification.

BENEFIT: This means Wedge-Lock™ Door Rails can be used for the top or the bottom of a door, so you reduce the number of SKU's in your stock.



4. The Wedge-Lock™ System also allows for job site glass replacement for broken or damaged glass, without the need to send wet glazed rails back to the fabricator for glass removal and replacement.

BENEFIT: Broken door glass can be easily replaced at the job site in less than 30 minutes.



5. Wedge-Lock™ Door Rails come completely fabricated, with end caps attached, and foam spacer blocks at each end.

BENEFIT: Installation is as easy as slipping the Door Rail over the glass, removing the spacer blocks, aligning the rail to the glass, and then securing it in place by tightening a few Allen Cap Screws. All in less than 10 minutes (for the experienced installer).



For additional information, contact CRL Technical Sales (800) 421-6144 in the U.S., (877) 421-6144 from Canada, or (323) 588-1281 International. Ask for Ext. 7700. You can also e-mail us through our web site at crlaurence.com. From the home page click on Contact Us, and then click on Technical Sales for Commercial Products.

The Benefits of Using CRL Wedge-Lock™ Door Rails

U.S. Patents
6,434,905 and 6,912,818 B2.
Foreign Patents Pending

6. CRL's Quick-Pick Shipping Program stocks our most popular Door Rails and accessories for same day shipping from our Los Angeles warehouse.

BENEFIT: Off the shelf Door Rail Systems that allow you to do jobs quickly and move on to the next job.



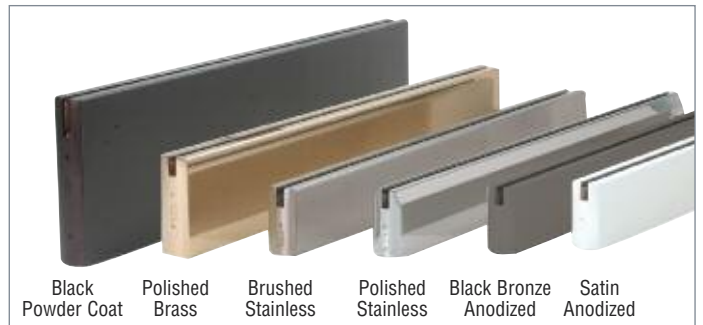
7. Our Door Rails With Locks come with the locking unit installed. Keyed Cylinders or Thumbturns are simply screwed into the locking unit through pre-fabricated holes.

BENEFIT: A key/key or key/thumbturn combination is easily accomplished by choosing the appropriate hardware.



8. Six standard architectural finishes, powder coating and custom finishes are available. Other unique finishes for interior use only are also available. See them online at crlaurence.com.

BENEFIT: Our variety of available finishes gives you the capability to match all popular commercial finishes.



9. Five different models of Wedge-Lock™ Door Rails are available. Select from 2-5/16" Low Profile, 4" Tapered, or 4", 6" and 10" Square Rails, with or without locks.

BENEFIT: Allows you to be able to choose a size and style for standard or A.D.A. applications. Combined with our variety of available finishes, Wedge-Lock™ Door Rails offer unmatched selection options.



10. Custom size Door Rails can be quickly fabricated and shipped from our manufacturing plant to your shop or directly to the job site anywhere in the world.

BENEFIT: Wedge-Lock™ Door Rails can be made to fit your existing opening. Custom sizes and colors provide you the flexibility to do most any job.

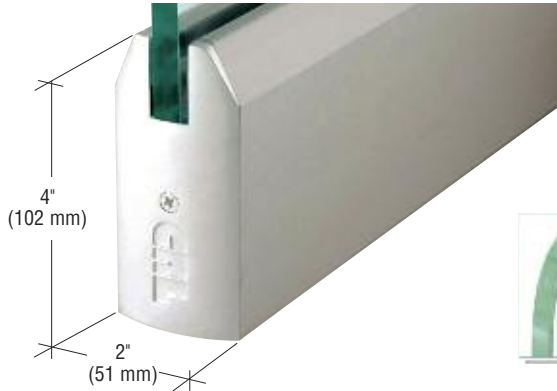




Online Photo Gallery

When you visit the crlaurence.com home page you can click into photo galleries of finished projects. It's a great way to show your customers what can be accomplished when they specify CRL Architectural Hardware Products.

CRL 4" Tapered Shape Full Length Door Rails For 3/8" (10 mm) or 1/2" (12 mm) Glass



Patented Wedge-Lock™ Glass Securing System
U.S. Patents 6,434,905 and 6,912,818 B2.
Foreign Patents Pending

- Patented Wedge-Lock™ Glass Securing System
- In Stock Ready to Ship
- Adjust and Align Doors Without Removal
- Available With or Without Locks
- Nine Standard Architectural Finishes
- Custom Sizes and Finishes Also Available in 3-5 Days
- Matching Sidelite Rails Available



ORDERING INFORMATION:

- All Door Rails are supplied with standard Kwik-Adjust™ Pivot Alignment System. Closer Arms and Floor or Overhead Pivots must be ordered separately.
- Models with Locks are supplied with the Lock Mechanism installed. Matching finish Keyed Cylinders or Thumbturns must be ordered separately.
- End Caps are included in the stock Door Rail lengths below. Door Rail length (including End Caps) must be specified when ordering Custom Length Rails.
- For replacement End Caps, visit our web site, crlaurence.com, and enter **DREC4T** into the search box.
- For Handles see pages 413D-430D.

4" TAPERED DOOR RAILS FOR 1/2" (12 MM) GLASS 35-3/4" (908 MM) LENGTH

CAT. NO. WITHOUT LOCK	CAT. NO. WITH LOCK	FINISH
DR4TBA12S	DR4TBA12SL	Brite Anodized
DR4TBBA12S	DR4TBBA12SL	Brite Brushed Anodized
DR4TBSA12S	DR4TBSA12SL	Brushed Stainless Anodized
DR4TSA12S	DR4TSA12SL	Satin Anodized
DR4TDU12S	DR4TDU12SL	Black Bronze Anodized
DR4TBL12S	DR4TBL12SL	Black Powder Coat
DR4TBS12S	DR4TBS12SL	*Brushed Stainless
DR4TPS12S	DR4TPS12SL	*Polished Stainless
DR4TPB12S	DR4TPB12SL	*Polished Brass

Minimum order: 1 each. All Door Rails can be combined for quantity pricing. *Clad finish.

4" TAPERED DOOR RAILS FOR 3/8" (10 MM) GLASS 35-3/4" (908 MM) LENGTH

CAT. NO. WITHOUT LOCK	CAT. NO. WITH LOCK	FINISH
DR4TBA38S	DR4TBA38SL	Brite Anodized
DR4TBBA38S	DR4TBBA38SL	Brite Brushed Anodized
DR4TBSA38S	DR4TBSA38SL	Brushed Stainless Anodized
DR4TSA38S	DR4TSA38SL	Satin Anodized
DR4TDU38S	DR4TDU38SL	Black Bronze Anodized
DR4TBL38S	DR4TBL38SL	Black Powder Coat
DR4TBS38S	DR4TBS38SL	*Brushed Stainless
DR4TPS38S	DR4TPS38SL	*Polished Stainless
DR4TPB38S	DR4TPB38SL	*Polished Brass

Minimum order: 1 each. All Door Rails can be combined for quantity pricing. *Clad finish.

CUSTOM LENGTH 4" TAPERED DOOR RAILS (DOOR RAIL LENGTH, INCLUDING END CAPS, MUST BE SPECIFIED)

3/8" GLASS CAT. NO. WITHOUT LOCK	3/8" GLASS CAT. NO. WITH LOCK	1/2" GLASS CAT. NO. WITHOUT LOCK	1/2" GLASS CAT. NO. WITH LOCK	FINISH
DR4TBA38C	DR4TBA38CL	DR4TBA12C	DR4TBA12CL	Brite Anodized
DR4TBBA38C	DR4TBBA38CL	DR4TBBA12C	DR4TBBA12CL	Brite Brushed Anodized
DR4TBSA38C	DR4TBSA38CL	DR4TBSA12C	DR4TBSA12CL	Brushed Stainless Anodized
DR4TSA38C	DR4TSA38CL	DR4TSA12C	DR4TSA12CL	Satin Anodized
DR4TDU38C	DR4TDU38CL	DR4TDU12C	DR4TDU12CL	Black Bronze Anodized
DR4TBL38C	DR4TBL38CL	DR4TBL12C	DR4TBL12CL	Black Powder Coat
DR4TBS38C	DR4TBS38CL	DR4TBS12C	DR4TBS12CL	*Brushed Stainless
DR4TPS38C	DR4TPS38CL	DR4TPS12C	DR4TPS12CL	*Polished Stainless
DR4TPB38C	DR4TPB38CL	DR4TPB12C	DR4TPB12CL	*Polished Brass
DR4TORB38C	DR4TORB38CL	DR4TORB12C	DR4TORB12CL	*Oil Rubbed Bronze

Minimum order: 1 each. All Door Rails can be combined for quantity pricing. *Clad finish.

NOTE: For maximum door sizes when using this product, CRL follows GANA Guidelines.



C.R. LAURENCE COMPANY

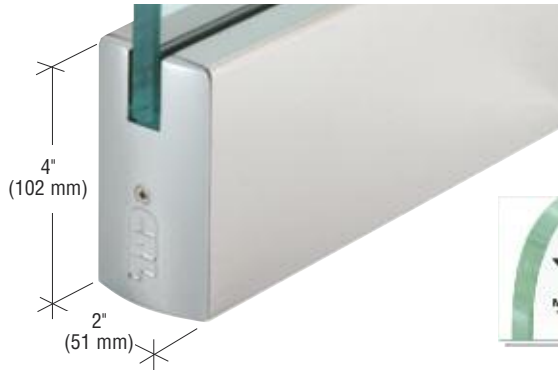
crlaurence.com | usalum.com

108D | crlaurence.ca crlaurence.com.au crlaurence.co.uk crlaurence.de crlaurence.eu

CRL 4" Square Shape Full Length Door Rails



For 3/8" (10 mm) or 1/2" (12 mm) Glass



Patented Wedge-Lock™ Glass Securing System
U.S. Patents 6,434,905 and 6,912,818 B2.
Foreign Patents Pending

- Patented Wedge-Lock™ Glass Securing System
- In Stock Ready to Ship
- Adjust and Align Doors Without Removal
- Available With or Without Locks
- Nine Standard Architectural Finishes
- Custom Sizes and Finishes Are Also Available in 3-5 Days
- Matching Sidelite Rails Available



ORDERING INFORMATION:

- All Door Rails are supplied with standard Kwik-Adjust™ Pivot Alignment System. Closer Arms and Floor or Overhead Pivots must be ordered separately.
- Models with Locks are supplied with the Lock Mechanism installed. Matching finish Keyed Cylinders or Thumbturns must be ordered separately.
- End Caps are included in the stock Door Rail lengths below. Door Rail length (including End Caps) must be specified when ordering Custom Length Rails.
- For replacement End Caps, visit our web site, crlaurence.com, and enter **DREC4S** into the search box.
- For Handles see pages 413D-430D.

4" SQUARE DOOR RAILS FOR 1/2" (12 MM) GLASS 35-3/4" (908 MM) LENGTH

CAT. NO. WITHOUT LOCK	CAT. NO. WITH LOCK	FINISH
DR4SBA12S	DR4SBA12SL	Brite Anodized
DR4SBBA12S	DR4SBBA12SL	Brite Brushed Anodized
DR4SBSA12S	DR4SBSA12SL	Brushed Stainless Anodized
DR4SSA12S	DR4SSA12SL	Satin Anodized
DR4SDU12S	DR4SDU12SL	Black Bronze Anodized
DR4SBL12S	DR4SBL12SL	Black Powder Coat
DR4SBS12S	DR4SBS12SL	*Brushed Stainless
DR4SPS12S	DR4SPS12SL	*Polished Stainless
DR4SPB12S	DR4SPB12SL	*Polished Brass

Minimum order: 1 each. All Door Rails can be combined for quantity pricing. *Clad finish.

4" SQUARE DOOR RAILS FOR 3/8" (10 MM) GLASS 35-3/4" (908 MM) LENGTH

CAT. NO. WITHOUT LOCK	CAT. NO. WITH LOCK	FINISH
DR4SBA38S	DR4SBA38SL	Brite Anodized
DR4SBBA38S	DR4SBBA38SL	Brite Brushed Anodized
DR4SBSA38S	DR4SBSA38SL	Brushed Stainless Anodized
DR4SSA38S	DR4SSA38SL	Satin Anodized
DR4SDU38S	DR4SDU38SL	Black Bronze Anodized
DR4SBL38S	DR4SBL38SL	Black Powder Coat
DR4SBS38S	DR4SBS38SL	*Brushed Stainless
DR4SPS38S	DR4SPS38SL	*Polished Stainless
DR4SPB38S	DR4SPB38SL	*Polished Brass

Minimum order: 1 each. All Door Rails can be combined for quantity pricing. *Clad finish.

CUSTOM LENGTH 4" SQUARE DOOR RAILS (DOOR RAIL LENGTH, INCLUDING END CAPS, MUST BE SPECIFIED)

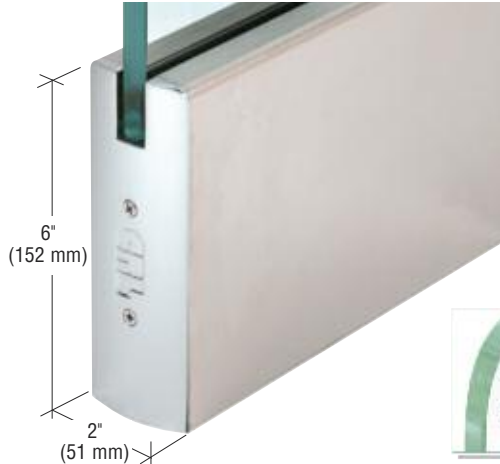
3/8" GLASS CAT. NO. WITHOUT LOCK	3/8" GLASS CAT. NO. WITH LOCK	1/2" GLASS CAT. NO. WITHOUT LOCK	1/2" GLASS CAT. NO. WITH LOCK	FINISH
DR4SBA38C	DR4SBA38CL	DR4SBA12C	DR4SBA12CL	Brite Anodized
DR4SBBA38C	DR4SBBA38CL	DR4SBBA12C	DR4SBBA12CL	Brite Brushed Anodized
DR4SBSA38C	DR4SBSA38CL	DR4SBSA12C	DR4SBSA12CL	Brushed Stainless Anodized
DR4SSA38C	DR4SSA38CL	DR4SSA12C	DR4SSA12CL	Satin Anodized
DR4SDU38C	DR4SDU38CL	DR4SDU12C	DR4SDU12CL	Black Bronze Anodized
DR4SBL38C	DR4SBL38CL	DR4SBL12C	DR4SBL12CL	Black Powder Coat
DR4SBS38C	DR4SBS38CL	DR4SBS12C	DR4SBS12CL	*Brushed Stainless
DR4SPS38C	DR4SPS38CL	DR4SPS12C	DR4SPS12CL	*Polished Stainless
DR4SPB38C	DR4SPB38CL	DR4SPB12C	DR4SPB12CL	*Polished Brass
DR4SORB38C	DR4SORB38CL	DR4SORB12C	DR4SORB12CL	*Oil Rubbed Bronze

Minimum order: 1 each. All Door Rails can be combined for quantity pricing. *Clad finish.

NOTE: For maximum door sizes when using this product, CRL follows GANA Guidelines.

CRL 6" Square Shape Full Length Door Rails

For 3/8" (10 mm) or 1/2" (12 mm) Glass



Patented Wedge-Lock™ Glass Securing System
U.S. Patents 6,434,905 and 6,912,818 B2.
Foreign Patents Pending

- Patented Wedge-Lock™ Glass Securing System
- In Stock Ready to Ship
- Adjust and Align Doors Without Removal
- Available With or Without Locks
- Six Standard Architectural Finishes
- Custom Sizes and Finishes Are Also Available in 3-5 Days
- Matching Sidelite Rails Available



ORDERING INFORMATION:

- All Door Rails are supplied with standard Kwik-Adjust™ Pivot Alignment System. Closer Arms and Floor or Overhead Pivots must be ordered separately.
- Models with Locks are supplied with the Lock Mechanism installed. Matching finish Keyed Cylinders or Thumbturns must be ordered separately.
- End Caps are included in the stock Door Rail lengths below. Door Rail length (including End Caps) must be specified when ordering Custom Length Rails.
- For replacement End Caps, visit our web site, crlaurence.com, and enter **DREC6S** into the search box.
- For Handles see pages 413D-430D.

6" SQUARE DOOR RAILS FOR 1/2" (12 MM) GLASS 35-3/4" (908 MM) LENGTH

CAT. NO. WITHOUT LOCK	CAT. NO. WITH LOCK	FINISH
DR6SSA12S	DR6SSA12SL	*Satin Anodized
DR6SDU12S	DR6SDU12SL	*Black Bronze Anodized
DR6SBL12S	DR6SBL12SL	*Black Powder Coat
DR6SBS12S	DR6SBS12SL	*Brushed Stainless
DR6SPS12S	DR6SPS12SL	*Polished Stainless
DR6SPB12S	DR6SPB12SL	*Polished Brass

Minimum order: 1 each. All Door Rails can be combined for quantity pricing. *Clad finish.

6" SQUARE DOOR RAILS FOR 3/8" (10 MM) GLASS 35-3/4" (908 MM) LENGTH

CAT. NO. WITHOUT LOCK	CAT. NO. WITH LOCK	FINISH
DR6SSA38S	DR6SSA38SL	*Satin Anodized
DR6SDU38S	DR6SDU38SL	*Black Bronze Anodized
DR6SBL38S	DR6SBL38SL	*Black Powder Coat
DR6SBS38S	DR6SBS38SL	*Brushed Stainless
DR6SPS38S	DR6SPS38SL	*Polished Stainless
DR6SPB38S	DR6SPB38SL	*Polished Brass

Minimum order: 1 each. All Door Rails can be combined for quantity pricing. *Clad finish.

CUSTOM LENGTH 6" SQUARE DOOR RAILS (DOOR RAIL LENGTH, INCLUDING END CAPS, MUST BE SPECIFIED)

3/8" GLASS CAT. NO. WITHOUT LOCK	3/8" GLASS CAT. NO. WITH LOCK	1/2" GLASS CAT. NO. WITHOUT LOCK	1/2" GLASS CAT. NO. WITH LOCK	FINISH
DR6SSA38C	DR6SSA38CL	DR6SSA12C	DR6SSA12CL	*Satin Anodized
DR6SDU38C	DR6SDU38CL	DR6SDU12C	DR6SDU12CL	*Black Bronze Anodized
DR6SBL38C	DR6SBL38CL	DR6SBL12C	DR6SBL12CL	*Black Powder Coat
DR6SBS38C	DR6SBS38CL	DR6SBS12C	DR6SBS12CL	*Brushed Stainless
DR6SPS38C	DR6SPS38CL	DR6SPS12C	DR6SPS12CL	*Polished Stainless
DR6SPB38C	DR6SPB38CL	DR6SPB12C	DR6SPB12CL	*Polished Brass
DR6SORB38C	DR6SORB38CL	DR6SORB12C	DR6SORB12CL	*Oil Rubbed Bronze

NOTE: For maximum door sizes when using this product, CRL follows GANA Guidelines.

Minimum order: 1 each. All Door Rails can be combined for quantity pricing. *Clad finish.



C.R. LAURENCE COMPANY

crlaurence.com | usalum.com

110D | crlaurence.ca crlaurence.com.au crlaurence.co.uk crlaurence.de crlaurence.eu

CRL 10" Square Shape Full Length Door Rails For 1/2" (12 mm) Glass



Patented Wedge-Lock™ Glass Securing System
U.S. Patents 6,434,905 and 6,912,818 B2.
Foreign Patents Pending

- Patented Wedge-Lock™ Glass Securing System
- In Stock Ready to Ship
- Adjust and Align Doors Without Removal
- Available With or Without Locks
- Six Standard Architectural Finishes
- Custom Sizes and Finishes Are Also Available in 3-5 Days
- Matching Sidelite Rails Available

ORDERING INFORMATION:

- All Door Rails are supplied with standard Kwik-Adjust™ Pivot Alignment System. Closer Arms and Floor or Overhead Pivots must be ordered separately.
- Models with Locks are supplied with the Lock Mechanism installed. Matching finish Keyed Cylinders or Thumbturns must be ordered separately.
- End Caps are included in the stock Door Rail lengths below. Door Rail length (including End Caps) must be specified when ordering Custom Length Rails.
- For replacement End Caps, visit our web site, crlaurence.com, and enter **DREC10** into the search box.
- For Handles see pages 413D-430D.

10" SQUARE DOOR RAILS FOR 1/2" (12 MM) GLASS 35-3/4" (908 MM) LENGTH

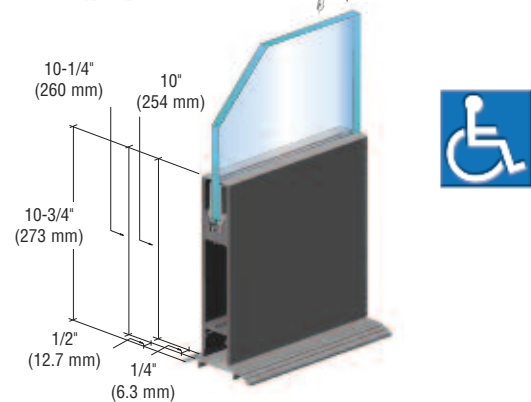
CAT. NO. WITHOUT LOCK	CAT. NO. WITH LOCK	FINISH
DR10SSA12S	DR10SSA12SL	*Satin Anodized
DR10SDU12S	DR10SDU12SL	*Black Bronze Anodized
DR10SBL12S	DR10SBL12SL	*Black Powder Coat
DR10SBS12S	DR10SBS12SL	*Brushed Stainless
DR10SPS12S	DR10SPS12SL	*Polished Stainless
DR10SPB12S	DR10SPB12SL	*Polished Brass

Minimum order: 1 each. All Door Rails can be combined for quantity pricing. *Clad finish.

CUSTOM LENGTH 10" SQUARE DOOR RAILS FOR 1/2" (12 MM) GLASS (DOOR RAIL LENGTH, INCLUDING END CAPS, MUST BE SPECIFIED)

CAT. NO. WITHOUT LOCK	CAT. NO. WITH LOCK	FINISH
DR10SSA12C	DR10SSA12CL	*Satin Anodized
DR10SDU12C	DR10SDU12CL	*Black Bronze Anodized
DR10SBL12C	DR10SBL12CL	*Black Powder Coat
DR10SBS12C	DR10SBS12CL	*Brushed Stainless
DR10SPS12C	DR10SPS12CL	*Polished Stainless
DR10SPB12C	DR10SPB12CL	*Polished Brass
DR10SORB12C	DR10SORB12CL	*Oil Rubbed Bronze

Minimum order: 1 each. All Door Rails can be combined for quantity pricing. *Clad finish.



CRL 10" Square Shape Full Length Door Rails have been designed to meet requirements mandated under the 1998 Amendments to the ANSI A117.1 Guidelines and Standards for accessibility to buildings and facilities of people with disabilities. This section provides a 10" (254 mm) surface from the floor across the bottom of the door. **NOTE:** For maximum door sizes when using this product, CRL follows GANA Guidelines.

CRL Low Profile Door Rails

- Low Profile Rails Are Only 2-5/16" (59 mm) Tall
- In Stock Ready to Ship
- Patented Wedge-Lock™ Glass Securing System
- For 1/2" (12 mm) Tempered Glass
- Adjust and Align Doors Without Removal
- Available in Six Standard Architectural Finishes, With Custom Finishes Available
- Matching Sidelite Rails Available
- Also Available in Patch Door Rails (See Page 130D)

CRL Low Profile Door Rails measure only 2-5/16" (59 mm) tall by 1-1/2" (38 mm) wide, and yet incorporate our patented Wedge-Lock™ Glass Securing System. They are prepped for various Low Profile Rail Pivot Inserts that allow you to use either overhead closers, floor closers, or pivots. Individual Low Profile Door Rails are supplied with two End Caps, Installation Instructions, and Adjustment Wrenches. **NOTE:** For maximum door sizes when using this product, CRL follows GANA Guidelines.

For additional information, contact CRL Technical Sales at (800) 421-6144 in the U.S., (877) 421-6144 from Canada, or (323) 588-1281 International, and ask for Ext. 7700. You can also send e-mail from the crlaurence.com home page. Click on Contact Us, and then click on Technical Sales for Commercial Products.



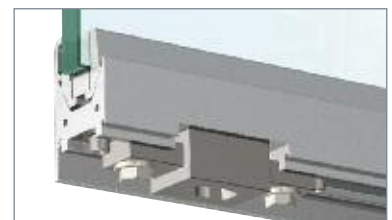
U.S. Patents 6,434,905 and 6,912,818 B2
Foreign Patents Pending.



End Caps are Included With All Low Profile Door Rails



Utilizes CRL's Patented Wedge-Lock™ Glass Securing System



All Low Profile Door Rails are Prepped to Receive Any of CRL's Low Profile Door Rail Inserts (Sold Separately, See Next Page)

Adjusting the Reveal Between the Door and Fixed Panel or Jamb

With our Low Profile Door Rails, installers have the ability to quickly and easily adjust the lateral alignment of the door to the side fixed panel or jamb. **NOTE:** This adjustment must be done prior to installing lock cylinders/thumbturns.

- Step 1:** Open the door. Using a #1 Phillips screwdriver, remove the door's pivot edge End Cap and slide the Door Rail's side panel until removed from the door (see Figure 1).
- Step 2:** Place a vacuum cup on the handle edge of the door and position support blocks under the door assembly to prevent the door from dropping during adjustment.
- Step 3:** Starting with either the top or bottom Door Rail, depending on which end is farthest from alignment, use a 7/16" Open-End Wrench to loosen the two 1/4" hex head bolts that secure the mounting hardware (see Figure 2).
- Step 4:** Lift or lower the handle edge of the door to improve the reveal, and adjust blocking to hold the new position.
- Step 5:** Tighten the two 1/4" hex head bolts that secure the mounting hardware, and if necessary, repeat steps 2 through 4 on the remaining Door Rail.
- Step 6:** With the door in the open position, slide the Door Rail's side panels into position, covering the clamping section of both Door Rails. Re-install the End Caps (see Figure 3).



Figure 1



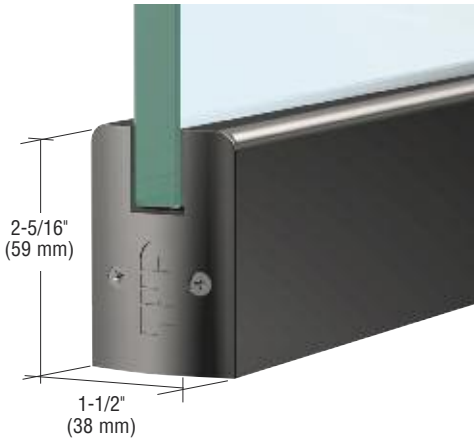
Figure 2



Figure 3

CRL Low Profile Door Rails

- For 1/2" (12 mm) Tempered Glass



- Low Profile Rails Are Only 2-5/16" (59 mm) Tall
- In Stock Ready to Ship
- Patented Wedge-Lock™ Glass Securing System
- Available With or Without Locks
- Adjust and Align Doors Without Removal
- Available in Six Standard Architectural Finishes
- Matching Sidelite Rails Available
- Custom Sizes and Finishes Also Available in 3-5 Days

U.S. Patents
6,434,905 and 6,912,818 B2
Foreign Patents Pending



ORDERING INFORMATION:

- End Caps are included with all Low Profile Door Rails. Door Rail length (including End Caps) must be specified when ordering Custom Length Rails.
- All Low Profile Door Rails are prepped to receive any of the Low Profile Door Rail Pivot Inserts shown below (sold separately).
- Installation instructions and adjustment wrenches are included.
- For Low Profile Patch Door Rail see page 130D.
- For Handles see pages 413D-430D.



CAT. NO. 1NT701
Bottom Pivot Insert

CAT. NO. 1NT703
Top Pivot Insert

CAT. NO. 1NT704
Top Closer Insert

LOW PROFILE DOOR RAILS FOR 1/2" (12 MM) GLASS 35-3/4" (908 MM) LENGTH

CAT. NO. WITHOUT LOCK	CAT. NO. WITH LOCK	FINISH
DR2SSA12S	DR2SSA12SL	Satin Anodized
DR2SDU12S	DR2SDU12SL	Black Bronze Anodized
DR2SBL12S	DR2SBL12SL	Black Powder Coat
DR2SBS12S	DR2SBS12SL	*Brushed Stainless
DR2SPS12S	DR2SPS12SL	*Polished Stainless
DR2SPB12S	DR2SPB12SL	*Polished Brass

Minimum order: 1 each. All Door Rails can be combined for quantity pricing. *Clad finish.

CUSTOM LENGTH LOW PROFILE DOOR RAILS FOR 1/2" (12 MM) GLASS (DOOR RAIL LENGTH, INCLUDING END CAPS, MUST BE SPECIFIED)

CAT. NO. WITHOUT LOCK	CAT. NO. WITH LOCK	FINISH
DR2SSA12C	DR2SSA12CL	Satin Anodized
DR2SDU12C	DR2SDU12CL	Black Bronze Anodized
DR2SBL12C	DR2SBL12CL	Black Powder Coat
DR2SBS12C	DR2SBS12CL	*Brushed Stainless
DR2SPS12C	DR2SPS12CL	*Polished Stainless
DR2SPB12C	DR2SPB12CL	*Polished Brass

Minimum order: 1 each. All Door Rails can be combined for quantity pricing. *Clad finish.

LOW PROFILE DOOR RAIL PIVOT INSERTS

CAT. NO.	ACCEPTS
1NT701	Flat Tapered Floor Closer Spindle or Universal Round Free-Swing Floor Spindle
1NT703	Overhead Pivot with 19/32" (15 mm) Diameter Spindle
1NT704	Overhead Closer with 9/16" (14 mm) Square Spindle

Minimum order: 1 each. All Inserts can be combined for quantity pricing.

REPLACEMENT END CAPS

CAT. NO.	FINISH
DREC2SSA	Satin Anodized
DREC2SDU	Black Bronze Anodized
DREC2SBL	Black Powder Coat
DREC2SBS	Brushed Stainless
DREC2SPS	Polished Stainless
DREC2SPB	Polished Brass

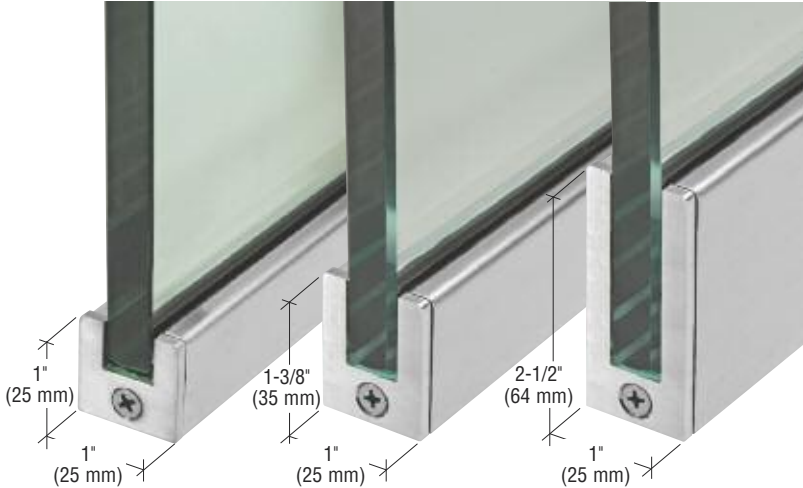
Minimum order: 1 each. All End Caps can be combined for quantity pricing.



CRL Slender Profile Door Rails



- For 1/2" (12 mm) Tempered Glass



- Available in Three Heights With or Without a Lock
- In Stock Ready to Ship
- Dry Glaze Slender Profile Door Rails Are Only 1" (25 mm) Wide
- Brushed or Polished Stainless Steel Finishes



- Custom 1" (25 mm) Slender Profile Vertical Stiles Available on Special Order
- Designed for Interior Use Only

CRL Slender Profile Door Rails measure only 1" (25 mm) wide and are available in three heights: 1", 1-3/8", and 2-1/2" (25, 35, and 64 mm). They are all prepped to receive any of the three Slender Profile Rail Pivot Inserts, ordered separately, that allow you to use overhead door closers, floor mounted door closers, or pivots. The 1-3/8" and 2-1/2" (35 and 64 mm) models can be fitted with our 7150 Series Cam Lock for use in display case applications. Other locking options may be available on special order.

All Slender Profile Rails are designed for field installation and are easily adjusted to compensate for unexpected installation issues. Rails feature aluminum construction, clad in alloy 304 stainless steel for a durable, lasting finish. **NOTE:** Maximum door size is 42" x 108" (1067 x 2743 mm) for INTERIOR USE ONLY. When used with door closers with mechanical stops, a surface mounted stop must be used in the open position.

ORDERING INFORMATION:

- Compatible Pivots: CRL9040WBP Top Pivot
1NT402 Bottom Pivot
- End Caps are included with all Slender Profile Door Rails.
- Door Rail length (including End Caps) must be specified when ordering Custom Length Rails.
- When 7150 Series Cam Lock is required, handing of the door must be specified.
- Slender Profile Rails are prepped to receive any of the Slender Profile Door Rail Pivot Inserts shown on the opposite page (sold separately).
- Installation Instructions and Adjustment Wrenches are included.
- For Handles see pages 413D-430D.

1" (25 MM) TALL SLENDER PROFILE DOOR RAILS 35-3/4" (908 MM) STANDARD LENGTH

CAT. NO. WITHOUT LOCK	FINISH
SP25BS12S	Brushed Stainless
SP25PS12S	Polished Stainless

Minimum order: 1 each. All Door Rails can be combined for quantity pricing.

1-3/8" (35 MM) TALL SLENDER PROFILE DOOR RAILS 35-3/4" (908 MM) STANDARD LENGTH

CAT. NO. WITHOUT LOCK	CAT. NO. WITH LOCK*	FINISH
SP35BS12S	SP35BS12SL	Brushed Stainless
SP35PS12S	SP35PS12SL	Polished Stainless

Minimum order: 1 each. All Door Rails can be combined for quantity pricing. *CRL 7150 Series Cam Lock.

2-1/2" (64 MM) TALL SLENDER PROFILE DOOR RAILS 35-3/4" (908 MM) STANDARD LENGTH

CAT. NO. WITHOUT LOCK	CAT. NO. WITH LOCK*	FINISH
SP64BS12S	SP64BS12SL	Brushed Stainless
SP64PS12S	SP64PS12SL	Polished Stainless

Minimum order: 1 each. All Door Rails can be combined for quantity pricing. *CRL 7150 Series Cam Lock.

CRL Slender Profile Door Rails

- For 1/2" (12 mm) Tempered Glass
- Custom Lengths and Finishes Available in 3-5 Days

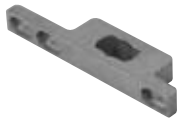


All of our Slender Profile Door Rails can be fabricated to meet your required length. Custom finishes are available on special order. **NOTE:** Not all closer or locking hardware is compatible with these rails. For additional information, contact CRL Technical Sales at (800) 421-6144 in the U.S., (877) 421-6144 from Canada, or (323) 588-1281 International, and ask for Ext. 7700. You can also e-mail us through our web site at crlaurence.com. From the home page click on Contact Us, and then click on Technical Sales for Commercial Products.

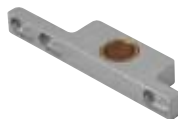
CUSTOM LENGTH SLENDER PROFILE DOOR RAILS TOTAL LENGTH, INCLUDING END CAPS, MUST BE SPECIFIED

CAT. NO. WITHOUT LOCK	CAT. NO. WITH LOCK*	RAIL HEIGHT	CLAD FINISH
SP25BS12C	---	1" (25 mm)	Brushed Stainless
SP25PS12C	---	1" (25 mm)	Polished Stainless
SP35BS12C	SP35BS12CL	1-3/8" (35 mm)	Brushed Stainless
SP35PS12C	SP35PS12CL	1-3/8" (35 mm)	Polished Stainless
SP64BS12C	SP64BS12CL	2-1/2" (64 mm)	Brushed Stainless
SP64PS12C	SP64PS12CL	2-1/2" (64 mm)	Polished Stainless

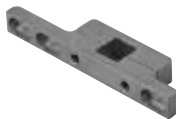
Minimum order: 1 each. Custom Rails are made to your specified size and are not returnable.
*CRL 7150 Series Cam Lock.



CAT. NO. 1NT801
Bottom Pivot Insert



CAT. NO. 1NT803
Top Pivot Insert

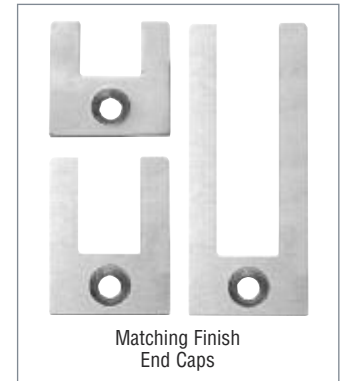
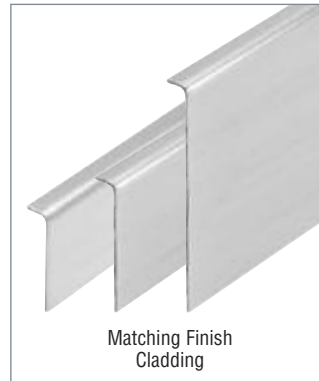


CAT. NO. 1NT804
Top Closer Insert

SLENDER PROFILE DOOR RAIL PIVOT INSERTS

CAT. NO.	ACCEPTS
1NT801	Flat Tapered Floor Closer Spindle or Universal Round Free-Swing Floor Spindle
1NT803	Overhead Pivot with 19/32" (15 mm) Diameter Spindle
1NT804	Overhead Door Closer with 9/16" (14 mm) Square Spindle

Minimum order: 1 each. All Inserts can be combined for quantity pricing.



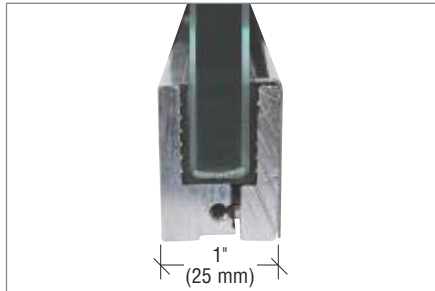
REPLACEMENT CLADDING AND END CAPS

CLADDING* CAT. NO.	END CAP CAT. NO.	RAIL HEIGHT	CLAD FINISH
SP25RCBS	SP25ECBS	1" (25 mm)	Brushed Stainless
SP25RCPS	SP25ECPS	1" (25 mm)	Polished Stainless
SP35RCBS	SP35ECBS	1-3/8" (35 mm)	Brushed Stainless
SP35RCPS	SP35ECPS	1-3/8" (35 mm)	Polished Stainless
SP64RCBS	SP64ECBS	2-1/2" (64 mm)	Brushed Stainless
SP64RCPS	SP64ECPS	2-1/2" (64 mm)	Polished Stainless

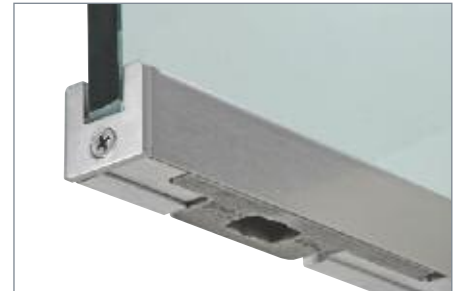
Minimum order: 1 each. *Pressure Sensitive High - Strength Cladding Tape included.



Dry Glaze Installation of Glass Allows for Field Adjustment and Replacement



Slender Profile Door Rails are Only 1" (25 mm) Wide

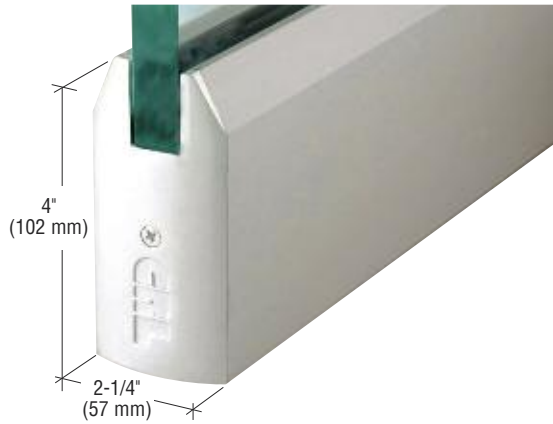


All Slender Profile Door Rails are Prepped to Receive Any of CRL's Slender Profile Door Rail Pivot Inserts (Sold Separately, See Above)

CRL 4" Tapered Shape Full Length Door Rails



For 5/8" (16 mm) or 3/4" (19 mm) Glass



Patented Wedge-Lock™ Glass Securing System
U.S. Patents 6,434,905 and 6,912,818 B2.
Foreign Patents Pending

- Patented Wedge-Lock™ Glass Securing System
- In Stock Ready to Ship
- Adjust and Align Doors Without Removal
- Available With or Without Locks
- Six Standard Architectural Finishes
- Custom Sizes and Finishes Are Also Available in 3-5 Days
- Matching Sidelite Rails Available



ORDERING INFORMATION:

- All Door Rails are supplied with standard Kwik-Adjust™ Pivot Alignment System. Closer Arms and Floor or Overhead Pivots must be ordered separately.
- Models with Locks are supplied with the Lock Mechanism installed. Matching finish Keyed Cylinders or Thumbturns must be ordered separately.
- End Caps are included in the stock Door Rail lengths below. Door Rail length (including End Caps) must be specified when ordering Custom Length Rails.
- For replacement End Caps, visit our web site, crlaurence.com, and enter **DREC4T** into the search box.
- For Handles see pages 413D-430D.

4" TAPERED DOOR RAILS FOR 3/4" (19 MM) GLASS 35-3/4" (908 MM) LENGTH

CAT. NO. WITHOUT LOCK	CAT. NO. WITH LOCK	FINISH
DR4TSA34S	DR4TSA34SL	Satin Anodized
DR4TDU34S	DR4TDU34SL	Black Bronze Anodized
DR4TBL34S	DR4TBL34SL	Black Powder Coat
DR4TBS34S	DR4TBS34SL	*Brushed Stainless
DR4TPS34S	DR4TPS34SL	*Polished Stainless
DR4TPB34S	DR4TPB34SL	*Polished Brass

Minimum order: 1 each. All Door Rails can be combined for quantity pricing. *Clad finish.

4" TAPERED DOOR RAILS FOR 5/8" (16 MM) GLASS 35-3/4" (908 MM) LENGTH

CAT. NO. WITHOUT LOCK	CAT. NO. WITH LOCK	FINISH
DR4TSA58S	DR4TSA58SL	Satin Anodized
DR4TDU58S	DR4TDU58SL	Black Bronze Anodized
DR4TBL58S	DR4TBL58SL	Black Powder Coat
DR4TBS58S	DR4TBS58SL	*Brushed Stainless
DR4TPS58S	DR4TPS58SL	*Polished Stainless
DR4TPB58S	DR4TPB58SL	*Polished Brass

Minimum order: 1 each. All Door Rails can be combined for quantity pricing. *Clad finish.

CUSTOM LENGTH 4" TAPERED DOOR RAILS (DOOR RAIL LENGTH, INCLUDING END CAPS, MUST BE SPECIFIED)

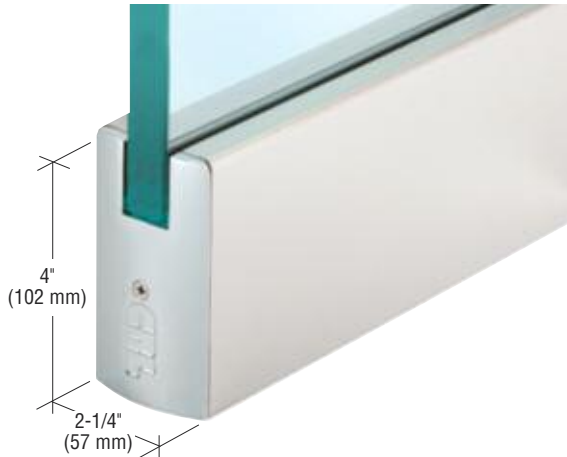
3/4" GLASS CAT. NO. WITHOUT LOCK	3/4" GLASS CAT. NO. WITH LOCK	5/8" GLASS CAT. NO. WITHOUT LOCK	5/8" GLASS CAT. NO. WITH LOCK	FINISH
DR4TSA34C	DR4TSA34CL	DR4TSA58C	DR4TSA58CL	Satin Anodized
DR4TDU34C	DR4TDU34CL	DR4TDU58C	DR4TDU58CL	Black Bronze Anodized
DR4TBL34C	DR4TBL34CL	DR4TBL58C	DR4TBL58CL	Black Powder Coat
DR4TBS34C	DR4TBS34CL	DR4TBS58C	DR4TBS58CL	*Brushed Stainless
DR4TPS34C	DR4TPS34CL	DR4TPS58C	DR4TPS58CL	*Polished Stainless
DR4TPB34C	DR4TPB34CL	DR4TPB58C	DR4TPB58CL	*Polished Brass
DR4TORB34C	DR4TORB34CL	DR4TORB58C	DR4TORB58CL	*Oil Rubbed Bronze

Minimum order: 1 each. All Door Rails can be combined for quantity pricing. *Clad finish.

NOTE: For maximum door sizes when using this product, CRL follows GANA Guidelines.

CRL 4" Square Shape Full Length Door Rails

For 5/8" (16 mm) or 3/4" (19 mm) Glass



Patented Wedge-Lock™ Glass Securing System
U.S. Patents 6,434,905 and 6,912,818 B2.
Foreign Patents Pending



- Patented Wedge-Lock™ Glass Securing System
- In Stock Ready to Ship
- Adjust and Align Doors Without Removal
- Available With or Without Locks
- Six Standard Architectural Finishes
- Custom Sizes and Finishes Are Also Available in 3-5 Days
- Matching Sidelite Rails Available



ORDERING INFORMATION:

- All Door Rails are supplied with standard Kwik-Adjust™ Pivot Alignment System. Closer Arms and Floor or Overhead Pivots must be ordered separately.
- Models with Locks are supplied with the Lock Mechanism installed. Matching finish Keyed Cylinders or Thumbturns must be ordered separately.
- End Caps are included in the stock Door Rail lengths below. Door Rail length (including End Caps) must be specified when ordering Custom Length Rails.
- For replacement End Caps, visit our web site, crlaurence.com, and enter **DREC4S** into the search box.
- For Handles see pages 413D-430D.

4" SQUARE DOOR RAILS FOR 3/4" (19 MM) GLASS 35-3/4" (908 MM) LENGTH

CAT. NO. WITHOUT LOCK	CAT. NO. WITH LOCK	FINISH
DR4SSA34S	DR4SSA34SL	Satin Anodized
DR4SDU34S	DR4SDU34SL	Black Bronze Anodized
DR4SBL34S	DR4SBL34SL	Black Powder Coat
DR4SBS34S	DR4SBS34SL	*Brushed Stainless
DR4SPS34S	DR4SPS34SL	*Polished Stainless
DR4SPB34S	DR4SPB34SL	*Polished Brass

Minimum order: 1 each. All Door Rails can be combined for quantity pricing. *Clad finish.

4" SQUARE DOOR RAILS FOR 5/8" (16 MM) GLASS 35-3/4" (908 MM) LENGTH

CAT. NO. WITHOUT LOCK	CAT. NO. WITH LOCK	FINISH
DR4SSA58S	DR4SSA58SL	Satin Anodized
DR4SDU58S	DR4SDU58SL	Black Bronze Anodized
DR4SBL58S	DR4SBL58SL	Black Powder Coat
DR4SBS58S	DR4SBS58SL	*Brushed Stainless
DR4SPS58S	DR4SPS58SL	*Polished Stainless
DR4SPB58S	DR4SPB58SL	*Polished Brass

Minimum order: 1 each. All Door Rails can be combined for quantity pricing. *Clad finish.

CUSTOM LENGTH 4" TAPERED DOOR RAILS (DOOR RAIL LENGTH, INCLUDING END CAPS, MUST BE SPECIFIED)

3/4" GLASS CAT. NO. WITHOUT LOCK	3/4" GLASS CAT. NO. WITH LOCK	5/8" GLASS CAT. NO. WITHOUT LOCK	5/8" GLASS CAT. NO. WITH LOCK	FINISH
DR4SSA34C	DR4SSA34CL	DR4SSA58C	DR4SSA58CL	Satin Anodized
DR4SDU34C	DR4SDU34CL	DR4SDU58C	DR4SDU58CL	Black Bronze Anodized
DR4SBL34C	DR4SBL34CL	DR4SBL58C	DR4SBL58CL	Black Powder Coat
DR4SBS34C	DR4SBS34CL	DR4SBS58C	DR4SBS58CL	*Brushed Stainless
DR4SPS34C	DR4SPS34CL	DR4SPS58C	DR4SPS58CL	*Polished Stainless
DR4SPB34C	DR4SPB34CL	DR4SPB58C	DR4SPB58CL	*Polished Brass
DR4SORB34C	DR4SORB34CL	DR4SORB58C	DR4SORB58CL	*Oil Rubbed Bronze

Minimum order: 1 each. All Door Rails can be combined for quantity pricing. *Clad finish.

NOTE: For maximum door sizes when using this product, CRL follows GANA Guidelines.

CRL 6" Square Shape Full Length Door Rails

For 5/8" (16 mm) or 3/4" (19 mm) Glass



Patented Wedge-Lock™ Glass Securing System
U.S. Patents 6,434,905 and 6,912,818 B2.
Foreign Patents Pending

- Patented Wedge-Lock™ Glass Securing System
- In Stock Ready to Ship
- Adjust and Align Doors Without Removal
- Available With or Without Locks
- Six Standard Architectural Finishes
- Custom Sizes and Finishes Are Also Available in 3-5 Days
- Matching Sidelite Rails Available



ORDERING INFORMATION:

- All Door Rails are supplied with standard Kwik-Adjust™ Pivot Alignment System. Closer Arms and Floor or Overhead Pivots must be ordered separately.
- Models with Locks are supplied with the Lock Mechanism installed. Matching finish Keyed Cylinders or Thumbturns must be ordered separately.
- End Caps are included in the stock Door Rail lengths below. Door Rail length (including End Caps) must be specified when ordering Custom Length Rails.
- For replacement End Caps, visit our web site, crlaurence.com, and enter **DREC6S** into the search box.
- For Handles see pages 413D-430D.

6" SQUARE DOOR RAILS FOR 3/4" (19 MM) GLASS 35-3/4" (908 MM) LENGTH

CAT. NO. WITHOUT LOCK	CAT. NO. WITH LOCK	FINISH
DR6SSA34S	DR6SSA34SL	*Satin Anodized
DR6SDU34S	DR6SDU34SL	*Black Bronze Anodized
DR6SBL34S	DR6SBL34SL	*Black Powder Coat
DR6SBS34S	DR6SBS34SL	*Brushed Stainless
DR6SPS34S	DR6SPS34SL	*Polished Stainless
DR6SPB34S	DR6SPB34SL	*Polished Brass

Minimum order: 1 each. All Door Rails can be combined for quantity pricing. *Clad finish.

6" SQUARE DOOR RAILS FOR 5/8" (16 MM) GLASS 35-3/4" (908 MM) LENGTH

CAT. NO. WITHOUT LOCK	CAT. NO. WITH LOCK	FINISH
DR6SSA58S	DR6SSA58SL	*Satin Anodized
DR6SDU58S	DR6SDU58SL	*Black Bronze Anodized
DR6SBL58S	DR6SBL58SL	*Black Powder Coat
DR6SBS58S	DR6SBS58SL	*Brushed Stainless
DR6SPS58S	DR6SPS58SL	*Polished Stainless
DR6SPB58S	DR6SPB58SL	*Polished Brass

Minimum order: 1 each. All Door Rails can be combined for quantity pricing. *Clad finish.

CUSTOM LENGTH 4" TAPERED DOOR RAILS (DOOR RAIL LENGTH, INCLUDING END CAPS, MUST BE SPECIFIED)

3/4" GLASS CAT. NO. WITHOUT LOCK	3/4" GLASS CAT. NO. WITH LOCK	5/8" GLASS CAT. NO. WITHOUT LOCK	5/8" GLASS CAT. NO. WITH LOCK	FINISH
DR6SSA34C	DR6SSA34CL	DR6SSA58C	DR6SSA58CL	*Satin Anodized
DR6SDU34C	DR6SDU34CL	DR6SDU58C	DR6SDU58CL	*Black Bronze Anodized
DR6SBL34C	DR6SBL34CL	DR6SBL58C	DR6SBL58CL	*Black Powder Coat
DR6SBS34C	DR6SBS34CL	DR6SBS58C	DR6SBS58CL	*Brushed Stainless
DR6SPS34C	DR6SPS34CL	DR6SPS58C	DR6SPS58CL	*Polished Stainless
DR6SPB34C	DR6SPB34CL	DR6SPB58C	DR6SPB58CL	*Polished Brass
DR6SORB34C	DR6SORB34CL	DR6SORB58C	DR6SORB58CL	*Oil Rubbed Bronze

NOTE: For maximum door sizes when using this product, CRL follows GANA Guidelines.

Minimum order: 1 each. All Door Rails can be combined for quantity pricing. *Clad finish.



C.R. LAURENCE COMPANY

crlaurence.com | usalum.com

118D | crlaurence.ca crlaurence.com.au crlaurence.co.uk crlaurence.de crlaurence.eu

CRL 10" Square Shape Full Length Door Rails

For 5/8" (16 mm) or 3/4" (19 mm) Glass



Patented Wedge-Lock™ Glass Securing System
U.S. Patents 6,434,905 and 6,912,818 B2.
Foreign Patents Pending



- Patented Wedge-Lock™ Glass Securing System
- In Stock Ready to Ship
- Adjust and Align Doors Without Removal
- Available With or Without Locks
- Six Standard Architectural Finishes
- Custom Sizes and Finishes Are Also Available in 3-5 Days
- Matching Sidelite Rails Available

ORDERING INFORMATION:

- All Door Rails are supplied with standard Kwik-Adjust™ Pivot Alignment System. Closer Arms and Floor or Overhead Pivots must be ordered separately.
- Models with Locks are supplied with the Lock Mechanism installed. Matching finish Keyed Cylinders or Thumbturns must be ordered separately.
- End Caps are included in the stock Door Rail lengths below. Door Rail length (including End Caps) must be specified when ordering Custom Length Rails.
- For replacement End Caps, visit our web site, crlaurence.com, and enter **DREC10** into the search box.
- For Handles see pages 413D-430D.



10" SQUARE DOOR RAILS FOR 3/4" (19 MM) GLASS 35-3/4" (908 MM) LENGTH

CAT. NO. WITHOUT LOCK	CAT. NO. WITH LOCK	FINISH
DR10SSA34S	DR10SSA34SL	*Satin Anodized
DR10SDU34S	DR10SDU34SL	*Black Bronze Anodized
DR10SBL34S	DR10SBL34SL	*Black Powder Coat
DR10SBS34S	DR10SBS34SL	*Brushed Stainless
DR10SPS34S	DR10SPS34SL	*Polished Stainless
DR10SPB34S	DR10SPB34SL	*Polished Brass

Minimum order: 1 each. All Door Rails can be combined for quantity pricing. *Clad finish.

10" SQUARE DOOR RAILS FOR 5/8" (16 MM) GLASS 35-3/4" (908 MM) LENGTH

CAT. NO. WITHOUT LOCK	CAT. NO. WITH LOCK	FINISH
DR10SSA58S	DR10SSA58SL	*Satin Anodized
DR10SDU58S	DR10SDU58SL	*Black Bronze Anodized
DR10SBL58S	DR10SBL58SL	*Black Powder Coat
DR10SBS58S	DR10SBS58SL	*Brushed Stainless
DR10SPS58S	DR10SPS58SL	*Polished Stainless
DR10SPB58S	DR10SPB58SL	*Polished Brass

Minimum order: 1 each. All Door Rails can be combined for quantity pricing. *Clad finish.

CUSTOM LENGTH 10" SQUARE DOOR RAILS (DOOR RAIL LENGTH, INCLUDING END CAPS, MUST BE SPECIFIED)

3/4" GLASS CAT. NO. WITHOUT LOCK	3/4" GLASS CAT. NO. WITH LOCK	5/8" GLASS CAT. NO. WITHOUT LOCK	5/8" GLASS CAT. NO. WITH LOCK	FINISH
DR10SSA34C	DR10SSA34CL	DR10SSA58C	DR10SSA58CL	*Satin Anodized
DR10SDU34C	DR10SDU34CL	DR10SDU58C	DR10SDU58CL	*Black Bronze Anodized
DR10SBL34C	DR10SBL34CL	DR10SBL58C	DR10SBL58CL	*Black Powder Coat
DR10SBS34C	DR10SBS34CL	DR10SBS58C	DR10SBS58CL	*Brushed Stainless
DR10SPS34C	DR10SPS34CL	DR10SPS58C	DR10SPS58CL	*Polished Stainless
DR10SPB34C	DR10SPB34CL	DR10SPB58C	DR10SPB58CL	*Polished Brass
DR10SORB34C	DR10SORB34CL	DR10SORB58C	DR10SORB58CL	*Oil Rubbed Bronze

Minimum order: 1 each. All Door Rails can be combined for quantity pricing. *Clad finish.

NOTE: For maximum door sizes when using this product, CRL follows GANA Guidelines.

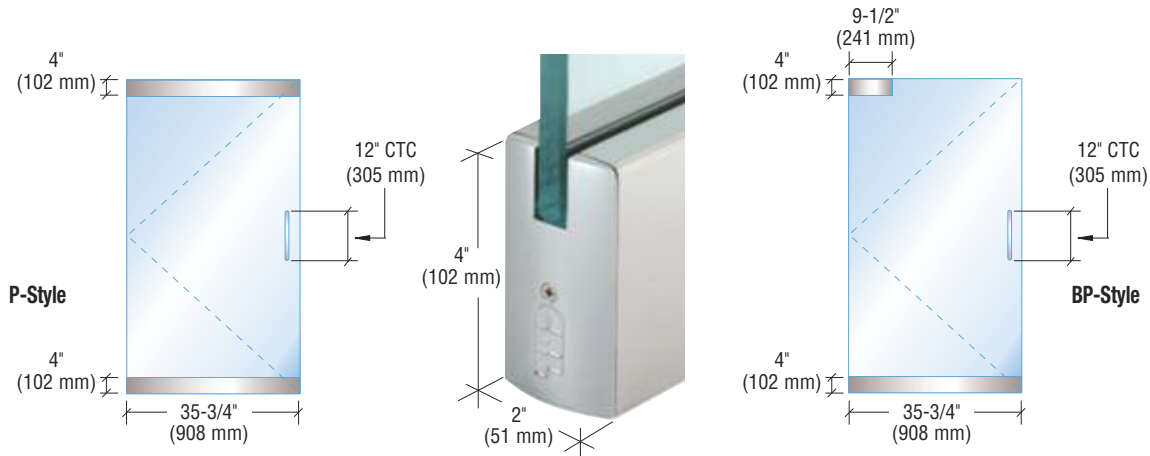
CRL Dry Glaze Frameless Glass Single Door Kits

- Door Only or Complete Entrance Kits Available
- 3'-0" Single Door or 6'-0" Double Door Kits for Use With 1/2" (12 mm) Tempered Glass
- Brushed or Polished Stainless Steel, Clear or Black/Bronze Anodized Finishes

CRL now offers Dry Glaze Frameless Glass Door Kits for single or double door entrances in Door Only or Complete Entrance kits. All you supply is the 1/2" (12 mm) tempered glass.

All Kits utilize our patented Dry Glaze Rails, and are available in 'P' or 'BP' Style Door Types in brushed or polished stainless steel, clear or black/bronze anodized finishes. They all work with 1/2" (12 mm) clear fully tempered glass, and require only two 5/8" (16 mm) holes 12" (305 mm) on center for the pull handle. Net door width is 35-3/4" (908 mm). **NOTE:** For maximum door sizes when using this product, CRL follows GANA Guidelines.

Door Only Kits include Rails, Jackson Overhead Concealed Door Closer with Bottom Pivot, and a Pull Handle. Complete Entrance Kits include everything in the Door Only Kits, plus a 1-3/4" x 4" (45 x 102 mm) Header prepped for a Jackson Overhead Concealed Door Closer. All Kits are also available with locks in the bottom rails. Thresholds are also available, but must be ordered separately.



P-STYLE 3'-0" SINGLE DOOR ONLY KITS

CAT. NO. WITHOUT LOCK #	CAT. NO. WITH LOCK ##	FINISH
P4BS12S	P4BS12SL	*Brushed Stainless
P4PS12S	P4PS12SL	*Polished Stainless
P4SA12S	P4SA12SL	Satin Anodized
P4DU12S	P4DU12SL	Black Bronze Anodized

Minimum order: 1 each. All Door Kits can be combined for quantity pricing. *Clad finish. Net door width is 35-3/4" (908 mm) each.

Without Lock Kits Include:

- Two DR4S Series Dry Glaze Rails
- One Model 20104M20 Jackson Overhead Door Closer
- One CRL8010AS Closer Arm
- One CRL8010DP Bottom Pivot
- One CRL8010FS Mounting Clip
- One Model CM12X12 Pull Handle

With Lock Kits Include:

- One DR4S Series Dry Glaze Rail Without Lock
- One DR4S Series Dry Glaze Rail With 777S Lock
- One Model DRA1020 Cylinder/Thumbturn Combo
- One Model 777SP Strike Plate
- One Model 20104M20 Jackson Overhead Door Closer
- One CRL8010AS Closer Arm
- One CRL8010DP Bottom Pivot
- One CRL8010FS Mounting Clip
- One Model CM12X12 Pull Handle

BP-STYLE 3'-0" SINGLE DOOR ONLY KITS

CAT. NO. WITHOUT LOCK #	CAT. NO. WITH LOCK ##	FINISH
BP4BS12S	BP4BS12SL	*Brushed Stainless
BP4PS12S	BP4PS12SL	*Polished Stainless
BP4SA12S	BP4SA12SL	Satin Anodized
BP4DU12S	BP4DU12SL	Black Bronze Anodized

Minimum order: 1 each. All Door Kits can be combined for quantity pricing. *Clad finish. Net door width is 35-3/4" (908 mm) each.

Without Lock Kits Include:

- One DR4S Series Dry Glaze Top Patch Rail
- One DR4S Series Dry Glaze Rail
- One Model 20104M20 Jackson Overhead Door Closer
- One CRL8010AS Closer Arm
- One CRL8010DP Bottom Pivot
- One CRL8010FS Mounting Clip
- One Model CM12X12 Pull Handle

With Lock Kits Include:

- One DR4S Series Dry Glaze Top Patch Rail
- One DR4S Series Dry Glaze Rail With 777S Lock
- One Model DRA1020 Cylinder/Thumbturn Combo
- One Model 777SP Strike Plate
- One Model 20104M20 Jackson Overhead Door Closer
- One CRL8010AS Closer Arm
- One CRL8010DP Bottom Pivot
- One CRL8010FS Mounting Clip
- One Model CM12X12 Pull Handle

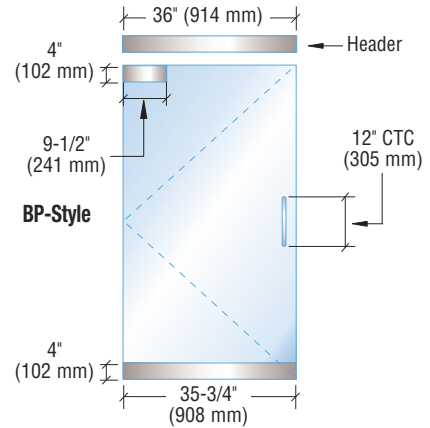
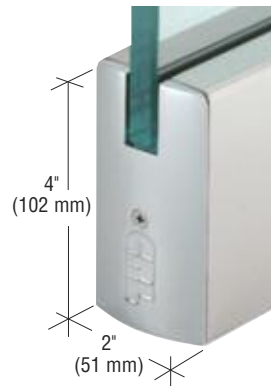
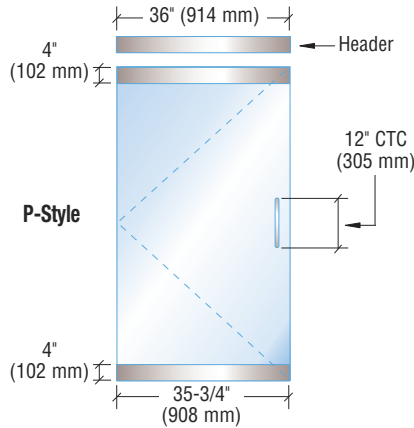


CRL Dry Glaze Frameless Glass Single Door Complete Entrance Kits

• For Use With 1/2" (12 mm) Tempered Glass



NEW!



P-STYLE 3'-0" SINGLE DOOR COMPLETE ENTRANCE KITS

CAT. NO. WITHOUT LOCK #	CAT. NO. WITH LOCK ##	FINISH
P4BS12SE	P4BS12SEL	*Brushed Stainless
P4PS12SE	P4PS12SEL	*Polished Stainless
P4SA12SE	P4SA12SEL	Satin Anodized
P4DU12SE	P4DU12SEL	Black Bronze Anodized

Minimum order: 1 each. All Door Kits can be combined for quantity pricing. *Clad finish. Net door width is 35-3/4" (908 mm) each.

Without Lock Kits Include:

- Two DR4S Series Dry Glaze Rails
- One Model 20104M20 Jackson Overhead Door Closer
- One CRL8010AS Closer Arm
- One CRL8010DP Bottom Pivot
- One CRL8010FS Mounting Clip
- One Model CM12X12 Pull Handle
- One Model DCH4 36" Header

With Lock Kits Include:

- One DR4S Series Dry Glaze Rail Without Lock
- One DR4S Series Dry Glaze Rail With 777S Lock
- One Model DRA1020 Cylinder/Thumbturn Combo
- One Model 777SP Strike Plate
- One Model 20104M20 Jackson Overhead Door Closer
- One CRL8010AS Closer Arm
- One CRL8010DP Bottom Pivot
- One CRL8010FS Mounting Clip
- One Model CM12X12 Pull Handle
- One Model DCH4 36" Header

BP-STYLE 3'-0" SINGLE DOOR COMPLETE ENTRANCE KITS

CAT. NO. WITHOUT LOCK #	CAT. NO. WITH LOCK ##	FINISH
BP4BS12SE	BP4BS12SEL	*Brushed Stainless
BP4PS12SE	BP4PS12SEL	*Polished Stainless
BP4SA12SE	BP4SA12SEL	Satin Anodized
BP4DU12SE	BP4DU12SEL	Black Bronze Anodized

Minimum order: 1 each. All Door Kits can be combined for quantity pricing. *Clad finish. Net door width is 35-3/4" (908 mm) each.

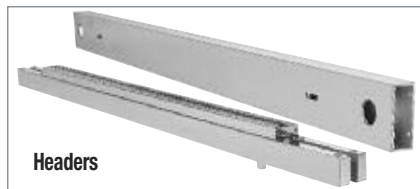
Without Lock Kits Include:

- One DR4S Series Dry Glaze Top Patch Rail
- One DR4S Series Dry Glaze Rail
- One Model 20104M20 Jackson Overhead Door Closer
- One CRL8010AS Closer Arm
- One CRL8010DP Bottom Pivot
- One CRL8010FS Mounting Clip
- One Model CM12X12 Pull Handle
- One Model DCH4 36" Header

With Lock Kits Include:

- One DR4S Series Dry Glaze Top Patch Rail
- One DR4S Series Dry Glaze Rail With 777S Lock
- One Model DRA1020 Cylinder/Thumbturn Combo
- One Model 777SP Strike Plate
- One Model 20104M20 Jackson Overhead Door Closer
- One CRL8010AS Closer Arm
- One CRL8010DP Bottom Pivot
- One CRL8010FS Mounting Clip
- One Model CM12X12 Pull Handle
- One Model DCH4 36" Header

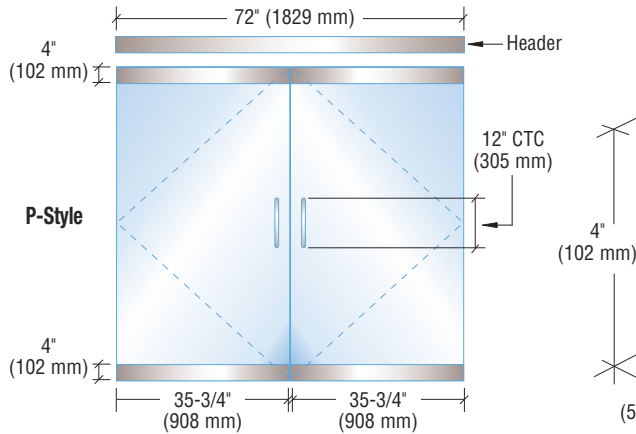
CRL Manufactured Accessories for Your Entrance Projects



CRL Dry Glaze Frameless Glass Double Door Complete Entrance Kits

• For Use With 1/2" (12 mm) Tempered Glass

NEW!



P-STYLE 6'-0" DOUBLE DOOR COMPLETE ENTRANCE KITS

CAT. NO. WITHOUT LOCK #	CAT. NO. WITH LOCK ##	FINISH
P4BS12DE	P4BS12DEL	*Brushed Stainless
P4PS12DE	P4PS12DEL	*Polished Stainless
P4SA12DE	P4SA12DEL	Satin Anodized
P4DU12DE	P4DU12DEL	Black Bronze Anodized

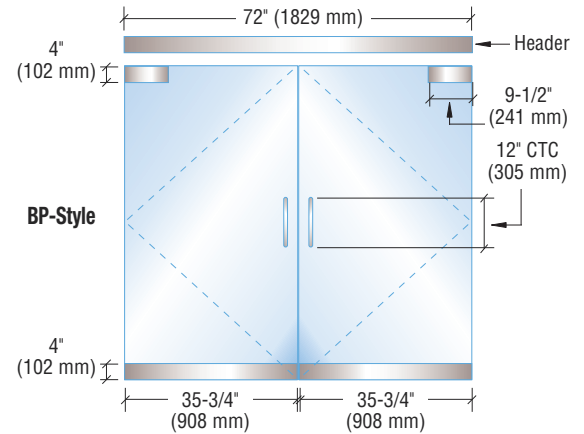
Minimum order: 1 each. All Door Kits can be combined for quantity pricing. *Clad finish. Net door width is 35-3/4" (908 mm) each.

Without Lock Kits Include:

- Four DR4S Series Dry Glaze Rails
- Two Model 20104M20 Jackson Overhead Door Closer Sets
- Two CRL8010AS Closer Arms
- Two CRL8010DP Bottom Pivots
- Two CRL8010FS Mounting Clips
- Two Model CM12X12 Pull Handles
- One Model DCH4 72" Header

With Lock Kits Include:

- Two DR4S Series Dry Glaze Rails Without Locks
- Two DR4S Series Dry Glaze Rails With 777S Locks
- Two Model DRA1020 Cylinder/Thumbturn Combos
- Two Model 777SP Strike Plates
- Two Model 20104M20 Jackson Overhead Door Closer Sets
- Two CRL8010AS Closer Arms
- Two CRL8010DP Bottom Pivots
- Two CRL8010FS Mounting Clips
- Two Model CM12X12 Pull Handles
- One Model DCH4 72" Header



BP-STYLE 6'-0" DOUBLE DOOR COMPLETE ENTRANCE KITS

CAT. NO. WITHOUT LOCK #	CAT. NO. WITH LOCK ##	FINISH
BP4BS12DE	BP4BS12DEL	*Brushed Stainless
BP4PS12DE	BP4PS12DEL	*Polished Stainless
BP4SA12DE	BP4SA12DEL	Satin Anodized
BP4DU12DE	BP4DU12DEL	Black Bronze Anodized

Minimum order: 1 each. All Door Kits can be combined for quantity pricing. *Clad finish. Net door width is 35-3/4" (908 mm) each.

Without Lock Kits Include:

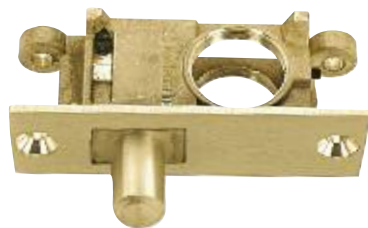
- Two DR4S Series Dry Glaze Top Patch Rails
- Two DR4S Series Dry Glaze Rails
- Two Model 20104M20 Jackson Overhead Door Closer Sets
- Two CRL8010AS Closer Arms
- Two CRL8010DP Bottom Pivots
- Two CRL8010FS Mounting Clips
- Two Model CM12X12 Pull Handles
- One Model DCH4 72" Header

With Lock Kits Include:

- Two DR4S Series Dry Glaze Top Patch Rails
- Two DR4S Series Dry Glaze Rails With 777S Locks
- Two Model DRA1020 Cylinder/Thumbturn Combos
- Two Model 777SP Strike Plates
- Two Model 20104M20 Jackson Overhead Door Closer Sets
- Two CRL8010AS Closer Arms
- Two CRL8010DP Bottom Pivots
- Two CRL8010FS Mounting Clips
- Two Model CM12X12 Pull Handles
- One Model DCH4 72" Header

CRL Door Rail Lock

- Featured in the Rails of All Glass Door With Lock Kits
- Solid Brass Construction
- 5/8" (16 mm) Diameter Plunger Bolt



CAT. NO. 777S

CRL Jackson Overhead Door Closer and Accessories

- Featured in All Frameless Glass Door Kits
- Adjustable Spring Power
- 90 Degree Hold Open



CRL Wet Glaze Frameless Glass Door Rails

- Three Popular Designs Available
- Six Architectural Finishes
- Stock and Custom Sizes Available
- Matching Sidelite Rails Available
- Complete Door Kits Available (See Pages 127D-129D)



CRL now offers an extensive line of traditional Wet Glaze Frameless Glass Door Rails for retrofit and new installations. With three popular designs that have been used in the market place for more than 30 years, we will have the right solution for your application.

CRL is now set up to produce standard and custom length door rails and patch fittings in six standard architectural finishes. Custom finishes are also available.

NOTE: For maximum door sizes when using this product, CRL follows GANA Guidelines. Contact our Technical Sales team today for your next project at (800) 421-6144 in the U.S., (877) 421-6144 from Canada, or (323) 588-1281 International. Ask for Ext. 7700. To send e-mail go to crlaurence.com, click on Contact Us, and then click on Technical Sales for Commercial Products.



CR150 Series



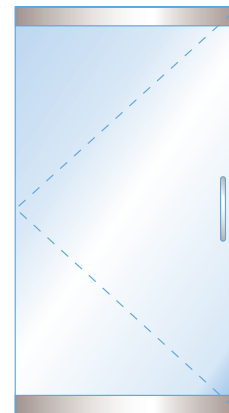
CR350 Series



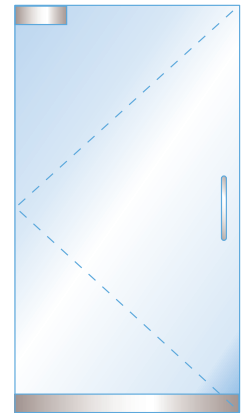
CR387 Series

CRL Wet Glaze Frameless Glass Door Kits

- Complete Kits for Single and Double Door Entrances
- Includes Door Rails, Door Closer, Pull Handle, and Header (On Some Models)
- For Use With 3/8" to 1/2" (10 to 12 mm) Tempered Glass
- For More Information, See Pages 127D-129D



P-Style



BP-Style

CRL Wet Glaze Door Rails CR150 Series 3-5/16" Tapered

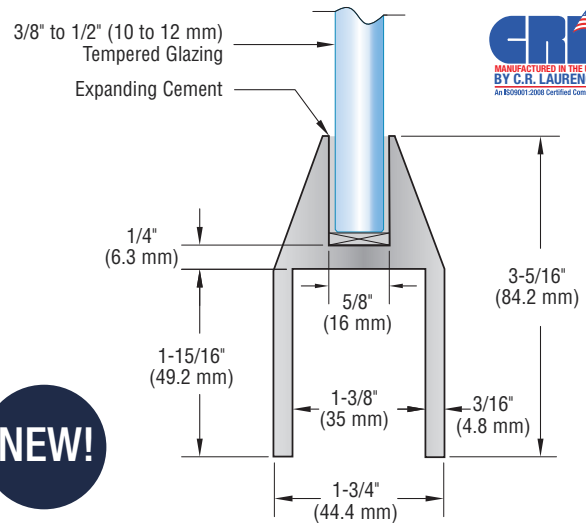
- For 3/8" to 1/2" (10 to 12 mm) Glass



- Clad Rails Come With Welded, Ground, and Polished End Caps Standard
- Anodized Rails Come With Machined Radius Ends Standard
- Applied End Caps Available on Special Order
- Available With or Without Locks
- Six Standard Architectural Finishes, With Custom Finishes Available
- Custom Sizes Are Also Available
- Matching Sidelite Rails Available

ORDERING INFORMATION:

- All Door Rails are supplied standard with our Kwik-Adjust™ Pivot Alignment System. Door Closer Arms and Floor or Overhead Pivots must be ordered separately.
- Rails with Locks are supplied with the Lock Mechanism installed. Matching finish Keyed Cylinders or Thumbturns must be ordered separately.
- Door Rail length (including End Caps) must be specified when ordering Custom Length Rails.
- Complete Door Kits are available (see pages 127D-129D).
- For Handles see pages 413D-430D.



NEW!

Dimensions Shown Above Do Not Include Cladding

NOTE: For maximum door sizes when using this product, CRL follows GANA Guidelines.

CR150 SERIES TAPERED DOOR RAILS 35-3/4" (904 MM) LENGTH

CAT. NO. WITHOUT LOCK	CAT. NO. WITH LOCK	FINISH
150SA	150SAL	Satin Anodized
150DU	150DUL	Black Bronze Anodized
150BS	150BSL	*Brushed Stainless
150PS	150PSL	*Polished Stainless
150PB	150PBL	*Polished Brass
150SB	150SBL	*Satin Brass

Minimum order: 1 each. All Door Rails can be combined for quantity pricing. *Clad finish.

CR150 SERIES CUSTOM LENGTH TAPERED DOOR RAILS

CAT. NO. WITHOUT LOCK	CAT. NO. WITH LOCK	FINISH
150SAC	150SACL	Satin Anodized
150DUC	150DUCL	Black Bronze Anodized
150BSC	150BSCL	*Brushed Stainless
150PSC	150PSCl	*Polished Stainless
150PBC	150PBCL	*Polished Brass
150SBC	150SBCL	*Satin Brass

Minimum order: 1 each. *Clad finish.

CRL Kwikset® and Rockite® Expanding Cements

- Kwikset® for Exterior and Interior Applications
- Rockite® for Interior Applications Only
- Recommended on All Wet Glaze Door Rail Installations
- Fast Setting, Will Not Shrink or Crack When Used as Directed

CRL Kwikset® and Rockite® are gray, hydraulic type cements that expand as they set, and are specially formulated to produce unexcelled strength and bonding qualities. When mixed with water they pour into place smoothly. Both set within 15 to 20 minutes, and when fully cured develop compression strengths in excess of color 8000 pounds per square inch.

Visit crlaurence.com for additional information.



For Exterior and Interior Applications

KWIKSET® CEMENT

CAT. NO.	WEIGHT
KWX25	25 Pounds (11.3 kg)
KWX50	50 Pounds (22.7 kg)

Minimum order: 1 each. **NOTE:** Kwikset® can be used in temperatures as low as 40°F (4°C).



For Interior Applications Only

ROCKITE® CEMENT

CAT. NO.	WEIGHT
ROCK01	1 Pound (.453 kg)
ROCK05	5 Pounds (2.27 kg)
ROCK10	10 Pounds (4.54 kg)
ROCK50	50 Pounds (22.7 kg)

Minimum order: 1 each. **NOTE:** Rockite® can be used in temperatures as low as 25°F (-4°C).

CRL Wet Glaze Door Rails CR350 Series 3-5/16" Square

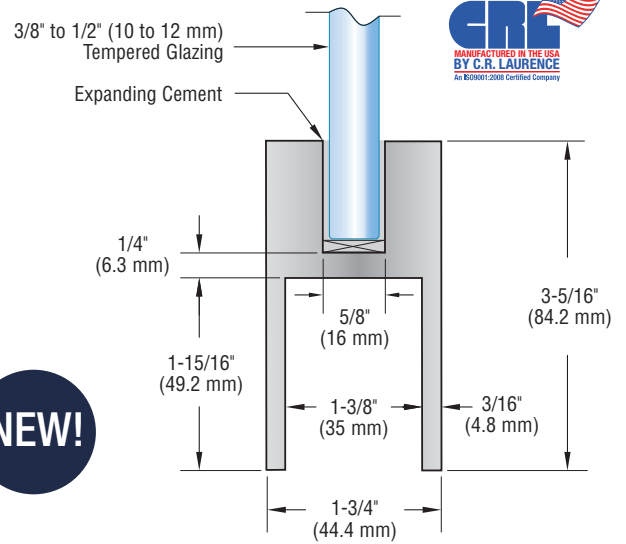
• For 3/8" to 1/2" (10 to 12 mm) Glass



- Clad Rails Come With Welded, Ground, and Polished End Caps Standard
- Anodized Rails Come With Machined Radius Ends Standard
- Applied End Caps Available on Special Order
- Available With or Without Locks
- Six Standard Architectural Finishes, With Custom Finishes Available
- Custom Sizes Are Also Available
- Matching Sidelite Rails Available

ORDERING INFORMATION:

- All Door Rails are supplied standard with our Kwik-Adjust™ Pivot Alignment System. Door Closer Arms and Floor or Overhead Pivots must be ordered separately.
- Rails with Locks are supplied with the Lock Mechanism installed. Matching finish Keyed Cylinders or Thumbturns must be ordered separately.
- Door Rail length (including End Caps) must be specified when ordering Custom Length Rails.
- Complete Door Kits are available (see pages 127D-129D).
- For Handles see pages 413D-430D.



NEW!

Dimensions Shown Above Do Not Include Cladding
NOTE: For maximum door sizes when using this product, CRL follows GANA Guidelines.

CR350 SERIES SQUARE DOOR RAILS 35-3/4" (904 MM) LENGTH

CAT. NO. WITHOUT LOCK	CAT. NO. WITH LOCK	FINISH
350SA	350SAL	Satin Anodized
350DU	350DUL	Black Bronze Anodized
350BS	350BSL	*Brushed Stainless
350PS	350PSL	*Polished Stainless
350PB	350PBL	*Polished Brass
350SB	350SBL	*Satin Brass

Minimum order: 1 each. All Door Rails can be combined for quantity pricing. *Clad finish.

CR350 SERIES CUSTOM LENGTH SQUARE DOOR RAILS

CAT. NO. WITHOUT LOCK	CAT. NO. WITH LOCK	FINISH
350SAC	350SACL	Satin Anodized
350DUC	350DUCL	Black Bronze Anodized
350BSC	350BSCL	*Brushed Stainless
350PSC	350PSCL	*Polished Stainless
350PBC	350PBCL	*Polished Brass
350SBC	350SBCL	*Satin Brass

Minimum order: 1 each. *Clad finish.

CRL Cement Mixing Kit and Mixing Accessories

- Everything Needed to Accurately Measure and Mix Expanding Cement
- Buy the Kit or Order Items Individually

This Kit features a combination of accessories that make it easier to get the proper mixture of water and expanding cement. The handy 3.5 gallon (13.25 liter) Pouring Pail has a spout and handle for easy delivery of the mixture. The Plastic Scoop and Mixing Spoon complete the Kit. Use our Cat. No. GRP35 Cement Pouring Ramp (see next page) for a neat and effective method of directing the mixture just where you want it.

MIXING KIT

CAT. NO.	DESCRIPTION
GRP30	Cement Mixing Kit with one of each: 1000cc Pitcher (Water); 3000cc Pitcher (Dry Cement), 3.5 Gallon Pouring Pail, Plastic Scoop, Mixing Spoon

Minimum order: 1 each.

CAT. NO.	DESCRIPTION
GRP31	Set of Mixing Pitchers: 1000cc (Water), 3000cc (Dry Cement)
GRP32	3.5 Gallon Pouring Pail
GRP33	Plastic Scoop
GRP34	Mixing Spoon
MX91	High Speed Mixer

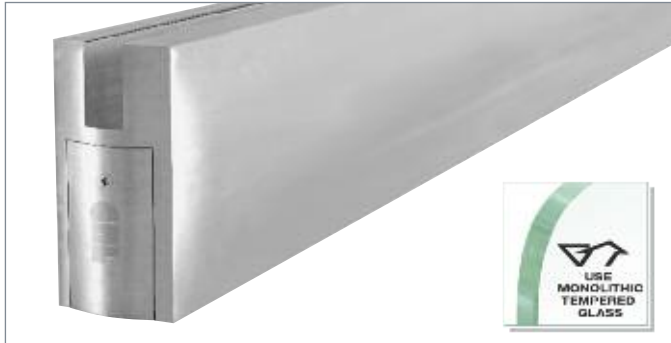
Minimum order: 1 each.



CAT. NO. MX91
High Speed Mixer
(sold separately)

CRL Wet Glaze Door Rails CR387 Series 3-7/8" Square

- For 3/8" to 1/2" (10 to 12 mm) Glass

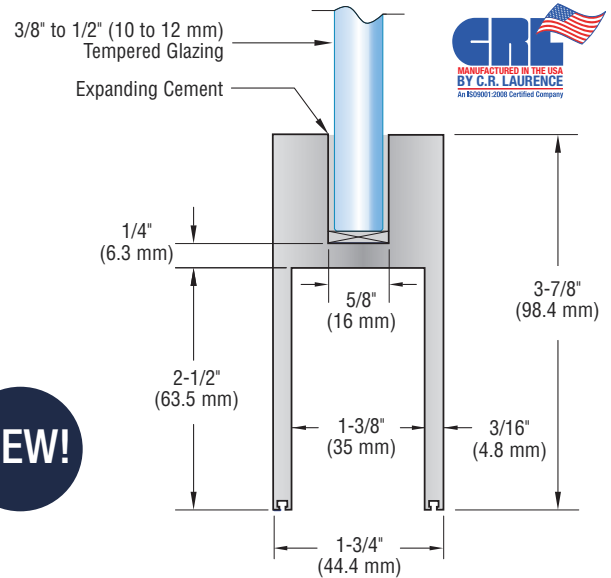


- Clad Rails Come With Welded, Ground, and Polished End Caps Standard
- Anodized Rails Come With Machined Radius Ends Standard
- Applied End Caps Available on Special Order
- Available With or Without Locks
- Six Standard Architectural Finishes, With Custom Finishes Available
- Custom Sizes Are Also Available
- Includes Reglets for Optional Nylon Weatherstripping
- Matching Sidelite Rails Available

ORDERING INFORMATION:

- All Door Rails are supplied standard with our Kwik-Adjust™ Pivot Alignment System. Door Closer Arms and Floor or Overhead Pivots must be ordered separately.
- Rails with Locks are supplied with the Lock Mechanism installed. Matching finish Keyed Cylinders or Thumbturns must be ordered separately.
- Door Rail length (including End Caps) must be specified when ordering Custom Length Rails.
- Complete Door Kits are available (see pages 127D-129D).
- For Handles see pages 413D-430D.

NEW!



Dimensions Shown Above Do Not Include Cladding
NOTE: For maximum door sizes when using this product, CRL follows GANA Guidelines.

CR387 SERIES SQUARE DOOR RAILS 35-3/4" (904 MM) LENGTH

CAT. NO. WITHOUT LOCK	CAT. NO. WITH LOCK	FINISH
387SA	387SAL	Satin Anodized
387DU	387DUL	Black Bronze Anodized
387BS	387BSL	*Brushed Stainless
387PS	387PSL	*Polished Stainless
387PB	387PBL	*Polished Brass
387SB	387SBL	*Satin Brass

Minimum order: 1 each. All Door Rails can be combined for quantity pricing. *Clad finish.

CR387 SERIES CUSTOM LENGTH SQUARE DOOR RAILS

CAT. NO. WITHOUT LOCK	CAT. NO. WITH LOCK	FINISH
387SAC	387SACL	Satin Anodized
387DUC	387DUCL	Black Bronze Anodized
387BSC	387BSCL	*Brushed Stainless
387PSC	387PSCL	*Polished Stainless
387PBC	387PBCL	*Polished Brass
387SBC	387SBCL	*Satin Brass

Minimum order: 1 each. *Clad finish.

CRL Pouring Ramp for Door Rails Using Expanding Cement

- Neat and Effective Manual Delivery of Expanding Cement
- Wide Delivery Area

The CRL Pouring Ramp provides a wide delivery area for mess-free pouring of cement into Door Rails. You will find the Pouring Ramp to be a neat and effective method to manually deliver the expanding cement used in our Wet Glazed Door Rails.



CAT. NO.	DESCRIPTION
GRP35	Cement Pouring Ramp

Minimum order: 1 each.

CRL Nylon Brush Weatherstrip for CR387 Series Door Rails

- High Quality Black Nylon Filament With Excellent Flex Life

Nylon Brush Weatherstrip for use in our CR387 Series Door Rails. Available in 96" (2.44 m) lengths with 7/16" (11 mm) exposed brush length.



CAT. NO.	DESCRIPTION
387WS96	Nylon Brush Weatherstrip 96"

Minimum order: 1 stock length. Orders for fewer than five lengths are subject to a packing charge.

CRL Wet Glaze Frameless Glass Single Door Kits

- Door Only or Complete Entrance Kits
- 3'-0" Single Door or 6'-0" Double Door Kits for Use With 3/8" to 1/2" (10 to 12 mm) Tempered Glass
- Brushed or Polished Stainless Steel, Clear or Black/Bronze Anodized Finishes

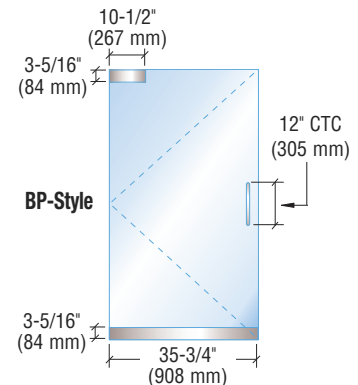
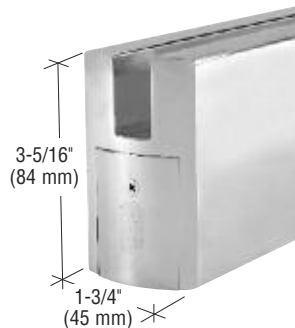
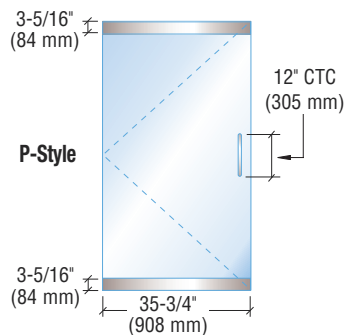


CRL now offers Wet Glaze Frameless Glass Door Kits for single or double door entrances in Door Only or Complete Entrance kits. All you supply is the 3/8" to 1/2" (10 to 12 mm) tempered glass.

All Kits utilize our new CR350 Wet Glaze Rails, and are available in 'P' or 'BP' Style Door Types in brushed or polished stainless steel, clear or black/bronze anodized finishes. They all work with 3/8" to 1/2" (10 to 12 mm) fully tempered glass, and require only two 5/8" (16 mm) holes 12" (305 mm) on center for the pull handle. Net door width is 35-3/4" (908 mm).

NOTE: For maximum door sizes when using this product, CRL follows GANA Guidelines.

Door Only Kits include Rails, Jackson Overhead Concealed Door Closer with Bottom Pivot, and a Pull Handle. Complete Entrance Kits include everything in the Door Only Kits, plus a 1-3/4" x 4" (45 x 102 mm) Header prepped for a Jackson Overhead Concealed Door Closer. All Kits are also available with locks in the bottom rails. Thresholds are also available, but must be ordered separately.



P-STYLE 3'-0" SINGLE DOOR ONLY KITS

CAT. NO. WITHOUT LOCK #	CAT. NO. WITH LOCK ##	FINISH
P35BS12S	P35BS12SL	*Brushed Stainless
P35PS12S	P35PS12SL	*Polished Stainless
P35SA12S	P35SA12SL	Satin Anodized
P35DU12S	P35DU12SL	Black Bronze Anodized

Minimum order: 1 each. All Door Kits can be combined for quantity pricing. *Clad finish. Net door width is 35-3/4" (908 mm) each.

Without Lock Kits Include:

- Two CR350 Series Wet Glaze Rails
- One Model 20104M20 Jackson Overhead Door Closer
- One CRL8010AS Closer Arm
- One CRL8010DP Bottom Pivot
- One CRL8010FS Mounting Clip
- One Model CM12X12 Pull Handle

With Lock Kits Include:

- One CR350 Series Wet Glaze Rail Without Lock
- One CR350 Series Wet Glaze Rail With 777S Lock
- One Model DRA1020 Cylinder/Thumbturn Combo
- One Model 777SP Strike Plate
- One Model 20104M20 Jackson Overhead Door Closer
- One CRL8010AS Closer Arm
- One CRL8010DP Bottom Pivot
- One CRL8010FS Mounting Clip
- One Model CM12X12 Pull Handle

BP-STYLE 3'-0" SINGLE DOOR ONLY KITS

CAT. NO. WITHOUT LOCK #	CAT. NO. WITH LOCK ##	FINISH
BP35BS12S	BP35BS12SL	*Brushed Stainless
BP35PS12S	BP35PS12SL	*Polished Stainless
BP35SA12S	BP35SA12SL	Satin Anodized
BP35DU12S	BP35DU12SL	Black Bronze Anodized

Minimum order: 1 each. All Door Kits can be combined for quantity pricing. *Clad finish. Net door width is 35-3/4" (908 mm) each.

Without Lock Kits Include:

- One CR350 Series Wet Glaze Top Patch Rail
- One CR350 Series Wet Glaze Rail
- One Model 20104M20 Jackson Overhead Door Closer
- One CRL8010AS Closer Arm
- One CRL8010DP Bottom Pivot
- One CRL8010FS Mounting Clip
- One Model CM12X12 Pull Handle

With Lock Kits Include:

- One CR350 Series Wet Glaze Top Patch Rail
- One CR350 Series Wet Glaze Rail With 777S Lock
- One Model DRA1020 Cylinder/Thumbturn Combo
- One Model 777SP Strike Plate
- One Model 20104M20 Jackson Overhead Door Closer
- One CRL8010AS Closer Arm
- One CRL8010DP Bottom Pivot
- One CRL8010FS Mounting Clip
- One Model CM12X12 Pull Handle

CRL Wet Glaze Frameless Glass Single Door Complete Entrance Kits

- For Use With 3/8" to 1/2" (10 to 12 mm) Tempered Glass



P-STYLE 3'-0" SINGLE DOOR COMPLETE ENTRANCE KITS

CAT. NO. WITHOUT LOCK #	CAT. NO. WITH LOCK ##	FINISH
P35BS12SE	P35BS12SEL	*Brushed Stainless
P35PS12SE	P35PS12SEL	*Polished Stainless
P35SA12SE	P35SA12SEL	Satin Anodized
P35DU12SE	P35DU12SEL	Black Bronze Anodized

Minimum order: 1 each. All Door Kits can be combined for quantity pricing. *Clad finish. Net door width is 35-3/4" (908 mm) each.

Without Lock Kits Include:

- Two CR350 Series Wet Glaze Rails
- One Model 20104M20 Jackson Overhead Door Closer
- One CRL8010AS Closer Arm
- One CRL8010DP Bottom Pivot
- One CRL8010FS Mounting Clip
- One Model CM12X12 Pull Handle
- One Model DCH4 36" Header

With Lock Kits Include:

- One CR350 Series Wet Glaze Rail Without Lock
- One CR350 Series Wet Glaze Rail With 777S Lock
- One Model DRA1020 Cylinder/Thumbturn Combo
- One Model 777SP Strike Plate
- One Model 20104M20 Jackson Overhead Door Closer
- One CRL8010AS Closer Arm
- One CRL8010DP Bottom Pivot
- One CRL8010FS Mounting Clip
- One Model CM12X12 Pull Handle
- One Model DCH4 36" Header

BP-STYLE 3'-0" SINGLE DOOR COMPLETE ENTRANCE KITS

CAT. NO. WITHOUT LOCK #	CAT. NO. WITH LOCK ##	FINISH
BP35BS12SE	BP35BS12SEL	*Brushed Stainless
BP35PS12SE	BP35PS12SEL	*Polished Stainless
BP35SA12SE	BP35SA12SEL	Satin Anodized
BP35DU12SE	BP35DU12SEL	Black Bronze Anodized

Minimum order: 1 each. All Door Kits can be combined for quantity pricing. *Clad finish. Net door width is 35-3/4" (908 mm) each.

Without Lock Kits Include:

- One CR350 Series Wet Glaze Top Patch Rail
- One CR350 Series Wet Glaze Rail
- One Model 20104M20 Jackson Overhead Door Closer
- One CRL8010AS Closer Arm
- One CRL8010DP Bottom Pivot
- One CRL8010FS Mounting Clip
- One Model CM12X12 Pull Handle
- One Model DCH4 36" Header

With Lock Kits Include:

- One CR350 Series Wet Glaze Top Patch Rail
- One CR350 Series Wet Glaze Rail With 777S Lock
- One Model DRA1020 Cylinder/Thumbturn Combo
- One Model 777SP Strike Plate
- One Model 20104M20 Jackson Overhead Door Closer
- One CRL8010AS Closer Arm
- One CRL8010DP Bottom Pivot
- One CRL8010FS Mounting Clip
- One Model CM12X12 Pull Handle
- One Model DCH4 36" Header

CRL Kwixset® and Rockite® Expanding Cements

- Kwixset® for Exterior and Interior Applications
- Rockite® for Interior Applications Only
- Recommended on All Wet Glaze Door Rail Installations
- Fast Setting, They Will Not Shrink or Crack When Used as Directed

CRL Kwixset® and Rockite® are gray, hydraulic type cements that expand as they set, and are specially formulated to produce unexcelled strength and bonding qualities. When mixed with water they pour into place smoothly. Both set within 15 to 20 minutes, and when fully cured develop compression strengths in excess of 8000 pounds per square inch. Visit crlaurence.com for additional information.



For Exterior and Interior Applications

KWIXSET® CEMENT

CAT. NO.	WEIGHT
KWX25	25 Pounds (11.3 kg)
KWX50	50 Pounds (22.7 kg)

Minimum order: 1 each. NOTE: Kwixset® can be used in temperatures as low as 40°F (4°C).



For Interior Applications Only

ROCKITE® CEMENT

CAT. NO.	WEIGHT
ROCK01	1 Pound (.453 kg)
ROCK05	5 Pounds (2.27 kg)
ROCK10	10 Pounds (4.54 kg)
ROCK50	50 Pounds (22.7 kg)

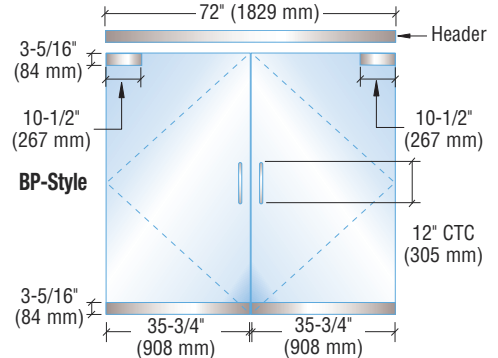
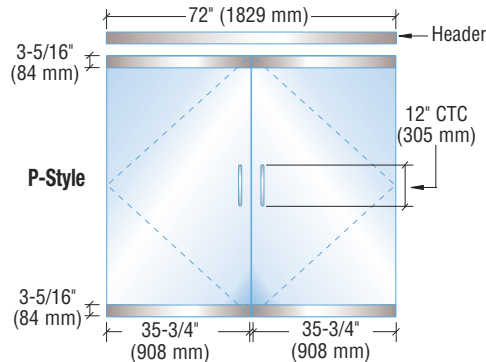
Minimum order: 1 each. NOTE: Rockite® can be used in temperatures as low as 25°F (-4°C).

CRL Wet Glaze Frameless Glass Double Door Complete Entrance Kits

- For Use With 3/8" to 1/2" (10 to 12 mm) Tempered Glass



NEW!



P-STYLE 6'-0" DOUBLE DOOR COMPLETE ENTRANCE KITS

CAT. NO. WITHOUT LOCK #	CAT. NO. WITH LOCK ##	FINISH
P35BS12DE	P35BS12DEL	*Brushed Stainless
P35PS12DE	P35PS12DEL	*Polished Stainless
P35SA12DE	P35SA12DEL	Satin Anodized
P35DU12DE	P35DU12DEL	Black Bronze Anodized

Minimum order: 1 each. All Door Kits can be combined for quantity pricing. *Clad finish. Net door width is 35-3/4" (908 mm) each.

Without Lock Kits Include:

- Four CR350 Series Wet Glaze Rails
- Two Model 20104M20 Jackson Overhead Door Closer Sets
- Two CRL8010AS Closer Arms
- Two CRL8010DP Bottom Pivots
- Two CRL8010FS Mounting Clips
- Two Model CM12X12 Pull Handles
- One Model DCH4 72" Header

With Lock Kits Include:

- Two CR350 Series Wet Glaze Rails Without Locks
- Two CR350 Series Wet Glaze Rails With 777S Locks
- Two Model DRA1020 Cylinder/Thumbturn Combos
- Two Model 777SP Strike Plates
- Two Model 20104M20 Jackson Overhead Door Closer Sets
- Two CRL8010AS Closer Arms
- Two CRL8010DP Bottom Pivots
- Two CRL8010FS Mounting Clips
- Two Model CM12X12 Pull Handles
- One Model DCH4 72" Header

BP-STYLE 6'-0" DOUBLE DOOR COMPLETE ENTRANCE KITS

CAT. NO. WITHOUT LOCK #	CAT. NO. WITH LOCK ##	FINISH
BP35BS12DE	BP35BS12DEL	*Brushed Stainless
BP35PS12DE	BP35PS12DEL	*Polished Stainless
BP35SA12DE	BP35SA12DEL	Satin Anodized
BP35DU12DE	BP35DU12DEL	Black Bronze Anodized

Minimum order: 1 each. All Door Kits can be combined for quantity pricing. *Clad finish. Net door width is 35-3/4" (908 mm) each.

Without Lock Kits Include:

- Two CR350 Series Wet Glaze Top Patch Rails
- Two CR350 Series Wet Glaze Rails
- Two Model 20104M20 Jackson Overhead Door Closer Sets
- Two CRL8010AS Closer Arms
- Two CRL8010DP Bottom Pivots
- Two CRL8010FS Mounting Clips
- Two Model CM12X12 Pull Handles
- One Model DCH4 72" Header

With Lock Kits Include:

- Two CR350 Series Wet Glaze Top Patch Rails
- Two CR350 Series Wet Glaze Rails With 777S Locks
- Two Model DRA1020 Cylinder/Thumbturn Combos
- Two Model 777SP Strike Plates
- Two Model 20104M20 Jackson Overhead Door Closer Sets
- Two CRL8010AS Closer Arms
- Two CRL8010DP Bottom Pivots
- Two CRL8010FS Mounting Clips
- Two Model CM12X12 Pull Handles
- One Model DCH4 72" Header

CRL Technical Assistance

- Auto CAD and Shop Drawings
- Installation Advice
- Detailed Project Quotes

We have added a dedicated Computer Aided Drafting (CAD) Department to our arsenal of Technical Sales and Engineering groups to assist you with drawing submittals and custom design work to land that special project.

Let CRL's Technical Sales Team help you with your project. Everyone at C.R. Laurence is dedicated to providing superior customer service, along with products and resources to keep our customers on the cutting edge of technology.

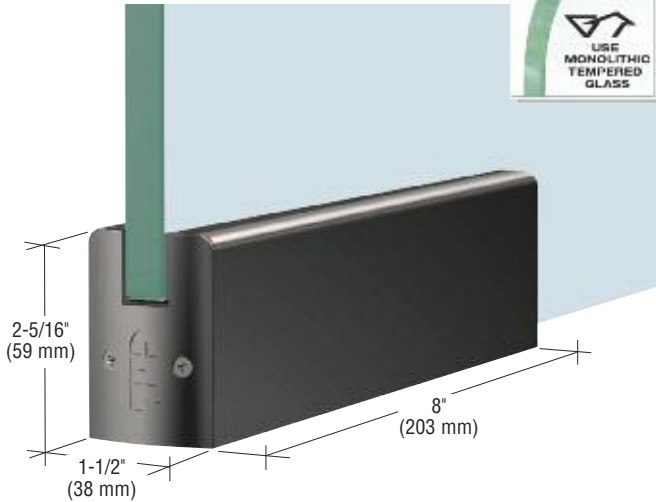


Call (800) 421-6144 in the United States, (877) 421-6144 from Canada, or (323) 588-1281 International. Ask for Commercial Technical Sales at Ext. 7700. Direct Fax (800) 587-7501 or (323) 584-5289 Direct E-Mail architectural@crlaurence.com

To view or place an order for any CRL product visit our Online Catalog at crlaurence.com

CRL Dry Glaze Low Profile Patch Door Rails

8" (203 mm) Length for 1/2" (12 mm) Glass



- Patented Wedge-Lock™ Glass Securing System
- In Stock Ready to Ship
- Adjust and Align Doors Without Removal
- Available Without Locks Only
- Available in Six Standard Architectural Finishes, With Custom Finishes Available in 3-5 Days
- Matching Sidelite Rails Available



NOTE: For maximum door sizes when using this product, CRL follows GANA Guidelines.

ORDERING INFORMATION:

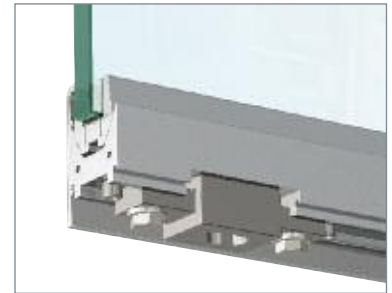
- End Caps are included with all Low Profile Patch Door Rails. For Replacement End Caps see page 113D.
- All Low Profile Patch Door Rails are prepped to receive any of the Low Profile Door Rail Pivot Inserts Shown Below (sold separately see page 113D). Installation instructions and adjustment wrenches are included.
- For Handles see pages 413D-430D.



End Caps are Included With All Low Profile Patch Door Rails



Utilizes CRL's Patented Wedge-Lock™ Glass Securing System



All Low Profile Door Patch Rails are Prepped to Receive any of CRL's Low Profile Door Rail Inserts (Sold Separately) See Below

LOW PROFILE PATCH DOOR RAILS FOR 1/2" (12 MM) GLASS 8" (203 MM) LENGTH

CAT. NO. WITHOUT LOCK	FINISH
DR2SSA12P	Satin Anodized
DR2SDU12P	Black Bronze Anodized
DR2SBL12P	Black Powder Coat
DR2SBS12P	*Brushed Stainless
DR2SPS12P	*Polished Stainless
DR2SPB12P	*Polished Brass

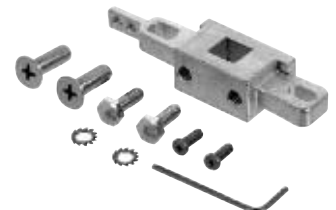
Minimum order: 1 each. All Door Rails can be combined for quantity pricing. *Clad finish.



CAT. NO. 1NT701
Bottom Pivot Insert

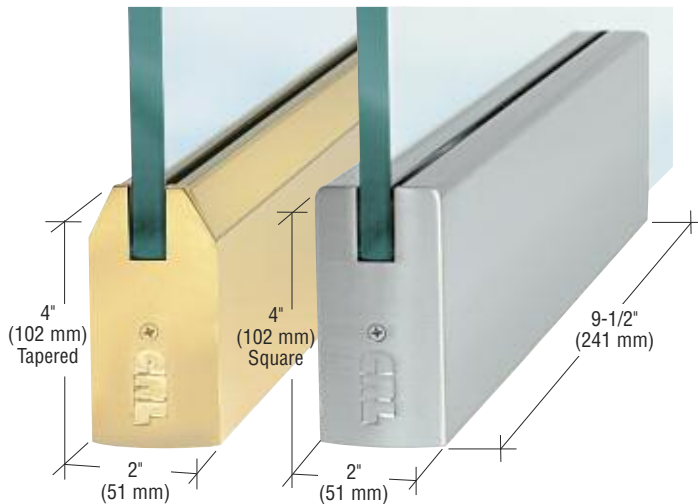


CAT. NO. 1NT703
Top Pivot Insert



CAT. NO. 1NT704
Top Closer Insert

CRL Dry Glaze 9-1/2" Patch Door Rails For 3/8" (10 mm) or 1/2" (12 mm) Glass



Patented Wedge-Lock™ Glass Securing System
U.S. Patents 6,434,905 and 6,912,818 B2.
Foreign Patents Pending



- Patented Wedge-Lock™ Glass Securing System
- In Stock Ready to Ship
- Adjust and Align Doors Without Removal
- Available With or Without Locks
- Six Standard Architectural Finishes, With Custom Finishes Available in 3-5 Days
- Matching Sidelite Rails Available

ORDERING INFORMATION:

- All Patch Door Rails are supplied with standard Kwik-Adjust™ Pivot Alignment System. Closer Arms and Floor or Overhead Pivots must be ordered separately.
- Models with Locks are supplied with the Lock Mechanism installed. Matching finish Keyed Cylinders or Thumbturns must be ordered separately.
- End Caps are included on 9-1/2" Patch Door Rails.
- For replacement End Caps, visit our web site, crlaurence.com, and enter **DREC4** into the search box.
- For Handles see pages 413D-430D.



NOTE: For maximum door sizes when using this product, CRL follows GANA Guidelines.

4" TAPERED PATCH DOOR RAILS FOR 1/2" (12 MM) GLASS 9-1/2" (241 MM) LENGTH

CAT. NO. WITHOUT LOCK	CAT. NO. WITH LOCK	FINISH
DR4TSA12P	DR4TSA12PL	Satin Anodized
DR4TDU12P	DR4TDU12PL	Black Bronze Anodized
DR4TBL12P	DR4TBL12PL	Black Powder Coat
DR4TBS12P	DR4TBS12PL	*Brushed Stainless
DR4TPS12P	DR4TPS12PL	*Polished Stainless
DR4TPB12P	DR4TPB12PL	*Polished Brass

Minimum order: 1 each. All Door Rails can be combined for quantity pricing. *Clad finish.



4" Tapered

4" TAPERED PATCH DOOR RAILS FOR 3/8" (10 MM) GLASS 9-1/2" (241 MM) LENGTH

CAT. NO. WITHOUT LOCK	CAT. NO. WITH LOCK	FINISH
DR4TSA38P	DR4TSA38PL	Satin Anodized
DR4TDU38P	DR4TDU38PL	Black Bronze Anodized
DR4TBL38P	DR4TBL38PL	Black Powder Coat
DR4TBS38P	DR4TBS38PL	*Brushed Stainless
DR4TPS38P	DR4TPS38PL	*Polished Stainless
DR4TPB38P	DR4TPB38PL	*Polished Brass

Minimum order: 1 each. All Door Rails can be combined for quantity pricing. *Clad finish.

4" SQUARE PATCH DOOR RAILS FOR 1/2" (12 MM) GLASS 9-1/2" (241 MM) LENGTH

CAT. NO. WITHOUT LOCK	CAT. NO. WITH LOCK	FINISH
DR4SSA12P	DR4SSA12PL	Satin Anodized
DR4SDU12P	DR4SDU12PL	Black Bronze Anodized
DR4SBL12P	DR4SBL12PL	Black Powder Coat
DR4SBS12P	DR4SBS12PL	*Brushed Stainless
DR4SPS12P	DR4SPS12PL	*Polished Stainless
DR4SPB12P	DR4SPB12PL	*Polished Brass

Minimum order: 1 each. All Door Rails can be combined for quantity pricing. *Clad finish.



4" Square

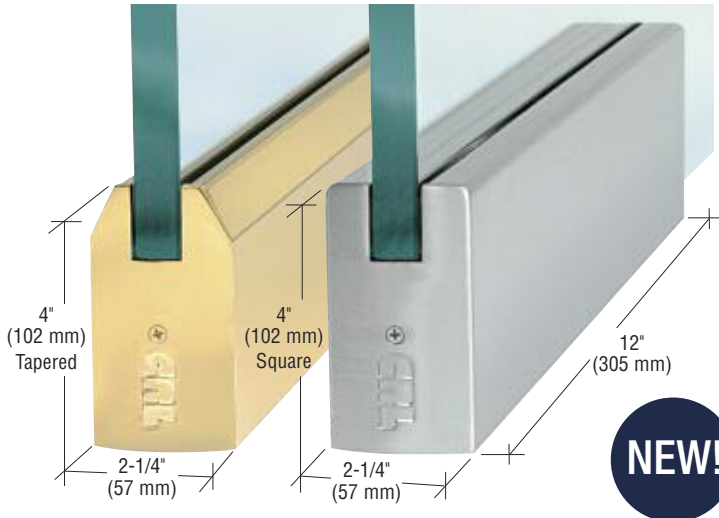
4" SQUARE PATCH DOOR RAILS FOR 3/8" (10 MM) GLASS 9-1/2" (241 MM) LENGTH

CAT. NO. WITHOUT LOCK	CAT. NO. WITH LOCK	FINISH
DR4SSA38P	DR4SSA38PL	Satin Anodized
DR4SDU38P	DR4SDU38PL	Black Bronze Anodized
DR4SBL38P	DR4SBL38PL	Black Powder Coat
DR4SBS38P	DR4SBS38PL	*Brushed Stainless
DR4SPS38P	DR4SPS38PL	*Polished Stainless
DR4SPB38P	DR4SPB38PL	*Polished Brass

Minimum order: 1 each. All Door Rails can be combined for quantity pricing. *Clad finish.

CRL Dry Glaze 12" Patch Door Rails

For 5/8" (16 mm) or 3/4" (19 mm) Glass



NEW!



Patented Wedge-Lock™ Glass Securing System
U.S. Patents 6,434,905 and 6,912,818 B2.
Foreign Patents Pending



- Patented Wedge-Lock™ Glass Securing System
- In Stock Ready to Ship
- Adjust and Align Doors Without Removal
- Available With or Without Locks
- Six Standard Architectural Finishes, With Custom Finishes Available in 3-5 Days
- Matching Sidelite Rails Available

ORDERING INFORMATION:

- All Patch Door Rails are supplied with standard Kwik-Adjust™ Pivot Alignment System. Closer Arms and Floor or Overhead Pivots must be ordered separately.
- Models with Locks are supplied with the Lock Mechanism installed. Matching finish Keyed Cylinders or Thumbturns must be ordered separately.
- End Caps are included on 12" (305 mm) Patch Door Rails.
- For replacement End Caps, visit our web site, crlaurence.com, and enter **DREC4** into the search box.
- For Handles see pages 413D-430D.

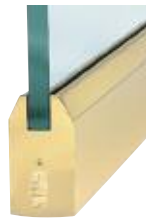


NOTE: For maximum door sizes when using this product, CRL follows GANA Guidelines.

4" TAPERED PATCH DOOR RAILS FOR 3/4" (19 MM) GLASS 12" (305 MM) LENGTH

CAT. NO. WITHOUT LOCK	CAT. NO. WITH LOCK	FINISH
DR4TSA34P	DR4TSA34PL	Satin Anodized
DR4TDU34P	DR4TDU34PL	Black Bronze Anodized
DR4TBL34P	DR4TBL34PL	Black Powder Coat
DR4TBS34P	DR4TBS34PL	*Brushed Stainless
DR4TPS34P	DR4TPS34PL	*Polished Stainless
DR4TPB34P	DR4TPB34PL	*Polished Brass

Minimum order: 1 each. All Door Rails can be combined for quantity pricing. *Clad finish.



4" Tapered

4" TAPERED PATCH DOOR RAILS FOR 5/8" (16 MM) GLASS 12" (305 MM) LENGTH

CAT. NO. WITHOUT LOCK	CAT. NO. WITH LOCK	FINISH
DR4TSA58P	DR4TSA58PL	Satin Anodized
DR4TDU58P	DR4TDU58PL	Black Bronze Anodized
DR4TBL58P	DR4TBL58PL	Black Powder Coat
DR4TBS58P	DR4TBS58PL	*Brushed Stainless
DR4TPS58P	DR4TPS58PL	*Polished Stainless
DR4TPB58P	DR4TPB58PL	*Polished Brass

Minimum order: 1 each. All Door Rails can be combined for quantity pricing. *Clad finish.

4" SQUARE PATCH DOOR RAILS FOR 3/4" (19 MM) GLASS 12" (305 MM) LENGTH

CAT. NO. WITHOUT LOCK	CAT. NO. WITH LOCK	FINISH
DR4SSA34P	DR4SSA34PL	Satin Anodized
DR4SDU34P	DR4SDU34PL	Black Bronze Anodized
DR4SBL34P	DR4SBL34PL	Black Powder Coat
DR4SBS34P	DR4SBS34PL	*Brushed Stainless
DR4SPS34P	DR4SPS34PL	*Polished Stainless
DR4SPB34P	DR4SPB34PL	*Polished Brass

Minimum order: 1 each. All Door Rails can be combined for quantity pricing. *Clad finish.



4" Square

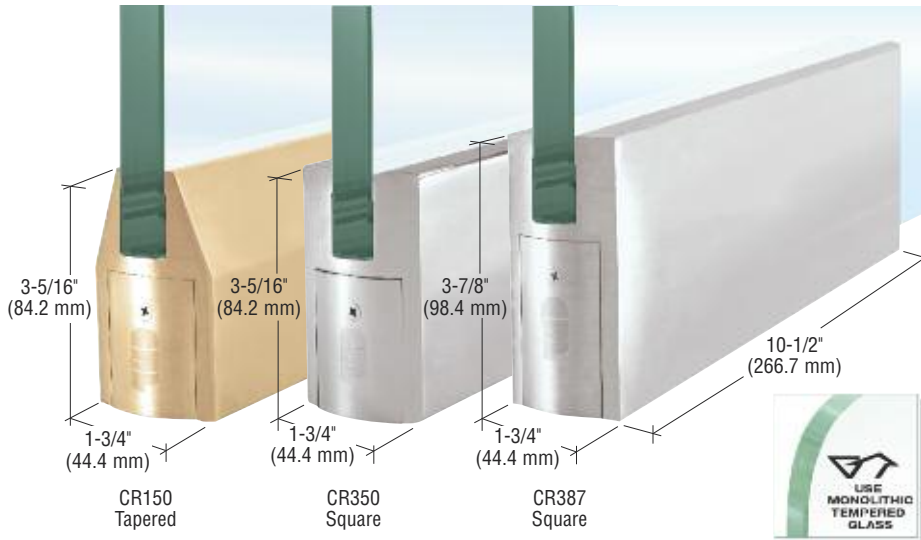
4" SQUARE PATCH DOOR RAILS FOR 5/8" (16 MM) GLASS 12" (305 MM) LENGTH

CAT. NO. WITHOUT LOCK	CAT. NO. WITH LOCK	FINISH
DR4SSA58P	DR4SSA58PL	Satin Anodized
DR4SDU58P	DR4SDU58PL	Black Bronze Anodized
DR4SBL58P	DR4SBL58PL	Black Powder Coat
DR4SBS58P	DR4SBS58PL	*Brushed Stainless
DR4SPS58P	DR4SPS58PL	*Polished Stainless
DR4SPB58P	DR4SPB58PL	*Polished Brass

Minimum order: 1 each. All Door Rails can be combined for quantity pricing. *Clad finish.

CRL Wet Glaze 10-1/2" Patch Door Rails

- For 3/8" to 1/2" (10 to 12 mm) Glass



- Clad Patch Rails Come With Welded, Ground, and Polished End Caps Standard
- Anodized Rails Come With Machined Radius Ends Standard
- Applied End Caps Available on Special Order

- Available With or Without Locks
- Six Standard Architectural Finishes, With Custom Finishes Available
- Custom Lengths Are Also Available

CR150 SERIES TAPERED PATCH DOOR RAILS FOR 3/8" TO 1/2" (10 TO 12 MM) GLASS 10-1/2" (267 MM) LENGTH

CAT. NO. WITHOUT LOCK	CAT. NO. WITH LOCK	FINISH
150SAP	150SAPL	Satin Anodized
150DUP	150DUPL	Black Bronze Anodized
150BSP	150BSPL	*Brushed Stainless
150PSP	150PSPL	*Polished Stainless
150PBP	150PBPL	*Polished Brass
150SBP	150SBPL	*Satin Brass

Minimum order: 1 each. All Patch Rails can be combined for quantity pricing. *Clad finish.

CR350 SERIES SQUARE PATCH DOOR RAILS FOR 3/8" TO 1/2" (10 TO 12 MM) GLASS 10-1/2" (267 MM) LENGTH

CAT. NO. WITHOUT LOCK	CAT. NO. WITH LOCK	FINISH
350SAP	350SAPL	Satin Anodized
350DUP	350DUPL	Black Bronze Anodized
350BSP	350BSPL	*Brushed Stainless
350PSP	350PSPL	*Polished Stainless
350PBP	350PBPL	*Polished Brass
350SBP	350SBPL	*Satin Brass

Minimum order: 1 each. All Patch Rails can be combined for quantity pricing. *Clad finish.



NOTE: For maximum door sizes when using this product, CRL follows GANA Guidelines.

ORDERING INFORMATION:

- All Patch Rails are supplied standard with our Kwik-Adjust Pivot Alignment System. Door closer Arm and Floor or Overhead Pivots must be ordered separately.
- Patch Rails with locks are supplied with the Lock Mechanism installed. Matching finish Keyed Cylinders or Thumbturns must be ordered separately.
- Complete Door Kits are also available (see pages 127D-129D).
- For Handes see pages 413D-430D.

CR387 SERIES SQUARE PATCH DOOR RAILS FOR 3/8" TO 1/2" (10 TO 12 MM) GLASS 10-1/2" (267 MM) LENGTH

CAT. NO. WITHOUT LOCK	CAT. NO. WITH LOCK	FINISH
387SAP	387SAPL	Satin Anodized
387DUP	387DUPL	Black Bronze Anodized
387BSP	387BSPL	*Brushed Stainless
387PSP	387PSPL	*Polished Stainless
387PBP	387PBPL	*Polished Brass
387SBP	387SBPL	*Satin Brass

Minimum order: 1 each. All Patch Rails can be combined for quantity pricing. *Clad finish.

CRL Frameless Storefront and Entrance Patch Hardware

- An Excellent Choice for 'All-Glass' Entrances
- Provides Frameless Storefront Appearance for Unobstructed Display of Merchandise
- Allows Combination of Aesthetics and Versatility
- A Complete Selection of Products Including Patch Fittings, Inserts and Pivots, Lever Locks and Latches, Concealed Overhead and Floor Closers, Door Handles, and Many More Accessories



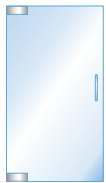
Common Applications:

- Mall Fronts
- Retail Outlets
- Hotels
- Arenas and Museums
- Office Buildings
- Restaurants and Clubs





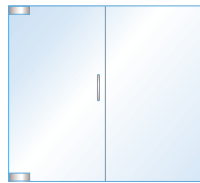
Popular Kit Configurations



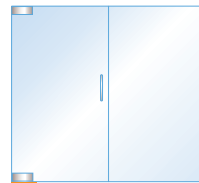
Single Door With Top and Bottom Pivots



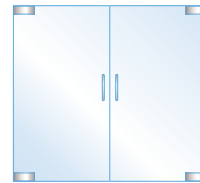
Single Door With Floor Closer



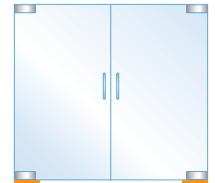
Single Door and Sidelite With Top and Bottom Pivots



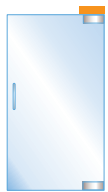
Single Door and Sidelite With Floor Closer



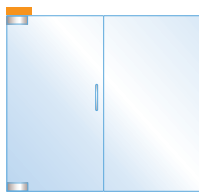
Paired Doors With Top and Bottom Pivots



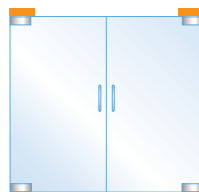
Paired Doors With Floor Closers



Single Door With Concealed Overhead Closer



Single Door and Sidelite With Concealed Overhead Closer



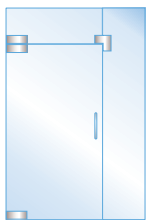
Paired Doors With Concealed Overhead Closers



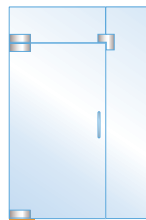
Single Door and Transom With Top and Bottom Pivots



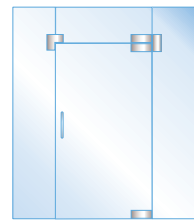
Single Door and Transom With Floor Closer



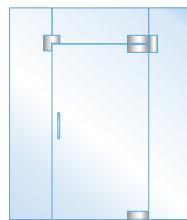
Single Door, Transom and Sidelite With Top and Bottom Pivots



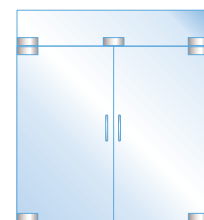
Single Door, Transom and Sidelite With Floor Closer



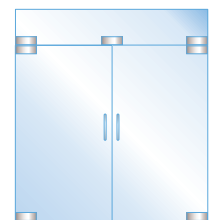
Single Door, Transom and Sidelites With Top and Bottom Pivots



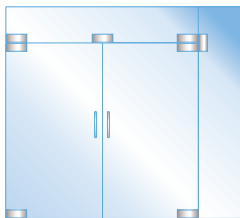
Single Door, Transom and Sidelites With Floor Closer



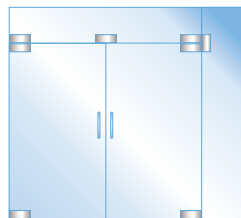
Paired Doors and Transom With Top and Bottom Pivots



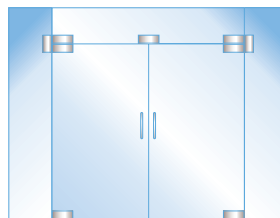
Paired Doors and Transom With Floor Closers



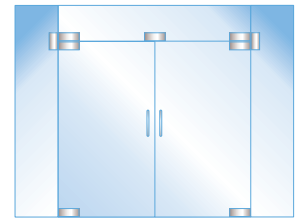
Paired Doors, Transom and Sidelite With Top and Bottom Pivots



Paired Doors, Transom and Sidelite With Floor Closers



Paired Doors, Transom and Sidelites With Top and Bottom Pivots



Paired Doors, Transom and Sidelites With Floor Closers

CRL North American Patch Door Kit

- For 3/8" or 1/2" (10 or 12 mm) Tempered Glass
- With or Without Locks

PHA1 North American Patch Door Kits come with all the hardware to complete a single free swinging door (except the glass). Pivot setback is 2-3/4" (70 mm). Floor closers with tapered spindles (ordered separately) may be used with this Kit.

Each Kit contains: one each PH20A Top Door Patch, one each PH10C Bottom Door Patch, one each 1NT401 Top Pivot, one each 1NT403 Bottom Pivot, and gaskets for 3/8" or 1/2" (10 or 12 mm) tempered glass. Holes and notches are required in the glass.

Kits with Lock also come with one each AMR205 Patch Lock. Cylinders, Thumbturns, and Keepers are ordered separately. Visit crlaurence.com for additional information.

NOTE: For maximum door sizes when using this product, CRL follows GANA Guidelines.

CAT. NO. WITHOUT LOCK	CAT. NO. WITH LOCK*	FINISH
PHA1A	PHA1LA	Satin Anodized
PHA1DU	PHA1LDU	Black Bronze Anodized
PHA1BR	PHA1LBR	Polished Brass
PHA1BS	PHA1LBS	Brushed Stainless
PHA1PS	PHA1LPS	Polished Stainless

Minimum order: 1 each. All Kits can be combined for quantity pricing.



Single Door With Top and Bottom Pivots



PH20A
Top Door Patch



Single Door With Top and Bottom Pivots and an AMR205 Patch Lock



PH10C
Bottom Door Patch



1NT401
Top Pivot



1NT403
Bottom Pivot



AMR205
Patch Lock*

CRL North American Patch Door Kit for Use With Overhead Door Closer

- Adjustable Top Fitting
- Five Architectural Finishes
- Door Closer Not Included

PHA2 North American Patch Door Kits come with all the hardware to complete a single door (except the overhead closer and glass). Pivot setback is 2-3/4" (70 mm). The Top Patch Fitting (PH20C) is adjustable after the door is installed. Overhead door closer must be ordered separately.

Each Kit contains: one each PH20C Adjustable Top Door Patch, one each PH10C Bottom Door Patch, one each 1NT403 Bottom Pivot, and gaskets for 3/8" or 1/2" (10 or 12 mm) tempered glass. Holes and notches are required in the glass.

Kits with Lock also come with one each AMR205 Patch Lock. Cylinders, Thumbturns, and Keepers are ordered separately. Visit crlaurence.com for additional information.

NOTE: For maximum door sizes when using this product, CRL follows GANA Guidelines.

CAT. NO. WITHOUT LOCK	CAT. NO. WITH LOCK*	FINISH
PHA2A	PHA2LA	Satin Anodized
PHA2DU	PHA2LDU	Black Bronze Anodized
PHA2BR	PHA2LBR	Polished Brass
PHA2BS	PHA2LBS	Brushed Stainless
PHA2PS	PHA2LPS	Polished Stainless

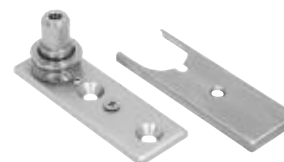
Minimum order: 1 each. All Kits can be combined for quantity pricing.



Single Door With Concealed Overhead Closer



Single Door With Concealed Overhead Closer and an AMR205 Patch Lock



1NT403
Bottom Pivot



PH20C
Adjustable Top Door Patch



PH10C
Bottom Door Patch



AMR205
Patch Lock*

CRL North American Patch Door Kit for Use With Fixed Transom

- Fittings for Fixed Glass Transom
- High Density Cast Body

PHA3 North American Patch Door Kits come with all the hardware to complete a single free swinging door with fixed transom, except glass and additional supports for the fixed transom. Pivot setback is 2-3/4" (70 mm). Floor closers with tapered spindles (ordered separately) may be used with this Kit.

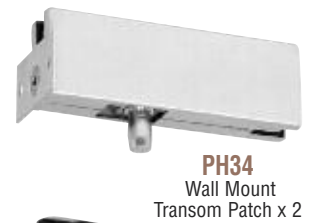
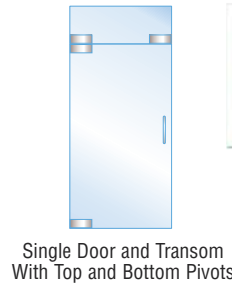
Each Kit contains: one each PH20A Top Door Patch, one each PH10C Bottom Door Patch, two each PH34 Wall Mount Transom Patch, one each 1NT306 Stop Insert, one each 1NT403 Bottom Pivot, and gaskets for 3/8" or 1/2" (10 or 12 mm) tempered glass. Holes and notches are required in the glass.

Kits with Lock also come with one each AMR205 Patch Lock. Cylinders, Thumbturns, and Keepers are ordered separately. Visit crlaurence.com for additional information.

NOTE: For maximum door sizes when using this product, CRL follows GANA Guidelines.

CAT. NO. WITHOUT LOCK	CAT. NO. WITH LOCK*	FINISH
PHA3A	PHA3LA	Satin Anodized
PHA3DU	PHA3LDU	Black Bronze Anodized
PHA3BR	PHA3LBR	Polished Brass
PHA3BS	PHA3LBS	Brushed Stainless
PHA3PS	PHA3LPS	Polished Stainless

Minimum order: 1 each. All Kits can be combined for quantity pricing.



CRL North American Patch Door Kit for Use With Fixed Transom and One Sidelite

- For 3/8" or 1/2" (10 or 12 mm) Tempered Glass
- Five Architectural Finishes

PHA4 North American Door Kits come with all the hardware to complete a free swinging door with fixed transom and sidelite, (except glass and additional supports for the fixed transom and sidelite). Pivot setback is 2-3/4" (70 mm). Floor closer with tapered spindle (ordered separately) may be used with this Kit.

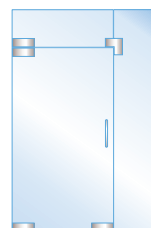
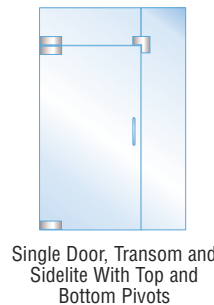
Each Kit contains: one each PH34 Wall Mount Transom Patch, one each PH60 Sidelite Mount Transom Patch, one each PH20A Top Door Patch, one each PH10C Bottom Door Patch, one each 1NT306 Stop Insert, one each 1NT403 Bottom Pivot, and gaskets for 3/8" or 1/2" (10 or 12 mm) tempered glass. Holes and notches are required in the glass.

Kits with Lock also come with one each AMR205 Patch Lock. Cylinders, Thumbturns, and Keepers are ordered separately. Visit crlaurence.com for additional information.

NOTE: For maximum door sizes when using this product, CRL follows GANA Guidelines.

CAT. NO. WITHOUT LOCK	CAT. NO. WITH LOCK*	FINISH
PHA4A	PHA4LA	Satin Anodized
PHA4DU	PHA4LDU	Black Bronze Anodized
PHA4BR	PHA4LBR	Polished Brass
PHA4BS	PHA4LBS	Brushed Stainless
PHA4PS	PHA4LPS	Polished Stainless

Minimum order: 1 each. All Kits can be combined for quantity pricing.



CRL European Patch Door Kit

- For 3/8" or 1/2" (10 or 12 mm) Tempered Glass
- With or Without Locks

PHE1 European Patch Door Kits come with all the hardware to complete a single free swinging door (except the glass). Pivot setback is 2-9/16" (65 mm). Floor closers with tapered spindles (ordered separately) may be used with this Kit.

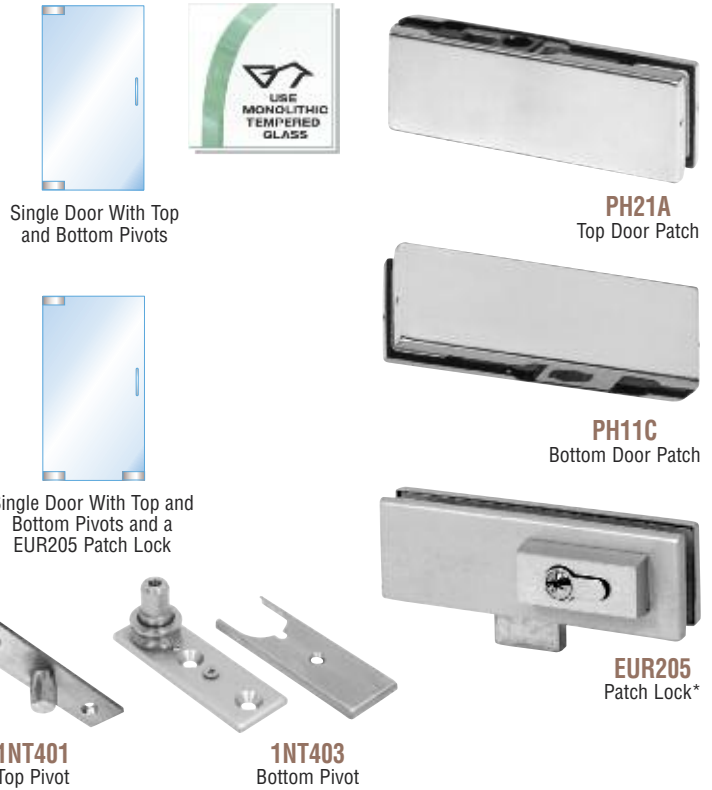
Each kit contains: one each PH21A Top Door Patch, one each PH11C Bottom Door Patch, one each 1NT401 Top Pivot, one each 1NT403 Bottom Pivot, and gaskets for 3/8" or 1/2" (10 or 12 mm) tempered glass. Holes and notches are required in the glass.

Kits with Lock also come with one each EUR205 Patch Lock. Cylinders, Thumbturns, and Keepers are ordered separately. Visit crlaurence.com for additional information.

NOTE: For maximum door sizes when using this product, CRL follows GANA Guidelines.

CAT. NO. WITHOUT LOCK	CAT. NO. WITH LOCK*	FINISH
PHE1A	PHE1LA	Satin Anodized
PHE1DU	PHE1LDU	Black Bronze Anodized
PHE1BR	PHE1LBR	Polished Brass
PHE1BS	PHE1LBS	Brushed Stainless
PHE1PS	PHE1LPS	Polished Stainless

Minimum order: 1 each. All Kits can be combined for quantity pricing.



CRL European Patch Door Kit for Use With Overhead Door Closer

- Adjustable Top Fitting
- Five Architectural Finishes
- Door Closer Not Included

PHE2 European Patch Door Kits come with all the hardware to complete a single door (except the overhead closer and glass). Pivot setback is 2-9/16" (65 mm). The Top Patch Fitting (PH21C) is adjustable after the door is installed. Overhead door closer must be ordered separately.

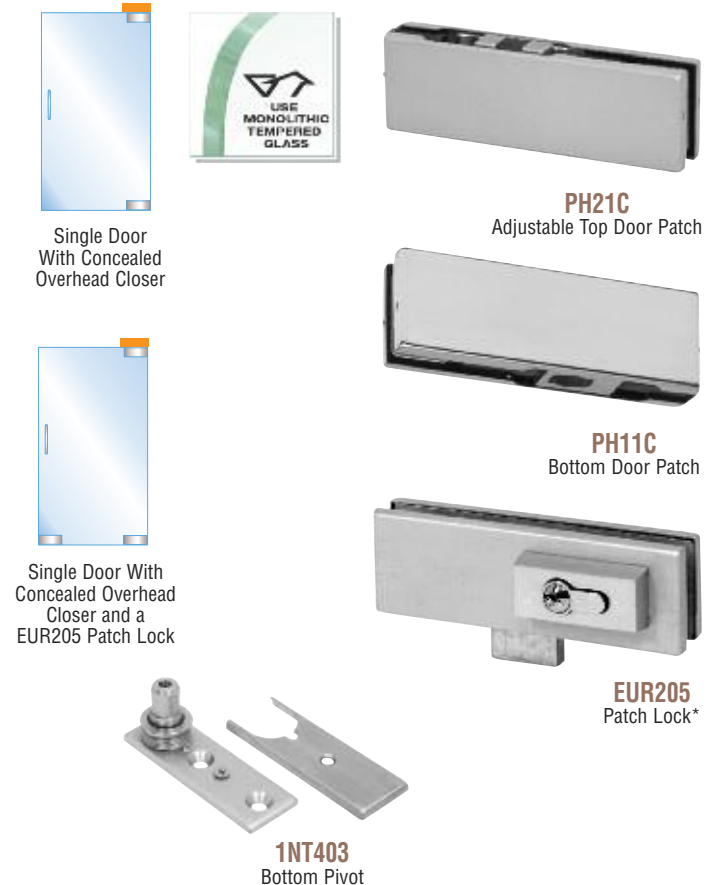
Each Kit contains: one each PH21C Adjustable Top Door Patch, one each PH11C Bottom Door Patch, one each 1NT403 Bottom Pivot, and gaskets for 3/8" or 1/2" (10 mm or 12 mm) tempered glass. Holes and notches are required in the glass.

Kits with Lock also come with one each EUR205 Patch Lock. Cylinders, Thumbturns, and Keepers are ordered separately. Visit crlaurence.com for additional information.

NOTE: For maximum door sizes when using this product, CRL follows GANA Guidelines.

CAT. NO. WITHOUT LOCK	CAT. NO. WITH LOCK*	FINISH
PHE2A	PHE2LA	Satin Anodized
PHE2DU	PHE2LDU	Black Bronze Anodized
PHE2BR	PHE2LBR	Polished Brass
PHE2BS	PHE2LBS	Brushed Stainless
PHE2PS	PHE2LPS	Polished Stainless

Minimum order: 1 each. All Kits can be combined for quantity pricing.



CRL PATCH HARDWARE DOOR KITS

For Pricing Visit Our Web Site or Call Us Toll Free at the Phone Numbers Shown on the Back Cover

CRL European Patch Door Kit for Use With Fixed Transom

- Fittings for Fixed Glass Transom
- High Density Cast Body

PHE3 European Patch Door Kits come with all the hardware to complete a single free swinging door with fixed transom, (except glass and additional supports for the fixed transom). Pivot setback is 2-9/16" (65 mm). Floor closers with tapered spindles (ordered separately) may be used with this Kit.

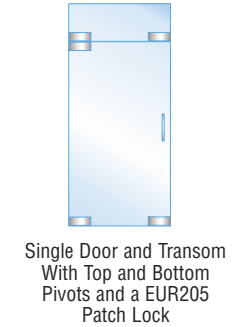
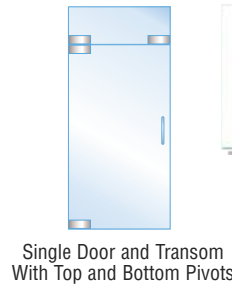
Each Kit contains: one each PH21A Top Door Patch, one each PH11C Bottom Door Patch, two each PH34 Wall Mount Transom Patches, one each 1NT306 Stop Insert, one each 1NT403 Bottom Pivot, and gaskets for 3/8" or 1/2" (10 mm or 12 mm) tempered glass. Holes and notches are required in the glass.

Kits with Lock also come with one each EUR205 Patch Lock. Cylinders, Thumbturns, and Keepers are ordered separately. Visit crlaurence.com for additional information.

NOTE: For maximum door sizes when using this product, CRL follows GANA Guidelines.

CAT. NO. WITHOUT LOCK	CAT. NO. WITH LOCK*	FINISH
PHE3A	PHE3LA	Satin Anodized
PHE3DU	PHE3LDU	Black Bronze Anodized
PHE3BR	PHE3LBR	Polished Brass
PHE3BS	PHE3LBS	Brushed Stainless
PHE3PS	PHE3LPS	Polished Stainless

Minimum order: 1 each. All Kits can be combined for quantity pricing.



CRL European Patch Door Kit for Use With Fixed Transom and One Sidelite

- For 3/8" or 1/2" (10 or 12 mm) Tempered Glass
- Five Architectural Finishes

PHE4 European Door Kits come with all the hardware to complete a free swinging door with fixed transom and sidelite, (except glass and additional supports for the fixed transom and sidelite). Pivot setback is 2-9/16" (65 mm). Floor closer with tapered spindle (ordered separately) may be used with this Kit.

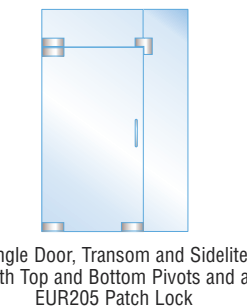
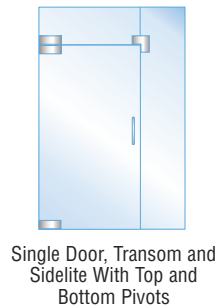
Each Kit contains: one each PH34 Wall Mount Transom Patch, one each PH60 Sidelite Mount Transom Patch, one each PH21A Top Door Patch, one each PH11C Bottom Door Patch, one each 1NT306 Stop Insert, one each 1NT403 Bottom Pivot, and gaskets for 3/8" or 1/2" (10 or 12 mm) tempered glass. Holes and notches are required in the glass.

Kits with Lock also come with one each EUR205 Patch Lock. Cylinders, Thumbturns, and Keepers are ordered separately. Visit crlaurence.com for additional information.

NOTE: For maximum door sizes when using this product, CRL follows GANA Guidelines.

CAT. NO. WITHOUT LOCK	CAT. NO. WITH LOCK*	FINISH
PHE4A	PHE4LA	Satin Anodized
PHE4DU	PHE4LDU	Black Bronze Anodized
PHE4BR	PHE4LBR	Polished Brass
PHE4BS	PHE4LBS	Brushed Stainless
PHE4PS	PHE4LPS	Polished Stainless

Minimum order: 1 each. All Kits can be combined for quantity pricing.



CRL North American Patch Door Kit for Use With Fixed Transom and Two Sidelites

- All Glass Look
- For 3/8" or 1/2" (10 or 12 mm) Tempered Glass

PHA5 North American Door Kits come with all the hardware to complete a free swinging door with fixed transom and two sidelites, (except glass and additional supports for the fixed transom and sidelites). Pivot setback is 2-3/4" (70 mm). Floor closer with tapered spindle (ordered separately) may be used with this Kit.

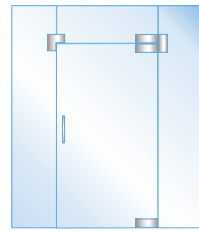
Each Kit contains: two each PH40 Sidelite Mount Transom Patches, one each PH20A Top Door Patch, one each PH10C Bottom Door Patch, one each 1NT306 Stop Insert, one each 1NT403 Bottom Pivot, and gaskets for 3/8" or 1/2" (10 or 12 mm) tempered glass. Holes and notches are required in the glass.

Kits with Lock also come with one each AMR205 Patch Lock. Cylinders, Thumbturns, and Keepers are ordered separately. Visit crlaurence.com for additional information.

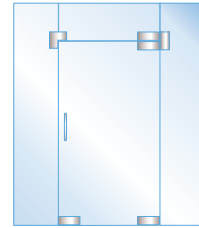
NOTE: For maximum door sizes when using this product, CRL follows GANA Guidelines.

CAT. NO. WITHOUT LOCK	CAT. NO. WITH LOCK*	FINISH
PHA5A	PHA5LA	Satin Anodized
PHA5DU	PHA5LDU	Black Bronze Anodized
PHA5BR	PHA5LBR	Polished Brass
PHA5BS	PHA5LBS	Brushed Stainless
PHA5PS	PHA5LPS	Polished Stainless

Minimum order: 1 each. All Kits can be combined for quantity pricing.



Single Door, Transom and Sidelites With Top and Bottom Pivots



Single Door, Transom and Sidelites With Top and Bottom Pivots and an AMR205 Patch Lock



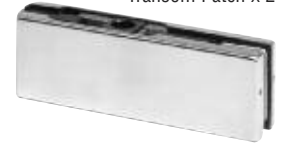
1NT306 Stop Insert



1NT403 Bottom Pivot



PH40 Sidelite Mount Transom Patch x 2



PH20A Top Door Patch



PH10C Bottom Door Patch



AMR205 Patch Lock*

CRL North American Patch Door Kit for Double Doors for Use With Fixed Transom

- Most Popular Design
- For 3/8" or 1/2" (10 or 12 mm) Tempered Glass

PHA6 North American Door Kits come with all the hardware to complete a pair of free swinging doors with fixed transom, (except glass and additional supports for the fixed transom). Pivot setback is 2-3/4" (70 mm). Floor closer with tapered spindle (ordered separately) may be used with this Kit.

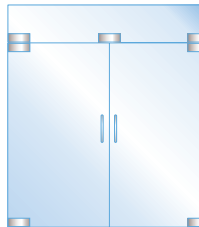
Each Kit contains: two each PH34 Wall Mount Transom Patches, two each PH20A Top Door Patches, two each PH10C Bottom Door Patches, one each PH70 Transom Door Stop, two each 1NT403 Bottom Pivots, and gaskets for 3/8" or 1/2" (10 or 12 mm) tempered glass. Holes and notches are required in the glass.

Kits with Locks also come with two each AMR205 Patch Locks. Cylinders, Thumbturns, and Keepers are ordered separately. Visit crlaurence.com for additional information.

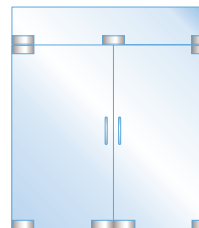
NOTE: For maximum door sizes when using this product, CRL follows GANA Guidelines.

CAT. NO. WITHOUT LOCK	CAT. NO. WITH LOCK*	FINISH
PHA6A	PHA6LA	Satin Anodized
PHA6DU	PHA6LDU	Black Bronze Anodized
PHA6BR	PHA6LBR	Polished Brass
PHA6BS	PHA6LBS	Brushed Stainless
PHA6PS	PHA6LPS	Polished Stainless

Minimum order: 1 each. All Kits can be combined for quantity pricing.



Paired Doors and Transom With Top and Bottom Pivots



Paired Doors and Transom With Top and Bottom Pivots and AMR205 Patch Locks



PH70 Transom Door Stop



1NT403 Bottom Pivot x 2



PH34 Wall Mount Transom Patch x 2



PH20A Top Door Patch x 2



PH10C Bottom Door Patch x 2



AMR205 Patch Lock* x 2

CRL PATCH HARDWARE DOOR KITS

For Pricing Visit Our Web Site or Call Us Toll Free at the Phone Numbers Shown on the Back Cover

CRL European Patch Door Kit for Use With Fixed Transom and Two Sidelites

- All Glass Look
- For 3/8" or 1/2" (10 or 12 mm) Tempered Glass

PHE5 European Door Kits come with all the hardware to complete a free swinging door with fixed transom and two sidelites, (except glass and additional supports for the fixed transom and sidelites). Pivot setback is 2-9/16" (65 mm). Floor closer with tapered spindle (ordered separately) may be used with this Kit.

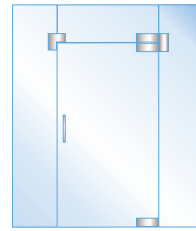
Each Kit contains: two each PH40 Sidelite Mount Transom Patches, one each PH21A Top Door Patch, one each PH11C Bottom Door Patch, one each 1NT306 Stop Insert, one each 1NT403 Bottom Pivot and gaskets for 3/8" or 1/2" (10 or 12 mm) tempered glass. Holes and notches are required in the glass.

Kits with Lock also come with one each EUR205 Patch Lock. Cylinders, Thumbturns, and Keepers are ordered separately. Visit crlaurence.com for additional information.

NOTE: For maximum door sizes when using this product, CRL follows GANA Guidelines.

CAT. NO. WITHOUT LOCK	CAT. NO. WITH LOCK*	FINISH
PHE5A	PHE5LA	Satin Anodized
PHE5DU	PHE5LDU	Black Bronze Anodized
PHE5BR	PHE5LBR	Polished Brass
PHE5BS	PHE5LBS	Brushed Stainless
PHE5PS	PHE5LPS	Polished Stainless

Minimum order: 1 each. All Kits can be combined for quantity pricing.



Single Door, Transom and Sidelites With Top and Bottom Pivots



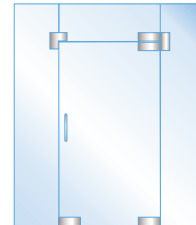
PH40 Sidelite Mount Transom Patch x 2



PH21A Top Door Patch



PH11C Bottom Door Patch



Single Door, Transom and Sidelites With Top and Bottom Pivots and a EUR205 Patch Lock



1NT306 Stop Insert



1NT403 Bottom Pivot



EUR205 Patch Lock*

CRL European Patch Door Kit for Double Doors for Use With Fixed Transom

- Most Popular Design
- For 3/8" or 1/2" (10 or 12 mm) Tempered Glass

PHE6 European Double Door Kits come with all the hardware to complete a pair of free swinging doors with fixed transom, (except glass and additional supports for the fixed transom). Pivot setback is 2-9/16" (65 mm). Floor closer with tapered spindle (ordered separately) may be used with this Kit.

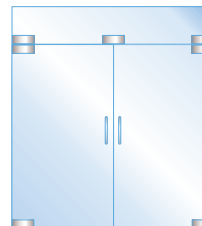
Each Kit contains: two each PH34 Wall Mount Transom Patches, two each PH21A Top Door Patches, two each PH11C Bottom Door Patches, one each PH70 Transom Door Stop, two each 1NT403 Bottom Pivots, and gaskets for 3/8" or 1/2" (10 or 12 mm) tempered glass. Holes and notches are required in the glass.

Kits with Locks also come with two each EUR205 Patch Locks. Cylinders, Thumbturns, and Keepers are ordered separately. Visit crlaurence.com for additional information.

NOTE: For maximum door sizes when using this product, CRL follows GANA Guidelines.

CAT. NO. WITHOUT LOCK	CAT. NO. WITH LOCK*	FINISH
PHE6A	PHE6LA	Satin Anodized
PHE6DU	PHE6LDU	Black Bronze Anodized
PHE6BR	PHE6LBR	Polished Brass
PHE6BS	PHE6LBS	Brushed Stainless
PHE6PS	PHE6LPS	Polished Stainless

Minimum order: 1 each. All Kits can be combined for quantity pricing.



Paired Doors and Transom With Top and Bottom Pivots



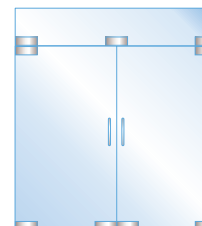
PH34 Wall Mount Transom Patch x 2



PH21A Top Door Patch x 2



PH11C Bottom Door Patch x 2



Paired Doors and Transom With Top and Bottom Pivots and EUR205 Patch Locks



PH70 Transom Door Stop



1NT403 Bottom Pivot x 2



EUR205 Patch Lock* x 2

CRL North American Patch Door Kit for Double Doors for Use With Fixed Transom and One Sidelite

- For 3/8" or 1/2" (10 or 12 mm) Tempered Glass
- Five Architectural Finishes

PHA7 North American Double Door Kits come with all the hardware to complete a pair of free swinging doors with fixed transom and sidelite, (except glass and additional supports for the fixed transom and sidelite). Pivot setback is 2-3/4" (70 mm). Floor closer with tapered spindle (ordered separately) may be used with this Kit.

Each Kit contains: one each PH34 Wall Mount Transom Patch, one each PH40 Sidelite Mount Transom Patch, two each PH20A Top Door Patches, two each PH10C Bottom Door Patches, one each PH70 Transom Door Stop, two each 1NT403 Bottom Pivots, and gaskets for 3/8" or 1/2" (10 or 12 mm) tempered glass. Holes and notches are required in the glass.

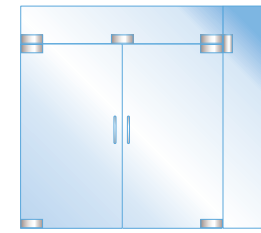
Kits with Locks also come with two each AMR205 Patch Locks. Cylinders, Thumbturns, and Keepers are ordered separately. Visit crlaurence.com for additional information.

NOTE: For maximum door sizes when using this product, CRL follows GANA Guidelines.

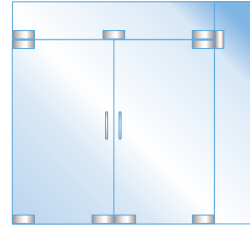
CAT. NO. WITHOUT LOCK	CAT. NO. WITH LOCK*	FINISH
PHA7A	PHA7LA	Satin Anodized
PHA7DU	PHA7LDU	Black Bronze Anodized
PHA7BR	PHA7LBR	Polished Brass
PHA7BS	PHA7LBS	Brushed Stainless
PHA7PS	PHA7LPS	Polished Stainless



Minimum order: 1 each. All Kits can be combined for quantity pricing.



Paired Doors, Transom and Sidelite With Top and Bottom Pivots



Paired Doors, Transom and Sidelite With Top and Bottom Pivots and AMR205 Patch Locks



CRL North American Patch Door Kit for Double Doors for Use With Fixed Transom and Two Sidelites

- For 3/8" or 1/2" (10 or 12 mm) Tempered Glass

PHA8 North American Double Door Kits come with all the hardware to complete a pair of free swinging doors with fixed transom and two sidelites, (except glass and additional supports for the fixed transom and sidelites). Pivot setback is 2-3/4" (70 mm). Floor closer with tapered spindle (ordered separately) may be used with this Kit.

Each Kit contains: two each PH40 Sidelite Mount Transom Patches, two each PH20A Top Door Patches, two each PH10C Bottom Door Patches, one each PH70 Transom Door Stop, two each 1NT403 Bottom Pivots, and gaskets for 3/8" or 1/2" (10 or 12 mm) tempered glass. Holes and notches are required in the glass.

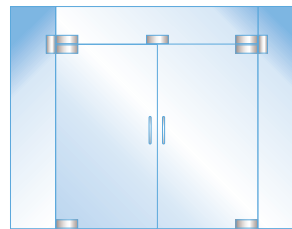
Kits with Locks also come with two each AMR205 Patch Locks. Cylinders, Thumbturns, and Keepers are ordered separately. Visit crlaurence.com for additional information.

NOTE: For maximum door sizes when using this product, CRL follows GANA Guidelines.

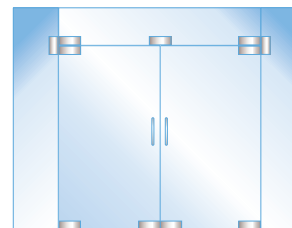
CAT. NO. WITHOUT LOCK	CAT. NO. WITH LOCK*	FINISH
PHA8A	PHA8LA	Satin Anodized
PHA8DU	PHA8LDU	Black Bronze Anodized
PHA8BR	PHA8LBR	Polished Brass
PHA8BS	PHA8LBS	Brushed Stainless
PHA8PS	PHA8LPS	Polished Stainless



Minimum order: 1 each. All Kits can be combined for quantity pricing.



Paired Doors, Transom and Sidelite With Top and Bottom Pivots



Paired Doors, Transom and Sidelite With Top and Bottom Pivots and AMR205 Patch Locks



CRL European Patch Door Kit for Double Doors for Use With Fixed Transom and One Sidelite

- For 3/8" or 1/2" (10 or 12 mm) Tempered Glass
- Five Architectural Finishes

PHE7 European Double Door Kits come with all the hardware to complete a pair of free swinging doors with fixed transom and sidelite, (except glass and additional supports for the fixed transom and sidelite). Pivot setback is 2-9/16" (65 mm). Floor closer with tapered spindle (ordered separately) may be used with this Kit.

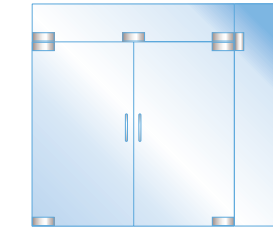
Each Kit contains: one each PH34 Wall Mount Transom Patch, one each PH40 Sidelite Mount Transom Patch, two each PH21A Top Door Patches, two each PH11C Bottom Door Patches, one each PH70 Transom Door Stop, two each 1NT403 Bottom Pivots, and gaskets for 3/8" or 1/2" (10 or 12 mm) tempered glass. Holes and notches are required in the glass.

Kits with Locks also come with two each EUR205 Patch Locks. Cylinders, Thumbturns, and Keepers are ordered separately. Visit crlaurence.com for additional information.

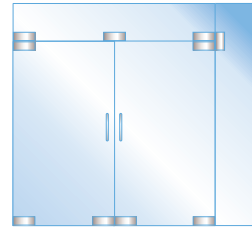
NOTE: For maximum door sizes when using this product, CRL follows GANA Guidelines.

CAT. NO. WITHOUT LOCK	CAT. NO. WITH LOCK*	FINISH
PHE7A	PHE7LA	Satin Anodized
PHE7DU	PHE7LDU	Black Bronze Anodized
PHE7BR	PHE7LBR	Polished Brass
PHE7BS	PHE7LBS	Brushed Stainless
PHE7PS	PHE7LPS	Polished Stainless

Minimum order: 1 each. All Kits can be combined for quantity pricing.



Paired Doors, Transom and Sidelite With Top and Bottom Pivots



Paired Doors, Transom and Sidelite With Top and Bottom Pivots and EUR205 Patch Locks



PH70 Transom Door Stop



1NT403 Bottom Pivot x 2



PH34 Wall Mount Transom Patch



PH40 Sidelite Mount Transom Patch



PH21A Top Door Patch x 2



PH11C Bottom Door Patch x 2



EUR205 Patch Lock* x 2

CRL European Patch Door Kit for Double Doors for Use With Fixed Transom and Two Sidelites

- For 3/8" or 1/2" (10 or 12 mm) Tempered Glass

PHE8 European Double Door Kits come with all the hardware to complete a pair of free swinging doors with fixed transom and two sidelites, (except glass and additional supports for the fixed transom and sidelites). Pivot setback is 2-9/16" (65 mm). Floor closer with tapered spindle (ordered separately) may be used with this Kit.

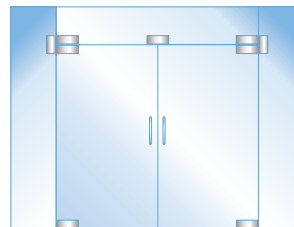
Each Kit contains: two each PH40 Sidelite Mount Transom Patches, two each PH21A Top Door Patches, two each PH11C Bottom Door Patches, one each PH70 Transom Door Stop, two each 1NT403 Bottom Pivots, and gaskets for 3/8" or 1/2" (10 or 12 mm) tempered glass. Holes and notches are required in the glass.

Kits with Locks also come with two each EUR205 Patch Locks. Cylinders, Thumbturns, and Keepers are ordered separately. Visit crlaurence.com for additional information.

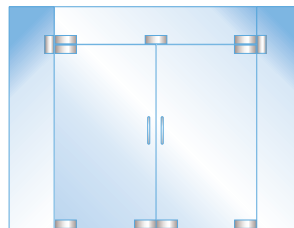
NOTE: For maximum door sizes when using this product, CRL follows GANA Guidelines.

CAT. NO. WITHOUT LOCK	CAT. NO. WITH LOCK*	FINISH
PHE8A	PHE8LA	Satin Anodized
PHE8DU	PHE8LDU	Black Bronze Anodized
PHE8BR	PHE8LBR	Polished Brass
PHE8BS	PHE8LBS	Brushed Stainless
PHE8PS	PHE8LPS	Polished Stainless

Minimum order: 1 each. All Kits can be combined for quantity pricing.



Paired Doors, Transom and Sidelite With Top and Bottom Pivots



Paired Doors, Transom and Sidelite With Top and Bottom Pivots and EUR205 Patch Locks



PH70 Transom Door Stop



1NT403 Bottom Pivot x 2



PH40 Sidelite Mount Transom Patch x 2



PH21A Top Door Patch x 2



PH11C Bottom Door Patch x 2



EUR205 Patch Lock* x 2

CRL Laguna Series Pivot Door System

- All 316 Alloy Brushed Stainless Steel Construction
- Ideal for Interior Room Applications
- For Use With 3/8" or 1/2" (10 or 12 mm) Tempered Glass
- Comes With All Fasteners Needed for Either Flush Mount (Countersunk) or Surface Mount (Straight Hole) Glass Fabrication



Our Laguna Series Hardware brings a contemporary look to interior home or office partitions. Made of high-grade 316 alloy stainless steel, it will give years of reliable function and modern beauty to your projects.

The CRL Laguna Pivot Door System can be used with free-swinging doors, or doors controlled by floor mounted door closers. The hardware can be ordered in sets or by individual components.

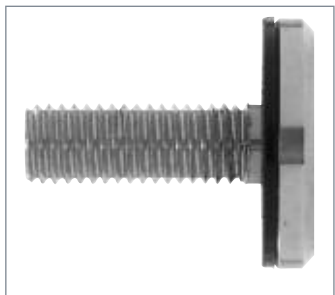
CRL provides you with all of the Glass Fasteners for either flush mounting, which requires a countersunk hole, or surface mounting, where a straight hole is needed. The Glass Fasteners will accommodate either 3/8" or 1/2" (10 or 12 mm) tempered glass. Laminated glass cannot be used with this hardware.

Standardized sets allow easy planning and purchasing for a number of basic configurations. Available accessories give you the opportunity to customize the standard sets to accommodate the most imaginative designers.

NOTE: Care should be taken when using this system in exterior applications to ensure that air and water infiltration can be minimized.

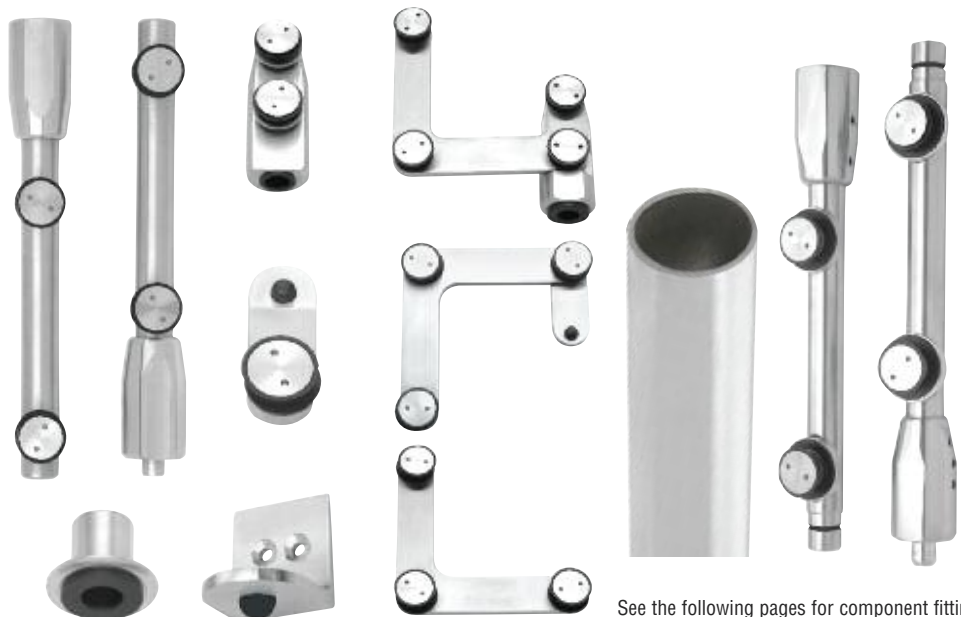


Flush Mount Fastener



Surface Mount Fastener

For additional information, contact CRL Technical Sales at (800) 421-6144 in the U.S., (877) 421-6144 from Canada, or (323) 588-1281 International. Ask for Ext. 7700. You can also e-mail us through our web site at crlaurence.com. From the home page click on Contact Us, and then click on Technical Sales for Commercial Products.

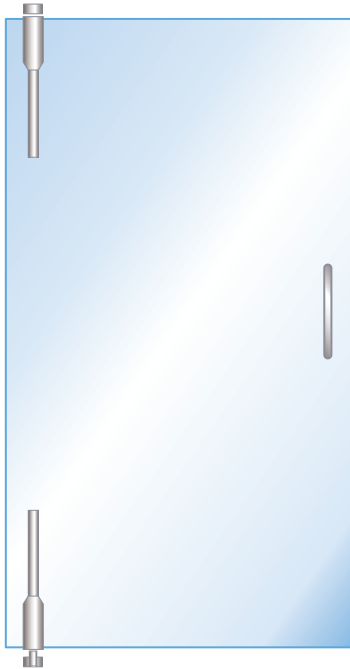


See the following pages for component fittings

DOOR SYSTEM LIMITATIONS

Maximum Door Weight: 176 Lbs. (80 kg)
 Maximum Panel Width: 47-1/4" (1.2 m)
 Maximum Panel Height: 98-7/8" (2.5 m)

CRL Laguna Series Pivot Door System Basic Hardware Sets



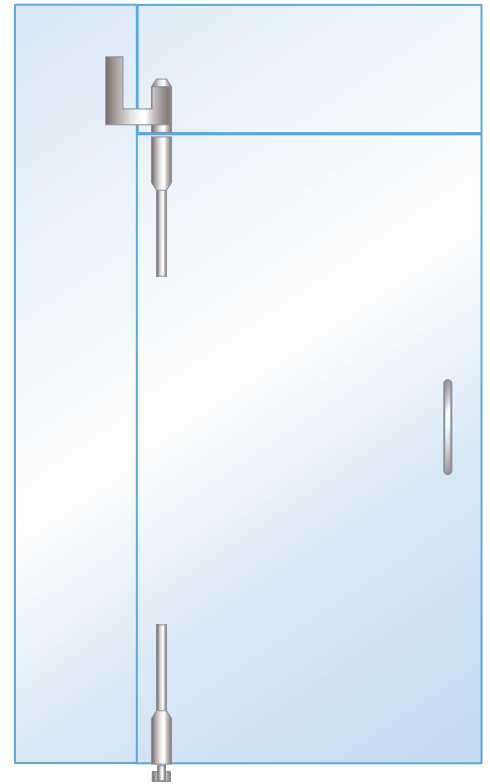
CAT. NO. LS14BS

The LS14BS Hardware Set consists of:
 1 each LS1BS Free Swinging Top Pivot
 1 each LS5BS Top and Bottom Pivot Rod Set
 (Closers or Bottom Pivots are sold separately)
 Minimum order is one set.



CAT. NO. LS24BS

The LS24BS Hardware Set consists of:
 1 each LS2BS Transom Mounted Free Swinging Top Pivot
 1 each LS5BS Top and Bottom Pivot Rod Set
 (Closers or Bottom Pivots are sold separately)
 Minimum order is one set.

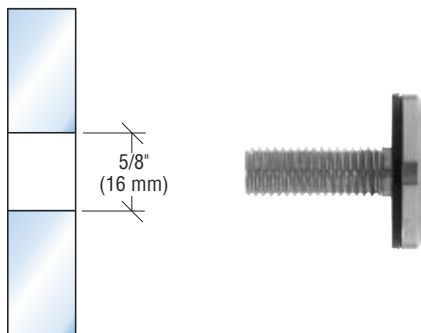


CAT. NO. LS34BS

The LS34BS Hardware Set consists of:
 1 each LS3BS Transom/Sidelite Free Swinging Top Pivot
 1 each LS5BS Top and Bottom Pivot Rod Set
 (Closers or Bottom Pivots are sold separately)
 Minimum order is one set.

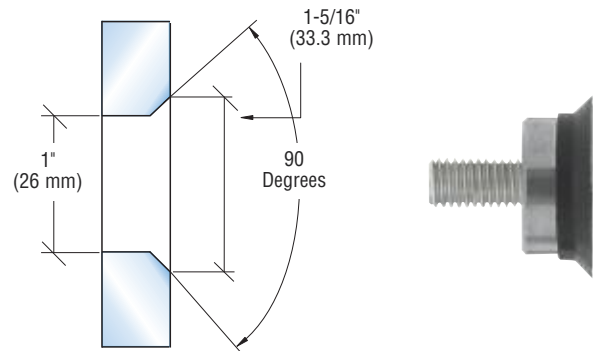
Dual Fabrication Options for the Laguna Series Pivot Door System

• Surface Mount Detail



Additional Laguna Series accessories are available to meet various job conditions or requirements. Please refer to pages 146D and 147D for accessory fittings and system components. See pages 413D to 430D for our selection of Glass Door Pull Handles, which must be ordered separately.

• Flush Mount Detail



For additional information, contact CRL Technical Sales at (800) 421-6144 in the U.S., (877) 421-6144 from Canada, or (323) 588-1281 International. Ask for Ext. 7700. You can also e-mail us through our web site at crlaurence.com. From the home page click on Contact Us, and then click on Technical Sales for Commercial Products

CRL Replacement Parts for Laguna Series Pivot Door System

CRL Standard Top and Bottom Pivot Rods

The LS5BS is the typical Top and Bottom Pivot Rod Set used for the door. It is compatible with any CRL Floor Mounted Door Closer. Comes with both Flush Mount and Surface Mount Fasteners.



CAT. NO.	FINISH
LS5BS	Brushed Stainless

Minimum order: 1 each.

CRL Free Swinging Top Pivot

This Free Swinging Top Pivot can be mortised into either the wood header or an aluminum tube over the doorway. Requires a 1" (25.4 mm) hole to install.

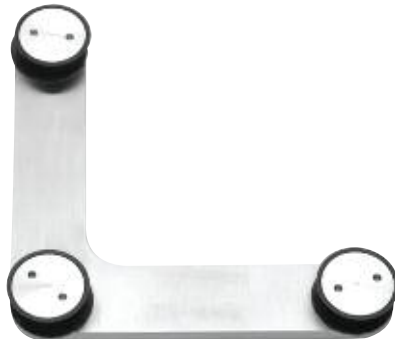


CAT. NO.	FINISH
LS1BS	Brushed Stainless

Minimum order: 1 each.

CRL Transom/Sidelite Support Bracket

The LS6BS Transom/Sidelite Support Bracket is used to support the leading edge of a glass transom over a single door. Comes with both Flush Mount and Surface Mount Fasteners.



CAT. NO.	FINISH
LS6BS	Brushed Stainless

Minimum order: 1 each.

CRL Transom Mounted Free Swinging Top Pivot Fitting

This Free Swinging Top Pivot Fitting is used in areas where there is not a supporting glass panel next to the door. Comes with both Flush Mount and Surface Mount Fasteners.



CAT. NO.	FINISH
LS2BS	Brushed Stainless

Minimum order: 1 each.

CRL Glass Mounted Door Stop Fitting

This Glass Mounted Door Stop Fitting is used individually or in pairs to prevent the door from swinging in a given direction.



CAT. NO.	FINISH
LS9BS	Brushed Stainless

Minimum order: 1 each.

CRL Transom/Sidelite Free Swinging Top Pivot Fitting

The Transom/Sidelite Free Swinging Top Pivot Fitting attaches to the sidelite panel and the glass transom over the door. Comes with both Flush Mount and Surface Mount Fasteners.



CAT. NO.	FINISH
LS3BS	Brushed Stainless

Minimum order: 1 each.

CRL Replacement Parts for Laguna Series Pivot Door System

CRL Top and Bottom Pivot Rods for Full Height Vertical Rod Insert

These Top and Bottom Pivot Rods are used with Cat. No. LS7BS Full Height Vertical Rod Insert to create a full height vertical pivot rod. Comes with both Flush Mount and Surface Mount Fasteners.



CAT. NO.	FINISH
LS8BS	Brushed Stainless

Minimum order: 1 each.

CRL Full Height Vertical Rod Insert

This Full Height Vertical Rod Insert is used with Cat. No. LS8BS Top and Bottom Pivot Rods to create a full height vertical pivot rod. Rod length is 76-1/4" (1.94 m); outside diameter is 1" (25.4 mm); wall thickness is .083" (2.1 mm).



CAT. NO.	FINISH
LS7BS	Brushed Stainless

Minimum order: 1 each.

CRL Ceiling Mounted Door Stop Fitting

The Ceiling Mounted Door Stop Fitting mounts directly to the ceiling or header for single acting doors. Fasteners are not included.



CAT. NO.	FINISH
LS10BS	Brushed Stainless

Minimum order: 1 each.

CRL Transom/Sidelite Door Stop Fitting

The Transom/Sidelite Door Stop Fitting connects the sidelite panel to the glass transom. Comes with both Flush Mount and Surface Mount Fasteners.



CAT. NO.	FINISH
LS11BS	Brushed Stainless

Minimum order: 1 each.

CRL Universal Spanner Wrench



Use this CRL Universal Spanner Wrench as a quick and efficient method of attaching or loosening Spanners. Kit includes: one Adjustable Tool, five Metric (1.5, 2, 2.5, 3, and 4 mm) Spanner Pin Sets, five Fractional (1/16", 3/32", 1/8", 5/32", and 3/16") Spanner Pin Sets, and one Molded Carrying Case. Minimum order is one each.

CAT. NO. USW10

CRL Spanner Wrench



Use this CRL Spanner Wrench as a quick and efficient method to secure and tighten Laguna Series Brackets and Fittings to the glass. Minimum order is one each.

CAT. NO. SW19

CRL Spanner Head



This CRL Spanner Head is used with your 1/4" drive ratchet wrench to secure and tighten Laguna Series Brackets and Fittings to the glass. Ratchet wrench not included. Minimum order is one each.

CAT. NO. LSSW1

CRL Euro Series Interior Door Hinge Kits

- Four Single Acting Free Swinging Models
- Available in Polished Brass, Polished Chrome, Brushed Nickel or Satin Anodized Finishes
- For 5/16" or 3/8" (8 or 10 mm) Tempered Glass

CRL Euro Series Interior Door Hinges offer a new look for modern office or residential interior doors. The Hinges are single acting and can open to 180 degrees. There are two mounting options available, Surface Mount or Steel Frame Mount. Surface Mount is used predominately in North America where the mounting brackets screw to the side of the opening or frame. The Steel Frame Mount is used in Europe where the steel frames come prepped as standard for these mounts.

We offer four models, the Barcelona, the Roma, the Valencia, and the Sofia. The Barcelona and the Roma are of solid brass construction, while the Valencia and the Sofia are of solid aluminum construction.

These hinges can accommodate 5/16" or 3/8" (8 or 10 mm) fully tempered glass, and only require two 5/8" (16 mm) holes in the glass per hinge.



CRL Valencia Series Interior Door Hinge Kits

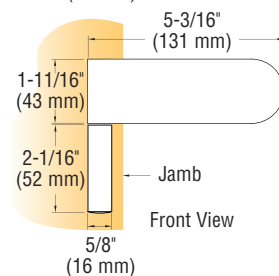
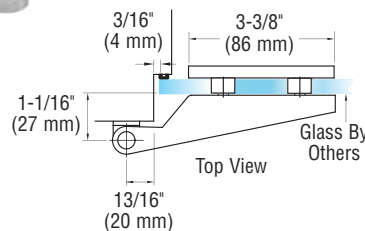
- Solid Aluminum Construction With Satin Anodized Finish
- For 5/16" or 3/8" (8 or 10 mm) Tempered Glass

CRL Valencia Series Interior Door Hinge Kits are of solid aluminum construction and can swing open to 180 degrees. The Valencia Kits can accommodate a maximum weight of 99 pounds (45 kg) and a width of 39" (990 mm) per pair of hinges. Only two holes required in glass for each hinge.

We offer four different Kits, each with a different mounting bracket. Each Kit contains: two each Valencia Hinges, two each mounting brackets, and gaskets for 5/16" or 3/8" (8 or 10 mm) tempered glass.



NEW!



SURFACE MOUNT CAT. NO.	STEEL FRAME MOUNT CAT. NO.	STEEL FRAME MOUNT CAT. NO.	STEEL FRAME MOUNT CAT. NO.	FINISH
PTHK70SA	PTHK71SA	PTHK72SA	PTHK73SA	Satin Anodized

Minimum order: 1 kit.

CRL EURO SERIES INTERIOR DOOR HINGE KITS

For Pricing Visit Our Web Site or Call Us Toll Free at the Phone Numbers Shown on the Back Cover

CRL Barcelona Series Interior Door Hinge Kits

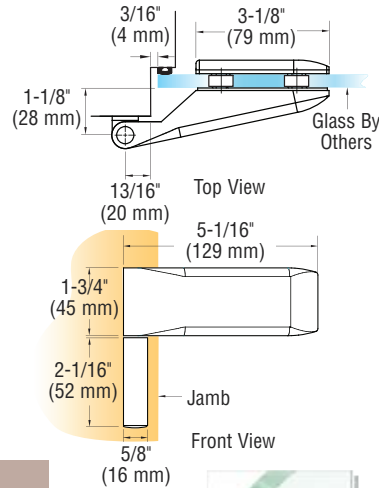
- Solid Brass Construction
- Available in Polished Brass, Polished Chrome or Brushed Nickel
- For 5/16" or 3/8" (8 or 10 mm) Tempered Glass

CRL Barcelona Series Interior Door Hinge Kits are of solid brass construction and can swing open to 180 degrees. The Barcelona Kits can accommodate a maximum weight of 99 pounds (45 kg) and a width of 39" (990 mm) per pair of hinges. Only two holes required in glass for each hinge.

We offer four different Kits, each with a different mounting bracket. Each Kit contains: two each Barcelona Hinges, two each mounting brackets, and gaskets for 5/16" or 3/8" (8 or 10 mm) tempered glass.



NEW!



CAT. NO. PTHK50
Surface Mount



CAT. NO. PTHK51
Steel Frame Mount



CAT. NO. PTHK52
Steel Frame Mount



CAT. NO. PTHK53
Steel Frame Mount

SURFACE MOUNT CAT. NO.	STEEL FRAME MOUNT CAT. NO.	STEEL FRAME MOUNT CAT. NO.	STEEL FRAME MOUNT CAT. NO.	FINISH
PTHK50BR	PTHK51BR	PTHK52BR	PTHK53BR	Polished Brass
PTHK50CH	PTHK51CH	PTHK52CH	PTHK53CH	Polished Chrome
PTHK50BN	PTHK51BN	PTHK52BN	PTHK53BN	Brushed Nickel

Minimum order: 1 Kit.



CRL Roma Series Interior Door Hinge Kits

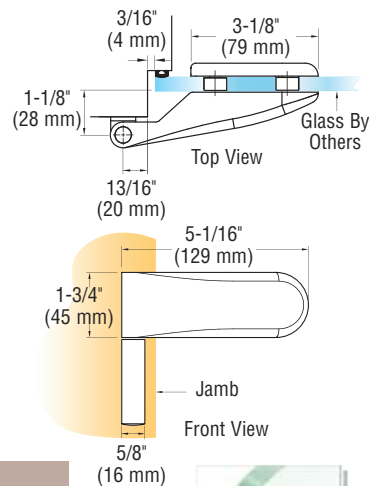
- Solid Brass Construction
- Available in Polished Brass, Polished Chrome or Brushed Nickel
- For 5/16" or 3/8" (8 or 10 mm) Tempered Glass

CRL Roma Series Interior Door Hinge Kits are of solid brass construction and can swing open to 180 degrees. The Roma Kits can accommodate a maximum weight of 99 pounds (45 kg) and a width of 39" (990 mm) per pair of hinges. Only two holes required in glass for each hinge.

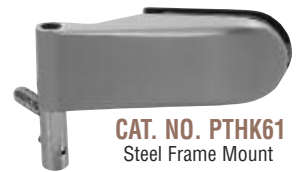
We offer four different Kits, each with a different mounting bracket. Each Kit contains: two each Roma Hinges, two each mounting brackets, and gaskets for 5/16" or 3/8" (8 or 10 mm) tempered glass.



NEW!



CAT. NO. PTHK60
Surface Mount



CAT. NO. PTHK61
Steel Frame Mount



CAT. NO. PTHK62
Steel Frame Mount



CAT. NO. PTHK63
Steel Frame Mount

SURFACE MOUNT CAT. NO.	STEEL FRAME MOUNT CAT. NO.	STEEL FRAME MOUNT CAT. NO.	STEEL FRAME MOUNT CAT. NO.	FINISH
PTHK60BR	PTHK61BR	PTHK62BR	PTHK63BR	Polished Brass
PTHK60CH	PTHK61CH	PTHK62CH	PTHK63CH	Polished Chrome
PTHK60BN	PTHK61BN	PTHK62BN	PTHK63BN	Brushed Nickel

Minimum order: 1 Kit.



CRL Sofia Series Interior Door Hinge Kits

- Solid Aluminum Construction
- Satin Anodized Finish
- For 5/16" or 3/8" (8 or 10 mm) Tempered Glass

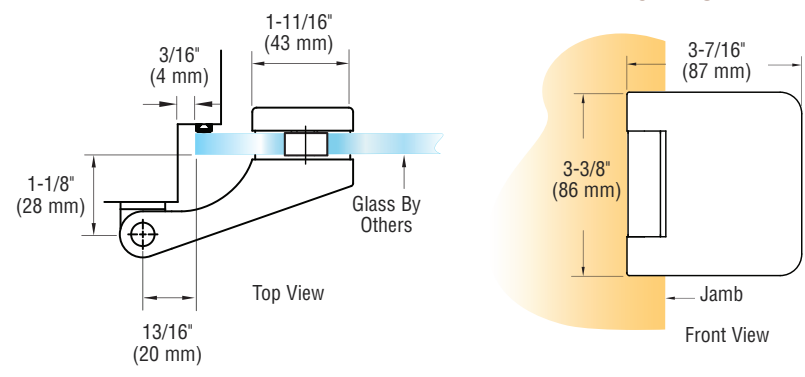
CRL Sofia Interior Door Hinge Kit is of solid aluminum construction with integrated surface mount brackets that can swing open to 180 degrees. The Sofia Kits can accommodate a maximum weight of 99 pounds (45 kg) and a width of 39" (990 mm) per pair of hinges. Only two holes required in glass for each hinge.

Each Kit contains: two each Sofia Hinges and gaskets for 5/16" or 3/8" (8 or 10 mm) tempered glass. Minimum order is one Kit.



Built In Mounting Bracket

CAT. NO. PTHK1



CRL Glass Mounted Latches and Handles

- For 3/8" or 1/2" (10 or 12 mm) Glass
- Works on Single or Double Doors
- Visit crlaurence.com for More Information



CRL Technical Assistance for Commercial Products



CRL Technical Sales can be reached Monday through Friday from 6:00 am to 5:00 pm Pacific Time. Phone toll free (800) 421-6144 from anywhere in the U.S., (877) 421-6144 from anywhere in Canada, or (323) 588-1281 International, and ask for Ext. 7700.

You can also send e-mail requests for quotes or product information from the crlaurence.com home page. Click on Contact Us, and then click on Technical Sales for Commercial Products.

CRL Beretta Series Patch Fitting System

- Great for Interior Offices, Conference Rooms, or Display Cases
- For Use With 3/8" or 1/2" (10 or 12 mm) Tempered Glass
- Four Popular Kits to Choose From

The Beretta Series gives the typical 'all-glass' door a totally new look. Beretta's cylindrical design offers a unique and fresh look for interior office or conference room doors. The compact closing mechanism reduces the impact a typical closer has on an opening. The minimalist design of the hardware makes the doors look like they are floating on air. All patch fittings attach to glass by pressure plates and set screws.

NOTE: Standard application with no glass prep requires larger than normal gaps around the door. Custom notching of the glass can minimize the gaps.



CRL Beretta Free Swinging Door Kits

- Available in Polished Chrome and Brushed Nickel Finishes
- No Notches or Holes Needed in the Glass

CRL Beretta BSK1 Series Free Swinging Door Kits provides all the hardware needed for an 'all-glass' free swinging door (except the glass). Kits are available with or without handles.

Each Kit contains: one each BS30 Top Door Patch with Pivot, one each BS50 Bottom Door Patch with Pivot, and gaskets for 3/8" or 1/2" (10 or 12 mm) tempered glass. No holes or notches are required for these Beretta Patches.

Kits with Handles come with one each BS8X8 or BS20X20 Beretta Series Pull Handle. Two 5/8" (16 mm) holes are required in the glass.

All BSK1 Series Kits are non-handed, allowing for installation in either right or left hand entrances.



Top Door Patch With Pivot



8" (203 mm)
Pull Handle



20" (508 mm)
Pull Handle



Bottom Door Patch With Pivot

KIT WITHOUT HANDLE

CAT. NO.	FINISH
BSK1CH	Polished Chrome
BSK1BN	Brushed Nickel

Minimum order: 1 each

KIT WITH BS8X8 - 8" (203 MM) HANDLE

CAT. NO.	FINISH
BSK18CH	Polished Chrome
BSK18BN	Brushed Nickel

Minimum order: 1 each

KIT WITH BS20X20 - 20" (508 MM) HANDLE

CAT. NO.	FINISH
BSK120CH	Polished Chrome
BSK120BN	Brushed Nickel

Minimum order: 1 each

CRL Beretta Self Closing Door Kits

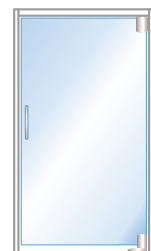
- Compact Round Door Closer
- Self Closing With Hold Open at 90 Degrees

CRL Beretta BSK2 Series Self Closing Door Kits provide all the hardware needed (except the glass) to create an 'all-glass' door complete with a compact closer.

The closer is integrated with the Bottom Patch Fitting and can handle a door up to 176 pounds (80 kgs) with a maximum width of 35-1/2" (902 mm) and maximum height of 94-1/2" (2400 mm). The bottom patch/closer is double acting and handed as viewed from the outside. Kits are available with or without handles.

Each Kit contains: one each BS30 Top Door Patch with Pivot, one each BS20 Left or Right Bottom Door Closer with Patch, and gaskets for 3/8" or 1/2" (10 or 12 mm) tempered glass. No holes or notches are required for these Beretta Patches.

Kits with Handles come with one each BS8X8 or BS20X20 Beretta Series Pull Handle. Two 5/8" (16 mm) holes are required in the glass.



Top Door Patch With Pivot



20" (508 mm) Pull Handle



8" (203 mm) Pull Handle



Closer With Door Patch (Right Hand Shown)

KIT WITHOUT HANDLE

LEFT HAND CAT. NO.	RIGHT HAND CAT. NO.	FINISH
BSK2LCH	BSK2RCH	Polished Chrome
BSK2LBN	BSK2RBN	Brushed Nickel

Minimum order: 1 each.

KIT WITH BS8X8 - 8" (203 MM) HANDLE

LEFT HAND CAT. NO.	RIGHT HAND CAT. NO.	FINISH
BSK28LCH	BSK28RCH	Polished Chrome
BSK28LBN	BSK28RBN	Brushed Nickel

Minimum order: 1 each.

KIT WITH BS20X20 - 20" (508 MM) HANDLE

LEFT HAND CAT. NO.	RIGHT HAND CAT. NO.	FINISH
BSK220LCH	BSK220RCH	Polished Chrome
BSK220LBN	BSK220RBN	Brushed Nickel

Minimum order: 1 each.

CRL Beretta Free Swinging Door Kits for Use With Fixed Transom

- For Use With 3/8" or 1/2" (10 or 12 mm) Tempered Glass
- Available in Polished Chrome and Brushed Nickel Finishes

CRL Beretta BSK3 Series Free Swinging Door Kits provide all the hardware needed to complete an 'all-glass' opening with a door and fixed transom (except the glass). Kits are available with or without handles.

Each Kit contains: two each BS60 End Mount Light-Duty Fixed Panel Clamps, one each BS40 Transom/Wall Mount Pivot Patch, one each BS80 Wall Mount Fixed Panel Clamp, one each BS50 Bottom Door Patch with Pivot, and gaskets for 3/8" or 1/2" (10 or 12 mm) tempered glass.

Kits with Handles come with one each BS8X8 or BS20X20 Beretta Series Pull Handle. Two 5/8" (16 mm) holes are required in the glass.

All BSK3 Series Kits are non-handed, allowing for installation in either right or left hand entrances.

NOTE: Corner notch required for BS40 Patch.



Fixed Panel Clamp



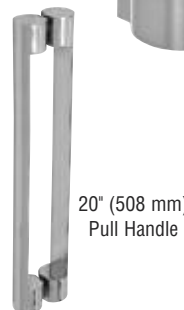
Transom/Wall Mount Pivot Patch



Wall Mount Fixed Panel Clamp



8" (203 mm) Pull Handle



20" (508 mm) Pull Handle



Bottom Door Patch With Pivot

KIT WITHOUT HANDLE

CAT. NO.	FINISH
BSK3CH	Polished Chrome
BSK3BN	Brushed Nickel

Minimum order: 1 each

KIT WITH BS8X8 - 8" (203 MM) HANDLE

CAT. NO.	FINISH
BSK38CH	Polished Chrome
BSK38BN	Brushed Nickel

Minimum order: 1 each

KIT WITH BS20X20 - 20" (508 MM) HANDLE

CAT. NO.	FINISH
BSK320CH	Polished Chrome
BSh320BN	Brushed Nickel

Minimum order: 1 each

CRL Beretta Self Closing Door Kits for Use With Fixed Transom

- For Use With 3/8" or 1/2" (10 or 12 mm) Tempered Glass
- Self Closing With Hold Open at 90 Degrees

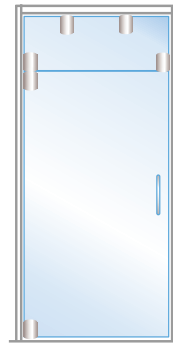
CRL Beretta BSK4 Series Self Closing Door Kits provide all the hardware needed (except the glass) to create an 'all-glass' opening with a door and fixed transom complete with a compact closer.

The closer is integrated with the Bottom Patch Fitting and can handle a door up to 176 pounds (80 kgs) with a maximum width of 35-1/2" (902 mm) and maximum height of 94-1/2" (2400 mm). The bottom patch/closer is double acting and handed as viewed from the outside. Kits are available with or without handles.

Each Kit contains: two each BS60 End Mount Light-Duty Fixed Panel Clamps, one each BS40 Transom/Wall Mount Pivot Patch, one each BS80 Wall Mount Fixed Panel Clamp, one each BS20 Left or Right Bottom Door Closer with Patch, and gaskets for 3/8" or 1/2" (10 or 12 mm) tempered glass.

Kits with Handles come with one each BS8X8 or BS20X20 Beretta Series Pull Handle. Two 5/8" (16 mm) holes are required in the glass.

NOTE: Corner notch required for BS40 Patch.



8" (203 mm) Pull Handle



20" (508 mm) Pull Handle

Closer With Door Patch (Right Hand Shown)

KIT WITHOUT HANDLE

LEFT HAND CAT. NO.	RIGHT HAND CAT. NO.	FINISH
BSK4LCH	BSK4RCH	Polished Chrome
BSK4LBN	BSK4RBN	Brushed Nickel

Minimum order: 1 each.

KIT WITH BS8X8 - 8" (203 MM) HANDLE

LEFT HAND CAT. NO.	RIGHT HAND CAT. NO.	FINISH
BSK48LCH	BSK48RCH	Polished Chrome
BSK48LBN	BSK48RBN	Brushed Nickel

Minimum order: 1 each.

KIT WITH BS20X20 - 20" (508 MM) HANDLE

LEFT HAND CAT. NO.	RIGHT HAND CAT. NO.	FINISH
BSK420LCH	BSK420RCH	Polished Chrome
BSK420LBN	BSK420RBN	Brushed Nickel

Minimum order: 1 each.

CRL Beretta Series Back-to-Back Pull Handles

- For Use With 3/8" to 1/2" (10 to 12 mm) Thick Tempered Glass
- Two Sizes Available
- Available in Brushed Stainless and Polished Stainless Finishes

SPECIFICATIONS:

Use With: 3/8" and 1/2" (10 to 12 mm) Tempered Glass

Construction: 2" (51 mm) Diameter Cast Solid Brass

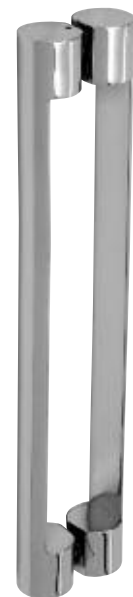
Glass Fabrication Required: Two 5/8" (16 mm) Diameter Holes

CAT. NO.	OVERALL LENGTH	MOUNTING HOLES CENTER TO CENTER	FINISH
BS8X8BS	9-3/8" (238 mm)	8" (203 mm)	Brushed Stainless
BS8X8PS	9-3/8" (238 mm)	8" (203 mm)	Polished Stainless
BS20X20BS	21-3/8" (543 mm)	20" (508 mm)	Brushed Stainless
BS20X20PS	21-3/8" (543 mm)	20" (508 mm)	Polished Stainless

Minimum order: 1 each. Sizes and finishes can be combined for quantity pricing.



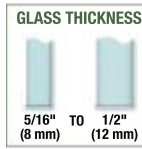
8" (203 mm) Pull Handle



20" (508 mm) Pull Handle

CRL Atlas Series 'All-Glass' Door Hinge

- Self-Centering Function
- Hold Open at 90 Degrees
- Ideal for Large Interior 5/16", 3/8" or 1/2" (8, 10 or 12 mm) Tempered Glass Doors
- Easy Closed Position Adjustment for Double Door or Inline Panel Applications
- Four Architectural Finishes

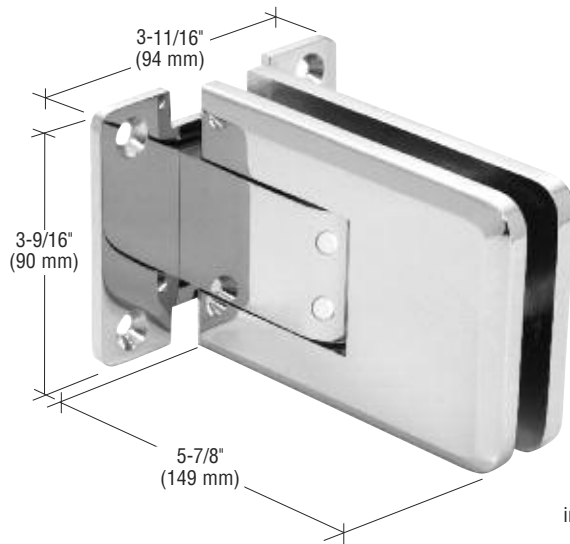


This innovative CRL Atlas Series 'All-Glass' Door Hinge gives you the best of two worlds; minimal hardware and self-centering action, all wrapped up in a stylish, heavy-duty Hinge. Two of these double-acting Hinges will allow you to create 'all-glass' doors weighing up to 140 pounds (63.5 kg) with a maximum width of 39" (1 m).

NOTE: Do not exceed two Hinges per door.

When fully opened, the Atlas Hinge will hold open at 90 degrees. These Hinges offer easy fine-tune closed position adjustment.

The solid brass construction and stainless steel components make the Atlas Hinge a natural for applications that may involve excess moisture.



MODEL ATL01
Opens 90 degrees inwards and outwards

SPECIFICATIONS:

Glass Thicknesses: 5/16" to 1/2" (8 to 12 mm)

Construction: Solid Brass

Hinge Swings: 90 Degrees Inwards and Outwards

Closing Type:

Self-Centering From 0 to 50 Degrees and Precise Closing to 0 Degrees

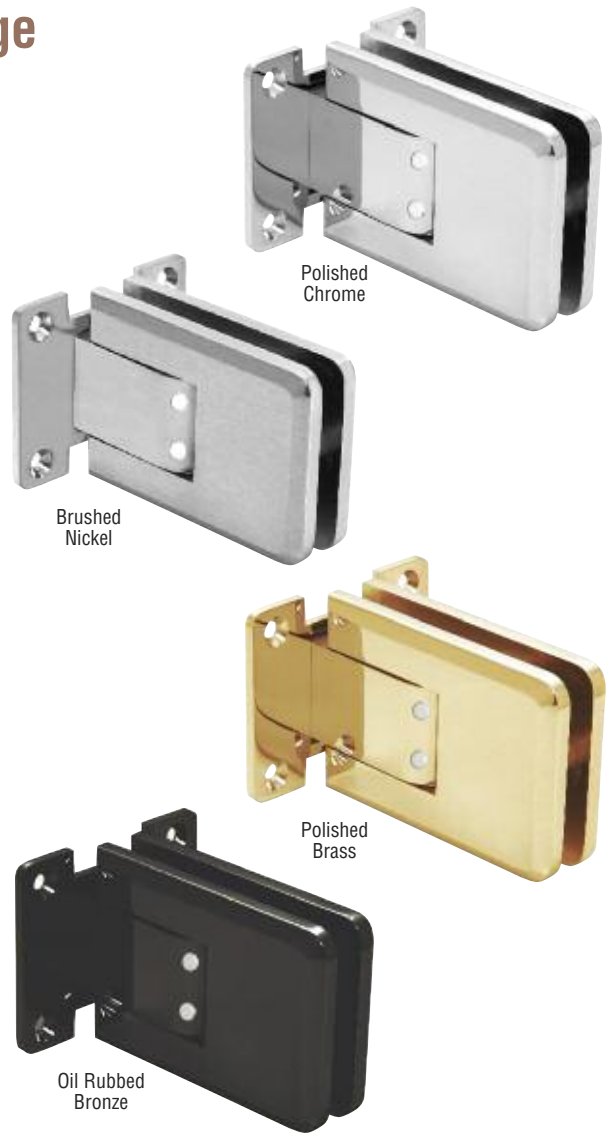
Special Feature: Holds Open at 90 Degrees; Adjustable Closed Position

Notch and Hole Required

Includes: Gaskets, Phillips Screws, and Glass Fabrication Dimensions

*MAXIMUM CAPACITIES	5/16" TO 1/2" (8 TO 12 MM) GLASS	DOOR WIDTH
	WEIGHT	
Using Two Hinges	140 lbs/63.5 kg	39"/1 m

*NOTE: Do not exceed maximum door weight or width. Do not exceed two hinges per door.



Adjusting the Closing Position

CAT. NO.	DESCRIPTION
ATL01CH	Polished Chrome
ATL01BN	Brushed Nickel
ATL01BR	Polished Brass
ATL01ORB	Oil Rubbed Bronze

Minimum order: 1 each. All Frameless Hinges can be combined for quantity pricing. Other finishes available on special order. **NOTE:** 'All-Glass' Door Hinges are sold individually, not in pairs.

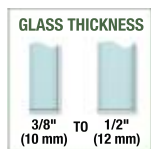
CRL Biloba Series Hydraulic 'All-Glass' Door Hinges

- For Self-Closing Glass Doors From 3/8" to 1/2" (10 to 12 mm) Thick
- A Great Alternative to Floor Closers and Patch Fittings
- Hold Open or No Hold Open Models
- Adjustable Closing Speed

The Biloba Hinge represents the evolution and the synthesis between automatic mechanical hinges and hydraulic door closers. Designed for use on interior doors, Biloba allows you to design a self-closing door without the need of a floor-mounted or overhead closing device. This gives you the advantage of being able to install an 'all-glass' door in an existing opening without the need for extensive retrofitting of hardware into the floor or overhead.

Properly mounted, two Biloba Hinges will support a 3/8" to 1/2" (10 to 12 mm) thick glass door up to 39" (1 m) in width and weighing up to 220 pounds (100 kg). A control valve lets you adjust the hinge to the desired closing speed. And Biloba is ambidextrous, with positive stops at 0 and 90 degrees, giving you even more design freedom.

The Biloba Hinge features an aluminum body in distinct configurations for Wall Mount and Glass-to-Glass applications. Biloba has been subject to strict testing (over 1 million cycles), assuring long lasting service.



SPECIFICATIONS:

Glass Thickness Range: 3/8" to 1/2" (10 to 12 mm)

Construction: Aluminum

Hinge Swings:

90 Degrees Inwards and Outwards (Except 31M8060 Model, Which Only Swings One Way)

Closing Type:

Automatic Closing From 0 to 80 Degrees

Special Feature: Holds Open at 90 Degrees; Adjustable Closing Speed. No Hold Open Models Available (Except 31M8060 Model).

Cut-Out Required

Includes:

Snap-In Molded Gaskets for 3/8" (10mm) and 1/2" (12 mm) Glass; Hex Screws

Maximum Capacities Using Two Hinges:

Door Width 39" (1 m); Door Weight: 220 pounds (100 kg)

NOTE: Do not use more than two hinges on one door.

- Aluminum Body in Your Choice of Three Finishes: Brite Chrome, Brushed Satin, and Satin Anodized

Full Back Plate Wall Mount Hinge

Swings in and out a full 90 degrees, with stops at 0°, +90°, and -90°. Closing speed can be adjusted. For doors up to 39" (1 m) wide. Maximum weight per two hinges is 220 pounds (100 kg).

HOLD OPEN CAT. NO.	NO HOLD OPEN CAT. NO.	FINISH
31M8010CH	31M8210CH	Brite Chrome
31M8010SN	31M8210SN	Brushed Satin
31M8010SA	31M8210SA	Satin Anodized

Minimum order: 1 each. All Frameless Hinges can be combined for quantity pricing. **NOTE:** 'All-Glass' Door Hinges are sold individually, not in pairs.



180 Degree Glass-to-Glass Hinge

Swings in and out a full 90 degrees, with stops at 0°, +90°, and -90°. Closing speed can be adjusted. For doors up to 39" (1 m) wide. Maximum weight per two hinges is 220 pounds (100 kg).

HOLD OPEN CAT. NO.	NO HOLD OPEN CAT. NO.	FINISH
31M8015CH	31M8215CH	Brite Chrome
31M8015SN	31M8215SN	Brushed Satin
31M8015SA	31M8215SA	Satin Anodized

Minimum order: 1 each. All Frameless Hinges can be combined for quantity pricing. **NOTE:** 'All-Glass' Door Hinges are sold individually, not in pairs.



One Way Swinging Wall Mount Hinge

Ideal for hermetic closing. Swings one way a full 90 degrees, with stops at 0° and 90°. Closing speed can be adjusted. For doors up to 39" (1 m) wide. Maximum weight per two hinges is 220 pounds (100 kg).

HOLD OPEN CAT. NO.	FINISH
31M8060CH	Brite Chrome
31M8060SN	Brushed Satin

Minimum order: 1 each. All Frameless Hinges can be combined for quantity pricing. **NOTE:** 'All-Glass' Door Hinges are sold individually, not in pairs.



Shown Mounted Hinged Left Swing Out

CRL-Blumcraft 1301 Series Entrance Doors and Sidelites



- More Glass, Less Metal!
- Fully Glazed With 1/2", 5/8" or 3/4" (12, 16 or 19 mm) Tempered Glass
- Ready to Install, No Assembly Required
- Solid Stainless Steel or Bronze Rail Construction
- Rails as Slim as 3/4" x 3/4" (19 x 19 mm)
- Complete With Egress Handle if Required

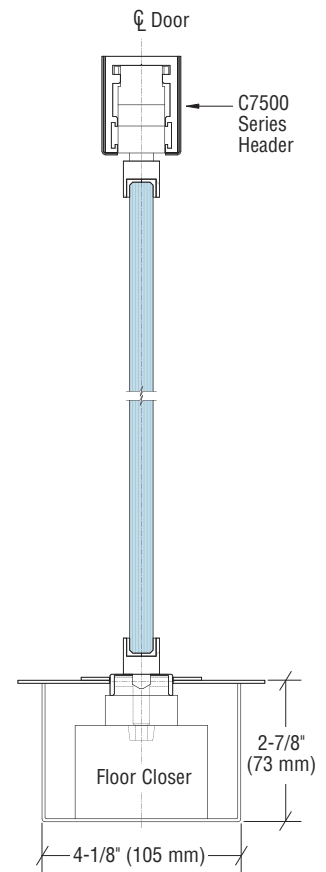
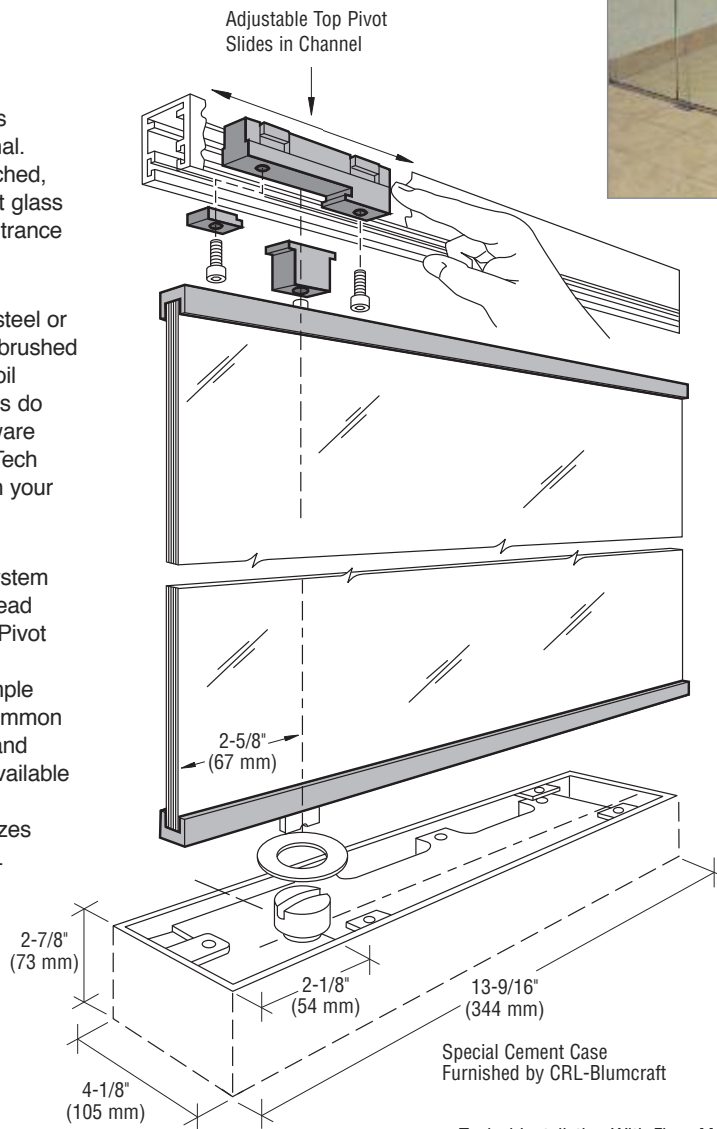


CRL-Blumcraft 1301 Series Entrance Doors are the original. Often imitated but never matched, this system provides the most glass with the least metal of any entrance door system in the industry.

Made from solid stainless steel or bronze and finished in either brushed or mirror finishes, as well as oil rubbed bronze. Top Rail sizes do vary based on types of hardware used on the doors. Consult Tech Sales for more information on your particular application.

A standard 1301 Series System includes our C7500 Series Head Channel with Adjustable Top Pivot and customized Floor Closer, providing the installer with ample adjustment opportunities. Common 4", 4-1/2", and 6" (102, 114, and 152 mm) Headers are also available to meet design requirements.

NOTE: For maximum door sizes when using this product, CRL follows GANA Guidelines.



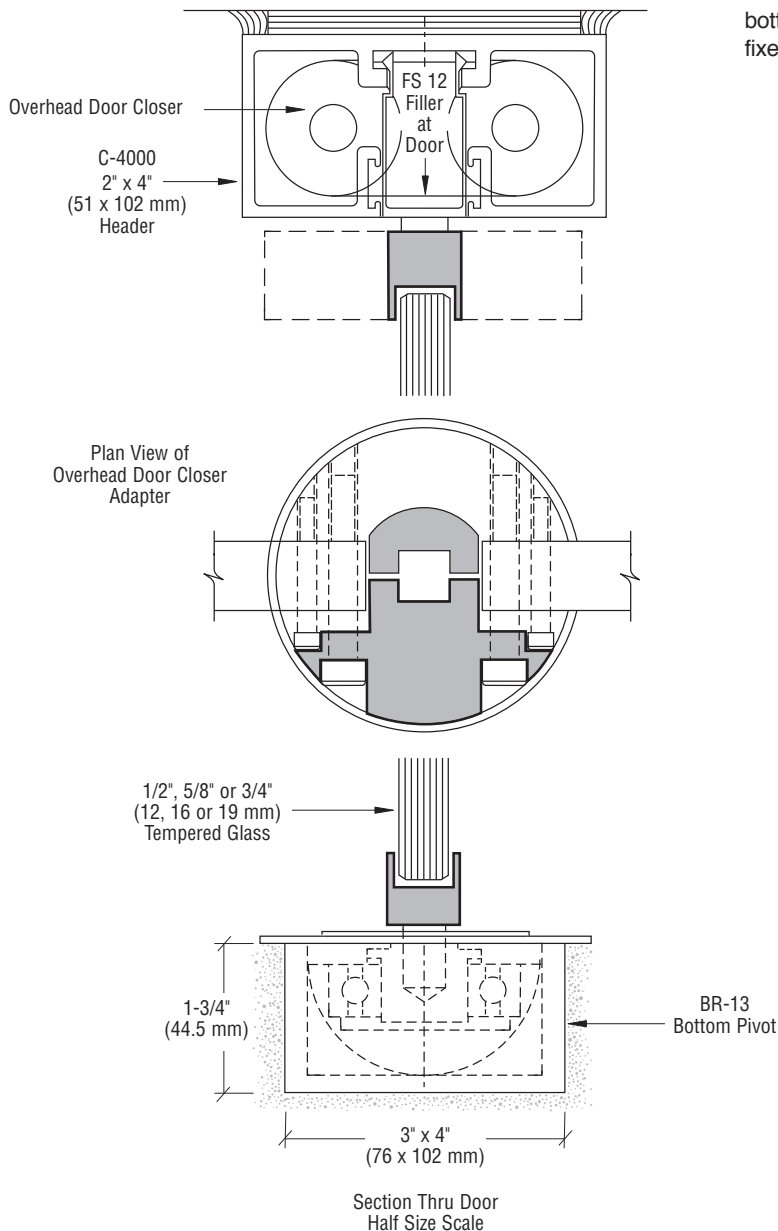
Typical Installation With Floor Mounted Door Closer



CRL-Blumcraft 1301 Series Entrance Doors and Sidelites

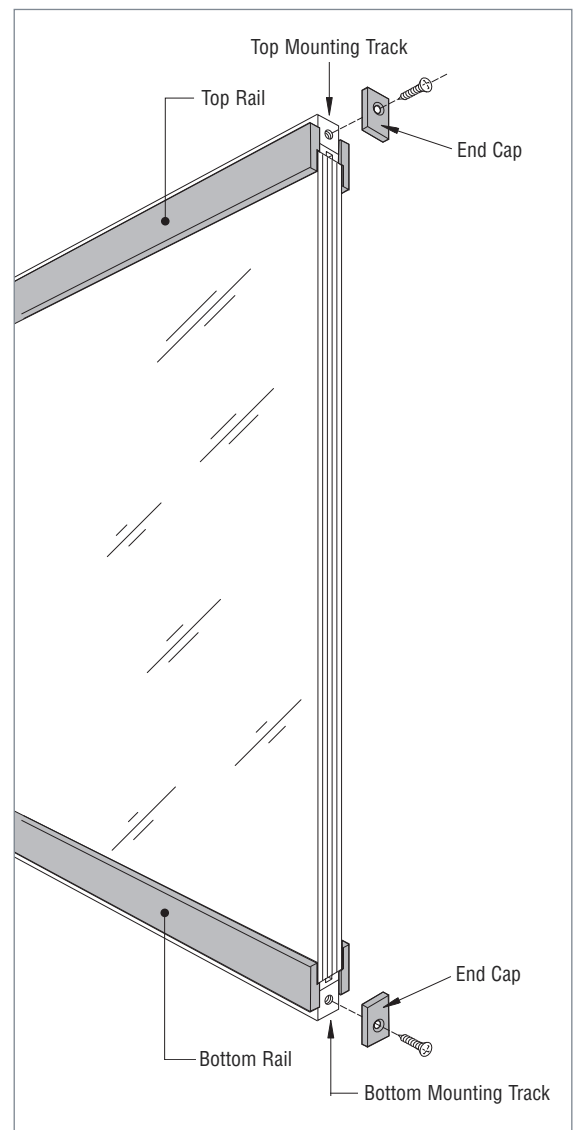
• Compatible With Overhead Door Closers

When job conditions do not allow for a floor mounted door closer, the 1301 Series Entrance Door can be configured to work with an overhead concealed door closer. A custom 1" (25 mm) high Top Rail with Sideload Adaptor and specially designed Bottom Pivot make this application clean and simple, while maintaining the "more glass, less metal" theme.



• Fully Glazed Matching Fixed Panels

Fully glazed sidelites are also available with matching top and bottom rails. For those installations that require field glazing of the fixed panels we offer Wet Glaze Channels.

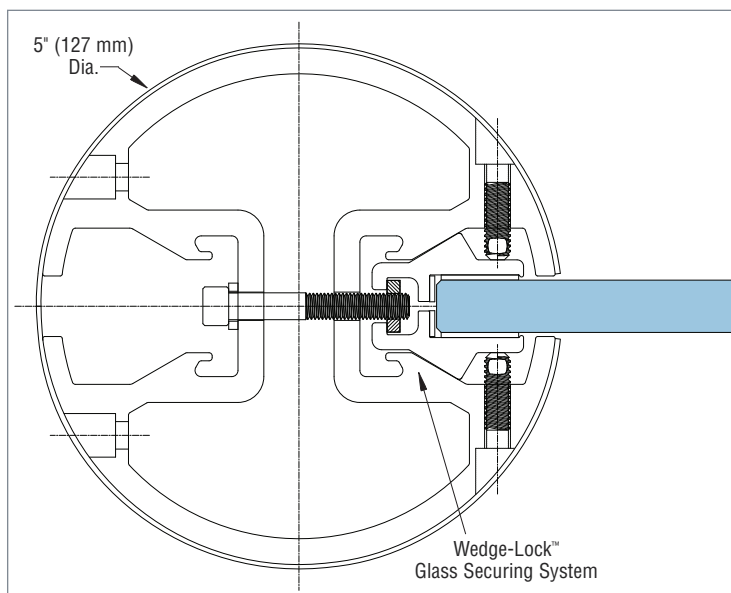


For additional information contact CRL Technical Sales at (800) 421-6144 in the U.S., (877) 421-6144 from Canada, or (323) 588-1281 International, and ask for Ext. 7700. You can also send e-mail from the crlaurence.com home page. Click on Contact Us, and then click on Technical Sales for Commercial Products.

CRL-Blumcraft 1200 Series Doors

- Patented Wedge-Lock™ Glass Securing System
- Doors Up to 12 Feet (3.66 m) Tall
- No Top or Bottom Rails
- Fully Glazed With 1/2" (12 mm) Tempered Glass
- Available in Six Standard Architectural Finishes

CRL-Blumcraft 1200 Series Doors can be made up to 12 feet (3.6 m) tall and have no top or bottom rails. Instead they have a vertical Pivot Tube that runs the height of the door, achieving what appears to be a truly 'all-glass' door.



1200 Series Doors are supplied fully glazed with 1/2" (12 mm) tempered glass in clear, tinted or low-iron. We have incorporated our patented Wedge-Lock™ Glass Securing System into a 5" (127 mm) diameter vertical Pivot Tube, ensuring a non-slip environment for the life of the door. The Pivot Tube is clad in one of six architectural finishes: satin anodized, black bronze anodized, black powder coat, brushed stainless steel, polished stainless steel, and polished brass. Custom finishes are available on special order.

With no rails top and bottom the entire weight of the door is transferred through the Pivot Tube to a specially engineered, heavy-duty, load-bearing cement case, independent of the floor mounted door closer. 1200 Series Doors utilize a heavy-duty walking beam pivot at the top of the Pivot Tube that can be incorporated into a variety of different headers to create a desired look. Floor mounted door closer functionality is preserved in this uniquely different entrance system.

BLUMCRAFT
A DIVISION OF C.R. LAURENCE CO., INC.

CRL-Blumcraft 1200 Series Doors



Heavy-Duty Walking Beam Top Pivot



Heavy-Duty Load-Bearing Cement Case and Closer

Options

CRL 1200 Series Doors can be ordered with a full length rail across the top, bottom, or both top and bottom of the door to allow for the use of optional locking or monitoring hardware. The rail is coped to fit snug against the hinge tube creating an appealing transition from round to square materials.

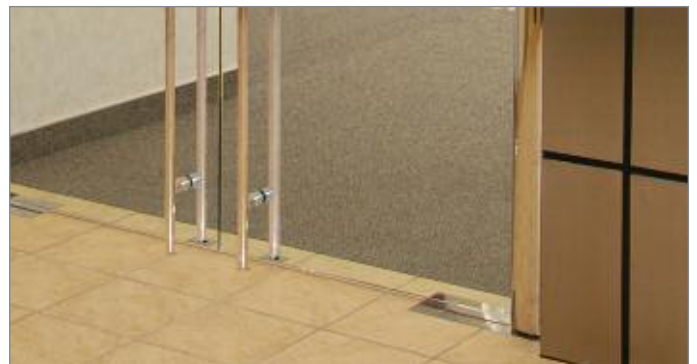
To create a secure opening, a small patch rail with lock can be added to the bottom of the door. Also, any of our Egress Handles or Locking Ladder Pulls may be added. All hardware comes mounted to the door and is ready for installation into your opening.



Optional Full Bottom Rail with Lock



Optional Bottom Patch Rail with Lock



Optional Locking Ladder Pulls

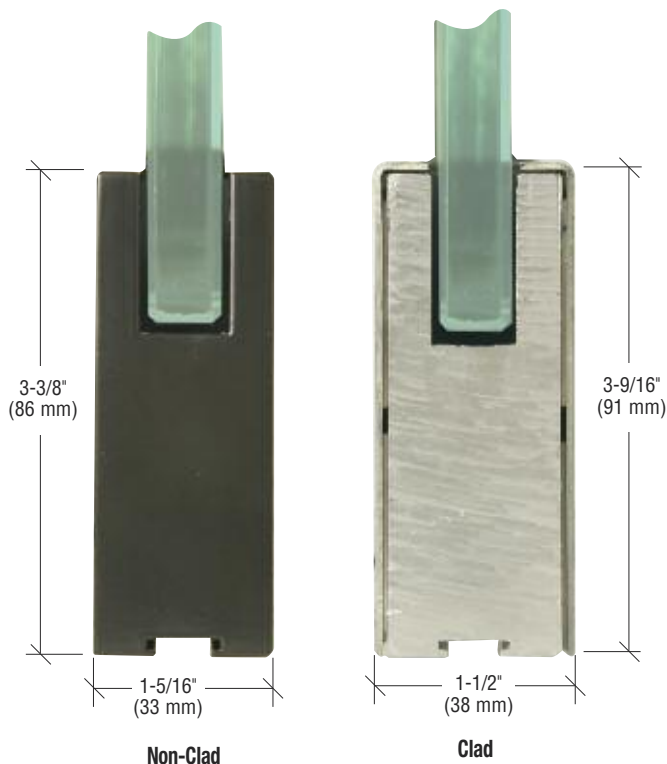
For additional information or assistance with any of the CRL-Blumcraft products contact CRL Technical Sales at (800) 421-6144 in the U.S., (877) 421-6144 from Canada, or (323) 588-1281 International, and ask for Ext. 7700. You can also send an e-mail from the crlaurence.com home page. Click on Contact Us, and then click on Technical Sales for Commercial Products.

CRL-Blumcraft 150 Series Doors and Sidelites

- Narrow Profile Rails Fully Glazed With 1/2", 5/8" or 3/4" (12, 16 or 19 mm) Tempered Glass
- Six Standard Architectural Finishes
- Custom Finishes Available
- Available With Matching Fully Glazed Sidelites

CRL-Blumcraft 150 Series Doors and Sidelites are supplied fully glazed with 1/2", 5/8" or 3/4" (12, 16 or 19 mm) tempered glass in clear, tinted or low-iron. Rails are bonded to the glass, and can be prepped for a wide variety of door closer and pivot hardware. A bottom rail lock option is available, or the doors can come complete with any of our Egress Handles mounted on the door, ready to install in the opening.

150 Series Doors have a solid aluminum narrow profile rail design which can be used top or bottom. Available in six standard finishes: satin anodized, black bronze anodized, black powder coat, brushed and polished stainless steel, and polished brass. Custom finishes are available on special order. Maximum door size is 42" (1067 mm) wide by 108" (2743 mm) tall.



Typical Top or Bottom Rail for 150 and 250 Series Doors and Sidelites



Series 150 Door

Shown With Panic Handle PA100D

Adjustable pivot blocks are installed in the rails to suit the door closer hardware selected for the project. When overhead door closers are specified, the 150 Series Doors come with an adjustable pivot arm in the top rail and a heavy-duty bottom pivot designed to work with the narrow profile rails. Similarly, when floor mounted door closers are specified, the Doors come with adjustable heavy-duty top and bottom inserts to accept the floor mounted door closer and top pivot hardware.

Fully glazed sidelites are available to match the 150 Series Doors. They have rails made from solid aluminum, anodized or clad, just like the doors, creating a uniform look throughout the opening.

For additional information contact CRL Technical Sales at (800) 421-6144 in the U.S., (877) 421-6144 from Canada, or (323) 588-1281 International, and ask for Ext. 7700. You can also send e-mail from the crlaurence.com home page. Click on Contact Us, and then click on Technical Sales for Commercial Products.

CRL-Blumcraft 250 Series Doors and Sidelites

- Narrow Profile Rails With Vertical Stiles
- Fully Glazed With 1/2", 5/8" or 3/4" (12, 16 or 19 mm) Tempered Glass
- Six Standard Architectural Finishes
- Custom Finishes Available
- Available With Matching Fully Glazed Sidelites

CRL-Blumcraft 250 Series Doors and Sidelites are supplied fully glazed with 1/2", 5/8" or 3/4" (12, 16 or 19 mm) tempered glass in clear, tinted or low-iron. Rails and Vertical Stiles are bonded to the glass, and can be prepped for a wide variety of door closer and pivot hardware. A bottom rail lock option is available, or the doors can come complete with any of our Egress Handles mounted on the door, ready to install in the opening.

250 Series Doors have the same solid aluminum narrow profile rail design found on the 150 Series Doors, but also have narrow vertical stiles with or without weatherstripping. Available in six standard finishes: satin anodized, black bronze anodized, black powder coat, brushed and polished stainless steel, and polished brass. Custom finishes are available on special order. Maximum door size is 42" (1067 mm) wide by 108" (2743 mm) tall.

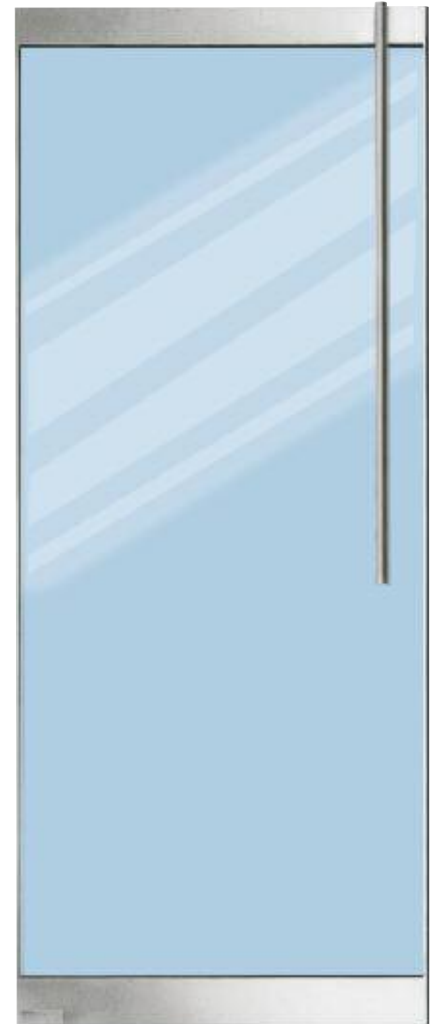
Adjustable pivot blocks are installed in the rails to suit the closer hardware selected for the project. When overhead door closers are specified, the 250 Series Doors come with an adjustable pivot arm in the top rail and a heavy-duty bottom pivot designed to work with the narrow profile rails. Similarly, when floor mounted door closers are specified, the Doors come with adjustable heavy-duty top and bottom inserts to accept the floor mounted door closer and top pivot hardware.



Aluminum
250 Series Door Stile
Without Weatherstripping



Bronze or Stainless Steel
250 Series Door Stile
With Weatherstripping



250 Series Door

Shown With Deadbolt Handle DB170JS

Fully glazed sidelites are available to match the 250 Series Doors. They have rails made from solid aluminum, anodized or clad, just like the doors, creating a uniform look throughout the opening.

For additional information contact CRL Technical Sales at (800) 421-6144 in the U.S., (877) 421-6144 from Canada, or (323) 588-1281 International, and ask for Ext. 7700. You can also send e-mail from the crlaurence.com home page. Click on Contact Us, and then click on Technical Sales for Commercial Products.

CRL-Blumcraft 1301 Series Display Case Doors and Sidelites

- Fully Glazed With 3/8", 1/2", 5/8" or 3/4" (10, 12, 16 or 19 mm) Laminated or Tempered Glass
- Five Standard Architectural Finishes
- Custom Finishes Available



CRL-Blumcraft 1301 Series Display Case Doors and Sidelites provide the most clear viewable area of any heavy glass display case system available today. Top and bottom rails measure only 1-1/4" x 1-1/4" (31.8 x 31.8 mm), and are prepped for pivots and locks.

We offer two systems, the 1301-SM Series With Surface Mounted Pivots, and the 1301-CM Series With Continuous Mounting Bars that house the pivots, locks, and catches. Both are available with center or offset pivots.

Matching fully glazed sidelites and an optional perimeter trim are available for both systems. 1301 Display Case Doors and Sidelites are available in five standard architectural finishes: satin anodized, black bronze anodized, brushed or polished stainless steel, and polished brass. Powder painted or oil rubbed bronze finishes available on special order.

1301 Series Display Case Doors and Sidelites are available with 3/8", 1/2", 5/8" or 3/4" (10, 12, 16 or 19 mm) glass, either tempered or laminated, in clear, tinted, low-iron, anti-reflective, or specialty glass upon request.



CRL-Blumcraft 1301-SM Series Display Case Doors and Sidelites With Surface Mounted Pivots

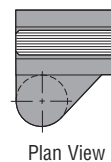
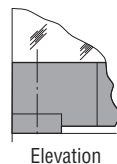
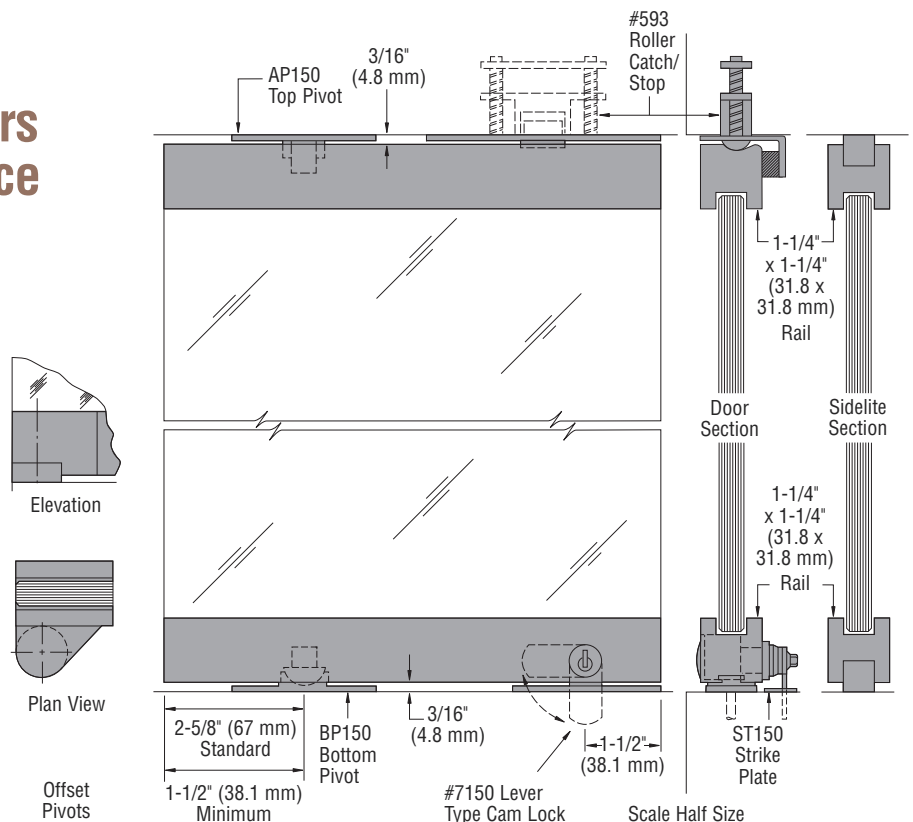
- Surface Mounted Pivots
- Lever Type Cam Lock

Our 1301-SM Series Display Case Doors and Sidelites are supplied fully glazed with surface mounted pivots and catches for immediate installation into display cases produced by others.

The specially designed surface mount pivots are concealed when the door is in the closed position. An optional Roller Catch/Stop is available for added stability at the top of the door.

1301-SM Doors are also available with offset pivots to allow for less intrusion of the door into the display area.

1301-SM Sidelites come glazed with matching top and bottom rails to maintain a consistent sightline throughout.

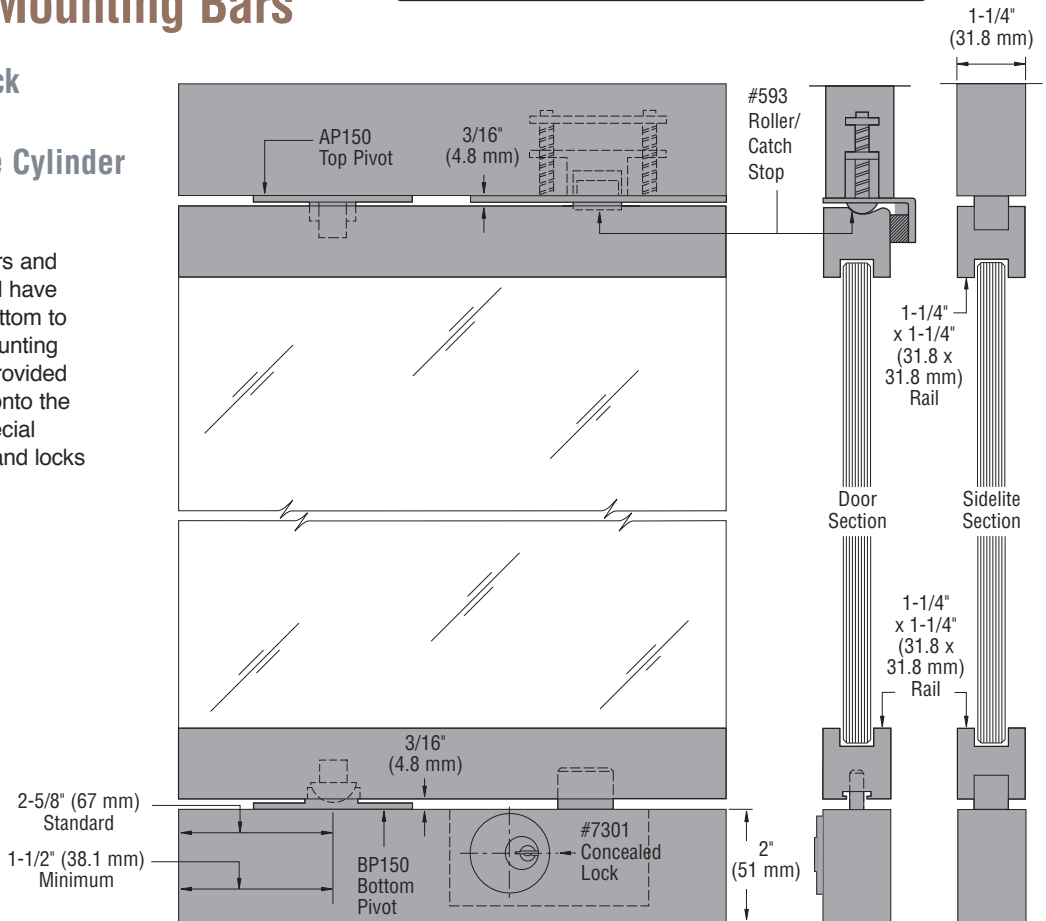


CRL-Blumcraft 1301-CM Series Display Case Doors and Sidelites With Continuous Mounting Bars



- Concealed Pivots and Lock for Added Security
- Accepts Standard Mortise Cylinder

1301-CM Series Display Case Doors and Sidelites are supplied fully glazed, and have Continuous Mounting Bars top and bottom to conceal the pivots and locks. The mounting bars are installed into display cases provided by others, and then the doors mount onto the bars. This eliminates the need for special prepping and mortising for the pivots and locks into the display case.

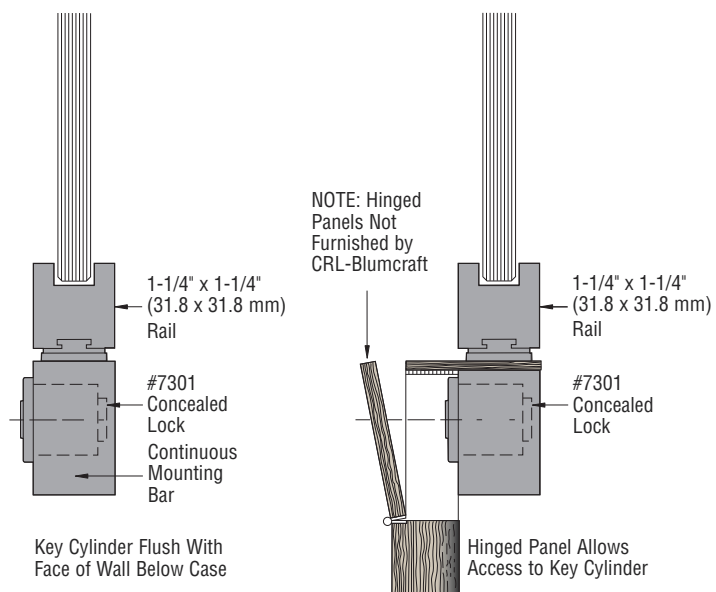


#7301 Concealed Lock Used With Series 1301-CM Display Case Doors and Continuous Mounting Bars

The surfaces of the door rails are kept clear by moving the lock and mortise cylinder into the Continuous Mounting Bar. Locks can be located at top, bottom or both for added security.

1301 Series Display Case Doors and Sidelites are available with 3/8", 1/2", 5/8" or 3/4" (10, 12, 16 or 19 mm) glass, either tempered or laminated, in clear, tinted, low-iron, anti-reflective, or specialty glass upon request.

For additional information contact CRL Technical Sales at (800) 421-6144 in the U.S., (877) 421-6144 from Canada, or (323) 588-1281 International, and ask for Ext. 7700. You can also send e-mail from the crlaurence.com home page. Click on Contact Us, and then click on Technical Sales for Commercial Products.



Online Photo Gallery

When you visit the crlaurence.com home page you can click into photo galleries of finished projects. It's a great way to show your customers what can be accomplished when they specify CRL Architectural Hardware Products.



2

FRAMED PIVOTING DOORS

- Series 250/400/550 Entrance Doors
- Series 800/850 Durafront Doors
- Series 1000 Flush Panel Doors
- Thermal Entrances
- Series 900 Terrace Doors
- Impact Resistant Doors
- Blast Resistant Doors
- Platinum Series Doors
- Balanced Doors
- Formed Metal Doors
- Charleston Doors

See other side for Section Index.

TOLL FREE PHONE SERVICE

U.S. and CANADA
(800) 421-6144

EUROPE
00 800 0421 6144

AUSTRALIA
1800 424 275

CRL[®]
U.S. ALUMINUM
crlaurence.com
usalum.com

CRL Platinum Series Doors in
brushed stainless finish

2

FRAMED PIVOTING DOORS



A.P. Solis Middle School
Donna, TX

CRL and U.S. Aluminum offer a varied selection of framed doors to suit just about any commercial and institutional project. Special requirements, such as thermal barriers, impact resistance or blast resistance are never a problem we can't solve for your particular needs. And when it comes to finishes and designs, we're the ones architects and designers turn to.

For additional information contact our Technical Sales Staff at (800) 421-6144 in the U.S., (877) 421-6144 from Canada, or (323) 588-1281 International. Ask for Ext. 5305. You can also e-mail us through our web site at crlaurence.com. From the home page click on Contact Us, and then click on Technical Sales for Commercial Products.

SUBJECT

PAGES

- Series 250/400/550 Entrance Doors..... 165D thru 189D
- Series 800 and 850 Durafront Doors 190D thru 201D
- Series 1000 Flush Panel Doors 202D thru 204D
- Series 250-T/400-T/550-T/650-T/700-T/750-T Thermal Entrance Doors 208D thru 223D
- Series 900 Terrace Doors 224D thru 225D
- Hurricane (Impact) Resistant Doors 226D thru 233D
- Blast Resistant Doors 234D thru 241D
- Custom Clad Entrances 242D thru 243D
- Platinum Series Doors244D thru 249D
- Balanced Doors250D thru 258D
- Formed Metal and Charleston Entrance Doors259D thru 260D

For information or other assistance, use our toll free phone or fax service numbers

In the U.S. or Canada Toll Free Phone (800) 421-6144 Toll Free Fax (800) 262-3299

In Europe Freephone 00 800 0421 6144 Freefax 00 800 0262 3299

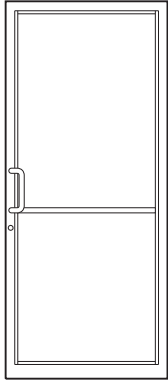
In Australia Toll Free Phone 1800 424 275 Toll Free Fax 1800 813 013

Contact us through our web site at crlaurence.com

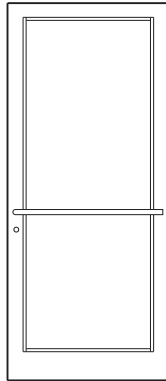
Series 250, 400, and 550 Entrance Doors

• For 1/4" (6 mm) or 1" (25 mm) Glazing

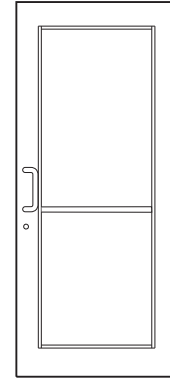
As an industry leader in the manufacture of entrance doors and frames, U.S. Aluminum consistently builds products to meet the highest industry standards, ensuring years of reliable service. Job-tested, mechanically fastened and welded corner construction creates a rugged structural corner assembly. All doors offer clean lines and are supplied with unique Astral II push/pull hardware and maximum security locks. These entrances can easily accommodate a wide variety of custom hardware for specific job requirements.



Series 250 - Narrow Stile
(Offset Hung Door Shown)



Series 400 - Medium Stile
(Center Hung Door Shown)



Series 550 - Wide Stile
(Offset Hung Door Shown)

Standard Features:

Glass Stops - Pressure type glass stops (square or beveled) with E.P.D.M. glazing gaskets permit time saving installation of 1/4" (6 mm) glass. Optional glass stops are available for 1" (25 mm) infills. Setting blocks for glass are preset at the factory.

Adjustable Leveling Screw - A simple adjustment on the leveling screw, concealed in the top rail of the door, compensates for minor variances in door openings after installation.

Adjustable Astragal - All pairs of doors come with spring-loaded fully adjustable dual weathered astragals for optimum air resistance. Binding or gaps at the meeting stiles can be easily corrected by simple adjustments. The full length dual weather stripping on the astragal is not interrupted by the deadlock.

Accessories:

Hinging Hardware

- Offset Pivots for Single Acting Doors
- Butt Hinges for Single Acting Doors
- Concealed Center Pivots for Use With Double Acting Doors

Closers

- Surface Mounted Overhead
- Concealed Overhead
- Floor

Panic Exit Devices

- Conventional Cross Bar
- Mid-Panel Panic

Vanguard Security Astragal - See page 205D.

*Maximum Recommended Door Sizes:

48" (1.219 m) X 96" (2.438 m)

* Requires special hardware. Please consult with factory.

SERIES	STILES	TOP RAIL	BOTTOM RAIL**	TRAFFIC APPLICATIONS
250 Narrow Stile	2" (50.8 mm)	2-1/8" (54 mm)	3-3/16" or 7-1/2" (81 or 190.5 mm)	Light to Moderate
400 Medium Stile	3-1/2" (88.9 mm)	3-3/16" (81 mm)	6-1/2" or 7-1/2" (165.1 or 190.5 mm)	Moderate to Heavy
550 Wide Stile	5" (127 mm)	5-1/2" (139.7 mm)	6-1/2" or 7-1/2" (165.1 or 190.5 mm)	Heavy
A.D.A. Bottom Rail Option for Any Series			9-1/2" (241.3 mm)	

** Size does not include 1/2" (12.7 mm) Glass Stop.

Series 250 Narrow Stile Center Pivot Doors

NEW STOCKING PROGRAM ON THESE BEST SELLERS!

- Narrow Stile Aluminum Doors for Exterior and Interior Applications
- Accommodates 1/4" (6 mm) Tempered Glass (Not Included)
- Prepped for Center Hung Overhead Concealed Door Closer (Not Included)
- Choice of Standard or ADA Access Bottom Rails
- Lifetime Warranty on Mechanically Fastened and Welded Corner Construction

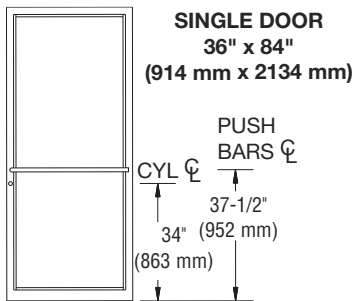


When you need a quality door in a hurry, our new Stocking Program is the solution. U.S. Aluminum now offers a line of stock size Narrow Stile Doors for exterior and interior applications. Both Clear Anodized and Bronze Anodized finishes are available as single doors or in pairs in two versions: Center Pivot and Offset Pivot.

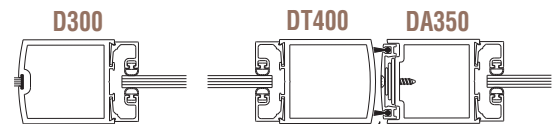
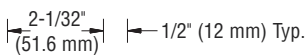
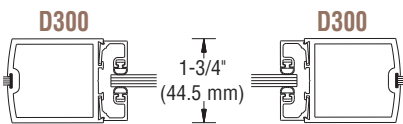
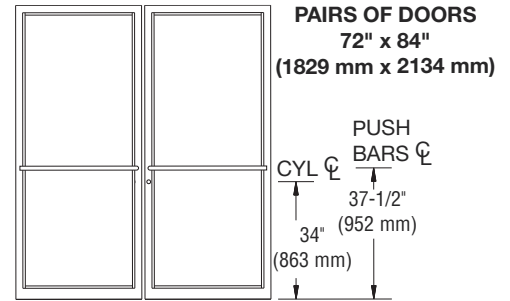
These Center Pivot Doors include standard 2" (51 mm) Stiles, 2-1/8" (54 mm) Top Rails, and your choice of standard 3-3/16" (81 mm) Bottom Rails, 7-1/2" (190.5 mm) Bottom Rails or 9-1/2" (241 mm) ADA Access Bottom Rails. Other standard features include a Push Bar, Lock, Cylinder, Glass Stops, and Glazing Gaskets. You supply the 1/4" (6 mm) clear tempered glass.

Doors are packed for immediate shipment or pickup from all U.S. Aluminum and C.R. Laurence Service Centers. Pricing is available from U.S. Aluminum at (800) 262-5151 or at usalum.com. **NOTE:** For custom sizes and options see Quote/Order Form on pages 188D and 189D.

- Clear Anodized and Bronze Anodized in Single or Pairs of Doors



- Available Through All U.S. Aluminum and C.R. Laurence Service Centers
- Custom Sizes and Options Available See Pages 188D-189D



Stock Size CD and DC Series 250 Narrow Stile Center Pivot Doors



Standard Features:

- Push Bars
- Hookbolt Lock (Single Doors)
- Three-Point Lock (Paired Doors)
- Lock Indicator
- Cylinders
- Cylinder Guards
- Glazing Gaskets



CD AND DC SINGLE DOOR 36" X 84" (914 X 2134 MM) WITH 2" (51 MM) STILES AND 2-1/8" (54 MM) TOP RAILS (NO GLASS)

CLEAR ANODIZED CAT NO.	BRONZE ANODIZED CAT NO.	LATCH SIDE*	BOTTOM RAIL TYPE
CD21711R036	CD21722R036	Right	ADA Access 9-1/2" (241 mm)
CD21711L036	CD21722L036	Left	ADA Access 9-1/2" (241 mm)
DC21711R036	DC21722R036	Right	Standard 3-3/16" (81 mm)
DC21711L036	DC21722L036	Left	Standard 3-3/16" (81 mm)

Minimum order: 1 each. Must ship common carrier or will call at our Service Centers.
*Latch side as seen from the exterior of the building.

CD AND DC PAIRS OF DOORS 72" X 84" (1829 X 2134 MM) WITH 2" (51 MM) STILES AND 2-1/8" (54 MM) TOP RAILS (NO GLASS)

CLEAR ANODIZED CAT NO.	BRONZE ANODIZED CAT NO.	BOTTOM RAIL TYPE
CD227110072	CD227220072	ADA Access 9-1/2" (241 mm)
DC227110072	DC227220072	Standard 3-3/16" (81 mm)

Minimum order: 1 pair. Must ship common carrier or will call at our Service Centers.

Stock Size DE and HE Series 250 Narrow Stile Center Pivot Doors



Standard Features:

- Push Bars
- Hookbolt Lock (Single Doors)
- Flush Bolts (Paired Doors)
- Cylinders
- Glazing Gaskets



DE AND HE SINGLE DOOR 36" X 84" (914 X 2134 MM) WITH 2" (51 MM) STILES AND 2-1/8" (54 MM) TOP RAILS (NO GLASS)

CLEAR ANODIZED CAT NO.	BRONZE ANODIZED CAT NO.	LATCH SIDE*	BOTTOM RAIL TYPE
DE21711R036	DE21722R036	Right	ADA Access 9-1/2" (241 mm)
DE21711L036	DE21722L036	Left	ADA Access 9-1/2" (241 mm)
HE21711R036	HE21722R036	Right	7-1/2" (190.5 mm)
HE21711L036	HE21722L036	Left	7-1/2" (190.5 mm)

Minimum order: 1 each. Must ship common carrier or will call at our Service Centers.
*Latch side as seen from the exterior of the building.

DE AND HE PAIRS OF DOORS 72" X 84" (1829 X 2134 MM) WITH 2" (51 MM) STILES AND 2-1/8" (54 MM) TOP RAILS (NO GLASS)

CLEAR ANODIZED CAT NO.	BRONZE ANODIZED CAT NO.	BOTTOM RAIL TYPE
DE227110072	DE227220072	ADA Access 9-1/2" (241 mm)
HE227110072	HE227220072	7-1/2" (190.5 mm)

Minimum order: 1 pair. Must ship common carrier or will call at our Service Centers.

Series 250 Narrow Stile Offset Pivot Doors



- Narrow Stile Aluminum Doors for Exterior and Interior Applications
- Accommodates 1/4" (6 mm) Clear Tempered Glass (Not Included)
- Prepped for Offset Pivots and Door Stops, for Surface Mount Door Closer (Not Included)
- Choice of Standard or ADA Access Bottom Rails
- Lifetime Warranty on Mechanically Fastened and Welded Corner Construction

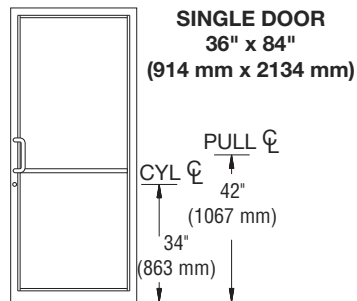


When you need a quality door in a hurry, our new Stocking Program is the solution. U.S. Aluminum now offers a line of stock size Narrow Stile Doors for exterior and interior applications. Both Clear Anodized and Bronze Anodized finishes are available as single doors or in pairs in two versions: Offset Pivot and Center Pivot.

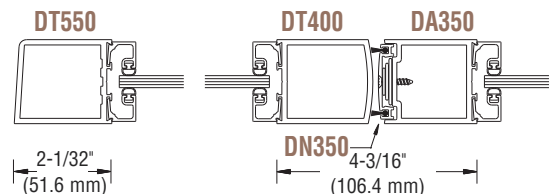
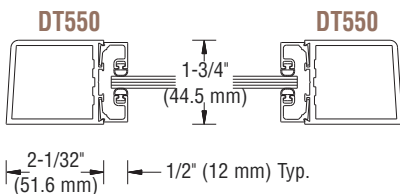
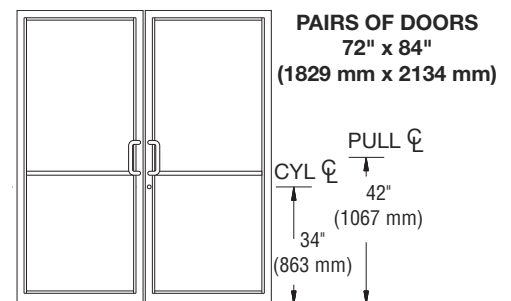
These Offset Pivot Doors include standard 2" (51 mm) Stiles, 2-1/8" (54 mm) Top Rails, and your choice of Standard 3-3/16" (81 mm) Bottom Rails, 7-1/2" (190.5 mm) Bottom Rails or 9-1/2" (241 mm) ADA Access Bottom Rails. Other standard features include a Push Bar, Offset Pull Handle, Lock, Cylinder, Glass Stops, and Glazing Gaskets. You supply the 1/4" (6 mm) clear tempered glass.

Doors are packed for immediate shipment or pickup from all U.S. Aluminum and C.R. Laurence Service Centers. Pricing is available from U.S. Aluminum at (800) 262-5151 or at usalum.com. **NOTE:** For custom sizes and options see Quote/Order Form on pages 188D and 189D.

- Clear Anodized and Bronze Anodized in Single or Pairs of Doors



- Available Through All U.S. Aluminum and C.R. Laurence Service Centers
- Custom Sizes and Options Available See Pages 188D-189D



Stock Size CD and DC Series 250 Narrow Stile Offset Pivot Doors



Standard Features:

- Push Bar and Offset Pull Handles
- Hookbolt Lock (Single Doors)
- Three-Point Lock (Paired Doors)
- Lock Indicator
- Cylinders
- Cylinder Guards
- Glazing Gaskets



CD AND DC SINGLE DOOR 36" X 84" (914 X 2134 MM) WITH 2" (51 MM) STILES AND 2-1/8" (54 MM) TOP RAILS (NO GLASS)

CLEAR ANODIZED CAT NO.	BRONZE ANODIZED CAT NO.	LATCH SIDE*	BOTTOM RAIL TYPE
CD21211R036	CD21222R036	Right	ADA Access 9-1/2" (241 mm)
CD21211L036	CD21222L036	Left	ADA Access 9-1/2" (241 mm)
DC21211R036	DC21222R036	Right	Standard 3-3/16" (81 mm)
DC21211L036	DC21222L036	Left	Standard 3-3/16" (81 mm)

Minimum order: 1 each. Must ship common carrier or will call at our Service Centers.
*Latch side as seen from the exterior of the building.

CD AND DC PAIRS OF DOORS 72" X 84" (1829 X 2134 MM) WITH 2" (51 MM) STILES AND 2-1/8" (54 MM) TOP RAILS (NO GLASS)

CLEAR ANODIZED CAT NO.	BRONZE ANODIZED CAT NO.	BOTTOM RAIL TYPE
CD222110072	CD222220072	ADA Access 9-1/2" (241 mm)
DC222110072	DC222220072	Standard 3-3/16" (81 mm)

Minimum order: 1 pair. Must ship common carrier or will call at our Service Centers.

Stock Size DE and HE Series 250 Narrow Stile Offset Pivot Doors



Standard Features:

- Push Bar and Offset Pull Handles
- Hookbolt Lock (Single Doors)
- Flush Bolts (Paired Doors)
- Cylinders
- Glazing Gaskets



DE AND HE SINGLE DOOR 36" X 84" (914 X 2134 MM) WITH 2" (51 MM) STILES AND 2-1/8" (54 MM) TOP RAILS (NO GLASS)

CLEAR ANODIZED CAT NO.	BRONZE ANODIZED CAT NO.	LATCH SIDE*	BOTTOM RAIL TYPE
DE21211R036	DE21222R036	Right	ADA Access 9-1/2" (241 mm)
DE21211L036	DE21222L036	Left	ADA Access 9-1/2" (241 mm)
HE21211R036	HE21222R036	Right	7-1/2" (190.5 mm)
HE21211L036	HE21222L036	Left	7-1/2" (190.5 mm)

Minimum order: 1 each. Must ship common carrier or will call at our Service Centers.
*Latch side as seen from the exterior of the building.

DE AND HE PAIRS OF DOORS 72" X 84" (1829 X 2134 MM) WITH 2" (51 MM) STILES AND 2-1/8" (54 MM) TOP RAILS (NO GLASS)

CLEAR ANODIZED CAT NO.	BRONZE ANODIZED CAT NO.	BOTTOM RAIL TYPE
DE222110072	DE222220072	ADA Access 9-1/2" (241 mm)
HE222110072	HE222220072	7-1/2" (190.5 mm)

Minimum order: 1 pair. Must ship common carrier or will call at our Service Centers.

Series 400 Medium Stile Center Pivot Doors



- Medium Stile Aluminum Doors for Exterior and Interior Applications
- Accommodates 1/4" (6 mm) Tempered Glass (Not Included)
- Prepped for Center Hung Overhead Concealed Door Closer (Not Included)
- Choice of Standard or ADA Access Bottom Rails
- Lifetime Warranty on Mechanically Fastened and Welded Corner Construction

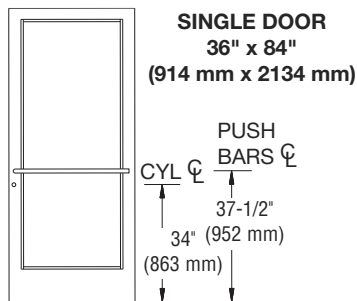


When you need a quality door in a hurry, our new Stocking Program is the solution. U.S. Aluminum now offers a line of stock size Medium Stile Doors for exterior and interior applications. Both Clear Anodized and Bronze Anodized finishes are available as single doors or in pairs in two versions: Center Pivot and Offset Pivot.

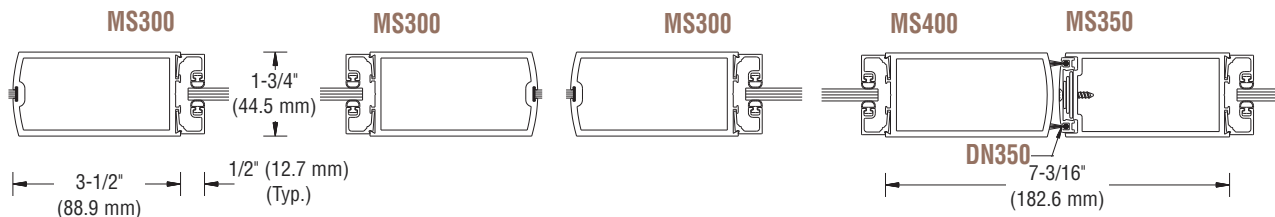
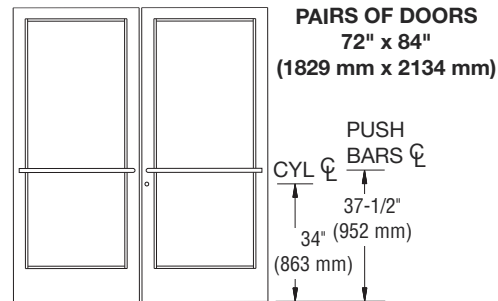
These Center Pivot Doors include standard 3-1/2" (89 mm) Stiles, 3-3/16" (81 mm) Top Rails, and your choice of standard 6-1/2" (165.1 mm) Bottom Rails or 9-1/2" (241 mm) ADA Access Bottom Rails. Other standard features include a Push Bar, Lock, Cylinder, Glass Stops, and Glazing Gaskets. You supply the 1/4" (6 mm) clear tempered glass.

Doors are packed for immediate shipment or pickup from all U.S. Aluminum and C.R. Laurence Service Centers. Pricing is available from U.S. Aluminum at (800) 262-5151 or at usalum.com. **NOTE:** For custom sizes and options see Quote/Order Form on pages 188D and 189D.

- Clear Anodized and Bronze Anodized in Single or Pairs of Doors



- Available Through All U.S. Aluminum and C.R. Laurence Service Centers
- Custom Sizes and Options Available See Pages 188D-189D



Stock Size CD and DC Series 400 Medium Stile Center Pivot Doors



Standard Features:

- Push Bars
- Hookbolt Lock (Single Doors)
- Three-Point Lock (Paired Doors)
- Lock Indicator
- Cylinders
- Cylinder Guards
- Glazing Gaskets



CD AND DC SINGLE DOOR 36" X 84" (914 X 2134 MM) WITH 3-1/2" (89 MM) STILES AND 3-3/16" (81 MM) TOP RAILS (NO GLASS)

CLEAR ANODIZED CAT NO.	BRONZE ANODIZED CAT NO.	LATCH SIDE*	BOTTOM RAIL TYPE
CD41711R036	CD41722R036	Right	ADA Access 9-1/2" (241 mm)
CD41711L036	CD41722L036	Left	ADA Access 9-1/2" (241 mm)
DC41711R036	DC41722R036	Right	Standard 6-1/2" (165 mm)
DC41711L036	DC41722L036	Left	Standard 6-1/2" (165 mm)

Minimum order: 1 each. Must ship common carrier or will call at our Service Centers.
*Latch side as seen from the exterior of the building.

CD AND DC PAIRS OF DOORS 72" X 84" (1829 X 2134 MM) WITH 3-1/2" (89 MM) STILES AND 3-3/16" (81 MM) TOP RAILS (NO GLASS)

CLEAR ANODIZED CAT NO.	BRONZE ANODIZED CAT NO.	BOTTOM RAIL TYPE
CD427110072	CD427220072	ADA Access 9-1/2" (241 mm)
DC427110072	DC427220072	Standard 6-1/2" (165 mm)

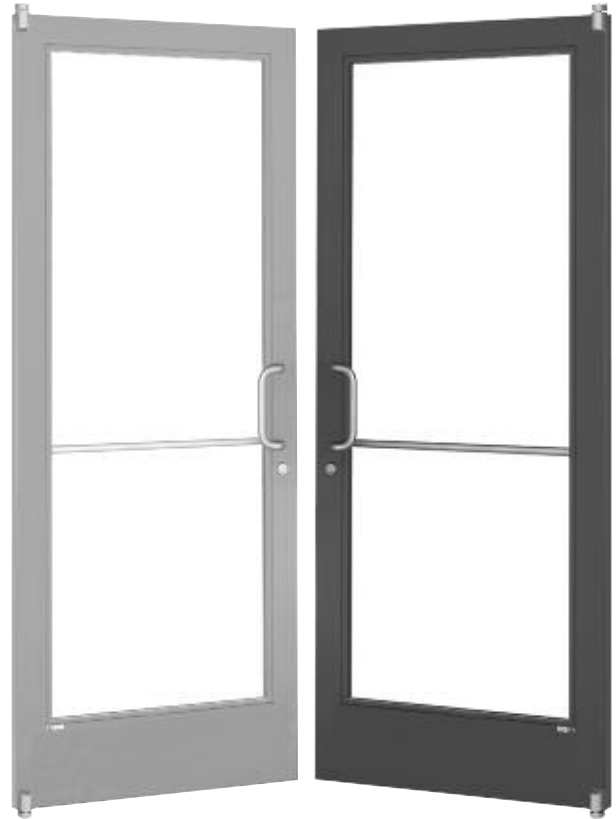
Minimum order: 1 pair. Must ship common carrier or will call at our Service Centers.



Series 400 Medium Stile Offset Pivot Doors



- Medium Stile Aluminum Doors for Exterior and Interior Applications
- Accommodates 1/4" (6 mm) Clear Tempered Glass (Not Included)
- Prepped for Offset Pivots and Door Stops, Surface Mount Door Closer (Not Included)
- Choice of Standard or ADA Access Bottom Rails
- Lifetime Warranty on Mechanically Fastened and Welded Corner Construction

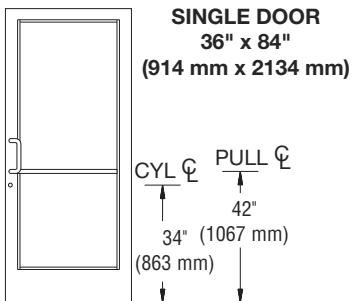


When you need a quality door in a hurry, our new Stocking Program is the solution. U.S. Aluminum now offers a line of stock size Medium Stile Doors for exterior and interior applications. Both Clear Anodized and Bronze Anodized finishes are available as single doors or in pairs in two versions: Offset Pivot and Center Pivot.

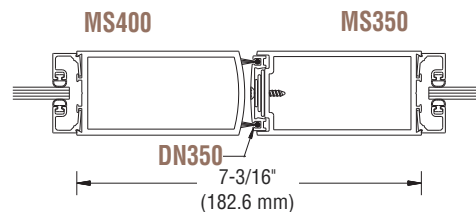
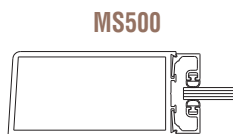
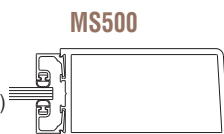
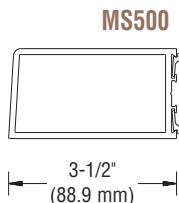
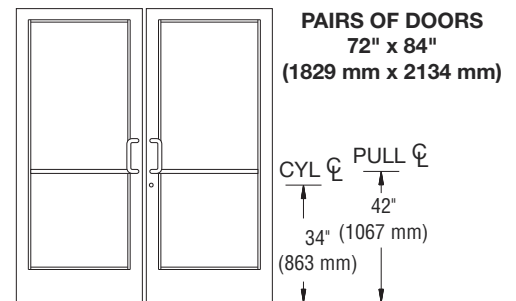
These Offset Pivot Doors include standard 3-1/2" (89 mm) Stiles, 3-3/16" (81 mm) Top Rails, and your choice of Standard 6-1/2" (165 mm) Bottom Rails or 9-1/2" (241 mm) ADA Access Bottom Rails. Other standard features include a Push Bar, Offset Pull Handle, Lock, Cylinder, Glass Stops, and Glazing Gaskets. You supply the 1/4" (6 mm) clear tempered glass.

Doors are packed for immediate shipment or pickup from all U.S. Aluminum and C.R. Laurence Service Centers. Pricing is available from U.S. Aluminum at (800) 262-5151 or at usalum.com. **NOTE:** For custom sizes and options see Quote/Order Form on pages 188D and 189D.

- Clear Anodized and Bronze Anodized in Single or Pairs of Doors



- Available Through All U.S. Aluminum and C.R. Laurence Service Centers
- Custom Sizes and Options Available See Pages 188D-189D



Stock Size CD and DC Series 400 Medium Stile Offset Pivot Doors



Standard Features:

- Push Bar and Offset Pull Handles
- Hookbolt Lock (Single Doors)
- Three-Point Lock (Paired Doors)
- Lock Indicator
- Cylinders
- Cylinder Guards
- Glazing Gaskets



CD AND DC SINGLE DOOR 36" X 84" (914 X 2134 MM) WITH 3-1/2" (89 MM) STILES AND 3-3/16" (81 MM) TOP RAILS (NO GLASS)

CLEAR ANODIZED CAT NO.	BRONZE ANODIZED CAT NO.	LATCH SIDE*	BOTTOM RAIL TYPE
CD41211R036	CD41222R036	Right	ADA Access 9-1/2" (241 mm)
CD41211L036	CD41222L036	Left	ADA Access 9-1/2" (241 mm)
DC41211R036	DC41222R036	Right	Standard 6-1/2" (165 mm)
DC41211L036	DC41222L036	Left	Standard 6-1/2" (165 mm)

Minimum order: 1 each. Must ship common carrier or will call at our Service Centers.
*Latch side as seen from the exterior of the building.

CD AND DC PAIRS OF DOORS 72" X 84" (1829 X 2134 MM) WITH 3-1/2" (89 MM) STILES AND 3-3/16" (81 MM) TOP RAILS (NO GLASS)

CLEAR ANODIZED CAT NO.	BRONZE ANODIZED CAT NO.	BOTTOM RAIL TYPE
CD422110072	CD422220072	ADA Access 9-1/2" (241 mm)
DC422110072	DC422220072	Standard 6-1/2" (165 mm)

Minimum order: 1 pair. Must ship common carrier or will call at our Service Centers.



Series 550 Wide Stile Center Pivot Doors

NEW STOCKING PROGRAM ON THESE BEST SELLERS!

- Wide Stile Aluminum Doors for Exterior and Interior Applications
- Accommodates 1/4" (6 mm) Tempered Glass (Not Included)
- Prepped for Center Hung Overhead Concealed Door Closer (Not Included)
- Choice of Standard or ADA Access Bottom Rails
- Lifetime Warranty on Mechanically Fastened and Welded Corner Construction

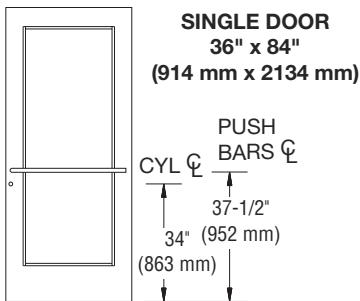


When you need a quality door in a hurry, our new Stocking Program is the solution. U.S. Aluminum now offers a line of stock size Wide Stile Doors for exterior and interior applications. Both Clear Anodized and Bronze Anodized finishes are available as single doors or in pairs in two versions: Center Pivot and Offset Pivot.

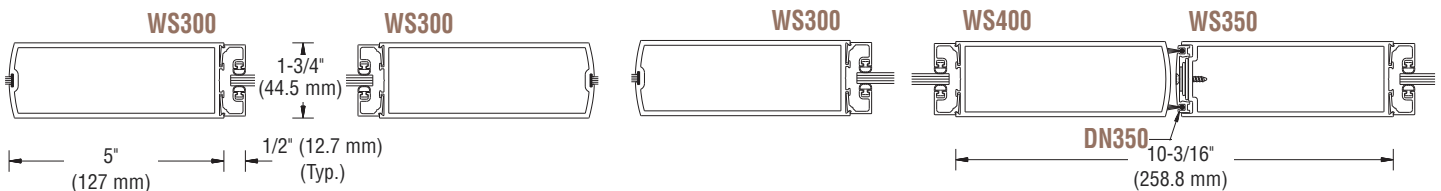
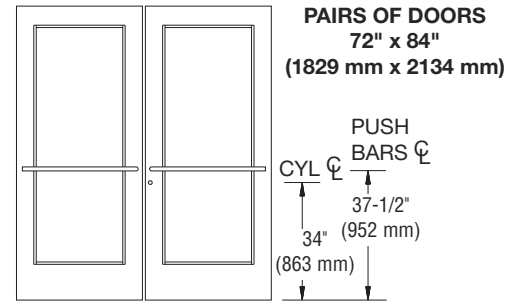
These Center Pivot Doors include standard 5" (127 mm) Stiles, 5-1/2" (139.7 mm) Top Rails, and your choice of standard 6-1/2" (165.1 mm) Bottom Rails or 9-1/2" (241 mm) ADA Access Bottom Rails. Other standard features include a Push Bar, Lock, Cylinder, Glass Stops, and Glazing Gaskets. You supply the 1/4" (6 mm) clear tempered glass.

Doors are packed for immediate shipment or pickup from all U.S. Aluminum and C.R. Laurence Service Centers. Pricing is available from U.S. Aluminum at (800) 262-5151 or at usalum.com. **NOTE:** For custom sizes and options see Quote/Order Form on pages 188D and 189D.

- Clear Anodized and Bronze Anodized in Single or Pairs of Doors



- Available Through All U.S. Aluminum and C.R. Laurence Service Centers
- Custom Sizes and Options Available See Pages 188D-189D



Stock Size CD and DC Series 550 Wide Stile Center Pivot Doors



Standard Features:

- Push Bars
- Hookbolt Lock (Single Doors)
- Three-Point Lock (Paired Doors)
- Lock Indicator
- Cylinders
- Cylinder Guards
- Glazing Gaskets



CD AND DC SINGLE DOOR 36" X 84" (914 X 2134 MM) WITH 5" (127 MM) STILES AND 5-1/2" (139.7 MM) TOP RAILS (NO GLASS)

CLEAR ANODIZED CAT NO.	BRONZE ANODIZED CAT NO.	LATCH SIDE*	BOTTOM RAIL TYPE
CD51711R036	CD51722R036	Right	ADA Access 9-1/2" (241 mm)
CD51711L036	CD51722L036	Left	ADA Access 9-1/2" (241 mm)
DC51711R036	DC51722R036	Right	Standard 6-1/2" (165 mm)
DC51711L036	DC51722L036	Left	Standard 6-1/2" (165 mm)

Minimum order: 1 each. Must ship common carrier or will call at our Service Centers.
*Latch side as seen from the exterior of the building.

CD AND DC PAIRS OF DOORS 72" X 84" (1829 X 2134 MM) WITH 5" (127 MM) STILES AND 5-1/2" (139.7 MM) TOP RAILS (NO GLASS)

CLEAR ANODIZED CAT NO.	BRONZE ANODIZED CAT NO.	BOTTOM RAIL TYPE
CD527110072	CD527220072	ADA Access 9-1/2" (241 mm)
DC527110072	DC527220072	Standard 6-1/2" (165 mm)

Minimum order: 1 pair. Must ship common carrier or will call at our Service Centers.



Series 550 Wide Stile Offset Pivot Doors

- Wide Stile Aluminum Doors for Exterior and Interior Applications
- Accommodates 1/4" (6 mm) Clear Tempered Glass (Not Included)
- Prepped for Offset Pivots, Door Stops, and Surface Mount Door Closer (Not Included)
- Choice of Standard or ADA Access Bottom Rails
- Lifetime Warranty on Mechanically Fastened and Welded Corner Construction



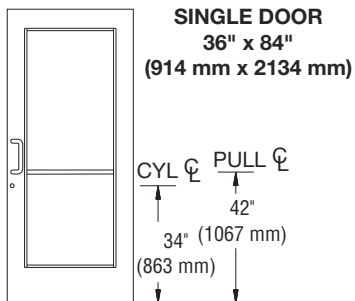
When you need a quality door in a hurry, our new Stocking Program is the solution. U.S. Aluminum now offers a line of stock size Wide Stile Doors for exterior and interior applications. Both Clear Anodized and Bronze Anodized finishes are available as single doors or in pairs in two versions: Offset Pivot and Center Pivot.

These Offset Pivot Doors include standard 5" (127 mm) Top Rails, and your choice of Stiles, 5-1/2" (139.7 mm) Top Rails, and your choice of Standard 6-1/2" (165 mm) Bottom Rails or 9-1/2" (241 mm) ADA Access Bottom Rails. Other standard features include a Push Bar, Offset Pull Handle, Lock, Cylinder, Glass Stops, and Glazing Gaskets. You supply the 1/4" (6 mm) clear tempered glass.

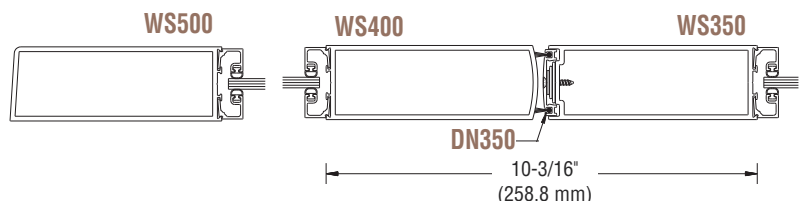
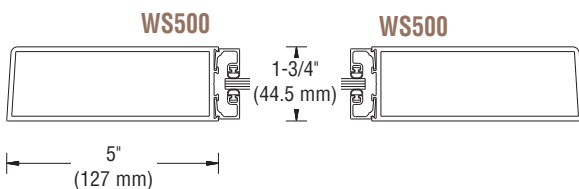
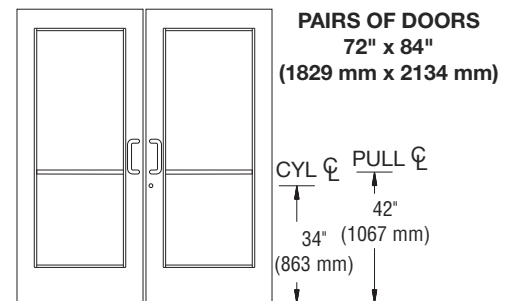
Doors are packed for immediate shipment or pickup from all U.S. Aluminum and C.R. Laurence Service Centers. Pricing is available from U.S. Aluminum at (800) 262-5151 or at usalum.com. **NOTE:** For custom sizes and options see Quote/Order Form on pages 188D and 189D.



- Clear Anodized and Bronze Anodized in Single or Pairs of Doors



- Available Through All U.S. Aluminum and C.R. Laurence Service Centers
- Custom Sizes and Options Available See Pages 188D-189D



Stock Size CD and DC Series 550 Wide Stile Offset Pivot Doors



Standard Features:

- Push Bar and Offset Pull Handles
- Hookbolt Lock (Single Doors)
- Three-Point Lock (Paired Doors)
- Lock Indicator
- Cylinders
- Cylinder Guards
- Glazing Gaskets



CD AND DC SINGLE DOOR 36" X 84" (914 X 2134 MM) WITH 5" (127 MM) STILES AND 5-1/2" (139.7 MM) TOP RAILS (NO GLASS)

CLEAR ANODIZED CAT NO.	BRONZE ANODIZED CAT NO.	LATCH SIDE*	BOTTOM RAIL TYPE
CD51211R036	CD51222R036	Right	ADA Access 9-1/2" (241 mm)
CD51211L036	CD51222L036	Left	ADA Access 9-1/2" (241 mm)
DC51211R036	DC51222R036	Right	Standard 6-1/2" (165 mm)
DC51211L036	DC51222L036	Left	Standard 6-1/2" (165 mm)

Minimum order: 1 each. Must ship common carrier or will call at our Service Centers.
*Latch side as seen from the exterior of the building.

CD AND DC PAIRS OF DOORS 72" X 84" (1829 X 2134 MM) WITH 5" (127 MM) STILES AND 5-1/2" (139.7 MM) TOP RAILS (NO GLASS)

CLEAR ANODIZED CAT NO.	BRONZE ANODIZED CAT NO.	BOTTOM RAIL TYPE
CD522110072	CD522220072	ADA Access 9-1/2" (241 mm)
DC522110072	DC522220072	Standard 6-1/2" (165 mm)


Minimum order: 1 pair. Must ship common carrier or will call at our Service Centers.



Stock Up/Over Frames for Center Pivot Applications


- Available Through All U.S. Aluminum and C.R. Laurence Service Centers

SERIES 400 SINGLE DOOR FRAME - 1-3/4" X 4" (44.5 MM X 101.6 MM)

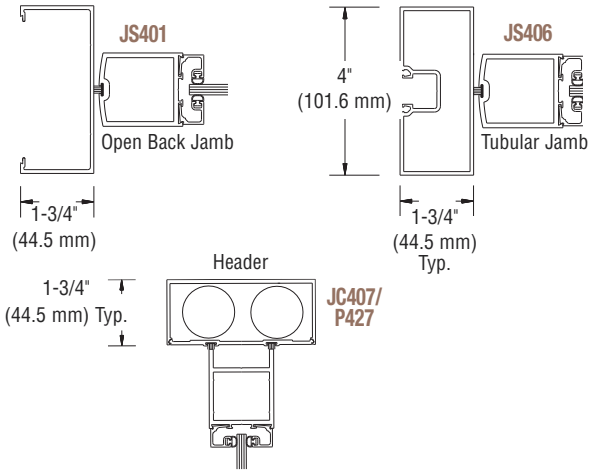
UP/OVER FRAME FOR SINGLE DOOR	OPEN BACK CAT. NO.	TUBULAR CAT. NO.	FINISH
 39-1/2" x 85-3/4"	0B1171136	FR1171136	Clear Anodized
	0B1172236	FR1172236	Bronze Anodized

Minimum order: 1 each.


SERIES 400 DOUBLE DOOR FRAME - 1-3/4" X 4" (44.5 MM X 101.6 MM)

UP/OVER FRAME FOR PAIRS	OPEN BACK CAT. NO.	TUBULAR CAT. NO.	FINISH
 75-1/2" x 85-3/4"	0A1271172	FA1271172	Clear Anodized
	0A1272272	FA1272272	Bronze Anodized

Minimum order: 1 each.




SERIES 450 SINGLE DOOR FRAME - 1-3/4" X 4-1/2" (44.5 MM X 114.3 MM)

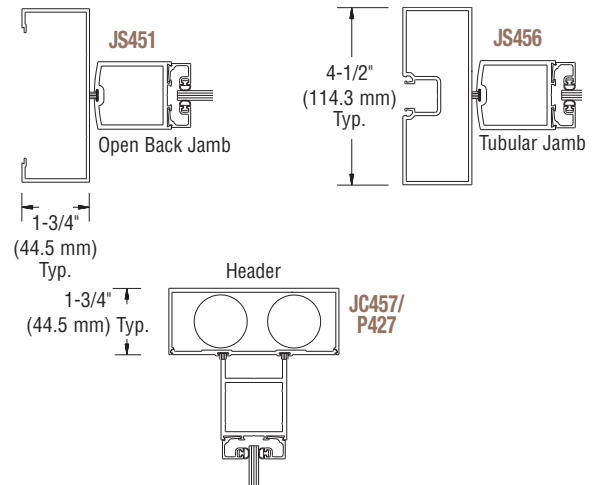
UP/OVER FRAME FOR SINGLE DOOR	OPEN BACK CAT. NO.	TUBULAR CAT. NO.	FINISH
 39-1/2" x 85-3/4"	0B4171136	FR4171136	Clear Anodized
	0B4172236	FR4172236	Bronze Anodized

Minimum order: 1 each.


SERIES 450 DOUBLE DOOR FRAME - 1-3/4" X 4-1/2" (44.5 MM X 114.3 MM)

UP/OVER FRAME FOR PAIRS	OPEN BACK CAT. NO.	TUBULAR CAT. NO.	FINISH
 75-1/2" x 85-3/4"	0A4271172	FA4271172	Clear Anodized
	0A4272272	FA4272272	Bronze Anodized

Minimum order: 1 each.




SERIES 451 SINGLE DOOR FRAME - 2" X 4-1/2" (50.8 MM X 114.3 MM)

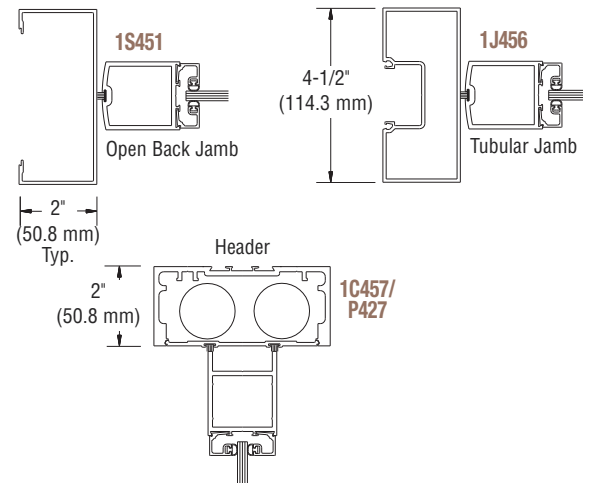
UP/OVER FRAME FOR SINGLE DOOR	OPEN BACK CAT. NO.	TUBULAR CAT. NO.	FINISH
 40" x 86"	0B7171136	FR7171136	Clear Anodized
	0B7172236	FR7172236	Bronze Anodized

Minimum order: 1 each.

SERIES 451 DOUBLE DOOR FRAME - 2" X 4-1/2" (50.8 MM X 114.3 MM)

UP/OVER FRAME FOR PAIRS	OPEN BACK CAT. NO.	TUBULAR CAT. NO.	FINISH
 76" x 86"	0A7271172	FA7271172	Clear Anodized
	0A7272272	FA7272272	Bronze Anodized

Minimum order: 1 each.




NOTE: Frame packages include TH400 threshold and transom sash with glazing gaskets for transom frames. Visit usalum.com for additional information.

Stock Transom Frames for Center Pivot Applications


• Available Through All U.S. Aluminum and C.R. Laurence Service Centers

SERIES 400 SINGLE DOOR FRAME - 1-3/4" X 4" (44.5 MM X 101.6 MM)

TRANSOM FRAME FOR SINGLE DOOR	OPEN BACK CAT. NO.	TUBULAR CAT. NO.	FINISH
 39-1/2" x 126"	0B3171136	FR3171136	Clear Anodized
	0B3172236	FR3172236	Bronze Anodized


Minimum order: 1 each.

SERIES 400 DOUBLE DOOR FRAME - 1-3/4" X 4" (44.5 MM X 101.6 MM)

TRANSOM FRAME FOR PAIRS	OPEN BACK CAT. NO.	TUBULAR CAT. NO.	FINISH
 75-1/2" x 126"	0A3271172	FA3271172	Clear Anodized
	0A3272272	FA3272272	Bronze Anodized

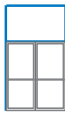
Minimum order: 1 each.

SERIES 450 SINGLE DOOR FRAME - 1-3/4" X 4-1/2" (44.5 MM X 114.3 MM)

TRANSOM FRAME FOR SINGLE DOOR	OPEN BACK CAT. NO.	TUBULAR CAT. NO.	FINISH
 39-1/2" x 126"	0B6171136	FR6171136	Clear Anodized
	0B6172236	FR6172236	Bronze Anodized


Minimum order: 1 each.

SERIES 450 DOUBLE DOOR FRAME - 1-3/4" X 4-1/2" (44.5 MM X 114.3 MM)

TRANSOM FRAME FOR PAIRS	OPEN BACK CAT. NO.	TUBULAR CAT. NO.	FINISH
 75-1/2" x 126"	0A6271172	FA6271172	Clear Anodized
	0A6272272	FA6272272	Bronze Anodized


Minimum order: 1 each.

SERIES 451 SINGLE DOOR FRAME - 2" X 4-1/2" (50.8 MM X 114.3 MM)

TRANSOM FRAME FOR SINGLE DOOR	OPEN BACK CAT. NO.	TUBULAR CAT. NO.	FINISH
 40" x 126"	0B9171136	FR9171136	Clear Anodized
	0B9172236	FR9172236	Bronze Anodized

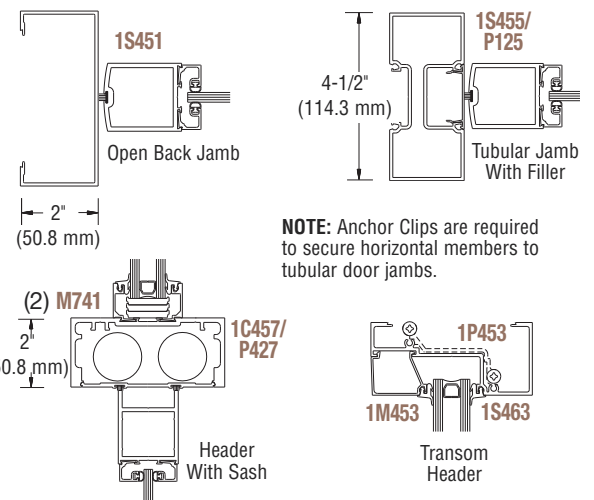
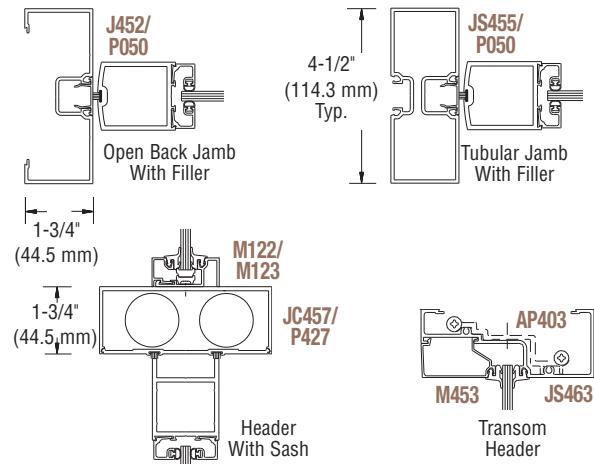
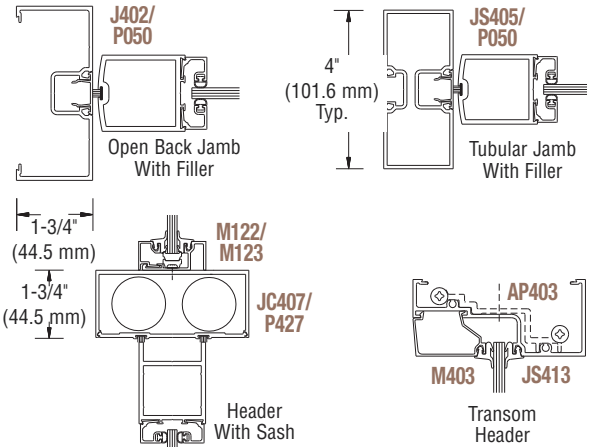
Minimum order: 1 each.

SERIES 451 DOUBLE DOOR FRAME - 2" X 4-1/2" (50.8 MM X 114.3 MM)

TRANSOM FRAME FOR PAIRS	OPEN BACK CAT. NO.	TUBULAR CAT. NO.	FINISH
 76" x 126"	0A9271172	FA9271172	Clear Anodized
	0A9272272	FA9272272	Bronze Anodized

Minimum order: 1 each.


NOTE: Frame packages include TH400 threshold and transom sash with glazing gaskets for transom frames. Visit usalum.com for additional information.



Stock Up/Over Frames for Offset Pivot Applications


- Available Through All U.S. Aluminum and C.R. Laurence Service Centers

SERIES 400 SINGLE DOOR FRAME - 1-3/4" X 4" (44.5 MM X 101.6 MM)

UP/OVER FRAME FOR SINGLE DOOR	OPEN BACK CAT. NO.	TUBULAR CAT. NO.	HAND	FINISH
 39-1/2" x 85-3/4"	OB11211L36	FR11211L36	Left	Clear Anodized
	OB11211R36	FR11211R36	Right	Clear Anodized
	OB11222L36	FR11222L36	Left	Bronze Anodized
	OB11222R36	FR11222R36	Right	Bronze Anodized


Minimum order: 1 each.

SERIES 400 DOUBLE DOOR FRAME - 1-3/4" X 4" (44.5 MM X 101.6 MM)

UP/OVER FRAME FOR PAIRS	OPEN BACK CAT. NO.	TUBULAR CAT. NO.	FINISH
 75-1/2" x 85-3/4"	0A1221172	FA1221172	Clear Anodized
	0A122272	FA122272	Bronze Anodized


Minimum order: 1 each.

SERIES 450 SINGLE DOOR FRAME - 1-3/4" X 4-1/2" (44.5 MM X 114.3 MM)

UP/OVER FRAME FOR SINGLE DOOR	OPEN BACK CAT. NO.	TUBULAR CAT. NO.	HAND	FINISH
 39-1/2" x 85-3/4"	OB41211L36	FR41211L36	Left	Clear Anodized
	OB41211R36	FR41211R36	Right	Clear Anodized
	OB41222L36	FR41222L36	Left	Bronze Anodized
	OB41222R36	FR41222R36	Right	Bronze Anodized


Minimum order: 1 each.

SERIES 450 DOUBLE DOOR FRAME - 1-3/4" X 4-1/2" (44.5 MM X 114.3 MM)

UP/OVER FRAME FOR PAIRS	OPEN BACK CAT. NO.	TUBULAR CAT. NO.	FINISH
 75-1/2" x 85-3/4"	0A4221172	FA4221172	Clear Anodized
	0A422272	FA422272	Bronze Anodized


Minimum order: 1 each.

SERIES 451 SINGLE DOOR FRAME - 2" X 4-1/2" (50.8 MM X 114.3 MM)

UP/OVER FRAME FOR SINGLE DOOR	OPEN BACK CAT. NO.	TUBULAR CAT. NO.	HAND	FINISH
 40" x 86"	OB71211L36	FR71211L36	Left	Clear Anodized
	OB71211R36	FR71211R36	Right	Clear Anodized
	OB71222L36	FR71222L36	Left	Bronze Anodized
	OB71222R36	FR71222R36	Right	Bronze Anodized

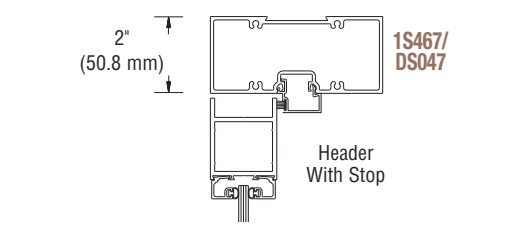
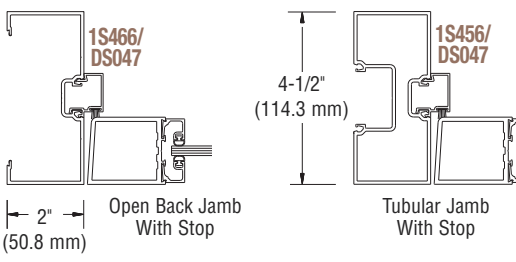
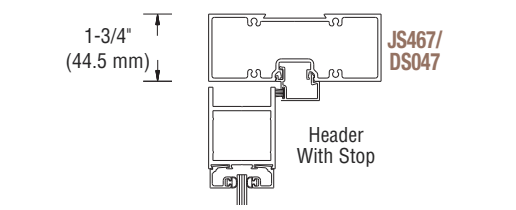
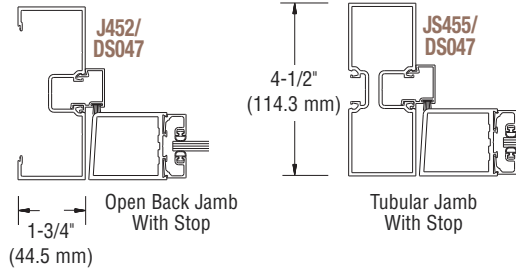
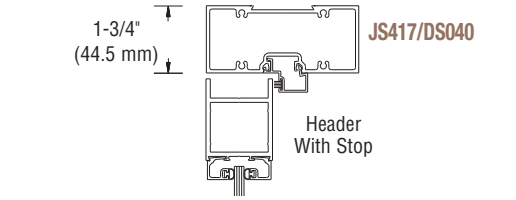
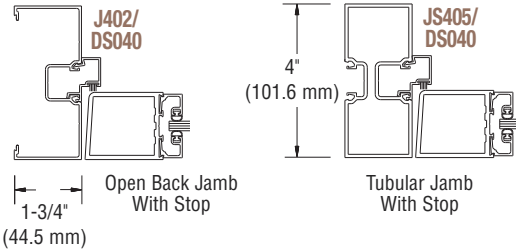
Minimum order: 1 each.

SERIES 451 DOUBLE DOOR FRAME - 2" X 4-1/2" (50.8 MM X 114.3 MM)

UP/OVER FRAME FOR PAIRS	OPEN BACK CAT. NO.	TUBULAR CAT. NO.	FINISH
 76" x 86"	0A7221172	FA7221172	Clear Anodized
	0A722272	FA722272	Bronze Anodized

Minimum order: 1 each.

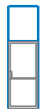
NOTE: Frame packages include TH250 Threshold and transom sash with glazing gaskets for transom frames. Visit usalum.com for additional information.



Stock Transom Frames for Offset Pivot Applications


- Available Through All U.S. Aluminum and C.R. Laurence Service Centers

SERIES 400 SINGLE DOOR FRAME - 1-3/4" X 4" (44.5 MM X 101.6 MM)

TRANSOM FRAME FOR SINGLE DOOR	OPEN BACK CAT. NO.	TUBULAR CAT. NO.	HAND	FINISH
 39-1/2" x 126"	0B31211L36	FR31211L36	Left	Clear Anodized
	0B31211R36	FR31211R36	Right	Clear Anodized
	0B31222L36	FR31222L36	Left	Bronze Anodized
	0B31222R36	FR31222R36	Right	Bronze Anodized

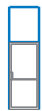
Minimum order: 1 each.

SERIES 400 DOUBLE DOOR FRAME - 1-3/4" X 4" (44.5 MM X 101.6 MM)

TRANSOM FRAME FOR PAIRS	OPEN BACK CAT. NO.	TUBULAR CAT. NO.	FINISH
 75-1/2" x 126"	0A3221172	FA3221172	Clear Anodized
	0A3222272	FA3222272	Bronze Anodized


Minimum order: 1 each.

SERIES 450 SINGLE DOOR FRAME - 1-3/4" X 4-1/2" (44.5 MM X 114.3 MM)

TRANSOM FRAME FOR SINGLE DOOR	OPEN BACK CAT. NO.	TUBULAR CAT. NO.	HAND	FINISH
 39-1/2" x 126"	0B61211L36	FR61211L36	Left	Clear Anodized
	0B61211R36	FR61211R36	Right	Clear Anodized
	0B61222L36	FR61222L36	Left	Bronze Anodized
	0B61222R36	FR61222R36	Right	Bronze Anodized

Minimum order: 1 each.

SERIES 450 DOUBLE DOOR FRAME - 1-3/4" X 4-1/2" (44.5 MM X 114.3 MM)

TRANSOM FRAME FOR PAIRS	OPEN BACK CAT. NO.	TUBULAR CAT. NO.	FINISH
 75-1/2" x 126"	0A6221172	FA6221172	Clear Anodized
	0A6222272	FA6222272	Bronze Anodized

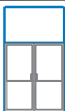
Minimum order: 1 each.

SERIES 451 SINGLE DOOR FRAME - 2" X 4-1/2" (50.8 MM X 114.3 MM)

TRANSOM FRAME FOR SINGLE DOOR	OPEN BACK CAT. NO.	TUBULAR CAT. NO.	HAND	FINISH
 40" x 126"	0B91211L36	FR91211L36	Left	Clear Anodized
	0B91211R36	FR91211R36	Right	Clear Anodized
	0B91222L36	FR91222L36	Left	Bronze Anodized
	0B91222R36	FR91222R36	Right	Bronze Anodized

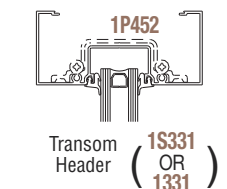
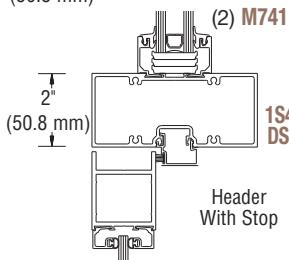
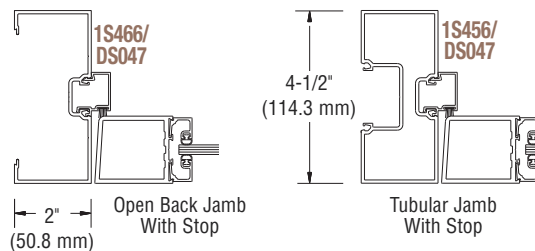
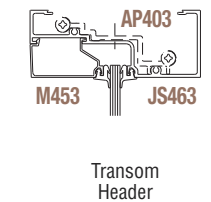
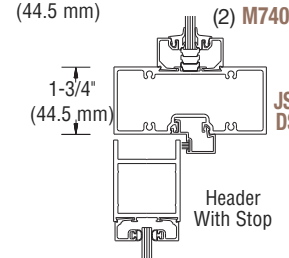
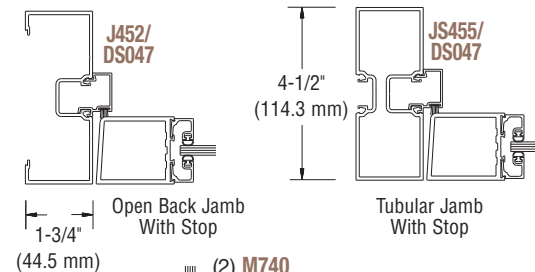
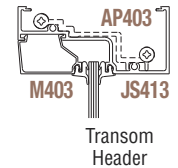
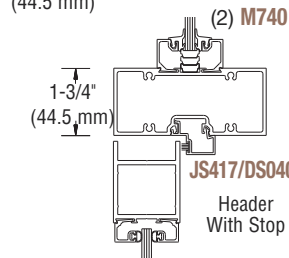
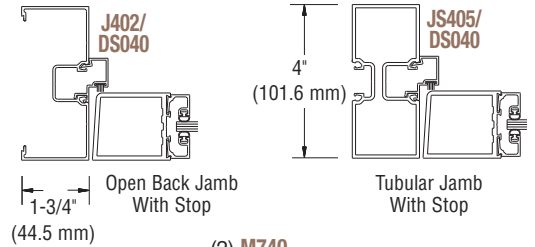
Minimum order: 1 each.

SERIES 451 DOUBLE DOOR FRAME - 2" X 4-1/2" (50.8 MM X 114.3 MM)

TRANSOM FRAME FOR PAIRS	OPEN BACK CAT. NO.	TUBULAR CAT. NO.	FINISH
 76" x 126"	0A9221172	FA9221172	Clear Anodized
	0A9222272	FA9222272	Bronze Anodized

Minimum order: 1 each.

NOTE: Frame packages include TH250 Threshold and transom sash with glazing gaskets for transom frames. Visit usalum.com for additional information.



Prepared Door Headers and Thresholds for Stock Center Pivot Doors



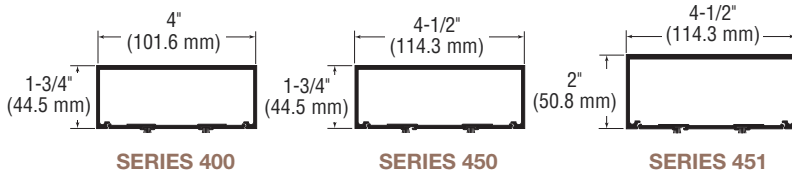
- Available Through All U.S. Aluminum and C.R. Laurence Service Centers

Fabricated Door Headers For Stock Center Pivot Doors With Overhead Concealed Closers

Single and Double Door Headers are fabricated to hold our Overhead Concealed Door Closers. Headers are carried in three stock sizes, and custom sizes can be special ordered. Headers are supplied with Snap-In Cover Plates with weatherstripping. For Door Closers see pages 440D and 441D.

36" (914 mm) Single Door Header

72" (1829 mm) Double Doors Header



SERIES 400 - 1-3/4" X 4" (44.5 X 101.6 MM) HEADER

36" (914 MM) SINGLE DOOR HEADER CAT. NO.	72" (1829 MM) DOUBLE DOORS HEADER CAT. NO.	72" (1829 MM) DOUBLE DOORS 3 PT. LOCK HEADER CAT. NO.	FINISH
HB117110036	HB127110072	HB127110A72	Clear Anodized
HB117220036	HB127220072	HB127220A72	Bronze Anodized

Minimum order: 1 each.

SERIES 450 - 1-3/4" X 4-1/2" (44.5 X 114.3 MM) HEADER

36" (914 MM) SINGLE DOOR HEADER CAT. NO.	72" (1829 MM) DOUBLE DOORS HEADER CAT. NO.	72" (1829 MM) DOUBLE DOORS 3 PT. LOCK HEADER PART NO.	FINISH
HB217110036	HB227110072	HB227110A72	Clear Anodized
HB217110036	HB227220072	HB227220A72	Bronze Anodized

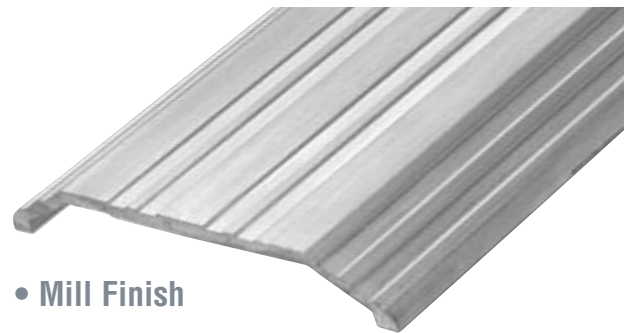
Minimum order: 1 each.

SERIES 451 - 2" X 4-1/2" (50.8 X 114.3 MM) HEADER

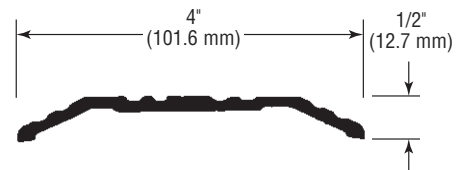
36" (914 MM) SINGLE DOOR HEADER CAT. NO.	72" (1829 MM) DOUBLE DOORS HEADER CAT. NO.	72" (1829 MM) DOUBLE DOORS 3 PT. LOCK HEADER PART NO.	FINISH
HB317110036	HB327110072	HB327110A72	Clear Anodized
HB317220036	HB327220072	HB327220A72	Bronze Anodized

Minimum order: 1 each.

Fabricated 4" (101.6 mm) Threshold For Center Pivot Door With Overhead Concealed Closer



- Mill Finish



4" (101.6 MM) THRESHOLD PREPARED FOR CENTER PIVOT DOORS

36" (914 MM) SINGLE DOOR THRESHOLD CAT. NO.	72" (1829 MM) DOUBLE DOORS THRESHOLD CAT. NO.	72" (1829 MM) DOUBLE DOORS 3 PT. LOCK THRESHOLD CAT. NO.
TP417990036	TP427990072	TP427990A72

Minimum order: 1 each.

Prepared Door Headers and Thresholds for Stock Offset Pivot Doors



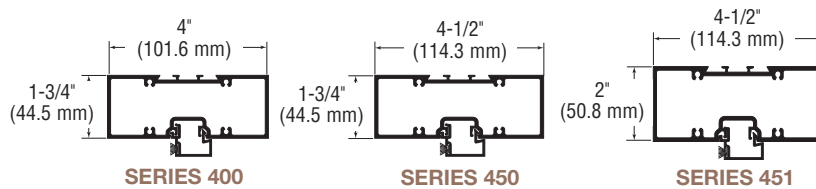
- Available Through All U.S. Aluminum and C.R. Laurence Service Centers

Fabricated Door Headers For Stock Offset Pivot Doors With Surface Mounted Closers

Single and Double Door Headers are fabricated with door stops to work with our stock offset pivot doors. Headers are carried in three stock sizes, and custom sizes can be special ordered. Headers are supplied with Snap-In Door Stops. For Surface Mounted Door Closers see pages 436D and 437D.

36" (914 mm)
Single Door
Offset Header

72" (1829 mm)
Double Doors
Offset Header



SERIES 400 - 1-3/4" X 4" (44.5 X 101.6 MM) HEADER

36" (914 MM) SINGLE DOOR HEADER CAT. NO.*	72" (1829 MM) DOUBLE DOORS HEADER CAT. NO.	72" (1829 MM) DOUBLE DOORS 3 PT. LOCK HEADER CAT. NO.	FINISH
HB11211L036 HB11211R036	HB122110072	HB122110A72	Clear Anodized
HB11222L036 HB11222R036	HB122220072	HB122220A72	Bronze Anodized

Minimum order: 1 each. *Must specify right or left hand.

SERIES 450 - 1-3/4" X 4-1/2" (44.5 X 114.3 MM) HEADER

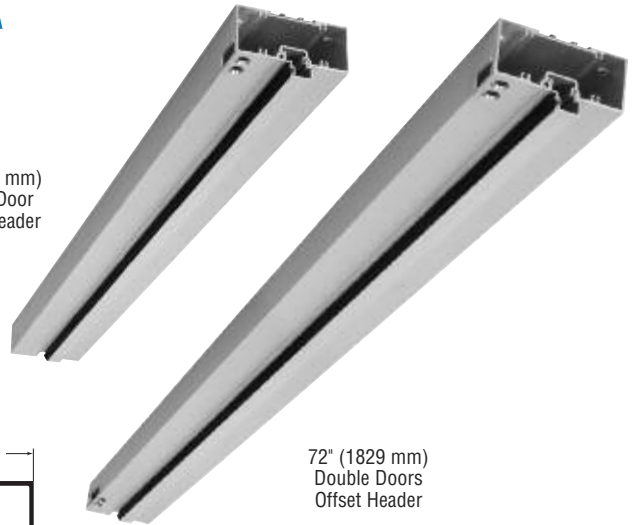
36" (914 MM) SINGLE DOOR HEADER CAT. NO.*	72" (1829 MM) DOUBLE DOORS HEADER CAT. NO.	72" (1829 MM) DOUBLE DOORS 3 PT. LOCK HEADER CAT. NO.	FINISH
HB21211L036 HB21211R036	HB222110072	HB222110A72	Clear Anodized
HB21222L036 HB21222R036	HB222220072	HB222220A72	Bronze Anodized

Minimum order: 1 each. *Must specify right or left hand.

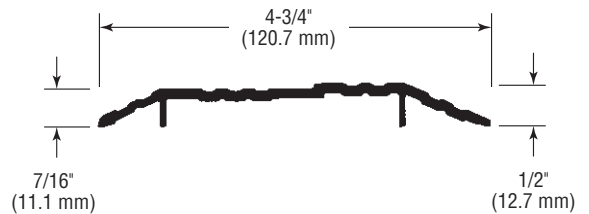
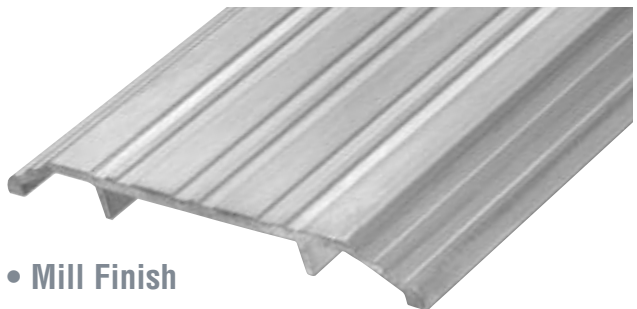
SERIES 451 - 2" X 4-1/2" (50.8 X 114.3 MM) HEADER

36" (914 MM) SINGLE DOOR HEADER CAT. NO.*	72" (1829 MM) DOUBLE DOORS HEADER CAT. NO.	72" (1829 MM) DOUBLE DOORS 3 PT. LOCK CAT. NO.	FINISH
HB31211L036 HB31211R036	HB322110072	HB322110A72	Clear Anodized
HB31222L036 HB31222R036	HB322220072	HB322220A72	Bronze Anodized

Minimum order: 1 each. *Must specify right or left hand.



Fabricated 4-3/4" (120.7 mm) Threshold For Offset Pivot Door With Surface Mounted Closer



4-3/4" (120.7 MM) THRESHOLD PREPARED FOR OFFSET PIVOT DOORS

36" (914 MM) SINGLE DOOR THRESHOLD CAT. NO.*	72" (1829 MM) DOUBLE DOORS THRESHOLD CAT. NO.	72" (1829 MM) DOUBLE DOORS 3 PT. LOCK THRESHOLD CAT. NO.
TP21299L036 TP21299R036	TP222990072	TP222990A72

Minimum order: 1 each. *Must specify right or left hand.

Series 250, 400, and 550 Glass Formulas for 36" Wide x 84" High Doors With Standard Bottom Rails

GLASS HEIGHT FORMULAS FOR RAIL COMBINATIONS AND CUSTOM HEIGHT DOORS

Door Opening Height - [Top Clearance + Top Rail Size + Top Glass Clearance + Bottom Clearance + Bottom Rail Size + Bottom Glass Clearance] = Glass Height

EXAMPLE 1: 84" Door Opening Height with Butt Hinges and 1/4" (6 mm) Glass: D-201 Top Rail and D-101 Bottom Rail with 1/2" Threshold.
FORMULA: 84" - [2-15/32" + 3-31/32"] = 77-9/16" Glass Height Size.

EXAMPLE 2: 96" Door Opening Height with Butt Hinges and 1" (25 mm) Glass: D-101 Top Rail and WS195 Bottom Rail with 1/2" Threshold.
FORMULA: 96" - [3-23/32" + 10-9/32"] = 82" Glass Height Size.

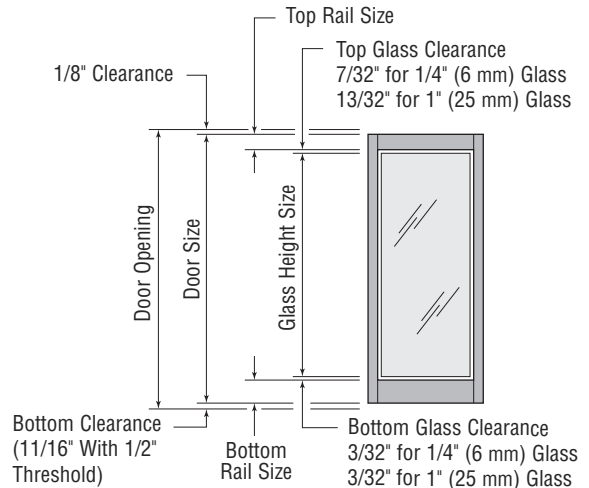
NOTE: Round Glass Calculations Up to the Nearest 1/16 Inch.

RAIL SIZES:

D-201	2-1/8"
D-101	3-3/16"
WS200	5-1/2"
WS100	6-1/2"
WS750	7-1/2"
WS195	9-1/2"

DOOR CLEARANCES:

At Top Rail	1/8"
At Bottom Rail	11/16" @ 1/2" Threshold
1/4" (6 mm) Glass	7/32" (Top) and 3/32" (Bottom)
1" (25 mm) Glass	13/32" (Top) and 3/32" (Bottom)



GLASS SIZES FOR 36" X 84" CENTER HUNG DOOR LEAVES WITH OVERHEAD CONCEALED CLOSER

DOOR STILE	1/4" (6 MM) GLASS	1" (25 MM) GLASS
Series 250 Narrow Stile (D-201 Top, D-101 Bottom Rail)	31-7/16" x 77-9/16"	31-1/4" x 77-3/8"
Series 400 Medium Stile (D-101 Top, WS100 Bottom Rail)	28-1/2" x 73-3/16"	28-5/16" x 73"
Series 550 Wide Stile (WS200 Top, WS100 Bottom Rail)	25-1/2" x 70-7/8"	25-5/16" x 70-11/16"

Above glass sizes are for standard top and bottom rails for overhead concealed closer and 1/2" threshold. For special height glass sizes, see formulas above.

GLASS SIZES FOR 36" X 84" OFFSET DOOR LEAVES WITH SURFACE MOUNTED CLOSER

DOOR STILE	1/4" (6 MM) GLASS			1" (25 MM) GLASS		
	BUTT HINGES OR OFFSET PIVOTS	STANDARD GEARED HINGE	VANGUARD SECURITY ASTRAGAL	BUTT HINGES OR OFFSET PIVOTS	STANDARD GEARED HINGE	VANGUARD SECURITY ASTRAGAL
Series 250 Narrow Stile (D-201 Top, D-101 Bottom Rail)	31-7/16" x 77-9/16"	31-1/4" x 77-9/16"	30-1/16" x 77-9/16"	31-1/4" x 77-3/8"	31-1/16" x 77-3/8"	29-7/8" x 77-3/8"
Series 400 Medium Stile (D-101 Top, WS100 Bottom Rail)	28-1/2" x 73-3/16"	28-5/16" x 73-3/16"	28-5/8" x 73-3/16"	28-5/16" x 73"	28-1/8" x 73"	28-7/16" x 73"
Series 550 Wide Stile (WS200 Top, WS100 Bottom Rail)	25-1/2" x 70-7/8"	25-5/16" x 70-7/8"	25-3/8" x 70-7/8"	25-5/16" x 70-11/16"	25-1/8" x 70-11/16"	25-3/16" x 70-11/16"

Above glass sizes are for standard top and bottom rails for surface closer and 1/2" threshold. For special height glass sizes, see formulas above.

GLASS SIZES FOR 36" X 84" OFFSET DOOR LEAVES WITH OVERHEAD CONCEALED CLOSER

DOOR STILE	1/4" (6 MM) GLASS			1" (25 MM) GLASS		
	BUTT HINGES OR OFFSET PIVOTS	STANDARD GEARED HINGE	VANGUARD SECURITY ASTRAGAL	BUTT HINGES OR OFFSET PIVOTS	STANDARD GEARED HINGE	VANGUARD SECURITY ASTRAGAL
Series 250 Narrow Stile (D-101 Top, D-101 Bottom Rail)	31-7/16" x 76-1/2"	31-1/4" x 76-1/2"	30-1/16" x 76-1/2"	31-1/4" x 76-5/16"	31-1/16" x 76-5/16"	29-7/8" x 76-5/16"
Series 400 Medium Stile (D-101 Top, WS100 Bottom Rail)	28-1/2" x 73-3/16"	28-5/16" x 73-3/16"	28-5/8" x 73-3/16"	28-5/16" x 73"	28-1/8" x 73"	28-7/16" x 73"
Series 550 Wide Stile (WS100 Top, WS100 Bottom Rail)	25-1/2" x 69-7/8"	25-5/16" x 69-7/8"	25-3/8" x 69-7/8"	25-5/16" x 69-11/16"	25-1/8" x 69-11/16"	25-3/16" x 69-11/16"

Above glass sizes are for standard top and bottom rails for overhead concealed closer and 1/2" threshold. For special height glass sizes, see formulas above.

Series 250, 400, and 550 Glass Formulas for Custom Door Widths and Heights With Standard Bottom Rails

GLASS HEIGHT FORMULAS FOR RAIL COMBINATIONS AND CUSTOM HEIGHT DOORS	
Door Opening Height - [Top Clearance + Top Rail Size + Top Glass Clearance + Bottom Clearance + Bottom Rail Size + Bottom Glass Clearance] = Glass Height	
<p>EXAMPLE 1: 84" Door Opening Height with Butt Hinges and 1/4" (6 mm) Glass: D-201 Top Rail and D-101 Bottom Rail with 1/2" Threshold.</p> <p>FORMULA: 84" - [2-15/32" + 3-31/32"] = 77-9/16" Glass Height Size.</p> <p>EXAMPLE 2: 96" Door Opening Height with Butt Hinges and 1" (25 mm) Glass: D-101 Top Rail and WS195 Bottom Rail with 1/2" Threshold.</p> <p>FORMULA: 96" - [3-23/32" + 10-9/32"] = 82" Glass Height Size.</p> <p>NOTE: Round Glass Calculations Up to the Nearest 1/16 Inch.</p>	<p>The diagram illustrates the components of a door's height. It shows a vertical door with a glass panel. Labels include: Door Opening (total height), Door Size (height of the door frame), Glass Height Size (height of the glass panel), Top Rail Size (height of the top rail), Top Glass Clearance (space between top rail and glass), Bottom Clearance (space between bottom rail and glass), Bottom Rail Size (height of the bottom rail), and Bottom Glass Clearance (space between bottom rail and glass). Specific values are provided for 1/4" (6 mm) and 1" (25 mm) glass.</p>
<p>RAIL SIZES:</p> <p>D-201 2-1/8" D-101 3-3/16" WS200 5-1/2" WS100 6-1/2" WS750 7-1/2" WS195 9-1/2"</p>	<p>DOOR CLEARANCES:</p> <p>At Top Rail 1/8" At Bottom Rail 11/16" @ 1/2" Threshold 1/4" (6 mm) Glass 7/32" (Top) and 3/32" (Bottom) 1" (25 mm) Glass 13/32" (Top) and 3/32" (Bottom)</p>

CUSTOM WIDTH DOORS FOR CENTER HUNG, BUTT HINGES, AND OFFSET PIVOTS

DOOR STILE		1/4" (6 MM) GLASS	1" (25 MM) GLASS
Series 250 Narrow Stile	Single Door	Door Opening Width minus 4-9/16"	Door Opening Width minus 4-3/4"
	Pair of Doors	Door Opening Width divided by 2, minus 4-9/16"	Door Opening Width divided by 2, minus 4-3/4"
Series 400 Medium Stile	Single Door	Door Opening Width minus 7-1/2"	Door Opening Width minus 7-11/16"
	Pair of Doors	Door Opening Width divided by 2, minus 7-1/2"	Door Opening Width divided by 2, minus 7-11/16"
Series 550 Wide Stile	Single Door	Door Opening Width minus 10-1/2"	Door Opening Width minus 10-11/16"
	Pair of Doors	Door Opening Width divided by 2, minus 10-1/2"	Door Opening Width divided by 2, minus 10-11/16"

CUSTOM WIDTH DOORS FOR CONTINUOUS GEARED HINGE

DOOR STILE		1/4" (6 MM) GLASS	1" (25 MM) GLASS
Series 250 Narrow Stile	Single Door	Door Opening Width minus 4-3/4"	Door Opening Width minus 4-15/16"
	Pair of Doors	Door Opening Width divided by 2, minus 4-3/4"	Door Opening Width divided by 2, minus 4-15/16"
Series 400 Medium Stile	Single Door	Door Opening Width minus 7-11/16"	Door Opening Width minus 7-15/16"
	Pair of Doors	Door Opening Width divided by 2, minus 7-11/16"	Door Opening Width divided by 2, minus 7-15/16"
Series 550 Wide Stile	Single Door	Door Opening Width minus 10-11/16"	Door Opening Width minus 10-15/16"
	Pair of Doors	Door Opening Width divided by 2, minus 10-11/16"	Door Opening Width divided by 2, minus 10-15/16"

CUSTOM WIDTH DOORS FOR VANGUARD SECURITY ASTRAGAL

DOOR STILE		1/4" (6 MM) GLASS	1" (25 MM) GLASS
Series 250 Narrow Stile	Pair of Doors	Door Opening Width divided by 2, minus 5-15/16"	Door Opening Width divided by 2, minus 6-1/8"
Series 400 Medium Stile	Pair of Doors	Door Opening Width divided by 2, minus 7-3/8"	Door Opening Width divided by 2, minus 7-9/16"
Series 550 Wide Stile	Pair of Doors	Door Opening Width divided by 2, minus 10-5/8"	Door Opening Width divided by 2, minus 10-13/16"

Series 250, 400, and 550 Glass Formulas for 36" Wide x 84" High Doors With A.D.A. 9-1/2" Bottom Rails

GLASS HEIGHT FORMULAS FOR RAIL COMBINATIONS AND CUSTOM HEIGHT DOORS

Door Opening Height - [Top Clearance + Top Rail Size + Top Glass Clearance + Bottom Clearance + Bottom Rail Size + Bottom Glass Clearance] = Glass Height

EXAMPLE 1: 84" Door Opening Height with Butt Hinges and 1/4" (6 mm) Glass: D-201 Top Rail and WS195 Bottom Rail with 1/2" Threshold.

FORMULA: $84" - [2-15/32" + 10-9/32"] = 71-1/4"$ Glass Height Size.

EXAMPLE 2: 96" Door Opening Height with Butt Hinges and 1" (25 mm) Glass: D-101 Top Rail and WS195 Bottom Rail with 1/2" Threshold.

FORMULA: $96" - [3-23/32" + 10-9/32"] = 82"$ Glass Height Size.

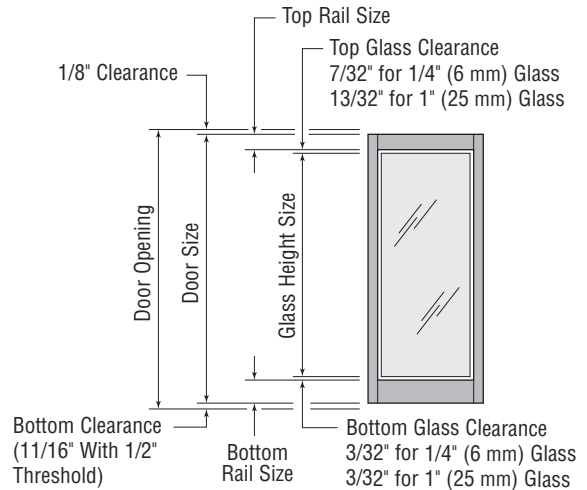
NOTE: Round Glass Calculations Up to the Nearest 1/16 Inch.

RAIL SIZES:

D-201	2-1/8"
D-101	3-3/16"
WS200	5-1/2"
WS100	6-1/2"
WS750	7-1/2"
WS195	9-1/2"

DOOR CLEARANCES:

At Top Rail	1/8"
At Bottom Rail	11/16" @ 1/2" Threshold
1/4" (6 mm) Glass	7/32" (Top) and 3/32" (Bottom)
1" (25 mm) Glass	13/32" (Top) and 3/32" (Bottom)



GLASS SIZES FOR 36" X 84" CENTER HUNG DOOR LEAVES WITH 9-1/2" BOTTOM RAIL AND OVERHEAD CONCEALED CLOSER

DOOR STILE	1/4" (6 MM) GLASS	1" (25 MM) GLASS
Series 250 Narrow Stile (D-201 Top, WS195 Bottom Rail)	31-7/16" x 71-1/4"	31-1/4" x 71-1/16"
Series 400 Medium Stile (D-101 Top, WS195 Bottom Rail)	28-1/2" x 70-3/16"	28-5/16" x 70"
Series 550 Wide Stile (WS200 Top, WS195 Bottom Rail)	25-1/2" x 67-7/8"	25-5/16" x 67-11/16"

Above glass sizes are for standard top and bottom rails for overhead concealed closer and 1/2" threshold. For special height glass sizes, see formulas above.

GLASS SIZES FOR 36" X 84" OFFSET DOOR LEAVES WITH SURFACE MOUNTED CLOSER

DOOR STILE	1/4" (6 MM) GLASS			1" (25 MM) GLASS		
	BUTT HINGES OR OFFSET PIVOTS	STANDARD GEARED HINGE	VANGUARD SECURITY ASTRAGAL	BUTT HINGES OR OFFSET PIVOTS	STANDARD GEARED HINGE	VANGUARD SECURITY ASTRAGAL
Series 250 Narrow Stile (D-201 Top, WS195 Bottom Rail)	31-7/16" x 77-1/4"	31-3/16" x 71-1/4"	29-15/16" x 71-1/4"	31-1/4" x 71-1/16"	31" x 71-1/16"	29-3/4" x 71-1/16"
Series 400 Medium Stile (D-101 Top, WS195 Bottom Rail)	28-1/2" x 70-3/16"	28-1/4" x 70-3/16"	28-1/2" x 70-3/16"	28-5/16" x 70"	28-1/16" x 70"	28-5/16" x 70"
Series 550 Wide Stile (WS200 Top, WS195 Bottom Rail)	25-1/2" x 67-7/8"	25-1/4" x 67-7/8"	25-1/2" x 67-7/8"	25-5/16" x 67-11/16"	25-1/16" x 67-11/16"	25-5/16" x 67-11/16"

Above glass sizes are for standard top and bottom rails for surface closer and 1/2" threshold. For special height glass sizes, see formulas above.

GLASS SIZES FOR 36" X 84" OFFSET DOOR LEAVES WITH OVERHEAD CONCEALED CLOSER

DOOR STILE	1/4" (6 MM) GLASS			1" (25 MM) GLASS		
	BUTT HINGES OR OFFSET PIVOTS	STANDARD GEARED HINGE	VANGUARD SECURITY ASTRAGAL	BUTT HINGES OR OFFSET PIVOTS	STANDARD GEARED HINGE	VANGUARD SECURITY ASTRAGAL
Series 250 Narrow Stile (D-101 Top, WS195 Bottom Rail)	31-7/16" x 70-3/16"	31-3/16" x 70-3/16"	29-15/16" x 70-3/16"	31-1/4" x 70"	31" x 70"	31-5/16" x 70"
Series 400 Medium Stile (D-101 Top, WS195 Bottom Rail)	28-1/2" x 70-3/16"	28-1/4" x 70-3/16"	28-1/2" x 70-3/16"	28-5/16" x 70"	28-1/16" x 70"	28-5/16" x 70"
Series 550 Wide Stile (WS100 Top, WS195 Bottom Rail)	25-1/2" x 66-7/8"	25-1/4" x 66-7/8"	25-1/2" x 66-7/8"	25-5/16" x 66-11/16"	25-1/16" x 66-11/16"	25-5/16" x 66-11/16"

Above glass sizes are for standard top and bottom rails for overhead concealed closer and 1/2" threshold. For special height glass sizes, see formulas above.

Series 250, 400, and 550 Glass Formulas for Custom Door Widths and Heights With A.D.A. 9-1/2" Bottom Rails

GLASS HEIGHT FORMULAS FOR RAIL COMBINATIONS AND CUSTOM HEIGHT DOORS																					
Door Opening Height - [Top Clearance + Top Rail Size + Top Glass Clearance + Bottom Clearance + Bottom Rail Size + Bottom Glass Clearance] = Glass Height																					
<p>EXAMPLE 1: 84" Door Opening Height with Butt Hinges and 1/4" (6 mm) Glass: D-201 Top Rail and WS195 Bottom Rail with 1/2" Threshold.</p> <p>FORMULA: 84" - [2-15/32" + 10-9/32"] = 71-1/4" Glass Height Size.</p> <p>EXAMPLE 2: 96" Door Opening Height with Butt Hinges and 1" (25 mm) Glass: D-101 Top Rail and WS195 Bottom Rail with 1/2" Threshold.</p> <p>FORMULA: 96" - [3-23/32" + 10-9/32"] = 82" Glass Height Size.</p> <p>NOTE: Round Glass Calculations Up to the Nearest 1/16 Inch.</p>	<p>The diagram illustrates the vertical dimensions of a door opening and how they relate to the glass height. It shows a door opening with a total height. From this, several components are subtracted to determine the final glass height size: the top rail size, top glass clearance, bottom clearance, and bottom rail size. The diagram also shows the resulting glass height size and the bottom glass clearance. Specific values are provided for 1/4 inch (6 mm) glass and 1 inch (25 mm) glass.</p>																				
<p>RAIL SIZES:</p> <table border="0"> <tr><td>D-201</td><td>2-1/8"</td></tr> <tr><td>D-101</td><td>3-3/16"</td></tr> <tr><td>WS200</td><td>5-1/2"</td></tr> <tr><td>WS100</td><td>6-1/2"</td></tr> <tr><td>WS750</td><td>7-1/2"</td></tr> <tr><td>WS195</td><td>9-1/2"</td></tr> </table>	D-201	2-1/8"	D-101	3-3/16"	WS200	5-1/2"	WS100	6-1/2"	WS750	7-1/2"	WS195	9-1/2"	<p>DOOR CLEARANCES:</p> <table border="0"> <tr><td>At Top Rail</td><td>1/8"</td></tr> <tr><td>At Bottom Rail</td><td>11/16" @ 1/2" Threshold</td></tr> <tr><td>1/4" (6 mm) Glass</td><td>7/32" (Top) and 3/32" (Bottom)</td></tr> <tr><td>1" (25 mm) Glass</td><td>13/32" (Top) and 3/32" (Bottom)</td></tr> </table>	At Top Rail	1/8"	At Bottom Rail	11/16" @ 1/2" Threshold	1/4" (6 mm) Glass	7/32" (Top) and 3/32" (Bottom)	1" (25 mm) Glass	13/32" (Top) and 3/32" (Bottom)
D-201	2-1/8"																				
D-101	3-3/16"																				
WS200	5-1/2"																				
WS100	6-1/2"																				
WS750	7-1/2"																				
WS195	9-1/2"																				
At Top Rail	1/8"																				
At Bottom Rail	11/16" @ 1/2" Threshold																				
1/4" (6 mm) Glass	7/32" (Top) and 3/32" (Bottom)																				
1" (25 mm) Glass	13/32" (Top) and 3/32" (Bottom)																				

CUSTOM WIDTH DOORS WITH 9-1/2" BOTTOM RAIL FOR CENTER HUNG, BUTT HINGES, AND OFFSET PIVOTS

DOOR STILE		1/4" (6 MM) GLASS	1" (25 MM) GLASS
Series 250 Narrow Stile	Single Door	Door Opening Width minus 4-9/16"	Door Opening Width minus 4-3/4"
	Pair of Doors	Door Opening Width divided by 2, minus 4-9/16"	Door Opening Width divided by 2, minus 4-3/4"
Series 400 Medium Stile	Single Door	Door Opening Width minus 7-1/2"	Door Opening Width minus 7-11/16"
	Pair of Doors	Door Opening Width divided by 2, minus 7-1/2"	Door Opening Width divided by 2, minus 7-11/16"
Series 550 Wide Stile	Single Door	Door Opening Width minus 10-1/2"	Door Opening Width minus 10-11/16"
	Pair of Doors	Door Opening Width divided by 2, minus 10-1/2"	Door Opening Width divided by 2, minus 10-11/16"

CUSTOM WIDTH DOORS WITH 9-1/2" BOTTOM RAIL FOR CONTINUOUS GEARED HINGE

DOOR STILE		1/4" (6 MM) GLASS	1" (25 MM) GLASS
Series 250 Narrow Stile	Single Door	Door Opening Width minus 4-3/4"	Door Opening Width minus 4-15/16"
	Pair of Doors	Door Opening Width divided by 2, minus 4-3/4"	Door Opening Width divided by 2, minus 4-15/16"
Series 400 Medium Stile	Single Door	Door Opening Width minus 7-11/16"	Door Opening Width minus 7-15/16"
	Pair of Doors	Door Opening Width divided by 2, minus 7-11/16"	Door Opening Width divided by 2, minus 7-15/16"
Series 550 Wide Stile	Single Door	Door Opening Width minus 10-11/16"	Door Opening Width minus 10-15/16"
	Pair of Doors	Door Opening Width divided by 2, minus 10-11/16"	Door Opening Width divided by 2, minus 10-15/16"

CUSTOM WIDTH DOORS WITH 9-1/2" BOTTOM RAIL FOR VANGUARD SECURITY ASTRAGAL

DOOR STILE		1/4" (6 MM) GLASS	1" (25 MM) GLASS
Series 250 Narrow Stile	Pair of Doors	Door Opening Width divided by 2, minus 5-15/16"	Door Opening Width divided by 2, minus 6-1/8"
Series 400 Medium Stile	Pair of Doors	Door Opening Width divided by 2, minus 7-3/8"	Door Opening Width divided by 2, minus 7-9/16"
Series 550 Wide Stile	Pair of Doors	Door Opening Width divided by 2, minus 10-5/8"	Door Opening Width divided by 2, minus 10-13/16"

Custom Series 250, 400, and 550 Door Quote/Order Request Form

Fax Completed Checklist to U.S. Aluminum Technical Sales at (866) 262-3299. Then call to discuss: (800) 262-5151 (U.S.), (877) 421-6144 (Canada), or (323) 588-1281 (International). Ask for Extension 5305. This form is also available online at usalum.com.

Page 1 of 2

Company Name _____
 Contact _____
 Job Name _____

Phone # _____
 Fax # _____
 Email _____

When you are ready to order, utilize this form to assist you in covering the details required to complete a Custom Door Entrance installation. Going through this exercise should prevent you from overlooking any details related to your installation.

IMPORTANT: Depending on the complexity of your project, one or more of the following may be required to accurately order: sketches or drawings of your particular application with dimensions; printed architectural drawings or CAD files; photos of job site conditions (digital images are preferable). **NOTE:** A final sign off is required prior to any custom fabrication.

DOOR STILE

- Series 250, Narrow
- Series 400, Medium
- Series 550, Wide

DOOR FINISH

- Clear Anodized Class II
- Dark Bronze Anodized Class II
- Custom Anodized Class I

- Bone White Kynar Paint
- Hartford Green Kynar Paint
- Custom Duranar 70% Kynar (2 Coat)

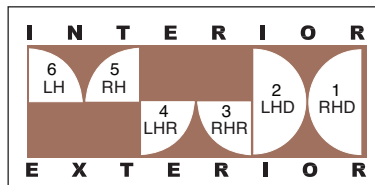
DOOR OPENING SIZE

- 36" x 84" (914 x 2134 mm)
- 72" x 84" (1829 x 2134 mm)
- Custom

DOOR GLASS (BY OTHERS)

- With 1/4" (6 mm) Square Glass Stops
- With 1/4" (6 mm) Bevel Glass Stops
- With 1" (25 mm) Glass Stops
- Other

DOOR SWING CHART



Use the Door Swing Chart to determine how the door(s) should be handed.

DOOR SWING

- | | QTY |
|--|---------|
| <input type="checkbox"/> LH Hinge Left Swing In | ___ ea. |
| <input type="checkbox"/> RH Hinge Right Swing In | ___ ea. |
| <input type="checkbox"/> LHR Hinge Left Swing Out | ___ ea. |
| <input type="checkbox"/> RHR Hinge Right Swing Out | ___ ea. |
| <input type="checkbox"/> LHD Hinge Left Double Acting | ___ ea. |
| <input type="checkbox"/> RHD Hinge Right Double Acting | ___ ea. |
| <input type="checkbox"/> PAIR Swing In | ___ ea. |
| <input type="checkbox"/> PAIR Swing Out | ___ ea. |
| <input type="checkbox"/> PAIR Double Acting | ___ ea. |

FRAME SYSTEM

- | | | |
|---------------------------|----------------------------------|------------------------------------|
| Series 400 | <input type="checkbox"/> Tubular | <input type="checkbox"/> Open Back |
| Series 450 | <input type="checkbox"/> Tubular | <input type="checkbox"/> Open Back |
| Series 451 | <input type="checkbox"/> Tubular | <input type="checkbox"/> Open Back |
| 4-1/2" Flush Front | <input type="checkbox"/> FF450 | <input type="checkbox"/> FF451 |
| 6" Flush Front | <input type="checkbox"/> FF600 | <input type="checkbox"/> FF601 |
| Subframe | <input type="checkbox"/> TJ450 | |

FRAME TYPE

- Up and Over (No Transom)
- 126" (3.2 m) High With Transom
- Frame Only
- Door Only (No Frame)
- Custom

BOTTOM RAIL

- Standard
- 7-1/2" (191 mm)
- 9-1/2" (251 mm) A.D.A. Title 24 Rail
- Custom

Custom Series 250, 400, and 550 Door Quote/Order Request Form

Page 2 of 2

NOTE: For quickest lead times and greatest value, specify C.R. Laurence Hardware on all your doors. Visit crlaurence.com for Commercial Door Hardware.

DOOR SWEEP

- Yes No
- Exposed Fasteners
- Concealed Fasteners

CONCEALED WEATHERSTRIP

- Top Rail
- Bottom Rail
- Both

PUSH/PULL HARDWARE

- Standard Push Bars
- Standard Push/Pull
- Offset Pulls
- None (Supplied by Others)

DOOR HINGING

- Top/Bottom Offset Pivots
- 1 Pair Butt Hinges
- Center Pivot (Double Acting)
- Continuous Geared Hinge
- Intermediate Pivots
Add _____ per Door
- Intermediate Butt Hinges
Add _____ per Door

DOOR HARDWARE FINISH

- Clear Anodized
- Bronze Anodized
- Champagne Anodized
- Other (Specify) _____

DOOR CLOSER

- O.H. Concealed (Double Acting)
- O.H. Concealed (Offset)
- 90° 105°
Hold Open Yes No
- Surface Mount
- Drop Plate
- Door Stop/Holder
- No Closer Required

PANIC DEVICES

- Rim Panic With Crashbar
- Concealed Panic With Crashbar
- Mid-Panel Device
- Rim Panic With Push Pad
- Concealed Panic With Push Pad
- CRL-Blumcraft Panic
- Removable Mullion
- Vanguard Security Astragal
- Custom _____

*MID-PANEL (MUNTIN)

- 5/8" (15.9 mm) 6-3/16" (157.2 mm)
- 2" (50.8 mm) 6-1/2" (165.1 mm)
- 4-1/8" (104.8 mm) 7-1/2" (190.5 mm)
- 5" (127 mm) 9-1/2" (241.3 mm)
- Custom _____

*Dimensions do not include stops

THRESHOLD

- None (Leave 1/2" [12.7 mm] Allowance)
- None (No Allowance)
- 4" (101.6 mm)
- 4-3/4" (120.7 mm)
- 5" (127 mm)
- 7" (178 mm)
- Custom _____

LOCKING OPTIONS

- MS Deadbolt With Two Cylinders
- Thumbturn in Lieu of Cylinder
- 3-Point Locking @ Pair
- Lock Indicator
- Cylinder Guard
- Flushbolts
- A.R. Latch/Deadlock
- A.R. Hook Throw Deadlock
- Paddle Handle
- A.R. Lever Handle
- CRL Lever Handle
- Electric Strike
- No Locking Hardware

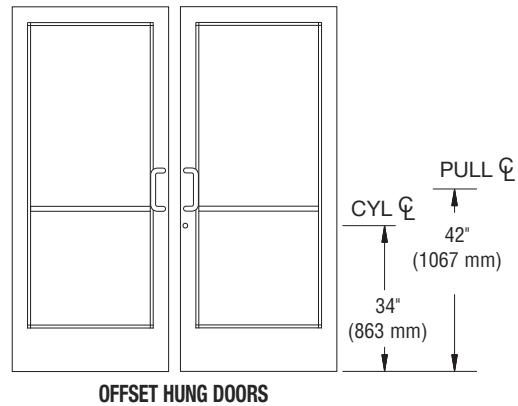
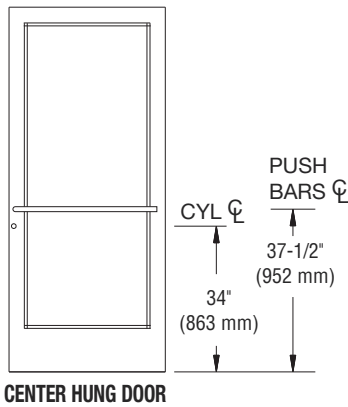
LAYOUT GRID TO SKETCH DESIGN

Series 800 Durafront Medium Stile Center Pivot and Offset Doors

- Medium Stile Aluminum Doors for Extremely Heavy Traffic Applications
- 3/16" (4.8 mm) Wall Thickness
- Accommodates 1/4" (6 mm) or 1" (25 mm) Tempered Glass (Not Included)
- Choice of Standard or ADA Access Bottom Rails
- Lifetime Warranty on Mechanically Fastened and Welded Corner Construction
- Clear Anodized and Bronze Anodized in Single or Pairs of Doors
- See Quote/Order Form on Pages 198D and 199D

Durafront Doors and Frames are fabricated from tubular aluminum extrusions with a wall thickness of 3/16" (4.8 mm). These extra strong, long-lasting entrance packages are ideal for locations subjected to extremely high traffic flow.

Durafront Entrance Packages, which are offered for center and offset hung doors, can be easily adapted to most U.S. Aluminum Framing Systems. The door features mechanically fastened and welded corner construction. Offset hung doors are supplied with a pair and a half of heavy-duty hinges, pivot sets or a continuous gear hinge. A variety of custom hardware is available upon request.



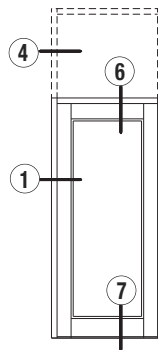
SERIES	STILES	TOP RAIL	BOTTOM RAIL	APPLICATIONS
800 Medium Stile	3-1/2" (88.9 mm)	3-11/32" (84.9 mm)	6-1/2" (165.1 mm)	Extremely Heavy Traffic (Institutional Buildings, Schools, Sports Arenas)
A.D.A. Bottom Rail Option			9-1/2" (241.3 mm)	A.D.A.

Series 800 Durafront Medium Stile Doors

Typical Details

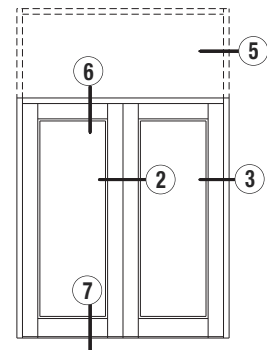
(Shown With Frames)

- For 1/4" (6 mm) or 1" (25 mm) Glazing



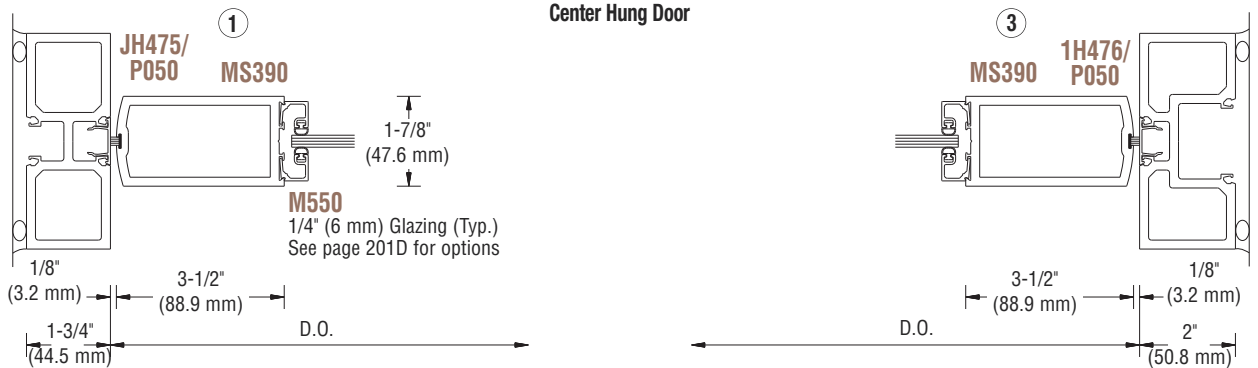
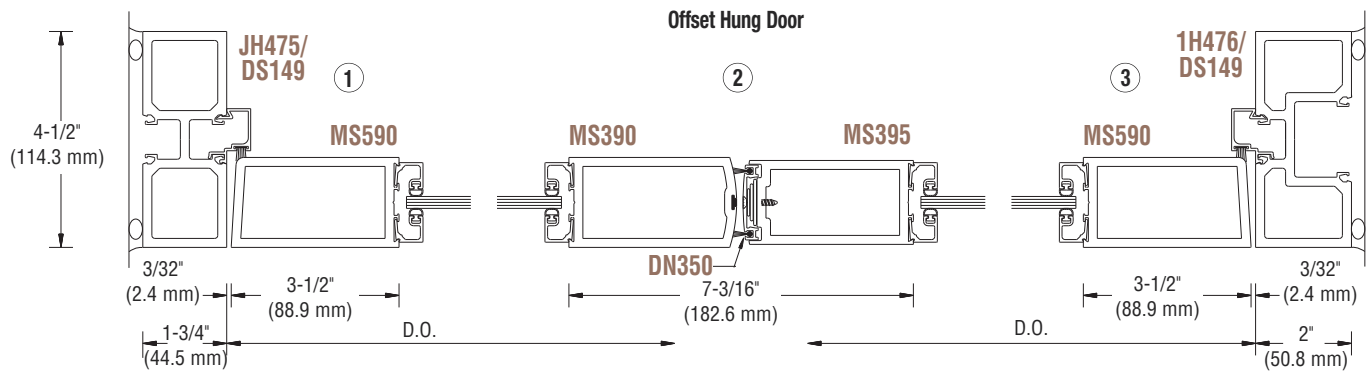
SINGLE DOOR

Shown With 1-3/4" x 4-1/2" (44.5 x 114.3 mm) Frame



PAIR OF DOORS

Shown With 2" x 4-1/2" (50.8 x 114.3 mm) Frame



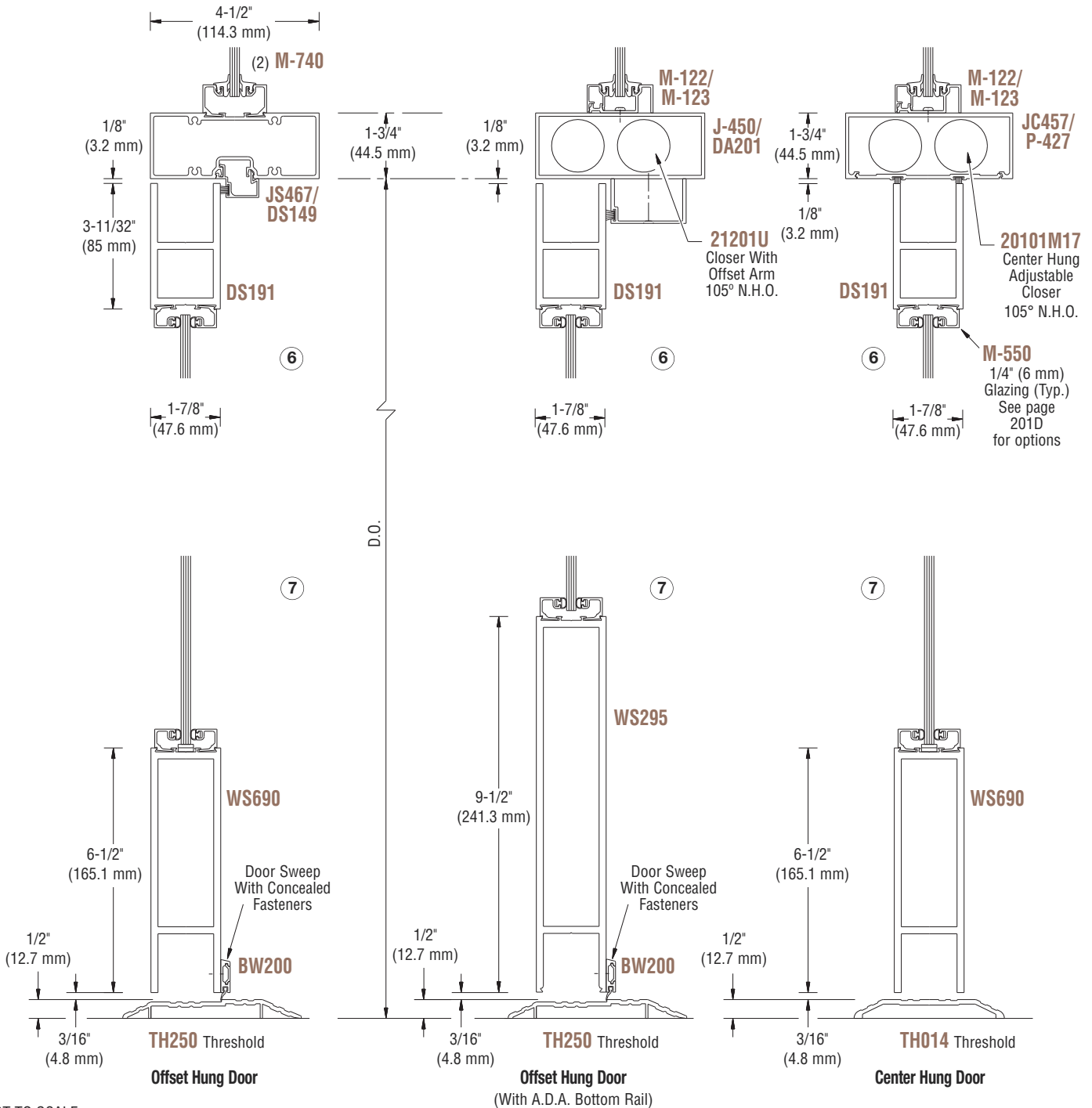
NOT TO SCALE

Series 800 Durafront Medium Stile Doors

Typical Details

(Shown With Frames)

• For 1/4" (6 mm) or 1" (25 mm) Glazing



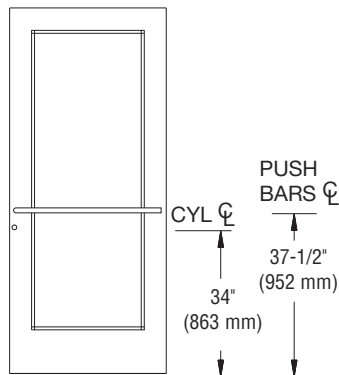
NOT TO SCALE

Series 850 Durafront Wide Stile Center Pivot and Offset Doors

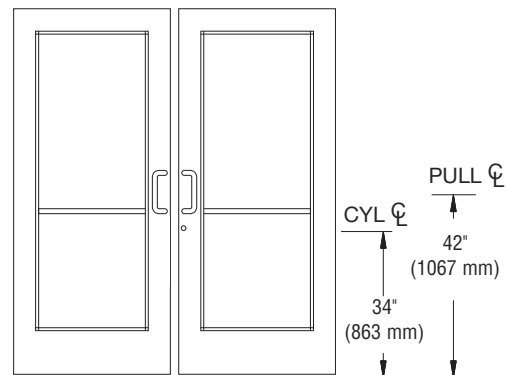
- Wide Stile Aluminum Doors for Extremely Heavy Traffic Applications
- 3/16" (4.8 mm) Wall Thickness
- Accommodates 1/4" (6 mm) or 1" (25 mm) Tempered Glass (Not Included)
- Choice of Standard or ADA Access Bottom Rails
- Lifetime Warranty on Mechanically Fastened and Welded Corner Construction
- Clear Anodized and Bronze Anodized in Single or Pairs of Doors
- See Quote/Order Form on Pages 198D and 199D

Durafront Doors and Frames are fabricated from tubular aluminum extrusions with a wall thickness of 3/16" (4.8 mm). These extra strong, long-lasting entrance packages are ideal for locations subjected to extremely high traffic flow.

Durafront Entrance Packages, which are offered for center and offset hung doors, can be easily adapted to most U.S. Aluminum Framing Systems. The door features mechanically fastened and welded corner construction. Offset hung doors are supplied with a pair and a half of heavy-duty hinges, pivot sets or a continuous gear hinge. A variety of custom hardware is available upon request.



CENTER HUNG DOOR



OFFSET HUNG DOORS

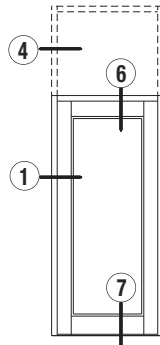
SERIES	STILES	TOP RAIL	BOTTOM RAIL	APPLICATIONS
850 Wide Stile	5" (127 mm)	5-1/2" (139.7 mm)	6-1/2" (165.1 mm)	Extremely Heavy Traffic (Institutional Buildings, Schools, Sports Arenas)
A.D.A. Bottom Rail Option			9-1/2" (241.3 mm)	A.D.A.

Series 850 Durafront Wide Stile Doors

Typical Details

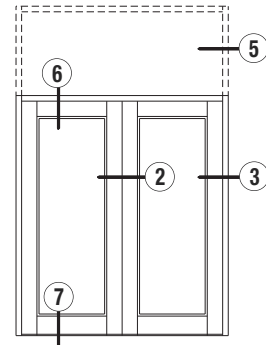
(Shown With Frames)

- For 1/4" (6 mm) or 1" (25 mm) Glazing



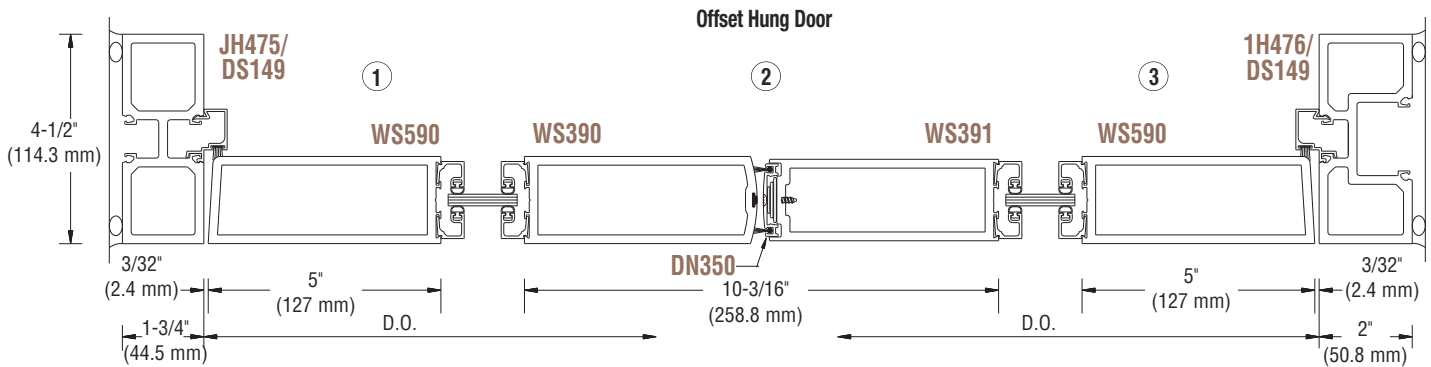
SINGLE DOOR

Shown With 1-3/4" x 4-1/2" (44.5 x 114.3 mm) Frame

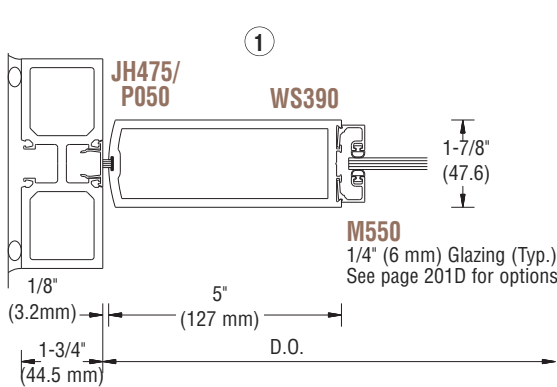


PAIR OF DOORS

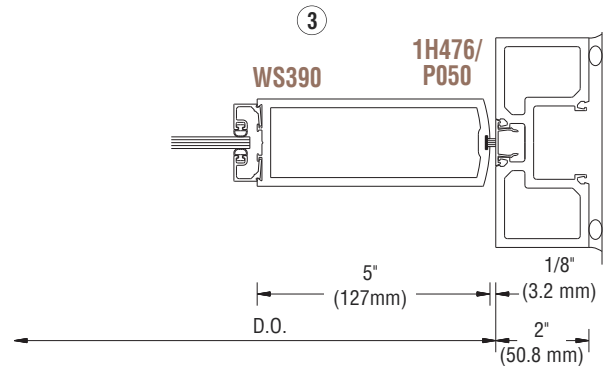
Shown With 2" x 4-1/2" (50.8 x 114.3 mm) Frame



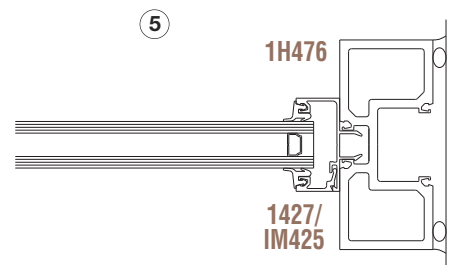
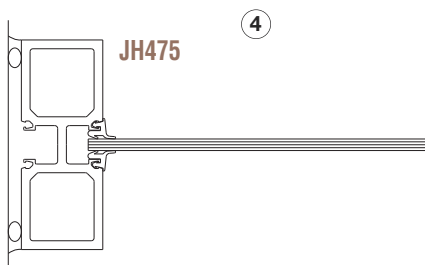
Offset Hung Door



Center Hung Door



Transom



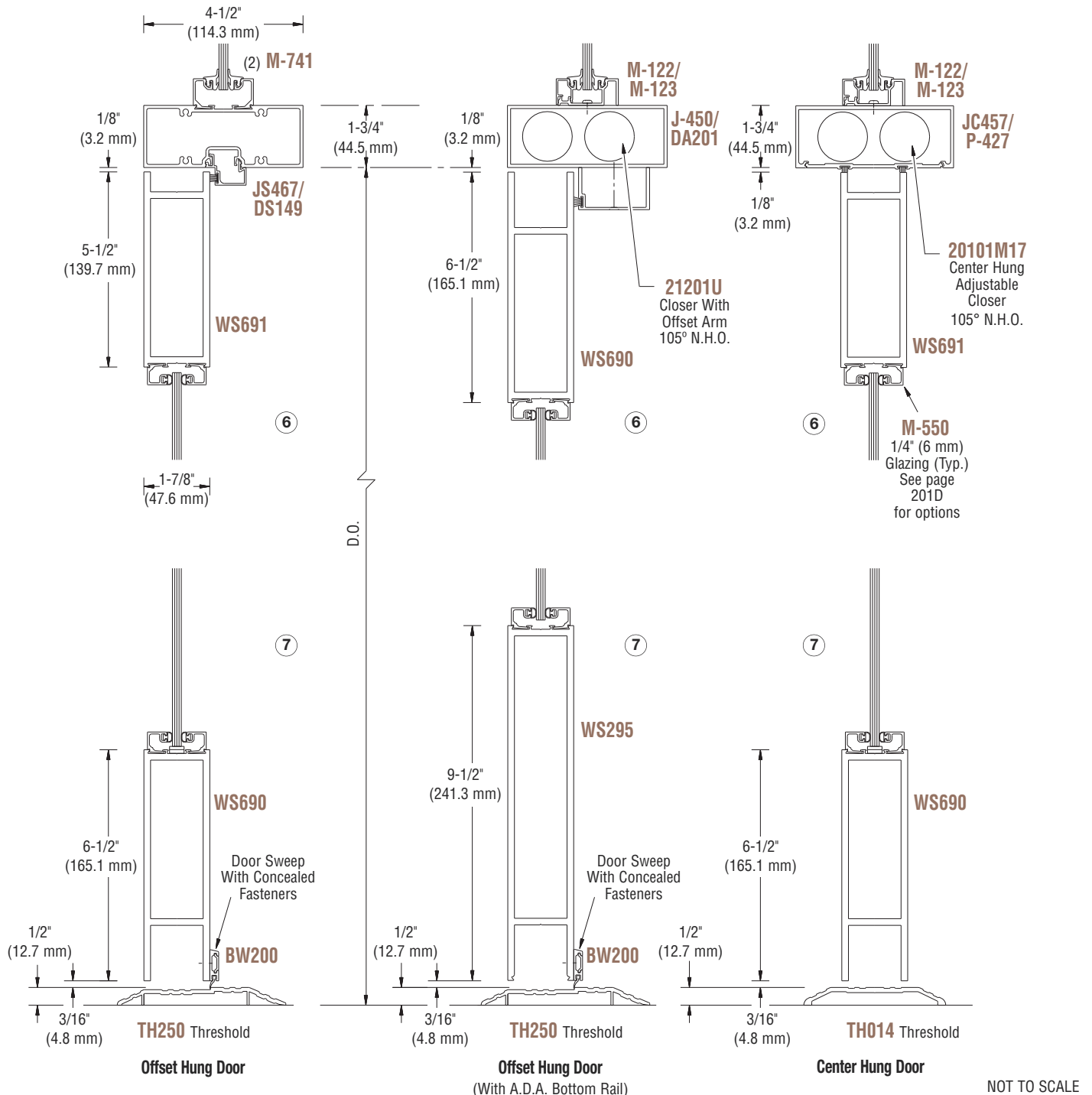
NOT TO SCALE

Series 850 Durafront Wide Stile Doors

Typical Details

(Shown With Frames)

- For 1/4" (6 mm) or 1" (25 mm) Glazing



Series 800 and 850 Durafront Glass Formulas for 36" Wide x 84" High Doors

GLASS HEIGHT FORMULAS FOR RAIL COMBINATIONS AND CUSTOM HEIGHT DOORS																	
Door Opening Height - [Top Clearance + Top Rail Size + Top Glass Clearance + Bottom Clearance + Bottom Rail Size + Bottom Glass Clearance] = Glass Height																	
<p>EXAMPLE 1: 84" Door Opening Height with Butt Hinges and 1/4" (6 mm) Glass: DS191 Top Rail and WS690 Bottom Rail with 1/2" Threshold.</p> <p>FORMULA: $84" - [3-5/8" + 7-11/32"] = 73-1/32"$ (73-1/16") Glass Height Size.</p> <p>EXAMPLE 2: 96" Door Opening Height with Butt Hinges and 1" (25 mm) Glass: WS690 Top Rail and WS295 Bottom Rail with 1/2" Threshold.</p> <p>FORMULA: $96" - [6-7/8" + 10-7/16"] = 78-11/16"$ Glass Height Size.</p> <p>NOTE: Round Glass Calculations Up to the Nearest 1/16 Inch. (As Seen In Example 1 Above).</p>																	
<p>RAIL SIZES:</p> <table style="width: 100%;"> <tr><td>DS191</td><td>3-11/32"</td></tr> <tr><td>WS691</td><td>5-1/2"</td></tr> <tr><td>WS690</td><td>6-1/2"</td></tr> <tr><td>WS295</td><td>9-1/2"</td></tr> </table>	DS191	3-11/32"	WS691	5-1/2"	WS690	6-1/2"	WS295	9-1/2"	<p>DOOR CLEARANCES:</p> <table style="width: 100%;"> <tr><td>At Top Rail</td><td>1/8"</td></tr> <tr><td>At Bottom Rail</td><td>11/16" @ 1/2" Threshold</td></tr> <tr><td>1/4" (6 mm) Glass</td><td>7/32" (Top) and 3/32" (Bottom)</td></tr> <tr><td>1" (25 mm) Glass</td><td>13/32" (Top) and 3/32" (Bottom)</td></tr> </table>	At Top Rail	1/8"	At Bottom Rail	11/16" @ 1/2" Threshold	1/4" (6 mm) Glass	7/32" (Top) and 3/32" (Bottom)	1" (25 mm) Glass	13/32" (Top) and 3/32" (Bottom)
DS191	3-11/32"																
WS691	5-1/2"																
WS690	6-1/2"																
WS295	9-1/2"																
At Top Rail	1/8"																
At Bottom Rail	11/16" @ 1/2" Threshold																
1/4" (6 mm) Glass	7/32" (Top) and 3/32" (Bottom)																
1" (25 mm) Glass	13/32" (Top) and 3/32" (Bottom)																

GLASS SIZES FOR 36" X 84" CENTER HUNG DOOR LEAVES WITH OVERHEAD CONCEALED CLOSER

DOOR STILE	1/4" (6 MM) GLASS	1" (25 MM) GLASS
Series 800 Medium Stile (DS191 Top, WS690 Bottom Rail)	28-1/2" x 73-1/16"	28-5/16" x 72-7/8"
Series 850 Wide Stile (WS691 Top, WS690 Bottom Rail)	25-1/2" x 70-7/8"	25-5/16" x 70-11/16"

Above glass sizes are for standard top and bottom rails for overhead concealed closer and 1/2" threshold. For special height glass sizes, see formulas above.

GLASS SIZES FOR 36" X 84" OFFSET DOOR LEAVES WITH SURFACE MOUNTED CLOSER

DOOR STILE	1/4" (6 MM) GLASS			1" (25 MM) GLASS		
	BUTT HINGES OR OFFSET PIVOTS	STANDARD GEARED HINGE	VANGUARD SECURITY ASTRAGAL	BUTT HINGES OR OFFSET PIVOT	STANDARD GEARED HINGE	VANGUARD SECURITY ASTRAGAL
Series 800 Medium Stile (DS191 Top, WS690 Bottom Rail)	28-1/2" x 73-1/16"	28-5/16" x 73-1/16"	28-5/8" x 73-1/16"	28-5/16" x 72-7/8"	28-1/8" x 72-7/8"	28-7/16" x 72-7/8"
Series 850 Wide (WS691 Top, WS690 Bottom Rail)	25-1/2" x 70-7/8"	25-5/16" x 70-7/8"	25-3/8" x 70-7/8"	25-5/16" x 70-11/16"	25-1/8" x 70-11/16"	25-3/16" x 70-11/16"

Above glass sizes are for standard top and bottom rails for surface closer and 1/2" threshold. For special height glass sizes, see formulas above.

GLASS SIZES FOR 36" X 84" OFFSET DOOR LEAVES WITH OVERHEAD CONCEALED CLOSER

DOOR STILE	1/4" (6 MM) GLASS			1" (25 MM) GLASS		
	BUTT HINGES OR OFFSET PIVOTS	STANDARD GEARED HINGE	VANGUARD SECURITY ASTRAGAL	BUTT HINGES OR OFFSET PIVOT	STANDARD GEARED HINGE	VANGUARD SECURITY ASTRAGAL
Series 800 Medium Stile (DS191 Top, WS690 Bottom Rail)	28-1/2" x 73-1/16"	28-5/16" x 73-1/16"	28-5/8" x 73-1/16"	28-5/16" x 72-7/8"	28-1/8" x 72-7/8"	28-7/16" x 72-7/8"
Series 850 Wide (WS690 Top, WS690 Bottom Rail)	25-1/2" x 69-7/8"	25-5/16" x 69-7/8"	25-3/8" x 69-7/8"	25-5/16" x 69-11/16"	25-1/8" x 69-11/16"	25-3/16" x 69-11/16"

Above glass sizes are for standard top and bottom rails for overhead concealed closer and 1/2" threshold. For special height glass sizes, see formulas above.

Series 800 and 850 Durafront Glass Formulas for Custom Width and Height Doors

GLASS HEIGHT FORMULAS FOR RAIL COMBINATIONS AND CUSTOM HEIGHT DOORS																	
Door Opening Height - [Top Clearance + Top Rail Size + Top Glass Clearance + Bottom Clearance + Bottom Rail Size + Bottom Glass Clearance] = Glass Height																	
<p>EXAMPLE 1: 84" Door Opening Height with Butt Hinges and 1/4" (6 mm) Glass: DS191 Top Rail and WS690 Bottom Rail with 1/2" Threshold.</p> <p>FORMULA: $84" - [3-5/8" + 7-11/32"] = 73-1/32"$ (73-1/16") Glass Height Size.</p> <p>EXAMPLE 2: 96" Door Opening Height with Butt Hinges and 1" (25 mm) Glass: WS690 Top Rail and WS295 Bottom Rail with 1/2" Threshold.</p> <p>FORMULA: $96" - [6-7/8" + 10-7/16"] = 78-11/16"$ Glass Height Size.</p> <p>NOTE: Round Glass Calculations Up to the Nearest 1/16 Inch. (As Seen In Example 1 Above).</p>	<p>The diagram illustrates the components of a door's height. It shows a vertical cross-section of a door with a glass panel. Labels include: Door Opening (total height), Door Size (height of the door frame), Glass Height Size (height of the glass panel), Top Rail Size (height of the top rail), Top Glass Clearance (space between top rail and glass), Bottom Clearance (space between bottom rail and glass), Bottom Rail Size (height of the bottom rail), and Bottom Glass Clearance (space between bottom rail and glass). Specific values are provided for 1/4" (6 mm) and 1" (25 mm) glass.</p>																
<p>RAIL SIZES:</p> <table border="0"> <tr><td>DS191</td><td>3-11/32"</td></tr> <tr><td>WS691</td><td>5-1/2"</td></tr> <tr><td>WS690</td><td>6-1/2"</td></tr> <tr><td>WS295</td><td>9-1/2"</td></tr> </table>	DS191	3-11/32"	WS691	5-1/2"	WS690	6-1/2"	WS295	9-1/2"	<p>DOOR CLEARANCES:</p> <table border="0"> <tr><td>At Top Rail</td><td>1/8"</td></tr> <tr><td>At Bottom Rail</td><td>11/16" @ 1/2" Threshold</td></tr> <tr><td>1/4" (6 mm) Glass</td><td>7/32" (Top) and 3/32" (Bottom)</td></tr> <tr><td>1" (25 mm) Glass</td><td>13/32" (Top) and 3/32" (Bottom)</td></tr> </table>	At Top Rail	1/8"	At Bottom Rail	11/16" @ 1/2" Threshold	1/4" (6 mm) Glass	7/32" (Top) and 3/32" (Bottom)	1" (25 mm) Glass	13/32" (Top) and 3/32" (Bottom)
DS191	3-11/32"																
WS691	5-1/2"																
WS690	6-1/2"																
WS295	9-1/2"																
At Top Rail	1/8"																
At Bottom Rail	11/16" @ 1/2" Threshold																
1/4" (6 mm) Glass	7/32" (Top) and 3/32" (Bottom)																
1" (25 mm) Glass	13/32" (Top) and 3/32" (Bottom)																

CUSTOM WIDTH DOORS FOR CENTER HUNG, BUTT HINGES, AND OFFSET PIVOTS

DOOR STILE		1/4" (6 MM) GLASS	1" (25 MM) GLASS
Series 800 Medium Stile	Single Door	Door Opening Width minus 7-1/2"	Door Opening Width minus 7-11/16"
	Pair of Doors	Door Opening Width divided by 2, minus 7-1/2"	Door Opening Width divided by 2, minus 7-11/16"
Series 850 Wide Stile	Single Door	Door Opening Width minus 10-1/2"	Door Opening Width minus 10-11/16"
	Pair of Doors	Door Opening Width divided by 2, minus 10-1/2"	Door Opening Width divided by 2, minus 10-11/16"

CUSTOM WIDTH DOORS FOR CONTINUOUS GEARED HINGE

DOOR STILE		1/4" (6 MM) GLASS	1" (25 MM) GLASS
Series 800 Medium Stile	Single Door	Door Opening Width minus 7-11/16"	Door Opening Width minus 7-7/8"
	Pair of Doors	Door Opening Width divided by 2, minus 7-11/16"	Door Opening Width divided by 2, minus 7-7/8"
Series 850 Wide Stile	Single Door	Door Opening Width minus 10-11/16"	Door Opening Width minus 10-7/8"
	Pair of Doors	Door Opening Width divided by 2, minus 10-11/16"	Door Opening Width divided by 2, minus 10-7/8"

CUSTOM WIDTH DOORS FOR VANGUARD SECURITY ASTRAGAL

DOOR STILE		1/4" (6 MM) GLASS	1" (25 MM) GLASS
Series 800 Medium Stile	Pair of Doors	Door Opening Width divided by 2, minus 7-3/8"	Door Opening Width divided by 2, minus 7-9/16"
Series 850 Wide Stile	Pair of Doors	Door Opening Width divided by 2, minus 10-5/8"	Door Opening Width divided by 2, minus 10-13/16"

Custom Series 800 and 850 Durafront Door Quote/Order Request Form

Page 1 of 2

Fax Completed Checklist to U.S. Aluminum Technical Sales at (866) 262-3299. Then call to discuss: (800) 262-5151 (U.S.), (877) 421-6144 (Canada), or (323) 588-1281 (International). Ask for Extension 5305. This form is also available online at usalum.com.

Company Name _____
 Contact _____
 Job Name _____

Phone # _____
 Fax # _____
 Email _____

When you are ready to order, utilize this form to assist you in covering the details required to complete a Custom Door Entrance installation. Going through this exercise should prevent you from overlooking any details related to your installation.

IMPORTANT: Depending on the complexity of your project, one or more of the following may be required to accurately order: sketches or drawings of your particular application with dimensions; printed architectural drawings or CAD files; photos of job site conditions (digital images are preferable). **NOTE:** A final sign off is required prior to any custom fabrication.

DOOR STILE

- Series 800, Medium Heavy Wall
- Series 850, Wide Heavy Wall

DOOR FINISH

- Clear Anodized Class II
- Dark Bronze Anodized Class II
- Custom Anodized Class I

- Bone White Paint Kynar
- Hartford Green Paint Kynar
- Custom Duranar 70% Kynar (2 Coat)

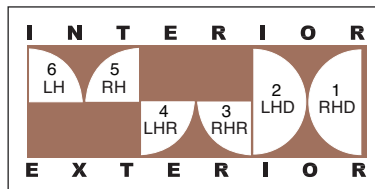
DOOR OPENING SIZE

- 36" x 84" (914 x 2134 mm)
- 72" x 84" (1829 x 2134 mm)
- Custom

DOOR GLASS (BY OTHERS)

- With 1/4" (6 mm) Square Glass Stops
- With 1/4" (6 mm) Bevel Glass Stops
- With 1" (25 mm) Glass Stops
- Other

DOOR SWING CHART



Use the Door Swing Chart to determine how the door(s) should be handed.

DOOR SWING

- | | QTY |
|--|---------|
| <input type="checkbox"/> LH Hinge Left Swing In | ___ ea. |
| <input type="checkbox"/> RH Hinge Right Swing In | ___ ea. |
| <input type="checkbox"/> LHR Hinge Left Swing Out | ___ ea. |
| <input type="checkbox"/> RHR Hinge Right Swing Out | ___ ea. |
| <input type="checkbox"/> LHD Hinge Left Double Acting | ___ ea. |
| <input type="checkbox"/> RHD Hinge Right Double Acting | ___ ea. |
| <input type="checkbox"/> PAIR Swing In | ___ ea. |
| <input type="checkbox"/> PAIR Swing Out | ___ ea. |
| <input type="checkbox"/> PAIR Double Acting | ___ ea. |

FRAME SYSTEM

- | | |
|------------------------------------|---|
| Series 450 | <input type="checkbox"/> Tubular |
| Series 451 | <input type="checkbox"/> Tubular |
| 4-1/2" Flush Front Subframe | <input type="checkbox"/> FF450 <input type="checkbox"/> FF451 |
| | <input type="checkbox"/> TJ455 |

BOTTOM RAIL

- Standard
- 9-1/2" (251 mm) A.D.A. Title 24 Rail
- Custom

FRAME TYPE

- Up and Over (No Transom)
- 126" (3.2 m) High With Transom
- Frame Only
- Door Only (No Frame)
- Custom

Custom Series 800 and 850 Durafront Door Quote/Order Request Form

NOTE: For quickest lead times and greatest value, specify C.R. Laurence Hardware on all your doors. Visit crlaurence.com for Commercial Door Hardware.

Page 2 of 2

DOOR SWEEP

- Yes No
- Exposed Fasteners
- Concealed Fasteners

CONCEALED WEATHERSTRIP

- Top Rail
- Bottom Rail
- Both

PUSH/PULL HARDWARE

- Standard Push Bars
- Standard Push/Pull
- Offset Pulls
- None (Supplied by Others)

DOOR HINGING

- Top/Bottom Offset Pivots
- 1 Pair Butt Hinges
- Center Pivot (Double Acting)
- Continuous Geared Hinge
- Intermediate Pivots
Add _____ per Door
- Intermediate Butt Hinges
Add _____ per Door

DOOR HARDWARE FINISH

- Clear Anodized
- Bronze Anodized
- Champagne Anodized
- Other (Specify) _____

DOOR CLOSER

- O.H. Concealed (Double Acting)
- O.H. Concealed (Offset)
- 90° 105°
Hold Open Yes No
- Surface Mount
- Drop Plate
- Door Stop/Holder
- No Closer Required

PANIC DEVICES

- Rim Panic With Crashbar
- Concealed Panic With Crashbar
- Mid-Panel Device
- Rim Panic With Push Pad
- Concealed Panic With Push Pad
- CRL-Blumcraft Panic
- Removable Mullion
- Vanguard Security Astragal
- Custom _____

*MID-PANEL (MUNTIN)

- 5/8" (15.9 mm) 6-3/16" (157.2 mm)
- 2" (50.8 mm) 6-1/2" (165.1 mm)
- 4-1/8" (104.8 mm) 7-1/2" (190.5 mm)
- 5" (127 mm) 9-1/2" (241.3 mm)
- Custom _____

*Dimensions do not include stops

THRESHOLD

- None (Leave 1/2" [12.7 mm] Allowance)
- None (No Allowance)
- 4" (101.6 mm)
- 4-3/4" (120.7 mm)
- 5" (127 mm)
- 7" (178 mm)
- Custom _____

LOCKING OPTIONS

- MS Deadbolt With Two Cylinders
- Thumbturn in Lieu of Cylinder
- 3-Point Locking @ Pair
- Lock Indicator
- Cylinder Guard
- Flushbolts
- A.R. Latch/Deadlock
- A.R. Hook Throw Deadlock
- Paddle Handle
- A.R. Lever Handle
- CRL Lever Handle
- Electric Strike
- No Locking Hardware

LAYOUT GRID TO SKETCH DESIGN

Series 250, 400, 550, 800, and 850 Entrance Door Options

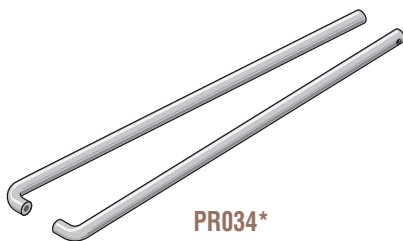
FEATURES	SERIES				
	250 NARROW STILE	400 MEDIUM STILE	550 WIDE STILE	800 DURA FRONT	850 DURA FRONT
Single Glaze 1/4" (6 mm)	●	●	●	●	●
Dual Glaze 1" (25 mm)	●	●	●	●	●
Narrow Stile	●				
Medium Stile		●		●	
Wide Stile			●		●
Light to Moderate Traffic	●	●			
Moderate To Heavy Traffic		●	●	●	●
Heavy Traffic		●	●	●	●
Heavy To Abusive Traffic				●	●
Dual Weatherstrip Meeting Stiles	●	●	●	●	●
Adjustable Astragal	●	●	●	●	●
Swing Out	●	●	●	●	●
Swing In	●	●	●	●	●
Double Acting	●	●	●	●	●
3/16" (4.8 mm) Wall Thickness				●	●
Vanguard Security Astragal	Optional	Optional	Optional	Optional	Optional
Mid-Panel Panic	Optional	Optional	Optional	Optional	Optional
A.D.A. Compliant 9-1/2" (241.3 mm) Rail	Optional	Optional	Optional	Optional	Optional

Astral II STANDARD PUSH/PULL HARDWARE

Clear Push/Pull Standard on Clear Anodized Doors and Painted Doors. Champagne Push/Pull Standard on Bronze and Black Anodized Doors. Push Bars are made from 1" (25 mm) diameter solid aluminum with a 2-1/2" (63.5 mm) projection at lock stile. Pull Handles are made from 1" (25 mm) diameter, solid aluminum with a 9" (229 mm) centerline attachment and 2-1/2" (63.5 mm) projection. *Push/Pull Hardware is sold one each. For back-to-back handles you must order a quantity of two.

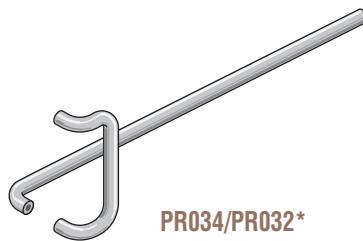
NOTE: Other Sizes of Push/Pull Hardware are available, see pages 431D-434D.

Astral II Standard Push Bars



PR034*

Astral II Standard Push/Pull



PR034/PR032*

Astral II Optional Pulls



PR032*

PART NO.	DESCRIPTION	FINISH
PR03411	Push Bar	Clear
PR03425	Push Bar	Champagne

Minimum order: 1 each. Available in 36" (914 mm), 42" (1067 mm), and 48" (1219 mm) sizes. Please specify.

PART NO.	DESCRIPTION	FINISH
PR03411	Push Bar	Clear
PR03211	Pull	Clear
PR03425	Push Bar	Champagne
PR03225	Pull	Champagne

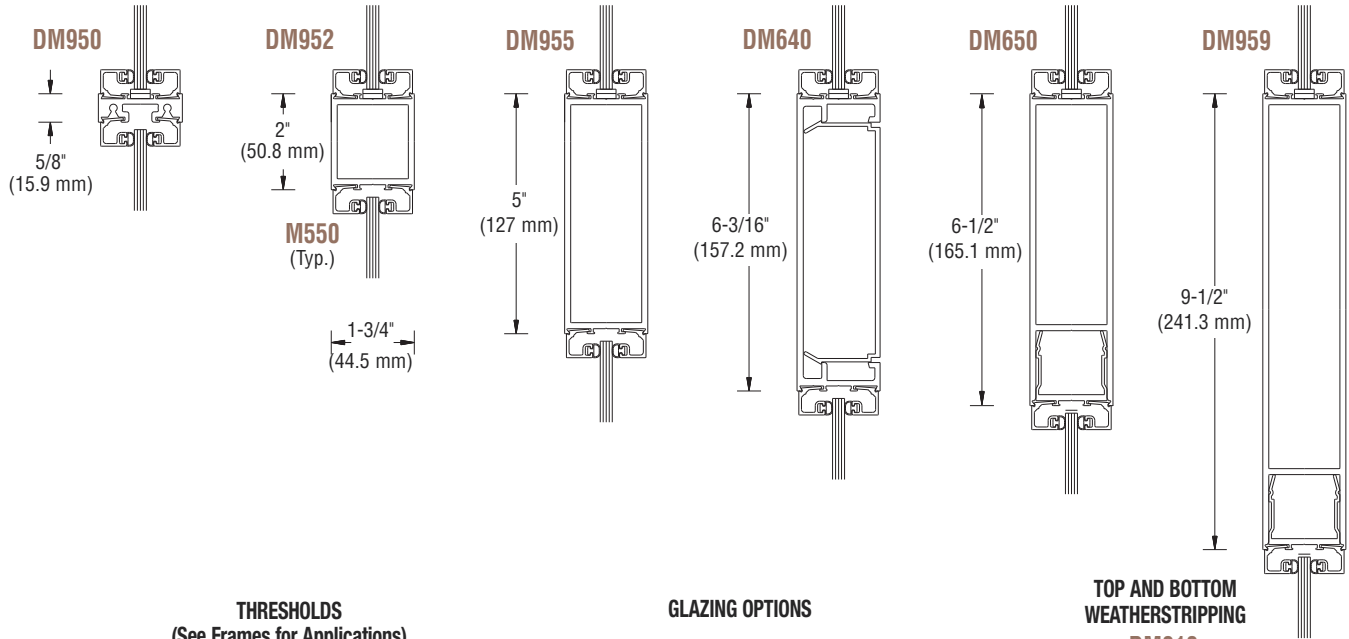
Minimum order: 1 each. Must specify sizes.

PART NO.	DESCRIPTION	FINISH
PR03211	Pull	Clear
PR03225	Pull	Champagne

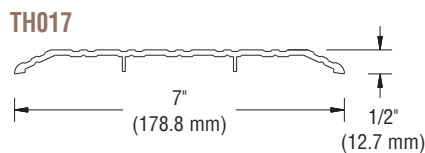
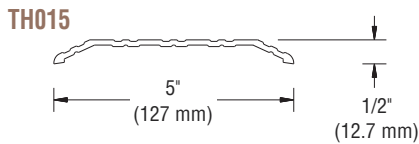
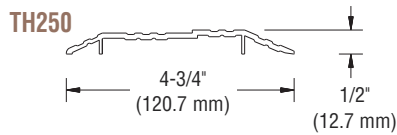
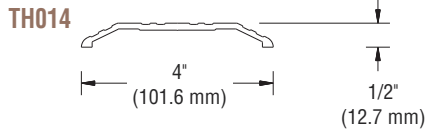
Minimum order: 1 each. Available in 9" (229 mm), 12" (305 mm), and 16" (406 mm) Center-to-Center sizes. Please specify.

Series 250, 400, 550, 800, and 850 Entrance Door Options

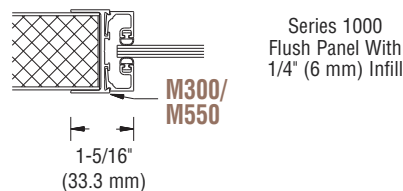
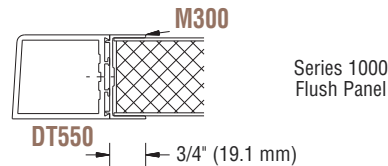
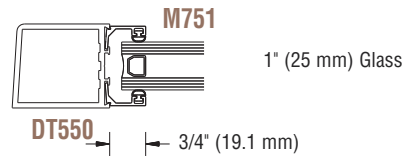
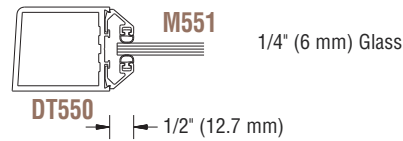
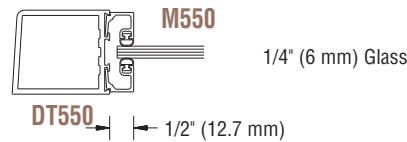
DOOR MUNTINS



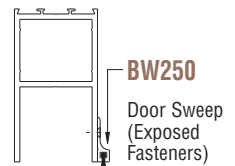
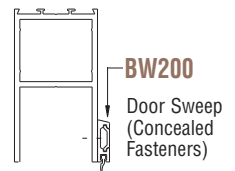
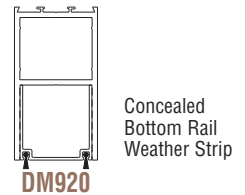
THRESHOLDS (See Frames for Applications)



GLAZING OPTIONS



TOP AND BOTTOM WEATHERSTRIPPING



NOT TO SCALE

Series 1000 Flush Panel Doors

The 1000 Flush Panel Door features an extruded aluminum perimeter with foam panel inserts available in several types of facing, plain or ribbed aluminum sheet in clear or bronze anodized finishes. It's a functional component that contributes significantly to the durability of the Flush Panel Door and available as a solid door or with options for Vision Lites. Stock or special hardware can be readily adapted for exterior or interior applications. Job tested mechanically fastened and welded corners create a rugged structural assembly.



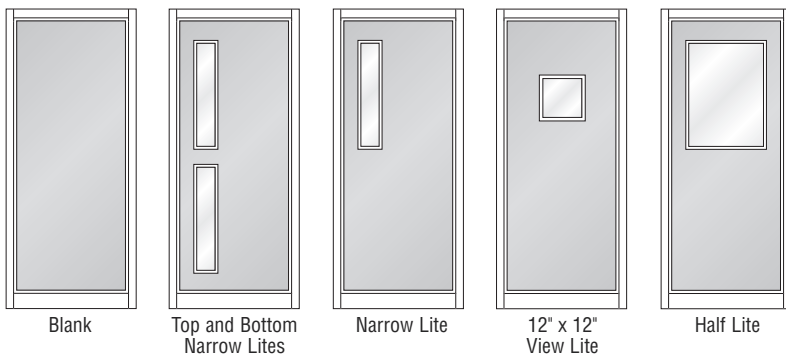
Series 1000 Flush Panel
250 Narrow Stile
Offset Hung (Exterior View)

Standard Features:

- 1-5/8" (41.3 mm) Thick Flush Panel with .06 Aluminum Outer Panels
- 2" (50.8 mm) Narrow Stiles
- 2-1/8" (53.9 mm) Top Rail
- 3-3/16" (80.9 mm) Bottom Rail
- Offset or Center Hung Door Application
- Mechanically Fastened and Welded Corners
- Maximum Size 48" x 96" (1219 x 2438 mm)

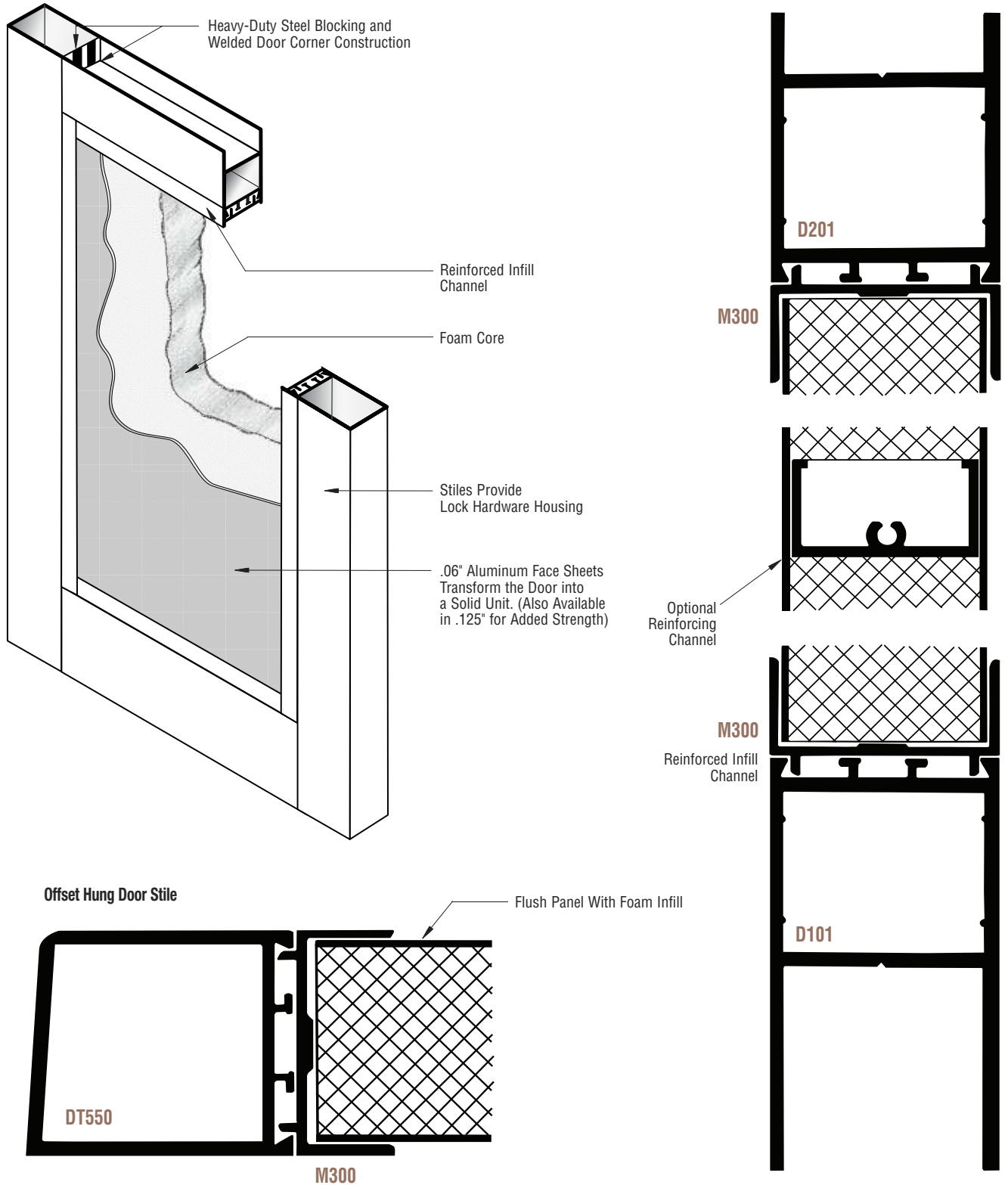
Options:

- 1-5/8" (41.3 mm) Thick Flush Panel with .125" Aluminum Outer Panel for Added Strength
- 3-1/2" (88.9 mm) Medium Stiles or 5" (127 mm) Wide Stiles
- 9-1/2" (241.3 mm) Bottom Rail
- 1/4" (6 mm) and 1" (25 mm) Thick Vision Lites



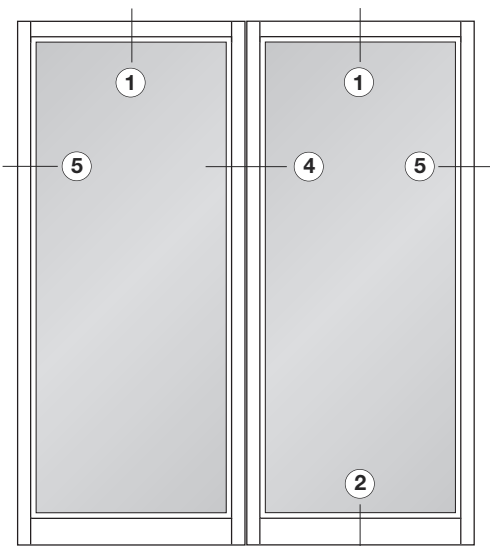
Typical Door Configurations

Series 1000 Flush Panel Door Construction

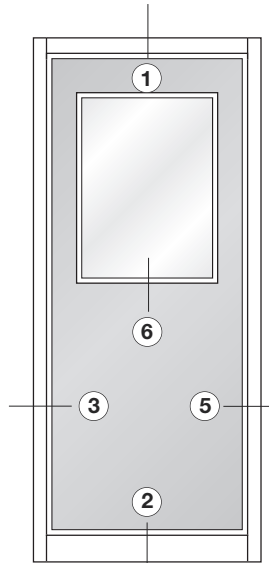


Series 1000 Flush Panel Doors

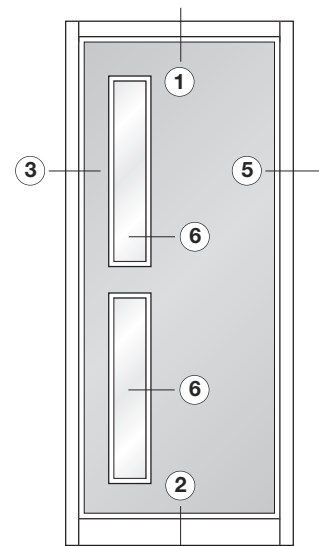
Typical Details



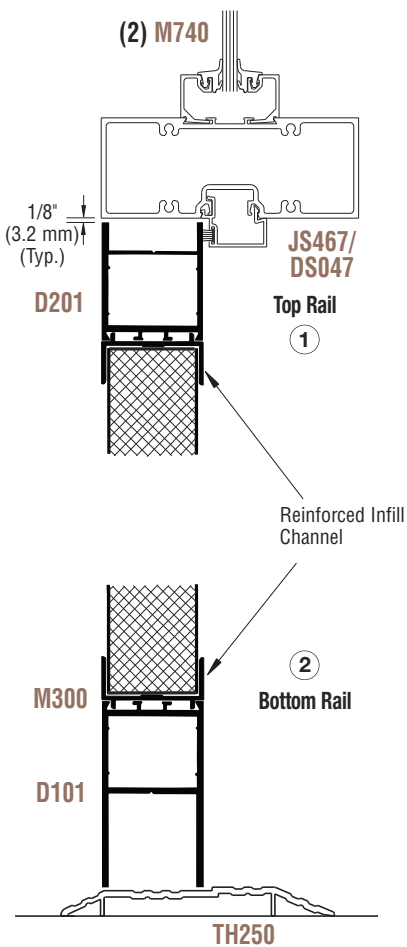
Pair with Blank Panels



View Lite



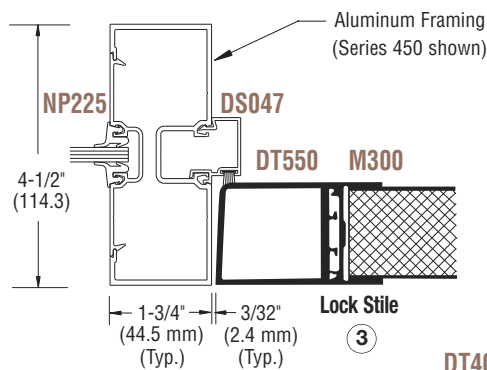
Top and Bottom Narrow Lites



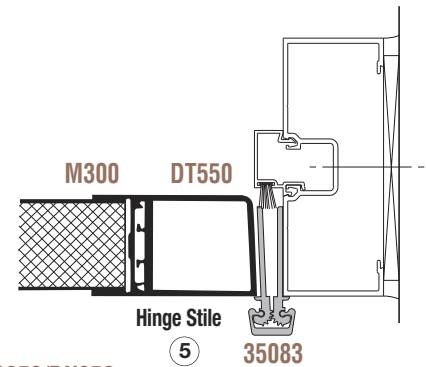
Top Rail

Bottom Rail

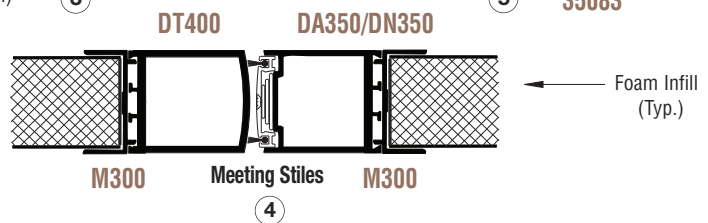
Reinforced Infill Channel



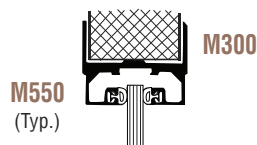
Lock Stile



Hinge Stile

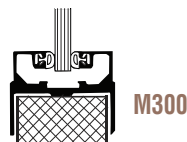


Meeting Stiles

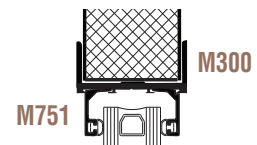


M550 (Typ.)

1/4" (6 mm) View Lite (1/2" available)

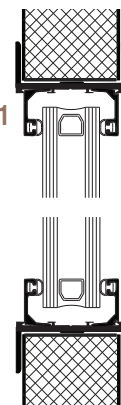


M300



M751

1" (25 mm) View Lite (Optional)

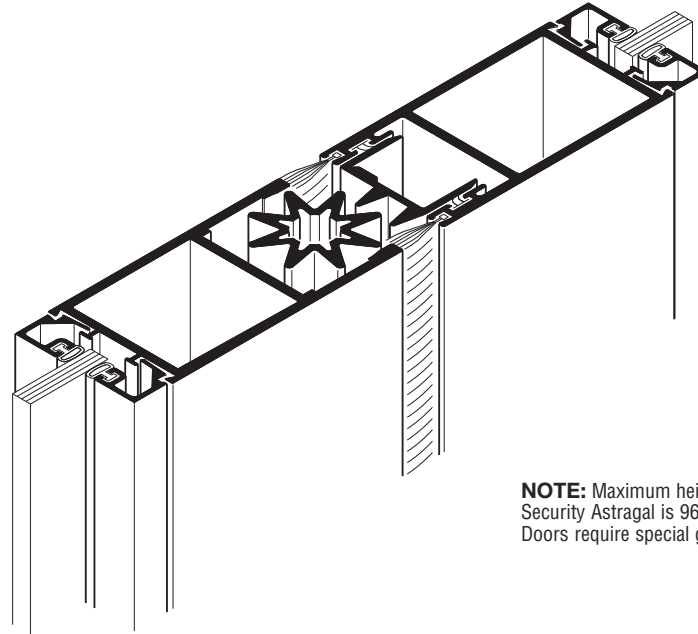


M300

NOT TO SCALE

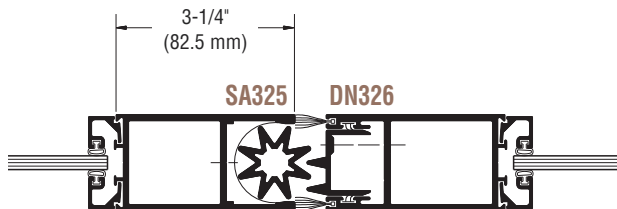
Vanguard Security Astragal

- For Pairs of Doors With Panic Hardware
- Prevents Illegal Access to Buildings
- Factory Installed
- Patent No. 3,959,927

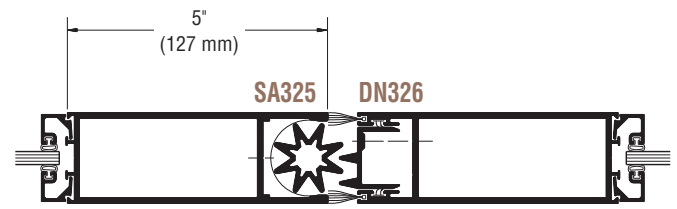


NOTE: Maximum height of Vanguard Security Astragal is 96" (2.4 m). Doors require special glass sizes.

The U.S. Aluminum Vanguard Security Astragal has a continuous rotary astragal that deters the use of a tripping device from being inserted between meeting stiles on panic doors for gaining illegal access to a building. When the panic device is in the exit only mode, access to a building through doors with Vanguard Security Astragal installed will only be possible by forced entry. The concealed Vanguard Security Astragal is a simple but effective free wheeling sprocket which engages into an adjustable rack. It is available for all U.S. Aluminum Entrance Doors and accommodates most standard panic devices.



Vanguard Meeting Stiles for:
 Series 250 Narrow Stile*
 Series 400 Medium Stile
 Series 800 Durafront
 Series 1000 Flush Panel*



Vanguard Meeting Stiles for:
 Series 550 Wide Stile
 Series 850 Durafront

*NOTE: Vanguard Meeting Stiles are medium stile for Series 250 Narrow Stile doors, and Series 1000 Flush Panel doors.



Online Photo Gallery

When you visit the crlaurence.com home page you can click into photo galleries of finished projects. It's a great way to show your customers what can be accomplished when they specify CRL Architectural Hardware Products.

Thermal Break Technology Featuring the Poly-Aluminizer™ and Lancer™ Methods

U.S. Aluminum engineers thermally broken framing systems to satisfy the increasing demands for energy conservation. This one small, but very important component in our thermally broken framing products addresses several important concerns expressed by various architects, structural engineers, and glazing contractors in our industry.

What About Dry Shrinkage?

Our response is the Poly-Aluminizer™ and Lancer™ methods which mechanically modifies the aluminum extrusion and effectively improves the adhesive bond between the polyurethane polymer and the surface finish of the aluminum cavity. The Poly-Aluminizer™ accomplishes this through a unique method of abrading the thermal pocket in such a way as to produce a mechanical bond. The Lancer™ process provides mechanical surface conditioning of the extrusion cavity to insure proper adhesion to difficult finishes. Test results indicate 100% adhesion even on mill finish after 90 cycles in an environmental chamber.

Fill and Debridge- What About Structural Integrity?

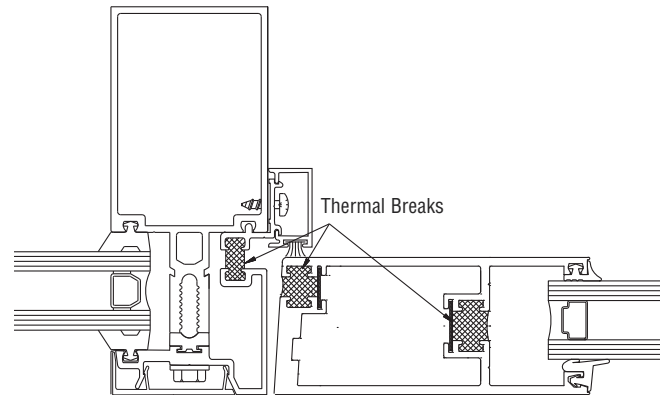
To meet the need to maintain structural integrity, designers should specify U.S. Aluminum framing for a structurally superior thermally broken product. After the aluminum channel has been modified, it is filled with a polyurethane polymer that cures to a rigidity that is equal to or better than that of the aluminum channel. Then we debridge the aluminum channel along its entire length. The structural integrity is maintained while adding the benefits of thermally broken framing.

What About CRF Values?

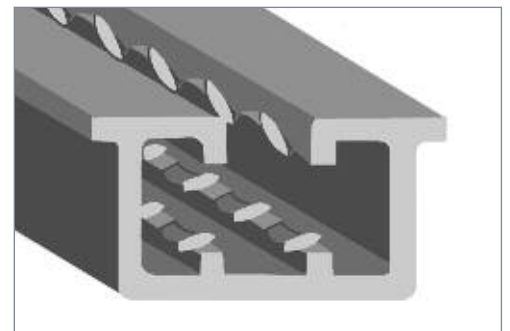
Certified thermal test reports for all U.S. Aluminum products tested in accordance with AAMA 1503.1-88 are available at usalum.com and crl-arch.com, upon request from any of our service centers, or by calling our national toll free number at (800) 262-5151.

Why Take a Chance?

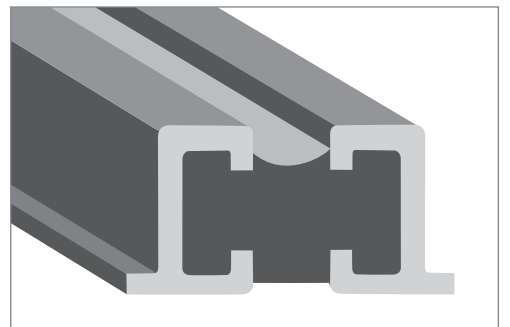
U.S. Aluminum uses the latest thermal break technology and equipment for producing polyurethane thermally broken aluminum framing systems. All thermally broken framing products are manufactured in-house by U.S. Aluminum technicians and tested in accordance with AAMA-A8-1990. Our products are backed by the people and technology of an organization where innovation and reliability create a proven standard of excellence.



Channel before the process



Channel after being mechanically modified



Channel is filled with polyurethane then debridged for thermal break

Series 650-T High Performance Narrow Stile Thermal Entrance Doors

NEW!

- 2-1/2" (63.5 mm) Narrow Stiles
- Thermally Broken
- Optional Foam Insulation to Provide Extremely Low U-Factors Ranging From 0.57 to 0.31 and Higher CRF Rating
- NFRC Rated
- Includes Glass Stops for 1" (25 mm) Glazing With Optional Glass Stops for 1-1/2" (38 mm) Triple Glazing
- Choice of Standard or A.D.A. Access Bottom Rails
- Lifetime Warranty on Mechanically Fastened and Welded Corner Construction

Our Series 650-T High Performance Thermal Entrance Door is filled and debridged with a Polyurethane Polymer Thermal Break, and mechanically fastened and welded at the corners, offering one of the best thermal properties available in commercial entrance doors. All doors offer clean lines and are supplied with push/pull hardware and maximum security locks. These entrance doors can easily accommodate a wide variety of custom hardware for specific job requirements. An optional 10" (254 mm) bottom rail is available for A.D.A. requirements.

Certified thermal test reports for all U.S. Aluminum products tested in accordance with AAMA 1503.1-88 are available at usalum.com and crl-arch.com, upon request from any of our service centers, or by calling our national toll free number at (800) 262-5151.

Standard Features:

Rails - 2-1/4" (57 mm) deep and thermally broken, providing high performance thermal isolation.

Glass Stops - Pressure type glass stops with bulb weatherstrip glazing gaskets permit time saving installation of 1" (25 mm) thick glass standard. Optional glass stops for 1-1/2" (38 mm) triple glazing infills are available. Setting Blocks for glass are preset at the factory.

Adjustable Leveling Screw - A simple adjustment on the leveling screw, concealed in the top rail of the door, compensates for minor variances in door openings after installation.

Adjustable Astragal - All pairs of doors come with spring-loaded fully adjustable dual weathered thermally broken astragals for optimum air resistance. Binding or gaps at the meeting stiles can be easily corrected by simple adjustments. The full length dual weather stripping on the astragal is not interrupted by the deadlock.

Hinging Hardware - Offset Pivots, Butt Hinges or Continuous Geared Hinge.

Door Sweeps - All door panels come with two door sweeps supplied loose for exterior and interior surface mount application with concealed fasteners.

Accessories:

Closers

Exposed Overhead (Surface Mounted)

Concealed Overhead with Offset Arm (Requires Special Top Rail)

Panic Exit Devices

Conventional Push Panel



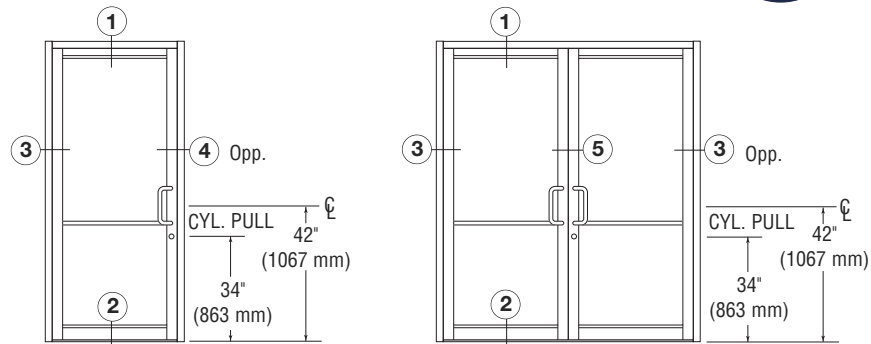
SERIES	STILES	TOP RAIL	BOTTOM RAIL	APPLICATION
650-T Narrow Stile	2-1/2" (63.5 mm)	2-1/2" (63.5 mm)	3-7/8" (98.4 mm)	Light to Moderate Traffic
A.D.A. Bottom Rail Option			10" (254 mm)	A.D.A.

Series 650-T High Performance Narrow Stile Thermal Entrance Doors

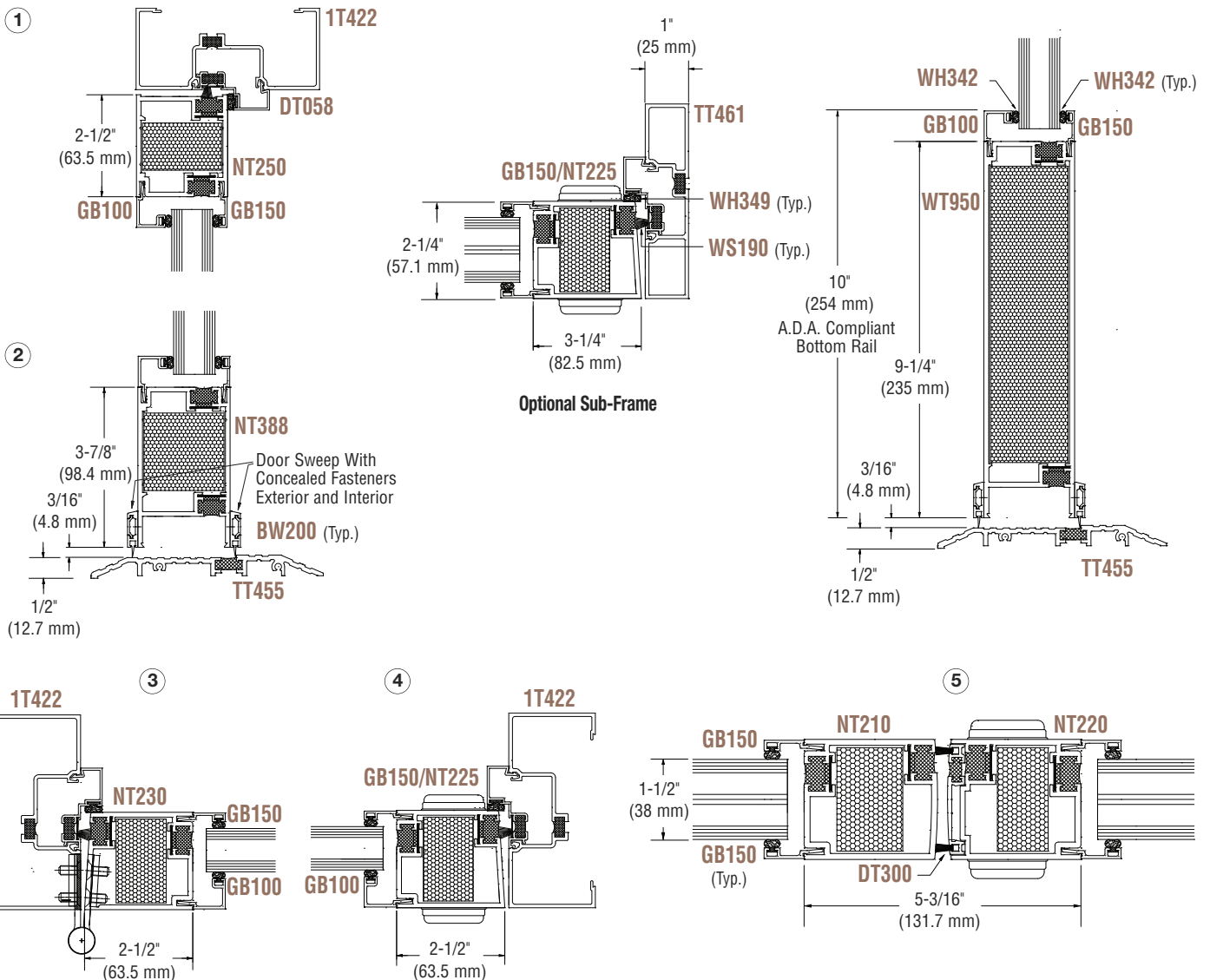


Typical Details

NOTE: High Performance Series 650-T Shown With Optional Foam Insulation to Lower Standard U-Value When Required.



TYPICAL ELEVATIONS



NOT TO SCALE

Series 700-T High Performance Medium Stile Thermal Entrance Doors

NEW!

- 3-1/2" (89 mm) Medium Stiles
- Thermally Broken
- Optional Foam Insulation to Provide Extremely Low U-Factors Ranging From 0.57 to 0.31 and Higher CRF Rating
- NFRC Rated
- Includes Glass Stops for 1" (25 mm) Glazing With Optional Glass Stops for 1-1/2" (38 mm) Triple Glazing
- Choice of Standard or A.D.A. Access Bottom Rails
- Lifetime Warranty on Mechanically Fastened and Welded Corner Construction



Our Series 700-T High Performance Thermal Entrance Door is filled and debridged with a Polyurethane Polymer Thermal Break, and mechanically fastened and welded at the corners, offering one of the best thermal properties available in commercial entrance doors. All doors offer clean lines and are supplied with push/pull hardware and maximum security locks. These entrance doors can easily accommodate a wide variety of custom hardware for specific job requirements. An optional 10" (254 mm) bottom rail is available for A.D.A. requirements.

Certified thermal test reports for all U.S. Aluminum products tested in accordance with AAMA 1503.1-88 are available at usalum.com and crl-arch.com, upon request from any of our service centers, or by calling our national toll free number at (800) 262-5151.

Standard Features:

Rails - 2-1/4" (57 mm) deep and thermally broken, providing high performance thermal isolation.

Glass Stops - Pressure type glass stops with bulb weatherstrip glazing gaskets permit time saving installation of 1" (25 mm) thick glass standard. Optional glass stops for 1-1/2" (38 mm) triple glazing infills are available. Setting blocks for glass are preset at the factory.

Adjustable Leveling Screw - A simple adjustment on the leveling screw, concealed in the top rail of the door, compensates for minor variances in door openings after installation.

Hinging Hardware - Offset Pivots, Butt Hinges or Continuous Geared Hinge.

Door Sweeps - All door panels come with two door sweeps supplied loose for exterior and interior surface mount application with concealed fasteners.

Accessories:

Closers

- Exposed Overhead (Surface Mounted)
- Concealed Overhead with Offset Arm

Panic Exit Devices

- Conventional Push Panel

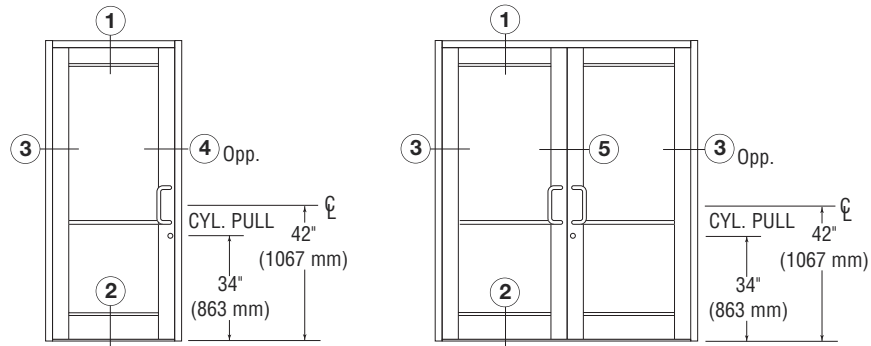
SERIES	STILES	TOP RAIL	BOTTOM RAIL	APPLICATION
700-T Medium Stile	3-1/2" (89 mm)	3-1/2" (89 mm)	6-1/2" (165.1 mm)	Moderate to Heavy Traffic
A.D.A. Bottom Rail Option			10" (254 mm)	A.D.A.

Series 700-T High Performance Medium Stile Thermal Entrance Doors

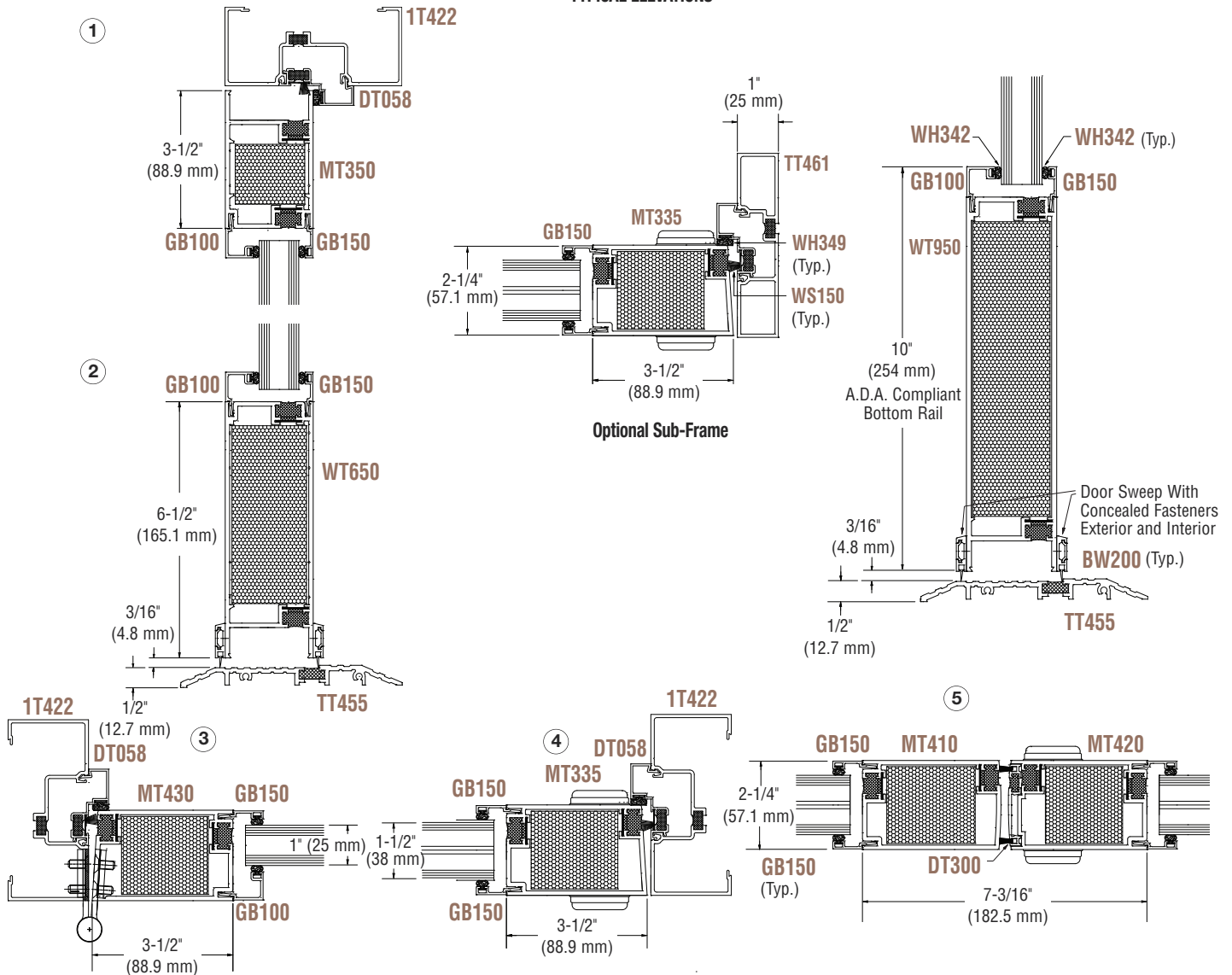


Typical Details

NOTE: High Performance Series 700-T Shown With Optional Foam Insulation to Lower Standard U-Value When Required.



TYPICAL ELEVATIONS



NOT TO SCALE

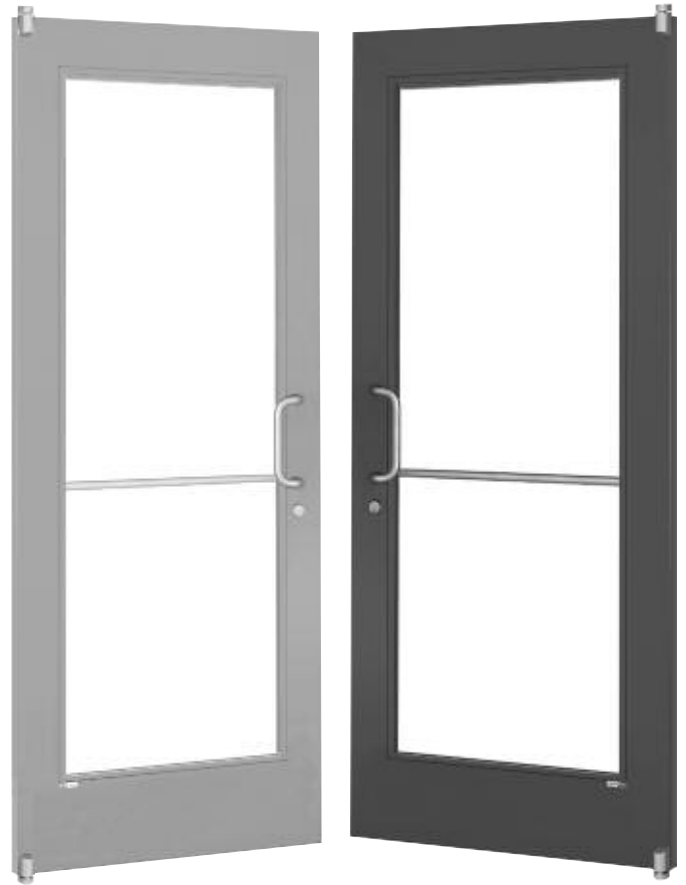
Series 750-T High Performance Wide Stile Thermal Entrance Doors

NEW!

- 4-1/4" (108 mm) Wide Stiles
- Thermally Broken
- Optional Foam Insulation to Provide Extremely Low U-Factors Ranging From 0.57 to 0.31 and Higher CRF Rating
- NFRC Rated
- Includes Glass Stops for 1" (25 mm) Glazing With Optional Glass Stops for 1-1/2" (38 mm) Triple Glazing
- Choice of Standard or A.D.A. Access Bottom Rails
- Lifetime Warranty on Mechanically Fastened and Welded Corner Construction

Our Series 750-T High Performance Thermal Entrance Door is filled and debridged with a Polyurethane Polymer Thermal Break, and mechanically fastened and welded at the corners, offering one of the best thermal properties available in commercial entrance doors. All doors offer clean lines and are supplied with push/pull hardware and maximum security locks. These entrance doors can easily accommodate a wide variety of custom hardware for specific job requirements. An optional 10" (254 mm) bottom rail is available for A.D.A. requirements.

Certified thermal test reports for all U.S. Aluminum products tested in accordance with AAMA 1503.1-88 are available at usalum.com and crl-arch.com, upon request from any of our service centers, or by calling our national toll free number at (800) 262-5151.



Standard Features:

Rails - 2-1/4" (57 mm) deep and thermally broken, providing high performance thermal isolation.

Glass Stops - Pressure type glass stops with bulb weatherstrip glazing gaskets permit time saving installation of 1" (25 mm) thick glass standard. Optional glass stops for 1-1/2" (38 mm) triple glazing infills are available. Setting blocks for glass are preset at the factory.

Adjustable Leveling Screw - A simple adjustment on the leveling screw, concealed in the top rail of the door, compensates for minor variances in door openings after installation.

Hinging Hardware - Offset Pivots, Butt Hinges or Continuous Geared Hinge.

Door Sweeps - All door panels come with two door sweeps supplied loose for exterior and interior surface mount application with concealed fasteners.

Accessories:

Closers

- Exposed Overhead (Surface Mounted)
- Concealed Overhead with Offset Arm

Panic Exit Devices

- Conventional Push Panel

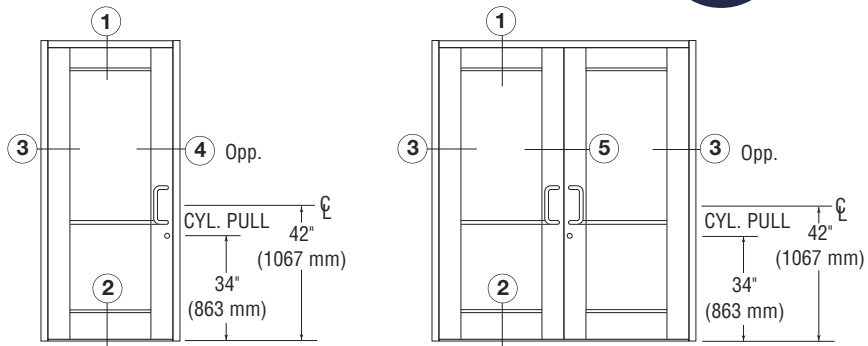
SERIES	STILES	TOP RAIL	BOTTOM RAIL	APPLICATION
750-T Wide Stile	4-1/4" (108 mm)	4-1/4" (108 mm)	6-1/2" (165.1 mm)	Heavy Traffic
A.D.A. Bottom Rail Option			10" (254 mm)	A.D.A.

Series 750-T High Performance Wide Stile Thermal Entrance Doors

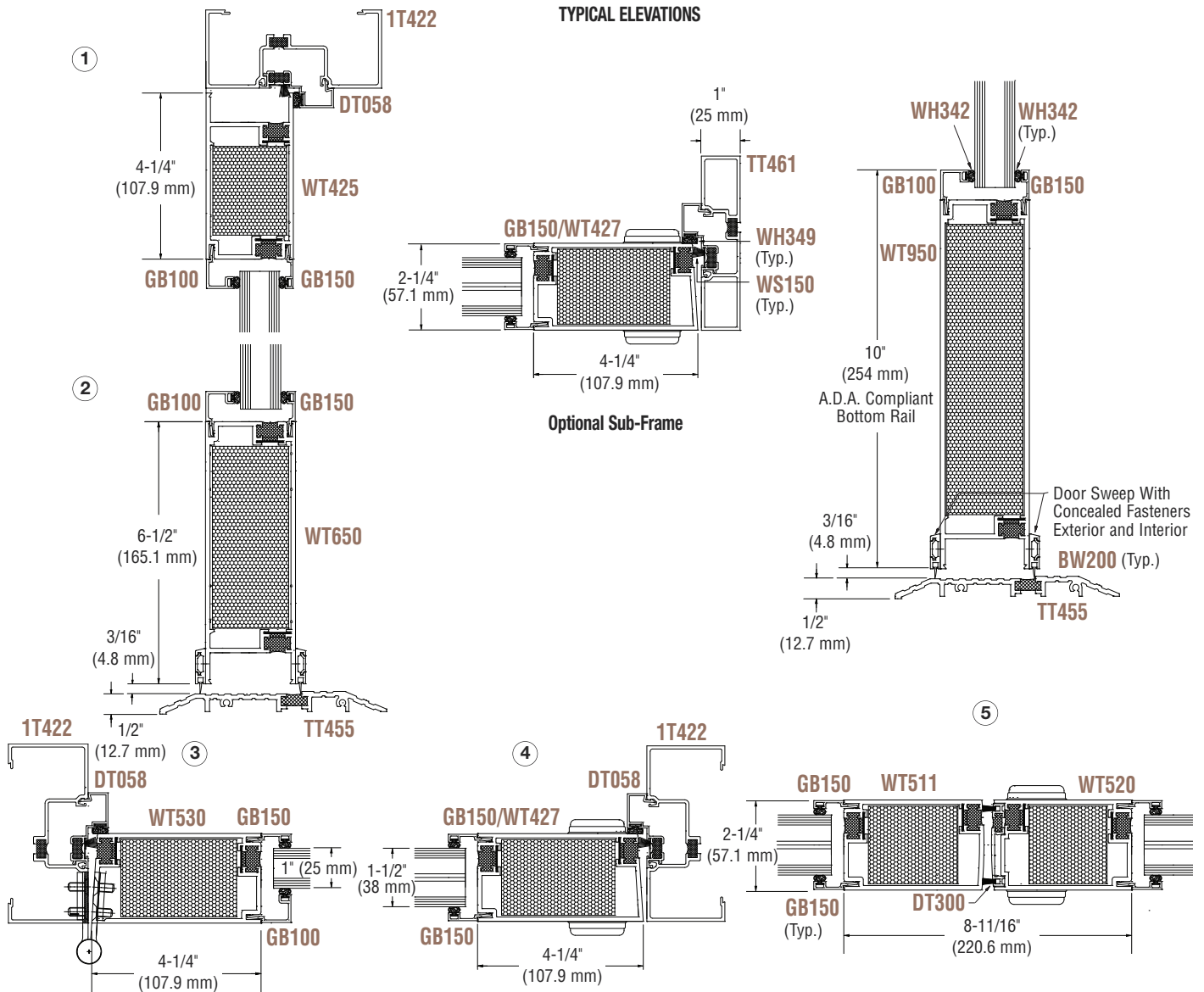
NEW!

Typical Details

NOTE: High Performance Series 750-T Shown With Optional Foam Insulation to Lower Standard U-Value When Required.



TYPICAL ELEVATIONS



NOT TO SCALE

Series 250-T Narrow Stile Thermal Entrance Doors

- 3" (76.2 mm) Narrow Stile Aluminum Doors for Exterior Applications
- Thermally Broken
- Prepped for Offset Pivots or 1-1/2 Pair of Butt Hinges (Door Closer Not Included)
- Choice of Standard or A.D.A. Access Bottom Rails
- Lifetime Warranty on Mechanically Fastened and Welded Corner Construction
- Clear Anodized and Bronze Anodized Standard
- Custom Finishes Available on Request

Our Series 250-T Thermal Entrance Doors provide superior Thermal Resistance, utilizing a two glass stop design, Polyamide Nylon Thermal Break, and mechanically fastened corners, offering one of the best thermal properties available in commercial entrance doors. All doors offer clean lines and are supplied with unique Astral II push/pull hardware and maximum security locks. These entrance doors can easily accommodate a wide variety of custom hardware for specific job requirements. Optional 10" (254 mm) bottom rail is available for A.D.A. requirements. Certified thermal test reports for all U.S. Aluminum products tested in accordance with AAMA 1503.1-88 are available at usalum.com and crl-arch.com, upon request from any of our service centers, or by calling our national toll free number at (800) 262-5151.



Standard Features:

Glass Stops - Pressure type glass stops with E.P.D.M. glazing gaskets permit time saving installation of glass. Glass stops are for 1" (25 mm) infills. Setting blocks for glass are preset at the factory.

Adjustable Leveling Screw - A simple adjustment on the leveling screw, concealed in the top rail of the door, compensates for minor variances in door openings after installation.

Adjustable Astragal - All pairs of doors come with spring-loaded fully adjustable dual weathered astragals for optimum air resistance. Binding or gaps at the meeting stiles can be easily corrected by simple adjustments. The full length dual weather stripping on the astragal is not interrupted by the deadlock.

Hinging Hardware - Offset pivots for single acting doors or butt hinges for single acting doors.

Accessories:

Closers

- Exposed Overhead (Surface Mounted)
- Concealed Overhead with Offset Arm (Requires Special Top Rail)
- Floor Mounted

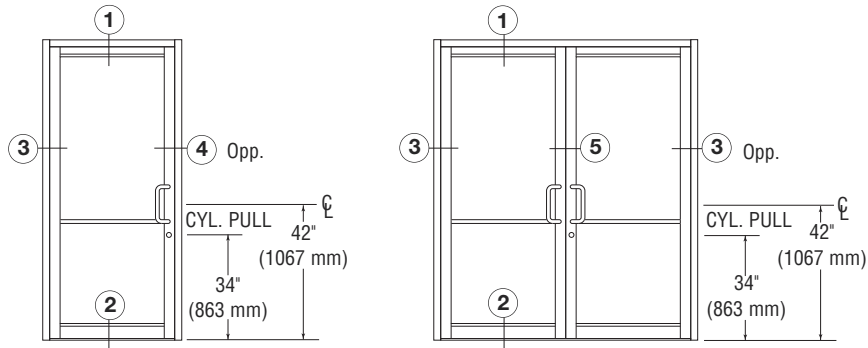
Panic Exit Devices

- Conventional Push Panel

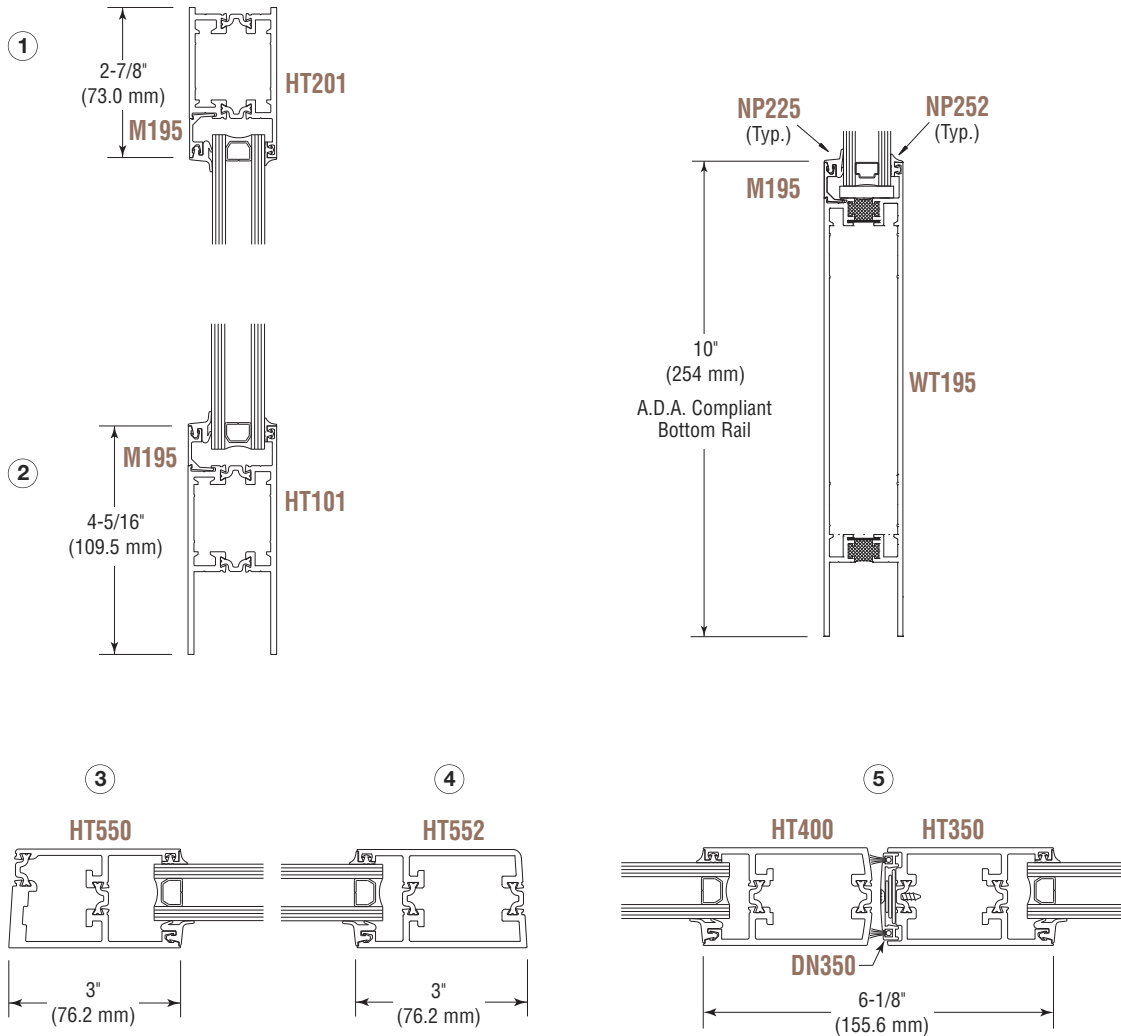
SERIES	STILES	TOP RAIL	BOTTOM RAIL	APPLICATION
250-T Narrow Stile	3" (76.2 mm)	2-7/8" (73 mm)	4-5/16" (109.5 mm)	Light to Moderate
A.D.A. Bottom Rail Option			10" (254 mm)	A.D.A.

Series 250-T Narrow Stile Thermal Entrance Doors

Typical Details



TYPICAL ELEVATIONS



NOT TO SCALE

Series 400-T Medium Stile Thermal Entrance Doors

- 4-1/4" (108 mm) Medium Stile Aluminum Doors for Exterior Applications
- Thermally Broken
- Prepped for Offset Pivots or 1-1/2 Pair of Butt Hinges (Door Closer Not Included)
- Choice of Standard or A.D.A. Access Bottom Rails
- Lifetime Warranty on Mechanically Fastened and Welded Corner Construction
- Clear Anodized and Bronze Anodized Standard
- Custom Finishes Available on Request

Our Series 400-T Thermal Entrance Doors provide superior Thermal Resistance, utilizing a two glass stop design, Polyamide Nylon Thermal Break, and mechanically fastened corners, offering one of the best thermal properties available in commercial entrance doors. All doors offer clean lines and are supplied with unique Astral II push/pull hardware and maximum security locks. These entrance doors can easily accommodate a wide variety of custom hardware for specific job requirements. Optional 10" (254 mm) bottom rail is available for A.D.A. requirements. Certified thermal test reports for all U.S. Aluminum products tested in accordance with AAMA 1503.1-88 are available at usalum.com and crl-arch.com, upon request from any of our service centers, or by calling our national toll free number at (800) 262-5151.



Standard Features:

Glass Stops - Pressure type glass stops with E.P.D.M. glazing gaskets permit time saving installation of glass. Glass stops are for 1" (25 mm) infills. Setting blocks for glass are preset at the factory.

Adjustable Leveling Screw - A simple adjustment on the leveling screw, concealed in the top rail of the door, compensates for minor variances in door openings after installation.

Adjustable Astragal - All pairs of doors come with spring-loaded fully adjustable dual weathered astragals for optimum air resistance. Binding or gaps at the meeting stiles can be easily corrected by simple adjustments. The full length dual weather stripping on the astragal is not interrupted by the deadlock.

Hinging Hardware - Offset pivots for single acting doors or butt hinges for single acting doors.

Accessories:

Closers

- Exposed Overhead (Surface Mounted)
- Concealed Overhead with Offset Arm
- Floor Mounted

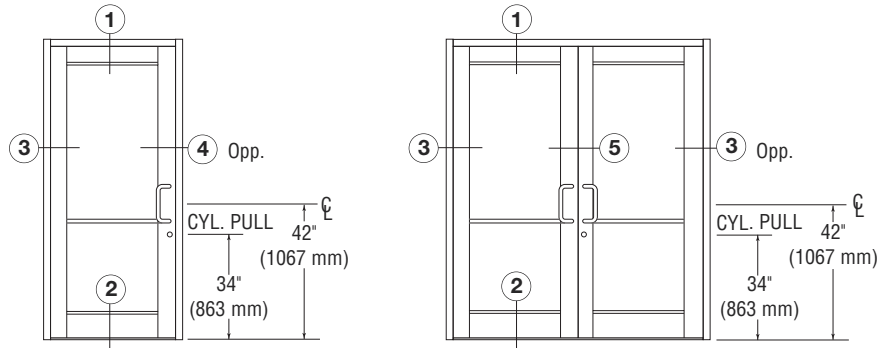
Panic Exit Devices

- Conventional Push Panel

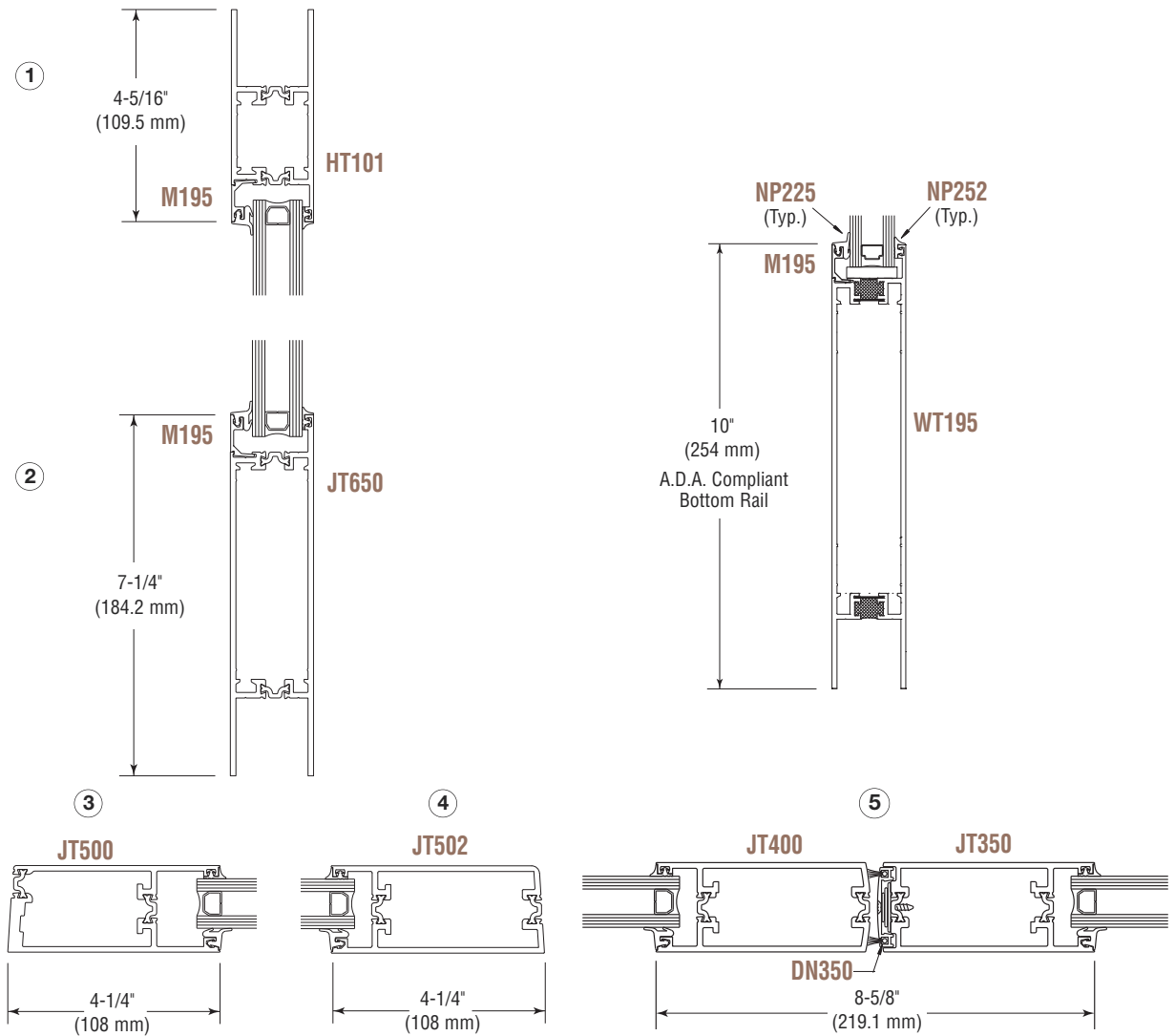
SERIES	STILES	TOP RAIL	BOTTOM RAIL	APPLICATION
400-T Medium Stile	4-1/4" (108 mm)	4-5/16" (109.5 mm)	7-1/4" (184.2 mm)	Moderate to Heavy Traffic
A.D.A. Bottom Rail Option			10" (254 mm)	A.D.A.

Series 400-T Medium Stile Thermal Entrance Doors

Typical Details



TYPICAL ELEVATIONS



NOT TO SCALE

Series 550-T Wide Stile Thermal Entrance Doors

- 5-1/2" (139.7 mm) Wide Stile Aluminum Doors for Exterior Applications
- Thermally Broken
- Prepped for Offset Pivots or 1-1/2 Pair of Butt Hinges (Door Closer Not Included)
- Choice of Standard or A.D.A. Access Bottom Rails
- Lifetime Warranty on Mechanically Fastened and Welded Corner Construction
- Clear Anodized and Bronze Anodized Standard
- Custom Finishes Available on Request

Our Series 550-T Thermal Entrance Door offers a two glass stop design, filled and debridged with a Polyurethane Polymer Thermal Break, and mechanically fastened and welded corners, offering one of the best thermal properties available in commercial entrance doors. All doors offer clean lines and are supplied with push/pull hardware and maximum security locks. These entrances can easily accommodate a wide variety of custom hardware for specific job requirements. Optional 10" (254 mm) bottom rail is available for A.D.A. requirements.

Certified thermal test reports for all U.S. Aluminum products tested in accordance with AAMA 1503.1-88 are available at usalum.com and crl-arch.com, upon request from any of our service centers, or by calling our national toll free number at (800) 262-5151.



Standard Features:

Glass Stops - Pressure type glass stops with E.P.D.M. glazing gaskets permit time saving installation of glass. Glass stops are for 1" (25 mm) infills. Setting blocks for glass are preset at the factory.

Adjustable Leveling Screw - A simple adjustment on the leveling screw, concealed in the top rail of the door, compensates for minor variances in door openings after installation.

Adjustable Astragal - All pairs of doors come with spring-loaded fully adjustable dual weathered astragals for optimum air resistance. Binding or gaps at the meeting stiles can be easily corrected by simple adjustments. The full length dual weather stripping on the astragal is not interrupted by the deadlock.

Hinging Hardware - Offset Pivots or Butt Hinges for Single Acting Doors.

Accessories:

Closers

- Exposed Overhead (Surface Mounted)
- Concealed Overhead with Offset Arm
- Floor Mounted

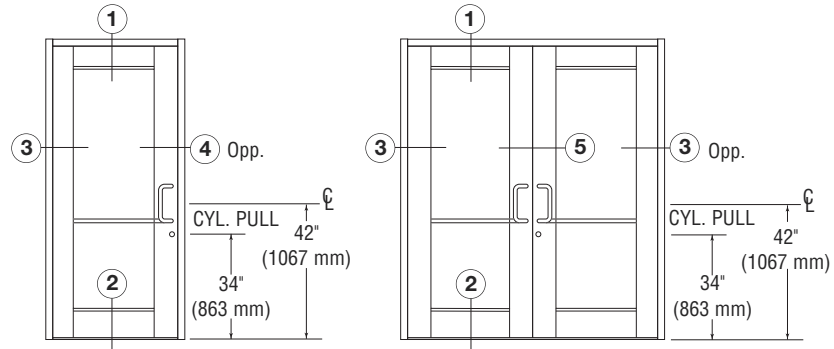
Panic Exit Devices

- Conventional Push Panel

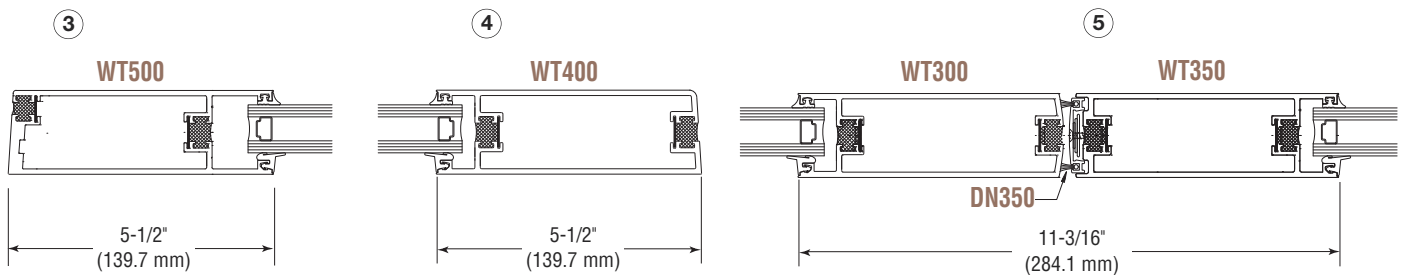
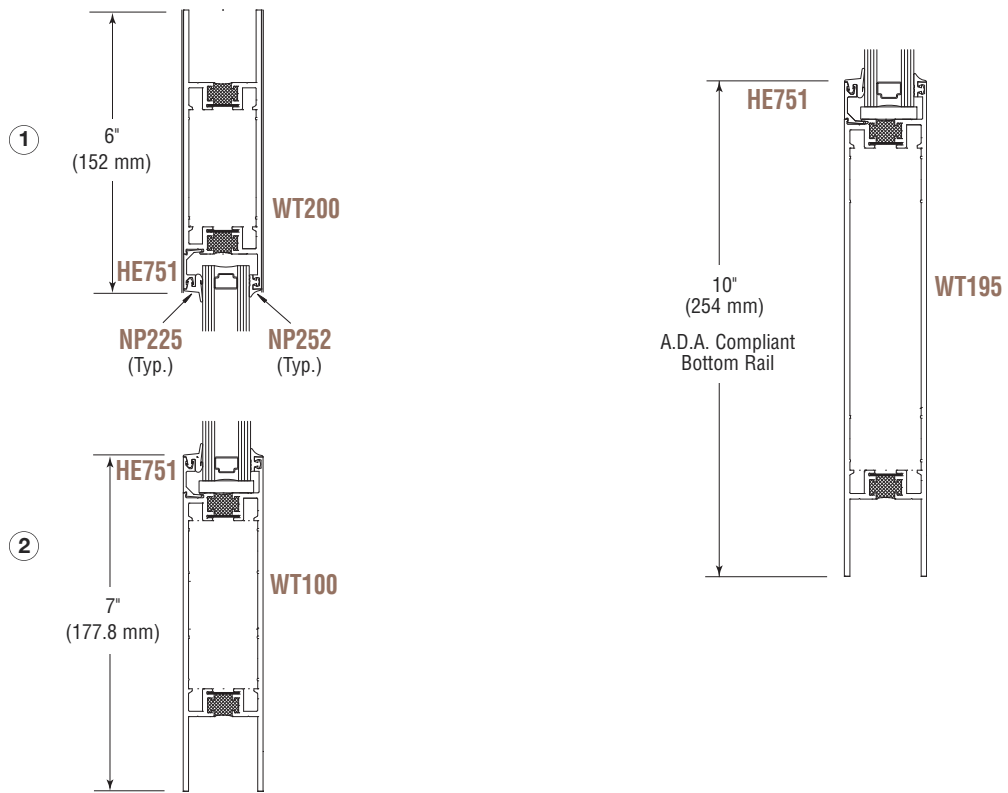
SERIES	STILES	TOP RAIL	BOTTOM RAIL	APPLICATION
550-T Wide Stile	5-1/2" (139.7 mm)	6" (152.4 mm)	7" (177.8 mm)	Heavy Traffic
A.D.A. Bottom Rail Option			10" (254 mm)	A.D.A.

Series 550-T Wide Stile Thermal Entrance Doors

Typical Details

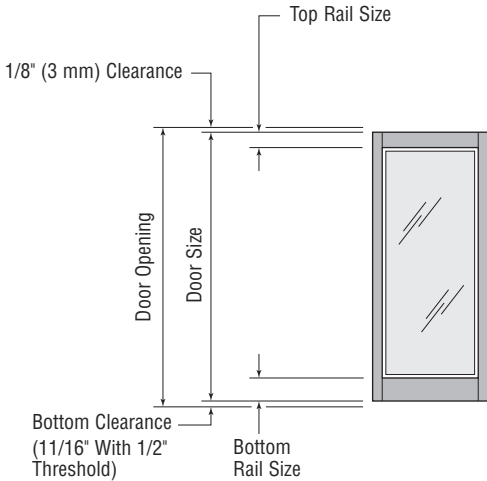


TYPICAL ELEVATIONS



NOT TO SCALE

Series 650-T, 700-T, and 750-T Glass Formulas for High Performance Thermal Doors With Standard and A.D.A. Bottom Rails

GLASS HEIGHT FORMULAS FOR RAIL COMBINATIONS AND SPECIAL HEIGHT DOORS																	
For 650-T Narrow Stile Doors	For 700-T Medium Stile Doors																
<p>EXAMPLE 1: 84" Door Opening Height with Butt Hinges, Offset Hinges or Continuous Geared Hinge and 1" (25 mm) Glass: Standard 2-1/2" Top Rail and 3-7/8" Bottom Rail with 1/2" Threshold.</p> <p>FORMULA: $84" - [7-3/4"] = 76-1/4"$ Glass Height Size.</p> <p>EXAMPLE 2: 84" Door Opening Height with Butt Hinges, Offset Hinges or Continuous Geared Hinge and 1" (25 mm) Glass: Standard 2-1/2" Top Rail and 9-1/4" Bottom Rail with 1/2" Threshold.</p> <p>FORMULA: $84" - [13"] = 71"$ Glass Height Size.</p>	<p>EXAMPLE 1: 84" Door Opening Height with Butt Hinges, Offset Hinges or Continuous Geared Hinge and 1" (25 mm) Glass: Standard 3-1/2" Top Rail and 6-1/2" Bottom Rail with 1/2" Threshold.</p> <p>FORMULA: $84" - [11-1/4"] = 72-3/4"$ Glass Height Size.</p> <p>EXAMPLE 2: 84" Door Opening Height with Butt Hinges, Offset Hinges or Continuous Geared Hinge and 1" (25 mm) Glass: Standard Top Rail and 9-1/4" A.D.A. Bottom Rail with 1/2" Threshold.</p> <p>FORMULA: $84" - [14"] = 70"$ Glass Height Size.</p>																
For 750-T Wide Stile Doors																	
<p>EXAMPLE 1: 84" Door Opening Height with Butt Hinges, Offset Hinges or Continuous Geared Hinge and 1" (25 mm) Glass: Standard 4-1/4" Top Rail and 6-1/4" Bottom Rail with 1/2" Threshold.</p> <p>FORMULA: $84" - [12"] = 72"$ Glass Height Size.</p> <p>EXAMPLE 2: 84" Door Opening Height with Butt Hinges, Offset Hinges or Continuous Geared Hinge and 1" (25 mm) Glass: Standard 4-1/4" Top Rail and 9-1/4" A.D.A. Bottom Rail with 1/2" Threshold.</p> <p>FORMULA: $84" - [14-3/4"] = 69-1/4"$ Glass Height Size.</p>																	
<p>RAIL SIZES:</p> <table border="0"> <tr><td>NT250</td><td>2-1/2"</td></tr> <tr><td>NT388</td><td>3-1/2"</td></tr> <tr><td>MT350</td><td>3-7/8"</td></tr> <tr><td>WT425</td><td>4-1/4"</td></tr> <tr><td>WT650</td><td>6-1/2"</td></tr> <tr><td>WT950</td><td>9-1/4"</td></tr> </table>	NT250	2-1/2"	NT388	3-1/2"	MT350	3-7/8"	WT425	4-1/4"	WT650	6-1/2"	WT950	9-1/4"	<p>DOOR CLEARANCES:</p> <table border="0"> <tr><td>At Top Rail</td><td>1/8"</td></tr> <tr><td>At Bottom Rail</td><td>11/16" @ 1/2" Threshold</td></tr> </table>	At Top Rail	1/8"	At Bottom Rail	11/16" @ 1/2" Threshold
NT250	2-1/2"																
NT388	3-1/2"																
MT350	3-7/8"																
WT425	4-1/4"																
WT650	6-1/2"																
WT950	9-1/4"																
At Top Rail	1/8"																
At Bottom Rail	11/16" @ 1/2" Threshold																

GLASS WIDTH FORMULAS

DOORS WITH BUTT HINGES, OFFSET PIVOTS OR CONTINUOUS GEARED HINGE

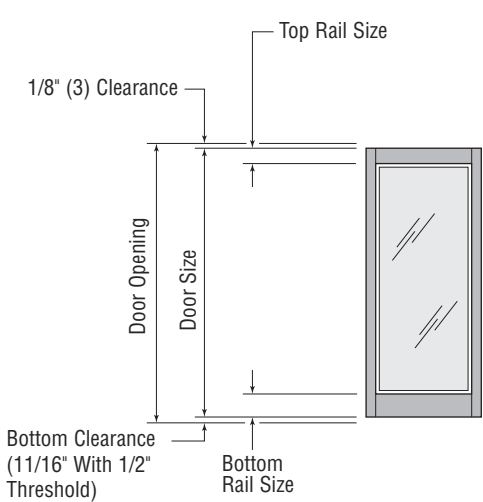
DOOR STILE		1" (25) GLASS
Series 650-T Narrow Stile	Single Door	Door Opening Minus 5-5/8"
	Pair of Doors	Door Opening Divided by 2, Minus 5-5/8"
Series 700-T Medium Stile	Single Door	Door Opening Minus 7-5/8"
	Pair of Doors	Door Opening Divided by 2, Minus 7-5/8"
Series 750-T Wide Stile	Single Door	Door Opening Minus 9-1/4"
	Pair of Doors	Door Opening Divided by 2, Minus 9-1/4"

GLASS HEIGHT FORMULAS*

DOOR STILE	1" (25) GLASS WITH STANDARD BOTTOM RAIL	1" (25) GLASS WITH 10" A.D.A. BOTTOM RAIL
Series 650-T Narrow Stile	Door Opening Minus 7-3/4"	Door Opening Minus 13"
Series 700-T Medium Stile	Door Opening Minus 11-1/4"	Door Opening Minus 14"
Series 750-T Wide Stile	Door Opening Minus 12"	Door Opening Minus 14-3/4"

* Including 1/2" Threshold

Series 250-T, 400-T, and 550-T Glass Formulas for Thermal Doors With Standard and A.D.A. Bottom Rails

GLASS HEIGHT FORMULAS FOR RAIL COMBINATIONS AND SPECIAL HEIGHT DOORS															
For 250-T Narrow Stile Doors	For 400-T Medium Stile Doors														
<p>EXAMPLE 1: 84" Door Opening Height with Butt Hinges or Offset Hinges and 1" (25 mm) Glass: Standard 2-7/8" Top Rail and 4-5/16" Bottom Rail with 1/2" Threshold.</p> <p>FORMULA: 84" - [7"] = 77" Glass Height Size.</p> <p>EXAMPLE 2: 84" Door Opening Height with Butt Hinges or Offset Hinges and 1" (25 mm) Glass: Standard Top Rail and 10" A.D.A. Bottom Rail with 1/2" Threshold.</p> <p>FORMULA: 84" - [12-3/4"] = 71-1/4" Glass Height Size.</p>	<p>EXAMPLE 1: 84" Door Opening Height with Butt Hinges or Offset Hinges and 1" (25 mm) Glass: Standard 4-5/16" Top Rail and 7-1/4" Bottom Rail with 1/2" Threshold.</p> <p>FORMULA: 84" - [11-3/8"] = 72-5/8" Glass Height Size.</p> <p>EXAMPLE 2: 84" Door Opening Height with Butt Hinges or Offset Hinges and 1" (25 mm) Glass: Standard Top Rail and 10" A.D.A. Bottom Rail with 1/2" Threshold.</p> <p>FORMULA: 84" - [14-1/4"] = 69-7/8" Glass Height Size.</p>														
For 550-T Wide Stile Doors															
<p>EXAMPLE 1: 84" Door Opening Height with Butt Hinges or Offset Hinges and 1" (25 mm) Glass: Standard 6" Top Rail and 7" Bottom Rail with 1/2" Threshold.</p> <p>FORMULA: 84" - [12-3/4"] = 71-1/4" Glass Height Size.</p> <p>EXAMPLE 2: 84" Door Opening Height with Butt Hinges or Offset Hinges and 1" (25 mm) Glass: Standard Top Rail and 10" A.D.A. Bottom Rail with 1/2" Threshold.</p> <p>FORMULA: 84" - [15-3/4"] = 68-1/4" Glass Height Size.</p>															
<p>RAIL SIZES:</p> <table border="0"> <tr><td>HT201</td><td>2-7/8"</td></tr> <tr><td>HT101</td><td>4-5/16"</td></tr> <tr><td>WT200</td><td>6"</td></tr> <tr><td>WT100</td><td>7"</td></tr> <tr><td>WT195</td><td>10"</td></tr> </table>	HT201	2-7/8"	HT101	4-5/16"	WT200	6"	WT100	7"	WT195	10"	<p>DOOR CLEARANCES:</p> <table border="0"> <tr><td>At Top Rail</td><td>1/8"</td></tr> <tr><td>At Bottom Rail</td><td>11/16" @ 1/2" Threshold</td></tr> </table>	At Top Rail	1/8"	At Bottom Rail	11/16" @ 1/2" Threshold
HT201	2-7/8"														
HT101	4-5/16"														
WT200	6"														
WT100	7"														
WT195	10"														
At Top Rail	1/8"														
At Bottom Rail	11/16" @ 1/2" Threshold														

GLASS WIDTH FORMULAS

DOORS WITH BUTT HINGES OR OFFSET PIVOTS

DOOR STILE		1" (25 MM) GLASS
Series 250-T Narrow Stile	Single Door	Door Opening minus 5-1/4"
	Pair of Doors	Door Opening divided by 2, minus 5-1/4"
Series 400-T Medium Stile	Single Door	Door Opening minus 7-3/4"
	Pair of Doors	Door Opening divided by 2, minus 7-3/4"
Series 550-T Medium Stile	Single Door	Door Opening minus 10-1/4"
	Pair of Doors	Door Opening divided by 2, minus 10-1/4"

GLASS HEIGHT FORMULAS*

DOOR STILE	1" (25 MM) GLASS WITH STANDARD BOTTOM RAIL	1" (25 MM) GLASS WITH 10" A.D.A. BOTTOM RAIL
Series 250-T Narrow Stile	Door Opening Minus 7"	Door Opening Minus 12-3/4"
Series 400-T Medium Stile	Door Opening Minus 11-3/8"	Door Opening Minus 14-1/4"
Series 550-T Wide Stile	Door Opening Minus 12-3/4"	Door Opening Minus 15-3/4"

* Including 1/2" Threshold

Custom Series 250-T, 400-T, 550-T, 650-T, 700T, and 750-T Thermal Door Quote/Order Request Form

Page 1 of 2

Fax Completed Checklist to U.S. Aluminum Technical Sales at (866) 262-3299. Then call to discuss: (800) 262-5151 (U.S.), (877) 421-6144 (Canada), or (323) 588-1281 (International). Ask for Extension 5305. This form is also available online at usalum.com.

Company Name _____
 Contact _____
 Job Name _____

Phone # _____
 Fax # _____
 Email _____

When you are ready to order, utilize this form to assist you in covering the details required to complete a Custom Door Entrance installation. Going through this exercise should prevent you from overlooking any details related to your installation.

IMPORTANT: Depending on the complexity of your project, one or more of the following may be required to accurately order: sketches or drawings of your particular application with dimensions; printed architectural drawings or CAD files; photos of job site conditions (digital images are preferable). **NOTE:** A final sign off is required prior to any custom fabrication.

DOOR STILE

- Series 250-T, Narrow
- Series 400-T, Medium
- Series 550-T, Wide
- Series 650-T, Narrow High Performance
- Series 700-T, Medium High Performance
- Series 750-T, Wide High Performance

DOOR FINISH

- Clear Anodized Class II
- Dark Bronze Anodized Class II
- Custom Anodized Class I

- Bone White Kynar Paint
- Hartford Green Kynar Paint
- Custom Duranar 70% Kynar (2 Coat)

DOOR OPENING SIZE

- 36" x 84" (914 x 2134 mm)
- 72" x 84" (1829 x 2134 mm)
- Custom

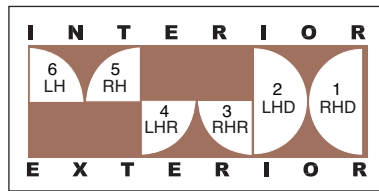
DOOR GLASS (BY OTHERS)

- With 1" (25 mm) Glass Stops
- With 1-1/2" (38 mm) Glass Stops
- Other

DOOR SWEEP*

- Yes No
 - Exposed Fasteners
 - Concealed Fasteners
- *BW200 Door Sweeps Standard on Series 650-T, 700-T, and 750-T (2 per Leaf)

DOOR SWING CHART



Use the Door Swing Chart to determine how the door(s) should be handed.

DOOR SWING

- | | | |
|--|-------|-----|
| <input type="checkbox"/> LH Hinge Left Swing In | _____ | ea. |
| <input type="checkbox"/> RH Hinge Right Swing In | _____ | ea. |
| <input type="checkbox"/> LHR Hinge Left Swing Out | _____ | ea. |
| <input type="checkbox"/> RHR Hinge Right Swing Out | _____ | ea. |
| <input type="checkbox"/> LHD Hinge Left Double Acting | _____ | ea. |
| <input type="checkbox"/> RHD Hinge Right Double Acting | _____ | ea. |
| <input type="checkbox"/> PAIR Swing In | _____ | ea. |
| <input type="checkbox"/> PAIR Swing Out | _____ | ea. |
| <input type="checkbox"/> PAIR Double Acting | _____ | ea. |

CONCEALED WEATHERSTRIP

- Top Rail
- Bottom Rail
- Both

BOTTOM RAIL

- Standard
- A.D.A. 10" (254 mm) Rail
- Custom

PUSH/PULL HARDWARE

- Standard Push Bars
- Standard Push/Pull
- Offset Pulls
- None (Supplied by Others)

DOOR HINGING

- Top/Bottom and Intermediate Offset Pivots
 - 1-1/2 Pair Butt Hinges
 - Additional Pivot
- Add _____ per Door
- Additional Butt Hinges
- Add _____ per Door
- Continuous Geared Hinge

Custom Series 250-T, 400-T, 550-T, 650-T, 700-T, and 750-T Thermal Door Quote/Order Request Form

Page 2 of 2

NOTE: For quickest lead times and greatest value, specify C.R. Laurence Hardware on all your doors. Visit crlaurence.com for Commercial Door Hardware.

PANIC DEVICES

- Rim Panic With Crashbar
- Concealed Panic With Crashbar
- Mid-Panel Device
- Rim Panic With Push Pad
- Concealed Panic With Push Pad
- CRL-Blumcraft Panic
- Removable Mullion
- Custom

THRESHOLD

- None (Leave 1/2" [12.7 mm] Allowance)
- None (No Allowance)
- 4-1/2" (114.3 mm)
- 4-3/4" (120.7 mm)
- 5" (127 mm)
- 7" (178 mm)
- Custom

LOCKING OPTIONS

- MS Deadbolt With Two Cylinders
- Thumbturn in Lieu of Cylinder
- 3-Point Locking @ Pair
- Cylinder Guard
- Flushbolts
- A.R. Latch/Deadlock
- A.R. Hook Throw Deadlock
- Paddle Handle
- A.R. Lever Handle
- CRL Lever Handle
- Electric Strike
- No Locking Hardware

DOOR HARDWARE FINISH

- Clear Anodized
- Bronze Anodized
- Champagne Anodized
- Other (Specify)

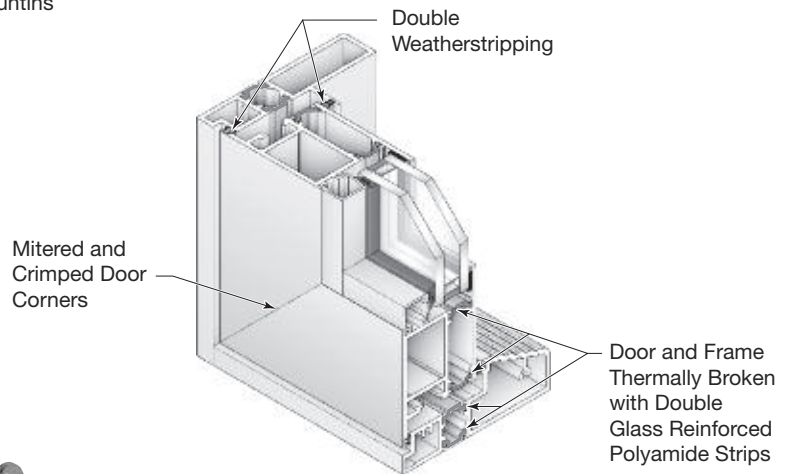
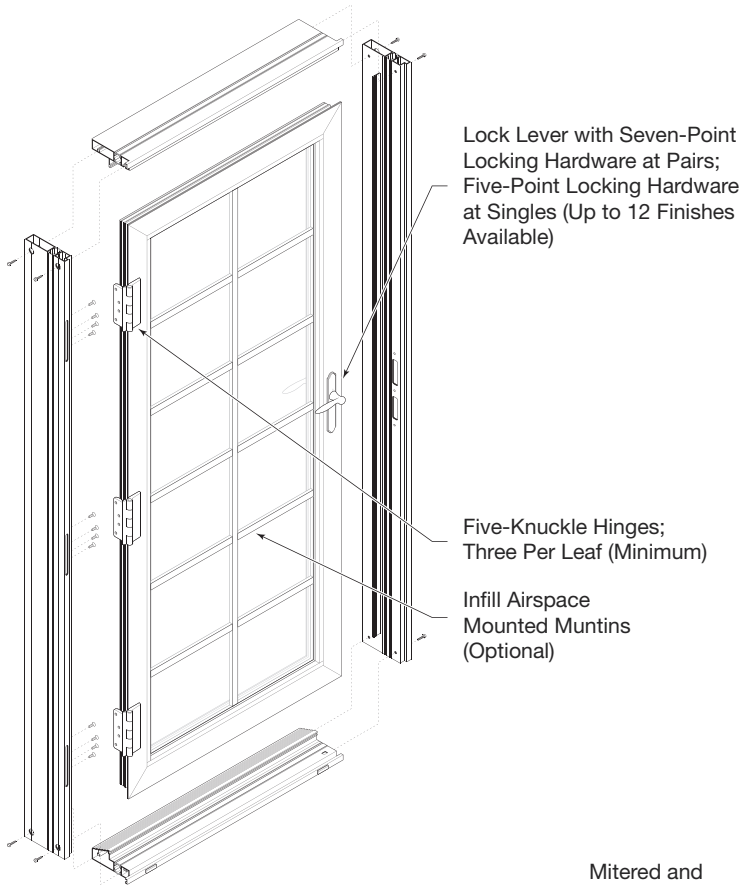
DOOR CLOSER

- O.H. Concealed (Double Acting)
- O.H. Concealed (Offset)
- 90° 105°
- Hold Open Yes No
- Surface Mount
- Drop Plate
- Door Stop/Holder
- No Closer Required

LAYOUT GRID TO SKETCH DESIGN

Series 900 Terrace Doors

The Series 900 is a High Performance Terrace Door for use in condominiums, lofts, hotels, and high-rise apartments with all the benefits you are looking for in a French Door look. The Series 900 Terrace Door will withstand heavy traffic and the worst of weather conditions while maintaining its elegant styling. The 2-1/4" (57.2 mm) thick door with a 1" x 4-1/2" (25 x 114.3 mm) frame features double polyamide glass strips providing superior interior to exterior thermal separation. For maximum security, the Series 900 Terrace Door includes a Seven-Point Locking Device for pairs and Five-Point Device for singles. Three each Five-Knuckle Butt Hinges with non-removable stainless steel pins per leaf complete the sturdy look and feel of the Series 900 Terrace Door. For information about our Hurricane Resistant Balcony/Terrace Doors please see pages 226D thru 227D.



LEVER HANDLE OPTIONS



Manor



Heritage

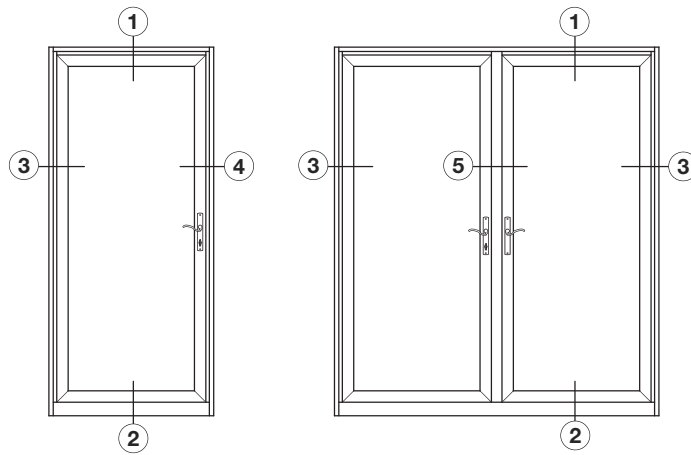


Estate

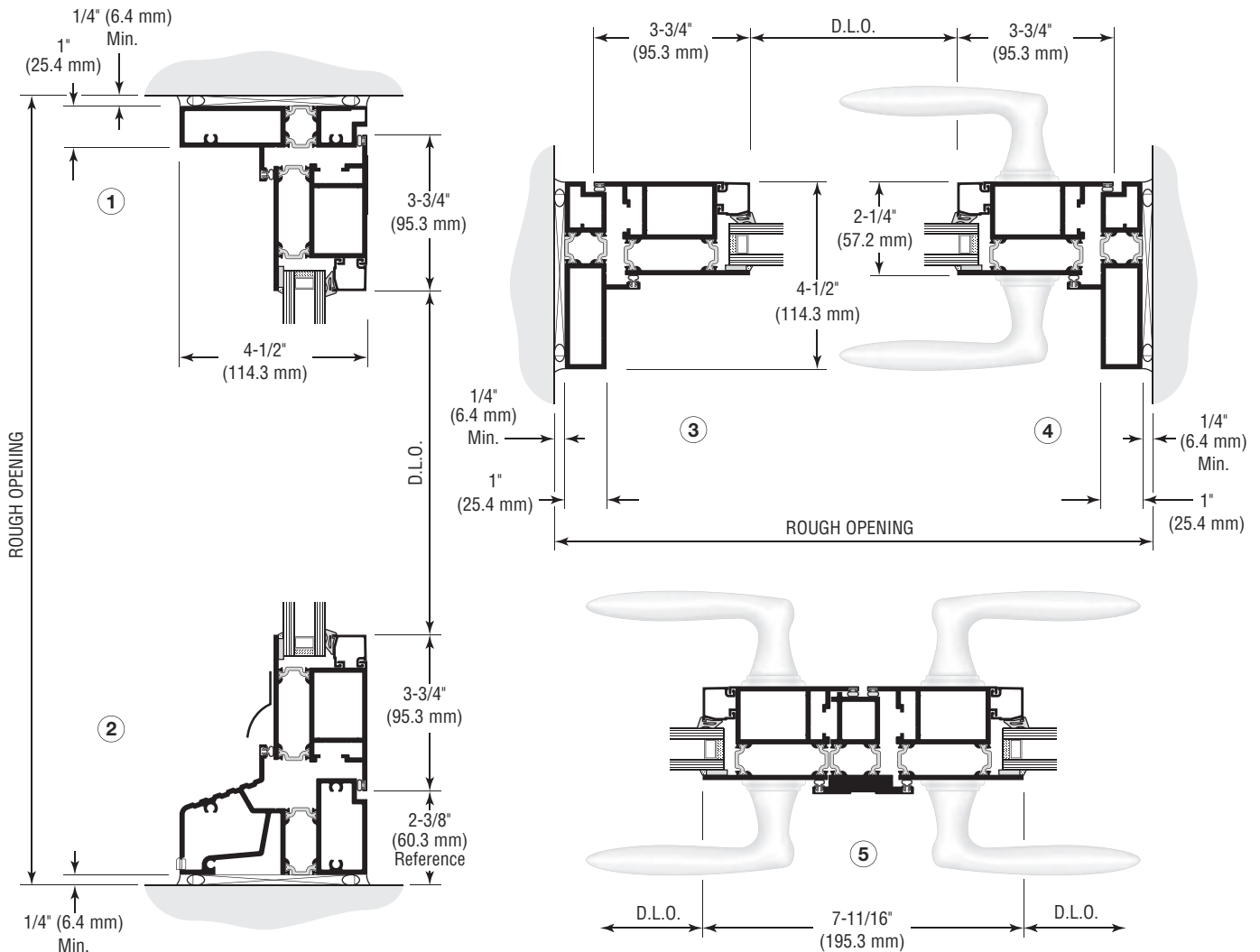
For Lever Handle options, See USAL15 Catalog page 06-H6 for more information

Series 900 Terrace Doors Typical Details

In-Swing Door Shown. For Out-Swing Typical Details please see USAL15 Catalog page 04-H6.



IN-SWING DOOR ELEVATIONS



NOT TO SCALE

Series BAL-350 Storm Front™ Doors

The BAL-350 Hurricane Resistant Balcony/Terrace Door is elegantly designed for high rise applications such as hotels, condominiums, and office buildings. Tested for both small and large missile impact resistance, as well as for air, water, and structural performance. The BAL-350 meets Miami-Dade County, Florida requirements with the highest level of quality. With the growing need for a commercial impact resistant product in the residential market, the BAL-350 by U.S. Aluminum has topped the list for single terrace and balcony doors.



Series BAL-350 Impact Resistant
Out-Swing Balcony/Terrace Door
(Exterior View)

NOA: 12-0405.08 Out-Swing Large Missile
NOA: 12-0505.09 Small Missile



Designer Latch Lock

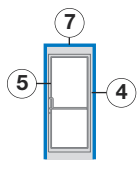
Standard Features:

- Factory Pre-Glazed With Structural Silicone
- Maximum Panel Size: 42" x 108" (1067 x 2743 mm)
- Heavy Commercial Grade
- Maximum Frame Height 120" (3048 mm), Including Transom
- 4-7/16" (112.7 mm) Top Rail and 8" (203.2 mm) Bottom Rail
- 3" (76.2 mm) High Water Threshold
- Heavy-Duty Internal Corner Clips
- 1" x 5" (25 x 127 mm) or 1-3/4" x 5" (44.5 x 127 mm) Door Frame
- 0.125" (3.2 mm) Nominal Wall Thickness, Door and Frame
- 1-1/2 Pair of 4" x 4-1/2" (101.6 x 114.3 mm) Mortised Aluminum Butt Hinges With Non-Removable Stainless Steel Hinge Pins for Door Opening Heights Up to 84" (2137 mm)
- Two Pairs of 4" x 4-1/2" (101.6 x 114.3 mm) Mortised Aluminum Butt Hinges With Non-Removable Stainless Steel Hinge Pins for Door Opening Heights Greater Than 84" (2137 mm)
- Double Rows of Weather Seals
- Stainless Steel Four-Point Locking System, Including Latch Lock, and Deadbolt Lock With Shoot-Bolts Top and Bottom
- Solid Brass Lever Handle by Ashland
- Non-Removable Interior Glass Stops
- Wet Glazing Method

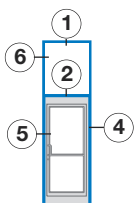
Options:

- Custom Finishes: AAMA 2605 Compliant Painted Finishes
- Concealed Overhead Closers
- Surface Mounted Heavy-Duty Closers
- Large Missile 9/16" (14 mm) VS Laminated Impact Glass
Laminated Glass Composition:
1/4" (6 mm) Heat Strengthened Laminated Glass
0.075" VS02 Interlayer
1/4" (6 mm) Heat Strengthened Glass
- Small Missile 9/16" (14 mm) PVB Laminated Impact Glass
Laminated Glass Composition:
1/4" (6 mm) Heat Strengthened Glass
0.90" PVB Interlayer
1/4" (6 mm) Heat Strengthened Glass
- Glass Tint Available as Selected by the Architect/Owner
- Designer Latch Lock Hardware Finishes Available: Black, Brushed Aluminum, Brushed Brass, Matte Aluminum, Polished Brass, Polished Chrome, and White.
- Open for Glazing by Customer

Series BAL-350 Storm Front™ Doors Out-Swing Door Frames

UP/OVER FRAMES FOR SINGLE DOOR	HARDWARE	CAT. NO.*
	3 Butt Hinges 36" x 84" D.O.	BAL350W10FN
Frame without Transom 39-1/2" x 86" or 39-1/2" x 98"	4 Butt Hinges 36" x 96" D.O.	BAL350W11FN

* Specify Right or Left Hand when ordering.

TRANSOM FRAME	HARDWARE	CAT. NO.*
	3 Butt Hinges 36" x 84" D.O.	BAL350W10FT
Frame with Transom 39-1/2" x 120"	4 Butt Hinges 36" x 96" D.O.	BAL350W11FT

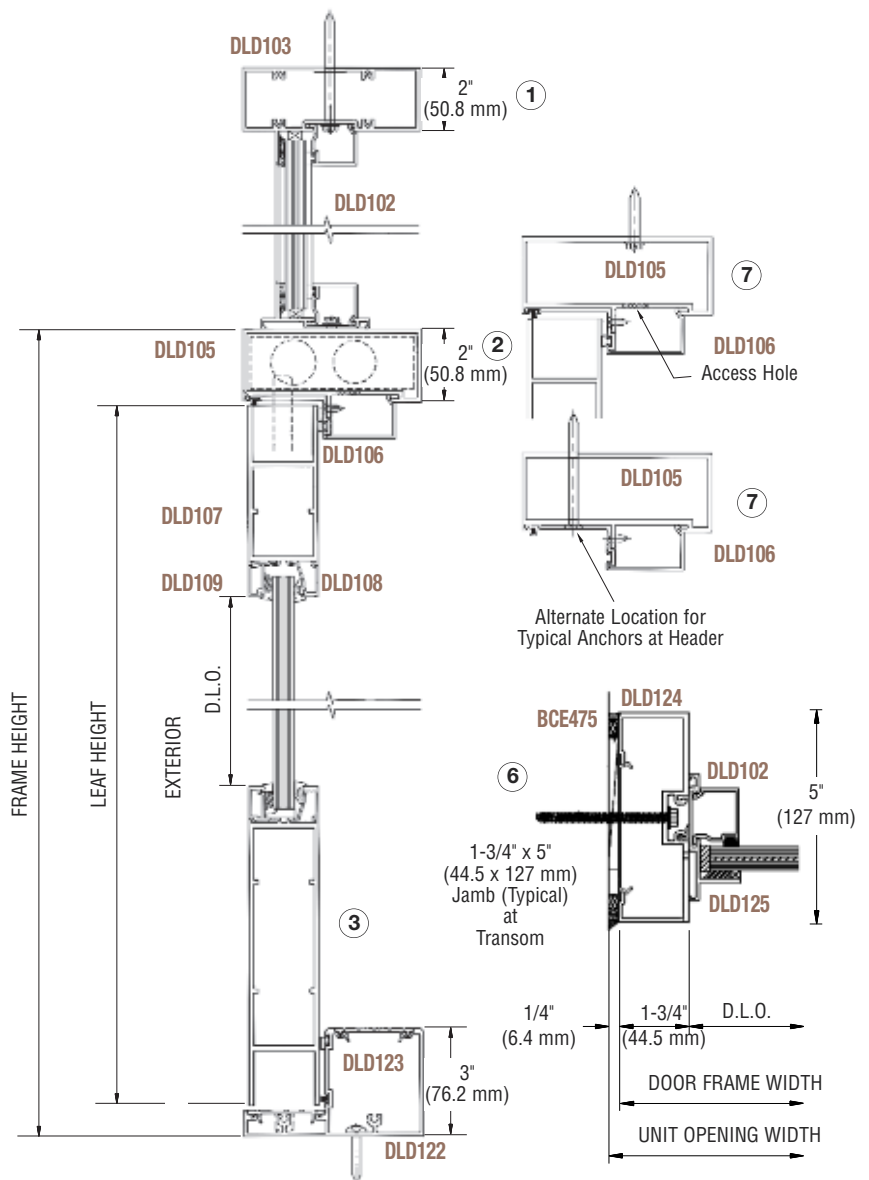
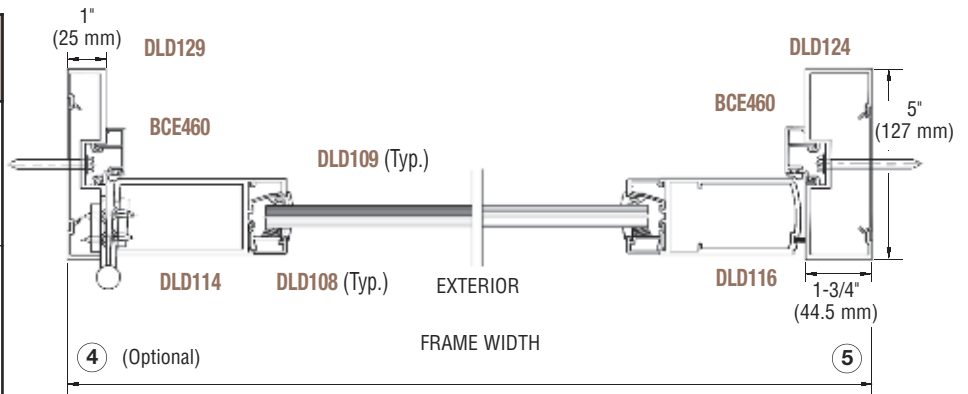
* Specify Right or Left Hand when ordering. Maximum door frame size 39-1/2" x 10' (1003 x 3048 mm) with Transom; 39-1/2" x 9' 2" (1003 x 2794 mm) without Transom

BAL-350 Balcony Door Frame Standard Features:

- Factory Assembled
- 1-3/4" x 5" (44.5 x 127 mm) Door Jamb
- Stainless Steel Butt Hinges With Aluminum Back-Up Plates
- 3" (76.2 mm) Water Resistant Threshold
- Pre-Drilled for Anchors
- Stainless Steel Water Resistant Keeper
- Silicone Sealed Corner Joinery

BAL-350 Balcony Door Frame Options:

- 1" (25 mm) Door Jamb



Series DH-350 Storm Front™ Doors

The DH-350 is a High Performance Hurricane Resistant Storefront Entrance Door designed for all commercial entrance applications including retail space, hotels, condominiums, office buildings, institutional facilities, and industrial structures. The DH-350 complies with the stringent requirements of Florida's Miami-Dade County Building Codes, making it the top choice for installation in areas ravished by hurricanes. The DH-350 is intended to be installed in punched openings or as a liner frame within other U.S. Aluminum Impact Framing Systems.



Series DH-350 Hurricane Resistant
Out-Swing Medium Stile
Entrance Door (Exterior View)

NOA: 12-0406.03 Out-Swing



Series DH-350 Hurricane Resistant
In-Swing Medium Stile
Entrance Door (Exterior View)

NOA: 12-0406.01 In-Swing



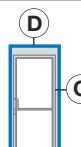
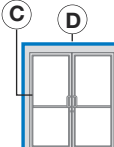
Standard Features:

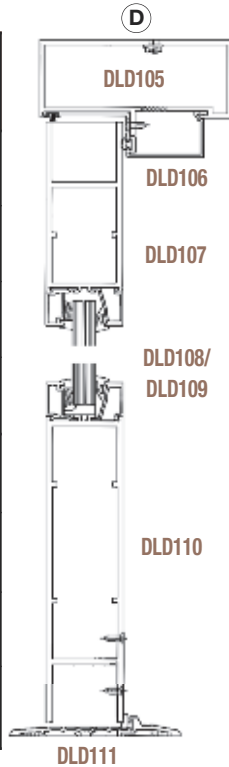
- Factory Pre-Glazed With Structural Silicone
- Standard Panel Sizes: 36" x 84" (914 x 2137 mm) for Single Doors
72" x 84" (1829 x 2137 mm) for Pairs of Doors
36" x 96" (914 x 2438 mm) for Single Doors
72" x 96" (1829 x 2438 mm) for Pairs of Doors
- Heavy Commercial Grade
- 8" (203.2 mm) Bottom Rail
- Heavy-Duty Internal Corner Clips
- 1" x 5" (25 x 127 mm) or 1-3/4" x 5" (44.5 x 127 mm) Door Frame
- 0.125" (3.2 mm) Nominal Wall Thickness, Door, and Frame
- 1-1/2 Pair of 4" x 4-1/2" (101.6 x 114.3 mm) Mortised Aluminum Butt Hinges with Non-Removable Stainless Steel Hinge Pins for 3070 / 6070 Doors
- Two Pairs of 4" x 4-1/2" (101.6 x 114.3 mm) Mortised Aluminum Butt Hinges with Non-Removable Stainless Steel Hinge Pins for 3080 / 6080 Doors
- Double Rows of Weather Seals
- Three-Point Locking System with Cylinder and Thumbturn Included
- Standard Push/Pull Set 1" (25 mm) Round US28 Finish
- Non-Removable Interior Glass Stops
- Wet Glazing Method
- Three Color Option

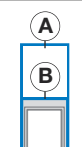
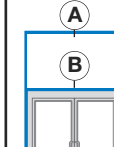
Options:

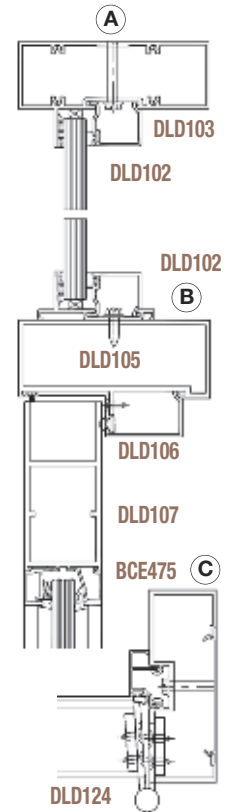
- Custom Finishes: AAMA 2605 Compliant Painted Finishes
- Concealed Overhead Closers
- Exposed Heavy-Duty Closer for Coastal and High Wind Zones
- Glass Tint Available as Selected by the Architect/Owner
- CRL Jackson Concealed Panic Exit Device
- Open for Glazing by Customer
- Glass: Large Missile 9/16" (14 mm) Laminated Impact Glass 0.090" Interlayer SGP by Dupont; Laminated Glass Composition: 1/4" (6 mm) Heat-Strengthened Laminated Glass with 0.090" SentryGlas® Plus Interlayer and 1/4" (6 mm) Heat-Strengthened Glass

Series DH-350 Storm Front™ Doors Out-Swing Door Frames

UP/OVER FRAMES FOR SINGLE AND PAIRS	HARDWARE	CAT. NO.*
 Frame without Transom 39-1/2" x 86" or 39-1/2" x 98"	3 Butt Hinges 3-Point Lock 36" x 84" D.O.	DH350A10FN
	3 Butt Hinges Jackson Exit Device 36" x 84" D.O.	DH350A20FN
	4 Butt Hinges 3-Point Lock 36" x 96" D.O.	DH350A11FN
	4 Butt Hinges Jackson Exit Device 36" x 96" D.O.	DH350A21FN
 Frame without Transom 75-1/2" x 86" or 75-1/2" x 98"	3 Butt Hinges 3-Point Lock 72" x 84" D.O.	DH350A10FNP
	3 Butt Hinges Jackson Exit Device 72" x 84" D.O.	DH350A20FNP
	4 Butt Hinges 3-Point Lock 72" x 96" D.O.	DH350A11FNP
	4 Butt Hinges Jackson Exit Device 72" x 96" D.O.	DH350A21FNP



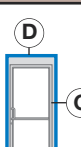
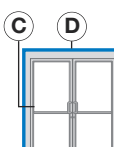
TRANSOM FRAMES FOR SINGLE AND PAIRS	HARDWARE	CAT. NO.*
 Frame with Transom 39-1/2" x 120"	3 Butt Hinges 3-Point Lock 36" x 84" D.O.	DH350A10FT
	3 Butt Hinges Jackson Exit Device 36" x 84" D.O.	DH350A20FT
	4 Butt Hinges 3-Point Lock 36" x 96" D.O.	DH350A11FT
	4 Butt Hinges Jackson Exit Device 36" x 96" D.O.	DH350A21FT
 Frame with Transom 75-1/2" x 120"	3 Butt Hinges 3-Point Lock 72" x 84" D.O.	DH350A10FTP
	3 Butt Hinges Jackson Exit Device 72" x 84" D.O.	DH350A20FTP
	4 Butt Hinges 3-Point Lock 72" x 96" D.O.	DH350A11FTP
	4 Butt Hinges Jackson Exit Device 72" x 96" D.O.	DH350A21FTP

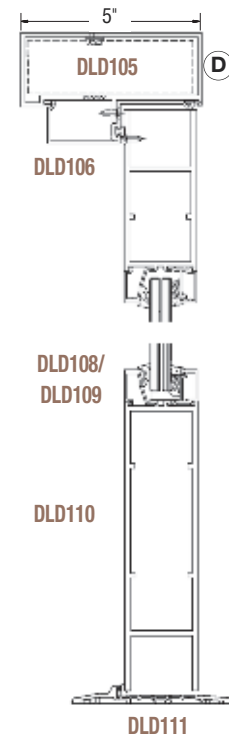


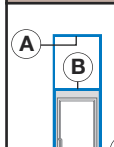
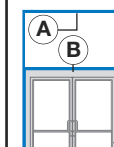
* For single door frames specify right or left handed at time of order.

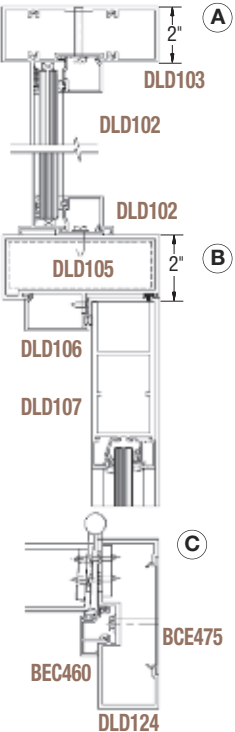
* For single door frames specify right or left handed at time of order.

In-Swing Door Frames

UP/OVER FRAMES FOR SINGLE AND PAIRS	HARDWARE	CAT. NO.*
 Frame without Transom 39-1/2" x 86" or 39-1/2" x 98"	3 Butt Hinges 3-Point Lock 36" x 84" D.O.	DH3501NA10F
	4 Butt Hinges 3-Point Lock 36" x 96" D.O.	DH3501NA11FN
 Frame without Transom 75-1/2" x 86" or 75-1/2" x 98"	3 Butt Hinges 3-Point Lock 72" x 84" D.O.	DH3501NA10FNP
	4 Butt Hinges 3-Point Lock 72" x 96" D.O.	DH3501NA11FNP



TRANSOM FRAMES FOR SINGLE AND PAIRS	HARDWARE	CAT. NO.*
 Frame with Transom 39-1/2" x 120"	3 Butt Hinges 3-Point Lock 36" x 84" D.O.	DH3501NA10FT
	4 Butt Hinges 3-Point Lock 36" x 96" D.O.	DH3501NA11FT
 Frame with Transom 75-1/2" x 120"	3 Butt Hinges 3-Point Lock 36" x 84" D.O.	DH3501NA10FTP
	4 Butt Hinges 3-Point Lock 36" x 96" D.O.	DH3501NA11FTP



* For single door frames specify right or left handed at time of order.

* For single door frames specify right or left handed at time of order.

Series IG500 Storm Front™ Doors

• For 9/16" (14 mm) Glazing

The IG500 is a High Performance Hurricane Resistant Storefront Entrance Door designed for all commercial entrance applications including retail space, hotels, condominiums, office buildings, institutional facilities, and industrial structures. The IG500 complies with the stringent requirements of Florida's Miami-Dade County Building Codes, making it the top choice for installation in areas battered by hurricanes. The IG500 is intended to be installed in punched openings or as a liner frame within other U.S. Aluminum Impact Framing Systems.



Series IG500 Hurricane Resistant
Out-Swing Medium Stile
Entrance Door (Exterior View)

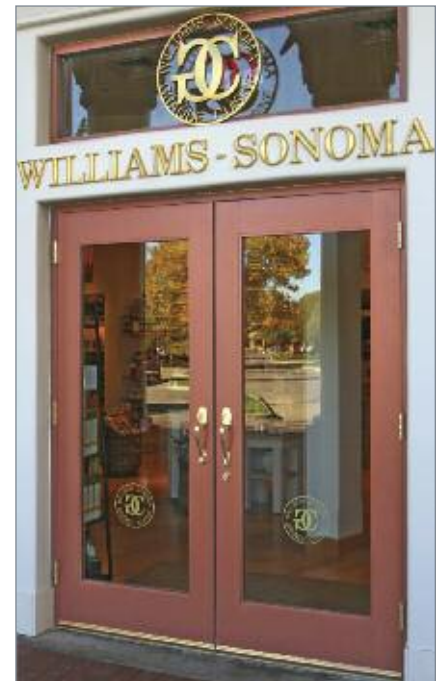


Standard Features:

- Standard Panel Sizes: 37" x 84" (940 x 2137 mm) for Single Door
72" x 84" (1829 x 2137 mm) for Pairs of Doors
- Glass Stops for 9/16" (14 mm) Glass (Glass to be Supplied by Customer)
- 4-11/16" (119.1 mm) Top Rail for Surface Mount Closer
- 7-5/16" (185.7 mm) Bottom Rail
- Mechanically Fastened and Welded Corners
- 1-1/2 Pair of 4" x 4-1/2" (101.6 x 114.3 mm) Mortised Stainless Steel Butt Hinges with Non-Removable Hinge Pins
- Hook Bolt and Cylinders on Singles. Flush Bolts on Pairs of Doors
- Standard Push/Pull Set, 1" (25 mm) Diameter Solid Aluminum
- Gaskets Included

Options:

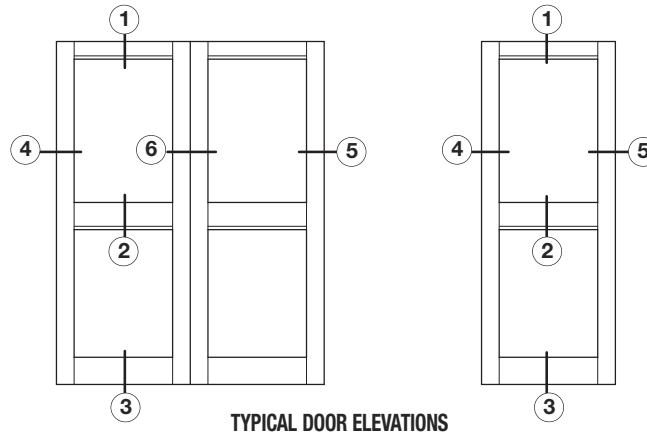
- Three Point Locking System
- Custom Finishes:
AAMA 2605 Compliant Painted Finishes
- Concealed Overhead Closers
(Requires Special Top Rail)
- 10" (254 mm) A.D.A. Bottom Rail
- CRL Jackson Concealed Panic Exit Device



Series IG500 Storm Front™ Doors

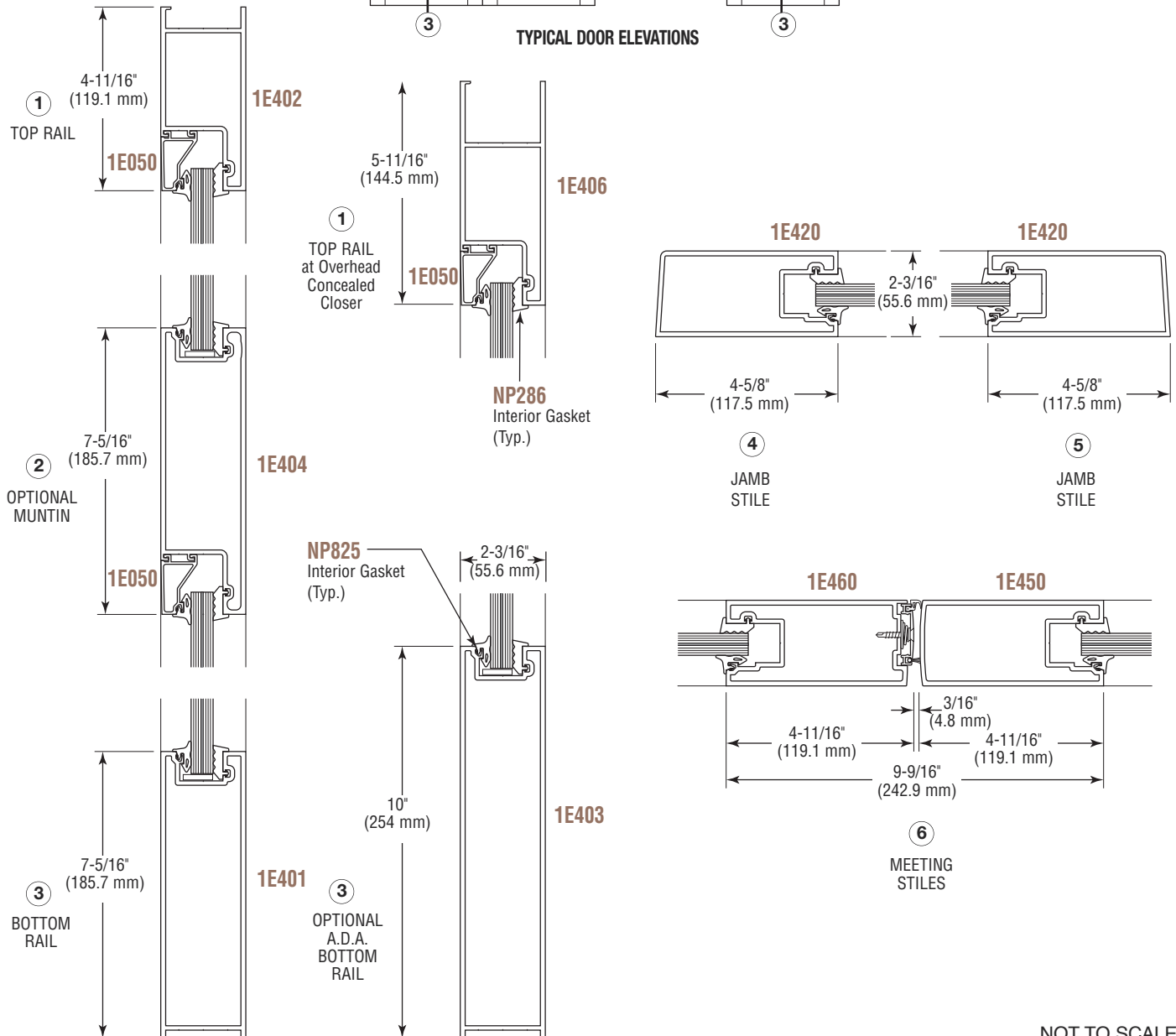
Typical Details

For 9/16" (14 mm) Glass



Door Size Maximum:
 Single Door - 44" x 96"
 (1.1 x 2.4 m)
 Double Door - 88" x 96"
 (2.2 x 2.4 m)

NOTE: Doors are designed to withstand a pressure of +/- 65 psf (3112 Pa) without steel reinforcement.



Series IG600 Storm Front™ Doors

• For 1-5/16" (33 mm) Glazing

The IG600 is a High Performance Hurricane Resistant Storefront Entrance Door designed for all commercial entrance applications including retail space, hotels, condominiums, office buildings, institutional facilities, and industrial structures. The IG600 complies with the stringent requirements of Florida's Miami-Dade County Building Codes, making it the top choice for installation in areas battered by hurricanes. The IG600 is intended to be installed in punched openings or as a liner frame within other U.S. Aluminum Impact Framing Systems.



Series IG600 Hurricane Resistant
Out-Swing Entrance Door
(Exterior View)

Storm Front™

Standard Features:

- Standard Panel Sizes: 37" x 84" (940 x 2137 mm) for Single Door
72" x 84" (1829 x 2137 mm) for Pairs of Doors
- Glass Stops for 1-5/16" (33 mm) Glass (Glass to be Supplied by Customer)
- 4-11/16" (119.1 mm) Top Rail for Surface Mount Closer
- 7-5/16" (185.7 mm) Bottom Rail
- Mechanically Fastened and Welded Corners
- 1-1/2 Pair of 4" x 4-1/2" (101.6 x 114.3 mm) Mortised Stainless Steel Butt Hinges with Non-Removable Hinge Pins
- Hook Bolt and Cylinders on Singles. Flush Bolts on Pairs of Doors
- Standard Push/Pull Set, 1" (25 mm) Diameter Solid Aluminum
- Gaskets Included

Options:

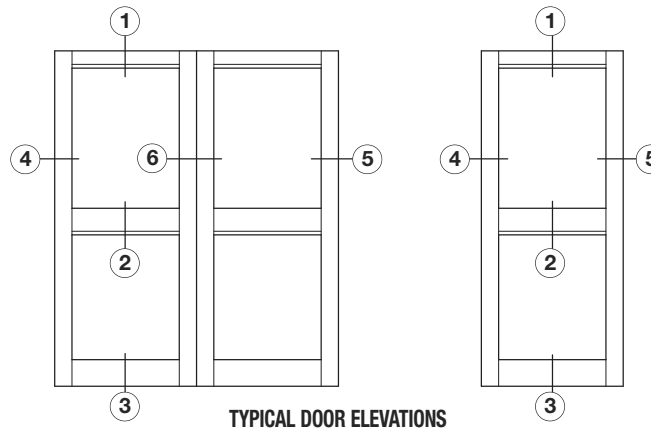
- Three Point Locking System
- Custom Finishes:
AAMA 2605 Compliant Painted Finishes
- Concealed Overhead Closers
(Requires Special Top Rail)
- 10" (254 mm) A.D.A. Bottom Rail
- CRL Jackson Concealed Panic
Exit Device



Series IG600 Storm Front™ Doors

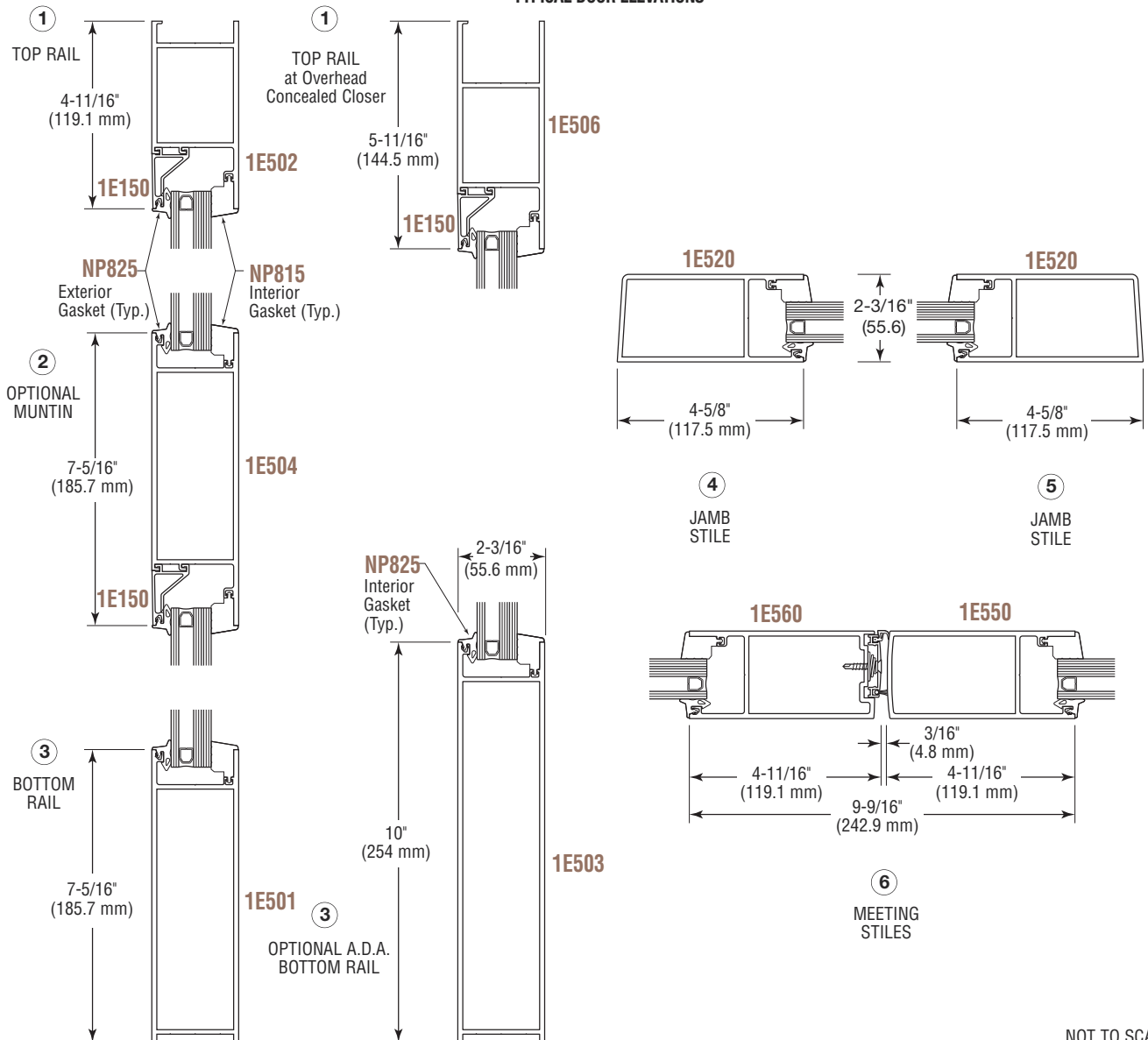
Typical Details

For 1-5/16" (33 mm) Glass



Door Size Maximum:
 Single Door - 44" x 96"
 (1.1 x 2.4 m)
 Double Door - 88" x 96"
 (2.2 x 2.4 m)

NOTE: Doors are designed to withstand a pressure of +/- 65 psf (3112 Pa) without steel reinforcement.



NOT TO SCALE

Series BR604 and BR606 Defender Doors

- Blast Resistant Entrances
- For 1-5/16" (33 mm) Glazing
- Tested in Accordance With DoD, GSA, and ASTM Protocols

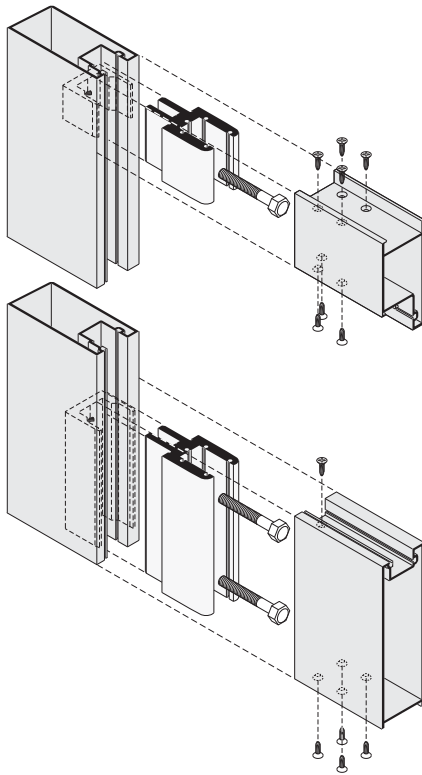
BR604 and BR606 Blast Resistant Entrance Systems are engineered and successfully tested to withstand blast pressures of 1 to 6 psi. These unique Entrance Systems utilize our Storm Front™ Entrance and feature screw spline assembly for panel erection, insulating and laminated glass siliconed in place, high performance subsill, and steel reinforced mullions. Made in the U.S.A. For additional information please visit our web site at usalum.com.

DEFENDER

BLAST MITIGATION PRODUCTS



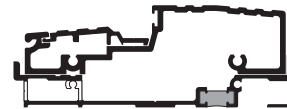
Series BR604/BR606 Blast Resistant Out-Swing Entrance Door (Exterior View)



A Low Profile Air Resistant Threshold is offered for installations that have soffit overhangs greater than the entrance frame height. High Performance Water Resistant Thresholds are offered to provide superior water and air management, along with ramps to meet A.D.A. requirements (see page 239D).



Low Profile Air Resistant Threshold



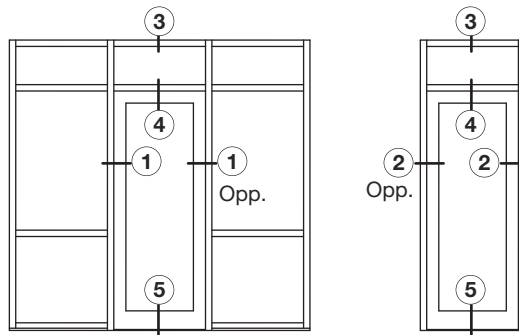
High Performance Water Resistant Threshold

SERIES	BLAST LOAD	FACE WIDTH	DEPTH	GLAZING INFILL	GLAZING METHOD
BR604	4.4 PSI	2-1/2" (63.5 mm)	5" (127 mm)	1-5/16" (33 mm)	Exterior
BR606	6.0 PSI	2-1/2" (63.5 mm)	5" (127 mm)	1-5/16" (33 mm)	Exterior

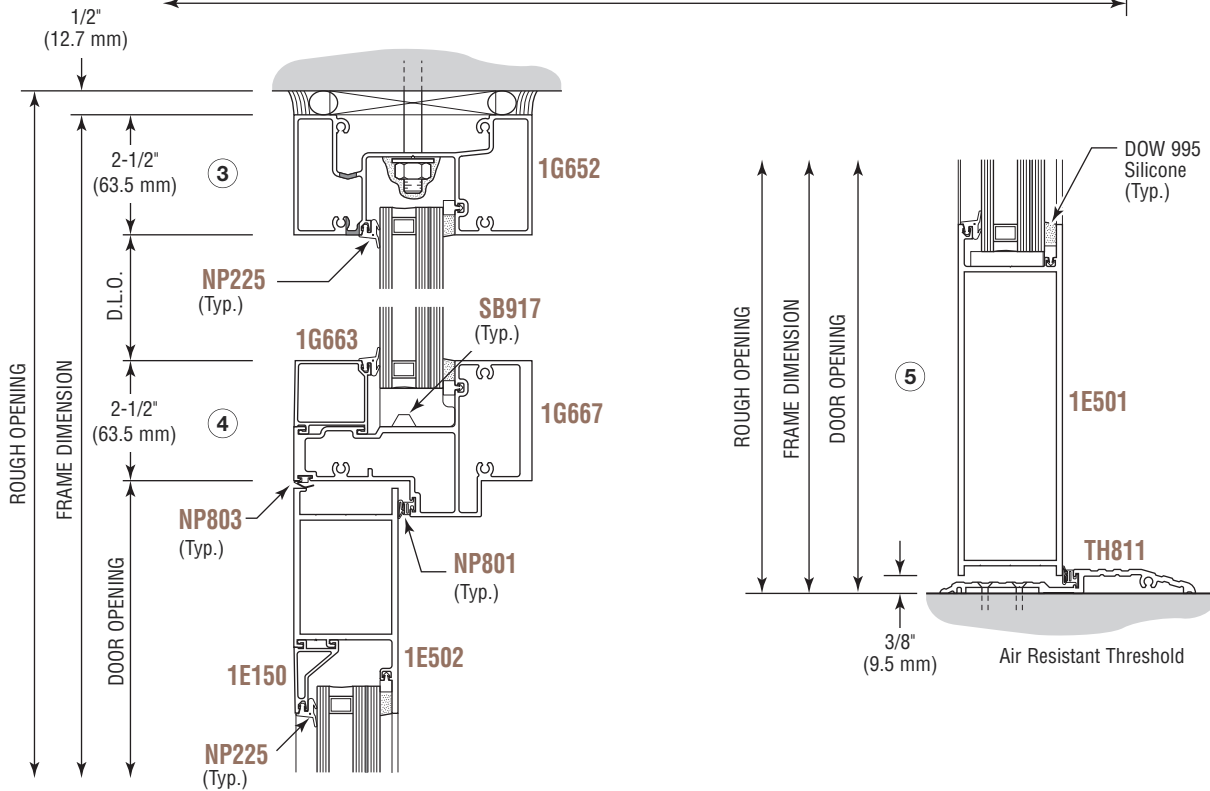
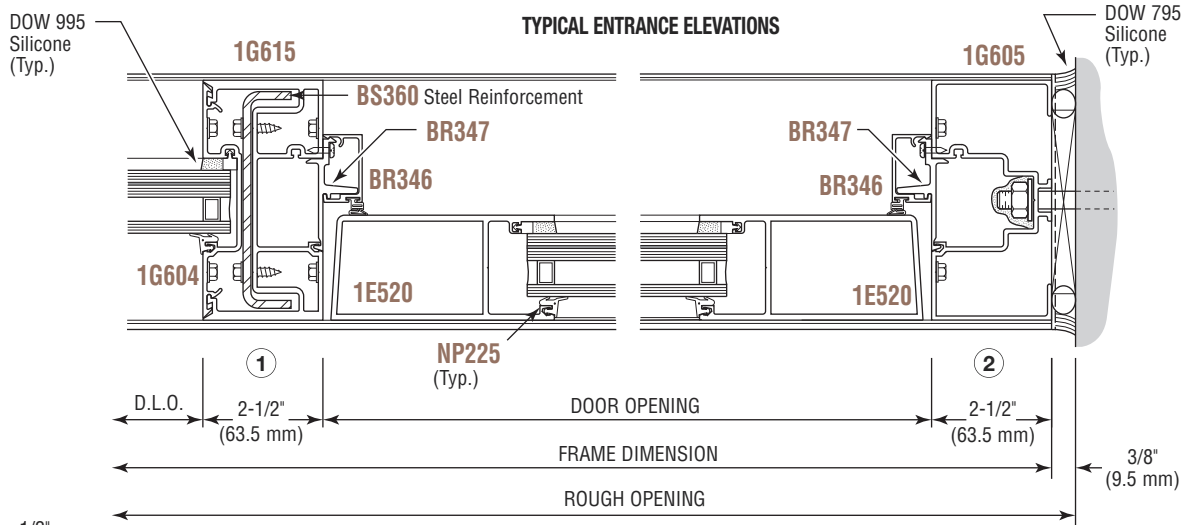
Series BR604 Defender Doors Typical Details

- 4.4 PSI Blast Load
- For 1-5/16" (33 mm) Glazing

NOTE: Frame height is limited to 8' (2.4 m). Consult your nearest U.S. Aluminum Service Center for deviation approval.



TYPICAL ENTRANCE ELEVATIONS

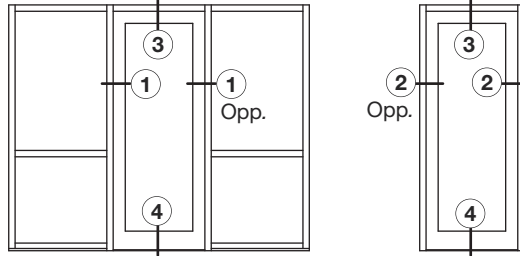


NOT TO SCALE

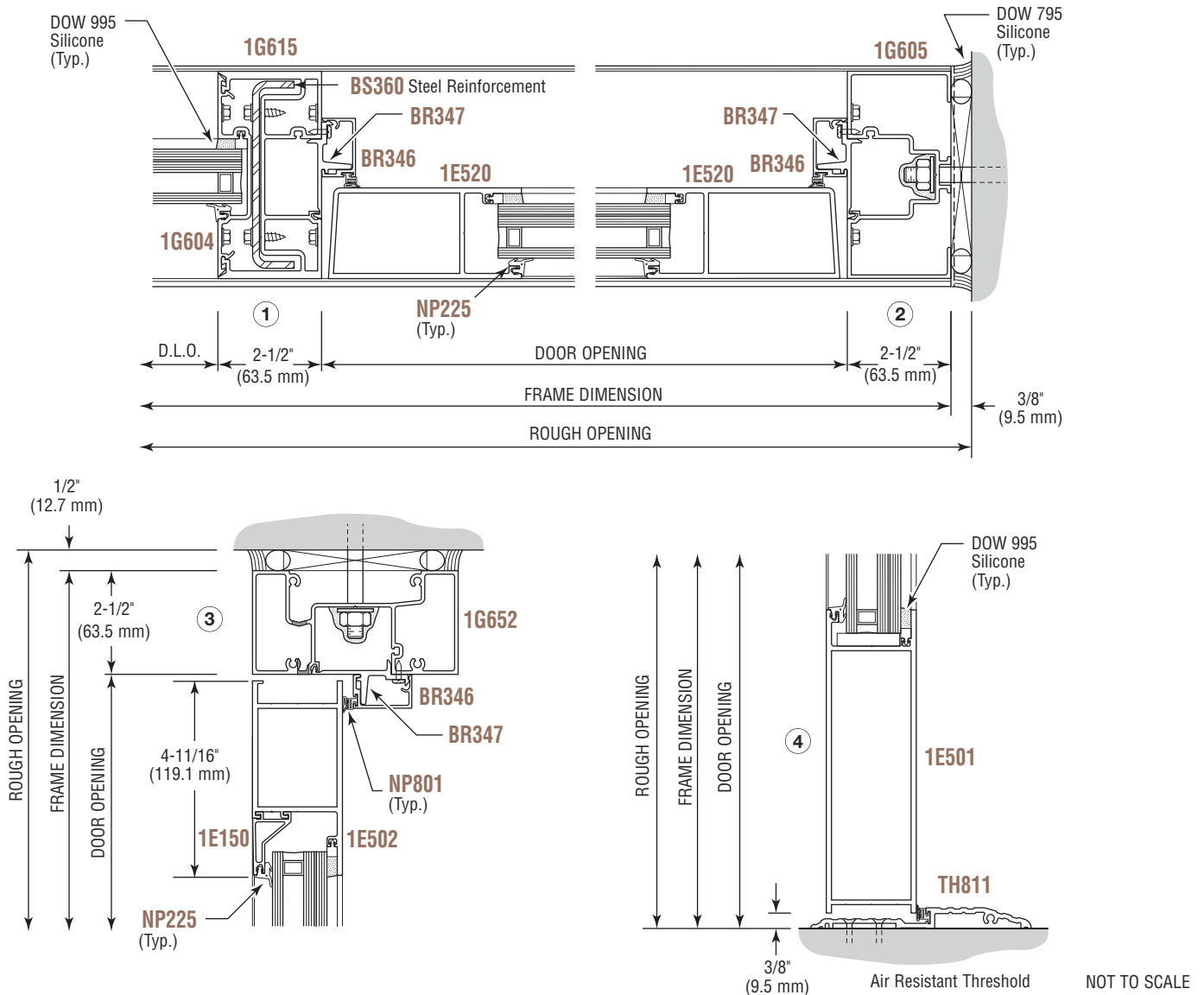
Series BR604 Defender Doors Typical Details

- 4.4 PSI Blast Load
- For 1-5/16" (33 mm) Glazing

NOTE: Frame height is limited to 8' (2.4 m). Consult your nearest U.S. Aluminum Service Center for deviation approval.



TYPICAL ENTRANCE ELEVATIONS

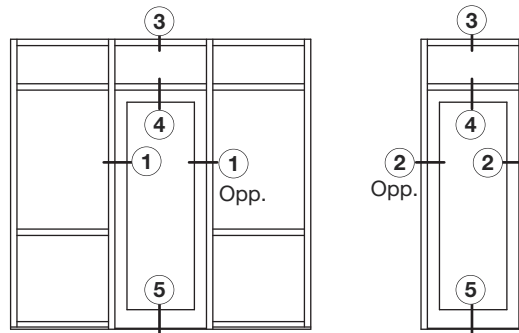


Series BR606 Defender Doors

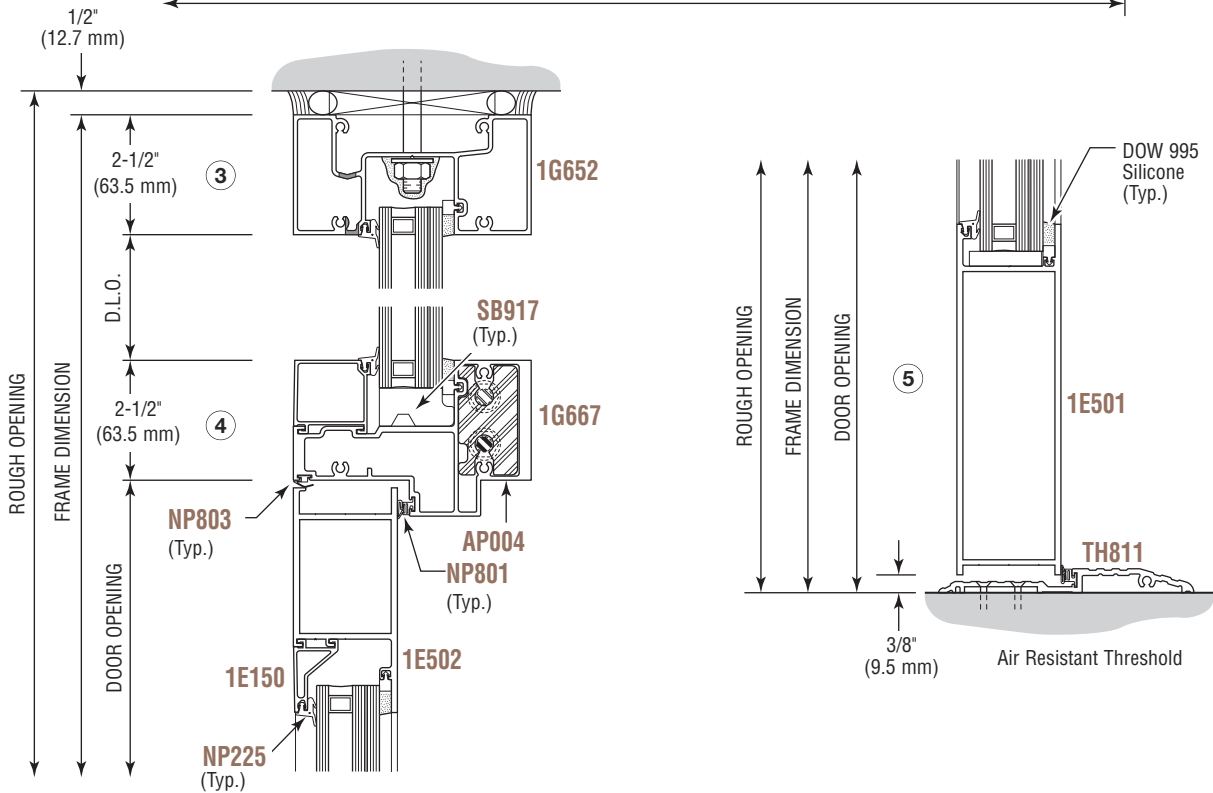
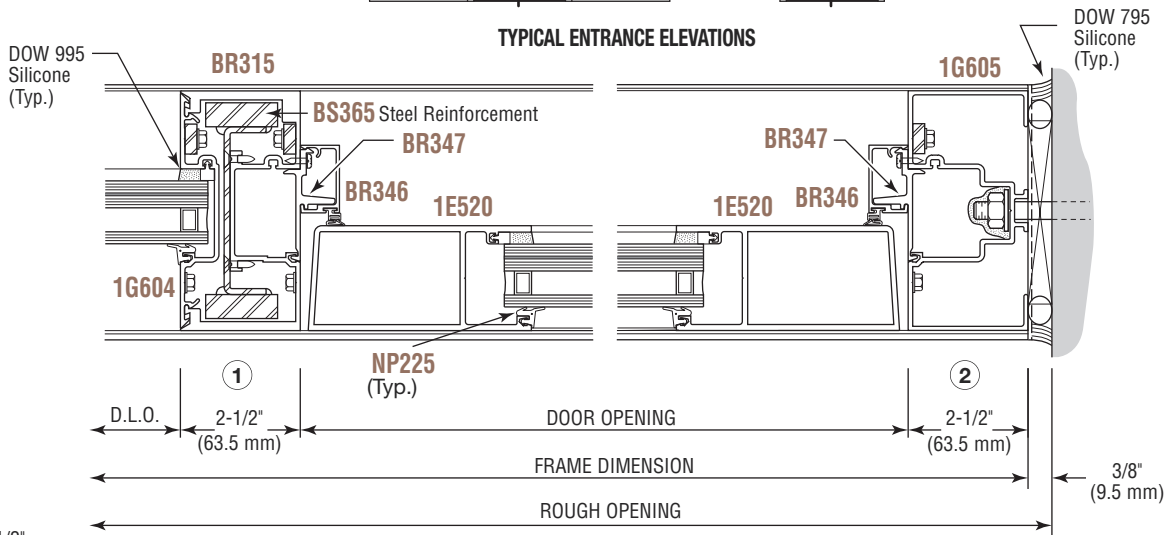
Typical Details

- 6.0 PSI Blast Load
- For 1-5/16" (33 mm) Glazing

NOTE: Frame height is limited to 8' (2.4 m). Consult your nearest U.S. Aluminum Service Center for deviation approval.



TYPICAL ENTRANCE ELEVATIONS

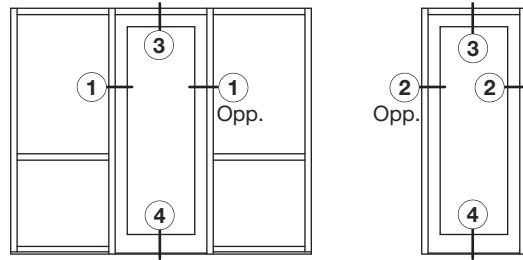


NOT TO SCALE

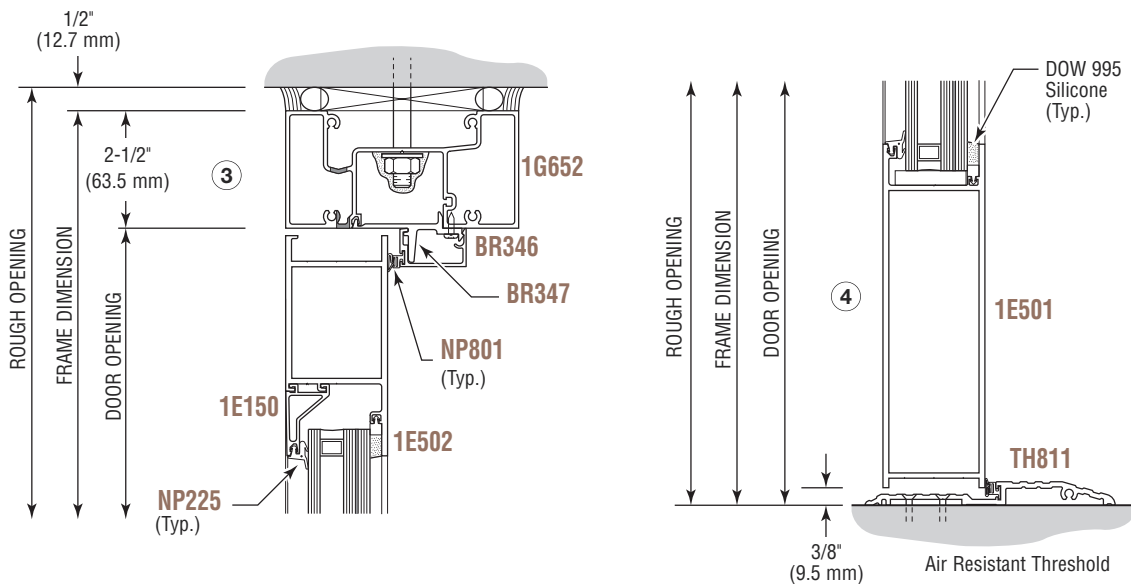
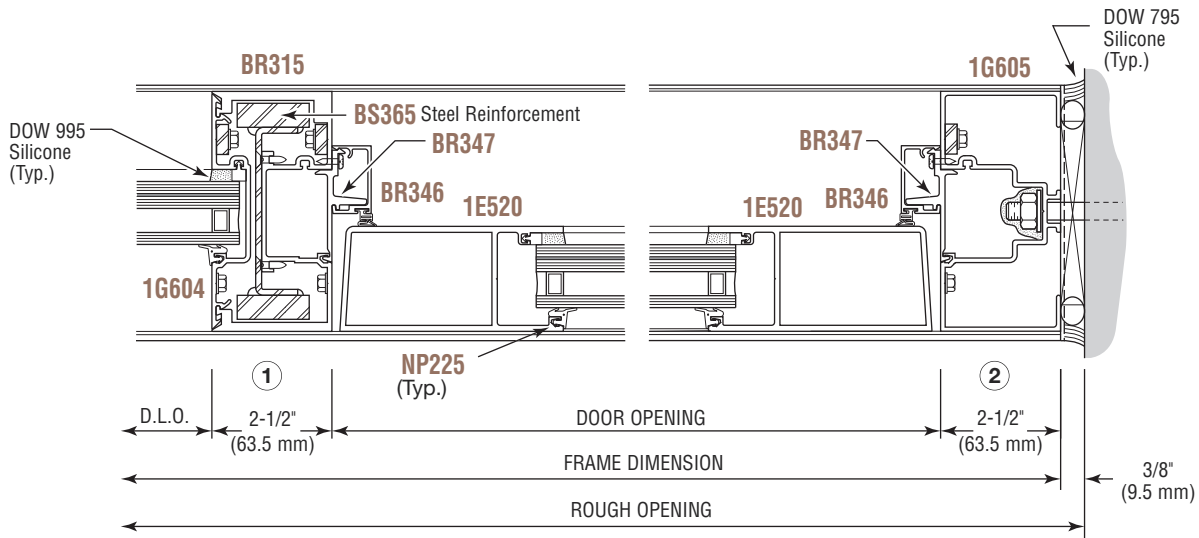
Series BR606 Defender Doors Typical Details

- 6.0 PSI Blast Load
- For 1-5/16" (33 mm) Glazing

NOTE: Frame height is limited to 8' (2.4 m). Consult your nearest U.S. Aluminum Service Center for deviation approval.



TYPICAL ENTRANCE ELEVATIONS



NOT TO SCALE

Series BT601 Defender Doors

- Blast Resistant Entrances
- For 1-5/16" (33 mm) Glazing
- Tested in Accordance With DoD, GSA, and ASTM Protocols

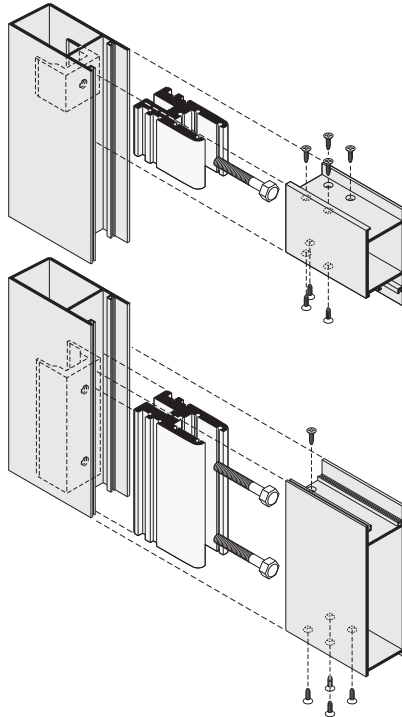
The BT601 Blast Resistant Entrance System is engineered and successfully tested to withstand a blast pressure of 1 psi. This unique Entrance System utilizes our High Performance BT601 Entrance and features screw spline assembly for panel erection, insulating glass siliconed in place, high performance subsill, and steel reinforced mullions. Made in the U.S.A. For additional information please visit our web site at usalum.com.

DEFENDER

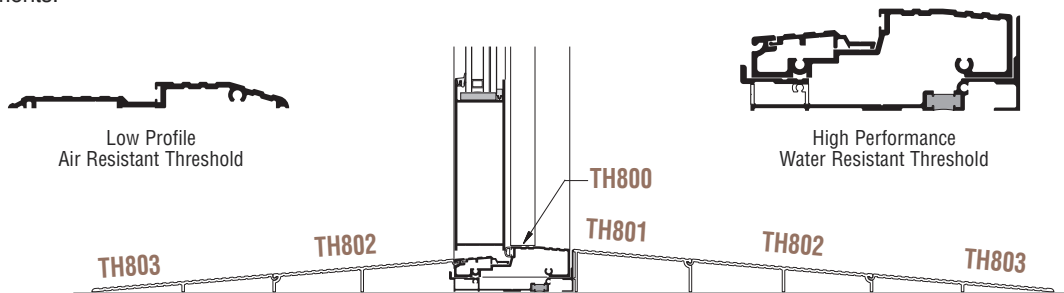
BLAST MITIGATION PRODUCTS



Series BT601, Blast Resistant Out-Swing Entrance Door (Exterior View)



A Low Profile Air Resistant Threshold is offered for installations that have soffit overhangs greater than the entrance frame height. High Performance Water Resistant Thresholds are offered to provide superior water and air management, along with ramps to meet A.D.A. requirements.

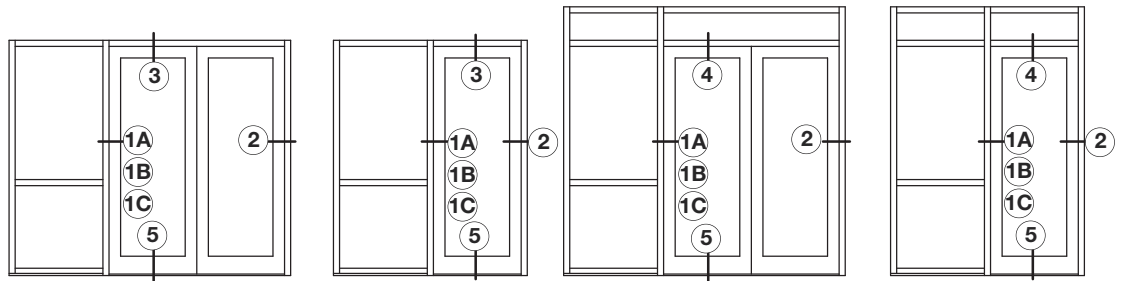


SERIES	BLAST LOAD	FACE WIDTH	DEPTH	GLAZING INFILL	GLAZING METHOD
BT601	1 PSI	2-1/2" (63.5 mm)	5" (127 mm)	1-5/16" (33 mm)	Exterior

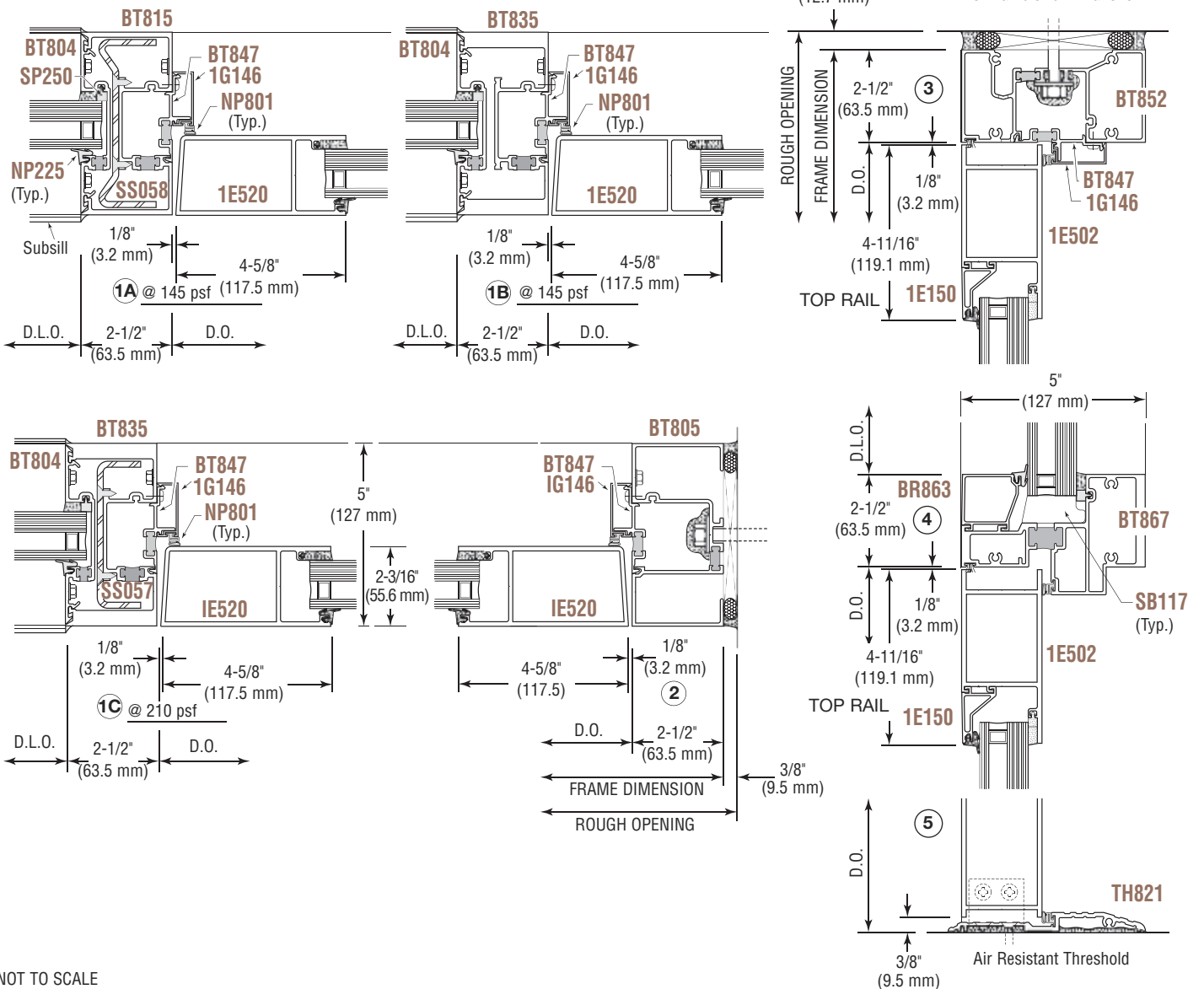
Series BT601 Defender Doors

Typical Details

- 1 PSI Blast Load
 - For 1-5/16" (33 mm) Glazing
- (With Air Resistant Threshold)



TYPICAL ENTRANCE ELEVATIONS



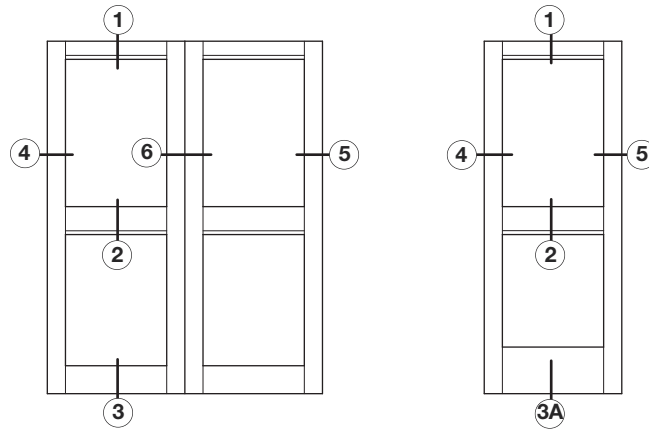
NOT TO SCALE

Series BT601 Defender Doors

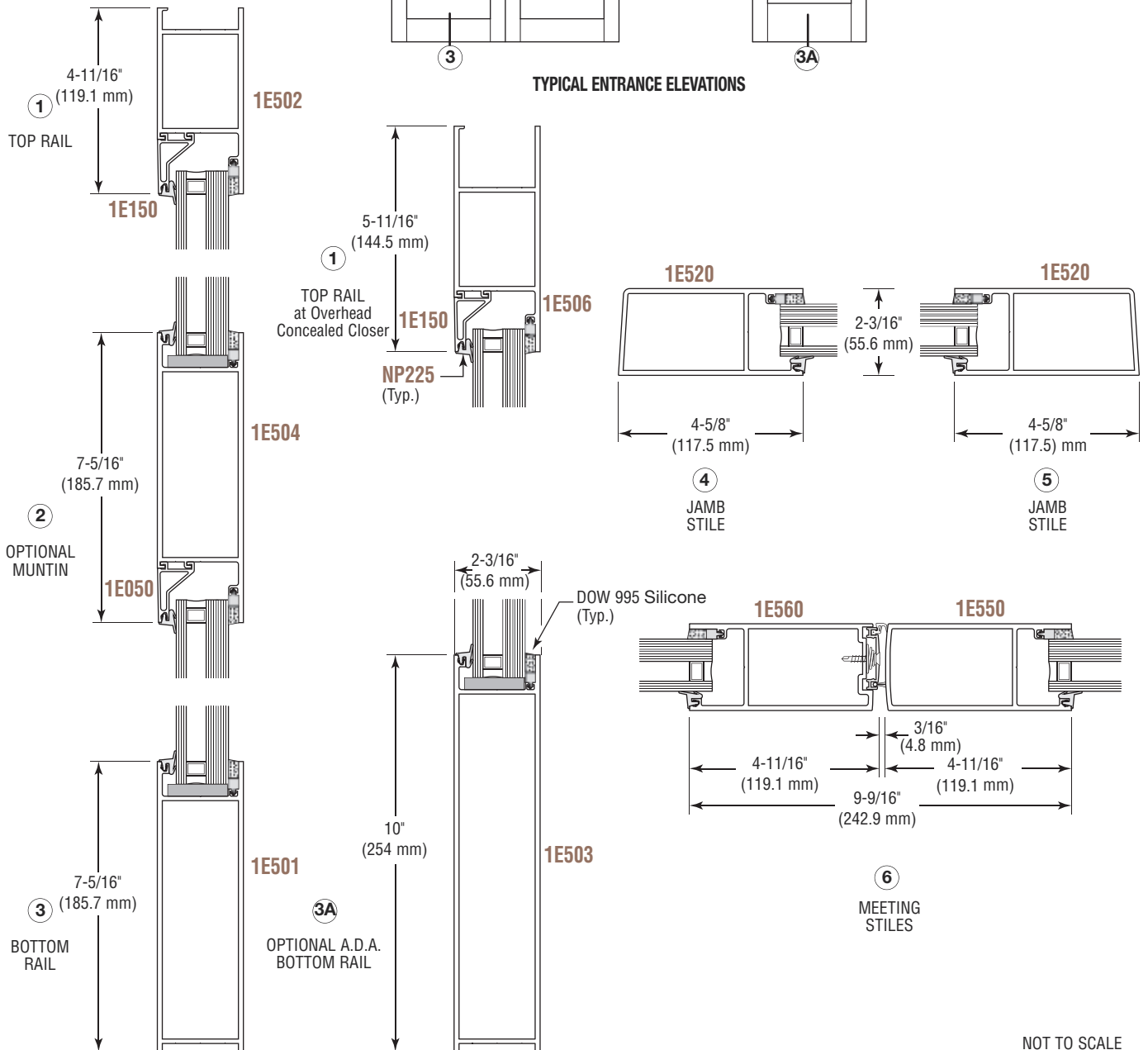
Typical Details

- 1 PSI Blast Load
 - For 1-5/16" (33 mm) Glazing
- (Entrance Doors are not thermally improved)

Door Size Maximum:
 Single Door - 44" x 96"
 (1.1 x 2.4 m)
 Double Door - 88" x 96"
 (2.2 x 2.4 m)



TYPICAL ENTRANCE ELEVATIONS



NOT TO SCALE

U.S. Aluminum Clad Entrances

- Durafront Series 800 and 850 Doors
- Matching Clad Storefronts and Curtain Walls Available
- Medium and Wide Stile Options
- Available in Nine Standard Finishes
- Offset or Center Hung
- Hardware Options to Meet Your Needs

We now offer our popular line of U.S. Aluminum Durafront Entrance Doors, Storefronts, and Curtain Walls in nine clad finishes; brushed or polished stainless steel, brushed or polished alloy 464 naval brass, non-directional stainless steel or alloy 464 naval brass, oil rubbed bronze, satin anodized, and dark bronze anodized.

We have combined the aesthetically pleasing design of our Durafront Doors and the clean lines and superb performance of our Storefronts and Curtain Walls with our beautiful clad finishes to create low cost, architecturally pleasing entrances.



U.S. Aluminum Clad Doors can be ordered to accept 1/4" to 1" (6 to 25 mm) glazing or can come pre-glazed at the factory, ready for installation. Removable Clad stops come standard at both interior and exterior sides of the doors. To complete your opening, 1-3/4" x 4-1/2" (44 x 114 mm) or 2" x 4-1/2" (51 x 114 mm) clad frames can also be supplied.



For additional information or assistance contact U.S. Aluminum Technical Sales at (800) 262-5151 in the U.S., and Canada or (323) 268-4230 International, and ask for Ext. 5305. You can also send an e-mail from the usalum.com home page.



Online Photo Gallery

When you visit the usalum.com home page you can click into photo galleries of finished projects. It's a great way to show your customers what can be accomplished when they specify U.S. Aluminum Architectural Hardware Products.

CRL Platinum Series Full Framed Architectural Doors

- Designed, Engineered, and Manufactured by CRL
- Supplied With 1/4" to 1" (6 to 25 mm) Monolithic, Laminated or Insulating Glass
- Narrow, Medium, and Wide Stiles to Choose From
- No Exposed Glass Stops
- 18 Gauge Clad Aluminum Construction
- Seven Standard Architectural Finishes



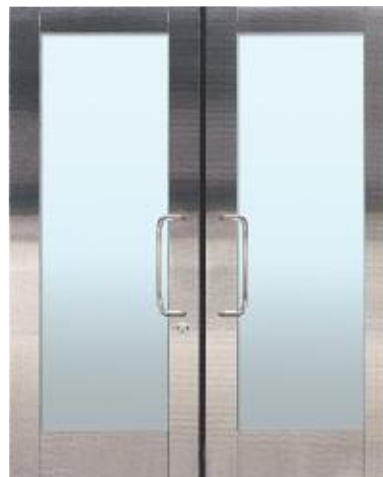
3" Narrow Stile Door



CRL now manufactures a full line of Architectural Full Framed Doors for interior and exterior applications. These innovative door systems are available in seven standard architectural finishes, with custom finishes available on special order. CRL's Platinum Series Full Framed Doors are made to order and can be designed for almost any application. With the ability to prep and install almost any architectural hardware configuration, we are confident we can meet your design requirements. We offer a wide selection of top and bottom rail sizes. Mid-rails or applied mullions can be incorporated.



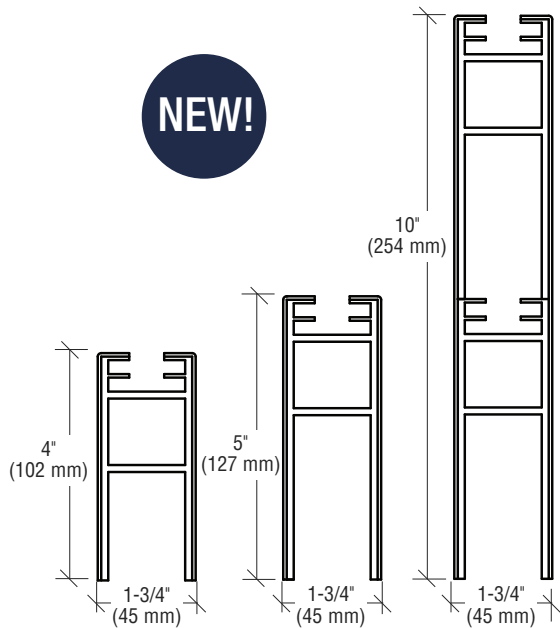
4" Medium Stile Door



5-1/2" Wide Stile Door



NEW!



Top and Bottom Rail Options

With all of our Platinum Series Full Frame Doors you have three standard rail options for the top and bottom rails: 4", 5", and 10" (102, 127, and 254 mm). We can also provide custom height rails to meet your needs. Contact Technical Sales as some limitations do exist.

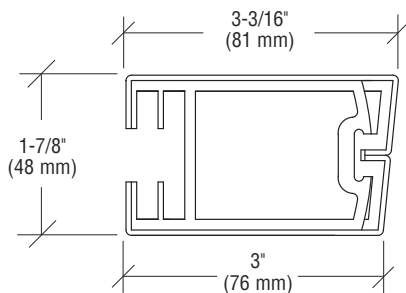
CRL Platinum Series 3" Narrow Stile Clad Full Framed Doors

Architectural Doors for Interior and Exterior Applications

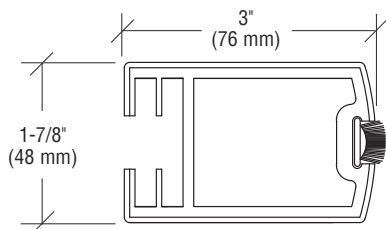
- Designed, Engineered, and Manufactured by CRL
- Door Sizes Up to 48" (1219 mm) Wide By 108" (2743 mm) Tall
- Oversized Doors Are Also Available on Special Order
- 18 Gauge Clad Aluminum Construction
- Seven Standard Architectural Finishes, With Custom Finishes Also Available
- Supplied With 1/4" to 1" (6 to 25 mm) Monolithic, Laminated or Insulating Glass
- No Exposed Glass Stops



NEW!



Narrow Beveled Stile for Butt Hinge/Offset Pivot Conditions

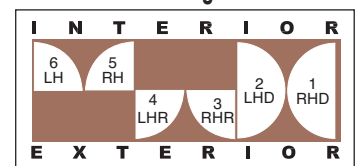


Narrow Radius Stile for Center Hung and Meeting Point Conditions



10" (254 mm) 5" (127 mm) 4" (102 mm)
Choice of Top and Bottom Rails

Door Swing Chart



Use the Door Swing Chart to determine how the door(s) should be handed.

ORDERING INFORMATION:

All CRL Full Framed Doors are manufactured to order. To request a quote or place an order you need to specify the door size, top and bottom rail heights, glass type and thickness, finish required, and what hardware type is needed for the application.

Full Framed Doors can be prepped and supplied with CRL Panic Handles, Push/Pulls, Ladder Style Handles, Three Point Locks, Intermediate Pivots, Butt Hinges, Flush Bolts, and even Balanced Door Hardware. Our Full Framed Door product line can also support Floor Closers, Overhead Concealed Closers, and Door Holders. Contact CRL Technical Sales at (800) 421-6144 in the U.S., (877) 421-6144 from Canada, or (323) 588-1281 International, and ask for Ext. 7700. You can also send e-mail from the crlaurence.com home page. Click on Contact Us, and then click on Technical Sales for Commercial Products.

NARROW STILE FULL FRAMED DOORS

CAT. NO.	FINISH
FFN1BS	Brushed Stainless
FFN1PS	Polished Stainless
FFN1PB	Polished Brass
FFN1SB	Satin Brass
FFN1SA	Satin Anodized
FFN1DU	Dark Bronze Anodized
FFN1ORB	Oil Rubbed Bronze

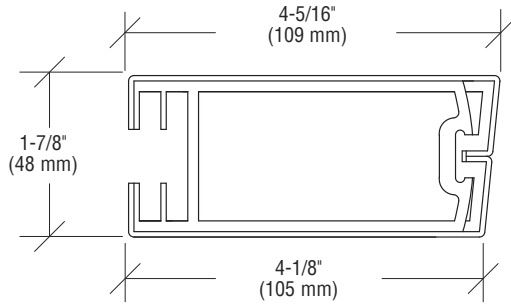
Minimum order: 1 each.

CRL Platinum Series 4" Medium Stile Clad Full Framed Doors

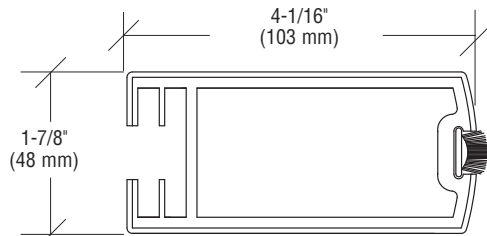


Architectural Doors for Interior and Exterior Applications

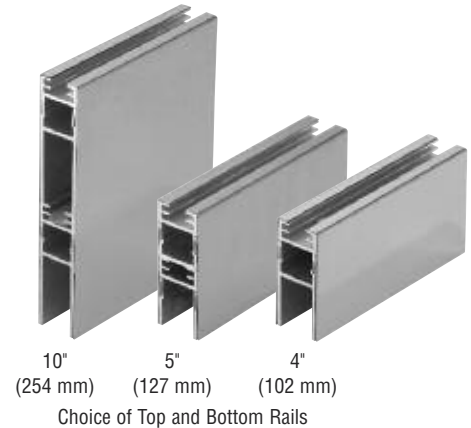
- Designed, Engineered, and Manufactured by CRL
- Door Sizes Up to 48" (1219 mm) Wide By 108" (2743 mm) Tall
- Oversized Doors Are Also Available on Special Order
- 18 Gauge Clad Aluminum Construction
- Seven Standard Architectural Finishes, With Custom Finishes Also Available
- Supplied With 1/4" to 1" (6 to 25 mm) Monolithic, Laminated or Insulating Glass
- No Exposed Glass Stops



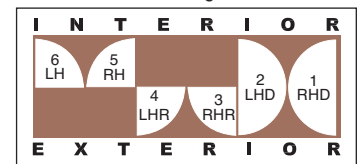
Medium Beveled Stile for Butt Hinge/Offset Pivot Conditions



Medium Radius Stile for Center Hung and Meeting Point Conditions



Door Swing Chart



Use the Door Swing Chart to determine how the door(s) should be handed.

ORDERING INFORMATION:

All CRL Full Framed Doors are manufactured to order. To request a quote or place an order you need to specify the door size, top and bottom rail heights, glass type and thickness, finish required, and what hardware type is needed for the application.

Full Framed Doors can be prepped and supplied with CRL Panic Handles, Push/Pulls, Ladder Style Handles, Three Point Locks, Intermediate Pivots, Butt Hinges, Flush Bolts, and even Balanced Door Hardware. Our Full Framed Door product line can also support Floor Closers, Overhead Concealed Closers, and Door Holders. Contact CRL Technical Sales at (800) 421-6144 in the U.S., (877) 421-6144 from Canada, or (323) 588-1281 International, and ask for Ext. 7700. You can also send e-mail from the crlaurence.com home page. Click on Contact Us, and then click on Technical Sales for Commercial Products.

MEDIUM STILE FULL FRAMED DOORS

CAT. NO.	FINISH
FFM1BS	Brushed Stainless
FFM1PS	Polished Stainless
FFM1PB	Polished Brass
FFM1SB	Satin Brass
FFM1SA	Satin Anodized
FFM1DU	Dark Bronze Anodized
FFM1ORB	Oil Rubbed Bronze

Minimum order: 1 each.



C.R. LAURENCE COMPANY

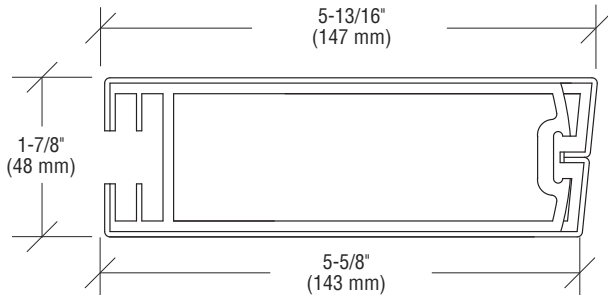
crlaurence.com | usalum.com

246D | crlaurence.ca crlaurence.com.au crlaurence.co.uk crlaurence.de crlaurence.eu

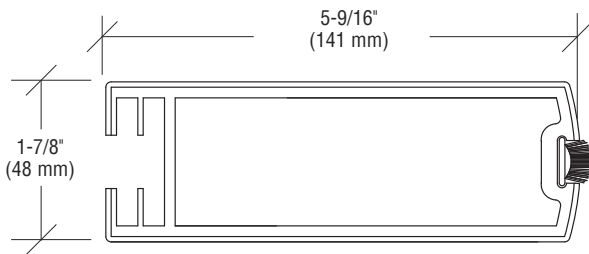
CRL Platinum Series 5-1/2" Wide Stile Clad Full Framed Doors

Architectural Doors for Interior and Exterior Applications

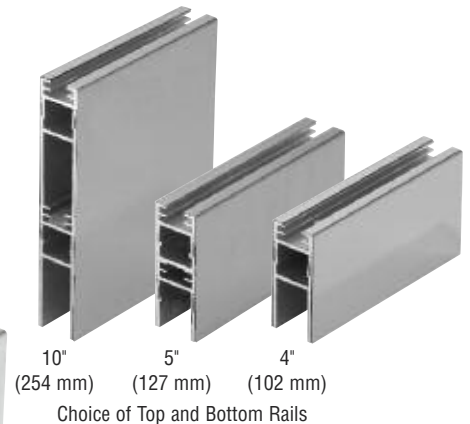
- Designed, Engineered, and Manufactured by CRL
- Door Sizes Up to 48" (1219 mm) Wide By 108" (2743 mm) Tall
- Oversized Doors Are Also Available on Special Order
- 18 Gauge Clad Aluminum Construction
- Seven Standard Architectural Finishes, With Custom Finishes Also Available
- Supplied With 1/4" to 1" (6 to 25 mm) Monolithic, Laminated or Insulating Glass
- No Exposed Glass Stops



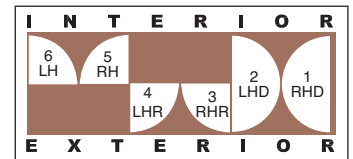
Wide Beveled Stile for Butt Hinge/Offset Pivot Conditions



Wide Radius Stile for Center Hung and Meeting Point Conditions



Door Swing Chart



Use the Door Swing Chart to determine how the door(s) should be handed.

ORDERING INFORMATION:

All CRL Full Framed Doors are manufactured to order. To request a quote or place an order you need to specify the door size, top and bottom rail heights, glass type and thickness, finish required, and what hardware type is needed for the application.

Full Framed Doors can be prepped and supplied with CRL Panic Handles, Push/Pulls, Ladder Style Handles, Three Point Locks, Intermediate Pivots, Butt Hinges, Flush Bolts, and even Balanced Door Hardware. Our Full Framed Door product line can also support Floor Closers, Overhead Concealed Closers, and Door Holders. Contact CRL Technical Sales at (800) 421-6144 in the U.S., (877) 421-6144 from Canada, or (323) 588-1281 International, and ask for Ext. 7700. You can also send e-mail from the crlaurence.com home page. Click on Contact Us, and then click on Technical Sales for Commercial Products.

WIDE STILE FULL FRAMED DOORS

CAT. NO.	FINISH
FFW1BS	Brushed Stainless
FFW1PS	Polished Stainless
FFW1PB	Polished Brass
FFW1SB	Satin Brass
FFW1SA	Satin Anodized
FFW1DU	Dark Bronze Anodized
FFW1ORB	Oil Rubbed Bronze

Minimum order: 1 each.

Custom Platinum Series Door Quote/Order Request Form Page 1 of 2

Fax Completed Checklist to U.S. Aluminum Technical Sales at (866) 262-3299. Then call to discuss: (800) 262-5151 (U.S.), (877) 421-6144 (Canada), or (323) 588-1281 (International). Ask for Extension 5305. This form is also available online at usalum.com.

Company Name _____
 Contact _____
 Job Name _____

Phone # _____
 Fax # _____
 Email _____

When you are ready to order, utilize this form to assist you in covering the details required to complete a Custom Door Entrance installation. Going through this exercise should prevent you from overlooking any details related to your installation.

IMPORTANT: Depending on the complexity of your project, one or more of the following may be required to accurately order: sketches or drawings of your particular application with dimensions; printed architectural drawings or CAD files; photos of job site conditions (digital images are preferable). **NOTE:** A final sign off is required prior to any custom fabrication.

DOOR STILE

- Series FFN1, Narrow
- Series FFM1, Medium
- Series FFW1, Wide

DOOR FINISH (CLAD)

- Brushed Stainless
- Polished Stainless
- Polished Brass
- Satin Brass
- Satin Anodized
- Dark Bronze Anodized
- Oil Rubbed Bronze
- Custom

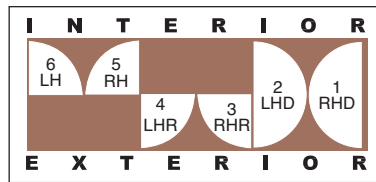
DOOR OPENING SIZE

- 36" x 84" (914 x 2134 mm)
- 72" x 84" (1829 x 2134 mm)
- Custom

DOOR SWING

- | | | | |
|--|-------|-----|-------|
| <input type="checkbox"/> LH Hinge Left Swing In | _____ | QTY | _____ |
| <input type="checkbox"/> RH Hinge Right Swing In | _____ | ea. | _____ |
| <input type="checkbox"/> LHR Hinge Left Swing Out | _____ | ea. | _____ |
| <input type="checkbox"/> RHR Hinge Right Swing Out | _____ | ea. | _____ |
| <input type="checkbox"/> LHD Hinge Left Double Acting | _____ | ea. | _____ |
| <input type="checkbox"/> RHD Hinge Right Double Acting | _____ | ea. | _____ |
| <input type="checkbox"/> PAIR Swing In | _____ | ea. | _____ |
| <input type="checkbox"/> PAIR Swing Out | _____ | ea. | _____ |
| <input type="checkbox"/> PAIR Double Acting | _____ | ea. | _____ |

DOOR SWING CHART



Use the Door Swing Chart to determine how the door(s) should be handed.

DOOR GLASS

- 1/4" (6 mm)
- 3/8" (10 mm)
- 1/2" (12 mm)
- 9/16" (14 mm)
- 3/4" (19 mm)
- 1" (25 mm)
- Other (Specify) _____

- Tempered
- Laminated
- Insulating
- Color (Specify) _____

TOP RAIL

- 3-1/16" (78 mm) Rail
- 4" (102 mm) Rail
- 5" (127 mm) Rail
- 10" (254 mm) Rail
- Custom _____

FRAME SYSTEM

- | | | |
|---------------------------|----------------------------------|-------------------------------------|
| Series 400 | <input type="checkbox"/> Tubular | <input type="checkbox"/> Open Back |
| Series 450 | <input type="checkbox"/> Tubular | <input type="checkbox"/> Open Back |
| Series 451 | <input type="checkbox"/> Tubular | <input type="checkbox"/> Open Back |
| 4-1/2" Flush Front | <input type="checkbox"/> FF450 | <input type="checkbox"/> FF451 |
| 6" Flush Front | <input type="checkbox"/> FF600 | <input type="checkbox"/> FF601 |
| Durafront | <input type="checkbox"/> 450 | <input type="checkbox"/> 451 |
| Subframe | <input type="checkbox"/> TJ450 | <input type="checkbox"/> TJ455 (DF) |

FRAME TYPE

- Up and Over (No Transom)
- 126" (3.2 m) High With Transom
- Frame Only
- Door Only (No Frame)
- Custom _____

BOTTOM RAIL

- 4" (102 mm) Rail
- 5" (127 mm) Rail
- 10" (254 mm) A.D.A. Title 24 Rail
- Custom _____

Custom Platinum Series Door Quote/Order Request Form

Page 2 of 2

PUSH/PULL HARDWARE

- Standard Push Bars
- Standard Push/Pull
- Offset Pulls
- None (Supplied by Others)

DOOR HINGING

- Top/Bottom Offset Pivots
- 1 Pair Butt Hinges
- Center Pivot (Double Acting)
- Continuous Geared Hinge
- Intermediate Pivots
Add _____ per Door
- Intermediate Butt Hinges
Add _____ per Door

PANIC DEVICES

- Rim Panic With Crashbar
- Concealed Panic With Crashbar
- Mid-Panel Device
- Rim Panic With Push Pad
- Concealed Panic With Push Pad
- CRL-Blumcraft Panic
- Removable Mullion
- Custom

DOOR HARDWARE FINISH

- Brushed Stainless
- Polished Stainless
- Polished Brass
- Satin Anodized
- Dark Bronze Anodized
- Other (Specify) _____

THRESHOLD

- None (Leave 1/2" [12.7 mm] Allowance)
- None (No Allowance)
- 4" (101.6 mm)
- 4-3/4" (120.7 mm)
- 5" (127 mm)
- 7" (178 mm)
- Custom

DOOR SWEEP

- Yes No
- Exposed Fasteners
- Concealed Fasteners

DOOR CLOSER

- O.H. Concealed (Double Acting)
- O.H. Concealed (Offset)
- 90°
- 105°
- Hold Open Yes No
- Surface Mount
- Drop Plate
- Door Stop/Holder
- No Closer Required

LOCKING OPTIONS

- MS Deadbolt With Two Cylinders
- Thumbturn in Lieu of Cylinder
- 3-Point Locking @ Pair
- Lock Indicator
- Cylinder Guard
- Flushbolts
- A.R. Latch/Deadlock
- A.R. Hook Throw Deadlock
- Paddle Handle
- A.R. Lever Handle
- CRL Lever Handle
- Electric Strike
- No Locking Hardware

LAYOUT GRID TO SKETCH DESIGN



Online Photo Gallery

When you visit the crlaurence.com home page you can click into photo galleries of finished projects. It's a great way to show your customers what can be accomplished when they specify CRL Architectural Hardware Products.



Premium Series Balanced Door



Balanced Doors and Entrances

- Neutralizes Wind and Stack Pressure for Easy Operation
- Requires Less Operating Space Than Conventionally Hinged Doors
- Two Styles Available; Concealed Vertical Tube and Exposed Vertical Tube
- "Barrier Free Door"; Meets A.D.A. Requirements Without Power Operators
- Available for Our 451, IT451, IG500, IG600, and IT600 Storefront Systems
- Custom Engineered and Fabricated Systems With Over 40 Years of Proven Performance
- Manufactured to Withstand the Most Demanding Design Requirements
- Provides Strength and Durability Throughout Years of Heavy Use
- Fast Turn-Around Times
- For Doors Weighing Up to 700 Pounds (318 kg)
- Automatic Operators Available With Premium Series Only
- 10 Year Warranty

CRL-U.S. Aluminum introduces the latest edition to our extensive Architectural Hardware line, Balanced Doors. We now offer a complete line of Balanced Doors utilizing the high performance hardware as designed by Wikk Industries, a leading manufacturer of Balanced Doors for over 40 years.

Our new line of Balanced Doors and Entrances offers a variety of options that fit within everyone's budget. All are available in a wide variety of styles and finishes, as well as custom finishes to meet your every need.

Balanced Door Hardware, combined with our Door Line, allows us to offer you endless possibilities in design, finish, and functionality. We have applied our strict manufacturing standards, which you have come to know and trust over the years, to the Wikk Balanced Door and Hardware line to ensure the high quality, performance, and durability of the Wikk product continues. Keeping our commitment to customer service, we offer complete engineering and design services, as well as the best lead times in the industry.

When using our IG500, IG600, and IT600 Series Storefronts, Premium Series Balanced Doors are also available with an automatic operator. This is a Standard Balanced Door during manual operation, and automated with power only when required, accomplished using a concealed low energy Stanley Magic-Force™ Motorized Operator.

For additional information, contact U.S. Aluminum Technical Sales at (800) 262-5151 in the U.S. and Canada, or (323) 268-4230 International. Ask for Ext. 5305. You can e-mail us through our web site at usalum.com.

What is a Balanced Door?

In a Balanced Door the door panel rotates around a rolling pivot in an elliptical path to provide the widest possible opening with the smallest swing arc (see diagram below). This design neutralizes two naturally occurring pressures, atmospheric (wind) and interior stack pressure, allowing effortless opening and positive closing. Balanced Doors are typically required when a commercial project has a monumental entrance, requiring an oversized, heavy door. The 'balanced' principle permits the use of these monumental doors where ordinary closer mechanisms would fail to offer adequate control.



Let Stack Pressures Work for You

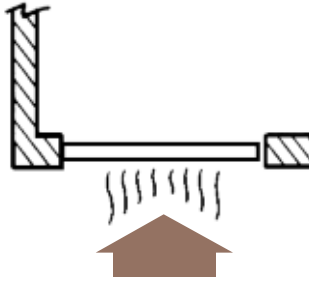
Balanced Door Design Offers Many Advantages

HEATING SEASON

Building air lighter than outside air



Negative inside pressure makes conventionally hinged doors hard to open

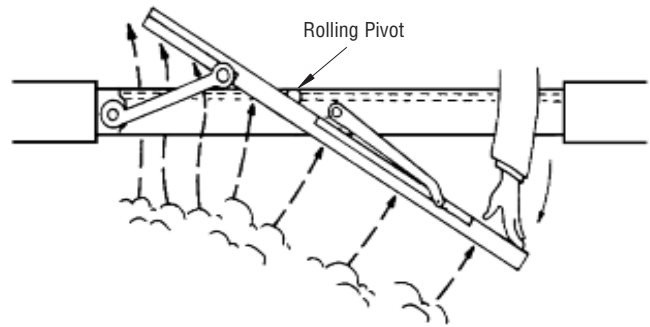
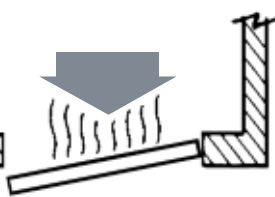


COOLING SEASON

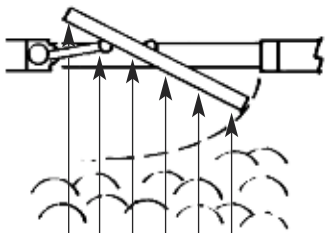
Building air heavier than outside air



Strong tension required to hold some doors closed against positive building pressure

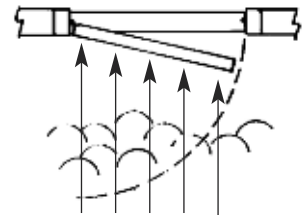


When our Balanced Doors open, approximately two thirds of the door swings outward while one third swings inward, allowing wind or stack pressure to assist rather than hinder the operation of the door. Air pressure balances itself out around the rolling pivot, so less force is needed to operate the door.



Balanced Door

WIND	BALANCED DOOR WITH 5 LBS. SPRING PRESSURE	REGULAR DOOR WITH 5 LBS. SPRING PRESSURE
m.p.h.	lbs. pressure to open	lbs. pressure to open
10	1 + 5 = 6 lbs.	3 + 5 = 8 lbs.
20	3 + 5 = 8 lbs.	11 + 5 = 16 lbs.
30	7 + 5 = 12 lbs.	26 + 5 = 31 lbs.
40	13 + 5 = 18 lbs.	47 + 5 = 52 lbs.
50	21 + 5 = 26 lbs.	73 + 5 = 78 lbs.
60	30 + 5 = 35 lbs.	105 + 5 = 110 lbs.



Regular Door



The door pivots on two single-piece cast bronze or stainless steel arms located at the top and bottom of the door. These are attached to a pivoting hinge tube that runs the entire height of the door. The hinge tube contains a torsion bar that provides the closing force for the door, and is connected to a hydraulic checking device located in the header, and a tension adjusting gear box at the sill.



CRL Balancer™ Extruded Aluminum Standard Balanced Doors and Frames



- Affordable for Budget-Sensitive Jobs
- 6063-T5 Alloy Available in Clear or Dark Bronze Anodized and Powder Coat, Newlar, and Kynar Finishes
- Cladding Options Available in Polished, Brushed, and Non-Directional Stainless Steel or Bronze; and Oil Rubbed Bronze
- Exposed or Concealed Vertical Tubes
- Maximum Door Size is
48" Wide x 108" High (1219 x 2743 mm)

CRL Balancer™ Extruded Aluminum Standard Balanced Doors and Frames are available for budget-sensitive projects. These doors and frames offer the look of a Formed Monumental Door at the cost of a clad aluminum door. All our aluminum doors are blocked and welded to provide long-lasting performance and durability. CRL offers narrow, medium, and wide stile doors with a minimum bottom rail height of 6" (152 mm).

CRL Balancer™ Heavy Glass Balanced Doors and Frames

- Available With or Without Mini Vertical Stiles
- Available With 4", 6" or 10" (102, 152 or 254 mm) Tall Square Profile Door Rails
- Six Standard Architectural Finishes, With Custom Finishes Available
- Glazed Using Expansion Cement Technology
- Maximum Door Size is
48" Wide x 108" High (1219 x 2743 mm)

CRL Balancer™ Heavy Glass Balanced Doors and Frames come completely glazed with either 1/2" or 3/4" (12 or 19 mm) fully tempered glass, and are available with or without mini vertical stiles. 4" (102 mm) or 6" (152 mm) rails top and bottom are required with optional 10" (254 mm) bottom rails to meet A.D.A. codes for framed doors. Balanced Door packages are available with concealed or exposed vertical tubes and are 'install ready' when shipped. There is no additional cutting or prepping required, simply install the header or frame and hang the pre-glazed door panel(s), make a few quick adjustments, and you are done.



Anatomy of a Balancer™ Series Balanced Door



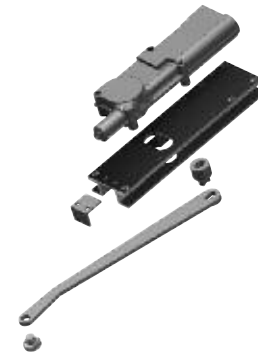
⑤ - Balancing Guide Roller

Rigidly mounted, yet self aligning to overcome any misalignment between door and frame. Sturdy and maintenance free.



⑥ - LCN Hydraulic Check

Completely concealed in the header. Dependable and easy to adjust without removing hardware or covers. A hydraulic back check cushions the limiting point of the door swing.



⑦ - Concealed Connecting Arm

Wrought metal arm connected directly to door to provide a strong, triangular positive stop at 90 degree opening and prevent stress at the header to jamb connection. Constant check control avoids abrupt rebounding of door.

⑧ - Compact Header

Header with integral guide roller track, requires only 2-3/4" x 4-1/2" (70 x 114 mm) above door to house the LCN Hydraulic Check.

① - Hinge Tube

Cold drawn butt weld carbon steel tube with appropriate thickness to support tall or heavy doors. Covered with corrosion resisting sleeve. Optional metal sleeve in matching finish for exposed hinge tube construction.

② - Hinge Tube Jamb

Hinge tube jambs may be of contemporary narrow line or traditional box shape.

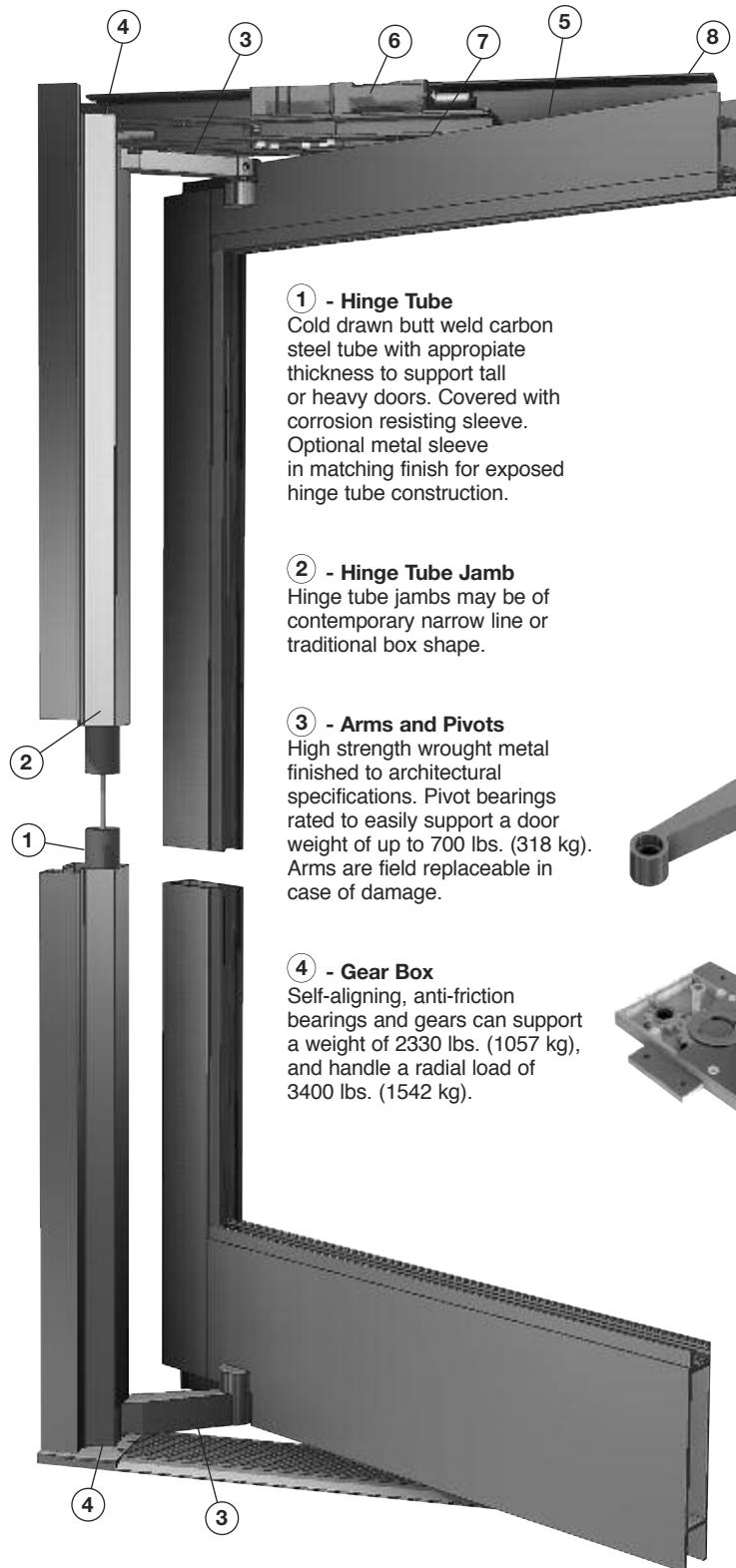
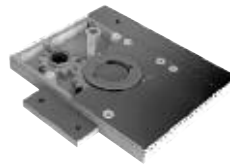
③ - Arms and Pivots

High strength wrought metal finished to architectural specifications. Pivot bearings rated to easily support a door weight of up to 700 lbs. (318 kg). Arms are field replaceable in case of damage.



④ - Gear Box

Self-aligning, anti-friction bearings and gears can support a weight of 2330 lbs. (1057 kg), and handle a radial load of 3400 lbs. (1542 kg).

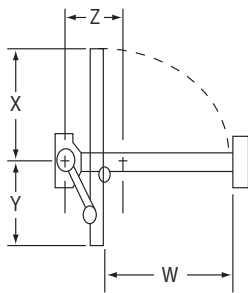


Advantages of the Balancer™ Series Balanced Doors By CRL



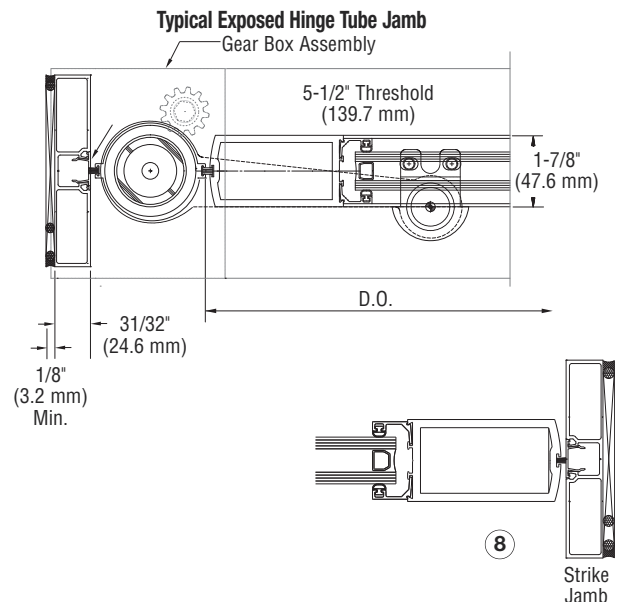
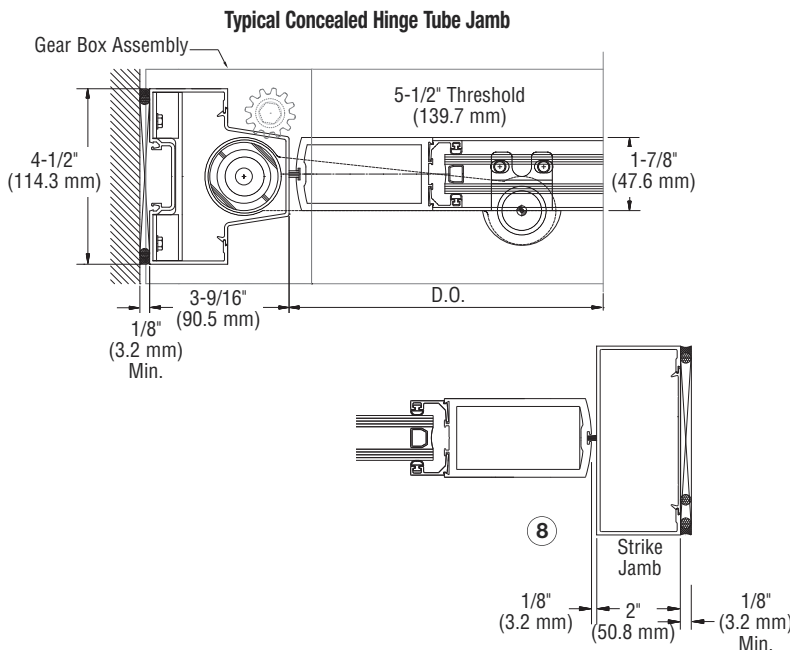
- Cost Effective Alternative to Standard Entrance Doors
- Maximum Size for Balancer™ Series is 48" Wide x 108" High (1219 x 2743 mm)
- Lets Wind and Stack Pressures Work for You Instead of Against You
- Assures Easy Operation and Positive Closing, Even Under Adverse Conditions
- Designed With Dependable LCN Hydraulic Check Connected Directly to Door
- Adjustable Hydraulic Back Check for Consistently Smooth Operation
- Latching Speed, Closing Speed, Back Check, and Spring Power are All Adjustable Without Removing Hardware or Covers
- Compact Header With Integral Guide Track
- Requires Less Operating Space Than Conventionally Hinged Doors
- Hardware is Fully Capable of Supporting and Controlling Large and Monumental Doors
- Easily Installed in New or Remodeled Buildings, Exterior or Interior

Design Dimensions (shown in inches)



	SHORT ARM						LONG ARM					
Door Size	30"	32"	34"	36"	38"	39"	40"	42"	44"	46"	48"	
W	26-11/16"	28-11/16"	30-11/16"	32-11/16"	34-11/16"	35-11/16"	36-11/16"	38-11/16"	40-11/16"	42-11/16"	44-11/16"	
X	17-1/2"	19-1/2"	21-1/2"	23-1/2"	25-1/2"	26-1/2"	24"	26"	28"	30"	32"	
Y	12-1/2"						16"					
Z	7-1/8"						8-7/8"					

The Balancer Series Typical Details





CRL Premium Series Formed Bronze Monumental Balanced Doors and Frames

BLUMCRAFT®

A DIVISION OF C.R. LAURENCE CO., INC.

- Alloy 464 Naval Bronze
- Available in Polished, Brushed, Non-Directional and Oil Rubbed Finishes
- Available in Fully Framed or Tempered Heavy Glass Doors
- Standard 'Crisp' Corner Construction
- Ribbon Accent Lines and Custom Infill Shapes Available
- Automatic Operator Available
- Maximum Door Size is 50" Wide x 120" High (1270 x 3048 mm)

CRL Premium Series Formed Bronze Monumental Balanced Doors and Frames are constructed using 'V-Groove' Technology to produce 'crisp' corners and tight joints. 14 gauge alloy 464 Naval Bronze is used to ensure structural integrity and long-lasting performance. Stile width is 2" (51 mm) with a minimum top rail height of 3-1/2" (89 mm) and a minimum bottom rail height of 6" (152 mm). All doors are custom made for your particular project so we can provide you with endless combinations of sizes to meet your design.

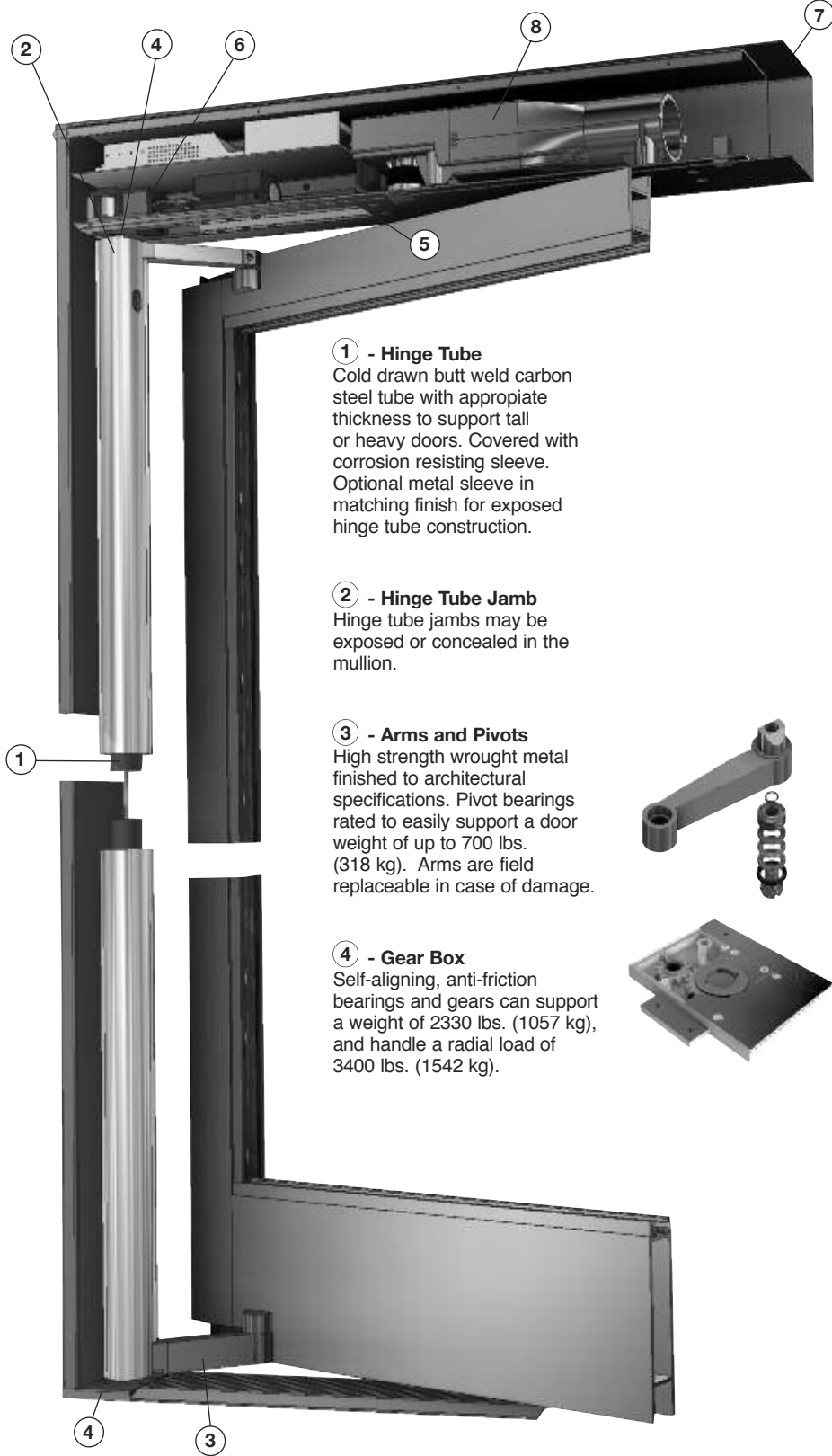
CRL Premium Series Formed Stainless Steel Monumental Balanced Doors and Frames

- Alloy 304 or 316 Stainless Steel
- Available in Polished, Brushed and Non-Directional Finishes
- Available in Fully Framed or Tempered Heavy Glass Doors
- Standard 'Crisp' Corner Construction
- Ribbon Accent Lines and Custom Infill Shapes Available
- Automatic Operator Available
- Maximum Door Size is 50" Wide x 120" High (1270 x 3048 mm)

CRL Premium Series Formed Stainless Steel Monumental Balanced Doors and Frames are constructed from 14 gauge alloy 304 or 316 stainless steel to ensure structural integrity and long-lasting performance. Our 'V-Groove' Technology produces 'crisp' corners and tight joints. With our laser cutting capabilities we can produce practically any infill panel or overlay you may desire. Stile width is 2" (51 mm) with a minimum top rail height of 3-1/2" (89 mm) and a minimum bottom rail height of 6" (152 mm). Since all doors are custom made for your project, we can accommodate a wide array of sizes and designs.



Anatomy of a Premium Series Balanced Door



1 - Hinge Tube
Cold drawn butt weld carbon steel tube with appropriate thickness to support tall or heavy doors. Covered with corrosion resisting sleeve. Optional metal sleeve in matching finish for exposed hinge tube construction.

2 - Hinge Tube Jamb
Hinge tube jambs may be exposed or concealed in the mullion.

3 - Arms and Pivots
High strength wrought metal finished to architectural specifications. Pivot bearings rated to easily support a door weight of up to 700 lbs. (318 kg). Arms are field replaceable in case of damage.

4 - Gear Box
Self-aligning, anti-friction bearings and gears can support a weight of 2330 lbs. (1057 kg), and handle a radial load of 3400 lbs. (1542 kg).

5 - Balancing Guide Roller
Rigidly mounted, yet self aligning to overcome any misalignment between door and frame. Sturdy and maintenance free.



6 - Cast Bronze Hydraulic Check
Completely concealed in the header. Has first and second speed adjustment. Removable without requiring the removal of the door.



7 - Compact Header
Header with integral bronze guide roller track, requires only 2-3/4" x 5-1/2" (70 x 140 mm) above door to house the Hydraulic Check.



8 - Optional Stanley Magic-Force™ Motorized Operator
Heavy-duty (low energy) concealed overhead electromechanical power operator with control box, conforming to ANSI/BHMA A156.19. Motor permanent magnet, DC 3/16 HP (minimum), 1.25 AMP, 120V AC, UL listed. Adjustable slow opening speed and adjustable time delay. Requires 5-1/2" x 6" (140 x 152 mm) header to house power operator.

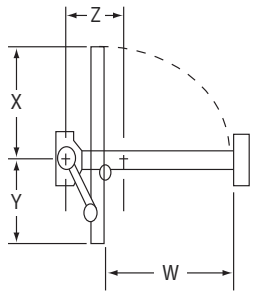
Advantages of the Premium Series Balanced Doors By CRL

BLUMCRAFT®
A DIVISION OF C.R. LAURENCE CO., INC.

- Hardware is Fully Capable of Supporting and Controlling Large and Monumental 2" (51 mm) Thick Doors
- Maximum Size for Premium Series is 50" Wide x 120" High (1270 x 3048 mm)
- Lets Wind and Stack Pressures Work for You Instead of Against You
- Assures Easy Operation and Positive Closing, Even Under Adverse Conditions

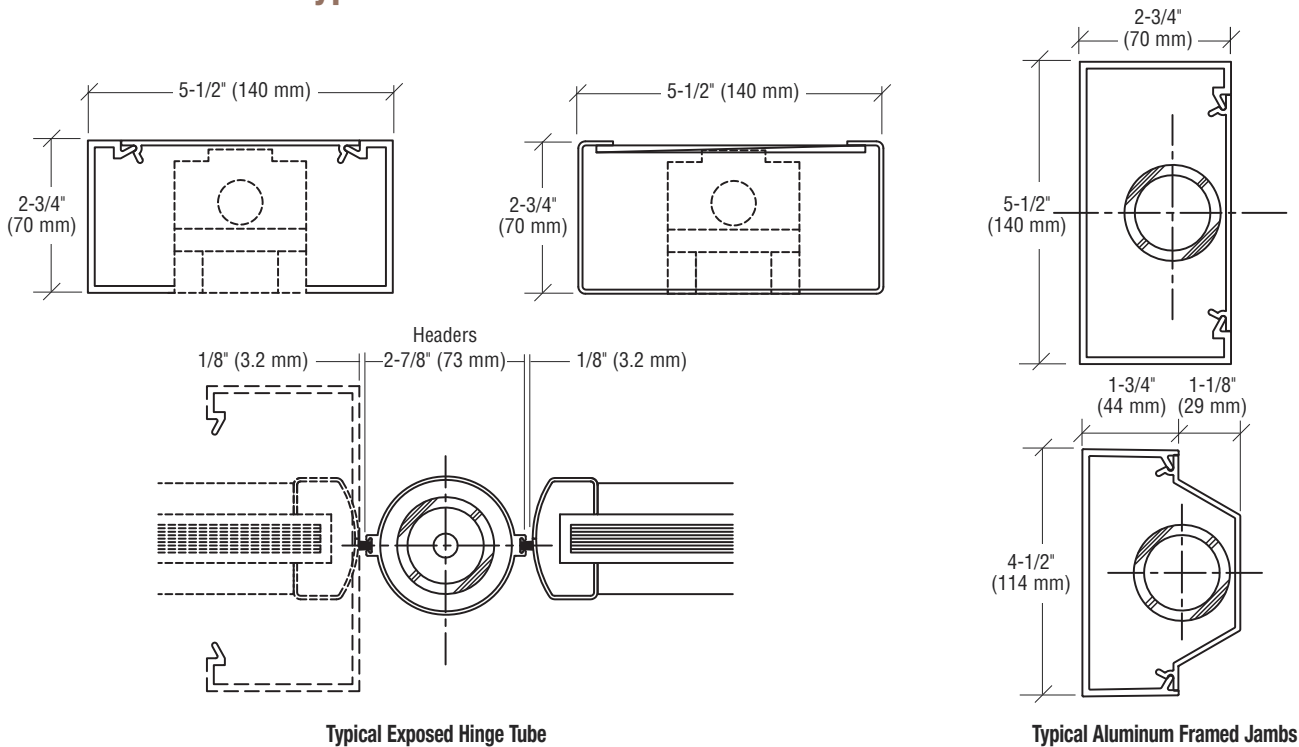
- Adjustable Bronze Cast Hydraulic Back Check for Consistently Smooth Operation
- Latching Speed, Closing Speed, and Spring Power are Adjustable Without Removing Hardware or Covers
- Compact Header With Integral Guide Track
- Requires Less Operating Space Than Conventionally Hinged Doors
- Easily Installed in New or Remodeled Buildings, Exterior or Interior

Design Dimensions (shown in inches)



	SHORT ARM						LONG ARM				
Door Size	30"	32"	34"	36"	38"	39"	40"	42"	44"	46"	48"
W	26-11/16"	28-11/16"	30-11/16"	32-11/16"	34-11/16"	35-11/16"	36-11/16"	38-11/16"	40-11/16"	42-11/16"	44-11/16"
X	17-1/2"	19-1/2"	21-1/2"	23-1/2"	25-1/2"	26-1/2"	24"	26"	28"	30"	32"
Y	— 12-1/2" —						— 16" —				
Z	— 7-1/8" —						— 8-7/8" —				

The Premium Series Typical Details



Making Dreams and Visions a Reality

CRL has lifted Tajima to a new level of excellence in the world of custom doors and entrances. We have combined Tajima's vision and experience with our state of the art manufacturing processes and engineering to be able to produce just the right creation for your most important openings.

Choose Tajima for those projects when one of the standard door and entrance designs available from the largest collection in the industry is just not what you are looking for! Let Tajima help make your dreams and visions into a reality!



CRL Formed Metal Doors and Entrances

- Custom Designed and Engineered
- Heavy Gauge Stainless Steel, Bronze, Brass, or Exotic Metals
- Crisp 'V' Cut Corners
- Precision Fit at All Corners and Joints



CRL-Tajima Formed Metal Doors and Entrances are manufactured with near flawless lines and surfaces, minimizing "oil canning" and distortion. Each system is adapted to meet the demanding requirements of your project.

Our Formed Metal Doors are made of minimum 16 gauge metal sheet that is formed to the desired shapes and sizes required. Welded construction and reinforcing provides strength and durability throughout years of heavy use.

By forming the individual parts that make up the door itself, we are able to easily make doors of varying design without the cost and lead time of expensive extrusion dies and minimum quantity orders. We can also design around unique hardware combinations that do not normally fit in a standard door.

For additional information or assistance with any CRL-Tajima product contact CRL Technical Sales at (800) 421-6144 in the U.S., (877) 421-6144 from Canada, or (323) 588-1281 International, and ask for Ext. 7700. You can also send an e-mail from the crlaurence.com home page. Click on Contact Us, and then click on Technical Sales for Commercial Products.

CRL Charleston Doors

- Custom Designed and Engineered
- Ribbon Accents or Embossed Patterns
- Crisp 'V' Cut Corners
- Custom Sizes Up to 60" (1.52 m) Wide and 144" (3.65 m) Tall
- Heavy Gauge Stainless Steel, Bronze, Brass, or Exotic Metals



CRL-Tajima Charleston Doors offer a fresh alternative to standard metal doors and the design possibilities are almost endless. Our in-house ability to emboss and 'V-Groove' a variety of metals gives CRL-Tajima the ability to make your design ideas a reality! Shown below are four popular designs that can be modified to meet your needs.

Charleston Doors are made of a minimum of 18 gauge metal sheet over 18 gauge metal reinforcing with polystyrene core. All corners are 'V' cut to produce a crisp, sharp look. Charleston Doors are available in brushed or polished, hairline or non-directional finishes.

Popular Designs



Sunflower



Iris

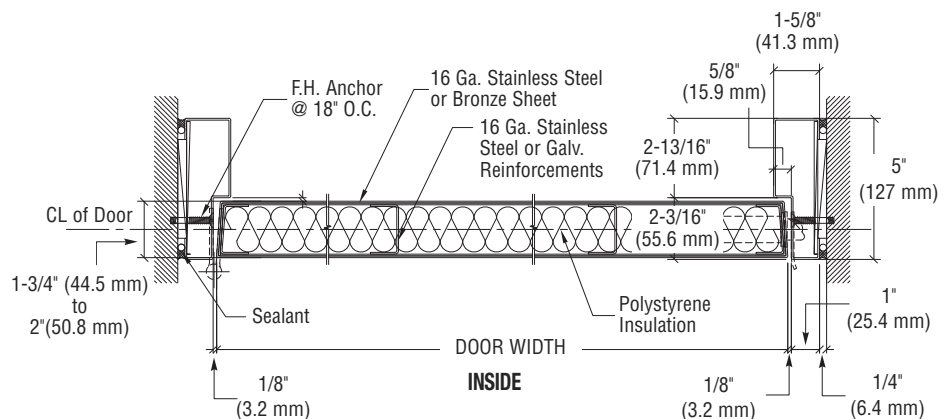


Sage



Tulip

For additional information or assistance with CRL-Tajima product contact CRL Technical Sales at (800) 421-6144 in the U.S., (877) 421-6144 from Canada, or (323) 588-1281 International, and ask for Ext. 7700. You can also send an e-mail from the crlaurence.com home page. Click on Contact Us, and then click on Technical Sales for Commercial Products.



3

TOP HUNG SLIDING DOOR SYSTEMS

- Bi-Folding Door Systems
- Stacking Partition Systems
- Laguna Series Sliding Door System
- CRL51/50/70 Series Sliding Door Systems
- CRL80/180 Series Sliding Door Systems
- CRL285 Series Sliding Door System

See other side for Section Index.

TOLL FREE PHONE SERVICE

U.S. and CANADA
(800) 421-6144

EUROPE
00 800 0421 6144

AUSTRALIA
1800 424 275

CRL[®]
U.S. ALUMINUM
crlaurence.com
usalum.com

CRL SPS Stacking Partition System
in polished stainless finish

3

TOP HUNG SLIDING DOOR SYSTEMS



The Coffee Bean and Tea Leaf
Sherman Oaks, CA

Sliding and Bi-Folding Doors offer the beauty of glass doors that can also serve as functional partitions and barriers in storefronts, shopping malls, offices, and even private residences. From light duty door systems for use in homes to heavy glass partitions for large interior spaces, we have a system to accommodate your needs for security and satisfy your tastes for aesthetic appeal.

For additional information contact our Technical Sales Staff at (800) 421-6144 in the U.S., (877) 421-6144 from Canada, or (323) 588-1281 International. Ask for Ext. 7700. You can also e-mail us through our web site at crlaurence.com. From the home page click on Contact Us, and then click on Technical Sales for Commercial Products.

SUBJECT

PAGES

- Monterey Series Exterior Bi-Fold Door System 262D thru 268D
- Guarda™ Bi-Fold Security Screen Door System 269D
- Birmingham Series Patch Bi-Fold Door System 270D thru 277D
- Heavy Glass Bi-Fold Door Systems 278D thru 281D
- Light Duty Stacking Partition System 282D thru 289D
- SPS Series Stacking Partition System 290D thru 307D
- Laguna Series Sliding Door System 308D thru 316D
- CRL51 Series Sliding Door System 317D thru 323D
- CRL50 Series Sliding Door System 324D thru 340D
- CRL70 Series Sliding Door System 341D thru 353D
- CRL80/180 Series Sliding Door Systems 354D thru 357D
- CRL285 Series Sliding Door System 358D thru 364D

For information or other assistance, use our toll free phone or fax service numbers

In the U.S. or Canada Toll Free Phone (800) 421-6144 Toll Free Fax (800) 262-3299

In Europe Freephone 00 800 0421 6144 Freefax 00 800 0262 3299

In Australia Toll Free Phone 1800 424 275 Toll Free Fax 1800 813 013

Contact us through our web site at crlaurence.com

CRL Sliding and Stacking Door Systems

This section of CRL14D brings you our variety of top hung heavy glass door systems for commercial and residential use. All are designed to be attractive, easy to operate, and most of all safe, even in high traffic circumstances. Design and installation assistance is available from CRL Technical Sales for Commercial Products.

- Stacking Partition Systems
- Overhead Track Sliding and Bi-Fold Doors
- Laguna Series Sliding Doors



Light Duty Stacking Partition System shown in closed position



Light Duty Stacking Partition System shown with doors stacked neatly aside



Laguna Series Sliding Glass Door System



Full Rail Stacking Partition System shown in closed position



Overhead Track Bi-Fold Track System for glass doors



CRL280 Series Overhead Track Sliding Door System



CRL50 Series Overhead Track System for glass doors



CRL70W Series Overhead Track System for wood doors

CRL Monterey Series Bi-Folding Sliding Door System

- Weather Resistant, Designed for Exterior Use
- Inward or Outward Stacking Positions Available
- For Use with 3/4" to 1-9/16" (19 to 39 mm) Insulating Glass
- Wood Grain and White Powder Coat Standard With Custom Colors Available
- Fully Assembled, Ready for Glazing

NEW!



CRL's long awaited and much anticipated venture into the great outdoors is finally here! We are excited to introduce our newest entrance door, the Monterey Series Bi-Folding Sliding Door System!

The Monterey Series allows you to bring the outdoors inside while providing resistance to undesirable weather conditions. Countless options are available to create large living spaces that seamlessly transition outdoors to indoors.

Our precision engineered components provide a system that slides smoothly with minimal effort while supporting up to 10 panels in a single opening. The Monterey Series provides security with multi-point locks that engage with a simple turn of the handle.



Weather Resistance

Double gaskets provide increased weather resistance



Durability

Dual guides in floor mounted track keep system hanging true and plumb, eliminating stress on hinges



Trouble Free Operation

Multi-point locks that engage with a simple turn of the handle

CRL Monterey Series Bi-Folding Sliding Door System

CRL Monterey Bi-Fold Sliding Door Systems are a contemporary way to maximize the space available in residential or commercial properties, while at the same time creating stunning areas with brilliant transparency. Use this Bi-Folding Sliding Door System as a room divider or simply as a patio door. When used as a patio door, a pivoting door can be incorporated into the system, which works the same way as a traditional patio door, or the entire bi-fold system can be opened, leaving an enormous wide open space. Our Monterey Series Bi-Folding Sliding Door System can accommodate door configurations ranging from one to ten leaves and allows them to be stacked with minimum effort to one or both sides (with a maximum of five leaves per side). Design options are virtually limitless. The sturdy, yet slim frame construction allows for more glass and less metal. The Monterey Series is designed for 3/4" to 1-9/16" (19 to 39 mm) glazing thickness, and the frames are available in white and wood grain powder coated finishes. Custom finishes also available.

Create Open Inviting Entrances

- Easy to Operate, Panels Open or Close Quickly

Invite passersby into your retail space or restaurant by opening the entire front to the sidewalk or mall promenade.



Bring the Outdoors In

- Almost Seamless Transition

Open an entire wall to the outside, creating larger living spaces easily.



Take the Kitchen Outdoors

- Several Stacking Configurations, and Inward or Outward Opening Options Available

Combine full height doors with windows above your kitchen counter and totally change the patio dining experience.



CRL Monterey Series Bi-Folding Sliding Door System

Stadiums and Sports Venues

- Versatile Pivoting Panel Option
- Flexibility to Fully or Partially Open

The Monterey Series is perfect for creating open, comfortable luxury stadium boxes that are both secure and weather resistant in the off season. The narrow profile of the vertical mullions lends to a relatively unobstructed view when closed. When opened you have the ability to move freely about the area without having to fumble with opening and closing swinging doors.



Schools and Universities

- Bi-Fold Sliding Doors Offer Natural Light When Partially or Completely Opened

Create larger class spaces or special activity areas without expensive building expansion. Combine rooms for group activities or section off noisy ones. Our swinging door option allows easy access when system is in the closed position.



Bi-Folding Window

- New Construction or Retrofit
- Commercial and Residential Applications

Enjoy the same features of a full height opening in a window application. Outward stacking position does not reduce your usable space inside.

Bi-Folding Windows run on an easy-slide track system and allow wide openings. They're ideal where homeowners or designers want to capitalize on views, capture summer breezes, or create a unity between indoors and outdoors.



CRL Monterey Series Bi-Folding Sliding Door System



The Monterey Series Bi-Folding Sliding Door System can include as few as two panels or up to 10 panels with a maximum of five panels stacking to a side. Single swinging doors are available to create a cohesive look throughout the project.

Maximum opening size is 23 feet (7 m) wide by 9 feet (2.7 m) tall. Openings wider than 16 feet (4.8 m) must split the panel stack to each side of the opening.

A standard Monterey Door can be glazed with insulating glass ranging in thickness from 3/4" to 1" (19 to 25 mm) using one of three glazing vinyls available.

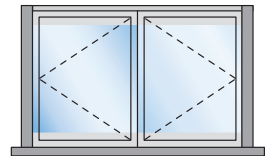
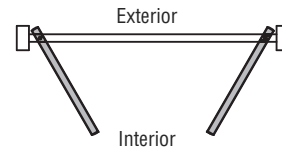


Stock Sizes and Configurations

2 PANELS PIVOT

CAT. NO.	ROUGH OPENING	FINISH
MPP7280W	72" x 80" (1.82 x 2.03 m)	White Powder Coat
MPP7280G	72" x 80" (1.82 x 2.03 m)	Wood Grain Powder Coat

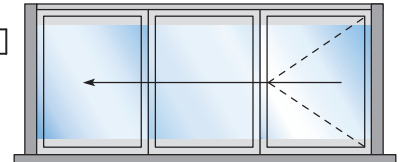
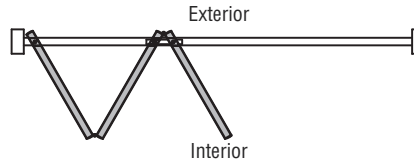
Minimum order: 1 each.



3 PANELS BI-FOLD

CAT. NO.	ROUGH OPENING	FINISH
MBP9680W	96" x 80" (2.43 x 2.03 m)	White Powder Coat
MBP9680G	96" x 80" (2.43 x 2.03 m)	Wood Grain Powder Coat
MBP9696W	96" x 96" (2.43 x 2.43 m)	White Powder Coat
MBP9696G	96" x 96" (2.43 x 2.43 m)	Wood Grain Powder Coat

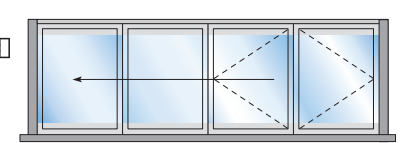
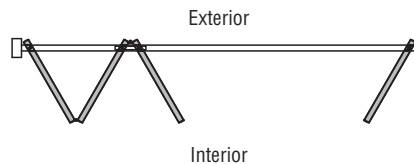
Minimum order: 1 each.



3 PANELS BI-FOLD, 1 PANEL PIVOTS

CAT. NO.	ROUGH OPENING	FINISH
MBP9680W	96" x 80" (2.43 x 2.03 m)	White Powder Coat
MBP9680G	96" x 80" (2.43 x 2.03 m)	Wood Grain Powder Coat
MBP9696W	96" x 96" (2.43 x 2.43 m)	White Powder Coat
MBP9696G	96" x 96" (2.43 x 2.43 m)	Wood Grain Powder Coat

Minimum order: 1 each.



CRL Monterey Series Bi-Folding Sliding Door System



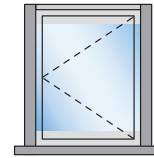
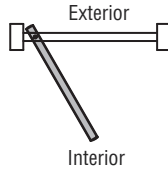
Optional Custom Sizes and Configurations

Must specify width and height.

1 PANEL PIVOTS

CAT. NO.	FINISH
MP1W	White Powder Coat
MP1G	Wood Grain Powder Coat

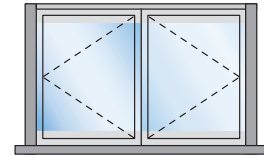
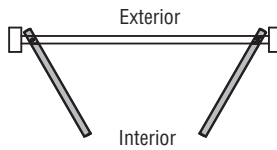
Minimum order: 1 each.



2 PANELS PIVOTS

CAT. NO.	FINISH
MPP11W	White Powder Coat
MPP11G	Wood Grain Powder Coat

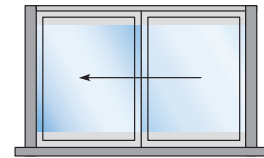
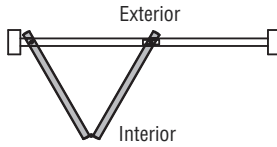
Minimum order: 1 each.



2 PANELS BI-FOLD

CAT. NO.	FINISH
MB2W	White Powder Coat
MB2G	Wood Grain Powder Coat

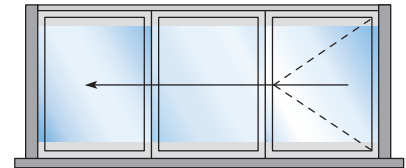
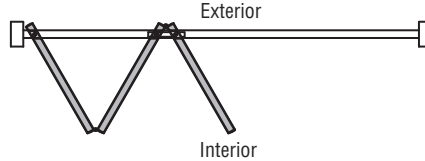
Minimum order: 1 each.



3 PANELS BI-FOLD

CAT. NO.	FINISH
MB3W	White Powder Coat
MB3G	Wood Grain Powder Coat

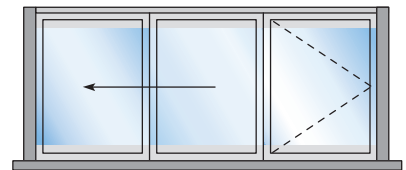
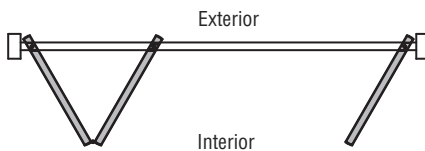
Minimum order: 1 each.



2 PANELS BI-FOLD, 1 PANEL PIVOTS

CAT. NO.	FINISH
MBP21W	White Powder Coat
MBP21G	Wood Grain Powder Coat

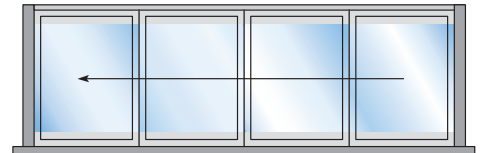
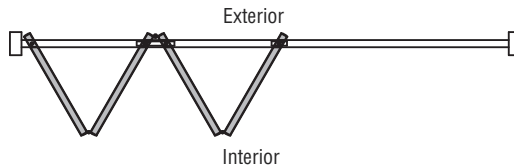
Minimum order: 1 each.



4 PANELS BI-FOLD

CAT. NO.	FINISH
MB4W	White Powder Coat
MB4G	Wood Grain Powder Coat

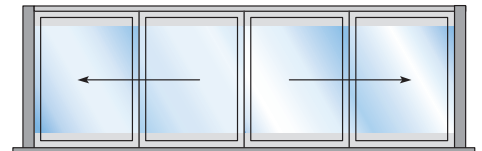
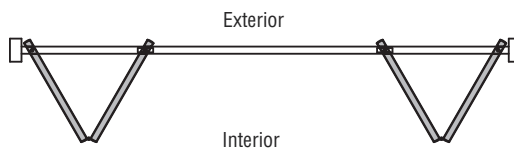
Minimum order: 1 each.



4 PANELS BI-FOLD AND BI-PART 2X2

CAT. NO.	FINISH
MBB22W	White Powder Coat
MBB22G	Wood Grain Powder Coat

Minimum order: 1 each.



CRL Monterey Series Bi-Folding Sliding Door System



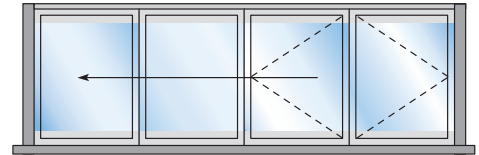
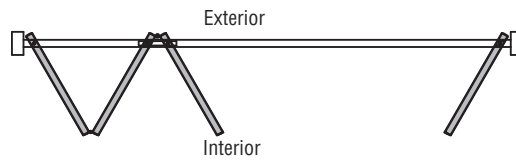
Optional Custom Sizes and Configurations

Must specify width and height.

3 PANELS BI-FOLD, 1 PANEL PIVOTS

CAT. NO.	FINISH
MBP31W	White Powder Coat
MBP31G	Wood Grain Powder Coat

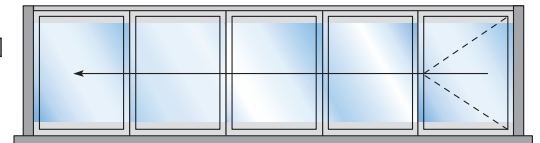
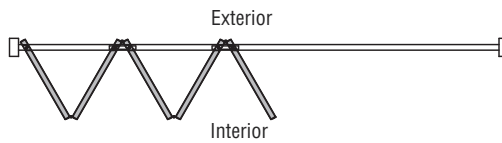
Minimum order: 1 each.



5 PANELS BI-FOLD

CAT. NO.	FINISH
MB5W	White Powder Coat
MB5G	Wood Grain Powder Coat

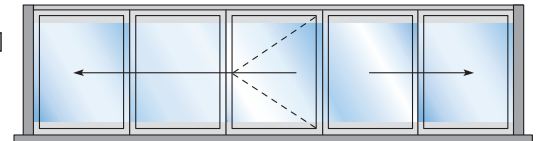
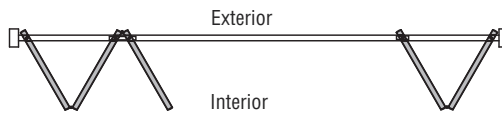
Minimum order: 1 each.



5 PANELS BI-FOLD AND BI-PART 3X2

CAT. NO.	FINISH
MBB32W	White Powder Coat
MBB32G	Wood Grain Powder Coat

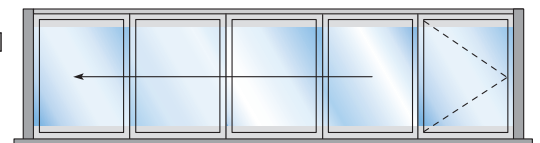
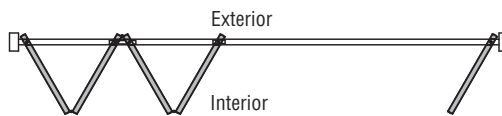
Minimum order: 1 each.



4 PANELS BI-FOLD, 1 PANEL PIVOTS

CAT. NO.	FINISH
MBP41W	White Powder Coat
MBP41G	Wood Grain Powder Coat

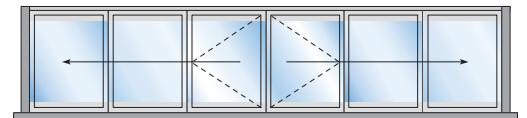
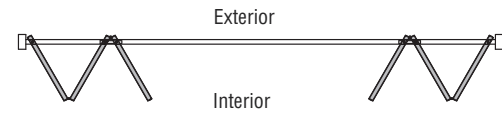
Minimum order: 1 each.



6 PANELS BI-FOLD AND BI-PART 3X3

CAT. NO.	FINISH
MBB33W	White Powder Coat
MBB33G	Wood Grain Powder Coat

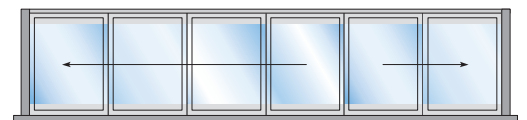
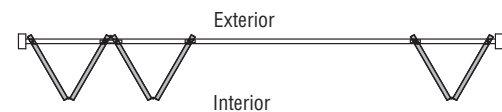
Minimum order: 1 each.



6 PANELS BI-FOLD AND BI-PART 4X2

CAT. NO.	FINISH
MBB42W	White Powder Coat
MBB42G	Wood Grain Powder Coat

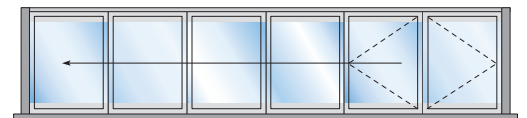
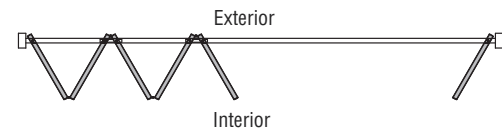
Minimum order: 1 each.



5 PANELS BI-FOLD, 1 PANEL PIVOTS

CAT. NO.	FINISH
MBP51W	White Powder Coat
MBP51G	Wood Grain Powder Coat

Minimum order: 1 each.



CRL Monterey Series Bi-Folding Sliding Door System



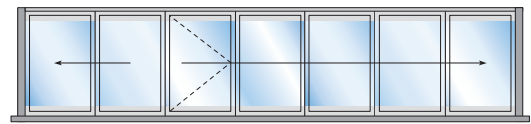
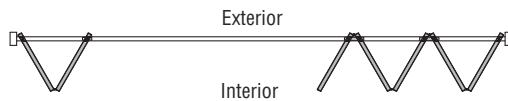
Optional Custom Sizes and Configurations

Must specify width and height.

7 PANELS BI-FOLD AND BI-PART 2X5

CAT. NO.	FINISH
MBB25W	White Powder Coat
MBB25G	Wood Grain Powder Coat

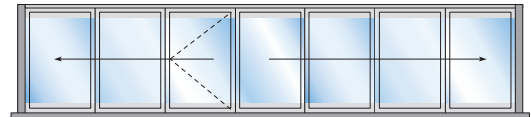
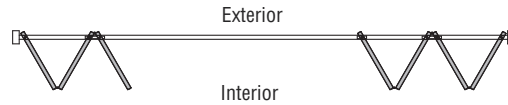
Minimum order: 1 each.



7 PANELS BI-FOLD AND BI-PART 3X4

CAT. NO.	FINISH
MBB34W	White Powder Coat
MBB34G	Wood Grain Powder Coat

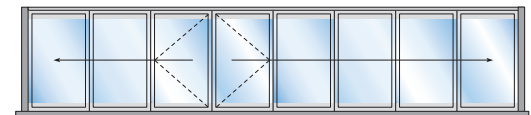
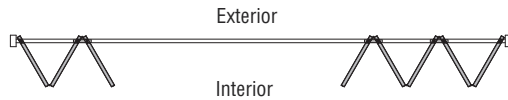
Minimum order: 1 each.



8 PANELS BI-FOLD AND BI-PART 3X5

CAT. NO.	FINISH
MBB35W	White Powder Coat
MBB35G	Wood Grain Powder Coat

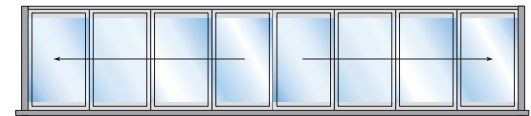
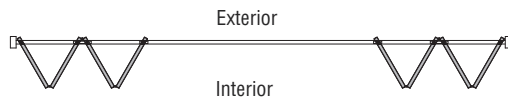
Minimum order: 1 each.



8 PANELS BI-FOLD AND BI-PART 4X4

CAT. NO.	FINISH
MBB44W	White Powder Coat
MBB44G	Wood Grain Powder Coat

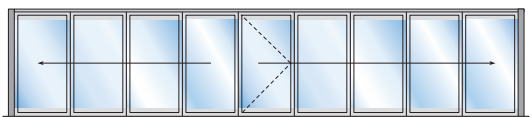
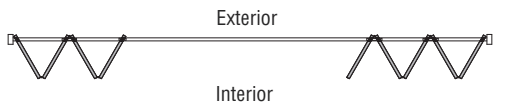
Minimum order: 1 each.



9 PANELS BI-FOLD AND BI-PART 4X5

CAT. NO.	FINISH
MBB45W	White Powder Coat
MBB45G	Wood Grain Powder Coat

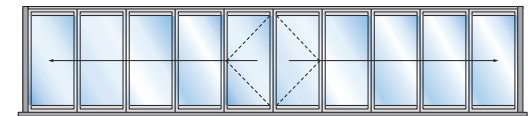
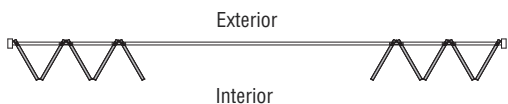
Minimum order: 1 each.



10 PANELS BI-FOLD AND BI-PART 5X5

CAT. NO.	FINISH
MBB55W	White Powder Coat
MBB55G	Wood Grain Powder Coat

Minimum order: 1 each.



ORDERING INFORMATION:

- Specify Rough Opening Dimensions
- All Configurations Come Standard With Inward Swing and Stack. Outward Swing and Stack Available on Special Order
- Specify Configuration as Viewed from Interior
- All Configurations Come Standard With Glazing Vinyl for 3/4" Insulating Unit. Specify Glass Thickness if Different than Standard
- Custom Finishes Available

Contact CRL Technical Sales Department for available options at (800) 421-6144 in the U.S., (877) 421-6144 from Canada, or (323) 588-1281 International and ask for Ext. 7700.

CRL Guarda™ Bi-Fold Security Screen Doors



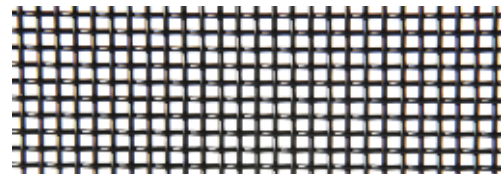
Meshtec Powder Coat Warranty - 10 Years From Date of Original Installation on Mesh

- High Resistance to Forced Entry
- Provides Protection and Ventilation With Unobstructed Clear Views
- Exclusively Made With Certified 316 Marine Grade High-Tensile Stainless Steel Black Powder Coated Meshtec Security Mesh
- Innovative Design Exceeds International Security Standards
- Blocks an Average of 60% of Harmful UV Rays
- Internationally Patented



CRL Guarda™ Bi-Fold Security Screen Doors are a perfect solution to panoramic view door applications while providing a security barrier to unlawful entry to your property. CRL Guarda™ Bi-Fold Security Screen Doors can be configured to almost any opening size. All CRL Guarda™ Bi-Fold Security Screen Doors are an interior mount system and can be recessed with only 5/8" (15.9 mm) of trim above the floor. CRL Guarda™ Bi-Fold Security Screen Doors offer the flexibility of a pivoting door mounted to either the jamb or onto a folding door panel.

To learn more about Guarda™ see pages 445D to 455D or visit the CRL web site at crlaurence.com. To speak with a CRL Guarda™ Security Systems Technician please call (800) 421-6144, and ask for Ext. 6180.



Mesh Shown Actual Size

Architectural Design and Appeal

- Security Doors and Window Screens are Not Only Made to be Strong, but Also to Enhance and Modernize the Architectural Appeal. There is No Compromise With Aesthetics as With Conventional Bar and Grille Systems
- Easily Incorporated Into Almost All Types of Doors and Windows. Sash Comes in Seven Color Options: White, Black, Brown, Sahara Brown, Gray, Almond, and Bronze



Clear Vision



Impact Resistance



Protection from Insects



Air Flow and Circulation



Appealing Design



Standard Sizes and Custom Made



Energy Savings



No Bars



60% UV Blockage



Quick Exit

CRL Birmingham Series Bi-Folding Top Hung Sliding Door System

- Top Hung With Heavy-Duty Rollers and Patch Fittings for Smooth Operation
- Three Kits to Choose From or Design Your Own
- For 3/8" or 1/2" (10 or 12 mm) Tempered Glass
- For Interior Use Only
- Rated for Panels Up to 110 lbs (50 kg)

The CRL Birmingham Bi-Folding Top Hung Door System features corner patches to create a modern and elegant look. It can accommodate from two to twelve panels that can be bi-folded to one side or bi-part, with a maximum of six panels to a side. The systems are easy to install and a cost effective solution for commercial or residential interior applications.

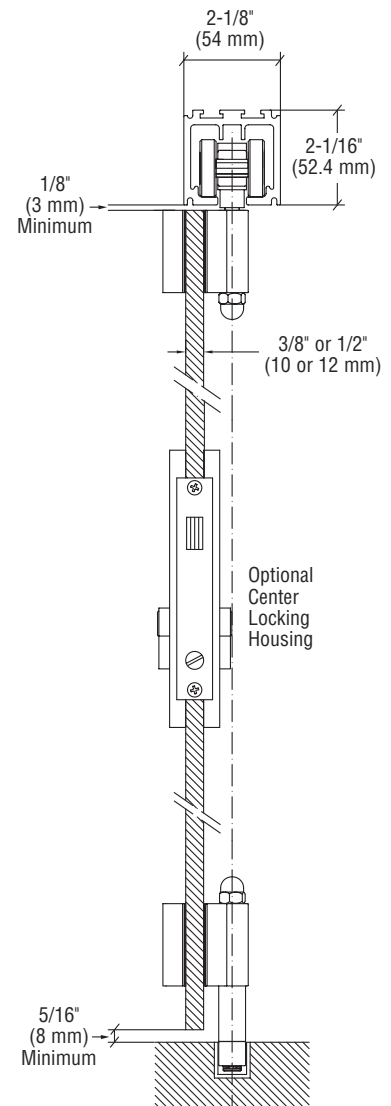
There are three kits available from stock: 2x2 Bi-Folding, a three panel Bi-Folding, and a four panel Bi-Folding. All with everything you need to complete the installation, except for the glass and the fasteners going into the substrate. However, the combinations do not stop there, you can easily add additional fittings to create the desired configuration of your choice, providing it meets system limitations.

Panels are hinged together with alloy 304 stainless steel patches and suspended from the satin anodized aluminum top track by heavy-duty rollers. Similar patches are used at the midpoint of the panels to ensure safe operation on openings taller than 104" (2.6 m).

Matching bottom patches with guide pins slide inside a floor mounted continuous channel maintaining proper alignment of the panels as they fold open and closed.

Maximum panel weight of 110 lbs (50 kg), with a maximum width of 29" (737 mm) and maximum height of 118" (3 m). Fittings can accommodate 3/8" or 1/2" (10 or 12 mm) tempered glass and require two holes per door, per fitting, and notches for the center lock housings. The top and bottom tracks come in 118" (3 m) lengths.

Optional Slim Line Locking Handle and Receiver Handle are available, see page 275D.



CRL Birmingham Series 2x2 Bi-Folding Door Kit

NEW!



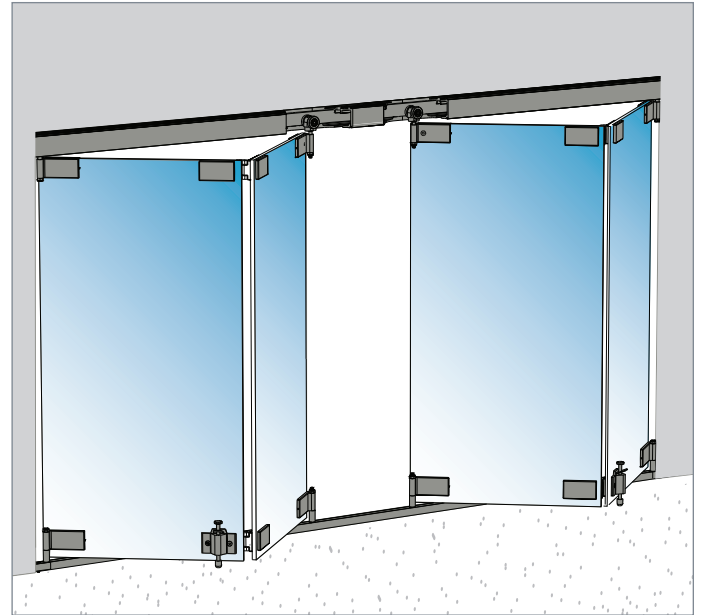
- For 3/8" or 1/2" (10 or 12 mm) Tempered Glass
- Brushed Stainless Steel Patches
- Satin Anodized Top Track and Bottom Guide Channel

This configuration of the CRL Birmingham Series Bi-Folding Slider provides all the hardware needed to create a bi-folding four panel, 2x2 bi-parting entrance. Two panels bi-fold to each side, giving you a large unobstructed opening. Hardware can be easily reversed in the field to allow for opposite handing.

For openings taller than 104" (2.6 m), additional Cat. No. B1R14 Glass-to-Glass Patches must be used at panel height midpoints to ensure safe operation of the system (ordered separately, see page 275D).

Maximum panel weight of 110 lbs (50 kg), with a maximum width of 29" (737 mm) and maximum height of 118" (3 m). Fittings can accommodate 3/8" or 1/2" (10 or 12 mm) tempered glass and require two holes per door, per fitting, and notches for the center lock housings. The top and bottom tracks come in 118" (3 m) lengths.

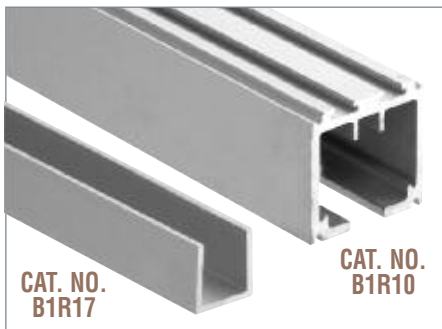
Optional Slim Line Locking Handle and Receiver Handle are available, see page 275D.



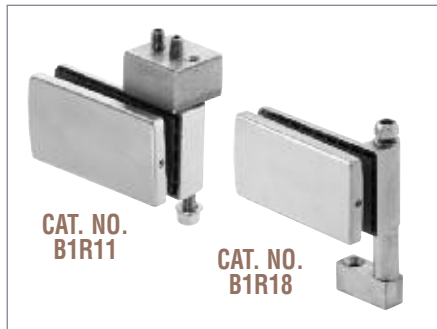
CAT. NO.	FOR GLASS THICKNESS
B1R22BP	3/8" to 1/2" (10 to 12 mm)

Minimum order: 1 each. Kits contain stock lengths measuring 118" (3 m) in length and therefore must ship common carrier. Kits can be combined for quantity pricing.

Each Kit Contains:



One Top Track and One Bottom Guide Channel at 118" (3 m) in Length



Two Top Pivot Patches and Two Bottom Pivot Patches



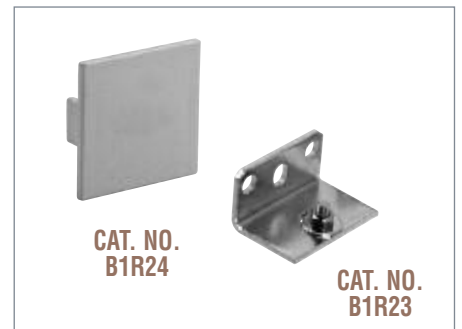
Two Top Single Roller Patches and Two Bottom Guide Patches



Two Glass-to-Glass Patches



Two Glass-to-Glass Bottom Lock Patches



Two Top Track End Caps and 15 Top Track Support Brackets

CRL Birmingham Series 3 Panel Bi-Folding Door Kit

NEW!

- For 3/8" or 1/2" (10 or 12 mm) Tempered Glass
- Brushed Stainless Steel Patches
- Satin Anodized Top Track and Bottom Guide Channel

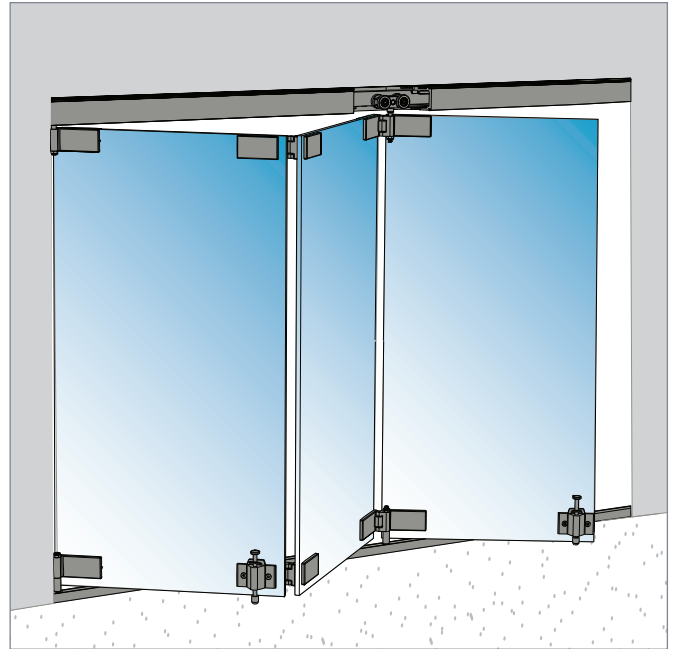


This configuration of the CRL Birmingham Series Bi-Folding Slider provides all the hardware needed to create a bi-folding three panel entrance. All panels bi-fold to one side, giving you a large unobstructed opening. Hardware can be easily reversed in the field to allow for opposite handing.

For openings taller than 104" (2.6 m), additional Cat. No. B1R14 Glass-to-Glass Patches must be used at panel height midpoints to ensure safe operation of the system (ordered separately, see page 275D).

Maximum panel weight of 110 lbs (50 kg), with a maximum width of 29" (737 mm) and maximum height of 118" (3 m). Fittings can accommodate 3/8" or 1/2" (10 or 12 mm) tempered glass and require two holes per door, per fitting, and notches for the center lock housings. The top and bottom tracks come in 118" (3 m) lengths.

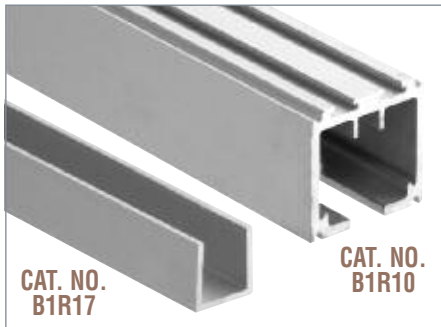
Optional Slim Line Locking Handle and Receiver Handle are available, see page 275D.



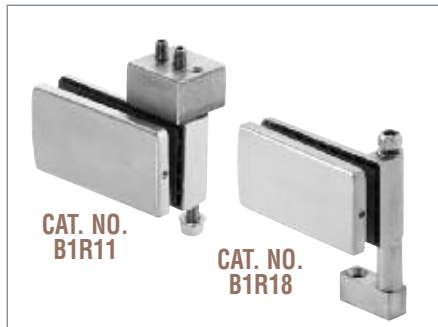
CAT. NO.	FOR GLASS THICKNESS
B1R3S	3/8" to 1/2" (10 to 12 mm)

Minimum order: 1 each. Kits contain stock lengths measuring 118" (3 m) in length and therefore must ship common carrier. Kits can be combined for quantity pricing.

Each Kit Contains:



One Top Track and One Bottom Guide Channel at 118" (3 m) in Length



One Top Pivot Patch and One Bottom Pivot Patch



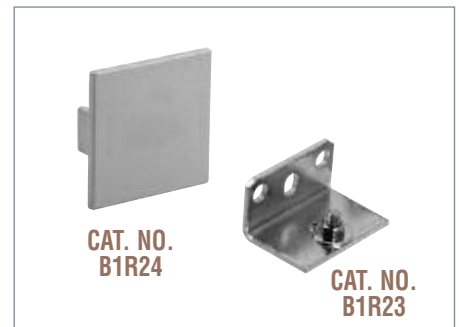
One Top Glass-to-Glass Roller Patch and One Bottom Glass-to-Glass Guide Patch



One Glass-to-Glass Patch



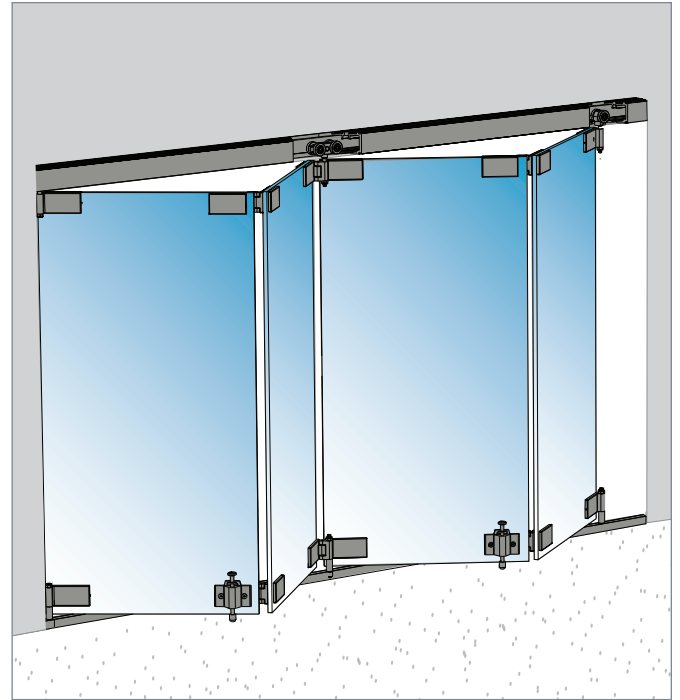
One Glass-to-Glass Bottom Lock Patch and One Bottom Lock Patch



Two Top Track End Caps and 15 Top Track Support Brackets

CRL Birmingham Series 4 Panel Bi-Folding Door Kit **NEW!**

- Top Hung Door System for 3/8" or 1/2" (10 or 12 mm) Tempered Glass
- Brushed Stainless Steel Patches
- Satin Anodized Top Track and Bottom Guide Channel



This configuration of the CRL Birmingham Series Bi-Folding Slider provides all the hardware needed to create a bi-folding four panel entrance. All panels bi-fold to one side, giving you a large unobstructed opening. Hardware can be easily reversed in the field to allow for opposite handing.

For openings taller than 104" (2.6 m), additional Cat. No. B1R14 Glass-to-Glass Patches must be used at panel height midpoints to ensure safe operation of the system (ordered separately, see page 275D).

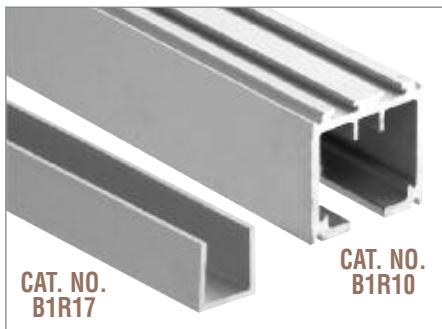
Maximum panel weight of 110 lbs (50 kg), with a maximum width of 29" (737 mm) and maximum height of 118" (3 m). Fittings can accommodate 3/8" or 1/2" (10 or 12 mm) tempered glass and require two holes per door, per fitting, and notches for the center lock housings. The top and bottom tracks come in 118" (3 m) lengths.

Optional Slim Line Locking Handle and Receiver Handle are available, see page 275D.

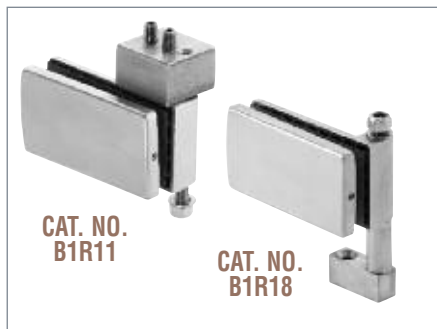
CAT. NO.	FOR GLASS THICKNESS
B1R4S	3/8" to 1/2" (10 to 12 mm)

Minimum order: 1 each. Kits contain stock lengths measuring 118" (3 m) in length and therefore must ship common carrier. Kits can be combined for quantity pricing.

Each Kit Contains:



One Top Track and One Bottom Guide Channel at 118" (3 m) in Length



One Top Pivot Patch and One Bottom Pivot Patch



One Top Single Roller Patch and One Bottom Guide Patch



Two Glass-to-Glass Patches and Two Glass-to-Glass Bottom Lock Patches



One Glass-to-Glass Roller Patch and One Glass-to-Glass Guide Patch

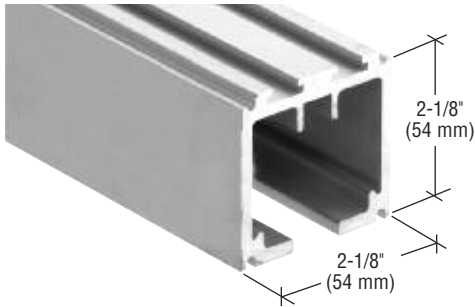


Two Top Track End Caps and 15 Top Track Support Brackets

CRL Birmingham Series Accessories

CRL Birmingham Series Top Track

- Satin Anodized Finish
- 118" (3 m) in Length



CRL Birmingham Series Top Tracks are made of satin anodized aluminum and come in 118" (3 m) stock lengths. They are pre-drilled at 9-7/8" (251 mm) centers for use with Cat. No. B1R23 Top Track Support Brackets for wall mount applications. Fasteners to wall or ceiling are not included.

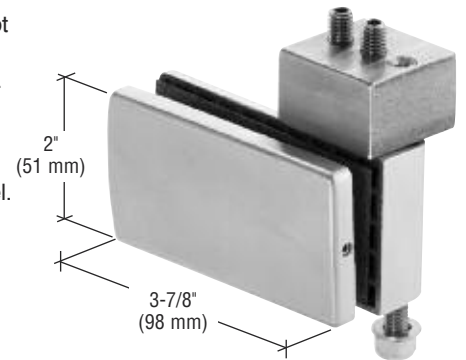
CAT. NO.	DESCRIPTION	FINISH
B1R10	118" (3 m) Top Track	Satin Anodized

Minimum order: 1 stock length. Must ship common carrier.

CRL Birmingham Series Top Pivot Patch

- Brushed Stainless Steel
- For 3/8" or 1/2" (10 or 12 mm) Tempered Glass

This CRL Birmingham Series Top Pivot Patch provides a fixed top pivot for the bi-fold system. It mounts inside the Cat. No. B1R10 Top Track with no drilling required, and clamps onto the top corner of the glass panel. This Patch comes in a brushed stainless steel finish. Handing is easily field reversible. Two holes in the glass are required.



CAT. NO.	DESCRIPTION	FINISH
B1R11	Top Pivot Patch	Brushed Stainless

Minimum order: 1 each.

CRL Birmingham Series Top Single Roller Patch

- Heavy-Duty Bearings
- Brushed Stainless Steel Finish

The CRL Birmingham Series Top Single Roller Patch provides smooth, simple bi-fold action of the leading door of the bi-fold system. The single roller works with the Cat. No. B1R10 Top Track, and mounts on the top corner of the glass panel. This Patch comes in a brushed stainless steel finish. Handing is easily field reversible. Two holes in glass are required.



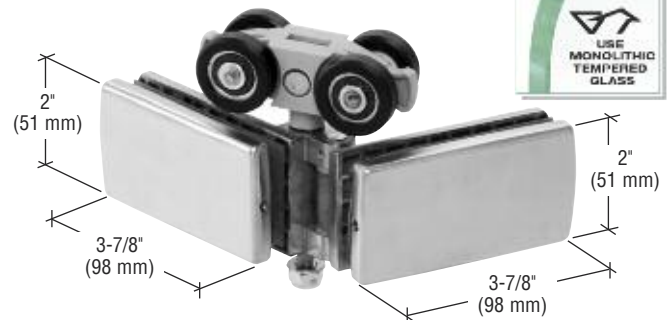
CAT. NO.	DESCRIPTION	FINISH
B1R12	Top Single Roller Patch	Brushed Stainless

Minimum order: 1 each.

CRL Birmingham Series Top Glass-to-Glass Roller Patch

- Cast Stainless Steel Fitting
- Double Set of Rollers

This CRL Birmingham Series Top Glass-to-Glass Roller Patch provides for smooth, simple bi-fold action where two panels meet in the bi-fold system. The double roller works with the Cat. No. B1R10 Top Track, and mounts on top corners of the glass panels. This Patch comes in a brushed stainless steel finish. Handing is easily field reversible. Two holes per panel in glass are required.



CAT. NO.	DESCRIPTION	FINISH
B1R13	Top Glass-to-Glass Roller Patch	Brushed Stainless

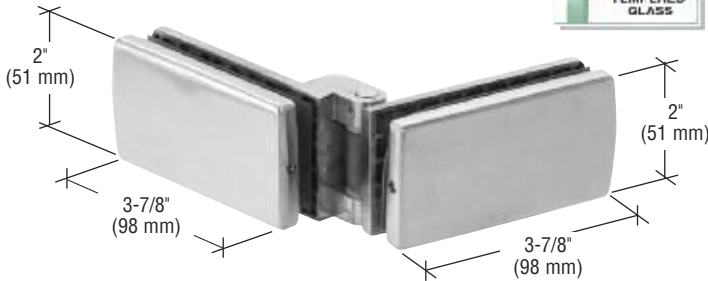
Minimum order: 1 each.

CRL Birmingham Series Accessories

CRL Birmingham Series Glass-to-Glass Patch



- For 3/8" or 1/2" (10 or 12 mm) Tempered Glass
- Maximum Door Width is 29" (737 mm)



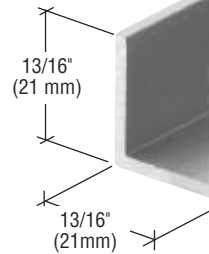
This CRL Birmingham Series Glass-to-Glass Patch connects two panels at non-roller locations in the bi-fold system. This Patch mounts on the top corners of the glass panels, and is also used at mid-height locations for openings taller than 104" (2.6 m). This Patch is available in a brushed stainless steel finish and is non-handed. Two holes in each glass panel are required.

CAT. NO.	DESCRIPTION	FINISH
B1R14	Glass-to-Glass Patch	Brushed Stainless

Minimum order: 1 each.

CRL Birmingham Series Bottom Guide Channel

- Satin Anodized Finish
- 118" (3 m) in Length



The CRL Birmingham Series Bottom Guide Channel is recessed into the floor, and receives the guide pin from Cat. No. B1R19 and B1R21 to secure and guide the panels of the bi-fold systems. Made from satin anodized aluminum and is 118" (3 m) in length.

CAT. NO.	DESCRIPTION	FINISH
B1R17	Bottom Guide Channel	Satin Anodized

Minimum order: 1 stock length. Must ship common carrier.

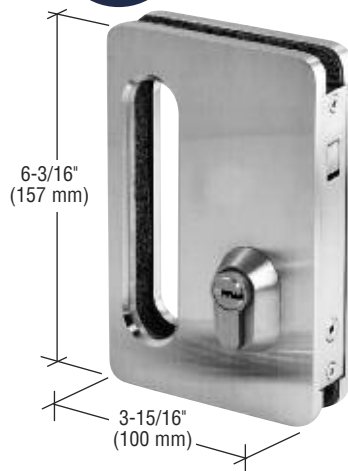
CRL Birmingham Series Slim Line Locking Handle



- Solid Stainless Steel
- European Style Lock



This CRL Birmingham Series Slim Line Locking Handle provides added security to the bi-fold system. Available in brushed stainless steel finish, they are keyed outside with a thumbturn inside, and have a hook latch for securing the bi-fold panel. A jamb mounted strike plate is included. For glass-to-glass applications there is a matching Receiver Handle (Cat. No. B1R16, ordered separately). A notch in the glass panel is required.



CAT. NO.	DESCRIPTION	FINISH
B1R15	Slim Line Locking Handle	Brushed Stainless

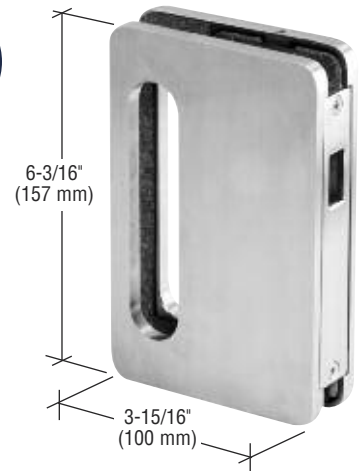
Minimum order: 1 each.

CRL Birmingham Series Slim Line Receiver Handle

- Accepts B1R15 Lock
- Made From Stainless Steel



This CRL Birmingham Series Slim Line Receiver Handle provides a glass mounted strike for Cat. No. B1R15 Lock Handle. Available in brushed stainless steel finish. A notch in the glass panel is required.



CAT. NO.	DESCRIPTION	FINISH
B1R16	Slim Line Receiver Handle	Brushed Stainless

Minimum order: 1 each.

CRL Birmingham Series Accessories

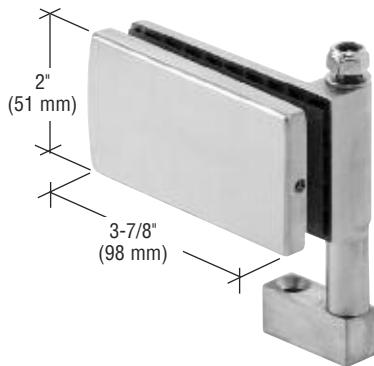
CRL Birmingham Series Bottom Pivot Patch

NEW!

- Brushed Stainless Steel Finish
- For 3/8" or 1/2" (10 or 12 mm) Tempered Glass



This CRL Birmingham Series Bottom Pivot Patch provides a fixed bottom pivot for the bi-fold system. It mounts inside the Cat. No. B1R17 Bottom Guide Channel, and clamps onto the bottom corner of the glass panel. This Patch comes in a brushed stainless steel finish. Handing is easily field reversible. Two holes in glass panel are required.



CAT. NO.	DESCRIPTION	FINISH
B1R18	Bottom Pivot Patch	Brushed Stainless

Minimum order: 1 each.

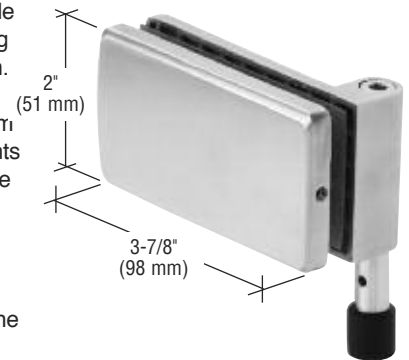
CRL Birmingham Series Bottom Guide Patch

NEW!

- Brushed Stainless Steel Finish
- For 3/8" or 1/2" (10 or 12 mm) Tempered Glass



The CRL Birmingham Series Bottom Guide Patch provides for smooth, simple bi-fold action of the leading panel of the bi-fold system. The guide pin works with the Cat. No. B1R17 Bottom Guide Channel, and mounts on the bottom corner of the glass panel. This Patch comes in a brushed stainless steel finish. Handing is easily field reversible. Two holes in the glass panel are required.



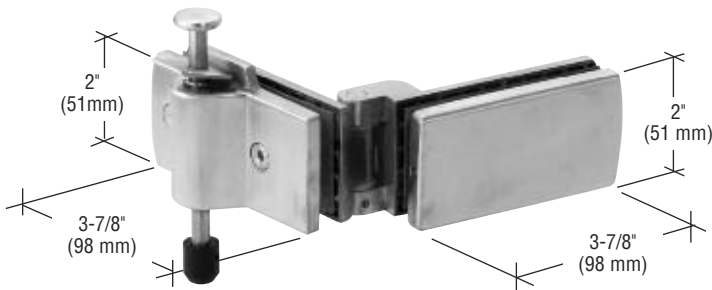
CAT. NO.	DESCRIPTION	FINISH
B1R19	Bottom Guide Patch	Brushed Stainless

Minimum order: 1 each.

CRL Birmingham Series Bottom Glass-to-Glass Lock Patch

NEW!

- Brushed Stainless Steel Finish
- For 3/8" or 1/2" (10 or 12 mm) Tempered Glass



This CRL Birmingham Series Bottom Glass-to-Glass Lock Patch connects two panels at non-guide pin locations of the bi-fold system. The easy lock and release mechanism secures the door in the closed position. This Patch comes in a brushed stainless steel finish. Handing is easily field reversible. Two holes in each glass panel are required.

CAT. NO.	DESCRIPTION	FINISH
B1R20	Bottom Glass-to-Glass Lock Patch	Brushed Stainless

Minimum order: 1 each.

CRL Birmingham Series Bottom Glass-to-Glass Guide

NEW!

- Stainless Steel Fitting
- Maximum Weight 110 lbs (50 kg)



The CRL Birmingham Series Bottom Glass-to-Glass Guide Patch provides for smooth, simple bi-fold action where two panels meet in the bi-fold system. The guide pin works with the Cat. No. B1R17 Bottom Guide Channel, and mounts on the bottom corners of the glass panels. This Patch comes in a brushed stainless steel finish. Handing is easily field reversible. Two holes in each glass panel are required.

CAT. NO.	DESCRIPTION	FINISH
B1R21	Bottom Glass-to-Glass Guide	Brushed Stainless

Minimum order: 1 each.

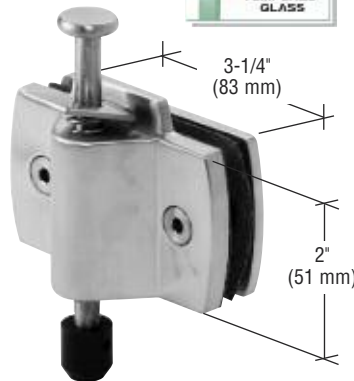
CRL Birmingham Series Accessories

CRL Birmingham Series Bottom Lock Patch

- Brushed Stainless Steel Finish
- Easy Lock and Release Function



The CRL Birmingham Series Bottom Lock Patch mounts to the bottom corner of the lead pivot panel of the bi-fold system. The easy lock and release mechanism secures the door in the closed position. This Patch is available in a brushed stainless steel finish and is non-handed. Two holes in glass panel are required.



CAT. NO.	DESCRIPTION	FINISH
B1R22	Bottom Lock Patches	Brushed Stainless

Minimum order: 1 each.

CRL Birmingham Series Top Track Support Bracket

- Heavy-Duty 90 Degree Support Bracket



The CRL Birmingham Series Top Track Support Bracket is used to mount the B1R10 Top Track to the face of a wall or soffit. Bolt, nut, and washer to attach to Top Track are included.



CAT. NO.	DESCRIPTION
B1R23	Top Track Support Bracket

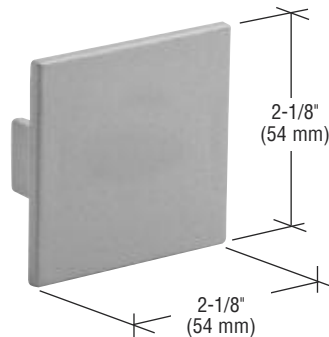
Minimum order: 1 each.

CRL Birmingham Series Top Track End Cap

- Designed for End of B1R10 Top Track



This CRL Birmingham Series End Cap is made to fit the B1R10 Top Track. Made of gray molded plastic to match the anodized track.

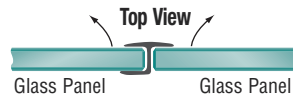


CAT. NO.	DESCRIPTION	COLOR
B1R24	Top Track End Cap	Gray

Minimum order: 1 each.

CRL Clear Polycarbonate Water Seals

- Snap-On Application
- 118" (3 m) in Length



CRL Water Seals are designed to seal the vertical edges of the panels. The "U" portion is rigid and the single leg is soft to make a tight seal.

CAT. NO.	DESCRIPTION	FOR GLASS THICKNESS
PCC10118	Clear Polycarbonate Seal	3/8" (10 mm)
PCC12118	Clear Polycarbonate Seal	1/2" (12 mm)

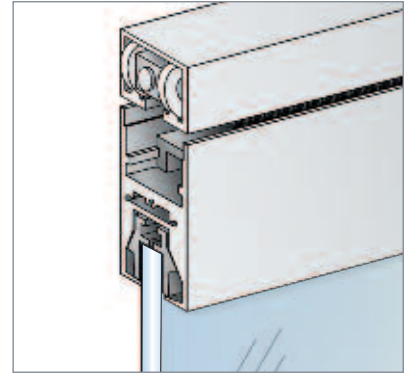
Minimum order: 5 each.

CRL Overhead Track Sliding and Bi-Fold Doors

- Custom Built in Eight Standard Sliding Configurations and Eight Standard Bi-Fold Configurations
- For Use With 3/8" or 1/2" (10 or 12 mm) Tempered Glass
- Available in Six Architectural Finishes
- Custom Finishes Available on Special Order

The CRL Overhead Track Sliding and Bi-Fold Door Systems are designed to work in a variety of different applications. Their universal track and roller design allows them to be used as Sliding, Half Panel Bi-Fold or Full Panel Bi-Fold configurations. Each unit is custom built to your specifications for opening size, glass thickness, and locking hardware.

Our Cat. No. 0TCA Top Roller Carriage Assemblies adjust easily for both height and alignment. Their compact design allows for the Top Track and the Door Rail widths to match, providing an even sight line. A pile weatherstrip fills the gap between the Top Track and Door Rail. An optional recessed 0TBR Series Guide Channel is included with each system for increased performance and added security.

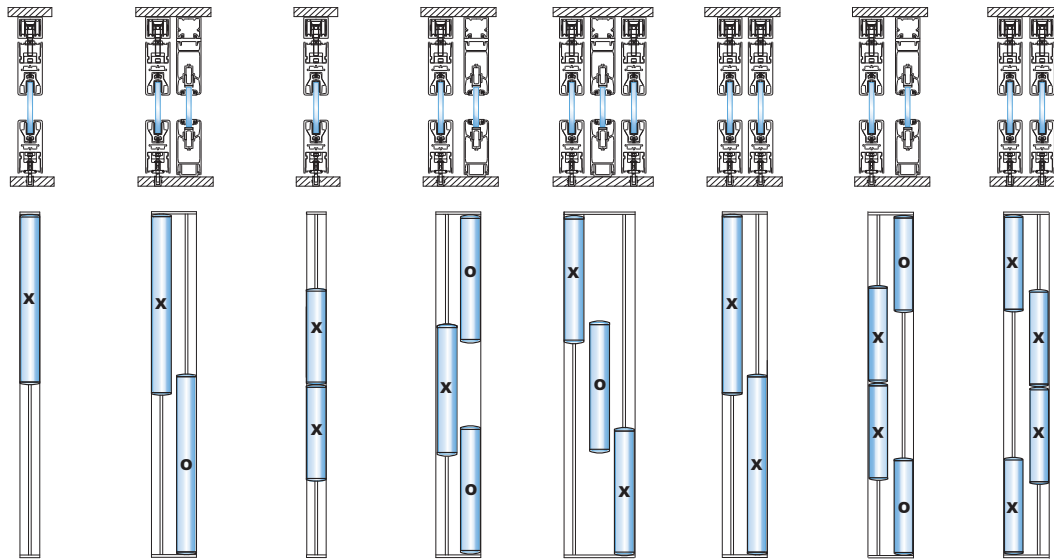


CRL Overhead Track Sliding Door Configurations

• Silent Moving Four-Roller Carriage Assemblies

CRL Overhead Track Sliding Door Systems are available in eight standard configurations. Each sliding panel is hung from two Cat. No. 0TCA Carriage Assemblies. Maximum panel weight not to exceed 225 pounds (102 kg). Maximum panel width is 72" (1829 mm). Minimum panel width is 15" (381 mm).

NOTE: Available by custom order only. Standard with 4" (102 mm) Square Rails, however, any of our 4", 6", or 10" (102, 152, or 254 mm) Rail combinations are available. Most orders can be fabricated in five business days at our Los Angeles, California manufacturing facility. Contact CRL Technical Sales at (800) 421-6144 in the U.S., (877) 421-6144 from Canada, or (323) 588-1281 International, and ask for Ext. 7700. You can also send e-mail from the crlaurence.com home page. Click on Contact Us, and then click on Technical Sales for Commercial Products.



X = Sliding Panel O = Fixed Panel



FINISHES

- Satin Anodized
- Black Bronze Anodized
- Black Powder Coat
- Brushed Stainless*
- Polished Stainless*
- Polished Brass*

*Clad finish.

X	XO (OX) BYPASS	XX BI-PART	OXO BYPASS	XOX BYPASS	XX BYPASS	OXXO BI-PART	XXXX BYPASS
SERIES CAT. NO.	SERIES CAT. NO.	SERIES CAT. NO.	SERIES CAT. NO.	SERIES CAT. NO.	SERIES CAT. NO.	SERIES CAT. NO.	SERIES CAT. NO.
0TS1	0TS101	0TS2	0TS102	0TS203	0TS22	0TS202	0TS24

Minimum order: 1 each. Must ship common carrier.



C.R. LAURENCE COMPANY

crlaurence.com | usalum.com

278D | crlaurence.ca crlaurence.com.au crlaurence.co.uk crlaurence.de crlaurence.eu

CRL Overhead Track Half Panel Bi-Fold Door Systems

- Featuring 4" (101.6 mm) Square DR4S Series Door Rails
- Panels Hung From Mid-Point, Maximizing Panel Width
- Available In Six Architectural Finishes

CRL Overhead Track Half Panel Bi-Fold Door Systems are available in four configurations, with a maximum of three panels on each side of the opening. The end panels act like normal center pivoting doors and connect to the first hanging panel using special hinged end caps. The hanging panels are joined in the same manner, and are hung from a single Cat. No. OTCA Carriage Assembly at the midpoint of the panel's width.

Use of our Cat. No. 0TBR Series Guide Channel supplied with each order is highly recommended to prevent the panels from dragging during operation. Maximum panel weight not to exceed 170 pounds (77 kg). Maximum panel width is 41" (1041 mm). Minimum panel width is 15" (381 mm).

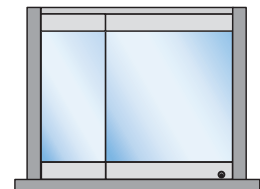
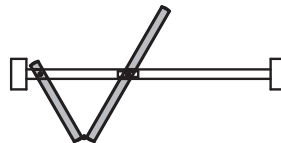
NOTE: Available with 4" (101.6 mm) square rails, and by custom order only. Most orders can be fabricated in five business days at our Los Angeles, California manufacturing facility. Contact CRL Technical Sales at (800) 421-6144 in the U.S., (877) 421-6144 from Canada, or (323) 588-1281 International, and ask for Ext. 7700. You can also send e-mail from the crlaurence.com home page. Click on Contact Us, and then click on Technical Sales for Commercial Products.



HALF LEAF BI-FOLD 2 PANELS

CAT. NO.	FINISH
OTC2SA	Satin Anodized
OTC2DU	Black Bronze Anodized
OTC2BL	Black Powder Coat
OTC2BS	*Brushed Stainless
OTC2PS	*Polished Stainless
OTC2PB	*Polished Brass

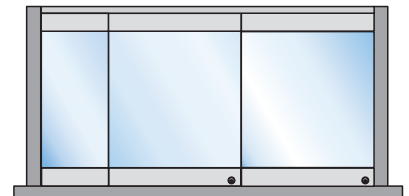
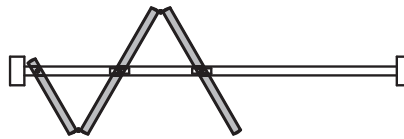
Minimum order: 1 each. *Clad Finish.



HALF LEAF BI-FOLD 3 PANELS

CAT. NO.	FINISH
OTC3SA	Satin Anodized
OTC3DU	Black Bronze Anodized
OTC3BL	Black Powder Coat
OTC3BS	*Brushed Stainless
OTC3PS	*Polished Stainless
OTC3PB	*Polished Brass

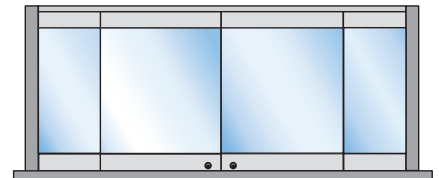
Minimum order: 1 each. *Clad Finish.



HALF LEAF BI-FOLD 4 PANELS BIPART

CAT. NO.	FINISH
OTC4BP SA	Satin Anodized
OTC4BP DU	Black Bronze Anodized
OTC4BP BL	Black Powder Coat
OTC4BP BS	*Brushed Stainless
OTC4BP PS	*Polished Stainless
OTC4BP PB	*Polished Brass

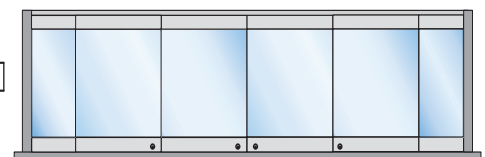
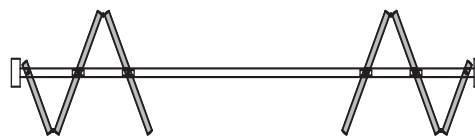
Minimum order: 1 each. *Clad Finish.



HALF LEAF BI-FOLD 6 PANELS BIPART

CAT. NO.	FINISH
OTC6BP SA	Satin Anodized
OTC6BP DU	Black Bronze Anodized
OTC6BP BL	Black Powder Coat
OTC6BP BS	*Brushed Stainless
OTC6BP PS	*Polished Stainless
OTC6BP PB	*Polished Brass

Minimum order: 1 each. *Clad Finish.



CRL Overhead Track Full Panel Bi-Fold Door Systems

- Featuring 4" (101.6 mm) Square DR4S Series Door Rails
- Panels Hung From End Point, Minimizing Obstruction
- Custom Built to Your Specs for Fit and Finish

CRL Overhead Track Full Panel Bi-Fold Door Systems are available in four configurations, with a maximum of three panels on each side of the opening. The end panels act like normal center pivoting doors and connect to the first hanging panel using special hinged end caps. The hanging panels are joined in the same manner, and are hung from a single Cat. No. OTCA Carriage Assembly at the panel's end point.

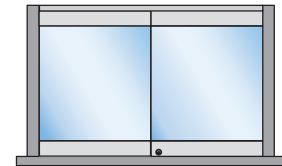
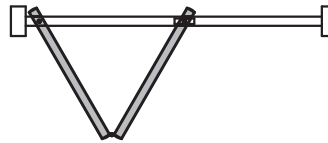
Use of our Cat. No. OTBR Series Guide Channel supplied with each order is highly recommended to prevent the panels from dragging during operation. Maximum panel weight not to exceed 170 pounds (77 kg). Maximum panel width is 39" (990 mm). Minimum panel width is 15" (381 mm).

NOTE: Available with 4" (101.6 mm) square rails, and by custom order only. Most orders can be fabricated in five business days at our Los Angeles, California manufacturing facility. Contact CRL Technical Sales at (800) 421-6144 in the U.S., (877) 421-6144 from Canada, or (323) 588-1281 International, and ask for Ext. 7700. You can also send e-mail from the crlaurence.com home page. Click on Contact Us, and then click on Technical Sales for Commercial Products.



FULL LEAF BI-FOLD 2 PANELS

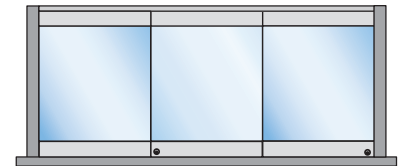
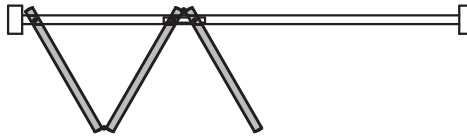
CAT. NO.	FINISH
OTB2SA	Satin Anodized
OTB2DU	Black Bronze Anodized
OTB2BL	Black Powder Coat
OTB2BS	*Brushed Stainless
OTB2PS	*Polished Stainless
OTB2PB	*Polished Brass



Minimum order: 1 each. *Clad Finish.

FULL LEAF BI-FOLD 3 PANELS

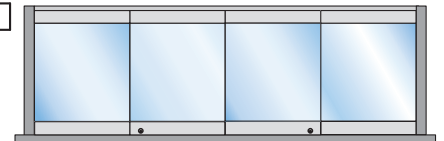
CAT. NO.	FINISH
OTB3SA	Satin Anodized
OTB3DU	Black Bronze Anodized
OTB3BL	Black Powder Coat
OTB3BS	*Brushed Stainless
OTB3PS	*Polished Stainless
OTB3PB	*Polished Brass



Minimum order: 1 each. *Clad Finish.

FULL LEAF BI-FOLD 4 PANELS BIPART

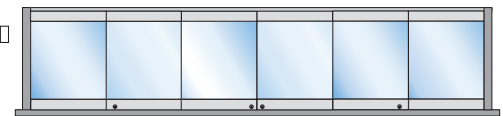
CAT. NO.	FINISH
OTB4BPSSA	Satin Anodized
OTB4BPDDU	Black Bronze Anodized
OTB4BPBBL	Black Powder Coat
OTB4BPBBS	*Brushed Stainless
OTB4BPBPS	*Polished Stainless
OTB4BPBPB	*Polished Brass



Minimum order: 1 each. *Clad Finish.

FULL LEAF BI-FOLD 6 PANELS BIPART

CAT. NO.	FINISH
OTB6BPSSA	Satin Anodized
OTB6BPDDU	Black Bronze Anodized
OTB6BPBBL	Black Powder Coat
OTB6BPBBS	*Brushed Stainless
OTB6BPBPS	*Polished Stainless
OTB6BPBPB	*Polished Brass



Minimum order: 1 each. *Clad Finish.



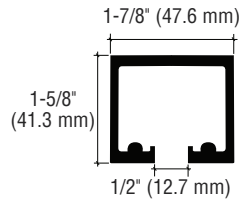


CRL Accessories for Overhead Track Sliding and Bi-Fold Door Systems

CRL Top Track for OT Series Sliding and Bi-Fold Doors

- Available in 10' (3.05 m) and 20' (6.1 m) Stock Lengths
- Choice of Two Finishes

CRL Top Track for Overhead Track Sliding and Bi-Fold Doors is available in stock lengths that you can cut to size in the field if conditions require mounting the Top Track prior to ordering the entire system. Made of extruded aluminum for durability and maximum strength.



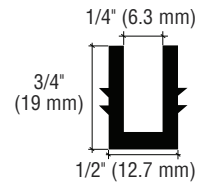
CAT. NO.	STOCK LENGTH	FINISH
OTTR120DU	10' (3.05 m)	Black Bronze Anodized
OTTR120SA	10' (3.05 m)	Satin Anodized
OTTR240DU	20' (6.1 m)	Black Bronze Anodized
OTTR240SA	20' (6.1 m)	Satin Anodized

Minimum order: 1 stock length. Finishes can be combined for quantity pricing. Must ship via common carrier.

CRL Guide Channel for OT Series Sliding and Bi-Fold Doors

- Available in 10' (3.05 m) and 20' (6.1 m) Stock Lengths
- Choice of Two Finishes

This CRL Guide Channel for Overhead Track Sliding and Bi-Fold Doors is available in stock lengths that you can cut to size in the field if conditions require mounting the Guide Channel prior to ordering the entire system. Its narrow, recessed design eliminates tripping hazards.



CAT. NO.	STOCK LENGTH	FINISH
OTBR120DU	10' (3.05 m)	Black Bronze Anodized
OTBR120SA	10' (3.05 m)	Satin Anodized
OTBR240DU	20' (6.1 m)	Black Bronze Anodized
OTBR240SA	20' (6.1 m)	Satin Anodized

Minimum order: 1 stock length. Finishes can be combined for quantity pricing. Must ship via common carrier.

CRL Carriage Assembly for OT Series Sliding and Bi-Fold Doors

- Durable, Long Lasting Roller Assemblies Included With All OT Series Systems



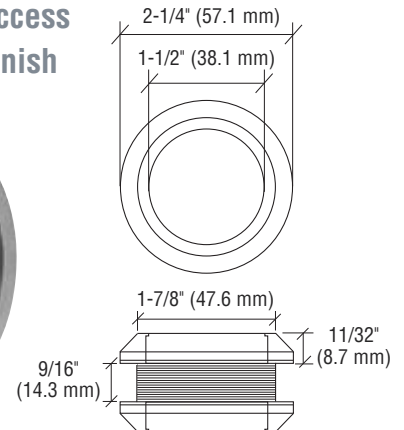
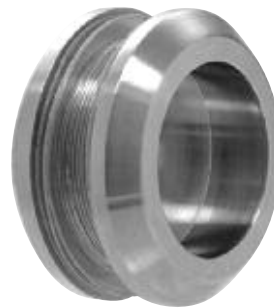
This Carriage Assembly for our OT Series Sliding and Bi-Fold Doors has an extruded aluminum body with stainless steel hanging bolt and axles, bronze bushings, and nylon rollers with ball bearings. Minimum order is one each.

NOTE: Maximum load per Carriage Assembly not to exceed 112 pounds (51 kg).

CAT. NO. OTCA

CRL Thru-Glass Pull

- Low Profile Design Allows for Full Door Opening Access
- Brushed Stainless Finish



The CRL Thru-Glass Pull has a recessed low profile design that you screw together to install. Its solid stainless steel construction makes this a rugged yet elegant solution for a pull handle. The thickness of this Thru-Glass Pull Handle doesn't impede movement in front of walls or glass sidelites as it allows for full door opening access. Supplied with clear gaskets to accommodate door glass from 3/8" to 1/2" (10 to 12 mm) thick. Minimum order is one each.

NOTE: Requires 1-7/8" (48 mm) hole in glass panel for installation. You can use our Cat. No. PDT48MM Diamond Drill to fabricate the proper size hole.

CAT. NO. FP214BS

CRL Light Duty Stacking Partition System

- Full Rails or Patch Fittings
- Convertible Door Option Available
- Directional Rollers Guide Glass Panels Effortlessly Every Time
- Panels Simply Stack Away, Creating Large Openings or Clear Space
- Top Track, Corners, and Diverters Available in Mill Aluminum or White Powder Coat
- Door Rails and Patches Available in Brushed or Polished Stainless Steel
- For Use With 1/2" (12 mm) Tempered Glass

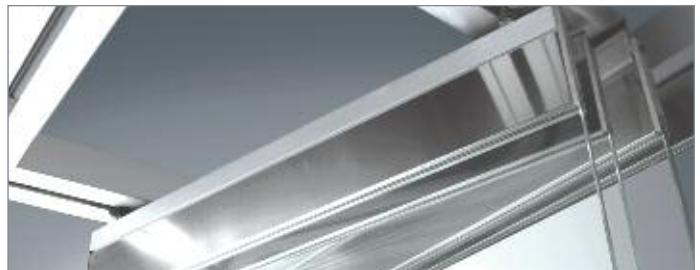


CRL introduces our new Light Duty Stacking Partition System to complement our original award winning SPS System, and to offer our customers a more economical option to their stacking partition needs.

The Light Duty Stacking Partition System is available with top and bottom rails or patch fittings in brushed or polished stainless steel. There is also a convertible door option. This system is designed for use with 1/2" (12 mm) fully tempered monolithic glass. The Top Track furnished with every system is available in mill aluminum or white powder coat. The design configurations are numerous and can fulfill most any design requirement. We have a variety of rail configurations available in custom lengths to fit your opening.

NOTE: System panels must not exceed any of the following measurements:

Sliding Panels – Full Rails:	Maximum Panel Height: 120" (3.05 m)	Maximum Panel Weight: 265 pounds (120 kg)
	Maximum Panel Width: 42" (1.06 m)	
Sliding Panels – Patch Fittings:	Maximum Panel Height: 120" (3.05 m)	Maximum Panel Weight: 220 pounds (100 kg)
	Maximum Panel Width: 39-3/8" (1 m)	
Pivoting Panels:	Maximum Panel Height: 120" (3.05 m)	Maximum Panel Weight: 220 pounds (100 kg)
	Maximum Panel Width: 39-3/8" (1 m)	
Convertible Panels:	Maximum Panel Height: 108" (2.74 m)	Maximum Panel Weight: 220 pounds (100 kg)
	Maximum Panel Width: 39-3/8" (1 m)	



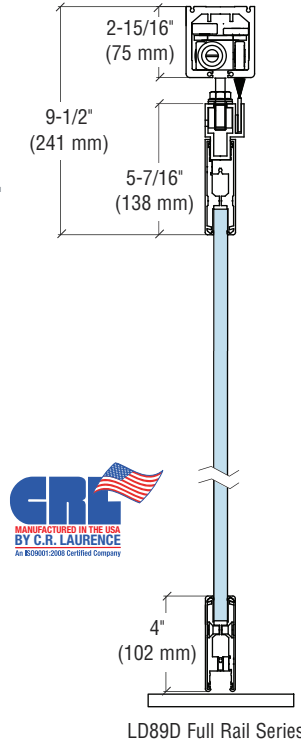
CRL Light Duty Stacking Partition Full Rail System

- Slide Only or Convertible Options On Any Door
- Free Swinging or With Surface Mounted Closer
- Conversion is Quick and Easy

The Full Rail System is available as a slide only or convertible configuration. Convertible Doors not only pivot but they can also slide and stack away, turning a seemingly standard pivoting storefront into an open entrance with no obstructions.

Pivoting Doors are easily converted to sliding doors and back again, offering the opportunity to create wide open spaces or section off large areas with ease. A surface mounted door closer adds control to the pivoting door while keeping the floor clear of unsightly door closer cover plates.

We offer Technical Sales Assistance to help you plan and design your project. We provide glass sizes and installation instructions that pertain directly to your project, making assembly and installation simple. Contact Technical Sales at (800) 421-6144 in the U.S., (877) 421-6144 from Canada, or (323) 588-1281 International. Ask for Ext. 7700. To send e-mail visit crlaurence.com and click on Contact Us, and then click on Technical Sales for Commercial Products.



Doors Feature Full Length Rails

- For Use With 1/2" (12 mm) Tempered Glass

DOOR TYPE	PARKING CONFIGURATIONS				
	TYPE 1 SERIES	TYPE 2 SERIES	TYPE 3 SERIES	TYPE 4 SERIES	CUSTOM SERIES
Full Rail Slide Only	LD89B1	LD89B2	LD89B3	LD89B4	LD89BC
Full Rail Slide With Pivot	LD89BP1	LD89BP2	LD89BP3	LD89BP4	LD89BPC
Full Rail Slide With Convertible	LD89D1	LD89D2	LD89D3	LD89D4	LD89DC

Minimum order: 1 each. Must ship common carrier.

CRL Light Duty Stacking Partition Accessories

- Accessories Available to Meet Most Installation Requirements
- Custom Fabricated for All Orders



Bottom Rail with Cylinder Lock



Bottom Rail with Slide Bolt to Floor Only



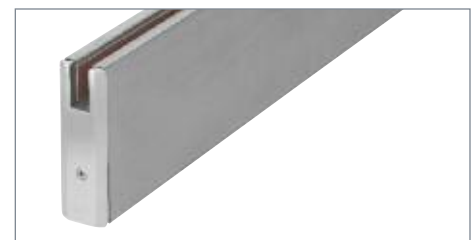
Bottom Rail with Slide Bolt to Floor and Out End



Bottom Rail with Locking Bolt - Out End Only



Bottom Rail with Lock Bolt Receiver



Bottom Rail with Blank End

CRL Light Duty Stacking Partition Patch System

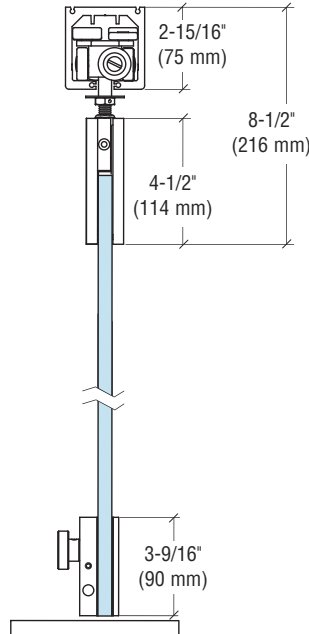
NEW!



- Patch Fittings for That 'All-Glass' Look
- Directional Rollers Guide Glass Panels Effortlessly Every Time
- For Use With 1/2" (12 mm) Tempered Glass
- Available With Brushed or Polished Stainless Steel Patch Fittings

We also offer a patch fitting version of the Light Duty Stacking Partition System to provide the popular 'all-glass' look. The Patches are available in brushed or polished stainless steel, and utilize the same mill aluminum or white powder coat top track as used on the Full Rail version. The Patch System uses the same roller technology, providing numerous configurations to fit most any design. **NOTE:** For Stacking Partition with convertible pivot door options, see the Full Rail System on pages 282D-283D.

Contact Technical Sales at (800) 421-6144 in the U.S., (877) 421-6144 from Canada, or (323) 588-1281 International. Ask for Ext. 7700. To send e-mail visit crlaurence.com and click on Contact Us, and then click on Technical Sales for Commercial Products.



LD89A Patch Series



Doors Feature Patch Rails



PARKING CONFIGURATIONS

DOOR TYPE	TYPE 1 SERIES	TYPE 2 SERIES	TYPE 3 SERIES	TYPE 4 SERIES	CUSTOM SERIES
Patch Fitting	LD89A1	LD89A2	LD89A3	LD89A4	LD89AC

Minimum order: 1 each. Must ship common carrier.

As with our standard SPS program, we offer you Technical Sales Assistance to help you plan and design your project. We provide glass sizes and installation instructions that pertain directly to your project, making assembly and installation simple. Contact Technical Sales at (800) 421-6144 in the U.S., (877) 421-6144 from Canada, or (323) 588-1281 International. Ask for Ext. 7700. To send e-mail visit crlaurence.com and click on Contact Us, and then click on Technical Sales for Commercial Products.

Typical Applications:

- Retail Stores in Malls
- Stadium Club Boxes
- Commercial Offices
- Automobile Dealerships
- Restaurants



C.R. LAURENCE COMPANY

crlaurence.com | usalum.com

284D | crlaurence.ca crlaurence.com.au crlaurence.co.uk crlaurence.de crlaurence.eu



CRL Light Duty Stacking Partition Parking Configurations

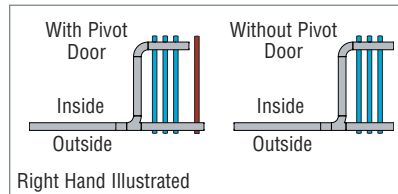
- All Parking Areas Come KD for Easy Assembly and Installation
- Parking Configurations are Available to Accommodate a Variety of Installation Requirements

Standard Light Duty Parking Configurations

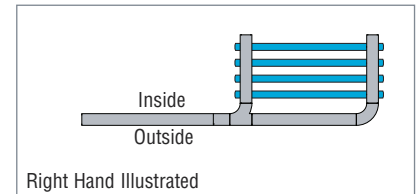
Parking configurations are available in four standard types, and are pre-fabricated for easy and accurate installation. Delivered KD with complete assembly instructions.

Self-Guiding Corners and Intersections make the movement of glass panels smooth and effortless. All sections are pinned together to ensure perfect alignment every time.

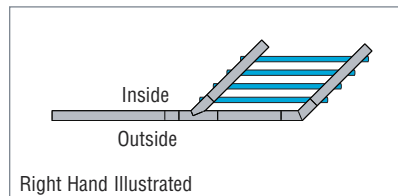
TYPE 1 – Self-Guiding Perpendicular Parking



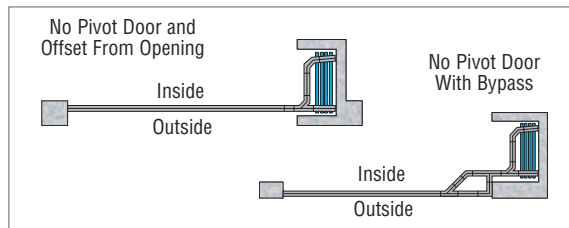
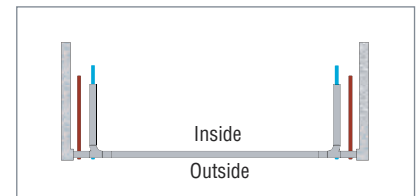
TYPE 2 – Self-Guiding Parallel Parking



TYPE 3 – Self-Guiding 135 Degree Parallel Parking



TYPE 4 – Bi-Parting Perpendicular Parking with Pivot Doors



Custom Configurations Available

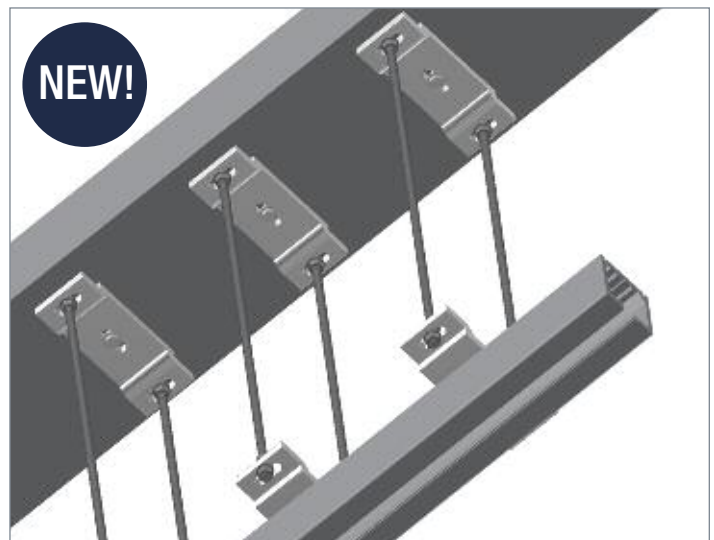
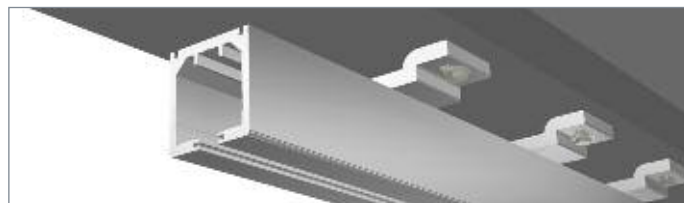
For assistance with proper Parking Configuration selection and design, contact Technical Sales at (800) 421-6144 in the U.S., (877) 421-6144 from Canada, or (323) 588-1281 International. Ask for Ext. 7700. To send e-mail visit crlaurence.com and click on Contact Us, and then click on Technical Sales for Commercial Products.

CRL Light Duty Track Suspension System Mounting Components

As with all suspended sliding systems, the proper mounting of the top track is essential for the smooth operation of the entire system. Since the weight of the entire system is supported by the top track, proper attachment to the substrate is crucial.

CRL developed an entire Suspension System for use with our Light Duty Stacking Partition product line to give the customer multiple options for completing a safe and secure installation. Most job conditions are not going to supply a perfect flat and level substrate to attach to, but with our variety of components you can easily install around obstructions and elevation changes.

For design assistance contact CRL Technical Sales at (800) 421-6144 in the U.S., (877) 421-6144 in Canada, or (323) 588-1281 International. Ask for Ext. 7700. For e-mail go to crlaurence.com and click on Contact Us, and then click on Technical Sales for Commercial Products.

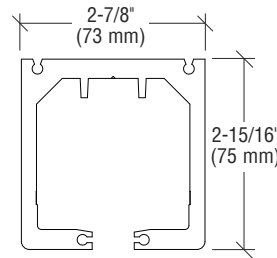


CRL Light Duty Stacking Partition Track Components



CRL Overhead Track and Access Splice

- Available in Mill Aluminum or White Powder Coated Aluminum
- Custom Colors Available Upon Request
- 197" (5 m) Stock Lengths



CRL Light Duty Track and Access Splices are 6063-T5 alloy aluminum for easy field cutting and installation.

Track sections are joined together with stainless steel Track Connecting Pins, Cat. No. LD89BP1N (see next page), to assure a smooth transition and reduced roller noise.

CAT. NO.	DESCRIPTION	LENGTH	FINISH
LD89C2M	Overhead Track	197" (5 m)	Mill Aluminum
LD89C2W	Overhead Track	197" (5 m)	White Powder Coat
LD89C2RAM	Roller Access Splice	6" (152 mm)	Mill Aluminum
LD89C2RAW	Roller Access Splice	6" (152 mm)	White Powder Coat

Minimum order: 1 each. Overhead Track must be shipped via common carrier.

CRL Light Duty Stacking Partition Corners and Intersections

- Available in Mill Aluminum or White Powder Coated Aluminum
- Custom Colors Available Upon Request
- Completely Fabricated and Ready to Install



CRL Light Duty Stacking Partition System Corners and Intersections are designed to offer you a wide variety of configurations and parking conditions to meet your design requirements. Rollers effortlessly transition through the Corners and Intersections allowing the panels to steer to pre-selected parking areas. All Corners and Intersections come with four drive-in Track Connecting Pins for each joint to ensure proper alignment every time.



CAT. NO.	FINISH
LD89C90M	Mill Aluminum
LD89C90W	White Powder Coat

Minimum order: 1 each.



CAT. NO.	FINISH
LD89C90LM	Mill Aluminum
LD89C90LW	White Powder Coat

Minimum order: 1 each.



CAT. NO.	FINISH
LD89C135M	Mill Aluminum
LD89C135W	White Powder Coat

Minimum order: 1 each.



CAT. NO.	FINISH
LD89C135RM	Mill Aluminum
LD89C135RW	White Powder Coat

Minimum order: 1 each.



CAT. NO.	FINISH
LD89C95M	Mill Aluminum
LD89C95W	White Powder Coat

Minimum order: 1 each.



CAT. NO.	FINISH
LD89C90RM	Mill Aluminum
LD89C90RW	White Powder Coat

Minimum order: 1 each.



CAT. NO.	FINISH
LD89C135LM	Mill Aluminum
LD89C135LW	White Powder Coat

Minimum order: 1 each.

Our Architectural Hardware Technical Sales staff is ready to assist you in designing your new stacking partition system. Let them walk you through the selection of the proper Corners and Intersections to assure a smooth transition of panels to and from their parking areas. For additional specifications and dimensions of all Light Duty Stacking Partition System components, visit the Online Catalog at crlaurence.com.



CRL Light Duty Stacking Partition Replacement Components NEW!

CRL Diverter Roller

The Diverter Roller is used for most stacking applications. It is designed to interact with diverters located in the Top Track to direct the travel of the Roller into the proper stack position. **NOTE:** Not used in sharp 'T' or 'L' corner conditions. Two Rollers required per panel. Minimum order is one each.



CAT. NO. LD89BR1

CRL End Caps for LD89B Series Rails

These CRL End Caps for the LD89B Series Door Rails are used to replace lost or damaged top or bottom rail end caps. They are 4" (101 mm) tall and are available with or without a bumper.



CAT. NO.	BUMPER	FINISH
LD89B25BS	No	Brushed Stainless
LD89B25PS	No	Polished Stainless
LD89B27BS	Yes	Brushed Stainless
LD89B27PS	Yes	Polished Stainless

Minimum order: 1 each.

CRL Crossover Roller

The Crossover Roller is used when track configurations include sharp 'T' or 'L' corners or intersections. It has guide rollers on all sides of the main body to aid in smoother transitions through sharp square transitions. Two Rollers required per panel. Minimum order is one each.



CAT. NO. LD89BR2

CRL End Caps for LD89B Series Rails With Lock Bolt Prep

These CRL End Caps for the LD89B Series Door Rails are used on bottom rails with end bolts or strike preps. They are used to replace lost or damaged end caps and are 4" (101 mm) tall.



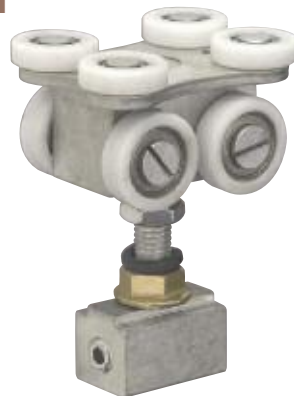
Lock Prep Strike Prep

CAT. NO.	LOCK PREP	STRIKE PREP	FINISH
LD89B26BS	Yes	----	Brushed Stainless
LD89B26PS	Yes	----	Polished Stainless
LD89B28BS	----	Yes	Brushed Stainless
LD89B28PS	----	Yes	Polished Stainless

Minimum order: 1 each.

CRL Free-Travel Roller

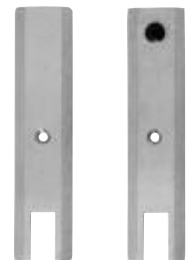
This Free-Travel Roller is used in special conditions where no interaction with the diverters in the Top Track is desired. This allows the rollers to freely travel through intersections, thus allowing for varied movement of panels. Two Rollers required per panel. Minimum order is one each.



CAT. NO. LD89BR3

CRL End Caps for LD89D Series Rails

These CRL End Caps for the LD89D Series Door Rails are used on top door rails to replace lost or damaged end caps. They are 5-7/16" (138 mm) tall and are available with or without a bumper.



CAT. NO.	BUMPER	FINISH
LD89B29BS	No	Brushed Stainless
LD89B29PS	No	Polished Stainless
LD89B31BS	Yes	Brushed Stainless
LD89B31PS	Yes	Polished Stainless

Minimum order: 1 each.

CRL Light Duty Stacking Partition Replacement Components

NEW!

CRL Light Duty Stacking Partition Top Roller Patch

The Top Roller Patch works with any of the three Rollers and provides an 'all glass' look to the system. Two patches are required per panel. Two holes are required in each glass panel. Rollers are not included, and must be ordered separately.



CRL Light Duty Stacking Partition Bottom Wall Patch

The Bottom Wall Patch is used to secure a panel to the adjacent perpendicular wall. Not handed, the side bolt is easily relocated to the opposite side shown. Two holes are required in the panel.



CAT. NO.	FINISH
LD89B33BS	Brushed Stainless
LD89B33PS	Polished Stainless

Minimum order: 1 each.

CAT. NO.	FINISH
LD89B37BS	Brushed Stainless
LD89B37PS	Polished Stainless

Minimum order: 1 each.

CRL Light Duty Stacking Partition Bottom Patch Lock

The Bottom Patch Lock provides a thumb turn lock for use at the bottom of the panel. It throws into the floor and has a fixed side bolt that locks into the wall or adjacent panel when equipped with a Bottom Receiver Patch. Not handed, the side bolt is easily relocated to the opposite side shown. Two holes are required in the panel.



CRL Light Duty Stacking Partition Bottom Receiver Patch

The Bottom Receiver Patch is used in conjunction with the Bottom Patch Lock to secure the adjacent panel to the Patch Lock. Not handed, the patch is prepped to receive the Lock Bolt from either side. Two holes are required in the panel.



CAT. NO.	FINISH
LD89B39BS	Brushed Stainless
LD89B39PS	Polished Stainless

Minimum order: 1 each.

CAT. NO.	FINISH
LD89B35BS	Brushed Stainless
LD89B35PS	Polished Stainless

Minimum order: 1 each.

CRL Floor Mounted Free-Swinging Bottom Pivot

- 7/8" (22 mm) Flat Tapered Spindle
- 440 Pound (200 kg) Capacity



CRL Floor Mounted Free-Swinging Pivot with flat tapered type spindle for use with CRL Light Duty Stacking Partition non-sliding pivoting doors. Minimum order is one each.

CAT. NO. 1NT402

CRL Floor Mounted Adjustable Height Free-Swinging Bottom Pivot

- Flat Tapered Spindle
- 220 Pound (100 kg) Capacity



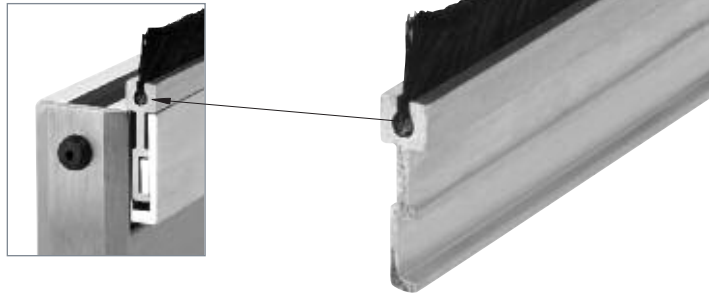
This Adjustable Bottom Pivot requires a 7/8" to 1" (22 to 25 mm) diameter hole. Flat tapered type spindle provides 1/4" (6 mm) height adjustment. Ideal for use with CRL Light Duty Stacking Partition non-sliding pivoting doors. Minimum order is one each.

CAT. NO. 1NT406

CRL Light Duty Stacking Partition Replacement Components

NEW!

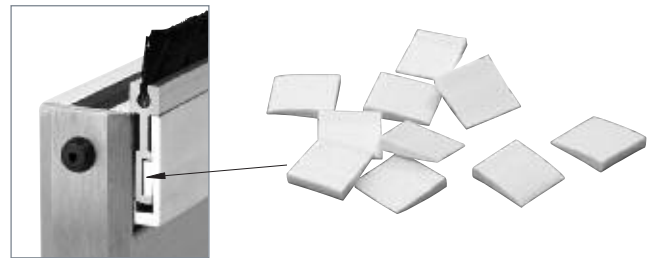
CRL Top Weatherstrip



This Top Weatherstrip is used to help seal the clearance above the door panel and also helps to conceal the Roller's pendant bolts. 39-3/8" (1 m) long. Minimum order is one each.

CAT. NO. LD89DWS

CRL Retaining Wedge



These Retaining Wedges are used to secure the Top Weatherstrip into the Top Roller Channel. Two each are required for each panel. Ten Wedges per pack. Minimum order is one package.

CAT. NO. LD89DRW

CRL Upper Pivot Assembly

The Upper Pivot Assembly is used on non-sliding pivoting doors. It is inserted into the Top Track and is fully adjustable to the needed pivot point. Minimum order is one each.



CAT. NO. LD89BU

CRL Adjustable Roller Stop

The Adjustable Roller Stop provides a positive stop for panels in exactly the right position, and is easily adjusted during the installation phase. Minimum order is one each.



CAT. NO. LD89ARS

CRL Dustproof Floor Pin Receiver

These Dustproof Floor Pin Receivers are used at the floor to secure all sliding and pivoting panels. Their final position can be fine-tuned to assure proper alignment of all panels. They also function as bottom pivot receivers for any Convertible Pivoting/Sliding panels. Detailed installation instructions are provided with each order and are also available on our web site.



CAT. NO.

LD89B23BS
LD89B23PS

FINISH

Brushed Stainless
Polished Stainless

Minimum order: 1 each.

CRL Dry Coating, Lubricant, and Release Agent

NEW!



- Provides Excellent Lubrication for Our SPS Stacking Partition Systems
- Contains No Silicone or Oil

This CRL Dry Coating, Lubricant, and Release Agent is an excellent lubricant for use on our SPS Stacking Partition System. The dry lubricant and coating reduces friction, inhibits resin build-up, and prolongs working life. Twelve each 12 ounce (340 g) cans per case. Minimum order is one each.



CAT. NO. SP295

CRL SPS Stacking Partition System With Convertible Pivoting/Sliding Doors

- SPS Doors Can Now Pivot and Slide
- Fully Adjustable Closing Features
- 6" (152 mm) Rails Top and Bottom
- Available in Five Architectural Finishes
- Custom Finishes Available on Special Order
- Patented Convertible Door System

We have done it again! We have taken a great product and have made it even better! Now you can get our popular SPS System with a Convertible Door Option.

Convertible doors not only pivot, but they also slide and stack away, giving you the look of a standard pivoting door entrance with the ability to slide and stack away all the panels, even the pivoting doors.

Pivoting Doors are easily converted to Sliding Panels and back again by a simple 'one screw' Coordinator at the top of the door, and our fully concealed 'single lever' Closer Engagement Mechanism at the bottom of the door. A heavy-duty floor closer is concealed in the bottom rail of the door, eliminating the unsightly cover plates across the center of the opening when the panels are stacked away.



U.S. Patents 7,861,475 and 8,261,500
Foreign Patent 2108755



Pivoting to Sliding Door Top Coordinator



Heavy-Duty Floor Closer and Engagement Mechanism Concealed in the Bottom Rail



CRL SPS Stacking Partition System With Convertible Sliding/Pivoting Doors



U.S. Patents 7,861,475 and 8,261,500
Foreign Patent 2108755

As Easy as One, Two, Slide.....

Our engineers worked long and hard on developing an easy to use system that allows you to convert our popular SPS Sliding Doors into Pivoting Doors! CRL is proud to introduce our latest enhancement, the Convertible SPS Door!

During normal operation your pivoting doors function and appear to be just standard doors. However, with two simple adjustments, your pivoting doors are ready to slide and stack away with the rest of the glass wall, leaving you with a completely open entrance. There is no unsightly floor closer in the floor; only a small round stainless steel cover concealing the pivot receiver can be seen.



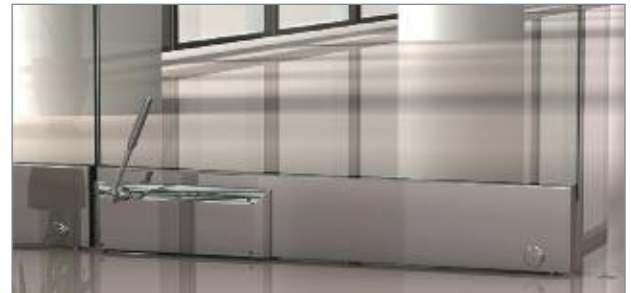
Step 1: Engage the Overhead Rollers

Using the supplied Cat. No. 90SSW Speed Wrench, a few quick turns engages the Carrier Track for the Intelli-Track™ Rollers suspending the door from the Top Track.



Step 2: Retract the Floor Closer Spindle

After the Top Rollers are engaged, use the supplied Cat. No. 90SCW Closer Wrench to raise the Closer Spindle out of its receiver in the floor. A quarter of a turn is all it takes and your pivoting door is now a slider!



Door Now Operates Like a Standard Sliding Stacking Door

With the Top Rollers engaged and the Closer Spindle retracted, you can now stack all the panels of your SPS System neatly away, transforming the storefront into a completely open entrance with no doors or panels to be seen!

Simply reverse the process to convert the sliding stacking doors back to pivoting doors. It's just that simple!



For more information, contact CRL Technical Sales at (800) 421-6144 in the U.S., (877) 421-6144 from Canada, or (323) 588-1281 International, and ask for Ext. 7700. You can also e-mail us through our web site at crlaurence.com. From the home page click on Contact Us, and then click on Technical Sales for Commercial Products.

CRL's New and Versatile SPS Stacking Partition System Featuring Intelli-Track™



- Provides the 'All-Glass' Look When Closed and the 'Wide Open' Look When Opened
- Glass Panels Disappear From Sight When Parked in the Parking Closet
- Convertible System Available When a Pivot Door is Required
- A Large Variety of Parking Configurations to Accommodate Almost Any Installation
- Glass Panels Can Be Simply Stacked Against the End Wall or Stored Out of Sight in a Closet

The newest and most versatile option for 'all-glass' walls and partitions is CRL's patent pending Stacking Partition System, or 'SPS' for short. When you specify the SPS your installation options are virtually unlimited because the individual SPS components allow you to design stacking doors to fit almost any situation. Whether you need to partition off interior spaces, or provide movable 'all-glass' doors for a storefront or other public areas, you can select SPS with full assurance that the system will be easy to work with, easy to install, and easy to operate.

CRL Technical Sales is your source for detailed information on the SPS, and we invite you to contact us at (800) 421-6144 in the U.S., (877) 421-6144 from Canada, or (323) 588-1281 International. Please ask for Ext. 7700. You can send e-mail through our web site at crlaurence.com. Click on Contact Us, and then click on Technical Sales for Commercial Products.



Typical Applications:

- Retail Stores and Malls
- Banquet Halls
- Restaurants and Eateries
- Convention Centers
- Automobile Dealerships
- Stadium Club Boxes
- Reception Areas
- Pool Houses
- Recreation Centers
- Commercial Offices

CRL's Versatile SPS Stacking Partition System Featuring Intelli-Track™

Our Stacking Partition System, or SPS, offers a variety of options to create a simple yet elegant interior space division or a large inviting mall front. Restaurants and sidewalk cafes can easily expand with indoor/outdoor seating space. The design options are limited only by the architect's imagination.

SPS utilizes our patented Wedge-Lock™ Glass Securing System, found in our popular DRS Door Rails. Available in a variety of rail configurations and finishes, SPS is the right choice when searching for an affordable, dependable, attractive stacking partition system.



**SPS
DESIGN
REPORT**

For your convenience CRL has a complete Design Report published at crlaurence.com.



Ease of operation was on the top of our list when we designed SPS. The Intelli-Track™ Roller is an innovative design that allows for smooth, almost effortless panel movement. Combined with our overhead track design, the panels seem to stack and park by themselves. Our multi-point locking system offers a secure, easily operated entrance.



CRL SPS Stacking Partition System Featuring Intelli-Track™ With Parking Area

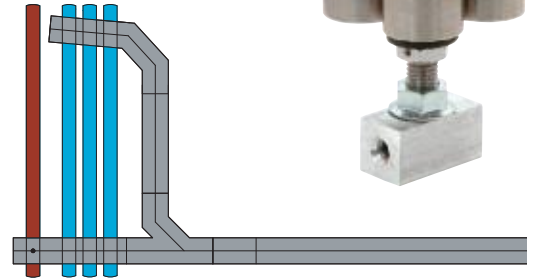
- Directional Rollers Work With Both Manual and Self-Guiding Intersections to Provide Directional Control
- Available in Five Finishes for 1/2" (12 mm) and 3/4" (19 mm) Glass (See Pages 297D-302D)
- Many Custom Finishes Available
- Tracks and Intersections Are Available in Mill Aluminum and White Powder Paint (Other Finishes on Special Order)
- A Full Selection of Accessories to Accommodate Most Applications
- In-House Technical Sales Representatives to Assist You in Planning Your Installation

CRL Engineers asked questions, made product comparisons, and designed the most versatile Stacking Partition System available. The directional rollers of the Intelli-Track™ Roller can be positioned on either the inside or outside track, and when they come in contact with the switching block they will travel the direction the switching block is oriented. This prevents accidental panel rotation, and directs the panel to the proper track in the parking area every time you open it.

Two styles of Overhead Tracks are available: Standard, for almost any installation; and Flanged, for drop ceiling installations. Both are available in mill aluminum and powder painted white 120" (3.05 m) and 240" (6.10 m) stock lengths along with 14 different matching intersections. A variety of Door Rail configurations and finishes (see pages 297D-302D) are available to meet your design criteria. Latches, locks, and alignment pins, when used in conjunction with our dustproof keepers, secure the doors in place when in the closed position.

Our most important offering is our Technical Sales Assistance to help you plan and design your project. We also provide drawings, glass sizes, and installation suggestions after you place your order. Contact CRL Technical Sales at (800) 421-6144 in the U.S., (877) 421-6144 from Canada, or (323) 588-1281 International. Ask for Ext. 7700. You can also send e-mail from the crlaurence.com home page. Click on Contact Us, and then click on Technical Sales for Commercial Products.

NOTE: System supports panels up to 470 pounds (213 kg). It is recommended that individual panels not exceed this weight, or any of the following measurements: **1/2" (12 mm) Glass Panels** - 120" (3.05 m) Maximum Height; 72" (1.83 m) Maximum Width
3/4" (19 mm) Glass Panels - 156" (3.96 m) Maximum Height; 72" (1.83 m) Maximum Width.



Information Required to Obtain a Quote

CRL is ready to assist your bid process by providing a timely and thorough quote on the Stacking Partition System to meet your needs. Please complete and submit the following:

1. SPS Rail Selection (see pages 297D-302D)
Style/Finish _____
2. Select Glass Thickness (Glass Supplied by Others)
 1/2" (12 mm) 3/4" (19 mm)
3. Parking Configuration and Track Type (see pages 296D and 304D-305D)
Type _____ Standard Park Left
 Flanged Park Right

4. Measured Width and Height of the Opening
Opening Width _____ Opening Height _____

5. Number of Panels in Opening _____
(Not to Exceed Maximum Panel Width)

6. A Simple Drawing of Your Requirements (Fax or e-mail)

After filling out the above information contact our Technical Sales Representatives at (800) 421-6144 in the U.S., (877) 421-6144 from Canada, or (323) 588-1281 International. Ask for Ext. 7700.

We will be glad to answer any of your questions, help you design your Stacking Partition System, and provide you with the necessary drawings and details you will need to complete the job.

CRL Intelli-Track™ Roller (Patent Pending)

- Intelli-Track™ Rollers Work With Both Manual and Self-Guiding Intersections to Provide Directional Control and Prevent Accidental Panel Rotation
- Two Rollers per Panel Will Support 470 Pounds (213 kg)
- Narrow Housing Width Allows for 2-7/8" (73 mm) Center-to-Center Door Rail Spacing in the Parking Area

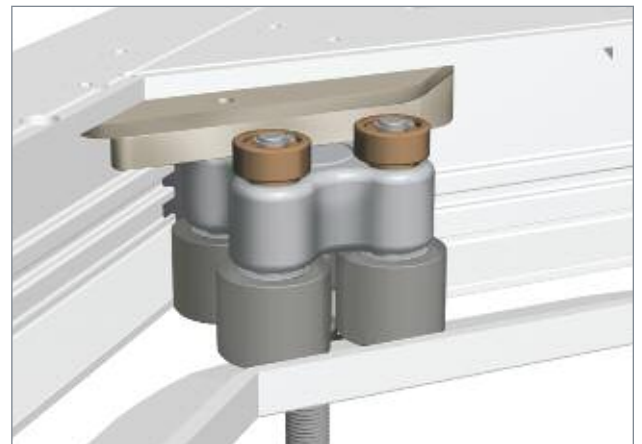
The CRL Intelli-Track™ Roller provides a large weight carrying capacity of 470 pounds (213 kg), along with the convenience of directional control when used with Self-Guiding Intersections. It also prevents accidental door panel rotation in both Manual and Self-Guiding Intersections. Heavy-duty construction will provide years of service. The Intelli-Track™ Roller is adaptable for use in all of our door rails and framed doors.



• Adaptable to a Variety of Panel Types

The Intelli-Track™ Roller Assembly was designed to fit our standard DRS Door Rails. Also, by special order, CRL's Engineering Department can design custom mounting hardware to adapt SPS Track and Roller Assemblies to work with your custom panels. Whether you are using our DRS Rails or your own custom panels, make the CRL Stacking Partition System your choice for your overhead sliding or stacking partition needs.

For more information, contact CRL Technical Sales at (800) 421-6144 in the U.S., (877) 421-6144 from Canada, or (323) 588-1281 International. Ask for Ext. 7700. You can also send e-mail through the crlaurence.com home page. Click on Contact Us, and then click on Technical Sales for Commercial Products.



NEW!

CRL Dry Coating, Lubricant, and Release Agent



- Provides Excellent Lubrication for Our SPS Stacking Partition System
- Contains No Silicone or Oil

This CRL Dry Coating, Lubricant, and Release Agent is an excellent lubricant for use on our SPS Stacking Partition System. The dry lubricant and coating reduces friction, inhibits resin build-up, and prolongs working life. Twelve each 12 ounce (340 g) cans per case. Minimum order is one each.



CAT. NO. SP295

Our More Popular SPS Parking Configurations

- Five Standard Types of Parking Configurations Available to Accommodate Almost Any Installation Requirement
- Perpendicular and Parallel Stacking of Doors Makes the Best Possible Use of Available Space
- The Widest Possible Openings for Unimpeded Foot Traffic or 'Wide Open' Viewing
- All Parking Areas Come Pre-Assembled for Strength and Ease of Installation

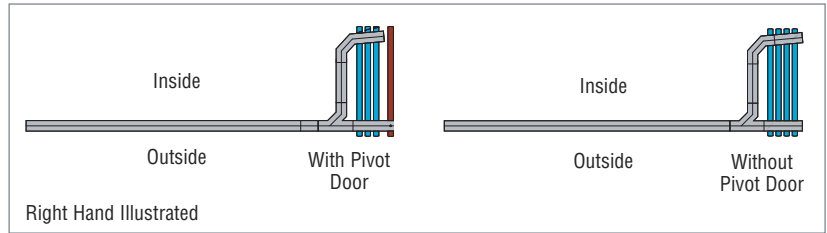
Parking configurations for Stacking Partition System Doors can be designed to make the best possible use of available space. This allows the widest possible openings for unimpeded foot traffic, and the 'wide open' look.

Self-Guiding Corners and Intersections make moving doors into the parking closet smooth and almost effortless. The option of two Overhead Track designs, Standard and Flanged, plus Custom Curved Overhead Track, assure that a Stacking Partition System can be tailored to meet your specific needs.

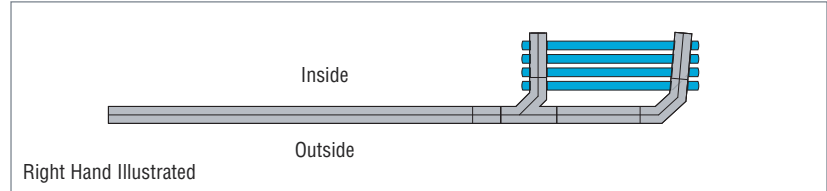
NOTE:

Pivoting doors are shown in red; Stacking doors are shown in blue.

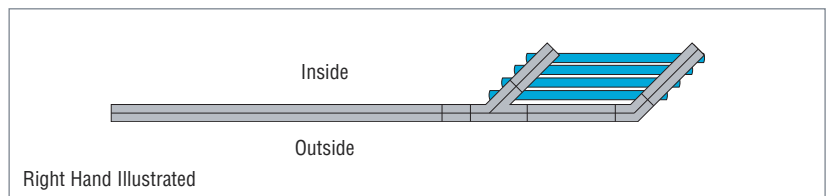
TYPE 1 – Self-Guiding Perpendicular Parking



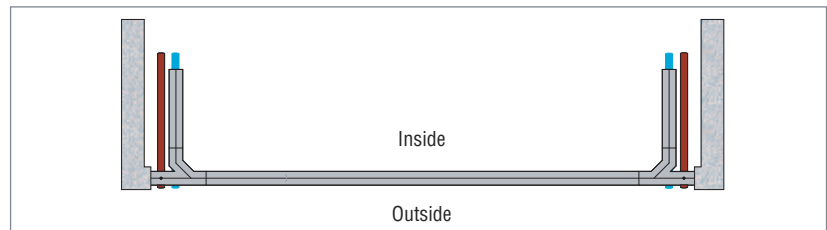
TYPE 2 – Self-Guiding Parallel Parking



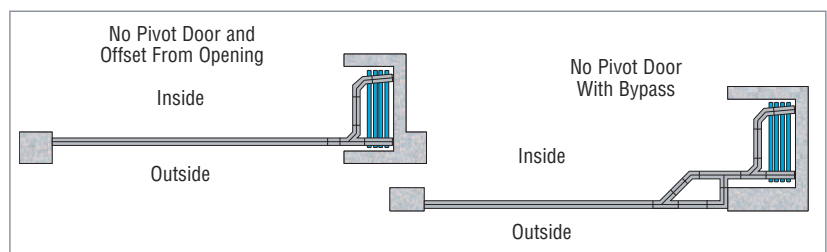
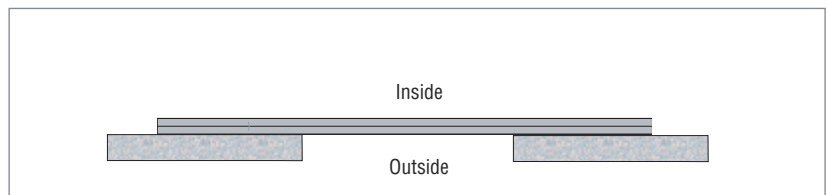
TYPE 3 – Self-Guiding 135 Degree Parallel Parking



TYPE 4 – Bi-Parting Perpendicular Parking with Pivot Doors



TYPE 5 – Bi-Parting No Parking



Custom SPS Parking Configurations Available

For assistance with parking configuration selection and design, contact Technical Sales at (800) 421-6144 in the U.S., (877) 421-6144 from Canada, or (323) 588-1281 International. Ask for Ext. 7700. To send e-mail from the crlaurence.com home page click on Contact Us, and then click on Technical Sales for Commercial Products.

CRL SPS Convertible Sliding/Pivoting Door With 6" Square Rails Top and Bottom

- For 1/2" (12 mm) Tempered Glass
- Five Architectural Finishes

Now featuring our new Convertible Door System, which utilizes our 6" (152 mm) Square Door Rails top and bottom with a special Combination Rail at the Convertible Door. Designed for use with 1/2" (12 mm) tempered glass. You have a choice of five standard Parking Configurations, as well as an endless selection of custom configurations to fit your specific project. You can have all sliding panels, or a combination of sliding and pivoting panels.

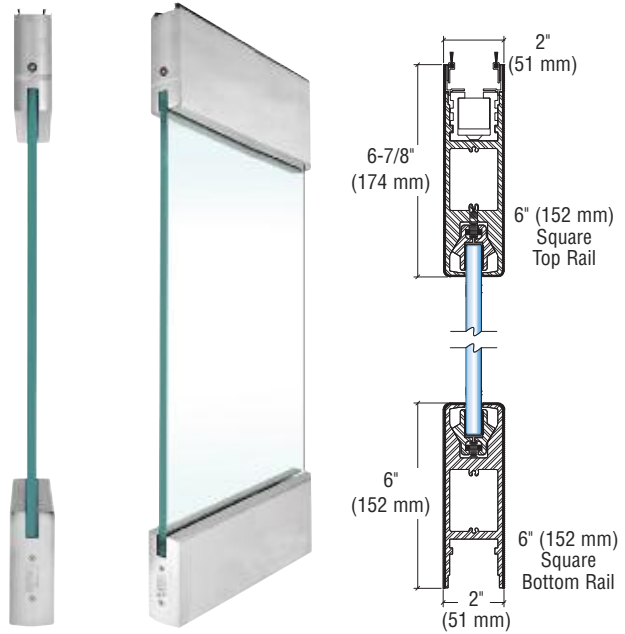


AVAILABLE FINISHES

- Satin Anodized*
- Black Bronze Anodized*
- Brushed Stainless*
- Polished Brass*
- Polished Stainless*



* Clad Finish.



TRACK STYLE	PARKING CONFIGURATIONS				
	TYPE 1 SERIES	TYPE 2 SERIES	TYPE 3 SERIES	TYPE 4 SERIES	TYPE 5 SERIES
Standard Track	S112S1	S112S2	S112S3	S112S4	S112S5
Flanged Track	S112F1	S112F2	S112F3	S112F4	S112F5

Note: Track comes in a standard white powder coat unless otherwise specified.

CRL SPS Convertible Sliding/Pivoting Door With 6" Square Rail on the Top and 10" Square Rail on the Bottom

- For 1/2" (12 mm) Tempered Glass
- Five Architectural Finishes

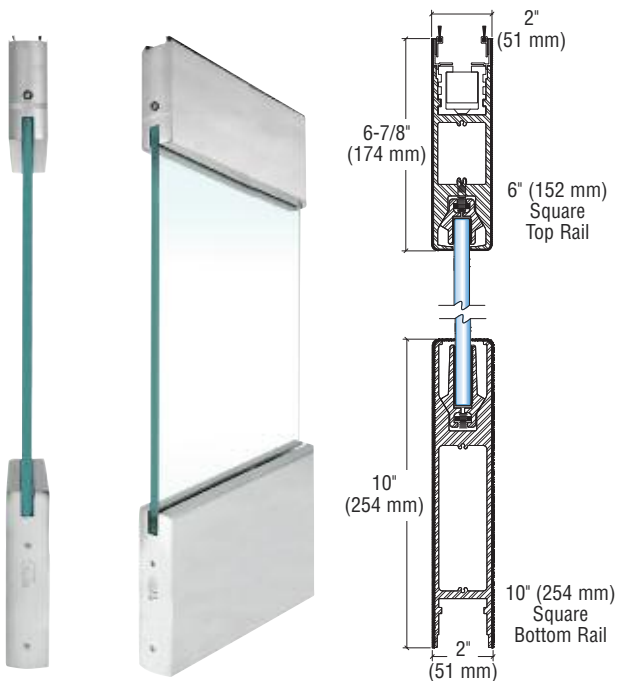
Our new Convertible Door System, utilizes our 6" (152 mm) Square Door Rail on the top and our 10" (254 mm) Square Door Rail on the bottom with a special Combination Rail at the Convertible Door. Designed for use with 1/2" (12 mm) tempered glass. You have a choice of five standard Parking Configurations, as well as an endless selection of custom configurations to fit your specific project. You can have all sliding panels, or a combination of sliding and pivoting panels.

AVAILABLE FINISHES

- Satin Anodized*
- Black Bronze Anodized*
- Brushed Stainless*
- Polished Brass*
- Polished Stainless*



* Clad Finish.



TRACK STYLE	PARKING CONFIGURATIONS				
	TYPE 1 SERIES	TYPE 2 SERIES	TYPE 3 SERIES	TYPE 4 SERIES	TYPE 5 SERIES
Standard Track	S212S1	S212S2	S212S3	S212S4	S212S5
Flanged Track	S212F1	S212F2	S212F3	S212F4	S212F5

Note: Track comes in a standard white powder coat unless otherwise specified.

CRL SPS With 4" Tapered Rails Top and Bottom

- For 1/2" (12 mm) Tempered Glass
- Five Architectural Finishes

4" (102 mm) Tapered Door Rails top and bottom for use with 1/2" (12 mm) tempered glass. You have a choice of five standard Parking Configurations, as well as an endless selection of custom configurations to fit your project. You can have all sliding panels, or a combination of sliding and pivoting panels.

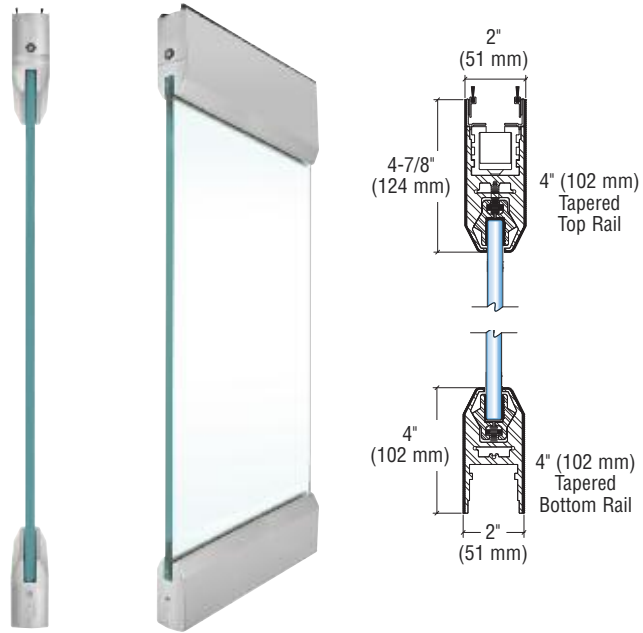


AVAILABLE FINISHES

- Satin Anodized
- Black Bronze Anodized
- Brushed Stainless*
- Polished Brass*
- Polished Stainless*



* Clad Finish.



TRACK STYLE	PARKING CONFIGURATIONS				
	TYPE 1 SERIES	TYPE 2 SERIES	TYPE 3 SERIES	TYPE 4 SERIES	TYPE 5 SERIES
Standard Track	S312S1	S312S2	S312S3	S312S4	S312S5
Flanged Track	S312F1	S312F2	S312F3	S312F4	S312F5

Note: Track comes in a standard white powder coat unless otherwise specified.

CRL SPS With 4" Square Rails Top and Bottom

- For 1/2" (12 mm) Tempered Glass
- Five Architectural Finishes

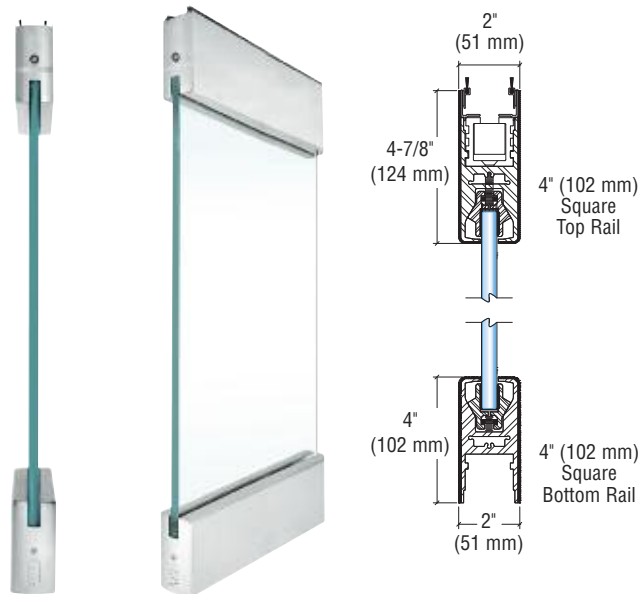
4" (102 mm) Square Door Rails top and bottom for use with 1/2" (12 mm) tempered glass. You have a choice of five standard Parking Configurations, as well as an endless selection of custom configurations to fit your project. You can have all sliding panels, or a combination of sliding and pivoting panels.

AVAILABLE FINISHES

- Satin Anodized
- Black Bronze Anodized
- Brushed Stainless*
- Polished Brass*
- Polished Stainless*



* Clad Finish.



TRACK STYLE	PARKING CONFIGURATIONS				
	TYPE 1 SERIES	TYPE 2 SERIES	TYPE 3 SERIES	TYPE 4 SERIES	TYPE 5 SERIES
Standard Track	S412S1	S412S2	S412S3	S412S4	S412S5
Flanged Track	S412F1	S412F2	S412F3	S412F4	S412F5

Note: Track comes in a standard white powder coat unless otherwise specified.

CRL SPS With 4" Square Rail on the Top and 6" Square Rail on the Bottom

- For 1/2" (12 mm) Tempered Glass
- Five Architectural Finishes

4" (102 mm) Square Door Rail on the top and 6" (152 mm) Square Door Rail on the bottom for use with 1/2" (12 mm) tempered glass. You have a choice of five standard Parking Configurations, as well as an endless selection of custom configurations to fit your project. You can have all sliding panels, or a combination of sliding and pivoting panels.

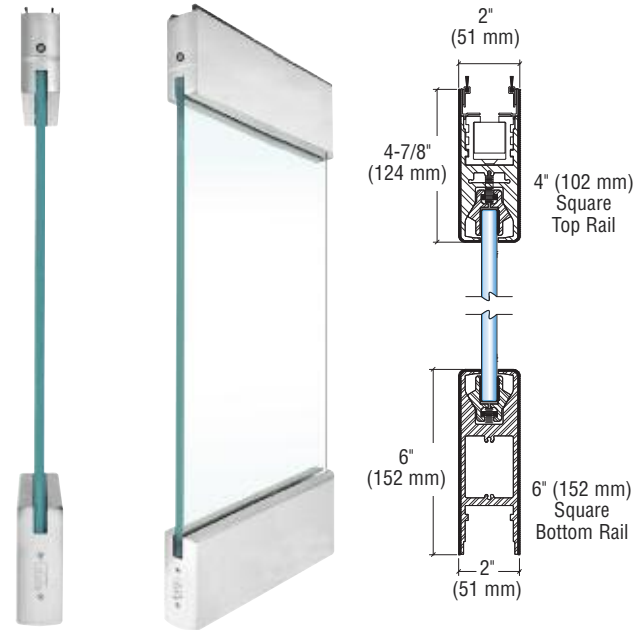


AVAILABLE FINISHES

- Satin Anodized
- Black Bronze Anodized
- Brushed Stainless*
- Polished Brass*
- Polished Stainless*



* Clad finish on 4" (102 mm) Rails, and all 6" (152 mm) Rails.



TRACK STYLE	PARKING CONFIGURATIONS				
	TYPE 1 SERIES	TYPE 2 SERIES	TYPE 3 SERIES	TYPE 4 SERIES	TYPE 5 SERIES
Standard Track	S512S1	S512S2	S512S3	S512S4	S512S5
Flanged Track	S512F1	S512F2	S512F3	S512F4	S512F5

Note: Track comes in a standard white powder coat unless otherwise specified.

CRL SPS With 6" Square Rails Top and Bottom

- For 1/2" (12 mm) Tempered Glass
- Five Architectural Finishes

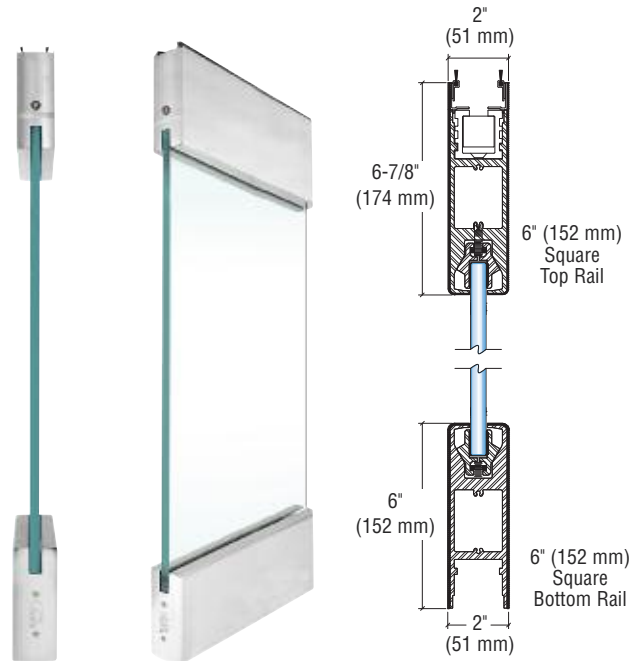
6" (152 mm) Square Door Rails on the top and bottom for use with 1/2" (12 mm) tempered glass. You have a choice of five standard Parking Configurations, as well as an endless selection of custom configurations to fit your project. You can have all sliding panels, or a combination of sliding and pivoting panels.

AVAILABLE FINISHES

- Satin Anodized*
- Black Bronze Anodized*
- Brushed Stainless*
- Polished Brass*
- Polished Stainless*



* Clad Finish.



TRACK STYLE	PARKING CONFIGURATIONS				
	TYPE 1 SERIES	TYPE 2 SERIES	TYPE 3 SERIES	TYPE 4 SERIES	TYPE 5 SERIES
Standard Track	S712S1	S712S2	S712S3	S712S4	S712S5
Flanged Track	S712F1	S712F2	S712F3	S712F4	S712F5

Note: Track comes in a standard white powder coat unless otherwise specified.

CRL SPS With 4" Square Rail on the Top and 10" Square Rail on the Bottom

- For 1/2" (12 mm) Tempered Glass
- Five Architectural Finishes

4" (102 mm) Square Door Rail on the top and 10" (254 mm) Square Door Rail on the bottom for use with 1/2" (12 mm) tempered glass. You have a choice of five standard Parking Configurations, as well as an endless selection of custom configurations to fit your project. You can have all sliding panels, or a combination of sliding and pivoting panels.

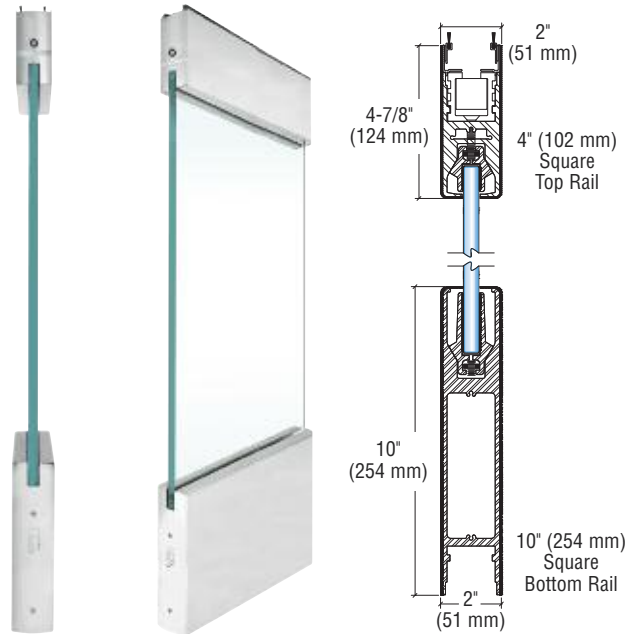


AVAILABLE FINISHES

- Satin Anodized
- Black Bronze Anodized
- Brushed Stainless*
- Polished Brass*
- Polished Stainless*



* Clad finish on 4" (102 mm) Rails, and all 10" (254 mm) Rails.



TRACK STYLE	PARKING CONFIGURATIONS				
	TYPE 1 SERIES	TYPE 2 SERIES	TYPE 3 SERIES	TYPE 4 SERIES	TYPE 5 SERIES
Standard Track	S612S1	S612S2	S612S3	S612S4	S612S5
Flanged Track	S612F1	S612F2	S612F3	S612F4	S612F5

Note: Track comes in a standard white powder coat unless otherwise specified.

CRL SPS With 6" Square Rail on Top and 10" Square Rail on the Bottom

- For 1/2" (12 mm) Tempered Glass
- Five Architectural Finishes

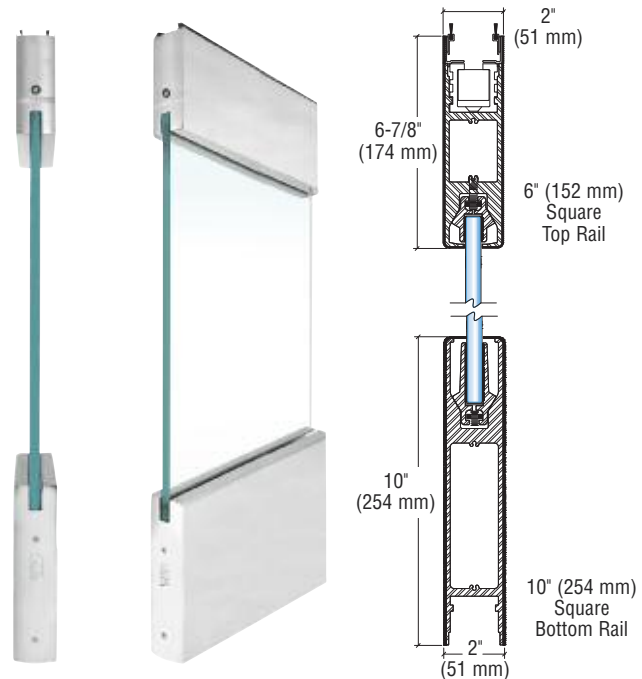
6" (152 mm) Square Door Rail on the top and 10" (254 mm) Square Door Rail on the bottom for use with 1/2" (12 mm) tempered glass. You have a choice of five standard Parking Configurations, as well as an endless selection of custom configurations to fit your project. You can have all sliding panels, or a combination of sliding and pivoting panels.

AVAILABLE FINISHES

- Satin Anodized*
- Black Bronze Anodized*
- Brushed Stainless*
- Polished Brass*
- Polished Stainless*



* Clad Finish.



TRACK STYLE	PARKING CONFIGURATIONS				
	TYPE 1 SERIES	TYPE 2 SERIES	TYPE 3 SERIES	TYPE 4 SERIES	TYPE 5 SERIES
Standard Track	S812S1	S812S2	S812S3	S812S4	S812S5
Flanged Track	S812F1	S812F2	S812F3	S812F4	S812F5

Note: Track comes in a standard white powder coat unless otherwise specified.

CRL SPS With 4" Tapered Rails Top and Bottom

- For 3/4" (19 mm) Tempered Glass
- Five Architectural Finishes

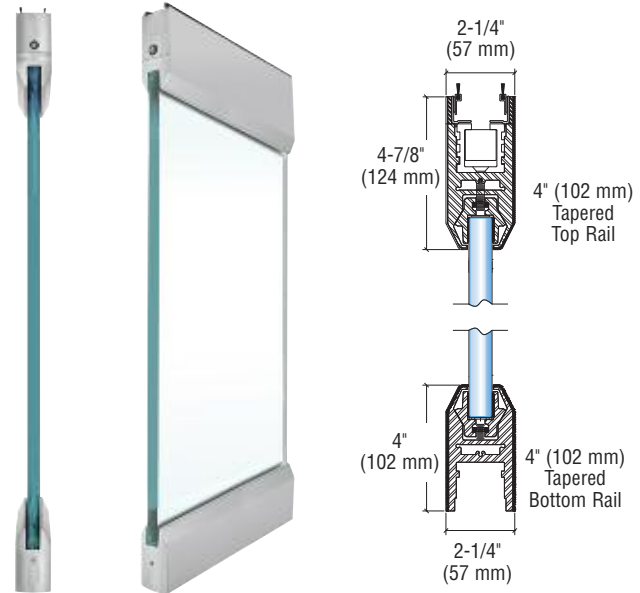
4" (102 mm) Tapered Door Rails top and bottom for use with 3/4" (19 mm) tempered glass. You have a choice of five standard Parking Configurations, as well as an endless selection of custom configurations to fit your project. You can have all sliding panels, or a combination of sliding and pivoting panels.



AVAILABLE FINISHES

- Satin Anodized
- Black Bronze Anodized
- Brushed Stainless*
- Polished Brass*
- Polished Stainless*

* Clad finish.



TRACK STYLE	PARKING CONFIGURATIONS				
	TYPE 1 SERIES	TYPE 2 SERIES	TYPE 3 SERIES	TYPE 4 SERIES	TYPE 5 SERIES
Standard Track	S334S1	S334S2	S334S3	S334S4	S334S5
Flanged Track	S334F1	S334F2	S334F3	S334F4	S334F5

Note: Track comes in a standard white powder coat unless otherwise specified.

CRL SPS With 4" Square Rails Top and Bottom

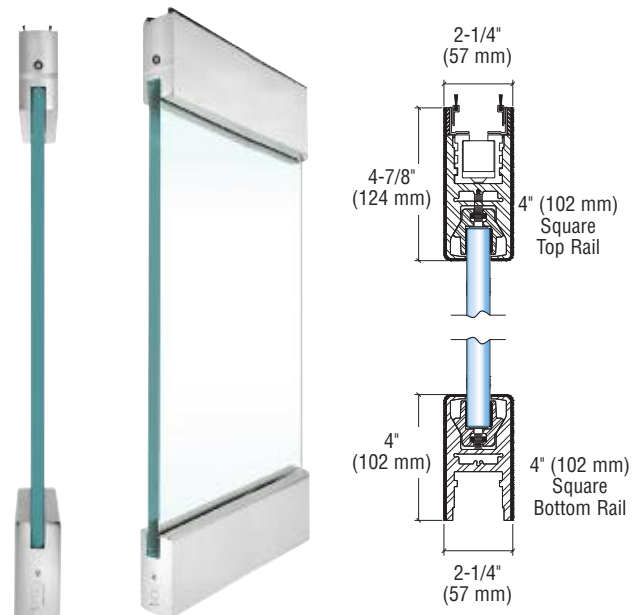
- For 3/4" (19 mm) Tempered Glass
- Five Architectural Finishes

4" (102 mm) Square Door Rails top and bottom for use with 3/4" (19 mm) tempered glass. You have a choice of five standard Parking Configurations, as well as an endless selection of custom configurations to fit your project. You can have all sliding panels, or a combination of sliding and pivoting panels.

AVAILABLE FINISHES

- Satin Anodized*
- Black Bronze Anodized*
- Brushed Stainless*
- Polished Brass*
- Polished Stainless*

* Clad finish.



TRACK STYLE	PARKING CONFIGURATIONS				
	TYPE 1 SERIES	TYPE 2 SERIES	TYPE 3 SERIES	TYPE 4 SERIES	TYPE 5 SERIES
Standard Track	S434S1	S434S2	S434S3	S434S4	S434S5
Flanged Track	S434F1	S434F2	S434F3	S434F4	S434F5

Note: Track comes in a standard white powder coat unless otherwise specified.

CRL SPS With 4" Square Rail on the Top and 6" Square Rail on the Bottom

- For 3/4" (19 mm) Tempered Glass
- Five Architectural Finishes

4" (102 mm) Square Door Rail on the top and 6" (152 mm) Square Door Rail on the bottom for use with 3/4" (19 mm) tempered glass. You have a choice of five standard Parking Configurations, as well as an endless selection of custom configurations to fit your project. You can have all sliding panels, or a combination of sliding and pivoting panels.

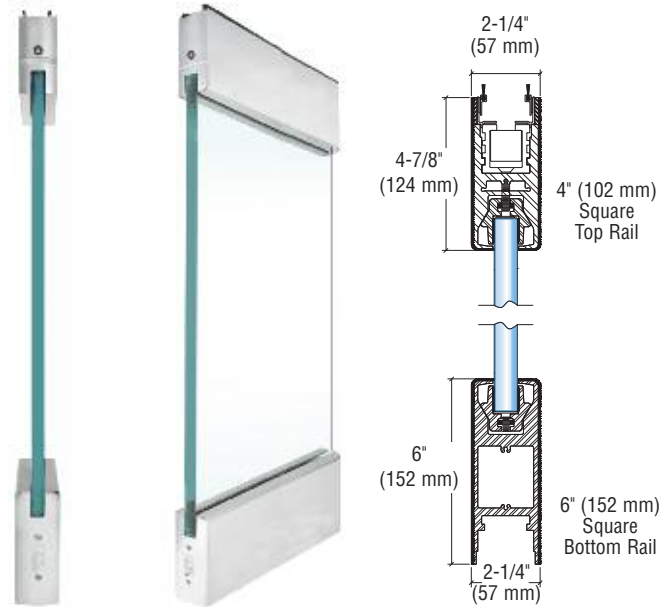


AVAILABLE FINISHES

- Satin Anodized
- Black Bronze Anodized
- Brushed Stainless*
- Polished Brass*
- Polished Stainless*



* Clad finish on 4" (102 mm) Rails, and all 6" (152 mm) Rails.



TRACK STYLE	PARKING CONFIGURATIONS				
	TYPE 1 SERIES	TYPE 2 SERIES	TYPE 3 SERIES	TYPE 4 SERIES	TYPE 5 SERIES
Standard Track	S534S1	S534S2	S534S3	S534S4	S534S5
Flanged Track	S534F1	S534F2	S534F3	S534F4	S534F5

Note: Track comes in a standard white powder coat unless otherwise specified.

CRL SPS With 4" Square Rail on the Top and 10" Square Rail on the Bottom

- For 3/4" (19 mm) Tempered Glass
- Five Architectural Finishes

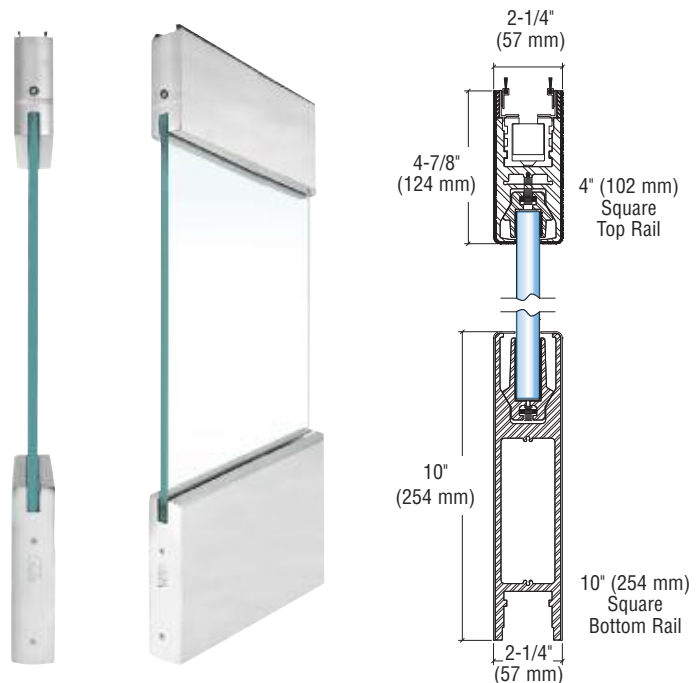
4" (102 mm) Square Door Rail on the top and 10" (254 mm) Square Door Rail on the bottom for use with 3/4" (19 mm) tempered glass. You have a choice of five standard Parking Configurations, as well as an endless selection of custom configurations to fit your project. You can have all sliding panels, or a combination of sliding and pivoting panels.

AVAILABLE FINISHES

- Satin Anodized
- Black Bronze Anodized
- Brushed Stainless*
- Polished Brass*
- Polished Stainless*



* Clad finish on 4" (102 mm) Rails, and all 10" (254 mm) Rails.



TRACK STYLE	PARKING CONFIGURATIONS				
	TYPE 1 SERIES	TYPE 2 SERIES	TYPE 3 SERIES	TYPE 4 SERIES	TYPE 5 SERIES
Standard Track	S634S1	S634S2	S634S3	S634S4	S634S5
Flanged Track	S634F1	S634F2	S634F3	S634F4	S634F5

Note: Track comes in a standard white powder coat unless otherwise specified.

CRL Stacking Partition System Accessories

- CRL Offers SPS Accessories to Cover Most Installation Requirements
- Custom Fabricated to Meet Your Needs



Spacing Bumper and Pin Receptacle for Adjacent Panel Slide Bolt



End Operated Slide Bolt that Locks into the Pin Receptacle and Floor



Adjustable Nylon Brush Gap Filler



Thumbturn Operated Floor Bolt



Key Cylinder Operated Floor Bolt



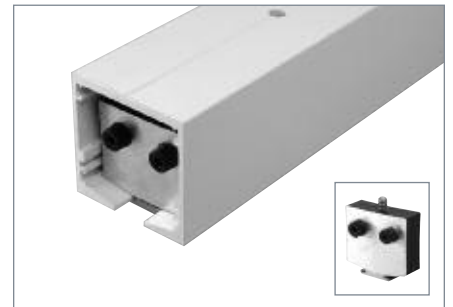
Top Pivot for Swinging Doors



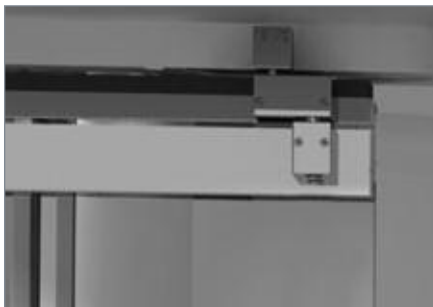
Top Rail End Cap/Bumper



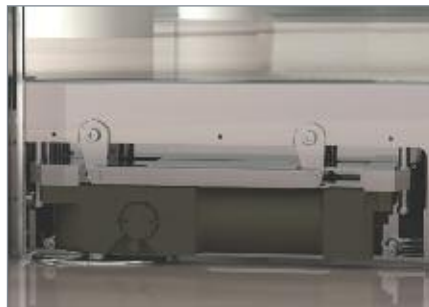
Slide Bolt and Floor Bolt Dustproof Keeper with Mounting Plate



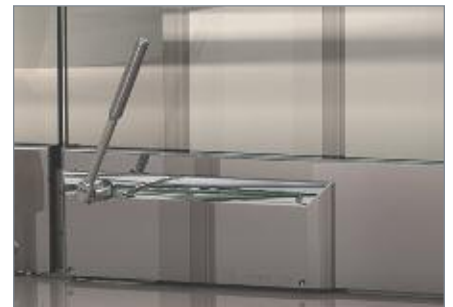
Adjustable Roller Stop



Convertible Door Top Rail

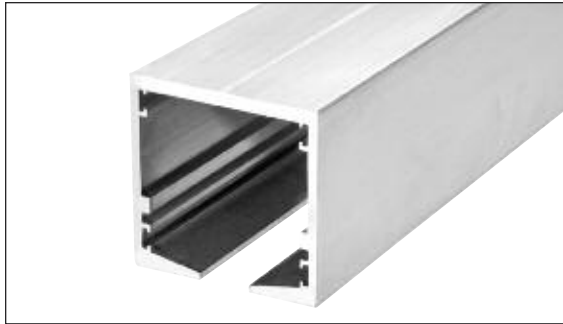


Convertible Door Bottom Closer



Cat. No. 90SCW Wrench for Convertible Door

CRL SPS Overhead Straight Track



Standard Track for Almost Any Installation

- **Two Track Styles: Standard – for Almost Any Installation; and Flanged – for Drop Ceiling Installations**
- **Available in Mill Aluminum or White Powder Paint Finishes (Cladding on Special Order)**
- **Two Stock Lengths 120" (3.05 m) and 240" (6.10 m), Plus Splices for Roller Access**
- **Track is Pre-Drilled for 3/8" (10 mm) Fasteners at 24" (610 mm) Center-to-Center Spacing**
- **Fabricated Corners and Intersections**



Flanged Track for Drop Ceiling Installations

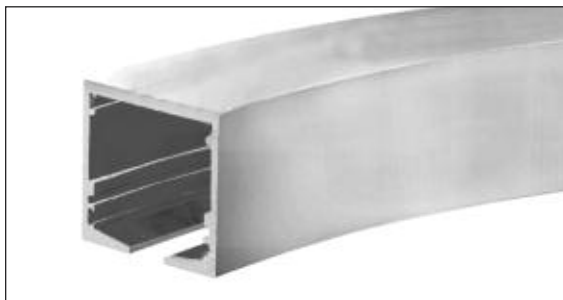
CRL SPS Overhead Track and Access Splices are 6063-T6 Alloy Aluminum, and are designed to accommodate the heavier loads required in stacking system installations. Two configurations, three lengths, and two finishes are carried in stock for immediate shipment. Lengths requiring cladding require five to seven working days to fabricate. All lengths are pre-drilled at 24" (610 mm) on center for 3/8" (10 mm) fasteners.

Contact Technical Sales for additional information at (800) 421-6144 in the U.S., (877) 421-6144 from Canada, or (323) 588-1281 International. Ask for Ext. 7700. Send e-mail from the crlaurence.com home page. Click on Contact Us, and then click on Technical Sales for Commercial Products.

STANDARD TRACK CAT. NO.	FLANGED TRACK CAT. NO.	DESCRIPTION	FINISH	LENGTH
S90120M	L90120M	Pre-Drilled Overhead Track	Mill Aluminum	120" (3.05 m)
S90240M	L90240M	Pre-Drilled Overhead Track	Mill Aluminum	240" (6.10 m)
S906M	L906M	Pre-Drilled Roller Access Splice	Mill Aluminum	*6" (152.4 mm)
S90120M	L90120M	Pre-Drilled Overhead Track	White Powder Paint	120" (3.05 m)
S90240M	L90240M	Pre-Drilled Overhead Track	White Powder Paint	240" (6.10 m)
S906W	L906W	Pre-Drilled Roller Access Splice	White Powder Paint	*6" (152.4 mm)

Minimum order: 1 each. Must ship common carrier. * Roller Access Splice should be located in front of the first parking intersection.

CRL SPS Overhead Curved Track



- **Curved Track Configuration in Standard Style Only**
- **Available in Mill Aluminum or White Powder Paint Finishes (Cladding on Special Order)**
- **Length and Radius* Must Be Specified at Time of Ordering**

CRL SPS Curved Overhead Track is 6063-T6 Alloy Aluminum, and is designed to accommodate the heavier loads required in stacking system installations. Curved Overhead Track is offered only in the Standard Style. Length and radius* must be specified at time of ordering. Minimum radius is 12' (3.66 m).

Contact Technical Sales for additional information at (800) 421-6144 in the U.S., (877) 421-6144 from Canada, or (323) 588-1281 International. Ask for Ext. 7700. Send e-mail from the crlaurence.com home page. Click on Contact Us, and then click on Technical Sales for Commercial Products.

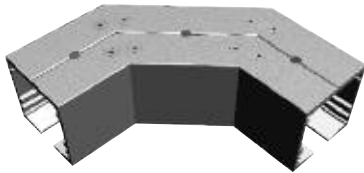
CURVED TRACK CAT. NO.	FINISH	LENGTH AND RADIUS
C90MC	Mill Aluminum	Custom-Specify
C90WC	White Powder Paint	Custom-Specify

Minimum order: 1 each. Must ship common carrier.

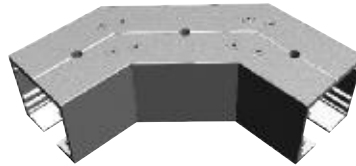
CRL SPS Corners and Intersections

- Available in Mill Aluminum or White Powder Coated Aluminum
- Custom Colors Available on Special Order
- Completely Fabricated and Ready to Install

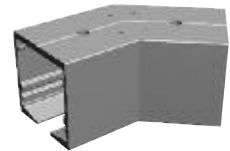
CRL SPS Corners and Intersections are designed to easily guide the panels through an infinite variety of configurations and parking conditions to meet your specific job needs. Through the use of integral Switch Blocks in the various intersections and the Intelli-Track™ Rollers, the panels will steer to pre-selected parking areas. All Corners and Intersections come with four drive-in alignment strips for each joint, and are pre-drilled for proper mounting to the substrate.



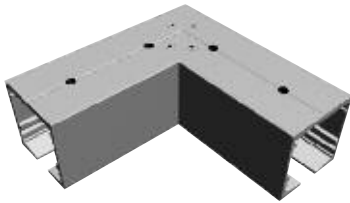
Self-Guiding 90 Degree Corner



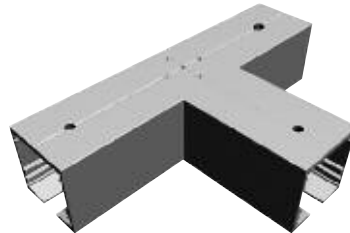
Self-Guiding 95 Degree Corner



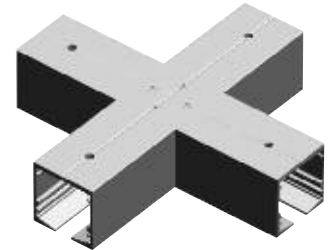
Self-Guiding 135 Degree Corner



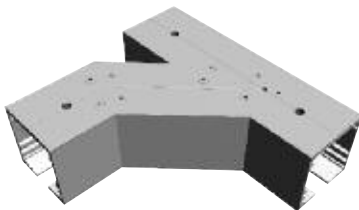
Manual 90 Degree Corner



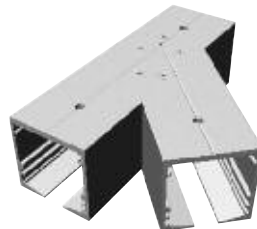
Manual 90 Degree "T" Intersection



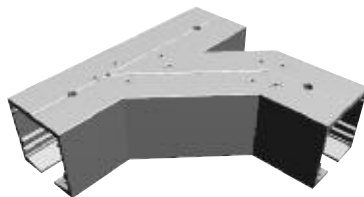
Manual 90 Degree 4-Way Cross Intersection



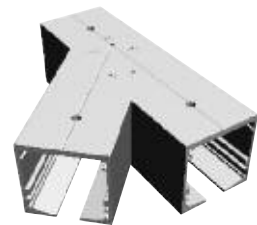
Self-Guiding 90 Degree Left Hand Intersection



Self-Guiding 135 Degree Left Hand Intersection



Self-Guiding 90 Degree Right Hand Intersection



Self-Guiding 135 Degree Right Hand Intersection



Whether you are constructing a new partition system, or repairing an existing one, our Commercial Hardware Technical Sales staff can assist in the selection of the proper Corners and Intersections to assure the smooth transition of panels to and from their parking areas. For additional specifications and dimensions of all SPS System components, visit the Online Catalog at crlaurence.com.

CRL SPS Track Suspension System Mounting Components

• Track Mounting Assistance

Proper mounting of the CRL SPS Overhead Track is crucial to the performance of the entire system. Since this is a suspended system, all the weight of the panels must be supported by the overhead track, and ultimately by the substrate and the fasteners used to hang the track. So we developed a Track Suspension System to accommodate multiple attachment elevations on a single run of SPS Track.

In a perfect world, the overhead track can be attached directly to the substrate, however, actual job conditions do not always allow for this, so we developed a complete line of Track Suspension Mounting Components to help overcome a variety of common installation obstacles. The various combinations of these components will allow you to properly secure the SPS Track around ductwork, beams or other obstructions commonly found above a drop ceiling. Consult a structural engineer for the proper fasteners to attach these components to the structure.

CRL Technical Sales can assist in choosing the right combination of mounting hardware for your particular job. For assistance contact us at (800) 421-6144 in the U.S., (877) 421-6144 from Canada, or (323) 588-1281 International. Ask for Ext. 7700. You can send e-mail through our web site at crlaurence.com. Click on Contact Us, and then click on Technical Sales for Commercial Products.



Typical Suspended Track Featuring Extended Support Assembly and Angled Support Assembly



With the right combination of SPS Track Suspension System Mounting Components, you can safely install a beautiful Stacking Partition System just about anywhere there is a suitably sound structure to support its weight.

For design assistance contact CRL Technical Sales at (800) 421-6144 in the U.S., (877) 421-6144 in Canada, or (323) 588-1281 International. Ask for Ext. 7700. For e-mail go to the crlaurence.com home page and click on Contact Us, and then click on Technical Sales for Commercial Products.



CRL STACKING PARTITION SYSTEMS

For Pricing Visit Our Web Site or Call Us Toll Free
at the Phone Numbers Shown on the Back Cover



Online Photo Gallery

When you visit the crlaurence.com home page you can click into photo galleries of finished projects. It's a great way to show your customers what can be accomplished when they specify CRL Architectural Hardware Products.

CRL Laguna Series Sliding Glass Door System With Anti-Lift Safety Features



- Anti-Lift Feature for Added Safety
- All 316 Alloy Brushed Stainless Steel Construction
- Ideal for Interior Applications
- For Use With 3/8" or 1/2" (10 or 12 mm) Glass
- Comes With All Fasteners Needed for Either Flush (Countersunk) or Surface (Straight Hole) Mounting
- Adaptor Kits Available for Wood Door Applications



Typical Wall Mount Installation

We have upgraded our popular Laguna Series Sliding Glass Door System to now include an 'anti-lift' feature. Through a combination of additions and very subtle changes, we have improved the performance, safety, and security while still offering a clean, simple look. The Laguna Series Sliding Glass Door System can be installed on glass partitions or directly to the side of a sufficiently reinforced wall. The adjustable Top Rollers make final adjustments quick and easy, without the need to remove the door. Their smooth operation and solid stainless steel construction minimizes maintenance issues.

CRL provides you with all the glass attachment fasteners for either flush mounting, requiring a countersunk hole, or surface mounting, requiring a straight hole. The glass attachment fasteners accommodate either 3/8" or 1/2" (10 or 12 mm) tempered glass. **NOTE:** Laminated glass cannot be used in these systems.

Standardized sets allow you to make planning and purchasing quick and easy for basic installations. We offer four different kits; two for wall mounting, and two for glass mounting. Available accessories give you the opportunity to customize the standard sets to accommodate the most imaginative designers. All components are sized to easily ship via UPS, which helps to keep your job costs and lead times down.

For more information or ordering assistance, contact CRL Technical Sales at (800) 421-6144 in the U.S., (877) 421-6144 from Canada, or (323) 588-1281 International, and ask for Ext. 7700. You can also e-mail us through our web site at crlaurence.com. From the home page click on Contact Us, and then click on Technical Sales for Commercial Products.

DOOR SYSTEM LIMITATIONS

Maximum Door Weight:	220 lbs. (100 kg)
Maximum Panel Width:	53-1/2" (1.36 m)
Maximum Panel Height:	98-7/16" (2.50 m)
Maximum Track Length:	104" (2.64 m)



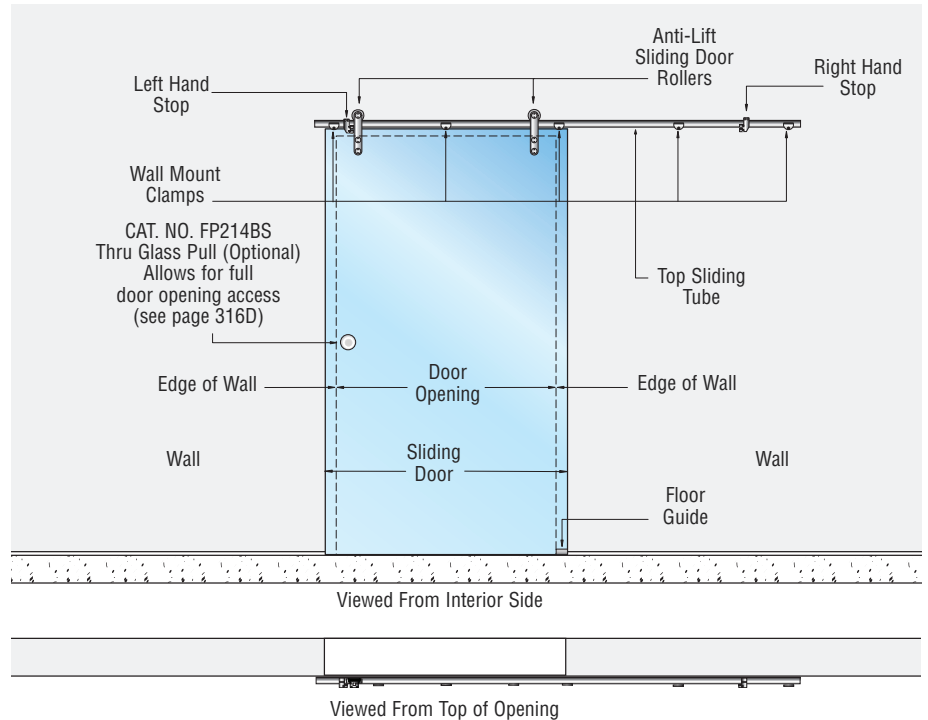
Typical Glass Mount Installation

CRL Laguna Series Wall Mount Single Slider Kit

- Anti-Lift Design
- Assembly Contains All Necessary Hardware to Complete the Installation With 3/8" or 1/2" (10 or 12 mm) Tempered Glass
- Brushed Stainless Steel Construction

The CRL Laguna Series Wall Mount Single Slider Kit contains all the components you will need (except the tempered glass) to complete this style of installation. This model is used in applications where you are attaching a single sliding door to the inside face of a sufficiently reinforced wall.

The Anti-Lift Sliding Door Top Rollers can be attached to the glass with either Surface Mount or Flush Mount Fittings (both are supplied). The Rollers have a 1/8" (3.2 mm) up or down vertical adjustment to aid in door alignment. This system should only be used with 3/8" or 1/2" (10 or 12 mm) tempered glass. Laminated glass cannot be used.



DOOR SYSTEM LIMITATIONS

Maximum Door Weight: 220 lbs. (100 kg)
 Maximum Panel Width: 53-1/2" (1.36 m)
 Maximum Panel Height: 98-7/16" (2.50 m)
 Maximum Track Length: 104" (2.64 m)

Complete glass fabrication details and drawings are available from crlaurence.com or by contacting our Technical Sales Department at (800) 421-6144 in the U.S., (877) 421-6144 from Canada, or (323) 588-1281 International. Ask for Ext. 7700. You can send e-mail through the crlaurence.com home page. Click on Contact Us, and then click on Technical Sales for Commercial Products.

CAT. NO. LSWM3BS

Each Kit Contains:



Two CRL Laguna Series Anti-Lift Top Rollers With Glass Fittings



One CRL Laguna Series Top Sliding Tube With End Caps at 104" (2.64 m) in Length



Five CRL Laguna Series Top Sliding Tube Wall Mount Clamps



Two CRL Laguna Series Door Stops (One Left Hand and One Right Hand)



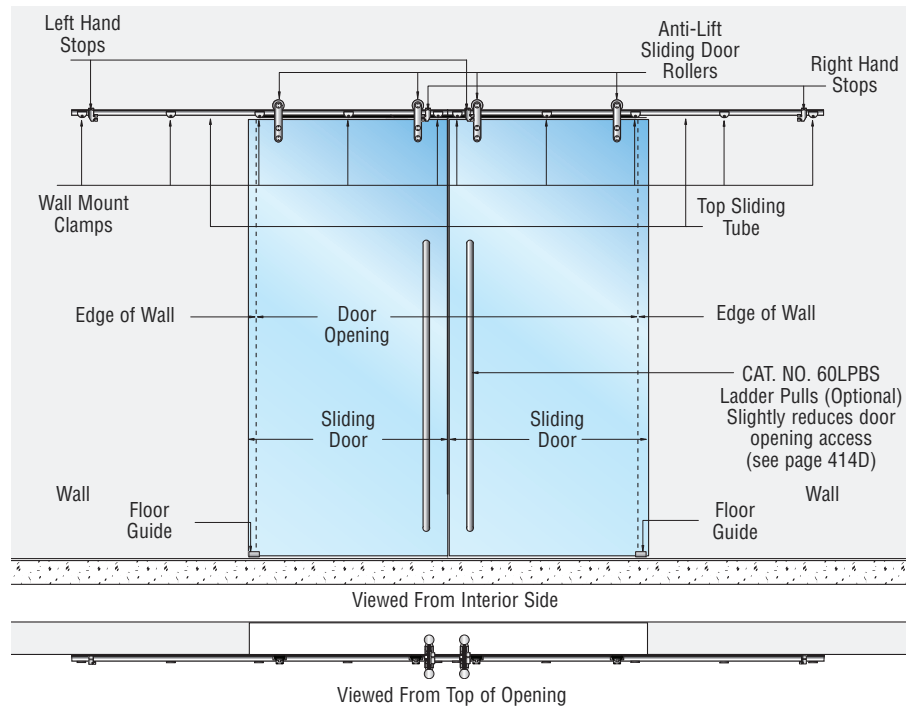
One CRL Laguna Series Bottom Floor Guide

CRL Laguna Series Wall Mount Bi-Parting Slider Kit

- Anti-Lift Design
- Assembly Contains All Necessary Hardware to Complete the Installation With 3/8" or 1/2" (10 or 12 mm) Tempered Glass
- Brushed Stainless Steel Construction

The CRL Laguna Series Wall Mount Bi-Parting Slider Kit contains all the components you will need (except the tempered glass) to complete this style of installation. This model is used in applications where you are attaching two bi-parting sliding doors to the inside face of a sufficiently reinforced wall.

The Anti-Lift Sliding Door Top Rollers can be attached to the glass with either Surface Mount or Flush Mount Fittings (both are supplied). The Rollers have a 1/8" (3.2 mm) up or down vertical adjustment to aid in door alignment. This system should only be used with 3/8" or 1/2" (10 or 12 mm) tempered glass. Laminated glass cannot be used.



DOOR SYSTEM LIMITATIONS

- Maximum Door Weight: 220 lbs. (100 kg)
- Maximum Panel Width: 53-1/2" (1.36 m)
- Maximum Panel Height: 98-7/16" (2.50 m)
- Maximum Track Length: 104" (2.64 m)

Complete glass fabrication details and drawings are available from crlaurence.com or by contacting our Technical Sales Department at (800) 421-6144 in the U.S., (877) 421-6144 from Canada, or (323) 588-1281 International. Ask for Ext. 7700. You can send e-mail through the crlaurence.com home page. Click on Contact Us, and then click on Technical Sales for Commercial Products.

CAT. NO. LSWM4BS

Each Kit Contains:



Four CRL Laguna Series Anti-Lift Top Rollers With Glass Fittings



Two CRL Laguna Series Top Sliding Tubes With End Caps at 104" (2.64 m) in Length



Ten CRL Laguna Series Top Sliding Tube Wall Mount Clamps



Four CRL Laguna Series Door Stops (Two Left Hand and Two Right Hand)



Two CRL Laguna Series Bottom Floor Guides

CRL Laguna Series Glass Mount Single Slider Kit

- Anti-Lift Design
- Assembly Contains All Necessary Hardware to Complete the Installation With 3/8" or 1/2" (10 or 12 mm) Tempered Glass
- Brushed Stainless Steel Construction

The CRL Laguna Series Glass Mount Single Slider Kit contains all the components you will need (except the tempered glass) to complete this style of installation. This model is used in applications where you are attaching a single sliding door in an 'all-glass' opening where you have a wall on one end next to the door, a glass transom above the door, and a fixed glass panel on the other side of the door. Bi-parting double doors are not possible for this application.

The Anti-Lift Sliding Door Top Rollers can be attached to the glass with either Surface Mount or Flush Mount Fittings (both are supplied). The Rollers have a 1/8" (3.2 mm) up or down vertical adjustment to aid in door alignment. This system should only be used with 3/8" or 1/2" (10 or 12 mm) tempered glass. Laminated glass cannot be used.

DOOR SYSTEM LIMITATIONS

Maximum Door Weight: 220 lbs. (100 kg)
 Maximum Panel Width: 53-1/2" (1.36 m)
 Maximum Panel Height: 98-7/16" (2.50 m)
 Maximum Track Length: 104" (2.64 m)

Each Kit Contains:



Two CRL Laguna Series Anti-Lift Top Rollers With Glass Fittings



One CRL Laguna Series Top Sliding Tube With End Caps at 104" (2.64 m) in Length



One CRL Laguna Series Top Sliding Tube Wall Mount End Cap (fastener to wall is not included)



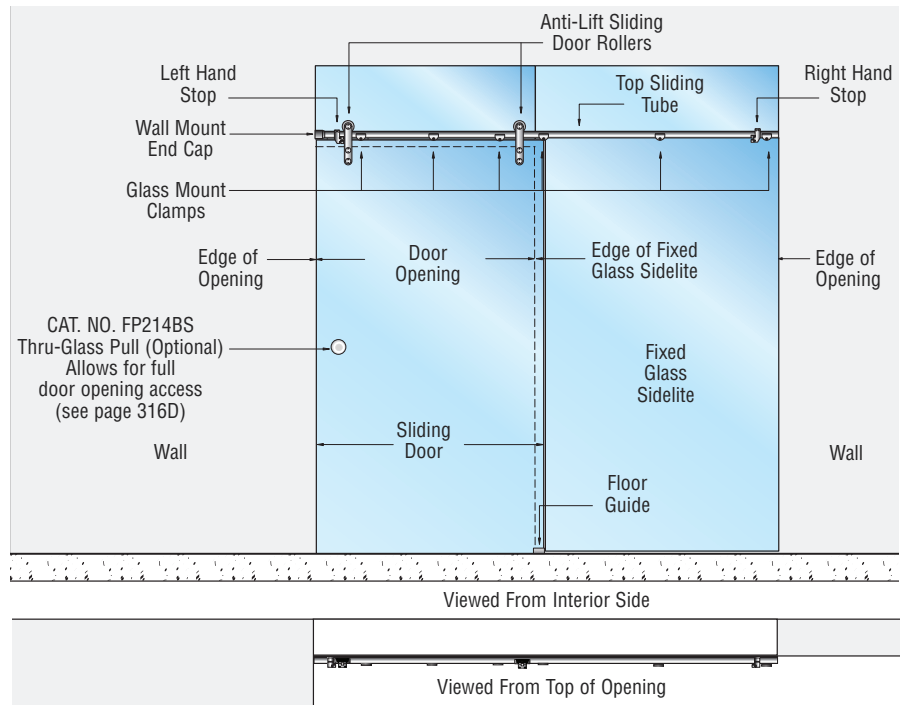
Six CRL Laguna Series Top Sliding Tube Glass Mount Clamps



Two CRL Laguna Series Door Stops (One Left Hand and One Right Hand)



One CRL Laguna Series Bottom Floor Guide



Complete glass fabrication details and drawings are available from crlaurence.com or by contacting our Technical Sales Department at (800) 421-6144 in the U.S., (877) 421-6144 from Canada, or (323) 588-1281 International. Ask for Ext. 7700. You can send e-mail through the crlaurence.com home page. Click on Contact Us, and then click on Technical Sales for Commercial Products.

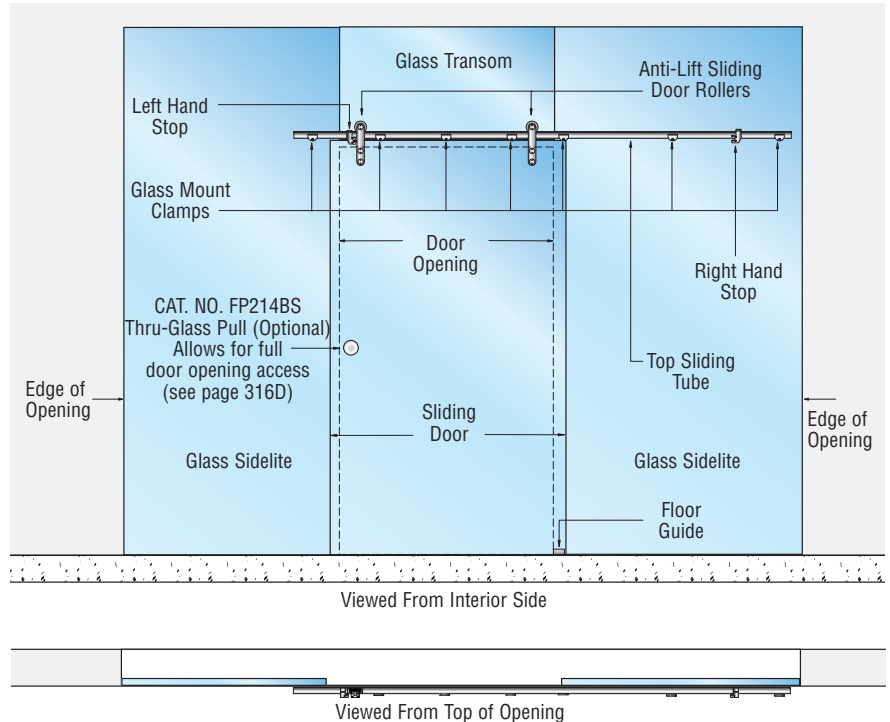
CAT. NO. LSGM3BS

CRL Laguna Series Glass Mount Single Slider With Sidelites Kit

- Anti-Lift Design
- Assembly Contains All Necessary Hardware to Complete the Installation With 3/8" or 1/2" (10 or 12 mm) Tempered Glass
- Brushed Stainless Steel Construction

The CRL Laguna Series Glass Mount Single Slider With Sidelites Kit contains all the components you will need (except the tempered glass) to complete this style of installation. This model is used in applications where you are attaching a single sliding door in an 'all-glass' opening where you have a glass transom above the door and fixed glass panels on both sides of the door. Bi-parting double doors are not possible for this application.

The Anti-Lift Sliding Door Top Rollers can be attached to the glass with either Surface Mount or Flush Mount Fittings (both are supplied). The Rollers have a 1/8" (3.2 mm) up or down vertical adjustment to aid in door alignment. This system should only be used with 3/8" or 1/2" (10 or 12 mm) tempered glass. Laminated glass cannot be used.



DOOR SYSTEM LIMITATIONS

Maximum Door Weight: 220 lbs. (100 kg)
 Maximum Panel Width: 53-1/2" (1.36 m)
 Maximum Panel Height: 98-7/16" (2.50 m)
 Maximum Track Length: 104" (2.64 m)

Complete glass fabrication details and drawings are available from crlaurence.com or by contacting our Technical Sales Department at (800) 421-6144 in the U.S., (877) 421-6144 from Canada, or (323) 588-1281 International. Ask for Ext. 7700. You can send e-mail through the crlaurence.com home page. Click on Contact Us, and then click on Technical Sales for Commercial Products.

CAT. NO. LSGM4BS

Each Kit Contains:



Two CRL Laguna Series Anti-Lift Top Rollers With Glass Fittings



One CRL Laguna Series Top Sliding Tube With End Caps at 104" (2.64 m) in Length



Seven CRL Laguna Series Top Sliding Tube Glass Mount Clamps



Two CRL Laguna Series Door Stops (One Left Hand and One Right Hand)



One CRL Laguna Series Bottom Floor Guide

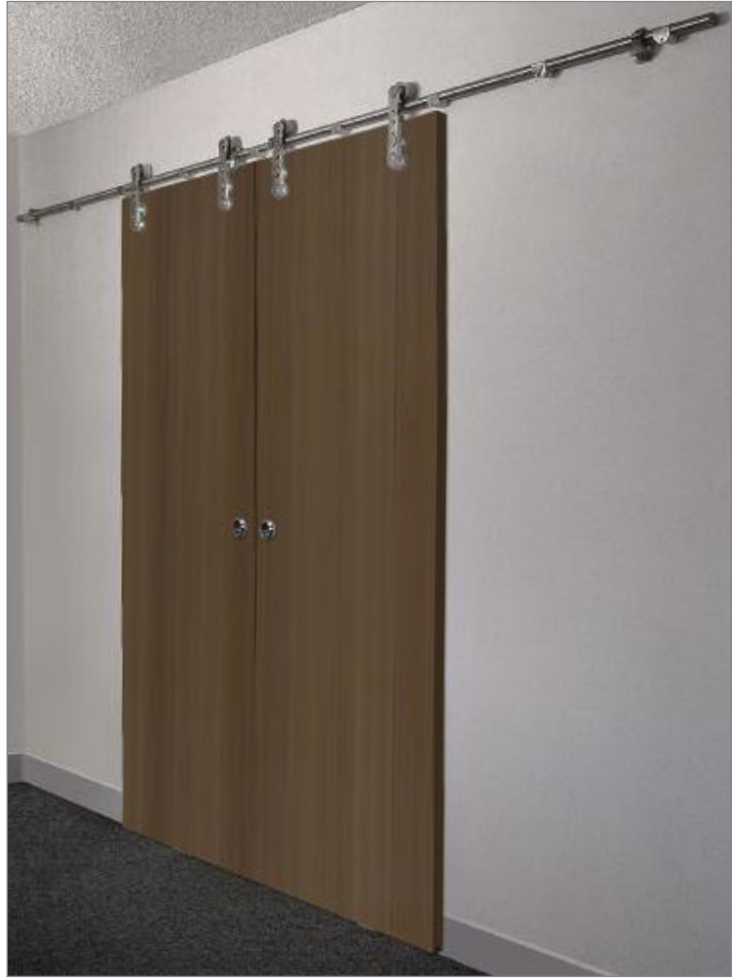
CRL Laguna Sliding Door Hardware Adaptor Kit for Wood Doors

- Easily Adapts Our Laguna Slider Kits to Work With Wood Doors
- For Wood Doors From 1-3/8" to 1-3/4" (35 to 45 mm) Thick
- Brushed Stainless Steel Finish

NEW!

Now you can easily adapt any of our Laguna Sliding Door Systems to work with wood doors. The Adaptor Kit allows you to mount Laguna Slider Hardware on wood doors ranging in thickness from 1-3/8" to 1-3/4" (35 to 45 mm). Recommended for solid wood doors, but can be used on hollow core doors that have adequate structure to accept the hardware.

Each kit comes with four Mounting Bolts for attaching the hardware to the wood door, five Wall Mount Bracket Spacers for use on openings with doors thicker than 1-3/8" (35 mm), and one Floor Guide. All parts are made of alloy 316 stainless steel. One kit is required per door.



CAT. NO. LSWMADT



Four Mounting Bolts



Five Wall Mount Bracket Spacers



One Floor Guide

For additional information or assistance contact CRL Technical Sales at (800) 421-6144 in the U.S., (877) 421-6144 from Canada, or (323) 588-1281 International, and ask for Ext. 7700. You can also send an e-mail from the crlaurence.com home page. Click on Contact Us, and then click on Technical Sales for Commercial Products.

CRL Replacement Parts for Laguna Series Sliding Glass Door System

CRL Laguna Series Top Sliding Tube

- Supports Sliding Door
- Brushed Stainless Steel
- Includes Two LS104CAP End Caps
- 104" (2.6 m) Long

This CRL Top Sliding Tube provides support for the sliding door when properly attached to walls using Cat. No. LS302BS Top Sliding Tube Wall Mount Clamps, or to glass panels when using Cat. No. LS303BS Top Sliding Tube Glass Mount Clamp Fittings (see page 315D). Minimum order is one each.

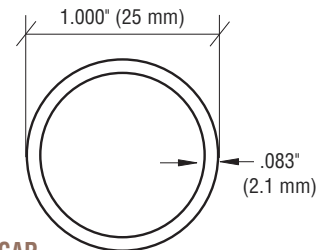
CAT. NO. LS104BS

Top Sliding Tube
With Two End Caps



CAT. NO. LS104CAP

Replacement
End Cap



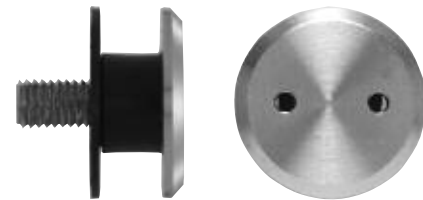
CRL Laguna Series Anti-Lift Top Roller

- Includes Both Surface Mount and Flush Mount Fittings
- Allows 1/8" (3.2 mm) Vertical Adjustment
- Brushed Stainless Steel

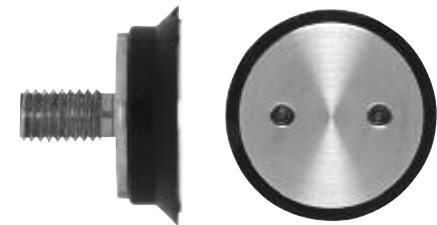
Two CRL Laguna Series Anti-Lift Top Rollers are needed for each sliding door panel. These will be placed on the Cat. No. LS104BS Top Sliding Tube after it has been mounted to the glass panels or wall. The door panel is then positioned and attached to the Rollers. Anti-Lift Top Rollers will allow for 1/8" (3.2 mm) up or down adjustment for final alignment. Rollers are supplied with both Surface Mount and Flush Mount Fittings so the glass fabrication choice is yours. Minimum order is one each.



Supplied With:



Two Surface Mount Fittings



Two Flush Mount Fittings

CAT. NO. LS300BS

CRL Laguna Series Top Sliding Tube Wall Mount End Cap

- For Top Sliding Tubes That Terminate Into a Wall
- Brushed Stainless Steel

The CRL Top Sliding Tube Wall Mount End Cap is a non-handed fitting. It is used in conditions where the Cat. No. LS104BS Top Sliding Tube terminates into a wall. The elongated hole and internal sleeve make final minor adjustments quick and easy. Fastener to wall is not included. Minimum order is one each.



CAT. NO. LS106BS



Shown installed on
Top Sliding Tube (not included)

CRL Replacement Parts for Laguna Series Sliding Glass Door System

CRL Laguna Series Top Sliding Tube Wall Mount Clamp

- Used in Wall Mounting Applications
- Anti-Lift System
- Brushed Stainless Steel

This CRL Top Sliding Tube Wall Mount Clamp attaches to the surface of a sufficiently reinforced wall. Fasteners are not supplied. The Cat. No. LS104BS Top Sliding Tube is then clamped in place by tightening the jaws of the Clamp. Minimum order is one each.



CAT. NO. LS302BS

CRL Laguna Series Top Sliding Tube Glass Mount Clamp

- Used in Glass Transom and Sidelite Applications
- Anti-Lift System
- Brushed Stainless Steel

This CRL Top Sliding Tube Glass Mount Clamp is used in glass transom and sidelite applications. They mount through the holes prepared in the glass. Supplied with both Surface Mount and Flush Mount Fittings. The Cat. No. LS104BS Top Sliding Tube is then clamped in place by tightening the jaws. Minimum order is one each.



CAT. NO. LS303BS

CRL Laguna Series Door Stops

- Prevents 'Over Travel' of Door Panel
- Protects Finished Opening
- Simple to Install
- Brushed Stainless Steel

These Door Stops prevent 'over travel' of the door panels used in Laguna Series Assemblies, which helps protect the finished opening and the glass. Door Stops are installed by simply sliding them over the end of the Cat. No. LS104BS Top Sliding Tube and then tightening them in place. Minimum order is one each.

NOTE: Left or right handing is determined as viewed from the hardware side of the opening.



CAT. NO. LS105LBS

Left Hand



CAT. NO. LS105RBS

Right Hand

CRL Laguna Series Bottom Floor Guide

- Brushed Stainless Steel Guide Keeps Glass Door Aligned
- Adjustable for 3/8" and 1/2" (10 and 12 mm) Glass Doors

The CRL Laguna Series Bottom Floor Guide is adjustable for 3/8" and 1/2" (10 and 12 mm) glass doors. The Guide keeps the glass door aligned so it can slide straight when opening and closing. It also prevents the door glass from being pushed in at the bottom. 1-15/16" (49 mm) overall length; 29/32" (23 mm) high. Minimum order is one each.



CAT. NO. LS307BS

CRL Accessories for Laguna Series Sliding Glass Door System

CRL Laguna Series Top Sliding Tube Ceiling Mount Clamp

- Used in Ceiling Mount Applications
- Anti-Lift System
- Brushed Stainless Steel

This CRL Top Sliding Tube Ceiling Mount Clamp attaches to a structural ceiling sufficient to carry the loads of the Sliding Glass Doors. These are ordered separately from the kits and would replace the Wall Clamps included in any of the kits.

This Clamp positions the Top Sliding Tube 4-11/16" (119 mm) down from the ceiling and has 3/16" (5 mm) of up or down adjustment to help with leveling the Top Sliding Tube during installation. Comes with four fasteners for mounting, and has a snap-on cover to finish the installation. Minimum order is one each.



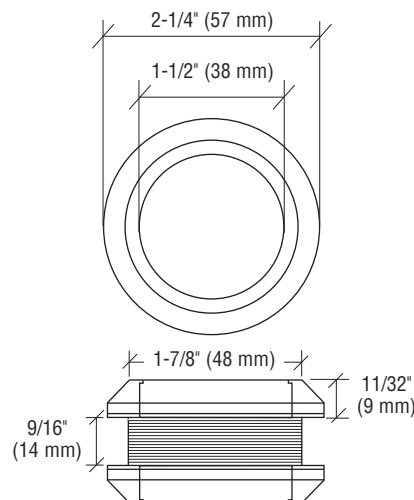
CAT. NO. LS312BS

CRL Laguna Series Thru-Glass Pull

- Low Profile Design Allows for Full Door Opening Access
- Brushed Stainless Steel

The CRL Laguna Series Thru-Glass Pull has a recessed low profile design that you screw together to install. Its solid stainless steel construction makes this a rugged yet elegant solution for a pull handle. The thickness of this Thru-Glass Pull doesn't impede movement in front of walls or glass sidelites as it allows for full door opening access. Supplied with clear gaskets to accommodate door glass from 3/8" to 1/2" (10 to 12 mm) thick. Minimum order is one each.

NOTE: Requires 1-7/8" (48 mm) hole in glass panel for installation. You can use our Cat. No. PDT48MM Diamond Drill to fabricate the proper size hole.



CAT. NO. FP214BS

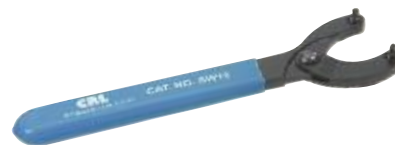
CRL Universal Spanner Wrench



Use this CRL Universal Spanner Wrench as a quick and efficient method of attaching or loosening Spanners. Kit includes: one Adjustable Tool, five Metric (1.5, 2, 2.5, 3, and 4 mm) Spanner Pin Sets, five Fractional (1/16", 3/32", 1/8", 5/32", and 3/16") Spanner Pin Sets, and one Molded Carrying Case. Minimum order is one each.

CAT. NO. USW10

CRL Spanner Wrench



Use this CRL Spanner Wrench as a quick and efficient method to secure and tighten Laguna Series Rollers, Brackets, and Fittings to the glass. Minimum order is one each.

CAT. NO. SW19

CRL Spanner Head



This CRL Spanner Head is used with your 1/4" drive ratchet wrench to secure and tighten Laguna Series Rollers, Brackets, and Fittings to the glass. Ratchet wrench not included. Minimum order is one each.

CAT. NO. LSSW1

CRL51 Series Top Hung Sliding Door Systems

NEW!



- New "Softbrake" Braking System
- Models for Single Doors and Synchronized Bi-Parting Doors
- For Use With 5/16" or 3/8" (8 or 10 mm) Tempered Glass
- Can Accommodate Doors Weighing Up to 176 Pounds (80 kg)



The new CRL51 Series Sliding Door Systems are an upgraded version of several of our tremendously popular CRL50 Series Systems. The CRL51 Series Kits come standard with the new "Softbrake" Braking System. With this new addition you never have to worry about the doors slamming open or closed again! The "Softbrake" cushions the opening and closing of the doors gently, quietly, and is virtually unseen. The "Softbrake" is completely concealed in the top track and engages during the final 4" (102 mm) of travel preventing the glass from impacting the frame or adjacent glass panel. See page 326D for additional information.

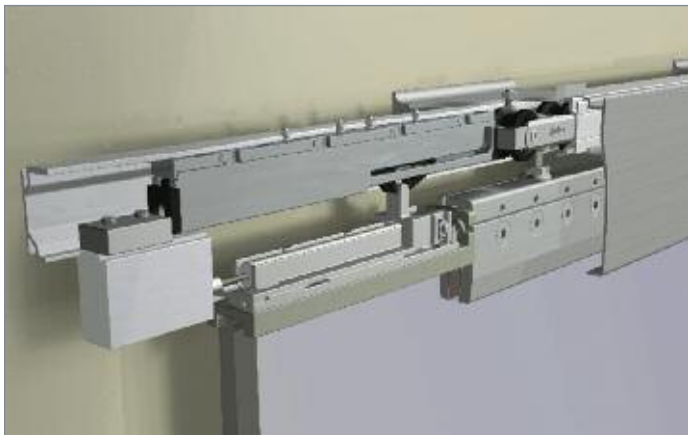
The CRL51 Series still has all the great options of its predecessor: sleek design, wall or ceiling mount, top hung, no bottom track, smooth finger touch control, and no holes or notches required in the glass. The Hanger Assemblies have over 1/4" (6 mm) of height adjustment

during installation to allow for openings and floors that are not true and level. Kits are available in satin anodized finish with optional covers available in white paint or brite anodized.

CRL51 Systems are also available with 'synchronization' of bi-parting doors where the operation of one panel moves the others. A 'telescoping' version is also available where the panels slide in the same direction and stack away together. You can also enjoy the best of both with our combination 'synchronized' and 'telescoping' Kit.

Each kit contains all necessary hardware to complete the installation. Contact Technical Sales for Commercial Products for assistance with proper kit selection or installation instruction assistance.

NOTE: Laminated glass should not be used with the CRL51 System.



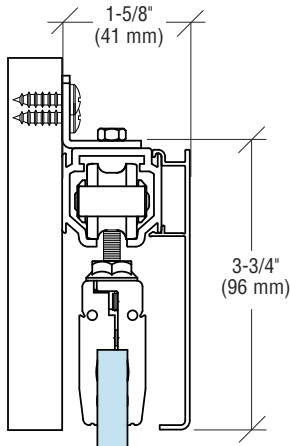
"Softbrake" System in Surface Mount Track Application



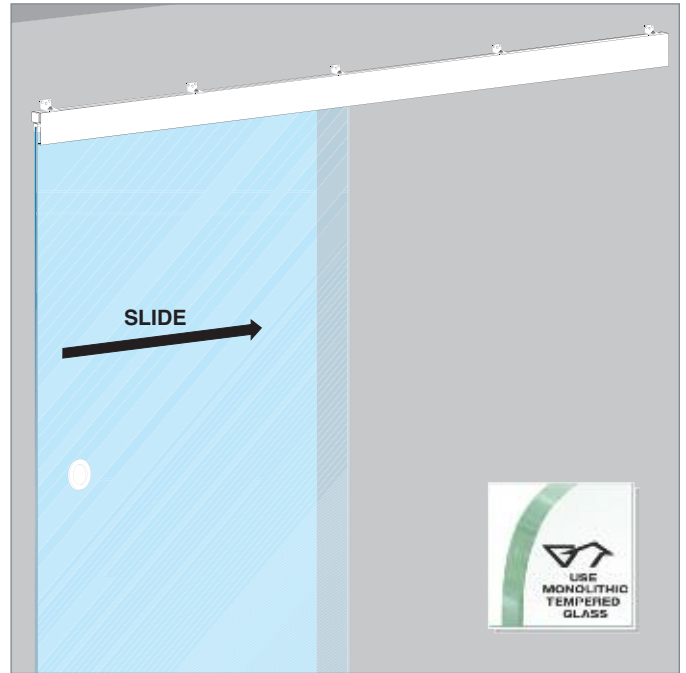
"Softbrake" System in Ceiling Mount Track Application

CRL51 Series Wall Mount Single Slider Kit

- New "Softbrake" Braking System
- For 5/16" or 3/8" (8 or 10 mm) Tempered Glass
- Satin Anodized Finish



NEW!



Maximum Door Weight: 176 pounds (80 kg); Door Width: 59" (1.5 m)

This configuration of the CRL51 Series Slider is used for single door applications where the top track mounts to a structural wall. Kit includes a Track Cover to conceal the Top Track and Hanger Assemblies making for an attractive yet simple installation. Pull hardware ordered separately. One "Softbrake" is required for each direction of travel to be controlled per panel. Minimum sliding panel width of 25-9/16" (650 mm) for control in a single direction; 31-1/2" (800 mm) for control in both directions of travel. **NOTE:** Laminated glass should not be used.

CAT. NO.

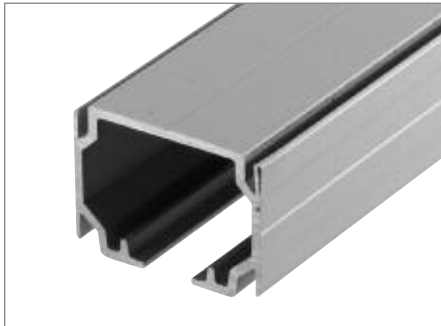
FOR GLASS THICKNESS

CRL51

5/16" to 3/8" (8 to 10 mm)

Minimum order: 1 each. Kits contain stock lengths measuring 118" (3 m) in length, and therefore must ship common carrier. Kits can be combined for quantity pricing.

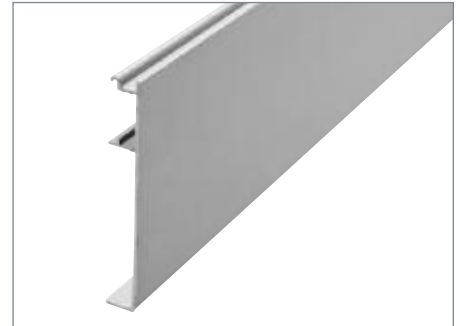
Each Kit Contains:



One Top Track at 118" (3 m) in Length



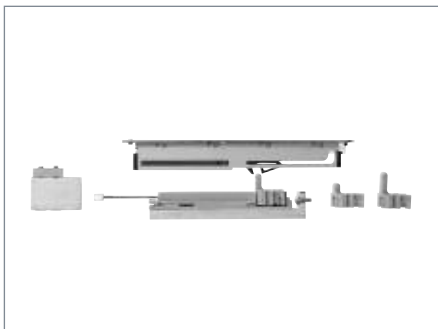
Two Hanger Assemblies



One Top Track Cover at 118" (3 m) in Length



Two Top Track End Caps and 15 Top Track Small Support Brackets (Includes Fasteners to Top Track Only)



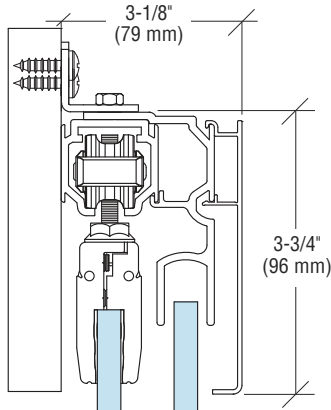
Two "Softbrake" Kits



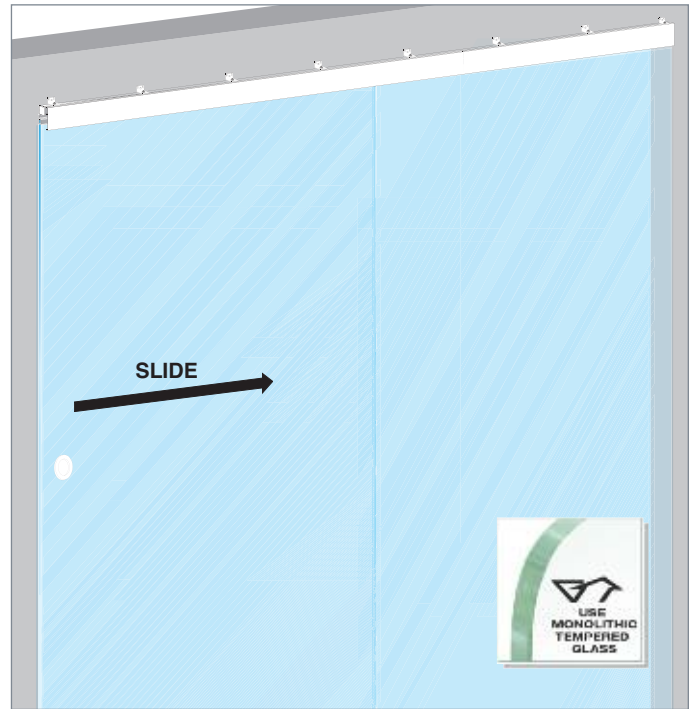
One Floor Guide With Fasteners

CRL51 Series Wall Mount Single Slider With Fixed Panel Kit

- New "Softbrake" Braking System
- For 5/16" or 3/8" (8 or 10 mm) Tempered Glass
- Satin Anodized Finish



NEW!



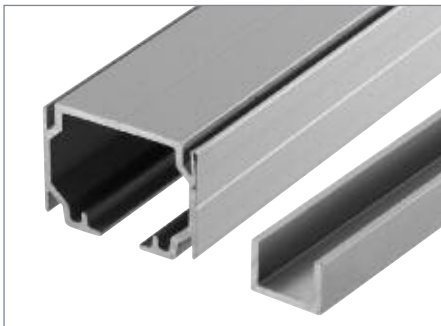
Maximum Door Weight: 176 pounds (80 kg).

This configuration of the CRL51 Series Slider is used for single door with fixed panel applications where the top track mounts to a structural wall. Kit includes Top Track Adaptors for a fixed panel and a Track Cover to conceal the Top Track, Adaptors, and Hanger Assemblies, making for an attractive yet simple installation. Pull hardware ordered separately. One "Softbrake" is required for each direction of travel to be controlled per panel. Minimum sliding panel width of 25-9/16" (650 mm) for control in a single direction; 31-1/2" (800 mm) for control in both directions of travel. **NOTE:** Laminated glass should not be used.

CAT. NO.	FOR GLASS THICKNESS
CRL511	5/16" to 3/8" (8 to 10 mm)

Minimum order: 1 each. Kits contain stock lengths measuring 118" (3 m) in length, and therefore must ship common carrier. Kits can be combined for quantity pricing.

Each Kit Contains:



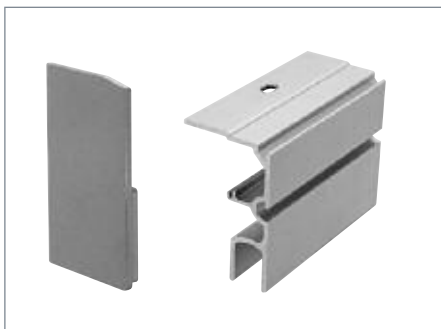
One Top Track and One Bottom Channel for Fixed Panel at 118" (3 m) in Length



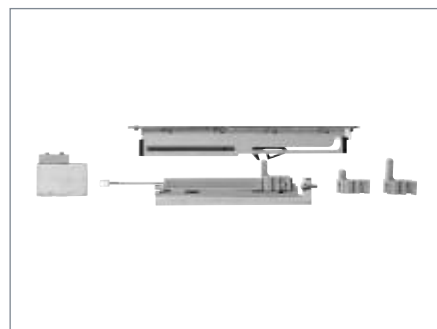
Two Hanger Assemblies



One Top Track Cover at 118" (3 m) in Length



Two Top Track End Caps and Six Top Track Adaptors for Fixed Panels at 4" (100 mm) in Length



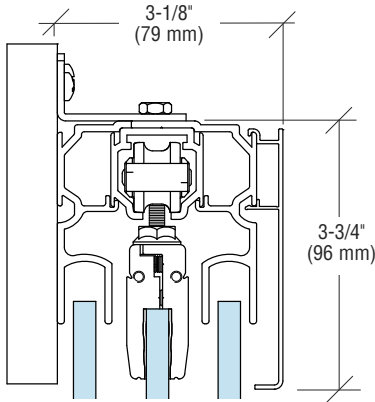
Two "Softbrake" Kits



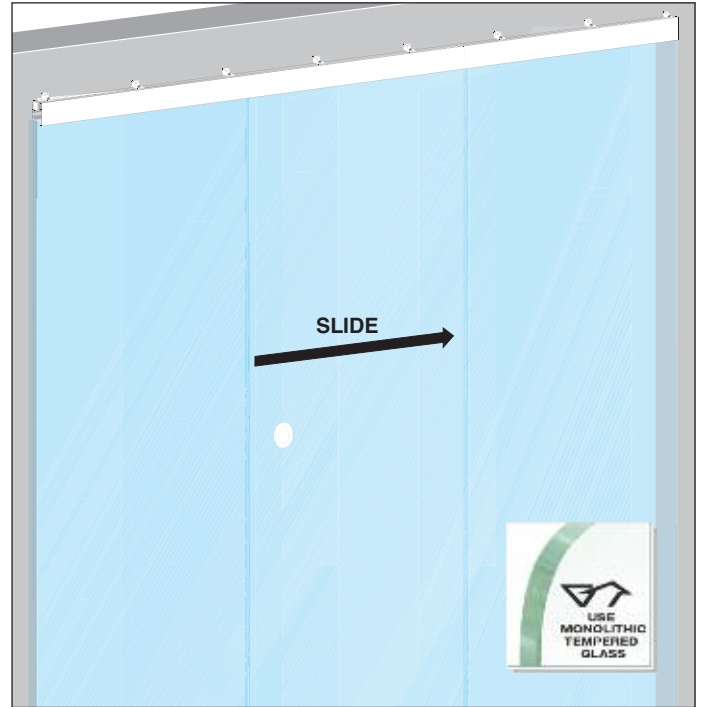
Nine Track Separators, 15 Top Track Large Support Brackets (Includes Fasteners to Top Track Only) and One Floor Guide With Fasteners

CRL51 Series Wall Mount Single Slider With Two Fixed Panels Kit

- New "Softbrake" Braking System
- For 5/16" or 3/8" (8 or 10 mm) Tempered Glass
- Satin Anodized Finish



NEW!



Maximum Door Weight: 176 pounds (80 kg)

This configuration of the CRL51 Series Slider is used for single door with two fixed panel applications where the top track mounts to a structural wall. Kit includes Top Track Adaptors for a fixed panel and a Track Cover to conceal the Top Track, Adaptors, and Hanger Assemblies making for an attractive yet simple installation. Pull hardware ordered separately. One "Softbrake" is required for each direction of travel to be controlled per panel. Minimum sliding panel width of 25-9/16" (650 mm) for control in a single direction; 31-1/2" (800 mm) for control in both directions of travel. **NOTE:** Laminated glass should not be used.

CAT. NO.

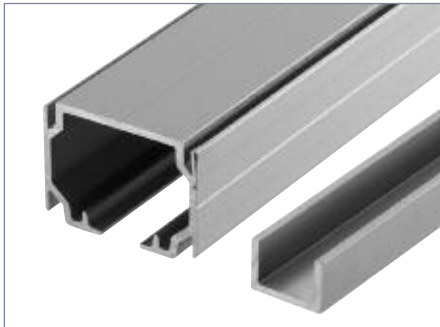
CRL512

FOR GLASS THICKNESS

5/16" to 3/8" (8 to 10 mm)

Minimum order: 1 each. Kits contain stock lengths measuring 118" (3 m) in length, and therefore must ship common carrier. Kits can be combined for quantity pricing.

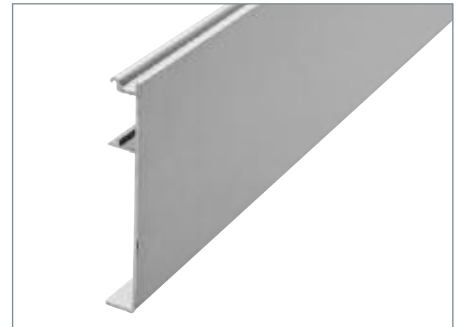
Each Kit Contains:



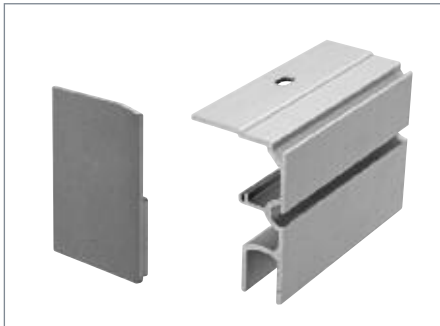
One Top Track and One Bottom Channel for Fixed Panel at 118" (3 m) in Length



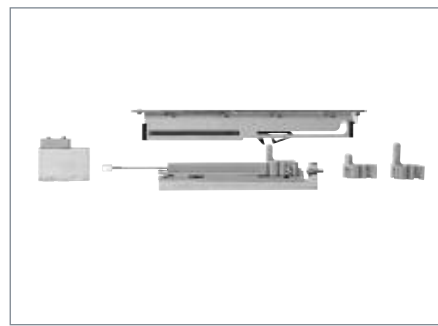
Two Hanger Assemblies



One Top Track Cover at 118" (3 m) in Length



Two Top Track End Caps and 15 Top Track Adaptors for Fixed Panels at 4" (100 mm) in Length



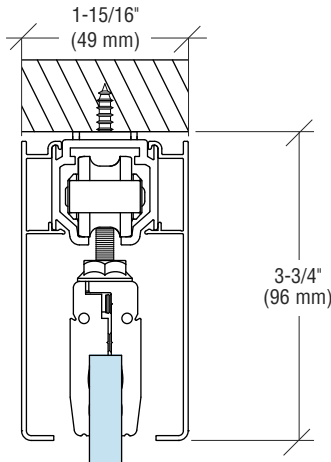
Two "Softbrake" Kits



15 Top Track Small Support Brackets (Includes Fasteners to Top Track Only) and One Floor Guide With Fasteners

CRL51 Series Ceiling Mount Single Slider Kit

- New "Softbrake" Braking System
- For 5/16" or 3/8" (8 or 10 mm) Tempered Glass
- Satin Anodized Finish



NEW!

This configuration of the CRL51 Series Slider is used for single door applications where the top track mounts to a structural ceiling. Kit includes two Top Track Covers to conceal the Top Track and Hanger Assemblies, making for an attractive yet simple installation. Pull hardware ordered separately. One "Softbrake" is required for each direction of travel to be controlled per panel. Minimum sliding panel width of 25-9/16" (650 mm) for control in a single direction; 31-1/2" (800 mm) for control in both directions of travel.

NOTE: Laminated glass should not be used.

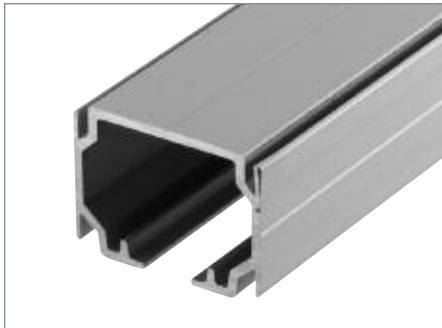
Each Kit Contains:



Maximum Door Weight: 176 pounds (80 kg); Door Width: 59" (1.5 m)

CAT. NO.	FOR GLASS THICKNESS
CRL51C	5/16" to 3/8" (8 to 10 mm)

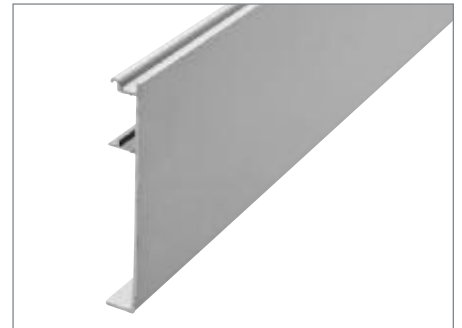
Minimum order: 1 each. Kits contain stock lengths measuring 118" (3 m) in length, and therefore must ship common carrier. Kits can be combined for quantity pricing.



One Top Track at 118" (3 m) in Length



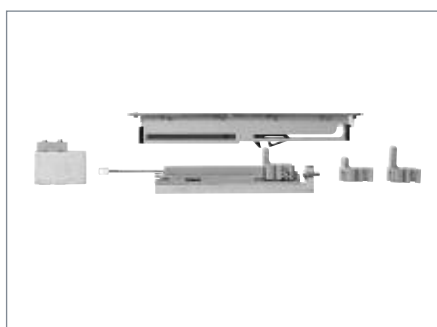
Two Hanger Assemblies



Two Top Track Covers at 118" (3 m) in Length



Two Top Track End Caps and 15 Track Separators



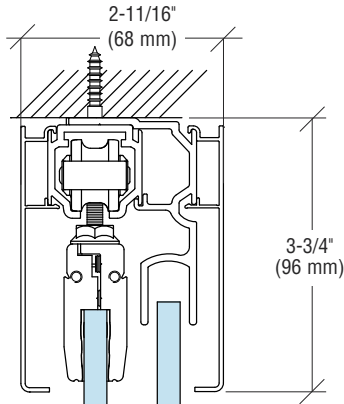
Two "Softbrake" Kits



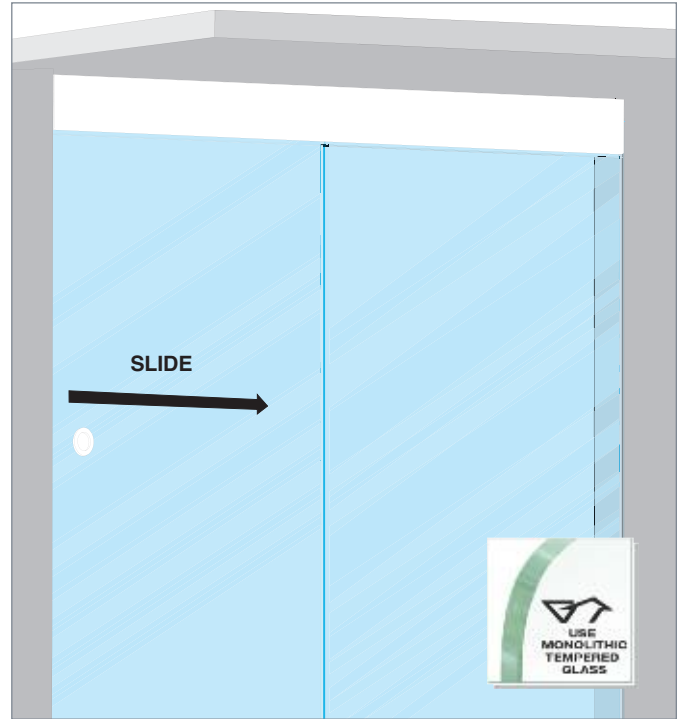
One Floor Guide With Fasteners

CRL51 Series Ceiling Mount Single Slider With Fixed Panel Kit

- New "Softbrake" Braking System
- For 5/16" or 3/8" (8 or 10 mm) Tempered Glass
- Satin Anodized Finish



NEW!



Maximum Door Weight: 176 pounds (80 kg); Door Width: 59" (1.5 m)

This configuration of the CRL51 Series Slider is used for single door with fixed panel applications where the top track mounts to a structural ceiling. Kit includes Top Track Adaptors for a fixed panel and two Track Covers to conceal the Top Track, Adaptors, and Hanger Assemblies, making for an attractive yet simple installation. Pull hardware ordered separately. One "Softbrake" is required for each direction of travel to be controlled per panel. Minimum sliding panel width of 25-9/16" (650 mm) for control in a single direction; 31-1/2" (800 mm) for control in both directions of travel. **NOTE:** Laminated glass should not be used.

Each Kit Contains:

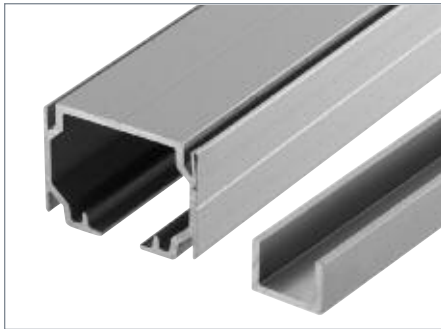
CAT. NO.

FOR GLASS THICKNESS

CRL511C

5/16" to 3/8" (8 to 10 mm)

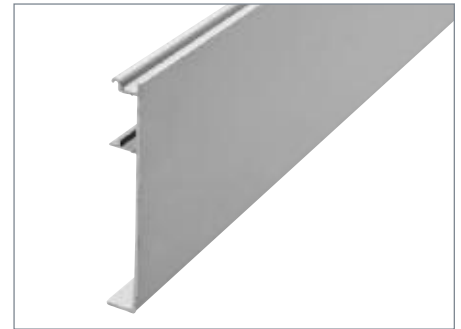
Minimum order: 1 each. Kits contain stock lengths measuring 118" (3 m) in length, and therefore must ship common carrier. Kits can be combined for quantity pricing.



One Top Track and One Bottom Channel for Fixed Panel at 118" (3 m) in Length



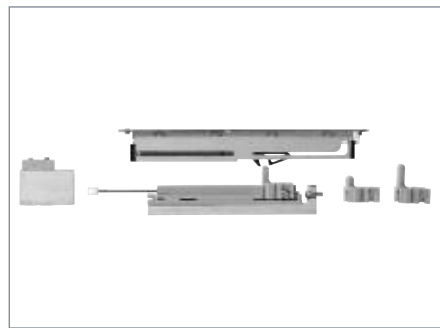
Two Hanger Assemblies



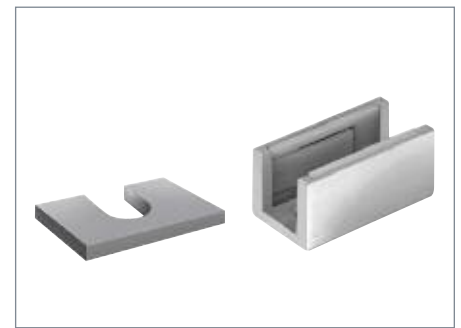
Two Top Track Covers at 118" (3 m) in Length



Six Top Track Adaptors for Fixed Panels at 4" (100 mm) in Length



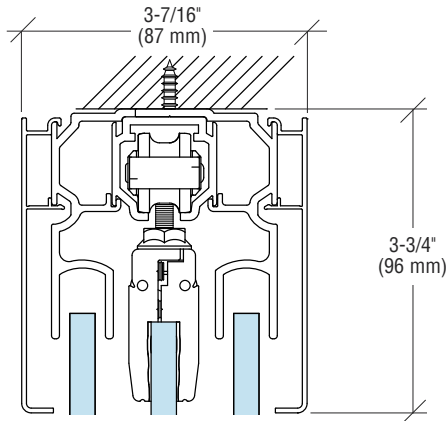
Two "Softbrake" Kits



Nine Track Separators and One Floor Guide With Fasteners

CRL51 Series Ceiling Mount Single Slider With Two Fixed Panels Kit

- New "Softbrake" Braking System
- For 5/16" or 3/8" (8 or 10 mm) Tempered Glass
- Satin Anodized Finish



NEW!



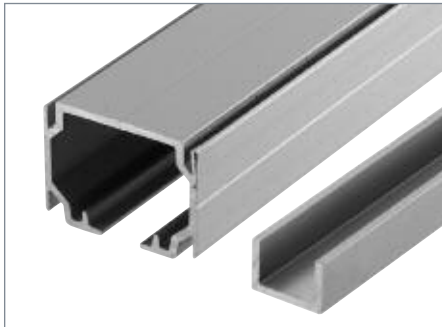
Maximum Door Weight: 176 pounds (80 kg).

This configuration of the CRL51 Series Slider is used for single door with two fixed panel applications where the top track mounts to a structural ceiling. Kit includes Top Track Adaptors for fixed panels and two Track Covers to conceal the Top Track, Adaptors, and Hanger Assemblies, making for an attractive yet simple installation. Pull hardware ordered separately. One "Softbrake" is required for each direction of travel to be controlled per panel. Minimum sliding panel width of 25-9/16" (650 mm) for control in a single direction; 31-1/2" (800 mm) for control in both directions of travel. **NOTE:** Laminated glass should not be used.

Each Kit Contains:

CAT. NO.	FOR GLASS THICKNESS
CRL512C	5/16" to 3/8" (8 to 10 mm)

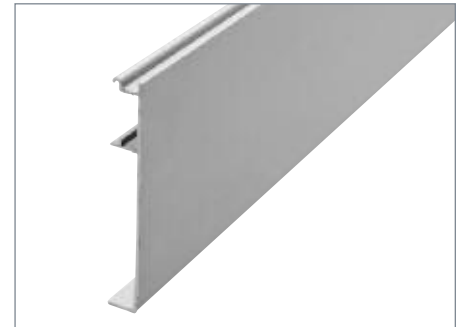
Minimum order: 1 each. Kits contain stock lengths measuring 118" (3 m) in length, and therefore must ship common carrier. Kits can be combined for quantity pricing.



One Top Track and One Bottom Channel for Fixed Panel at 118" (3 m) in Length



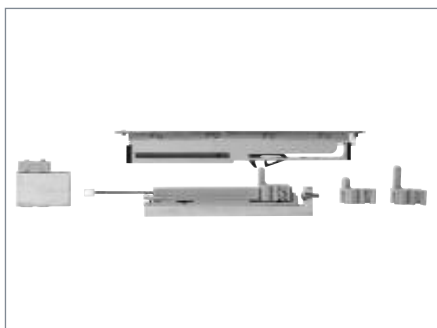
Two Hanger Assemblies



Two Top Track Covers at 118" (3 m) in Length



15 Top Track Adaptors for Fixed Panels at 4" (100 mm) in Length



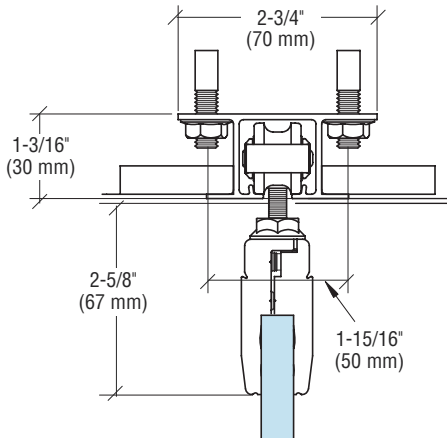
Two "Softbrake" Kits



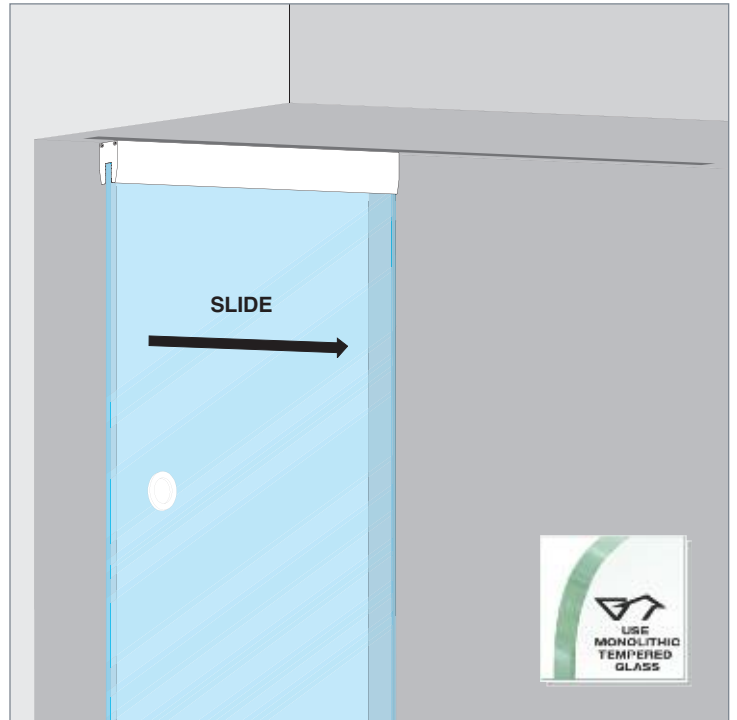
One Floor Guide With Fasteners

CRL50 Series Dropped Ceiling Mount Single Slider Kit

- For 5/16" or 3/8" (8 or 10 mm) Tempered Glass
- Satin Anodized Finish



NEW!



Maximum Door Weight: 176 pounds (80 kg); Door Width: 59" (1.5 m)

This configuration of the CRL50 Series Slider is used for single door with dropped ceiling applications. Satin Anodized Hanger Covers and End Caps are supplied with the kit to create a 'full rail' look while hiding the top roller bolt. Pull hardware ordered separately. Optional finishes can be ordered separately, see page 339D. **NOTE:** Structural support (by others) is also required when using the Dropped Ceiling Tracks; fasteners not included. Laminated glass should not be used.

CAT. NO.

FOR GLASS THICKNESS

CRL50D

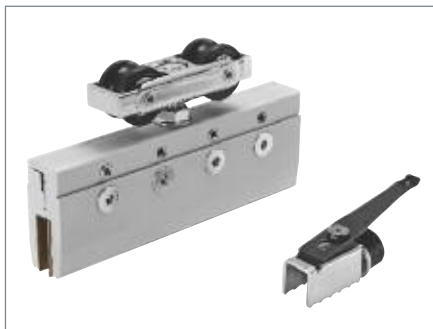
5/16" to 3/8" (8 to 10 mm)

Minimum order: 1 each. Kits contain stock lengths measuring 118" (3 m) in length, and therefore must ship common carrier. Kits can be combined for quantity pricing.

Each Kit Contains:



One Top Track at 118" (3 m) in Length



Two Hanger Assemblies With Two Roller Stops



Two Hanger Covers at 118" (3 m) in Length



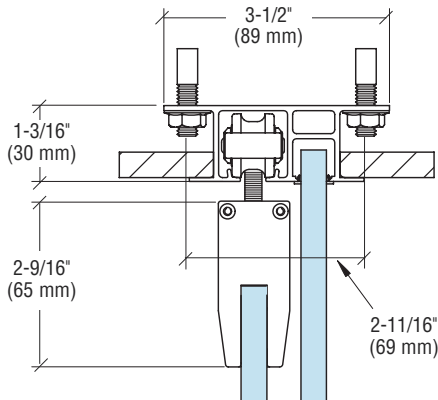
Four Hanger Cover End Caps (Two for 5/16" [8 mm] Glass and Two for 3/8" [10 mm] Glass)



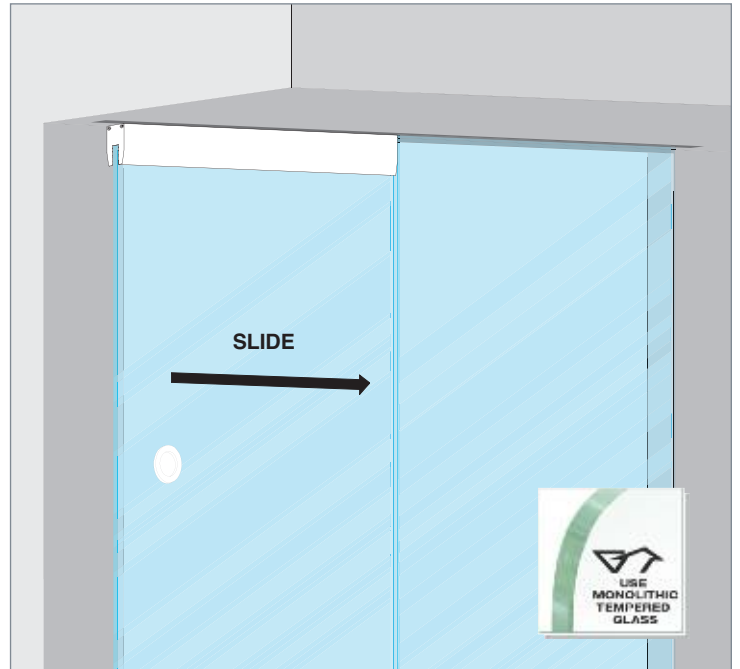
One Floor Guide With Fasteners

CRL50 Series Dropped Ceiling Mount Single Slider With Fixed Panel Kit

- For 5/16" or 3/8" (8 or 10 mm) Tempered Glass
- Satin Anodized Finish



NEW!



Maximum Door Weight: 176 pounds (80 kg) Each.

This configuration of the CRL50 Series Slider is used for single door with fixed panel in dropped ceiling applications. Satin Anodized Hanger Covers and End Caps are supplied with the kit to create a 'full rail' look while hiding the top roller bolt. Pull hardware ordered separately. Optional finishes can be ordered separately, see page 339D. **NOTE:** Structural support (by others) is also required when using the Dropped Ceiling Tracks; fasteners not included. Laminated glass should not be used.

CAT. NO.

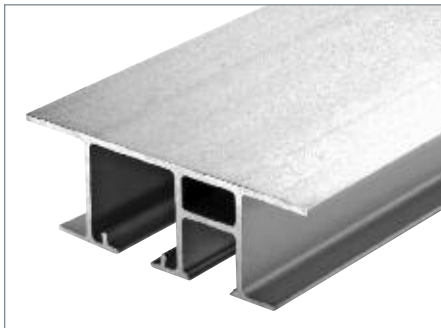
FOR GLASS THICKNESS

CRL501D

5/16" to 3/8" (8 to 10 mm)

Minimum order: 1 each. Kits contain stock lengths measuring 118" (3 m) in length, and therefore must ship common carrier. Kits can be combined for quantity pricing.

Each Kit Contains:



One Top Track at 118" (3 m) in Length



Two Hanger Assemblies With Two Roller Stops



One Bottom U-Channel at 118" (3 m) in Length



Two Hanger Covers at 118" (3 m) in Length



Four Hanger Cover End Caps (Two for 5/16" [8 mm] Glass and Two for 3/8" [10 mm] Glass)



One Floor Guide With Fasteners

CRL50 Series Synchronized Bi-Parting Panels Kits

- Synchronized Operation of Two Bi-Parting Panels
- For 5/16" to 3/8" (8 to 10 mm) Tempered Glass
- Rollers Have Up to 1/4" (6 mm) of Vertical Adjustment to Aid in Door Alignment
- Wall and Ceiling Mount Models Available
- Satin Anodized Finish

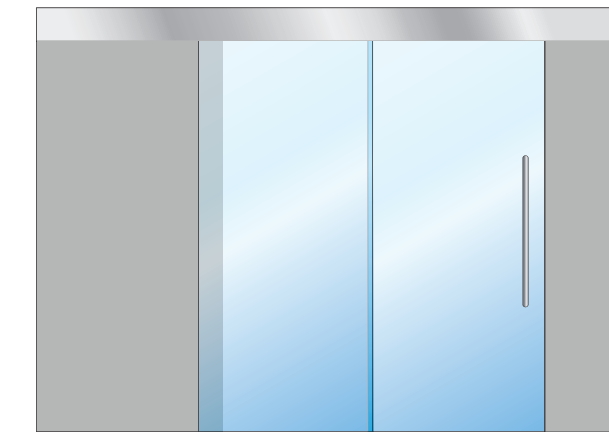
There are four configurations of CRL50 Series Kits for synchronized 5/16" to 3/8" (8 to 10 mm) tempered glass doors. These Kits provide synchronized movement of two glass bi-parting panels while only operating one of the panels. Kits are available with Track Covers in a satin anodized finish. Optional finishes are available on special order.

Contact Technical Sales for Commercial Products for kit selection or installation assistance. **NOTE:** Laminated glass should not be used with the CRL50 Systems.



CRL50 Series Telescoping Door Kits

- Telescoping Operation
- For 5/16" to 3/8" (8 to 10 mm) Tempered Glass
- Ceiling Mount
- Satin Anodized Finish

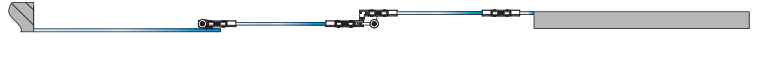
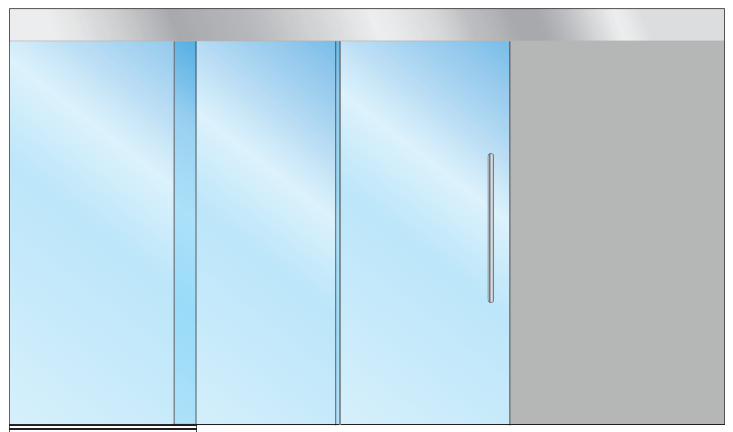


CRL50CP2L



There are four configurations of CRL50 Series Kits for telescoping 5/16" to 3/8" (8 to 10 mm) tempered glass doors. These Kits provide telescoping operation where two panels slide in the same direction and stack away together while only operating one of the panels. These Kits are only available for ceiling mount applications in a satin anodized finish (see the following pages).

Contact Technical Sales for Commercial Products for Kit selection or installation assistance. **NOTE:** Laminated glass should not be used with the CRL50 Series Kits.



CRL501CP2L

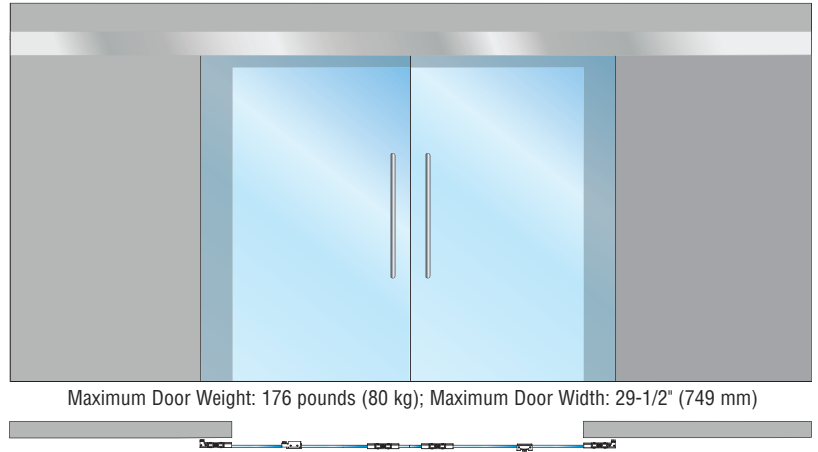
CRL50 Series Synchronized Wall Mount Bi-Parting Slider Kit



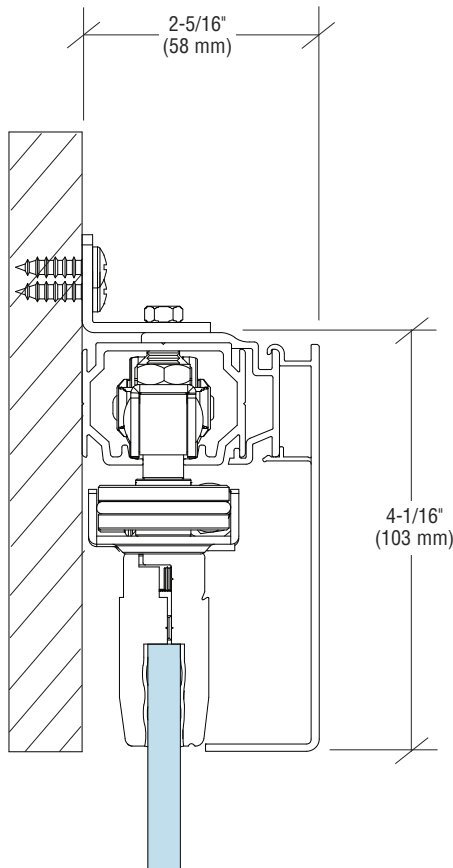
- Synchronized Operation of Two Bi-Parting Panels
- For 5/16" to 3/8" (8 to 10 mm) Tempered Glass
- Satin Anodized Finish
- Mounts to Wall or Soffit

This configuration of the CRL50 Series Slider is used when synchronized movement of two bi-parting panels with the top track mounted to a wall or soffit is required.

Minimum order is one each. Kits contain stock lengths measuring 118" (3 m) in length and therefore must ship common carrier. Kits can be combined for quantity pricing. **NOTE:** Laminated glass should not be used.



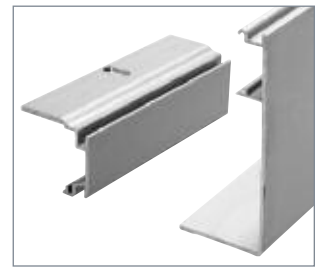
CAT. NO. CRL50S2



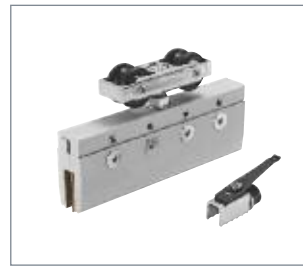
Each Kit Contains:



One Top Track at 118" (3 m) in Length



One Top Track Cover at 118" (3 m) and 15 Cover Spacers at 4" (100 mm)



Four Hanger Assemblies and Two Roller Stops



One Synchronizing Hardware Set



Two Floor Guides with Fasteners and 15 Large Support Brackets



Two Top Track End Caps

CRL50 Series Synchronized Wall Mount Bi-Parting Slider With Two Fixed Panels Kit

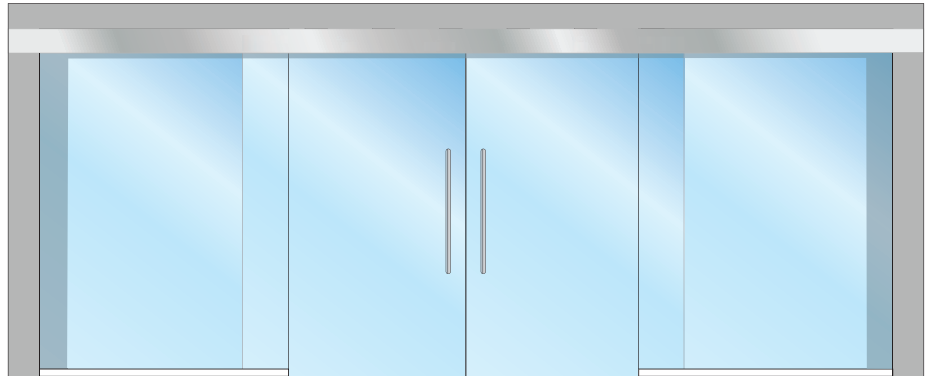


- Synchronized Operation of Two Bi-Parting Panels
- For 5/16" to 3/8" (8 to 10 mm) Tempered Glass
- Satin Anodized Finish
- Mounts to Wall or Soffit

This configuration of the CRL50 Series Slider is used for synchronized movement of two bi-parting panels behind two fixed panels. The top track is mounted to a wall or soffit.

Minimum order is one each. Kits contain stock lengths measuring 118" (3 m) in length and therefore must ship common carrier. Kits can be combined for quantity pricing.

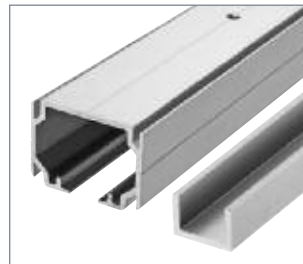
NOTE: Laminated glass should not be used.



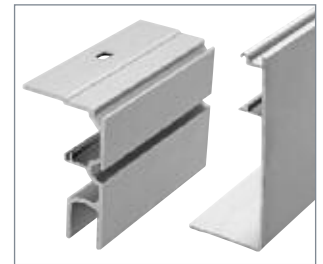
Maximum Door Weight: 176 pounds (80 kg); Maximum Door Width: 29-1/2" (749 mm)

CAT. NO. CRL502S2

Each Kit Contains:



One Top Track and One Bottom Channel at 118" (3 m) in Length



One Top Track Cover at 118" (3 m) and 15 Fixed Panel Adaptors at 4" (100 mm)



Four Hanger Assemblies and Two Roller Stops



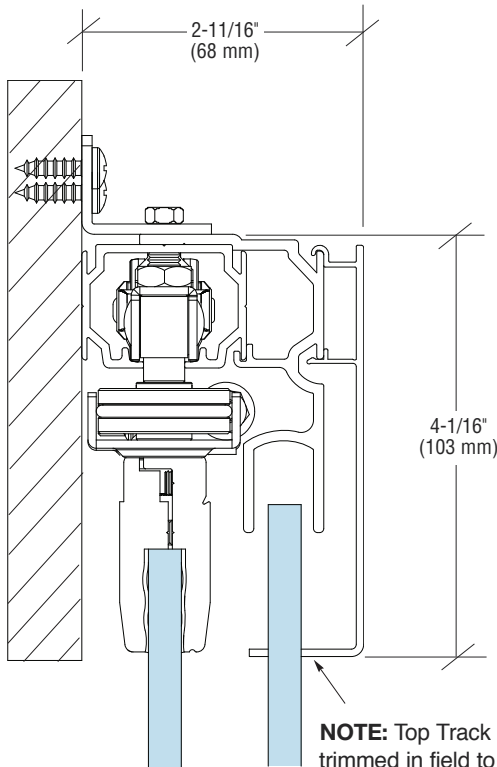
One Synchronizing Hardware Set



Two Floor Guides with Fasteners and 15 Large Support Brackets



Two Top Track End Caps



NOTE: Top Track Cover to be trimmed in field to match fixed glass configuration.

CRL50 Series Synchronized Ceiling Mount Bi-Parting Pocket Slider Kit

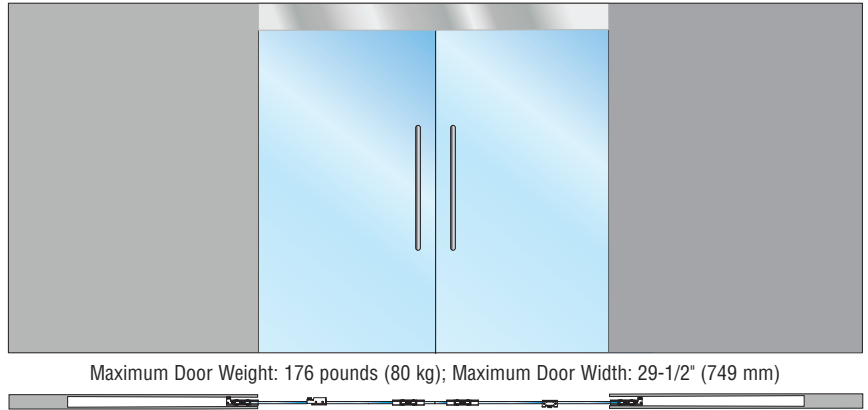


- Synchronized Operation of Two Bi-Parting Panels
- For 5/16" to 3/8" (8 to 10 mm) Tempered Glass
- Satin Anodized Finish
- Mounts to Structural Ceiling

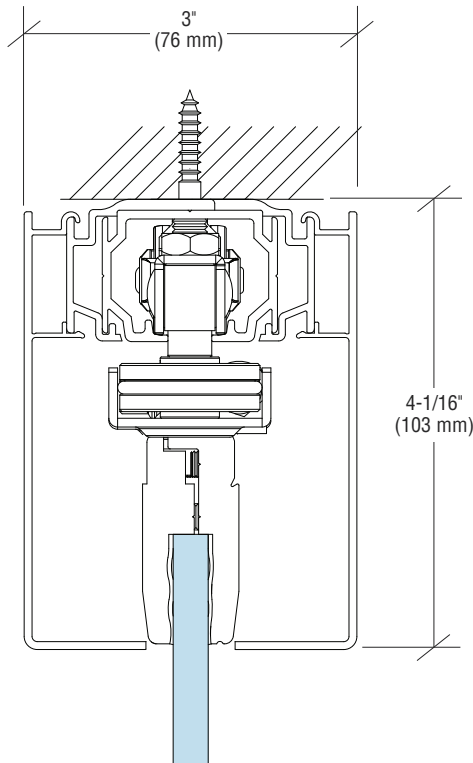
This configuration of the CRL50 Series Slider is used when synchronized movement of the two bi-parting panels is required with the top track mounted to a structural ceiling.

Minimum order is one each. Kits contain stock lengths measuring 118" (3 m) in length and therefore must ship common carrier. Kits can be combined for quantity pricing.

NOTE: Laminated glass should not be used.



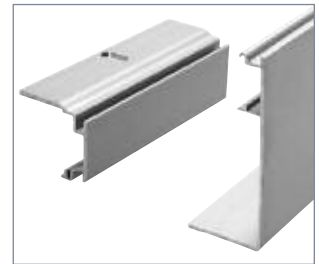
CAT. NO. CRL50CS2



Each Kit Contains:



One Top Track at 118" (3 m) in Length



Two Top Track Covers at 118" (3 m) and 15 Cover Spacers at 4" (100 mm)



Four Hanger Assemblies and Two Roller Stops



One Synchronizing Hardware Set

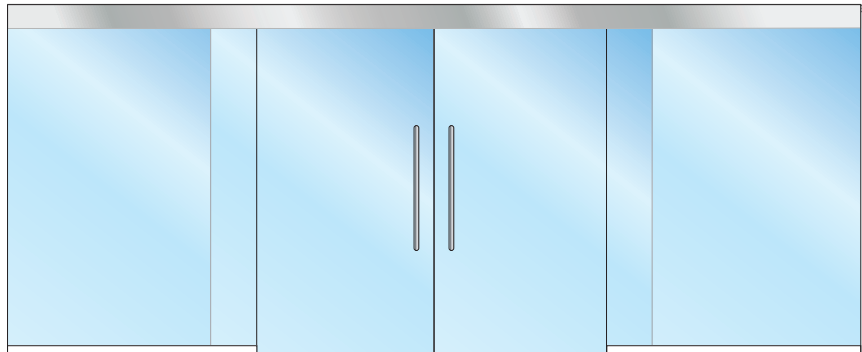


Two Floor Guides with Fasteners

CRL50 Series Synchronized Ceiling Mount Bi-Parting Slider With Two Fixed Panels Kit



- Synchronized Operation of Two Bi-Parting Panels
- For 5/16" to 3/8" (8 to 10 mm) Tempered Glass
- Satin Anodized Finish
- Mounts to Structural Ceiling



Maximum Door Weight: 176 pounds (80 kg); Maximum Door Width: 29-1/2" (749 mm)

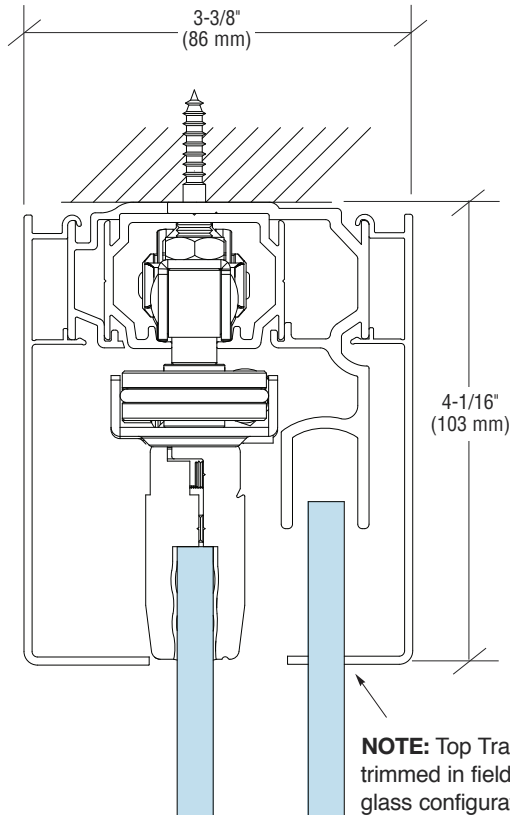


CAT. NO. CRL502CS2

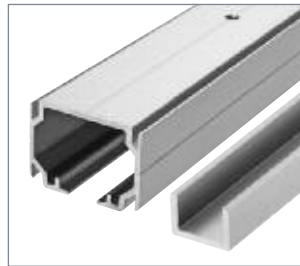
This configuration of the CRL50 Series Slider is used for synchronized movement of two bi-parting panels behind two fixed panels. The top track is mounted to a structural ceiling.

Minimum order is one each. Kits contain stock lengths measuring 118" (3 m) in length and therefore must ship common carrier. Kits can be combined for quantity pricing.

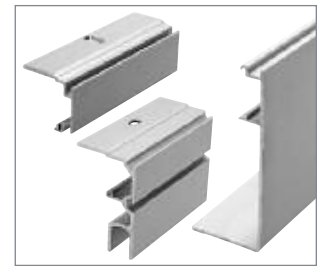
NOTE: Laminated glass should not be used.



Each Kit Contains:



One Top Track and One Bottom Channel at 118" (3 m) in Length



Two Top Track Covers at 118" (3 m), Seven Cover Spacers and Eight Top Track Adaptors at 4" (100 mm)



Four Hanger Assemblies and Two Roller Stops



One Synchronizing Hardware Set



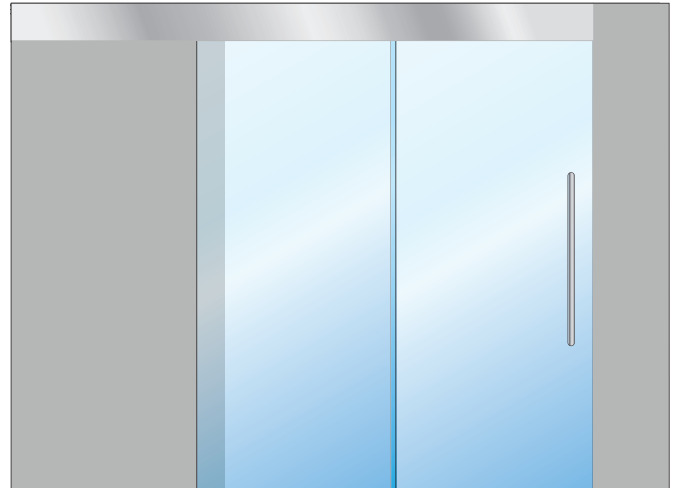
Two Floor Guides with Fasteners

CRL50 Series Telescoping Kits

NEW!

- For 5/16" or 3/8" (8 or 10 mm) Tempered Glass
- Satin Anodized Finish

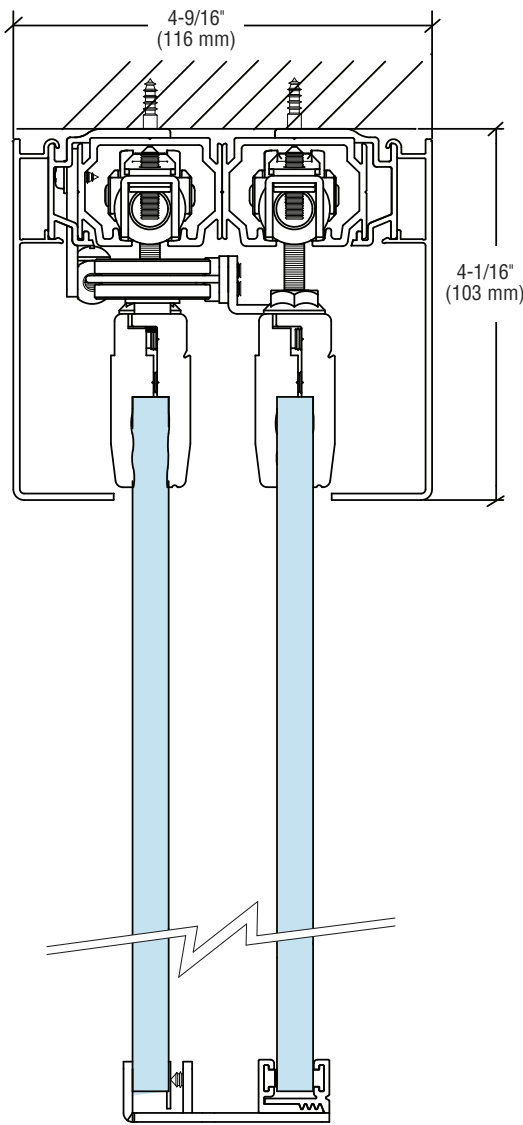
This configuration of the CRL50 Series Slider is used for telescoping operation of two panels when the top tracks are mounted to a structural ceiling. Pull hardware is ordered separately. **NOTE:** Laminated glass should not be used.



Maximum Door Weight: 176 pounds (80 kg); Maximum Door Width: 39-3/8" (1 m)

CAT. NO.	STACKING DIRECTION*
CRL50CP2L	Left
CRL50CP2R	Right

Minimum order: 1 each. Kits contain stock lengths measuring 118" (3 m) in length, and therefore must ship common carrier. Kits can be combined for quantity pricing. *Stacking direction is determined from the exterior looking in.

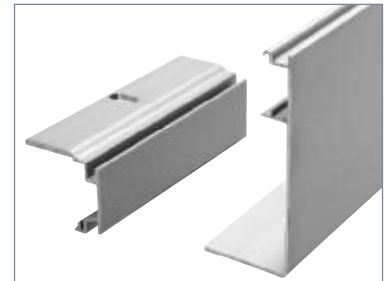


Each Kit Contains:

CRL50CP2L (Shown)



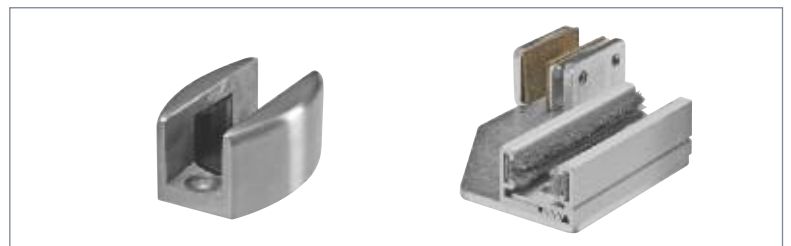
Two Top Tracks at 118" (3 m) in Length



16 Cover Spacers at 4" (100 mm), and Two Top Track Covers at 118" (3 m) in Length



One Telescoping Hanger Set With Stops and Cable



One Floor Guide and One Sliding Bottom Guide

CRL50 Series Telescoping Panels Behind Fixed Panel Kits

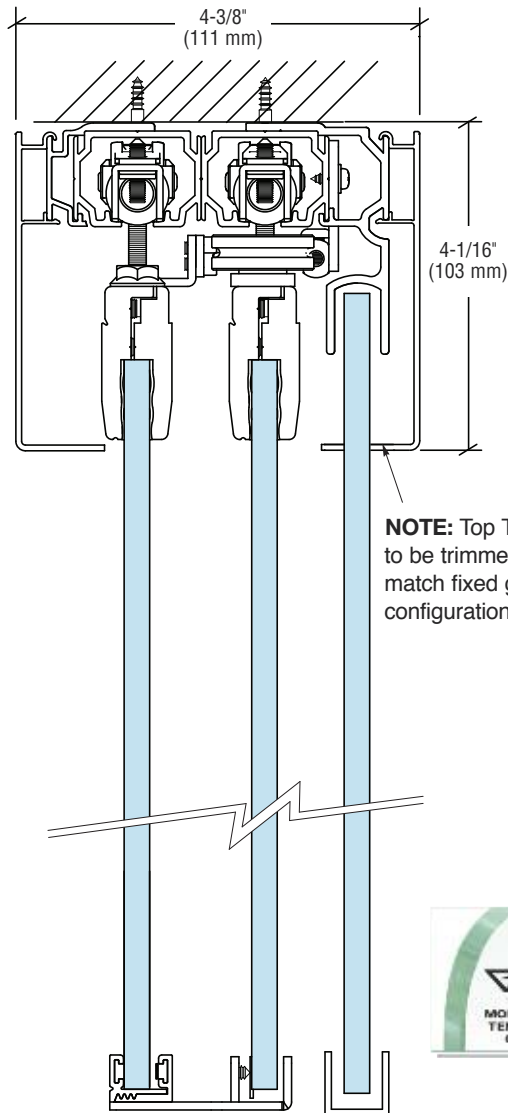
- For 5/16" or 3/8" (8 or 10 mm) Tempered Glass
- Satin Anodized Finish

NEW!

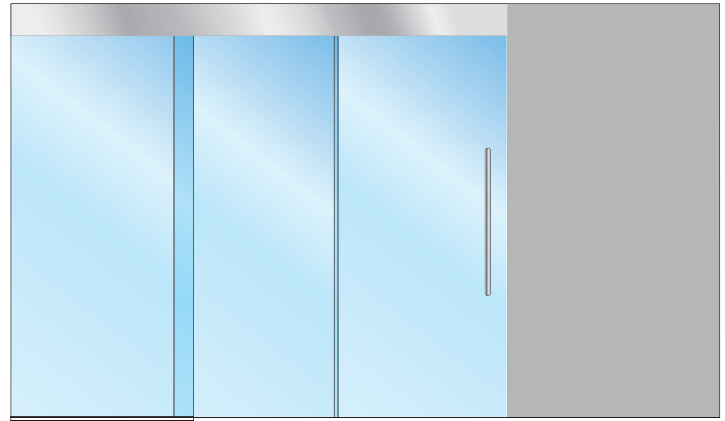
This configuration of the CRL50 Series Slider is used for telescoping operation of two panels behind a fixed panel. The top tracks are mounted to a structural ceiling. Pull hardware is ordered separately. **NOTE:** Laminated glass should not be used.

CAT. NO.	STACKING DIRECTION*
CRL501CP2L	Left
CRL501CP2R	Right

Minimum order: 1 each. Kits contain stock lengths measuring 118" (3 m) in length, and therefore must ship common carrier. Kits can be combined for quantity pricing. *Stacking direction is determined from the exterior looking in.



NOTE: Top Track Cover to be trimmed in field to match fixed glass configuration.



Maximum Door Weight: 176 pounds (80 kg); Maximum Door Width: 39-3/8" (1 m)



CRL501CP2L (Shown)

Each Kit Contains:



Two Top Tracks and One Bottom Channel for Fixed Panel at 118" (3 m) in Length



Two Top Track Covers at 118" (3 m), 15 Cover Spacers, and 15 Top Track Adaptors at 4" (100 mm)



One Telescoping Hanger Set With Stops and Cable



One Floor Guide and One Sliding Bottom Guide

NEW!

CRL50 Series Kit for Synchronized and Telescoping Doors

- Synchronized and Telescoping Operation in One Kit
- For 5/16" to 3/8" (8 to 10 mm) Tempered Glass
- Ceiling Mount
- Satin Anodized Finish

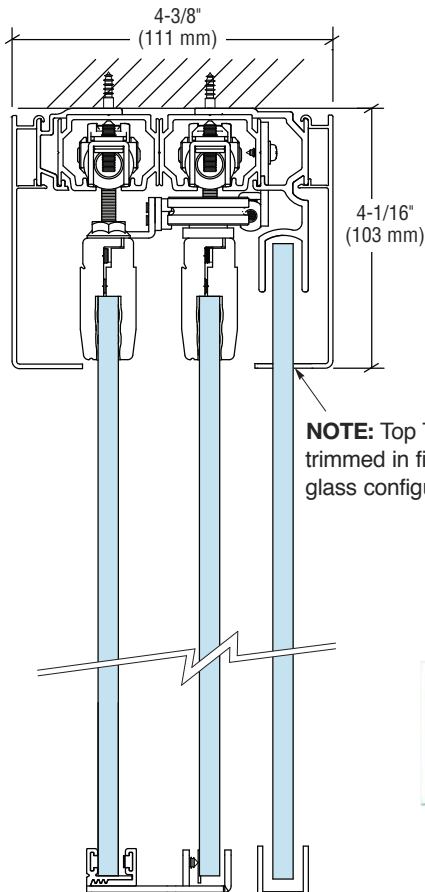
CRL offers a combined Synchronized and Telescoping Kit as part of our CRL50 Series for use on 5/16" to 3/8" (8 to 10 mm) tempered glass doors. This Kit provides the best of both worlds, synchronized and telescoping operation in a four panel opening, where pairs of panels bi-part and stack away.

Kits are available with Track Covers in a satin anodized finish. Optional finishes are available on special order. Pull hardware is ordered separately.

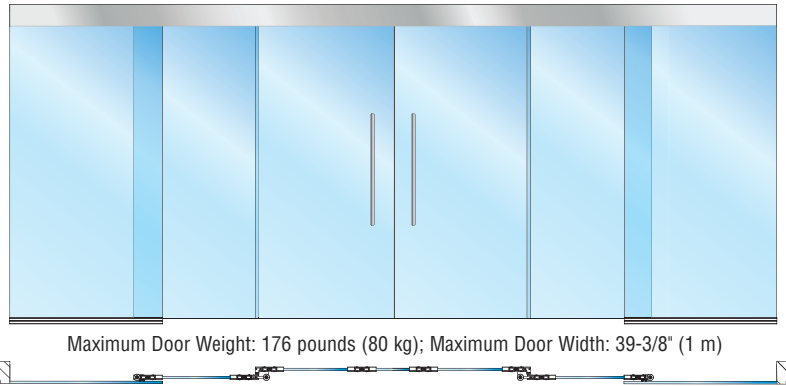
Contact Technical Sales for Commercial Products for Kit selection or installation assistance. **NOTE:** Laminated glass should not be used with the CRL50 Series Kits.

CAT. NO.	FOR GLASS THICKNESS
CRL502CSP2	5/16" to 3/8" (8 to 10 mm)

Minimum order: 1 each. Kits contain stock lengths measuring 118" (3 m) in length, and therefore must ship common carrier. Kits can be combined for quantity pricing.



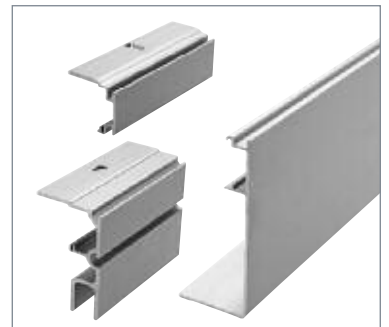
NOTE: Top Track Cover to be trimmed in field to match fixed glass configuration.



Each Kit Contains:



Four Top Tracks and Two Bottom Channels for Fixed Panel at 118" (3 m) in Length



Two Top Track Covers at 118" (3 m), 15 Cover Spacers, and 15 Top Track Adaptors at 4" (100 mm)



Two Telescoping Hanger Sets With Stops and Cable



One Synchronizing Hardware Set



Two Floor Guides and Two Sliding Bottom Guides

CRL50/51 Series Accessories

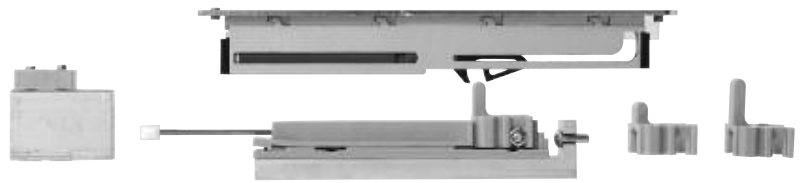
CRL51 Series "Softbrake" Braking System Kit

- For 5/16", 3/8" or 1/2" (8, 10, or 12 mm) Tempered Glass
- Cushions the Opening and Closing of Sliding Panels

CRL51 Series "Softbrake" Braking System comes standard with all CRL51 Series Sliding Door Kits. The "Softbrake" acts during the final 4" (102 mm) of travel and gently cushions the opening and closing of the sliding panel preventing accidental impact against the frame or adjacent panel.

One "Softbrake" is required for each direction of travel to be controlled per panel. Minimum sliding panel width of 25-9/16" (650 mm) for control in a single direction; 31-1/2" (800 mm) for control in both directions of travel.

NOTE: This cannot be retrofitted into CRL50 Series Systems. Minimum order is one set.



CAT. NO. CRL51SBK

CRL50/51 Series Hanger Assembly for Glass Doors

- Accepts "Softbrake" Braking Hardware
- Smooth Rolling
- 1/4" (6 mm) Fine Tune Adjustment

CRL50/51 Series Hanger Assemblies for Glass Doors are used with Cat. No. CRL3950A or CRL3951A Top Track and 5/16" or 3/8" (8 or 10 mm) tempered glass. No notches or holes are required in the glass. Each set comes with a Roller Assembly and Clamp. They can be fine tuned 1/4" (6 mm) in height to allow for floors and walls that are not true and level.

Two Hanger Assemblies are required per sliding panel. Minimum order is one set.



CAT. NO. CRL3958

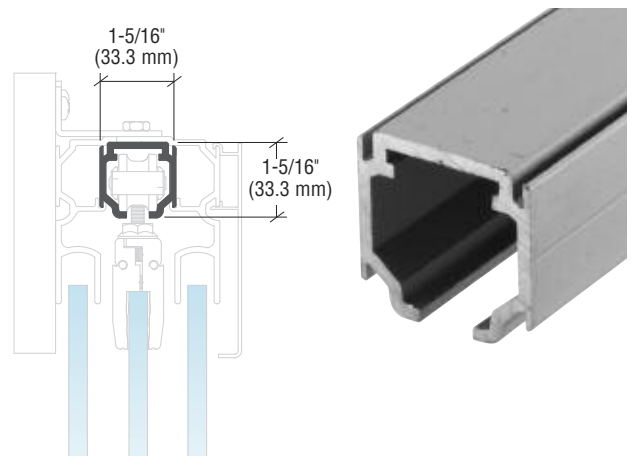
CRL51 Series Top Track

- Accepts "Softbrake" Braking System Hardware
- 118" (3 m) Long
- Satin Anodized Finish

CRL51 Series Top Tracks are made of aluminum with a satin anodized finish and accept the new "Softbrake" Braking System hardware. They come in 118" (3 m) stock lengths, pre-drilled at 8" (203 mm) centers for use with Top Track Support Brackets Cat. No. CRL3956 or CRL3996 for wall mount applications and are also pre-drilled for optional direct side mounting to wall. They can also be mounted to a structural ceiling, fasteners not included.

Optional snap-on Track Covers Cat. Nos. CRL3954A and Fixed Panel Adaptor Cat. No. CRL3955A must be ordered separately.

For use on the following kits: CRL51, CRL511, CRL512, CRL51C, CRL511C, and CRL512C. Minimum order is one stock length. Must ship common carrier.



CAT. NO. CRL3951A

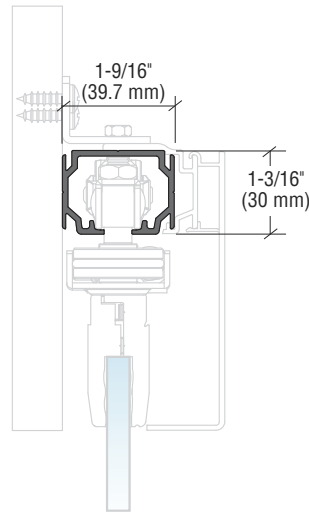
CRL50/51 Series Accessories

CRL50 Series Top Track

- 118" (3 m) Long
- Satin Anodized Finish

CRL50 Series Top Tracks are made of aluminum with a satin anodized finish. They come in 118" (3 m) stock lengths, pre-drilled at 8" (203 mm) centers for use with Top Track Support Brackets Cat. No. CRL3996 for wall mount applications. Can also be mounted to structural ceiling, fasteners not included. Optional snap-on Track Covers Cat. Nos. CRL3954A and Fixed Panel Adaptor Cat. No. CRL3955A must be ordered separately.

For use on the following kits: CRL50S2, CRL502S2, CRL50CS2, CRL502CS2, CRL50CP2L, CRL50CP2R, CRL501CP2L, CRL501CP20R, and the CRL502CSP2. Minimum order is one stock length. Must ship common carrier. **NOTE:** Not compatible with "Softbrake" System.



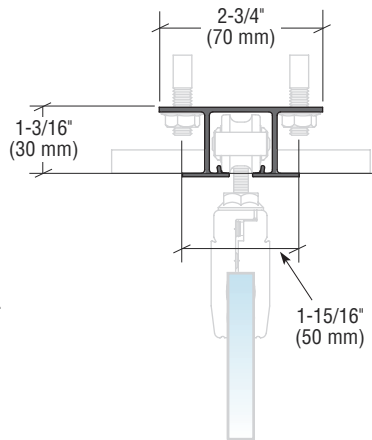
CAT. NO. CRL3950A

CRL50 Series Top Track for Dropped Ceiling

- 118" (3 m) Long
- White Powder Coat Finish

CRL50 Series Top Tracks for Dropped Ceiling applications are made of aluminum with a white powder coat finish. They come in 118" (3 m) stock lengths.

For use on the following kits: CRL50D and CRL501D. Minimum order is one stock length. Must ship common carrier. **NOTE:** Not compatible with "Softbrake" System.

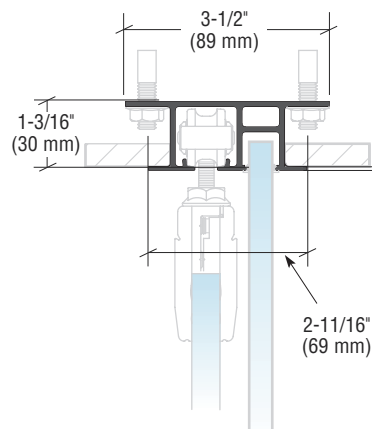


CAT. NO. CRL3952A

CRL50 Series Top Track for Dropped Ceiling With Fixed Panel

- 118" (3 m) Long
- White Powder Coat Finish

CRL50 Series Top Tracks for Dropped Ceiling applications with Fixed Panel are made of aluminum with a white powder coat finish. They come in 118" (3 m) stock lengths. Minimum order is one stock length. Must ship common carrier. **NOTE:** Not compatible with "Softbrake" System.



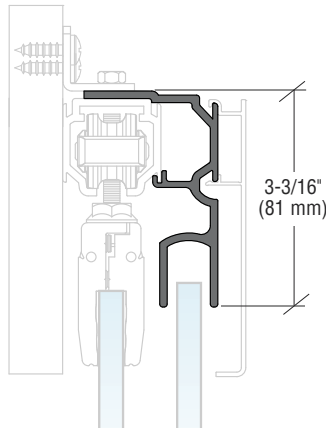
CAT. NO. CRL3953A

CRL50/51 Series Accessories

CRL50/51 Series Fixed Panel Adaptor

- For 5/16" or 3/8" (8 or 10 mm) Tempered Glass
- Satin Anodized Finish

CRL50/51 Series Fixed Panel Adaptors are used with Cat. No. CRL3950A or CRL3951A Top Tracks to provide a top channel bracket for fixed glass panels and are made of aluminum with a satin anodized finish. They come in 4" (102 mm) pieces, pre-drilled to accept fastener from support brackets CRL3956 or CRL3996. Optional snap-on Trim Cover Cat. No. CRL3954A must be ordered separately. For use on any of the CRL50 and CRL51 Series Kits. Minimum order is one each.

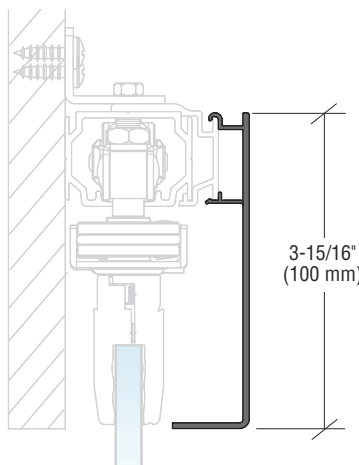


CAT. NO. CRL3955A

CRL50 Series Track Cover

- 118" (3 m) Long
- Satin Anodized Finish

CRL50 Series Top Track Covers are used with CRL3950A Top Tracks or Fixed Panel Adaptor Cat. No. CRL3955A to conceal the Clamps and Rollers. Made of aluminum with a satin anodized finish, they come in 118" (3 m) stock lengths. For use on the following kits: CRL50S2, CRL502S2, CRL50CS2, and CRL502CS2. Minimum order is one stock length. Must ship common carrier.

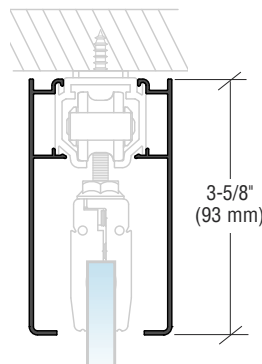


CAT. NO. CRL3954A

CRL51 Series Track Cover

- 118" (3 m) Long
- Satin Anodized Finish

CRL51 Series Top Track Covers are used with CRL3951A Top Tracks or Fixed Panel Adaptor Cat. No. CRL3955A to conceal the Clamps and Rollers. Made of aluminum with a satin anodized finish, they come in 118" (3 m) stock lengths. For use on the following kits: CRL51, CRL511, CRL512, CRL51C, CRL511C, and CRL512C. Minimum order is one stock length. Must ship common carrier.



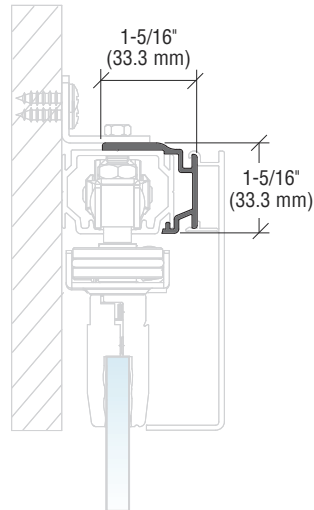
CAT. NO. CRL3942A

CRL50/51 Series Accessories

CRL50 Series Track Cover Spacer

CRL50 Series Track Cover Spacers are used with Cat. No. CRL3950A Top Tracks and CRL3954A Track Covers to provide proper spacing and alignment of Track Covers. They come in 4" (102 mm) pieces, pre-drilled to accept fasteners from support brackets CRL3956 or CRL3996. Optional Cat. No. CRL3954A Snap-On Trim Cover must be ordered separately. Minimum order is one each.

For use on the following CRL50 Kits: CRL50S2, CRL50CS2, CRL502CS2, CRL50CP2R, CRL50CP2L, CRL501CP2R, CRL501CP2L, and CRL502CSP2.



CAT. NO. CRL3941

CRL50/51 Series Top Track End Caps

• Satin Anodized Finish

CRL50/51 Series Top Track End Caps give the system a clean, finished look and stabilize the Track Covers. They are made of aluminum with a satin anodized finish. Handed Caps come two per set.

CAT. NO.	FOR USE WITH
CRL50EC1	CRL50S2 Wall Mount Kit
CRL50EC2	CRL502S2 Wall Mount Kit
CRL51EC1	CRL51 Wall Mount Kit
CRL51EC2	CRL511 Wall Mount Kit
CRL51EC3	CRL512 Wall Mount Kit
CRL51EC4	CRL51C Ceiling Mount Kit

Minimum order: 1 set.



CAT. NO. CRL50EC1



CAT. NO. CRL50EC2



CAT. NO. CRL51EC1



CAT. NO. CRL51EC2



CAT. NO. CRL51EC3

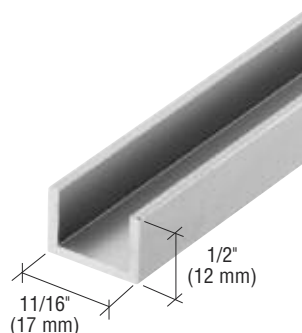


CAT. NO. CRL51EC4

CRL Bottom Channel for Fixed Glass

- 118" (3 m) Long
- Satin Anodized Finish

Bottom Channel for Fixed Glass is used to capture the fixed glass panel at the floor. For use with 5/16", 3/8" or 1/2" (8, 10 or 12 mm) tempered glass. Provides a sleek finished look and is made of aluminum with a satin anodized finish. It comes in 118" (3 m) stock lengths. For use with CRL50/51, 70, and 285 Series Sliding Systems. Minimum order is one 118" (3 m) stock length. Must ship common carrier.



CAT. NO. CRL3979A

CRL Bottom Guide for Sliding Glass Doors

- Adjustable for 5/16", 3/8" or 1/2" (8, 10 or 12 mm) Glass Doors

Bottom Guide for Sliding Glass Doors is used to keep the bottom of the sliding glass door aligned. Made of die cast zinc alloy with adjustable nylon insert for 5/16", 3/8" or 1/2" (8, 10 or 12 mm) glass doors. For use with CRL50/51, 70, and 285 Series Sliding Systems. Complete with mounting screws. Minimum order is one each.

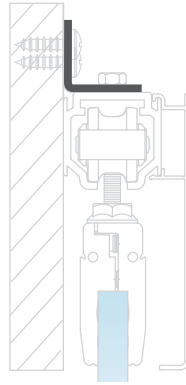


CAT. NO. CRL3978

CRL50/51 Series Accessories

CRL51 Series Top Track Small Support Bracket

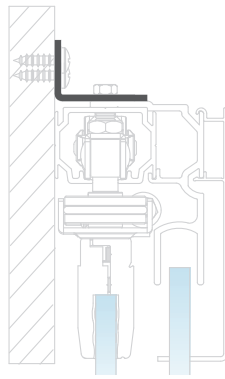
Top Track Small Support Brackets are used to attach the CRL3951A Top Track to the face of a wall or soffit. Each Bracket comes complete with fastener to attach to Top Track. For use on the following kits: CRL51 and CRL511. Minimum order is one each.



CAT. NO. CRL3956

CRL50/51 Series Top Track Large Support Bracket

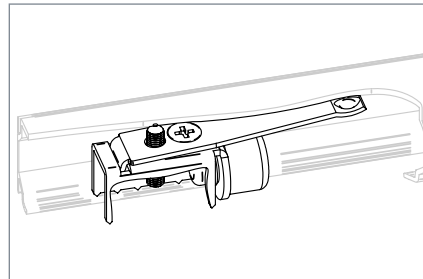
Top Track Large Support Brackets are used to attach the CRL3950A, CRL3951A, or CRL3980A Top Track to the face of a wall or soffit. Each Bracket comes complete with fastener to attach to Top Track. For use on the following kits: CRL512, CRL50S2, and CRL502S2. Minimum order is one each.



CAT. NO. CRL3957

CRL50/51 Series Roller Stop

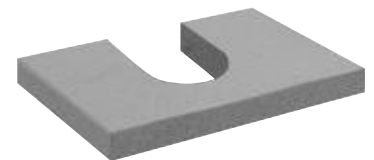
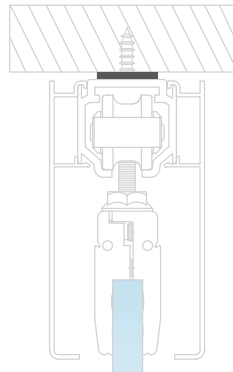
CRL50/51 Series Roller Stops mount inside Cat. No. CRL3950A or CRL3951A Top Track and provide both a positive stop for the sliding panel as well as a hold feature. This Stop is not needed when using the "Softbrake" Braking System. Stop position is easily adjusted after installation. Each Stop comes complete with fastener to secure in Top Track, no drilling necessary. Two stops are needed per sliding panel. Minimum order is one each.



CAT. NO. CRL3940

CRL Track Separator

Track Separators are used with Cat. No. CRL3950A, CRL3951A, or CRL3980A Top Track to help ensure uniform shimming during installation. Minimum of one shim thickness needed across the entire track to allow Track Covers to snap-on properly. Made of mill aluminum. Minimum order is one each.



CAT. NO. CRL3981

CRL50/51 Series Accessories

CRL50/51 Hanger Covers



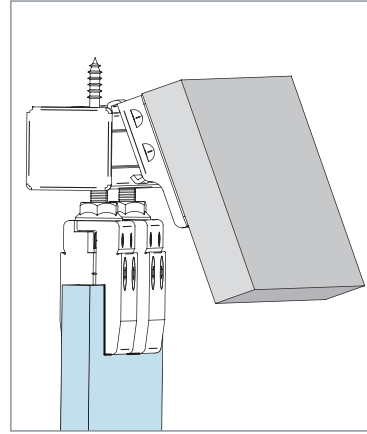
CRL50/51 Hanger Covers are used to create a 'full rail' look on any of the CRL51 Series Sliding Door Kits, except the Synchronized and Telescoping Kits. They are available in white powder coat, bright aluminum, and satin anodized finishes in 118" (3 m) lengths.

The Covers simply snap over the Glass Clamps, and are then finished off with Cat. No. CRL3948 Hanger Cover End Caps (see below).

CAT. NO.	FINISH
CRL3947W	White
CRL3947BA	Bright Aluminum
CRL3947SA	Satin Anodized

Minimum order: 1 stock length. 118" (3 m) lengths must ship common carrier.

CRL50/51/70 Top Track Trim Cover Support



This steel Trim Cover Support clamps onto sides of CRL50/51/70 Top Track or Fixed Panel Adaptors to provide attachment of customer supplied covers. Fasteners for covers not included. Quantity required determined by customer based on cover design. Minimum order is one each.

CAT. NO. CRL3990

CRL50/51 Hanger Cover End Caps



CRL50/51 Glass Hanger Cover End Caps are used to complete the 'full rail' look on any of the CRL51 Series Sliding Door Kits. They cap off the ends of the CRL3947 Series Glass Hanger Covers. Gray finish plastic; fasteners included. One per package.

CAT. NO.	WORKS WITH
CRL3948	5/16" (8 mm) Glass
CRL3949	3/8" (10 mm) Glass

Minimum order: 1 each.

CRL50/51 Synchronizing Hardware Set

- For 5/16" to 3/8" (8 to 10 mm) Tempered Glass Doors



NEW!



The CRL50/51 Synchronizing Hardware Set for Glass Doors comes complete with all the hardware needed to synchronize an opening of multiple panels while only moving one. Each set contains two Clamps, two Roller Stops, and one Cable. Minimum order is one set.

CAT. NO. CRL3985



Online Photo Gallery

When you visit the crlaurence.com home page you can click into photo galleries of finished projects. It's a great way to show your customers what can be accomplished when they specify CRL Architectural Hardware Products.

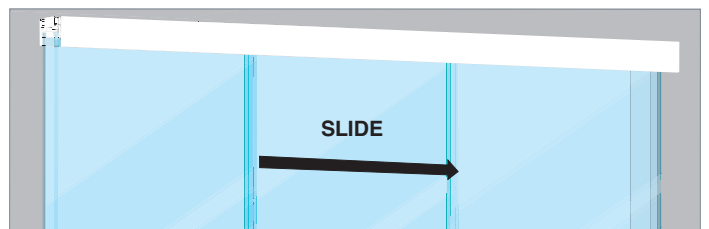
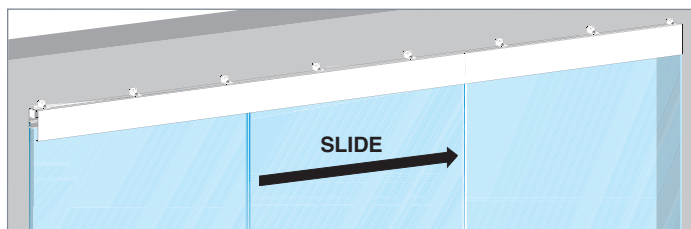
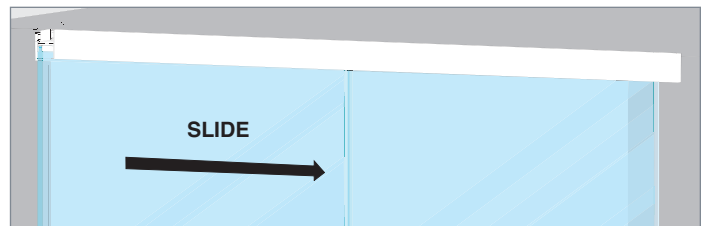
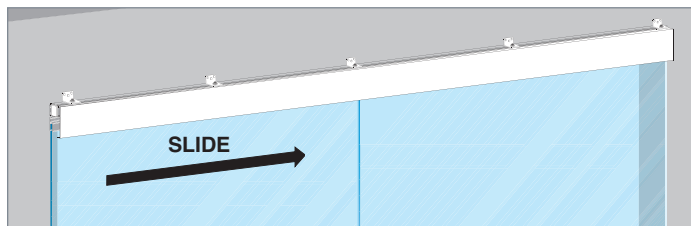
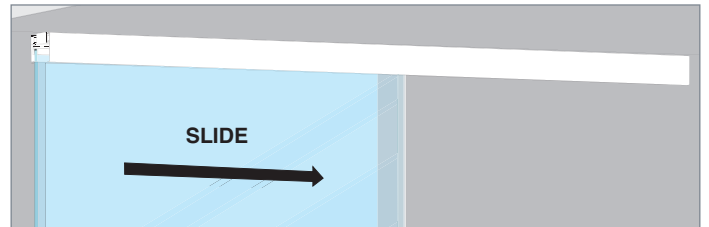
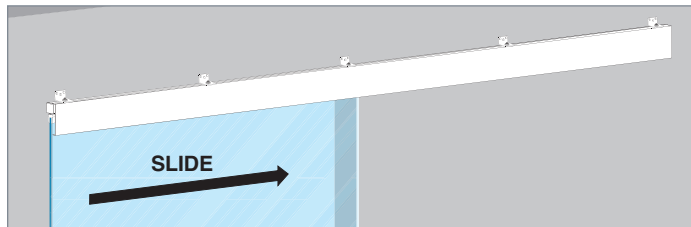
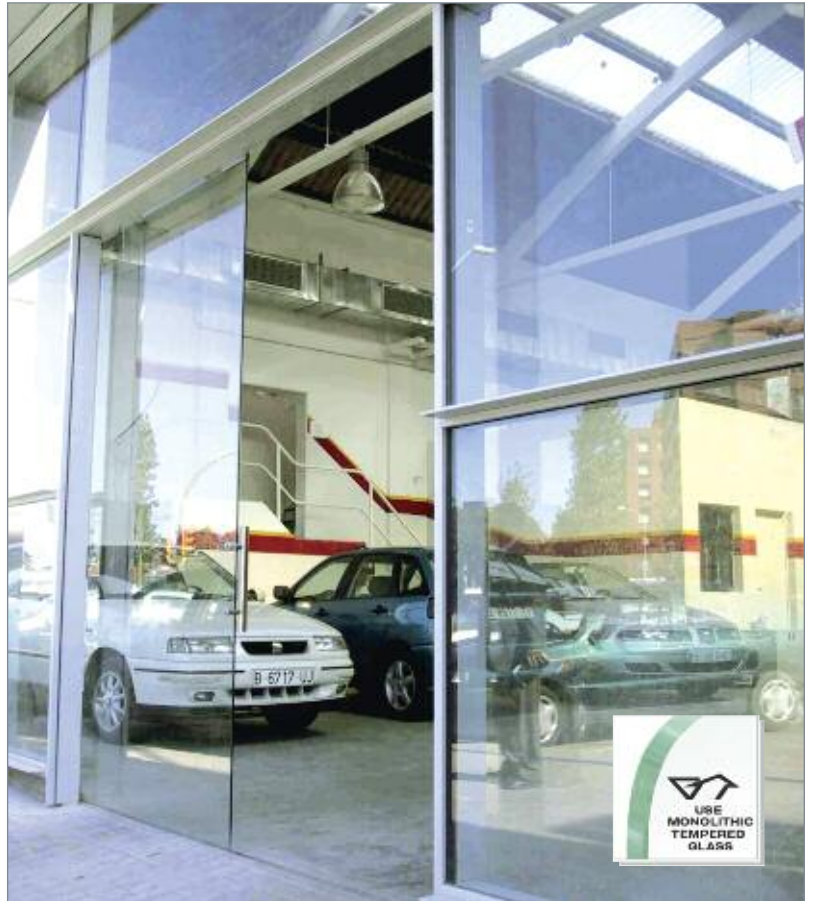
CRL70 Series Top Hung Sliding Door Systems

NEW!

- For Use With 5/16", 3/8" or 1/2" (8, 10 or 12 mm) Tempered Glass or Wood Doors
- Models for Single and Synchronized Bi-Parting Doors
- No Notches or Holes Required in the Glass
- Mounts to Wall or Ceiling
- Can Accommodate Doors Weighing Up to 275 Pounds (125 kg)

CRL70 Series Top Hung Sliding Door Systems feature a sleek European design that offers wall or ceiling mount options for sliding glass or wood doors, with or without fixed panels. These top hung systems require no bottom track, and the smooth sliding action allows for finger touch control. The Hanger Assemblies offer 1/4" (6 mm) of height adjustment during installation to allow for openings and floors that are not true and level. Kits come with concealed Roller Stops in the Top Track to hold the door in the open or closed position, a Floor Guide, and a Track Cover in satin anodized finish, with an option for powder paint or cladding in any architectural finish desired.

Contact Technical Sales for Commercial Products for assistance with proper kit selection or installation instruction assistance. **NOTE:** Laminated glass should not be used with the CRL70 System.

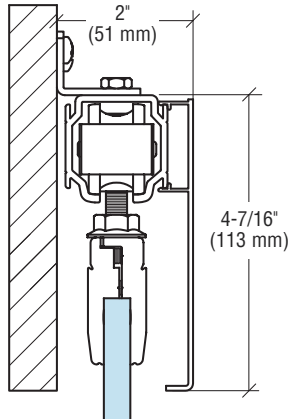


Wall Mount Kits

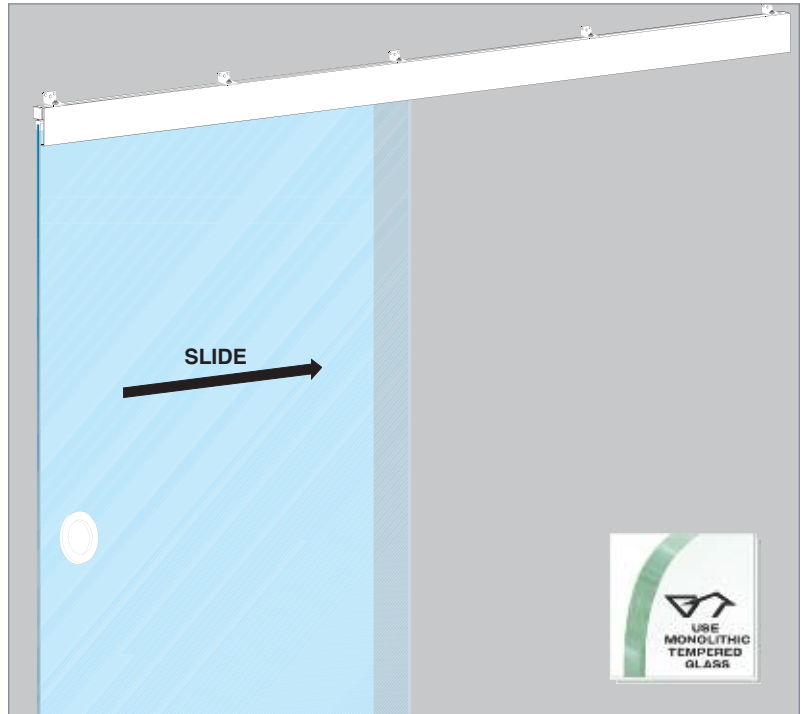
Ceiling Mount Kits

CRL70 Series Wall Mount Single Slider Kit

- For Use With 5/16", 3/8" or 1/2" (8, 10 or 12 mm) Tempered Glass
- Satin Anodized Finish



NEW!



Maximum Door Weight: 275 pounds (125 kg); Maximum Door Width: 59" (1.5 m)

CAT. NO.

FOR GLASS THICKNESS

CRL70

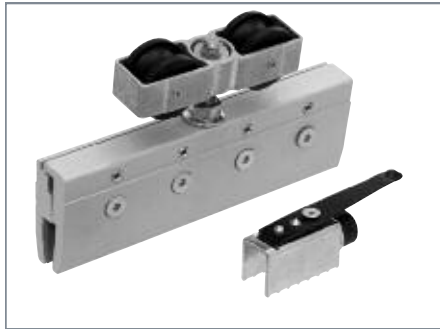
5/16" to 1/2" (8 to 12 mm)

Minimum order: 1 each. Kits contain stock lengths measuring 118" (3 m) in length, and therefore must ship common carrier. Kits can be combined for quantity pricing.

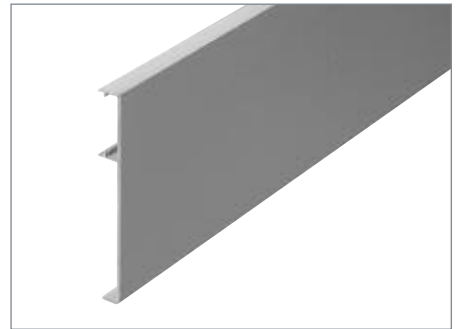
Each Kit Contains:



One Top Track at 118" (3 m) in Length



Two Hanger Assemblies and Two Roller Stops



One Top Track Cover at 118" (3 m) in Length



Two Top Track End Caps



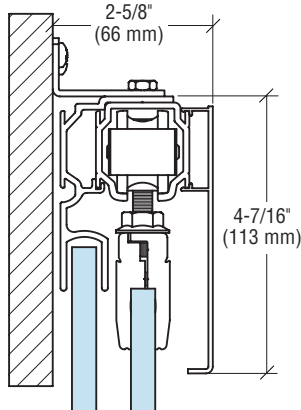
15 Top Track Small Support Brackets (wall fasteners not included)



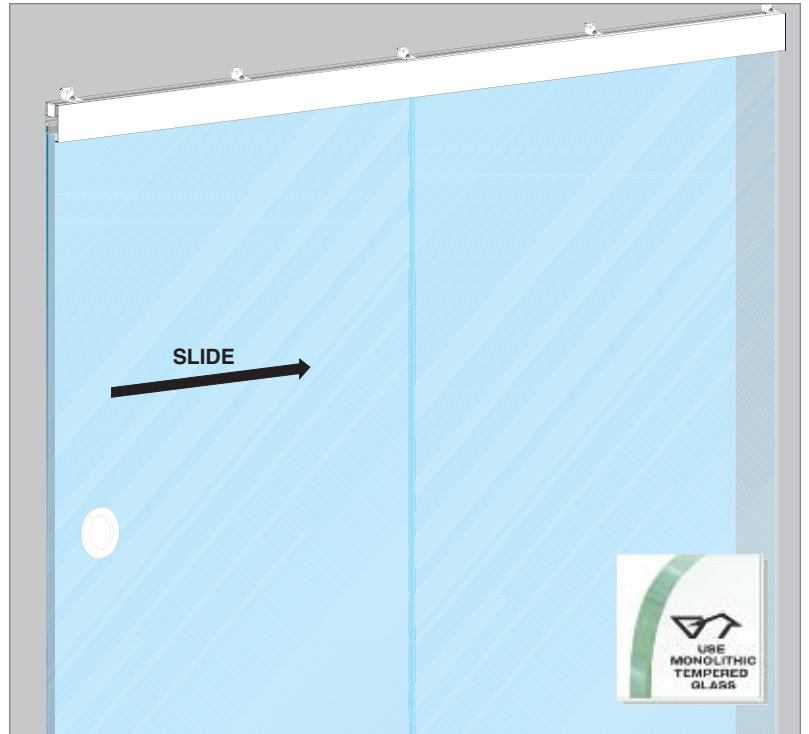
One Floor Guide With Fasteners

CRL70 Series Wall Mount Single Slider With Fixed Panel Kit

- For Use With 5/16", 3/8" or 1/2" (8, 10 or 12 mm) Tempered Glass
- Satin Anodized Finish



NEW!



Maximum Door Weight: 275 pounds (125 kg); Maximum Door Width: 59" (1.5 m)

This configuration of the CRL70 Series Slider is used for single door with fixed panel applications where the Top Track mounts to a structural wall. Kit includes Top Track Adaptors and Bottom Channel for a fixed panel, and a Track Cover to conceal the Top Track, Adaptor, and Hanger Assemblies, making for an attractive yet simple installation. Pulls ordered separately. **NOTE:** Laminated glass should not be used.

CAT. NO.

FOR GLASS THICKNESS

CRL701

5/16" to 1/2" (8 to 12 mm)

Minimum order: 1 each. Kits contain stock lengths measuring 118" (3 m) in length, and therefore must ship common carrier. Kits can be combined for quantity pricing.

Each Kit Contains:



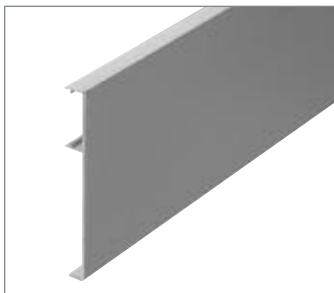
One Top Track and One Bottom Channel for Fixed Panel at 118" (3 m) in Length



Two Hanger Assemblies and Two Roller Stops



Six Top Track Adaptors for Fixed Panels at 4" (102 mm) in Length and Nine Track Separators



One Top Track Cover at 118" (3 m) in Length



Two Top Track End Caps



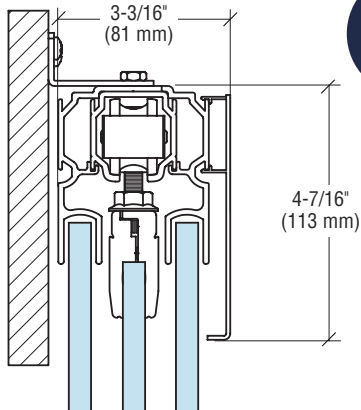
15 Top Track Large Support Brackets (wall fasteners not included)



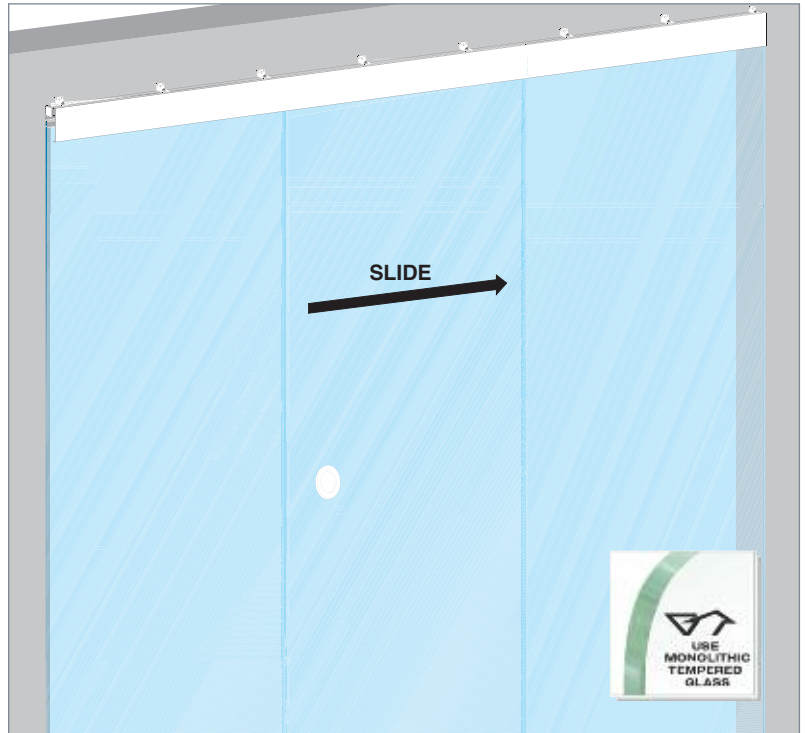
One Floor Guide With Fasteners

CRL70 Series Wall Mount Single Slider With Two Fixed Panels Kit

- For Use With 5/8", 3/8" or 1/2" (8, 10 or 12 mm) Tempered Glass
- Satin Anodized Finish



NEW!



Maximum Door Weight: 275 pounds (125 kg).

This configuration of the CRL70 Series Slider is used for single door with two fixed panel applications where the Top Track mounts to a structural wall. Kit includes Top Track, Adaptors and Bottom Channel for fixed panels, and a Track Cover to conceal the Top Track, Adaptors, and Hanger Assemblies making for an attractive yet simple installation. Pulls ordered separately. **NOTE:** Laminated glass should not be used.

CAT. NO.

CRL702

FOR GLASS THICKNESS

5/16" to 1/2" (8 to 12 mm)

Minimum order: 1 each. Kits contain stock lengths measuring 118" (3 m) in length, and therefore must ship common carrier. Kits can be combined for quantity pricing.

Each Kit Contains:



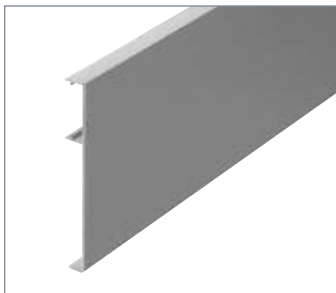
One Top Track and One Bottom Channel for Fixed Panel at 118" (3 m) in Length



Two Hanger Assemblies and Two Roller Stops



15 Top Track Adaptors for Fixed Panels at 4" (102 mm) in Length



One Top Track Cover at 118" (3 m) in Length



Two Top Track End Caps



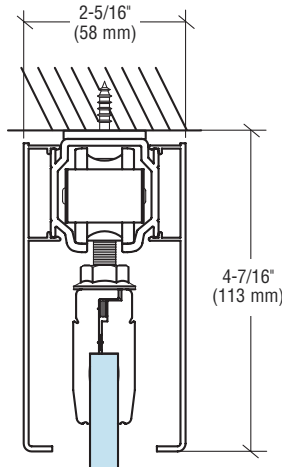
15 Top Track Large Support Brackets (wall fasteners not included)



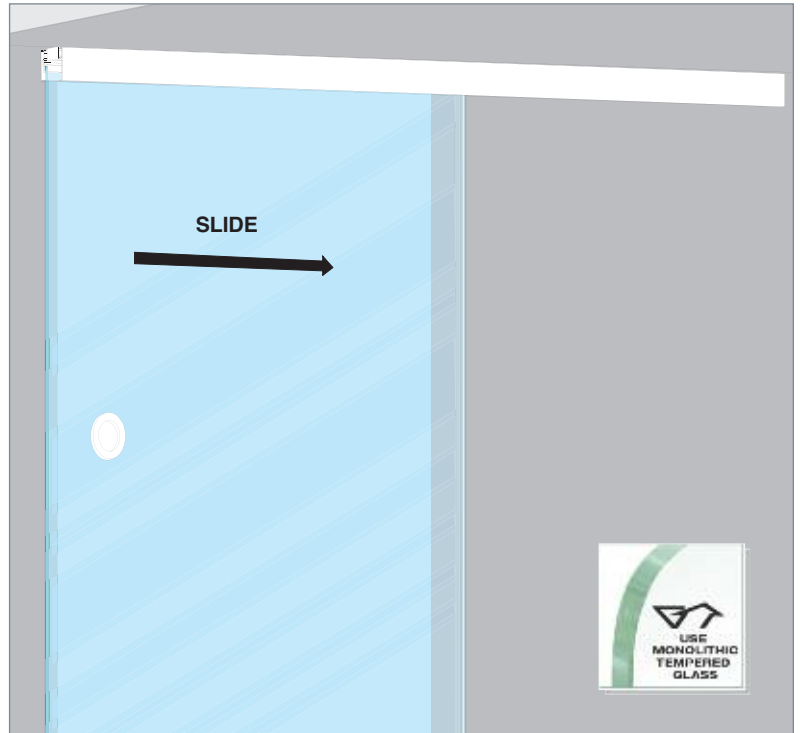
One Floor Guide With Fasteners

CRL70 Series Ceiling Mount Single Slider Kit

- For Use With 5/16", 3/8" or 1/2" (8, 10 or 12 mm) Tempered Glass
- Satin Anodized Finish



NEW!



Maximum Door Weight: 275 pounds (125 kg); Maximum Door Width: 59" (1.5 m)

This configuration of the CRL70 Series Slider is used for single door applications where the Top Track mounts to a structural ceiling. Kit includes two Top Track Covers to conceal the Top Track and Hanger Assemblies, making for an attractive yet simple installation. Pulls ordered separately. **NOTE:** Laminated glass should not be used.

CAT. NO.

FOR GLASS THICKNESS

CRL70C

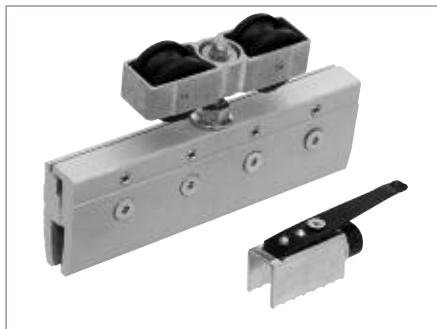
5/16" to 1/2" (8 to 12 mm)

Minimum order: 1 each. Kits contain stock lengths measuring 118" (3 m) in length, and therefore must ship common carrier. Kits can be combined for quantity pricing.

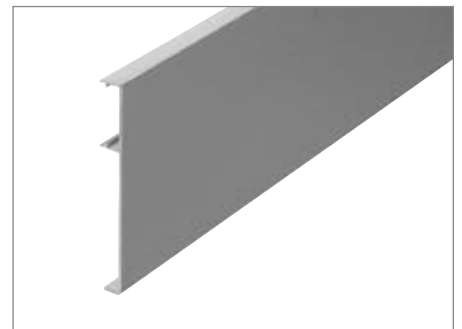
Each Kit Contains:



One Top Track at 118" (3 m) in Length



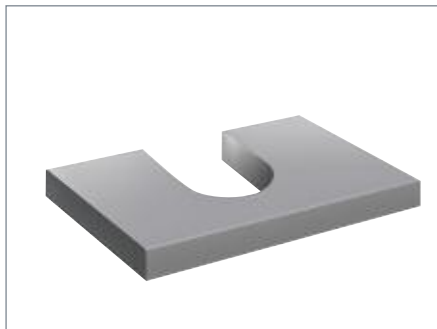
Two Hanger Assemblies and Two Roller Stops



Two Top Track Covers at 118" (3 m) in Length



Two Top Track End Caps



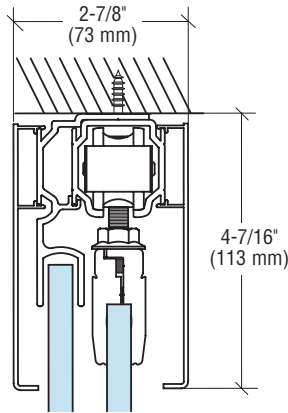
15 Track Separators



One Floor Guide With Fasteners

CRL70 Series Ceiling Mount Single Slider With Fixed Panel Kit

- For Use With 5/16", 3/8" or 1/2" (8, 10 or 12 mm) Tempered Glass
- Satin Anodized Finish



NEW!



Maximum Door Weight: 275 pounds (125 kg); Maximum Door Width: 59" (1.5 m)

CAT. NO.	FOR GLASS THICKNESS
CRL701C	5/16" to 1/2" (8 to 12 mm)

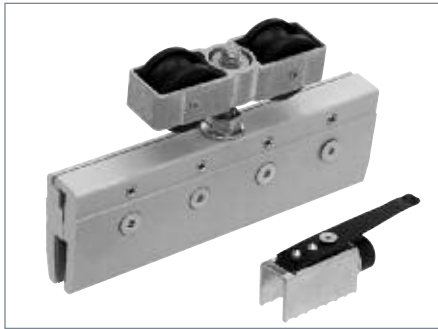
Minimum order: 1 each. Kits contain stock lengths measuring 118" (3 m) in length, and therefore must ship common carrier. Kits can be combined for quantity pricing.

This configuration of the CRL70 Series Slider is used for single door with fixed panel applications where the Top Track mounts to a structural ceiling. Kit includes Top Track, Adaptors for a fixed panel, and two Track Covers to conceal the Top Track, Adaptors, and Hanger Assemblies, making for an attractive yet simple installation. Pulls ordered separately. **NOTE:** Laminated glass should not be used.

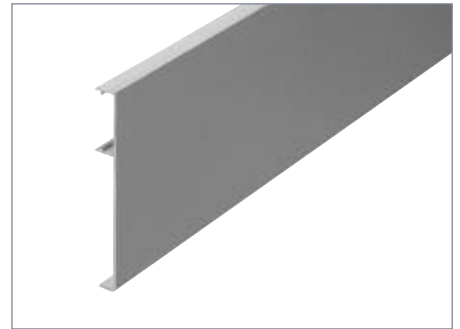
Each Kit Contains:



One Top Track at 118" (3 m) in Length



Two Hanger Assemblies and Two Roller Stops



Two Top Track Covers at 118" (3 m) in Length



One Bottom Channel for Fixed Panel at 118" (3 m) in Length



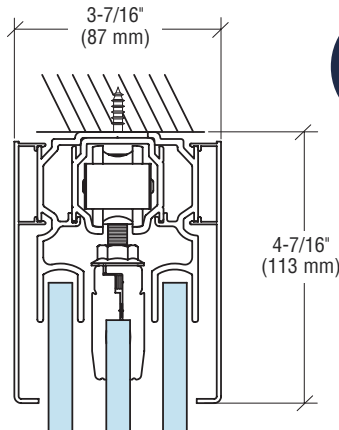
Six Top Track Adaptors for Fixed Panels at 4" (102 mm) in Length and Nine Track Separators



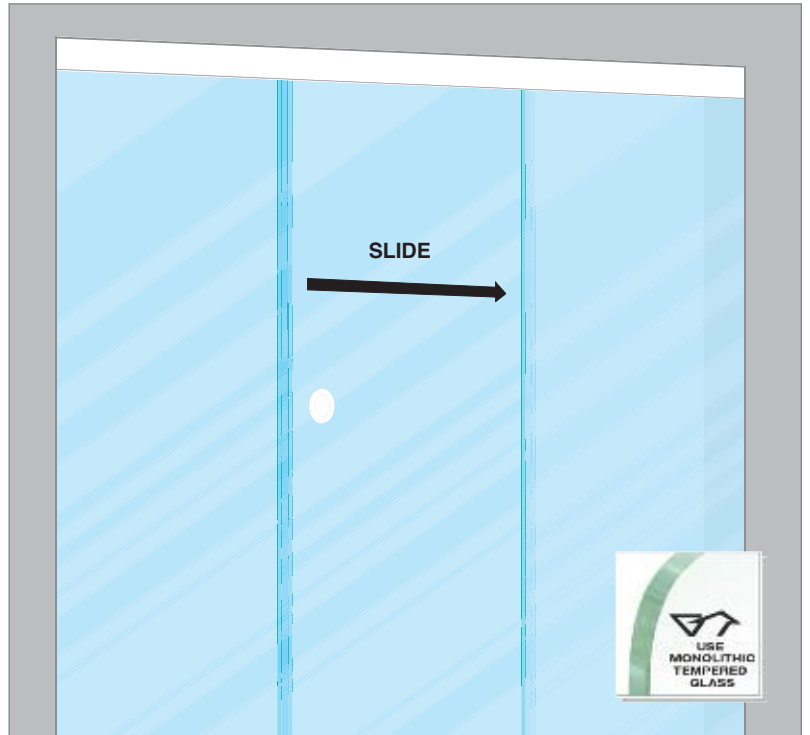
One Floor Guide With Fasteners

CRL70 Series Ceiling Mount Single Slider With Two Fixed Panels Kit

- For Use With 5/16", 3/8" or 1/2" (8, 10 or 12 mm) Tempered Glass
- Satin Anodized Finish



NEW!



Maximum Door Weight: 275 pounds (125 kg).

This configuration of the CRL70 Series Slider is used for single door with two fixed panel applications where the Top Track mounts to a structural ceiling. Kit includes Top Track, Adaptors for fixed panels, and two Track Covers to conceal the Top Track, Adaptors, and Hanger Assemblies, making for an attractive yet simple installation. Pulls ordered separately. **NOTE:** Laminated glass should not be used.

CAT. NO.

CRL702C

FOR GLASS THICKNESS

5/16" to 1/2" (8 to 12 mm)

Minimum order: 1 each. Kits contain stock lengths measuring 118" (3 m) in length, and therefore must ship common carrier. Kits can be combined for quantity pricing.

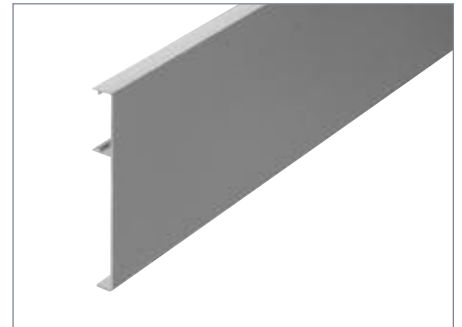
Each Kit Contains:



One Top Track at 118" (3 m) in Length



Two Hanger Assemblies and Two Roller Stops



Two Top Track Covers at 118" (3 m) in Length



One Bottom Channel for Fixed Panel at 118" (3 m) in Length



15 Top Track Adaptors for Fixed Panels at 4" (102 mm) in Length



One Floor Guide With Fasteners

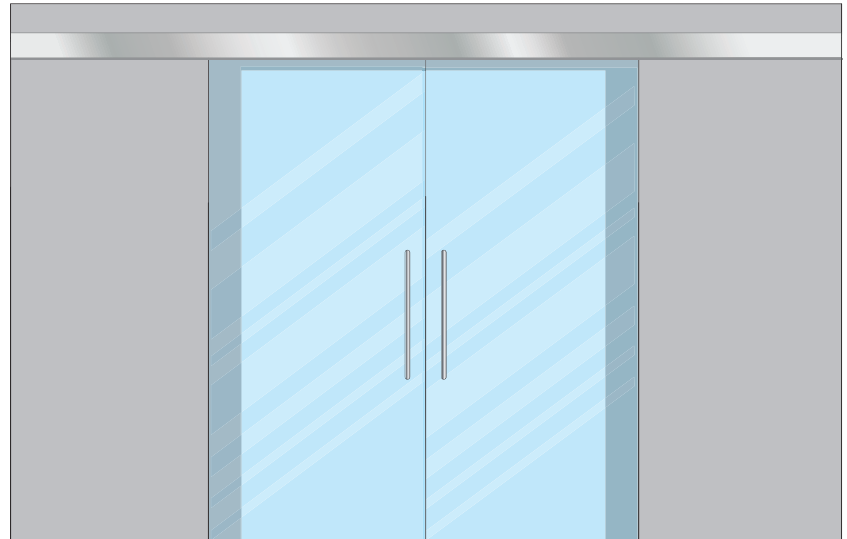
CRL70 Series Synchronized Wall Mount Bi-Parting Slider Kit

- Synchronized Operation of Two Bi-Parting Panels
- For 5/16", 3/8" or 1/2" (8, 10, or 12 mm) Tempered Glass
- Satin Anodized Finish
- Mounts to Wall or Soffit



This configuration of the CRL70 Series Slider is used when synchronized movement of the two bi-parting panels with the top track mounted to a wall or soffit is required.

Minimum order is one each. Kits contain stock lengths measuring 118" (3 m) in length and therefore must ship common carrier. Kits can be combined for quantity pricing. **NOTE:** Laminated glass should not be used.

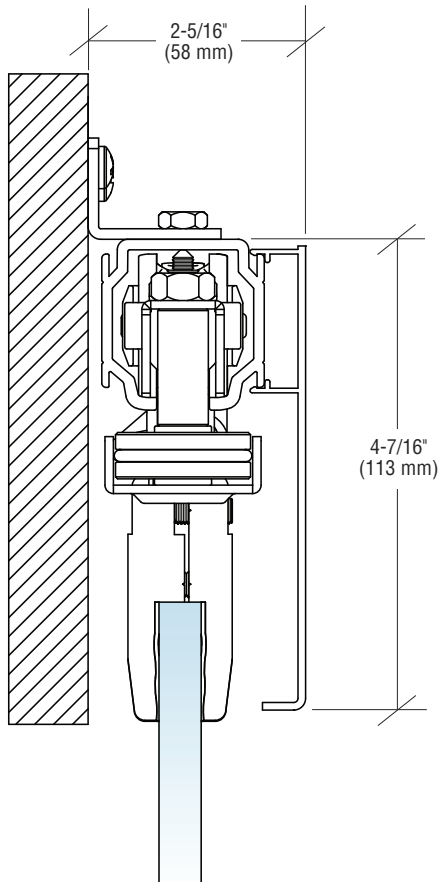


Maximum Door Weight: 176 pounds (80 kg); Maximum Door Width: 29-1/2" (749 mm)

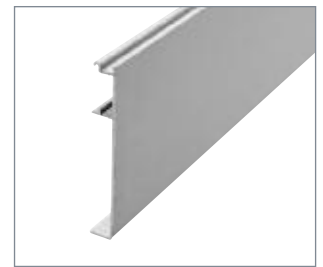


CAT. NO. CRL70S2

Each Kit Contains:



One Top Track at 118" (3 m) in Length



One Top Track Cover at 118" (3 m) in Length



Four Hanger Assemblies and Two Roller Stops



One Synchronizing Hardware Set



Two Floor Guides with Fasteners and 15 Small Support Brackets



Two Top Track End Caps

CRL70 Series Synchronized Ceiling Mount Bi-Parting Pocket Slider Kit



- Synchronized Operation of Two Bi-Parting Panels
- For 5/16", 3/8", or 1/2" (8, 10, or 12 mm) Tempered Glass
- Satin Anodized Finish
- Mounts to Structural Ceiling

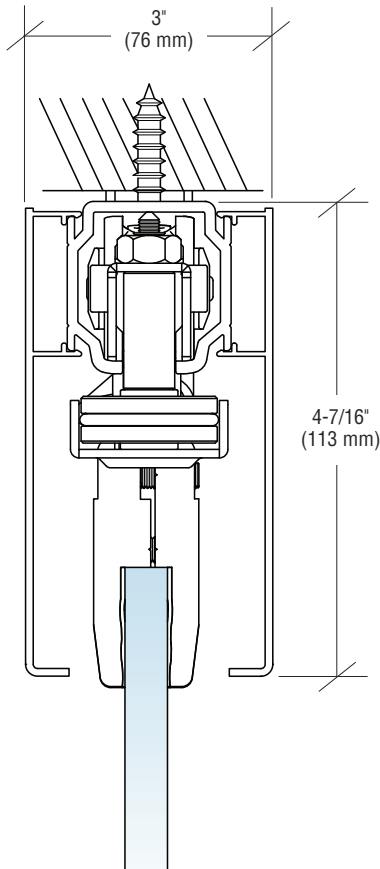
This configuration of the CRL70 Series Slider is used when synchronized movement of the two bi-parting panels is required with the top track mounted to a structural ceiling.

Minimum order is one each. Kits contain stock lengths measuring 118" (3 m) in length and therefore must ship common carrier. Kits can be combined for quantity pricing.

NOTE: Laminated glass should not be used.



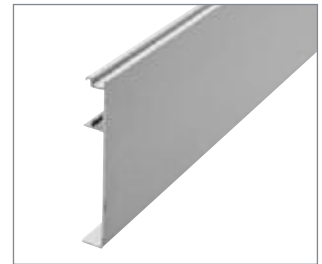
CAT. NO. CRL70CS2



Each Kit Contains:



One Top Track at 118" (3 m) in Length



Two Top Track Covers at 118" (3 m)



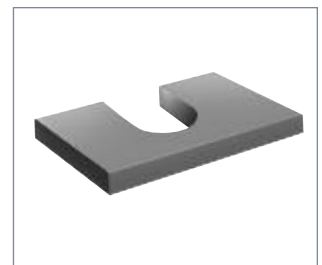
Four Hanger Assemblies and Two Roller Stops



One Synchronizing Hardware Set



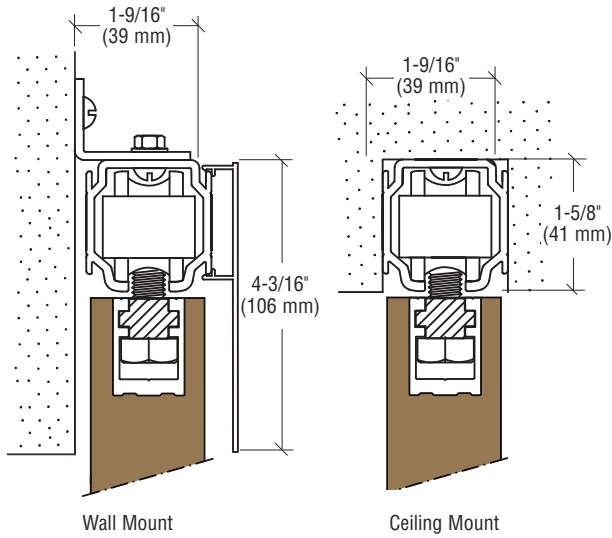
Two Floor Guides with Fasteners



15 Track Separators

CRL70 Series Wood Door Kits

- Exclusively for Wood Doors
- Mounts to Wall or Ceiling
- Top Hanger is Mortised Into the Door



The CRL70 Series Wood Door Kits come complete with everything you need (except the wood door) to complete the installation. See page 352D for optional Cat. No. CRL3990 for Top Track Trim Cover Support for attaching covers by others. Pull hardware ordered separately.

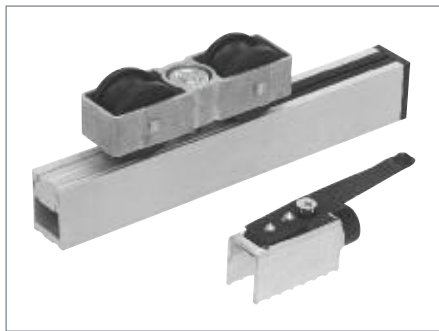
CAT. NO.	MAXIMUM DOOR WEIGHT
CRL70W	275 lbs. (125 kg)

Minimum order: 1 each. Kits contain stock lengths measuring 118" (3 m) in length, and therefore must ship common carrier. Kits can be combined for quantity pricing.

Each Kit Contains:



One Top Track at 118" (3 m) in Length



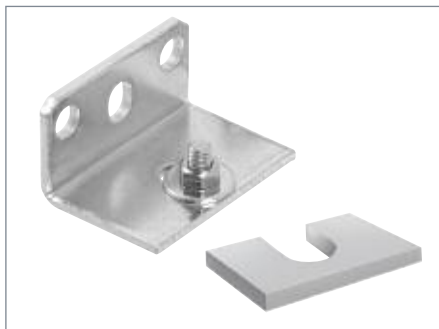
Two Hanger Assemblies and Two Roller Stops



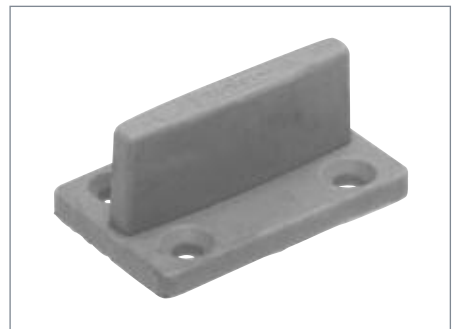
Two Top Track Cover Plates at 118" (3 m) in Length



Two Top Track End Caps



15 Top Track Large Support Brackets and 15 Track Separators



One Floor Guide With Fasteners for Wood Doors

CRL70 Series Accessories

CRL70 Series Top Track

- 118" (3 m) Long
- Satin Anodized Finish

CRL70 Series Top Tracks are made of aluminum with a satin anodized finish. They come in 118" (3 m) stock lengths, pre-drilled for 3/16" (4.8 mm) fasteners (not included) at 8" (203 mm) centers. Minimum order is one stock length. Must ship common carrier.

Optional snap-on Track Covers must be ordered separately.



CAT. NO. CRL3980A

CRL70 Series Track Cover for Glass Doors

- 118" (3 m) Long
- Satin Anodized Finish

CRL70 Series Top Track Covers for Glass Doors are used with Cat. No. CRL3980A to conceal the Hanger Assemblies. Made of aluminum with a satin anodized finish, they come in 118" (3 m) stock lengths. Minimum order is one stock length. Must ship common carrier.



CAT. NO. CRL3982A

CRL70 Series Fixed Panel Adaptor

- For 5/16", 3/8" or 1/2" (8, 10, or 12 mm) Tempered Glass
- Satin Anodized Finish

CRL70 Series Fixed Panel Adaptors are used with Cat. No. CRL3980A to provide a top channel bracket for fixed glass panels and are made of aluminum with a satin anodized finish. They come in 4" (102 mm) pieces, pre-drilled for 3/16" (4.8 mm) fasteners (not included). Minimum order is one pack. There are six per pack.

Optional snap-on Trim Cover Cat. No. CRL3982A must be ordered separately.



CAT. NO. CRL3984A

CRL70 Series Track Cover for Wood Doors

- 118" (3 m) Long
- Satin Anodized Finish

CRL70 Series Top Track Covers for Wood Doors are used with Cat. No. CRL3980A to conceal the gap above the wood door. Made of aluminum with a satin anodized finish, they come in 118" (3 m) stock lengths. Minimum order is one stock length. Must ship common carrier.



CAT. NO. CRL3983A

CRL70 Series Top Track Small Support Bracket

CRL Top Track Small Support Brackets are used to attach the CRL3980A Top Track to the face of a wall or soffit. Each Bracket comes complete with fastener to attach to the Top Track. For use on the following kits: CRL70, CRL70S2, and CRL70W Series. Minimum order is one each.



CAT. NO. CRL3995

CRL70 Series Top Track Large Support Bracket

CRL Top Track Large Support Brackets are used to attach the CRL3980A Top Track to the face of a wall or soffit. Each Bracket comes complete with fastener to attach to the Top Track. For use on the following kits: CRL701 and CRL702 Series. Minimum order is one each.



CAT. NO. CRL3996

CRL70 Series Accessories

CRL70 Series Hanger Assembly For Glass Doors

- Smooth Rolling
- 1/4" (6 mm) Fine Tune Adjustment



CRL70 Series Hanger Assemblies for Glass Doors are used with Cat. No. CRL3980A Top Track and 5/16", 3/8" or 1/2" (8, 10, or 12 mm) tempered glass. No notches or holes are required in the glass. Each set comes with a Roller Assembly and Clamp. They can be fine tuned 1/4" (6 mm) in height to allow for floors and walls that are not true and level. Two Hanger Assemblies are required per sliding panel. Minimum order is one set.

CAT. NO. CRL3986

CRL70 Series Hanger Assembly For Wood Doors

- Smooth Rolling
- 1/4" (6 mm) Fine Tune Adjustment



CRL70 Series Hanger Assemblies for Wood Doors are used with Cat. No. CRL3980A Top Track and wood doors. Prep work is required on wood doors to accept this hardware. Each set comes with a Roller Assembly and Mounting Channel. They can be fine tuned 1/4" (6 mm) in height to allow for floors and walls that are not true and level. Two Hanger Assemblies are required per sliding panel. Minimum order is one set.

CAT. NO. CRL3988

CRL Bottom Guide For Glass Doors

- Adjustable for 5/16", 3/8" or 1/2" (8, 10, or 12 mm) Glass Doors



CRL Bottom Guide is used to keep the bottom of a sliding glass door aligned and running true. Made of die-cast zinc aluminum alloy with adjustable nylon insert for 5/16", 3/8" or 1/2" (8, 10, or 12 mm) glass doors. Complete with mounting screws. Minimum order is one each.

CAT. NO. CRL3978

CRL70 Series Bottom Guide For Wood Doors



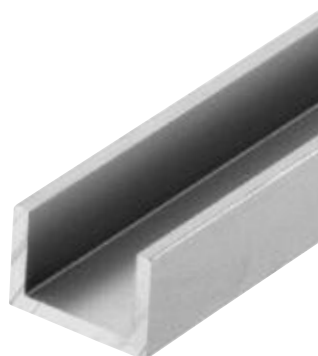
CRL70 Series Bottom Guide is used to keep the bottom of a sliding wood door aligned and running true. Complete with mounting screws. Minimum order is one each.

CAT. NO. CRL3999

CRL Bottom Channel

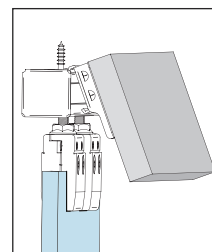
- 118" (3 m) Long
- Satin Anodized Finish

CRL Bottom Channel is used to capture the fixed glass panel at the floor. For use with 5/16", 3/8" or 1/2" (8, 10, or 12 mm) tempered glass. Provides a sleek finished look and is made of aluminum with a satin anodized finish. Comes in 118" (3 m) stock lengths. Minimum order is one 118" (3 m) stock length. Must ship common carrier.



CAT. NO. CRL3979A

CRL Top Track Trim Cover Support



This steel Trim Cover Support clamps onto sides of Top Track or Fixed Panel Adaptor to provide attachment of customer supplied covers. Fasteners for covers not included. Quantity required determined by customer based on cover design. Minimum order is one each.

CAT. NO. CRL3990

CRL70 Series Accessories

CRL70 Series Top Track End Caps

- **Satin Anodized Finish**

CRL70 Series Top Track End Caps give the system a clean, finished look. They are made of aluminum with a satin anodized finish.

CAT. NO.	FOR USE WITH
CRL70EC1	CRL70 Wall Mount Kit
CRL70EC2	CRL701 Wall Mount Kit
CRL70EC3	CRL702 Wall Mount Kit
CRL70EC4	*CRL70W Wood Door Kit

Minimum order: 1 each. * Made of gray color plastic.



CRL70EC1



CRL70EC3



CRL70EC2



CRL70EC4

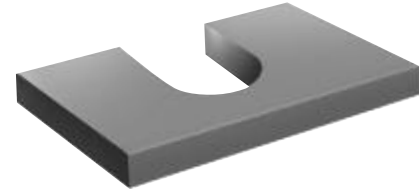
CRL70 Series Roller Stop



CRL70 Series Roller Stops mount inside Cat. No. CRL3980A Top Track and provide both a positive stop for the sliding panel as well as a hold feature. Stop position is easily adjusted after installation. Each Stop comes complete with fastener to secure in Top Track. Two stops are required per sliding panel. Minimum order is one each.

CAT. NO. CRL3992

CRL Track Separator



CRL Track Separators are used with Top Tracks of the CRL50, 51, and 70 Series when attaching to the ceiling to ensure proper clearance for Track Covers. Made of mill aluminum. Minimum order is one each.

CAT. NO. CRL3981

CRL Technical Assistance

- **Auto CAD and Shop Drawings**
- **Installation Advice**
- **Detailed Project Quotes**

We have added a dedicated Computer Aided Drafting (CAD) Department to our arsenal of Technical Sales and Engineering groups to assist you with drawing submittals and custom design work to land that special project.

Let CRL's Technical Sales Team help you with your project. Everyone at C.R. Laurence is dedicated to providing superior customer service, along with products and resources to keep our customers on the cutting edge of technology.



Call (800) 421-6144 in the United States, (877) 421-6144 from Canada, or (323) 588-1281 International. Ask for Commercial Technical Sales at Ext. 7700. Direct Fax (800) 587-7501 or (323) 584-5289 Direct E-Mail architectural@crlaurence.com

To view or place an order for any CRL product visit our Online Catalog at crlaurence.com

CRL EZ-Slide 80 Top Hung Single Track Sliding Door Kit

- This Kit is for 5/16" or 3/8" (8 or 10 mm) Tempered Glass
- Rated for Panels Weighing Up to 176 Pounds (80 kg)
- No Notches or Holes Needed in the Glass for Installation



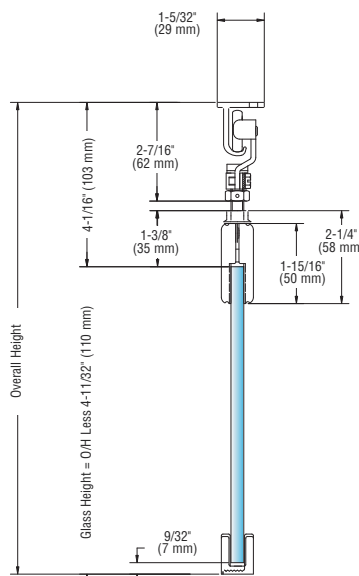
The CRL EZ-Slide 80 Top Hung Single Track Sliding Door Kit is an easy to install cost effective solution to adding 'all-glass' sliding doors in commercial or residential applications.

The only glass fabrication required is to polish the edges. If handles or knobs are desired, holes will be required for their mounting. Optional break metal covers are available on special order to help conceal the operating hardware.

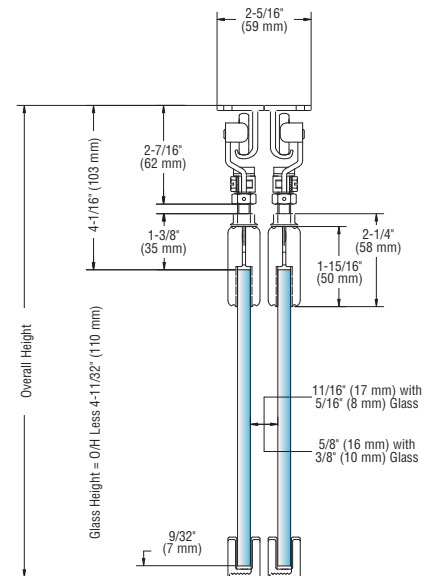
NOTE: The EZ-Slide System is not designed for use in shower or steam room applications and should not be used with laminated glass.

Everything (except the tempered glass) to complete a single panel slider application is available in our easy to order Kit, and comes with all the items shown below. Pull hardware is sold separately.

For more information on this versatile and easy to install system, contact CRL Technical Sales at (800) 421-6144 in the U.S., (877) 421-6144 from Canada, or (323) 588-1281 International. Ask for Ext. 7700. You can also send e-mail from the home page of crlaurence.com. Click on Contact Us, and then click on Technical Sales for Commercial Products.



Typical Single Slider Application
Cat. No. CRL3301



Typical Bi-Pass Application
Using Two Cat. No. CRL3301

CAT. NO. FOR GLASS THICKNESS

CRL3301 5/16" to 3/8" (8 to 10 mm)

Minimum order: 1 each. Must ship common carrier.

Each Kit Contains:



One Top Track at 158" (4 m) in length



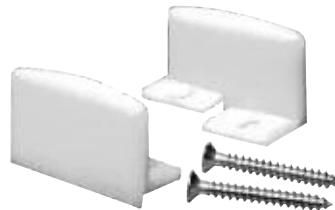
Two Top Rollers and Stops



Two Clamp Assemblies



Two Regulator Bolts



One Bottom Guide



See Pages 281D and 430D for Optional Pull Hardware Not Included in Kit

CRL EZ-Slide 80 System Replacement Components

CRL EZ-Slide 80 Top Track

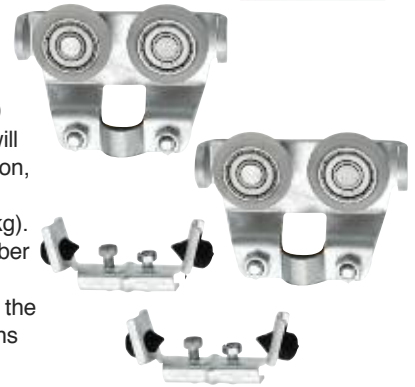
CRL EZ-Slide 80 Top Track is made of 6063-T6 Alloy Aluminum with a dark bronze hard anodized finish. It comes in 157-1/2" (4 m) stock lengths pre-drilled for #10 (4 mm) fasteners at 9-13/16" (250 mm) centers. Fasteners are not included. Minimum order is one each. Must ship common carrier. **NOTE:** Optional break metal covers are available on special order to help conceal the track and operating hardware.



CAT. NO. CRL3319

CRL EZ-Slide 80 Rollers and Stops

CRL EZ-Slide 80 Rollers and Stops are designed for use with the CRL EZ-Slide 80 Top Track. A pair of Rollers will provide smooth, silent operation, and are rated for panels that weigh up to 176 pounds (80 kg). The Stops, complete with rubber bumpers, can be set and secured at any location along the Top Track. Each pack contains two Rollers and two Stops. Minimum order is one pack.



CAT. NO. CRL3924

CRL EZ-Slide 80 Regulator Bolts

CRL EZ-Slide 80 Regulator Bolts allow easy height and alignment adjustments to be made while the panels remain hanging on the Top Track. Each pack contains two Regulator Bolts. Minimum order is one pack.



CAT. NO. CRL3325

CRL EZ-Slide 80 Clamps and Bottom Guide

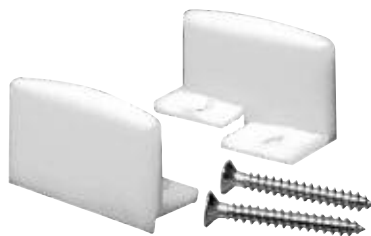
CRL EZ-Slide 80 Clamps and Bottom Guide are easily converted for use with 5/16" (8 mm) or 3/8" (10 mm) tempered glass. A pair of Clamps is rated for panels that weigh up to 176 pounds (80 kg). They grip the glass with precision-controlled pressure. No drilling or notching of the glass is required. Each pack contains two Clamps, Screws, and one nylon Bottom Guide. Minimum order is one pack.



CAT. NO. CRL3926

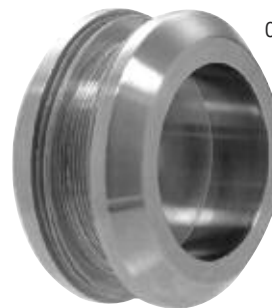
CRL EZ-Slide 80/180 Bottom Guide

CRL EZ-Slide 80/180 Bottom Guides are made from durable and long-lasting nylon that will provide years of use. Its two-part construction allows it to be adjusted for 5/16" (8 mm), 3/8" (10 mm), or 1/2" (12 mm) glass thickness. Each Bottom Guide comes complete with mounting screws. Minimum order is one each.



CAT. NO. CRL3938

Optional Pull Hardware



CRL Thru-Glass Pull
Cat. No. FP214BS
see page 281D

CRL SGH8 Series
Frameless Sliding
Door Handle
see page 430D



CRL EZ-Slide 180 Top Hung Single Track Sliding Door Kit

- This Kit is for 3/8" or 1/2" (10 or 12 mm) Tempered Glass
- Rated for Panels Weighing Up to 396 Pounds (180 kg)
- No Notches or Holes Needed in the Glass for Installation



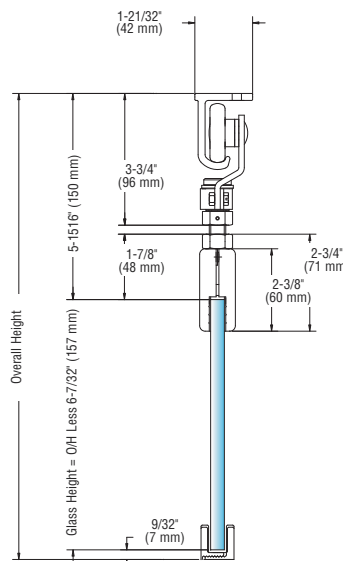
The CRL EZ-Slide 180 Top Hung Single Track Sliding Door Kit is an easy to install cost effective solution to adding 'all-glass' sliding doors in commercial or residential applications.

The only glass fabrication required is to polish the edges. If handles or knobs are desired, holes will be required for their mounting. Optional break metal covers are available on special order to help conceal the operating hardware.

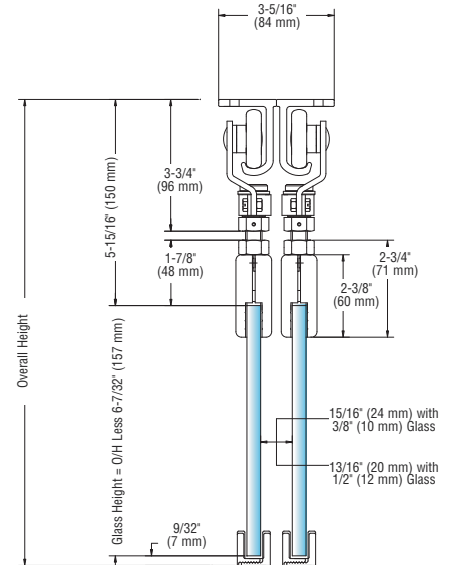
NOTE: The EZ-Slide System is not designed for use in shower or steam room applications and should not be used with laminated glass.

Everything (except the tempered glass) to complete a single panel slider application is available in our easy to order Kit, and comes with all the items shown below. Pull hardware is sold separately.

For more information on this versatile and easy to install system, contact CRL Technical Sales at (800) 421-6144 in the U.S., (877) 421-6144 from Canada, or (323) 588-1281 International. Ask for Ext. 7700. You can also send e-mail from the home page of crlaurence.com. Click on Contact Us, and then click on Technical Sales for Commercial Products.



Typical Single Slider Application
Cat. No. CRL3601



Typical Bi-Pass Application
Using Two Cat. No. CRL3601

CAT. NO.	FOR GLASS THICKNESS
CRL3601	3/8" to 1/2" (10 to 12 mm)

Minimum order: 1 each. Must ship common carrier.

Each Kit Contains:



One Top Track at 158" (4 m) in length



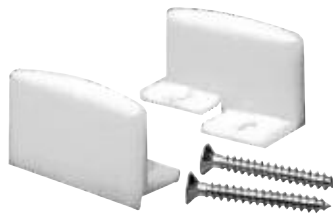
Two Top Rollers and Stops



Two Clamp Assemblies



Two Regulator Bolts



One Bottom Guide



See Pages 281D and 430D for Optional Pull Hardware Not Included in Kit

CRL EZ-Slide 180 System Replacement Components

CRL EZ-Slide 180 Top Track

The CRL EZ-Slide 180 Top Track is made of 6063-T6 Alloy Aluminum with a dark bronze hard anodized finish. It comes in 157-1/2" (4 m) stock lengths that are pre-drilled for #12 (5 mm) fasteners at 4-13/16" (122 mm) centers. Fasteners are not included. Minimum order is one each. Must ship common carrier. **NOTE:** Optional break metal covers are available on special order to help conceal the track and operating hardware.



CAT. NO. CRL3611

CRL EZ-Slide 180 Rollers and Stops

The CRL EZ-Slide 180 Rollers and Stops are designed for use with the CRL EZ-Slide 180 Top Track. A pair of Rollers will provide smooth, silent operation, and are rated for panels that weigh up to 396 pounds (180 kg). The Stops, complete with rubber bumpers, can be set and secured at any location along the Top Track. Each pack contains two Rollers and two Stops. Minimum order is one pack.



CAT. NO. CRL3927

CRL EZ-Slide 180 Regulator Bolts

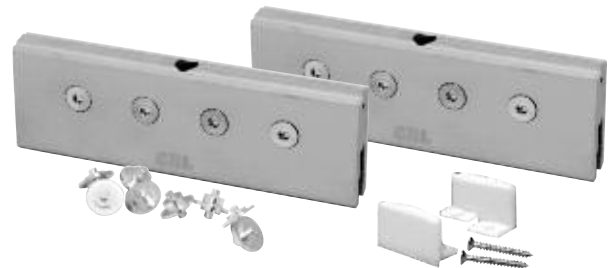
The CRL EZ-Slide 180 Regulator Bolt allows easy height and alignment adjustments to be made while the panels remain hanging on the Top Track. Each pack contains two Regulator Bolts. Minimum order is one pack.



CAT. NO. CRL3928

CRL EZ-Slide 180 Clamps and Bottom Guide

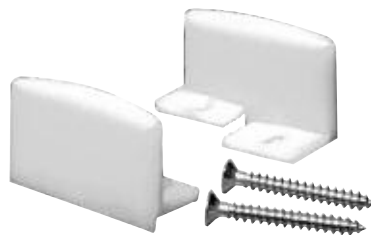
CRL EZ-Slide 180 Clamps and Bottom Guide are easily converted for use with 3/8" (10 mm) or 1/2" (12 mm) tempered glass. A pair of Clamps is rated for panels that weigh up to 396 pounds (180 kg). They grip the glass with precision-controlled pressure. No drilling or notching of the glass is required. Each pack contains two Clamps, Screws, and one nylon Bottom Guide. Minimum order is one pack.



CAT. NO. CRL3929

CRL EZ-Slide 80/180 Bottom Guide

CRL EZ-Slide 80/180 Bottom Guides are made from durable and long-lasting nylon that will provide years of use. Its two-part construction allows it to be adjusted for 5/16" (8 mm), 3/8" (10 mm), or 1/2" (12 mm) glass thickness. Each Bottom Guide comes complete with mounting screws. Minimum order is one each.



CAT. NO. CRL3938

Optional Pull Hardware



CRL Thru-Glass Pull
Cat. No. FP214BS
see page 281D

CRL SGH8 Series
Frameless Sliding
Door Handle
see page 430D



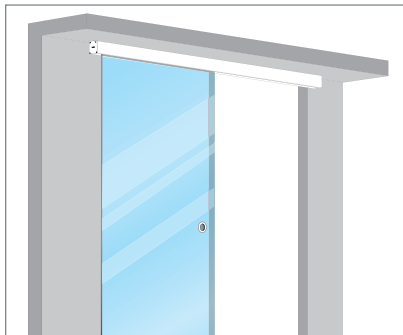
CRL285 Series Top Hung Sliding Door System

NEW!

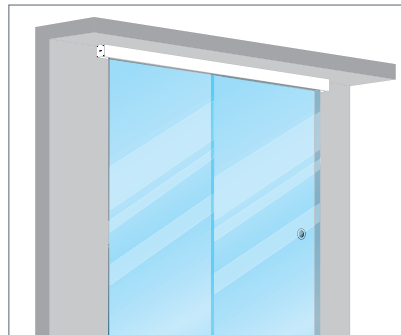
- New "Softbrake" Braking System
- Designed for Use With 5/16", 3/8" or 1/2" (8, 10 or 12 mm) Tempered Glass
- Rated for Doors Weighing Up to 176 Pounds (80 kg)
- No Notches or Holes Required in the Glass for Installation

The new CRL285 Series Sliding Door Systems are an upgraded version of our tremendously popular CRL280 Series. With the addition of the new "Softbrake" Braking System you never have to worry about the doors slamming open or closed again! The "Softbrake" cushions the opening and closing of the doors gently, quietly, and is virtually unseen. The "Softbrake" is completely concealed in the top track and engages during the final 4" (102 mm) of travel preventing the glass from impacting the frame or adjacent glass panel.

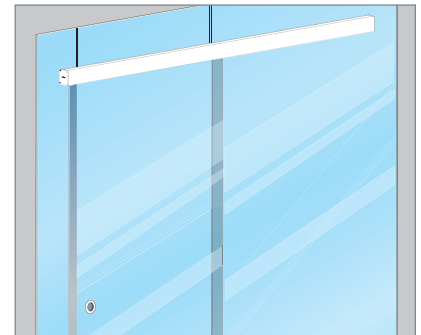
The CRL285 Series still has all the great options of its predecessor: sleek design, ceiling or glass mount, top hung, no bottom track, smooth finger touch control, and no holes or notches required in the glass. The Upper Clamp and Roller Assemblies have 1/4" (6 mm) of fine tune height adjustment after installation to allow for openings and floors that are not true and level. Kits are available with or without fixed panels in satin anodized finish.



Single Slider Kits



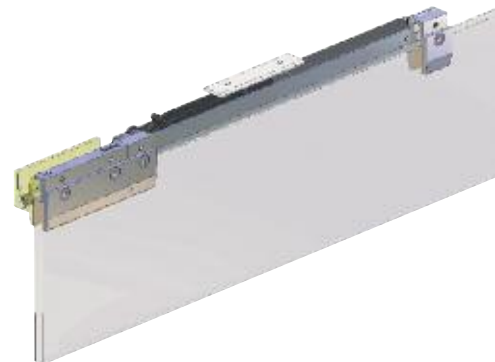
Single Slider With Fixed Panel Kits



Glass Mount Single Slider Kits



CAT. NO. CRL285SBK

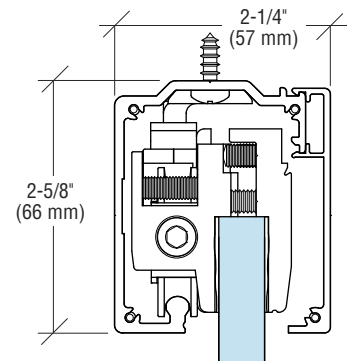
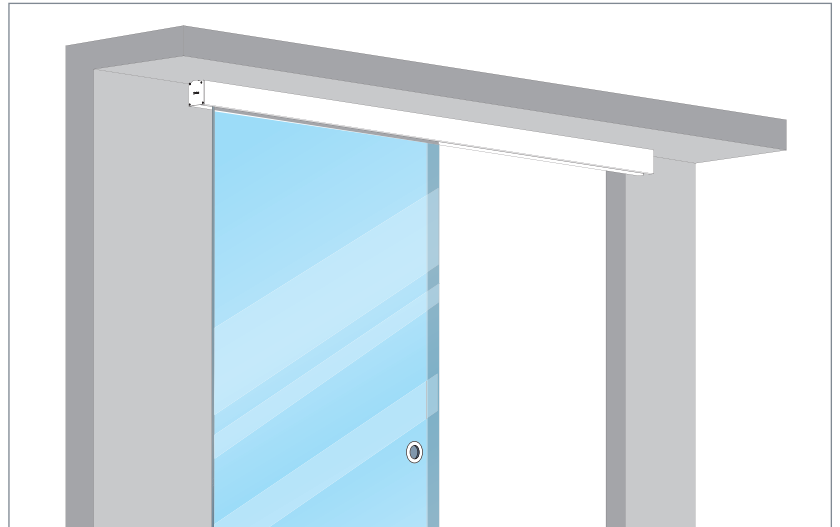


CRL285 Series Single Slider Kits

- New "Softbrake" Braking System
- For 5/16", 3/8" or 1/2" (8, 10 or 12 mm) Tempered Glass
- Satin Anodized Finish
- Maximum Panel Width 60" (1.5 m)

This configuration of the CRL285 Series Slider is used for single door applications where the Top Track mounts to a structural ceiling. Kit includes all the components you will need (except the tempered glass) to complete this style of installation. One "Softbrake" is required for each direction of travel to be controlled per panel. Minimum sliding panel width of 25-1/2" (650 mm) for control in a single direction; 39-3/8" (1000 mm) for control in both directions of travel.

NOTE: Laminated glass should not be used.



CAT. NO.	FOR GLASS THICKNESS
CRL28510	5/16" to 3/8" (8 to 10 mm)
CRL28512	1/2" (12 mm)

Minimum order: 1 each. Kits contain stock lengths measuring 118" (3 m) in length, and therefore must ship common carrier. Kits can be combined for quantity pricing.

Each Kit Contains:



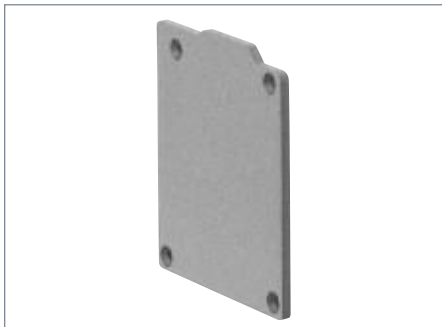
One Top Track at 118" (3m) in Length



Two Hanger Assemblies



One Top Track Cover at 118" (3 m) in Length



Two Top Track End Caps With Fasteners



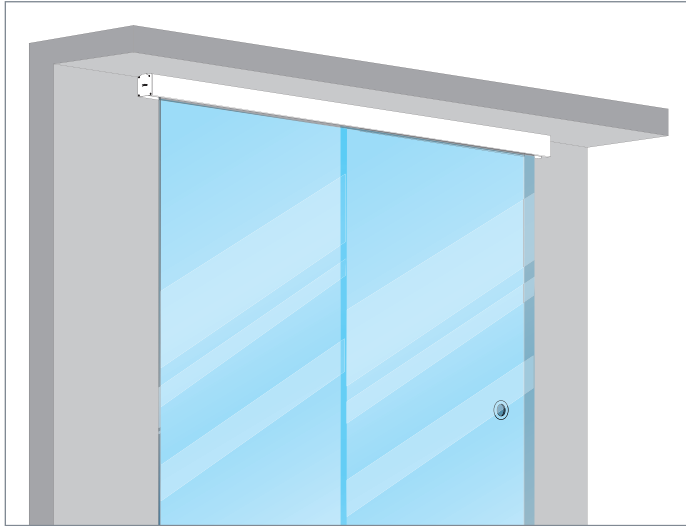
One Floor Guide With Fasteners



Two Softbrake Kits

CRL285 Series Single Slider With Fixed Panel Kits

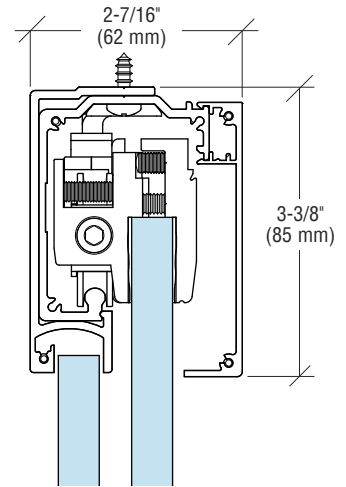
- New "Softbrake" Braking System
- For 5/16", 3/8" or 1/2" (8, 10 or 12 mm) Tempered Glass
- Satin Anodized Finish
- Maximum Panel Width 60" (1.5 m)



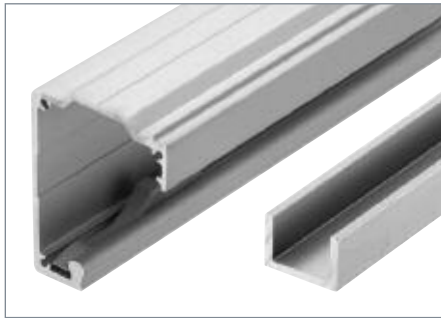
This configuration of the CRL285 Series Slider is used for single door with fixed panel applications where the Top Track mounts to a structural ceiling. Kit includes all the components you will need (except the tempered glass and pull hardware) to complete this style of installation. One "Softbrake" is required for each direction of travel to be controlled per panel. Minimum sliding panel width of 25-1/2" (650 mm) for control in a single direction; 39-3/8" (1000 mm) for control in both directions of travel. **NOTE:** Laminated glass should not be used.

CAT. NO.	FOR GLASS THICKNESS
CRL28510F	5/16" to 3/8" (8 to 10 mm)
CRL28512F	1/2" (12 mm)

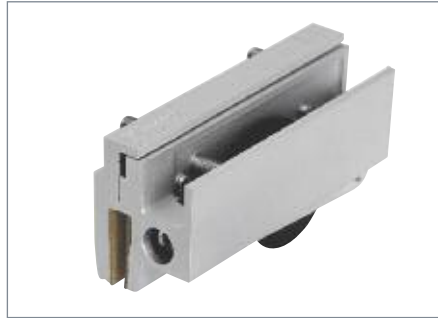
Minimum order: 1 each. Kits contain stock lengths measuring 118" (3 m) in length, and therefore must ship common carrier. Kits can be combined for quantity pricing.



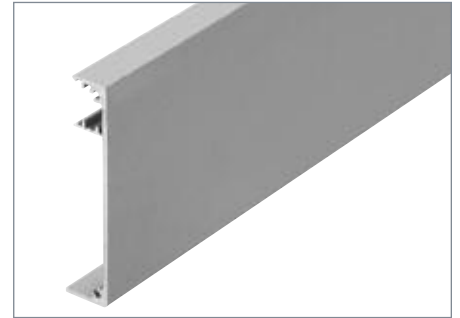
Each Kit Contains:



One Top Track and One Bottom U-Channel at 118" (3 m) in Length



Two Hanger Assemblies



One Top Track Cover at 118" (3 m) in Length



One Fixed Panel Adaptor at 118" (3 m) in Length



Two Top Track End Caps With Fasteners



One Floor Guide With Fasteners



Two Softbrake Kits

CRL285 Series Glass Mount Single Slider Kits

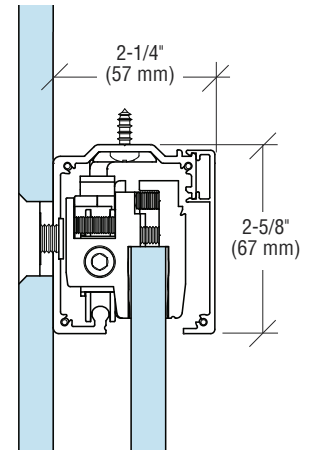
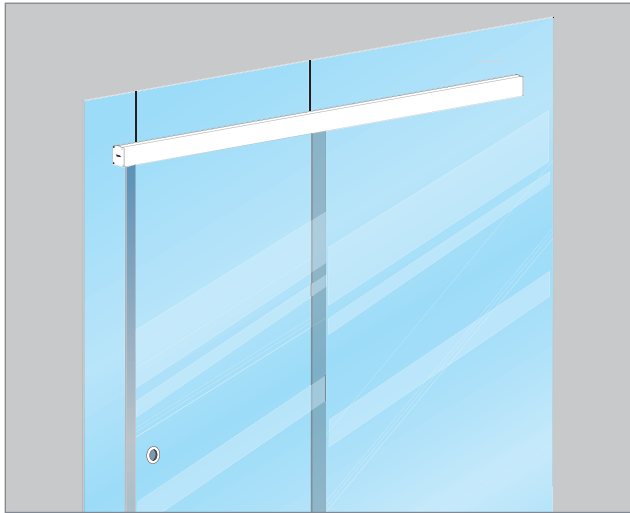
- New "Softbrake" Braking System
- For 5/16", 3/8" or 1/2" (8, 10 or 12 mm) Tempered Glass
- Satin Anodized Finish
- Maximum Panel Width 60" (1.5 m)

This configuration of the CRL285 Series Slider is used for single door applications where the top track mounts to a 3/8" or 1/2" (10 or 12 mm) fixed glass panel. Kit includes all the components you will need (except the tempered glass, channel, and pull hardware) to complete this style of installation. One "Softbrake" is required for each direction of travel to be controlled per panel. Minimum sliding panel width of 25-1/2" (650 mm) for control in a single direction; 39-3/8" (1000 mm) for control in both directions of travel.

NOTE: Laminated glass should not be used.

CAT. NO.	FOR GLASS THICKNESS
CRL28510G	5/16" to 3/8" (8 to 10 mm)
CRL28512G	1/2" (12 mm)

Minimum order: 1 each. Kits contain stock lengths measuring 118" (3 m) in length, and therefore must ship common carrier. Kits can be combined for quantity pricing.



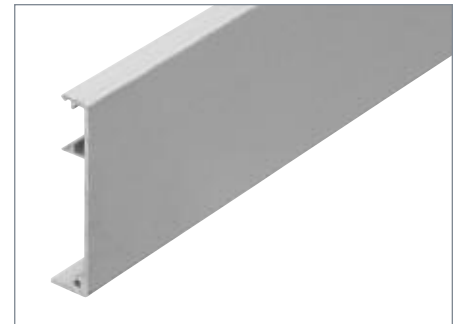
Each Kit Contains:



One Top Track at 118" (3 m) in Length



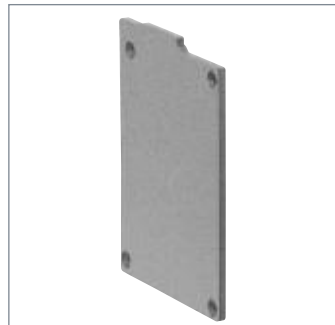
Two Hanger Assemblies



One Top Track Cover at 118" (3 m) in Length



15 Glass Supports



Two Top Track End Caps With Fasteners



One Floor Guide With Fasteners



Two Softbrake Kits

CRL285 Series Accessories

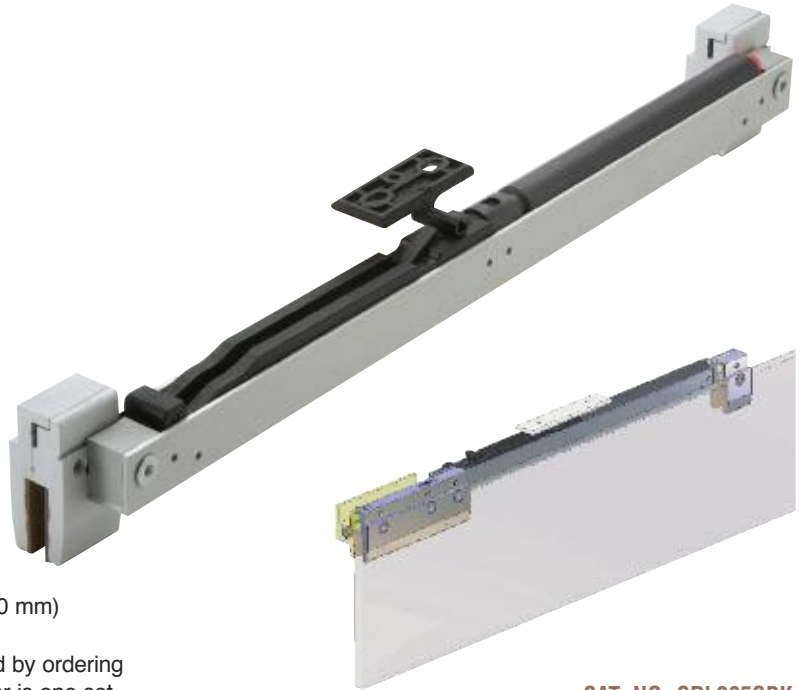
CRL285 Series "Softbrake" Braking System Kit

- For 5/16", 3/8" or 1/2" (8, 10 or 12 mm) Tempered Glass
- Cushions the Opening and Closing of Sliding Panels

CRL285 Series "Softbrake" Braking System comes standard with all CRL285 Series Sliding Door Kits. The "Softbrake" acts during the final 4" (102 mm) of travel and gently cushions the opening and closing of the sliding panel preventing accidental impact against the frame or adjacent panel.

One "Softbrake" is required for each direction of travel to be controlled per panel. Minimum sliding panel width of 25-1/2" (650 mm) for control in a single direction; 39-3/8" (1000 mm) for control in both directions of travel.

Existing CRL280 Series installations can be easily upgraded by ordering CRL285 Hanger Assemblies along with this kit. Minimum order is one set.



CAT. NO. CRL285SBK

CRL285 Series Hanger Assembly

- Smooth Rolling
- 1/4" (6 mm) Fine Tune Adjustment
- For Use With New Softbrake Braking System

CRL285 Series Hanger Assemblies are used with Cat. No. CRL3960A Top Track and require no notches or holes in the glass.

Hanger Assemblies can be fine tuned 1/4" (6 mm) in height to allow for floors and walls that are not true and level. Compatible with existing CRL280 Series.



RIGHT HAND CAT. NO.	LEFT HAND CAT. NO.	FOR GLASS THICKNESS
CRL3969R CRL3971R	CRL3969L CRL3971L	3/8" (10 mm) 1/2" (12 mm)

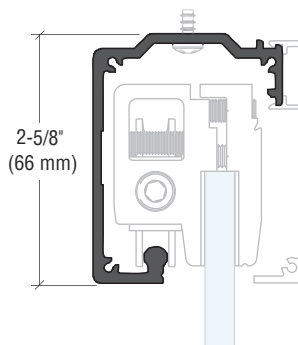
Minimum order: 1 each. One left hand and one right hand assembly are needed per door.

CRL285 Series Top Track

- 118" (3 m) Long
- Satin Anodized Finish

CRL285 Series Top Tracks are made of aluminum with a satin anodized finish. They come pre-drilled for 3/16" (4.8 mm) fasteners (not included) at 8" (203 mm) centers.

Optional snap-on Track Covers and Fixed Panel Adaptors as shown on next page must be ordered separately. Compatible with CRL280 Series components. Minimum order is one stock length. Must ship common carrier.



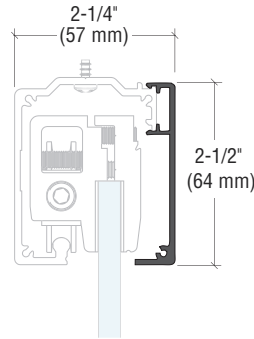
CAT. NO. CRL3960A

CRL285 Series Accessories

CRL285 Series Top Track Cover

- Satin Anodized Finish
- 118" (3 m) Long

CRL285 Series Top Track Covers are used with Cat. No. CRL3960A to conceal the Hanger Assemblies. Made of aluminum with a satin anodized finish. Compatible with CRL280 Series. Minimum order is one stock length. Must ship common carrier.



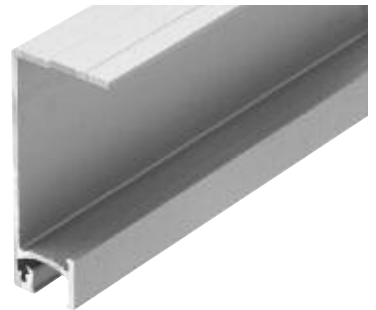
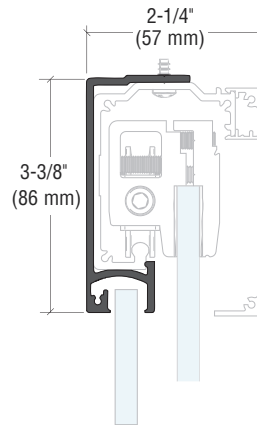
CAT. NO. CRL3964A

CRL285 Series Fixed Panel Adaptor

- For 5/16", 3/8" or 1/2" (8, 10, or 12 mm) Tempered Glass
- Satin Anodized Finish

CRL285 Series Fixed Panel Adaptors are used with Cat. No. CRL3960A to provide a top channel for fixed glass panels and are made of aluminum with a satin anodized finish. They come in 118" (3 m) stock lengths, pre-drilled for 3/16" (4.8 mm) fasteners (not included) at 8" (203 mm) centers.

Minimum order is one stock length. Must ship common carrier. Compatible with CRL280 Series.



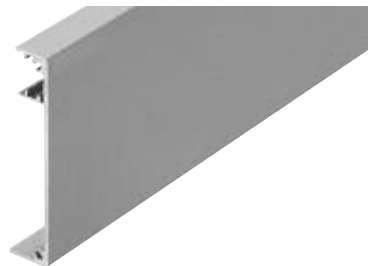
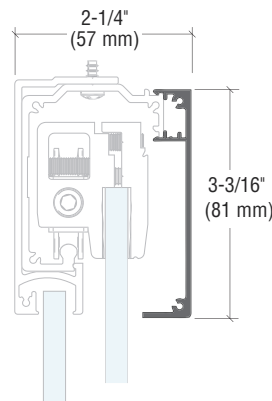
CAT. NO.	GLASS THICKNESS
CRL3962A	3/8" (10 mm)
CRL3963A	1/2" (12 mm)

Minimum order: 1 each.

CRL285 Series Fixed Panel Adaptor Cover

- 118" (3 m) Long
- Satin Anodized Finish

CRL285 Series Fixed Panel Adaptor Covers are used with Cat. No. CRL3960A to conceal the Hanger Assemblies. They are made of aluminum with a satin anodized finish. Minimum order is one 118" (3 m) stock length. Must ship common carrier. Compatible with CRL280 Series.



CAT. NO.	GLASS THICKNESS
CRL3966A	3/8" (10 mm)
CRL3967A	1/2" (12 mm)

Minimum order: 1 each.

CRL285 Series End Cover Plates for Top Track

CRL285 Series End Cover Plates are available in two sizes; CRL3974 for use with Single Slider Kits and CRL3976 for use with Single Slider with Fixed Panel Kits. They are finished to match the Top Track.

End Cover Plates are pre-drilled and come complete with mounting screws, four per Cover Plate. Compatible with CRL280 Series.

CAT. NO.	DESCRIPTION
CRL3974	For use without Fixed Panel Adaptor
CRL3976	For use with Fixed Panel Adaptor

Minimum order: 1 set.



CRL3974



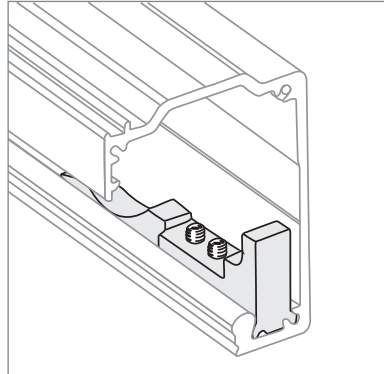
CRL3976

CRL285 Series Accessories

CRL285 Series Roller Stop

CRL285 Series Roller Stops mount inside Cat. No. CRL3960A Top Track and provide both a positive stop for the sliding panel as well as a hold feature. This Stop is not needed when using the "Softbrake" Braking System. Stop position is easily adjusted after installation. Each Stop comes complete with fasteners to secure it in the Top Track, with no drilling necessary.

Two stops are needed per sliding panel. Minimum order is one set.



CAT. NO. CRL3961

CRL285 Series Glass Mount Brackets

- For Mounting CRL285 Top Track to 3/8" or 1/2" (10 or 12 mm) Tempered Glass
- Flush Mount Fastener

CRL285 Series Glass Mount Brackets are used to attach Cat. No. CRL3960A Top Track to the face of a 3/8" or 1/2" (10 or 12 mm) tempered glass panel.

These Brackets come standard with all CRL28510G and CRL28512G Kits. Recommended spacing is maximum 12" (305 mm) on center. Requires countersunk holes in glass. Minimum order is one each.



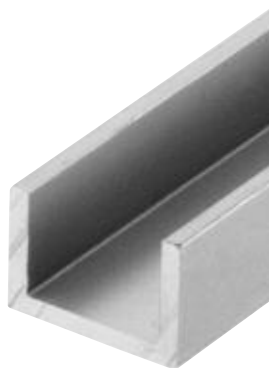
CAT. NO. CRL3972A

CRL Bottom Channel for Fixed Glass

- 118" (3 m) Long
- Satin Anodized Finish

Bottom Channel for Fixed Glass is used to capture the fixed glass panel at the floor. For use with 5/16", 3/8" or 1/2" (8, 10, or 12 mm) tempered glass to provide a sleek finished look. They are made of aluminum with a satin anodized finish, and come in 118" (3 m) stock lengths. For use with CRL50, 51, 70, and 285 Series Sliding Systems.

Minimum order is one 118" (3 m) stock length. Must ship common carrier.



CAT. NO. CRL3979A

CRL Bottom Guide for Sliding Glass Doors

- Satin Anodized
- Adjustable for 5/16", 3/8" or 1/2" (8, 10, or 12 mm) Glass Doors



Bottom Guide for Sliding Glass Doors is used to keep the bottom of the sliding glass door aligned. Made of die cast zinc alloy with adjustable nylon insert for 5/16", 3/8" or 1/2" (8, 10, or 12 mm) glass doors. For use with CRL50, 51, 70, and 285 Series Sliding Systems. Complete with mounting screws. Minimum order is one each.

CAT. NO. CRL3978

4

BOTTOM ROLLING SLIDING DOOR SYSTEMS

- E1200 Series
Elephant Door System
- 2000 Series Sliding Door System
- 3000 Series Sliding Door System
- GSDH Series Bottom
Rolling Door System
- SDR Series Sliding
Door System
- SSR Series Sliding
Door System

See other side for Section Index.

TOLL FREE PHONE SERVICE

U.S. and CANADA
(800) 421-6144

EUROPE
00 800 0421 6144

AUSTRALIA
1800 424 275

CRL[®]
U.S. ALUMINUM
crlaurence.com
usalum.com

CRL SSR Series Bottom
Rolling Sliding Door System

4 BOTTOM ROLLING SLIDING DOOR SYSTEMS



The Perfect Solution for Dealer's Showrooms

Sliding Door Systems for larger openings are one of our specialties. From the beauty and ease of use found in our SDR and SSR Series Heavy Glass Sliding Doors to the innovative design and functionality of our new Elephant Door System, you'll come to know that when there is a need to fill larger openings with safe and attractive door systems we are your source.

For additional information contact our Technical Sales Staff at (800) 421-6144 in the U.S., (877) 421-6144 from Canada, or (323) 588-1281 International. Ask for Ext. 7700. You can also e-mail us through our web site at crlaurence.com. From the home page click on Contact Us, and then click on Technical Sales for Commercial Products.

SUBJECT

PAGES

- E1200 Series Elephant Door System 365D thru 370D
- 2000 Series Sliding Door System 371D thru 377D
- 3000 Series Sliding Door System 378D thru 383D
- GSDH Series Bottom Rolling Door System 384D thru 387D
- SDR Series Heavy Glass Sliding Door System 388D thru 391D
- SSR Series Heavy Glass Sliding Door System 392D thru 396D

For information or other assistance, use our toll free phone or fax service numbers

In the U.S. or Canada Toll Free Phone (800) 421-6144 Toll Free Fax (800) 262-3299

In Europe Freephone 00 800 0421 6144 Freefax 00 800 0262 3299

In Australia Toll Free Phone 1800 424 275 Toll Free Fax 1800 813 013

Contact us through our web site at crlaurence.com

Series E1200 Elephant Doors

- Sliding Storefront
- "Elephant Size" Opening
- Recessed Floor Track
- Interlocking Panels



In the Closed Position It's Business as Usual with Pairs of Swinging Entrance Doors.



With the Sliding Doors Open, the "Elephant Size" Opening Allows for Larger Objects to be Moved In or Out.

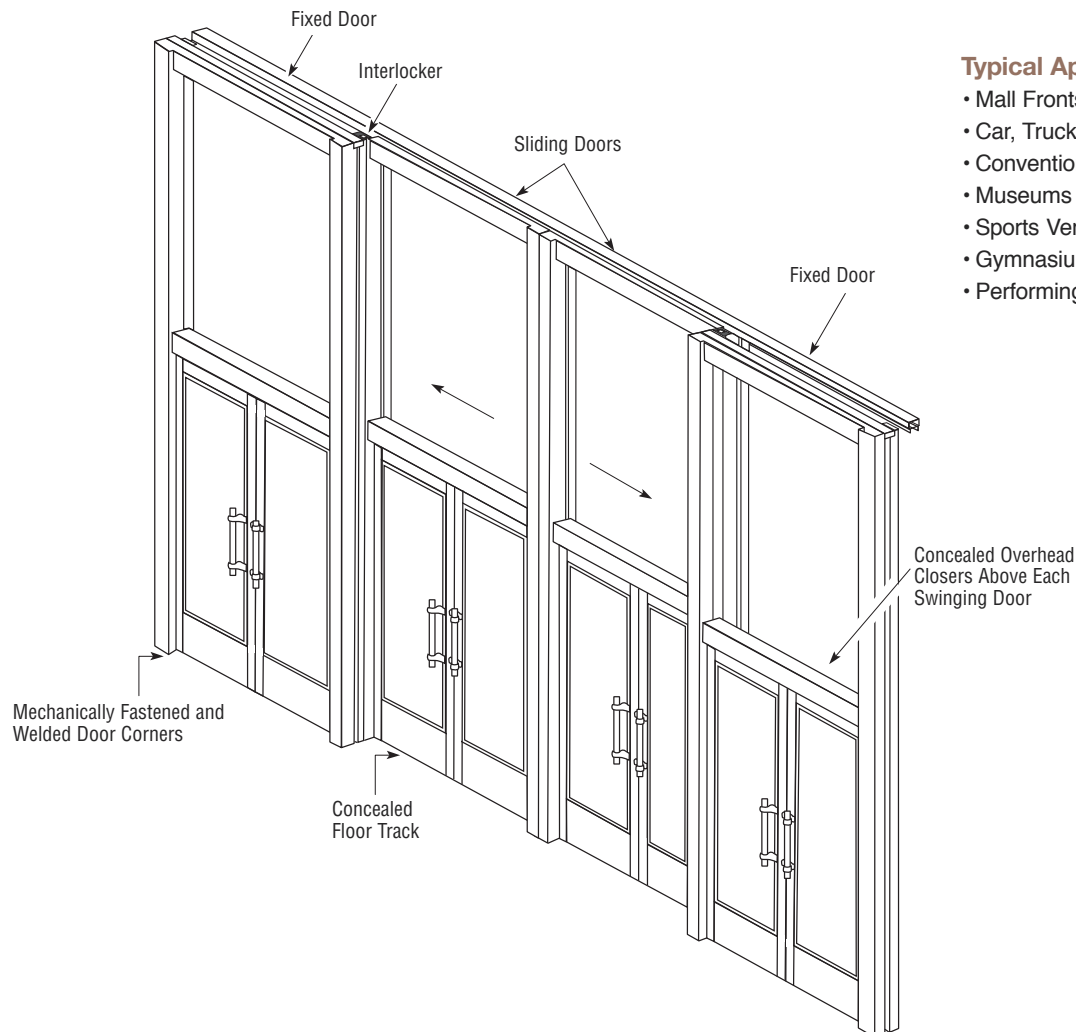
Series E1200 Elephant Doors

- Series 400 Medium Stile Doors
- For 1/4" or 1" (6 or 25 mm) Glazing
- Up to 6' (1.8 m) Wide x 14' (4.2 m) Tall Operable Bays
- Available in Clear, Dark Bronze, or Black Anodized Finishes
- Also Available in Standard U.S. Aluminum Fluoropolymer Painted Finishes



CRL Series E1200 Elephant Doors are the first of their kind! The CRL Elephant Door System is easily suitable for 6' (1.8 m) wide x 14' (4.2 m) tall bays, and can meet code requirements with 30 psf windloads. Its rugged overall construction coupled with heavy wall stiles and interlocks, heavy-duty tandem rollers, and a concealed floor track, offers smooth operation and durability. Available in clear, bronze or black anodized and a wide range of standard U.S. Aluminum Fluoropolymer painted finishes. Doors are available in offset pivot or center hung configurations with a wide variety of locking hardware and overhead concealed closers to meet your specific requirements.

The CRL Elephant Door System is ideal for renovation projects as no wall pockets are needed to facilitate the horizontal movement of the system. The operable storefront sections easily slide behind the fixed sections, creating monumental openings for the passage of large items such as cars, trucks, boats, works of art, furniture, or mass pedestrian traffic for sporting venues. Various configurations are available to meet your design needs. The E1200 is intended for installations that have soffit overhangs greater than the overall entrance frame height. Local codes should be checked for compliance.



Typical Applications:

- Mall Fronts
- Car, Truck, and Boat Dealerships
- Convention Centers
- Museums
- Sports Venues
- Gymnasiums
- Performing Arts Facilities

CRL BOTTOM ROLLING SLIDING DOOR SYSTEMS

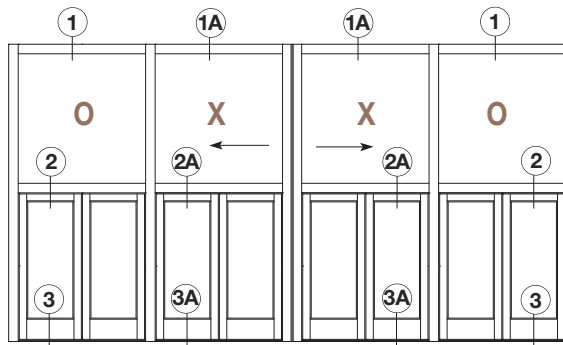
For Pricing Visit Our Web Site or Call Us Toll Free at the Phone Numbers Shown on the Back Cover

Series E1200 Elephant Doors

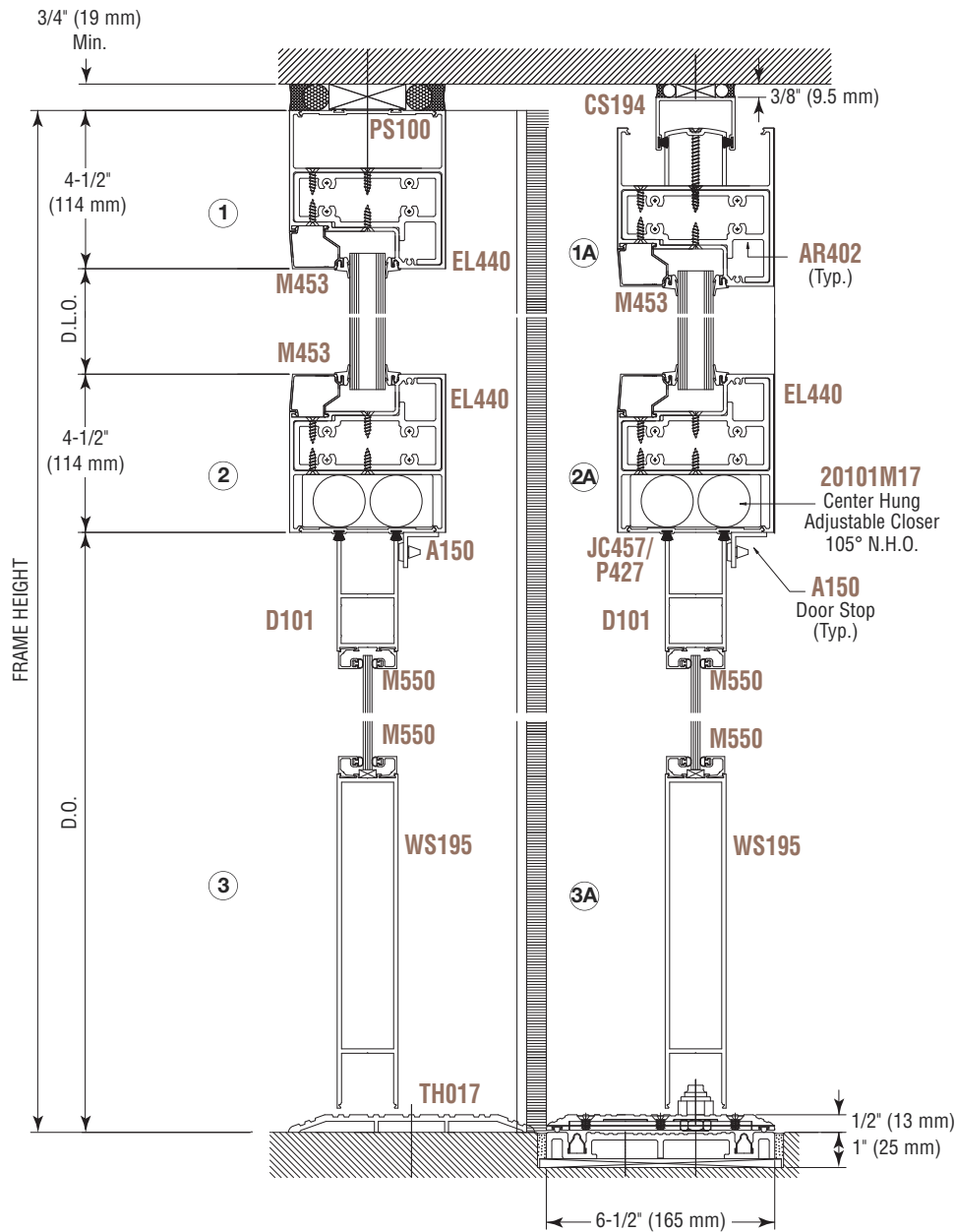
- Door Framing for 1/4" (6 mm) and 1" (25 mm) Glazing



NEW!



TYPICAL ELEVATION



CENTER HUNG DOORS

NOT TO SCALE

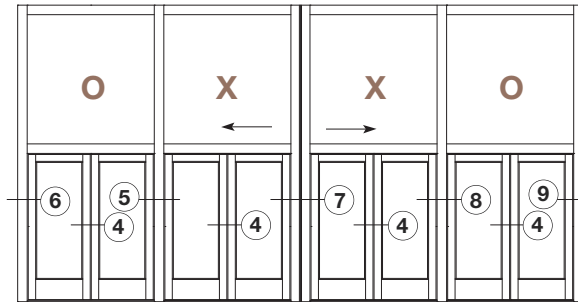


CRL BOTTOM ROLLING SLIDING DOOR SYSTEMS

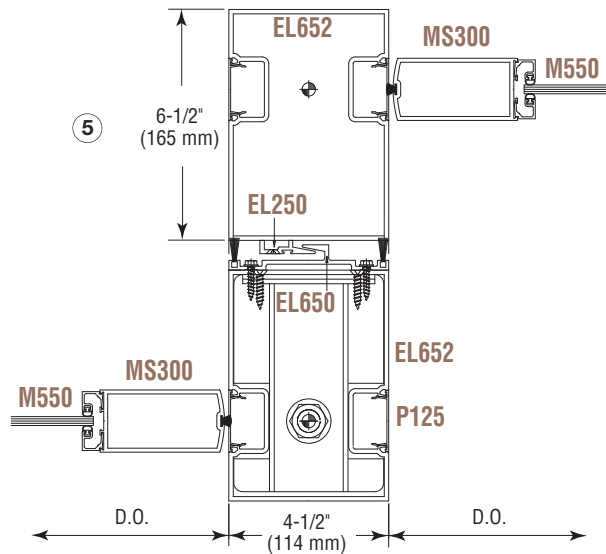
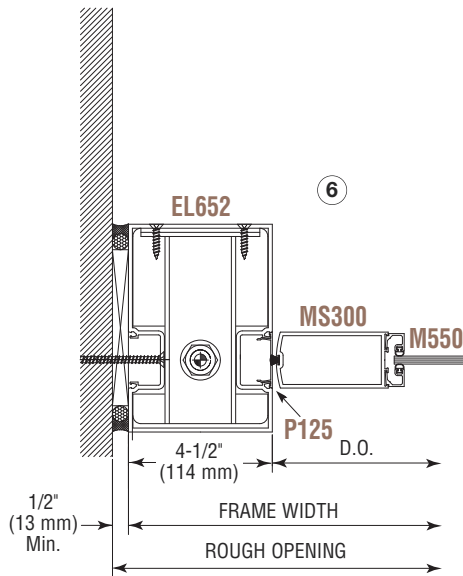
For Pricing Visit Our Web Site or Call Us Toll Free at the Phone Numbers Shown on the Back Cover

Series E1200 Elephant Doors

- Door Framing for 1/4" (6 mm) and 1" (25 mm) Glazing



TYPICAL ELEVATION



NOT TO SCALE



C.R. LAURENCE COMPANY

crlaurence.com | usalum.com

368D | crlaurence.ca crlaurence.com.au crlaurence.co.uk crlaurence.de crlaurence.eu

CRL BOTTOM ROLLING SLIDING DOOR SYSTEMS

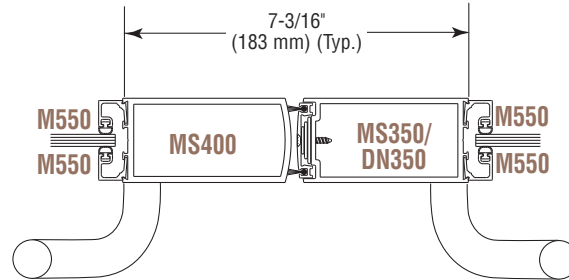
For Pricing Visit Our Web Site or Call Us Toll Free at the Phone Numbers Shown on the Back Cover

Series E1200 Elephant Doors

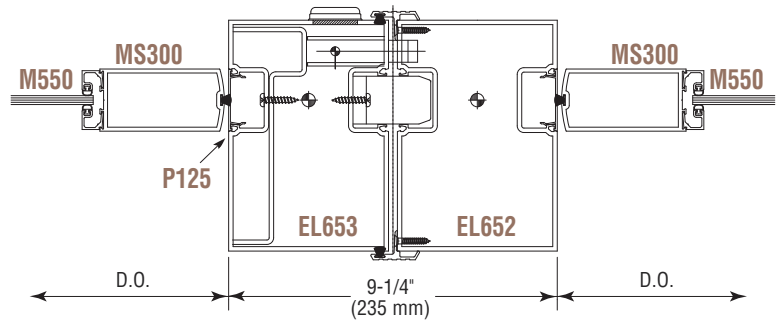
- Door Framing for 1/4" (6 mm) and 1" (25 mm) Glazing



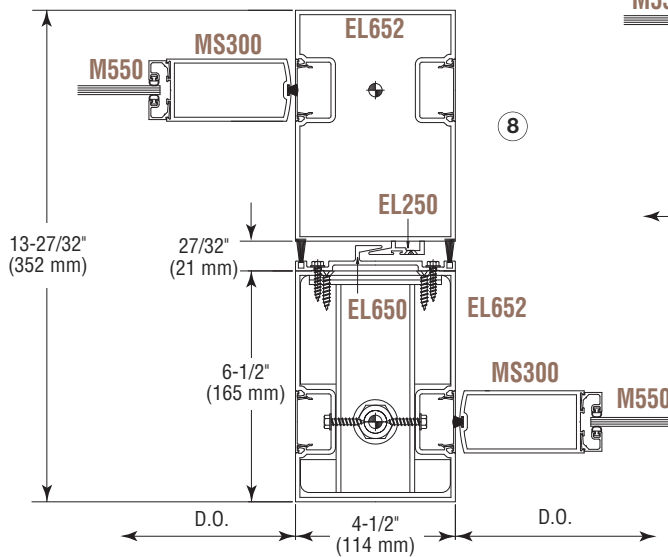
4



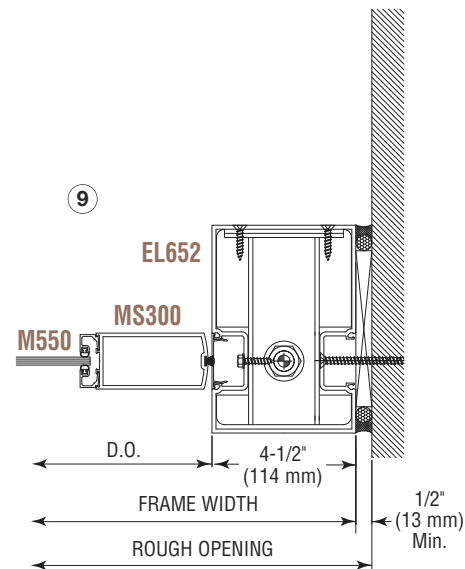
7



8



9



NOT TO SCALE



CRL BOTTOM ROLLING SLIDING DOOR SYSTEMS

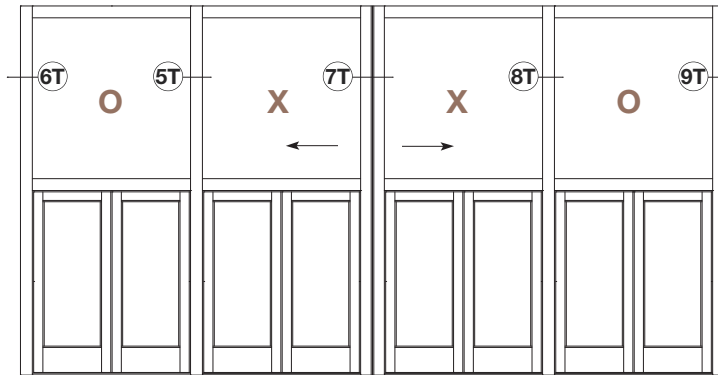
For Pricing Visit Our Web Site or Call Us Toll Free at the Phone Numbers Shown on the Back Cover

Series E1200 Elephant Doors

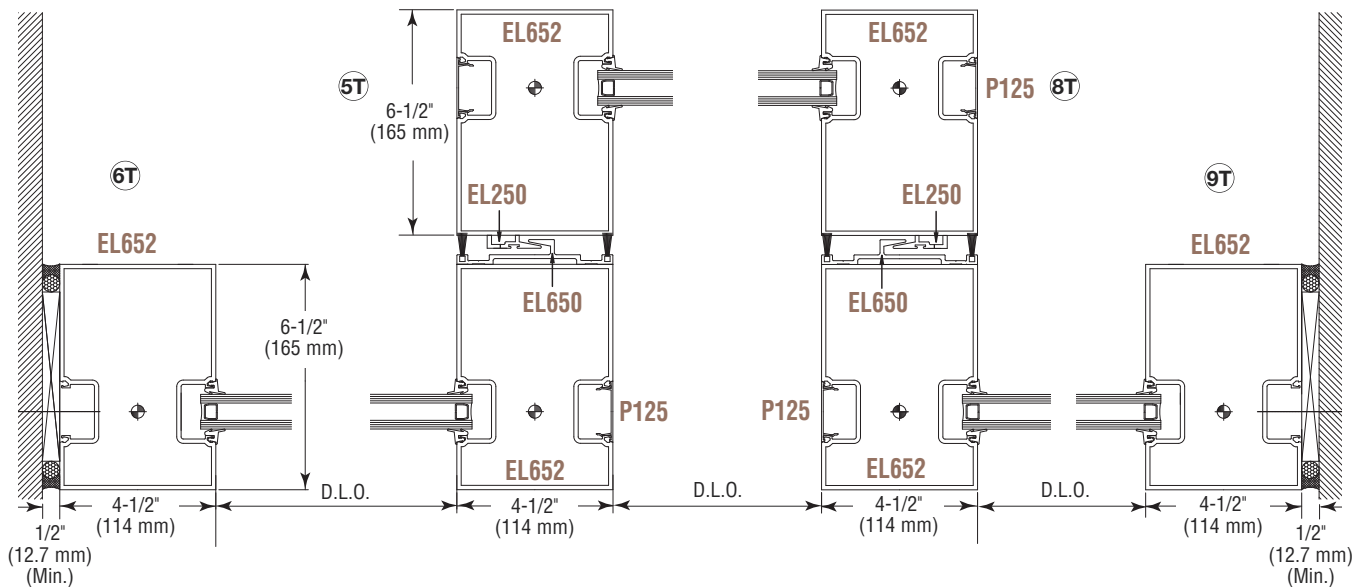
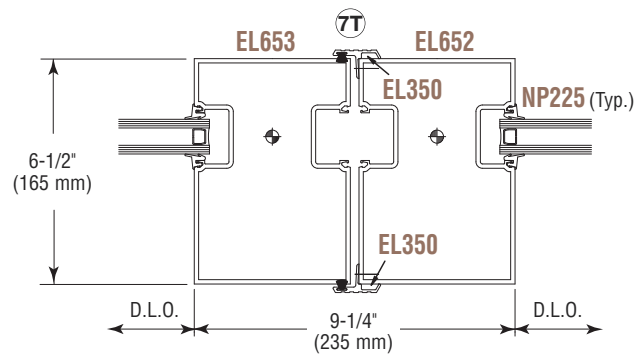
NEW!



- Door Framing for 1/4" (6 mm) and 1" (25 mm) Glazing



TYPICAL ELEVATION



NOT TO SCALE



C.R. LAURENCE COMPANY

crlaurence.com | usalum.com

370D | crlaurence.ca crlaurence.com.au crlaurence.co.uk crlaurence.de crlaurence.eu

CRL BOTTOM ROLLING SLIDING DOOR SYSTEMS

For Pricing Visit Our Web Site or Call Us Toll Free at the Phone Numbers Shown on the Back Cover



Online Photo Gallery

When you visit the crlaurence.com home page you can click into photo galleries of finished projects. It's a great way to show your customers what can be accomplished when they specify CRL Architectural Hardware Products.



Series 2000 Sliding Doors

The Series 2000 Sliding Door is a multi-track entrance designed for interior applications only. This multi-track slider is engineered with stacking head channels and bottom tracks allowing multi-slider combinations. Rugged overall construction coupled with heavy wall stiles and interlocks create a truly monumental sliding unit. Doors are equipped with flush finger pulls, hooklocks, and lock cylinders. Adjustable tandem rollers and floor track with stainless steel caps ensure smooth operation and durability.

Various combinations of sliding and pocket door panels can accommodate many design plans. Floor tracks can be installed, recessed or surface applied. Each sliding door has two tandem steel rollers to provide smooth operation and years of service.

NOTE: An intermediate horizontal muntin should be installed in panels with perimeters exceeding 288" (7.3 m).



SERIES	STILES	TOP RAIL	BOTTOM RAIL	GLAZING INFILL	INTERIOR APPLICATIONS ONLY
2000 SLIDING DOOR	2-1/16" (52.4 mm)	2-1/8" (54 mm)	3-3/16" (81 mm)	1/4" (6 mm) or 1" (25 mm)	Shopping Malls, Office Partitions, Auto Dealerships



Series 2000 Sliding Doors

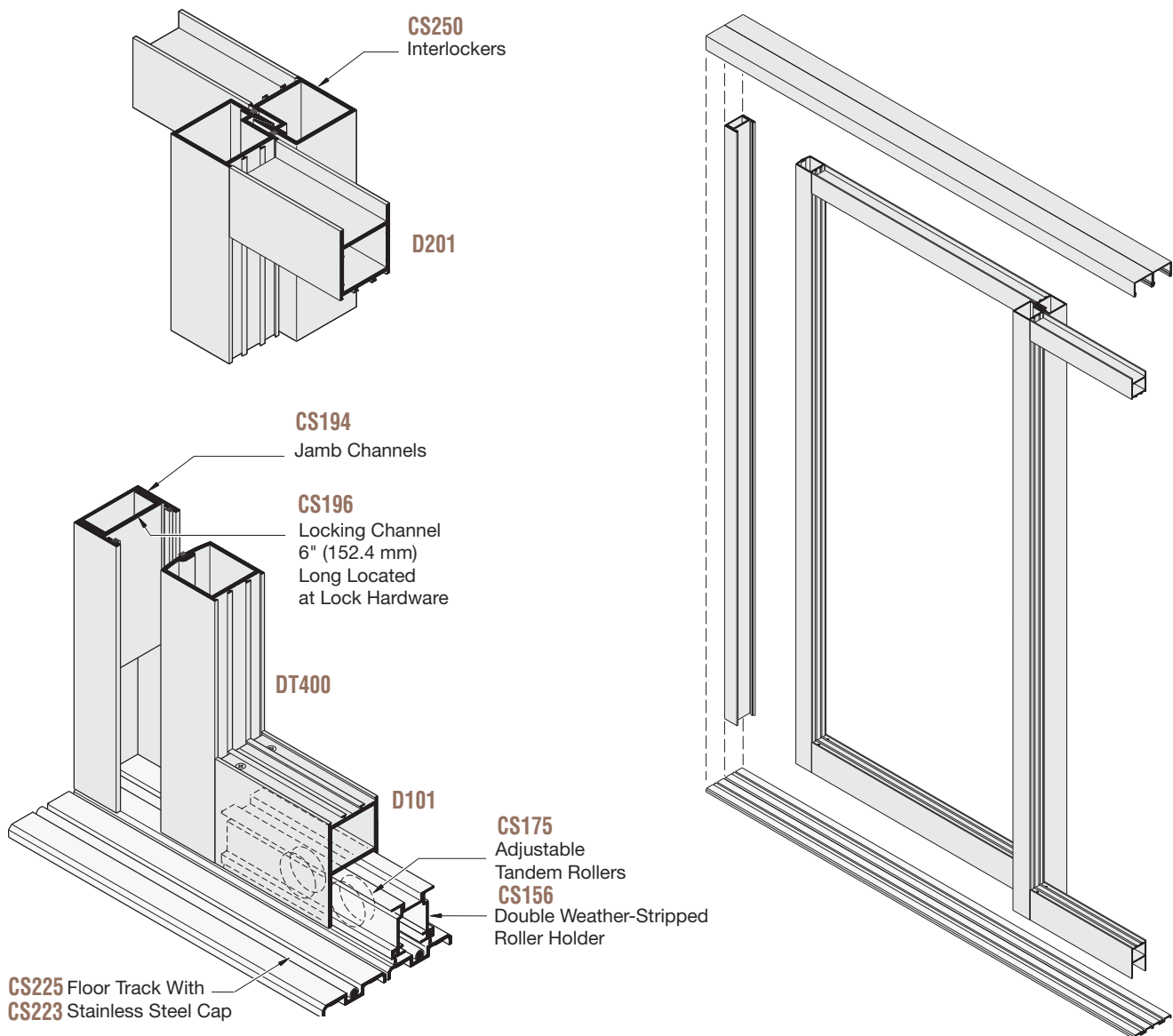


DOOR PACKAGES INCLUDE:

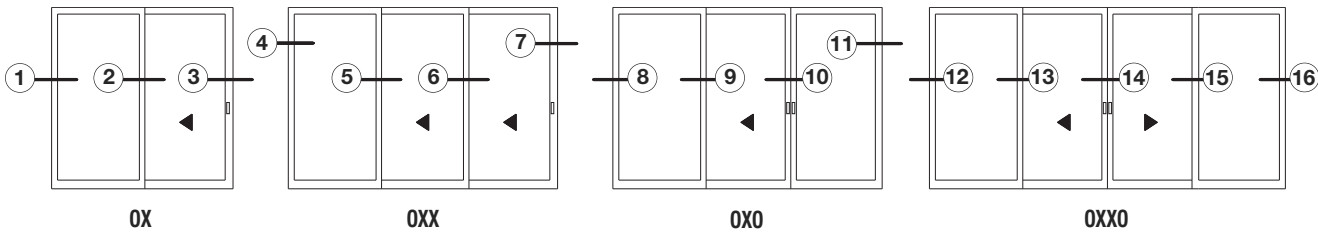
Fabricated Items: Door panels are shop assembled with the following items installed: Maximum Security Hookbolt Lock, two Cylinders, Flush Finger Pulls, Tandem Rollers, and Roller Holders. The Locking Channel with lock cut-out is furnished loose.

Non-Fabricated Items: Headers, Jambs, Tracks, Interlocker Angle, and Trim for Pocket Doors. Sizes need to be field adjusted to exact opening dimensions.

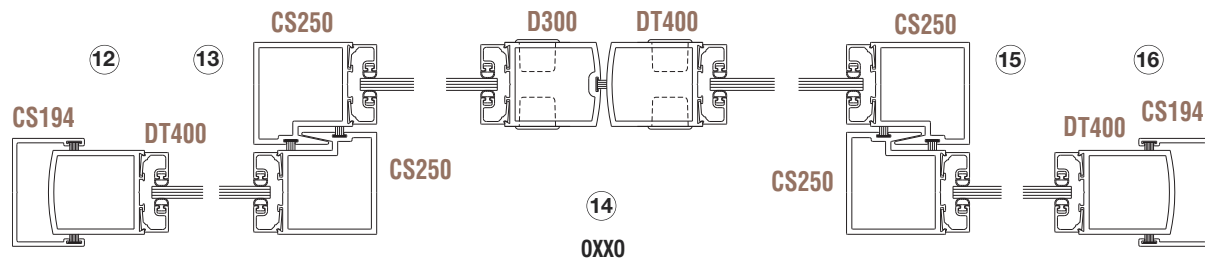
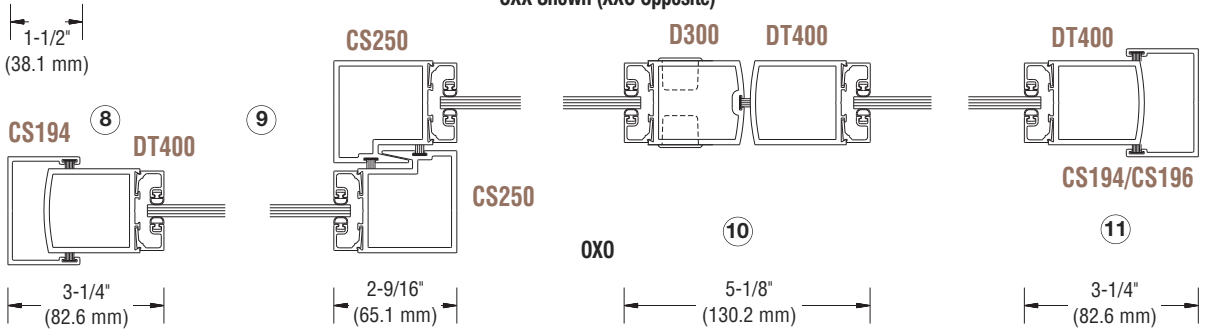
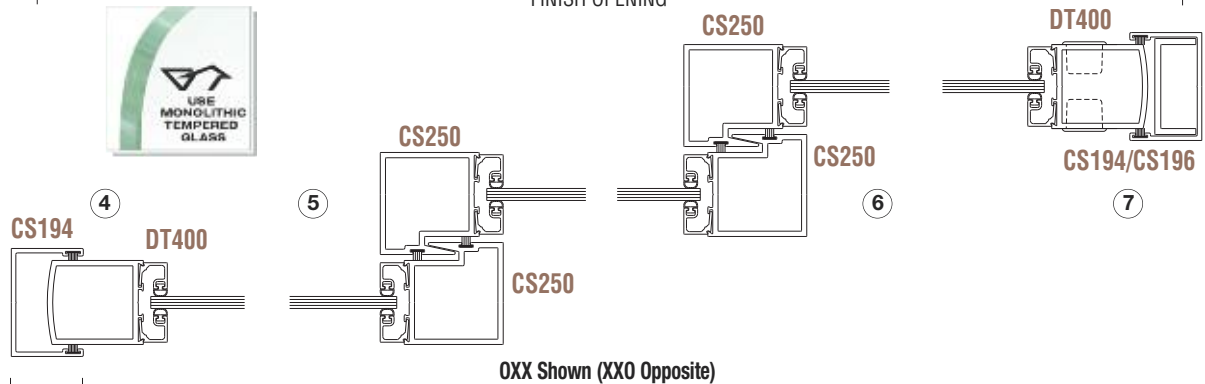
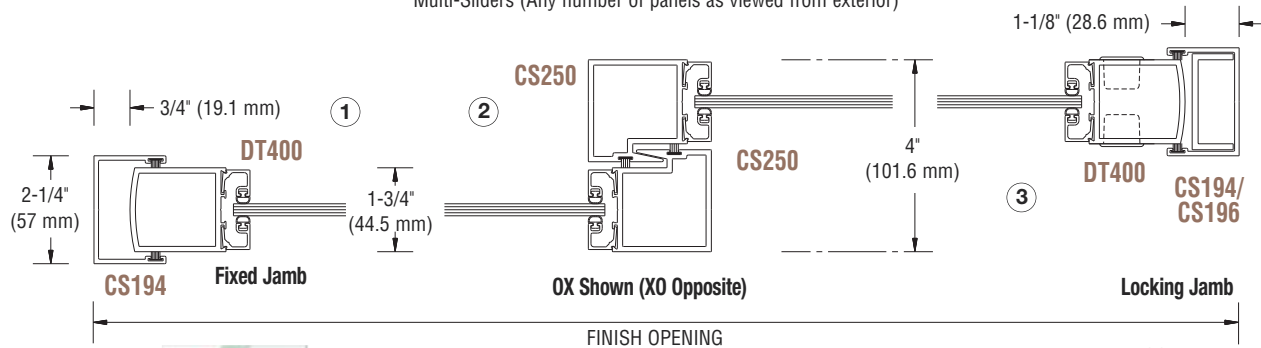
NOTE: Installation screws and preparation is excluded.



Series 2000 Sliding Doors

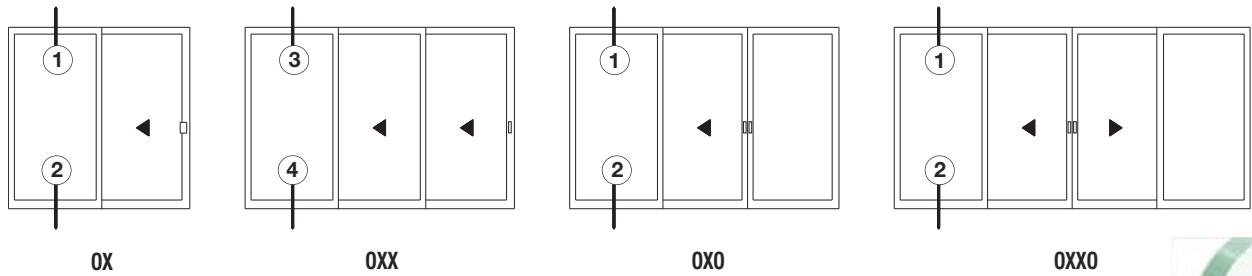


Multi-Sliders (Any number of panels as viewed from exterior)

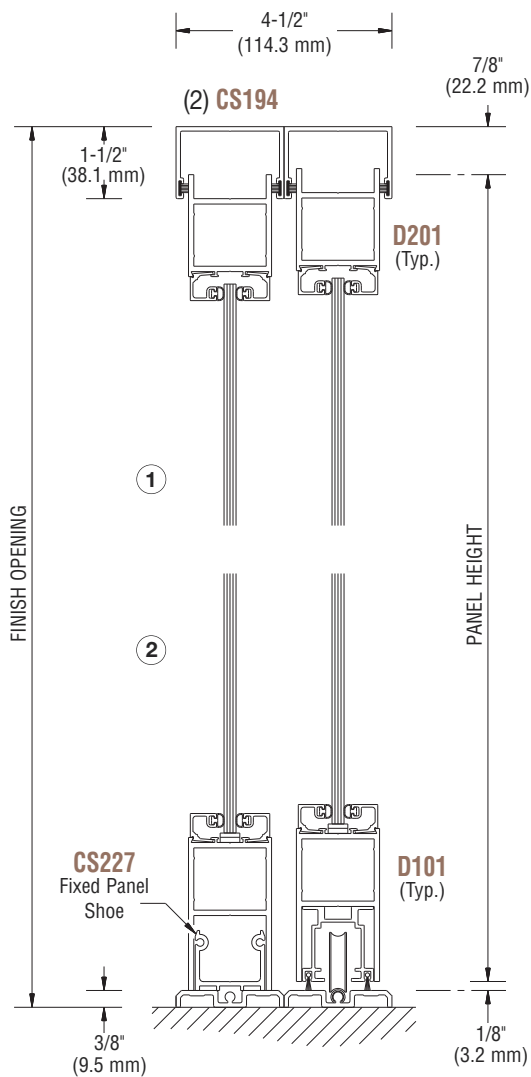


NOT TO SCALE

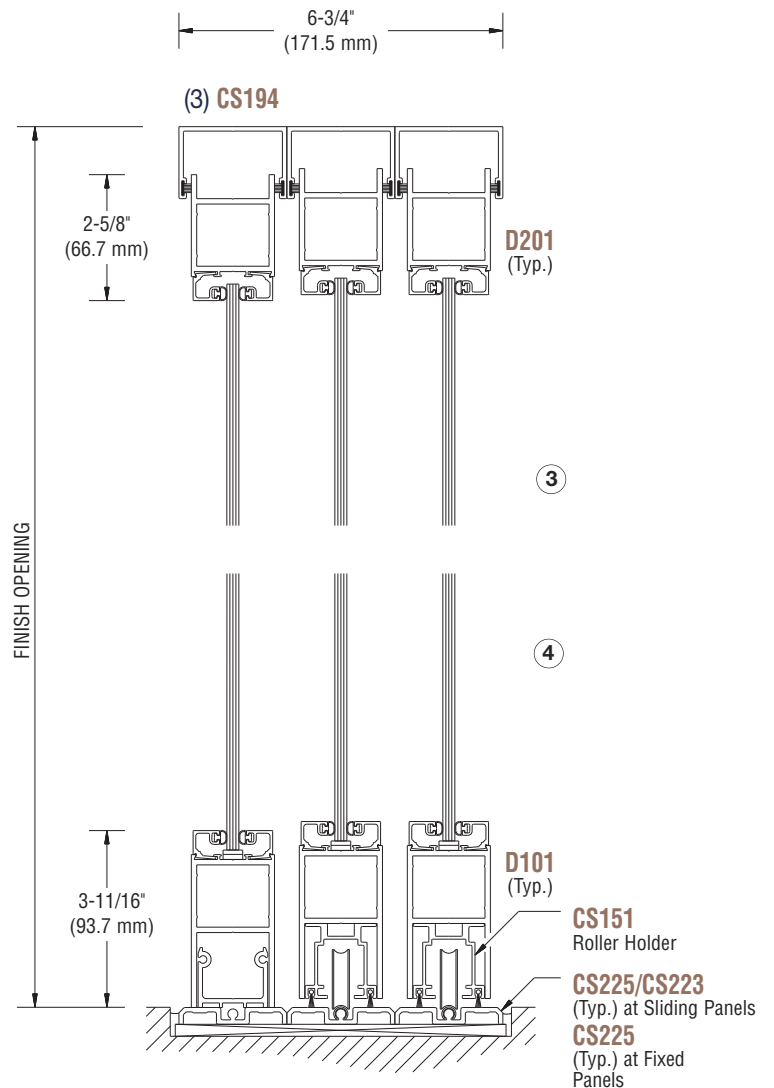
Series 2000 Sliding Doors



Multi-Sliders (Any number of panels as viewed from exterior)



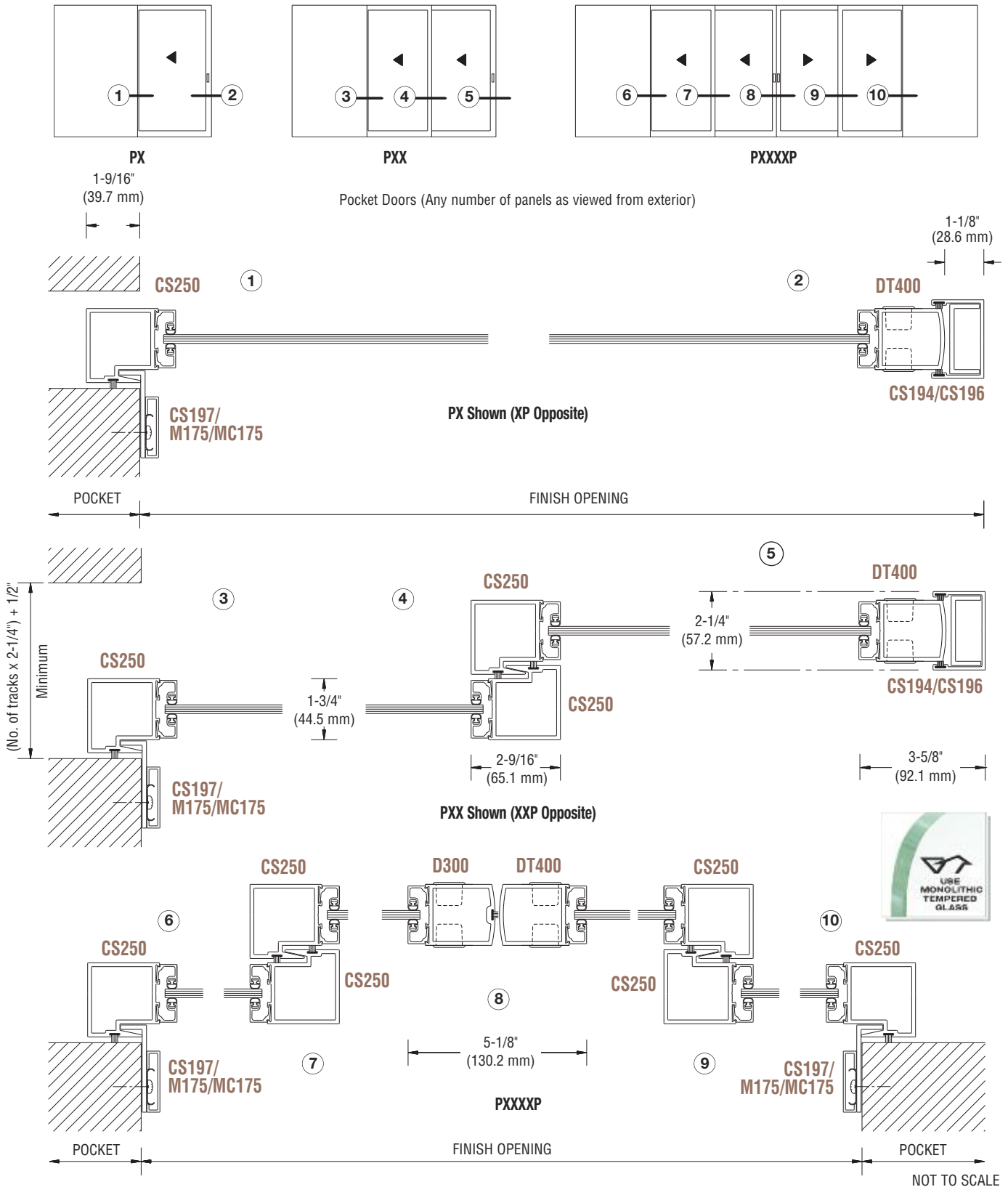
Surface Mounted Tracks



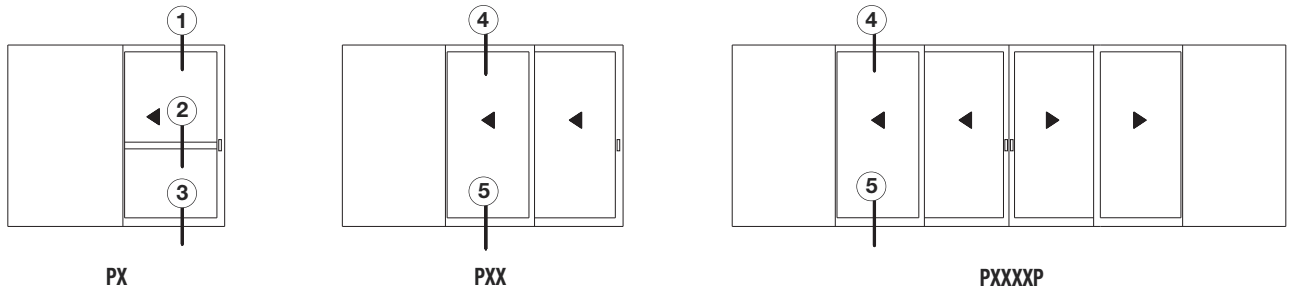
Recessed Tracks

NOT TO SCALE

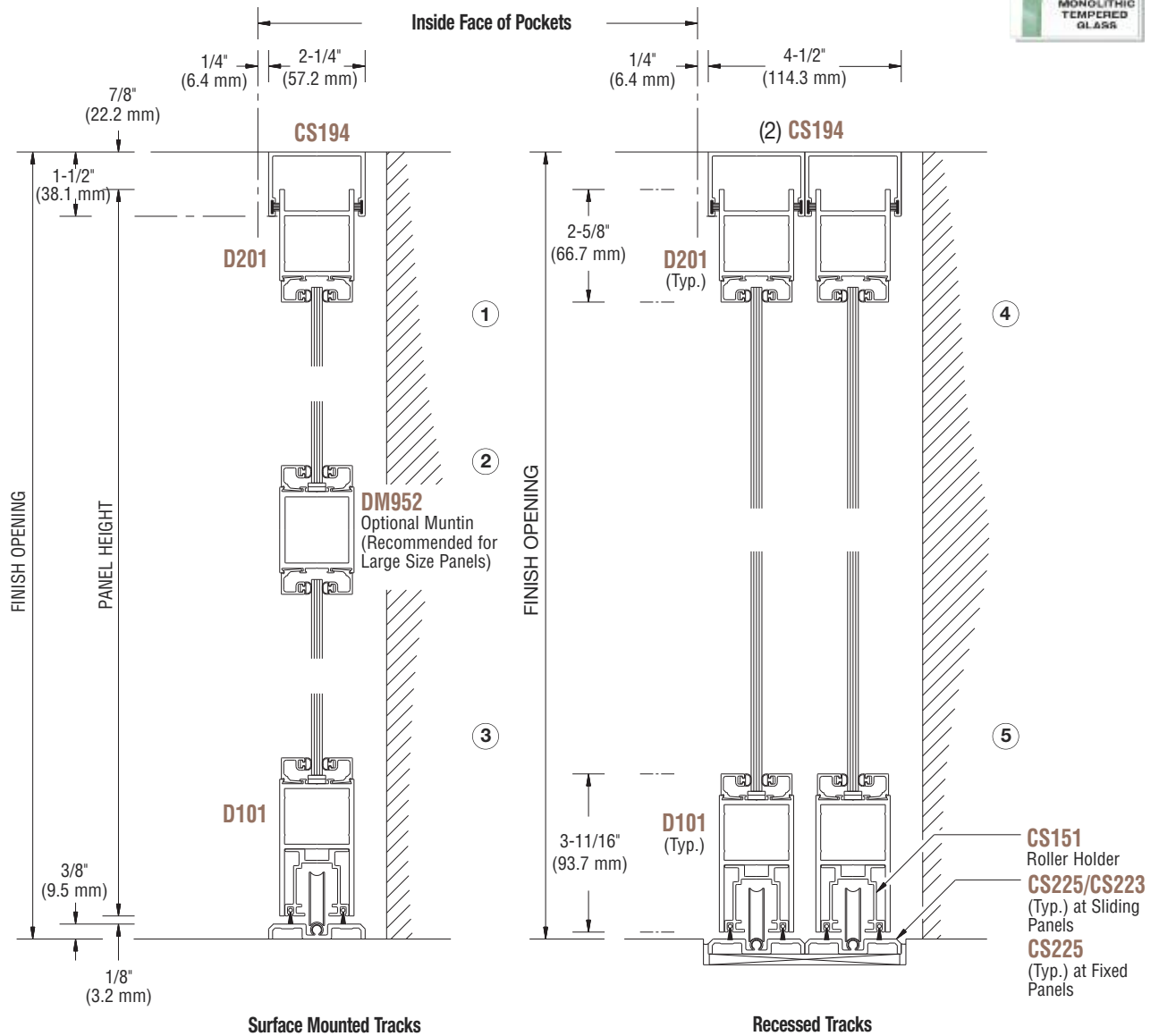
Series 2000 Sliding Doors



Series 2000 Sliding Doors



Pocket Doors (Any number of panels as viewed from exterior)



NOT TO SCALE

Series 3000 High Performance Sliding Doors



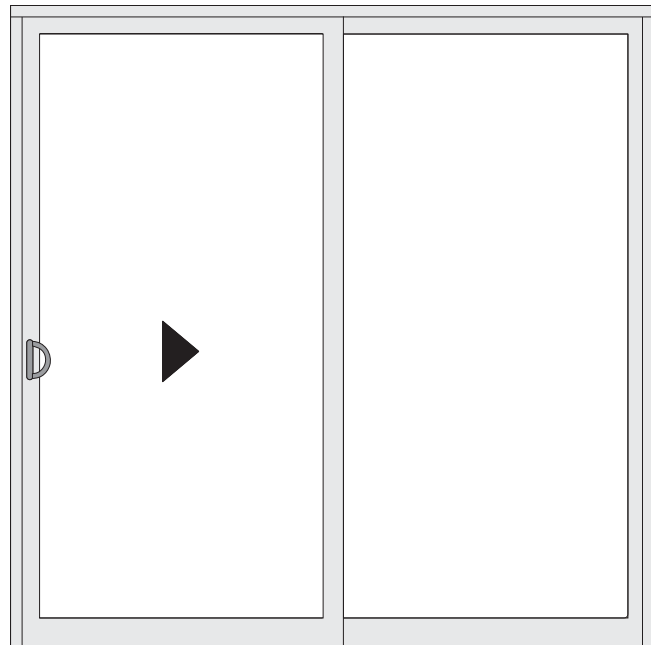
- Tested to AAMA C-40 and CW-50 for High Performance
- Accommodates 1" (25 mm) Glazing
- Thermally Broken Stacking Head and Sill Channels
- 4-1/2" (114.3 mm) Frame Depth
- Stacking Subsill for High Performance
- Multi-Point Locking System
- Available in Block or Fin Frame
- Available as OX, XO, OXO, OXXO and Multi-Pocket Doors



Our Series 3000 High Performance Sliding Door is an elegant high thermal multi-track sliding door designed for exterior applications. This high performance slider is designed for either fin or block frame applications, has thermally broken stacking head channels and bottom tracks to provide exceptional thermal performance, allowing for multi-slider combinations. It's rugged overall construction coupled, with heavy wall stiles and interlocks, create a truly monumental thermal sliding unit. Doors are equipped with multi-point locking system, heavy-duty adjustable tandem rollers, and floor track with stainless steel caps to ensure smooth operation during years of service.

Various combinations of sliding and pocket door panels can accommodate many design plans. The unique design of our 3000 Sliding Door is capable of having separate interior and exterior finishes, optional extruded screens, and factory glazing.

NOTE: An intermediate horizontal muntin should be installed in panels with perimeters exceeding 24 feet (7.3 m).



SERIES	STILES	TOP RAIL	BOTTOM RAIL	APPLICATIONS
3000 Sliding Door	2-1/2" (63.5 mm)	1-5/32" (29.3 mm)	3-7/16" (87.3 mm)	Condominiums, Lofts, Hotels, and Apartments





Series 3000 High Performance Sliding Doors

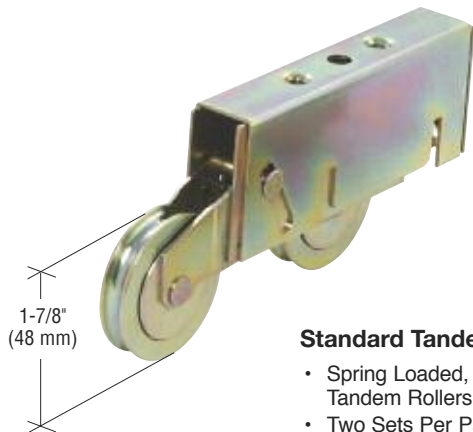
- 6063-T5/T6 Aluminum
- Standard Finishes are Clear Anodized, Dark Bronze Anodized, and Black Anodized
- Custom Anodized, and Kynar® Painted Finishes Also Available
- Optional Screens Available

The Series 3000 High Performance Sliding Door is elegantly designed for high end applications such as hotels, condominiums, apartments, and lofts. Tested for both air infiltration and water resistance, as well as for structural performance and thermal efficiency. The 3000 by U.S. Aluminum has topped the list for High Performance Sliding Doors.



The Series 3000 High Performance Sliding Door offers two styles of rollers: Standard 1-7/8" (48 mm) heavy-duty Tandem Rollers for most any installation, and optional 3" (76 mm) stainless steel Tandem Rollers for those projects having oversized panels. Both Rollers allow for easy operation of the sliding panels.

- Heavy-Duty Tandem Rollers
- Smooth Sliding



Standard Tandem Rollers

- Spring Loaded, Heavy-Duty Tandem Rollers
- Two Sets Per Panel
- Height Adjustment Screw



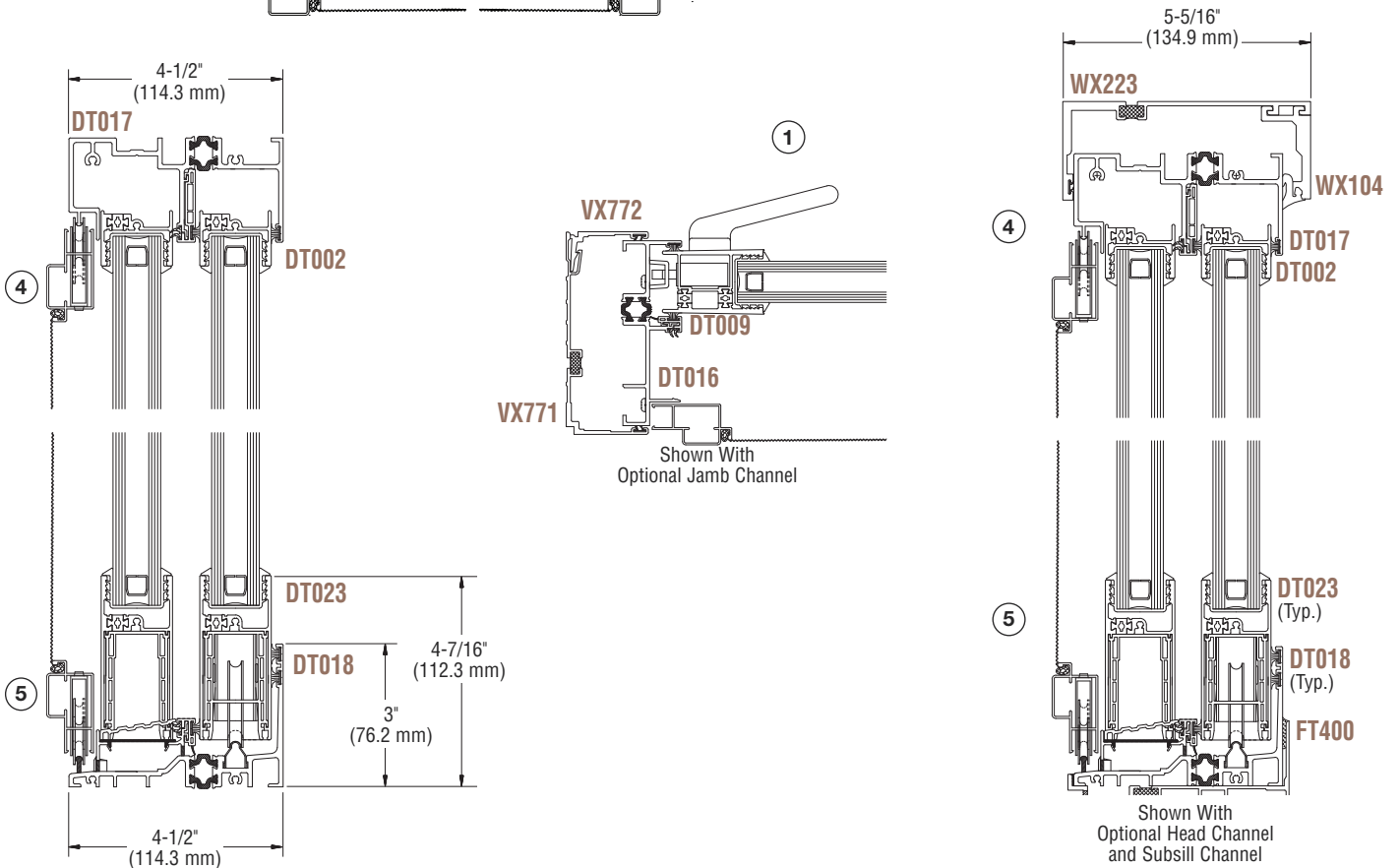
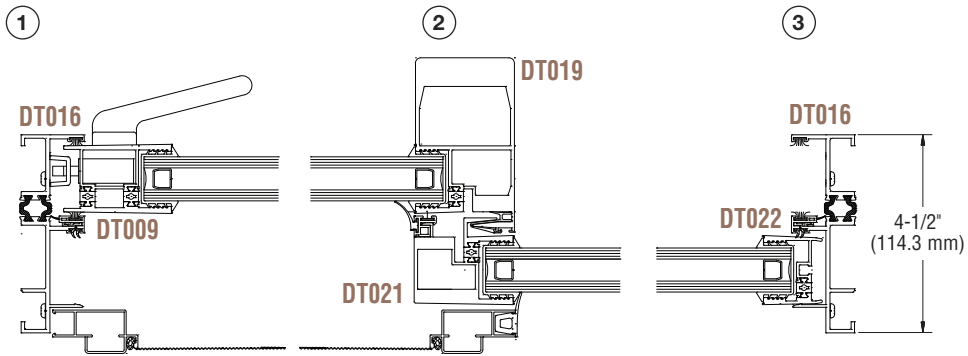
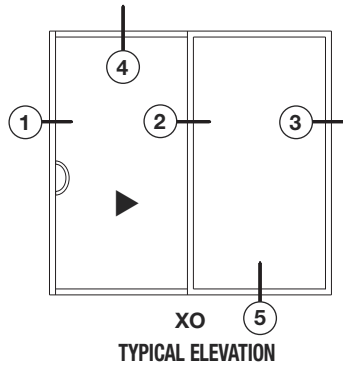
Optional Tandem Rollers

- 3" (76 mm) Heavy-Duty Roller Assembly
- Stainless Steel
- Provides Larger Weight Carrying Capacity

Series 3000 High Performance Sliding Doors

Typical Details

- For 1" (25 mm) Glazing

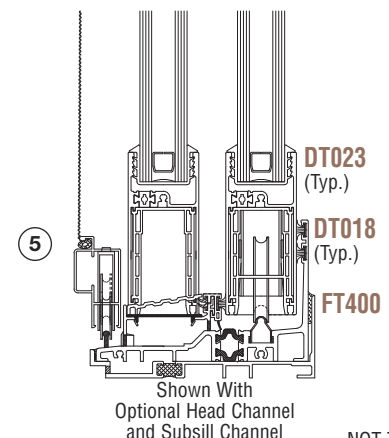
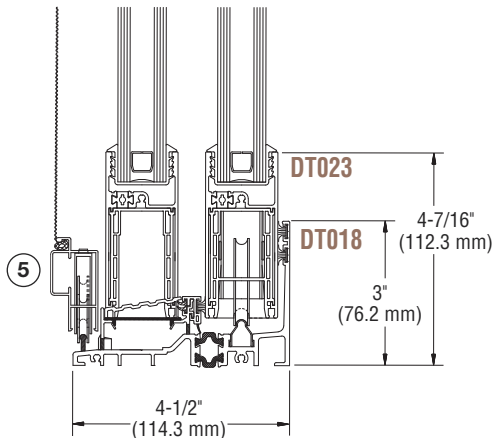
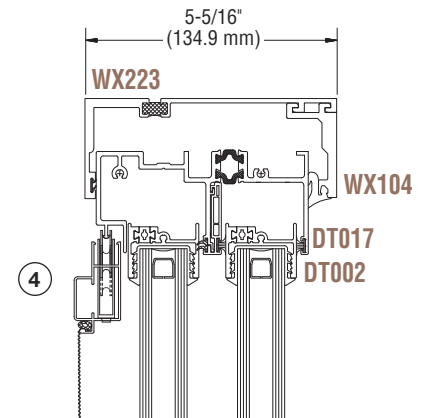
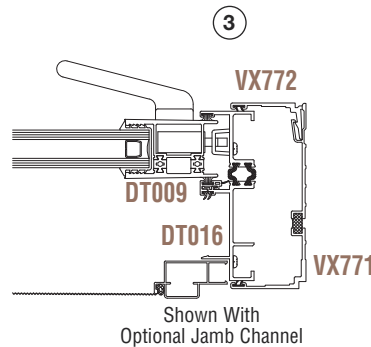
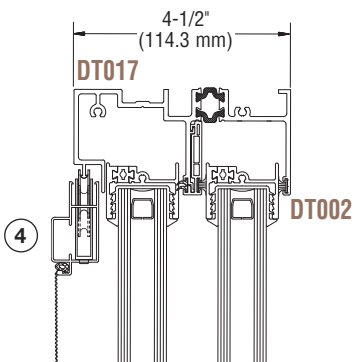
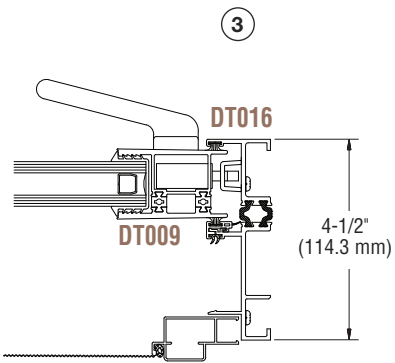
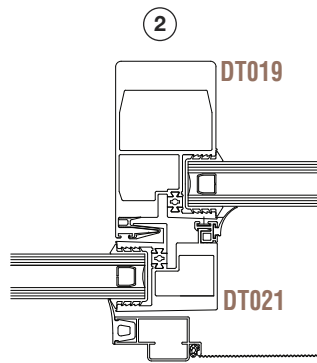
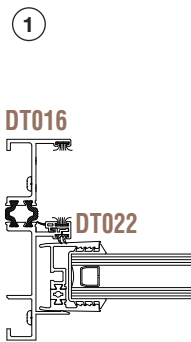
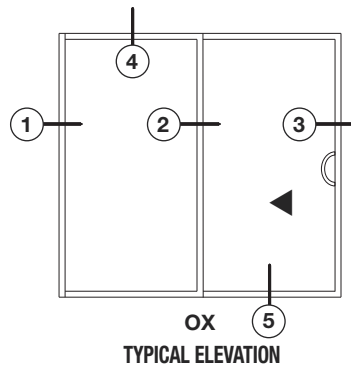


NOT TO SCALE

Series 3000 High Performance Sliding Doors

Typical Details

- For 1" (25 mm) Glazing

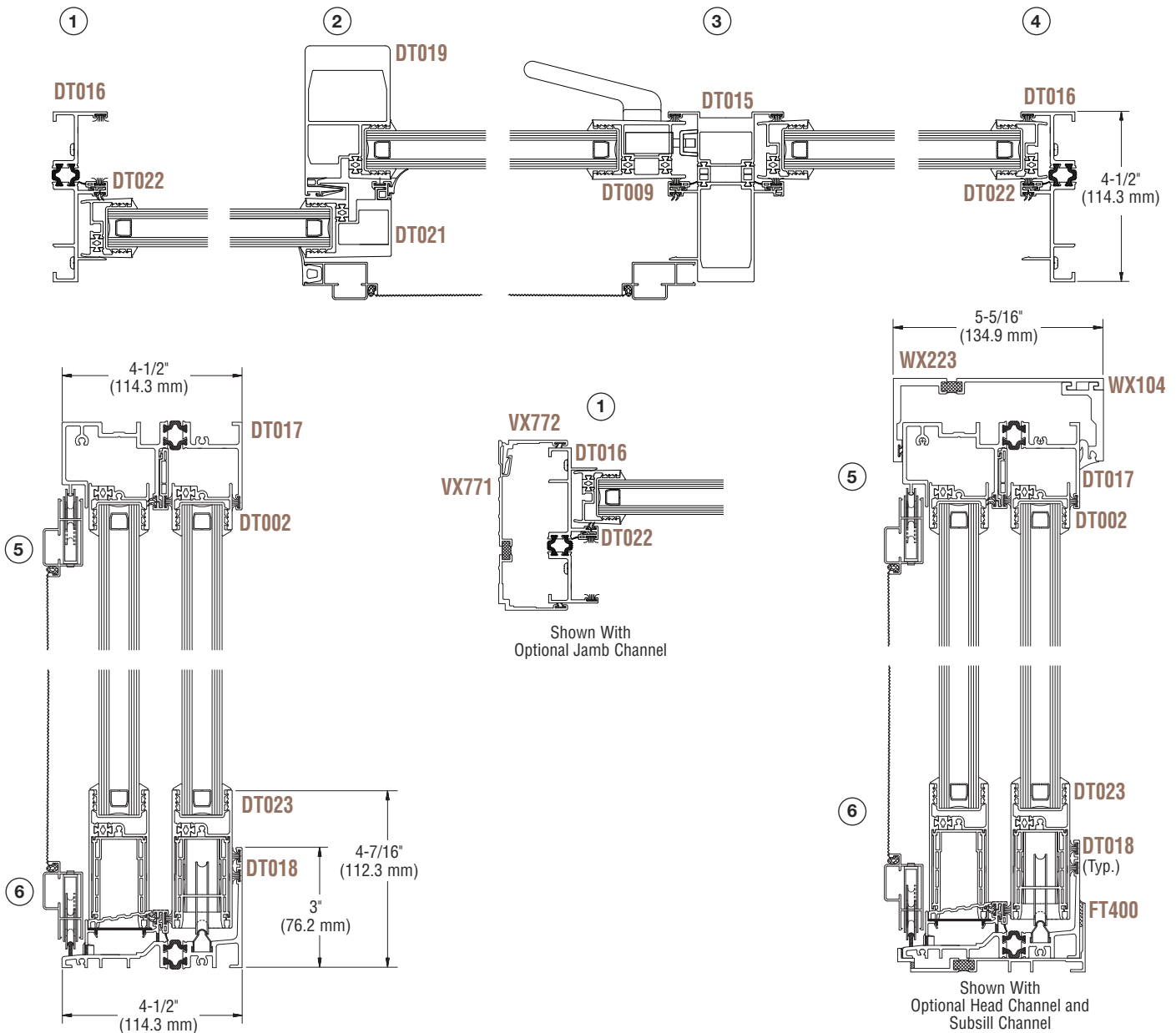
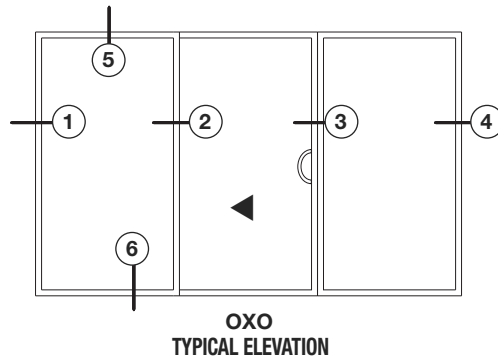


NOT TO SCALE

Series 3000 High Performance Sliding Doors

Typical Details

- For 1" (25 mm) Glazing

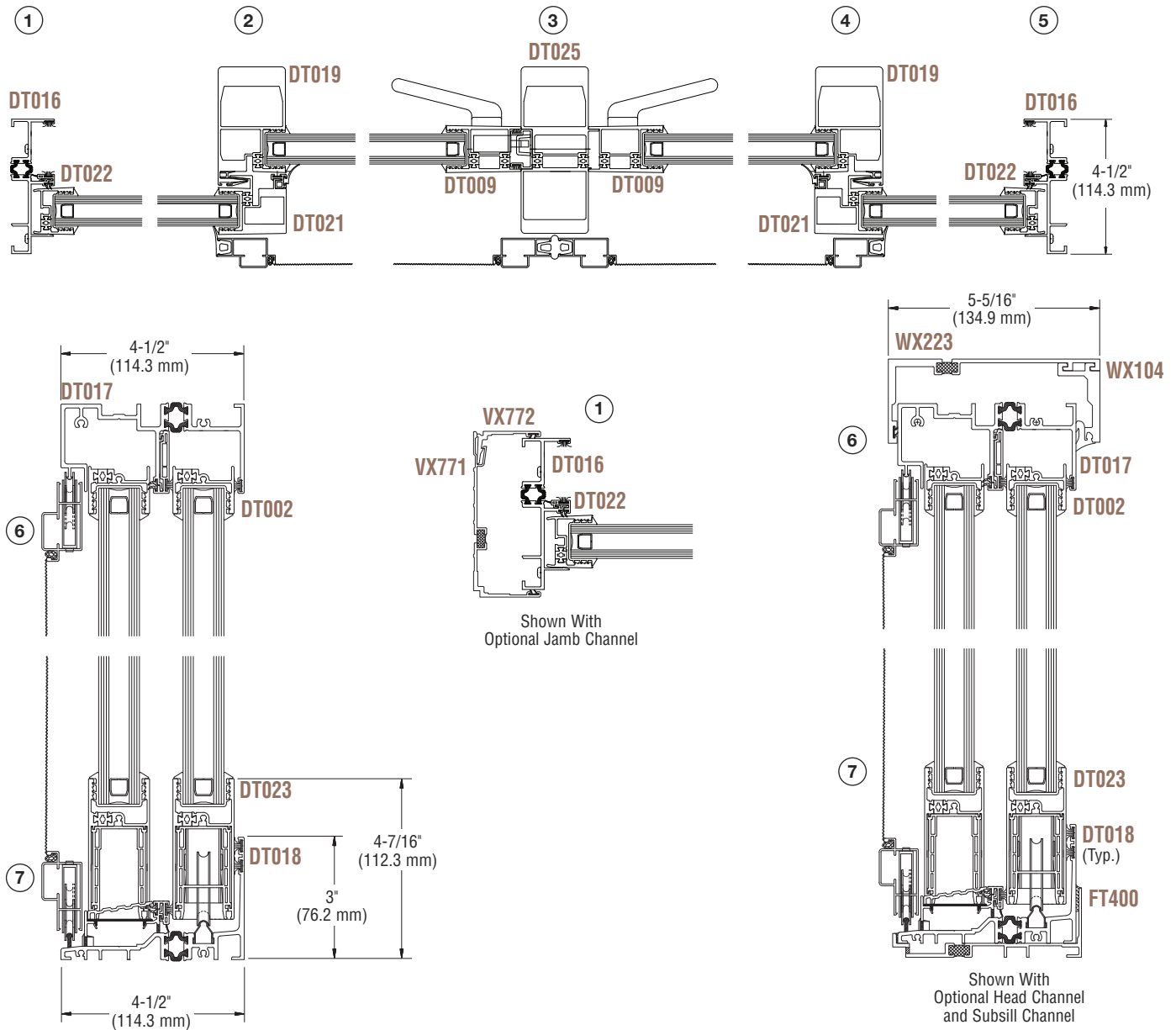
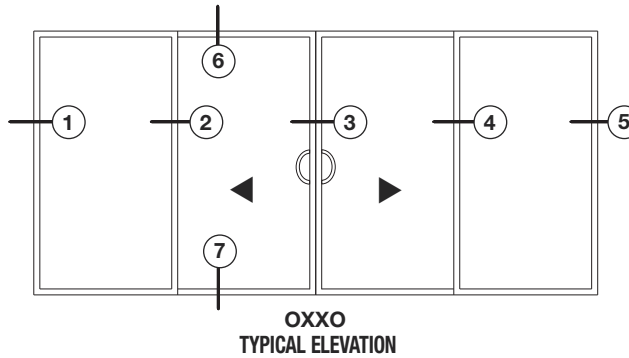


NOT TO SCALE

Series 3000 High Performance Sliding Doors

Typical Details

- For 1" (25 mm) Glazing



NOT TO SCALE

CRL GSDH Series Bottom Rolling Door System

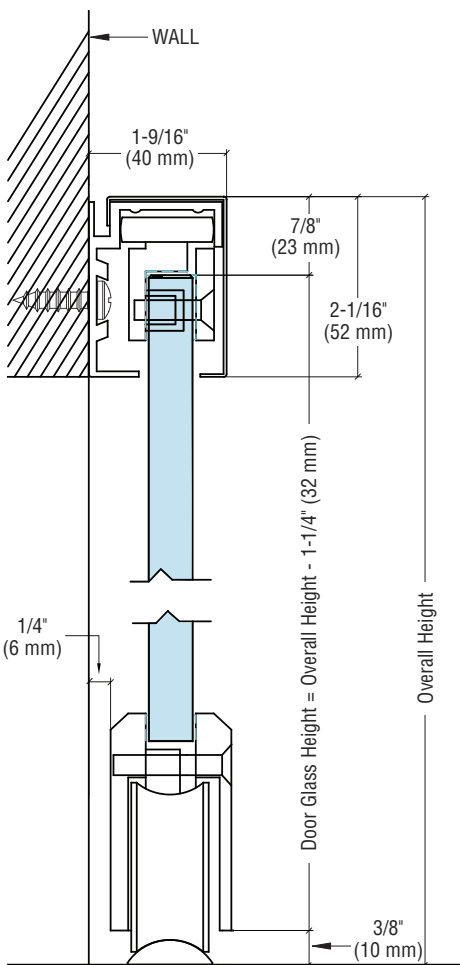
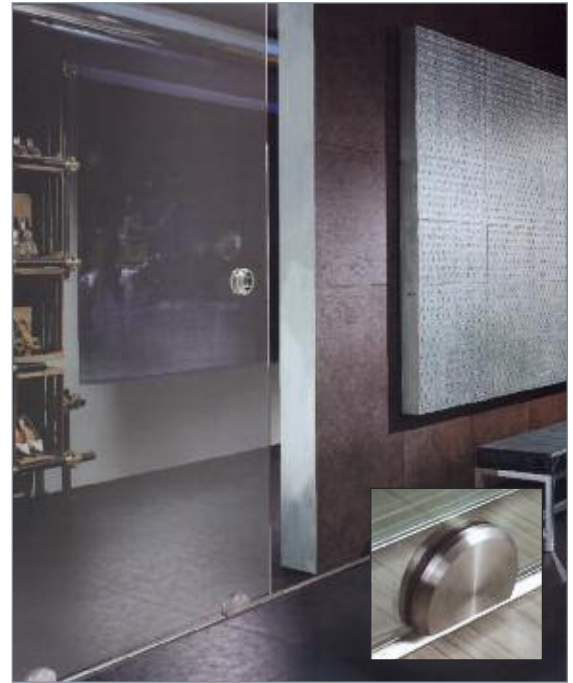


- Bottom Rolling Design for Use With 5/16", 3/8" or 1/2" (8, 10 or 12 mm) Tempered Glass
- Top Guide Track Mounts to Wall
- Can Accommodate Doors Weighing Up to 286 Pounds (130 kg)
- Brushed or Polished Stainless Steel Finishes

The GSDH Series Bottom Rolling Door System features a unique design that gives the door the appearance that it is gliding on air. The Top Guide Track mounts to the wall and provides for secure and smooth operation of the rolling panel.

The GSDH Bottom Rolling System is a great alternative when the building structure cannot carry the load of a top hung system. Each Kit comes with concealed stops in the Top Track to control the length of travel of the door in the open or closed position. Everything is properly balanced to offer a smooth rolling action with finger touch control.

Kits are available in brushed or polished stainless steel finishes, and are intended for use with 5/16", 3/8" or 1/2" (8, 10 or 12 mm) tempered glass. Individual components can also be ordered to customize the opening.



GSDH Series Kits

- Kits Contain All Necessary Hardware to Complete the Installation
- One Pair of Rollers Can Accommodate Doors Weighing Up to 286 Pounds (130 kg)
- Brushed or Polished Stainless Steel Finishes
- Configurations for a Single Rolling Door or Bi-Parting Rolling Doors



There are two configurations of GSDH Series Kits for glass doors. Both come with everything you need (except the tempered glass and handle hardware) to complete the installation, including Top and Bottom Track, Top Guides, Top Guide Roller Stops, End Covers, and the Bottom Rollers. Kits are available in a Brushed or Polished Stainless Steel finishes for both single and bi-parting rolling doors.

For more information on this versatile and easy-to-install system, contact CRL Technical Sales at (800) 421-6144 in the U.S., (877) 421-6144 from Canada, or (323) 588-1281 International. Ask for Ext. 7700. You can also send e-mail from the home page of crlaurence.com. Click on Contact Us, and then click on Technical Sales for Commercial Products.

NOTE: Laminated glass should not be used with the GSDH System.

GLASS FABRICATION REQUIRED:

Four holes and two notches per panel. Glass templates included in kits.

CAT. NO.	WEIGHT	WEIGHT
GSDH1BS	Single Rolling Door	Brushed Stainless
GSDH1PS	Single Rolling Door	Polished Stainless
GSDH2BS	Bi-Parting Rolling Doors	Brushed Stainless
GSDH2PS	Bi-Parting Rolling Doors	Polished Stainless

Minimum order: 1 each. Kits contain stock lengths measuring 118" (3 m) in length, and therefore must ship common carrier. Kits can be combined for quantity pricing.

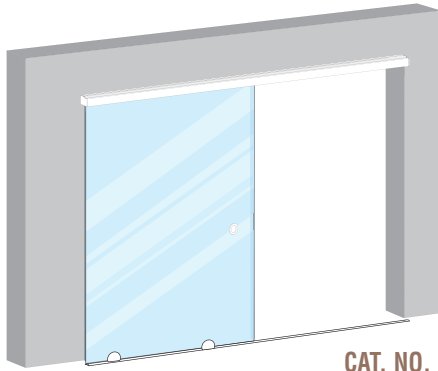


C.R. LAURENCE COMPANY

crlaurence.com | usalum.com

384D | crlaurence.ca crlaurence.com.au crlaurence.co.uk crlaurence.de crlaurence.eu

CRL GSDH1 Series Single Bottom Rolling Door Installation Kit



NEW!



CAT. NO. GSDH1

- Available in Brushed or Polished Stainless Steel
- For Use With 5/16", 3/8" or 1/2" (8, 10 or 12 mm) Tempered Glass
- 118" (3 m) Top and Bottom Tracks

The CRL GSDH1 Series Single Bottom Rolling Door Installation Kit contains all of the components you will need (except the tempered glass and handle hardware) to complete this style of installation.

This model can accommodate a single door weighing up to 286 pounds (130 kg), with a maximum width of 60" (1.5 m).

Each Kit Contains:



One Top Guide Track at 118" (3 m) in Length and Two End Caps



Two Top Roller Guides and Two Stops

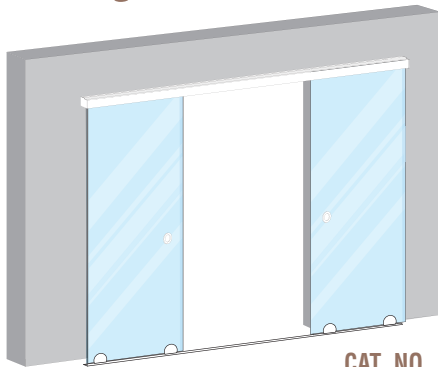


Two Bottom Rollers



One Bottom Roller Track at 118" (3 m) in Length

CRL GSDH2 Series Bi-Parting Bottom Rolling Door Installation Kit



NEW!



CAT. NO. GSDH2

- Available in Brushed or Polished Stainless Steel
- For Use With 5/16", 3/8" or 1/2" (8, 10 or 12 mm) Tempered Glass
- 118" (3 m) Top and Bottom Tracks

The CRL GSDH2 Series Bi-Parting Bottom Rolling Door Installation Kit contains all of the components you will need (except the tempered glass and handle hardware) to complete this style of installation.

This model can accommodate two bi-parting doors, each weighing up to 286 pounds (130 kg), with a maximum width of 30" (762 mm).

Each Kit Contains:



One Top Guide Track at 118" (3 m) in Length and Two End Caps



Four Top Roller Guides and Four Stops



Four Bottom Rollers



One Bottom Roller Track at 118" (3 m) in Length

CRL GSDH Series Accessories

CRL GSDH Series Top Track With Cover

- 118" (3 m) Long
- Available in Brushed or Polished Stainless Steel

CRL GSDH Series Top Tracks are made of aluminum with a Cover made of alloy 304 stainless steel. They come in 118" (3 m) stock lengths, pre-drilled 9-7/8" (251 mm) center-to-center for 3/16" (4.8 mm) fasteners (not included).

CAT. NO.	FINISH
GSDH140BS	Brushed Stainless Steel
GSDH140PS	Polished Stainless Steel

Minimum order: 1 each. Must ship common carrier.



CRL GSDH Series Top Track Roller Guide

- Use Two Roller Guides Per Sliding Panel

CRL GSDH Top Track Roller Guides attach to the top edge of the glass sliding panel and guide the door along the Top Track. Two holes are required per Roller Guide. Minimum order is one each.



CAT. NO. GSDH120BS

CRL GSDH Series Top Track Stop

- Use Two Stops Per Sliding Panel

CRL GSDH Top Track Stops are used with Cat. No. GSDH140 Top Track and Cat. No. GSDH120BS Roller Guide to provide a positive stop in the open or closed positions. Each Stop comes complete with fastener to attach to Top Track. No drilling required. Minimum order is one set.

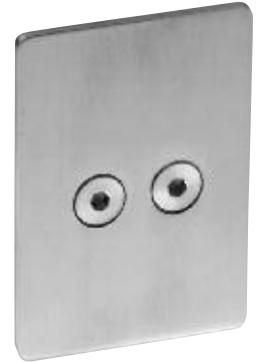


CAT. NO. GSDH150BS

CRL GSDH Series Top Track End Cap

- Available in Brushed or Polished Stainless Steel

CRL GSDH Series Top Track End Caps are used with Cat. No. GSDH140 Top Track with Cover to create a clean, finished header assembly. Made of alloy 304 stainless steel with a brushed or polished finish.



CAT. NO.	FINISH
GSDH160BS	Brushed Stainless Steel
GSDH160PS	Polished Stainless Steel

Minimum order: 1 set.

CRL GSDH Bottom Roller

- 304 Stainless Steel
- Brushed or Polished Finishes

CRL GSDH Series Bottom Rollers provide smooth and quiet operation of the sliding glass panel. They are made of alloy 304 stainless steel with a brushed or polished finish.

Two Rollers are required per sliding glass panel and will carry up to 286 pounds (130 kg). Glass fabrication is required.



CAT. NO.	FINISH
GSDH100BS	Brushed Stainless Steel
GSDH100PS	Polished Stainless Steel

Minimum order: 1 set.

CRL GSDH Series Bottom Track

- 118" (3 m) Long
- Available in Brushed or Polished Stainless Steel

CRL GSDH Series Bottom Tracks are made of alloy 304 stainless steel with a brushed or polished finish.

They come in 118" (3 m) stock lengths, pre-drilled for 1/4" (6 mm) fasteners (included) at 12-7/8" (327 mm) centers.



CAT. NO.	FINISH
GSDH130BS	Brushed Stainless Steel
GSDH130PS	Polished Stainless Steel

Minimum order: 1 each. Must ship common carrier.

Online Photo Gallery

When you visit the crlaurence.com home page you can click into photo galleries of finished projects. It's a great way to show your customers what can be accomplished when they specify CRL Architectural Hardware Products.



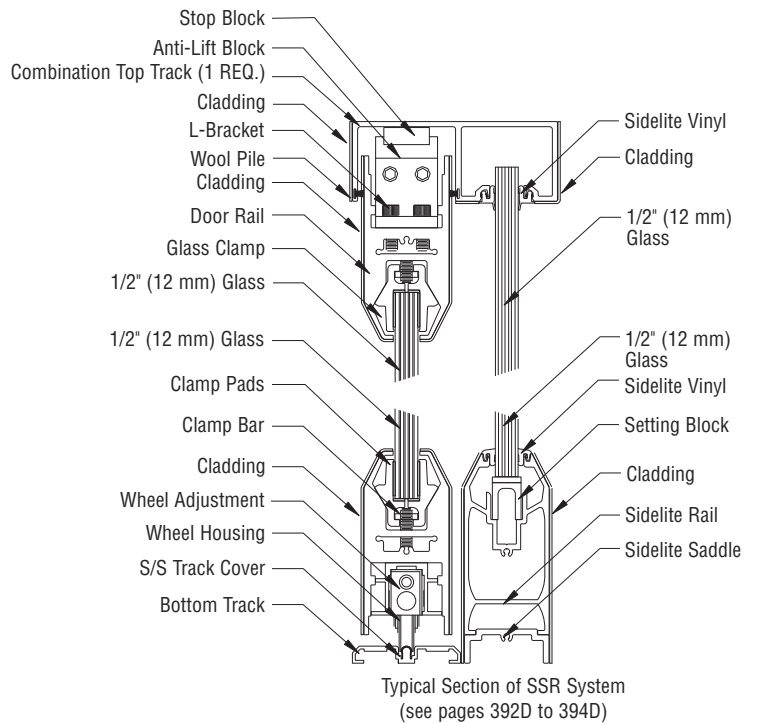
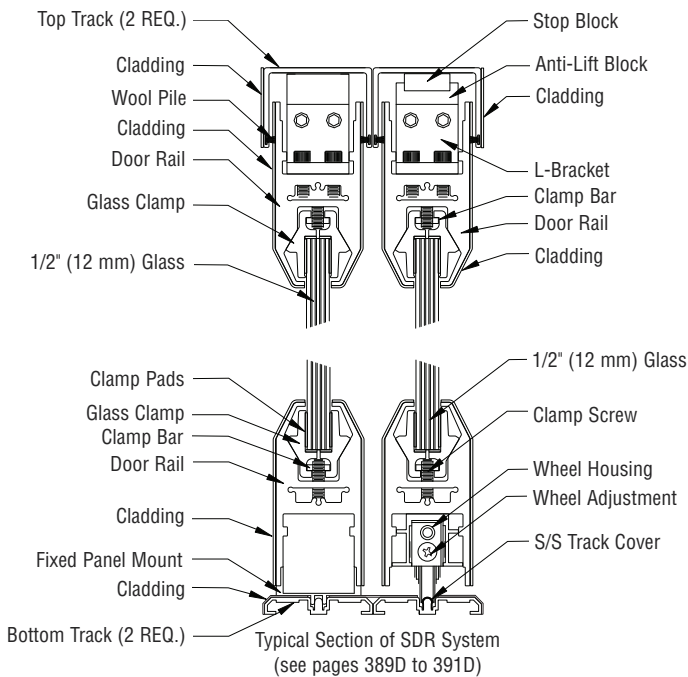
CRL Bottom Rolling Sliding Door Systems

- Variety of Styles and Finishes Available for Use With 3/8" or 1/2" (10 or 12 mm) Tempered Glass
- Each Unit Custom Built to Fit the Opening
- Doors Can Be Aligned Without Removal
- Saves Valuable Floor Space – Does Not Project Out of the Door Opening



CRL Bottom Rolling Sliding Door Systems use the same technology found in our Wedge-Lock™ Door Rails to secure heavy panels of 3/8" or 1/2" (10 or 12 mm) tempered glass to create almost 'frameless' glass doors between interior areas. Several profiles are available in any of the seven architectural finishes used for our Door and Sidelite Rails in both Tapered and Square Styles. Installation is simplified because each unit is custom built to your specifications for opening size and glass thickness. Once installed you can adjust or align the doors without removal. Maximum door width is 48" (1219 mm); maximum door height is 108" (2743 mm), with a maximum weight not to exceed 234 pounds (106 kg).

NOTE: Available by custom order only. Most orders can be fabricated in five business days at our Los Angeles, California manufacturing facility. Contact CRL Technical Sales at (800) 421-6144 in the U.S., (877) 421-6144 from Canada, or (323) 588-1281 International, and ask for Ext. 7700. You can also send e-mail from the crlaurence.com home page. Click on Contact Us, and then click on Technical Sales for Commercial Products..



All CRL Bottom Rolling Sliding Door Units come complete with Top and Bottom Tracks, Top and Bottom Door and Fixed Panel Rails, Fixed Panel Saddles, Bottom Tandem Rollers, Stop and Anti-Lift Blocks, and Locking Hardware; everything you need with the exception of the tempered glass and track fasteners. Top and Bottom Tracks can be ordered in stock lengths prior to ordering complete unit if needed, see pages 395D to 396D.

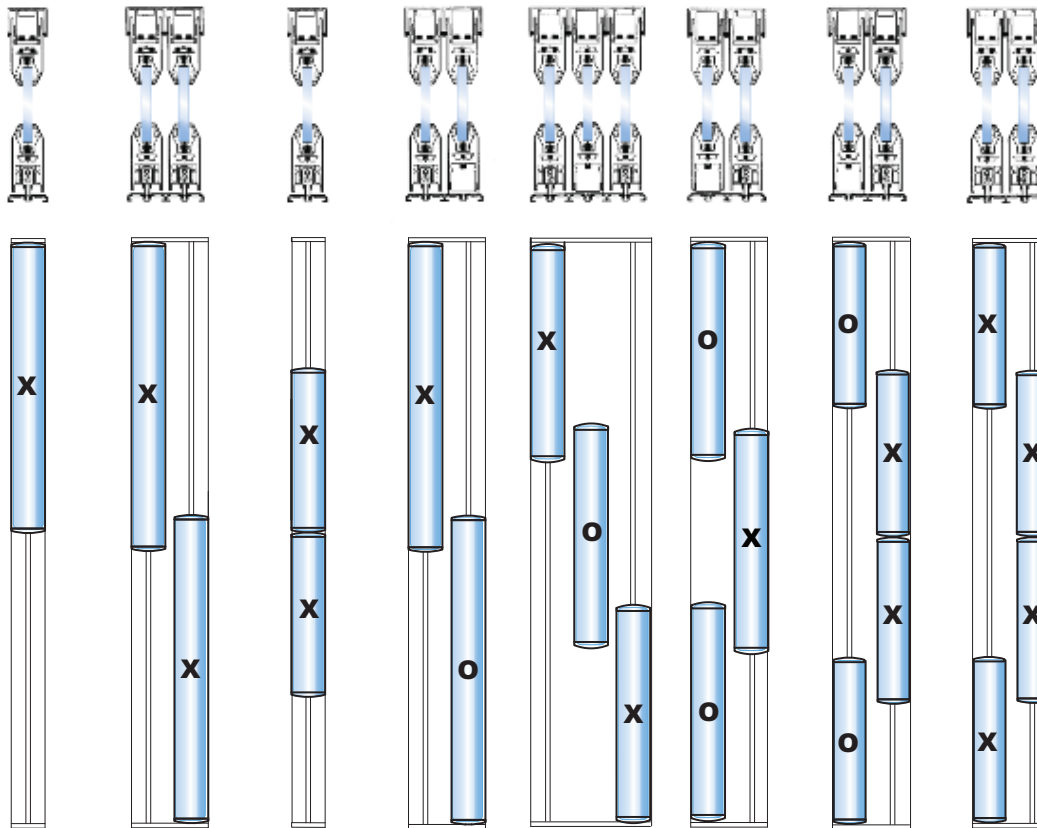
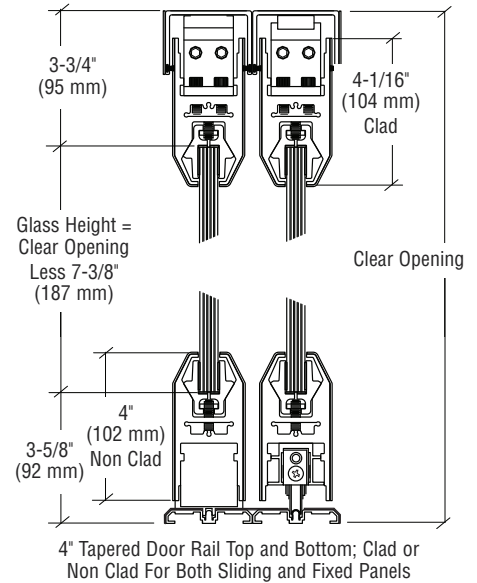
CRL SDR Bottom Rolling Sliding Door System



- With 4" Tapered DR4T Series Door Rails
- Available in Seven Architectural Finishes

The CRL SDR Bottom Rolling Sliding Door System with 4" (102 mm) Tapered Rails Top and Bottom utilizes our popular Wedge-Lock™ Glass Securing System. The DR4T Series Door Rails are used for all door and fixed panels, and are custom fabricated to your specifications. The doors can be ordered with or without locks in the bottom rail. Maximum door width is 48" (1219 mm); maximum door height is 108" (2743 mm), with a maximum weight not to exceed 234 pounds (106 kg).

NOTE: Available by custom order only. Most orders can be fabricated in five business days at our Los Angeles, California manufacturing facility. Contact CRL Technical Sales at (800) 421-6144 in the U.S., (877) 421-6144 from Canada, or (323) 588-1281 International, and ask for Ext. 7700. You can also send e-mail from the crlaurence.com home page. Click on Contact Us, and then click on Technical Sales for Commercial Products.



Top View of Panels
X = Sliding Panel O = Fixed Panel



X	XX BYPASS	XX BI-PART	XO (OX) BYPASS	XOX BYPASS	OXO BYPASS	OXXO BI-PART	XXXX BYPASS
SYSTEM USING 4" TAPERED RAILS TOP AND BOTTOM							
SERIES CAT. NO.	SERIES CAT. NO.	SERIES CAT. NO.	SERIES CAT. NO.	SERIES CAT. NO.	SERIES CAT. NO.	SERIES CAT. NO.	SERIES CAT. NO.
SDR1A	SDR2B	SDR21B	SDR2C	SDR3D	SDR3E	SDR4F	SDR42F

- FINISHES**
- Satin Anodized
 - Black Bronze Anodized
 - Black Powder Coat
 - *Brushed Stainless
 - *Polished Stainless
 - *Polished Brass
 - *Satin Brass

*Clad finish.

Minimum order: 1 each. Must ship common carrier.



CRL BOTTOM ROLLING SLIDING DOOR SYSTEMS

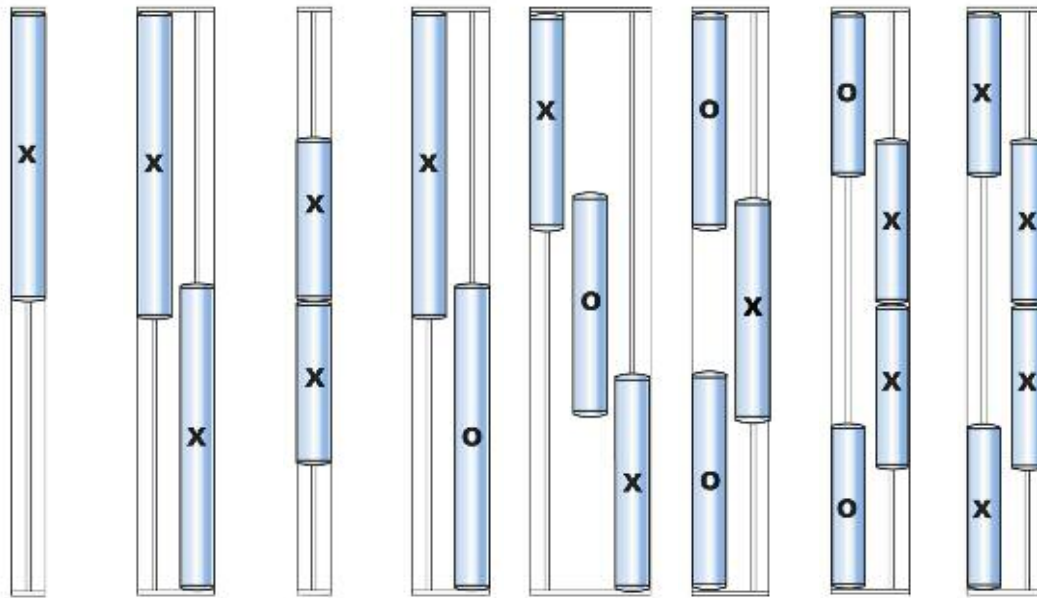
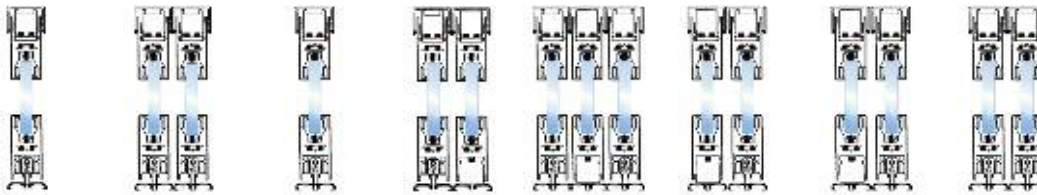
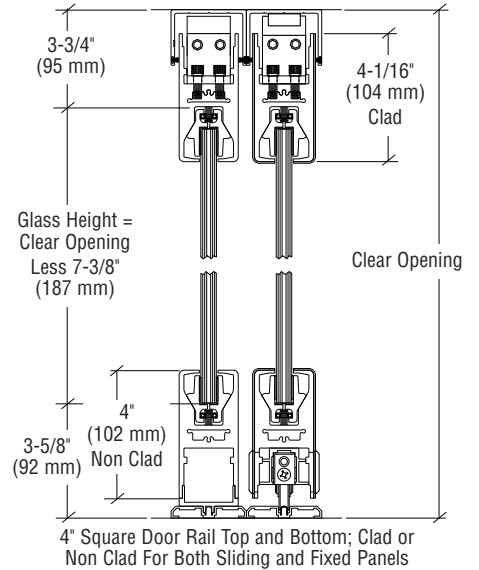
For Pricing Visit Our Web Site or Call Us Toll Free at the Phone Numbers Shown on the Back Cover

CRL SDR Bottom Rolling Sliding Door System

- With 4" Square DR4S Series Door Rails
- Available in Seven Architectural Finishes

The CRL SDR Bottom Rolling Sliding Door System with 4" (102 mm) Square Rails Top and Bottom utilizes our popular Wedge-Lock™ Glass Securing System. The DR4S Series Door Rails are used for all door and fixed panels, and are custom fabricated to your specifications. The doors can be ordered with or without locks in the bottom rail. Maximum door width is 48" (1219 mm); maximum door height is 108" (2743 mm), with a maximum weight not to exceed 234 pounds (106 kg).

NOTE: Available by custom order only. Most orders can be fabricated in five business days at our Los Angeles, California manufacturing facility. Contact CRL Technical Sales at (800) 421-6144 in the U.S., (877) 421-6144 from Canada, (323) 588-1281 International, and ask for Ext. 7700. You can also send e-mail from the crlaurence.com home page. Click on Contact Us, and then click on Technical Sales for Commercial Products.



Top View of Panels
X = Sliding Panel O = Fixed Panel



FINISHES

- Satin Anodized
- Black Bronze Anodized
- Black Powder Coat
- *Brushed Stainless
- *Polished Stainless
- *Polished Brass
- *Satin Brass

*Clad finish.

X	XX BYPASS	XX BI-PART	XO (OX) BYPASS	XOX BYPASS	OXO BYPASS	OXOX BI-PART	XXXX BYPASS
SYSTEM USING 4" SQUARE RAILS TOP AND BOTTOM							
SERIES CAT. NO.	SERIES CAT. NO.	SERIES CAT. NO.	SERIES CAT. NO.	SERIES CAT. NO.	SERIES CAT. NO.	SERIES CAT. NO.	SERIES CAT. NO.
4SDR1A	4SDR2B	4SDR21B	4SDR2C	4SDR3D	4SDR3E	4SDR4F	4SDR42F

Minimum order: 1 each. Must ship common carrier.



C.R. LAURENCE COMPANY

crlaurence.com | usalum.com

390D | crlaurence.ca crlaurence.com.au crlaurence.co.uk crlaurence.de crlaurence.eu

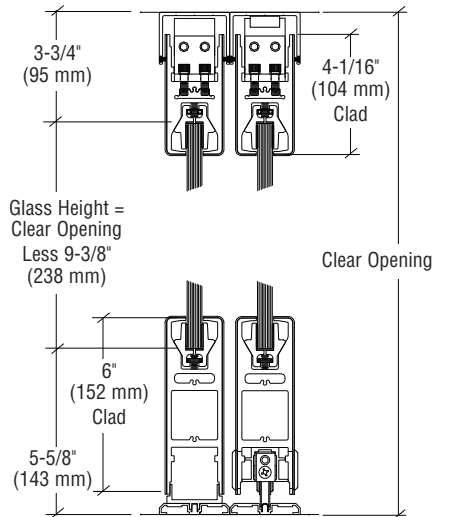
CRL SDR Bottom Rolling Sliding Door System



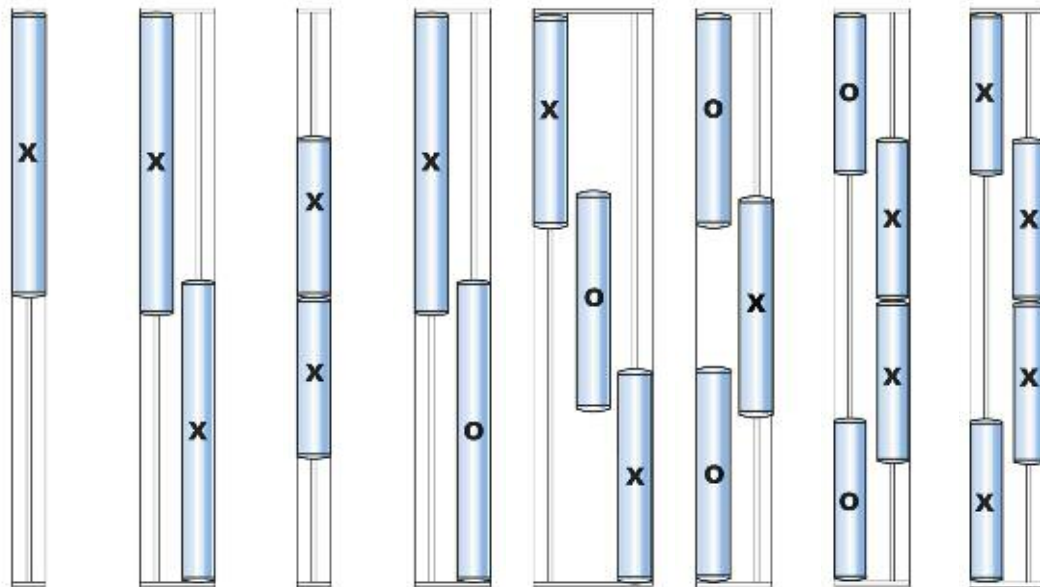
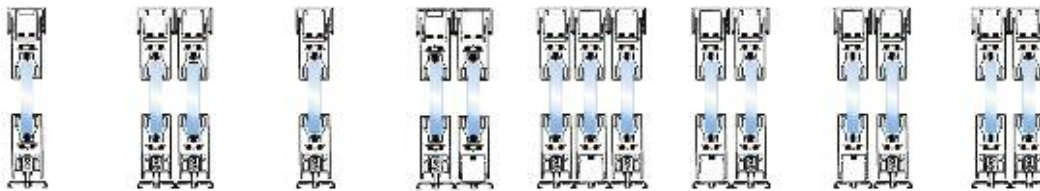
- With 4" Square DR4S Series Door Rails and 6" Square DR6S Series Bottom Rails
- Available in Seven Architectural Finishes

The CRL SDR Bottom Rolling Sliding Door System with 4" (102 mm) Square Top Rails and 6" (152 mm) Square Bottom Rails, utilizes our popular Wedge-Lock™ Glass Securing System found in the DR4S and DR6S Series Door Rails. They can be ordered with or without locks in the bottom rail, and are custom fabricated to your specifications. Maximum door width is 48" (1219 mm); maximum door height is 108" (2743 mm), with a maximum weight not to exceed 234 pounds (106 kg).

NOTE: Available by custom order only. Most orders can be fabricated in five business days at our Los Angeles, California manufacturing facility. Contact CRL Technical Sales at (800) 421-6144 in the U.S., (877) 421-6144 from Canada, or (323) 588-1281 International, and ask for Ext. 7700. You can also send e-mail from the crlaurence.com home page. Click on Contact Us, and then click on Technical Sales for Commercial Products.



4" Square Door Rail Top; 6" Square Door Rail Bottom; Clad or Non-Clad for Both Sliding and Fixed Panels



Top View of Panels

X = Sliding Panel O = Fixed Panel



SERIES CAT. NO.	SERIES CAT. NO.	SERIES CAT. NO.	SERIES CAT. NO.	SERIES CAT. NO.	SERIES CAT. NO.	SERIES CAT. NO.	SERIES CAT. NO.
6SDR1A	6SDR2B	6SDR21B	6SDR2C	6SDR3D	6SDR3E	6SDR4F	6SDR42F

FINISHES

- Satin Anodized
- Black Bronze Anodized
- Black Powder Coat
- *Brushed Stainless
- *Polished Stainless
- Polished Brass
- *Satin Brass

*Clad finish.

Minimum order: 1 each. Must ship common carrier.



CRL SSR Bottom Rolling Sliding Door System



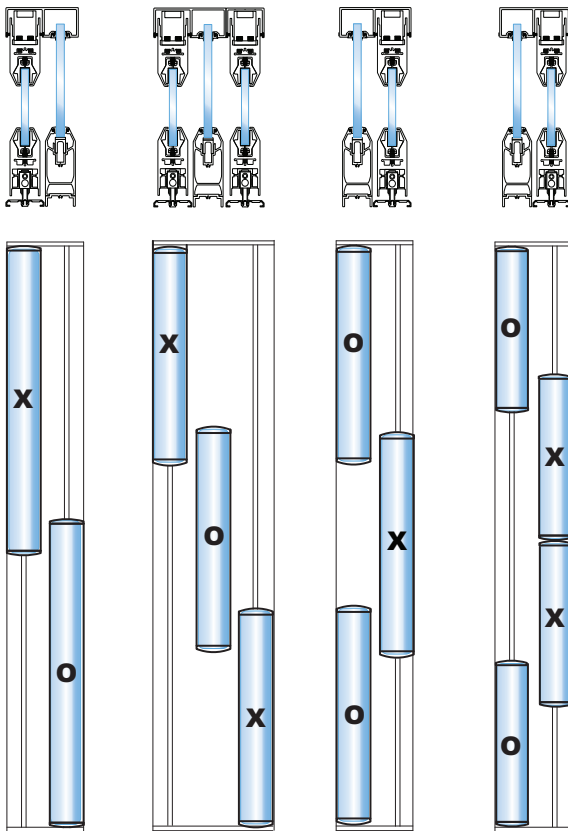
4" (102 mm) Tapered Bottom Rolling Rail

- With 4" Tapered DR4T Series Door Rails and 4" Tapered SR4T Series Sidelite Bottom Rails
- Available in Seven Architectural Finishes

The CRL SSR Bottom Rolling Sliding Door System with 4" (102 mm) Tapered Rails utilizes our popular Wedge-Lock™ Glass Securing System found in the DR4T Series Door Rails on all sliding panels. They can be ordered with or without locks in the bottom rail.

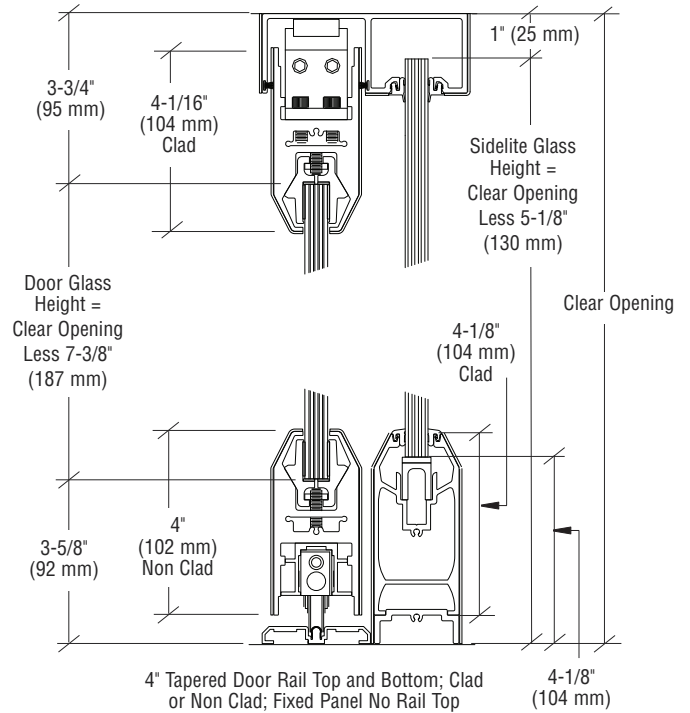
The fixed panels utilize our popular SR4T Series Sidelite Rails with roll-in vinyl at the bottom of the panel, and an integrated glazing channel with roll-in vinyl in the top track. Maximum door width is 48" (1219 mm); maximum door height is 108" (2743 mm), with a maximum weight not to exceed 234 pounds (106 kg). All panels are custom fabricated to your specifications.

NOTE: Available by custom order only. Most orders can be fabricated in five business days at our Los Angeles, California manufacturing facility. Contact CRL Technical Sales at (800) 421-6144 in the U.S., (877) 421-6144 from Canada, or (323) 588-1281 International, and ask for Ext. 7700. You can also send e-mail from the crlaurence.com home page. Click on Contact Us, and then click on Technical Sales for Commercial Products.



Top View of Panels

X = Sliding Panel O = Fixed Panel



FINISHES

- Satin Anodized
- Black Bronze Anodized
- Black Powder Coat
- *Brushed Stainless
- *Polished Stainless
- *Polished Brass
- *Satin Brass

*Clad finish.



XO (OX) BYPASS	XOX BYPASS	OXO BYPASS	OXXO BI-PART
SYSTEM USING 4" SQUARE RAILS TOP AND BOTTOM			
SERIES CAT. NO.	SERIES CAT. NO.	SERIES CAT. NO.	SERIES CAT. NO.
SSR2C	SSR3D	SSR3E	SSR4F

Minimum order: 1 each. Must ship common carrier.



C.R. LAURENCE COMPANY

crlaurence.com | usalum.com

392D | crlaurence.ca crlaurence.com.au crlaurence.co.uk crlaurence.de crlaurence.eu

CRL SSR Bottom Rolling Sliding Door System



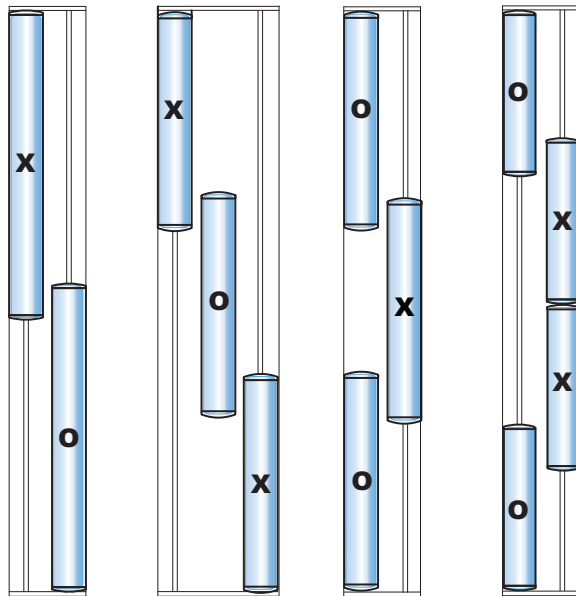
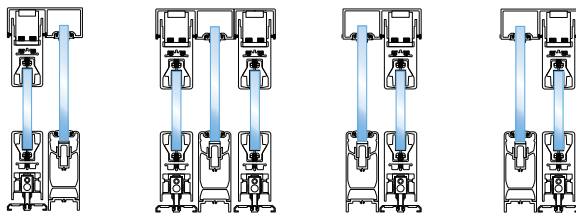
4" (102 mm) Square Bottom Rolling Rail

- With 4" Square DR4S Series Door Rails and 4" Square SR4S Series Sidelite Bottom Rails
- Available in Seven Architectural Finishes

The CRL SSR Bottom Rolling Sliding Door System with 4" (102 mm) Square Rails utilizes our popular Wedge-Lock™ Glass Securing System found in the DR4S Series Door Rails on all sliding panels. They can be ordered with or without locks in the bottom rail.

The fixed panels utilize our popular SR4S Series Sidelite Rails with roll-in vinyl at the bottom of the panel, and an integrated glazing channel with roll-in vinyl in the top track. Maximum door width is 48" (1219 mm); maximum door height is 108" (2743 mm), with a maximum weight not to exceed 234 pounds (106 kg). All panels are custom fabricated to your specifications.

NOTE: Available by custom order only. Most orders can be fabricated in five business days at our Los Angeles, California manufacturing facility. Contact CRL Technical Sales at (800) 421-6144 in the U.S., (877) 421-6144 from Canada, or (323) 588-1281 International, and ask for Ext. 7700. You can also send e-mail from the crlaurence.com home page. Click on Contact Us, and then click on Technical Sales for Commercial Products.

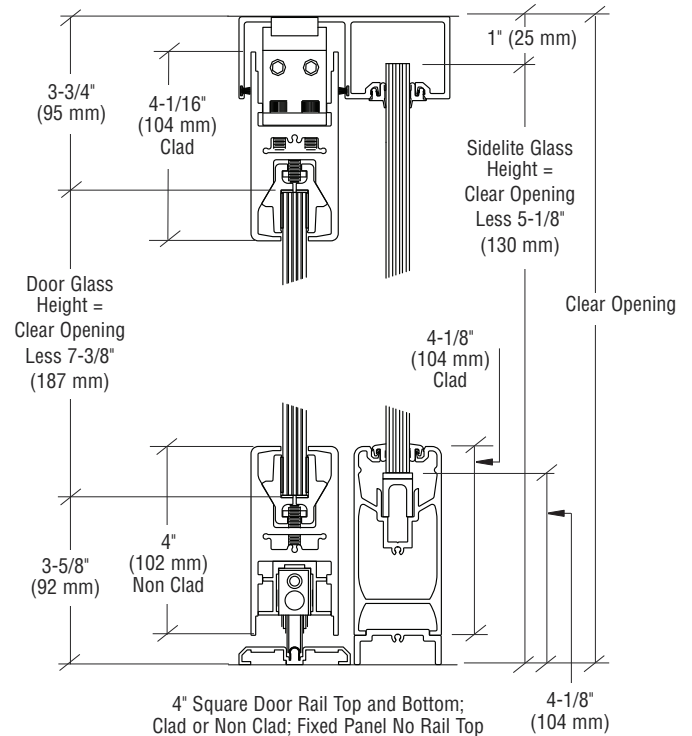


Top View of Panels

X = Sliding Panel O = Fixed Panel

XO (OX) BYPASS	XOX BYPASS	OXO BYPASS	OXXO BI-PART
SYSTEM USING 4" SQUARE RAILS TOP AND BOTTOM			
SERIES CAT. NO.	SERIES CAT. NO.	SERIES CAT. NO.	SERIES CAT. NO.
4SSR2C	4SSR3D	4SSR3E	4SSR4F

Minimum order: 1 each. Must ship common carrier.



FINISHES

- Satin Anodized
- Black Bronze Anodized
- Black Powder Coat
- *Brushed Stainless
- *Polished Stainless
- *Polished Brass
- *Satin Brass

*Clad finish.



CRL SSR Bottom Rolling Sliding Door System



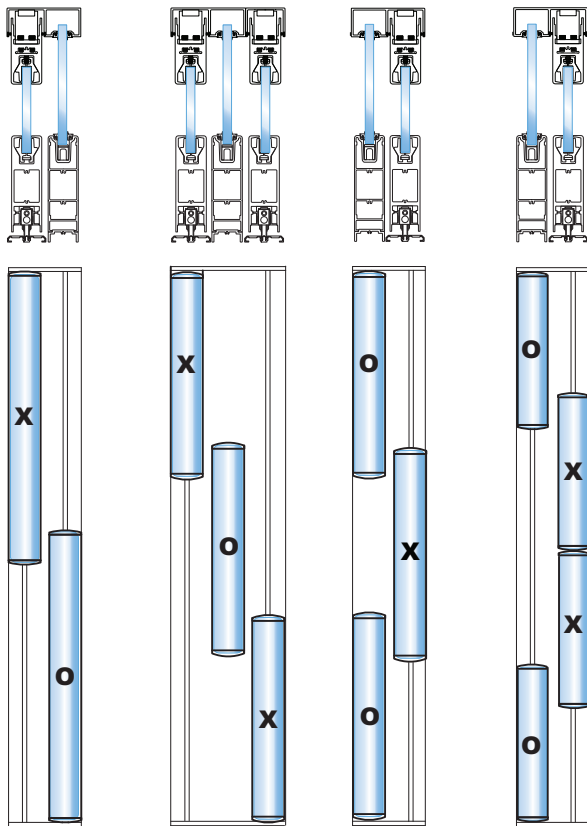
6" (152 mm) Square Bottom Rolling Rail

- With 4" Square DR4S Series Door Top Rails, 6" Square DR6S Series Door Bottom Rails, and 6" Square SR6S Series Sidelite Bottom Rails
- Available in Seven Architectural Finishes

The CRL SSR Bottom Rolling Sliding Door System with 4" (102 mm) Square Door Top Rails and 6" (152 mm) Square Door Bottom Rails, utilizes our popular Wedge-Lock™ Glass Securing System found in the DR4S and DR6S Series Door Rails on all sliding panels. They can be ordered with or without locks in the bottom rail.

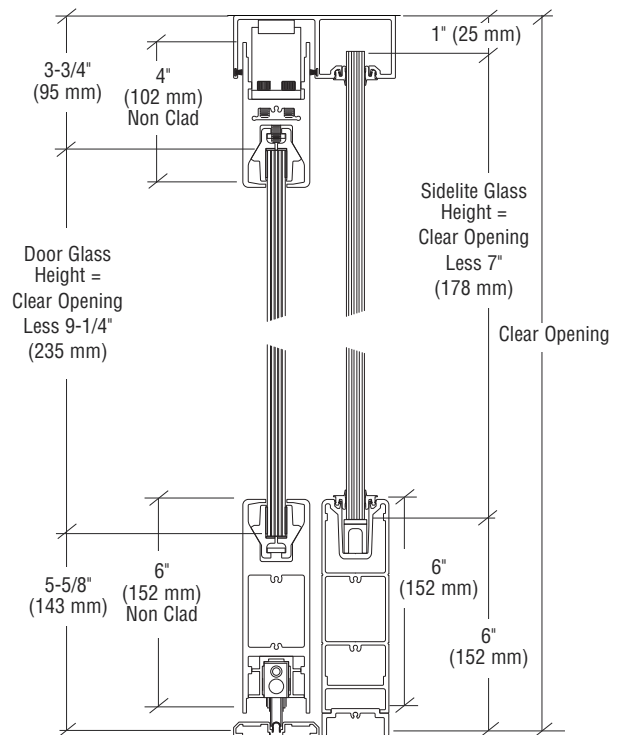
The fixed panels utilize our popular SR6S Series Sidelite Rails with roll-in vinyl at the bottom of the panel, and an integrated glazing channel with roll-in vinyl in the top track. Maximum door width is 48" (1219 mm); maximum door height is 108" (2743 mm), with a maximum weight not to exceed 234 pounds (106 kg). All panels are custom fabricated to your specifications.

NOTE: Available by custom order only. Most orders can be fabricated in five business days at our Los Angeles, California manufacturing facility. Contact CRL Technical Sales at (800) 421-6144 in the U.S., (877) 421-6144 from Canada, or (323) 588-1281 International, and ask for Ext. 7700. You can also send e-mail from the crlaurence.com home page. Click on Contact Us, and then click on Technical Sales for Commercial Products.



Top View of Panels

X = Sliding Panel O = Fixed Panel



4" Square Door Rail Top; 6" Square Door Rail Bottom; Clad or Non Clad; Fixed Panel No Rail Top

FINISHES

- Satin Anodized
- Black Bronze Anodized
- Black Powder Coat
- *Brushed Stainless
- *Polished Stainless
- *Polished Brass
- *Satin Brass

*Clad finish.



XO (OX) BYPASS	XOX BYPASS	OXO BYPASS	OXXO BI-PART
SYSTEM USING 4" SQUARE RAILS TOP AND 6" SQUARE RAILS BOTTOM			
SERIES CAT. NO.	SERIES CAT. NO.	SERIES CAT. NO.	SERIES CAT. NO.
6SSR2C	6SSR3D	6SSR3E	6SSR4F

Minimum order: 1 each. Must ship common carrier.



C.R. LAURENCE COMPANY

crlaurence.com | usalum.com

394D | crlaurence.ca crlaurence.com.au crlaurence.co.uk crlaurence.de crlaurence.eu

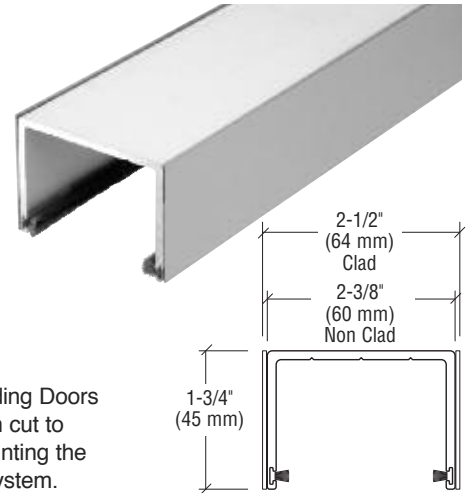
CRL SDR and SSR Accessories

CRL Top Track for Bottom Rolling Sliding Doors

- Available in Seven Architectural Finishes

CAT. NO.	FINISH	LENGTH
SD1TTSA	Satin Anodized	10' (3.05 m)
SD1TTDU	Black Bronze Anodized	10' (3.05 m)
SD1TTBL	Black Powder Coat	10' (3.05 m)
SD1TTBS	*Brushed Stainless	10' (3.05 m)
SD1TTPS	*Polished Stainless	10' (3.05 m)
SD1TTPB	*Polished Brass	10' (3.05 m)
SD1TTSB	*Satin Brass	10' (3.05 m)

Minimum order: 1 each. Finishes can be combined for quantity pricing. Must ship common carrier. Stock lengths cannot be cut to ship via U.P.S. *Clad finish.



CRL Top Track for Bottom Rolling Sliding Doors is available in stock lengths that you can cut to size in the field if conditions require mounting the Top Tracks prior to ordering the entire system.

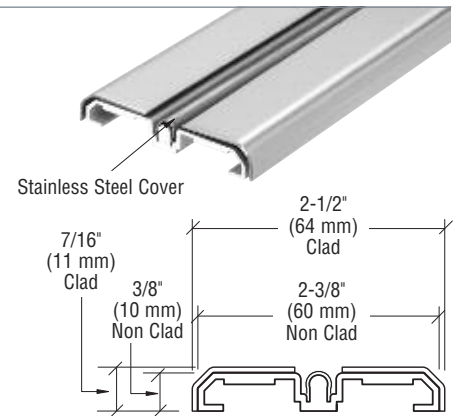
CRL Bottom Track for Bottom Rolling Sliding Doors

- With Stainless Steel Roller Guide Cover for Durability

CAT. NO.	FINISH	LENGTH
SD1BTSA	Satin Anodized	10' (3.05 m)
SD1BTDU	Black Bronze Anodized	10' (3.05 m)
SD1BTBL	Black Powder Coat	10' (3.05 m)
SD1BTBS	*Brushed Stainless	10' (3.05 m)
SD1BTPS	*Polished Stainless	10' (3.05 m)
SD1BTBP	*Polished Brass	10' (3.05 m)
SD1BTSB	*Satin Brass	10' (3.05 m)

Minimum order: 1 each. Finishes can be combined for quantity pricing. Must ship common carrier. Stock lengths cannot be cut to ship via U.P.S. *Clad finish.

CRL Bottom Track for Bottom Rolling Sliding Doors comes standard with a durable stainless steel roller guide cover to prevent track wear. They are available in stock lengths that you can cut to size in the field if conditions require mounting the Bottom Tracks prior to ordering the entire system.



CRL Heavy-Duty Bottom Roller Assembly

- Easy Alignment of Door Panels Without Removing the Door

CRL Heavy-Duty Bottom Roller Assemblies are constructed from durable, long-lasting components capable of supporting 125 pounds (56.7 kg) each. They have a vertical adjustment of 9/16" (14 mm) for easy alignment of door panels without removing the doors. Minimum order is one each.



CAT. NO. SDR100



CRL Straddle Lock for Bottom Rolling Sliding Doors

- Works With Key Cylinder or Thumbturn

The CRL Straddle Lock comes standard with all CRL Bottom Rolling Sliding Doors. The bolt is designed to straddle the stainless steel track cover of the SD1BT Series Bottom Track, penetrating at the sides of the cover, allowing the door panels to roll freely across the locking position. It works with our Cat. No. DRA10 Series Mortise Key Cylinders and Cat. No. DRA20 and DRA22 Series Mortise Thumbturns. Minimum order is one each.



CAT. NO. SDRLOCK1

CRL SDR and SSR Accessories

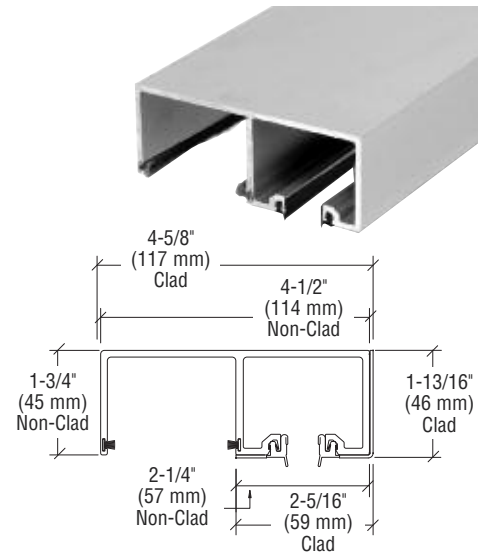
CRL SSR Top Track for Bottom Rolling Sliding Doors With Glazing Pocket

- Comes With Roll-In Glazing Vinyl for 1/2" (12 mm) Glass

CAT. NO.	FINISH	LENGTH
SSR1TTSA	Satin Anodized	10' (3.05 m)
SSR1TTDU	Black Bronze Anodized	10' (3.05 m)
SSR1TTBL	Black Powder Coat	10' (3.05 m)
SSR1TTBS	*Brushed Stainless	10' (3.05 m)
SSR1TTPS	*Polished Stainless	10' (3.05 m)
SSR1TTPB	*Polished Brass	10' (3.05 m)
SSR1TTSB	*Satin Brass	10' (3.05 m)

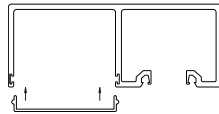
Minimum order: 1 each. Finishes can be combined for quantity pricing. Must ship common carrier. Stock lengths cannot be cut to ship via U.P.S. *Clad finish.

CRL SSR Top Track With Glazing Pocket is available in stock lengths that you can cut to size in the field if conditions require mounting the SSR Top Tracks prior to ordering the entire system. Roll-In Glazing Vinyl for 1/2" (12 mm) glass is included. Choice of seven architectural finishes.



CRL Snap-In Filler Strip for Sliding Door Pocket

- Snaps Into the Unused Sliding Door Pocket of Our SD1TT and SSR1TT Series Top Track



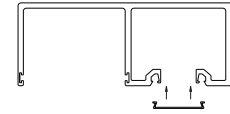
Snap-In Filler Strip for the Sliding Door Pocket of the Top Track gives your project that finished look. It is available in seven architectural finishes.

CAT. NO.	FINISH	LENGTH
SDTTF1SA	Satin Anodized	10' (3.05 m)
SDTTF1DU	Black Bronze Anodized	10' (3.05 m)
SDTTF1BL	Black Powder Coat	10' (3.05 m)
SDTTF1BS	*Brushed Stainless	10' (3.05 m)
SDTTF1PS	*Polished Stainless	10' (3.05 m)
SDTTF1PB	*Polished Brass	10' (3.05 m)
SDTTF1SB	*Satin Brass	10' (3.05 m)

Minimum order: 1 each. Finishes can be combined for quantity pricing. Must ship common carrier. Stock lengths cannot be cut to ship via U.P.S. *Clad finish.

CRL Snap-In Filler Strip for Glass Pocket

- Snaps Into the Unused Glass Pocket of Our SSR1TT Series Top Track



Snap-In Filler Strip for the Glass Pocket of the Top Track conceals the unused glass pocket. It is available in seven architectural finishes to give your project a finished look.

CAT. NO.	FINISH	LENGTH
NHF12SA	Satin Anodized	10' (3.05 m)
NHF12DU	Black Bronze Anodized	10' (3.05 m)
NHF12BL	Black Powder Coat	10' (3.05 m)
NHF12BS	*Brushed Stainless	10' (3.05 m)
NHF12PS	*Polished Stainless	10' (3.05 m)
NHF12PB	*Polished Brass	10' (3.05 m)
NHF12SB	*Satin Brass	10' (3.05 m)

Minimum order: 1 each. Finishes can be combined for quantity pricing. Must ship common carrier. Stock lengths cannot be cut to ship via U.P.S. *Clad finish.

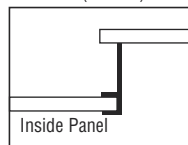
CRL Sliding Door Gap Closing Polycarbonate

- For 1/2" (12 mm) Glass
- Simple Snap-On Installation

This clear polycarbonate extrusion closes the gap between the two sliding panels in our SDR and SSR Series Sliding Door Systems. Fits glass up to 1/2" (12 mm) thick, and can be permanently adhered using our Cat. No. AT0401436 Double-Sided Very High Bond Tape. Simply apply tape to leading edge of glass on inside panel, then snap extrusion in place.



Closes Gaps Up to 1-13/16" (46 mm) Wide



CAT. NO.	STOCK LENGTH
SDGC98	98" (2.5 m)

Minimum order: 1 each. Stock lengths are individually packed to protect them during shipping.

Optional Pull Hardware



CRL Thru-Glass Pull
Cat. No. FP214BS
See page 281D



CRL SGH8 Series Frameless
Sliding Door Handle
See page 430D



5

HANDLES AND ACCESSORIES

- Access Control Handles
- Panic Exit Devices
- Ladder Pulls
- Locking Ladder Pulls
- Glass Mounted Door Handles
- Commercial Door Handles
- Offset Pivots
- Door Closers

See other side for Section Index.

TOLL FREE PHONE SERVICE

U.S. and CANADA
(800) 421-6144

EUROPE
00 800 0421 6144

AUSTRALIA
1800 424 275

CRL[®]
U.S. ALUMINUM
crlaurence.com
usalum.com

CRL Custom Ladder Pulls in
brushed stainless finish

5

HANDLES AND ACCESSORIES



Forever 21
Woodland Hills, CA

Beautiful doors are made even better with the safety and ease of use provided by well-designed hardware. We offer a full range of ingress and egress accessories such as access control handles, panic exit devices, standard and locking pull handles, plus door pivots and closers. It's the largest selection of its kind for glass door systems.

For additional information contact our Technical Sales Staff at (800) 421-6144 in the U.S., (877) 421-6144 from Canada, or (323) 588-1281 International. Ask for Ext. 7700. You can also e-mail us through our web site at crlaurence.com. From the home page click on Contact Us, and then click on Technical Sales for Commercial Products.

SUBJECT

PAGES

- Blumcraft Access Control Handles 397D thru 407D
- Jackson Panic Exit Devices 408D thru 409D
- Von Duprin® Panic Exit Devices 410D
- Adams Rite® Panic Exit Devices 411D
- Mid-Panel Panic Exit Devices 412D thru 413D
- Ladder Pulls 414D thru 415D
- Locking Ladder Pulls 416D thru 423D
- Glass Mounted Door Handles 424D thru 430D
- Commercial Door Handles 431D thru 434D
- Offset Pivot Sets 435D
- Door Closers 436D thru 444D

For information or other assistance, use our toll free phone or fax service numbers

In the U.S. or Canada Toll Free Phone (800) 421-6144 Toll Free Fax (800) 262-3299

In Europe Freephone 00 800 0421 6144 Freefax 00 800 0262 3299

In Australia Toll Free Phone 1800 424 275 Toll Free Fax 1800 813 013

Contact us through our web site at crlaurence.com

CRL-Blumcraft Access Control Handles



- Access Control Handles With a Large Selection of Exterior Fixed Pulls for Medium and Wide Stile Doors
- Available in Polished and Brushed Stainless, Satin and Polished Brass, and Oil Rubbed Bronze
- Custom Finishes Available By Special Order



CRL-Blumcraft manufactures a complete line of Access Control Handles for all your door needs. We have Panic Devices, Deadbolt Handles, and Electronic Egress Control Handles in a wide variety of configurations. We can also supply you with Dummy Handles to match these devices, allowing you to maintain the same appearance throughout the project, but without the added costs. Visit crl-arch.com for more information.



Designer Series

PATENT PENDING

NEW!



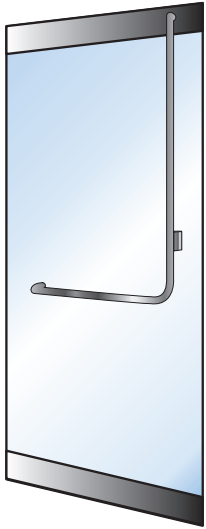
- Sharp Lines and Angles With a Smooth Round Gripping Surface
- Crisp Transitions at All Corners
- Available in Alloy 316 Brushed or Polished Stainless Steel



Contact CRL Technical Sales at (800) 421-6144 in the U.S., (877) 421-6144 from Canada, or (323) 588-1281 International, and ask for Ext. 7700. You can also send e-mail from the crlaurence.com home page. **NOTE:** All Access Control Handles on this page function as health and safety tools, and may only be purchased through CRL Authorized Glass Temperers and Door Manufacturers.

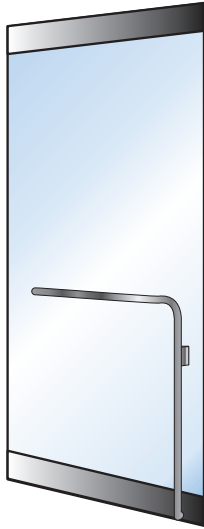
Standard Interior Configurations for CRL-Blumcraft Access Control Handles

BLUMCRAFT®
A DIVISION OF C.R. LAURENCE CO., INC.



PA100, DB100, AND EG100 SERIES

Available with or without Keyed Access Device



PA110, DB110, AND EG110 SERIES



BDA100 SERIES

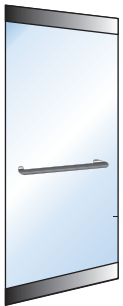
For Balanced Door Panic Handles see opposite page



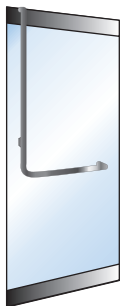
Exterior Handle Combinations for Doors with CRL-Blumcraft Access Control Handles

NOTE: All Exterior Fixed Handles below can be used in combination with any Panic, Deadbolt or Electronic Egress Handle.

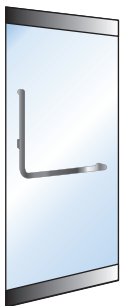
Contact CRL Technical Sales at (800) 421-6144 in the U.S., (877) 421-6144 from Canada, or (323) 588-1281 International. Ask for Ext. 7700. You can also send e-mail from the crlaurence.com home page. Click on Contact Us, and then click on Technical Sales for Commercial Products.



Handle A



Handle D



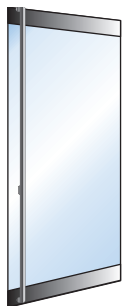
Handle B



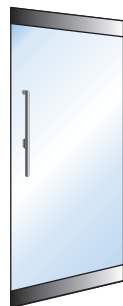
Handle C



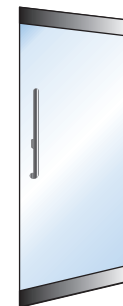
Handle E



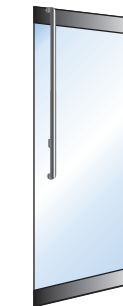
Handle F



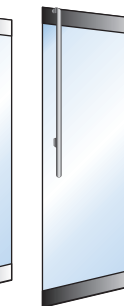
Handle G



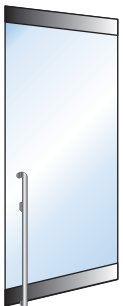
Handle H



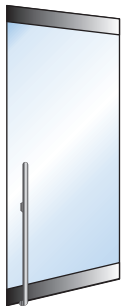
Handle J



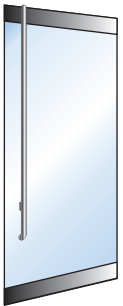
Handle J-S



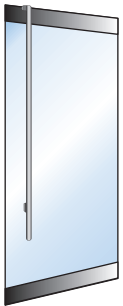
Handle K



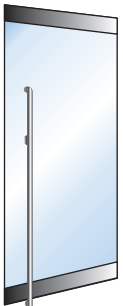
Handle K-S



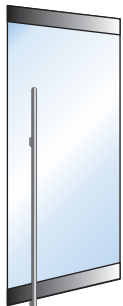
Handle L



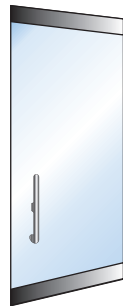
Handle L-S



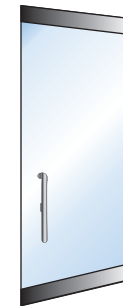
Handle M



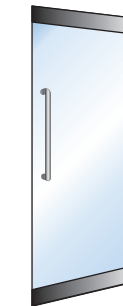
Handle M-S



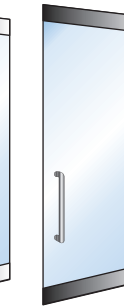
Handle N



Handle P



Handle X



Handle Y

NOTE: All Access Control Handles on this page function as health and safety tools, and may only be purchased through CRL Authorized Glass Temperers and Door Manufacturers.

CRL-Blumcraft BDA100 Series Panic Handles for Balanced Doors



- Specifically Designed for Balanced Doors
- UL, ULC, and ANSI/BHMA Certified
- For 1/2" or 3/4" (12 or 19 mm) Tempered Glass
- Available in Polished and Brushed Stainless, Satin and Polished Brass, and Oil Rubbed Bronze
- Custom Finishes Available By Special Order
- Custom Sizes Ship Within One to Two Weeks

CRL-Blumcraft Balanced Door Panic Handles were created to meet the building code requirements for Balanced Doors, while maintaining an excellent appearance. The building code states that the push pad shall not extend more than one-half the width of the door measured from the latch side, and this creates an undesirable appearance.

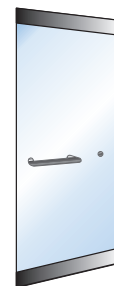
Our BDA100 Series has a fixed handle portion that extends toward the hinge side of the door, with a clearly defined push pad handle portion at the latch side of the door. This wider handle has greatly improved aesthetics over a handle that only spans one-half of the door's width.

Yet another fine example of C.R. Laurence's commitment to meeting building code requirements, while at the same time delivering the beautiful hardware that our architectural customers demand.



Exterior Handle Combinations for Balanced Doors with CRL Panic Handles

NOTE: Exterior Fixed Handles shown to the right can be used in combination with our BDA100 Series Panic Handle. For additional Exterior Fixed Handle options, see page 398D.



Handle A-BD



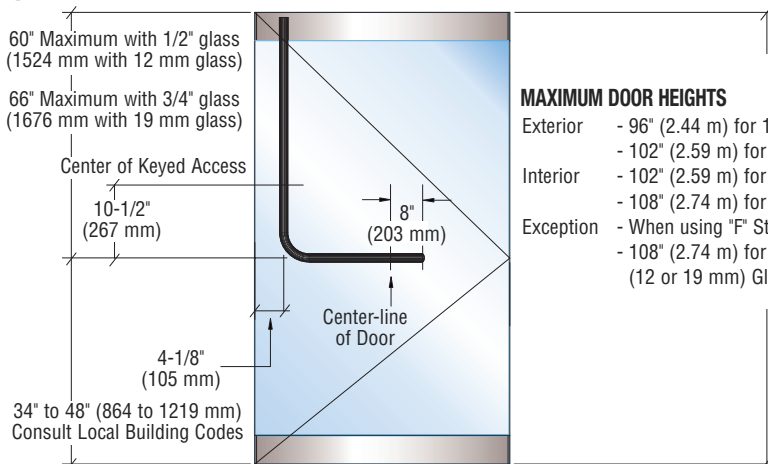
Handle D-BD



Handle B-BD

CRL Balanced Door Panic Handle Size Limitations

- Top Latching



Contact CRL Technical Sales at (800) 421-6144 in the U.S., (877) 421-6144 from Canada, or (323) 588-1281 International, and ask for Ext. 7700.

You can also send e-mail from the crlaurence.com home page. Click on Contact Us, and then click on Technical Sales for Commercial Products.

NOTE: All Access Control Handles on this page function as health and safety tools, and may only be purchased through CRL Authorized Glass Temperers and Door Manufacturers.

CRL-Blumcraft PA100 and PA110 Series Panic Handles



- UL, ULC, and ANSI/BHMA Certified
- For 1/2" or 3/4" (12 or 19 mm) Tempered Glass Doors
- Wide Selection of Exterior Fixed Handles

- Available in Polished and Brushed Stainless, Satin and Polished Brass, and Oil Rubbed Bronze
- Custom Finishes Available By Special Order
- Custom Sizes Ship Within One to Two Weeks

CRL-Blumcraft manufactures a complete line of Panic Handles designed with the 'all-glass' door in mind. These elegant tubular devices give you maximum viewing area and a contemporary look when used on 1/2" or 3/4" (12 or 19 mm) tempered glass doors.

The most popular of these Panics is our PA100 Series. They provide a solution to the strict Americans With Disabilities Act (A.D.A.) Codes that confront every manufacturer and installer of 'all-glass' doors.

The interior portion of the device is a slender 1-1/4" (32 mm) tube stretching across the door and then gently turning upwards to the top of the door, eliminating any interference at the lower half of the door, which must remain clear of obstructions to pass A.D.A. demands.

The operating mechanism is completely concealed within the tube, and retracts a roller latch bolt at the top of the door when pushed gently. Complementing the sleek interior look, we offer a large selection of exterior pull handles that can be as simple as a horizontal handle (Model PA100A) to one that mirrors the interior device (Model PA100D).

All PA100 Series Panic Handles come with a 'dogging' feature that allows you to lock the device in the open position by simply sliding a lever, giving free access during business hours. They also can be used in conjunction with an Electric Strike, allowing for remote keyless entry. For your convenience, Custom Headers are available with all strike hardware installed.



When A.D.A. Codes are not a concern, we also offer our PA110 Series Panic Handles. These Panics are of the same sleek design as the PA100 Series, except they stretch across the door and then bend downward to the bottom of the door, latching at the floor or threshold.

They operate just like the PA100 Series Panics, and have the same 'dogging' feature. Strikes are available for either threshold or no threshold applications providing secure, accurate latching every time.

All of our PA100 and PA110 Panic Handles go through rigorous testing before they leave our manufacturing facility, ensuring that a high quality, dependable Panic will serve your customer for years to come.

Most importantly, they are all UL305, ULC-S132-07, and ANSI/BHMA A156.3-2008, Grade 1 Certified. No other Panic of this type can make this claim, and that puts CRL-Blumcraft Panic Handles a step ahead of all the rest.

For more information on our PA100 and PA110 Series Panic Handles, contact CRL Technical Sales, or visit our web site at crlaurence.com.

- Models for Aluminum or Wood Doors Available on Special Order



Contact CRL Technical Sales at (800) 421-6144 in the U.S., (877) 421-6144 from Canada, or (323) 588-1281 International, and ask for Ext. 7700.

You can also send e-mail from the crlaurence.com home page. Click on Contact Us, and then click on Technical Sales for Commercial Products.

NOTE: All Access Control Handles on this page function as health and safety tools, and may only be purchased through CRL Authorized Glass Temperers and Door Manufacturers.



C.R. LAURENCE COMPANY

crlaurence.com | usalum.com

400D | crlaurence.ca crlaurence.com.au crlaurence.co.uk crlaurence.de crlaurence.eu

CRL-Blumcraft PA100 Series Panic Handle Details



Glass Mount Detail at Latch



Rail Mount Detail at Latch



Keyed Access



Glass Mount Detail at Latch With Header and PK Strike



Rail Mount Detail at Latch with Header and ESK Strike



Retainer Plate

CRL-Blumcraft PA110 Series Panic Handle Details



Glass Mount Detail at Latch



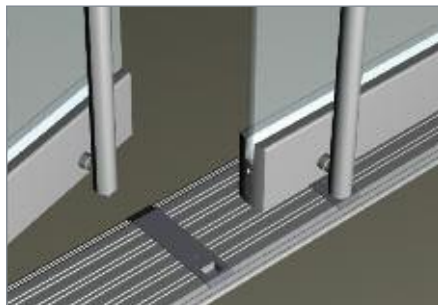
Rail Mount Detail at Latch



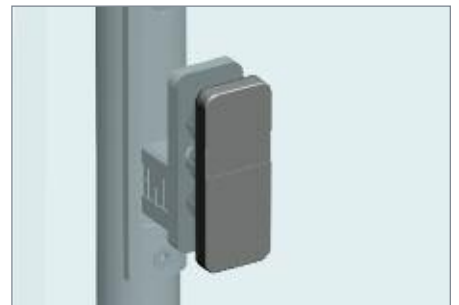
Keyed Access



Glass Mount Detail at Latch With Floor Mount Ramp Strike



Rail Mount Detail at Latch With Threshold Ramp Strike



Retainer Plate

Contact CRL Technical Sales at (800) 421-6144 in the U.S., (877) 421-6144 from Canada, or (323) 588-1281 International, and ask for Ext. 7700.

You can also send e-mail from the crlaurence.com home page. Click on Contact Us, and then click on Technical Sales for Commercial Products.

NOTE: All Access Control Handles on this page function as health and safety tools, and may only be purchased through CRL Authorized Glass Temperers and Door Manufacturers.

CRL-Blumcraft DB100 and DB110 Series Deadbolt Handles



- UL Classified
- For 1/2" or 3/4" (12 or 19 mm) Tempered Glass Doors
- Wide Selection of Exterior Fixed Handles

- Available in Polished and Brushed Stainless, Satin and Polished Brass, and Oil Rubbed Bronze
- Custom Finishes Available By Special Order
- Custom Sizes Ship Within One to Two Weeks



CRL-Blumcraft manufactures a complete line of Deadbolt Handles designed to complement our popular line of Panic Handles. They offer easily accessible locking hardware for 'all-glass' doors in an elegant tubular device, while maximizing your viewing area. Our Deadbolt Handles add a contemporary look to any 1/2" or 3/4" (12 or 19 mm) tempered glass door.

Like our PA100 Series Panics, our DB100 Series Deadbolt Handles provide a solution to the strict Americans With Disabilities Act (A.D.A.) Codes that confront every manufacturer and installer of 'all-glass' doors.

The interior portion of the device is a slender 1-1/4" (32 mm) tube stretching across the door and then gently turning upwards to the top of the door. This eliminates any interference in the lower half of the door, which must remain clear of obstructions to pass A.D.A. demands.

The locking hardware is completely concealed within the tube. The top deadbolt retracts with just a simple turn of a key or thumbturn conveniently located just above the horizontal portion of the handle. To complement the sleek interior look, we offer a variety of exterior pull handles that can be as simple as a horizontal handle (Model DB100A) or one that mirrors the interior device (Model DB100D).

All DB100 Series Deadbolt Handles can be used in conjunction with an Electric Strike, allowing for remote keyless entry. For your convenience, Custom Headers are available with all strike hardware installed.

Where A.D.A. Codes are not a concern, we offer our DB110 Series Deadbolt Handles. These Deadbolts are of the same sleek design as the DB100 Series, except they stretch across the door and then bend downward to the bottom of the door, latching at the floor or threshold.

They operate just like the DB100 Series Deadbolts. Strikes are available for either threshold or no threshold applications, providing secure, accurate engagement of the deadbolt with every closing.

All of our DB100 and DB110 Deadbolt Handles go through rigorous testing before they leave our manufacturing facility, ensuring that a high quality, dependable Deadbolt Handle is installed every time. Most importantly, they are all UL Classified to ANSI A156.16-1997 Standard.

For more information on DB100 and DB110 Series Deadbolt Handles, contact CRL Technical Sales, or visit our web site at crlaurence.com.



- Models for Aluminum or Wood Doors Available on Special Order



Contact CRL Technical Sales at (800) 421-6144 in the U.S., (877) 421-6144 from Canada, or (323) 588-1281 International, and ask for Ext. 7700.

You can also send e-mail from the crlaurence.com home page. Click on Contact Us, and then click on Technical Sales for Commercial Products.

NOTE: All Access Control Handles on this page function as health and safety tools, and may only be purchased through CRL Authorized Glass Tempereders and Door Manufacturers.



C.R. LAURENCE COMPANY

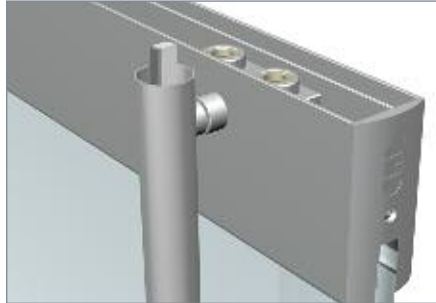
crlaurence.com | usalum.com

402D | crlaurence.ca crlaurence.com.au crlaurence.co.uk crlaurence.de crlaurence.eu

CRL-Blumcraft DB100 Series Deadbolt Handle Details



Glass Mount Detail at Latch



Rail Mount Detail at Latch



Keyed Access – Cylinder Out / Thumbturn In



Glass Mount Detail at Latch With Header and Hole for Latch



Rail Mount Detail at Latch With Header and PK Strike



Glass Mount Detail at Latch With Header and ESK Strike

CRL-Blumcraft DB110 Series Deadbolt Handle Details



Glass Mount Detail at Latch



Rail Mount Detail at Latch



Keyed Access – Cylinder Out / Cylinder In



Glass Mount Detail at Latch With Threshold Prepped for Latch



Rail Mount Detail at Latch at Floor With AMR209PS Dustproof Keeper



Glass Mount Detail at Latch at Floor With 777SP Flat Strike

Contact CRL Technical Sales at (800) 421-6144 in the U.S., (877) 421-6144 from Canada, or (323) 588-1281 International, and ask for Ext. 7700. You can also send e-mail from the crlaurence.com home page. Click on Contact Us, and then click on Technical Sales for Commercial Products.

NOTE: All Access Control Handles on this page function as health and safety tools, and may only be purchased through CRL Authorized Glass Temperers and Door Manufacturers.

CRL-Blumcraft EG100 and EG110 Series Electronic Egress Control Handles



- UL and ULC Recognized Component
- For 1/2" or 3/4" (12 or 19 mm) Tempered Glass Doors
- Available in Polished and Brushed Stainless, Satin and Polished Brass, and Oil Rubbed Bronze

- Custom Finishes Available By Special Order
- Wide Selection of Exterior Fixed Handles
- Custom Sizes Ship Within One to Two Weeks
- Models for Aluminum or Wood Doors Available on Special Order

CRL-Blumcraft EG100 Series Electronic Egress Control Handles are an economical method to control access into, and safe exit from, areas that call for security and still maintain the beauty and view of an 'all-glass' door. These elegant tubular devices give you maximum viewing area and a contemporary look when used on 1/2" or 3/4" (12 or 19 mm) tempered glass doors.

Like our Panic and Deadbolt Handle Line, these Handles also meet the rigid requirements imposed by the A.D.A. Codes on every manufacturer and installer of 'all-glass' doors.

The interior portion of the device is a slender 1-1/4" (32 mm) tube stretching across the door and then gently turning upwards to the top of the door. This eliminates any interference in the lower half of the door, which must remain clear of obstructions to pass A.D.A. demands.

An Electronic Switch is completely concealed within the tube and releases a Magnetic Lock at the top or bottom of the door when gently pushed. To complement the sleek interior look, we offer a variety of exterior pull handles that can be as simple as a horizontal handle (Model EG100A) to one that mirrors the interior device (Model EG100D).

A Magnetic Lock must be ordered separately. Please contact CRL Technical Sales. For your convenience, Custom Headers are available with all lock hardware installed.



CALIFORNIA DEPARTMENT OF FORESTRY & FIRE PROTECTION
OFFICE OF THE STATE FIRE MARSHALL
FIRE ENGINEERING - BUILDING MATERIALS LISTING PROGRAM
Listing No. 3774-1603:100
U.S. Patent No. 7,347,461

If A.D.A. Codes are not a concern, we also have our EG110 Series Electronic Egress Control Handles. These Handles are of the same sleek design and operation as the EG100 Series, except they stretch across the door and then bend downward to the bottom of the door.

All of our EG100 and EG110 Electronic Egress Control Handles come equipped with surge suppression ZNR that is compatible with most Shear Locks. However, we suggest that the lock manufacturer be contacted to ensure compatibility with this feature.

All CRL-Blumcraft Electronic Egress Control Handles go through rigorous testing before they leave our manufacturing facility, ensuring that a high quality, dependable product is installed every time. Most importantly, they are all UL and ULC Recognized Components, tested to NFPA Life and Safety Code Standards.

For more information on EG100 and EG110 Series Electronic Access Control Handles, contact CRL Technical Sales, or visit our web site at crlaurence.com.



Contact CRL Technical Sales at (800) 421-6144 in the U.S., (877) 421-6144 from Canada, or (323) 588-1281 International, and ask for Ext. 7700.

You can also send e-mail from the crlaurence.com home page. Click on Contact Us, and then click on Technical Sales for Commercial Products.

NOTE: All Access Control Handles on this page function as health and safety tools, and may only be purchased through CRL Authorized Glass Temperers and Door Manufacturers.



C.R. LAURENCE COMPANY

crlaurence.com | usalum.com

404D | crlaurence.ca crlaurence.com.au crlaurence.co.uk crlaurence.de crlaurence.eu

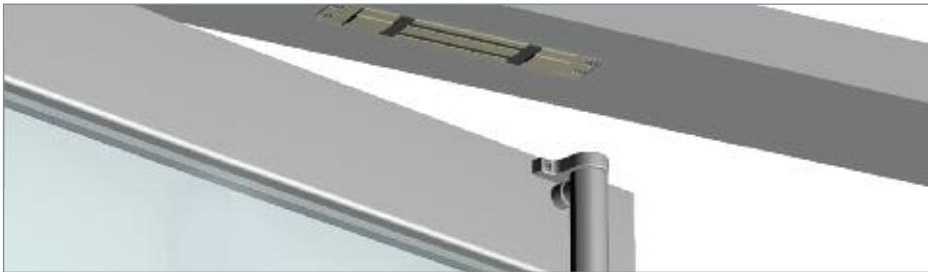
CRL-Blumcraft EG100 Series Electronic Egress Control Handle Details



Rail Mount Detail at Header and Wire Loop for EG100



Keyed Access

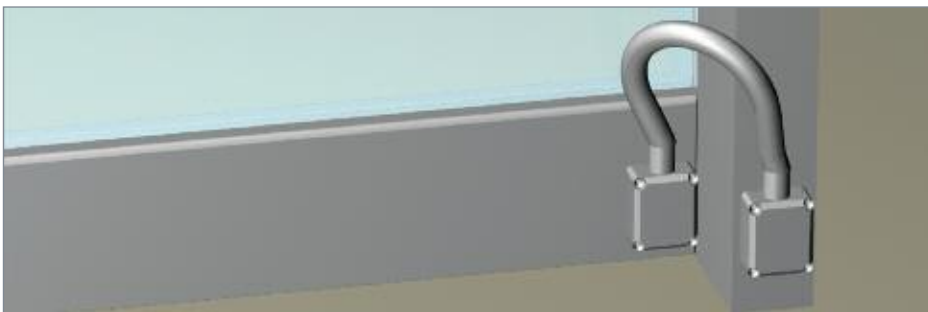


Rail Mount Detail at Top of EG100 With Header and Electromagnetic Shear Lock



Retainer Plate

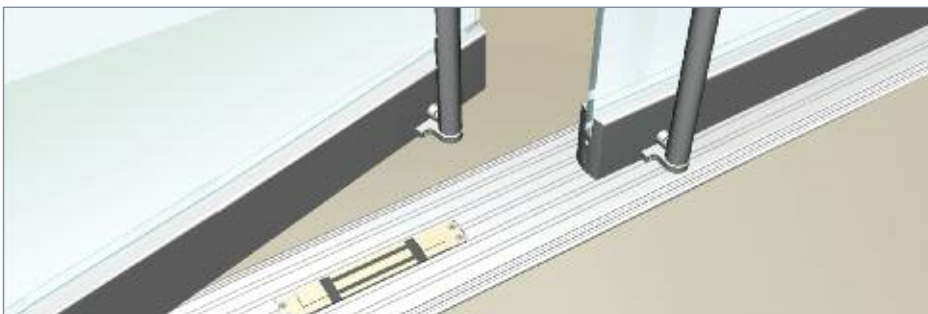
CRL-Blumcraft EG110 Series Electronic Egress Control Handle Details



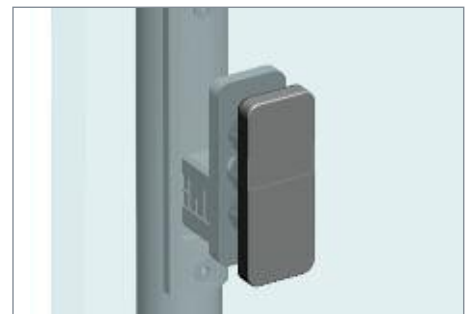
Rail Mount Detail at Sill/Jamb and Wire Loop for EG110



Keyed Access



Rail Mount Detail at Bottom of EG110 With Threshold and Electromagnetic Shear Lock



Retainer Plate

Contact CRL Technical Sales at (800) 421-6144 in the U.S., (877) 421-6144 from Canada, or (323) 588-1281 International, and ask for Ext. 7700. You can also send e-mail from the crlaurence.com home page. Click on Contact Us, and then click on Technical Sales for Commercial Products.

NOTE: All Access Control Handles on this page function as health and safety tools, and may only be purchased through CRL Authorized Glass Temperers and Door Manufacturers.

CRL-Blumcraft Access Control Handle Size Limitations

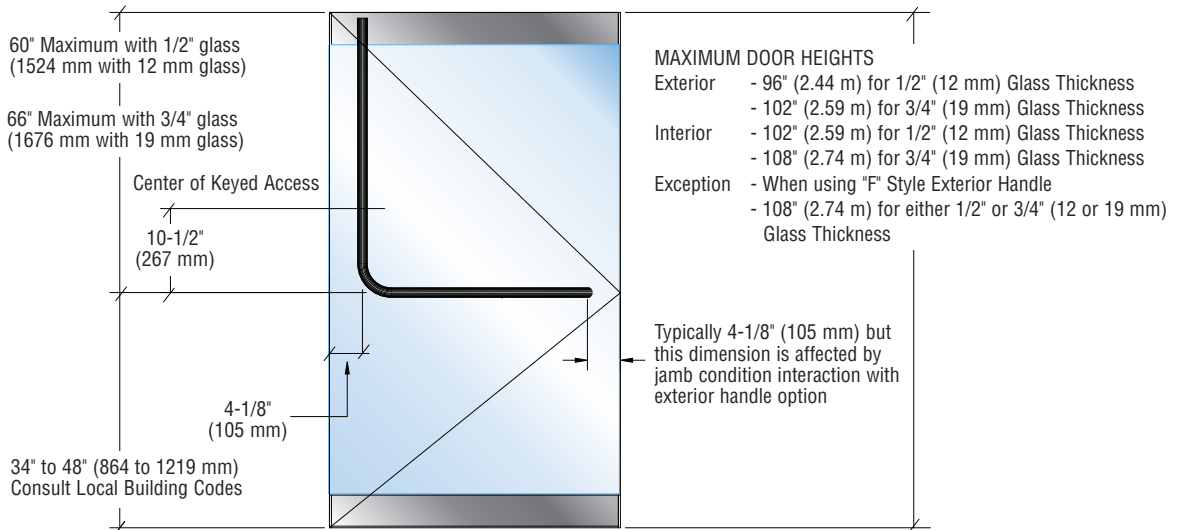
Increased Sizes Make Door Assemblies Heavier and More Flexible. Therefore, the Following Should be Considered:

- Windload, Stack Pressure, and Ventilation Loads
- Mounting Conditions of Doors to Building Structure
- Panic Devices, Deadbolt Locks, or Other Hardware
- Overhead or Floor Closer Characteristics
- Heavy Usage and Frequency of Operation
- Comfortable Feel and Ease of Door Operation

The Architect's Structural Engineer Should Be Consulted so that the Door Design is Correct for the Intended Use

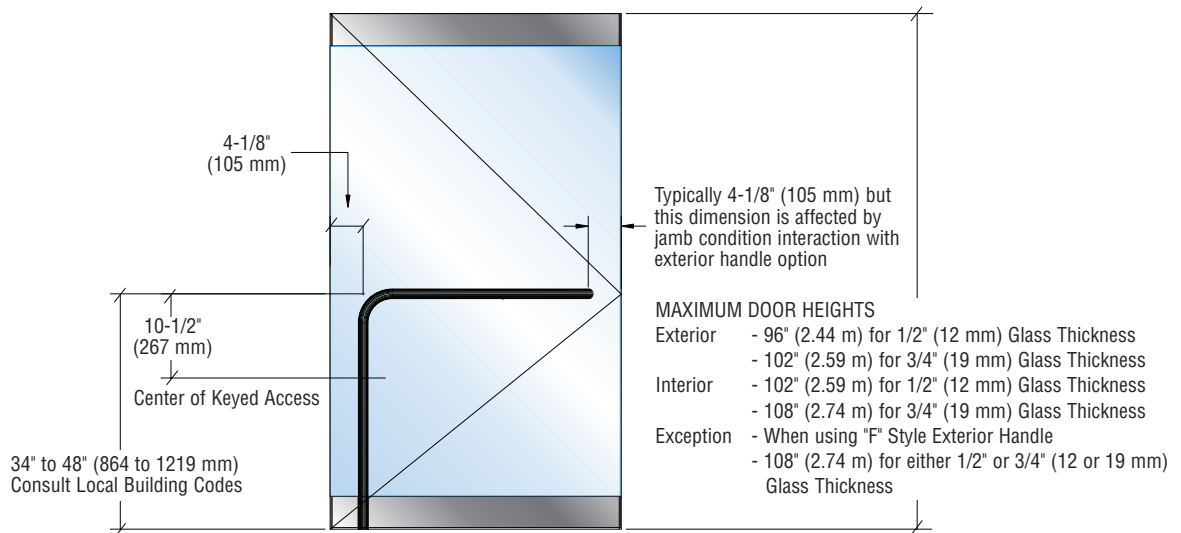
PA100, DB100, and EG100 Series Access Control Handles

• Top Locking



PA110, DB110, and EG110 Series Access Control Handles

• Bottom Locking



Contact CRL Technical Sales at (800) 421-6144 in the U.S., (877) 421-6144 from Canada, or (323) 588-1281 International, and ask for Ext. 7700.

You can also send e-mail from the crlaurence.com home page. Click on Contact Us, and then click on Technical Sales for Commercial Products.

NOTE: All Access Control Handles on this page function as health and safety tools, and may only be purchased through CRL Authorized Glass Temperers and Door Manufacturers.



CRL-Blumcraft Dummy Handles

- Custom Fabricated to Match All CRL-Blumcraft Panic, Deadbolt or Electronic Egress Control Handle and Exterior Handle Combinations
- For 1/2" or 3/4" (12 or 19 mm) Tempered Glass Doors in Interior and Exterior Applications
- Available in Polished and Brushed Stainless, Satin and Polished Brass, and Oil Rubbed Bronze
- Custom Finishes Available By Special Order
- Stock Finishes Available for Shipment Within Three to Five Business Days

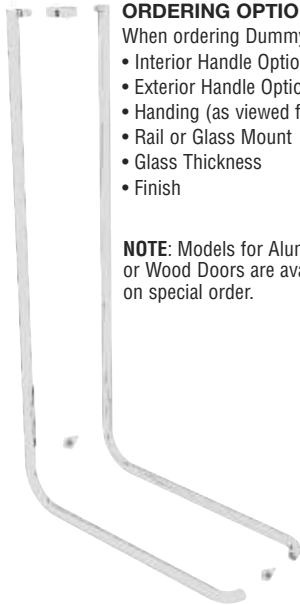


ORDERING OPTIONS

When ordering Dummy Handles you must specify:

- Interior Handle Option (see page 398D)
- Exterior Handle Option (see page 398D)
- Handing (as viewed from the exterior side of the door)
- Rail or Glass Mount
- Glass Thickness
- Finish

NOTE: Models for Aluminum or Wood Doors are available on special order.



When functionality is not required, our Dummy Handles can be made to match any of our Panic, Deadbolt or Electronic Egress Handles, giving you the same appearance throughout your project. C.R. Laurence's experienced Manufacturing Division can also create custom Dummy Handles to meet design demands.

Our Technical Sales Professionals will discuss with you how best to fill your needs. Contact CRL Technical Sales at (800) 421-6144 in the U.S., (877) 421-6144 from Canada, or (323) 588-1281 International, and ask for Ext. 7700. You can also send e-mail from the crlaurence.com home page. Click on Contact Us, and then click on Technical Sales for Commercial Products.



NOTE: All Access Control Handles on this page function as health and safety tools, and may only be purchased through CRL Authorized Glass Tempereders and Door Manufacturers.



Technical Assistance

CRL Technical Sales can be reached Monday through Friday from 6:00 am to 5:00 pm Pacific Time. Phone toll free (800) 421-6144 from anywhere in the U.S., (877) 421-6144 from anywhere in Canada, or (323) 588-1281 International, and ask for Ext. 7700.

You can also send e-mail requests for quotes or product information from the crlaurence.com home page. Click on Contact Us, and then click on Technical Sales for Commercial Products.

CRL Jackson Panic Exit Devices

- Designed for Use With 1-3/4" (44 mm) Narrow, Medium, and Wide Stile Aluminum, Wood, or Hollow Metal Doors
- Concealed Fastening for Added Security



CRL Jackson Exit Devices are universally recognized as the standard for aluminum storefront hardware. These Exit Devices are designed to withstand wear and tear, yet remain aesthetically pleasing for years to come. Each part is manufactured from the highest quality materials, which are hand fitted and adjusted for a smooth, whisper quiet operation. CRL Jackson Exit Devices are suitable for use with 1-3/4" (44.5 mm) narrow, medium, and wide stile aluminum, wood, or hollow metal doors. For additional information view our Online Catalog at crlaurence.com.

CRL Jackson 10 Series Panic Exit Devices

Features:

- Contoured Field Sizeable 48" (1219 mm) Long Crossbar
- Standard Door Height 84" (2134 mm) – Extension Available
- Dual Dogging Feature – By Outside Cylinder
– By Dogging Pins on Panic Housing
- Wear Points Insulated by Nylon Sleeves and Rollers

CAT. NO.	TYPE	HANDING	FINISH
311095LC4628	Rim - 'C' Strike	Left Hand-Reverse Bevel	Satin Aluminum
311095RC4628	Rim - 'C' Strike	Right Hand-Reverse Bevel	Satin Aluminum
311095LC4313	Rim - 'C' Strike	Left Hand-Reverse Bevel	Dark Bronze
311095RC4313	Rim - 'C' Strike	Right Hand-Reverse Bevel	Dark Bronze
31108547628	Concealed Vertical Rod	Non-Handed	Satin Aluminum
31108547313	Concealed Vertical Rod	Non-Handed	Dark Bronze

Minimum order: 1 each.



Model 1095



Model 1085

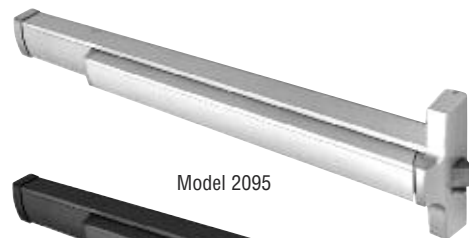
CRL Jackson 20 Series Panic Exit Devices

Features:

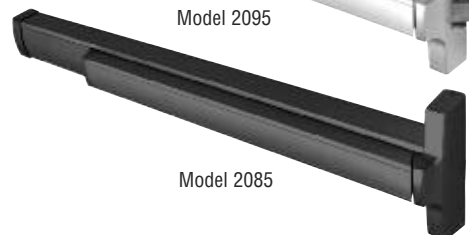
- Standard 36" (914 mm) Wide Door - Field Sizeable up to 48" (1219 mm) Width Available on Special Order
- Standard Door Height 84" (2134 mm) – Extension Available
- Concealed Easy to Use Dogging System – Optional Cylinder Dogging Available on Special Order
- Wear Points Insulated by Nylon Sleeves and Rollers

CAT. NO.	TYPE	HANDING	FINISH
312095LC3628	Rim - 'C' Strike	Left Hand-Reverse Bevel	Satin Aluminum
312095RC3628	Rim - 'C' Strike	Right Hand-Reverse Bevel	Satin Aluminum
312095LC3313	Rim - 'C' Strike	Left Hand-Reverse Bevel	Dark Bronze
312095RC3313	Rim - 'C' Strike	Right Hand-Reverse Bevel	Dark Bronze
312085L37628	Concealed Vertical Rod	Left Hand-Reverse Bevel	Satin Aluminum
312085R37628	Concealed Vertical Rod	Right Hand-Reverse Bevel	Satin Aluminum
312085L37313	Concealed Vertical Rod	Left Hand-Reverse Bevel	Dark Bronze
312085R37313	Concealed Vertical Rod	Right Hand-Reverse Bevel	Dark Bronze

Minimum order: 1 each.



Model 2095



Model 2085

CRL Jackson Panic Exit Devices

CRL Jackson 1200 Series Panic Exit Devices

- Designed for Use With 1-3/4" (44 mm) Narrow, Medium, and Wide Stile Aluminum, Wood or Hollow Metal Doors
- "Soft-Touch" Smooth Action Push-Pad
- Field Sizeable

CAT. NO.	TYPE	HANDING	FINISH
31127537628	36" (914 mm) Surface Vertical Rod	Non-Handed	Satin Aluminum
31127537313	36" (914 mm) Surface Vertical Rod	Non-Handed	Dark Bronze
311285L37628	36" (914 mm) Concealed Vertical Rod	Left Hand-Reverse Bevel	Satin Aluminum
311285R37628	36" (914 mm) Concealed Vertical Rod	Right Hand-Reverse Bevel	Satin Aluminum
311285L37313	36" (914 mm) Concealed Vertical Rod	Left Hand-Reverse Bevel	Dark Bronze
311285R37313	36" (914 mm) Concealed Vertical Rod	Right Hand-Reverse Bevel	Dark Bronze
311295C3628	Rim – 36" (914 mm) Base-'C' Strike	Non-Handed	Satin Aluminum
311295C4628	Rim – 48" (1219 mm) Base-'C' Strike	Non-Handed	Satin Aluminum
311295C3313	Rim – 36" (914 mm) Base-'C' Strike	Non-Handed	Dark Bronze
311295C4313	Rim – 48" (1219 mm) Base-'C' Strike	Non-Handed	Dark Bronze

Minimum order: 1 each.

Specifications:

1275 Surface Vertical Rod Device

- Stocked in Both 36" (914 mm) and 48" (1219 mm) Widths
- Standard Door Height 84" (2134 mm) – Field Sizeable

1285 Concealed Vertical Rod Device

- Stocked in Both 36" (914 mm) and 48" (1219 mm) Widths
- Standard Height 84" (2134 mm) - Extension Available
- Requires Cylinder Mounting Pad When Using Mortise Cylinder for Keyed Outside Entry

1295 Rim Device

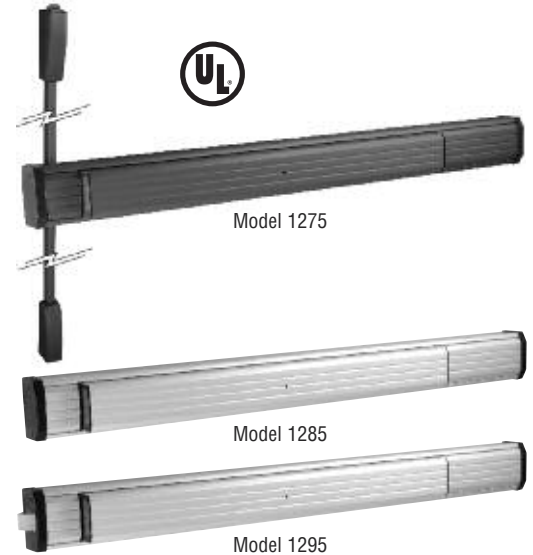
- Stocked in Both 36" (914 mm) and 48" (1219 mm) Widths
- Surface Mounted Roller Strike Standard
- Requires Rim Cylinder for Keyed Entry

CRL Jackson 10 Series Push-Pad Retrofit Device

- Sleek, Contemporary Style Push-Pad to Retrofit Existing Jackson 1085 Concealed Vertical Rod Crossbar Exit Device
- Uses Existing 10 Series Rod and Case Assembly
- Easy Installation – Cut to Fit

CAT. NO.	HANDING	FINISH
311285RL3628	36" (914 mm) Left Hand-Reverse Bevel	Satin Aluminum
311285RR3628	36" (914 mm) Right Hand-Reverse Bevel	Satin Aluminum
311285RL3313	36" (914 mm) Left Hand-Reverse Bevel	Dark Bronze
311285RR3313	36" (914 mm) Right Hand-Reverse Bevel	Dark Bronze

Minimum order: 1 each.



Materials:

Base and Push-Pad: Extruded Aluminum
 Mechanical Components: Stainless and Hardened, Plated Steel
 Latch and Strikes: Sintered Steel



Specifications:

- Stocked in Both 36" (914 mm) and 48" (1219 mm) Widths

Materials:

Base and Push-Pad: Extruded Aluminum
 Mechanical Components: Stainless and Hardened, Plated Steel

CRL Von Duprin® 33A/35A Series Panic Exit Devices

- Fits Door Stiles as Narrow as 1-3/4" (44 mm)
- Available With Smooth or Grooved Housing
- Non-Handed
- UL Listed and Tested to ANSI A156.3, Grade 1

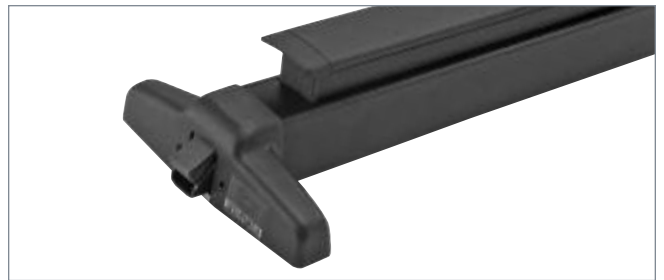


VON DUPRIN®

Von Duprin® designs and manufactures Exit Devices to the highest standards of quality and reliability in accordance with U.S. domestic and international standards. All 33A and 35A Series Exit Devices are UL Listed for Panic Exit Hardware, and are tested in accordance to ANSI A156.3, Grade 1 standards. For additional information, contact C.R. Laurence Technical Sales at (800) 421-6144, Ext. 7700. You can also visit our web site at crlaurence.com.



33A Series features a grooved mechanism case



35A Series features a smooth mechanism case

RIM DEVICES

33A GROOVED CAT. NO.	35A SMOOTH CAT. NO.	DEVICE LENGTH	FINISH
33AE03626	35AE03626	36" (914 mm)	Satin Chrome
33AE03313	35AE03313	36" (914 mm)	Dark Bronze
33AE04626	35AE04626	48" (1219 mm)	Satin Chrome
33AE04313	35AE04313	48" (1219 mm)	Dark Bronze

Minimum order: 1 each.

SURFACE MOUNTED VERTICAL ROD DEVICES

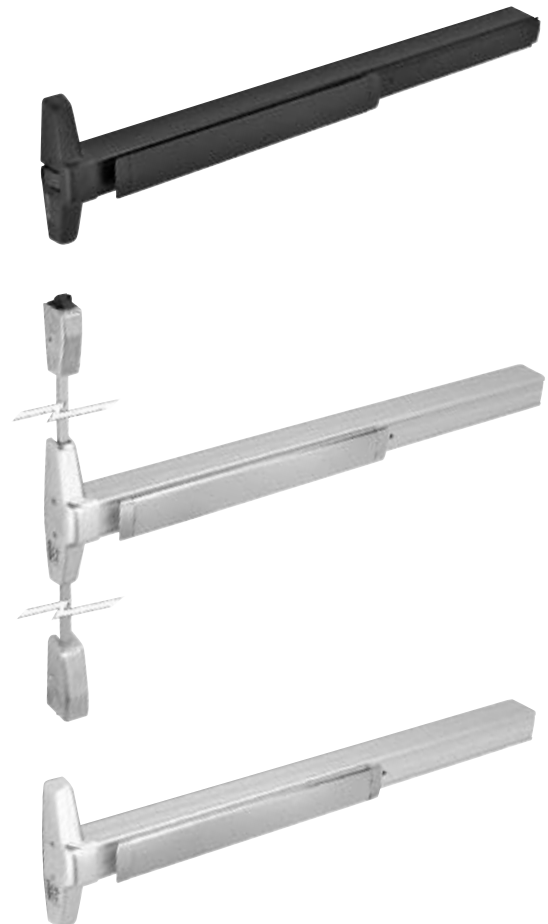
33A GROOVED CAT. NO.	35A SMOOTH CAT. NO.	DEVICE LENGTH	FINISH
3327AE03626	3527AE03626	36" (914 mm)	Satin Chrome
3327AE03313	3527AE03313	36" (914 mm)	Dark Bronze
3327AE04626	3527AE04626	48" (1219 mm)	Satin Chrome
3327AE04313	3527AE04313	48" (1219 mm)	Dark Bronze

Minimum order: 1 each.

CONCEALED VERTICAL ROD DEVICES

33A GROOVED CAT. NO.	35A SMOOTH CAT. NO.	DEVICE LENGTH	FINISH
3347AE03626	3547AE03626	36" (914 mm)	Satin Chrome
3347AE03313	3547AE03313	36" (914 mm)	Dark Bronze
3347AE04626	3547AE04626	48" (1219 mm)	Satin Chrome
3347AE04313	3547AE04313	48" (1219 mm)	Dark Bronze

Minimum order: 1 each.



Von Duprin is a registered trademark of Ingersoll-Rand plc, its subsidiaries and/or affiliates in the United States and other countries.

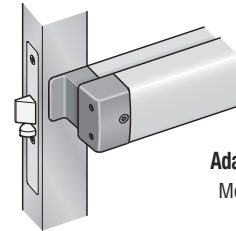
CRL Adams Rite® 8400/8600/8800 Series Panic Exit Devices

- Fits Door Stiles as Narrow as 2" (51 mm)
- UL Listed and Tested to ANSI A156.3, Grade 1
- Easy to Install



8400 MORTISE DEVICES

LEFT HAND CAT. NO.	RIGHT HAND CAT. NO.	DEVICE LENGTH	FINISH
DH84111L036	DH84111R036	36" (914 mm)	Clear Anodized
DH84122L036	DH84122R036	36" (914 mm)	Dark Bronze Anodized
DH84111L042	DH84111R042	42" (1067 mm)	Clear Anodized
DH84122L042	DH84122R042	42" (1067 mm)	Dark Bronze Anodized
DH84111L048	DH84111R048	48" (1219 mm)	Clear Anodized
DH84122L048	DH84122R048	48" (1219 mm)	Dark Bronze Anodized

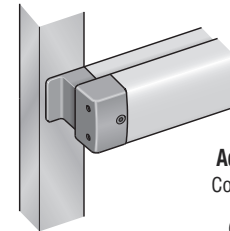


Adams Rite 8400
Mortise Device
(Handed)

Minimum order: 1 each. Includes: Panic Device and Strike. Cylinder not included.

8600 CONCEALED VERTICAL ROD DEVICES

CAT. NO.	DEVICE LENGTH	FINISH
DH8601136	36" (914 mm)	Clear Anodized
DH8602236	36" (914 mm)	Dark Bronze Anodized
DH8601142	42" (1067 mm)	Clear Anodized
DH8602242	42" (1067 mm)	Dark Bronze Anodized
DH8601148	48" (1219 mm)	Clear Anodized
DH8602248	48" (1219 mm)	Dark Bronze Anodized

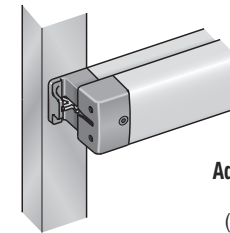


Adams Rite 8600
Concealed Vertical
Rod Device
(Non-Handed)

Minimum order: 1 each. Includes: Panic Device, Rods, and Strike. Mortise Cylinder and Cylinder Pad not included.

8800 RIM DEVICES

CAT. NO.	DEVICE LENGTH	FINISH
DH8801136	36" (914 mm)	Clear Anodized
DH8802236	36" (914 mm)	Dark Bronze Anodized
DH8801142	42" (1067 mm)	Clear Anodized
DH8802242	42" (1067 mm)	Dark Bronze Anodized
DH8801148	48" (1219 mm)	Clear Anodized
DH8802248	48" (1219 mm)	Dark Bronze Anodized

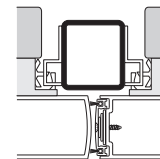


Adams Rite 8800
Rim Device
(Non-Handed)

Minimum order: 1 each. Includes: Panic Device and Strike Rim Cylinder. Not Included: Pairs of Doors require removable mullion (DH886).

REMOVABLE MULLION

CAT. NO.	DEVICE LENGTH	FINISH
DH8861196	96" (2438 mm)	Clear Anodized
DH8862296	96" (2438 mm)	Dark Bronze Anodized
DH8861120	120" (3048 mm)	Clear Anodized
DH88622120	120" (3048 mm)	Dark Bronze Anodized



Removable Mullion
Includes: Mullion,
strikes, stabilizers,
and mounting clips.

Minimum order: 1 each.

Adams Rite is a registered trademark of Adams Rite Manufacturing Co., an ASSA ABLOY Group Company.

CRL Mid-Panels

- Designed to be Glazed in Our Aluminum Framed Doors
- Decorative Logos on Exterior for a Completely Custom Look
- Available in Clear and Champagne Finishes
- Fits Up to 48" (1219 mm) Door Widths

CRL Mid-Panels are available in a variety of designs, sizes, and finishes to suit the requirements of aluminum framed doors. Consult with U.S. Aluminum Technical Sales at (800) 262-5151, Ext. 5305 for more information.



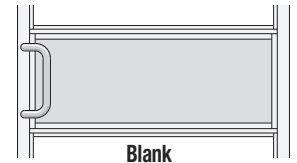
McDonald's
For 36" (914 mm) and
42" (1067 mm) Door Widths



Burger King
For 36" (914 mm) and
42" (1067 mm) Door Widths



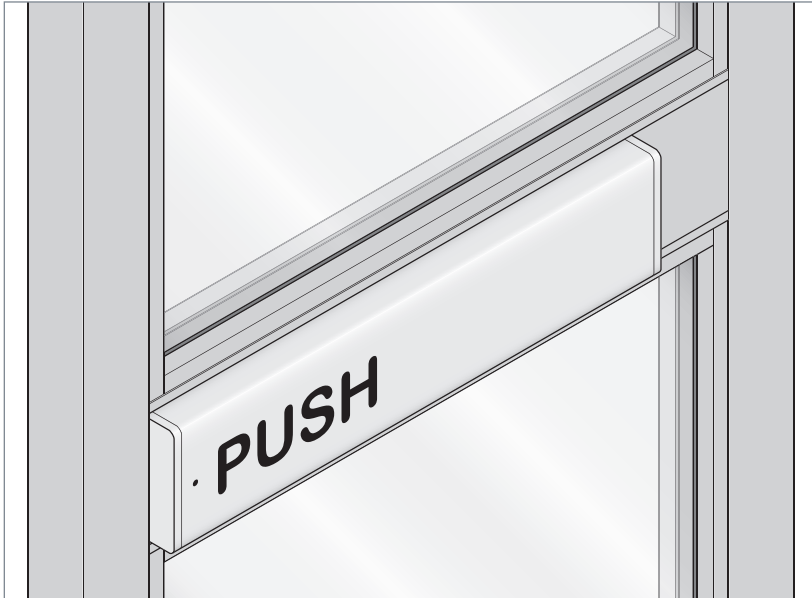
Wendy's
For 36" (914 mm) Door Width



Blank
Up to 48" (1219 mm) Door Width
Specify Size

CRL Mid-Panel Panic Exit Devices

- Tested to ANSI A156.3, Grade 1
- Clear and Champagne Finishes Available



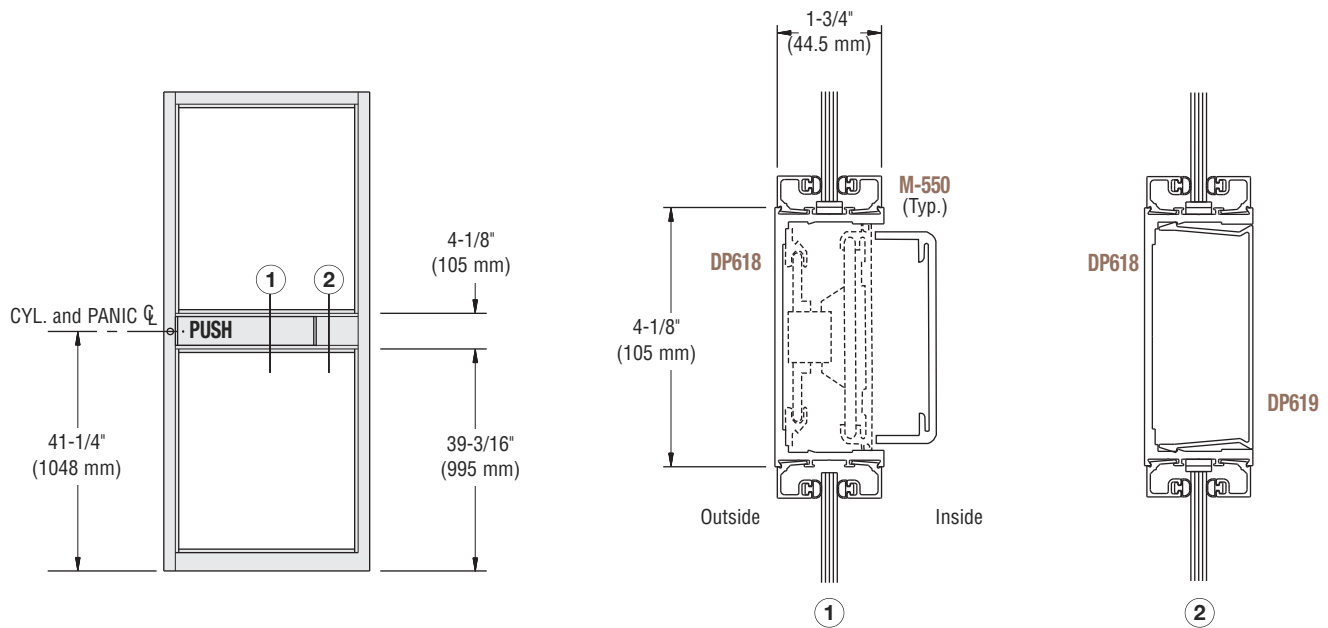
This entrance option is available on the following U.S. Aluminum products:

MID-PANEL PANIC COMPATIBLE PRODUCTS

- Series 250 Narrow Stile Doors
 - Series 400 Medium Stile Doors
 - Series 550 Wide Stile Doors
 - Series 800 Durafront Entrance Systems
 - Series 850 Durafront Entrance Systems
- See Pages 165D - 201D.

NOTE: CRL Jackson Brand Panics are the standard. However, if you require Von Duprin® or other brand panics, we can supply as requested.

Combining contemporary styling with maximum security features, the Mid-Panel Panic option provides a Concealed Vertical Rod Panic Device with a Touch Bar Actuator. Matching mid-panels without hardware are available for sidelites.



NOT TO SCALE

Von Duprin is a registered trademark of Ingersoll-Rand plc, its subsidiaries and/or affiliates in the United States and other countries.

CRL Door Pull Handles

- The Industry's Largest Selection for Glass and Aluminum Framed Doors



CRL manufactures a complete selection of Back-to-Back and Single Sided Pull Handles in a variety of finishes and styles for sliding and swinging entrance doors. Handles are made from aluminum, stainless steel or brass with a wide range of fastening options (see pages 424D-434D). Custom Handles for hotels, casinos, storefronts, and more are available on special order to meet your exact requirements. See page 433D for more information.



CRL Ladder Pulls

- Straight and 'S' Styles Standard
- Optional Designer Finials Available
- Additional Straight and Offset Mid-Posts Available
- For Use With 3/8" to 3/4" (10 to 19 mm) Glass, or 1-3/4" (44 mm) Thick Doors
- 1-1/4" (32 mm) Diameter Heavy Wall 304 Alloy Stainless Steel Tubing
- Brushed and Polished Stainless Steel Finishes
- Custom Finishes and Sizes Available



CRL Ladder Style Pull Handles make even a simple glass door look more elegant and offer eye-catching appeal. Our large variety of standard sizes, along with our ability to rapidly transform stock handles or completely design a new one, makes the CRL Ladder Pull line a one stop shop for you. All our Ladder Pulls, Finials, and Mid-Posts are made from 304 alloy stainless steel to give you years of beauty with easy maintenance.

For additional information or to begin the custom design process, contact CRL Technical Sales at (800) 421-6144 in the U.S., (877) 421-6144 from Canada, or (323) 588-1281 International, and ask for Ext. 7700. You can also email us through our web site at crlaurence.com. From the home page click on Contact Us, and then click on Technical Sales for Commercial Products.

CRL Straight Style Ladder Pulls

- Eleven Sizes Ranging From 24" to 84" (610 to 2134 mm) Overall Height
- Brushed or Polished Stainless Steel

CRL Straight Style Ladder Pulls come with two Mid-Posts and fasteners for mounting back-to-back on 3/8" to 3/4" (10 to 19 mm) thick tempered glass, or on 1-3/4" (44 mm) wood or aluminum doors. Custom Ladder Pulls can be ordered with additional Mid-Posts for added support. Maximum spacing of Mid-Posts is limited to 72" (1829 mm).

- Custom Lengths, Designs, and Finishes Available on Special Order

SPECIFICATIONS:

3/8" to 3/4" (10 to 19 mm) Glass, or 1-3/4" (44 mm) Aluminum or Wood Doors

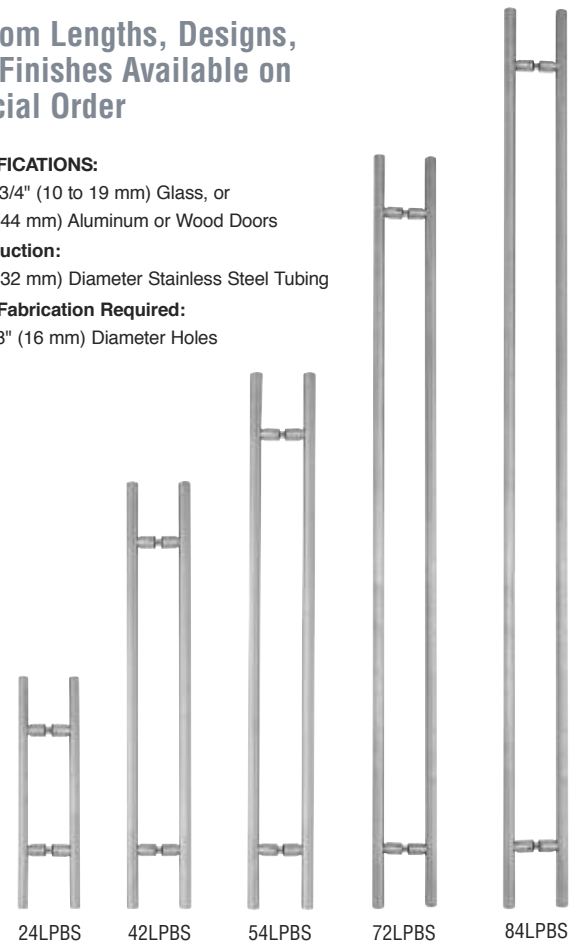
Construction:

1-1/4" (32 mm) Diameter Stainless Steel Tubing

Glass Fabrication Required:

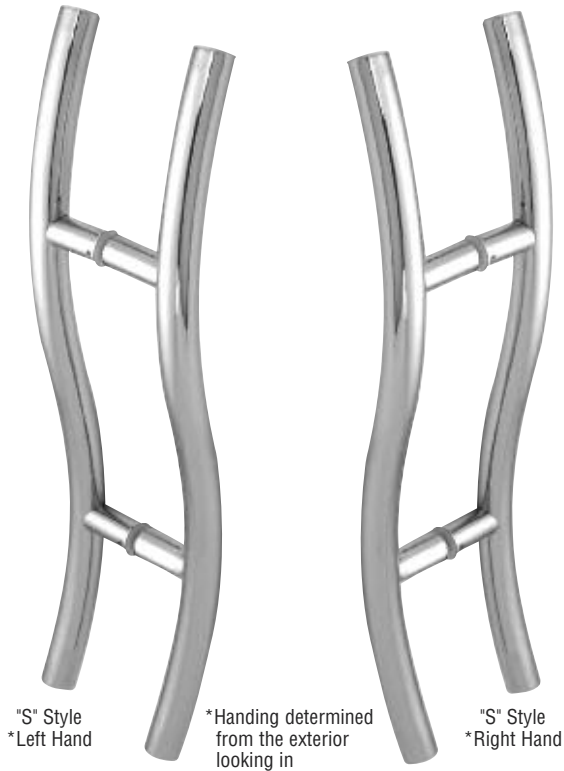
Two 5/8" (16 mm) Diameter Holes

CAT. NO.	OVERALL LENGTH	MOUNTING HOLES CENTER-TO-CENTER	FINISH
24LPBS	24" (610 mm)	12" (305 mm)	Brushed Stainless
24LPPS	24" (610 mm)	12" (305 mm)	Polished Stainless
30LPBS	30" (762 mm)	18" (457 mm)	Brushed Stainless
30LPPS	30" (762 mm)	18" (457 mm)	Polished Stainless
36LPBS	36" (914 mm)	24" (610 mm)	Brushed Stainless
36LPPS	36" (914 mm)	24" (610 mm)	Polished Stainless
42LPBS	42" (1067 mm)	30" (762 mm)	Brushed Stainless
42LPPS	42" (1067 mm)	30" (762 mm)	Polished Stainless
48LPBS	48" (1219 mm)	36" (914 mm)	Brushed Stainless
48LPPS	48" (1219 mm)	36" (914 mm)	Polished Stainless
54LPBS	54" (1372 mm)	42" (1067 mm)	Brushed Stainless
54LPPS	54" (1372 mm)	42" (1067 mm)	Polished Stainless
60LPBS	60" (1524 mm)	48" (1219 mm)	Brushed Stainless
60LPPS	60" (1524 mm)	48" (1219 mm)	Polished Stainless
66LPBS	66" (1676 mm)	54" (1372 mm)	Brushed Stainless
66LPPS	66" (1676 mm)	54" (1372 mm)	Polished Stainless
72LPBS	72" (1829 mm)	60" (1524 mm)	Brushed Stainless
72LPPS	72" (1829 mm)	60" (1524 mm)	Polished Stainless
78LPBS	78" (1981 mm)	66" (1676 mm)	Brushed Stainless
78LPPS	78" (1981 mm)	66" (1676 mm)	Polished Stainless
84LPBS	84" (2134 mm)	72" (1829 mm)	Brushed Stainless
84LPPS	84" (2134 mm)	72" (1829 mm)	Polished Stainless



Minimum order: 1 each. Sizes and finishes can be combined for quantity pricing. Additional holes required if extra Mid-Posts added.

CRL "S" Style Ladder Pull Handles



- Three Sizes in Two Popular Finishes for 3/8" to 3/4" (10 to 19 mm) Glass
- Designer Left and Right Hand Models Available
- 1-1/4" (32 mm) Diameter Heavy Wall 304 Alloy Stainless Steel Tubing
- Custom Finishes and Sizes Available

CRL "S" Style Ladder Pull Handles are for back-to-back mounting with supplied through-bolts. They are intended for use on doors made from 3/8" to 3/4" (10 to 19 mm) thick tempered glass. Stock sizes range from 24" to 48" (610 to 1219 mm) overall height. Standard finishes are polished stainless and brushed stainless. The Pulls are handed left and right to ensure the exposed set-screws are always on the interior side of the door. Handing is determined from the exterior side looking in.

Custom sizes and finishes are available to meet architectural specifications. For additional information or to begin the custom design process, contact CRL Technical Sales at (800) 421-6144 in the U.S., (877) 421-6144 from Canada, or (323) 588-1281 International, and ask for Ext. 7700. You can also e-mail us through our web site at crlaurence.com. From the home page click on Contact Us, and then click on Technical Sales for Commercial Products.



SPECIFICATIONS:

For Use With:

3/8" to 3/4" (10 to 19 mm) Glass

Construction:

1-1/4" (32 mm) Diameter Stainless Steel Tubing

Glass Fabrication Required:

Two 5/8" (16 mm) Diameter Holes



"S" STYLE LADDER PULL HANDLES

CAT. NO.	HANDING*	OVERALL LENGTH	MOUNTING HOLES CENTER-TO-CENTER	FINISH
24SLPBS	Left Hand	24" (610 mm)	12" (305 mm)	Brushed Stainless
24SLPPS	Left Hand	24" (610 mm)	12" (305 mm)	Polished Stainless
24SRPBS	Right Hand	24" (610 mm)	12" (305 mm)	Brushed Stainless
24SRPPS	Right Hand	24" (610 mm)	12" (305 mm)	Polished Stainless
36SLPBS	Left Hand	36" (914 mm)	24" (610 mm)	Brushed Stainless
36SLPPS	Left Hand	36" (914 mm)	24" (610 mm)	Polished Stainless
36SRPBS	Right Hand	36" (914 mm)	24" (610 mm)	Brushed Stainless
36SRPPS	Right Hand	36" (914 mm)	24" (610 mm)	Polished Stainless
48SLPBS	Left Hand	48" (1219 mm)	36" (914 mm)	Brushed Stainless
48SLPPS	Left Hand	48" (1219 mm)	36" (914 mm)	Polished Stainless
48SRPBS	Right Hand	48" (1219 mm)	36" (914 mm)	Brushed Stainless
48SRPPS	Right Hand	48" (1219 mm)	36" (914 mm)	Polished Stainless

Minimum order: 1 each. Sizes and finishes can be combined for quantity pricing. "S" Style Pull Handles exceeding 48" (1219 mm) overall length must be discussed with CRL Technical Sales to determine proper application.

CRL Locking Ladder Pulls

- Locks Operate at a Comfortable Height Above the Floor
- No Kneeling or Bending to Lock or Unlock Doors
- Nine Styles in Stock, Custom Sizes Available on Special Order
- Made of Durable Alloy 316 Stainless Steel Tubing
- Single and Double Locking Options Available
- 1-1/4" (32 mm) Long Deadbolt Throw - All Units



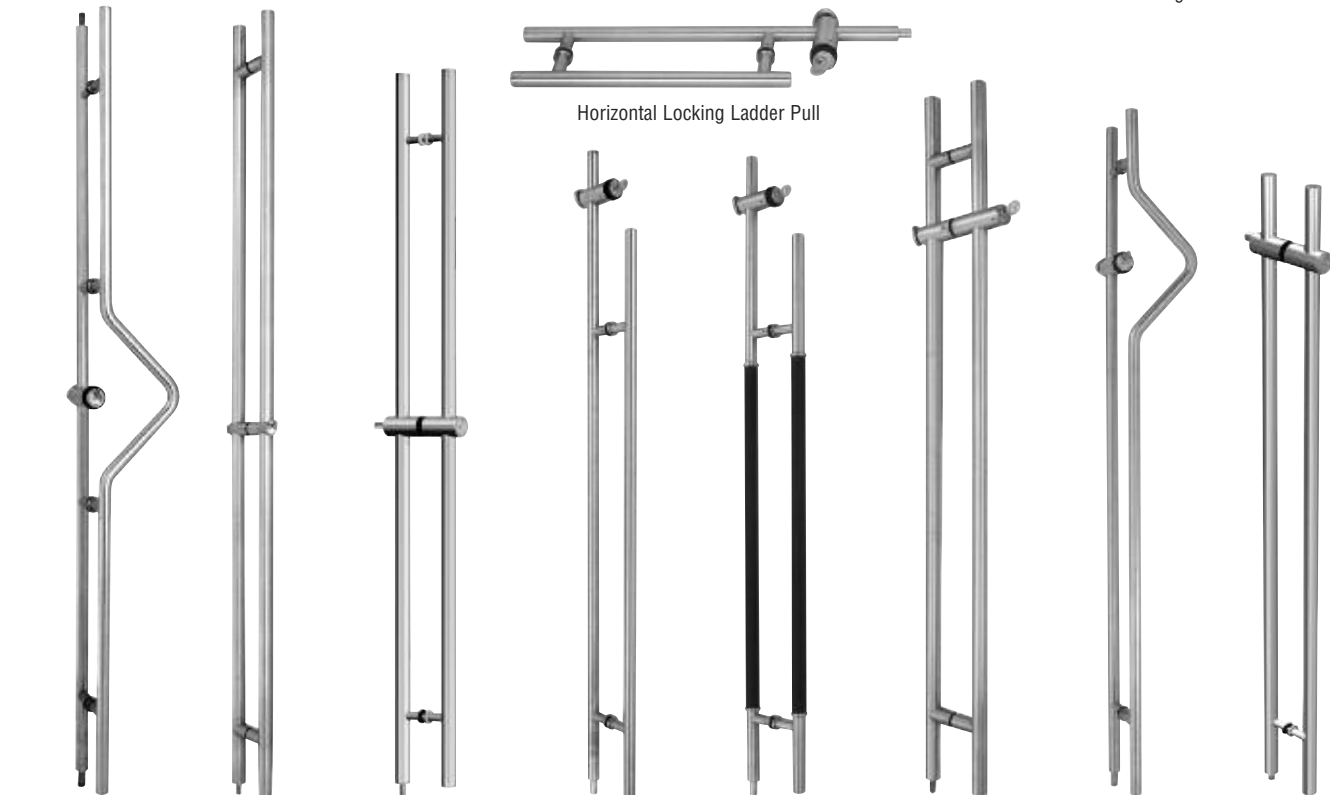
Vertical Double Locking Ladder Pulls

The newest and most practical option for 'all-glass' entrances is CRL's Locking Ladder Pulls. No more kneeling down to unlock the entry doors in the morning, or having to bend over after a long day at work to reach for the lock at the bottom edge of the door. Simply turn a key or thumbturn located at a comfortable height above the finished floor to lock or unlock your doors. CRL Locking Ladder Pulls have a fully concealed deadbolt locking mechanism with models available that lock only into the floor, or both the floor and the header. We also offer Horizontal Pulls that lock into a jamb or sidelite. These Locking Ladder Pulls are intended for use with glass doors made from 3/8" to 3/4" (10 to 19 mm) thick tempered glass. Select models available with prep for 6-pin or 7-pin Rim type cylinders. Custom heights and configurations are available on special order.

For additional information contact CRL Technical Sales (800) 421-6144 in the U.S., (877) 421-6144 from Canada, or (323) 588-1281 International, and ask for Ext. 7700. You can also send e-mail from the crlaurence.com home page. Click on Contact Us, and then click on Technical Sales for Commercial Products.



Horizontal Locking Ladder Pull



Vertical Double Locking Ladder Pulls

Vertical Floor Locking Ladder Pulls

CRL 48" Locking Ladder Pull

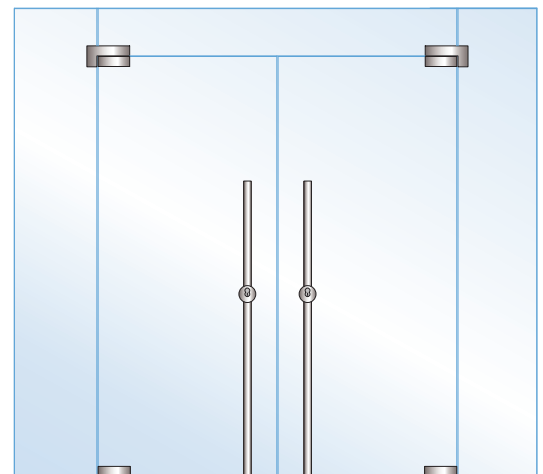
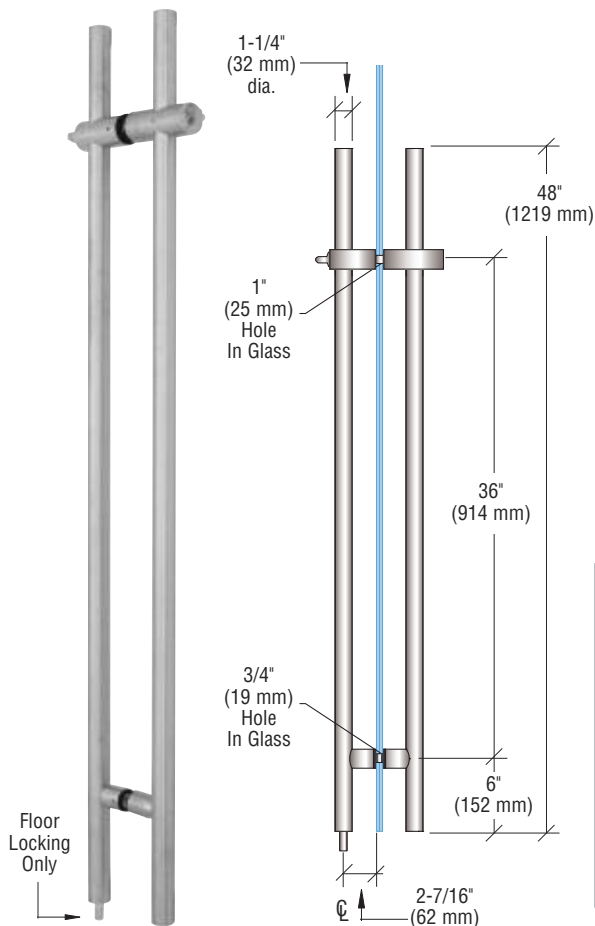
- Locks Into the Floor Only
- For 1/2" to 3/4" (12 to 19 mm) Glass
- Lock Operates at a Comfortable 42" (1067 mm) Above the Floor
- 1-1/4" (32 mm) Diameter Alloy 316 Brushed Stainless Steel Tubing
- Custom Sizes Ship Within One to Two Weeks



Our 48" (1219 mm) Locking Ladder Pulls have a fully concealed deadbolt locking mechanism that is operated at 42" (1067 mm) above the floor. No need to bend, simply turn a key or thumbturn located at a comfortable height above the finished floor to lock or unlock your doors. These Locking Ladder Pulls are intended for use with glass doors made from 1/2" to 3/4" (12 to 19 mm) thick tempered glass. They lock into the floor only, and are available in brushed stainless steel.

This Locking Ladder Pull is supplied with our standard 7-pin Rim Cylinder with Interchangeable Core, that can be used as the final cylinder or as a temporary, and is easily replaced. If staying with the 7-pin format, just remove the core, have it re-keyed, or replace it with a new one. If proprietary 6-pin Cylinders are required, simply remove the entire Rim Cylinder provided and replace with the proper Rim Cylinder of your choice. This Ladder Pull will accept most standard manufactured Rim type cylinders.

NOTE: Glass fabrication is required. Please visit crlaurence.com for details.



Double Door Installations Require Two Locking Ladder Pulls



Easy to Operate Thumbturn



This Locking Ladder Pull accepts 6 or 7-pin Rim type Cylinders for easy re-keying.

CAT. NO. LLP48BS
Brushed Stainless Steel
Locking Ladder Pull

CRL 53" Locking Ladder Pulls

- Locks Into the Floor Only
- For 3/8" to 1/2" (10 to 12 mm) Glass
- Lock Operates at a Comfortable 48-13/16" (1240 mm) Above the Floor
- Available in Brushed Stainless or With Black Leather Wrapped Handle*
- 1" (25 mm) Diameter Alloy 316 Stainless Steel Tubing



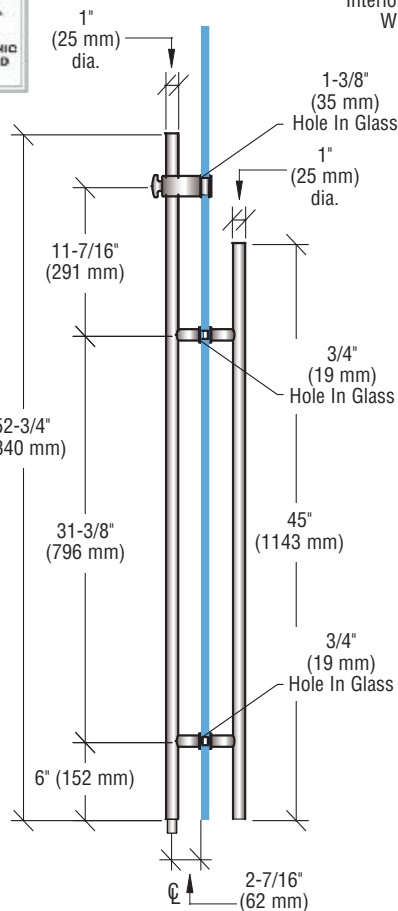
Our 53" (1346 mm) Locking Ladder Pulls have a fully concealed deadbolt locking mechanism that is operated at 48-13/16" (1240 mm) above the floor. No need to bend, simply turn a key or thumbturn located at a comfortable height above the finished floor to lock or unlock your doors. These Locking Ladder Pulls are intended for use with glass doors made from 3/8" to 1/2" (10 to 12 mm) thick tempered glass. They lock into the floor only, and are available in brushed stainless steel or, for a truly unique look, black leather wrapped handle over brushed stainless steel. One Cat. No. 58DKBS Dustproof Keeper is included. **NOTE:** Glass fabrication is required. Please visit crlaurence.com for details.



* Leather Wrapped Handles are for Interior Applications Only

*CAT. NO. LLP053LBS
Brushed Stainless Steel Locking Ladder Pull with Black Leather Wrap

CAT. NO. LLP053BS
Brushed Stainless Steel Locking Ladder Pull



Interior Installation With Black Leather Wrapped Locking Ladder Pull



Easy to Operate Designer Thumbturn



This Locking Ladder Pull comes keyed randomly. Cat. No. LPKB1 Key Blank is available for re-keying by others.

CRL 60" Locking Ladder Pull

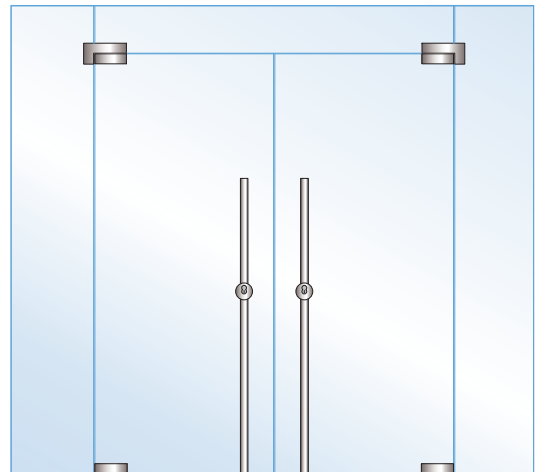
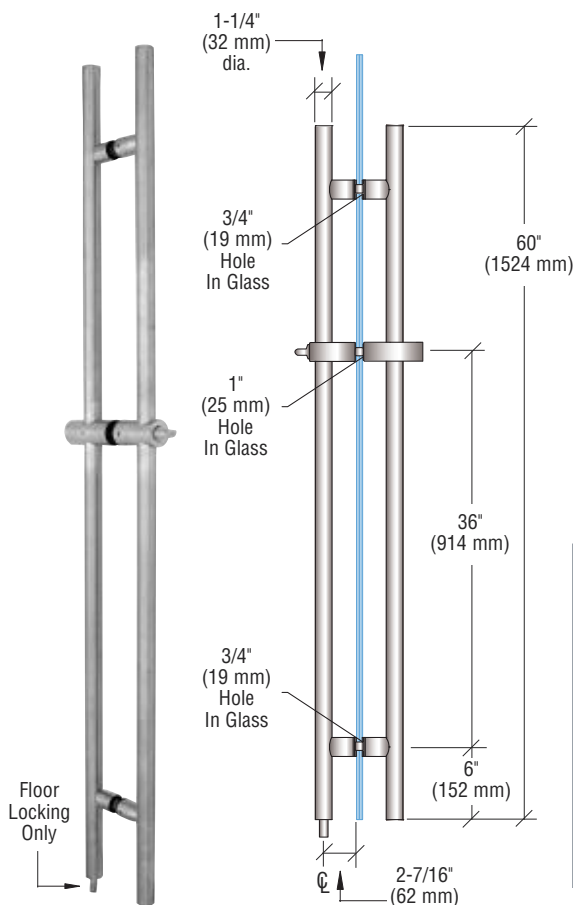
- Locks Into the Floor Only
- For 1/2" to 3/4" (12 to 19 mm) Glass
- Lock Operates at a Comfortable 42" (1067 mm) Above the Floor
- 1-1/4" (32 mm) Diameter Alloy 316 Brushed Stainless Steel Tubing
- Custom Sizes Ship Within One to Two Weeks



Our 60" (1524 mm) Locking Ladder Pulls have a fully concealed deadbolt locking mechanism that is operated at 42" (1067 mm) above the floor. No need to bend, simply turn a key or thumbturn located at a comfortable height above the finished floor to lock or unlock your doors. These Locking Ladder Pulls are intended for use with glass doors made from 1/2" to 3/4" (12 to 19 mm) thick tempered glass. They lock into the floor only, and are available in brushed stainless steel.

This Locking Ladder Pull is supplied with our standard 7-pin Rim Cylinder with Interchangeable Core, that can be used as the final cylinder or as a temporary, and is easily replaced. If staying with the 7-pin format, just remove the core, have it re-keyed, or replace it with a new one. If proprietary 6-pin Cylinders are required, simply remove the entire Rim Cylinder provided and replace with the proper Rim Cylinder of your choice. This Ladder Pull will accept most standard manufactured Rim type cylinders.

NOTE: Glass fabrication is required. Please visit crlaurence.com for details.



Double Door Installations Require Two Locking Ladder Pulls



Easy to Operate Thumbturn



This Locking Ladder Pull accepts 6 or 7-pin Rim type Cylinders for easy re-keying.

CAT. NO. LLP60BS
Brushed Stainless Steel
Locking Ladder Pull

CRL 72" Locking Ladder Pull

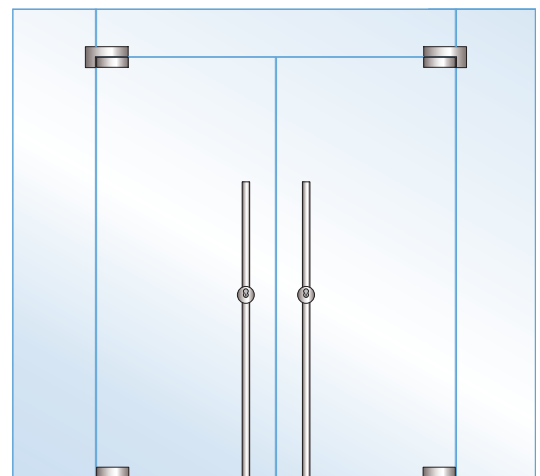
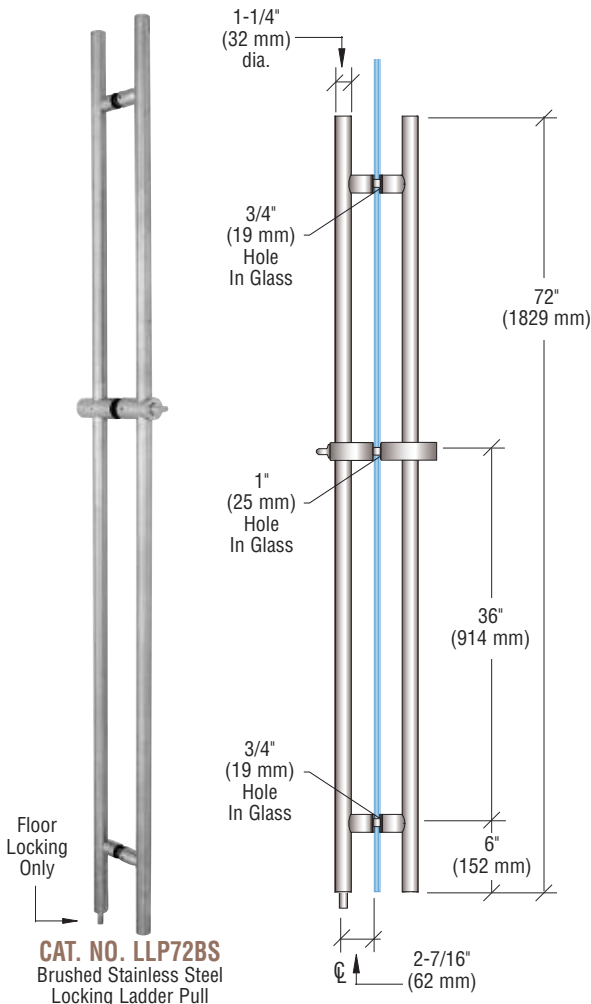
- Locks Into the Floor Only
- For 1/2" to 3/4" (12 to 19 mm) Glass
- Lock Operates at a Comfortable 42" (1067 mm) Above the Floor
- 1-1/4" (32 mm) Diameter Alloy 316 Brushed Stainless Steel Tubing
- Custom Sizes Ship Within One to Two Weeks



Our 72" (1829 mm) Locking Ladder Pulls have a fully concealed deadbolt locking mechanism that is operated at 42" (1067 mm) above the floor. No need to bend, simply turn a key or thumbturn located at a comfortable height above the finished floor to lock or unlock your doors. These Locking Ladder Pulls are intended for use with glass doors made from 1/2" to 3/4" (12 to 19 mm) thick tempered glass. They lock into the floor only, and are available in brushed stainless steel.

This Locking Ladder Pull is supplied with our standard 7-pin Rim Cylinder with Interchangeable Core, that can be used as the final cylinder or as a temporary, and is easily replaced. If staying with the 7-pin format, just remove the core, have it re-keyed, or replace it with a new one. If proprietary 6-pin Cylinders are required, simply remove the entire Rim Cylinder provided and replace with the proper Rim Cylinder of your choice. This Ladder Pull will accept most standard manufactured Rim type cylinders.

NOTE: Glass fabrication is required. Please visit crlaurence.com for details.



Double Door Installations Require Two Locking Ladder Pulls



Easy to Operate Thumbturn



This Locking Ladder Pull accepts 6 or 7-pin Rim type Cylinders for easy re-keying.

CRL 84" Locking Ladder Pull

- Locks Into the Floor Only
- For 1/2" to 3/4" (12 to 19 mm) Glass
- Lock Operates at a Comfortable 42" (1067 mm) Above the Floor
- 1-1/4" (32 mm) Diameter Alloy 316 Brushed Stainless Steel Tubing
- Custom Sizes Ship Within One to Two Weeks



Our 84" (2134 mm) Locking Ladder Pulls have a fully concealed deadbolt locking mechanism that is operated at 42" (1067 mm) above the floor. No need to bend, simply turn a key or thumbturn located at a comfortable height above the finished floor to lock or unlock your doors. These Locking Ladder Pulls are intended for use with glass doors made from 1/2" to 3/4" (12 to 19 mm) thick tempered glass.

This Locking Ladder Pull is supplied with our standard 7-pin Rim Cylinder with Interchangeable Core, that can be used as the final cylinder or as a temporary, and is easily replaced. If staying with the 7-pin format, just remove the core, have it re-keyed, or replace it with a new one. If proprietary 6-pin Cylinders are required, simply remove the entire Rim Cylinder provided and replace with the proper Rim Cylinder of your choice. This Ladder Pull will accept most standard manufactured Rim type cylinders.

NOTE: Glass fabrication is required. Please visit crlaurence.com for details.



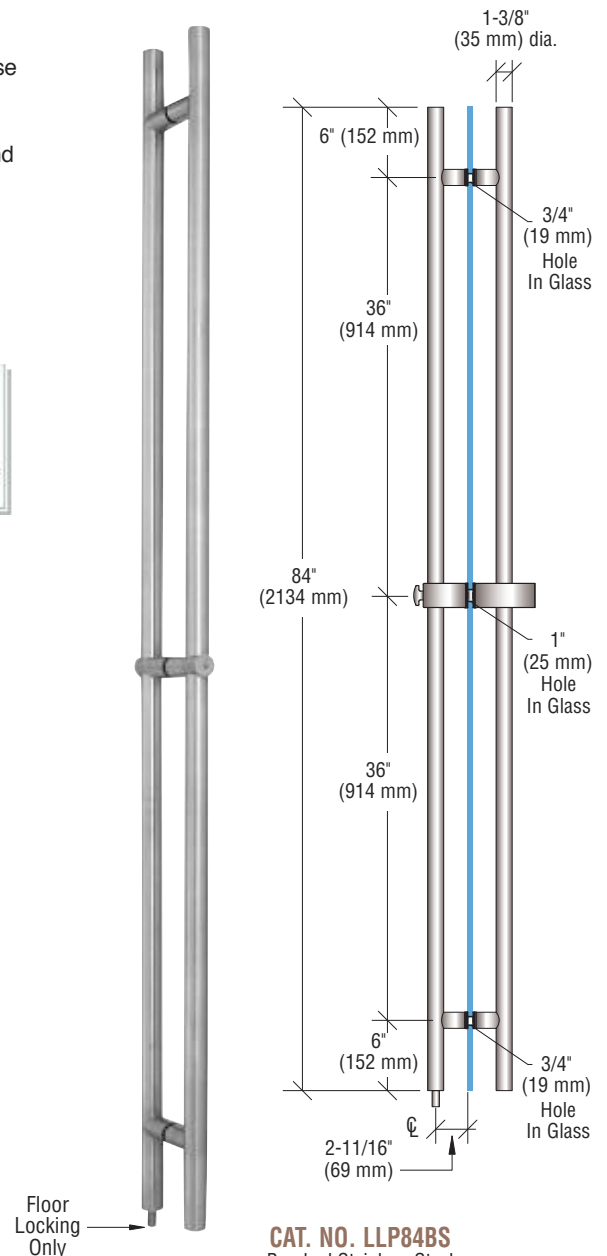
Double Door Installations Require Two Locking Ladder Pulls



Easy to Operate Thumbturn



This Locking Ladder Pull accepts 6 or 7-pin Rim type Cylinders for easy re-keying.



CAT. NO. LLP84BS
Brushed Stainless Steel
Locking Ladder Pull

CRL 55" Triangular Locking Ladder Pulls

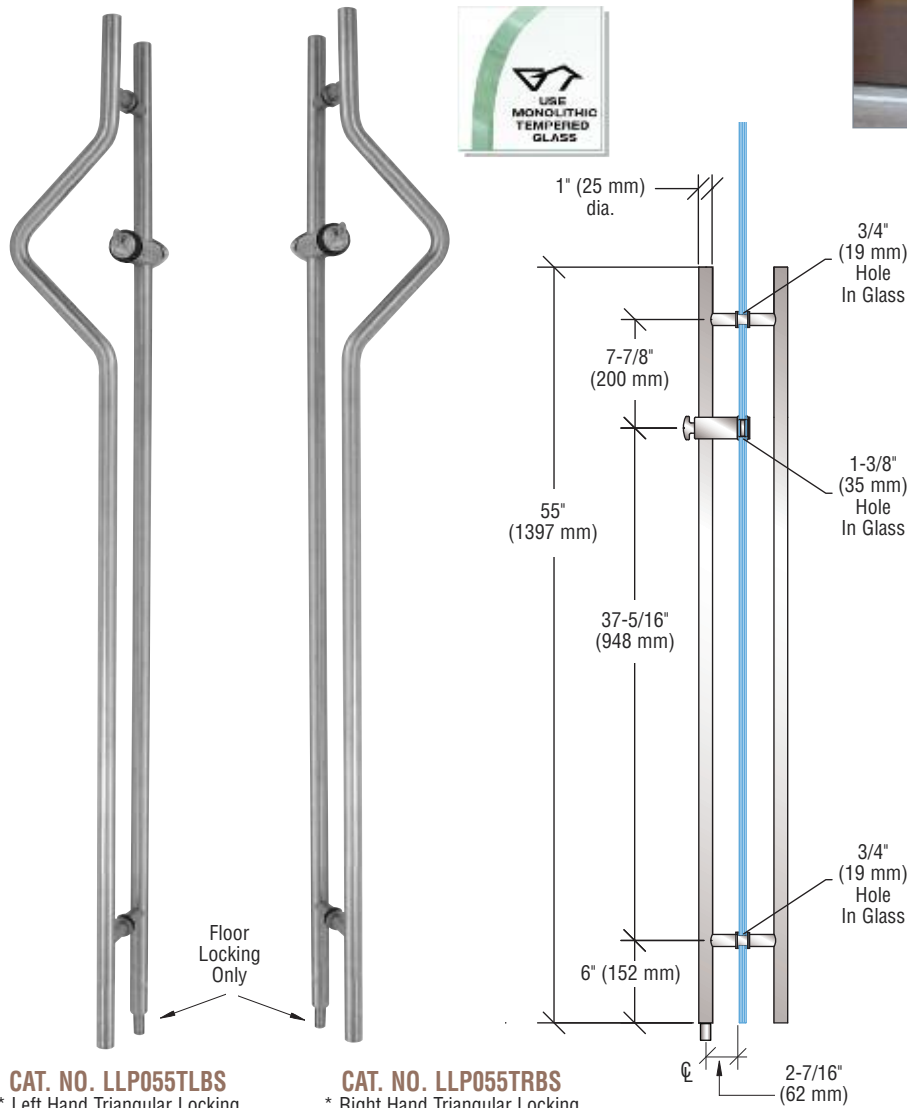
- Locks Into the Floor Only
- For 3/8" to 1/2" (10 to 12 mm) Glass
- Left and Right Hand Models for Single and Double Doors
- 1" (25 mm) Diameter Alloy 316 Brushed Stainless Steel Tubing



Our 55" (1397 mm) Triangular Locking Ladder Pulls have a fully concealed deadbolt locking mechanism that is operated at 43-5/16" (1100 mm) above the floor. No need to bend, simply turn a key or thumbturn located at a comfortable height above the finished floor to lock or unlock your doors. These Locking Ladder Pulls are intended for use with glass doors made from 3/8" to 1/2" (10 to 12 mm) thick tempered glass. They lock into the floor only, and are available in brushed stainless steel. One Cat. No. 58DKBS Dustproof Keeper is included. **NOTE:** Glass fabrication is required. Please visit crlaurence.com for details.



Single Door Installation With Right Hand Locking Ladder Pull



Easy to Operate Designer Thumbturn



This Locking Ladder Pull comes keyed randomly. Cat. No. LPKB1 Key Blank is available for re-keying by others.

*Handing is determined from the exterior looking in

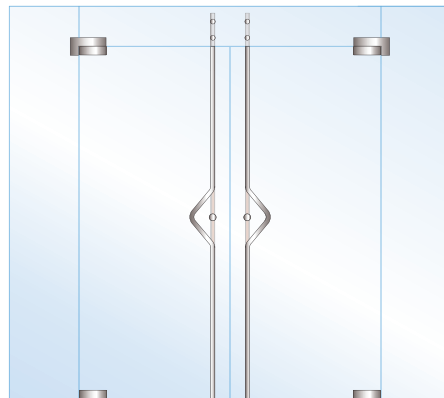
CRL 82-3/4" Triangular Double Locking Ladder Pulls

- Locks at Both Top and Bottom
- For 3/8" to 1/2" (10 to 12 mm) Glass
- Left and Right Hand Models for Single and Double Doors
- 1" (25 mm) Diameter Alloy 316 Brushed Stainless Steel Tubing

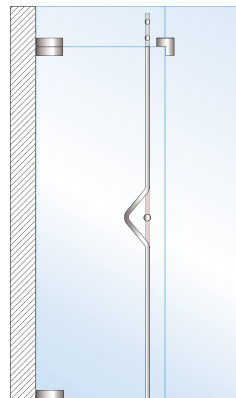


Our 82-3/4" (2102 mm) Triangular Locking Ladder Pulls have a fully concealed deadbolt locking mechanism that is operated at 43-5/16" (1100 mm) above the floor. No need to bend, simply turn a key or thumbturn located at a comfortable height above the finished floor to lock or unlock your doors. These Locking Ladder Pulls are intended for use with glass doors made from 3/8" to 1/2" (10 to 12 mm) thick tempered glass. They lock both at the header or transom and floor for ultimate security. Available in brushed stainless steel. Two Cat. No. 58DKBS Dustproof Keepers are included.

Optional Ladder Keeper for glass transoms is available separately (see top right). **NOTE:** Glass fabrication is required. Please visit crlaurence.com for details.



Double Door Installations Require One Left and One Right Hand Locking Ladder Pull



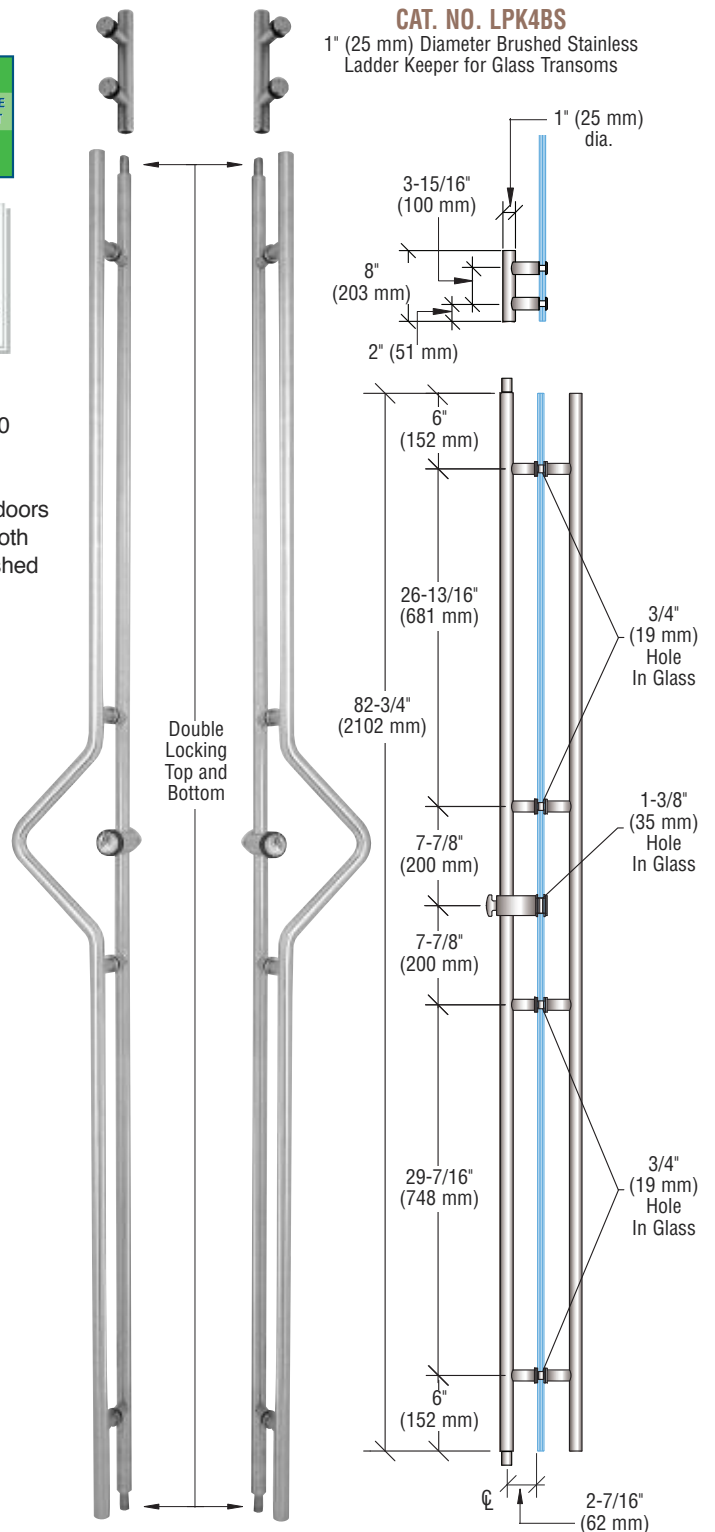
Single Door Installations Require One Left or Right Handed Locking Ladder Pull



Easy to Operate Designer Thumbturn



This Locking Ladder Pull comes keyed randomly. Cat. No. LPKB1 Key Blank is available for re-keying by others.



CAT. NO. LLP084TLBS

* Left Hand Triangular Double Locking Ladder Pull Handle

CAT. NO. LLP084TRBS

* Right Hand Triangular Double Locking Ladder Pull Handle

* Handing is determined from the exterior looking in

CRL Straight and Offset Back-to-Back Pull Handles

- Stocked in Up to Five Architectural Finishes
- For Use With 3/8" to 3/4" (10 to 19 mm) Glass
- Complete With Matching Finish Metal Washers and Through-Bolts for Mounting

SPECIFICATIONS:

For Use With:

3/8" to 3/4"
(10 to 19 mm) Glass

Construction:

1" (25 mm) Diameter
Stainless Steel or Brass Tubing.
*1-1/4" (32 mm) Diameter Stainless Steel (CD24X24BS125 Model only).

Offset: 3" (76 mm) Center-to-Center

Glass Fabrication Required:

Two 5/8" (16 mm) Diameter Holes

INCLUDES:

- 2 Each: Through-Bolts for Glass Mounting
- 4 Each: 1-1/4" (32 mm) Diameter Matching Finish Metal Washers and Rubber Gaskets



Straight

Offset

Extra bolts available, sold separately:
(Not for use with CD24X24BS125)

CAT. NO. DESCRIPTION

- TB2CH** Through-Bolts for 3/8" to 3/4" (10 to 19 mm) Glass
- TB4CH** Through-Bolts for 1-3/4" (45 mm) Wood or Metal Door Frames
- F40WK** Matching Washer Set and Through-Bolt for 3/8" to 3/4" (10 to 19 mm) Glass

STRAIGHT BACK-TO-BACK PULL HANDLES

CAT. NO.	MOUNTING HOLES CENTER-TO-CENTER	FINISH
CM10X10BS	10" (254 mm)	Brushed Stainless
CM10X10PS	10" (254 mm)	Polished Stainless
CM10X10BR	10" (254 mm)	Polished Brass
CM10X10SA	10" (254 mm)	Satin Anodized
CM10X10DU	10" (254 mm)	Dark Bronze Anodized
CM12X12BS	12" (305 mm)	Brushed Stainless
CM12X12PS	12" (305 mm)	Polished Stainless
CM12X12BR	12" (305 mm)	Polished Brass
CM12X12SA	12" (305 mm)	Satin Anodized
CM12X12DU	12" (305 mm)	Dark Bronze Anodized
CM18X18BS	18" (457 mm)	Brushed Stainless
CM18X18PS	18" (457 mm)	Polished Stainless
CM18X18BR	18" (457 mm)	Polished Brass
CM24X24BS	24" (610 mm)	Brushed Stainless
CM24X24PS	24" (610 mm)	Polished Stainless
CM24X24BR	24" (610 mm)	Polished Brass

Minimum order: 1 each. All Pull Handles can be combined for quantity pricing.

OFFSET BACK-TO-BACK PULL HANDLES

CAT. NO.	MOUNTING HOLES CENTER-TO-CENTER	FINISH
CD10X10BS	10" (254 mm)	Brushed Stainless
CD10X10PS	10" (254 mm)	Polished Stainless
CD10X10BR	10" (254 mm)	Polished Brass
CD10X10SA	10" (254 mm)	Satin Anodized
CD10X10DU	10" (254 mm)	Dark Bronze Anodized
CD12X12BS	12" (305 mm)	Brushed Stainless
CD12X12PS	12" (305 mm)	Polished Stainless
CD12X12BR	12" (305 mm)	Polished Brass
CD12X12SA	12" (305 mm)	Satin Anodized
CD12X12DU	12" (305 mm)	Dark Bronze Anodized
CD18X18BS	18" (457 mm)	Brushed Stainless
CD18X18PS	18" (457 mm)	Polished Stainless
CD18X18BR	18" (457 mm)	Polished Brass
CD24X24BS125*	24" (610 mm)	Brushed Stainless

Minimum order: 1 each. All Pull Handles can be combined for quantity pricing.

CRL Glass Mounted Solid Back-to-Back Pull Handle

SPECIFICATIONS:

For Use With: 3/8" to 3/4"
(10 to 19 mm) Glass

Construction: 1" (25 mm)
Solid Stainless Steel
or Brass

Glass Fabrication Required:

Two 5/8" (16 mm) Diameter Holes

INCLUDES:

- 2 Each: Through-Bolts for Glass Mounting
- 4 Each: 1-1/4" (32 mm) Diameter Matching Finish Metal Washers and Rubber Gaskets



CRL Glass Mounted Elbow Style Back-to-Back Pull Handle

SPECIFICATIONS:

For Use With:

3/8" to 3/4" (10 to 19 mm) Glass

Construction:

1" (25 mm) Diameter Stainless
Steel or Brass Tubing

Glass Fabrication Required:

Two 5/8" (16 mm) Diameter Holes

Extra bolts available, sold separately:

CAT. NO. DESCRIPTION

- TB2CH** Through-Bolts for 3/8" to 3/4" (10 to 19 mm) Glass
- TB4CH** Through-Bolts for 1-3/4" (45 mm) Wood or Metal Door Frames
- F40WK** Matching Washer Set and Through-Bolt for 3/8" to 3/4" (10 to 19 mm) Glass



INCLUDES:

- 2 Each: Through-Bolts for Glass Mounting
- 4 Each: 1-1/4" (32 mm) Diameter Matching Finish Metal Washers and Rubber Gaskets

CAT. NO.	MOUNTING HOLES CENTER-TO-CENTER	FINISH
CV12X12BS	12" (305 mm)	Brushed Stainless
CV12X12PS	12" (305 mm)	Polished Stainless
CV12X12BR	12" (305 mm)	Polished Brass

Minimum order: 1 each. All Pull Handles can be combined for quantity pricing.

Minimum order: 1 each. All Pull Handles can be combined for quantity pricing.

CRL GLASS MOUNTED DOOR HANDLES

For Pricing Visit Our Web Site or Call Us Toll Free at the Phone Numbers Shown on the Back Cover

CRL Glass Mounted Curved Style Back-to-Back Pull Handle

SPECIFICATIONS:

For Use With:

3/8" to 3/4" (10 to 19 mm) Glass

Construction:

1" (25 mm) Diameter Stainless Steel or Brass Tubing

Glass Fabrication Required:

Two 5/8" (16 mm) Diameter Holes

Extra bolts available, sold separately:

CAT. NO. DESCRIPTION

TB2CH Through-Bolts for 3/8" to 3/4" (10 to 19 mm) Glass

TB4CH Through-Bolts for 1-3/4" (45 mm) Wood or Metal Door Frames

F40WK Matching Washer Set and Through-Bolt for 3/8" to 3/4" (10 to 19 mm) Glass



INCLUDES:

2 Each: Through-Bolts for Glass Mounting

4 Each: 1-1/4" (32 mm) Diameter Matching Finish Metal Washers and Rubber Gaskets

CAT. NO.	MOUNTING HOLES CENTER-TO-CENTER	FINISH
CC12X12BS	12" (305 mm)	Brushed Stainless
CC12X12PS	12" (305 mm)	Polished Stainless
CC12X12BR	12" (305 mm)	Polished Brass
CC12X12DU	12" (305 mm)	Dark Bronze Anodized

Minimum order: 1 each. All Pull Handles can be combined for quantity pricing.

CRL Glass Mounted Round Tube Curved Shape Handle

SPECIFICATIONS:

For Use With:

3/8" to 3/4" (10 to 19 mm) Glass

Construction:

1" (25 mm) Diameter Stainless Steel Tubing

Glass Fabrication Required:

Two 5/8" (16 mm) Diameter Holes



Extra bolts available, sold separately:

CAT. NO. DESCRIPTION

TB2CH Through-Bolts for 3/8" to 3/4" (10 to 19 mm) Glass

TB4CH Through-Bolts for 1-3/4" (45 mm) Wood or Metal Door Frames

F40WK Matching Washer Set and Through-Bolt for 3/8" to 3/4" (10 to 19 mm) Glass

INCLUDES:

2 Each: Through-Bolts for Glass Mounting

4 Each: 1-1/4" (32 mm) Diameter Matching Finish Metal Washers and Rubber Gaskets

CAT. NO.	MOUNTING HOLES CENTER-TO-CENTER	FINISH
CY18X18BS	18" (457 mm)	Brushed Stainless
CY18X18PS	18" (457 mm)	Polished Stainless

Minimum order: 1 each. All Pull Handles can be combined for quantity pricing.

CRL Glass Mounted Straight and Offset Combination Push and Pull Handles

- Five Beautiful Architectural Finishes
- For Use With 3/8" to 3/4" (10 to 19 mm) Glass



SPECIFICATIONS:

For Use With:

3/8" to 3/4" (10 to 19 mm) Glass

Construction:

1" (25 mm) Diameter

Stainless Steel or Brass Tubing

Glass Fabrication Required:

Three 5/8" (16 mm) Diameter Holes,

10" (254 mm) Center-to-Center

12" (305 mm) Center-to-Center

28" (711 mm) Center-to-Center

33" (838 mm) Center-to-Center

Offset: 3" (76 mm) Center-to-Center

Optional 1-1/4" (32 mm) Diameter Available on Special Order

Extra bolts available, sold separately:

INCLUDES:

2 Each: Through-Bolts for Glass Mounting

4 Each: 1-1/4" (32 mm) Diameter Matching Finish Metal Washers and Rubber Gaskets

CAT. NO. DESCRIPTION

TB2CH Through-Bolts for 3/8" to 3/4" (10 to 19 mm) Glass

TB4CH Through-Bolts for 1-3/4" (45 mm) Wood or Metal Door Frames

F40WK Matching Washer Set and Through-Bolt for 3/8" to 3/4" (10 to 19 mm) Glass

F40SK Matching Washer and Stud Kit for Single-Sided Attachment for 3/8" to 3/4" (10 to 19 mm) Glass

STRAIGHT COMBINATION PUSH AND PULL HANDLES

CAT. NO.	SIZE	FINISH
CM10X28BS	10" X 28"	Brushed Stainless
CM10X28PS	10" X 28"	Polished Stainless
CM10X28BR	10" X 28"	Polished Brass
CM10X28SA	10" X 28"	Satin Anodized
CM10X28DU	10" X 28"	Dark Bronze Anodized
CM12X28BS	12" X 28"	Brushed Stainless
CM12X28PS	12" X 28"	Polished Stainless
CM12X28BR	12" X 28"	Polished Brass
CM12X28SA	12" X 28"	Satin Anodized
CM12X28DU	12" X 28"	Dark Bronze Anodized

Minimum order: 1 each. All Pull Handles can be combined for quantity pricing.

OFFSET COMBINATION PUSH AND PULL HANDLES

CAT. NO.	SIZE	FINISH
CD10X28BS	10" X 28"	Brushed Stainless
CD10X28PS	10" X 28"	Polished Stainless
CD10X28BR	10" X 28"	Polished Brass
CD10X28SA	10" X 28"	Satin Anodized
CD10X28DU	10" X 28"	Dark Bronze Anodized
CD10X33BS	10" X 33"	Brushed Stainless
CD10X33PS	10" X 33"	Polished Stainless
CD10X33BR	10" X 33"	Polished Brass
CD10X33SA	10" X 33"	Satin Anodized
CD10X33DU	10" X 33"	Dark Bronze Anodized
CD12X28BS	12" X 28"	Brushed Stainless
CD12X28PS	12" X 28"	Polished Stainless
CD12X28BR	12" X 28"	Polished Brass
CD12X28SA	12" X 28"	Satin Anodized
CD12X28DU	12" X 28"	Dark Bronze Anodized

Minimum order: 1 each. All Pull Handles can be combined for quantity pricing.

CRL Glass Mounted Bracket Style Back-to-Back Pull Handle

SPECIFICATIONS:

For Use With:

3/8" to 3/4" (10 to 19 mm) Glass

Construction:

1" (25 mm) Diameter
Stainless Steel Tubing

Glass Fabrication Required:

Two 5/8" (16 mm) Diameter Holes



INCLUDES:

2 Each: Through-Bolts for Glass Mounting
4 Each: 1-1/4" (32 mm) Diameter Matching Finish Metal Washers and Rubber Gaskets

CAT. NO.	MOUNTING HOLES CENTER-TO-CENTER	FINISH
CX17X17BS	16-3/4" (425 mm)	Brushed Stainless
CX17X17PS	16-3/4" (425 mm)	Polished Stainless

Minimum order: 1 each. All Pull Handles can be combined for quantity pricing.

CRL Glass Mounted Curved Tubular Back-to-Back Pull Handle

SPECIFICATIONS:

For Use With: 3/8" to 3/4" (10 to 19 mm) Glass

Construction: 1" (25 mm) Diameter Stainless Steel Tubing

Glass Fabrication Required:

Two 5/8" (16 mm) Diameter Holes

INCLUDES:

2 Each: Through-Bolts for Glass Mounting
4 Each: 1-1/4" (32 mm) Diameter Matching Finish Metal Washers and Rubber Gaskets
Extra bolts available, sold separately:

CAT. NO. DESCRIPTION

TB2CH Through-Bolts for 3/8" to 3/4" (10 to 19 mm) Glass

TB4CH Through-Bolts for 1-3/4" (45 mm) Wood or Metal Door Frames

F40WK Matching Washer Set and Through-Bolt for 3/8" to 3/4" (10 to 19 mm) Glass

NEW!



CAT. NO.	MOUNTING HOLES CENTER-TO-CENTER	FINISH
RC12X12BS	12" (305 mm)	Brushed Stainless
RC12X12PS	12" (305 mm)	Polished Stainless
RC18X18BS	18" (457 mm)	Brushed Stainless
RC18X18PS	18" (457 mm)	Polished Stainless
RC24X24BS	24" (610 mm)	Brushed Stainless
RC24X24PS	24" (610 mm)	Polished Stainless

Minimum order: 1 each. All Pull Handles can be combined for quantity pricing.

CRL Glass Mounted Crescent Mid-Mount Back-to-Back Pull Handle

SPECIFICATIONS:

For Use With:

3/8" to 3/4" (10 to 19 mm) Glass

Construction:

1-1/4" (32 mm) Diameter Stainless Steel Tubing

Glass Fabrication Required:

Two 5/8" (16 mm) Diameter Holes

NEW!



INCLUDES:

2 Each: Through-Bolts for Glass Mounting
4 Each: 1-1/4" (32 mm) Diameter Matching Finish Metal Washers and Rubber Gaskets

Extra bolts available, sold separately:

CAT. NO. DESCRIPTION

TB2CH Through-Bolts for 3/8" to 3/4" (10 to 19 mm) Glass

TB4CH Through-Bolts for 1-3/4" (45 mm) Wood or Metal Door Frames

F40WK Matching Washer Set and Through-Bolt for 3/8" to 3/4" (10 to 19 mm) Glass

CAT. NO.	OVERALL LENGTH	MOUNTING HOLES CENTER-TO-CENTER	FINISH
CH12X12BS	12" (305 mm)	6" (152 mm)	Brushed Stainless
CH12X12PS	12" (305 mm)	6" (152 mm)	Polished Stainless
CH18X18BS	18" (457 mm)	9" (229 mm)	Brushed Stainless
CH18X18PS	18" (457 mm)	9" (229 mm)	Polished Stainless
CH24X24BS	24" (610 mm)	12" (305 mm)	Brushed Stainless
CH24X24PS	24" (610 mm)	12" (305 mm)	Polished Stainless

Minimum order: 1 each. All Pull Handles can be combined for quantity pricing.

CRL Glass Mounted Crescent End-Mount Back-to-Back Pull Handle

SPECIFICATIONS:

For Use With:

3/8" to 3/4" (10 to 19 mm) Glass

Construction:

1-1/4" (32 mm) Diameter Stainless Steel Tubing

Glass Fabrication Required:

Two 5/8" (16 mm) Diameter Holes

NEW!



INCLUDES:

2 Each: Through-Bolts for Glass Mounting
4 Each: 1-1/4" (32 mm) Diameter Matching Finish Metal Washers and Rubber Gaskets

Extra bolts available, sold separately:

CAT. NO. DESCRIPTION

TB2CH Through-Bolts for 3/8" to 3/4" (10 to 19 mm) Glass

TB4CH Through-Bolts for 1-3/4" (45 mm) Wood or Metal Door Frames

F40WK Matching Washer Set and Through-Bolt for 3/8" to 3/4" (10 to 19 mm) Glass

CAT. NO.	OVERALL LENGTH	MOUNTING HOLES CENTER-TO-CENTER	FINISH
CE18X18BS	18" (457 mm)	12" (305 mm)	Brushed Stainless
CE18X18PS	18" (457 mm)	12" (305 mm)	Polished Stainless
CE24X24BS	24" (610 mm)	18" (457 mm)	Brushed Stainless
CE24X24PS	24" (610 mm)	18" (457 mm)	Polished Stainless

Minimum order: 1 each. All Pull Handles can be combined for quantity pricing.

CRL Glass Mounted Mitered Corner Style Back-to-Back Pull Handle

SPECIFICATIONS:

For Use With: 3/8" to 3/4" (10 to 19 mm) Glass

Construction:

1" (25 mm) Round Stainless Steel Tubing

Glass Fabrication Required:

Two 5/8" (16 mm) Diameter Holes

INCLUDES:

2 Each: Through-Bolts for Glass Mounting

4 Each: 1-1/4" (32 mm) Diameter Matching Finish Metal Washers and Rubber Gaskets

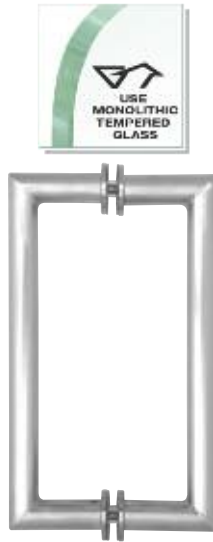
Extra bolts available, sold separately:

CAT. NO. DESCRIPTION

TB2CH Through-Bolts for 3/8" to 3/4" (10 to 19 mm) Glass

TB4CH Through-Bolts for 1-3/4" (45 mm) Wood or Metal Door Frames

F40WK Matching Washer Set and Through-Bolt for 3/8" to 3/4" (10 to 19 mm) Glass



CAT. NO.	MOUNTING HOLES CENTER-TO-CENTER	FINISH
MH10X10BS	10" (254 mm)	Brushed Stainless
MH10X10PS	10" (254 mm)	Polished Stainless
MH12X12BS	12" (305 mm)	Brushed Stainless
MH12X12PS	12" (305 mm)	Polished Stainless
MH18X18BS	18" (457 mm)	Brushed Stainless
MH18X18PS	18" (457 mm)	Polished Stainless
MH24X24BS	24" (610 mm)	Brushed Stainless
MH24X24PS	24" (610 mm)	Polished Stainless

Minimum order: 1 each. All Pull Handles can be combined for quantity pricing. Optional 1-1/4" (32 mm) diameter available on special order.

CRL Glass Mounted Sculptured Style Back-to-Back Pull Handle

SPECIFICATIONS:

For Use With: 3/8" and 1/2" (10 and 12 mm) Glass

Construction:

Cast Solid Brass

Glass Fabrication Required:

Two 5/8" (16 mm) Diameter Holes

INCLUDES:

2 Each: Through-Bolts for Glass Mounting

4 Each: 1-1/16" (27 mm) Diameter Matching Finish Metal Washers and Rubber Gaskets



CAT. NO.	MOUNTING HOLES CENTER-TO-CENTER	FINISH
CQ10X10CH	10" (254 mm)	Chrome Plated
CQ10X10BR	10" (254 mm)	Polished Brass
CQ10X10BSC	10" (254 mm)	Brushed Satin Chrome
CQ10X10BN	10" (254 mm)	Brushed Nickel
CQ10X10PN	10" (254 mm)	Polished Nickel
CQ10X10ABR	10" (254 mm)	Antique Brass
CQ10X10GP	10" (254 mm)	Gold Plated
CQ10X10ORB	10" (254 mm)	Oil Rubbed Bronze

Minimum order: 1 each. All Pull Handles can be combined for quantity pricing.

CRL Glass Mounted Square Ladder Style Pull Handle With Round Mounting Posts

SPECIFICATIONS:

For Use With: 3/8" to 3/4" (10 to 19 mm) Glass

Construction: 1" (25 mm)

Square Stainless Steel Tubing

Glass Fabrication Required:

Two 5/8" (16 mm)

Diameter Holes

INCLUDES:

2 Each: Through-Bolts for Glass Mounting

4 Each: 1-1/4" (32 mm) Diameter Matching Finish Metal Washers and Rubber Gaskets



Extra bolts available, sold separately:

CAT. NO. DESCRIPTION

TB2CH Through-Bolts for 3/8" to 3/4" (10 to 19 mm) Glass

TB4CH Through-Bolts for 1-3/4" (45 mm) Wood or Metal Door Frames

F40WK Matching Washer Set and Through-Bolt for 3/8" to 3/4" (10 to 19 mm) Glass

CAT. NO.	OVERALL LENGTH	MOUNTING HOLES CENTER-TO-CENTER	FINISH
24SQRLPBS	24" (610 mm)	12" (305 mm)	Brushed Stainless
24SQRLPPS	24" (610 mm)	12" (305 mm)	Polished Stainless
36SQRLPBS	36" (914 mm)	24" (610 mm)	Brushed Stainless
36SQRLPPS	36" (914 mm)	24" (610 mm)	Polished Stainless
48SQRLPBS	48" (1219 mm)	36" (914 mm)	Brushed Stainless
48SQRLPPS	48" (1219 mm)	36" (914 mm)	Polished Stainless
60SQRLPBS	60" (1524 mm)	48" (1219 mm)	Brushed Stainless
60SQRLPPS	60" (1524 mm)	48" (1219 mm)	Polished Stainless

Minimum order: 1 each. All Pull Handles can be combined for quantity pricing.

CRL Glass Mounted Square Ladder Style Pull Handle With Square Mounting Posts

SPECIFICATIONS:

For Use With: 3/8" to 3/4" (10 to 19 mm) Glass

Construction: 1" (25 mm)

Square Stainless Steel Tubing

Glass Fabrication Required:

Two 5/8" (16 mm)

Diameter Holes

INCLUDES:

2 Each: Through-Bolts for Glass Mounting



Extra bolts available, sold separately:

CAT. NO. DESCRIPTION

TB2CH Through-Bolts for 3/8" to 3/4" (10 to 19 mm) Glass

TB4CH Through-Bolts for 1-3/4" (45 mm) Wood or Metal Door Frames

CAT. NO.	OVERALL LENGTH	MOUNTING HOLES CENTER-TO-CENTER	FINISH
24SQSLPBS	24" (610 mm)	12" (305 mm)	Brushed Stainless
24SQSLPPS	24" (610 mm)	12" (305 mm)	Polished Stainless
36SQSLPBS	36" (914 mm)	24" (610 mm)	Brushed Stainless
36SQSLPPS	36" (914 mm)	24" (610 mm)	Polished Stainless
48SQSLPBS	48" (1219 mm)	36" (914 mm)	Brushed Stainless
48SQSLPPS	48" (1219 mm)	36" (914 mm)	Polished Stainless
60SQSLPBS	60" (1524 mm)	48" (1219 mm)	Brushed Stainless
60SQSLPPS	60" (1524 mm)	48" (1219 mm)	Polished Stainless

Minimum order: 1 each. All Pull Handles can be combined for quantity pricing.

CRL Glass Mounted Square Tube Style Back-to-Back Pull Handle

SPECIFICATIONS:

For Use With: 3/8" to 3/4" (10 to 19 mm) Glass

Construction: 1" (25 mm)

Square Stainless Steel Tubing

Glass Fabrication Required:

Two 5/8" (16 mm) Diameter Holes



INCLUDES:

2 Each: Through-Bolts for Glass Mounting

Extra bolts available, sold separately:

CAT. NO. DESCRIPTION

- TB2CH** Through-Bolts for 3/8" to 3/4" (10 to 19 mm) Glass
TB4CH Through-Bolts for 1-3/4" (45 mm) Wood or Metal Door Frames

CAT. NO.	MOUNTING HOLES CENTER-TO-CENTER	FINISH
SQ10X10BS	10" (254 mm)	Brushed Stainless
SQ10X10PS	10" (254 mm)	Polished Stainless
SQ12X12BS	12" (305 mm)	Brushed Stainless
SQ12X12PS	12" (305 mm)	Polished Stainless
SQ18X18BS	18" (457 mm)	Brushed Stainless
SQ18X18PS	18" (457 mm)	Polished Stainless
SQ24X24BS	24" (610 mm)	Brushed Stainless
SQ24X24PS	24" (610 mm)	Polished Stainless

Minimum order: 1 each. All Pull Handles can be combined for quantity pricing.

CRL Glass Mounted Rounded Corner Square Tube Style Back-to-Back Pull Handle

SPECIFICATIONS:

For Use With: 3/8" to 3/4" (10 to 19 mm) Glass

Construction: 1" (25 mm)

Square Stainless Steel Tubing

Glass Fabrication Required:

Two 5/8" (16 mm) Diameter Holes



INCLUDES:

2 Each: Through-Bolts for Glass Mounting

Extra bolts available, sold separately:

CAT. NO. DESCRIPTION

- TB2CH** Through-Bolts for 3/8" to 3/4" (10 to 19 mm) Glass
TB4CH Through-Bolts for 1-3/4" (45 mm) Wood or Metal Door Frames

CAT. NO.	MOUNTING HOLES CENTER-TO-CENTER	FINISH
RST10X10BS	10" (254 mm)	Brushed Stainless
RST10X10PS	10" (254 mm)	Polished Stainless
RST12X12BS	12" (305 mm)	Brushed Stainless
RST12X12PS	12" (305 mm)	Polished Stainless
RST18X18BS	18" (457 mm)	Brushed Stainless
RST18X18PS	18" (457 mm)	Polished Stainless
RST24X24BS	24" (610 mm)	Brushed Stainless
RST24X24PS	24" (610 mm)	Polished Stainless

Minimum order: 1 each. All Pull Handles can be combined for quantity pricing.

CRL Glass Mounted Offset Square Back-to-Back Pull Handle

SPECIFICATIONS:

For Use With: 3/8" to 3/4" (10 to 19 mm) Glass

Construction: 1" (25 mm)

Square Stainless Steel Tubing

Offset: 2-1/8" (54 mm)

Center-to-Center

Glass Fabrication Required:

Two 5/8" (16 mm) Diameter Holes

Extra bolts available, sold separately:



INCLUDES:

2 Each: Through-Bolts for Glass Mounting

CAT. NO. DESCRIPTION

- TB2CH** Through-Bolts for 3/8" to 3/4" (10 to 19 mm) Glass
TB4CH Through-Bolts for 1-3/4" (45 mm) Wood or Metal Door Frames

CAT. NO.	MOUNTING HOLES CENTER-TO-CENTER	FINISH
S010X10BS	10" (254 mm)	Brushed Stainless
S010X10PS	10" (254 mm)	Polished Stainless
S012X12BS	12" (305 mm)	Brushed Stainless
S012X12PS	12" (305 mm)	Polished Stainless
S018X18BS	18" (457 mm)	Brushed Stainless
S018X18PS	18" (457 mm)	Polished Stainless
S024X24BS	24" (610 mm)	Brushed Stainless
S024X24PS	24" (610 mm)	Polished Stainless

Minimum order: 1 each. All Pull Handles can be combined for quantity pricing.

CRL Glass Mounted Square Back-to-Back Pull Handle

SPECIFICATIONS:

For Use With: 3/8" to 3/4" (10 to 19 mm) Glass

Construction: 1" (25 mm)

Square Stainless Steel Tubing

Glass Fabrication Required:

Two 5/8" (16 mm) Diameter Holes



Extra bolts available, sold separately:

CAT. NO. DESCRIPTION

- TB2CH** Through-Bolts for 3/8" to 3/4" (10 to 19 mm) Glass
TB4CH Through-Bolts for 1-3/4" (45 mm) Wood or Metal Door Frames

INCLUDES:

2 Each: Through-Bolts for Glass Mounting

CAT. NO.	MOUNTING HOLES CENTER-TO-CENTER	FINISH
SST10X10BS	10" (254 mm)	Brushed Stainless
SST10X10PS	10" (254 mm)	Polished Stainless
SST12X12BS	12" (305 mm)	Brushed Stainless
SST12X12PS	12" (305 mm)	Polished Stainless
SST18X18BS	18" (457 mm)	Brushed Stainless
SST18X18PS	18" (457 mm)	Polished Stainless
SST24X24BS	24" (610 mm)	Brushed Stainless
SST24X24PS	24" (610 mm)	Polished Stainless

Minimum order: 1 each. All Pull Handles can be combined for quantity pricing.

CRL Glass Mounted Ladder Style Back-to-Back Pull Handle With Acrylic Semi-Inserts



SPECIFICATIONS:

For Use With:

3/8" to 3/4" (10 to 19 mm) Glass

Construction:

1" (25 mm) Diameter Stainless Steel or Brass Tubing with Acrylic Semi-Insert (White Accent Lines in Acrylic)

Glass Fabrication Required:

Two 5/8" (16 mm) Diameter Holes

INCLUDES:

- 2 Each: Through-Bolts for Glass Mounting
- 4 Each: 1-1/4" (32 mm) Diameter Matching Finish Metal Washers and Rubber Gaskets

CAT. NO.	OVERALL LENGTH	MOUNTING HOLES CENTER-TO-CENTER	FINISH
CA18X18BR	24-1/2" (622 mm)	18" (457 mm)	Polished Brass
CA18X18PS	24-1/2" (622 mm)	18" (457 mm)	Polished Stainless

Minimum order: 1 each. All Pull Handles can be combined for quantity pricing.

CRL Glass Mounted Ladder Style Back-to-Back Pull Handle With Acrylic Full Inserts



SPECIFICATIONS:

For Use With:

3/8" to 3/4" (10 to 19 mm) Glass

Construction:

1" (25 mm) Diameter Stainless Steel or Brass Tubing with Acrylic Full Insert (Accent Lines in Acrylic)

Glass Fabrication Required:

Two 5/8" (16 mm) Diameter Holes

INCLUDES:

- 2 Each: Through-Bolts for Glass Mounting
- 4 Each: 1-1/4" (32 mm) Diameter Matching Metal Finish Washers and Rubber Gaskets

CAT. NO.	OVERALL LENGTH	MOUNTING HOLES CENTER-TO-CENTER	FINISH
CB18X18BR	27" (685 mm)	18" (457 mm)	Polished Brass
CB18X18PS	27" (685 mm)	18" (457 mm)	Polished Stainless

Minimum order: 1 each. All Pull Handles can be combined for quantity pricing.

CRL Glass Mounted Ring Style Back-to-Back Pull Handle



SPECIFICATIONS:

For Use With:

3/8" to 3/4" (10 to 19 mm) Glass

Construction:

1" (25 mm) Diameter Stainless Steel or Brass Tubing

Glass Fabrication Required:

Two 5/8" (16 mm) Diameter Holes

INCLUDES:

- 2 Each: Through-Bolts for Glass Mounting
- 4 Each: 1-1/4" (32 mm) Diameter Matching Finish Metal Washers and Rubber Gaskets

CAT. NO.	MOUNTING HOLES CENTER-TO-CENTER	FINISH
CR18X18BR	18" (457 mm)	Polished Brass
CR18X18PS	18" (457 mm)	Polished Stainless

Minimum order: 1 each. All Pull Handles can be combined for quantity pricing.

CRL Glass Mounted Ladder Style Back-to-Back Pull Handle With Undercut Accent Rings



SPECIFICATIONS:

For Use With:

3/8" to 3/4" (10 to 19 mm) Glass

Construction:

1" (25 mm) Diameter Stainless Steel or Brass Tubing

Glass Fabrication Required:

Two 5/8" (16 mm) Diameter Holes

INCLUDES:

- 2 Each: Through-Bolts for Glass Mounting
- 4 Each: 1-1/4" (32 mm) Diameter Matching Finish Metal Washers and Rubber Gaskets

CAT. NO.	OVERALL LENGTH	MOUNTING HOLES CENTER-TO-CENTER	FINISH
CT18X18BR	25" (635 mm)	18" (457 mm)	Polished Brass
CT18X18PS	25" (635 mm)	18" (457 mm)	Polished Stainless
CT18X18BS	25" (635 mm)	18" (457 mm)	Brushed Stainless

Minimum order: 1 each. All Pull Handles can be combined for quantity pricing.

CRL Variant Series Adjustable Mounting Post Style Pull Handles

- Adjustable Mounting Posts Can Mount on 6" to 26-3/4" (152 to 679 mm) Centers

CRL Variant Series Adjustable Mounting Post Style Pulls are designed to fit on standard hole patterns of 12", 18", and 24" (305, 457, and 610 mm) centers, but with its adjustable mounting posts, will fit almost any hole pattern from 6" to 26-3/4" (152 to 679 mm) centers. Additional Mounting Posts can also be purchased separately.

SPECIFICATIONS:

For Use With:

3/8" to 3/4" (10 to 19 mm) Glass

Construction:

1" (25 mm) Diameter Stainless Steel Tubing

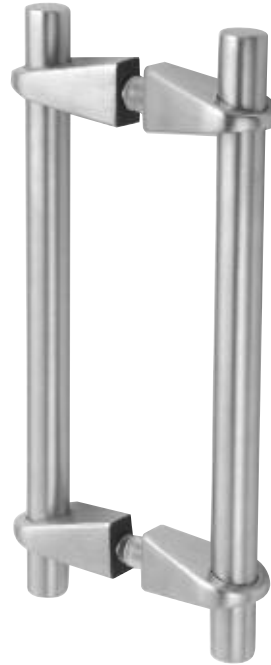
Glass Fabrication Required:

Two 5/8" (16 mm) Diameter Holes,
 VPS x 16: 12" (305 mm) Center-to-Center
 VPS x 22: 18" (457 mm) Center-to-Center
 VPS x 28: 24" (610 mm) Center-to-Center

NOTE: Hole centers shown are for standard mounting locations. You may vary actual hole centers.

INCLUDES:

- 2 Each: Through-Bolts for Glass Mounting
- 4 Each: Adjustable Mounting Posts (VP1 or VP2 Depending on Handle Style)



Pull Set With VP1 Mounting Posts



Pull Set With VP2 Mounting Posts

VARIANT PULL SET WITH VP1 MOUNTING POSTS

CAT. NO.	ROD LENGTH	FINISH
VPS116BS	16" (406 mm)	Brushed Stainless
VPS116PS	16" (406 mm)	Polished Stainless
VPS122BS	22" (559 mm)	Brushed Stainless
VPS122PS	22" (559 mm)	Polished Stainless
VPS128BS	28" (711 mm)	Brushed Stainless
VPS128PS	28" (711 mm)	Polished Stainless

Minimum order: 1 each. All Pull Handles can be combined for quantity pricing.

VARIANT PULL SET WITH VP2 MOUNTING POSTS

CAT. NO.	ROD LENGTH	FINISH
VPS216BS	16" (406 mm)	Brushed Stainless
VPS216PS	16" (406 mm)	Polished Stainless
VPS222BS	22" (559 mm)	Brushed Stainless
VPS222PS	22" (559 mm)	Polished Stainless
VPS228BS	28" (711 mm)	Brushed Stainless
VPS228PS	28" (711 mm)	Polished Stainless

Minimum order: 1 each. All Pull Handles can be combined for quantity pricing.

ADDITIONAL MOUNTING POSTS

CAT. NO.	TYPE	FINISH
VP1BS	VP1	Brushed Stainless
VP1PS	VP1	Polished Stainless
VP2BS	VP2	Brushed Stainless
VP2PS	VP2	Polished Stainless

Minimum order: 1 set. Each set includes: 2 each Through-Bolts for Glass Mounting; 4 each Adjustable Mounting Posts

CRL Frameless Sliding Door Handle

- Four Architectural Finishes Available for 1/2" (12 mm) Glass
- Low Projection Will Not Interfere With Sliding Door Action

CRL Frameless Sliding Door Handles feature a low profile projection that will not interfere with the sliding action of the door passing another panel, or even a pocket type installation into the wall. These Handles are available in four stock architectural finishes to complement our Frameless Sliding Door Systems. Custom finishes and custom sizes are also available upon request.



Glass Cut-Out and two holes required

CAT. NO.	FINISH
SGH8CH	Chrome
SGH8BR	Lacquered Brass
SGH8BN	Brushed Nickel
SGH8SC	Satin Chrome

Minimum order: 1 each. Finishes can be combined for quantity pricing.

Glass Fabrication Required:

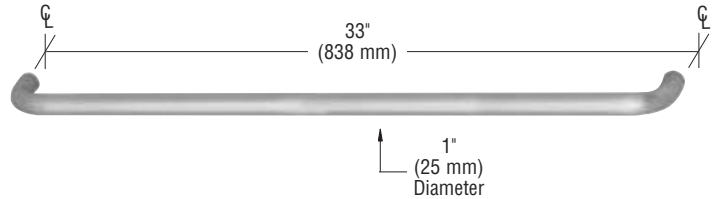
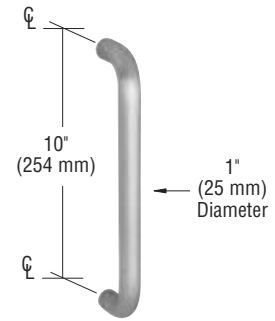
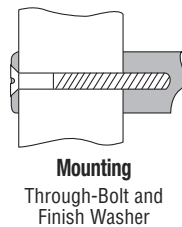
Glass Cut-Out With Polished Edges;
 Two 1/2" (13 mm) Diameter Holes



CRL 1" Solid Pull Handles

- Single-Sided Solid Handles in Two Sizes
- Available in Three Finishes

CRL 1" (25.4 mm) diameter Solid Pull Handles are made for standard one side mounting. Pulls are supplied with 1/4"-20 thru-bolts and finish washers, and are packed individually.



10" (254 MM) PULL HANDLE

CAT. NO.	FINISH
M1651010B	Oil Rubbed Bronze
M1651028	Aluminum
M1651032D	Brushed Stainless

Minimum order: 1 each. All Pull Handles can be combined for quantity pricing.

33" (838 MM) PULL HANDLE

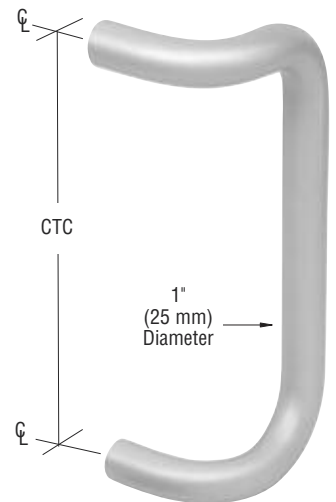
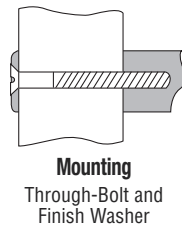
CAT. NO.	FINISH
M1653310B	Oil Rubbed Bronze
M1653328	Aluminum
M1653332D	Brushed Stainless

Minimum order: 1 each. All Pull Handles can be combined for quantity pricing.

CRL Solid Offset Pull Handles

- Single-Sided Solid Handle in Two Sizes
- Available in Three Finishes

CRL 1" (25.4 mm) diameter Solid Offset Pull Handles have an overall projection height of 3-1/4" (83 mm), and an offset clearance of 2-1/4" (57 mm). They are supplied with 1/4"-20 thru-bolts and finish washers. All Offset Pulls are packed individually.



8" (203 MM) PULL HANDLE

CAT. NO.	FINISH
M174810B	Oil Rubbed Bronze
M174828	Clear Anodized
M174832D	Brushed Stainless

Minimum order: 1 each. All Pull Handles can be combined for quantity pricing.

10" (254 MM) PULL HANDLE

CAT. NO.	FINISH
M1741010B	Oil Rubbed Bronze
M1741028	Clear Anodized
M1741032D	Brushed Stainless

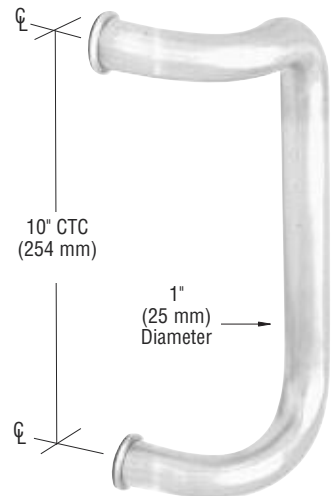
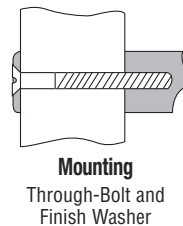
Minimum order: 1 each. All Pull Handles can be combined for quantity pricing.

CRL Tubular Offset Single-Sided Pull Handle

- Available in Five Architectural Finishes
- Ready to Mount

Our Tubular Offset Single-Sided Pull Handles are constructed of 1" (25 mm) diameter stainless steel or brass tubing with 1-1/4" (32 mm) diameter matching washers. Choose from five standard architectural finishes to complement any décor.

Dimensions: 10" (254 mm) center-to-center mounting holes; 2" (51 mm) clearance; 3-1/4" (83 mm) projection.



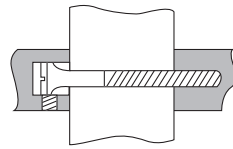
CAT. NO.	FINISH
CD10BS	Brushed Stainless
CD10PS	Polished Stainless
CD10BR	Polished Brass
CD10SA	Satin Anodized
CD10DU	Dark Bronze Anodized

Minimum order: 1 each. All Door Handles can be combined for quantity pricing.

CRL Straight Pull Handles Back-To-Back

- 1" (25 mm) Diameter Solid Aluminum
- Available in Two Lengths
- Three Architectural Finishes

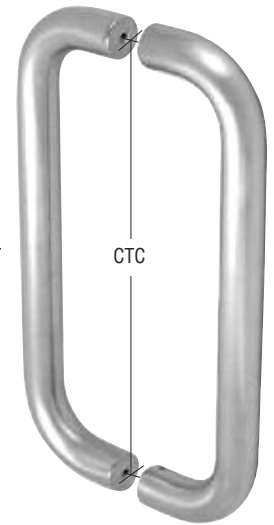
Extruded solid aluminum 1" (25 mm) diameter Straight Pull Handles have an overall projection height of 3-1/4" (83 mm). Handle sets include mounting hardware for back-to-back installation. Pull Handle sets are packed one each.



Mounting
Threaded Shoulder Bolt and Set Screw

NEW!

1" (25 mm) Diameter



8" (203 MM) PULL HANDLE

CAT. NO.	FINISH
M2165810B	Oil Rubbed Bronze
M2165828	Clear Anodized
M2165832D	Brushed Stainless

Minimum order: 1 each. All Pull Handles can be combined for quantity pricing.

10" (254 MM) PULL HANDLE

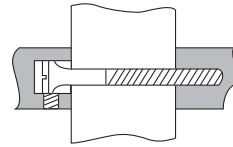
CAT. NO.	FINISH
M21651010B	Oil Rubbed Bronze
M21651028	Clear Anodized
M21651032D	Brushed Stainless

Minimum order: 1 each. All Pull Handles can be combined for quantity pricing.

CRL Offset Pull Handles Back-To-Back

- 1" (25 mm) Diameter Solid Aluminum
- Available in Two Lengths
- Three Architectural Finishes

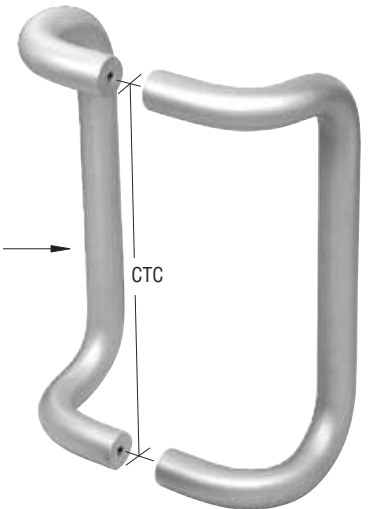
Extruded solid aluminum 1" (25 mm) diameter Offset Pull Handles have an overall projection height of 3-1/4" (83 mm) and an offset clearance of 2-1/4" (57 mm). Handle sets include mounting hardware for back-to-back installation. Pull Handle sets are packed one each.



Mounting
Threaded Shoulder Bolt and Set Screw

NEW!

1" (25 mm) Diameter



8" (203 MM) PULL HANDLE

CAT. NO.	FINISH
M2174810B	Oil Rubbed Bronze
M2174828	Clear Anodized
M2174832D	Brushed Stainless

Minimum order: 1 each. All Pull Handles can be combined for quantity pricing.

10" (254 MM) PULL HANDLE

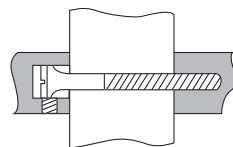
CAT. NO.	FINISH
M21741010B	Oil Rubbed Bronze
M21741028	Clear Anodized
M21741032D	Brushed Stainless

Minimum order: 1 each. All Pull Handles can be combined for quantity pricing.

CRL Solid Push Bar and Pull Handle Set

- Fits 36" (914 mm) Narrow Stile Doors
- Three Architectural Finishes

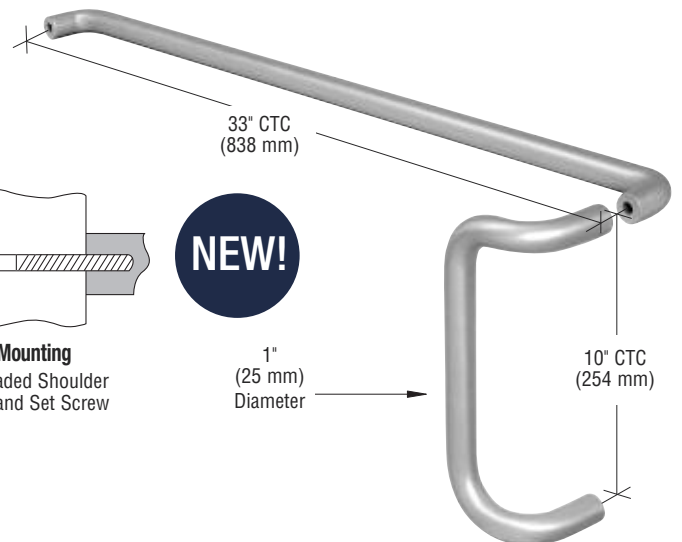
CRL Solid Push Bar and Pull Handle Sets are made of 1" (25 mm) diameter solid extruded aluminum. The Pull Handle measures 10" (254 mm) center-to-center and the Push Bar measures 33" (838 mm) center-to-center. The projection height is 2-1/4" (57 mm) from the face of the door. Packed one set each.



Mounting
Threaded Shoulder Bolt and Set Screw

NEW!

1" (25 mm) Diameter



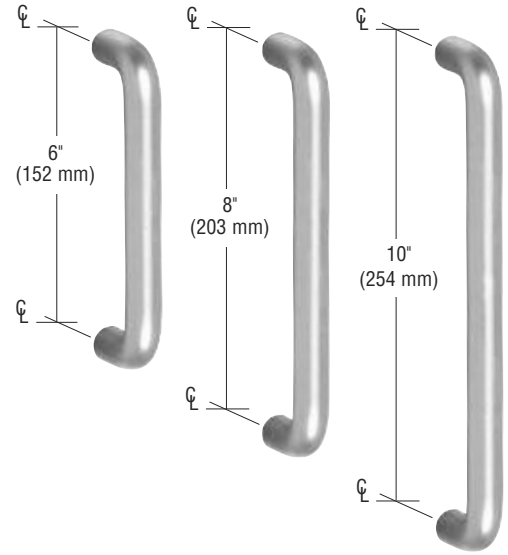
CAT. NO.	FINISH
M10X3310B	Oil Rubbed Bronze
M10X3328	Clear Anodized
M10X3332D	Brushed Stainless

Minimum order: 1 each. All Pull Handles can be combined for quantity pricing.

CRL 3/4" Diameter Solid Pull Handles

- Single-Sided Handles in Three Sizes and Three Finishes

CRL 3/4" (19 mm) diameter Solid Pull Handles are made for standard one side mounting, and are supplied with 1/4"-20 thru-bolts and finish washers. Pulls are packed individually.



8" (203 MM) PULL HANDLE

CAT. NO.	FINISH
M163810B	Oil Rubbed Bronze
M163828	Clear Anodized
M163832D	Brushed Stainless

Minimum order: 1 each. All Pull Handles can be combined for quantity pricing.

10" (254 MM) PULL HANDLE

CAT. NO.	FINISH
M1631010B	Oil Rubbed Bronze
M1631028	Clear Anodized
M1631032D	Brushed Stainless

Minimum order: 1 each. All Pull Handles can be combined for quantity pricing.

6" (152 MM) PULL HANDLE

CAT. NO.	FINISH
M163610B	Oil Rubbed Bronze
M163628	Clear Anodized
M163632D	Brushed Stainless

Minimum order: 1 each. All Pull Handles can be combined for quantity pricing.

Custom Designed Door Handles

- For Glass, Wood, or Aluminum Doors
- "Cutting Edge" Laser and Waterjet Capabilities
- Round, Square or Flat Bar Stock
- Solid or Tubular Construction
- Custom Cast Designs
- Metal Etched Logos and Designs
- Bending, Mitering, and Welding
- Unlimited CNC Machined Shapes
- Wide Range of Fastening Options Including UV Bonding
- Available in Brass, Bronze, Aluminum, and Stainless Steel
- Brushed, Polished, Etched, or Powder Coated Finishes
- Over 20 Standard Finishes
- Custom Color Matching Available

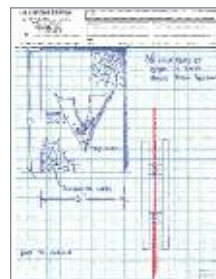


Bending



Welding

Imagination



Design



Reality



Let CRL make your idea a reality! Send us your specifications and our Technical Sales Staff will design your custom handles for you. Then our Engineering Staff will supply you with a 3D rendered drawing of your design to ensure we make exactly what you want.

For additional information, or to begin the design process, contact CRL Technical Sales at (800) 421-6144 in the U.S., (877) 421 6144 from Canada, or (323) 588-1281 International. Ask for Ext. 7700. You can also e-mail us through our web site at crlaurence.com. From the home page click on Contact Us, and then click on Technical Sales for Commercial Products.

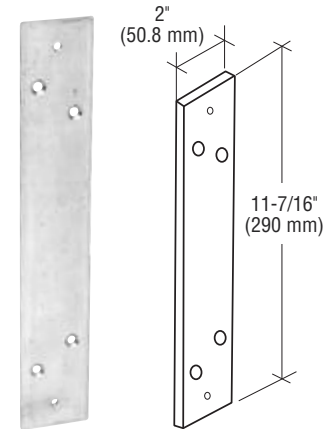
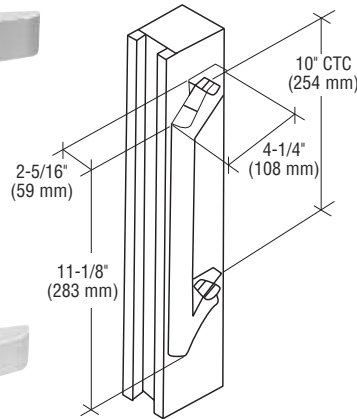
CRL Extruded Aluminum Pull Handle

- Solid Extruded Aluminum Handle Mounts to Door With Concealed Fasteners

The Extruded Aluminum Pull Handle comes with two studs that are tapped (1/4-20 thread) into the aluminum door frame on 10" (254 mm) centers. Then the Handle is slipped over the studs and secured with Allen screws to provide a concealed fastener look. Available in choice of satin anodized and dark bronze finishes. One per package.



Pull Handle



Mounting Plate

DL915 EXTRUDED ALUMINUM PULL HANDLE

CAT. NO.	DESCRIPTION	FINISH
DL915A	Pull Handle	Satin Anodized
DL915DU	Pull Handle	Dark Bronze

Minimum order: 1 each. Finishes can be combined for quantity pricing.

DL916 OPTIONAL MOUNTING PLATE

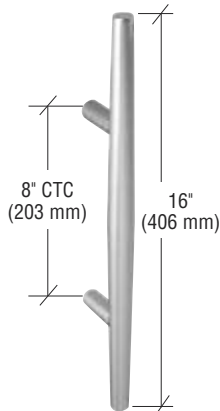
CAT. NO.	DESCRIPTION	FINISH
DL916A	Mounting Plate	Satin Anodized
DL916DU	Mounting Plate	Dark Bronze

Minimum order: 1 each. Finishes can be combined for quantity pricing.

CRL Tapered Door Pull

- Solid Pull has Clear Anodized Brushed Aluminum Finish
- Complete With Thru-Bolts for Mounting

This Tapered Door Pull is made from solid aluminum bar stock, tapered on each end, and has a projection height of 1-1/2" (38.1 mm) from the face of the door. Brushed aluminum finish is clear anodized. Complete with thru-bolts for mounting. Minimum order is one each.

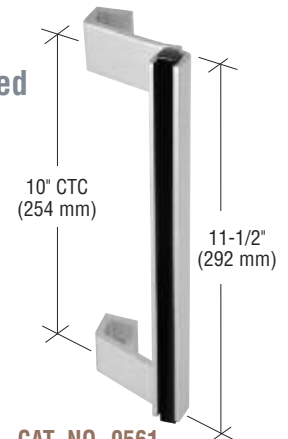


CAT. NO. 9590

CRL Entrance Door Pull

- Solid Pull has Clear Anodized Brushed Aluminum Finish
- Complete With Thru-Bolts for Mounting

This solid aluminum Entrance Door Pull has a black accent strip along the full length of the pull. Projection height is 2-7/8" (73 mm) from the face of the door. Brushed aluminum finish is clear anodized. Complete with thru-bolts for mounting. Minimum order is one each.



CAT. NO. 9561

CRL Extruded Aluminum Push Bars

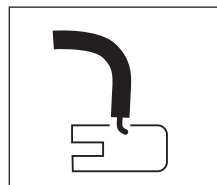
- Available in Three Lengths and Two Finishes



Extruded Aluminum Push Bars come with a "J" Hook on one end. The opposite end needs to be drilled at time of installation to match application. Bar measures 1/2" x 1-1/4" (12.7 x 31.7 mm). One per package.

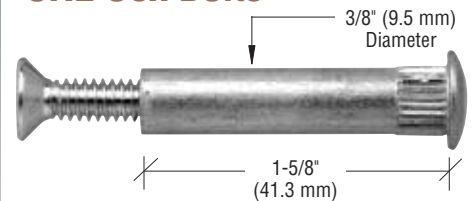
CAT. NO.	FITS UP TO	FINISH
DL9530A	36" (914 mm) Doors	Satin Aluminum
DL9530DU	36" (914 mm) Doors	Bronze Anodized
DL9535A	42" (1067 mm) Doors	Satin Aluminum
DL9535DU	42" (1067 mm) Doors	Bronze Anodized
DL9540A	48" (1219 mm) Doors	Satin Aluminum
DL9540DU	48" (1219 mm) Doors	Bronze Anodized

Minimum order: 1 each. All Push Bars can be combined for quantity pricing.



J-Hook Mount

CRL Sex Bolts



Used for securing push bars, surface mounted door closers, and other fixtures to 1-3/4" (44.5 mm) doors. Knurled barrel fits a 3/8" (9.5 mm) diameter hole. Available in aluminum and bronze finishes. Four bolts per package.

CAT. NO.	THREAD SIZE	FINISH
8025	1/4" - 20	Satin Aluminum
8025BRZ	1/4" - 20	Bronze Anodized

Minimum order: 1 pack. All Sex Bolts can be combined for quantity pricing.

CRL 3/4" Offset Pivot Sets

- 1/8" (3.2 mm) Vertical Adjustment
- Die Cast Aluminum
- Suitable for Aluminum Frames and Doors Weighing Up to 125 Pounds (57 kg)

• Oilite Bronze Bushing in Top Frame Portion

CRL Offset Pivot Sets for commercial doors feature quality machined and die cast components in combinations to accommodate just about any commercial door. Everything you need comes in one box, including the door fasteners and anchors. Each has been illustrated with dimensions for ease of selection.

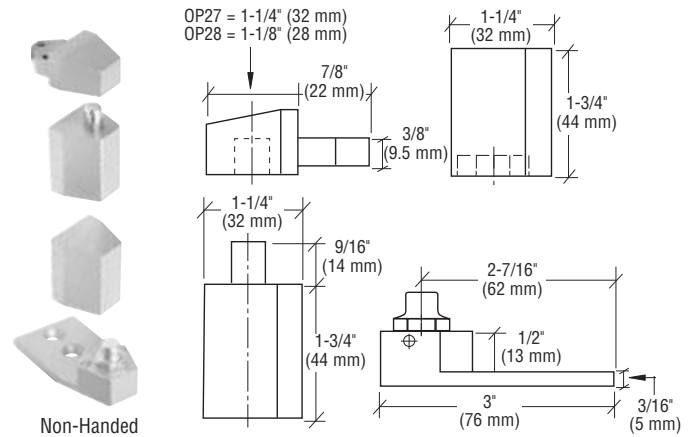
OP27 and OP28 Series

- Non-Handed
- Reversible

Non-handed Pivot Sets are available in satin aluminum and dark bronze finishes. One set per package.

CAT. NO.	HANDING	APPLICATION	FINISH
OP27NHA	Reversible	Flush with Frame Face	Aluminum
OP27NHDU	Reversible	Flush with Frame Face	Dark Bronze
OP28NHA	Reversible	Recessed 1/8" (3.2 mm)	Aluminum
OP28NHDU	Reversible	Recessed 1/8" (3.2 mm)	Dark Bronze

Minimum order: 1 each. All Pivot Sets can be combined for quantity pricing.



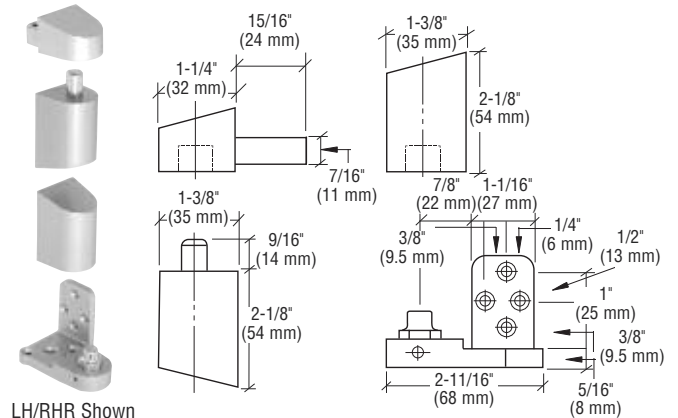
OP34 Series

- Handed - Not Reversible
- Used on: U.S. Aluminum

Left or right hand Pivot Sets are available in satin aluminum and dark bronze finishes. One set per package.

CAT. NO.	HANDING	APPLICATION	FINISH
OP34LHA	Left Hand	Flush with Frame Face	Aluminum
OP34LHDU	Left Hand	Flush with Frame Face	Dark Bronze
OP34RHA	Right Hand	Flush with Frame Face	Aluminum
OP34RHDU	Right Hand	Flush with Frame Face	Dark Bronze

Minimum order: 1 each. All Pivot Sets can be combined for quantity pricing.



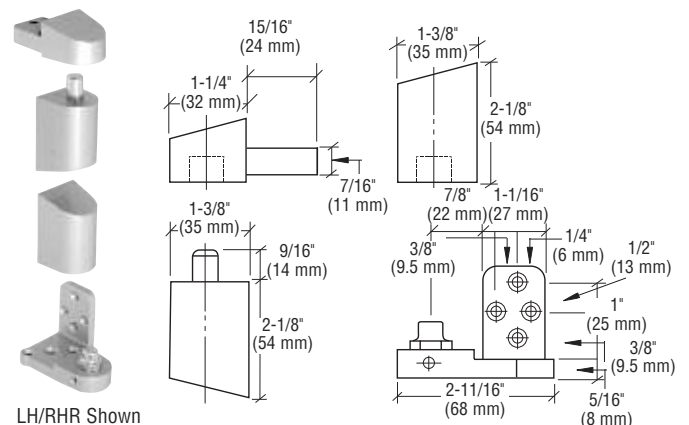
OP41 Series

- Handed - Not Reversible
- Used on: Pittco, PPG

Left or right hand Pivot Sets are available in satin aluminum and dark bronze finishes. One set per package.

CAT. NO.	HANDING	APPLICATION	FINISH
OP41LHA	Left Hand	Recessed 3/32" (2.4 mm)	Aluminum
OP41LHDU	Left Hand	Recessed 3/32" (2.4 mm)	Dark Bronze
OP41RHA	Right Hand	Recessed 3/32" (2.4 mm)	Aluminum
OP41RHDU	Right Hand	Recessed 3/32" (2.4 mm)	Dark Bronze

Minimum order: 1 set. All Pivot Sets can be combined for quantity pricing.

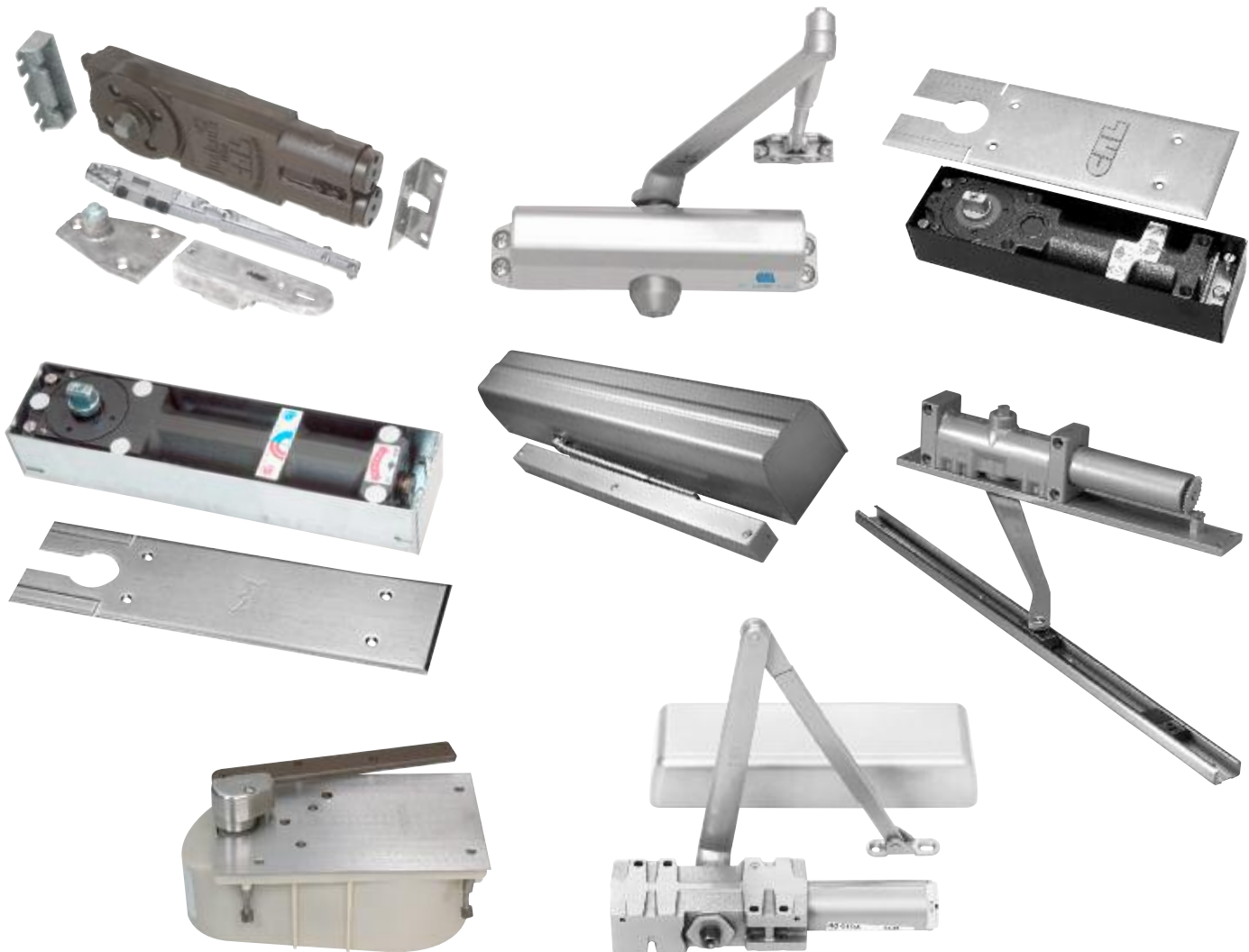


CRL Has a Complete Door Closer Program

- Overhead Concealed, Floor Mounted, Surface Mounted
- Trusted Brands: CRL, Jackson®, DORMA®, Rixson®, LCN®, and Norton®
- A Complete Selection of Accessories



We offer the glazing and architectural building industries the largest variety of door closers and mounting accessories for commercial, institutional, and residential use. It's a comprehensive program that will suit the needs of anyone looking for quality made and top performing door control products. Plus we offer installation assistance online and over the phone. It's a total package intended to persuade you to make CRL your door closer supplier of choice. For more information, to place an order, or request a quote, contact CRL-Jackson Technical Sales at (800) 421-6144 in the U.S., (877) 421-6144 from Canada, or (323) 588-1281 International, and ask for Ext. 7520, or visit our web site at crlaurence.com.



DORMA is a registered trademark of DORMA Properties, Inc.
Rixson and Norton are a registered trademarks of Yale Security, Inc., an ASSA ABLOY Group Company.
LCN is a registered trademark of Ingersoll Rand, plc.



CRL Jackson Surface Mounted Door Closers

- Fixed and Multi-Size Adjustable Models
- Barrier-Free and Delayed Action Models to Meet A.D.A. Barrier-Free Requirements
- Adjustable Backcheck is Standard
- Reversible for Regular, Top-Jamb, and Parallel Arm Applications
- 10 Year Warranty
- UL Listed

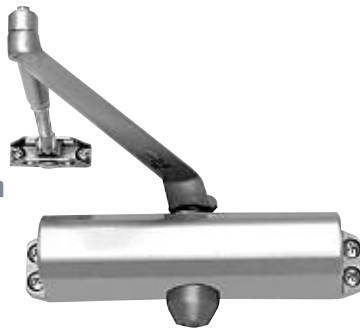


CRL presents the glazing industry's largest selection of quality Surface Mounted Door Closers and accessories. Available in both single size fixed and multi-size adjustable spring power, barrier-free, and delayed action models. All Closers are supplied with adjustable backcheck, and both the closing and latching speeds are independently adjustable.

CRL Surface Mounted Door Closers are available in Satin Aluminum and Bronze finishes, with some also available in Bright Gold or Chrome. Parallel Arm Brackets and mounting hardware are included with each Closer, permitting universal installation for regular, top jamb or parallel arm applications. Optional accessories, such as Drop Plates and Hold-Open Arms, are available for special installations. The entire selection can be viewed in our Online Catalog at crlaurence.com.

DC50 Series

- ANSI A156.4 Grade 1
- Models in Spring Sizes 1 Through 5
- Suitable for Doors From 33 to 264 Pounds (15 to 120 kg)
- Models Engineered for Residential and Commercial Use



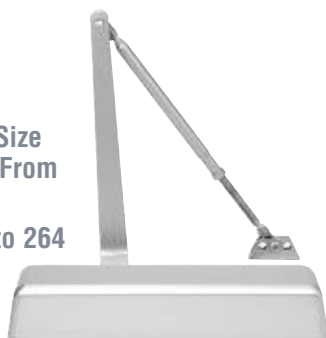
PR80 Series

- Multi-Size Adjustable Models Ranging From Spring Sizes 1 to 4 or 2 to 5
- Suitable for Doors From 33 to 264 Pounds (15 to 120 kg)
- Barrier-Free Models to Meet A.D.A. Barrier-Free Requirements



PR50 Series

- ANSI A156.4 Grade 1 Multi-Size Adjustable Models Ranging From Spring Sizes 1 Through 5
- Suitable for Doors From 33 to 264 Pounds (15 to 120 kg)
- Barrier-Free and Delayed Action Models to Meet A.D.A. Barrier-Free Requirements



PR70 Series

- Available in Four Finishes
- Multi-Size Adjustable Models Ranging From Spring Sizes 1/2 to 4 or 2 to 6
- Suitable for Doors From 22 to 330 Pounds (10 to 150 kg)
- Barrier-Free and Delayed Action Models to Meet A.D.A. Barrier-Free Requirements



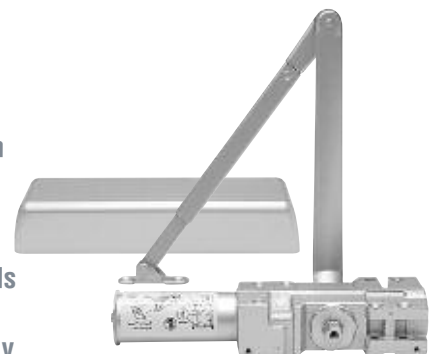
PR40 Series

- ANSI A156.4 Grade 1 Multi-Size Adjustable Models Ranging From Spring Sizes 1 to 4 or 2 to 5
- Suitable for Doors From 33 to 264 Pounds (15 to 120 kg)
- Barrier-Free and Delayed Action Models to Meet A.D.A. Barrier-Free Requirements

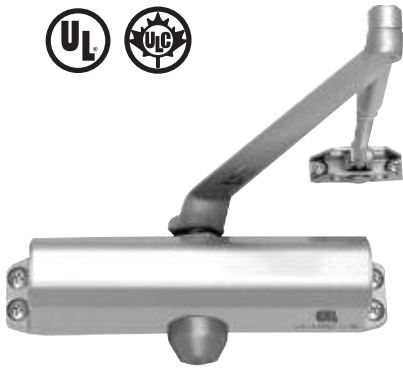


PR90 Series

- ANSI A156.4 Grade 1 Multi-Size Adjustable Models Ranging From Spring Sizes 1 Through 6
- Suitable for Doors From 33 to 330 Pounds (15 to 150 kg)
- Durable Cast Iron Body



CRL Jackson Surface Mounted Door Closers



DC50 Series ANSI Grade 1 Surface Mounted Door Closers

- Aluminum and Bronze Finishes
- ANSI A156.4 Grade 1
- Door Weights: 33-264 Lbs.
- 10 Year Limited Warranty

CAT. NO.	FINISH	SPRING SIZE	CLOSER DESCRIPTION
DC51A	Aluminum	1	Light Commercial/Residential
DC51BRZ	Dark Bronze	1	Light Commercial/Residential
DC52A	Aluminum	2	Light-Duty
DC52BRZ	Dark Bronze	2	Light-Duty
DC53A	Aluminum	3	Standard-Duty
DC53BRZ	Dark Bronze	3	Standard Duty
DC54A	Aluminum	4	Standard Duty
DC54BRZ	Dark Bronze	4	Standard Duty
DC55A	Aluminum	5	Heavy-Duty Commercial
DC55BRZ	Dark Bronze	5	Heavy-Duty Commercial

Minimum order: 1 each.



PR80 Series Adjustable Spring Power Surface Mounted Door Closers

- Aluminum and Bronze Finishes
- Adjustable Size From 1 to 5
- Door Weights: 33-264 Lbs.
- 10 Year Limited Warranty

CAT. NO.	FINISH	SPRING SIZE	CLOSER DESCRIPTION
PR80A	Aluminum	2-5	Adjustable
PR80DU	Dark Bronze	2-5	Adjustable
PR82BFA	Aluminum	1-4	Barrier-Free/Adjustable
PR82BFDU	Dark Bronze	1-4	Barrier-Free/Adjustable

Minimum order: 1 each.

Mounting accessories for all CRL Surface Mounted Door Closers are available for viewing or order through crlaurence.com.



PR70 Series Adjustable Spring Power Surface Mounted Door Closers

- Available in Up to Four Finishes
- Adjustable Spring Sizes From 1/2 to 6
- Door Weights: 22-330 Lbs.
- 10 Year Limited Warranty



CAT. NO.	FINISH	SPRING SIZE	CLOSER DESCRIPTION
PR70BFA	Aluminum	1/2-4	Barrier-Free/Adjustable
PR70BFDU	Dark Bronze	1/2-4	Barrier-Free/Adjustable
PR70BFBG	Bright Gold	1/2-4	Barrier-Free/Adjustable
PR70BFCH	Bright Chrome	1/2-4	Barrier-Free/Adjustable
PR72DAA	Aluminum	1/2-4	Delayed Action/Adjustable
PR72DADU	Dark Bronze	1/2-4	Delayed Action/Adjustable
PR72DABG	Bright Gold	1/2-4	Delayed Action/Adjustable
PR72DACH	Bright Chrome	1/2-4	Delayed Action/Adjustable
PR74BCA	Aluminum	2-6	Adjustable
PR74BCDU	Dark Bronze	2-6	Adjustable
PR76DAA	Aluminum	2-6	Delayed Action/Adjustable
PR76DADU	Dark Bronze	2-6	Delayed Action/Adjustable

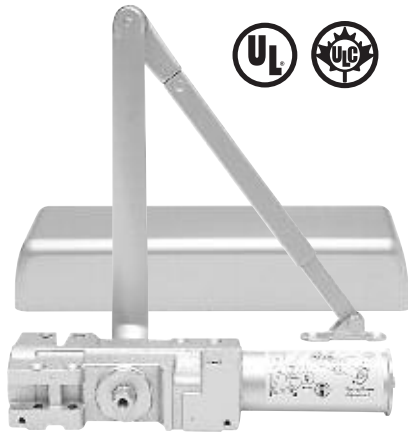
Minimum order: 1 each.

Each Closer is conveniently packaged with instructions and a mounting template.



NEED MORE INFO? Full details and specifications for all CRL Jackson brand Door Closers can be seen at crlaurence.com. Enter the Part Number into the Search Box to view complete details.

CRL Jackson Surface Mounted Door Closers



PR90 Series ANSI Grade 1 Adjustable Spring Power Surface Mounted Door Closers

- Aluminum and Bronze Finishes
- ANSI A156.4 - Grade 1
- Door Weights: 33-330 Lbs.
- 10 Year Limited Warranty



CAT. NO.	FINISH	SPRING SIZE	CLOSER DESCRIPTION
PR90A	Aluminum	1-6	Barrier-Free/Adjustable
PR90DU	Dark Bronze	1-6	Barrier-Free/Adjustable
PR92DAA	Aluminum	1-6	Delayed Action/Adjustable
PR92DADU	Dark Bronze	1-6	Delayed Action/Adjustable

Minimum order: 1 each.



PR40 Series ANSI Grade 1 Adjustable Spring Power Surface Mounted Door Closers

- Aluminum and Bronze Finishes
- Adjustable Size From 1 to 5
- Door Weights: 33-264 Lbs.
- 10 Year Limited Warranty

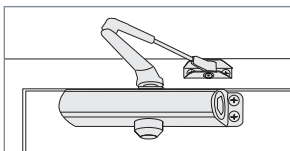


CAT. NO.	FINISH	SPRING SIZE	CLOSER DESCRIPTION
PR40A	Aluminum	1-4	Barrier-Free/Adjustable
PR40DU	Dark Bronze	1-4	Barrier-Free/Adjustable
PR42A	Aluminum	2-5	Adjustable
PR42DU	Dark Bronze	2-5	Adjustable
PR44DAA	Aluminum	2-5	Delayed Action/Adjustable
PR44DADU	Dark Bronze	2-5	Delayed Action/Adjustable

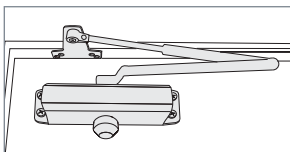
Minimum order: 1 each.

Surface Mounted Closer Universal Mounting Options

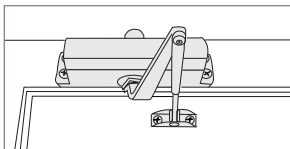
CRL Jackson Brand Non-Handed, Reversible Door Closers That Can Be Mounted Three Ways



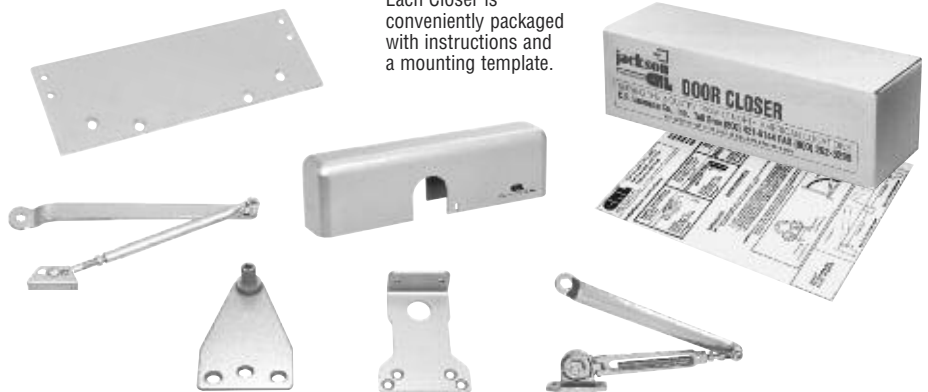
Regular Projecting Arm Installation
Closer installed on "PULL" side of the door



Parallel Arm Installation
Closer installed on "PUSH" side of the door.



Top Jamb Installation
Closer Installed above door on "PUSH" side.



Each Closer is conveniently packaged with instructions and a mounting template.

Mounting accessories for all CRL Jackson Surface Mounted Door Closers are available for viewing or order through crlaurence.com.

NEED MORE INFO? Full details and specifications for all CRL Jackson brand Door Closers can be seen at crlaurence.com. Enter the Part Number into the Search Box to view complete details.

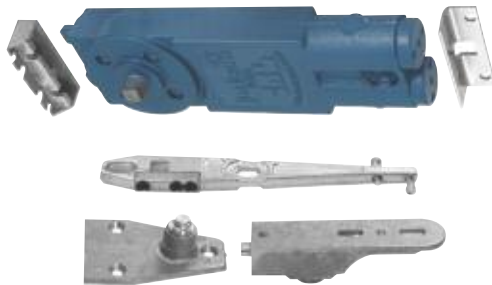
CRL Jackson Adjustable Spring Power Overhead Concealed Center Hung Door Closers

- Adjustable Spring Power Size 1 (Barrier-Free) to 4 (Regular)
- Suitable for Doors From 30" to 48" (762 to 1219 mm) Wide to Meet A.D.A. Opening Force Requirements
- Five Year Limited Warranty
- UL Listed



Side-Load "S" Pivot Package

- Floor Mounted Pivot for 1-1/2" (38 mm) Deep Bottom Rail
- 3/16" (5 mm) Height Adjustment

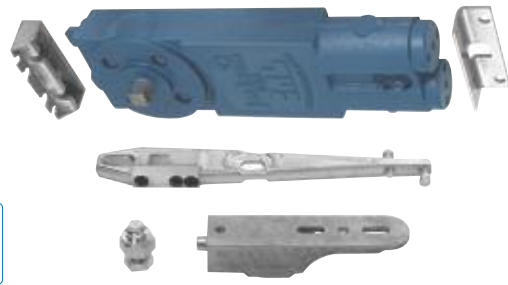


CAT. NO.	SPRING SIZE	TYPE
21101S17	Adjustable	105° No Hold Open
21101S18	Adjustable	105° Hold Open
21101S19	Adjustable	90° No Hold Open
21101S20	Adjustable	90° Hold Open

Minimum order: 1 each. All Door Closers can be combined for quantity pricing.

Side-Load "GE" Pivot Package

- Threshold Mounted Pivot for 1-1/2" (38 mm) Deep Bottom Rail
- 3/16" (5 mm) Height Adjustment



CAT. NO.	SPRING SIZE	TYPE
21101GE17	Adjustable	105° No Hold Open
21101GE18	Adjustable	105° Hold Open
21101GE19	Adjustable	90° No Hold Open
21101GE20	Adjustable	90° Hold Open

Minimum order: 1 each. All Door Closers can be combined for quantity pricing.

End-Load "AP" Pivot Package

- Floor Mounted Pivot for 1-9/16" (40 mm) Deep Bottom Rail



CAT. NO.	SPRING SIZE	TYPE
21101AP17	Adjustable	105° No Hold Open
21101AP18	Adjustable	105° Hold Open
21101AP19	Adjustable	90° No Hold Open
21101AP20	Adjustable	90° Hold Open

Minimum order: 1 each. All Door Closers can be combined for quantity pricing.

End-Load "A" Pivot Package

- Threshold Mounted Pivot for 1" (25 mm) Deep Bottom Rail



CAT. NO.	SPRING SIZE	TYPE
21101A17	Adjustable	105° No Hold Open
21101A18	Adjustable	105° Hold Open
21101A19	Adjustable	90° No Hold Open
21101A20	Adjustable	90° Hold Open

Minimum order: 1 each. All Door Closers can be combined for quantity pricing.

Visit crlaurence.com for all available CRL Jackson door closer packages and accessories.

A.D.A. NOTE: Although the Adjustable Spring Power Door Closer can be adjusted to compensate for site conditions, adequate closing force might not be obtained while complying with A.D.A. opening force requirements.

CRL Jackson Regular Spring Power Overhead Concealed Center Hung Door Closers

- Suitable for Doors From 30" to 48" (762 to 1219 mm) Wide
- 5 Year Limited Warranty
- UL Listed



Side-Load "S" Pivot Package

- Floor Mounted Pivot for 1-1/2" (38 mm) Deep Bottom Rail
- 3/16" (5 mm) Height Adjustment



CAT. NO.	SPRING SIZE	TYPE
21101S01	Regular	105° No Hold Open
21101S02	Regular	105° Hold Open
21101S03	Regular	90° No Hold Open
21101S04	Regular	90° Hold Open

Minimum order: 1 each. All Door Closers can be combined for quantity pricing.

Side-Load "GE" Pivot Package

- Threshold Mounted Pivot for 1-1/2" (38 mm) Deep Bottom Rail
- 3/16" (5 mm) Height Adjustment



CAT. NO.	SPRING SIZE	TYPE
21101GE01	Regular	105° No Hold Open
21101GE02	Regular	105° Hold Open
21101GE03	Regular	90° No Hold Open
21101GE04	Regular	90° Hold Open

Minimum order: 1 each. All Door Closers can be combined for quantity pricing.

End-Load "AP" Pivot Package

- Floor Mounted Pivot for 1-9/16" (40 mm) Deep Bottom Rail



CAT. NO.	SPRING SIZE	TYPE
21101AP01	Regular	105° No Hold Open
21101AP02	Regular	105° Hold Open
21101AP03	Regular	90° No Hold Open
21101AP04	Regular	90° Hold Open

Minimum order: 1 each. All Door Closers can be combined for quantity pricing.

End-Load "A" Pivot Package

- Threshold Mounted Pivot for 1" (25 mm) Deep Bottom Rail



CAT. NO.	SPRING SIZE	TYPE
21101A01	Regular	105° No Hold Open
21101A02	Regular	105° Hold Open
21101A03	Regular	90° No Hold Open
21101A04	Regular	90° Hold Open

Minimum order: 1 each. All Door Closers can be combined for quantity pricing.

Visit crlaurence.com for all available CRL Jackson door closer packages and accessories.

NOTE: An auxiliary floor or overhead door stop is recommended to prevent possible damage to both the door closer and entryway due to over-extension of maximum allowable door swing.

CRL Jackson Overhead Concealed Offset Arm Door Closers

- Suitable for Doors From 30" to 48" (762 to 1219) Wide
- Five Year Limited Warranty
- UL Listed



Adjustable Spring Power Offset Arm Package



- Adjustable Spring Power Size 1 (Barrier-Free) to Size 4 (Regular)
- Meets A.D.A. Opening Force Requirements
- Available in Two Arm Finishes



ALUMINUM CAT. NO.	DARK BRONZE CAT. NO.	SPRING SIZE	TYPE
21201U62817	21201U31317	Adjustable	105° No Hold Open
21201U62818	21201U31318	Adjustable	105° Hold Open
21201U62819	21201U31319	Adjustable	90° No Hold Open
21201U62820	21201U31320	Adjustable	90° Hold Open

Minimum order: 1 each. All Door Closers can be combined for quantity pricing.

Regular Spring Power Offset Arm Package

- Fixed Spring Size
- Available in Two Arm Finishes



ALUMINUM CAT. NO.	DARK BRONZE CAT. NO.	SPRING SIZE	TYPE
21201U62801	21201U31301	Regular	105° No Hold Open
21201U62802	21201U31302	Regular	105° Hold Open
21201U62803	21201U31303	Regular	90° No Hold Open
21201U62804	21201U31304	Regular	90° Hold Open

Minimum order: 1 each. All Door Closers can be combined for quantity pricing.

CRL Jackson Overhead Concealed Door Closer Bodies

- Closer Body Only in Fixed and Adjustable Spring Sizes
- Suitable for Doors From 30" to 48" (762 to 1219) Wide



Adjustable Spring Power Overhead Concealed Door Closer Body

- Adjustable Spring Power Size 1 (Barrier-Free) to Size 4 (Regular)
- Can Retrofit Existing Fixed Spring Closers
- Five Year Limited Warranty



Body Only – Mounting Clips are not included. For standard clips, specify Part No. 20219.

1/2" STANDARD SPINDLE CAT. NO.	SPRING SIZE	TYPE
20101M17	Adjustable	105° No Hold Open
20101M18	Adjustable	105° Hold Open
20101M19	Adjustable	90° No Hold Open
20101M20	Adjustable	90° Hold Open

Minimum order: 1 each. All Door Closers can be combined for quantity pricing.

Standard Overhead Concealed Door Closer Body

- Fixed Regular Spring Size
- Five Year Limited Warranty



Body Only – Mounting Clips are not included. For standard clips, specify Part No. 20219.

1/2" STANDARD SPINDLE CAT. NO.	SPRING SIZE	TYPE
20101M01	Regular	105° No Hold Open
20101M02	Regular	105° Hold Open
20101M03	Regular	90° No Hold Open
20101M04	Regular	90° Hold Open

Minimum order: 1 each. All Door Closers can be combined for quantity pricing.

A.D.A. NOTE: Although the Adjustable Spring Power Door Closer can be adjusted to compensate for site conditions, adequate closing force might not be obtained while complying with A.D.A. opening force requirements.

Visit crlaurence.com for all available CRL Jackson door closer packages and accessories.



C.R. LAURENCE COMPANY

crlaurence.com | usalum.com

442D | crlaurence.ca crlaurence.com.au crlaurence.co.uk crlaurence.de crlaurence.eu

CRL Jackson Overhead Concealed Door Closer Accessories

CRL Jackson Side-Load Center-Hung Top Arm Assembly

• 1/2" (12 mm) Depth Top Rail

This Adjustable Side-Load Top Arm has an adjusting screw at the end of the Arm to allow the door to be adjusted in or out to match the jambs. The two bolts in the other end of the Arm adjust the centering of the door. Used in 1/2" (12 mm) deep top rails with a notch in the side of the door. Minimum order is one each.

NOTE: For additional accessories see crlaurence.com. All CRL and Jackson Brand accessories are interchangeable.



CAT. NO. 20400B

CRL Jackson "A" Type End-Load Center-Hung Top Arm Assembly

• 1" (25 mm) Depth Top Rail

"A" Type End-Load Top Arms have no lateral adjustment. The two bolts in the end of the Arm adjust the centering of the door. Used in 1" (25 mm) depth top rails with an opening at the end of the rail. Minimum order is one each.



CAT. NO. 202000

CRL Jackson "PT" Type End-Load Center-Hung Top Arm Assembly

• 7/8" (22 mm) Depth Top Rail

"PT" Type End-Load Top Arms have no lateral adjustment. The two bolts in the end of the Arm adjust the centering of the door. Used in 7/8" (22 mm) depth top rails with an opening at the end of the rail. Minimum order is one each.



CAT. NO. 202010

CRL Jackson "K" Type End-Load Center-Hung Top Arm Assembly

• 5/8" (16 mm) Depth Top Rail

"K" Type End-Load Top Arms have no lateral adjustment. The two bolts in the end of the Arm adjust the centering of the door. Used in 5/8" (16 mm) depth top rails with an opening at the end of the rail. Minimum order is one each.



CAT. NO. 202085

CRL Replacement Hardware

- Arm Blocks Fit Side-Load and End-Load Center-Hung Arms



CAT. NO.	DESCRIPTION
SLB3	Side-Load Arm Block With Three Screws
SLS1	Side-Load Arm Screws and Lock Washers Only – Three Per Pkg.
ELB2	End-Load Arm Block With Two Screws
ELS1	End-Load Arm Screws and Lock Washers Only – Two Per Pkg.

Minimum order: 1 set.

CRL Jackson Cover Plates for Overhead Concealed Door Closers



- Two or Three Valve Access Holes

Holes for spindle and two or three valve access are pre-fabricated. Plates have square corners and measure 3-11/16" x 13-3/4" (94 x 349 mm).

CAT. NO.	VALVES	FINISH
20190628	2	Aluminum
20190313	2	Dark Bronze
203147628	3	Aluminum
203147313	3	Dark Bronze

Minimum order: 1 each.

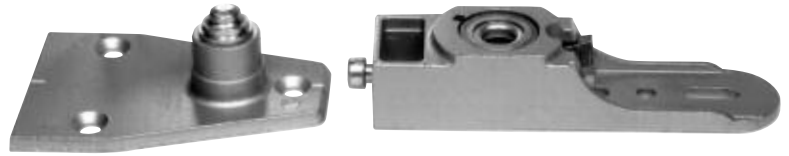
CRL Jackson Overhead Concealed Door Closer Accessories

CRL Jackson "G" Type Side-Load Floor Mount Bottom Pivot Set

- For 1-1/2" (38 mm) Deep Bottom Rail

This Pivot mounts directly to the floor, and is intended for use with Side-Load applications. A 3/16" (5 mm) height adjustment is possible with the door installed, and requires an adjustment hole in the end of the door. Minimum order is one each.

Recommended Maximum Weight Capacity: 125 pounds (56.7 kg)



CAT. NO. 20902

NOTE: For additional accessories see crlaurence.com. All CRL and Jackson Brand accessories are interchangeable.



CRL Jackson "GE" Type Side-Load Threshold Mount Bottom Pivot Set

- For 1-1/2" (38 mm) Deep Bottom Rail

This Pivot mounts to the threshold, and is intended for use with Side-Load applications. A 3/16" (5 mm) height adjustment is possible with the door installed, and requires an adjustment hole in the end of the door. Minimum order is one each.

Recommended Maximum Weight Capacity: 125 pounds (56.7 kg)



CAT. NO. 20944

CRL Jackson "P" Type End-Load Floor Mount Bottom Pivot Set

- For 1-9/16" (40 mm) Deep Bottom Rail

This Pivot mounts directly to the floor, and is intended for use with End-Load applications. A 3/16" (5 mm) height adjustment is possible with the door installed. Minimum order is one each.

Recommended Maximum Weight Capacity: 125 pounds (56.7 kg)



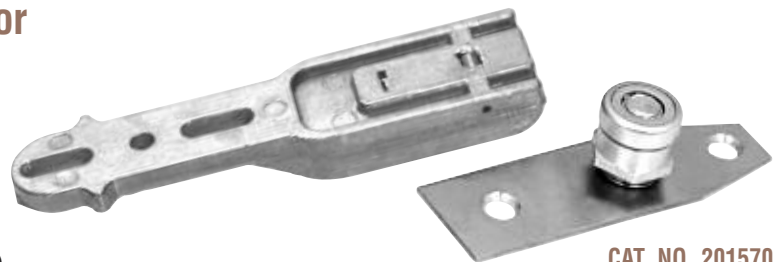
CAT. NO. 201060

CRL Jackson "GW" Type End-Load Floor Mount Bottom Pivot Set

- For 1" (25 mm) Deep Bottom Rail

This Pivot mounts directly to the floor, and is intended for use with End-Load applications. A 3/16" (5 mm) height adjustment is possible with the door installed. Minimum order is one each.

Recommended Maximum Weight Capacity: 125 pounds (56.7 kg)



CAT. NO. 201570

CRL Jackson "H" Type End-Load Threshold Mount Bottom Pivot Set

- For 1" (25 mm) Deep Bottom Rail

This Pivot mounts to the threshold, and is intended for use with End-Load applications. A 3/16" (5 mm) height adjustment is possible with the door installed. Minimum order is one each.

Recommended Maximum Weight Capacity: 125 pounds (56.7 kg)



CAT. NO. 20728

6

SCREEN DOORS

- **Guarda™ Security Screen Systems**
- **Columbia Security Screen Doors**
- **Hinged Steel Screen Doors**
- **Hinged Vinyl Screen Doors**
- **Patio Sliding Screen Doors**
- **Retractable Screen Doors**
- **Bel-Air Door Lites**

See other side for Section Index.

TOLL FREE PHONE SERVICE

U.S. and CANADA
(800) 421-6144

EUROPE
00 800 0421 6144

AUSTRALIA
1800 424 275

GRL[®]
U.S. ALUMINUM
crlaurence.com
usalum.com

Guarda™ Premium Security Screen Door
featuring Meshtec stainless steel mesh

6

SCREEN DOORS



Private Residence
Encino, CA

Screen Doors need to do more than just keep insects out. They must also be secure when closed and an attractive accessory to your home. Our Guarda™ and Columbia brand screen doors offer that and more in a variety of styles, finishes, and types that are sure to meet the particular needs of just about any residential or commercial facility.

For additional information contact our Technical Sales Staff at (800) 421-6144 in the U.S., (877) 421-6144 from Canada, or (323) 588-1281 International. Ask for Ext. 6180. You can also e-mail us through our web site at crlaurence.com. From the home page click on Contact Us, and then click on Technical Sales for Glass and Glazing Products.

SUBJECT

PAGES

- **Guarda™ Security Screen Systems** 445D thru 455D
- **Columbia Security Screen Doors** 456D thru 468D
- **Hinged Steel Screen Doors** 469D thru 473D
- **Hinged Vinyl Screen Doors** 474D thru 477D
- **Patio Sliding Screen Doors** 478D thru 481D
- **Retractable Screen Doors** 482D
- **Bel-Air Plaza and E-Z Install Door Lites** 483D thru 484D

For information or other assistance, use our toll free phone or fax service numbers

In the U.S. or Canada Toll Free Phone (800) 421-6144 Toll Free Fax (800) 262-3299

In Europe Freephone 00 800 0421 6144 Freefax 00 800 0262 3299

In Australia Toll Free Phone 1800 424 275 Toll Free Fax 1800 813 013

Contact us through our web site at crlaurence.com

CRL Security Doors and Windows



- High Resistance to Forced Entry
- Innovative Design Exceeds International Security Standards
- Exclusively Made With Certified 316 Marine Grade High-Tensile Stainless Steel Black Powder Coated Meshtec Security Mesh
- Internationally Patented



Scan QR Code With Smart Device

CRL offers two levels of Guarda™ protection in standard and custom sizes to meet your security needs:

CRL Guarda™ Premium Security Screens feature our maximum strength frames that take protection "to the max" and are perfect for residential properties, military installations, prisons, commercial properties, and other structures that require the ultimate in security. The heavy extruded aluminum (grade 6063-T5) frame size is 1-1/8" (28.6 mm) x 3-1/2" (88.9 mm). Sliding and swinging screen doors come with heavy-duty three-point latching systems, delivering the ultimate in protection against forced entry.

CRL Guarda™ Slimline Security Screens are designed to be aesthetically pleasing for both residential and commercial applications. When used by businesses in commercial applications, Slimline Frames help ensure protection of property and inventory in the same manner they would protect your home and belongings. The extruded aluminum frame size is 13/16" (20.6 mm) x 3-1/4" (82.5 mm). As with the Premium Security Screens, all Slimline Screens feature a three-point latching system to provide increased protection against forced entry. The Slimline Door Series comes complete with hinged side adjustment channel and bottom adjustment channel.

Visit the CRL web site at crlaurence.com to learn more about Guarda™. To speak with a CRL Guarda™ Security Systems Technician please call (800) 421-6144, and ask for Ext. 6180.



Before

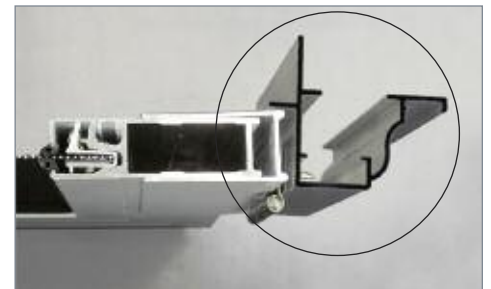
After



Guarda™ Premium Security Screen Door Cross Section



Guarda™ Slimline Security Screen Door Cross Section



Guarda™ Door Jamb Extender

CRL Security Doors and Windows



- Provides Protection and Ventilation With Unobstructed Clear Views
- Perfect Replacement for Old Style Steel Bar Type Security Doors
- Incorporates Specially Designed Multi-Point Lock Systems
- Seven Standard Aluminum Frame Colors Available



Product Testing



Dynamic Impact Test

Compliance test applied to ensure impact resistance to the patented fabrication system of components. The test comprises a heavy bag (92.5 lbs.) swung to impact the mesh and repeated five times, in varying directions. Guarda™ easily passes and exceeds AS 5041-2003.

Knife Shear Test

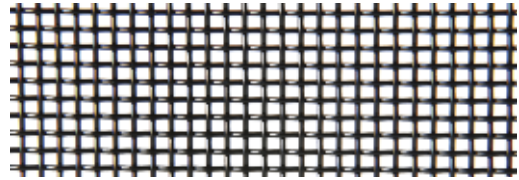
Compliance test for protective security screens: A knife is used to simulate an attack on the mesh, repeated three times, in a constant directional force [vertical force 33 lbs. (147 N); horizontal force 77 lbs. (342 N); at a velocity of .236" second]. Guarda™ successfully passes and exceeds AS 5041-2003.

Jimmy Test

Strength test designed to simulate attempted forced entry by burglars and intruders using an implement to pry open doors and windows or break locks and hinges by applying leverage forces. Guarda™ easily passes and exceeds AS 5041-2003.

Salt Spray Test

Corrosion resistance test for all metal components. An accelerated climate machine (1,000 hrs. is the equivalency to 10 years) produces a corrosive attack on coated samples, measuring suitability and resistance of the protective finish to corrosive agents such as weather conditions. Guarda™ easily exceeds ASTM B117.



Mesh Shown As Actual Size



Guarda™ Meshtec Warranties



- Powder Coating Color Warranty* for a period of 10 years from the date of original installation on mesh and sash panels.
- Hardware Warranty* for a period of one year from the date of original installation on all hardware (hinges, door closers, locks, and rollers).

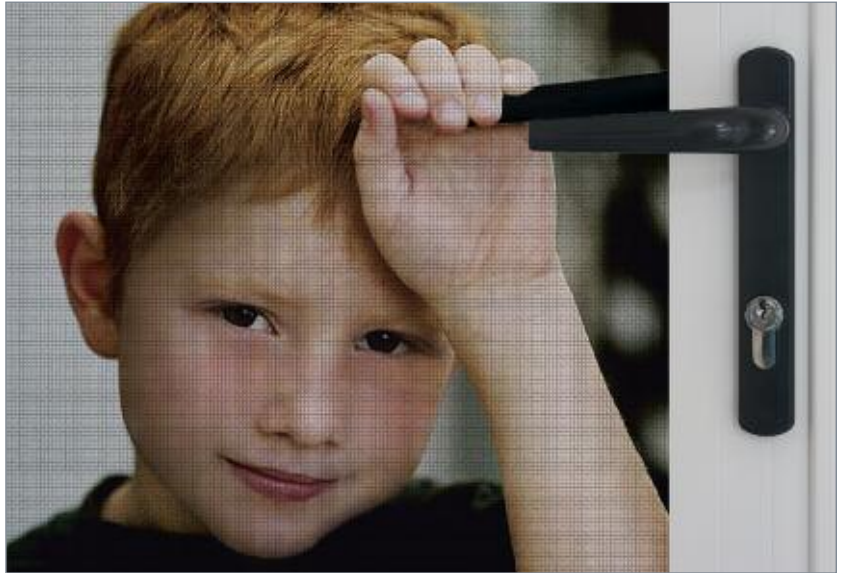
* Terms and conditions apply.



Dynamic Impact Test

Home Security: The Key Facts

- In the U.S. Alone, One Out of Every Five Homes Will be Victimized by a Violent Home Invasion or Burglary
- Home Burglaries Occur Approximately Every 15 Seconds in the U.S.
- From 2003 to 2007 an Estimated 3,700,000 Burglaries Occurred Each Year
- In Almost 28% of These Burglaries a Household Member was Present During the Time of the Burglary



Where Thieves Gain Entry



Damaging or removing a door is the most common method in both forcible and attempted forcible entry burglaries, followed by damaging or removing window panes.

In a third of completed burglaries the perpetrator forced entry into the home and in two-thirds they gained entry through an unlocked or inadequately secured door or window.

Some Basic Home Protection Advice:

- Adequately secure your home entrance points (doors and windows)
- Deterrence is key; burglars will most often target unprotected households
- Deterrence is security proofing your home

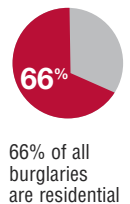
Source: U.S. Department of Justice-Bureau of Justice Statistics (<http://bjs.oip.usdoj.gov>)

TARGETS

Homes without security systems are about three times more likely to be broken into than homes with security systems.

First stop: Usually the master bedroom because most people keep their valuables there.

Favorite Items: cash, jewelry, electronic equipment, silver, guns and other easy to sell items.



The Benefits of **GUARDA™** PROTECTIVE SECURITY SCREENS to You:



Protection and Peace of Mind

- Guarda™ Security Doors and Window Screens Provide a Security Barrier to Unlawful Entry, Discouraging Intruders
- Designed for Security Applications, Guarda™ Helps to Prevent Burglars From Gaining Access, While Also Providing Homeowners With Ease of Use, Entry and Exit
- Above All, Guarda Security Doors and Window Screens are Made Strong, Secure, and Durable to Provide Years of Trouble-Free Use
- Guarda™ Provides Protection From Flies, Mosquitoes, and Other Pests



Visibility

- Provides Security Without Compromising a Clear and Unobstructed View of the Outdoors
- As a Mesh-Screen Product, Guarda™ Allows the Free-Flow and Circulation of Air for Your Comfort
- Provides Energy Savings From Reduced Need for Air-Conditioning
- Blocks an Average of 60% of Harmful UV Rays



Clear Vision



Impact Resistance



Protection from Insects



Air Flow and Circulation



Appealing Design



Standard Sizes and Custom Made

Architectural Design and Appeal

- Security Doors and Window Screens are Not Only Made to be Strong, but Also to Enhance and Modernize the Architectural Appeal. There is No Compromise With Aesthetics as With Conventional Bar and Grille Systems
- Easily Incorporated Into Almost All Types of Doors and Windows. Sash Comes in Seven Color Options: White, Black, Brown, Sahara Brown, Gray, Almond, and Bronze



Energy Savings



No Bars



60% UV Blockage



Quick Exit



CRL Guarda™ Security Screen Door Applications



Meshtec Powder Coat Warranty - 10 Years From Date of Original Installation on Mesh



CRL Guarda™ Patio Enclosure Security Screens

CRL Guarda™ Patio Enclosure Security Screens allow you to secure an exterior area, making it insect proof, with floor to ceiling screens. CRL Guarda™ Security Screens also block an average of 60% of the sun's harmful U.V. rays. You will have peace of mind with CRL Guarda™ Security Screens providing a security barrier to unlawful entry to your home and discouraging intruders while providing an unobtrusive view.

Visit the CRL web site at crlaurence.com to learn more about Guarda™. To speak with a CRL Guarda™ Security Systems Technician please call (800) 421-6144, and ask for Ext. 6180.



CRL Guarda™ Hinged Security Doors

CRL Guarda™ Hinged Security Doors are often the first line of defense to protecting you and your property. CRL Guarda™ Hinged Security Doors are available to accommodate a wide range of swinging door applications, either in an interior or exterior mount configuration. All CRL Guarda™ Security Screen Doors are manufactured with genuine Meshtec 316 marine grade black powder coated stainless steel mesh. CRL Guarda™ Security Doors are architecturally designed to easily incorporate into aluminum, vinyl, or wood framed openings, for both new and existing structures.



CRL Guarda™ French Security Doors

CRL Guarda™ French Security Doors provide security with elegance and air flow for swinging door applications. CRL Guarda™ French Security Door Systems have two operating doors with no center post when both doors are open, providing an unobstructed view. CRL Guarda™ French Doors can be designed for a left or right active operating door with the security of the inactive door locked in place. The specially designed multi-locking point doors are made strong and durable to provide years of trouble-free use.



CRL Guarda™ Security Screen Door Applications



Meshtec Powder Coat Warranty - 10 Years From Date of Original Installation on Mesh



CRL Guarda™ Bi-Fold Security Doors

CRL Guarda™ Bi-Fold Security Doors are a perfect solution to panoramic view door applications while providing a security barrier to unlawful entry to your property. CRL Guarda™ Bi-Fold Security Doors can be configured to almost any opening size. All CRL Guarda™ Bi-Fold Security Doors are an interior mount system and can be recessed with only 5/8" (15.9 mm) of trim above the floor. CRL Guarda™ Bi-Fold Security Doors offer the flexibility of a pivoting door mounted to either the jamb or onto a folding door panel.

Visit the CRL web site at crlaurence.com to learn more about Guarda™. To speak with a CRL Guarda™ Security Systems Technician please call (800) 421-6144, and ask for Ext. 6180.



CRL Guarda™ Double/Single Sliding Doors

CRL Guarda™ Double/Single Security Patio Doors can protect either the single sliding glass patio door or both glass panels. Double Security Patio Doors protect the sliding glass door and the stationary glass door panel from intruders. Double and Single Security Doors have a three point locking system with one simple locking action. CRL Guarda™ Security Patio Doors filter out 60% of the sun's harmful U.V. rays. Both the Single and Double Security Doors are available in an aluminum frame surround system that reduces installation time.



CRL Guarda™ Stacker Security Doors

CRL Guarda™ Stacker Security Doors offer an excellent solution for large panoramic openings, without taking up any interior or exterior space.

CRL Guarda™ Stacker Security Doors are secured in place with a three-point locking system with one simple locking action. CRL Guarda™ Stacker Security Doors can be configured for multiple doors using multiple tracks and can be justified to the right or left. CRL Guarda™ Stacker Security Door frames are available in White, Black, Bronze, Almond, Brown, Sahara Brown, and Gray.



CRL Guarda™ "Adjust-to-Fit" Protective Security Screen Doors

- Fit Most Standard Openings
- Ideal for Out of Square Openings
- High-Tensile 316 Marine Grade Stainless Steel Mesh
- Custom Frame Colors Available on Request



Meshtec Powder Coat Warranty - 10 Years From Date of Original Installation on Mesh

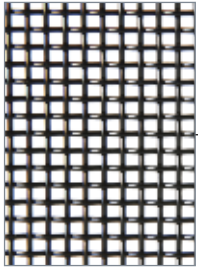


CRL Guarda™ "Adjust-to-Fit" Protective Security Screens are nearly indestructible, using 316 marine grade stainless steel black powder coated mesh with a 10 year warranty. They are available in the most common door sizes for a wide variety of applications. The slim line design is aesthetically pleasing, and comes with a heavy-duty door closer. CRL Guarda™ "Adjust-to-Fit" Protective Screen Doors feature a side hinge channel that adjusts to the door opening, and a bottom adjustment channel that adjusts to any threshold. All CRL Guarda™ "Adjust-to-Fit" Protective Screen Doors feature a three point latching system to provide increased protection against forced entry. The extruded aluminum frame is 13/16" (20.6 mm) x 3-1/4" (82.5 mm).

CAT. NO.	COLOR	WIDTH	HEIGHT	HAND*	WIDTH RANGE	HEIGHT RANGE
GDHLSLW3680	White	36" (914 mm)	80" (2.03 m)	Left	35-9/16" to 36-1/4" (904 to 921 mm)	79-1/2" to 80-3/8" (2.02 to 2.04 m)
GDHRSRW3680	White	36" (914 mm)	80" (2.03 m)	Right	35-9/16" to 36-1/4" (904 to 921 mm)	79-1/2" to 80-3/8" (2.02 to 2.04 m)
GDHLSLW3696	White	36" (914 mm)	96" (2.44 m)	Left	35-9/16" to 36-1/4" (904 to 921 mm)	95-1/2" to 96-3/8" (2.43 to 2.45 m)
GDHRSRW3696	White	36" (914 mm)	96" (2.44 m)	Right	35-9/16" to 36-1/4" (904 to 921 mm)	95-1/2" to 96-3/8" (2.43 to 2.45 m)
GDHLSLBRZ3680	Bronze	36" (914 mm)	80" (2.03 m)	Left	35-9/16" to 36-1/4" (904 to 921 mm)	79-1/2" to 80-3/8" (2.02 to 2.04 m)
GDHRSRBRZ3680	Bronze	36" (914 mm)	80" (2.03 m)	Right	35-9/16" to 36-1/4" (904 to 921 mm)	79-1/2" to 80-3/8" (2.02 to 2.04 m)
GDHLSLBRZ3696	Bronze	36" (914 mm)	96" (2.44 m)	Left	35-9/16" to 36-1/4" (904 to 921 mm)	95-1/2" to 96-3/8" (2.43 to 2.45 m)
GDHRSRBRZ3696	Bronze	36" (914 mm)	96" (2.44 m)	Right	35-9/16" to 36-1/4" (904 to 921 mm)	95-1/2" to 96-3/8" (2.43 to 2.45 m)
GDHLSLALM3680	Almond	36" (914 mm)	80" (2.03 m)	Left	35-9/16" to 36-1/4" (904 to 921 mm)	79-1/2" to 80-3/8" (2.02 to 2.04 m)
GDHRSRALM3680	Almond	36" (914 mm)	80" (2.03 m)	Right	35-9/16" to 36-1/4" (904 to 921 mm)	79-1/2" to 80-3/8" (2.02 to 2.04 m)
GDHLSLALM3696	Almond	36" (914 mm)	96" (2.44 m)	Left	35-9/16" to 36-1/4" (904 to 921 mm)	95-1/2" to 96-3/8" (2.43 to 2.45 m)
GDHRSRALM3696	Almond	36" (914 mm)	96" (2.44 m)	Right	35-9/16" to 36-1/4" (904 to 921 mm)	95-1/2" to 96-3/8" (2.43 to 2.45 m)

Minimum order: 1 each. *Handing is from outside looking in.

CRL Guarda™ "Adjust-to-Fit" Protective Security Screen Doors



High Tensile, Black Powder Coated 316 Marine Grade Stainless Steel Security Mesh



Stainless Steel Heavy-Duty Riveted Hinges



Adjustable Side Hinge Channel and Optional Door Jamb Extender



Top Latch of the Multi-Point Security Latching System



Center Latch, Lock and Handle of the Multi-Point Security Latching System



Bottom Latch of the Multi-Point Security Latching System



Shearing High Tensile Mesh in Our Los Angeles Manufacturing Plant



Adjustable Bottom Channel and Vinyl Sweep



Stainless Steel Mesh is Secured in Our Certified, Internationally Patented Framing System

CRL Guarda™ Entrance Security Screens

- Performs High Level Protection While Maintaining the Architectural Integrity of the Entrance
- Resists Unlawful Entry by Heavy Impact Tools, Even Knives
- Framed in High Quality 6063-T5 Aluminum With Durable Powder Coating

Add protection to your new entrance plans or your pre-existing projects with CRL Guarda™ Entrance Security Screens. CRL Guarda™ Security Screens feature a certified, internationally patented framing system and high tensile 316 marine grade stainless steel Meshtec wire mesh. The mesh is powder coated in a black finish and provides a clear unobstructed view while blocking 60 percent of harmful U.V. rays. CRL Guarda™ Security Screens passes international testing standards for knife shear, dynamic impact, and salt spray.

Fabricated in our own Manufacturing facility, you can be assured that the very finest workmanship will be built into every CRL Guarda™ product produced.

Visit the CRL web site at crlaurence.com to learn more about Guarda™. To speak with a CRL Guarda™ Security Systems Technician please call (800) 421-6144, and ask for Ext. 6180.



CRL Guarda™ Storefront and Curtain Walls Security Screens

- Designed to Protect and Enhance a Building's Architectural Appeal
- Passes Dynamic Impact Test AS 5041-2003
- 316 Stainless Steel Marine Grade High Tensile Mesh
- 10 Year Powder Coating Color Warranty
- New Custodial Keyed Locking System Allows Easy Access to Clean Windows

CRL Guarda™ Storefront and Curtain Wall Security Screens offer flexibility for mounting on new and existing structures. Our security screens can be found on commercial and municipal buildings of all types. The peace of mind experienced for structures protected by CRL Guarda™ Security Screens will benefit your clients in a way no other window and door security protection system can.

Hinged keyed locking panels are available to allow easy access for glass cleaning when required. Typical applications include schools, day care centers, psychiatric and detox centers, government and military buildings, and adult care facilities.



Custodial Keyed Locking System

CRL Guarda™ Protective Security Screen Training

- Training and Instructional Videos
- In-House Training Seminars
- Online Webinars

Let us help you get started selling and installing CRL Guarda™ Protective Security Screens. We offer a complete program that includes: Training, Instructional Videos, Sales Demo/Installation Kit, Marketing Materials, Home Show Displays, Samples and a Dealer Manual.

The training and instructional video can be ordered in DVD format. Log on to crlaurence.com for information on CRL webinars to register for the next scheduled class or call us at (800) 421-6144, Ext. 6180 for the next in-house training seminar at our Los Angeles, California headquarters.



CRL Guarda™ Protective Security Screen Training Provides:

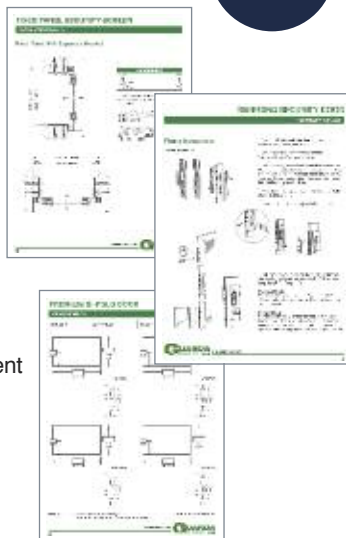
- Features and Benefits of Genuine Meshtec 316 Marine Grade High Tensile Strength Stainless Steel Wire Mesh
- Features and Benefits of the Certified International Patented Framing System
- Instructions on How to Properly Measure for Window and Door Applications
- Techniques on How to Properly Install the Guarda™ Product Line
- Proven Selling Techniques to Market Guarda™ Protective Security Screens



CRL Guarda™ Security Screen Dealer Installation Guide

- A Comprehensive Reference Manual and Training Tool
- Contains Diagrams for All Guarda™ Products
- Detailed Drawings for Security Window and Door Applications
- Installation Instructions With Helpful Hints

Our CRL Guarda™ Security Screen Dealer Installation Guide is a comprehensive manual for measuring and installing CRL Guarda™ Security Screens. The manual is divided into sections by product category and each section contains detailed drawings and measurement guides. The drawings have pertinent measurements that are used for additions and deductions for inside or outside mount security screen applications. The CRL Guarda™ Security Screen Dealer Installation Guide contains measurement forms for each security screen product, and ensures all measurements taken are documented correctly. Every section also includes installation instructions.



NEW!



CAT. NO. GSM12

CRL Guarda™ Sales Demo/Installation Kit

- Case Includes All Necessary Components to Help Sell and Measure Jobs Accurately
- Conveniently Organizes and Protects Working Samples
- Extra Pockets to Store Brochures
- Sturdy and Durable Top Opening Case With Locks
- 4" Long Aluminum Profiles for Measuring Purposes



CAT. NO. GSC12

The CRL Guarda™ Sales Demo/Installation Kit is an invaluable sales tool that contains actual working samples to show your customers. The samples are used to simulate where and what the final product may look like in a window or door opening. The CRL Guarda™ Sales Demo/Installation Kit includes: Premium swinging door sample, Slimline sliding door sample, sliding door jamb, sliding single door track, sliding double door track, sliding door interlock, sliding door roller, five aluminum box profiles, three vinyl sweeps, 6" x 11" .08/316 mesh, 20 mm window frame, Slimline door sample, Quick Escape sample, Supa Door sample, and a Guarda™ DVD. The samples can be held in place to make accurate measurements and takes the guess work out of the measuring process. Additional details are available at crlaurence.com.



CRL Guarda™ Display Rental Program

- Build Your Home Show Business With Our Full Size Demonstration Display
- Features Guarda™ Security:
 - Premium 4-Sided Hinged Screen Doors
 - SlimLine "Adjust-to-Fit" Hinged Screen Doors
 - Double Sliding Patio Screen Doors
 - Quick Escape Window Screens
 - Fixed Window Screens
 - Screen Fence Panel in the Display's Center Area
- Uses Only 18 Square Feet of Booth Space



Based on the history of building CRL Guarda™ Security Screen System sales, home improvement shows have proven to be one of the most effective methods for achieving solid sales leads and quotation appointments. Rent our full size CRL Guarda™ Display with signage and demonstration DVD from your nearest CRL Service Center. To arrange for a CRL Guarda™ Display Rental please call our Guarda™ Security Systems Technicians at (800) 421-6144, and ask for Ext. 6180.

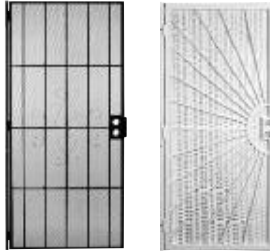


Columbia Manufactures Screen Doors, Security Doors, and More in Our Own Southern California Factory

The Columbia Manufacturing factory is located in Gardena, California, minutes south of downtown Los Angeles. American manufacturing experience and excellence, plus quality materials are the main components in our superior line of screen and security doors. The C.R. Laurence service network makes them available throughout North America from any of our Service Centers. Call Columbia Customer Service at (800) 729-3667, Ext. 3973 for pricing, delivery, and custom size information.

Steel Security Screen Doors

- Durable Powder Coat White, Black, and Navajo Finishes in Most Models
- Intruder Resistant Full Length Fly Strap
- Double Hole Security Lock Box
- Optional Lever and Tulip Style Deadbolts and Locksets Available (See Page 468D)
- Three Tamperproof Security Butt Hinges



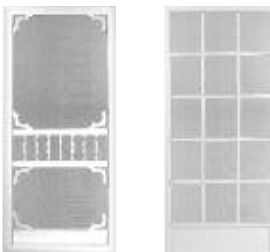
Hinged Steel Screen Doors

- Patented One-Piece Unitized Roll Formed Frame Construction
- 1" (25.4 mm) Adjustability in Height and Width
- Reversible for Left or Right Handed Openings
- UV Resistant Fire Retardant Fiberglass Screen
- Expanded Pet Protection With Grilles on Most Styles
- Hardware Included



Hinged Vinyl Screen Doors

- Low Maintenance Vinyl Frame Never Needs Painting and Will Not Twist, Warp or Sag
- 1" (25.4 mm) of Height and Width Adjustments
- Reversible for Left or Right Handed Openings
- Fusion Welded Corners for Extra Strength
- Complete With Closer and Push Button Latch



Sliding Patio Screen Doors

- Patented One-Piece Unitized Steel Construction
- Quickly Adjusts to Opening Height
- Reversible for Left or Right Handed Openings
- Standard Fire Retardant Fiberglass Screen
- White, Gray, and Bronze Finishes in Most Models
- Complete With Handle, Rollers, and Bug Seal



U.S. Patent No. 5,628,114

We also offer a selection of accessories and supplementary screen products

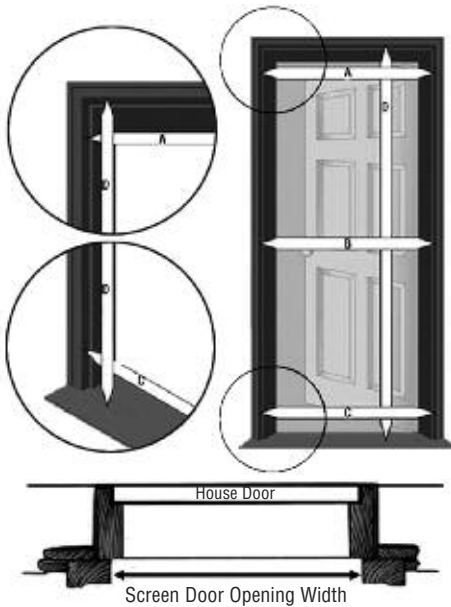
Columbia Accessories

- K.D. Screen Door Kits for Patio Doors
- Aluminum and Steel Patio Screen Door Pet Grilles
- Adjustable Window Screen Kits
- Roll Formed Window Screen Frame
- Complete Line of Window Screen Mesh, Spline and Hardware
- Screen Frame Spreader Bar
- Muntin Bar for Insulating Glass Units

CRL SCREEN DOOR MEASURING INSTRUCTIONS

For Pricing Visit Our Web Site or Call Us Toll Free at the Phone Numbers Shown on the Back Cover

CRL Hinged Steel and Vinyl Screen Doors



Hinged Door Worksheet

Measurement A _____ (Width)

Measurement B _____ (Width)

Measurement C _____ (Width)

Measurement D _____ (Height)

Specify width first, height second.

CRL Hinged Vinyl Screen Door Sizes

NOMINAL DOOR SIZE	WIDTH OPENING MAX.	WIDTH OPENING MIN.	HEIGHT OPENING MAX.	HEIGHT OPENING MIN.
30" x 80"	30-1/4"	29-1/4"	80-3/4"	79-1/4"
32" x 80"	32-1/4"	31-1/4"	80-3/4"	79-1/4"
36" x 80"	36-1/4"	35-1/4"	80-3/4"	79-1/4"

CRL Hinged Steel Screen Door Sizes

NOMINAL DOOR SIZE	WIDTH OPENING MAX.	WIDTH OPENING MIN.	HEIGHT OPENING MAX.	HEIGHT OPENING MIN.
30" x 80"	30-1/4"	29-1/4"	80-1/4"	79-1/4"
32" x 80"	32-1/4"	31-1/4"	80-1/4"	79-1/4"
36" x 80"	36-1/4"	35-1/4"	80-1/4"	79-1/4"

Measure the opening width (horizontally) as shown. Take three measurements, one across the top, middle and bottom of the door (A, B, C). Record the smallest dimension.

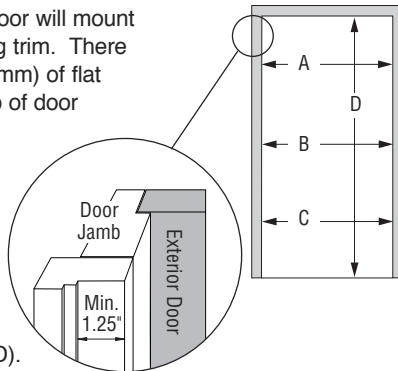
Measure the opening height (vertically) as shown (D). Record the smallest dimension. Write down measurements.

Note: Place the screen door near the opening of where the door is to be hung. Make sure the front of the door is facing the outside. (Screen wire will be on inside of door)

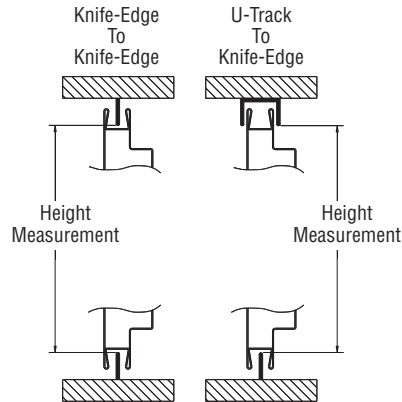
CRL Steel Security Screen Door

Your Steel Security Screen Door will mount on the surface of your existing trim. There must be at least 1-1/4" (31.8 mm) of flat surface on both sides and top of door frame to mount to.

1. Measure Width: At top (A), center (B), and bottom (C). Use the smallest measurement.
2. Measure Height: At both sides of opening from threshold to door header (D).



CRL Patio Sliding Screen Door



Calculate Net Door Size Width and Height:
Door Width is Equal to Width of Sliding Door.

Door Height is Equal to Height Measurement Less 3/4" (19 mm).

This Will Be Net Size:

Width _____ Color _____

Height _____ Door _____

CRL Single Door Display

- Fully Assembled
- All Welded Steel Construction
- Holds One Door



CAT. NO.	TYPE
11162020	Standard/Screen
11162002	Security Doors

Minimum order: 1 each. NOTE: Display door not included.

CRL Double Door Display

- Fully Assembled
- All Welded Steel Construction
- Holds Up to Two Doors



CAT. NO.	TYPE
21162020	Standard/Screen
21162002	Security Doors

Minimum order: 1 each. NOTE: Display doors not included.

CRL Ten Door Display

- Fully Assembled
- All Welded Steel Construction
- Holds Up to Ten Doors of Any Type

All Necessary Mounting Hardware Included



CAT. NO.	TYPE
101162020	Universal, Up to 10 Doors

Minimum order: 1 each. NOTE: Display doors not included.

CRL STEEL SECURITY SCREEN DOORS

For Pricing Visit Our Web Site or Call Us Toll Free at the Phone Numbers Shown on the Back Cover



Header Bar Included

Three Tamper Proof Hinges

Lock Rail Included

Strong Steel Mesh

Double Hole Lock Box

Hinge Welded to Frame

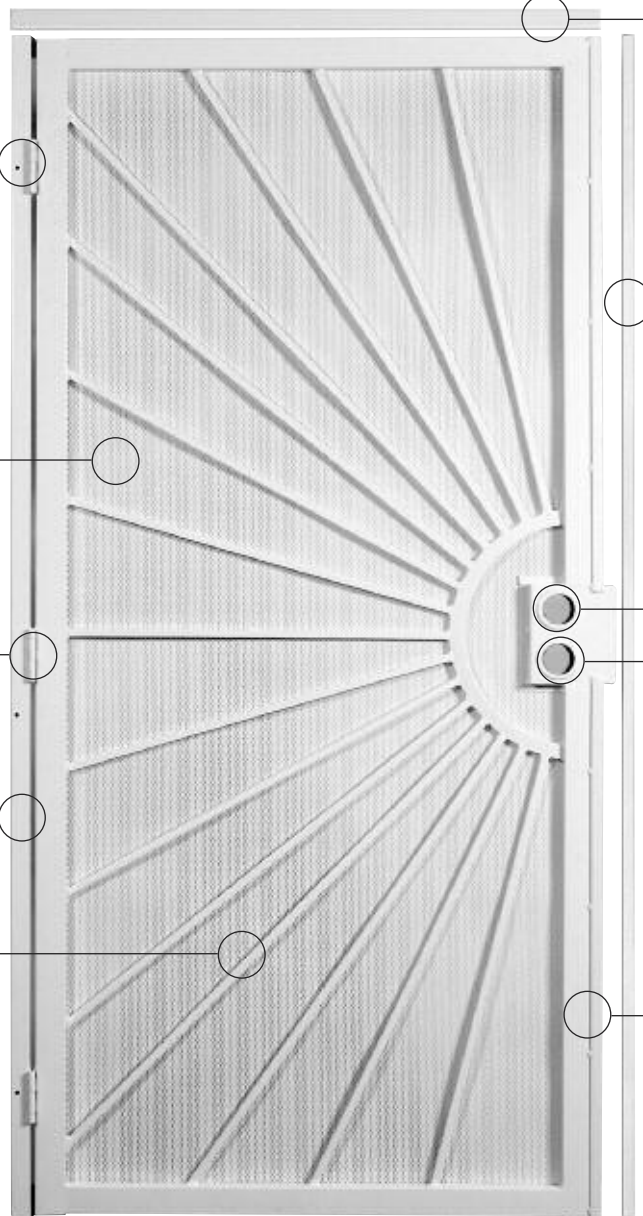
Optional Security DeadBolts and Locksets Available (See Page 468D)

Hinge Bar Included

Heavy-Duty Design Features

- Castings
- Scrolls
- Bars

Full Length Fly Strap



Each door and mesh is made from harden steel. We use an extra thick powder coat to insure the finish will last for years in any weather condition.



Each of our doors is built for security. Each door has a full length intruder resistant fly strap and three tamper proof butt hinges.



Each of our security doors is built with the finest materials and casting available.



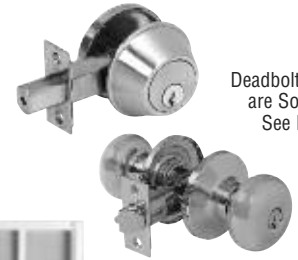
C.R. LAURENCE COMPANY

crlaurence.com | usalum.com

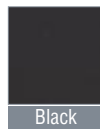
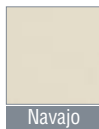
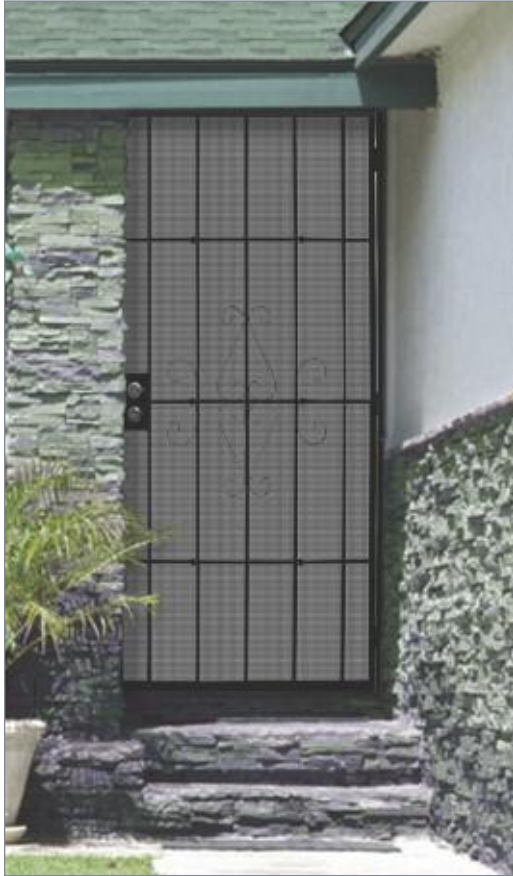
458D | crlaurence.ca crlaurence.com.au crlaurence.co.uk crlaurence.de crlaurence.eu

CRL Magnum Steel Security Screen Doors

- Durable Powder Coat Paint Finish
- Reversible for Left or Right Handed Openings
- Three Tamper Proof Security Butt Hinges
- Decorative Scroll Work Design



Deadbolts and Locksets are Sold Separately See Page 468D.



CRL Columbia Security Doors are engineered to the toughest standards with commercial grade all steel construction. They provide some of the most durable security doors available, with several designs to choose from. Each door features 24 gauge expanded mesh, double hole security lock boxes with extended plates and full length flystraps that do not impede the door's security. Frame size is 3/4" (19 mm) x 3/4" (19 mm).

CAT. NO.	COLOR	WIDTH	HEIGHT	PACK QTY.
25160200	White	30" (762 mm)	80" (2.03 m)	1
25160201	White	32" (813 mm)	80" (2.03 m)	1
25160202	White	36" (914 mm)	80" (2.03 m)	1
25160220	Navajo	30" (762 mm)	80" (2.03 m)	1
25160221	Navajo	32" (813 mm)	80" (2.03 m)	1
25160222	Navajo	36" (914 mm)	80" (2.03 m)	1
25160210	Black	30" (762 mm)	80" (2.03 m)	1
25160211	Black	32" (813 mm)	80" (2.03 m)	1
25160212	Black	36" (914 mm)	80" (2.03 m)	1

Minimum order: 1 each. All CRL Steel Security Screen Doors can be combined for quantity pricing.

CRL Gibraltar Steel Security Screen Doors

- High End Decorative Design
- Durable Powder Coat Paint Finish
- Double Hole Security Lock Box With Extended Plate
- Deadbolts and Locksets Sold Separately (See Page 468D)

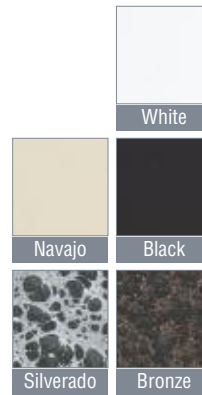
The CRL Gibraltar Security Door features two new mottled specialty finishes which are: Silverado and Bronze. These doors also include 24 gauge expanded mesh, double hole security lock boxes with extended plates and full length fly straps that do not impede the door's security.



Frame size
1" (25 mm) x 2" (51 mm)



CAT. NO.	COLOR	WIDTH	HEIGHT	PACK QTY.
28180301	White	32" (813 mm)	80" (2.03 m)	1
28180302	White	36" (914 mm)	80" (2.03 m)	1
28180311	Black	32" (813 mm)	80" (2.03 m)	1
28180312	Black	36" (914 mm)	80" (2.03 m)	1
28180361	Navajo	32" (813 mm)	80" (2.03 m)	1
28180362	Navajo	36" (914 mm)	80" (2.03 m)	1
28180341	Silverado	32" (813 mm)	80" (2.03 m)	1
28180342	Silverado	36" (914 mm)	80" (2.03 m)	1
28180351	Bronze	32" (813 mm)	80" (2.03 m)	1
28180352	Bronze	36" (914 mm)	80" (2.03 m)	1



Minimum order: 1 each. All CRL Steel Security Doors can be combined for quantity pricing.

CRL Gibraltar Steel Security Door Inserts

CRL Steel Security Door Inserts allow you to personalize your 36" (914 mm) Gibraltar Security Door. Quick and easy to install, inserts are available in eight different style choices.

NOTE: Used on the 36" Gibraltar security door only. All are laser cut heavy gauge steel with thick powder coating for durability and long lasting finish.



CAT. NO.	STYLE	COLOR	WIDTH	PACK QTY.
28005002	American Flag	White	36" (914 mm)	1
28005005	American Flag	Black	36" (914 mm)	1
28005008	American Flag	Almond	36" (914 mm)	1
28004002	Bienvenido	White	36" (914 mm)	1
28004005	Bienvenido	Black	36" (914 mm)	1
28004008	Bienvenido	Almond	36" (914 mm)	1
28008002	Coyote	White	36" (914 mm)	1
28008005	Coyote	Black	36" (914 mm)	1
28009005	Kokepelli	Black	36" (914 mm)	1
28007002	Sunrise	White	36" (914 mm)	1
28007005	Sunrise	Black	36" (914 mm)	1
28006002	Palm Tree	White	36" (914 mm)	1
28006005	Palm Tree	Black	36" (914 mm)	1
28001002	Texan	White	36" (914 mm)	1
28002005	Texan	Black	36" (914 mm)	1
28003002	Welcome	White	36" (914 mm)	1
28003005	Welcome	Black	36" (914 mm)	1



AMERICAN FLAG



BIENVENIDO



COYOTE



KOKEPELLI



SUNRISE



PALM TREE



TEXAN



WELCOME

Minimum order: 1 each. All CRL Steel Security Door Inserts can be combined for quantity pricing.

CRL Gibraltar Steel Security Sidelites

- Designed to Match Gibraltar Steel Security Doors
- Durable Powder Coat Finish
- Exterior Installation
- All Welded Steel Construction

CRL Gibraltar Steel Security Sidelites are all welded steel construction for strength and durability. Security sidelights offer an elegant upgrade for your home while providing reliable protection from break-ins. They are simple to install using common household tools and easy to maintain. **NOTE:** Sidelites do not have perforated mesh.



CAT. NO.	COLOR	WIDTH	HEIGHT	PACK QTY.
2810800202	White	9-3/4" (247 mm)	75" (1.9 m)	2
2810800502	Black	9-3/4" (247 mm)	75" (1.9 m)	2

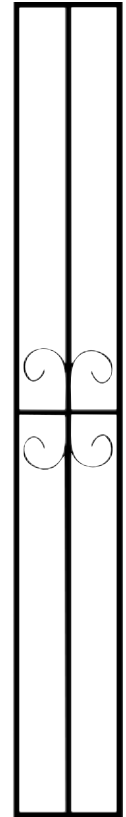
Minimum order: 1 pack. Sidelites can be combined for quantity pricing.



CRL Magnum Steel Security Sidelites

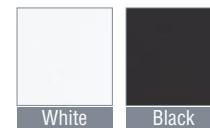
- Designed to Match Magnum Steel Security Doors
- Durable Powder Coat Finish
- Exterior Installation
- All Welded Steel Construction

CRL Magnum Steel Security Sidelites are all welded steel construction for strength and durability. Security sidelites offer an elegant upgrade for your home while providing reliable protection from break-ins. They are simple to install using common household tools and easy to maintain. **NOTE:** Sidelites do not have perforated mesh.



CAT. NO.	COLOR	WIDTH	HEIGHT	PACK QTY.
2910800202	White	9-3/4" (247 mm)	75" (1.9 m)	2
2910800502	Black	9-3/4" (247 mm)	75" (1.9 m)	2

Minimum order: 1 pack. Sidelites can be combined for quantity pricing.



CRL Belvedere Steel Security Screen Doors

- Diecast Scroll Design Feature
- Durable Powder Coat Paint Finish
- Reversible for Left or Right Handed Openings
- Three Tamper Proof Security Butt Hinges
- Deadbolts and Locksets Sold Separately (See Page 468D)
- Custom Sizes Available on Request



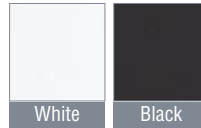
Frame size
1" (25.4 mm) x 1" (25.4 mm)



CRL Columbia Security Doors are engineered to the toughest standards with commercial grade all-steel construction. CRL Columbia provides some of the most durable security doors available, with several designs to choose from. Each door features 24 gauge perforated mesh, double hole security lock boxes with extended plates and full length fly straps that do not impede the door's security.

CAT. NO.	COLOR	WIDTH	HEIGHT	PACK QTY.
25162201	White	32" (813 mm)	80" (2.03 m)	1
25162202	White	36" (914 mm)	80" (2.03 m)	1
25162211	Black	32" (813 mm)	80" (2.03 m)	1
25162212	Black	36" (914 mm)	80" (2.03 m)	1

Minimum order: 1 each. All CRL Security Screen Doors can be combined for quantity pricing.



CRL Belvedere French Steel Security Screen Doors

- High End Decorative Design
- Durable Powder Coat Paint Finish
- Reversible Double Hole Security Lock Box With Extended Plate for Left or Right Handing
- Deadbolts and Locksets Sold Separately (See Page 468D)



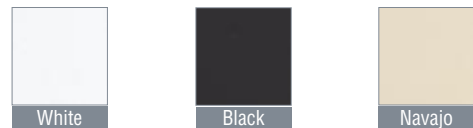
CRL Columbia Security Doors are engineered to the toughest standards with commercial grade all-steel construction. CRL Columbia provides some of the most durable security doors available, with several designs to choose from. Each door features 24 gauge perforated mesh, double hole security lock boxes with extended plates and full length fly straps that do not impede the door's security.

CAT. NO.	COLOR	WIDTH	HEIGHT	PACK QTY.
251622020	White	60" (1.52 m)	80" (2.03 m)	1 Pair
251622021	White	64" (1.63 m)	80" (2.03 m)	1 Pair
251622022	White	72" (1.83 m)	80" (2.03 m)	1 Pair
251622120	Black	60" (1.52 m)	80" (2.03 m)	1 Pair
251622121	Black	64" (1.63 m)	80" (2.03 m)	1 Pair
251622122	Black	72" (1.83 m)	80" (2.03 m)	1 Pair
251622220	Navajo	60" (1.52 m)	80" (2.03 m)	1 Pair
251622221	Navajo	64" (1.63 m)	80" (2.03 m)	1 Pair
251622222	Navajo	72" (1.83 m)	80" (2.03 m)	1 Pair

Minimum order: 1 pair. All CRL Steel Security Screen Doors can be combined for quantity pricing.



Frame size 1" (25.4 mm) x 1" (25.4 mm)



CRL Sunset Steel Multi-Bar Security Screen Doors

- Decorative Design
- Three Tamper Proof Security Butt Hinges
- Durable Powder Coat Paint Finish
- Custom Sizes Available on Request
- Deadbolts and Locksets Sold Separately (See Page 468D)

CRL Columbia Security Doors are engineered to the toughest standards with commercial grade all-steel construction. CRL Columbia provides some of the most durable security doors available, with several designs to choose from. Each door features 24 gauge perforated mesh, double hole security lock boxes with extended plates and full length fly straps that do not impede the door's security.



Frame size
1" (25.4 mm) x 2" (50.8 mm)



CAT. NO.	COLOR	WIDTH	HEIGHT	PACK QTY.
25163201	White	32" (813 mm)	80" (2.03 m)	1
25163202	White	36" (914 mm)	80" (2.03 m)	1
25163211	Black	32" (813 mm)	80" (2.03 m)	1
25163212	Black	36" (914 mm)	80" (2.03 m)	1
25163221	Navajo	32" (813 mm)	80" (2.03 m)	1
25163222	Navajo	36" (914 mm)	80" (2.03 m)	1

Minimum order: 1 each. All CRL Steel Security Screen Doors can be combined for quantity pricing.



CRL Sunset French Steel Security Screen Doors

- High End Decorative Design
- Durable Powder Coat Paint Finish
- Three Tamper Proof Security Butt Hinges Per Door
- Reversible Double Hole Security Lock Box with Extended Plate for Left or Right Handing
- Deadbolts and Locksets Sold Separately (See Page 468D)



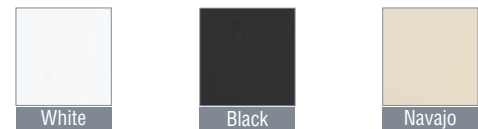
CRL Columbia Security Doors are engineered to the toughest standards with commercial grade all-steel construction. CRL Columbia provides some of the most durable security doors available, with several designs to choose from. Each door features 24 gauge perforated mesh, double hole security lock boxes with extended plates and full length fly straps that do not impede the door's security.



Frame size 1" (25.4 mm) x 2" (50.8 mm)

CAT. NO.	COLOR	WIDTH	HEIGHT	PACK QTY.
251632020	White	60" (1.52 m)	80" (2.03 m)	1 Pair
251632021	White	64" (1.63 m)	80" (2.03 m)	1 Pair
251632022	White	72" (1.83 m)	80" (2.03 m)	1 Pair
251632120	Black	60" (1.52 m)	80" (2.03 m)	1 Pair
251632121	Black	64" (1.63 m)	80" (2.03 m)	1 Pair
251632122	Black	72" (1.83 m)	80" (2.03 m)	1 Pair
251632220	Navajo	60" (1.52 m)	80" (2.03 m)	1 Pair
251632221	Navajo	64" (1.63 m)	80" (2.03 m)	1 Pair
251632222	Navajo	72" (1.83 m)	80" (2.03 m)	1 Pair

Minimum order: 1 pair. All CRL Steel Security Screen Doors can be combined for quantity pricing.

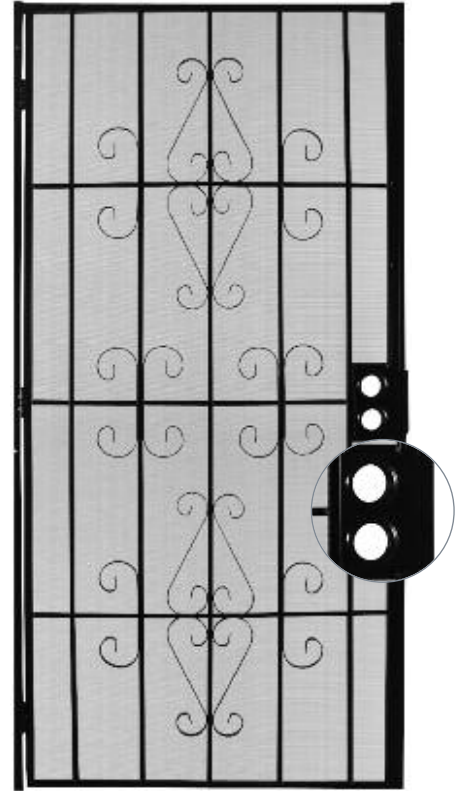


CRL Atlas Steel Security Screen Doors

- Decorative 'C' Scroll Design
- Intruder Resistant Full Length Fly Strap
- Three Tamper Proof Security Butt Hinges
- Durable Powder Coat Paint Finish
- Reversible for Left or Right Handed Openings
- Deadbolts and Locksets Sold Separately (See Page 468D)

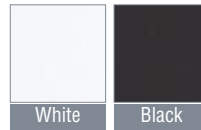


Frame size
3/4" (19 mm) x 3/4" (19 mm)



CRL Columbia Security Doors are engineered to the toughest standards with commercial grade all-steel construction. CRL Columbia provides some of the most durable security doors available, with several designs to choose from. Each door features 24 gauge expanded mesh, double hole security lock boxes with extended plates and full length fly straps that do not impede the door's security.

CAT. NO.	COLOR	WIDTH	HEIGHT	PACK QTY.
25161202	White	36" (914 mm)	80" (2.03 m)	1
25161212	Black	36" (914 mm)	80" (2.03 m)	1



Minimum order: 1 each. All CRL Steel Security Screen Doors can be combined for quantity pricing.

CRL Atrium Steel Security Screen Doors

- High End Decorative Design
- Durable White Powder Coat Paint Finish and Black Mesh
- Reversible Double Hole Security Lock Box With Extended Plate for Left or Right Handing
- Three Tamper Proof Security Butt Hinges
- Deadbolts and Locksets Sold Separately (See Page 468D)

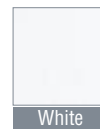


Frame size
1" (25.4 mm) x 2" (50.8 mm)



CRL Columbia Security Doors are engineered to the toughest standards with commercial grade all-steel construction. CRL Columbia provides some of the most durable security doors available, with several designs to choose from. Each door features 24 gauge perforated mesh, and full length fly straps that do not impede the door's security.

CAT. NO.	COLOR	WIDTH	HEIGHT	PACK QTY.
25170202	White	36" (914 mm)	80" (2.03 m)	1



Minimum order: 1 each. All CRL Steel Security Screen Doors can be combined for quantity pricing.

CRL Nemesis Steel Security Screen Doors

- Durable Powder Coat Paint Finish
- Reversible for Left or Right Handed Openings
- Three Tamper Proof Security Butt Hinges
- State of the Art Laser-Cut Design
- Deadbolts and Locksets Sold Separately (See Page 468D)



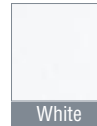
Frame size
1" (25.4 mm) x 2" (50.8 mm)



CRL Columbia Security Doors are engineered to the toughest standards with commercial grade all-steel construction. We provide some of the most durable security doors available, with several designs to choose from. Each door features 24 gauge perforated mesh, double hole security lock boxes with extended plates and full length fly straps that do not impede the door's security.

CAT. NO.	COLOR	WIDTH	HEIGHT	PACK/QTY.
28180602	White	36" (914 mm)	80" (2.03 m)	1

Minimum order: 1 each. All CRL Steel Security Screen Doors can be combined for quantity pricing.

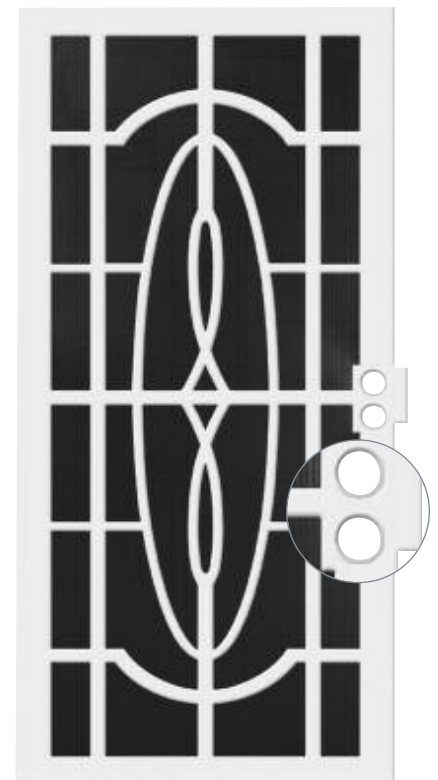


CRL Anniston Steel Security Screen Doors

- High End Decorative Design
- Durable Powder Coat Paint Finish
- Double Hole Security Lock Box With Extended Plate
- State of the Art Laser-Cut Design
- Deadbolts and Locksets Sold Separately (See Page 468D)



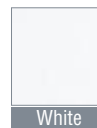
Frame size
1" (25.4 mm) x 2" (50.8 mm)



CRL Columbia Security Doors are engineered to the toughest standards with commercial grade all-steel construction. Unique Laser-Cut Design offers a contemporary look not usually associated with a security door. CRL Columbia provides some of the most durable security doors available. Each door features 24 gauge perforated mesh, double hole security lock boxes with extended plates and full length fly straps that do not impede the door's security.

CAT. NO.	COLOR	WIDTH	HEIGHT	PACK/QTY.
28190902	White	36" (914 mm)	80" (2.03 m)	1

Minimum order: 1 each. All CRL Steel Security Screen Doors can be combined for quantity pricing.



CRL Compass Steel Security Screen Doors

- Durable Powder Coat Paint Finish
- Reversible for Left or Right Handed Openings
- Three Tamper Proof Security Butt Hinges
- State of the Art Laser-Cut Design
- Deadbolts and Locksets Sold Separately (See Page 468D)



Frame size
1" (25.4 mm) x 2" (50.8 mm)



CRL Columbia Security Screen Doors are engineered to the toughest standards with commercial grade all-steel construction. CRL Columbia provides some of the most durable security doors available, with several designs to choose from. Each door features 24 gauge perforated mesh, double hole security lock boxes with extended plates and full length fly straps that do not impede the door's security.

CAT. NO.	COLOR	WIDTH	HEIGHT	PACK QTY.
28200902	White	36" (914 mm)	80" (2.03 m)	1

Minimum Order: 1 each. All CRL Steel Security Doors can be combined for quantity pricing.



CRL Cherokee Steel Security Screen Doors

- Extra Wide Frames for Added Strength
- Durable Powder Coat Paint Finish
- Three Tamper Proof Security Butt Hinges
- Deadbolts and Locksets Sold Separately (See Page 468D)
- Custom Sizes Available on Request



Frame size
1" (25.4 mm) x 2" (50.8 mm)



CRL Columbia Security Screen Doors are engineered to the toughest standards and made with heavy-duty commercial grade steel. Each door features 24 gauge perforated mesh, double hole security lock boxes with extended plates, and full length fly straps that do not impede the door's security. Security Doors can be positioned for left or right hand openings. In addition, an adjustable side rail and top bar are included to allow for the perfect secure fit.

CAT. NO.	COLOR	WIDTH	HEIGHT	PACK QTY.
25166201	White	32" (813 mm)	80" (2.03 m)	1
25166202	White	36" (914 mm)	80" (2.03 m)	1
25166221	Navajo	32" (813 mm)	80" (2.03 m)	1
25166222	Navajo	36" (914 mm)	80" (2.03 m)	1

Minimum Order: 1 each. All CRL Steel Security Doors can be combined for quantity pricing.



CRL STEEL SECURITY SCREEN DOORS

For Pricing Visit Our Web Site or Call Us Toll Free at the Phone Numbers Shown on the Back Cover

CRL Calypso Steel Security Screen Doors

- Durable Powder Coat Paint Finish
- Reversible for Left or Right Handed Openings
- Three Tamper Proof Security Butt Hinges
- Expanded Metal Mesh



Frame size 1" x 2" (25.4 mm) x (50.8 mm)

CAT. NO.	COLOR	WIDTH	HEIGHT
25169202	White	36" (914 mm)	80" (2.03 m)
25169222	Almond	36" (914 mm)	80" (2.03 m)

Minimum order: 1 each. All CRL Steel Security Screen Doors can be combined for quantity pricing. Deadbolts and Locksets sold separately, see page 468D.

CRL Essex Steel Security Screen Doors

- Durable Powder Coat Paint Finish
- Reversible for Left or Right Handed Openings
- Perforated Mesh and Intruder Resistant Strip



Frame size 1" x 2" (25.4 mm) x (50.8 mm)

CAT. NO.	COLOR	WIDTH	HEIGHT
25174212	Black	36" (914 mm)	80" (2.03 m)

Minimum order: 1 each. All CRL Steel Security Screen Doors can be combined for quantity pricing. Deadbolts and Locksets sold separately, see page 468D.

CRL Royale Steel Security Screen Doors

- Durable Powder Coat Paint Finish
- Reversible for Left or Right Handed Openings
- Three Tamper Proof Security Butt Hinges
- Expanded Metal Mesh



Frame size 1" x 1" (25.4 mm) x (25.4 mm)

CAT. NO.	COLOR	WIDTH	HEIGHT
28181022	Navajo	36" (914 mm)	80" (2.03 m)
28181002	White	36" (914 mm)	80" (2.03 m)

Minimum order: 1 each. All CRL Steel Security Screen Doors can be combined for quantity pricing. Deadbolts and Locksets sold separately, see page 468D.

CRL Garrison Steel Security Screen Doors

- Durable Powder Coat Paint Finish
- Reversible for Left or Right Handed Openings
- Three Tamper Proof Security Butt Hinges and Perforated Mesh



Frame size 1" x 2" (25.4 mm) x (50.8 mm)

CAT. NO.	COLOR	WIDTH	HEIGHT
25173202	White	36" (914 mm)	80" (2.03 m)

Minimum order: 1 each. All CRL Steel Security Screen Doors can be combined for quantity pricing. Deadbolts and Locksets sold separately, see page 468D.

CRL Vineyard Steel Security Screen Doors

- Reversible for Left or Right Handed Openings
- Intruder Resistant Full Length Fly Strap
- Three Hinges and Perforated Mesh



Frame size 1" x 2" (25.4 mm) x (50.8 mm)

CAT. NO.	COLOR	WIDTH	HEIGHT
25171202	White	36" (914 mm)	80" (2.03 m)

Minimum order: 1 each. All CRL Steel Security Screen Doors can be combined for quantity pricing. Deadbolts and Locksets sold separately, see page 468D.

CRL One Way Screw Tool

- For Installing One Way Screws

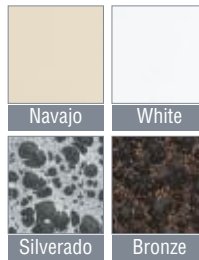


CAT. NO.	PACK
50631250	Single

Minimum order: 1 each.

CRL Security Door One Way Screws

- Designed for Security
- Use with Most Drills or Drivers
- Assists in Installation

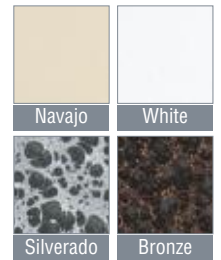


CAT. NO.	COLOR	PACK QTY.
50252100	Black	8 Screws
50252050	Navajo	8 Screws
50252090	White	8 Screws
50252040	Silverado	8 Screws
50252010	Bronze	8 Screws

Minimum order: 1 pack.

CRL Security Door Sweeps

- Includes Installation Hardware
- Adds Additional Height
- Easy to Install
- Thick Rubber Sweep



CAT. NO.	COLOR	WIDTH	PACK QTY.
50250020	Black	36" (914 mm)	1
50250050	Navajo	36" (914 mm)	1
50250090	White	36" (914 mm)	1
50250065	Silverado	36" (914 mm)	1
50250015	Bronze	36" (914 mm)	1

Minimum order: 1 each.

CRL Steel Security Door Combination Lock Sets

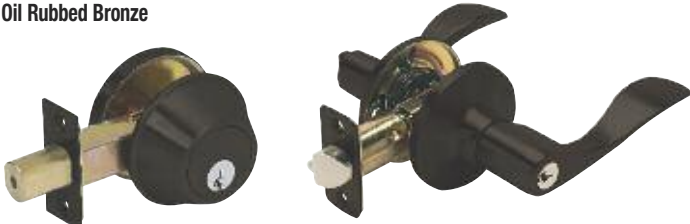
CRL Niagara Deadbolt and Lever Sets

Satin Nickel



CAT. NO. CLL2SN

Oil Rubbed Bronze



CAT. NO. CLL2ORB

Polished Brass



CAT. NO. CLL2BR

Deadbolt Features:

Door Range 1-3/8" (34.9 mm) to 1-3/4" (44.5 mm)

Back Set Adjustable 2-3/8" (60.3 mm) or 2-3/4" (69.9 mm)

Deadbolt 1" (25.4 mm) x 2-1/4" (57.2 mm), square corner faceplate, 7/8" (22.2 mm) housing diameter, 1" (25.4 mm) throw with anti-saw roller bar for added security

Strike 1" (25.4 mm) x 2-1/4" (57.1 mm) square corner

Key Cylinder Schlage (SCC) keyway

Keys Two nickel silver cut keys per lock

Lever Features:

Door Range 1-3/8" (34.9 mm) to 1-3/4" (44.5 mm)

Back Set Adjustable 2-3/8" (60.3 mm) or 2-3/4" (69.9 mm)

Latch 1" (25.4 mm) x 2-1/4" (57.2 mm), square corner and radius faceplate, 7/8" (22.2 mm) housing diameter, 1/2" (12.7 mm) throw

Strike 1-5/8" (41.3 mm) x 2-1/4" (57.2 mm) square corner, full lip

Key Cylinder Schlage (SCC) keyway

Keys Two nickel silver cut keys per lock

Certification Meets ANSI 156.2, Series 4000, Grade 3

- For Use On All CRL Steel Security Screen Doors

CRL Parkland Deadbolt and Knob Sets

Satin Nickel



CAT. NO. CLK2SN

Oil Rubbed Bronze



CAT. NO. CLK2ORB

Polished Brass



CAT. NO. CLK2BR

Deadbolt Features:

Door Range 1-3/8" (34.9 mm) to 1-3/4" (44.5 mm)

Back Set Adjustable 2-3/8" (60.3 mm) or 2-3/4" (69.9 mm)

Deadbolt 1" (25.4 mm) x 2-1/4" (57.2 mm), square corner faceplate, 7/8" (22.2 mm) housing diameter, 1" throw with anti-saw roller bar for added security

Strike 1" (25.4 mm) x 2-1/4" (57.1 mm) square corner

Key Cylinder Schlage (SCC) keyway

Keys Two nickel silver cut keys per lock

Knob Features:

Door Range 1-3/8" (34.9 mm) to 1-3/4" (44.5 mm)

Back Set Adjustable 2-3/8" (60.3 mm) or 2-3/4" (69.9 mm)

Latch 1" (25.4 mm) x 2-1/4" (57.2 mm), square corner and radius faceplate, 7/8" (22.2 mm) housing diameter, 1/2" (12.7 mm) throw

Strike 1-5/8" (41.3 mm) x 2-1/4" (57.2 mm) square corner, full lip

Key Cylinder Schlage (SCC) keyway

Keys Two nickel silver cut keys per lock

Minimum order: 1 set. All Deadbolt Sets can be combined for quantity pricing.

CRL HINGED STEEL SCREEN DOORS

For Pricing Visit Our Web Site or Call Us Toll Free at the Phone Numbers Shown on the Back Cover



Spline Applied Screen

Built-In Protective Pet Panel Grilles Available in Most Models

Hinge Channel

Bottom Adjustment Channel



sold in 4 packs

Pneumatic Door Closer Included

Fiberglass Screen Mesh

Installation Hardware Included

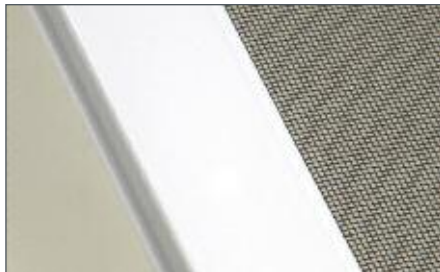
Strong Kick Plate

Patented One Piece Steel Construction



Our patented one piece construction technique makes our doors the strongest on the market.

U.S. Patent No. 5,628,114



Scratch resistant epoxy finish allows our door finish to last a lifetime. No need to ever paint.



Pneumatic door closer and installation hardware included.

CRL Bravo Hinged Steel Screen Doors

- Patented 5/8" (15.9 mm) One-Piece Unitized Roll Formed Frame Construction Technique
- Mechanically Secured Corners
- Charcoal Fiberglass 18 x 16 Mesh
- Pneumatic Door Closer and Installation Hardware Included
- Custom Sizes Available on Request

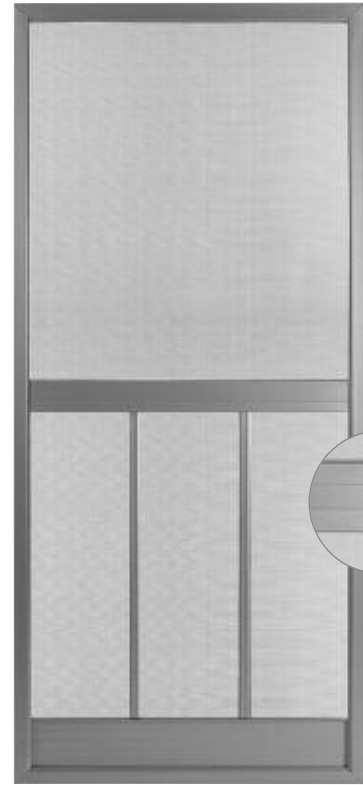
CRL Hinged Steel Screen Doors feature scratch resistant polyester painted finishes over hot-dipped galvanized steel allowing our finish to last a lifetime with no need to ever paint. They also have a separate hinge-bar for easy handing choices and like the bottom expanders, allow for the perfect fit every time.



U.S. Patent No. 5,628,114



CAT. NO.	COLOR	WIDTH	HEIGHT	PACK QTY.
2011003104	White	32" (813 mm)	80" (2.03 m)	4
2011003204	White	36" (914 mm)	80" (2.03 m)	4
2011004104	Gray	32" (813 mm)	80" (2.03 m)	4
2011004204	Gray	36" (914 mm)	80" (2.03 m)	4
2011005104	Bronze	32" (813 mm)	80" (2.03 m)	4
2011005204	Bronze	36" (914 mm)	80" (2.03 m)	4



CRL Pioneer KBS Hinged Steel Screen Doors

- Patented 5/8" (15.9 mm) One-Piece Unitized Roll Formed Frame Construction Technique
- Mechanically Secured Corners
- Charcoal Fiberglass 18 x 16 Mesh
- Pneumatic Door Closer and Installation Hardware Included

CRL Hinged Steel Screen Doors feature scratch resistant polyester painted finishes over hot-dipped galvanized steel allowing our finish to last a lifetime with no need to ever paint. They also have a separate hinge-bar for easy handing choices and like the bottom expanders, allow for the perfect fit every time.



U.S. Patent No. 5,628,114



CAT. NO.	COLOR	WIDTH	HEIGHT	PACK QTY.
2012060104	White	32" (813 mm)	80" (2.03 m)	4
2012060204	White	36" (914 mm)	80" (2.03 m)	4
2012042104	Gray	32" (813 mm)	80" (2.03 m)	4
2012042204	Gray	36" (914 mm)	80" (2.03 m)	4
2012050104	Bronze	32" (813 mm)	80" (2.03 m)	4
2012050204	Bronze	36" (914 mm)	80" (2.03 m)	4



Minimum order: 4 each. All CRL Steel Screen Doors can be combined for quantity pricing.

CRL Steelbreeze Hinged Steel Screen Doors

- Patented 5/8" (15.9 mm) One-Piece Unitized Roll Formed Frame Construction Technique
- Mechanically Secured Corners
- Charcoal Fiberglass 18 x 16 Mesh
- Pneumatic Door Closer and Installation Hardware Included
- Custom Sizes Available on Request

CRL Hinged Steel Screen Doors feature scratch resistant polyester painted finishes over hot-dipped galvanized steel, allowing our finish to last a lifetime with no need to ever paint. They also have a separate hinge-bar for easy handing choices. The bottom expanders allow for a perfect fit every time.



U.S. Patent No. 5,628,114



CAT. NO.	COLOR	WIDTH	HEIGHT	PACK QTY.
2013109104	White	32" (813 m)	80" (2.03 m)	4
2013109204	White	36" (914 m)	80" (2.03 m)	4
2013105104	Navajo	32" (813 m)	80" (2.03 m)	4
2013105204	Navajo	36" (914 m)	80" (2.03 m)	4
2013108104	Bronze	32" (813 m)	80" (2.03 m)	4
2013108204	Bronze	36" (914 m)	80" (2.03 m)	4

Minimum order: 4 each. All CRL Steel Screen Doors can be combined for quantity pricing.



CRL Steelbreeze Hinged French Steel Screen Doors

- Patented 5/8" (15.9 mm) One-Piece Unitized Roll Formed Frame Construction Technique
- Mechanically Secured Corners
- Charcoal Fiberglass 18 x 16 Mesh
- Pneumatic Door Closer and Installation Hardware Included



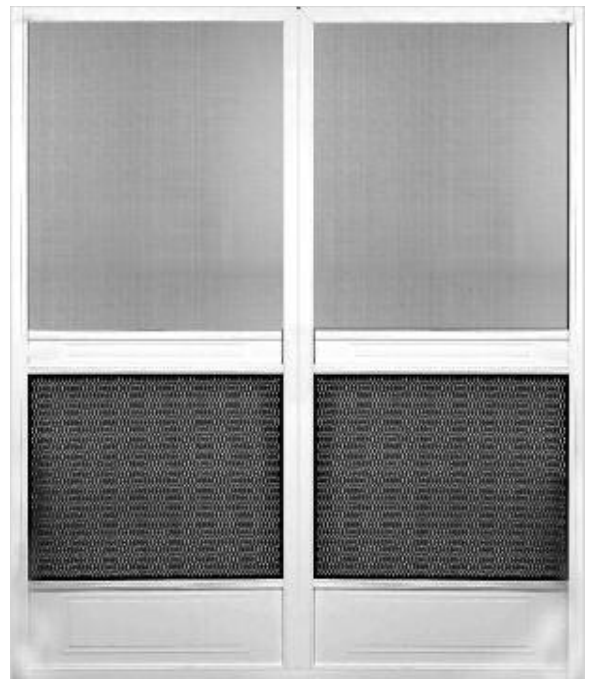
U.S. Patent No. 5,628,114



CRL Hinged Steel Screen Doors feature scratch resistant polyester painted finishes over hot-dipped galvanized steel, allowing our finish to last a lifetime with no need to ever paint. They also have a separate hinge-bar for easy handing choices. The bottom expanders allow for a perfect fit every time.

CAT. NO.	COLOR	WIDTH	HEIGHT	PACK QTY.
20131092099	White	60" (1.52 m)	80" (2.03 m)	1 Pair
20131092199	White	64" (1.62 m)	80" (2.03 m)	1 Pair
20131092299	White	72" (1.83 m)	80" (2.03 m)	1 Pair
20131052099	Navajo	60" (1.52 m)	80" (2.03 m)	1 Pair
20131052199	Navajo	64" (1.62 m)	80" (2.03 m)	1 Pair
20131052299	Navajo	72" (1.83 m)	80" (2.03 m)	1 Pair
20131082099	Bronze	60" (1.52 m)	80" (2.03 m)	1 Pair
20131082199	Bronze	64" (1.62 m)	80" (2.03 m)	1 Pair
20131082299	Bronze	72" (1.83 m)	80" (2.03 m)	1 Pair

Minimum order: 1 pair. All CRL Steel Screen Doors can be combined for quantity pricing.



CRL Oakhurst Hinged Steel Screen Doors

- Patented 5/8" (15.9 mm) One-Piece Unitized Roll Formed Frame Construction Technique
- Mechanically Secured Corners
- Charcoal Fiberglass 18 x 16 Mesh
- Pneumatic Door Closer and Installation Hardware Included



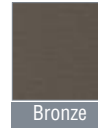
U.S. Patent No. 5,628,114



CRL Hinged Steel Screen Doors feature scratch resistant polyester painted finishes over hot-dipped galvanized steel, allowing our finish to last a lifetime with no need to ever paint. They also have a separate hinge-bar for easy handing choices. The bottom expanders allow for a perfect fit every time.

CAT. NO.	COLOR	WIDTH	HEIGHT	PACK QTY.
2013559104	Bronze	32" (813 mm)	80" (2.03 m)	4
2013559204	Bronze	36" (914 mm)	80" (2.03 m)	4

Minimum order: 4 each. All CRL Steel Screen Doors can be combined for quantity pricing.



CRL Regal Hinged Steel Screen Doors

- Patented 5/8" (15.9 mm) One-Piece Unitized Roll Formed Frame Construction Technique
- Mechanically Secured Corners
- Charcoal Fiberglass 18 x 16 Mesh
- Pneumatic Door Closer and Installation Hardware Included



U.S. Patent No. 5,628,114



CRL Hinged Steel Screen Doors feature scratch resistant polyester painted finishes over hot-dipped galvanized steel, allowing our finish to last a lifetime with no need to ever paint. They also have a separate hinge-bar for easy handing choices. The bottom expanders allow for a perfect fit every time.

CAT. NO.	COLOR	WIDTH	HEIGHT	PACK QTY.
2016809204	White	36" (914 mm)	80" (2.03 m)	4
2016808204	Bronze	36" (914 mm)	80" (2.03 m)	4

Minimum order: 4 each. All CRL Steel Screen Doors can be combined for quantity pricing.



CRL Colonial Hinged Steel Screen Doors

- Patented 5/8" (15.9 mm) One-Piece Unitized Roll Formed Frame Construction Technique
- Mechanically Secured Corners
- Charcoal Fiberglass 18 x 16 Mesh
- Pneumatic Door Closer and Installation Hardware Included



U.S. Patent No. 5,628,114



CRL Hinged Steel Screen Doors feature scratch resistant polyester painted finishes over hot-dipped galvanized steel, allowing our finish to last a lifetime with no need to ever paint. They also have a separate hinge-bar for easy handing choices. The bottom expanders allow for a perfect fit every time.



CAT. NO.	COLOR	WIDTH	HEIGHT	PACK QTY.
2015730104	White	32" (813 mm)	80" (2.03 m)	4
2015730204	White	36" (914 mm)	80" (2.03 m)	4



Minimum order: 4 each. All CRL Steel Screen Doors can be combined for quantity pricing.

CRL Colonial Hinged French Steel Screen Doors

- Patented 5/8" (15.9 mm) One-Piece Unitized Roll Formed Frame Construction Technique
- Mechanically Secured Corners
- Charcoal Fiberglass 18 x 16 Mesh
- Pneumatic Door Closer and Installation Hardware Included



U.S. Patent No. 5,628,114

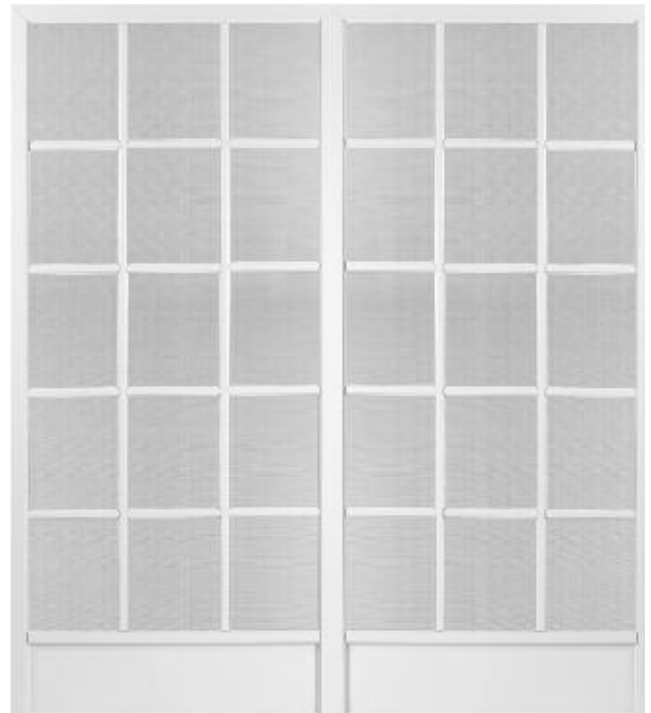


CRL Hinged Steel Screen Doors feature scratch resistant polyester painted finishes over hot-dipped galvanized steel, allowing our finish to last a lifetime with no need to ever paint. They also have a separate hinge-bar for easy handing choices. The bottom expanders allow for a perfect fit every time.



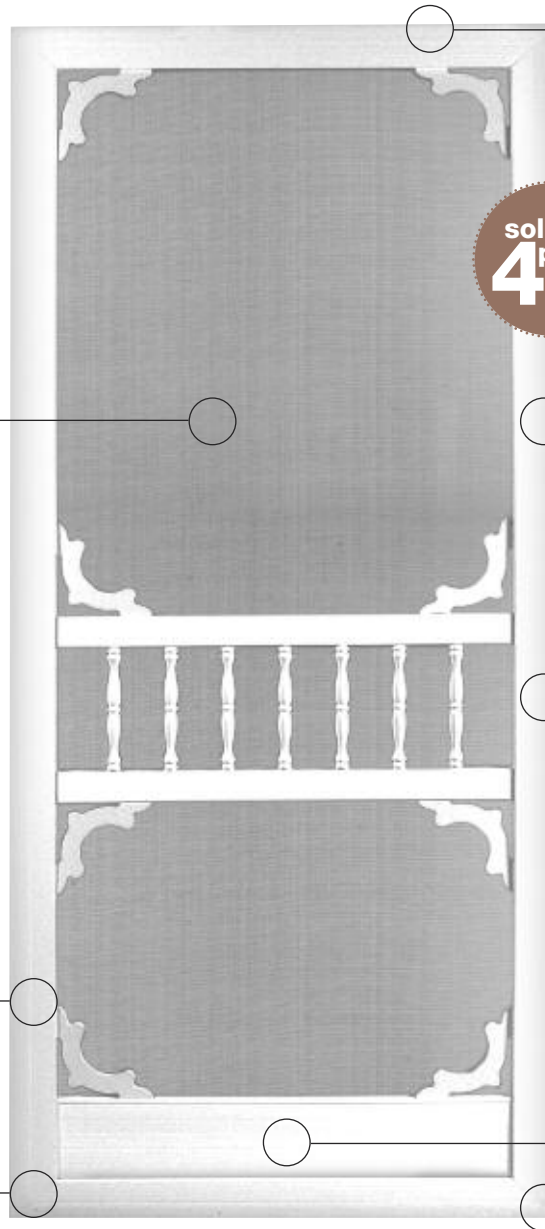
CAT. NO.	COLOR	WIDTH	HEIGHT	PACK QTY.
20157302099	White	60" (1.52 m)	80" (2.03 m)	1 Pair
20157302199	White	64" (1.62 m)	80" (2.03 m)	1 Pair
20157302299	White	72" (1.83 m)	80" (2.03 m)	1 Pair

Minimum order: 1 pair. All CRL Steel Screen Doors can be combined for quantity pricing.



CRL HINGED VINYL SCREEN DOORS

For Pricing Visit Our Web Site or Call Us Toll Free at the Phone Numbers Shown on the Back Cover



Pneumatic Door Closer Included

sold in 4 packs

Spline Applied Screen

Vinyl Construction Never Needs Painting

Push Button Latch Included

Side Adjustment Channel and Bottom Adjustment Channel Included

Solid Vinyl Kick Panel

Fusion Welded Corners



All installation and mounting hardware is included with each vinyl screen door. Only basic tools are required for installation.



Vinyl screen doors incorporate a hinge bar, which eliminates the need of trimming to fit.



Our vinyl screen doors never need painting or finishing. Easy to maintain by just simply wiping off any dirt.



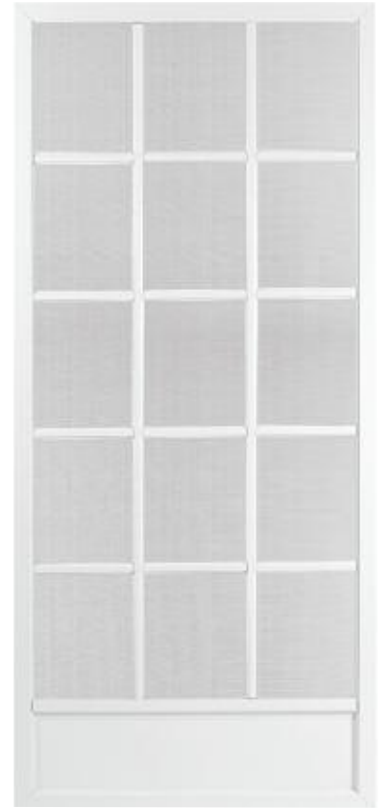
C.R. LAURENCE COMPANY

crlaurence.com | usalum.com

474D | crlaurence.ca crlaurence.com.au crlaurence.co.uk crlaurence.de crlaurence.eu

CRL Salem Hinged Vinyl Screen Doors

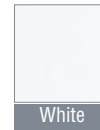
- Vinyl Frame has Interior Webbing for Maximum Support and Strength
- Strong Fusion Welded Corners
- No Cutting Required
- No Special Tools Needed for Installation
- Charcoal Fiberglass 18 x 16 Mesh
- Pneumatic Door Closer and Installation Hardware Included



CRL Hinged Vinyl Screen Doors do not require cutting, never need painting, and will not peel, chip or splinter. Clean with soap and water for easy maintenance. They feature a separate hinge-bar for easy handing choices. The bottom expanders allow for a perfect fit every time. The door frame is 3" (76 mm) wide x 7/8" (22 mm) thick.

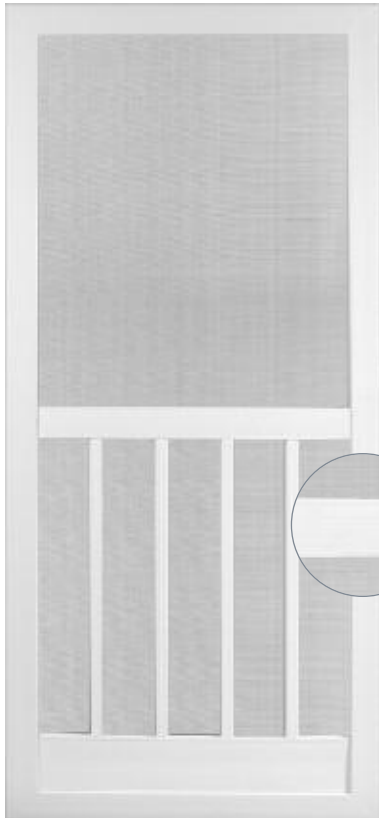
CAT. NO.	COLOR	WIDTH	HEIGHT	PACK QTY.
2616320104	White	32" (813 mm)	80" (2.03 m)	4
2616320204	White	36" (914 mm)	80" (2.03 m)	4

Minimum order: 4 each. All CRL Vinyl Screen Doors can be combined for quantity pricing.



CRL Verona Hinged Vinyl Screen Doors

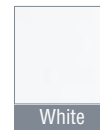
- Vinyl Frame has Interior Webbing for Maximum Support and Strength
- Strong Fusion Welded Corners
- Never Needs Painting
- Installation Hardware Included
- Charcoal Fiberglass 18 x 16 Mesh
- Pneumatic Door Closer and Installation Hardware Included
- Custom Sizes Available on Request



CRL Hinged Vinyl Screen Doors do not require cutting, never need painting, and will not peel, chip or splinter. Clean with soap and water for easy maintenance. They feature a separate hinge-bar for easy handing choices. The bottom expanders allow for a perfect fit every time. The door frame is 2" (51 mm) wide x 7/8" (22 mm) thick.

CAT. NO.	COLOR	WIDTH	HEIGHT	PACK QTY.
2616120104	White	32" (813 mm)	80" (2.03 m)	4
2616120204	White	36" (914 mm)	80" (2.03 m)	4

Minimum order: 4 each. All CRL Vinyl Screen Doors can be combined for quantity pricing.



CRL Columbia Hinged Vinyl Screen Doors



- Vinyl Frame has Interior Webbing for Maximum Support and Strength
- Strong Fusion Welded Corners
- No Special Tools Required for Installation
- Reversible for Left and Right Handed Openings
- Charcoal Fiberglass 18 x 16 Mesh
- Pneumatic Door Closer and Installation Hardware Included

CRL Hinged Vinyl Screen Doors do not require cutting, never need painting, and will not peel, chip or splinter. Clean with soap and water for easy maintenance. They feature a separate hinged-bar for easy handing choices. The bottom expanders allow for a perfect fit every time. The door frame is 3" (76 mm) wide x 7/8" (22 mm) thick.

CAT. NO.	COLOR	WIDTH	HEIGHT	PACK QTY.
2616740104	White	32" (813 mm)	80" (2.03 m)	4
2616740204	White	36" (914 mm)	80" (2.03 m)	4

Minimum order: 4 each. All CRL Vinyl Screen Doors can be combined for quantity pricing.



CRL Sierra Hinged Vinyl Screen Doors



- Vinyl Frame has Interior Webbing for Maximum Support and Strength
- Strong Fusion Welded Corners
- Charcoal Fiberglass 18 x 16 Mesh
- Reversible for Left and Right Handed Openings
- No Special Tools Needed for Installation
- Pneumatic Door Closer and Installation Hardware Included

CRL Hinged Vinyl Screen Doors do not require cutting, never need painting, and will not peel, chip or splinter. Clean with soap and water for easy maintenance. They feature a separate hinged-bar for easy handing choices. The bottom expanders allow for a perfect fit every time. The door frame is 3" (76 mm) wide x 7/8" (22 mm) thick.

CAT. NO.	COLOR	WIDTH	HEIGHT	PACK QTY.
2616720104	White	32" (813 mm)	80" (2.03 m)	4
2616720204	White	36" (914 mm)	80" (2.03 m)	4

Minimum order: 4 each. All CRL Vinyl Screen Doors can be combined for quantity pricing.



CRL Steel and Vinyl Screen Door Parts Kit

- Pneumatic Closer
- All Installation Hardware Included
- Push Button Handle Assembly

This CRL Screen Door Parts Kit is designed for our Steel and Vinyl Screen Doors. The kit includes, a push button handle, interior locking latch lever, a pneumatic closer, and all mounting fasteners. The components are all black powder coated for corrosion resistance and long-lasting use.



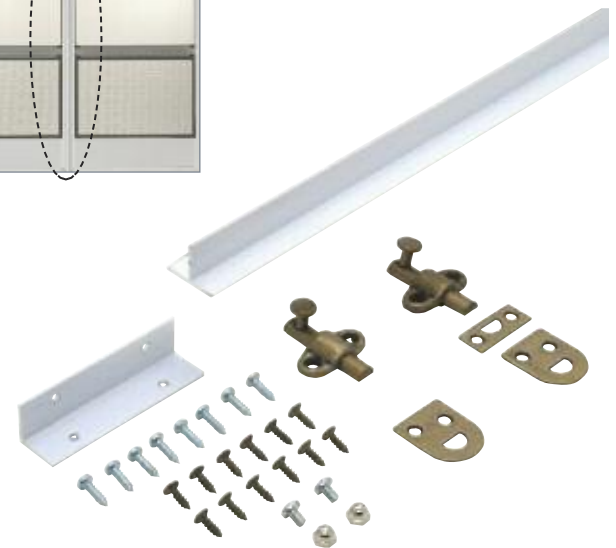
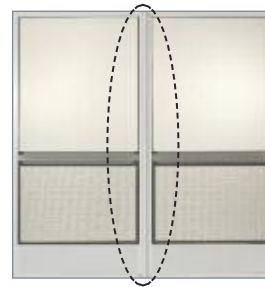
CAT. NO.	FINISH	PACK QTY.
50631260	Black	1

Minimum order: 1 each.

CRL Hinged Door Astragals

- Available in 80" and 96" (2.03 and 2.44 m) Heights
- Turns Two Single Steel or Vinyl Doors into Double Doors
- Installation Hardware Included

With CRL Hinged Door Astragals, single screen doors are easily adapted for double-door entry applications. Each kit includes detailed installation instructions, all necessary hardware, and "T" Astragal.



CAT. NO.	FINISH	LENGTH	PACK QTY.
50968410	Gray	80" (2.03 m)	1
50969410	Gray	96" (2.44 m)	1
50968510	White	80" (2.03 m)	1
50969510	White	96" (2.44 m)	1
50968610	Black	80" (2.03 m)	1
50969610	Black	96" (2.44 m)	1
50968210	Bronze	80" (2.03 m)	1
50969210	Bronze	96" (2.44 m)	1
50968810	Navajo	80" (2.03 m)	1
50969810	Navajo	96" (2.44 m)	1

Minimum order: 1 each.

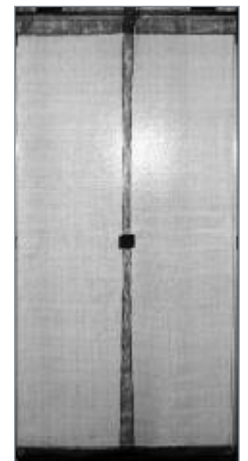
CRL Rapid-Up Removable Screen Door

- No Tools Required
- Automatic Magnetic Closure
- Easy Installation

This CRL Rapid-Up Removable Screen Door is an easy and affordable way to keep bugs out. Rapid-Up is a great hanging screen for patio and French doors. Ideal for condos since it is not permanently attached to the building. No tools required, just hang it up and take it down in a matter of minutes. Hands free operation using an automatic magnetic closure. Also, excellent for pets to come and go.

CAT. NO.	FINISH	WIDTH	HEIGHT	PACK QTY.
70503011	Charcoal	32" (813 mm)	80" (2.03 m)	1

Minimum order: 1 each.



CRL PATIO SLIDING SCREEN DOORS

For Pricing Visit Our Web Site or Call Us Toll Free at the Phone Numbers Shown on the Back Cover



Adjustable
Top Hood

Reversible

Strong UV Fade
Resistant Handle

All Hardware
Included

Adjustable
Bottom Hood

Long Lasting
Epoxy Finish on
Steel Sliders
and Solid White
Vinyl on Titan
Series

Patented One Piece
Construction on Steel
Sliders (Fusion
Welded Corners on
Vinyl Titan Series)



Our patented one piece construction technique makes our doors the strongest in the market.

U.S. Patent No. 5,628,114



Our rollers are specifically designed to work on any track. This allows our doors to glide effortlessly without problems.

NOTE: Steel roller pictured is available with Titan Series only.



Each of our patio screen doors is designed for height adjustment to fit most openings. Only a Phillips head screwdriver is required.



C.R. LAURENCE COMPANY

crlaurence.com | usalum.com

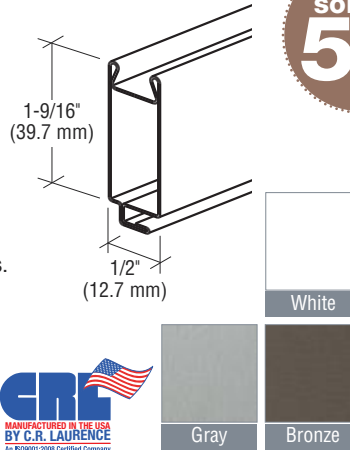
478D | crlaurence.ca crlaurence.com.au crlaurence.co.uk crlaurence.de crlaurence.eu

CRL Replace-All Sliding Screen Doors

- Three Stock Sizes Cover Over 90% of the Demand for Replacement Doors
- Universal Left or Right Hand Mounting
- Strong Roll Formed Steel Frame
- Custom Sizes Available on Request

These CRL Replace-All Sliding Screen Doors are a quick and easy replacement for worn and torn sliding screen doors. They have a variable height of 78" to 80" (1.98 to 2.03 m), with a full 2" (51 mm) vertical expansion adjustment.

The Replace-All features: a strong roll formed steel frame with baked enamel finish; durable charcoal fiberglass screening; a patented automatic, self-latching handle with "No Lock-Out" feature; nylon roller assemblies for quiet, smooth operation; universal left and right hand mounting.



sold in 5 packs



Ready to Install Right Out of the Carton

CAT. NO.	COLOR	WIDTH	HEIGHT RANGE	PACK QTY.
RA26W5P	White	30" (762 mm)	78" - 80" (1.98 - 2.03 m)	5
RA30W5P	White	36" (914 mm)	78" - 80" (1.98 - 2.03 m)	5
RA40W5P	White	48" (1219 mm)	78" - 80" (1.98 - 2.03 m)	5
RA265P	Gray	30" (762 mm)	78" - 80" (1.98 - 2.03 m)	5
RA305P	Gray	36" (914 mm)	78" - 80" (1.98 - 2.03 m)	5
RA405P	Gray	48" (1219 mm)	78" - 80" (1.98 - 2.03 m)	5
RA26BRZ5P	Bronze	30" (762 mm)	78" - 80" (1.98 - 2.03 m)	5
RA30BRZ5P	Bronze	36" (914 mm)	78" - 80" (1.98 - 2.03 m)	5
RA40BRZ5P	Bronze	48" (1219 mm)	78" - 80" (1.98 - 2.03 m)	5

Minimum order: 5 each. All Replace-All Doors can be combined for quantity pricing.

CRL Architectural Steel Sliding Screen Doors

- Adjusts to Fit Opening Heights from 78-1/4" to 81" (1.99 to 2.06 m)
- Charcoal Fiberglass 18 x 16 Mesh
- 1" (25 mm) Vinyl Bug Flap
- Custom Sizes and Extruded Aluminum Models Available on Request

CRL Architectural Steel Sliding Screen Doors utilize a patented one-piece roll formed frame construction technique, making it stronger, more durable and at the same time eliminates racking. Frames are crimp seam formed, corner stitched, and both are chemically bonded to eliminate gaps. Doors have spring loaded adjustable hoods with nylon wheels that are held in place with binding posts to eliminate continuous readjusting. Sliders come assembled for consistent quality and performance.

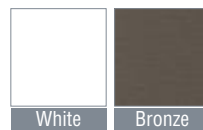
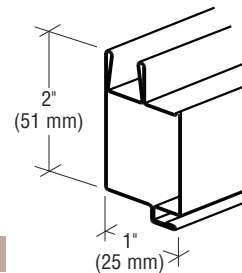
An installation hardware pack, including J-hook with attaching screws for patio door locking, is included. Only basic tools are required for installation with easy-to-follow instructions.



sold in 4 packs



U.S. Patent No. 5,628,114



Ready to Install Right Out of the Carton

CAT. NO.	COLOR	WIDTH	HEIGHT RANGE	PACK QTY.
1041401304	White	30" (762 mm)	78-1/4" - 81" (1.99 - 2.06 m)	4
1041401404	White	36" (914 mm)	78-1/4" - 81" (1.99 - 2.06 m)	4
1041401504	White	48" (1219 mm)	78-1/4" - 81" (1.99 - 2.06 m)	4
1041491304	Bronze	30" (762 mm)	78-1/4" - 81" (1.99 - 2.06 m)	4
1041491404	Bronze	36" (914 mm)	78-1/4" - 81" (1.99 - 2.06 m)	4
1041491504	Bronze	48" (1219 mm)	78-1/4" - 81" (1.99 - 2.06 m)	4

Minimum order: 4 each. All CRL Steel Screen Doors can be combined for quantity pricing.

CRL CM Supreme Steel Sliding Screen Doors

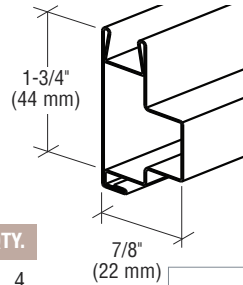
- Adjusts to Fit Opening Heights from 78" to 80-1/2" (1.98 to 2.04 m)
- Double Cross Bars for Added Strength
- 1" (25 mm) Vinyl Bug Flap



sold in
4
packs

CRL CM Supreme Patio Screen Door Frames are crimp seam formed, corner stitched, and both are chemically bonded to eliminate gaps. They utilize a patented one-piece roll formed frame construction technique, making it stronger, more durable and at the same time eliminate racking. Doors have spring loaded adjustable hoods with nylon wheels that are held in place with binding posts to eliminate continuous readjusting. Sliders come assembled for consistent quality and performance.

An installation hardware pack includes interior handle, anti-rattlers and J-hook with attaching screws for patio door locking. Only basic tools are required for installation with easy-to-follow instructions.



CAT. NO.	COLOR	WIDTH	HEIGHT RANGE	PACK QTY.
1021101304	White	30" (762 mm)	78" - 80-1/2" (1.98 - 2.04 m)	4
1021101404	White	36" (914 mm)	78" - 80-1/2" (1.98 - 2.04 m)	4
1021101504	White	48" (1219 mm)	78" - 80-1/2" (1.98 - 2.04 m)	4
1021081304	Gray	30" (762 mm)	78" - 80-1/2" (1.98 - 2.04 m)	4
1021081404	Gray	36" (914 mm)	78" - 80-1/2" (1.98 - 2.04 m)	4
1021081504	Gray	48" (1219 mm)	78" - 80-1/2" (1.98 - 2.04 m)	4
1021091304	Bronze	30" (762 mm)	78" - 80-1/2" (1.98 - 2.04 m)	4
1021091404	Bronze	36" (914 mm)	78" - 80-1/2" (1.98 - 2.04 m)	4
1021091504	Bronze	48" (1219 mm)	78" - 80-1/2" (1.98 - 2.04 m)	4

Minimum order: 4 each. All CRL Steel Screen Doors can be combined for quantity pricing.



Ready to Install Right Out of the Carton

CRL Titan Vinyl Sliding Screen Doors

- Standard Door Adjusts to Fit Opening Heights From 78-1/4" to 80-3/4" (1.99 to 2.05 m)
- Tall Door Adjusts to Fit Opening Heights From 94-1/4" to 96-3/4" (2.39 to 2.46 m)
- Durable, Strong, Long-Lasting Vinyl Frame
- Double Cross Bars for Added Strength



sold in
4
packs

CRL Vinyl Patio Screen Door frames, unlike metal, will not corrode or peel. The color is all the way through so scratching and dings are never a problem. The frame offers interior webbing and fusion welded corners for a stronger door with maximum support that holds up against everyday wear and tear. Patio screen doors have adjustable hoods with steel wheels, and are held in place with binding posts to eliminate continuous readjusting. Titan Sliders come assembled for consistent quality and performance. The Titan Vinyl frame size is 2" (51 mm) wide and 1" (25 mm) thick.

NOTE: Lowest height is attained by removing the top hood. An installation hardware pack includes J-hook with attaching screws for patio door locking. Only basic tools are required for installation with easy-to-follow instructions.

CAT. NO.	COLOR	WIDTH	HEIGHT RANGE	PACK QTY.
2717141304	White	30" (762 mm)	78-1/4" - 80-3/4" (1.99 - 2.05 m)	4
2717141404	White	36" (914 mm)	78-1/4" - 80-3/4" (1.99 - 2.05 m)	4
2717141504	White	48" (1219 mm)	78-1/4" - 80-3/4" (1.99 - 2.05 m)	4
2717145304	White	30" (762 mm)	94-1/4" - 96-3/4" (2.39 - 2.46 m)	4
2717145404	White	36" (914 mm)	94-1/4" - 96-3/4" (2.39 - 2.46 m)	4
2717145504	White	48" (1219 mm)	94-1/4" - 96-3/4" (2.39 - 2.46 m)	4

Minimum order: 4 each. All CRL Vinyl Screen Doors can be combined for quantity pricing.



Ready to Install Right Out of the Carton

CRL K.D. Sliding Screen Door Kits

- For Sliding Patio Screen Doors
- Can Be Cut Down to Fit Any Size Opening
- Easy to Assemble and Install
- Gray, Bronze, and White Available



Now you can offer your customers a quality made, custom fit sliding screen door right from your stock simply by keeping popular CRL K.D. Sliding Screen Door Kits on hand. Kits come complete with all component parts; you add just the screen wire and retainer spline [recommended spline size is .150" (3.8 mm)]. The Nylon Rollers and Latching Handle are pre-installed, so you won't have to do any drilling, notching or fitting of these parts. Three colors (gray, bronze, and white) are available to fit doors up to 97" (2.46 m) tall. Each door kit is packaged individually to ship via U.P.S.



81" (2.06 M) HIGH STANDARD DUTY 1-3/4" (44.5 MM) DOOR KITS

CAT. NO.	COLOR	MAXIMUM WIDTH	PACK QTY.
KD13430	Gray	31" (787 mm)	1
KD13436	Gray	37" (940 mm)	1
KD13448	Gray	49" (1245 mm)	1
KD13430BRZ	Bronze	31" (787 mm)	1
KD13436BRZ	Bronze	37" (940 mm)	1
KD13448BRZ	Bronze	49" (1245 mm)	1
KD13430W	White	31" (787 mm)	1
KD13436W	White	37" (940 mm)	1
KD13448W	White	49" (1245 mm)	1

Minimum order: 1 each. All K.D. Screen Door Kits can be combined for quantity pricing.

97" (2.46 M) HIGH STANDARD DUTY 1-3/4" (44.5 MM) DOOR KITS

CAT. NO.	COLOR	MAXIMUM WIDTH	PACK QTY.
KD13436X96	Gray	37" (940 mm)	1
KD13448X96	Gray	49" (1245 mm)	1
KD13436X96BRZ	Bronze	37" (940 mm)	1
KD13448X96BRZ	Bronze	49" (1245 mm)	1
KD13436X96W	White	37" (940 mm)	1
KD13448X96W	White	49" (1245 mm)	1

Minimum order: 1 each. All K.D. Screen Door Kits can be combined for quantity pricing.

- Each Kit is Individually Packed to Ship U.P.S.



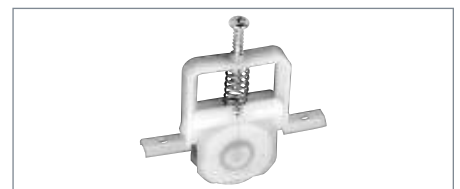
Each K.D. Door Kit Includes These Component Parts:



1-3/4" Roll Formed Frame Members



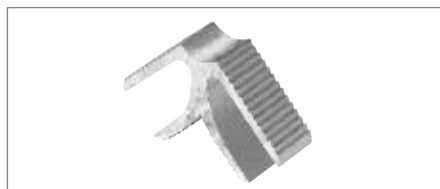
Vinyl Bug Strip



Nylon Roller Assemblies



Latching Handle



Extruded Aluminum Corners



Strike and Nylon Guides

CRL Euro Retractable Screen Door Kits

- Fast, Easy Installation - Cut and Assemble on the Job Site
- Fits Most In Swinging and Out Swinging Doors Up to 48" Wide
- Available in Two Standard Heights: 84" and 96"

The CRL Euro Retractable Screen Door utilizes unique design features and versatility to fit most applications. The top and bottom rails, jamb, and screen pocket are made from extruded aluminum. The vinyl end caps and handle have a UV additive for long life. Each door has easy-to-see-through charcoal fiberglass screen mesh.

This door kit is non-handed, so it's easily field reversible for left or right openings. It can be mounted on the outside of the door for inswinging doors or inside of the door for outswinging doors. Two simple chop saw cuts size the door to desired height and width. Each kit comes complete with special clips for surface mounting the door to the exterior jamb.

The CRL Euro Retractable Screen single door design has a unique, comfortable and easy-to-use positive lift and latch handle that keeps the door firmly closed, even in windy areas. There's no need to break a magnetic field to release the door, an important advantage, especially for the elderly.

Screen mesh rides in a top and bottom rail with heavy wool pile both inside and out. The rails are deep enough to prevent the wind from blowing the mesh loose, and yet the mesh will pull loose if a person or animal inadvertently walks into it. If the mesh does get pulled from either the top or bottom track, simply unlatch the door, let the screen retract into the housing, then pull the door closed; the screen will automatically reset itself into the tracks. All kits can be shipped U.P.S. For complete details, contact CRL Technical Sales, or go to crlaurence.com.



- Available in Three Decorative Powder Coated Colors



White

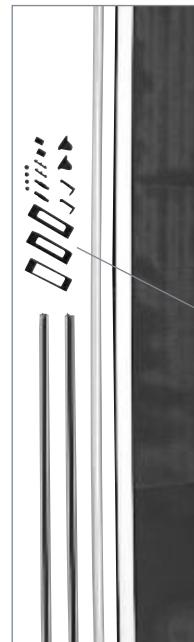
Almond

Bronze

EURO RETRACTABLE SCREEN DOOR KITS

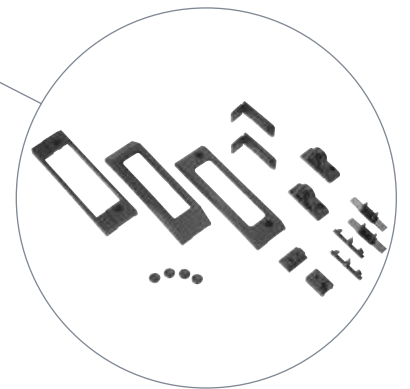
WHITE CAT. NO.	ALMOND CAT. NO.	BRONZE CAT. NO.	MAXIMUM DOOR HEIGHT
RDS84W	RDS84ALM	RDS84BRZ	84" (2.13 m)
RDS96W	RDS96ALM	RDS96BRZ	96" (2.44 m)

Minimum order: 1 each. Sizes and colors can be combined for quantity pricing.



Kit Components

- Easily Reversible for Left or Right Openings



CRL Bel-Air "Plaza" Combination Door Units

- All-Aluminum Combination Door Units for Manufacturing Flush Combination Doors or to Replace Worn Units
- Safety Glazed With Tempered Glass and Ready to Install Right Out of the Carton
- Large Variety of Stock Sizes With Clear or Obscure Glass in Mill or Bronze Finish Aluminum Frames
- Stock Widths for Both 1-3/8" and 1-3/4" (35 and 44.5 mm) Thick Doors



Stock Bel-Air Units with a Mill finish are standard



Bronze finish units are also available

Bel-Air "Plaza" Combination Door Units are built to replace worn or broken door units found in many homes, or in the fabrication process using new slab doors.

The Bel-Air "Plaza" allows for controlled ventilation and illumination, turning a regular slab door into a useful combination door. Common uses are back or side doors, utility rooms, etc. 18 x 16 mesh fiberglass screening is used to keep insects out.

"Plaza" Combination Door Units have a streamlined, all-aluminum design that makes it virtually maintenance free and rust resistant, saving on extensive detail painting. It's glazed with marine grade vinyl to cushion the effect of repeated door slamming. Installation into a prepared opening requires nothing more than a screwdriver.

Available for 1-3/8" (35 mm) or 1-3/4" (44.5 mm) thick doors, "Plaza" Combination Door Units come in seven sizes: five for new door fabrication or replacement of older "Plaza" Combination Door Units, and two for the replacement of competitive old fashioned combination door units found in many regions of the country.

All CRL Bel-Air Door Units come with clear tempered glass and mill finish frames. Tempered obscure glass and/or bronze finish frames are also available in all standard "Plaza" sizes. Custom size "Plaza" units are quoted on request in any quantity you may require.



Bel-Air Door Units install from the exterior, and are held in place with an interior trim ring. Stock Bel-Airs are available for both 1-3/8" (35 mm) and 1-3/4" (44.5 mm) thick doors.



Fabricators can save by buying Bel-Air "Plaza" Door Units in bulk cartons. Contact CRL Technical Sales for pricing on bulk-packed Bel-Air "Plaza" Door Units.

STANDARD BEL-AIR "PLAZA" UNITS WITH CLEAR TEMPERED GLASS AND MILL ALUMINUM FRAME FOR SLAB DOORS

1-3/4" DOORS CAT. NO.	1-3/8" DOORS CAT. NO.	DOOR SIZE	INNER FRAME SIZE WIDTH X HEIGHT	OVER-ALL OPENING SIZE (INCL. 1/8" CLEARANCE)
BAP204	BAP208	2-0 (24"/610 mm)	14-5/8" x 30" (372 x 762 mm)	14-3/4" x 30-1/8" (375 x 765 mm)
BAP244	BAP248	2-4 (28"/711 mm)	18-5/8" x 30" (473 x 762 mm)	18-3/4" x 30-1/8" (476 x 765 mm)
BAP264	BAP268	2-6 (30"/762 mm)	20-5/8" x 30" (524 x 762 mm)	20-3/4" x 30-1/8" (527 x 765 mm)
BAP284	BAP288	2-8 (32"/813 mm)	22-5/8" x 30" (575 x 762 mm)	22-3/4" x 30-1/8" (578 x 765 mm)
BAP304	BAP308	3-0 (36"/914 mm)	24-5/8" x 30" (625 x 762 mm)	24-3/4" x 30-1/8" (628 x 765 mm)

"PLAZA" REPLACEMENT UNITS WITH CLEAR TEMPERED GLASS AND MILL ALUMINUM FRAME FOR COMPETITIVE OLD FASHIONED COMBINATION DOORS

1-3/4" DOORS CAT. NO.	1-3/8" DOORS CAT. NO.	DOOR SIZE	INNER FRAME SIZE WIDTH X HEIGHT	OVER-ALL OPENING SIZE (INCL. 1/8" CLEARANCE)
BACP264	BACP268	2-0 (24"/610 mm)	20-3/4" x 38-3/4" (527 x 984 mm)	20-7/8" x 38-7/8" (530 x 987 mm)
BACP284	BACP288	2-4 (28"/711 mm)	22-3/4" x 38-3/4" (578 x 984 mm)	22-7/8" x 38-7/8" (581 x 987 mm)

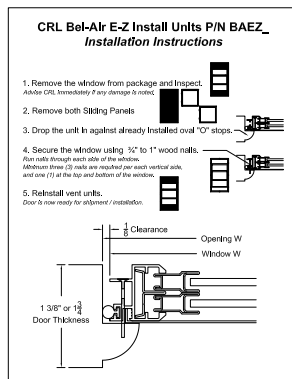
Minimum order: 1 each. All Bel-Air Units can be combined for quantity pricing. F.O.B. all CRL regional service centers.

CRL E-Z Install Combination Door Units

- Designed for Doors From 1-3/8" to 1-3/4" (35 to 44.5 mm) Thick
- Available in Standard and Custom Sizes
- Glazed With Clear Tempered Glass
- Obscure Glass on Special Order
- Mill Finish Aluminum Frames are Standard, Bronze Finish on Special Order

Add ventilation and light to a utility room or back porch by installing an E-Z Install Window into a regular slab door. CRL E-Z Install Combination Door Units can be used to replace existing units or for new door construction. The all-aluminum units are easily installed using just a hammer and nails or screwdriver, and will fit doors from 1-3/8" to 1-3/4" (35 to 44.5 mm) thick.

Like CRL's other Bel-Air Door Units, the E-Z Install can be special ordered with obscure glass and/or bronze finish frames. Custom sizes can be ordered by contacting CRL Technical Sales at (800) 421-6144 in the U.S., (877) 421-6144 from Canada, or (323) 588-1281 International. Ask for Ext. 7720. You can also send e-mail from the home page of crlaurence.com. Click on Contact Us, and then Technical Sales for Glass and Glazing Products.



• 18 x 16 Mesh Fiberglass Screen

CRL E-Z Install Door Units come to you ready for installation. Just remove both sliding panels, place the unit against the stops and then use either nails or screws to secure the window to the door. Easy to follow installation instructions are provided.

E-Z INSTALL UNITS WITH CLEAR TEMPERED GLASS AND MILL ALUMINUM FRAME

CAT. NO.	INNER FRAME SIZE WIDTH X HEIGHT	OVERALL OPENING SIZE (INCL. 1/8" CLEARANCE)
BAEZ264	21-5/8" x 36-1/2" (549 x 927 mm)	21-3/4" x 36-3/4" (552 x 933 mm)
BAEZ284	23-5/8" x 36-1/2" (600 x 927 mm)	23-3/4" x 36-3/4" (603 x 933 mm)
BAEZ304	27-5/8" x 36-1/2" (702 x 927 mm)	27-3/4" x 36-3/4" (705 x 933 mm)

Minimum order: 1 each. All Bel-Air Units can be combined for quantity pricing. F.O.B. all CRL regional service centers.



CRL Bel-Air Look-Out Door Lites

- Fixed Glass Panels to be Used in Doors Where a Sliding Sash Unit is Not Required
- Available for 1-3/4" (44.5 mm) Thick Doors
- Also Available in Custom Sizes and Finishes in Bulk Packaging for Door Fabricators

CRL's Look-Out Door Lites for Bel-Air Units are ideally used where sliding sash units are not required. Look-Out Door Lites have a single pane of 1/8" (3 mm) tempered clear glass surrounded by a mill finish aluminum frame.

Look-Out Door Lites come in a number of standard sizes, but can be custom ordered to your specifications. Obscure glass and special frame finishes can also be ordered upon request.

Bulk packaging of standard or custom Look-Out Door Lites is available for door fabricators by contacting CRL Technical Sales at (800) 421-6144 in the U.S., (877) 421-6144 from Canada, or (323) 588-1281 International. Ask for Ext. 7720.



LOOK-OUT DOOR LITES WITH CLEAR TEMPERED GLASS AND MILL ALUMINUM FRAME

1-3/4" DOORS CAT. NO.	INNER FRAME SIZE WIDTH X HEIGHT	OVERALL OPENING SIZE (INCL. 1/4" CLEARANCE)
BALW134	13-1/4" x 13-1/4" (337 x 337 mm)	13-1/2" x 13-1/2" (343 x 343 mm)
BALW204	15-1/4" x 20-1/4" (387 x 514 mm)	15-1/2" x 20-1/2" (394 x 521 mm)
BALW254	25-1/4" x 25-1/4" (641 x 641 mm)	26-1/2" x 26-1/2" (673 x 673 mm)
BALW284	23-1/4" x 20-1/4" (591 x 514 mm)	23-1/2" x 20-1/2" (597 x 521 mm)
BALW304	27-1/4" x 20-1/4" (692 x 514 mm)	27-1/2" x 20-1/2" (699 x 521 mm)

Minimum order: 1 each. All Look-Out Door Lites can be combined for quantity pricing.



7

ARCHITECTURAL SYSTEMS

- 'All Glass' Sidelite Rails, U-Channels, Headers, and Center Locks
- Storefront Systems
- Curtain Wall Systems
- Interior Office Systems
- Railing Systems
- Architectural Metals
- Frameless Showers

See other side for Section Index.

TOLL FREE PHONE SERVICE

U.S. and CANADA
(800) 421-6144

EUROPE
00 800 0421 6144

AUSTRALIA
1800 424 275

GRL[®]
U.S. ALUMINUM
crlaurence.com
usalum.com



7

ARCHITECTURAL SYSTEMS



C.R. Laurence Manufacturing
Vernon, CA

CRL Manufacturing and U.S. Aluminum fabricate an array of architectural systems to improve the appearance, value, and efficiency of private homes, retail establishments, hotels and lodging, and commercial office space. Decades of manufacturing excellence are our hallmark, and our reputation for service and quality makes us the choice of architects and designers worldwide.

For additional information contact our Technical Sales Staff at (800) 421-6144 in the U.S., (877) 421-6144 from Canada, or (323) 588-1281 International. Ask for Ext. 7700. You can also e-mail us through our web site at crlaurence.com. From the home page click on Contact Us, and then click on Technical Sales.

SUBJECT

PAGES

• 'All-Glass' Sidelite Rails, U-Channels	485D
• Headers and Channels	486D thru 487D
• Center Locks for Glass Doors	488D
• Storefront Systems	489D
• Curtain Wall Systems	490D
• Interior Office Systems	491D
• Railing Systems	492D thru 493D
• Architectural Metals	494D thru 495D
• Frameless Showers	496D thru 497D
• Cleaning Products and Supplies	498D

For information or other assistance, use our toll free phone or fax service numbers

In the U.S. or Canada Toll Free Phone (800) 421-6144 Toll Free Fax (800) 262-3299

In Europe Freephone 00 800 0421 6144 Freefax 00 800 0262 3299

In Australia Toll Free Phone 1800 424 275 Toll Free Fax 1800 813 013

Contact us through our web site at crlaurence.com

CRL Sidelite Rails and U-Channel

CRL Sidelite Rails With Top Load Roll-In Gasket



- Five Styles in Up to 11 Architectural Finishes
- Sidelite Rails Match Our Door Rails for an Even Sightline



CRL Combination Wide U-Channel and Narrow Header

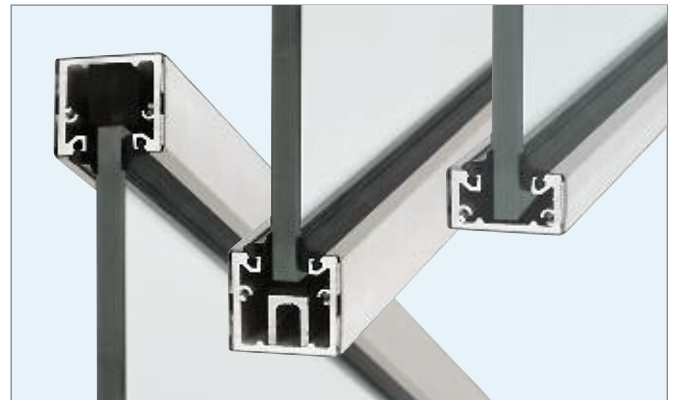
- Available in Stock Lengths, Fabricated Headers, or Headers With Side Pockets for "Lift and Drop" Panel Glazing
- Matches the Width of Our Door and Sidelite Rails
- Accepts Roll-In Gasket, Top Pivot Block, and Flush Snap-In Insert
- Accepts 3/8", 1/2", 5/8", and 3/4" (10 to 19 mm) Tempered Glass
- 11 Architectural Finishes
- Custom Sizes and Finishes Available



Combination Wide U-Channel and Narrow Header

Regular U-Channel with Aluminum/Neoprene Setting Block

Shallow U-Channel

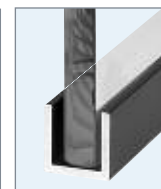


CRL Regular and Shallow U-Channels With Top Load Roll-In Gasket

- Accepts 3/8" (10 mm) or 1/2" (12 mm) Glass
- Both Depths Available in Six Standard Architectural Finishes

CRL Wet/Dry Glaze U-Channels

- Accepts 3/8" (10 mm) or 1/2" (12 mm) Glass
- Offered in Three Standard Heights
- 120" (3.05 m) and 240" (6.1 m) Stock Lengths Available in Six Finishes
- Custom Finishes Available

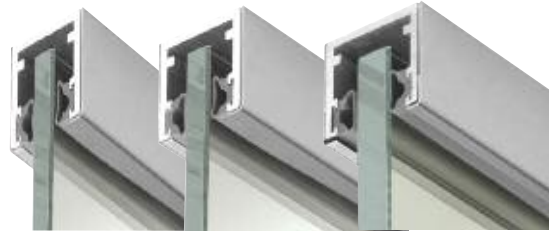


Wet/Dry Glaze U-Channel



CRL-Blumcraft Head Channels

- Channels for 1/2" or 3/4" (12 or 19 mm) Tempered Glass
- Accepts Glazing Gaskets, Top Pivots, and Snap-In Filler Strips
- Available in Five Architectural Finishes
- Custom Finishes, Including Oil Rubbed Bronze, Are Available on Special Order



CRL-Blumcraft Wet Glaze U-Channels

- Channels for 1/2" or 3/4" (12 or 19 mm) Tempered Glass
- Available in Five Architectural Finishes
- Custom Finishes, Including Oil Rubbed Bronze, Are Available on Special Order



CRL-Blumcraft Floating Transom System

- Suspended Stainless Steel Rods
- No Holes or Notches in Transom or Sidelites
- For 1/2" or 3/4" (12 or 19 mm) Tempered Glass
- Available in Five Architectural Finishes
- Custom Finishes, Including Oil Rubbed Bronze, Are Available on Special Order



CRL-Blumcraft Catalogs



CAT. NO. B2010
Tempered Glass Doors, Panic, Deadbolt, and Dummy Hardware



CAT. NO. D2010
Display Case Door Series 1301



CAT. NO. HW2010
Tubular Architectural Hardware



CAT. NO. M2010
Railings, Smoke Baffles, Glass Gates

CRL Commercial Glass Door Accessories

CRL Stock Size Headers for Overhead Concealed Door Closers

- Five Stock Architectural Finishes
- Includes Snap-In Cover Plates
- 4" and 4-1/2" (102 and 114 mm) Widths



Typical Installation Showing Exposed Spindle of Overhead Closer



36" (914 mm) Single Door 72" (1829 mm) Double Door Custom Lengths

Sidelite Glazing Pocket

- Five Stock Finishes
- Available in 4" or 4-1/2" (102 or 114 mm) Widths for 3/8", 1/2", 5/8", and 3/4" (10 to 19 mm) Glass

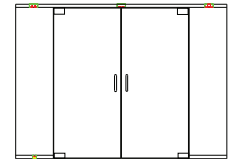
CRL Custom Length Door Headers With Glazing Pocket



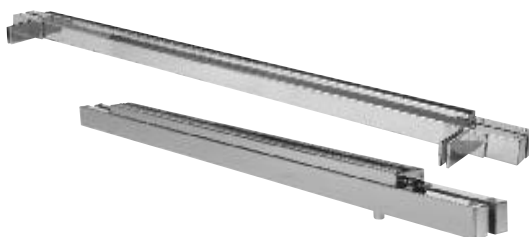
Fixed Panel Section With Glazing Gasket



Header Section



Typical Double Glass Doors with Sidelites



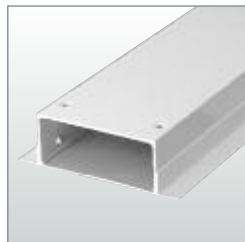
CRL Floating Header for Overhead Concealed Door Closers

- Available for 1/2" (12 mm) Glass-to-Glass or Glass-to-Wall Installations With or Without Overhead Concealed Door Closers
- Stock 36" (914 mm) Single and 72" (1829 mm) Double Headers, With Custom Sizes Available
- Available in Five Stock Architectural Finishes



CRL Hat Channel Door Closer Header for Single and Double Doors

- Surrounded by "L" Angle to Support Ceiling Tiles
- White Finish to Match Ceiling "T" Bar
- Provides an Almost Invisible Look



CRL Hat Channel for Fixed Glazing

- White Finish to Match Ceiling "T" Bar
- Accepts 3/8" or 1/2" (10 or 12 mm) Glass
- Glass Secured With Silicone Sealant or Roll-in Glazing Vinyl



Complete Line of Commercial Door Pulls

- Beautiful Accessories for Frameless 'All-Glass' Entrance Doors and Sidelites
- Custom Finishes and Sizes Available
- New Selection of Locking Ladder Pulls



CRL Center Locks for 'All-Glass' Doors

- Available in 4" x 10", 6" x 10", and New Low Profile Models
- Choose From Three Types: Deadlatch, Long Throw Deadlock, and Hook Throw Deadlock
- For Use With 1/2" (12 mm) Tempered Glass; Custom Sizes for Other Glass Thicknesses Available on Special Order
- Installs Easily With Bolts; No Messy Silicone or Cement Required
- Available in Five Stock Finishes Plus Custom Finishes on Special Order



CRL Center Locks are available in three types: Deadlatch, Long Throw Deadlock, and Hook Throw Deadlock. A variety of pull handles and latch-operating devices (Thumbturns, Keyed Cylinders, Lever Handles, and Paddle Handles) are available to accommodate different requirements.

We carry stock units for immediate shipment, and can fabricate custom units that can be shipped within one week.

Low Profile Center Locks and Keepers

4" x 10" Center Locks and Glass Keepers



4" x 10" Center Lock With Deadlatch



4" x 10" Center Lock Glass Keeper



4" x 10" Center Lock With Long Throw Deadlock



4" x 10" Center Lock With Hook Throw Deadlock



4" x 10" Center Lock Glass Keeper



4" x 10" Center Lock Glass Keeper With Electric Strike



2-3/4" x 5-5/8" Low Profile Center Lock

6" x 10" Center Locks and Glass Keepers



6" x 10" Center Office Lock



6" x 10" Center Entrance Lock



6" x 10" Center Passage Lock



6" x 10" Center Storeroom Lock



6" x 10" Center Classroom Lock



6" x 10" Center Push Button Lock



6" x 10" Center Lock Glass Keeper



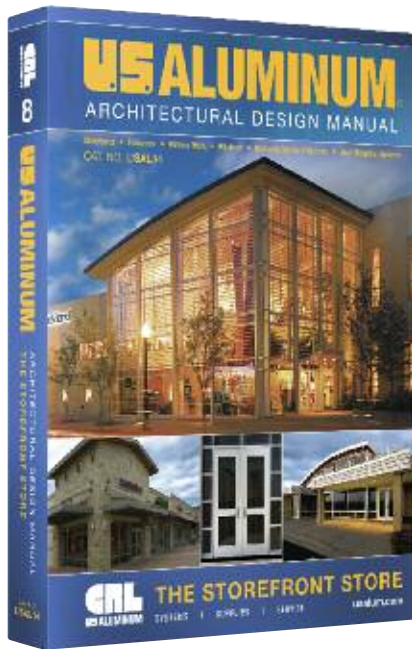
6" x 10" Center Lock Glass Keeper



6" x 10" Center Lock Glass Keeper With Electric Strike



1-3/4" x 5-5/8" Low Profile Glass Keeper



CAT. NO. USAL14

U.S. Aluminum Architectural Design Manual "The Storefront Store"

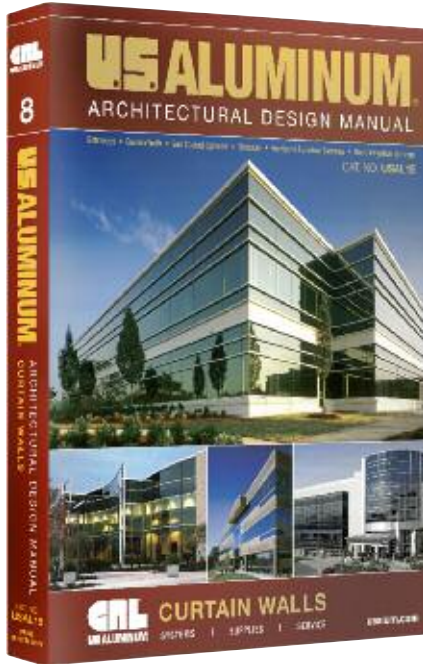


- Storefronts
- Entrance Doors
- Window Walls
- Windows
- Hurricane Resistant Systems
- Blast Resistant Systems

Our USAL14 Architectural Design Manual will show you how simple it can be to get into the storefront installation and repair business. U.S. Aluminum has designed and engineered a number of proven and attractive storefront systems with long-lasting quality, reliability, and durability. Whatever the climate and environment, our storefront systems are known performers that deliver value on a daily basis.

The USAL14 Architectural Design Manual has over 500 pages of extensive information on Aluminum Entrance Doors, Storefronts, Window Walls, Windows, Hurricane (Impact) Resistant Systems, Blast Mitigation Systems, 'All-Glass' Entrances, and Interior Office Front Systems, including an A to Z Index for quick look-up of products. Organized into sections for fast and easy product reference, the USAL14 Architectural Design Manual is your premier source for all things storefront.





CAT. NO. USAL15

U.S. Aluminum Architectural Design Manual "Curtain Walls"

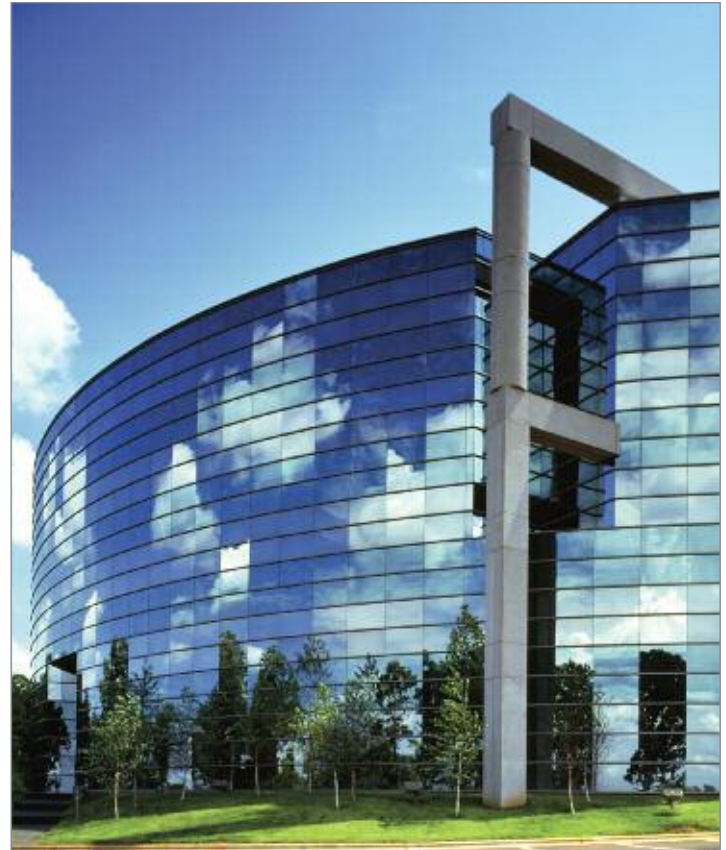


- Entrance Doors
- Windows
- Curtain Walls
- Hurricane Resistant Systems
- Sun Control Systems
- Blast Resistant Systems

Our USAL15 Architectural Design Manual offers you a full range of curtain wall systems with superior thermal performance. The quality, performance, and aesthetic beauty of our products permit architects and designers to fully utilize the unique structural properties of aluminum for both interior and exterior design. Finishes range from custom matched painted coatings to a wide selection of clear, bronze or black anodic finishes.

Our engineering staff constantly updates product design to satisfy the performance requirements and economic concerns of today's most demanding projects. After design, certified independent testing labs test our systems to the highest industry standards.

The USAL15 Architectural Design Manual has over 500 pages of extensive information on Aluminum Entrance Doors, Curtain Walls, Sun Control Systems, Windows, Hurricane (Impact) Resistant Systems, Blast Mitigation Systems, 'All-Glass' Entrances, and Interior Office Front Systems, including an A to Z Index for quick look-up of products. Organized into sections for fast and easy product reference, the USAL15 Architectural Design Manual is your guide for the selection of efficient and attractive curtain wall systems.



Interior Office Front Systems



- Create Contemporary Office Space With a Wide Range of Architectural Finishes
- Accommodates Glazing Thickness Range of 1/4" to 9/16" (6 to 14 mm)
- Screw Spline or Clip Joinery Available
- Fabricate On or Off Site
- Wrap Walls in Various Depths
- Doors and Sidelites Available



Conference Room Walls



Office Entrances

As part of our ever-expanding architectural hardware line, U.S. Aluminum is proud to introduce our latest addition, Interior Office Front Systems.

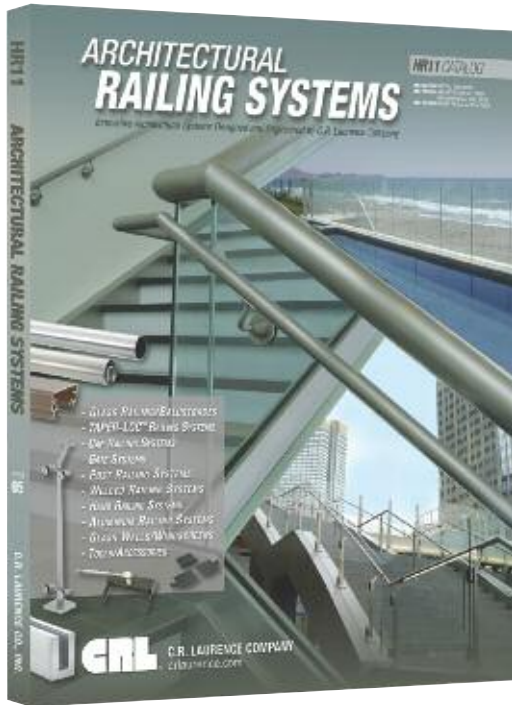
We have involved all our resources to develop a product line that our customers, architects, and designers will come to trust as a viable solution to their interior office design needs. Use our door and window frames for sidelites to doors, clerestory lites, borrowed lites, or continuous glass walls. A great way to divide interior office space and provide acoustical privacy, all while allowing desirable light to enter the indoor spaces.

U.S. Aluminum offers a variety of Interior Office Front Hardware to make state of the art glazing systems available to the glazing industry. Our commitment to our customers is to carry sufficient inventories of popular stock items, and short lead times for special orders. It is a total program that will allow your entry into the Interior Office Front Systems market.

For additional information, contact U.S. Aluminum Technical Sales at (800) 262-5151 in the U.S. and Canada, and ask for Ext. 5305. You can also email us through our web site at usalum.com.



Hallways



CAT. NO. HR11

CRL Architectural Railing Systems



- New Systems for Hand Rails, Guard Rails, Balustrades, Windscreens, and Gates Designed and Engineered for Residential, Commercial, and Institutional Needs
- Featuring Our Exclusive TAPER-LOC® 'X' Dry Glazing System for Glass Railings
- U.S. Patent No. 8,122,654



C.R. Laurence manufactures an extensive selection of architectural railing systems and related hardware for the construction of beautiful, code compliant railings and balustrades, including our very popular Aluminum Railing Systems, and our impressive line of windscreens. We've expanded our complete line of Glass Railing Hardware, from Base Shoe to Cap Rails, simplifying your hardware selection process for balustrades, hand rails, and guard rails. We also produce Stainless Steel Post Railing Kits, Wood Cap Rails, and Hand Rails, as well as a line of Swinging Gates.

Our Architectural Railing Systems Catalog features TAPER-LOC® 'X', the dry glazing system for glass railings. TAPER-LOC® 'X' Tapers can be used with monolithic and laminated tempered glass. This innovative system reduces the installation time and mess associated with wet glaze systems.



A Total Program Combining Style With Safety



U.S. Patent No. 8,122,654



CRL proudly designs and manufactures Architectural Railing Systems for residential, commercial, and institutional needs. It is a comprehensive program that can provide you with Hand Rails, Guard Rails, Balustrades, Windscreens, and Gates that will not only serve their purpose, but will do so in a manner that will add to the aesthetics of the structure into which they are installed.

CRL Architectural Railing Systems combine innovative component design and installation techniques refined by experts in the field of railing technology. Materials used throughout are of the highest quality in a variety of standard architectural finishes.

Our Technical Sales Professionals can help you select and design the Railing System that will best serve your needs. It's a total program that is unmatched by any firm in our industry. For additional information, contact CRL Railing Technical Sales at (800) 421-6144 in the U.S., (877) 421-6144 from Canada, or (323) 588-1281 International, and ask for Ext. 7730. You can also e-mail us through our web site at crlaurence.com. From the home page click on Contact Us, and then click on Technical Sales for Railing Products.

Glass Railing Systems

- Available in Diameters From 1-1/2" to 4" (38 to 102 mm) and Up to Six Stock Finishes



Hand Rail Systems

- Round and Square Profiles Available in Stainless Steel, Brass, Aluminum, and Wood



Aluminum Railing Systems

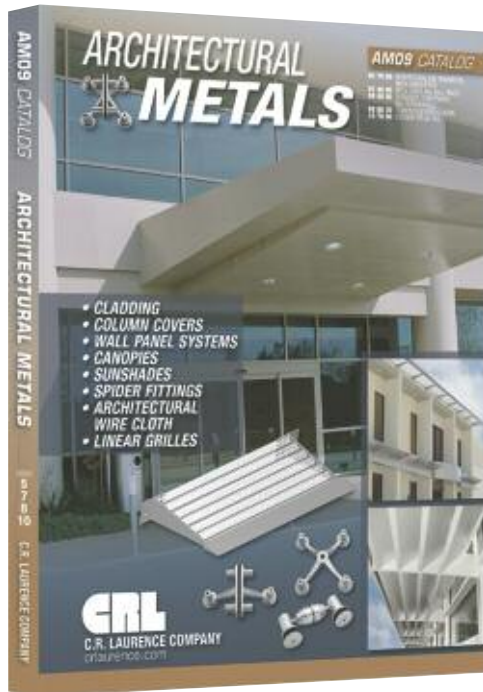
- Glass, Picket, Cable, and Custom Systems in a Variety of Colors



Aluminum Windscreen Systems

- For Pools and Spas, Patios, Balconies, and Observation Decks





CAT. NO. AM09

CRL Architectural Metals



- Column Covers (Cladding)
- Canopies and Sunshades
- Wall Panel Systems
- Perforated Panel Systems
- 'All-Glass' Entrances and Spider Fittings
- Custom Ornamental Metalwork
- Custom Cladding and Brake Metal
- Architectural Wire Cloth

The CRL Architectural Metals Division offers an extensive selection of architectural systems and related hardware for the construction of beautiful, code compliant building façades, including our very popular 'All-Glass' Systems. We offer Wall Panel Systems, Ceiling Systems, Column Cladding, and Perforated Panel Systems, as well as our rapidly growing line of Sunshades and Canopies. We've expanded our complete line of Glass Awnings, from Tension Rods to Universal Brackets, simplifying your hardware selection process for wall mount, storefront mount, and curtain wall mount applications.



Available Finishes

- US-32 #8 Polished Stainless Steel
- US-32D #4 Satin Stainless Steel
- US-3 Polished Brass
- US-4 Satin Brass
- US-9 464 Polished Bronze
- US-10B Oil Rubbed Bronze*
- US-10 464 Satin Bronze
- US-28 Satin Aluminum Clear Anodized
- Dark Bronze Anodized
- Custom Powder Coated Finishes
- Custom Plated Finishes
- Custom Brushed Finishes

* Finish US-10B (613) is unstable and will vary when applied to different alloys or forms of base metal, and to products of different manufacturers.

Finish Samples

Finish samples of any of our metal or composite materials are available for color matching or testing. Just contact the CRL Architectural Metals Division with your request.



Architectural Metals Designed, Engineered, and Manufactured by C.R. Laurence

- Custom Clad Entrance and Storefront Systems
- Custom Break Shaped Aluminum or Architectural Metals
- Custom Metal Column Covers
- Custom Metal Panel Systems
- Custom Ornamental Metals
- Custom Ornamental Hand Rails and Guard Rails
- Custom Canopies

C.R. Laurence Company fabricates custom metals that are both functionally correct and aesthetically pleasing. We can be involved in all phases of your project, from initial design to delivery, with every step controlled by processes that meet strict ISO standards. Our Los Angeles, California manufacturing staff incorporates fine craftsmanship and experience in the design, fabrication, and finishing of architectural metals.

Some of our work is installed in the finest hotels and retail buildings in North America. You can see examples of it in many commercial and entertainment venues. We're able to be involved in so many projects because we have the versatility to supply what you want, and to do so in a cost-efficient and timely manner.

Custom architectural finishes and textures are always an option, so you won't have to be limited to just a few. We specialize in meeting your requirements.

For more information on custom architectural metals contact CRL Technical Sales at (800) 421-6144 in the U.S., (877) 421-6144 from Canada, or (323) 588-1281 International. Ask for Ext. 7770. You can also send e-mail from the crlaurence.com home page. Click on Contact Us, and then click on Technical Sales for Architectural Metals.

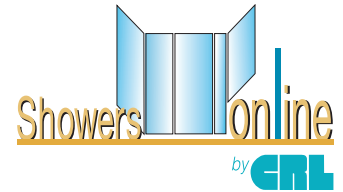




CAT. NO. SD12

CRL Frameless Shower Door Hardware and Supplies

- Beautiful Architectural Finishes
- Unequaled Selection
- Huge Inventories
- Innovative Solutions
- Online Services
- Expert Technical Assistance



Web-Based Design, Glass Sizing, Quote, and Ordering Program

C.R. Laurence offers the largest variety of Frameless Shower Door Hardware in the glass industry. Our initial offering of the basic Wall Mount Hinge in just two finishes has evolved over the years to over 25 series of Shower Door Hinges in various configurations and beautiful finishes, plus Door Pulls and Knobs, Towel Bars, Glass Clamps, Headers, U-Channels, Thresholds, Frameless Door Kits, Wipes and Seals, Sliding Shower Door Kits, Bathroom Mirrors, and Decorator Accessories.

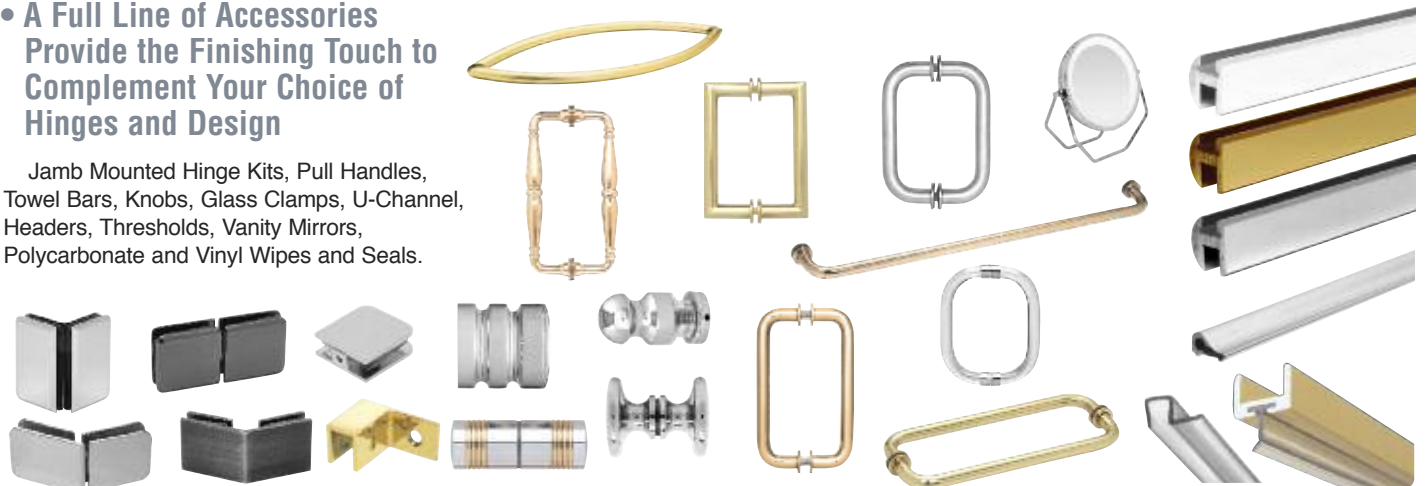
Reacting to the "wish list" of designers and installers has brought about many of the new products that are now part of our extensive selection. Unsurpassed quality combined with technical expertise, full inventories, and the willingness to listen has contributed to create our complete package of quality hardware backed by excellent service.

- CRL Offers Over 25 Varieties of Hinge Series to Accommodate 1/4" to 1/2" (6 to 12 mm) Thick Glass, and Match Most Any Modern Bathroom Décor



- A Full Line of Accessories Provide the Finishing Touch to Complement Your Choice of Hinges and Design

Jamb Mounted Hinge Kits, Pull Handles, Towel Bars, Knobs, Glass Clamps, U-Channel, Headers, Thresholds, Vanity Mirrors, Polycarbonate and Vinyl Wipes and Seals.



Innovative Frameless Systems

Hydroslide Sliding Shower Door System

- Excellent Design for Compact Areas



Serenity Series Sliding Door System

- Unique Award-Winning Design Gives an Almost Floating Appearance



Essence Series Headerless Sliding Door System

- Innovative Alternative to Header Systems



Cottage Series Sliding Shower Door System

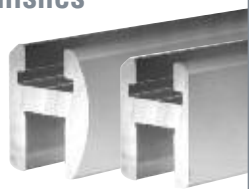


- Clear Polycarbonate or Metal Side Jambs



Deluxe Shower Door Header Kits

- Over 15 Beautiful Finishes



Frameless Restroom Partition System

- Custom Built to Your Specifications



Cleaning Products and Supplies

One of our fastest growing product lines has been our Cleaning Products. We have always specialized in glass cleaning products with the industry favorite being our 1973 Glass Cleaner. And because of our alliance with Sprayway, we are able to offer you even more high quality glass cleaning products, as well as other specialty products for all types of cleaning needs. Available in aerosol and liquid forms, they tackle your toughest applications from cleaning glass, plastics, and metal, to removing graffiti, greases, oils, sealants, adhesives, and even cleaning your hands. Visit crlaurence.com for more information.



Glass Cleaners

- Ammoniated Aerosol Formulas
- Non-Ammoniated Aerosol Formulas
- Private and Logo Labels
- Glass Washing Machine Detergents



Concentrated Glass Cleaners, Stain Removers, and Protectants

- Concentrated Liquid Glass Cleaner
- Ready-Mix Glass and Mirror Cleaners
- Stain Removers
- Surface Protectors



Plastic Cleaners

- Aerosol Plastic Cleaners
- Liquid Plastic Cleaners



All Purpose Cleaners

- Multi-Surface Cleaners
- Stone Countertop Cleaners
- Anti-Fog Spray and Dust Remover
- Solvent Adhesive Removers and Cleaners



Metal and General Purpose Cleaners

- Stainless Steel Polish and Cleaners
- Armor All® Protectant
- Metal Cleaners
- Rust Treatment



Wipes, Towels, and Rags

- Lint Free Shop Wipes
- Scott Paper Towel Rolls
- Kimberly-Clark® Towels
- Micro-Fiber Wipes



Hand Cleaners

- Organic Formula
- Orange Formula With Grit
- Wipes in a Bucket With Urethane and Grease Removers



Cleaning Accessories

- Razor Blades and Scrapers
- Coveralls and Shoe Covers
- Steel Wool and Scotch Brite® Pads



Window Washing Tools

- Squeegees and Poles
- Chamois Cloth
- Window Cleaning Soaps

A TO Z PRODUCT INDEX

For Pricing Visit Our Web Site or Call Us Toll Free at the Phone Numbers Shown on the Back Cover

A	
A Type Door Closer Arm Assembly	443D
A.D.A. Door Closers	436D-440D, 442D
Access Control Handles	397D-407D
Adams Rite® Panic Exit Devices	411D
Adjust to Fit Guarda Security Screen Doors	451D-452D
Adjustable Spring Power Door Closers	438D-440D, 442D
All-Glass Door Hinges	148D-150D, 154D-155D
All-Glass Storefronts Online	XII
All-Glass Systems	101D-164D
Aluminum	
Clad Entrances	242D
Door Pivots	435D
Doors, Blast Resistant	234D-241D
Doors, Impact Resistant	228D-233D
Push Bars	434D
ANSI Grade 1 Surface Mounted Door Closers	437D-439D
Architectural	
Curtain Walls Design Manual	490D
Frameless Glass Showers Catalog	496D
Metals Catalog	494D
Railings Catalog	492D
Storefronts Design Manual	489D
Web Site	XVI
Astragals	205D
Atlas Hinges	154D

B	
Back-to-Back Pull Handles	153D, 424D-430D
Balanced Door Panic Handles	399D
Balanced Doors	250D-258D
Balancer Series Balanced Doors	253D-255D
Balcony/Terrace Doors	224D-227D
Barcelona Series Interior Door Hinge	149D
Bel-Air Combination Door Units	483D-484D
Benefits of Using Wedge-Lock Door Rails	105D-106D
Beretta Series Patch Fitting System	151D-153D
Biloba Series 'All-Glass' Door Hinges	155D
Birmingham Patch Bi-Fold Door System	270D-277D
Bi-Fold Door Systems	262D-281D
Blast Resistant Entrance Doors	234D-241D
Blumcraft	
150 Series Doors	160D
250 Series Doors	161D
1200 Series Doors	158D-159D
1301 Series Display Case Doors	162D-163D
1301 Series Entrance Doors	156D-157D
Catalogs	486D
Deadbolt Handles	402D-403D
Dummy Handles	407D
Electronic Egress Control Handles	404D-405D
Handle Size Limitations	406D
Panic Handles	398D-401D
Bottom	
Channel for Fixed Glass	337D, 352D, 364D
Floor Guide, Laguna Series	315D
Guides, Top Hung Sliding Door System	337D, 352D, 355D, 357D, 364D
Pivot Inserts	113D, 115D, 130D
Pivot Sets	444D
Roller Assembly for Sliding Door System	386D
Rolling Door Systems	365D-396D
Track for Bottom Rolling Sliding Doors	386D, 395D
Bracket Style Pull Handle	426D

C	
Carriage Assembly for OT Series Door System	281D
Catalogs, CRL	486D, 489D-490D, 492D, 494D, 496D
Ceiling Mount Clamp, Laguna Series	316D
Ceiling Mounted Door Stop Fitting	147D
Ceiling Mounted Sliding Glass Door Kits	321D-323D, 329D-332D, 345D-347D, 359D-360D
Cement, Expanding	124D, 128D
Center-Hung Floor Mounted Bottom Pivots	444D
Center-Hung Floor Mounted Door Closers	436D
Center Locks	488D
Charleston Doors	260D
Cladding	115D
Clamps, EZ-Slide	355D, 357D
Clamps, Laguna Series	315D
Cleaning Products	498D
Closer Arm Assemblies	443D
Closer Pivots	444D
Closers, Floor Mounted	436D

Closers, Overhead Concealed	440D-442D
Closers, Surface Mounted	437D-439D
Columbia Security Screen Doors	458D-468D
Combination Door Units, Bel-Air	483D-484D
Combination Push-Pull Handles	425D
Commercial Door Hardware	485D-488D
Commercial Door Pivot Sets	435D
Commercial Patch Hardware	134D-143D
Concealed Overhead Door Closers	440D-442D
Concealed Vertical Rod Exit Devices	408D-411D
Convertible Stacking Partition System	290D-291D
Cottage Series Shower System	497D
Crescent Style Pull Handles	426D
CRL Catalogs	486D, 489D-490D, 492D, 494D, 496D
Cross Bar Panic Exit Devices	408D
Curved Style Pull Handle	425D
Custom	
Door Handles	433D
Door Rails	108D-119D, 123D-126D
Doors and Entrances	259D-260D
Ornamental Metalwork	494D-495D

D	
Deadbolt and Knob Sets	468D
Deadbolt and Lever Sets	468D
Deadbolt Handles	402D-403D
Defender Blast Mitigation Products	234D-241D
Display Case Doors	162D-163D
Door	
Closer Pivots	444D
Closers	436D-442D
Exit Devices	408D-412D
Handles, Custom	433D
Handles, Glass Mounted	424D-430D
Hinges	148D-150D, 154D-155D
Lites	483D-484D
Pull, Laguna Series	316D
Pulls	200D, 414D-434D
Quote/Order Request Forms	188D-189D, 198D-199D, 222D-223D, 248D-249D
Rail Cladding	115D
Rails, Dry Glaze	101D-119D, 130D-132D
Rails, Wedge-Lock	101D-113D, 116D-119D, 130D-132D
Rails, Wet Glaze	123D-126D
Stops, Laguna Series	315D
Style Information	104D
Doors	
Balanced	250D-258D
Bi-Fold	262D-281D
Blast Resistant	234D-241D
Blumcraft	156D-161D
Bottom Rolling	365D-396D
Display Case	162D-163D
Dry Glaze Frameless	120D-122D
Durafront	190D-195D
Flush Panel	202D-204D
Full Framed	165D-177D, 244D-247D
Heavy Glass Sliding	308D-396D
Impact Resistant	226D-233D
Laguna Series	144D-147D, 308D-312D
Screen	469D-482D
Sliding	308D-316D, 377D-382D
Stacking	282D-307D
Thermal	208D-219D
Top Hung Sliding	317D-364D
Wet Glaze Frameless	127D-129D
Wood	313D, 350D
Dorma® Floor Mounted Door Closers	436D
Drop Ceiling Sliding Glass Door Kits	324D-325D
DRS Door Rail System	101D-129D
Dry Coating, Lubricant and Release Agent	289D, 295D
Dry Glaze Frameless Glass Door Kits	120D-122D
Dual-Purpose Bottom Pivot Sets	444D
Dummy Handles	407D

E	
Egress Control Handles	397D-407D
Elbow Style Pull Handle	424D
Electronic Egress Control Handles	404D-405D
Elephant Sliding Door System	365D-370D
End Caps, Door Rail	113D, 115D
End Caps, Laguna Series	314D
End Caps, Stacking Partition System	287D
End-Load Bottom Pivot Sets	444D

A TO Z PRODUCT INDEX

For Pricing Visit Our Web Site or Call Us Toll Free
at the Phone Numbers Shown on the Back Cover

Entrance Door	
Frames	178D-181D
Headers	487D
Options	200D-201D
Pulls	200D, 434D
Entrance Doors	
Balanced	250D-258D
Platinum Series	244D-249D
Series 250 Narrow Stile	165D-169D
Series 250-T Narrow Stile Thermal	214D-215D
Series 400 Medium Stile	165D, 170D-173D
Series 400-T Medium Stile Thermal	216D-217D
Series 550 Wide Stile	165D, 174D-177D
Series 550-T Wide Stile Thermal	218D-219D
Series 650-T Narrow Stile HP Thermal	208D-209D
Series 700-T Medium Stile HP Thermal	210D-211D
Series 750-T Wide Stile HP Thermal	212D-213D
Series 800 Durafront Medium Stile	190D-192D
Series 850 Durafront Wide Stile	193D-195D
Series 900 Terrace	224D-225D
Series 1000 Flush Panel	202D-204D
Series 3000 Sliding	377D-382D
Series BAL-350 Storm Front™ Balcony	226D-227D
Series BR604 and BR606 Defender	234D-238D
Series BT601 Defender	239D-241D
Series DH-350 Storm Front™	228D-229D
Series IG500 Storm Front™	230D-231D
Series IG600 Storm Front™	232D-233D
Essence Shower System	497D
Estimating Software for Storefronts	XII
Euro Series Interior Door Hinges	148D-150D
European Patch Door Kits	138D-139D, 141D, 143D
Exit Devices	408D-412D
Expanding Cements	124D, 128D
Exposed Door Closers	437D-439D
Exterior Handles for Access Handles	398D
Extruded Aluminum Pull Handle	434D
Extruded Aluminum Push Bars	434D
EZ-Slide Sliding Door Kits	354D-357D
F	
Filler Strip, Bottom Rolling Door System	396D
Floor Mount Bottom Pivot Sets	444D
Floor Mounted Door Closers	436D
Flush Panel Doors	202D-204D
Formed Metal Doors and Entrances	259D
Frameless Glass Door Kits	120D-122D, 127D-129D
Frameless Shower Products	496D-497D
Frameless Sliding Door Handle	430D
Free Swinging Interior Door Hinges	148D-150D
Full Framed Doors	165D-177D, 244D-247D
G	
G Type Side-Load Pivot Set	444D
GE Type Side-Load Pivot Set	444D
GW Type End-Load Pivot Set	444D
Glass	
Cleaners	498D
Door Handles	424D-430D
Door Hinges	148D-150D, 154D-155D
Door Kits	120D-122D, 127D-129D
Door Rails	103D-133D
Formulas for Doors	184D-187D, 196D-197D, 220D-221D
Hinges	148D-150D, 154D-155D
Mount Brackets, CRL285 Series	364D
Mount Clamp, Laguna Series	315D
Mounted Pull Handles	414D-430D
Mounted Sliding Glass Door Kits	361D
Railing Systems	492D-493D
Grade 1 Surface Mounted Door Closers	437D-439D
GSDH Series Bottom Rolling Door System	383D-386D
Guarda Protective Security Screens	269D, 445D-455D
Guide Channel for OT Series Door System	281D
H	
H Type End-Load Pivot Set	444D
Hand Cleaners	498D
Handle Configurations	398D
Handles	
Access Control	397D-407D
Back-to-Back	424D-430D
Beretta Series	153D
Custom Fabricated	433D
Deadbolt	402D-403D
Dummy	407D
Electronic Egress Control	404D-405D
Glass Door	414D-430D
Ladder Style	414D-423D, 427D, 429D
Panic	399D-401D
Solid	424D, 427D, 431D-432D
Headers	182D-183D, 487D
Heavy Glass Sliding Door Systems	308D-364D
Heavy-Duty Bottom Pivots	444D
Heavy-Duty Bottom Roller Assembly	395D
High Performance Series 3000 Sliding Doors	377D-382D
Hinges, Glass	148D-150D, 154D-155D
Hurricane Resistant Balcony/Terrace Doors	226D-227D
Hurricane Resistant Entrance Doors	228D-233D
Hydroslide Shower System	497D
I	
Impact Resistant Doors	226D-233D
Intelli-Track Roller	295D
Interior Office Partition Systems	491D
J	
Jackson	
Adjustable Spring Power Door Closers	440D-442D
Center-Hung Top Arm Assemblies	443D
Cover Plates	443D
Floor Mount Bottom Pivot Sets	444D
Floor Mounted Door Closers	436D
Overhead Concealed Door Closers	440D-442D
Panic Exit Devices	408D-409D
Replacement Hardware	443D
Surface Mounted Door Closers	437D-439D
K	
K Type Door Closer Arm Assembly	443D
Kits for Frameless Shower Doors	497D
Kits for Glass Doors	120D-122D, 127D-129D, 136D-143D, 151D-153D
Kwixset Cement	124D, 128D
L	
Ladder Style Pull Handles	414D-423D, 427D, 429D
Laguna Series Components	146D-147D, 314D-316D
Laguna Series Pivot Door System	144D-147D
Laguna Series Sliding Door System	308D-316D
Lever Handles and Locks	468D
Light Duty Stacking Partition System	282D-289D
Full Rails	283D
Parking Configurations	285D
Patch Fittings	284D
Replacement Components	287D-289D
Roller Assemblies	287D
Track Components	286D
Track Suspension System	285D
Lock, Door Rail	122D
Locking Ladder Pulls	416D-423D
Locks, Bottom Rolling Sliding Door	395D
Locks, Center	488D
Low Profile Door Rails	112D-113D, 130D
Lubricants	289D, 295D
M	
Medium Stile Doors	165D, 170D-173D, 190D-192D, 210D-211D, 216D-217D
Metal Cleaners	498D
Metal Lubricant	289D, 295D
Mid-Panel Panic Exit Devices	412D
Mitered Corner Pull Handle	427D
Mixing Kit for Cements	125D, 129D
Monterey Series Bi-Fold Sliding Door System	262D-268D
N	
Narrow Stile Doors	165D-169D, 208D-209D, 214D-215D
Narrow Stile Rim Panic Exit Devices	408D-410D
Narrow Width Floor Mounted Door Closers	436D
North American Patch Door Kits	136D-137D, 140D, 142D
Nylon Brush Weatherstrip	126D
O	
Office Partition Systems	491D
Offset Pivot Sets	435D
Offset Pull Handles	424D-425D, 428D, 431D-432D
Online Storefronts Design Program	XII
OT Series Sliding and Bi-Fold Doors	278D-281D



C.R. LAURENCE COMPANY

crlaurence.com | usalum.com

500D | crlaurence.ca crlaurence.com.au crlaurence.co.uk crlaurence.de crlaurence.eu

A TO Z PRODUCT INDEX

For Pricing Visit Our Web Site or Call Us Toll Free
at the Phone Numbers Shown on the Back Cover

Overhead	
Concealed Door Closers	440D-442D
Door Closer Cover Plates	443D
Track Sliding and Bi-Fold Doors	278D-281D
Track, Stacking Partition System	305D

P	
P Type End-Load Pivot Set	444D
Panic Exit Devices	408D-412D
Panic Handles	397D-401D
Patch	
Bi-Fold Door System	270D-277D
Door Rails	130D-132D
Fittings, Beretta Series	151D-153D
Hardware	130D-143D
Pivot Door System, Laguna Series	144D-147D
Pivot Inserts	113D, 115D, 130D
Pivots, Bottom	444D
Pivots, Offset	435D
Plastic Cleaners	498D
Plastic Scoop	125D, 129D
Platinum Series Full Framed Doors	244D-249D
Pouring Pail	125D, 129D
Pouring Ramp	126D
Premium Series Balanced Doors	256D-258D
Prepared Headers and Thresholds for Entrance Doors	182D-183D
Protective Security Screens, Guarda	269D, 445D-455D
PT Type Door Closer Arm Assembly	443D
Pull Handles	
Back-to-Back	424D-430D
Custom Fabricated	433D
Ladder Style	414D-423D
Offset	424D-425D, 428D, 431D-432D
Solid	424D, 427D, 431D-434D
Thru-Glass	281D, 316D
Push Bars	434D
Push-Pad Rim Panic Exit Devices	408D-411D
Push-Pull Combination Handles	431D-433D

R	
Railing Systems	492D-493D
Rails	
Door	101D-126D, 130D-133D
Dry Glaze	120D-122D
Stacking Partition System	297D-302D
Wet Glaze	123D-126D
Rapid-Up Removable Screen Door	477D
Restroom Partition System	497D
Retractable Screen Door Kits	482D
Rim Panic Exit Devices	408D-411D
Ring Style Pull Handles	429D
Rockite Cement	124D, 128D
Roller Assembly	
For Bottom Rolling Door System	385D, 395D
For Laguna Sliding Door System	314D
For Stacking Partition System	287D
For Top Hung Sliding Door System	334D, 352D, 355D, 357D, 362D
Roller Stops	338D, 353D, 364D
Rolling Door Systems	384D-396D
Roma Series Interior Door Hinge	149D

S	
S Style Ladder Pull Handles	415D
Screen Door Accessories	477D
Screen Door Measuring Instructions	457D
Screen Doors	469D-482D
Sculptured Style Pull Handle	427D
SDR Series Bottom Rolling Door System	388D-391D, 395D-396D
Security Astragal	205D
Security Screen Doors, Columbia	458D-468D
Security Screens, Guarda Protective	269D, 445D-455D
Serenity Shower System	497D
Sex Bolts	434D
Shower Door Hardware	496D-497D
Sidelite Rails	485D
Side-Load Bottom Pivot Sets	444D
Slender Profile Door Rails	114D-115D
Sliding	
Bi-Fold Door Systems	262D-281D
Doors, Bottom Rolling	365D-396D
Doors, Laguna Series	308D-316D
Doors, Top Hung	317D-364D
Doors, Wood	313D, 350D
Elephant Door Systems	365D-370D
Glass Door Handles	424D-430D
Shower Door Kits	497D
Screen Door Kits	481D
Screen Doors	478D-480D
Snap-In Filler Strip	396D
Sofia Series Interior Door Hinge	150D
Softbrake Braking Systems	317D-323D, 334D, 358D-362D

Solid Pull Handles	424D, 427D, 431D-433D
Solid Push Bar and Pull Set	434D
Spanner Wrench	147D, 316D
Spray Lubricants	289D
SPS (Stacking Partition System)	290D-307D
Square Door Rails	109D-111D, 113D, 117D-119D, 125D-126D
Square Tube Pull Handles	428D
SSR Series Bottom Rolling Door System	392D-396D
Stacking Partition System, Light Duty	282D-289D
Full Rails	283D
Parking Configurations	285D
Patch Fittings	284D
Replacement Components	287D-289D
Roller Assemblies	287D
Track Components	286D
Track Suspension System	285D
Stacking Partition System, Standard	290D-307D
Full Rails	297D-302D
Parking Configurations	296D
Replacement Components	304D-305D
Roller Assembly	295D
Track Components	305D
Track Suspension System	306D
Steel Screen Doors	469D-473D
Steel Security Door Combination Lock Sets	468D
Steel Security Screen Doors	458D-468D
Stock Entrance Doors	166D-177D
Storefront Estimating Software	XII
Storm Front™ Balcony/Terrace Doors	226D-227D
Storm Front™ Entrance Doors	228D-233D
Straddle Lock for Sliding Door System	395D
Straight Style Ladder Pulls	414D
Surface Mounted Door Closers	437D-439D
Synchronizing Hardware for Sliding Doors	327D-330D, 333D, 339D, 348D-349D

T	
Tajima Doors and Entrances	IX, 259D-260D
Tapered Door Pull	434D
Tapered Door Rails	108D, 116D, 124D, 131D-132D
TAPER-LOC® Railing System	492D-493D
Telescoping Sliding Door Kits	331D-333D
Thermal Break Technology	207D
Thermal Entrance Doors	208D-219D
Thresholds	182D-183D
Thru-Glass Pull	281D, 316D
Top	
Closer Inserts	113D, 115D, 130D
Hanger Covers and End Caps	339D, 363D
Hung Sliding Door Systems	317D-364D
Pivot Inserts	113D, 115D, 130D
Roller, EZ-Slide	355D, 357D
Roller, Laguna Series	314D
Sliding Tube, Laguna Series	314D
Track Brackets	338D, 351D
Track for Bottom Rolling Doors	395D
Track for OT Series Overhead Doors	281D
Track for SPS Doors	304D
Track for Top Hung Sliding Doors	281D, 321D, 334D-335D, 351D, 357D, 362D
Track Trim Cover Support	339D
Track	
Bottom Rolling Door Systems	386D, 395D
Covers	336D, 351D, 363D
End Caps	337D, 353D, 363D
OT Series Overhead	281D
Separator	338D
SPS Overhead	304D
Suspension System, SPS	285D, 306D
Top Hung Sliding Door	281D, 321D, 334D-335D, 351D, 355D, 357D, 362D

U	
Universal Spanner Wrench	147D, 316D

V	
Valencia Series Interior Door Hinge	148D
Vanguard Security Astragal	205D
Variant Series Pull Handles	430D
Vertical Rod Insert, Laguna Series	147D
Vinyl Screen Doors	474D-476D
Von Duprin® Panic Exit Devices	410D

W	
Wall Mounted Sliding Glass Door Kits	318D-320D, 342D-344D
Weatherstrip	126D
Web-Based Design Programs	XII
Wedge-Lock Door Rail System	101D-113D, 116D-122D, 130D-132D
Wet Glaze Door Rails	123D-126D
Wet Glaze Frameless Glass Door Kits	127D-129D
Wide Stile Doors	165D, 174D-177D, 193D-195D, 212D-213D, 218D-219D
Window Washing Tools and Supplies	498D
Wood Door Track Systems	313D, 350D

DOORS AND ENTRANCE SYSTEMS



'All Glass' Doors
Pages 101D thru 161D



Display Case Doors
Pages 162D thru 163D



Full Framed Doors
Pages 165D thru 206D



Thermal Doors
Pages 207D thru 225D



Hurricane Resistant Doors
Pages 226D thru 233D



Blast Resistant Doors
Pages 234D thru 241D



Clad Doors
Pages 242D thru 249D



Balanced Doors
Pages 250D thru 258D



Formed Metal Doors
Pages 259D thru 260D



Bi-Folding Doors
Pages 262D thru 281D



Stacking Doors
Pages 282D thru 307D



Top Hung Sliding Doors
Pages 308D thru 364D



Elephant Doors
Pages 365D thru 370D



Bottom Rolling Doors
Pages 371D thru 396D



Security Screen Doors
Pages 445D thru 468D



Screen Doors
Pages 469D thru 482D

C.R. LAURENCE CO., INC.

PO Box 58923, Los Angeles, CA 90058-0923

Phone: (800) 421-6144

Fax: (800) 262-3299

crlaurence.com

© Copyright 2012, C.R. Laurence Co., Inc.

U.S. ALUMINUM

Phone: (800) 262-5151

Fax: (866) 262-3299

usalum.com

COLUMBIA MFG.

Phone: (800) 729-3667

Fax: (310) 323-9862

columbiamfg.com