

NEW PRODUCTS UPDATE

February 1, 2013

TO OUR VALUED CUSTOMERS:

We are pleased to announce the addition of new products and designs to further enhance and expand our current line of fine architectural and residential builder's hardware.

DOOR CLOSERS

- **NEW** 904 Parallel Arm Drop Bracket can be used for 900, CR801, CR801S, 300 Series (refer to pages DC2, DC6, DC7)
- **NEW** 900SMET US32D Stainless Steel Cover for 900 Series (Slim) (refer to page DC2)
- **NEW** CR441COV US32D Stainless Steel Cover for CR441 Series (Full Cover) (refer to page DC4)
- **NEW** 850F Flat Drop Bracket can be used for CR801S/CR801 Series (refer to page DC6)
- **NEW** CRWRENCH Variable-sized hexagonal wrench for CR3049HO Arm

LOCKSETS AND DEADBOLTS

ELDB-89 HEAVY DUTY Grade 2 PROGRAMMABLE ELECTRONIC DEADBOLT

- **NEW** Available and in stock in US26D, US3, US15, US11P and US10B finishes (refer to page L2)

NM SERIES MORTISE LOCKSETS

- **NEW** Privacy Function with "OCCUPIED" indicator and coin turn NM8445, WI8445 for all lever designs
- **NEW** Keyed Privacy Function with "OCCUPIED" indicator NM8495, WI8495 for all lever designs
- **NEW** Double Dummy Function NM8172 for all design levers
- **NEW** CE, DE, HE, VE, and YE escutcheon lever designs (refer to page 6 of Lockset catalog)
- **NEW** CS, DS, HS, VS, and YS sectional lever designs (refer to page 7 of Lockset catalog)
- **NEW** Door Bolt Function for Small body (SM4808) and standard body (M8408) mortise deadbolts (refer to page 11 of Lockset catalog)
- **NEW** CS and HS sectional lever designs (refer to page L4 of price list)
- **NEW** VS and YS sectional lever designs (refer to page L5 of price list)
- **NEW** DS decorative style sectional lever designs (refer to page L6 of price list)
- **NEW** CE and HE escutcheon lever designs (refer to page L10 of price list)
- **NEW** VE and YE escutcheon lever designs (refer to page L12 of price list)
- **NEW** DE decorative style escutcheon lever designs (refer to page L13 of price list)
- **NEW** Dead Bolt Function with "OCCUPIED" Indicator for Small body (SM4968) and standard body (M8968) mortise deadbolts (refer to page L19 of price list)
- **NEW** US32D finish available for small and standard body mortise deadbolt functions (refer to page L19 of price list)

GENESYS GRADE (1) CYLINDRICAL LEVERSETS (refer to page L22)

- **NEW** Full Size Interchangeable cores for : (refer to page L26 – L27)
 - ICGYS** - Schlage Large Format IC available in stock in US26D all functions, US10B for entrance, storeroom, classroom
 - RUSICGN** - Russwin/Corbin Large Format IC available in stock in US26D finish for all functions
 - SARICGN** - Sargent Large Format IC available in stock in US26D finish for all functions
 - YALICGN** - Yale Large Format IC available in stock in US26D finish for all functions
- **NEW** Exit Function ANSI F89 GN50 for all Genesys lever designs (refer to page L22-L25 of price list)
- **NEW** Dormitory Function (Non-Clutch) GN101 for Genesys GN lever design (refer to page L22 of price list)

6605 Flotilla St., City of Commerce, California 90040 U.S.A.

Phone: (323) 888-6601

Fax: (323) 888-6699

1

Email: sales@cal-royal.com

Website: www.cal-royal.com

PIONEER SERIES GRADE (2) CYLINDRICAL LEVERSETS

- US15 Satin Chrome Finish for RL & AG Designs are now in stock and available for shipping

EXPLORER SERIES GRADE (2) CYLINDRICAL LEVERSETS

- **NEW** OPTIONAL Clutch system available for XP and XPRL designs available and in stock in US26D and US10B finishes for Entrance, Storeroom and Classroom functions (refer to page L43 of price list)

CRB SERIES GRADE (1) HEAVY DUTY DEADBOLTS

- **NEW** Anti-Microbial Coating available for US26D and US32D finishes (refer to page L60 of price list)

T300 SERIES Grade 2 DEADBOLTS (refer to page L61)

- **NEW** One-Way Deadbolt Lock UL Listed ULT700, ICULT700
- **NEW** One-Sided Latch no outside trim UL Listed ULID363
- **NEW** One-Sided Latch Blank Plate outside trim UL Listed ULID365

T400 SERIES Maximum Security Grade 2 DEADBOLTS (refer to page L63)

- **NEW** Single Cylinder Deadbolt 6-pin "C" Keyway T460, and 5-pin Kwikset Keyway KWT460
- **NEW** Double Cylinder Deadbolt 6-pin "C" Keyway T462, and 5-pin Kwikset Keyway KWT462
- Gate Latches also available in 2 3/8" and 2 3/4" backsets

STANDARD DUTY DEADBOLTS SERIES Grade 3

- **NEW** US32D finish available in stock for Standard Duty Single Cylinder Deadbolt T220 and Standard Duty Double Cylinder Deadbolt T330 (refer to page L67)

LSD SERIES LIGHT COMMERCIAL/RESIDENTIAL STANDARD DUTY DEADBOLTS Grade 3

- **NEW** US15 & US5 finishes available in stock for immediate shipment (refer to page L71)

CONTEMPORARY DESIGN GRADE (3) TUBULAR LOCKSETS

- **NEW** Contemporary Series Lever designs
 - **ATLAS – ATL Series**
 - **HOLLAND – HOL Series** (square rose)
 - **JUPITER – JUP Series**
 - **PHOENIX – PHO Series**
 - **VANITY – VAN Series**
 - US15, US10B finish in stock for immediate shipment (refer to page L82)
- **NEW** Contemporary Series Deadbolt design (refer to page L83)
 - **ESQUIRE – ESQ** square rose design
 - US15, US10B finish in stock for immediate shipment (refer to page L83)

NEW HIGH SECURITY CYLINDERS

- **NEW CRP HIGH SECURITY CYLINDERS with exclusive side bar keyways (refer to pages L76 – L77)**
 - KIKL5 Universal 5-pin Grade 3 Key-In-Knob/Lever Cylinder
 - KIKL6 Universal 6-pin Key-In-Knob/Lever Cylinder
 - LFIC6 Schlage Large Format IC Core
 - SFIC7 Small Format IC Core
 - MRC114 6-pin 1 1/4" Mortise-Rim Combo Cylinder
 - MRC118 6-pin 1 1/8" Mortise-Rim Combo Cylinder
 - MRCLFIC-2-H Mortise-Rim Combo Large Format IC Housing
 - MRCSFIC-1-H Mortise-Rim Combo Small Format IC Housing

RIM AND MORTISE CYLINDERS

- **NEW** CGR175 Cylinder Guard Ring 1 ¾" with Wave Washer and Spacing Collar (refer to page L73)
- **NEW** Keying Accessories Plastic Dust Boxes PDBFLS, PDB1214 and PDB118234 (refer to page L75)

HINGES

- **NEW** UNMARKED hinges without CRP logo available (refer to finishes in reverse italics in the hinge pricelist)
- **NEW** CASTLEGATE 4" x 4" Spring hinge combination square and round (⅝") corners (refer to page H6)
- **NEW** CASTLEGATE 4" X 4" Plain hinge combination square and round (⅝") corners (refer to page H8)
- **NEW** Solid Brass CABINET HINGES Ball-tipped hinges 2" x 2 ½" and 2 ½" x 1 11/16" available in stock in US10B, US15
- **NEW FINISHES** **BB5210** - 5" X 4.5" 4-Ball Bearing Full Mortise US10, US10BNRP and US32DNRP;
BB5200 - 4.5" x 4.5" 4-Ball Bearing Full Mortise US10BNRP and US3NRP;
BB545 - 5" x 4.5" 2-Ball Bearing Full Mortise US26, US4 and US10;
BBSC56 - 4" x 4" 2-Ball Bearing Full Mortise US10;
BBRC45 - 4" x 4" ¼" radius Full Mortise US10;
TBHSC55 - 4" x 4" Plain Bearing US10;
TBHRC44 - 4" x 4" ¼" radius US10;
BB2200 - 4.5" x 4.5" Concealed Ball Bearing Full Mortise US4, US10 and US15;
HOSBB31 - 4.5" x 4.5" 2-Ball Bearing Hospital Tip US26DNRP, US32DNRP;
HOSBB5200 - 4.5" X 4.5" 4-Ball Bearing Hospital Tip US26DNRP, US32DNRP;
RH60 - 4" x 4" ¼" radius Plain Bearing US10;
RH35 - 3.5" x 3.5" ⅝" Plain Bearing US10
- **NEW** Standard Weight 3.5" x 3.5" ⅝" radius Ball Bearing Hinge BBRC5835 in US26D (refer to page H2)
- **NEW** Decorative Tips for Steel Plated Commercial Hinges BALL55KIT, STP33KIT and STP55KIT (refer to page H3)
- **NEW** RPH45SHIM ⅛" Shim Plate for RPH45 Reinforcing Pivot Hinge (refer to page H9)

GEARED ALUMINUM CONTINUOUS HINGES

- Electrification option for continuous hinges will be discontinued

EXIT DEVICES

- All Concealed Vertical Rod and Narrow Stile Concealed Vertical Rod **Trims** only are excluded from electrification. CVR and GLSCVR Exit Devices can still be electrified.
- **NEW** improved Alarms for 7700, 9800 and 2200 Series Exit Devices.
 - Alarm unit now has a signal OC output that can be linked to external alarm control systems
 - Louder Siren (120db)
 - 1-, 3-, 5-minute and continuous alarm type settings available
 - ON and OFF power switch
 - Easy removal of the alarm unit without the need to dismount the exit device for battery maintenance.
- **NEW** prices for Alarms for 7700, 9800 and 2200 Series Exit Devices
- **NEW KABA-Cal-Royal Combination** 7700, 9800 and 2200 Exit hardware devices can now be combined with Kaba InSync CP

EXIT DEVICES

- **NEW** Full Size Interchangeable Cores for ENT00L and STR05L TRIMS for 7700, 9800 and 2200 Series:
 - RUSICENT00L, RUSICSTR05L - **Russwin/Corbin** Large Format IC
 - SARICENT00L, SARICSTR05L - **Sargent** Large Format IC
 - YALICENT00L, YALICSTR05L - **Yale** Large Format IC

EXIT DEVICES

9800 GRADE (1) SERIES

- **NEW** Non-Fire Rated Narrow Stile Rim Exit Device for wood, aluminum and metal doors ([GLS9800](#))
- **NEW** Non-Fire Rated Narrow Stile Concealed Vertical Rod Exit Device for metal and aluminum doors (with optional less bottom rod) [GLSCVR9800](#)
- **NEW** Non-Fire Rated Mortise Lock Rim Exit Device ([MR9800](#))
- **NEW** Non-Fire Rated Concealed Vertical Rod Exit Devices for Wood and Metal Doors (with optional less bottom rod) ([MCVR9800/WCVR9800](#))

7700 GRADE (1) SERIES

Our 7700 Series Exit Devices now come with a more complete line. These include the following:

- **NEW** Non-Fire Rated Mortise Lock Rim Exit Device ([MR7700](#))
- **NEW** Non-Fire Rated Concealed Vertical Rod Exit Devices for Wood and Metal Doors (with optional less bottom rod) ([MCVR7700/WCVR7700](#))
- **NEW** Non-Fire Rated Narrow Stile Rim Exit Device for wood, aluminum and metal doors ([GLS7700](#))
- **NEW** Non-Fire Rated Narrow Stile Concealed Vertical Rod Exit Device for metal and aluminum doors (with optional less bottom rod) [GLSCVR7700](#)
- **NEW** Escutcheon Lever designs "AT" and "RL"

- **NEW** Delayed Egress Option now available (*refer to page E32*)

SIGNS

- **NEW** California Approved Restroom Signs with Braille (*refer to page S3*)
- Handicap (ADA) Exit Sign with Braille EX-66 is discontinued

BUILDERS HARDWARE

AUTO FLUSHBOLTS

- US10 Finish for Metal and Wood Door Automatic Flush Bolt AUTOFLM1/AUTOFLW22, and Metal and Wood Door Automatic Flush Bolt with Auxiliary Fire Latch AUXAUTOFLM1/AUXAUTOFLW22 are discontinued

MISCELLANEOUS DOOR AND WINDOW HARDWARE

- **NEW** Solid Bar Round pulls 1" diameter in 10", 8" CTC length (*refer to DH5*)
- **NEW** Solid Bar Round pulls ¾" diameter in 10", 8", 6", 5 ½" CTC length (*refer to DH5*)
- **NEW** Solid Bar Flat pulls ⅜" thick in 10", 8", 6" CTC length (*refer to DH5*)
- **NEW** Solid Bar Elipse pulls ⅞" , ¾" thick in 5 ⅞", 5 ½" CTC length (*refer to DH5*)

DOOR VIEWER

- **NEW** Electronic Door Viewer ELECDDV180 (*refer to DH7*)

SECURITY BOLTS

- **NEW** Flip Style Mortise Flush Bolt FLPFB400 (*refer to DH10*)
- **NEW** Flip Style Mortise Flush Bolt with 18" Extension Rod EXT FB-1 (*refer to DH10*)
- **NEW** Stamped Brass Lever Extension Bolt SBFB825 (*refer to DH11*)

HANDRAIL BRACKETS

- **NEW** Heavy Duty Cast Handrail Bracket ADAHB-4 (*refer to DH12*)

DOOR BOLTS

- **NEW** Small Gooseneck Door Stopper SMGNS-1 (*refer to DH13*)

CLOSET HARDWARE

- **NEW** Finishes US15, 10B Steel Closet Pole Socket MPS3 (*refer to DH17*)

We wish to thank you for your business and support as we strive to expand and update our product line. If you need additional copies of these inserts, please print it from our website at www.cal-royal.com.

Yours Sincerely,

Cal-Royal Products, Inc.

6605 Flotilla St., City of Commerce, California 90040 U.S.A.

Phone: (323) 888-6601

Fax: (323) 888-6699

4

Email: sales@cal-royal.com

Website: www.cal-royal.com

Introduction to Cal-Royal Products, Inc.

CAL-ROYAL PRODUCTS, INC. was established in California in 1983. Since then, our management and staff have been dedicated to provide the best service and products to our customers. Cal-Royal currently has five warehouses nationally. Our corporate office and main facility is located in Commerce, California, with satellite warehouses in Texas, Pennsylvania, Georgia and Florida.

Cal-Royal has focused on providing "Innovative and Value Added" hardware products and accessories to the builders industry. In accepting this charter, Cal-Royal has continued to be the leader in import hardware. Our product offering is designed to comply with the Americans with Disabilities Act (ADA) and to encompass all levels of ANSI classification, Grades 1, 2 and 3 as well as UL requirements.

In keeping with our tradition of innovation, Cal-Royal is one of just three manufacturers providing the Clutch System (Genesys, Grade 1) for lever locks. This system provides superior design and value by deterring damage to levers from misuse or vandalism. Furthermore, we offer a complete line of mortise locks, exit devices, door closers, hinges and many other hardware and trim products.

Cal-Royal has provided hardware for many notable projects built or renovated in the past 10 years. The MGM Grand Hotel in Las Vegas, the Pentagon in Washington D.C. and several buildings of the Internal Revenue Service to name just a few. Additionally we have provided products for Hilton and Marriott Hotels, several Federal courthouses and many commercial buildings, hospitals and retail stores.

Cal-Royal Products, Inc. is the vision of its founders Mr. Sina Yashar and his sons Kaye and David. The Senior Yashar was a prominent international businessman prior to the founding of Cal-Royal. Kaye was educated in England earning a degree in Computer Science and David taking the more traditional route and earning his degree in Business Marketing. All three remain active in the daily operation of Cal-Royal. Their combined drive, ambition and knowledge has propelled Cal-Royal to the position it holds today as a leader in manufactured and imported hardware.

Cal-Royal's commitment is to deliver the highest quality, cost-effective service and value to our customers. Each member of our professional staff has been trained to provide quality construction, technical and management services to our customers. Please consider our company and team for your future hardware requirements.

Respectfully,

Cal-Royal Products, Inc.



June 1, 2011



To Whom It may Concern,

This is to verify that "Cal-Royal Products, Inc." is a major supplier of door hardware field. We are currently supplying door hardware to many national hotel chains. Many architectural firms in the U.S. and International market have approved our door hardware products. We assure you our products are of the highest quality. All our products meet or exceed all ANSI and UL specification for the U.S. market.

The following list is sample of the hotels and U.S. government agencies, which our products were approved and are still quite satisfied with our product line. These hotels and government facilities are located in the international and domestic market.

Private, Government Organizations and Hotel List

Four Seasons Hotel	Egypt	Monte Carlo Hotel	Las Vegas, NV
JW Marriott & Marriott Hotels	Worldwide	Circus Circus Hotel	Las Vegas, NV
Sheraton Hotels	Worldwide	MGM Hotel	Las Vegas, NV
Westin Hotels	Worldwide	Sheraton Hotel	New Orleans, LA
Hilton & Double Tree Hotels	Worldwide	Oasis Hotel	Cancun, MX
Holiday Inn / Holiday Inn Exp	Worldwide	Comfort Inn Suites	Duluth, GA
Comfort Inns	Worldwide	West Side Church	Lexington, KY
Red Roof Inns	Worldwide	Comfort Inn Suites	South Bend, IN
Radison Hotels	Worldwide	Don Cesar Beach Resort	Florida
Sun Suite & Affiliates	Worldwide	Whitney Manor	Cheshire, CT
Embassy Suites	Worldwide	Sun Suites	Georgia
San Stefano Four Seasons Hotel	Egypt	Spring Hill Suites	Ft. Lauderdale, FL
Sofitel Pyramid Hotel	Egypt	Hawthorn Suites	Indianapolis, IN
Cairo Airport	Egypt	First Assembly of God	Delphi, IN
Intercontinental Hotel	El Gouna, Egypt	Resolute Child Development	Indianapolis, IN
Kuwait Embassy	Cairo, Egypt	Christ the Savior Church	Indianapolis, IN
American Embassy	Maadi, Egypt	Far best Foods	Indianapolis, IN
McGuire (Air Force Base)	Wrightstown, NJ	Free Methodist Church	Murfreesboro, KY
US Federal Court Office Building	Washington D.C.	Southport Christian Church	Southport, IN
IRS Office Buildings	U.S.A.	Country Inn & Suites	Marion, IN
Dover Air Force Base	Dover, Delaware	Valley Mills Christian	Owensboro, KY
International Trade Offices	Portsmouth, ME	First Lutheran Church	Louisville, KY
YMCA Offices	S. Portland, NH	Universal Towers	Orlando, FL
Pentagon Office Buildings	Washington D.C.	Andy Mohr Ford Dealership	Plainfield, IN
Fort Carson,	Colorado Springs, CO	Various Amusement Parks	
Camp Lejeune	Camp Lejeune, NC	in Florida	Florida
Beals Dept. Stores	Florida	Auction Broadcasting Offices	Indianapolis, IN
US Customs Office Buildings	Tampa, FL	AMLI @ Riverbed Rehab	
Cook Building Office Buildings	Bloomington, IN	Offices	Indianapolis, IN
Ohio State University	Columbus OH	Howard Johnson	Albany, GA
North State University	Denton, TX	Olympia Park Hotel	Salt Lake City, UT
Philadelphia School District	JFK Center		

We thank you for your interest in Cal-Royal Products, Inc. and we hope to serve you in the near future in all your hardware needs for the hotel and commercial buildings.

Yours truly,

Kaye Yashar
President

CAL-ROYAL PRODUCTS, INC.
6605 Flotilla Street, Commerce, CA 90040
Tel: 323-888-6601 ♦ Fax: 323-888-6699

January 1, 2011

Re: Buy American Act / American Recovery and Reinvestment Act

To All Customers and potential customers:

We want to take this opportunity to discuss the Buy American Act and the American Recovery and Reinvestment Act of 2009 in connection with the purchase and use of Cal-Royal products.

Buy American Act:

The Buy American Act ("BA Act") specifies that the U.S. Government and certain other third parties which utilize federal funds for a project must give preferred status to goods that are manufactured in the U.S.A., however, there are several exemptions. Two of the listed exemptions, which apply to products supplied by Cal-Royal Products, Inc., are as follows:

1. The U.S. Trade Representatives have waived the requirements of the BA Act for products that are purchased from countries that are members of the World Trade Organization (WTO), and signatories of the Government Procurement Agreement ("GPA"). Taiwan and South Korea are members of the WTO and signatories to the GPA. Accordingly, products purchased by Cal-Royal from these two countries are exempt from the BA Act, and may be purchased for projects covered by the BA Act without penalty or violation. Please note, however, that this exemption applies when the procurement amount exceeds certain thresholds for supply (\$203,000) and/or construction contracts (\$7,804,000). Please refer to the BA Act for current thresholds and related provisions.

Cal-Royal products that are acceptable for use on BA Act projects include:

LOCKSETS

- CR3000 Grade 1 Digital Keypad Door Locks (Taiwan)
- ELDB-89 Grade 2 Digital Keypad Deadbolt (Taiwan)
- M Series Grade 1 Mortise Leversets (Taiwan)
- Genesys Grade 1 Cylindrical Leversets (Korea)
- Calypso Grade 1 Cylindrical Leversets (Taiwan)
- Omega Grade 1 Cylindrical Locksets (Taiwan)
- Explorer Grade 2 Heavy Duty Cylindrical Leversets (Korea)
- Commander Gr 2 Heavy Duty Cylindrical Leversets (Korea)
- Pioneer SL Grade 2 Cylindrical Leversets (Korea)
- Challenger Grade 2 Cylindrical Leversets (Korea)
- Barrington Grade 2 Cylindrical Locksets (Korea)
- HIL and JHIL Grade 2 Interconnected Locks (Korea)
- CRB800 Grade 1 Heavy Duty Deadbolts (Taiwan)
- T300 Grade 2 Heavy Duty Deadbolts (Taiwan)
- T220 Grade 2 Standard Duty Deadbolts (Korea)

DOOR CLOSERS

- 900 Series Grade 1 Heavy Duty Door Closers (Korea)
- CR441 Grade 1 Heavy Duty Door Closers (Korea)
- CR801S/CR801 Grade 1 Heavy Duty Door Closers (Korea)
- 700 Series Grade 1 Standard Duty Closers (Korea)

EXIT DEVICES

- 7700 Series Grade 1 Exit Devices (Taiwan)
- 9800 Series Grade 1 Exit Devices (Taiwan)
- 2200 Series Grade 1 Exit Devices (Taiwan)
- 4400 Series Grade 2 Exit Devices (Taiwan)

2. Section 10a of the Act provides that the U.S. Government may purchase foreign products where U.S. made products are not available in sufficient quantity and/or where a U.S. equivalent is sold at an unreasonable price. Executive Order 11051 issued on September 27, 1962 established that a U.S. made product is unreasonable in price when it sells for six percent (6%) or more than the foreign equivalent product. Cal-Royal products are competitively priced and in most cases offer greater than 6% savings over domestic products.

As most projects covered by the BA Act exceed the minimum monetary thresholds and all of the above Cal-Royal products satisfy one or both of the above exemptions to the BA Act, these products can be purchased for such projects covered by the BA Act.

2009 American Recovery and Reinvestment Act:

The American Recovery and Reinvestment Act (ARRA) includes a “Buy American” provision as well as an exemption to that provision for members of the WTO and signatories of the Government Procurement Agreement (GPA). See above list confirming that Cal Royal’s products originate from WTO and GPA countries. Cal-Royal customers should also be aware that the ARRA has additional restrictions and should take steps to confirm the applicability of the above exemptions.

Cal-Royal is currently locating alternative suppliers in WTO/GPA countries for hinges to be used on projects covered by the American Recovery and Reinvestment Act or Buy American Act.

It is also worth noting that all of Cal-Royal’s products meet and/or exceed every ANSI definition of quality or requirement for performance standards. We also have products that are Underwriters Laboratory (UL) rated and approved in their respective countries.

In short, we encourage our customers to bid on appropriate government-related jobs using Cal-Royal products. That being said, as this letter does not constitute legal advice, customers should verify for themselves the applicability of the BA Act and/or the AARA and their related exemptions.

We thank you for your business and continued support.

Sincerely,

Cal-Royal Products, Inc.



LEED STATEMENT

CAL-ROYAL PRODUCTS, INC.

Post and Pre-Consumer Recycled Content Summary

	Post-Consumer Recycled Content*	Pre-Consumer Recycled Content**	TOTAL LEED Recycled Content Percentage
ALUMINUM DOOR CLOSERS CR801S, CR801, N900PBF, N900PBFDA, CR441SERIES, 300 SERIES, 700 SERIES, S-430P	48%	0%	48%
EXIT DEVICES			
<i>EXIT DEVICE</i>	61%	0%	61%
<i>TRIMS</i>			
8000L Series	16.7%	24.7%	29.1%
8000K Series	16.2%	25.0%	28.7%
LOCKSETS			
NM Series			
<i>Rose & Lever in Brass</i>	10%	0%	10%
<i>Escutcheon & Lever in Brass</i>	5%	0%	5%
<i>Rose & Lever in Stainless Steel</i>	0%	0%	0%
<i>Escutcheon & Lever in Stainless Steel</i>	0%	0%	0%
SL Series	12.52%	4.5%	17.02%
XP Series	11.4%	3.5%	14.9%
SG Series	11.96%	4.0%	15.96%
ULT360 Series	25%	16%	28%
ULT362 Series	28%	15%	29%
BA Series	13%	17%	23%
Genesis Series	66%	0%	66%
Omega Series	66%	0%	66%
DOOR HARDWARE			
AUTOFLM-1	0%	5%	5%
AUTOFLW-22	0%	8%	8%

*Recycled content defined in accordance with industry standards.

**Pre-consumer recycled content refers to waste material that is immediately placed back into the production cycle. Waste materials generated by the production of these products are collected and shipped off site where it then reenters the recycle stream.

FOR MORE DETAILS ON THE RECYCLED MATERIAL CONTENT
Please visit our website at www.cal-royal.com under
CERTIFICATIONS AND UPDATES

CAL-ROYAL PRODUCTS, INC.

is now
Florida Building Code Approved!



Florida Building Code #: [FL13922](#)

August 17, 2011



To All Our Valued Customers:

Cal-Royal Products, Inc. is pleased to announce component approval of tested Cal-Royal Hardware by the State of Florida for use statewide. Including the HVHZ zone at approved design pressures. Approved hardware specimens were evaluated in accordance with: High Velocity Hurricane Zone Protocols TAS 202-294, TAS 201-94, and TAS 203-94.

The TAS test and pressure evaluations are also accepted by participating states including Louisiana, Alabama, Mississippi, and Georgia.

Approved Cal-Royal Hardware types include:

- Grade 1 Genesys Series Lever Locksets
- Grade 1 NM Series Mortise Locksets ([NM is the new name for our M Series Mortise Locks](#))
- Grade 2 Pioneer Series Lever Locksets
- Grade 2 T300 Series Deadbolts
- Grade 1 7700 Rim Panic Bar and Fire Exit Device
- Grade 1 7700V Vertical Rod and Fire Exit Device

To view the complete information, please log on to www.floridabuilding.org and select "Product Approval" and enter "[FL13922](#)".

Thank you for your support. We look forward to serving you.

CAL-ROYAL PRODUCTS, INC.



ARMED SERVICES ASSOCIATION
WASHINGTON, D.C.

RE: United States Military Purchasing Directory

DATE: 6/18/04

VENDOR NUMBER: 152908349

Director of Government Sales
Cal-Royal Products Inc
6605 Flotilla St.,
Los Angeles, CA 90040

Dear Director of Government Sales:

Our records from the Defense Logistics Agency indicate that your company is currently registered in the Central Contracting Registry (CCR). Your registration qualifies you to do business with the Department of Defense (DoD), and makes you eligible to be listed in the United States Military Purchasing Directory.

The Directory is distributed to all purchasing offices throughout the DoD every fiscal year. Purchasing officers and DoD contracting personnel specifically use the Directory to locate vendors from whom they will buy goods and services.

Vendors registered with the CCR are eligible to be listed in the Directory, or place display ads, to further market themselves to military buyers. If you are interested in being listed in the Directory for the upcoming fiscal year, you can request information from our offices in Washington, D.C. by calling 1-800-981-3845, Mon.-Fri., 9:00am-4:00pm, E.S.T.

The information will be faxed to you immediately.

Sincerely,

Michael J. Briggs
A.S.A. Vendor Relations Office

TERMS AND CONDITIONS FOR CAL-ROYAL PRODUCTS

CORPORATE OFFICE CAL-ROYAL PRODUCTS INC.

6605 Flotilla Street
Commerce, California 90040-1614
☎ 323-888-6601 / 800-876-9258
☎ 323-888-6699 / 800-222-3316
✉ sales@cal-royal.com

SOUTH EAST DISTRIBUTION R & S MFG. REPRESENTATIVES

12632 – 59TH Way North
Clearwater, FL 33760
☎ 727-535-2020 / 888-449-3667
☎ 727-539-8810
✉ susan@r-syourhmsource.com

MIDWEST DISTRIBUTION SSG TEXAS

608 E Avenue K
Grand Prairie, TX 75050
☎ 972-602-3070
☎ 972-602-3068
✉ gregshuck@ssg-texas.com

EASTERN DISTRIBUTION TAB INDUSTRIES, LLC

2525 N 12 St.
Reading, Pennsylvania 19605
☎ 610-921-0012
☎ 610-921-0014
✉ tbrizek@TABIndustries.com

GEORGIA WAREHOUSE BOWEN SALES INC.

3519 Church St., Suite G
Clarkston, GA 30021
☎ 404-297-6600
☎ 404-297-6690
✉ Kelly@bowensalesinc.com

TERMS AND CONDITIONS OF SALE

ORDERING: All orders must be faxed to Cal-Royal products for confirmation before shipment.

TERMS: Net 30 days.

FREIGHT: Shipments are F.O.B. Commerce warehouse, for orders of \$1500.00 or more, excluding Alaska and Hawaii (\$2500.00 for Western Canada, \$3500.00 for Eastern Canada, \$3000.00 for Puerto Rico, and \$1200.00 for Washington and Oregon) are shipped prepaid within the continental United States and Canada. Orders less than these amounts will be shipped freight prepaid and added to the invoice.

CHANGES, CANCELLATIONS OR SPECIAL ORDERS: Canceled orders subject to 10% service charge. Changes or cancellations to an order must be in writing and may result in additional charges for labor and/or materials. Changes may result in a delay in the scheduled ship date. Additions to orders will be entered as separate stand-alone orders and must qualify for all terms of sale, including discounts on an individual basis. Changes or deletions resulting in an order size of less than our minimum will not be accepted. Orders for non-cataloged, special or nonstandard items may not be canceled. Factory orders may not be changed within 30 days of the scheduled ship date.

CREDIT APPROVAL: Acceptance of all orders is subject to approval of Cal-Royal Products, Inc. Trade references and banking information must accompany orders from new accounts.

FREIGHT OR SHORTAGE CLAIMS: Customer assumes all delivery risks of loss or damage. If cartons are lost or damaged, immediately contact delivering carrier to make claim. If assistance is needed from Cal-Royal Products, Inc. please contact our Claims Department. Shortage claims must be made within seven working days from receipt of shipment. Cal-Royal Products, Inc. is not responsible or liable for any loss or shortage on merchandise to third party shipping.

RETURN OF MERCHANDISE: Claims for shortages and/or incorrectly filled orders must be filed with Cal-Royal Products, Inc. within 10 days of receipt of material. Price adjustments must also be made in writing to Cal-Royal within 30 days from receipt of invoice. No returned goods will be accepted without written approval from Cal-Royal. Credit will be based on upon the written authorization by Cal-Royal. Such returns must be prominently marked with the return goods authorization number and shipped prepaid. Returns, if approved, will be subject to a minimum restocking charge of 20% for unopened cases of stock product and must be received in mint condition. Non stock materials are not returnable. Under no circumstances is Cal-Royal liable for incidental or consequential damages. Charge-backs will not be allowed. No cash refund given, exchange or replacement only.

STANDARD PACKAGING: We reserve the right to change order quantities to nearest standard package quantities. Broken boxes are subject to an additional 20% service charge.

AUTHORITY OF TERMS AND CONDITIONS: The terms mentioned herein are the only ones Cal-Royal Products, Inc. will honor, and any exceptions must be approved and confirmed by an officer of Cal-Royal Products, Inc. Terms and Conditions of buyer's purchase orders will not be honored unless an agreement is reached in writing beforehand. Cal-Royal Products Inc. has the right to refuse credit to anyone, or has the right to re-use to fulfill any orders. No representations, arrangements or agreements not appearing on the order shall be binding to Cal-Royal Products, Inc.

PRICES: Are subject to change without notice. All errors and omissions subject to correction.

MINIMUM ORDER:

\$50.00 net. Orders under \$50.00 are subject to an \$8.00 service charge. **No exceptions.**



6605 Flotilla St. Commerce, CA 90040 USA
Tel: (323) 888-6601 ♦ Fax: (323) 888-6699
Website: www.cal-royal.com ♦ Email: sales@cal-royal.com

CARE FOR CAL-ROYAL PRODUCTS

MERCHANDISE WARRANTY

Goods are warranted against defects in manufacture for one year. The company makes no other warranty, and all implied warranties including any warranty of merchantability or fitness for a particular purpose are limited to the duration of the expressed warranty period as set forth above.

The company's maximum liability hereunder is limited to the purchase price of the products in no event shall the company be liable for any consequential, indirect, incidental or special damages of any nature arising from the sale or use of this product, whether in contract, tort, strict liability or otherwise.

Products will not be accepted for repair or replacement under this warranty unless we have given prior authorization for their return. Upon receipt of products returned for repair or replacement we will determine whether products qualify for repair or replacement under this warranty; if they do not, we will notify our customer of estimated costs of repair or replacement involved and will obtain authorization prior to proceeding. We have no liability to pay any costs of repair performed by anyone other than us, unless in each instance we have given prior written approval of such repair in which case we will pay what we consider to be the reasonable cost thereof.

All materials and finishes meet ANSI/BHMA standards at time of shipment. We do not warrant finishes exposed to hostile environments, such defect has been caused by corrosion or ordinary wear and tear.

CAL-ROYAL LIFETIME LIMITED WARRANTY

The Cal-Royal Products listed below are warranted against defects in mechanical workmanship and 3 year finish warranty for the life of the opening into which they are installed. This warranty is valid only if the products are installed according to the manufacturers' explicit directions, are the correct application for the opening in question (i.e.: a grade 2 lock is not acceptable in a school or university application) and those products that require adjustment at installation are adjusted correctly. It is assumed that if either the door or frame components in the opening has been violated and therefore the Warranty of those Cal-Royal products in that opening would be null and void. It is also assumed by this Warranty that those products that require periodic adjustment or maintenance are receiving that attention through the life of the opening.

This warranty **DOES NOT COVER:**

1. Abuse or vandalism
2. Products used in an incorrect application
3. Scratches or normal wear in a products finish (Does not cover US10B/613)
4. Products that have been improperly installed or adjusted
5. Any Product installed in a hostile environment causing premature corrosion, wear and tear
6. The cost incurred in removing and installing a replacement product. Upon return of defective product to Cal-Royal Products, Cal-Royal may repair or replace the product or refund the purchase price. Cal-Royal is not liable for incidental or consequential damages.

The products that are covered by the above Lifetime Limited Warranty are:

1. All commercial Grade Hinges.
2. Genesys, Calypso, Omega, NM Series Grade 1 Locks – Mortise and Cylindrical Locksets.
3. Apollo, Columbus, HIL, Pioneer, Commander, Challenger, Explorer, Barrington, Polygon Grade 2 locksets.
4. CRB Series Grade 1 & CB160, T300 Series Grade 2 Deadbolts.
5. 900, CR441, CR801/CR801S, 300, 700 Series Grade 1 Door Closers.
6. 7700, 9800 and 2200 Series Grade 1 Exit Devices.

Cal-Royal Locksets, Door Closers, Exit Devices and Door Hardware are designed to provide the highest standard of product quality and performance. To maintain a long-lasting finish great care should be taken. Constant use and exposure to elements and high traffic would require cleaning on a regular basis.

ELECTRIFIED HARDWARE WARRANTY (3 YEARS LIMITED WARRANTY)

LIMITED WARRANTY: Cal-Royal Products (CRP) warrants that its products are free from defects in workmanship and material under normal use and service. Since CRP does not control product usage, CRP makes no representation as to the degree of security conveyed by the use of any product. This warranty does not cover defects or damage which occur from improper maintenance, improper storage, improper installation, shipping and handling, ordinary wear and tear, misuse, abuse, accidents, unauthorized service, work done by others or consequential damages.

CRP will not pay for the cost of repair performed other than in accordance with this warranty. CRP can only perform authorized warranty work at the factory. CRP's only liability, in tort or contract, whether under this warranty or otherwise, is limited to providing repair or replacement of any product or component part which is proven to be defective as covered by the warranty, within three (3) years after delivery from CRP to the original purchaser. Written notice of a product or component part believed to be defective, as covered by this warranty, should be sent to Cal-Royal Products 6605 Flotilla St, Commerce, CA 90040.

Include Claimant's name, address, phone, and identification of the product, invoice number and date, and a brief description of the defect. Upon receipt of such notice, a CRP representative will contact claimants to where to ship



CARE FOR CAL-ROYAL PRODUCTS

such product or component part, with shipping charges prepaid for examination, and in the event such examination reveals a defect covered by this warranty, the product will be repaired or replaced. This warranty is in lieu of all other express warranties. To the extent permitted by law, all implied warranties are limited to the duration of this warranty.

CRP shall not be liable for any incident or consequential damages. Some states do not allow limitations on how long an implied warranty lasts or the exclusion or limitation of incidental or consequential damages, so the above may not apply to you. This warranty gives you specific legal rights, and you may have other rights, which vary, from state to state.

ELECTRONIC DIGITAL KEYPAD LOCKSETS AND DEADLOCKS WARRANTY

1. **CRCODE-007, CRCODE-101**

Goods are warranted to be free from manufacturing defects in material and workmanship which carries a **ONE YEAR Limited Warranty** on Electronic Series Locks (CRCODE-007) and a **TWO YEAR Limited Warranty** on Mechanical Series Locks (CRCODE-101) and its conditions, limits and policies.

2. **CR3000 DIGITAL KEYPAD DOOR LOCK WARRANTY**

Goods are warranted against defects in manufacture for two (2) years after the date of manufacture. The company makes no other warranty, all implied warranties including any warranty of merchantability or fitness for a particular purpose are limited to the duration of the expressed warranty period as set forth above.

3. **ELDB-89 DIGITAL KEYPAD DEADLOCK WARRANTY**

Goods are warranted against defects in manufacture for twenty five years (25) years after the date of manufacture for mechanical parts and one (1) year for electronic parts. The company makes no other warranty; all implied warranties including any warranty of merchantability or fitness for a particular purpose are limited to the duration of the expressed warranty period as set forth above.

The company's maximum liability hereunder is limited to the purchase price of the products in no event shall the company be liable for any consequential, indirect, incidental or special damages of any nature arising from the sale or use of the product, whether in contract, tort, strict liability or otherwise. Seller's warranty shall not be enlarged, diminished or affected by no obligation or liability shall arise out of Seller's rendering of technical advice or services in connection with Buyer's order of the goods furnished hereunder.

This warranty DOES NOT COVER:

1. Abuse or vandalism
2. Products used in a wrong application
3. Scratches or normal wear in a products finish (Does not cover US10B/613)
4. Products that have been improperly installed or adjusted
5. Any products installed in a hostile environment causing premature corrosion, wear and tear
6. The cost incurred in removing and installing a replacement product. Upon return of defective product to CAL-ROYAL Products, CAL-ROYAL may repair or replace the product or refund the purchase price. CAL-ROYAL is not liable for incidental or consequential damages.

CAL-ROYAL RECOMMENDS THAT THE UNIT AND ITS FUNCTIONS BE TESTED REGULARLY

Despite excessive testing, and due to but not limited to, any or all of the following; electrical or communications disruption, criminal tampering, it is possible for the unit to fail to perform as expected. CAL-ROYAL does not represent that the product may not be compromised or circumvented; or the product will prevent any property loss, personal injury, robbery, fire or otherwise; nor the product will in all circumstances provide adequate warning or protection. A properly installed and maintained locking device may only reduce the risk of burglary, robbery, fire or otherwise, but this is not an assurance that these events will not occur. Seller shall have no liability for any loss, property damage, personal injury based on a claim that the unit/product failed to give warning. It is therefore the obligation of the installer to advice or inform the consumer to take any or all precautions for his or her safety including, but not limited to, fleeing the premises and calling the proper authorities in order to mitigate the possibilities of harm, injury and/or damage.

CAL-ROYAL is not liable of either the property or safety of the user's family, employees, and limits its liability for any loss or damage including incidental or consequential to CAL-ROYAL's original selling price of the product regardless of the cause of such loss or damage.

Products will not be accepted for repair or replacement under this warranty unless we have given prior authorization for their return. Upon receipt of products returned for repair or replacement, we will determine whether products qualify for repair or replacement under this warranty; if they do not, we will notify the customer of estimated cost of repair or replacement involved and will obtain authorization prior to proceeding. We have no liability to pay any cost of repair performed by anyone other than us, unless in each instance we have given prior written approval of such repair in which case we will pay what we consider to be reasonable cost thereof.

In the event of a defective product, contact the security professional who installed and maintains your security system. In order to abide by this warranty, the defective product must be returned by the security professional, shipping costs prepaid and insured to CAL-ROYAL. After replacement or repair of the product, CAL-ROYAL assumes the cost of returning products under warranty. CAL-ROYAL shall have no obligation under this warranty, or



CARE FOR CAL-ROYAL PRODUCTS

otherwise, if the product has been repaired by others, improperly installed, improperly used, abused, altered, damaged, subject to accident, nuisance, flood, fire or acts of nature. CAL-ROYAL will not be responsible for any dismantling, reassembly or reinstallation charges.

All materials and finishes meet ANSI/BHMA standards at time of shipment. We do not warrant fixtures exposed to hostile environments, such defect has been caused by corrosion or ordinary wear and tear.

This warranty and remedies set forth above are exclusive and in lieu of all others, oral or written, expressed or implied. No dealer, distributor, agent or employee is authorized to make any modification or addition to this warranty.

Some states do not allow the exclusion or limitation of implied warranties or limitation of liability for incidental or consequential damages, so the above limitation or exclusion may not apply to you.

FINISH CARE

Finishes on all products are produced to the highest quality standards to ensure they stay in perfect order year after year. However, some finishes can deteriorate if they are exposed to corrosive vapours, coastal air, salt spray or high humidity. Brass finishes are susceptible to tarnishing if they come in contact with air, moisture or wet paint, particularly in exterior locations. To overcome this, it is wise to coat all external brass finishes with a non-abrasive furniture or car wax immediately after installation, and to remove all locks before painting doors. Regular wiping with a soft cloth, occasional polishing with a non-abrasive furniture or car wax and take care not to scratch the protective finish on brass fittings will also prevent tarnishing.

- ❖ US3 (Polished Brass), US4 (Satin Brass), US5 (Antique Brass), US10 (Satin Bronze), US10A (Antique Bronze), US15 (Satin Nickel), US15A (Satin Nickel Oxidized), ALUMINUM, DURO, GOLD laquered or clear-coated finishes can simply be cleaned by wiping with a clean soft damp (not wet) cloth. A mild soap may be lightly used if very dirty. Particular care should be taken to avoid using lacquer thinners, caustic soaps, abrasive cleaners or polishes as these could damage the coating and result in tarnishing. Initial care for finishes requires only periodic cleaning with mild non-abrasive soap and light buffing with a soft cloth.
- ❖ PVD (Physical Vapor Deposition) is a technologically advanced finish coating that provides the most surface protection against environmental elements and everyday wear and tear. PVD matches clear-coated finishes in appearance, yet surpasses them in durability. PVD finishes protect against corrosion, tarnish, wear, discoloring and peeling for the lifetime of the part to which it has been applied. This kind of finish can be maintained by wiping with a clean soft damp cloth.
- ❖ US10B (Oil Rubbed Bronze) finishes can be wiped with a small amount of vegetable or mineral oil on a soft cloth. Excessive oil may cause residue to come off on contact with hands or clothing materials and would even attract dusts that would eventually become grime. Household detergents and mild abrasive powder may be used to restore the high metal color without seriously affecting the original compound of the metal. Then rub with a paste of wax.
- ❖ US26 (Bright Chrome), US26D (Satin Chrome), US32 (Stainless Steel) and US32D (Satin Stainless Steel) can be maintained by wiping with a clean soft damp cloth. A high-grade chrome polish may be used according to directions to clean and restore the original shine and satin finish.
 - Depending on the environment where the product is used, blemishes can appear on stainless steel products. To help prevent this occurring, clean once a month. Blemishes on satin stainless steel may be removed by rubbing with a suitable stainless cleaner/polish wadding polish. Ensure rubbing occurs in the same direction as to the grain itself.

MAINTENANCE

Cal-Royal Locksets, Exit Devices and Door Closers were designed and manufactured to be maintenance-free under normal operating conditions and environments. Exposure to extremely heavy traffic and/or particularly dusty and dirty environmental conditions, however, may eventually cause unsatisfactory operation due to slow-moving parts or sticking cylinders. In this case, it may be necessary to clean and re-lubricate the lockset to maintain optimum performance.

Locksets

- To clean the lockset mechanism, use a non-corrosive substance or a penetrating or solvent type lubricant to loosen sticking components, then lubricate with lithium grease, silicone or teflon based lubricant
- Do not use lubricant in cylinder (oil or aerosol type)

Cylinders

- When key becomes "sticky" in cylinder, you may sprinkle a small amount of graphite onto the key and then insert the key inside cylinder
- To free sticking or jammed cylinders, lubricate with graphite or a non-oily lubricant (such as Lock-EZE)
- Do not use petroleum-based lubricants in the cylinder keyway. WD-40 or oil will collect dirt over time, and a liquid might even freeze in the lock if weather is cold enough. Graphite is the common choice, the powdered version of molybdenum disulfide would work as well
- Do not use lubricant in cylinder (oil or aerosol type)



ARCHITECTURAL FINISH GUIDE BOOKLET, \$56.00 EACH LIST

	US3/605-632 BRIGHT BRASS	US10B/613-640 ANTIQUE BRONZE OILED (OIL RUBBED BRONZE)	
	US4/606-633 SATIN BRASS	US14B BRIGHT BLACK NICKEL	
	US5/609-638 SATIN BRASS OXIDIZED (ANTIQUE BRASS)	US15/619-646 SATIN NICKEL	
	US10/612-639 SATIN BRONZE	US15A/620-647 SATIN NICKEL OXIDIZED	
	US10A/614-641 ANTIQUE BRONZE LACQUERED	US17A/621-648 SATIN BLACK NICKEL	
	US26/625-651 BRIGHT CHROME	US28/LS-689 LUMA SHEEN	
	US26D/626-652 SATIN CHROME	L1/693 LUMA COLOR, BLACK	
	US32D/630 SATIN STAINLESS STEEL	L2/695 LUMA COLOR DARK BRONZE (DURO)	
	USP/600 PRIME COAT	L3/694 LUMA COLOR MEDIUM BRONZE	
	ELECTRO STATIC POWDER COATED WHITE	ELECTRO STATIC POWDER COATED DARK BRONZE	



CAL ROYAL PRODUCTS, INC.



INDEX TO US FINISHES

US	DESCRIPTION	B.H.M.A. FINISH STANDARDS		
		STEEL	300 Series Stainless Steel	Brass/ Bronze
US1B	Bright Japan	601	N/A	601
US1DM	Dead black-bright brass bearings and tips	N/A	N/A	N/A
US2C	Zinc plated, commercial	602	N/A	N/A
US2CD	Zinc plated, satin	603	N/A	N/A
US2G	Zinc plated, gov, spec.	603	N/A	N/A
US2H	Hot dipped galvanized	N/A	N/A	N/A
US3	Bright brass	632	N/A	605
US4	Satin brass	633	N/A	606
US5	Satin brass, oxidized	638	N/A	609
US7	Bright brass, nickel oxidized and highlighted	636	N/A	610
US9	Bright bronze	637	N/A	611
US9A	Bright bronze, no lacquer	N/A	N/A	N/A
US10	Satin bronze	639	N/A	612
US10A	Antique bronze lacquered	641	N/A	614
US10B	Antique bronze, oiled	640	N/A	613
US14	Bright nickel	645	N/A	618
US14A	Bright nickel, oxidized and highlighted	N/A	N/A	N/A
US14B	Bright black nickel	N/A	N/A	N/A
US15	Satin nickel	646	N/A	619
US15A	Satin, nickel, nickel oxidized and highlighted	647	N/A	620
US17A	Black nickel dull	648	N/A	621
US20	Statuary bronze, light	649	N/A	623
US20A	Statuary bronze, dark	650	N/A	624
US26	Bright chromium plated	651	N/A	625
US26D	Satin chromium plated	652	N/A	626
US32	Stainless steel metal, bright	N/A	629	N/A
US32D	Stainless steel metal, satin	N/A	630	N/A
OC	Antique copper	N/A	N/A	N/A
USP	Prime coat, grey	600	N/A	600
GY	Grey enamel	N/A	N/A	N/A
LS	"Luma Sheen" (R)	689	N/A	689
L1	"Luma Color" (R) black	693	N/A	693
L2	"Luma Color" (R) dark bronze	695	N/A	695
L3	"Luma Color" medium bronze	694	N/A	694



CAL-ROYAL IS GOING GREEN!



To: Cal-Royal Customers

In our continuing effort to better serve you, our valued customers, we are pleased to announce the implementation of order status and shipping information via email.

You can now receive the following information by email:

- Purchase Order Confirmations
- Tracking Numbers (**Assign only 1 email address**)
- Product Specials
- New Product Updates
- Sales Orders
- RMA's
- Invoices
- Monthly Statements

Please print your contact names and their email addresses, and choose which documents you want to receive using the form below.

ACCOUNT#						
COMPANY NAME						
TEL. NO.						
CONTACT NAME	EMAIL ADDRESS	UPS (ONLY 1)	AR STATEMENT	RMA	SALES ORDER	INVOICE

**FAX to 1-800-222-3316 or 1-323-888-6699
or EMAIL to customers@cal-royal.com**



CAL ROYAL PRODUCTS, INC.

6605 FLOTILLA STREET, CITY OF COMMERCE, CA 90040

TEL: (323) 888-6601 ♦ FAX: (323) 888-6699

(800) 876-9258 ♦ (800) 222-3316



CREDIT APPLICATION

DATE: _____

Company Name _____

BILLING ADDRESS: _____

CITY: _____ STATE: _____ ZIP: _____

Shipping Address _____

CITY: _____ STATE: _____ ZIP: _____

This is a Commercial Residential address

PHONE: _____ FAX: _____

Type of Business: _____ Years at present location: _____

Type of Organization Private Corporation Partnership Public Corporation
 Individual Other _____

Email Address _____

Principals			
NAME	POSITION	HOME ADDRESS	PHONE#

Bank Reference
Bank: _____ Account # _____
Address: _____ Phone # _____

Trade References (Minimum of 3 With fax #)

NAME	ADDRESS	PHONE#	FAX#

Credit Limit Requested _____

NEED MONTHLY STATEMENT EMAILED TO YOU? YES (e-mail address: _____) NO

In making this application for credit, the customer agrees to pay all invoices within 30 days from date of invoice and to pay a service charge of 1.5% per month, which is an annual percentage rate of 18% on all overdue balances. In the event a suit is necessary to collect any amount, the customer agrees the non-prevailing part will reimburse prevailing party for reasonable attorney fees and costs including attorneys fees for appeal.

Signature ▶▶▶ _____ Title: _____ Date: _____

◆◆◆ OFFICE USE ONLY ◆◆◆			
Credit limit \$		Account #	
Date approved:		CR#	
Signature:		Discount:	
Reps Signature		Date	



DOOR CLOSER



Ver. 2.0, Rev. 11/12
© 2012  CAL ROYAL



Lifetime
Warranty

BHMATM
CERTIFIED
Be Safe. Be Secure. Look for the Mark.



MEETS
The Buy American Act

Specify "MADE IN KOREA" when ordering "THE BUY AMERICAN ACT" compliant models

- CAL-ROYAL'S FINEST HYDRAULIC DOOR CLOSER SERIES MEETING THE HIGHEST INDUSTRY STANDARDS, GRADE 1
- HEAVY-DUTY FULL FEATURE MULTI-SIZE COMMERCIAL DOOR CLOSER FOR USE IN OFFICE BUILDINGS, SHOPPING CENTERS AND OTHER COMMERCIAL BUILDINGS
- STANDARD BACK-CHECK FUNCTION
- FULL PLASTIC COVER IS STANDARD FEATURE (METAL OPTIONAL)
- OPTIONAL PLATED DECORATIVE COVERS ARE AVAILABLE
- OPTIONAL ADJUSTABLE DELAYED ACTION FOR HANDICAPPED OR ELDERLY

900 Series Door Closer

*Full Cover Multi-size
Full Feature Closer
ANSI 156.4 Grade 1
UL Listed, Conforms to Standards
UL10C and UBC7-2-1997
BHMA Certified Lifetime Warranty*

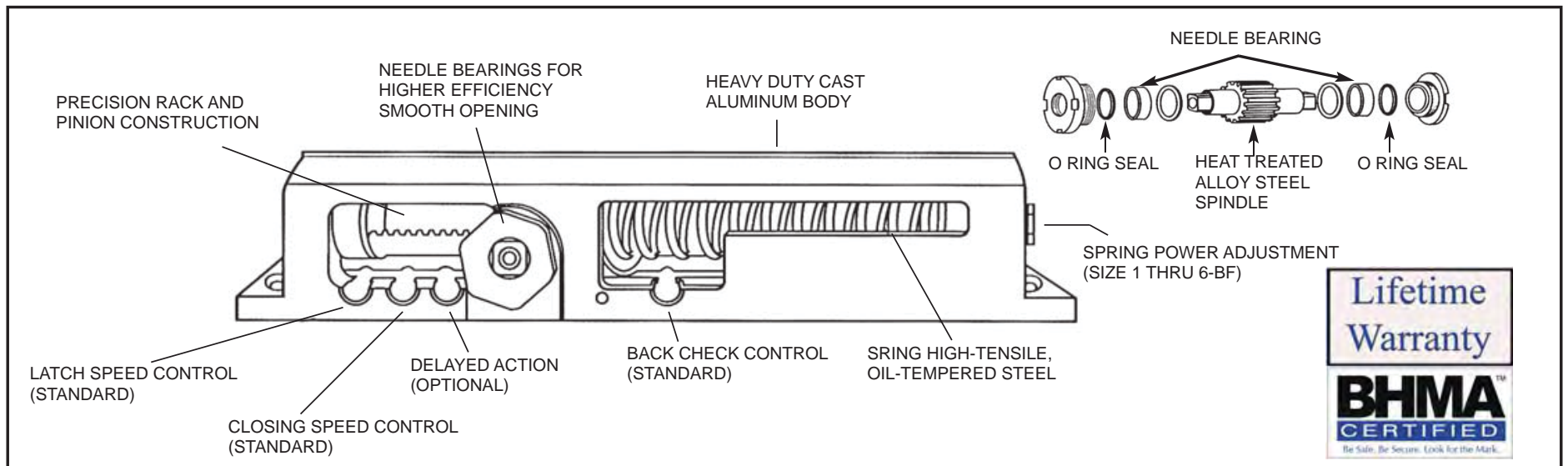



UL Listed, Conforms to Standards
UL10C and UBC-7-2-1997



900 Series Door Closer

Conforms to Standards UL10C and UBC7-2-1997



FEATURES

- Hydraulic Door Closer
- ANSI 156.4 Grade 1: UL Listed for fire door assemblies
- Universal application. Non-handed for standard, top-jamb or parallel arm installation
- Non-sized, 1 thru 6 FACTORY PRESET SIZE 3
- Door weights: 30-260 lbs (All Models)
- Standard adjustable back-check function
- Adjustable closing and latching speed by two separate regulating valves
- Standard full plastic cover
- Available in Alum, Duro, Gold, White, US3, 26, 26D, 10, 15, 10B, 32D, 4 and 5 Finishes



Optional adjustable delayed action (DA) Preset at the factory for approximately 20 seconds, between 70° and 0° Delay time easily adjusted up to 1 minute.

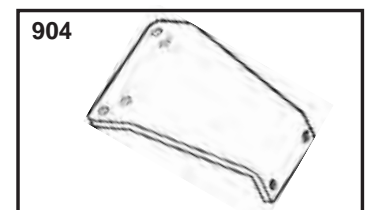
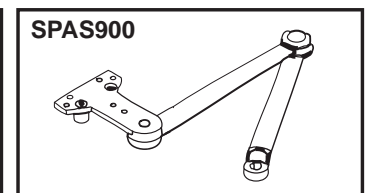
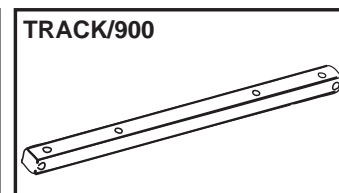
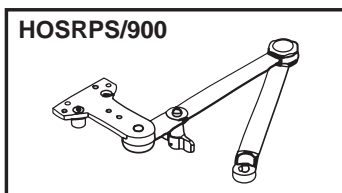
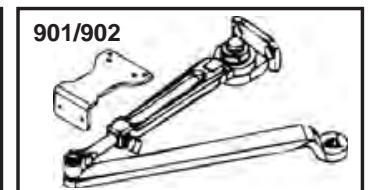
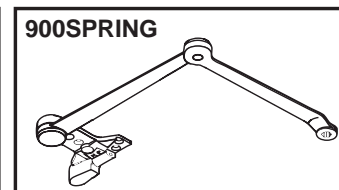
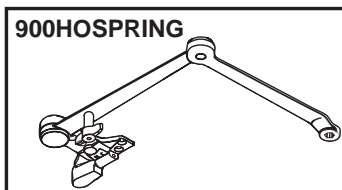


Barrier free (BF) Meets ADA regulation. Size 1 thru 6. Engineered with reduced spring power to provide easier opening for handicapped or elderly.

ACCESSORIES

- Parallel arm drop bracket for non-hold open parallel arm applications to clear a surface-applied stop/holder. **904**
- Parallel hold-open adjustable arm (Non handed). **901/902**
- Optional Steel or Stainless Metal cover
- Optional, non-handed parallel arm features solid forged steel main arm and forearm with stop in soffit shoe. **SPAS/900**
- Optional, non-handed parallel arm features solid forged steel main arm and forearm provides hold-open function with templated stop/hold-open points. Handle controls hold-open function. **HORSPS/900**
- Optional Slide Track Arm. **TRACK/900** with hold open
- Flat drop bracket **950**
- Super rigid non handed parallel arm with spring loaded stop in the soffit shoe. Equivalent to LCN SPRING CUSH ARM. **900SPRNG**
- Super rigid parallel arm stopper hold open, non-handed with spring loaded stop in soffit shoe. Handle controls hold open function. Equivalent to LCN SPRING H-CUSH ARM. **900HOSPRING**

DESCRIPTION	SIZE
A. Length of Closer Body	11 3/4"
B. Horizontal Mounting Holes	11 1/8"
C. Vertical Mounting Holes	9/16"
D. Height of Closer Body	2"
E. Projection from Door	2 7/8"



Specify "MADE IN KOREA" when ordering "THE BUY AMERICAN ACT" compliant models

CROSS REFERENCES

COMPARISON CHART 300 SERIES									
CAL-ROYAL	CORBIN	DORMA	DOR-O-MATIC	HAGER	LCN	NORTON	RUSSWIN	SARGENT	YALE
900 FULL COVER	DC3200	8600FC	SC80FC	5200	1460FC	8501	DC3200	1431	3501

The data on this chart represents our judgment of which are most similar. Since no product is exactly alike the information has been obtained from trade sources, it is not guaranteed nor represented that any specific product exactly equals any other product. Door closer body size may be different.

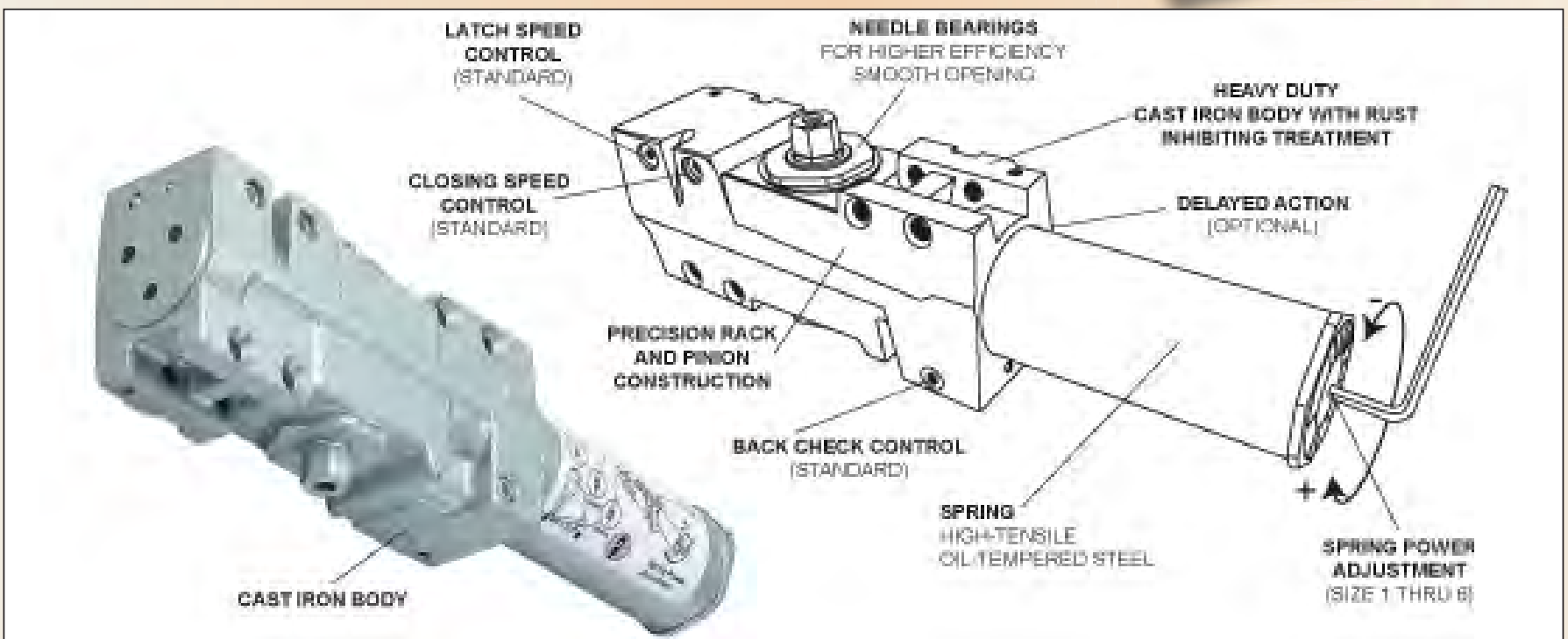


6605 Flotilla St. Commerce, CA 90040 USA
 Tel: (323) 888-6601 ♦ Fax: (323) 888-6699
 Website: www.cal-royal.com ♦ Email: sales@cal-royal.com

Ver. 3.0, Rev. 05/15
 ©2015 CAL-ROYAL



***SAME HOLE PATTERN AS LCN 4040/4041**



- CAL-ROYAL'S FINEST HYDRAULIC DOOR CLOSER SERIES MEETING THE HIGHEST INDUSTRY STANDARDS, GRADE 1
- HEAVY-DUTY DOUBLE LEVER ARM WITH EXTRA SMOOTH ACTION FULL FEATURE MULTI-SIZE COMMERCIAL DOOR CLOSER FOR USE IN OFFICE BUILDINGS, SHOPPING CENTERS AND OTHER COMMERCIAL BUILDINGS
- STANDARD BACK-CHECK FUNCTION
- FULL PLASTIC COVER IS STANDARD FEATURE (METAL OPTIONAL)
- OPTIONAL PLATED METAL DECORATIVE COVERS
- OPTIONAL ADJUSTABLE DELAYED ACTION / BARRIER FREE FOR HANDICAPPED OR ELDERLY

CR441 Series Door Closer

**Full Cover Multi-size
Full Feature Closer
ANSI 156.4 Grade 1
UL Listed, Conforms to Standards
UL10C and UBC7-2-1997
BHMA Certified Lifetime Warranty**



UL Listed, Conforms to Standards
UL10C and UBC-7-2-1997



CAL-ROYAL
P R O D U C T S . I N C .

CR441 Series Door Closer

Conforms to Standards
UL10C and UBC-7-2-1997

Lifetime
Warranty

BHMA
CERTIFIED

UL US
3 HOUR FIRE RATED
UL10C, UBC7-2-1997

FEATURES

- Universal application. Non-handed for standard, top-jamb or parallel arm installation
- Non-sized, 1 thru 6 FACTORY PRESET SIZE 3 meets ADA
- Door weights: 30-260 lbs (All Models)
- Hydraulic door closer with standard adjustable back-check function
- Adjustable closing and latching speed by two separate regulating valves
- Optional adjustable delayed action (DA)
Preset at the factory for approximately 20 seconds, between 70° and 0°
Delay time easily adjusted up to 1 minute. CR441 DA
- Standard full plastic cover
- Self tapping screws and closer gauge for easy adjustment is standard feature
- Available in Alum, Duro, Gold, US3, 26, 26D, 10B and 32D

ACCESSORIES

- Optional, parallel hold-open adjustable arm (non-handed). **CR3049HO**
- Non-handed forged solid steel parallel arm for extra abusive installations. **CR3077HDAR**
- Optional, non-handed parallel arm features solid forged steel main arm and forearm with stop in soffit shoe. **CR3077SPAS**
- Optional, non-handed parallel arm features solid forged steel main arm and forearm provides hold-open function with templated stop/hold-open points. Handle controls hold-open function. **CR3049HOSRPS**
- Optional, non-handed super rigid parallel arm with spring loaded stop in soffit shoe. **CR3077SPRING**
- Optional, non-handed super rigid parallel arm stopper hold open, non-handed with spring loaded stop in soffit shoe. Handle controls hold open function. **3049HOSPRNG**
- Drop plate used where top rail is less than 3 3/4". **CR18**
- Drop plate for top jamb where face is less than 3 1/2". **CR18TJ**
- Drop plate for top jamb mounted closer flush with top of head frame face in flush ceiling condition. Plate requires 1 3/4" minimum head frame. **CR18G**
- Drop plate for parallel arm mounting top rail is less than 5 1/2" measured from stop. Plate requires 2" minimum top rail. **CR18PA**
- Optional Metal cover. Including Stainless Steel

REDUCED OPENING FORCE CR441 DOOR CLOSERS

IMPORTANT Any door closer, including those certified by BHMA to conform to ANSI Standard A156.4, that is chosen, installed and adjusted based on ADA or other reduced opening force requirement may not provide sufficient power to close and latch a door. Location of door could also affect action and efficiency of door closer.

	DOOR WIDTH	36"	42"	48"
	**8.5 lbs.	CR441	CR441	CR441
	**5.0 lbs.	CR441	CR441	CR441

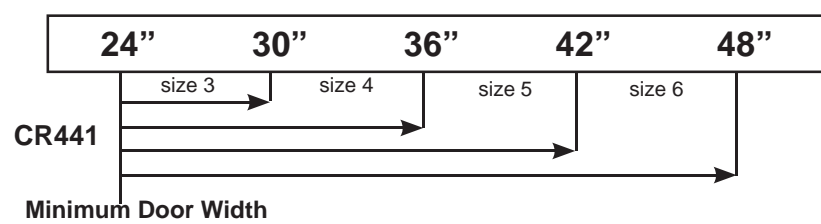
** Maximum Opening Force

TABLE OF SIZES

Closing power of CR441 closers may be adjusted 50%

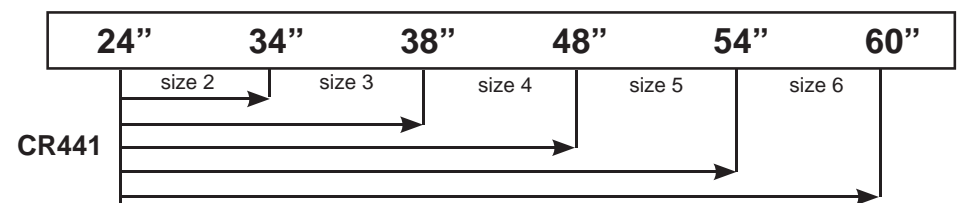
→ Shows recommended range of door width for closer size.

EXTERIOR (and VESTIBULE) DOOR WIDTH



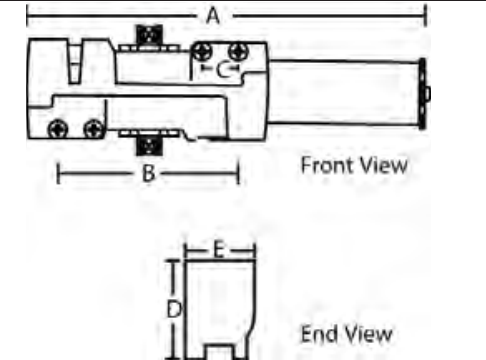
Minimum Door Width

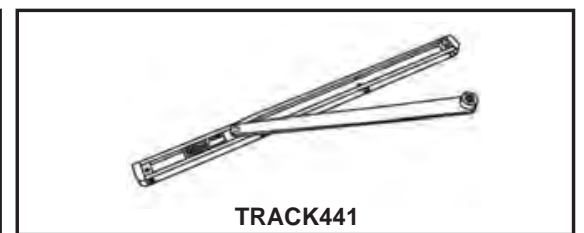
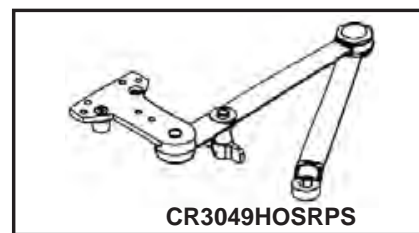
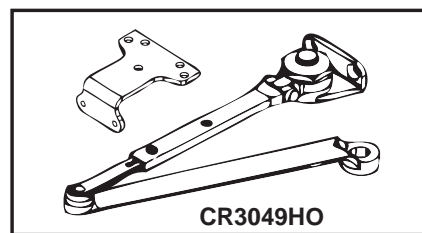
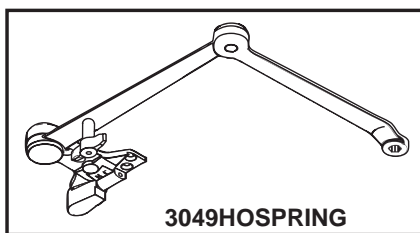
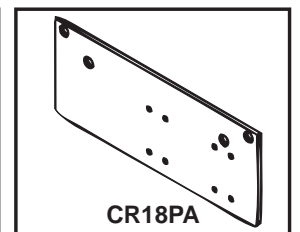
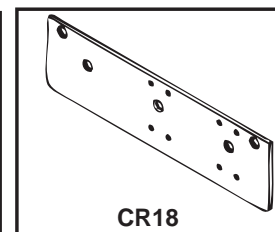
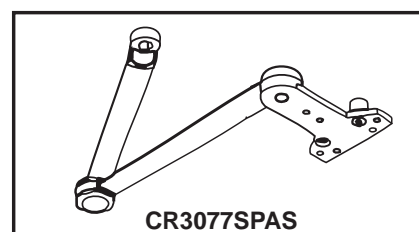
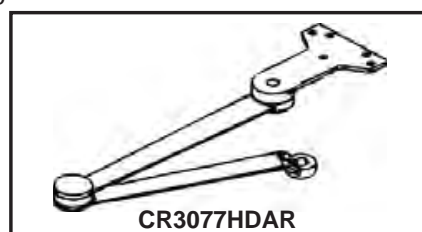
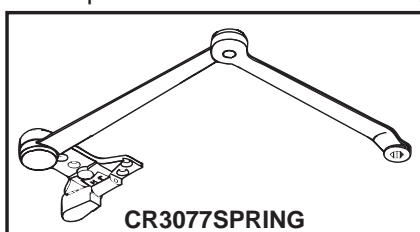
INTERIOR DOOR WIDTH



Minimum Door Width

Adjustable Size 1 thru 6

DESCRIPTION	SIZE	
A. Length of Closer Body	11"	
B. Horizontal Mounting Holes	5"	
C. Vertical Mounting Holes	1"	
D. Width of Closer Body	2 3/4"	
E. Projection from Door	2"	



CROSS REFERENCES

CAL-ROYAL	AMERICAN EAGLE	CORBIN RUSSWIN	DESIGN HARDWARE	DORMA	DOR-O-MATIC	HAGER	LCN	NORTON	SARGENT	YALE
CR441	7100	DC3000/DC6200	416	8900	SC70	5100	4041	9500	281 / 350	4400

The data on this chart represents our judgment of which are most similar. Since no product is exactly alike the information has been obtained from trade sources, it is not guaranteed nor represented that any specific product exactly equals any other product. Door closer body size may be different.



CONCR441



**DOUBLE THE STRENGTH, DOUBLE THE WEIGHT
FOR DOOR WEIGHTS 260 ~ 520 lbs**

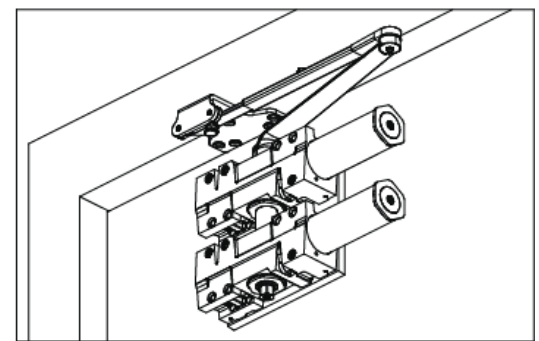
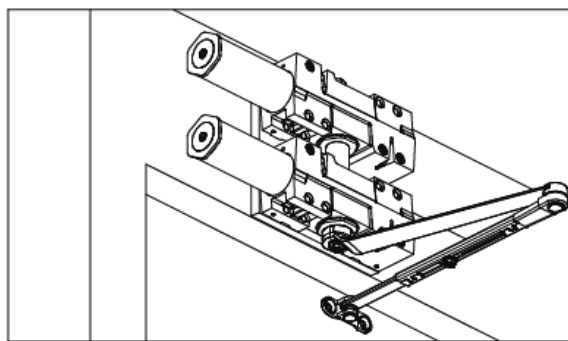
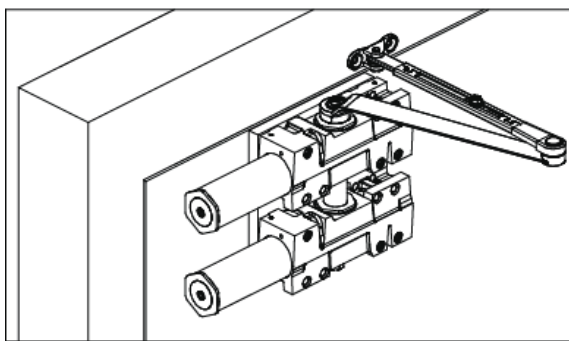
	<p>CONCR441 KIT includes: steel connector sleeve nut, steel mounting plate, screws and primary closer cover (Does not include closers)</p>	<p>CR441/TNDM includes: CONCR441 KIT, 2 x CR441 Door Closers (Includes 2 complete boxes of regular door closers)</p>
--	---	---



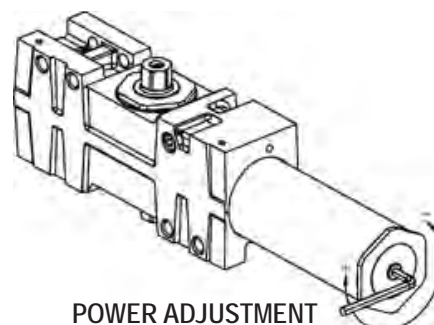
**REGULAR ARM
(PULL SIDE) MOUNTING**

**TOP JAMB
(PUSH SIDE) MOUNTING**

**PARALLEL ARM
(PUSH SIDE) MOUNTING**

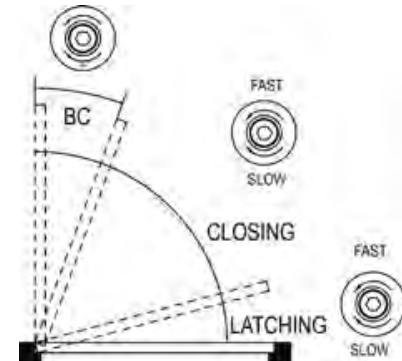


POWER ADJUSTMENT AND DOOR WIDTH		
DOOR MAX WIDTH		ADJUSTING NUT AND TURNS
EXTERIOR	INTERIOR	
-----	5 lb-f	-5 (counter clockwise)
8 lb-f	34" (864)	-2 (counter clockwise)
30" (762)	38" (962)	0
36" (914)	48" (1219)	+5 (clockwise)
42" (1067)	54" (1372)	+10 (clockwise)
48" (1219)	60" (1524)	+15 (clockwise)



POWER ADJUSTMENT

RUNNING AND BC ADJUSTMENT



When a single door closer is not strong enough to close a door weighing 260 ~ 520 lbs, the CONCR441 KIT allows two CR441 Series Grade 1 Door Closers to work as one, by connecting them together with the high-tensile strength steel connector sleeve nut on a steel mounting plate, doubling the strength and the door weight capacity while maintaining the opening force.

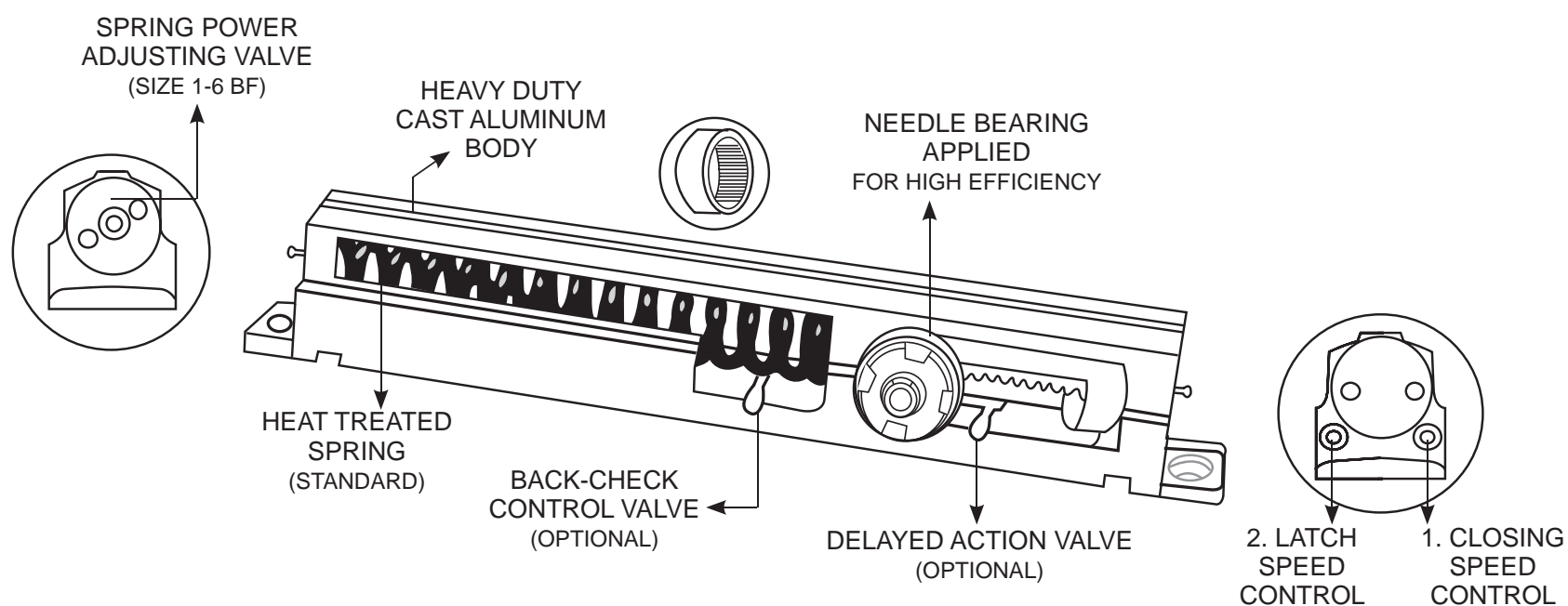
FEATURES

- Connects two CR441 Series Door Closers in tandem
- For Doors 260 ~ 520 lbs weight
- Can be used for Regular Arm, Top Jamb or Parallel Arm Mounting
- Easy Mounting
- High Tensile Strength Steel Connector Sleeve Nut
- 6 ¹¹/₁₆" X 6 ¹¹/₁₆" X ³/₁₆" Steel Mounting Plate
- 4 X ¹/₄-20 x 2 ¹/₈" Mounting Screws

THIS PAGE INTENTIONALLY LEFT BLANK



***SAME HOLE PATTERN AS NORTON 8301/8501**



- CAL-ROYAL'S FINEST HYDRAULIC DOOR CLOSER SERIES MEETING THE HIGHEST INDUSTRY STANDARDS, GRADE 1
- HEAVY-DUTY DOUBLE LEVER ARM WITH EXTRA SMOOTH ACTION FULL FEATURE MULTI-SIZE COMMERCIAL DOOR CLOSER FOR USE IN OFFICE BUILDINGS, SHOPPING CENTERS AND OTHER COMMERCIAL BUILDINGS
- STANDARD BACK-CHECK FUNCTION
- OPTIONAL SLIM / FULL PLASTIC COVER
- OPTIONAL ADJUSTABLE DELAYED ACTION / BARRIER FREE FOR HANDICAPPED OR ELDERLY

CR801S / CR801 Series Door Closer

**Slim / Full Cover Multi-size
Full Feature Closer**

ANSI 156.4 Grade 1

**UL Listed, Conforms to Standards
UL10C and UBC7-2-1997**

BHMA Certified Lifetime Warranty

CR801S/CR801 Series Door Closer

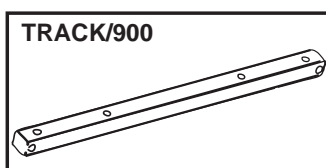
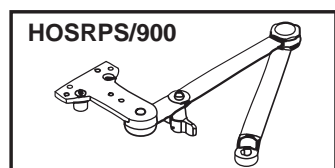
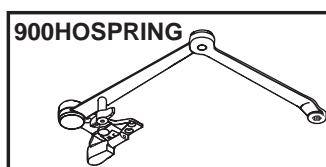
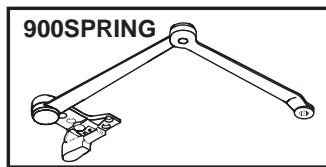
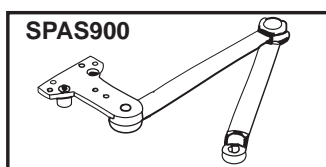
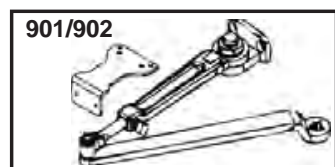


FEATURES

- ANSI 156.4 Grade 1: UL Listed for fire door assemblies
- Universal application. Non-handed for standard, top-jamb or parallel arm installation
- Non-sized, 1 thru 6 FACTORY PRESET SIZE 3
- Door weights: 30-260 lbs (All Models)
- Hydraulic door closer with standard adjustable back-check function
- Adjustable closing and latching speed by two separate regulating valves
- Standard slim plastic cover (CR801S)
- Standard full plastic cover (CR801)
- Available in Alum, Duro, Gold
- Optional adjustable delayed action (DA) Preset at the factory for approximately 20 seconds, between 70° and 0° Delay time easily adjusted up to 1 minute
- Barrier free (BF) Meets ADA regulation Size 1 thru 6. Engineered with reduced spring power to provide easier opening for handicapped or elderly.

ACCESSORIES

- Parallel hold-open adjustable arm (Non handed). **901/902**
- Optional, non-handed parallel arm features solid forged steel main arm and forearm with stop in soffit shoe. **SPAS/900**
- Optional, non-handed parallel arm features solid forged steel main arm and forearm provides hold-open function with templated stop/hold-open points. Handle controls hold-open function. **HORSPS/900**
- Slide Track Arm. TRACK/900 with hold open
- Flat drop bracket **850**
- Extended long arm for top jamb mount with deep reveals. **900 EXT**
- Super rigid non handed parallel arm with spring loaded stop in the soffit shoe. Equivalent to LCN SPRING CUSH ARM. **900SPRNG**
- Super rigid parallel arm stopper hold open, non-handed with spring loaded stop in soffit shoe. Handle controls hold open function. Equivalent to LCN SPRING H-CUSH ARM **900HOSPRING**



REDUCED OPENING FORCE CR801S / CR801 DOOR CLOSERS

IMPORTANT Any door closer, including those certified by BHMA to conform to ANSI Standard A156.4, that is chosen, installed and adjusted based on ADA or other reduced opening force requirement may not provide sufficient power to close and latch a door. Location of door could also affect action and efficiency of door closer.

	DOOR WIDTH	36"	42"	48"
	**8.5 lbs.	CR801S/CR801	CR801S/CR801	CR801S/CR801
	**5.0 lbs.	CR801S/CR801	CR801S/CR801	CR801S/CR801

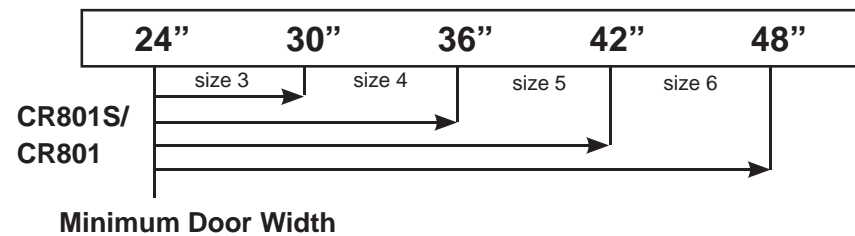
** Maximum Opening Force

TABLE OF SIZES

Closing power of closers may be adjusted 50%

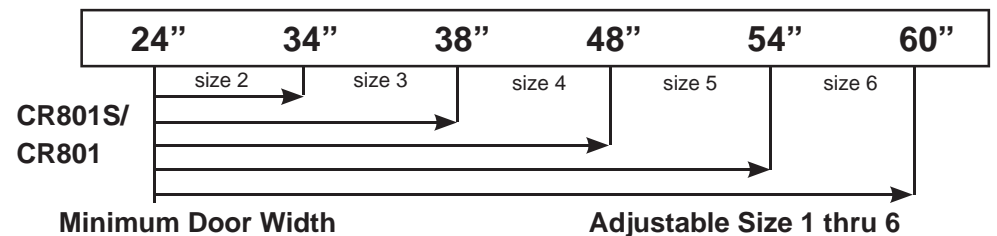
→ Shows recommended range of door width for closer size.

EXTERIOR (and VESTIBULE) DOOR WIDTH



Minimum Door Width

INTERIOR DOOR WIDTH



Minimum Door Width

Adjustable Size 1 thru 6

Replacement Hole Pattern As Norton CR801S / CR801 Yale 3301/3501

DESCRIPTION	SIZE	
A. Length of Closer Body	12 3/4"	
B. Horizontal Mounting Holes	12"	
C. Vertical Mounting Holes	3/4"	
D. Height of Closer Body	1 1/4"	
E. Projection from Door	2 1/8"	

CROSS REFERENCES

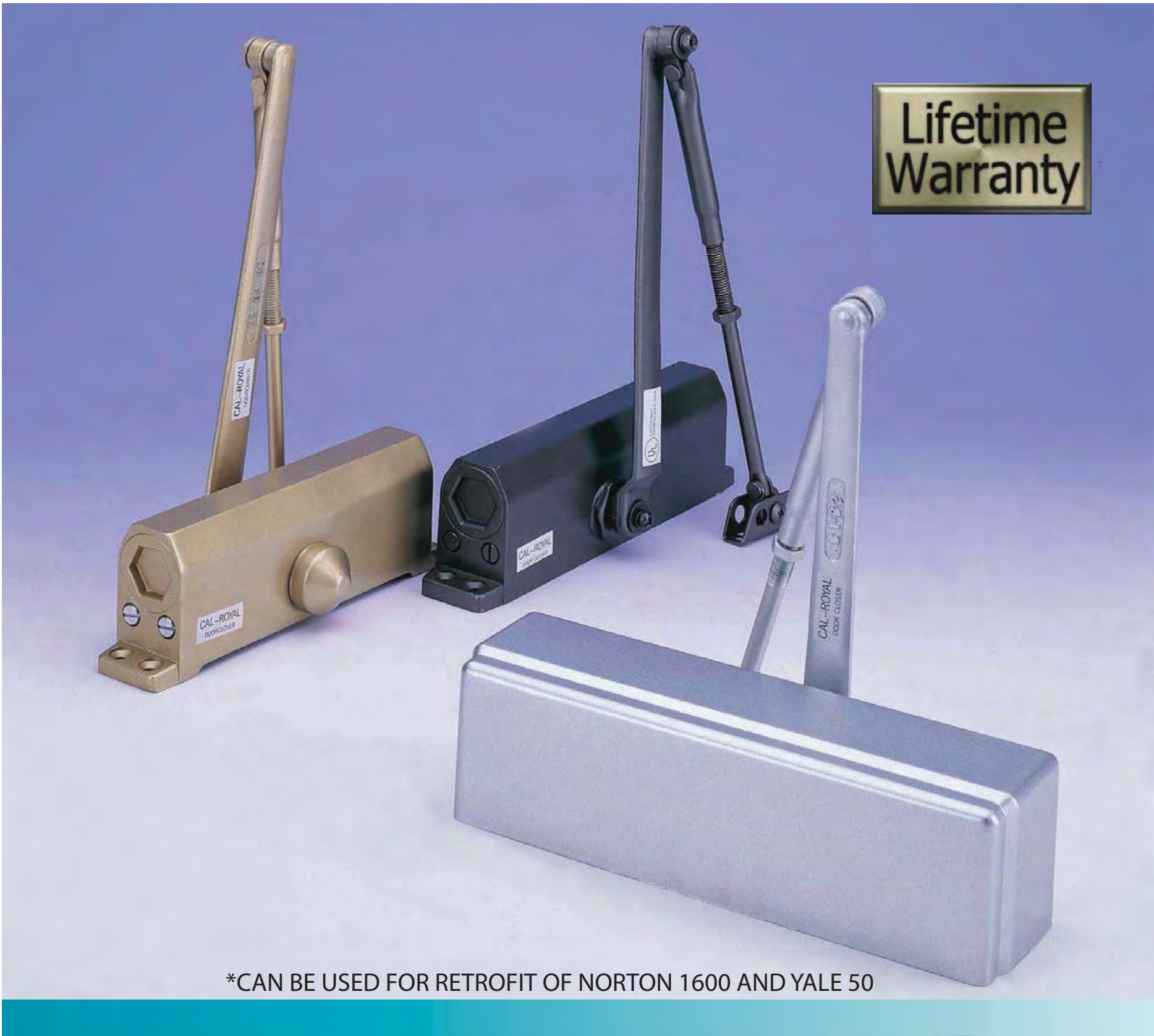
CAL-ROYAL	CORBIN	DORMA	DOR-O-MATIC	HAGER	LCN	NORTON	RUSSWIN	SARGENT	YALE
CR801S SLIM COVER	DC3200 x M76	8600	SC80	5200SLC	1460-72	8301	9000	1430	3301
CR801 FULL COVER	DC3200	8600FC	SC80FC	5200FC	1460FC	8501	DC6200	1431	3501

The data on this chart represents our judgment of which are most similar. Since no product is exactly alike the information has been obtained from trade sources, it is not guaranteed nor represented that any specific product exactly equals any other product. Door closer body size may be different.



UL Listed, Conforms to Standards UL10C and UBC-7-2-1997





**Lifetime
Warranty**

*CAN BE USED FOR RETROFIT OF NORTON 1600 AND YALE 50

- **MEETS AND EXCEEDS ANSI STANDARD 156.4 GRADE 1**
- **UNIVERSAL HOLE PATTERN OFFERING VERSATILITY AND PRECISION ENGINEERING FOR NEW AND RETROFIT MARKET**
- **MULTI SIZE AND ADJUSTABLE COMMERCIAL DOOR CLOSER SIZES 1 THRU 4 AND 3 THRU 6 MEETING BARRIER FREE APPLICATIONS**
- **HYDRAULIC DOOR CLOSER WITH STANDARD BACK CHECK**
- **FULL PLASTIC COVER IS STANDARD FEATURE**
- **OPTIONAL ADJUSTABLE DELAYED ACTION FOR HANDICAPPED OR ELDERLY**

300 Series Door Closer

**Full Cover Multi-size
Full Feature Closer
ANSI 156.4 Grade 1
UL Listed, Conforms to Standards
UL10C and UBC7-2-1997
LIFETIME WARRANTY**

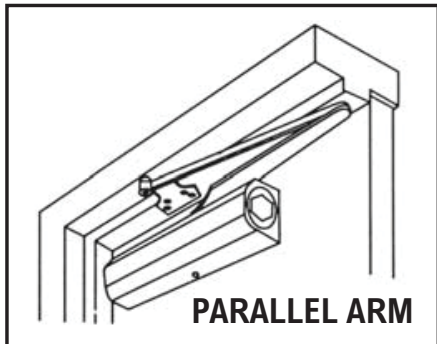
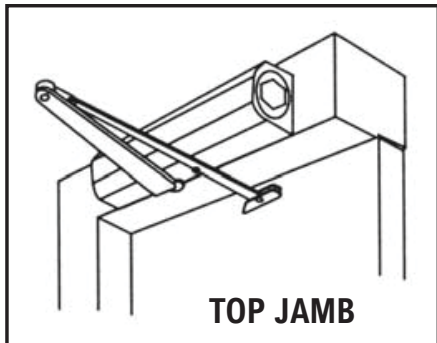
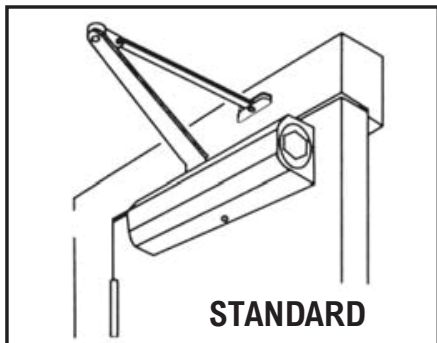
300 Series Door Closer



FEATURES

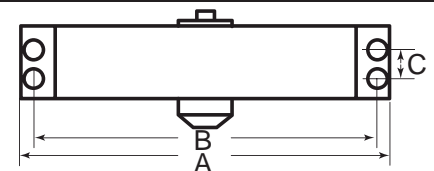
- Factory tested to meet or exceed ANSI Standard 156.4 Grade 1
- 300 PBFCOV: Non-sized, fully adjustable 1 through 4, (Barrier Free ADA) interior doors. Full cover. For 30-185 lbs door weight
- 300 PCOV: Non-sized, fully adjustable 3 through 6, (Barrier Free ADA) exterior doors. Full cover. For 85-260 lbs door weight
- Hydraulic door closer with standard adjustable backcheck valve
- Standard full plastic cover (2 5/8" W x 3" H x 10 1/8" L) COV/400
- Universal Mounting - standard size #4 Mounting Holes. (9-1/16")
- Finishes available: Alum, Dark Bronze (Duro), Gold and US3
- Dual valve, closing and latching speed controlled by two separate regulating valves
- Universal application, non handed, designed for all standard installations
- Reinforced type adjustable tube arm
- Rack and pinion operation contained in a high tensile precision cast with needle bearing aluminum housing for the highest quality
- High quality hydraulic fluid for high lubricity and constant lubrication
- The streamlined design permits installation on most commercial and residential applications without adaptors
- Power adjustment bracket on regular arms. (15% adjustment, ±7 1/2%)
- Hod open arm optional (Part #301/302) for regular & parallel installations

UNIVERSAL APPLICATION

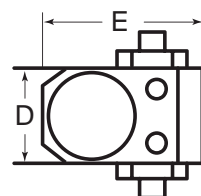


SPECIFICATIONS

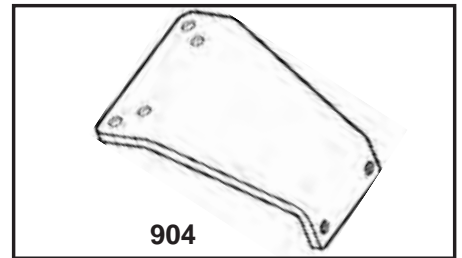
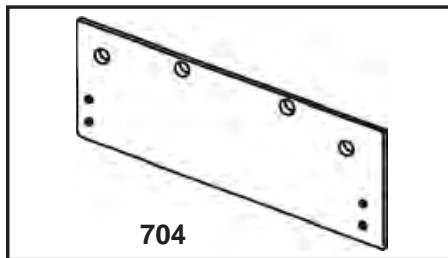
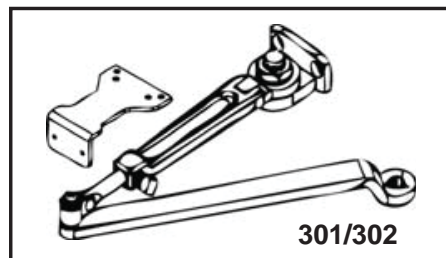
DESCRIPTION	300PBFCOV/300PCOV
A. Length of Closer Body	9 3/4"
B. Horizontal Mounting Holes	9 1/16"
C. Vertical Mounting Holes	3/4"
D. Height of Closer Body	1 3/4"
E. Projection from Door	2 7/8"



FRONT VIEW



300 Series END VIEW



*** CAN BE USED FOR RETROFIT OF NORTON 1600 (Sizes 4, 5 or 6) Yale 50 (Sizes 4, 5 or 6)**

COMPARISON CHART 300 SERIES

CAL-ROYAL	DORMA	HAGER	LCN	NORTON	PARKER	SARGENT	YALE
300	640/7300/7400	5300	1070/1370	1600	900	1130	50

The data on this represents our judgment of which are most similar. Since no product is exactly alike the information has been obtained from trade sources, it is not guaranteed nor represented that any specific product exactly equals any other product.



UL Listed, Conforms to Standards UL10C and UBC-7-2-1997





* CAN BE USED FOR RETROFIT OF NORTON 1600 AND YALE 50

- **MEETS AND EXCEEDS ANSI STANDARD 156.4 GRADE 1**
- **UNIVERSAL HOLE PATTERN OFFERING VERSATILITY AND PRECISION ENGINEERING FOR NEW AND RETROFIT MARKET**
- **CHOICE OF REGULAR, PARALLEL, OR HOLD OPEN ARMS FOR ALL STANDARD APPLICATIONS**
- **SIZED DOOR CLOSER. SIZES 2, 3, 4 AND 5**
- **HYDRAULIC DOOR CLOSER WITH OPTIONAL BACK CHECK**
- **OPTIONAL SLIM PLASTIC COVER**

700 Series Door Closer

***Full Cover Multi-size
Full Feature Closer
ANSI 156.4 Grade 1
UL Listed, Conforms to Standards
UL10C and UBC7-2-1-1997
BHMA Certified Lifetime Warranty***

700 Series Door Closer



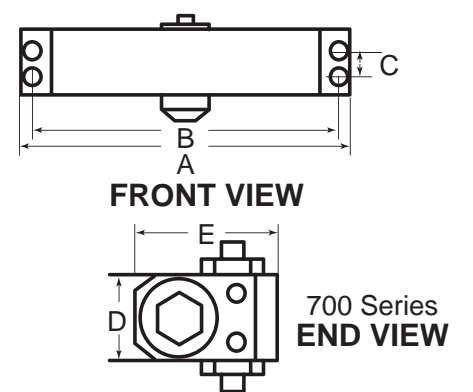
FEATURES

- Hydraulic door closer with dual valve, closing and latching speed controlled by two separate regulating valves
- Universal application, non handed, designed for all standard installations
- Reinforced type adjustable tube arm
- Rack and pinion operation contained in a high tensile precision cast aluminum housing for the highest quality
- High quality hydraulic fluid for high lubricity and constant lubrication
- The streamlined design permits installation on most commercial and residential applications without adaptors
- Sized door closer. 720 Size 2, 730 Size 3, 740 Size 4 and 750 Size 5
- Power adjustment bracket on regular arms. (15% adjustment, $\pm 7 \frac{1}{2}\%$)
- Hold open arm (optional) are adjustable for holding from 90° to 180°, **901/902**
- Optional back check (730-BC, 740-BC, 750-BC) controlled by separate regulating valve
- Slim cover (2" W x 3" H x 10" L) optional fits all sizes, **COV/700**
- Flat drop bracket
- Available in Alum, Duro, Gold

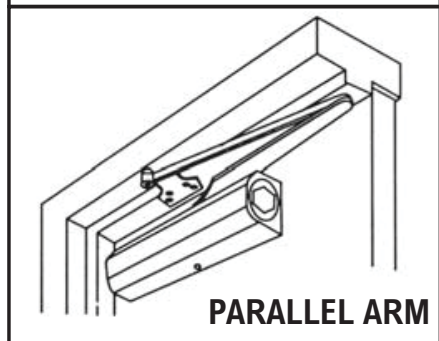
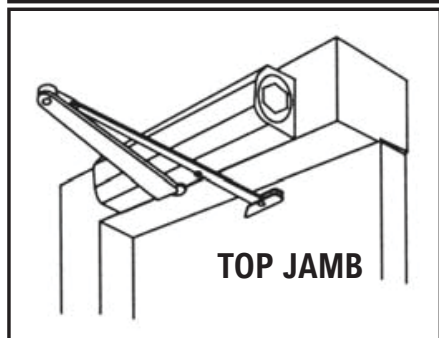
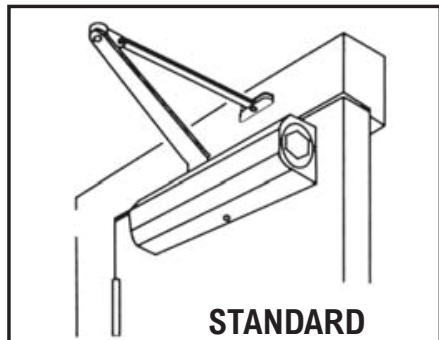
SPECIFICATIONS



DESCRIPTION	SIZE			
	2	3	4	5
A. Length of Closer Body	8 7/8"	8 7/8"	9 3/4"	9 3/4"
B. Horizontal Mounting Holes	8 3/16"	8 3/16"	9 1/16"	9 1/16"
C. Vertical Mounting Holes	3/4"	3/4"	3/4"	3/4"
D. Height of Closer Body	1 3/4"	1 3/4"	1 3/4"	1 3/4"
E. Projection from Door	2 7/8"	2 7/8"	2 7/8"	2 7/8"



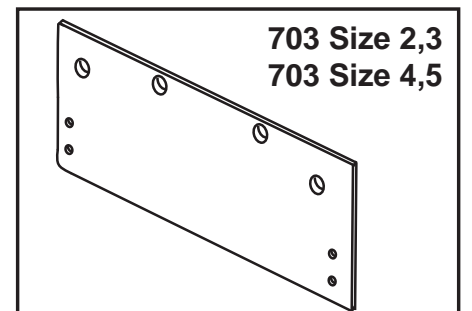
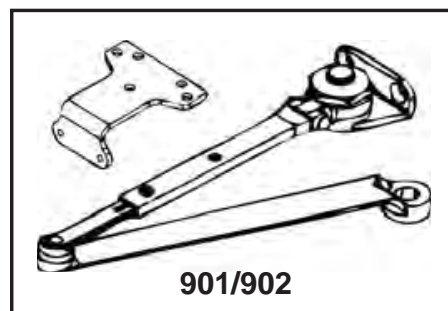
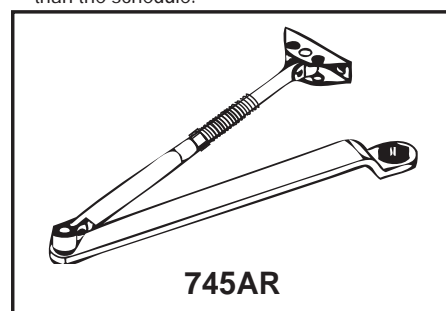
UNIVERSAL APPLICATION



RECOMMENDED CLOSER SIZES FOR INTERIOR & EXTERIOR

REGULAR CLOSERS					CLOSERS WITH PARALLEL ARM ADAPTER			
MODEL NO.	DOOR WEIGHT (POUNDS) ALL MODELS	MODEL NO.	TYPE OF DOOR	MAXIMUM SIZE OF DOOR			MAXIMUM SIZE OF DOOR	
REGULAR		HOLD OPEN		INTERIOR	EXTERIOR INSWINGING	INTERIOR OUTSWINGING	INTERIOR	EXTERIOR INSWINGING
720	55-100	720PH	Heavy screen doors or medium weight interior door of wood or metal	3'0"	---	---	2'6"	---
730	88-143	730PH	Light exterior doors and interior doors of wood or metal	3'6"	2'6"	3'0"	3'0"	2'6"
740	120-187	740PH	Exterior doors and heavy interior doors of wood or metal	4'0"	3'0"	3'6"	3'6"	3'0"
750	176-265	750PH	Heavy exterior doors and heavy interior doors	4'6"	3'6"	4'0"	4'0"	3'6"

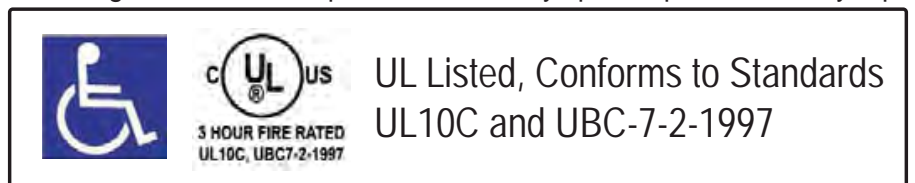
NOTE: Doors of unusual height or weight, or doors subject to severe wind or draft conditions, or abusive usage, require the next larger model closer than the schedule.



COMPARISON CHART 700 SERIES

CAL-ROYAL	CORBIN	DORMA	HAGER	NORTON	PARKER	RUSSWIN	TAYMOR	YALE
700	4600	640	5400	9300	500	4600	9500/60	2300

The data on this represents our judgment of which are most similar. Since no product is exactly alike the information has been obtained from trade sources, it is not guaranteed nor represented that any specific product exactly equals any other product.





- **STANDARD DUTY COMMERCIAL HYDRAULIC DOOR CLOSER
PRECISION ENGINEERING FOR NEW CONSTRUCTION**
- **MEETS AND EXCEEDS ANSI STANDARD 156.4 GRADE 2**
- **SIZED DOOR CLOSER, SIZES 2, 3 AND 4**
- **FOR ALL STANDARD APPLICATIONS**
- **OPTIONAL FULL COVER**
- **OPTIONAL BACK CHECK**
- **HEAVY DUTY RACK AND PINION**

400 Series Door Closer

ANSI 156.4 Grade 2

UL Listed, Conforms to Standards

UL10C and UBC7-2-1997

5 Year Warranty



UL Listed, Conforms to Standards
UL10C and UBC-7-2-1997



400 Series Door Closer

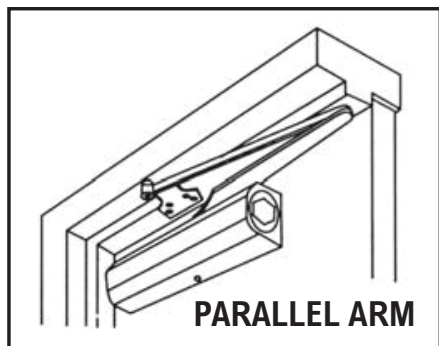
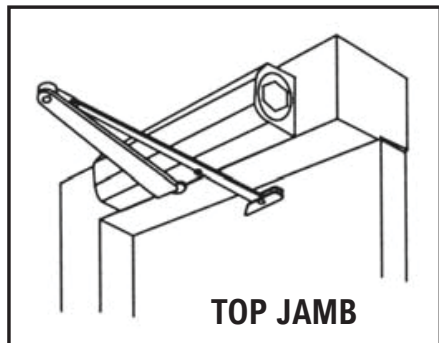
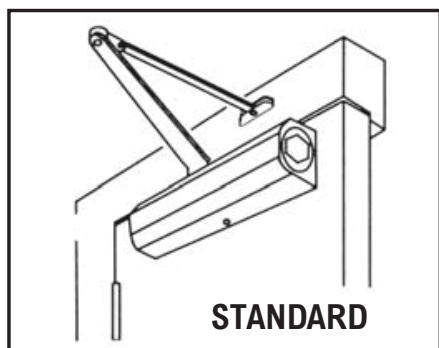
5-Year Warranty



FEATURES

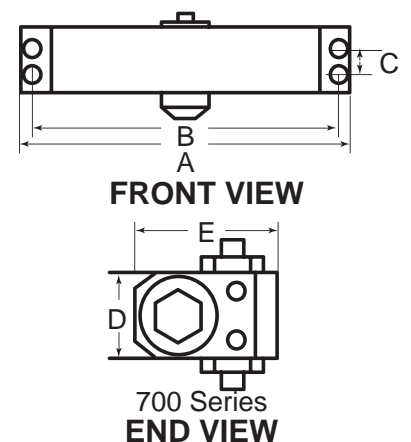
- Sized Hydraulic Door Closers. 420-P Size 2, 430-P Size 3, SM430-P Size 3, and 440-P Size 4
- Dual valve, closing and latching speed controlled by two separate regulating valves
- Universal application, non-handed, designed for all standard installations
- Reinforced type adjustable tube arm
- Rack and pinion operated contained in a high tensile precision cast aluminum housing for the highest quality
- The streamlined design permits installation on most commercial and residential applications without adaptor
- High quality hydraulic fluid for high lubricity and constant lubrication
- Power adjustment bracket on regular arms. (15% adjustment, $\pm 7 \frac{1}{2}\%$)
- Optional back check 430P-BC controlled by separate regulating valve
- Universal hold pattern. Size (3) **430-P**
- Full cover (2 $\frac{5}{8}$ " W x 3" H x 10" L) optional fits all sizes, **COV/400**
- Flat drop bracket
- Available in Alum, Duro and Gold
- Hold open arms optional (Part #301/302), for regular & parallel installations

UNIVERSAL APPLICATIONS



SPECIFICATIONS

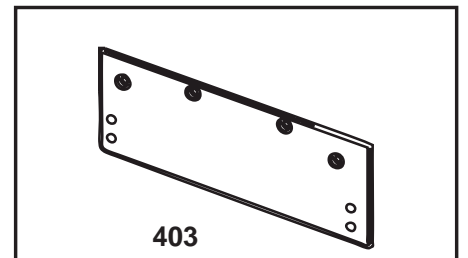
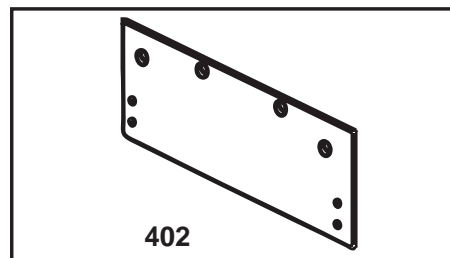
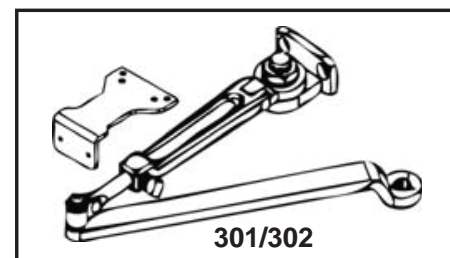
DESCRIPTION	SIZE			
	420-P	SM 430-P	430-P	440-P
	2	3	3	4
A. Length of Closer Body	7 $\frac{1}{4}$ "	7 $\frac{1}{8}$ "	8 $\frac{3}{4}$ "	8 $\frac{3}{4}$ "
B. Horizontal Mounting Holes	6 $\frac{5}{8}$ "	6 $\frac{1}{2}$ "	8 $\frac{3}{16}$ "	8 $\frac{3}{16}$ "
C. Vertical Mounting Holes	$\frac{3}{4}$ "	$\frac{3}{4}$ "	$\frac{3}{4}$ "	$\frac{3}{4}$ "
D. Height of Closer Body	1 $\frac{3}{4}$ "	1 $\frac{3}{4}$ "	1 $\frac{3}{4}$ "	1 $\frac{3}{4}$ "
E. Projection from Door	2 $\frac{5}{8}$ "	2 $\frac{15}{32}$ "	2 $\frac{7}{8}$ "	2 $\frac{7}{8}$ "



RECOMMENDED CLOSER SIZES FOR INTERIOR & EXTERIOR

REGULAR CLOSERS							CLOSERS WITH PARALLEL ARM ADAPTER	
MODEL NO.	DOOR WEIGHT (POUNDS) ALL MODELS	MODEL NO.	TYPE OF DOOR	MAXIMUM SIZE OF DOOR			MAXIMUM SIZE OF DOOR	
REGULAR		HOLD OPEN		INTERIOR	EXTERIOR INSWINGING	INTERIOR OUTSWINGING	INTERIOR	EXTERIOR INSWINGING
420P	55-100	420PH	Heavy screen doors or medium weight interior door of wood or metal	3'0"	----	----	2'6"	----
430P	88-143	430PH	Light exterior doors and interior doors of wood or metal	3'6"	2'6"	3'0"	3'0"	2'6"
440P/ SM430-P	120-187	440PH	Exterior doors and heavy interior doors of wood or metal	4'0"	3'0"	3'6"	3'6"	3'0"

NOTE: Doors of unusual height or weight, or doors subject to severe wind or draft conditions, or abusive usage, require the next larger model closer than the schedule.



COMPARISON CHART 400 SERIES

CAL-ROYAL	LCN	NORTON	YALE	DORMA	TAYMOR	PARKER	CORBIN	RUSSWIN
400	1050	1600	50	600	9500/60	500	100	2800

The data on this represents our judgment of which are most similar. Since no product is exactly alike the information has been obtained from trade sources, it is not guaranteed nor represented that any specific product exactly equals any other product.



6605 Flotilla St. Commerce, CA 90040 USA
Tel: (323) 888-6601 ♦ Fax: (323) 888-6699
Website: www.cal-royal.com ♦ Email: sales@cal-royal.com

Ver. 3.0, Rev. 05/15
© 2015 CAL-ROYAL

**Lifetime
Warranty**



OPTIONAL SLIM COVER

*CAN BE USED FOR RETROFIT OF NORTON 1600 AND YALE 50

- **MEETS AND EXCEEDS ANSI STANDARD 156.4 GRADE 1**
- **UNIVERSAL HOLE PATTERN OFFERING VERSATILITY AND PRECISION ENGINEERING FOR NEW AND RETROFIT MARKET**
- **ADJUSTABLE MULTI SIZE COMMERCIAL DOOR CLOSER SIZES 1 THRU 5 MEETING BARRIER FREE APPLICATIONS**
- **HYDRAULIC DOOR CLOSER WITH STANDARD BACK CHECK**
- **SLIM PLASTIC COVER IS AN OPTIONAL FEATURE**

500 Series Door Closer

**Full Feature Multi-size Closer
Optional Cover
ANSI 156.4 Grade 1
UL Listed, Conforms to Standards
UL10C and UBC7-2-1997
LIFETIME WARRANTY**

500 Series Door Closer

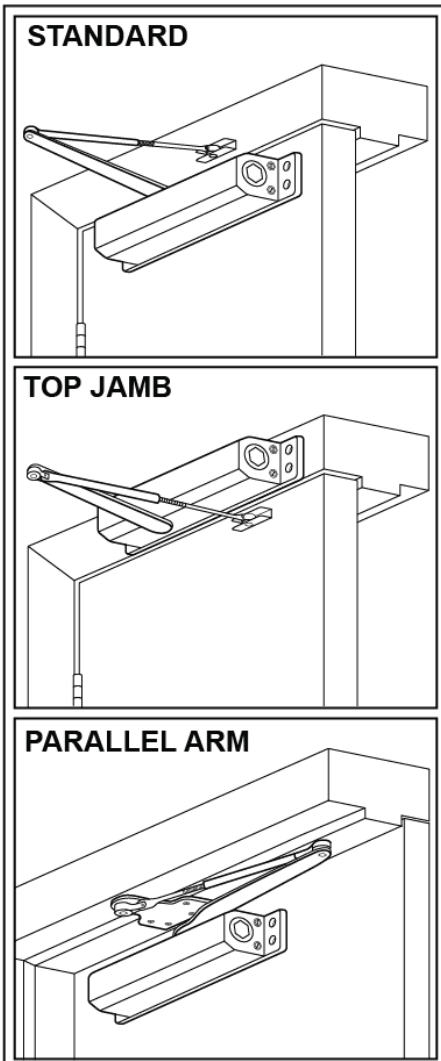


FEATURES

- Factory tested to meet or exceed ANSI Standard 156.4 Grade 1
- **500PBF:** Non-sized, fully adjustable 1 thru 5, (Barrier Free ADA) interior doors. For 30-260 lbs door weight
- Hydraulic door closer with standard adjustable backcheck valve
- Optional slim plastic cover (2" W x 3" H x 10-5/8" L), PART# **500COV**
- Universal Mounting - standard size #4 Mounting Holes (9-1/16")
- Finishes available: Alum and Dark Bronze (Duro)
- Dual valve, closing and latching speed controlled by two separate regulating valves

- Universal application, non handed, designed for all standard installations
- Reinforced type adjustable tube arm
- Rack and pinion operation contained in a high tensile precision cast with needle bearing aluminum housing for the highest quality
- Quality hydraulic fluid for high lubricity and constant lubrication
- The streamlined design permits installation on most commercial and residential applications without adaptors
- Power adjustment bracket on regular arms. (15% adjustment, $\pm 7 \frac{1}{2}\%$)
- Hold open arm optional for regular & parallel installations, PART# **501/502**

UNIVERSAL APPLICATION

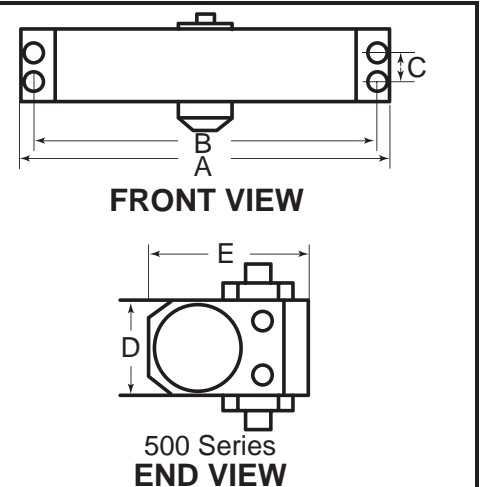


APPLICATIONS

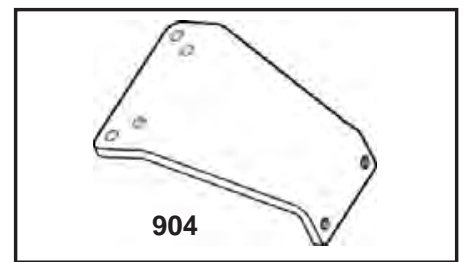
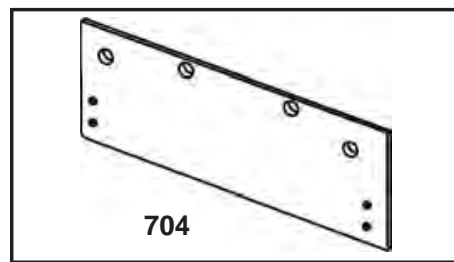
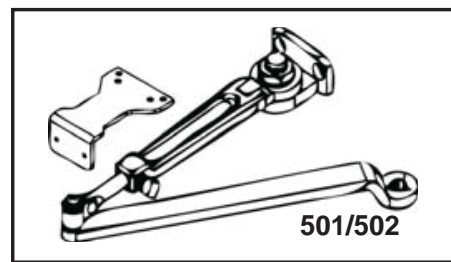
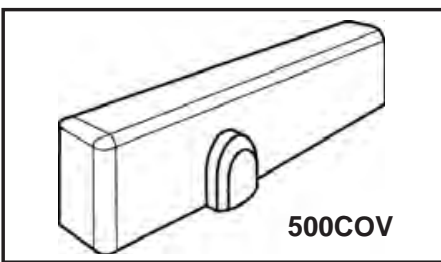
- 500 Series closers fulfill all requirements for ADA for interior and exterior doors. Complies with building and barrier free codes
- Ideal for new construction and renovations, including:
 - Office and Retail
 - Hotels
 - Commercial and Industrial
 - Health Care
 - Religious

SPECIFICATIONS

DESCRIPTION	500PBF
A. Length of Closer Body	9 3/4"
B. Horizontal Mounting Holes	9 1/16"
C. Vertical Mounting Holes	3/4"
D. Height of Closer Body	1 3/4"
E. Projection from Door	2 7/8"



*** CAN BE USED FOR RETROFIT OF NORTON 1600 (Sizes 4, 5 or 6) Yale 50 (Sizes 4, 5 or 6)**



COMPARISON CHART 500 SERIES

CAL-ROYAL	DORMA	HAGER	LCN	NORTON	PARKER	SARGENT	YALE
500	640/7300/7400	5300	1070/1370	1600	900	1130	50

The data on this represents our judgment of which are most similar. Since no product is exactly alike the information has been obtained from trade sources, it is not guaranteed nor represented that any specific product exactly equals any other product.

UL Listed, Conforms to Standards UL10C and UBC-7-2-1997





FM 60395

Quality Assured

Manufactured to ISO 9001

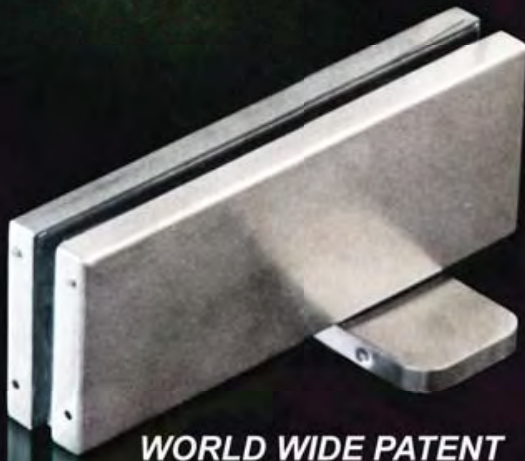
Certified and supervised

by BSI



CAL-ROYAL
P R O D U C T S , I N C .

Easy To Install Glass Door Concealed Floor Closer

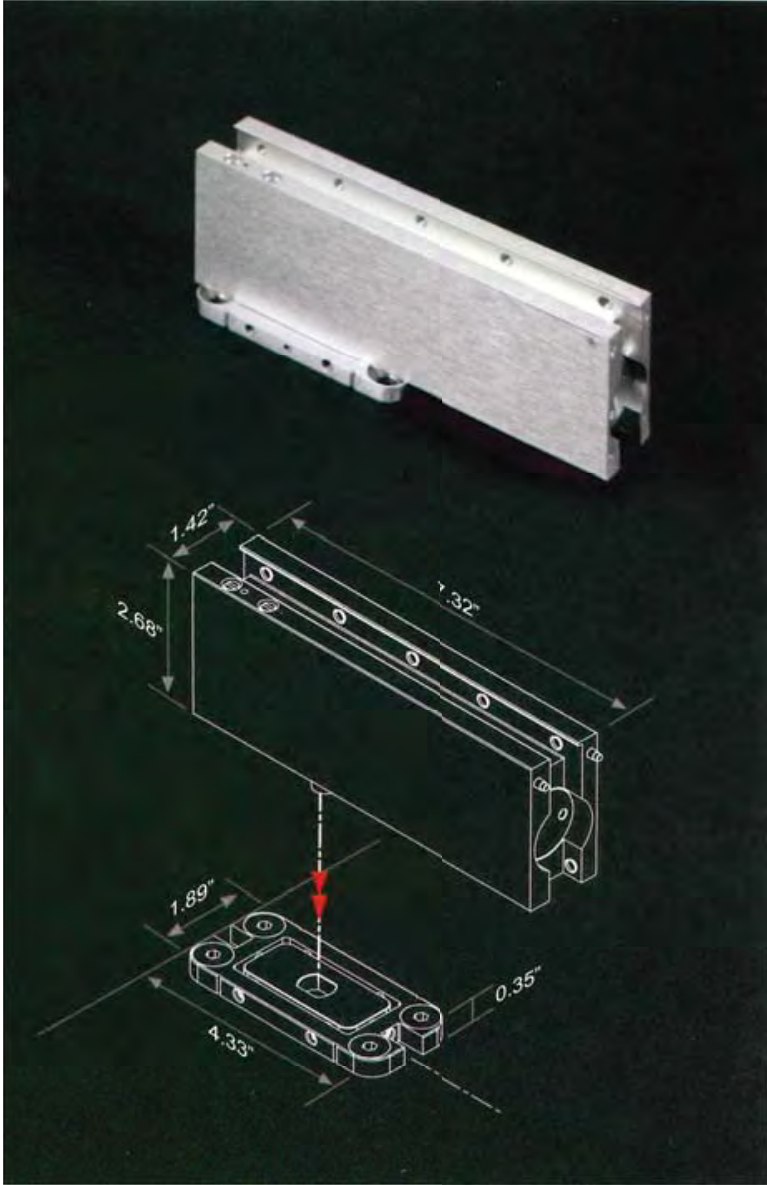


WORLD WIDE PATENT

DFG888 CONCEALED FLOOR CLOSER

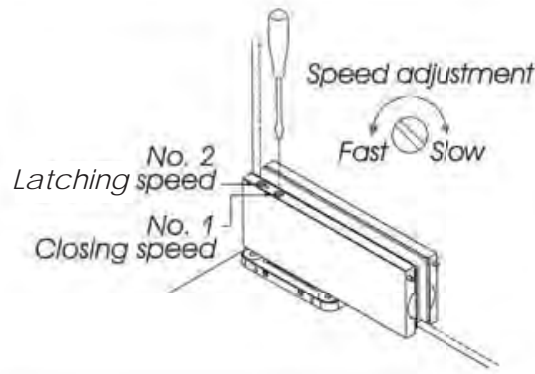
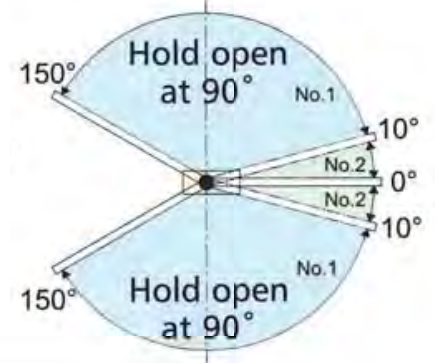


NUMBER: 1121



1

- Maximum opening angle: 150° for left and right opening (double action)
- Hold-open at 90°; non-hold open as optional (stock item is with hold-open)

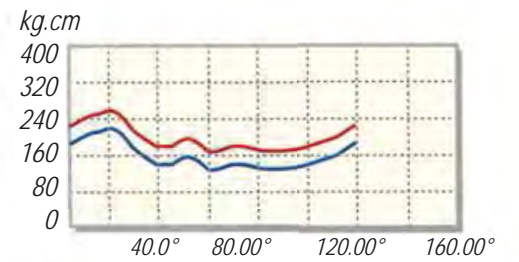


2

- Two speed adjustments:
- Closing speed (150° ~ 10°)
 - Latching speed (10° ~ 0°)

3

- With high efficiency over 70%, light opening yet with smooth closing



FEATURES

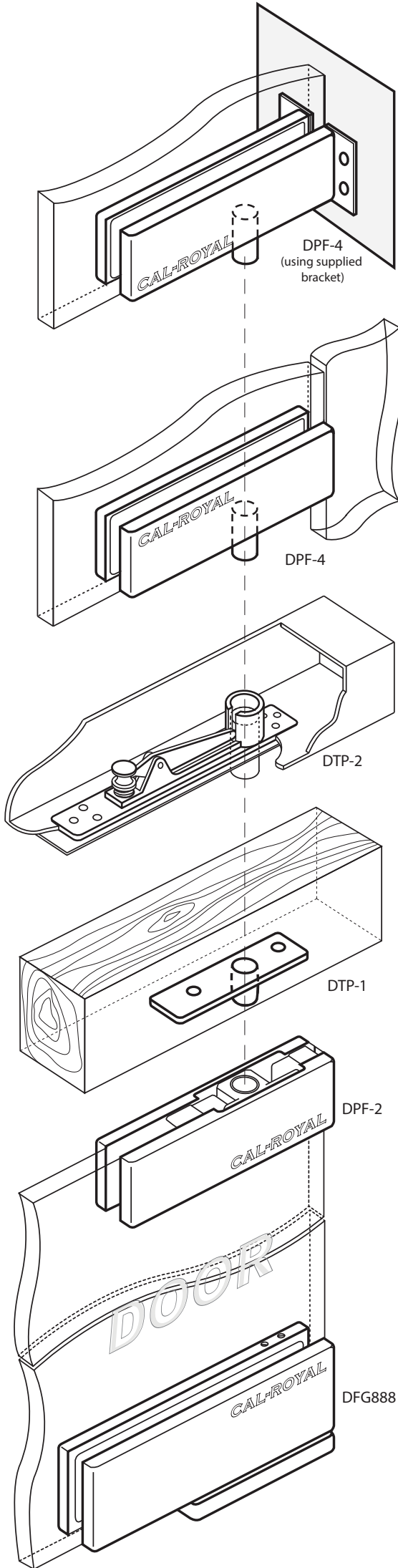
Suggested Door Width	29.5" ~ 39.4" (750~1000mm)
Door Weight	220 lbs. (100kgs)
Dimensions, Length	7.32" (186mm)
Width	2.68" (68mm)
Thickness	1.42" (36mm)
Angle of Opening	150°
Closing Speed	Adjustable
Braking Speed	Adjustable
Hold-Open	Optional (Stock item is with Hold-Open)
Warranty	5 years

Quick and easy installation with smooth movement

- No need to have the preset on the floor
- Easy installation with base seat adjustable for $\pm 0.12"$ ($\pm 3\text{mm}$) backward and forward, $\pm 0.12"$ ($\pm 3\text{mm}$) left and right, and for 4° alignment adjustment



Floor Closer & Top Patch



ITEM #	DESCRIPTION
DFG888	Concealed Floor Closer Capacity: Max 220 lbs (100 kg) Door Width: 29.5" - 39.0" (750-1000mm) Door Thickness: 0.3" - 0.5" (8-13mm)
DPF-2	Top Patch (door). Door Thickness: 0.3" - 0.5" (8-13mm)

Floor Closer and Top Patch packed separately

Optional Pivots

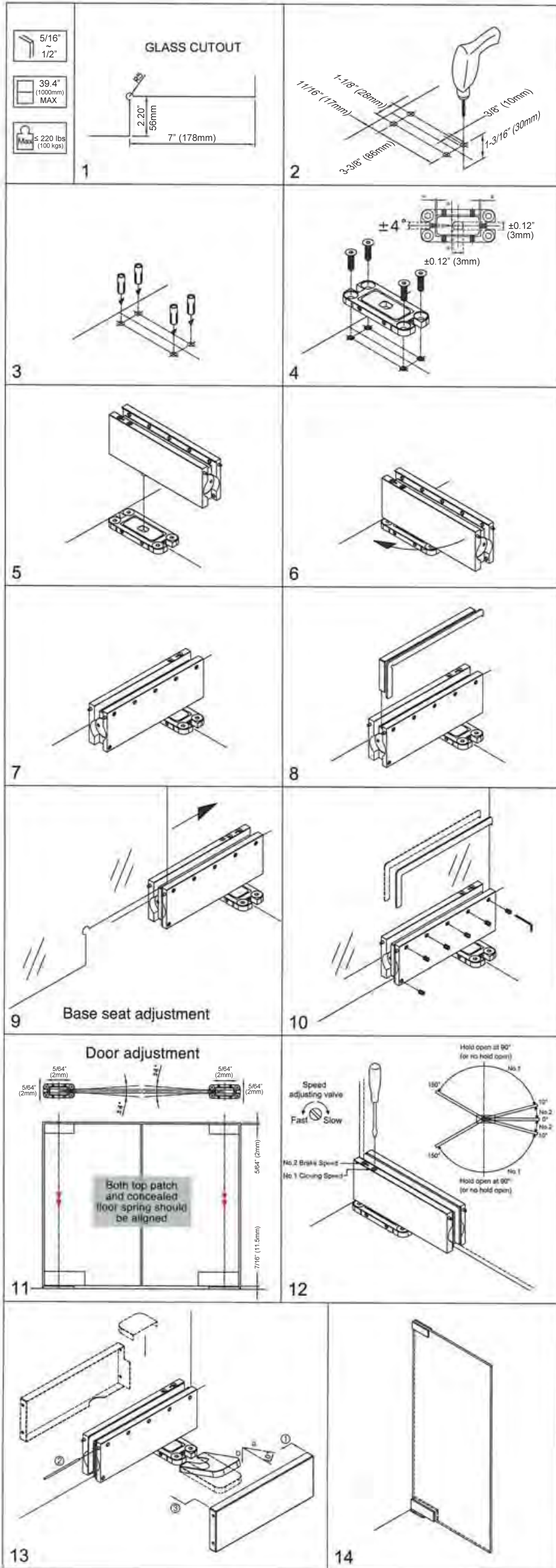


ITEM #	DESCRIPTION
DPF-4	Overpanel Patch Used on glass walls or glass overhead panels. Bracket supplied if used on an overhead glass panel with a perpendicular concrete or solid wall.
DTP-2	Optional Adjustable Top Pivot. Used on Hollow Door Frames
DTP-1	Optional Top Pivot. Used on Solid Door Frames

Pivots packed separately. Specify Pivot type when ordering

DFG888 CONCEALED FLOOR CLOSER

Standard Installation Instructions



NUMBER: 1121



FM 60396



EN Fire Tested
EN 1154 Tested
By U.K., Germany, Singapore...



CAL-ROYAL
PRODUCTS, INC.



6605 Flotilla St. Commerce, CA 90040 U.S.A.
Tel: (323) 888-6601 ♦ Fax: (323) 88-6699.
Email: sales@cal-royal.com
Website: www.cal-royal.com





LOCKSETS



Ver. 2.0, Rev. 11/12
© 2012  CAL ROYAL



Meets ADA requirements
Specially designed for
Barrier Free Application
Conforms with ANSI A156.2
Series 4000, Grade 1 requirements.
Exceeds 1,000,000 cycles

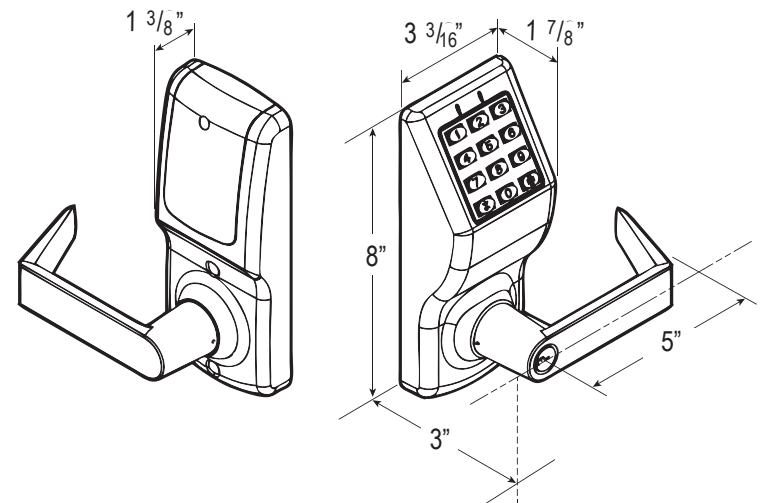
- ✓ MASTER CODE
- ✓ 1 SUB-MASTER CODE
- ✓ 10 MANAGER CODES
- ✓ 90 USER CODES
- ✓ 5 SERVICE CODES
- ✓ PASSAGE MODE
- ✓ WEATHER RESISTANT
- ✓ BUZZER & LED INDICATORS
- ✓ EASY INSTALLATION & PROGRAMMING
- ✓ ANTI-TAMPER LOCKOUT
- ✓ LONG-LIFE BATTERY OPERATION
- ✓ 2 REMOTE SWITCHES
- ✓ INTERCHANGEABLE CORE
- ✓ CLUTCH TECHNOLOGY
- ✓ ENABLE & DISABLE USERS MODE
- ✓ NON-HANDED, REVERSIBLE
- ✓ TACTILE METAL KEYPAD
- ✓ USER FRIENDLY

CR3000

DIGITAL KEYPAD DOOR LOCK HEAVY DUTY GRADE 1



3 HOUR FIRE RATED
UL10C, UBC 7-2-1997



SPECIFICATIONS

APPLICATIONS

For offices, schools, hospitals, apartments, hotel/motel, residential, commercial and public buildings.

DOOR RANGES

1 3/8" to 1 3/4" thickness.

BACKSET

2 3/4" Standard, 2 3/8", 3 3/4", 5" and 2 3/4" anti-friction latch with 3/4" throw for pair of fire doors optional.

LATCH FACEPLATE

Standard 2 1/4" x 1 1/8" for 2 3/4" backset.
Optional 2 1/4" x 1 1/8" for 2 3/8" backset.

STRIKES

ASA strike standard, "T" and full lip strike available on request.

ANSI STANDARDS

Meets or exceeds BHMA/ANSI A 156.2 Series 4000 Grade 1 requirements.

POWER SUPPLY

4 AA Batteries (comes standard in packing) or external 6VDC.

CLUTCH

Clutch technology allows turning of lever without retracting latch, thus prolonging the life of the lock by reducing stress on the spindle and other parts.

CYLINDER & KEYWAYS

6 pin solid brass "C" keyway standard. Schlage E, Schlage C-K, Russwin D1-2-3-4, Corbin 59/60, Corbin-Russwin L4, Sargent LA-LB-LC, Falcon/Weiser E, Arrow A, Yale 8, Yale GA and Kwikset. Can also accept Medeco, Assa, Kaba and Cal-Royal (HSK) High Security Cylinders.

INTERCHANGEABLE CORE

Interchangeable Core locks will accept compatible 6 or 7 pin cores with BEST, FALCON and ARROW. Prefix "IC" before part number.

WEATHER RESISTANT

All models are weather resistant for temperature ranges of +158°F to -22°F (+70°C to -30°C).

KEYPAD

12 programmable buttons for multi-level access functions including group or individual user codes, master and management codes, passage and emergency or service codes.

CR3000 FINISHES, FUNCTIONS and FEATURES



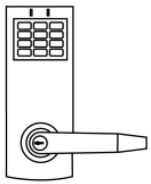
FINISHES AVAILABLE		
BHMA SYMBOL	US CODE	DESCRIPTION
626	US26D	Satin Chrome
613	US10B	Oil Rubbed Bronze



Refer to price list for stock finishes and functions

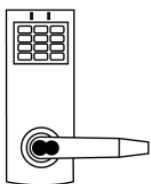
FUNCTIONS

CR3000



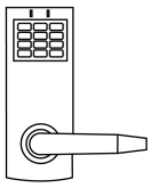
Latch bolt operated by lever from either side, except outside has to enter a pre-programmed code in the keypad in order to retract the latch upon turning the lever. Key overrides the use of the keypad.

ICCR3000



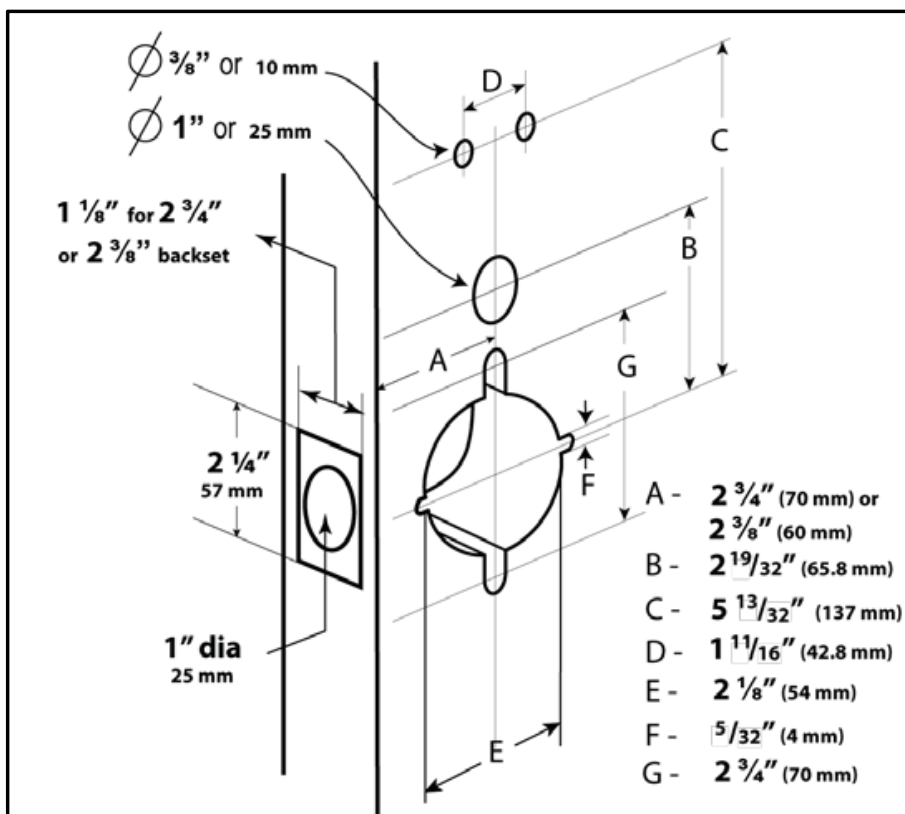
Latch bolt operated by lever from either side, except outside has to enter a pre-programmed code in the keypad in order to retract the latch upon turning the lever. Key overrides the use of the keypad. Available with Interchangeable Core.

CR3030



Latch bolt operated by lever from either side, except outside has to enter a pre-programmed code in the keypad in order to retract the latch upon turning the lever.

DOOR PREPARATION



FEATURES

- ✓ **Master Code** – performs all programming functions.
- ✓ **Sub-Master Code** performs all programming functions except delete or change Master Code.
- ✓ **Manager Codes** – CR3000 can accommodate 10 Managers each having different codes and under each Manager has 9 Users (1 Manager + 9 Users = 1 Bank). Managers are capable of programming/adding and deleting User codes under his Bank. Managers are also capable of accessing the next higher Bank until another Manager Code appears.
- ✓ **Service Codes (5)** – are one-time codes only. It cannot be used again. Once a Service Code is entered, the unit will unlock but will automatically delete the code.
- ✓ **Passage Mode** - Once enabled, the unit is unlocked continuously until "Disable Passage Mode" is initiated.
- ✓ **Tones and LED Indicators** – can be programmed for different settings. Making sure that every key pressed is confirmed by an accompanying LED and/or tone.
- ✓ **Next Free Code Location Finder** – No need of guessing what free location is available in entering a new code. CR3000 can pin point and tell you where the next available location is.
- ✓ **Code Locator Function** – CR3000 can tell you the exact location of a certain code. Making it easy to determine as to what manager a user code is under.
- ✓ **Keypad Anti-Tamper Lockout** – If an invalid code is entered 3 times in succession, the unit will turn off for 30 seconds to prevent tampering.
- ✓ **Remote Switch/Release** – CR3000 provides 2 Remote Switches. Either can be used for an emergency push button switch, or connected to alarm systems such as fire alarms.
- ✓ **Weather Resistant** - CR3000 are manufactured making sure that internal electronic parts are protected from moisture, dust, water and corrosion. All models are weather resistant for temperature ranges of +158°F to -22°F (+70°C to -30°C).
- ✓ **Clutch Technology** – The outside lever of the CR3000 is a free-wheeling lever. If no valid code is entered, the lever will just turn freely without moving any parts inside, thus preventing breaking or tampering.
- ✓ **Non-Handed** – CR3000 can be installed for both left and right door opening.

Ⓢ (IC) Indicates function available with BEST, FALCON & ARROW Interchangeable Core.



CR6000 SERIES

HEAVY DUTY, GRADE 1

DIGITAL TOUCH SCREEN DOOR LOCK

WITH CLUTCH TECHNOLOGY & RFID PROXIMITY CARD

Optional Interchangeable Core for Best, Falcon and Arrow



GN DESIGN
CR6000
ICCR6000



AT DESIGN
AT6000
ICAT6000



SPA DESIGN
SPA6000
ICSPA6000



9V EMERGENCY BATTERY PORT



INSIDE UNIT



PROXIMITY RFID CARD

- ◆ MASTER CODE
- ◆ 3 MANAGER CODES
- ◆ 1,000 USER CODES (COMBINED RFID & USER PIN CODE)
- ◆ 3 SERVICE CODES
- ◆ PASSAGE MODE
- ◆ 4-6 DIGIT CODE COMBINATION
- ◆ WEATHER RESISTANT
- ◆ 9V BATTERY EMERGENCY POWER
- ◆ ANTI-TAMPER LOCKOUT
- ◆ LOCK-OUT MODE

- ◆ CLUTCH TECHNOLOGY
- ◆ OPTIONAL INTERCHANGEABLE CORE
- ◆ NON-HANDED, REVERSIBLE
- ◆ TOUCH SCREEN
- ◆ WAKE-UP BUTTON
- ◆ PROXIMITY CARD (13.56MHZ)
- ◆ LONG-LIFE BATTERY OPERATION
- ◆ EASY INSTALLATION AND PROGRAMMING
- ◆ USER FRIENDLY

SPECIFICATIONS

APPLICATIONS

For offices, schools, hospitals, apartments, condo units, hotel/motel, residential, commercial and public buildings.

DOOR RANGES

1-3/8" to 2".

BACKSET

2-3/4" standard or 2-3/8" optional backset.

LATCH FACEPLATE

Standard 1-1/8" x 2-1/4" for 2-3/4" backset.
Optional 1" x 2-1/4" for 2-3/8" backset.

STRIKES

ASA Strike standard, T and full lip strike available on request.

ANSI STANDARDS

Certified ANSI/BHMA A 156.2 Series 4000 Grade 1 requirements.

CYLINDER

5-pin or 6-pin solid brass "Schlage C" keyway standard with two brass keys per lock.

CLUTCH

Clutch technology allows turning of lever without retracting the latch, thus prolonging the life of the lock by reducing stress on the spindle and other parts.

PROXIMITY CARD

Compatible with existing MIFARE infrastructures.
Operates at 13.56MHz in accordance with ISO 14443A.
Inductive distance up to 1-3/16".

INTERCHANGEABLE CORE

Interchangeable Core locks will accept compatible 6 or 7 pin cores with BEST and FALCON. Prefix "IC" before part number.

WEATHER RESISTANT

All models are weather resistant for temperature ranges of -30°F ~ 150°F (-35°C ~ 66°C).

TOUCH SCREEN

Responds to human touch enabling convenient entrance or access to programming menu. After operation has been completed, the lock reverts to sleep mode.

POWER SUPPLY

4-AA Batteries (comes standard in packaging). 9V DC battery emergency power.



CR6000 DIGITAL TOUCH SCREEN DOOR LOCK

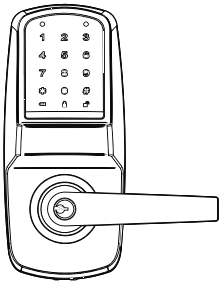


FINISHES

BHMA SYMBOL	US CODE	DESCRIPTION
626	US26D	Satin Chrome
613	US10B	Oil Rubbed Bronze
605	US3	Polished Brass
606	US4	Satin Brass
625	US26	Bright Chrome

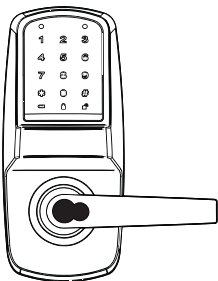
FUNCTIONS

CR6000



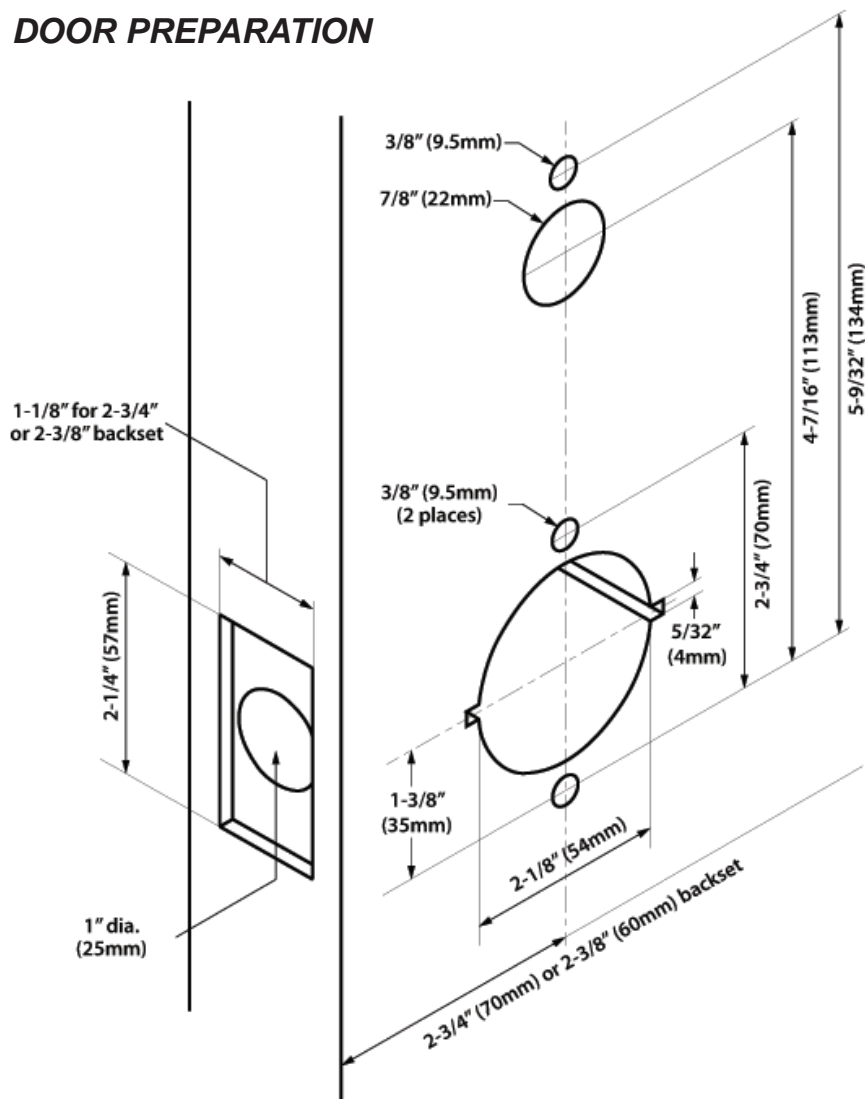
Latch bolt operated by lever from either side. Outside would need to enter pre-programmed code on the touch screen in order to retract the latch upon turning lever. Key overrides the use of the touch screen.

ICCR6000



Latch bolt operated by lever from either side. Outside would need to enter pre-programmed code on the touch screen in order to retract the latch upon turning lever. Key over rides the use of the touch screen. Available with Interchangeable Core.

DOOR PREPARATION



FEATURES

Master PIN Code

Use for programming the lock and entering Manager and User PIN codes. Can also be use to open the lock and reset to factory settings.

Manager PIN Code

Use to open the door with lock out mode. Also functions like a User PIN code. This feature can also program 3 one-time user codes.

User PIN Code

This feature only opens the lock by entering the code on the touch pad. It wont be able to program or change settings. This lock can accomodate up to 1000, 3 to 6 digits combined RFID and User PIN codes.

One-Time User PIN Code

Can only be used once. This lock can store up to 3 one-time User PIN code simultaneously.

Passage Mode

Enabling passage mode allows continous entry for non-restricted traffic. Passage mode can either be enabled or disabled by the Master Pin code. When in passage mode, the unlocked padlock icon will appear on the screen.

Beep & LED Indicators

These indicators can be programmed for different settings. This feature is useful in making sure that every keypress was succesfully entered.

Lock-Out Mode

This feature can either be enabled by the Master or Manager PIN Codes. When enabled, it restricts all User PIN codes access except Master and Manager PIN codes.

SMART Card

- Compatible with existing MIFARE infrastructures
- Operates at 13.56 Mhz in accordance with ISO 14443A
- Inductive distance up to 1-3/16"

Touch Screen Anti-Tamper Lock Out

This function will auto shut off the lock if an invalid code is entered 5 times in succession to prevent tampering.

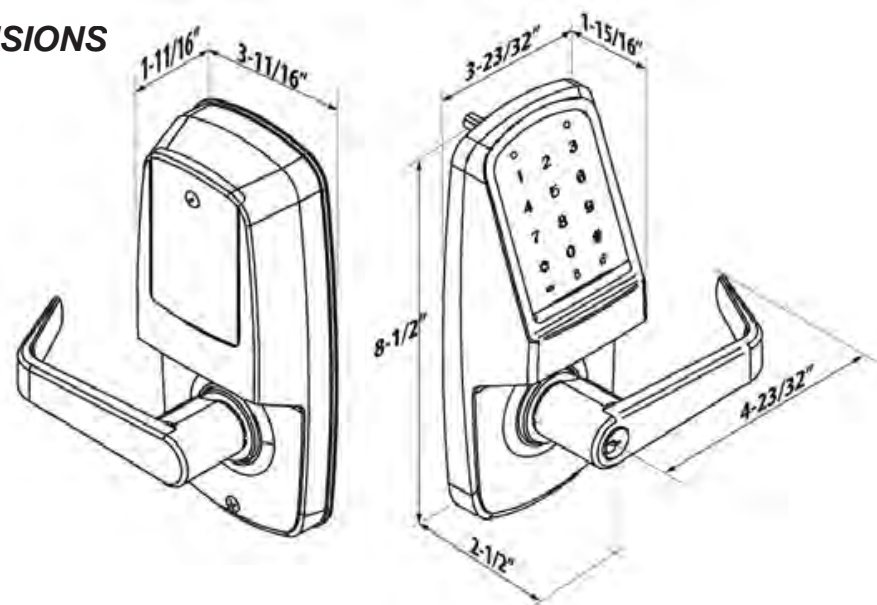
Weather Resistant

CR6000 are manufactured making sure that internal electronic parts are protected from moisture, dust water and corrotion. All models are weather resistant for temperature ranges of -30°F ~ 150°F (-35°C ~ +66°C).

Wake-up Button

Pressing this button activates the number pad. Enter the PIN code when while the number pad is illuminated. This button is also used to quit programming mode.

DIMENSIONS



HOW TO ORDER: For "AT" and "SPA" design, replace design name. Example, "AT6000". Prefix "IC" for Interchangeable Core.

6605 Flotilla St., City of Commerce
California 90040 U.S.A.

Phone: (323) 888-6601; (800) 876-9258
Fax: (323) 888-6699; (323) 222-3316

Email: sales@cal-royal.com
Website: www.cal-royal.com

ENTERPRISE SERIES

DIGITAL TOUCHPAD LOCK

FOR COMMERCIAL / RESIDENTIAL APPLICATION



TO UNLOCK
STEP 1: Put your hand in front of the touchpad to activate



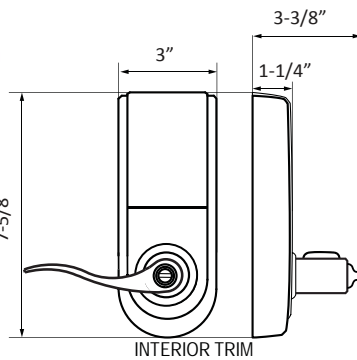
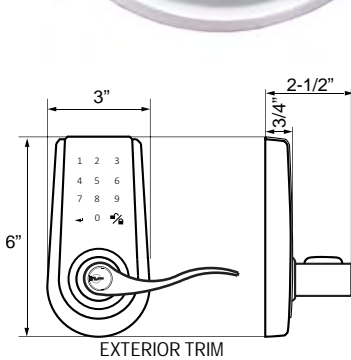
STEP 2: Press random pre-entry code



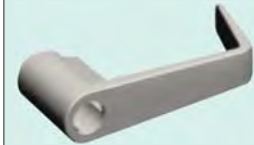
STEP 3: Enter user code and press button
TO LOCK
Activate touchpad and press button.



- ✓ TOUCHPAD ENTRY WITH KEY OVERRIDE
- ✓ ACCOMMODATES 6 SETS OF USER CODES
- ✓ BACKLIGHT AUTOMATICALLY LIGHTS UP WHEN HAND GETS CLOSE TO BUILT-IN SENSOR
- ✓ RANDOM PRE-ENTRY CODE PREVENTS CODE DECIPHERING
- ✓ AUTO-LOCKING FUNCTION ENHANCES SECURITY AND CONVENIENCE
- ✓ ONE-TIME USER CODE AVAILABLE FOR PROVIDING THE VISITOR LIMITED ACCESS AUTHORITY
- ✓ KEYPAD AUTOMATICALLY LOCKS UP IF ENTERING WRONG USER CODE OVER 5 TIMES
- ✓ BATTERY POWERED
- ✓ EXCEEDS 4,000 CYCLES



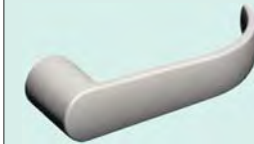
TRIMS SELECTION



ORION (ORN00)



VOYAGER (VOY00)



MARINER (MAR00)



CASSINI (CAS00)



HUBBLE (HBL00)



DARWIN (DAR00)

SPECIFICATIONS

POWER SUPPLY

DC6V, four AA alkaline batteries.

PASSWORD

4-10 digits in length

1 set of programming code for function set up

6 sets of user code for unlocking the door

MATERIAL

Zinc alloy die-casting and polycarbonate

DIMENSION

6" x 3" x 3/4" (154 x 78 x 19.5 mm) for exterior trim

7-5/8" x 3" x 1-1/4" (195 x 77 x 32 mm) for interior trim

DOOR THICKNESS

1-3/8" ~ 2" (35~51mm)

LATCH

2-3/8" or 2-3/4" (60/70mm) adjustable latch, Stainless steel powder metallurgy latch bolt with 1/2" (12.7mm) throw

DOOR PREPARATION

2-1/8" (54mm) diameter for cross bore;

1" (25mm) diameter for edge bore

BACKSET

Adjustable 2-3/8" or 2-3/4" (60mm or 70mm)

FACEPLATE

2-1/4" x 1" round corner face plate

STRIKE

Full lip strike

CYLINDER

5 pins, Kwikset keyway standard

TEMPERATURE

-4°F ~ 158°F HUMIDITY -20% ~ 85%


FINISHES

US15 (Satin Nickel),

US12P (Tuscanny Bronze)

THIS PAGE INTENTIONALLY LEFT BLANK

MEETS
The Buy American Act

 Meets ADA requirements
Specially designed for
Barrier Free Application
Conforms with ANSI A156.2
Series 4000, Grade 1 requirements
Exceeds 1,000,000 cycles

- ✔ USES KEY BUTLER APP TO CONNECT WITH SAMSUNG, ANDROID AND OTHER POPULAR NFC READY SMARTPHONES
- ✔ 1 ADMINISTRATOR CODE (SMARTPHONE)
- ✔ 127 CLIENT CODES (SMARTPHONE OR RFID CARDS)
- ✔ 1023 AUDIT TRAIL ENTRIES ON DOOR LOCK
- ✔ 10,000 AUDIT TRAIL ENTRIES ON PHONE THROUGH KEY BUTLER APP
- ✔ REMOTE SWITCH CONNECTOR
- ✔ EMERGENCY KEY OVERRIDE
- ✔ ALARM SYSTEM CONNECTOR
- ✔ PROXIMITY RFID CARD (13.56 MHZ) (STANDARD)
- ✔ RFID KEYFOB (OPTIONAL)
- ✔ ENABLE & DISABLE USERS MODE
- ✔ PASSAGE MODE
- ✔ WEATHER RESISTANT
- ✔ BUZZER & LED INDICATORS
- ✔ ANTI-TAMPER LOCKOUT
- ✔ LONG-LIFE BATTERY OPERATION
- ✔ LOW BATTERY WARNING
- ✔ EMERGENCY CHARGE INTERFACE
- ✔ CLUTCH TECHNOLOGY
- ✔ NON-HANDED, REVERSIBLE
- ✔ USER FRIENDLY
- ✔ EASY INSTALLATION & PROGRAMMING

PL7000

HEAVY DUTY GRADE 1

COMMERCIAL PHONE LOCK WITH CLUTCH


3 HOUR FIRE RATED
UL10C, UBC7-2-1997



EMERGENCY
KEY OVERRIDE

CLUTCH

9V EMERGENCY
BATTERY PORT

SPECIFICATIONS

APPLICATIONS

For offices, schools, hospitals, apartments, hotel/motel, residential, commercial and public buildings.

DOOR RANGES

1 3/8" to 1 3/4" thickness.

BACKSET

2 3/4" Standard, 2 3/8", 3 1/4", 5" and 2 3/4" anti-friction latch with 3/4" throw for pair of fire doors optional.

LATCH FACEPLATE

Standard 2 1/4" x 1 1/8" for 2 3/4" backset.
Optional 2 1/4" x 1 1/8" for 2 3/8" backset.

PROXIMITY (RFID) CARD (STANDARD)

2 pcs. included. Compatible with existing MIFARE infrastructure. Operates at 13.56 Mhz in accordance with ISO 14443A. Inductive distance up to 1-3/16".

RFID KEYFOB (OPTIONAL)

Operates at 13.56 Mhz in accordance with ISO 14443A. Inductive distance up to 1-3/16".

ANSI STANDARDS

Meets or exceeds BHMA/ANSI A 156.2 Series 4000 Grade 1 requirements.

POWER SUPPLY

4 AA 1.5V Alkaline Batteries (comes standard in packing).
One (1) year battery life (10 unlock events per day).

CLUTCH

Clutch technology allows turning of lever without retracting latch, thus prolonging the life of the lock by reducing stress on the spindle and other parts.

CYLINDER & KEYWAYS

6 pin solid brass "C" keyway standard. Schlage E, Schlage C-K, Russwin D1-2-3-4, Corbin 59/60, Corbin-Russwin L4, Sargent LA-LB-LC, Falcon/Weiser E, Arrow A, Yale 8, Yale GA and Kwikset. Can also accept Medeco, Assa, Kaba and Cal-Royal (HSK) High Security Cylinders.

WEATHER RESISTANT

All models are weather resistant for operating temperature ranges of +149°F to -4°F (+65°C to -20°C) and storage temperature ranges of +176°F to -22°F (+80°C to -30°C).

AUDIT TRAIL CAPACITY

1023 audit trail entries on door lock. Key Butler App (through NFC) can sync and save up to 10,000 entries on phones.

LIST OF AVAILABLE NFC PHONES

Link for the complete list of NFC compatible phones:
www.nfcworld.com/nfc-phones-list/#available

STRIKES

ASA strike standard, "T" and full lip strike available on request.

PL7000 FINISHES, FUNCTIONS and FEATURES



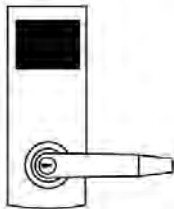
FINISHES AVAILABLE		
BHMA SYMBOL	US CODE	DESCRIPTION
626	US26D	Satin Chrome
613	US10B	Oil Rubbed Bronze

Refer to price list for stock finishes and functions



FUNCTIONS

PL7000



Latch bolt operated by lever from either side, except outside has to use a pre-programmed RFID card or a registered smart phone to touch the face of the face lock in order to retract the latch upon turning the lever. Key overrides the use of the RFID card and smartphone.

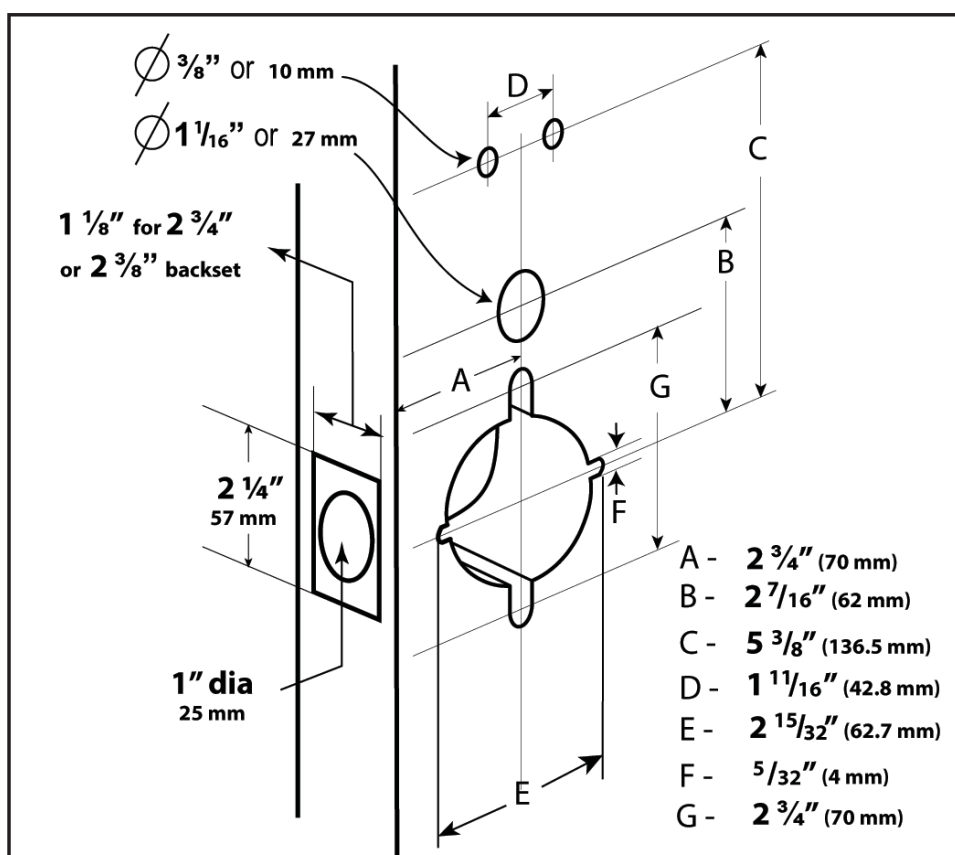
FEATURES

- ✔ **NFC (Near Field Communication) Interface** – Uses the Key Butler Smartphone App to connect with all types of NFC ready smartphones. For the complete list of phones, please go to link: www.nfcworld.com/nfc-phones-list/#available
- ✔ **Administrator Code** – A lock has only one Administrator at a time which manages all codes. Only smartphones are used as an Administrator.
- ✔ **Client Code** – Can accommodate up to 127 Client codes using smartphones or RFID cards.
- ✔ **Audit Trail Capacity** – 1023 entries are saved on door lock. Key Butler App (through NFC) can sync and save up to 10,000 entries on phones.
- ✔ **Passage Mode** - Once enabled, the unit is unlocked continuously until "Disable Passage Mode" is initiated.
- ✔ **Tones and LED Indicators** – indicates the operating status of the lock accompanied by the corresponding tones/beeps.
- ✔ **Batch Mode** – In cases that only cards will be used and no smartphones available, PL7000 provides a method to add/delete RFID cards.
- ✔ **Restricted Access Right** – PL7000 can be programmed to specify the access period or intervals of users
- ✔ **User Interaction through Cloud** – Administrator can remotely add, modify, delete and manage users through the internet.
- ✔ **Keypad Anti-Tamper Lockout** – If an invalid code is entered 3 times consecutively, the unit will alarm 10 beeps and stay idle for 2 minutes.
- ✔ **Remote Switch/Release** – PL7000 provides 2 remote switches. Either can be used for an emergency push button switch, or can be connected to alarm systems IE fire alarms.
- ✔ **RFID Card (Standard)**– Compatible with existing MIFARE infrastructure. Operates at 13.56 Mhz in accordance with ISO 14443A. Inductive distance up to 1-3/16".
- ✔ **RFID KEYFOB (Optional)** – Compatible with existing MIFARE infrastructure. Operates at 13.56 Mhz in accordance with ISO 14443A. Inductive distance up to 1-3/16".
- ✔ **Weather Resistant** - PL7000 are manufactured making sure that internal electronic parts are protected from moisture, dust, water and corrosion. All models are weather resistant with operating temperature of +149°F to -4°F (+65°C to -20°C) and storage temperature of +176°F to -22°F (+80°C to -30°C).
- ✔ **Low Battery Warning** – When voltage is lower than safety power, PL7000 gives beep sound warning after unlocking the device.
- ✔ **Clutch Technology** – The outside lever of the PL7000 is a free-wheeling lever. If no valid code is entered, the lever will just turn freely without moving any parts inside, thus preventing breaking or tampering.
- ✔ **Non-Handed** – PL7000 is reversible for left and right hand openings.


TECHNICAL SPECS

Operating Voltage	4x AA 1.5V Alkaline
Battery Life	1 year (10 unlock events per day)
Operating Temperature	+149°F to -4°F (+65°C to -20°C)
Storage Temperature	+176°F to -22°F (+80°C to -30°C)
Operating Humidity	5% to 95% relative humidity; non-condensing
Transmit Frequency	13.56MHz
User ID Capacity	1 Admin + 127 Clients
Audit Trail Capacity	1023

DOOR PREPARATION



MEETS
The Buy American Act

 Meets ADA requirements
Specially designed for
Barrier Free Application
Conforms with ANSI A156.2
Series 4000, Grade 2 requirements
Exceeds 1,000,000 cycles

- ✓ USES KEY BUTLER APP TO CONNECT WITH SAMSUNG, ANDROID AND OTHER POPULAR NFC READY SMARTPHONES
- ✓ 1 ADMINISTRATOR CODE (SMARTPHONE)
- ✓ 127 CLIENT CODES (SMARTPHONE OR RFID CARDS)
- ✓ 1023 AUDIT TRAIL ENTRIES ON DOOR LOCK
- ✓ 10,000 AUDIT TRAIL ENTRIES ON ADMIN PHONE THROUGH KEY BUTLER APP
- ✓ PROXIMITY CARD (13.56 MHZ) (STANDARD)
- ✓ RFID KEYFOB (OPTIONAL)
- ✓ ENABLE & DISABLE USERS MODE
- ✓ PASSAGE MODE
- ✓ WEATHER RESISTANT
- ✓ BUZZER & LED INDICATORS
- ✓ ANTI-TAMPER LOCKOUT
- ✓ LONG-LIFE BATTERY OPERATION
- ✓ LOW BATTERY WARNING
- ✓ EMERGENCY CHARGE INTERFACE
- ✓ CLUTCH TECHNOLOGY
- ✓ NON-HANDED, REVERSIBLE
- ✓ USER FRIENDLY
- ✓ EASY INSTALLATION & PROGRAMMING

RS2000

STANDARD DUTY GRADE 2 RESIDENTIAL PHONE LOCK



9V EMERGENCY
BATTERY PORT

SPECIFICATIONS

APPLICATIONS

For residential and light commercial applications.

DOOR RANGES

1 3/8" to 1 3/4" thickness.

BACKSET

2 3/8" Standard, optional 2 3/4"

LATCH FACEPLATE

Standard 2 1/4" x 1 1/8" for 2 3/8" backset.
Optional 2 1/4" x 1 1/8" for 2 3/4" backset.

PROXIMITY CARD (STANDARD)

2 pcs. included. Compatible with existing MIFARE infrastructure.
Operates at 13.56 Mhz in accordance with ISO 14443A.
Inductive distance up to 1-3/16".

RFID KEYFOB (OPTIONAL)

Operates at 13.56 Mhz in accordance with ISO 14443A.
Inductive distance up to 1-3/16".

POWER SUPPLY

4 AA 1.5V Alkaline Batteries (comes standard in packing).
One (1) year battery life (10 unlock events per day).

AUDIT TRAIL CAPACITY

1023 audit trail entries on door lock. Key Butler App (through NFC) can sync and save up to 10,000 entries on phones.

CLUTCH

Clutch technology allows turning of lever without retracting latch, thus prolonging the life of the lock by reducing stress on the spindle and other parts.

CYLINDER & KEYWAYS

5 pin solid brass "C" keyway standard.

WEATHER RESISTANT

All models are weather resistant for operating temperature ranges of +149°F to -4°F (+65°C to -20°C) and storage temperature ranges of +176°F to -22°F (+80°C to -30°C).

LIST OF AVAILABLE NFC PHONES

Link for the complete list of NFC compatible phones:
www.nfcworld.com/nfc-phones-list/#available

STRIKES

Full lip strike standard, "T" and ASA strike available on request.

RS2000 FINISHES, FUNCTIONS and FEATURES



FINISHES AVAILABLE		
BHMA SYMBOL	US CODE	DESCRIPTION
605	US3	Polished Brass
609	US5	Antique Brass
613	US10B	Oil Rubbed Bronze
619	US15	Satin Nickel
625	US26	Bright Chrome
626	US26D	Satin Chrome

Refer to price list for stock finishes and functions

FUNCTIONS

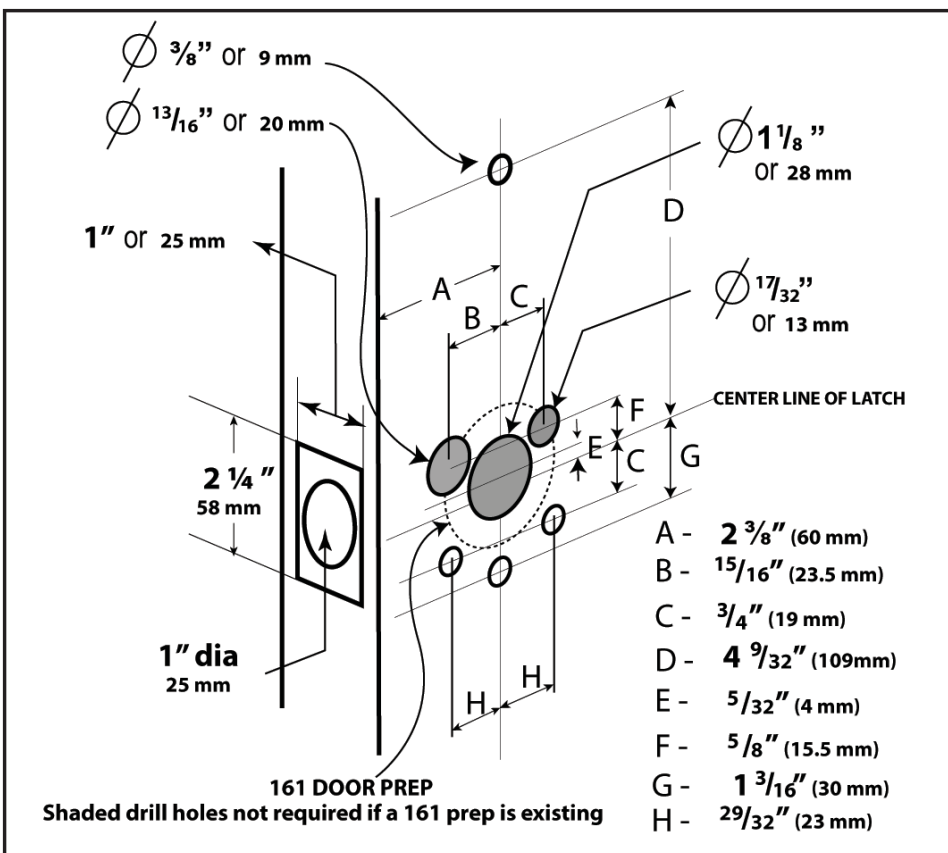
RS2000



Latch bolt operated by lever from either side, except outside has to use a pre-programmed RFID card or a registered smart phone to touch the face of the face lock in order to retract the latch upon turning the lever. Key overrides the use of the RFID card and smartphone.

TECHNICAL SPECS	
Operating Voltage	4x AA 1.5V Alkaline
Battery Life	1 year (10 unlock events per day)
Operating Temperature	+149°F to -4°F (+65°C to -20°C)
Storage Temperature	+176°F to -22°F (+80°C to -30°C)
Operating Humidity	5% to 95% relative humidity; non-condensing
Transmit Frequency	13.56MHz
User ID Capacity	1 Admin + 127 Clients
Audit Trail Capacity	1023

DOOR PREPARATION



FEATURES

- ✓ **NFC (Near Field Communication) Interface** – Uses the Key Butler Smartphone App to connect with all types of NFC ready smartphones. For the complete list of phones, please go to link: www.nfcworld.com/nfc-phones-list/#available
- ✓ **Administrator Code** – A lock has only one Administrator at a time which manages all codes. Only smartphones are used as an Administrator.
- ✓ **Client Code** – Can accommodate up to 127 Client codes using smartphones or RFID cards.
- ✓ **Audit Trail Capacity** – 1023 entries are saved on door lock. Key Butler App (through NFC) can sync and save up to 10,000 entries on phones.
- ✓ **SMART Card (Standard)** – Compatible with existing MIFARE infrastructure. Operates at 13.56 Mhz in accordance with ISO 14443A. Inductive distance up to 1-3/16".
- ✓ **RFID KEYFOB (Optional)** – Operates at 13.56 Mhz in accordance with ISO 14443A. Inductive distance up to 1-3/16".
- ✓ **Passage Mode** - Once enabled, the unit is unlocked continuously until "Disable Passage Mode" is initiated.
- ✓ **Tones and LED Indicators** – indicates the operating status of the lock accompanied by the corresponding tones/beeps.
- ✓ **Batch Mode** – In cases that only cards will be used and no smartphones available, RS2000 provides a method to add/delete RFID cards.
- ✓ **Restricted Access Right** – RS2000 can be programmed to specify the access period or intervals of users
- ✓ **User Interaction through Cloud** – Administrator can remotely add, modify, delete and manage users through the internet.
- ✓ **Keypad Anti-Tamper Lockout** – If an invalid code is entered 3 times consecutively, the unit will alarm 10 beeps and stay idle for 2 minutes.
- ✓ **Weather Resistant** - RS2000 are manufactured making sure that internal electronic parts are protected from moisture, dust, water and corrosion. All models are weather resistant with operating temperature of +149°F to -4°F (+65°C to -20°C) and storage temperature of +176°F to -22°F (+80°C to -30°C).
- ✓ **Low Battery Warning** – When voltage is lower than safety power, RS2000 gives beep sound warning after unlocking the device.
- ✓ **Clutch Technology** – The outside lever of the RS2000 is a free-wheeling lever. If no valid code is entered, the lever will just turn freely without moving any parts inside, thus preventing breaking or tampering.
- ✓ **Non-Handed** – RS2000 can be installed for both left and right door opening.

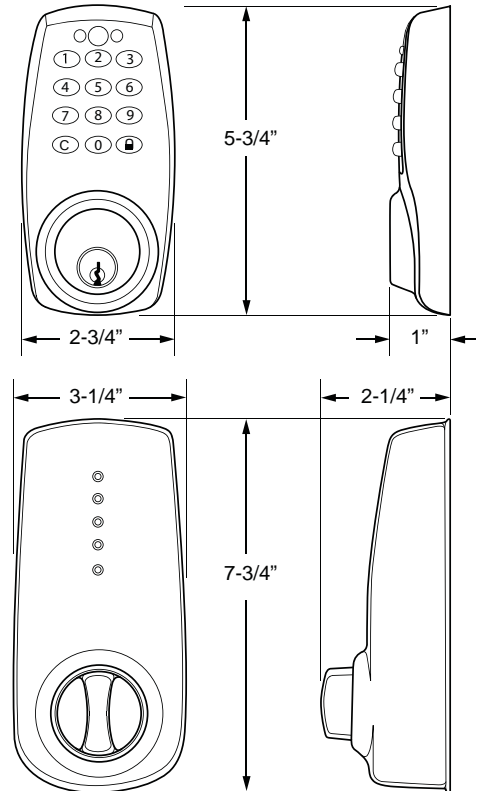


45 MIN FIRE RATED
UL10C, UBC 7-2-1997

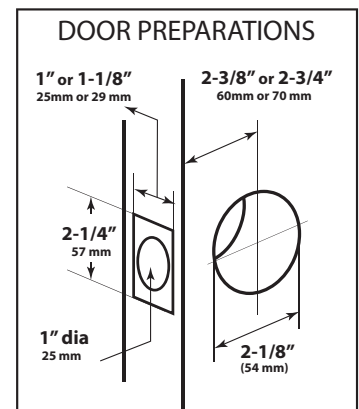
ELDB-89
DIGITAL KEYPAD DEADBOLT
FOR COMMERCIAL / RESIDENTIAL APPLICATIONS
HEAVY DUTY GRADE 2



- ✓ 4-6 DIGIT CODES WITH OVER 1 MILLION POSSIBLE COMBINATIONS
- ✓ 10 USER CODES
- ✓ NON-HANDED DESIGN
- ✓ STAND ALONE UNIT. NO WIRING NEEDED
- ✓ REMOTE CONTROL LOCKING / UNLOCKING
- ✓ ILLUMINATED KEYPAD
- ✓ WEATHER RESISTANT
- ✓ 1 MIN LOCKOUT AFTER 4 INVALID INPUT
- ✓ EASY INSTALLATION & PROGRAMMING
- ✓ LONG-LIFE BATTERY OPERATION
- ✓ AUTO-LOCKING FUNCTION (OPTION)
- ✓ LOW-BATTERY WARNING INDICATOR
- ✓ BACK-UP KEY CYLINDER OVERRIDE
- ✓ USER FRIENDLY



**INCLUDES
2 REMOTE CONTROLS**



SPECIFICATIONS

APPLICATIONS

For offices, schools, hospitals, apartments, hotel/motel, residential, commercial and public buildings.

BACKSET

Adjustable 2 3/8" (60mm) or 2 3/4" (70mm).

LATCH FACEPLATE

Standard 2 1/4" X 1". Packed with 1/8" plastic filler to convert 1" face plate to 1 1/8" wide door preparations.

STRIKES

1 1/8" x 2 3/4" square corner with security deadbolt strike.

KEYPAD

12 programmable buttons for access functions including management codes and service codes.

CYLINDER & KEYWAYS

6 pin solid brass "C" keyway standard. Schlage E, Schlage C-K, Russwin D1-2-3-4, Corbin 59/60, Corbin-Russwin L4, Sargent LA-LB-LC, Falcon/Weiser E, Arrow A, Yale 8, Yale GA and Kwikset. Can also accept Medeco, Assa, Kaba and Cal-Royal (HSK) High Security Cylinders.

POWER SUPPLY

4 AA Batteries (comes standard in packing).

WEATHER RESISTANT

All models are weather resistant for temperature ranges of +158°F to -22°F (+70°C to -30°C).

DOOR RANGES

1 3/8" (35mm) to 2" (51mm) thickness.

FINISHES

US26D, US10B, US11P, US15 and US3

DOOR AND FRAME HANDING CHART

Determine hand of door and frame by standing outside on key side facing the door

SINGLE DOORS:

R.H.R.B. DOOR with L.H. FRAME

The door swings outside and hinges are on right side of the door

R.H. DOOR with R.H. FRAME

The door swings inside and hinges are on the right side of the door

R.H.R.B. DOOR with L.H. ACTIVE FRAME

The door leaves swing outside and hinges are on the right side of active leaf


R.H. ACTIVE DOORS with R.H. ACTIVE FRAME

The door leaves swing inside and hinges are on the right side of active leaf

<p>R.H. LOCK INSIDE KEY R.H. STRIKE JAMB OUTSIDE KEY INSIDE R.H. HINGE JAMB</p> <p>RIGHT HAND DOOR (SWING IN) RIGHT HAND FRAME</p>	<p>INSIDE KEY L.H. HINGE JAMB OUTSIDE KEY INSIDE L.H. STRIKE JAMB</p> <p>LEFT HAND DOOR (SWING IN) LEFT HAND FRAME</p>
<p>L.H. STRIKE JAMB INSIDE R.H.R.B. LOCK KEY OUTSIDE KEY SIDE L.H. HINGE JAMB</p> <p>RIGHT HAND REVERSE BEVEL DOOR (SWING OUT) LEFT HAND FRAME</p>	<p>INSIDE R.H. HINGE JAMB KEY SIDE OUTSIDE KEY L.H.R.B. LOCK R.H. STRIKE JAMB</p> <p>LEFT HAND REVERSE BEVEL DOOR (SWING OUT) RIGHT HAND FRAME</p>
<p>INSIDE R.H. HINGE JAMB L.H. HINGE JAMB L.H. ASTRAGAL INACTIVE KEY OUTSIDE KEY SIDE L.H.R.B. ACTIVE L.H.R.B. LOCK</p> <p>PAIR OF DOORS -- L.H.R.B. ACTIVE (SWING OUT) DOUBLE DOOR FRAME -- R.H. ACTIVE</p>	<p>INSIDE R.H. HINGE JAMB L.H. HINGE JAMB R.H. ASTRAGAL INACTIVE KEY SIDE OUTSIDE KEY R.H.R.B. ACTIVE R.H.R.B. LOCK</p> <p>PAIR OF DOORS -- R.H.R.B. ACTIVE (SWING OUT) DOUBLE DOOR FRAME -- L.H. ACTIVE</p>
<p>L.H. LOCK L.H. ACTIVE INSIDE L.H. HINGE JAMB INACTIVE R.H. ASTRAGAL KEY OUTSIDE KEY SIDE R.H. HINGE JAMB</p> <p>PAIR OF DOORS -- L.H. ACTIVE (SWING IN) DOUBLE DOOR FRAME -- L.H. ACTIVE</p>	<p>INSIDE R.H. LOCK R.H. ACTIVE L.H. HINGE JAMB L.H. ASTRAGAL KEY KEY SIDE OUTSIDE R.H. HINGE JAMB</p> <p>PAIR OF DOORS -- R.H. ACTIVE (SWING IN) DOUBLE DOOR FRAME -- R.H. ACTIVE</p>

CRCODE-200 SERIES

GRADE 2 MECHANICAL PUSH BUTTON LOCK AND EXIT DEVICE TRIM WITH BREAKAWAY LEVER FEATURE

 Meets ADA requirements
Specially designed for
Barrier Free Application
Conforms with ANSI A156.2
Series 4000, Grade 2 requirements

- ✓ EASY INSTALLATION COVERS 161 PREP
- ✓ 1 - 12 DIGIT LENGTH CODE
- ✓ SINGLE CODE USER
- ✓ KEY OVERRIDE
- ✓ EASY ON-THE-DOOR CODE CHANGE
- ✓ CODE-FREE OPTION (PASSAGE)
- ✓ BREAKAWAY LEVER DESIGN
- ✓ CLUTCH-FREE MECHANISM
- ✓ WEATHER RESISTANT
- ✓ NON-HANDED
- ✓ MORE THAN 8000 NON-SEQUENTIAL CODE COMBINATIONS
- ✓ APPLICATIONS:
OFFICES, SCHOOLS, HOSPITALS,
APARTMENTS, HOTELS / MOTELS,
RESIDENTIAL, COMMERCIAL
AND PUBLIC BUILDINGS



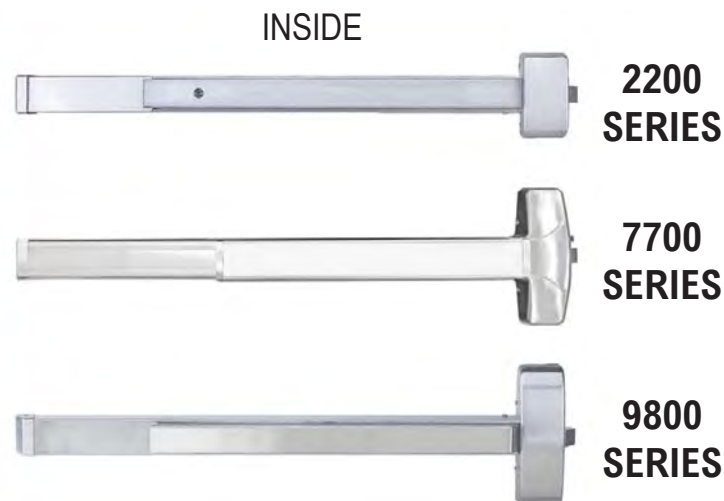
CRCODE-202
Standard (Storeroom Function)
Optional (Passage Mode)



CRCODE-203
Standard (Institution Function)
Optional (Storeroom, Passage Mode)
on both sides



CRCODE-204 Universal Trim
2200, 7700 and 9800 Series Rim and Surface Vertical Rods
Standard (Storeroom Function) Optional (Passage Mode)



SPECIFICATIONS

GENERAL

Full length 5 1/2" lever handle with 7/8" return. Escutcheon dimension 3 1/2" x 8 1/8". Key removable outside lever for all models for fast rekeying. Non-handed levers.

BREAKAWAY LEVER DESIGN

Lever will stay at the 5 o'clock position when forced down without retracting the latch, to prevent breaking of handle and giving the impression of the handle being broken to discourage or scare off vandals.

APPLICATIONS

For offices, schools, hospitals, apartments, hotel / motel, residential, commercial and public buildings.

DOOR RANGES

1 3/8" - 2 1/4" for CRCODE-202, 1 3/8" - 1 3/4" for CRCODE-203,
1 3/4" - 2" for CRCODE-204

ANSI STANDARDS

Meets or exceeds ANSI A 156.2, Series 4000 Grade 2 requirements.

LATCH FACEPLATE

Standard 2 1/4" x 1 1/8" for 2 3/4" backset for CRCODE-202 and CRCODE-203 only.

STRIKES

ASA 1 1/4" x 4 7/8" standard for CRCODE-202 and CRCODE-203 only. Other strikes available upon request. Strikes for CRCODE-204 comes standard with exit device ordered.

CYLINDER & KEYWAYS

6 pin solid brass "C" keyway standard. Schlage E, Schlage C-K, Russwin D1-2-3-4, Corbin 59/60, Corbin-Russwin L4, Sargent LA-LB-LC, Falcon/Weiser E, Arrow A, Yale 8, Yale GA and Kwikset. Can also accept Medeco, Assa, Kaba and Cal-Royal (HSK) High Security Cylinders.

TRIM

Thru-bolted assembly through door with separate spring cage for each lever.

HOUSING

Zinc die cast Dichromate finish for rust resistance . 2 1/8" diameter bore.

LATCH OPTIONS

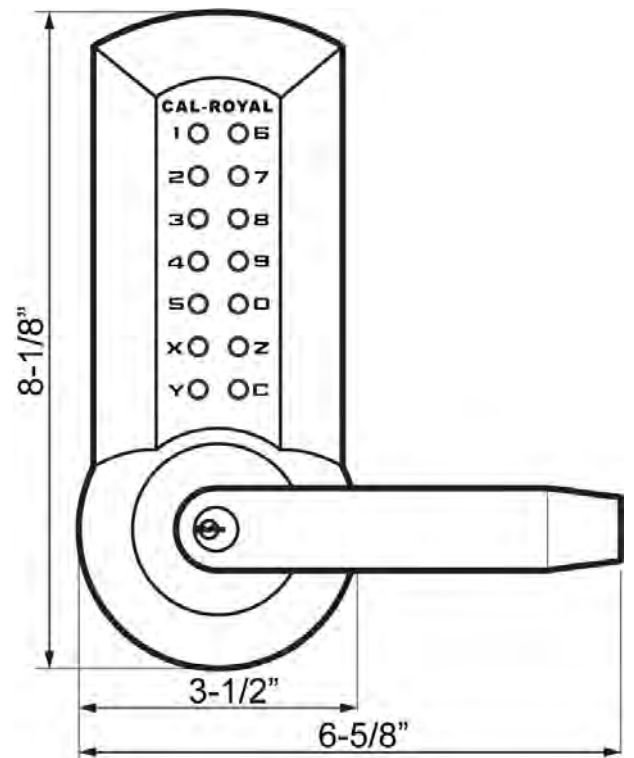
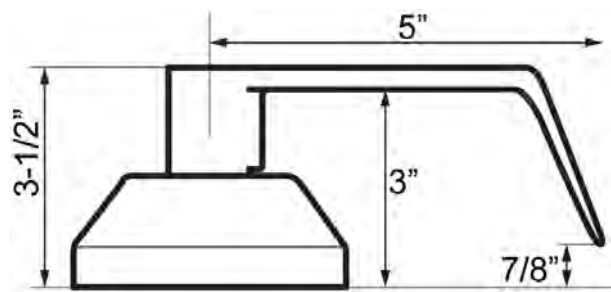
2 3/4" standard, brass with 1/2" throw (with optional 2 3/8" backset, 2 1/4" x 1" faceplate) for CRCODE-202 and CRCODE-203.

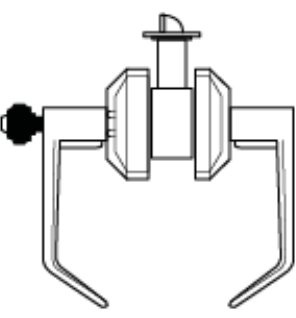
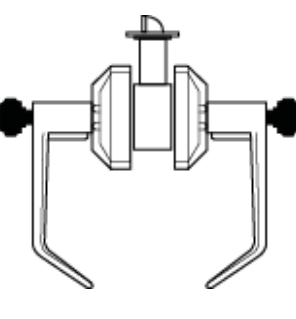
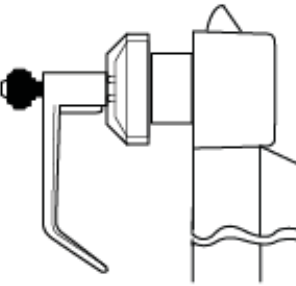
Note: CRCODE-202 and CRCODE-203 for non-fire application only.

CRCODE-200 Series FINISHES, FUNCTIONS and FEATURES

FINISHES AVAILABLE		
BHMA SYMBOL	US CODE	DESCRIPTION
626	US26D	Satin Chrome

Refer to price list for stock finishes and availability



FUNCTIONS	
<p>CRCODE-202</p> 	<p>Latch bolt operated by lever from either side, except outside has to enter a pre-programmed code on the keypad in order to retract the latch upon turning the lever.</p> <p>Default Function: Storeroom Optional Function: Passage Mode Door Thickness: 1 3/8" - 2 1/4"</p>
<p>CRCODE-203</p> 	<p>Latch bolt operated by lever from either side by entering a pre-programmed code on the keypad in order to retract the latch upon turning the lever. Both lever always locked, unless one or both sides are set to passage mode. If one side is set to passage, function can be storeroom. If both sides are set to code-free, function becomes passage.</p> <p>Default Function: Institution Optional Functions: Storeroom, Passage Mode Door Thickness: 1 3/4"</p>
<p>CRCODE-204</p> 	<p>Operated by lever from outside and when push pad is depressed, except outside has to enter a pre-programmed code on the keypad in order to retract the latch upon turning the lever. For use with 2200, 7700 and 9800 Series Rim and Surface Vertical Rods.</p> <p>Universal Trim Default Function: Storeroom Optional Function: Passage Mode Door Thickness: 1 3/4" - 2"</p>

FEATURES

- ✓ **SINGLE CODE USER**
Only one code combination chosen from thousands of combinations can be set at a time to deter code breakers. Code length is from 1 to 12 digits, and can be permuted with a non-repeating digit up to over 5000 combinations.
- ✓ **EASY ON-DOOR CODE CHANGE**
Code can be changed without removing the lock from the door and using only a "code change" key.
- ✓ **1-12 DIGIT CODE**
An entry code can be a combination of 1 to 12 digits long. The digits can be entered in any order. For example, if the chosen 6-digit code is "5283XZ" it can be entered as "ZX3825" or "3X8Z25" or in any other combination of the 6-digit code.
- ✓ **BREAKAWAY LEVER DESIGN**
Lever will stay at the 5 o'clock position when forced down without retracting the latch, to prevent breaking of handle and giving the impression of the handle being broken to discourage or scare off vandals.
- ✓ **CODE-FREE OPTION (PASSAGE MODE)**
Once enabled, the lock remains unlocked until disable PASSAGE MODE is initiated. (For CRCODE-203, inside and outside locks must be set)
- ✓ **WEATHER RESISTANT**
Can resist above or below normal weather conditions without compromising security.
- ✓ **NON-HANDED**
Easily field reversible handing.

“NM” and “WI” SERIES

Extra Heavy Duty Mortise Locks

Grade 1

Lifetime
Warranty

BHMA
CERTIFIED

MEETS
The Buy American Act

HURRICANE APPROVED HARDWARE
FLORIDA BUILDING CODE:
FL13922
ASTM E1886/E1996
ASTM E330
TAS 201, 202, 203
UL10B
UL10C





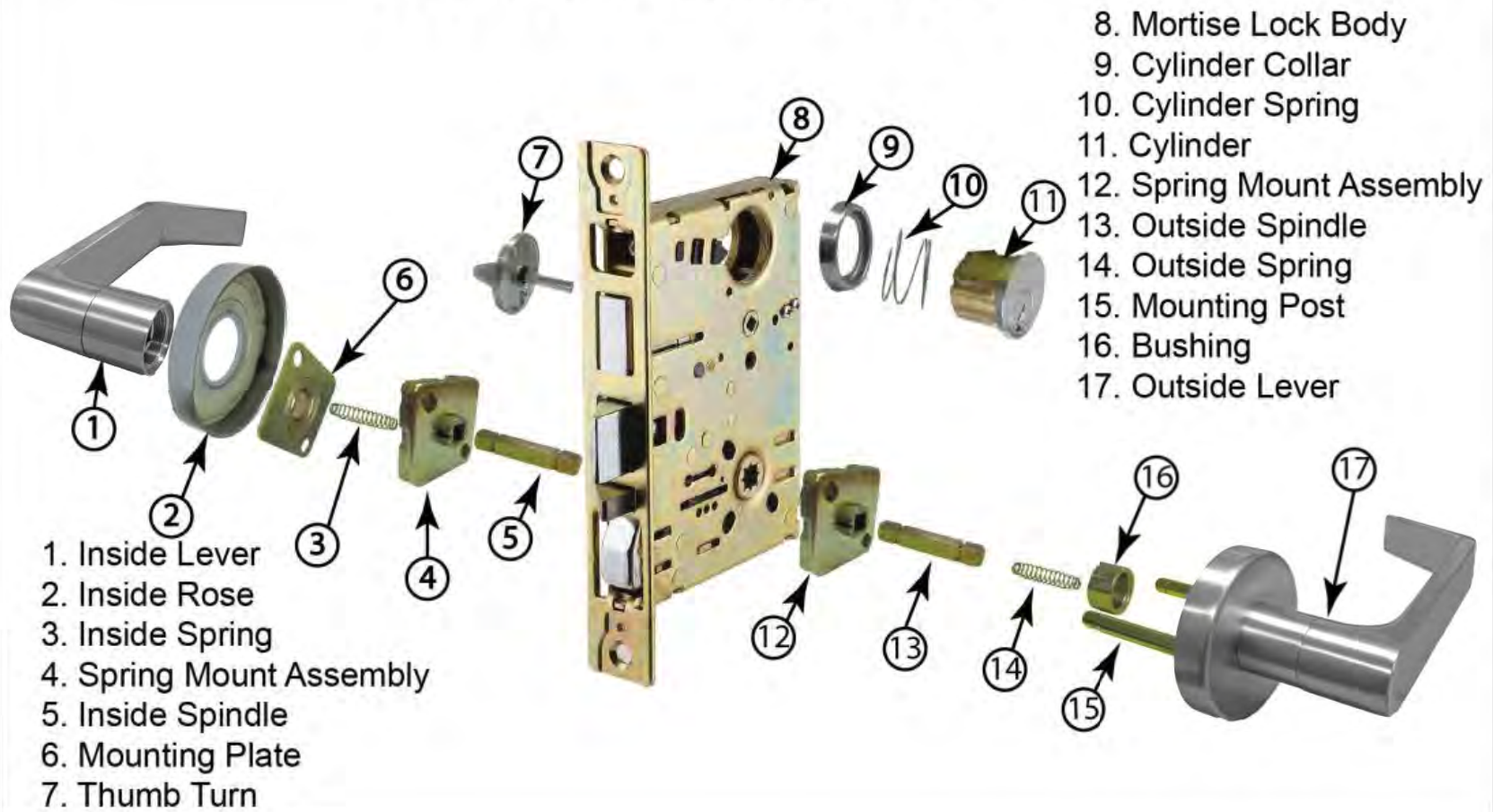
HURRICANE APPROVED HARDWARE
 FLORIDA BUILDING CODE:
FL13922
 ASTM E1886/E1996
 ASTM E330
 TAS 201, 202, 203
 UL10B
 UL10C

Lifetime Warranty **BHMA CERTIFIED**
MEETS
 The Buy American Act



UL-LISTED
 UL10C, UBC 7-2-1997

NM SERIES EXPLODED VIEW



100% internal parts quality inspection provides security, reliability and durability

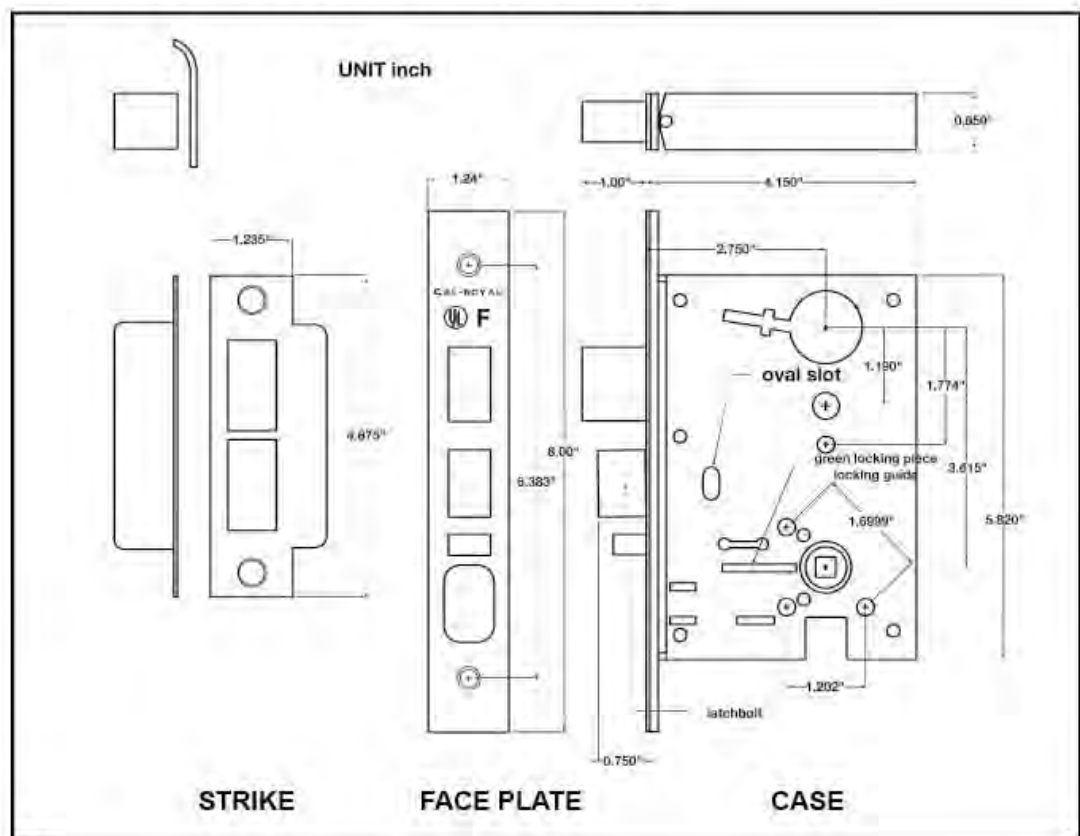
FEATURES & SPECIFICATIONS

For Doors.....	1 3/4"
Backset.....	2 3/4"
Lockcase.....	Heavy gauge zinc chromate steel
Front.....	Heavy gauge steel 8" x 1 1/4" x 3/32" Accommodates flat doors and doors beveled 1/8" in 2"
Armored Front...	Wrought brass attached by machine Screws to lock case front
Deadbolt.....	1" throw, brass chrome plated with hardened steel rollers
Latchbolt.....	Brass, chrome plated with heavy duty Deadbolt
Guardbolt.....	Extruded brass, chrome plated
Stopworks.....	Rocker type, brass, chrome plated
Strikes.....	Brass, non-handed curve strike 4 3/8" x 1 1/4". Handed curved-up Strike available, upon request Handed. Easily field-reversible
Trim.....	As specified
Cylinder.....	As specified
Keyway.....	As specified
Finishes.....	As specified
UL Listings.....	UL Listed "A" Label (3 hour), for use On fire doors, single or pairs
ANSI.....	Lock body conforms to Federal specification Type 86; and to all dimensional and operational Performances of ANSI A156.13-1 80, Series 1000 Grade 1 Exceeds 800,000 cycles



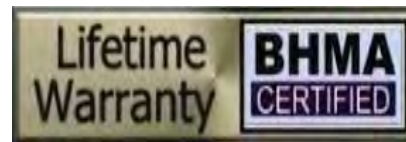
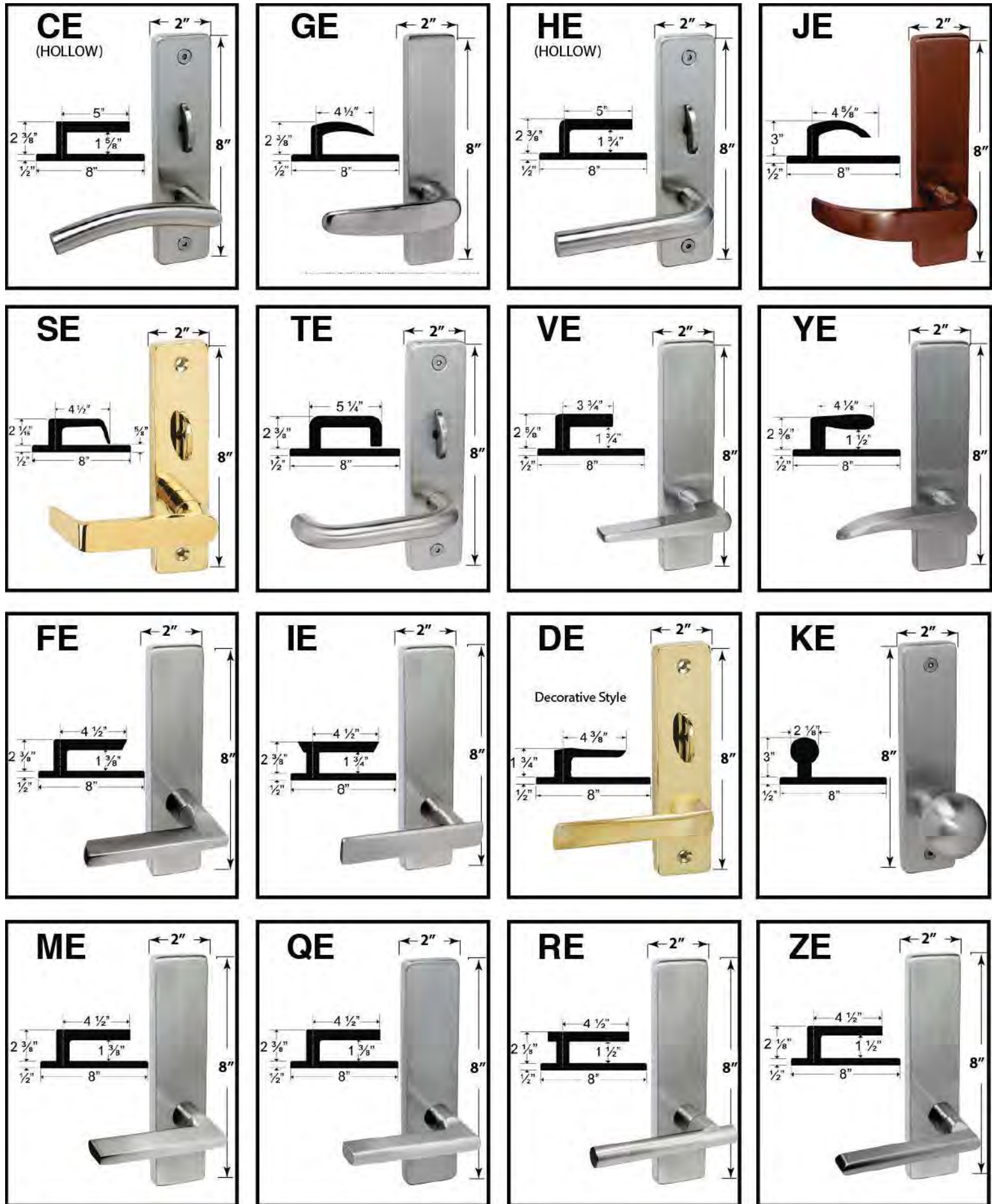
Available with Interchangeable Core.

Electrified Locks available upon request.



TRIMS & FINISHES

ESCUTCHEON

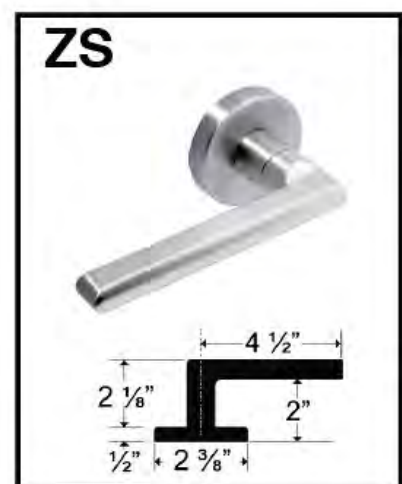
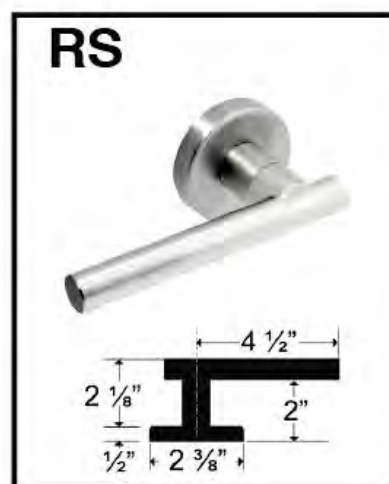
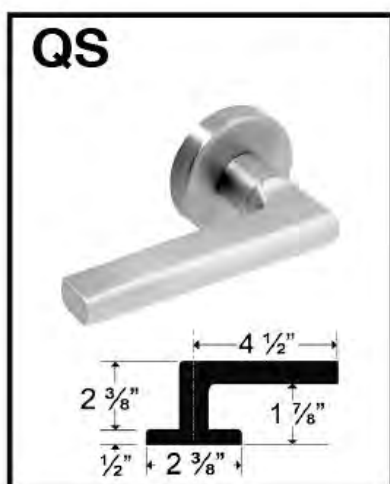
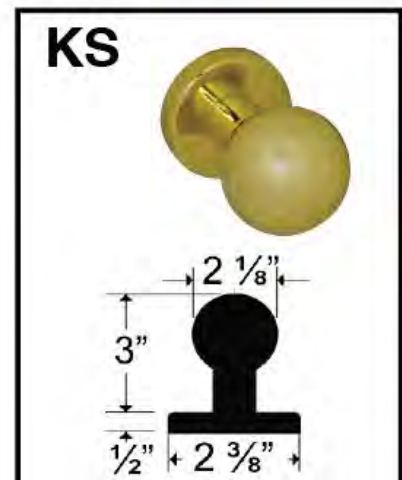
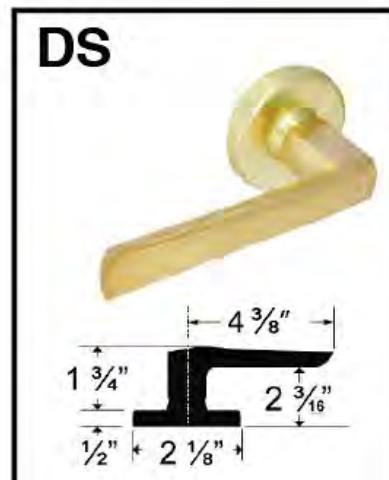
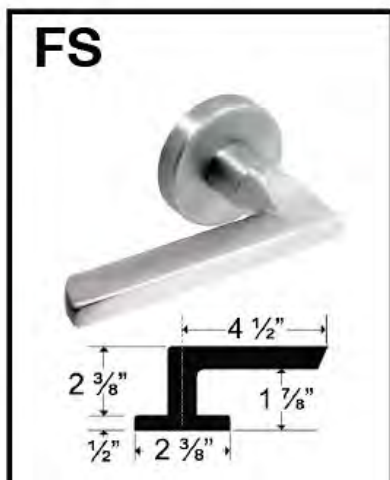
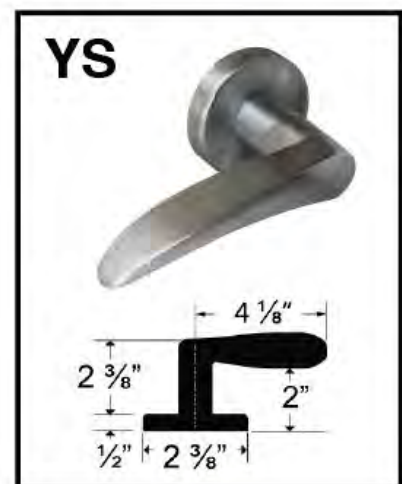
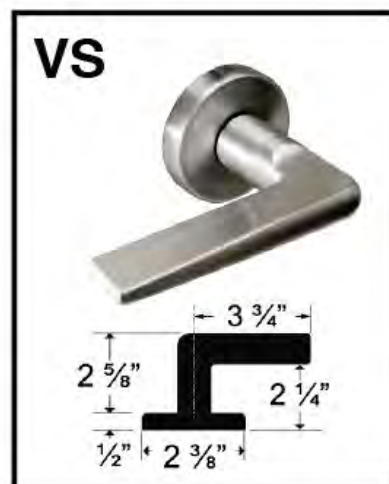
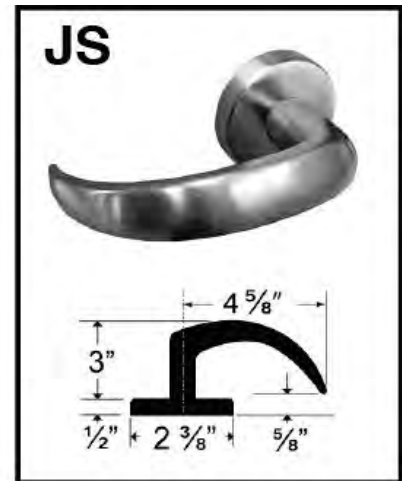


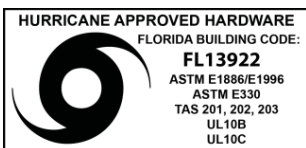
► KEYWAYS AVAILABLE

6 pin solid brass "C" keyway Mortise cylinder standard. Optional: Schlage E, Schlage C-K, Russwin D1-2-3-4, Corbin 59/60, Sargent LA-LB-LC, Falcon/Weiser E, Arrow A, Yale 8, Yale GA and Kwikset. Can also accept Medeco, Assa and Kaba High Security Cylinders.

TRIMS & FINISHES

SECTIONAL





REFER TO PRICELIST
FOR STOCK FINISHES AND FUNCTIONS



Outside	Inside	SERIES/ FUNCTION	TYPE	ANSI	Function Description
		NM8050	Office	F04	Latch bolt operated by lever from either side except when outside lever is made inoperative by push button rocker. When outside lever is locked, latch bolt may be retracted by key from outside or by rotating inside lever. *** Auxiliary deadbolt latch.
		NM8056	NM8050 with Automatic Unlocking	---	Latch bolt retracted by knob/lever from either side unless outside is made inoperative by key outside or by rotating inside thumbturn. Outside knob/lever unlocked by key outside or thumbturn. Rotating inside knob/lever simultaneously retracts latch bolt and unlocks outside knob/lever. Auxiliary latch deadlocks bolt when door is locked. Inside knob/lever is always free of immediate egress.
		NM8070	Classroom	F05	Latch bolt operated by lever from either side except when outside lever is locked from outside by key. When outside lever is locked, latch bolt may be retracted by inside lever, or outside lever when cylinder is unlocked by key. *** Auxiliary deadbolt latch.
		NM8071	Classroom Security Lock	F32	Latch bolt retracted by knob/lever from either side unless outside is locked by key from either side. Auxiliary latch deadlocks latch bolt when door is locked. Inside knob/lever is always free for immediate egress.
		NM8076	Classroom Holdback Lock	F06	Latch bolt retracted by knob/lever from either side unless outside is locked by key. When locked, latch bolt retracted by key outside or knob/lever inside. Auxiliary latch deadlocks latch bolt when door is locked. Depress inside knob/lever and turn key 360° for holdback feature.
		NM8077	Classroom Security Holdback Lock	---	Latch bolt retracted by knob/lever from either side unless outside is locked by key from either side. When locked, latch bolt retracted by key outside or knob/lever inside. Auxiliary latch deadlocks latch bolt when door is locked. Depress inside knob/lever and turn key 360° for holdback feature. Inside knob/lever is always free for immediate egress.
		NM8457	Classroom Security Lock w/ Deadbolt	F33	Latch bolt retracted by knob/lever from either side. Deadbolt thrown or retracted by key from either side. Throwing deadbolt locks outside knob/lever. Turning inside knob/lever simultaneously retracts deadbolt and latch bolt and unlocks outside knob/lever. Inside knob/lever is always free for immediate egress.
		NM8458	Classroom Security Lock w/ Deadbolt and Auxiliary Latch	---	Latch bolt operated by lever from either side except when outside lever is lock from inside or outside by key. Deadbolt retracted by key from inside or outside. Operating inside lever retracts both bolts and unlocks outside. Auxiliary dead latch when door is locked. Inside knob/lever is always free for immediate egress.
		NM8463	Classroom Lock	F29	Deadbolt thrown or retracted by key from outside. Inside thumbturn cylinder retracts deadbolt but cannot project it.
		NM8080	Storeroom	F07	Latch bolt operated by key from outside or rotating inside lever, outside lever is always inoperative. *** Auxiliary deadbolt latch.
		NM8480	Storeroom Lock with Deadbolt	---	Latch bolt retracted by key outside or by lever or knob inside. Outside knob/lever is always fixed. Deadbolt thrown or retracted by key outside or thumbturn inside. Turning inside knob/lever simultaneously retracts both deadbolt and latch bolt. Auxiliary latch deadlocks bolt when door is locked. Inside knob/lever is always free for immediate egress.
		NM8453	Entrance	F20	Latch bolt operated by lever from either side except unless outside lever is locked by push button rocker. Deadbolt projected by key from outside or by thumbturn from inside. Both deadbolt and latch bolt are retracted by inside lever simultaneously. Outside lever remains locked unless lock is released by push button rocker manually. *** Auxiliary deadbolt latch.
		NM8456	Corridor/ Exit	F13	Latch bolt retracted by knob/lever from either side. Deadbolt thrown or retracted by key outside or inside thumbturn. Throwing deadbolt locks outside knob/lever. Turning inside knob/lever simultaneously retracts deadbolt and latch bolt and unlocks outside knob/lever. Inside knob/lever is always free for immediate egress.



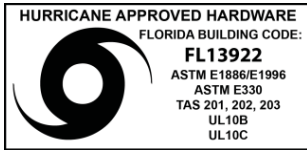
HURRICANE APPROVED HARDWARE
 FLORIDA BUILDING CODE:
FL13922
 ASTM E1886/E1996
 ASTM E330
 TAS 201, 202, 203
 UL10B
 UL10C



**REFER TO PRICELIST
 FOR STOCK FINISHES AND FUNCTIONS**



Outside	Inside	SERIES/ FUNCTION	TYPE	ANSI	Function Description
		NM8473	Dormitory/ Bedroom	F21	Latch bolt retracted by knob or lever from either side. Deadbolt extended or retracted by key outside or thumb turn inside.
		NM8460	Cylinder x Thumbturn Lock	F17	Deadbolt thrown or retracted by key outside or thumbturn inside.
		NM8060	Apartment Entrance/ Vestibule	F09	Latch bolt operated by lever from either side except when outside lever is locked by inside key. Outside key or inside lever will retract latch when locked. *** Auxiliary deadbolt latch.
		NM8466	Store/ Utility	F14	Latch bolt operated by lever from either side. Deadbolt by key on either side.
		NM8462	Double Cylinder Lock	F16	Double cylinder operated by key from either side.
		NM8464	Cylinder Lock	F18	Deadbolt thrown or retracted by key from one side. No trim on opposite side.
		NM8082	Institution Lock	F30	Latch bolt retracted by key from either side. Knob/lever on both sides always inoperative. Auxiliary latch deadlocks latch bolt when door is locked.
		NM8465	Closet/ Storeroom	---	Latch bolt retracted by knob or lever from either side. Deadbolt extended or retracted by key outside.
		NM8044	Privacy w/ Coin Turn Outside	---	Latch bolt retracted by knob/lever from either side unless outside is locked by inside thumbturn or outside coin turn. Operating inside knob/lever, closing door, rotating inside thumbturn or rotating outside coin turn unlocks outside knob/lever.
		NM8040	Privacy with Deadbolt	F02 F19 F22	Latch bolt retracted by knob/lever from either side. Deadbolt thrown or retracted by inside thumbturn. Throwing deadbolt locks outside knob/lever. Rotating inside knob/lever simultaneously retracts deadbolt and latch bolt, and unlocks outside knob/lever. To unlock from outside, remove emergency button, insert emergency button in access hole and rotate. Inside knob/lever is always free for immediate egress.
		NM8444	Privacy w/ Deadbolt and Coin Turn Outside	---	Latch bolt retracted by knob/lever from either side. Deadbolt thrown or retracted by inside thumbturn or outside coin turn. Throwing deadbolt locks outside knob/lever. Rotating inside knob/lever simultaneously retracts deadbolt and latch bolt, and unlocks outside knob/lever. Rotating outside coin turn retracts deadbolt and unlocks outside knob/lever. Inside knob lever is always free for immediate egress.
		NM8445	Privacy w/ Deadbolt, Coin Turn Outside and "OCCUPIED" Indicator	---	Latch bolt retracted by knob/lever from either side. Deadbolt thrown or retracted by inside thumbturn or outside coin turn. Throwing deadbolt locks outside knob/lever and displays "OCCUPIED" plate. Rotating inside knob/lever simultaneously retracts deadbolt and latch bolt, and unlocks outside knob/lever. Rotating outside coin turn retracts deadbolt and unlocks outside knob/lever. Inside knob lever is always free for immediate egress.





REFER TO PRICELIST
FOR STOCK FINISHES AND FUNCTIONS



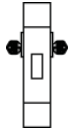



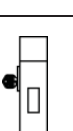
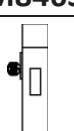

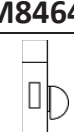




Outside	Inside	SERIES/FUNCTION	TYPE	ANSI	Function Description
		NM8495	Privacy with "OCCUPIED" Indicator	---	Knob/lever retracts latch bolt from either side. Dead bolt thrown or retracted by key outside (retraction by key required in the event of an emergency) or inside thumbturn. Throwing deadbolt locks outside knob/lever and displays "OCCUPIED" plate. Rotating inside knob/lever simultaneously retracts both deadbolt and latch bolt and unlocks outside knob/lever. Inside lever is always free for immediate egress.
		NM8485	Faculty Restroom Lock	---	Latch bolt retracted by key outside or by knob/lever inside. Outside knob/lever is always fixed. Deadbolt thrown or retracted by inside thumbturn. When dead bolt is thrown, all keys become inoperable except emergency or display keys. Turning inside knob/lever retracts both deadbolt and latch bolt simultaneously. Auxiliary latch deadlocks latch bolt when door is locked. Inside knob/lever is always free for immediate egress.
		NM8486	NM8485 with "OCCUPIED" Indicator	---	Latch bolt retracted by key outside or by knob/lever inside. Outside knob/lever always fixed. Deadbolt thrown or retracted by inside thumbturn. When deadbolt is thrown, "OCCUPIED" plate is displayed and all keys become inoperative except emergency keys. Turning inside knob/lever simultaneously retracts both deadbolt and latch bolt. Auxiliary latch deadlocks latch bolt when door is locked. Inside knob/lever is always free for immediate egress.
		NM8010	Passage	F01	Latch bolt operated by lever from either side at all times.
		NM8170	Single Fixed Dummy	---	Lever on one side fixed by lever return spring bracket.
		NM8172	Double Fixed Dummy	---	Lever on both sides fixed by lever return spring brackets.
		NM8175	Half Dummy Trim w/ Lock Case	---	Fixed knob/lever on one side inoperable. Includes lock case and armored front.
		NM8176	Full Dummy Trim w/ Lock Case	---	Fixed knob/lever on both sides. Includes lock case and blank armor front.

Outside	Inside	SERIES/FUNCTION	TYPE	ANSI	Function Description
		NM8080EL	Electrically Locked (Fail Safe)	---	Outside knob/lever continuously locked by 24V AC or DC. Latch bolt retracted by key outside or by knob/lever inside. Switch or power failure allows outside knob/lever to retract latch bolt. Auxiliary latch deadlocks latch bolt when door is locked. Inside knob/lever is always free for immediate egress.
		NM8080EU	Electrically Unlocked (Fail Secure)	---	Outside knob/lever unlocked by 24V AC or DC. Latch bolt retracted by key outside or knob/lever inside. Auxiliary latch deadlocks latch bolt when door is locked. Inside knob/lever is always free for immediate egress.
		NM8080EU-RX NM8080EL-RX	Request to Exit (RE) Electrified Lock	---	Same as NM8080EL and NM8080EU functions. In addition, a micro switch positioned inside the lock case monitors the retractor crank, and is actuated when rotation of the inside or outside knob/lever rotates the retractor hub. The switch signals the use of that opening to security systems, allowing a non-disruptive means of immediate egress.
		NM8082EL NM8082EU	NM8082 Electrically locked or Electrically Unlocked Both Sides	---	EL: Outside and inside knob or lever continually locked electrically. Latch bolt retracted by key either side. Switch or power failure allows outside and inside knob/lever to retract latch bolt. Auxiliary latch deadlocks latch bolt when door is closed. EU: Outside and inside knob/lever unlocked electrically. Latch bolt retracted by key either side. Switch or power failure keeps inside and outside knob/lever locked. Auxiliary latch deadlocks latch bolt when door is locked.

HEAVY DUTY • ANSI 156.5 GRADE 1 SMALL LOCK CASE	MORTISE DEADBOLTS	HEAVY DUTY • ANSI 156.13 GRADE 1 FULL MORTISE
--	--------------------------	--

 <p>Lock Case: 3 15/16" x 3 5/8" x 1" (100 mm x 92 mm x 25 mm)</p> <p>Faceplate: 1 1/4" x 5 19/32" x 7/32" (32 mm x 142 mm x 6 mm)</p> <p>Strike: 1 1/8" x 3 1/2" (29 mm x 89 mm)</p>	<p>Any door in commercial or institutional buildings where the best auxiliary Mortise deadbolt locks are required. Backset: 2 3/4" (70 mm) Door Range: 1 3/4" (44 mm), available to 2 1/4" (57 mm). Specify thickness if other than 1 3/4" Deadbolt: 1" (25 mm) throw, stainless steel, can withstand cutting or sawing Cylinder: 1 1/8" Mortise cylinder Schlage "C" (standard). Otherwise specify Heavy Gauge Steel Lock Case Brass Deadbolt with Hardened Steel Inserts 1" Throw Satin Chrome Finish ANSI 156.13 Exceeds 800,000 cycles</p> <p>Mortise Cylinder Cylinder length is 1 1/8" (under shoulder including cam) With clover leaf cam</p> 	 <p>Lockcase: 3 3/4" x 5 3/4" x 7/8" (95.25 mm x 146 mm x 22 mm)</p> <p>Faceplate: 1 1/4" x 8" x 1/8" (32 mm x 203 mm x 3.175 mm)</p> <p>Strike: 1 1/8" x 4 7/8" (29 mm x 124 mm)</p>
--	--	--

MODEL #	ANSI	FUNCTIONS	MODEL #	ANSI
 SM4608	E06071	CYLINDER AND THUMBTURN Deadbolt thrown or retracted by key outside or thumbturn inside.	 M8460	F17
 SM4628	E06061	DOUBLE CYLINDER Deadbolt operated by key on either side	 M8462	F16
 SM4638	E06091	CLASSROOM LOCK Deadbolt thrown or retracted by key from outside. Inside cylinder turn retracts deadbolt but cannot project it. Specify Handing.	 M8463	F29
 SM4648	E06081	CYLINDER LOCK Deadbolt thrown or retracted by key from one side. No trim on opposite side.	 M8464	F18
 SM4808	----	DOOR BOLT Deadbolt thrown or retracted by thumbturn from one side. No trim on opposite side.	 M8480	----
 SM4968	----	DEADBOLT WITH "OCCUPIED" INDICATOR Deadbolt thrown or retracted by key outside or thumbturn inside. When deadbolt is thrown "OCCUPIED" plate is displayed.	 M8496	----

NM Series

ADA Thumbturn

Optional Disability Turn (ADA) on applicable mortise locks.
Prefix “**ADA**” before Mortise lock PART#.

► **FOR 2” up to 2 ¼” Thick door**

Order kit:

SSMKIT214 – for sectional trim

SEMKIT214 – for escutcheon trim

► **LEAD LINING**

Available on request. Prefix “**LEAD**” before PART#.

► **ANTI MICROBIAL COATING**

Available on request on US26D and US32D finishes.

Longer factory lead time usually applies.

Prefix “**ANTB**” before PART#.

► **HOW TO CHANGE HANDING**

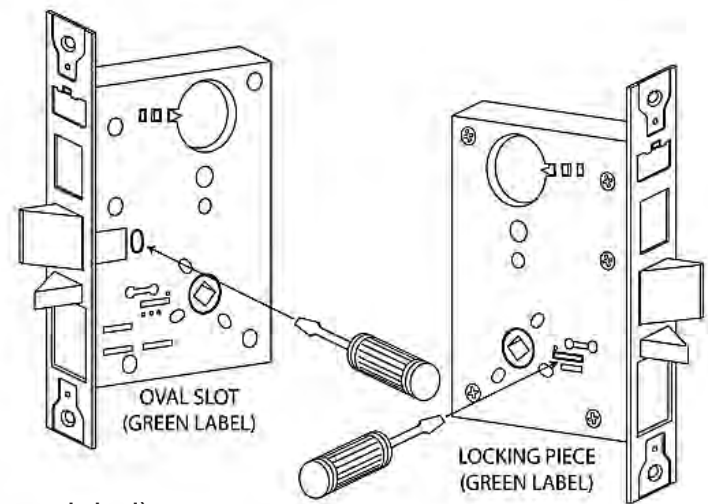
1. Insert blade screwdriver into the oval slot behind latchbolt (green label).
2. Push latchbolt out until it is entirely away from the lockcase.
3. Rotate latchbolt to adjust handing.
4. Use blade screwdriver to push down the locking piece (green label) to end.
5. Handing is completely reversed.



ADA THUMBTURN



QUICKMARK TEMPLATE



WARNING!
Please read the instruction on the installation guide about the correct position of spring cage.

Electrified Mortise Locks

Available on NM8080 and NM8453 Functions

- **Electrified Part #ELEC**
(Specify Options)

FEATURES:

- UL and CSFM Listings
- Continuous duty solenoids for cooler operation during “continuously on” applications
- Standard plug-in rectifier allows for an AC or DC power source
- Low current draw
- Numerous switch options
- 3 year “No Hassle” warranty

OPTIONS:

- Voltage requirement -12 VAC/DC or 24 VAC/DC
- Amperage – 700mA @ 12V or 350mA @ 24V
- Function – available “Fail Safe” (**FS**) or “Fail Secure” (**FSE**)

- **REX – Request to Exit**
Available on NM8080 and NM8453 Functions

Electrically Locked FS (Fail Safe)

NM8080FS

- o Outside knob/lever continuously locked by 24V AC or DC
- o Latch bolt retracted by key outside or knob/lever inside
- o Switch or power failure allows outside knob/lever to retract latch bolt
- o Auxiliary latch deadlocks latch bolt when door is locked
- o Inside knob/lever is always free for immediate egress

Electrically Unlocked FSE (Fail Secure)

NM8080FSE

- o Outside knob/lever unlocked by 24V AC or DC
- o Latch bolt retracted by key outside or knob/lever inside
- o Auxiliary latch deadlocks latch bolt when door is locked
- o Inside lever is always free for immediate egress

Electrically Locked or Electrically Unlocked Both Sides

NM8082FS

- o Outside and inside knob/lever continually locked electrically
- o Latch bolt retracted by key either side
- o Switch or power failure allows outside and inside knob/lever to retract latch bolt
- o Auxiliary latch deadlocks latch bolt when door is closed

NM8082FSE

- o Outside and inside knob/lever unlocked electrically
- o Latch bolt retracted by key either side
- o Switch or power failure keeps outside and inside knob/lever locked
- o Auxiliary latch deadlocks latch bolt when door is locked



Request to Exit (RX) Electrified Lock

NM8080FSE-RX/ NM8080FS-RX

- o Same as NM8080EL and NM8080EU functions
- o A micro switch positioned inside the lock case monitors the retractor crank, and is actuated when rotation of the inside or outside knob/lever rotates the retractor hub
- o The switch signals the use of that opening to security systems, allowing a non-disruptive means of immediate egress

Privacy with Key Outside and "OCCUPIED" Indicator

NM8495

- o Deadbolt thrown or retracted by key outside or inside thumbturn
- o Knob/lever retracts latch bolt from either side
- o Throwing deadbolt locks outside knob/lever and displays "OCCUPIED" plate
- o Rotating inside knob/lever simultaneously retracts both deadbolt and latch bolt and unlocks outside knob/lever
- o Inside lever is always free for immediate egress



Faculty Restroom with Key Outside and "OCCUPIED" Indicator

NM8486

- o Latch bolt retracted by key outside or by knob/lever inside. Outside knob/lever always fixed
- o Deadbolt thrown or retracted by inside thumbturn
- o When deadbolt is thrown, "OCCUPIED" plate is displayed and all keys become inoperative except emergency keys
- o Turning inside knob/lever simultaneously retracts both deadbolt and latch bolt
- o Auxiliary latch deadlocks latch bolt when door is locked
- o Inside lever is always free for immediate egress



Privacy with Deadbolt, Coin Turn Outside and "OCCUPIED" Indicator

NM8445

- o Deadbolt thrown or retracted by inside thumbturn or outside coin turn
- o Rotating outside coin turn retracts deadbolt and unlocks outside knob/lever
- o Latch bolt retracted by knob/lever from either side
- o Throwing deadbolt locks outside knob/lever and displays "OCCUPIED" plate
- o Rotating inside knob/lever simultaneously retracts deadbolt and latch bolt and unlocks outside knob/lever
- o Inside lever is always free for immediate egress



SECTIONAL TRIMS



CAL-ROYAL
P R O D U C T S, I N C.



SC SERIES

EXTRA HEAVY DUTY MORTISE LOCKS
WITH *CLUTCH*

RETROFITS SCHLAGE L9000 SERIES MORTISE LOCKS



Architectural Hardware

SC SERIES

Grade 1 Extra Heavy Duty Mortise Locks with CLUTCH free-wheeling ANSI BHMA A156.13 - 2005



MEETS
The Buy American Act



- ✓ **Can retrofit Schlage L9000 Series mortise lock without drilling any additional holes on the door for sectional and escutcheon trims**
- ✓ Fully reversible design
- ✓ No exposed mounting screws on outside and inside trims
- ✓ Outside lever has a Clutch (Free-Wheeling design). The lever rotates when the lever is locked preventing excessive force from being applied to the horizontal lever. The design decreases the chance of the lever being broken or damaged

SPECIFICATIONS

FOR DOORS

1 3/4" (44.5mm) thick standard. For doors over 1 3/4" (44.5mm), specify door thickness

LOCK HAND

Lock bodies are easily field reversible, no need to specify hand when ordering

BACKSET & STRIKE

2 3/4" (70mm) only backset. Brass or stainless steel strike; ANSI Standard A115.1; curve lip with dust box

LOCK CASE

Heavy Duty wrought steel, zinc dichromate plated

C to C

Center of lever to center of cylinder is 3 7/8" (98mm)

ARMOR FACEPLATE

Brass or stainless steel; 8" x 1 7/32" (203mm x 31.3mm); ANSI Standard A115.1

DEADBOLT

1" (25.4mm) throw; hardened stainless steel

LATCHBOLT

3/4" (19mm) throw; one-piece stainless steel with anti-friction reversible tongue

CYLINDER & KEYWAYS

6-pin solid brass "C" keyway standard. Optional: Schlage E, Schlage C-K, Russwin D1-2-3-4, Corbin 59/60, Corbin-Russwin L4, Sargent LA-LB-LC, Falcon/Weiser E, Arrow A, Yale 8, Yale GA and Kwikset. Can also accept Medeco, Assa, Kaba and Cal-Royal HSK High Security Cylinders

INTERCHANGEABLE CORE (IC)

Interchangeable Core locks will accept compatible 6 or 7 pin cores with BEST, FALCON and ARROW. Also available with SCHLAGE, large format cylinders

TOGGLE BUTTON

High rust-resistant chrome plated zinc alloy

MASTER KEYING

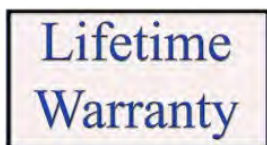
Can be master-keyed or grand master-keyed, construction keying available

FINISHES: US3, 4, 10, 10B, 15, 26, 26D, 32, 32D

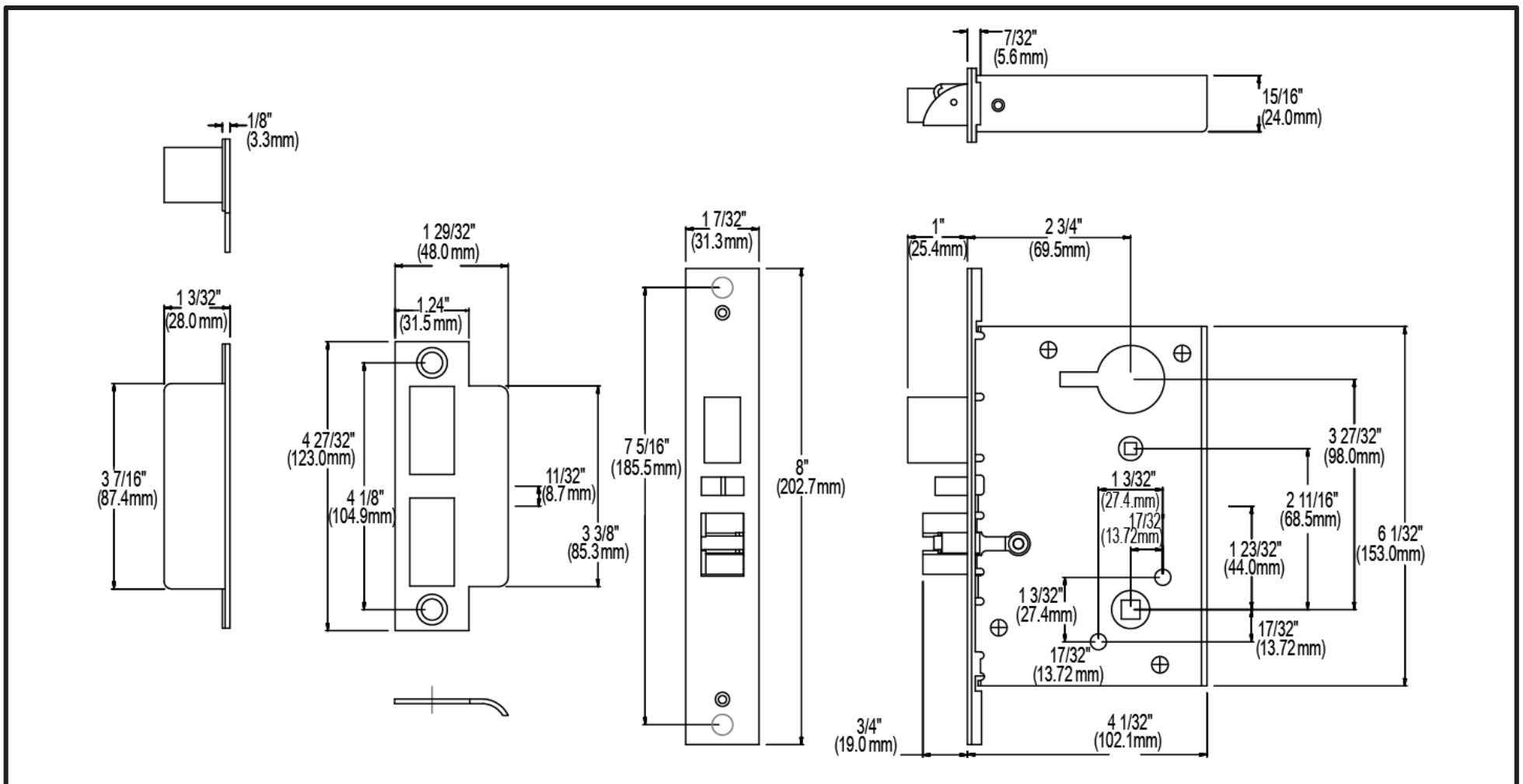
AUXILIARY LATCH: Stainless Steel, non-handed

CERTIFICATIONS

ANSI/BHMA	Meets ANSI/BHMA A158.13 Series 1000 Grade 1 requirements
UL / cUL	UL and UL Listed to Canadian safety standard for A label (3-hour fire door); stamped letter F and UL symbol on armor faceplate
POSITIVE PRESSURE	Meets positive pressure requirements UL 10C and UBC 7-2 (1997)
ADA APPROVED	Meets ADA requirements, specifically designed for Barrier Free Application

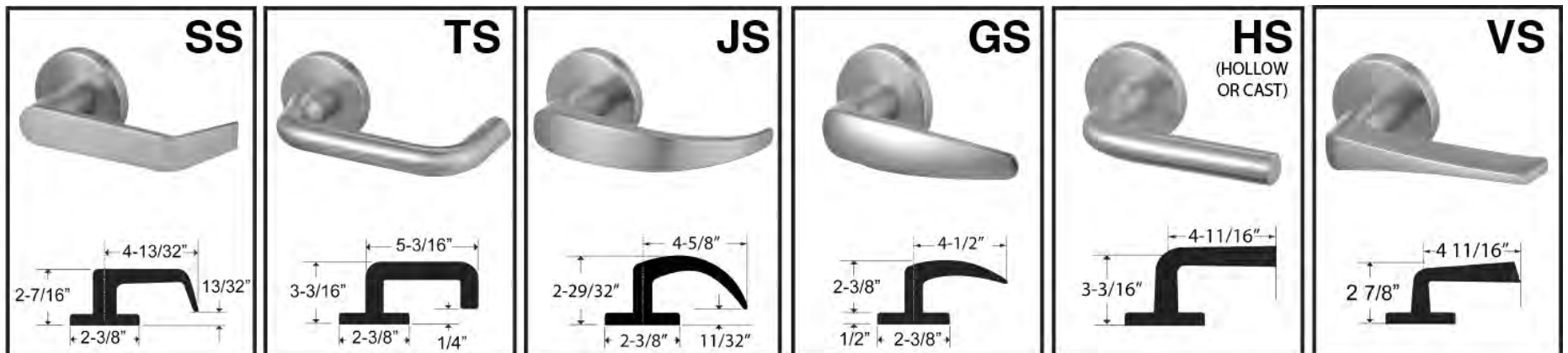


DIMENSIONS

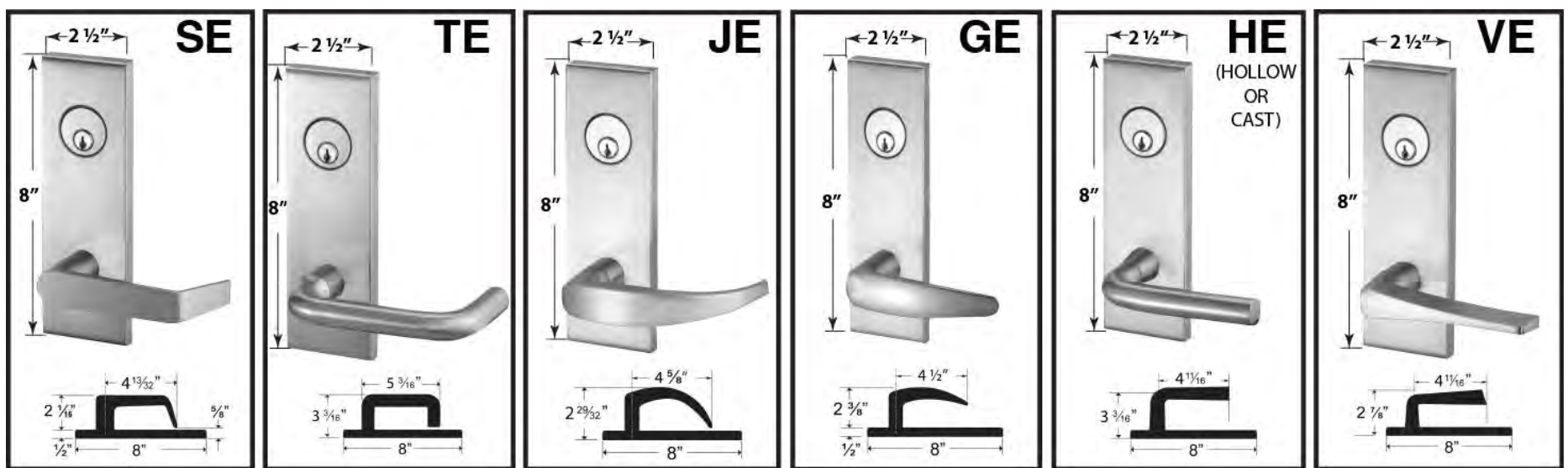


TRIMS & FINISHES

SECTIONAL



WIDE ESCUTCHEON



FINISHES		
Symbol	BHMA	Description
US3	605	Polished Brass
US4	606	Satin Brass
US10B	613	Oil Rubbed Bronze
US26	625	Polished Chrome
US26D	626	Satin Chrome
US10	612	Satin Bronze
US32D	630	Stainless Steel

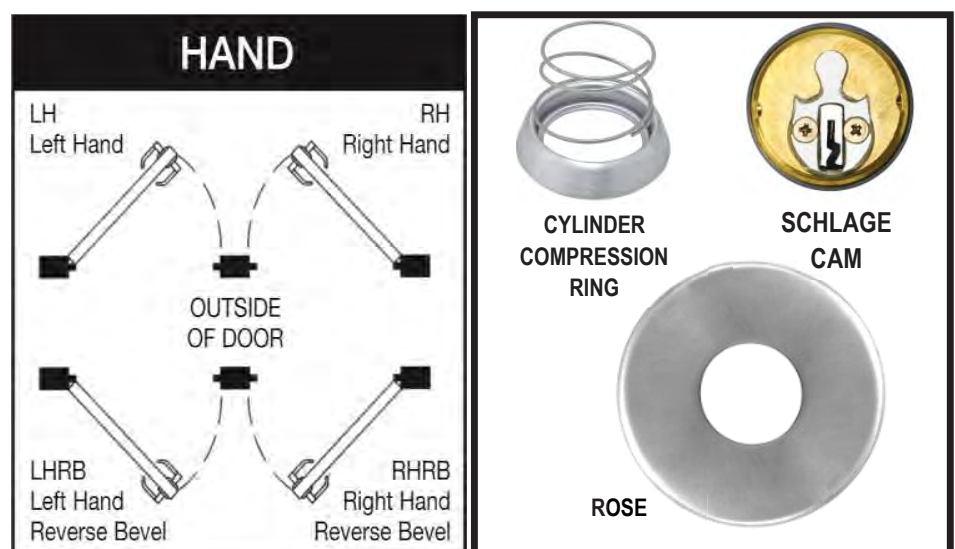
ITEM	MATERIAL
Rose	Brass / Stainless Steel
Levers	Brass / Zinc / Stainless Steel
Escutcheons	Brass / Zinc / Stainless Steel

➤ HOW TO ORDER (SC SERIES)

SC8050 - SS - US26D

- Office Function
- SS Trim Sectional
- Satin Chrome

All products are shipped non-handed.
Easily field reversible.



SC Series

Kits and Accessories

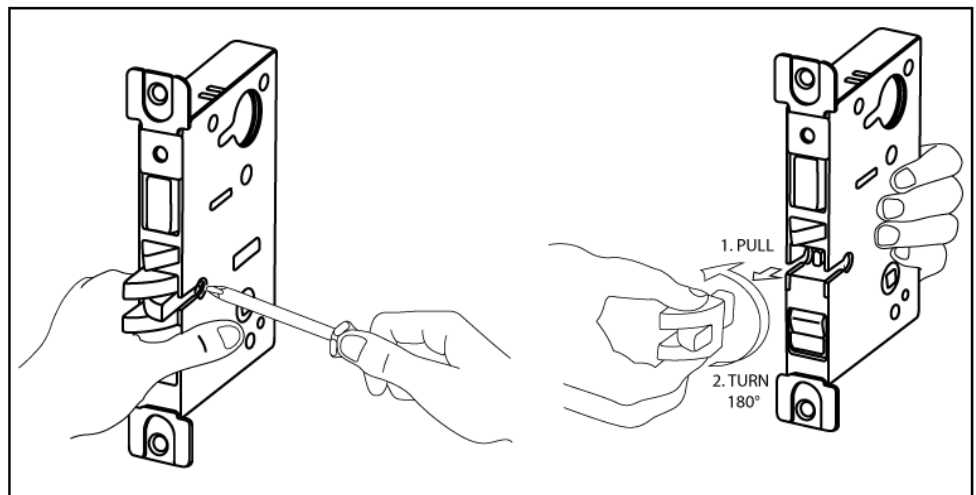
- **ADA Thumbturn**
Optional Disability Turn (ADA) on applicable mortise lock functions
Prefix **ADA** before Mortise Lock Part#
Order Kit:
SCSADA – ADA Thumbturn for Sectional
SCEADA – ADA Thumbturn for Escutcheon
- **FOR 2" up to 2 1/4" Thick Door**
Order Kit:
SCSKIT200 – for Sectional Trim
SCEKIT214 – for Wide Escutcheon Trim



- **Lead Lining**
Available on request
Prefix **LEAD** before Mortise Lock Part#
- **ANTI MICROBIAL COATING**
Available on US26D and US32D finishes
Longer factory lead time usually applies
Prefix **"ANTB"** before Part#

HOW TO CHANGE HANDING

If the handing of the latchbolt does not match the door handing, remove locking screw and pull latchbolt out from lock case, then turn 180°, making the bevel of the latchbolt face the opposite hand. Replace the latchbolt and fasten the locking screw



Indicator Mortise Locks

Privacy with Key Outside and "OCCUPIED" Indicator SC8495

- Deadbolt thrown or retracted by key outside or inside thumbturn
- Knob / lever retracts latch bolt from either side
- Throwing deadbolt locks outside knob / lever and displays "OCCUPIED" plate
- Rotating inside knob / lever simultaneously retracts both deadbolt and latch bolt and unlocks outside knob / lever
- Inside lever is always free for immediate egress

Faculty Restroom with Key Outside and "OCCUPIED" Indicator SC8486

- Latch bolt retracted by key outside or by knob / lever inside. Outside knob / lever always fixed
- Deadbolt thrown or retracted by inside thumbturn
- When deadbolt is thrown, "OCCUPIED" plate is displayed and all keys become inoperative except emergency keys
- Turning inside knob / lever simultaneously retracts both deadbolt and latch bolt
- Auxiliary latch deadlocks latch bolt when door is locked
- Inside lever is always free for immediate egress

Privacy with Deadbolt, Coin Turn Outside and "OCCUPIED" Indicator SC8445

- Deadbolt thrown or retracted by inside thumbturn or outside coin turn
- Rotating outside coin turn retracts deadbolt and unlocks outside knob / lever
- Latch bolt retracted by knob / lever from either side
- Throwing deadbolt locks outside knob / lever and displays "OCCUPIED" plate
- Rotating inside knob / lever simultaneously retracts deadbolt and latch bolt and unlocks outside knob / lever
- Inside lever is always free for immediate egress

SC8445 MORTISE LOCKS



SECTIONAL TRIMS

SC Series

Electrified Mortise Locks

Available on SC8080 and SC8453 Functions

- **Electrified Part #ELEC**
(Specify Options)

FEATURES:

- UL and CSFM Listings
- Continuous duty solenoids for cooler operation during “continuously on” applications
- Standard plug-in rectifier allows for an AC or DC power source
- Low current draw
- Numerous switch options
- 3 year “No Hassle” warranty

OPTIONS:

- Voltage requirement -12 VAC/DC or 24 VAC/DC
- Amperage – 700mA @ 12V or 350mA @ 24V
- Function – available “Fail Safe” (FS) or “Fail Secure” (FSE)

- **REX – Request to Exit**
Available on SC8080 and SC8453 Functions only

Electrically Locked FS (Fail Safe)

SC8080FS

- Outside knob / lever continuously locked by 24V AC or DC
- Latch bolt retracted by key outside or knob / lever inside
- Switch or power failure allows outside knob / lever to retract latch bolt
- Auxiliary latch deadlocks latch bolt when door is locked
- Inside knob / lever is always free for immediate egress

Electrically Unlocked FSE (Fail Secure)

SC8080FSE

- Outside knob / lever unlocked by 24V AC or DC
- Latch bolt retracted by key outside or knob / lever inside
- Auxiliary latch deadlocks latch bolt when door is locked
- Inside lever is always free for immediate egress

Electrically Locked or Electrically Unlocked Both Sides

SC8082FS

- Outside and inside knob / lever continually locked electrically
- Latch bolt retracted by key either side
- Switch or power failure allows outside and inside knob / lever to retract latch bolt
- Auxiliary latch deadlocks latch bolt when door is closed

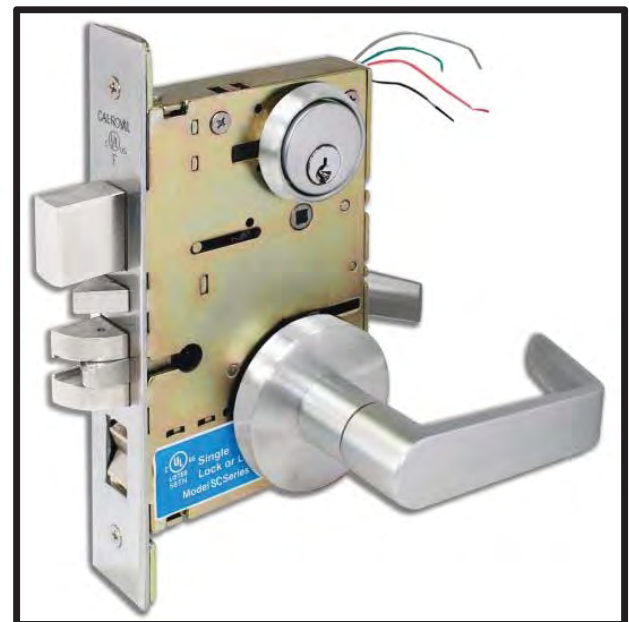
SC8082FSE

- Outside and inside knob / lever unlocked electrically
- Latch bolt retracted by key either side
- Switch or power failure keeps outside and inside knob / lever locked
- Auxiliary latch deadlocks latch bolt when door is locked

Request to Exit (RX) Electrified Lock

SC8080FSE-RX/ SC8080FS-RX

- Same as SC8080EL and SC8080EU functions
- A micro switch positioned inside the lock case monitors the retractor crank, and is actuated when rotation of the inside or outside knob / lever rotates the retractor hub
- The switch signals the use of that opening to security systems, allowing a non-disruptive means of immediate egress



SC SERIES

Grade 1 Extra Heavy Duty Hospital Latch Push-Pull (HL) Trim with Mortise Lock

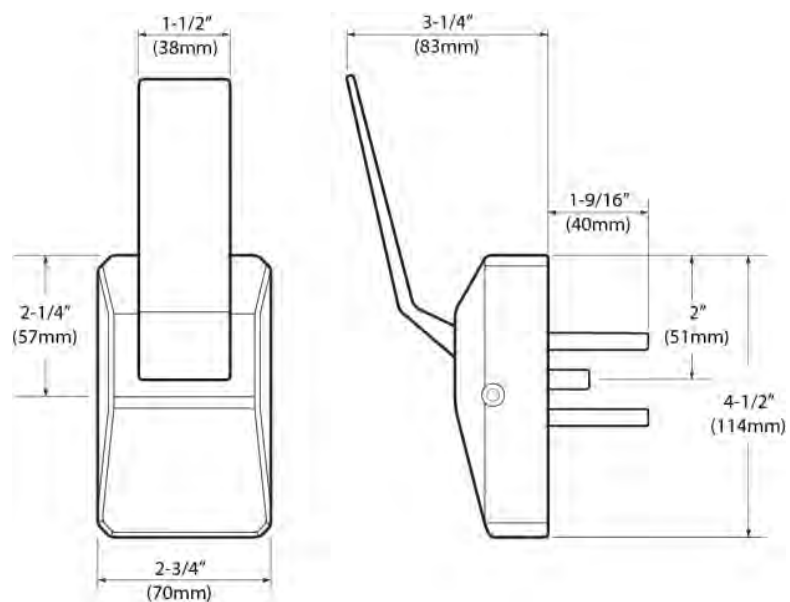


MEETS
The Buy American Act

Lifetime
Warranty

BHMA
CERTIFIED
Be Safe. Be Secure. Look for the Mark.

UL US
3 HOUR FIRE RATED



FEATURES

- The push-pull trim can be mounted in vertical (up or down) and horizontal orientations in the field
- Through-bolted design for trims with lockcase for more stability
- Handing is easily field reversible
- Fits 1 3/4" (44mm) thick standard RHR or LHR hollow metal doors & wood doors, over 1 3/4" (44mm) is also available (specify door thickness when ordering)
- Push-Pull trim is non-handed, easy installation
- Mortise lock functions available (recommended): F01, F04, F05, F09, F11, F13, B14, F19 F20, F22, F30
- Handles are cast stainless steel, corrosion protected
- Patented in USA and UL Listed
- Available in BHMA finishes

SC SERIES

GRADE 1 • HEAVY DUTY • ANSI A.156.13 - 2005
ANTI-LIGATURE (LG) MORTISE LOCK TRIM



ESCUTCHEON LEVER (LGE)



ESCUTCHEON KNOB (LGX)



SECTIONAL LEVER (LGS)



SECTIONAL KNOB (LGK)

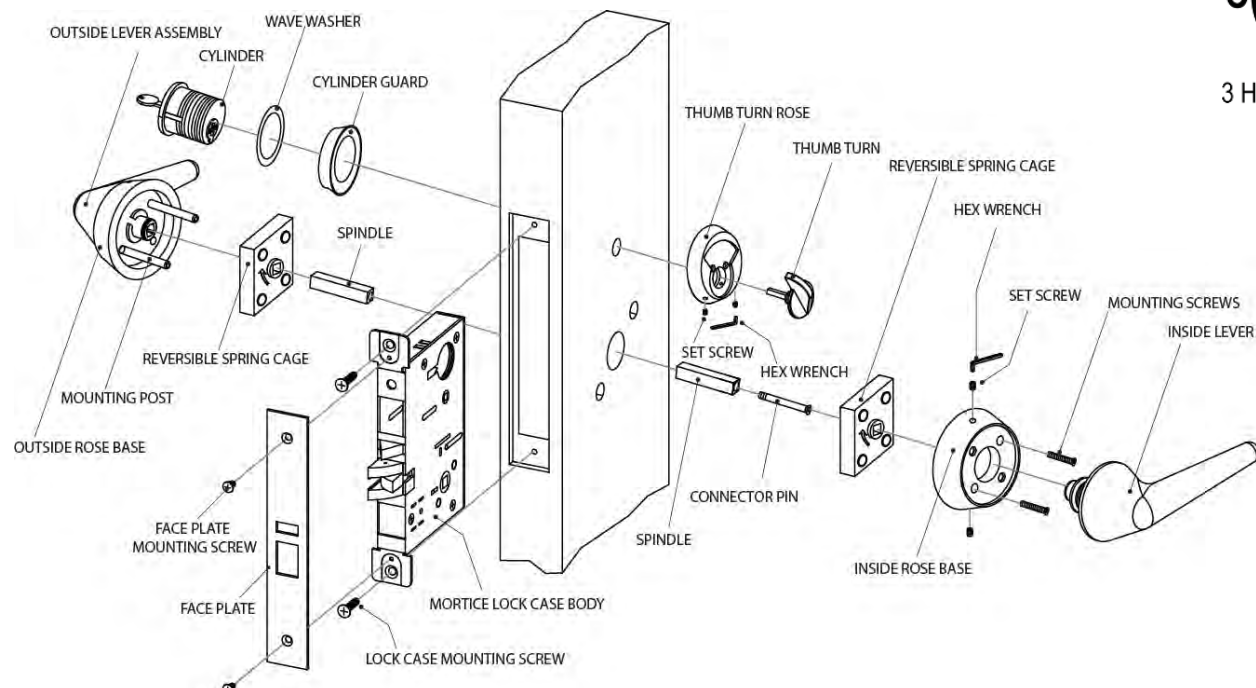
FEATURES

- ANSI A156.13-2005 Grade 1 mortise locks
- Outside lever clutch free-wheeling design. The lever rotates when the lever is locked preventing excessive force from being applied to the horizontal lever. This design decreases the chance of the lever being broken or damaged
- Anti-ligature lever design prevents intentional or accidental hanging
- Anti-vandal cylinder guard is standard, deters forcible removal of cylinder with any type of wrench or hammer
- Different functions available to satisfy individual security and safety requirements
- Tamper resistant mounting set screws
- Non-handed, fully field reversible
- Heavy duty escutcheon and sectional trim available
- No exposed mounting screws
- Can retrofit Schlage L9000 Series mortise lock bodies
- Trim Suffixes: S-Lever Sectional E-Lever Escutcheon K-Knob Sectional X-Knob Escutcheon



CERTIFICATIONS

- Meets ANSI/BHMA A156.13 Series 1000 Grade 1 Requirements
- UL and cUL listed to Canadian safety standard for A label (3-hour fire door); stamped letter "F" and UL symbol on armor faceplate
- Meet positive pressure requirements UL 10C and UBC 7-2 (1997)



MORTISE DEADBOLTS

HEAVY DUTY • ANSI 156.13
GRADE 1 FULL MORTISE

Any door in commercial or institutional buildings where the best auxiliary Mortise deadbolt locks are required

- Backset: 2 ¾" (70 mm)
- Door Range: 1 ¾" (44.5 mm), available to 2 ¼" (57 mm)
- Deadbolt: 1" (25 mm) throw, stainless steel, can withstand cutting or sawing
- Cylinder: 1 ¼" Mortise cylinder Schlage "C" (standard)
- Heavy Gauge Steel Lock Case
- Brass Deadbolt with Hardened Steel, 1" Throw
- Satin Chrome Finish
- ANSI 156.13
- Exceeds 800,000 cycles

Mortise Cylinder
Cylinder length is 1 ¼"
(under shoulder including cam)
With Schlage cam (L583-2540)

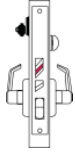


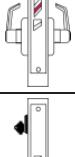
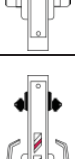



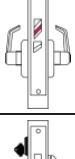
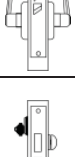
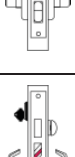






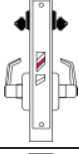



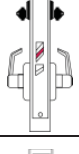
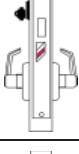

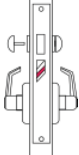
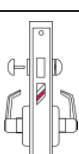

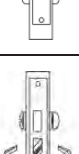
Lockcase:
4" x 6 1/32" x 1 7/32"
(102 mm x 153 mm x 31.3 mm)

Faceplate:
1 7/32" x 8" x 1/8"
(31.3 mm x 203 mm x 3.175 mm)

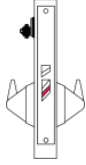

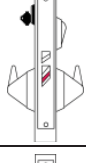

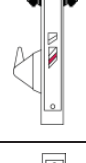



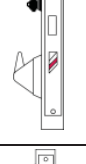
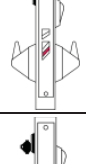
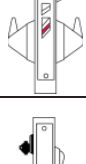
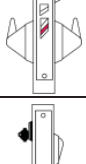

Strike:
1 7/8" x 4 27/32" (48 mm x 123 mm)

FUNCTIONS	ILLUSTRATION	MODEL #	ANSI
CYLINDER AND THUMBTURN Deadbolt thrown or retracted by key outside or thumbturn inside		SC8460	F17
DOUBLE CYLINDER Deadbolt operated by key on either side		SC8462	F16
CLASSROOM LOCK Deadbolt thrown or retracted by key from outside. Inside cylinder turn retracts deadbolt but cannot project it (SPECIFY HANDING)		SC8463	F29
CYLINDER LOCK Deadbolt thrown or retracted by key from one side. No trim on opposite side		SC8464	F18
DOOR BOLT Deadbolt thrown or retracted by thumbturn from one side. No trim on opposite side		SC8480	----
DEADBOLT WITH "OCCUPIED" INDICATOR Deadbolt thrown or retracted by key outside or thumbturn inside. When deadbolt is thrown "OCCUPIED" plate is displayed		SC8496	----

Outside Inside	FUNCTION	TYPE	ANSI	Function Description
	SC8050 SC8050HL SC8050LG	Office	F04	Latch bolt retracted by key outside and inside lever when outside lever is locked. Outside lever retracts latch bolt unless outside lever is locked by operating toggle button. Outside lever is locked and unlocked by toggle button. Key outside locks outside lever only. When latch bolt is retracted by inside lever, outside lever remains locked. Auxiliary latch deadlocks latchbolt when door is closed. Inside lever is always free.
	SC8056	Office with Automatic Unlocking	---	Latch bolt retracted by knob / lever from either side unless outside is made inoperative by key outside or by rotating inside thumbturn. Outside knob / lever unlocked by key outside or thumbturn. Rotating inside knob / lever simultaneously retracts latch bolt and unlocks outside knob / lever. Auxiliary latch deadlocks bolt when door is locked. Inside knob / lever is always free of immediate egress.
	SC8070 SC8070HL SC8070LG	Classroom	F05	Outside key locks and unlocks outside lever. Outside lever retracts latchbolt unless outside lever is locked by key. When outside lever is locked, unlocked from outside by key or by inside lever. Inside lever is always free for immediate exit. Auxiliary latch deadlocks latchbolt when door is closed.
	SC8071 SC8071LG	Classroom Security Lock	F32	Latch bolt retracted by knob / lever from either side unless outside is locked by key from either side. When outside lever is locked, latchbolt is retracted by key outside or lever inside. Turning key from either side locks and unlocks outside lever. Auxiliary latch deadlocks latch bolt when door is locked. Inside knob / lever is always free for immediate egress.
	SC8076	Classroom Holdback Lock	F06	Latch bolt retracted by knob / lever from either side unless outside is locked by key. When locked, latch bolt retracted by key outside or knob / lever inside. Auxiliary latch deadlocks latch bolt when door is locked. Depress inside knob / lever and turnkey 360° for holdback feature.
	SC8077	Classroom Security Holdback Lock	---	Latch bolt retracted by knob / lever from either side unless outside is locked by key from either side. When locked, latch bolt retracted by key outside or knob / lever inside. Auxiliary latch deadlocks latch bolt when door is locked. Depress inside knob / lever and turn key 360° for holdback feature. Inside knob / lever is always free for immediate egress.
	SC8457 SC8457LG	Classroom Security Lock w/ Deadbolt	F33	Latch bolt retracted by outside lever unless outside lever is locked by key from inside or outside. Deadbolt projected or retracted by key outside. Operating inside lever retracts both deadbolt and latch bolt simultaneously and unlock outside lever. Inside knob / lever is always free for immediate egress.
	SC8458	Classroom Security Lock w/ Deadbolt and Auxiliary Latch	F34	Latch bolt retracted by lever from either side unless outside lever is locked from inside or outside by key. Deadbolt projected or retracted by key outside. Operating inside lever retracts both bolts and unlocks outside lever. Auxiliary latch deadlocks latch bolt when door is locked or latchbolt deadlocks when deadbolt is projected. Inside lever is always free.
	SC8463	Classroom Lock	F29	Deadbolt thrown or retracted by key from outside. Inside thumbturn cylinder retracts deadbolt but cannot project it.
	SC8080	Storeroom	F07	Latch bolt operated by key from outside or rotating inside lever, outside lever is always inoperative. Auxiliary latch deadlocks latch bolt when door is closed. Inside lever is always free for immediate egress.
	SC8480	Storeroom Lock with Deadbolt	---	Latch bolt retracted by key outside or by lever or knob inside. Outside knob / lever is always fixed. Deadbolt thrown or retracted by key outside or thumbturn inside. Turning inside knob / lever simultaneously retracts both deadbolt and latch bolt. Auxiliary latch deadlocks bolt when door is locked. Inside knob / lever is always free for immediate egress.
	SC8453 SC8453HL SC8453LG	Entrance	F20 F86	Latch bolt retracted by lever from either side unless outside lever is locked by operating toggle button. Deadbolt projected by key from outside or by thumbturn from inside. Both deadbolt and latch bolt are retracted by inside lever simultaneously. Latchbolt is deadlocked when outside lever is locked or when deadbolt is projected. Outside lever is unlocked by toggle button if deadbolt is retracted. Inside lever is always free for immediate egress.
	SC8456 SC8456HL SC8456LG	Corridor/ Exit	F13	Latch bolt retracted by knob / lever from either side. Deadbolt thrown or retracted by key outside or inside thumbturn. Throwing deadbolt locks outside knob / lever. Turning inside knob / lever simultaneously retracts deadbolt and latch bolt and unlocks outside knob / lever. Inside knob / lever is always free for immediate egress.

Outside	Inside	FUNCTION	TYPE	ANSI	Function Description
		SC8473 SC8473HL SC8473LG	Dormitory/ Bedroom	F21	Latch bolt retracted by knob or lever from either side. Deadbolt extended or retracted by key outside or thumb turn inside.
		SC8460	Cylinder x Thumbturn Lock	F17	Deadbolt thrown or retracted by key outside or thumbturn inside.
		SC8060 SC8060HL SC8060LG	Apartment Entrance/ Vestibule	F09	Latch bolt operated by lever from either side except when outside lever is locked by inside key. Outside key or inside lever will retract latch when locked. Key inside locks and unlocks outside lever. Auxiliary latch deadlocks latchbolt when door is closed. Inside lever is always free for immediate egress.
		SC8466 SC8466HL SC8466LG	Store Door Lock	F14	Latch bolt operated by lever from either side. Deadbolt projected or retracted by key on either side. Latch bolt and deadbolt are independent of each other.
		SC8462	Double Cylinder Lock	F16	Deadbolt operated by key from either side.
		SC8464	Cylinder Lock	F18	Deadbolt thrown or retracted by key from one side. No trim on opposite side.
		SC8082 SC8082HL SC8082LG	Institution Lock	F30	Latch bolt retracted by key from either side. Knob / lever on both sides always inoperative. Auxiliary latch deadlocks latch bolt when door is locked.
		SC8465	Closet/ Storeroom	F65	Latch bolt retracted by knob or lever from either side. Deadbolt extended or retracted by key outside.
		SC8044	Privacy w/ Coin Turn Outside	---	Latch bolt retracted by knob / lever from either side unless outside is locked by inside thumbturn or outside coin turn. Operating inside knob / lever, closing door, rotating inside thumbturn or rotating outside coin turn unlocks outside knob / lever.
		SC8040 SC8040HL SC8040LG	Privacy with Deadbolt	F02 F19	Latch bolt retracted by knob / lever from either side. Deadbolt thrown or retracted by inside thumbturn. Throwing deadbolt locks outside knob / lever. Rotating inside knob / lever simultaneously retracts deadbolt and latch bolt, and unlocks outside knob / lever. To unlock from outside, remove emergency button, insert emergency button in access hole and rotate. Inside knob / lever is always free for immediate egress.
		SC8049 SC8049HL SC8049LG	Privacy Bedroom/ Bath	F22	Latch bolt retracted by lever from outside unless outside lever is locked by inside thumbturn. Operating inside lever retracts latchbolt and unlocks outside lever. Removing outside emergency release unlocks outside lever. Turning inside thumbturn locks and unlocks outside lever. Inside lever is always free for immediate exit.
		SC8444	Privacy w/ Deadbolt and Coin Turn Outside	---	Latch bolt retracted by knob / lever from either side. Deadbolt thrown or retracted by inside thumbturn or outside coin turn. Throwing deadbolt locks outside knob / lever. Rotating inside knob / lever simultaneously retracts deadbolt and latch bolt, and unlocks outside knob / lever. Rotating outside coin turn retracts deadbolt and unlocks outside knob / lever. Inside knob / lever is always free for immediate egress.
		SC8445	Privacy w/ Deadbolt, Coin Turn Outside and "OCCUPIED" Indicator	---	Latch bolt retracted by knob / lever from either side. Deadbolt thrown or retracted by inside thumbturn or outside coin turn. Throwing deadbolt locks outside knob / lever and displays "OCCUPIED" plate. Rotating inside knob / lever simultaneously retracts deadbolt and latch bolt, and unlocks outside knob / lever. Rotating outside coin turn retracts deadbolt and unlocks outside knob / lever. Inside knob lever is always free for immediate egress.

Outside Inside	FUNCTION	TYPE	ANSI	Function Description
	SC8495	Privacy with "OCCUPIED" Indicator	---	Knob / lever retracts latch bolt from either side. Dead bolt thrown or retracted by key outside (retraction by key required in the event of an emergency) or inside thumbturn. Throwing deadbolt locks outside knob / lever and displays "OCCUPIED" plate. Rotating inside knob / lever simultaneously retracts both deadbolt and latch bolt and unlocks outside knob / lever. Inside lever is always free for immediate egress.
	SC8485	Faculty Restroom Lock	---	Latch bolt retracted by key outside or by knob / lever inside. Outside knob / lever is always fixed. Deadbolt thrown or retracted by inside thumbturn. When dead bolt is thrown, all keys become inoperable except emergency or display keys. Turning inside knob / lever retracts both deadbolt and latch bolt simultaneously. Auxiliary latch deadlocks latch bolt when door is locked. Inside knob / lever is always free for immediate egress.
	SC8486	SC8485 with "OCCUPIED" Indicator	---	Latch bolt retracted by key outside or by knob / lever inside. Outside knob / lever always fixed. Deadbolt thrown or retracted by inside thumbturn. When deadbolt is thrown, "OCCUPIED" plate is displayed and all keys become inoperative except emergency keys. Turning inside knob / lever simultaneously retracts both deadbolt and latch bolt. Auxiliary latch deadlocks latch bolt when door is locked. Inside knob / lever is always free for immediate egress.
	SC8411HL SC8411LG	Dormitory/ Exit Lock	F11	Latch bolt retracted by lever from either side unless outside lever is made inoperative by operating toggle button. Dead bolt projected by key from either side. Dead bolt retracted by key outside. Operating inside lever retracts both dead bolt and latch bolt simultaneously.
	SC8010 SC8010HL SC8010LG	Passage	F01	Latch bolt operated by lever from either side at all times. Inside lever is always free for immediate exit.
	SC8170	Single Fixed Dummy	---	Lever on one side fixed by mounting bar is always rigid. Lever is used as door pull only.
	SC8172	Double Fixed Dummy	---	Lever on both sides fixed by mounting bar is always rigid. Lever is used as door pull only.
	SC8175	Half Dummy Trim w/ Lock Case	---	Fixed knob / lever on one side inoperable. Includes lock case and armored front.
	SC8176	Full Dummy Trim w/ Lock Case	---	Fixed knob / lever on both sides. Includes lock case and blank armor front.
	SC8080EL	Electrically Locked (Fail Safe)	---	Outside knob / lever continuously locked by 24V AC or DC. Latch bolt retracted by key outside or by knob / lever inside. Switch or power failure allows outside knob / lever to retract latch bolt. Auxiliary latch deadlocks latch bolt when door is locked. Inside knob / lever is always free for immediate egress.
	SC8080EU	Electrically Unlocked (Fail Secure)	---	Outside knob / lever unlocked by 24V AC or DC. Latch bolt retracted by key outside or knob / lever inside. Auxiliary latch deadlocks latch bolt when door is locked. Inside knob / lever is always free for immediate egress.
	SC8080EU-RX SC8080EL-RX	Request to Exit (RE) Electrified Lock	---	Same as SC8080EL and SC8080EU functions. In addition, a micro switch positioned inside the lock case monitors the retractor crank, and is actuated when rotation of the inside or outside knob / lever rotates the retractor hub. The switch signals the use of that opening to security systems, allowing a non-disruptive means of immediate egress.
	SC8082EL SC8082EU	SC8082 Electrically locked or Electrically Unlocked Both Sides	---	EL: Outside and inside knob or lever continually locked electrically. Latch bolt retracted by key either side. Switch or power failure allows outside and inside knob / lever to retract latch bolt. Auxiliary latch deadlocks latch bolt when door is closed. EU: Outside and inside knob / lever unlocked electrically. Latch bolt retracted by key either side. Switch or power failure keeps inside and outside knob / lever locked. Auxiliary latch deadlocks latch bolt when door is locked.

Outside Inside	FUNCTION	TYPE	ANSI	Function Description
	SC8070LG	Classroom Lock	F05	Outside key locks and unlocks outside lever. No inside thumbturn. Free exit at all times. Outside lever lockable and can retract latchbolt when unlocked. Inside lever can be rotated at any time.
	SC8007LG	Storeroom Lock	F07	Always need key for entry. Outside lever just pull/push only, clutch, freewheeling. Free exit at all times. Inside lever can be rotated at any time.
	SC8026LG	Supervisor Office or Privacy Room	F26	Outside key retracts latchbolt, with override of inside thumbturn when held in locked position. Outside lever retracts latchbolt except when locked by thumbturn. Free exit at all times. Inside lever can be rotated at any time.
	SC8031LG	Asylum w/o Inside Cylinder	---	Only outside key retracts latchbolt. Inside and Outside Lever are clutch, free-wheeling.
	SC8032LG	Asylum w/ Double Cylinder w/o Inside Lever	---	Outside or inside key retracts latchbolt. Outside Lever is clutch, free-wheeling.
	SC8033LG	Asylum w/o Inside Cylinder w/o Inside Lever	---	Only outside key retracts latchbolt. Outside lever is clutch, freewheeling.
	SC8467LG	Asylum w/ Deadbolt w/o Inside Cylinder	---	Outside lever retracts both latch bolt and deadbolt simultaneously. Outside key operates deadbolt. Outside lever is operable. Inside lever is clutch, freewheeling.
	SC8468LG	Asylum w/ Deadbolt w/o Inside Lever	---	Outside or inside key operates deadbolt. Outside Lever is operable unless deadbolted.
	SC8469LG	Asylum w/ Deadbolt w/o Inside Cylinder & Deadbolt	---	Outside lever retracts latchbolt. Outside key operates deadbolt. Outside lever can open door except when deadbolted
	SC8054LG	Privacy, Bathroom	---	Removing outside emergency release to entry. Free exit at all times. Outside lever is lockable when inside thumbturn is locked. Inside Lever can be rotated at any time.
	SC8055LG	Female Patient Room-1	---	Outside lever can be turned for entry when unlocked by key. Free exit at all times. Remains locked if exiting. Outside lever is lockable. Inside lever can be rotated at any time.
	SC8056LG	Female Patient Room-2	---	Outside lever can be turned for entry when unlocked by key. Free exit at all times. Remains unlocked if exiting. Inside lever can be rotated at any time.
	SC8056LG	Asylum-4	---	Outside lever can be turned for entry when unlocked by key. Free exit at all times. Remains unlocked if exiting. Inside lever can be rotated at any time.

HOSPP SERIES

Grade 1 Heavy Duty Tubular Hospital Latch

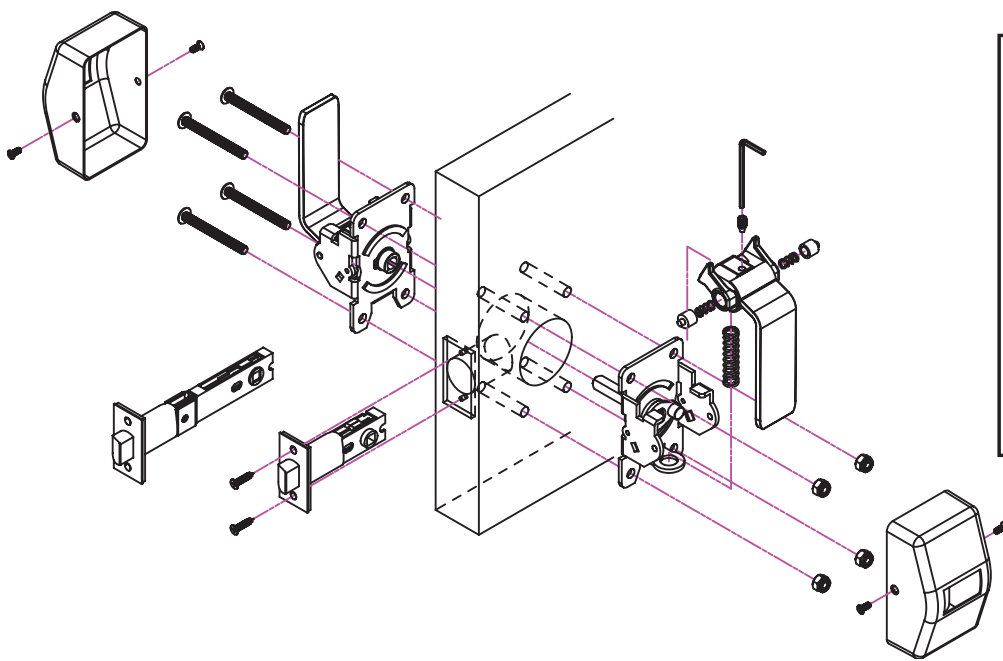
FEATURES

- UL-listed for use on all fire doors
- Meets ADA requirements
- Ideal for use in hospitals, washrooms or public buildings
- Can be installed in 6 different positions depending on the need of the opening
- Covers and paddles are made of stainless steel
- Non-Handed
- Standard T-Strike and Plastic Dust Box
- 1 3/4" door thickness
- 2 3/4" backset standard, face plate 1 1/8" x 2 1/4"
- Optional 5" backsets
- 2 5/8" X 4 3/8" Covers
- 2 5/8" Handle Projection Anti-microbial coating option available
- Lead lining option available for doors with lead lining
- Optional ASA ANSI Strike



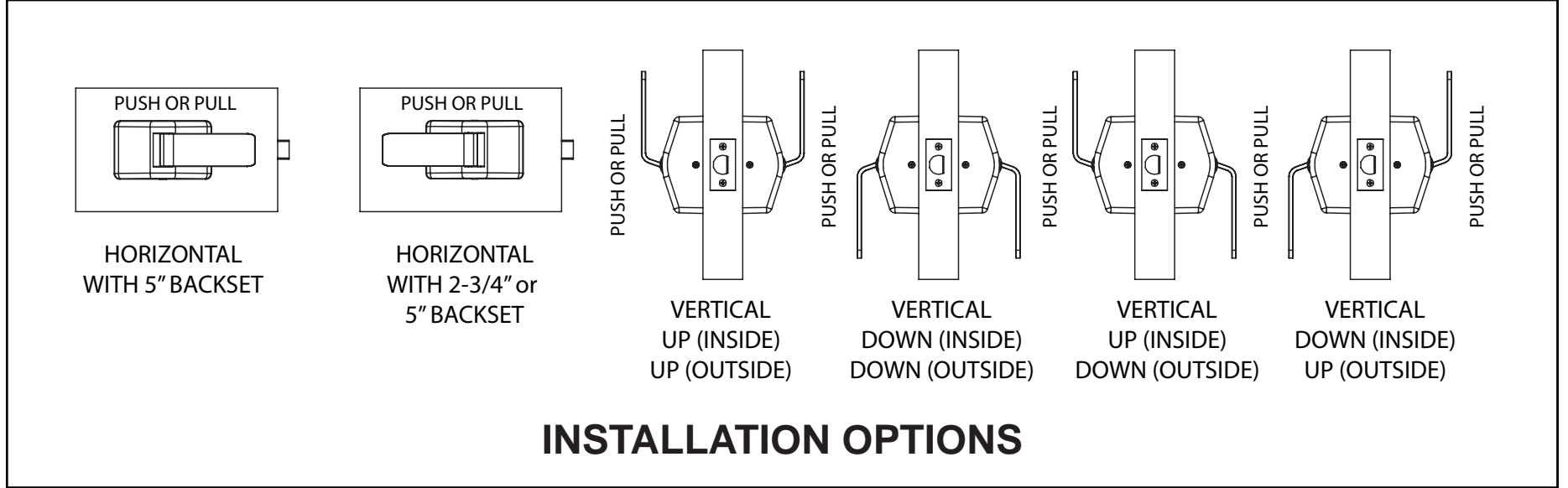
HOSPP-30

MODEL#	FUNCTION	FINISH
HOS-PP20	PRIVACY	US32D
HOS-PP30	PASSAGE	



The hospital push/pull latch allows for easy opening of doors with an easy push or pull action using elbows or hips when hands are not free.

Ideal for use in commercial applications, institutions, hospitals, washrooms or public buildings.



MEETS
The Buy American Act



Meets ADA requirements
Specially designed for
Barrier Free Application

Exceeds BHMA/ ANSI A156.2
Series 4000, Grade 1 requirements
Exceeds 1,000,000 cycles



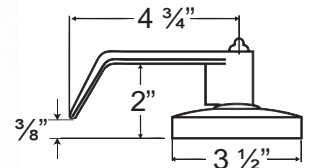
CLUTCH

Free turning handle in the locked position, without retracting the latch to prevent breaking of handle

**GENESYS
CLUTCH MECHANISM
FIXED THRU BOLT INSTALLATION**



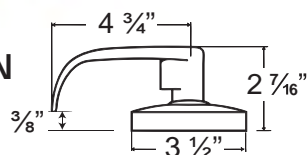
3 HOUR FIRE RATED
UL10C, UBC 7-2-1997



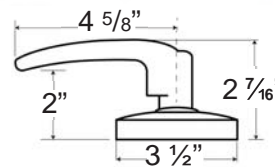
GN DESIGN



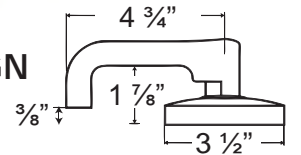
SPA DESIGN



AT DESIGN



TUB DESIGN



SPECIFICATIONS

GENERAL

Full length 4 3/4" lever handle with 3/8" return on GN and SPA Design. Rose diameter 3 1/2". Key removable outside lever for fast rekeying. Non-handed levers. Concealed mounting screws.

CLUTCH

Free turning handle in the lock position without retracting the latch, to deter breaking of handle.

APPLICATIONS

For offices, schools, hospitals, apartments, hotel/motel, residential, commercial and public buildings.

DOOR RANGES

1 3/8" to 1 3/4" thickness. 2" to 2 1/4" thickness also available on request.

ANSI STANDARDS

Meets or exceeds BHMA/ANSI A 156.2 Series 4000, grade 1 requirements.

LATCH FACEPLATE

Standard 2 1/4" x 1 1/8" for 2 3/4" backset. Optional 2 1/4" x 1" for 2 3/8" backset.

STRIKES

ASA 1 1/4" x 4 7/8" standard. Other strikes available upon request.

CYLINDER & KEYWAYS

6 pin solid brass "C" keyway standard. Schlage E, Schlage C-K, Russwin D1-2-3-4, Corbin 59/60, Corbin-Russwin L4, Sargent LA-LB-LC, Falcon/Weiser E, Arrow A, Yale 8, Yale GA and Kwikset. Can also accept Medeco, Assa, Kaba and Cal-Royal (HSK) High Security Cylinders.

TRIM

Thru-bolted assembly through door with separate spring cage for each lever.

HOUSING

Cold Rolled Steel and Zinc Dichromate finish for rust resistance with precision cast steel retractor. 2 1/8" diameter bore.

INTERCHANGEABLE CORE (IC)

Interchangeable Core locks will accept compatible 6 or 7 pin cores with BEST, FALCON and ARROW. Also available with SCHLAGE, CORBIN/RUSSWIN, SARGENT and YALE large format cylinders. For Schlage, Corbin/Russwin, Sargent and Yale format specifications, refer to next page.

LATCH OPTIONS

2 3/4" standard, brass with 1/2" throw. 2 3/8", 3 3/4" and 5" backset optional. GND750 deadlatch reversible for flat and beveled door. 3/4" throw anti-friction deadlatch for pair of fire doors.

ELECTRIFIED LOCKS, TACTILE & LEAD LINING available upon request.

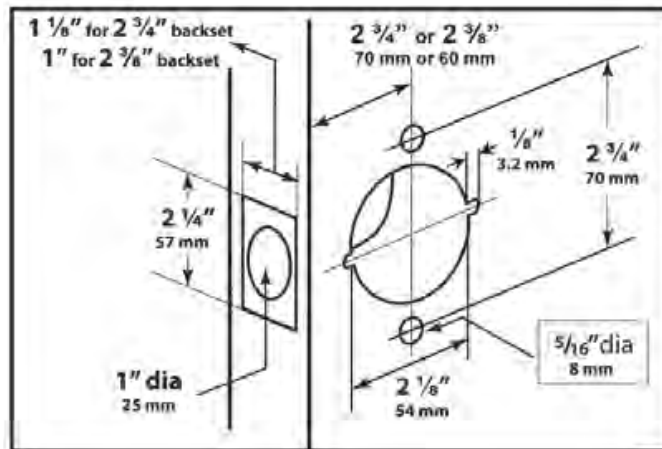
GENESYS SERIES FINISHES AND FUNCTIONS



FINISHES AVAILABLE		
BHMA SYMBOL	US CODE	DESCRIPTION
605	US3	Polished Brass
606	US4	Satin Brass
609	US5	Antique Brass
612	US10	Satin Bronze
613	US10B	Oil Rubbed Bronze
619	US15	Satin Nickel
625	US26	Polished Chrome
626	US26D	Satin Chrome

Refer to price list for stock finishes and functions

DOOR PREPARATION



- | | | | | | |
|---|--|---|--|--|--|
| <p>CGN00
 ICCGN00
 ANSI: F109
 FED#161A</p> | | <p>ENTRANCE/OFFICE LOCK
 Turn/Push button locking. Pushing and turning button locks outside lever requiring use of key until button is manually unlocked. Pushing button locks outside lever until unlocked with key or inside lever is turned.</p> | <p>CGN06
 ICCGN06
 ANSI: F88
 FED#161C</p> | | <p>VESTIBULE
 Deadlocking latch bolt operated by lever from either side except when outside lever is locked by key from inside. Latch bolt may be retracted by key in outside lever or by rotating inside lever.</p> |
| <p>CGN01
 ICCGN01
 ANSI: F82
 FED#161B</p> | | <p>ENTRANCE LOCK PUSH BUTTON
 Pushing button in inside lever locks outside lever. Turning inside lever or operating key in outside lever releases button automatically. Closing door does not release button. Button cannot be fixed in lock position. Inside lever always free. Latch bolt automatically deadlocks when door is closed.</p> | <p>CGN07
 ICCGN07
 ANSI: F110</p> | | <p>CLASSROOM/INTRUDER
 Latch bolt is operated by rotating the inside lever, or rotating the outside lever only when not locked from the inside or outside key.</p> |
| <p>GN101
 ANSI: F90
 FED#161T</p> | | <p>DORMITORY NON-CLUTCH
 Deadlocking latch bolt operated by lever from either side except when outside lever is locked by key or by push button on inside lever. Key in outside lever locks or unlocks outside lever. Outside key releases push button when locked from inside. Rotating inside lever or closing the door releases push button. (Non Clutch)</p> | <p>CGN09
 ICCGN09
 ANSI: F87
 FED#161W</p> | | <p>INSTITUTION
 Deadlocking latch bolt operated by key in lever from either side. Both lever always fixed.</p> |
| <p>GN02
 ICGN02
 ANSI: F91
 FED#161G</p> | | <p>STORE LOCK NON-CLUTCH
 Deadlocking latch bolt operated by lever from either side, except when both levers are locked by key in lever from either side. (Non Clutch)</p> | <p>CGN20
 ANSI: F76
 FED#161L</p> | | <p>PRIVACY LOCK
 Latch bolt operated by lever from either side. Outside lever is locked by push button inside and unlocked by emergency release outside. Turning inside lever or closing door releases push button.</p> |
| <p>CGN03
 ICCGN03
 ANSI: F84
 FED#161R</p> | | <p>CLASSROOM LOCK
 Deadlocking latch bolt operated by lever from either side except when outside lever is locked from outside by key. When outside lever is locked, latch bolt is operated by turning inside lever.</p> | <p>GN30
 ANSI: F75
 FED#161N</p> | | <p>PASSAGE SET
 Latch bolt operated by lever from either side at all times.</p> |
| <p>CGN04
 ICCGN04
 ANSI: F80
 FED#161S</p> | | <p>COMMUNICATING LOCK
 Deadlocking latch bolt operated by lever from either side. Turning key in either lever locks or unlocks its own lever independently.</p> | <p>GN40</p> | | <p>DUMMY LEVER
 Single dummy trim for one side of door. Pull only.</p> |
| <p>CGN05
 ICCGN05
 ANSI: F86
 FED#161D</p> | | <p>STOREROOM LOCK
 Deadlocking latch bolt operated by key in outside lever or by rotating inside lever. Outside lever is always locked.</p> | <p>GN50
 ANSI: F89</p> | | <p>EXIT LOCK
 Blank plate outside. Inside lever always unlocked.</p> |

Indicates function available with BEST, FALCON & ARROW Interchangeable Core.

OTHER FUNCTIONS NOT LISTED AVAILABLE UPON REQUEST

HOW TO ORDER:
 For "AT", "SPA" or "TUB" designs, replace design name. Example: CGN00 entrance in "AT" is CAT00.

MEETS
The Buy American Act



Meets ADA requirements
Specially designed for
Barrier Free Application

Exceeds BHMA/ ANSI A156.2
Series 4000, Grade 1 requirements
Exceeds 1,000,000 cycles



CLUTCH

Free turning handle in the
locked position, without
retracting the latch to
prevent breaking of handle

GENESYS

CLUTCH MECHANISM
FIXED THRU BOLT INSTALLATION

**Interchangeable Core for SCHLAGE,
CORBIN/RUSSWIN, SARGENT and YALE**

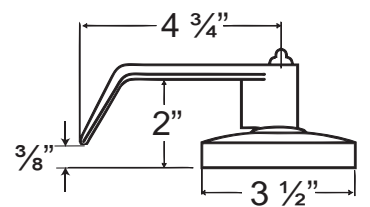


SCHLAGE



3 HOUR FIRE RATED
UL10C, UBC 7-2-1997

**Lifetime
Warranty**



GN DESIGN



CORBIN / RUSSWIN



SARGENT



YALE

SPECIFICATIONS

GENERAL

Full length 4 3/4" lever handle with 3/8" return on GN Design. Rose diameter 3 1/2".
Key removable outside lever for fast rekeying. Non-handed levers. Concealed
mounting screws.

CLUTCH

Free turning handle in the lock position without retracting the latch, to deter
breaking of handle.

APPLICATIONS

For offices, schools, hospitals, apartments, hotel/motel, residential,
commercial and public buildings.

DOOR RANGES

1 3/8" to 1 3/4" thickness. 2" to 2 1/4" thickness also available on request.

HOUSING

Cold Rolled Steel and Zinc Dichromate finish for rust resistance with precision
cast steel retractor. 2 1/8" diameter bore.

ANSI STANDARDS

Meets or exceeds BHMA/ANSI A 156.2 Series 4000, grade 1 requirements.

TRIM

Thru-bolted assembly through door with separate spring cage for each lever.

LARGE FORMAT INTERCHANGEABLE CORE (IC)

Interchangeable Core locks will accept compatible 6 or 7 pin cores with
CORBIN/RUSSWIN and 6 pin cores with SARGENT, YALE and SCHLAGE large
format cylinders.

LATCH OPTIONS

2 3/4" standard, brass with 1/2" throw. 2 3/8", 3 3/4" and 5" backset optional. GND750
deadlatch reversible for flat and beveled door. 3/4" throw anti-friction deadlatch for
pair of fire doors.

LATCH FACEPLATE

Standard 2 1/4" x 1 1/8" for 2 3/4" backset.
Optional 2 1/4" x 1" for 2 3/8" backset.

STRIKES

ASA 1 1/4" x 4 7/8" standard. Other strikes available upon request.

ELECTRIFIED LOCKS, TACTILE & LEAD LINING available upon request.

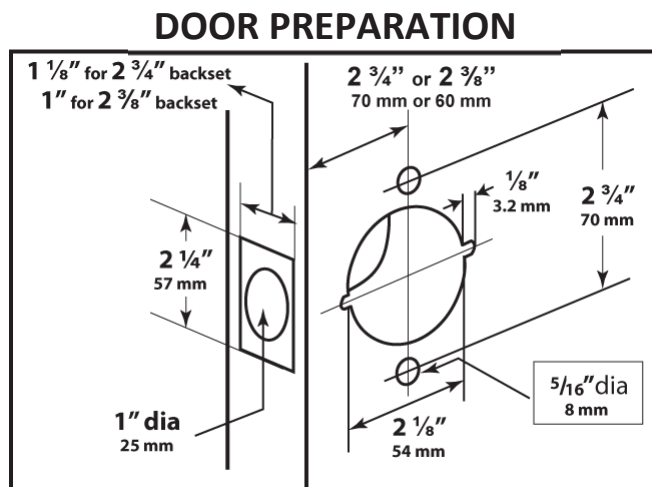
See reverse page on how to order

GENESYS SERIES FINISHES AND FUNCTIONS



FINISHES AVAILABLE		
BHMA SYMBOL	US CODE	DESCRIPTION
605	US3	Polished Brass
606	US4	Satin Brass
609	US5	Antique Brass
612	US10	Satin Bronze
613	US10B	Oil Rubbed Bronze
619	US15	Satin Nickel
625	US26	Polished Chrome
626	US26D	Satin Chrome

Refer to price list for stock finishes and functions



HOW TO ORDER

ICGYS - Schlage Large Format IC
RUSICGN - Russwin/Corbin Large Format IC
SARICGN - Sargent Large Format IC
YALICGN - Yale Large Format IC

ICGYS00
RUSICGN00
SARICGN00
YALICGN00
 ANSI: F109
 FED#161A

ENTRANCE/OFFICE LOCK
 Turn/Push button locking. Pushing and turning button locks outside lever requiring use of key until button is manually unlocked. Pushing button locks outside lever until unlocked with key or inside lever is turned.

ICGYS04
RUSICGN04
SARICGN04
YALICGN04
 ANSI: F80
 FED#161S

COMMUNICATING LOCK
 Deadlocking latch bolt operated by lever from either side. Turning key in either lever locks or unlocks its own lever independently.

ICGYS01
RUSICGN01
SARICGN01
YALICGN01
 ANSI: F82
 FED#161A

ENTRANCE LOCK PUSH BUTTON
 Pushing button in inside lever locks outside lever. Turning inside lever or operating key in outside lever releases button automatically. Closing door does not release button. Button cannot be fixed in lock position. Inside lever always free. Latch bolt automatically deadlocks when door is closed.

ICGYS05
RUSICGN05
SARICGN05
YALICGN05
 ANSI: F86
 FED#161D

STOREROOM LOCK
 Deadlocking latch bolt operated by key in outside lever or by rotating inside lever. Outside lever is always fixed.

ICGYS101
RUSICGN101
SARICGN101
YALICGN101
 ANSI: F90
 FED#161T

DORMITORY NON-CLUTCH
 Deadlocking latch bolt operated by lever from either side except when outside lever is locked by key or by push button on inside lever. Key in outside lever locks or unlocks outside lever. Outside key releases push button when locked from inside. Rotating inside lever or closing the door releases push button. (Non Clutch)

ICGYS06
RUSICGN06
SARICGN06
YALICGN06
 ANSI: F88
 FED#161C

VESTIBULE
 Deadlocking latch bolt operated by lever from either side except when outside lever is locked by key from inside. Latch bolt may be retracted by key in outside lever or by rotating inside lever.

ICGYS02
RUSICGN02
SARICGN02
YALICGN02
 ANSI: F91
 FED#161G

STORE LOCK NON-CLUTCH
 Deadlocking latch bolt operated by lever from either side, except when both levers are locked by key in lever from either side. (Non Clutch)

ICGYS07
RUSICGN07
SARICGN07
YALICGN07
 ANSI: F110

CLASSROOM/INTRUDER
 Latch bolt is operated by rotating the inside lever, or rotating the outside lever only when not locked from the inside or outside key.

ICGYS03
RUSICGN03
SARICGN03
YALICGN03
 ANSI: F84
 FED#161R

CLASSROOM LOCK
 Deadlocking latch bolt operated by lever from either side except when outside lever is locked from outside by key. When outside lever is locked, latch bolt is operated by turning inside lever.

ICGYS09
RUSICGN09
SARICGN09
YALICGN09
 ANSI: F87
 FED#161W

INSTITUTION
 Deadlocking latch bolt operated by key in lever from either side. Both lever always fixed.

● Indicates function available with SCHLAGE, CORBIN/RUSSWIN, SARGENT and YALE Interchangeable Core.

OTHER FUNCTIONS NOT LISTED AVAILABLE UPON REQUEST



MEETS
The Buy American Act

Meets ADA requirements
Specially designed for
Barrier Free Application
Conforms with ANSI A156.2
Series 4000, Grade 1
Exceeds 1,000,000 cycles

Fixed Thru Bolt

Push in and
turn button
function

UL LISTED 3
HOUR RATED 1/2"
Throw deadlatch
completely
reversible for flat &
beveled doors

CALYPSO

CLUTCH MECHANISM

FIXED THRU BOLT INSTALLATION



3 HOUR FIRE RATED
UL10C, UBC 7-2-1997

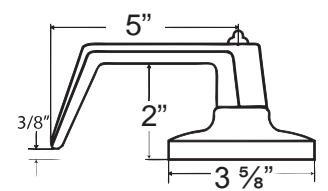
Lifetime
Warranty

Cylindrical Body

Optional tactile warning
meets handicap and fire code

Full length 5" lever
handle with 3/8" return

Solid brass 6 pin "C"
keyway cylinder. Available
with Interchangeable Core



CAL DESIGN

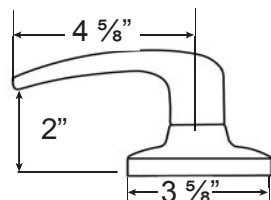
Individual spring on each
side to prevent lever sag,
maintain reliability and
reduce maintenance

Coil compression
springs provide great
strength and durability

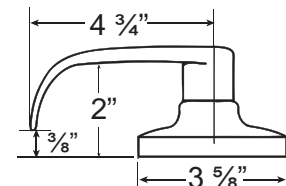
Concealed screw
mounting



MHM DESIGN



SAN DESIGN



SPECIFICATIONS

APPLICATIONS

For offices, schools, hospitals, apartments, hotel/motel, residential, commercial and public buildings.

DOOR RANGES

1 3/8" to 2" thickness doors.

BACKSET

2 3/4" Standard, 2 3/8", 3 3/4", 5" and 2 3/4" anti-friction latch with 3/4" throw for pair of fire doors optional.

LATCHBOLT

1/2" Throw solid brass, reversible for RH or LH applications. UL Listed.

LATCH FACEPLATE

2 1/4" x 1 1/8", adjustable for flat or beveled doors 1/8" in 2", for 2 3/4" backset. Optional 2 1/4" x 1 1/8" for 2 3/8" backset.

STRIKES

ASA strike standard, "T" and full lip strike available on request.

EXPOSED TRIM

Wrought brass, bronze or stainless steel, levers are Zinc casting, plated to match trim finish.

CYLINDER & KEYWAYS

6 pin solid brass "C" keyway standard. Schlage E, Schlage C-K, Russwin D1-2-3-4, Corbin 59/60, Corbin-Russwin L4, Sargent LA-LB-LC, Falcon/Weiser E, Arrow A, Yale 8, Yale GA and Kwikset. Can also accept Medeco, Assa, Kaba and Cal-Royal (HSK) High Security Cylinders.

INTERCHANGEABLE CORE

Interchangeable Core locks will accept compatible 6 or 7 pin cores with BEST, FALCON and ARROW. Prefix "IC" before part number. Available combined or uncombined. Temporary construction cores available. Factory keying with control key and master key available.

ANSI STANDARDS

Meets or exceeds requirements of BHMA/ANSI A156.2 Series 4000, Grade 1

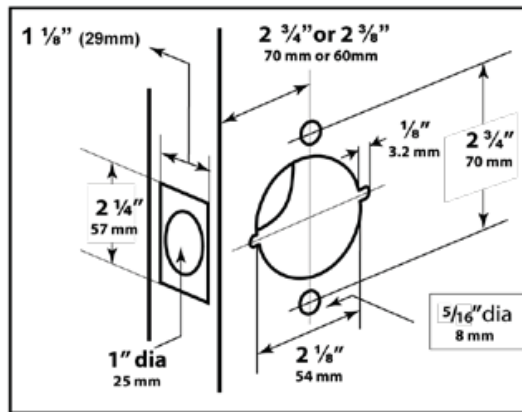
TACTILE & LEAD LINING available upon request.

CALYPSO CAL SERIES FINISHES AND FUNCTIONS



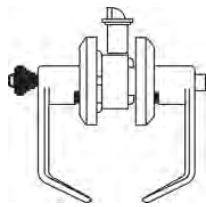
FINISHES AVAILABLE		
BHMA SYMBOL	US CODE	DESCRIPTION
605	US3	Polished Brass
606	US4	Satin Brass
609	US5	Antique Brass
612	US10	Satin Bronze
613	US10B	Oil Rubbed Bronze
619	US15	Satin Nickel
625	US26	Polished Chrome
626	US26D	Satin Chrome

DOOR PREPARATION



Refer to price list for stock finishes and functions

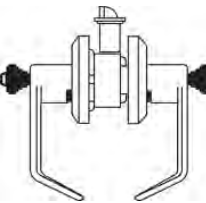
CAL00
ICCAL00
ANSI: F109
FED#161A



ENTRANCE/OFFICE LOCK

Turn/Push button locking. Pushing and turning button locks outside lever requiring use of key until button is manually unlocked. Pushing button locks outside lever until unlocked with key or inside lever is turned.

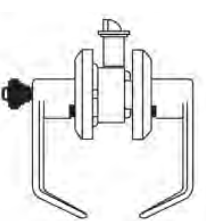
CAL02
ICCAL02
ANSI: F91
FED#161G



STORELOCK

Dead locking latch bolt operated by lever from either side, except when both levers are locked by key in lever from either side.

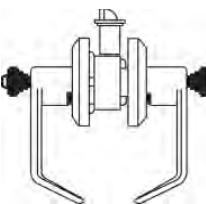
CAL03
ICCAL03
ANSI: F84
FED#161R



CLASSROOM

Dead locking latch bolt operated by lever from either side except when outside lever is locked from outside by key. When outside lever is locked, latch bolt is operated by turning inside lever.

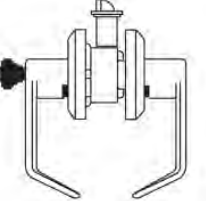
CAL04
ICCAL04
ANSI: F80
FED#161S



COMMUNICATING

Dead locking latch bolt operated by lever from either side. Turning key in either lever locks or unlocks its own lever independently.

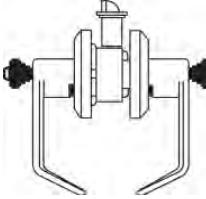
CAL05
ICCAL05
ANSI: F86
FED#161D



STOREROOM

Dead locking latch bolt operated by key in outside lever or by rotating inside lever. Outside lever is always fixed.

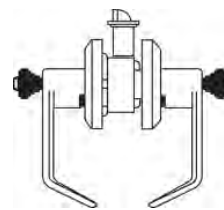
CAL06
ICCAL06
ANSI: F88
FED#161C



VESTIBULE

Dead locking latch bolt operated by lever from either side except when outside lever is locked by key from inside. Latch bolt may be retracted by key in outside lever or by rotating inside lever.

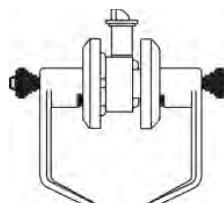
CAL07
ICCAL07
ANSI: F110



CLASSROOM INTRUDER

Latch bolt is operated by rotating the inside lever, or rotating the outside lever only when not locked from the inside or outside key. Outside lever is locked and unlocked by turning the key inside or outside lever. Inside lever cannot be locked.

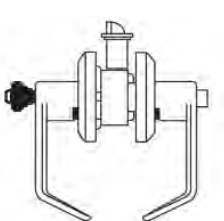
CAL09
ICCAL09
ANSI: F87
FED#161W



INSTITUTION

Dead locking latch bolt operated by key in lever from either side. Both lever always fixed.

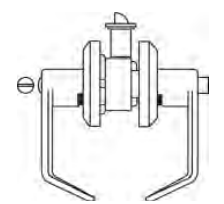
CAL101
ICCAL101
ANSI: F90
FED#161T



DORMITORY

Dead locking latch bolt operated by lever from either side except when outside lever is locked by key or by push button on inside lever. Key in outside lever locks or unlocks outside lever. Outside key releases push button when locked from inside. Rotating inside lever or closing the door releases push button.

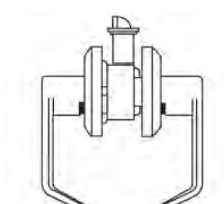
CAL20
ANSI: F76
FED#161L



PRIVACY LOCK

Latch bolt operated by lever from either side. Outside lever is locked by push button inside and unlocked by emergency release outside. Turning inside lever or closing door releases push button.

CAL30
ANSI: F75
FED#161N



PASSAGE

Latch bolt operated by lever from either side at all times.

CAL40



DUMMY LEVER

Single dummy trim for one side of door. Pull only.

“IC” Indicates function available with BEST, FALCON & ARROW Interchangeable Core.

HOW TO ORDER: For “SAN” or “MHM” designs, replace design name. Example: CAL00 entrance in “SAN” is SAN00

OTHER FUNCTIONS NOT LISTED AVAILABLE UPON REQUEST



MEETS
The Buy American Act

Conforms with ANSI A156.2
Series 4000, Grade 1
Exceeds 1,000,000 cycles

OMEGA
QUALITY DESIGNED AND ENGINEERED
FOR COMMERCIAL BUILDINGS
OPTIONAL THRU BOLT INSTALLATION



3 HOUR FIRE RATED
UL10C, UBC 7-2-1997

**Lifetime
Warranty**



3" Diameter rose and mechanism adjustable for various door thickness

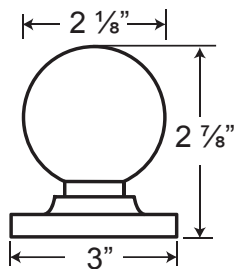
Cylinder knob removable for rekeying or replacement

High precision 6-pin tumbler solid brass cylinder.
Available with Interchangeable Core

Heavy duty crush-proof knobs

Easy operation turn/push button

Friction grip nylon rings to prevent rose from becoming loose



Threaded roses hold lock firmly in place, tighten by special wrench furnished with each lock

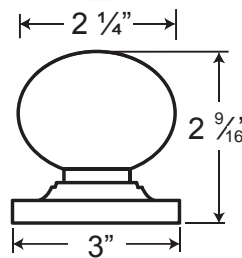
Optional removable Thru Bolt

Cast steel retractor with roller bearings and coil compression springs provide strength and durability

1/2" Throw solid brass latch bolt, reversible and adjustable for flat or beveled doors. UL listed for A Label (3 hour) single swing door

Heavy gauge cold rolled spindles add greater strength and security

Long bearing length for smooth, wear resistant operation



G1PLY



SPECIFICATIONS

DOOR RANGES

Adjustable for 1 3/8" to 2" door thickness.

BACKSET

2 3/4" Standard, 2 3/8", 3 3/4", 5" and 2 3/4" anti-friction latch with 3/4" throw for pair of fire doors optional.

LATCH FACEPLATE

Standard 2 1/4" x 1 1/8" for 2 3/4" backset.
Optional 2 1/4" x 1 1/8" for 2 3/8" backset.

STRIKES

ANSI strike standard, 4 7/8" x 1 1/4". Optional "T" and full lip strike available on request.

KEYWAY

6-pin "C" keyway cylinder, 2 keys per lock.

BORE DIAMETER

1" for latch. 2 1/8" for lock housing.

ADDITIONAL KEYWAYS

6 pin solid brass "C" keyway standard. Schlage E, Schlage C-K, Russwin D1-2-3-4, Corbin 59/60, Corbin-Russwin L4, Sargent LA-LB-LC, Falcon/Weiser E, Arrow A, Yale 8, Yale GA and Kwikset. Can also accept Medeco, Assa, Kaba and Cal-Royal (HSK) High Security Cylinders.

HANDING: Completely reversible.

ELECTRIFIED LOCKS, TACTILE & LEAD LINING available on request.

INTERCHANGEABLE CORE

Interchangeable Core locks will accept compatible 6 or 7 pin cores with BEST, FALCON and ARROW. Prefix "IC" before part number. Available combined or uncombined. Temporary construction cores available. Factory keying with control key and masterkey available.

EXPOSED TRIM: Wrought brass, bronze or stainless steel.

ANSI STANDARDS

Meets or exceeds requirements of BHMA/ANSI A156.2 series 4000 for grade 1 (FF-H-106C)

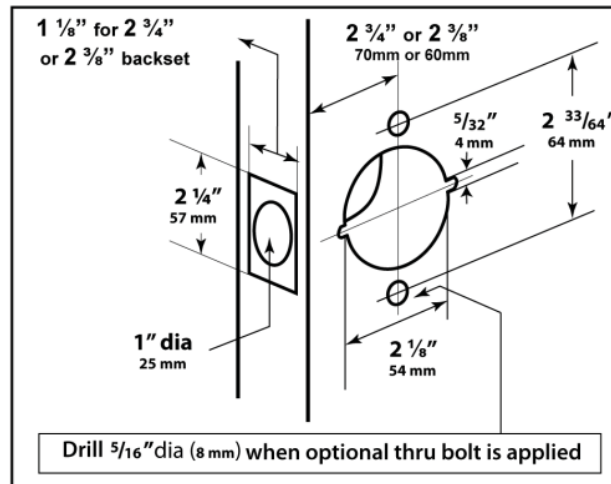
OMEGA GRB SERIES FINISHES AND FUNCTIONS



FINISHES AVAILABLE		
BHMA SYMBOL	US CODE	DESCRIPTION
605	US3	Polished Brass
606	US4	Satin Brass
609	US5	Antique Brass
612	US10	Satin Bronze
613	US10B	Oil Rubbed Bronze
619	US15	Satin Nickel
625	US26	Polished Chrome
626	US26D	Satin Chrome
630	US32D	Satin Stainless Steel

Refer to price list for stock finishes and functions

DOOR PREPARATION




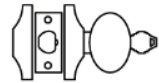
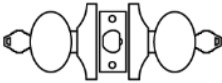
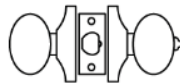

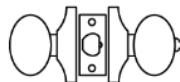
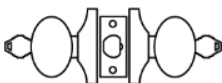
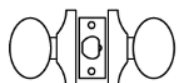






Lifetime Warranty

BHMA CERTIFIED
Be Safe. Be Secure. Look for the Mark.

UL US

3 HOUR FIRE RATED
UL10C, UBC7-2-1997

- | | | | |
|--|---|---|--|
| <p>GRB00
ICGRB00
ANSI F109</p>  | <p>ENTRANCE/OFFICE LOCK
Turn/Push button locking. Pushing and turning button locks outside knob requiring use of key until button is manually unlocked. Pushing button locks outside knob until unlocked with key or inside knob is turned.</p> | <p>GRB09
ICGRB09
ANSI F87</p>  | <p>INSTITUTION
Deadlocking latch bolt operated by key in knob from either side. Both knobs are always fixed.</p> |
| <p>GRB01
ICGRB01
ANSI F82</p>  | <p>ENTRANCE/PUSH BUTTON LOCK
Pushing button in inside knob locks outside knob. Turning inside knob or operating key in outside knob releases button automatically. Closing door does not release button. Button cannot be fixed in lock position. Inside knob always free. Latch bolt automatically deadlocks when door is closed.</p> | <p>GRB80
ICGRB80</p>  | <p>EXIT LOCK / CONNECTING ROOM
Deadlocking latch bolt operated with key from inside only. Blank plate outside.</p> |
| <p>GRB02
ICGRB02
ANSI F91</p>  | <p>STORELOCK
Deadlocking latch bolt operated by knob from either side, except when both knobs are locked by key in knob from either side.</p> | <p>GRB10
ANSI F77</p>  | <p>PATIO LOCK
Deadlocking latch bolt operated by knob from either side. Outside knob is locked by push button inside and unlocked by rotating inside knob or closing door.</p> |
| <p>GRB03
ICGRB03
ANSI F84</p>  | <p>CLASSROOM
Deadlocking latch bolt operated by knob from either side except when outside knob is locked from outside by key. When outside knob is locked, latch bolt is operated by turning inside knob.</p> | <p>GRB20
ANSI F76</p>  | <p>PRIVACY LOCK
Latch bolt operated by knob from either side. Outside knob is locked by push button inside and unlocked by emergency release outside. Turning inside knob or closing door releases push button.</p> |
| <p>GRB04
ICGRB04
ANSI F80</p>  | <p>COMMUNICATING
Deadlocking latch bolt operated by knob from either side. Turning key in either knob locks or unlocks its own knob independently.</p> | <p>GRB30
ANSI F75</p>  | <p>PASSAGE
Latch bolt operated by knob from either side at all times.</p> |
| <p>GRB05
ICGRB05
ANSI F86</p>  | <p>STOREROOM ANSI F86
Deadlocking latch bolt operated by key in outside knob or by rotating inside knob. Outside knob is always fixed.</p> | <p>GRB40</p>  | <p>DUMMY KNOB
Single dummy trim for one side of door. Pull only.</p> |
| <p>GRB06
ICGRB06
ANSI F88</p>  | <p>VESTIBULE ANSI F88
Deadlocking latch bolt operated by knob from either side except when outside knob is locked by key from inside. Latch bolt may be retracted by key in outside knob or by rotating inside knob.</p> | <p>GRB50
ANSI F89</p>  | <p>EXIT LATCH
Deadlocking latch bolt by inside knob. Outside knob rigid.</p> |

 (IC) Indicates function available with BEST, FALCON & ARROW Interchangeable Core.

HOW TO ORDER: For "G1PLY" Designs, replace design name. Example: GRB00 entrance in "G1PLY" is G1PLY00.

OTHER FUNCTIONS NOT LISTED AVAILABLE UPON REQUEST

CAL-ROYAL
PRODUCTS, INC.



6605 Flotilla St., Commerce, CA 90040 U.S.A.
Tel: (323) 888-6601 ♦ Fax: (323) 888-6699
Website: www.cal-royal.com ♦ Email: sales@cal-royal.com

Ver. 2.0, Rev. 11/12
©2012 CAL-ROYAL

MEETS
The Buy American Act

Meets ADA requirements
Specially designed for
Barrier Free Application
Conforms with ANSI A156.2
Series 4000, Grade 2
Exceeds 400,000 cycles



Optional tactile warning meets
handicap and fire code

Push in and
turn button
function

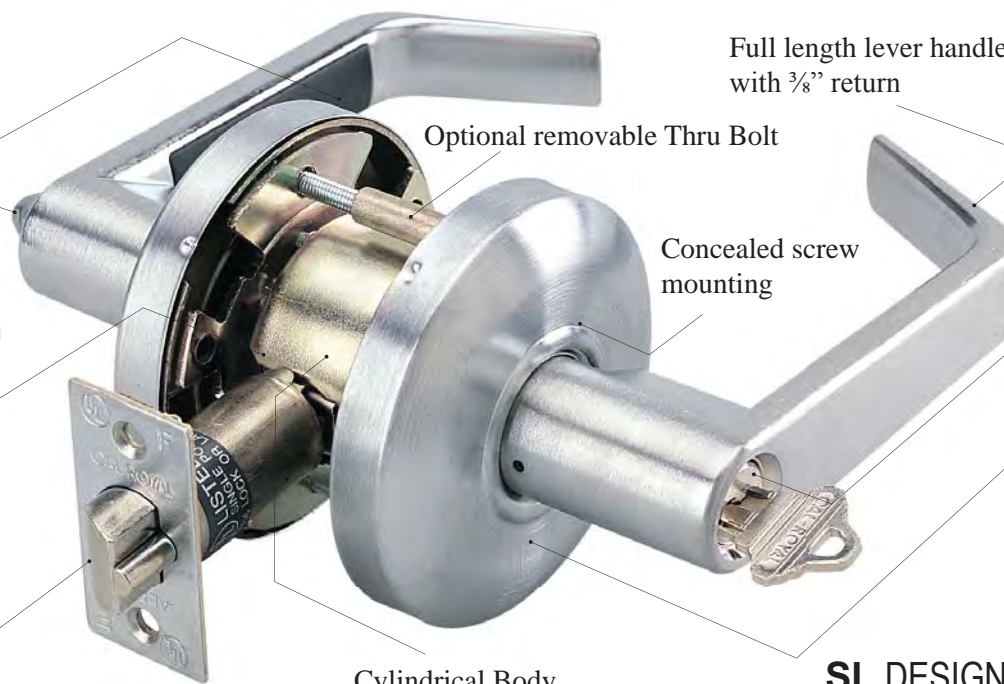
Coil compression
springs provide great
strength and durability

UL LISTED 3 HOUR
RATED 1/2" Throw
deadlatch completely
reversible for flat &
beveled doors

PIONEER
SL SERIES (NON CLUTCH MECHANISM)
CSL SERIES (CLUTCH MECHANISM)
OPTIONAL THRU BOLT INSTALLATION



3 HOUR FIRE RATED
UL10C, UBC 7-2-1997



Full length lever handle
with 3/8" return

Optional removable Thru Bolt

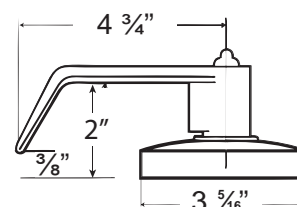
Concealed screw
mounting

Solid brass 6 pin "C"
keyway cylinder. Available
with Interchangeable Core

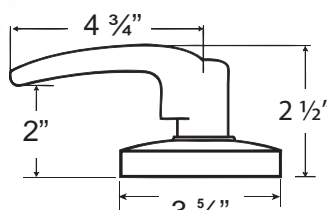
Individual spring on each
side to prevent lever sag,
maintain reliability and
reduce maintenance

Cylindrical Body

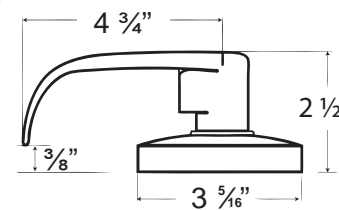
SL DESIGN



AG DESIGN



RL DESIGN



SPECIFICATIONS

APPLICATIONS

For offices, schools, hospitals, apartments, hotel/motel, residential, commercial and public buildings.

DOOR RANGES

1 3/8" to 1 3/4" thickness doors.

BACKSET

2 3/4" Standard, 2 3/8", 3 3/4" and 5" optional.

LATCH FACEPLATE

2 1/4" x 1 1/8", adjustable for flat or beveled doors 1/8" in 2", for 2 3/4" backset. Optional 2 1/4" x 1" for 2 3/8" backset.

LATCHBOLT

1/2" Throw solid brass, reversible for RH or LH applications. UL Listed.

ANSI STANDARDS

Meets or exceeds requirements of BHMA/ANSI A156.2 Series 4000, Grade 2 (FF-H 106C), 400,000 cycles.

EXPOSED TRIM

Wrought brass, bronze or stainless steel, levers are Zinc casting, plated to match trim finish.

KEYING

6-pin "C" keyway cylinder, 2 keys per lock. Keying as per individual job requirement.

CYLINDER & KEYWAYS

6 pin solid brass "C" keyway standard. Schlage E, Schlage C-K, Russwin D1-2-3-4, Corbin 59/60, Corbin-Russwin L4, Sargent LA-LB-LC, Falcon/Weiser E, Arrow A, Yale 8, Yale GA and Kwikset. Can also accept Medeco, Assa, Kaba and Cal-Royal (HSK) High Security Cylinders.

CLUTCH

Clutch available on all keyed locks and privacy functions. Prefix "C" before part number.

Tactile & Lead Lining available upon request.

INTERCHANGEABLE CORE

Interchangeable Core locks will accept compatible 6 or 7 pin cores with BEST, FALCON and ARROW. Prefix "IC" before part number. Available combined or uncombined Temporary construction cores available. Factory keying with control key and masterkey available.

STRIKES: ASA strike standard, "T" and full lip strike available on request.

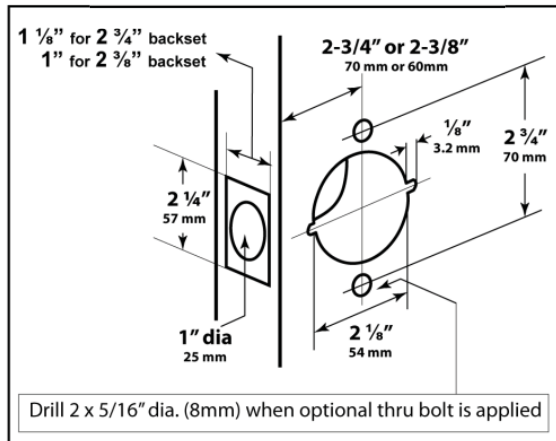
PIONEER SL SERIES FINISHES AND FUNCTIONS



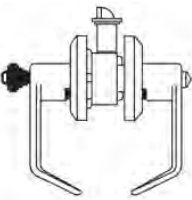
FINISHES AVAILABLE		
BHMA SYMBOL	US CODE	DESCRIPTION
605	US3	Polished Brass
606	US4	Satin Brass
609	US5	Antique Brass
612	US10	Satin Bronze
613	US10B	Oil Rubbed Bronze
619	US15	Satin Nickel
625	US26	Polished Chrome
626	US26D	Satin Chrome

Refer to price list for stock finishes and functions

DOOR PREPARATION



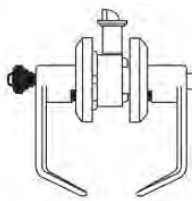
SL00
ICSL00
CSL00
 ANSI: F109



ENTRANCE/OFFICE LOCK

Turn/Push button locking. Pushing and turning button locks outside lever requiring use of key until button is manually unlocked. Pushing button locks outside lever until unlocked with key or inside lever is turned.

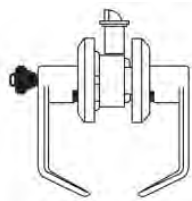
SL01
ICSL01
CSL01
 ANSI: F82



ENTRANCE LOCK PUSH BUTTON

Pushing button in inside lever locks outside lever. Turning inside lever or operating key in outside lever releases button automatically. Closing door does not release button. Button cannot be fixed in lock position. Inside lever always free. Latch bolt automatically deadlocks when door is closed.

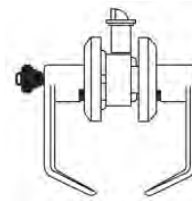
SL03
ICSL03
CSL03
 ANSI: F84



CLASSROOM LOCK

Deadlocking latch bolt operated by lever from either side except when outside lever is locked from outside by key. When outside lever is locked, latch bolt is operated by turning inside lever.

SL05
ICSL05
CSL05
 ANSI: F86



STOREROOM LOCK

Deadlocking latch bolt operated by key in outside lever or by rotating inside lever. Outside lever is always fixed.

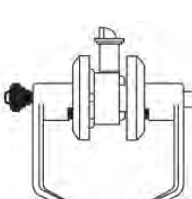
SL80
ICSL80
CSL80
 ANSI: F89



EXIT LOCK CONNECTING ROOM WITH KEY

Deadlocking latch bolt operated with key from inside only. Blank plate outside.

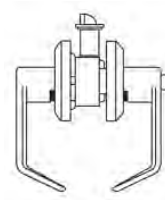
SL101
ICSL101
CSL101
 ANSI: F90



DORMITORY/ASSISTED LIVING

Deadlocking latch bolt operated by lever from either side except when outside lever is locked by key or by push button on inside lever. Key in outside lever locks or unlocks outside lever. Outside key releases push button when locked from inside. Rotating inside lever or closing the door releases push button.

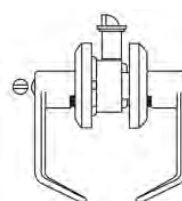
SL10
CSL10
 ANSI: F77



PATIO

Deadlocking latch bolt operated by lever from either side. Outside lever is locked by push button inside and unlocked by rotating inside lever or closing door.

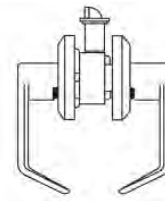
SL20
CSL20
 ANSI: F76



PRIVACY LOCK

Latch bolt operated by lever from either side. Outside lever is locked by push button inside and unlocked by emergency release outside. Turning inside lever or closing door releases push button.

SL30
 ANSI: F75



PASSAGE SET

Latch bolt operated by lever from either side at all times.

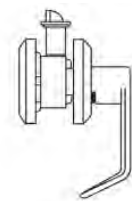
SL40



DUMMY LEVER

Single dummy trim for one side of door. Pull only.

SL50
 ANSI: F89



EXIT LOCK

Blank plate outside. Inside lever always unlocked.

HOW TO ORDER:

For "AG" or "RL" designs, replace design name.
 Example: SL00 entrance in "AG" is AG00.

● "IC" Indicates function available with BEST, FALCON & ARROW Interchangeable Core.

"CSL" Indicates function available with clutch

OTHER FUNCTIONS NOT LISTED AVAILABLE UPON REQUEST



- Accepts Schlage Full Size Format OEM IC Core Cylinders with Interchangeable Core



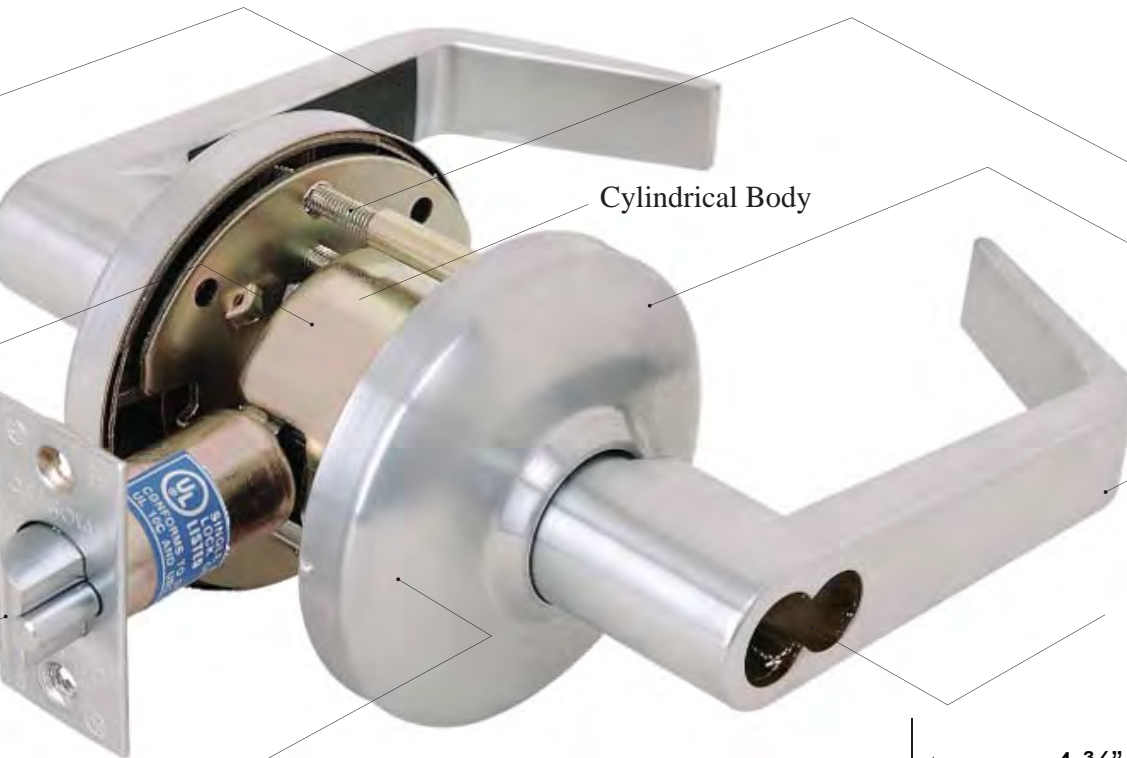
Meets ADA requirements
Specially designed for Barrier Free Application
Conforms with ANSI A156.2 Series 4000, Grade 2
Exceeds 400,000 cycles

Optional tactile warning meets handicap and fire code.

Push in and turn button function

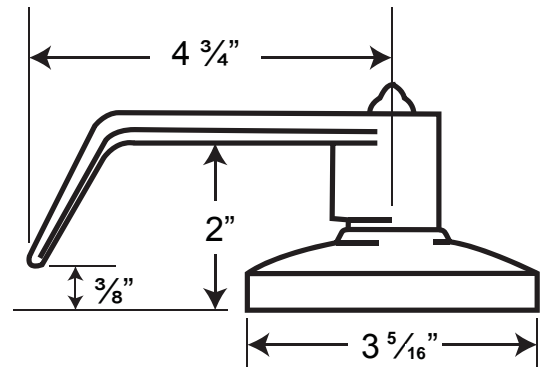
Coil compression springs provide great strength and durability

UL LISTED 3 HOUR RATED 1/2" Throw deadlatch completely reversible for flat & beveled doors



Individual spring on each side to prevent lever sag, maintain reliability, reduce maintenance

COM DESIGN



COMMANDER

CLUTCH MECHANISM

INTERCHANGEABLE CORE FOR SCHLAGE

OPTIONAL THRU BOLT INSTALLATION



3 HOUR FIRE RATED
UL10C, UBC 7-2-1997



Optional removable Thru Bolt

Concealed screw mounting

Full length 4 3/4" lever handle with 3/8" return

- Accepts Schlage Full Size Format OEM IC Core Cylinder with Interchangeable Core

SPECIFICATIONS

APPLICATIONS

For offices, schools, hospitals, apartments, hotel/motel, residential, commercial and public buildings.

DOOR RANGES

1 3/8" to 1 3/4" thickness doors.

BACKSET

2 3/4" Standard, 2 3/8", 3 3/4" and 5" optional.

LATCH FACEPLATE

2 1/4" x 1 1/8", adjustable for flat or beveled doors 1/8" in 2", for 2 3/4" backset. Optional 2 1/4" x 1" for 2 3/8" backset.

EXPOSED TRIM

Wrought brass, bronze or stainless steel, levers are Zinc casting, plated to match trim finish.

STRIKES

ASA strike standard, "T" and full lip strike available on request.

LATCHBOLT

1/2" Throw solid brass, reversible for RH or LH applications. UL Listed.

ANSI STANDARDS

Meets or exceeds requirements of BHMA/ANSI A156.2 Series 4000, Grade 2 (FF-H 106C), 400,000 cycles.

Tactile & Lead Lining available upon request.

● INTERCHANGEABLE CORE

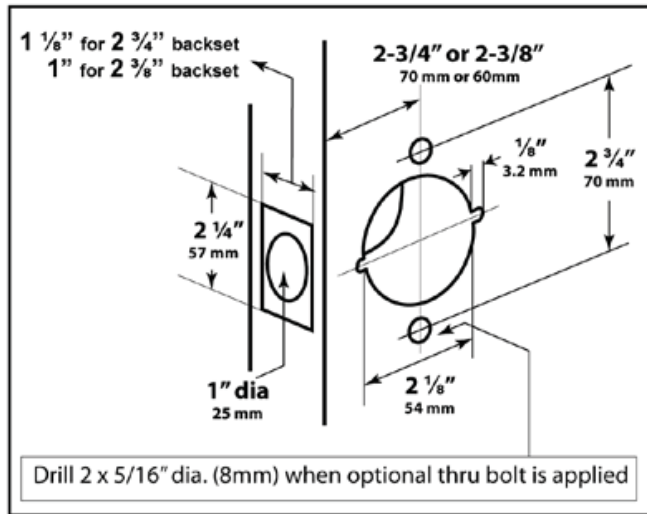
Interchangeable Core locks will accept Schlage full size format OEM Interchangeable Core cylinder, and compatible Schlage 6-pin Interchangeable Core. Interchangeable Core offered by Cal-Royal. See reverse page.

COMMANDER SERIES FINISHES AND FUNCTIONS



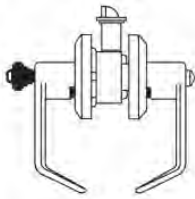
FINISHES AVAILABLE		
BHMA SYMBOL	US CODE	DESCRIPTION
605	US3	Polished Brass
606	US4	Satin Brass
609	US5	Antique Brass
612	US10	Satin Bronze
613	US10B	Oil Rubbed Bronze
619	US15	Satin Nickel
625	US26	Polished Chrome
626	US26D	Satin Chrome

DOOR PREPARATION



Refer to price list for stock finishes and functions

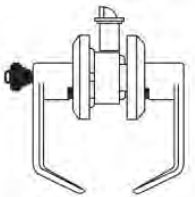
ICCOM00
ANSI: F109



ENTRANCE/OFFICE LOCK

Turn/Push button locking. Pushing and turning button locks outside lever requiring use of key until button is manually unlocked. Pushing button locks outside lever until unlocked with key or inside lever is turned.

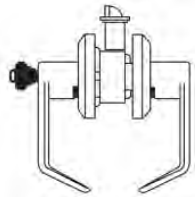
ICCOM03
ANSI: F84



CLASSROOM LOCK

Deadlocking latch bolt operated by lever from either side except when outside lever is locked from outside by key. When outside lever is locked, latch bolt is operated by turning inside lever.

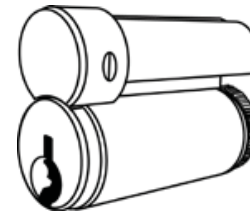
ICCOM05
ANSI: F86



STOREROOM LOCK

Deadlocking latch bolt operated by key in outside lever or by rotating inside lever. Outside lever is always fixed.

Large Format 6 Pin Interchangeable Cores compatible to SCHLAGE 6 Pin Interchangeable Core.



ITEM #	DESCRIPTION
3000ICC	6 Pin "C" keyway combined SCHLAGE large format IC core cylinder KA# 111111 with "C" key blanks
4000ICCK	6 Pin "C-K" keyway combined SCHLAGE large format IC core cylinder KA# 111111 with "E" key blanks
5000ICE	6 Pin "E" Keyway combined SCHLAGE large format IC core cylinder KA# 111111 with "E" key blanks
1000ICC	6 Pin "C" Keyway combined SCHLAGE large format IC core cylinder KD and MK
2000ICCC	Temporary Construction Cores (Keyed alike)
Available Finishes: US3, US26D	

(IC) Accepts SCHLAGE Full Size Format OEM IC Core Cylinders with Interchangeable Core.

OTHER FUNCTIONS NOT LISTED AVAILABLE UPON REQUEST



MEETS
The Buy American Act

Meets ADA requirements
Specially designed for
Barrier Free Application
Conforms with ANSI A156.2
Series 4000, Grade 2
Exceeds 400,000 cycles

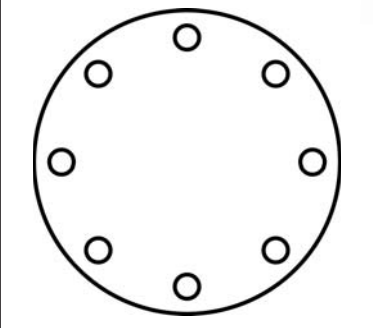
Optional tactile warning
meets handicap and fire code

Push in and turn
button function

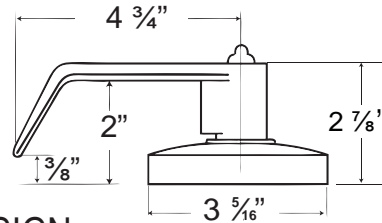
Coil compression
springs provide great
strength and durability

UL LISTED 3 HOUR RATED
1/2" Throw deadlatch
completely reversible for flat
& beveled doors

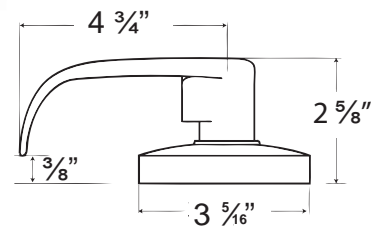
Thru bolt can be set to all major lock
manufacturers thru bolt locations



Plastic filler for use
on 1 1/8" door prep



XP DESIGN



XPRL DESIGN

EXPLORER

XP SERIES (NON CLUTCH MECHANISM)
CXP SERIES (CLUTCH MECHANISM)
OPTIONAL THRU BOLT INSTALLATION



3 HOUR FIRE RATED
UL10C, UBC 7-2-1997



Optional removable Thru Bolt

Concealed screw
mounting

Full length lever handle
with 3/8" return

Solid brass 6 pin "C"
keyway cylinder
Available with
Interchangeable Core

Individual spring on each
side to prevent lever sag,
maintain reliability and
reduce maintenance

Cylindrical Body

SPECIFICATIONS

APPLICATIONS

For offices, schools, hospitals, apartments, hotel/motel, residential, commercial and public buildings.

DOOR RANGES

1 3/8" to 2" thickness doors.

BACKSET

2 3/4" Standard, 2 3/8", 3 3/4" and 5" optional.

LATCH FACEPLATE

2 1/4" x 1", square corner packed with 1/8" plastic filler for 1 1/8" width.

LATCHBOLT

1/2" Throw solid brass, reversible for RH or LH applications. UL Listed.

STRIKES

ASA strike standard, "T" and full lip strike available on request.

ANSI STANDARDS

Meets or exceeds requirements of BHMA/ANSI A156.2 Series 4000, Grade 2 (FF-H 106C), 400,000 cycles.

EXPOSED TRIM

Wrought brass, bronze or stainless steel, levers are Zinc casting, plated to match trim finish.

KEYING

6-pin "C" keyway cylinder, 2 keys per lock. Keying as per individual job requirement.

CYLINDER & KEYWAYS

6 pin solid brass "C" keyway standard. Schlage E, Schlage C-K, Russwin D1-2-3-4, Corbin 59/60, Corbin-Russwin L4, Sargent LA-LB-LC, Falcon/Weiser E, Arrow A, Yale 8, Yale GA and Kwikset. Can also accept Medeco, Assa, Kaba and Cal-Royal (HSK) High Security Cylinders.

INTERCHANGEABLE CORE

Interchangeable Core locks will accept compatible 6 or 7 pin cores with BEST, FALCON and ARROW. Prefix "IC" before part number. Available combined or uncombined. Temporary construction cores available. Factory keying with control key and masterkey available.

Tactile & Lead Lining available upon request.

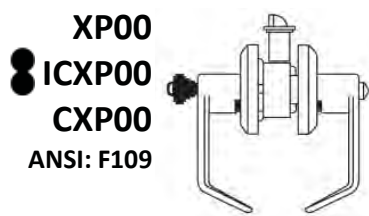
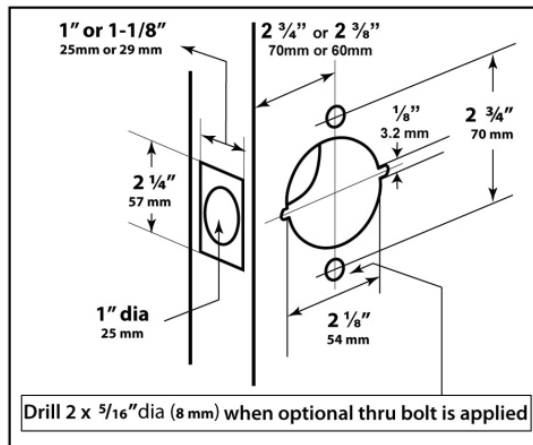
EXPLORER XP SERIES FINISHES AND FUNCTIONS



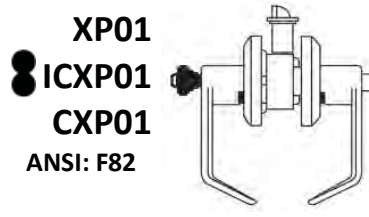
FINISHES AVAILABLE		
BHMA SYMBOL	US CODE	DESCRIPTION
605	US3	Polished Brass
606	US4	Satin Brass
609	US5	Antique Brass
612	US10	Satin Bronze
613	US10B	Oil Rubbed Bronze
619	US15	Satin Nickel
625	US26	Polished Chrome
626	US26D	Satin Chrome

Refer to price list for stock finishes and functions

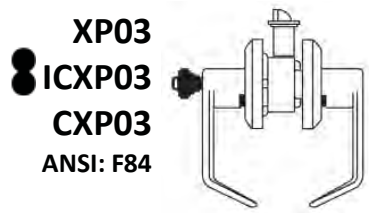
DOOR PREPARATION



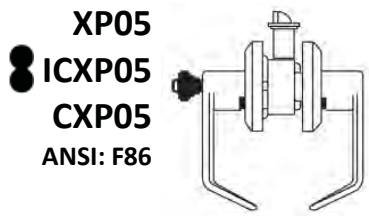
XP00
ICXP00
CXP00
 ANSI: F109
ENTRANCE/OFFICE LOCK
 Turn/Push button locking. Pushing and turning button locks outside lever requiring use of key until button is manually unlocked. Pushing button locks outside lever until unlocked with key or inside lever is turned.



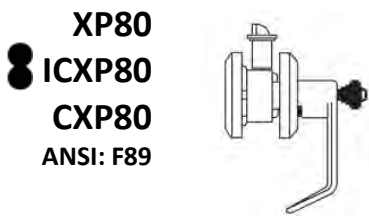
XP01
ICXP01
CXP01
 ANSI: F82
ENTRANCE LOCK PUSH BUTTON
 Pushing button in inside lever locks outside lever. Turning inside lever or operating key in outside lever releases button automatically. Closing door does not release button. Button cannot be fixed in lock position. Inside lever always free. Latch bolt automatically deadlocks when door is closed.



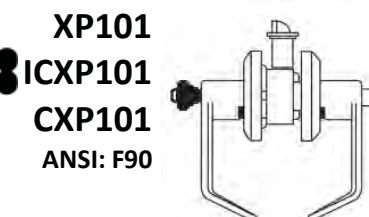
XP03
ICXP03
CXP03
 ANSI: F84
CLASSROOM LOCK
 Deadlocking latch bolt operated by lever from either side except when outside lever is locked from outside by key. When outside lever is locked, latch bolt is operated by turning inside lever.



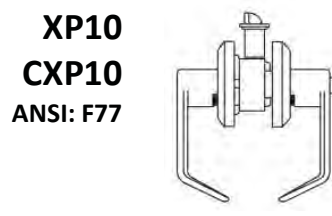
XP05
ICXP05
CXP05
 ANSI: F86
STOREROOM LOCK
 Deadlocking latch bolt operated by key in outside lever or by rotating inside lever. Outside lever is always fixed.



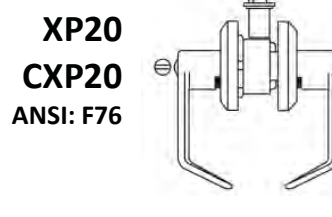
XP80
ICXP80
CXP80
 ANSI: F89
EXIT LOCK CONNECTING ROOM WITH KEY
 Deadlocking latch bolt operated with key from inside only. Blank plate outside.



XP101
ICXP101
CXP101
 ANSI: F90
DORMITORY/ASSISTED LIVING
 Deadlocking latch bolt operated by lever from either side except when outside lever is locked by key or by push button on inside lever. Key in outside lever locks or unlocks outside lever. Outside key releases push button when locked from inside. Rotating inside lever or closing the door releases push button.



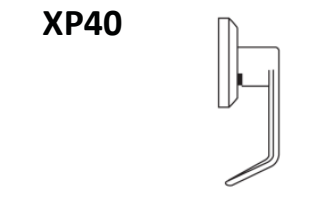
XP10
CXP10
 ANSI: F77
PATIO
 Deadlocking latch bolt operated by lever from either side. Outside lever is locked by push button inside and unlocked by rotating inside lever or closing door.



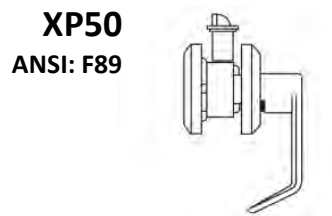
XP20
CXP20
 ANSI: F76
PRIVACY LOCK
 Latch bolt operated by lever from either side. Outside lever is locked by push button inside and unlocked by emergency release outside. Turning inside lever or closing door releases push button.



XP30
 ANSI: F75
PASSAGE SET
 Latch bolt operated by lever from either side at all times.



XP40
DUMMY LEVER
 Single dummy trim for one side of door. Pull only.




XP50
 ANSI: F89
EXIT LOCK
 Blank plate outside. Inside lever always unlocked.

HOW TO ORDER:
 For "XPRL" designs, replace design name.
 Example: XP00 entrance in "XPRL" is XPRL00.

“IC” Indicates function available with BEST, FALCON & ARROW Interchangeable Core.
 “CXP” Indicates function available with clutch

OTHER FUNCTIONS NOT LISTED AVAILABLE UPON REQUEST

APOLLO

 Meets ADA requirements
Specially designed for
Barrier Free Application
Conforms with ANSI A156.2
Series 4000, Grade 2 Exceeds
400,000 cycles

ALC SERIES NON-CLUTCH MECHANISM
CLALC SERIES CLUTCH MECHANISM
OPTIONAL THRU BOLT INSTALLATION



3 HOUR FIRE RATED
UL10C, UBC 7-2-1997



Cylindrical
Body

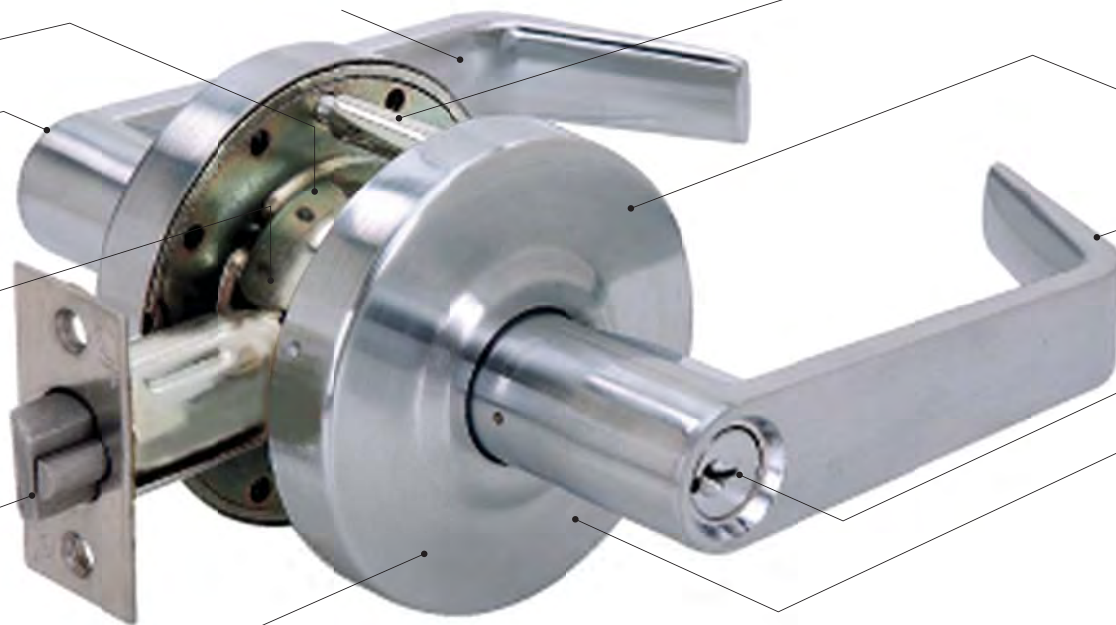
Push in and turn
button function

Coil compression
springs provide great
strength and durability

UL LISTED 3 HOUR
RATED 1/2" Throw
deadlatch completely
reversible for flat &
beveled doors

Optional tactile warning meets
handicap and fire code

Optional removable Thru Bolt



Concealed screw mounting

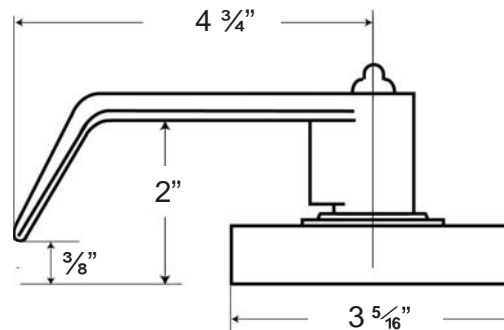
Full length lever handle
with 3/8" return

Solid brass 6 pin "C"
keyway cylinder

Individual spring on
each side to prevent
lever sag, maintain
reliability and reduce
maintenance

Easily adjustable for 1 3/8"
to 1 3/4" door thickness

ALC DESIGN



SPECIFICATIONS

APPLICATIONS

For offices, schools, hospitals, apartments, hotel/motel, residential, commercial and public buildings.

DOOR RANGES

1 3/8" to 1 3/4" thickness doors.

BACKSET

2 3/4" Standard, 2 3/8" optional.

LATCHBOLT

1/2" Throw solid brass, reversible for RH or LH applications. UL Listed.

LATCH FACEPLATE

2 1/4" x 1 1/8", adjustable for flat or beveled doors 1/8" in 2", for 2 3/4" backset. Optional 2 1/4" x 1" for 2 3/8" backset.

STRIKES

ASA strike standard, "T" and full lip strike available on request.

ANSI STANDARDS

Meets or exceeds requirements of BHMA/ANSI A156.2 Series 4000, Grade 2 (FF-H 106C), 400,000 cycles.

EXPOSED TRIM

Wrought brass, bronze or stainless steel, levers are Zinc casting, plated to match trim finish.

KEYING

6-pin "C" keyway cylinder, 2 keys per lock. Keying as per individual job requirement.

CYLINDER & KEYWAYS

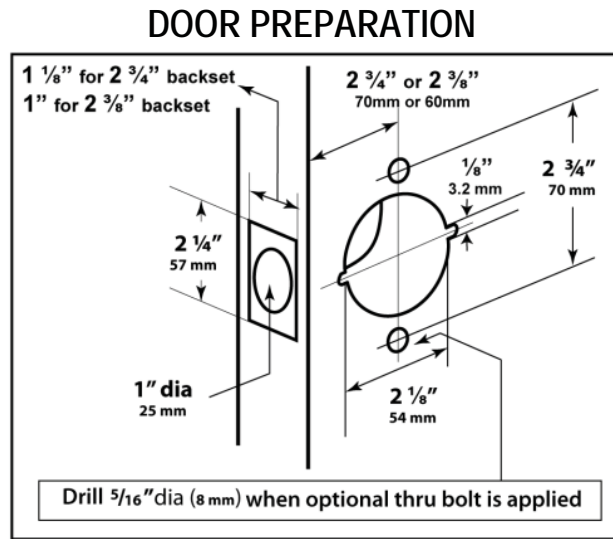
6 pin solid brass "C" keyway standard. Schlage E, Schlage C-K, Russwin D1-2-3-4, Corbin 59/60, Corbin-Russwin L4, Sargent LA-LB-LC, Falcon/Weiser E, Arrow A, Yale 8, Yale GA and Kwikset. Can also accept Medeco, Assa, Kaba and Cal-Royal (HSK) High Security Cylinders.

Tactile & Lead Lining available upon request.

APOLLO SERIES FINISHES AND FUNCTIONS



FINISHES AVAILABLE		
BHMA SYMBOL	US CODE	DESCRIPTION
605	US3	Polished Brass
606	US4	Satin Brass
609	US5	Antique Brass
612	US10	Satin Bronze
613	US10B	Oil Rubbed Bronze
619	US15	Satin Nickel
625	US26	Polished Chrome
626	US26D	Satin Chrome



Refer to price list for stock finishes and functions

ALC00
CLALC00
ANSI: F109

ENTRANCE/OFFICE LOCK
Turn/Push button locking. Pushing and turning button locks outside lever requiring use of key until button is manually unlocked. Pushing button locks outside lever until unlocked with key or inside lever is turned.

ALC20
ANSI: F76

PRIVACY LOCK
Latch bolt operated by lever from either side. Outside lever is locked by push button inside and unlocked by emergency release outside. Turning inside lever or closing door releases push button.

ALC03
CLALC03
ANSI: F84

CLASSROOM LOCK
Deadlocking latch bolt operated by lever from either side except when outside lever is locked from outside by key. When outside lever is locked, latch bolt is operated by turning inside lever.

ALC40

DUMMY LEVER
Single dummy trim for one side of door. Pull only.

ALC05
CLALC05
ANSI: F86

STOREROOM LOCK
Deadlocking latch bolt operated by key in outside lever or by rotating inside lever. Outside lever is always fixed.

ALC50
ANSI: F89

EXIT LOCK
Blank plate outside. Inside lever always unlocked.

ALC30
ANSI: F75

PASSAGE SET
Latch bolt operated by lever from either side at all times.

(CL) Indicates series with Clutch Mechanism

OTHER FUNCTIONS NOT LISTED AVAILABLE UPON REQUEST

MEETS
The Buy American Act

Meets ADA requirements
Specially designed for
Barrier Free Application
Conforms with ANSI A156.2
Series 4000, Grade-2.
Exceeds 400,000 cycles

Coil compression
springs provide great
strength and durability

Plastic filler for use on
1 1/8" door preparation

UL LISTED 3 HOUR
RATED 1/2" Throw
dead latch completely
reversible for flat &
beveled doors

Individual spring on each
side to prevent lever sag,
maintain reliability and
reduce maintenance

CHALLENGER

NON CLUTCH MECHANISM CYLINDRICAL LEVERSET



3 HOUR FIRE RATED
UL10C, UBC 7-2-1997



Full length lever
handle with 3/8" return

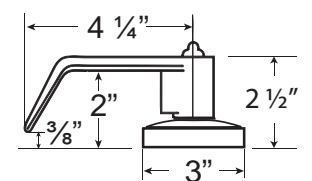
Solid brass 6 pin "C" keyway
cylinder. Available with
Interchangeable Core

Push in and turn
button function

Optional tactile warning
meets handicap and fire code

Cylindrical Body

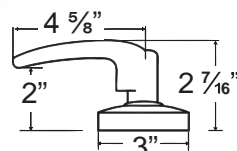
Concealed screw
mounting



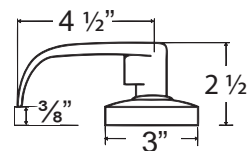
SG DESIGN



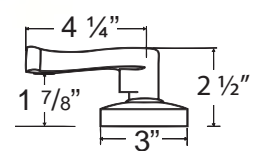
MANHATTAN
MAN DESIGN



DOVER
DOV DESIGN



ASTOR
AST DESIGN



SPECIFICATIONS

APPLICATIONS

For offices, schools, hospitals, apartments, hotel/motel, residential, commercial and public buildings.

DOOR RANGES

1 3/8" to 1 3/4" thickness.

BACKSET

2 3/4" Standard, 2 3/8", 3 3/4" and 5" optional.

LATCH FACEPLATE

2 1/4" x 1", square corner packed with 1/8" plastic filler for 1 1/8" width.

LATCHBOLT

1/2" Throw solid brass, reversible for RH or LH applications. UL Listed.

STRIKES

ASA strike standard, "T" and full lip strike available on request.

KEYING 6-pin "C" keyway cylinder, 2 keys per lock. Keying as per individual job requirement.

EXPOSED TRIM

Wrought brass, bronze or stainless steel, levers are Zinc casting, plated to match trim finish.

CYLINDER & KEYWAYS

6 pin solid brass "C" keyway standard. Schlage E, Schlage C-K, Russwin D1-2-3-4, Corbin 59/60, Corbin-Russwin L4, Sargent LA-LB-LC, Falcon/Weiser E, Arrow A, Yale 8, Yale GA and Kwikset. Can also accept Medeco, Assa, Kaba and Cal-Royal (HSK) High Security Cylinders.

ANSI STANDARDS

Meets or exceeds BHMA/ANSI A 156.2 Series 4000, grade 2 (FF-H 106C), 400,000 cycles.

INTERCHANGEABLE CORE

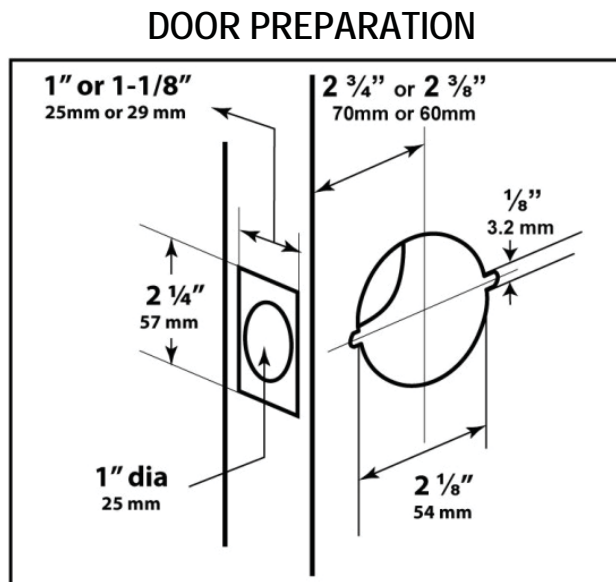
Interchangeable Core locks will accept compatible 6 or 7 pin cores with BEST, FALCON and ARROW. Prefix "IC" before part number. Available combined or uncombined. Temporary construction cores available. Factory keying with control key and masterkey available.

TACTILE & LEAD LINING available upon request.

CHALLENGER SERIES FINISHES AND FUNCTIONS



FINISHES AVAILABLE		
BHMA SYMBOL	US CODE	DESCRIPTION
605	US3	Polished Brass
606	US4	Satin Brass
609	US5	Antique Brass
612	US10	Satin Bronze
613	US10B	Oil Rubbed Bronze
619	US15	Satin Nickel
625	US26	Polished Chrome
626	US26D	Satin Chrome

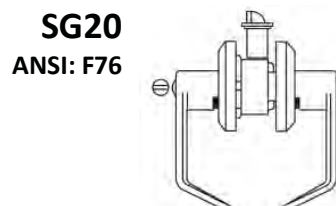


Refer to price list for stock finishes and functions



ENTRANCE/OFFICE LOCK

Turn/Push button locking. Pushing and turning button locks outside lever requiring use of key until button is manually unlocked. Pushing button locks outside lever until unlocked with key or inside lever is turned.



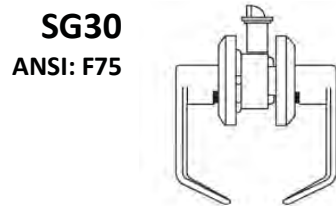
PRIVACY LOCK

Latch bolt operated by lever from either side. Outside lever is locked by push button inside and unlocked by emergency release outside. Turning inside lever or closing door releases push button.



CLASSROOM LOCK

Deadlocking latch bolt operated by lever from either side except when outside lever is locked from outside by key. When outside lever is locked, latch bolt is operated by turning inside lever.



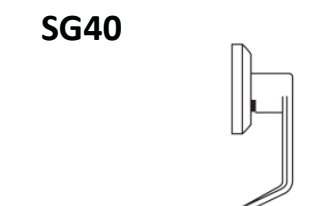
PASSAGE SET

Latch bolt operated by lever from either side at all times.



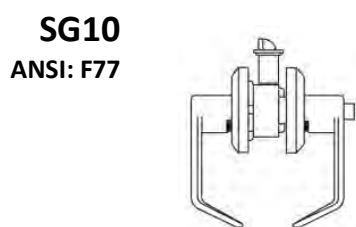
STOREROOM LOCK

Deadlocking latch bolt operated by key in outside lever or by rotating inside lever. Outside lever is always fixed.



DUMMY LEVER

Single dummy trim for one side of door. Pull only.



PATIO

Deadlocking latch bolt operated by lever from either side. Outside lever is locked by push button inside and unlocked by rotating inside lever or closing door.



EXIT LOCK

Blank plate outside. Inside lever always unlocked.

HOW TO ORDER:

For "MAN", "AST" or "DOV" designs, replace design name.

Example: SG00 entrance in "AST" is AST00.

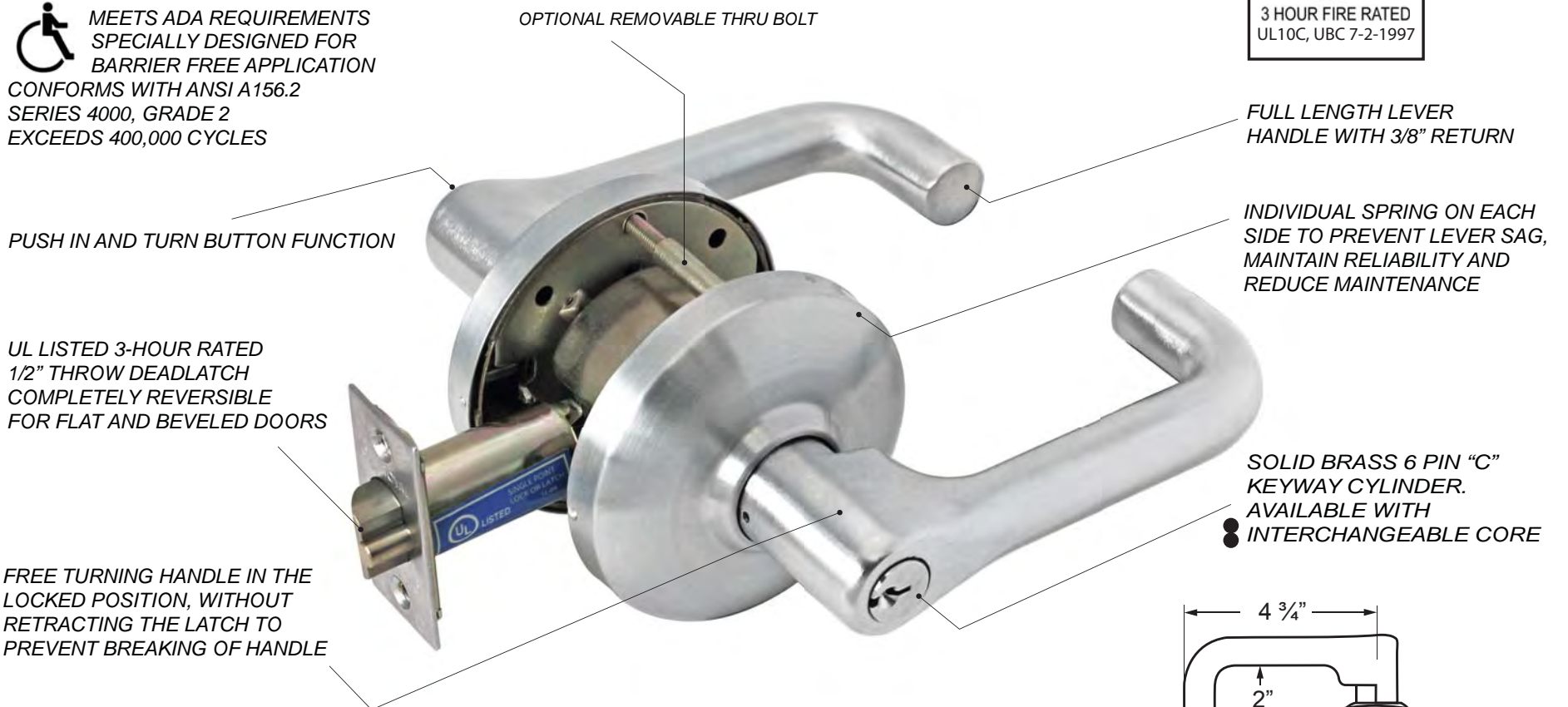
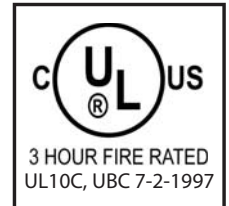
(IC) Indicates function available with BEST, FALCON & ARROW Interchangeable Core.

OTHER FUNCTIONS NOT LISTED AVAILABLE UPON REQUEST

**TUSCANY
CLUTCH MECHANISM
OPTIONAL THRU BOLT INSTALLATION**



MEETS ADA REQUIREMENTS
SPECIALLY DESIGNED FOR
BARRIER FREE APPLICATION
CONFORMS WITH ANSI A156.2
SERIES 4000, GRADE 2
EXCEEDS 400,000 CYCLES



SPECIFICATIONS

GENERAL
Full length 4 3/4" lever handle with 3/8" return . Rose diameter 3 3/8". Key removable outside lever for fast rekeying. Non-handed levers. Concealed mounting screws.

CLUTCH
Free turning handle in the lock position without retracting the latch, to deter breaking of handle.

APPLICATIONS
For offices, schools, hospitals, apartments, hotel/motel, residential, commercial and public buildings.

DOOR RANGES
1 3/8" to 1 3/4" thickness. 2" to 2 1/4" thickness also available on request.

ANSI STANDARDS
Meets or exceeds BHMA/ANSI A 156.2 Series 4000, Grade 2 (FF-H 106C)

LATCH FACEPLATE
Standard 2 1/4" x 1 1/8" for 2 3/4" backset.

STRIKES
ASA 1 1/4" x 4 7/8" standard. Other strikes available upon request.

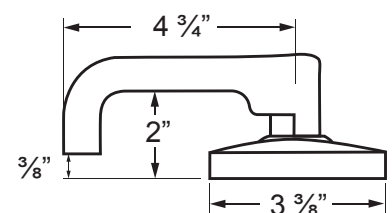
CYLINDER & KEYWAYS
6 pin solid brass "C" keyway standard. Schlage E, Schlage C-K, Russwin D1-2-3-4, Corbin 59/60, Corbin-Russwin L4, Sargent LA-LB-LC, Falcon/Weiser E, Arrow A, Yale 8, Yale GA and Kwikset. Can also accept Medeco, Assa, Kaba and Cal-Royal (HSK) High Security Cylinders.

TRIM
Optional thru-bolted assembly through door with separate spring cage for each lever.

HOUSING
Cold Rolled Steel and Zinc Dichromate finish for rust resistance with precision cast steel retractor. 2 1/8" diameter bore.

INTERCHANGEABLE CORE (IC)
Interchangeable Core locks will accept compatible 6 or 7 pin cores with BEST, FALCON and ARROW. Prefix "IC" before part number. Available combined or uncombined. Temporary construction cores available. Factory keying with control key and master key available.

LATCH OPTIONS
2 3/4" standard, brass with 1/2" throw. 2 3/8", 3 3/4" and 5" backset optional. GND750 deadlatch reversible for flat and beveled door. 3/4" throw anti-friction deadlatch for pair of fire doors.

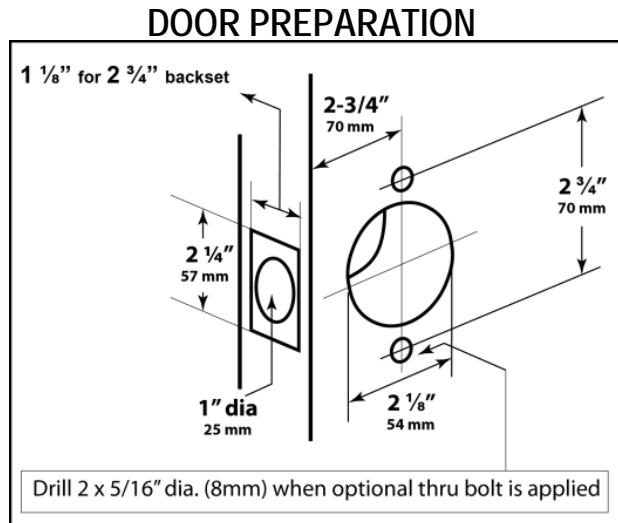


TUSCANY "TUSL" SERIES FINISHES AND FUNCTIONS



FINISHES AVAILABLE		
BHMA SYMBOL	US CODE	DESCRIPTION
605	US3	Polished Brass
606	US4	Satin Brass
609	US5	Antique Brass
612	US10	Satin Bronze
613	US10B	Oil Rubbed Bronze
619	US15	Satin Nickel
625	US26	Polished Chrome
626	US26D	Satin Chrome
630	US32D	Satin Stainless Steel

Refer to price list for stock finishes and functions



CTUSL00
ICCTUSL00
 ANSI F109
 FED#161A/160A

ENTRANCE/OFFICE

Turn/Push button locking. Pushing and turning button locks outside lever requiring use of key until button is manually unlocked. Pushing button locks outside lever until unlocked with key or inside lever is turned.

CTUSL20
 ANSI F76
 FED#161L/160L

PRIVACY

Latch bolt operated by lever from either side. Outside lever is locked by push button inside and unlocked by emergency release outside. Turning inside lever or closing door releases push button.

CTUSL01
ICCTUSL01
 ANSI F82
 FED#161B/160B

ENTRANCE/PUSH BUTTON

Pushing button in inside lever locks outside lever. Turning inside lever or operating key in outside lever releases button automatically. Closing door does not release button. Latch bolt automatically deadlocks when door is closed.

TUSL30
 ANSI F75
 FED#161N/160N

PASSAGE

Latch bolt operated by lever from either side at all times.

CTUSL03
ICCTUSL03
 ANSI F84
 FED#161R/160R

CLASSROOM

Deadlocking latch bolt operated by lever from either side except when outside lever is locked from outside by key. When outside lever is locked, latch bolt is operated by turning inside lever.

TUSL40

DUMMY TRIM

Single dummy trim for one side of door. Pull only.

CTUSL05
ICCTUSL05
 ANSI F86
 FED#161D/160D

STOREROOM

Deadlocking latch bolt operated by key in outside lever or by rotating inside lever. Outside lever is always fixed.

TUSL50
 ANSI F89

EXIT LATCH

Deadlocking latch bolt by inside lever. Blank plate outside.

IC "IC" Indicates function available with BEST, FALCON & ARROW Interchangeable Core.
ALL OTHER FUNCTIONS NOT LISTED ARE AVAILABLE ON SPECIAL ORDER



BARRINGTON
QUALITY DESIGNED AND ENGINEERED
FOR COMMERCIAL BUILDINGS



3 HOUR FIRE RATED
UL10C, UBC 7-2-1997



Exceeds BHMA/ ANSI A156.2
Series 4000, Grade 2 (FF-H-106C)

Button push in and
turn button function

Knob cannot slip or pull
off. Both kept in position
by positive spring catch

Internal mechanism heavy gauge cold
rolled steel. All parts are zinc plated and
dichromated to assure protection from
rust or corrosion. Special lubricant
applied for smoother operation

Throw bolt affords a high degree
of security. Standard with solid,
rustless, pressure cast. #300 series
antimagnetic stainless steel or
brass latch bolt available with UL
listed latch bolt for 3 hour rated
door 4' x 8' or non UL latch bolt

Guard bolt dead locks latch
bolt automatically

Latch case sturdy all steel
mechanism

Snap-on inside rose conceals
mounting plate and screws

Outside rose, threaded 3"
diameter large rose adjustable
for various door thickness

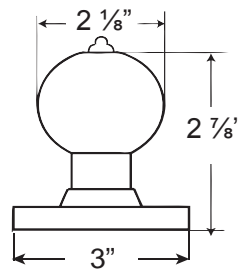
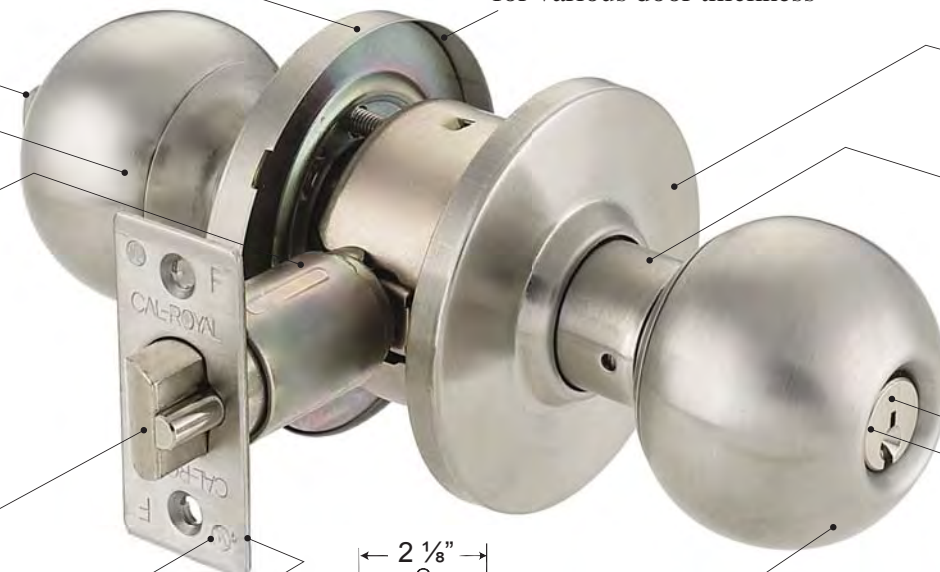
Cylindrical housing 2 1/8"
diameter provides great
strength and durability

Long spindle hub eliminates
hub wobble

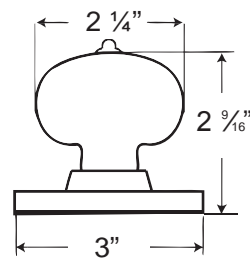
Solid Brass 6-pin "C"
keyway Available with
Interchangeable Core

Cylinder precision solid brass.
Pick resistant 6-pin tumbler. Must
turn key one-quarter to remove
and replace cylinder. Can be
construction keyed and master
keyed as required

Cylinder knob demountable for
quick rekeying and replace-
ment: reversible for either left
or right hand door swinging in
or out



BA DESIGN



PLG DESIGN

SPECIFICATIONS

DOOR RANGES

1 3/8" to 1 3/4" thickness doors.

BACKSET

2 3/4" Standard, 2 3/8", 3 3/4" and 5" extension available.

LATCH FACEPLATE

2 1/4" x 1 1/8" for 2 3/4" backset, 2 1/4" x 1" for 2 3/8" backset.

STRIKES

ANSI strike standard, 4 7/8" x 1 1/4". Optional "T" and full lip strike available on request.

KEYING

6-pin "C" keyway cylinder, 2 keys per lock.

EXPOSED TRIM

Wrought brass, bronze or stainless steel.

ADDITIONAL KEYWAYS

6 pin solid brass "C" keyway standard. Schlage E, Schlage C-K, Russwin D1-2-3-4, Corbin 59/60, Corbin-Russwin L4, Sargent LA-LB-LC, Falcon/Weiser E, Arrow A, Yale 8, Yale GA and Kwikset. Can also accept Medeco, Assa, Kaba and Cal-Royal (HSK) High Security Cylinders.

BORE DIAMETER

1" for latch. 2 1/8" for lock housing.

INTERCHANGEABLE CORE

Interchangeable Core locks will accept compatible 6 or 7 pin cores with BEST, FALCON and ARROW. Prefix "IC" before part number. Available combined or uncombined. Temporary construction cores available. Factory keying with control key and masterkey available.

ANSI STANDARDS

Meets or exceeds requirements of BHMA/ANSI A156.2 series 4000 for grade 2 (FF-H-106C).

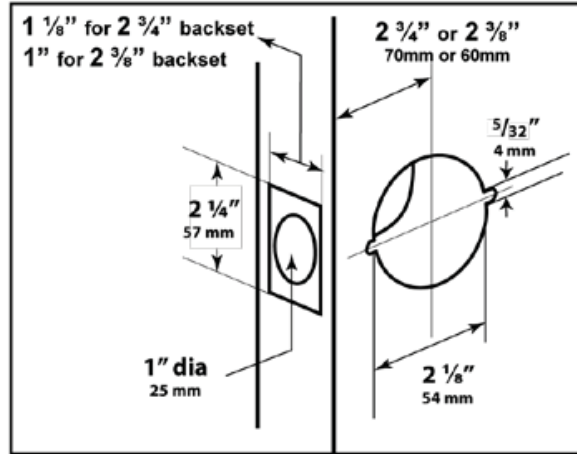
BARRINGTON BA SERIES FINISHES AND FUNCTIONS



FINISHES AVAILABLE		
BHMA SYMBOL	US CODE	DESCRIPTION
605	US3	Polished Brass
606	US4	Satin Brass
609	US5	Antique Brass
612	US10	Satin Bronze
613	US10B	Oil Rubbed Bronze
619	US15	Satin Nickel
625	US26	Polished Chrome
626	US26D	Satin Chrome
630	US32D	Satin Stainless Steel

Refer to price list for stock finishes and functions

DOOR PREPARATION



BA00
ICBA00
 ANSI F109
 FED#161A/160A

ENTRANCE/OFFICE LOCK
 Turn/Push button locking. Pushing and turning button locks outside knob requiring use of key until button is manually unlocked. Pushing button locks outside knob until unlocked with key or inside knob is turned.

BA80
ICBA80

EXIT LOCK / CONNECTING ROOM
 Deadlocking latch bolt operated with key from inside only. Blank plate outside.

BA01
ICBA01
 ANSI F82
 FED#161B/160B

ENTRANCE/PUSH BUTTON LOCK
 Pushing button in inside knob locks outside knob. Turning inside knob or operating key in outside knob releases button automatically. Closing door does not release button. Latch bolt automatically deadlocks when door is closed.

BA101
ICBA101
 ANSI F90-2

CORRIDOR LOCK / DORMITORY
 Deadlocking latch bolt operated by knob from either side except when outside knob is locked by key in outside knob or by push button in inside. Key in outside knob locks or unlocks outside knob. Rotating inside knob releases push button. Inside knob always operates.

BA02
ICBA02
 ANSI F91

STORELOCK
 Deadlocking latch bolt operated by knob from either side, except when both knobs are locked by key in knob from either side.

BA10
 ANSI F77
 FED#161P/160P

PATIO LOCK
 Deadlocking latch bolt operated by knob from either side. Outside knob is locked by push button inside and unlocked by rotating inside knob or closing door.

BA03
ICBA03
 ANSI F84
 FED#161R/160R

CLASSROOM
 Deadlocking latch bolt operated by knob from either side except when outside knob is locked from outside by key. When outside knob is locked, latch bolt is operated by turning inside knob.

BA20
 ANSI F76
 FED#161L/160L

PRIVACY LOCK
 Latch bolt operated by knob from either side. Outside knob is locked by push button inside and unlocked by emergency release outside. Turning inside knob or closing door releases push button.

BA04
ICBA04
 ANSI F80
 FED#161S/160S

COMMUNICATING
 Deadlocking latch bolt operated by knob from either side. Turning key in either knob locks or unlocks its own knob independently.

BA30
 ANSI F75
 FED#161N/160N

PASSAGE
 Latch bolt operated by knob from either side at all times.

BA05
ICBA05
 ANSI F86
 FED#161D/160D

STOREROOM
 Deadlocking latch bolt operated by key in outside knob or by rotating inside knob. Outside knob is always fixed.

BA40

DUMMY TRIM
 Single dummy trim for one side of door. Pull only.

BA06
ICBA06
 ANSI F88
 FED#161C/160C

VESTIBULE
 Deadlocking latch bolt operated by knob from either side except when outside knob is locked by key from inside. Latch bolt may be retracted by key in outside knob or by rotating inside knob.

BA50
 ANSI F89

EXIT LATCH
 Deadlocking latch bolt by inside knob. Outside knob rigid.

BA09
ICBA09
 ANSI F87
 FED#161W/160W

INSTITUTION
 Deadlocking latch bolt operated by key in knob from either side. Both knobs always fixed.

HOW TO ORDER:
 For "PLG" designs, replace design name.
 Example: BA00 entrance in "PLG" is PLG00.

“IC” Indicates function available with BEST, FALCON & ARROW Interchangeable Core.

ALL OTHER FUNCTIONS NOT LISTED ARE AVAILABLE ON SPECIAL ORDER

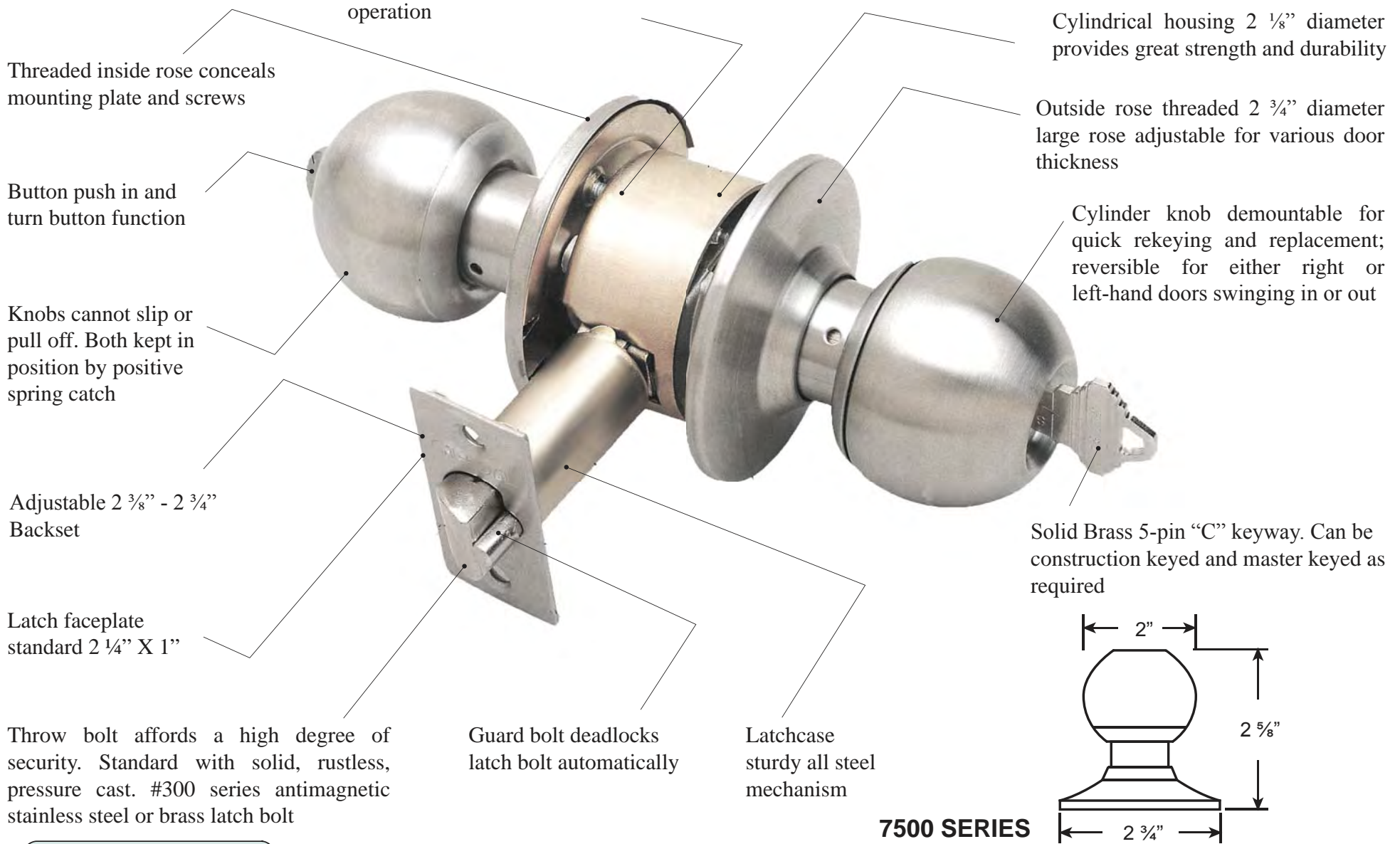
COLUMBUS

Conforms with ANSI A156.2
Series 4000, Grade -3
Exceeds 200,000 cycles

QUALITY DESIGNED AND ENGINEERED FOR RESIDENTIAL AND COMMERCIAL BUILDINGS



Internal mechanism heavy gauge cold rolled steel. All parts are zinc plated and dichromated to assure protection from rust or corrosion. Special lubricant applied for smoother operation



SPECIFICATIONS

DOOR RANGES

Adjustable for 1 3/8" to 1 3/4" door thickness.

BACKSET

Standard 2 3/8" and 2 3/4" adjustable.

LATCH FACEPLATE

2 1/4" x 1" standard.

STRIKES

T strike standard. Optional ANSI or full lip strike available.

KEYING: 5-pin "C" keyway cylinder, 2 keys per lock.

BORE DIAMETER: 1" for latch. 2 1/8" for lock housing.

ADDITIONAL KEYWAYS

6 pin solid brass "C" keyway standard. Schlage E, Schlage C-K, Russwin D1-2-3-4, Corbin 59/60, Corbin-Russwin L4, Sargent LA-LB-LC, Falcon/Weiser E, Arrow A, Yale 8, Yale GA and Kwikset. Can also accept Medeco, Assa, Kaba and Cal-Royal (HSK) High Security Cylinders.

EXPOSED TRIM

Wrought brass, bronze or stainless steel.

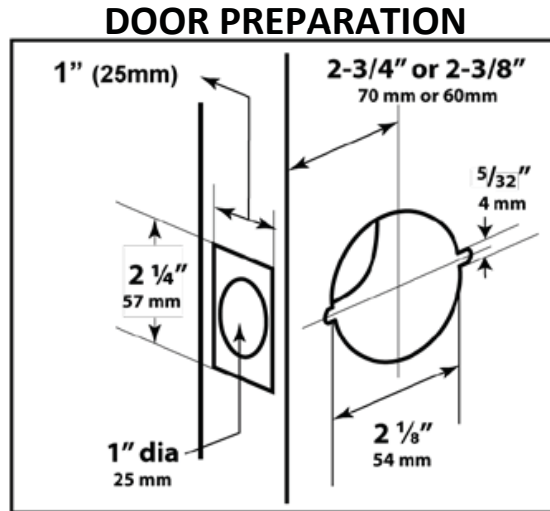
ANSI STANDARDS

Meets or exceeds requirements of BHMA/ANSI A156.2 Series 4000 for Grade 3 (FF-H-106C).

COLUMBUS SERIES FINISHES AND FUNCTIONS




FINISHES AVAILABLE		
BHMA SYMBOL	US CODE	DESCRIPTION
605	US3	Polished Brass
606	US4	Satin Brass
609	US5	Antique Brass
612	US10	Satin Bronze
613	US10B	Oil Rubbed Bronze
619	US15	Satin Nickel
625	US26	Polished Chrome
626	US26D	Satin Chrome
630	US32D	Satin Stainless Steel

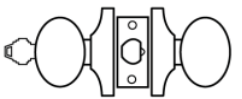


Refer to price list for stock finishes and functions


- 7500**
ANSI F109



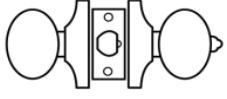
ENTRANCE/OFFICE LOCK
Turn/Push button locking. Pushing and turning button locks outside knob requiring use of key until button is manually unlocked. Pushing button locks outside knob until unlocked with key or inside knob is turned.
- 7503**
ANSI F84



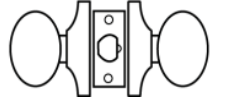
CLASSROOM LOCK
Deadlocking latch bolt operated by knob from either side except when outside knob is locked from outside by key. When outside knob is locked, latch bolt is operated by turning inside knob.
- 7505**
ANSI F86




STOREROOM LOCK
Deadlocking latch bolt operated by key in outside knob or by rotating inside knob. Outside knob is always fixed.
- 7520**
ANSI F76



PRIVACY LOCK
Latch bolt operated by knob from either side. Outside knob is locked by push button inside and unlocked by emergency release outside. Turning inside knob or closing door releases push button.
- 7530**
ANSI F75



PASSAGE
Latch bolt operated by knob from either side at all times.
- 7540**



DUMMY TRIM
Single dummy trim for one side of door. Pull only.

OTHER FUNCTIONS NOT LISTED AVAILABLE UPON REQUEST

MEETS
The Buy American Act

Meets ADA requirements
Specially designed for
Barrier Free Application
Conforms with ANSI A156.12
Series 5000, Grade 2
Exceeds 400,000 cycles

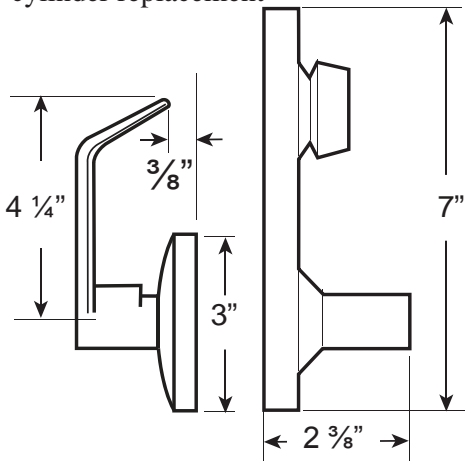
1" (25mm) Throw
deadbolt with concealed
hardened steel roller

Unique individual spring on
exterior and interior side of
lever to prevent lever sag

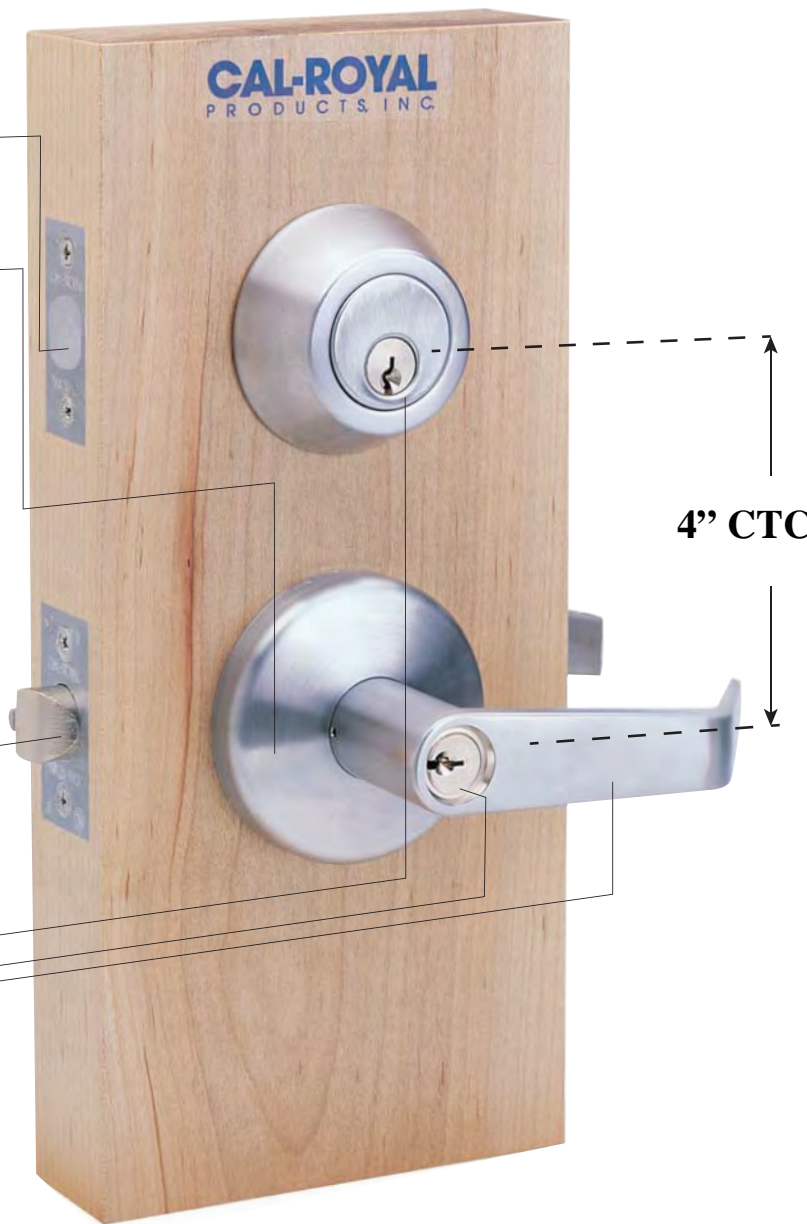
1/2" (13mm) Throw universal
deadlatch reversible RH/LH,
adjustable front for flat or
beveled doors. UL Listed 3
Hour Rated

Precision solid brass 6-pin
"C" keyway. Available with
Interchangeable Core on
deadbolt and lever

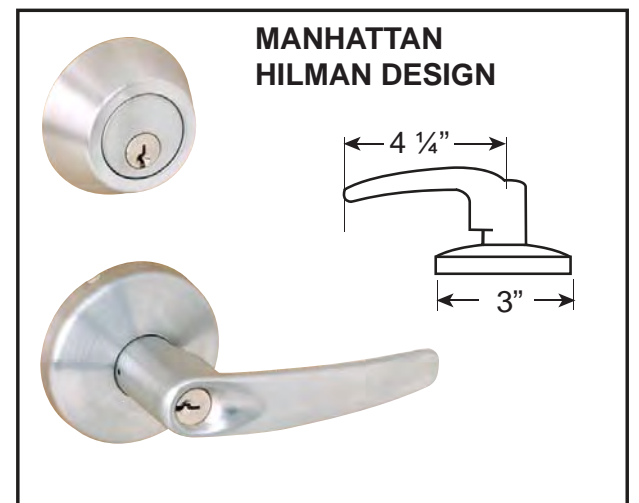
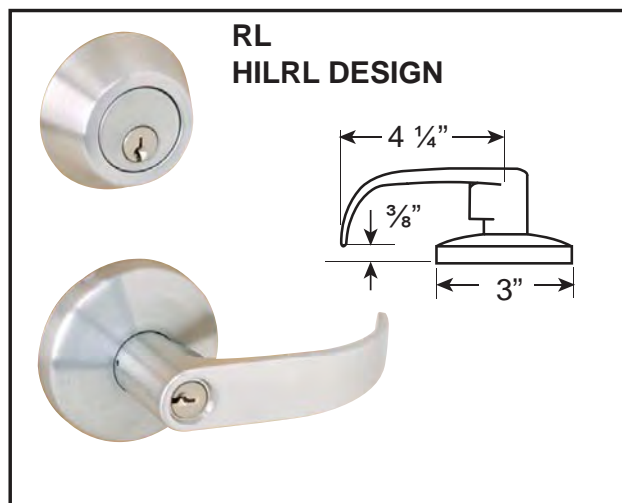
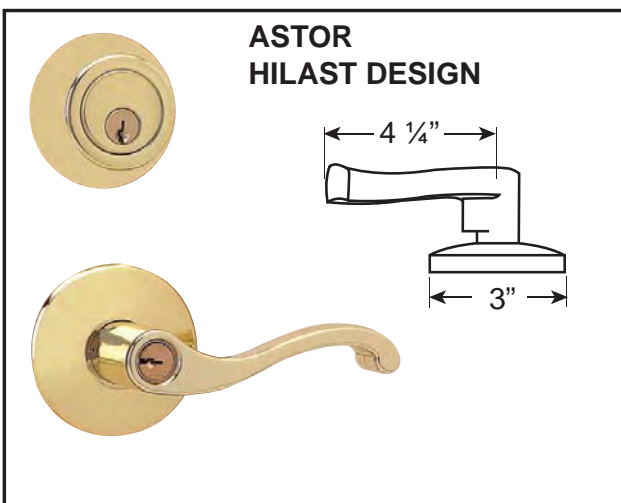
Key removable diecast
lever for quick rekeying or
cylinder replacement



**HIL SERIES
INTERCONNECTED LOCKS
4" CTC BORE
ANSI A156.12 GRADE 2**



3 HOUR FIRE RATED
UL10C, UBC7-2-1997



Available with Interchangeable
Core on deadbolt and lever.

Available with Interchangeable
Core on deadbolt and lever.

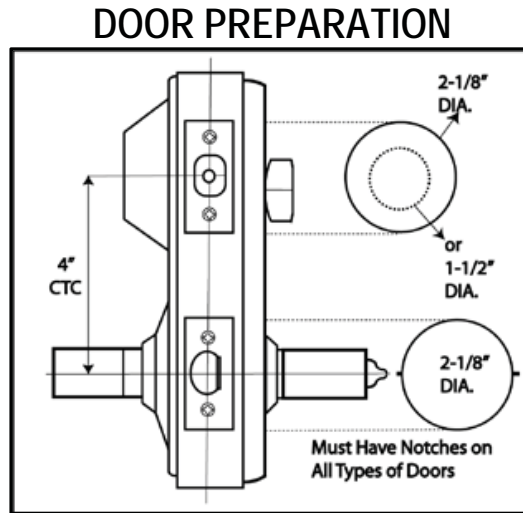
Available with Interchangeable
Core on deadbolt and lever.

HIL SERIES FINISHES, FUNCTIONS AND SPECIFICATIONS



FINISHES AVAILABLE		
BHMA SYMBOL	US CODE	DESCRIPTION
605	US3	Polished Brass
606	US4	Satin Brass
609	US5	Antique Brass
612	US10	Satin Bronze
613	US10B	Oil Rubbed Bronze
619	US15	Satin Nickel
625	US26	Polished Chrome
626	US26D	Satin Chrome

Refer to price list for stock finishes and functions



SPECIFICATIONS

GENERAL SPECIFICATIONS: Simultaneous retraction on both latch and deadbolts from inside by turning the lever in a panic-proof exit situation. Top lock is heavy duty deadbolt with the bottom lock having a cylindrical body. High security with a double locking point using the keyed lock function.

ANSI STANDARDS: Meet ANSI A 156.12 Series 5000 Grade 2 Requirements.

CYLINDER & KEYWAY: 6 pin solid brass "C" keyway, Schlage E, Schlage C-K, Russwin D1-2-3-4, Corbin 59/60, Sargent LA-LB-LC, Falcon/ Weiser E, Arrow A, Yale 8, Yale GA and Kwikset. Can also accept Medeco, Assa, Kaba and Cal-Royal (HSK) High Security Cylinders.

INTERCHANGEABLE CORE: Interchangeable Core Locks will accept compatible 6 or 7 pin cores with BEST, FALCON & ARROW. Prefix "IC" before part number. Available combined or uncombined. Temporary construction cores and factory keying with control key & master key available.

TRIM: HIL, ASTOR, DOVE and MANHATTAN designs. Refer to picture in front page. Lever length is 4 1/4".

STRIKES: Standard "T" strike furnished with lockset. 2 3/4" x 1 1/8" square strike with deadbolt.

ESCUTCHEON: 2 11/16" x 7" brass plated. Packed with interior escutcheon. Optional external escutcheon available.

FUNCTIONS: Classroom, Storeroom and Dummy available upon request.

DEADBOLT: 1" Throw. Brass with hardened steel pin. Adjustable 2 3/4" or 2 3/8", front 2 1/4" x 1 1/8" square face.

LATCHBOLT: "UL" Listed for 3 hour doors. 2 3/4" standard backset, 1/2" throw.

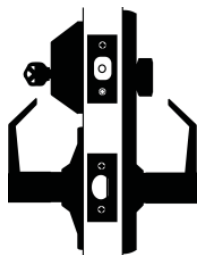
LATCH FACEPLATE: Standard 2 1/4" x 1 1/8" for 2 3/4" backset. 2 1/4" x 1" for 2 3/8" backset optional.

DOOR RANGE: 1 3/8" - 1 3/4" door thickness.

HOUSING: Steel and Zinc dichromate finish for rust resistance.

HIL30

● ICHIL30
ANSI: F95

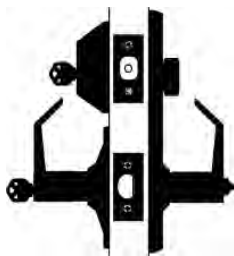


Entrance, Single Locking

Deadbolt thrown or retracted by key in upper lock from outside or by inside turn unit. Latch bolt retracted by lever from either side. Lever retracts deadbolt and latch bolt simultaneously for immediate exit.

HIL00

●● ICHIL00
ANSI: F97



Entrance, Double Locking

Deadbolt thrown or retracted by key in upper lock from outside or by inside turn unit. Dead latch retracted by key in outer when locked by pushing turn button in inner lever. Outer lever may be fixed in locked position by rotating turn button. Turning inside lever retracts deadbolt and latch bolt simultaneously for immediate exit.

HOW TO ORDER:
When ordering HIL AST design, replace design name.
Example:
HIL00 in AST is HILAST00

OTHER FUNCTIONS NOT LISTED AVAILABLE UPON REQUEST

- Indicates **deadbolts** that are available with Interchangeable Core. Interchangeable Core deadbolts will accept compatible 6 or 7 pin Core with Best, Falcon and Arrow. Prefix "IC" before part number.
- Available with Interchangeable Core on deadbolt and lever.

Available with Interchangeable Core

MEETS
The Buy American Act

Meets ADA requirements
Specially designed for
Barrier Free Application
Conforms with ANSI A156.12
Series 5000, Grade 2
Exceeds 400,000 cycles

1" (25mm) Throw. Adjust-
able 2³/₈" - 2³/₄" deadbolt
latch with concealed
hardened steel roller

Standard 2¹/₄" x 1". Packed
with 1/8" plastic filler to
convert 1" face plate to 1¹/₈"
wide door preparations

1/2" (13mm) Throw universal
deadlatch reversible RH/LH,
adjustable front for flat or
beveled doors. UL Listed 3
Hour Rated

Unique individual spring on
exterior and interior side of
lever to prevent lever sag

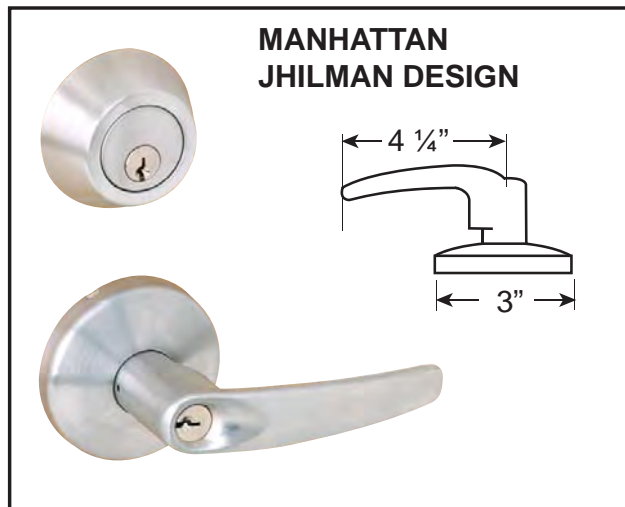
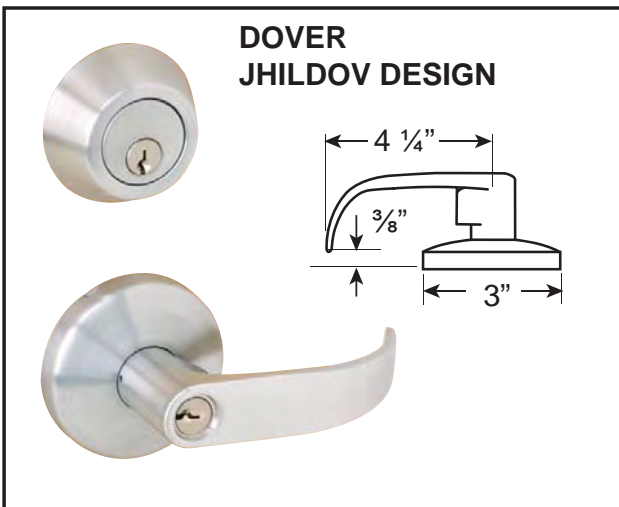
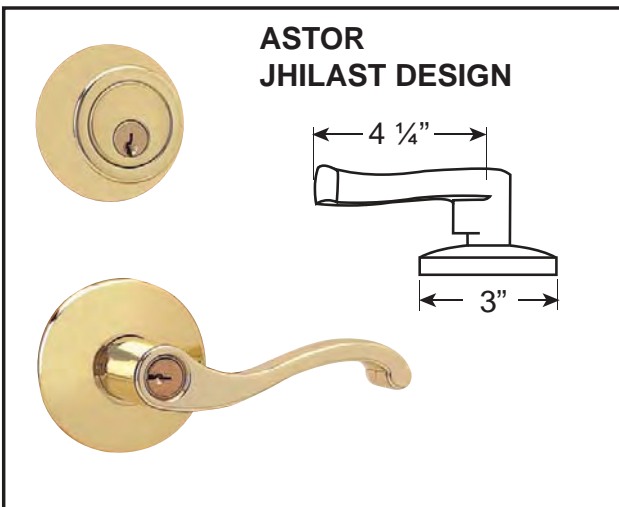
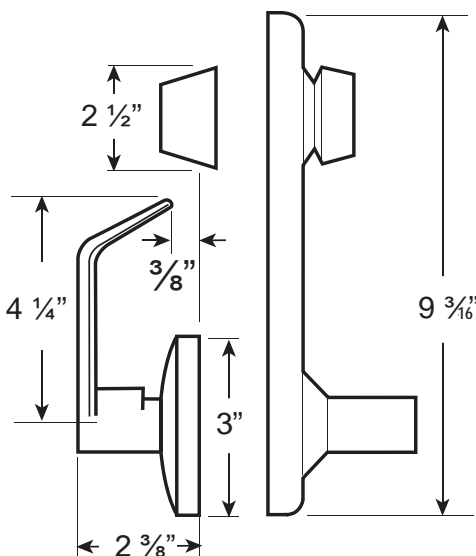
JHIL SERIES
INTERCONNECTED LOCKS
OPTIONAL 4" or 5 1/2" CTC BORE
ANSI A156.12 GRADE 2



3 HOUR FIRE RATED
UL10C, UBC7-2-1997



Precision solid brass 6-pin
"C" keyway. Available with
Interchangeable Core on
deadbolt and lever



Available with Interchangeable
Core on deadbolt and lever.

Available with Interchangeable
Core on deadbolt and lever.

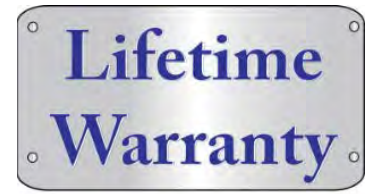
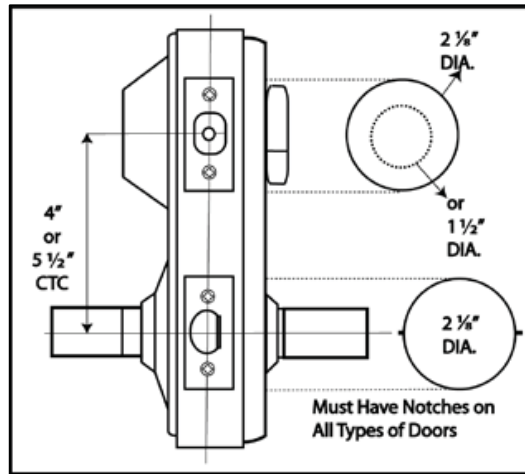
Available with Interchangeable
Core on deadbolt and lever.

JHIL SERIES FINISHES, FUNCTIONS AND SPECIFICATIONS



FINISHES AVAILABLE		
BHMA SYMBOL	US CODE	DESCRIPTION
605	US3	Polished Brass
606	US4	Satin Brass
609	US5	Antique Brass
612	US10	Satin Bronze
613	US10B	Oil Rubbed Bronze
619	US15	Satin Nickel
625	US26	Polished Chrome
626	US26D	Satin Chrome

DOOR PREPARATION



Refer to price list for stock finishes and functions

SPECIFICATIONS

GENERAL SPECIFICATIONS: Simultaneous retraction on both latch and deadbolts from inside by turning the lever in a panic-proof exit situation. Top lock is heavy duty deadbolt with the bottom lock having a cylindrical body. High security with a double locking point using the keyed lock function.

ANSI STANDARDS: Meet ANSI A 156.12 Series 5000 Grade 2 Requirements.

CYLINDER & KEYWAY: 6 pin solid brass "C" keyway, Schlage E, Schlage C-K, Russwin D1-2-3-4, Corbin 59/60, Sargent LA-LB-LC, Falcon/Weiser E, Arrow A, Yale 8, Yale GA and Kwikset. Can also accept Medeco, Assa, Kaba and Cal-Royal (HSK) High Security Cylinders.

INTERCHANGEABLE CORE: Interchangeable Core Locks will accept compatible 6 or 7 pin cores with BEST, FALCON & ARROW. Prefix "IC" before part number. Available combined or uncombined. Temporary construction cores and factory keying with control key & master key available.

HOUSING: Steel and Zinc dichromate finish for rust resistance.

STRIKES: Standard "T" strike furnished with lockset. 2 3/4" x 1 1/8" square strike with deadbolt.

ESCUTCHEON: 9 3/16" x 3 3/16" brass plated. Packed with interior escutcheon. Optional external escutcheon available.

FUNCTIONS: Entrance (Double Locking), Classroom, Storeroom and Dummy available upon request.

DEADBOLT: 1" Throw. Adjustable 2 3/4" or 2 3/8" Brass with hardened steel pin. Standard 2 1/4" x 1" face plate, packed with 1/8" plastic filler for 1 1/8" door prep.

LATCHBOLT: 1/2" Throw. "UL" Listed for 3 hour doors. 2 3/4" standard backset with 2 3/8" optional.

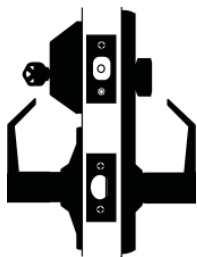
LATCH FACEPLATE: Standard 2 1/4" x 1" face plate, packed with 1/8" plastic filler for 1 1/8" door preparations.

DOOR RANGE: 1 3/8" - 1 3/4"

TRIM: HIL, ASTOR, DOVE and MANHATTAN designs. Refer to picture in front page. Lever length is 4 1/4".

JHIL30

ICJHIL30
ANSI: F95



Entrance, Single Locking

Deadbolt thrown or retracted by key in upper lock from outside or by inside turn unit. Latch bolt retracted by lever from either side. Lever retracts deadbolt and latch bolt simultaneously for immediate exit.

JHIL00

ICJHIL00
ANSI: F97



Entrance, Double Locking

Deadbolt thrown or retracted by key in upper lock from outside or by inside turn unit. Dead latch retracted by key in outer when locked by pushing turn button in inner lever. Outer lever may be fixed in locked position by rotating turn button. Turning inside lever retracts deadbolt and latch bolt simultaneously for immediate exit.

HOW TO ORDER:

When ordering JHIL AST design, replace design name.

Example:

JHIL00 in AST is JHILAST00

OTHER FUNCTIONS NOT LISTED AVAILABLE UPON REQUEST

IC Indicates **deadbolts** are available with Interchangeable Core. Interchangeable Core deadbolts will accept compatible 6 or 7 pin Core with Best, Falcon and Arrow. Prefix "IC" before part number.

ICIC Available with Interchangeable Core on deadbolt and lever.

CAL-ROYAL
PRODUCTS, INC.



6605 Flotilla St., Commerce, CA 90040 U.S.A.

Tel: (323) 888-6601 ♦ Fax: (323) 888-6699

Website: www.cal-royal.com ♦ Email: sales@cal-royal.com

MEETS
The Buy American Act

Meets ADA requirements
Specially designed for
Barrier Free Application
Conforms with ANSI A156.12
Series 5000, Grade 2
Exceeds 400,000 cycles

JHIL SERIES
INTERCONNECTED ENTRANCE LEVER SERIES
ANSI A156.12 SERIES 5000, GRADE 2, UL LISTED
**WITH OPTIONAL LARGE FORMAT INTERCHANGEABLE
FOR SCHLAGE**



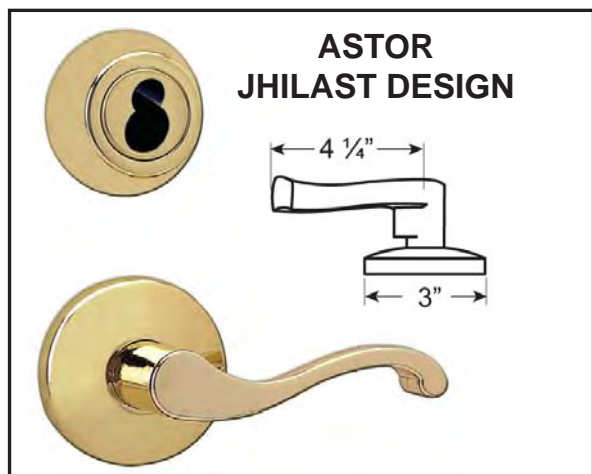
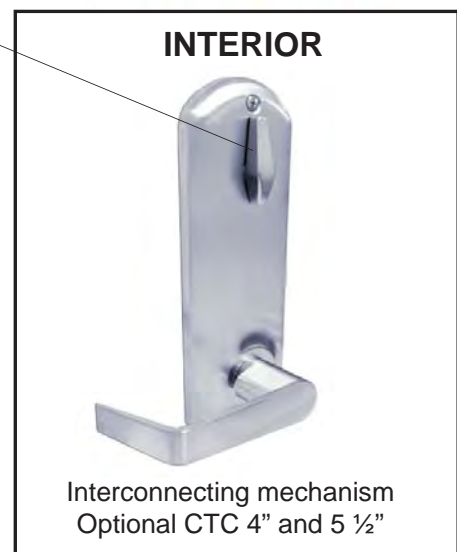
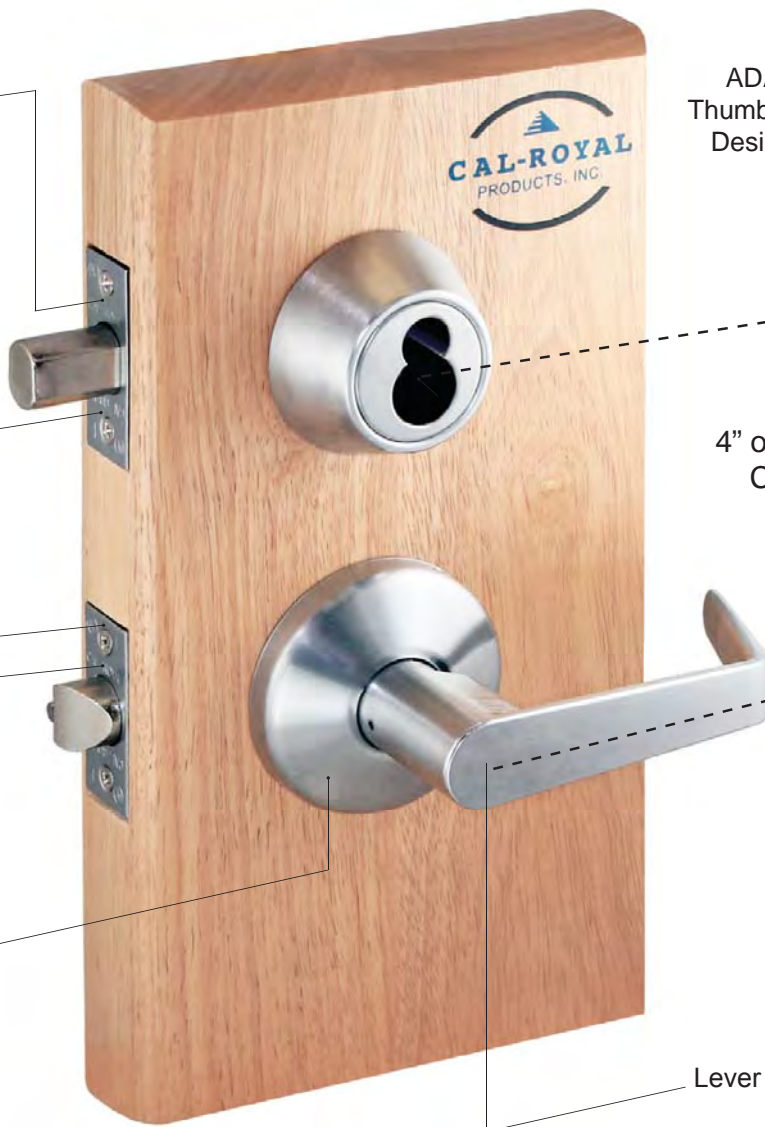
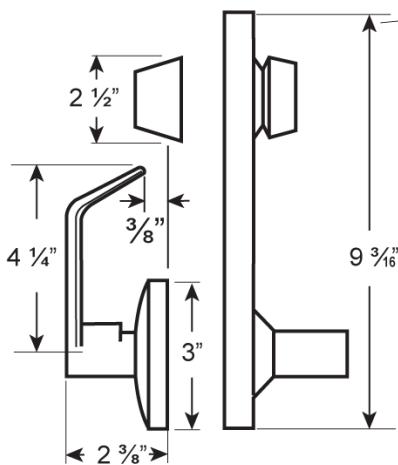
**Lifetime
Warranty**

1" (25mm) Throw. Adjustable
2 3/8" - 2 3/4" deadbolt latch with
concealed hardened steel
roller

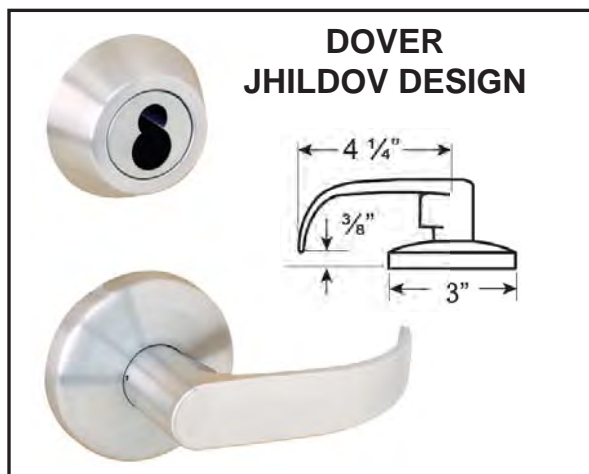
Standard 2 1/4" x 1". Packed
with 1/8" plastic filler to convert
1" face plate to 1 1/8" wide door
preparations

1/2" (13mm) Throw universal
deadlatch reversible RH/LH,
adjustable front for flat or
beveled doors. UL Listed 3
Hour Rated

Unique individual spring on
exterior and interior side of
lever to prevent lever sag



Available with Schlage Large Format Interchangeable Core on deadbolt only.



Available with Schlage Large Format Interchangeable Core on deadbolt only.



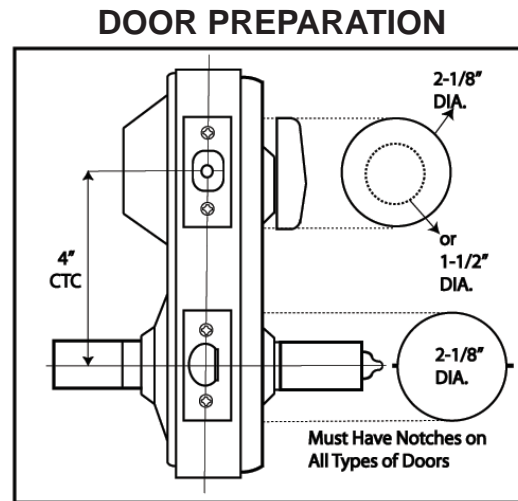
Available with Schlage Large Format Interchangeable Core on deadbolt only.

JHIL SERIES FINISHES, FUNCTIONS AND SPECIFICATIONS



FINISHES AVAILABLE		
BHMA SYMBOL	US CODE	DESCRIPTION
605	US3	Polished Brass
606	US4	Satin Brass
609	US5	Antique Brass
612	US10	Satin Bronze
613	US10B	Oil Rubbed Bronze
619	US15	Satin Nickel
625	US26	Polished Chrome
626	US26D	Satin Chrome

Refer to price list for stock finishes and functions



3 HOUR FIRE RATED
UL10C, UBC7-2-1997

SPECIFICATIONS

GENERAL SPECIFICATIONS: Simultaneous retraction on both latch and deadbolts from inside by turning the lever in a panic-proof exit situation. Top lock is heavy duty deadbolt with the bottom lock having a cylindrical body. High security with a double locking point using the keyed lock function.

ANSI STANDARDS: Meet ANSI A 156.12 Series 5000 Grade 2 Requirements.

CYLINDER & KEYWAY: 6 pin solid brass "C" keyway, Schlage E, Schlage C-K, Russwin D1-2-3-4, Corbin 59/60, Sargent LA-LB-LC, Falcon/ Weiser E, Arrow A, Yale 8, Yale GA and Kwikset. Can also accept Medeco, Assa, Kaba and Cal-Royal (HSK) High security Cylinders.

LARGE FORMAT INTERCHANGEABLE CORE: Interchangeable Core Locks for Schlage. Prefix "ICSC" before part number.

HOUSING: Steel and Zinc dichromate finish for rust resistance.

STRIKES: Standard "T" strike furnished with lockset. 2 3/4" x 1 1/8" square strike with deadbolt.

ESCUTCHEON: 9 3/16" x 3 3/16" brass plated. Packed with interior escutcheon. Optional external escutcheon available.

FUNCTIONS: Entrance (Double Locking), Classroom, Storeroom and Dummy available upon request.

DEADBOLT: 1" Throw. Adjustable 2 3/4" or 2 3/8" Brass with hardened steel pin. Standard 2 1/4" x 1" face plate, packed with 1/8" plastic filler for 1 1/8" door prep .

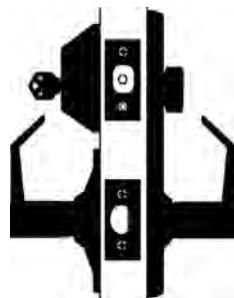
LATCHBOLT: 1/2" Throw. "UL" Listed for 3 hour doors. 2 3/4" standard backset with 2 3/8" optional.

LATCH FACEPLATE: Standard 2 1/4" x 1" face plate, packed with 1/8" plastic filler for 1 1/8" door preparations.

DOOR RANGE: 1 3/8" – 1 3/4"

TRIM: HIL, ASTOR, DOVER and MANHATTAN designs. Refer to picture in front page. Lever length is 4 1/4".

ICSCJHIL30
ANSI: F95



ENTRANCE, SINGLE LOCKING


Deadbolt thrown or retracted by key in upper lock from outside or by inside turn unit. Latch bolt retracted by lever from either side. Lever retracts deadbolt and latch bolt simultaneously for immediate exit.

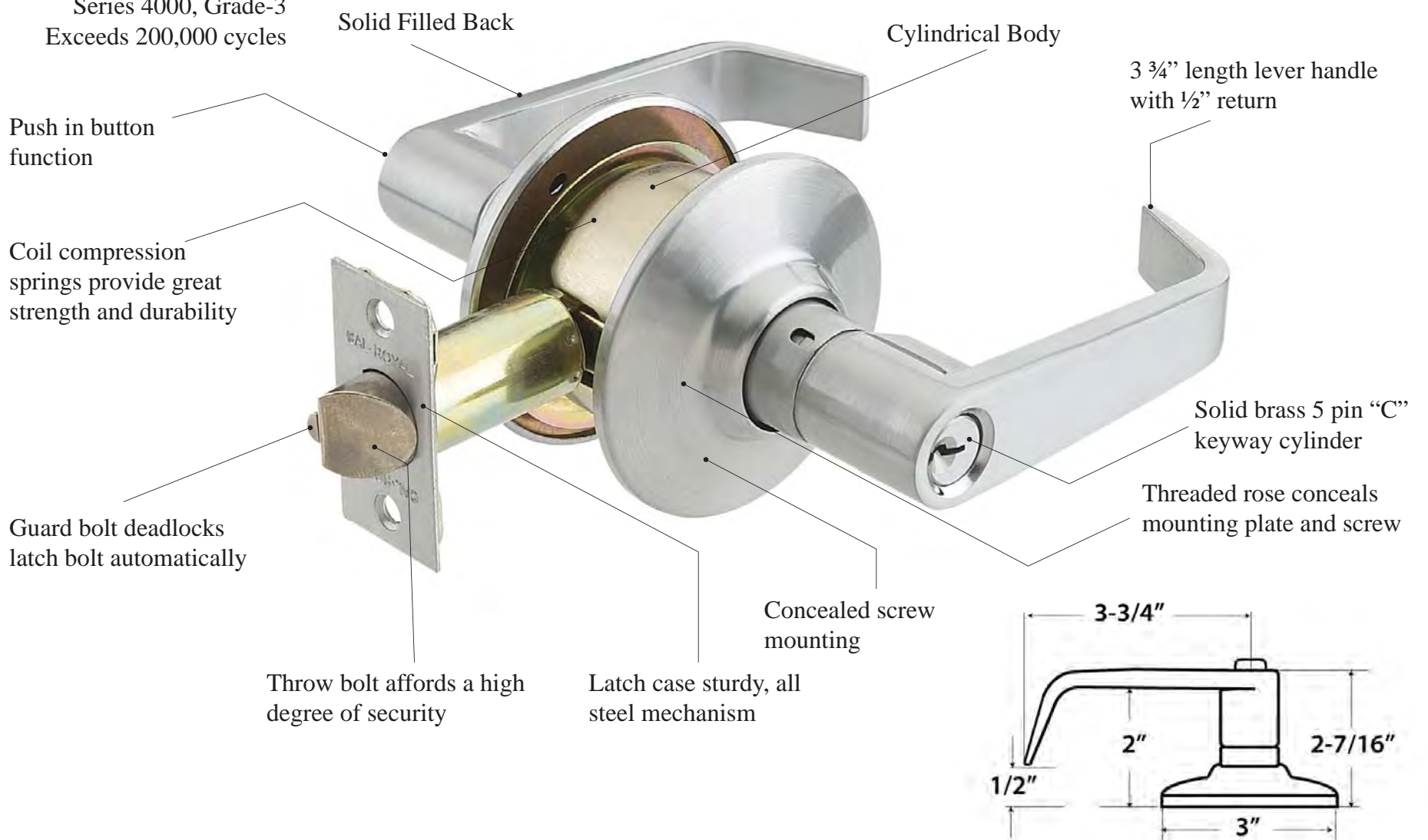
OTHER FUNCTIONS NOT LISTED ARE AVAILABLE UPON REQUEST

ICSC Indicates **deadbolts** that are available with Large Format Interchangeable Core. Large Format Interchangeable Core deadbolts for Schlage. Prefix "**ICSC**" before part number.

EPIC

STANDARD DUTY CYLINDRICAL LEVERSET MEETS ANSI STANDARD A156.2, GRADE 3

 Meets ADA requirements
Specially designed for
Barrier Free Application
Conforms with ANSI A156.2
Series 4000, Grade-3
Exceeds 200,000 cycles



SPECIFICATIONS

APPLICATIONS

For residential or light commercial applications.

DOOR RANGES

1 3/8" to 2" thickness doors.

BACKSET

2 3/8" or 2 3/4" backset.

LATCHBOLT

Die-Cast Zinc, Brass, Chrome or Brass plated 7/16" (11mm)
Throw Latch Bolt.

LATCH FACEPLATE

2 1/4" x 1 1/8" for 2 3/4" backset. 2 1/4" x 1" for 2 3/8" backset.

EXPOSED TRIM

Wrought brass, bronze or stainless steel, levers are Zinc casting, plated to match trim finish.

STRIKES

Optional "T", full lip or ASA strike.

ANSI STANDARDS

Meets or exceeds requirements of BHMA/ANSI A156.2 Series 4000, Grade 3.

CYLINDER & KEYWAYS

5 pin solid brass Schlage "C" keyway standard.

LATCH & STRIKE SCREWS

8-32 x 1" FPH Dual Purpose.

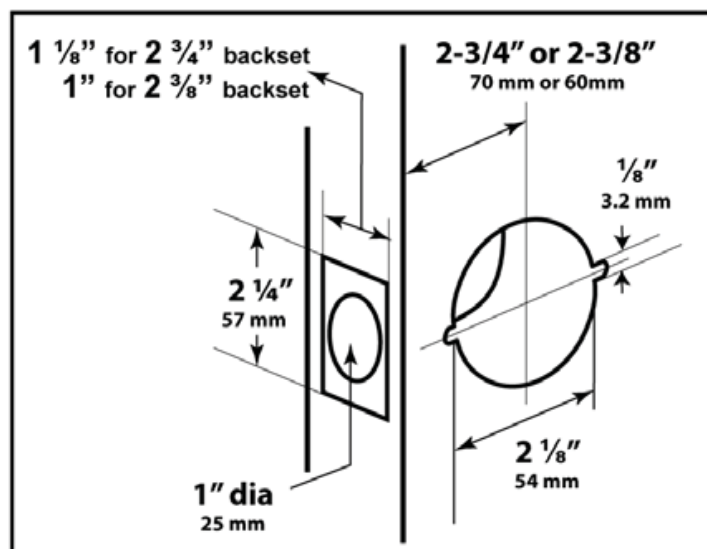
EPIC 800 SERIES FINISHES AND FUNCTIONS



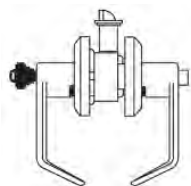
FINISHES AVAILABLE		
BHMA SYMBOL	US CODE	DESCRIPTION
605	US3	Polished Brass
606	US4	Satin Brass
609	US5	Antique Brass
612	US10	Satin Bronze
613	US10B	Oil Rubbed Bronze
619	US15	Satin Nickel
625	US26	Polished Chrome
626	US26D	Satin Chrome

Refer to price list for stock finishes and functions

DOOR PREPARATION



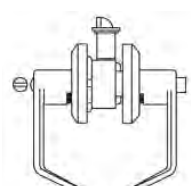
800
ANSI: F82



ENTRANCE PUSH BUTTON

Push button locking. Pushing button locks outside lever requiring use of key until button is manually unlocked. Pushing button locks outside lever until unlocked with key or inside lever is turned.

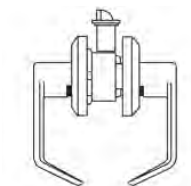
802
ANSI: F76



PRIVACY

Latch bolt operated by lever from either side. Outside lever is locked by push button inside and unlocked by emergency release outside. **Turning inside lever or closing door releases push button.**

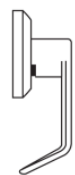
803
ANSI: F75



PASSAGE

Latch bolt operated by lever from either side at all times.

805



DUMMY LEVER

Single dummy trim for one side of door. Pull only.

OTHER FUNCTIONS NOT LISTED AVAILABLE UPON REQUEST

**CRB800 SERIES GRADE 1 HEAVY DUTY DEADBOLTS
FOR COMMERCIAL AND RESIDENTIAL APPLICATIONS**

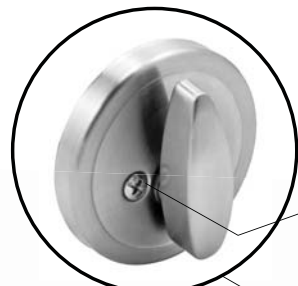
MEETS
The Buy American Act



Meets ADA requirements
Specially designed for
Barrier Free Application
Exceeds BHMA/ ANSI A156.5
Series 4000, Grade 1 requirements
Exceeds 800,000 cycles

Lifetime
Warranty
BHMA
CERTIFIED

UL US
3 HOUR FIRE RATED
UL10C, UBC7-2-1997



ADA Ergonomic
Thumb Turn

Exposed mounting screws on
single cylinder deadbolt

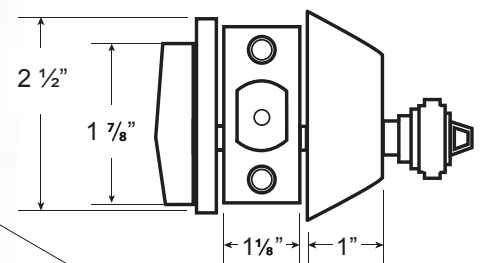
Steel mounting plate

Anti-pry shield
(Zinc Alloy)

Free turning, wrench-resistant
tapered cylinder ring

Sturdy, all steel latch
case and mechanism

3HR UL Fire rated,
1" (25mm) throw
high-strength steel alloy
deadbolt with anti-saw pin

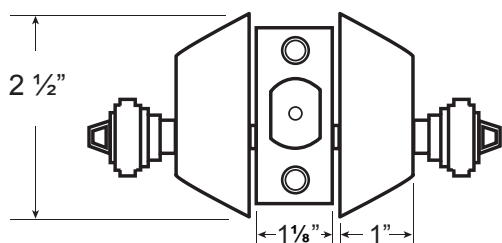


**CRB800
SINGLE CYLINDER**

Removable Solid Brass
Standard "C" 6-pin cylinder.

Available with
Interchangeable Core

Exposed mounting
screws on double
cylinder deadbolt



**CRB700
DOUBLE CYLINDER**

SPECIFICATIONS

TRIM

Wrought Brass or Stainless Steel.

DOOR RANGES

Adjustable 1 3/8" (40mm) to 2" (51mm) door thickness.

BACKSET

UL Listed 3 Hour Fire Rating 2 3/4" latchbolt. 2 3/8" optional.

DEADBOLT FACEPLATE

Standard 2 1/4" X 1 1/8" for 2 3/4" backset.
Optional 2 1/4" X 1" for 2 3/8" backset.

STRIKE

1 1/8" X 2 3/4" square corner. Extra security 1" throw bolt with 1/4" free spinning anti-cut through pin. 2 pcs x 3" screws with wood frame reinforcer greatly strengthens door frames.

BORE DIAMETER

1" for latch, 2 1/8" for lock housing.

KEYWAYS

6 pin solid brass "C" keyway standard. Schlage E, Schlage C-K, Russwin D1-2-3-4, Corbin 59/60, Corbin-Russwin L4, Sargent LA-LB-LC, Falcon/Weiser E, Arrow A, Yale 8, Yale GA and Kwikset. Can also accept Medeco, Assa, Kaba and Cal-Royal (HSK) High Security Cylinders.

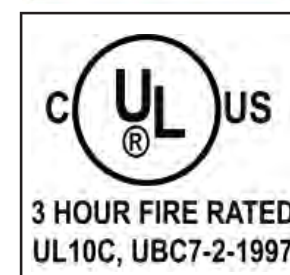
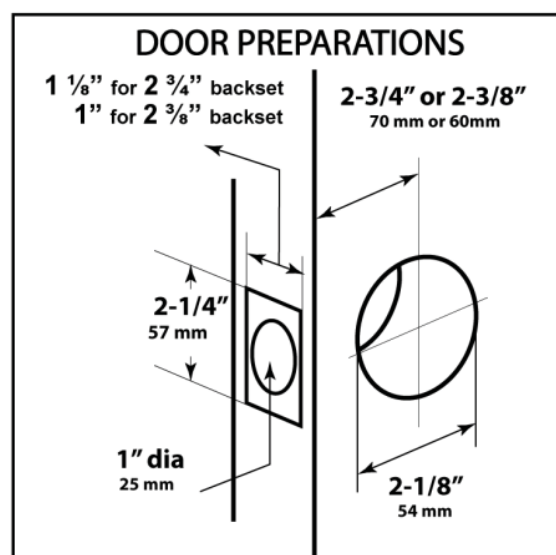
INTERCHANGEABLE CORE

Interchangeable Core locks will accept compatible 6 or 7 pin cores with Best, Falcon and Arrow. Prefix "IC" before part number. Available combined or uncombined. Temporary construction cores available. Factory keying with control key and masterkey available.

CRB800 SERIES FINISHES AND FUNCTIONS

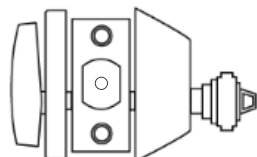


FINISHES AVAILABLE		
BHMA SYMBOL	US CODE	DESCRIPTION
605	US3	Polished Brass
606	US4	Satin Brass
609	US5	Antique Brass
612	US10	Satin Bronze
613	US10B	Oil Rubbed Bronze
619	US15	Satin Nickel
625	US26	Bright Chrome
626	US26D	Satin Chrome



Refer to price list for stock finishes and functions

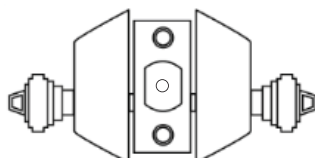
CRB800
ICCRB800
ANSI E0152



Heavy Duty Single Cylinder Deadbolt

Deadbolt thrown or retracted by key from outside or by inside turn unit. Bolt automatically deadlocks when fully thrown.

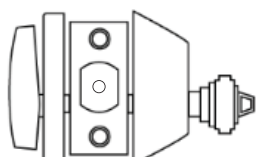
CRB700
ICCRB700
ANSI E0142



Heavy Duty Double Cylinder Deadbolt

Deadbolt thrown or retracted by key from either side. Bolt automatically deadlocks when fully thrown.

CRB600
ICCRB600



Classroom Deadbolt Lock

Deadbolt thrown or retracted by key from outside. Inside turn unit will retract bolt only. Bolt automatically deadlocks when fully thrown.

OTHER FUNCTIONS NOT LISTED AVAILABLE UPON REQUEST

IC "IC" Indicates functions available with Interchangeable Core compatible with 6 or 7 pin cores by Best, Falcon and Arrow.

T300 MAXIMUM SECURITY HEAVY DUTY DEADBOLTS
FOR COMMERCIAL AND RESIDENTIAL APPLICATIONS

MEETS
The Buy American Act

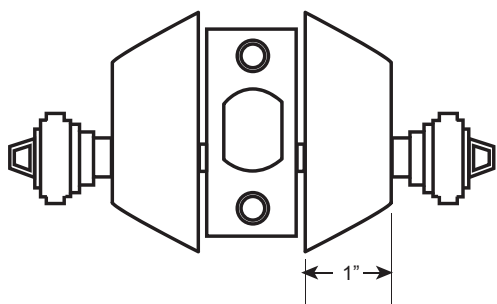
Meets ADA requirements
Specially designed for
Barrier Free Application
Exceeds BHMA/ ANSI A156.2
Series 4000, Grade 2 requirements



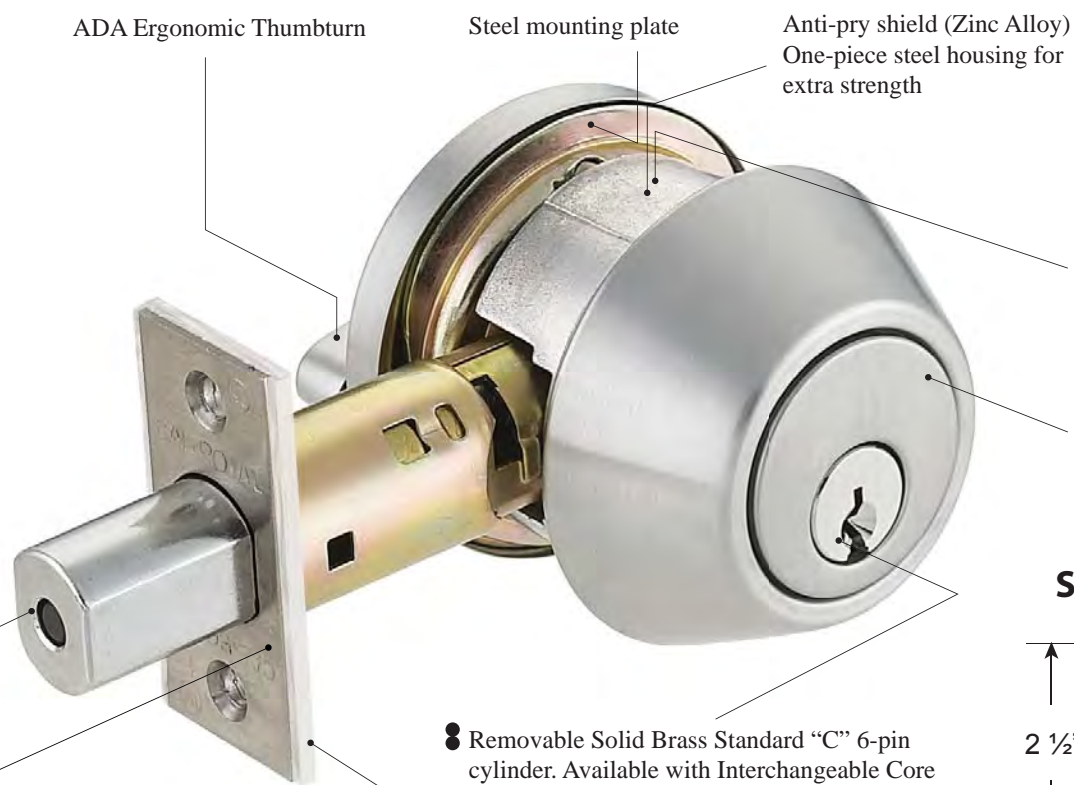
3 HOUR FIRE RATED
UL10C, UBC 7-2-1997

1" (25mm) throw high-strength
steel alloy deadbolt with
anti-saw pin

Sturdy, all steel latch
case and mechanism



**T362 SERIES
DOUBLE CYLINDER**



ADA Ergonomic Thumbturn

Steel mounting plate

Anti-pry shield (Zinc Alloy)
One-piece steel housing for
extra strength

1/4" (6mm) thru bolts for
high security

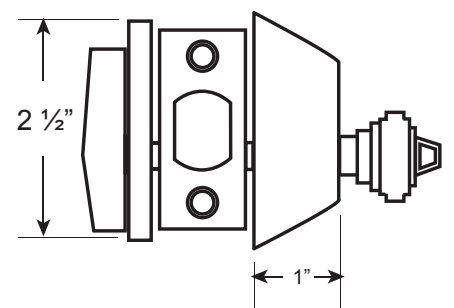
2 1/2" dia all metal one piece
heavy duty tapered cylinder
guard and metal insert

Removable Solid Brass Standard "C" 6-pin
cylinder. Available with Interchangeable Core

Plastic Filler for use on 1 1/8" door preparation



**T360 SERIES
SINGLE CYLINDER**



CONFIGURATION	MAX FRAME DIMENSIONS	DESIGN PRESSURE (PSF) INSWING/OUTSWING	
		POSITIVE	NEGATIVE
SINGLE	40" x 88"	+55.0	-55.0
DOUBLE	76" x 88"	+55.0	-55.0

SPECIFICATIONS

TRIM

Wrought Brass or Stainless Steel.

DOOR RANGES

Adjustable 1 3/8" (35mm) to 1 3/4" (45mm) door thickness.
Optional 2 1/4" thick doors. Specify conversion kit for single (CONV T360)
or double (CONV T362) Cylinder.

BACKSET

Adjustable UL Listed 3 Hour Fire Rating 2 3/8" or 2 3/4" latchbolt.

DEADBOLT FACEPLATE

Standard 2 1/4" X 1" packed with 1/8" plastic filler to convert 1" face plate to
1 1/8" wide door preparations.

BORE DIAMETER

1" for latch, 2 1/8" for lock housing.

KEYWAYS

6 pin solid brass "C" keyway standard. Schlage E, Schlage C-K,
Russwin D1-2-3-4, Corbin 59/60, Sargent LA-LB-LC, Falcon/Weiser E,
Arrow A, Yale 8, Yale GA and Kwikset. Can also accept Medeco, Assa,
Kaba and Cal-Royal (HSK) High Security Cylinders.

INTERCHANGEABLE CORE

Interchangeable Core locks will accept compatible 6 or 7 pin cores with
Best, Falcon and Arrow. Prefix "IC" before part number. Available
combined or uncombined. Temporary construction cores available.
Factory keying with control key and masterkey available.

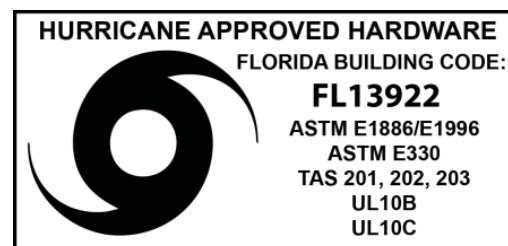
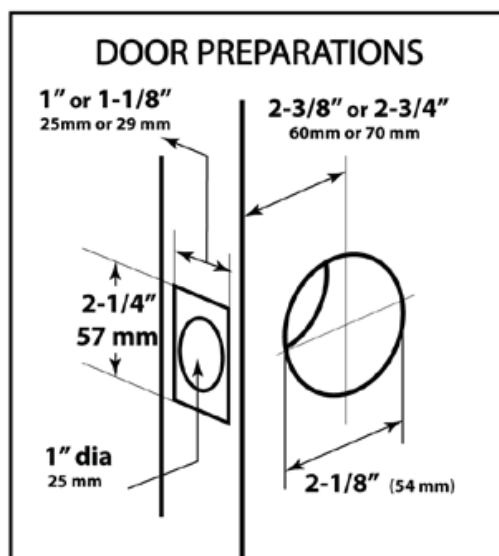
STRIKE

1 1/8" X 2 3/4" square corner. Extra security 1" throw bolt with 1/4" free
spinning anti-cut through pin. 3" screws with wood frame reinforcer
greatly strengthens door frames.

T300 SERIES FINISHES AND FUNCTIONS



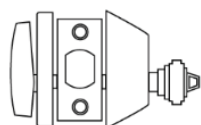
FINISHES AVAILABLE		
BHMA SYMBOL	US CODE	DESCRIPTION
605	US3	Polished Brass
606	US4	Satin Brass
609	US5	Antique Brass
612	US10	Satin Bronze
613	US10B	Oil Rubbed Bronze
619	US15	Satin Nickel
625	US26	Bright Chrome
626	US26D	Satin Chrome



Refer to price list for stock finishes and functions

CONFIGURATION	MAX FRAME DIMENSIONS	DESIGN PRESSURE (PSF) INSWING/OUTSWING	
		POSITIVE	NEGATIVE
SINGLE	40" x 88"	+55.0	-55.0
DOUBLE	76" x 88"	+55.0	-55.0

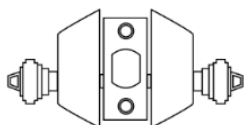
ULT360
ICULT360
ANSI E0152



Heavy Duty Single Cylinder Deadbolt

Deadbolt thrown or retracted by key from outside or by inside turn unit. Bolt automatically deadlocks when fully thrown.

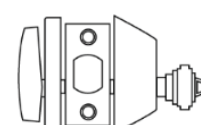
ULT362
ICULT362
ANSI E0142



Heavy Duty Double Cylinder Deadbolt

Deadbolt thrown or retracted by key from either side. Bolt automatically deadlocks when fully thrown.

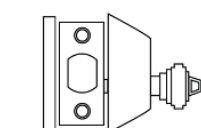
CL600
ICCL600
ANSI E0172



Classroom Deadbolt Lock

Deadbolt thrown or retracted by key outside. Inside turn unit will retract bolt only. Bolt automatically deadlocks when fully thrown.

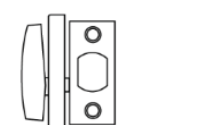
ULT700
ICULT700
ANSI E1161



One Way Dead Bolt WITH INTERNAL PLATE

Deadbolt thrown or retracted by key only. Bolt automatically deadlocks when fully thrown. Blank plate inside (exposed screws).

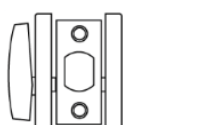
ULID363



One Sided Dead Bolt

Deadbolt thrown or retracted by turn unit only. No outside trim. Bore halfway through door for installation visible from one side of door only.

ULID365



One Sided Dead Bolt WITH EXTERNAL PLATE

Deadbolt thrown or retracted by turn unit only. Blank plate is on external trim to be used on bore holes 2 1/2" wide.

OTHER FUNCTIONS NOT LISTED AVAILABLE UPON REQUEST

IC "IC" Indicates functions available with Interchangeable Core compatible with 6 or 7 pin cores by Best, Falcon and Arrow.

T400 MAXIMUM SECURITY HEAVY DUTY DEADBOLTS
FOR COMMERCIAL AND RESIDENTIAL APPLICATIONS
GRADE 2



Meets ADA requirements
specially designed for
Barrier Free Application
Exceeds BHMA/ ANSI A156.2
Series 4000, Grade 2 requirements
Exceeds 400,00 cycles



ADA Ergonomic Thumbturn



**Lifetime
Warranty**

Sturdy, all steel latch case
and mechanism, adjustable
2 3/8" or 2 3/4"

1/8" Plastic Filler to convert
1" face plate to 1 1/8" wide
door preparations

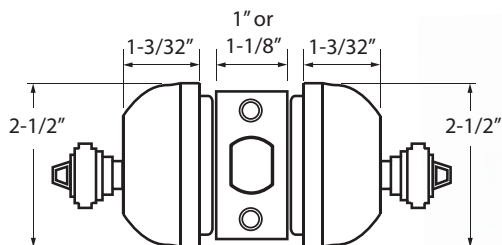
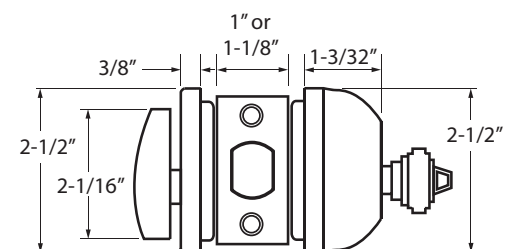
1" (25mm) throw
high-strength steel
alloy deadbolt with
anti-saw pin



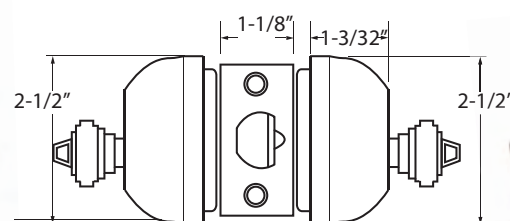
2 1/2" dia. all metal one piece
heavy duty tapered cylinder
guard and metal insert, turns
free with any removal attempt

Removable Solid Brass
Standard "C" 6-pin
or 5-pin Kwikset KW1
cylinder

**T460 SERIES
SINGLE CYLINDER DEAD BOLT**



**T462 SERIES
DOUBLE CYLINDER DEAD BOLT**



**GL462 SERIES
DOUBLE CYLINDER GATE LATCH**



SPECIFICATIONS

TRIM

Wrought Brass or Stainless Steel.

DOOR RANGES

Adjustable 1 3/8" (35mm) to 2" (50.75mm) door thickness.

BACKSET

Adjustable 2 3/8" or 2 3/4" latchbolt. Gate latch available in 2 3/8" and 2 3/4".

DEADBOLT FACEPLATE

Latchbolt: Standard 2 1/4" X 1" packed with 1/8" plastic filler to convert 1" face plate to 1 1/8" wide door preparations.
Gate latch: 2 1/4" X 1 1/8" face plate for both 2 3/8" and 2 3/4".

BORE DIAMETER

1" for latch, 2 1/8" or 1 1/2" for lock housing.

KEYWAYS

Optional 6 pin solid brass "C" or 5 pin Kwikset KW1 keyways standard. Schlage E, Schlage C-K, Russwin D1-2-3-4, Corbin 59/60, Corbin-Russwin L4, Sargent LA-LB-LC, Falcon/Weiser E, Arrow A, Yale 8 and Yale GA. Can also accept Medeco, Assa, Kaba and Cal-Royal (HSK) High Security Cylinders.

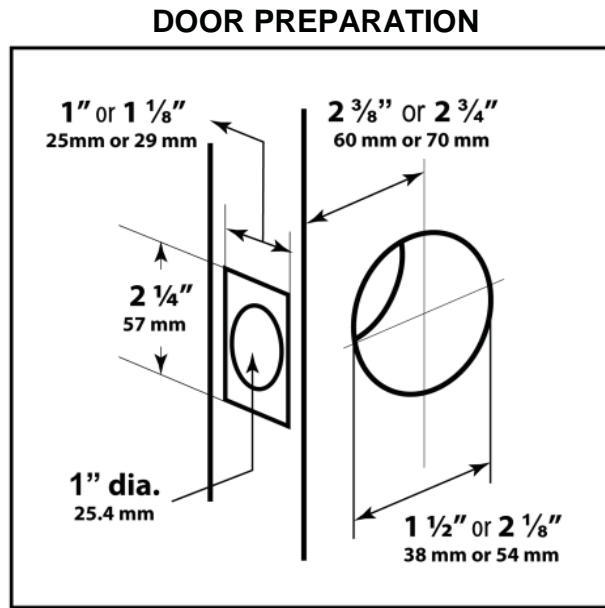
STRIKE

1 1/8" X 2 3/4" square corner. Extra security 1" throw bolt. 3" screws with wood frame reinforcer greatly strengthens door frames.

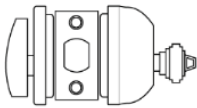
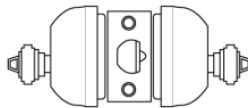
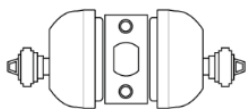
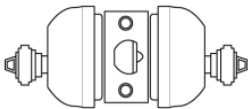
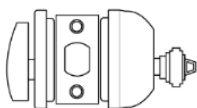
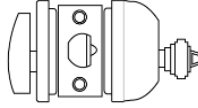
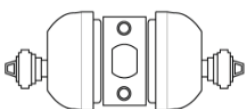
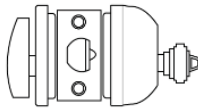
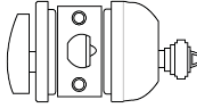
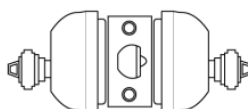
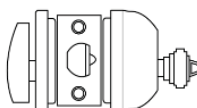
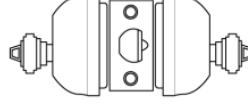
T400 SERIES FINISHES AND FUNCTIONS



FINISHES AVAILABLE		
BHMA SYMBOL	US CODE	DESCRIPTION
605	US3	Polished Brass
606	US4	Satin Brass
609	US5	Antique Brass
612	US10	Satin Bronze
613	US10B	Oil Rubbed Bronze
619	US15	Satin Nickel
625	US26	Bright Chrome
626	US26D	Satin Chrome
---	VB	Venetian Bronze



Refer to price list for stock finishes and functions

- | | | | |
|--|--|--|---|
| <p>T460
ANSI E0152</p>  | <p>Heavy Duty Single Cylinder Deadbolt (6 pin "C" Keyway Cylinder)
Deadbolt thrown or retracted by key from outside or by inside turn unit. Bolt automatically deadlocks when fully thrown.</p> | <p>GL462
ANSI E0142</p>  | <p>Heavy Duty Double Cylinder Gate Latch (6 pin "C" Keyway Cylinder) 2 3/8" Backset
Gate Latch thrown or retracted by key from either side. Latch automatically deadlocks when fully thrown.</p> |
| <p>T462
ANSI E0142</p>  | <p>Heavy Duty Double Cylinder Deadbolt (6 pin "C" Keyway Cylinder)
Deadbolt thrown or retracted by key from either side. Bolt automatically deadlocks when fully thrown.</p> | <p>GL462/234
ANSI E0142</p>  | <p>Heavy Duty Double Cylinder Gate Latch (6 pin "C" Keyway Cylinder) 2 3/4" Backset
Gate Latch thrown or retracted by key from either side. Latch automatically deadlocks when fully thrown.</p> |
| <p>KWT460
ANSI E0152</p>  | <p>Heavy Duty Single Cylinder Deadbolt (5 pin Kwikset KW1 Cylinder)
Deadbolt thrown or retracted by key from outside or by inside turn unit. Bolt automatically deadlocks when fully thrown.</p> | <p>GLKW460
ANSI E0152</p>  | <p>Heavy Duty Single Cylinder Gate Latch (5 pin Kwikset KW1 Cylinder) 2 3/8" Backset
Gate Latch thrown or retracted by key from outside or by inside turn unit. Latch automatically deadlocks when fully thrown.</p> |
| <p>KWT462
ANSI E0142</p>  | <p>Heavy Duty Double Cylinder Deadbolt (5 pin Kwikset KW1 Cylinder)
Deadbolt thrown or retracted by key from either side. Bolt automatically deadlocks when fully thrown.</p> | <p>GLKW460/234
ANSI E0152</p>  | <p>Heavy Duty Single Cylinder Gate Latch (5 pin Kwikset KW1 Cylinder) 2 3/4" Backset
Gate Latch thrown or retracted by key from outside or by inside turn unit. Latch automatically deadlocks when fully thrown.</p> |
| <p>GL460
ANSI E0152</p>  | <p>Heavy Duty Single Cylinder Gate Latch (6 pin "C" Keyway Cylinder) 2 3/8" Backset
Gate Latch thrown or retracted by key from outside or by inside turn unit. Latch automatically deadlocks when fully thrown.</p> | <p>GLKW462
ANSI E0142</p>  | <p>Heavy Duty Double Cylinder Gate Latch (5 pin Kwikset KW1 Cylinder) 2 3/8" Backset
Gate Latch thrown or retracted by key from either side. Latch automatically deadlocks when fully thrown.</p> |
| <p>GL460/234
ANSI E0152</p>  | <p>Heavy Duty Single Cylinder Gate Latch (6 pin "C" Keyway Cylinder) 2 3/4" Backset
Gate Latch thrown or retracted by key from outside or by inside turn unit. Latch automatically deadlocks when fully thrown.</p> | <p>GLKW462/234
ANSI E0142</p>  | <p>Heavy Duty Double Cylinder Gate Latch (5 pin Kwikset KW1 Cylinder) 2 3/4" Backset
Gate Latch thrown or retracted by key from either side. Latch automatically deadlocks when fully thrown.</p> |

OTHER FUNCTIONS NOT LISTED AVAILABLE UPON REQUEST

CB160 STANDARD DUTY DEADBOLTS
GL160 STANDARD DUTY GATE LATCHES
FOR LIGHT COMMERCIAL AND RESIDENTIAL APPLICATIONS

Conforms with ANSI A156.5
Series 4000, Grade 2
Exceeds 400,000 cycles

Latch front adapter to
convert 1" face plate to 1 1/8"
wide door preparations

Latch bolt adjustable 2 3/8" - 2 3/4"

Sturdy, all steel latch
case and mechanism



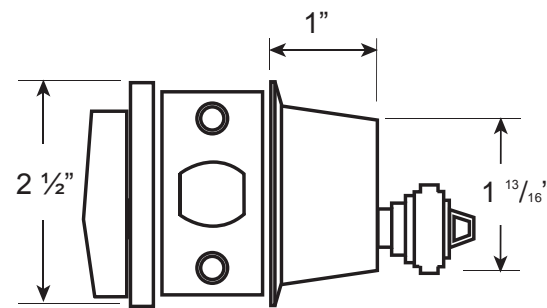
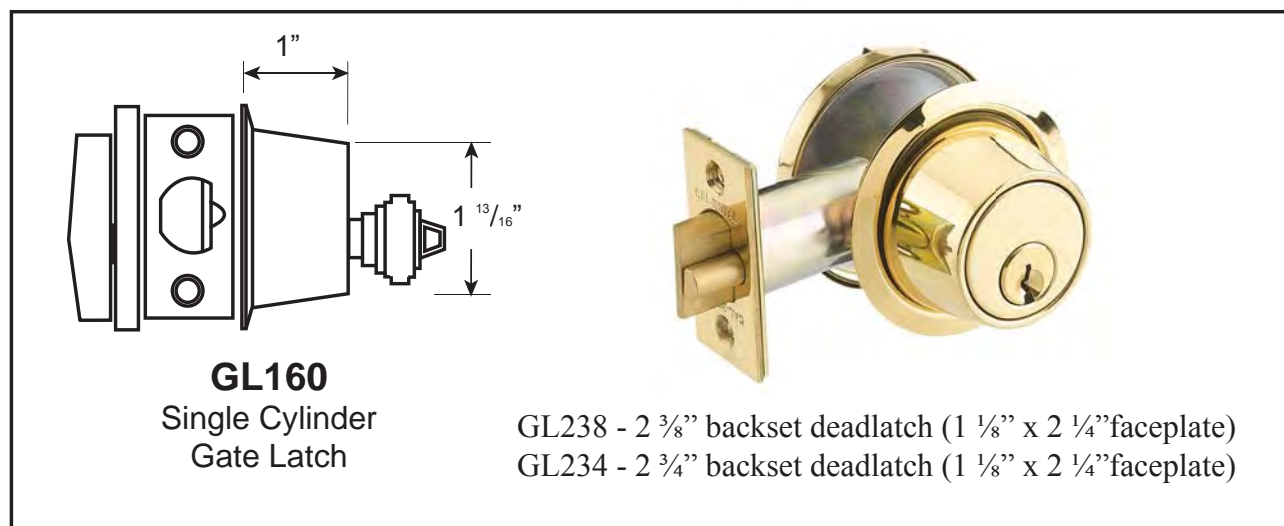
**Lifetime
Warranty**

2 5/8" diameter Adapter Ring
for 2 1/8" door preparations

2" diameter tapered
cylinder guard and metal
insert, turns free with any
removal attempt

Removable Solid Brass
Standard "C" 6-pin cylinder

Cast Steel housing



CB160
Single Cylinder

SPECIFICATIONS

TRIM:

Wrought Brass or Stainless Steel.

DOOR RANGES:

Adjustable 1 3/8" (35mm) to 1 3/4" (45mm) door thickness.

BACKSET:

Adjustable 2 3/8" or 2 3/4".

DEADBOLT FACEPLATE:

Standard 2 1/4" X 1" packed with 1/8" plastic filler to convert 1" face plate to 1 1/8" wide door preparations.

BORE DIAMETER:

1" for latch, 1 1/2" or 2 1/8" for lock housing.

STRIKE:

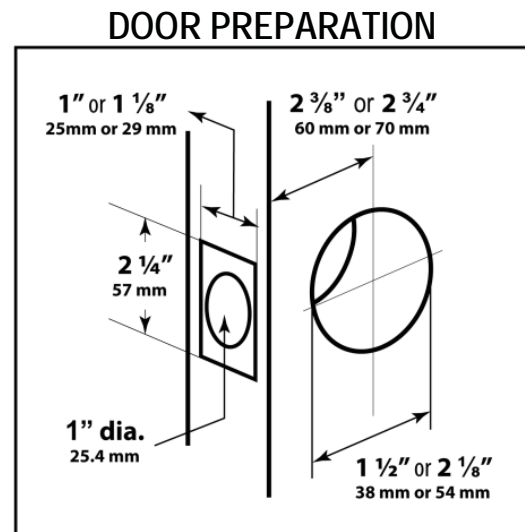
1 1/8" X 2 3/4" square corner.

KEYWAYS:

Standard 6-pin solid brass "C" keyway. Optional Schlage C-K composite with "E" keys, Schlage "E", Russwin D1-2-3-4, Corbin 59/60, Corbin-Russwin L4, Sargent LA-LB-LC, Falcon/Weiser E, Kwikset, Arrow A, Yale GA and Yale 8.

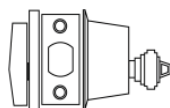
CB160 SERIES FINISHES AND FUNCTIONS

FINISHES AVAILABLE		
BHMA SYMBOL	US CODE	DESCRIPTION
605	US3	Polished Brass
606	US4	Satin Brass
609	US5	Antique Brass
612	US10	Satin Bronze
613	US10B	Oil Rubbed Bronze
619	US15	Satin Nickel
625	US26	Bright Chrome
626	US26D	Satin Chrome



Refer to price list for stock finishes and functions

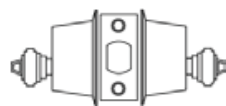
CB160
ANSI E0152



Heavy Duty Single Cylinder Deadbolt

Deadbolt thrown or retracted by key from outside or by inside turn unit. Bolt automatically deadlocks when fully thrown.

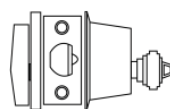
CB162
ANSI E0142



Heavy Duty Double Cylinder Deadbolt

Deadbolt thrown or retracted by key from either side. Bolt automatically deadlocks when fully thrown.

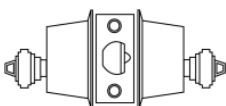
GL160
ANSI E0152



Single Cylinder Gate Latch (2 3/8" backset)

Dead locking latch bolt retracted by key from outside and thumb turn on inside. Otherwise always locked.

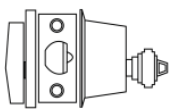
GL162
ANSI E0142



Double Cylinder Gate Latch (2 3/8" backset)

Dead locking latch bolt retracted by key from either side. Otherwise always locked.

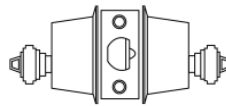
GL160/234
ANSI E0152



Single Cylinder Gate Latch (2 3/4" backset)

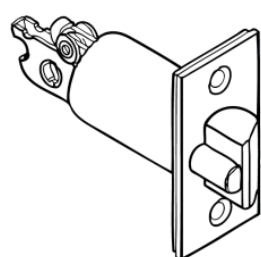
Dead locking latch bolt retracted by key from outside and thumb turn on inside. Otherwise always locked.

GL162/234
ANSI E0142



Double Cylinder Gate Latch (2 3/4" backset)

Dead locking latch bolt retracted by key from either side. Otherwise always locked.



ADDITIONAL PARTS	
GL238	2 3/8" deadlatch (1 1/8" x 2 1/4")
GL234	2 3/4" deadlatch (1 1/8" x 2 1/4")

OTHER FUNCTIONS NOT LISTED AVAILABLE UPON REQUEST
HOLD BACK FEATURE ON DEADBOLT WITH GATE LATCH NOT AVAILABLE

**T220 / GL220 SERIES
ANSI A156.5 GRADE 3
STANDARD DUTY
DEADBOLTS / GATE LATCHES**

- Available with Interchangeable Core for Best, Falcon & Arrow
- Available with Interchangeable Core for Schlage Full Size Format OEM Cylinders

**T220 STANDARD DUTY DEADBOLTS
GL220 STANDARD DUTY GATE LATCHES
FOR LIGHT COMMERCIAL AND RESIDENTIAL APPLICATIONS**

MEETS
The Buy American Act

Conforms with ANSI A156.2
Series 4000, Grade 3
Exceeds 400,000 cycles

ADA Ergonomic Thumbturn

Plastic Filler for use on 1 1/8" door preparation

Sturdy, all steel latch case and mechanism

Latch bolt adjustable
2 3/8" or 2 3/4"

2 1/2" diameter tapered cylinder guard and metal insert, turns free with any removal attempt

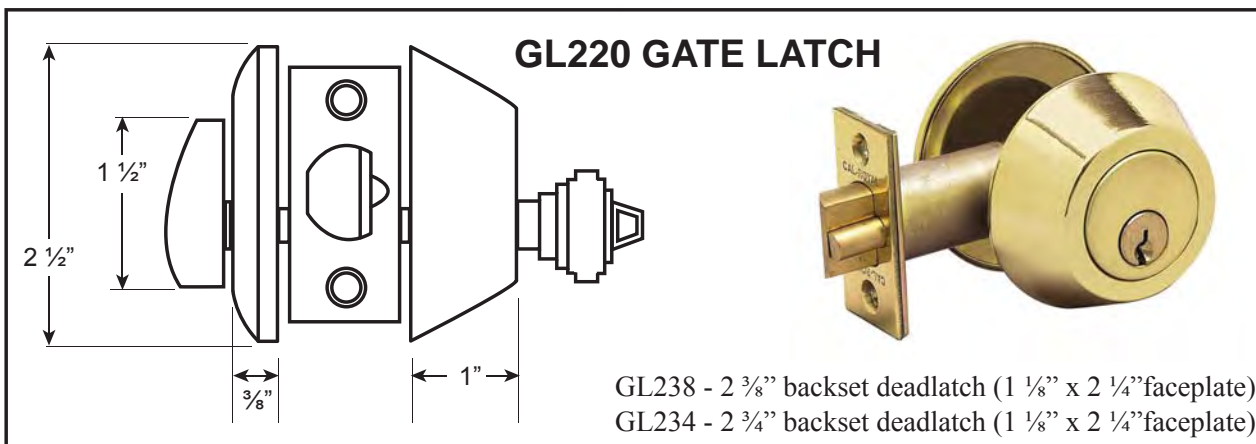
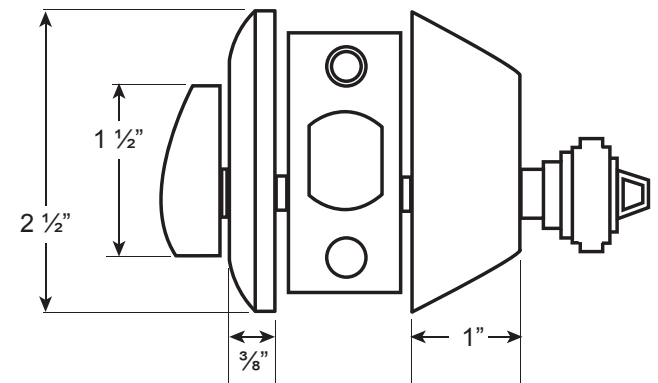
Cast Solid Brass housing

Available with Interchangeable Core

Removable Solid Brass Standard "C" 6-pin cylinder



T220 DEADBOLT



SPECIFICATIONS

TRIM

Wrought Brass or Stainless Steel.

DOOR RANGES

Adjustable 1 3/8" (35mm) to 1 3/4" (45mm) door thickness.

BACKSET

Adjustable 2 3/8" or 2 3/4" for T220 and T330.
For GL220 and GL330 specify backset.

DEADBOLT FACEPLATE

Standard 2 1/4" X 1" packed with 1/8" plastic filler to convert 1" face plate to 1 1/8" wide door preparations.

BORE DIAMETER

1" for latch, 1 1/2" or 2 1/8" for lock housing.

STRIKE

1 1/8" X 2 3/4" square corner.

CYLINDER & KEYWAYS

6 pin solid brass "C" keyway standard.

● **INTERCHANGEABLE CORE**

Interchangeable Core locks will accept compatible 6 or 7 pin cores with BEST, FALCON and ARROW.

● Interchangeable Core locks will also accept SCHLAGE full size format OEM interchangeable core cylinders and compatible Schlage 6-Pin Interchangeable Core. Interchangeable Core offered by Cal-Royal Products Inc.

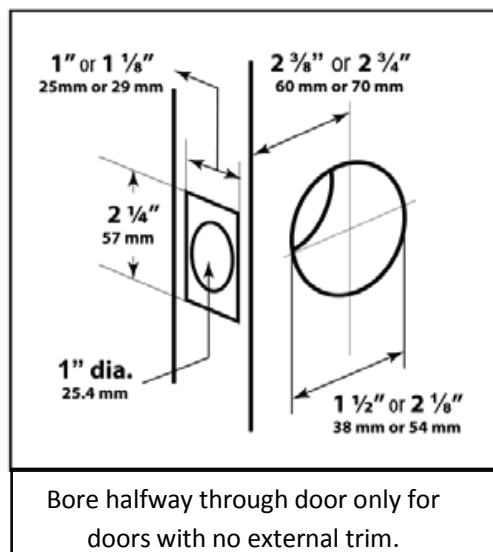
T220/GL220 SERIES FINISHES AND FUNCTIONS



FINISHES AVAILABLE		
BHMA SYMBOL	US CODE	DESCRIPTION
605	US3	Polished Brass
606	US4	Satin Brass
609	US5	Antique Brass
612	US10	Satin Bronze
613	US10B	Oil Rubbed Bronze
619	US15	Satin Nickel
625	US26	Polished Chrome
626	US26D	Satin Chrome

Refer to price list for stock finishes and functions

DOOR PREPARATION



- T220**
ICT220
SCICT220
ANSI E0153

Single Cylinder Deadbolt
 Dead locking latch bolt retracted by key from outside or by thumb turn on inside. Adjustable 2 3/8" or 2 3/4" backset.
- T330**
ICT330
SCICT330
ANSI E0143

Double Cylinder Deadbolt
 Dead locking deadbolt retracted by key from either side. Adjustable 2 3/8" or 2 3/4" backset.
- ID58**

One Sided Dead Bolt
 Deadbolt thrown or retracted by turn unit only. No outside trim. Bore halfway through door for installation visible from one side of door only.
- ID60**

One Sided Dead Bolt
 Deadbolt thrown or retracted by turn unit only. Blank plate is on external trim to be used on bore holes 1 5/8" and 2 1/8" wide.
- GL220**
ICGL220
ANSI E0153

Single Cylinder Gate Latch
 Dead locking latch bolt retracted by key from outside or by thumb turn on inside. Otherwise always locked (2 3/8" backset)
- GL220234**
ICGL220234
ANSI E0142

Single Cylinder Gate Latch
 Dead locking latch bolt retracted by key from outside or by thumb turn on inside. Otherwise always locked. (2 3/4" backset)

- GL330**
ICGL330
ANSI E0143

Double Cylinder Gate Latch
 Dead locking latch bolt retracted by key from either side. Otherwise always locked. (2 3/8" backset)
- GL330234**
ICGL330234
ANSI E0142

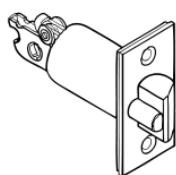
Double Cylinder Gate Latch
 Dead locking latch bolt retracted by key from either side. Otherwise always locked. (2 3/4" backset)
- GL58**

One Sided Latch Bolt
 Dead latch retracted by thumb turn, no outside trim. Visible from one side of door only. Otherwise always locked.
- GL60**

One Sided Latch Bolt
 Dead latch retracted by thumb turn unit. Blank plate on external trim to be used on bore holes 1 5/8" and 2 1/8" diameter. Otherwise always locked.
- GL58234**

One Sided Latch Bolt
 Dead latch retracted by thumb turn, no outside trim. Visible from one side of door only. Otherwise always locked.
- GL60234**

One Sided Latch Bolt
 Dead latch retracted by turn unit. Blank plate on external trim to be used on bore holes 1 5/8" and 2 1/8" diameter. Otherwise always locked.



ADDITIONAL PARTS	
GL238	2 3/8" dead latch (1 1/8" x 2 1/4")
GL234	2 3/4" dead latch (1 1/8" x 2 1/4")

- "IC" Indicates function available with BEST, FALCON & ARROW Interchangeable Core.
- "SCIC" Indicates function available with SCHLAGE full size format Interchangeable Core.

HOLD BACK FEATURE ON DEADBOLT WITH GATE LATCH NOT AVAILABLE

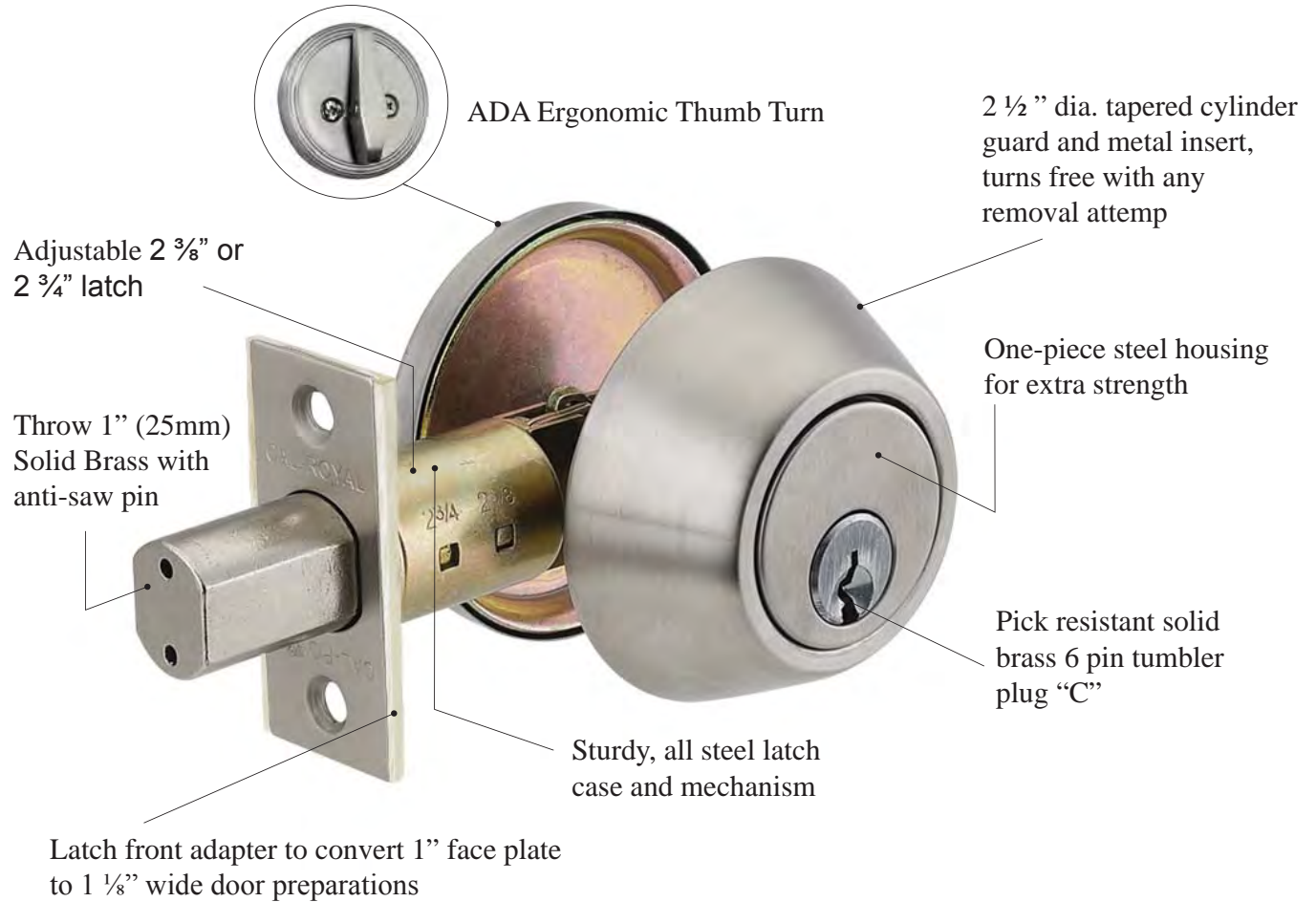
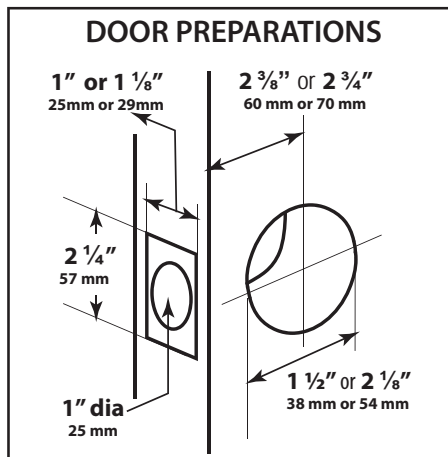
OTHER FUNCTIONS NOT LISTED AVAILABLE UPON REQUEST

LSD STANDARD DUTY DEADBOLTS
FOR COMMERCIAL AND RESIDENTIAL APPLICATIONS

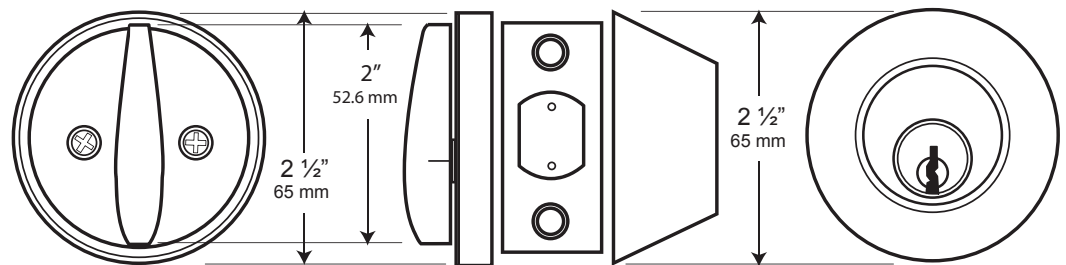
Conforms with ANSI A156.2
Series 4000, Grade 3



LSD88
DOUBLE CYLINDER



LSD01
SINGLE CYLINDER



SPECIFICATIONS

TRIM

Wrought Brass or Stainless Steel.

BACKSET

Adjustable 2 3/8" or 2 3/4".

DEADBOLT FACEPLATE

Standard 2 1/4" X 1". Packed with 1/8" plastic filler to convert 1" face plate to 1 1/8" wide door preparations.

DOOR RANGES

Adjustable 1 3/8" (35mm) to 1 3/4" (45mm) door thickness.

BORE DIAMETER

1" for latch, 1 1/2" or 2 1/8" for lock housing.

KEYWAYS

6 pin solid brass "C" keyway standard. Optional Schlage E, Schlage C-K, Russwin D1-2-3-4, Corbin 59/60, Corbin-Russwin L4, Sargent LA-LB-LC, Falcon/Weiser E, Arrow A, Yale 8, Yale GA and Kwikset. Can also accept Medeco, Assa, Kaba and Cal-Royal (HSK) High Security Cylinders.

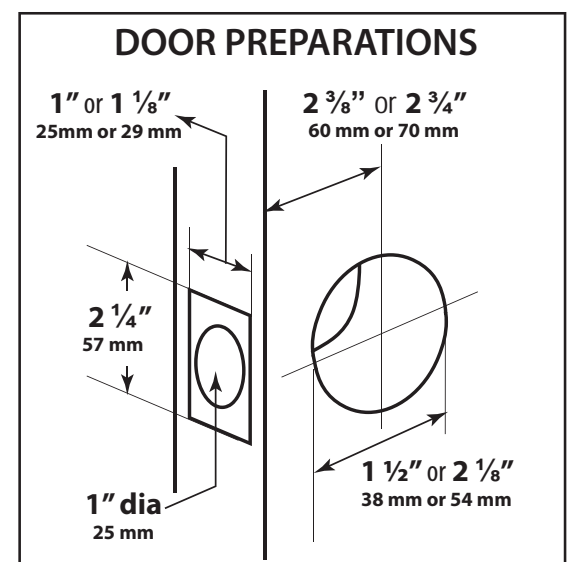
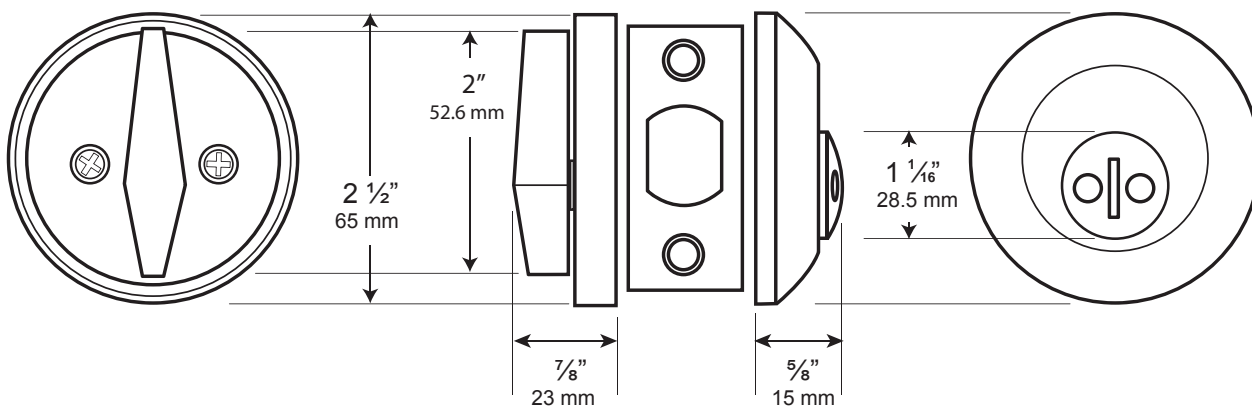
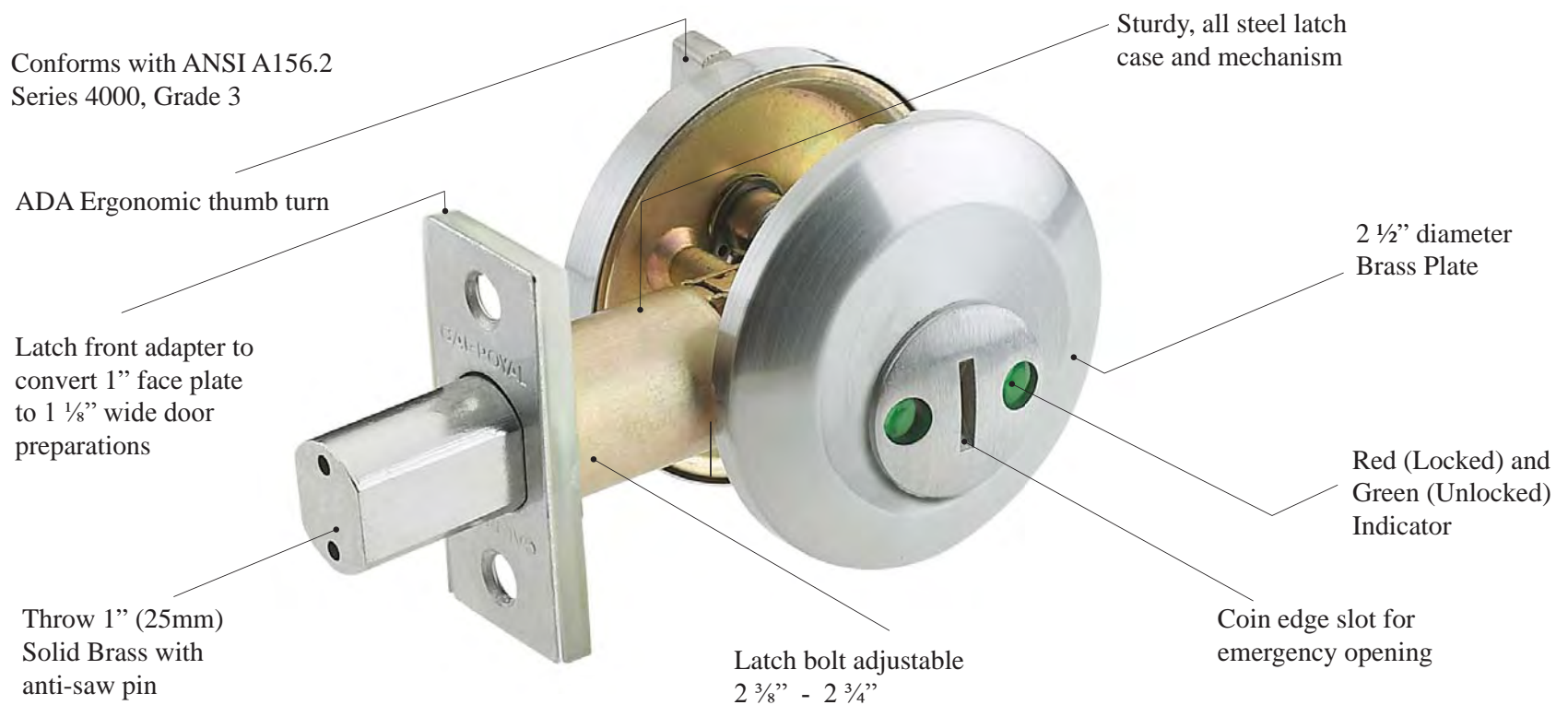
STRIKE

1 1/8" X 2 3/4" square corner.

FINISHES:

LSD SERIES is available in stock in US32D, 26, 26D, 10B, US3 and US15 finishes. Refer to price list for other stock finishes and functions.

IND84 INDICATOR DEADBOLTS
FOR COMMERCIAL AND RESIDENTIAL APPLICATIONS



SPECIFICATIONS

TRIM

Wrought Brass or Stainless Steel.

DOOR RANGES

Adjustable 1 3/8" (35mm) to 1 3/4" (45mm) door thickness.

BACKSET

Adjustable 2 3/8" or 2 3/4".

DEADBOLT FACEPLATE

Standard 2 1/4" X 1" packed with 1/8" plastic filler to convert 1" face plate to 1 1/8" wide door preparations.

BORE DIAMETER

1" for latch, 1 1/2" or 2 1/8" for lock housing.

STRIKE

1 1/8" X 2 3/4" square corner.

FINISHES

IND84 is available in stock in US26D, 3, 4 and 10B finishes. Refer to price list for other stock finishes and functions.


RIM AND MORTISE CYLINDERS

6 PIN SCHLAGE "C" KEYWAY MORTISE AND RIM CYLINDER			
ILLUSTRATION	ITEM#	DESCRIPTION	FINISH
	CX96RIM	6 Pin SCHLAGE "C" keyway 1 1/8" Rim Cylinder with mounting plate & screws	US26D, 10B, 3
	AMORTCYL118	6 Pin SCHLAGE "C" Keyway Mortise Cylinder 1 1/8" length, with Adams Rite Cam	
	AMORTCYL114	6 Pin SCHLAGE "C" Keyway Mortise Cylinder 1 1/4" length, with Adams Rite Cam	
	CMORTCYL118	6 Pin SCHLAGE "C" Keyway Mortise Cylinder 1 1/8" length, with CLOVER LEAF cam	
	CMORTCYL114	6 Pin SCHLAGE "C" Keyway Mortise Cylinder 1 1/4" length, with CLOVER LEAF cam	
	THMBMORT100	1" Mortise Cylinder with Thumbturn	
THMBMORT100 BLNKMORT100	BLNKMORT100	1" Blank Mortise Cylinder	
BEST, FALCON AND ARROW 6 / 7 PIN SMALL FORMAT INTERCHANGEABLE CORE MORTISE AND RIM CYLINDER			
	308-602	Best, Falcon and Arrow 6 / 7 Pin Small Format Interchangeable Core Rim Cylinder with mounting plate & screws	US26D, 10B, 3
	307-601	Best, Falcon and Arrow 6 / 7 Pin Small Format Interchangeable Core Mortise Cylinder, with Adams Rite Cam , 1 1/4" length	
	ICH961387	Best, Falcon and Arrow 6 / 7 Pin Small Format Interchangeable Core Mortise Cylinder, Cloverleaf Cam 1 1/4" length, To be used with Cal-Royal M Series Mortise locks	
SCHLAGE LARGE FORMAT 6 PIN INTERCHANGEABLE CORE MORTISE AND RIM CYLINDER			
	6000ICMA	SCHLAGE Large format Interchangeable Core Mortise cylinder with Adams Rite Cam 1 1/2" long	US26D, 10B, 3
	7000ICMC	SCHLAGE Large format Interchangeable Core Mortise cylinder with Cloverleaf Cam 1 1/2" long. To be used with Cal-Royal M Series Mortise locks	
	8000ICRIM	SCHLAGE Large format Interchangeable Core rim cylinder with mounting plate and screws	
MORTISE CYLINDER ACCESSORIES			
	MCCR1814	Mortise Cylinder Compression Ring 1/8" to 1/4"	US26D, 10B, 3
MCCR1814 MCCR3812	MCCR3812	Mortise Cylinder Compression Ring 3/8" to 1/2"	
	CGR175	Cylinder Guard Ring 1 3/4" with Wave Washer and Spacing Collar	US26D, 10B, 3, 4
	MCRC-250	Free Spinning Cylinder Guard Ring 1/4"	US3,15, 26D,10B

Schlage Large Format 6 Pin Interchangeable Core Cylinders

Features:

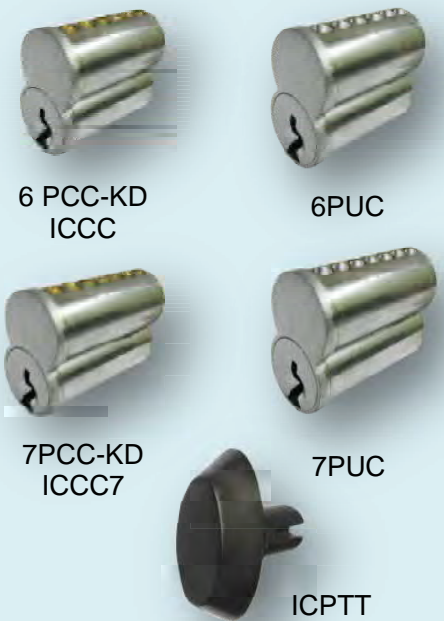
- Operates on all **Schlage Large Format Interchangeable Cores** locksets, deadbolts, rim and Mortise cylinders.
- Operates on Cal-Royal's Commander Grade 2 leversets with large format, Genesys Grade 1 leversets with Large Format **IC** Core, T220 Series deadbolts with Large Format **IC** Core.

LARGE FORMAT 6 PIN INTERCHANGEABLE CORE CYLINDERS			
ILLUSTRATION	ITEM#	DESCRIPTION	FINISH
	3000ICC	6 Pin "C" keyway combined SCHLAGE large format IC core cylinder KA# 111111 with "C" key blanks	US3, 26D
	4000ICCK	6 Pin "C-K" keyway combined SCHLAGE large format IC core cylinder KA# 111111 with "E" key blanks	
	5000ICE	6 Pin "E" keyway combined SCHLAGE large format IC core cylinder KA# 111111 with "E" key blanks	
	1000ICC	6 Pin "C" keyway combined SCHLAGE large format IC core cylinder KD and MK	
	2000ICC	Temporary 6-PIN Construction Cores (Keyed Alike) will be charged on a separate memo billing for 6 months. On return to the factory credit will be issued.	

Best, Falcon and Arrow Small Format 6/7 Pin Interchangeable Core Cylinders

Features:

- Operates on **Best, Falcon and Arrow Small Format Interchangeable Cores** locksets, deadbolts, rim and Mortise cylinders.
- Operates on all of Cal-Royal's keyed lock functions that specify availability with **Best, Falcon and Arrow Small Format Interchangeable Cores**.
- Keyways available: A,B,C,D,E,F,G,H,I,J,K,L,M. "A" is stock keyway. Allow 2 to 3 weeks for other keyways

SMALL FORMAT 6 / 7 PIN INTERCHANGEABLE CORE CYLINDERS			
ILLUSTRATION	ITEM#	DESCRIPTION	FINISH
	6PCC-KD	Best, Falcon and Arrow Small Format. 6-pin Interchangeable Core, Rim and Mortise Cylinder.	US3, 26D
	6PUC	6-pin Uncombined	
	7PCC-KD	Best, Falcon and Arrow Small Format. 7-pin Interchangeable Core, Rim and Mortise Cylinder.	
	7PUC	7-pin Uncombined	
	ICCC	Temporary 6-PIN construction cores	
	ICCC7	Temporary 7-PIN construction cores	
	ICPTT	Plastic thumb turns available for non-secured areas.	Black

RESTRICTED KEY CONTROL USING CONVENTIONAL REPLACEMENT CYLINDERS (TIER 3)

Tier 3 Conventional Replacement Cylinders

Provide restricted key control by utilizing the HSK Patented key system, without the cost of anti pick drill and bump features. Tier 3 cylinders can be incorporated into HSK Tier 1 & 2 Master Key and Key systems. HSK Tier 1 & 2 keys will work in Tier 3 cylinders however Tier 3 keys will not work in Tier 1 & 2 HSK Cylinders. Tier 3 keys are covered under our patented key system.

Tier 2 High Security Cylinders

Have anti pick, anti drill and anti bump features without the UL 437 Certification.

Tier 1 (UL 437) High Security Cylinders

Have anti pick, anti drill and anti bump features incorporated and have the UL 437 Certification.



RESTRICTED KEY CONTROL REPLACEMENT CYLINDERS		
KEY-IN-KNOB-LEVER CYLINDERS	SMALL FORMAT IC CYLINDERS	MORTISE CYLINDERS
KKCRL-6 Key-In-Knob / Lever Replacement Cylinder 6 Pin "0 Bitted" Includes: <ul style="list-style-type: none"> Standard Key/Lever Tailpiece (other tailpieces available) 2 keys See Note B	7PUCCRS Un-combated Small Format interchangeable Core Conventional SFIC, 7 PIN <ul style="list-style-type: none"> Does not include keys See Note C	KMCRL-4 1 1/4" 6 Pin "0 Bitted" Mortise Cylinder. <ul style="list-style-type: none"> Cylinder comes with Adams Rite Cam - other cams are available as HSK. 2 keys Optional Rim Conversion Package Available See Note B & Note E
RESTRICTED KEY CONTROL REPLACEMENT CYLINDER KITS		
SINGLE CYLINDER DEADBOLT KITS	DOUBLE CYLINDER DEADBOLT KITS	MORTISE / RIM COMBO CYLINDER KITS
KKCRLSD-6 Single Cylinder Deadbolt Replacement Cylinder 6 Pin "0 Bitted" Includes: <ul style="list-style-type: none"> 2 keys See Note B	KKCRLDD-6 Double Cylinder Deadbolt Replacement Cylinder (2 required) 6 Pin "0 Bitted" Includes: <ul style="list-style-type: none"> 2 keys See Note B	KRCRL-6 1 1/4", 6 Pin "0 Bitted" Mortise Cylinder w/ Rim Conversion Package Cylinder comes with Adams Rite Cam Includes: <ul style="list-style-type: none"> 2 keys See Note B
KEY BLANKS	NOTES	
	Notes a. HSK Tier 1 and 2 Keys will operate with Tier 3 Replacement Cylinders, however the Tier 3 keys will not operate in the Tier 1 and Tier 2 High Security Cylinders. b. Pinning on Full Size Cylinders (CRL) is the same as Schlage, Pins, Depths & Spacing. No special Pinning kits required. c. Pinning on SFIC Cores (7PUC) is the same as Best Falcon, Pins, Depth & Spacing. No special Pinning kits required. d. Cutting keys will have to be done on code machines or duplicators. These keys cannot be cut on punches. e. Tier 1, 2 & 3 Mortise Cylinders use the same Cams. To order other cams see HSK Cam Sheet. f. Optional Rim Pack is also sold separately. Part # is "Rim Pack." (Converts Mortise Cylinder to Rim Cylinder)	
KBCRL-6 Key blanks for use with Full Size replacement cylinders KBCRS-7 Key blanks for use with 7PUCCRS Small Format Interchangeable Cores.		

NEW PRODUCT

BEST / FALCON 6 & 7 PIN SMALL FORMAT INTERCHANGEABLE CORES & KEY BLANKS


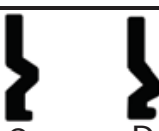




KEY SECTIONS (A, B, C, D, E, F, G, H, J, K, L, M, Q, TB)

*All above keyways in stock for immediate shipment

Features:

- Operates on **Best / Falcon Small Format Interchangeable Cores** locksets, deadbolts, rim and Mortise cylinders
- Operates on all of Cal-Royal's keyed locksets prepared for small format **Best / Falcon A, B, C, D, E, F, G, H, J, K, L, M, Q, TB KEYWAYS**

***Note: 6PUC A is the same as 6PUC and 7PUC A is the same as 7PUC now with new lower prices.**

KEY SECTIONS	UNCOMBINATED	MASTER KEYED	KEY BLANKS
 A B	*6PUC A (6 Pins)	6PCC A-MK (6 Pins)	KBSF-A
	*7PUC A (7 Pins)	7PCC A-MK (7 Pins)	KBSF-A
	7PUC B (7 Pins)	7PCC B-MK (7 Pins)	KBSF-B
 C D	7PUC C (7 Pins)	7PCC C-MK (7 Pins)	KBSF-C
	7PUC D (7 Pins)	7PCC D-MK (7 Pins)	KBSF-D
 E F	7PUC E (7 Pins)	7PCC E-MK (7 Pins)	KBSF-E
	7PUC F (7 Pins)	7PCC F-MK (7 Pins)	KBSF-F
 G H	7PUC G (7 Pins)	7PCC G-MK (7 Pins)	KBSF-G
	7PUC H (7 pins)	7PCC H-MK (7 Pins)	KBSF-H
 J K L	7PUC J (7 Pins)	7PCC J-MK (7 Pins)	KBSF-J
	7PUC K (7 Pins)	7PCC K-MK (7 Pins)	KBSF-K
	7PUC L (7 Pins)	7PCC L-MK (7 Pins)	KBSF-L
 M Q TB	7PUC M (7 Pins)	7PCC M-MK (7 Pins)	KBSF-M
	7PUC Q (7 Pins)	7PCC Q-MK (7 Pins)	KBSF-Q
	7PUC TB (7 Pins)	7PCC TB-MK (7 Pins)	KBSF-TB



ALSO AVAILABLE - GMK AND GGMK MASTER KEYING
- OTHER LARGER LEVEL KEYING SYSTEMS

CRP HSK HIGH SECURITY KEY SYSTEM

The CRP Securities High Security Key (HSK) System utilizes the innovative Sidebar technology to bring superior and manageable Key Control. Together with distinct keyways and controlled means of key blank distribution, the Sidebar offers a superior level of Key Control Management. Keys can be cut on any standard duplicating and code cutting machines. All cylinders can be master keyed (MK), keyed-alike (KA) and keyed-different (KD).

The HSK System is designed for use in institutions, schools, hospitals, banks and all commercial and residential applications. The Sidebar series keyway is a proprietary design that is distributed in a controlled manner. Card control is implemented which requires authorized signature for valid duplication. We offer a cost-effective level of security comparable to other expensive high security control systems.

Maximum pick resistance is assured in HSK Systems with the utilization of anti-picking side pins and random mushroom top pins secured by cap screws. Standard cylinders are equipped with 2 hardened steel pins (up to 10 for UL-Listed) in the cylinder plug face for the ultimate in drill resistance. This protects the top and bottom pins and the sidebar from drilling attack.

EXCLUSIVE SIDE BAR TECHNOLOGY

Features:



- Unique floating side bar pins
- Exclusive Keyways
- Patented Cylinder and Key
- Pick-Resistant Spool Pins
- Anti-Drill Hardened Steel Pins
- Hardened Silver Nickel Side Bar

KEY-IN-KNOB-LEVER CYLINDERS	SMALL FORMAT IC CYLINDERS	LARGE FORMAT IC CYLINDERS	MORTISE / RIM COMBO CYLINDERS
KIKL5/KIKL6 Deadbolt/Knob/Lever, 5-pin and 6-pin, Universal tailpieces for locksets and deadbolts ULKIKL6 UL 437- Listed for 6-pin, Universal tailpieces for locksets and deadbolts	SFIC7 Small Format, 7 Pin ANSFIC7 ANSI/BHMA A156.30 Certified Small Format, 7 Pin	LFIC6 Schlage® Large Format 6 Pin ULLFIC6 UL 437- Listed Schlage® Large Format 6 Pin	MRC118 - 1 1/8", 6 pin ULMRC118 – UL 437- Listed 1 1/8", 6 pin MRC114 - 1 1/4", 6 pin ULMRC114 – UL 437- Listed 1 1/4", 6 pin Mortise-Rim combination
Optional Keyed Different (KD), Keyed Alike (KA), Master Keyed (MK) and 0-bitted (OB)			
KEY BLANKS AND CONTROL KEYS	SFIC HOUSING	LFIC HOUSING	
KBL6 - 6 Pin Key Blank, Standard & Large Format KBLSF7 - 7 Pin Small Format Key Blank (SFIC) KCK6 - 6-pin Large Format IC control key (LFIC)	MRCSFIC-1 Small Format IC Housing for SFIC7 and ULSFIC7	MRCLFIC-2 Large Format IC Housing For Schlage Large Format IC LFIC6 and ULLFIC6	

CRP HSK HIGH SECURITY KEY SYSTEM

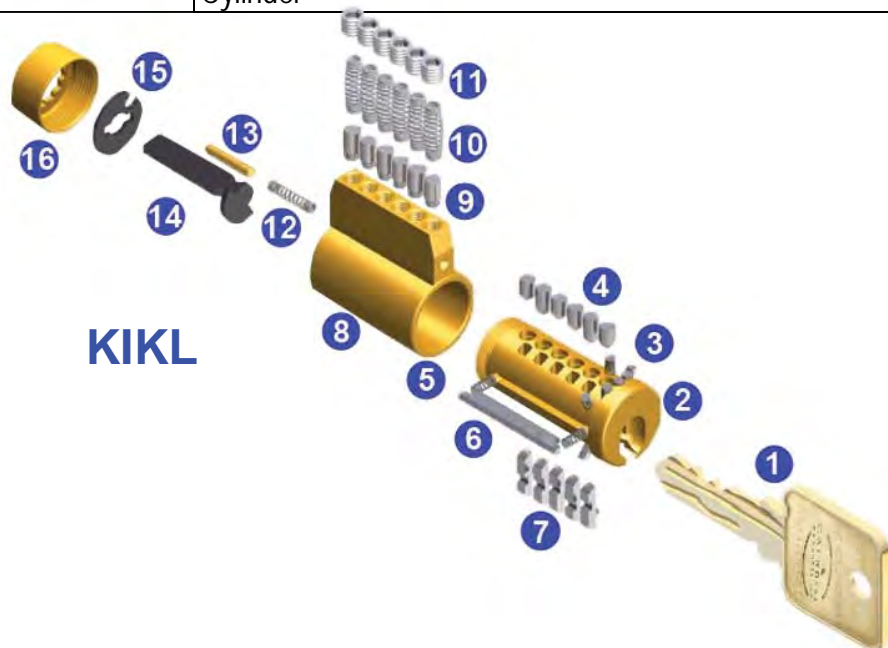
KEY IN KNOB/LEVER (KIKL)



Features:

- ANSI/BHMA A156.30 Certified
- UL 437 – Listed
- Retrofits all CRP-Securities cylindrical locksets and deadbolts including other popular brand names
- Unique floating side bar pins
- Patented Cylinder plug and Key
- Exclusive Keyways
- Pick-Resistant Spool Pins
- Hardened Silver Nickel Side Bar
- 0-Bitted or Keyed Different
- Anti-Drill Hardened Steel Pins (2 – Standard, 9 – UL)
- Comes standard with different tailpieces for universal application and 2 keys

ITEM CODE	DESCRIPTION
KIKL5	Universal 5-pin Grade 3 Key-In-Knob-Lever Cylinder
KIKL6	Universal 6-pin Key-In-Knob-Lever Cylinder
ULKIKL6	UL 437- Listed Universal 6-pin Key-In-Knob-Lever Cylinder



PART NO.	PARTS DESCRIPTION	QUANTITY		PART NO.	PARTS DESCRIPTION	QTY
		KIKL	MRCC			
1	Key	2	2	17	Cylinder Cover	-
2	Plug	1	1	18	Sleeve	-
3	Anti-Drill Pin	1 ¹	1	19	Snap Ring	-
4	Bottom Pin	6	6	20	Plug Control Pin	-
5	Side Bar Spring	2	2	21	Pin Cover	-
6	Side Bar	1	1	22	Operation Hang Pin	-
7	Side Pin	5 ³	5	23	Cylinder Control Pin	-
8	Cylinder Housing	1	1	24	Operation Pin Spring	-
9	Top Pin	6 ²	6	25	Operation Pin	-
10	Top Pin Spring	6 ²	6	26	Cam	1
11	Cap Set Screw	6 ²	6	27	Cam Screw	1
12	Screw Cap Spring	1	-	28	Plate	1
13	Screw Cap Pin	1	-	29	Steel Ball	2
14	Tail Piece	9	1	30	Bolt	2
15	Washer	1	1	31	Screw	2
16	Screw Cap	2	-			

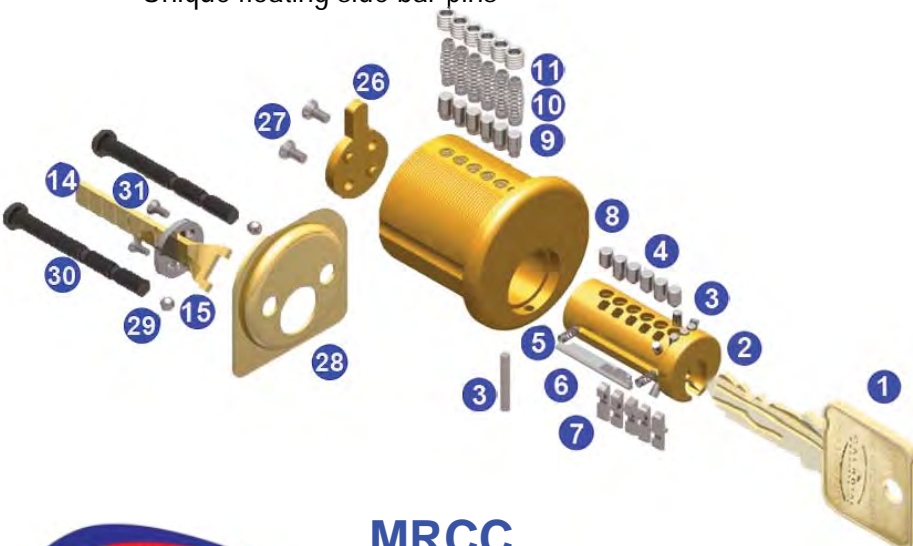
¹ Number of Anti-Drill Pins dependent on cylinder type
² 5 for KIKL5 ³ 4 for KIKL5

MORTISE-RIM COMBO CYLINDER (MRCC)



Features:

- ANSI/BHMA A156.30 Certified
- UL 437 - Listed
- 1 1/8" and 1 1/4" Mortise and Rim combination saves stocking space and inventory
- Cylinder rings available for 1" cylinder requirements using MRCC114 or MRC118
- Unique floating side bar pins
- Patented Cylinder and Key
- Pick-Resistant Spool Pins
- Anti-Drill Hardened Steel Pins (3 – Standard, 10 – UL)
- Hardened Silver Nickel Side Bar
- Exclusive Keyways
- Comes standard with 2 keys



ITEM CODE	DESCRIPTION
MRC114	6-pin 1 1/4" Mortise-Rim Combination Cylinder
MRC118	6-pin 1 1/8" Mortise-Rim Combination Cylinder
ULMRC114	UL 437 - Listed 6-pin 1 1/4" Mortise-Rim Combination Cylinder
ULMRC118	UL 437 - Listed 6-pin 1 1/8" Mortise-Rim Combination Cylinder

Shipped as a mortise cylinder this is convertible to a RIM cylinder with the standard RIM pack included with the 1 1/4" and 1 1/8" mortise cylinder. An "Adams Rite" cam is pre-installed on all mortise cylinders. Other cam options are available in the KITS & ACCESSORIES section.



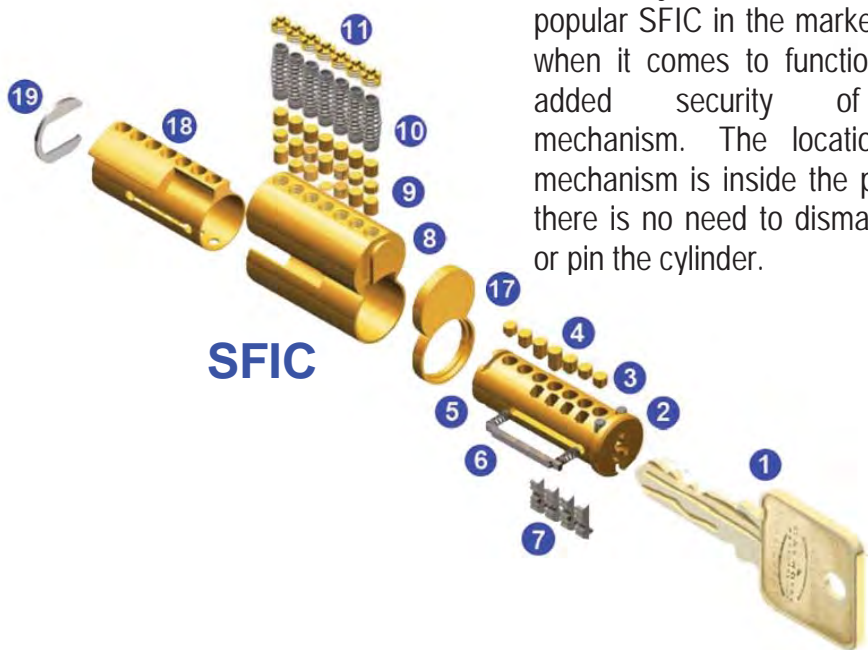
CRP HSK HIGH SECURITY KEY SYSTEM

SMALL FORMAT INTERCHANGEABLE CORE (SFIC) CYLINDERS

Features:

- ANSI/BHMA A156.30 Certified
- Retrofits all CRP-Securities cylindrical locksets and deadbolts including other popular brand names
- Unique floating side bar pins
- Patented Cylinder and Key
- Pick-Resistant Spool Pins
- Exclusive Keyways
- Hardened Silver Nickel Side Bar
- 0-Bitted or Keyed Different
- Exclusive Keyways
- Anti-Drill Hardened Steel Pins (2 – Standard, 4 – UL)
- Comes standard 2 keys

ITEM CODE	DESCRIPTION
SFIC7	7-pin Small Format Interchangeable Core Cylinder
ANSFIC7	ANSI/BHMA A156.30 Certified 7-pin Small Format Interchangeable Core Cylinder



The Small Format Interchangeable Core (SFIC) Cylinders are comparable to other popular SFIC in the market such as "BEST®" when it comes to functionality, but with the added security of the sidebar mechanism. The location of the sidebar mechanism is inside the plug of the core, so there is no need to dismantle it to combine or pin the cylinder.

PART NO.	PARTS DESCRIPTION	QUANTITY		PART NO.	PARTS DESCRIPTION	QUANTITY	
		SFIC	LFC			SFIC	LFC
1	Key	2	2	17	Cylinder Cover	1	1
2	Plug	1	1	18	Sleeve	1	-
3	Anti-Drill Pin	1	1	19	Snap Ring	1	-
4	Bottom Pin	7	6	20	Cylinder Locking Ring	-	1
5	Side Bar Spring	2	2	21	Pin Cover	-	1
6	Side Bar	1	1	22	Operation Hang Pin	-	1
7	Side Pin	4	5	23	Cylinder Control Pin	-	1
8	Cylinder Housing	1	1	24	Operation Pin Spring	-	1
9	Top Pin	21	6	25	Operation Pin	-	1
10	Top Pin Spring	7	6	26	Cam	-	-
11	Cap Set Screw	7	-	27	Cam Screw	-	-
12	Screw Cap Spring	-	1	28	Plate	-	-
13	Screw Cap Pin	-	1	29	Steel Ball	-	-
14	Tail Piece	-	-	30	Bolt	-	-
15	Washer	-	-	31	Screw	-	-
16	Screw Cap	-	1				

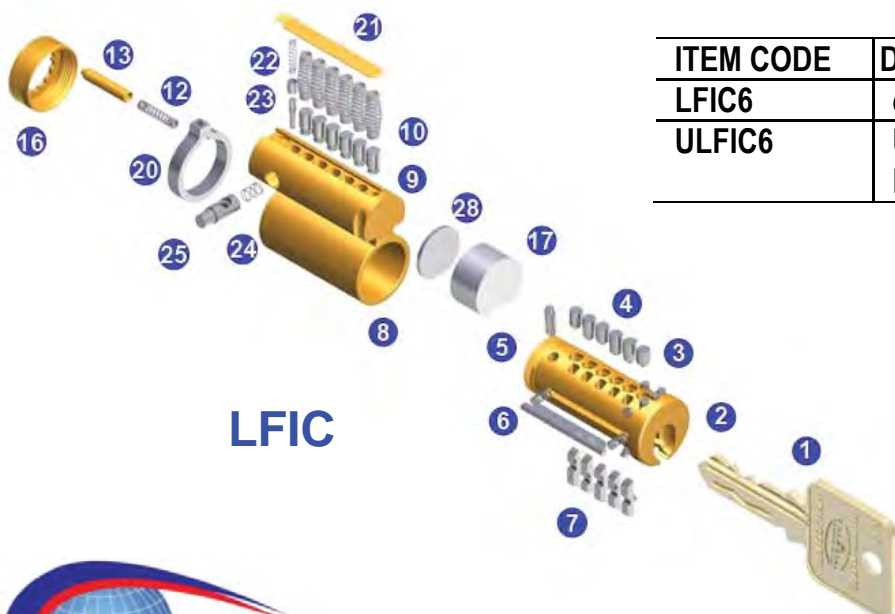
¹ Number of Anti-Drill Pins dependent on cylinder type

LARGE FORMAT INTERCHANGEABLE CORE (LFIC) CYLINDERS

Features:

- UL 437 – Listed
- Retrofits all CRP-Securities cylindrical locksets and deadbolts including other popular brand names
- Unique floating side bar pins
- Patented Cylinder and Key
- Pick-Resistant Spool Pins
- Exclusive Keyways
- Hardened Silver Nickel Side Bar
- 0-Bitted or Keyed Different
- Anti-Drill Hardened Steel Pins (2 – Standard, 9 – UL)
- Comes standard with 2 keys

The Large Format Interchangeable Core (LFIC) Cylinders are configured as "Schlage®" format. It comes in 6-pin configuration.



ITEM CODE	DESCRIPTION
LFIC6	6-pin Schlage Large Format Interchangeable Core Cylinder
ULFIC6	UL 437 - Listed 6-pin Schlage Large Format Interchangeable Core Cylinder



CRP HSK HIGH SECURITY KEY SYSTEM

SMALL FORMAT AND LARGE FORMAT INTERCHANGEABLE CORE CYLINDER HOUSING

Features:

MEETS
The Buy American Act



MRCSFIC-1-H
Small Format
IC Housing for
SFIC7 and ULSFIC7



MRCLFIC-2-H
Large Format
IC Housing for Schlage
LFIC6 and ULFIC6

RXCRB800 AND RXCRB700 SERIES GRADE 1 HEAVYDUTY HIGH SECURITY DEADBOLT

Features:

MEETS
The Buy American Act

- Commercial and Residential Application
- Meets ADA requirements Specially designed for Barrier Free Application Exceeds BHMA/ANSI A156.5 Series 4000, Grade 1 requirements
- ADA Ergonomic Thumbturn
- Available as Single or Double Cylinder

- Free turning, wrench-resistant tapered cylinder ring
- 1" (25mm) throw high-strength steel alloy deadbolt with anti-saw
- Steel mounting plate
- **TRIM:** Wrought Brass or Stainless Steel
- **FACE PLATE:** Standard 2 1/4" X 1 1/8"

- **DOOR RANGES:** Adjustable 1 3/8" (40mm) to 2" (51mm) door thickness
- **BORE DIAMETER:** 1" for latch, 2 1/8" for lock housing
- **STRIKE:** 1/8" X 2 3/4" square corner. Extra security 1" throw bolt with 1/4" free spinning anti-cut through pin. 2 pcs x 3" screws with wood frame rein-forcer greatly strengthens door frames



**RXCRB800 SINGLE
CYLINDER DEADBOLT**



**RXCRB700 DOUBLE
CYLINDER DEADBOLT**

ALSO AVAILABLE FOR GRADE 2 DEADBOLT CYLINDERS



RXULT360



RXULT362



RXCB160



RXCB162

CRP HSK HIGH SECURITY KEY SYSTEM

KEY BLANKS AND CONTROL KEYS

ITEM CODE	DESCRIPTION
KBL5	5-pin key blank
KBL6	6-pin key blank
KBLSF7	7-pin Small Format IC key blank
KCK6	6-pin Large Format IC control key



MEETS
The Buy American Act

ACCESSORIES

MORTISE AND KIKL COMPONENTS (UL - LISTED)

ULCAMADAM-1	ULCAMYALE-2	ULCAMYALE-2A	ULCAMRUSS-3	ULCAMFLCN-4	ULCAMSCHL-7	ULCAMSGNT-8	ULMSHRMTPIN	ALLNSCRW-SS
SSBPIN1	SSBPIN2	SSBPIN3	SSBPIN4	SSBPIN5	SSBPIN6	SSBPIN7	SSBPIN8	SSBPIN9

MORTISE AND KIKL COMPONENTS (NON-UL)

SPIN1	SPIN2	SPIN3	SPIN4	SIDEBAR-1	SIDEBARSPRING	LZTPSD-01	LZTPDD-01	LZTPDD-02
KIKLZTP-01	KIKLZTP-02	KIKLZTP-03	KIKLZTP-04	KIKLZTP-05	KIKLZTP-06	TPWASHER	MSHRMTPIN	
KIKLCAP-01	KIKLCAP-02	KIKPIN	KIKPINSRING	RIMPACK	ALLNSCRW-BLK	KIKSPRING	MRTPINSRING	
CAMADAM-1	CAMYALE-2	CAMYALE-2A	CAMRUSS-3	CAMFLCN-4	CAMSCHL-7	CAMSGNT-8	CAMSCREW	

LFIC COMPONENTS

LFCAMADAM-1	LFCAMYALE-2	LFCAMYALE-2A	LFCAMRUSS-3	LFCAMFLCN-4	LFCAMSCHL-7	LFCAMSCRW		

SFIC COMPONENTS

SFICSPIN1	SFICSPIN2	SFICSPIN3	SFICSIDEBAR	SFICSBSPR	SFICCLIP	SFICALLNSCRW	SFICSPR	



CRP HSK HIGH SECURITY KEY SYSTEM

CONTROLLED KEY DUPLICATION AND DISTRIBUTION

High Security key control is a must. Each cylinder comes with duplicate keys, registration card and authorization card. Dealers agree to keep accurate and responsible keying records in accordance with CRP Securities' recording procedures and agree to maintain a key cutting log in which Dealers will enter for each key that it cuts: the date of the key duplication, the name of the person operating the machine, the number of duplicate keys cut, the name of the person to whom the duplicate key is delivered—or, if miscut, the fact will be recorded and the miscut blank will be stored in inventory until it can be counted by CRP Securities personnel—and the remaining number of CRP High Security key blanks in Dealer's inventory.

These are just some of the procedures that are enforced to assure and maintain the high level of security provided by CRP High Security Key System.

CAL-ROYAL PRODUCTS, INC. **CRP SECURITIES**

AUTHORIZATION CARD

FILE NUMBER

Authorized Signatures

1. NAME _____
SIGNATURE _____

2. NAME _____
SIGNATURE _____

DATE _____

Customer

COMPANY NAME _____
STREET ADDRESS _____
CITY _____ STATE _____ ZIP _____

This card serves as an authorization to purchase additional CRP Securities keys and/or locks based on assigned codes. Locksmith must be notified if there are any changes in the signatures on a company letterhead bearing one of the original signatures.

The specified Locksmith hereby authorizes its officers, employees, and agents to accept the authorized signatures appearing on the reverse side of this card to avail of services and products from CRP Securities of sensitive character such as Master Keys, Restricted Keys, Locks, etc. It is the Locksmith's responsibility to extend only under an admissible decision that an authenticated signature on any order in such events has been made by the individual whose signature is the above-mentioned authorized signature.



KEY CUTTING LOG SHEET

DATE	REGISTRATION #	CUSTOMER NAME	COMPANY	DUPLICATE QTY.	KEY SERIAL #(S)	MACHINE OPERATOR	REMARKS

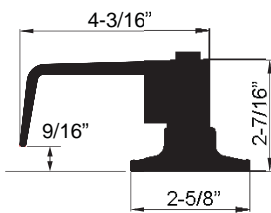


LEGACY SERIES LEVERSETS WITH PUSH BUTTON LOCKING MECHANISM

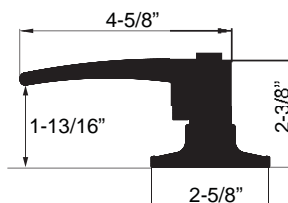
MEETS
The Buy American Act



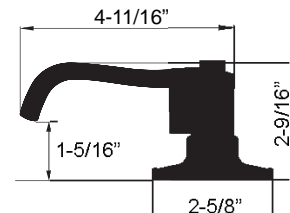
CABERNET "CAB" SERIES



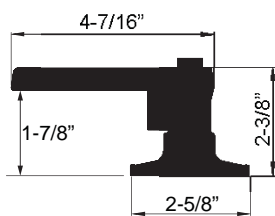
ZULATTI "ZUL" SERIES



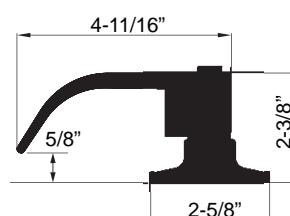
DUCATI "DUC" SERIES



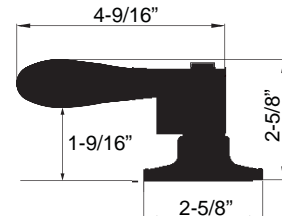
VIARGENTO "VIA" SERIES



DENMARK "DEN" SERIES



NAPA "NAP" SERIES



FEATURES & SPECIFICATIONS

- ◆ Meets ADA requirements. Specially designed for Barrier Free Applications
- ◆ Keyed entry with lever / lever for exterior & interior
- ◆ Kwikset keyway. Re-keyable for master and construction keying
- ◆ Weiser and Schlage "C" keyway available
- ◆ Brass and stainless steel trims. Levers are plated
- ◆ **Screw Guiding Posts for easy screw alignment and tightening making installation fast and easy**
- ◆ **Push button release on entrance & privacy from inside by turning lever**
- ◆ **2-3/8" or 2-3/4" 4-way adjustable backset, size 1" x 2-1/4" round corner standard, convertible to drive in latch.**
- ◆ **Square corner face plate and 5" round corner backsets optional**
- ◆ Optional 3 Hour Fire Rated UL Listed Latch
- ◆ ANSI Standard A156.2 Grade 3
- ◆ Fits 1-3/8" to 1-3/4" wood or metal doors
- ◆ Round corner full lip strike is standard

FUNCTIONS

- 00 - Entry (Push button)
- 20 - Privacy (bed & bath, push button)
- 30 - Passage (hall & closet)
- 40 - Dummy
- 05 - Storeroom (vestibule)

FINISHES

- ◆ US15 - Satin Nickel
- ◆ US11P - Venetian Bronze
- ◆ US3 - Polished Brass
- ◆ US5 - Antique Brass
- ◆ US26D - Satin Chrome
- ◆ US26 - Polished Chrome
- ◆ US15A - Antique Nickel
- ◆ **Refer to price list for stock finishes**
- ◆ Other finishes available upon request based on quantity with factory lead time



CLIPPER SERIES DEADBOLTS

TO BE USED WITH LEGACY SERIES LEVERSETS

MEETS
The Buy American Act

OPTIONAL
UL
3 HOUR FIRE RATED



ADA Thumbturn

CLP500
SINGLE CYLINDER DEADBOLT



CLP400
DOUBLE CYLINDER DEADBOLT



CLP801
ONE-SIDED DEADBOLT WITH PLATE



CLP701
ONE-SIDED DEADBOLT

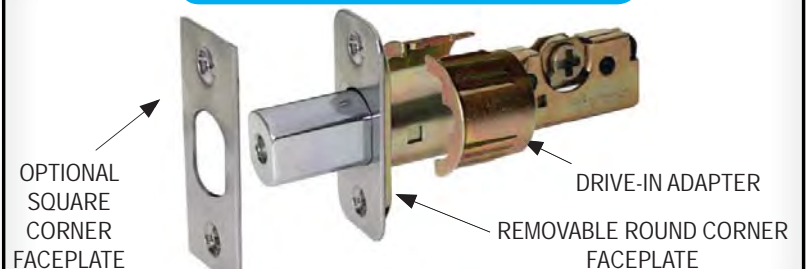
FEATURES & SPECIFICATIONS

- ◆ Meets ADA requirements. Specially designed for Barrier Free Applications
- ◆ Kwikset keyway. Re-keyable for master and construction keying
- ◆ Weiser and Schlage "C" keyway available
- ◆ Optional 3 Hour Fire Rated UL Listed latch
- ◆ Reversible for right and left handed doors
- ◆ **2-3/8" or 2-3/4" 4-way adjustable backset, size 1" x 2-1/4" round corner standard, convertible to drive in latch. Square corner face plate and 5" round corner backsets optional**
- ◆ All metal body & cylinder construction
- ◆ ANSI Standard A156.2 Grade 3
- ◆ Full 1" throw deadbolt with hardened steel pin to prevent saw cutting
- ◆ Fits 1-3/8" to 1-3/4" wood or metal doors
- ◆ 1" x 2-1/4" square corner strike standard, optional round corner full lip strike. Optional 1-1/4" x 3-5/8" Security Strike with 3" screws also available
- ◆ Easy installation

FINISHES

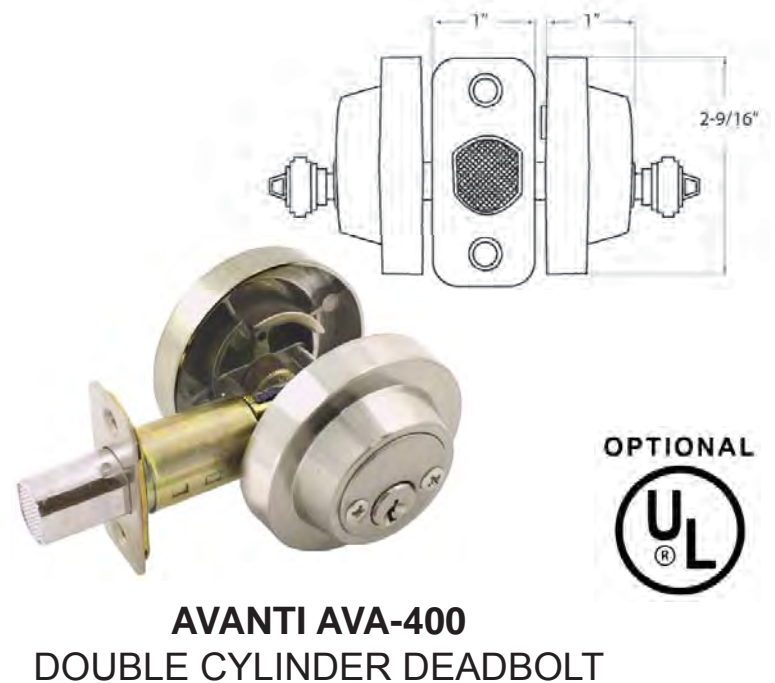
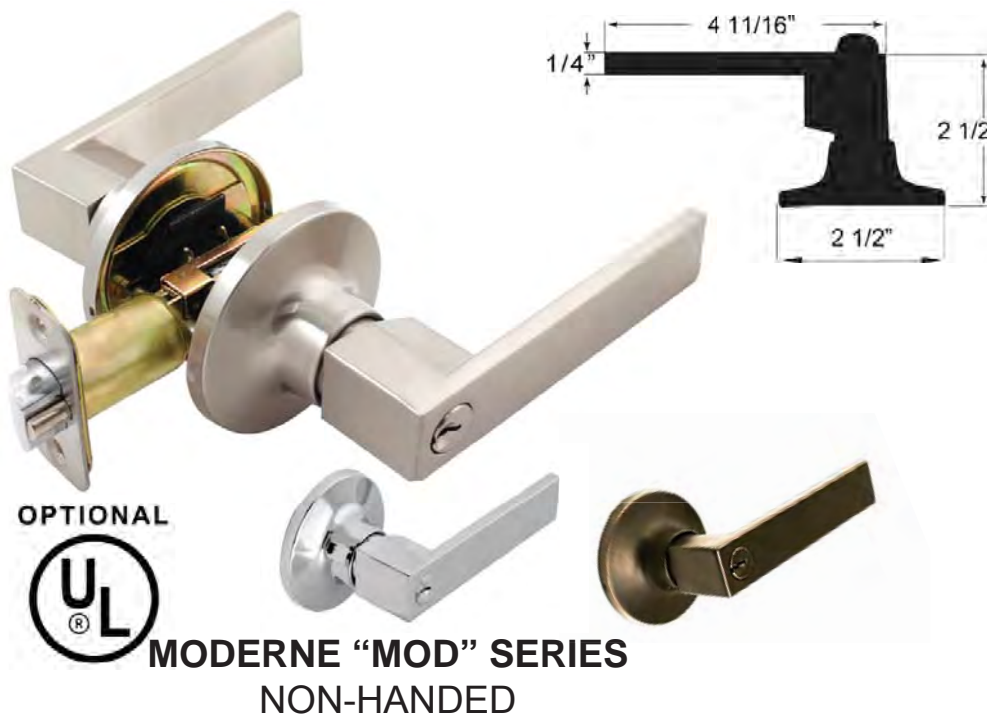
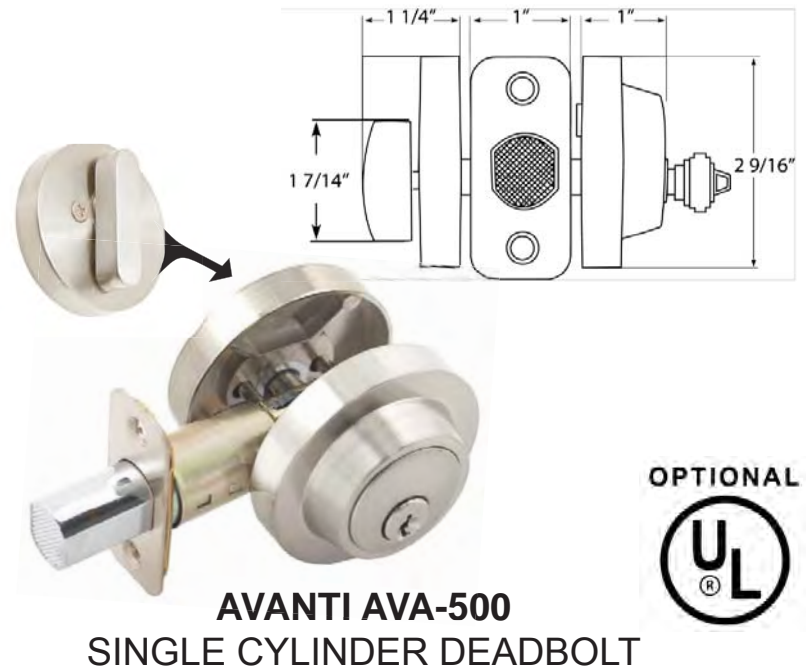
- ◆ US15 - Satin Nickel
- ◆ US11P - Venetian Bronze
- ◆ US3 - Polished Brass
- ◆ US5 - Antique Brass
- ◆ US26D - Satin Chrome
- ◆ US26 - Polished Chrome
- ◆ US15A - Antique Nickel
- ◆ **Refer to price list for stock finishes**
- ◆ Other finishes available upon request based on quantity with factory lead time

SPECIAL FEATURE



4-WAY ADJUSTABLE BACKSET

VANGUARD SERIES LEVERSETS & DEADBOLTS



FEATURES & SPECIFICATIONS

- ◆ Kwikset keyway; Rekeyable for master and construction keying
- ◆ Optional Weiser and Schlage "C" keyway available
- ◆ Optional 3-Hour Fire Rated UL Listed latch
- ◆ Reversible for right and left handed doors
- ◆ All metal body & cylinder construction
- ◆ ANSI Standard A156.2 Grade 3
- ◆ Full 1" throw deadbolt with hardened steel pin to prevent saw cutting
- ◆ Fits 1-3/8" to 1-3/4" wood or metal doors
- ◆ Deadbolt comes with 1" x 2-1/4" round corner strike standard
optional 1-1/4" x 3-5/8" security strike with 3" screws also available
- ◆ Lever comes with round corner full lip strike
- ◆ Lever comes with **6-way** 2-3/8" or 2-3/4" adjustable backset convertible to drive-in, size 1" x 2-1/4" round corner standard
- ◆ Square corner option also available on special factory order
- ◆ Deadbolt comes with 2-3/8" or 2-3/4" adjustable backset, size 1" x 2-1/4" round corner standard; Square corner and drive-in latchbolt also available
- ◆ Easy installation

FINISHES

- ◆ US15 - Satin Nickel
- ◆ US11P - Venetian Bronze
- ◆ US3 - Polished Brass
- ◆ US5 - Antique Brass
- ◆ US26D - Satin Chrome
- ◆ US26 - Polished Chrome
- ◆ US15A - Antique Nickel
- ◆ **Refer to price list for stock finishes**
- ◆ Other finishes available upon request based on quantity with factory lead time

HERITAGE SERIES LEVERSETS



AZURE "AZU" SERIES (NON-HANDED)

OPTIONAL



ALLURE "ALL" SERIES (NON-HANDED)

OPTIONAL



FEATURES & SPECIFICATIONS

- ◆ Keyed entry with lever / lever for exterior & interior
- ◆ Kwikset keyway; Rekeyable for master and construction keying
- ◆ Optional Weiser and Schlage "C" keyway available
- ◆ Brass and stainless steel trims; Levers are plated
- ◆ Optional 3-Hour Fire Rated UL Listed Latch
- ◆ Reversible for right and left handed doors
- ◆ ANSI Standard A156.2 Grade 3
- ◆ Fits 1 3/8" to 1 3/4" wood or metal doors
- ◆ 2 3/8" or 2 3/4" adjustable backset, size 1" x 2 1/4" round corner standard;
Square corner option and drive-in latchbolt also available on special factory order.
- ◆ Round corner full lip strike is standard

FINISHES

- ◆ US3 - Bright Brass
- ◆ US5 - Antique Brass
- ◆ US15 - Satin Nickel
- ◆ US15A - Antique Nickel
- ◆ US11P - Venetian Bronze
- ◆ US26D - Satin Chrome
- ◆ US26 - Polished Chrome
- ◆ **Refer to price list for stock finishes**

**5 Year Finish Warranty
25 Year Mechanical Warranty**

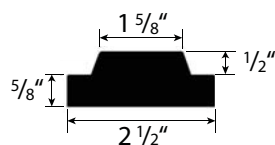
FUNCTIONS

- | | |
|--|------------------------------|
| 00 - Entry (turn button) | 30 - Passage (hall & closet) |
| 05 - Storeroom (vestibule) | 40 - Active Dummy |
| 20 - Privacy (bed & bath, turn button) | |

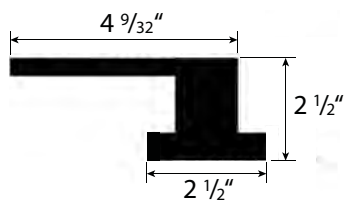
CONTEMPORARY SERIES LEVERSETS & DEADBOLT



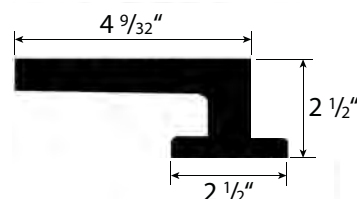
**ESQUIRE DESIGN
"ESQ" SERIES**



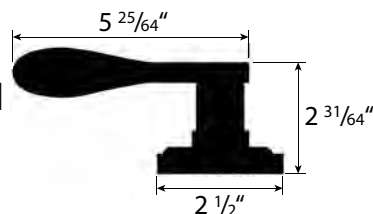
**HOLLAND DESIGN
"HOL" SERIES**



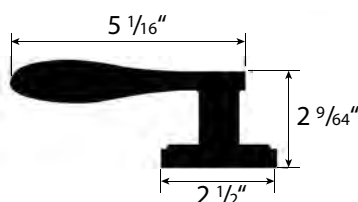
**ATLAS DESIGN
"ATL" SERIES**



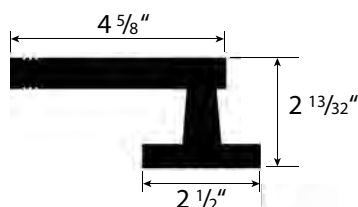
**JUPITER DESIGN
"JUP" SERIES**



**PHOENIX DESIGN
"PHO" SERIES**



**VANITY DESIGN
"VAN" SERIES**



FEATURES AND SPECIFICATIONS

- Grade 3, ANSI standard A156.2
- Trim and levers are zinc plated
- Tubular body, Exposed screws, Easy installation
- Kwikset 5-pin keyway. Rekeyable for master and construction keying
- For wood and metal doors , Fits 1 3/8" to 1 3/4" thick doors
- 2 3/8" or 2 3/4" adjustable backset, size 1" x 2 1/4" round corner standard. Square corner option and drive-in latchbolt also available on special factory order.
- Round Corner Full Lip Strike: 1 3/4" x 2 1/4", Optional T-strike
- Keyed entry comes with lever/lever for exterior and interior
- **Atlas, Phoenix and Vanity designs have auto release for immediate egress on privacy functions.**
- 1" bore diameter for latch, 2 1/8" diameter for lock housing

5 Year Finish Warranty
25 Year Mechanical Warranty

FUNCTION	LEVERSETS MODEL NO.					FINISH
	HOLLAND	ATLAS	JUPITER	PHOENIX	VANITY	
ENTRANCE	HOL-00 *NH		JUP-00 *H	PHO-00 *R		PVD, US3, US5, US10B, US15, US15A, US26, US26D (Refer to catalog for stock finishes and functions)
PRIVACY	HOL-20 *NH	ATL-20 *R	JUP-20 *R	PHO-20 *R	VAN-20 *R	
PASSAGE	HOL-30 *NH	ATL-30 *NH	JUP-30 *R	PHO-30 *R	VAN-30 *NH	
DUMMY	HOL-40 *NH	ATL-40 *NH	JUP-40 *H	PHO-40 *H	VAN-40 *NH	

*NH - Non Handed

*R - Reversible (Order Handing for Convenience)

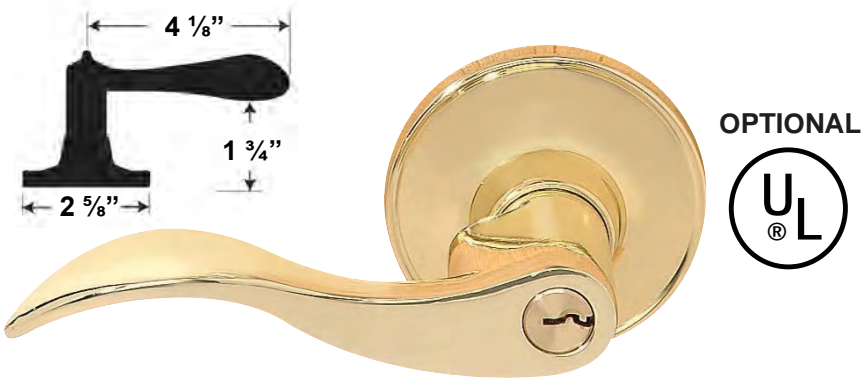
*H - Handed (Order Handing, Not Reversible)

SQUARE DEADBOLT		
MODEL NO.	FUNCTION / DESCRIPTION	FINISH
ESQ-101	Single Cylinder Deadbolt	PVD, US3, US5, US10B, US15, US15A, US26, US26D (Refer to catalog for stock finishes and functions)
ESQ-102	Double Cylinder Deadbolt	

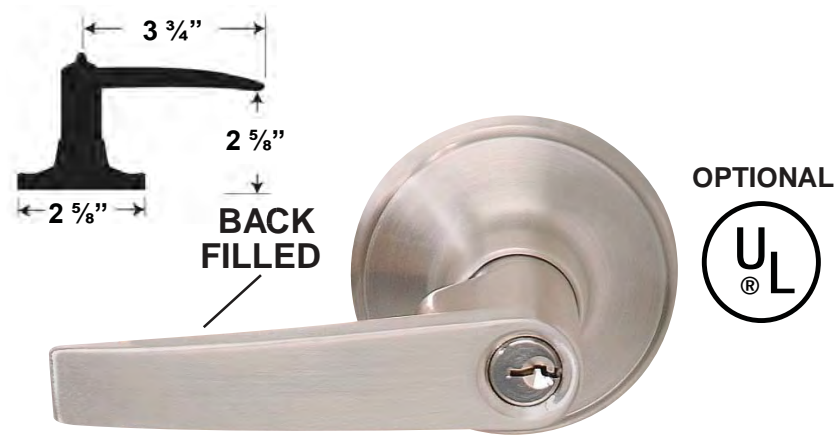
CHELSIE SERIES LEVERSETS



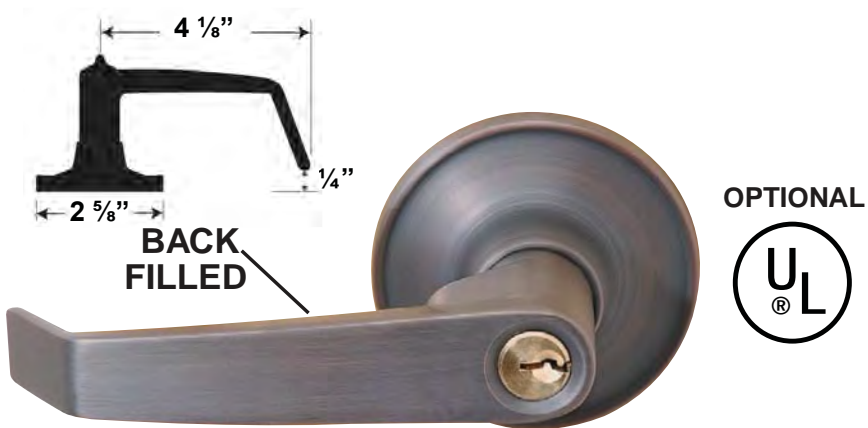
SOPHIA "SOP" SERIES (NON-HANDED)



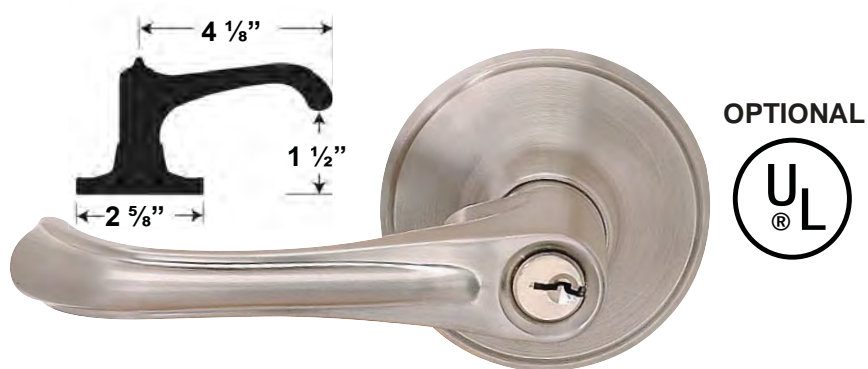
MAYFAIR "MAY" SERIES (HANDED). SPECIFY



LENOX SERIES "LEN" SERIES (NON-HANDED)



BRISTOL "BRI" SERIES (NON-HANDED)



AUSTIN SERIES "AUS" SERIES (NON-HANDED)

FEATURES & SPECIFICATIONS

- Keyed entry comes with lever / lever for exterior & interior.
- Kwikset keyway. Re-keyable for master and construction keying.
- Weiser and schlage "C" keyway available on special factory order.
- 2 3/8" or 2 3/4" adjustable backset, size 1" x 2 1/4" round corner standard. Square corner option also available. Drive in adjustable backset is also available.
- Brass trim. Levers are brass plated.
- ANSI Standard A156.2 Grade 3.
- Fits 1 3/8" to 1 3/4" doors.
- Round corner full lip strike is standard. Other strike options also available.
- For wood and metal doors.
- Easy installation.

FINISHES

- US15 - Satin Nickel
- US10B - Oil Rubbed Bronze
- US3 - Polished Brass
- US5 - Antique Brass
- US26D - Satin Chrome
- US26 - Polished Chrome
- US15A - Antique Nickel
- Other finishes available upon request based on quantity with factory lead time.
- Refer to price list for stock functions finishes.
- For **EXCEL LIFETIME FINISH** on polished brass, prefix "LIF" before part #, with factory lead time.

5 Year Finish Warranty
25 Year Mechanical Warranty

FUNCTIONS

- 00 - Entry
- 20 - Privacy (bed & bath)
- 30 - Passage (hall & closet)
- 40 - Dummy
- 05 - Storeroom (vestibule)

When ordering prefix Series Design to function number:
(ex. LEN-00 Entry).

EXCEL LIFE TIME
ANTI TARNISH
FINISH AVAILABLE



CAL-ROYAL
P R O D U C T S, I N C.

6605 Flotilla St., Commerce, CA 90040 U.S.A.
Tel: (323) 888-6601 ♦ Fax: (323) 888-6699
Website: www.cal-royal.com ♦ Email: sales@cal-royal.com

Ver. 2.0, Rev. 11/12
©2012 CAL-ROYAL

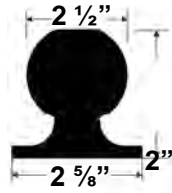
CHELSIE SERIES TUBULAR LOCKSETS



REN-00

**RENO DESIGN
"REN" SERIES**

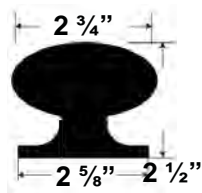
OPTIONAL



ASP-00

**ASPEN DESIGN
"ASP" SERIES**

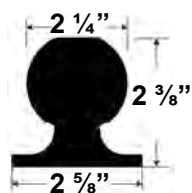
OPTIONAL



BER-00

**BERMUDA DESIGN
"BER" SERIES**

OPTIONAL



FEATURES & SPECIFICATIONS

- Kwikset keyway. Re-keyable for master and construction keying.
- Weiser and schlage "C" keyway available on special factory order only.
- Reversible for right & left handed doors.
- 2 3/8" or 2 3/4" adjustable backset, size 1" x 2 1/4" round corner standard. Square corner option also available. Drive in adjustable backset is also available.
- Brass trim and knob. Levers and handles are brass plated.
- ANSI Standard A156.2 Grade 3.
- Fits 1 3/8" to 1 3/4" doors.
- Round corner full lip strike is standard. Other strike options also available.
- For wood and metal doors.
- Easy installation.

FINISHES

- US15 - Satin Nickel
- 10B - Oil Rubbed Bronze
- US3 - Polished Brass
- US5 - Antique Brass
- US26D - Satin Chrome
- US26 - Polished Chrome
- US15A - Antique Nickel
- Other finishes available upon request based on quantity with factory lead time.
- * Refer to price list for stock finishes.
- For **EXCEL LIFE TIME FINISH** on polished brass, prefix "LIF" before part #, with factory lead time.

**5 Year Finish Warranty
25 Year Mechanical Warranty**

FUNCTIONS

- 00 - Entry
- 20 - Privacy (bed & bath)
- 30 - Passage (hall & closet)
- 40 - Dummy
- 05 - Storeroom (vestibule)

**EXCEL LIFE TIME
ANTI TARNISH
FINISH AVAILABLE**

When ordering prefix Series design to function number:
(ex. REN-00 Entry).

*Refer to price list for stock functions and finishes.

ASHLEY SERIES TUBULAR LOCKSETS / LEVERSETS



**PREMIER
SERIES**

**LE PRE-00 (HANDED)
SPECIFY**



**SIGNATURE
SERIES**

**LE SIG-00 (HANDED)
SPECIFY**



**RITZ
SERIES**

RIZ-00

FEATURES & SPECIFICATIONS

- Keyed entry comes with lever / lever for exterior & interior.
- Kwikset keyway. Re-keyable for master and construction keying.
- Weiser keyway available on special factory order only.
- Reversible for right & left handed doors.
- 2 3/8" or 2 3/4" adjustable backset, size 1" x 2 1/4" round corner standard. Square corner option also available. Drive in adjustable backset is also available.
- Brass trim and knob. Levers and handles are brass plated.
- ANSI Standard A156.2 Grade 3.
- Fits 1 3/8" to 1 3/4" doors.
- Round corner full lip strike is standard. Other strike options also available.
- For wood and metal doors.
- Easy installation.

5 Year Finish Warranty
25 Year Mechanical Warranty

FINISHES

- New Powder Coated
- US3 - Polished Brass
- US5 - Antique Brass
- US26D - Satin Chrome
- US26 - Polished Chrome
- US10B - Oil Rubbed Bronze
- US15 - Satin Nickel
- US15A - Satin Nickel Oxidized
- Other finishes available upon request based on quantity with factory lead time.
- * Refer to price list for stock finishes.
- For **EXCEL LIFE TIME FINISH** on polished brass, prefix "LIF" before part #.

EXCEL LIFE TIME
ANTI TARNISH
FINISH AVAILABLE

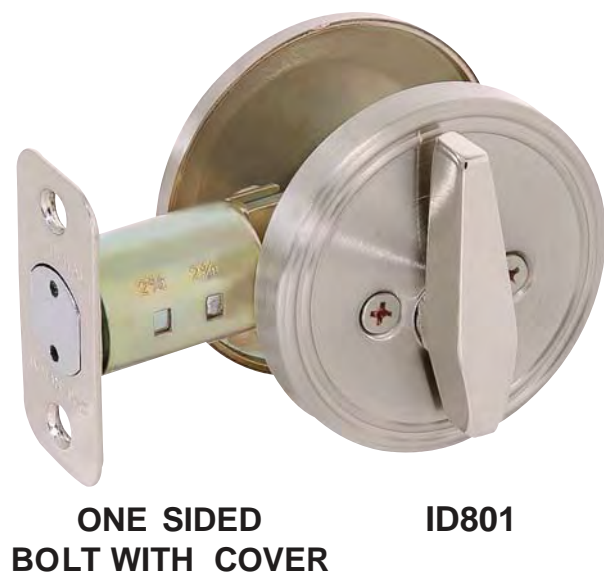
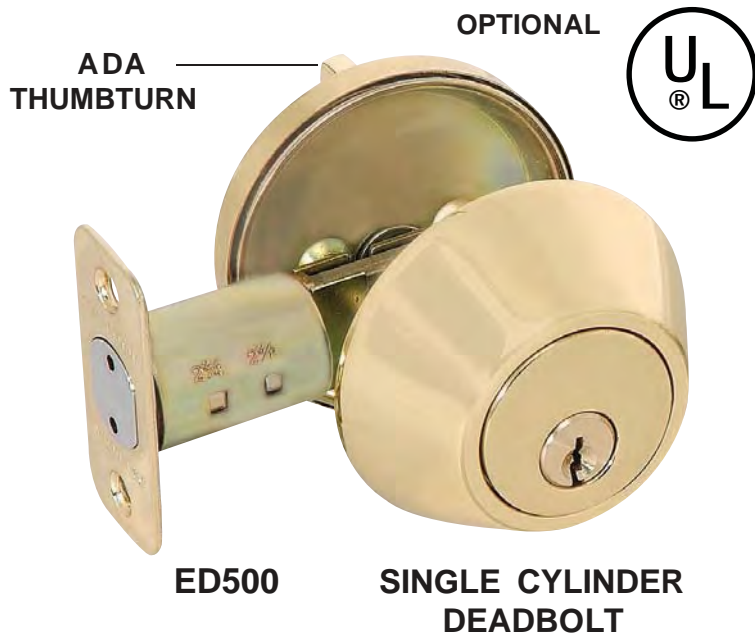
FUNCTIONS

- 00 - Entry
- 20 - Privacy (bed & bath)
- 30 - Passage (hall & closet)
- 40 - Dummy
- 05 - Storeroom (vestibule)

When ordering prefix Series design to function number:
(ex. RIZ-00 Entry).

*Refer to price list for stock functions.

CHELSIE SERIES DEADBOLTS



FEATURES & SPECIFICATIONS

- Kwikset keyway. Re-keyable for master and construction keying.
- Weiser and schlage "C" keyway available on specialfactory order only.
- Reversible for right & left handed doors.
- 2 3/8" or 2 3/4" adjustable backset, size 1" x 2 1/4" round corner standard Square corner also available. Drive in adjustable backset is also available.
- All metal body & cylinder construction.
- All exterior parts are brass.
- ANSI Standard A156.2 Grade 3.
- Full 1" throw deadbolt with hardened steel pin to prevent sawcutting.
- Fits 1 3/8" to 1 3/4" doors.
- 1" x 2 1/4" strike, round corner and full lip strike round corner standard. Square corner option also available. optional 1 1/4" x 3 5/8" security strike with 3" screws also available.
- For wood and metal doors.
- Easy installation.

FINISHES

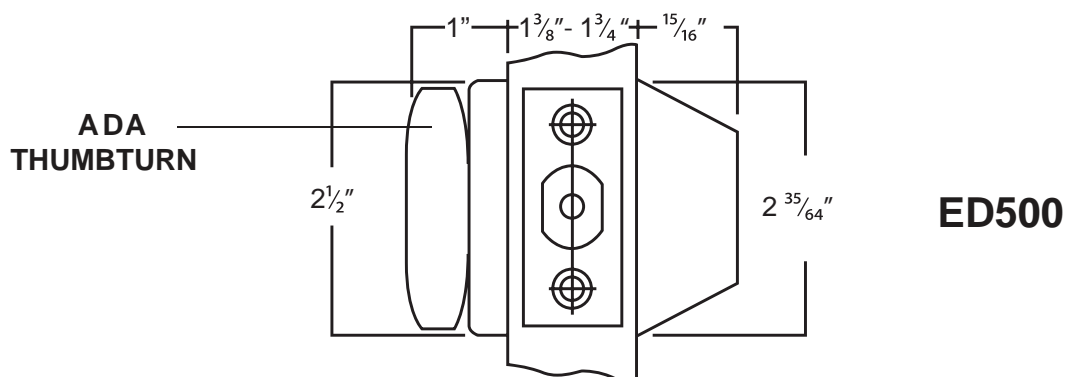
- US15 - Satin Nickel
- US10B - Oil Rubbed Bronze
- US3 - Polished Brass
- US5 - Antique Brass
- US26D - Satin Chrome
- US26 - Polished Chrome
- US15A - Antique Nickel
- Other finishes available upon request based on quantity with factory lead time.
- Refer to price list for stock finishes.
- For EXCEL LIFE TIME FINISH on polished brass, prefix "LIF" before part #, with factory lead time.

5 Year Finish Warranty
25 Year Mechanical Warranty

FUNCTIONS

- ED-500 - Single cylinder deadbolt.
- EDD-400 - Double cylinder deadbolt.
- ID-701 - One sided deadbolt.
- ID-801 - One sided deadbolt with cover plate.

EXCEL LIFE TIME ANTI TARNISH FINISH AVAILABLE



6605 Flotilla St., Commerce, CA 90040 U.S.A.
Tel: (323) 888-6601 ♦ Fax: (323) 888-6699
Website: www.cal-royal.com ♦ Email: sales@cal-royal.com

Ver. 2.0, Rev. 11/12
©2012 CAL-ROYAL

CHELSIE SERIES HANDLESETS

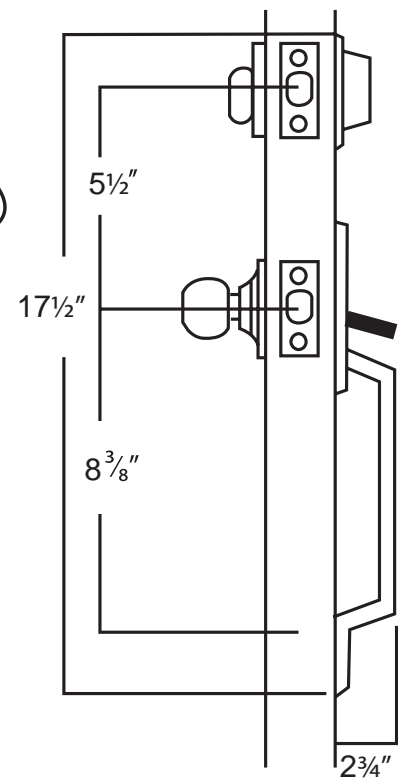
FEATURES & SPECIFICATIONS

- Grade 3, ANSI standard A156.2, Light Duty Handlesets
- 5 Year Finish Warranty, 25 Year Mechanical Warranty
- All metal body and parts
- All solid brass forged body
- Solid filled handle grip
- Non locking knob or lever operates latch from interior
- Thumb piece operates handleset latch from exterior
- Interior Leverset see Chelsie series
- Strikes and latchbolts same as Knob & Leversets
- Reversible for right and left handed doors except Mayfair
- "KW" 5-pin kwikset keyway standard
- Rekeyable for master and construction keying
- Weiser and Schlage "C" keyway available on special factory request
- For wood and metal doors
- 2 3/8" or 2 3/4" backset, size 1" x 2 1/4" round corner standard. Square corner and drive-in adjustable backset option also available on special factory order
- Round Corner Full Lip Strike: 1 3/4" x 2 1/4", Optional T-strike
- Round Corner Deadbolt Strike: 1" x 2 1/4"
- 1" bore diameter for latch, 2 1/8" diameter for lock housing
- Architectural Finishes

5 Year Finish Warranty
25 Year Mechanical Warranty

SAVANNAH /
MERIDIAN

EXCEL LIFE TIME
ANTI TARNISH
FINISH AVAILABLE



MODEL#					FUNCTION	FINISH
DEERFIELD	BAYBRIDGE	CAMBRIDGE	SAVANNAH	MERIDIAN		
DEE-00	BAB-00	CAM-00	SAV-00	MER-00	Handle with Single Cylinder Deadbolt	PVD, US3, US5, US10B, US15, US15A, US26, US26D (Refer to Catalog for stock finishes and functions)
DEE-40	BAB-40	CAM-40	SAV-40	MER-40	Complete Dummy Trim	



HINGES



Ver. 2.0, Rev. 11/12
© 2012  CAL ROYAL



Lifetime
Warranty
BHMA
CERTIFIED



Ver. 2.0, Rev. 11/12
©2012 CAL ROYAL



Lifetime Warranty on Commercial Grade Hinges

BHMA CERTIFIED

CAL-ROYAL Hinges are VALUE and a clear advantage to you. At CAL-ROYAL we strive for quality and excellence with service being our number one priority. CAL-ROYAL pays more attention to customers' needs and satisfaction than anyone in the industry.

GENERAL INFORMATION

ANSI Products Standards

CAL-ROYAL HINGES complies with ANSI A156.1 (Butts and Hinges), A156.7 (Template hinge dimensions), A156.17 (Self Closing Hinges and Pivots), A 156.18 (materials and Finishes).

Plain Bearing Standard Weight

For Standard weight doors receiving low frequency service. Template hinges are furnished with all machine and wood screws.

Ball Bearing Standard Weight

For Standard weight doors receiving average frequency service. Template hinges are furnished with all machine and wood screws.

Ball Bearing Heavy Weight

For Heavy Doors (such as entrance and corridors) or doors receiving high frequency service. Inner edges are beveled to conform the shape of barrel and to make close fitting joints. Heavy weight template hinges are equipped with all machine and one half screws.

Half Surface 5 Knuckle Template

For standard weight Kalamein doors with hollow metal jambs receiving average frequency service.

Half Mortise 5 Knuckle Template

For hollow metal doors with channel iron jambs receiving average frequency service.

Swing Clear

For use where conditions require a completely clear opening when door is opened to 90° angle. Inner edges of leaves are beveled to conform to shape of barrel and to make close fitting joints. Phillips head threaded plug permits hinge to be reversed to suit application.

Full Mortise

Both leaves are mortised. One leaf in the door and one leaf in the frame (wood door or hollow metal door with wood frame or hollow metal frame).

Half Mortise

One leaf is mortised in the door and the other is surface applied to the frame (hollow metal door with channel iron frame).

Full Surface

Both leaves are applied to the surface, one to the door and the other to the frame (metal core door or hollow metal door with channel iron frame).

Half Surface

One lead is mortised in the frame and the other is surface applied to the face of the door (wood door with wood frame or metal core door with metal hollow frame).

Materials and Finishes

Wrought Steel: Satin finishes or highly polished and plated. All plated finishes have a clear baked finish.

Wrought Stainless Steel:

Satin finish non-ferrous, non-corrosive grade 304.

Stock Finishes: Refer to our price list for stock finishes. Materials such as solid brass are available on request. Prefix SB before part #.

Tips

Button: All hinges have flat button tip, except concealed ball bearing hinges which are flush.

Non-removable Pins: Removable threaded set screw in barrel prevent pin from being removed when door is closed. Available on all hinges. Use N.R.P. for ordering.

Special Pins: Solid brass pins, stainless steel pins and Hospital Tips are available on request. Decorative tips are also available on 4 ½" x 4 ½", 4" x 4", 3 ½" x 3 ½" commercial hinges and 4" x 4" and 3 ½" x 3 ½" residential hinges. Add BT (Ball Tip), ST (Steeple Tip) before part number for specification. Other Size Hinge tips also available based on factory order.



Packaging

All hinges are individually wrapped to protect the finish. Commercial grade hinges are packed 3 pieces per inner box with full machine and full wood screws. Residential hinges are packed one pair per box, bulk assembled or unassembled. Spring hinges are packed 2 pieces per box. Refer to price list for carton quantities.

BASIC INFORMATION

Types of Hinges:

Full Mortise – Both leaves are mortised. One leaf on the frame and one on the door.

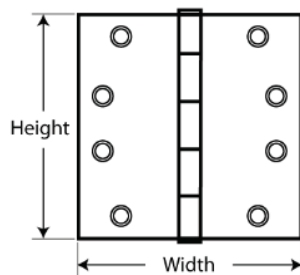
Half Mortise – One leaf is mortised to the door and the other is surface applied to the frame.

Full Surface – Both leaves are applied to the surface. One to the door and the other to the frame which may be a metal core door or hollow metal door with channel iron frame.

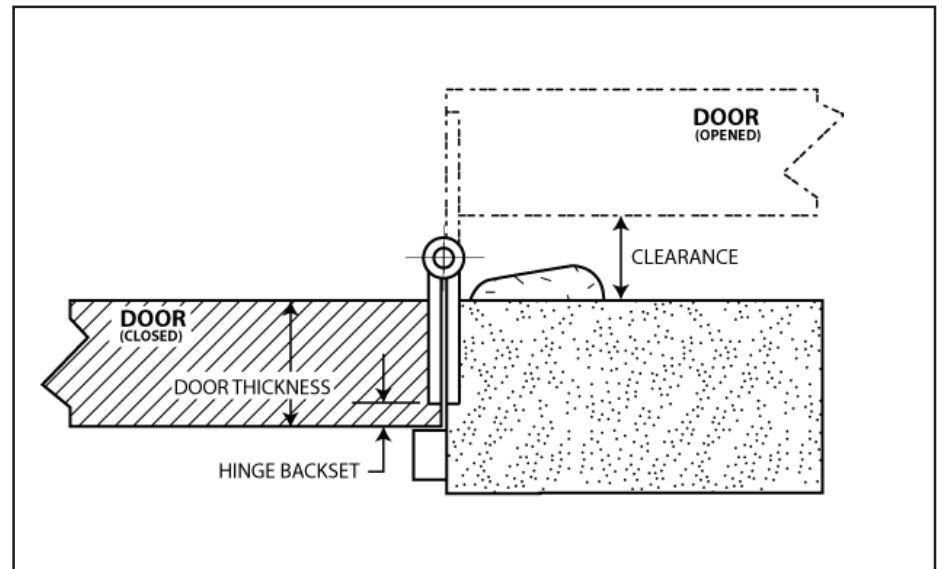
Half Surface – One leaf is mortised to the frame and the other is surface applied to the face of the door which may be a wood door with wood frame or a metal core door with hollow metal frame.

Hinge Size Configuration:

Hinges are measured by its height and its width. The first dimension is the height and the second is the width. Width is measured provided that the hinge is in the open position as shown in the figure below.



Determining the width of hinges needed:



WIDTH = DT – HB x 2 + CR

DT - DOOR THICKNESS
HB - HINGE BACKSET
CR - CLEARANCE REQUIRED

If the result of the formula above would correspond to a non standard hinge, then go to the next larger hinge width.

Determining the number of hinges needed:

Generally there should be 1 hinge for every 30" of door height. Refer to table below for quick reference.

HEIGHT OF DOOR	NUMBER OF HINGES
60" or below	2
61" – 90"	3
91" – 120"	4

Determining the height of hinges needed:

GUIDELINES FOR HINGE HEIGHT SELECTION			
DOOR WEIGHT, lbs.	DOOR WIDTH	DOOR THICKNESS	FULL MORTISE HINGE HEIGHT
75	32"	1 3/8"	3 1/2"
	36"	1 3/8"	4"
150	32"	1 3/8"	4"
	36"	1 3/8"	4"
150	32"	1 3/4"	4 1/2"
	36"	1 3/4"	4 1/2"
175	32"	1 3/8"	5"
	36"	1 3/8"	5"
175	36"	1 3/4"	5"
	48"	1 3/4"	5"
230	36"	1 3/8"	6"
	48"	1 3/8"	6"
230	36"	1 3/4"	6"
	48"	1 3/4"	6"

RECOMMENDED HINGE BACKSET:

For doors 2 1/4" thick and below, 1/4" (6.4 mm) backset is recommended.
For doors over 2 1/4", 3/8" (9.5 mm) backset is recommended.

Selecting the Proper weight and Bearing Type:

Standard Weight - Plain Bearing
Standard Weight - Ball Bearing, Concealed bearing
Heavy Weight - Ball Bearing, Concealed bearing

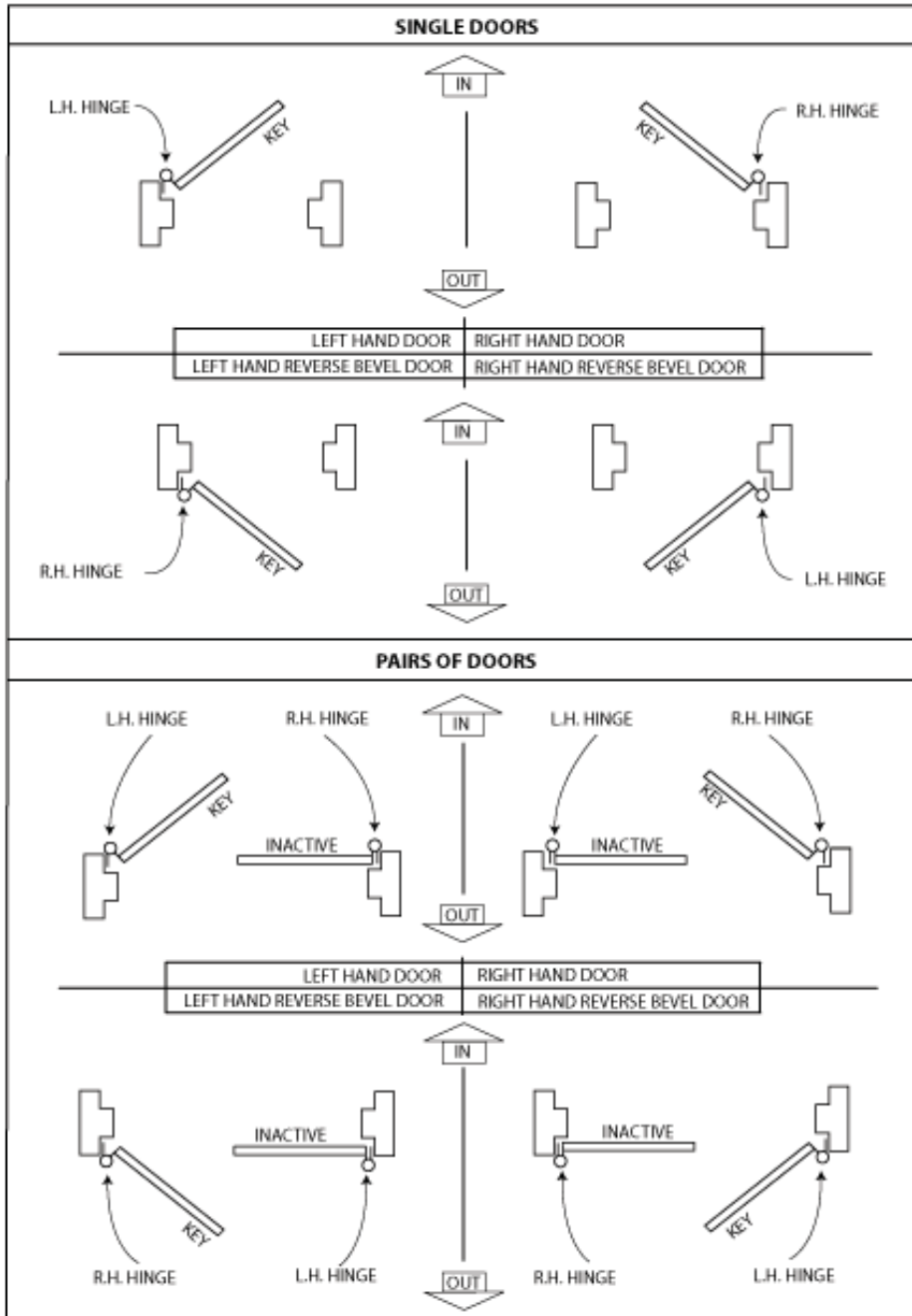
Considerations in determining Weight and Bearing type:

- 1) Weight of Door
 - 2) Frequency of Use
 - 3) Frame
 - 4) Door Hardware
- Always use ball bearing or concealed bearing hinges for doors with door closers and in all fire rated openings. Heavy Weight doors and high frequency doors should use heavy weight ball bearing or concealed bearing hinges.
 - Use ball bearing or concealed bearing hinge with spring hinges.

BASIC INFORMATION

Determining handing:

Some hinge applications require correct hinge handing. It is therefore necessary to distinguish what type of hinge handing a particular application may require. Shown in the illustration below, the suffix L.H. (left hand) and R.H. (right hand) would classify their handing.



The hand of a hinge is determined from the outside of the door to which it is applied. This is usually the locked side. When standing outside, if the door opens away to the right, it requires a right-hand hinge also referred to as RH. If it opens away to the left, then it requires a left-hand hinge also termed as LH.

When standing outside, if the door opens towards the right, it requires a left-hand hinge, also referred to as right hand reverse bevel or RHRB. If it opens towards the left, it will require a right-hand hinge, also referred to as left hand reversed bevel or LHRB.

Guidelines for Frequency of Door Usage:

BUILD TYPE	DAILY USAGE	YEARLY USAGE	HINGE TYPE
High Frequency/ Heavy Weight Door			<i>Heavy Weight</i>
Large Department Store Entrance	5,000	1,825,000	
Hospital Corridor and Surgical Doors	5,000	1,825,000	
Large Office Building Entrance	4,000	1,460,000	
School Entrance	1,250	356,200	
School Toilet Door	1,250	356,200	
Office Stairwell	500	182,500	
Office Building Toilet Door	400	118,000	
Medium Frequency/ Medium Weight Door			<i>Standard Weight</i>
School Corridor Door	100	36,500	
Hospital Consultation Rooms	100	36,500	
Office Building Corridor Door	80	15,000	
Store Toilet Door	60	15,000	
Storage Room	50	18,250	
Low Frequency/ Light Weight Door			<i>Plain bearing</i>
Residential Entrance	30	10,950	
Interior Residential	20	7,300	

Minimum Architectural Hinge Requirements:

Grade 1:	2,500,000	Heavy Weight Ball and Concealed Bearing
Grade 2:	1,500,000	Standard Weight Ball & Concealed Bearing
Grade 3:	350,000	Light Weight Plain Bearing

Type of materials:

Steel – Durable, has great strength but is highly corrosive. Rusting will result if the material is used in an uncontrolled environment, like places near the sea where the atmosphere is salty. Steel is best to use in a stable contained surroundings such as inside a building where the temperature and humidity are controlled. Steel hinges can be used on listed fire rated or labeled door openings.

Stainless Steel – This material is also durable and has great strength, but does not corrode like steel. This is best to use on highly corrosive areas. A 316 grade stainless steel or clear coat over 304L is recommended. Stainless steel can also be polished to a satin or bright finish. Stainless steel hinges can also be used on listed fire rated or labeled door openings.

Brass – Like stainless steel, brass is also non-corrosive and rust resistant. And although brass has less strength compared to steel and stainless steel, it is very decorative. It is often used in applications where appearance is taken into consideration over strength as it can be polished and plated in various finishes. But due to its low melting point, brass may not be used on listed fire rated door openings.

BASIC INFORMATION

Guidelines for Estimating Door Weight:
(Weight in Pounds per Square Foot)

DOOR THICKNESS	1 3/8"	1 3/4"	2"	2 1/4"	2 1/2"
Material					
Hollow Metal 18 gauge	4.3	4.6			
Hollow Metal 16 gauge	5.4	5.8			
Hollow Metal 15 gauge	6.2	6.5			
Hollow Metal 14 gauge	7.0	7.3			
Hollow Metal 13 gauge	8.3	8.7			
Hollow Metal 12 gauge	9.9	10.2			
Hollow Metal 11 gauge	11.2	11.6			
Hollow Metal 10 gauge	12.8	13.0			
Ash	4.5	5.3	6.0	6.8	7.5
Birch	3.8	4.3	5.0	5.6	6.3
Fir	3.0	3.5	4.0	4.5	5.0
Mahogany	4.5	5.3	6.0	6.8	7.5
Oak	6.0	7.3	8.0	9.0	10.0
White Pine	3.0	3.5	4.0	4.0	5.0
Mineral Core		4.0			

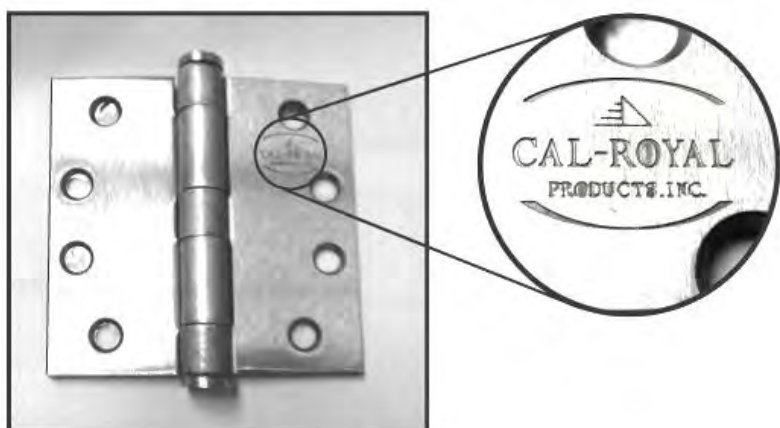
Types of Finishes:

All steel and brass material hinges can be plated to match the available finishes that are listed in the American National Standards Institute or ANSI, standard ANSI/BHMA A156.18 Materials and Finishes.

Anti-rust finishes:

When using steel based materials hinges, special finishing procedures can be done which will improve and add protection to the product. A nickel undercoat may be applied prior to plating. But although this will give added protection and make it rust resistant, it is still not considered rust proof. Stainless steel or brass which is a non-ferrous material may be used if a true rust-resisting hinge is needed.

OUR SEAL OF QUALITY



ALL HINGES ARE STAMPED WITH CRP LOGO. ALSO AVAILABLE W/O LOGO. PREFIX "UN" WHEN ORDERING. REFER TO PRICE LIST FOR STOCK ITEMS.

Electrified Hinges:

The Electrified Hinge made door wiring easy, safe and reliable. Power can now be transferred from the frame into the door either exposed or concealed.

With the introduction of electrified hinges, we are now able to monitor the position of the door, transfer power and incorporate both functions into a single hinge. More so, we now have the ability to electrify other hardware items such as exit devices, electric strikes and electrified locks.

Full mortise hinges are highly recommended for modification purposes. However, monitoring can be supplied on a half surface hinge if the need arises. It is also recommended that the Center Hinge Location be used with all electrically modified hinges.

The maximum voltage that is allowed in electrified hinges is 48 volts. Higher voltage is not allowed because of potential dangers. The current (amperes) should also be taken into consideration.



4, 6 and 8 wire available on all standard weight, heavy weight and concealed ball bearing hinges in all sizes. Specify Hinge.

ENERGY TRANSFER HINGES FOR CYLINDRICAL LOCKS, MORTISE LOCKS AND PANIC TRIMS

Prefix **ELE** + (**No. of wires**) before **ITEM #**

ELE4: 4 Wires - 26 gauge

ELE6: 6 Wires - 26 gauge

ELE8: 8 Wires - 28 gauge



ENERGY TRANSFER HINGES FOR ELECTRIFIED PANIC BAR (ELR)

Prefix **ELELR** + (**No. of wires**) before **ITEM #**

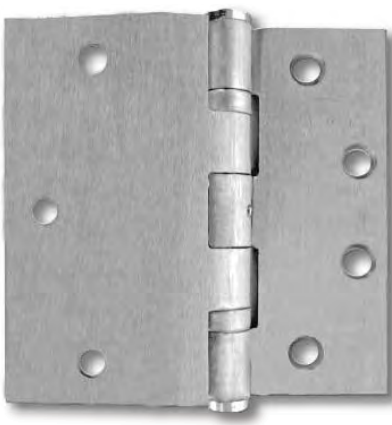



ELELR4: 2 Wire -18 gauge, 5A (16A in-rush for 300 ms.) + **2 Wire** -26 gauge





ELELR6: 2 Wire -18 gauge, 5A (16A in-rush for 300 ms.) + **4 Wire** -28 gauge

ELELR8: 2 Wire -18 gauge, 5A (16A in-rush for 300 ms.) + **6 Wire** -28 gauge

	FULL MORTISE TYPE HINGES Heavy Weight • Four Ball Bearing • Template		
	ITEM #	SIZE	GAUGE
	BB 5500HD	5" x 5"	.190
	BB 5210	5" x 4 1/2"	.190
	BB 5254	5" x 4"	.190
	BB 5200	4 1/2" x 4 1/2"	.180
	BB 52454	4 1/2" x 4"	.180
Size: Maximum of 8" x 8" available upon request		Material: Steel, Stainless Steel, Brass	
Size of FH Screws		Pieces Per Box	Pieces Per Carton
Machine	Wood	3	48
1/2" x 12 - 24	1 1/4" x 12		
	FULL MORTISE TYPE HINGES Standard Weight • Two Ball Bearing • Template		
	ITEM #	SIZE	GAUGE
	BB 55	5" x 5"	.146
	BB 545	5" x 4 1/2"	.146
	BB 54	5" x 4"	.146
	BB 31	4 1/2" x 4 1/2"	.134
	BB 454	4 1/2" x 4"	.134
BB SC56	4" x 4"	.130	
BB SC77*	3 1/2" x 3 1/2"	.123	
Size: Maximum of 6" x 6" available upon request		Material: Steel, Stainless Steel, Brass	
Size of FH Screws		Pieces Per Box	Pieces Per Carton
Machine	Wood	3	48
1/2" x 12 - 24	1 1/4" x 12		
* Supplied with 1/2" x 10-24 machine screws and 1 x 9 wood screws, 2 pieces/inner box 100 pieces/carton			
	MADE IN TAIWAN HINGES THAT MEET THE BUY AMERICAN ACT Full Mortise Type		
	Two Ball Bearing • Standard Weight		
	ITEM #	SIZE	GAUGE
	TABB 31	4 1/2" x 4 1/2"	.134
	TABB 545	5" x 4 1/2"	.146
	Four Ball Bearing • Heavy Weight		
	TABB 5200	4 1/2" x 4 1/2"	.180
Material: Steel, Stainless Steel, Brass			
Size of FH Screws		Pieces Per Box	Pieces Per Carton
Machine	Wood	3	48
1/2" x 12 - 24	1 1/4" x 12		
	FULL MORTISE TYPE HINGES Standard Weight • Plain Bearing • Template		
	ITEM #	SIZE	GAUGE
	TBH 55	5" x 5"	.146
	TBH 30	4 1/2" x 4 1/2"	.134
	TBH 454	4 1/2" x 4"	.134
	TBHSC 55	4" x 4"	.130
	TBHSC 77*	3 1/2" x 3 1/2"	.123
TBHSC 33*	3" x 3"	.123	
Size: Maximum of 6" x 6" available upon request		Material: Steel, Stainless Steel, Brass	
Size of FH Screws		Pieces Per Box	Pieces Per Carton
Machine	Wood	3	48
1/2" x 12 - 24	1 1/4" x 12		
* Supplied with 1/2" x 10-24 machine screws and 1 x 9 wood screws, 2 pieces/inner box 100 pieces/carton			

FULL MORTISE TYPE HINGES • Standard Weight • Template			
			
1/4" Radius • Plain Bearing			
ITEM #	SIZE	GAUGE	
TBHRC 44	4" x 4"	.130	
TBHRC 66*	3 1/2" x 3 1/2"	.123	
5/8" Radius • Plain Bearing • Non Template			
TBHRC 5844	4" x 4"	.130	
1/4" Radius • Ball Bearing			
BBRC 45	4" x 4"	.130	
5/8" Radius • Ball Bearing • Non Template			
BBRC 5844	4" x 4"	.130	
BBRC 5835	3 1/2" x 3 1/2"	.123	
Material: Steel, Stainless Steel, Brass			
Size of FH Screws		Pieces Per Box	Pieces Per Carton
Machine	Wood	3	48
1/2" x 12 - 24	1" x 12		
* Supplied with 1/2" x 10-24 machine screws and 1" x 9 wood screws, 2 pieces/inner box 100 pieces/carton			
CONCEALED BALL BEARING HINGES • Full Mortise Type • Template			
			
Standard Weight Hinges			
ITEM #	SIZE	GAUGE	
BB 2255	5" x 5"	.145	
BB 2200	4 1/2" x 4 1/2"	.134	
BB 22454	4 1/2" x 4"	.134	
Heavy Weight Hinges			
BB 7755	5" x 5"	.190	
BB 3300	4 1/2" x 4 1/2"	.190	
BB 1000	4 1/2" x 4"	.190	
Special sizes available upon request		Material: Steel, Stainless Steel, Brass	
Size of FH Screws		Pieces Per Box	Pieces Per Carton
Machine	Wood	3	48
1/2" x 12 - 24	1 1/4" x 12		
FULL SURFACE TYPE HINGES Standard Weight Ball Bearing • Template			
			
ITEM #	SIZE	GAUGE	
FSHBB 45 N.R.P.	4 1/2"	.134	
Non-Removable Pin		Material: Steel, Stainless Steel	
Size of FH Screws		Pieces Per Box	Pieces Per Carton
Jamb	Door	2	24
1/2" x 12 - 24OH	2 x 1/4" - 20 OH		
HALF MORTISE TYPE HINGES Standard Weight • Ball Bearing • Template			
			
ITEM #	SIZE	GAUGE	
HMBB 4100 N.R.P.	4 1/2"	.134	
Size: Available up to 5" upon request		Material: Steel, Stainless Steel Non-Removable Pin	
Size of FH Screws		Pieces Per Box	Pieces Per Carton
Jamb	Door	3	48
1/2" x 12 - 24OH	1/2" x 12 - 24MS		
	1 1/4" x 12WS		

	HALF SURFACE TYPE • Standard Weight Hinges Ball Bearing • Template				
	ITEM #		SIZE		GAUGE
	HSBB 4900 N.R.P.		4 ½"		.134
	Size: Available up to 5" upon request			Material: Steel, Stainless Steel Non-Removable Pin	
	Size of FH Screws			Pieces Per Box	Pieces Per Carton
	Jamb	Door		3	48
	½" x 12 – 24 FH	2 ¼" x 20 OS			
	SWING CLEAR • Full Mortise Type • Ball Bearing • Template				
	Two Ball Bearing Standard Weight Hinges				
	ITEM #		SIZE		GAUGE
	BB 600		4 ½"		.134
	Four Ball Bearing Heavy Weight Hinges				
	BB 800		4 ½"		.190
	Size: Available up to 5" upon request			Material: Steel, Stainless Steel	
Size of FH Screws			Pieces Per Box	Pieces Per Carton	
Jamb	Door		3	48	
½" x 12 – 24 MS	½" x 12 – 24MS				
	1 ¼" x 12WS				
	HOSPITAL TIP Full Mortise Type • Ball Bearing • Template				
	Two Ball Bearing Standard Weight				
	ITEM #		SIZE		GAUGE
	HOSBB 31 N.R.P.		4 ½" x 4 ½"		.134
	Four Ball Bearing Heavy Weight				
	HOSBB 5200 N.R.P.		4 ½" x 4 ½"		.180
	Size: Maximum of 6" x 6" available upon request			Material: Steel, Stainless Steel	
Size of FH Screws			Pieces Per Box	Pieces Per Carton	
Machine	Wood		3	48	
½" x 12 – 24	1 ¼" x 12				
	WIDE THROW HINGES Full Mortise Type • Standard Weight • Two Ball Bearing • Template				
	ITEM #		SIZE		GAUGE
	WTHBB 456		4 ½" x 6"		.146
	Size: Maximum of 6" x 6" available upon request			Material: Steel, Stainless Steel	
	Size of FH Screws			Pieces Per Box	Pieces Per Carton
	Machine	Wood		3	48
	½" x 12 – 24	1 ¼" x 12			

	SPRING HINGES (Commercial) Full Mortise Type • Template • Single Acting			
	ITEM #	SIZE	GAUGE	
	NEW SH 140	4 ½" x 4 ½"	.134	
	NEW SH 454	4 ½" x 4"	.134	
	Size: 4" x 4" and 3 ½" x 3 ½", available upon request		Material: Steel, Stainless Steel	
	Size of FH Screws		Pieces Per Box	Pieces Per Carton
	Machine	Wood	2	48
	½" x 12 - 24	1 ¼" x 12		
	COMBINATION HINGES • Full Mortise Type 2 pcs Spring Hinges (SH140), 1 pc 2-Ball Bearing Hinges (BB31)			
	ITEM #	SIZE	GAUGE	
	BB 14031	4 ½" x 4 ½" 2 pcs Spring Hinges	.134	
		4 ½" x 4 ½" 1 pc 2-Ball Bearing Hinge	.134	
	Material: Steel, Stainless Steel			
	Size of FH Screws		Pieces Per Box	Pieces Per Carton
	Machine	Wood	3	48 (32/16)
	½" x 12 - 24	1 ¼" x 12		
	SPRING HINGES (RESIDENTIAL) Full Mortise Type Template • Single Acting			
	Round Corner, ¼" Radius (Template)			
	ITEM #	SIZE	GAUGE	
	NEW SH 44R	4" x 4"	.110	
	NEW SH 35R	3 ½" x 3 ½"	.110	
	Round Corner, 5/8" Radius (4"x 4" Non Template)			
	NEW SH 4458R	4" x 4"	.110	
	NEW SH 3558R	3 ½" x 3 ½"	.110	
	Square Corner, (Template)			
	NEW SCSH 35	3 ½" x 3 ½"	.110	
	Material: Steel, Stainless Steel			
	Size of FH Screws		PCS/Box	PCS/Carton
	Machine	Wood	2	48
	½" x 12 - 24 w/ #10 Head (4"x4")	1" x 10		
½" x 10 - 24 w/ #10 Head (3½"x 3½")	1" x 10			
	Castlegate Combination Square-Round Corner			
	CASSH4458SQLH (Left Hand)	4" x 4"	.110	
	CASSH4458SQRH (Right Hand)	4" x 4"	.110	
	Size of FH Screws		PCS/Box	PCS/Carton
	Machine	Wood	2	48
	½" x 10 - 24 w/ #10 Head	1" x 10		
	Benchmark Round Corner, 5/8" Radius			
	NBENSH4458R	4" x 4"	.110	
	Material: Steel, Stainless Steel			
	Size of FH Screws		PCS/Box	PCS/Carton
Machine	Wood	2	48	
½" x 12 - 24 w/ #10 Head	1" x 10			



BL ST AC UR

EXTRUDED SOLID BRASS HINGES
Full Mortise Type • Two Ball Bearing • Template

LIFE TIME FINISH			
ITEM #	SIZE	GAUGE	
LIF SBBH 45	4 1/2" x 4 1/2"	.134	
LIF SBBH 44	4" x 4"	.130	
LIF SBBH 35	3 1/2" x 3 1/2"	.123	
STANDARD FINISH			
SBBH 45	4 1/2" x 4 1/2"	.134	
SBBH 44	4" x 4"	.130	
SBBH 35	3 1/2" x 3 1/2"	.123	
FULL MORTISE, PLAIN BEARING			
SBH 45	4 1/2" x 4 1/2"	.134	
SBH 44	4" x 4"	.130	
SBH 35	3 1/2" x 3 1/2"	.123	
Material: Steel, Stainless Steel, Brass			
DECORATIVE TIPS FOR EXTRUDED HINGES (BRASS)			Unit Ea Per Hinge
Ball Tip (BL), Steeple Tip (ST), Acorn Tip (AC), Urn Tip (UR)			1
Size of Wood Screws	3 1/2" - 1" x 10	Pieces Per Pack	Pieces Per Carton
	4" - 1" x 12	2	60
	4 1/2" - 1 1/4" x 12		



CASTLEGATE COMBINATION SQUARE-ROUND CORNER PLAIN BEARING HINGES

ITEM #	SIZE	GAUGE	
CASRH44RH (Right Hand)	4"x4"	.098	
CASRH44LH (Left Hand)	4"x4"	.098	
Material: Steel, Stainless Steel			
Size of Screws		PCS/Box	PCS/Carton
Machine	Wood	2	48
1/2 x 10 - 24 w/ #10 Head	1" x 9		



RESIDENTIAL WEIGHT HINGES
Full Mortise Type • Two Ball Bearing • 5 Knuckles

1/4" Radius			
ITEM #	SIZE	GAUGE	
BB RH 60	4" x 4"	.097	
BB RH 61	3 1/2" x 3 1/2"	.085	
5/8" Radius			
BB RH 40	4" x 4"	.097	
BB RH 35	3 1/2" x 3 1/2"	.085	
4" x 4" Non Template Type, 3 1/2" x 3 1/2" Template Type		Material: Steel, Stainless Steel, Brass	
Size of Wood Screws		Pieces Per Box	Pieces Per Carton
4" x 4"	1" x 9	2, Assembled	100
3 1/2" x 3 1/2"	3/4" x 9		



RESIDENTIAL WEIGHT HINGES
Full Mortise Type • Plain Bearing • 5 Knuckles

1/4" Radius			
ITEM #	SIZE	GAUGE	
RH 60	4" x 4"	.097	
RH 61	3 1/2" x 3 1/2"	.085	
5/8" Radius			
RH 40	4" x 4"	.097	
RH 35	3 1/2" x 3 1/2"	.085	
Square Corner			
RH 91	4" x 4"	.097	
RH 90	3 1/2" x 3 1/2"	.085	
RH 33	3" x 3"	.085	
4" x 4" Non Template Type, 3 1/2" x 3 1/2" Template Type		Material: Steel, Stainless Steel, Brass	
Size of Wood Screws		Pieces Per Box	Pieces Per Carton
4" x 4"	1" x 9	2, Assembled	100
3 1/2" x 3 1/2"	3/4" x 9		

RESIDENTIAL WEIGHT HINGES Plain Bearing • Reversible • 6 Knuckles			
1/4" Radius			
ITEM #	SIZE	GAUGE	
RH 60 6	4" x 4"	.097	
RH 61 6	3 1/2" x 3 1/2"	.085	
3" x 3" and square corner available upon request			
5/8" Radius			
RH 40 6	4" x 4"	.097	
RH 35 6	3 1/2" x 3 1/2"	.085	
Material: Steel, Stainless Steel, Brass			
4" x 4" Non Template Type, 3 1/2" x 3 1/2" Template Type			
Size of Wood Screws		Pieces Per Box	Pieces Per Carton
4" x 4"	1" x 9	2, Assembled 100, Unassembled	100
3 1/2" x 3 1/2"	3/4" x 9		

RESIDENTIAL WEIGHT HINGES Plain Bearing • Template			
1/4" Radius			
ITEM #	SIZE	GAUGE	
TBHRC 33	4" x 4"	.097	
For use on Metal Frames and Wood Doors			
Material: Steel, Stainless Steel, Brass			
Size of FH Screws		Pieces Per Box	Pieces Per Carton
Machine	Wood	3	48
1/2" x 10 - 24	1" x 10		

RESIDENTIAL WEIGHT HINGES Plain Bearing • Template			
1/4" Radius			
ITEM #	SIZE	GAUGE	
TBHRC 45	3 1/2" x 3 1/2"	.085	
For use on Metal Frames and Wood Doors			
Material: Steel, Stainless Steel, Brass			
Size of FH Screws		Pieces Per Box	Pieces Per Carton
Machine	Wood	2	100
1/2" x 10 - 24	3/4" x 10		











RESIDENTIAL STAINLESS STEEL HINGES, SQUARE CORNER Full Mortise Type • Residential Weight • Plain Bearing			
ITEM #	SIZE	GAUGE	
LTBHSC-55	4" x 4"	.080	
LTBHSC-77	3 1/2" x 3 1/2"	.080	
LTBHSC-77	3" x 3"	.080	
Material: Steel, Stainless Steel, Brass			
Size of FH Screws		Pieces Per Box	Pieces Per Carton
Machine	Wood	2	100
N/A	3/4" x 9		

PARLIAMENT HINGES Full Mortise Type • Plain Bearing • Template				
ITEM #		SIZE		GAUGE
PARH 458C		4 5/8" x 2 1/2"		.093
PARH 4B		4" x 2 1/2"		.093
PARH 3A		3" x 2 1/4"		.093
Material: Steel, Stainless Steel, Brass				
Size of FH Screws			Pieces Per Box	Pieces Per
Machine	Wood		2	100
N/A	3/4" x 9			

SOLID BRASS CABINET HINGES				
ITEM #		SIZE		GAUGE
CABH-2015		2" x 1 1/2"		.093
CABH-2517		2 1/2" x 1.700"		.093
Size of FH Screws			Pieces Per Box	Pieces Per Carton
Machine	Wood		10	100
N/A	3/4" x 6			

REINFORCING PIVOT HINGES				
ITEM #		SIZE		GAUGE
RPH 45		4 1/2"		.187
RPH45SHIM		1/8" Shim plate for RPH45 (Used for doors with 1/8" Reveal)		
Material: Steel, Stainless Steel, Brass				
Size of FH Screws			Pieces Per Box	Pieces Per
Machine	Wood	Sex Bolt	1	10
(8) 1/4" - 20 x 3/4" FLAT HEAD	(8) 14 x 1 1/4" FLAT HEAD	(2) 1/4" - 20		

HINGE SCREWS

STEEL SCREWS FOR CONTRACT GRADE SIZE 4", 4.5" and 5"		
	ITEM #	FINISH
	MACHINE 1/2" x 12-24 FPHM	
	MSC1224	USP, US26D, US10A, US10B, US10, US4, US3, US26, DURO, US32D
	WOOD 1 1/4" x 12 FPHW	
	WSC11412	USP, US26D, US10A, US10B, US10, US4, US3, US26, DURO, US32D
	WOOD 1" x 12 FPHW	
	WSC11299	USP, US26D, US10A, US10B, US10, US4, US3, US26, US15, DURO
STEEL SCREWS FOR RESIDENTIAL HINGES (4" x 4" and 3 1/2" x 3 1/2")		
	WOOD 1" x 9 With flycut (4" x 4" Size Hinge)	
	TWSC19	US26D, US10A, US4, US3, US26
	WOOD 3/4" x 9 With flycut (3 1/2" x 3 1/2" Size Hinge)	
	RESWC349	US26D, US10A, US4, US3, US26
STEEL SCREWS FOR TBHRC33 AND TBHRC45, 4" x 4" and 3 1/2" x 3 1/2" TIMELY HINGES, 4" x 4" and 3 1/2" x 3 1/2" SPRING HINGES, 3 1/2" x 3 1/2" CONTRACT GRADE HINGES		
	MACHINE 1/2" x 12-24 with #10 head FPHM (4" x 4" Size Hinge, 1/4" radius)	
	TMC1224	USP, US26D, US10A, US4, US3, US26, US28, US15, US10B, DURO
	MACHINE 1/2" x 10-24 with #10 head FPHM (4" x 4" Size Hinge, 5/8" radius)	
	TMC10244458R	USP, US26D, US10A, US4, US3, US26, US10B, DURO
	WOOD 1" x 10 FPHW (4" x 4" size hinge)	
	TWSC110	USP, US26D, US10A, US4, US3, US26, US15, US10B, US15A, USP, DURO
	MACHINE 1/2" x 10-24 No. 9 HEAD FPHM (3 1/2" x 3 1/2" Size Hinge)	
	TMC121024	USP, US26D, US10A, US4, US3, US26, US10B, US32D, DURO
	WOOD 1" x 9 FPHW (3 1/2" x 3 1/2" size hinge)	
	TWSC19	USP, US26D, US10A, US4, US3, US26, US28, US10B, US15, US15A, DURO

ARCHITECTURAL HINGE COMPARISON CHART

TYPE	CAL-ROYAL	ANSI	HAGER	STANLEY	MCKINNEY	PBB
Steel / Stainless 2 Ball Bearings	BB55 5" x 5"	A8112 A5112 (Stainless Steel)	BB1279 BB1191 (Stainless Steel)	FBB179 FBB191 (Stainless Steel)	TB2714 TB2314 (Stainless Steel)	BB81 BB51 (Stainless Steel)
	BB545 5" x 4½"					
	BB54 5" x 4"					
	BB31 4½" x 4½"					
	BB454 4½" x 4"					
	BBSC56 4" x 4"					
	BBRC45 4" x 4" (¼" Rad.)					
	BBSC77 3½" x 3½"					
Stainless Steel, add 32D after part#						
Steel / Stainless Plain Bearing	TBH30 4½" x 4½"	A8133 A5133 (Stainless Steel)	1279 1191 (Stainless Steel)	F179 F191 (Stainless Steel)	T2714 T2314 (Stainless Steel)	PB81 PB51 (Stainless Steel)
	TBH454 4½" x 4"					
	TBHSC55 4" x 4"					
	TBHRC44 4" x 4" (¼" Rad.)					
	TBHSC77 3½" x 3½"					
	TBHRC66 3½" x 3½" (¼" Rad.)					
Stainless Steel, add 32D after part#						
Brass, 2 Ball Bearings	SBBB31 4½" x 4½"	A2112	BB1191	FBB191	TB2314	BB21
Brass, Plain Bearing	SBTBH30 4½" x 4½"	A2133	1191	F191	T2314	PB21
Steel, Half Mortise, 2 Ball Bearings	HMBB4100 4½"	A8212	BB1129	FBB167	TB2774	BB82
Stainless Steel, add 32D after part #						
Steel, Half Surface, 2 Ball Bearings	HSBB4900 4½"	A8412	BB1173	FBB173	TB2772	BB84
Stainless Steel, add 32D after part #						
Steel, Swing Clear, 2 Ball Bearings	BB600 4½"	A8122	BB1260	FBB248	TB2895	SC81
Steel, Bearing Concealed	BB2200 4½" x 4½"	A8112	BB700	CB1900	TA714	CB81
Stainless Steel, add 32D after part #						
"UL" Spring Hinge, Commercial	SH140 4½" x 4½"	K8107-IF	1250	2060	1502	SP81
	SH454 4½" x 4"					
Stainless Steel, add 32D after part #						
"UL" Spring Hinge, Commercial / Residential	SH4458R 4" x 4", (5/8" Rad.)	K8107IF	1251	2060	1502	RS81
	SH44R 4" x 4", (¼" Rad.)					
	SH35R 3½" x 3½" (¼" Rad.)					
	SH3558R 3½" x 3½" (5/8" Rad.)					
Steel, 4 Ball Bearings, Heavy Gauge	BB5210 5" x 4½"	A8111 A5111 (Stainless Steel)	BB1168 BB1199 (Stainless Steel)	FBB168 FBB199 (Stainless Steel)	T4B3786 T4B3386 (Stainless Steel)	4B81 4B51 (Stainless Steel)
	BB5254 5" x 4"					
	BB5200 4½" x 4½"					
	BB52454 4½" x 4"					
Stainless Steel, add 32D after part #						

◇◇◇ All hinges above are available in steel, brass and stainless steel. Brass base prefix "SB" before part #. Stainless steel add US32D after part #. Consult factory for more information on hinge comparisons not shown.



Intertek ETL SEMKO

September 24, 2003

Mr. Kaye Yashar
Cal Royal Products, Inc.
2110 Tubeway Avenue
City of Commerce, CA 90040

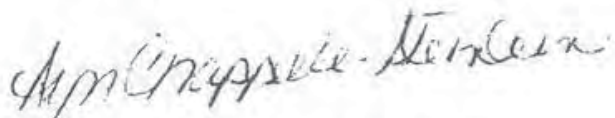
Dear Mr. Yashar:

Per your request the following is a summary of the results of testing on various model hinges:

Model	ANSI/BHMA Standard	Grade	Test Result	Intertek Report No.	Report Date
BB-31	A156.1-1997	2	COMPLIANT	3006833	11/15/01
TBH-30	A156.1-1997	3	COMPLIANT	3006833	04/05/01
BB5200	A156.1-2000	1	COMPLIANT	3038274-001	08/22/03

Thank you for turning to Intertek with your testing needs. If you have any questions or further needs, please contact us.

Sincerely,



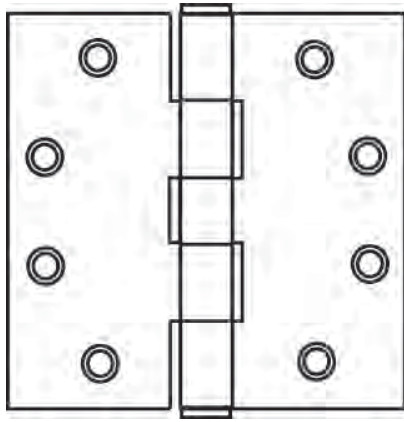
Ayn Chappelle-Steinlein
Project Manager – Hardware
Building Products Group
Intertek



Intertek Testing Services NA, Inc.

8431 Murphy Drive, Middleton, WI 53562

Telephone: 608-836-4400 Fax: 608-831-9279 Web: www.intertek-etlsemko.com

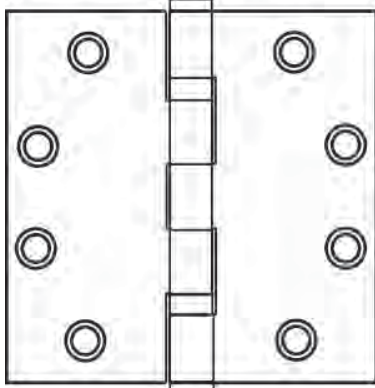


FULL MORTISE TEMPLATE HINGES
Plain Bearing . Standard Weight
 Brass ANSI A2133
 Stainless Steel ANSI A5133
 with stainless steel pin
 Steel with steel pin ANSI A8133

Five knuckle non-rising removable pin, button tip and plug.

Cal-Royal Part #	Size Open (Inches)	Gauge of Metal	Number of Holes	Machine Screw Size	Wood Screw Size	Inner Box Quantity	Pieces/Case
TBHSC33	3 x 3	.119	6	½ x 12-24	1 x 9	2 Ea.	100
TBHSC77	3½ x 3½	.119	6	½ x 10-24	1 x 9	2 Ea.	100
TBHRC66 (RC) ¼" Rad	3½ x 3½	.119	6	½ x 10-24	1 x 9	2 Ea.	100
TBHSC55	4 x 4	.129	8	½ x 12-24	1 x 12	3 Ea.	48
TBHRC44 (RC) ¼" Rad	4 x 4	.129	8	½ x 12-24	1 x 12	3 Ea.	48
TBHRC5844 (RC) ⅝" Rad	4 x 4	.129	8	½ x 12-24	1 x 12	3 Ea.	48
TBHSC435	4 x 3½	.129	8	½ x 12-24	1 x 12	3 Ea.	48
TBH30	4½ x 4½	.134	8	½ x 12-24	1¼ x 12	3 Ea.	48
TBH454	4½ x 4	.134	8	½ x 12-24	1¼ x 12	3 Ea.	48
TBH54	5 x 4	.145	8	½ x 12-24	1¼ x 12	3 Ea.	24
TBH545	5 x 4½	.145	8	½ x 12-24	1¼ x 12	3 Ea.	24
TBH55	5 x 5	.145	8	½ x 12-24	1¼ x 12	3 Ea.	24
TBH645	6 x 4½	.160	10	½ x ¼-20	1½ x 14	3 Ea.	24
TBH65	6 x 5	.160	10	½ x ¼-20	1½ x 14	3 Ea.	24
TBH66	6 x 6	.160	10	½ x ¼-20	1½ x 14	3 Ea.	24

CAL-ROYAL PRODUCTS, INC. Template hinges are manufactured to close tolerances and meet all specifications and requirements set by the American National standards Institute (ANSI A156.7). **All hinges are ANSI templates. All hinges above are available in steel, brass and stainless steel base. Brass base prefix "SB" before part #. Stainless steel add 32D after part #.**

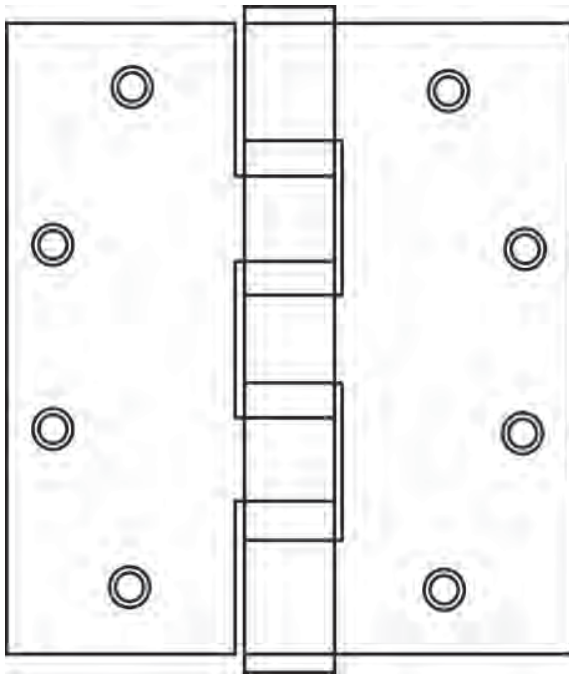


FULL MORTISE TEMPLATE HINGES
Ball Bearing . Standard Weight
 Brass ANSI A2112
 Stainless Steel ANSI A5112
 with stainless steel pin
 Steel with steel pin ANSI A8112

Five knuckle two ball bearings, non-rising removable pin, button tip and plug.

Cal-Royal Part #	Size Open (Inches)	Gauge of Metal	Number of Holes	Machine Screw Size	Wood Screw Size	Inner Box Quantity	Pieces/Case
BBSC33	3" x 3"	.119	6	½ x 10-24	1 x 9	2 Ea.	100
BBSC77	3½ x 3½	.119	6	½ x 10-24	1 x 9	2 Ea.	100
BBRC5835	3½ x 3½	.123	6	½ x 10-24	1 x 9	2 Ea.	100
BBSC56	4 x 4	.129	8	½ x 12-24	1 x 12	3 Ea.	48
BBRC45 (RC) ¼" Rad	4 x 4	.129	8	½ x 12-24	1 x 12	3 Ea.	48
BBRC5844 (RC) ⅝" Rad	4 x 4	.129	8	½ x 12-24	1 x 12	3 Ea.	48
BBSC435	4 x 3½	.129	8	½ x 12-24	1 x 12	3 Ea.	48
BB454	4½ x 4	.134	8	½ x 12-24	1¼ x 12	3 Ea.	48
BB31	4½ x 4½	.134	8	½ x 12-24	1¼ x 12	3 Ea.	48
BB54	5 x 4	.145	8	½ x 12-24	1¼ x 12	3 Ea.	24
BB545	5 x 4½	.145	8	½ x 12-24	1¼ x 12	3 Ea.	24
BB55	5 x 5	.145	8	½ x 12-24	1¼ x 12	3 Ea.	24
BB645	6 x 4½	.160	10	½ x ¼-20	1½ x 14	3 Ea.	24
BB65	6 x 5	.160	10	½ x ¼-20	1½ x 14	3 Ea.	24
BB66	6 x 6	.160	10	½ x ¼-20	1½ x 14	3 Ea.	24

CAL-ROYAL PRODUCTS, INC. Template hinges are manufactured to close tolerances and meet all specifications and requirements set by the American National standards Institute (ANSI A156.7). **All hinges are ANSI templates. All above hinges are available in steel, brass and stainless steel base. Brass base prefix "SB" before part #. Stainless steel add 32D after part #.**

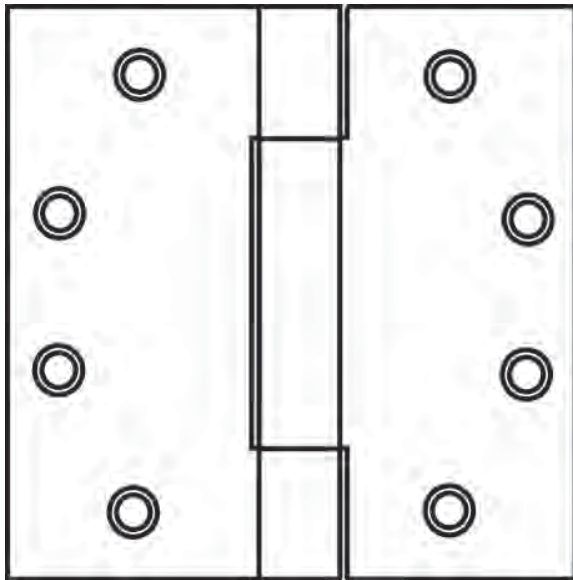


FULL MORTISE TEMPLATE HINGES
Ball Bearing . Heavy Weight
 Brass ANSI A2111
 Stainless Steel ANSI A5111
 with stainless steel pin
 Steel with steel pin ANSI A8111

Five knuckle four ball bearings, non-rising removable pin, button tip and plug.

Cal-Royal Part #	Size Open (Inches)	Gauge of Metal	Number of Holes	Machine Screw Size	Wood Screw Size	Inner Box Quantity	Pieces/ Case
BB52454	4½ x 4	.180	8	½ x 12-24	1¼ x 12	3 Ea.	24
BB5200	4½ x 4½	.180	8	½ x 12-24	1¼ x 12	3 Ea.	24
BB5254	5 x 4	.190	8	½ x 12-24	1¼ x 12	3 Ea.	24
BB5210	5 x 4½	.190	8	½ x 12-24	1¼ x 12	3 Ea.	24
BB5500	5 x 5	.190	8	½ x 12-24	1¼ x 12	3 Ea.	24
BB6450	6 x 4½	.190 Stainless Steel .203 Steel & Brass	10	½ x ¼-20	1½ x 14	3 Ea.	24
BB6500	6 x 5	.190 Stainless Steel .203 Steel & Brass	10	½ x ¼-20	1½ x 14	3 Ea.	24
BB6600	6 x 6	.190 Stainless Steel .203 Steel & Brass	10	½ x ¼-20	1½ x 14	3 Ea.	24
BB8600	8 x 6	.190 Stainless Steel .203 Steel & Brass	16	½ x ¼-20	1½ x 14	3 Ea.	12
BB8800	8 x 8	.190 Stainless Steel .203 Steel & Brass	16	½ x ¼-20	1½ x 14	3 Ea.	12

CAL-ROYAL PRODUCTS, INC. Template hinges are manufactured to close tolerances and meet all specifications and requirements set by the American National standards Institute (ANSI A156.7). All hinges are ANSI templates. Hinge testing conforms to ANSI A156.1. **All hinges above are available in steel, brass and stainless steel base. Brass base prefix "SB" before part #. Stainless steel and 32D after part #.**

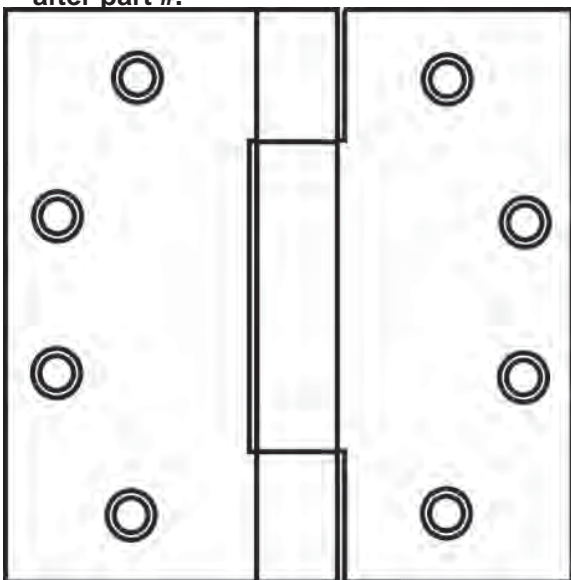


FULL MORTISE TEMPLATE HINGES
Concealed Ball Bearing . Heavy Weight
 Brass ANSI A2111
 Stainless Steel ANSI A5111
 with stainless steel pin
 Steel with steel pin ANSI A8111

Three knuckles with concealed ball bearings, non-rising removable pin, concealed pin head and plug.

Cal-Royal Part #	Size Open (Inches)	Gauge of Metal	Number of Holes	Machine Screw Size	Wood Screw Size	Inner Box Quantity	Pieces/Case
BB1000	4½ x 4	.180	8	½ x 12-24	1¼ x 12	3 Ea.	24
BB3300	4½ x 4½	.180	8	½ x 12-24	1¼ x 12	3 Ea.	24
BB7754	5 x 4	.190	8	½ x 12-24	1¼ x 12	3 Ea.	24
BB77545	5 x 4½	.190	8	½ x 12-24	1¼ x 12	3 Ea.	24
BB7755	5 x 5	.190	8	½ x 12-24	1¼ x 12	3 Ea.	24
BB77645	6 x 4½	.190 Stainless Steel .203 Steel & Brass	10	½ x ¼-20	1½ x 14	3 Ea.	24
BB7765	6 x 5	.190 Stainless Steel .203 Steel & Brass	10	½ x ¼-20	1½ x 14	3 Ea.	24
BB7766	6 x 6	.190 Stainless Steel .203 Steel & Brass	10	½ x ¼-20	1½ x 14	3 Ea.	24

CAL-ROYAL PRODUCTS, INC. Template hinges are manufactured to close tolerances and meet all specifications and requirements set by the American National standards Institute (ANSI A156.7). All hinges are ANSI templates. Hinge testing conforms to ANSI A156.1. **All hinges above are available in steel, brass and stainless steel base. Brass base prefix "SB" before part #. Stainless steel and 32D after part #.**



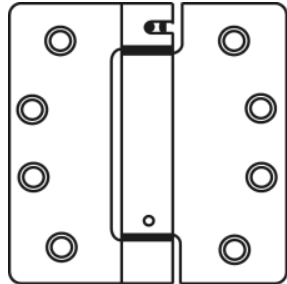
FULL MORTISE TEMPLATE HINGES
Concealed Ball Bearing . Standard Weight
 Brass ANSI A2112
 Stainless Steel ANSI A5112
 with stainless steel pin
 Steel with steel pin ANSI A8112

Three knuckles with concealed ball bearings, non-rising removable pin, concealed pin head and plug.

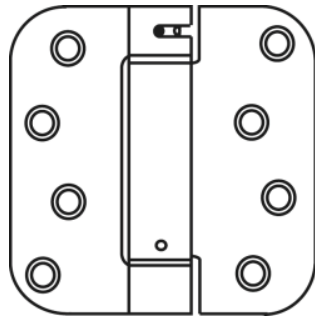
Cal-Royal Part #	Size Open (Inches)	Gauge of Metal	Number of Holes	Machine Screw Size	Wood Screw Size	Inner Box Quantity	Pieces/Case
BB223535	3½ x 3½	.119	6	½ x 10-24	1 x 9	2	100
BB224040	4 x 4	.129	8	½ x 12-24	1¼ x 12	3	48
BB22454	4½ x 4	.134	8	½ x 12-24	1¼ x 12	3	48
BB2200	4½ x 4½	.134	8	½ x 12-24	1¼ x 12	3	48
BB2254	5 x 4	.145	8	½ x 12-24	1¼ x 12	3	24
BB22545	5 x 4½	.145	8	½ x 12-24	1¼ x 12	3	24
BB2255	5 x 5	.145	8	½ x 12-24	1¼ x 12	3	24

CAL-ROYAL PRODUCTS, INC. Template hinges are manufactured to close tolerances and meet all specifications and requirements set by the American National standards Institute (ANSI A156.7). **All hinges are ANSI templates. All hinges above are available in steel, brass and stainless steel base. Brass base prefix "SB" before part #. Stainless steel add 32D after part #.**

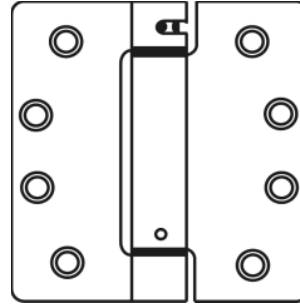
FULL MORTISE REVERSE ACTION
Spring Hinge
 Full Mortise . Template . Single Acting
 Steel ANSI K81071F



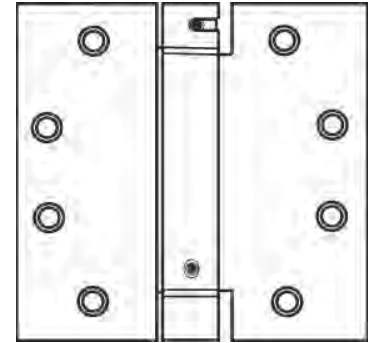
SH-35R-3.5 X 3.5



SH-4458R



SH-44R-4 X 4



SH-140-4.5 X 4.5

Cal-Royal Part #	Size Open (Inches)	Gauge of Metal	Number of Holes	Machine Screw Size	Wood Screw Size	Inner Box Quantity	Pieces/Case
SH35R (RC) ¼" Rad	3½ x 3½	.115	6	½ x 10-24	1 x 9	2	48
SH3558R (RC) ⅝" Rad	3½ x 3½	.115	6	½ x 10-24	1 x 9	2	48
SCSH35	3½ x 3½	.115	6	½ x 10-24	1 x 9	2	48
SH44R (RC) ¼" Rad Template	4 x 4	.115	8	½ x 12-24 with #10 head	1 x 10	2	48
SH4458R (RC) ⅝" Rad Non Template	4 x 4	.115	8	½ x 12-24 with #10 head	1 x 10	2	48
BENSH4458R (RC) ⅝" Rad (Benchmark)	4 x 4	.115	8	½ x 12-24 with #10 head	1 x 10	2	48
SH454	4½ x 4	.134	8	½ x 12-24	1¼ x 12	2	48
SH140	4½ x 4½	.134	8	½ x 12-24	1¼ x 12	2	48

CAL-ROYAL PRODUCTS, INC. Template hinges are manufactured to close tolerances and meet all specifications and requirements set by the American National standards Institute (ANSI A156.7). **All hinges are ANSI templates. Hinge testing conforms to ANSI A156.1 . All hinges above are available in steel and stainless steel base. Add 32D after part # for stainless steel hinges.**

Maximum Door Sizes & Weights

Size	Recommended Max Door Weight (Lbs)	*Spring Hinges	Butt Hinges Labeled Doors Require Ball Bearing Hinges
3 ½" (Full Mortise)	50	2 Ea.	1 Ea.
	70	2 Ea.	1 Ea.
	90	3 Ea.	-----
4" (Full Mortise)	60	2 Ea.	1 Ea.
	85	2 Ea.	1 Ea.
	110	3 Ea.	-----
4 ½" (Full Mortise)	70	2 Ea.	1 Ea.
	115	2 Ea.	1 Ea.
	150	3 Ea.	-----

HINGE SELECTION

***Notes:** Wind conditions, excessive air pressure on one side of opening, or other adverse job conditions may require the use of all spring hinges. For maximum versatility use all spring hinges. U/L listed spring hinges are not available with reverse springs.



Lifetime
Warranty

Standard Lengths

Cal-Royal continuous hinge length provides for actual threshold clearance, head clearance and door height allowances for carpeting. Other lengths may be ordered as non-standard items. Our standard actual lengths are 83" (7'0" opening), 95" (7'2" to 8'0" opening).

Special Lengths

Special lengths are considered non-standard items and may not be grouped with standard items or other Cal-Royal Products, to achieve a lower discount. Any Changes to the special length products may be subject to charges for work in process. Templates available on request and on website.

Field Modifications

Cal-Royal continuous hinges can be cut in the field, however, any product modifications may void all warranties. If field modifications must be made, cut only the underside or bottom of the hinge.

Standard Finishes

Cal-Royal continuous hinges are available in either Clear Anodized Aluminum (US28) or Dark Bronze Anodized (Druanodic 313 or equivalent). Special finishes are available subject to quantity & factory leadtime.

Fire Ratings - Underwriters Laboratory Fire Rating

FIRE RATED CAL-ROYAL	FULL CONCEALED	HALF SURFACE	FULL SURFACE
60 Minute Fire Rated Wood Door x Fire Rated Hollow Metal Frame	U/L---FF	U/L---FF	U/L---FF
60 Minute Fire Rated Metal Door x Fire Rated Hollow Metal Frame	U/L---FF	U/L---FF	U/L---FF
90 Minute Fire Rated Wood Door x Fire Rated Hollow Metal Frame	* U/L---Stud	U/L---Stud	U/L---Stud
90 Minute Fire Rated Metal Door x Fire Rated Hollow Metal Frame	U/L---FF	U/L---FF	U/L---FF
3 Hour Fire Rated Hollow Metal Door x Fire Rated Hollow Metal Frame	*U/L---Stud	U/L---Stud	U/L---Stud
Maximum Size of Single Rated Door Leaf 4'0" Wide x 10'0" High			
Maximum Rated Opening Size for Single Door 4'0" Wide x 10'0" High			

* Devices for which Studs are required.

Cal-Royal continuous hinges are approved for use on swing type doors of hollow metal, tinclad, sheet-metal and steel covered composite type rated up to and including 3 hours. Wood composite doors rated up to and including 1½ hours.

Fully Concealed - These models are concealed between the rabbet of the frame and the hinge edge of the door.

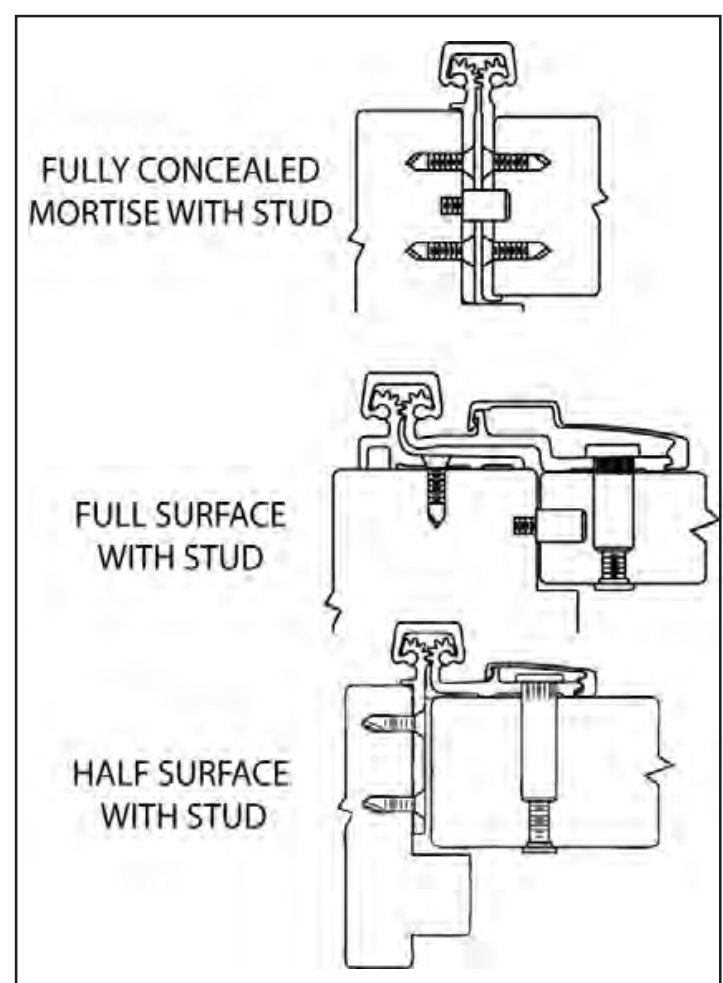
Models available: *CRHD78 1110, CRHD78 1120, CRHD78 2240*

Full Surface - These models have the frame leaf mounted to the face of the frame and the face of the door. The door leaf is mounted to the door with through bolts.

Models available: *CRHD78 0570, CRHD78 1570, CRHD78 2100*

Half Surface - These models have the frame leaf concealed between the rabbet of the frame and the edge of the door. The door leaf is mounted to the face of the door with sex bolts or screws.

Models available: *CRHD78 0530*

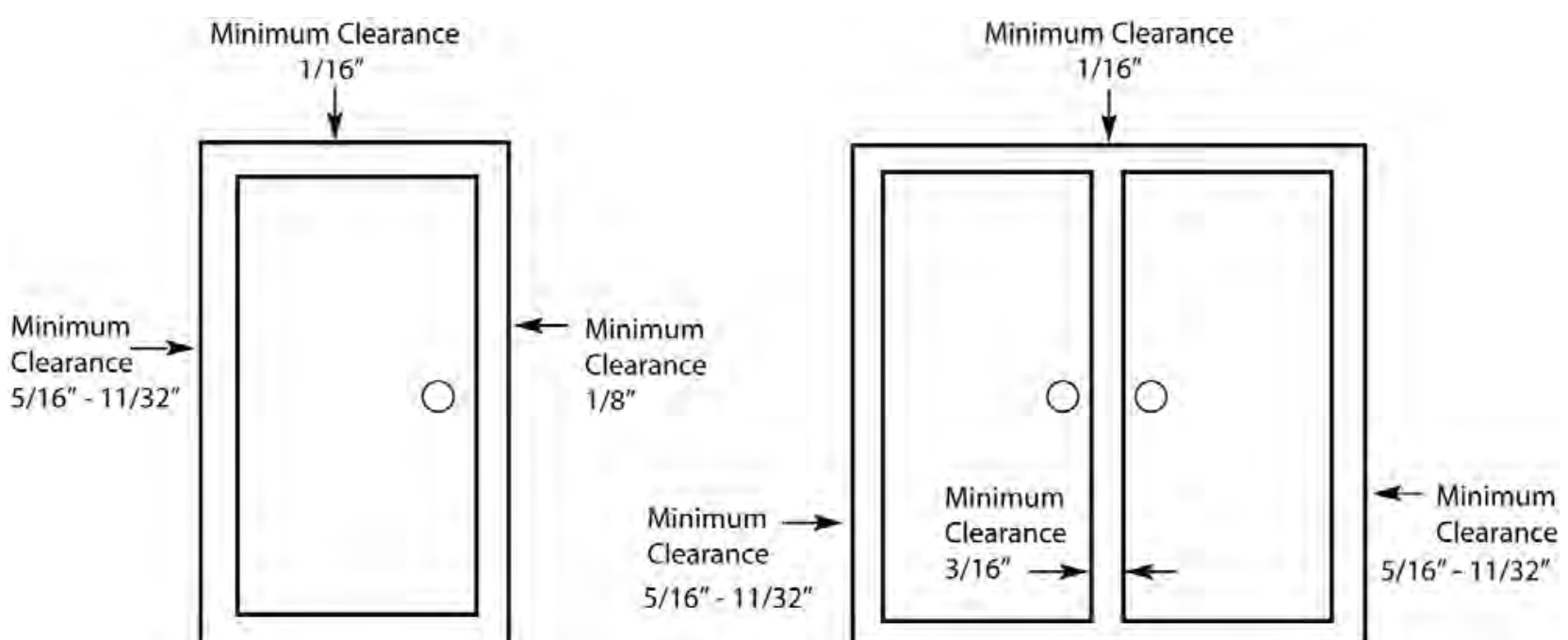


Dimensioning Door and Frame ---- Full Concealed Mortised Models CRHD78 1110, CRHD78 1120, CRHD78 2240

The Above models are primarily used for new doors and frames. Both leaves are fully Mortised. They can also be used on renovations for a new door with an existing frame or an existing door with a new frame. These hinges will cover existing standard full Mortise hinge preps.

Required Clearance

Single Doors (Square Edged)	STANDARD		METRIC
A. Thickness of Hinge	5/16"	(10/32")	8.0 mm
B. Allowances for frame irregularities	1/32"	(1/32")	0.8 mm
C. Single Door Clearance on lock side	1/8"	(4/32")	3.2 mm
	Total	15/32"	12.0 mm
Single Doors (Beveled Edged)			
A. Thickness of Hinge	5/16"	(10/32")	8.0 mm
B. Allowances for frame irregularities	1/32"	(1/32")	0.8 mm
C. Single Door Clearance on lock side	1/8"	(4/32")	3.2 mm
D. Allowance for beveled edge	1/32"	(1/32")	0.8 mm
	Total	16/32"	12.8 mm
Pairs of Doors (Square Edged)			
A. Thickness of Hinge	5/16"	(10/32")	8.0 mm
B. Allowances for frame irregularities	1/32"	(1/32")	0.8 mm
C. Recommended Edge to Edge clearance	3/16"	(6/32")	4.8 mm
D. Second allowance for frame irregularities	1/32"	(1/32")	0.8 mm
E. Second hinge thickness	5/16"	(10/32")	8.0 mm
	Total	28/32"	22.4 mm
Pairs of Doors (Beveled Edge)			
A. Thickness of Hinge	5/16"	(10/32")	8.0 mm
B. Beveled Edge allowance	1/32"	(1/32")	0.8 mm
C. Allowances for frame irregularities	1/32"	(1/32")	0.8 mm
D. Recommended Edge to Edge clearance	3/16"	(6/32")	4.8 mm
E. Second allowance for frame irregularities	1/32"	(1/32")	0.8 mm
F. Second allowance for beveled edge	1/32"	(1/32")	0.8 mm
G. Second hinge thickness	5/16"	(10/32")	8.0 mm
	Total	30/32"	24.0 mm



Determining Door & Frame Dimensions - Full Surface Models CRHD78 0570, CRHD78 1570, CRHD78 2100

The Above models require no special dimensioning, they are designed for retrofit applications. Full Surface models are designed to be mounted to the exposed surface of the door and frame. Additional clearance is not needed except for door and frame painting.

Required Clearance

Single Doors (Square & Beveled Edge)	STANDARD		METRIC
A. Thickness of Hinge	0"	(0")	0.0 mm
B. Additional allowance for door and frame painting (optional)	1/32"	(1/32")	0.8 mm
C. Clearance for Single Door Lock side	1/8"	(4/32")	3.2 mm
	TOTAL	5/32"	4.0 mm

Required Clearance

Pair of Doors (Square & Beveled Edge)	STANDARD		METRIC
A. Thickness of Hinge	0"	(0")	0.0 mm
B. Frame Irregularities, additional allowance	1/32"	(1/32")	0.8 mm
C. Recommended clearance, edge to edge	3/16"	(6/32")	4.8 mm
D. Frame irregularities, second allowance	1/32"	(1/32")	0.8 mm
E. Second hinge thickness	0"	(0")	0.0 mm
	TOTAL	8/32"	6.4 mm

Note: Additional clearance may be required for paint or weatherstripping

Determining Door & Frame Dimensions - Half Surface Models CRHD78 0530

The Above model is designed for use in new doors and frames wherein one leaf is concealed and one leaf is surface mounted. This can also be used in retrofit applications in cases where a new door is installed on an existing frame. Half Surface models are designed for one leaf to be mounted to the exposed surface of the door and the other leaf is concealed on the frame.

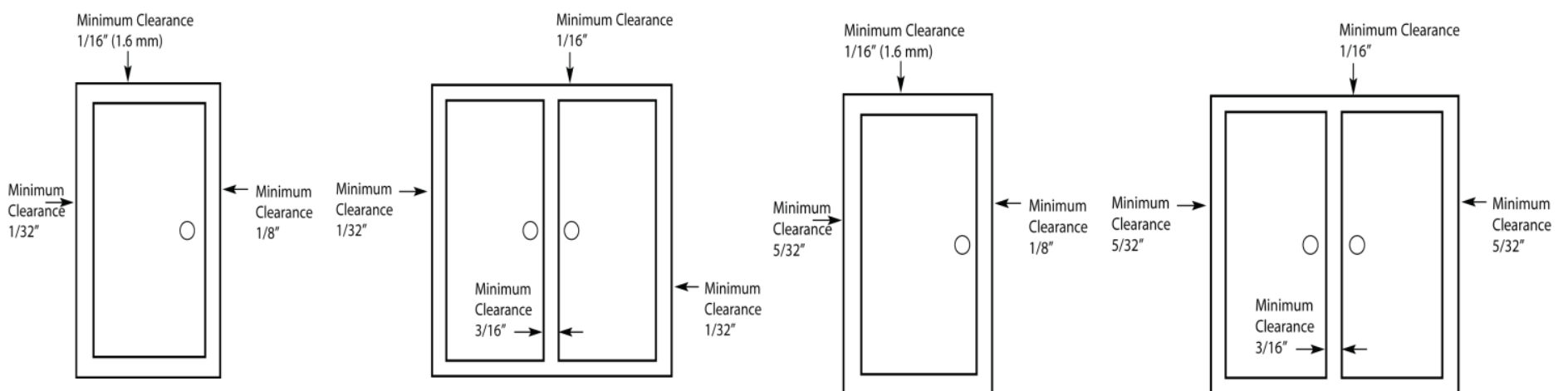
Required Clearance

Single Doors (Square & Beveled Edge)	STANDARD		METRIC
A. Thickness of Hinge	1/8"	(4/32")	3.2 mm
B. Additional allowance for door and frame painting (optional)	1/32"	(1/32")	0.8 mm
C. Clearance for Single Door Lock side	1/8"	(4/32")	3.2 mm
	TOTAL	9/32"	7.2 mm

Required Clearance

Pairs of Doors (Square & Beveled Edge)	STANDARD		METRIC
A. Thickness of Hinge	1/8"	(4/32")	3.2 mm
B. Frame Irregularities, additional allowance	1/32"	(1/32")	0.8 mm
C. Recommended clearance, edge to edge	3/16"	(6/32")	4.8 mm
D. Frame irregularities, second allowance	1/32"	(1/32")	0.8 mm
E. Second hinge thickness	1/8"	(4/32")	3.2 mm
	TOTAL	8/32"	12.8 mm

Note: Additional clearance may be required for paint or weatherstripping



Concealed / Mortise Leaf • Any Door Material • Heavy Duty

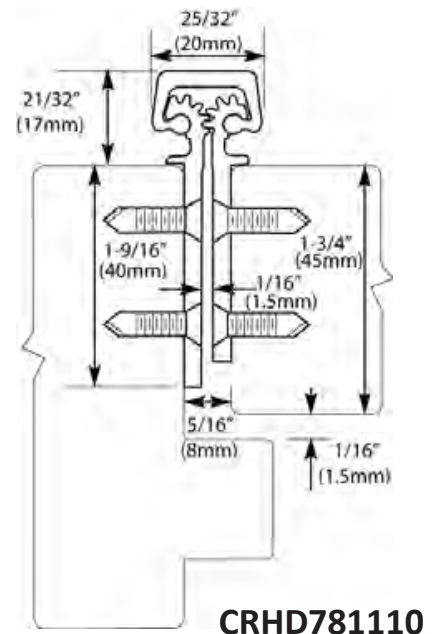
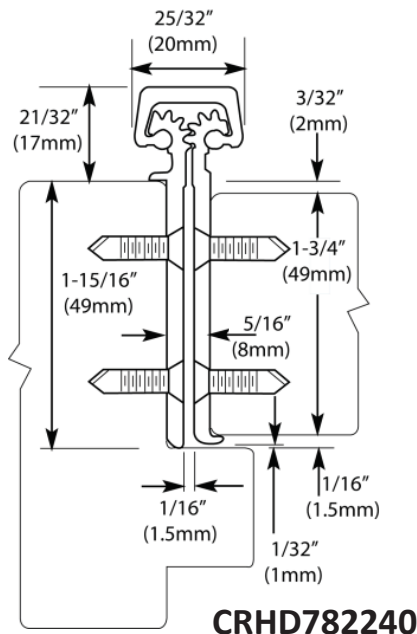
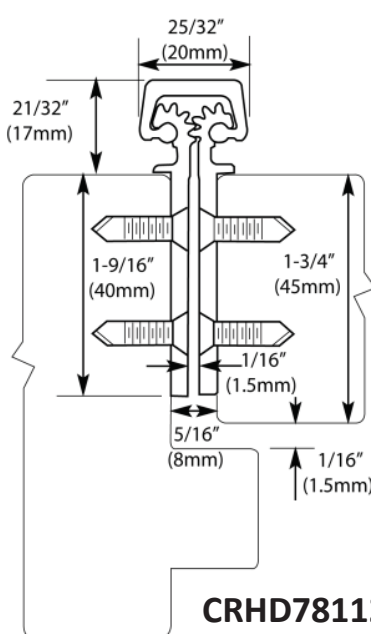
Heavy Duty for high frequency 1 3/4" doors or heavy medium frequency doors up to 450 lbs.

CRHD78 1110 (Heavy Duty), CRHD78 1120 (Heavy Duty), CHRHD78 2240 (Heavy Duty)



MODEL #	LENGTH		SCREW COUNT		CLEARANCE
	IN	CM	DOOR	JAMB	
CRHD78 1110	83	210.8	19	19	5/16" (8mm) hinge side plus standard lockside clearance
CRHD78 1110	95	241.3	19	19	
CRHD78 1120	83	210.8	19	19	
CRHD78 1120	95	241.3	19	19	
CRHD78 2240	83	210.8	19	19	
CRHD78 2240	95	241.3	19	19	

- **FASTENERS:** Self-Tapping screws
Full Mortise Hinges
 1. All fasteners are No. 12-24 x 1/16" Type C, FHUC
 - a. Heavy Duty Hinges - 10 required for each leaf
 - b. Wood Screw - on request (specify on order)
- **LENGTH OPTIONS:** 83" & 95"
- **DOOR REINFORCEMENT:** None needed to 200 lbs.
Use 16 gauge channel over 200 lbs
- **FRAME REINFORCEMENT:** None needed to 200 lbs.
Use 16 gauge channel over 200 lbs
- **FIRE RATING:** Up to 3 Hours.
- **SPECIAL FEATURES:** For new construction
For renovation with new doors and / or frames
No mortising of doors or frames required
Will cover hinge cut outs in frames
Flush mount no inset
Frame and door leaf alignment ribs for proper hinge location



Full Surface • Any Door Material • Heavy Duty

Heavy Duty for high frequency 1 3/4" doors or heavy medium frequency doors up to 450 lbs.



CRHD78 1570 (Heavy Duty), CRHD78 2100 (Heavy Duty), CRHD78 0570 (Heavy Duty)

MODEL #	LENGTH		SCREW COUNT		CLEARANCE
	IN	CM	DOOR	JAMB	
CRHD78 1570	83	210.8	19	19	1/32" (1mm) minimum recommended for hinge side plus standard lockcase clearance
CRHD78 1570	95	241.3	20	20	
CRHD78 2100	83	210.8	19	19	1/32" (1mm) minimum recommended for hinge side plus standard lockcase clearance 1 5/8" (41mm) minimum frame face required plus 3/16" (5mm) rotational clearance
CRHD78 2100	95	241.3	20	20	
CRHD78 0570	83	210.8	8	8	1/32" (1mm) minimum required between doors
CRHD78 0570	95	241.3	9	9	

FASTENERS:

Self-Tapping screws

Full Surface Hinges

- 1) Frame Portion
 - a) All fasteners are No. 12-24 x 1/16" Type C, FHUC
 - i) Heavy Duty Hinges - 10 required for each leaf
 - ii) Wood Screw - on request (specify on order)
- 2) Door Portion
 - a) Thru-bolt 1/4 -20 x 1 5/8" PCH
 - i) Heavy Duty Hinges - 6 required for each leaf
 - b) Shoulder bolt 1/4 -20 x 1" PCH
 - i) Heavy Duty Hinges - 6 required
 - c) Pan Head Self Drilling No. 12 x 3/4"
 - i) Heavy Duty Hinges - 4 required

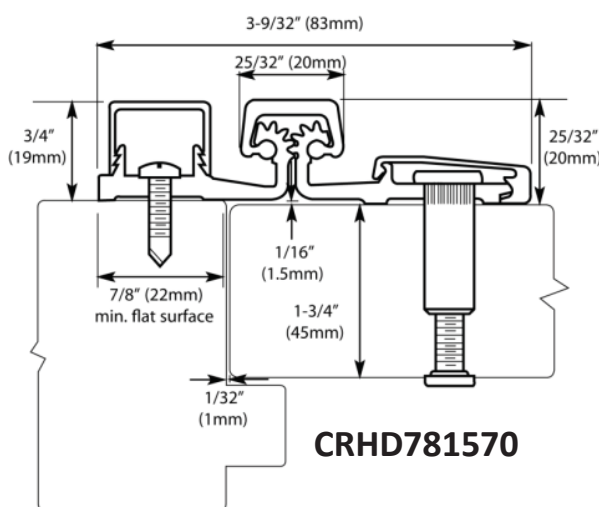
LENGTH OPTIONS: 83" & 95"

DOOR REINFORCEMENT: None needed

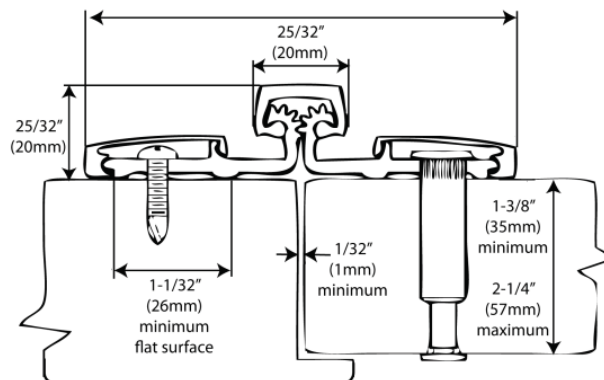
FRAME REINFORCEMENT: None needed to 200 lbs.
Use 16 gauge channel over 200 lbs

FIRE RATING: Up to 3 Hours.

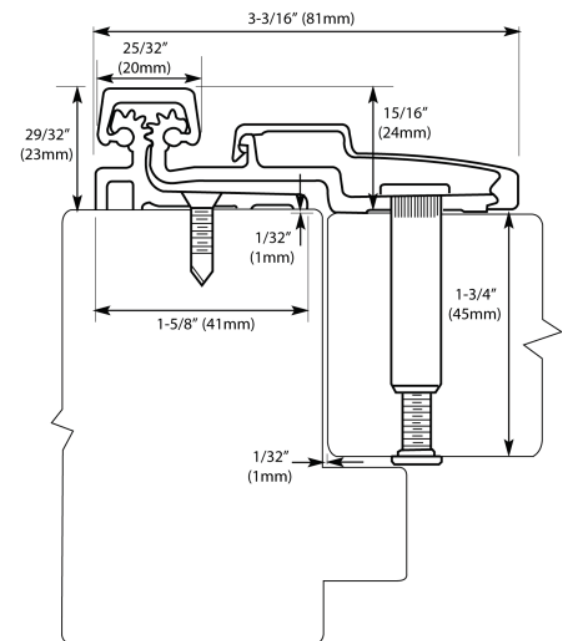
SPECIAL FEATURES: Replacement for existing doors and frames
7/8" minimum frame
1/16" inset



CRHD781570



CRHD780570



CRHD782100

Half Surface • Any Door Material • Heavy Duty

Heavy Duty for high frequency 1 3/4" doors or heavy medium frequency doors up to 450 lbs.

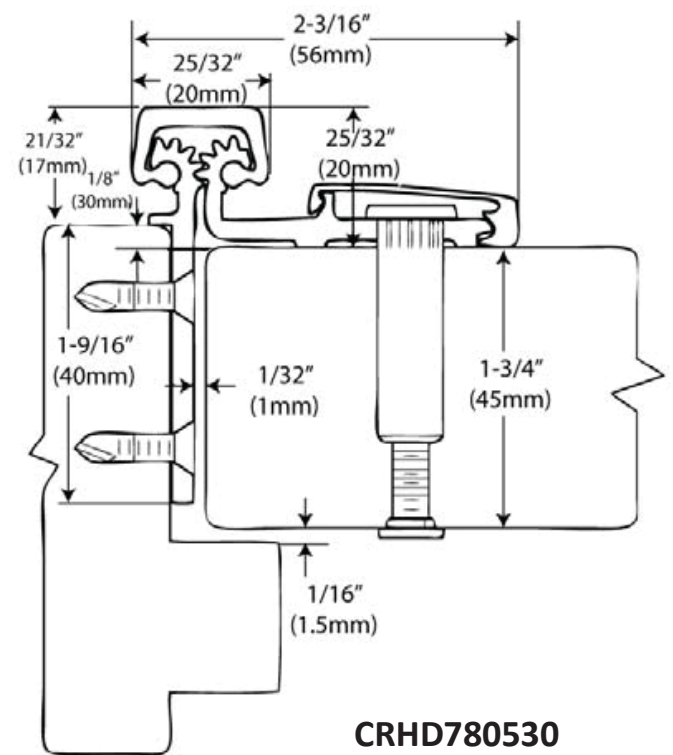


CRHD78 0530 (Heavy Duty)

MODEL #	LENGTH		SCREW COUNT		CLEARANCE
	IN	CM	DOOR	JAMB	
CRHD78 0530	83	210.8	8	9	5/32" (4mm) minimum recommended hinge side plus standard lockside clearance
CRHD78 0530	95	241.3	19	19	

- **FASTENERS:** Self-Tapping screws
Half Surface Hinges
 - 1) Frame Portion
 - a) All fasteners are No. 12-24 x 1/16" Type C, FHUC
 - i) Heavy Duty Hinges - 10 required for each leaf
 - ii) Wood Screw - on request (specify on order)
 - 2) Door Portion
 - a) Thru-bolt 1/4 -20 x 1 5/8" PCH
 - i) Heavy Duty Hinges - 6 required for each leaf
 - b) Shoulder bolt 1/4 -20 x 1" PCH
 - i) Heavy Duty Hinges - 6 required
 - c) Pan Head Self Drilling No. 12 x 3/4"
 - i) Heavy Duty Hinges - 4 required

- **LENGTH OPTIONS:** 83" & 95"
- **DOOR REINFORCEMENT:** None needed
- **FRAME REINFORCEMENT:** None needed to 200 lbs.
Use 16 gauge channel over 200 lbs
- **FIRE RATING:** Up to 3 Hours.
- **SPECIAL FEATURES:**
 - For new construction
 - For renovation with new doors and / or frames
 - No mortising of doors or frames required
 - Will cover hinge cut outs in frames
 - Flush mount no inset
 - Frame and door leaf alignment ribs for proper hinge location



CRHD780530



CONTINUOUS HINGE MODEL CROSS REFERENCE

CAL-ROYAL	ROTON	PEMKO	MARKAR	MCKINNEY	ZERO	STANLEY	ABH	SELECT
CRHD781120	780-112HD	FMSLFHD	FM2000	MCK12HD	910DB	661HD	A110HD	SL11HD
CRHD782240	780-224HD	FMHD	FM2011	MCK25HD	914DB	662HD	A240HD	SL24HD
CRHD781570	780-157HD	FSCPHD	---	MCK58HD	935DB	664HD	A570HD	SL57HD
CRHD782100	780-210HD	FSHD	FM2009	MCK22HD	930DB	665HD	A210HD	SL21HD
CRHD781110	780-111HD	FMSLIHD	---	MCK-14HD	---	---	A111HD	SL18HD
CRHD780530	780-053HD	---	---	---	925DB	---	A530HD	SL53HD
CRHD780570	---	---	FS 2002	---	---	---	A571HD	SL60HD



EXIT DEVICES



Ver. 2.0, Rev. 11/12
© 2012  CAL ROYAL



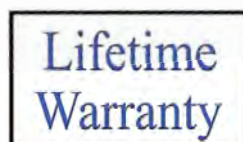
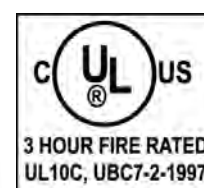
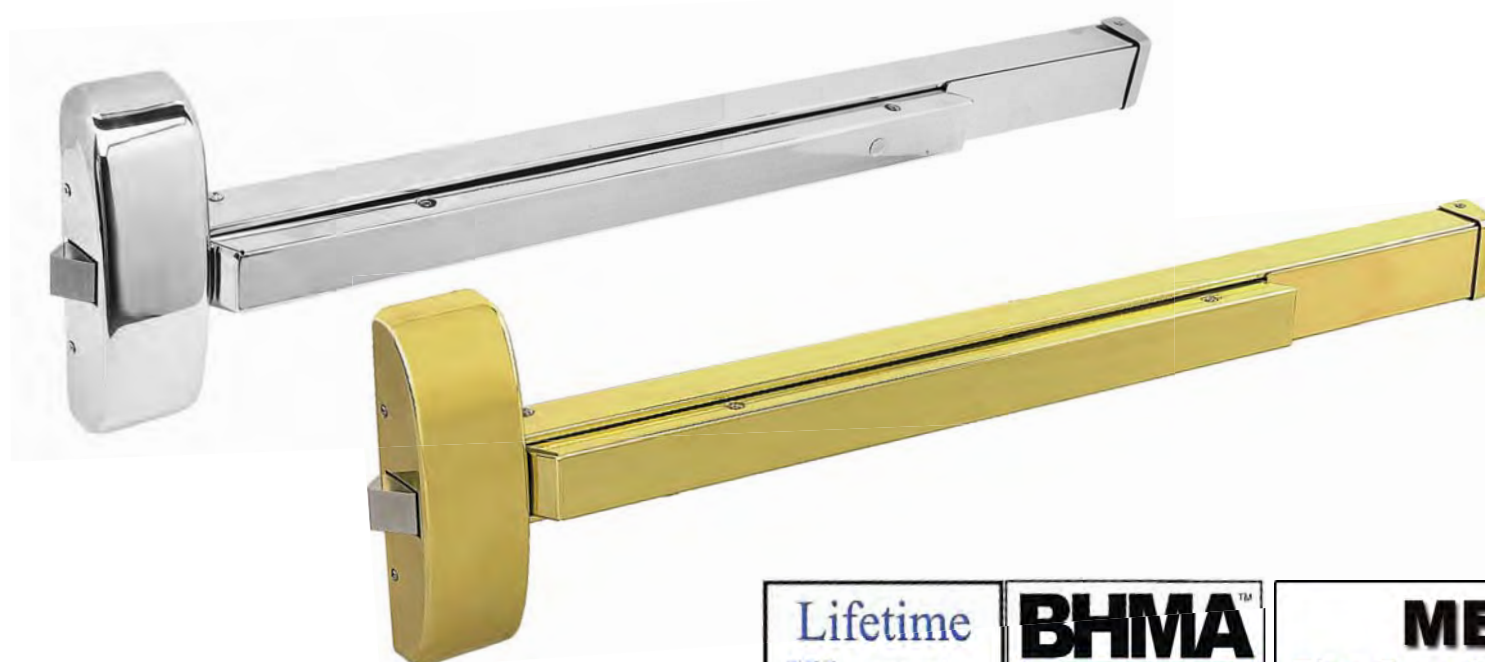
CAL ROYAL

P R O D U C T S, I N C.



A9800 & AF9800 Rim Type Panic and Fire Exit Devices
A9860 & AF9860 Vertical Rod Panic and Fire Exit Devices
ANSI A156.3, Grade 1

ADA SERIES



Features & Construction

- ◆ **Retrofits Sargent 8800 Series using 9800 Escutcheon Trim**
- ◆ Americans with Disability Act (ADA) compliant 5 lbs opening force
- ◆ ANSI A156.3, Grade 1 heavy duty exit device in surface vertical rod and rim designs
- ◆ Rail assemblies and end caps are brass, bronze or stainless steel and rail travels in direction of the door swing
- ◆ Trims are thru bolted for additional security
- ◆ Conforms & meets ADA Regulations
- ◆ UL Listed for Panic and UL10C, UBC 7-2-1997 codes
- ◆ UL Listed for Fire Exit Hardware. 3 hours
- ◆ (A) label rating on pairs of doors up to 8'0" x 8'0" swinging in same or opposite directions
- ◆ Uncompromising security and safety in single and double fire exit doors
- ◆ Chassis mounted unit construction. Rim and vertical rod devices are non-handed and easily reversible

- ◆ Available in many different functions. Lever and escutcheon trims are grade 1 construction with clutch on rose trims. Escutcheon trims are rigid and covers 161 cutout
- ◆ For use in institutions, schools, universities, commercial buildings where heavy duty reliable operation is a requirement

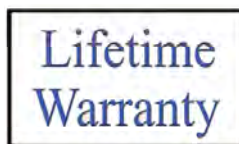
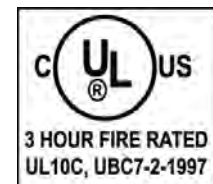
Suggested Architect's Specifications

- ◆ All exit devices shall be of touch bar design with smooth operation and be operative over 2/3 of the door's clear opening width
- ◆ All exit devices must be listed under "Panic Hardware" in the Accident Equipment List of Underwriters' Laboratories, Inc. Where labeled doors are used as exits, they must be equipped with labeled Fire Exit Hardware and UL10C, UBC 7-2-1997 codes
- ◆ All springs shall be of stainless steel throughout
- ◆ All exit devices shall be of chassis mounted unit construction
- ◆ All exit devices shall be ANSI A156.3, Grade 1, ADA option

A9800 & AF9800 ADA Series GRADE 1, Rim Type Exit Device



**Americans with Disability Act (ADA) compliant
5 lbs opening force**



Specifications

- For Doors.....** 1 3/4" thick standard optional 2 1/4" thick. 4 1/2" minimum stile width required for single or double door application using standard 239 strike and pull or lever, thumbpiece and escutcheon trims. 2 3/4" backset
- Chassis.....** Non-ferrous alloy (Panic Grade), steel (Fire Grade)
- Cover.....** Brass, Bronze or Stainless Steel. Covers stock hollow metal doors with 161 cutout
- Mounting.....** Furnished with wood and machine screws. Available with thru bolts on request. **Thru bolts are included and standard packaging on fire rated devices**
- Dogging Feature.....** Allen-type key furnished standard on non-fire labeled devices. Cylinder dogging available
- Mullion.....** Available
- UL and ULC Listed...** A9800 Series for panic. AF9800 Series for fire exit hardware for all types of 4' x 8' single doors and 8' x 8' double doors for up to 3 hour fire labeled installations, conforms to standards UL10C and UBC 7-2-1997 codes
- Finish.....** Architectural plated finishes. See page 33
- Electronic Functions...** (ELR) Electrical Latch Retraction and RX & LX Signal Switch available

- End Cap.....** Brass, Bronze or Stainless Steel Construction
- Alarm.....** Available. See page 33
- Hand.....** Non handed, center hub
- Latch Bolt.....** Stainless Steel 3/4" throw
- Spring.....** Stainless Steel throughout
- ANSI Standard.....** A156.3, Grade 1
- Strike.....** 239 packed standard (See strike page)
- Trim.....** See Trim Designs section

Refer to the Price List for Stock Sizes and Finishes

DIMENSIONS

Touchbar height to finished floor	41" (1041mm) at center
Touchbar Projection	
Neutral	2 1/2" (64mm)
Depressed	1 3/4" (45mm)
Center case	8 1/2" x 2 1/2" x 2" (216mm x 64mm x 51mm)

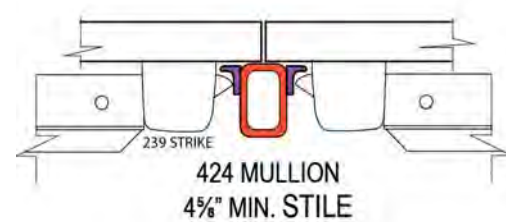
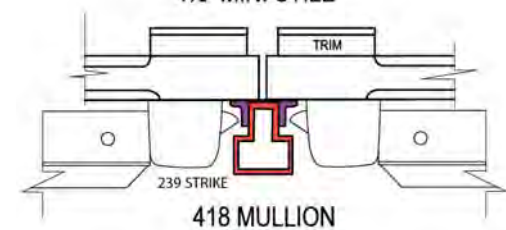
MODEL	ACTUAL SIZE	MAX CUT DOWN	DOOR SIZE
A9800EO24, AF9800EO24	20"	2"	22" to 24" door width
A9800EO32, AF9800EO32	28"	6"	26" to 32" door width
A9800EO36, AF9800EO36	32"	6"	30" to 36" door width
A9800EO48, AF9800EO48	44"	12"	36" to 48" door width

Minimum Stile Requirements

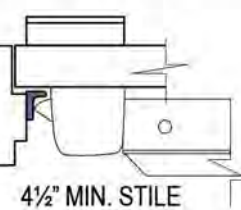
4" escutcheon trims and
4 1/2" for thumbpiece and rose trim

DOUBLE DOOR

4 1/2" MIN. STILE



SINGLE DOOR



A9860V & AF9860V ADA Series

GRADE 1, Vertical Rod Type Exit Device



Specifications

For Doors	1 3/4" thick standard optional 2 1/4" thick. 3 3/4" minimum stile width required for single door application. 3 1/2" minimum stile width required for double door application. Lever, thumbpiece and escutcheon trims available. 2 3/4" backset.
Top & Bottom Chassis	Non-ferrous alloy (Panic Grade), steel (Fire Grade)
Cover	Brass, Bronze or Stainless Steel. Covers stock hollow metal doors with 161 cutout
Mounting	Furnished with wood and machine screws. Thru bolts are standard packaging on fire rated devices
Alarm	Available. Prefix "NALRM" before part #
End Cap	Brass, Bronze or Stainless Steel Construction
Hand	Handed. Easily field reversible. Specify at time of order LHR, RHR for convenience
Latch Bolt, Spring	Stainless Steel
ANSI Standard	A156.3, Grade 1
Rail Assembly	Heavy Gauge Brass, Bronze or Stainless Steel

Americans with Disability Act (ADA) compliant
5 lbs opening force



Strike	See strike page
Dogging Feature	Allen-type key furnished standard on non-fire labeled devices. Cylinder dogging available
Electronic Functions	(ELR) Electrical Latch Retraction and RX & LX Signal Switch available
UL and ULC Listed	A9860 Series for panic. AF9860 Series for fire exit hardware for all types of 8' x 8' double doors for up to 3 hour fire labeled installations, conforms to standards UL10C and UBC 7-2-1997 codes
Finish	Architectural plated finishes. See page 33

Refer to the Price List for Stock Sizes and Finishes

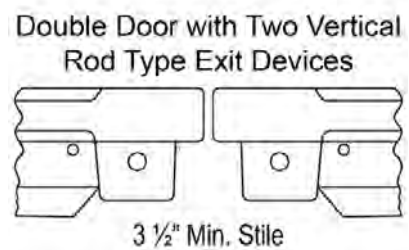
MEETS
The Buy American Act



DIMENSIONS

Touchbar height to finish floor	41" (1041mm) at center
Touchbar Projection	
Neutral	2 1/2" (64mm)
Depressed	1 3/4" (45mm)
Panic grade top & bottom latch case	3 15/16" x 2 1/8" x 1 3/8" (100mm x 54mm x 35mm)
Fire grade top latch case	3 15/16" x 2-11/16" x 2-1/16" (100mm x 68mm x 52mm)
Fire grade bottom latch case	3 15/16" x 2 1/8" x 1 3/8" (100mm x 54mm x 35mm)
Top and bottom rod length for 36" x 84"	Top rod 37 1/2" (953mm), bottom rod 35 5/8" (905mm)
Top and bottom rod length for 48" x 96"	Top rod 49 5/8" (1260mm), bottom rod 35 5/8" (905mm)
Vertical rods	1/2" (13mm) Round tubing

Minimum Stile Requirements



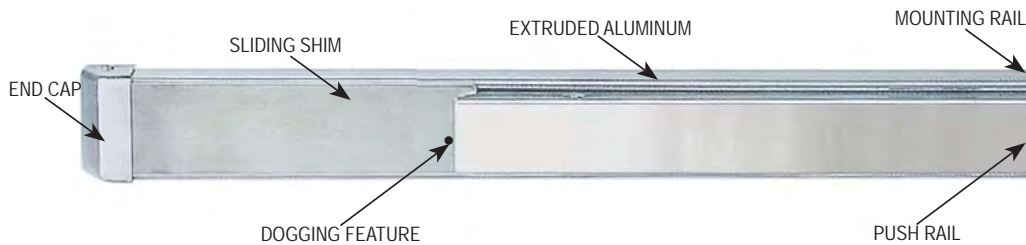
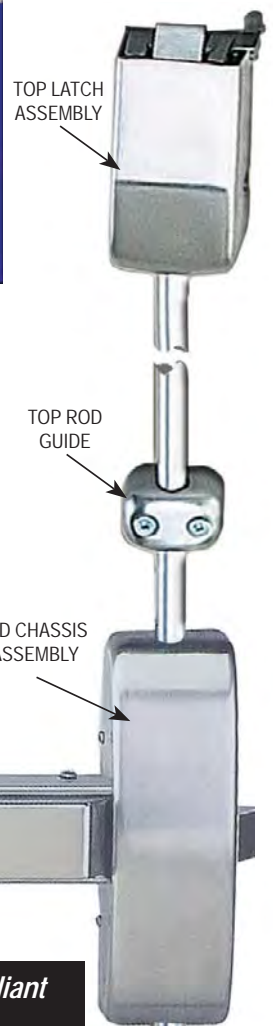
MODEL	ACTUAL SIZE	MAX CUT DOWN	DOOR SIZE
A9860V3684, AF9860V3684, A9890V3696, AF9890V3696, A9850V36120	32"	6"	30" to 36" door width
A9880V4896, AF9880V4896, A9840V48120	44"	12"	36" to 48" door width

ALBR9860V & ALBRF9860 ADA Series GRADE 1, Vertical Rod Exit Device Less Bottom Rod (LBR)



Specifications

For Doors.....	1 3/4" thick standard optional 2 1/4" thick. 3 3/4" minimum stile width required for single door application. 3 1/2" minimum stile width required for double door application. Lever, thumbpiece and escutcheon trims available. 2 3/4" backset
Top Chassis.....	Non-ferrous alloy (Panic Grade), steel (Fire Grade)
Cover.....	Brass, Bronze or Stainless Steel. Covers stock hollow metal doors with 161 cutout.
Mounting.....	Furnished with wood and machine screws. Thru bolts are standard packaging on fire rated devices
Alarm.....	Available. Prefix "NALRM" before part #
End Cap.....	Brass, Bronze or Stainless Steel Construction
Hand.....	Handed. Easily field reversible. Specify at time of order LHR, RHR for convenience
Latch Bolt, Spring.....	Stainless Steel
ANSI Standard.....	A156.3, Grade 1
Rail Assembly.....	Heavy Gauge Brass, Bronze or Stainless Steel



**Americans with Disability Act (ADA) compliant
5 lbs opening force**

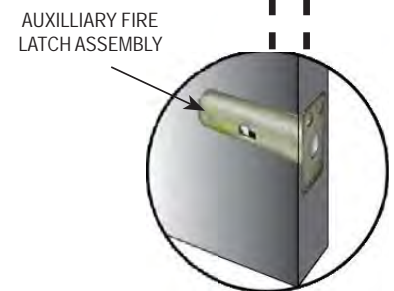
Strike.....	See strike page
Dogging Feature.....	Allen-type key furnished standard on non-fire labeled devices. Cylinder dogging available
Electronic Functions.....	(ELR) Electrical Latch Retraction and RX & LX Signal Switch available
UL and ULC Listed.....	A9860 Series for panic. AF9860 Series for fire exit hardware for all types of 8' x 8' double doors for up to 3 hour fire labeled installations, conforms to standards UL10C and UBC 7-2-1997 codes
Finish.....	Architectural plated finishes. See page 33

Refer to the Price List for Stock Sizes and Finishes

DIMENSIONS

Touchbar height to finish floor	41" (1041mm) at center
Touchbar Projection	
Neutral	2 1/2" (64mm)
Depressed	1 3/4" (45mm)
Panic grade top & bottom latch case	3 15/16" x 2 1/8" x 1 3/8" (100mm x 54mm x 35mm)
Fire grade top latch case	3 15/16" x 2 11/16" x 2 1/16" (100mm x 68mm x 52mm)
Fire grade bottom latch case	3 15/16" x 2 1/8" x 1 3/8" (100mm x 54mm x 35mm)
Top and bottom rod length for 36" x 84"	Top rod 37 1/2" (953mm)
Top and bottom rod length for 48" x 96"	Top rod 49 5/8" (1260mm)
Vertical rods	1/2" (13mm) Round tubing

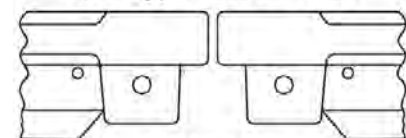
MODEL	ACTUAL SIZE	MAX CUT DOWN	DOOR SIZE
ALBR9860V3684, ALBRF9860V3684, ALBR9890V3696, ALBRF9890V3696, ALBR9850V36120	32"	6"	30" to 36" door width
ALBR9880V4896, ALBRF9880V4896, ALBR9840V48120	44"	12"	36" to 48" door width



**MEETS
The Buy American Act**

Minimum Stile Requirements

Double Door with Two Vertical Rod Type Exit Devices

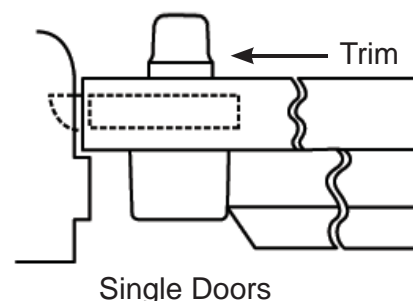
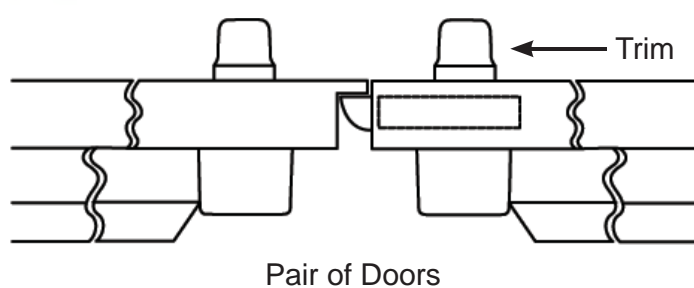


3 1/2" Min. Stile

AMR9800 & AFMR9800 ADA Series GRADE 1, Mortise Lock Exit Device

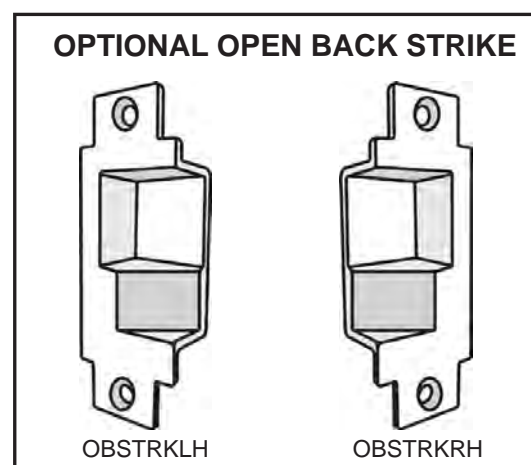


**Americans with Disability Act (ADA) compliant
5 lbs opening force**



Specifications

For Doors	Wood / Metal 1 3/4" (44.5mm) minimum thickness 4 1/2" (114mm) minimum stile width
Chassis	Non-ferrous alloy (Panic Grade), steel (Fire Grade)
Chassis Cover	Non-ferrous plated material
Mounting	Furnished standard with wood and machine screws
End Cap	Brass, Bronze or Stainless Steel Construction
Handing	Handed. Non-Reversible. Specify RHR or LHR
ANSI Standard	A156.3, Grade 1
Strikes	Standard ANSI strike
Fire Exit Hardware	AFMR9800 Series for fire exit hardware for all types of 8' x 8' double doors for up to 3 hour fire labeled installations, conforms to standards UL10C and UBC 7-2-1997 codes
Mortise Lock	Grade (1) for 1 3/4" (44.5mm) thick doors. Reversible. Fits door prepared for ANSI Standard A115.1
Trim	See Trim Designs section
Electronic Functions	(ELR) Electrical Latch Retraction and RX & LX Signal Switch available
Alarm	Prefix "NALRM" before PART#
Dogging Feature	Cylinder dogging available for non-fire rated applications



Refer to the Price List for Stock Sizes and Finishes

MODEL SIZE	ACTUAL LENGTH	MAX CUT DOWN	DOOR SIZE
AMR9800EO36, AFMR98EO36	32"	6"	30" to 36" door width
AMR9800EO48, AFMR98EO48	44"	12"	36" to 48" door width



CAL-ROYAL

P R O D U C T S, I N C.



A2200 & AF2200 Rim Type Panic And Fire Exit Devices A2260 & AF2260 Vertical Rod Panic And Fire Exit Devices ANSI A156.3, Grade 1

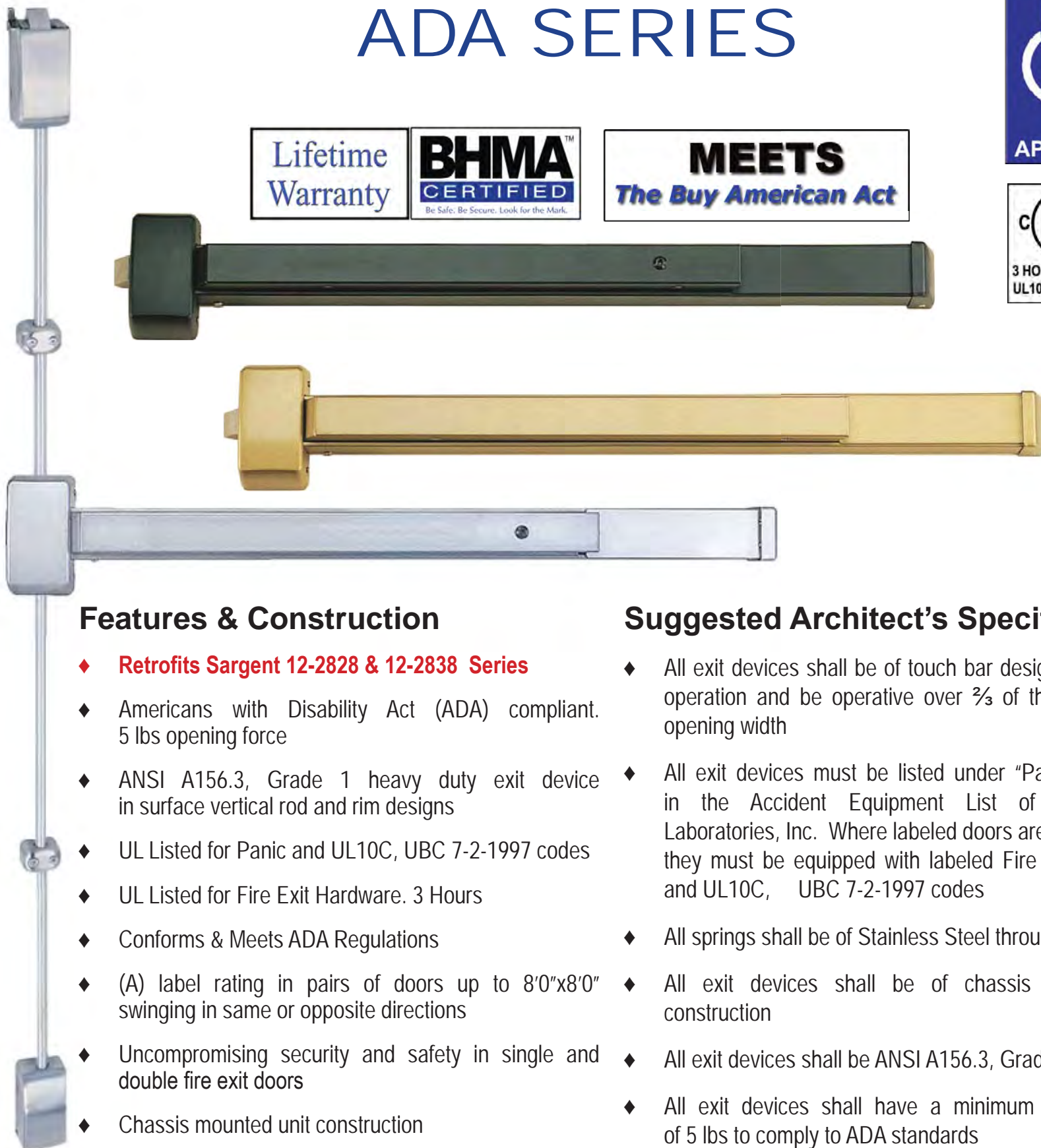
ADA SERIES



Lifetime
Warranty

BHMA
CERTIFIED
Be Safe. Be Secure. Look for the Mark.

MEETS
The Buy American Act



Features & Construction

- ◆ **Retrofits Sargent 12-2828 & 12-2838 Series**
- ◆ Americans with Disability Act (ADA) compliant. 5 lbs opening force
- ◆ ANSI A156.3, Grade 1 heavy duty exit device in surface vertical rod and rim designs
- ◆ UL Listed for Panic and UL10C, UBC 7-2-1997 codes
- ◆ UL Listed for Fire Exit Hardware. 3 Hours
- ◆ Conforms & Meets ADA Regulations
- ◆ (A) label rating in pairs of doors up to 8'0"x8'0" swinging in same or opposite directions
- ◆ Uncompromising security and safety in single and double fire exit doors
- ◆ Chassis mounted unit construction
- ◆ Available in many different functions. Lever and escutcheon trims are grade 1 construction with clutch on rose trims. Escutcheon trims are rigid and covers 161 cutout

Suggested Architect's Specifications

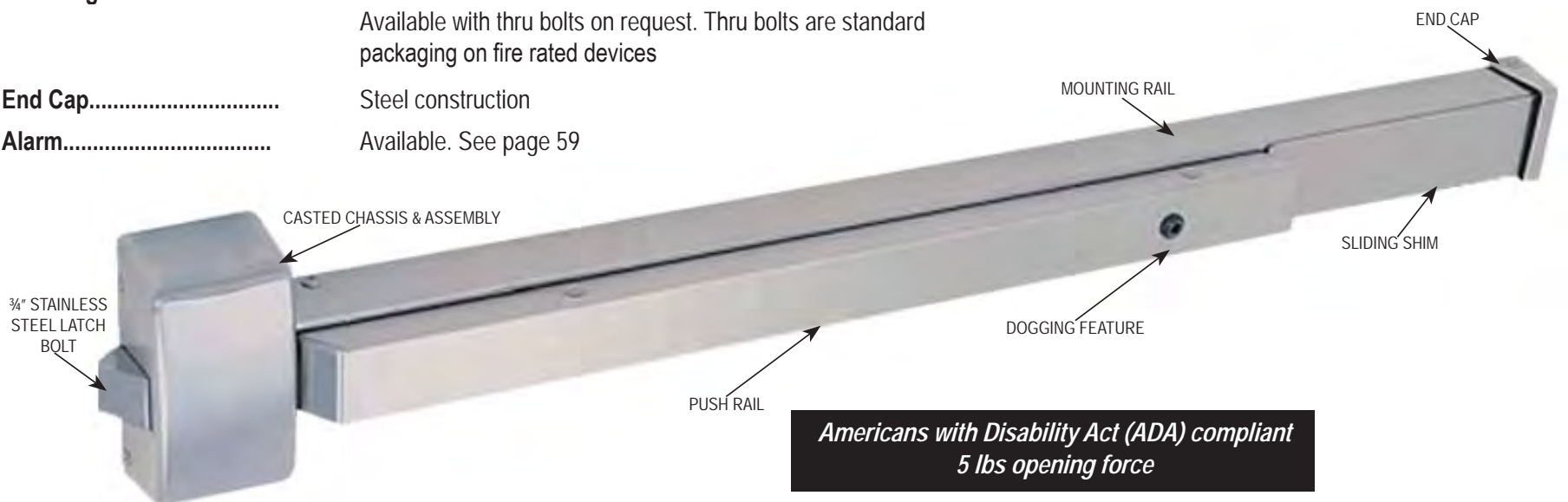
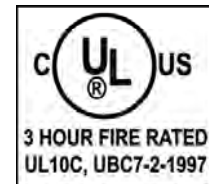
- ◆ All exit devices shall be of touch bar design with smooth operation and be operative over 2/3 of the door's clear opening width
- ◆ All exit devices must be listed under "Panic Hardware" in the Accident Equipment List of Underwriters' Laboratories, Inc. Where labeled doors are used as exits, they must be equipped with labeled Fire Exit Hardware and UL10C, UBC 7-2-1997 codes
- ◆ All springs shall be of Stainless Steel throughout
- ◆ All exit devices shall be of chassis mounted unit construction
- ◆ All exit devices shall be ANSI A156.3, Grade 1
- ◆ All exit devices shall have a minimum opening force of 5 lbs to comply to ADA standards

A2200 & AF2200 ADA Series GRADE 1, Rim Type Exit Device



Specifications

For Doors.....	1 3/4" thick standard optional 2 1/4" thick. 4 1/2" minimum stile width required for single or double door application using standard 239 strike and pull or lever trims
Chassis.....	Non-ferrous alloy (Panic Grade), steel (Fire Grade)
Cover.....	Non-ferrous alloy. Covers stock hollow metal doors with 161 cutout
Mounting.....	Furnished standard with wood and machine screws. Available with thru bolts on request. Thru bolts are standard packaging on fire rated devices
End Cap.....	Steel construction
Alarm.....	Available. See page 59

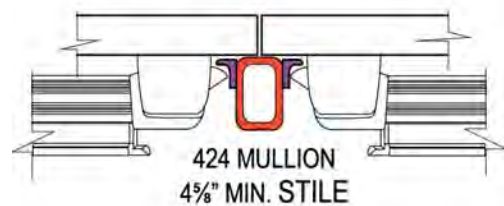
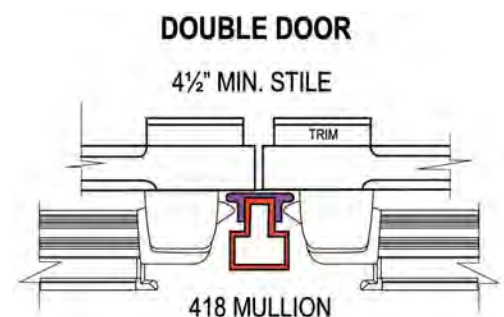


**Americans with Disability Act (ADA) compliant
5 lbs opening force**

Hand.....	Non-handed, center hub. 2 3/4" backset
Latch Bolt.....	Stainless steel 3/4" throw
Spring.....	Stainless steel throughout
ANSI Standard.....	A156.3, Grade 1
Rail Assembly.....	Heavy gauge steel, painted
Strike.....	239 packed standard (See strike page)
Dogging Feature.....	Allen-type key furnished standard on non-fire labeled devices. Cylinder dogging available
Mullion.....	Available
UL and ULC Listed.....	A2200 Series for panic. AF2200 Series for fire exit hardware for all types of 4' x 8' single doors and 8' x 8' double doors for up to 3 hour fire labeled installations, conforms to standards UL10C and UBC 7-2-1997 codes
Finish.....	Aluminum (Alum), Dark Bronze Duranodic (Duro), Gold
Electronic Functions.....	(ELR) Electronic Latch Retraction and RX & LX Signal Switch available



**Minimum Stile Requirements
4" escutcheon trims & 4 1/2" for
Thumbpiece and rose trims**



Refer to the Price List for Stock Sizes and Finishes

DIMENSIONS

Touchbar height to finished floor	41" (1034mm) at center
Touchbar projection	
Neutral	2 1/2" (64mm)
Depressed	1 3/4" (45mm)

MODEL	ACTUAL LENGTH	MAX CUT DOWN	DOOR SIZE
A2200EO24 and AF2200EO24	20"	2"	22" to 24" door width
A2200EO32 and AF2200EO32	28"	6"	26" to 32" door width
A2200EO36 and AF2200EO36	32"	6"	30" to 36" door width
A2200EO48 and AF2200EO48	44"	12"	36" to 48" door width



A2260V & AF2260V ADA Series GRADE 1, Vertical Rod Type Exit Device



Specifications

For Doors.....	1 3/4" thick standard optional 2 1/4" thick. 3 3/4" minimum stile width required for single door application. 3 1/2" minimum stile width required for double door application. Lever trims available. 2 3/4" backset
Chassis.....	Non-ferrous alloy (Panic Grade), steel (Fire Grade)
Cover.....	Non-ferrous plated material. Covers stock hollow metal doors with 161 cutout
Mounting.....	Furnished standard with wood and machine screws. Thru bolts are standard packaging on fire rated devices
End Cap.....	Steel construction
Alarm.....	Available. Prefix NALRM before PART#
Hand.....	Handed. Easily field reversible. Specify at time of order LHR, RHR for convenience
Latch Bolt & Spring.....	Stainless steel
ANSI Standard.....	A156.3, Grade 1
Rail Assembly.....	Heavy gauge steel, painted
Strike.....	See strike page
Dogging Feature.....	Allen-type key furnished standard on non-fire labeled devices
UL and ULC Listed.....	A2260 Series for panic. AF2260 Series for fire exit hardware for all types of 8' x 8' double doors for up to 3 hour fire labeled installations. Conforms to standards UL10C and UBC 7-2-1997 codes

Americans with Disability Act (ADA) compliant 5 lbs opening force

Finish.....	Aluminum (Alum), Dark Bronze Duranodic (Duro), Gold
Electronic Functions.....	(ELR) Electrical Latch Retraction and RX & LX Signal Switch available



Refer to the Price List for Stock Sizes and Finishes

DIMENSIONS

Touchbar height to finished floor	41" (1041mm) at center		
Touchbar projection	Neutral 2 1/2" (64mm) Depressed 1 3/4" (45mm)		
Panic grade top & bottom latch case	3 15/16" x 2 1/8" x 1 3/8" (100mm x 54mm x 35mm)		
Fire grade top latch case	3 15/16" x 2 11/16" x 2 1/16" (100mm x 68mm x 52mm)		
Fire grade bottom latch case	3 15/16" x 2 1/8" x 1 3/8" (100mm x 54mm x 42mm)		
Top and bottom rod length for 36" x 84" doors	Top rod 39 3/16" (995mm), bottom rod 37 3/16" (945mm)		
Top and bottom rod length for 48" x 96" doors	Top rod 51 3/16" (1300mm), bottom rod 37 3/16" (945mm)		
Vertical Rods	1/2" (13mm) Round tubing		
MODEL	ACTUAL LENGTH	MAXIMUM CUT DOWN	DOOR SIZE
A2260V3684, AF2260V3684, A2290V3696 and AF2290V3696	32"	6"	30" to 36" door width
A2280V4896 and AF2280V4896	44"	12"	36" to 48" door width

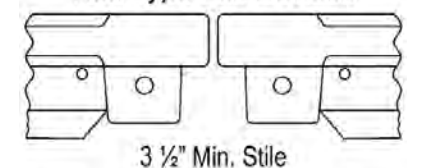
Lifetime Warranty



MEETS The Buy American Act

Minimum Stile Requirements

Double Door with Two Vertical Rod Type Exit Devices



ALBR2260 & AFLBR2260 ADA Series GRADE 1, Vertical Rod Exit Device Less Bottom Rod



**Lifetime
Warranty**

**BHMA™
CERTIFIED**
Be Safe. Be Secure. Look for the Mark.

MEETS
The Buy American Act

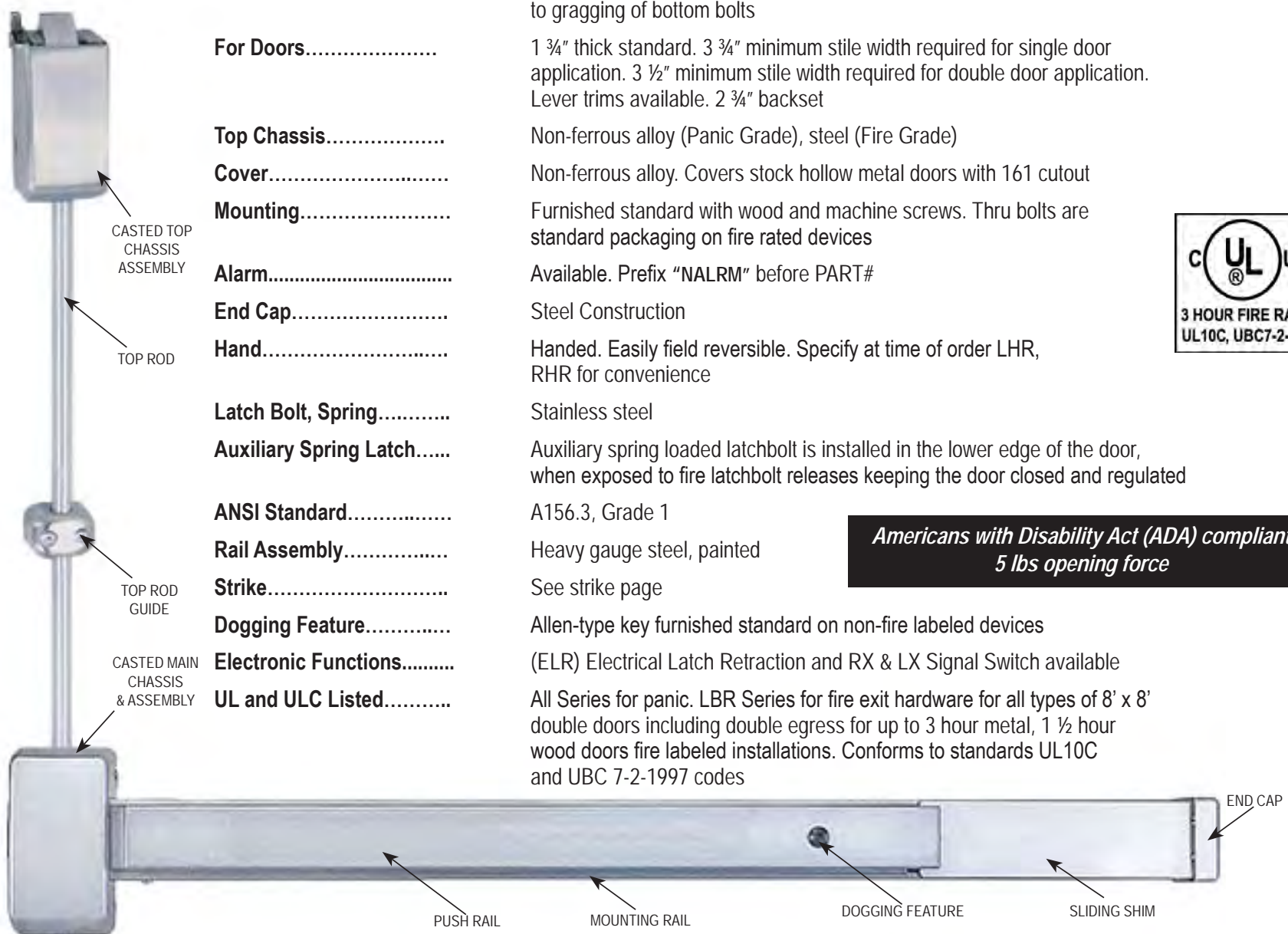


Specifications

LBR	No Bottom Strike. Free access for wheel chairs, stretcher and carts therefore eliminates tripping potential and disfiguration of floors due to gragging of bottom bolts
For Doors	1 3/4" thick standard. 3 3/4" minimum stile width required for single door application. 3 1/2" minimum stile width required for double door application. Lever trims available. 2 3/4" backset
Top Chassis	Non-ferrous alloy (Panic Grade), steel (Fire Grade)
Cover	Non-ferrous alloy. Covers stock hollow metal doors with 161 cutout
Mounting	Furnished standard with wood and machine screws. Thru bolts are standard packaging on fire rated devices
Alarm	Available. Prefix "NALRM" before PART#
End Cap	Steel Construction
Hand	Handed. Easily field reversible. Specify at time of order LHR, RHR for convenience
Latch Bolt, Spring	Stainless steel
Auxiliary Spring Latch	Auxiliary spring loaded latchbolt is installed in the lower edge of the door, when exposed to fire latchbolt releases keeping the door closed and regulated
ANSI Standard	A156.3, Grade 1
Rail Assembly	Heavy gauge steel, painted
Strike	See strike page
Dogging Feature	Allen-type key furnished standard on non-fire labeled devices
Electronic Functions	(ELR) Electrical Latch Retraction and RX & LX Signal Switch available
UL and ULC Listed	All Series for panic. LBR Series for fire exit hardware for all types of 8' x 8' double doors including double egress for up to 3 hour metal, 1 1/2 hour wood doors fire labeled installations. Conforms to standards UL10C and UBC 7-2-1997 codes



**Americans with Disability Act (ADA) compliant
5 lbs opening force**



Refer to the Price List for Stock Sizes and finishes

DIMENSIONS

Touchbar height to finished floor	41" (1041mm) at center
Touchbar projection	
Neutral	2 1/2" (64mm)
Depressed	1 3/4" (45mm)
Panic grade top & bottom latch case	3 15/16" x 2 1/8" x 1 3/8" (100mm x 54mm x 35mm)
Fire grade top latch case	3 15/16" x 2 11/16" x 2 1/16" (100mm x 68mm x 52mm)
Fire grade bottom latch case	3 15/16" x 2 1/8" x 1 3/8" (100mm x 54mm x 42mm)
Top and bottom rod length for 36" x 84" doors	Top rod 39 3/16" (995mm)
Top and bottom rod length for 48" x 96" doors	Top rod 51 3/16" (1300mm)
Vertical Rods	1/2" (13mm) Round tubing

MODEL	ACTUAL LENGTH	MAX CUT DOWN	DOOR SIZE
ALBR2260V3684, AFLBR2260V3684, ALBR2290V3696 and AFLBR2290V3696	32"	6"	30" to 36" door width
ALBR2280V4896 and AFLBR2280V4896	44"	12"	36" to 48" door width



Auxiliary Fire Latch Assembly

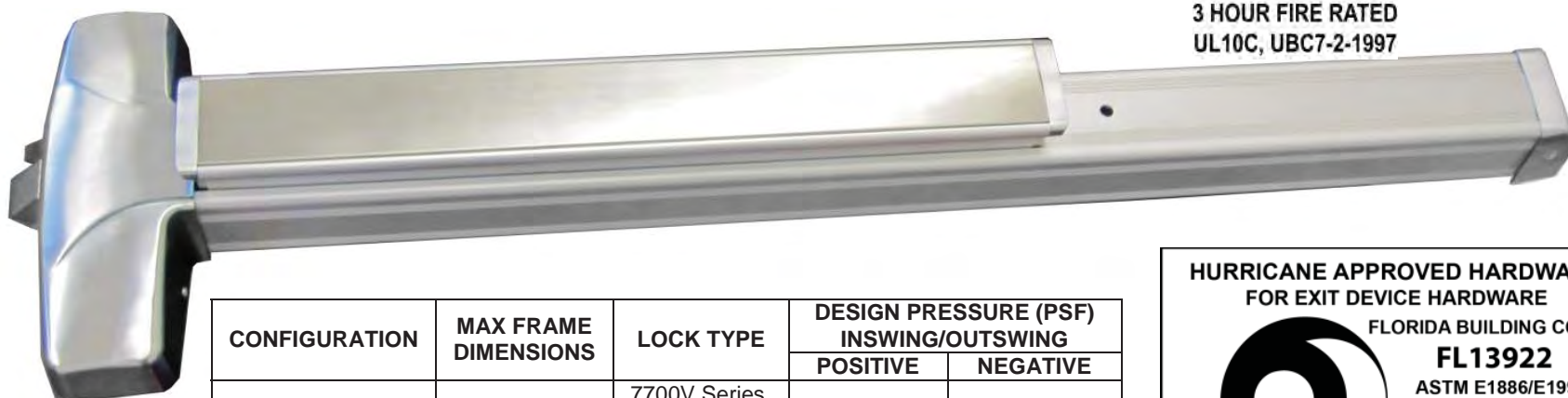
THIS PAGE INTENTIONALLY LEFT BLANK



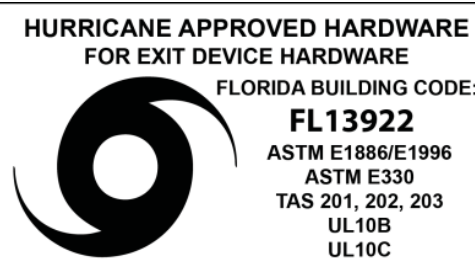
7700 & F7700 Rim Type Panic And Fire Exit Devices 7760 & F7760 Vertical Rod Panic And Fire Exit Devices ANSI A156.3, Grade 1



3 HOUR FIRE RATED
UL10C, UBC7-2-1997



CONFIGURATION	MAX FRAME DIMENSIONS	LOCK TYPE	DESIGN PRESSURE (PSF) IN SWING/OUT SWING	
			POSITIVE	NEGATIVE
SINGLE	40" x 88"	7700V Series 7700 Series	+70.0	-70.0
DOUBLE	76" x 88"	7700V Series	+70.0	-70.0



Features & Construction

- ◆ **Retrofits Von Duprin 99 & 98 Series using 7700 Escutcheon Trim**
- ◆ For use in institutions, schools, universities, commercial buildings where heavy duty reliable operation is a requirement
- ◆ ANSI A156.3, Grade 1 heavy duty exit device in surface vertical rod and rim designs
- ◆ Rail assemblies are heavy duty extruded aluminum body with Stainless Steel push pad and end caps are made of brass, bronze or stainless steel. Rail travels in direction of the door swing
- ◆ Trims are thru bolted for additional security
- ◆ Conforms & Meets ADA Regulations
- ◆ UL Listed for Panic and ULC10C, UBC 7-2-1997 codes
- ◆ UL Listed for Fire Exit Hardware. **3 hours.**
- ◆ (A) label rating on pairs of doors up to 8'0" x 8'0" swinging in same or opposite directions
- ◆ Uncompromising security and safety in single and double fire exit doors
- ◆ Chassis mounted unit construction. Rim and vertical rod devices are non-handed and easily reversible
- ◆ Available in many different functions. Lever and escutcheon trims are grade 1 construction with clutch on rose trims. Escutcheon trims are rigid and covers 161 cut out

Suggested Architect's Specifications

- ◆ All exit devices shall be of touch bar design with smooth operation and be operative over 2/3 of the door's clear opening width
- ◆ All exit devices must be listed under "Panic Hardware" in the Accident Equipment List of Underwriters' Laboratories, Inc. Where labeled doors are used as exits, they must be equipped with labeled Fire Exit Hardware and UL10C, UBC 7-2-1997 codes
- ◆ All springs shall be of Stainless Steel throughout
- ◆ All exit devices shall be of chassis mounted unit construction
- ◆ All exit devices shall be ANSI A156.3, Grade 1.



7700 & F7700 Series

Grade 1 Rim Type Exit Device

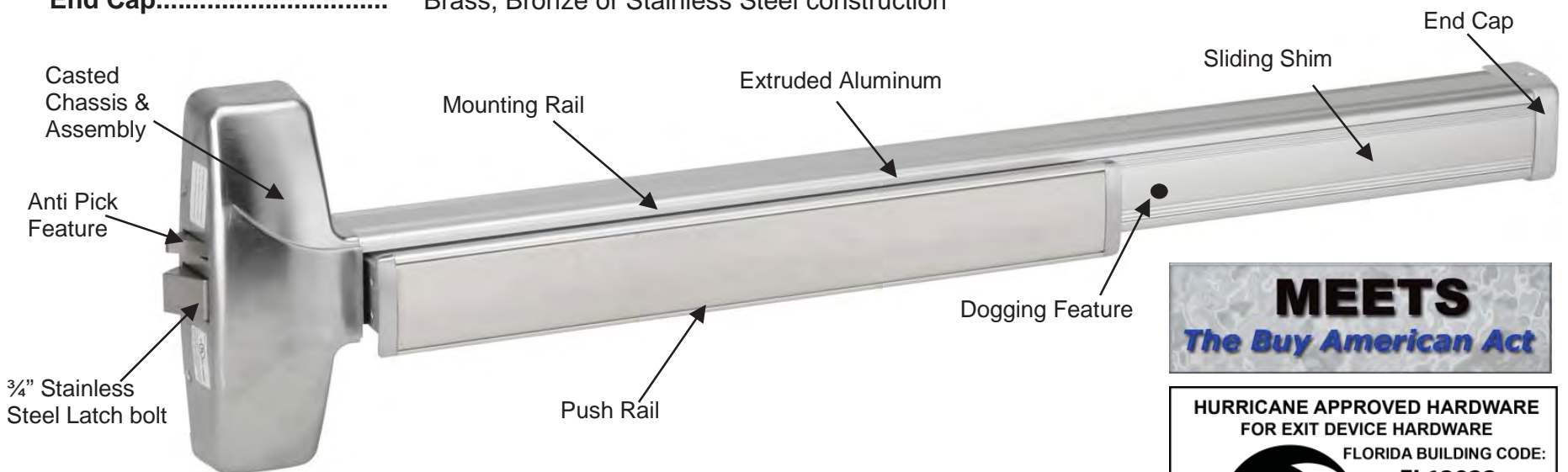


3 HOUR FIRE RATED
UL10C, UBC7-2-1997



Specifications

- For Doors.....** 1 3/4" thick standard optional 2 1/4" thick. 4 1/2" minimum stile width for single or double door application using standard 938 strike and pull lever, thumbpiece and escutcheon trims. 2 3/4" backset
- Chassis.....** Non-ferrous alloy (Panic Grade), steel (Fire Grade)
- Cover.....** Non-ferrous plated material. Covers stock hollow metal doors with 161 cut out
- Mounting.....** Furnished with wood and machine screws. Available thru bolts on request
Thru bolts are included and standard packaging on fire rated devices
- End Cap.....** Brass, Bronze or Stainless Steel construction



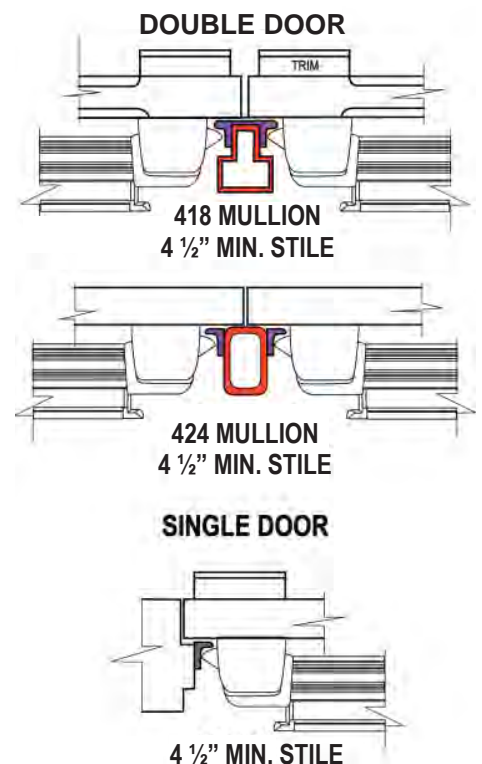
- Alarm.....** Available. Prefix NALRM before PART#
- Hand.....** Non-handed, center hub for 2 3/4" backset
- Latch Bolt.....** Stainless steel 3/4" throw with anti-pick feature
- Spring.....** Stainless steel throughout
- ANSI Standard.....** A156.3, Grade 1
- Rail Assembly.....** Heavy gauge extruded aluminum body with Stainless Steel push pad
- Strike.....** 938 packed standard (See strike page)
- Dogging Feature.....** Allen-type key furnished standard on non-fire labeled devices
- Mullion.....** Available
- UL and ULC Listed.....** 7700 Series for panic. F7700 Series for fire exit hardware for all types of 4' x 8' single doors and 8' x 8' double doors for up to 3 hour fire labeled installations, conforms to standards UL10C and UBC 7-2-1997 codes
- Finish.....** Architectural plated finishes
- Electronic Functions.....** (ELR) Electrical Latch Retraction and RX & LX Signal Switch available

DIMENSIONS

Touchbar height to finished floor	41" (1041mm) at center		
Touchbar projection			
Neutral	3 5/8" (92mm)		
Depressed	2 7/8" (73mm)		
Center case	8 1/16" x 2 3/4" x 2 1/2" (205mm x 68mm x 62mm)		
MODEL	ACTUAL LENGTH	MAX CUT DOWN	DOOR SIZE
7700EO36 and F7700EO36	32"	6"	30" to 36" door width
7700EO48 and F7700EO48	44"	10"	38" to 48" door width



4 1/2" Minimum Stile Requirements



7760 & F7760 Series

Grade 1 Vertical Rod Type Exit Device



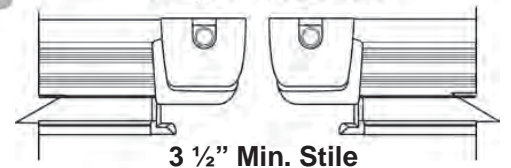
Specifications

For Doors	1 3/4" thick standard optional 2 1/4" thick. 3 3/4" minimum stile width required for single door application. 3 1/2" minimum stile width required for double door application. Lever, thumbpiece and escutcheon trims available. 2 3/4" backset
Chassis	Nonferrous alloy (Panic Grade), steel (Fire Grade)
Cover	Non-ferrous plated material. Covers stock hollow metal doors with 161 cut out
Mounting	Furnished with wood and machine screws. Thru bolts are included and standard packaging on fire rated devices
End Cap	Brass, Bronze or Stainless Steel construction
Hand	Handed. Easily field reversible. Specify at time of order LHR, RHR for convenience
Latch Bolt, Spring	Stainless steel
ANSI Standard	A156.3, Grade 1
Rail Assembly	Heavy gauge extruded aluminum body with Stainless Steel push pad
Alarm	Available. Prefix NALRM before PART#



MINIMUM STILE REQUIREMENTS

Double Door with Two Vertical Rod Type Exit Devices



UL and ULC Listed	7760 Series for panic. F7760 Series for fire exit hardware for all types of 8' x 8' double doors for up to 3 hour fire labeled installations. Conforms to standards UL10C and UBC 7-2-1997 codes
Strike	See strike page
Dogging Feature	Allen-type key furnished standard on non-fire labeled devices
Finish	Architectural plated finishes
Electronic Functions	(ELR) Electrical Latch Retraction and RX & LX Signal Switch available



DIMENSIONS

Touchbar height to finished floor	41" (1041mm) at center
Touchbar projection	
Neutral	3 5/8" (92mm)
Depressed	2 7/8" (73mm)
Center case	8 1/16" x 2 3/4" x 2 1/2" (205mm x 70mm x 64mm)
Panic grade top & bottom latch case	3 15/16" x 2 1/8" x 1 3/8" (100mm x 54mm x 35mm)
Fire grade top latch case	3 15/16" x 2 9/16" x 2 1/16" (100mm x 65mm x 53mm)
Fire grade bottom latch case	3 15/16" x 2 1/8" x 1 3/8" (100mm x 52mm x 42mm)
Top and bottom rod length for 36" x 84" doors	Top rod 37 1/2" (953mm), bottom rod 35 5/8" (905mm)
Top and bottom rod length for 48" x 96" doors	Top rod 49 5/8" (1260mm), bottom rod 35 5/8" (905mm)
Vertical rods	1/2" (13mm) Round tubing

MODEL	ACTUAL SIZE	MAXIMUM CUT DOWN	DOOR SIZE
7700EO36, F7700EO36, 7790V3696, F7790V3696 and 7750V36120	32"	6"	30" to 36" door width
7700EO48, F7700EO48, 7790V4896, F7790V4896 and 7750V48120	44"	10"	38" to 48" door width



LBR 7760 & F7760 Series

Grade 1 Vertical Rod Type Exit Device Less Bottom Rod (LBR)

Specifications

LBR	No Bottom Strike. Free access for wheel chairs, stretchers and carts which eliminates tripping potential and disfiguration of floors due to dragging of bottom bolts
For Doors	1 3/4" thick standard optional 2 1/4" thick. 3 3/4" minimum stile width required for single door application. 3 1/2" minimum stile width required for double door application. Lever, thumbpiece and escutcheon trims available. 2 3/4" backset
Chassis	Nonferrous alloy (Panic Grade), steel (Fire Grade)
Cover	Non-ferrous plated material. Covers stock hollow metal doors with 161 cut out
Mounting	Furnished with wood and machine screws. Thru bolts are included and standard packaging on fire rated devices
End Cap	Brass, Bronze or Stainless Steel construction
Hand	Handed. Easily field reversible. Specify at time of order LHR, RHR for convenience
Latch Bolt, Spring	Stainless steel
ANSI Standard	A156.3, Grade 1
Rail Assembly	Heavy gauge extruded aluminum body with Stainless Steel push pad
Alarm	Available. Prefix NALRM before PART#



MEETS
The Buy American Act



UL and ULC Listed..... 7760 Series for panic. F7760 Series for fire exit hardware for all types of 8' x 8' double doors for up to 3 hour fire labeled installations, conforms to standards UL10C and UBC 7-2-1997 codes

Dogging Feature..... Allen-type key furnished standard on non-fire labeled devices

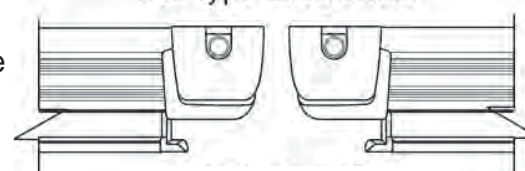
Strike..... See strike page

Finish..... Architectural plated finishes

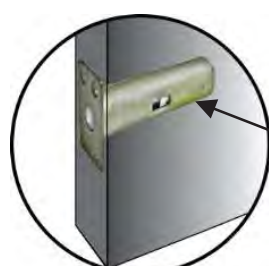
Electronic Functions..... (ELR) Electrical Latch Retraction and RX & LX Signal Switch available

MINIMUM STILE REQUIREMENTS

Double Door with Two Vertical Rod Type Exit Devices



3 1/2" Min. Stile



Auxiliary Fire Latch Assembly

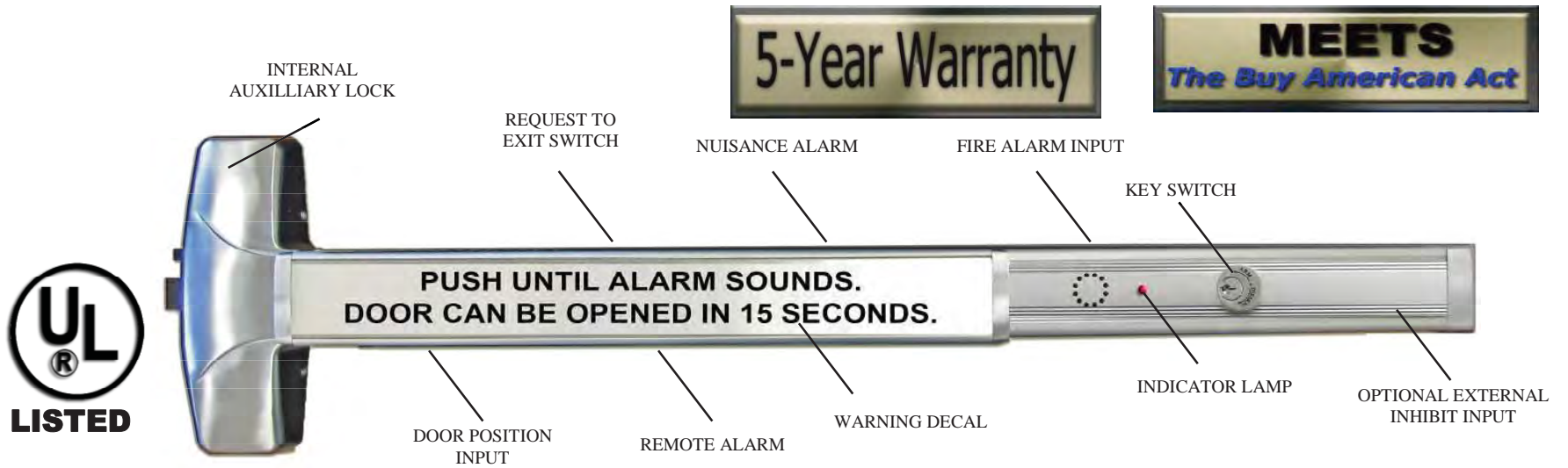
DIMENSIONS

Touchbar height to finished floor	41" (1041mm) at center
Touchbar projection	
Neutral	3 5/8" (92mm)
Depressed	2 7/8" (73mm)
Center case	8 1/16" x 2 3/4" x 2 1/2" (205mm x 70mm x 64mm)
Panic grade top & bottom latch case	3 15/16" x 2 1/8" x 1 3/8" (100mm x 54mm x 35mm)
Fire grade top latch case	3 15/16" x 2 9/16" x 2 1/16" (100mm x 65mm x 53mm)
Top rod length for 36" x 84" doors	Top rod 37 1/2" (953mm)
Top rod length for 48" x 96" doors	Top rod 49 5/8" (1260mm)
Vertical rods	1/2" (13mm) Round tubing

MODEL	ACTUAL SIZE	MAXIMUM CUT DOWN	DOOR SIZE
LBR 7760V3694 and LBR F7760V3684 LBR 7790V3696 and LBR F7790V3696	32"	6"	30" to 36" door width
LBR 7790V4896 and LBR F7790V4896	44"	10"	38" to 48" door width

DE7700 Series Delayed Egress

Grade 1 Delayed Egress All in One Exit Device



FEATURES		
EGRESS DELAY	BUILT-IN ANNUNCIATION	CODE COMPLIANCE
<ul style="list-style-type: none"> All in One Device 15 or 30 second exit delay (Factory set to 15 secs) 1 or 2 second nuisance delay Alarm and Lock reset 1 to 30 second momentary bypass Sustained bypass 	<ul style="list-style-type: none"> Armed mode Nuisance mode Irreversible egress mode Release mode <p><u>Optional External Inhibit Input</u></p> <ul style="list-style-type: none"> Remote override Remote reset 	<ul style="list-style-type: none"> IFC International Fire Code IBC International Building Code NFPA 101 Life Safety Code NFPA 1 Uniform Fire Code California Building Code Field selectable automatic or manual power up after emergency release or power loss
CONTROL INPUTS	TRIGGER MODES	MONITORING OUTPUTS
<ul style="list-style-type: none"> 1 to 30 second request-to-exit and bypass input with anti-tailgate and jumper selectable door prop alarm Reset 	<ul style="list-style-type: none"> Egress Alarm triggered by Push Bar Trigger input from external device field selectable (N/O) or N/C) 	<ul style="list-style-type: none"> Armed mode Nuisance mode Release status

TECHNICAL SPECIFICATIONS	APPLICATION
<ul style="list-style-type: none"> 24VDC @ 430mA 24VDC @ 250mA Slave <p>Power Supply CR602RF 1 Amp / CR631RF 1.5 Amp</p> <ul style="list-style-type: none"> Field selectable 12 or 24V DC, regulated and filtered Auto resetting output circuit protection Isolated 13.5/27V DC battery charger Low battery disconnect Emergency release input Field selectable UBC & California compliant manual power up Input, output and battery status LED's 11 1/4" x 11 1/4" x 3 1/2" enclosure Choice of output and door control modules CR631F – 1.5 Amp, CR602RF – 1.0 Amp 	<p>When unauthorized egress is initiated the device delays egress through the door for 15 seconds (or 30 seconds). Meanwhile, the person exiting must wait while personnel or security responds. The door unlocks after 15 seconds have elapsed permitting egress. When powered by a fire control supervised power supply, the lock will release immediately in an emergency.</p> <p>FOR USE WITH (FIRE- AND NON-FIRE):</p> <ul style="list-style-type: none"> DE7700 Rim Panic Exit Device DEF7700 Rim Panic Exit Device DEMCVR7700 Concealed Vertical Rod (metal doors) DEWCVR7700 Concealed Vertical Rod (wood doors) DEFMCVR7700 Concealed Vertical Rod (metal doors) DEFWCVR7700 Concealed Vertical Rod (wood doors) DE7700V Surface Vertical Rod Exit Device¹ DEF7700V Surface Vertical Rod Exit Device¹ DEMR7700 Mortise Exit Device DEFMR7700 Mortise Exit Device <p>¹Recommends use of rod and latch guards and strike monitor for surface vertical rods</p>

7700 Series Delayed Egress Models



For use in institutions, schools, universities, commercial buildings where heavy duty reliable operation is a requirement. 7700 Series Delayed Egress can also be used for fire exit hardware for all types of 4' x 8' single doors and 8' x 8' double doors for up to 3 hour fire labeled installations, it conforms to standards UL10C and UBC 7-2-1997 codes

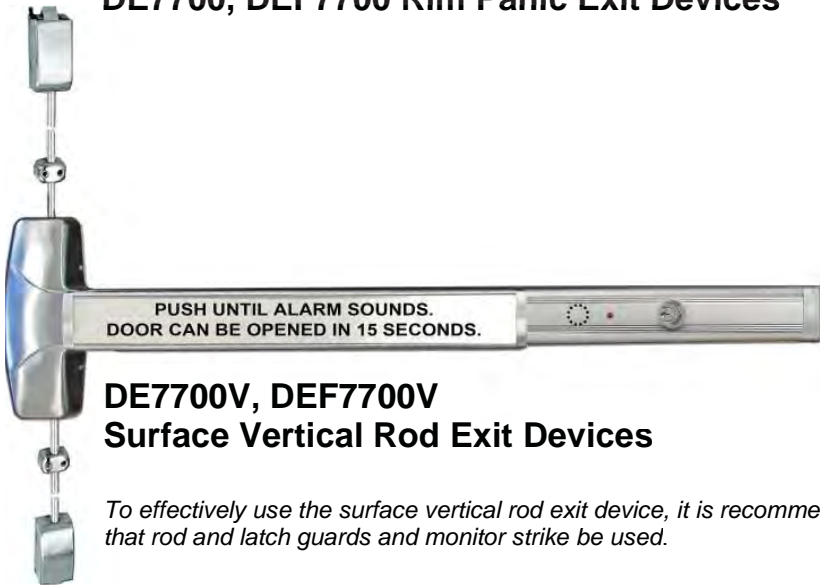


DE7700, DEF7700 Rim Panic Exit Devices



DEM7700, DEFMR7700 Mortise Exit Devices

If a door position switch is not used, the outside trim will operate the door without affecting the armed setting of the device.

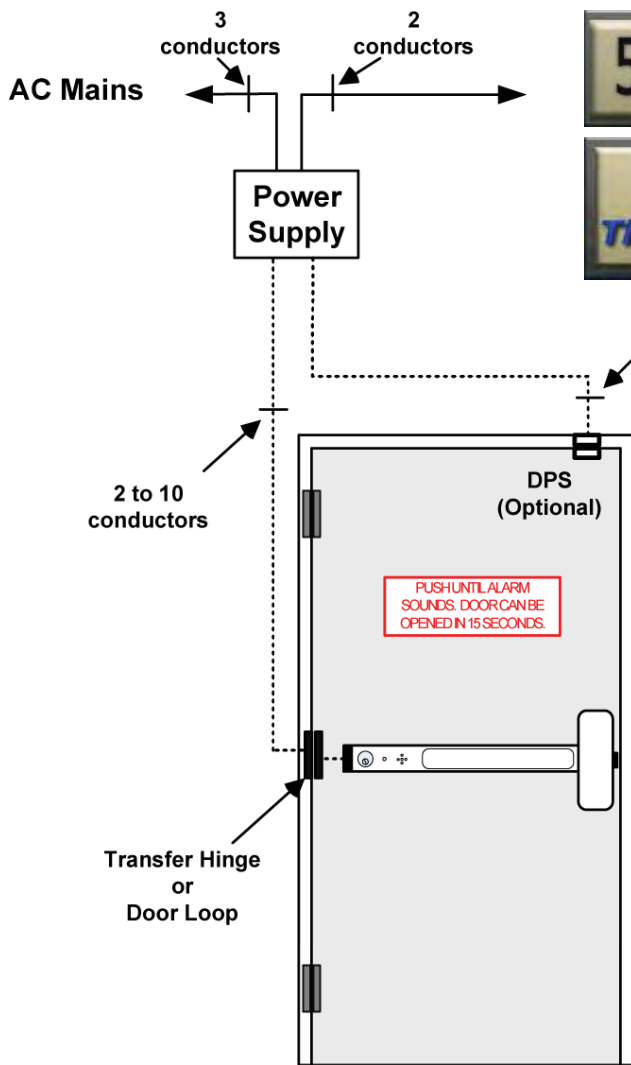


DE7700V, DEF7700V Surface Vertical Rod Exit Devices

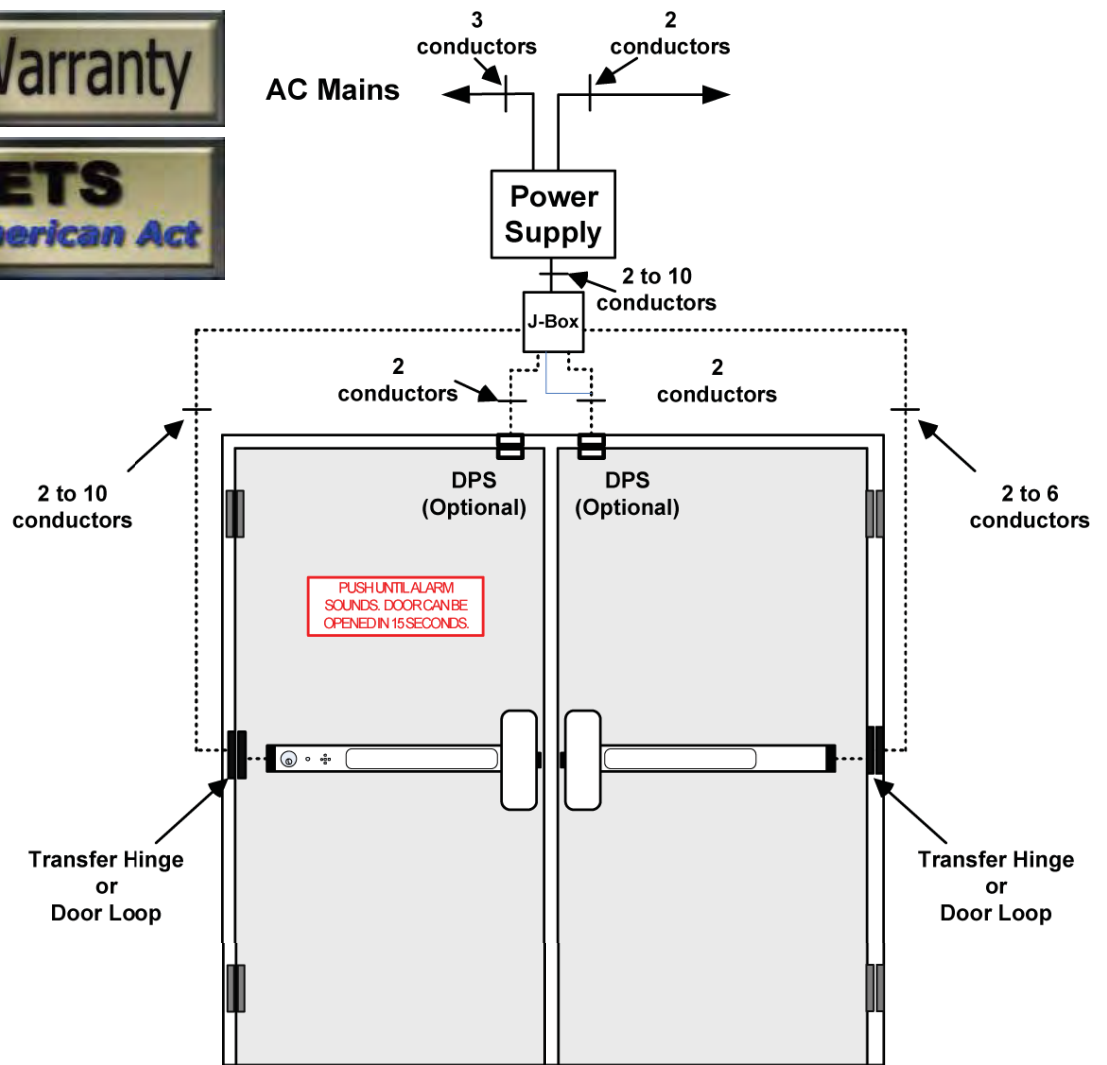
To effectively use the surface vertical rod exit device, it is recommended that rod and latch guards and monitor strike be used.



**DEM7700V, DEF7700V (metal doors)
DEW7700V, DEFW7700V (wood doors)
Concealed Vertical Rod Exit Devices**



Single Door



Pair of Doors



Alarm Exit Hardware



Rim Type Exit Devices

- NALRM7700EO36 Alarm Rim Type 36" Door (Panic Grade)
- NALRM7700EO48 Alarm Rim Type 48" Door (Panic Grade)
- FNALRM7700EO36 Alarm Rim Type 36" Door (Fire Grade)
- FNALRM7700EO48 Alarm Rim Type 48" Door (Fire Grade)

Vertical Rod Type Exit Devices

Prefix "NALRM" before PART#

Features

- 1-, 3-, 5-minute and continuous alarm type settings available
- ON and OFF power switch
- Alarm sound frequency is 120 db
- Alarm unit has an internal horn. When the push rail is depressed, the horn sounds to provide an audible means of signaling that the door has been opened and breached
- The key switch to turn alarm off is a standard 1 ¼" cylinder with "C" keyway. The alarm operates on one standard 9 volt transistor battery. When battery is weak the horn will emit an intermittent signal
- Alarmed units are supplied with a micro switch, which monitors the push rail and the latch bolt for foolproof security on rim devices
- Alarm unit has a signal OC output that can be linked to external alarm control systems
- Unit includes "EMERGENCY EXIT ONLY • ALARM WILL SOUND" decal for application on door or unit

Cylinder Dogging Kit

TO ORDER: Prefix "CD" before PART#. Available for all 7700 Series devices except fire exit hardware.

To order **KIT ONLY:** use PART# 36CD7700 for 36" and 48CD7700 for 48" devices. Specify finish.



Finishes (Refer to Price List for Stock Finishes)

Cal-Royal	Description	BHMA	US Finish	Material
10B	Oil Rubbed Bronze	613	US10B	Bronze
32D	Satin Stainless	630	US32D	Stainless Steel

Trim Selection

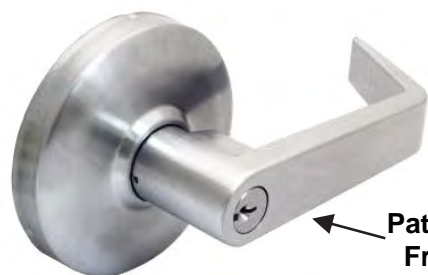
LEVER DESIGN

Non-handed Grade 1 (Clutch Style)

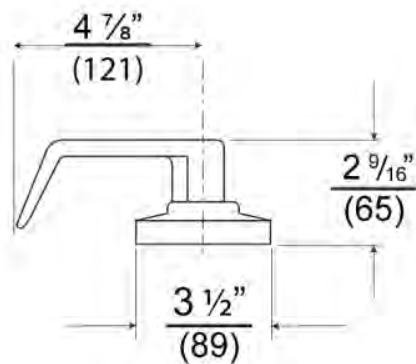
Cylindrical body hardened steel heavy duty tailpiece. For 1 3/4" and 2 1/4" doors. Prefix THI before part # for 2 1/4" door thickness. Available for fire and non-fire rated rim and vertical rod exit devices.

Rose diameter 3 1/2", lever length 4 3/4". Fits and covers 161 cutout.

Finishes: Architectural plated finishes.



Patented Clutch Freewheeling



- ENT00L or
- ICENT00L or
- ICSCENT00L4
- SARICENT00L (Sargent)
- RUSICENT00L (Corbin/Ruswin)
- YALICENT00L (Yale)

8000K

ENTRANCE

Key locks and unlocks lever. Operates as CLASSROOM FUNCTION.

ANSI Function – 08

Ball Knob Keylock

- STR05L or
- ICSTR05L or
- ICSCSTR05L4
- SARICSTR05L (Sargent)
- RUSICSTR05L (Corbin/Ruswin)
- YALICSTR05L (Yale)

PAS30L

STOREROOM

Key operates lever, otherwise always locked.

ANSI Function – 04

PASSAGE

Trim always operable and free.

ANSI Function - 15

DUM40L

DUMMY

Dummy trim. One sided
ANSI Function – 10

When ordering "AT" and "SPA" designs, prefix design name before part #. Example: ENT00L in "AT" is **ATENT00L**.

KEYWAY: 6 pin solid brass "C" keyway standard. Optional: Schlage E, Schlage C-K, Ruswin D1-2-3-4, Corbin 59/60, Sargent LA-LB-LC, Falcon/Weiser E, Arrow A, Yale 8, Yale GA and Kwikset. Can also accept Medeco, Assa, Kaba and **Cal-Royal HSK** High Security Cylinders.

● (IC) INTERCHANGEABLE CORE

Interchangeable Core locks will accept compatible 6 or 7 pin cores with BEST, FALCON and ARROW.

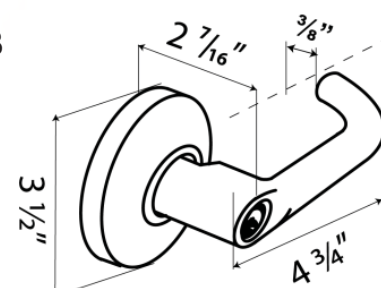
● (ICSC) INTERCHANGEABLE CORE:

Indicates function available with **Schlage Full size format** Interchangeable Core.

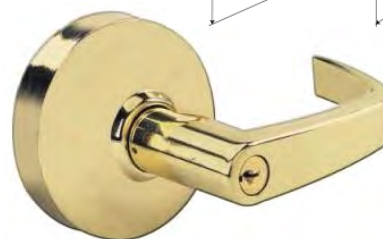
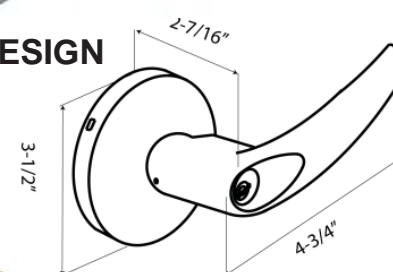
Other Lever Trim Designs



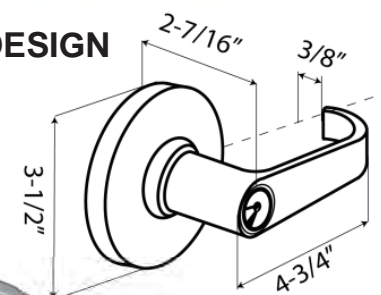
TUB



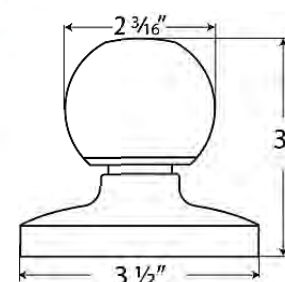
AT DESIGN



SPA DESIGN



8000K



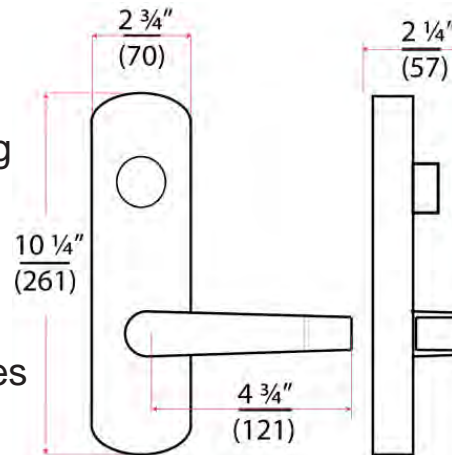
Trim Selection



ESCUTCHEON LEVER DESIGN

CONSTRUCTION

- Rigid, non clutch mechanism
- Double heavy duty spring support to prevent sagging and enhance operation
- Grade 1, thru-bolted design. Non-handed design. Easily field reversible
- Hardened steel heavy duty tailpiece. Available for fire and non-fire rated rim and vertical rod exit devices



DOOR THICKNESS

Standard 1 3/4". For 2 1/4" thick door use additional part# TAIL3

ESCUTCHEON DIMENSIONS

2 3/4" width X 10 1/4" length. Lever length: 4 3/4". Fits and covers 2 1/8" 161 cutout

- **ESC7700 or ICESC7700 or ICSCESC7700**

ENTRANCE

Rigid Entrance, key locks or unlocks escutcheon trim ANSI FUNCTION (63) Operates as classroom function

- **ESC7705 or ICESC7705 or ICSCESC7705**

STOREROOM

Rigid Storeroom, key unlocks lever, lever retracts latch bolt, otherwise always locked ANSI FUNCTION (04)

ESC7730

PASSAGE

Trim always operable and free ANSI FUNCTION (62)

ESC7740

DUMMY

Dummy Escutcheon trim ANSI FUNCTION (10)

TO ORDER other lever design insert "AT" or "RL" before "ESC":
e.g. **ATESC7700** for ESC7700 with AT design or **RLESC7700** for ESC7700

KEYWAY: 6 pin solid brass "C" keyway Mortise Cylinder standard. Optional: Schlage E, Schlage C-K, Russwin D1-2-3-4, Corbin 59/60, Sargent LA-LB-LC, Falcon/Weiser E, Arrow A, Yale 8, Yale GA and Kwikset. Can also accept Medeco, Assa, Kaba and **Cal-Royal HSK** High Security Cylinders.

FOR ELECTRIFIED TRIM OPTIONS SEE PAGE 11

- **(IC) INTERCHANGEABLE CORE:** Interchangeable Core locks will accept compatible 6 or 7 pin cores with BEST, FALCON and ARROW.
- **(ICSC) INTERCHANGEABLE CORE:** Indicates function available with Schlage Full size format Interchangeable Core.

Lever Trim Designs



NESC



ATESC



RLESC

Trim Selection

PULL DESIGN

- 7700 NL
- IC7700NL
- ICSC7700NL

FOR RIM DEVICES ONLY

Outside by pull and key.
Key retracts latch bolt.
ANSI function – 03
Covers 161 cutout

KEYWAY

6 pin solid brass “C” keyway
Rim Cylinder standard.

FINISHES

Architectural plated finishes.



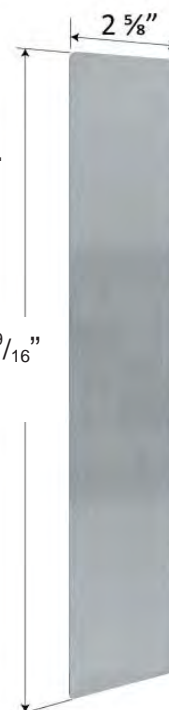
7700 DTP

Outside by pull only.
Pull when dogged.
ANSI function – 02
Covers 161 cutout



7700 EOP

Outside by plate only.
ANSI function – 10
Covers 161 cutout



THUMBPIECE TRIM

(OPERATES ON RIM & VERTICAL ROD DEVICES)

- 77TP00 or
● IC77TP00
● ICSC77TP00 **ENTRANCE**
Key locks or unlocks thumbpiece.
(Operates as classroom function)
ANSI Function – 63
- 77TP05 or
● IC77TP05
● ICSC77TP05 **STOREROOM**
Key unlocks thumbpiece, thumbpiece
retracts latch bolt, otherwise always
locked. ANSI Function-04
- 77TP30 **PASSAGE**
Trim always operable and free.
ANSI Function – 62
- 77TP40 **DUMMY**
Dummy trim. **Includes blank Mortise
dummy cylinder.** One sided.
ANSI function – 10



KEYWAY: 6 pin solid brass “C” keyway Mortise Cylinder standard. Optional: Schlage E, Schlage C-K, Russwin D1-2-3-4, Corbin 59/60, Sargent LA-LB-LC, Falcon/Weiser E, Arrow A, Yale 8, Yale GA and Kwikset. Can also accept Medeco, Assa, Kaba and **Cal-Royal HSK** High Security Cylinders.

(IC) INTERCHANGEABLE CORE

Interchangeable Core locks will accept compatible 6 or 7 pin cores with BEST, FALCON and ARROW.

(ICSC) INTERCHANGEABLE CORE: Indicates function available with Schlage Full size format Interchangeable Core.

FINISHES

Architectural plated finishes.

Electrified Lever Trim

Cal-Royal's electrified lever trim provides remote locking and unlocking capabilities. The 24V DC solenoid can be energized from a distant controller, thus allowing access control of the opening.

The control of stairwells in high-rise buildings is a common application for this trim, where electric pullback of the exit device's latch bolt is cost prohibitive or not required. This is especially practical in applications where fire/life safety codes require a "fail-safe" condition which is not an option with electrified latch pullback devices. Because the current draw is quite low there is no need for a more expensive power supply to provide the surge current.

Features

- Continuous duty solenoids used to insure trouble-free operation
- Internally mounted solenoid to ease installation (no special door prep required)
- No hassle 3-Year Warranty
- **Options**
- Available Fail Safe (electrically locked) or Fail Secure (Electrically Unlocked)
- Voltage options – 12V or 24V (AC/DC)
- Request to Enter Switch (REE) available
- CRU2 – Current Reduction Unit to improve solenoid life in "CONTINUOUSLY ON" applications

Specifications

Solenoid.....Continuous Duty 24VDC

Operating Voltage....12 or 24VAC/DC + OR – 10% (must specify 12 or 24 volts when ordering)

Amperage.....260mA@12V / 160mA@24V

Coil Resistance.....12V=49Ω / 24V=159Ω

To order, Specify:

OPTIONS: FAIL SAFE (FS)
FAIL SECURE (FSE)

ITEM#	DESCRIPTION
FS12 ESC77	FS12 FAIL-SAFE OPTION 12V AC/DC
FS24 ESC77	FS24 FAIL-SAFE OPTION 24V AC/DC
FSE12 ESC77	FSE12 FAIL-SECURE OPTION 12V AC/DC
FSE24 ESC77	FSE24 FAIL-SECURE OPTION 24V AC/DC

TO ORDER other lever design insert "AT" or "RL" before "ESC":
e.g. **ATESC77** for ESC77 in AT design or **RLESC77** for ESC77 in RL design

Lever Trim Designs



NESC



ATESC



RLESC



(ELR) Electrical Latch Retraction

Our electrified latch pullback exit device allows for remote keyless access control in high occupancy/high traffic conditions where exit devices are required. Common applications include conditions such as hospitals, airports, schools, churches and they are commonly specified in applications that require automatic door openers. The device may be continuously energized allowing for a push/pull condition if desired.

Features:

- Available on 7700 Series, including rim, vertical rod, concealed vertical rod fire-rated devices.
- High-performance quality solenoids designed for demanding applications
- The PM200* interface power module (included) is programmed to meet the requirements of the specific exit device modification. It maximizes the efficiency and life of the solenoid, allows for a much longer wire run and may be used with 24VDC power supplies rated at 1/5A or greater
- Dual coil solenoids, or PWM programming, allow for either momentary or extended time latch retraction
- No hassle 3-Year Warranty

Specifications

- Voltage – 24VDC
- Amperage – Surge current – 6.5A for 150ms@24VDC / Holding – 250mA@24V
- Coil resistance – 3.7Ω

To order, specify:

- Prefix **ELR** before PART#

CANNOT BE COMBINED WITH REGULAR DOGGING, CYLINDER DOGGING, ALARM KITS AND DELAYED EGRESS

Signal Switch RX and LX

RX (request to exit) signal switch is used to signal the use of an opening from the push side. When the push pad is Depressed, the switch is activated. These devices are equipped with an internal SPDT (single pole double throw) switch that monitors the touch bar.

LX (latch bolt monitoring) signal switch monitors both egress and access of an opening. When the latch bolt is retracted, the switch is activated. These devices are equipped with an internal SPDT (single pole double throw) switch that monitors the latch bolt position.

LX and **RX** switches can be combined.

LX, RX switches can be used in combination with **EL** (electric latch retraction) option.

Specifications

RX or **LX**.....Switch rated 0.5 amps @ 24VAC/DC resistive
Low current **RX** or **LX**.Switch rated 0.5 amps @ 24VAC/DC resistive
For Factory Installed:

To Order, Specify:

Prefix: - **RX**.....Request to Exit switch for field installation
LX.....Latch bolt Monitoring switch for field installation
LXRX.....Latch bolt Monitoring/Request to Exit Combination



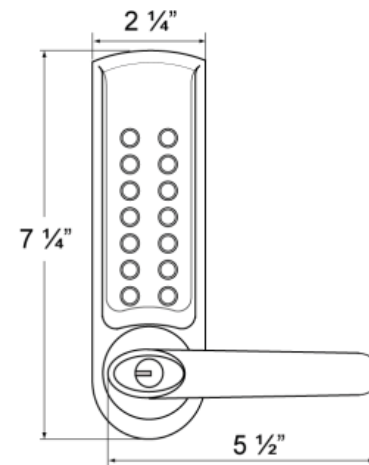
Ver. 2.0, Rev. 11/12
©2012 CAL-ROYAL

Heavyduty Keyless Locks

MECHANICAL CRCODE101

Features

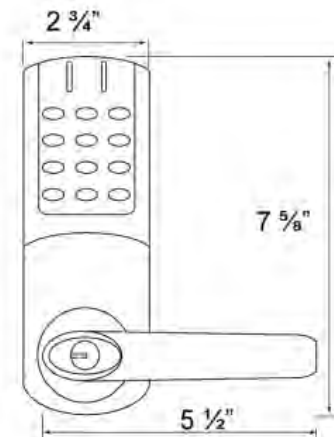
- **For use with Rim & Vertical Exit Devices**
- Heavy Duty
- Designed for 7700 and 9800 Series
- Grade 1 Panic Exit Device
- Single code (up to 8000 code combinations)
- Weather-resistant finish
- Code can be changed anytime without dismounting
- Full size, non-handed lever handle
- Easy Installation
- Reversible Handing



ELECTRONIC CRCODE007

Features

- **For use with Rim Exit Devices only**
- Dual mode for code free entry either mechanically by key or electronically thru the keypad
- Designed for 7700 and 9800 Series
- Can store up to 90 different numeric user codes in 4, 5 or 6 digits
- Settings remain in memory when batteries are removed
- Audible alarm sounds after 3 incorrect attempts
- Connections available for remote release switch and automatic lock activation when linked to Fire alarm system
- Can be used as STOREROOM or CLASSROOM function
- Factory default set as STOREROOM function
- Fast and easy programming via master code



CR5000 TRILOGY® KEYLESS EXIT TRIM

Features

- **For use with Rim Exit Devices only**
- Clutch mechanism insures long life and durability
- Fingertip and/or Windows Programmable
- 2000 User Codes: Master, manager, supervisor and users
- Real Time Clock for up to 40,000 Event Time/Date-Stamped Audit Trail
- Up to 500 Lock/Unlock Schedules (with Time Zone Support)
- Rugged 12-Button Metal Keypad
- Non-Handed; Fully Field Reversible
- Adaptable to most major manufacturers of standard RIM and IC RIM Cylinders
- Battery operated; uses 5 AA batteries



Optional Interchangeable Core available with Best, Falcon, Arrow Small Format and Schlage Full Size Format IC Cores

KABA® - Cal-Royal Combination

Cal-Royal's Exit hardware devices combined with Kaba InSync CP provide a variety of alternatives when addressing community access control. Recommended for applications such as controlling building entry openings, common area rooms and doors with exit devices. InSync CP are available as stand-alone battery operated door locks designed to work in conjunction with Cal-Royal's Exit Hardware Devices.

For inquiries and information on InSync line of products please visit www.kabamultihousing.com



POWER SUPPLIES FOR ELECTRIFIED EXIT DEVICES

The CRPS1N is a heavy duty, high quality, low cost solution for powering a single latch retracting exit device. The solid state design insures years of trouble-free operation. The power supply delivers raw, unregulated DC current which is ideal for the extreme in-rush requirement of most solenoid driven electric latch retracting exit devices. The power supply comes housed in a sturdy, yet compact metal enclosure.

CRPS1N



Features:

- Power supply delivers the necessary high current in-rush for a single exit device
- Solid-state design eliminates problems associated with mechanical relays
- Single input/output



Specifications:

- Input voltage – 120 VAC
- Output voltage – 24 VDC unregulated @ 1A
- Temperature range – 0 to 120F
- 1 Solid-State input/output (input triggered by dry contact)
- LEDs – RED = Power indicator
GREEN = Channel on
- Enclosure dimensions: 10" x 10" x 4"

The CRPS2 Series power supplies are high quality, cost effective solution for powering two electric latch-retracting exit devices. These power supplies provide the necessary surge current that most latch-retracting exit devices require. The CRPS2 Series offers features found on power supplies costing much more; and the solid-state design and careful attention to detail make the CRPS2 Series ideal choice for the discerning user who requires a power supply that can offer years of trouble-free operation.

CRPS2 CRPS2BB



Features:

- Delivers the necessary in-rush current to power two latch pullback exit devices.
- Two independent inputs/outputs
- Solid-state design eliminates mechanical problems associated with relays
- Thermal overload sensing reduces risk of failure due to overheating
- Fire alarm disconnect link
- Inputs triggered by dry contact
- Intelligent short circuit detection detects shorts much faster than fuses and isolates the short to the individual output
- Removable Euro-style terminal blocks allow for easy installation
- UL Pending at time of print
- No hassle 3-Year Warranty

Additional Features (CRPS2BB Only):

- Efficient battery backup/charging circuitry with zero voltage drop at power loss
- Solid state reverse polarity protection for battery connections
- Audible alert when sensing AC power failure & low battery (batteries not included)
- Output Voltage – 24 VDC unregulated @ 2.3A
- Enclosure dimensions: 12.5" x 15" x 4"

Specifications:

- Input Voltage – 120 VAC
 - Output Voltage – 24 VDC unregulated @ 2A**
 - Temperature Range – 0 to 120 F
 - 1 Solid-State input/output (input triggered by dry contact)
 - LEDs – Red = Power indicator
GREEN = Channel on
 - Enclosure dimensions: 10" x 10" x 4" **
- **CRPS2 only**

The CRSW3 power supply is a low cost, regulated switching power supply. It is designed specifically to supply power to low current DC devices such as mortise locks, cylindrical locks and electric strikes. The CRSW3 supplies 2.4A @ 27VDC and provides (3) non-fused outputs. The CRSW3 comes housed in a 10" x 10" x 4" sturdy metal enclosure.

CRSW3



Features:

- Adjustable output voltage (22-27V under load)
- No hassle 3-Year Warranty

Specifications:

- Input voltage – 110 or 240VAC
- Output voltage – 2.4A @ 27VDC
- (3) Non-fused outputs
- Enclosure dimensions : 10" x 10" x 4"

MCVR7700 & FMCVR7700 Series



Optional Less Bottom Rod (LBR)

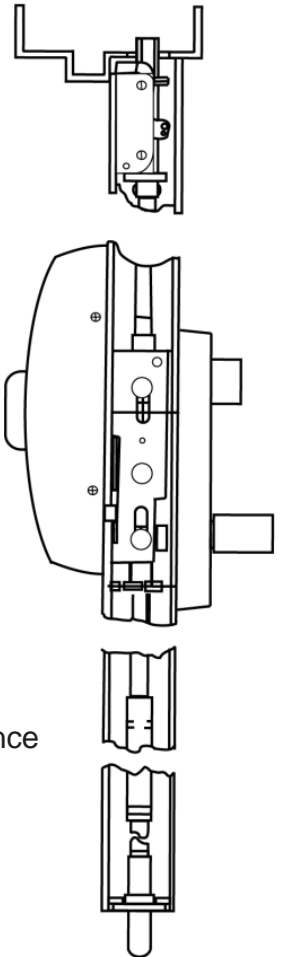
Grade 1 Concealed Vertical Rod Exit Device For Metal Doors



MEETS
The Buy American Act

UL US
3 HOUR FIRE RATED
UL10C, UBC7-2-1997

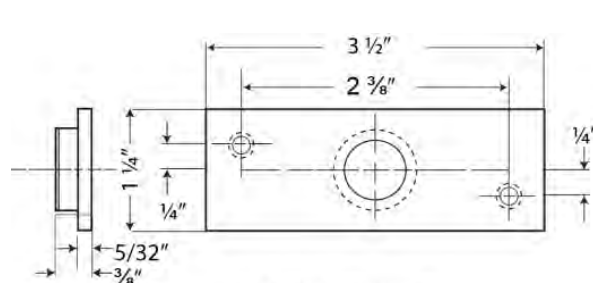
Lifetime
Warranty
BHMA
CERTIFIED



Specifications

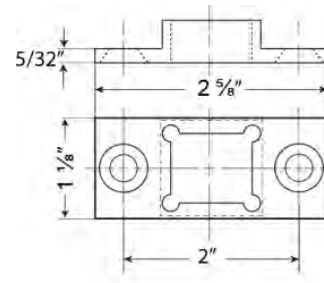
LBR (Optional)	No Bottom Strike. Free access for wheel chairs, stretchers and carts which eliminates tripping and potential disfiguration of floors due to dragging of bottom bolts
For Doors	Metal. 1 3/4" (44.5mm) minimum thickness 4 1/2" (114mm) minimum stile width
Chassis	Nonferrous alloy (Panic Grade), steel (Fire Grade)
Chassis Cover	Non-ferrous plated material
Mounting	Furnished standard with machine screws
End Cap	Brass, Bronze or Stainless Steel construction
Hand	Handed. Easily field reversible. Specify at time of order LHR, RHR for convenience
ANSI Standard	A156.3, Grade 1
Strikes	260 top and 265 bottom
Top and Bottom Bolts	Stainless Steel . Top and bottom bolt travel 7/16" (11mm) Projection adjustable up to 1" (25mm)
Fire Exit Hardware	FMCVR7700 Series for fire exit hardware for all types of 8' x 8' Double doors for up to 3 hour fire labeled installations, conforms to standards UL10C and UBC 7-2-1997 codes
Rail Height	Specify door opening and mounting height of center line of rail when ordering a Vertical Rod Exit Device 41" from floor
Trim	See Trim Designs section
Electronic Functions	(ELR) Electrical Latch Retraction and RX & LX Signal Switch available
Alarm	Prefix "NALRM" before PART#
Dogging Feature	Cylinder dogging available for non-rated applications

MODEL SIZE	ACTUAL LENGTH	MAXIMUM CUT DOWN	DOOR SIZE
M77CVR3684 and M77CVR3696	32"	6"	30" to 36" door width



260 TOP STRIKE

- For applications metal frames
- Stainless Steel



265 BOTTOM STRIKE

- Furnished with expansion shields
- Mortised into floor
- Stainless Steel

WCVR7700 & FWCVR7700 Series



Optional Less Bottom Rod (LBR)

Grade 1 Concealed Vertical Rod Exit Device For Wood Doors

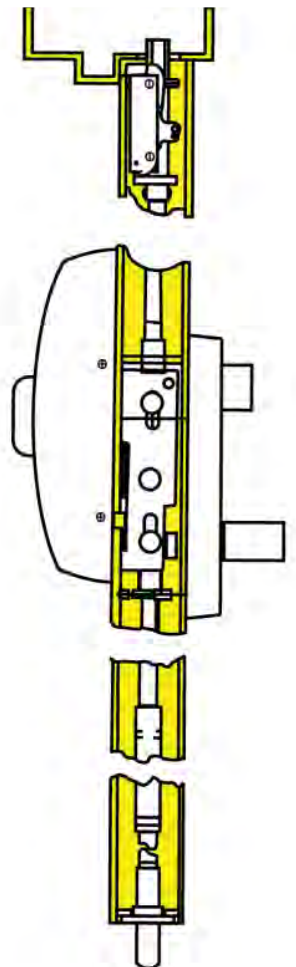


MEETS
The Buy American Act



3 HOUR FIRE RATED
UL10C, UBC7-2-1997

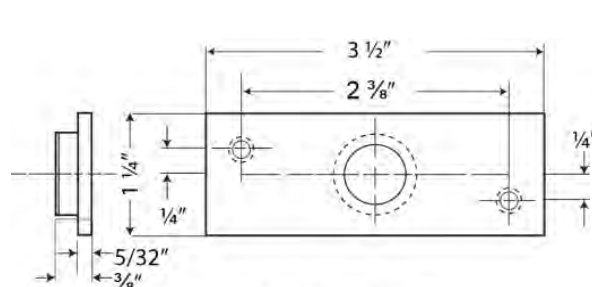
Lifetime
Warranty
BHMA
CERTIFIED



Specifications

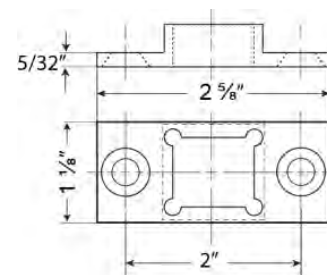
LBR (Optional)	No Bottom Strike. Free access for wheel chairs, stretchers and carts which eliminates tripping and potential disfiguration of floors due to dragging of bottom bolts
For Doors	Wood. 1 3/4" (44.5mm) minimum thickness 4 1/2" (114mm) minimum stile width
Chassis	Nonferrous alloy (Panic Grade), steel (Fire Grade)
Chassis Cover	Non-ferrous plated material
Mounting	Furnished standard with machine screws
End Cap	Brass, Bronze or Stainless Steel construction
Hand	Handed. Easily field reversible. Specify at time of order LHR, RHR for convenience
ANSI Standard	A156.3, Grade 1
Strikes	260 top and 265 bottom
Top and Bottom Bolts	Stainless Steel. Top and bottom bolt travel 7/16" (11mm) Projection adjustable up to 1" (25mm)
Fire Exit Hardware	FWCVR7700 Series for fire exit hardware for all types of 8' x 8' Double doors for up to 3 hour fire labeled installations, conforms to standards UL10C and UBC 7-2-1997 codes
Rail Height	Specify door opening and mounting height of center line of rail when ordering a Vertical Rod Exit Device 41" from floor
Trim	See Trim Designs section
Electronic Functions	(ELR) Electrical Latch Retraction and RX & LX Signal Switch available
Alarm	Prefix "NALRM" before PART#
Dogging Feature	Cylinder dogging available for non-rated applications

MODEL SIZE	ACTUAL LENGTH	MAXIMUM CUT DOWN	DOOR SIZE
W77CVR3684 and W77CVR3696	32"	6"	30" to 36" door width



260 TOP STRIKE

- For applications metal frames
- Stainless Steel



265 BOTTOM STRIKE

- Furnished with expansion shields
- Mortised into floor
- Stainless Steel

MCVR7700, FMCVR7700, WCVR7700 & FWCVR7700

Concealed Vertical Rod Exit Device For Wood And Metal Doors

Trim Selection

ESCUTCHEON LEVER DESIGN

CONSTRUCTION

- Free-wheeling clutch mechanism
- Grade 1, thru-bolted design
- Non-handed design. Easily field reversible.
- Hardened steel heavy duty tailpiece available for fire and non-fire rated rim and concealed vertical rod exit devices.



FINISHES

Architectural plated finishes

DOOR THICKNESS

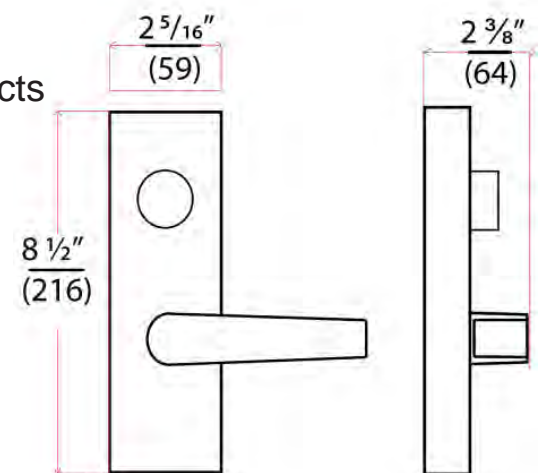
Standard 1 3/4"

ELECTRIFICATION NOT AVAILABLE FOR TRIM.
 Electrical Latch Retraction (ELR), Request to Exit (RX) and Latchbolt Monitoring (LX) available for Exit Device only.

ESCUTCHEON DIMENSIONS

2 5/16" width X 8 1/2" length. Lever length: 4 3/4".
 Fits and covers 2 1/8" 161 cutout

- | | |
|--|--|
| <ul style="list-style-type: none"> ● CVRESC7700 or ● ICCVRESC7700 or ● ICSCCVRESC7700 | <p>ENTRANCE
 Clutch Entrance, key locks or unlocks escutcheon trim
 ANSI FUNCTION (63) Operates as classroom function</p> |
| <ul style="list-style-type: none"> ● CVRESC7705 or ● ICCVRESC7705 or ● ICSCCVRESC7705 | <p>STOREROOM
 Clutch Storeroom, key unlocks lever, lever retracts latch bolt, otherwise always locked
 ANSI FUNCTION (04)</p> |
| <p>CVRESC7730</p> | <p>PASSAGE
 Trim always operable and free
 ANSI FUNCTION (62)</p> |
| <p>CVRESC7740</p> | <p>DUMMY
 Dummy Escutcheon trim ANSI FUNCTION (10)</p> |

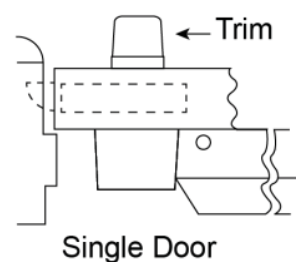
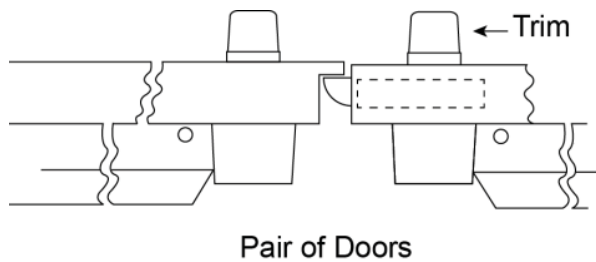


KEYWAY: 6 pin solid brass "C" keyway Mortise Cylinder standard. Optional: Schlage E, Schlage C-K, Russwin D1-2-3-4, Corbin 59/60, Sargent LA-LB-LC, Falcon/Weiser E, Arrow A, Yale 8, Yale GA and Kwikset. Can also accept Medeco, Assa, Kaba and **Cal-Royal HSK** High Security Cylinders.

- **(IC) INTERCHANGEABLE CORE:** Interchangeable Core locks will accept compatible 6 or 7 pin cores with BEST, FALCON and ARROW.
- **(ICSC) INTERCHANGEABLE CORE:** Indicates function available with Schlage Full size format Interchangeable Core.

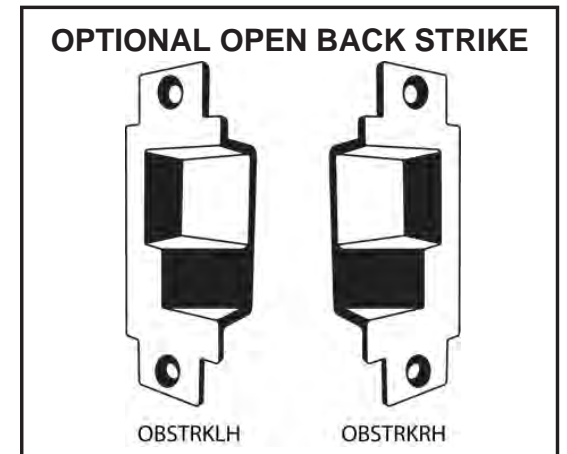
MR7700 and FMR7700 Series

Grade 1 Mortise Lock Exit Device



Specifications

For Doors.....	Wood/Metal 1 3/4" (44.5mm) minimum thickness 4 1/2" (114mm) minimum stile width
Chassis.....	Nonferrous alloy (Panic Grade), steel (Fire Grade)
Chassis Cover.....	Non-ferrous plated material
Mounting.....	Furnished standard with wood and machine screws
End Cap.....	Brass, Bronze or Stainless Steel construction
Handing.....	Handed. Reversible. Specify RHR or LHR for convenience
ANSI Standard.....	A156.3, Grade 1
Strikes.....	Standard ANSI strike
Fire Exit Hardware.....	FMR7700 Series for fire exit hardware for all types of 8' x 8' double doors for up to 3 hour fire labeled installations, conforms to standards UL10C and UBC 7-2-1997 codes
Mortise Lock.....	Grade (1) for 1 3/4" (44.5mm) thick doors. Reversible. Fits door prepared for ANSI Standard A115.1
Trim.....	See Trim Designs section
Electronic Functions.....	(ELR) Electrical Latch Retraction and RX & LX Signal Switch available
Alarm.....	Prefix "NALRM" before PART#
Dogging Feature.....	Cylinder dogging available for non-fire rated applications



MODEL SIZE	ACTUAL LENGTH	MAXIMUM CUT DOWN	DOOR SIZE
MR7700EO36, FMR77EO36	32"	6"	30" to 36" door width
MR7700EO48, FMR77EO48	44"	12"	36" to 48" door width

MR7700 and FMR7700 Series



Grade 1 Mortise Lock Exit Device

Trim Selection

ESCUTCHEON LEVER DESIGN

CONSTRUCTION

- Refer to Mortise Lock NM Series for product information

FINISHES

Architectural plated finishes

DOOR THICKNESS

Standard 1 3/4"

ESCUTCHEON DIMENSIONS

2" width X 8 1/2" length. Lever length: 4 3/4".



IMPORTANT: MR7700 and FMR7700 Mortise Lock case comes standard with exit device. (TRIMS SOLD SEPARATELY)

MRESC7700 or ICMRESC7700 or ICSCMRESC7700

ENTRANCE

Key locks or unlocks lever
Operates as classroom function
ANSI FUNCTION (63)

MRESC7705 or ICMRESC7705 or ICSCMRESC7705

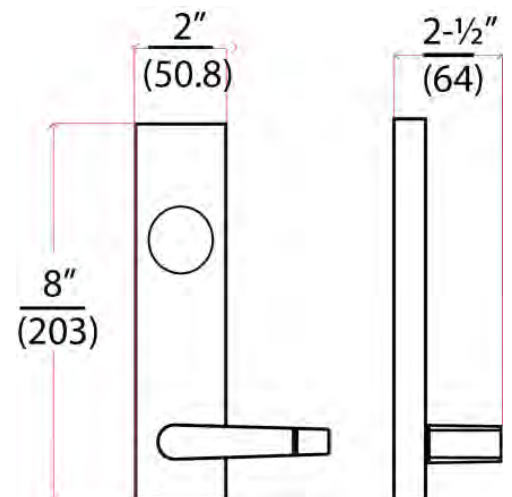
STOREROOM

Key retracts latch bolt, otherwise always locked
ANSI FUNCTION (04)
***MUST USE MR98005E036/48 Mortise Rim Exit**

MRESC7730

PASSAGE

Trim always operable and free
ANSI FUNCTION (62)
***MUST USE MR98005E036/48 Mortise Rim Exit**



KEYWAY: 6 pin solid brass "C" keyway Mortise Cylinder standard. Optional: Schlage E, Schlage C-K, Russwin D1-2-3-4, Corbin 59/60, Sargent LA-LB-LC, Falcon/Weiser E, Arrow A, Yale 8, Yale GA and Kwikset. Can also accept Medeco, Assa, Kaba and **Cal-Royal HSK** High Security Cylinders.

(IC) INTERCHANGEABLE CORE: Interchangeable Core locks will accept compatible 6 or 7 pin cores with BEST, FALCON and ARROW.

(ICSC) INTERCHANGEABLE CORE: Indicates function available with Schlage Full size format Interchangeable Core.

**FOR ELECTRIFICATION OPTION:
SPECIFY ITEM# UPON ORDERING**

(MORTISE LOCK CASE COMES STANDARD WITH EXIT DEVICE)

ITEM#	DESCRIPTION
FS12 MR77	FS12 FAIL-SAFE OPTION 12V AC/DC
FS24 MR77	FS24 FAIL-SAFE OPTION 24V AC/DC
FSE12 MR7	FSE12 FAIL-SECURE OPTION 12V AC/DC
FSE24 MR77	FSE24 FAIL-SECURE OPTION 24V AC/DC

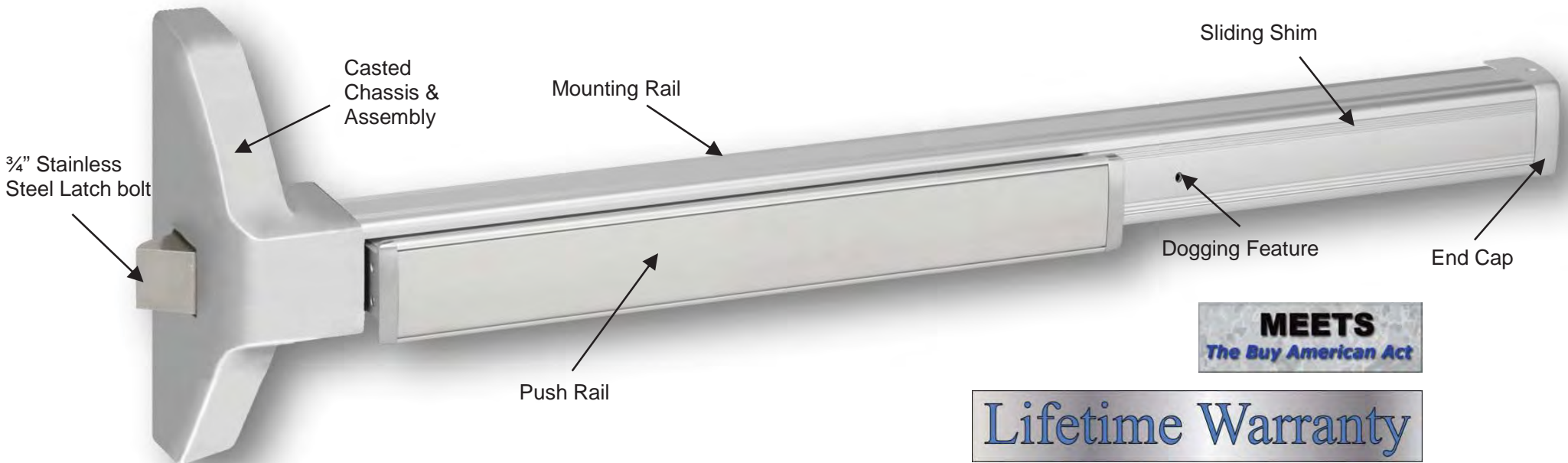
GLS7700 Series

Grade 1 Rim Type, Narrow Stile Exit Device

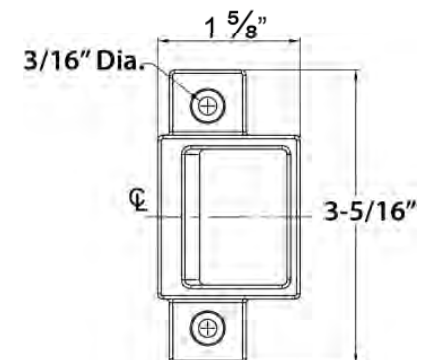


Specifications

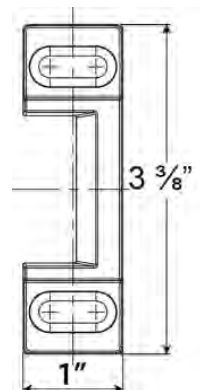
For Doors	Wood, Metal or Aluminum Glass doors with 1 3/4" minimum stile width, 1 3/4" thickness for single or double door application
Chassis	Non-ferrous alloy (Panic Grade)
Cover	Non-ferrous plated material
Mounting	Furnished with wood and machine screws. Thrubolts available upon request.
End Cap	Brass, Bronze or Stainless Steel construction



Alarm	Available. Prefix NALRM before PART#
Hand	Non-handed
Latch Bolt	Stainless steel 3/4" throw
Spring	Stainless steel throughout
ANSI Standard	A156.3, Grade 1
Rail Assembly	Heavy gauge extruded aluminum body with Stainless Steel push pad.
Strike	246 packed standard. Optional 247 strike. (See strike page)
Dogging Feature	Allen-type key furnished standard
Mullion	Available
UL and ULC Listed	GLS7700 Series for Panic & Safety for all types of 4' x 8' single doors and 8' x 8' double doors
Finish	Architectural plated finishes
Electronic Functions	(ELR) Electrical Latch Retraction and RX & LX Signal Switch available



246 STRIKE



247 STRIKE (OPTIONAL)

DIMENSIONS

Push Rail height to finished floor	41" (1034mm) at center		
Push Rail projection			
Neutral	3 5/8" (92mm)		
Depressed	2 7/8" (73mm)		
Center case	8 1/16" x 2 3/4" x 2 1/2" (205mm x 68mm x 62mm)		
MODEL	ACTUAL LENGTH	MAX CUT DOWN	DOOR SIZE
GLS7700EO36	34 9/64"	10"	26" to 36" width
GLS7700EO48	45 29/32"	12"	36" to 48" width

GLSCVR7700 Series

Grade 1 Concealed Vertical Type, Narrow Stile Exit Device Optional Less Bottom Rod (LBR)



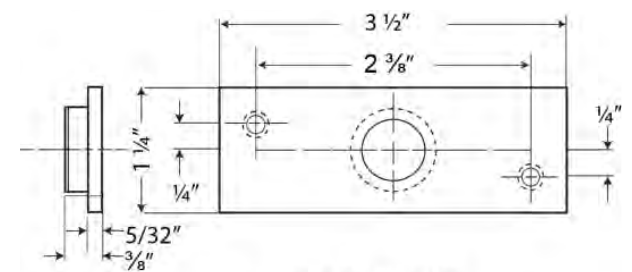
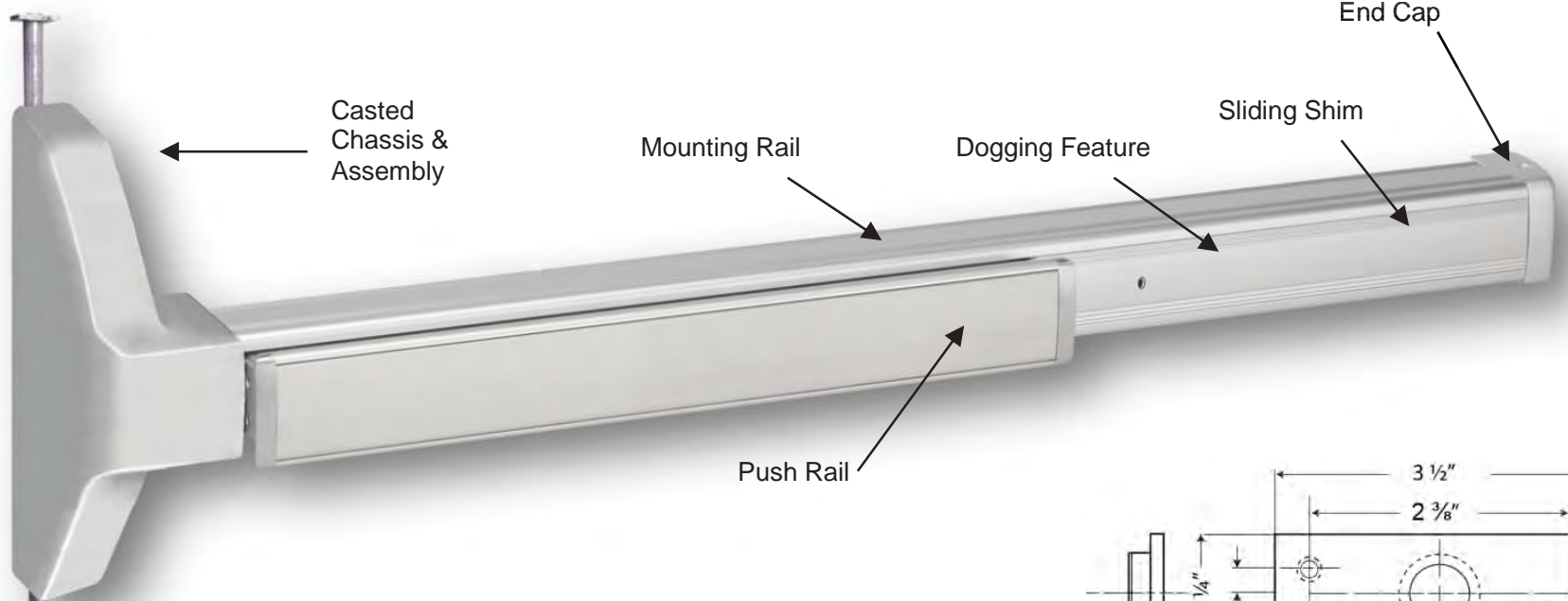
PANIC & SAFETY

MEETS
The Buy American Act

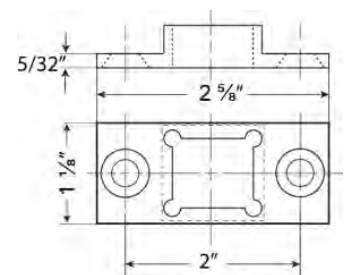
Lifetime Warranty

Specifications

For Doors.....	Metal or Aluminum Glass doors with 1 3/4" minimum stile width, 1 3/4" thickness for single or double door application
Chassis.....	Non-ferrous alloy (Panic Grade)
Cover.....	Non-ferrous plated material
Mounting.....	Furnished with wood and machine screws
End Cap.....	Brass, Bronze or Stainless Steel construction



260 TOP STRIKE



265 BOTTOM STRIKE

Hand.....	Handed. Specify RHR or LHR.
Top and Bottom Bolts.....	Stainless steel. Top and bottom bolt travel 7/16" (11mm) Stainless Steel adjustable to 1" (25mm)
Spring.....	Stainless steel throughout
ANSI Standard.....	A156.3, Grade 1
Rail Assembly.....	Heavy gauge extruded aluminum body with Stainless Steel push pad.
Strike.....	260 Top and 265 Bottom strikes packed standard (See strike page)
Dogging Feature.....	Allen-type key furnished standard
Mullion.....	Available
UL and ULC Listed.....	GLSCVR7700 Series for Panic & Safety for all types of 4' x 8' single doors and 8' x 8' double doors for Panic & Safety
Finish.....	Architectural plated finishes
Electronic Functions.....	(ELR) Electrical Latch Retraction and RX & LX Signal Switch available

DIMENSIONS

Push Rail height to finished floor	41" (1034mm) at center
Pull Rail projection	
Neutral	3 5/8" (92mm)
Depressed	2 7/8" (73mm)
Center case	8 1/16" x 2 3/4" x 2 1/2" (205mm x 68mm x 62mm)

MODEL	ACTUAL LENGTH	MAX CUT DOWN	DOOR SIZE
GLSCVR773684	34 9/64"	10"	26" to 36" width
GLSCVR774884	45 29/32"	12"	36" to 48" width





Trim Selection

ESCUTCHEON LEVER DESIGN

CONSTRUCTION

- Free-wheeling clutch mechanism.
- Grade 1, thru-bolted design. Reversible design.
- Hardened steel heavy duty tailpiece. Available for rim and concealed vertical rod exit devices.

DOOR THICKNESS

Standard 1 3/4".

ESCUTCHEON DIMENSIONS

1-13/16" width X 8" length
Lever length: 5"



IMPORTANT: GLS7700 and GLSCVR7700 Trims are interchangeable with GLS9800 and GLSCVR9800 Trims

ELECTRIFICATION NOT AVAILABLE FOR TRIM.
Electrical Latch Retraction (ELR), Request to Exit (RX) and Latchbolt Monitoring (LX) available for Exit Device only.

- GLSRIM9800
- GLSCVR9800
- ⊗ ICGLSRIM9800
- ⊗ ICSCGLSRIM9800
- ⊗ ICGLSCVR9800
- ⊗ ICSCGLSCVR9800

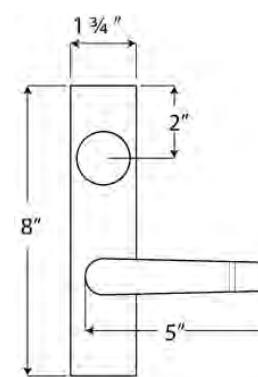
ENTRANCE

Clutch free-wheeling Entrance, key locks or unlocks escutcheon trim
ANSI FUNCTION (63) Operates as classroom function
CVR is used for Concealed Vertical Rod Exit Device
RIM is used for Rim Type Exit Device

- GLSRIM9805
- GLSCVR9805
- ⊗ ICGLSRIM9805
- ⊗ ICSCGLSRIM9805
- ⊗ ICGLSCVR9805
- ⊗ ICSCGLSCVR9805

STOREROOM

Clutch free-wheeling Storeroom, key unlocks lever, lever retracts latch bolt, otherwise always locked
ANSI FUNCTION (04)
CVR is used for Concealed Vertical Rod Exit Device
RIM is used for Rim Type Exit Device



- GLSRIM9830
- GLSCVR9830

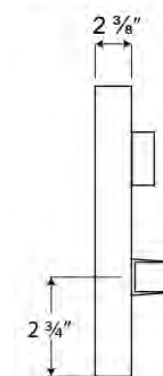
PASSAGE

Trim always operable and free
ANSI FUNCTION (62)
CVR is used for Concealed Vertical Rod Exit Device
RIM is used for Rim Type Exit Device

- GLSRIM9840
- GLSCVR9840

DUMMY

Dummy Escutcheon trim ANSI FUNCTION (10)
CVR is used for Concealed Vertical Rod Exit Device
RIM is used for Rim Type Exit Device



KEYWAY: 6 pin solid brass "C" keyway Mortise Cylinder standard. Optional: Schlage E, Schlage C-K, Russwin D1-2-3-4, Corbin 59/60, Sargent LA-LB-LC, Falcon/Weiser E, Arrow A, Yale 8, Yale GA and Kwikset. Can also accept Medeco, Assa, Kaba and **Cal-Royal HSK** High Security Cylinders.

- ⊗ **(IC) INTERCHANGEABLE CORE:** Interchangeable Core locks will accept compatible 6 or 7 pin cores with BEST, FALCON and ARROW.
- ⊗ **(ICSC) INTERCHANGEABLE CORE:** Indicates function available with **Schlage Full size format** Interchangeable Core.

Trim Selection

PULL DESIGN – FOR GLS7700 RIM EXIT DEVICE ONLY

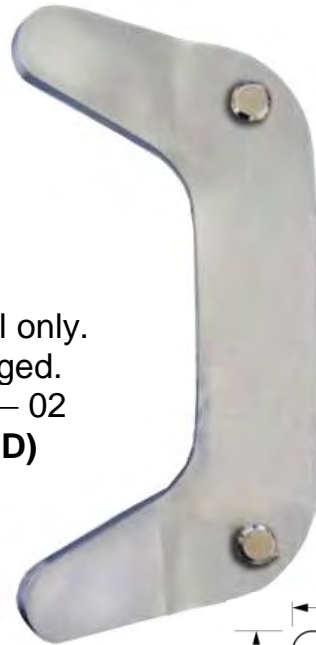
- 98GLSNL
- IC98GLSNL
- ICSC98GLSNL

Outside by pull and key.
Key retracts latch bolt.
ANSI function – 03
(SPECIFY HANDING)



98GLSUP

Outside by pull only.
Pull when dogged.
ANSI function – 02
(NON-HANDED)



GLSRIMEOP

Outside cover plate only.
ANSI function – 10

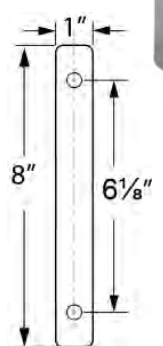
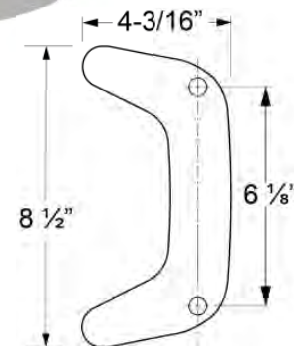
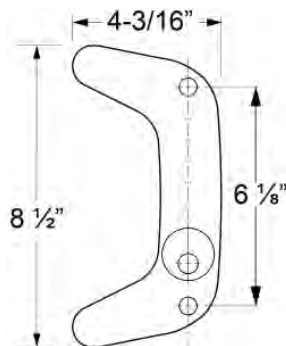


KEYWAY

6 pin solid brass “C” keyway
Rim Cylinder standard.

FINISHES

Architectural plated finishes.



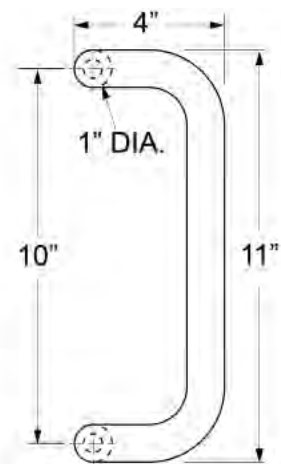
IMPORTANT: GLS7700 and GLSCVR7700 Trims are interchangeable with GLS9800 and GLSCVR9800 Trims



98GLSCYL-1



- IC98GLSCYL-1
- ICSC98GLSCYL-1



**OFSTPUL-10
(REVERSIBLE)**

Outside by pull only

KEYWAY: 6 pin solid brass “C” keyway Mortise Cylinder standard. Optional: Schlage E, Schlage C-K, Russwin D1-2-3-4, Corbin 59/60, Sargent LA-LB-LC, Falcon/Weiser E, Arrow A, Yale 8, Yale GA and Kwikset. Can also accept Medeco, Assa, Kaba and **Cal-Royal HSK** High Security Cylinders.

● **(IC) INTERCHANGEABLE CORE**

Interchangeable Core locks will accept compatible 6 or 7 pin cores with BEST, FALCON and ARROW.



(ICSC) INTERCHANGEABLE CORE: Indicates function available with Schlage Full size format Interchangeable Core.

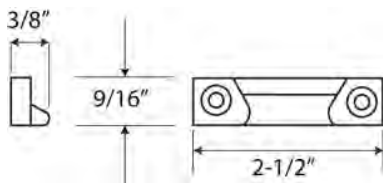
Strikes & Accessories

Strikes for use with 7760 vertical rod exit device

All strikes are black nylon coated

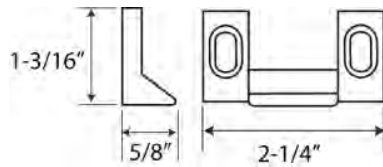
221

Standard for 7760. Applied to surface of floor or to a flat threshold. Standard packaging.



227

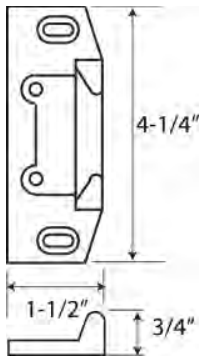
Applied to surface of stop. No mortise required. Standard packaging.



Strikes for use with F7760 vertical rod fire rated exit device

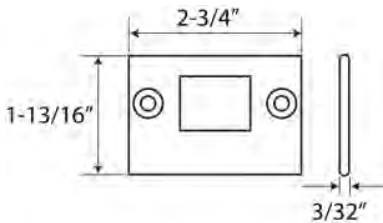
245

Surface applied for F7760. Standard packaging.



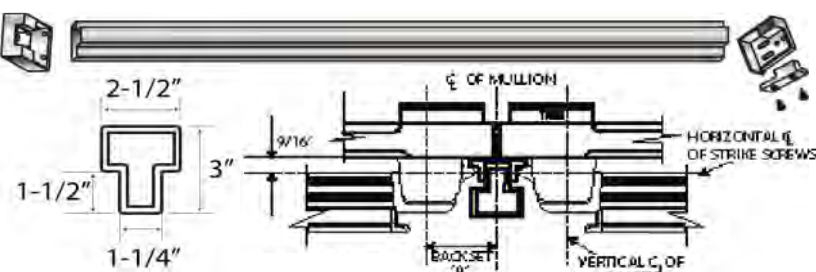
233

Bottom strike for F7760. Flush mounting stainless steel. Furnished with expansion shields. Requires mortise in the floor. Standard packaging.



Mullions

418 – Removable mullion Aluminum painted (Prime coat) includes top and bottom retainer supplied as a stock 96" for non-fire rated applications.



LCK418 – Lockable Removable mullion Aluminum painted (Prime coat) includes top and bottom retainer supplied as a stock 96" for non-fire rated applications.

ICLCK418 - Interchangeable Core locks will accept compatible 6 or 7 pin Cores with Best, Falcon and Arrow.

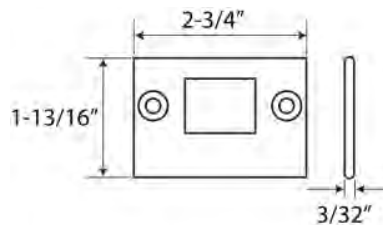
ICSC LCK418 - Indicates function available with Schlage Full Size Format Interchangeable Core.

Additional Rods

Vertical rod for 10 feet high doors available on non-fire rated vertical rod devices only. Use part# **VRRD-10**

233

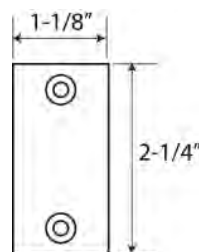
Bottom strike. Alternate bottom strike. Flush mounting stainless steel. Furnished with expansion shields. Requires mortise in the floor.



Additional Accessories

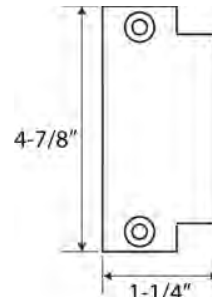
LFF

Lock front filler



SF

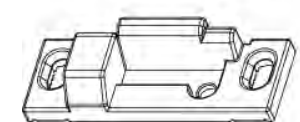
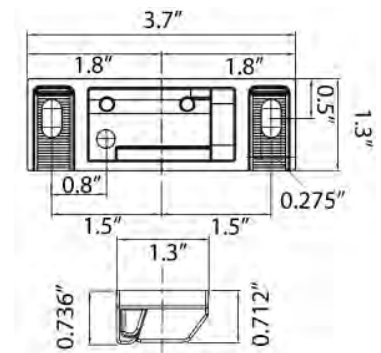
Strike filler



Strikes for use with 7700 rim type exit device

938

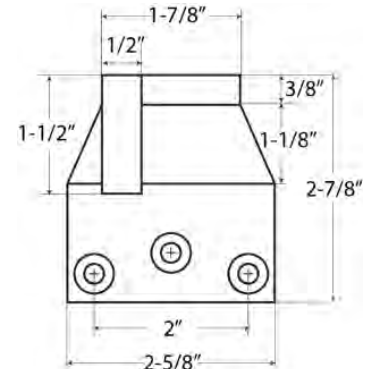
For 7700 & F7700 surface applied. Standard packaging



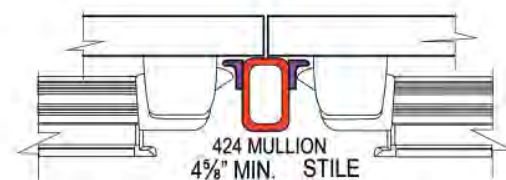
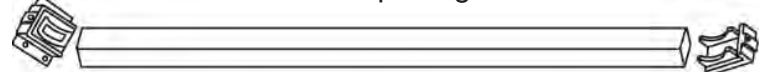
Overlapping Strikes

951

Surface applied. Used on inactive leaf for device on active leaf of pair of doors without mullion

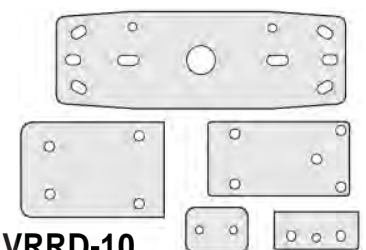


424 – Fire exit mullion. 2" x 3" x 96" steel tubing round corner, iron construction with iron top and bottom retainers. To be used with two rim type devices on two independent active doors with full double door openings.



GLASS BEAD SHIM KITS

901 – For rim type, 1/8" thick
906 – For vertical type, 1/8" thick
912 – For fire rated type, 1/8" thick



Fire Exit Hardware Selector



FIRE EXIT HARDWARE			UL DOOR RATING
APPLICATION	MODEL #	MAXIMUM DOOR OPENING	(A) 3 HOUR
SINGLE DOORS Rim type	F7700EO36 F7720EO48	4'0" X 8'0"	✓
PAIRS OF DOORS Two surface mounted standard vertical rod type or less bottom rod (LBR) application. Prefix LBR before Part# a) Swinging in same direction b) Swinging in opposite direction (double egress)	F7760V3684 X F7760V3684	8'0" X 7'2"	✓
	F7790V3696 X F7790V3696 F7780V4896 X F7780V4896	8'0" X 8'0"	✓
PAIRS OF DOORS Two rim type with Mullion	F7700EO36 F7720EO48	8'0" X 8'0"	✓

All fire rated exit devices in all applications, are also labeled for (B) 1 ½ hour, (C) ¾ hour, (D) 1 hour, (E) ¾ hour.
All fire exit hardware meet UL10C and UBC 7-2-1997 codes.

HOW TO ORDER INFORMATION

Exit device model number

Panic grade

7700 EO36 Rim type 36" door
7720 EO48 Rim type 48" door
7760 V3684 Vertical rod type 36" x 84"
7790 V3696 Vertical rod type 36" x 96"
7780 V4896 Vertical rod type 48" x 96"
VRRD10 – Rod for 10' non-rated door
7750 V36120 Vertical rod type 36" x 120"
7740 V48120 Vertical rod type 48" x 120"

Fire grade

F7700 EO36 Rim type 36" door
F7720 EO48 Rim type 48" door
F7760 V3684 Vertical rod type 36" x 84"
F7790 V3696 Vertical rod type 36" x 96"
F7780 V4896 Vertical rod type 48" x 96"

- 1) Specify exit device model number according to size of door.
- 2) Specify trim selection. For interchangeable core prefix "IC" before part #. See trim selection pages.
- 3) For vertical rod devices specify LHR (Left Hand Reverse) or RHR (Right Hand Reverse) for convenience easily field reversible, otherwise shipped as LHR.
- 4) Specify finish:
US10B, 32D. See Page 7
- 5) On thru bolt applications, fire rated vertical rod devices are packed with thru bolts as standard feature. Thru bolts are also available for other devices. To order thru bolts add "SBN" to trim pack.

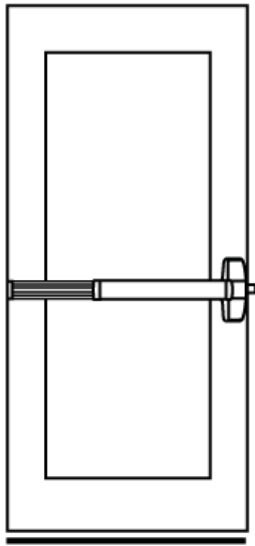
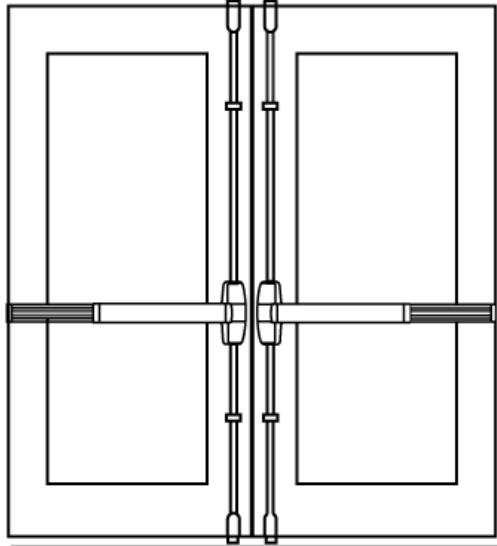
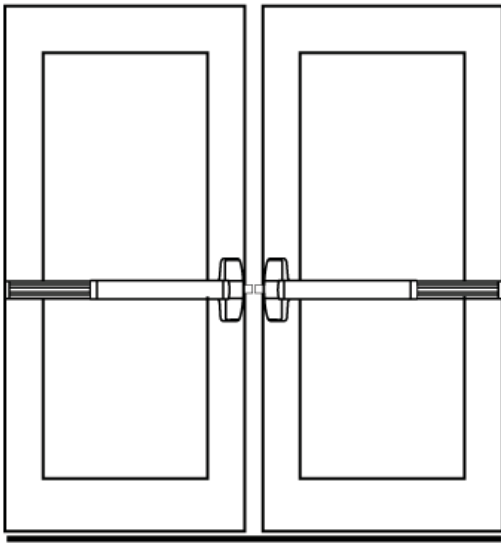
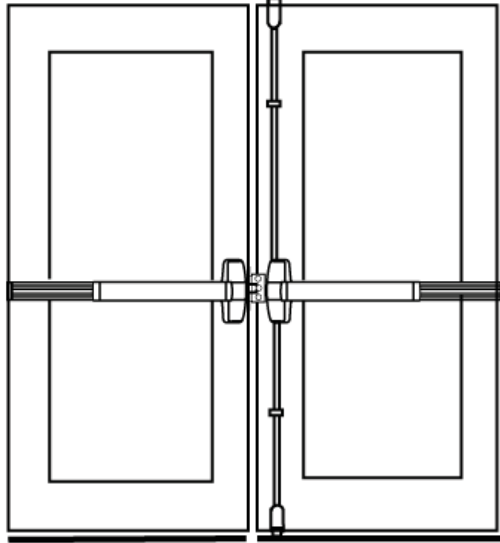
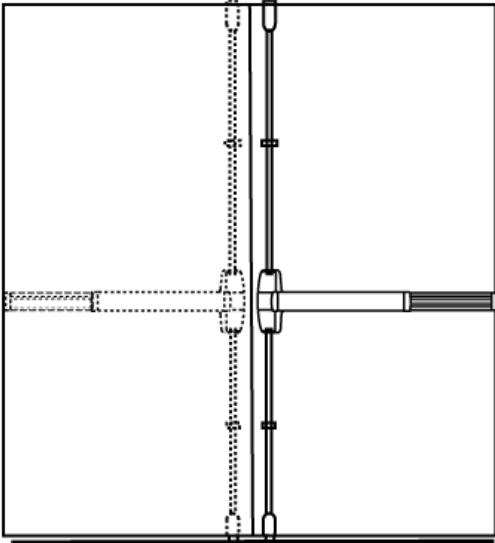
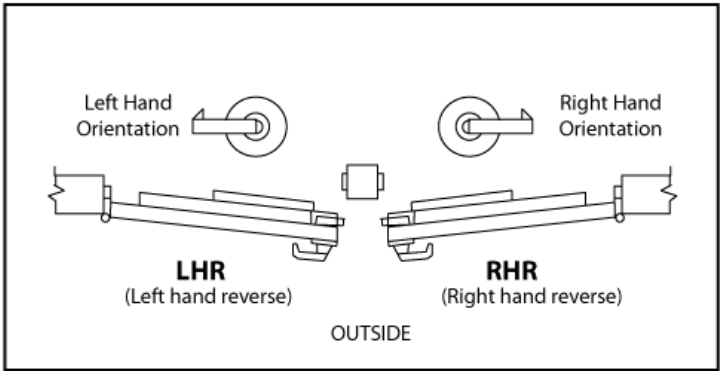
When ordering separately use following part#

Cal-Royal Part # 357 — Thru bolts for rim devices, 6 PCs / pack.
Cal-Royal Part # 369 — Thru bolts for vertical rod devices, 14 PCs / pack.
Cal-Royal Part # 363 — Thru bolts for rim devices, 6 PCs / pack for 2 ¼" thick doors.
Cal-Royal Part # 375 — Thru bolts for vertical rod devices, 14 PCs / pack for 2 ¼" thick doors.

Ordering example: 7700EO36 ALUM X SBN X ENT00L 26D
F7780V4896 10B X ICSTR05L 10B

7700 & F7700 Rim Type and Fire Exit Devices 7760 & F7760 Vertical Rod and Fire Exit Devices

ANSI A156.3 Grade 1 Selector Chart

<p style="text-align: center;">SINGLE DOOR</p>  <p>Vertical rod type or Rim type Surface applied 2 point lock. Surface application.</p>	<p style="text-align: center;">PAIR OF DOORS WITHOUT MULLION</p>  <p>2 Vertical rod type Surface applied 2 point locking both doors. Each door active same direction. Do not use with overlapping astragal.</p>
<p style="text-align: center;">PAIR OF DOORS WITH MULLION</p>  <p>2 Rim type with mullion Two independent active doors with full double door openings when required. Same direction.</p>	<p style="text-align: center;">PAIR OF DOORS WITHOUT MULLION</p>  <p>1 Vertical rod and 1 rim type Both devices are surface applied. A coordinator and overlapping strike is recommended.</p>
<p style="text-align: center;">PAIR OF DOORS WITHOUT MULLION</p>  <p>2 Vertical rod type Double egress surface applied. 2 point locking both doors opposite directions.</p>	<p style="text-align: center;">HANDING</p>  <p>LHR (Left hand reverse) RHR (Right hand reverse) OUTSIDE</p> <p>CAL-ROYAL PRODUCTS, INC. 6605 FLOTILLA ST., COMMERCE, CA 90040 U.S.A. TEL: (323) 888-6601 FAX: (323) 888-6699 Website: cal-royal.com * Email: sales@cal-royal.com</p>

EXIT DEVICES COMPARISON CHART

RIM EXIT DEVICE CONVERSIONS	RIM	VERTICAL ROD	RIM	VERTICAL ROD	CONCEALED VERTICAL ROD	MORTISE RIM	NARROW STILE RIM	NARROW STILE CVR
ARROW	S1200	S1100	S3800/ 1800	S3700	S3600	S3900	S4803	S4601
CAL-ROYAL	9800/ 7700	9860/ 7760	2200/ 4400	2260	MCVR9800/ WCVR9800/ MCVR7700/ WCVR7700	MR9800/ MR7700	GLS9800/ GLS7700	GLSCVR9800/ GLSCVR7700
CORBIN/RUSSWIN	ED8200	ED8400	ED5400/ ED6000	ED4750	ED5800	ED5600	ED4200	ED4800
DETEX	V4000	---	10	20	70	30	V40NS	60
DORMA	8300	8400	9300	9400	9100	9500	AD4300	AD4100
PRECISION	5100	5200	2100/ 100	9800/ 200	2800	2300	2400	2600
SARGENT	2828	2727	8800/ 9898	8700	MD8600/ WD8600	8900	AD8500	AD8410
VON DUPRIN	98/ 99	9827/ 9927	98	9827	9947EO	9975EO	33A	3348
YALE	2100	2110	7100/ 1500	7110/ 1510	7120	7130	7250	7220



Distributed by:

THIS PAGE INTENTIONALLY LEFT BLANK



CAL-ROYAL

P R O D U C T S, I N C.



9800 & F9800 Rim Type Panic and Fire Exit Devices 9860 & F9860 Vertical Rod Panic and Fire Exit Devices ANSI A156.3, Grade 1



3 HOUR FIRE RATED
UL10C, UBC7-2-1997

MEETS
The Buy American Act

Lifetime
Warranty
BHMA
CERTIFIED

Features & Construction

- **Retrofits Sargent 8800 Series using 9800 Escutcheon Trim**
- ANSI A156.3, Grade 1 heavy duty exit device in surface vertical rod and rim designs
- Rail assemblies and end caps are brass, bronze or stainless steel and rail travels in direction of the door swing.
- Trims are thru bolted for additional security.
- Conforms & meets ADA Regulations.
- UL Listed for Panic and UL10C, UBC 7-2-1997 codes.
- UL Listed for Fire Exit Hardware. 3 hours.
- (A) label rating on pairs of doors up to 8'0" x 8'0" swinging in same or opposite directions.
- Uncompromising security and safety in single and double fire exit doors.
- Chassis mounted unit construction. Rim and vertical rod devices are non-handed and easily reversible.
- Available in many different functions. Lever and escutcheon trims are grade 1 construction with clutch on rose trims. Escutcheon trims are rigid and covers 161 cut out.

Suggested Architect's Specifications

- All exit devices shall be of touch bar design with smooth operation and be operative over $\frac{2}{3}$ of the door's clear opening width
- All exit devices must be listed under "Panic Hardware" in the Accident Equipment List of Underwriter' Laboratories, Inc. Where labeled doors are used as exits, they must be equipped with labeled Fire Exit Hardware and UL10C, UBC 7-2-1997 codes.
- All springs shall be of stainless steel throughout.
- All exit devices shall be of chassis mounted unit construction.
- All exit devices shall be ANSI A156.3, Grade 1.

Features & Construction

- For use in institutions, schools, universities, commercial buildings where heavy duty reliable operation is a requirement.

9800 & F9800 Series

Grade 1 Rim Type Exit Device



MEETS
The Buy American Act

Lifetime
Warranty
BHMA
CERTIFIED

UL US
3 HOUR FIRE RATED
UL10C, UBC7-2-1997

Specifications

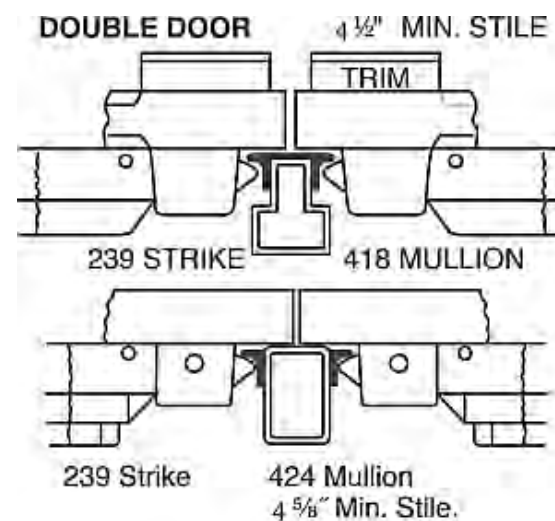
For Doors	1 3/4" thick standard optional 2 1/4" thick. 4 1/2" minimum stile width required for single or double door application using standard 239 strike and pull or lever, thumbpiece and escutcheon trims. 2 3/4" backset.
Chassis	Nonferrous alloy (Panic Grade), steel (Fire Grade)
Cover	Brass, Bronze or Stainless Steel. Covers stock hollow metal doors with 161 cutout.
Mounting	Furnished with wood and machine screws. Available with thru bolts on request. Thru bolts are included and standard packaging on fire rated devices.
End Cap	Brass, Bronze or Stainless Steel construction.
Alarm	Available. See page 33
Hand	Non handed, center hub.
Latch Bolt	Stainless Steel 3/4" throw.
Spring	Stainless Steel throughout.
ANSI Standard	A156.3, Grade 1
Strike	239 packed standard (See strike page).
Trim	See Trim Designs section
Dogging Feature	Allen-type key furnished standard on non-fire labeled devices. Cylinder dogging available.
Mullion	Available.
UL and ULC Listed	9800 Series for panic. F9800 Series for fire exit hardware for all types of 4' x 8' single doors and 8' x 8' double doors for up to 3 hour fire labeled installations, conforms to standards UL10C and UBC 7-2-1997 codes.
Finish	Architectural plated finishes. See page 33
Electronic Functions	(ELR) Electrical Latch Retraction and RX & LX Signal Switch available

DIMENSIONS

Touchbar height to finished floor	41" (1041mm) at center
Touchbar Projection	
Neutral	2 1/2" (64mm)
Depressed	1 3/4" (45mm)
Center case	8 1/2" x 2 1/2" x 2" (216mm x 64mm x 51mm)

MODEL	ACTUAL SIZE	MAX CUT DOWN	DOOR SIZE
9800EO24, F9800EO24	20"	2"	22" to 24" door width
9800EO32, F9800EO32	28"	6"	26" to 32" door width
9800EO36, F9800EO36	32"	6"	30" to 36" door width
9800EO48, F9800EO48	44"	12"	36" to 48" door width

Minimum stile requirements
4" escutcheon trims and 4 1/2" for thumbpiece and rose trims



9860 & F9860 Series

Grade 1 Vertical Rod Type Exit Device



Specifications

For Doors.....	1 3/4" thick standard optional 2 1/4" thick. 3 3/4" minimum stile width required for single door application. 3 1/2" minimum stile width required for double door application. Lever, thumbpiece and escutcheon trims available. 2 3/4" backset.
Chassis.....	Nonferrous alloy (Panic Grade), steel (Fire Grade)
Cover.....	Brass, Bronze or Stainless Steel. Covers stock hollow metal doors with 161 cutout.
Mounting.....	Furnished with wood and machine screws. Thru bolts are standard packaging on fire rated devices.
Alarm.....	Available. Prefix "NALRM" before part #
End Cap.....	Brass, bronze or stainless Steel Construction.
Hand.....	Handed. Easily field reversible. Specify at time of order LHR, RHR for convenience.
Latch Bolt, Spring.....	Stainless Steel
ANSI Standard.....	A156.3, Grade 1
Rail Assembly.....	Heavy gauge brass, bronze or stainless steel
Strike.....	See strike page
Dogging Feature.....	Allen-type key furnished standard on non-fire labeled devices. Cylinder dogging available
Electronic Functions.....	(ELR) Electrical Latch Retraction and RX & LX Signal Switch available
UL and ULC Listed.....	9860 Series for panic. F9860 Series for fire exit hardware for all types of 8' x 8' double doors for up to 3 hour fire labeled installations, conforms to standards UL10C and UBC 7-2-1997 codes
Finish.....	Architectural plated finishes. See page 33

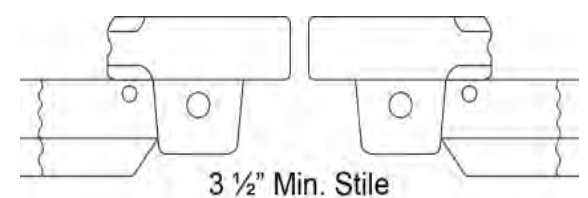


DIMENSIONS

Touchbar height to finish floor	41" (1041mm) at center	
Touchbar Projection		
Neutral	2 1/2" (64mm)	
Depressed	1 3/4" (45mm)	
Panic grade top & bottom latch case	3-15/16" x 2 1/8" x 1 3/8" (100mm x 54mm x 35mm)	
Fire grade top latch case	3-15/16" x 2-11/16" x 2-1/16" (100mm x 68mm x 52mm)	
Fire grade bottom latch case	3-15/16" x 2 1/8" x 1 3/8" (100mm x 54mm x 35mm)	
Top and bottom rod length for 36" x 84"	Top rod 37 1/2" (953mm), bottom rod 35 5/8" (905mm)	
Top and bottom rod length for 48" x 96"	Top rod 49-5/8" (1260mm), bottom rod 35 5/8" (905mm)	
Vertical rods	1/2" (13mm) Round tubing	

MODEL	ACTUAL LENGTH	MAXIMUM CUT DOWN	DOOR SIZE
9860V3684, F9860V3684, 9890V3696, F9890V3696 and 9850V36120	32"	6"	30" to 36" door width
9880V4896, F9880V4896 and 9840V48120	44"	12"	36" to 48" door width

Minimum Stile Requirements Double Door-With Two Vertical Rod Type Exit Devices





LBR9860 & LBRF9860 Series

Grade 1 Vertical Rod Type Exit Device Less Bottom Rod (LBR)

Specifications

LBR	No Bottom Strike. Free access for wheel chairs, stretcher and carts therefore eliminates tripping potential and disfiguration of floors due to dragging of bottom bolts.
For Doors	1 3/4" thick standard. 3 3/4" minimum stile width required for single door application. 3 1/2" minimum stile width required for double door application. Lever, thumbpiece and escutcheon trims available. 2 3/4" backset.
Chassis	Nonferrous alloy (Panic Grade), steel (Fire Grade)
Cover	Brass, Bronze or Stainless Steel. Covers stock hollow metal doors with 161 cutout
Mounting	Furnished standard with wood and machine screws. Thru bolts are standard packaging on fire rated devices.
Alarm	Available. Prefix "NALRM" before part #
End Cap	Brass, Bronze or Stainless Steel construction
Hand	Handed. Easily field reversible. Specify at time of order LHR, RHR for convenience
Latch Bolt, Spring	Stainless Steel
Auxiliary Spring Latch	Auxiliary spring loaded latchbolt is installed in the lower edge of the door, when exposed to fire latchbolt releases keeping the door closed and regulated.
ANSI Standard	A156.3, Grade 1
Rail Assembly	Heavy gauge brass, bronze or stainless steel
Strike	See strike page
Dogging Feature	Allen-type key furnished standard on non-fire labeled devices. Cylinder dogging available
Electronic Functions	(ELR) Electrical Latch Retraction and RX & LX Signal Switch available
UL and ULC Listed	All Series for panic. LBR Series for fire exit hardware for all types of 8' x 8' double doors including double egress for up to 3 hour metal, 1 1/2 hour wood doors fire labeled installations. Conforms to standards UL10C and UBC 7-2-1997 codes.
Finish	Architectural plated finishes. See page 33



DIMENSIONS

Touchbar height to finish floor	41" (1041mm) at center
Touchbar Projection	
Neutral	2 1/2" (64mm)
Depressed	1 3/4" (45mm)
Panic grade top & bottom latch case	3-15/16" x 2 1/8" x 1 3/8" (100mm x 54mm x 35mm)
Fire grade top latch case	3-15/16" x 2-11/16" x 2-1/16" (100mm x 68mm x 52mm)
Fire grade bottom latch case	3-15/16" x 2 1/8" x 1 3/8" (100mm x 54mm x 35mm)
Top and bottom rod length for 36" x 84"	Top rod 37 1/2" (953mm), bottom rod 84" (2134mm)
Top and bottom rod length for 48" x 96"	Top rod 49-5/8" (1260mm), bottom rod 96" (2438mm)
Vertical rods	1/2" (13mm) Round tubing

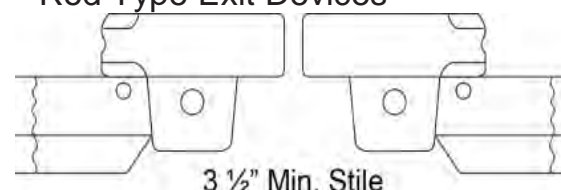


Aux Fire Latch Assembly



MODEL	ACT LENGTH	MAX CUTDOWN	DOOR SIZE
LBR9860V3684, LBRF9860V3684, LBR9890V3696, LBRF9890V3696	32"	6"	30" to 36" door width
LBR9880V4896, LBRF9880V4896	44"	12"	36" to 48" door width

Minimum Stile Requirements Double Door-With Two Vertical Rod Type Exit Devices



Alarm Exit Hardware



Rim Type Exit Devices

- NALRM9800EO36 Alarm Rim Type 36" Door (Panic Grade)
- NALRM9800EO48 Alarm Rim Type 48" Door (Panic Grade)
- FNALRM9800EO36 Alarm Rim Type 36" Door (Fire Grade)
- FNALRM9800EO48 Alarm Rim Type 48" Door (Fire Grade)

Vertical Rod Type Exit Devices

Prefix "NALRM" before PART#

Features

- 1-, 3-, 5-minute and continuous alarm type settings available
- ON and OFF power switch
- Alarm sound frequency is 120 db
- Alarm unit has an internal horn. When the push rail is depressed, the horn sounds to provide an audible means of signaling that the door has been opened and breached
- The key switch to turn alarm off is a standard 1 ¼" cylinder with "C" keyway. The alarm operates on one standard 9 volt transistor battery. When battery is weak the horn will emit an intermittent signal.
- Alarmed units are supplied with a micro switch, which monitors the push rail and the latch bolt for foolproof security on rim devices
- Alarm unit has a signal OC output that can be linked to external alarm control systems
- Easy removal of the alarm unit without the need to dismount the exit device for battery maintenance
- Unit includes "EMERGENCY EXIT ONLY • ALARM WILL SOUND" decal for application on door or unit

Finishes (Refer to Price List for Stock Finishes)

Cal-Royal	Description	BHMA	US Finish	Material
P	Prime Coat	600	USP	Steel
3	Polished Brass, Clear Powder Coat	605	US3	Brass
4	Satin Brass, Clear Powder Coat	606	US4	Brass
9	Polished Bright Bronze	611	US9	Bronze
10	Satin Bronze, Clear Powder Coat	612	US10	Bronze
10B	Oil Rubbed Bronze	613	US10B	Bronze
26	Polished Bright Chrome	625	US26	Brass
26D	Satin Chrome	626	US26D	Brass
32	Polished Bright Stainless	628	US32	Stainless Steel
32D	Satin Stainless	630	US32D	Stainless Steel

Trim Selection

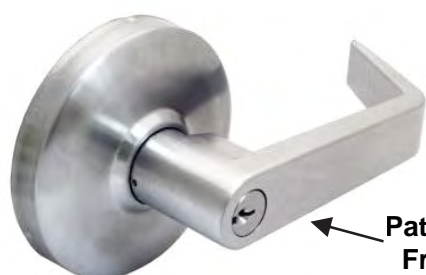
LEVER DESIGN

Non-handed Grade 1 (Clutch Style)

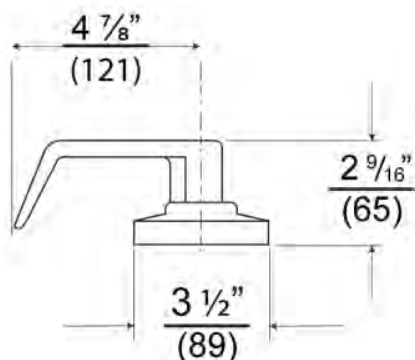
Cylindrical body hardened steel heavy duty tailpiece. For 1 3/4" and 2 1/4" doors. Prefix THI before part # for 2 1/4" door thickness. Available for fire and non fire rated rim and vertical rod exit devices.

Rose diameter 3 1/2", lever length 4 3/4". Fits and covers 161 cutout.

Finishes: Architectural plated finishes.



Patented Clutch Freewheeling



- ENT00L or
- ICENT00L or
- ICSCENT00L4
- SARICENT00L (Sargent)
- RUSICENT00L (Corbin/Ruswin)
- YALICENT00L (Yale)
- 8000K

ENTRANCE

Key locks and unlocks lever. Operates as CLASSROOM FUNCTION.

ANSI Function – 08

Ball Knob Keylock

- STR05L or
- ICSTR05L or
- ICSCSTR05L4
- SARICSTR05L (Sargent)
- RUSICSTR05L (Corbin/Ruswin)
- YALICSTR05L (Yale)

STOREROOM

Key operates lever, otherwise always locked.

ANSI Function – 04

PAS30L

PASSAGE

Trim always operable and free.

ANSI Function - 15

DUM40L

DUMMY

Dummy trim. One sided

ANSI Function – 10

When ordering "AT" and "SPA" designs, prefix design name before part #. Example: ENT00L in "AT" is **ATENT00L**.

KEYWAY: 6 pin solid brass "C" keyway standard. Optional: Schlage E, Schlage C-K, Ruswin D1-2-3-4, Corbin 59/60, Sargent LA-LB-LC, Falcon/Weiser E, Arrow A, Yale 8, Yale GA and Kwikset. Can also accept Medeco, Assa, Kaba and **Cal-Royal HSK** High Security Cylinders.

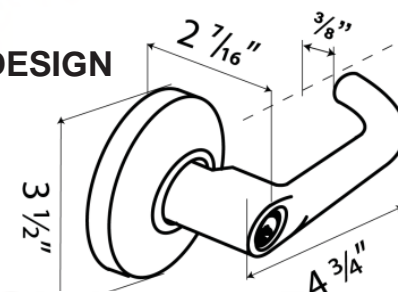
● **(IC) INTERCHANGEABLE CORE**
Interchangeable Core locks will accept compatible 6 or 7 pin cores with BEST, FALCON and ARROW.

● **(ICSC) INTERCHANGEABLE CORE:** Indicates function available with **Schlage Full size format** Interchangeable Core.

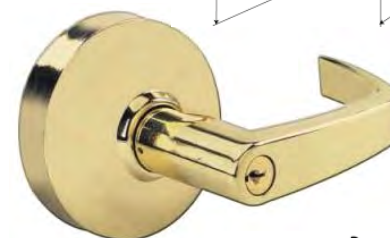
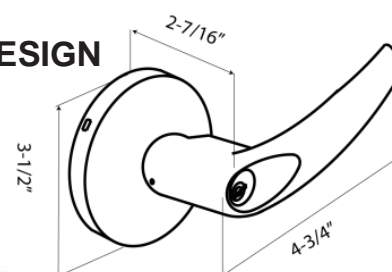
Other Lever Trim Designs



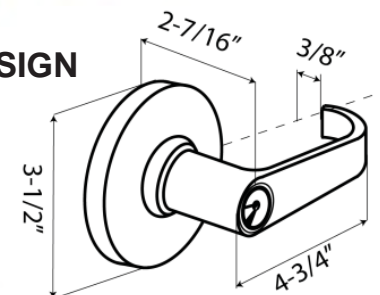
TUB DESIGN



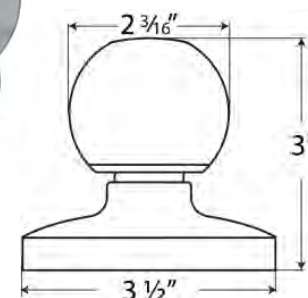
AT DESIGN



SPA DESIGN



8000K



Trim Selection

ESCUTCHEON LEVER DESIGN

CONSTRUCTION

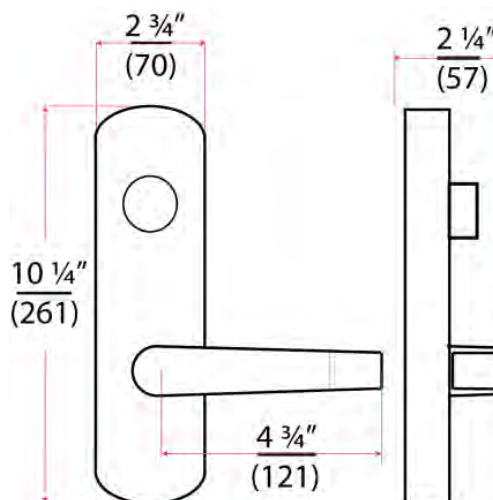
- Rigid, non clutch mechanism.
- Double heavy duty spring support to prevent sagging and enhance operation.
- Grade 1, thru-bolted design. Non-handed design. Easily field reversible.
- Hardened steel heavy duty tailpiece. Available for fire and non fire rated rim and vertical rod exit devices.

DOOR THICKNESS

Standard 1 3/4". For 2 1/4" thick door use additional part# TAIL3.

ESCUTCHEON DIMENSIONS

2 3/4" width X 10 1/4" length. Lever length: 4 3/4"
Fits and covers 2 1/8" 161 cutout



Lever Trim Designs



NESC



ATESC



RLESC

NESC9800 or
ICNESC9800 or
ICSCNESC9800

ENTRANCE

Rigid Entrance, key locks or unlocks escutcheon trim
ANSI FUNCTION (63) Operates as classroom function

NESC9805 or
ICNESC9805 or
ICSCNESC9805

STOREROOM

Rigid Storeroom, key unlocks lever, lever retracts latch bolt, otherwise always locked
ANSI FUNCTION (04)

NESC9830

PASSAGE

Trim always operable and free
ANSI FUNCTION (62)

NESC9840

DUMMY

Dummy Escutcheon trim ANSI FUNCTION (10)

TO ORDER other lever design replace "N" with "AT" or "RL" :
e.g. **ATESC9800** for ESC9800 with AT design or **RLESC9800** for ESC9800

KEYWAY: 6 pin solid brass "C" keyway Mortise Cylinder standard. Optional: Schlage E, Schlage C-K, Russwin D1-2-3-4, Corbin 59/60, Sargent LA-LB-LC, Falcon/Weiser E, Arrow A, Yale 8, Yale GA and Kwikset. Can also accept Medeco, Assa, Kaba and **Cal-Royal HSK** High Security Cylinders.

FOR ELECTRIFIED TRIM OPTIONS SEE PAGE 37

(IC) INTERCHANGEABLE CORE: Interchangeable Core locks will accept compatible 6 or 7 pin cores with BEST, FALCON and ARROW.

(ICSC) INTERCHANGEABLE CORE: Indicates function available with Schlage Full size format Interchangeable Core.

Trim Selection

PULL DESIGN

- 9800 NL
- IC9800NL
- ICSC9800NL

FOR RIM DEVICES ONLY

Outside by pull and key.
Key retracts latch bolt.
ANSI function – 03
Covers 161 cutout

KEYWAY

6 pin solid brass “C” keyway
Rim Cylinder standard.

FINISHES

Architectural plated finishes.



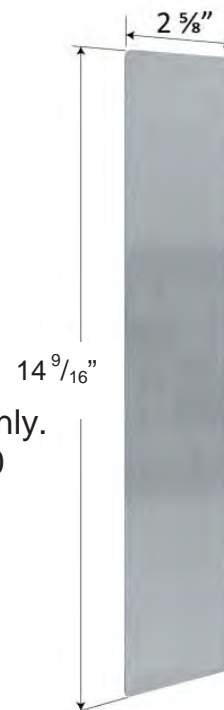
9800 DTP

Outside by pull only.
Pull when dogged.
ANSI function – 02
Covers 161 cutout



9800 EOP

Outside by plate only.
ANSI function – 10
Covers 161 cutout



THUMBPIECE TRIM

(OPERATES ON RIM & VERTICAL ROD DEVICES)

- 98TP00 or
- IC98TP00
- ICSC98TP00

ENTRANCE

Key locks or unlocks thumbpiece.
(Operates as classroom function)
ANSI Function – 63

- 98TP05 or
- IC98TP05
- ICSC98TP05

STOREROOM

Key unlocks thumbpiece, thumbpiece retracts latch bolt, otherwise always lock. ANSI Function-04

98TP30

PASSAGE

Trim always operable and free.
ANSI Function – 63

98TP40

DUMMY

Dummy trim. **Includes blank Mortise dummy cylinder.** One sided.
ANSI function – 10

KEYED



DUMMY



KEYWAY: 6 pin solid brass “C” keyway Mortise Cylinder standard. Optional: Schlage E, Schlage C-K, Russwin D1-2-3-4, Corbin 59/60, Sargent LA-LB-LC, Falcon/Weiser E, Arrow A, Yale 8, Yale GA and Kwikset. Can also accept Medeco, Assa, Kaba and **Cal-Royal HSK** High Security Cylinders.

● (IC) INTERCHANGEABLE CORE

Interchangeable Core locks will accept compatible 6 or 7 pin cores with BEST, FALCON and ARROW.

- (ICSC) INTERCHANGEABLE CORE: Indicates function available with Schlage Full size format Interchangeable Core.



Electrified Lever Trim

Cal-Royal's electrified lever trim provides remote locking and unlocking capabilities while incorporating the patented clutch trim design. The 24V DC solenoid can be energized from a distant controller, thus allowing access control of the opening.

The control of stairwells in high-rise buildings is a common application for this trim, where electric pullback of the exit device's latch bolt is cost prohibitive or not required. This is especially practical in applications where fire/life safety codes require a "fail-safe" condition which is not an option with electrified latch pullback devices. Because the current draw is quite low there is no need for a more expensive power supply to provide the surge current.

Features

- Continuous duty solenoids used to insure trouble-free operation
- Internally mounted solenoid to ease installation (no special door prep required)
- No hassle 3-Year Warranty

Options

- Available Fail Safe (electrically locked) or Fail Secure (Electrically Unlocked)
- Voltage options – 12V or 24V (AC/DC)
- Request to Enter Switch (REE) available
- CRU2 – Current Reduction Unit to improve solenoid life in "continuously on" applications

Specifications

Solenoid.....Continuous Duty 24VDC

Operating Voltage....12 or 24VAC/DC + OR – 10% (must specify 12 or 24 volts when ordering)

Amperage.....260mA@12V / 160mA@24V

Coil Resistance.....12V=49Ω / 24V=159Ω

To order, Specify:

OPTIONS: FAIL SAFE (FS)
FAIL SECURE (FSE)

ITEM#	DESCRIPTION
FS12 NESC98	FS12 FAIL-SAFE OPTION 12V AC/DC
FS24 NESC98	FS24 FAIL-SAFE OPTION 24V AC/DC
FSE12 NESC98	FSE12 FAIL-SECURE OPTION 12V AC/DC
FSE24 NESC98	FSE24 FAIL-SECURE OPTION 24V AC/DC

Lever Trim Designs



NESC



ATESC



RLESC

TO ORDER other lever design replace "N" with "AT" or "RL" :
e.g. **ATESC98** for ESC98 with AT design or **RLESC98** for ESC98 with RL design

(ELR) Electrical Latch Retraction



Our electrified latch pullback exit device allows for remote keyless access control in high occupancy/high traffic conditions where exit devices are required. Common applications include conditions such as hospitals, airports, schools, churches and they are commonly specified in applications that require automatic door openers. The device may be continuously energized allowing for a push/pull condition if desired.

Features:

- Available on 9800 Series, including rim, vertical rod, concealed vertical rod, fire and non fire-rated devices.
- High-performance quality solenoids designed for demanding applications
- The PM200* interface power module (included) is programmed to meet the requirements of the specific exit device modification. It maximizes the efficiency and life of the solenoid, allows for a much longer wire run and may be used with 24VDC power supplies rated at 1/5A or greater
- Dual coil solenoids, or PWM programming, allow for either momentary or extended time latch retraction
- No hassle 3-Year Warranty

Specifications

- Voltage – 24VDC
- Amperage – Surge current – 6.5A for 150ms@24VDC / Holding – 250mA@24V
- Coil resistance – 3.7Ω

To order, specify:

- Prefix **ELR** before PART#

Signal Switch RX and LX

RX (request to exit) signal switch is used to signal the use of an opening from the push side. When the push pad is Depressed, the switch is activated. These devices are equipped with an internal SPDT (single pole double throw) switch that monitors the touch bar.

LX (latch bolt monitoring) signal switch monitors both egress and access of an opening. When the latch bolt is retracted, the switch is activated. These devices are equipped with an internal SPDT (single pole double throw) switch that monitors the latch bolt position.

LX and **RX** switches can be combined.

LX, **RX** switches can be used in combination with **EL** (electric latch retraction) option.

Specifications

RX or **LX**.....Switch rated 0.5 amps @ 24VAC/DC resistive
Low current **RX** or **LX**.Switch rated 0.5 amps @ 24VAC/DC resistive
For Factory Installed:

To Order, Specify:

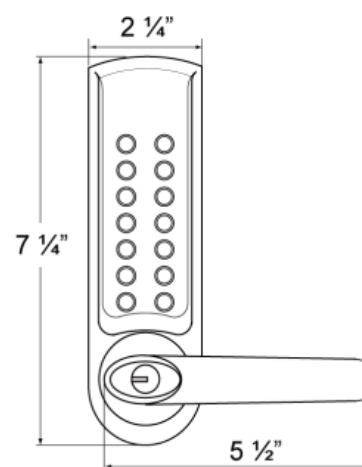
Prefix: - **RX**.....Request to Exit switch for field installation
LX.....Latch Bolt Monitoring switch for field installation
LXRX.....Latch Bolt Monitoring / Request to Exit Combination

Heavyduty Keyless Locks

MECHANICAL CRCODE101

Features

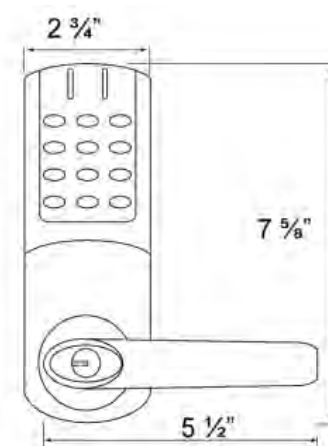
- **For use with Rim & Vertical Exit Devices**
- Heavy Duty
- Designed for 7700 and 9800 Series
- Grade 1 Panic Exit Device
- Single code (up to 8000 code combinations)
- Weather-resistant finish
- Code can be changed anytime without dismounting
- Full size, non-handed lever handle
- Easy Installation
- Reversible Handing



ELECTRONIC CRCODE007

Features

- **For use with Rim Exit Devices only**
- Dual mode for code free entry either mechanically by key or electronically thru the keypad
- Designed for 7700 and 9800 Series
- Can store up to 90 different numeric user codes in 4, 5 or 6 digits
- Settings remain in memory when batteries are removed
- Audible alarm sounds after 3 incorrect attempts
- Connections available for remote release switch and automatic lock activation when linked to Fire alarm system
- Can be used as STOREROOM or CLASSROOM function
- Factory default set as STOREROOM function
- Fast and easy programming via master code



CR4000 TRILOGY[®] KEYLESS EXIT TRIM

Features

- **For use with Rim Exit Devices only**
- Clutch mechanism insures long life and durability
- Fingertip and/or Windows Programmable
- 2000 User Codes: Master, manager, supervisor and users
- Real Time Clock for up to 40,000 Event Time/Date-Stamped Audit Trail
- Up to 500 Lock/Unlock Schedules (with Time Zone Support)
- Rugged 12-Button Metal Keypad
- Non-Handed; Fully Field Reversible
- Adaptable to most major manufacturers of standard RIM and IC RIM Cylinders
- Battery operated; uses 5 AA batteries



Optional Interchangeable Core available with Best, Falcon, Arrow Small Format and Schlage Full Size Format IC Cores

KABA[®] - Cal-Royal Combination

Cal-Royal's Exit hardware devices combined with Kaba InSync CP provide a variety of alternatives when addressing community access control. Recommended for applications such as controlling building entry openings, common area rooms and doors with exit devices. InSync CP are available as stand-alone battery operated door locks designed to work in conjunction with Cal-Royal's Exit Hardware Devices.

For inquiries and information on InSync line of products please visit www.kabamultihousing.com



POWER SUPPLIES FOR ELECTRIFIED EXIT DEVICES



The CRPS1N is a heavy duty, high quality, low cost solution for powering a single latch retracting exit device. The solid state design insures years of trouble-free operation. The power supply delivers raw, unregulated DC current which is ideal for the extreme in-rush requirement of most solenoid driven electric latch retracting exit devices. The power supply comes housed in a sturdy, yet compact metal enclosure.

CRPS1N



Features:

- Power supply delivers the necessary high current in-rush for a single exit device
- Solid-state design eliminates problems associated with mechanical relays
- Single input/output



Specifications:

- Input voltage – 120 VAC
- Output voltage – 24 VDC unregulated @ 1A
- Temperature range – 0 to 120F
- 1 Solid-State input/output (input triggered by dry contact)
- LEDs – RED = Power indicator
GREEN = Channel on
- Enclosure dimensions: 10" x 10" x 4"

The CRPS2 Series power supplies are high quality, cost effective solution for powering two electric latch-retracting exit devices. These power supplies provide the necessary surge current that most latch-retracting exit devices require. The CRPS2 Series offers features found on power supplies costing much more; and the solid-state design and careful attention to detail make the CRPS2 Series ideal choice for the discerning user who requires a power supply that can offer years of trouble-free operation.

CRPS2 CRPS2BB



Features:

- Delivers the necessary in-rush current to power two latch pullback exit devices.
- Two independent inputs/outputs
- Solid-state design eliminates mechanical problems associated with relays
- Thermal overload sensing reduces risk of failure due to overheating
- Fire alarm disconnect link
- Inputs triggered by dry contact
- Intelligent short circuit detection detects shorts much faster than fuses and isolates the short to the individual output
- Removable Euro-style terminal blocks allow for easy installation
- UL Pending at time of print
- No hassle 3-Year Warranty

Additional Features (CRPS2BB Only):

- Efficient battery backup/charging circuitry with zero voltage drop at power loss
- Solid state reverse polarity protection for battery connections
- Audible alert when sensing AC power failure & low battery (batteries not included)
- Output Voltage – 24 VDC unregulated @ 2.3A
- Enclosure dimensions: 12.5" x 15" x 4"

Specifications:

- Input Voltage – 120 VAC
 - Output Voltage – 24 VDC unregulated @ 2A**
 - Temperature Range – 0 to 120 F
 - 1 Solid-State input/output (input triggered by dry contact)
 - LEDs – Red = Power indicator
GREEN = Channel on
 - Enclosure dimensions: 10" x 10" x 4" **
- **CRPS2 only

The CRSW3 power supply is a low cost, regulated switching power supply. It is designed specifically to supply power to low current DC devices such as mortise locks, cylindrical locks and electric strikes. The CRSW3 supplies 2.4A @ 27VDC and provides (3) non-fused outputs. The CRSW3 comes housed in a 10" x 10" x 4" sturdy metal enclosure.

CRSW3



Features:

- Adjustable output voltage (22-27V under load)
- No hassle 3-Year Warranty

Specifications:

- Input voltage – 110 or 240VAC
- Output voltage – 2.4A @ 27VDC
- (3) Non-fused outputs
- Enclosure dimensions : 10" x 10" x 4"

MCVR9800 & FMCVR9800 Series



Optional Less Bottom Rod (LBR)

Grade 1 Concealed Vertical Rod Exit Device For Metal Doors

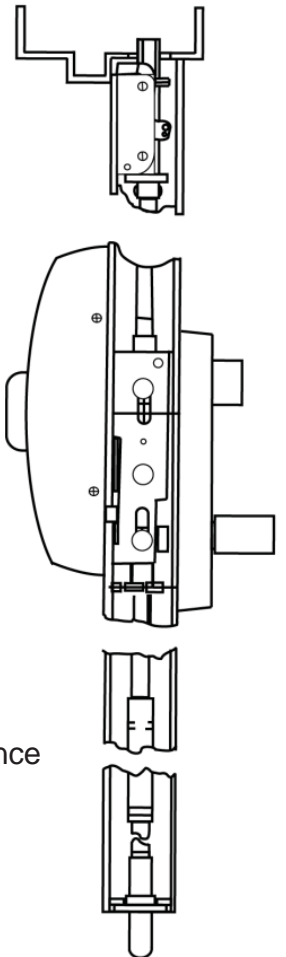


MEETS
The Buy American Act



3 HOUR FIRE RATED
UL10C, UBC7-2-1997

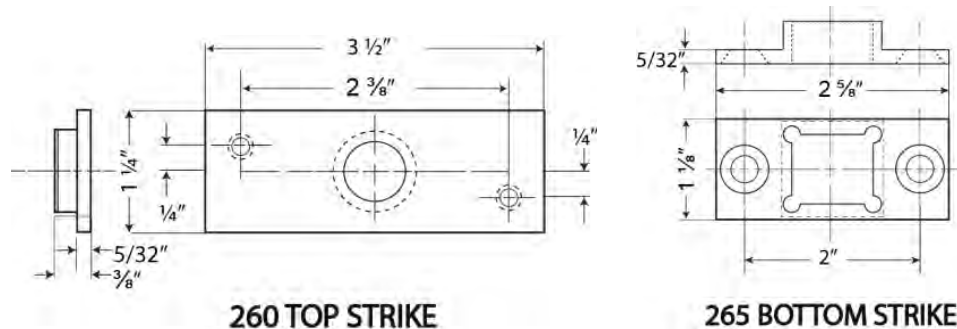
Lifetime
Warranty
BHMA
CERTIFIED



Specifications

LBR (Optional)	No Bottom Strike. Free access for wheel chairs, stretchers and carts which eliminates tripping and potential disfiguration of floors due to dragging of bottom bolts.
For Doors	Metal. 1 3/4" (44.5mm) minimum thickness 4 1/2" (114mm) minimum stile width
Chassis	Nonferrous alloy (Panic Grade), steel (Fire Grade)
Chassis Cover	Bronze or stainless steel
Mounting	Furnished standard with machine screws
End Cap	Brass, Bronze or Stainless Steel construction
Hand	Handed. Easily field reversible. Specify at time of order LHR, RHR for convenience
ANSI Standard	A156.3, Grade 1
Strikes	260 top and 265 bottom
Top and Bottom Bolts	Stainless Steel . Top and bottom bolt travel 7/16" (11mm) Projection adjustable up to 1" (25mm)
Fire Exit Hardware	FMCVR9800 Series for fire exit hardware for all types of 8' x 8' Double doors for up to 3 hour fire labeled installations, conforms to standards UL10C and UBC 7-2-1997 codes
Rail Height	Specify door opening and mounting height of center line of rail when ordering a Vertical Rod Exit Device 41" from floor
Trim	See Trim Designs section
Electronic Functions	(ELR) Electrical Latch Retraction and RX & LX Signal Switch available
Alarm	Prefix "NALRM" before PART#
Dogging Feature	Cylinder dogging available for non-rated applications

MODEL SIZE	ACTUAL LENGTH	MAXIMUM CUT DOWN	DOOR SIZE
M98CVR3684 and M98CVR3696	32"	6"	30" to 36" door width



- For applications metal frames
- Stainless Steel

- Furnished with expansion shields
- Mortised into floor
- Stainless Steel



WCVR9800 & FWCVR9800 Series



Optional Less Bottom Rod (LBR)

Grade 1 Concealed Vertical Rod Exit Device For Wood Doors

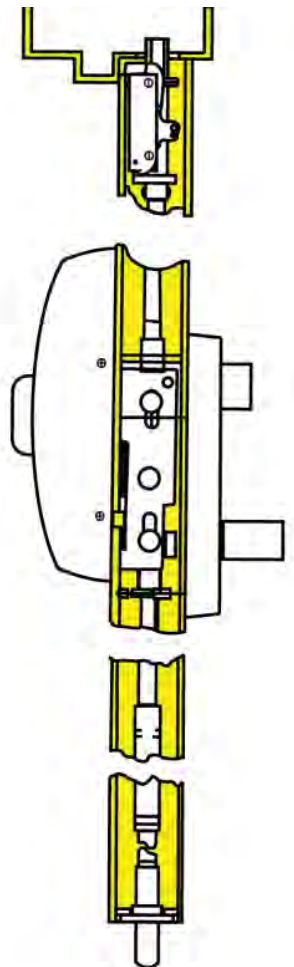


MEETS
The Buy American Act



3 HOUR FIRE RATED
UL10C, UBC7-2-1997

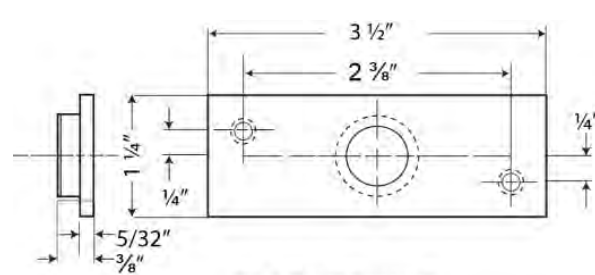
Lifetime
Warranty
BHMA
CERTIFIED



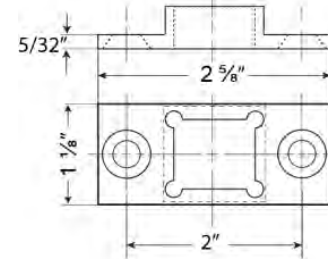
Specifications

LBR (Optional)	No Bottom Strike. Free access for wheel chairs, stretchers and carts which eliminates tripping and potential disfiguration of floors due to dragging of bottom bolts.
For Doors	Wood. 1 3/4" (44.5mm) minimum thickness 4 1/2" (114mm) minimum stile width
Chassis	Nonferrous alloy (Panic Grade), steel (Fire Grade)
Chassis Cover	Bronze or stainless steel
Mounting	Furnished standard with machine screws
End Cap	Brass, Bronze or Stainless Steel construction
Hand	Handed. Easily field reversible. Specify at time of order LHR, RHR for convenience
ANSI Standard	A156.3, Grade 1
Strikes	260 top and 265 bottom
Top and Bottom Bolts	Stainless Steel. Top and bottom bolt travel 7/16" (11mm) Projection adjustable up to 1" (25mm)
Fire Exit Hardware	FWCVR9800 Series for fire exit hardware for all types of 8' x 8' Double doors for up to 3 hour fire labeled installations, conforms to standards UL10C and UBC 7-2-1997 codes
Rail Height	Specify door opening and mounting height of center line of rail when ordering a Vertical Rod Exit Device 41" from floor
Trim	See Trim Designs section
Electronic Functions	(ELR) Electrical Latch Retraction and RX & LX Signal Switch available
Alarm	Prefix "NALRM" before PART#
Dogging Feature	Cylinder dogging available for non-rated applications

MODEL SIZE	ACTUAL LENGTH	MAXIMUM CUT DOWN	DOOR SIZE
W98CVR3684 and W98CVR3696	32"	6"	30" to 36" door width



260 TOP STRIKE



265 BOTTOM STRIKE

- For applications metal frames
- Stainless Steel

- Furnished with expansion shields
- Mortised into floor
- Stainless Steel

MCVR9800, FMCVR9800, WCVR9800 & FWCVR9800

Concealed Vertical Rod Exit Device For Wood And Metal Doors

Trim Selection



ESCUTCHEON LEVER DESIGN

CONSTRUCTION

- Free-wheeling clutch mechanism
- Grade 1, thru-bolted design
- Non-handed design. Easily field reversible.
- Hardened steel heavy duty tailpiece available for fire and non-fire rated rim and concealed vertical rod exit devices.

FINISHES

Architectural plated finishes

DOOR THICKNESS

Standard 1 3/4"

ESCUTCHEON DIMENSIONS

2 5/16" width X 8 1/2" length. Lever length: 4 3/4".
Fits and covers 2 1/8" 161 cutout



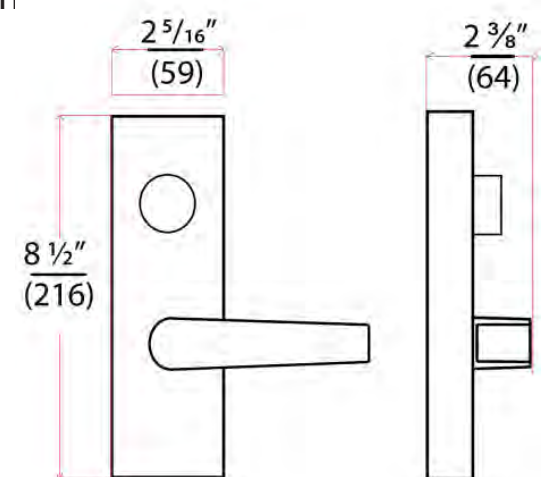
ELECTRIFICATION NOT AVAILABLE FOR TRIM.
Electrical Latch Retraction (ELR), Request to Exit (RX) and Latchbolt Monitoring (LX) available for Exit Device only.

CVRESC9800 or ICCVRESC9800 or ICSCCVRESC9800 **ENTRANCE**
Clutch Entrance, key locks or unlocks escutcheon trim
ANSI FUNCTION (63) Operates as classroom function

CVRESC9805 or ICCVRESC9805 or ICSCCVRESC9805 **STOREROOM**
Clutch Storeroom, key unlocks lever, lever retracts latch bolt, otherwise always locked
ANSI FUNCTION (04)

CVRESC9830 **PASSAGE**
Trim always operable and free
ANSI FUNCTION (62)

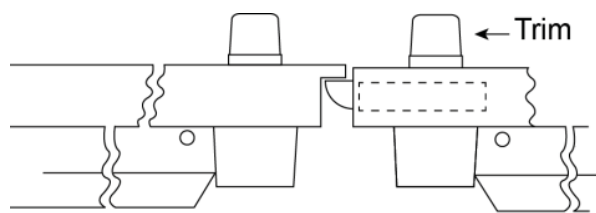
CVRESC9840 **DUMMY**
Dummy Escutcheon trim ANSI FUNCTION (10)



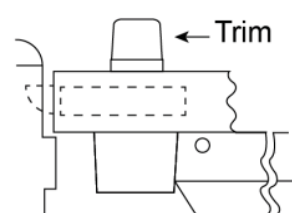
KEYWAY: 6 pin solid brass "C" keyway Mortise Cylinder standard. Optional: Schlage E, Schlage C-K, Russwin D1-2-3-4, Corbin 59/60, Sargent LA-LB-LC, Falcon/Weiser E, Arrow A, Yale 8, Yale GA and Kwikset. Can also accept Medeco, Assa, Kaba and **Cal-Royal HSK** High Security Cylinders.

MR9800 and FMR9800 Series

Grade 1 Mortise Lock Exit Device



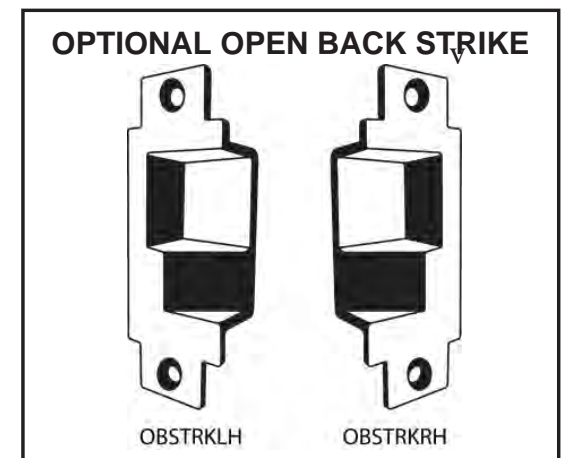
Pair of Doors



Single Door

Specifications

For Doors.....	Wood/Metal 1 3/4" (44.5mm) minimum thickness 4 1/2" (114mm) minimum stile width
Chassis.....	Nonferrous alloy (Panic Grade), steel (Fire Grade)
Chassis Cover.....	Bronze or stainless steel
Mounting.....	Furnished standard with wood and machine screws
End Cap.....	Brass, Bronze or Stainless Steel construction
Handing.....	Handed. Reversible. Specify RHR or LHR for convenience
ANSI Standard.....	A156.3, Grade 1
Strikes.....	Standard ANSI strike
Fire Exit Hardware.....	FMR9800 Series for fire exit hardware for all types of 8' x 8' double doors for up to 3 hour fire labeled installations, conforms to standards UL10C and UBC 7-2-1997 codes
Mortise Lock.....	Grade (1) for 1 3/4" (44.5mm) thick doors. Reversible. Fits door prepared for ANSI Standard A115.1
Trim.....	See Trim Designs section
Electronic Functions.....	(ELR) Electrical Latch Retraction and RX & LX Signal Switch available
Alarm.....	Prefix "NALRM" before PART#
Dogging Feature.....	Cylinder dogging available for non-fire rated applications



MODEL SIZE	ACTUAL LENGTH	MAXIMUM CUT DOWN	DOOR SIZE
MR9800EO36, FMR98EO36	32"	6"	30" to 36" door width
MR9800EO48, FMR98EO48	44"	12"	36" to 48" door width



MR9800 and FMR9800

Grade 1 Mortise Lock Exit Device

Trim Selection

ESCUTCHEON LEVER DESIGN

CONSTRUCTION

- Refer to Mortise Lock NM Series for product information

FINISHES

Architectural plated finishes

DOOR THICKNESS

Standard 1 3/4"

ESCUTCHEON DIMENSIONS

2" width X 8 1/2" length. Lever length: 4 3/4".



IMPORTANT: MR9800 and FMR9800 Mortise Lock case comes standard with exit device. (TRIMS SOLD SEPARATELY)

- MRESC9800 or ICMRESC9800 or ICSCMRESC9800

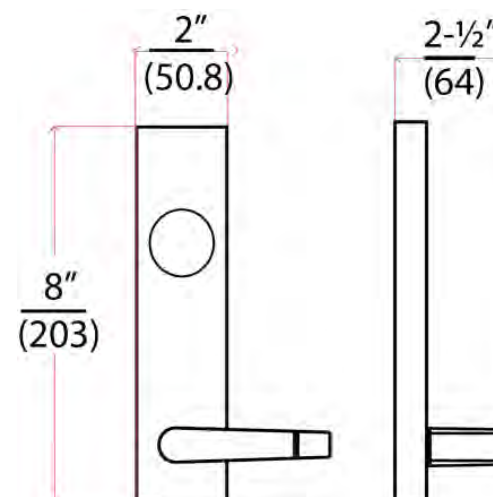
ENTRANCE
Key locks or unlocks lever
Operates as classroom function
ANSI FUNCTION (63)

- MRESC9805 or ICMRESC9805 or ICSCMRESC9805

STOREROOM
Key retracts latch bolt, otherwise always locked
ANSI FUNCTION (04)
***MUST USE MR98005E036/48 Mortise Rim Exit**

MRESC9830

PASSAGE
Trim always operable and free
ANSI FUNCTION (62)
***MUST USE MR98005E036/48 Mortise Rim Exit**



KEYWAY: 6 pin solid brass "C" keyway Mortise Cylinder standard. Optional: Schlage E, Schlage C-K, Russwin D1-2-3-4, Corbin 59/60, Sargent LA-LB-LC, Falcon/Weiser E, Arrow A, Yale 8, Yale GA and Kwikset. Can also accept Medeco, Assa, Kaba and **Cal-Royal HSK** High Security Cylinders.

- **(IC) INTERCHANGEABLE CORE:** Interchangeable Core locks will accept compatible 6 or 7 pin cores with BEST, FALCON and ARROW.
- **(ICSC) INTERCHANGEABLE CORE:** Indicates function available with Schlage Full size format Interchangeable Core.

FOR ELECTRIFICATION OPTION: SPECIFY ITEM# UPON ORDERING (MORTISE LOCK CASE COMES STANDARD WITH EXIT DEVICE)	ITEM#	DESCRIPTION
	FS12 MR98	FS12 FAIL-SAFE OPTION 12V AC/DC
	FS24 MR98	FS24 FAIL-SAFE OPTION 24V AC/DC
	FSE12 MR98	FSE12 FAIL-SECURE OPTION 12V AC/DC
	FSE24 MR98	FSE24 FAIL-SECURE OPTION 24V AC/DC

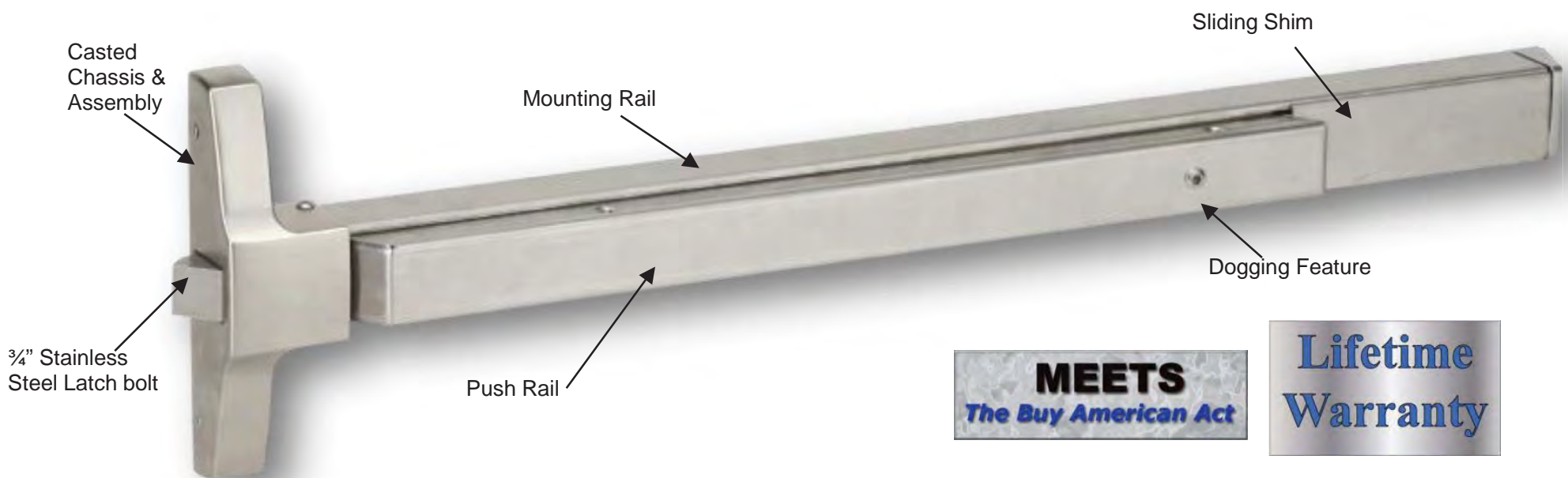
GLS9800 Series

Grade 1 Rim Type, Narrow Stile Exit Device

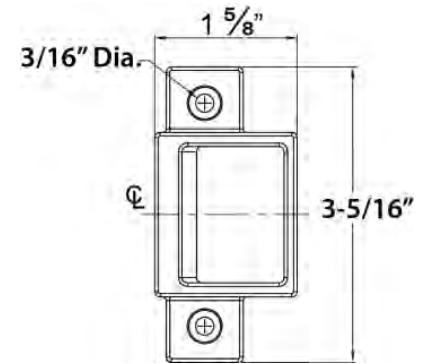


Specifications

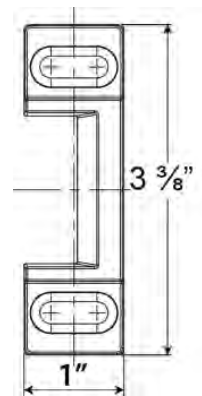
For Doors.....	Wood, Metal or Aluminum Glass doors with 1 3/4" minimum stile width, 1 3/4" thickness for single or double door application
Chassis.....	Non-ferrous alloy (Panic Grade)
Cover.....	Brass, Bronze or Stainless Steel construction
Mounting.....	Furnished with wood and machine screws. Thrubolts available upon request
End Cap.....	Brass, Bronze or Stainless Steel construction



Alarm.....	Available. Prefix NALRM before PART# (for 36" door size only)
Hand.....	Non-handed
Latch Bolt.....	Stainless steel 3/4" throw
Spring.....	Stainless steel throughout
ANSI Standard.....	A156.3, Grade 1
Rail Assembly.....	Heavy gauge brass, Bronze or Stainless Steel
Strike.....	246 packed standard. Optional 247 strike. (See strike page)
Dogging Feature.....	Allen-type key furnished standard
Mullion.....	Available
UL and ULC Listed.....	GLS9800 Series for Panic and Safety for all types of 4' x 8' single doors and 8' x 8' double doors
Finish.....	Architectural plated finishes
Electronic Functions.....	(ELR) Electrical Latch Retraction and RX & LX Signal Switch available



246 STRIKE



247 STRIKE (OPTIONAL)

DIMENSIONS

Push Rail height to finished floor	41" (1034mm) at center		
Push Rail Projection			
Neutral	2 1/2" (63.5mm)		
Depressed	1 7/8" (47.625mm)		
Center case	8 1/16" x 1 1/8" x 2" (205mm x 27.575mm x 50.8mm)		
MODEL	ACTUAL LENGTH	MAX CUT DOWN	DOOR SIZE
GLS9800EO36	34 17/32"	6"	30" to 36" width
GLS9800EO48	46 11/32"	18"	30" to 48" width





GLSCVR9800 Series

Grade 1 Concealed Vertical Rod Type, Narrow Stile Exit Device Optional Less Bottom Rod (LBR)

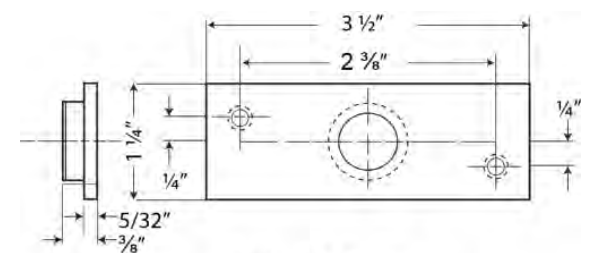


Specifications

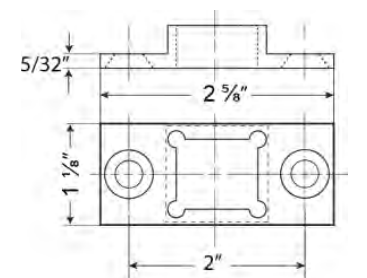
For Doors.....	Metal or Aluminum Glass doors with 1 3/4" minimum stile width, 1 3/4" thickness for single or double door application
Chassis.....	Non-ferrous alloy (Panic Grade)
Cover.....	Brass, Bronze or Stainless Steel construction
Mounting.....	Furnished with wood and machine screws
End Cap.....	Brass, Bronze or Stainless Steel construction



Alarm.....	Available. Prefix NALRM before PART#
Hand.....	Handed. Specify RHR or LHR
Top and Bottom Bolts.....	Stainless steel. Top and bottom bolt travel 7/16" (11mm) Projection adjustable to 1" (25mm)
Spring.....	Stainless steel throughout
ANSI Standard.....	A156.3, Grade 1
Rail Assembly.....	Heavy gauge brass, Bronze or Stainless Steel
Strike.....	260 Top and 265 Bottom strikes packed standard (See strike page)
Dogging Feature.....	Allen-type key furnished standard
Mullion.....	Available
UL and ULC Listed.....	GLSCVR9800 Series for Panic and Safety for all types of 4' x 8' single doors and 8' x 8' double doors for Panic & Safety
Finish.....	Architectural plated finishes
Electronic Functions.....	(ELR) Electrical Latch Retraction and RX & LX Signal Switch available



260 TOP STRIKE



265 BOTTOM STRIKE

Push Rail height to finished floor	41" (1034mm) at center
Push Rail Projection	
Neutral	2 1/2" (63.5mm)
Depressed	1 7/8" (47.625mm)
Center case	8 1/16" x 1 1/8" x 2" (205mm x 27.575mm x 50.8mm)

MODEL	ACTUAL LENGTH	MAX CUT DOWN	DOOR SIZE
GLSCVR9800EO36	34 17/32"	6"	30" to 36" width
GLSCVR9800EO48	46 11/32"	18"	30" to 48" width



Trim Selection



ESCUTCHEON LEVER DESIGN

CONSTRUCTION

- Free-wheeling clutch mechanism.
- Grade 1, thru-bolted design. Reversible design.
- Hardened steel heavy duty tailpiece. Available for rim and concealed vertical rod exit devices.



DOOR THICKNESS

Standard 1 3/4".

ESCUTCHEON DIMENSIONS

1-13/16" width X 8" length
Lever length: 4 3/4"

IMPORTANT: GLS7700 and GLSCVR7700 Trims are interchangeable with GLS9800 and GLSCVR9800 Trims

ELECTRIFICATION NOT AVAILABLE FOR TRIM.
Electrical Latch Retraction (ELR), Request to Exit (RX) and Latchbolt Monitoring (LX) available for Exit Device only.

- **GLSRIM9800**
- **GLSCVR9800**
- **ICGLSRIM9800**
- **ICSCGLSRIM9800**
- **ICGLSCVR9800**
- **ICSCGLSCVR9800**

ENTRANCE

Clutch free-wheeling Entrance, key locks or unlocks escutcheon trim
ANSI FUNCTION (63) Operates as classroom function
CVR is used for Concealed Vertical Rod Exit Device
RIM is used for Rim Type Exit Device

- **GLSRIM9805**
- **GLSCVR9805**
- **ICGLSRIM9805**
- **ICSCGLSRIM9805**
- **ICGLSCVR9805**
- **ICSCGLSCVR9805**

STOREROOM

Clutch free-wheeling Storeroom, key unlocks lever, lever retracts latch bolt, otherwise always locked
ANSI FUNCTION (04)
CVR is used for Concealed Vertical Rod Exit Device
RIM is used for Rim Type Exit Device

- **GLSRIM9830**
- **GLSCVR9830**

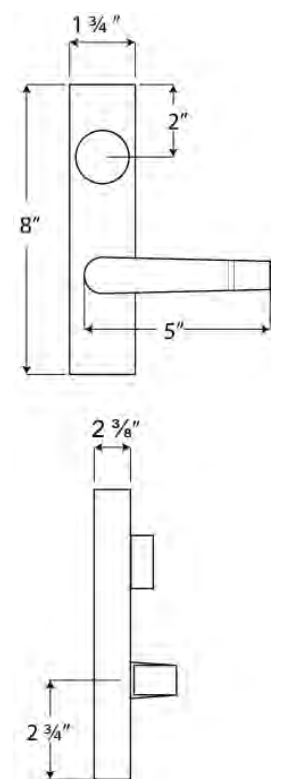
PASSAGE

Trim always operable and free
ANSI FUNCTION (62)
CVR is used for Concealed Vertical Rod Exit Device
RIM is used for Rim Type Exit Device

- **GLSRIM9840**
- **GLSCVR9840**

DUMMY

Dummy Escutcheon trim ANSI FUNCTION (10)
CVR is used for Concealed Vertical Rod Exit Device
RIM is used for Rim Type Exit Device



KEYWAY: 6 pin solid brass "C" keyway Mortise Cylinder standard. Optional: Schlage E, Schlage C-K, Russwin D1-2-3-4, Corbin 59/60, Sargent LA-LB-LC, Falcon/Weiser E, Arrow A, Yale 8, Yale GA and Kwikset. Can also accept Medeco, Assa, Kaba and **Cal-Royal HSK** High Security Cylinders.

● **(IC) INTERCHANGEABLE CORE:** Interchangeable Core locks will accept compatible 6 or 7 pin cores with BEST, FALCON and ARROW.

● **(ICSC) INTERCHANGEABLE CORE:** Indicates function available with Schlage Full size format Interchangeable Core.

Trim Selection



PULL DESIGN – FOR GLS9800 RIM EXIT DEVICE ONLY

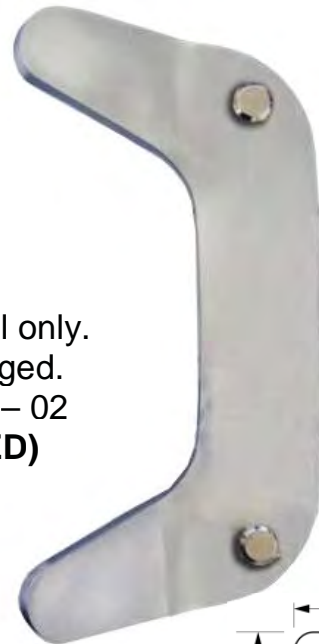
- 98GLSNL
- IC98GLSNL
- ICSC98GLSNL

Outside by pull and key.
Key retracts latch bolt.
ANSI function – 03
(SPECIFY HANDING)



98GLSUP

Outside by pull only.
Pull when dogged.
ANSI function – 02
(NON-HANDED)



GLSRIMEOP

Outside cover plate only.
ANSI function – 10

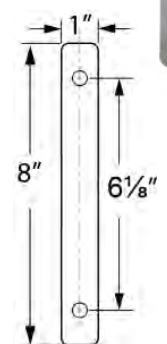
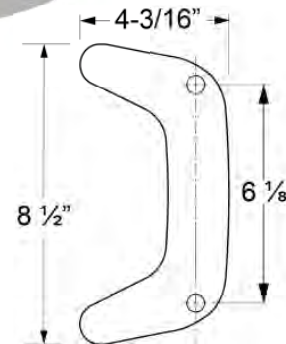
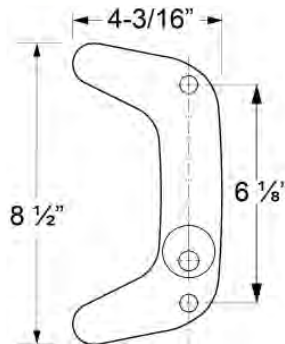


KEYWAY

6 pin solid brass "C" keyway
Rim Cylinder standard.

FINISHES

Architectural plated finishes.



IMPORTANT: GLS7700 and GLSCVR7700 Trims are interchangeable with GLS9800 and GLSCVR9800 Trims



98GLSCYL-1

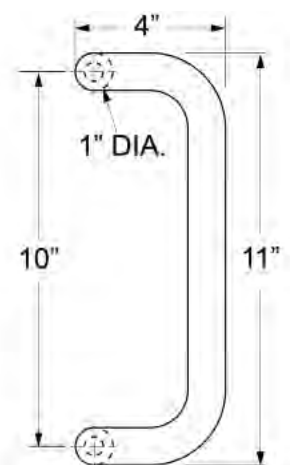


- IC98GLSCYL-1
- ICSC98GLSCYL-1



OFSTPUL-10 (REVERSIBLE)

Outside by pull only



KEYWAY: 6 pin solid brass "C" keyway Mortise Cylinder standard. Optional: Schlage E, Schlage C-K, Russwin D1-2-3-4, Corbin 59/60, Sargent LA-LB-LC, Falcon/Weiser E, Arrow A, Yale 8, Yale GA and Kwikset. Can also accept Medeco, Assa, Kaba and **Cal-Royal HSK** High Security Cylinders.

●● (IC) INTERCHANGEABLE CORE

Interchangeable Core locks will accept compatible 6 or 7 pin cores with BEST, FALCON and ARROW.

- (ICSC) INTERCHANGEABLE CORE: Indicates function available with Schlage Full size format Interchangeable Core.

Strikes & Accessories

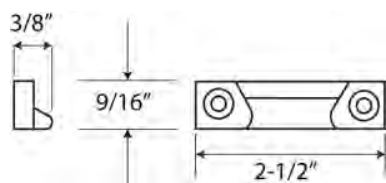


Strikes for use with 9860 vertical rod exit device

All strikes are black nylon coated

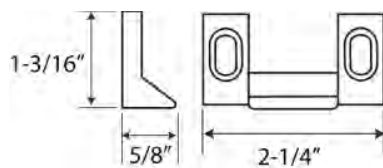
221

Standard for 9860. Applied to surface of floor or to a flat threshold. Standard packaging.



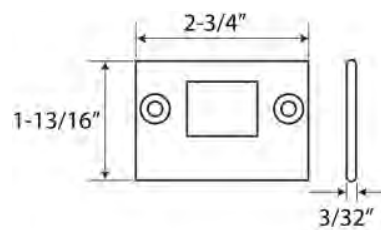
227

Applied to surface of stop. No mortise required. Standard packaging.



233

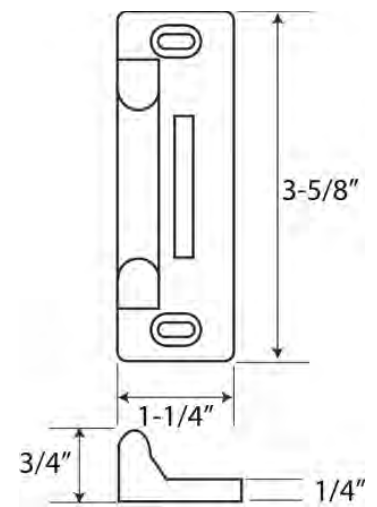
Bottom strike. Alternate bottom strike. Flush mounting stainless steel. Furnished with expansion shields. Requires mortise in the floor.



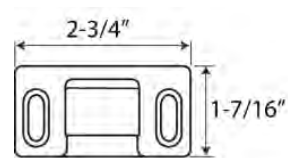
Strikes for use with 9800 rim type exit device

239

For 9800 & F9800 surface applied. Standard packaging.



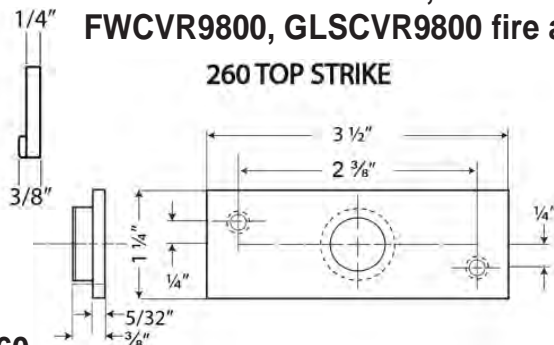
RIM238



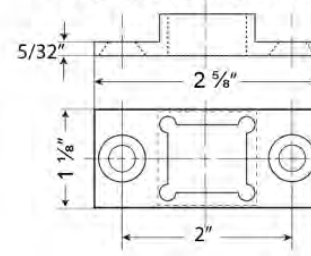
Strike for 2 3/8" Backset Application

Strikes for FMCVR9800, MCVR9800, WCVR9800, FWCVR9800, GLSCVR9800 fire and non-fire exit device

260 TOP STRIKE



265 BOTTOM STRIKE

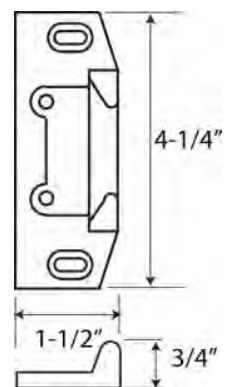


Strike for use with F9800 rim fire exit device

Strikes for use with F9860 vertical rod fire rated exit device

245

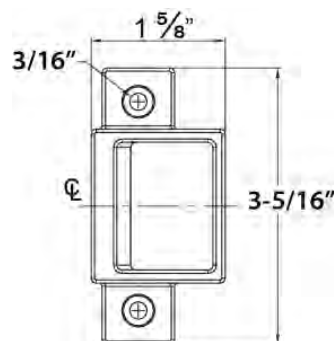
Surface applied for F9860. Standard packaging.



Strikes for use with GLS9800 Narrow Stile Exit Device

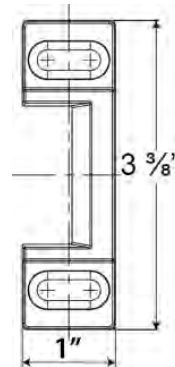
246

Used on frames with blade stop or integral stop. Surfaced applied or mortised. Standard packaging.



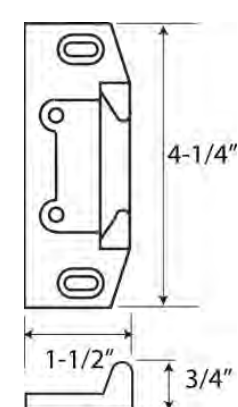
247

Applied to surface of stop. No mortise required.



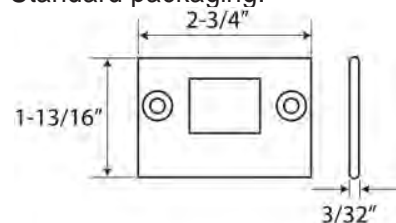
245

For F9800 surface applied. Standard packaging.



233

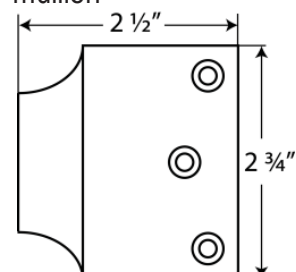
Bottom strike for F9860. Flush mounting stainless steel. Furnished with expansion shields. Requires mortise in the floor. Standard packaging.



Overlapping Strikes

N251

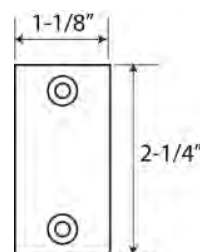
Surface applied. Used on inactive leaf for device on active leaf of pair of doors without mullion



Additional Accessories

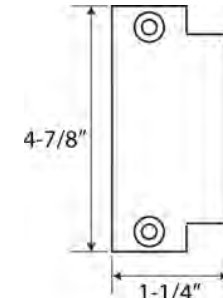
LFF

Lock front filler



SF

Strike filler

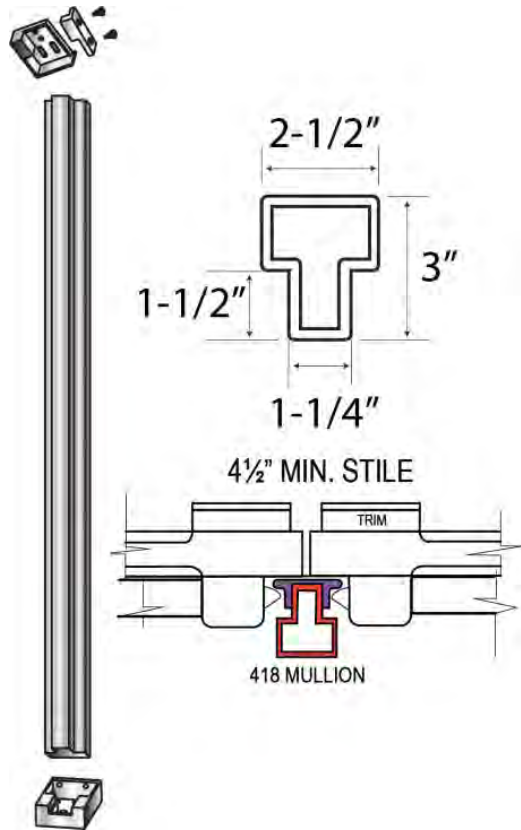


Accessories

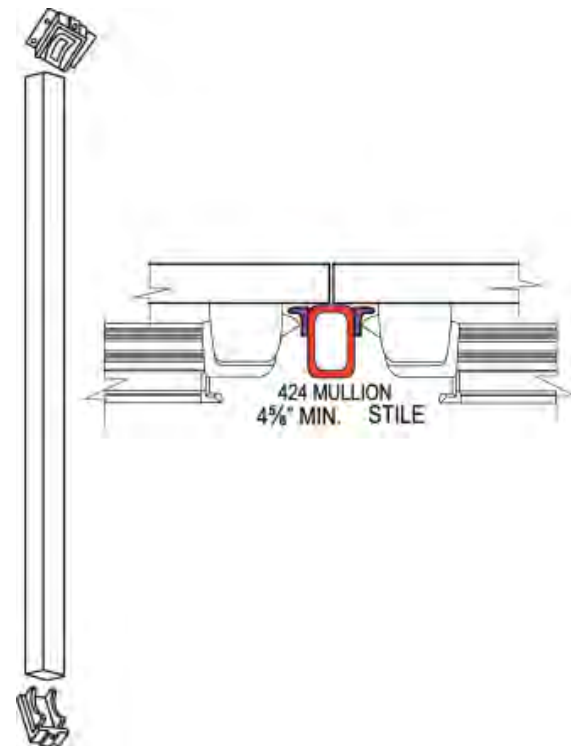


MULLIONS

418 – Removable mullion Aluminum painted (Prime coat) includes top and bottom retainer supplied as a stock 96" for non fire rated applications.



424 – Fire exit mullion. 2" x 3" steel tubing round corner, iron construction with iron top and bottom retainers. To be used with two rim type devices on two independent active doors with full double door openings.



Electric lockable mullions are available on request.

Additional Rods

Vertical Rods for 10 feet high doors available on non-fire rated vertical rod devices only. Use part# VRRD-10.

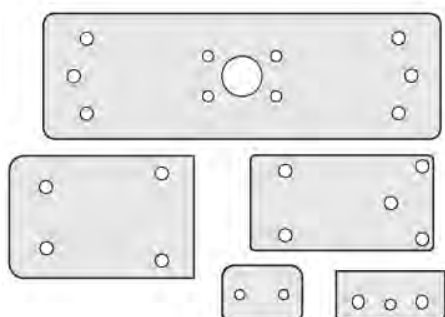
Concealed Vertical Rod for 96" Metal Door use
Part # MCVROD96. For wood door use Part # WCVROD96.

KEYWAYS: 6 pin solid brass "C" keyway standard. Optional: Schlage E, Schlage C-K, Russwin D1-2-3-4, Corbin 59/60, Sargent LA-LB-LC, Falcon/Weiser E, Arrow A, Yale 8, Yale GA and Kwikset. Can also accept Medeco, Assa, Kaba and Cal-Royal HSK High Security Cylinders.

GLASS BEAD SHIM KITS

- 801 – For rim type, 1/8" thick
- 806 – For vertical type, 1/8" thick
- 812 – For fire rated type, 1/8" thick

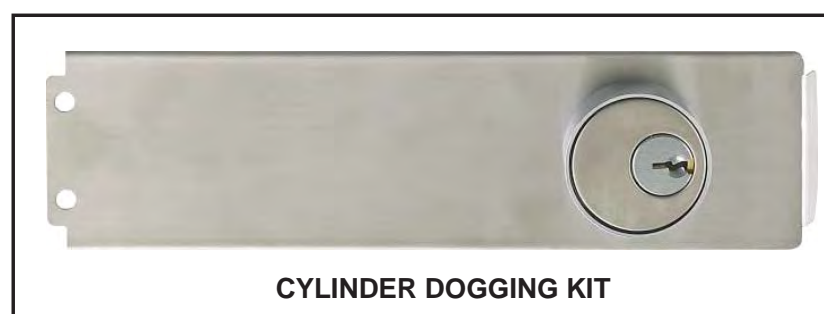
When exit devices are used with shim kits with outside trim, spindle length, thumbpiece and thru bolt length must be increased accordingly.



CYLINDER DOGGING KITS

TO ORDER: Prefix "CD" before PART#. Available for all 9800 Series devices except fire exit hardware. Cylinder dogging with mortise cylinder is located on the mounting insert lock bolt in retracted position.

To order **KIT ONLY:** use PART# 36CD9800 for 36" and 48CD9800 for 48" devices. Specify finish.



Fire Exit Hardware Selector



FIRE EXIT HARDWARE			UL DOOR RATING
APPLICATION	MODEL #	MAXIMUM DOOR OPENING	(A) 3 HOUR
SINGLE DOORS Rim type	F9800EO36 F9820EO48	4'0" X 8'0"	✓
PAIRS OF DOORS Two surface mounted standard vertical rod type or less bottom rod (LBR) application. Prefix LBR before Part#	F9860V3684 X F9860V3684	8'0" X 7'2"	✓
	a) Swinging in same direction b) Swinging in opposite direction (double egress) F9890V3696 X F9890V3696 F9880V4896 X F9880V4896	8'0" X 8'0"	✓
PAIRS OF DOORS Two rim type with Mullion	F9800EO36 F9820EO48	8'0" X 8'0"	✓

All fire rated exit devices in all applications, are also labeled for (B) 1 ½ hour, (C) ¾ hour, (D) 1 hour, (E) ¾ hour.
All fire exit hardware meet UL10C and UBC 7-2-1997 codes.

HOW TO ORDER INFORMATION

Exit device model number

Panic grade

9800 EO36 Rim type 36" door
9820 EO48 Rim type 48" door
9860 V3684 Vertical rod type 36" x 84"
9890 V3696 Vertical rod type 36" x 96"
9880 V4896 Vertical rod type 48" x 96"
VRRD10 – Rod for 10' non-rated door
9850 V36120 Vertical rod type 36" x 120"
9840 V48120 Vertical rod type 48" x 120"

Fire grade

F9800 EO36 Rim type 36" door
F9820 EO48 Rim type 48" door
F9860 V3684 Vertical rod type 36" x 84"
F9890 V3696 Vertical rod type 36" x 96"
F9880 V4896 Vertical rod type 48" x 96"

- 1) Specify exit device model number according to size of door.
- 2) Specify trim selection. For interchangeable core prefix "IC" before part #. See trim selection pages.
- 3) For vertical rod devices specify LHR (Left Hand Reverse) or RHR (Right Hand Reverse) for convenience easily field reversible, otherwise shipped as LHR.
- 4) Specify finish:
US3, 4, 10, 10B, 26D, 32D. See Page 33
- 5) On thru bolt applications, fire rated vertical rod devices are packed with thru bolts as standard feature. Thru bolts are also available for other devices. To order thru bolts add "SBN" to trim pack.

When ordering separately use following part#

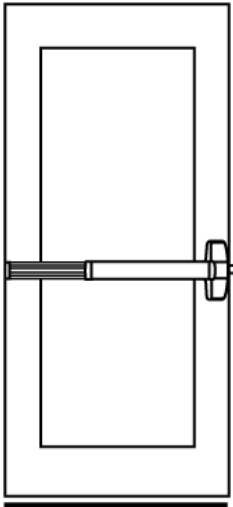
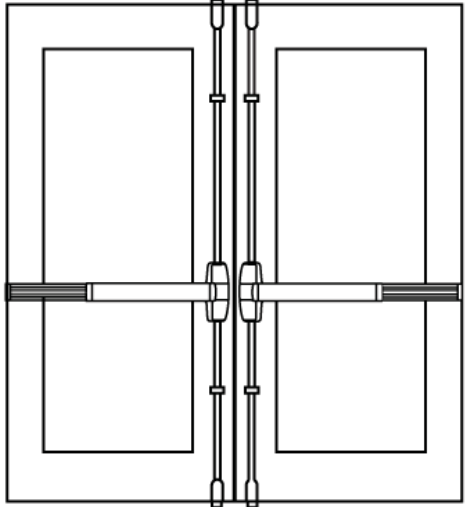
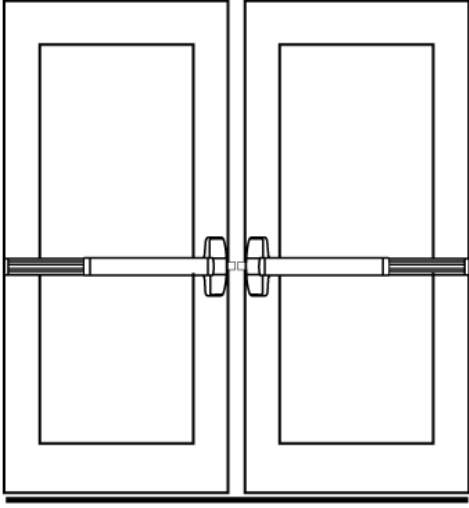
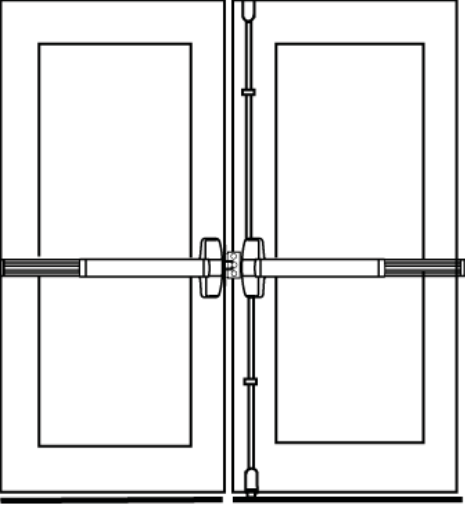
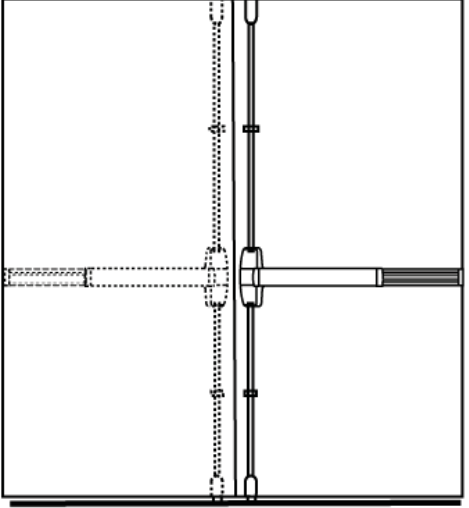
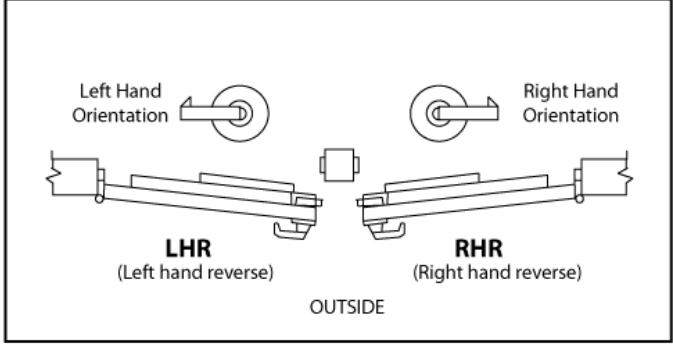
Cal-Royal Part # 357 — Thru bolts for rim devices, 6 PCs / pack.
Cal-Royal Part # 369 — Thru bolts for vertical rod devices, 14 PCs / pack.
Cal-Royal Part # 363 — Thru bolts for rim devices, 6 PCs / pack for 2 ¼" thick doors.
Cal-Royal Part # 375 — Thru bolts for vertical rod devices, 14 PCs / pack for 2 ¼" thick doors.

Ordering example: 9800E036 ALUM X SBN X ENT00L 26D
F9880V4896 10B X ICSTR05L 10B

9800 & F9800 Rim Type and Fire Exit Devices 9860 & F9860 Vertical Rod and Fire Exit Devices ANSI A156.3 Grade 1



SELECTOR CHART

<p style="text-align: center;">SINGLE DOOR</p>  <p>Vertical rod type or Rim type Surface applied 2 point lock. Surface application.</p>	<p style="text-align: center;">PAIR OF DOORS WITHOUT MULLION</p>  <p>2 Vertical rod type Surface applied 2 point locking both doors. Each door active same direction. Do not use with overlapping astragal.</p>
<p style="text-align: center;">PAIR OF DOORS WITH MULLION</p>  <p>2 Rim type with mullion Two independent active doors with full double door openings when required. Same direction.</p>	<p style="text-align: center;">PAIR OF DOORS WITHOUT MULLION</p>  <p>1 Vertical rod and 1 rim type Both devices are surface applied. A coordinator and overlapping strike is recommended.</p>
<p style="text-align: center;">PAIR OF DOORS WITHOUT MULLION</p>  <p>2 Vertical rod type Double egress surface applied. 2 point locking both doors opposite directions.</p>	<p style="text-align: center;">HANDING</p>  <p>CAL-ROYAL PRODUCTS, INC. 6605 FLOTILLA ST., COMMERCE, CA 90040 U.S.A. TEL: (323) 888-6601 FAX: (323) 888-6699 Website: cal-royal.com * Email: sales@cal-royal.com</p>

EXIT DEVICES COMPARISON CHART

RIM EXIT DEVICE CONVERSIONS	RIM	VERTICAL ROD	RIM	VERTICAL ROD	CONCEALED VERTICAL ROD	MORTISE RIM	NARROW STILE RIM	NARROW STILE CVR
ARROW	S1200	S1100	S3800/ 1800	S3700	S3600	S3900	S4803	S4601
CAL-ROYAL	9800/ 7700	9860/ 7760	2200/ 4400	2260	MCVR9800/ WCVR9800/ MCVR7700/ WCVR7700	MR9800/ MR7700	GLS9800/ GLS7700	GLSCVR9800/ GLSCVR7700
CORBIN/RUSSWIN	ED8200	ED8400	ED5400/ ED6000	ED4750	ED5800	ED5600	ED4200	ED4800
DETEX	V4000	---	10	20	70	30	V40NS	60
DORMA	8300	8400	9300	9400	9100	9500	AD4300	AD4100
PRECISION	5100	5200	2100/ 100	9800/ 200	2800	2300	2400	2600
SARGENT	2828	2727	8800/ 9898	8700	MD8600/ WD8600	8900	AD8500	AD8410
VON DUPRIN	98/ 99	9827/ 9927	98	9827	9947EO	9975EO	33A	3348
YALE	2100	2110	7100/ 1500	7110/ 1510	7120	7130	7250	7220



Distributed by:

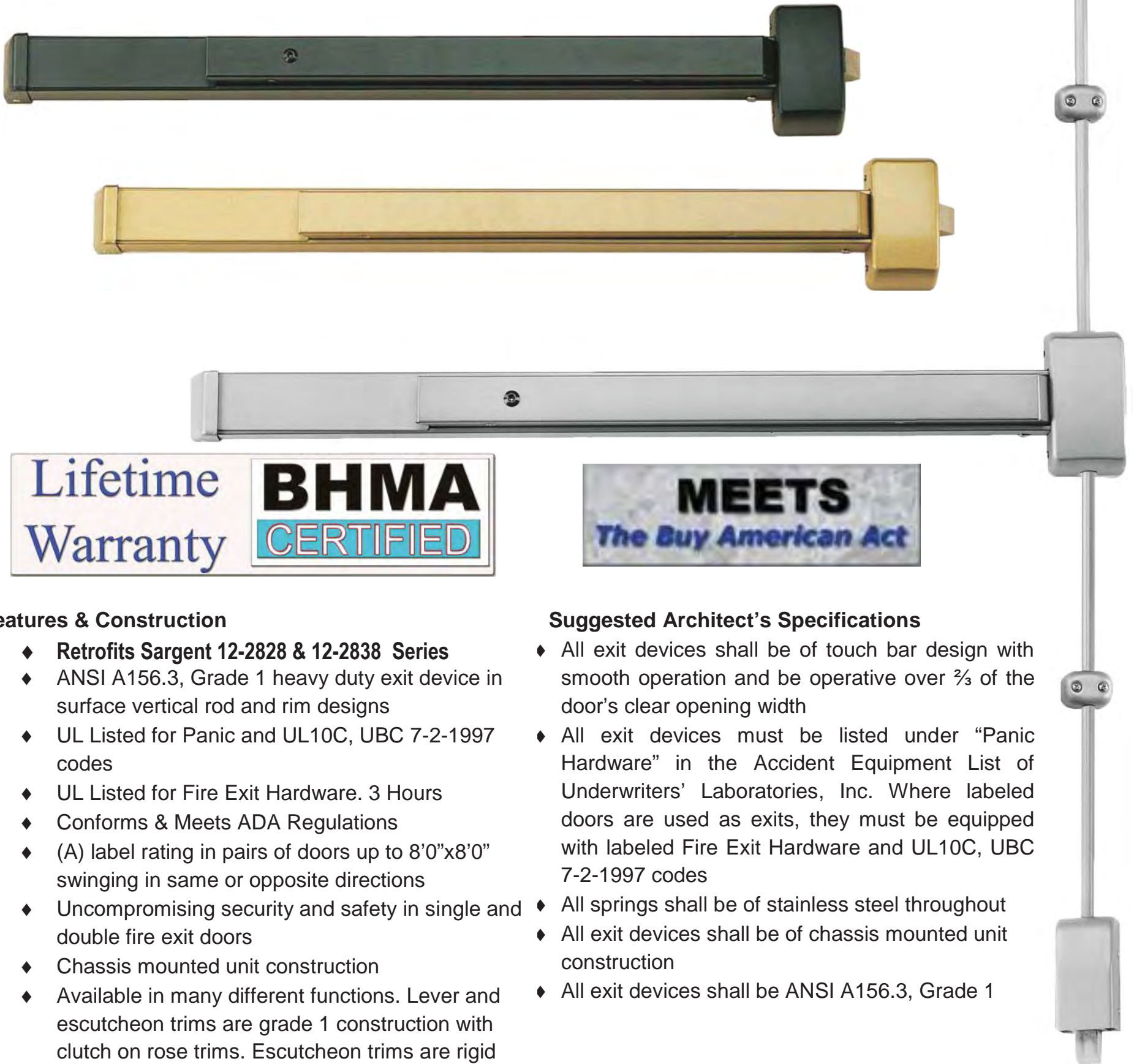


CAL-ROYAL

P R O D U C T S, I N C.



2200 & F2200 Rim Type Panic and Fire Exit Devices 2260 & F2260 Vertical Rod Panic and Fire Exit Devices ANSI A156.3, Grade 1



Lifetime
Warranty

BHMA
CERTIFIED

MEETS
The Buy American Act

Features & Construction

- ◆ Retrofits Sargent 12-2828 & 12-2838 Series
- ◆ ANSI A156.3, Grade 1 heavy duty exit device in surface vertical rod and rim designs
- ◆ UL Listed for Panic and UL10C, UBC 7-2-1997 codes
- ◆ UL Listed for Fire Exit Hardware. 3 Hours
- ◆ Conforms & Meets ADA Regulations
- ◆ (A) label rating in pairs of doors up to 8'0"x8'0" swinging in same or opposite directions
- ◆ Uncompromising security and safety in single and double fire exit doors
- ◆ Chassis mounted unit construction
- ◆ Available in many different functions. Lever and escutcheon trims are grade 1 construction with clutch on rose trims. Escutcheon trims are rigid and covers 161 cut out

Suggested Architect's Specifications

- ◆ All exit devices shall be of touch bar design with smooth operation and be operative over $\frac{2}{3}$ of the door's clear opening width
- ◆ All exit devices must be listed under "Panic Hardware" in the Accident Equipment List of Underwriters' Laboratories, Inc. Where labeled doors are used as exits, they must be equipped with labeled Fire Exit Hardware and UL10C, UBC 7-2-1997 codes
- ◆ All springs shall be of stainless steel throughout
- ◆ All exit devices shall be of chassis mounted unit construction
- ◆ All exit devices shall be ANSI A156.3, Grade 1

2200 & F2200 Series

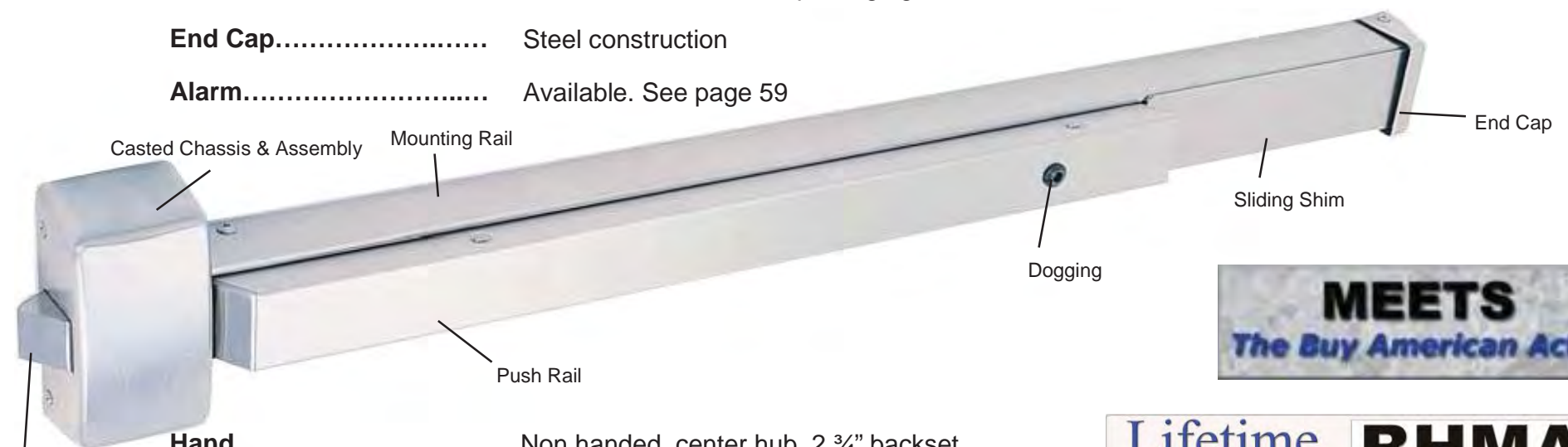
Rim Type Exit Device



3 HOUR FIRE RATED
UL10C, UBC7-2-1997

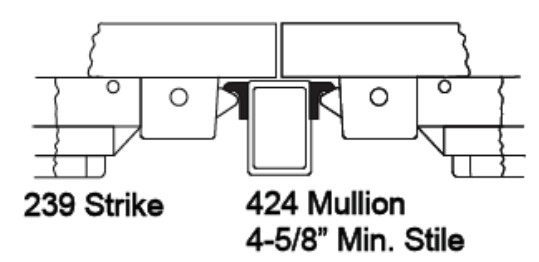
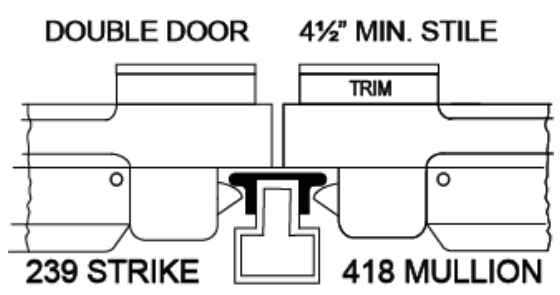


- For Doors** 1 3/4" thick standard optional 2 1/4" thick. 4 1/2" minimum stile width required for single or double door application using standard 239 strike and pull or lever trims
- Chassis**..... Nonferrous alloy (Panic Grade), steel (Fire Grade)
- Cover**..... Nonferrous alloy. Covers stock hollow metal doors with 161 cutout
- Mounting**..... Furnished standard with wood and machine screws. Available with thru bolts on request. Thru bolts are standard packaging on fire rated devices
- End Cap**..... Steel construction
- Alarm**..... Available. See page 59

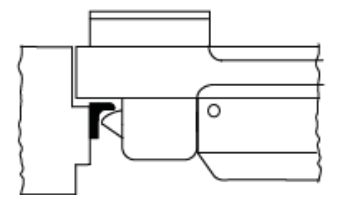


- Hand**..... Non handed, center hub. 2 3/4" backset
- Latch Bolt**..... Stainless steel 3/4" throw
- Spring**..... Stainless steel throughout
- ANSI Standard**..... A156.3, Grade 1
- Rail Assembly**..... Heavy gauge steel, painted
- Strike**..... 239 packed standard (See strike page)
- Dogging Feature**..... Allen-type key furnished standard on non-fire labeled devices. Cylinder dogging available
- Mullion**..... Available
- Electronic Functions**..... (ELR) Electrical Latch Retraction and RX & LX Signal Switch available
- UL and ULC Listed**..... 2200 Series for panic. F2200 Series for fire exit hardware for all types of 4' x 8' single doors and 8' x 8' double doors for up to 3 hour fire labeled installations, conforms to standards UL10C and UBC 7-2-1997 codes
- Finish**..... Aluminum (Alum), Dark Bronze Duranodic (Duro), Gold

Minimum Stile Requirements 4" escutcheon trims & 4 1/2" for Thumbpiece and rose trims



SINGLE DOOR 4 1/2" MIN. STILE



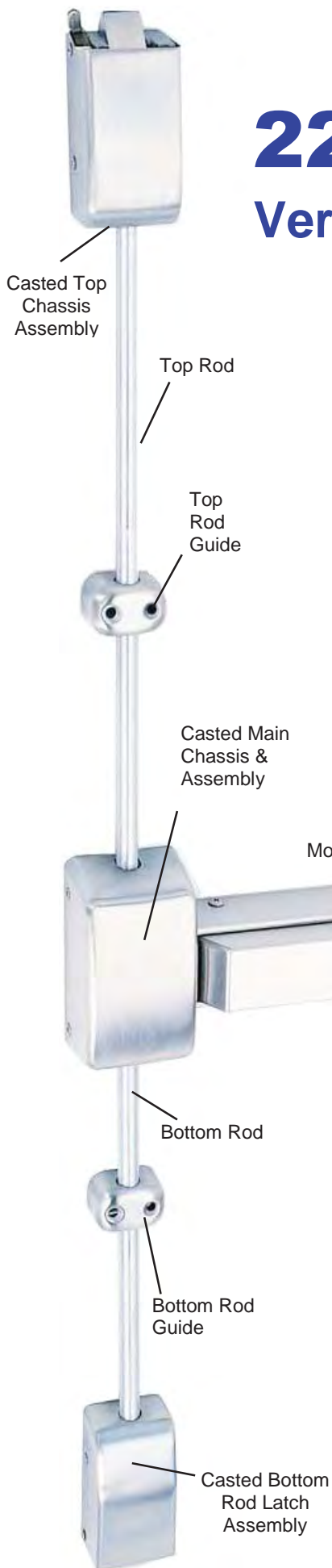
DIMENSIONS

Touchbar height to finished floor	41" (1041mm) at center
Touchbar projection	
neutral	2 1/2" (64mm)
depressed	1 3/4" (45mm)

MODEL	ACTUAL SIZE	MAXIMUM CUT DOWN	DOOR SIZE
2200EO24 and F2200EO24	20"	2"	22" to 24" door width
2200EO32 and F2200EO32	28"	6"	26" to 32" door width
2200EO36 and F2200EO36	32"	6"	30" to 36" door width
2200EO48 and F2200EO48	44"	12"	36" to 48" door width

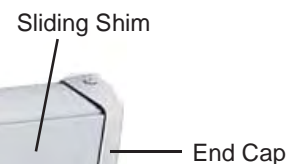
2260 & F2260 Series

Vertical Rod Type Exit Device



Specifications

For Doors	1 3/4" thick standard optional 2 1/4" thick. 3 3/4" minimum stile width required for single door application. 3 1/2" minimum stile width required for double door application. Lever trims available. 2 3/4" backset
Chassis	Nonferrous alloy (Panic Grade), steel (Fire Grade)
Cover	Nonferrous alloy. Covers stock hollow metal doors with 161 cutout
Mounting	Furnished standard with wood and machine screws. Thru bolts are standard packaging on fire rated devices
End Cap	Steel construction
Alarm	Available. Prefix "NALRM" before PART#



Hand	Handed. Easily field reversible. Specify at time of order LHR, RHR for convenience
Latch Bolt, Spring	Stainless steel
ANSI Standard	A156.3, Grade 1
Rail Assembly	Heavy gauge steel, painted
Strike	See strike page
Dogging Feature	Allen-type key furnished standard on non-fire labeled devices
UL and ULC Listed	2260 Series for panic. F2260 Series for fire exit hardware for all types of 8' x 8' double doors for up to 3 hour fire labeled installations, conforms to standards UL10C and UBC 7-2-1997 codes
Finish	Aluminum (Alum), Dark Bronze Duranodic (Duro), Gold
Electronic Functions	(ELR) Electrical Latch Retraction and RX & LX Signal Switch available



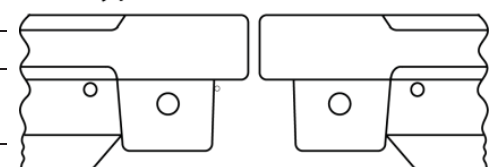
DIMENSIONS

Touchbar height to finished floor	41" (1041mm) at center	
Touchbar projection		
neutral	2 1/2" (64mm)	
depressed	1 3/4" (45mm)	
Panic grade top & bottom latch case	3 15/16" x 2 1/8" x 1 3/8" (100mm x 54mm x 35mm)	
Fire grade top latch case	3 15/16" x 2 11/16" x 2 1/16" (100mm x 68mm x 52mm)	
Fire grade bottom latch case	3 15/16" x 2 1/8" x 1 3/8" (100mm x 54mm x 42mm)	
Top and bottom rod length for 36" x 84" doors	Top rod 39 3/16" (995mm), bottom rod 37 3/16" (945mm)	
Top and bottom rod length for 48" x 96" doors	Top rod 51 3/16" (1300mm), bottom rod 37 3/16" (945mm)	
Vertical Rods	1/2" (13mm) Round tubing	

MODEL	ACTUAL SIZE	MAXIMUM CUT DOWN	DOOR SIZE
2260V3684, F2260V3684, 2290V3696 and F2290V3696	32"	6"	30" to 36" door width
2298V4896 and F2298V4896	44"	12"	36" to 48" door width

Minimum Stile Requirements

Double Door with Two Vertical Rod Type Exit Devices



3-1/2" Min. Stile

LBR 2260 & F2260 Series

Vertical Rod Type Exit Device Less Bottom Rod - LBR



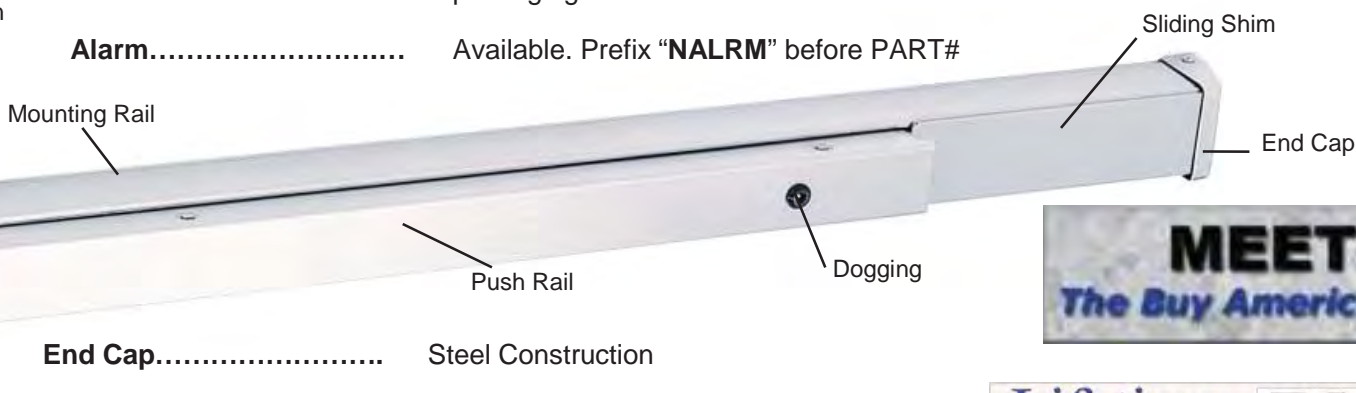
3 HOUR FIRE RATED
UL10C, UBC7-2-1997



Specifications

- LBR**..... No Bottom Strike. Free access for wheel chairs, stretcher and carts therefore eliminates tripping potential and disfiguration of floors due to gragging of bottom bolts
- For Doors**..... 1 3/4" thick standard. 3 3/4" minimum stile width required for single door application. 3 1/2" minimum stile width required for double door application. Lever trims available. 2 3/4" backset
- Chassis**..... Nonferrous alloy (Panic Grade), steel (Fire Grade)
- Cover**..... Nonferrous alloy. Covers stock hollow metal doors with 161 cutout
- Mounting**..... Furnished standard with wood and machine screws. Thru bolts are standard packaging on fire rated devices
- Alarm**..... Available. Prefix "NALRM" before PART#

Casted Main Chassis & Assembly



- End Cap**..... Steel Construction
- Hand**..... Handed. Easily field reversible. Specify at time of order LHR, RHR for convenience
- Latch Bolt, Spring**..... Stainless steel
- Auxiliary Spring Latch**..... Auxiliary spring loaded latchbolt is installed in the lower edge of the door, when exposed to fire latchbolt releases keeping the door closed and regulated
- ANSI Standard**..... A156.3, Grade 1
- Rail Assembly**..... Heavy gauge steel, painted
- Strike**..... See strike page
- Dogging Feature**..... Allen-type key furnished standard on non-fire labeled devices
- Electronic Functions**..... (ELR) Electrical Latch Retraction and RX & LX Signal Switch available
- UL and ULC Listed**..... All Series for panic. LBR Series for fire exit hardware for all types of 8' x 8' double doors including double egress for up to 3 hour metal, 1 1/2 hour wood doors fire labeled installations. Conforms to standards UL10C and UBC 7-2-1997 codes



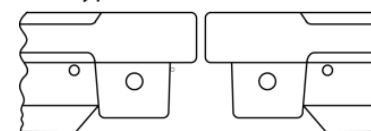
Auxiliary Fire Latch Assembly

DIMENSIONS

Touchbar height to finished floor	41" (1041mm) at center
Touchbar projection	
neutral	2 1/2" (64mm)
depressed	1 3/4" (45mm)
Panic grade top & bottom latch case	3 15/16" x 2 1/8" x 1 3/8" (100mm x 54mm x 35mm)
Fire grade top latch case	3 15/16" x 2 11/16" x 2 1/16" (100mm x 68mm x 52mm)
Fire grade bottom latch case	3 15/16" x 2 1/8" x 1 3/8" (100mm x 54mm x 35mm)
Top and bottom rod length for 36" x 84" doors	Top rod 39 3/16" (995mm)
Top and bottom rod length for 48" x 96" doors	Top rod 51 3/16" (1300mm)
Vertical Rods	1/2" (13mm) Round tubing

Minimum Stile Requirements

Double Door with Two Vertical Rod Type Exit Devices



3-1/2" Min. Stile

MODEL	ACTUAL SIZE	MAXIMUM CUT DOWN	DOOR SIZE
LBR2260V3684, LBRF2260V3684, LBR2290V3696 and LBRF2290V3696	32"	6"	30" to 36" door width
LBR2280V4896 and LBRF2280V4896	44"	12"	36" to 48" door width

Alarm Exit Hardware



Features

- 1-, 3-, 5-minute and continuous alarm type settings available
- ON and OFF power switch
- Alarm sound frequency is 120 db
- Alarm unit has an internal horn. When the push rail is depressed, the horn sounds to provide an audible means of signaling that the door has been opened and breached
- The key switch to turn alarm off is a standard 1 ¼" cylinder with "C" keyway. The alarm operates on one standard 9 volt transistor battery. When battery is weak the horn will emit an intermittent signal.
- Alarmed units are supplied with a micro switch, which monitors the push rail and the latch bolt for foolproof security on rim devices
- Alarm unit has a signal OC output that can be linked to external alarm control systems
- Easy removal of the alarm unit without the need to dismount the exit device for battery maintenance
- Unit includes "**EMERGENCY EXIT ONLY • ALARM WILL SOUND**" decal for application on door or unit

Rim Type Exit Devices

NALRM 2200 EO36 Alarm rim type 36" door (panic grade)
NALRM 2220 EO48 Alarm rim type 48" door (panic grade)
FNALRM 2200 EO36 Alarm rim type 36" door (fire grade)
FNALRM 2220 EO48 Alarm rim type 48" door (fire grade)

Vertical Rod Type Exit Devices

Prefix "NALRM" before PART#.

Power Supplies

Power supplies for electrified exit devices are available.
See page 65.

Trim Selection

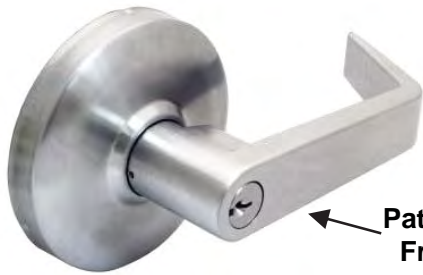


LEVER DESIGN

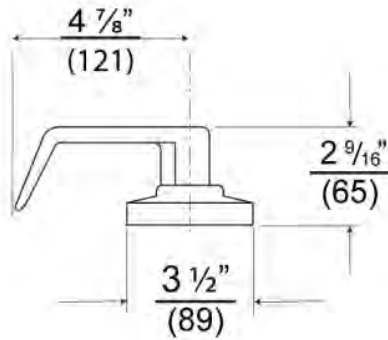
Non-handed Grade 1 (Clutch Style)

Cylindrical body hardened steel heavy duty tailpiece. For 1 3/4" and 2 1/4" doors. Prefix THI before PART# for 2 1/4" door thickness. Available for fire and non-fire rated rim and vertical rod exit devices. Rose diameter 3 1/2", lever length 4 3/4". Fits and covers 161 cutout.

Finishes: Architectural plated finishes.



Patented Clutch Freewheeling



- ENT00L or
- ICENT00L or
- ICSCENT00L4
- SARICENT00L (Sargent)
- RUSICENT00L (Corbin/Ruswin)
- YALICENT00L (Yale)
- 8000K

ENTRANCE
Key locks and unlocks lever. Operates as CLASSROOM FUNCTION. ANSI Function - 08
Ball Knob Keylock

- STR05L or
- ICSTR05L or
- ICSCSTR05L4
- SARICSTR05L (Sargent)
- RUSICSTR05L (Corbin/Ruswin)
- YALICSTR05L (Yale)

STOREROOM
Key operates lever, otherwise always locked. ANSI Function - 04

PAS30L

PASSAGE
Trim always operable and free. ANSI Function - 15

DUM40L

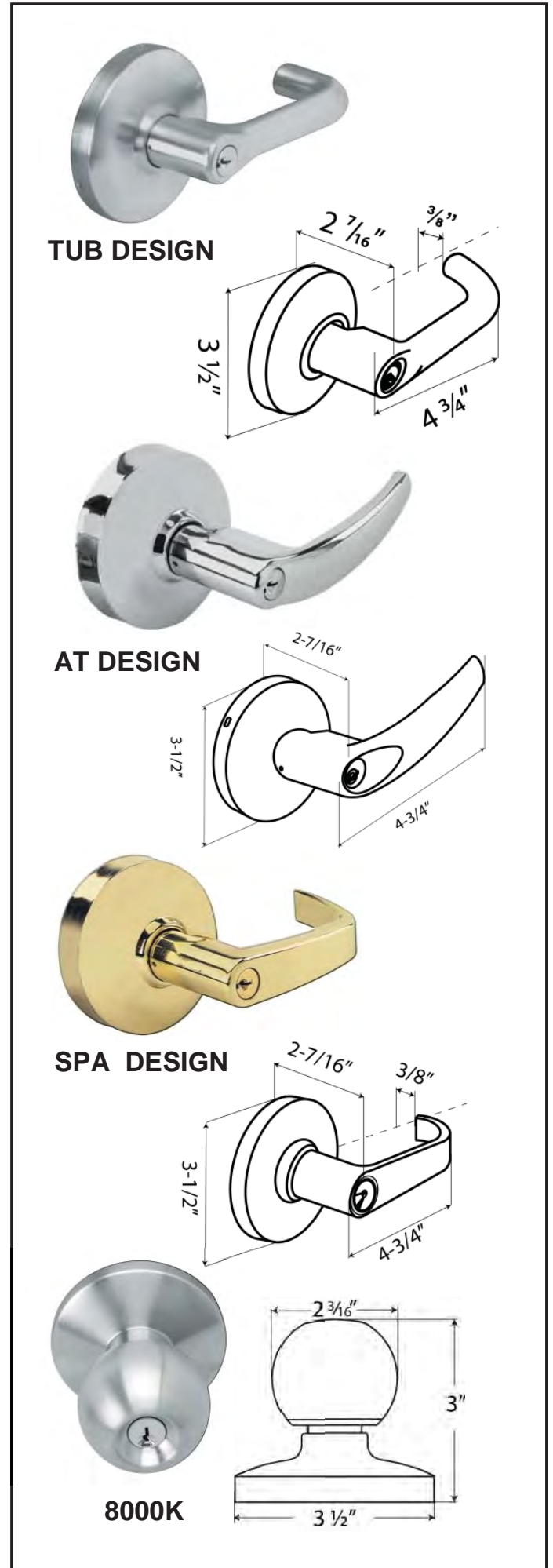
DUMMY
Dummy trim. One sided ANSI Function - 10

When ordering "AT" and "SPA" designs, prefix design name before PART#. Example: ENT00L in "AT" is **ATENT00L**.

KEYWAY: 6 pin solid brass "C" keyway standard. Optional: Schlage E, Schlage C-K, Ruswin D1-2-3-4, Corbin 59/60, Sargent LA-LB-LC, Falcon/Weiser E, Arrow A, Yale 8, Yale GA and Kwikset. Can also accept Medeco, Assa, Kaba and **Cal-Royal HSK** High Security Cylinders.

- (IC) INTERCHANGEABLE CORE**
Interchangeable Core locks will accept compatible 6 or 7 pin cores with BEST, FALCON and ARROW.
- (ICSC) INTERCHANGEABLE CORE:** Indicates function available with **Schlage Full size format** Interchangeable Core.

Other Lever Trim Designs



Trim Selection

ESCUTCHEON LEVER DESIGN

CONSTRUCTION

- Grade 1, thrubolted design, rigid non-clutch, Non handed design.
- Easily field reversible.
- Hardened steel heavy duty tailpiece. Available for fire and non-fire rated rim and vertical rod exit devices.

FINISHES

- Powder coated aluminum (alum)
- Powder coated dark bronze duranodic (duro)
- Powder coated gold

DOOR THICKNESS

Standard 1 3/4". For 2 1/4" thick door use additional PART# TAIL3.

ESCUTCHEON DIMENSIONS

2 3/4" width X 8 3/4" length. Lever length: 4 3/4".
Fits and covers 2 1/8" 161 cutout



NESC2200 or
ICNESC2200 or
ICSCNESC2200

ENTRANCE

Rigid Entrance, key locks or unlocks escutcheon trim.
ANSI FUNCTION (63) Operates as classroom function

NESC2205 or
ICNESC2205 or
ICSCNESC2205

STOREROOM

Rigid Storeroom, key unlocks lever, lever retracts latch bolt, otherwise always locked ANSI FUNCTION (04)

NESC2230

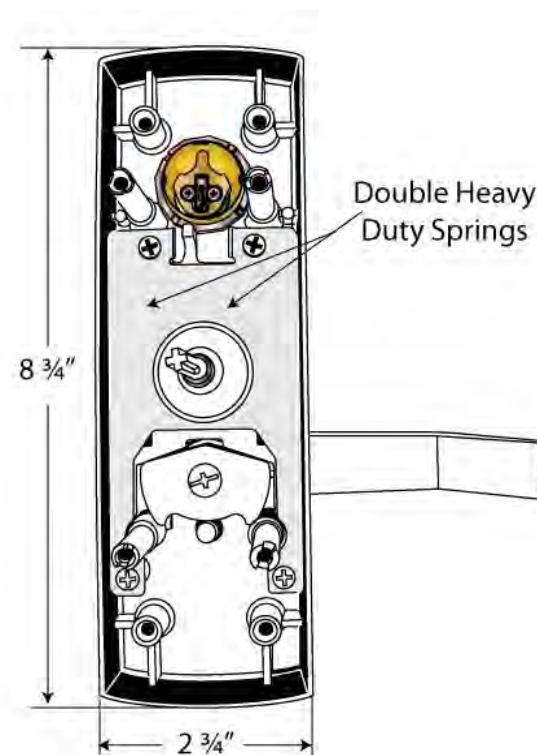
PASSAGE

Trim always operable and free
ANSI FUNCTION (62)

NESC2240

DUMMY

Dummy Escutcheon trim ANSI FUNCTION (10)



KEYWAY: 6 pin solid brass "C" keyway Mortise Cylinder standard.
Optional: Schlage E, Schlage C-K, Russwin D1-2-3-4, Corbin 59/60, Sargent LA-LB-LC, Falcon/Weiser E, Arrow A, Yale 8, Yale GA and Kwikset. Can also accept Medeco, Assa, Kaba and **Cal-Royal HSK** High Security Cylinders.

(IC) INTERCHANGEABLE CORE: Interchangeable Core locks will accept compatible 6 or 7 pin cores with BEST, FALCON and ARROW.

(ICSC) INTERCHANGEABLE CORE: Indicates function available with Schlage Full size format Interchangeable Core.

FOR ELECTRIFIED TRIM OPTIONS SEE PAGE 63

Trim Selection

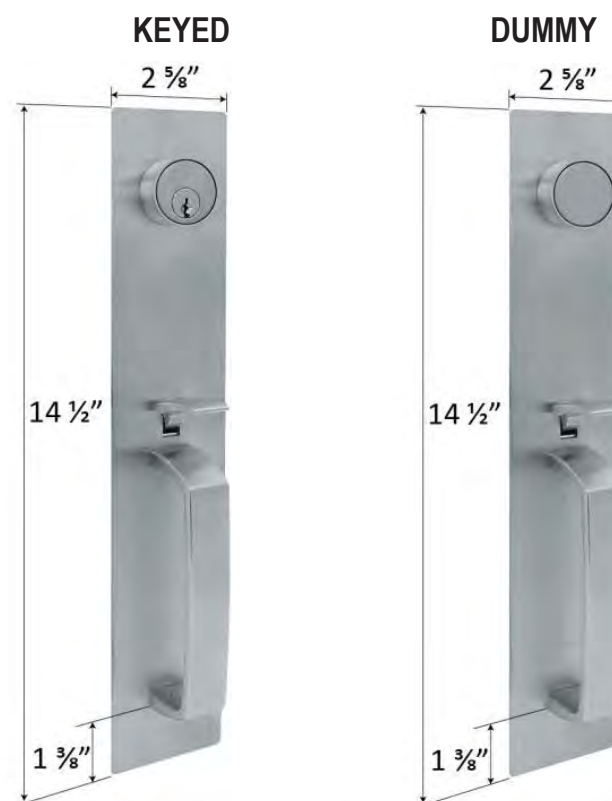
PULL DESIGN

<p>2200PULNL IC2200PULNL ICSC2200PULNL</p> <p>FOR RIM DEVICES ONLY Outside by pull and key. Key retracts latch bolt. ANSI function – 03. Covers 161 cutout. Standard Rim Cylinder available in “C” 6 pin & optional Kwikset KW keyways.</p>	<p>2200 NL IC2200NL ICSC2200NL</p> <p>FOR RIM DEVICES ONLY Outside by pull and key. Key retracts latch bolt. ANSI function – 03. Covers 161 cutout. Standard Rim Cylinder available in “C” 6 pin & optional Kwikset KW keyways.</p>	<p>2200DTP</p> <p>Outside by pull only. Pull when dogged. ANSI function - 02 Covers 161 cutout.</p>	<p>2200EOP</p> <p>Outside by plate only. ANSI function - 10 Covers 161 cutout.</p>	<p>8000K ENTRANCE</p> <p>Key locks and unlocks knob. Operates as classroom function. ANSI Function - 08</p>
---	--	---	---	---

THUMBPIECE TRIM

(OPERATES ON RIM & VERTICAL ROD DEVICES)

- | | |
|--|--|
| <p>THP00 or
 ICTHP00
 ICSCTHP00</p> | <p>ENTRANCE
 Key locks or unlocks thumbpiece.
 (Operates as classroom function)
 ANSI Function – 63</p> |
| <p>THP05 or
 ICTHP05
 ICSCTHP05</p> | <p>STOREROOM
 Key unlocks thumbpiece, thumbpiece retracts latch bolt, otherwise always locked. ANSI Function-04</p> |
| <p>THP30</p> | <p>PASSAGE
 Trim always operable and free.
 ANSI Function – 63</p> |
| <p>THP40</p> | <p>DUMMY
 Dummy trim. Includes blank Mortise dummy cylinder.
 ANSI function – 10</p> |



FINISHES

Powder coated Aluminum, Dark Bronze (DURO), Gold for PULL and THUMBPIECE TRIMS.

US32D,3,10B for 8000K knob trim.

KEYWAY: 6 pin solid brass “C” keyway Mortise Cylinder for Thumbpiece trims and standard key-in-knob cylinder for knob trim. Optional: Schlage E, Schlage C-K, Russwin D1-2-3-4, Corbin 59/60, Sargent LA-LB-LC, Falcon/Weiser E, Arrow A, Yale 8, Yale GA and Kwikset. Can also accept Medeco, Assa, Kaba and **Cal-Royal HSK** High Security Cylinders.

(IC) INTERCHANGEABLE CORE: Interchangeable Core locks will accept compatible 6 or 7 pin cores with BEST, FALCON and ARROW.

(ICSC) INTERCHANGEABLE CORE: Indicates function available with **Schlage Full size format** Interchangeable Core.

DOOR THICKNESS

Standard 1 3/4". For 2 1/4" thick door use additional PART# TAIL 7.

Electrified Lever Trim

Cal-Royal's electrified lever trim provides remote locking and unlocking capabilities while incorporating the patented clutch trim design. The 24V DC solenoid can be energized from a distant controller, thus allowing access control of the opening.

The control of stairwells in high-rise buildings is a common application for this trim, where electric pullback of the exit device's latch bolt is cost prohibitive or not required. This is especially practical in applications where fire/life safety codes require a "fail-safe" condition which is not an option with electrified latch pullback devices. Because the current draw is quite low there is no need for a more expensive power supply to provide the surge current.



Features

- Continuous duty solenoids used to insure trouble-free operation
- Internally mounted solenoid to ease installation (no special door prep required)
- No hassle 3-Year Warranty
- Requires additional door prep

Options

- Available Fail Safe (electrically locked) or Fail Secure (Electrically Unlocked)
- Voltage options – 12V or 24V (AC/DC)
- Request to Enter Switch (REE) available
- CRU2 – Current Reduction Unit to improve solenoid life in "continuously on" applications

Specifications

Solenoid.....Continuous Duty 24VDC

Operating Voltage....12 or 24VAC/DC + OR – 10% (must specify 12 or 24 volts when ordering)

Amperage.....260mA@12V / 160mA@24V

Coil Resistance.....12V=49Ω / 24V=159Ω

To order, Specify:

OPTIONS: FAIL SAFE (FS)
FAIL SECURE (FSE)

ITEM#	DESCRIPTION
FS12 ESC22	FS12 FAIL-SAFE OPTION 12V AC/DC
FS24 ESC22	FS24 FAIL-SAFE OPTION 24V AC/DC
FSE12 ESC22	FSE12 FAIL-SECURE OPTION 12V AC/DC
FSE24 ESC22	FSE24 FAIL-SECURE OPTION 24V AC/DC



(ELR) Electrical Latch Retraction

Our electrified latch pullback exit device allows for remote keyless access control in high occupancy/high traffic conditions where exit devices are required. Common applications include conditions such as hospitals, airports, schools, churches and they are commonly specified in applications that require automatic door openers. The device may be continuously energized allowing for a push/pull condition if desired.

Features:

- Available on 2200 Series, including rim, vertical rod, concealed vertical rod, fire and non-fire-rated devices.
- High-performance quality solenoids designed for demanding applications
- The PM200* interface power module (included) is programmed to meet the requirements of the specific exit device modification. It maximizes the efficiency and life of the solenoid, allows for a much longer wire run and may be used with 24VDC power supplies rated at 1/5A or greater
- Dual coil solenoids, or PWM programming, allow for either momentary or extended time latch retraction
- No hassle 3-Year Warranty

Specifications

- Voltage – 24VDC
- Amperage – Surge current – 6.5A for 150ms@24VDC / Holding – 250mA@24V
- Coil resistance – 3.7Ω

To order, specify:

- Prefix **ELR** before PART#

Signal Switch RX and LX

RX (request to exit) signal switch is used to signal the use of an opening from the push side. When the push pad is depressed, the switch is activated. These devices are equipped with an internal SPDT (single pole double throw) switch that monitors the touch bar.

LX (latch bolt monitoring) signal switch monitors both egress and access of an opening. When the latch bolt is retracted, the switch is activated. These devices are equipped with an internal SPDT (single pole double throw) switch that monitors the latch bolt position.

LX and **RX** switches can be combined.

LX, RX switches can be used in combination with **EL** (electric latch retraction) option.

Specifications

RX or **LX**.....Switch rated 0.5 amps @ 24VAC/DC resistive
Low current **RX** or **LX**.Switch rated 0.5 amps @ 24VAC/DC resistive
For Factory Installed:

To Order, Specify:

- Prefix: - **RX**.....Request to Exit switch for field installation
LX.....Latch bolt Monitoring switch for field installation
LXRX.....Latch bolt Monitoring/Request to Exit Combination

KABA® - Cal-Royal Combination

Cal-Royal's Exit hardware devices combined with Kaba InSync CP provide a variety of alternatives when addressing community access control. Recommended for applications such as controlling building entry openings, common area rooms and doors with exit devices. InSync CP are available as stand-alone battery operated door locks designed to work in conjunction with **Cal-Royal's Exit Hardware Devices**.

For inquiries and information on InSync line of products please visit www.kabamultihousina.com



POWER SUPPLIES FOR ELECTRIFIED EXIT DEVICES



The CRPS1N is a heavy duty, high quality, low cost solution for powering a single latch retracting exit device. The solid state design insures years of trouble-free operation. The power supply delivers raw, unregulated DC current which is ideal for the extreme in-rush requirement of most solenoid driven electric latch retracting exit devices. The power supply comes housed in a sturdy, yet compact metal enclosure.

CRPS1N



Features:

- Power supply delivers the necessary high current in-rush for a single exit device
- Solid-state design eliminates problems associated with mechanical relays
- Single input/output

Specifications:

- Input voltage – 120 VAC
- Output voltage – 24 VDC unregulated @ 1A
- Temperature range – 0 to 120F
- 1 Solid-State input/output (input triggered by dry contact)
- LEDs – RED = Power indicator
GREEN = Channel on
- Enclosure dimensions: 10" x 10" x 4"

The CRPS2 Series power supplies are high quality, cost effective solution for powering two electric latch-retracting exit devices. These power supplies provide the necessary surge current that most latch-retracting exit devices require. The CRPS2 Series offers features found on power supplies costing much more; and the solid-state design and careful attention to detail make the CRPS2 Series ideal choice for the discerning user who requires a power supply that can offer years of trouble-free operation.

CRPS2 CRPS2BB



Features:

- Delivers the necessary in-rush current to power two latch pullback exit devices.
- Two independent inputs/outputs
- Solid-state design eliminates mechanical problems associated with relays
- Thermal overload sensing reduces risk of failure due to overheating
- Fire alarm disconnect link
- Inputs triggered by dry contact
- Intelligent short circuit detection detects shorts much faster than fuses and isolates the short to the individual output
- Removable Euro-style terminal blocks allow for easy installation
- UL Pending at time of print
- No hassle 3-Year Warranty

Additional Features (CRPS2BB Only):

- Efficient battery backup/charging circuitry with zero voltage drop at power loss
- Solid state reverse polarity protection for battery connections
- Audible alert when sensing AC power failure & low battery (batteries not included)
- Output Voltage – 24 VDC unregulated @ 2.3A
- Enclosure dimensions: 12.5" x 15" x 4"

Specifications:

- Input Voltage – 120 VAC
 - Output Voltage – 24 VDC unregulated @ 2A**
 - Temperature Range – 0 to 120 F
 - 1 Solid-State input/output (input triggered by dry contact)
 - LEDs – Red = Power indicator
GREEN = Channel on
 - Enclosure dimensions: 10" x 10" x 4" **
- **CRPS2 only

The CRSW3 power supply is a low cost, regulated switching power supply. It is designed specifically to supply power to low current DC devices such as mortise locks, cylindrical locks and electric strikes. The CRSW3 supplies 2.4A @ 27VDC and provides (3) non-fused outputs. The CRSW3 comes housed in a 10" x 10" x 4" sturdy metal enclosure.

CRSW3



Features:

- Adjustable output voltage (22-27V under load)
- No hassle 3-Year Warranty

Specifications:

- Input voltage – 110 or 240VAC
- Output voltage – 2.4A @ 27VDC
- (3) Non-fused outputs
- Enclosure dimensions : 10" x 10" x 4"

Strikes & Accessories

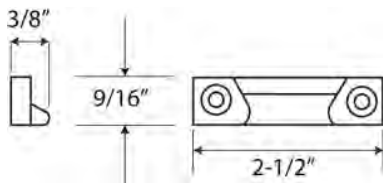


Strikes for use with 2260 vertical rod exit device

All strikes are black nylon coated

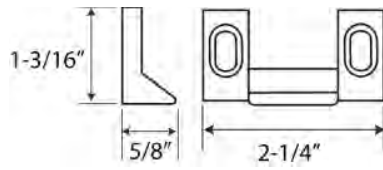
221

Standard for 2260. Applied to surface of floor or to a flat threshold. Standard packaging.



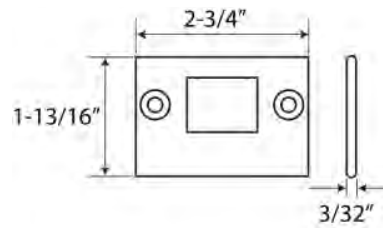
227

Applied to surface of stop. No mortise required. Standard packaging.



233

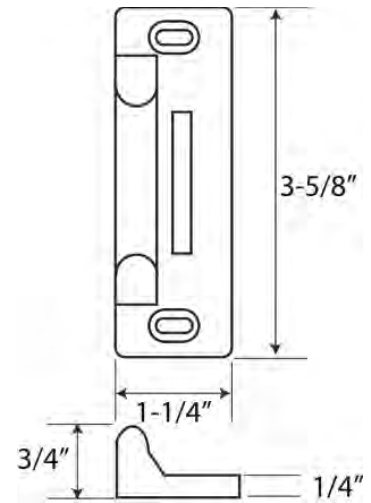
Bottom strike. Alternate bottom strike. Flush mounting stainless steel. Furnished with expansion shields. Requires mortise in the floor.



Strikes for use with 2200 rim type exit device

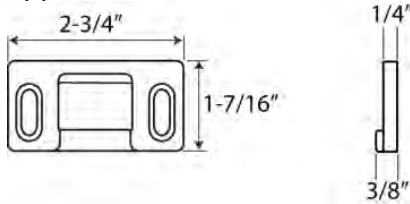
239

For 2200 & F2200 surface applied. Standard packaging



RIM238

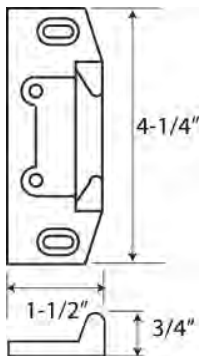
Strike for 2 3/8" Backset Application



Strikes for use with F2260 vertical rod fire rated exit device

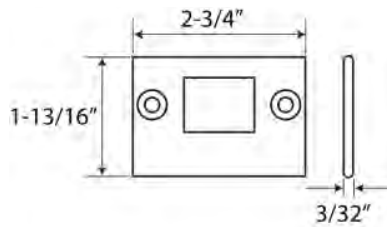
245

Surface applied for F2260. Standard packaging.



233

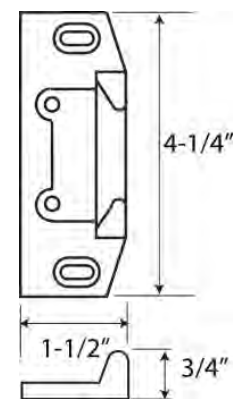
Bottom strike for F2260. Flush mounting stainless steel. Furnished with expansion shields. Requires mortise in the floor. Standard packaging.



Strike for use with F2200 rim fire exit device

245

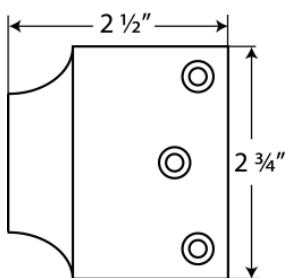
For F2200 surface applied. Standard packaging.



Overlapping Strikes

N251

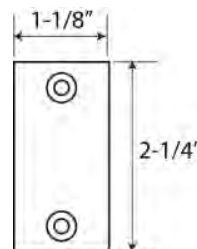
Surface applied. Used on inactive leaf for device on active leaf of pair of doors without mullion



Additional Accessories

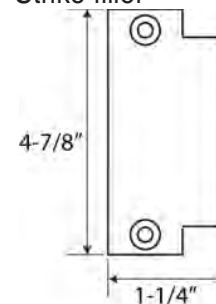
LFF

Lock front filler



SF

Strike filler

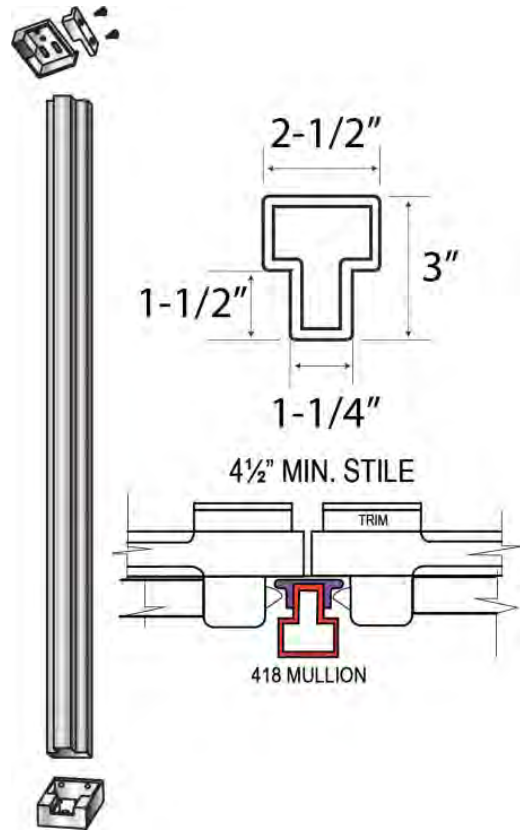


Accessories



MULLIONS

418 – Removable mullion Aluminum painted (Prime coat) includes top and bottom retainer supplied as a stock 96" for non-fire rated applications.



Electric lockable mullions are available on request.

Additional Rods

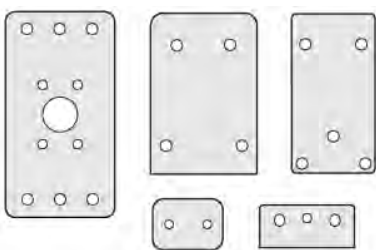
Vertical Rods for 10 feet high doors available on non-fire rated vertical rod devices only.
Use PART# **VRRD-10**

KEYWAYS: 6 pin solid brass "C" keyway standard. Optional: Schlage E, Schlage C-K, Russwin D1-2-3-4, Corbin 59/60, Sargent LA-LB-LC, Falcon/Weiser E, Arrow A, Yale 8, Yale GA and Kwikset. Can also accept Medeco, Assa, Kaba and **Cal-Royal HSK** High Security Cylinders.

GLASS BEAD SHIM KITS

- 401 – For rim type, 1/8" thick
- 406 – For vertical type, 1/8" thick
- 412 – For fire rated type, 1/8" thick

When exit devices are used with shim kits with outside trim, spindle length thumbpiece and thru bolt length must be increased accordingly.



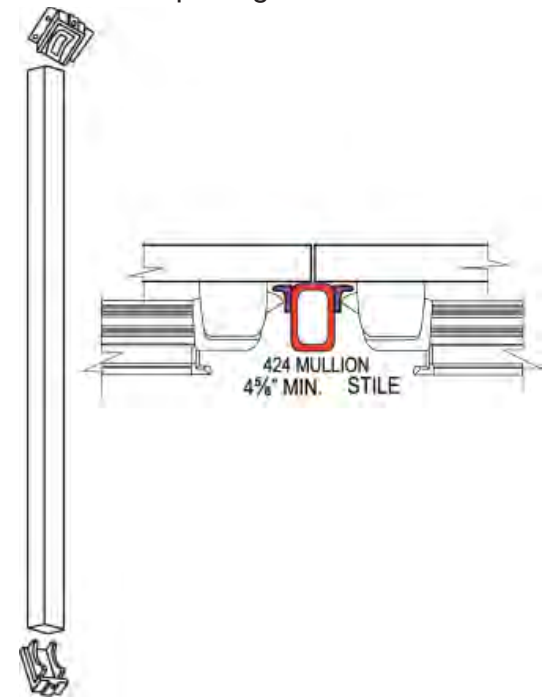
LCK418 – Lockable Removable mullion Aluminum painted (Prime coat) includes top and bottom retainer supplied as a stock 96" for non-fire rated applications.

ICLCK418 - Interchangeable core locks will accept compatible 6 or 7 pin cores with BEST, FALCON and ARROW.

ICSLCK418 - Indicates function available with **Schlage Full size format** Interchangeable Core.



424 – Fire exit mullion. 2" x 3" steel tubing round corner, iron construction with iron top and bottom retainers. To be used with two rim type devices on two independent active doors with full double door openings.



CYLINDER DOGGING KITS

TO ORDER: Prefix "CD" before PART#. Available for all 2200 Series devices except fire exit hardware. Cylinder dogging with mortise cylinder is located on the mounting insert lock bolt in retracted position.

To order **KIT ONLY:** use PART# **36CD2200** for 36" and **48CD2200** for 48" devices. Specify finish.

STANDARD HEX DOGGING KIT

(For non-rated Panic Bar)

PART# **DOGGINGKIT** (2200 Series)



Fire Exit Hardware Selector



FIRE EXIT HARDWARE			UL DOOR RATING
APPLICATION	MODEL #	MAXIMUM DOOR OPENING	(A) 3 HOUR
SINGLE DOORS Rim type	F2200EO36 F2220EO48	4'0" X 8'0"	✓
PAIRS OF DOORS Two surface mounted standard vertical rod type or less bottom rod (LBR) application. Prefix LBR before PART#	F2260V3684 X F2260V3684	8'0" X 7'2"	✓
a) Swinging in same direction b) Swinging in opposite direction (double egress)	F2290V3696 X F2290V3696 F2280V4896 X F2280V4896	8'0" X 8'0"	✓
PAIRS OF DOORS Two rim type with Mullion	F2200EO36 F2220EO48	8'0" X 8'0"	✓

All fire rated exit devices in all applications, are also labeled for (B) 1 ½ hour, (C) ¾ hour, (D) 1 hour, (E) ¾ hour.
All fire exit hardware meet UL10C and UBC 7-2-1997 codes.

HOW TO ORDER INFORMATION

Exit device model number

Panic grade

2200 EO36 Rim type 36" door

2220 EO48 Rim type 48" door

2260 V3684 Vertical rod type 36" x 84"

2290 V3696 Vertical rod type 36" x 96"

2280 V4896 Vertical rod type 48" x 96"

VRRD10 – Rod for 10' non-rated door

Fire grade

F2200 EO36 Rim type 36" door

F2220 EO48 Rim type 48" door

F2260 V3684 Vertical rod type 36" x 84"

F2290 V3696 Vertical rod type 36" x 96"

F2280 V4896 Vertical rod type 48" x 96"

- 1) Specify exit device model number according to size of door.
- 2) Specify trim selection. For interchangeable core prefix "IC" before PART#.
- 3) For vertical rod devices specify LHR (Left Hand Reverse) or RHR (Right Hand Reverse) for convenience easily field reversible, otherwise shipped as LHR.
- 4) Specify finish:
Alum - Powder coated to match US26D
Duro - Powder coated to match US10B
Gold - Powder coated to match US4, US3
- 5) On thru bolt applications, fire rated vertical rod devices are packed with thru bolts as standard feature. Thru bolts are also available for other devices. To order thru bolts add "SBN" to trim pack.

When ordering separately use following PART#

Cal-Royal PART# 357 — Thru bolts for rim devices, 6 PCs / pack.

Cal-Royal PART# 369 — Thru bolts for vertical rod devices, 14 PCs / pack.

Cal-Royal PART# 363 — Thru bolts for rim devices, 6 PCs / pack for 2 ¼" thick doors.

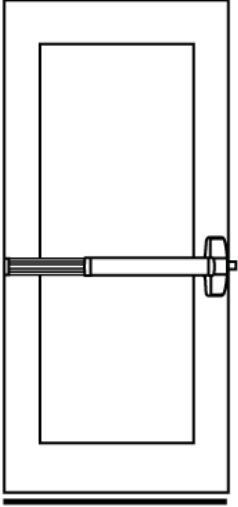
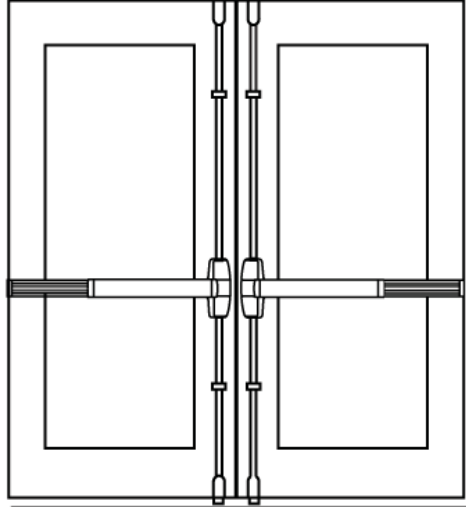
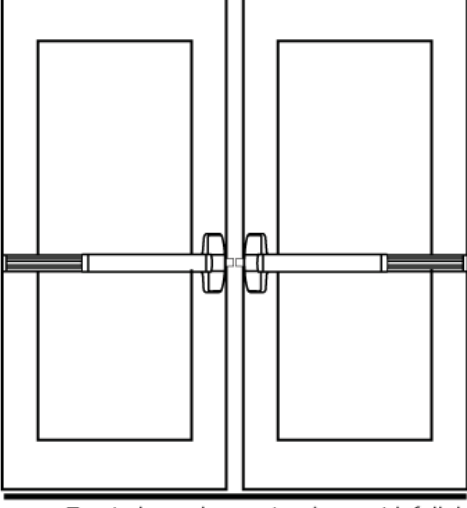
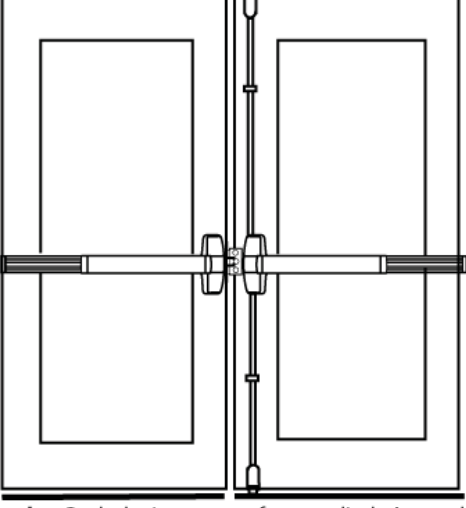
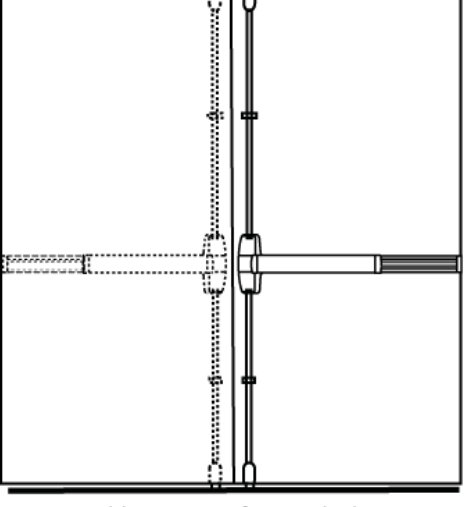
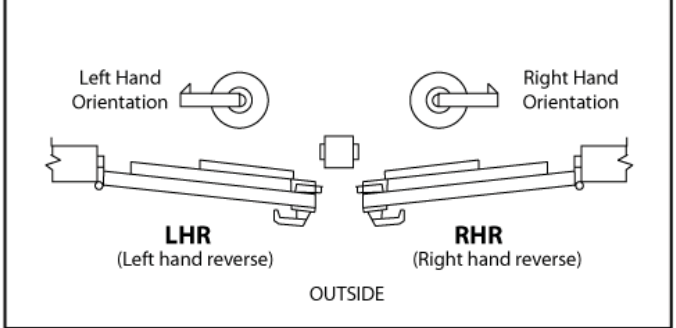
Cal-Royal PART# 375 — Thru bolts for vertical rod devices, 14 PCs / pack for 2 ¼" thick doors.

Ordering example: 2200EO36 ALUM X SBN X ENT00L 26D
F2280V4896 DURO X ICSTR05L 10B

2200 & F2200 Rim Type and Fire Exit Devices 2260 & F2260 Vertical Rod and Fire Exit Devices ANSI A156.3 Grade 1



Selector Chart

<p style="text-align: center;">SINGLE DOOR</p>  <p>Vertical rod type or Rim type Surface applied 2 point lock. Surface application.</p>	<p style="text-align: center;">PAIR OF DOORS WITHOUT MULLION</p>  <p>2 Vertical rod type Surface applied 2 point locking both doors. Each door active same direction. Do not use with overlapping astragal.</p>
<p style="text-align: center;">PAIR OF DOORS WITH MULLION</p>  <p>2 Rim type with mullion Two independent active doors with full double door openings when required. Same direction.</p>	<p style="text-align: center;">PAIR OF DOORS WITHOUT MULLION</p>  <p>1 Vertical rod and 1 rim type Both devices are surface applied. A coordinator and overlapping strike is recommended.</p>
<p style="text-align: center;">PAIR OF DOORS WITHOUT MULLION</p>  <p>2 Vertical rod type Double egress surface applied. 2 point locking both doors opposite directions.</p>	<p style="text-align: center;">HANDING</p>  <p>Left Hand Orientation Right Hand Orientation</p> <p>LHR (Left hand reverse) RHR (Right hand reverse)</p> <p style="text-align: center;">OUTSIDE</p> <p>CAL-ROYAL PRODUCTS, INC. 6605 FLOTILLA ST., COMMERCE, CA 90040 U.S.A. TEL: (323) 888-6601 FAX: (323) 888-6699 Website: cal-royal.com * Email: sales@cal-royal.com</p>

EXIT DEVICES COMPARISON CHART

RIM EXIT DEVICE CONVERSIONS	RIM	VERTICAL ROD	RIM	VERTICAL ROD
ARROW	S1200	S1100	S3800	S3700
CAL-ROYAL	2200	2260	9800	9860
CORBIN/RUSSWIN	ED8200	ED8400	ED5400	ED4750
DORMA	8300	8400	9300	9400
PRECISION	5100	5200	2100	2200
SARGENT	2828	2727	8800	8700
VON DUPRIN	22	2227	98	9827
YALE	2100	2110	7100	7110

RIM EXIT DEVICE CONVERSIONS	RIM	VERTICAL ROD	RIM	VERTICAL ROD
ARROW	---	---	1800	---
CAL-ROYAL	7700	7760	4400	---
CORBIN/RUSSWIN	---	---	ED6000	---
DETEX	---	---	---	---
DORMA	---	---	---	---
PRECISION	---	---	100	200
SARGENT	---	---	9898	---
VON DUPRIN	99	9927	---	---
YALE	---	---	1500	1510



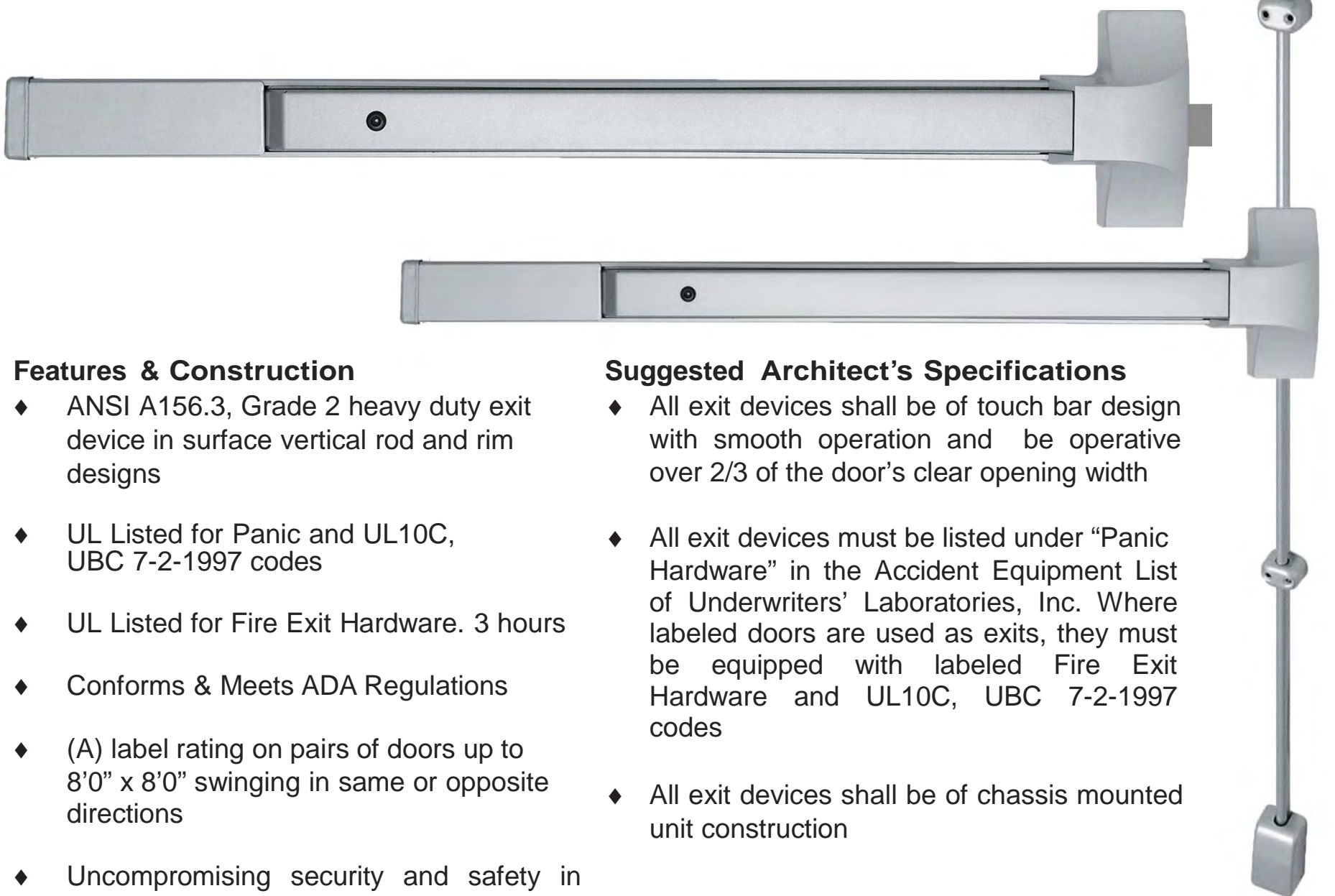
Distributed by:



CAL-ROYAL
P R O D U C T S, I N C.



**5000 & F5000 Rim Type Panic And Fire Exit Devices
5000V & F5000V Vertical Rod Panic And Fire Exit Devices
ANSI A156.3, Grade 2**



Features & Construction

- ◆ ANSI A156.3, Grade 2 heavy duty exit device in surface vertical rod and rim designs
- ◆ UL Listed for Panic and UL10C, UBC 7-2-1997 codes
- ◆ UL Listed for Fire Exit Hardware. 3 hours
- ◆ Conforms & Meets ADA Regulations
- ◆ (A) label rating on pairs of doors up to 8'0" x 8'0" swinging in same or opposite directions
- ◆ Uncompromising security and safety in single and double fire exit doors
- ◆ Chassis mounted unit construction
- ◆ Available in standard functions. Lever and knob trims are grade 2 construction with optional clutch freewheeling mechanism. Rose covers 161 cut out

Suggested Architect's Specifications

- ◆ All exit devices shall be of touch bar design with smooth operation and be operative over 2/3 of the door's clear opening width
- ◆ All exit devices must be listed under "Panic Hardware" in the Accident Equipment List of Underwriters' Laboratories, Inc. Where labeled doors are used as exits, they must be equipped with labeled Fire Exit Hardware and UL10C, UBC 7-2-1997 codes
- ◆ All exit devices shall be of chassis mounted unit construction

**Lifetime
Warranty**

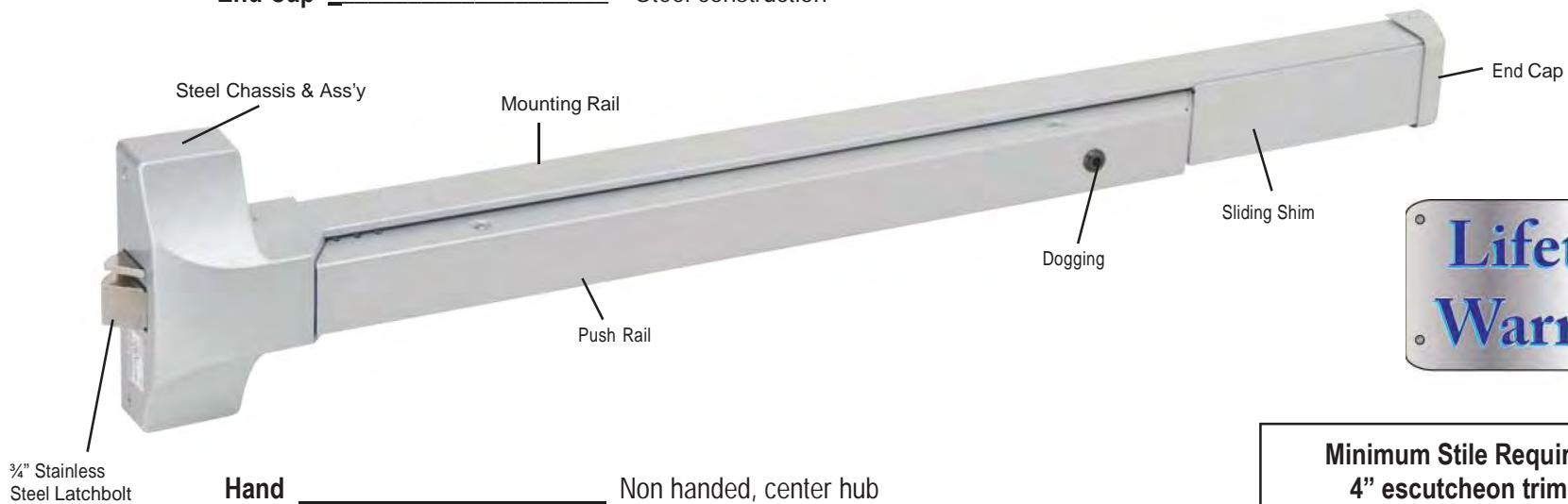
5000 & F5000 Series

Rim Type Exit Device



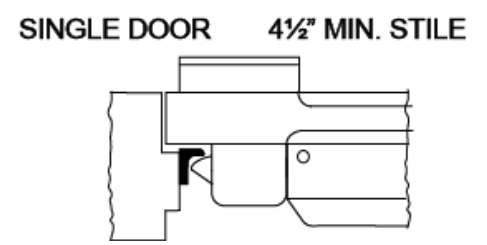
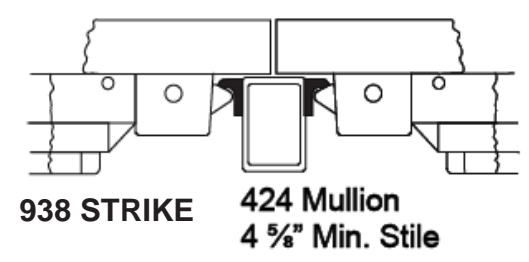
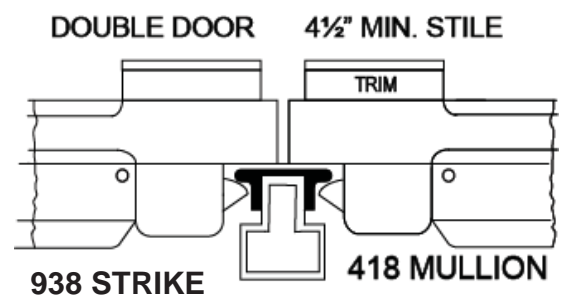
Specifications

For Doors _____	1 3/4" thick standard 3 3/4" minimum stile width required for single or double door application using standard 938 strike and pull or lever trims
Chassis _____	Steel (Panic Grade), steel (Fire Grade)
Cover _____	Covers stock hollow metal doors with 161-cutout
Mounting _____	Furnished standard with wood and machine screws. Available with thru bolts on request. Thru bolts are standard packaging on fire rated devices
End Cap _____	Steel construction



Hand _____	Non handed, center hub
Latch Bolt _____	Stainless steel 3/4" throw
Spring _____	Steel throughout
ANSI Standard _____	A156.3, Grade 2
Rail Assembly _____	Heavy gauge steel, painted
Strike _____	938 packed standard (See strike page)
Dogging Feature _____	Allen-type key furnished standard on non-fire labeled devices
Mullion _____	Available
UL and ULC Listed _____	5000 Series for panic. F5000 Series for fire exit hardware for all types of 3' x 7' single doors and 6' x 7' double doors for up to 3 hour fire labeled installations, conforms to standards UL10C and UBC 7-2-1997 codes
Finish _____	Aluminum (ALUM), Stainless Steel (US32D)

Minimum Stile Requirements
4" escutcheon trims and
4 1/2" for thumbpiece and rose trims



DIMENSIONS

Touchbar height to finished floor	41" (1041mm) at center
Touchbar projection	
neutral	2 1/2" (64mm)
depressed	1 3/4" (45mm)

MODEL SIZE	ACTUAL LENGTH	MAXIMUM CUT DOWN	DOOR SIZE
5000EO36 and F5000EO36	32"	6"	30" to 36" door width
5000EO48 and F5000EO48	39"	12"	31" to 48" door width



CAL-ROYAL

P R O D U C T S, I N C.



T5000 & TF5000 Rim Type Panic And Fire Exit Devices T5000V & TF5000V Vertical Rod Panic And Fire Exit Devices

MADE IN TAIWAN
ANSI A156.3, Grade 2

MEETS
The Buy American Act



Features & Construction

- ◆ ANSI A156.3, Grade 2 heavy duty exit device in surface vertical rod and rim designs
- ◆ UL Listed for Panic and ULC10C, UBC 7-2-1997 codes
- ◆ UL Listed for Fire Exit Hardware. 3 hours
- ◆ Conforms and Meets ADA Regulations
- ◆ (A) label rating on pairs of doors up to 8'0" x 8'0" swinging in same or opposite directions
- ◆ Uncompromising security and safety in single and double fire exit doors
- ◆ Chassis mounted unit construction.
- ◆ Available in standard functions. Lever and knob trims are grade 1 construction with optional clutch freewheeling mechanism. Rose covers 161 cut out

Suggested Architect's Specifications

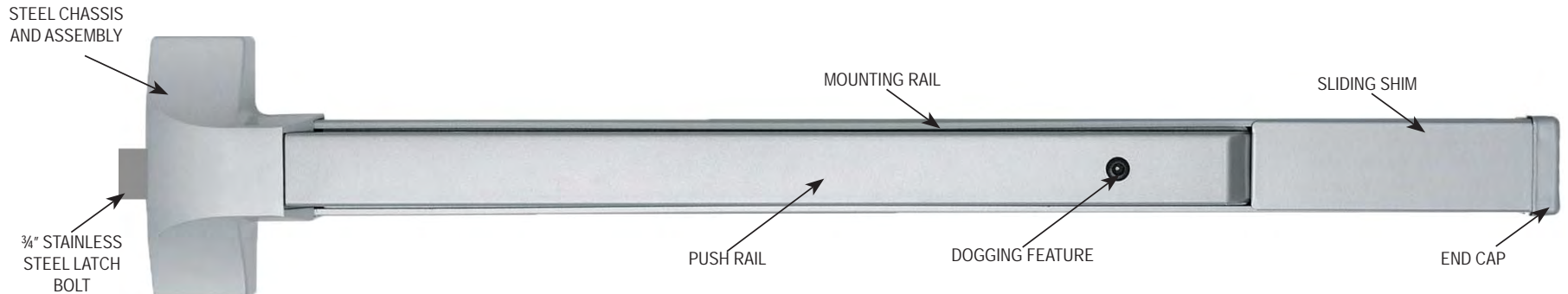
- ◆ All exit devices shall be of touch bar design with smooth operation and be operative over $\frac{2}{3}$ of the door's clear opening width
- ◆ All exit devices must be listed under "Panic Hardware" in the Accident Equipment List of Underwriters' Laboratories, Inc. Where labeled doors are used as exits, they must be equipped with labeled Fire Exit Hardware and UL10C, UBC 7-2-1997 codes
- ◆ All exit devices shall be of chassis mounted unit construction

**Lifetime
Warranty**

T5000 & TF5000 Series

MADE IN TAIWAN

GRADE 2 Rim Type Exit Device



Specifications

For Doors.....	1 3/4" thick standard 3 3/4" minimum stile width required for single or double door application using standard 938 strike and pull or lever trims
Chassis.....	Steel (Panic Grade), Steel (Fire Grade)
Cover.....	Covers stock hollow metal doors with 161-cutout
Mounting.....	Furnished standard with wood and machine screws. Available with thru bolts on request. Thru bolts are standard packaging on fire rated devices
End Cap.....	Steel construction
Hand.....	Non-handed, center hub
Latch Bolt.....	Stainless steel 3/4" throw
Spring.....	Steel throughout
ANSI Standard.....	A156.3, Grade 2
Rail Assembly.....	Heavy gauge steel, painted
Strike.....	938 packed standard (See strike page)
Dogging Feature.....	Allen-type key furnished standard on non-fire labeled devices
Mullion.....	Available
UL and ULC Listed.....	T5000 Series for panic. TF5000 Series for fire exit hardware for all types of 3' x 7' single doors and 6' x 7' double doors for up to 3 hour fire labeled installations, conforms to standards UL10C and UBC 7-2-1997 codes
Finish.....	Aluminum (ALUM), Stainless Steel (US32D)



Minimum Stile Requirements
4" escutcheon trims and 4 1/2" for thumbpiece and rose trims

SINGLE DOOR 4 1/2" MIN. STILE

Minimum Stile Requirements
Double Door with Two Vertical Rod Type Exit Devices

3 1/2" MIN. STILE

DIMENSIONS

Touchbar height to finished floor 41" (1041mm) at center

Touchbar projection

Neutral	2 1/2" (64mm)
Depressed	1 3/4" (45mm)

MODEL	ACTUAL LENGTH	MAX CUT DOWN	DOOR SIZE
T5000EO36 and TF5000EO36	32"	6"	30" to 36" door width
T5000EO48 and TF5000EO48	39"	12"	31" to 48" door width

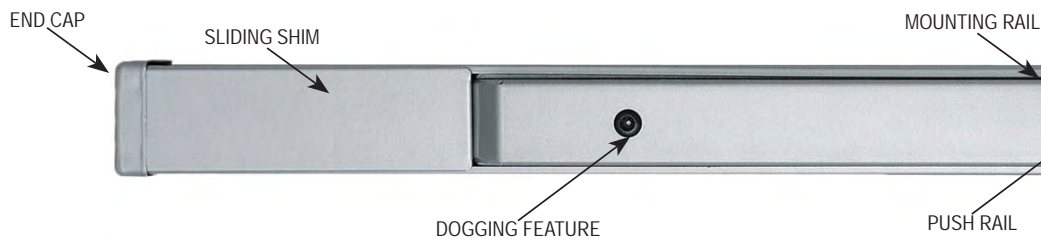
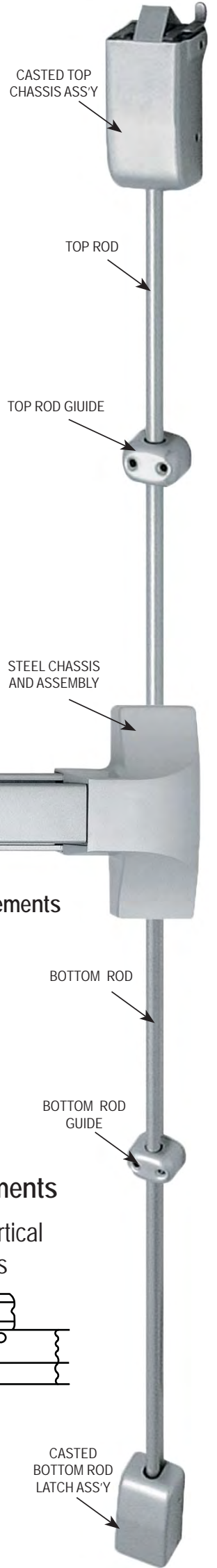
T5000V & TF5000V Series MADE IN TAIWAN



GRADE 2 Vertical Rod Type Exit Device

Specifications

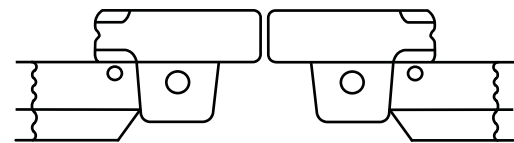
For Doors.....	1 3/4" thick standard. 3 3/4" minimum stile width required for single door application. 3 1/2" minimum stile width required for double door application. Lever and knob trims available
Top & Bottom Chassis.....	Steel (Panic Grade), steel (Fire Grade)
Cover.....	Covers stock hollow metal doors with 161 cutout
Mounting.....	Furnished standard with wood and machine screws. Thrubolts are standard packaging on fire rated devices
End Cap.....	Steel construction
Hand.....	Non-Handed
Latch Bolt & Spring.....	Stainless steel
ANSI Standard.....	A156.3, Grade 2
Rail Assembly.....	Heavy gauge steel, painted
Strike.....	See strike page
Dogging Feature.....	5mm Allen-type key furnished standard on non-fire labeled devices
UL and ULC Listed.....	T5000V Series for panic. TF5000V Series for fire exit hardware for all types of 6' x 7' double doors for up to 3 hour fire labeled installations, conforms to standards UL10C and UBC 7-2-1997 codes
Finish.....	Aluminum (Alum), US32D Stainless Steel
Door size.....	T5000V3684 and TF5000V3684 for 36" x 84" doors



4 1/2" Minimum Stile Requirements

Minimum Stile Requirements

Double Door with Two Vertical Rod Type Exit Devices



3 1/2 MIN. STILE

DIMENSIONS

Touchbar height to finished floor	41" (1041mm) at center		
Touchbar projection			
Neutral	2 1/2" (64mm)		
Depressed	1 3/4" (45mm)		
Panic grade top & bottom latch case	8 1/16" x 2 3/4" x 2 1/2" (205mm x 70mm x 63mm)		
Fire grade top latch case	3 15/16" x 2 11/16" x 2 1/16" (100mm x 68mm x 52mm)		
Fire grade bottom latch case	3 15/16" x 2 1/8" x 1 3/8" (100mm x 54mm x 35mm)		
Top and bottom rod length for 36" x 84" doors	Top rod 45" (1143mm), Bottom rod 37 1/2" (953mm)		
Vertical rods	1/2" (13mm) Round tubing		
MODEL SIZE	ACTUAL LENGTH	MAX CUT DOWN	DOOR
T5000V3684	32"	6"	30" to 36" door width
TF5000V3684			

Trim Selection



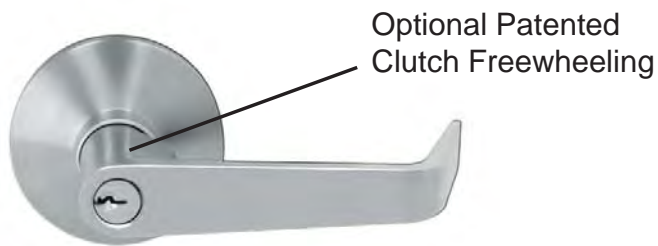
LEVER DESIGN

Non handed (Optional Clutch)

Tubular body hardened steel heavy duty tailpiece. For 1 3/4" doors. Available for fire and non-fire rated rim and vertical rod exit devices.

Rose diameter 3 1/2", lever length 4 3/4". Fits and covers 161 cutout.

Finishes: US26D, 10B, 3



KNOB DESIGN

Non handed

Tubular body hardened steel heavy duty tailpiece. For 1 3/4" doors. Available for fire and non-fire rated rim and vertical rod exit devices.

Rose diameter 3 1/2". Fits and covers 161 cutout.

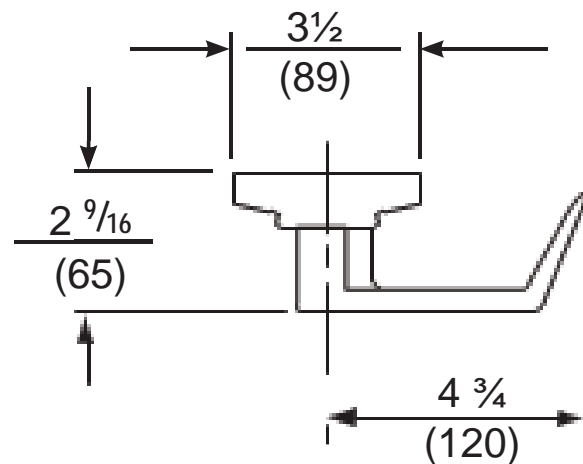
Finishes: US32D, 10B, 3



8000/L ENTRANCE
Key locks and unlocks lever. Operates as classroom function. ANSI Function - 08

8000/K ENTRANCE
Key locks and unlocks lever. Operates as classroom function. ANSI Function - 08

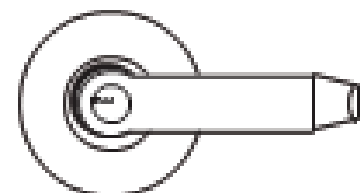
CLU5000L CLUTCH FREE WHEELING (ENTRANCE)
Key locks and unlocks lever. Operates as classroom function. ANSI function - 08



8000/S STOREROOM
Key retracts latchbolt, otherwise always locked. ANSI function - 04

8000/PAS PASSAGE
Lever always operable and free. ANSI function - 15

8000/DUM DUMMY
Dummy trim. One sided. ANSI function - 10



KEYWAY: 6 pin solid brass "C" keyway standard. Optional: Schlage E, Schlage C-K, Russwin D1-2-3-4, Corbin 59/60, Sargent LA-LB-LC, Falcon/Weiser E, Arrow A, Yale 8, Yale GA and Kwikset. Can also accept Medeco, Assa, Kaba and **Cal-Royal HSK** High Security Cylinders.

PULL DESIGN

FOR RIM DEVICES ONLY

Outside by pull and key. Key retracts latchbolt. ANSI function - 03. Covers 161 cutout.

FINISHES

Powder Coated Aluminum (ALUM)

5000NL



5000DTP



Outside by pull only. Pull when dogged. ANSI function - 02. Covers 161 cutout.

5000EOP



Outside by plate only. ANSI function - 10. Covers 161 cutout.

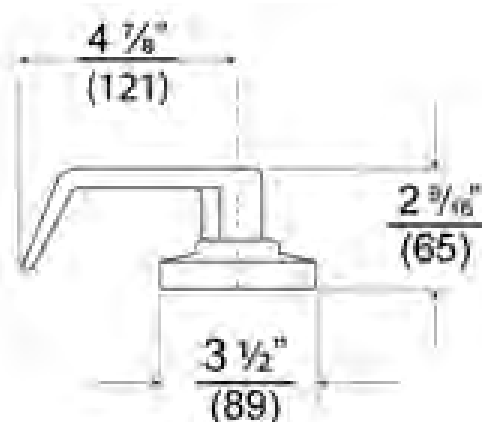
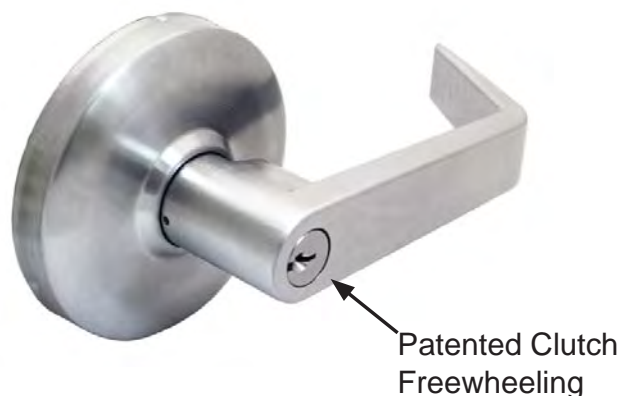
Optional Grade 1 Trims



Non-handed Grade 1 (Clutch Style)

Cylindrical body hardened steel heavy duty tailpiece. For 1 3/4" and 2 1/4" doors. Prefix THI before part # for 2 1/4" door thickness. Available for fire and non fire rated rim and vertical rod exit devices. Rose diameter 3 1/2", lever length 4 3/4". Fits and covers 161 cutout.

Finishes: Architectural plated finishes.



- ENT00L or
- ICENT00L or
- ICSCENT00L4
- SARICENT00L (Sargent)
- RUSICENT00L (Corbin/Ruswin)
- YALICENT00L (Yale)
- 8000K

ENTRANCE
Key locks and unlocks lever. Operates as CLASSROOM FUNCTION. ANSI Function – 08
Ball Knob Keylock

- STR05L or
- ICSTR05L or
- ICSCSTR05L4
- SARICSTR05L (Sargent)
- RUSICSTR05L (Corbin/Ruswin)
- YALICSTR05L (Yale)

STOREROOM
Key operates lever, otherwise always locked. ANSI Function – 04

PAS30L

PASSAGE
Trim always operable and free. ANSI Function - 15

DUM40L

DUMMY
Dummy trim. One sided ANSI Function – 10

When ordering "AT" and "SPA" designs, prefix design name before part #. Example: ENT00L in "AT" is **ATENT00L**.

KEYWAY: 6 pin solid brass "C" keyway standard. Optional: Schlage E, Schlage C-K, Ruswin D1-2-3-4, Corbin 59/60, Sargent LA-LB-LC, Falcon/Weiser E, Arrow A, Yale 8, Yale GA and Kwikset. Can also accept Medeco, Assa, Kaba and **Cal-Royal HSK** High Security Cylinders.

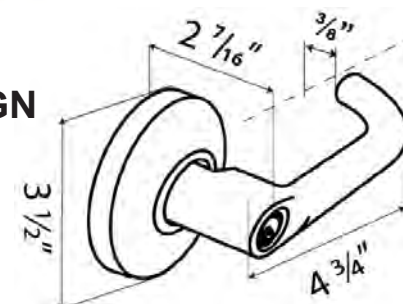
● (IC) **INTERCHANGEABLE CORE:** Interchangeable Core locks will accept compatible 6 or 7 pin cores with BEST, FALCON and ARROW

● (ICSC) **INTERCHANGEABLE CORE:** Indicates function available with Schlage Full size format Interchangeable Core

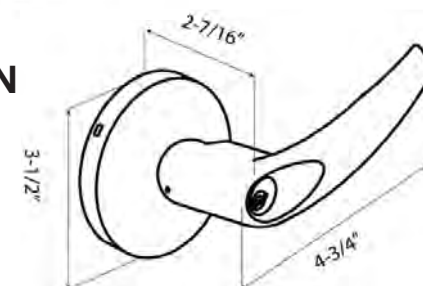
Other Lever Trim Designs



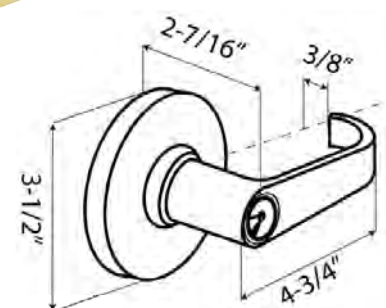
TUB DESIGN



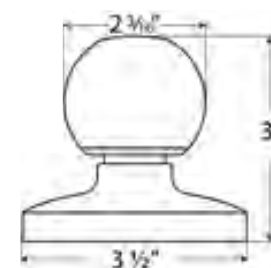
AT DESIGN



SPA DESIGN



8000K

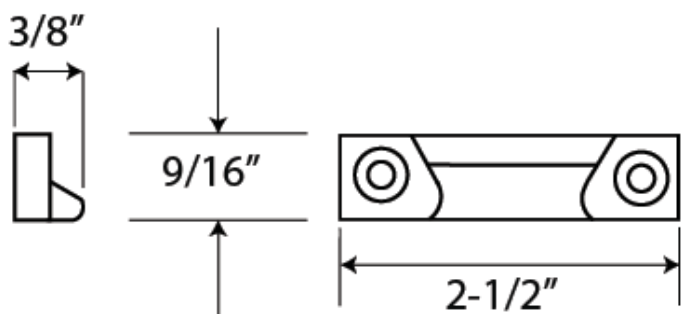


Strikes & Accessories



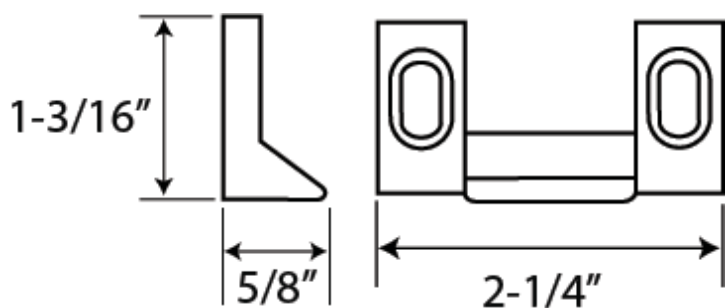
Strikes for use with T5000V vertical rod exit device

All strikes are black nylon coated



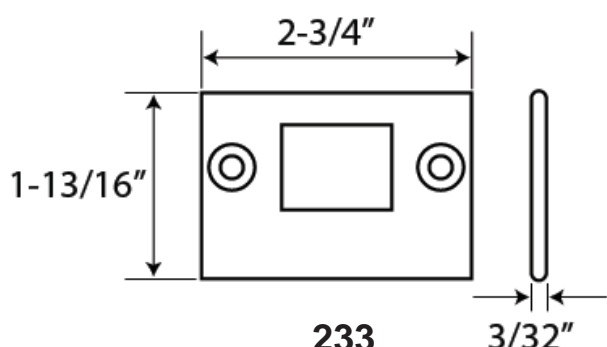
221

Standard for T5000V. Applied to surface of floor or to a flat threshold. Standard packaging.



227

Applied to surface of stop. No mortise required. Standard packaging.

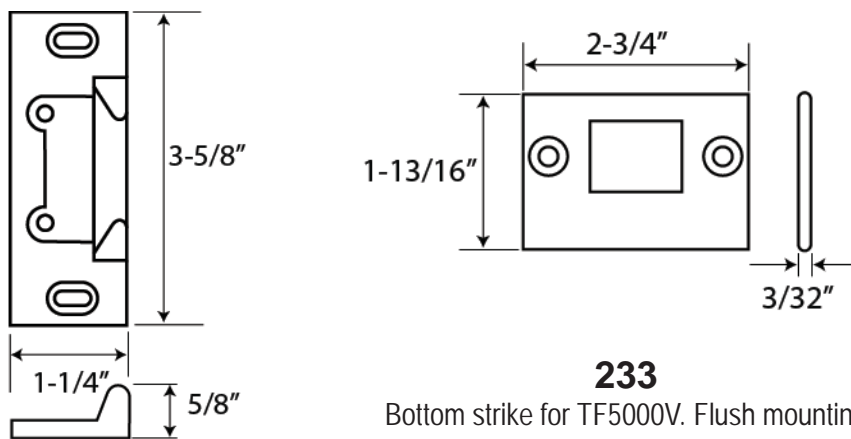


233

Bottom strike for TF5000V.

Flush mounting stainless steel. Furnished with expansion shields. Requires mortise in the floor. Standard packaging.

Strikes for use with TF5000V vertical rod fire exit device



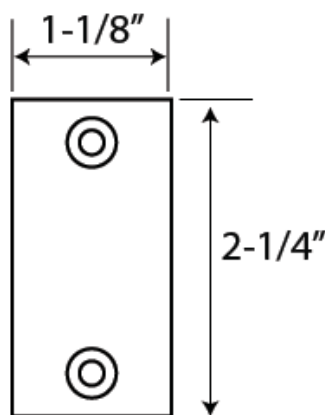
245

Surface applied for TF5000V. Standard packaging.

233

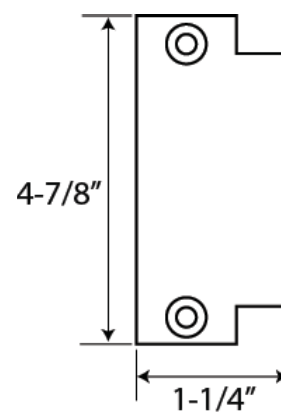
Bottom strike for TF5000V. Flush mounting stainless steel. Furnished with expansion shields. Requires mortise in the floor. Standard packaging.

Additional Accessories



LFF

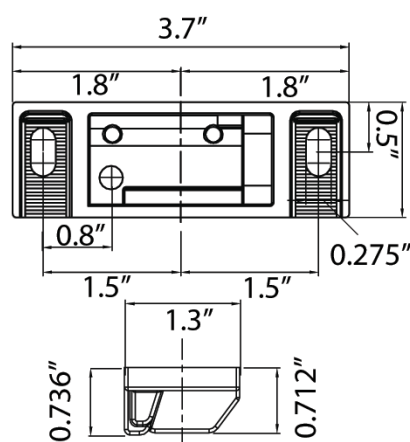
Lock front filler



SF

Strike filler

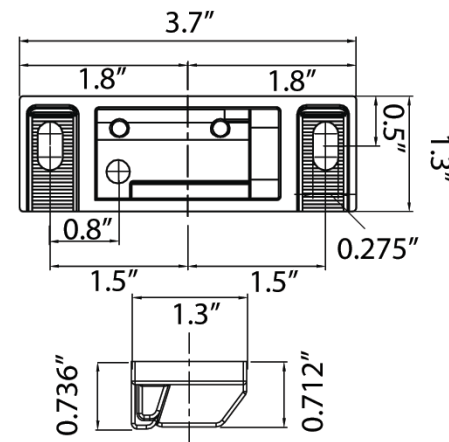
Strike for use with T5000 rim type exit device



938

For T5000 surface applied. Standard packaging

Strike for use with TF5000 rim type fire exit device



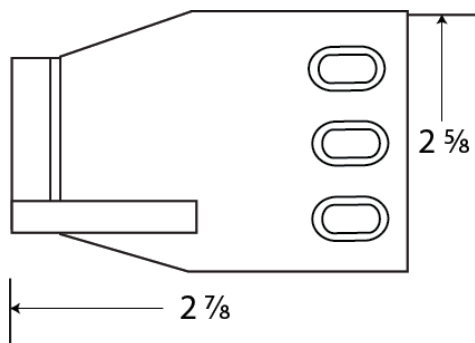
938

For TF5000 surface applied. Standard packaging.

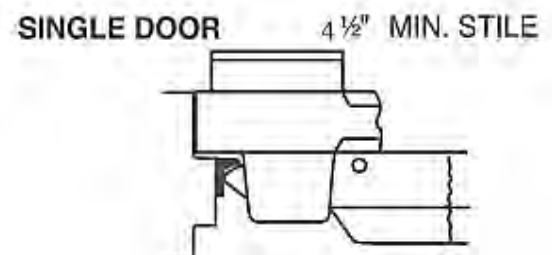
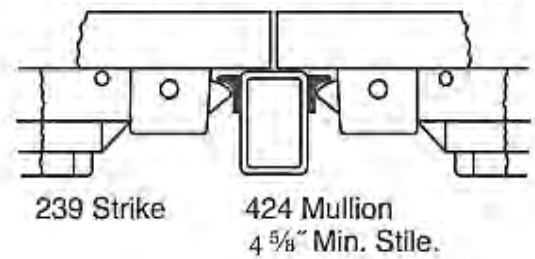
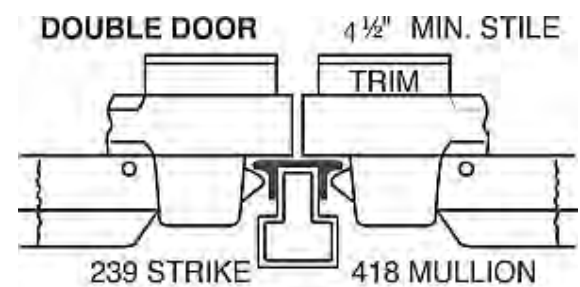
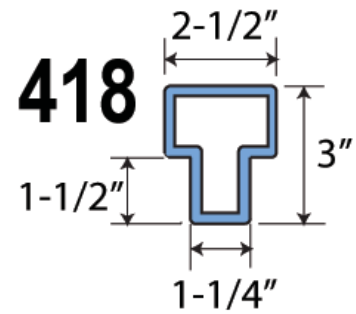
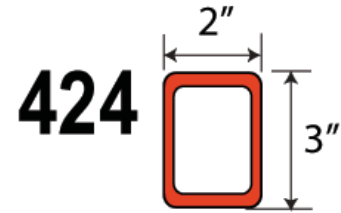
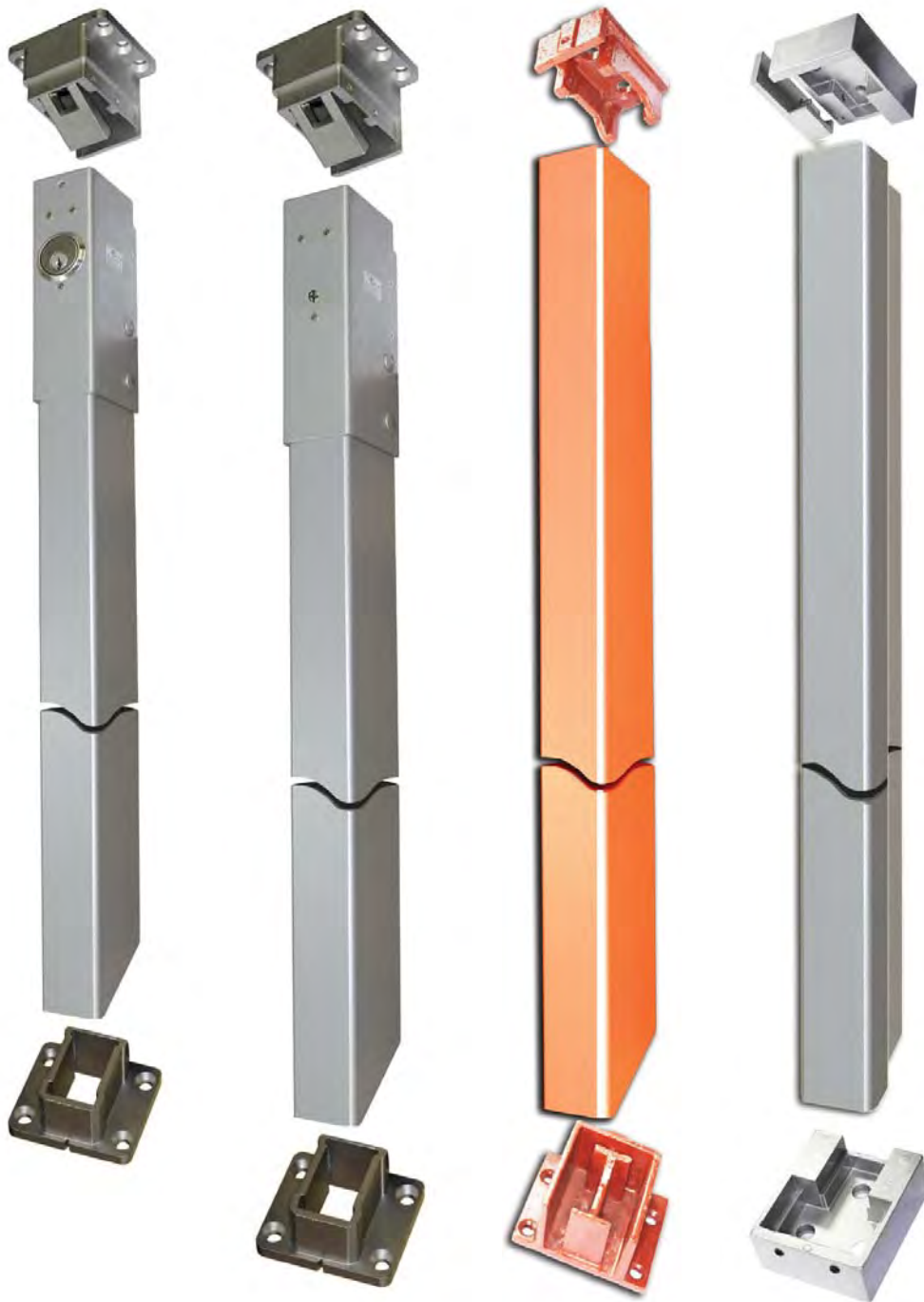
Overlapping Strikes

254

Surface applied. Used on inactive leaf for device on active leaf of pair of doors without mullion.



Removable and Lockable Mullions



LCKUL424
 ICLCKUL424
 ICSCCLCK424

UL424

424

418

MODEL #	DESCRIPTION
NON-FIRE RATED APPLICATIONS	
418	Removable mullion includes top and bottom retainer supplied as a stock 96" for non-fire rated applications.
FIRE-RATED APPLICATIONS	
424	Fire Exit Mullion. 2" x 3" x 8' steel tubing round corner, iron construction with iron top and bottom retainers. To be used with two rim type devices on two independent active doors with full double door openings.
UL424	UL-Listed Fire Exit Mullion. 2" x 3" x 8' steel tubing round corner, iron construction with iron top and bottom retainers. To be used with two rim type devices on two independent active doors with full double door openings.
LCKUL424	Lockable. UL-Listed Fire Exit Mullion. 2" x 3" x 8' steel tubing round corner, iron construction with iron top and bottom retainers. To be used with two rim type devices on two independent active doors with full double door openings. Schlage C keyway.
ICLCKUL424	Lockable. UL-Listed Fire Exit Mullion. 2" x 3" x 8' steel tubing round corner, iron construction with iron top and bottom retainers. To be used with two rim type devices on two independent active doors with full double door openings. Interchangeable core locks will accept compatible 6 or 7 pin cores with BEST, FALCON and ARROW .
ICSCCLCKUL424	Lockable. UL - Listed Fire Exit Mullion. 2" x 3" x 8' steel tubing round corner, iron construction with iron top and bottom retainers. To be used with two rim type devices on two independent active doors with full double door openings. Function available with Full size format, Schlage Interchangeable Core.

Fire Exit Hardware Selector



FIRE EXIT HARDWARE RATING			UL FIRE DOOR RATING
APPLICATION	MODEL #	MAXIMUM DOOR OPENING	(A) 3 HOUR
SINGLE DOORS Rim type	TF5000EO36	3'0" X 7'0"	✓
PAIRS OF DOORS Two surface mounted standard vertical rod type a) Swinging in same direction b) Swinging in opposite direction (double egress)	TF5000V3684 X TF5000V3684	6'0" X 7'2"	✓
	TF5000V3684 X TF5000V3684	6'0" X 7'2"	✓
PAIRS OF DOORS Two rim type with Mullion	TF5000EO36	6'0" X 7'2"	✓

All fire rated exit devices in all applications, are also labeled for (B) 1 ½ hour, (C) ¾ hour, (D) 1 hour, (E) ¾ hour.
All fire exit hardware meet UL10C and UBC 7-2-1997 codes.

HOW TO ORDER INFORMATION

Exit device model number

Panic grade

T5000 E036 Rim type 36" door

T5000 V3684 Vertical rod type 36" x 84"

Fire grade

TF5000 E036 Rim type 36" door

TF5000 V3684 Vertical rod type 36" x 84"

- 1) Specify exit device model number according to size of door.
- 2) Specify trim selection.
- 3) Non-Handed
- 4) Specify finish:
Alum - Powder coated to match US26D
US32D Stainless Steel
- 5) On thru bolt applications, fire rated vertical rod devices are packed with thru bolts as standard feature. Thru bolts are also available for other devices. To order thru bolts add "SBN" to trim pack.

When ordering separately use following part#

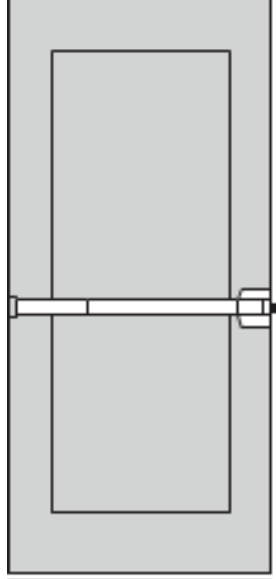
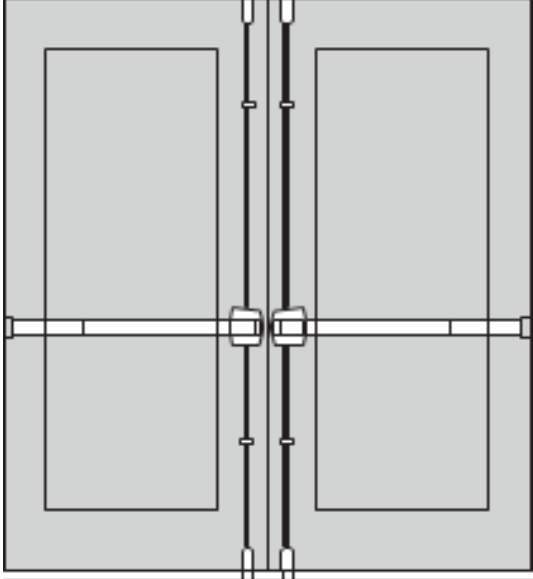
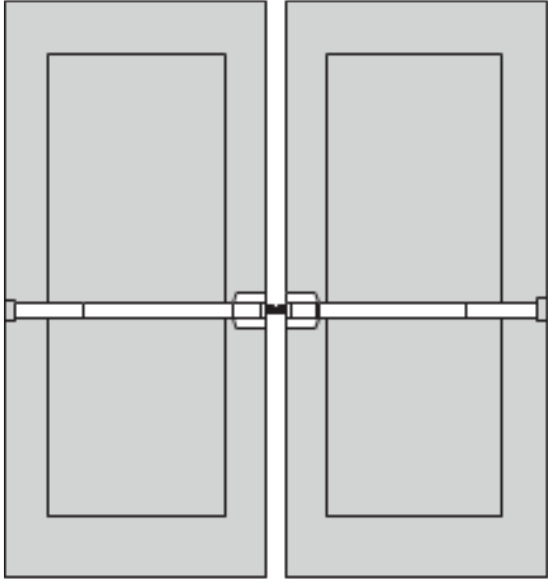
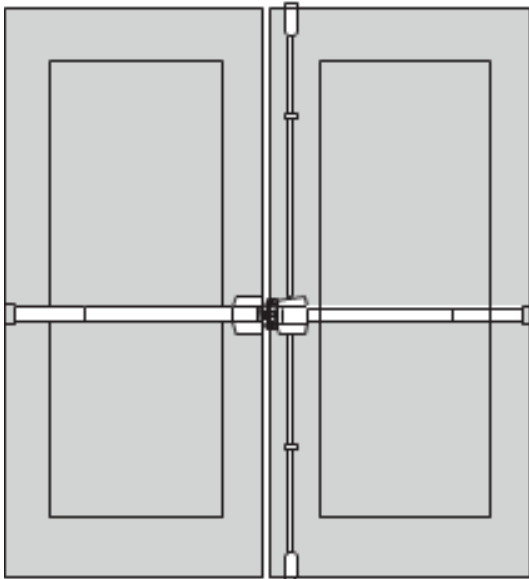
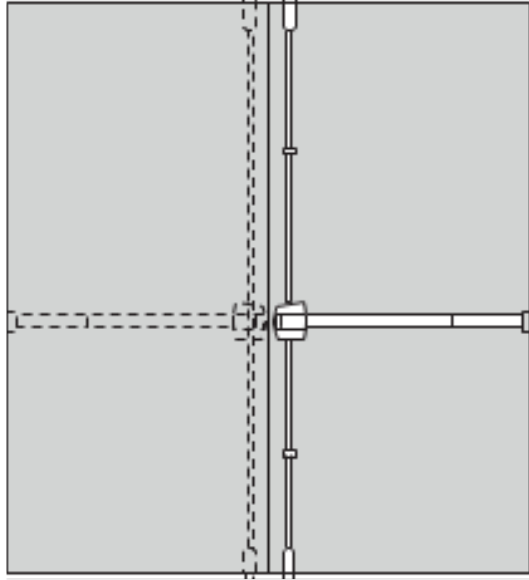
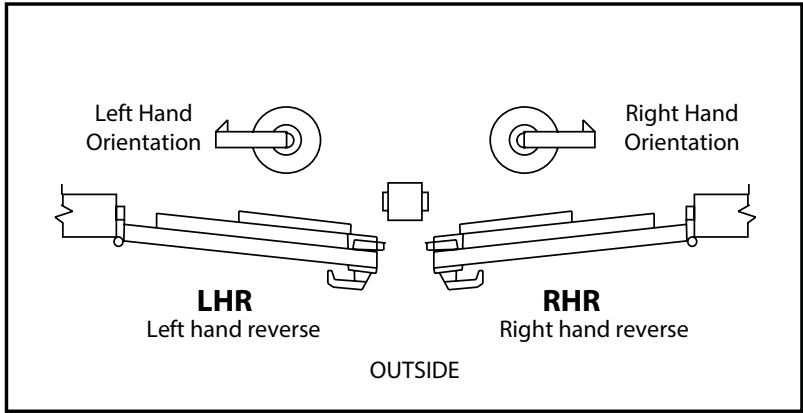
Cal-Royal Part # 357 — Thru bolts for rim devices, 6 PCs / pack.

Cal-Royal Part # 369 — Thru bolts for vertical rod devices, 14 PCs / pack.

Ordering example: T5000E036 ALUM X 8000L 26D
T5000V 3684 32D X CLU5000L 26D

T5000 & TF5000 Rim Type
 T5000V & TF5000V Vertical Rod
 Fire and Non-Fire Exit Devices
 ANSI A156.3 Grade 2 Selector Chart



<p>SINGLE DOOR</p>  <p>Vertical rod type or Rim type Surface applied 2 point lock. Surface application.</p>	<p>PAIRS OF DOORS WITHOUT MULLION</p>  <p>2 Vertical rod type Surface applied 2 point locking both doors. Each door active same direction. Do not use with overlapping astragal.</p>
<p>PAIRS OF DOORS WITH MULLION</p>  <p>2 Rim type with mullion Two independent active doors with full double door openings when required. Same direction.</p>	<p>PAIRS OF DOORS WITHOUT MULLION</p>  <p>1 Vertical rod and 1 rim type Both devices are surface applied. A coordinator and overlapping strike is recommended.</p>
<p>PAIRS OF DOORS WITHOUT MULLION</p>  <p>2 Vertical rod type Double egress surface applied. 2 point locking both doors opposite directions.</p>	<p>HANDING</p>  <p>LHR Left hand reverse RHR Right hand reverse OUTSIDE</p> <p>CAL-ROYAL PRODUCTS, INC. 6605 FLOTILLA ST, COMMERCE, CA 90040 U.S.A. TEL: (323) 888-6601 FAX: (323) 888-6699 Website: cal-royal.com • Email: sales@cal-royal.com</p>

THIS PAGE INTENTIONALLY LEFT BLANK

4400 Series ●●●●●●●●

Rim Type Exit Device



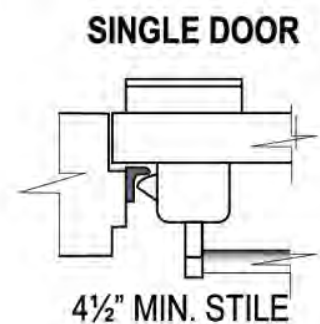
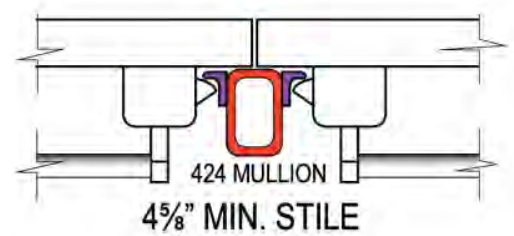
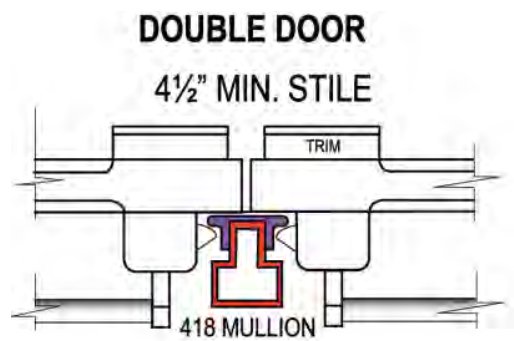
Specifications

- For Doors.....** 1 3/4" thick standard. 4 1/2" minimum stile width required for single or double door application using standard 440 strike and pull lever, thumbpiece and escutcheon trims.
- Chassis.....** Non-ferrous alloy. (Panic Grade).
- Cover.....** Non-ferrous alloy. Covers stock hollow metal doors with 161 cut out.
- Mounting.....** Furnished with wood and machine screws. Available thrubolts on request.



4 1/2" Minimum Stile Requirements

- Hand.....** Handed, specify handing. Center hub for 2 3/4" or 2 3/8" backset.
- Latch Bolt.....** Stainless steel 3/4" throw.
- Spring.....** Stainless steel throughout.
- ANSI Standard.....** A156.3, Grade 2.
- Cross Bar.....** 1" Dia. Aluminum, 0.062" thick for 36" or 48" wide doors.
- Strike.....** Roller type.
- Dogging Feature.....** Allen-type key furnished standard.
- Mullion.....** Available.
- UL and ULC Listed.....** 4400 Series for panic.
- Finish.....** US26D Satin Chrome, Dark Bonze Duranodic (DURO)
- Door Size.....** 4400EO36 for 36" doors.
4420EO48 for 48" doors.



DIMENSIONS

Touchbar height to finished floor	36 1/2" (927mm) at center
Latch height to finished floor	41" (1041mm)
Touchbar projection	
neutral	4 3/4" (121mm)
depressed	3" (76mm)
Main case	8 1/2" x 2 5/8" x 2" (216mm x 67mm x 51mm)
End case	4 7/8" x 2 1/8" (124mm x 54mm)
Cross Bar Length	30" for 36" door, 42" for 48" door

Trim Selection.....



ESCUTCHEON LEVER DESIGN

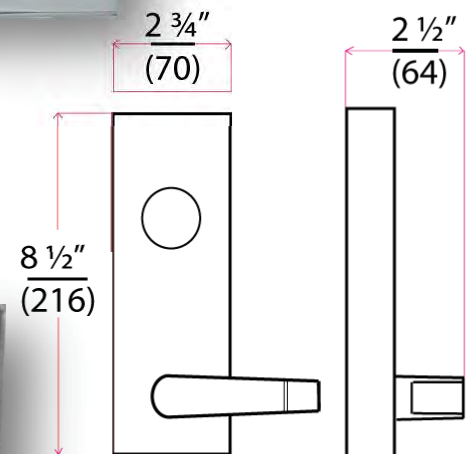
CONSTRUCTION

- Rigid, non clutch mechanism.
- Thrubolted design.
- Non-handed design. Easily field reversible.
- Hardened steel heavy duty tailpiece.



ESCUTCHEON DIMENSIONS

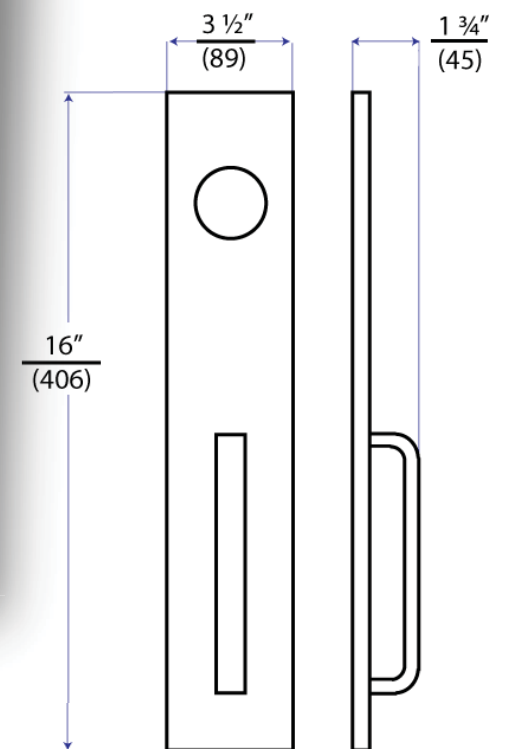
2 ¾" width X 8 ½" length. Lever length: 4 ¾".
Fits and covers 2 ⅛" 161 cutout

<p>ESC4400 or  ICESC4400 or  ICSCESC4400</p>	<p>ENTRANCE Rigid Entrance, key locks or unlocks escutcheon trim ANSI FUNCTION (63) Operates as classroom function</p>
<p>ESC4430</p>	<p>PASSAGE Trim always operable and free ANSI FUNCTION (62)</p>
<p>ESC4440</p>	<p>DUMMY Dummy Escutcheon trim ANSI FUNCTION (10)</p>



THUMBPIECE TRIM



<p>THP4400 or  ICTHP4400  ICSCTHP4400</p>	<p>ENTRANCE Key locks or unlocks thumbpiece. (Operates as classroom function) ANSI Function – 63</p>
<p>THP4430</p>	<p>PASSAGE Trim always operable and free. ANSI Function – 63</p>



❖ ESCUTCHEON AND THUMBPIECE ❖

DOOR THICKNESS: Standard 1 ¾"
FINISHES: US26D Satin Chrome, DURO

KEYWAY: 6 pin solid brass "C" keyway Rim Cylinder standard.
Optional: Sargent LA-LB-LC and Kwikset.

-  **(IC) INTERCHANGEABLE CORE:** Interchangeable Core locks will accept compatible 6 or 7 pin cores with BEST, FALCON and ARROW.
-  **(ICSC) INTERCHANGEABLE CORE:** Indicates function available with **Schlage** Full size format Interchangeable Core.



AUTO FLUSHBOLTS
MAGNETIC DOOR HOLDERS
DOOR HOLDERS/STOPS



Ver. 3.0, Rev. 01/16
©2016  CAL ROYAL



DOOR COORDINATORS

FRGCO65, FRGCO85

BHMA 4.1.1 TYPE 25, ANSI 156.3



3 HOUR FIRE RATED
UL10C, UBC7-2-1997

NON-HANDED REVERSIBLE

FRGCO85 and **FRGCO65** coordinators are made for use on pairs of doors with or without an astragal. Roller arm (FRGCO65—7" projection), (FRGCO85 - 9" projection) stops active door from closing before the inactive door.

Gravity action arm and door bracket are adjustable on the job for ease of installation. It features a nylon roller to enable the inactive door to easily operate the coordinating device.

The solid brass device is field reversible and supplied with all necessary fasteners and installation instructions. The base material are made of forged brass and are available in architectural finishes.

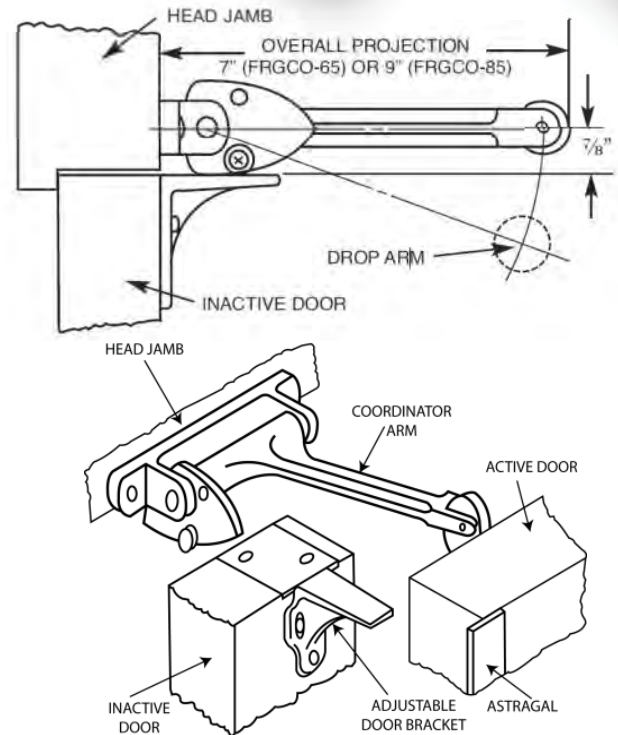
CBO-1 Carry Bar is used on situations when the inactive door can be opened first. Using door sizes and astragal locations, select coordinator from selection chart below:

COORDINATOR SELECTION CHART	FRGCO65 7"	FRGCO85 9"
Use on pairs of doors with astragal on active door up to 4'	✓	✓
With astragal on inactive up to 3' 4"	✓	✓
With astragals on both doors over 2' 10"	✓	✓
	WOOD DOOR	METAL DOOR
2 - #10 X 1" PH OH sms Coordinator	✓	✓
2 - #10 - 24 x 1" PH FH ms Coordinator	✓	✓
3 - #8 x 1" PH FH sms Door Brackets	✓	✓
2 - #8 x 1" PH FH sms Roller Strike	✓	✓



FRGCO65

FRGCO85



DORCO-1

BHMA 4.1.1 TYPE 21

Door Coordinator
For Fire Labeled Doors



3 HOUR FIRE RATED
UL10C, UBC7-2-1997

SPECIFICATION:

Non-handed, automatic coordinating device for sequential closing of paired doors with or without astragal. For use with frame openings 60", 72" or 84". Specify width when ordering. Conforms to ANSI/BHMA A156.3, Type 21A.

- MATERIAL: All metal construction
- FINISH: Black prime coat, Alum
- PACKAGING: Packed with 18 3/8" filler piece for up to 72" door width.
- FB3258 filler bar must be ordered for 84"-96" door width opening

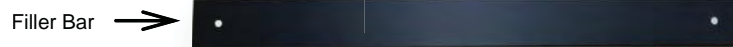


CBO-1

Carry bar for DORCO-1 coordinator. For use on pair of doors with astragal.

- SIZE: 1 3/4" x 2 1/4" plate
- FINISH: Black prime coat
- Used on situations when the inactive door can be opened first.

FB1858



MB4750

Mounting brackets for DORCO-1 coordinator

- SIZE: 4 3/4" Jamb depth, 3/8" stop height
- FINISH: Black prime
- For stop width 7/8" to 2 1/4" and over



MB4250

Mounting brackets for DORCO-1 coordinator

- SIZE: 4 1/4" Jamb depth, 3/8" stop height
- FINISH: Black prime coat
- For stop width 2 1/4" and over

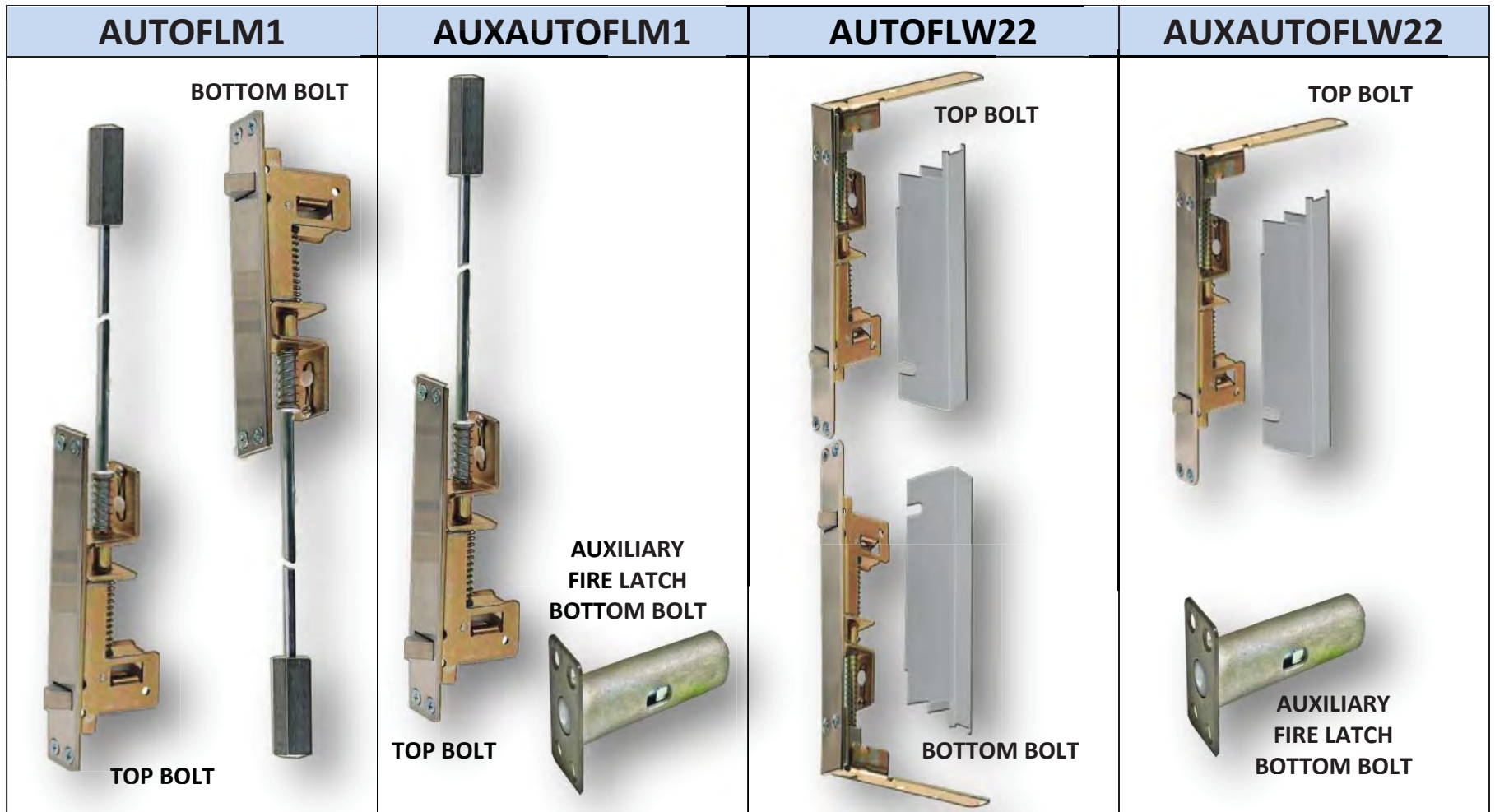




AUTO FLUSHBOLTS



AUTOFLM1 , AUTOFLW22, AUXAUTOFLM1, AUXAUTOFLW22
BHMA 4.4 TYPE 25, ANSI 156.3



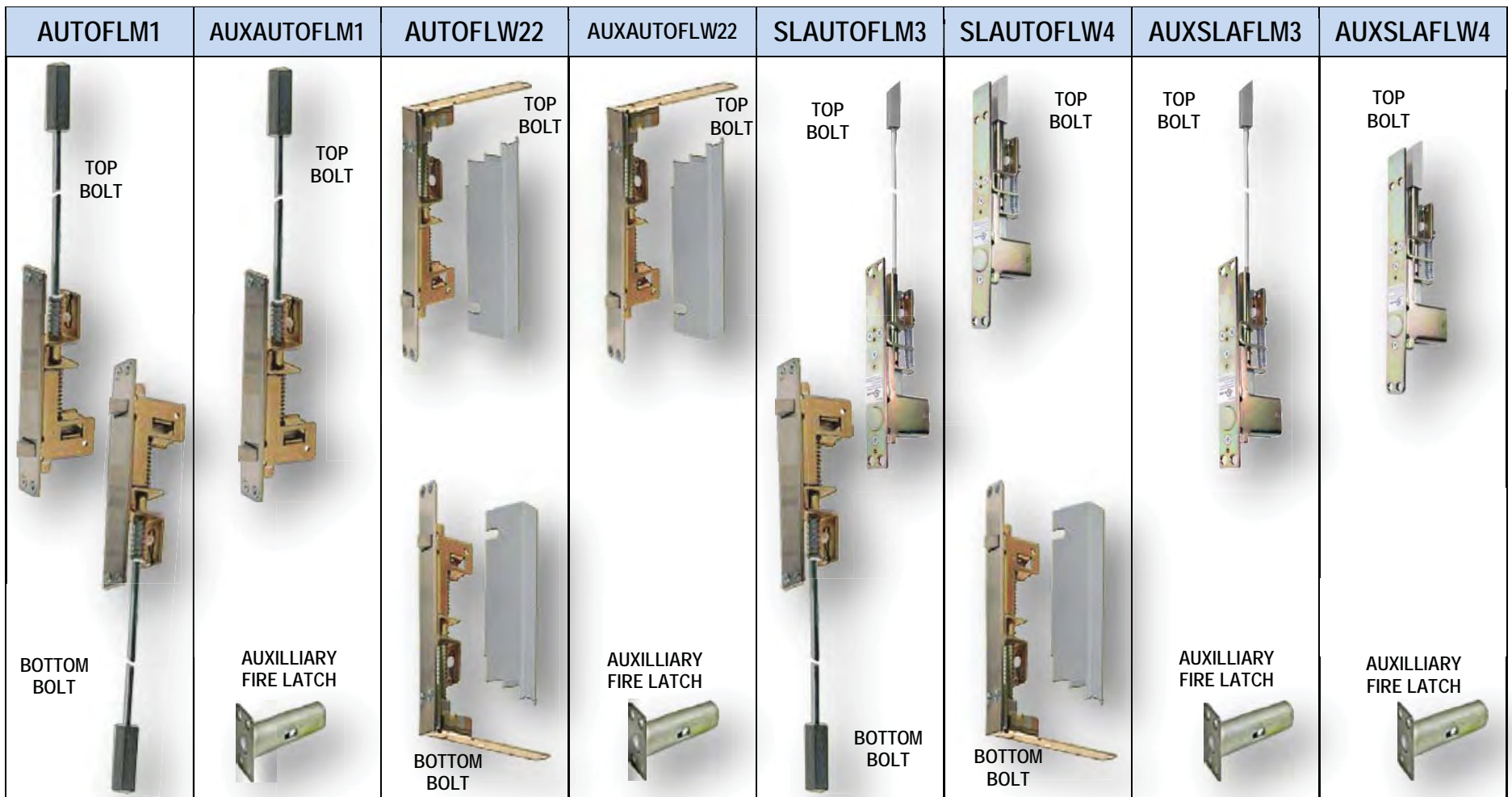
FEATURES and CONSTRUCTION	AUTOFLM1	AUXAUTOFLM1	AUTOFLW22	AUXAUTOFLW22
UL Listed for (A, B, C, D and E Label) metal fire doors, maximum 8' in height. Conforms to UL10C and UBC 7-2-1997	✓	✓		
UL Listed for (B, C, D and E Label) wood composite core fire doors, maximum 8' in height. Conforms to UL10C and UBC 7-2-1997			✓	✓
Fits standard and ANSI preparation for wood doors			✓	✓
Fits standard and ANSI preparation for metal doors	✓	✓		
Override feature, prevents damage to doors of frame in case the strike and bolt are not aligned	✓	✓	✓	✓
Reversible, non-handed	✓	✓	✓	✓
Steel body with stainless steel components, especially designed thermal lock automatically locks inactive door in case of fire	✓	✓	✓	✓
Smooth easy action, requires 5 lbs of force to actuate cam and piston mechanism, therefore meeting ADA regulations	✓	✓	✓	✓
Fully automatic, when active door is opened top and bottom bolts are automatically retracted for easy egress. When active door is closed ¾" bolt projects into the frame, securing latching of inactive leaf	✓	✓	✓	✓
Bolts have 1" vertical adjustment without removing door from frame for unusual conditions			✓	✓
Bolts have ¾" vertical adjustment without removing door from frame for unusual conditions	✓	✓		
Available in Architectural Finishes. Packed 2 bolts per box with composite installation template	✓		✓	
Available in Architectural Finishes. Packed 1 top bolt and 1 auxiliary fire latch per box with composite installation template. Used where a fire-rating application without a bottom bolt is required. The auxiliary fire latch, mounted in the door edge, releases under extremely high temperatures to keep the doors in alignment during a fire.		✓		✓



AUTO FLUSHBOLTS

CONSTANT AND SELF LATCHING

BHMA 4.4 TYPE 25, ANSI 156.3



FEATURES and CONSTRUCTION	AUTOFLM1	AUXAUTOFLM1	AUTOFLW22	AUXAUTOFLW22	SLAUTOFLM3	SLAUTOFLW4	AUXSLAFLM3	AUXSLFLW4
UL Listed for (A, B, C, D and E Label) metal fire doors, maximum 8' in height. Conforms to UL10C and UBC 7-2-1997	✓	✓			✓		✓	
UL Listed for (B, C, D and E Label) wood composite core fire doors, maximum 8' in height. Conforms to UL10C and UBC 7-2-1997			✓	✓		✓		✓
Fits standard and ANSI preparation for wood doors			✓	✓		✓		✓
Fits standard and ANSI preparation for metal doors	✓	✓			✓		✓	
Override feature, prevents damage to doors of frame in case the strike and bolt are not aligned	✓	✓	✓	✓	✓	✓	✓	✓
Reversible, non-handed	✓	✓	✓	✓	✓	✓	✓	✓
Steel body with stainless steel components, especially designed thermal lock automatically locks inactive door in case of fire	✓	✓	✓	✓	✓	✓	✓	✓
Smooth easy action, requires 5 lbs of force to actuate cam and piston mechanism, therefore meeting ADA regulations	✓	✓	✓	✓	✓	✓	✓	✓
Fully automatic, when active door is opened top and bottom bolts are automatically retracted for easy egress. When active door is closed 3/4" bolt projects into the frame, securing latching of inactive leaf	✓	✓	✓	✓	✓	✓	✓	✓
Bolts have 1" vertical adjustment without removing door from frame for unusual conditions			✓	✓		✓		✓
Bolts have 3/4" vertical adjustment without removing door from frame for unusual conditions	✓	✓			✓		✓	
Available in Architectural Finishes. Packed 2 bolts per box with composite installation template	✓		✓		✓	✓	✓	
Available in Architectural Finishes. Packed 1 top bolt and 1 auxiliary fire latch per box with composite installation template. Used where a fire-rating application without a bottom bolt is required. The auxiliary fire latch, mounted in the door edge, releases under extremely high temperatures to keep the doors in alignment during a fire.		✓					✓	✓



CR550 SERIES

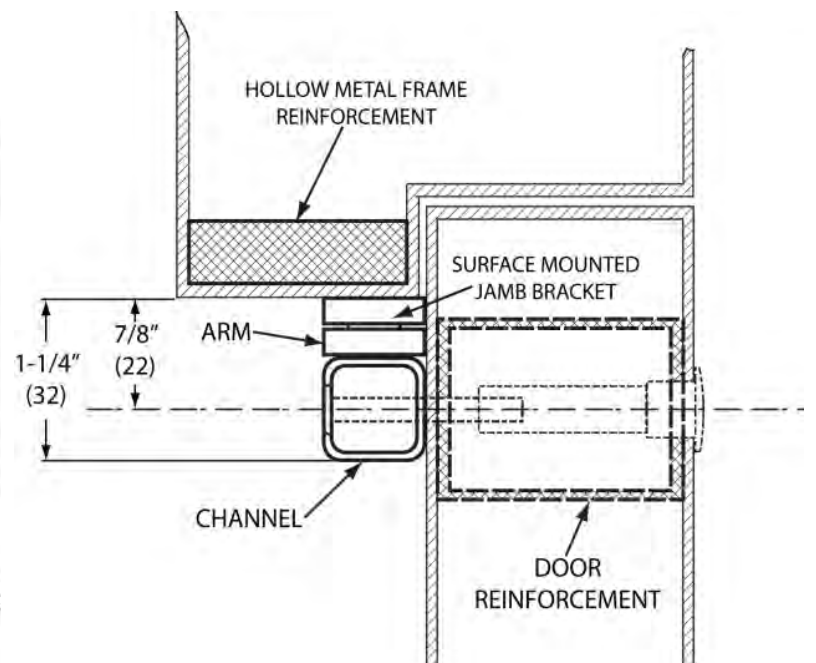
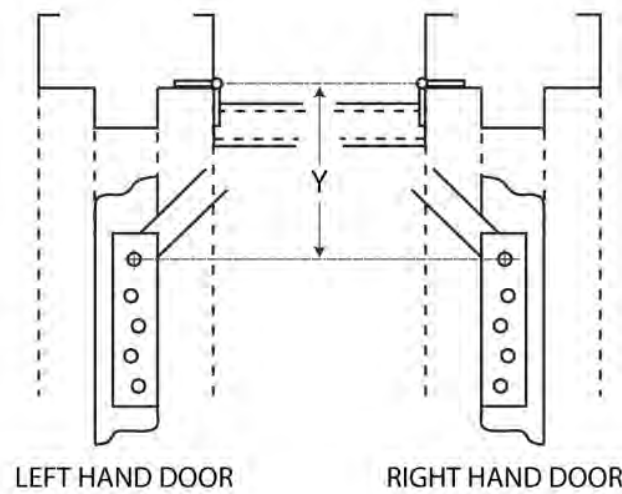
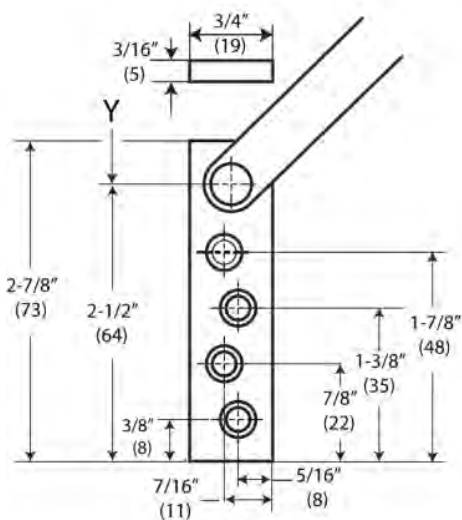
OVERHEAD DOOR HOLDERS AND STOPS

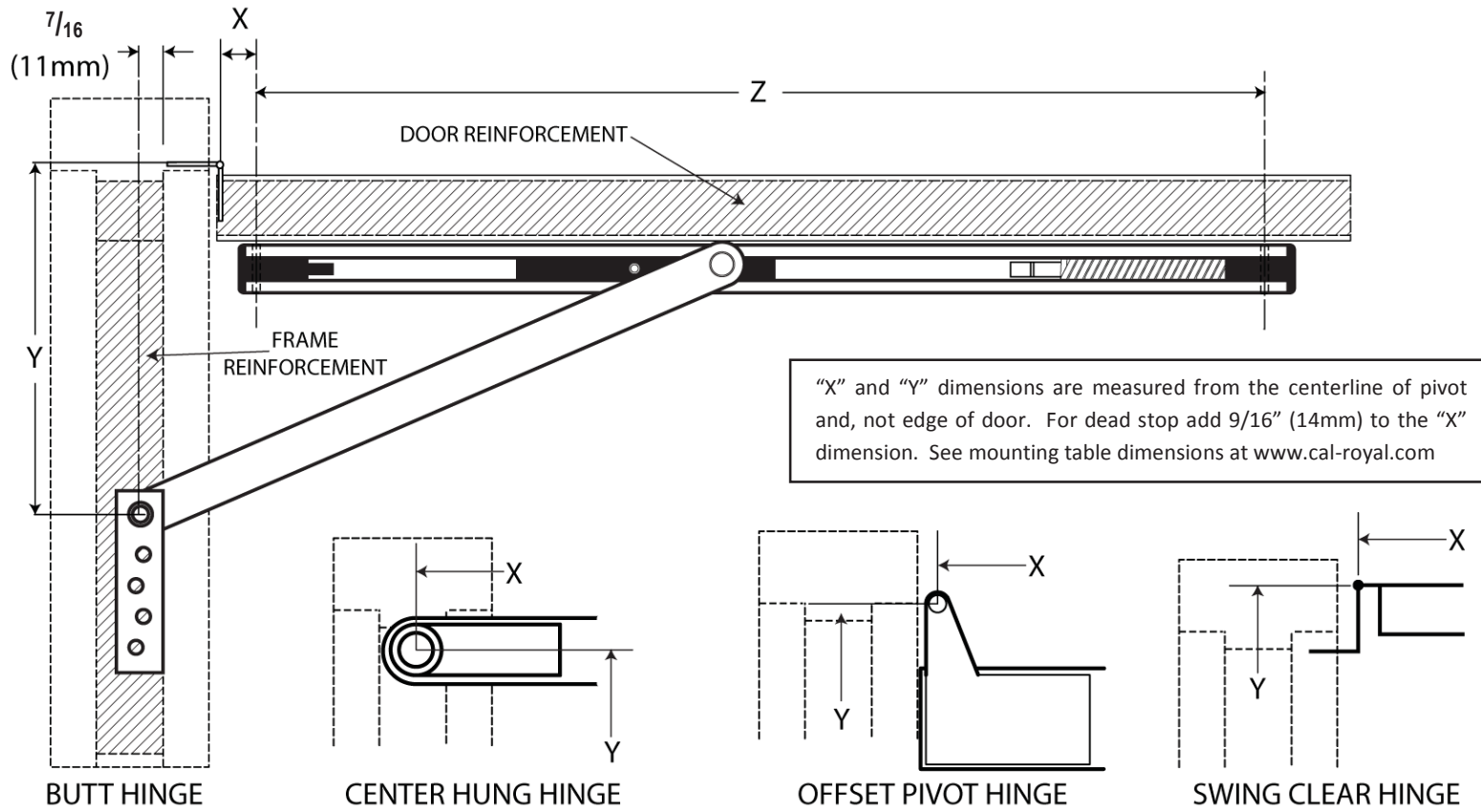
- Limits door swing
- Non-Handed / Reversible
- Built-in cushioned stop
- Available stop only or stop/hold
- Automatic hold-open and release by push and pull on door
- Hold-open can be disengaged to act as stop only
- Heavy shock absorber spring provides compression before dead stop
- Screw packet included to allow for installation in wood or metal door and frame
- Maximum opening 110°, minimum door thickness 1 3/8"
- Available in architectural finishes
- UL Listed as STOP Function



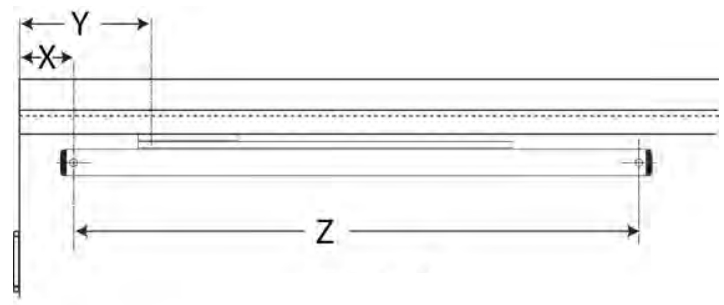
ANSI A.156.8 • UL LISTED

ITEM NUMBER	SIZE	DOOR OPENING	FUNCTION	<p>Cal-Royal CR550 series holders and stops are designed for medium to light-duty applications. Generally used for openings that are subject to normal traffic activity, thus extending the life of doors, frames, hinges and walls or obstructions.</p> <p>Material: Channel is made of steel or stainless steel 3/4" deep, 3/4" wide and 0.050" thick; arm is made of steel or stainless steel 3/4" wide, 3/16" thick; standard jamb bracket is made of steel or stainless steel 3/4" wide, 2 7/8" long, 3/16" thick.</p> <p>Finish: Available in architectural finishes. UL Listed for STOP only function.</p>
CR552S	2	23 1/16" - 27"	STOP ONLY	
CR553S	3	27 1/16" - 33"		
CR554S	4	33 1/16" - 39"		
CR555S	5	39 1/16" - 45"		
CR552H	2	23 1/16" - 27"	HOLD OPEN	
CR553H	3	27 1/16" - 33"		
CR554H	4	33 1/16" - 39"		
CR555H	5	39 1/16" - 45"		





SCREW DETAILS			
	QTY	WOOD	METAL
JAMB	4	#10 X 1 1/2" FPHSMS	10-32 X 1/2" FPHMS
DOOR	2	10-24 X 1 9/16" SEX BOLTS	10-24 X 1 9/16" SEX BOLTS
	2	10-24 X 1 1/2" PPHMS	10-24 X 1 1/2" PPHMS



Cal-Royal CR550 Series holders and stops are designed to give dependable surface-mounted overhead door control for medium to light duty applications. They come in a wide assortment of architectural finishes. The CR550 series holders and stops can be installed in almost all types of doors and frames including doors with conventional butt hinges, offset pivots, continuous hinges, swing clear hinges and other specialty hinges. They can be mounted to accommodate 85° - 110° door opening. Each door holder and stop models come in four different sizes.

OVERHEAD STOPS AND HOLDERS CROSS-REFERENCE CHART					
CAL-ROYAL	GLYNN JOHNSON	ABH	ROCKWOOD	RIXSON	DORMA
STOP ONLY					
CR552S	452S	4421	14421	10-236	701S
CR553S	453S	4422	14422	10-336	702S
CR554S	454S	4423	14423	10-436	703S
CR555S	455S	4424	14424	10-536	
HOLDER					
CR552H	452H	4411	14411	10-226	701H
CR553H	453H	4412	14412	10-326	702H
CR554H	454H	4413	14413	10-426	703H
CR555H	455H	4414	14414	10-526	

MAGNETIC DOOR HOLDER



Features

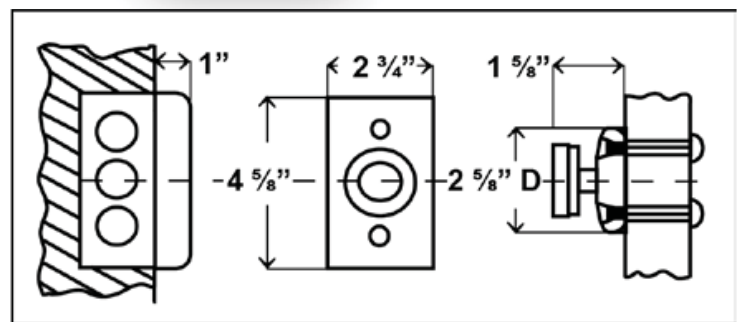
- Tri-voltage (can be wired 12V DC, 24V AC/DC or 120V AC)
- Can be used on fire or smoke barrier doors held open until released by a remote switching device
- Used alternatively as hold open system
- Thru-bolted armature for security
- 30-45 pound holding power
- Underwriters US and Canada Listed
- ANSI/BHMA 156.14
- Available in US28 (brushed aluminum), Duro and Gold Finishes



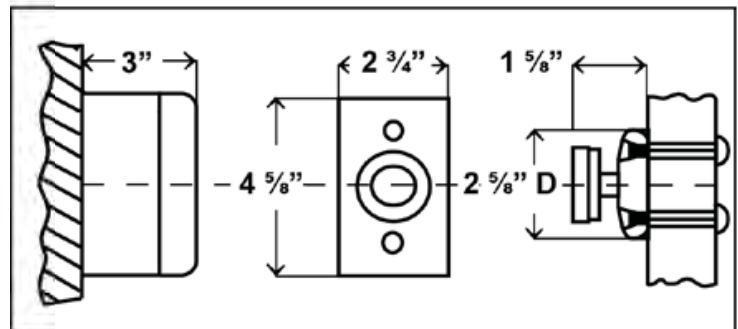
Approved by the California Department of Forestry & Fire in accordance with printed instructions, applicable codes and ordinances in a manner acceptable to the authority having jurisdiction.

MDHR-1 RECESSED WALL MOUNT

PACKED WITH 1" EXTENSION BOLT



MDHS-2 SURFACE WALL MOUNT



PERFORMANCE DATA			
MODEL	VOLTS	mAmps	VA
MDHR-1	12 DC	60	72
MDHS-2			

CROSS REFERENCE

FUNCTION	CAL-ROYAL	ABH	DORMA	RIXSON	NORTON	YALE	SARGENT	CORBIN RUSSWIN	LCN
RECESSED WALL MOUNTED 3 5/8" TOTAL PROJECTION	MDHR-1	2100* w/ 1" extension	EM-F24120	FM-998	6933	5933	1560	MA 204 MA 244	SEM 7850
RECESSED WALL MOUNTED 2 5/8" TOTAL PROJECTION	MDHR-1	2100	EM-F24120	FM-997	6934	5934	1560	MA 203 MA 243	SEM 7840
SURFACE WALL MOUNTED 4 5/8" TOTAL PROJECTION	MDHS-2	2300	EM-S24120	FM-996 FM-999	6935	5935	-	-	SEM 7830

ITEM #	DESCRIPTION	FINISH	PCS /MC	UNIT
MDHR-1	Magnetic door holder recessed wall mount with 1" extension bolt	US28 DURO GOLD	1	Ea.
MDHS-2	Magnetic door holder surface wall mount			
MDHEXT-3	Additional 1" Extension Bolt	ZINC		



SIGNS



Ver. 3.0, Rev. 01/16
©2016  CAL ROYAL

AMERICANS WITH DISABILITY ACT (ADA) RESTROOM SIGNS

- ▶ INCLUDES TACTILE CHARACTERS & GRADE II BRAILLE
- ▶ MEETS SIZE AND PLACEMENT SPECIFICATIONS
- ▶ AVAILABLE IN BLUE AND BLACK
- ▶ DOUBLE FACED TAPE FOR EASY INSTALLATION
- ▶ INDIVIDUALLY POLY BAGGED
- ▶ PACKED 10 PCS PER INNER BOX, 100 PCS PER MASTER CARTON



M68
6" x 9"



W68
6" x 9"



RS68
6" x 9"



RSH68
6" x 9"



MH68
6" x 9"



WH68
6" x 9"



BOYH68
6" x 9"



GIRH68
6" x 9"



CAEXRT4534
5 3/4" x 4"



NS68
6" x 9"



CAEXT69
6" x 9"



M1346 (1 3/4" x 8")



W1346 (1 3/4" x 8")



RS1346 (1 3/4" x 8")

Distributed by:

AMERICANS WITH DISABILITY ACT (ADA) RESTROOM SIGNS

COMPLIES TO EXTERIOR AND INTERIOR HANDICAP ACCESSIBLE RESTROOMS AND INTERNATIONAL SYMBOL OF SIGNS

- ▶ RAISED LETTERS AND SYMBOLS
- ▶ BRAILLED FOR THE BLIND
- ▶ AVAILABLE IN BLUE OR BLACK

- ▶ DOUBLE FACED TAPE FOR EASY INSTALLATION
- ▶ INDIVIDUALLY POLY BAGGED
- ▶ PACKED 10 PIECES PER INNER BOX, 50 PIECES PER MASTER CARTON (OR MAY VARY DEPENDING ON CUSTOMERS REQUEST)



MHS6-12" Triangle



WHS5-12" Round



UHS7-Unisex



BHS1-12" Triangle



MHS6A-12" Triangle



WHS5A-12" Round



UCHS10-Unisex



GHS4-12" Round



CHS9

BLUE PLASTIC HANDICAP SIGN WITH DOUBLE FACED TAPE, 8" x 8"



HI11

INSIGNIA HANDICAP WHITE ON BLUE DECAL 5" x 5"



NEWUCHS7-Unisex



NEWUCHS10-Unisex

OTHER SIGNS

THIS DOOR TO REMAIN UNLOCKED DURING BUSINESS HOURS

WDC13 - White on Black-Decal 1 1/2" x 24"

• BDC12 - Black on Clear-Decal 1 1/2" x 24"

THESE DOORS TO REMAIN UNLOCKED DURING BUSINESS HOURS

TDUW8 - White on Black-Decal 1 1/2" x 24"

• TDUB1 - Black on Clear-Decal 1 1/2" x 24"

THIS DOOR TO REMAIN UNLOCKED WHEN BUILDING IS OCCUPIED

WDO11 - White on Black-Decal 1 1/2" x 27 1/2"

• BDO5 - Black on Clear-Decal 1 1/2" x 27 1/2"

THESE DOORS TO REMAIN UNLOCKED WHEN BUILDING IS OCCUPIED

TWOC14 - White on Black-Decal 1 1/2" x 27 1/2"

• TBOC19 - Black on Clear-Decal 1 1/2" x 27 1/2"

CALIFORNIA APPROVED RESTROOMS & EXIT SIGNS

- INCLUDES TACTILE CHARACTERS & CONTRACTED GRADE II BRAILLE
- MEETS SIZE AND PLACEMENT SPECIFICATIONS
- DOUBLE FACE TAPE FOR EASY INSTALLATION INDIVIDUALLY POLY BAGGED
- PACKED 10 PCS PER INNER BOX
- 100 PCS PER MASTER CARTON



CAMH69
6" X 9"



CAWH69
6" X 9"



CARSH69
6" X 9"



CACCS69
6" X 9"



CAEXT69
6" X 9"



CAM1348
1 3/4" X 8"



CAW1348
1 3/4" X 8"



CARS1348
1 3/4" X 8"

Distributed by:



THRESHOLDS



Ver. 3.0, Rev. 01/16
©2016  CAL ROYAL

SADDLE THRESHOLDS



CR2704
1/2" H x 4" W



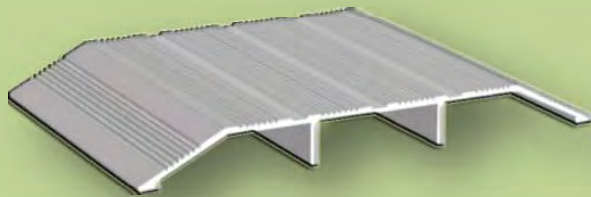
CR3704
1/4" H x 4" W



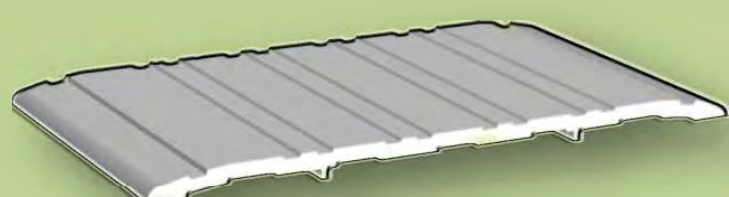
CR2715
1/2" H x 5" W



CR3715
1/4" H x 5" W



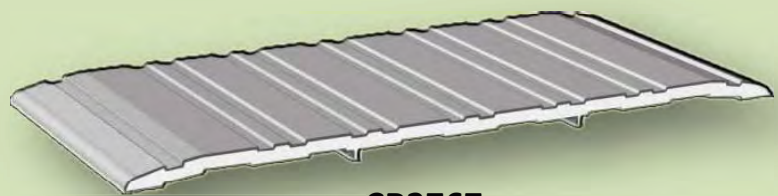
CR27105
1/2" H x 5" W



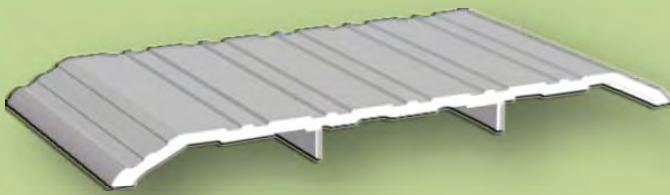
CR3726
1/4" H x 6" W



CR2726
1/2" H x 6" W



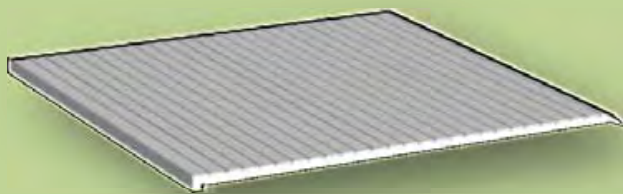
CR3767
1/4" H x 7" W



CR2767
1/2" H x 7" W



CARPET / SPECIAL PURPOSE THRESHOLDS / DOOR TOP WEATHERSTRIP



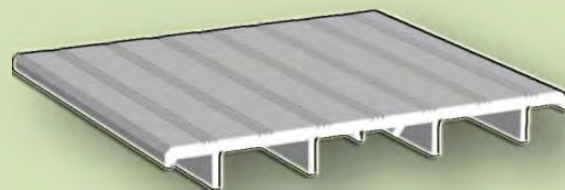
CR4243
3 1/2" WIDE SILL NOSING



CR3361
7/16" H x 1 3/4" W CARPET THRESHOLD



CR4462
2 1/2" DOOR TOP WEATHERSTRIP



CR33641
7/16" H x 4" W CARPET THRESHOLD

Finishes: Aluminum, Dark Bronze

Other finishes available upon request

THRESHOLD COMPARATIVE CHART

SIZE	CAL-ROYAL	HAGER	REESE	NATIONAL	PEMKO	ZERO
SADDLE THRESHOLDS						
½" H X 4" W	CR2704	404S	S424A/D	424E	170A	654
½" H X 5" W	CR27105	412S	S425A/D	325	1710A	655
½" H X 5" W	CR2715	412S	S425A/D	325	171A	655
½" H X 6" W	CD2726	405S	S426A/D	426E	172A	656
½" H X 7" W	CR2767	416S	S427A/D	427E	176A	657
¼" H X 4" W	CR3704	403S	S404A/D	413	270A	544
¼" H X 5" W	CR3715	413S	S405A/D	513	271A	545
¼" H X 6" W	CR3726	417S	S406A/D	613	272A	546
¼" H X 7" W	CR3767	430S	S407A/D	713	276A	547
CARPET SPECIAL PURPOSE THRESHOLD						
7/16" H X 1 ¾" W	CR3361	505S	S565A/D	414	236A	1682
7/16" H X 4" W	CR33641	506S	S563A/D	404	2364A	1684
OVERHEAD RAIN DRIP WEATHERSTRIP 2 ½" W	CR4462	810S	R201A/D	16A	346C	142
SILL NOSING	CR4243				324A	



LITES & LOUVERS





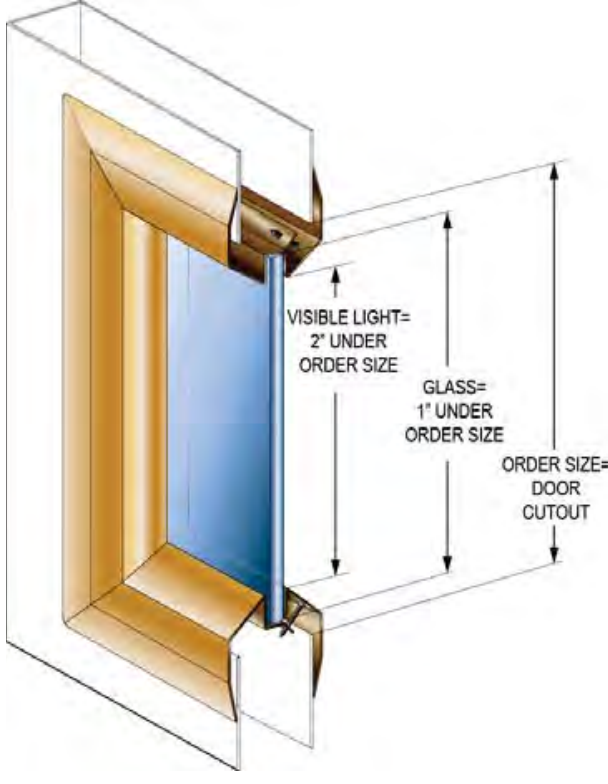
Ver. 3.0, Rev. 01/16
© 2016  CAL ROYAL



LITES



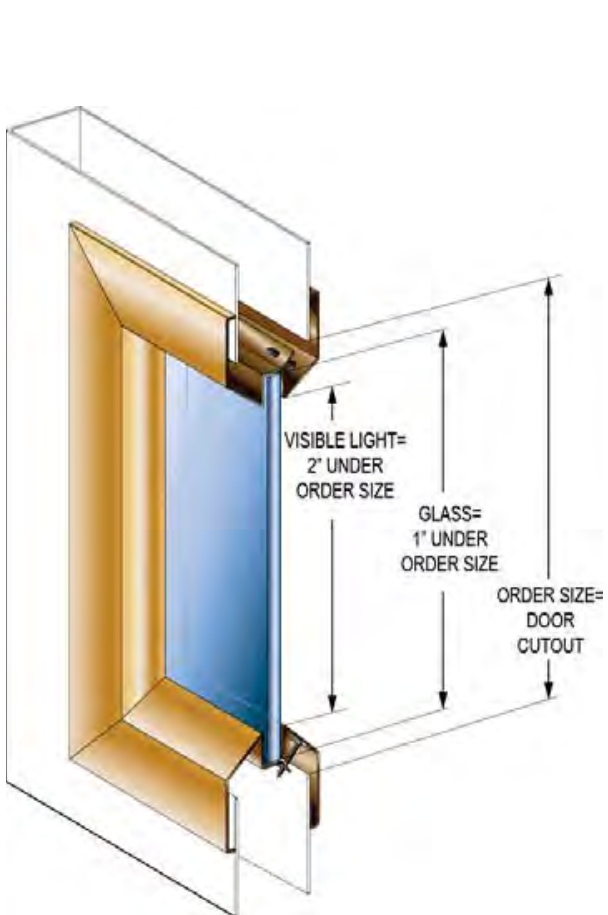
45-180 Minute Fire Rated Steel Vision Kits*

SVL , Vision Lite Low Profile

ILLUSTRATION	SPECIFICATIONS	DIMENSIONS
 	<p>For use in Fire Rated door applications under positive and neutral pressure. Intertek testing certification in compliance to NFPA 252 (2000), UL 10C (2009), CAN/ULS104 (2010), NFPA (201) and CSI CODE 0870 00</p> <p>Specifications:</p> <ul style="list-style-type: none"> - Low Profile Beveled Vision Lite - 20 Gauge Cold Rolled Steel - Mitered welded corners with counter sunk mounting holes - Single side attaching with matching mounting screws included - For use with 3/16" to 1/4" glass thickness - Designed for use with 1-3/4" doors only - Baked on powder coat finish - Color: Standard Bronze - Fastener: #8 x 7/8" flathead phillips head SMS <p>Options:</p> <ul style="list-style-type: none"> - Also available as a KIT or bundle which comes with the Frame, Glass and Glazing Kit. - Available glass types are Tempered Glass (1/4"), Superlite I-W Wired Glass (1/4") and Pyran® Platinum F Glass (3/16") <p>Notes:</p> <ul style="list-style-type: none"> - Order size is equal to opening size - Visible vision opening is 2" under order size - Glass size dimension is 1" under complete order size - Follow all door manufacturer's instructions for use and installation of all products <p>* Refer to pricelist for list of fire rated sizes</p>	

VL , Vision Lite Standard Profile for 3/16" to 1/4" Thick Glass Frames

10VL , Vision Lite Standard Profile for 1" Thick Glass Frames

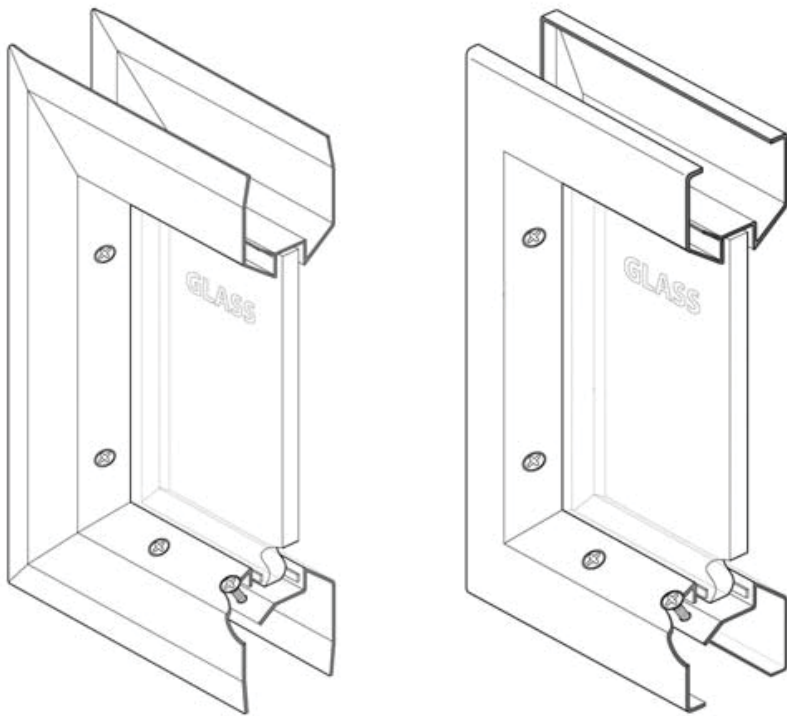
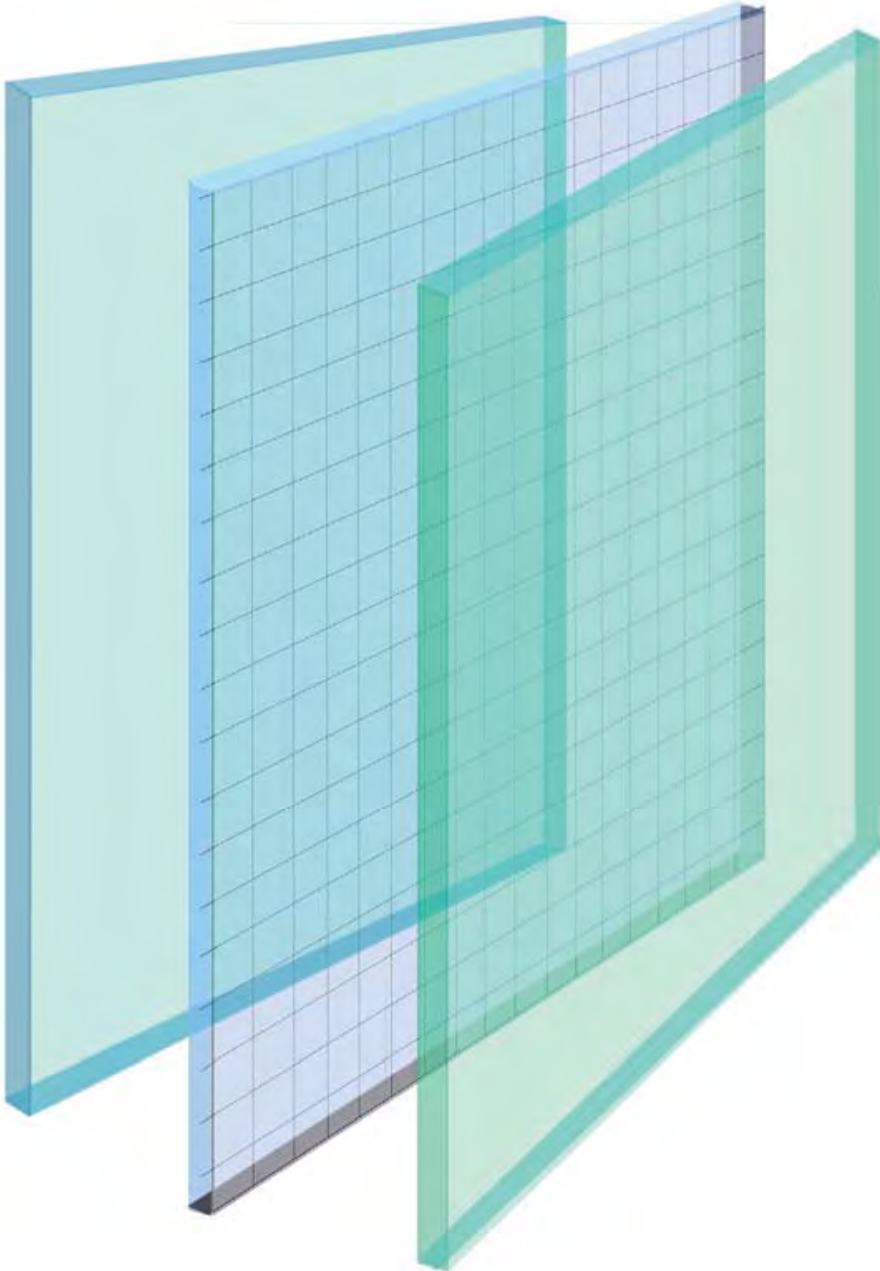
ILLUSTRATION	SPECIFICATIONS	DIMENSIONS
 	<p>For use in Fire Rated door applications under positive and neutral pressure. Intertek testing certification in compliance to NFPA 252 (2000), UL 10C (2009), CAN/ULS104 (2010), NFPA (201) and CSI CODE 0870 00</p> <p>Specifications:</p> <ul style="list-style-type: none"> - Standard Profile Beveled Vision Lite - 20 Gauge Cold Rolled Steel - Mitered welded corners with counter sunk mounting holes - Single side attaching with matching mounting screws included - For use with 3/16" to 1/4" glass thickness - Also available for 1" glass thickness (10VL Series) - Designed for use with 1-3/4" doors only - Baked on powder coat finish - Color: Standard Bronze - Fastener: #8 x 7/8" flathead phillips head SMS <p>Options:</p> <ul style="list-style-type: none"> - Also available as a KIT or bundle which comes with the Frame, Glass and Glazing Kit. - Available glass types are Tempered Glass (1/4"), Superlite I-W Wired Glass (1/4") and Pyran® Platinum F Glass (3/16") <p>Notes:</p> <ul style="list-style-type: none"> - Order size is equal to opening size - Visible vision opening is 2" under order size - Glass size dimension is 1" under complete order size - Follow all door manufacturer's instructions for use and installation of all products <p>* Refer to pricelist for list of fire rated sizes</p>	



GLASS

Tempered, Pyran and Wire Shield

Glass for Low & Standard Profile Lite Kits



Pyran (PPF)

UL labeled standard, 3/16" thick glass ceramic. Surface applied heavy duty safety film. Install in fire listed and labeled vision lite frames. Use of glazing compound or glazing tape on both sides of glass is recommended to minimize breakage.

Thickness: 3/16" (5mm)

Light transmission: 80% approx

Minimum size: 4" x 6"

Maximum sheet size: 43" x 77"

Fire Rating: 20 to 180 minutes (3 hrs)

WireShield (WS)

UL labeled standard, 1/4" wired glass. Embedded 3/4" x 3/4" wire mesh. Annealed single glazing with safety film applied to one side. Install in fire listed and labeled vision lite frames. Use of glazing compound or glazing tape on both sides of glass is recommended to minimize breakage.

Thickness: 1/4" (6mm)

Light transmission: 86% approx

Minimum size: 4" x 4"

Maximum sheet size: 36" x 84"

Fire Rating: 20 to 90 minutes

Tempered Glass (TEMP)

Clear wire free glass recommended for non fire rated applications. Heat treated clear safety glass that breaks into small particles. Glass cannot be cut after manufacturing. Use of glazing compound or glazing tape on both sides of glass is recommended to minimize breakage.

Thickness: 1/4" (6mm)

Light transmission: 86% approx

Minimum size 2" x 2"

Maximum sheet size 88" x 118"



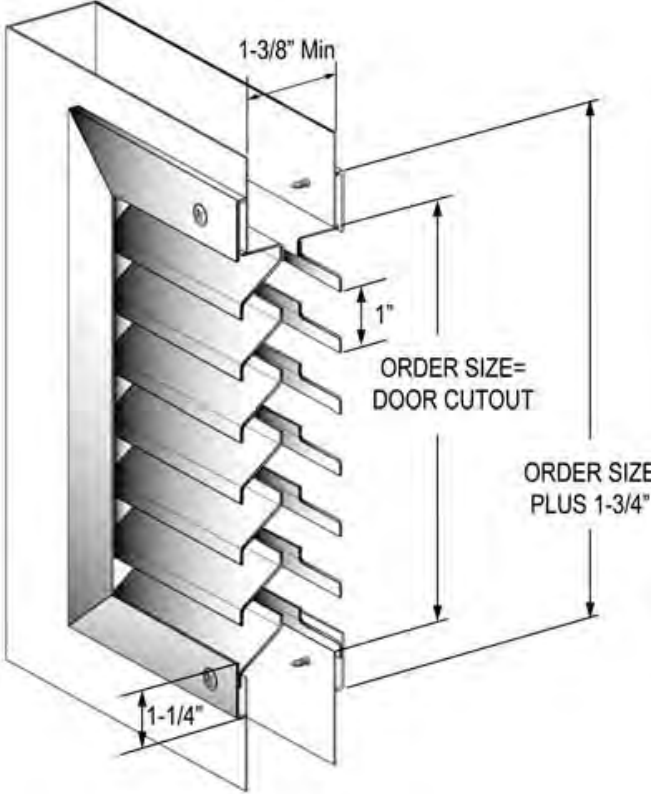
Fire Rating: Non-fire Rated





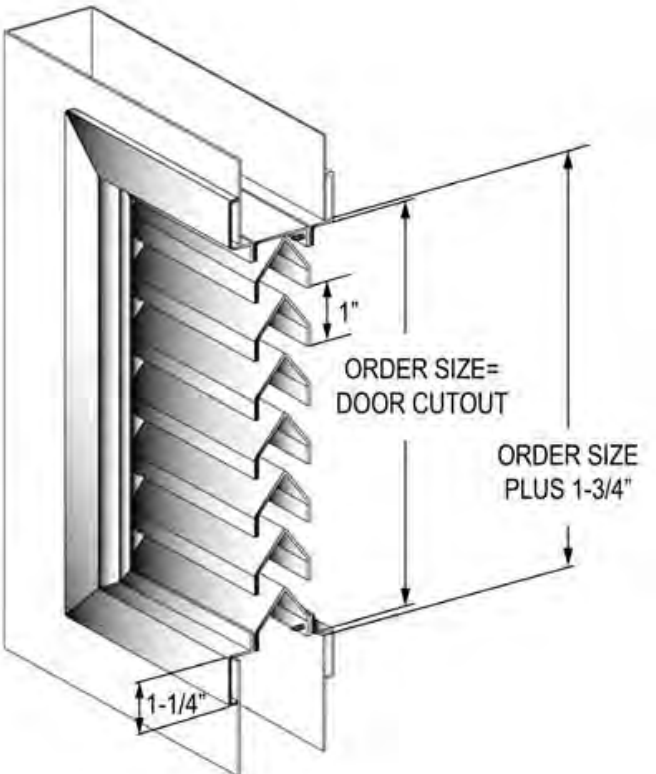
LOUVERS

90 Minute Fire Rated Steel Louvers*

YLV , Divided Reverse "Y" Blade, Inverted Louvers

ILLUSTRATION	SPECIFICATIONS	DIMENSIONS
 	<p>For use in Fire Rated door applications under positive and neutral pressure Intertek testing certification in compliance to NFPA 252 (2000), UL 10C (2009), NFPA 252 (2012), CSI CODE 08 90 00 Louvers and Vents</p> <p>Specifications:</p> <ul style="list-style-type: none"> - 18 Gauge cold rolled steel frame and blades - Mitered welded corner frame construction - Divided row "Y" blades spaced at 1" increments with blocked vision design - Counter sunk mounting holes with screws for each side of doors - Minimum door size thickness 1-3/8" - Baked on powder coat finish - Color: Standard Bronze - Fasteners: Phillips pan head screw #8 x 3/4" <p>Notes:</p> <ul style="list-style-type: none"> - Order size equal to opening size - Follow all door manufacturer's instructions for use and installation of all louver products * Refer to pricelist for list of fire rated sizes 	

VLV , Inverted Y-Blade Louvers

ILLUSTRATION	SPECIFICATIONS	DIMENSIONS
 	<p>For use in Fire Rated door applications under positive and neutral pressure Intertek testing certification in compliance to NFPA 252 (2000), UL 10C (2009), NFPA 252 (2012), CSI CODE 08 90 00 Louvers and Vents</p> <p>Specifications:</p> <ul style="list-style-type: none"> - 18 Gauge cold rolled steel frame and blades - Mitered welded corner frame construction - Reverse "Y" blades are frame supported at 1" increments, with blocked vision design - Single side mounting for non corridor exposure with fastening screws included - Designed for use on 1-3/4" doors only - Baked on powder coat finish - Color: Standard Bronze - Fasteners: Phillips pan head screw #8 x 3/4" <p>Notes:</p> <ul style="list-style-type: none"> - Order size equal to opening size - Follow all door manufacturer's instructions for use and installation of all louver products * Refer to pricelist for list of fire rated sizes 	



LOUVERS

60-90 Minute Fire Rated Fusible Link Louvers

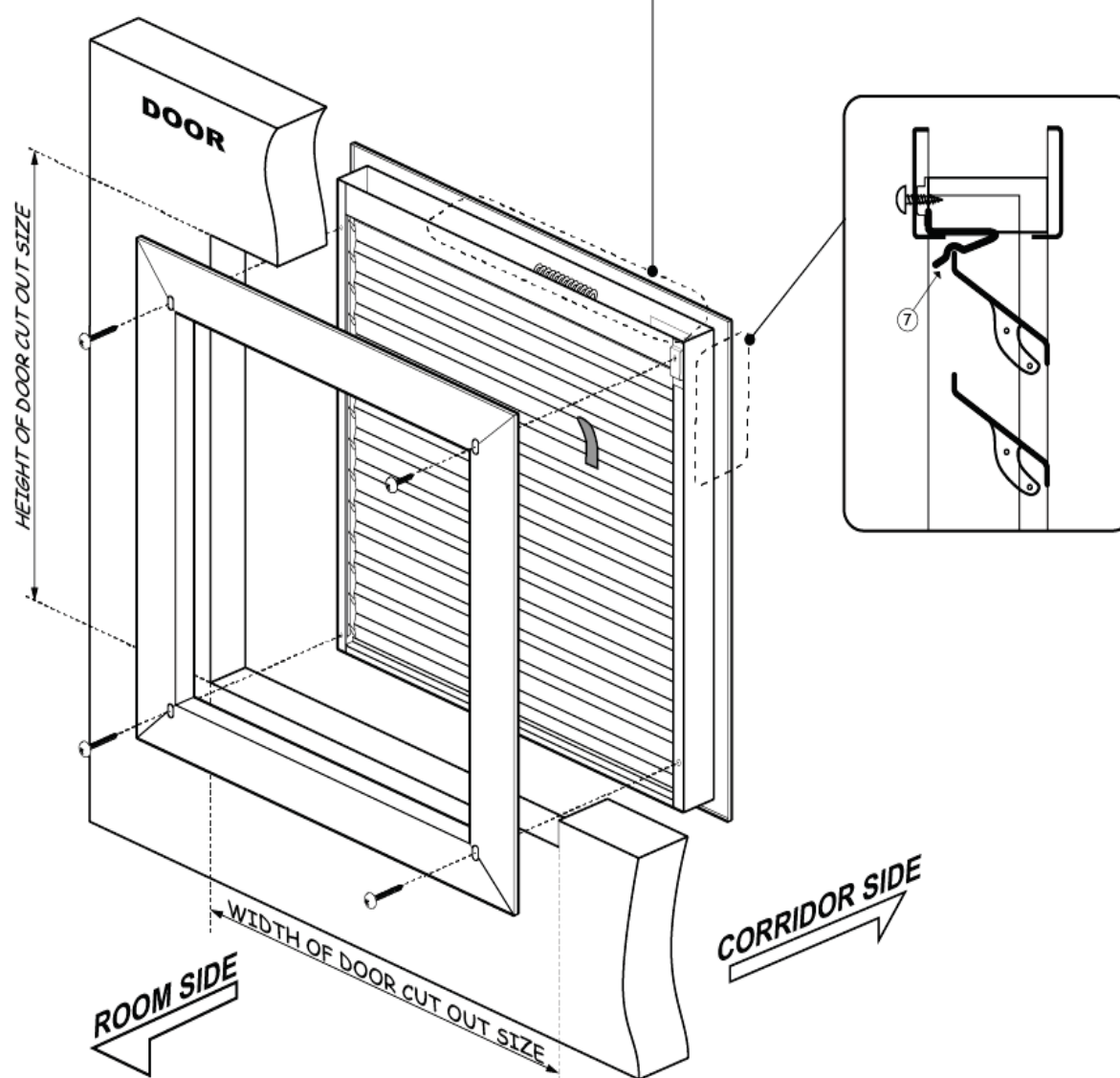
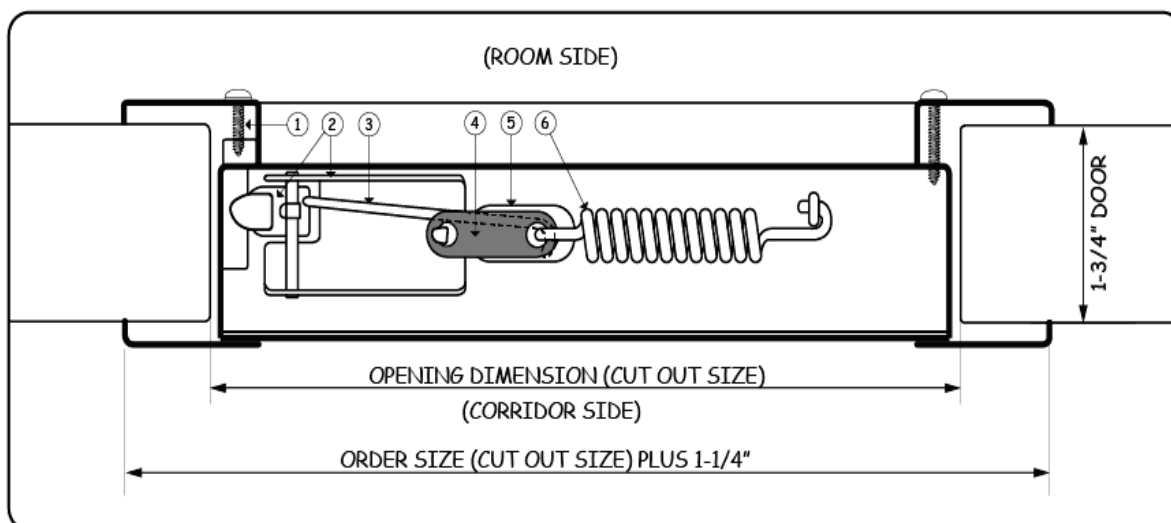
FLLV, Adjustable Fusible Link Louvers

Adjustable Fusible Link Louvers are recommended for use in rooms where ventilation is needed and at the same time isolating the room whenever fire is present. When louver is exposed to heat at 165°F, the fusible link trips and the spring loaded louver blades shut to form an air tight fire and smoke seal.

WHI Listing Mark with a 60-90 Minutes Fire Rating is stamped on the frame of the louvers.

Installation is easy. No need to drill holes for fasteners. All screws are mounted on the room side leaving the corridor side free of fasteners for security purposes.

Fuses are replaceable.



- ① Mounting Screws - #8 phillips head (3 x 3/4" LG & 1 x 1/2" LG)
- ② Rocker Arm, Closing Bar and housing
- ③ "S" Hook - .080" Cadmium plated steel
- ④ Fusible link - Design temperature 165° F max
- ⑤ Heat opening - 1/2" x 1"
- ⑥ Tension spring - 3" LG x 1/2" dia x .063" thick Cadmium plated steel.
- ⑦ Flat Spring Clip

Standard Features:

Material: 16 Gauge CRS Frame & Louver Blades

Door: for 1-3/4" Doors only

Fasteners: 3 x 3/4" LG & 1 x 1/2" LG

Finish: Standard Bronze

Free Flow Area: 45% free

Construction:

- Welded & mitered corners
- Adjustable blades of 16-gauge CRS
- Cadmium plated steel rivets
- Cadmium plated steel tension spring
- 1-9/16" deep louver assembly



BUILDERS HARDWARE



Ver. 3.0, Rev. 01/16
©2016  CAL ROYAL



CAL-ROYAL

P R O D U C T S I N C .

BUILDERS HARDWARE

FEBRUARY 2013



CAL-ROYAL PRODUCTS, INC.
6605 FLOTILLA ST., COMMERCE CA 90040 USA
TEL:(323)888-6601 FAX: (323)888-6699
Website: www.cal-royal.com Email: sales@cal-royal.com

Ver. 2.0 Rev. 1/13
©2013 CRP, Inc.

NUMBERS AND LETTERS

ILLUSTRATION	ITEM	SIZE	ITEM #	FINISH
	Solid Brass Numbers	HEIGHT: 2" THICKNESS: 3/16" WIDTH: VARIES	SBN2	US3
		HEIGHT: 3" THICKNESS: 3/16" WIDTH: VARIES	SBN3	US15, 3, 10B
		HEIGHT: 4" THICKNESS: 3/16" WIDTH: VARIES	SBN4	US15, 3, 10B, 26
		HEIGHT: 6" THICKNESS: 3/16" WIDTH: VARIES	SBN6	US3
		HEIGHT: 8" THICKNESS: 9/32" WIDTH: VARIES	SBN8	
	Diecast Numbers	HEIGHT: 5" THICKNESS: 7/32" WIDTH: VARIES	ZN5	US3, 15, 10B
	Solid Brass Letters	HEIGHT: 2" THICKNESS: 7/32" WIDTH: VARIES	SBL2	US3
		HEIGHT: 3" THICKNESS: 7/32" WIDTH: VARIES	SBL3	US3 (A-Z), US15(A-H), 10B (A-F)
		HEIGHT: 4" THICKNESS: 7/32" WIDTH: VARIES	SBL4	US3 (A-Z), US15, 10B, 26 (A-F)
	Die Cast Numbers (0-9) and Letters (A-F)	HEIGHT: 4" THICKNESS: 3/32" WIDTH: VARIES	PN20BK	BLACK
			PN20US3	US3

Individually Poly Bagged. Packed with Flat Head Screws

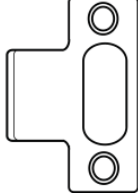
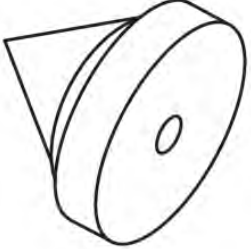
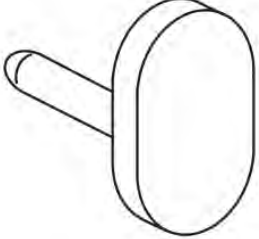
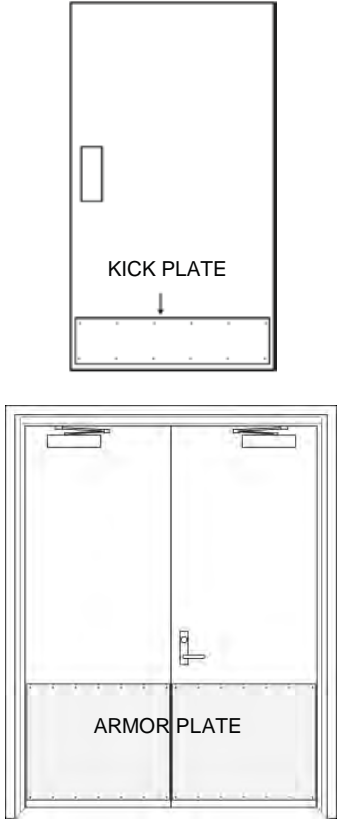
Specification Sheets available for submittal purposes at www.cal-royal.com. Click on "Specification Sheets Image"

MISCELLANEOUS DOOR AND WINDOW HARDWARE

ILLUSTRATION	ITEM	SIZE	ITEM #	FINISH
	<p style="text-align: center;">Window Casement Fasteners, Solid Brass</p> <ul style="list-style-type: none"> ➤ Packed with screws and two strikes ➤ Conforms to ANSI/BHMA 156.16 ➤ Architectural finishes available 	1 5/8" x 7/8" Projection: 1 3/8"	SBCF-222	US3, 26, 19, 15, 5, 15A, 10B, 26D
		2 1/16" x 1 1/16" Projection: 1 7/8"	SBCF-333	
	Template ASA Strike, Stainless Steel	4 7/8" x 3 3/8" x 1 1/4"	ASA478	US32D
	Template ASA Strike, Solid Brass		ASAST	US26, 10, 3, 10B
	Template ASA Strike, Steel Base		ASAST	US26D, 26, 10, 3, 10B
	<p style="text-align: center;">Heavy Duty Security Strike</p> <ul style="list-style-type: none"> ➤ Includes: 2 pcs #10 x 2 1/2" and 2 pcs #10 x 3/4" Wood Screws 	3 5/8" x 1 7/8"	SDTP-3625	US3, 26, 15, 10B, 15A
	<p style="text-align: center;">Deadbolt Security Strike</p> <ul style="list-style-type: none"> ➤ Includes: 2 pcs #12 x 3" 2 pcs #12 x 1 1/4" wood screws 	1 1/4" x 3 5/8"	SS114358	US3, 5, 15, US26D, 10B
	<p style="text-align: center;">Drive In Thimble Strike</p> <ul style="list-style-type: none"> ➤ Steel Construction ➤ ZINC Plated ➤ With 1 1/4" Screw 	Length: 1 1/8" Diameter: 1"	DTS80	ZINC
	<p style="text-align: center;">Brass Dustproof Strike</p> <ul style="list-style-type: none"> ➤ Spring tension calibrated for positive closing and eliminates binding ➤ Can be locked in up position ➤ Conforms to ANSI/BHMA 156.16 L14011 	Face Plate: 1 3/8" x 2 1/8" Barrel: 1" diameter Depth: 2 1/4"	DPSTRK1	US26D, 26, 3, 10B
	<p style="text-align: center;">Heavy Duty Roller Catch</p> <ul style="list-style-type: none"> ➤ Adjustable Nylon Roller With Square Heavy Duty Cast 2 1/4" Full-lip Strike ➤ Conforms to ANSI/BHMA A156.16, E19091 	Face Plate: 1" x 3 3/8" Full Lip Strike: 1/8" x 1" x 3 3/8" Depth: 1 3/4"	ARL1338	US3, 26, 19, 15, 5, 15A, 10B, 26, 26D

Specification Sheets available for submittal purposes at www.cal-royal.com. Click on "Specification Sheets Image"

MISCELLANEOUS DOOR AND WINDOW HARDWARE

ILLUSTRATION	ITEM	SIZE	ITEM #	FINISH
	<p>Optional T Strike for Heavy Duty Roller Catch ARL1338</p> <ul style="list-style-type: none"> ➤ Architectural finishes available ➤ Packed with Screws 	2 3/4" x 1 1/2" x 1 3/4"	ARLSTRK62	US26D, 26, 19, 15, 5, 3, 15A, 10B, US26
	<p>Door Silencer for Metal Frames</p> <ul style="list-style-type: none"> ➤ Absorb Shock and Reduce Noise of Door Closing ➤ Prevents door rattling ➤ Provides tension for door latches/locks ➤ Conforms to ANSI/BHMA 156.16, L03011 	Length: 1 1/16" Diameter: 1/2"	DSM21	Rubber
	<p>Door Silencer for Wood Frames</p> <ul style="list-style-type: none"> ➤ Absorb Shock and Reduce Noise of Door Closing ➤ Prevents door rattling ➤ Provides tension for door latches/locks ➤ Conforms to ANSI/BHMA 156.16, L03021 	Length: 3/4" Base: 3/8" x 3/4"	DSW85	Rubber
 <p style="font-size: small; margin-top: 10px;">KICK PLATE</p> <p style="font-size: small; margin-top: 10px;">ARMOR PLATE</p>	<p>Metal Kick Plates</p> <ul style="list-style-type: none"> ➤ Conforms to ANSI/BHMA A156.6 ➤ Packed with #6 x 5/8" screws 	0.050" x 8" x 34"	BKICK834	US32D, 10B
		0.040" x 8" x 34"	AKICK834	
		0.050" x 10" x 34"	BKICK1034	
		0.040" x 10" x 34"	AKICK1034	
	<p>Metal Kick Plates</p> <ul style="list-style-type: none"> ➤ Conforms to ANSI/BHMA J102 ➤ Packed with #6 x 5/8" screws 	0.050" x 10" x 46"	BKICK1046	US32D
	<p>Aluminum Kick Plate</p> <ul style="list-style-type: none"> ➤ Conforms to ANSI/BHMA A156.6 ➤ Anodized Aluminum Finish ➤ Packed with #6 x 5/8" screws 	0.032" x 6" x 34"	ANO634	US3, 10B, 15, US4
		0.032" x 8" x 34"	ANO834	
		0.032" x 10" x 34"	ANO1034	
<p>Stainless Steel Armor Plates</p> <ul style="list-style-type: none"> ➤ Conforms to ANSI/BHMA J101 ➤ Packed with #6 x 5/8" screws 	0.050" x 34" x 34"	BARM3434	US32D	
	0.050" x 34" x 36"	BARM3436	US32D	

Specification Sheets available for submittal purposes at www.cal-royal.com. Click on "Specification Sheets Image"

KICKPLATE BKICK1234



Features

- Stainless Steel kick plate
- Individually packed in tear-resistant kraft paper
- Packed with #6 x 5/8" screws

Size

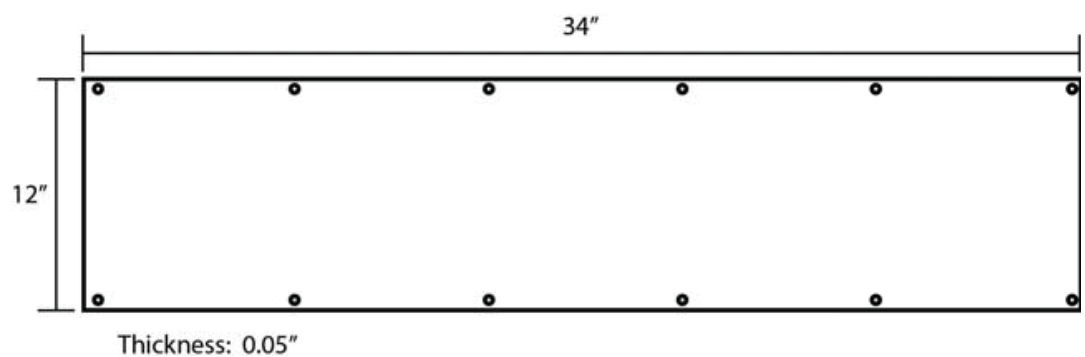
- 12" x 34" x 0.050"

Finish

- US32D - Stainless Steel

Code Compliance

- Conforms to ANSI/BHMA A156.6



ITEM CODE	DESCRIPTION	FINISH	IP QUANTITY	MC QUANTITY
BKICK1234	Stainless steel kick plate	US32D	1 PC	10 PCS

CAL-ROYAL PRODUCTS, INC.

6605 Flotilla St., City of Commerce, CA 90040 U.S.A.
 Phone: (323) 888-6601 • (800) 876-9258 • Fax: (323) 888-6699 • (800) 222-3316
 Email: sales@cal-royal.com • Website: www.cal-royal.com

The illustration and technical description in this cut sheet is current as of the date in the version date on the right. Cal-Royal Product reserves the right to, and may, on occasions, make changes and/or improvements in designs and dimensions without prior notice.

**VERSION
2015.1.0**

© Cal-Royal Products, Inc. 2015

PRIVACY DOOR LATCH HPDL258

The Cal-Royal Hotel Privacy Door Latch (HPDL) is recommended for use in environments with corridor to room openings such as hotels, dormitories, apartments and even private residences. The latch would allow the door to be partially opened for identification while providing privacy and security for the resident. The HPDL in the open position, cannot be used to hold the door open. The silicone pads provides additional protection for the door and act as silencers when the latch is closed forcefully.

The HPDL is UL Classified as a fire door accessory. It also meets the requirements of NFPA [NFPA 80 5.2.13.3 and NFPA 80 5.2.4.2(9)] that requires auxiliary hardware to not interfere or prohibit the proper operation of fire doors, and that doors are not blocked or wedged in the open position. It is also ADA Compliant.

Rivet nuts and matching screws are included for a more secure and rigid installation option (rivet nut tool not included).

Features

- UL Listed
- Simple to operate
- Easy to install
- Optional Rivnut Installation

Specifications

- Material: Zinc Die Cast
- Height: 2-1/8"
- Width (Base): 1-1/2"
- Weight: 0.65 lbs/unit
- Opening Angle: 87°
- Fasteners (Standard): #12-24 x 1/2" MS, 2" w/ no.12 head WS;
(Rivet Nut): #12-24 x 3/4" MS.

Finish

- US26D - Satin Chrome
- US26 - Bright Chrome
- US3 - Bright Brass
- US4 - Satin Brass
- US10B - Oil Rubbed Bronze

Certifications

- Meets NFPA 80 5.2.13.3
- Meets NFPA 80 5.2.4.2(9)
- ADA Compliant



OPEN POSITION

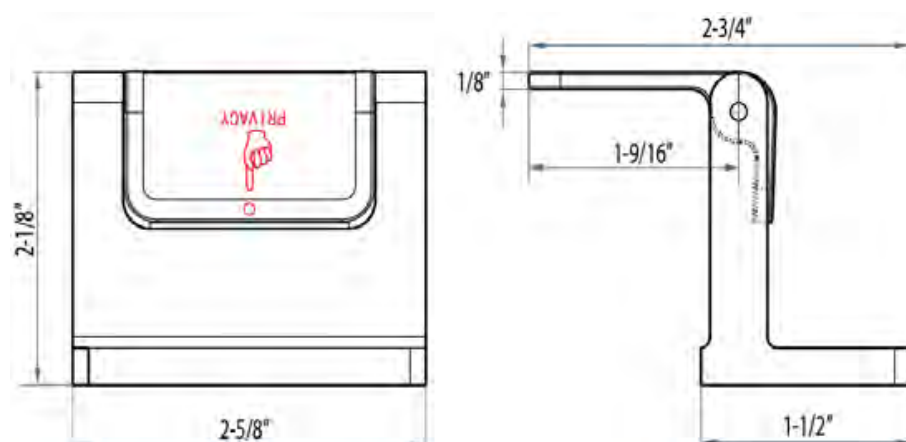
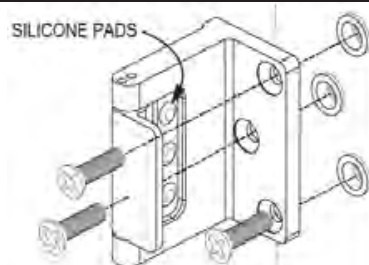
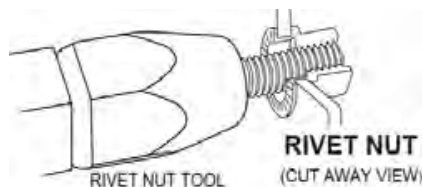


CLOSE POSITION



SILICONE PADS

OPTIONAL RIVNUT INSTALLATION



CAL-ROYAL PRODUCTS, INC.

6605 Flotilla St., City of Commerce, CA 90040 U.S.A.
Phone: (323) 888-6601 • (800) 876-9258 • Fax: (323) 888-6699 • (800) 222-3316
Email: sales@cal-royal.com • Website: www.cal-royal.com

The illustration and technical description in this cut sheet is current as of the date in the version date on the right. Cal-Royal Product reserves the right to, and may, on occasions, make changes and/or improvements in designs and dimensions without prior notice.

VERSION
2015.1.0

© Cal-Royal Products, Inc. 2015

Stainless Steel Pull Plate With 3/4" "PULL" Engraved in Black Color

Features

- Easy installation
- Boxed and individually polybagged
- Round Pull Bar Plates are packed with:
 - 6 pieces of # 6 x 1/2" Stainless Steel Screws
 - 2 pieces of # 1/4-20 x 2 1/2" Long Steel Screws
 - 2 pieces of Steel Washers
- Ellipse Pull Bar Plates are packed with:
 - 6 pieces of # 6 x 1/2" Stainless Steel Screws
 - 2 pieces of # 10 - 32 x 2 1/4" Steel Screw
 - 2 pieces of ø 10 x # 10 - 32 x 5/16" Steel Screw
 - 2 pieces of Steel Washers

Material / Thickness

- Stainless Steel / 0.050"

Finish

- US32D - Satin Stainless Steel

Code Compliance

- Conforms to ANSI/BHMA A156.6 for J401 Pulls

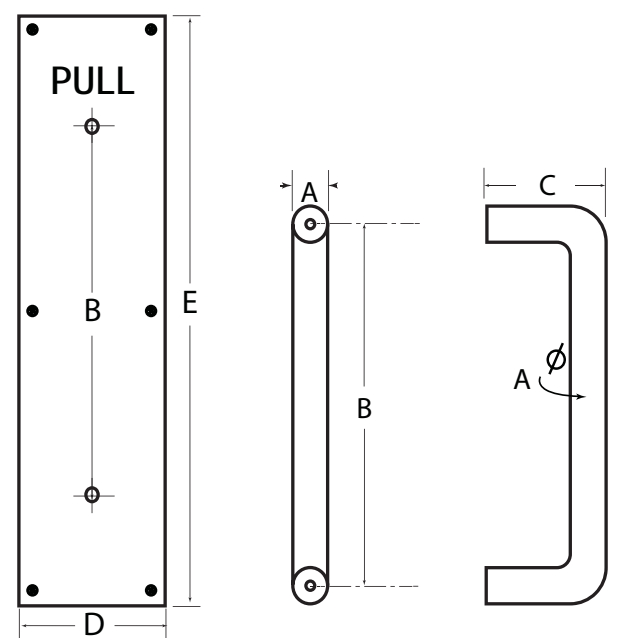


**ROUND
PULL BAR**

**ELLIPSE
PULL BAR**

	PULL BAR			PLATE	
	A	B	C	D	E
	DIAMETER	CTC	PROJECTION	WIDTH	LENGTH
PULL1000	3/4"	6"	2 1/4"	3 1/2"	15"
PULL1001 ADA*			2 5/8"		
PULL1003 ADA*		8"	10"		
PULL1005 ADA*	1"				
PULL1007 ADA*					
PULL001	ELLIPSE BAR	5 1/2"	1 3/4"	3 1/2"	15"
PULL002				4"	16"

*ADA - Americans with Disabilities Act Approved



CAL-ROYAL PRODUCTS, INC.

6605 Flotilla St., City of Commerce, CA 90040 U.S.A.
 Phone: (323) 888-6601 • (800) 876-9258 • Fax: (323) 888-6699 • (800) 222-3316
 Email: sales@cal-royal.com • Website: www.cal-royal.com

The illustration and technical description in this cut sheet is current as of the date in the version date on the right. Cal-Royal Product reserves the right to, and may, on occasions, make changes and/or improvements in designs and dimensions without prior notice.

**VERSION
2015.1.0**

© Cal-Royal Products, Inc. 2015

Stainless Steel Push Plate with 3/4" "PUSH" Engraved in Black Color

Features

- Easy installation
- Boxed and individually polybagged
- Packed with 6 pieces of # 6 x 1/2" Stainless Steel Screws

Thickness

- 0.050"

Material

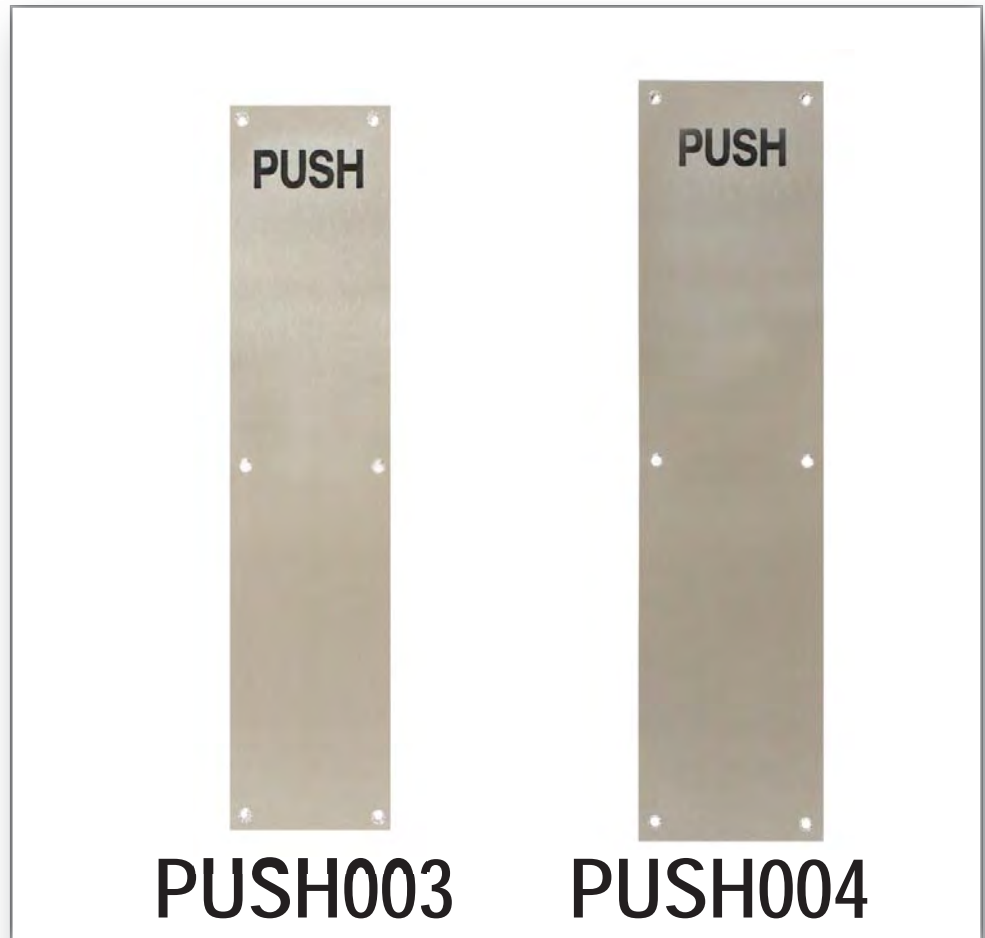
- Stainless Steel

Finish

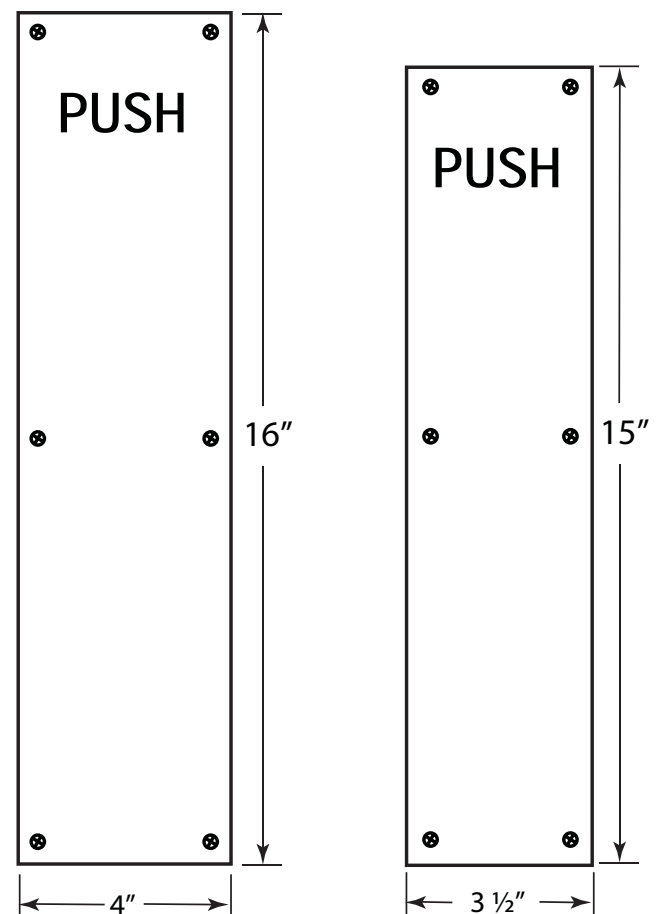
- US32D - Satin Stainless Steel

Code Compliance

- Conforms to ANSI/BHMA A156.6



	PUSH003	PUSH004
WIDTH	3 1/2"	4"
LENGTH	15"	16"
THICKNESS	0.050"	
DESCRIPTION	Push Plate with 3/4" "PUSH" Engraved in Black	



CAL-ROYAL PRODUCTS, INC.

6605 Flotilla St., City of Commerce, CA 90040 U.S.A.
 Phone: (323) 888-6601 • (800) 876-9258 • Fax: (323) 888-6699 • (800) 222-3316
 Email: sales@cal-royal.com • Website: www.cal-royal.com

The illustration and technical description in this cut sheet is current as of the date in the version date on the right. Cal-Royal Product reserves the right to, and may, on occasions, make changes and/or improvements in designs and dimensions without prior notice.

**VERSION
2015.1.0**

© Cal-Royal Products, Inc. 2015

DOOR / WINDOW CASEMENT SECURITY LATCH LOCK DL402361

Features

- Offers concealed security for all internal and external doors
- Permanently fixed to the door and used in conjunction with a door security bolt
- Suitable as a security measure for cupboards, windows and internal doors
- Non-handed
- Easy Installation

Material

- Brass / Zinc components

Bolt projection

- 1/2"

Strike dimensions

- 7/8" x 1-3/4"

Escutcheon dimension

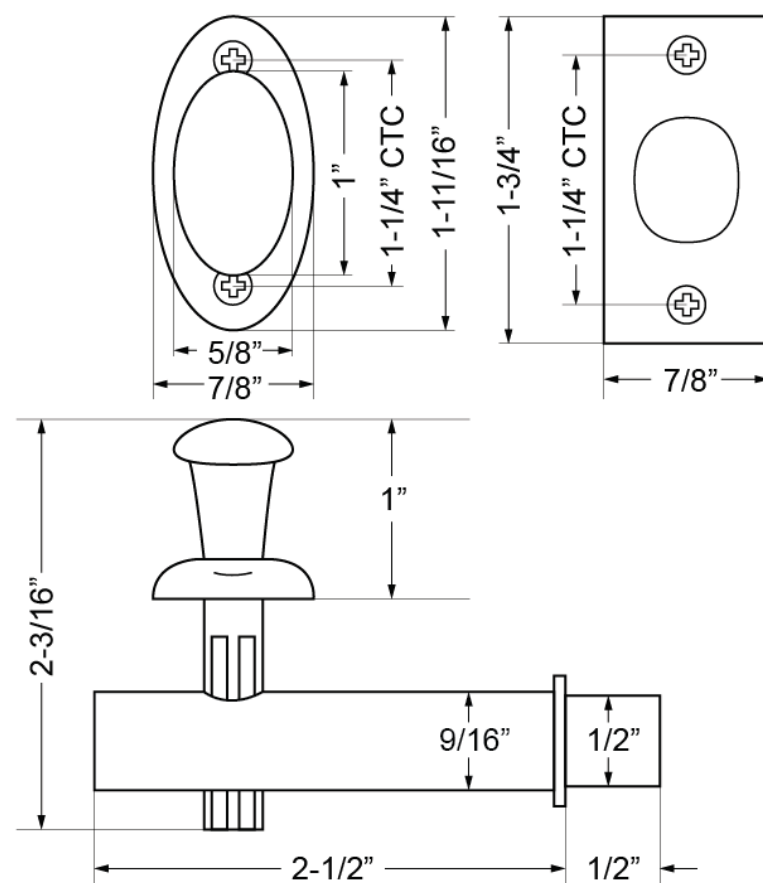
- 7/8" x 1-11/16"

Finishes

- US10B - Oil Rubbed Bronze
- US26 - Polished Chrome
- US15 - Satin Nickel
- US26D - Satin Chrome
- US3 - Bright Brass
- US5 - Antique Brass

Screws

- # 4 x 1/2" W.S.



CAL-ROYAL PRODUCTS, INC.

6605 Flotilla St., City of Commerce, CA 90040 U.S.A.
 Phone: (323) 888-6601 • (800) 876-9258 • Fax: (323) 888-6699 • (800) 222-3316
 Email: sales@cal-royal.com • Website: www.cal-royal.com

The illustration and technical description in this cut sheet is current as of the date in the version date on the right. Cal-Royal Product reserves the right to, and may, on occasions, make changes and/or improvements in designs and dimensions without prior notice.

VERSION
2015.1.0

© Cal-Royal Products, Inc. 2015

HEAVY CAST ALUMINUM DOOR PULL PULL715

Features

- 2-1/16" Projection
- Individually packed
- Exposed screws and wood screw: 6 x 1"
- Thrubolt Option: 12 x 1/4-20 x 2"

Material

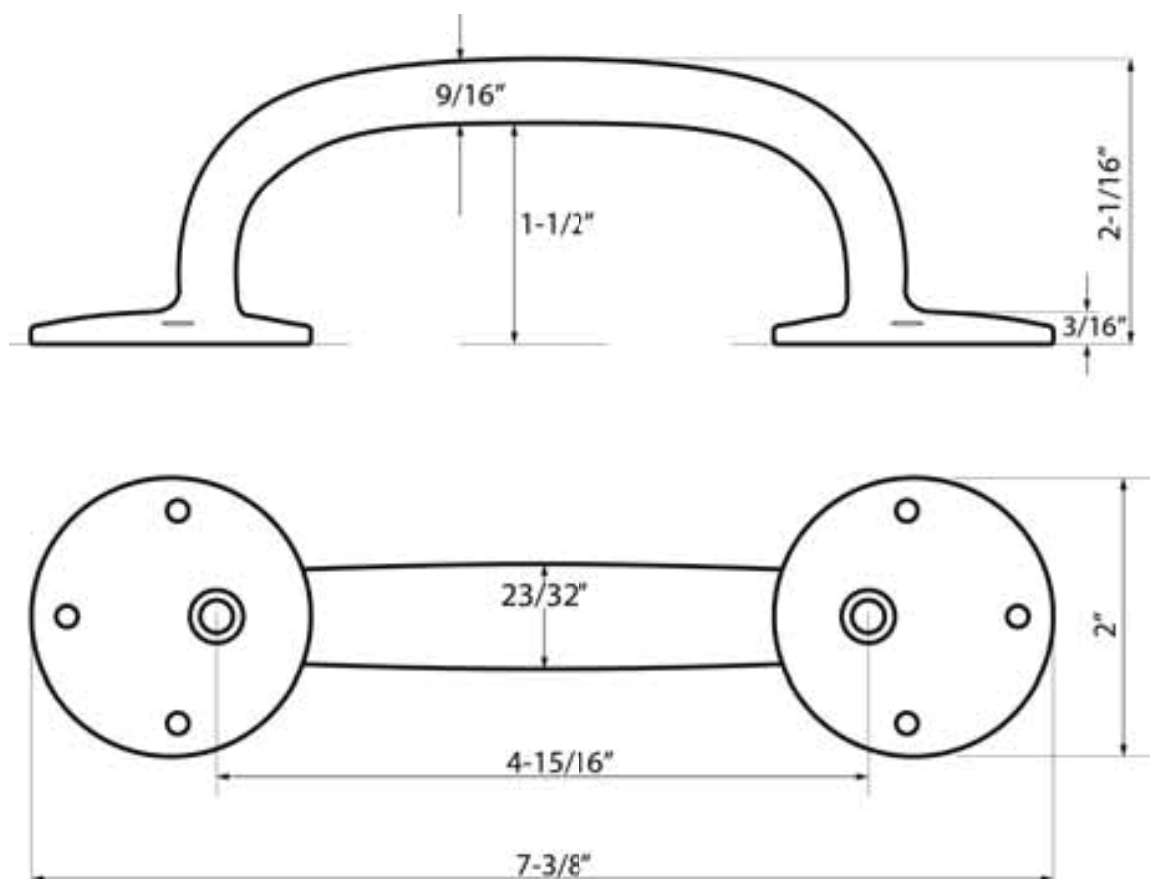
- Heavy Cast Aluminum

Finishes

- ALUM - Aluminum
- DURO - Dark Bronze Anodized Aluminum

Size

- 7-3/8" x 1-1/2"



CAL-ROYAL PRODUCTS, INC.

6605 Flotilla St., City of Commerce, CA 90040 U.S.A.
Phone: (323) 888-6601 • (800) 876-9258 • Fax: (323) 888-6699 • (800) 222-3316
Email: sales@cal-royal.com • Website: www.cal-royal.com

The illustration and technical description in this cut sheet is current as of the date in the version date on the right. Cal-Royal Product reserves the right to, and may, on occasions, make changes and/or improvements in designs and dimensions without prior notice.

VERSION
2015.1.0

© Cal-Royal Products, Inc. 2015

MISCELLANEOUS DOOR AND WINDOW HARDWARE

ILLUSTRATION	ITEM	SIZE	ITEM #	FINISH
	<p style="text-align: center;">Solid Bar Round Pull 1" Diameter</p> <ul style="list-style-type: none"> ➤ <i>Stainless Steel, Brass and Aluminum Material</i> ➤ <i>Type 1 Thru-Bolt Mount for 1 3/4" thick doors</i> ➤ <i>Individually packed</i> ➤ <i>Easy installation</i> ➤ <i>Architectural finishes available</i> 	1" Diameter, 10" CTC Projection: 2 1/2"	PUL200	US3, US32D
		1" Diameter, 8" CTC Projection: 2 1/2"	PUL201	
	<p style="text-align: center;">Solid Bar Round Pull 3/4" Diameter</p> <ul style="list-style-type: none"> ➤ <i>Stainless Steel, Brass and Aluminum Material</i> ➤ <i>Type 1 Thru-Bolt Mount for 1 3/4" thick doors</i> ➤ <i>Individually packed</i> ➤ <i>Easy installation</i> ➤ <i>Architectural finishes available</i> 	3/4" Diameter, 10" CTC Projection: 2 1/4"	PUL202	US3, US32D
		3/4" Diameter, 8" CTC Projection: 2 1/4"	PUL203	US3, US10B, US32D,ALUM
		3/4" Diameter, 6" CTC Projection: 2 1/4"	PUL204	US3, US10B, US32D, ALUM
		3/4" Diameter, 5 1/2" CTC Projection: 2 1/4"	PUL205	US3, US15, US10B, US32D,ALUM
		5/8" Diameter, 5 1/2" CTC Projection: 2"	PUL206	US3, US10B, US32D, ALUM
	<p style="text-align: center;">Solid Bar Pull Handle</p> <ul style="list-style-type: none"> ➤ <i>Stainless Steel, Brass and Aluminum Material</i> ➤ <i>Type 1 Thru-Bolt Mount for 1 3/4" thick doors</i> ➤ <i>Individually packed</i> ➤ <i>Easy installation</i> ➤ <i>Architectural finishes available</i> 	3/8" x 1 1/4", 10" CTC Projection: 2"	PUL207	US3, US10B, US15,US28
		3/8" x 1 1/4", 8" CTC Projection: 2"	PUL208	US3, US10B, US15,US28
		3/8" x 1 1/4", 6" CTC Projection: 2"	PUL209	US3, US10B, US15,US26, US28
	<p style="text-align: center;">Solid Ellipse Pull Handle</p> <ul style="list-style-type: none"> ➤ <i>Stainless Steel, Brass and Aluminum Material</i> ➤ <i>Type 1 Thru-Bolt Mount for 1 3/4" thick doors</i> ➤ <i>Individually packed</i> ➤ <i>Easy installation</i> ➤ <i>Architectural finishes available</i> 	7/8" x 1/2" Ellipse, 5 1/8" CTC Projection: 1 3/4"	PUL210	US3, US28
		3/4" x 1/2" Ellipse, 5 1/2" CTC Projection: 1 3/4"	PUL211	US3, US10B, US15, US15A, US26, US26D, US32D

Specification Sheets available for submittal purposes at www.cal-royal.com. Click on "Specification Sheets Image"

MISCELLANEOUS DOOR AND WINDOW HARDWARE

ILLUSTRATION	ITEM	SIZE	ITEM #	FINISH	
	Pull Plate ➤ One piece mounted ➤ Conforms to ANSI/BHMA A156.6 ➤ Architectural finishes available	0.050" x 3 1/2" x 15"	PULPL3515	US32D, 26, 10, 5, 4, 3, 10B	
		0.050" x 4" x 16"	PULPL4016		
	Pull Plate Solid Bar Round 1000 Series ➤ Meets ANSI 156.6 for J401 Pulls ➤ 18 Gauge (0.050") Plate	3/4" dia. 6"CTC	3.5" x 15"	1000	US32D, 10B, 3
			4" x 16"	1001	
				1001 ADA	US32D
		3/4" dia. 8"CTC	3.5" x 15"	1002	US32D, 10B, 3
			4" x 16"	1003	
				1003 ADA	US32D
		1" dia. 8"CTC	3.5" x 15"	1004	US32D, 10B, 3
			4" x 16"	1005	
				1005 ADA	US32D
		1" dia. 10"CTC	3.5" x 15"	1006	US32D, 10B, 3
			4" x 16"	1007	
				1007 ADA	US32D
	Push Plate ➤ Individually packed with protective film and screws ➤ Easy installation ➤ Conforms to ANSI/BHMA A156.6 ➤ Architectural finishes available	0.050" x 3 1/2" x 15"	PSPL3515	US32D, 10B, 10, 6, 5, 4, 3, 26	
		0.050" x 4" x 16"	PSPL4016		
	Latch Guard Protector ➤ Universal latch guard for out-opening doors ➤ Fits most single, double and mortise locks ➤ Conforms with ANSI/BHMA 156.2 Series 4000	2 7/8" x 11"	LPG2	USP, ALUM DURO, GOLD	
		3" x 11"	GJLPG2	US32D	
	Solid Brass Drawer Pull ➤ Includes Screws for 3/4" - 1 3/8" thick drawers or doors ➤ Conforms to ANSI/BHMA A156.9 B22011 ➤ Architectural finishes available	Dia. of Rod : 3", 5/16"	WP300	US3, 26, 26D, US10B	
		Dia. of Rod 3 1/2", 5/16"	WP350		
		Dia. of Rod 4", 5/16"	WP400		

Specification Sheets available for submittal purposes at www.cal-royal.com. Click on "Specification Sheets Image"

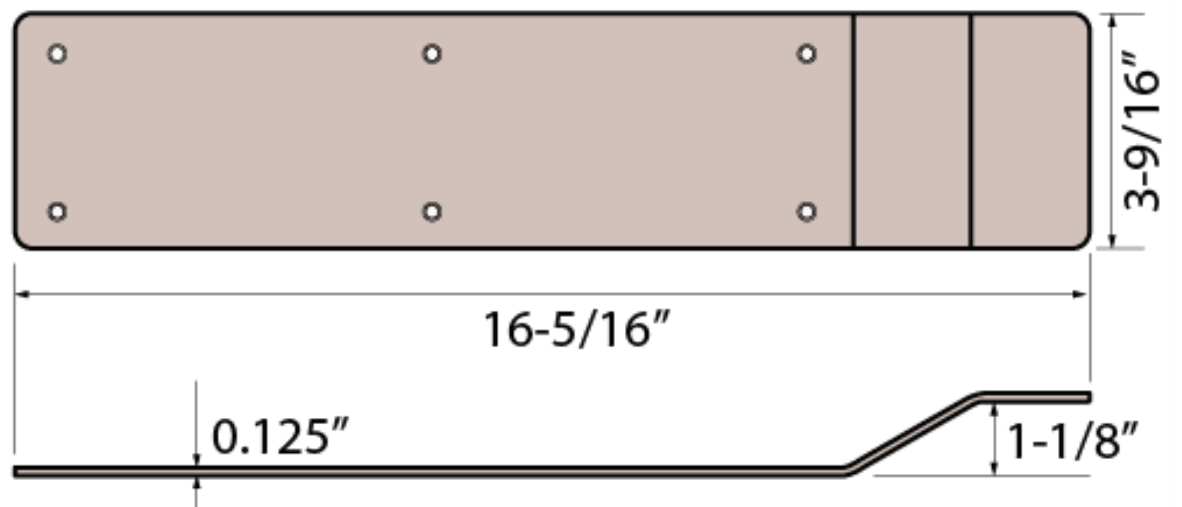


STAINLESS STEEL PUSH/PULL PLATE

CMBOPUL3516



- **Plate:** 3-9/16" X 16-5/16" (90 mm x 415 mm)
- **Lip Projection (clearance):** 1-1/8" (29 mm)
- **Gauge:** 0.125" (3.5 mm)
- **Material:** Stainless steel
- **Finishes:** US32D
- **Fasteners:** Six (6) #6 x 5/8" OPH tapping screws
- **BHMA:** J303
- **Packaging:** 10 per box; 50 per case



Ver. 3.0, Rev. 05/15
©2015 CAL-ROYAL



PRIULDV200

UL-LISTED PRIVACY DOOR VIEWER

200° Door Viewer with Heavy Duty Privacy Cover

Features

- UL fire rated for 20 minutes
- Heavy duty privacy cover
- 200° glass lens
- 1" head diameter
- 9/16" bore

Material

- Brass

Finishes

- US3 - Polished Brass
- US10B - Oil Rubbed Bronze
- US15 - Satin Nickel
- US26 - Polished Chrome
- US26D - Satin Chrome



Door Thickness

- 1 3/8" - 2 1/4"

Privacy cover prevents movement from the inside to be viewed externally.

ITEM #	DESCRIPTION	FINISH	IP QTY	MC QTY
PRIULDV200	Door Viewer with rotating cover	US3, US10B, US15, US26, US26D	25	500

DOOR KNOCKERS AND VIEWERS

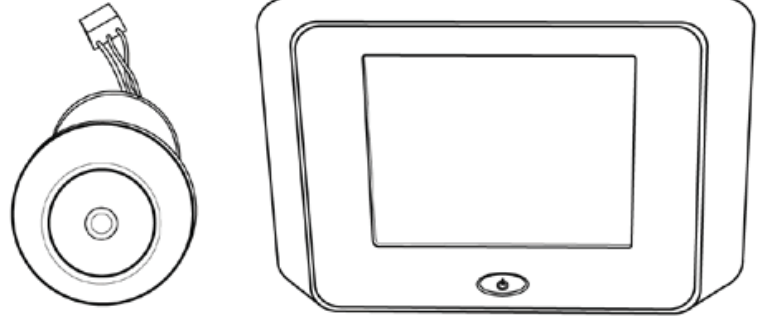
ILLUSTRATION	ITEM	SIZE	ITEM #	FINISH
	Solid Brass Door Knocker <ul style="list-style-type: none"> ➤ Conforms to ANSI/BHMA A156.16 L23151 ➤ Architectural finishes available ➤ Similar to IVES #3125 	Dimensions: 3 1/2" x 6 7/8"	SBDK356	US3, 5, 10B, 26, 26D, 15, 15A
	Solid Brass Door Knocker With 180° Door Viewer <ul style="list-style-type: none"> ➤ Conforms to ANSI/BHMA A156.16 L23151 	Bore: 9/16" Size: 3 1/2" x 6" For Doors: 1 3/8" - 1 3/4" thick	SBDK/ DV180	US3
	Solid Brass Door Knocker <ul style="list-style-type: none"> ➤ Conforms to ANSI/BHMA A156.16 L23151 ➤ Similar to IVES #3102 	Dimensions: 2 1/8" x 3 3/4"	SSBDK234	US3, 10B, 15
OPTIONAL 	Door Knocker With 160° Viewer <ul style="list-style-type: none"> ➤ Conforms to ANSI/BHMA A156.16 L23151 ➤ Die cast material ➤ ULDK93 is UL Listed for 90-minute doors ➤ Architectural finishes available ➤ UL Listed 	For Doors: 1 3/8" - 1 3/4" thick Non UL	DK93	US3, 5, 26D, 10B, 15, 15A
		For Doors: 1 3/8" - 1 3/4" thick UL Listed	ULDK93	US3, 5, 26D, 15
	Door Knocker With 180° Viewer <ul style="list-style-type: none"> ➤ Conforms to ANSI/BHMA A156.16 L23151 ➤ Die cast material ➤ Architectural finishes available 	Bore: 9/16" Size: 2 3/8" x 5 1/4" For Doors: 1 3/8" - 1 3/4" thick Non UL	DK94	US3, 5, 26D, 10B, 15, 15A
	Door Knocker With 160° Viewer w/ Name Card <ul style="list-style-type: none"> ➤ Conforms to ANSI/BHMA A156.16 L23151 ➤ Die cast material ➤ Architectural finishes available 	Size: 2" x 4 3/4" For Doors: 1" - 1 3/4" thick	DKN95	US3, 5

Specification Sheets available for submittal purposes at www.cal-royal.com. Click on "Specification Sheets Image"

ELECDDV180 Electronic Digital Door Viewer, 180°

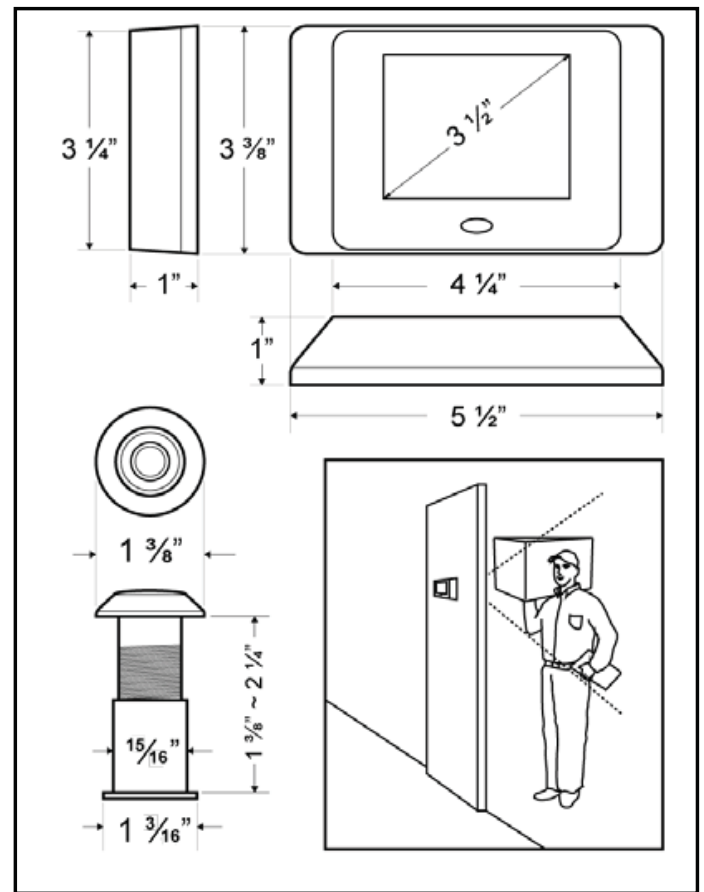
Features

- Fully Integrated Digital Camera and LCD display
- Quick and Easy Installation
- No Wiring necessary
- Clear Large Image
- Easy Operation
- Convenient for children and elderly
- Provides additional privacy



Specifications

Model No.....	ELECDDV180
Door Thickness.....	1 3/8" ~ 2 1/4" (35mm ~ 57mm)
Bore.....	1" (25mm)
LCD Display Size.....	3.5" TFT (90mm)
Camera Resolution.....	0.3 Mega Pixels CMOS
Camera Viewing Angle.....	180°
LCD Unit Base Dimension...	3 3/8" H x 5 1/2" W (86mm x 140mm)
LCD Unit Top Dimension....	3 1/4" H x 4 1/4" W (83mm x 108mm)
LCD Unit Projection.....	1" (25mm)
Viewer Lens Material.....	Brass material door viewer in US10B Oil-rubbed Bronze to match Dark Bronze, US26D Satin Chrome to match Silver and US3 Polished Brass to match Gold finishes
Power.....	4 x 1.5VDC (AA Batteries included)
Finishes.....	Silver, Dark Bronze, Gold



The Electronic Digital Door Viewer (ELECDDV180) is an innovative product designed to replace conventional peephole door viewers with an electronic video system that delivers on-demand and high quality images. This avoids caller from the outside to see any movement from the inside when they come knocking. Unwanted callers can be ignored or screened without them knowing there are people inside. Ensures your privacy is protected.

The ELECDDV180 provides an expanded field of view from a comfortable viewing distance. It is fast and easy to install into new construction or retrofitted to existing doors and requires no external wiring. The 3.5 inch LCD monitor mounts on the inside of the door and provides a large, clear view. The high resolution color camera is mounted into the door and delivers a sharp image.

A simple press of a button produces a live video image of the entire area outside of the door and is displayed on the LCD monitor. The ELECDDV180 installs in just a few minutes using a standard power drill. The battery life is approximately 1500 X 15-second viewing cycles. In normal operation, the batteries last for one year.

The ELECDDV180 adds value to your home, condo or apartment units not only for its high-tech appeal but also for the added security and precaution you can take compared to conventional door viewers.

It comes in Gold, Silver and Dark Bronze finishes to complement or match the finishes on your door and/or door hardware.



ELDVBEL150

Electronic Digital 160° Viewer with Door Bell



Features

- Fully Integrated Digital Camera -LCD display and Doorbell
- Quick and Easy Installation
- No Wiring necessary
- Clear Large Image
- Easy Operation
- Convenient for children and elderly
- Provides additional privacy



Specifications

Model No.....	ELDVBEL150
Door Thickness.....	1 3/8" ~ 2 3/8" (35mm ~ 60mm)
Bore.....	1/2" ~ 1 1/8" (13mm ~ 29mm)
LCD Display Size.....	3.5" TFT (90mm) 320 x 240 resolution
Camera Resolution.....	0.3 Mega Pixels CMOS
Camera Viewing Angle.....	160°
LCD Unit Base Dimension...	3 1/2" H x 5 1/2" W (90mm x 140mm)
LCD Unit Top Dimension.....	2 3/4" H x 5" W (83mm H x 108mm W)
LCD Unit Projection.....	1" (25mm)
Viewer Lens Material.....	Brass material tubing and plastic lens
Power.....	3 x 1.5v DC (AA Batteries included)
Finishes.....	Silver, Duro, Gold



The Electronic Digital Door Bell and Viewer (ELDVBEL150) is an innovative product designed to replace conventional peephole door viewers with a combination of a door bell and an electronic video system that delivers on-demand and high quality images. This avoids caller from the outside to see any movement from the inside when they come knocking. Unwanted callers can be ignored or screened without them knowing there are people inside. Ensures your privacy is protected.

The ELDVBEL150 provides an expanded field of view (160°) from a comfortable viewing distance. It is fast and easy to install onto new construction or retrofitted to existing doors and requires no external wiring. The 3.5 inch LCD monitor mounts on the inside of the door and provides a large, clear view. The high resolution color camera-doorbell unit is mounted outside of the door and delivers a sharp image every time the doorbell is rung.

A simple press of the doorbell button produces an audible 4-cycle chime and a live video image of the entire area outside of the door and is displayed on the LCD monitor and stored automatically. Up to 100 images can be stored and is available for later viewing. It has a built-in automatic infrared feature for night time or low-light conditions.

The ELDVBEL150 installs in just a few minutes using a standard power drill for new installation or retrofit existing conventional door viewer. The battery life is approximately 1500 x 15-second viewing cycles. In normal operation, the batteries may last for one year.

The ELDVBEL150 adds value to your home, condo or apartment units, not only for its high-tech appeal but also for the added security and precaution you can take compared to conventional door viewers.

It comes in Gold, Silver and Duro finishes to complement or match the finishes on your door and/or door hardware.

CAL-ROYAL PRODUCTS, INC.

6605 Flotilla St., City of Commerce, CA, U.S.A. 90040
 Tel . 1-323-888-6601 ■ 1-800-876-9258 Fax. 1-323-888-6699 ■ 1-800-222-3316

THIS PAGE INTENTIONALLY LEFT BLANK

DOOR VIEWERS

ILLUSTRATION	ITEM	SIZE	ITEM #	FINISH
	Brass Door Viewer, 160° Plastic Lens ➤ Conforms to ANSI/BHMA A156,16 L23172 ➤ Architectural finishes available	Bore: 1/2" For Doors: 1 3/8" - 2" thick	DV90	US3, 5, 26, 26D, 15, 10B
	Brass Door Viewer, 180° Plastic Lens ➤ Conforms to ANSI/BHMA A156,16 L23172 ➤ Architectural finishes available	Bore: 1/2" For doors: 1 3/8" - 2" thick	DV91	US3, 5, 26, 26D, 15, 10B
		Bore: 9/16" For doors: 1 3/8" - 2" thick	DV180	US3, 5, 26, 26D, 15, 10B, 15A
	Door Viewer, 160° Glass Lens ➤ UL Listed For 90-Minute Doors ➤ Conforms to ANSI/BHMA A156,16 L23172 ➤ Architectural finishes available	Bore: 1/2" For doors: 1 3/8" - 2" thick	ULDV160	US3, 15, 26, 26D, 10A, 10B
	Door Viewer, 200° Glass Lens ➤ UL Listed For 90-Minute Doors ➤ Conforms to ANSI/BHMA A156,16 L23172 ➤ Architectural finishes available	Bore : 9/16" For doors: 1 3/8" - 2" thick	ULDV200	US3, 15, 26, 26D, 10A, 10B
		Bore : 9/16" For doors: 1" - 1 3/8" thick	10ULDV201	US3, 15, 26D, 10B
 COV160 COV200	Door Viewer Cover	Cover : 1/2" To be used with: DV90, DV91, ULDV160 door viewers	COV160	US3, 15, 10B, 26D
		Cover : 9/16" To be used with: DV180, ULDV200, ULDV201	COV200	

Specification Sheets available for submittal purposes at www.cal-royal.com. Click on "Specification Sheets Image"

DOOR GUARDS

ILLUSTRATION	ITEM	SIZE	ITEM #	FINISH
	<p style="text-align: center;">Solid Brass Chain Door Guard</p> <ul style="list-style-type: none"> ➤ Welded solid steel chains to prevent forced entry ➤ Conforms to ANSI/BHMA 156.16 ➤ Architectural finishes available 	Chain: 6 ¾"	DG22	US3, US5, 26
	<p style="text-align: center;">Zinc Diecast Swing Bar Door Guard</p> <ul style="list-style-type: none"> ➤ Ball Bearing Stop Guide ➤ Die cast material ➤ Architectural finishes available 	2 1/16" x 4 1/4"	BBDHG88	US3, 4, 5, 26, 26D, 10B
	<p style="text-align: center;">Diecast Swing Bar Door Guard</p> <ul style="list-style-type: none"> ➤ Protective rubber insert on both sides of arm ➤ Architectural finishes available 	2 ½" x 4 ½"	PDG88	US3, 4, 10B, 26, 26D
	<p style="text-align: center;">Solid Brass Door Guard Packed With Angle Protector</p> <ul style="list-style-type: none"> ➤ Ball Bearing stop guide ➤ Packed with Door Angle Protector to avoid scarring the door or frame ➤ Conforms to ANSI/BHMA 156.16 ➤ Architectural finishes available 	Arm length: 4 ¾"	SBDG00	US26D, 3, 4, 26, 10B
	<p style="text-align: center;">Door Angle Protector</p> <ul style="list-style-type: none"> ➤ Door angle protector comes with adhesive and individual screw for secure mounting ➤ Designed for use with BBDHG88 and PDG88 ➤ Architectural finishes available 	Thickness: 0.036" Dimensions: ½" x 1" x 1 ⅛"	DAP77	US26D, 26, 3, 4, 5, 10B
	<p style="text-align: center;">Door Guard Shim</p> <ul style="list-style-type: none"> ➤ To be used when face of door is recessed from face of jamb ➤ Fits under Door Guard ➤ Use with BBDHG88 and PDG88 	Dimensions: 5/8" x 2 5/16" Thickness: 1/8"	DGS39	Black
	<p style="text-align: center;">Door Guard Shim</p> <ul style="list-style-type: none"> ➤ To be used when face of door is recessed from face of jamb. ➤ Fits Under Door Guard Sector Which Attaches to Door. Use with SBDG00 	Dimensions: 1 ⅛" x 1 11/16" Thickness: 1/8"	DGS100	Black

Specification Sheets available for submittal purposes at www.cal-royal.com. Click on "Specification Sheets Image"

DOOR / WINDOW CASEMENT SECURITY LATCH LOCK DL402361

Features

- Offers concealed security for all internal and external doors
- Permanently fixed to the door and used in conjunction with a door security bolt
- Suitable as a security measure for cupboards, windows and internal doors
- Non-handed
- Easy Installation

Material

- Brass / Zinc components

Bolt projection

- 1/2"

Strike dimensions

- 7/8" x 1-3/4"

Escutcheon dimension

- 7/8" x 1-11/16"

Finishes

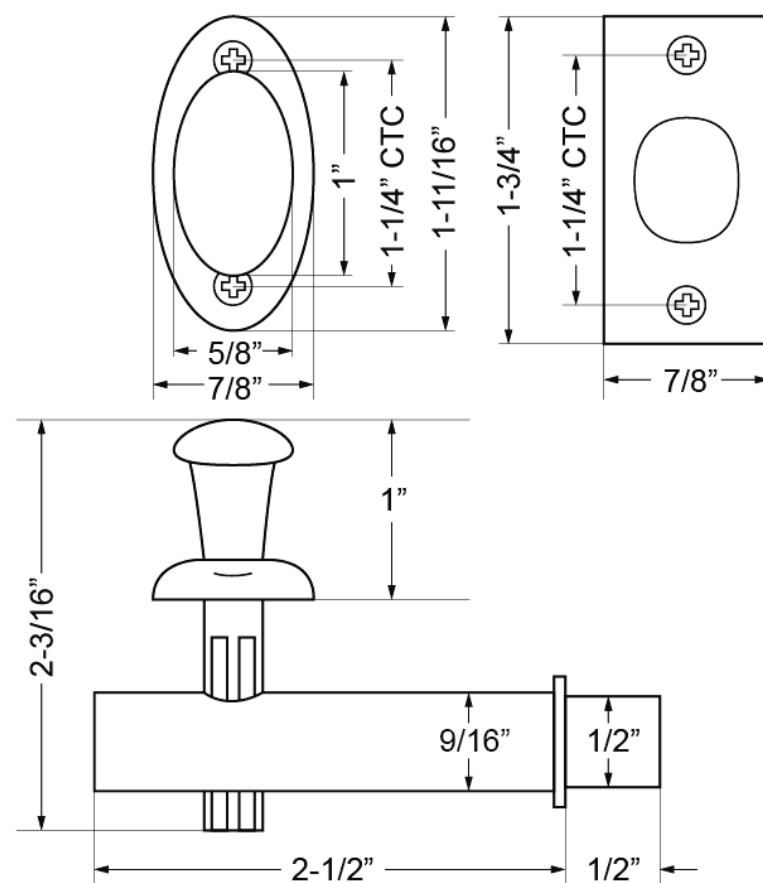
- US10B - Oil Rubbed Bronze
- US26 - Polished Chrome
- US15 - Satin Nickel
- US26D - Satin Chrome
- US3 - Bright Brass
- US5 - Antique Brass

Screws

- # 4 x 1/2" W.S.



DL402361



CAL-ROYAL PRODUCTS, INC.

6605 Flotilla St., City of Commerce, CA 90040 U.S.A.
Phone: (323) 888-6601 • (800) 876-9258 • Fax: (323) 888-6699 • (800) 222-3316
Email: sales@cal-royal.com • Website: www.cal-royal.com

The illustration and technical description in this cut sheet is current as of the date in the version date on the right. Cal-Royal Product reserves the right to, and may, on occasions, make changes and/or improvements in designs and dimensions without prior notice.

VERSION
2015.1.0

© Cal-Royal Products, Inc. 2015

THIS PAGE INTENTIONALLY LEFT BLANK

SLIDING DOOR LOCKS				
ILLUSTRATION	ITEM	SIZE	ITEM #	FINISH
	<p>Heavy Duty Privacy Sliding Door Lock Function</p> <ul style="list-style-type: none"> ➤ Heavy Duty ➤ Privacy sliding door lock function ➤ Easy installation onto pocket-type interior doors with just a simple cut in door edge ➤ Architectural finishes available 	Standard Door Prep: 2 7/8"(L) x 1 3/4"(W) can be used on: 1 3/8" and 1 3/4" door thickness	PRIPDL21	US3, 5, 26, 26D, 15, 15A, 10B
	<p>Heavy Duty Passage Sliding Door Lock Function</p> <ul style="list-style-type: none"> ➤ Heavy Duty ➤ Privacy sliding door lock function ➤ Architectural finishes available 	Standard Door Prep: 2 7/8"(L) x 1 3/4"(W) can be used on: 1 3/8" and 1 3/4" door thickness	PASPD34	US3, 5, 26, 26D, 15, 15A, 10B
 SDLPIN not shown to size	<p>Privacy Sliding Door Lock</p> <ul style="list-style-type: none"> ➤ Sliding door lock and pull for passageway (pocket) doors ➤ Decorative Coined Edges ➤ Reversible (Non-Handed) 	Standard Door Prep: 2 1/4" (L) x 1 3/4" (W) For use on doors: 1 3/8" - 1 3/4" thick Use SDLPIN for 1 3/4" doors	SDL16	US3, 5, 10B, 26, 26D, 15, 15A, US5/26, US3/26
	<p>Passage Sliding Door Lock</p> <ul style="list-style-type: none"> ➤ Comparable to Quality No. 100 ➤ Sliding door lock and pull for passageway (pocket) doors ➤ Easy installation onto pocket-type interior doors with just a simple cut in door edge 	Standard Door Prep: 2 1/4" (L) x 1 3/4" (W) For use on doors: 1 3/8" and 1 3/4" thick	SDL17	US3, 5, 10B, 26, 26D, 15, 15A, US3/26
	<p>Privacy Pocket door Lock</p> <ul style="list-style-type: none"> ➤ Auto-catch Lock Mechanism ➤ Fits standard 2-1/8" Door Prep ➤ Easy installation onto pocket-type interior doors 	1-3/8" Door Thickness	RSDL20	US10B, 3,5, 15, 15A, 19, 26, 26D
		1-3/4" Door Thickness	134RSDL20	
	<p>Dummy Pocket door Lock</p> <ul style="list-style-type: none"> ➤ Fits standard 2-1/8" Door Prep ➤ Easy installation onto pocket-type interior doors 	1-3/8" Door Thickness	RSDL40	US10B, 3,5, 15, 15A, 19, 26, 26D
		1-3/4" Door Thickness	134RSDL40	
	<p>Strike</p> <ul style="list-style-type: none"> ➤ Strike for privacy SDL ➤ Architectural finishes available 	Dimensions: 0.046" x 1" x 2 1/4"	STRKSDL	US3, 5, 26, 26D, 15, 15A, 10B
	<p>Edge Pull, Flush Mount</p> <ul style="list-style-type: none"> ➤ Flush Mount ➤ Conforms to ANSI/BHMA A156.14 D2801 ➤ Architectural finishes available 	Dimensions: 5/8" x 3 1/2" Projection: 1 1/4"	EP23	US3,5

Specification Sheets available for submittal purposes at www.cal-royal.com. Click on "Specification Sheets Image"

SECURITY BOLTS

ILLUSTRATION	ITEM	SIZE	ITEM #	FINISH
	<p style="text-align: center;">Solid Brass Decorative Dutch Door Bolt</p> <ul style="list-style-type: none"> ➤ Heavy Duty with decorative design adapts to any décor ➤ Packed with mortise and universal strikes ➤ 1 ¼" diameter decorative knob ➤ Conforms to ANSI/BHMA 156.16 ➤ Architectural finishes available 	4"	DDSB4	US3, 5, 26, 15, 15A, 10B
		8"	DDSB8	
		12"	DDSB12	
		18"	DDSB18	
		24"	DDSB24	
	<p style="text-align: center;">Angle Strike</p> <ul style="list-style-type: none"> ➤ Solid Brass Base ➤ Packed with screws ➤ Architectural finishes available 	Screw Holes: 1 ¾" CTC	ANGSTRK	US3, 5, 26, 15, 15A, 10B
	<p style="text-align: center;">Brass Surface Bolt</p> <ul style="list-style-type: none"> ➤ Brass construction ➤ Packed individually ➤ Poly-bagged with 2 strikes and screws ➤ Architectural finishes available ➤ BHMA LO4151 	3"	SB873	US3, 5, 26, 15, 15A, 10B
		4"	SB874	
		6"	SB876	
		12"	SB8712	
	<p style="text-align: center;">Decorative Surface Bolt</p> <ul style="list-style-type: none"> ➤ Packed individually ➤ Poly-bagged with 2 strikes and screws ➤ Comparable to IVES #043 ➤ Conforms to ANSI/BHMA 156.16 ➤ Architectural finishes available 	4"	DCSB4	US3, 5, 15, 15A, 10B, 26, 26D
		6"	DCSB6	
<p style="text-align: center;">MB85R MB86S</p>	<p style="text-align: center;">Solid Brass Flush Bolts</p> <ul style="list-style-type: none"> ➤ Designed for superior strength and smooth operation ➤ Deep cup finger hole and double action spring combine to assure ease of operation and automatic holding of bolt in either projected or retracted position ➤ Includes strike and fastener ➤ Architectural finishes available ➤ BHMA LO4201 	Bolt Head: Diameter: ½" Throw: 1" Length: 6" Width: ¾"	MB85R (Round Edge)	US3, 5, 10B 15, 15A, 26, 26D
	MB86S (Square Edge)			
	<p style="text-align: center;">Strike for MB85R and MB85S</p> <ul style="list-style-type: none"> ➤ Individually poly-bagged ➤ Packed with 2 screws ➤ Architectural finishes available 	Size: 1" x 2" Screw holes: 1 ¾" CTC	STRKMB85R	US3, 5, 15, 15A, 26, 26D, 10B

Specification Sheets available for submittal purposes at www.cal-royal.com. Click on "Specification Sheets Image"

SECURITY BOLTS

ILLUSTRATION	ITEM	SIZE	ITEM #	FINISH
	<p>Solid Brass Single Route Extension Flush Bolt</p> <ul style="list-style-type: none"> ➤ Designed for superior strength and smooth operation ➤ Individually poly-bagged ➤ Packed with strike and 2 sets of screws ➤ Architectural finishes available 	<p>Dimensions Length: 7" Width: 3/4"</p> <p>Bolt Head Diameter: 5/16" Throw: 3/4"</p>	FBG6	US3, 5, 26, 26D, 15, 15A, 10B
	<p>Strike for FBG6 and FBGEX12</p> <ul style="list-style-type: none"> ➤ Individually poly-bagged ➤ Packed with screws ➤ Architectural finishes available 	<p>Dimensions 1 1/2" x 5/8" Screw Holes 1" CTC</p>	STRKFBG6	US3, 5, 26, 26D, 15, 15A, 10B
	<p>Solid Brass Single Route Extension Flush Bolt</p> <ul style="list-style-type: none"> ➤ Rounded at both ends ➤ Designed for superior strength and smooth operation ➤ Individually poly-bagged ➤ Packed with strike and 2 sets of screws ➤ Architectural finishes available 	<p>Dimensions Length: 7 1/2" Width: 3/4"</p> <p>Bolt Head Diameter: 5/16" Throw: 1" Rod Length: 18"</p>	FBGEX12	US3, 5, 26, 26D, 15, 15A, 10B
	<p>Residential Flush Bolts</p> <ul style="list-style-type: none"> ➤ Designed for superior strength and smooth operation ➤ Deep cup finger hole and double action spring combine to assure ease of operation and automatic holding of bolt in either projected or retracted position ➤ Includes strike and screws ➤ Diecast material ➤ Architectural finishes available 	<p>Dimensions Length: 6 3/4" Width: 3/4"</p> <p>Bolt Head Diameter: 5/16" Throw: 3/4"</p>	ZDFB800	US3, 5, 26, 26D, 15, 10B
	<p>Flip Style Mortise Flush Bolt</p> <ul style="list-style-type: none"> ➤ Designed for superior strength and smooth operation ➤ Individually poly-bagged ➤ Packed with strike and 2 sets of screws ➤ Architectural finishes available 	<p>Dimensions 7" L x 3/4" W; Throw: 1 1/16"; Strike 1 1/2" L x 5/8" W</p>	FLPFB-400	US3,US5, 10B, 15, 15A, 26, 26D
	<p>Flip Style Mortise Flush Bolt With 18" Extension Rod</p> <ul style="list-style-type: none"> ➤ Designed for superior strength and smooth operation ➤ Individually poly-bagged, packed per pair ➤ Packed with strike and 2 sets of screws ➤ Architectural finishes available 	<p>Dimensions: 7 7/16" L x 3/4" W; Throw: 1 1/16"; Strike 1 1/2" L x 5/8" W</p>	EXT FB-1	US3,US5, 10B, 15, 15A, 26, 26D

Specification Sheets available for submittal purposes at www.cal-royal.com. Click on "Specification Sheets Image"

SECURITY BOLTS

ILLUSTRATION	ITEM	SIZE	ITEM #	FINISH
	<p style="text-align: center;">Commercial Surface Bolts</p> <ul style="list-style-type: none"> ➤ Offers tamper-resistant mounting. Can be used for both in-swinging and out-swinging doors ➤ Available with both mortise and universal strikes ➤ Conforms to ANSI/BHMA A156.16, L84161 	Dimensions Length: 8"; Width: 1" Bolt Head Diameter: 5/16" Throw: 1" Projection: 1 5/8"	SBUL8	US26D
	<p style="text-align: center;">Heavy Duty Commercial Surface Bolts</p> <ul style="list-style-type: none"> ➤ Offers tamper-resistant mounting. ➤ Can be used for both in-swinging and out-swinging doors ➤ Available with both mortise and universal strikes ➤ Conforms to ANSI/BHMA A156.16, L84161 	Length: 12"; Width: 1" Projection: 1 5/8" Bolt Throw: 1 3/16"	ESBUL12	US26D
		Length: 8"; Width: 1" Projection: 1 5/8" Bolt Throw: 1 3/16"	ESBUL50	
	<p style="text-align: center;">Solid Brass Commercial Manual Flush Bolt (UL Listed)</p> <ul style="list-style-type: none"> ➤ Non-handed ➤ UL Listed for fire-rated metal doors ➤ Bolt tip is 1/2" Diameter ➤ Conforms to ANSI/BHMA A156.16, L04251 ➤ Optional Rod lengths available 18", 24", 36", 48" ➤ Architectural finishes available 	Body Length: 6 3/4"; Width: 1" Depth: 1 1/8" Guide Length: 2"; Width: 1" Thickness: 5/64" Strike Length: 2 1/4"; Width: 1" Thickness: 5/64" Rod: 1/4" -20 Threaded	ULFB634	US3, 4, 5, 10, 10B, 15, 15A, 26, 26D Almond/ White
	<p style="text-align: center;">Solid Brass Commercial Wood Lever Extension Flush Bolt</p> <ul style="list-style-type: none"> ➤ Commercial Type ➤ 5/8" Throw ➤ Especially designed for wood or composite doors ➤ Conforms to ANSI/BHMA A156.16, L04261 ➤ Architectural finishes available 	Body Length: 6 3/4"; Width: 1" Depth: 1 1/4" Guide Length: 2 1/2"; Width: 1" Thickness: 5/64" Strike Length: 2 1/4"; Width: 1" Thickness: 5/64"	WFUL634	US3, 10B, 26, 26D, 15, 15A
	<p style="text-align: center;">Stamped Brass Commercial Manual Flush Bolt</p> <ul style="list-style-type: none"> ➤ Non-handed ➤ Stamped Brass Design ➤ Bolt tip is 1/2" Diameter ➤ Optional Rod lengths available 18", 24", 36", 48" ➤ Architectural finishes available 	Body Length: 6 3/4"; Width: 1" Depth: 1 1/4" Guide Length: 2"; Width: 1" Thickness: 5/64" Strike Length: 2 1/4"; Width: 1" Thickness: 5/64"	SBFB825	US3, 10B, 15, 26D

DOUBLE-ACTING FLOOR SPRING HINGE

	<p style="text-align: center;">Double-Acting Residential Floor Spring Hinge</p> <ul style="list-style-type: none"> ➤ Double acting adjustable spring tension ➤ Steel trim ➤ Heavy Duty ball bearing type with 90° Hold Open ➤ Can hold doors up to 90 lbs. ➤ Door Range 1 1/8" – 1 3/4" 	Door Range 1 1/8" – 1 3/4" Door Preparations: 8 1/8"(L) x 1 1/2"(H)	DAFH8	US3, 5, 15, 10B, 26D
--	---	--	-------	----------------------------

Specification Sheets available for submittal purposes at www.cal-royal.com. Click on "Specification Sheets Image"

HANDRAIL BRACKETS				
ILLUSTRATION	ITEM	SIZE	ITEM #	FINISH
	<p>Jumbo Heavy Duty Handrail Bracket</p> <ul style="list-style-type: none"> ➤ Die cast aluminum material ➤ Contemporary design ➤ Single screw wall mount for minimal damage to wall ➤ Individually poly-bagged ➤ Packed with mounting screws ➤ Easy installation ➤ Conforms to ANSI/BHMA A156.16 L13061 ➤ Architectural finishes available 	<p>Wall Mount: 2 1/8" dia. Height: 2 7/8" Width: 1 1/8" Projection: 2 7/8"</p>	JUHB-28	US3, 5, 15, 15A, 26, 10B
	<p>Hand Rail Bracket</p> <ul style="list-style-type: none"> ➤ Die cast material ➤ Individually poly-bagged with screws ➤ Conforms to ANSI/BHMA A156.16 L33061 ➤ Architectural finishes available 	<p>Height: 2 7/8" Width: 1 3/16" Projection: 2 7/8"</p>	HB96	US3, 5, 15, 15A, 26, 10B, 26D
	<p>Heavy Duty Cast Aluminum Handrail Bracket</p> <ul style="list-style-type: none"> ➤ Die cast material ➤ Individually poly-bagged with screws ➤ Conforms to ANSI/BHMA A156.16 L33061 ➤ Architectural finishes available 	<p>Height: 3 1/4" Width: 1 7/16" Projection: 3 1/4"</p>	HDHB40	US3, 5, 15, 15A, 26, 26D, 10B
	<p>Heavy Duty Handrail Bracket</p> <ul style="list-style-type: none"> ➤ Die cast material ➤ Contemporary design ➤ Individually poly-bagged with screws ➤ Easy installation ➤ Conforms to ANSI/BHMA A156.16 L13061 ➤ Architectural finishes available 	<p>Height: 2 3/4" Width: 1 3/8" Projection: 3 1/4"</p>	DMHB83	US3, 10B, 15, 15A, 26D, 26
	<p>ADA-APPROVED Heavy Duty Cast Handrail Bracket</p> <ul style="list-style-type: none"> ➤ Conforms and Meets ADA Regulations ➤ Conforms to ANSI/BHMA A156.16 L13061 ➤ Die cast material ➤ Contemporary design ➤ Individually poly-bagged with screws ➤ Easy installation 	<p>Height: 3 1/2" Width: 1 5/16" Projection: 4"</p>	ADAHB-4	US3, 5, 10B, 15, 15A, 26, 26D

Specification Sheets available for submittal purposes at www.cal-royal.com. Click on "Specification Sheets Image"

CRASH CHAINS AND BOLTS

ILLUSTRATION	ITEM	SIZE	ITEM #	FINISH
	<p style="text-align: center;">Single Spring Crash Chain Door Guard</p> <ul style="list-style-type: none"> ➤ Protects doors, hinges and glass from wind damage ➤ Made with heavy gauge zinc brackets and steel chain ➤ $\frac{13}{16}$" diameter spring ➤ Individually poly-bagged with mounting screws 	Chain: 21 $\frac{3}{4}$ " Spring Dia: $\frac{13}{16}$ "	CCD30	Zinc
	<p style="text-align: center;">Single Spring Crash Chain Door Guard (WITH VINYL)</p> <ul style="list-style-type: none"> ➤ Protects doors, hinges and glass from wind damage ➤ Made with heavy gauge zinc brackets and steel chain ➤ $\frac{13}{16}$" diameter spring ➤ Individually poly-bagged with mounting screws ➤ Weather and rip resistant vinyl cover 	Chain: 21 $\frac{3}{4}$ " Spring Dia: $\frac{13}{16}$ "	CDV24	Zinc
	<p style="text-align: center;">Super Heavy Duty Adjustable Chain Door Stop With Vinyl Cover</p> <ul style="list-style-type: none"> ➤ Heavy Duty compression spring on both ends of chain and end brackets ➤ Thick gauge steel brackets ➤ Welded solid steel chains ➤ Conforms to ANSI/BHMA A156.16 L12231 (Grade 1) ➤ Weather and rip resistant vinyl cover ➤ Comparable to IVES #115 	Adjustable 20" to 30 $\frac{1}{2}$ " Spring Dia: $\frac{13}{16}$ "	HDCDV-48	US26D
	<p style="text-align: center;">24" Chain Bolt Hardened Steel</p> <ul style="list-style-type: none"> ➤ Supplement to a regular door lock for added security on cabinet, double screen, garage and industrial doors ➤ Zinc plated ➤ Can be used on doors opening in by reversing the square bolt ➤ Equipped with a strong hard-drawn wire spring which throws the bolt automatically when chain is released ➤ Individually poly-bagged with strike and screws 	Full 24" Chain	CB6	Zinc Chromium

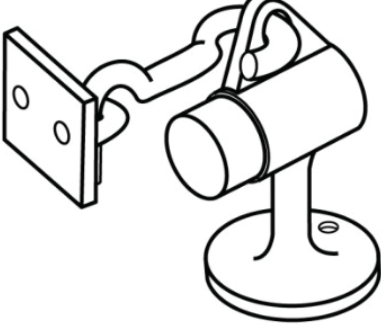
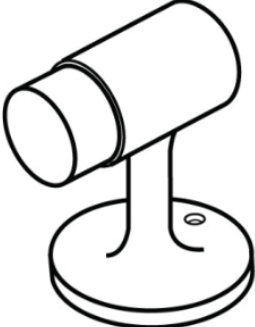


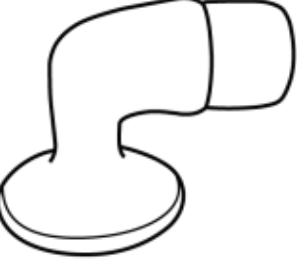
Specification Sheets available for submittal purposes at www.cal-royal.com. Click on "Specification Sheets Image"

WALL DOOR STOPS and BUMPERS

ILLUSTRATION	ITEM	SIZE	ITEM #	FINISH
	<p>Concave Wall Bumpers</p> <ul style="list-style-type: none"> ➤ <i>Manufactured using Stainless Steel or Solid Brass</i> ➤ <i>Comforms to ANSI/BHMA 156.16 L22251 for brass and L52251 for Stainless Steel</i> ➤ <i>Architectural finishes available</i> 	<p>Base Diameter: 2 1/2" Base Thickness: 3/8" Overall Proj.: 1 3/16"</p>	WB26	US32D, 3, 4, 5, 15A, 26, 10, 10B
	<p>Convex Wall Bumpers</p> <ul style="list-style-type: none"> ➤ <i>Manufactured using Stainless Steel or Solid Brass</i> ➤ <i>Conforms to ANSI/BHMA 156.16 L22201 for brass and L52101 for stainless steel</i> ➤ <i>Architectural finishes available</i> 	<p>Base Diameter: 2 1/2" Base Thickness: 3/8" Overall Proj.: 1 3/16"</p>	CONWB42	US32D, 3, 4, 26, 10, 10B
	<p>Small Convex Wall Bumper</p> <ul style="list-style-type: none"> ➤ <i>Constructed of Solid Brass</i> ➤ <i>Tamper-proof mounting</i> ➤ <i>Included with grey convex rubber bumper that absorbs impact</i> ➤ <i>Comparable to IVES WS404CVX</i> ➤ <i>Architectural finishes available</i> 	<p>Base Diameter: 1" Overall Proj.: 1/2"</p>	SWB	US3, 4, 15, 15A, 26, 26D, 10B
	<p>Wall Door Stop & Manual Holder</p> <ul style="list-style-type: none"> ➤ <i>Heavy duty commercial grade wall door stop for high traffic conditions. Solid Cast Brass or Bronze heavy duty construction</i> ➤ <i>Unit functions as stop but serves as a Hold-Open device when hook is manually engaged in strike</i> ➤ <i>Conforms to ANSI/BHMA 156.16, BHMA:L11351 for brass, FED SPEC:1321E</i> ➤ <i>Architectural finishes available</i> 	<p>Base Diameter: 2 1/4" Projection: 3 5/8" Strike Height: 1 1/2" Strike Width: 1 3/16" Strike Projection: 1" Hook: 2 3/4" Eye: 1 3/8" x 1 1/8"</p>	HDWDS99	US3, 26, 26D, 10B
	<p>Wall Stop</p> <ul style="list-style-type: none"> ➤ <i>Commercial grade wall door stop for high traffic conditions</i> ➤ <i>Solid cast Brass or Bronze heavy duty construction</i> ➤ <i>Rubber tip does not scar nor mark surface of door</i> ➤ <i>Conforms to ANSI: A156.16, BHMA: L12021, FED SPEC:1320E</i> ➤ <i>Architectural finishes available</i> 	<p>Base Diameter: 2" Overall Proj: 3 5/8"</p>	CWS18	US3, 26D, 10B

Specification Sheets available for submittal purposes at www.cal-royal.com. Click on "Specification Sheets Image"

FLOOR DOOR STOPS

ILLUSTRATION	ITEM	SIZE	ITEM #	FINISH
	<p>Floor Door Stop & Manual Holder</p> <ul style="list-style-type: none"> ➤ Solid cast Brass or Bronze heavy duty construction ➤ Unit functions as stop but serves as a Hold-Open device when hook is manually engaged in strike ➤ Conforms to ANSI/BHMA 156.16, BHMA:L11371, FED SPEC:1329E ➤ Architectural finishes available 	<p>Base Diameter: 2" Height from floor to stop centerline: 2 5/8" Stop Dia: 1" Hook: 2 5/8" Eye: 1" x 1 1/2" Overall Height: 3 5/8"</p>	HDFDSH66	US3,26D, 10B,26
	<p>Floor Stops</p> <ul style="list-style-type: none"> ➤ Commercial grade wall door stop for high traffic conditions. Solid cast Brass or Bronze heavy duty construction ➤ Architectural finishes available ➤ Conforms to ANSI: A156.16, BHMA:L12131, FED SPEC:1328E 	<p>Base Diameter: 2" Overall Height: 3"</p>	CFS20	US3,26D, 10B
	<p>Goose Neck Floor Stops</p> <ul style="list-style-type: none"> ➤ Heavy Duty Cast Brass floor stop ➤ Smooth and aerodynamic design provides minimum obstruction to cleaning efforts ➤ Conforms to ANSI/BHMA 156.16, L12131 for brass ➤ Architectural finishes available 	<p>Base Depth: 1 3/4" Overall Height: 2 1/8" Overall Length: 2 1/4"</p>	GS118	US3, 4, 5 26, 26D, 10,10B, 15, 15A
	<p>Goose Neck Floor Stops</p> <ul style="list-style-type: none"> ➤ Heavy Duty Cast Brass floor stop ➤ Smooth and aerodynamic design provides minimum obstruction to cleaning efforts ➤ Conforms to ANSI/BHMA 156.16, L12131 for brass ➤ Architectural finishes available 	<p>Base Depth: 1 3/8" Overall Height: 2 3/4" Overall Length: 2 1/2"</p>	GS119	US3, 4, 5, 26, 26D, 10,10B, 15, 15A
	<p>Small Gooseneck Door Stopper</p> <ul style="list-style-type: none"> ➤ For light to medium duty doors ➤ Easy installation ➤ Durable vinyl rubber stops that comes in black or grey ➤ Solid brass material ➤ Architectural finishes available 	<p>Height: 1 1/4"; Base: 1 1/8"; Projection: 1 1/4"</p>	SMGNS-1	US3, US5, 10B, 15, 15A, 26, 26D

Specification Sheets available for submittal purposes at www.cal-royal.com. Click on "Specification Sheets Image"

RISERS AND ROLLER BUMPERS

ILLUSTRATION	ITEM	SIZE	ITEM #	FINISH
<p style="text-align: center;">RIS375 RIS625</p>	<p style="text-align: center;">Risers</p> <ul style="list-style-type: none"> ➤ Extruded Aluminum, mill Finish ➤ For conversion of DSLP4 or DSHP18 Dome Stop for carpet installation ➤ Available in 3/8" and 5/8" height 	Length: 1 3/4" Width: 1 1/8" Height: 3/8"	RIS375	Aluminum
		Length: 1 3/4" Width: 1 1/8" Height: 5/8"	RIS625	
	<p style="text-align: center;">Risers</p> <ul style="list-style-type: none"> ➤ Heavy Duty Diecast construction ➤ For conversion of DSLP4 or DSHP18 Dome Stop for carpet installation or adapting to threshold use ➤ Conforms to ANSI/BHMA 156.1, L12161 when used with DSLP4 ➤ Architectural finishes available 	Base Diameter: 1 3/4" Height: 5/16"	NEWRIS3750	US3, 4, 5, 10, 10B, 15, 15A, 26, 26D
<p style="text-align: center;">CURB19 SRB82</p>	<p style="text-align: center;">Roller Bumpers</p> <ul style="list-style-type: none"> ➤ Constructed in heavy-duty cast Brass ➤ CURB19 is used where two doors open against each other to prevent damage to the door or hardware ➤ CURB19 conforms to ANSI/BHMA 156.16, L12212 	Base: 1 3/4" x 2 1/8" Overall Proj: 2 3/4"	CURB19	US3, 4, 10B, 26D
		Base Dia: 2" Overall Height: 4 1/4"	SRB82	
DOMESTOPS				
<p style="text-align: center;">DSHP18 DSLP4</p>	<p style="text-align: center;">Floor Dome Stops</p> <ul style="list-style-type: none"> ➤ For doors with threshold or undercut doors ➤ Heavy-Duty Cast Dome Stops constructed of solid brass ➤ DSLP4 conforms to ANSI/BHMA 156.6, L12141 Low profile ➤ DSHP18 conforms to ANSI/BHMA 156.6, L12161 High Profile ➤ Architectural finishes available 	Base Height: 1/8" Overall Height: 1" Base Diameter: 1 3/4"	DSL4	US3, 4, 5, 10, 10B, 15, 15A, 26, 26D
		Base Height: 3/8" Overall Height: 1 3/8" Base Diameter: 1 3/4"	DSHP18	
	<p style="text-align: center;">Universal Dome Stop</p> <ul style="list-style-type: none"> ➤ Heavy Duty cast brass riser designed for both low and high profiles. ➤ Meets ANSI/BHMA 156.1, L12161 when used as DSLP4. 	Base Diameter: 1 3/4" Base: 1/4" Height: 1 5/8" Fastener: #14 x 1 1/2" wood screw w/ plastic shield and 1/4" - 20 x 3/4" machine screw with lead anchor	UNDS14	US3, 4, 5, 10, 10B, 15, 26, 26D

Specification Sheets available for submittal purposes at www.cal-royal.com. Click on "Specification Sheets Image"

DOOR STOPS

ILLUSTRATION	ITEM	SIZE	ITEM #	FINISH
	Cast Iron Drop Down Door Holder <ul style="list-style-type: none"> ➤ Black/Grey Vinyl rubber stop with concentric Groove design for maximum non-slide grip ➤ Conforms to ANSI/BHMA 156.16, L11383 	Arm: 4"	IRODH-4	ALUM, DURO
		Arm: 5"	IRODH-5	
	Solid Brass Kick Down Door Holder <ul style="list-style-type: none"> ➤ Vinyl rubber stop with concentric groove design for maximum non-slide grip (#RUBSBDH) ➤ Conforms to ANSI/BHMA 156.16, L11382 ➤ Comparable to IVES #FS455 ➤ Available in architectural finishes 	Arm: 5" Base: 7/8" x 1 3/4"	SBDH5	US3, 26D, 10, 10B, 26
	Solid Brass Kick Down Door Holder <ul style="list-style-type: none"> ➤ Black/Grey Vinyl rubber stop with concentric groove design for maximum non-slide grip (#RUBSBDH) ➤ Conforms to ANSI/BHMA 156.16, L11383 ➤ Available in architectural finishes 	Arm: 5" Base: 1 1/4" x 2"	SBDH41300	US26, 3, 4, 26D,10, 10B
	Zinc Die Cast Drop Down Door Holder <ul style="list-style-type: none"> ➤ Vinyl rubber stop with concentric groove design for maximum non-slide grip (#RUBDH25) ➤ Available in architectural finishes 	Arm: 4" Base: 7/8" x 1 3/4"	DH25	US3, 26, 26D, DURO
	Vinyl Rubber Stop for DH25 <ul style="list-style-type: none"> ➤ Vinyl rubber stop with concentric groove design for maximum non-slide grip ➤ For use as replacement tip for DH25 	Base Dia: 1 1/8"	RUBDH25	Grey
	Vinyl Rubber Stop for SBDH41300 and SBDH5 <ul style="list-style-type: none"> ➤ Vinyl rubber stop with concentric groove design for maximum non-slide grip ➤ For use as replacement tip for SBDH41300 and SBDH5 	Base Dia: 1 1/8"	RUBSBDH	Grey

Specification Sheets available for submittal purposes at www.cal-royal.com. Click on "Specification Sheets Image"

DOOR STOPS				
ILLUSTRATION	ITEM	SIZE	ITEM #	FINISH
	Solid Brass Rigid Door Stop with molded screw ➤ Easy installation ➤ Available in architectural finishes	Mounting Screw: 1" Projection: 3"	SBRS3	US3, 5, 26, 26D, 15, 15A, 10B
		Mounting Screw: 1" Projection: 4"	SBRS4	
	Flexible Door Stop with Fixed Screw ➤ Die cast base ➤ One Piece Style ➤ Packed with white rubber tip ➤ Available in architectural finishes	Mounting Screw: 3/4" Projection: 3"	FS89	US3, 5, 15, 15A, 26, 10B
	Cast Rigid Door Stop with molded screw ➤ Easy installation ➤ Die cast material ➤ Available in architectural finishes	Mounting Screw: 5/8" Projection: 3"	RS92	US3, 5, 26, 26D, 15, 15A, 10B
	Heavy Duty Flexible Snap On Door Stop 3 Pieces ➤ Steel Base ➤ White Rubber Tip ➤ Available in architectural finishes ➤ Comparable to IVES#060	Mounting Screw: 1 1/2" Projection: 3"	SOFS3	US3, 5, 26, 10B, 15A, 15
	Heavy Duty Flexible Door Stop with screw and metal base ➤ Easy installation ➤ Available in architectural finishes	Mounting Screw: 3/4" Projection: 3 1/8"	HDFS3	US3, 5, 26, 15, 15A, 10B
		Mounting Screw: 3/4" Projection: 3 3/4"	JFS13	
	4" Diecast Jumbo Rigid Stop with molded screw ➤ Die cast material ➤ Conforms to ANSI/BHMA A156.16	Mounting Screw: 3/4" Projection: 4"	JRS34	US3, 5, 26, 15, 15A, 10B

Specification Sheets available for submittal purposes at www.cal-royal.com. Click on "Specification Sheets Image"

DOOR STOPS

ILLUSTRATION	ITEM	SIZE	ITEM #	FINISH
<p>DSLD81 DSHD105</p>	<p style="text-align: center;">Hinge Pin Stop With Removable Nylon Bushing</p> <ul style="list-style-type: none"> ➤ Adjustable Angle Setting ➤ Comparable to IVES #69, 69F ➤ Architectural finishes available 	<p>Hinge Pins Diameter 1/4" or 5/16"</p> <p>HINGE SIZES: 3 1/2" x 3 1/2", 4" x 4"</p>	<p>DSLD81 (Recommended for Residential use)</p>	US3, 5, 10B, 15, 15A, 26, 26D
		<p>Hinge Pins Diameter 1/4" or 5/16"</p> <p>HINGE SIZES: 3 1/2" x 3 1/2", 4" x 4", 4 1/2" x 4 1/2"</p>	<p>DSHD105 (Recommended for Commercial use)</p>	
	<p style="text-align: center;">Jumbo Heavy Duty Hinge Pin Door Stop With Removable Nylon Bushing</p> <ul style="list-style-type: none"> ➤ Adjustable Angle Setting ➤ For commercial and residential grade hinges ➤ Comparable to IVES #69, 69F 	<p>Hinge Pins Diameter 1/4" or 5/16"</p> <p>HINGE SIZES: 3 1/2" x 3 1/2", 4" x 4", 4 1/2" x 4 1/2"</p>	<p>IVHP23 (Commercial and Residential use)</p>	US3, 5, 26, 26D, 15, 15A, 10B
	<p style="text-align: center;">Jumbo Hinge Pin Door Stop With Removable Nylon Bushing</p> <ul style="list-style-type: none"> ➤ Easy installation ➤ For use with commercial and residential door hinges ➤ Architectural finishes available 	<p>Hinge Pins Diameter 1/4" or 5/16"</p> <p>HINGE SIZES: 3 1/2" x 3 1/2", 4" x 4", 4 1/2" x 4 1/2"</p>	<p>JHP11 (Commercial and Residential use)</p>	US3, 5, 26, 15, 15A, 10B
	<p style="text-align: center;">Deluxe Hinge Pin Door Stop With Removable Nylon Bushing</p> <ul style="list-style-type: none"> ➤ Easy installation ➤ For use with residential door hinges ➤ Architectural finishes available 	<p>Hinge Pin Diameter 1/4"</p> <p>HINGE SIZES: 3 1/2" x 3 1/2", 4" x 4"</p>	<p>NHP78 (Recommended for Residential use)</p>	US3, 5, 26, 26D, 15, 15A, 10B
	<p style="text-align: center;">Residential Hinge Pin Door Stop With Removable Nylon Bushing</p> <ul style="list-style-type: none"> ➤ Easy installation ➤ For use on residential hinges ➤ Architectural finishes available 	<p>Hinge Pin Diameter 1/4"</p> <p>HINGE SIZES: 3 1/2" x 3 1/2", 4" x 4"</p>	<p>HP95 (Recommended for Residential use)</p>	US3, 5, 26, 15, 15A, 10B

Specification Sheets available for submittal purposes at www.cal-royal.com. Click on "Specification Sheets Image"

CLOSET HARDWARE				
ILLUSTRATION	ITEM	SIZE	ITEM #	FINISH
	Adjustable Closet Rod ➤ <i>Sturdy Steel Material</i> ➤ <i>Individually poly-bagged with installation screws.</i> ➤ <i>Gauge: 0.050"</i> ➤ <i>Adjustable rods in various lengths</i> ➤ <i>Zinc finish</i>	10" to 30"	ACR1830	Bright Zinc
		30" to 48"	ACR3048	
		48" to 72"	ACR4872	
		72" to 96"	ACR7296	
		72" to 120"	ACR72120	
		96" to 150"	ACR96150	
	Adjustable Shelf and Rod Support ➤ <i>Sturdy Steel Material</i> ➤ <i>Individually poly-bagged</i> ➤ <i>Screws packed individually with bracket</i>	Support shelf up to 14" wide Rod up to 1½" dia.	ASR41	White
	Adjustable Shelf Support ➤ <i>Sturdy Steel Material</i> ➤ <i>Individually poly-bagged</i> ➤ <i>Screws packed individually with bracket</i>	Support shelf up to 14" wide	ADJ42	White
	Single Shelf and Rod Support ➤ <i>Sturdy Steel Material</i> ➤ <i>Individually poly-bagged</i> ➤ <i>Screws packed individually with bracket</i>	Support shelf up to 14" wide Rod up to 1½" dia.	SR27	White
	Heavy Duty Shelf and Rod Support ➤ <i>Easy installation</i> ➤ <i>Individually poly-bagged</i> ➤ <i>Architectural finishes available</i>	Support shelf up to 14" wide Rod up to 1½" dia.	FSR123	White

Specification Sheets available for submittal purposes at www.cal-royal.com. Click on "Specification Sheets Image"

CLOSET HARDWARE

ILLUSTRATION	ITEM	SIZE	ITEM #	FINISH
	<p style="text-align: center;">Closet Pole Socket</p> <ul style="list-style-type: none"> ➤ Nylon Material ➤ Paired Set 	1 3/8" Pole	PS99	White
	<p style="text-align: center;">Steel Closet Pole Socket</p> <ul style="list-style-type: none"> ➤ Sturdy Steel Material ➤ Paired Set 	1 3/8" Pole	MPS3	US3, 26
	<p style="text-align: center;">Wood Closet Pole Socket</p> <ul style="list-style-type: none"> ➤ Natural Wood Material ➤ Paired Set 	1 3/8" dia.	WDPS82	Wood Grain
	<p style="text-align: center;">Jumbo Roller Catch</p> <ul style="list-style-type: none"> ➤ Steel Construction ➤ Conforms to ANSI/BHMA A156.9 B83112 	Size 2" Strike: 1 1/4" x 7/8" Square Corner	RC88	US3, 10B and Zinc
	<p style="text-align: center;">Ball Catches</p> <ul style="list-style-type: none"> ➤ Manufactured from wrought brass ➤ Adjustable threaded barrel for accomodating various door clearances ➤ Conforms to ANSI/BHMA A156.9 B23013 ➤ Architectural finishes available 	Face Plate: 2 1/4" x 1" Round Corner Bore: 3/4" x 1 1/4" Square Lip Strike: 1 3/8" x 2 1/4" Lip to Center: 7/8"	SBBC58 (Brass)	US3, 5, 10B 15, 15A, 26, 26D
<p style="text-align: center;">BC97 (BALL CATCH & STRIKE)</p> <p style="text-align: center;">STRKBC97 (STRIKE ONLY)</p>	<p style="text-align: center;">Ball Catches</p> <ul style="list-style-type: none"> ➤ Manufactured from wrought brass ➤ Adjustable threaded barrel for accomodating various door clearances ➤ Conforms to ANSI/BHMA A156.9 B23013 ➤ Architectural finishes available 	Face Plate: 2 1/4" x 1" Square Corner Bore: 7/8" x 1 1/4" Round Corner Strike: 1 3/8" x 2 1/4" Lip to Center: 7/8"	BC97 (Diecast)	US3, 5, 10B 15, 15A, 26, 26D
	<p style="text-align: center;">Adjustable Drive-In Ball Catches</p> <ul style="list-style-type: none"> ➤ Generally used on closet doors where latch is not used or needed ➤ Die cast material ➤ Jamb-mounted lip strike ➤ Conforms to ANSI/BHMA A156.9 B23013 ➤ Architectural finishes available 	1" Bore Strike Size: 1 3/8" x 2 1/4", Round Corner	DIB1	US3, 5, 26, 26D, 15, 15A, 10B

Specification Sheets available for submittal purposes at www.cal-royal.com. Click on "Specification Sheets Image"

CLOSET HARDWARE

ILLUSTRATION	ITEM	SIZE	ITEM #	FINISH
	<p>Adjustable Roller Catch</p> <ul style="list-style-type: none"> ➤ <i>Soft latching action. Speed nylon roller for maximum performance.</i> ➤ <i>Adjustable tension 4 – 17 lbs of holding power. Installs easily on thin doors. Includes brass full lip strike</i> ➤ <i>Conforms to ANSI/BHMA A156.16 L27081 for brass and L87081 for steel</i> 	<p>Face Plate: 2 1/4" x 7/8" Bore: 13/16" x 1 3/4" Strike: 2 1/4" x 1 3/4" Lip to Center: 13/16"</p>	ARCT3350	US3, 26D, 15, 10B
	<p>Bullet Catch</p> <ul style="list-style-type: none"> ➤ <i>Ideal for cabinets and small door installations</i> ➤ <i>Made from wrought brass</i> ➤ <i>Architectural finishes available</i> 	<p>Hole (door): 1/2" dia. X 1 1/8" Strikes (Square): 5/8" x 1 1/4" Strikes (Round): 1 3/8" x 2 1/4"</p>	BULLCAT11	US3, 5, 26, 15, 10B
	<p>T strike for BULLCAT11</p> <ul style="list-style-type: none"> ➤ <i>Natural Wood Material</i> ➤ <i>Paired Set</i> 	<p>T-Strikes (optional): 7/8" x 2 1/4"</p>	TCAT108	US3, 5, 26, 15, 10B
	<p>Bi-Fold Ball Knob</p> <ul style="list-style-type: none"> ➤ <i>Die cast material</i> ➤ <i>Packed with 1 breakaway screw to accommodate different cabinet thickness (from 1 5/8" to 2") and one 1 3/4" screw</i> ➤ <i>Architectural finishes available</i> 	<p>Diameter: 1 1/4" Height: 1 3/8"</p>	BK14	US3, 5, 26, 26D, 15, 15A, 10B
	<p>Back Plate for BK14 Bifold Ball Knob</p> <ul style="list-style-type: none"> ➤ <i>Die cast material</i> ➤ <i>Conforms to ANSI/BHMA A156.9 B221181</i> ➤ <i>Architectural finishes available</i> 	<p>Diameter: 1 3/4"</p>	PLA2	US3, 5, 26, 26D, 15, 15A, 10B
	<p>Coat and Hat Hook</p> <ul style="list-style-type: none"> ➤ <i>Die cast material</i> ➤ <i>Individually poly-bagged</i> ➤ <i>Conforms to ANSI/BHMA A156.16 B221181</i> 	<p>Projection: 2 7/8" Base dimension: 1" (W) x 1 1/2" (L)</p>	CH28	US3, 26

Specification Sheets available for submittal purposes at www.cal-royal.com. Click on "Specification Sheets Image"

CLOSET HARDWARE

ILLUSTRATION	ITEM	SIZE	ITEM #	FINISH
	Bi-Fold Concave Knob <ul style="list-style-type: none"> ➤ Beveled edge ➤ Packed with 1" screw ➤ Cast material 	Diameter: 1 3/8"	CK130	US3, 5, 26D
 DIFP218 FP98	Drive In Finger Pull <ul style="list-style-type: none"> ➤ Individually poly-bagged ➤ Ideal for sliding doors ➤ Conforms to ANSI/BHMA A156.16 B22201 and A156.14 D2781 	Diameter: 2 1/8"	DIFP218 (Without Nail) FP98 (With Nail)	US3, 5, 10B, 15, 15A, US26, 26D
	Heavy Duty Magnetic Catch <ul style="list-style-type: none"> ➤ Dual triple pole. Self-aligning magnets for maximum pull. Surface or mortise mounted. Steel case. ➤ Individually packed with sheet metal screws, 3 strikes. ➤ Conforms to ANSI/BHMA A156.9 B43161 	Length: 3 1/8" Thickness: 7/8" Depth: 1" Load Capacity: 14 lbs.	HDMC3270	US2G (ZINC PLATED)
	Triple Pole Magnetic Catch <ul style="list-style-type: none"> ➤ Triple pole. Self-aligning magnets for maximum pull. Adjustable. Steel case. ➤ Individually packed with sheet metal screws, 1 strike size. ➤ Conforms to ANSI/BHMA A156.9 	Length: 2 1/16" Thickness: 7/8" Depth: 1 5/32" Load Capacity: 6 lbs.	TPMC3230	US2G (ZINC PLATED)

SURFACE OVERHEAD DOOR HOLDER/STOPS

ILLUSTRATION	ITEM	SIZE	ITEM #	FINISH
	Surface Overhead Door Stop <ul style="list-style-type: none"> ➤ UL Listed 	SIZE 2, 23 1/16" – 27"	CR552S	US26D, US32D
		SIZE 3, 27 1/16" – 33"	CR553S	
		SIZE 4, 33 1/16" – 39"	CR554S	
		SIZE 5, 39 1/16" – 45"	CR555S	
	Surface Overhead Door Holder with Hold Open	SIZE 2, 23 1/16" – 27"	CR552H	
		SIZE 3, 27 1/16" – 33"	CR553H	
		SIZE 4, 33 1/16" – 39"	CR554H	
		SIZE 5, 39 1/16" – 45"	CR555H	

Specification Sheets available for submittal purposes at www.cal-royal.com. Click on "Specification Sheets Image"



EUROPEAN HARDWARE




Ver. 3.0, Rev. 01/16
© 2016  CAL ROYAL



DISCLAIMER

Dear Valued Customer,

Most products in our European Line catalog are certified for fire use and has been approved based on European Fire and Safety Standards, and are marked accordingly. The standards used are CE (European Conformity), EN European Standards (ENs) and BS EN (British Standard European Norm).

CE Marking is the symbol . The letters "CE" are the abbreviation of French phrase "Conformité Européene" which literally means "European Conformity". The term initially used was "EC Mark" and it was officially replaced by "CE Marking" in the Directive 93/68/EEC in 1993. "CE Marking" is now used in all EU official documents.

Our European Line are for use where CE and BS EN standards are required, mostly in European, Middle East and Asian countries. Products that have CE or EN markings does not automatically translate to UL fire and safety standards and may not be recognized by local fire marshalls during inspection.

For UL Listed products, please refer to our standard product catalog. Cal-Royal Products, Inc. will not be held responsible for EU products that are installed in the US and did not meet Fire inspection standards.

Sincerely,

CAL-ROYAL PRODUCTS, INC.

THIS PAGE INTENTIONALLY LEFT BLANK

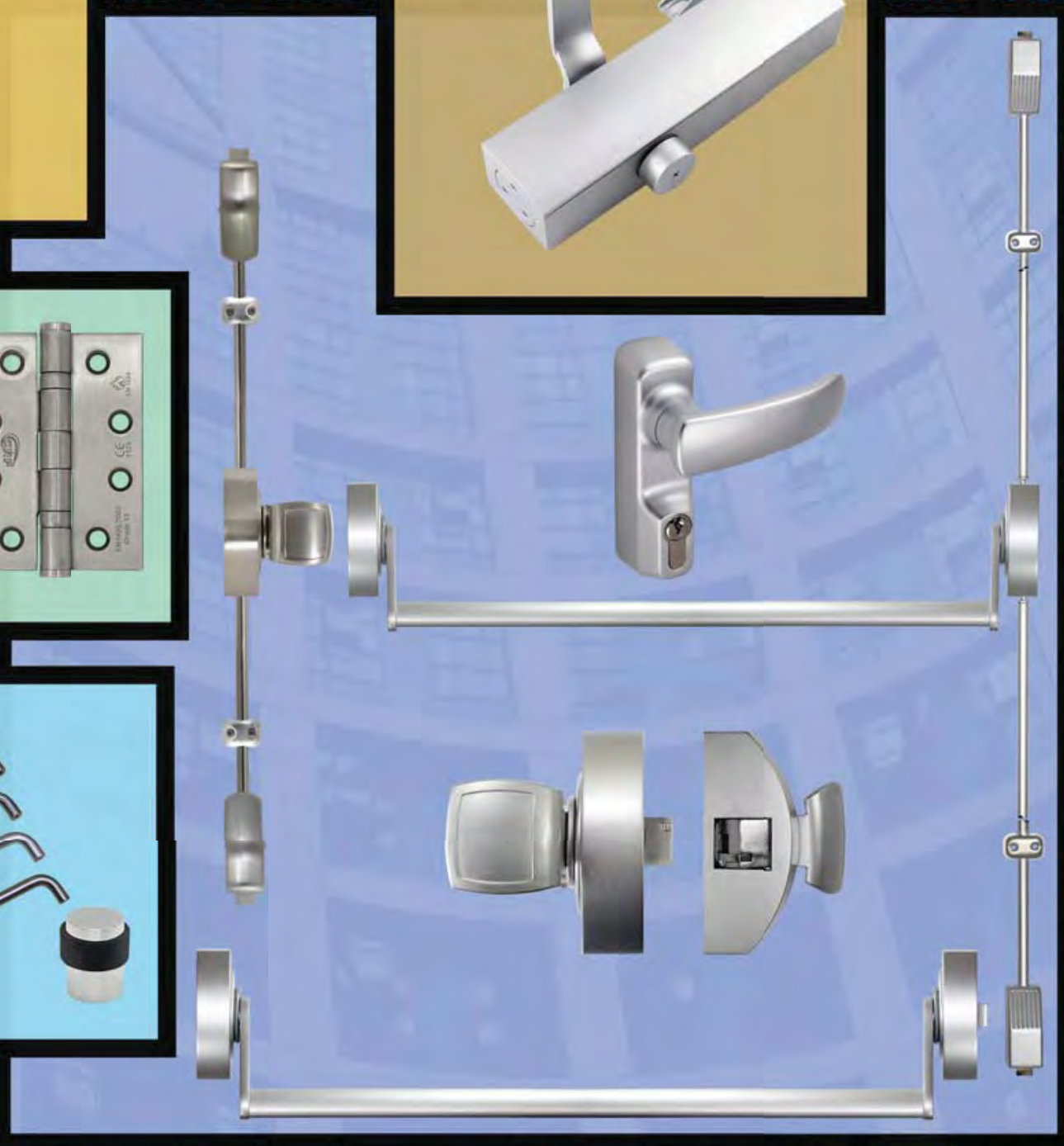
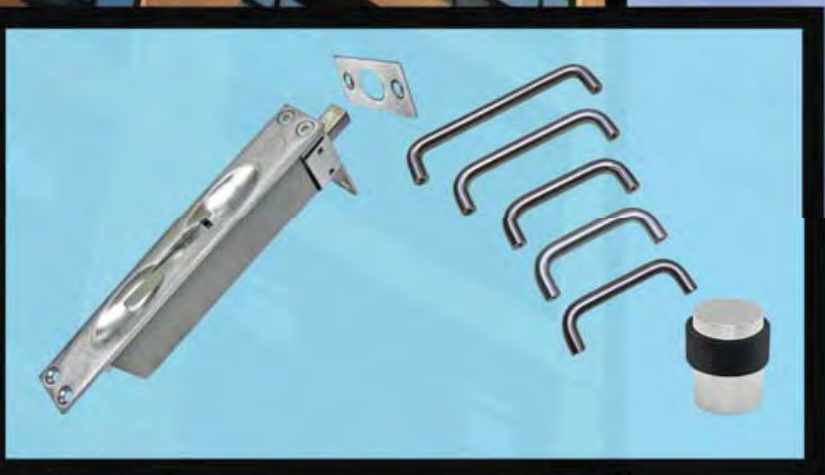
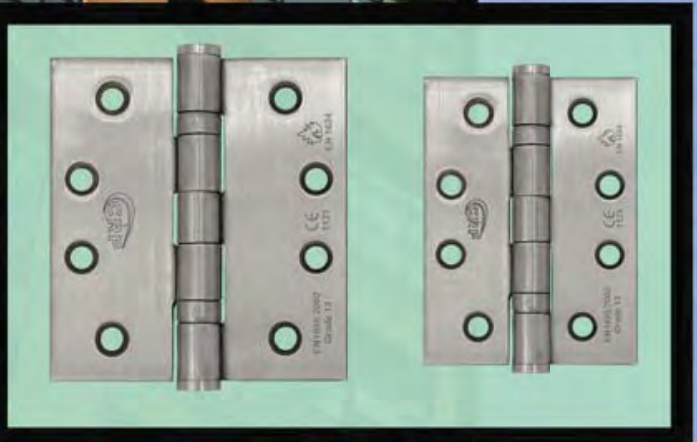


CAL-ROYAL

P R O D U C T S, I N C.



EURO-DOOR HARDWARE CATALOG



EU 6400 SERIES MORTICE LOCKSET

European lockcase design offers simplified door preparation and modular accessories for easy functional change



EN Compliance: 12209:2012
Classification: 2H810F3BC00

Powder coated case offers high corrosion resistance.

Quick-reverse latch for left and right hand application. No-hassle field-reversible.

25° follower action for firm positive operating action and with follower springing suitable for high frequency applications. Positive follower angle (1°) reduces the effect of wear which can lead to lever droop.

Profiled latch design provides positive location and operation.

20mm double throw deadbolt from 2 turns of the cylinder offers high level of security

Sashlock has a cylinder to latch function where both latch and deadbolt can be withdrawn by cylinder or key action.

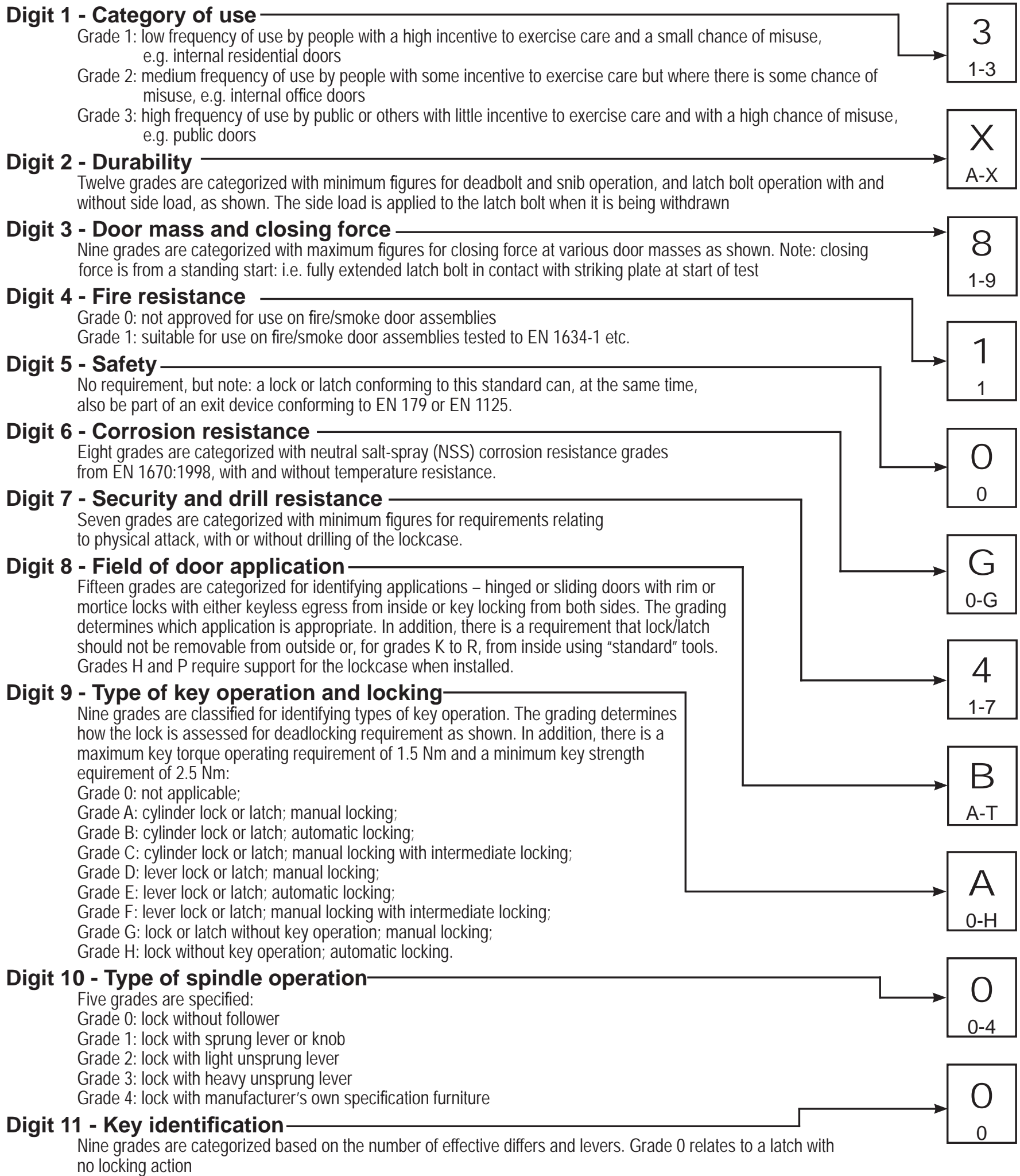
Guided cylinder screw accurately aligns the fixing to the cylinder.

Conforms to the dimensional characteristics of DIN 18251 with follower to cylinder centres at 72mm (78mm for bathroom lock). The case is pierced to accept bolt through fixings at 38mm (up to 41mm) centres at the follower and the cylinder position,

One-piece square ended face plate in stainless steel grade 304 with satin finish. Optional round ended corner is also available.

CE MARKING GUIDE FOR LOCKSETS

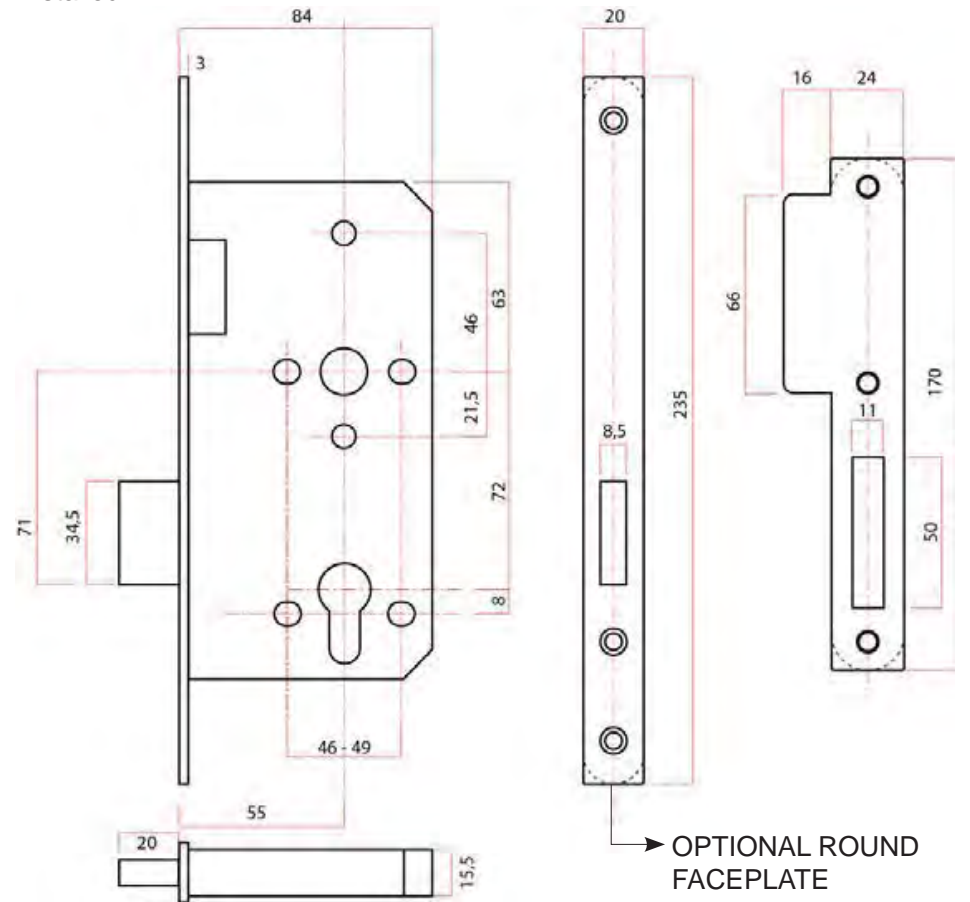
EN 12209 classifies mechanically operated locks, latches and locking plates using an 11 digit coding system. Fundamental to this standard is a comprehensive classification system for assessing the wide range of products needed to satisfy the diverse requirements of the European market. Features assessed include normal use (and abuse) forces, long-term durability, fire/smoke resistance, corrosion and temperature resistance and security, both manipulative and physical.



EU 6400 SERIES MORTICE LOCKSET

EU6410 CYLINDER DEADLOCK

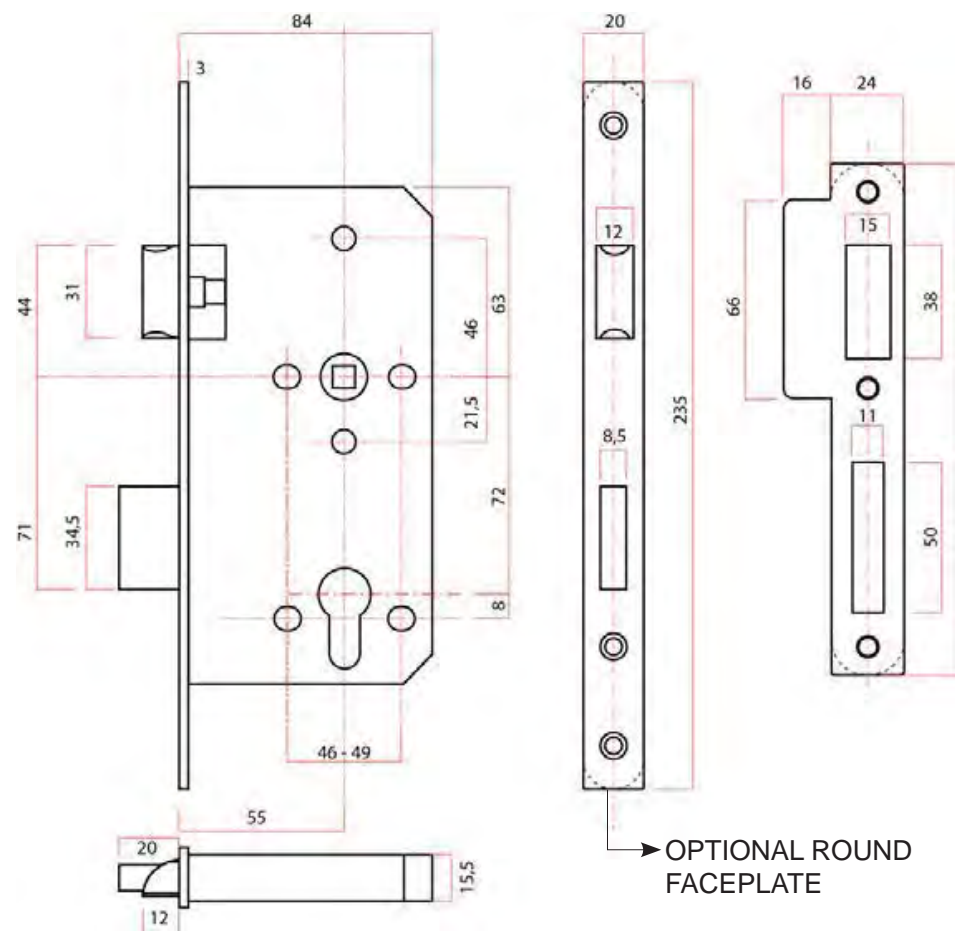
Function: Deadbolt thrown and retracted from one side or from both sides depending on the type of cylinder installed.



EN Compliance: 12209:2012
Classification: 2H810F3BC00

EU6420 CYLINDER SASHLOCK

Function: Latchbolt can be operated by lever handles on either side. Deadbolt thrown and retracted from one or from both sides depending on the type of cylinder installed. Cylinder action will operate both deadbolt and latchbolt.



EN Compliance: 12209:2012
Classification: 2H810F3BC20

EU 6400 SERIES MORTICE LOCKSET

EU6430 BATHROOM LOCK

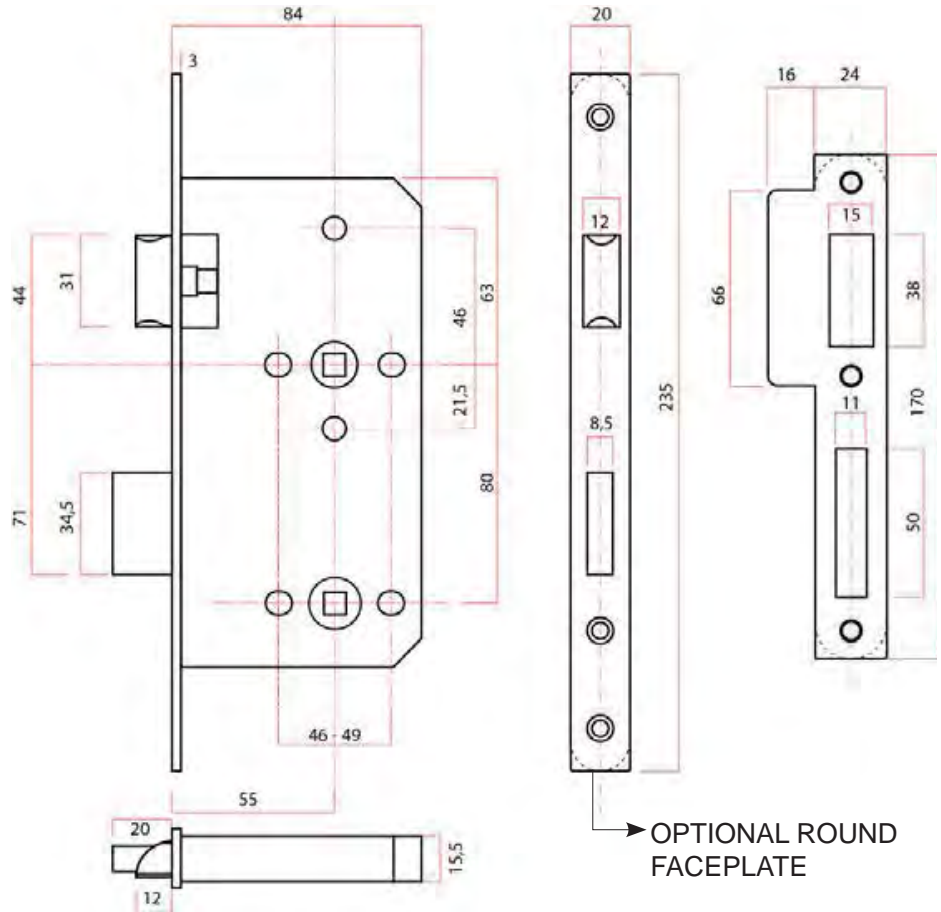
Function: Latchbolt operated by lever on either side. Deadbolt is thrown by thumbturn inside. An indicator with an emergency release can be installed on the outside of the door and operates in conjunction with the thumbturn.



5-Year Warranty



EN Compliance: 12209:2012
Classification: 2H810F-BC00



EU6440 PASSAGE LATCH

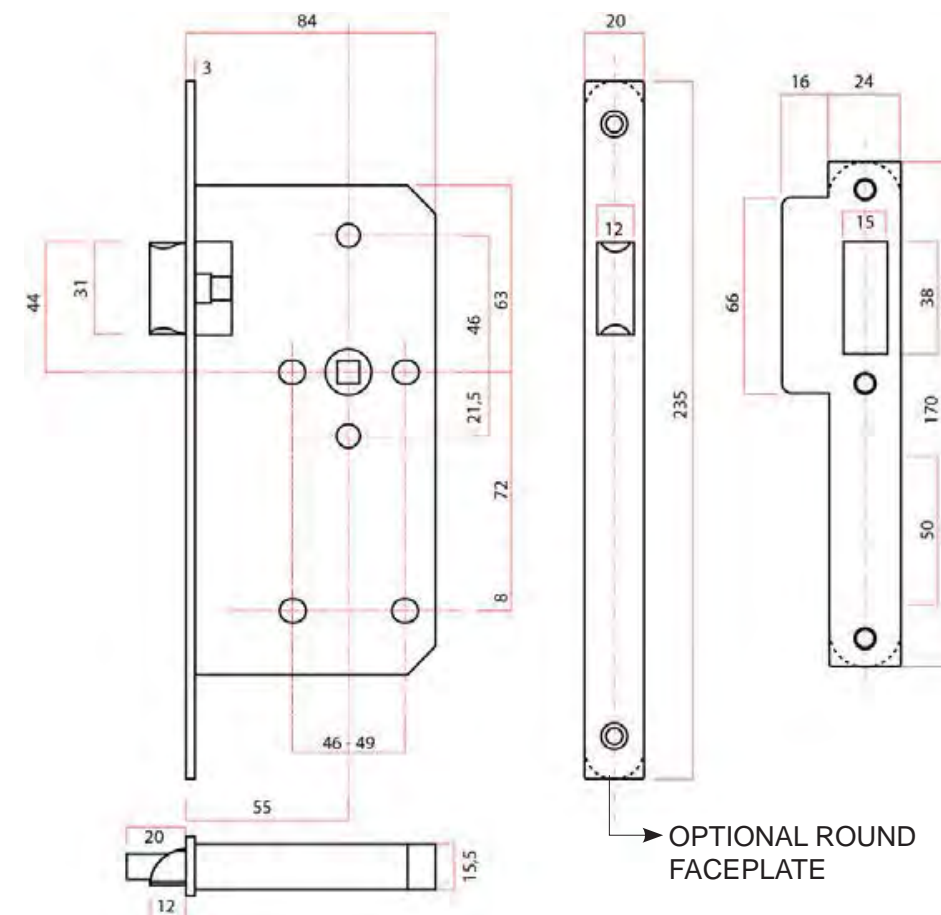
Function: Latchbolt can be operated by lever handles on either side all the time.



5-Year Warranty

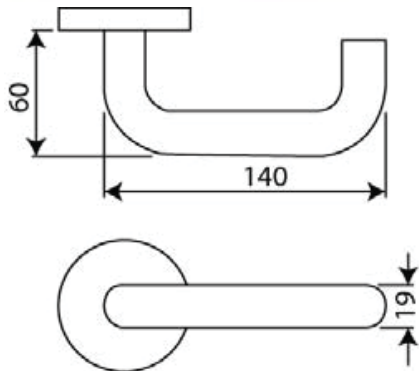


EN Compliance: 12209:2012
Classification: 2H810F-BC00



EU 6400 SERIES LEVER TRIMS

6450



LEVERSET DESIGNS

5-Year Warranty

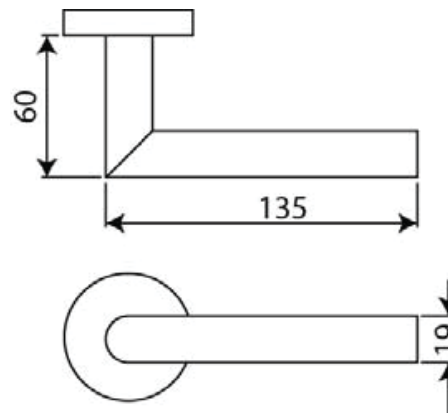
FEATURES

- Stainless Steel Grade 304
- Installed on 8mm thick unsprung rose
- Bolts and spindle included for 34 - 54mm thick doors

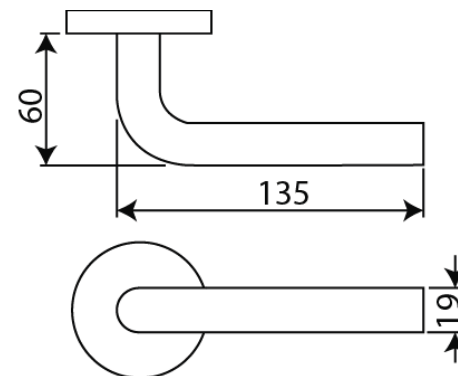
EN Compliance: EN1906 - Grade 4

EN1634 for up to 2 hour wood fire door applications and up to 4 hour metal fire door applications.

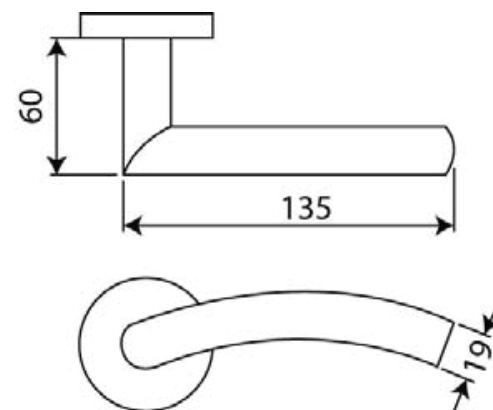
6451



6452



6453



EU 6400 SERIES ACCESSORIES

CYLINDERS

5-Year Warranty



KE-SCC-S-A
KE-YA8-S-A



KE-SCC-D-C
KE-YA8-D-C



KE-SCC-C-C
KE-YA8-C-C



KE-P-D

Standards & Testing	Conforms to EN1303
Materials & Features	70mm, 6 pin standard, other sizes available
	Base Material: Brass
	3 Brass keys, Standard for non-masterkeyed system
Master Keying	4 level Master Keying system available
Finish	Satin Nickel Plated

ITEM CODE	KEYWAY	FUNCTION	LENGTH (mm)
KE-SCC-S-A	Schlage C	Half Cylinder	45
KE-YA8-S-A	Yale 8		
KE-SCC-D-C	Schlage C	Double Cylinder	60
KE-YA8-D-C	Yale 8		
KE-SCC-D-D	Schlage C	Double Cylinder	70
KE-YA8-D-D	Yale 8		
KE-SCC-C-C	Schlage C	Thumbturn Cylinder	60
KE-YA8-C-C	Yale 8		
KE-SCC-C-D	Schlage C	Thumbturn Cylinder	70
KE-YA8-C-D	Yale 8		
KE-P-D	-	Bathroom Cylinder	70

ESCUTCHEONS

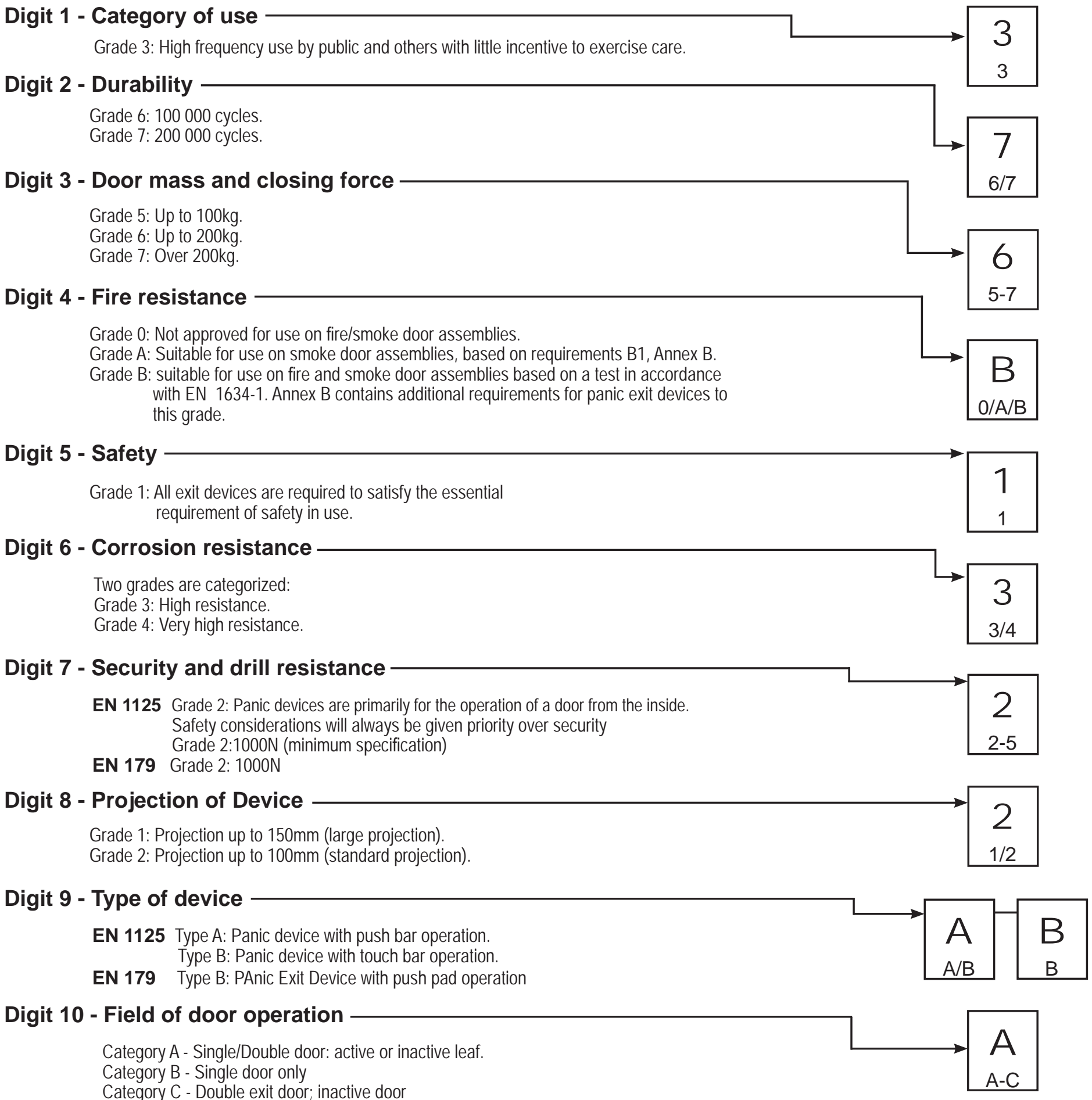


MODEL #	DESCRIPTION	FINISH
6910	Escutcheons (pair) - Lever key suitable for lock lever lock cases	Stainless Steel
6920	Escutcheons (pair) - Euro profile cylinder suitable for euro profile or dual profile cylinder lock cases	
6930	Bathroom turn and Indicator (set) - Supplied with 5mm bathroom function spindle Wide Turn	
6940	Escutcheons (pair) - Blank	
6950	Escutcheons (pair) - Oval profile cylinder suitable for oval profile or dual profile cylinder lock cases	

CE MARKING GUIDE FOR EXIT DEVICES

EN 1125 classifies panic exit devices using a 9 digit coding system. Each digit refers to a particular feature of the product measured against the standard's performance requirements.

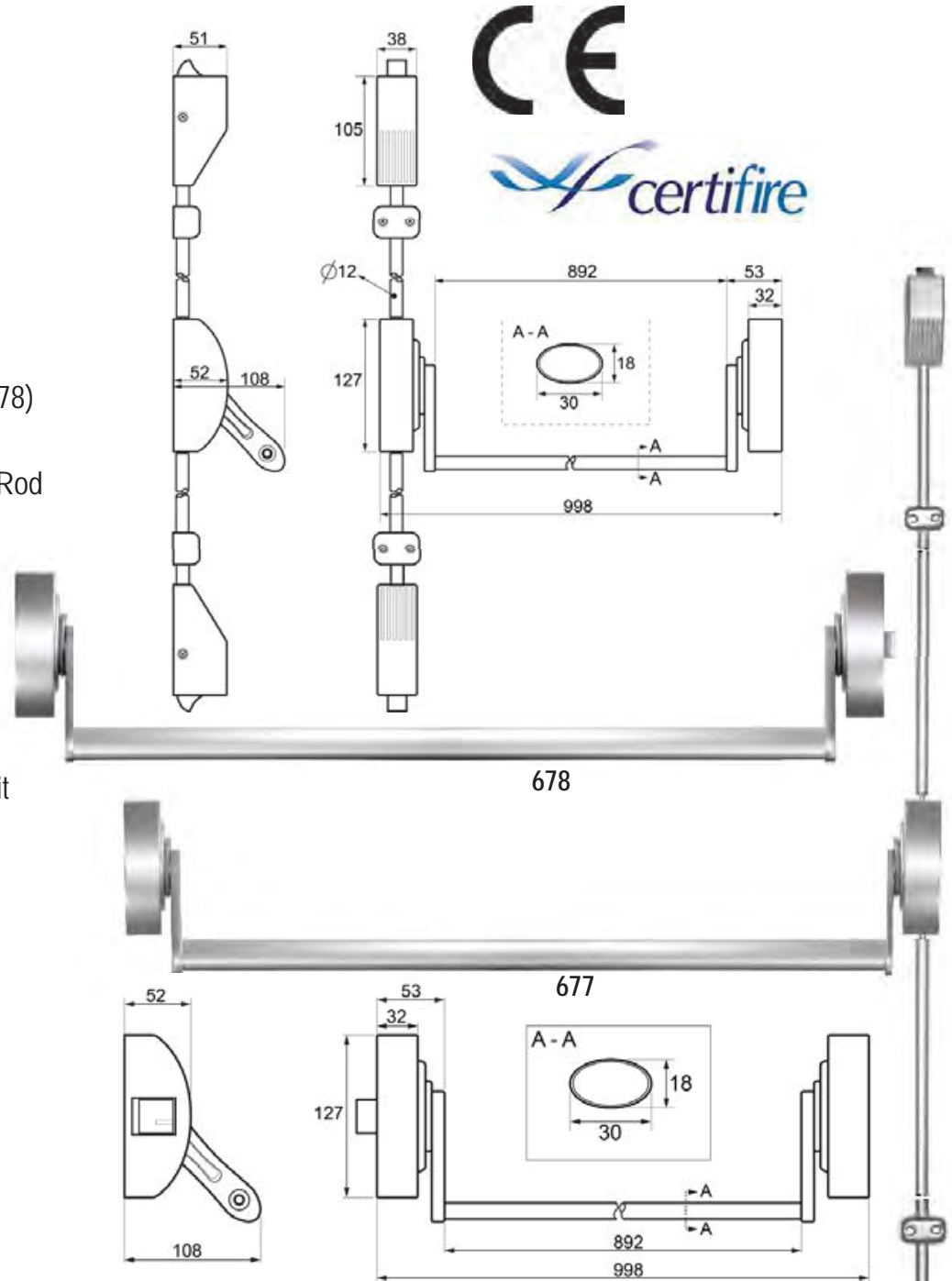
EN 179 classifies emergency exit devices to identify compliance with the standard performance requirements.



EU 670 SERIES PUSH BAR PANIC EXIT HARDWARE

Specifications

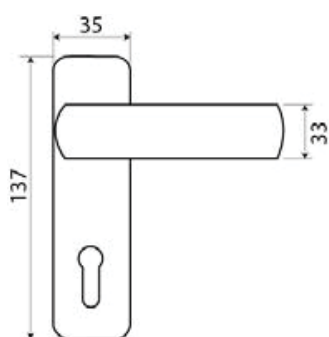
- Testing..... CE Marked
EN 1125 and EN 1634
Fully Certified
- Latching..... Single Point (678)
2-Point (677)
Anti-Thrust Latch prevents
unauthorized latch retraction (678)
- Pullman Latch..... Supplied together with Vertical Rod
Exit Device(677)
- Hand..... Non-handed
- Application..... Double door strike available for
double doors (67-DSTPL)
Designed to satisfy panic exit
applications and emergency exit
applications
- Finish..... Aluminum, Stainless Steel
- Door Thickness..... 35mm - 65mm
- Tubular steel shoots
and cross bar..... Can be cut on-site to suit door
width and height
- Horizontal Bar..... Standard oval shaped, 900mm



MODEL #	FUNCTION	DOOR WIDTH / HEIGHT	FINISHES
677	Surface Vertical Rod Exit Device	Up to 2500mm high x 1300mm wide	Aluminum, SSS
678	Rim Exit Device	Up to 1300mm wide	Aluminum, SSS
ACCESSORIES			
67-XLVR	Extra Long Vertical Rod for 3048mm doors		
67-DSTPL	Double Door Overlapping Strike Plate		



6413E/LE



ESCUTCHEON LEVER TRIM DESIGN

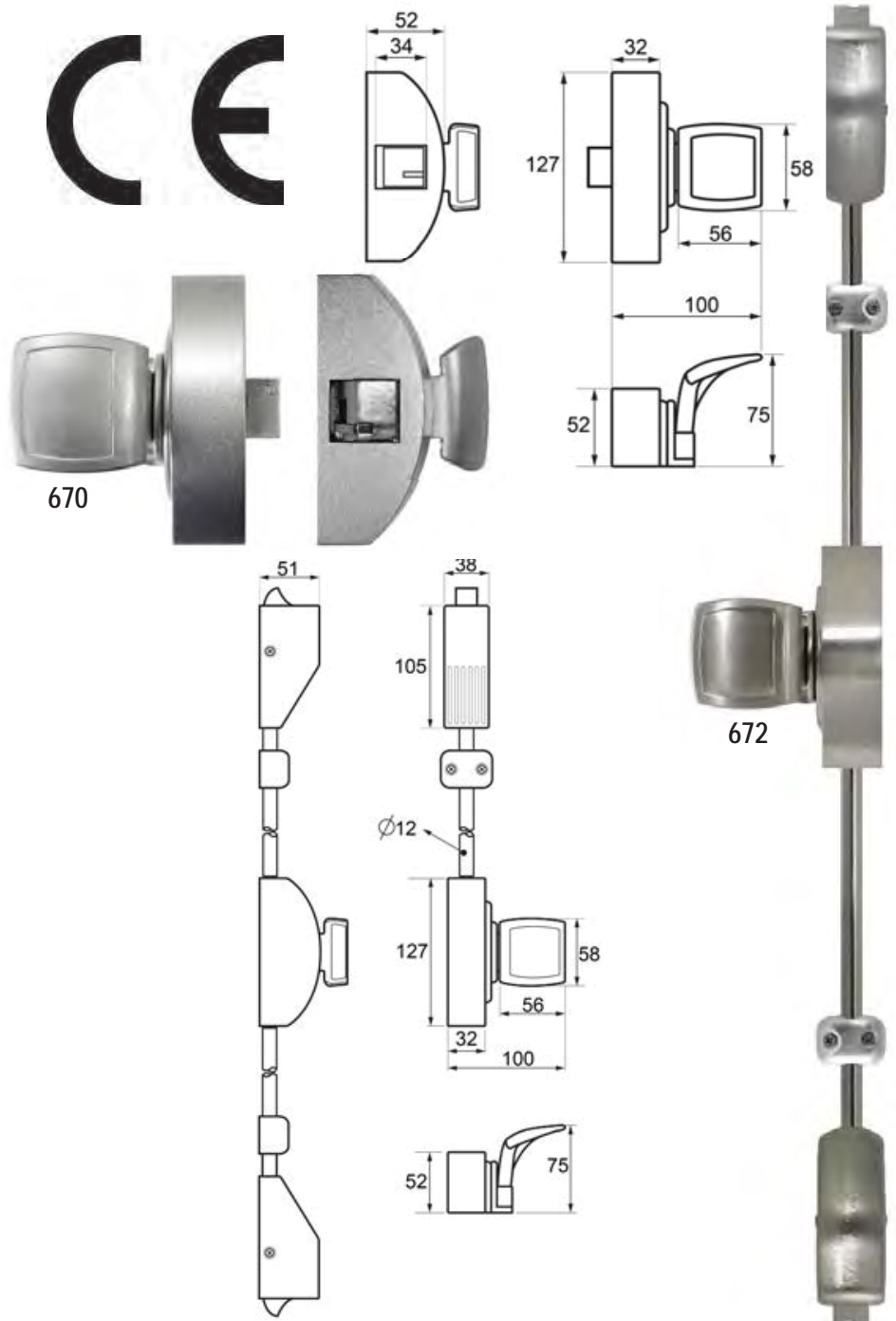
- Supplied with euro profile cylinder as standard
- Suitable for doors between 35mm to 65mm thick
- Non-handed. Easily field reversible

MODEL #	DESCRIPTION	DOOR THICKNESS	FINISH
6413E/LE	Outside access Lever Trim	35mm to 65mm thick	Aluminum, SSS

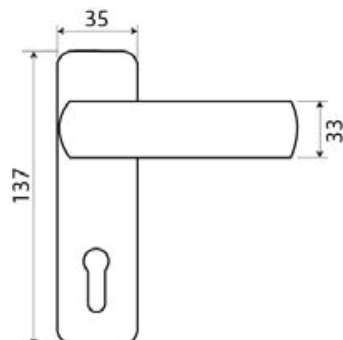
EU 670 SERIES PUSH PADDLE EMERGENCY HARDWARE

Specifications

- Testing..... CE Marked
EN 179 Fully Certified
- Latching..... Single Point (670)
2-Point (672)
Anti-Thrust Latch prevents unauthorised latch retraction (670)
- Pullman Latch..... Supplied together with Vertical Rod Exit Device (672)
- Hand..... Non-handed
- Finish..... Aluminum, Stainless Steel
- Application..... Double door strike available for double doors (67-DSTPL).
Designed to satisfy emergency exit applications
- Door Thickness..... 35mm - 65mm
- Tubular steel shoots.... Adjustable, can be cut on-site to suit door width and height



MODEL #	FUNCTION	DOOR WIDTH / HEIGHT	FINISHES
670	Push Paddle Rim Exit Device	Up to 1300mm wide	Aluminum, SSS
672	Push Paddle Surface Vertical Rod Exit Device	Up to 2500mm high x 1300mm wide	Aluminum, SSS
ACCESSORIES			
67-XLVR	Extra Long Vertical Rod for 3048mm doors		
67-DSTPL	Double Door Overlapping Strike Plate for 670		



ESCUTCHEON LEVER TRIM DESIGN

- Supplied with euro profile cylinder as standard
- Suitable for doors between 35mm to 65mm thick
- Non-handed. Easily field reversible

MODEL #	DESCRIPTION	DOOR THICKNESS	FINISH
6413E/LE	Outside access Lever Trim	35mm to 65mm thick	Aluminum, SSS

CE MARKING GUIDE FOR DOOR CLOSERS

EN 1154 classifies door closers using a 6 digit coding system. Each digit refers to a particular feature of the product measured against the standard's performance requirements.

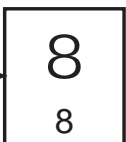
Digit 1 - Category of use

Grade 3: For closing doors from at least 105° open.
Grade 4: For closing doors from 180° open.



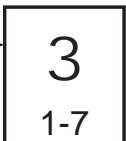
Digit 2 - Number of Test Cycles

Grade 8: 500 000 cycles.

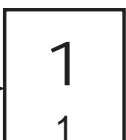
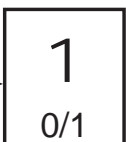


Digit 3 - Door mass and closing force

Grade 5: Up to 100kg.
Grade 6: Up to 200kg.
Grade 7: Over 200kg.

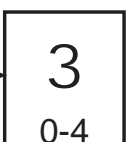


Closer Power Size	Width of Door (mm)	Max. Mass of Door (kg)
1	750	20
2	850	40
3	950	60
4	1100	80
5	1250	100
6	1400	120
7	1600	160



Digit 4 - Fire resistance

Grade 0: Not suitable for use on fire/smoke door assemblies.
Grade 1: Suitable for use on fire/smoke door assemblies, subject to satisfactory assessment of the contribution of the door closer to the fire resistance of specified fire/smoke assemblies. This is assessed outside of EN 1154.



Digit 5 - Safety

Grade 1: All door closer devices are required to satisfy the essential requirement of safety in use.

Digit 6 - Corrosion resistance

GRADE	0	1	2	3	4
CORROSION RESISTANCE	No Defined	Mild	Moderate	High	Very High

EU430CE & EU430 SERIES DOOR CLOSERS

The EU430 Series offers 2 types of compact overhead door closers suited for the most common door sizes. All the features, sturdiness, functionality and quality that spec writers are looking for can be found in these door closers.

EU430CE DOOR CLOSER

Tested to EN 1154 **483113** and CE Marked
 EN 1634 fire Tested
 Certifire Approved CF390
 Fixed Power Size 3

EU430 DOOR CLOSER

The EU430 is power adjustable by position during installation to suit closer sizes #2 to #4. It does not have the CE Mark and is designed for use in non-fire door applications only.



DATA AND FEATURES		430CE	430
Standard doors	≤850mm ≤40kg	O	v
	≤950mm ≤60kg	fixed	v
	≤1100mm ≤0kg	O	v
Body dimensions (mm)	Length	181	181
	Height	62	62
	Projection	42	42
Arm	Standard	v	v
	Track (standard)	O	O
	Track (hold-open)	O	O
Rack and pinion	Heavy Duty	v	v
Power adjustment arm bracket		v	v
Angle of opening		180°	180°
Fixed Strength or adjustable		fixed	adjustable
Method of adjustment		fixed	template
Separate latch action/closing speed		v	v
Closing and latching speed controlled	Dual Regulating Valves	v	v
Adjustable Tube Arm	Reinforced Type	v	v
Hold-open	Hold open arm	O	O
Back-check	Adjustable at valve	O	O
High quality hydraulic fluid		v	v
Non-handed		v	v
With cover		x	x
Application	Standard	v	v
Guarantee/years		10 years	10 years

v = yes x = no O = option

10 Year Warranty



EU530 SERIES DOOR CLOSERS

EU530 DOOR CLOSER

Tested to EN 1154 $48\frac{4}{2}113$ and CE Marked
by Warrington APT Laboratories, UK
Power Adjustable #2 to #4 by Position
EN 1634 Fire Tested



Optional Cover

GUARANTEE:

A free replacement ex-works of any closer proven defective by reason either of faulty manufacture or defect in materials.

POWER SHOE ARM BRACKET:

Designed to be reversed to increase final closing power by approximately 15%.

BACK CHECK:

Provides a cushioning effect when the door is forcibly thrown open but does not serve as substitute for a door stop.

DELAYED ACTION:

Provides prolonged closing time to assist passage of trolleys, wheel chairs, elderly people etc.

STANDARD FINISHES:

Silver, dark brown or gold, other finishes upon request

DATA AND FEATURES		530
Variable Closing Force	Spring strength (EN)	2 to 4
Standard doors	≤850mm ≤40kg	v
	≤950mm ≤60kg	v
	≤1100mm ≤80kg	v
	≤1250mm ≤100kg	v
Body dimensions (mm)	Length	204
	Height	55
	Projection	39
Arm	Standard	v
	Parallel	0
	Track (standard)	0
	Track (hold-open)	0
Rack and pinion	Heavy Duty	v
Power shoe arm bracket		v
Angle of opening		180°
Power Adjustable by spring		x
Power Adjustable by position		v
Sweep speed adjustable		v
Hold-open	Built-in	v
	Hold Open Arm	0
Back-check	Self-regulating	v
	Adjustable at valve	0
Delayed Action Adjustable		0
Non-handed		v
With Cover		0
Application	Regular (1)	v
	Parallel Arm (66)	0
	Transom (61)	v
Guarantee/years		10 years

v = yes x = no 0 = option



EU 8320 SERIES CONCEALED DOOR CLOSERS

EU8320 CONCEALED DOOR CLOSER

The EU8320 is power adjustable by spring to suit closer sizes #2 to #4.

Tested to EN 1154 483113, CE Marked

EN 1634 Fire Tested by

Warrington APT Laboratories, UK



DATA AND FEATURES		8320
Variable Closing Force	Spring Strength (EN)	Adj 2 To 4
Standard Doors	≤850mm ≤40kg	v
	≤950mm ≤60kg	v
	≤1100mm ≤80kg	v
Body Dimensions (mm)	Length	210
	Height	53,5
	Projection	32
Arm	Standard	x
	Parallel	x
	Track (standard)	v
	Track (hold-open)	v
Rack and Pinion		x
Power Shoe Arm Bracket		x
Angle of Opening		120°
Power Adjustable by Spring		v
Power Adjustable by Position		x
Sweep Speed Adjustable		v
Latching Speed Adjustable		x
Hold-open	Built in	x
	Hold Open Arm	x
Back Check	Self-regulating	x
	Adjustable at Valve	x
Delayed Action Adjustable		x
Non-handed		v
Guarantee/years		10 years

v = yes x = no O = option



GUARANTEE:

A free replacement ex-works of any closer proven defective by reason either of faulty manufacture or defect in materials.

STANDARD FINISHES:

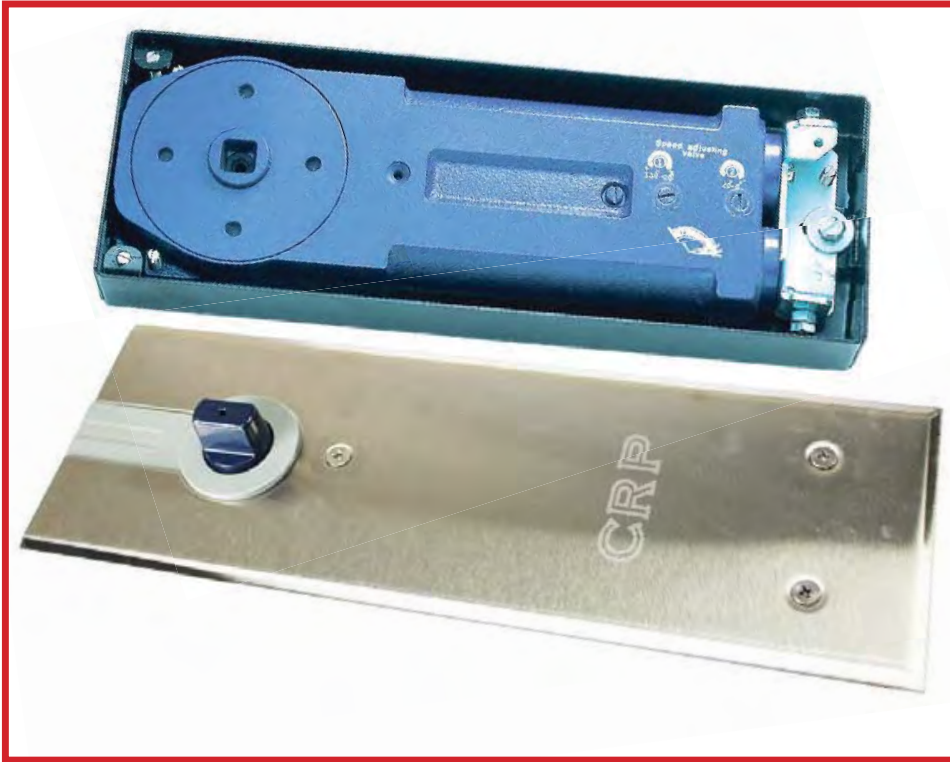
Silver, dark brown or gold, other finishes upon request



EU8840 SERIES FLOOR HINGES

EU8840 SERIES FLOOR HINGES

*Tested to EN 1154 383113 384113
by Warrington APT Laboratories UK
Power #2, #3, #4, #5
EN 1634 Fire Tested*



NSA8840
Standard Strap, Top and Bottom Pivot (NSA)



OP8840 Offset Pivots

GUARANTEE:

A free replacement ex-works of any closer proven defective by reason either of faulty manufacture or defect in materials.

COVER PLATE FINISHES:

Stainless Steel or Polished Brass

DATA AND FEATURES		8840
Variable Closing Force	Spring Strength (EN)	2 TO 5
Standard doors	≤850mm ≤70kg	8842 (Fixed)
	≤950mm ≤105kg	8843 (Fixed)
	≤1100mm ≤150kg	8844 (Fixed)
	≤1250mm ≤200kg	8845 (Fixed)
Body Dimensions (mm)	Length	306
	Width	108
	Thick	40
Arm	Standard	v
	Offset	O
Cam-Action		v
Angle of Opening		130°
Sweep Speed Adjustable		v
Latching Speed Adjustable		v
Hold-open	Without Hold Open	O
	at 90° Hold Open	v
	at 105° Hold Open	O
Back Check	Self-regulating	x
	Adjustable at Valve	O
Delayed Action Adjustable		O
Non-handed		v
Guarantee/years		10 years

v = yes x = no O = option



CE MARKING GUIDE FOR HINGES

EN 1935 classifies hinges using a 8 digit coding system. Each digit refers to a particular feature measured against the standard's performance requirements.

Digit 1 - Category of use

- Grade 1** - Low frequency of use by people with a high incentive to exercise care and with a small chance of accidents occurring or of misuse.
- Grade 2** - Medium frequency of use by people with some incentive to exercise care but where there is some chance of accidents occurring or of misuse.
- Grade 3** - High frequency of use by public and others with little incentive to exercise care and with a high chance of accidents occurring or of misuse.
- Grade 4** - For use on doors which are subject to frequent violent usage.

4
1-4

7
1-9

Digit 2 - Durability/Number of Test Cycles

GRADE	1	2	3	4	5	6	7	8	9
CYLCES	2.500	5.000	10.000	25.000	50.000	100.000	200.000	500.000	1.000.000

6
1-9

Digit 3 - Test Door Mass

GRADE	1	2	3	4	5	6	7	8	9
up to	20 kg	40 kg	60 kg	80 kg	100 kg	120 kg	160 kg	299 kg	259 kg

1
0/1

1
0/1

Digit 4 - Fire Behaviour

- Grade 0:** Not suitable for use on fire/smoke door assemblies.
- Grade 1:** Suitable for use on fire/smoke resisting door assemblies, subject to satisfactory assessment of the hardware item relative to the performance of the specified fire/smoke resisting door assembly.

4
0-4

Digit 5 - Safety In Use

- Grade 0:** No defined safety performance
- Grade 1:** Satisfies the safety in use requirements contained in the "Construction Products Directive" issued by the EU.

0
0/1

Digit 6 - Corrosion resistance

GRADE	0	1	2	3	4
CORROSION RESISTANCE	No Defined	Mild	Moderate	High	Very High

13
1-14

Digit 7 - Security Burglar Resistance

- Grade 0:** Not suitable for use on burglar-resistant door assemblies
- Grade 1:** suitable for use on burglar-resistant door assemblies, subject to satisfactory assessment of the contribution of the hinges to the burglar resistance of specified burglar-resistant door assemblies. Such assessment is beyond the scope of the European Standard.

Digit 8 - Hinge Grade

Fourteen grades of hinge are identified in this European Standard.

EU 6800 SERIES HINGES

All hinges are tested to EN1935 Grade 13 and are CE Marked.



BB6801



BB6802



BB6803



MODEL	SIZE (mm)	BASE MATERIAL	EN1935 GRADE
BB6801	101,6 X 76,2 X 3	Stainless Steel	13
BB6802	101,6 X 89 X 3	Stainless Steel	13
BB6803	101,6 X 101,6 X 3	Stainless Steel	13

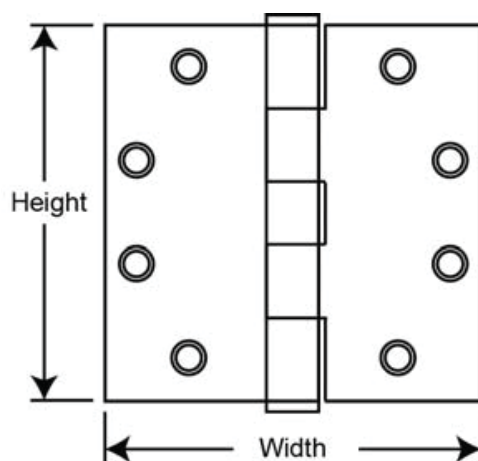
BASIC INFORMATION

Types of Hinges:

Full Mortice – Both leaves are morticed. One leaf on the frame and one on the door.

FEATURES:

- Five Knuckle ball bearing hinges
- Available in Grade 304 and 316 Stainless Steel
- Template drilled
- Suitable for wood and metal doors
- Tested for En1935:2002 Grade 13 and CE Marked
- Maximum door weight up to 120kgs
- Machine Screws available upon request



Determining the number of hinges needed:

Generally there should be 1 hinge for every 762mm of door height. Refer to table below for quick reference.

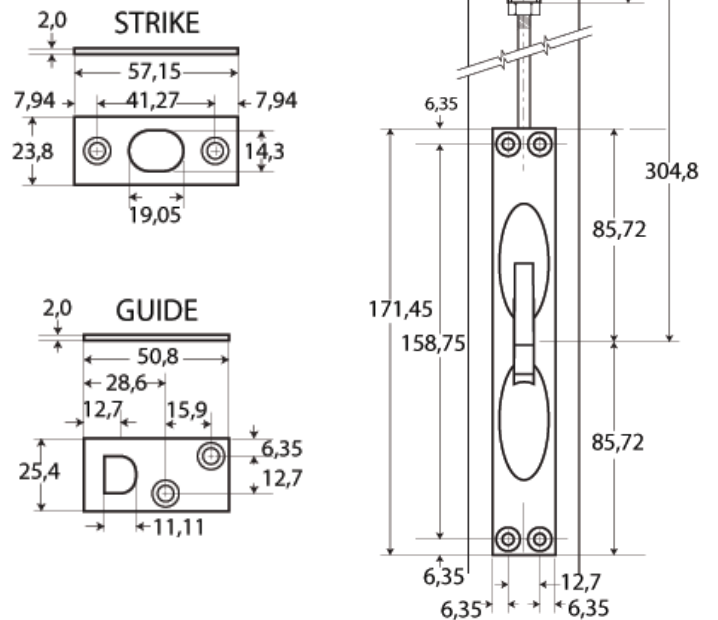
HEIGHT OF DOOR	NUMBER OF HINGES
1524mm or below	2
1549,4mm – 2311,4mm	3
2311,4mm – 3048mm	4

BUILDERS HARDWARE

ULFB634

Solid Brass Commercial Manual Flush Bolt

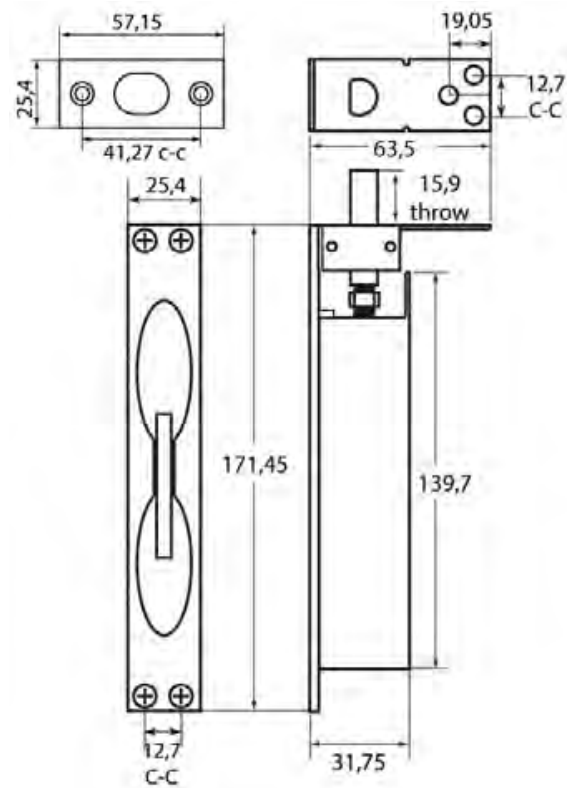
- ▶ Non-handed
- ▶ Bolt tip is 12,7mm Diameter
- ▶ Optional Rod lengths available
 - 457,2mm
 - 609,6mm
 - 914,4mm
 - 1.219,2mm
- ▶ Architectural finishes available



WFUL634

Solid Brass Commercial Wood Lever Extension Flush Bolt

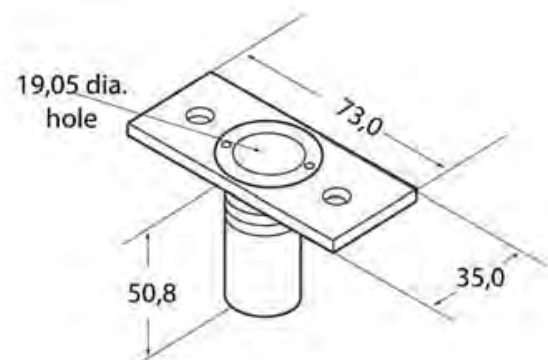
- ▶ Commercial Type
- ▶ 15,9mm Throw
- ▶ Especially designed for wood or composite doors
- ▶ Architectural finishes available



DPSTRK1

Brass Dustproof Strike

- ▶ Spring tension calibrated for positive closing and eliminates binding
- ▶ Can be locked in up position

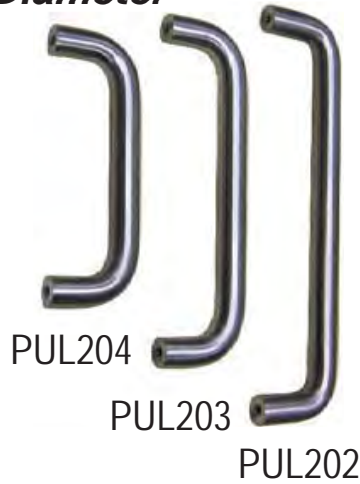


BUILDERS HARDWARE

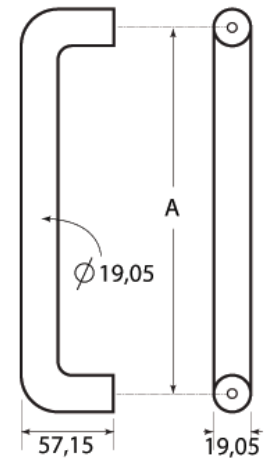
PUL202, PUL203, PUL204

Solid Bar Round Pulls 19,05mm Diameter

- ▶ Stainless Steel, Brass and Aluminum Material
- ▶ Type 1 Thru-Bolt Mount for 44,45mm thick doors
- ▶ Individually packed
- ▶ Easy installation
- ▶ Architectural finishes available



ITEM	A (mm)
PUL202	254
PUL203	203,2
PUL204	152,4



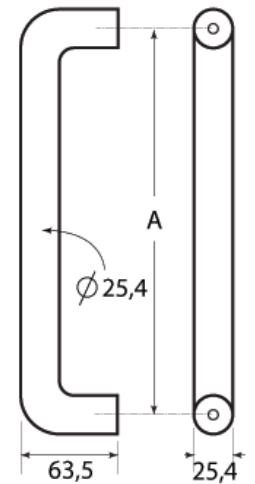
PUL200, PUL201

Solid Bar Round Pulls 25,4mm Diameter

- ▶ Stainless Steel, Brass and Aluminum Material
- ▶ Type 1 Thru-Bolt Mount for 44,45mm thick doors
- ▶ Individually packed
- ▶ Easy installation
- ▶ Architectural finishes available



ITEM	A (mm)
PUL200	254
PUL201	203,2



PSPL3515, PSPL4016

Push Plates

- ▶ Individually packed with protective film and screws
- ▶ Easy installation
- ▶ Thickness: 1,27mm
- ▶ Architectural finishes available

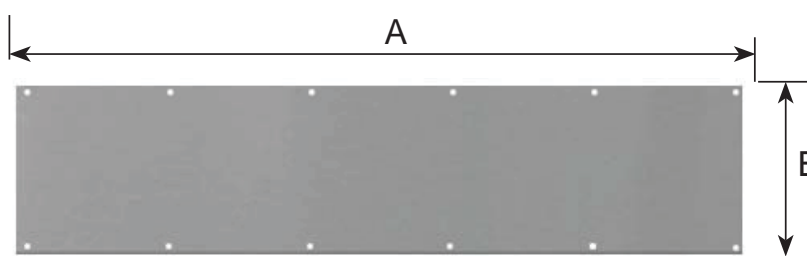


ITEM	A (mm)	B (mm)
PSPL3515	381	88,9
PSPL4016	406,4	101,6

BKICK834, BKICK1034, BKICK1046

Metal Kick Plates

- ▶ Packed with #6 x 5/8" screws
- ▶ Thickness: 1,27mm
- ▶ Architectural finishes available

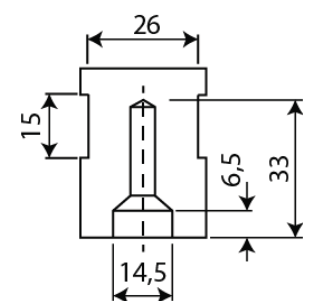
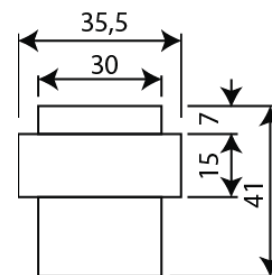


ITEM	A (mm)	B (mm)
BKICK834	863,6	203,2
BKICK1034	863,6	254
BKICK1046	1168,4	254

EUS03

Floor Mount Door Stop

- ▶ Stainless Steel Material








DOOR HARDWARE PROTECTION KITS

Interdens® is an Intumescent material made from mono ammonium phosphate (MAP). When the hardware morticed into the fire rated door set is unprotected, it affects the performance of the door set. Interdens® protects and enhances the fire resistance of timber and timber-based materials. It limits the combustion of timber from the heat generated by the metal parts touching the timber. When exposed to fire, Interdens® rapidly produce a large quantity of micro porous heat insulating foam which protects the timber material from the heat.

IMPORTANT NOTICE

The installation must comply with specifications and testing carried out in accordance with EN 1634 in order to guarantee the fire resisting properties of the door. The applicable national and international guidelines, standards, approvals and other relevant regulations with regard to smoke control and fire resistance also have to be taken into consideration.


PROD CODE	PROFILE	DESCRIPTION	STANDARD COLOURS	UOM
MORTICE LOCK CASES				
		LOCK KITS - 30 & 60 MIN FIRE RATING WITH SELF-ADHESIVE TAPE BACK		
ITLE-160X90-1MM		Lock Kit to suit standard DIN upright Mortice lock case To suit 55mm/60mm backset and 72 centres Supplied as 1 part kit around lock body w/ S/A tape for easy installation	White	Per Lock
ITLE-160X90-2MM		LOCK KITS - 90 & 120 MIN FIRE RATING WITH SELF-ADHESIVE TAPE BACK	White	Per Lock
		LOCK KITS - 90 & 120 MIN FIRE RATING WITH SELF-ADHESIVE TAPE BACK		
		Lock Kit to suit standard DIN upright Mortice lock case To suit 55mm/60mm backset and 72 centres Supplied as 1 part kit around lock body w/ S/A tape for easy installation	White	Per Lock
ANSI MORTICE LOCK CASES				
		ANSI LOCK KITS - 30 & 60 MIN FIRE RATING WITH SELF-ADHESIVE TAPE BACK		
ITLA-160X90-1MM		Lock Kit to suit standard DIN upright Mortice lock case Supplied as 1 part kit around lock body w/ S/A tape for easy installation	White	Per Lock
ITLA-160X90-2MM		ANSI LOCK KITS - 60 & 120 MIN FIRE RATING WITH SELF-ADHESIVE TAPE BACK	White	Per Lock
		ANSI LOCK KITS - 60 & 120 MIN FIRE RATING WITH SELF-ADHESIVE TAPE BACK		
		Lock Kit to suit standard DIN upright Mortice lock case Supplied as 1 part kit around lock body w/ S/A tape for easy installation	White	Per Lock
STRIKE PLATE KITS				
		STRIKE PLATE KITS - 30 & 60 MIN FIRE RATING WITH SELF-ADHESIVE TAPE BACK		
ITSP-160X90-1MM		Strike plate kit to suit standard ANSI Mortice lock case Supplied as 1 part kit around lock body w/ S/A tape for easy installation	White	Per Lock
ITSP-160X90-2MM		STRIKE PLATE KITS - 60 & 120 MIN FIRE RATING WITH SELF-ADHESIVE TAPE BACK	White	Per Lock
		STRIKE PLATE KITS - 60 & 120 MIN FIRE RATING WITH SELF-ADHESIVE TAPE BACK		
		Strike plate kit to suit standard ANSI Mortice lock case Supplied as 1 part kit around lock body w/ S/A tape for easy installation	White	Per Lock
FLUSH BOLT KITS				
		FLUSH BOLT KITS - 30 & 60 MIN FIRE RATING WITH SELF-ADHESIVE TAPE BACK		
ITFL-160X90-1MM ITWFL-160X90-1MM		Flush Bolt Kit to suit 200 x 19mm Flush Bolt Supplied as 1 part kit around lock body w/ S/A tape for easy installation	White	Per FB
ITFL-160X90-2MM ITWFL-160X90-2MM		FLUSH BOLT KITS - 60 & 120 MIN FIRE RATING WITH SELF-ADHESIVE TAPE BACK	White	Per FB
		FLUSH BOLT KITS - 60 & 120 MIN FIRE RATING WITH SELF-ADHESIVE TAPE BACK		
		Flush Bolt Kit to suit 200 x 19mm Flush Bolt Supplied as 1 part kit around lock body w/ S/A tape for easy installation	White	Per FB
HINGE KITS - 90 & 120 MIN FIRE RATING WITH SELF-ADHESIVE TAPE BACK				
		HINGE KITS - 90 & 120 MIN FIRE RATING WITH SELF-ADHESIVE TAPE BACK		
ITH-102X76-2MM		Hinge Kit to suit 102 x 76mm (Supplied as 2 pcs of 100 x 30mm)	White	Per Hinge
ITH-102X89-2MM		Hinge Kit to suit 102 x 89mm (Supplied as 2 pcs of 100 x 36mm)	White	Per Hinge
ITH-102X102-2MM		Hinge Kit to suit 102 x 102mm (Supplied as 2 pcs of 100 x 42mm)	White	Per Hinge
DOOR CLOSER KITS				
		DOOR CLOSER KITS - TO SUIT POWER SIZE 1 - 3		
		DOOR CLOSER KITS - TO SUIT POWER SIZE 1 - 3		
ITDC-SZ123-FD3060		Door Closer Kit FD30 - 1mm thick 2-Part Kit: 1mm around Door Closer Body and 1mm around Top Channel with S/A tape	White	Per Closer
ITDC-SZ123-FD90		Door Closer Kit FD60 - 2mm thick 2-Part Kit: 2mm around Door Closer Body and 2mm around Top Channel with S/A tape	White	Per Closer
		DOOR CLOSER KITS - TO SUIT POWER SIZE 3 - 5		
		DOOR CLOSER KITS - TO SUIT POWER SIZE 3 - 5		
ITDC-SZ225-FD3060		Door Closer Kit FD60 - 1mm thick 2-Part Kit: 1mm around Door Closer Body and 1mm around Top Channel with S/A tape	White	Per Closer
ITDC-SZ225-FD90		Door Closer Kit FD90 - 2mm thick 2-Part Kit: 2mm around Door Closer Body and 2mm around Top Channel with S/A tape	White	Per Closer



DISCLAIMER

Dear Valued Customer,

Most products in our European Line catalog are certified for fire use and has been approved based on European Fire and Safety Standards, and are marked accordingly. The standards used are CE (European Conformity), EN European Standards (ENs) and BS EN (British Standard European Norm).

CE Marking is the symbol . The letters "CE" are the abbreviation of French phrase "Conformité Européene" which literally means "European Conformity". The term initially used was "EC Mark" and it was officially replaced by "CE Marking" in the Directive 93/68/EEC in 1993. "CE Marking" is now used in all EU official documents.

Our European Line are for use where CE and BS EN standards are required, mostly in European, Middle East and Asian countries. Products that have CE or EN markings does not automatically translate to UL fire and safety standards and may not be recognized by local fire marshalls during inspection.

For UL Listed products, please refer to our standard product catalog. Cal-Royal Products, Inc. will not be held responsible for EU products that are installed in the US and did not meet Fire inspection standards.

Sincerely,

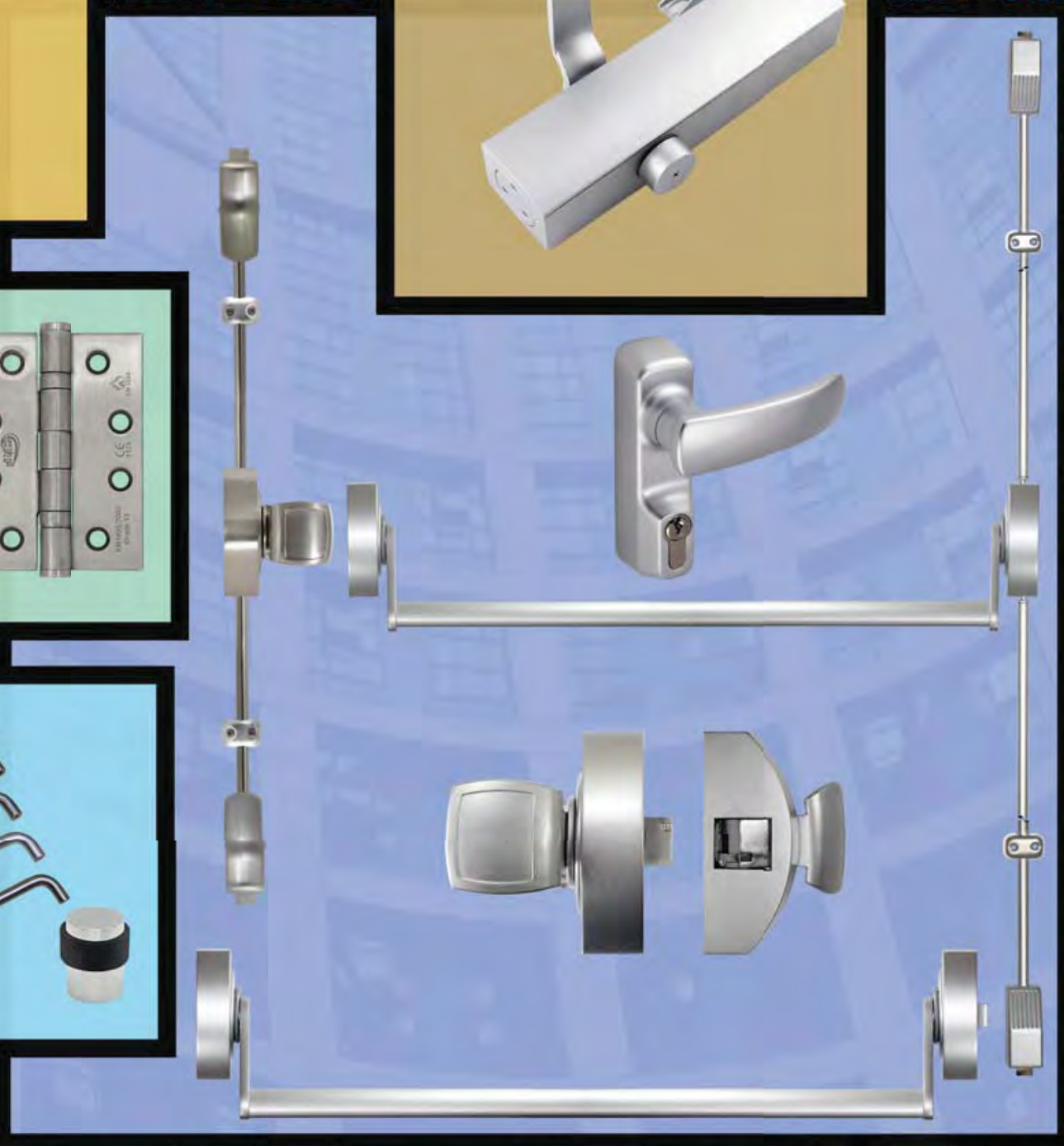
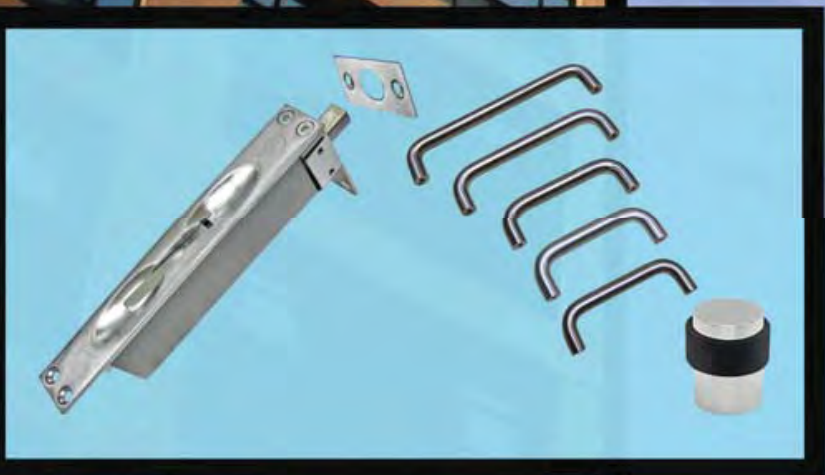
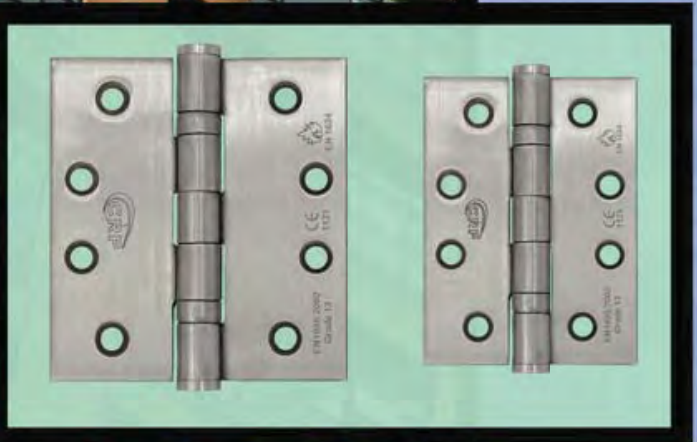
CAL-ROYAL PRODUCTS, INC.



CAL-ROYAL
P R O D U C T S, I N C.



EURO-DOOR HARDWARE CATALOG



EU 6400 SERIES MORTICE LOCKSET



EN Compliance: 12209:2012
Classification: 2H810F3BC00

European lockcase design offers simplified door preparation and modular accessories for easy functional change

Powder coated case offers high corrosion resistance.

Quick-reverse latch for left and right hand application. No-hassle field-reversible.

Profiled latch design provides positive location and operation.

20mm double throw deadbolt from 2 turns of the cylinder offers high level of security

Guided cylinder screw accurately aligns the fixing to the cylinder.

One-piece square ended face plate in stainless steel grade 304 with satin finish. Optional round ended corner is also available.

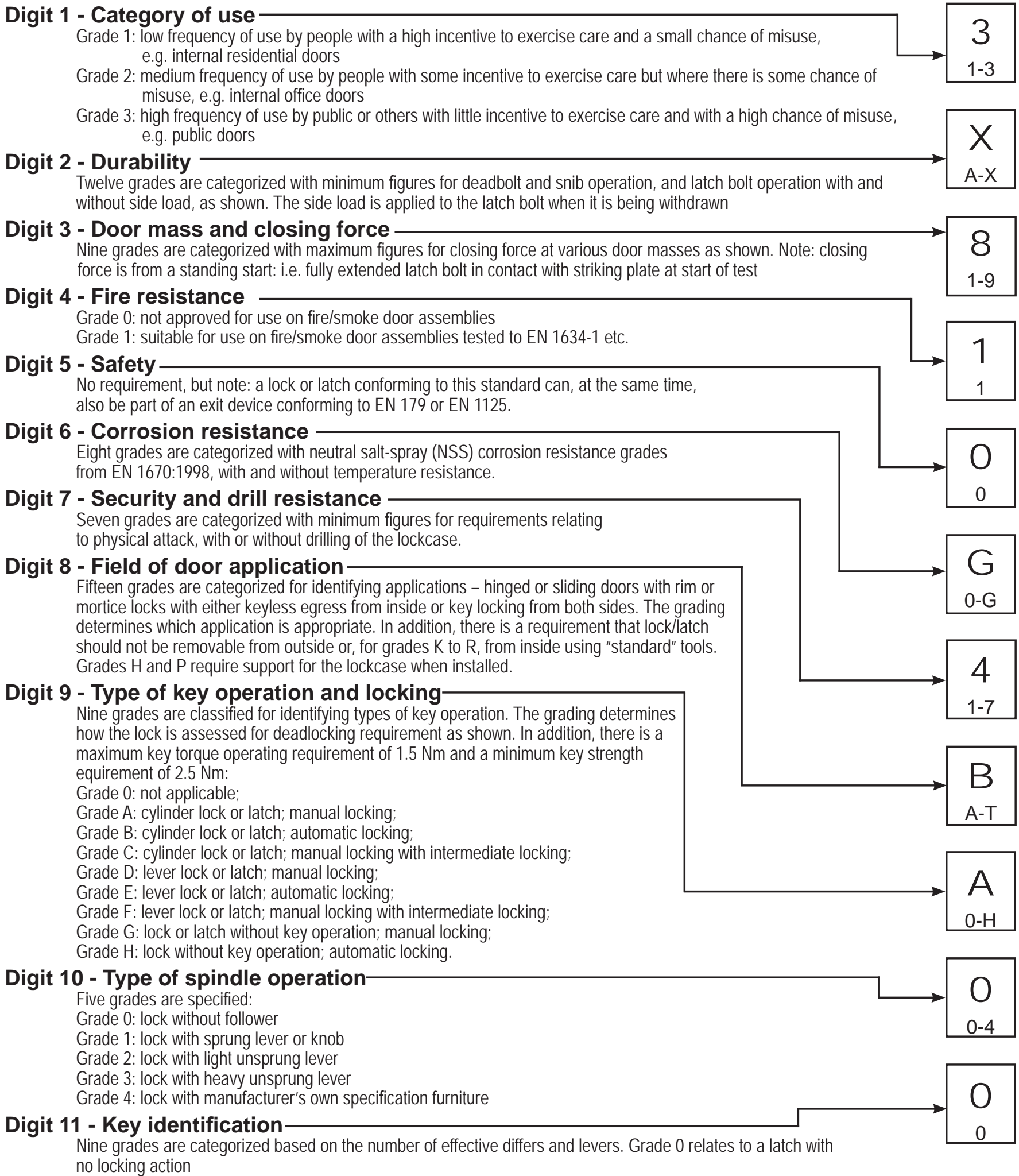
25° follower action for firm positive operating action and with follower springing suitable for high frequency applications. Positive follower angle (1°) reduces the effect of wear which can lead to lever droop.

Sashlock has a cylinder to latch function where both latch and deadbolt can be withdrawn by cylinder or key action.

Conforms to the dimensional characteristics of DIN 18251 with follower to cylinder centres at 72mm (78mm for bathroom lock). The case is pierced to accept bolt through fixings at 38mm (up to 41mm) centres at the follower and the cylinder position,

CE MARKING GUIDE FOR LOCKSETS

EN 12209 classifies mechanically operated locks, latches and locking plates using an 11 digit coding system. Fundamental to this standard is a comprehensive classification system for assessing the wide range of products needed to satisfy the diverse requirements of the European market. Features assessed include normal use (and abuse) forces, long-term durability, fire/smoke resistance, corrosion and temperature resistance and security, both manipulative and physical.



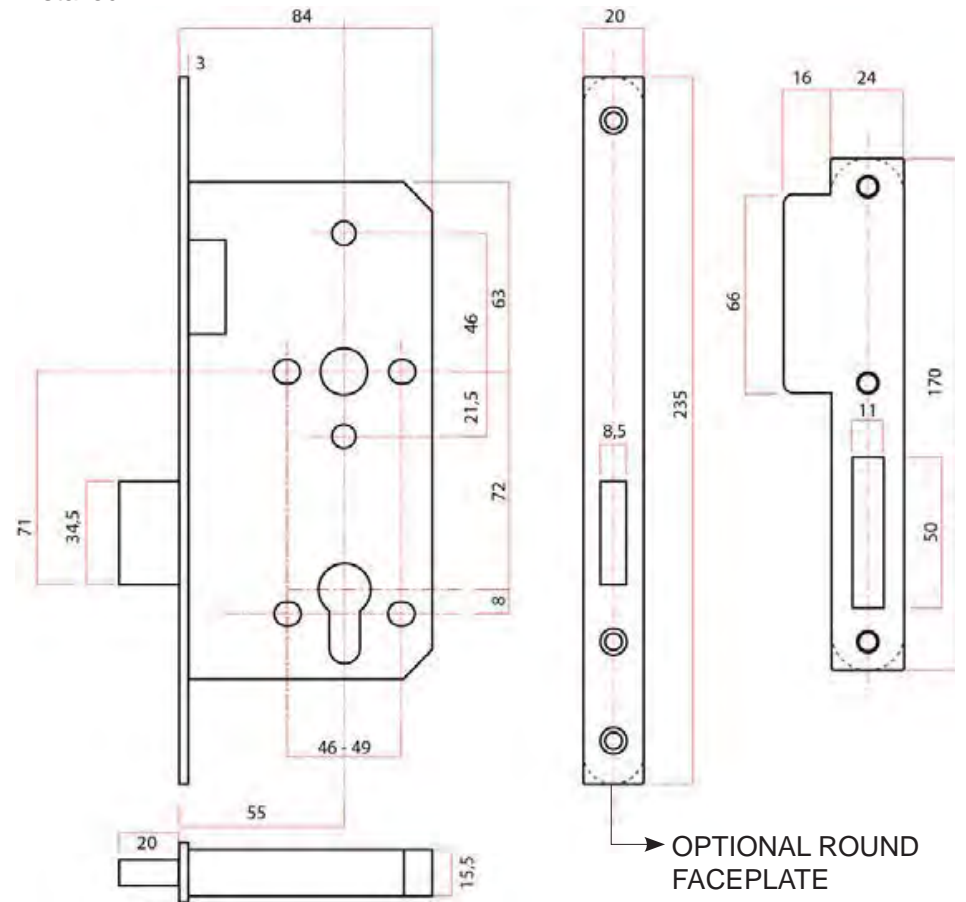
EU 6400 SERIES MORTICE LOCKSET

EU6410 CYLINDER DEADLOCK

Function: Deadbolt thrown and retracted from one side or from both sides depending on the type of cylinder installed.



EN Compliance: 12209:2012
Classification: 2H810F3BC00

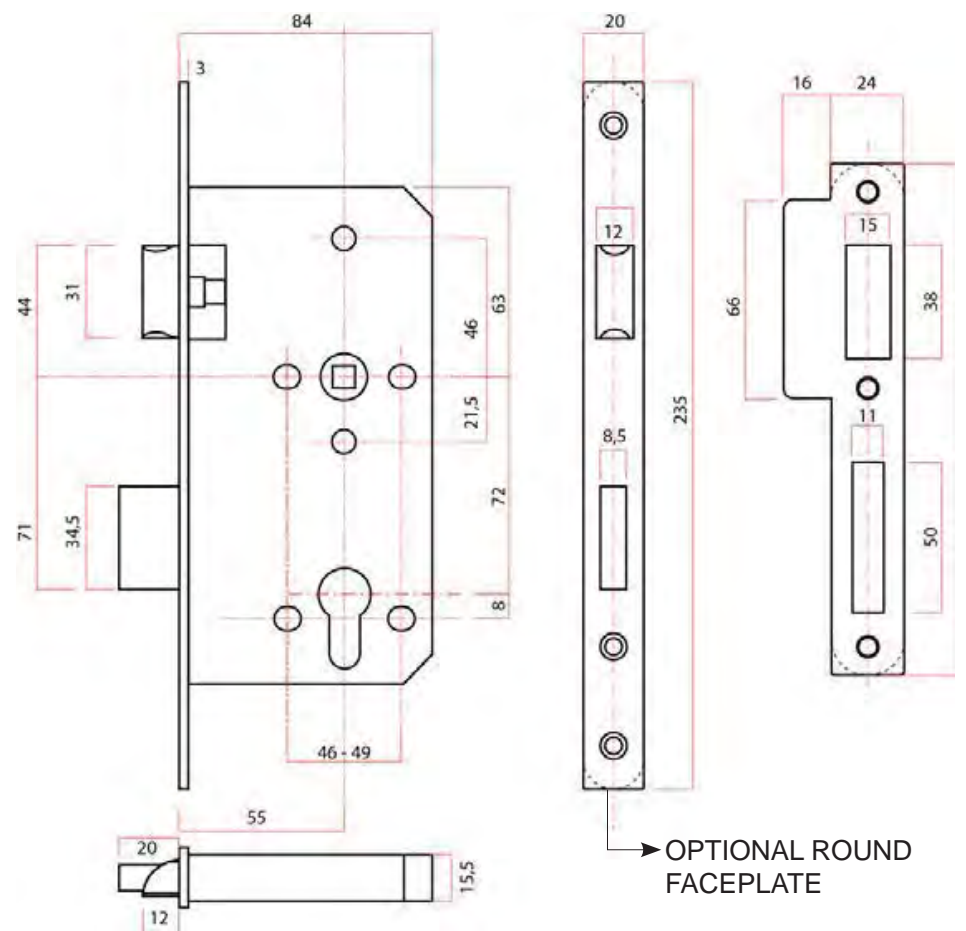


EU6420 CYLINDER SASHLOCK

Function: Latchbolt can be operated by lever handles on either side. Deadbolt thrown and retracted from one or from both sides depending on the type of cylinder installed. Cylinder action will operate both deadbolt and latchbolt.



EN Compliance: 12209:2012
Classification: 2H810F3BC20



EU 6400 SERIES MORTICE LOCKSET

EU6430 BATHROOM LOCK

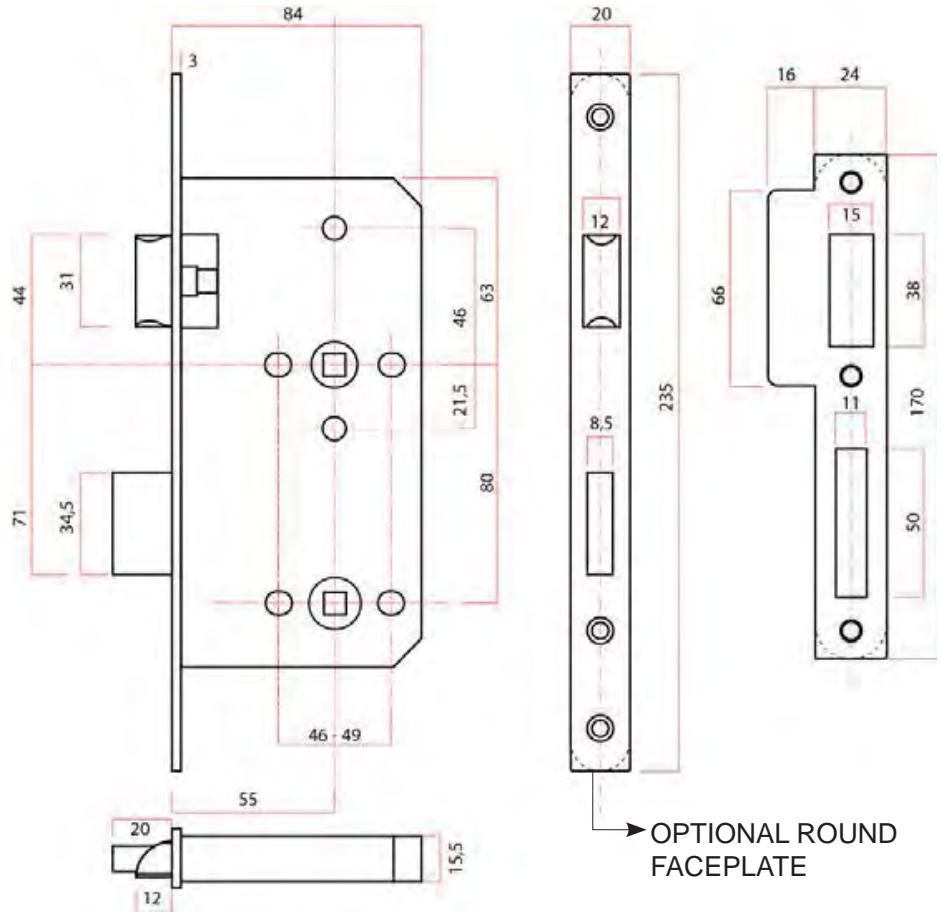
Function: Latchbolt operated by lever on either side. Deadbolt is thrown by thumbturn inside. An indicator with an emergency release can be installed on the outside of the door and operates in conjunction with the thumbturn.



5-Year Warranty



EN Compliance: 12209:2012
Classification: 2H810F-BC00



EU6440 PASSAGE LATCH

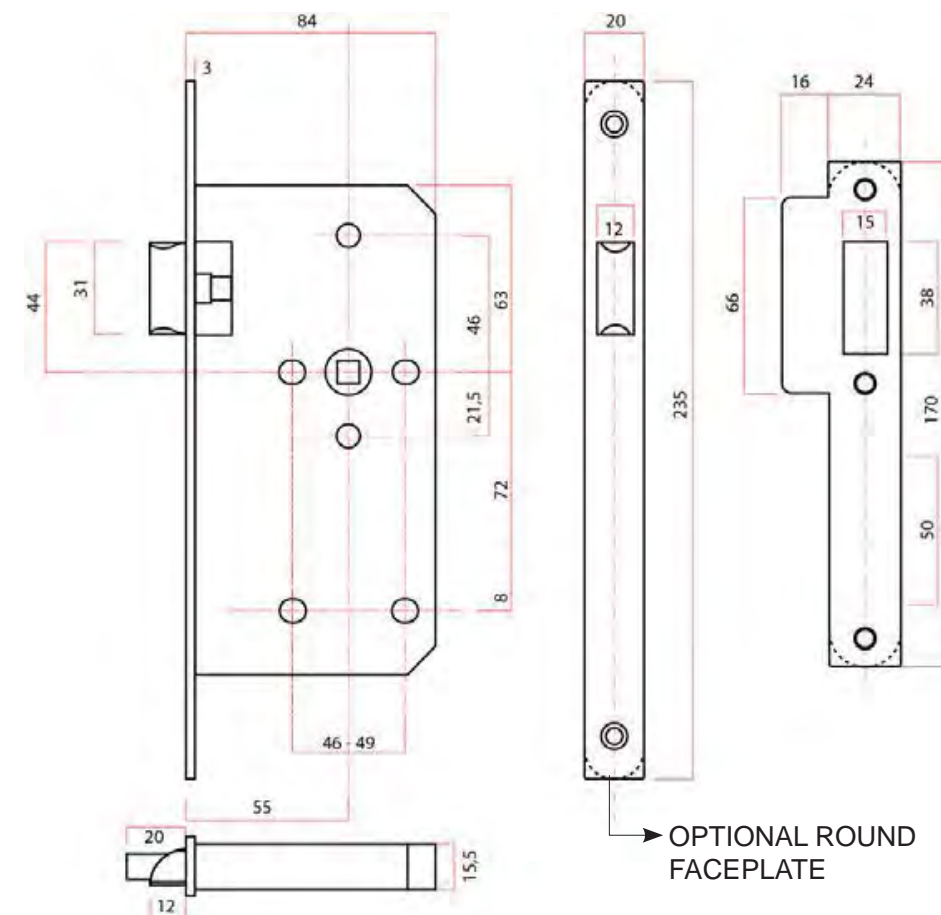
Function: Latchbolt can be operated by lever handles on either side all the time.



5-Year Warranty

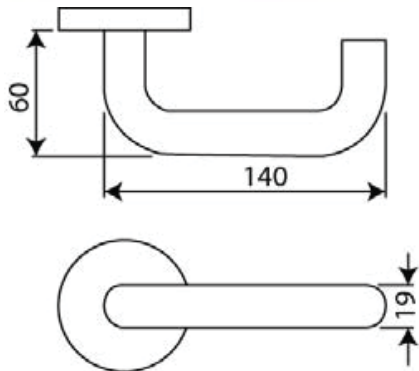


EN Compliance: 12209:2012
Classification: 2H810F-BC00



EU 6400 SERIES LEVER TRIMS

6450



LEVERSET DESIGNS

5-Year Warranty

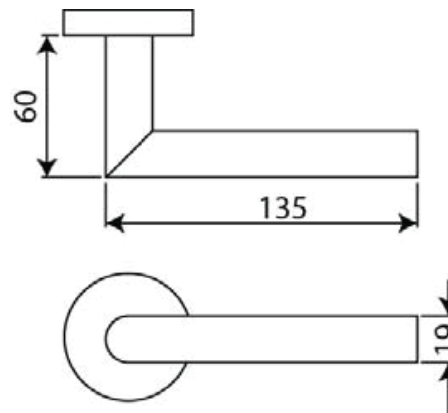
FEATURES

- Stainless Steel Grade 304
- Installed on 8mm thick unsprung rose
- Bolts and spindle included for 34 - 54mm thick doors

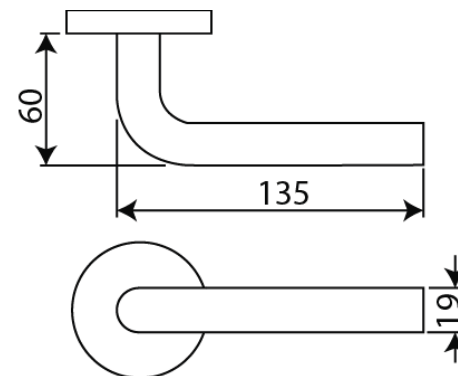
EN Compliance: EN1906 - Grade 4

EN1634 for up to 2 hour wood fire door applications and up to 4 hour metal fire door applications.

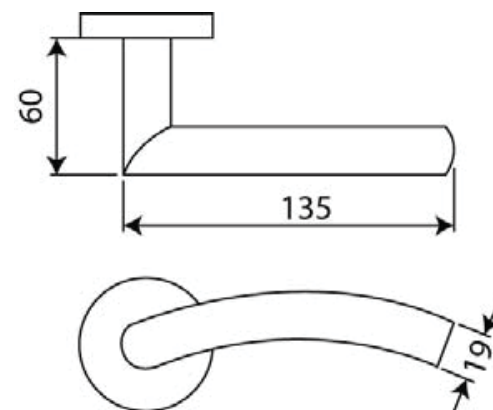
6451



6452



6453



EU 6400 SERIES ACCESSORIES

CYLINDERS

5-Year Warranty



KE-SCC-S-A
KE-YA8-S-A



KE-SCC-D-C
KE-YA8-D-C



KE-SCC-C-C
KE-YA8-C-C



KE-P-D

Standards & Testing	Conforms to EN1303
Materials & Features	70mm, 6 pin standard, other sizes available
	Base Material: Brass
	3 Brass keys, Standard for non-masterkeyed system
Master Keying	4 level Master Keying system available
Finish	Satin Nickel Plated

ITEM CODE	KEYWAY	FUNCTION	LENGTH (mm)
KE-SCC-S-A	Schlage C	Half Cylinder	45
KE-YA8-S-A	Yale 8		
KE-SCC-D-C	Schlage C	Double Cylinder	60
KE-YA8-D-C	Yale 8		
KE-SCC-D-D	Schlage C	Double Cylinder	70
KE-YA8-D-D	Yale 8		
KE-SCC-C-C	Schlage C	Thumbturn Cylinder	60
KE-YA8-C-C	Yale 8		
KE-SCC-C-D	Schlage C	Thumbturn Cylinder	70
KE-YA8-C-D	Yale 8		
KE-P-D	-	Bathroom Cylinder	70

ESCUTCHEONS

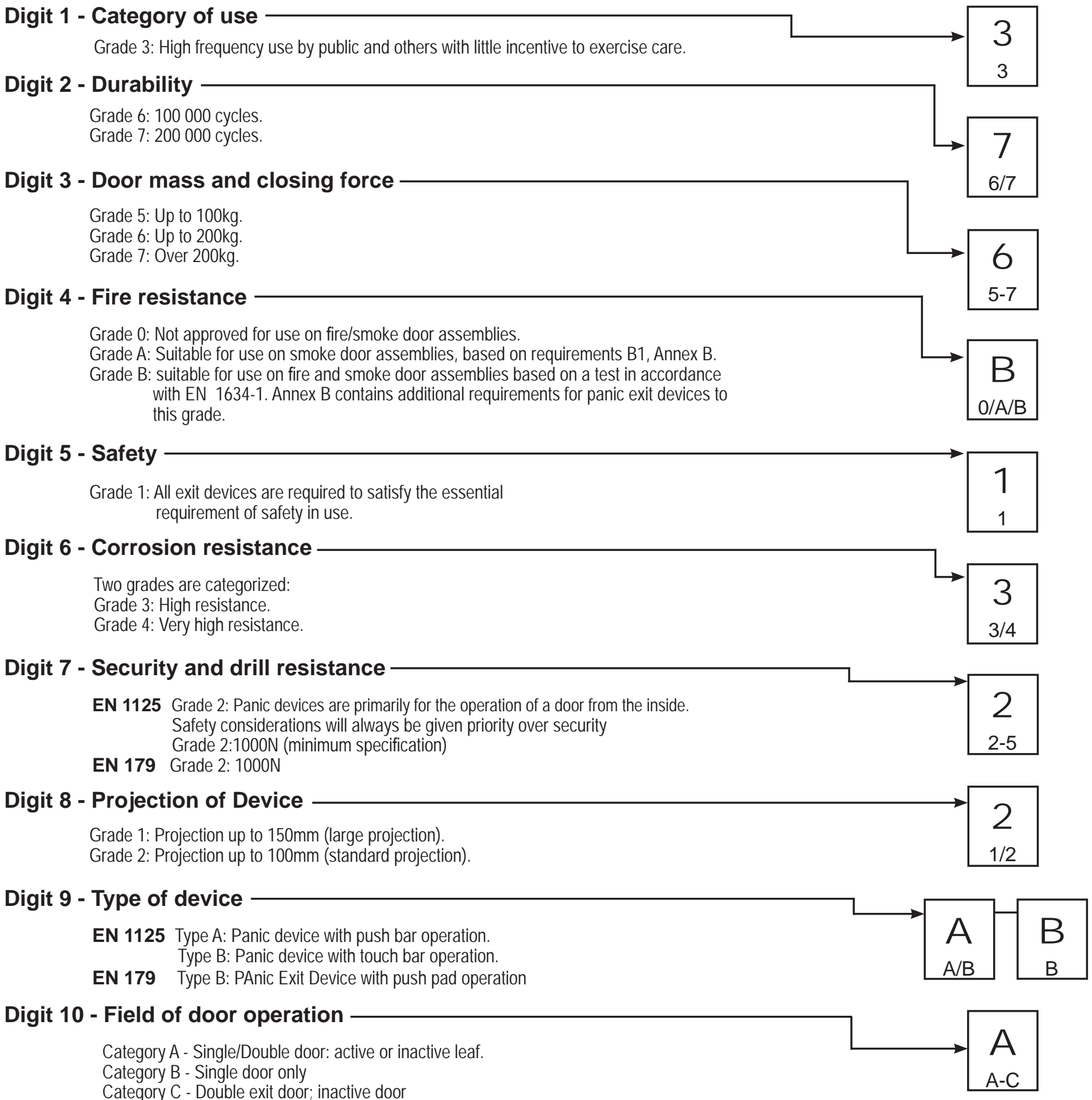


MODEL #	DESCRIPTION	FINISH
6910	Escutcheons (pair) - Lever key suitable for lock lever lock cases	Stainless Steel
6920	Escutcheons (pair) - Euro profile cylinder suitable for euro profile or dual profile cylinder lock cases	
6930	Bathroom turn and Indicator (set) - Supplied with 5mm bathroom function spindle Wide Turn	
6940	Escutcheons (pair) - Blank	
6950	Escutcheons (pair) - Oval profile cylinder suitable for oval profile or dual profile cylinder lock cases	

CE MARKING GUIDE FOR EXIT DEVICES

EN 1125 classifies panic exit devices using a 9 digit coding system. Each digit refers to a particular feature of the product measured against the standard's performance requirements.

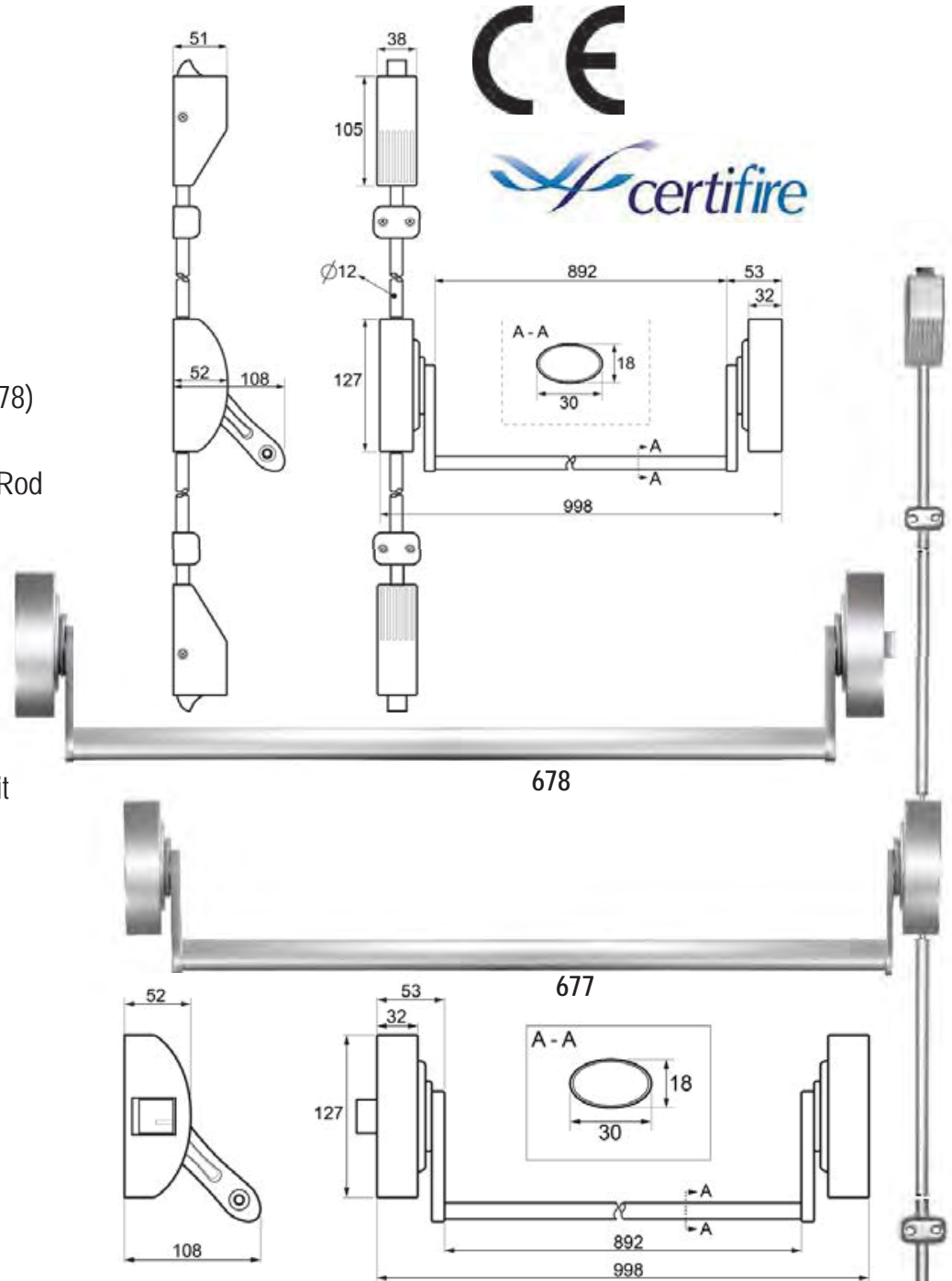
EN 179 classifies emergency exit devices to identify compliance with the standard performance requirements.



EU 670 SERIES PUSH BAR PANIC EXIT HARDWARE

Specifications

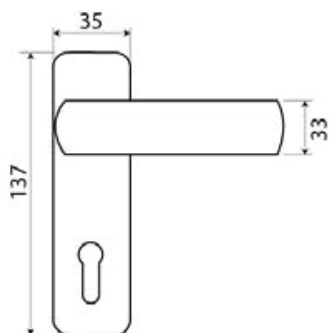
- Testing..... CE Marked
EN 1125 and EN 1634
Fully Certified
- Latching..... Single Point (678)
2-Point (677)
Anti-Thrust Latch prevents
unauthorized latch retraction (678)
- Pullman Latch..... Supplied together with Vertical Rod
Exit Device(677)
- Hand..... Non-handed
- Application..... Double door strike available for
double doors (67-DSTPL)
Designed to satisfy panic exit
applications and emergency exit
applications
- Finish..... Aluminum, Stainless Steel
- Door Thickness..... 35mm - 65mm
- Tubular steel shoots
and cross bar..... Can be cut on-site to suit door
width and height
- Horizontal Bar..... Standard oval shaped, 900mm



MODEL #	FUNCTION	DOOR WIDTH / HEIGHT	FINISHES
677	Surface Vertical Rod Exit Device	Up to 2500mm high x 1300mm wide	Aluminum, SSS
678	Rim Exit Device	Up to 1300mm wide	Aluminum, SSS
ACCESSORIES			
67-XLVR	Extra Long Vertical Rod for 3048mm doors		
67-DSTPL	Double Door Overlapping Strike Plate		



6413E/LE



ESCUTCHEON LEVER TRIM DESIGN

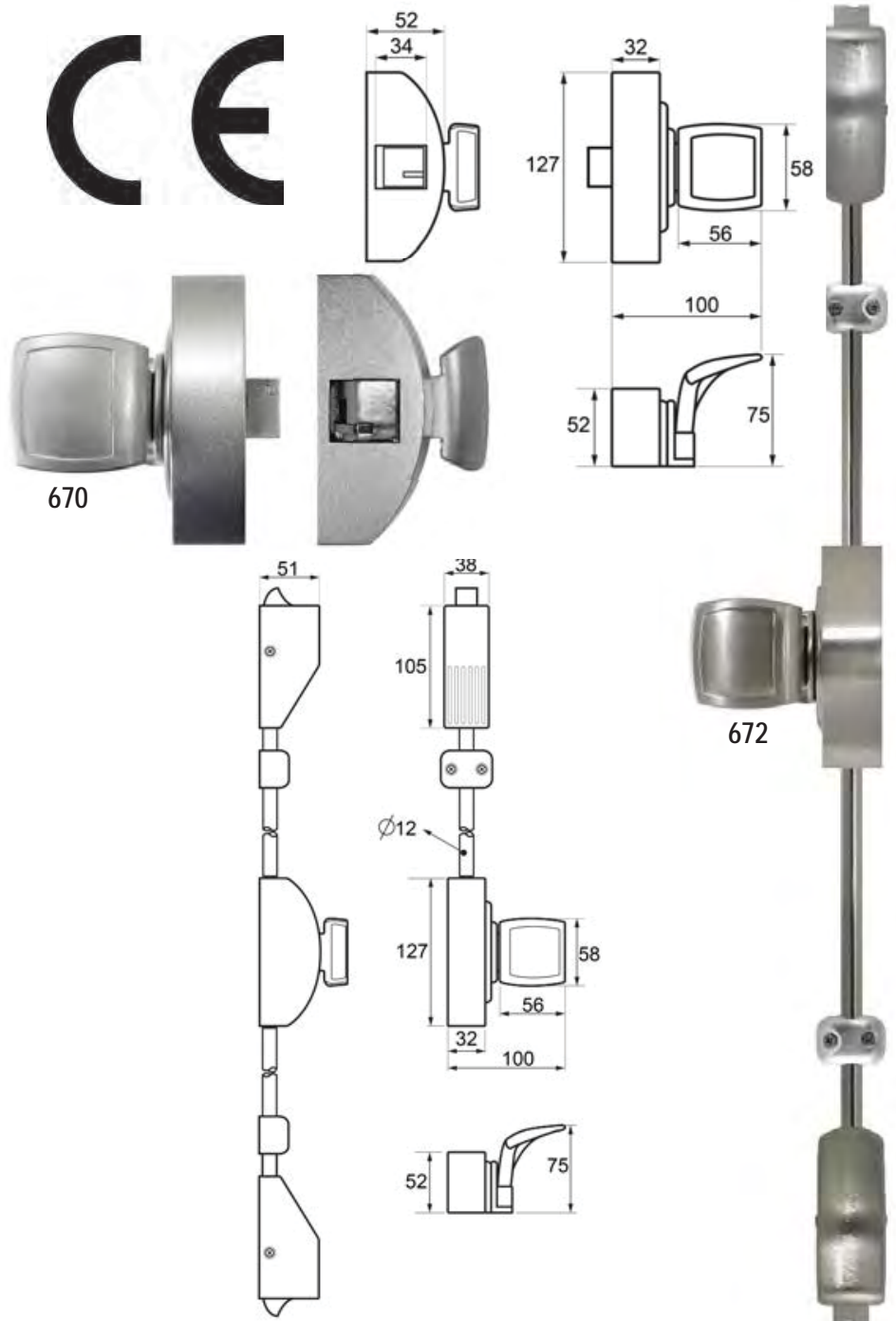
- Supplied with euro profile cylinder as standard
- Suitable for doors between 35mm to 65mm thick
- Non-handed. Easily field reversible

MODEL #	DESCRIPTION	DOOR THICKNESS	FINISH
6413E/LE	Outside access Lever Trim	35mm to 65mm thick	Aluminum, SSS

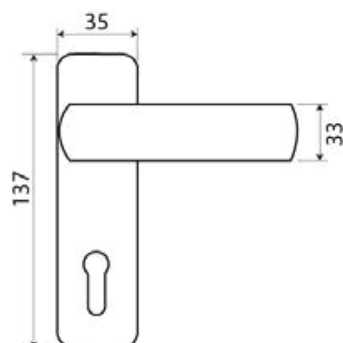
EU 670 SERIES PUSH PADDLE EMERGENCY HARDWARE

Specifications

- Testing..... CE Marked
EN 179 Fully Certified
- Latching..... Single Point (670)
2-Point (672)
Anti-Thrust Latch prevents unauthorised latch retraction (670)
- Pullman Latch..... Supplied together with Vertical Rod Exit Device (672)
- Hand..... Non-handed
- Finish..... Aluminum, Stainless Steel
- Application..... Double door strike available for double doors (67-DSTPL).
Designed to satisfy emergency exit applications
- Door Thickness..... 35mm - 65mm
- Tubular steel shoots.... Adjustable, can be cut on-site to suit door width and height



MODEL #	FUNCTION	DOOR WIDTH / HEIGHT	FINISHES
670	Push Paddle Rim Exit Device	Up to 1300mm wide	Aluminum, SSS
672	Push Paddle Surface Vertical Rod Exit Device	Up to 2500mm high x 1300mm wide	Aluminum, SSS
ACCESSORIES			
67-XLVR	Extra Long Vertical Rod for 3048mm doors		
67-DSTPL	Double Door Overlapping Strike Plate for 670		



ESCUTCHEON LEVER TRIM DESIGN

- Supplied with euro profile cylinder as standard
- Suitable for doors between 35mm to 65mm thick
- Non-handed. Easily field reversible

MODEL #	DESCRIPTION	DOOR THICKNESS	FINISH
6413E/LE	Outside access Lever Trim	35mm to 65mm thick	Aluminum, SSS

CE MARKING GUIDE FOR DOOR CLOSERS

EN 1154 classifies door closers using a 6 digit coding system. Each digit refers to a particular feature of the product measured against the standard's performance requirements.

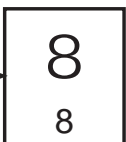
Digit 1 - Category of use

Grade 3: For closing doors from at least 105° open.
Grade 4: For closing doors from 180° open.



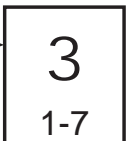
Digit 2 - Number of Test Cycles

Grade 8: 500 000 cycles.

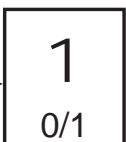


Digit 3 - Door mass and closing force

Grade 5: Up to 100kg.
Grade 6: Up to 200kg.
Grade 7: Over 200kg.

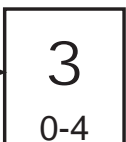
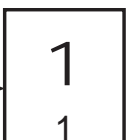


Closer Power Size	Width of Door (mm)	Max. Mass of Door (kg)
1	750	20
2	850	40
3	950	60
4	1100	80
5	1250	100
6	1400	120
7	1600	160



Digit 4 - Fire resistance

Grade 0: Not suitable for use on fire/smoke door assemblies.
Grade 1: Suitable for use on fire/smoke door assemblies, subject to satisfactory assessment of the contribution of the door closer to the fire resistance of specified fire/smoke assemblies. This is assessed outside of EN 1154.



Digit 5 - Safety

Grade 1: All door closer devices are required to satisfy the essential requirement of safety in use.

Digit 6 - Corrosion resistance

GRADE	0	1	2	3	4
CORROSION RESISTANCE	No Defined	Mild	Moderate	High	Very High

EU430CE & EU430 SERIES DOOR CLOSERS

The EU430 Series offers 2 types of compact overhead door closers suited for the most common door sizes. All the features, sturdiness, functionality and quality that spec writers are looking for can be found in these door closers.

EU430CE DOOR CLOSER

Tested to EN 1154 **483113** and CE Marked
 EN 1634 fire Tested
 Certifire Approved CF390
 Fixed Power Size 3

EU430 DOOR CLOSER

The EU430 is power adjustable by position during installation to suit closer sizes #2 to #4. It does not have the CE Mark and is designed for use in non-fire door applications only.



DATA AND FEATURES		430CE	430
Standard doors	≤850mm ≤40kg	O	v
	≤950mm ≤60kg	fixed	v
	≤1100mm ≤0kg	O	v
Body dimensions (mm)	Length	181	181
	Height	62	62
	Projection	42	42
Arm	Standard	v	v
	Track (standard)	O	O
	Track (hold-open)	O	O
Rack and pinion	Heavy Duty	v	v
Power adjustment arm bracket		v	v
Angle of opening		180°	180°
Fixed Strength or adjustable		fixed	adjustable
Method of adjustment		fixed	template
Separate latch action/closing speed		v	v
Closing and latching speed controlled	Dual Regulating Valves	v	v
Adjustable Tube Arm	Reinforced Type	v	v
Hold-open	Hold open arm	O	O
Back-check	Adjustable at valve	O	O
High quality hydraulic fluid		v	v
Non-handed		v	v
With cover		x	x
Application	Standard	v	v
Guarantee/years		10 years	10 years

v = yes x = no O = option

10 Year Warranty



EU530 SERIES DOOR CLOSERS

EU530 DOOR CLOSER

Tested to EN 1154 $48\frac{4}{2}113$ and CE Marked
by Warrington APT Laboratories, UK
Power Adjustable #2 to #4 by Position
EN 1634 Fire Tested



Optional Cover

GUARANTEE:

A free replacement ex-works of any closer proven defective by reason either of faulty manufacture or defect in materials.

POWER SHOE ARM BRACKET:

Designed to be reversed to increase final closing power by approximately 15%.

BACK CHECK:

Provides a cushioning effect when the door is forcibly thrown open but does not serve as substitute for a door stop.

DELAYED ACTION:

Provides prolonged closing time to assist passage of trolleys, wheel chairs, elderly people etc.

STANDARD FINISHES:

Silver, dark brown or gold, other finishes upon request

DATA AND FEATURES		530
Variable Closing Force	Spring strength (EN)	2 to 4
Standard doors	≤850mm ≤40kg	v
	≤950mm ≤60kg	v
	≤1100mm ≤80kg	v
	≤1250mm ≤100kg	v
Body dimensions (mm)	Length	204
	Height	55
	Projection	39
Arm	Standard	v
	Parallel	O
	Track (standard)	O
	Track (hold-open)	O
Rack and pinion	Heavy Duty	v
Power shoe arm bracket		v
Angle of opening		180°
Power Adjustable by spring		x
Power Adjustable by position		v
Sweep speed adjustable		v
Hold-open	Built-in	v
	Hold Open Arm	O
Back-check	Self-regulating	v
	Adjustable at valve	O
Delayed Action Adjustable		O
Non-handed		v
With Cover		O
Application	Regular (1)	v
	Parallel Arm (66)	O
	Transom (61)	v
Guarantee/years		10 years

v = yes x = no O = option



EU 8320 SERIES CONCEALED DOOR CLOSERS

EU8320 CONCEALED DOOR CLOSER

The EU8320 is power adjustable by spring to suit closer sizes #2 to #4.

Tested to EN 1154 483113, CE Marked
EN 1634 Fire Tested by
Warrington APT Laboratories, UK



EU8320 Series



DATA AND FEATURES		8320
Variable Closing Force	Spring Strength (EN)	Adj 2 To 4
Standard Doors	≤850mm ≤40kg	v
	≤950mm ≤60kg	v
	≤1100mm ≤80kg	v
Body Dimensions (mm)	Length	210
	Height	53,5
	Projection	32
Arm	Standard	x
	Parallel	x
	Track (standard)	v
	Track (hold-open)	v
Rack and Pinion		x
Power Shoe Arm Bracket		x
Angle of Opening		120°
Power Adjustable by Spring		v
Power Adjustable by Position		x
Sweep Speed Adjustable		v
Latching Speed Adjustable		x
Hold-open	Built in	x
	Hold Open Arm	x
Back Check	Self-regulating	x
	Adjustable at Valve	x
Delayed Action Adjustable		x
Non-handed		v
Guarantee/years		10 years

v = yes x = no O = option

GUARANTEE:

A free replacement ex-works of any closer proven defective by reason either of faulty manufacture or defect in materials.

STANDARD FINISHES:

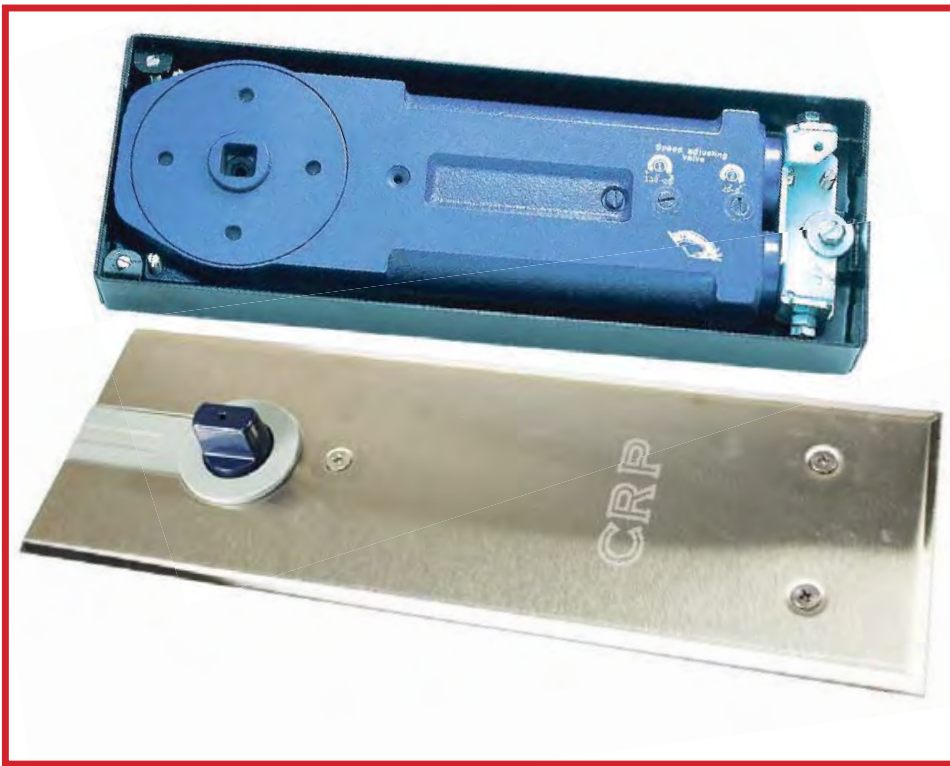
Silver, dark brown or gold, other finishes upon request



EU8840 SERIES FLOOR HINGES

EU8840 SERIES FLOOR HINGES

*Tested to EN 1154 383113 384113
by Warrington APT Laboratories UK
Power #2, #3, #4, #5
EN 1634 Fire Tested*

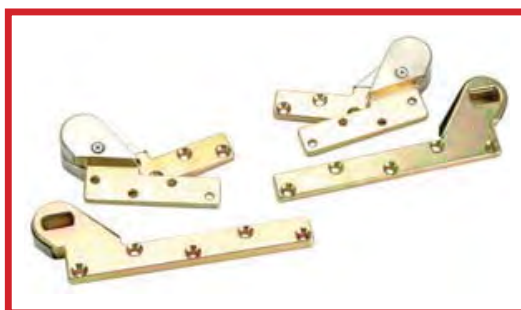


DATA AND FEATURES		8840
Variable Closing Force	Spring Strength (EN)	2 TO 5
Standard doors	≤850mm ≤70kg	8842 (Fixed)
	≤950mm ≤105kg	8843 (Fixed)
	≤1100mm ≤150kg	8844 (Fixed)
	≤1250mm ≤200kg	8845 (Fixed)
Body Dimensions (mm)	Length	306
	Width	108
	Thick	40
Arm	Standard	v
	Offset	O
Cam-Action		v
Angle of Opening		130°
Sweep Speed Adjustable		v
Latching Speed Adjustable		v
Hold-open	Without Hold Open	O
	at 90° Hold Open	v
	at 105° Hold Open	O
Back Check	Self-regulating	x
	Adjustable at Valve	O
Delayed Action Adjustable		O
Non-handed		v
Guarantee/years		10 years

v = yes x = no O = option



NSA8840
Standard Strap, Top and Bottom Pivot (NSA)



OP8840 Offset Pivots

GUARANTEE:

A free replacement ex-works of any closer proven defective by reason either of faulty manufacture or defect in materials.

COVER PLATE FINISHES:

Stainless Steel or Polished Brass



CE MARKING GUIDE FOR HINGES

EN 1935 classifies hinges using a 8 digit coding system. Each digit refers to a particular feature measured against the standard's performance requirements.

Digit 1 - Category of use

- Grade 1** - Low frequency of use by people with a high incentive to exercise care and with a small chance of accidents occurring or of misuse.
- Grade 2** - Medium frequency of use by people with some incentive to exercise care but where there is some chance of accidents occurring or of misuse.
- Grade 3** - High frequency of use by public and others with little incentive to exercise care and with a high chance of accidents occurring or of misuse.
- Grade 4** - For use on doors which are subject to frequent violent usage.

4
1-4

7
1-9

Digit 2 - Durability/Number of Test Cycles

GRADE	1	2	3	4	5	6	7	8	9
CYLCES	2.500	5.000	10.000	25.000	50.000	100.000	200.000	500.000	1.000.000

6
1-9

Digit 3 - Test Door Mass

GRADE	1	2	3	4	5	6	7	8	9
up to	20 kg	40 kg	60 kg	80 kg	100 kg	120 kg	160 kg	299 kg	259 kg

1
0/1

1
0/1

Digit 4 - Fire Behaviour

- Grade 0:** Not suitable for use on fire/smoke door assemblies.
- Grade 1:** Suitable for use on fire/smoke resisting door assemblies, subject to satisfactory assessment of the hardware item relative to the performance of the specified fire/smoke resisting door assembly.

4
0-4

Digit 5 - Safety In Use

- Grade 0:** No defined safety performance
- Grade 1:** Satisfies the safety in use requirements contained in the "Construction Products Directive" issued by the EU.

0
0/1

Digit 6 - Corrosion resistance

GRADE	0	1	2	3	4
CORROSION RESISTANCE	No Defined	Mild	Moderate	High	Very High

13
1-14

Digit 7 - Security Burglar Resistance

- Grade 0:** Not suitable for use on burglar-resistant door assemblies
- Grade 1:** suitable for use on burglar-resistant door assemblies, subject to satisfactory assessment of the contribution of the hinges to the burglar resistance of specified burglar-resistant door assemblies. Such assessment is beyond the scope of the European Standard.

Digit 8 - Hinge Grade

Fourteen grades of hinge are identified in this European Standard.

EU 6800 SERIES HINGES

All hinges are tested to EN1935 Grade 13 and are CE Marked.



BB6801



BB6802



BB6803



MODEL	SIZE (mm)	BASE MATERIAL	EN1935 GRADE
BB6801	101,6 X 76,2 X 3	Stainless Steel	13
BB6802	101,6 X 89 X 3	Stainless Steel	13
BB6803	101,6 X 101,6 X 3	Stainless Steel	13

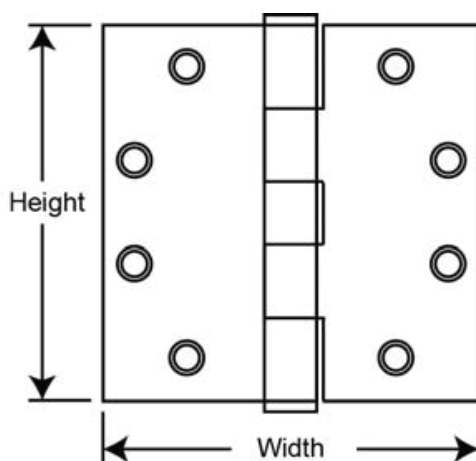
BASIC INFORMATION

Types of Hinges:

Full Mortice – Both leaves are morticed. One leaf on the frame and one on the door.

FEATURES:

- Five Knuckle ball bearing hinges
- Available in Grade 304 and 316 Stainless Steel
- Template drilled
- Suitable for wood and metal doors
- Tested for En1935:2002 Grade 13 and CE Marked
- Maximum door weight up to 120kgs
- Machine Screws available upon request



Determining the number of hinges needed:

Generally there should be 1 hinge for every 762mm of door height. Refer to table below for quick reference.

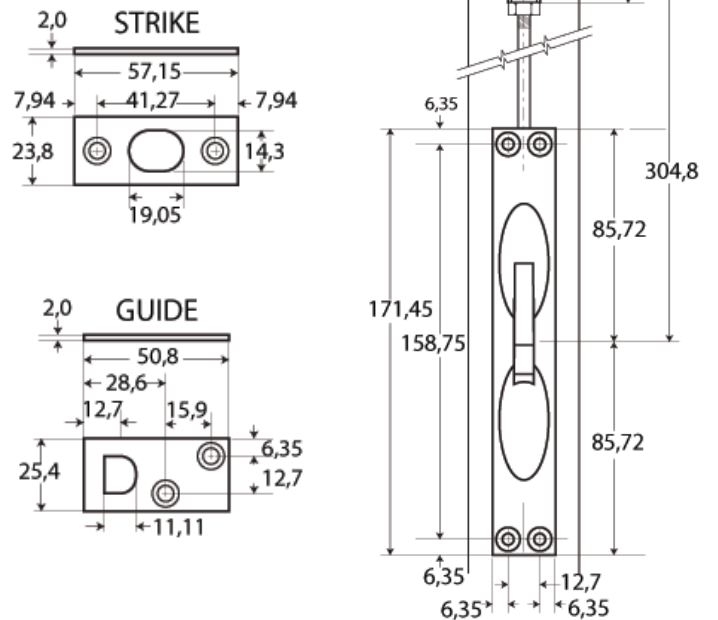
HEIGHT OF DOOR	NUMBER OF HINGES
1524mm or below	2
1549,4mm – 2311,4mm	3
2311,4mm – 3048mm	4

BUILDERS HARDWARE

ULFB634

Solid Brass Commercial Manual Flush Bolt

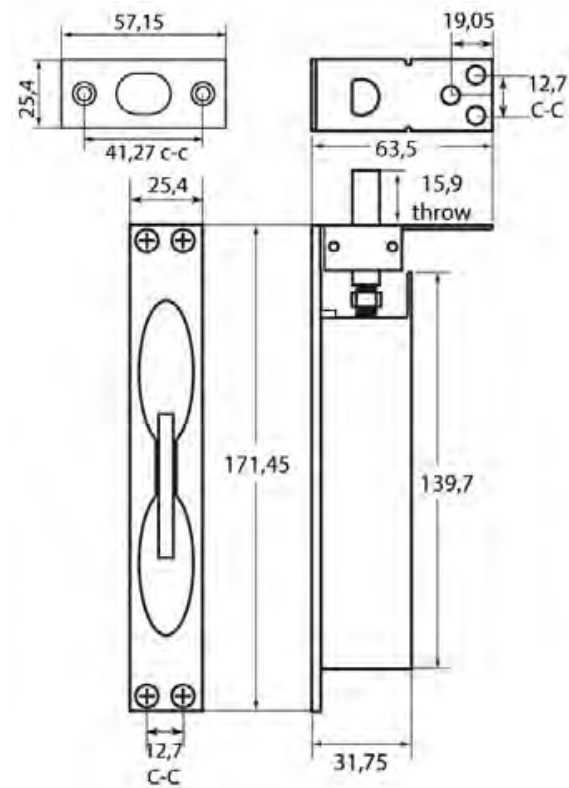
- ▶ Non-handed
- ▶ Bolt tip is 12,7mm Diameter
- ▶ Optional Rod lengths available
457,2mm
609,6mm
914,4mm
1.219,2mm
- ▶ Architectural finishes available



WFUL634

Solid Brass Commercial Wood Lever Extension Flush Bolt

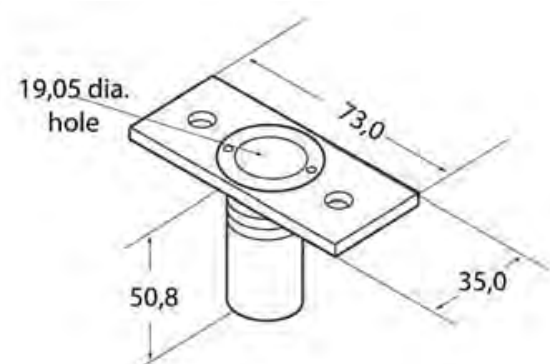
- ▶ Commercial Type
- ▶ 15,9mm Throw
- ▶ Especially designed for wood or composite doors
- ▶ Architectural finishes available



DPSTRK1

Brass Dustproof Strike

- ▶ Spring tension calibrated for positive closing and eliminates binding
- ▶ Can be locked in up position

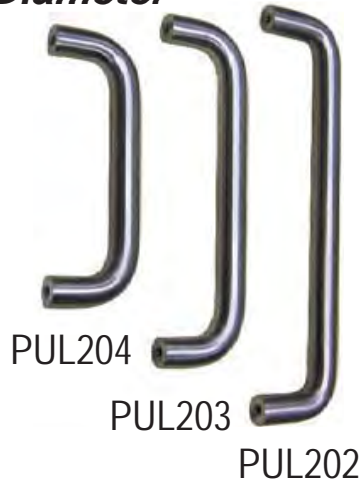


BUILDERS HARDWARE

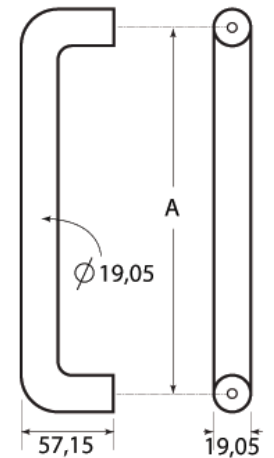
PUL202, PUL203, PUL204

Solid Bar Round Pulls 19,05mm Diameter

- ▶ Stainless Steel, Brass and Aluminum Material
- ▶ Type 1 Thru-Bolt Mount for 44,45mm thick doors
- ▶ Individually packed
- ▶ Easy installation
- ▶ Architectural finishes available



ITEM	A (mm)
PUL202	254
PUL203	203,2
PUL204	152,4



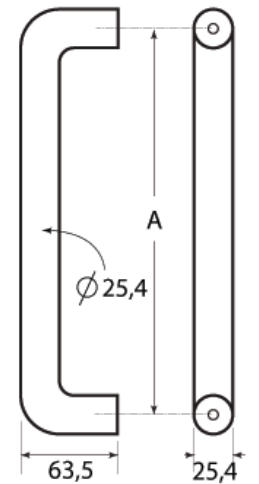
PUL200, PUL201

Solid Bar Round Pulls 25,4mm Diameter

- ▶ Stainless Steel, Brass and Aluminum Material
- ▶ Type 1 Thru-Bolt Mount for 44,45mm thick doors
- ▶ Individually packed
- ▶ Easy installation
- ▶ Architectural finishes available



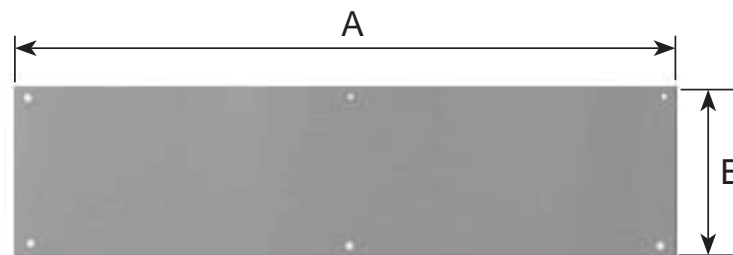
ITEM	A (mm)
PUL200	254
PUL201	203,2



PSPL3515, PSPL4016

Push Plates

- ▶ Individually packed with protective film and screws
- ▶ Easy installation
- ▶ Thickness: 1,27mm
- ▶ Architectural finishes available

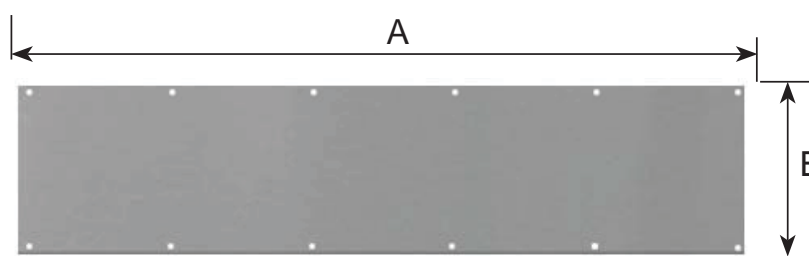


ITEM	A (mm)	B (mm)
PSPL3515	381	88,9
PSPL4016	406,4	101,6

BKICK834, BKICK1034, BKICK1046

Metal Kick Plates

- ▶ Packed with #6 x 5/8" screws
- ▶ Thickness: 1,27mm
- ▶ Architectural finishes available

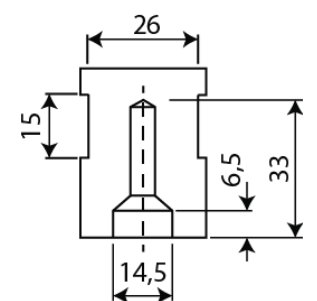
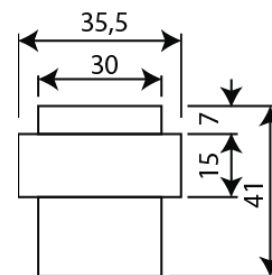


ITEM	A (mm)	B (mm)
BKICK834	863,6	203,2
BKICK1034	863,6	254
BKICK1046	1168,4	254

EUS03

Floor Mount Door Stop

- ▶ Stainless Steel Material








DOOR HARDWARE PROTECTION KITS

Interdens® is an Intumescent material made from mono ammonium phosphate (MAP). When the hardware morticed into the fire rated door set is unprotected, it affects the performance of the door set. Interdens® protects and enhances the fire resistance of timber and timber-based materials. It limits the combustion of timber from the heat generated by the metal parts touching the timber. When exposed to fire, Interdens® rapidly produce a large quantity of micro porous heat insulating foam which protects the timber material from the heat.

IMPORTANT NOTICE

The installation must comply with specifications and testing carried out in accordance with EN 1634 in order to guarantee the fire resisting properties of the door. The applicable national and international guidelines, standards, approvals and other relevant regulations with regard to smoke control and fire resistance also have to be taken into consideration.

PROD CODE	PROFILE	DESCRIPTION	STANDARD COLOURS	UOM
MORTICE LOCK CASES				
		LOCK KITS - 30 & 60 MIN FIRE RATING WITH SELF-ADHESIVE TAPE BACK		
ITLE-160X90-1MM		Lock Kit to suit standard DIN upright Mortice lock case To suit 55mm/60mm backset and 72 centres Supplied as 1 part kit around lock body w/ S/A tape for easy installation	White	Per Lock
ITLE-160X90-2MM		LOCK KITS - 90 & 120 MIN FIRE RATING WITH SELF-ADHESIVE TAPE BACK	Lock Kit to suit standard DIN upright Mortice lock case To suit 55mm/60mm backset and 72 centres Supplied as 1 part kit around lock body w/ S/A tape for easy installation	White
ANSI MORTICE LOCK CASES				
ITLA-160X90-1MM		ANSI LOCK KITS - 30 & 60 MIN FIRE RATING WITH SELF-ADHESIVE TAPE BACK	White	Per Lock
		Lock Kit to suit standard DIN upright Mortice lock case Supplied as 1 part kit around lock body w/ S/A tape for easy installation		
ITLA-160X90-2MM		ANSI LOCK KITS - 60 & 120 MIN FIRE RATING WITH SELF-ADHESIVE TAPE BACK	White	Per Lock
	Lock Kit to suit standard DIN upright Mortice lock case Supplied as 1 part kit around lock body w/ S/A tape for easy installation			
STRIKE PLATE KITS				
ITSP-160X90-1MM		Strike plate kit to suit standard ANSI Mortice lock case Supplied as 1 part kit around lock body w/ S/A tape for easy installation	White	Per Lock
ITSP-160X90-2MM		Strike plate kit to suit standard ANSI Mortice lock case Supplied as 1 part kit around lock body w/ S/A tape for easy installation	White	Per Lock
FLUSH BOLT KITS				
ITFL-160X90-1MM ITWFL-160X90-1MM		Flush Bolt Kit to suit 200 x 19mm Flush Bolt Supplied as 1 part kit around lock body w/ S/A tape for easy installation	White	Per FB
ITFL-160X90-2MM ITWFL-160X90-2MM		Flush Bolt Kit to suit 200 x 19mm Flush Bolt Supplied as 1 part kit around lock body w/ S/A tape for easy installation	White	Per FB
HINGE KITS - 90 & 120 MIN FIRE RATING WITH SELF-ADHESIVE TAPE BACK				
ITH-102X76-2MM		Hinge Kit to suit 102 x 76mm (Supplied as 2 pcs of 100 x 30mm)	White	Per Hinge
ITH-102X89-2MM		Hinge Kit to suit 102 x 89mm (Supplied as 2 pcs of 100 x 36mm)	White	Per Hinge
ITH-102X102-2MM		Hinge Kit to suit 102 x 102mm (Supplied as 2 pcs of 100 x 42mm)	White	Per Hinge
DOOR CLOSER KITS				
DOOR CLOSER KITS - TO SUIT POWER SIZE 1 - 3				
ITDC-SZ123-FD3060		Door Closer Kit FD30 - 1mm thick 2-Part Kit: 1mm around Door Closer Body and 1mm around Top Channel with S/A tape	White	Per Closer
ITDC-SZ123-FD90		Door Closer Kit FD60 - 2mm thick 2-Part Kit: 2mm around Door Closer Body and 2mm around Top Channel with S/A tape	White	Per Closer
DOOR CLOSER KITS - TO SUIT POWER SIZE 3 - 5				
ITDC-SZ225-FD3060		Door Closer Kit FD60 - 1mm thick 2-Part Kit: 1mm around Door Closer Body and 1mm around Top Channel with S/A tape	White	Per Closer
ITDC-SZ225-FD90		Door Closer Kit FD90 - 2mm thick 2-Part Kit: 2mm around Door Closer Body and 2mm around Top Channel with S/A tape	White	Per Closer